



**ALLIED
MEDICAL**
LIMITED

USER MANUAL

Digital Calendar Clock

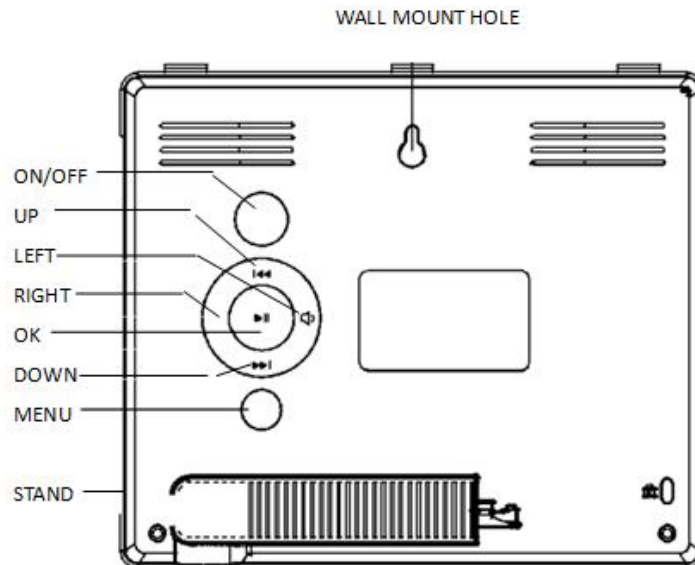
AMLDC



8inch Day Clock User Manual

Main Features:

- ✓ *Non-abbreviated Day, Period of the Day, Time and Date*
- ✓ *5 groups of alarm clocks and 3 groups of medication reminders*
- ✓ *Auto-dimming or manual screen brightness adjustment*
- ✓ *3UIs display: normal display + colorful background display + analog clock display*
- ✓ *9OSD Languages: English, French, German, Italian, Dutch, Spanish, Portuguese, Finnish, Polish*
- ✓ *Factory reset*



Settings:

Press the **MENU** button to display the on screen menu:

Please Note: Changes can only be made to the line when underlined the digits and in yellow font. Use **UP** or **DOWN** button to adjust the digits. Press **LEFT** or **RIGHT** buttons to choose the digits you would like to adjust. Press **OK** to save and **MENU** to exit.

Language Set	<	English	>
Time Set	<	04:47 PM	>
Date Set	<	08-12-2017	>
Time Mode	<	12Hours	>
Date Mode	<	Day-Month-Year	>
Auto Dimming	<	auto	>
Volume Set	<	28	>
Alarm Set			>
Medicine Reminder			>
Factory Reset	<	V5.1	>

Line 1- Language Set:

Press **"MENU"** to enter into the settings, Press **UP** or **DOWN** to the line you would like to change ,press **OK** to switch to the languages you prefer, Press **MENU** to exit

Line 2- Time Set:

Goes to the line of **Time Set**, press **"OK"** to underline the hour or minute, Press **UP** or **DOWN** to adjust ,then press **"OK"** to save ,and press **MENU** to exit.

Line3 – Date Set:

Goes to the line of **Date Set**, press **"OK"** to underline the day, date or year, Press **UP** or **DOWN** to adjust ,then press **"OK"** to save ,and press **MENU** to exit.

Line4 - Time Mode:

Goes to the line of **Time Mode**, press **OK** to switch to **12 Hour** or **24 Hour** you prefer, Press **MENU** to exit.

Line5 - Date Mode:<Day-Month-Year>or<Month-Day-Year> or<Year-Month-Day>

Goes to the line of **Date Mode**, press **OK** to switch to the date mode you prefer, Press **MENU** to exit.

Line6 – Auto Dimming

Goes to the line of **Auto Dimming**, press **OK** to switch to the one of the four modes (**auto, off ,mid, low**) you prefer, Press **MENU** to exit.

Auto: Normal brightness starts from 7:00am to 7:59pm,screen dimmed to low brightness from 8:00pm to 6:59am)

Off: Always on normal brightness

Mid: Medium brightness

Low: Low brightness

Line7 – Volume Set:

Goes to the line of **Volume Set**, press **OK** to switch to the volume level from 00 to 30 you prefer, Press **MENU** to exit.

Line8 - Alarm Set:

Goes to the line of **Alarm Set**, press **OK** to the five groups of alarm clocks settings, press **UP** or **DOWN** to choose the **Time, Date** or **Mode** settings. Press **MENU** to exit.

Time: Same operation as you do **time set**

Date: Press **OK** to switch to one of the four frequencies you prefer ,**Monday to Friday/Saturday to Sunday/Monday to Sunday/Off**

Mode: Press **OK** to switch between **once** and **repeat**

Line9 – Medication Reminder

Goes to the line of **Medication Reminder**, press **OK** to the 3 groups of medication reminders settings, press **UP** or **DOWN** to choose the **Time, Status** or **Mode** settings. Press **MENU** to exit.

Time: Same operation as you do **time set**

Status: Press **OK** to switch between **On** and **Off**

Mode: Press **OK** to switch between **once** and **repeat**

Line10 – Factory reset

Goes to the line of **Factory reset**, press **OK** to choose reset to factory default settings or not, press **MENU** to exit.

Default Periods of the Day:

6:00-11:59 Morning

12:00-17:59 Afternoon

18:00-23:59 Evening

24:00-5:59 Night

What you have in the box:

8" day clock x 1 piece ; 5V1.5A power adapter x 1 piece ;User Manual x 1 piece

Tips: USB port for factory software upgrading only!