

# KARMA FLEXX

## ACCESSORY FLIP CHART



ALLIED  
MEDICAL  
LIMITED

**karma**

A Better Wheelchair, A Better Fit

# KARMA FLEXX

## FLEXX FOR FLEXIBLE

The Karma Flexx is designed with plenty of adjustments to create flexible sitting to fit individual needs. Everything that is orange is adjustable which is nice and clear for both users and carers. With an ellipse-shaped frame design, the Flexx is not only stylish but also robust and durable. With endless adjustability, the Flexx can be set up to provide optimal comfort and performance unique to the user.

The configurable options of the Flexx include seat depths, seat to floor heights, backrest heights and backrest angles, castor fork angles and centre of gravity.

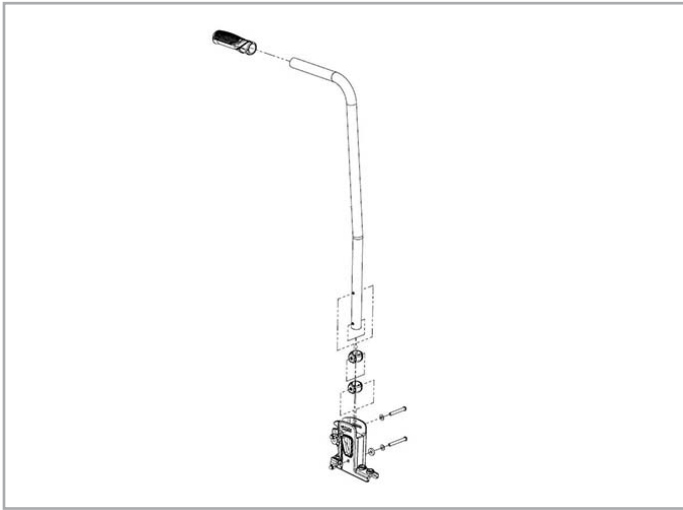
## FEATURES OF THE FLEXX

- Configurable dimensions – with Tall and HD options available
- Fixed angle adjustment in back canes -4 to +16 ° in set increments
- 15.5" minimum seat to floor heights (with 22" wheels and 5" castors)
- Rise and fall in the front castors and 25 rear axle positions so you can create rake with minimal castor flutter
- 80° swing in / swing out legrest hangers and flip back height adjustable armrests
- Options including elevating legrests, 90° hangers, stump supports and attendant brakes available (only available on self-propelling)
- Maximum User weight limit of 130kg



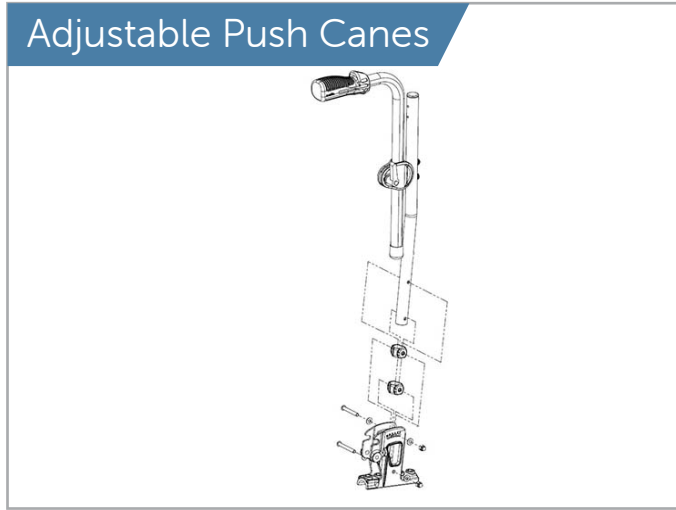
# Back Canes

## Fixed Height Back Canes



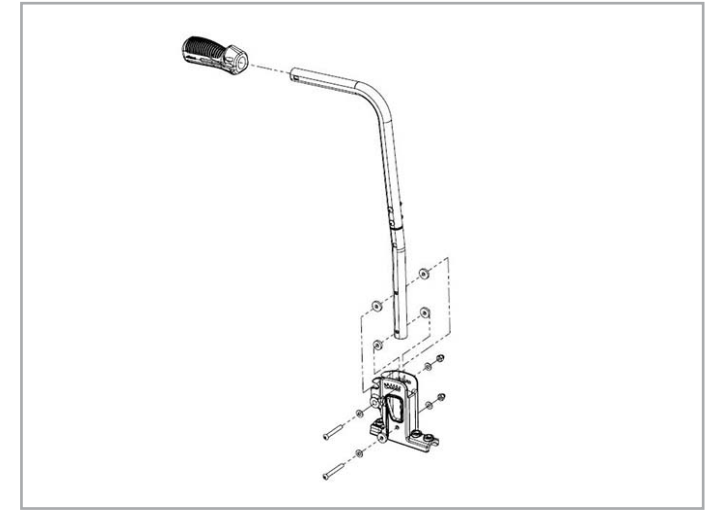
Comes standard on the Flexx  
17" or 20" back height

## Fixed Height with Height Adjustable Push Canes



Height adjustable push canes, available as 17" back  
height only. Height of push cane from ground 34"  
- 43" (884 - 1093mm) (dependent on castor, seat  
height and back height)

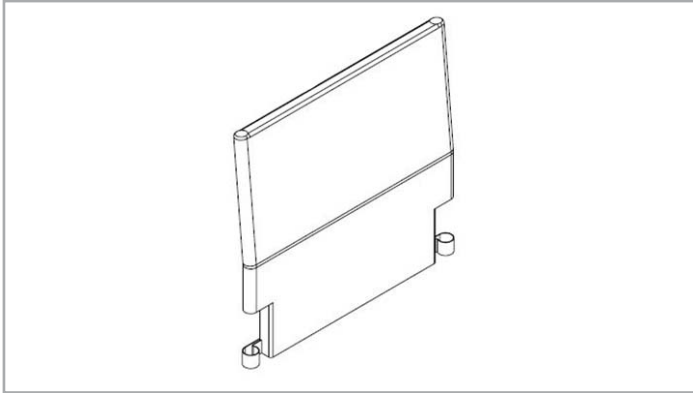
## Height Adjustable Back Canes



Height adjustable back cane. Back height can be  
adjusted from 15" - 20"

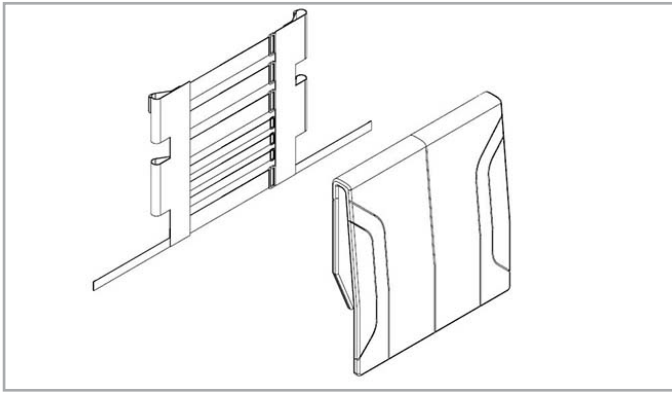
# Upholstery

## Padded Upholstery



Comes standard on the Flexx

## Tension Adjustable Upholstery



Tension adjustable

## Seat Upholstery with Velcro



To attach cushion to wheelchair

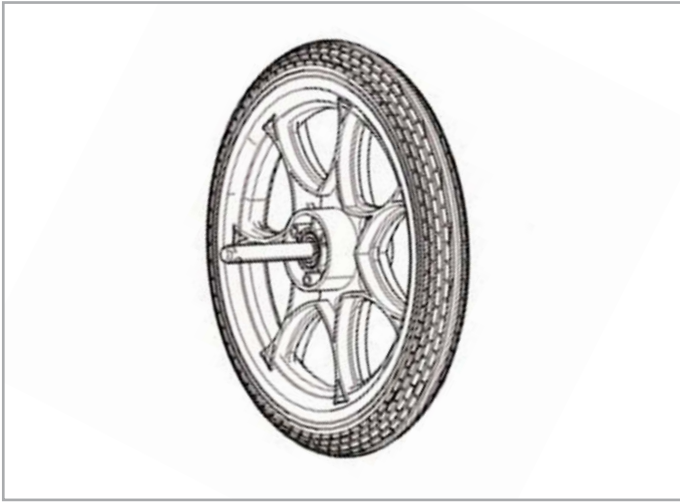
## Other Back Supports & Cushions



Variety of alternative back supports and cushions available.

# Rear Wheels

## Transit Tyre Plastic Rim



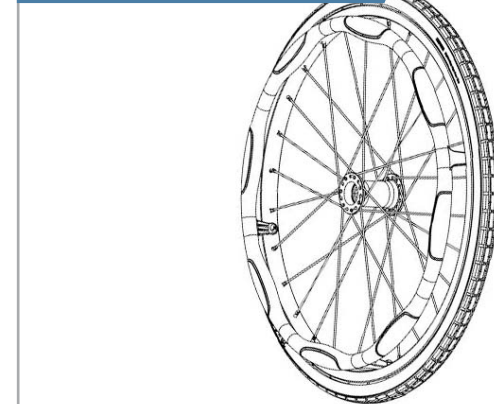
Transit wheelchair option. 14" available only.

## Pneumatic & Solid Tyres Spoked with Aluminium Handrim



20", 22" and 24" available. Pneumatic tyres available  
Solid tyres available. Aluminium handrims.

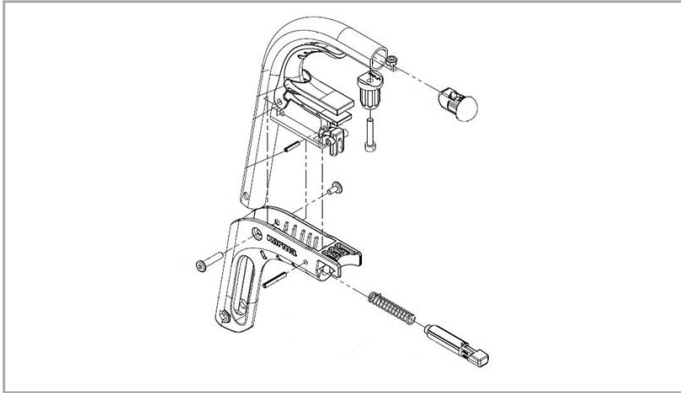
## Pneumatic & Solid Tyres Spoked with Ergo Handrim



Pneumatic 24" comes standard. Available in 20" and  
22". Solid tyres available. Ergo handrims.

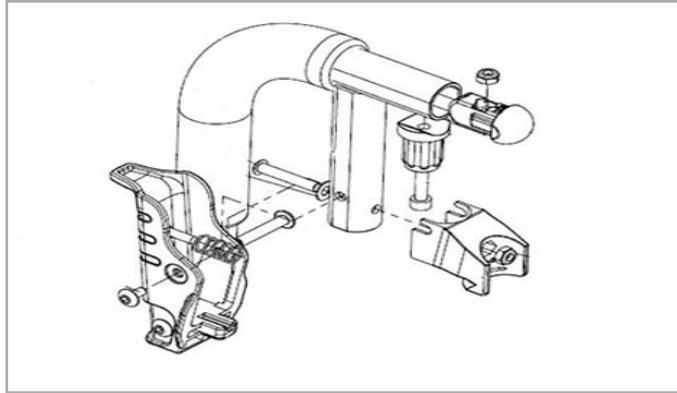
# Leg Supports

## 80° Swingaway



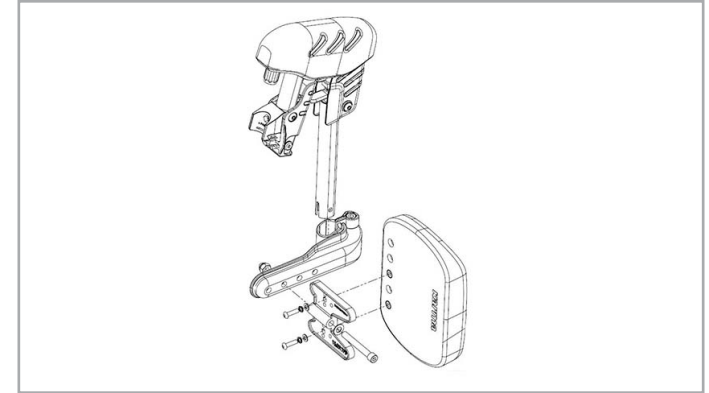
Comes standard

## 90° Swingaway



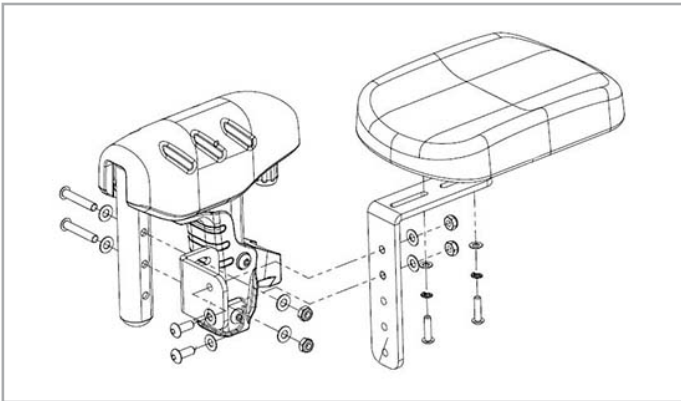
Available as an alternative option

## Elevating



Available as an alternative option

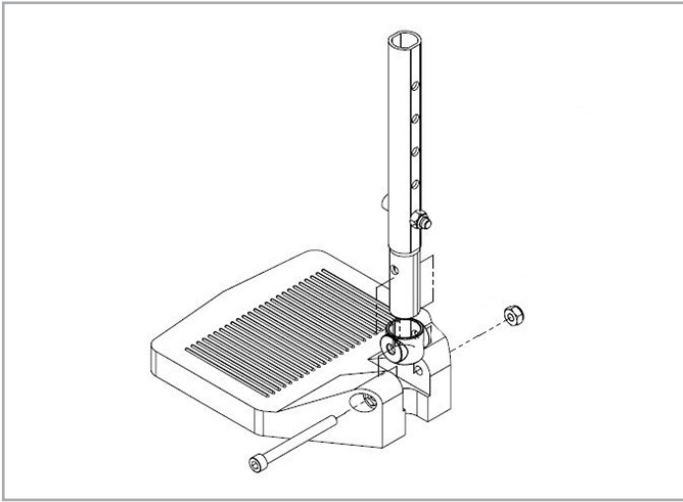
## Stump Support



Available as an alternative option.  
15-17 or 18-20 options

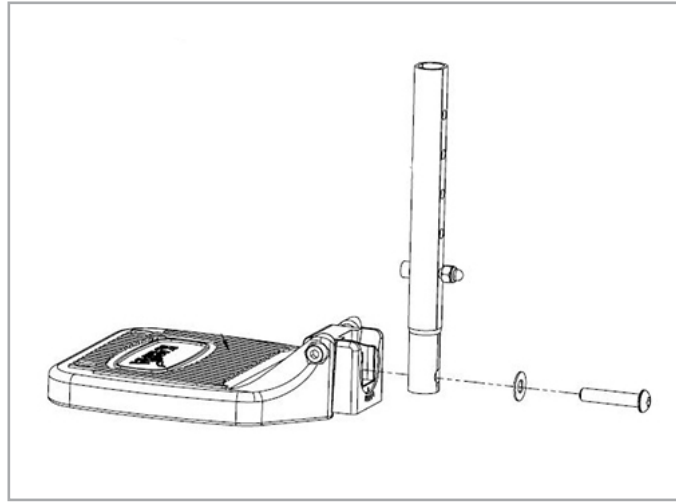
# Foot Support

## Flip up



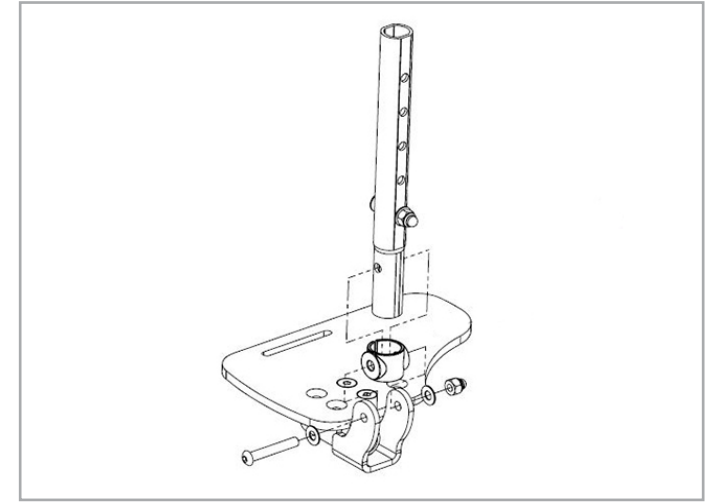
Comes standard

## Flip up Angle Adjustable



Available as an alternative option. Angle adjustable

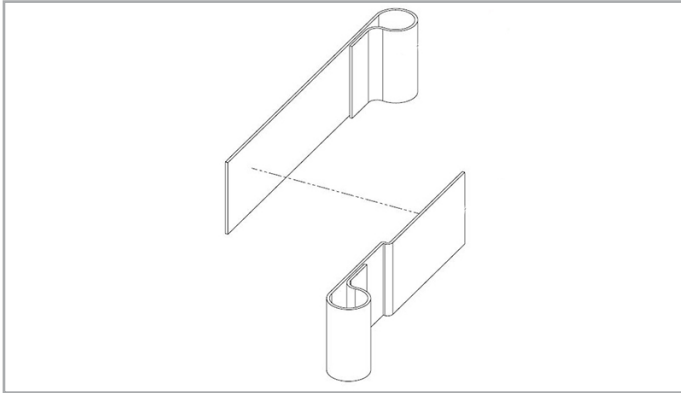
## Flip up Angle & Depth Adjustable



Available as an alternative option. Angle adjustable.  
Depth adjustable.

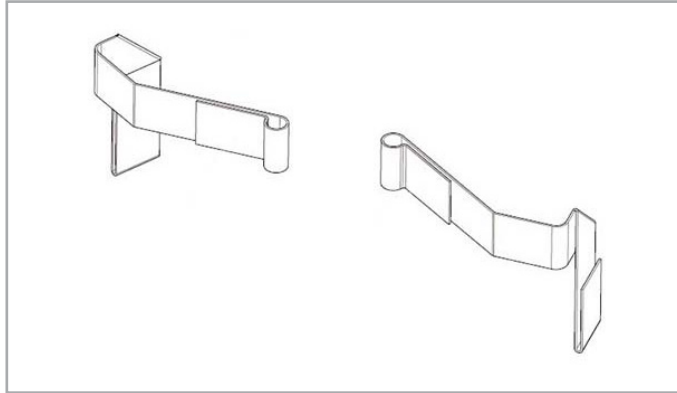
# Calf Straps | Heel Loops | Arm Supports

## Calf Straps



Comes standard

## Heel Loops



Available as an alternative option

## Flip back Ergo Height Adjustable

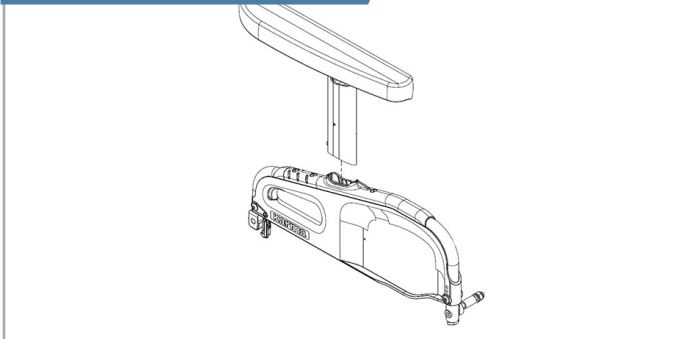
### Arm Supports



Comes standard

## Flip back Boat Height Adjustable

### Arm Supports

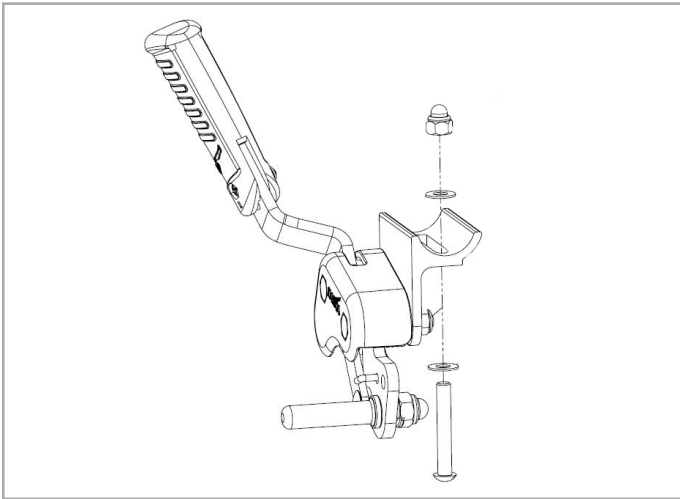


Available as an alternative option.



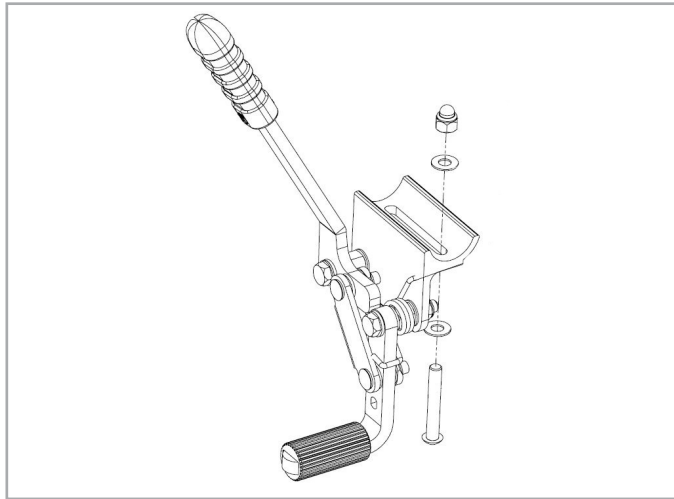
# Wheel Locks | Anti-Tippers

## Push to Lock w/ Brake Extension



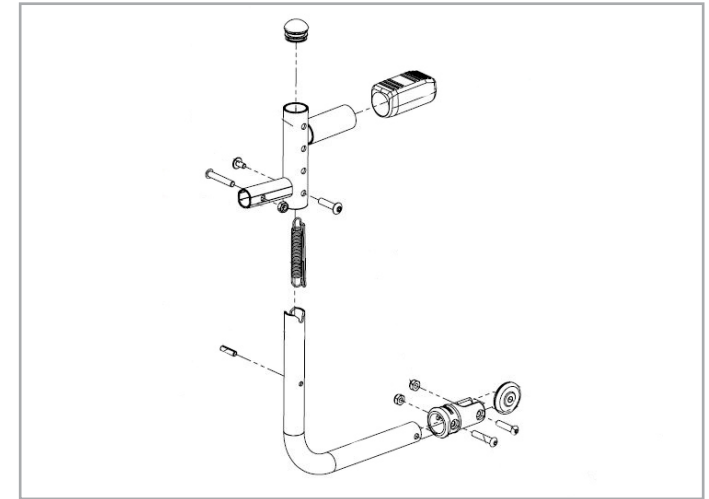
Comes standard

## Pull to Lock



Available as an alternative option.  
Only available on 20", 22" and 24" rear wheels.

## Anti Tippers



Swingaway and height adjustable. Anti tippers on a 18-21" Seat to Floor Height standard. Anti tippers on a 15-18" Seat to Floor Height available.

## Attendant Brake



Self propel and transit options available

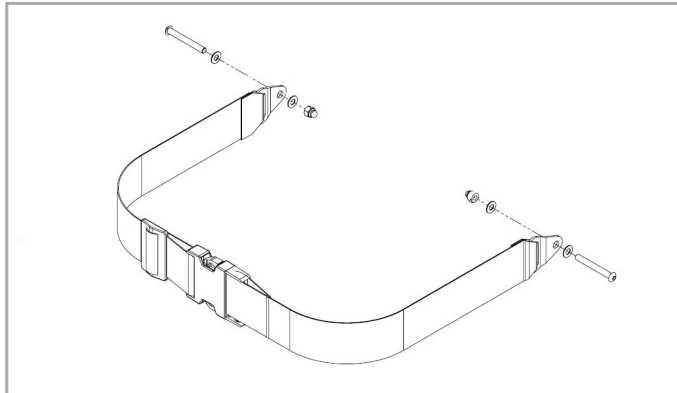
# Head Support | Pelvic Positioning Belts

## Head Support



Available as an accessory. Medium size: 16-18" widths.  
Large size: 20" widths.

## 2 Point Hip Belt



Comes Standard

## Bodypoint 2 Point Hip Belt



Bodypoint brand

## Bodypoint 4 Point Hip Belt



Bodypoint brand



Full range of Bodypoint hip belts available.  
Contact your Technical Product Specialist  
for more information or view our range at  
[www.alliedmedical.co.nz](http://www.alliedmedical.co.nz)

# Back Supports

## Varilite Icon Low Back



Sizes available: 14", 16", 17", 18", 20"

## Varilite Icon Mid Back



Sizes available: 12", 14", 16", 17", 18", 20", 22", 24"

## Varilite Icon Tall Back



Sizes available: 12", 14", 16", 17", 18", 20"

## Varilite Icon Deep Back



Sizes available: 14", 16", 17", 18", 20"

# Back Supports

Ride Designs Java Back Regular



Sizes available: 14", 16", 18"

Ride Designs Java Back Tall



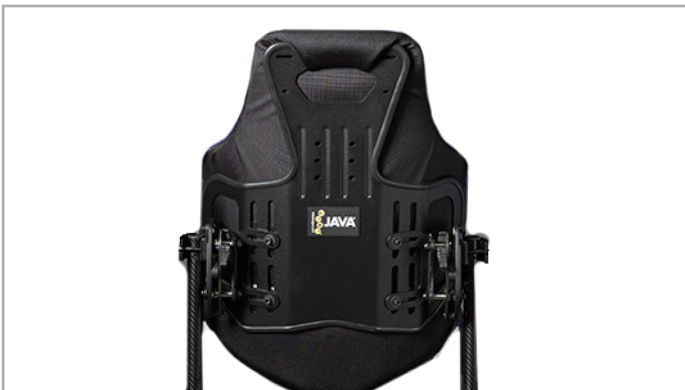
Sizes available: 14", 16", 18", 20"

Ride Designs Java Back Tall Deep



Sizes available: 16", 18", 20"

Ride Designs Java Back Grande



Sizes available: 16", 18", 20"

Ride Designs Java

Back Grande Deep



Sizes available: 16", 18", 19", 20"

# Cushions

Ki Mobility Axiom P



Sizes available: 14", 16", 18", 20", 22"

Ki Mobility Axiom SP Visco



Sizes available: 14", 16", 18", 20"

Ki Mobility Axiom SP Fluid



Sizes available: 14", 16", 18", 20"

Ride Designs Forward



Sizes available: 12", 14", 16", 18", 20"

Ride Designs Java



Sizes available: 14", 16", 18", 20"

Varilite Reflex



Sizes available: 14", 16", 18", 20"

# Cushions

Varilite Stratus



Sizes available: 12", 14", 16", 18", 20"

Varilite Evolution



Sizes available: 14", 16", 18", 20", 22", 24"

# Accessories

## Karma Pouch Bag



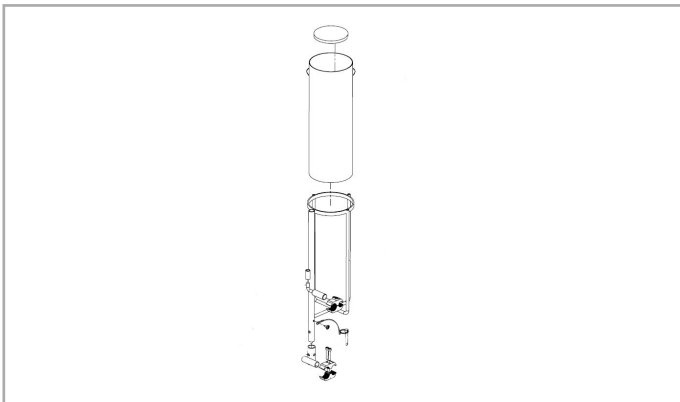
## Karma Backpack



## Quokka Bag Range

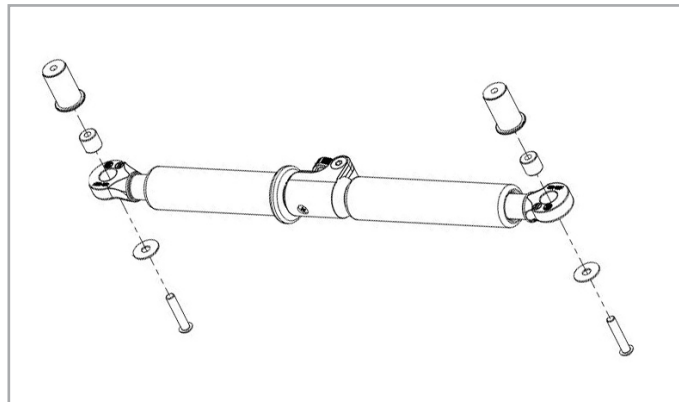


## Oxygen Tank Holder



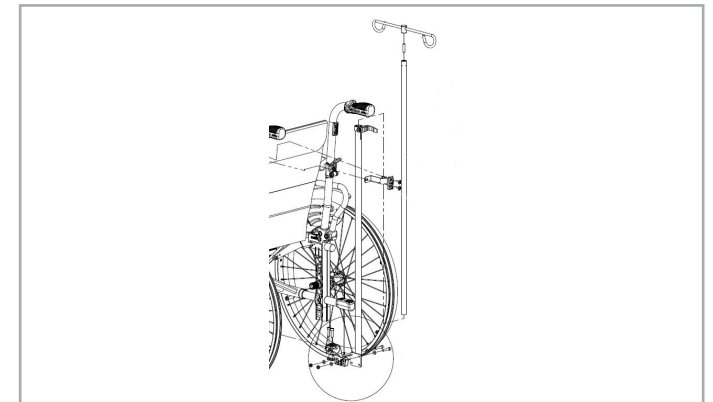
Available as an accessory

## Push Handle Rigidiser Bar



Available as an accessory. Standard feature on models 20" and wider.

## IV Pole



Available as an accessory



0800 31 61 81 | [helpis@allied.co.nz](mailto:helpis@allied.co.nz)