

Rogue XP Accessory Flip Chart



Stiff Frame

Utilizing 7000 series aluminum in an ultra-stiff 1 3/8" tube, Rogue is the ideal combination of responsiveness and vibration dampening. You can feel the difference. Less energy is required to push and less strain on the shoulders

Ultra Lightweight

A transfer weight of only 4.8kgs with no reduction in performance of the wheelchair

RP Tuning – patent pending

Using a modified "rack & pinion" gear this is the only indexed system that precisely adjusts the caster stem to be perfectly square with the ground. Every chair, every rider, every time.

New "Capture" CG adjustment

You can achieve infinite CG adjustment over a 6" range forward of the back plate. Simply slide plate and you can achieve CG positions less than 1".

Velcro adjustable upholstery

Soft and thick padding creates a comfortable backrest that can be fitted to you.

Flip up footplate

Aesthetically clean design that makes it so much easier for those who stand and transfer.

Integrated locking fold-down back

Integrated locking mechanism makes transportation is so much easier and is standard Spinergy Backrest release cables in choice of colours

Relax position

Choice of 3 alternate back positions to facilitate pressure shifts, dressing or ADL's.



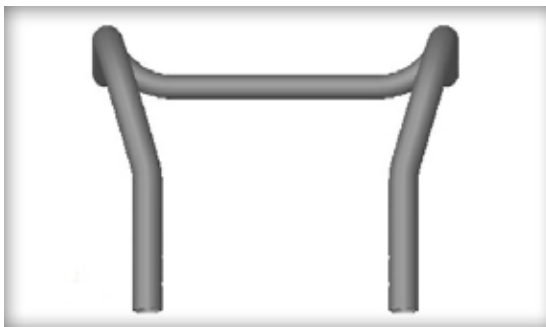
Frame

Transport Tie Downs



Conforms with WC-19 Standard. Cannot be retrofitted.

Taper



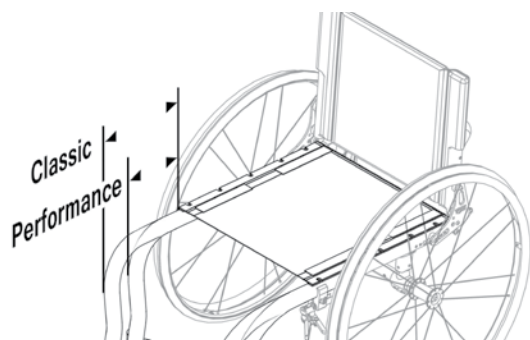
Customise your front end to the right size for you. Footrest tapers available in 0-2" depending on frame width and bend.

Tower



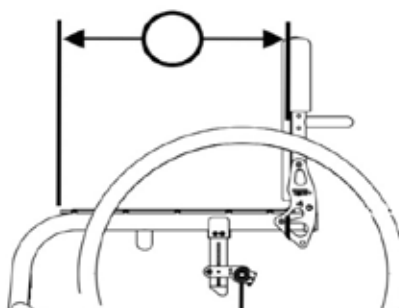
This minimalist camber mounting system adjusts in 1/4" increments for height and infinitely for center of gravity. Uniquely designed to allow CG positions of less than 1".

Sling Position



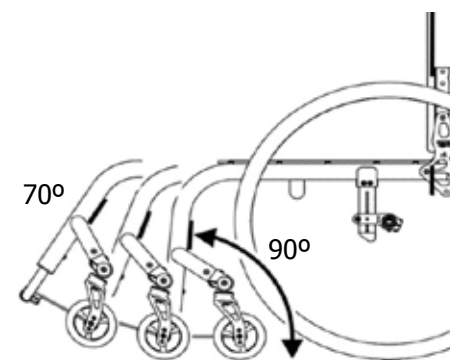
In Performance Position (0"), sling is at front of frame to keep chair shorter and more maneuverable. The 1" or 2" seat sling position extends the frame in front of the sling by that amount. Adding more frame can improve stability and provide support to aid in transfers.

Adjustable Depth



Measured from front of back posts to front edge of seat sling. Adjustable seat depth is then measured by how much growth is required 0" 1", 2" or 3".

Front Frame Bend



Angle between front seat tube and ground. 90° being vertical. Available degrees, 90°, 85°, 80°, 75°, 70°.

Backrest

Straight With Push Handle



The back cane is vertical to the frame with a 90 degree bend at the top for a push handle.

Low Profile Push Handle



2" shorter than standard push handles.

Bolt On Push Handle



Stroller handle is behind the backframe and fixed to a desired height. Handles will be 1" - 2" above back height.

Fold Down Push Handle



Stroller Handle



Positioned at the ideal height, the stroller handle can greatly assist the caretaker in handling the wheelchair.

Double Stroller Handle



Used as an assistance to independent mobility, Stroller handle is removable and height adjustable. Dual handle gives a stable platform when pushing a heavier user. Not available with Push Handles.

Fixed Height Back Posts



Very light and accepts a variety of support surfaces. 1" tubing on the entire frame.

Adj Height Back Posts



Allows for 4" height adjustment in 3 different ranges.

Adjustable Height Rigidizer Bar



Allows you to reposition the rigidizer bar.

Spinergy Release Cable



Spinergy backrest release cables won't stretch and look cool in the available Black, Red, Orange, Yellow, Green, Blue, Pink and White.

Padded Velcro Adj Back Upholstery



Uses 1" poly foam with a nylon parapak cloth cover. Very comfortable and shear resistant. Available only with Height Adjustable Back Posts.

Tension Adjustable



Adjustable straps allow independent support for the pelvis and trunk, improving postural control and alignment.

Front Seat and Casters

.75" Rollerblade



Available in 3 and 4".

.75" Lighted Rollerblade



Similar to the standard microcaster. Add some pizzazz to your chair! Available in 3 and 4".

1" Poly



This outstanding design uses molded polyurethane to create a great tyre. Measuring 1" in width, this caster is available in 4", 5", 6".

1" Poly Aluminum



Uses a 3-spoke aluminum hub for added strength and styling. Available only with 4" and 5" Casters.

1.5" Poly



This outstanding design uses molded polyurethane to create a great tyre. Measuring 1.5" in width, this caster is available in 4", 5" and 6" dependent on setup.

1.5" Soft Roll Aluminum



3-Spoke ultralight aluminum hubs, highly resistant, with improved mobility. Available in 4", 5" and 6" dependent on setup.

1" Pneumatic



A low cost way to get a great and comfortable ride. You just need to add air from time to time. Available only with 6" Casters dependent on setup.

Slotted Fork



Machined out of billet aluminum, these stylish forks run true.

Single Sided Fork



A stylish treatment. With only a single side of material, you have a unique design. Available on 3", 4" and 5" casters.

Frog Legs Ultra-Sport Fork



Reduce vibration, prevent pitching. Ultra shock absorbing.

Frog Legs PHASE2 Carbon Fork



Constructed from a Carbon composite material which results in a 30% weight reduction over the standard Ultra Sport Fork results in a much smoother ride! This new shock absorbing fork option from Frog Legs is rated up to 136kg.

Footrest

Tubular Open Footplate



Our lightest and least expensive option.

Tubular Footplate W ABS Cover



Our lightweight Tubular Footplate with a plastic cover.
Not available footrest widths greater than 15.5"

Aluminum Angle Adjustable



Solid, adjustable angle aluminum footplate provides excellent surface for your feet and increases rigidity at the front.

Riser



Raises the footplate up to the desired position when the front seat height and shorter footplate length create a conflict.

High Mount Angle Adjustable



Mounts to frame and clamps to the side to give full adjustment.

Angle Adjustable Flip Under



Solid, adjustable angle aluminum footplate provides excellent surface for your feet, but can flip back out of the way to allow standing transfers.
Not available with footrest widths less than 9.5"

High Mount Angle Adj Flip Under



Not available with footrest widths greater than 13.5"

Footrest Protector



Not available with Angle Adjustable Flip Under or High Mount Angle Adjustable Flip Under Footplates.

Rear Seat and Wheels

Spoke



The Ki standard spoke wheel uses a very high quality machined lightweight aluminum hub and 30 stainless steel straight pull spokes for increased stiffness. The radial spoking increases the stiffness of the wheel. 20", 22", 25" or 26"

Mag



Our 5-spoke composite wheel is 20% lighter than the competition and maintenance free. Not available with 25" or 26" Wheel Sizes.

Superlight Spoke



As light as any wheel on the market, this wheel is stiff and very high performance. Available only with 24" and 25" Wheels Sizes.

Spinergy Spox



The name to trust in performance wheels. Extremely reliable and comfortable for your everyday needs. Not available with 20" Wheel Size.

Spinergy LX



Spinergy's Light Extreme (LX). With 12 high strength spokes the wheel is ultra strong and stiff for maximum performance while offering a very cool and minimal look. Not available with 20" Wheels.

Mag With One Arm Drive



There are multiple hand rim configuration options to choose from that will meet the individual client's needs. Drive handrim is smaller than the standard aluminum handrim. Available with 20", 22" and 24" Mag Wheels. Not available with 0°, 6° or 8° camber. Standard Handrim will be Aluminum Anodized.

Street Pneumatic 1 3/8"



This standard air tyre is more forgiving when going over obstacles and off curbs or stairs. Not available on 25" Wheel Size.

Full Profile Poly 1 3/8"



Corded to prevent it from rolling off the wheel. Provides a softer ride than other low cost "over-molded" tyres. Not available on Superlight or 25" Wheel Size.

Pneumatic W/ Airless Insert 1 3/8"



Low density foam is inserted into a pneumatic tyre. Low maintenance - no air, no flat tyres! Not available on Superlight or 25" Wheel Sizes.

Schwalbe HS 127



HSmooth rolling grey tire with Schwalbes K-Guard puncture protection.

Euro Trek Knobby 1 3/8"



Euro Trek Knobby tyre designed by Kenda is intended to work in all types of weather conditions as well as on and off road. It has a more aggressive tread pattern than a standard pneumatic tyre. Available only on 24" Wheel Size.

Kenda Mountain - 2"



Oversized 2.5" tire with monster tread is able to handle the toughest terrain. Available only on 22", 24" and 25" Spoke and Spinergy Wheels.

Low Profile Poly 1"



A softer ride than low cost "over-molded" tyres. Corded to prevent it from rolling off the wheel. Not available on Superlight Wheels, 25" or 26" Wheel Sizes.

Sentinel Solid 1"



The Sentinel Solid 1" tyre is a new durable, light-weight solid PU tyre option. Offering improved ride quality with decreased rolling resistance. This tyre is now available on 20", 22", 24", 25" and 26" wheels. Not available on Superlight Wheels.

High Pressure 1"



High pressure, puncture resistant performance tyre. 50kg of pressure. High pressure tyres have minimal rolling resistance. Not available on Mag Wheels.

Schwalbe One - 1"



A new tread design, improved compound and quality workmanship set a new benchmark in terms of quality and performance. This fast, reliable and light-weight tire also features great puncture protection with the Schwalbe V-Guard.

Schwalbe Marathon Plus Evolution 1"



Top of the class in performance and durability. Non-marking black tyre. Has a thin line of gel inside to seal punctures and keep you running. Not available on mag Wheels, 20 or 22" Wheel Sizes.

Aluminum Anodized Handrim



Aluminum is lighter than steel and stronger than plastic and wont rust.

Superlight Aluminum



Made of thinner and stronger aluminum to save weight. Saves almost 450g per chair. Available only on 24" and 25" Superlight and Spineray Wheels.

Plastic Coated



For people who need assistance with grip, but do not require projections. Dipped in Vinyl, they are coated to create a tacky surface for gripping.

Projection



8-3/8" poly-coated vertical projections for individuals with limited grip strength. Available on 22, 24, 25 and 26" Spoke wheels and 24" Mag wheels with full tyres.

Spinergy Flex Rim



Aptly named, the flex rim conforms to the pressure the rider puts into it to enable it to respond quicker and feel better than traditional handrims. Available only on 24" and 25" Spinergy LX Wheels

Natural Fit LT Regular Grip



Eliminates pushing on the tyre and eases pain in the hands and wrists. Offers a better grip for a better push and more control when braking. The LT is a smaller gripping surface.

Natural Fit Standard Reg Grip



Eliminates pushing on the tyre and eases pain in the hands and wrists. Offers a better grip for a better push and more control when braking.

Natural Fit LT Super Grip



Eliminates pushing on the tyre and eases pain in the hands and wrists. Offers a better grip for a better push and more control when braking. The LT is a smaller gripping surface. The Super Grip uses a higher friction surface for extra grip.

Natural Fit Super Grip



Eliminates pushing on the tyre and eases pain in the hands and wrists. Offers a better grip for a better push and more control when braking. The Super Grip uses a higher friction surface for extra grip.

The Natural-Fit Oval



The Natural-Fit LT Oval



Micro Grip



Micro Grip Non-Slide Tape enhances your grip in dry, wet, and snowy conditions! Made of micro-injected silicone and 3M adhesive. Not available on Plastic Coated or Projection Handrims.

Wheel Locks

Push or Pull to Lock



After engagement the lever is at 45 degrees. Lever is easily reachable. After engagement the lever is at 45 degrees. Lever is easily reachable.

Quick Release



Standard axle with a quick release button for easy wheel removal.

Quad Quick Release



The flip lever on the quad quick release requires very minimal hand strength for greater independence. Not available with Mag Wheels.

Push to Lock Flush Mount



After engagement the lever is flush to the seat. Lever moves out of the way for people who perform lateral seat transfers. Brake extensions and grab aids not available.

Underseat Scissor Lock



A traditional scissor lock, the levers are under the seat and pulled forward to engage the lock.

Low Profile Scissor Lock



Low profile and easy to engage with a sleek and ergonomic design. Low profile and easy to engage with a sleek and ergonomic design. Not available with Low Poly Tyres or Extension Handles

Short Thro Scissor Lock



Short Thro lever has a very short travel. It is much easier to reach and stays where you put it. Low mount keeps the wheel lock out of sight and away from your push.

Push or Pull With Extensions



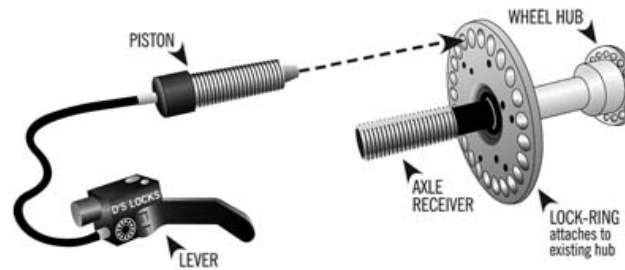
For people with limited strength, this design requires very little effort to engage. Removable 6" fold-able extension increases leverage.

Grade Aids (Hill Holders)



Grade aids prevent your wheel from rolling backwards when you push up a hills.

D Lock's



Mounted to your wheelchair and wheel set, D's Wheelchair Locks are a positive wheelchair wheel lock. With D's Wheelchair Locks, all it takes is a simply lever flip to set your wheels in a fully locked position, and they will not turn for anything.

Armrests

Height Adjustable T-Arm



The single post height adjustable arm is easy to release and adjust in height. Lower profile and lighter than competitive models. Available in 8.5-13.5".

Height Adjustable T-Arm Low



The single post height adjustable arm is easy to release and adjust in height. Lower profile and lighter than competitive models. Available in 7.5-11.5".

Swing Away



Easy to swing away. Easy to remove. The cantilevered arms help to keep your chair light yet provide a solid hold for transfers and weight shifts. 10.5" - 12.5". Not available Arm Pads.

Swing Away With Side Guard



This new arm package includes standard Swing Away Arms with the direct mount Side Guard panels. 10.5" - 12.5". Not available with Angle Adj or Depth Adj Back Posts or Arm Pads.

Standard Armpads



Padded and textured armrest pad available in both full and desk lengths.

Waterfall Armpads



A generously padded waterfall design providing additional comfort and protection. Available in both full and desk lengths.

Side Guards

Composite Side Guards



Lightweight and attractive, these easily removable side guards help keep road grime away from the rider. Plastic sideguard is height adjustable 14"-20". Pediatric version is height adjustable 10"-14". Not available with T-Arm or Swing Away with Side Guard Armrests.

Fender Side Guards



Lightweight and durable, the easily removable fender side guard helps to keep road grime away from the rider and their clothing. Not available with T-Arm or Swing Away with Side Guard Armrests.

Fabric Side Guards



Not available with T-Arm or Swing Away with Side Guard Armrests or when omitting Back Upholstery.

Velcro Adjustable Calfstrap



Sitting behind your calf it is adjustable in length and supports your lower leg.

Padded Velcro Calfstrap



This calfstrap supports a soft and durable 4"-wide neoprene pad.

Bodypoint Aeromesh Calfstrap



Provides comfortable support, keeping feet safely on the footplates. Retains its shape for the best pressure distribution and durability.

Aluminium Adj. Fender



Add a sleek look to your chair with the Aluminum Adjustable Fender Side Guards with Foam Pads. Easy to adjust for the perfect position, this Aluminum design has a padded insert that adds a layer of comfort and protection. This option comes in Black Matte or can be painted to match your frame for added style and protection from the road.

Fender Side Guards



Add a sleek look to your chair with the Carbon Fiber Adjustable Fender Side Guards. Easy to adjust for the perfect position, this Carbon Fiber design keeps your chair ultra-lightweight while adding style and protection from the road.

Positioning Belts Full range available

1.5" Auto Buckle



Using a double-pull to ensure the buckle remains in the proper position and attaching hardware for proper placement on the frame our new belts are an industry best value.

1.5" Padded Auto Buckle



This belt has a wide 3.5" pad for riders who may need additional padding.

1" Auto Buckle



1" Padded Auto Buckle



2" Airline Buckle



This belt uses an airline style buckle that can add a degree of security. It uses a wider 2" belt.

BodyPoint Evoflex Pelvic Stabiliser



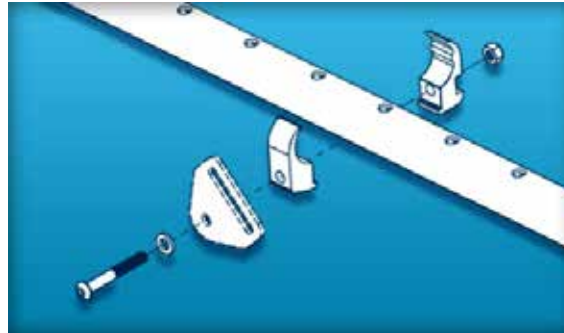
Stays where you need it. Provides stability and flexibility. Versatile and easy to use. Stiffened end straps keep belt from twisting. Sized for users 15kg to 130kg. Available in Extra Small, Medium and Large.

BodyPoint Belt Mounting Kit



Mounting hardware for the BodyPoint Pelvic Stabiliser.
Please note may interfere with fold down back.

Ki Belt Mounting Clamp



The Ki Mobility seatbelt clamp allows for 100% infinite adjustment. Ensure proper positioning by achieving the perfect seatbelt angle.

Accessories

Rear Anti-Tip



A sleek low profile lightweight safety option and accessory. Easy to adjust. Removable.

Solid Seat Pan



Tool Kit



Custom designed kit includes 7 simple tools necessary to make any adjustments on your Ki chair, a convenient LED light and carabineer clip for easy attachment.

Removable Underseat Pouch



8.5" x 6.5"

Paediatric Backpack



Stylish, functional and accessible backpack for use on chairs down to 9" wide! This smaller size features additional reflective piping details so it's a little more noticeable at night, padded protective pocket, 2 water bottle holders, 5 compartments and adjustable straps.

Backpack



Designed by experts to offer you the most accessible, functional and secure travel storage option. A total of 7 storage compartments. Additional 1.5" depth accommodates a zippered padded storage pocket to hold a laptop or tablet.

Neoprene Impact Guards



Sometimes the chair gets “banged” around. These cool neoprene impact guards take some of that force and help keep your chair a little safer.

Under Chair Carrier Bag



Looking for a more discreet way to transport your personal items? Use the Under Seat Bag (12.5”W x 4”H x 8”D). The under seat carrier also includes a detachable pouch (9.5”x7”).

Spoke Guards



Black or clear acrylic protects fingers from getting caught in the spokes and looks sleek. Not available with Mag Wheels.

Cane and Crutch Holder



Positionable cup to accept most cane and crutch tips.

Colour Anodizing Package



Color Anodize Package Includes: Backrest Plates, Release Cable Housing, Camber Tube, Towers, CG Clamps, Side Guard Receivers, RP Tuning Housing, Front Caster Forks (Standard or Unitine).