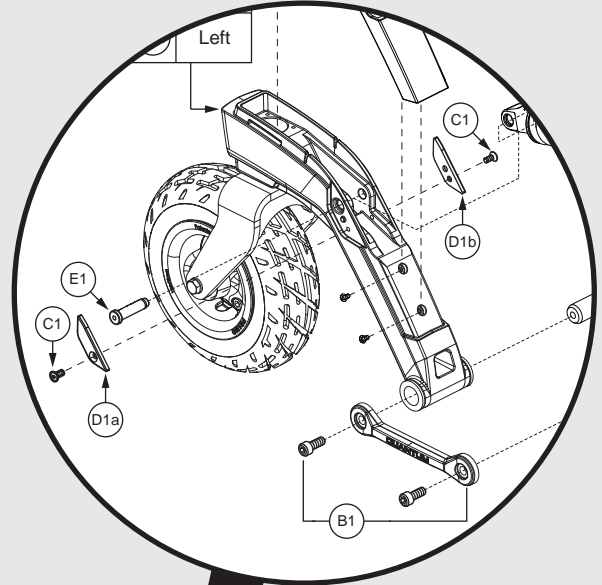


# QUANTUM 4FRONT<sup>2</sup>

**PRIDE**<sup>®</sup>  
MOBILITY  
LIVE YOUR BEST<sup>®</sup>



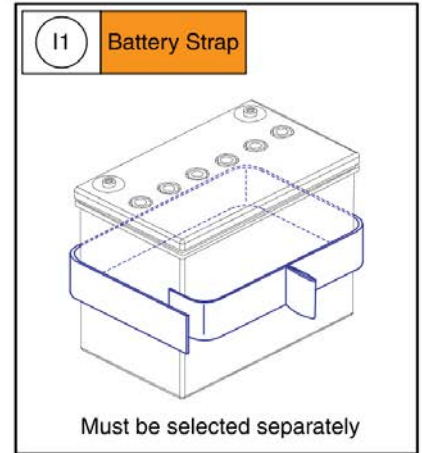
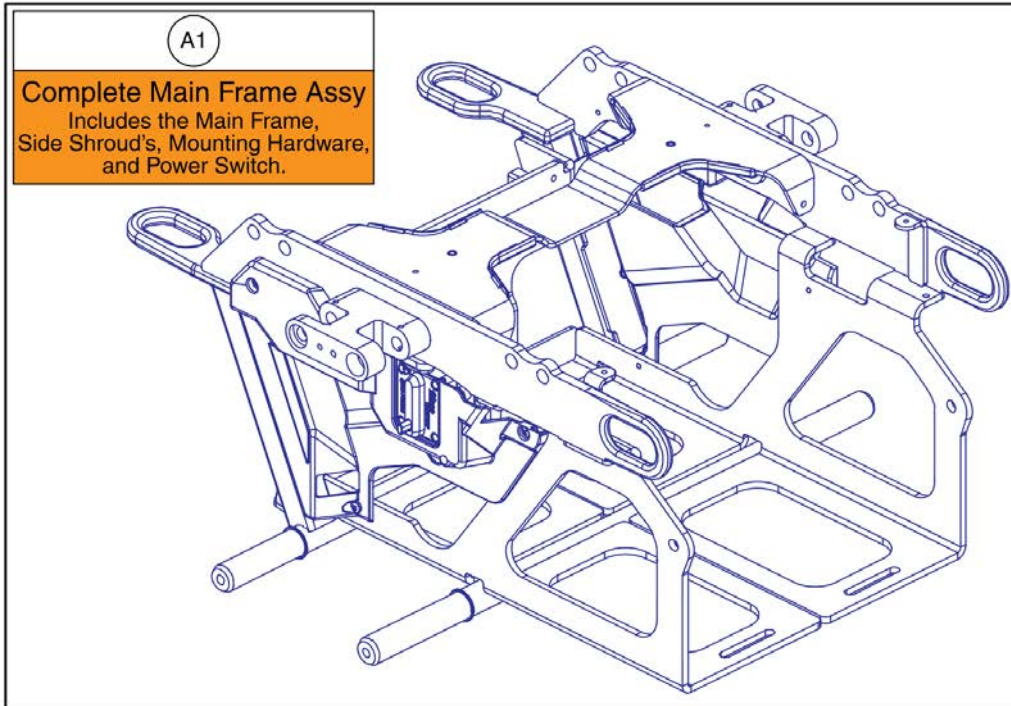
## Illustrated Parts Breakdown



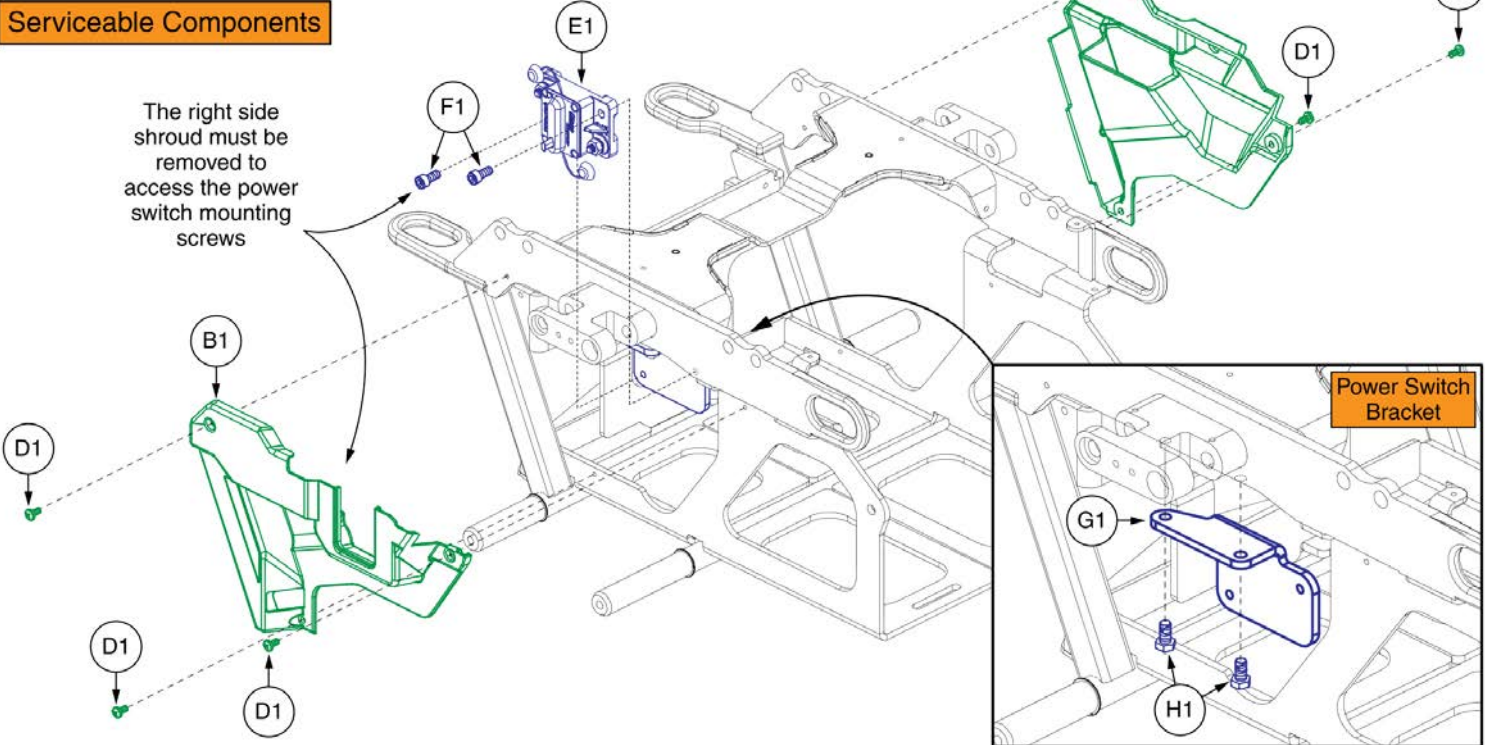
<b>1. Main Frame Assy</b>	
Main Frame Assembly, 4Front 2	1
<b>2. Anti-tip Assy</b>	
Anti-tip Assembly, 4Front 2	3
<b>3. Suspension Assy's</b>	
Suspension Spring Packages, 4Front 2	5
<b>4. Rear Caster Arm Assy</b>	
Rear Caster Arm and Wheel, 4Front 2	7
<b>5. Drive Motor &amp; Motor Mount Assy's</b>	
Drive Motor & Motor Mount Assy w/ Hub, 4Front 2	9
<b>6. Q-Logic 3 Joysticks</b>	
Q-Logic 3 EX Joystick Assemblies	11
Q-Logic 3e Joystick Assemblies, 4Front 2	13
Q-Logic 3 Stand Alone Joystick Assy	15
Q-Logic 3 SD Cards, 4Front 2	17
Q-Logic 2 & 3 Joystick Shrouds	19
Aftermarket Joystick Knobs - Curtis and P&G	21
<b>7. Q-Logic 3 Electronics Assy's</b>	
Q-Logic 3 Electronics Assy Matrix, 4 Front 2	23
Q-Logic 3 Modules, Harnessing, & Mounting Hardware, 4Front 2	25
Q-Logic 3 LM, AM1, & LAM2, 4Front 2	27
Q-Logic 3 SD Cards, 4Front 2	29
<b>8. Base Mounted Light Assy's</b>	
Base Mounted Light Assemblies, 4Front 2	31
<b>9. Shroud Assy's &amp; Battery Access Brackets</b>	
Complete Shroud Assemblies, 4Front 2	33
Painted Caster Arm Top Cover and Cap, 4Front 2	35
Front Door Shroud and Battery Access Bracket Assemblies, 4Front 2	37
Rear Shroud Assembly with and without Lighting, 4Front 2	39
<b>10. Fender Assy's</b>	
Standard Fenders, 4Front 2	41
Lighting Fenders w/ 4 Pin Module, 4Front Series	43
<b>11. Seat Mount Assy's</b>	
Seat Interfaces, 4Front 2	45
<b>12. Drive Wheel Assy's</b>	
<b>5-Spoke, 14" x 3" Drive Wheels</b>	
Flat-free Drive Wheel, 5 Spoke Black Rim / Black Tire, 4Front 2	47
Pneumatic Drive Wheel, 5 Spoke Black Rim / Black Tire, 4Front 2	49
Painted Rim Inserts	51
<b>5-Spoke, 14" x 4" Drive Wheels (Knobby Tire)</b>	
Flat-free Drive Wheel, 5 Spoke, Black Rim / Black "Knobby" Tire, 14" x 4", 4Front 2	53
Pneumatic Drive Wheel, 5 Spoke, Black Rim / Black "Knobby" Tire, 14" x 4", 4Front 2	55
<b>13. Batteries</b>	
Group 24 AGM Battery, No Handles, Flush Mount, MK	57
Group 34 Flush Mount Terminal Battery	59

<b>14. Battery Charger</b>	
8 Amp CTE Charger	61
<b>15. Joystick Mounts &amp; Receivers</b>	
<b>15.1. Swing-away, Version 3</b>	
Version 3 Swing-away Joystick Bracket & Components	63
<b>15.2. Retract 4 Swing-away Joystick Bracket</b>	
Retract 4 Swing-away Joystick Bracket for Curtis Joysticks	65
<b>15.3. Stealth Swing-away / Flip-down Joystick Bracket</b>	
Stealth Swing-away / Flip Down Joystick Brackets & Mounts	67
<b>15.4. Joystick Bracket Receivers</b>	
Joystick Receiver Mounts, Quantum	69
<b>16. Owner's &amp; Decal Packages</b>	
Owner's Package, 4Front 2, Australia	71
Decal Package, 4Front 2	73
Appendix A:Pages Index	75
Appendix B:Parts Index	76

1. Main Frame Assy



Serviceable Components

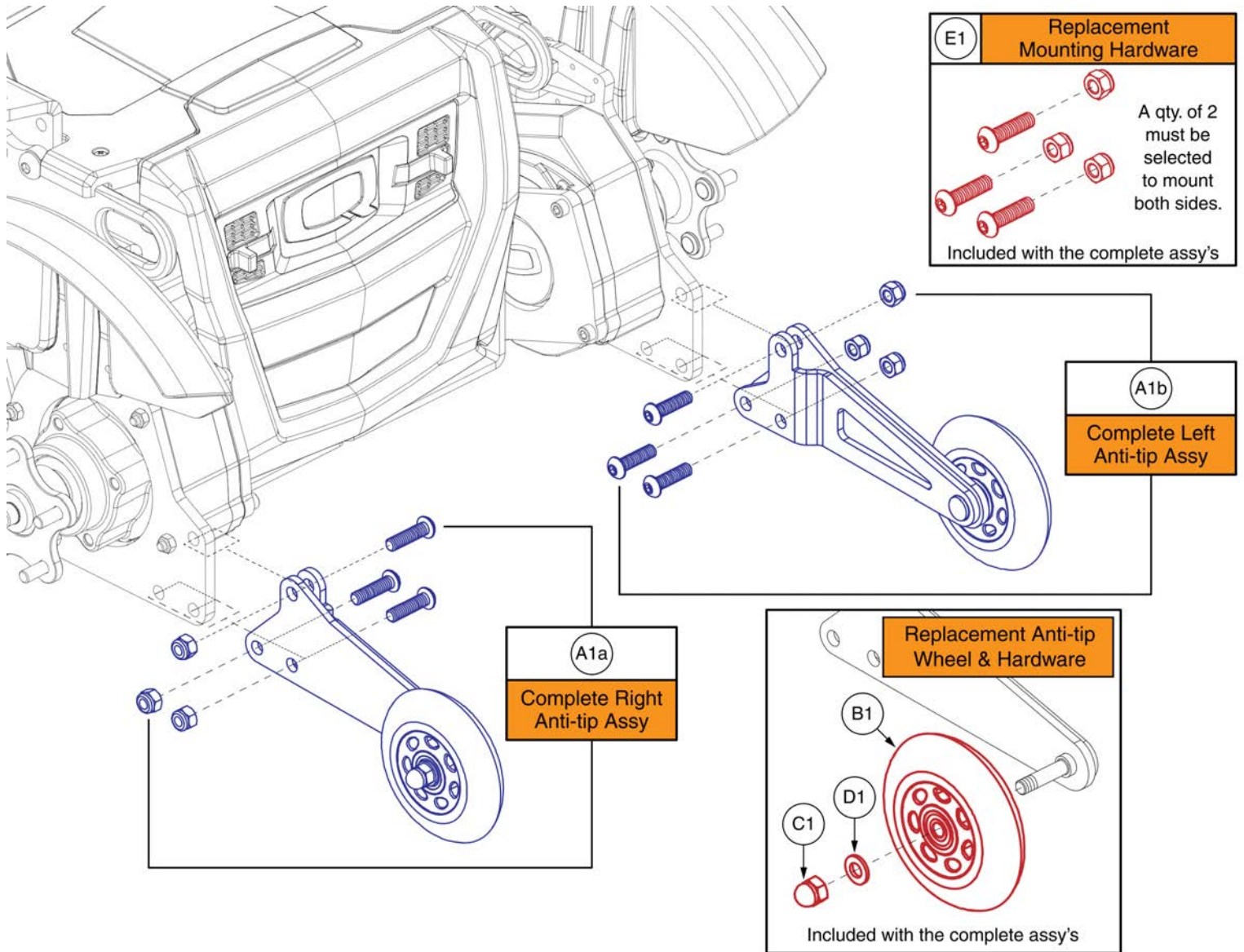


# Main Frame Assembly, 4Front 2



Item	Part No.	Name	Qty
A1	MEC2003762	MAIN FRAME ASSEMBLY,4FRONT 2	1
B1	DGN2003761	SIDE SHROUD ASSEM, WITH REFLECTOR, RIGHT	1
C1	DGN1611522	SIDE SHROUD ASSEM, WITH REFLECTOR, LEFT	1
D1	SCRPPH1036	SCREW, PAN HEAD, TYPE H, M4X0.7 X 8, FT, ISO 7045, CL 4.8, BZ	1
E1	ELE2002741	POWER SWITCH HARNESS ASSEMBLY	1
F1	SCR8110001	SCREW, SOCKET HEAD, M6X1.0 X 14, ISO 4762, CL 12.9, BZ, PVTP	1
G1	MEC2002740	POWER SWITCH BRACKET	1
H1	SCR8120014	SCREW, HEX HEAD, M6X1.0 X 12, ISO 4017, CL 10.9, BZ, PVTP	1
I1	STP8120001	STRAP,BATTERY PULL	1

2. Anti-tip Assy



## Anti-tip Assembly, 4Front 2



Item	Part No.	Name	Qty
A1a	MEC1705020	ANTI-TIP MOUNT ASSEMBLY, RIGHT	1
A1b	MEC1705019	ANTI-TIP MOUNT ASSEMBLY, LEFT	1
B1	WHLASMB1523	WHEEL,ASSY,ANTI-TIP,100MM OD X 23.76MM TH,W/BEARINGS & SPACER,C-1505-032	1
C1	NUTACRN1012	NUT, ACORN, M8X1.25, DIN 1587, CL 6, BZ	1
D1	HDW138262	WASHER, FLAT, 8.4 ID X 16 OD X 1.6 THK, ISO 7089-8-200 HV, BZ	1
E1	HDW1703666	HARDWARE,ASSY,ANTI-TIP SECUREMENT,QUANTUM 4FRONT	2

3. Suspension Assy's

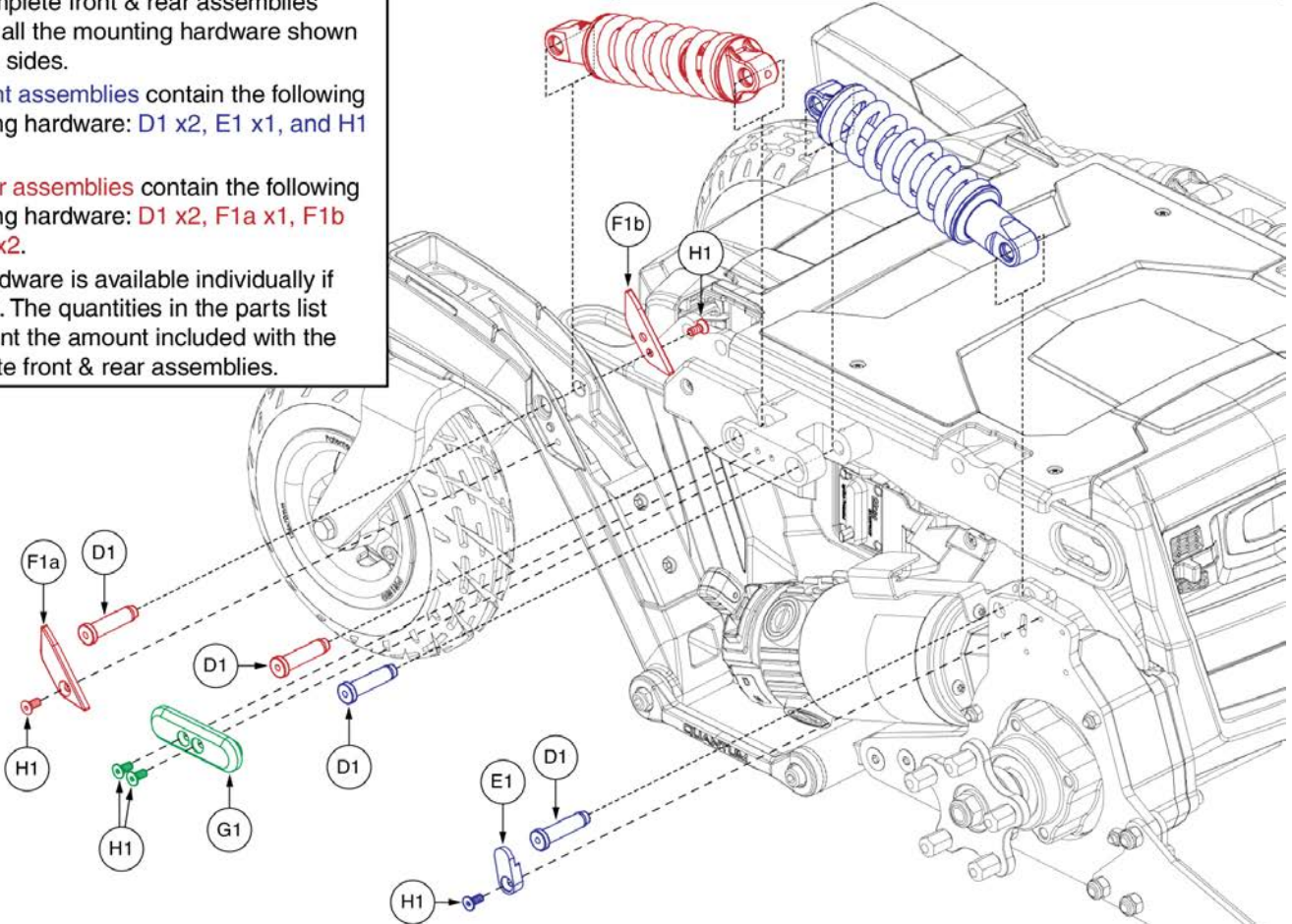
Suspension Assy's with Mounting Hardware		
Ref #	Assembly	Spring Package
A1a	Front & Rear	Medium
A1b	Front & Rear	Standard
A1c	Front & Rear	Lift
A1d	Front & Rear	No Anti-tip
A1e	Front & Rear	HD
B1a	Front	Medium
B1b	Front	Standard
B1c	Front	Lift
B1d	Front	No Anti-tip, HD
C1a	Rear	Medium
C1b	Rear	Standard, Lift, & No Anti-tip
C1c	Rear	HD

Contains both left and right sides.

Contains only one side. A quantity of 2 must be selected for the pair.

- Mounting Hardware Notes**
- The complete front & rear assemblies include all the mounting hardware shown for both sides.
  - The front assemblies contain the following mounting hardware: D1 x2, E1 x1, and H1 x1.
  - The rear assemblies contain the following mounting hardware: D1 x2, F1a x1, F1b x1, H1 x2.
  - The hardware is available individually if needed. The quantities in the parts list represent the amount included with the complete front & rear assemblies.

Suspension Configurations
<p><b>Medium (4Front 2):</b></p> <ul style="list-style-type: none"> <li>• Q-Captains, Up to 300lbs</li> <li>• TBFlex Static, Up to 300lbs</li> <li>• TB3 Static, Up to 300lbs</li> <li>• TB3 Tilt / Tilt &amp; Recline, Up to 200lbs</li> <li>• TB3 Recline, Up to 300lbs</li> </ul> <p><b>Standard (4Front 2):</b></p> <ul style="list-style-type: none"> <li>• TB3 Tilt / Tilt &amp; Recline, 201-300lbs</li> </ul> <p><b>Lift (4Front 2):</b></p> <ul style="list-style-type: none"> <li>• Q-Captains with Lift, Up to 300lbs</li> <li>• TB3 Lift / Lift &amp; Recline / Lift &amp; Tilt / Lift, Tilt &amp; Recline, Up to 300lbs</li> </ul> <p><b>No Anti-tip (4Front 2):</b></p> <ul style="list-style-type: none"> <li>• TBFlex Static, Up to 200lbs</li> <li>• TB3 Static, Up to 200lbs</li> <li>• TB3 Tilt / Tilt &amp; Recline, Up to 200lbs</li> <li>• TB3 Recline, Up to 200lbs</li> <li>• TB3 Lift / Lift &amp; Recline / Lift &amp; Tilt / Lift, Tilt &amp; Recline, Up to 200lbs</li> </ul> <p><b>HD (4Front 2HD):</b></p> <ul style="list-style-type: none"> <li>• All seating configurations. Must be used with anti-tips.</li> </ul>
<p>- The configurations listed are subject to change.</p> <p>- The weights represent the end user's weight in pounds.</p> <p>- Anti-tip usage is also dependent on programmed motor speed.</p> <p>- Do not modify your power chair in any way not authorized by Pride/Quantum.</p> <p>- Contact Technical Service for more information.</p>



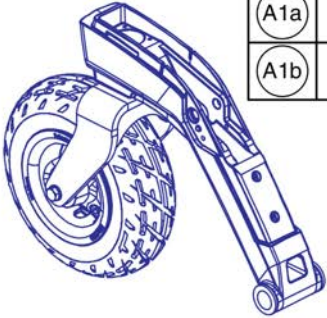


## Suspension Spring Packages, 4Front 2

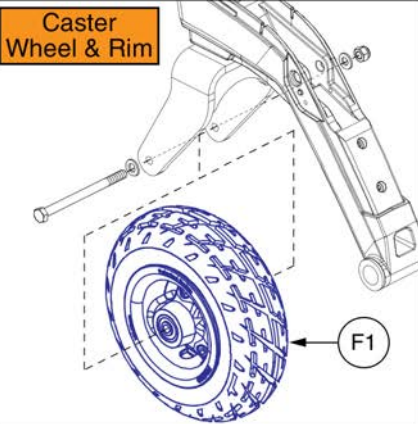


Item	Part No.	Name	Qty
A1a	MEC2003018	SUSPENSION,ASSY,QUANTUM 4FRONT 2,MEDIUM	1
A1b	MEC2003019	SUSPENSION,ASSY,QUANTUM 4FRONT 2,STANDARD	1
A1c	MEC2003020	SUSPENSION,ASSY,QUANTUM 4FRONT 2,LIFT	1
A1d	MEC2103773	SUSPENSION,ASSY,QUANTUM 4FRONT 2,NO ANTI-TIP	1
A1e	MEC2003021	SUSPENSION,ASSY,QUANTUM 4FRONT 2,HD	1
B1a	MEC2100694	SUSPENSION SERVICE ASSEMBLY,FRONT,MEDIUM PACKAGE,4FRONT2	1
B1b	MEC2100695	SUSPENSION SERVICE ASSEMBLY,FRONT,STANDARD PACKAGE,4FRONT2	1
B1c	MEC2100696	SUSPENSION SERVICE ASSEMBLY,FRONT,LIFT PACKAGE,4FRONT2	1
B1d	MEC2100698	SUSPENSION SERVICE ASSEMBLY,FRONT,HD PACKAGE,4FRONT2	1
C1a	MEC2100699	SUSPENSION SERVICE ASSEMBLY,REAR,MEDIUM PACKAGE,4FRONT2	1
C1b	MEC2100700	SUSPENSION SERVICE ASSEMBLY,REAR,STANDARD / LIFT PACKAGE,4FRONT2	1
C1c	MEC2100701	SUSPENSION SERVICE ASSEMBLY,REAR,HD PACKAGE,4FRONT2	1
D1	MEC1810323	PIVOT PIN	8
E1	MEC168447	PIN CAP	2
F1a	MEC1804451	PIVOT PIN COVER, RIGHT	2
F1b	MEC1804271	PIVOT PIN COVER, LEFT	2
G1	MEC1703423	PIVOT PIN COVER	2
H1	HDW120030	SCREW, FLAT HEAD, M5X0.8 X 12, ISO 10642, CL 10.9, BZ, PVTP	10

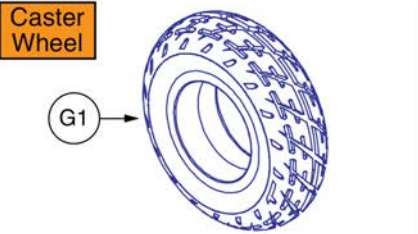
4. Rear Caster Arm Assy

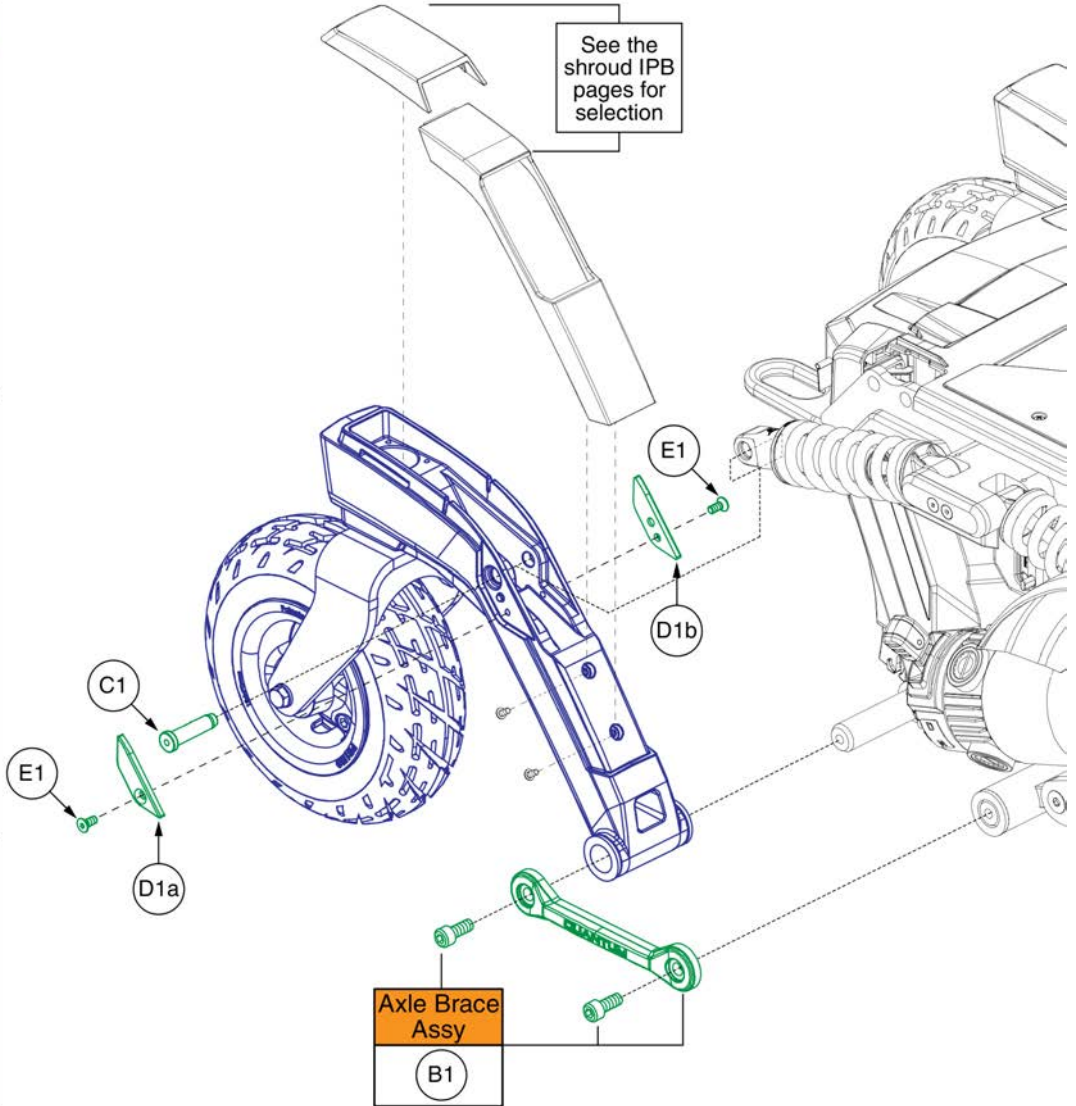
Caster Arm		Ref#	Side
		A1a	Right
		A1b	Left

Caster Wheel & Rim	
	F1

Caster Wheel	
	G1



## Rear Caster Arm and Wheel, 4Front 2

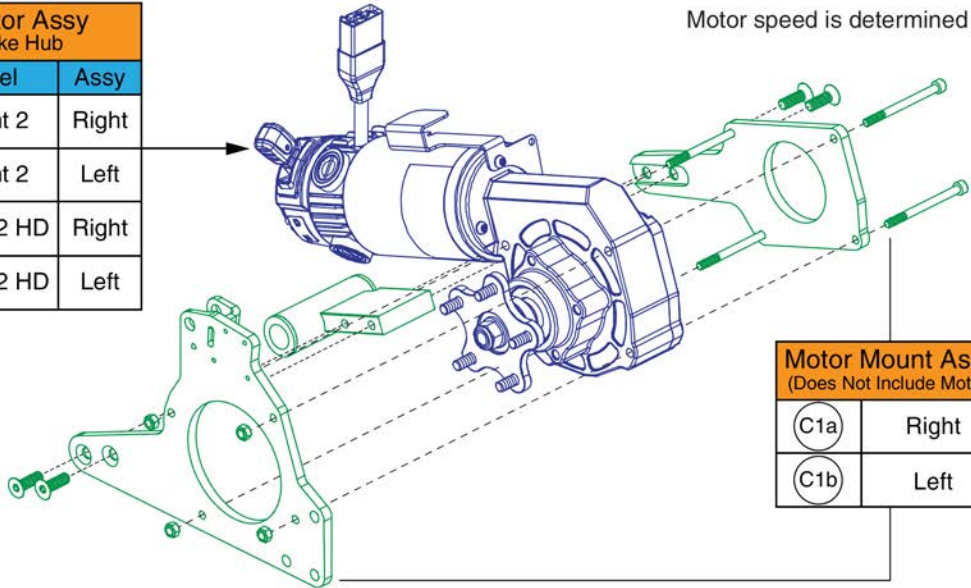


Item	Part No.	Name	Qty
A1a	MEC2102653	CASTER ARM SERVICE ASSEMBLY, RIGHT, 4FRONT 2	1
A1b	MEC2102652	CASTER ARM SERVICE ASSEMBLY, LEFT, 4FRONT 2	1
B1	MEC1908272	AXLE BRACE ASSEMBLY	1
C1	MEC1810323	PIVOT PIN	1
D1a	MEC1804451	PIVOT PIN COVER, RIGHT	1
D1b	MEC1804271	PIVOT PIN COVER, LEFT	1
E1	HDW120030	SCREW, FLAT HEAD, M5X0.8 X 12, ISO 10642, CL 10.9, BZ, PVTP	1
F1	WHL1703592	WHEEL,ASSY,FLAT FREE,9" CASTER,BLACK RIM/BLACK TIRE,D-1202-030	1
G1	TIR8110009	TIRE,FLAT FREE,BLACK,215MM OD,70MM W,C9210 TREAD,(GALLOP: 5504006)	1

5. Drive Motor & Motor Mount Assy's

Drive Motor Assy w/ 5-Spoke Hub		
Ref #	Model	Assy
A1a	4Front 2	Right
A1b	4Front 2	Left
B1a	4Front 2 HD	Right
B1b	4Front 2 HD	Left

Motor speed is determined by programming.



**Freewheel Handle Assy**  
D1

Included with the motor assemblies.

Motor Mount Assy (Does Not Include Motor)	
C1a	Right
C1b	Left

E1 F1 G1 H1

Included with the motor assemblies.

J1 K1 L1

**Axle Brace Assy**  
I1

# Drive Motor & Motor Mount Assy w/ Hub, 4Front 2



Item	Part No.	Name	Qty
A1a	MOT1714330-05	FWD HD RIGHT MTR, 5 POST HUB, 4FRONT 2	1
A1b	MOT1714331-05	FWD HD LEFT MTR, 5 POST HUB, 4FRONT 2	1
B1a	MOT1714330-06	FWD HD RIGHT MTR, 5 POST HUB, 4FRONT 2 HD	1
B1b	MOT1714331-06	FWD HD LEFT MTR, 5 POST HUB, 4FRONT 2 HD	1
C1a	MEC160250	MOTOR MOUNT ASSEMBLY, RIGHT	1
C1b	MEC160251	MOTOR MOUNT ASSEMBLY, LEFT	1
D1	FRMASMB8691	FREEWHEEL,ASSY,RELEASE HANDLE GRIP,YELLOW,B-1160-051	1
E1	MOT1901488	NUT, LOCK, M12X1.75, DIN 985, CL 8, ZN, PVTP	1
F1	MOT1901490	WASHER,FLAT,ZINC,13MM ID X 24MM OD X 2.5MM TH	1
G1	MEC1714220	LINUX HD HUB ASSEMBLY	1
H1	INDPART2431	KEY,WOODRUFF,#606,0.1875 X 0.740	1
I1	MEC1908272	AXLE BRACE ASSEMBLY	1
J1	HDW120030	SCREW, FLAT HEAD, M5X0.8 X 12, ISO 10642, CL 10.9, BZ, PVTP	1
K1	MEC168447	PIN CAP	1
L1	MEC1810323	PIVOT PIN	1

6. Q-Logic 3 Joysticks

### Q-Logic 3 Joysticks

**Q-Logic 3 Joysticks (Shroud NOT Included)**

A1	Standard
B1	Lighting

A joystick mounted SD card **must** be selected.

**Joystick Shrouds**

C1	Soft Touch Black
SHD	Web Link: Painted Shrouds

**Joystick Mounts & Receivers**

D1	Standard Inline
JSM	Web Link: Additional Mounts
JSR	Web Link: Joystick Receivers

**SD Cards**

The Q-Logic 3 Joystick replacement requires the selection of a Pre-programmed SD Card. Refer to the SD Card pages for selection and additional information.

SD Cards	
SDC	Web Link: SD Cards

Pre-programmed Micro SD Card

**Replacement Components**

E1	<b>Speed Knob</b>	<p style="font-size: small;">Lower Housing w/ Bus Cable</p>
F1	<b>Joystick Knob</b>	
JSK	Web Link: Aftermarket Knobs	<p style="font-size: small;">Light Spring Kit with Installation Instructions</p>
G1	<b>Rubber Boot</b>	
		<p style="font-size: small;">Used to reduce the standard spring tension of the QL3 joystick</p>

**Note: Web Links**

- This page uses special callouts and parts to redirect users to additional IPB pages when viewed online via the interactive parts lookup system.
- A square callout and "Web Link" designation in the part description denotes their usage.
- To get back to this page after using the web link you **must** use the back button in your web browser.
- If viewing this page through a PDF document, please locate the subsequent pages through the table of contents as needed.
- Contact technical service for additional information.

# Q-Logic 3 EX Joystick Assemblies



Item	Part No.	Name	Qty
A1	CTL143976	EXPANDABLE CONTROLLER W/ JOYSTICK AND LCD COLOR DISPLAY, Q-LOGIC 3, 4-KEY, (CURTIS: 17949700-02-0009)	1
B1	CTL143977	EXPANDABLE CONTROLLER W/ JOYSTICK AND LCD COLOR DISPLAY AND LIGHTS, Q-LOGIC 3, 4-KEY, (CURTIS: 17949700-02-0109)	1
C1	DGN124307	Q-LOGIC 2/3 JOYSTICK SHROUD, BLACK SOFT-TOUCH PAINT, (CURTIS: 17949365-02)	1
D1	FRMASMB10617	JOYSTICK MOUNTING BRACKET, ASSY, CURTIS, INLINE	1
E1	DGN124309	SPEED WHEEL, KNOB, CURTIS Q-LOGIC 2, BLACK, PLASTIC, DGN124309, (CURTIS: 17949367-01)	1
F1	DGN154742	JOYSTICK, KNOB, Q-LOGIC 3, 6.35MM-ID, (CURTIS: 17519114-01)	1
G1	RECPART1006	RECON, JOYSTICK RUBBER BOOT, (P&G: 283-77.10.004)	1
H1	ELE144006	ELECTRONIC, BOTTOM HOUSING, JOYSTICK MODULE Q-LOGIC 3, W/ BUS CABLE Q-LOGIC 3, (CURTIS: 17949366-02)	1
I1	KIT1902931	Q-LOGIC 3 HANDCONTROL LIGHT SPRING OPTION KIT WITH INSTALL INSTRUCTIONS	1
SHD		WEB LINK, IPB, QL3 JOYSTICK SHROUDS (This is not an orderable part, see IPB)	0
JSM		WEB LINK, IPB, JOYSTICK MOUNTING BRACKETS (This is not an orderable part, see IPB)	0
SDC		WEB LINK, IPB, QL3 JOYSTICK SD CARDS (This is not an orderable part, see IPB)	0
JSK		WEB LINK, IPB, AFTERMARKET JOYSTICK KNOBS (This is not an orderable part, see IPB)	0
JSR		WEB LINK, IPB, JOYSTICK RECEIVER MOUNTS (This is not an orderable part, see IPB)	0

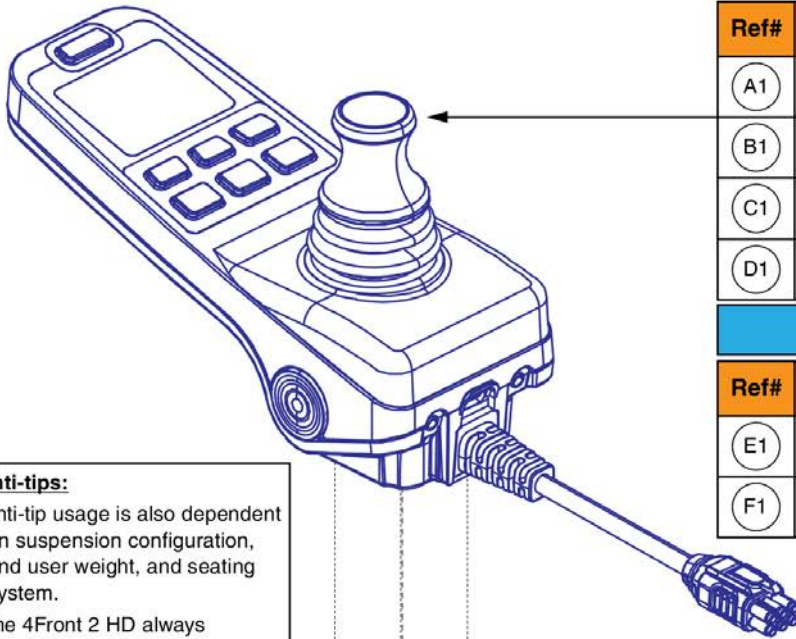
6. Q-Logic 3 Joysticks

**Q-Logic 3e Joysticks**

**Joystick Replacement Notes:**

- The proper joystick assembly with programming must be selected to ensure the unit functions as intended.
- A pre-programmed SD card is NOT needed when replacing or retrofitting a Q-Logic 3e joystick on a unit. The latest firmware and program file are stored internally on the new joystick.
- The Q-Logic 3e joystick is compatible with all previous and current units equipped with Q-Logic 3 electronics and can be used in place of the Q-Logic 3 EX joystick.

**Contact Technical Service for more information.**



**4Front 2 Joysticks w/ Programming**

Ref#	Part Number	Motor Program	Seating Function	*Used w/ Anti-tips?
(A1)	ELE2102342	6.25 mph	Static	Yes
(B1)	ELE2102341	6.25 mph	Power Positioning	Yes
(C1)	ELE2102344	5 mph	Static	No
(D1)	ELE2102343	5 mph	Power Positioning	No

**4Front 2 HD Joysticks w/ Programming**

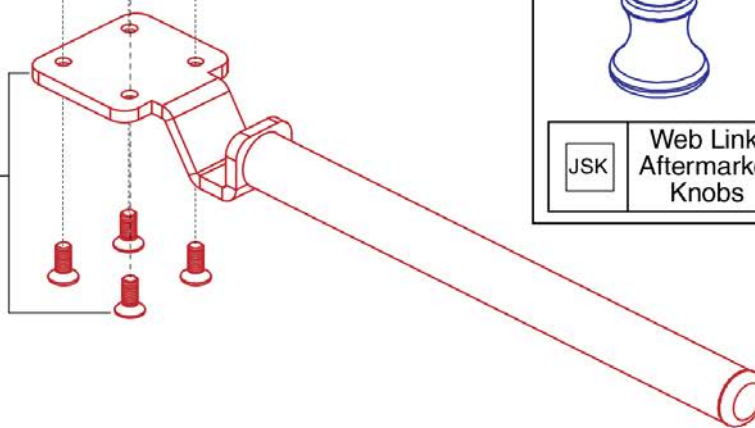
Ref#	Part Number	Motor Program	Seating Function	*Used w/ Anti-tips?
(E1)	ELE2105132	5 mph	Static	Yes
(F1)	ELE2105131	5 mph	Power Positioning	Yes

**\*Anti-tips:**

- Anti-tip usage is also dependent on suspension configuration, end user weight, and seating system.
- The 4Front 2 HD always requires anti-tips.
- Do not modify your power chair in any way not authorized by Pride / Quantum.
- Contact Technical Service for more information.

**Joystick Mounts & Receivers**

(G1)	Standard Inline
JSM	Web Link: Additional Mounts
JSR	Web Link: Joystick Receivers



**Replacement Components**

(H1) Joystick Knob		Overlay w/ Installation Instructions
(I1)		
JSK Web Link: Aftermarket Knobs		(J1) Rubber Boot

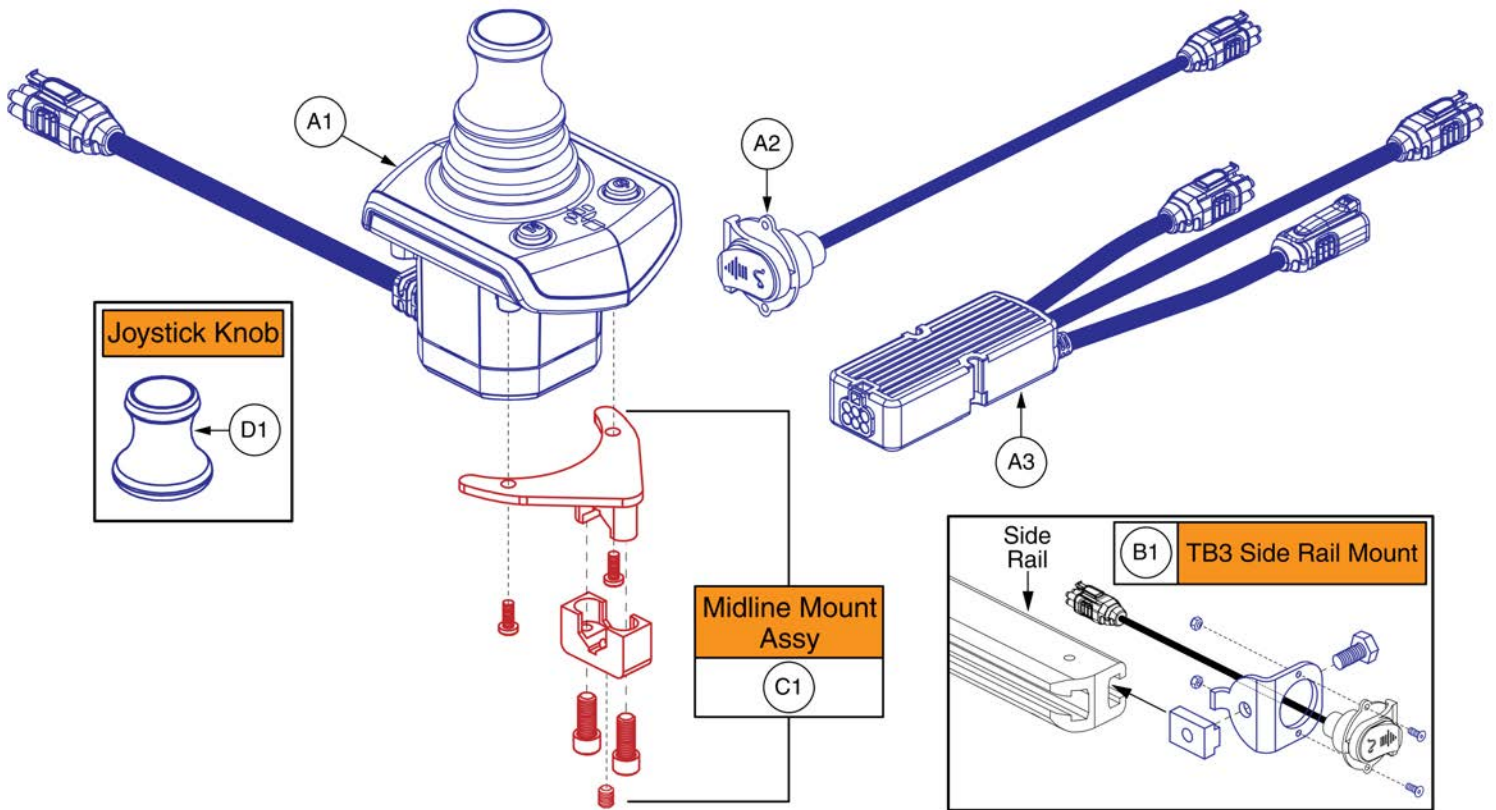


# Q-Logic 3e Joystick Assemblies, 4Front 2



Item	Part No.	Name	Qty
A1	ELE2102342	SERVICEABLE ASSEMBLY, Q-LOGIC 3E, 4FRONT 2 WITH ANTI-TIPS PROGRAM, 6.25MPH LINIX MOTORS, STATIC SEATING	1
B1	ELE2102341	SERVICEABLE ASSEMBLY, Q-LOGIC 3E, 4FRONT 2 WITH ANTI-TIPS PROGRAM, 6.25MPH LINIX MOTORS, POWER POSITIONING	1
C1	ELE2102344	SERVICEABLE ASSEMBLY, Q-LOGIC 3E, 4FRONT 2 WITHOUT ANTI-TIPS PROGRAM, 5MPH LINIX MOTORS, STATIC SEATING	1
D1	ELE2102343	SERVICEABLE ASSEMBLY, Q-LOGIC 3E, 4FRONT 2 WITHOUT ANTI-TIPS PROGRAM, 5MPH LINIX MOTORS, POWER POSITIONING	1
E1	ELE2105132	SERVICEABLE ASSEMBLY, Q-LOGIC 3E, 4FRONT 2 HD WITH ANTI-TIPS PROGRAM, 5MPH LINIX MOTORS, STATIC SEATING	1
F1	ELE2105131	SERVICEABLE ASSEMBLY, Q-LOGIC 3E, 4FRONT 2 HD WITH ANTI-TIPS PROGRAM, 5MPH LINIX MOTORS, POWER POSITIONING	1
G1	FRMASMB10617	JOYSTICK MOUNTING BRACKET,ASSY,CURTIS,INLINE	1
H1	DGN154742	JOYSTICK, KNOB, Q-LOGIC 3, 6.35MM-ID, (CURTIS: 17519114-01)	1
I1	KIT2008010	Q-LOGIC 3E KEYPAD REPLACEMENT KIT WITH INSTRUCTIONS	1
J1	RECPART1006	RECON,JOYSTICK RUBBER BOOT,(P&G: 283-77.10.004)	1
JSM		WEB LINK,IPB,JOYSTICK MOUNTING BRACKETS (This is not an orderable part, see IPB)	1
JSK		WEB LINK,IPB,AFTERMARKET JOYSTICK KNOBS (This is not an orderable part, see IPB)	1
JSR		WEB LINK,IPB,JOYSTICK RECEIVER MOUNTS (This is not an orderable part, see IPB)	1

6. Q-Logic 3 Joysticks

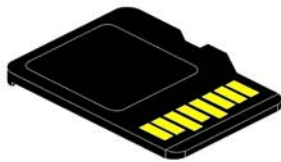


# Q-Logic 3 Stand Alone Joystick Assy



Item	Part No.	Name	Qty
A1	CTL143980	STANDALONE JOYSTICK, Q-LOGIC 3, (CURTIS: 17953700-1109)	1
A2	HAR144001	HARNESS, CHARGER/PROGRAMMER, Q-LOGIC 3, 0.9 METER,(CURTIS: 17880701)	1
A3	HAR144003	HARNESS, SEAT MULTIPLIER Q-LOGIC 3, (CURTIS: 17881360-02-01)	1
B1	FRMASMB11156	MOUNTING BRACKET,ASSY,STAND ALONE JOYSTICK,SIDE RAIL MOUNT,C-1360-163	1
C1	FRMASMB10454	JOYSTICK MOUNTING BRACKET,ASSY,CURTIS STAND ALONE JOYSTICK,MIDLINE,C-1010-263	1
D1	DGN154742	JOYSTICK, KNOB, Q-LOGIC 3, 6.35MM-ID, (CURTIS: 17519114-01)	1

6. Q-Logic 3 Joysticks



Pre-programmed Micro SD Card\*

4Front 2				
Ref#	Part Number	Motor Program	Seating Function	† Used w/ Anti-tips?
(A1)	ELE2102336	6.25 mph	Static	Yes
(B1)	ELE2102335	6.25 mph	Power Positioning	Yes
(C1)	ELE2102338	5 mph	Static	No
(D1)	ELE2102337	5 mph	Power Positioning	No
4Front 2 HD				
Ref#	Part Number	Motor Program	Seating Function	† Used w/ Anti-tips?
(E1)	ELE2105128	5 mph	Static	Yes
(F1)	ELE2105127	5 mph	Power Positioning	Yes
<p><b>*SD Cards:</b></p> <ul style="list-style-type: none"> <li>• A Pre-programmed SD card is required when:                             <ul style="list-style-type: none"> <li>- Replacing a joystick, display, power base module, or seating module.</li> <li>- Replacing or retrofitting Q-Logic 3 electronics in the field.</li> </ul> </li> <li>• A new SD card ensures the Q-Logic 3 system has the latest software.</li> <li>• Contact Technical Service for more information.</li> </ul>				
<p><b>† Anti-tips:</b></p> <ul style="list-style-type: none"> <li>• Anti-tip usage is also dependent on suspension configuration, end user weight, and seating system.</li> <li>• The 4Front 2 HD always requires anti-tips.</li> <li>• Do not modify your power chair in any way not authorized by Pride / Quantum.</li> <li>• Contact Technical Service for more information.</li> </ul>				

Item	Part No.	Name	Qty
A1	ELE2102336	SERVICEABLE ASSEMBLY, SD CARD, Q-LOGIC 3, 4FRONT 2 WITH ANTI-TIPS PROGRAM, 6.25MPH LINIX MOTORS, STATIC SEATING.	1
B1	ELE2102335	SERVICEABLE ASSEMBLY, SD CARD, Q-LOGIC 3, 4FRONT 2 WITH ANTI-TIPS PROGRAM, 6.25MPH LINIX MOTORS, POWER POSITIONING.	1
C1	ELE2102338	SERVICEABLE ASSEMBLY, SD CARD, Q-LOGIC 3, 4FRONT 2 WITHOUT ANTI-TIPS PROGRAM, 5MPH LINIX MOTORS, STATIC SEATING.	1
D1	ELE2102337	SERVICEABLE ASSEMBLY, SD CARD, Q-LOGIC 3, 4FRONT 2 WITHOUT ANTI-TIPS PROGRAM, 5MPH LINIX MOTORS, POWER POSITIONING.	1
E1	ELE2105128	SERVICEABLE ASSEMBLY, SD CARD, Q-LOGIC 3, 4FRONT 2 HD WITH ANTI-TIPS PROGRAM, 5MPH LINIX MOTORS, STATIC SEATING.	1
F1	ELE2105127	SERVICEABLE ASSEMBLY, SD CARD, Q-LOGIC 3, 4FRONT 2 HD WITH ANTI-TIPS PROGRAM, 5MPH LINIX MOTORS, POWER POSITIONING.	1

6. Q-Logic 3 Joysticks

**\*Important Please Note:**

- The joystick shrouds are available in all the colors listed.
- **Power base color varies by model and some colors listed may not be available on all power bases.** Visit [www.quantumrehab.com](http://www.quantumrehab.com) for a model specific breakdown of all available colors.
- *Some colors listed may have prolonged lead times.*
- *Contact Technical Service for more information.*



Q-Logic 2 (Pre 2015)	
Ref#	Color Name
A1	Std., Soft Touch
A2	Black
A3	Silver
A4	Candy Apple Red
A5	Pearl Pink
A6	Sapphire Blue
A7	True Blue
A8	Viper Blue
A9	Emerald Green
A10	Orion Yellow
A11	Sunburst Orange

Q-Logic 2 (Post 2015) & Q-Logic 3	
Ref#	Color Name
B1	Std., Soft Touch
B2	Back in Black
B3	Night Train
B4	Grey Street
B5	Silver Bullet
B6	White Satin
B7	Red Corvette
B8	Cherry Bomb
B9	Pretty in Pink
B10	Raspberry Beret
B11	Sugar Plum
B12	Deep Purple
B13	Midnight Blue
B14	Electric Blue
B15	Blue Jean
B16	Green Machine
B17	Military Green
B18	Lime Light
B19	Yellow Blaze
B20	Lemon Crush
B21	Orange Crush
B22	Evolution Orange
B23	Carbon Fiber
B24	Digital Camo
B25	Faded Glory

# Q-Logic 2 & 3 Joystick Shrouds



Item	Part No.	Name	Qty
A1	DGN124307	Q-LOGIC 2/3 JOYSTICK SHROUD,BLACK SOFT-TOUCH PAINT,(CURTIS: 17949365-02)	1
A2	DGN124336-PBK1	Q-LOGIC 2/3 JOYSTICK SHROUD,PPW-BLK-01 (BACK IN BLACK/BLACK)	1
A3	DGN124336-PSL1	Q-LOGIC 2/3 JOYSTICK SHROUD,PPW-SIL-01 (SILVER)	1
A4	DGN124336-PRD1	Q-LOGIC 2/3 JOYSTICK SHROUD,PPW-RED-01 (RED CORVETTE/CANDY APPLE RED)	1
A5	DGN124336-PPK1	Q-LOGIC 2/3 JOYSTICK SHROUD,PPW-PNK-01 (PEARL PINK)	1
A6	DGN124336-PPR4	Q-LOGIC 2/3 JOYSTICK SHROUD,PPW-PRP-04 (SAPPHIRE BLUE)	1
A7	DGN124336-PBU9	Q-LOGIC 2/3 JOYSTICK SHROUD,PPW-BLU-09 (ELECTRIC BLUE/TRUE BLUE)	1
A8	DGN124336-PBU1	Q-LOGIC 2/3 JOYSTICK SHROUD,PPW-BLU-01 (VIPER BLUE)	1
A9	DGN124336-PGN5	Q-LOGIC 2/3 JOYSTICK SHROUD,PPW-GRN-05 (EMERALD GREEN)	1
A10	DGN124336-PYL3	Q-LOGIC 2/3 JOYSTICK SHROUD,PPW-YEL-03 (YELLOW BLAZE/ORION YELLOW)	1
A11	DGN124336-POR4	Q-LOGIC 2/3 JOYSTICK SHROUD,PPW-ORN-04 (SUNBURST ORANGE)	1
B1	DGN124307	Q-LOGIC 2/3 JOYSTICK SHROUD,BLACK SOFT-TOUCH PAINT,(CURTIS: 17949365-02)	1
B2	DGN124336-PBK1	Q-LOGIC 2/3 JOYSTICK SHROUD,PPW-BLK-01 (BACK IN BLACK/BLACK)	1
B3	DGN124336-PBK3	Q-LOGIC 2/3 JOYSTICK SHROUD,PPW-BLK-03 (NIGHT TRAIN)	1
B4	DGN124336-PSL3	Q-LOGIC 2/3 JOYSTICK SHROUD,PPW-SIL-03 (GREY STREET)	1
B5	DGN124336-PSL7	Q-LOGIC 2/3 JOYSTICK SHROUD,PPW-SIL-07 (SILVER BULLET)	1
B6	DGN124336-PWH2	Q-LOGIC 2/3 JOYSTICK SHROUD,PPW-WHT-02 (WHITE SATIN)	1
B7	DGN124336-PRD1	Q-LOGIC 2/3 JOYSTICK SHROUD,PPW-RED-01 (RED CORVETTE/CANDY APPLE RED)	1
B8	DGN124336-PRD4	Q-LOGIC 2/3 JOYSTICK SHROUD,PPW-RED-04 (CHERRY BOMB)	1
B9	DGN124336-PPK3	Q-LOGIC 2/3 JOYSTICK SHROUD,PPW-PNK-03 (PRETTY IN PINK)	1
B10	DGN124336-PPK4	Q-LOGIC 2/3 JOYSTICK SHROUD,PPW-PNK-04 (RASPBERRY BERET)	1
B11	DGN124336-PPR7	Q-LOGIC 2/3 JOYSTICK SHROUD,PPW-PRP-07 (SUGAR PLUM)	1
B12	DGN124336-PPR5	Q-LOGIC 2/3 JOYSTICK SHROUD,PPW-PRP-05 (DEEP PURPLE)	1
B13	DGN124336-PBU10	Q-LOGIC 2/3 JOYSTICK SHROUD,PPW-BLU-10 (MIDNIGHT BLUE)	1
B14	DGN124336-PBU9	Q-LOGIC 2/3 JOYSTICK SHROUD,PPW-BLU-09 (ELECTRIC BLUE/TRUE BLUE)	1
B15	DGN124336-PBU11	Q-LOGIC 2/3 JOYSTICK SHROUD,PPW-BLU-11 (BLUE JEAN)	1
B16	DGN124336-PGN11	Q-LOGIC 2/3 JOYSTICK SHROUD,PPW-GRN-11 (GREEN MACHINE)	1
B17	DGN124336-PGN8	Q-LOGIC 2/3 JOYSTICK SHROUD,PPW-GRN-08 (MILITARY GREEN)	1
B18	DGN124336-PGN7	Q-LOGIC 2/3 JOYSTICK SHROUD,PPW-GRN-07 (LIME LIGHT)	1
B19	DGN124336-PYL3	Q-LOGIC 2/3 JOYSTICK SHROUD,PPW-YEL-03 (YELLOW BLAZE/ORION YELLOW)	1
B20	DGN124336-PYL4	Q-LOGIC 2/3 JOYSTICK SHROUD,PPW-YEL-04 (LEMON CRUSH)	1
B21	DGN124336-POR6	Q-LOGIC 2/3 JOYSTICK SHROUD,PPW-ORN-06 (ORANGE CRUSH)	1
B22	DGN124336-POR7	Q-LOGIC 2/3 JOYSTICK SHROUD,PPW-ORN-07 (EVOLUTION ORANGE)	1
B23	DGN124336-WCB1	Q-LOGIC 2/3 JOYSTICK SHROUD,PWT-CBN-01 (CARBON FIBER)	1
B24	DGN124336-WCM7	Q-LOGIC 2/3 JOYSTICK SHROUD,PWT-CMO-07 (MILITARY DIGITAL CAMO)	1
B25	DGN124336-WFL2	Q-LOGIC 2/3 JOYSTICK SHROUD,PWT-FLG-02 (FADED GLORY)	1

6. Q-Logic 3 Joysticks

<p>A1 Soft Ball</p> 	<p>B1 I-Handle</p> 	<p>C1 T-Bar</p> 	<p>D1 Ball</p> 				
<p>E1 Mushroom</p> 	<p>F1 Chin Cup</p> 	<p>G1 Remote Plus (Carrot)</p> 	<p>Goal Posts</p> <table border="1" data-bbox="1422 1062 1552 1167"> <tr> <td>H1</td> <td>3"</td> </tr> <tr> <td>I1</td> <td>4"</td> </tr> </table> 	H1	3"	I1	4"
H1	3"						
I1	4"						



Item	Part No.	Name	Qty
A1	ACCASMB1856	P&G JOYSTICK KNOB,ASSY,JAZZY,SOFT BALL	1
B1	ACCASMB1857	P&G JOYSTICK KNOB,ASSY,JAZZY,EXTENDED I-HANDLE	1
C1	ACCASMB1858	P&G JOYSTICK KNOB,ASSY,JAZZY,T BAR	1
D1	ACCASMB1859	P&G JOYSTICK KNOB,ASSY,JAZZY,BALL	1
E1	ACCASMB1860	P&G JOYSTICK KNOB,ASSY,JAZZY,MUSHROOM	1
F1	ACCASMB1861	P&G JOYSTICK KNOB,ASSY,JAZZY,CHIN CUP	1
G1	ACCASMB1862	P&G JOYSTICK KNOB,ASSY,JAZZY,REMOTE STANDARD	1
H1	PLSKNCP1057	JOYSTICK KNOB,3",GOAL POST,W/FLEX SHAFT,FOR 1/4" STEM,(BP: PC101B)	1
I1	PLSKNCP1058	JOYSTICK KNOB,4",GOAL POST,W/FLEX SHAFT,FOR 1/4" STEM,(BP: PC102B)	1

7. Q-Logic 3 Electronics Assy's

4Front 2 Base Electronic Assemblies			
Ref#	Part Number	Seating Type	Used w/ Fender Lights
A1	ELE2007294	Static or Single Power	No
B1	ELE2007298	Static or Single Power	Yes
C1	ELE2007295	Multiple Power	No
D1	ELE2007299	Multiple Power	Yes
E1	ELE2007296	Manual Recline	No

**Please Note:**

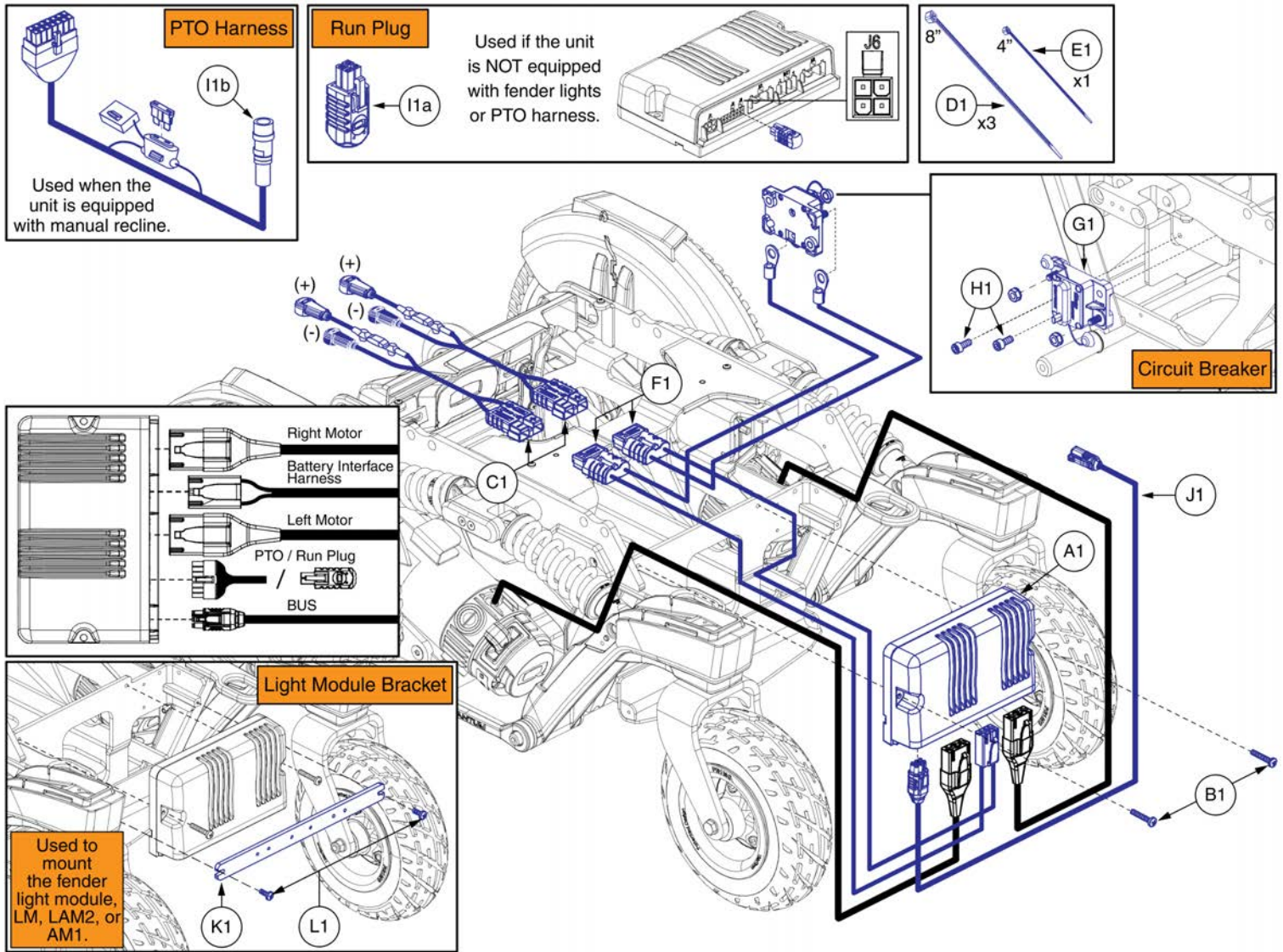
- The complete electronic assemblies include the power module, battery cables, cable ties, and mounting hardware. A1 and C1 also include a run plug. E1 also includes a PTO harness.
- Single Power refers to any power function through an AM1 or LAM2.
- Multiple Power refers to any power function(s) through an AAM.
- The complete assemblies do not include programming. A joystick mounted SD card or Q-Logic 3e joystick may be needed. See the SD card and joystick pages for more information.

## Q-Logic 3 Electronics Assy Matrix, 4 Front 2



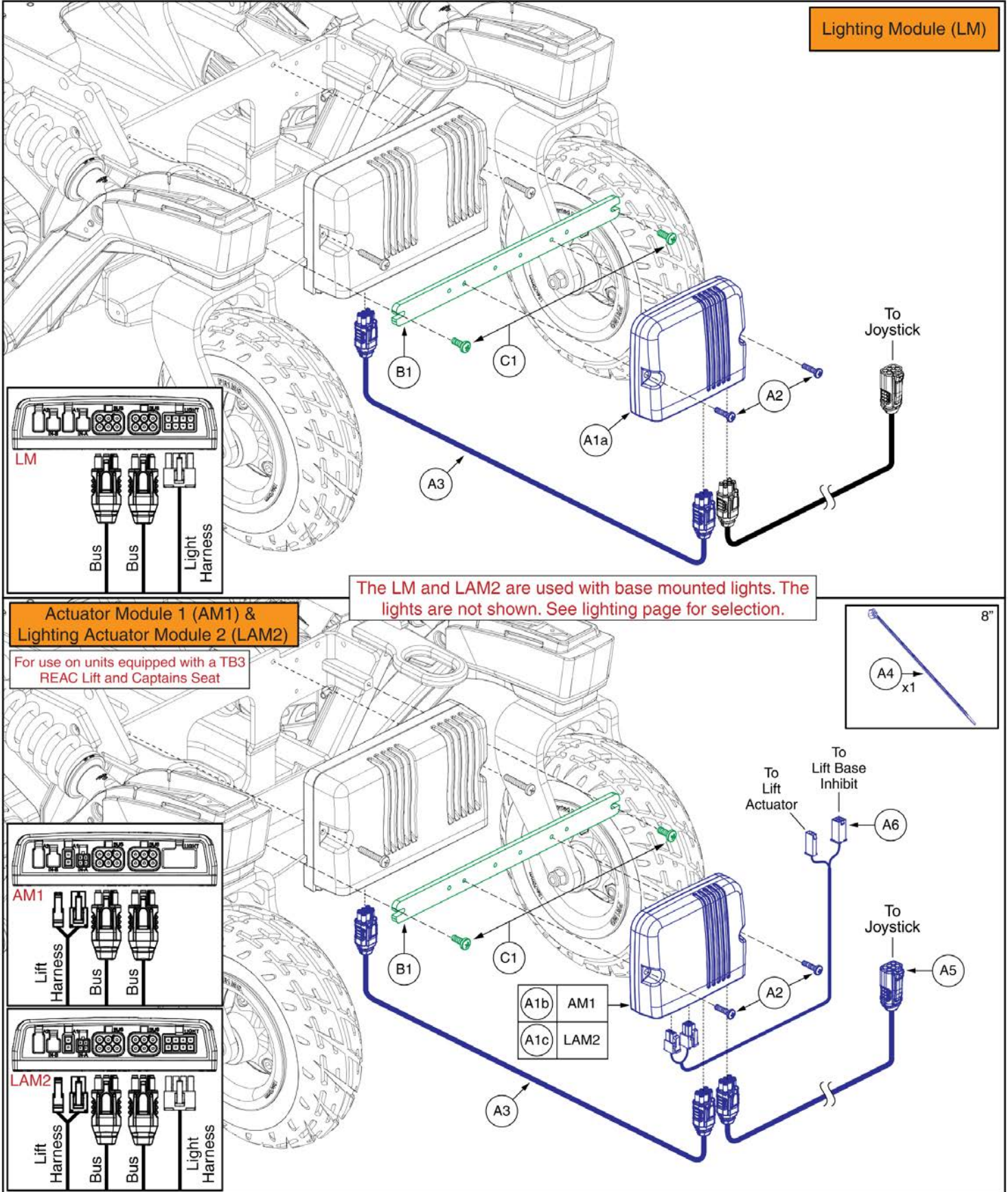
Item	Part No.	Name	Qty
A1	ELE2007294	ELECTRONIC,ASSY,Q-LOGIC 3,QUANTUM 4FRONT 2,RUN PLUG,(NON-EXPANDABLE CAPACITY)	1
B1	ELE2007298	ELECTRONIC,ASSY,Q-LOGIC 3,QUANTUM 4FRONT 2,(NON-EXPANDABLE CAPACITY)	1
C1	ELE2007295	ELECTRONIC,ASSY,Q-LOGIC 3,QUANTUM 4FRONT 2,RUN PLUG,(EXPANDABLE CAPACITY)	1
D1	ELE2007299	ELECTRONIC,ASSY,Q-LOGIC 3,QUANTUM 4FRONT 2,(EXPANDABLE CAPACITY)	1
E1	ELE2007296	ELECTRONIC,ASSY,Q-LOGIC 3,QUANTUM 4FRONT 2,PTO,(NON-EXPANDABLE CAPACITY)	1

7. Q-Logic 3 Electronics Assy's



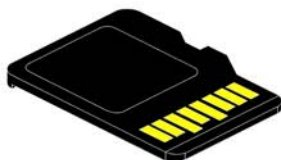
Item	Part No.	Name	Qty
A1	CTL143978	POWER MODULE, Q-LOGIC 3,120 AMP	1
B1	SCRPPH1382	SCREW, PAN HEAD, TYPE H, M5X0.8 X 25, ISO 7045, CL 4.8, BZ	2
C1	ELE1709864	HARNESS, BATTERY, FWD, FLEX CABLE	2
D1	PLSTIE1004	TIE WRAP,BLACK,8"	3
E1	PLSTIE1001	TIE WRAP,BLACK,4"	1
F1	ELE2005663	HARNESS, BATTERY INTERFACE, POWER SWITCH, Q-LOGIC	1
G1	ELE1910369	CIRCUIT BREAKER, 70A (GLOSO: E99-070A-99-9G)	1
H1	SCR8110001	SCREW, SOCKET HEAD, M6X1.0 X 14, ISO 4762, CL 12.9, BZ, PVTP	2
I1a	DGN1901203	OVER-MOLD RUN RECEPTACLE, 4-CIRCUIT	1
I1b	DWR1265H021	ELECTRONIC,HARNESS,POWER TAKE OFF(PTO)/INHIBIT,CURTIS,H-1265-021	1
J1	HAR144005	HARNESS, BUS EXTENSION CABLE, Q-LOGIC 3, 0.410 METER, MALE/FEMALE, (CURTIS: 17881362-01-01)	1
K1	MEC167317	LIGHT MODULE BRACKET	1
L1	SCRPPH1044	SCREW, PAN HEAD, TYPE H, M4X0.7 X 12, FT, ISO 7045, CL 4.8, BZ	2

7. Q-Logic 3 Electronics Assy's



Item	Part No.	Name	Qty
A1a - A3	ELE1702281	ELECTRONIC,ASSY,LM	1
A1a	CTL143986	LIGHT MODULE,Q-LOGIC 3,LM,(CURTIS:17963700-0109)	1
A1b - A6	ELE2009405	ELECTRONIC,ASSY,Q-LOGIC 3/AM1,LIFT,(CONFIGURATION # 04)	1
A1b	CTL143983	ACTUATOR MODULE, Q-LOGIC 3, AM1, 1 ACTUATOR, (CURTIS: 17963700-1009)	1
A1c - A6	ELE2009407	ELECTRONIC,ASSY,Q-LOGIC 3/LAM2,LIFT,(CONFIGURATION # 04)	1
A1c	CTL143985	ACTUATOR MODULE,Q-LOGIC 3,LAM2,2 ACTUATOR AND LIGHTS,(CURTIS: 17963700-2109)	1
A2	SCRPPH1153	SCREW, PAN HEAD, TYPE H, M4X0.7 X 20, FT, ISO 7045, CL 4.8, BZ	2
A3	HAR143994	HARNESS, BUS EXTENSION CABLE, Q-LOGIC 3, 0.3 METER, FEMALE/FEMALE, (CURTIS: 17881361-01-02)	1
A4	PLSTIE1004	TIE WRAP,BLACK,8"	1
A5	HAR144005	HARNESS, BUS EXTENSION CABLE, Q-LOGIC 3, 0.410 METER, MALE/FEMALE, (CURTIS: 17881362-01-01)	1
A6	ELE133304	ELECTRONIC,HARNESS,CURLY CABLE EXTENSION CABLE,FRONT MOUNTED,TRU-BALANCE 3 LIFT	1
B1	MEC167317	LIGHT MODULE BRACKET	1
C1	SCRPPH1044	SCREW, PAN HEAD, TYPE H, M4X0.7 X 12, FT, ISO 7045, CL 4.8, BZ	2

7. Q-Logic 3 Electronics Assy's



Pre-programmed Micro SD Card\*

4Front 2				
Ref#	Part Number	Motor Program	Seating Function	† Used w/ Anti-tips?
(A1)	ELE2102336	6.25 mph	Static	Yes
(B1)	ELE2102335	6.25 mph	Power Positioning	Yes
(C1)	ELE2102338	5 mph	Static	No
(D1)	ELE2102337	5 mph	Power Positioning	No

4Front 2 HD				
Ref#	Part Number	Motor Program	Seating Function	† Used w/ Anti-tips?
(E1)	ELE2105128	5 mph	Static	Yes
(F1)	ELE2105127	5 mph	Power Positioning	Yes

<p><b>*SD Cards:</b></p> <ul style="list-style-type: none"> <li>A Pre-programmed SD card is required when:                             <ul style="list-style-type: none"> <li>- Replacing a joystick, display, power base module, or seating module.</li> <li>- Replacing or retrofitting Q-Logic 3 electronics in the field.</li> </ul> </li> <li>A new SD card ensures the Q-Logic 3 system has the latest software.</li> <li>Contact Technical Service for more information.</li> </ul>
--

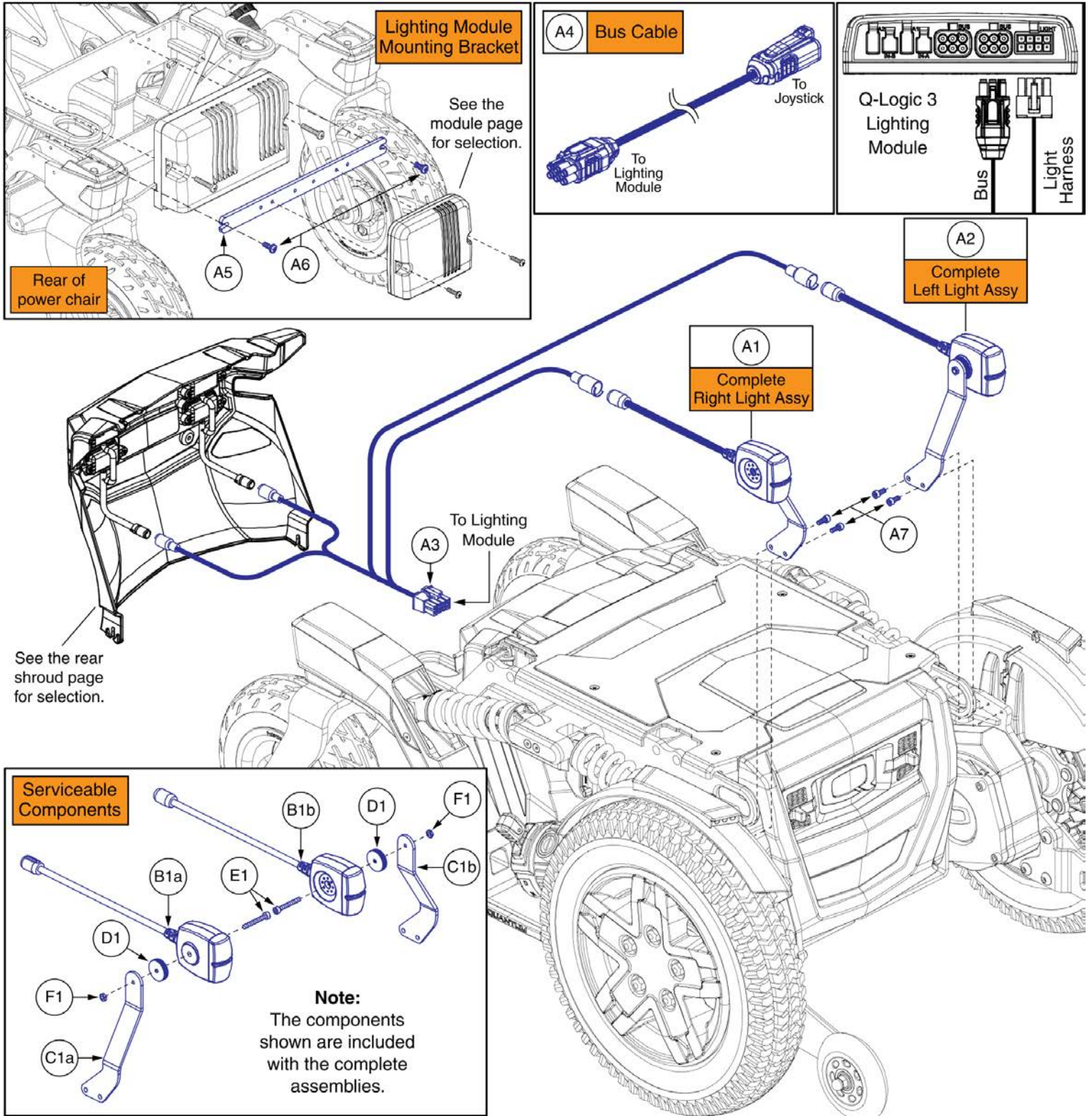
  

<p><b>† Anti-tips:</b></p> <ul style="list-style-type: none"> <li>Anti-tip usage is also dependent on suspension configuration, end user weight, and seating system.</li> <li>The 4Front 2 HD always requires anti-tips.</li> <li>Do not modify your power chair in any way not authorized by Pride / Quantum.</li> <li>Contact Technical Service for more information.</li> </ul>
--



Item	Part No.	Name	Qty
A1	ELE2102336	SERVICEABLE ASSEMBLY, SD CARD, Q-LOGIC 3, 4FRONT 2 WITH ANTI-TIPS PROGRAM, 6.25MPH LINIX MOTORS, STATIC SEATING.	1
B1	ELE2102335	SERVICEABLE ASSEMBLY, SD CARD, Q-LOGIC 3, 4FRONT 2 WITH ANTI-TIPS PROGRAM, 6.25MPH LINIX MOTORS, POWER POSITIONING.	1
C1	ELE2102338	SERVICEABLE ASSEMBLY, SD CARD, Q-LOGIC 3, 4FRONT 2 WITHOUT ANTI-TIPS PROGRAM, 5MPH LINIX MOTORS, STATIC SEATING.	1
D1	ELE2102337	SERVICEABLE ASSEMBLY, SD CARD, Q-LOGIC 3, 4FRONT 2 WITHOUT ANTI-TIPS PROGRAM, 5MPH LINIX MOTORS, POWER POSITIONING.	1
E1	ELE2105128	SERVICEABLE ASSEMBLY, SD CARD, Q-LOGIC 3, 4FRONT 2 HD WITH ANTI-TIPS PROGRAM, 5MPH LINIX MOTORS, STATIC SEATING.	1
F1	ELE2105127	SERVICEABLE ASSEMBLY, SD CARD, Q-LOGIC 3, 4FRONT 2 HD WITH ANTI-TIPS PROGRAM, 5MPH LINIX MOTORS, POWER POSITIONING.	1

8. Base Mounted Light Assy's



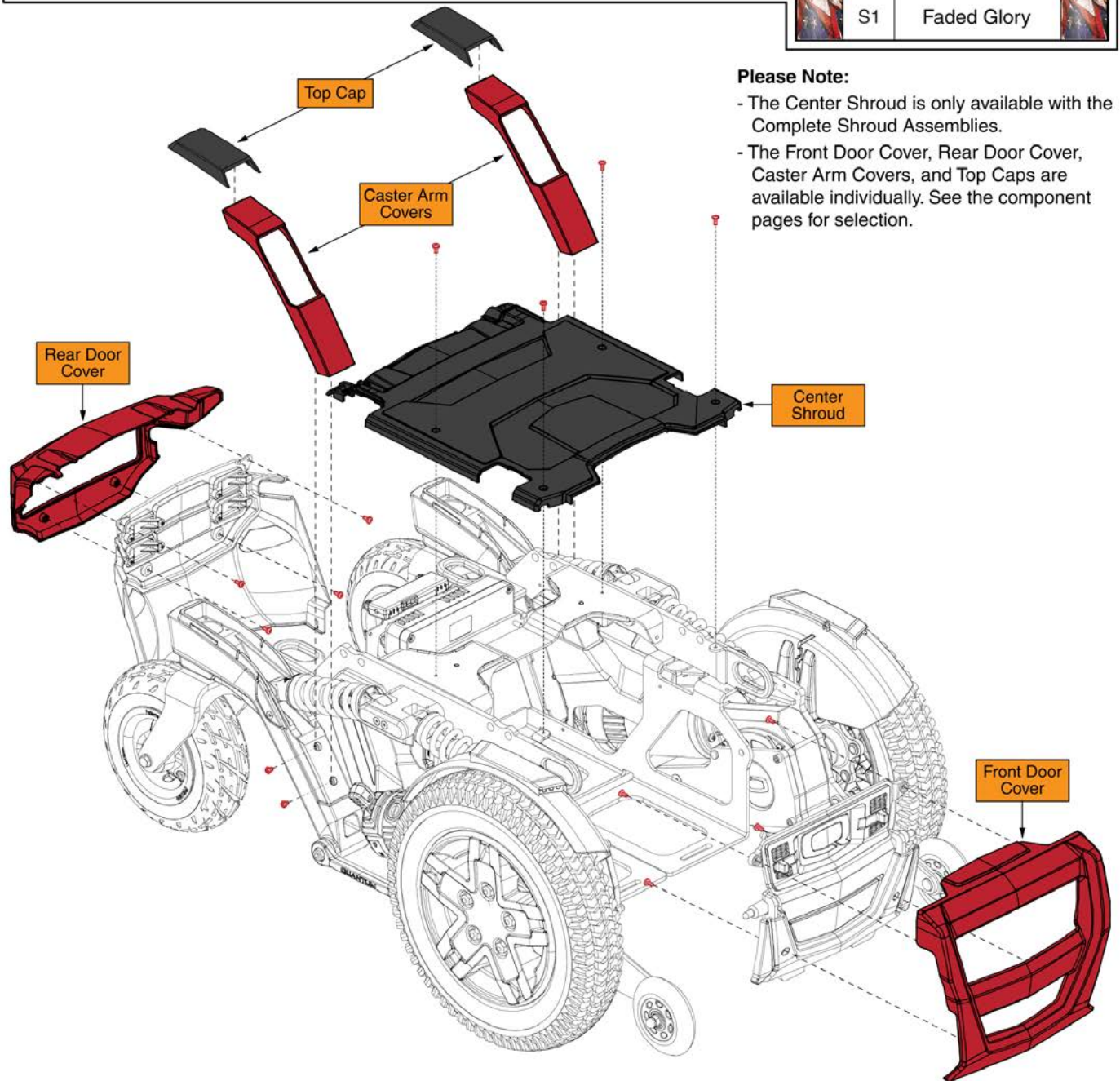
## Base Mounted Light Assemblies, 4Front 2



Item	Part No.	Name	Qty
A1 - A7	ELE1700035	LIGHTING,ASSY,FULL BASE MOUNTED,QUANTUM 4FRONT SERIES	1
A1	ELE1701559	FWD E-MARK LIGHT ASSEMBLY, FRONT RIGHT	1
A2	ELE1701560	FWD E-MARK LIGHT ASSEMBLY, FRONT LEFT	1
A3	ELE1611828	HARNESS, LIGHTING, BASE MOUNTED, FWD, Q-LOGIC 3	1
A4	HAR144005	HARNESS, BUS EXTENSION CABLE, Q-LOGIC 3, 0.410 METER, MALE/FEMALE, (CURTIS: 17881362-01-01)	1
A5	MEC167317	LIGHT MODULE BRACKET	1
A6	SCRPPH1044	SCREW, PAN HEAD, TYPE H, M4X0.7 X 12, FT, ISO 7045, CL 4.8, BZ	2
A7	SCRSHCS1259	SCREW, SOCKET HEAD, M4X0.7 X 10, ISO 4762, CL 12.9, BZ	4
B1a	ELEASMB7120024	FULL LIGHT,ASSY,WHITE/AMBER,LED LIGHTS,SYNERGY,FRONT/RIGHT,ELEASMB7120024	1
B1b	ELEASMB7120023	FULL LIGHT,ASSY,WHITE/AMBER,LED E-MARKED LIGHTS,SYNERGY,FRONT/LEFT,ELEASMB7120023	1
C1a	MEC1701453	LIGHT BRACKET, RIGHT	1
C1b	MEC1701452	LIGHT BRACKET, LEFT	1
D1	DWR1010B161	SPACER,BLACK,PLASTIC,0.157" ID X 0.866" OD X 0.22" TH,B-1010-161	2
E1	SCRSHCS1117	SCREW, SOCKET HEAD, M4X0.7 X 30, ISO 4762, CL 10.9, BZ	2
F1	NUTJAM1062	NUT, JAM, M4X0.7, ISO 4035, CL 04, BZ	2

9. Shroud Assy's & Battery Access Brackets

Complete Shroud Assemblies	Ref#	Color Name	Ref#	Color Name	Ref#	Color Name
	Includes the Center Shroud, Painted Caster Arm Covers, Caster Arm Top Cap, Painted Front Door Cover, Painted Rear Door Cover, and all mounting hardware.	A1	Back in Black	G1	Pretty in Pink	M1
B1		Night Train	H1	Raspberry Beret	N1	Green Machine
C1		Grey Street	I1	Sugar Plum	O1	Military Green
D1		White Satin	J1	Deep Purple	P1	Lemon Crush
E1		Red Corvette	K1	Midnight Blue	Q1	Evolution Orange
F1		Cherry Bomb	L1	Electric Blue	R1	Digital Camo
					S1	Faded Glory



**Please Note:**

- The Center Shroud is only available with the Complete Shroud Assemblies.
- The Front Door Cover, Rear Door Cover, Caster Arm Covers, and Top Caps are available individually. See the component pages for selection.

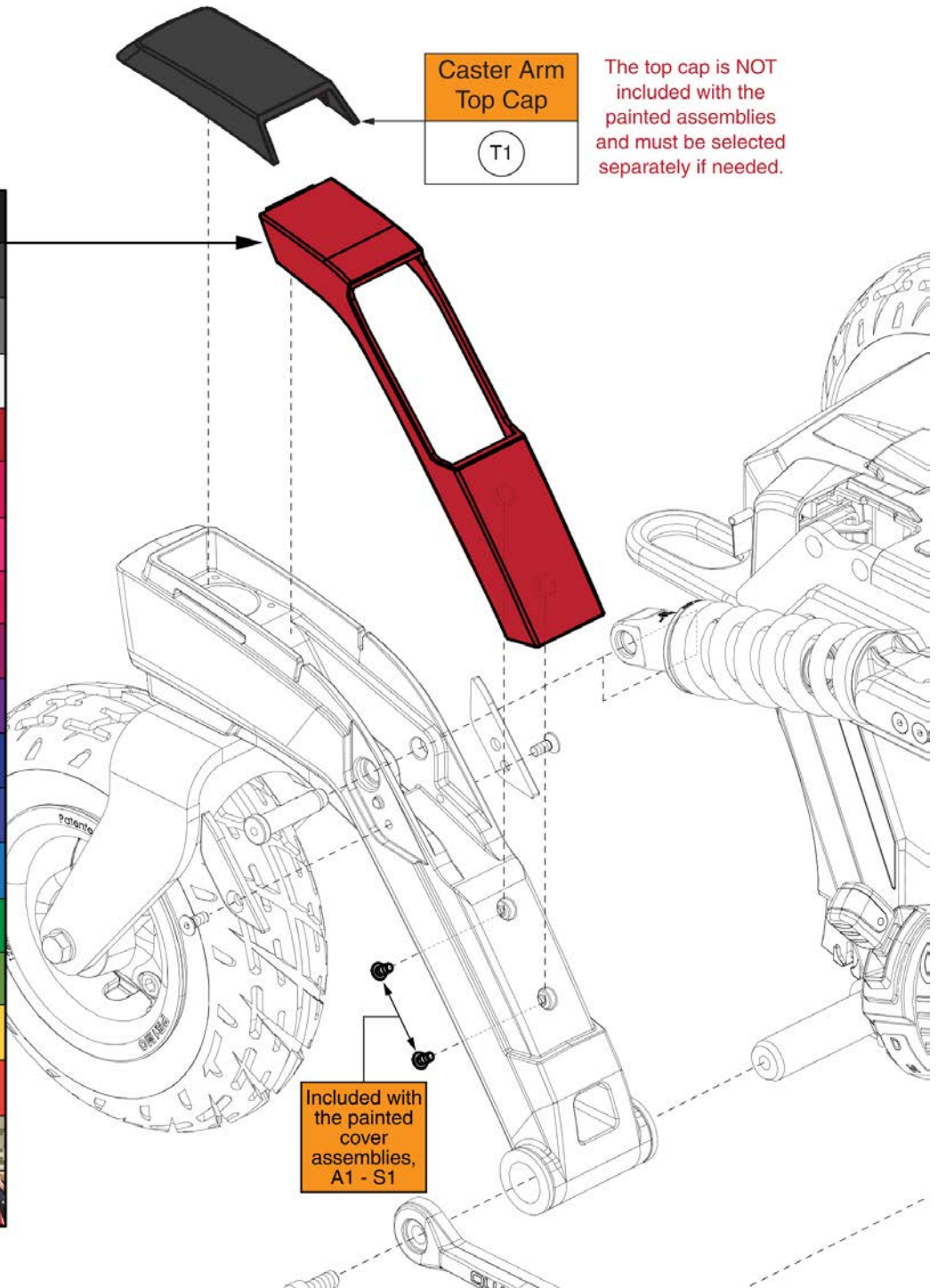
# Complete Shroud Assemblies, 4Front 2



Item	Part No.	Name	Qty
A1	DGN2101587-PBK1	SHROUD SERVICE ASSEMBLY, COMPLETE, BACK IN BLACK, PPW-BLK-01, 4FRONT2	1
B1	DGN2101587-PBK3	SHROUD SERVICE ASSEMBLY, COMPLETE, NIGHT TRAIN, PPW-BLK-03, 4FRONT2	1
C1	DGN2101587-PSL3	SHROUD SERVICE ASSEMBLY, COMPLETE, GREY STREET, PPW-SIL-03, 4FRONT2	1
D1	DGN2101587-PWT2	SHROUD SERVICE ASSEMBLY, COMPLETE, WHITE SATIN, PPW-WHT-02, 4FRONT2	1
E1	DGN2101587-PRD1	SHROUD SERVICE ASSEMBLY, COMPLETE, RED CORVETTE, PPW-RED-01, 4FRONT2	1
F1	DGN2101587-PRD4	SHROUD SERVICE ASSEMBLY, COMPLETE, CHERRY BOMB, PPW-RED-04, 4FRONT2	1
G1	DGN2101587-PPK3	SHROUD SERVICE ASSEMBLY, COMPLETE, PRETTY IN PINK, PPW-PNK-03, 4FRONT2	1
H1	DGN2101587-PPK4	SHROUD SERVICE ASSEMBLY, COMPLETE, RASPBERRY BERET, PPW-PNK-04, 4FRONT2	1
I1	DGN2101587-PPR7	SHROUD SERVICE ASSEMBLY, COMPLETE, SUGAR PLUM, PPW-PRP-07, 4FRONT2	1
J1	DGN2101587-PPR5	SHROUD SERVICE ASSEMBLY, COMPLETE, DEEP PURPLE, PPW-PRP-05, 4FRONT2	1
K1	DGN2101587-PBU10	SHROUD SERVICE ASSEMBLY, COMPLETE, MIDNIGHT BLUE, PPW-BLU-10, 4FRONT2	1
L1	DGN2101587-PBU9	SHROUD SERVICE ASSEMBLY, COMPLETE, ELECTRIC BLUE, PPW-BLU-09, 4FRONT2	1
M1	DGN2101587-PBU11	SHROUD SERVICE ASSEMBLY, COMPLETE, BLUE JEAN, PPW-BLU-11, 4FRONT2	1
N1	DGN2101587-PGN11	SHROUD SERVICE ASSEMBLY, COMPLETE, GREEN MACHINE, PPW-GRN-11, 4FRONT2	1
O1	DGN2101587-PGN8	SHROUD SERVICE ASSEMBLY, COMPLETE, MILITARY GREEN, PPW-GRN-08, 4FRONT2	1
P1	DGN2101587-PYL4	SHROUD SERVICE ASSEMBLY, COMPLETE, LEMON CRUSH, PPW-YEL-04, 4FRONT2	1
Q1	DGN2101587-POR7	SHROUD SERVICE ASSEMBLY, COMPLETE, EVOLUTION ORANGE, PPW-ORN-07, 4FRONT2	1
R1	DGN2101587-WCM7	SHROUD SERVICE ASSEMBLY, COMPLETE, MILITARY DIGITAL CAMO, PPW-CMO-07, 4FRONT2	1
S1	DGN2101587-WFL2	SHROUD SERVICE ASSEMBLY, COMPLETE, FADED GLORY, PPW-FLG-02, 4FRONT2	1

9. Shroud Assy's & Battery Access Brackets

Painted Caster Arm Cover w/ Hardware, Pair	
Ref#	Color Name
A1	Back in Black
B1	Night Train
C1	Grey Street
D1	White Satin
E1	Red Corvette
F1	Cherry Bomb
G1	Pretty in Pink
H1	Raspberry Beret
I1	Sugar Plum
J1	Deep Purple
K1	Midnight Blue
L1	Electric Blue
M1	Blue Jean
N1	Green Machine
O1	Military Green
P1	Lemon Crush
Q1	Evolution Orange
R1	Digital Camo
S1	Faded Glory

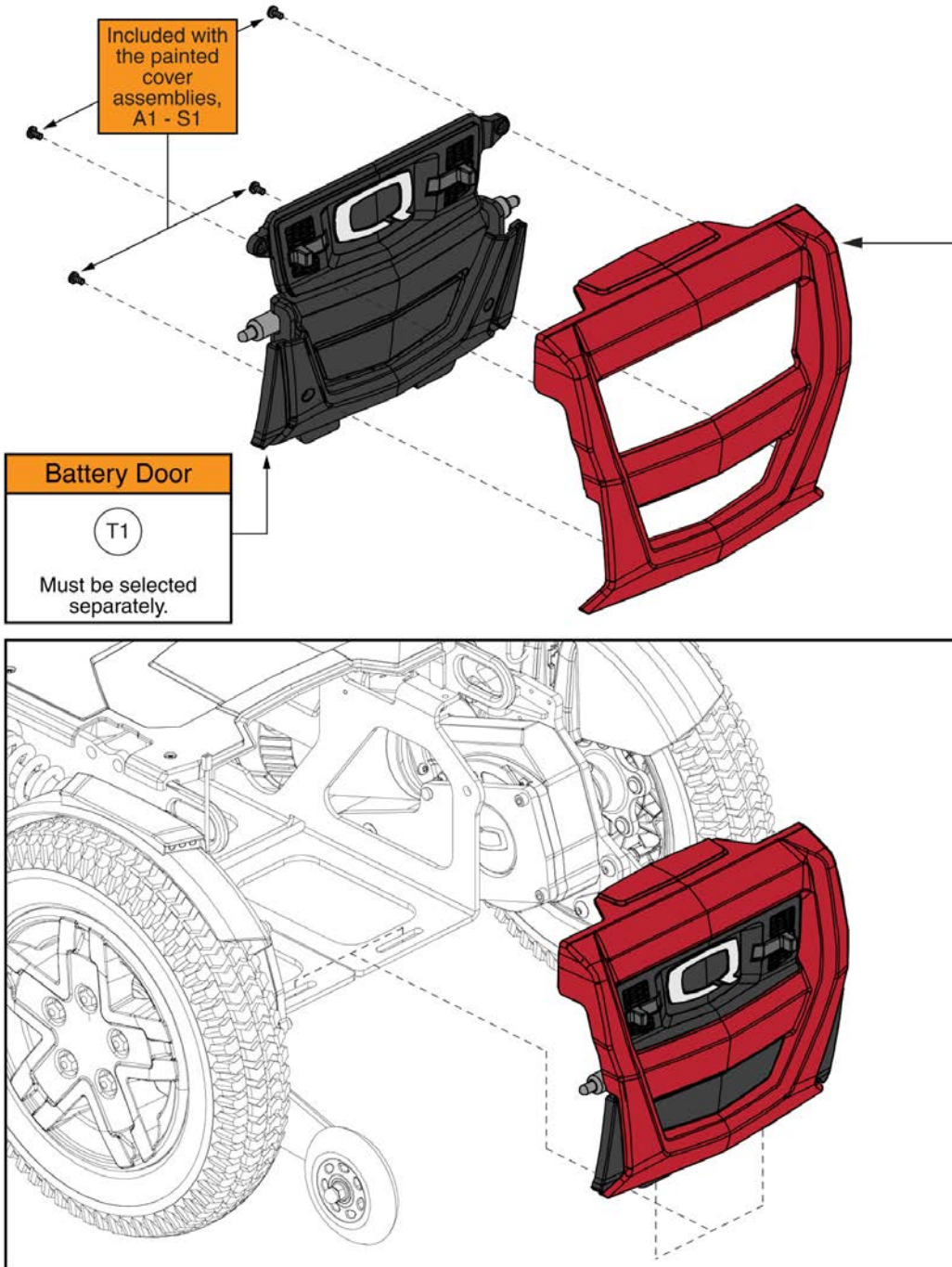


## Painted Caster Arm Top Cover and Cap, 4Front 2



Item	Part No.	Name	Qty
A1	DGN2100633-PBK1	SHROUD SERVICE ASSEMBLY,CASTER ARM COVERS PAINTED W/HARDWARE,PPW-BLK-01,4FRONT2	1
B1	DGN2100633-PBK3	SHROUD SERVICE ASSEMBLY,CASTER ARM COVERS PAINTED W/HARDWARE,PPW-BLK-03,4FRONT2	1
C1	DGN2100633-PSL3	SHROUD SERVICE ASSEMBLY,CASTER ARM COVERS PAINTED W/HARDWARE,PPW-SIL-03,4FRONT2	1
D1	DGN2100633-PWT2	SHROUD SERVICE ASSEMBLY,CASTER ARM COVERS PAINTED W/HARDWARE,PPW-WHT-02,4FRONT2	1
E1	DGN2100633-PRD1	SHROUD SERVICE ASSEMBLY,CASTER ARM COVERS PAINTED W/HARDWARE,PPW-RED-01,4FRONT2	1
F1	DGN2100633-PRD4	SHROUD SERVICE ASSEMBLY,CASTER ARM COVERS PAINTED W/HARDWARE,PPW-RED-04,4FRONT2	1
G1	DGN2100633-PPK3	SHROUD SERVICE ASSEMBLY,CASTER ARM COVERS PAINTED W/HARDWARE,PPW-PNK-03,4FRONT2	1
H1	DGN2100633-PPK4	SHROUD SERVICE ASSEMBLY,CASTER ARM COVERS PAINTED W/HARDWARE,PPW-PNK-04,4FRONT2	1
I1	DGN2100633-PPR7	SHROUD SERVICE ASSEMBLY,CASTER ARM COVERS PAINTED W/HARDWARE,PPW-PRP-07,4FRONT2	1
J1	DGN2100633-PPR5	SHROUD SERVICE ASSEMBLY,CASTER ARM COVERS PAINTED W/HARDWARE,PPW-PRP-05,4FRONT2	1
K1	DGN2100633-PBU10	SHROUD SERVICE ASSEMBLY,CASTER ARM COVERS PAINTED W/HARDWARE,PPW-BLU-10,4FRONT2	1
L1	DGN2100633-PBU9	SHROUD SERVICE ASSEMBLY,CASTER ARM COVERS PAINTED W/HARDWARE,PPW-BLU-09,4FRONT2	1
M1	DGN2100633-PBU11	SHROUD SERVICE ASSEMBLY,CASTER ARM COVERS PAINTED W/HARDWARE,PPW-BLU-11,4FRONT2	1
N1	DGN2100633-PGN11	SHROUD SERVICE ASSEMBLY,CASTER ARM COVERS PAINTED W/HARDWARE,PPW-GRN-11,4FRONT2	1
O1	DGN2100633-PGN8	SHROUD SERVICE ASSEMBLY,CASTER ARM COVERS PAINTED W/HARDWARE,PPW-GRN-08,4FRONT2	1
P1	DGN2100633-PYL4	SHROUD SERVICE ASSEMBLY,CASTER ARM COVERS PAINTED W/HARDWARE,PPW-YEL-04,4FRONT2	1
Q1	DGN2100633-POR7	SHROUD SERVICE ASSEMBLY,CASTER ARM COVERS PAINTED W/HARDWARE,PPW-ORN-07,4FRONT2	1
R1	DGN2100633-WCM7	SHROUD SERVICE ASSEMBLY,CASTER ARM COVERS PAINTED W/HARDWARE,PWT-CMO-07,4FRONT2	1
S1	DGN2100633-WFL2	SHROUD SERVICE ASSEMBLY,CASTER ARM COVERS PAINTED W/HARDWARE,PWT-FLG-02,4FRONT2	1
T1	DGN1804274	CASTER ARM TOP CAP	1

9. Shroud Assy's & Battery Access Brackets



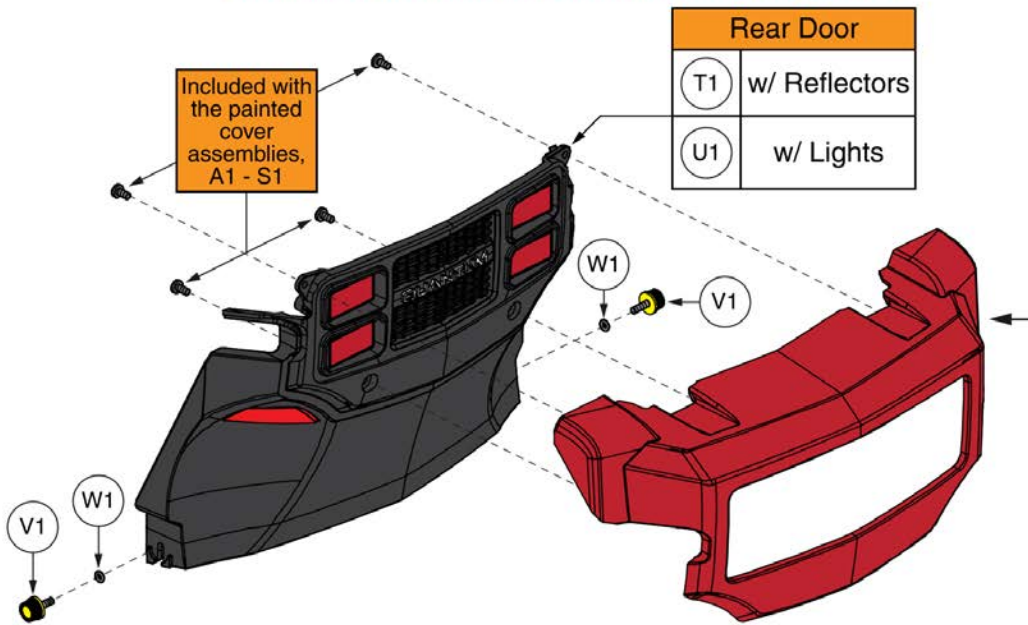
Painted Front Door Cover w/ Hardware	
Ref#	Color Name
A1	Back in Black
B1	Night Train
C1	Grey Street
D1	White Satin
E1	Red Corvette
F1	Cherry Bomb
G1	Pretty in Pink
H1	Raspberry Beret
I1	Sugar Plum
J1	Deep Purple
K1	Midnight Blue
L1	Electric Blue
M1	Blue Jean
N1	Green Machine
O1	Military Green
P1	Lemon Crush
Q1	Evolution Orange
R1	Digital Camo
S1	Faded Glory



Item	Part No.	Name	Qty
A1	DGN2100631-PBK1	SHROUD SERVICE ASSEMBLY,FRONT SHROUD PAINTED W/HARDWARE,PPW-BLK-01,4FRONT2	1
B1	DGN2100631-PBK3	SHROUD SERVICE ASSEMBLY,FRONT SHROUD PAINTED W/HARDWARE,PPW-BLK-03,4FRONT2	1
C1	DGN2100631-PSL3	SHROUD SERVICE ASSEMBLY,FRONT SHROUD PAINTED W/HARDWARE,PPW-SIL-03,4FRONT2	1
D1	DGN2100631-PWT2	SHROUD SERVICE ASSEMBLY,FRONT SHROUD PAINTED W/HARDWARE,PPW-WHT-02,4FRONT2	1
E1	DGN2100631-PRD1	SHROUD SERVICE ASSEMBLY,FRONT SHROUD PAINTED W/HARDWARE,PPW-RED-01,4FRONT2	1
F1	DGN2100631-PRD4	SHROUD SERVICE ASSEMBLY,FRONT SHROUD PAINTED W/HARDWARE,PPW-RED-04,4FRONT2	1
G1	DGN2100631-PPK3	SHROUD SERVICE ASSEMBLY,FRONT SHROUD PAINTED W/HARDWARE,PPW-PNK-03,4FRONT2	1
H1	DGN2100631-PPK4	SHROUD SERVICE ASSEMBLY,FRONT SHROUD PAINTED W/HARDWARE,PPW-PNK-04,4FRONT2	1
I1	DGN2100631-PPR7	SHROUD SERVICE ASSEMBLY,FRONT SHROUD PAINTED W/HARDWARE,PPW-PRP-07,4FRONT2	1
J1	DGN2100631-PPR5	SHROUD SERVICE ASSEMBLY,FRONT SHROUD PAINTED W/HARDWARE,PPW-PRP-05,4FRONT2	1
K1	DGN2100631-PBU10	SHROUD SERVICE ASSEMBLY,FRONT SHROUD PAINTED W/HARDWARE,PPW-BLU-10,4FRONT2	1
L1	DGN2100631-PBU9	SHROUD SERVICE ASSEMBLY,FRONT SHROUD PAINTED W/HARDWARE,PPW-BLU-09,4FRONT2	1
M1	DGN2100631-PBU11	SHROUD SERVICE ASSEMBLY,FRONT SHROUD PAINTED W/HARDWARE,PPW-BLU-11,4FRONT2	1
N1	DGN2100631-PGN11	SHROUD SERVICE ASSEMBLY,FRONT SHROUD PAINTED W/HARDWARE,PPW-GRN-11,4FRONT2	1
O1	DGN2100631-PGN8	SHROUD SERVICE ASSEMBLY,FRONT SHROUD PAINTED W/HARDWARE,PPW-GRN-08,4FRONT2	1
P1	DGN2100631-PYL4	SHROUD SERVICE ASSEMBLY,FRONT SHROUD PAINTED W/HARDWARE,PPW-YEL-04,4FRONT2	1
Q1	DGN2100631-POR7	SHROUD SERVICE ASSEMBLY,FRONT SHROUD PAINTED W/HARDWARE,PPW-ORN-07,4FRONT2	1
R1	DGN2100631-WCM7	SHROUD SERVICE ASSEMBLY,FRONT SHROUD PAINTED W/HARDWARE,PWT-CMO-07,4FRONT2	1
S1	DGN2100631-WFL2	SHROUD SERVICE ASSEMBLY,FRONT SHROUD PAINTED W/HARDWARE,PWT-FLG-02,4FRONT2	1
T1	MEC169383	BATTERY DOOR ASSEMBLY	1

9. Shroud Assy's & Battery Access Brackets

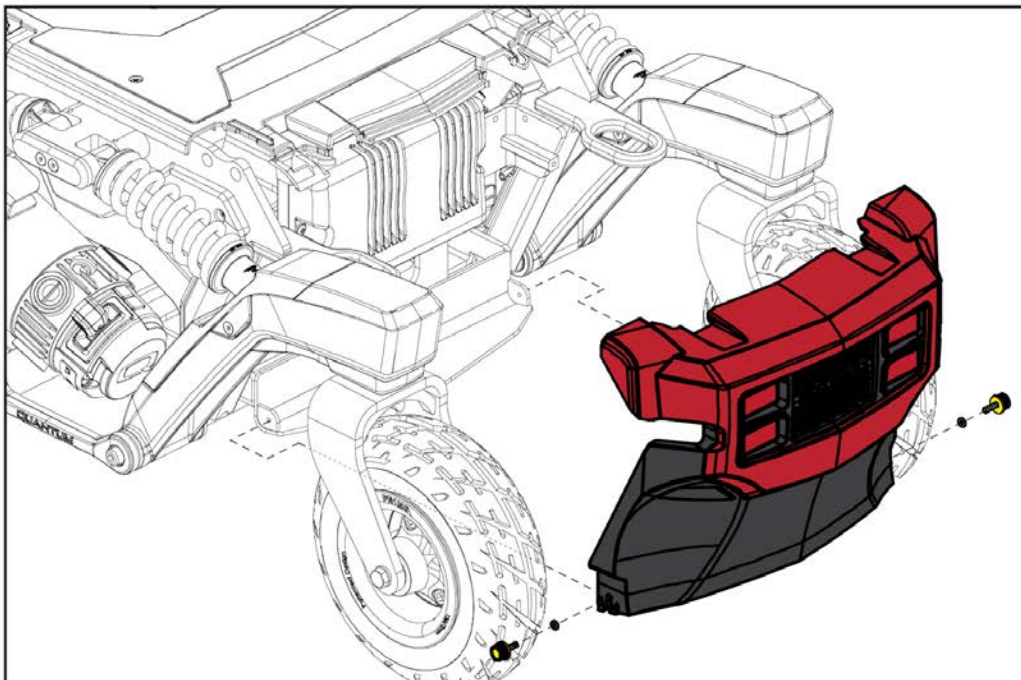
The Rear Door, Thumb Screws, and Washers are not included with the Painted Cover Assemblies and must be selected separately if needed.



Rear Door	
(T1)	w/ Reflectors
(U1)	w/ Lights

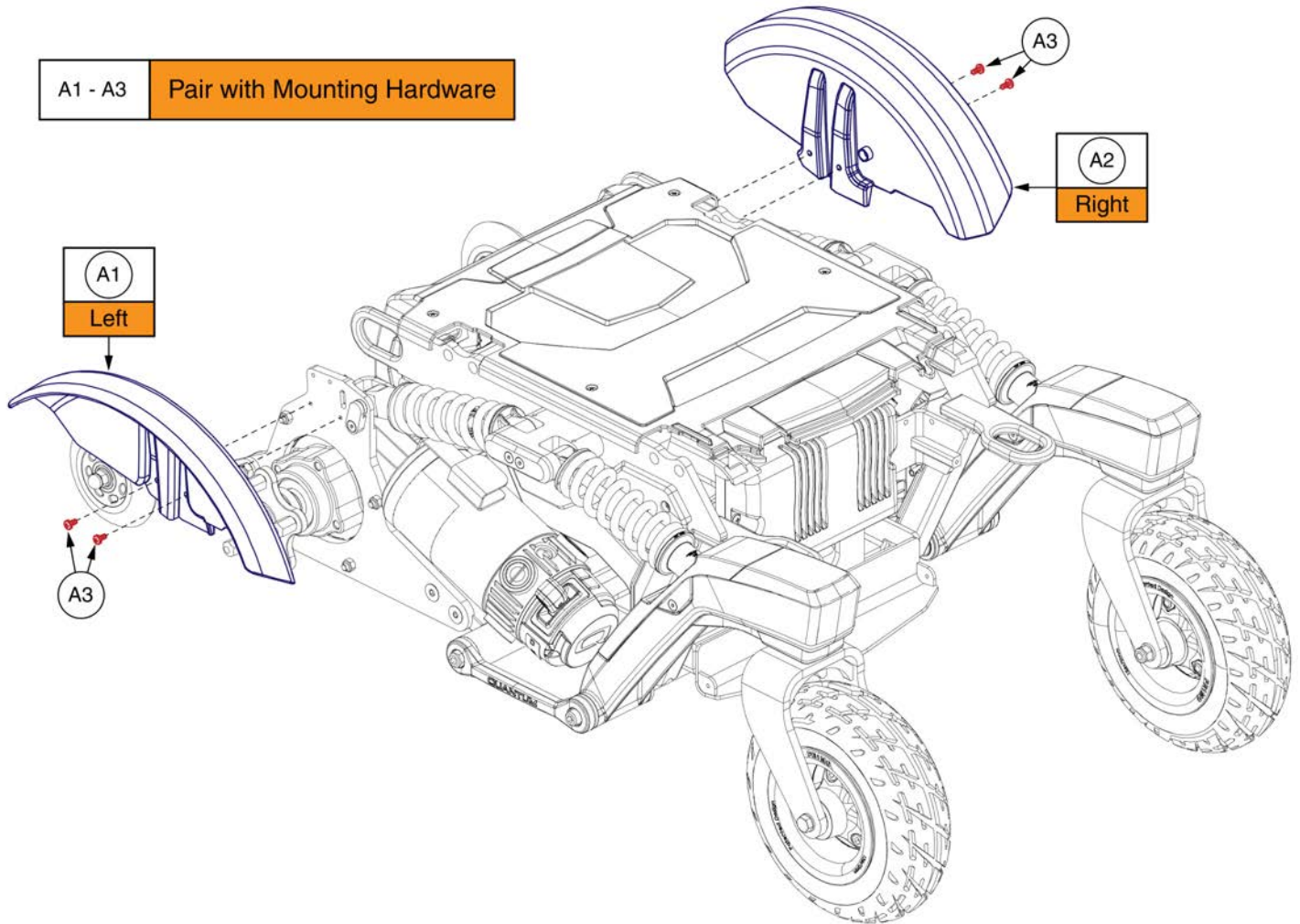
Painted Rear Door Cover w/ Hardware

Ref#	Color Name
A1	Back in Black
B1	Night Train
C1	Grey Street
D1	White Satin
E1	Red Corvette
F1	Cherry Bomb
G1	Pretty in Pink
H1	Raspberry Beret
I1	Sugar Plum
J1	Deep Purple
K1	Midnight Blue
L1	Electric Blue
M1	Blue Jean
N1	Green Machine
O1	Military Green
P1	Lemon Crush
Q1	Evolution Orange
R1	Digital Camo
S1	Faded Glory



Item	Part No.	Name	Qty
A1	DGN2100632-PBK1	SHROUD SERVICE ASSEMBLY, REAR SHROUD PAINTED W/HARDWARE, PPW-BLK-01, 4FRONT2	1
B1	DGN2100632-PBK3	SHROUD SERVICE ASSEMBLY, REAR SHROUD PAINTED W/HARDWARE, PPW-BLK-03, 4FRONT2	1
C1	DGN2100632-PSL3	SHROUD SERVICE ASSEMBLY, REAR SHROUD PAINTED W/HARDWARE, PPW-SIL-03, 4FRONT2	1
D1	DGN2100632-PWT2	SHROUD SERVICE ASSEMBLY, REAR SHROUD PAINTED W/HARDWARE, PPW-WHT-02, 4FRONT2	1
E1	DGN2100632-PRD1	SHROUD SERVICE ASSEMBLY, REAR SHROUD PAINTED W/HARDWARE, PPW-RED-01, 4FRONT2	1
F1	DGN2100632-PRD4	SHROUD SERVICE ASSEMBLY, REAR SHROUD PAINTED W/HARDWARE, PPW-RED-04, 4FRONT2	1
G1	DGN2100632-PPK3	SHROUD SERVICE ASSEMBLY, REAR SHROUD PAINTED W/HARDWARE, PPW-PNK-03, 4FRONT2	1
H1	DGN2100632-PPK4	SHROUD SERVICE ASSEMBLY, REAR SHROUD PAINTED W/HARDWARE, PPW-PNK-04, 4FRONT2	1
I1	DGN2100632-PPR7	SHROUD SERVICE ASSEMBLY, REAR SHROUD PAINTED W/HARDWARE, PPW-PRP-07, 4FRONT2	1
J1	DGN2100632-PPR5	SHROUD SERVICE ASSEMBLY, REAR SHROUD PAINTED W/HARDWARE, PPW-PRP-05, 4FRONT2	1
K1	DGN2100632-PBU10	SHROUD SERVICE ASSEMBLY, REAR SHROUD PAINTED W/HARDWARE, PPW-BLU-10, 4FRONT2	1
L1	DGN2100632-PBU9	SHROUD SERVICE ASSEMBLY, REAR SHROUD PAINTED W/HARDWARE, PPW-BLU-09, 4FRONT2	1
M1	DGN2100632-PBU11	SHROUD SERVICE ASSEMBLY, REAR SHROUD PAINTED W/HARDWARE, PPW-BLU-11, 4FRONT2	1
N1	DGN2100632-PGN11	SHROUD SERVICE ASSEMBLY, REAR SHROUD PAINTED W/HARDWARE, PPW-GRN-11, 4FRONT2	1
O1	DGN2100632-PGN8	SHROUD SERVICE ASSEMBLY, REAR SHROUD PAINTED W/HARDWARE, PPW-GRN-08, 4FRONT2	1
P1	DGN2100632-PYL4	SHROUD SERVICE ASSEMBLY, REAR SHROUD PAINTED W/HARDWARE, PPW-YEL-04, 4FRONT2	1
Q1	DGN2100632-POR7	SHROUD SERVICE ASSEMBLY, REAR SHROUD PAINTED W/HARDWARE, PPW-ORN-07, 4FRONT2	1
R1	DGN2100632-WCM7	SHROUD SERVICE ASSEMBLY, REAR SHROUD PAINTED W/HARDWARE, PWT-CMO-07, 4FRONT2	1
S1	DGN2100632-WFL2	SHROUD SERVICE ASSEMBLY, REAR SHROUD PAINTED W/HARDWARE, PWT-FLG-02, 4FRONT2	1
T1	DGN1611517	FWD REAR DOOR, ASSEMBLY, WITH PLUGS	1
U1	DGN1611520	FWD, REAR DOOR, ASSEMBLY, WITH LIGHTS	1
V1	PLSKNCP1056	KNOB, PLASTIC, M4-.7 X 12MM, KNURLED HEAD, TALL, C-1060-041	1
W1	WASNEOP1003	WASHER, BLACK, NEOPRENE, 3.20MM ID X 7.00MM OD X 1.90MM TH, O-RING	1

10. Fender Assy's

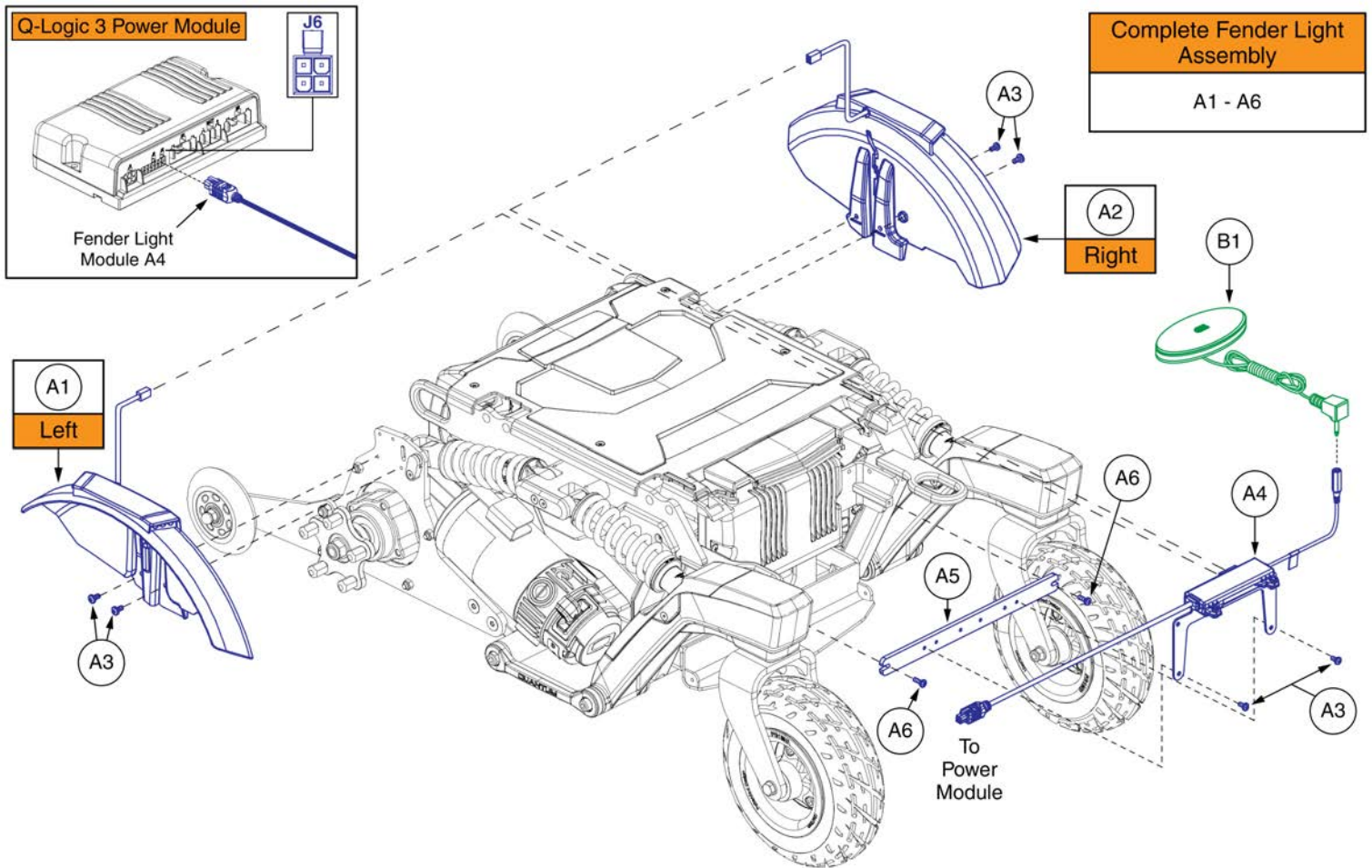


## Standard Fenders, 4Front 2



Item	Part No.	Name	Qty
A1 - A3	DGN1700032	SHROUD,ASSY,FENDERS,QUANTUM 4FRONT SERIES	1
A1	DGN169072	FENDER, RIGHT, FWD	1
A2	DGN169073	FENDER, LEFT, FWD	1
A3	SCRPPH1036	SCREW, PAN HEAD, TYPE H, M4X0.7 X 8, FT, ISO 7045, CL 4.8, BZ	4

10. Fender Assy's



Item	Part No.	Name	Qty
A1 - A6	DGN2004686	FENDER,ASSY,SWITCH LIGHTS,4FRONT SERIES	1
A1	DGN1700204	FENDER LIGHT ASSEMBLY, FWD, RIGHT	1
A2	DGN1700203	FENDER LIGHT ASSEMBLY, FWD, LEFT	1
A3	SCRPPH1036	SCREW, PAN HEAD, TYPE H, M4X0.7 X 8, FT, ISO 7045, CL 4.8, BZ	6
A4	MEC2004534	LIGHT MODULE, LED, 4 FRONT, BRACKET ASSEMBLY	1
A5	MEC167317	LIGHT MODULE BRACKET	1
A6	SCRPPH1044	SCREW, PAN HEAD, TYPE H, M4X0.7 X 12, FT, ISO 7045, CL 4.8, BZ	2
B1	ELE160183	ELECTRONIC,ASSY,SWITCH,BLACK,EGG,W/LIGHT SYMBOL,W/DUAL LOCK	1

11. Seat Mount Assy's

Universal Tower Assemblies	TB3 Tilt Tower Assemblies	Tall Tower Assembly
<p>MEC1700465 Standard Tower Assy A1 - A2</p>	<p>MEC1705730 Angle Adjustable Tower Assy B1 - B2</p>	<p>MEC1805269 Universal Tall Tower Assy C1 - C2</p> <p><b>Only for use with TB3 Static Seat</b></p>
<p>MEC1707746 1-Position Tower Assy D1 - D2</p>	<p>MEC1711385 Angle Adjustable 1-Position Tower Assy E1 - E2</p>	<p><b>Please Note:</b></p> <ul style="list-style-type: none"> <li>- The universal tower's are used with Q-Captain static seat bases, TB3 static seat bases, and TB3 REAC lift seat bases. The seating interfaces are not shown. See the applicable seating system IPB for interface selection.</li> <li>- Q-Captains seats with lift require the selection of MEC1707746.</li> <li>- Units configured without anti-tips require the use of the 1-Position tower.</li> <li>- Configurations are subject to change. Contact Technical Service for more information.</li> </ul>

**Important - Occupied Transit Systems: PROHIBITED!** Do not modify your power chair in any way not authorized by Pride/Quantum. Do not make alterations or substitutions to power chair structural parts or frame components without consulting Pride/Quantum.

**TB Flex Tower Assemblies**

MEC2009398  
Complete Assy  
F1 - F5

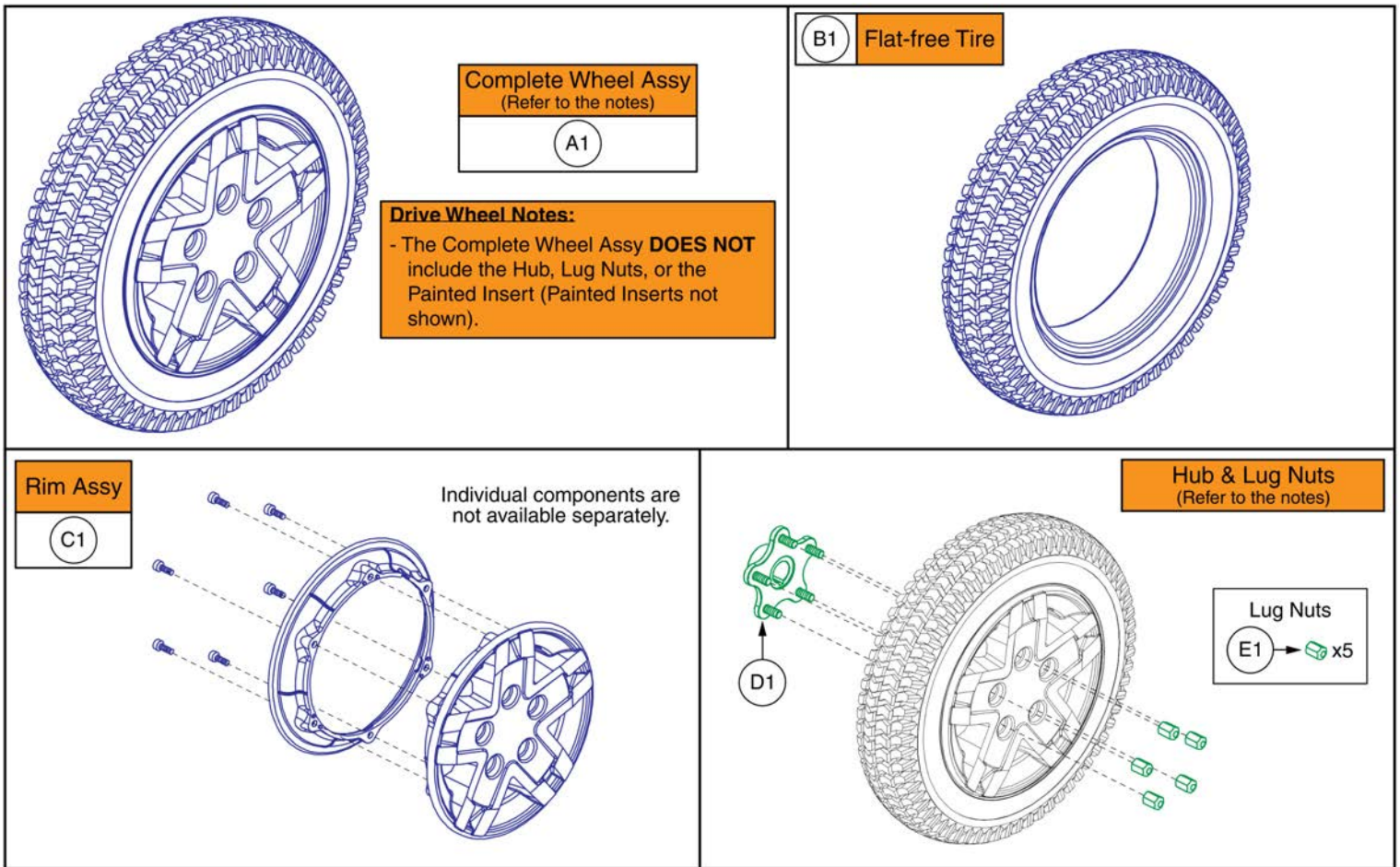


## Seat Interfaces, 4Front 2



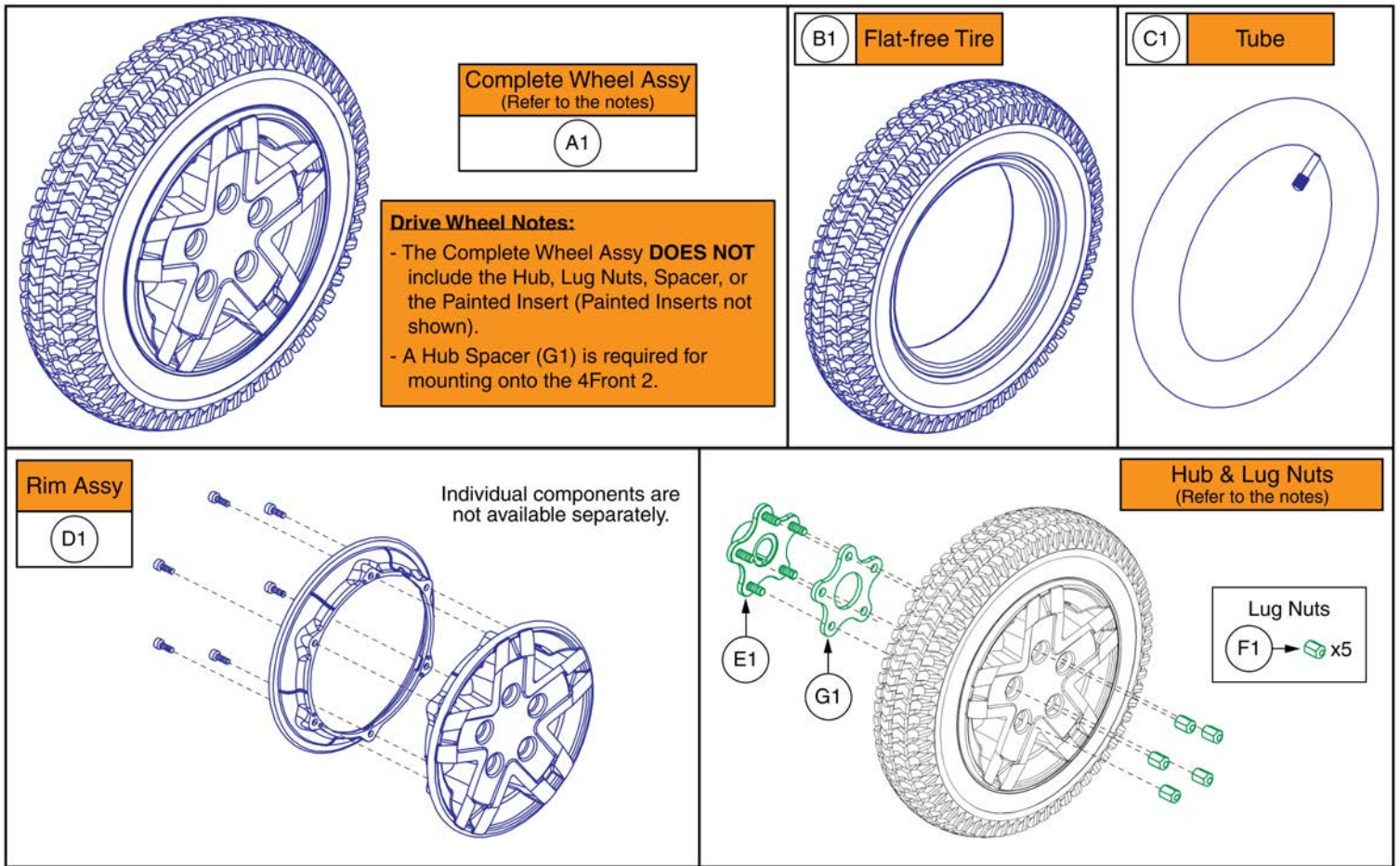
Item	Part No.	Name	Qty
A1 - A2	MEC1700465	SEAT INTERFACE,ASSY,TB3,QUANTUM 4FRONT,W/MOUNTING HARDWARE	1
A1	BRK8110003	MOUNTING BRACKET,SEAT INTERFACE,UNIVERSAL,BRK8110003	1
A2	HDW1700456	SCREW, BUTTON HEAD, M10X1.5 X 20, ISO 7380-1, CL 10.9, BZ, PVTP	2
B1 - B2	MEC1705730	SEAT INTERFACE,ASSY,TB3.5,QUANTUM 4FRONT,W/MOUNTING HARDWARE	1
B1	MEC131182	MOUNTING BRACKET,SEAT INTERFACE,TRU-BALANCE 3	1
B2	HDW1700456	SCREW, BUTTON HEAD, M10X1.5 X 20, ISO 7380-1, CL 10.9, BZ, PVTP	2
C1 - C2	MEC1805269	SEAT INTERFACE,ASSY,TB3 TALL,QUANTUM 4FRONT,W/MOUNTING HARDWARE	1
C1	MEC151481	SEATING INTERFACE BRACKET, TALL	1
C2	HDW1700456	SCREW, BUTTON HEAD, M10X1.5 X 20, ISO 7380-1, CL 10.9, BZ, PVTP	2
D1 - D2	MEC1707746	SEAT INTERFACE,ASSY,UNIVERSAL,1-POSITION	1
D1	MEC1707642	SEAT INTERFACE BRACKET,UNIVERSAL,SINGLE POSITION	1
D2	HDW1700456	SCREW, BUTTON HEAD, M10X1.5 X 20, ISO 7380-1, CL 10.9, BZ, PVTP	2
E1 - E2	MEC1711385	SEAT INTERFACE ASSY,ANGLE-ADJ,1-POSITION	1
E1	MEC1708208	SEAT BRACKET WELDMENT,ANGLE ADJUSTABLE,SINGLE POSITION	1
E2	HDW1700456	SCREW, BUTTON HEAD, M10X1.5 X 20, ISO 7380-1, CL 10.9, BZ, PVTP	2
F1 - F5	MEC2009398	SEAT INTERFACE,ASSY,TB FLEX SEAT,4FRONT 2	1
F1	MEC1800079	SEAT INTERFACE BRACKET, FRONT LEFT	1
F2	MEC1800080	SEAT INTERFACE BRACKET, FRONT RIGHT	1
F3	MEC146836	SEAT INTERFACE BRACKET,LEFT,EU SEAT	1
F4	MEC146837	SEAT INTERFACE BRACKET,RIGHT,EU SEAT	1
F5	HDW1700456	SCREW, BUTTON HEAD, M10X1.5 X 20, ISO 7380-1, CL 10.9, BZ, PVTP	8

5-Spoke, 14" x 3" Drive Wheels



Item	Part No.	Name	Qty
A1	WHL1703588	WHEEL,ASSY,FLAT FREE,14" X 3" DRIVE,BLACK RIM/BLACK TIRE,E-1203-043	1
B1	TIR8110024	TIRE,FLAT FREE,BLACK,14" OD,3" W,C-248 POWERTRAX TREAD,(GALLOP: 5508018 YT57)	1
C1	WHL1703586	WHEEL,ASSY,RIM,BLACK,ALUMINUM,8",5 SPOKE,D-1203-071	1
D1	MEC1714220	LINIX HD HUB ASSEMBLY	1
E1	DWR1005B049	NUT,LUG,ZINC,5/16-24,B-1005-049	5

5-Spoke, 14" x 3" Drive Wheels



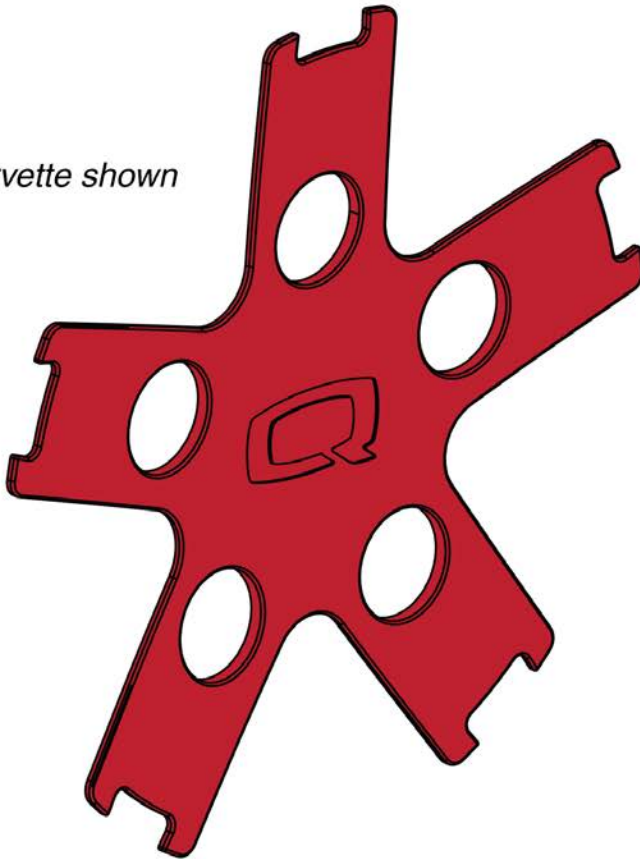
Item	Part No.	Name	Qty
A1	WHL1704507	WHEEL,ASSY,PNEUMATIC,14" X 3" DRIVE,BLACK RIM/BLACK TIRE, E-1203-051	1
B1	TIR8110026	TIRE,PNEUMATIC,BLACK,14" OD,3" W,C-248-5 TREAD	1
C1	TUBSTND1002	TUBE,300-8,ANGLED VALVE W/CAP	1
D1	WHL1703586	WHEEL,ASSY,RIM,BLACK,ALUMINUM,8",5 SPOKE,D-1203-071	1
E1	MEC1714220	LINIX HD HUB ASSEMBLY	1
F1	DWR1005B049	NUT,LUG,ZINC,5/16-24,B-1005-049	5
G1	MEC1610056	HUB SPACER	1

5-Spoke, 14" x 3" Drive Wheels

**\*Important Please Note:**

- The painted wheel inserts are available in all the colors listed.
- **Power base color varies by model and some colors listed may not be available on all power bases.** Visit [www.quantumrehab.com](http://www.quantumrehab.com) for a model specific breakdown of all available colors.
- Contact Technical Service for more information.

Red Corvette shown



\*\*The inserts contain all of the adhesive mounting fasteners.\*\*

Painted Wheel Inserts	
Ref#	Color Name
(A1)	Back in Black
(B1)	Night Train
(C1)	Grey Street
(D1)	Silver Bullet
(E1)	White Satin
(F1)	Red Corvette
(G1)	Cherry Bomb
(H1)	Pretty in Pink
(I1)	Raspberry Beret
(J1)	Sugar Plum
(K1)	Deep Purple
(L1)	Midnight Blue
(M1)	Electric Blue
(N1)	Blue Jean
(O1)	Green Machine
(P1)	Military Green
(Q1)	Lime Light
(R1)	Yellow Blaze
(S1)	Lemon Crush
(T1)	Orange Crush
(U1)	Evolution Orange
(V1)	Carbon Fiber
(W1)	Digital Camo
(X1)	Faded Glory

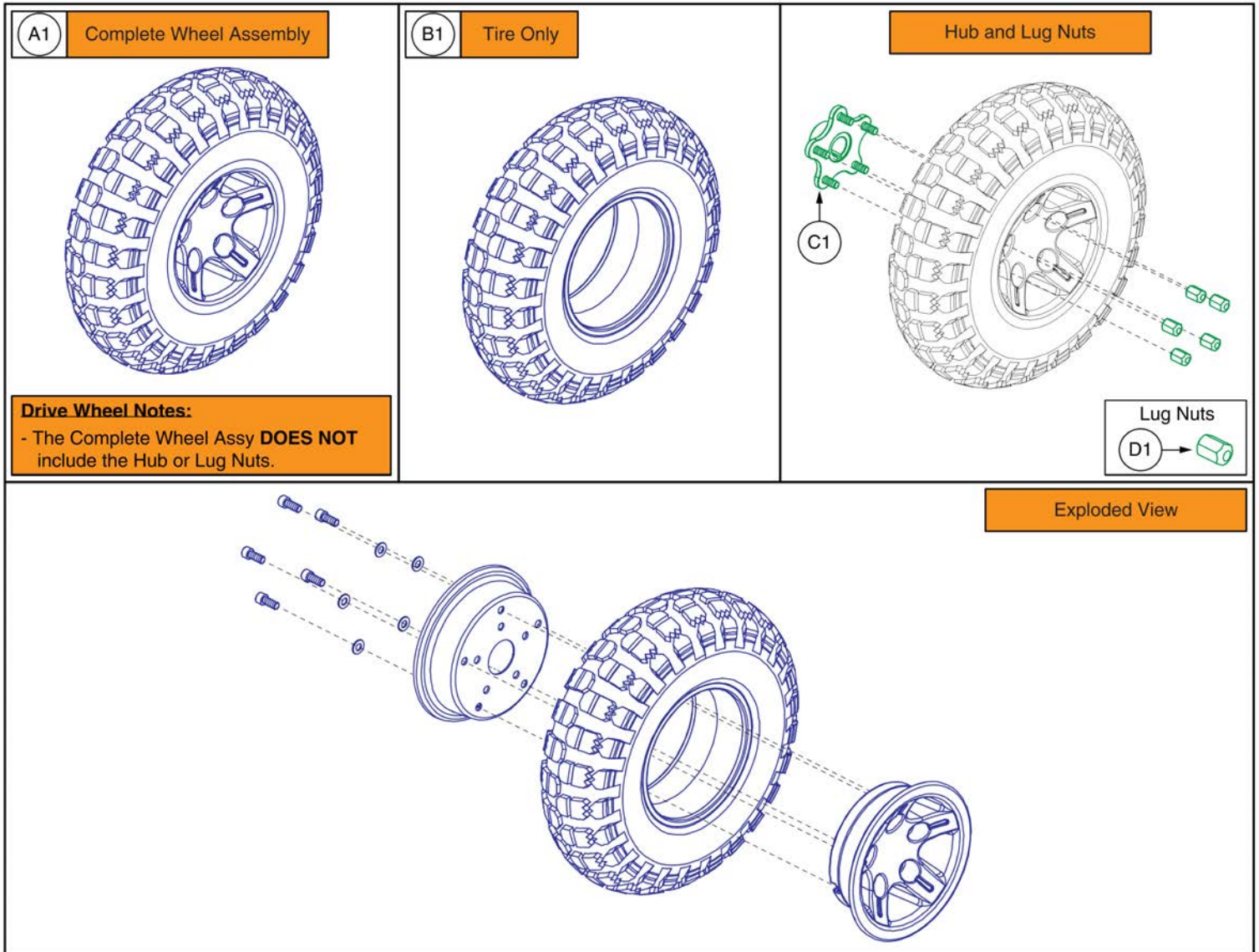
# Painted Rim Inserts



Item	Part No.	Name	Qty
A1	DGN164245-PBK1	DRIVE WHEEL COLOR INSERT, WITH ADHESIVE TAPE, PPW-BLK-01 (BACK IN BLACK/BLACK)	1
B1	DGN164245-PBK3	DRIVE WHEEL COLOR INSERT, WITH ADHESIVE TAPE, PPW-BLK-03 (NIGHT TRAIN)	1
C1	DGN164245-PSL3	DRIVE WHEEL COLOR INSERT, WITH ADHESIVE TAPE, PPW-SIL-03 (GREY STREET)	1
D1	DGN164245-PSL7	DRIVE WHEEL COLOR INSERT, WITH ADHESIVE TAPE, PPW-SIL-07 (SILVER BULLET)	1
E1	DGN164245-PWH2	DRIVE WHEEL COLOR INSERT, WITH ADHESIVE TAPE, PPW-WHT-02 (WHITE SATIN)	1
F1	DGN164245-PRD1	DRIVE WHEEL COLOR INSERT, WITH ADHESIVE TAPE, PPW-RED-01 (RED CORVETTE/CANDY APPLE RED)	1
G1	DGN164245-PRD4	DRIVE WHEEL COLOR INSERT, WITH ADHESIVE TAPE, PPW-RED-04(CHERRY BOMB)	1
H1	DGN164245-PPK3	DRIVE WHEEL COLOR INSERT, WITH ADHESIVE TAPE, PPW-PNK-03 (PRETTY IN PINK)	1
I1	DGN164245-PPK4	DRIVE WHEEL COLOR INSERT, WITH ADHESIVE TAPE, PPW-PNK-04(RASPBERRY BERET)	1
J1	DGN164245-PPR7	DRIVE WHEEL COLOR INSERT, WITH ADHESIVE TAPE, PPW-PRP-07(SUGAR PLUM)	1
K1	DGN164245-PPR5	DRIVE WHEEL COLOR INSERT, WITH ADHESIVE TAPE, PPW-PRP-05 (DEEP PURPLE)	1
L1	DGN164245-PBU10	DRIVE WHEEL COLOR INSERT, WITH ADHESIVE TAPE, PPW-BLU-10 (MIDNIGHT BLUE)	1
M1	DGN164245-PBU9	DRIVE WHEEL COLOR INSERT, WITH ADHESIVE TAPE, PPW-BLU-09 (ELECTRIC BLUE/TRUE BLUE)	1
N1	DGN164245-PBU11	DRIVE WHEEL COLOR INSERT, WITH ADHESIVE TAPE, PPW-BLU-11(BLUE JEAN)	1
O1	DGN164245-PGN11	DRIVE WHEEL COLOR INSERT, WITH ADHESIVE TAPE, PPW-GRN-11(GREEN MACHINE)	1
P1	DGN164245-PGN8	DRIVE WHEEL COLOR INSERT, WITH ADHESIVE TAPE, PPW-GRN-08 (MILITARY GREEN)	1
Q1	DGN164245-PGN7	DRIVE WHEEL COLOR INSERT, WITH ADHESIVE TAPE, PPW-GRN-07 (LIME LIGHT)	1
R1	DGN164245-PYL3	DRIVE WHEEL COLOR INSERT, WITH ADHESIVE TAPE, PPW-YEL-03 (YELLOW BLAZE/ORION YELLOW)	1
S1	DGN164245-PYL4	DRIVE WHEEL COLOR INSERT, WITH ADHESIVE TAPE, PPW-YEL-04(LEMON CRUSH)	1
T1	DGN164245-POR6	DRIVE WHEEL COLOR INSERT, WITH ADHESIVE TAPE, PPW-ORN-06 (ORANGE CRUSH)	1
U1	DGN164245-POR7	DRIVE WHEEL COLOR INSERT, WITH ADHESIVE TAPE, PPW-ORN-07(EVOLUTION ORANGE)	1
V1	DGN164245-WCB1	DRIVE WHEEL COLOR INSERT, WITH ADHESIVE TAPE, PWT-CBN-01 (CARBON FIBER)	1
W1	DGN164245-WCM7	DRIVE WHEEL COLOR INSERT, WITH ADHESIVE TAPE, PWT-CMO-07 (MILITARY DIGITAL CAMO)	1
X1	DGN164245-WFL2	DRIVE WHEEL COLOR INSERT, WITH ADHESIVE TAPE, PWT-FLG-02 (FADED GLORY)	1

**5-Spoke, 14" x 4" Drive Wheels (Knobby Tire)**

Only serviceable parts contain callouts. The parts without callouts require the complete assembly to be selected.

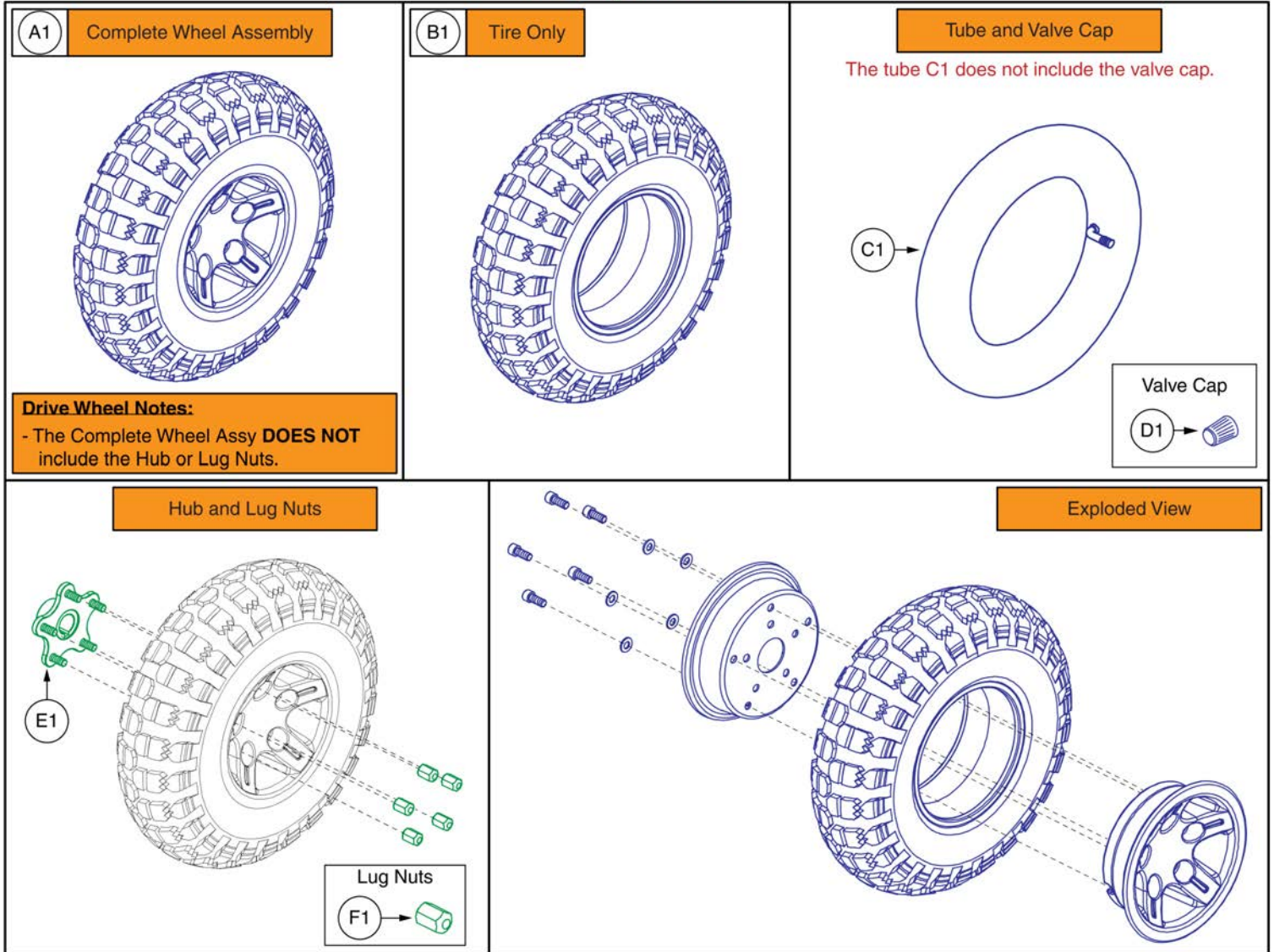




Item	Part No.	Name	Qty
A1	WHL1903913	WHEEL ASSY, FLAT FREE BLACK 14 X 4 DRIVE BLACK RIM/BLACK TIRE, COMMUNITY USE	1
B1	TIR8110019	TIRE,FLAT FREE,BLACK,14" OD,4" W,C166 KNOBBY TREAD,(GALLOP: 114292)	1
C1	MEC1714220	LINIX HD HUB ASSEMBLY	1
D1	DWR1005B049	NUT,LUG,ZINC,5/16-24,B-1005-049	5

### 5-Spoke, 14" x 4" Drive Wheels (Knobby Tire)

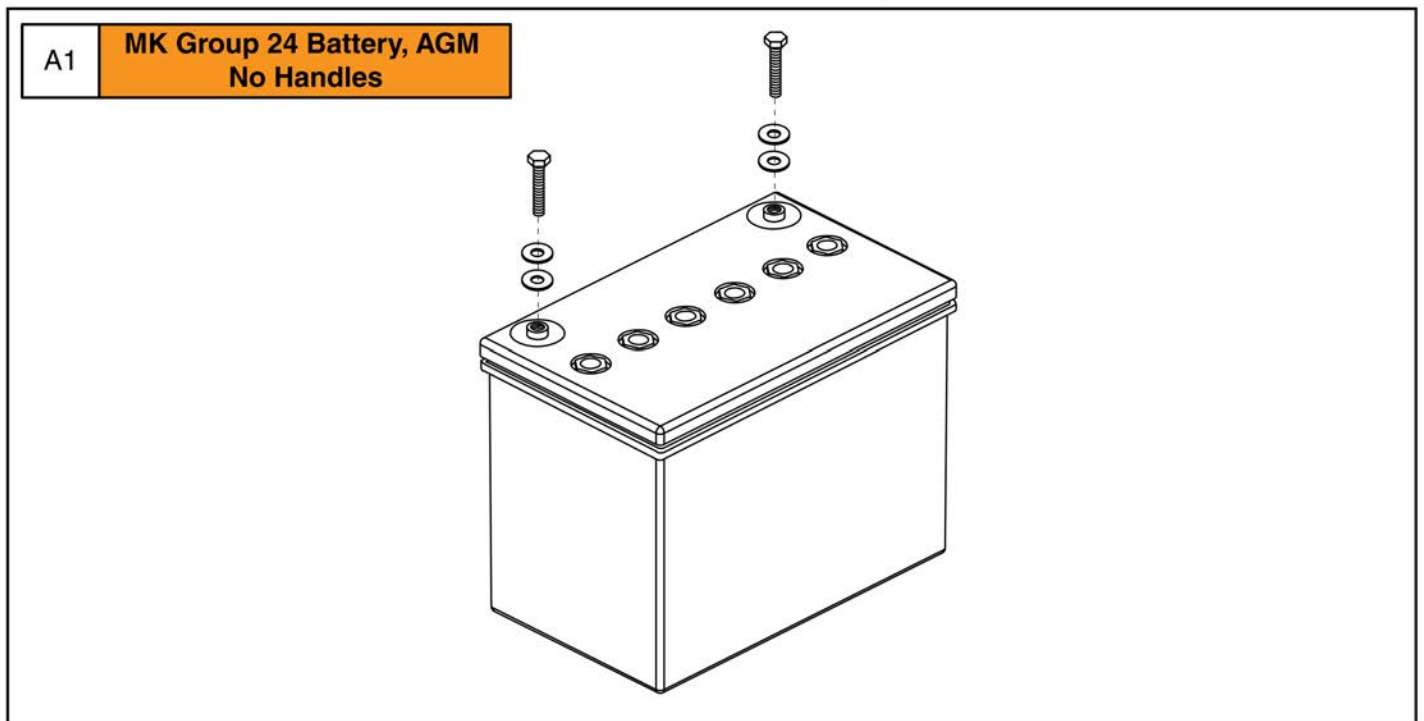
Only serviceable parts contain callouts. The parts without callouts require the complete assembly to be selected.  
**MAX 35psi / 2.4 bar**



Item	Part No.	Name	Qty
A1	WHL1903914	WHEEL ASSY, PNEUMATIC BLACK 14 X 4 DRIVE BLACK RIM/BLACK TIRE, COMMUNITY USE	1
B1	TIR8110017	TIRE,PNEUMATIC,BLACK,14" OD, 4" W,C166 KNOBBY TREAD,(GALLOP: RP265087)	1
C1	TUBSTND1043	TIRE,TUBE,4.00-6,90 DEGREE VALVE STEM,(TAG: 163265)	1
D1	PLSINDV1003	CAP,BLACK,VALVE	1
E1	MEC1714220	LINIX HD HUB ASSEMBLY	1
F1	DWR1005B049	NUT,LUG,ZINC,5/16-24,B-1005-049	5

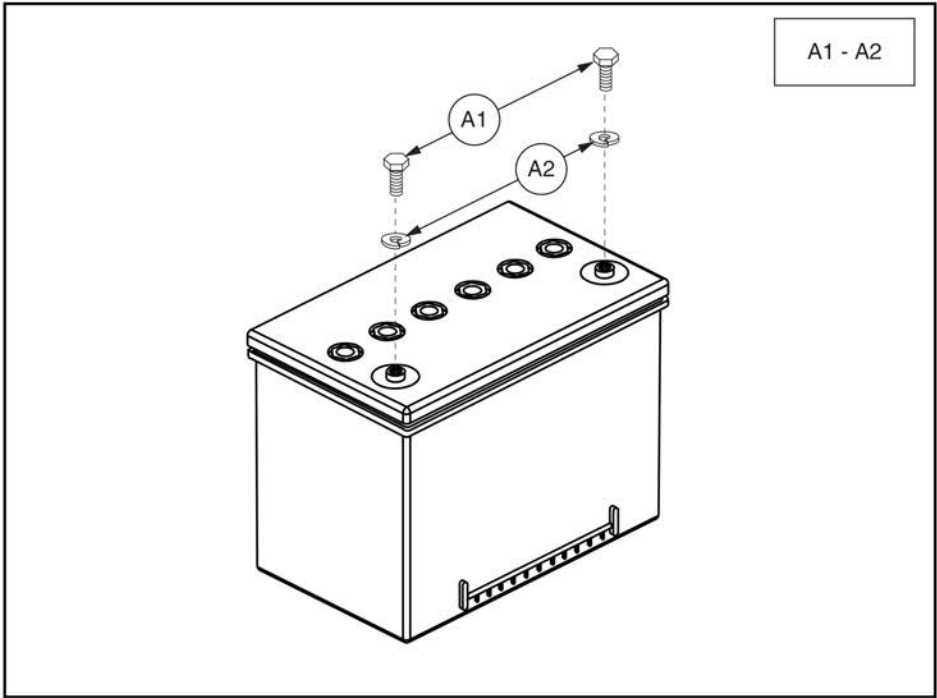
13. Batteries

\*\*\* Please note that hardware is included with the complete assembly.  
It is not available individually.\*\*\*



Item	Part No.	Name	Qty
A1	BAT1712207	BATTERY, AGM, 12V, 69.2AH (C/5),GROUP 24, HANDLES REMOVED	1

13. Batteries



## Group 34 Flush Mount Terminal Battery



Item	Part No.	Name	Qty
A1 - A2	BATGEL1006	BATTERY,GEL,GROUP 34,W/FLUSH MOUNT TERMINALS,H-1000-140	1
A1	SCRHHCS1667	SCREW,HHCS,STAINLESS STEEL,1/4-20 X 0.50"	2
A2	WASLOCK1084	WASHER,LOCK,STAINLESS STEEL,0.25" ID X 0.4375" OD X 0.0625" TH	2

14. Battery Charger

**IMPORTANT:** The USA / CA charger (A1) **CANNOT** be used internationally and the power cord **CANNOT** be swapped out for an international power cord. If an international charger is needed then the complete international charger assembly must be selected. Contact Technical Service for more information.

<p><b>USA / CA 8 Amp CTE Charger Assy</b></p> <p>(A1)</p> <p>Includes the power cord</p> <p><b>*USA / CANADA ONLY See Notes Above*</b></p>	<p><b>UK 8 Amp CTE Charger Assy</b></p> <p>(B1)</p> <p>Includes the power cord</p>
--	--

<p><b>EU 8 Amp CTE Charger Assy</b></p> <p>(C1)</p> <p>Includes the power cord</p>	<p><b>AU / NZ 8 Amp CTE Charger Assy</b></p> <p>(D1)</p> <p>Includes the power cord</p>
--	---

Replacement Power Cords							
(E1)	United States / CA	(F1)	United Kingdom	(G1)	European	(H1)	Australian / NZ
Type B		Type G	<b>*Cannot be used with the USA / CA charger A1</b>	Type F	<b>*Cannot be used with the USA / CA charger A1</b>	Type I	<b>*Cannot be used with the USA / CA charger A1</b>



## 8 Amp CTE Charger



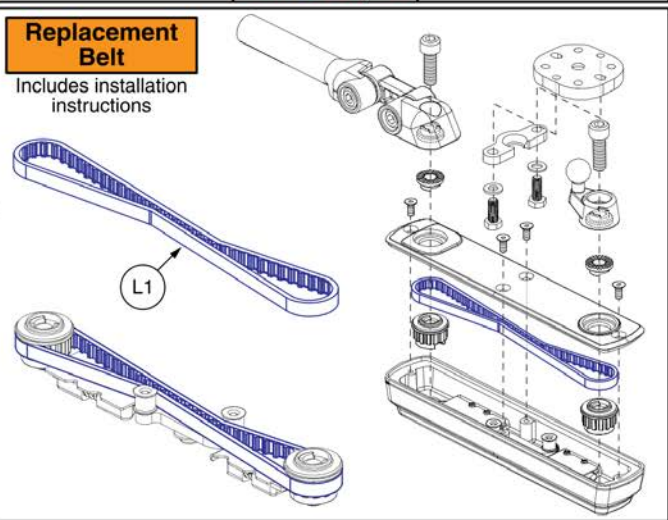
Item	Part No.	Name	Qty
A1	ELE2000091	CHARGER, OFFBOARD, LOW INHIBIT, 8A W/ USA POWERCORD	1
B1	ELEASMB5670	CHARGER, OFFBOARD, LOW INHIBIT, 8A W/ UK POWERCORD	1
C1	ELEASMB5671	CHARGER, OFFBOARD, LOW INHIBIT, 8A W/ EU POWERCORD	1
D1	ELEASMB5672	CHARGER, OFFBOARD, LOW INHIBIT, 8A W/ AU POWERCORD	1
E1	HARUSHD1065	ELECTRONIC,HARNESS,POWER CORD,IEC - USA,H-1000-128	1
F1	HARUSHD2041	ELECTRONIC,HARNESS, POWER CORD,AC W/UK PLUG,H-1020-049	1
G1	HARUSHD2160	ELECTRONIC,HARNESS,POWER CORD,IEC - EUROPE PLUG	1
H1	DWR1000H174	ELECTRONIC,HARNESS,AC POWER CORD,INSULATED BLADES,AUSTRALIA,H-1000-174	1

15.1. Swing-away, Version 3

Complete Swing-away Joystick Mount w/ Hardware				Mounting Hardware		
Ref	Part Number	Mounting Hardware	Seating Type	NE / NE+	Q-Logic	Contoured Seat Armrest Adapter
A1	ACC1908434	Q-Logic	Rehab			
B1	ACC1908435	Q-Logic	Contoured			
C1	ACC1908437	NE/NE+	Rehab			
D1	ACC1908438	NE/NE+	Contoured			
E1	ACC1908439	PG Drives*	Rehab			
F1	ACC1908440	PG Drives*	Contoured			

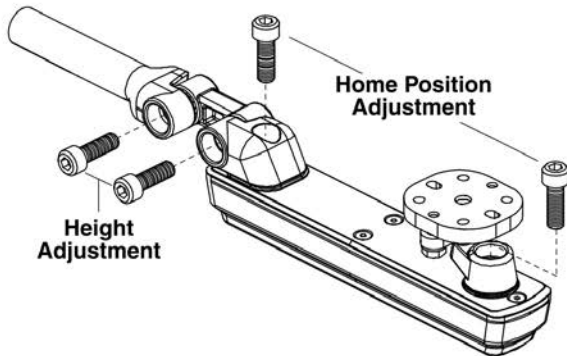
\*Does not include Remote Plus Joysticks

**Please Note:**  
 - The complete assemblies A1 thru F1 include the swing-away joystick mount, the applicable joystick mounting hardware, and adjustment instructions.  
 - The assemblies used with contoured seating also include the armrest adapter K1.  
 - PG Drives does **NOT** include Remote Plus.

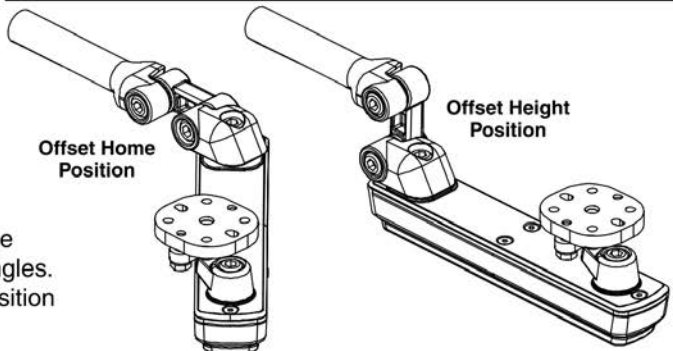


**Adjustments**

Reference Only. See the include instructions before making any changes.

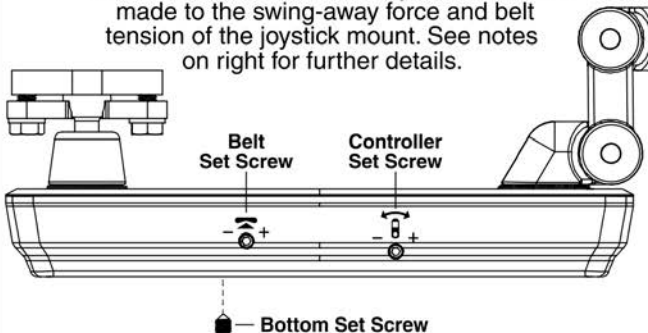


- Each pivot can be adjusted independently in 15 Degree increments to allow for a wide range of positions and angles.
- Two examples are shown. One for a possible home position and one for a possible height position.



**Swing-away Force Adjustment and Belt Tightening**

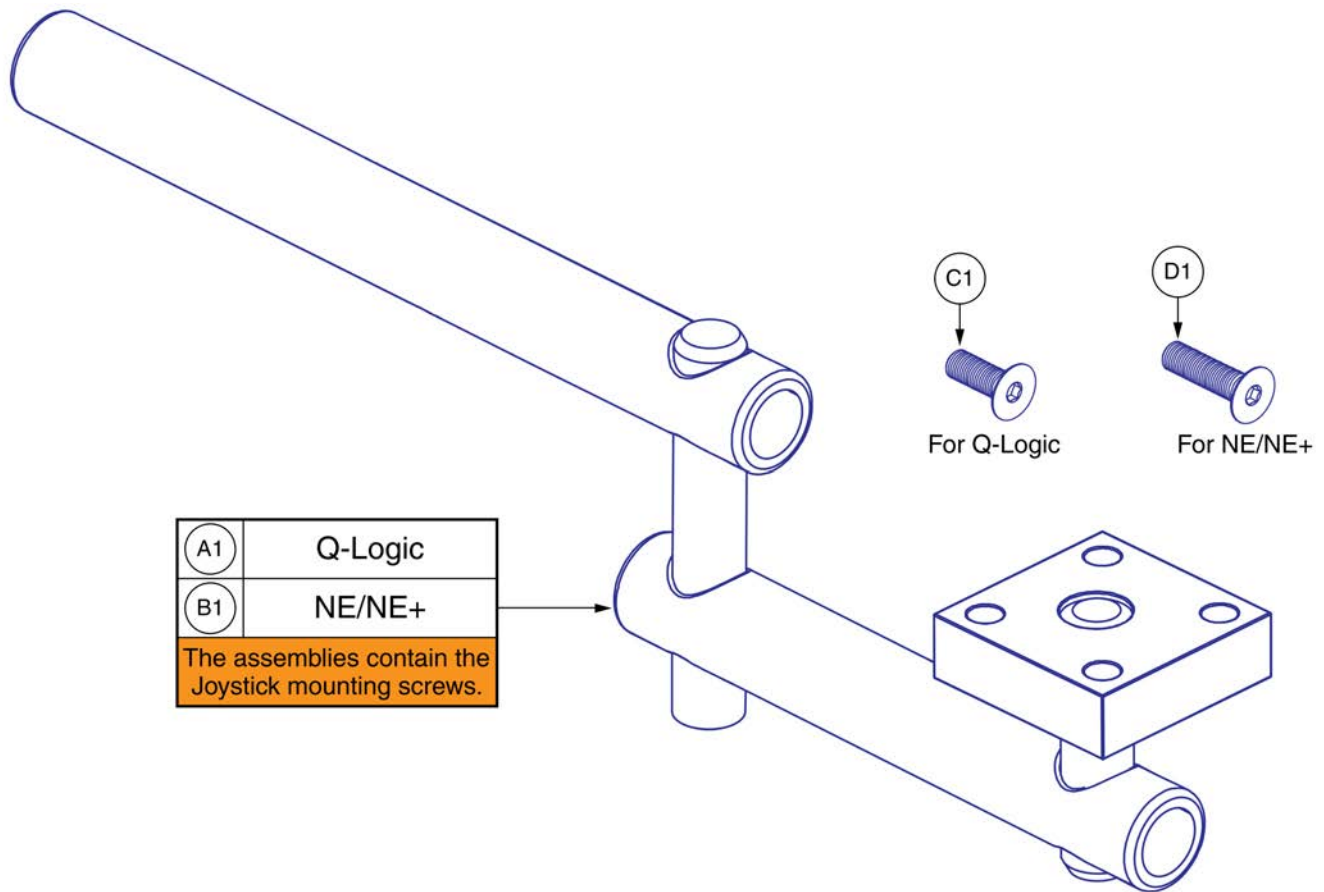
Three set screws allow for adjustments to be made to the swing-away force and belt tension of the joystick mount. See notes on right for further details.



Set Screw	Notes
Controller	- Adjusts the force needed to swing the joystick mount away. Force range depends on where the <b>Bottom</b> Set Screw is positioned.
Bottom	- Sets the force range of the <b>Controller</b> Set Screw. Removed sets the range from 3 to 6lbs. Inserted sets the range from 5 to 8lbs.
Belt	- Adjusts the internal belt tension. Turn inward 1/4 turn if the controller does not maintain the set orientation when swinging away or if the controller spins. - <b>Note:</b> This <b>ONLY</b> needs to be adjusted if the belt is loose and should be performed rarely.

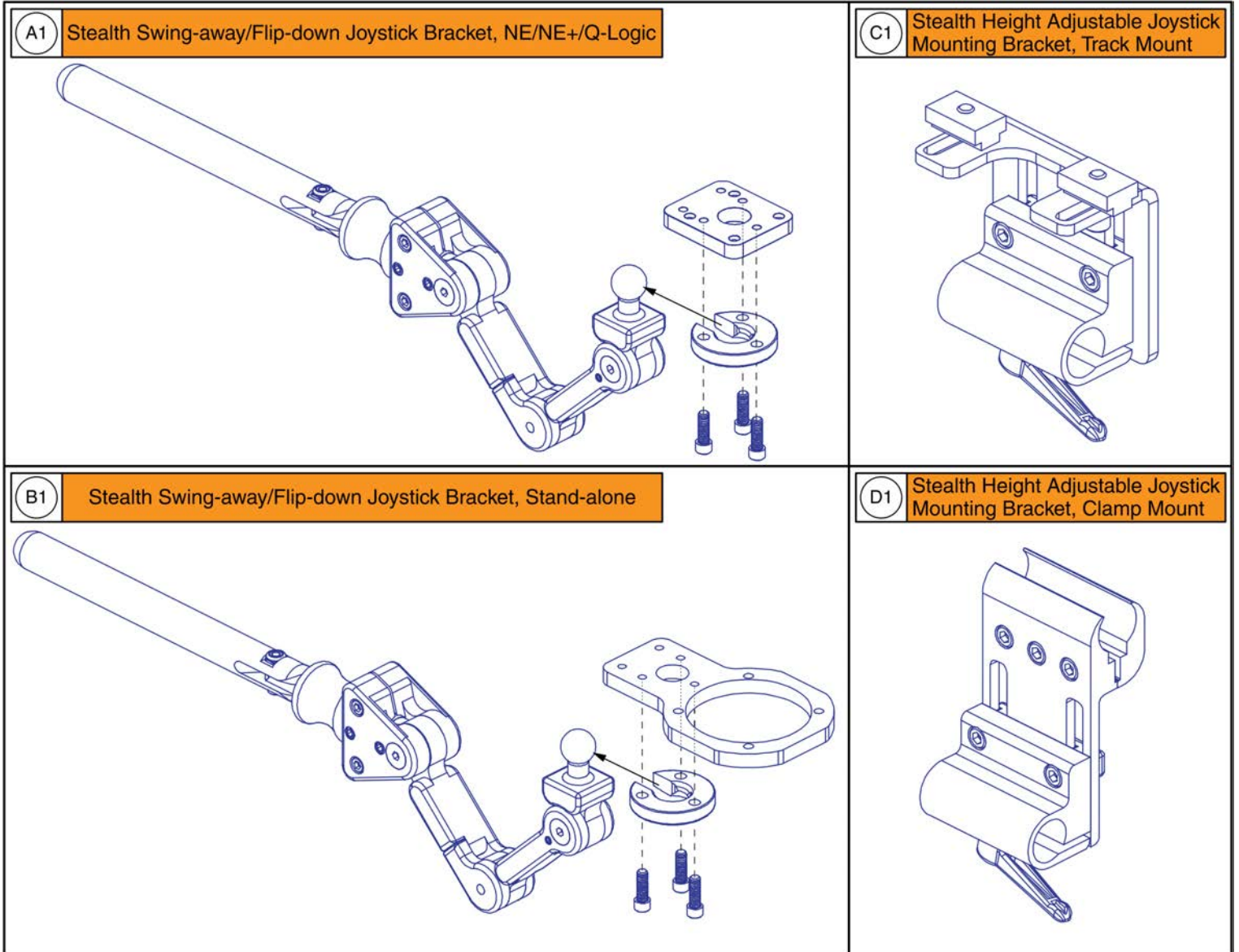
Item	Part No.	Name	Qty
A1	ACC1908434	JOYSTICK MOUNTING BRACKET,ASSY,SWING AWAY,Q-LOGIC	1
B1	ACC1908435	JOYSTICK MOUNTING BRACKET,ASSY,SWING AWAY,Q-LOGIC CONTOURED SEAT	1
C1	ACC1908437	JOYSTICK MOUNTING BRACKET,ASSY,SWING AWAY,NE / NE PLUS	1
D1	ACC1908438	JOYSTICK MOUNTING BRACKET,ASSY,SWING AWAY,NE / NE PLUS CONTOURED SEAT	1
E1	ACC1908439	JOYSTICK MOUNTING BRACKET,ASSY,SWING AWAY,VSI / VR2 / GC3 / R-NET	1
F1	ACC1908440	JOYSTICK MOUNTING BRACKET,ASSY,SWING AWAY,VSI / VR2 / GC3 / R-NET CONTOURED SEAT	1
G1	DWR1111C002	SPACER,CURTIS NE/NE PLUS MOUNT BRACKET,C-1111-002	2
H1	SCRPPH1384	SCREW, PAN HEAD, TYPE H, M5X0.8 X 20, ISO 7045, CL 4.8, BZ	4
I1	SCRPPH1279	SCREW, PAN HEAD, TYPE H, M5X0.8 X 16, ISO 7045, CL 4.8, BZ	4
J1	SCRPPH1384	SCREW, PAN HEAD, TYPE H, M5X0.8 X 20, ISO 7045, CL 4.8, BZ	2
K1	MEC146133	ARMREST ADAPTER ASSEMBLY	1
L1	KIT2103246	TIMING BELT SERVICE ASSEMBLY, SWING AWAY JOYSTICK MOUNT	1

15.2. Retract 4 Swing-away Joystick Bracket



Item	Part No.	Name	Qty
A1	MEC138860	SWING AWAY JOYSTICK MOUNT,ASSY,RETRACT 4,Q-LOGIC	1
B1	MEC138876	SWING AWAY JOYSTICK MOUNT,ASSY,RETRACT 4,NE/NE PLUS	1
C1	SCRSFH1005	SCREW,SHFH,BLACK ZINC,M5-.8 X 14MM	4
D1	SCRSHFH1053	SCREW, FLAT HEAD, M5X0.8 X 20, ISO 10642, CL 10.9, BZ	4

15.3. Stealth Swing-away / Flip-down Joystick Bracket



Item	Part No.	Name	Qty
A1	ST-TWBM480QL-Q	JOYSTICK MOUNTING BRACKET,ASSY,SWING AWAY/FLIP DOWN,NE/NE PLUS/Q-LOGIC,W/MOUNTING HARDWARE	1
B1	ST-TWBM480CJ-Q	JOYSTICK MOUNTING BRACKET,ASSY,SWING AWAY/FLIP DOWN,STANDALONE,W/MOUNTING HARDWARE	1
C1	ST-ARM250T-Q	JOYSTICK MOUNT,ASSY,HEIGHT ADJUSTABLE,W/TRACK HARDWARE	1
D1	ST-ARM250C-Q	JOYSTICK MOUNT,ASSY,HEIGHT ADJUSTABLE,W/CLAMP HARDWARE	1

15.4. Joystick Bracket Receivers

<p>A1</p>	<p><b>Tubular Style Arms</b></p>	<p>B1</p> <p>Clamp Mounted Stealth Bracket</p>
<p>C1</p>	<p><b>TB3 Version 1, 2, &amp; 3 Flip-back Arms</b></p>	<p>D1</p> <p>Track Mounted Stealth Bracket</p>
<p><b>*TB3 Version 1 &amp; 2 Flip-back Arms ONLY*</b></p> <p>E1</p>		<p><b>T-Arm Receiver</b></p> <p>F1</p>
<p><b>Contoured Seat Armrest Adapter</b></p> <p>G1</p> <p><b>Note:</b> For use with Swing-away Joystick mounts.</p>		<p><b>Please note:</b></p> <ul style="list-style-type: none"> <li>- Joystick receiver selection varies by armrest type.</li> <li>- The replacement parts shown may not be applicable to all power bases / seating systems.</li> <li>- Contact Technical Service for more information.</li> </ul>



Item	Part No.	Name	Qty
A1	FRMASMB16062	JOYSTICK RECEIVER MOUNT,ASSY,UNIVERSAL,ADJUSTABLE BLOCK,D-1000-313	1
B1	ST-ARM250C-Q	JOYSTICK MOUNT,ASSY,HEIGHT ADJUSTABLE,W/CLAMP HARDWARE	1
C1	MEC1809294	JOYSTICK RECEIVER MOUNT,ASSY,W/MOUNTING HARDWARE,ADJUSTABLE HANDLE	1
D1	ST-ARM250T-Q	JOYSTICK MOUNT,ASSY,HEIGHT ADJUSTABLE,W/TRACK HARDWARE	1
E1	ACC123525	JOYSTICK RECEIVER MOUNT,ASSY,W/ACCESSORY BLOCK,TRUBALANCE 3	1
F1	ACC1800991	JOYSTICK RECEIVER MOUNT,ASSY,TBFLEX	1
G1	MEC146133	ARMREST ADAPTER ASSEMBLY	1

16. Owner's & Decal Packages



# Owner's Package

Item	Part No.	Name	Qty
N/A	INFMANU4864	MANUAL,OWNER'S,Q4FRONT,ENGLISH	1
N/A	INFINFB3072	MANUAL,PRODUCT INSERT SHEET,POWER CHAIR WARRANTY,AUSTRALIA	1
N/A	INFMANU3992	MANUAL,CONSUMER SAFETY GUIDE,POWERCHAIR	1
N/A	INFINFB4034	MANUAL,INTERACTIVE ASSIST,CUSTOMER INFORMATION PRODUCT INSERT SHEET,ENGLISH/FRENCH	1
N/A	INFINFB4329	MANUAL,PRODUCT INSERT,SPECIFICATIONS,4FRONT 2,ENGLISH	1
N/A	INFINFB4335	MANUAL,PRODUCT INSERT,SPECIFICATIONS,4FRONT 2HD,ENGLISH	1

16. Owner's & Decal Packages



# Decal Package

## Decal Package, 4Front 2



Item	Part No.	Name	Qty
N/A	LAB2005184	DECAL,4FRONT 2 AESTHETIC	1
N/A	LAB2005185	DECAL,4FRONT 2 HD AESTHETIC	1
N/A	LAB148325	DECAL,READ OWNERS MANUAL, 19.1 DIAMETER	1
N/A	LAB1703664	DECAL,4FRONT BATTERY WIRING DIAGRAM	1
N/A	DWR1234L957	DECAL,WARNING,DEFLATE TIRE COMPLETELY,L-1234-957	1
N/A	DWR1235L515	DECAL,WARNING,BATTERY WARNINGS,L-1235-515	1
N/A	DWR1235L516	DECAL,WARNING,DEFLATE TIRE COMPLETELY,FRENCH,L-1235-516	1
N/A	DWR1235L520	DECAL,CAUTION,EXTENSION CORD/GROUNDING PRONG,L-1235-520	1
N/A	DWR1235L521	DECAL,WARNING,CONTROLLER CORD PLACEMENT,L-1235-521	1
N/A	DWR1235L551	DECAL,ISO,"AGM/GEL CELL/DOT CERTIFIED",L-1235-551	1
N/A	DWR1235L638	DECAL,ICON,JAZZY FREEWHEEL,UP-DRIVE/DOWN-NEUTRAL,L-1235-638	1
N/A	LAB1809139	HANG TAG,ENGLISH/FRENCH INTERACTIVE ASSIST	1
N/A	LAB2005393	DECAL,4FRONT REAR CASTER NUT WARNING LABEL	1
N/A	LAB2101449	DECAL,ISO SYMBOL,BATTERY ISOLATION/DISCONNECT	1

Appendix A:Pages Index	
8 Amp CTE Charger	61
Aftermarket Joystick Knobs - Curtis and P&G	21
Anti-tip Assembly, 4Front 2	3
Base Mounted Light Assemblies, 4Front 2	31
Complete Shroud Assemblies, 4Front 2	33
Decal Package, 4Front 2	73
Drive Motor & Motor Mount Assy w/ Hub, 4Front 2	9
Flat-free Drive Wheel, 5 Spoke Black Rim / Black Tire, 4Front 2	47
Flat-free Drive Wheel, 5 Spoke, Black Rim / Black "Knobby" Tire, 14" x 4", 4Front 2	53
Front Door Shroud and Battery Access Bracket Assemblies, 4Front 2	37
Group 24 AGM Battery, No Handles, Flush Mount, MK	57
Group 34 Flush Mount Terminal Battery	59
Joystick Receiver Mounts, Quantum	69
Lighting Fenders w/ 4 Pin Module, 4Front Series	43
Main Frame Assembly, 4Front 2	1
Owner's Package, 4Front 2, Australia	71
Painted Caster Arm Top Cover and Cap, 4Front 2	35
Painted Rim Inserts	51
Pneumatic Drive Wheel, 5 Spoke Black Rim / Black Tire, 4Front 2	49
Pneumatic Drive Wheel, 5 Spoke, Black Rim / Black "Knobby" Tire, 14" x 4", 4Front 2	55
Q-Logic 2 & 3 Joystick Shrouds	19
Q-Logic 3 EX Joystick Assemblies	11
Q-Logic 3 Electronics Assy Matrix, 4 Front 2	23
Q-Logic 3 LM, AM1, & LAM2, 4Front 2	27
Q-Logic 3 Modules, Harnessing, & Mounting Hardware, 4Front 2	25
Q-Logic 3 SD Cards, 4Front 2	17, 29
Q-Logic 3 Stand Alone Joystick Assy	15
Q-Logic 3e Joystick Assemblies, 4Front 2	13
Rear Caster Arm and Wheel, 4Front 2	7
Rear Shroud Assembly with and without Lighting, 4Front 2	39
Retract 4 Swing-away Joystick Bracket for Curtis Joysticks	65
Seat Interfaces, 4Front 2	45
Standard Fenders, 4Front 2	41
Stealth Swing-away / Flip Down Joystick Brackets & Mounts	67
Suspension Spring Packages, 4Front 2	5
Version 3 Swing-away Joystick Bracket & Components	63

Appendix B:Parts Index

ACC123525	70	DGN124336-PSL7	20
ACC1800991	70	DGN124336-PWH2	20
ACC1908434	64	DGN124336-PYL3	20, 20
ACC1908435	64	DGN124336-PYL4	20
ACC1908437	64	DGN124336-WCB1	20
ACC1908438	64	DGN124336-WCM7	20
ACC1908439	64	DGN124336-WFL2	20
ACC1908440	64	DGN154742	12, 14, 16
ACCASMB1856	22	DGN1611517	40
ACCASMB1857	22	DGN1611520	40
ACCASMB1858	22	DGN1611522	2
ACCASMB1859	22	DGN164245-PBK1	52
ACCASMB1860	22	DGN164245-PBK3	52
ACCASMB1861	22	DGN164245-PBU10	52
ACCASMB1862	22	DGN164245-PBU11	52
BAT1712207	58	DGN164245-PBU9	52
BATGEL1006	60	DGN164245-PGN11	52
BRK8110003	46	DGN164245-PGN7	52
CTL143976	12	DGN164245-PGN8	52
CTL143977	12	DGN164245-POR6	52
CTL143978	26	DGN164245-POR7	52
CTL143980	16	DGN164245-PPK3	52
CTL143983	28	DGN164245-PPK4	52
CTL143985	28	DGN164245-PPR5	52
CTL143986	28	DGN164245-PPR7	52
DGN124307	12, 20, 20	DGN164245-PRD1	52
DGN124309	12	DGN164245-PRD4	52
DGN124336-PBK1	20, 20	DGN164245-PSL3	52
DGN124336-PBK3	20	DGN164245-PSL7	52
DGN124336-PBU1	20	DGN164245-PWH2	52
DGN124336-PBU10	20	DGN164245-PYL3	52
DGN124336-PBU11	20	DGN164245-PYL4	52
DGN124336-PBU9	20, 20	DGN164245-WCB1	52
DGN124336-PGN11	20	DGN164245-WCM7	52
DGN124336-PGN5	20	DGN164245-WFL2	52
DGN124336-PGN7	20	DGN169072	42
DGN124336-PGN8	20	DGN169073	42
DGN124336-POR4	20	DGN1700032	42
DGN124336-POR6	20	DGN1700203	44
DGN124336-POR7	20	DGN1700204	44
DGN124336-PPK1	20	DGN1804274	36
DGN124336-PPK3	20	DGN1901203	26
DGN124336-PPK4	20	DGN2003761	2
DGN124336-PPR4	20	DGN2004686	44
DGN124336-PPR5	20	DGN2100631-PBK1	38
DGN124336-PPR7	20	DGN2100631-PBK3	38
DGN124336-PRD1	20, 20	DGN2100631-PBU10	38
DGN124336-PRD4	20	DGN2100631-PBU11	38
DGN124336-PSL1	20	DGN2100631-PBU9	38
DGN124336-PSL3	20	DGN2100631-PGN11	38
		DGN2100631-PGN8	38

DGN2100631-POR7	38	DGN2101587-PBK3	34
DGN2100631-PPK3	38	DGN2101587-PBU10	34
DGN2100631-PPK4	38	DGN2101587-PBU11	34
DGN2100631-PPR5	38	DGN2101587-PBU9	34
DGN2100631-PPR7	38	DGN2101587-PGN11	34
DGN2100631-PRD1	38	DGN2101587-PGN8	34
DGN2100631-PRD4	38	DGN2101587-POR7	34
DGN2100631-PSL3	38	DGN2101587-PPK3	34
DGN2100631-PWT2	38	DGN2101587-PPK4	34
DGN2100631-PYL4	38	DGN2101587-PPR5	34
DGN2100631-WCM7	38	DGN2101587-PPR7	34
DGN2100631-WFL2	38	DGN2101587-PRD1	34
DGN2100632-PBK1	40	DGN2101587-PRD4	34
DGN2100632-PBK3	40	DGN2101587-PSL3	34
DGN2100632-PBU10	40	DGN2101587-PWT2	34
DGN2100632-PBU11	40	DGN2101587-PYL4	34
DGN2100632-PBU9	40	DGN2101587-WCM7	34
DGN2100632-PGN11	40	DGN2101587-WFL2	34
DGN2100632-PGN8	40	DWR1000H174	62
DGN2100632-POR7	40	DWR1005B049	48, 50, 54, 56
DGN2100632-PPK3	40	DWR1010B161	32
DGN2100632-PPK4	40	DWR1111C002	64
DGN2100632-PPR5	40	DWR1234L957	74
DGN2100632-PPR7	40	DWR1235L515	74
DGN2100632-PRD1	40	DWR1235L516	74
DGN2100632-PRD4	40	DWR1235L520	74
DGN2100632-PSL3	40	DWR1235L521	74
DGN2100632-PWT2	40	DWR1235L551	74
DGN2100632-PYL4	40	DWR1235L638	74
DGN2100632-WCM7	40	DWR1265H021	26
DGN2100632-WFL2	40	ELE133304	28
DGN2100633-PBK1	36	ELE144006	12
DGN2100633-PBK3	36	ELE160183	44
DGN2100633-PBU10	36	ELE1611828	32
DGN2100633-PBU11	36	ELE1700035	32
DGN2100633-PBU9	36	ELE1701559	32
DGN2100633-PGN11	36	ELE1701560	32
DGN2100633-PGN8	36	ELE1702281	28
DGN2100633-POR7	36	ELE1709864	26
DGN2100633-PPK3	36	ELE1910369	26
DGN2100633-PPK4	36	ELE2000091	62
DGN2100633-PPR5	36	ELE2002741	2
DGN2100633-PPR7	36	ELE2005663	26
DGN2100633-PRD1	36	ELE2007294	24
DGN2100633-PRD4	36	ELE2007295	24
DGN2100633-PSL3	36	ELE2007296	24
DGN2100633-PWT2	36	ELE2007298	24
DGN2100633-PYL4	36	ELE2007299	24
DGN2100633-WCM7	36	ELE2009405	28
DGN2100633-WFL2	36	ELE2009407	28
DGN2101587-PBK1	34	ELE2102335	18, 30



ELE2102336	18, 30	LAB2005185	74
ELE2102337	18, 30	LAB2005393	74
ELE2102338	18, 30	LAB2101449	74
ELE2102341	14	MEC131182	46
ELE2102342	14	MEC138860	66
ELE2102343	14	MEC138876	66
ELE2102344	14	MEC146133	64, 70
ELE2105127	18, 30	MEC146836	46
ELE2105128	18, 30	MEC146837	46
ELE2105131	14	MEC151481	46
ELE2105132	14	MEC160250	10
ELEASMB5670	62	MEC160251	10
ELEASMB5671	62	MEC1610056	50
ELEASMB5672	62	MEC167317	26, 28, 32, 44
ELEASMB7120023	32	MEC168447	6, 10
ELEASMB7120024	32	MEC169383	38
FRMASMB10454	16	MEC1700465	46
FRMASMB10617	12, 14	MEC1701452	32
FRMASMB11156	16	MEC1701453	32
FRMASMB16062	70	MEC1703423	6
FRMASMB8691	10	MEC1705019	4
HAR143994	28	MEC1705020	4
HAR144001	16	MEC1705730	46
HAR144003	16	MEC1707642	46
HAR144005	26, 28, 32	MEC1707746	46
HARUSHD1065	62	MEC1708208	46
HARUSHD2041	62	MEC1711385	46
HARUSHD2160	62	MEC1714220	10, 48, 50, 54, 56
HDW120030	6, 8, 10	MEC1800079	46
HDW138262	4	MEC1800080	46
HDW1700456	46, 46, 46, 46, 46, 46	MEC1804271	6, 8
HDW1703666	4	MEC1804451	6, 8
HPL_QL3_JOY_RECEIVER	12, 14	MEC1805269	46
HPL_QL3_JOY_AFTER_KNOBS	12, 14	MEC1809294	70
HPL_QL3_JOY_MOUNT	12, 14	MEC1810323	6, 8, 10
HPL_QL3_JOY_SD_CARD	12	MEC1908272	8, 10
HPL_QL3_JOY_SHRD	12	MEC2002740	2
INDPART2431	10	MEC2003018	6
INFINFB3072	72	MEC2003019	6
INFINFB4034	72	MEC2003020	6
INFINFB4329	72	MEC2003021	6
INFINFB4335	72	MEC2003762	2
INFMANU3992	72	MEC2004534	44
INFMANU4864	72	MEC2009398	46
KIT1902931	12	MEC2100694	6
KIT2008010	14	MEC2100695	6
KIT2103246	64	MEC2100696	6
LAB148325	74	MEC2100698	6
LAB1703664	74	MEC2100699	6
LAB1809139	74	MEC2100700	6
LAB2005184	74	MEC2100701	6

MEC2102652	8	WHLASMB1523	4
MEC2102653	8		
MEC2103773	6		
MOT1714330-05	10		
MOT1714330-06	10		
MOT1714331-05	10		
MOT1714331-06	10		
MOT1901488	10		
MOT1901490	10		
NUTACRN1012	4		
NUTJAM1062	32		
PLSINDV1003	56		
PLSKNCP1056	40		
PLSKNCP1057	22		
PLSKNCP1058	22		
PLSTIE1001	26		
PLSTIE1004	26, 28		
RECPART1006	12, 14		
SCR8110001	2, 26		
SCR8120014	2		
SCRHHCS1667	60		
SCRPPH1036	2, 42, 44		
SCRPPH1044	26, 28, 32, 44		
SCRPPH1153	28		
SCRPPH1279	64		
SCRPPH1382	26		
SCRPPH1384	64, 64		
SCRSFH1005	66		
SCRSHCS1117	32		
SCRSHCS1259	32		
SCRSHFH1053	66		
ST-ARM250C-Q	68, 70		
ST-ARM250T-Q	68, 70		
ST-TWBM480CJ-Q	68		
ST-TWBM480QL-Q	68		
STP8120001	2		
TIR8110009	8		
TIR8110017	56		
TIR8110019	54		
TIR8110024	48		
TIR8110026	50		
TUBSTND1002	50		
TUBSTND1043	56		
WASLOCK1084	60		
WASNEOP1003	40		
WHL1703586	48, 50		
WHL1703588	48		
WHL1703592	8		
WHL1704507	50		
WHL1903913	54		
WHL1903914	56		

# Illustrated Parts Breakdown

## **USA - Quantum Rehab**

401 York Avenue  
Duryea, PA 18642  
[www.quantumrehab.com](http://www.quantumrehab.com)

## **USA - Pride Mobility Products, Corp.**

401 York Avenue  
Duryea, PA 18642  
[www.pridemobility.com](http://www.pridemobility.com)

## **Canada**

5096 South Service Road  
Beamsville, Ontario L0R 1B3  
[www.pridemobility.ca](http://www.pridemobility.ca)  
[www.quantumrehab.ca](http://www.quantumrehab.ca)

## **Australia**

20-24 Apollo Drive  
Hallam, Victoria 3803  
[www.pridemobility.com.au](http://www.pridemobility.com.au)  
[www.quantumrehab.com.au](http://www.quantumrehab.com.au)

## **New Zealand**

Unit 5/208 Swanson Road  
Henderson, Auckland 0610  
[www.pridemobility.co.nz](http://www.pridemobility.co.nz)

## **UK**

### **(Authorised UK Representative)**

32 Wedgwood Road  
Bicester, Oxfordshire OX26 4UL  
[www.pride-mobility.co.uk](http://www.pride-mobility.co.uk)  
[www.quantumrehab.co.uk](http://www.quantumrehab.co.uk)

## **Netherlands**

### **(Authorised EU Representative)**

De Zwaan 3  
1601 MS Enkhuizen  
[www.pridemobility.eu](http://www.pridemobility.eu)  
[www.quantumrehab.eu](http://www.quantumrehab.eu)

## **Italy**

Via del Progresso, ang. Via del Lavoro  
Loc. Prato della Corte  
00065 Fiano Romano (RM)  
[www.pride-italia.it](http://www.pride-italia.it)  
[www.quantumrehab-italia.it](http://www.quantumrehab-italia.it)

## **France**

26 Rue Monseigneur Ancel  
69800 Saint-Priest  
[www.pridemobility.fr](http://www.pridemobility.fr)  
[www.quantumrehab.fr](http://www.quantumrehab.fr)

## **Spain**

Calle Las Minas Número 67  
Polígono Industrial Urtinsa II, de Alcorcón  
28923 Madrid  
[www.pridemobility.es](http://www.pridemobility.es)

## **Germany**

Hövelrieger Str. 28  
33161 Hövelhof  
[www.pridemobility.de](http://www.pridemobility.de)  
[www.quantumrehab.de](http://www.quantumrehab.de)

## **China**

Room 508, Building #4  
TianNa Business Zone  
No. 500 Jianyun Road  
Pudong New Area  
Shanghai 201318  
[www.pridechina.cn](http://www.pridechina.cn)

