

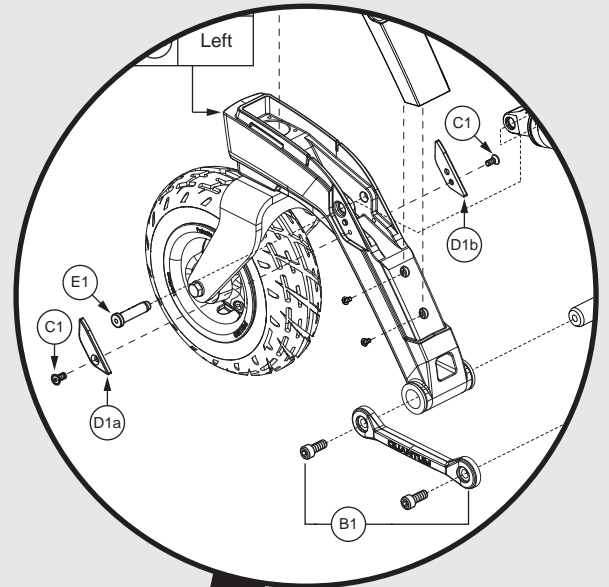
QUANTUM  
**4FRONT<sup>2</sup>**

QUANTUM  
**4FRONT<sup>2</sup> HD**

**PRIDE**<sup>®</sup>  
MOBILITY  
LIVE YOUR BEST<sup>®</sup>

**Q**  
QUANTUM<sup>®</sup>

# Illustrated Parts Breakdown



This Illustrated Parts Breakdown (IPB) Catalog has been compiled from the latest product information available at the time of publication. Quantum Rehab® / Pride Mobility Products® Corporation reserves the right to make changes and updates to this manual and to the product(s) it represents. Any changes, updates, or improvements to the product(s) may result in slight differences between this manual and the product that has been purchased.

An IPB is a graphically portrayed parts listing of product components which have been deemed to have serviceable, maintenance significance. When applicable, IPB's utilize "exploded" illustrations that detail serviceable components and a corresponding itemized parts list of reference numbers, part numbers, descriptions, quantities, and any applicable pricing. Most product components are incorporated into assemblies and may not be available for replacement.

Serviceable components will be noted by a callout in the illustration that will correspond to a alphanumeric reference number in the parts list. Items may also be listed in the parts list by parent assemblies. In most cases when a parent assembly is listed, there will be child parts or sub-assemblies listed under that parent.

For example: The parent assembly reference number is A1 — A5. That part contains all of the items listed as and contained within A1, A2, A3, A4, & A5. As long as these subcomponents have a callout associated with them, they can be selected for replacement or quote.

Updates to the contents of an IPB will be made on a regular basis based upon applicable product changes and enhancements. This PDF catalog has been export from the Provider based service site. The most up to date parts look up tool and ordering application is located at: [prideprovider.com](http://prideprovider.com). Please utilize this system to enhance your user experience. It is built with highly interactive materials that are set with relational properties that will facilitate easier part look-up, more accurate parts selection, notification of onhand part availability, and quick links to related documents and products.

We welcome all questions and comments regarding the Quantum Rehab® / Pride Mobility Products® Corporation IPB systems.

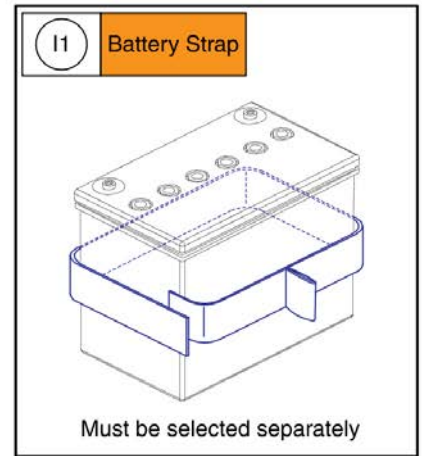
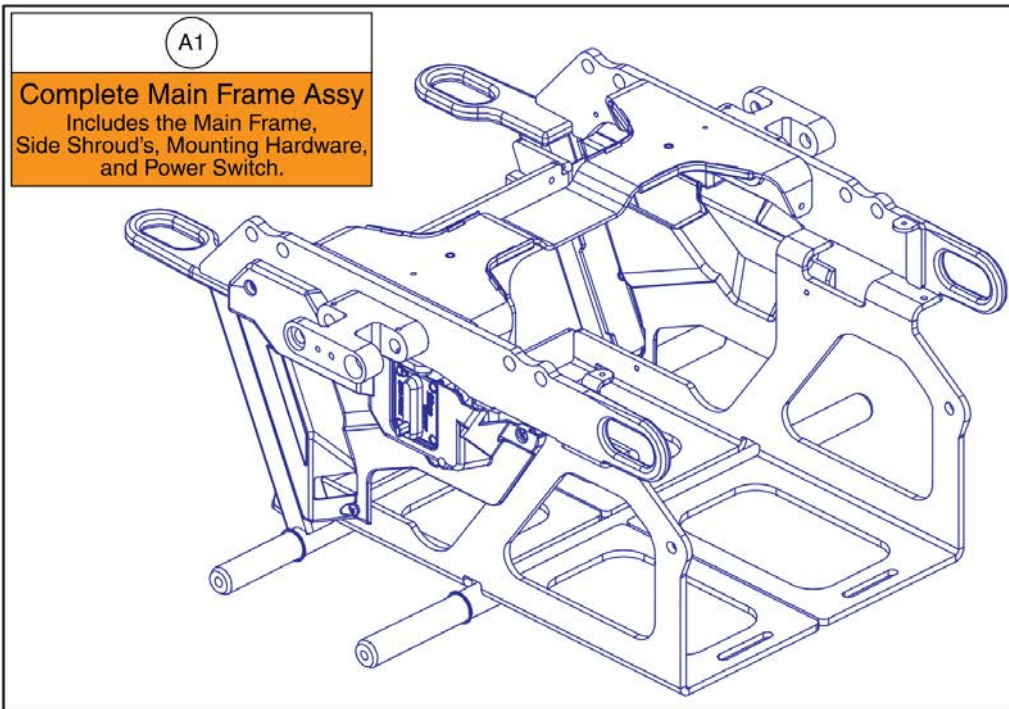
Any pricing that is included in Quantum Rehab® /Pride Mobility Products® Corporation IPB's is subject to change without prior notice.

Thank you for choosing products from Quantum Rehab® and Pride Mobility Products® Corporation.

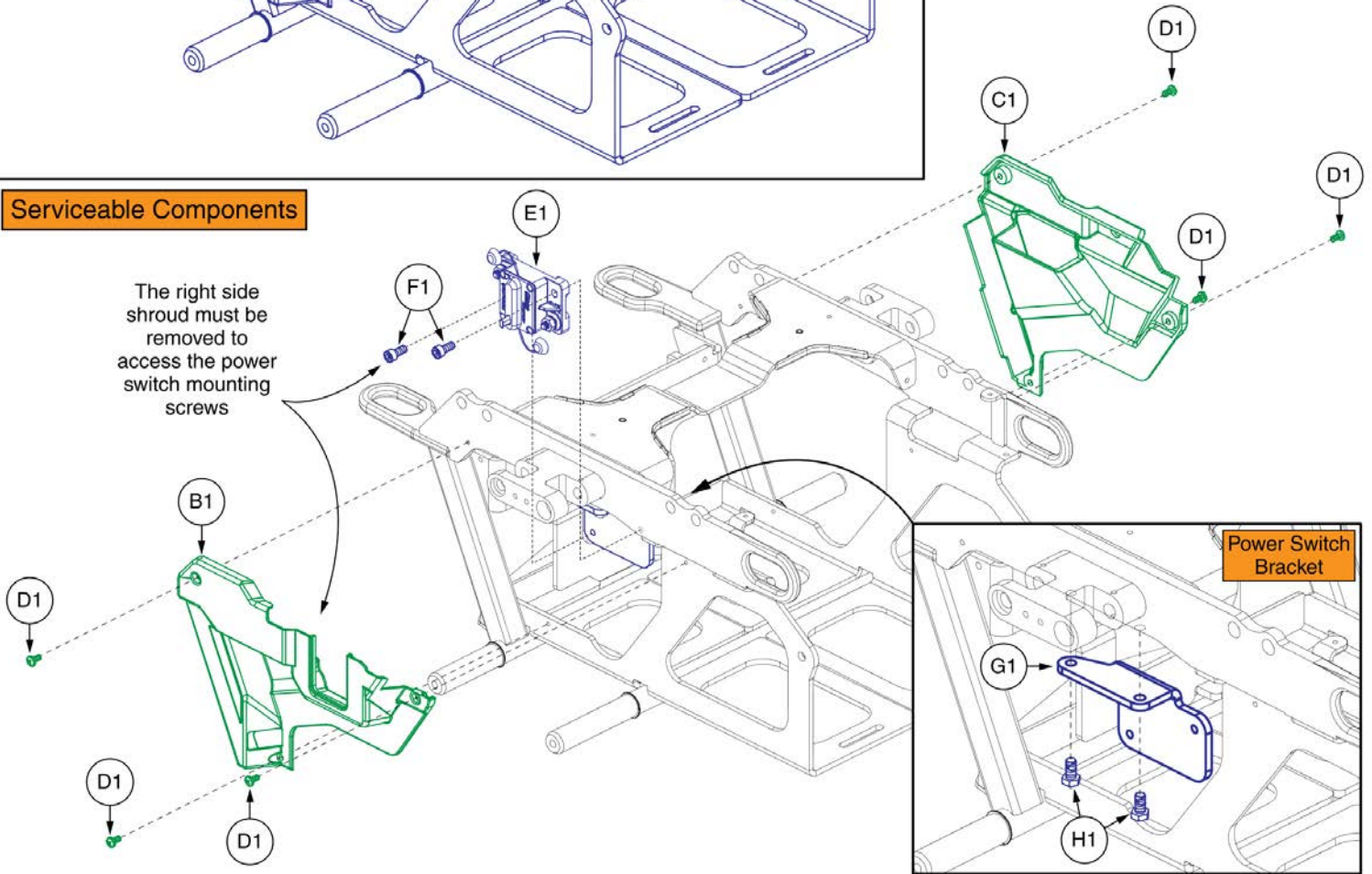


<b>1. Main Frame Assy</b>	
Main Frame Assembly, 4Front 2	1
<b>2. Anti-tip Assy</b>	
Anti-tip Assembly, 4Front 2	3
<b>3. Suspension Assy's</b>	
Suspension Spring Packages, 4Front 2	5
<b>4. Rear Caster Arm Assy</b>	
Rear Caster Arm and Wheel, 4Front 2	7
<b>5. Drive Motor &amp; Motor Mount Assy's</b>	
Drive Motor & Motor Mount Assy w/ Hub, 4Front 2	9
<b>6. Q-Logic 3 Joysticks</b>	
Q-Logic 3 EX Joystick Assemblies	11
Q-Logic 3e Joystick Assemblies, 4Front 2	13
Q-Logic 3 Stand Alone Joystick Assy	15
Q-Logic 3 SD Cards, 4Front 2 (USA, Canada, Australia, Europe)	17
Q-Logic 2 & 3 Joystick Shrouds	19
Aftermarket Joystick Knobs - Curtis and P&G	21
<b>7. Q-Logic 3 Electronics Assy's</b>	
QL3 Electronics, Standard Fenders / No PTO QBC, 4Front 2	23
QL3 Electronics, Light Fenders / PTO QBC, 4Front 2	25
QL3 Electronics, Manual Recline, Standard Fender / No PTO QBC, 4Front 2	27
Q-Logic 3 LM, AM1, & LAM2, 4Front 2	29
Q-Logic 3 SD Cards, 4Front 2 (USA, Canada, Australia, Europe)	31
<b>8. Base Mounted Light Assy's</b>	
Base Mounted Light Assemblies, 4Front 2	33
<b>9. Shroud Assy's &amp; Battery Access Brackets</b>	
Complete Shroud Assemblies, 4Front 2	35
Painted Caster Arm Top Cover and Cap, 4Front 2	37
Front Door Shroud and Battery Access Bracket Assemblies, 4Front 2	39
Rear Shroud Assembly with and without Lighting, 4Front 2	41
<b>10. Fender Assy's</b>	
Standard Fenders, 4Front 2	43
Lighting Fenders w/ 4 Pin Module, 4Front Series	45
<b>11. PTO Backup Camera</b>	
PTO Backup Camera Module, QL3, 4Front 2	47
Quantum Backup Camera, Standard Mount, and Headrest Mount	49
Quantum Backup Camera Display Mounts	51
<b>12. Seat Mount Assy's</b>	
Seat Interfaces, 4Front 2	53
<b>13. Drive Wheel Assy's</b>	
<b>13.1. 5-Spoke, 14" x 3" Drive Wheels</b>	
Flat-free Drive Wheel, 5 Spoke Black Rim / Black Tire, 4Front 2	55
Pneumatic Drive Wheel, 5 Spoke Black Rim / Black Tire, 4Front 2	57
Painted Rim Inserts	59
<b>13.2. 5-Spoke, 14" x 4" Drive Wheels (Knobby Tire)</b>	

Flat-free Drive Wheel, 5 Spoke, Black Rim / Black "Knobby" Tire, 14" x 4", 4Front 2	61
Pneumatic Drive Wheel, 5 Spoke, Black Rim / Black "Knobby" Tire, 14" x 4", 4Front 2	63
<b>14. Batteries</b>	
Group 24 AGM Battery, No Handles, Flush Mount, MK	65
Group 34 Flush Mount Terminal Battery	67
<b>15. Battery Charger</b>	
8 Amp CTE Charger	69
<b>16. Joystick Mounts &amp; Receivers</b>	
<b>16.1. Basic Swing-away Joystick Mount</b>	
Basic Swing-away Joystick Mount, Q-Logic	71
<b>16.2. Swing-away, Version 3</b>	
Version 3 Swing-away Joystick Bracket & Components	73
<b>16.3. Retract 4 Swing-away Joystick Bracket</b>	
Retract 4 Swing-away Joystick Bracket for Curtis Joysticks	75
<b>16.4. Stealth Swing-away / Flip-down Joystick Bracket</b>	
Stealth Swing-away / Flip Down Joystick Brackets & Mounts	77
<b>16.5. Joystick Bracket Receivers</b>	
Joystick Receiver Mounts, Quantum	79
<b>17. Owner's &amp; Decal Packages</b>	
Owner's Package, 4Front 2	81
Decal Package, 4Front 2	83
Appendix A:Pages Index	85
Appendix B:Parts Index	86

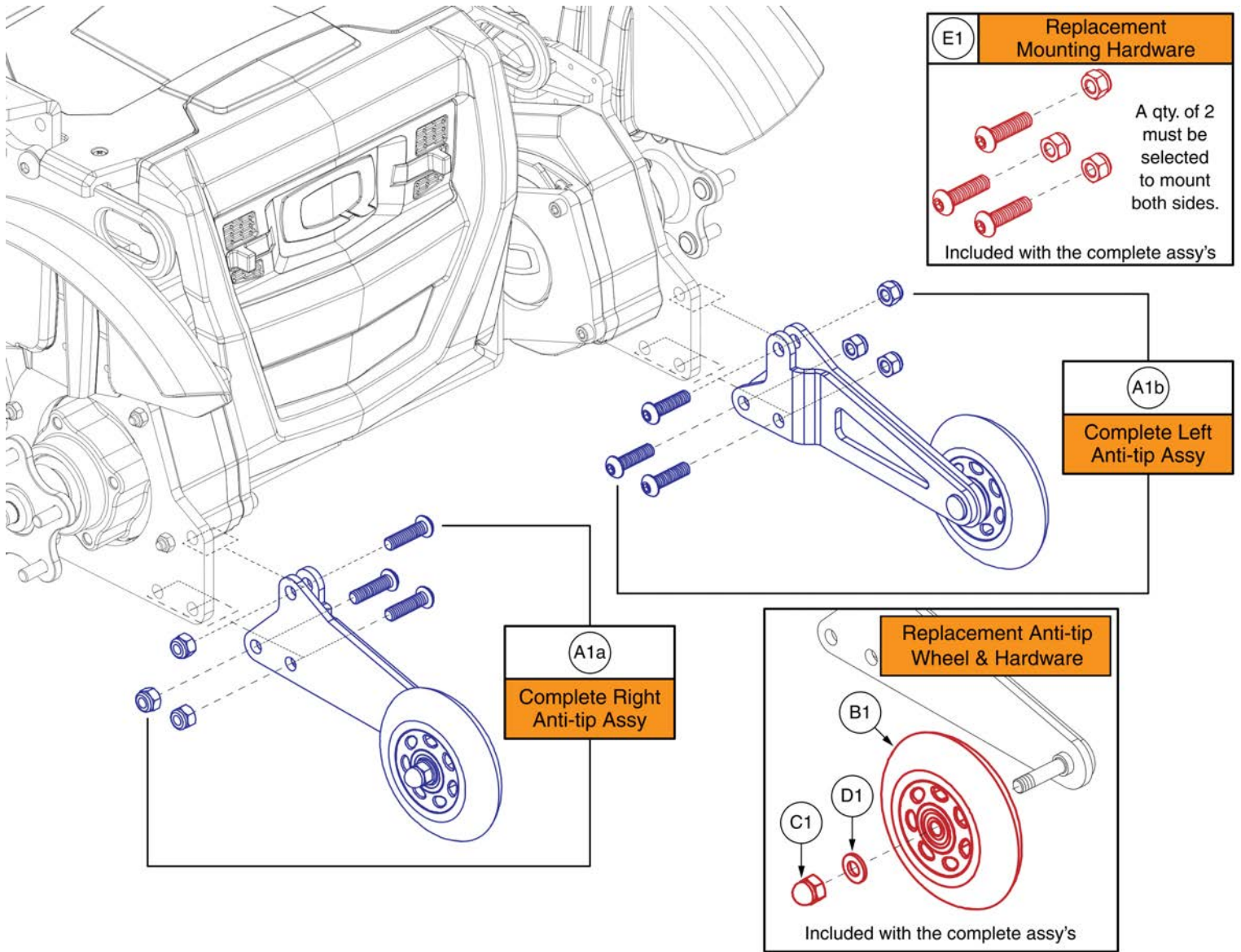


**Serviceable Components**



## Main Frame Assembly, 4Front 2

Item	Part No.	Name	Qty
A1	MEC2003762	MAIN FRAME ASSEMBLY,4FRONT 2	1
B1	DGN2003761	SIDE SHROUD ASSEM, WITH REFLECTOR, RIGHT	1
C1	DGN1611522	SIDE SHROUD ASSEM, WITH REFLECTOR, LEFT	1
D1	SCRPPH1036	SCREW, PAN HEAD, TYPE H, M4X0.7 X 8, FT, ISO 7045, CL 4.8, BZ	1
E1	ELE2002741	POWER SWITCH HARNESS ASSEMBLY	1
F1	SCR8110001	SCREW, SOCKET HEAD, M6X1.0 X 14, ISO 4762, CL 12.9, BZ, PVTP	1
G1	MEC2002740	POWER SWITCH BRACKET	1
H1	SCR8120014	SCREW, HEX HEAD, M6X1.0 X 12, ISO 4017, CL 10.9, BZ, PVTP	1
I1	STP8120001	STRAP,BATTERY PULL	1



**Anti-tip Assembly, 4Front 2**

Item	Part No.	Name	Qty
A1a	MEC1705020	ANTI-TIP MOUNT ASSEMBLY, RIGHT	1
A1b	MEC1705019	ANTI-TIP MOUNT ASSEMBLY, LEFT	1
B1	WHLASMB1523	WHEEL,ASSY,ANTI-TIP,100MM OD X 23.76MM TH,W/BEARINGS & SPACER,C-1505-032	1
C1	NUTACRN1012	NUT, ACORN, M8X1.25, DIN 1587, CL 6, BZ	1
D1	HDW138262	WASHER, FLAT, 8.4 ID X 16 OD X 1.6 THK, ISO 7089-8-200 HV, BZ	1
E1	HDW1703666	HARDWARE,ASSY,ANTI-TIP SECUREMENT,QUANTUM 4FRONT	2



# Suspension Spring Packages, 4Front 2

Suspension Assy's with Mounting Hardware		
Ref #	Assembly	Spring Package
A1a	Front & Rear	Medium
A1b	Front & Rear	Standard
A1c	Front & Rear	Lift
A1d	Front & Rear	No Anti-tip
A1e	Front & Rear	HD
B1a	Front	Medium
B1b	Front	Standard
B1c	Front	Lift
B1d	Front	No Anti-tip, HD
C1a	Rear	Medium
C1b	Rear	Standard, Lift, & No Anti-tip
C1c	Rear	HD

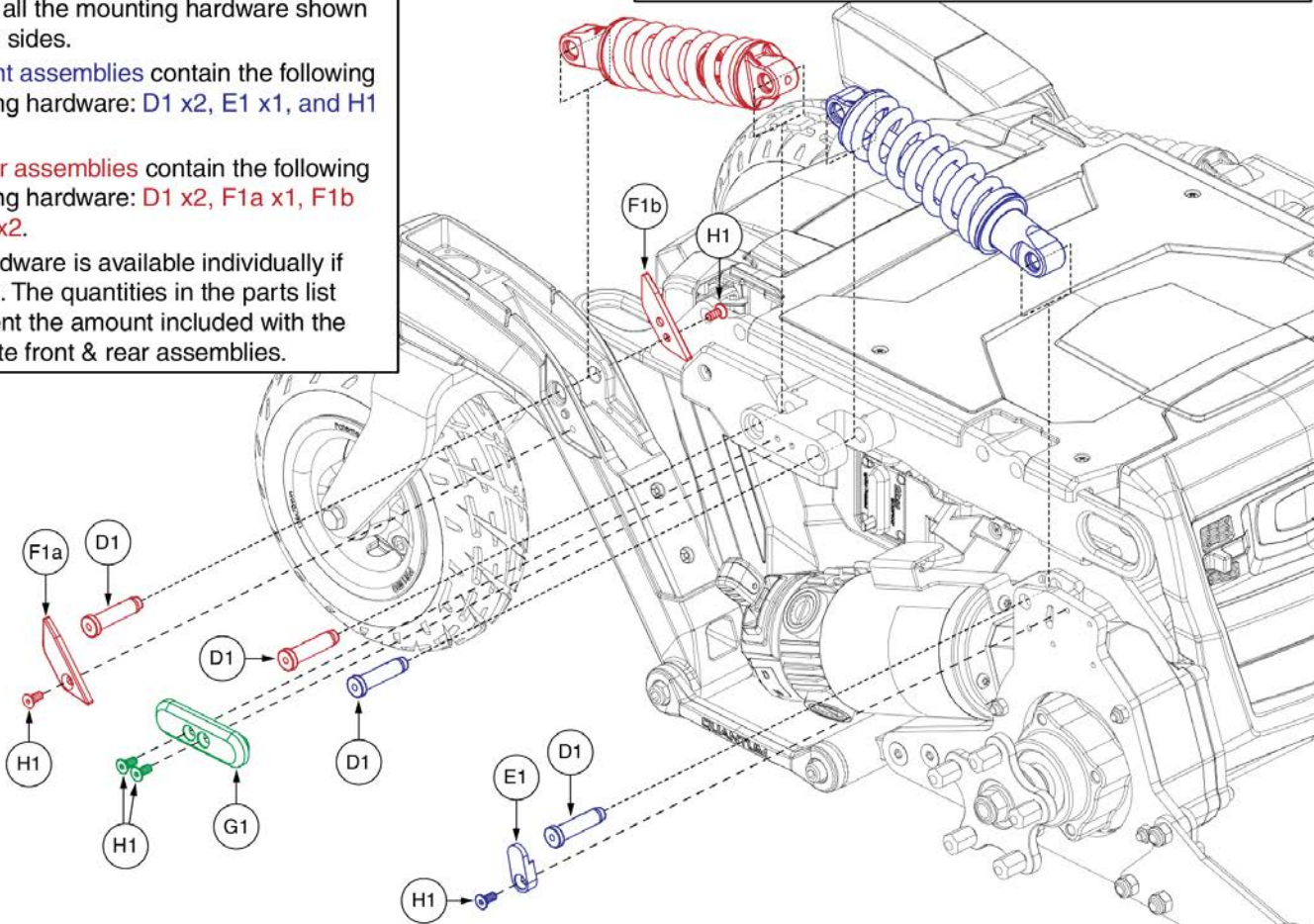
Contains both left and right sides.

Contains only one side. A quantity of 2 must be selected for the pair.

**Mounting Hardware Notes**

- The complete front & rear assemblies include all the mounting hardware shown for both sides.
- The front assemblies contain the following mounting hardware: D1 x2, E1 x1, and H1 x1.
- The rear assemblies contain the following mounting hardware: D1 x2, F1a x1, F1b x1, H1 x2.
- The hardware is available individually if needed. The quantities in the parts list represent the amount included with the complete front & rear assemblies.

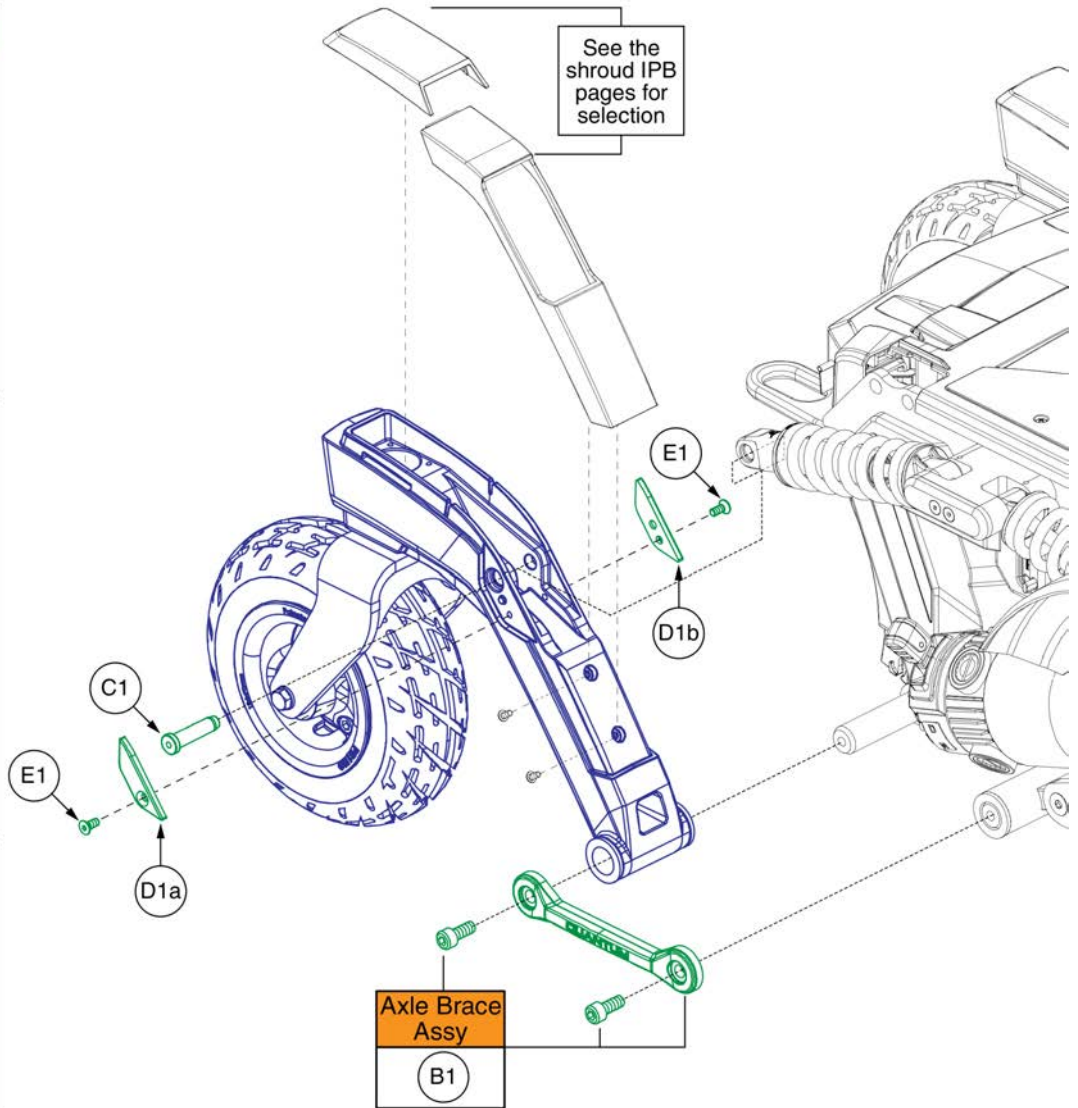
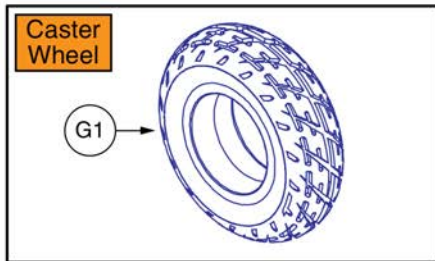
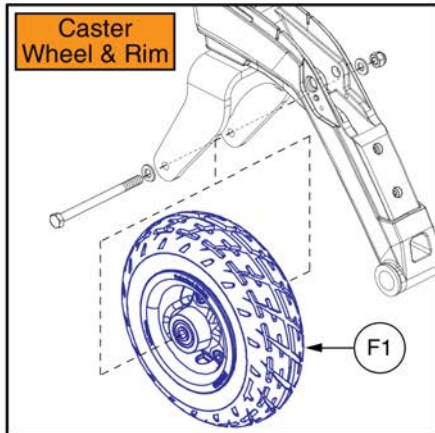
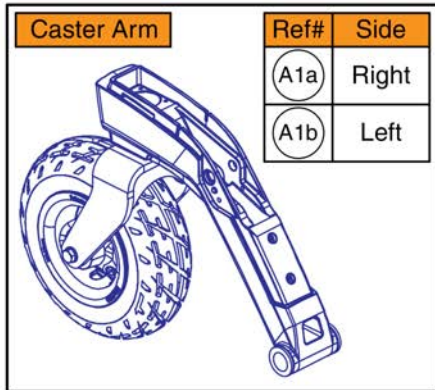
Suspension Configurations
<p><b>Medium (4Front 2):</b></p> <ul style="list-style-type: none"> <li>• Q-Captains, Up to 300lbs</li> <li>• TBFlex Static, Up to 300lbs</li> <li>• TB3 Static, Up to 300lbs</li> <li>• TB3 Tilt / Tilt &amp; Recline, Up to 200lbs</li> <li>• TB3 Recline, Up to 300lbs</li> </ul> <p><b>Standard (4Front 2):</b></p> <ul style="list-style-type: none"> <li>• TB3 Tilt / Tilt &amp; Recline, 201-300lbs</li> </ul> <p><b>Lift (4Front 2):</b></p> <ul style="list-style-type: none"> <li>• Q-Captains with Lift, Up to 300lbs</li> <li>• TB3 Lift / Lift &amp; Recline / Lift &amp; Tilt / Lift, Tilt &amp; Recline, Up to 300lbs</li> <li>• TRU-Balance 4, Up to 300lbs</li> </ul> <p><b>No Anti-tip (4Front 2):</b></p> <ul style="list-style-type: none"> <li>• TBFlex Static, Up to 200lbs</li> <li>• TB3 Static, Up to 200lbs</li> <li>• TB3 Tilt / Tilt &amp; Recline, Up to 200lbs</li> <li>• TB3 Recline, Up to 200lbs</li> <li>• TB3 Lift / Lift &amp; Recline / Lift &amp; Tilt / Lift, Tilt &amp; Recline, Up to 200lbs</li> </ul> <p><b>HD (4Front 2HD):</b></p> <ul style="list-style-type: none"> <li>• All seating configurations. Must be used with anti-tips.</li> </ul>
<ul style="list-style-type: none"> <li>- The configurations listed are subject to change.</li> <li>- The weights represent the end user's weight in pounds.</li> <li>- Anti-tip usage is also dependent on programmed motor speed.</li> <li>- Do not modify your power chair in any way not authorized by Pride/Quantum.</li> <li>- Contact Technical Service for more information.</li> </ul>



## Suspension Spring Packages, 4Front 2

Item	Part No.	Name	Qty
A1a	MEC2003018	SUSPENSION,ASSY,QUANTUM 4FRONT 2,MEDIUM	1
A1b	MEC2003019	SUSPENSION,ASSY,QUANTUM 4FRONT 2,STANDARD	1
A1c	MEC2003020	SUSPENSION,ASSY,QUANTUM 4FRONT 2,LIFT	1
A1d	MEC2103773	SUSPENSION,ASSY,QUANTUM 4FRONT 2,NO ANTI-TIP	1
A1e	MEC2003021	SUSPENSION,ASSY,QUANTUM 4FRONT 2,HD	1
B1a	MEC2100694	SUSPENSION SERVICE ASSEMBLY,FRONT,MEDIUM PACKAGE,4FRONT2	1
B1b	MEC2100695	SUSPENSION SERVICE ASSEMBLY,FRONT,STANDARD PACKAGE,4FRONT2	1
B1c	MEC2100696	SUSPENSION SERVICE ASSEMBLY,FRONT,LIFT PACKAGE,4FRONT2	1
B1d	MEC2100698	SUSPENSION SERVICE ASSEMBLY,FRONT,HD PACKAGE,4FRONT2	1
C1a	MEC2100699	SUSPENSION SERVICE ASSEMBLY,REAR,MEDIUM PACKAGE,4FRONT2	1
C1b	MEC2100700	SUSPENSION SERVICE ASSEMBLY,REAR,STANDARD / LIFT PACKAGE,4FRONT2	1
C1c	MEC2100701	SUSPENSION SERVICE ASSEMBLY,REAR,HD PACKAGE,4FRONT2	1
D1	MEC1810323	PIVOT PIN	8
E1	MEC168447	PIN CAP	2
F1a	MEC1804451	PIVOT PIN COVER, RIGHT	2
F1b	MEC1804271	PIVOT PIN COVER, LEFT	2
G1	MEC1703423	PIVOT PIN COVER	2
H1	HDW120030	SCREW, FLAT HEAD, M5X0.8 X 12, ISO 10642, CL 10.9, BZ, PVTP	10

# Rear Caster Arm and Wheel, 4Front 2



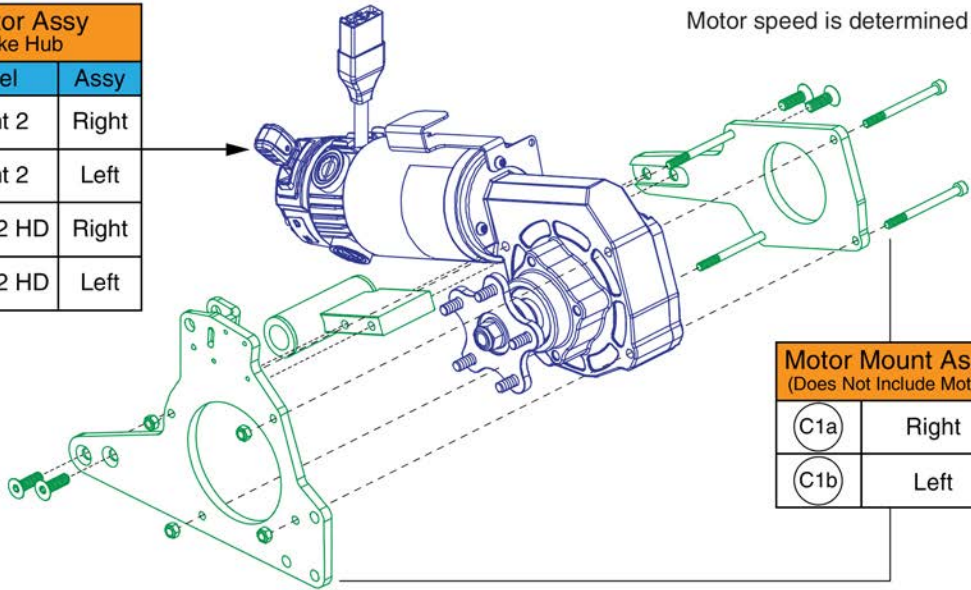
## Rear Caster Arm and Wheel, 4Front 2

Item	Part No.	Name	Qty
A1a	MEC2102653	CASTER ARM SERVICE ASSEMBLY, RIGHT, 4FRONT 2	1
A1b	MEC2102652	CASTER ARM SERVICE ASSEMBLY, LEFT, 4FRONT 2	1
B1	MEC1908272	AXLE BRACE ASSEMBLY	1
C1	MEC1810323	PIVOT PIN	1
D1a	MEC1804451	PIVOT PIN COVER, RIGHT	1
D1b	MEC1804271	PIVOT PIN COVER, LEFT	1
E1	HDW120030	SCREW, FLAT HEAD, M5X0.8 X 12, ISO 10642, CL 10.9, BZ, PVTP	1
F1	WHL1703592	WHEEL,ASSY,FLAT FREE,9" CASTER,BLACK RIM/BLACK TIRE,D-1202-030	1
G1	TIR8110009	TIRE,FLAT FREE,BLACK,215MM OD,70MM W,C9210 TREAD,(GALLOP: 5504006)	1

# Drive Motor & Motor Mount Assy w/ Hub, 4Front 2

Drive Motor Assy w/ 5-Spoke Hub		
Ref #	Model	Assy
A1a	4Front 2	Right
A1b	4Front 2	Left
B1a	4Front 2 HD	Right
B1b	4Front 2 HD	Left

Motor speed is determined by programming.



Motor Mount Assy (Does Not Include Motor)	
C1a	Right
C1b	Left

**Freewheel Handle Assy**  
D1

Included with the motor assemblies.

E1 F1 G1 H1

Included with the motor assemblies.

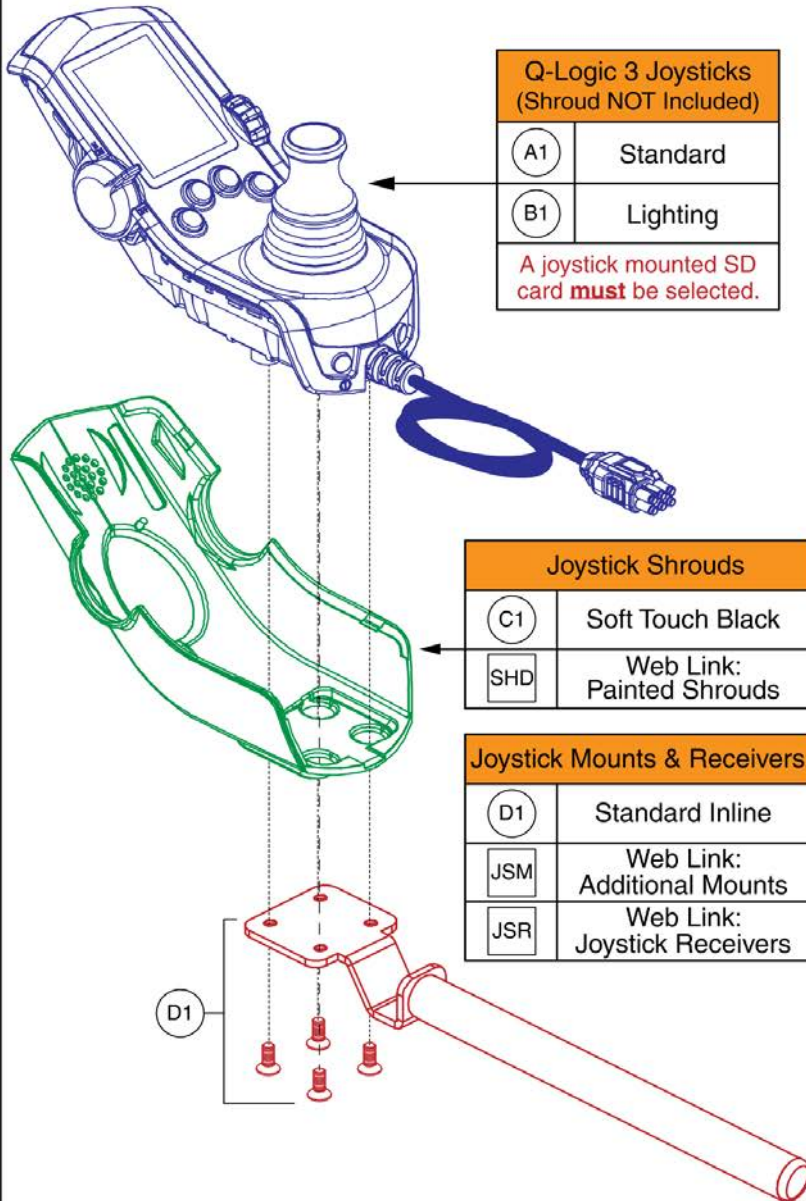
J1 K1 L1

**Axle Brace Assy**  
I1

## Drive Motor & Motor Mount Assy w/ Hub, 4Front 2

Item	Part No.	Name	Qty
A1a	MOT1714330-05	FWD HD RIGHT MTR, 5 POST HUB, 4FRONT 2	1
A1b	MOT1714331-05	FWD HD LEFT MTR, 5 POST HUB, 4FRONT 2	1
B1a	MOT1714330-06	FWD HD RIGHT MTR, 5 POST HUB, 4FRONT 2 HD	1
B1b	MOT1714331-06	FWD HD LEFT MTR, 5 POST HUB, 4FRONT 2 HD	1
C1a	MEC160250	MOTOR MOUNT ASSEMBLY, RIGHT	1
C1b	MEC160251	MOTOR MOUNT ASSEMBLY, LEFT	1
D1	FRMASMB8691	FREEWHEEL,ASSY,RELEASE HANDLE GRIP,YELLOW,B-1160-051	1
E1	MOT1901488	NUT, LOCK, M12X1.75, DIN 985, CL 8, ZN, PVTP	1
F1	MOT1901490	WASHER,FLAT,ZINC,13MM ID X 24MM OD X 2.5MM TH	1
G1	MEC1714220	LINUX HD HUB ASSEMBLY	1
H1	INDPART2431	KEY,WOODRUFF,#606,0.1875 X 0.740	1
I1	MEC1908272	AXLE BRACE ASSEMBLY	1
J1	HDW120030	SCREW, FLAT HEAD, M5X0.8 X 12, ISO 10642, CL 10.9, BZ, PVTP	1
K1	MEC168447	PIN CAP	1
L1	MEC1810323	PIVOT PIN	1

## Q-Logic 3 EX Joysticks



**Q-Logic 3 Joysticks**  
(Shroud NOT Included)

A1	Standard
B1	Lighting

A joystick mounted SD card **must** be selected.

**Joystick Shrouds**

C1	Soft Touch Black
SHD	Web Link: Painted Shrouds

**Joystick Mounts & Receivers**

D1	Standard Inline
JSM	Web Link: Additional Mounts
JSR	Web Link: Joystick Receivers

D1

**Note: Web Links**

- This page uses special callouts and parts to redirect users to additional IPB pages when viewed online via the interactive parts lookup system.
- A square callout and "Web Link" designation in the part description denotes their usage.
- To get back to this page after using the web link you **must** use the back button in your web browser.
- If viewing this page through a PDF document, please locate the subsequent pages through the table of contents as needed.
- Contact technical service for additional information.

**SD Cards**

The Q-Logic 3 Joystick replacement requires the selection of a Pre-programmed SD Card. Refer to the SD Card pages for selection and additional information.



Pre-programmed  
Micro SD Card

**SD Cards**

SDC	Web Link: SD Cards
-----	-----------------------

**Replacement Components**

E1 **Speed Knob**



F1 **Joystick Knob**



JSK **Web Link:  
Aftermarket  
Knobs**

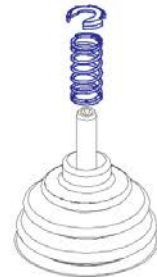
G1 **Rubber Boot**



**Light Spring Kit  
with Installation  
Instructions**

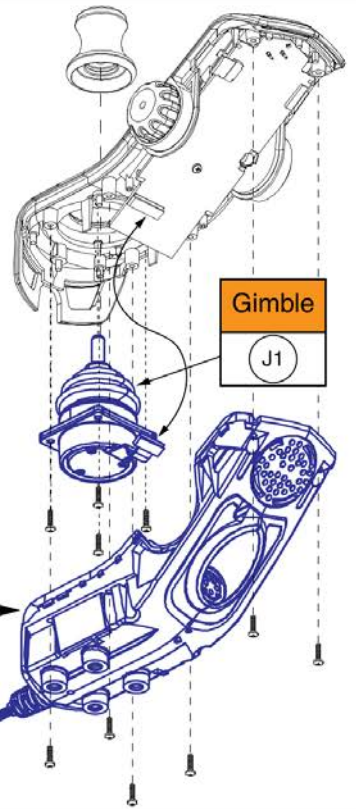
I1

Used to reduce the standard spring tension of the QL3 joystick



**Gimble**

J1



**Lower Housing  
w/ Bus Cable**

H1

## Q-Logic 3 EX Joystick Assemblies

Item	Part No.	Name	Qty
A1	CTL143976	EXPANDABLE CONTROLLER W/ JOYSTICK AND LCD COLOR DISPLAY, Q-LOGIC 3, 4-KEY, (CURTIS: 17949700-02-0009)	1
B1	CTL143977	EXPANDABLE CONTROLLER W/ JOYSTICK AND LCD COLOR DISPLAY AND LIGHTS, Q-LOGIC 3, 4-KEY, (CURTIS: 17949700-02-0109)	1
C1	DGN124307	Q-LOGIC 2/3 JOYSTICK SHROUD, BLACK SOFT-TOUCH PAINT, (CURTIS: 17949365-02)	1
D1	FRMASMB10617	JOYSTICK MOUNTING BRACKET, ASSY, CURTIS, INLINE	1
E1	DGN124309	SPEED WHEEL, KNOB, CURTIS Q-LOGIC 2, BLACK, PLASTIC, DGN124309, (CURTIS: 17949367-01)	1
F1	DGN154742	JOYSTICK, KNOB, Q-LOGIC 3, 6.35MM-ID, (CURTIS: 17519114-01)	1
G1	RECPART1006	RECON, JOYSTICK RUBBER BOOT, (P&G: 283-77.10.004)	1
H1	ELE144006	ELECTRONIC, BOTTOM HOUSING, JOYSTICK MODULE Q-LOGIC 3, W/ BUS CABLE Q-LOGIC 3, (CURTIS: 17949366-02)	1
I1	KIT1902931	Q-LOGIC 3 HANDCONTROL LIGHT SPRING OPTION KIT WITH INSTALL INSTRUCTIONS	1
J1	ELE124312	ELECTRONIC, JOYSTICK GIMBLE, DIGITAL, Q-LOGIC 2&3	1
SHD		WEB LINK, IPB, QL3 JOYSTICK SHROUDS (This is not an orderable part, see IPB)	0
JSM		WEB LINK, IPB, JOYSTICK MOUNTING BRACKETS (This is not an orderable part, see IPB)	0
SDC		WEB LINK, IPB, QL3 JOYSTICK SD CARDS (This is not an orderable part, see IPB)	0
JSK		WEB LINK, IPB, AFTERMARKET JOYSTICK KNOBS (This is not an orderable part, see IPB)	0
JSR		WEB LINK, IPB, JOYSTICK RECEIVER MOUNTS (This is not an orderable part, see IPB)	0

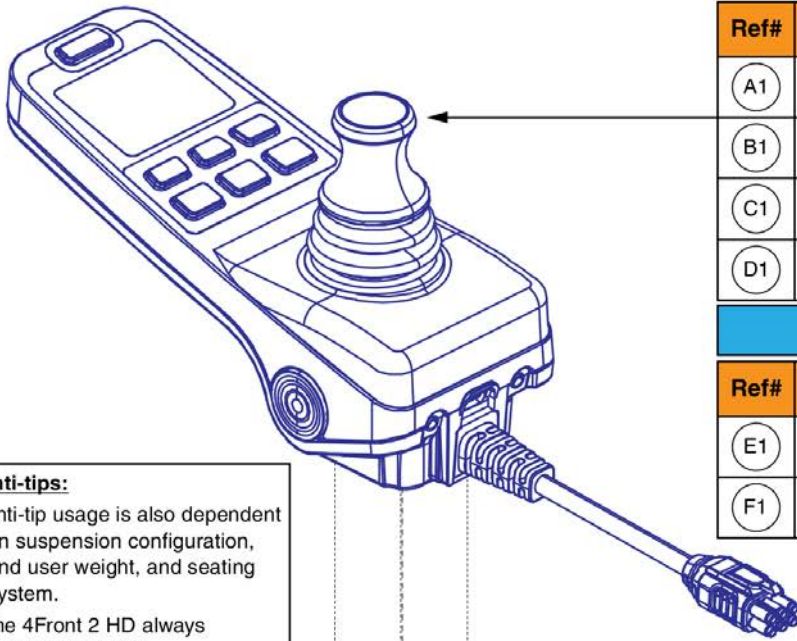


## Q-Logic 3e Joysticks

### Joystick Replacement Notes:

- The proper joystick assembly with programming must be selected to ensure the unit functions as intended.
- A pre-programmed SD card is NOT needed when replacing or retrofitting a Q-Logic 3e joystick on a unit. The latest firmware and program file are stored internally on the new joystick.
- The Q-Logic 3e joystick is compatible with all previous and current units equipped with Q-Logic 3 electronics and can be used in place of the Q-Logic 3 EX joystick.

**Contact Technical Service for more information.**



### 4Front 2 Joysticks w/ Programming

Ref#	Part Number	Motor Program	Seating Function	*Used w/ Anti-tips?
(A1)	ELE2102342	6.25 mph	Static	Yes
(B1)	ELE2102341	6.25 mph	Power Positioning	Yes
(C1)	ELE2102344	5 mph	Static	No
(D1)	ELE2102343	5 mph	Power Positioning	No

### 4Front 2 HD Joysticks w/ Programming

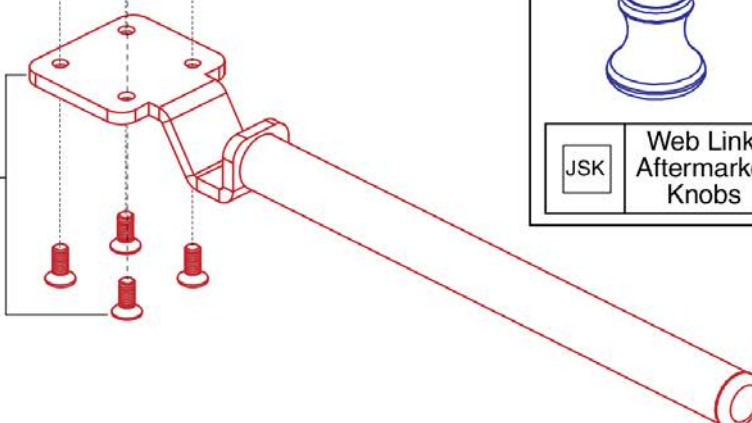
Ref#	Part Number	Motor Program	Seating Function	*Used w/ Anti-tips?
(E1)	ELE2105132	5 mph	Static	Yes
(F1)	ELE2105131	5 mph	Power Positioning	Yes

#### \*Anti-tips:

- Anti-tip usage is also dependent on suspension configuration, end user weight, and seating system.
- The 4Front 2 HD always requires anti-tips.
- Do not modify your power chair in any way not authorized by Pride / Quantum.
- Contact Technical Service for more information.

### Joystick Mounts & Receivers

(G1)	Standard Inline
JSM	Web Link: Additional Mounts
JSR	Web Link: Joystick Receivers

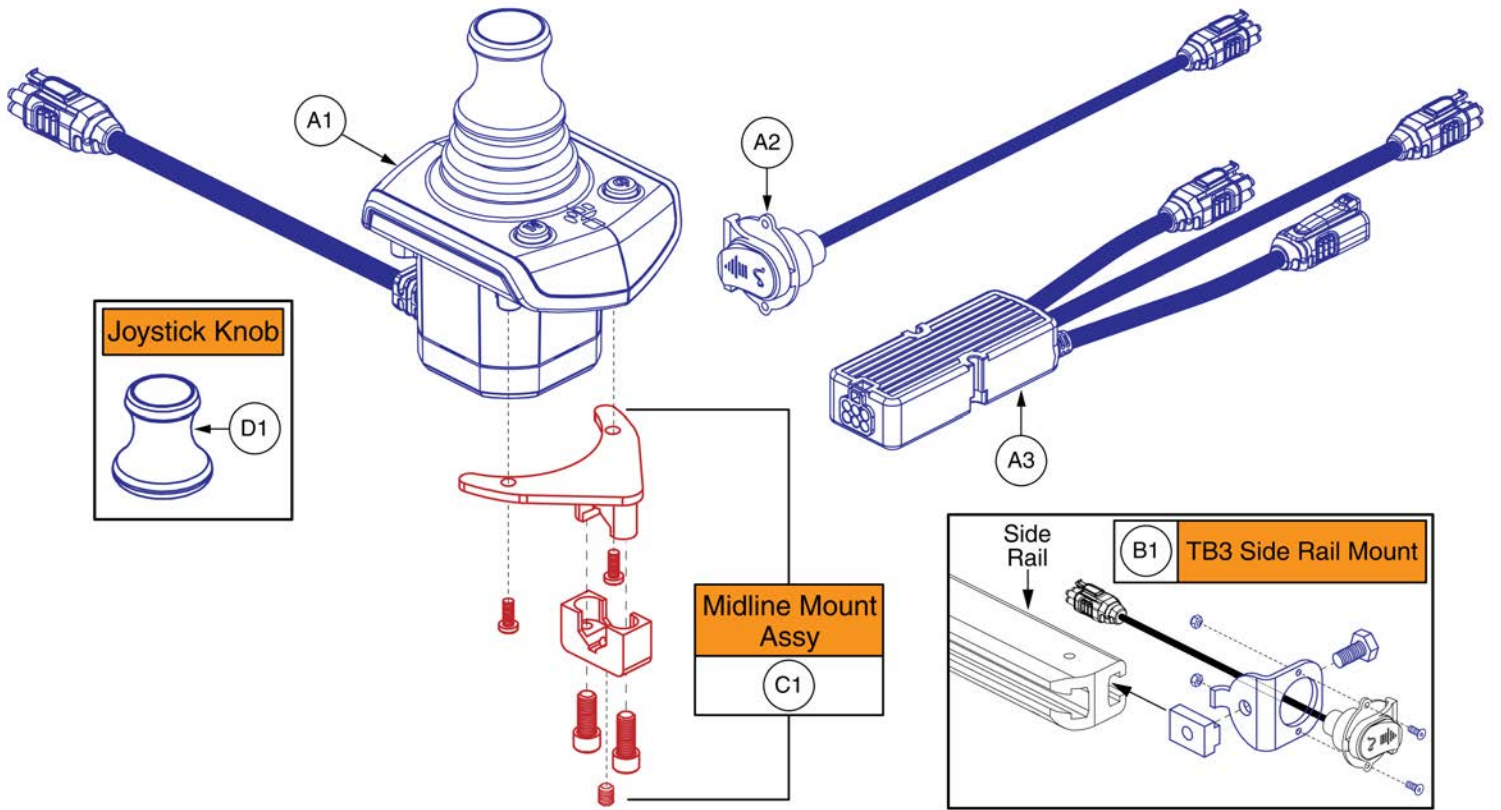


### Replacement Components

(H1)	Joystick Knob	 Overlay w/ Installation Instructions <div style="text-align: center; border: 1px solid black; width: 40px; height: 40px; margin: 0 auto; border-radius: 50%; display: flex; align-items: center; justify-content: center;">                     I1                 </div>
JSK	Web Link: Aftermarket Knobs	
(J1)	Rubber Boot	

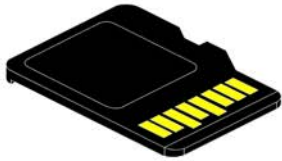
## Q-Logic 3e Joystick Assemblies, 4Front 2

Item	Part No.	Name	Qty
A1	ELE2102342	SERVICEABLE ASSEMBLY, Q-LOGIC 3E, 4FRONT 2 WITH ANTI-TIPS PROGRAM, 6.25MPH LINIX MOTORS, STATIC SEATING	1
B1	ELE2102341	SERVICEABLE ASSEMBLY, Q-LOGIC 3E, 4FRONT 2 WITH ANTI-TIPS PROGRAM, 6.25MPH LINIX MOTORS, POWER POSITIONING	1
C1	ELE2102344	SERVICEABLE ASSEMBLY, Q-LOGIC 3E, 4FRONT 2 WITHOUT ANTI-TIPS PROGRAM, 5MPH LINIX MOTORS, STATIC SEATING	1
D1	ELE2102343	SERVICEABLE ASSEMBLY, Q-LOGIC 3E, 4FRONT 2 WITHOUT ANTI-TIPS PROGRAM, 5MPH LINIX MOTORS, POWER POSITIONING	1
E1	ELE2105132	SERVICEABLE ASSEMBLY, Q-LOGIC 3E, 4FRONT 2 HD WITH ANTI-TIPS PROGRAM, 5MPH LINIX MOTORS, STATIC SEATING	1
F1	ELE2105131	SERVICEABLE ASSEMBLY, Q-LOGIC 3E, 4FRONT 2 HD WITH ANTI-TIPS PROGRAM, 5MPH LINIX MOTORS, POWER POSITIONING	1
G1	FRMASMB10617	JOYSTICK MOUNTING BRACKET,ASSY,CURTIS,INLINE	1
H1	DGN154742	JOYSTICK, KNOB, Q-LOGIC 3, 6.35MM-ID, (CURTIS: 17519114-01)	1
I1	KIT2008010	Q-LOGIC 3E KEYPAD REPLACEMENT KIT WITH INSTRUCTIONS	1
J1	RECPART1006	RECON,JOYSTICK RUBBER BOOT,(P&G: 283-77.10.004)	1
JSM		WEB LINK,IPB,JOYSTICK MOUNTING BRACKETS (This is not an orderable part, see IPB)	1
JSK		WEB LINK,IPB,AFTERMARKET JOYSTICK KNOBS (This is not an orderable part, see IPB)	1
JSR		WEB LINK,IPB,JOYSTICK RECEIVER MOUNTS (This is not an orderable part, see IPB)	1



## Q-Logic 3 Stand Alone Joystick Assy

Item	Part No.	Name	Qty
A1	CTL143980	STANDALONE JOYSTICK, Q-LOGIC 3, (CURTIS: 17953700-1109)	1
A2	HAR144001	HARNESS, CHARGER/PROGRAMMER, Q-LOGIC 3, 0.9 METER,(CURTIS: 17880701)	1
A3	HAR144003	HARNESS, SEAT MULTIPLIER Q-LOGIC 3, (CURTIS: 17881360-02-01)	1
B1	FRMASMB11156	MOUNTING BRACKET,ASSY,STAND ALONE JOYSTICK,SIDE RAIL MOUNT,C-1360-163	1
C1	FRMASMB10454	JOYSTICK MOUNTING BRACKET,ASSY,CURTIS STAND ALONE JOYSTICK,MIDLINE,C-1010-263	1
D1	DGN154742	JOYSTICK, KNOB, Q-LOGIC 3, 6.35MM-ID, (CURTIS: 17519114-01)	1



Pre-programmed  
Micro SD Card\*

4Front 2				
Ref#	Part Number	Motor Program	Seating Function	† Used w/ Anti-tips?
(A1)	ELE2102336	6.25 mph	Static	Yes
(B1)	ELE2102335	6.25 mph	Power Positioning	Yes
(C1)	ELE2102338	5 mph	Static	No
(D1)	ELE2102337	5 mph	Power Positioning	No
4Front 2 HD				
Ref#	Part Number	Motor Program	Seating Function	† Used w/ Anti-tips?
(E1)	ELE2105128	5 mph	Static	Yes
(F1)	ELE2105127	5 mph	Power Positioning	Yes

**\*SD Cards:**

- A Pre-programmed SD card is required when:
  - Replacing a joystick, display, power base module, or seating module.
  - Replacing or retrofitting Q-Logic 3 electronics in the field.
- A new SD card ensures the Q-Logic 3 system has the latest software.
- Contact Technical Service for more information.

**† Anti-tips:**

- Anti-tip usage is also dependent on suspension configuration, end user weight, and seating system.
- The 4Front 2 HD always requires anti-tips.
- Do not modify your power chair in any way not authorized by Pride / Quantum.
- Contact Technical Service for more information.

**Q-Logic 3 SD Cards, 4Front 2 (USA, Canada, Australia, Europe)**

<b>Item</b>	<b>Part No.</b>	<b>Name</b>	<b>Qty</b>
A1	ELE2102336	SERVICEABLE ASSEMBLY, SD CARD, Q-LOGIC 3, 4FRONT 2 WITH ANTI-TIPS PROGRAM, 6.25MPH LINIX MOTORS, STATIC SEATING.	1
B1	ELE2102335	SERVICEABLE ASSEMBLY, SD CARD, Q-LOGIC 3, 4FRONT 2 WITH ANTI-TIPS PROGRAM, 6.25MPH LINIX MOTORS, POWER POSITIONING.	1
C1	ELE2102338	SERVICEABLE ASSEMBLY, SD CARD, Q-LOGIC 3, 4FRONT 2 WITHOUT ANTI-TIPS PROGRAM, 5MPH LINIX MOTORS, STATIC SEATING.	1
D1	ELE2102337	SERVICEABLE ASSEMBLY, SD CARD, Q-LOGIC 3, 4FRONT 2 WITHOUT ANTI-TIPS PROGRAM, 5MPH LINIX MOTORS, POWER POSITIONING.	1
E1	ELE2105128	SERVICEABLE ASSEMBLY, SD CARD, Q-LOGIC 3, 4FRONT 2 HD WITH ANTI-TIPS PROGRAM, 5MPH LINIX MOTORS, STATIC SEATING.	1
F1	ELE2105127	SERVICEABLE ASSEMBLY, SD CARD, Q-LOGIC 3, 4FRONT 2 HD WITH ANTI-TIPS PROGRAM, 5MPH LINIX MOTORS, POWER POSITIONING.	1

# Q-Logic 2 & 3 Joystick Shrouds

**\*Important Please Note:**

- The joystick shrouds are available in all the colors listed.
- **Power base color varies by model and some colors listed may not be available on all power bases.** Visit [www.quantumrehab.com](http://www.quantumrehab.com) for a model specific breakdown of all available colors.
- Some colors listed may have prolonged lead times.
- Contact Technical Service for more information.



Red Corvette shown

Q-Logic 2 (Pre 2015)	
Ref#	Color Name
A1	Std., Soft Touch
A2	Black
A3	Silver
A4	Candy Apple Red
A5	Pearl Pink
A6	Sapphire Blue
A7	True Blue
A8	Viper Blue
A9	Emerald Green
A10	Orion Yellow
A11	Sunburst Orange

Q-Logic 2 (Post 2015) & Q-Logic 3	
Ref#	Color Name
B1	Std., Soft Touch
B2	Back in Black
B3	Night Train
B4	Grey Street
B5	Silver Bullet
B6	White Satin
B7	Red Corvette
B8	Cherry Bomb
B9	Pretty in Pink
B10	Raspberry Beret
B11	Sugar Plum
B12	Deep Purple
B13	Midnight Blue
B14	Electric Blue
B15	Blue Jean
B16	Green Machine
B17	Military Green
B18	Lime Light
B19	Yellow Blaze
B20	Lemon Crush
B21	Orange Crush
B22	Evolution Orange
B23	Carbon Fiber
B24	Digital Camo
B25	Faded Glory

## Q-Logic 2 & 3 Joystick Shrouds

Item	Part No.	Name	Qty
A1	DGN124307	Q-LOGIC 2/3 JOYSTICK SHROUD,BLACK SOFT-TOUCH PAINT,(CURTIS: 17949365-02)	1
A2	DGN124336-PBK1	Q-LOGIC 2/3 JOYSTICK SHROUD,PPW-BLK-01 (BACK IN BLACK/BLACK)	1
A3	DGN124336-PSL1	Q-LOGIC 2/3 JOYSTICK SHROUD,PPW-SIL-01 (SILVER)	1
A4	DGN124336-PRD1	Q-LOGIC 2/3 JOYSTICK SHROUD,PPW-RED-01 (RED CORVETTE/CANDY APPLE RED)	1
A5	DGN124336-PPK1	Q-LOGIC 2/3 JOYSTICK SHROUD,PPW-PNK-01 (PEARL PINK)	1
A6	DGN124336-PPR4	Q-LOGIC 2/3 JOYSTICK SHROUD,PPW-PRP-04 (SAPPHIRE BLUE)	1
A7	DGN124336-PBU9	Q-LOGIC 2/3 JOYSTICK SHROUD,PPW-BLU-09 (ELECTRIC BLUE/TRUE BLUE)	1
A8	DGN124336-PBU1	Q-LOGIC 2/3 JOYSTICK SHROUD,PPW-BLU-01 (VIPER BLUE)	1
A9	DGN124336-PGN5	Q-LOGIC 2/3 JOYSTICK SHROUD,PPW-GRN-05 (EMERALD GREEN)	1
A10	DGN124336-PYL3	Q-LOGIC 2/3 JOYSTICK SHROUD,PPW-YEL-03 (YELLOW BLAZE/ORION YELLOW)	1
A11	DGN124336-POR4	Q-LOGIC 2/3 JOYSTICK SHROUD,PPW-ORN-04 (SUNBURST ORANGE)	1
B1	DGN124307	Q-LOGIC 2/3 JOYSTICK SHROUD,BLACK SOFT-TOUCH PAINT,(CURTIS: 17949365-02)	1
B2	DGN124336-PBK1	Q-LOGIC 2/3 JOYSTICK SHROUD,PPW-BLK-01 (BACK IN BLACK/BLACK)	1
B3	DGN124336-PBK3	Q-LOGIC 2/3 JOYSTICK SHROUD,PPW-BLK-03 (NIGHT TRAIN)	1
B4	DGN124336-PSL3	Q-LOGIC 2/3 JOYSTICK SHROUD,PPW-SIL-03 (GREY STREET)	1
B5	DGN124336-PSL7	Q-LOGIC 2/3 JOYSTICK SHROUD,PPW-SIL-07 (SILVER BULLET)	1
B6	DGN124336-PWH2	Q-LOGIC 2/3 JOYSTICK SHROUD,PPW-WHT-02 (WHITE SATIN)	1
B7	DGN124336-PRD1	Q-LOGIC 2/3 JOYSTICK SHROUD,PPW-RED-01 (RED CORVETTE/CANDY APPLE RED)	1
B8	DGN124336-PRD4	Q-LOGIC 2/3 JOYSTICK SHROUD,PPW-RED-04 (CHERRY BOMB)	1
B9	DGN124336-PPK3	Q-LOGIC 2/3 JOYSTICK SHROUD,PPW-PNK-03 (PRETTY IN PINK)	1
B10	DGN124336-PPK4	Q-LOGIC 2/3 JOYSTICK SHROUD,PPW-PNK-04 (RASPBERRY BERET)	1
B11	DGN124336-PPR7	Q-LOGIC 2/3 JOYSTICK SHROUD,PPW-PRP-07 (SUGAR PLUM)	1
B12	DGN124336-PPR5	Q-LOGIC 2/3 JOYSTICK SHROUD,PPW-PRP-05 (DEEP PURPLE)	1
B13	DGN124336-PBU10	Q-LOGIC 2/3 JOYSTICK SHROUD,PPW-BLU-10 (MIDNIGHT BLUE)	1
B14	DGN124336-PBU9	Q-LOGIC 2/3 JOYSTICK SHROUD,PPW-BLU-09 (ELECTRIC BLUE/TRUE BLUE)	1
B15	DGN124336-PBU11	Q-LOGIC 2/3 JOYSTICK SHROUD,PPW-BLU-11 (BLUE JEAN)	1
B16	DGN124336-PGN11	Q-LOGIC 2/3 JOYSTICK SHROUD,PPW-GRN-11 (GREEN MACHINE)	1
B17	DGN124336-PGN8	Q-LOGIC 2/3 JOYSTICK SHROUD,PPW-GRN-08 (MILITARY GREEN)	1
B18	DGN124336-PGN7	Q-LOGIC 2/3 JOYSTICK SHROUD,PPW-GRN-07 (LIME LIGHT)	1
B19	DGN124336-PYL3	Q-LOGIC 2/3 JOYSTICK SHROUD,PPW-YEL-03 (YELLOW BLAZE/ORION YELLOW)	1
B20	DGN124336-PYL4	Q-LOGIC 2/3 JOYSTICK SHROUD,PPW-YEL-04 (LEMON CRUSH)	1
B21	DGN124336-POR6	Q-LOGIC 2/3 JOYSTICK SHROUD,PPW-ORN-06 (ORANGE CRUSH)	1
B22	DGN124336-POR7	Q-LOGIC 2/3 JOYSTICK SHROUD,PPW-ORN-07 (EVOLUTION ORANGE)	1
B23	DGN124336-WCB1	Q-LOGIC 2/3 JOYSTICK SHROUD,PWT-CBN-01 (CARBON FIBER)	1
B24	DGN124336-WCM7	Q-LOGIC 2/3 JOYSTICK SHROUD,PWT-CMO-07 (MILITARY DIGITAL CAMO)	1
B25	DGN124336-WFL2	Q-LOGIC 2/3 JOYSTICK SHROUD,PWT-FLG-02 (FADED GLORY)	1

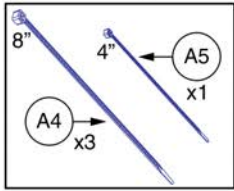


<p>(A1) Soft Ball</p> 	<p>(B1) I-Handle</p> 	<p>(C1) T-Bar</p> 	<p>(D1) Ball</p> 				
<p>(E1) Mushroom</p> 	<p>(F1) Chin Cup</p> 	<p>(G1) Remote Plus (Carrot)</p> 	<p>Goal Posts</p> <table border="1" data-bbox="1422 1045 1555 1157"> <tr> <td>(H1)</td> <td>3"</td> </tr> <tr> <td>(I1)</td> <td>4"</td> </tr> </table> 	(H1)	3"	(I1)	4"
(H1)	3"						
(I1)	4"						

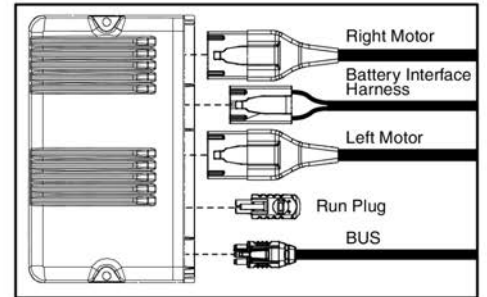
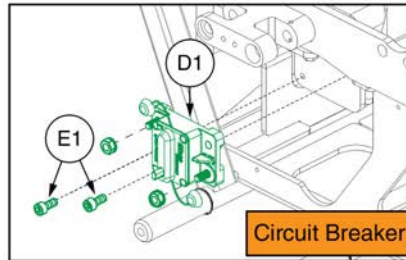
## Aftermarket Joystick Knobs - Curtis and P&G

Item	Part No.	Name	Qty
A1	ACCASMB1856	P&G JOYSTICK KNOB,ASSY,JAZZY,SOFT BALL	1
B1	ACCASMB1857	P&G JOYSTICK KNOB,ASSY,JAZZY,EXTENDED I-HANDLE	1
C1	ACCASMB1858	P&G JOYSTICK KNOB,ASSY,JAZZY,T BAR	1
D1	ACCASMB1859	P&G JOYSTICK KNOB,ASSY,JAZZY,BALL	1
E1	ACCASMB1860	P&G JOYSTICK KNOB,ASSY,JAZZY,MUSHROOM	1
F1	ACCASMB1861	P&G JOYSTICK KNOB,ASSY,JAZZY,CHIN CUP	1
G1	ACCASMB1862	P&G JOYSTICK KNOB,ASSY,JAZZY,REMOTE STANDARD	1
H1	PLSKNCP1057	JOYSTICK KNOB,3",GOAL POST,W/FLEX SHAFT,FOR 1/4" STEM,(BP: PC101B)	1
I1	PLSKNCP1058	JOYSTICK KNOB,4",GOAL POST,W/FLEX SHAFT,FOR 1/4" STEM,(BP: PC102B)	1

Complete Assemblies	
Ref#	Seating Config.
A1 - A6	Static or Single Power
A1 - A6	Multiple Power

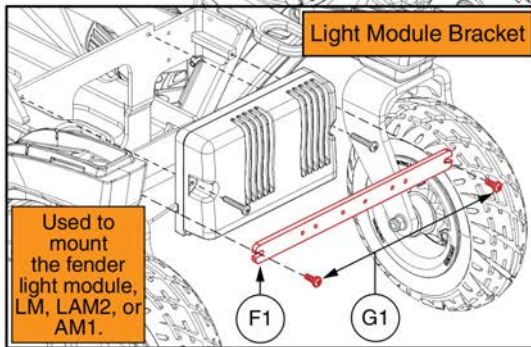
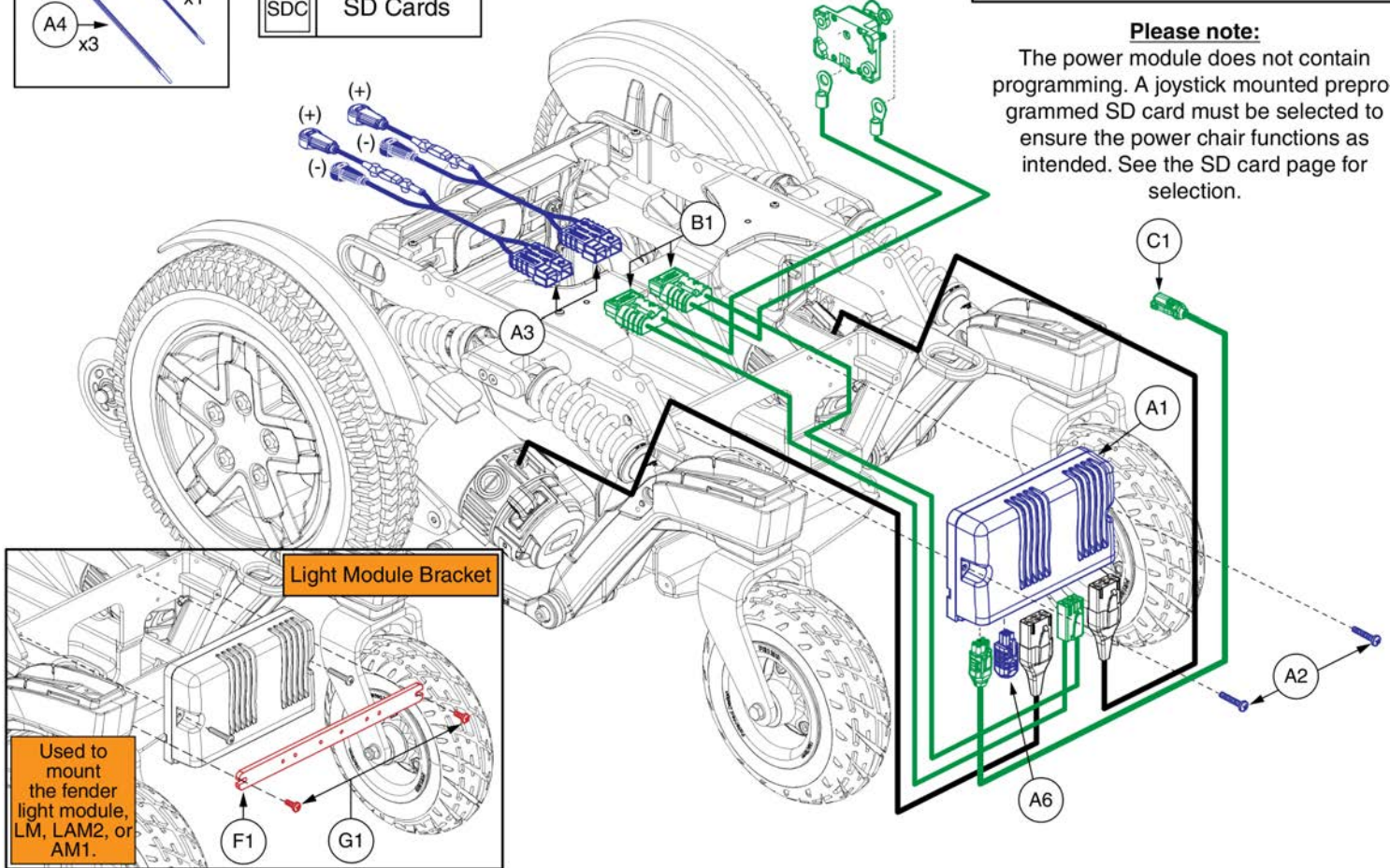


Web Link	
SDC	SD Cards



**Please note:**

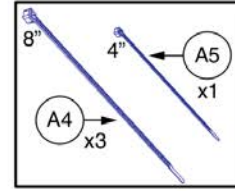
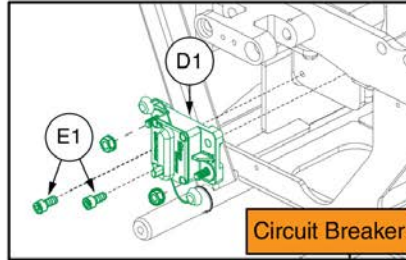
The power module does not contain programming. A joystick mounted preprogrammed SD card must be selected to ensure the power chair functions as intended. See the SD card page for selection.



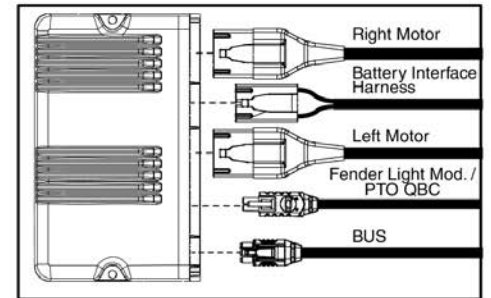
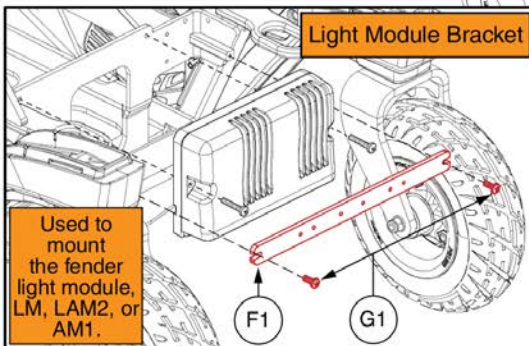
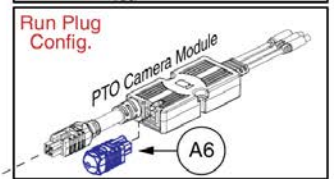
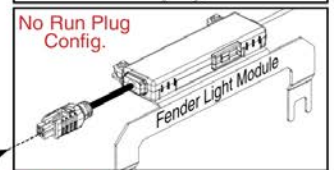
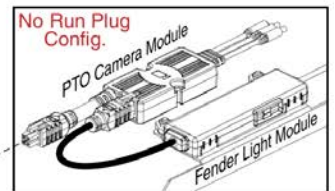
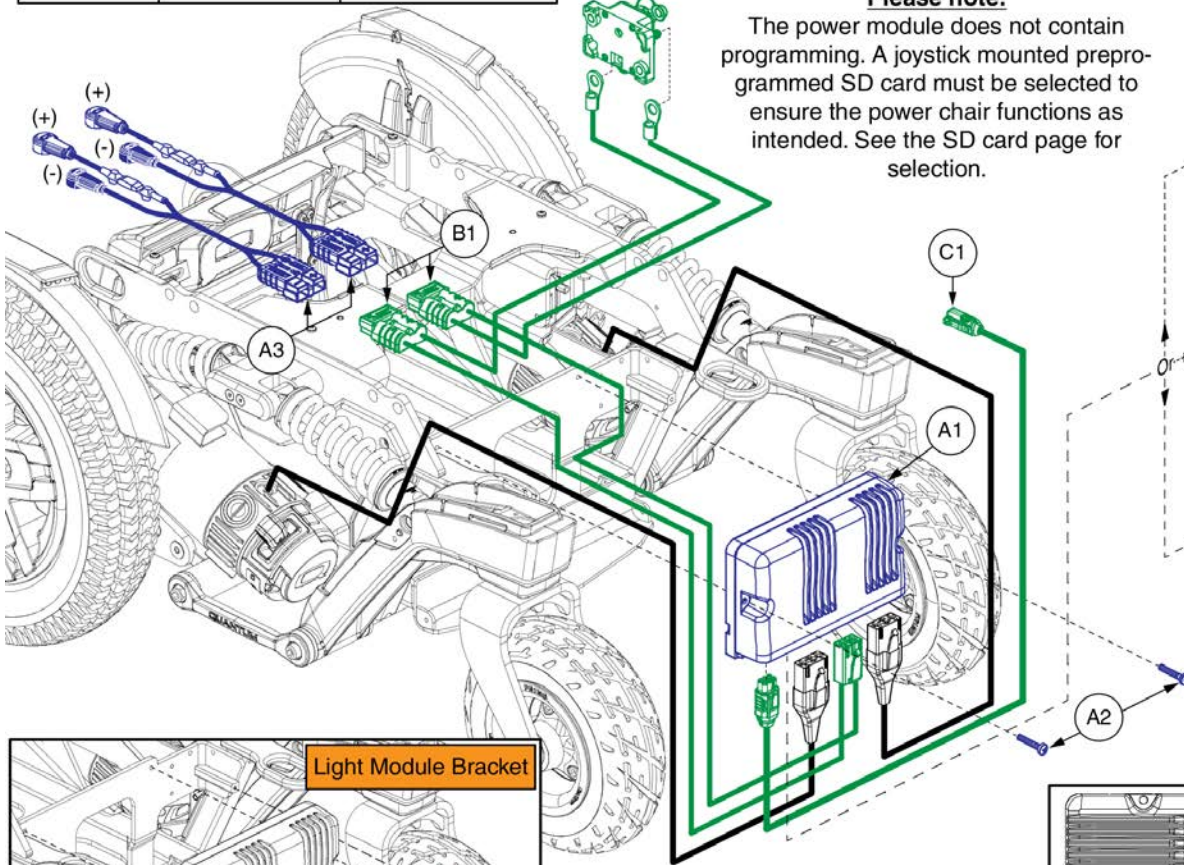
**QL3 Electronics, Standard Fenders / No PTO QBC, 4Front 2**

<b>Item</b>	<b>Part No.</b>	<b>Name</b>	<b>Qty</b>
A1 - A6	ELE2007294	ELECTRONIC,ASSY,Q-LOGIC 3,QUANTUM 4FRONT 2,RUN PLUG,(NON-EXPANDABLE CAPACITY)	1
A1 - A6	ELE2007295	ELECTRONIC,ASSY,Q-LOGIC 3,QUANTUM 4FRONT 2,RUN PLUG,(EXPANDABLE CAPACITY)	1
A1	CTL143978	POWER MODULE, Q-LOGIC 3,120 AMP	1
A2	SCRPPH1382	SCREW, PAN HEAD, TYPE H, M5X0.8 X 25, ISO 7045, CL 4.8, BZ	2
A3	ELE1709864	HARNESS, BATTERY, FWD, FLEX CABLE	2
A4	PLSTIE1004	TIE WRAP,BLACK,8"	3
A5	PLSTIE1001	CABLE TIE,BLACK PLASTIC,95MM (3.7IN)	1
A6	DGN1901203	OVER-MOLD RUN RECEPTACLE, 4-CIRCUIT	1
B1	ELE2005663	HARNESS, BATTERY INTERFACE, POWER SWITCH, Q-LOGIC	1
C1	HAR144005	HARNESS, BUS EXTENSION CABLE, Q-LOGIC 3, 0.410 METER, MALE/FEMALE, (CURTIS: 17881362-01-01)	1
D1	ELE1910369	CIRCUIT BREAKER, 70A (GLOSO: E99-070A-99-9G)	1
E1	SCR8110001	SCREW, SOCKET HEAD, M6X1.0 X 14, ISO 4762, CL 12.9, BZ, PVTP	2
F1	MEC167317	LIGHT MODULE BRACKET	1
G1	SCRPPH1044	SCREW, PAN HEAD, TYPE H, M4X0.7 X 12, FT, ISO 7045, CL 4.8, BZ	2
SDC		WEB LINK,IPB,4FRONT 2 SD CARDS (This is not an orderable part, see IPB)	0

Complete Assemblies		
Ref#	Seating Config.	Run Plug Config.
A1 - A5	Static or Single Power	No Run Plug
A1 - A6	Static or Single Power	Run Plug
A1 - A5	Multiple Power	No Run Plug
A1 - A6	Multiple Power	Run Plug



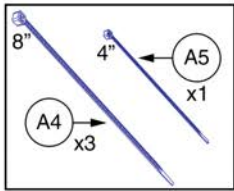
Web Links	
CM	PTO Camera Module
FLM	Fender Light Module
SDC	SD Cards



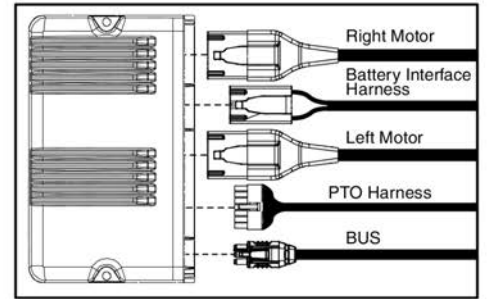
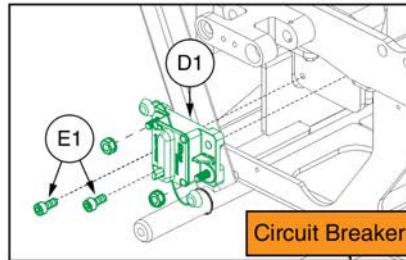
**QL3 Electronics, Light Fenders / PTO QBC, 4Front 2**

Item	Part No.	Name	Qty
A1 - A5	ELE2007298	ELECTRONIC,ASSY,Q-LOGIC 3,QUANTUM 4FRONT 2,(NON-EXPANDABLE CAPACITY)	1
A1 - A6	ELE2007294	ELECTRONIC,ASSY,Q-LOGIC 3,QUANTUM 4FRONT 2,RUN PLUG,(NON-EXPANDABLE CAPACITY)	1
A1 - A5	ELE2007299	ELECTRONIC,ASSY,Q-LOGIC 3,QUANTUM 4FRONT 2,(EXPANDABLE CAPACITY)	1
A1 - A6	ELE2007295	ELECTRONIC,ASSY,Q-LOGIC 3,QUANTUM 4FRONT 2,RUN PLUG,(EXPANDABLE CAPACITY)	1
A1	CTL143978	POWER MODULE, Q-LOGIC 3,120 AMP	1
A2	SCRPPH1382	SCREW, PAN HEAD, TYPE H, M5X0.8 X 25, ISO 7045, CL 4.8, BZ	2
A3	ELE1709864	HARNESS, BATTERY, FWD, FLEX CABLE	2
A4	PLSTIE1004	TIE WRAP,BLACK,8"	3
A5	PLSTIE1001	CABLE TIE,BLACK PLASTIC,95MM (3.7IN)	1
A6	DGN1901203	OVER-MOLD RUN RECEPTACLE, 4-CIRCUIT	1
B1	ELE2005663	HARNESS, BATTERY INTERFACE, POWER SWITCH, Q-LOGIC	1
C1	HAR144005	HARNESS, BUS EXTENSION CABLE, Q-LOGIC 3, 0.410 METER, MALE/FEMALE, (CURTIS: 17881362-01-01)	1
D1	ELE1910369	CIRCUIT BREAKER, 70A (GLOSO: E99-070A-99-9G)	1
E1	SCR8110001	SCREW, SOCKET HEAD, M6X1.0 X 14, ISO 4762, CL 12.9, BZ, PVTP	2
F1	MEC167317	LIGHT MODULE BRACKET	1
G1	SCRPPH1044	SCREW, PAN HEAD, TYPE H, M4X0.7 X 12, FT, ISO 7045, CL 4.8, BZ	2
CM		WEB LINK,IPB,4FRONT 2 PTO BACKUP CAMERA MODULE (This is not an orderable part, see IPB)	0
FLM		WEB LINK,IPB,STRETTO FENDER LIGHTS (This is not an orderable part, see IPB)	0
SDC		WEB LINK,IPB,4FRONT 2 SD CARDS (This is not an orderable part, see IPB)	0

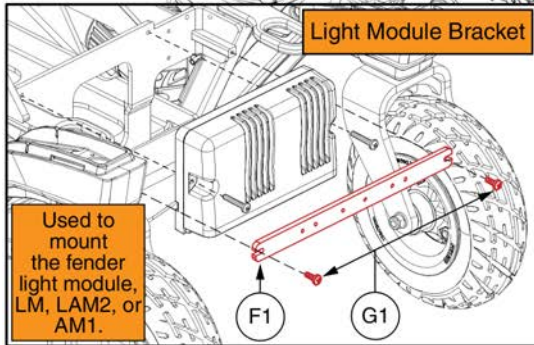
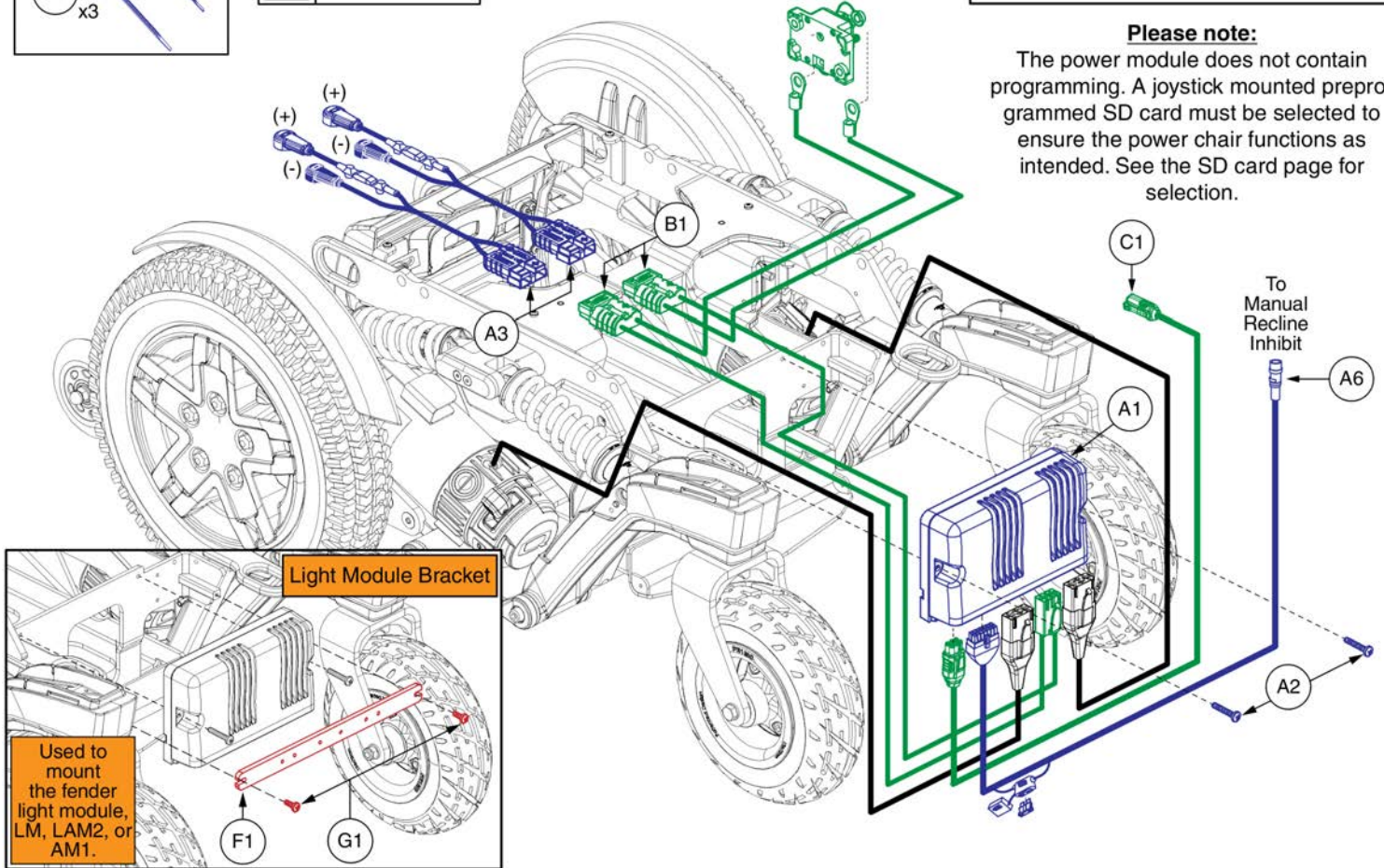
Complete Assembly	
Ref#	Seating Config.
A1 - A6	Manual Recline



Web Link	
SDC	SD Cards



**Please note:**  
The power module does not contain programming. A joystick mounted preprogrammed SD card must be selected to ensure the power chair functions as intended. See the SD card page for selection.

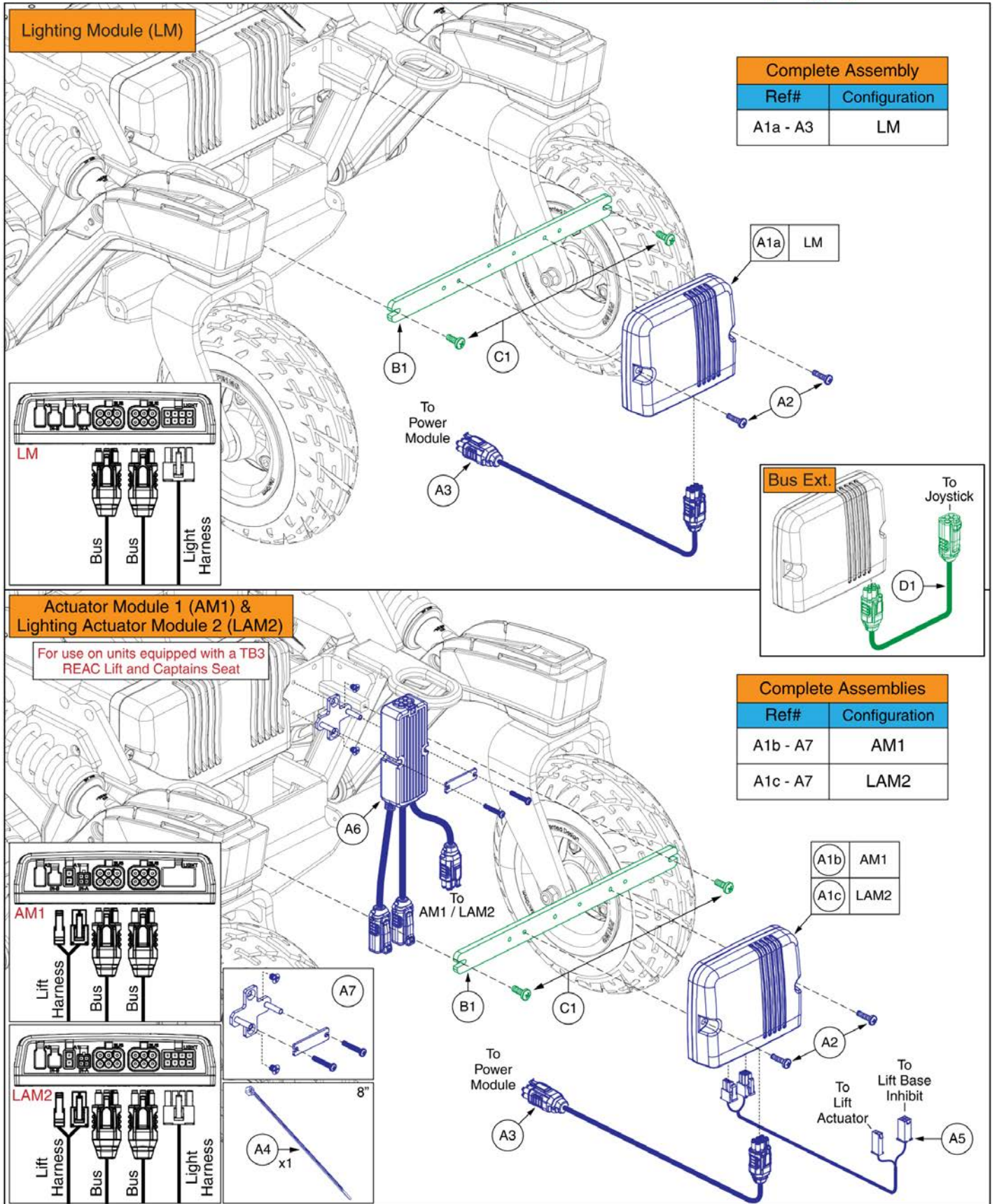


**QL3 Electronics, Manual Recline, Standard Fender / No PTO QBC, 4Front 2**

<b>Item</b>	<b>Part No.</b>	<b>Name</b>	<b>Qty</b>
A1 - A6	ELE2007296	ELECTRONIC,ASSY,Q-LOGIC 3,QUANTUM 4FRONT 2,PTO,(NON-EXPANDABLE CAPACITY)	1
A1	CTL143978	POWER MODULE, Q-LOGIC 3,120 AMP	1
A2	SCRPPH1382	SCREW, PAN HEAD, TYPE H, M5X0.8 X 25, ISO 7045, CL 4.8, BZ	2
A3	ELE1709864	HARNESS, BATTERY, FWD, FLEX CABLE	2
A4	PLSTIE1004	TIE WRAP,BLACK,8"	3
A5	PLSTIE1001	CABLE TIE,BLACK PLASTIC,95MM (3.7IN)	1
A6	DWR1265H021	ELECTRONIC,HARNESS,POWER TAKE OFF(PTO)/INHIBIT,CURTIS,H-1265-021	1
B1	ELE2005663	HARNESS, BATTERY INTERFACE, POWER SWITCH, Q-LOGIC	1
C1	HAR144005	HARNESS, BUS EXTENSION CABLE, Q-LOGIC 3, 0.410 METER, MALE/FEMALE, (CURTIS: 17881362-01-01)	1
D1	ELE1910369	CIRCUIT BREAKER, 70A (GLOSO: E99-070A-99-9G)	1
E1	SCR8110001	SCREW, SOCKET HEAD, M6X1.0 X 14, ISO 4762, CL 12.9, BZ, PVTP	2
F1	MEC167317	LIGHT MODULE BRACKET	1
G1	SCRPPH1044	SCREW, PAN HEAD, TYPE H, M4X0.7 X 12, FT, ISO 7045, CL 4.8, BZ	2
SDC		WEB LINK,IPB,4FRONT 2 SD CARDS (This is not an orderable part, see IPB)	0

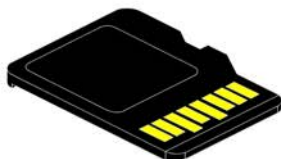


The LM and LAM2 are used with base mounted lights. The lights are not shown. See lighting page for selection.



## Q-Logic 3 LM, AM1, & LAM2, 4Front 2

Item	Part No.	Name	Qty
A1a - A3	ELE1702281	ELECTRONIC,ASSY,LM	1
A1b - A7	ELE2009405	ELECTRONIC,ASSY,Q-LOGIC 3/AM1,LIFT,(CONFIGURATION # 04)	1
A1c - A7	ELE2009407	ELECTRONIC,ASSY,Q-LOGIC 3/LAM2,LIFT,(CONFIGURATION # 04)	1
A1a	CTL143986	LIGHT MODULE,Q-LOGIC 3,LM,(CURTIS:17963700-0109)	1
A1b	CTL143983	ACTUATOR MODULE, Q-LOGIC 3, AM1, 1 ACTUATOR, (CURTIS: 17963700-1009)	1
A1c	CTL143985	ACTUATOR MODULE,Q-LOGIC 3,LAM2,2 ACTUATOR AND LIGHTS,(CURTIS: 17963700-2109)	1
A2	SCRPPH1153	SCREW, PAN HEAD, TYPE H, M4X0.7 X 20, FT, ISO 7045, CL 4.8, BZ	2
A3	HAR143994	HARNESS, BUS EXTENSION CABLE, Q-LOGIC 3, 0.3 METER, FEMALE/FEMALE, (CURTIS: 17881361-01-02)	1
A4	PLSTIE1004	TIE WRAP,BLACK,8"	1
A5	ELE133304	ELECTRONIC,HARNESS,CURLY CABLE EXTENSION CABLE,FRONT MOUNTED,TRU-BALANCE 3 LIFT	1
A6	HAR144004	HARNESS,BASE MULTIPLIER Q-LOGIC 3	1
A7	MEC1611656	MULTIPLIER STUD MOUNT ASSEMBLY,PRIMARY	1
B1	MEC167317	LIGHT MODULE BRACKET	1
C1	SCRPPH1044	SCREW, PAN HEAD, TYPE H, M4X0.7 X 12, FT, ISO 7045, CL 4.8, BZ	2
D1	HAR144005	HARNESS, BUS EXTENSION CABLE, Q-LOGIC 3, 0.410 METER, MALE/FEMALE, (CURTIS: 17881362-01-01)	1



Pre-programmed  
Micro SD Card\*

4Front 2				
Ref#	Part Number	Motor Program	Seating Function	† Used w/ Anti-tips?
(A1)	ELE2102336	6.25 mph	Static	Yes
(B1)	ELE2102335	6.25 mph	Power Positioning	Yes
(C1)	ELE2102338	5 mph	Static	No
(D1)	ELE2102337	5 mph	Power Positioning	No

4Front 2 HD				
Ref#	Part Number	Motor Program	Seating Function	† Used w/ Anti-tips?
(E1)	ELE2105128	5 mph	Static	Yes
(F1)	ELE2105127	5 mph	Power Positioning	Yes

**\*SD Cards:**

- A Pre-programmed SD card is required when:
  - Replacing a joystick, display, power base module, or seating module.
  - Replacing or retrofitting Q-Logic 3 electronics in the field.
- A new SD card ensures the Q-Logic 3 system has the latest software.
- Contact Technical Service for more information.

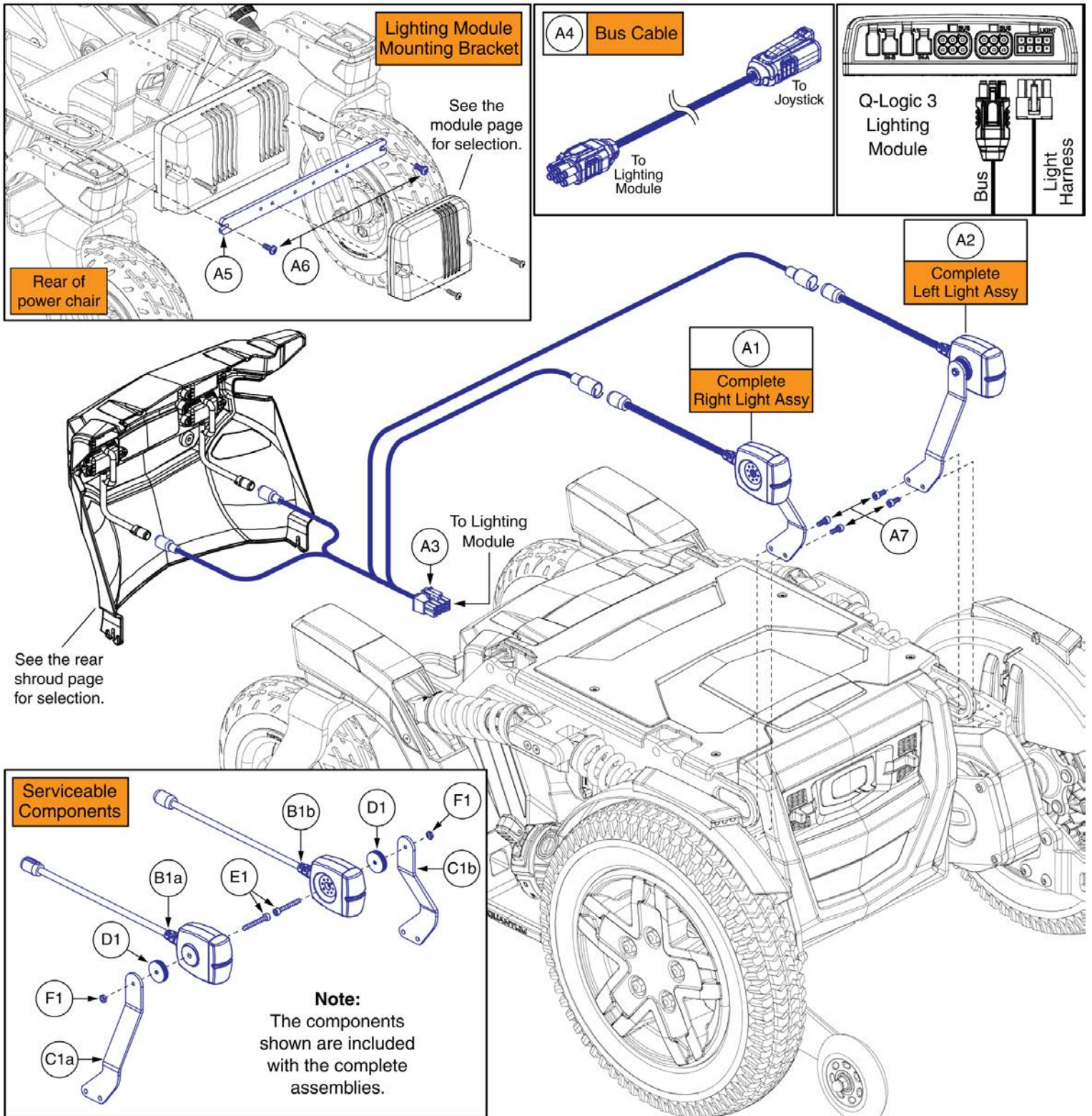
**† Anti-tips:**

- Anti-tip usage is also dependent on suspension configuration, end user weight, and seating system.
- The 4Front 2 HD always requires anti-tips.
- Do not modify your power chair in any way not authorized by Pride / Quantum.
- Contact Technical Service for more information.

**Q-Logic 3 SD Cards, 4Front 2 (USA, Canada, Australia, Europe)**

<b>Item</b>	<b>Part No.</b>	<b>Name</b>	<b>Qty</b>
A1	ELE2102336	SERVICEABLE ASSEMBLY, SD CARD, Q-LOGIC 3, 4FRONT 2 WITH ANTI-TIPS PROGRAM, 6.25MPH LINIX MOTORS, STATIC SEATING.	1
B1	ELE2102335	SERVICEABLE ASSEMBLY, SD CARD, Q-LOGIC 3, 4FRONT 2 WITH ANTI-TIPS PROGRAM, 6.25MPH LINIX MOTORS, POWER POSITIONING.	1
C1	ELE2102338	SERVICEABLE ASSEMBLY, SD CARD, Q-LOGIC 3, 4FRONT 2 WITHOUT ANTI-TIPS PROGRAM, 5MPH LINIX MOTORS, STATIC SEATING.	1
D1	ELE2102337	SERVICEABLE ASSEMBLY, SD CARD, Q-LOGIC 3, 4FRONT 2 WITHOUT ANTI-TIPS PROGRAM, 5MPH LINIX MOTORS, POWER POSITIONING.	1
E1	ELE2105128	SERVICEABLE ASSEMBLY, SD CARD, Q-LOGIC 3, 4FRONT 2 HD WITH ANTI-TIPS PROGRAM, 5MPH LINIX MOTORS, STATIC SEATING.	1
F1	ELE2105127	SERVICEABLE ASSEMBLY, SD CARD, Q-LOGIC 3, 4FRONT 2 HD WITH ANTI-TIPS PROGRAM, 5MPH LINIX MOTORS, POWER POSITIONING.	1

# Base Mounted Light Assemblies, 4Front 2

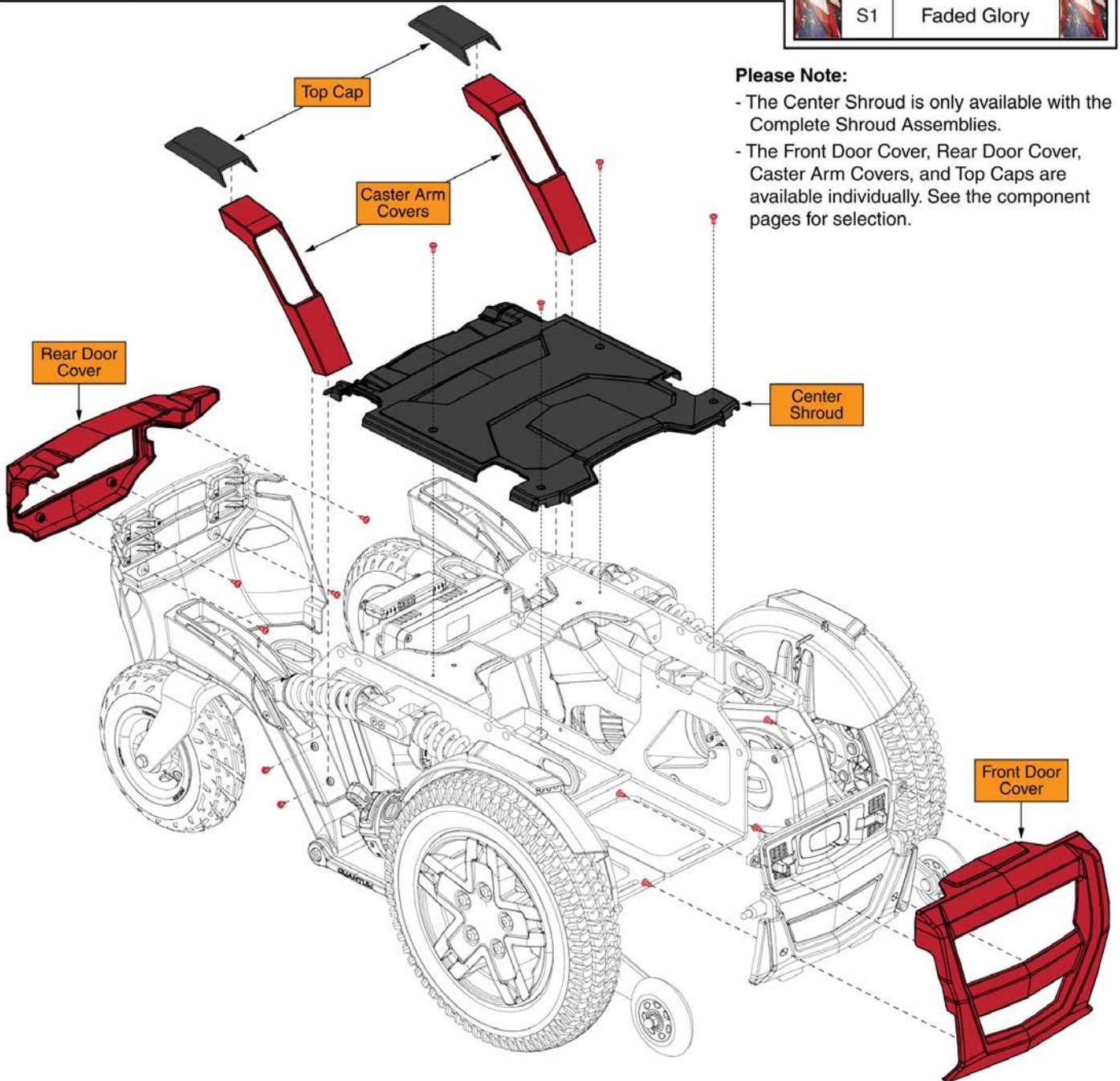


## Base Mounted Light Assemblies, 4Front 2

Item	Part No.	Name	Qty
A1 - A7	ELE1700035	LIGHTING,ASSY,FULL BASE MOUNTED,QUANTUM 4FRONT SERIES	1
A1	ELE1701559	FWD E-MARK LIGHT ASSEMBLY, FRONT RIGHT	1
A2	ELE1701560	FWD E-MARK LIGHT ASSEMBLY, FRONT LEFT	1
A3	ELE1611828	HARNESS, LIGHTING, BASE MOUNTED, FWD, Q-LOGIC 3	1
A4	HAR144005	HARNESS, BUS EXTENSION CABLE, Q-LOGIC 3, 0.410 METER, MALE/FEMALE, (CURTIS: 17881362-01-01)	1
A5	MEC167317	LIGHT MODULE BRACKET	1
A6	SCRPPH1044	SCREW, PAN HEAD, TYPE H, M4X0.7 X 12, FT, ISO 7045, CL 4.8, BZ	2
A7	SCRSHCS1259	SCREW, SOCKET HEAD, M4X0.7 X 10, ISO 4762, CL 12.9, BZ	4
B1a	ELEASMB7120024	FULL LIGHT,ASSY,WHITE/AMBER,LED LIGHTS,SYNERGY,FRONT/RIGHT,ELEASMB7120024	1
B1b	ELEASMB7120023	FULL LIGHT,ASSY,WHITE/AMBER,LED E-MARKED LIGHTS,SYNERGY,FRONT/LEFT,ELEASMB7120023	1
C1a	MEC1701453	LIGHT BRACKET, RIGHT	1
C1b	MEC1701452	LIGHT BRACKET, LEFT	1
D1	DWR1010B161	SPACER,BLACK,PLASTIC,0.157" ID X 0.866" OD X 0.22" TH,B-1010-161	2
E1	SCRSHCS1117	SCREW, SOCKET HEAD, M4X0.7 X 30, ISO 4762, CL 10.9, BZ	2
F1	NUTJAM1062	NUT, JAM, M4X0.7, ISO 4035, CL 04, BZ	2

# Complete Shroud Assemblies, 4Front 2

Complete Shroud Assemblies	Ref#	Color Name	Ref#	Color Name	Ref#	Color Name
	Includes the Center Shroud, Painted Caster Arm Covers, Caster Arm Top Cap, Painted Front Door Cover, Painted Rear Door Cover, and all mounting hardware.	A1	Back in Black	G1	Pretty in Pink	M1
B1		Night Train	H1	Raspberry Beret	N1	Green Machine
C1		Grey Street	I1	Sugar Plum	O1	Military Green
D1		White Satin	J1	Deep Purple	P1	Lemon Crush
E1		Red Corvette	K1	Midnight Blue	Q1	Evolution Orange
F1		Cherry Bomb	L1	Electric Blue	R1	Digital Camo
					S1	Faded Glory



**Please Note:**

- The Center Shroud is only available with the Complete Shroud Assemblies.
- The Front Door Cover, Rear Door Cover, Caster Arm Covers, and Top Caps are available individually. See the component pages for selection.

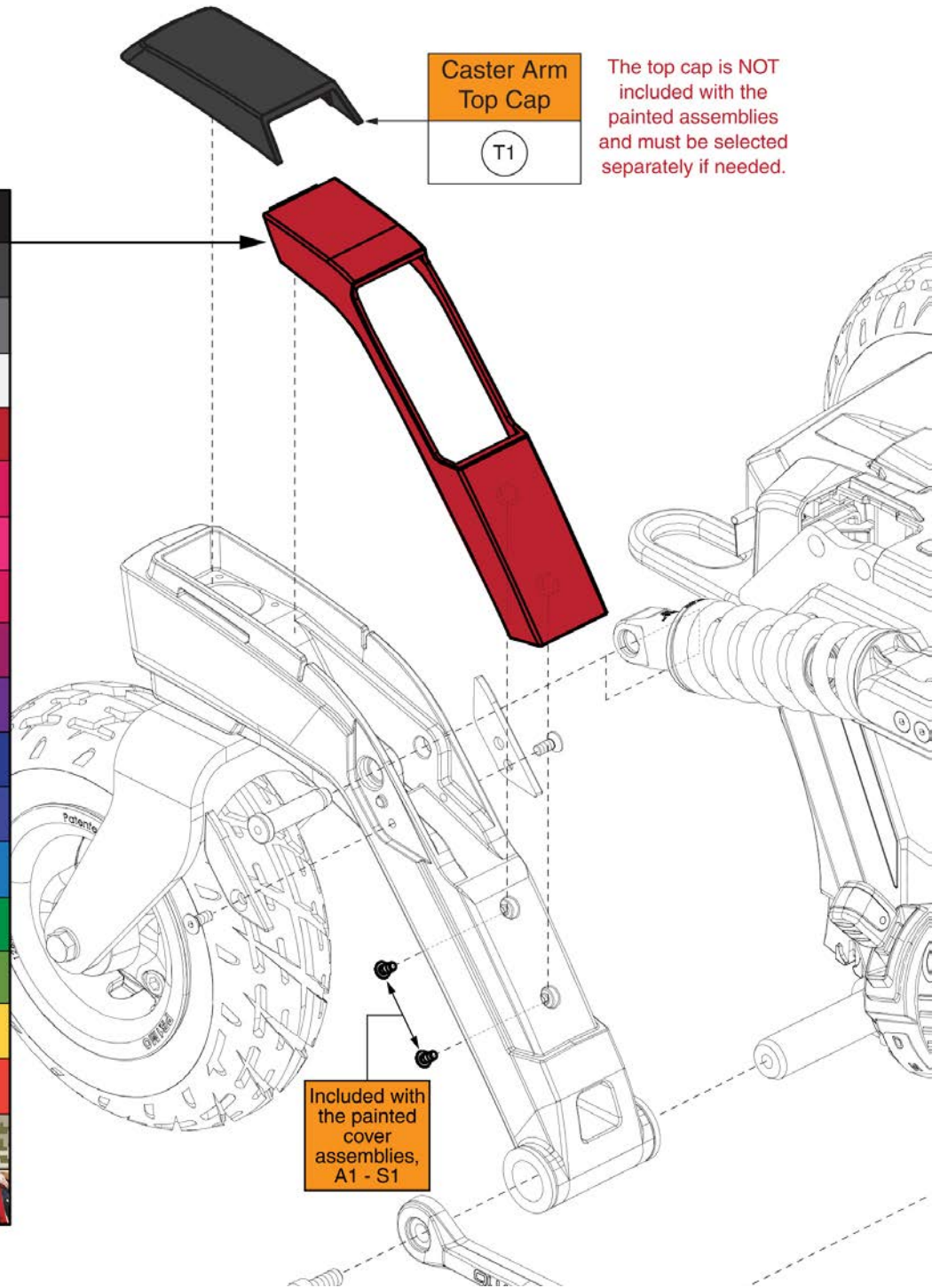
## Complete Shroud Assemblies, 4Front 2

Item	Part No.	Name	Qty
A1	DGN2101587-PBK1	SHROUD SERVICE ASSEMBLY,COMPLETE,BACK IN BLACK,PPW-BLK-01,4FRONT2	1
B1	DGN2101587-PBK3	SHROUD SERVICE ASSEMBLY,COMPLETE,NIGHT TRAIN,PPW-BLK-03,4FRONT2	1
C1	DGN2101587-PSL3	SHROUD SERVICE ASSEMBLY,COMPLETE,GREY STREET,PPW-SIL-03,4FRONT2	1
D1	DGN2101587-PWT2	SHROUD SERVICE ASSEMBLY,COMPLETE,WHITE SATIN,PPW-WHT-02,4FRONT2	1
E1	DGN2101587-PRD1	SHROUD SERVICE ASSEMBLY,COMPLETE,RED CORVETTE,PPW-RED-01,4FRONT2	1
F1	DGN2101587-PRD4	SHROUD SERVICE ASSEMBLY,COMPLETE,CHERRY BOMB,PPW-RED-04,4FRONT2	1
G1	DGN2101587-PPK3	SHROUD SERVICE ASSEMBLY,COMPLETE,PRETTY IN PINK,PPW-PNK-03,4FRONT2	1
H1	DGN2101587-PPK4	SHROUD SERVICE ASSEMBLY,COMPLETE,RASPBERRY BERET,PPW-PNK-04,4FRONT2	1
I1	DGN2101587-PPR7	SHROUD SERVICE ASSEMBLY,COMPLETE,SUGAR PLUM,PPW-PRP-07,4FRONT2	1
J1	DGN2101587-PPR5	SHROUD SERVICE ASSEMBLY,COMPLETE,DEEP PURPLE,PPW-PRP-05,4FRONT2	1
K1	DGN2101587-PBU10	SHROUD SERVICE ASSEMBLY,COMPLETE,MIDNIGHT BLUE,PPW-BLU-10,4FRONT2	1
L1	DGN2101587-PBU9	SHROUD SERVICE ASSEMBLY,COMPLETE,ELECTRIC BLUE,PPW-BLU-09,4FRONT2	1
M1	DGN2101587-PBU11	SHROUD SERVICE ASSEMBLY,COMPLETE,BLUE JEAN,PPW-BLU-11,4FRONT2	1
N1	DGN2101587-PGN11	SHROUD SERVICE ASSEMBLY,COMPLETE,GREEN MACHINE,PPW-GRN-11,4FRONT2	1
O1	DGN2101587-PGN8	SHROUD SERVICE ASSEMBLY,COMPLETE,MILITARY GREEN,PPW-GRN-08,4FRONT2	1
P1	DGN2101587-PYL4	SHROUD SERVICE ASSEMBLY,COMPLETE,LEMON CRUSH,PPW-YEL-04,4FRONT2	1
Q1	DGN2101587-POR7	SHROUD SERVICE ASSEMBLY,COMPLETE,EVOLUTION ORANGE,PPW-ORN-07,4FRONT2	1
R1	DGN2101587-WCM7	SHROUD SERVICE ASSEMBLY,COMPLETE,MILITARY DIGITAL CAMO,PPW-CMO-07,4FRONT2	1
S1	DGN2101587-WFL2	SHROUD SERVICE ASSEMBLY,COMPLETE,FADED GLORY,PPW-FLG-02,4FRONT2	1



# Painted Caster Arm Top Cover and Cap, 4Front 2

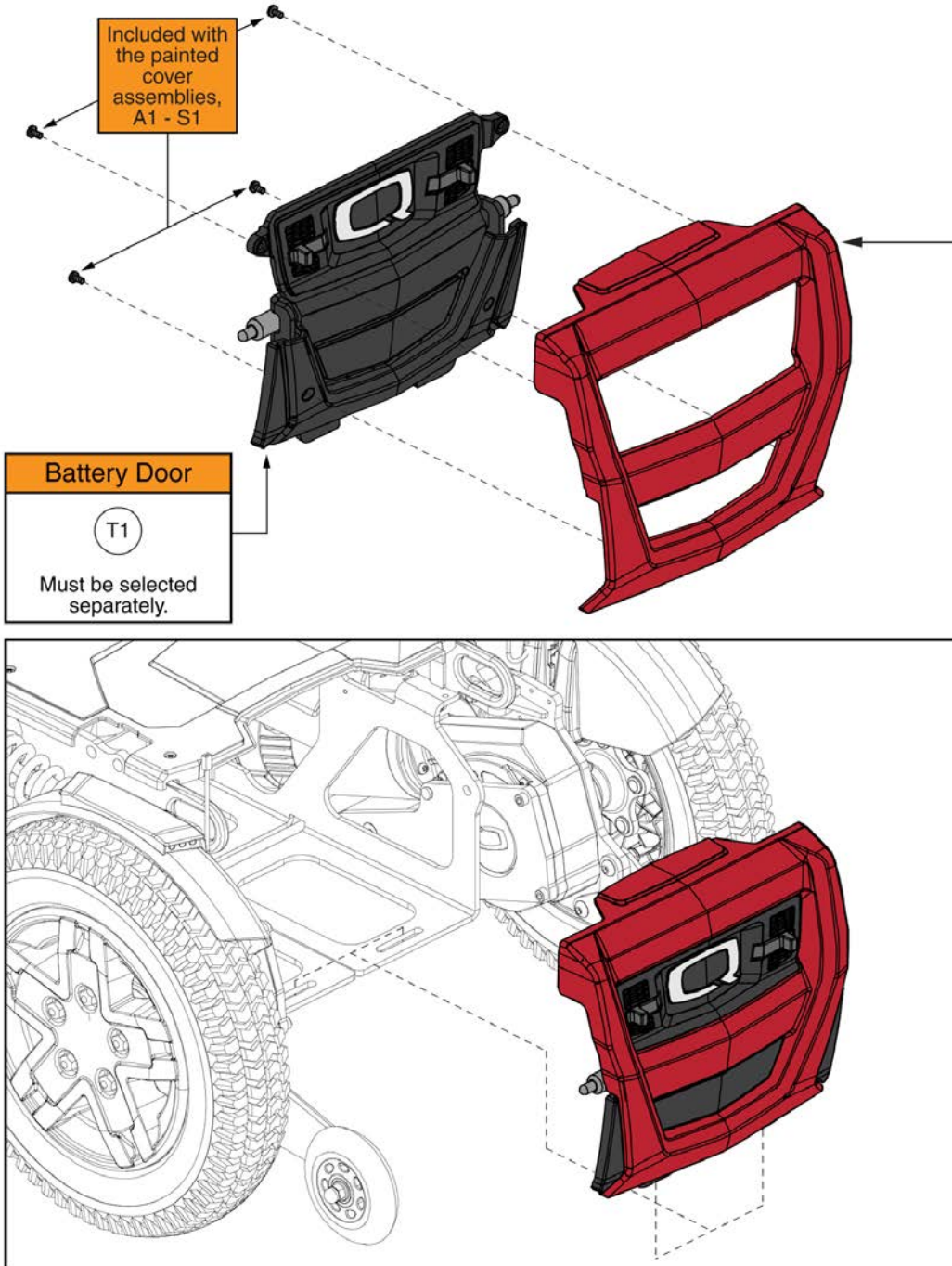
Painted Caster Arm Cover w/ Hardware, Pair	
Ref#	Color Name
A1	Back in Black
B1	Night Train
C1	Grey Street
D1	White Satin
E1	Red Corvette
F1	Cherry Bomb
G1	Pretty in Pink
H1	Raspberry Beret
I1	Sugar Plum
J1	Deep Purple
K1	Midnight Blue
L1	Electric Blue
M1	Blue Jean
N1	Green Machine
O1	Military Green
P1	Lemon Crush
Q1	Evolution Orange
R1	Digital Camo
S1	Faded Glory



## Painted Caster Arm Top Cover and Cap, 4Front 2

Item	Part No.	Name	Qty
A1	DGN2100633-PBK1	SHROUD SERVICE ASSEMBLY,CASTER ARM COVERS PAINTED W/HARDWARE,PPW-BLK-01,4FRONT2	1
B1	DGN2100633-PBK3	SHROUD SERVICE ASSEMBLY,CASTER ARM COVERS PAINTED W/HARDWARE,PPW-BLK-03,4FRONT2	1
C1	DGN2100633-PSL3	SHROUD SERVICE ASSEMBLY,CASTER ARM COVERS PAINTED W/HARDWARE,PPW-SIL-03,4FRONT2	1
D1	DGN2100633-PWT2	SHROUD SERVICE ASSEMBLY,CASTER ARM COVERS PAINTED W/HARDWARE,PPW-WHT-02,4FRONT2	1
E1	DGN2100633-PRD1	SHROUD SERVICE ASSEMBLY,CASTER ARM COVERS PAINTED W/HARDWARE,PPW-RED-01,4FRONT2	1
F1	DGN2100633-PRD4	SHROUD SERVICE ASSEMBLY,CASTER ARM COVERS PAINTED W/HARDWARE,PPW-RED-04,4FRONT2	1
G1	DGN2100633-PPK3	SHROUD SERVICE ASSEMBLY,CASTER ARM COVERS PAINTED W/HARDWARE,PPW-PNK-03,4FRONT2	1
H1	DGN2100633-PPK4	SHROUD SERVICE ASSEMBLY,CASTER ARM COVERS PAINTED W/HARDWARE,PPW-PNK-04,4FRONT2	1
I1	DGN2100633-PPR7	SHROUD SERVICE ASSEMBLY,CASTER ARM COVERS PAINTED W/HARDWARE,PPW-PRP-07,4FRONT2	1
J1	DGN2100633-PPR5	SHROUD SERVICE ASSEMBLY,CASTER ARM COVERS PAINTED W/HARDWARE,PPW-PRP-05,4FRONT2	1
K1	DGN2100633-PBU10	SHROUD SERVICE ASSEMBLY,CASTER ARM COVERS PAINTED W/HARDWARE,PPW-BLU-10,4FRONT2	1
L1	DGN2100633-PBU9	SHROUD SERVICE ASSEMBLY,CASTER ARM COVERS PAINTED W/HARDWARE,PPW-BLU-09,4FRONT2	1
M1	DGN2100633-PBU11	SHROUD SERVICE ASSEMBLY,CASTER ARM COVERS PAINTED W/HARDWARE,PPW-BLU-11,4FRONT2	1
N1	DGN2100633-PGN11	SHROUD SERVICE ASSEMBLY,CASTER ARM COVERS PAINTED W/HARDWARE,PPW-GRN-11,4FRONT2	1
O1	DGN2100633-PGN8	SHROUD SERVICE ASSEMBLY,CASTER ARM COVERS PAINTED W/HARDWARE,PPW-GRN-08,4FRONT2	1
P1	DGN2100633-PYL4	SHROUD SERVICE ASSEMBLY,CASTER ARM COVERS PAINTED W/HARDWARE,PPW-YEL-04,4FRONT2	1
Q1	DGN2100633-POR7	SHROUD SERVICE ASSEMBLY,CASTER ARM COVERS PAINTED W/HARDWARE,PPW-ORN-07,4FRONT2	1
R1	DGN2100633-WCM7	SHROUD SERVICE ASSEMBLY,CASTER ARM COVERS PAINTED W/HARDWARE,PWT-CMO-07,4FRONT2	1
S1	DGN2100633-WFL2	SHROUD SERVICE ASSEMBLY,CASTER ARM COVERS PAINTED W/HARDWARE,PWT-FLG-02,4FRONT2	1
T1	DGN1804274	CASTER ARM TOP CAP	1

# Front Door Shroud and Battery Access Bracket Assemblies, 4Front 2



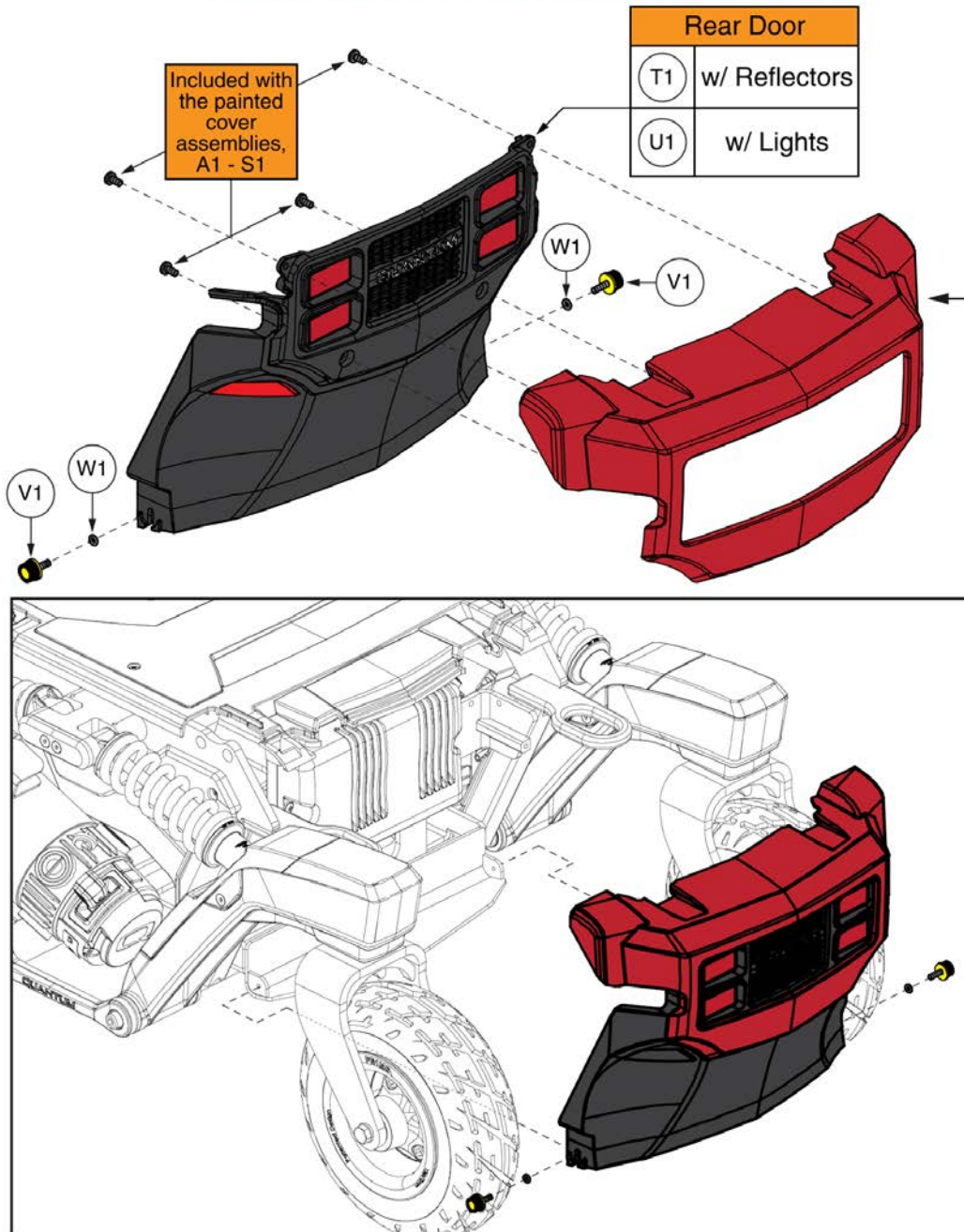
Painted Front Door Cover w/ Hardware	
Ref#	Color Name
A1	Back in Black
B1	Night Train
C1	Grey Street
D1	White Satin
E1	Red Corvette
F1	Cherry Bomb
G1	Pretty in Pink
H1	Raspberry Beret
I1	Sugar Plum
J1	Deep Purple
K1	Midnight Blue
L1	Electric Blue
M1	Blue Jean
N1	Green Machine
O1	Military Green
P1	Lemon Crush
Q1	Evolution Orange
R1	Digital Camo
S1	Faded Glory

## Front Door Shroud and Battery Access Bracket Assemblies, 4Front 2

Item	Part No.	Name	Qty
A1	DGN2100631-PBK1	SHROUD SERVICE ASSEMBLY,FRONT SHROUD PAINTED W/HARDWARE,PPW-BLK-01,4FRONT2	1
B1	DGN2100631-PBK3	SHROUD SERVICE ASSEMBLY,FRONT SHROUD PAINTED W/HARDWARE,PPW-BLK-03,4FRONT2	1
C1	DGN2100631-PSL3	SHROUD SERVICE ASSEMBLY,FRONT SHROUD PAINTED W/HARDWARE,PPW-SIL-03,4FRONT2	1
D1	DGN2100631-PWT2	SHROUD SERVICE ASSEMBLY,FRONT SHROUD PAINTED W/HARDWARE,PPW-WHT-02,4FRONT2	1
E1	DGN2100631-PRD1	SHROUD SERVICE ASSEMBLY,FRONT SHROUD PAINTED W/HARDWARE,PPW-RED-01,4FRONT2	1
F1	DGN2100631-PRD4	SHROUD SERVICE ASSEMBLY,FRONT SHROUD PAINTED W/HARDWARE,PPW-RED-04,4FRONT2	1
G1	DGN2100631-PPK3	SHROUD SERVICE ASSEMBLY,FRONT SHROUD PAINTED W/HARDWARE,PPW-PNK-03,4FRONT2	1
H1	DGN2100631-PPK4	SHROUD SERVICE ASSEMBLY,FRONT SHROUD PAINTED W/HARDWARE,PPW-PNK-04,4FRONT2	1
I1	DGN2100631-PPR7	SHROUD SERVICE ASSEMBLY,FRONT SHROUD PAINTED W/HARDWARE,PPW-PRP-07,4FRONT2	1
J1	DGN2100631-PPR5	SHROUD SERVICE ASSEMBLY,FRONT SHROUD PAINTED W/HARDWARE,PPW-PRP-05,4FRONT2	1
K1	DGN2100631-PBU10	SHROUD SERVICE ASSEMBLY,FRONT SHROUD PAINTED W/HARDWARE,PPW-BLU-10,4FRONT2	1
L1	DGN2100631-PBU9	SHROUD SERVICE ASSEMBLY,FRONT SHROUD PAINTED W/HARDWARE,PPW-BLU-09,4FRONT2	1
M1	DGN2100631-PBU11	SHROUD SERVICE ASSEMBLY,FRONT SHROUD PAINTED W/HARDWARE,PPW-BLU-11,4FRONT2	1
N1	DGN2100631-PGN11	SHROUD SERVICE ASSEMBLY,FRONT SHROUD PAINTED W/HARDWARE,PPW-GRN-11,4FRONT2	1
O1	DGN2100631-PGN8	SHROUD SERVICE ASSEMBLY,FRONT SHROUD PAINTED W/HARDWARE,PPW-GRN-08,4FRONT2	1
P1	DGN2100631-PYL4	SHROUD SERVICE ASSEMBLY,FRONT SHROUD PAINTED W/HARDWARE,PPW-YEL-04,4FRONT2	1
Q1	DGN2100631-POR7	SHROUD SERVICE ASSEMBLY,FRONT SHROUD PAINTED W/HARDWARE,PPW-ORN-07,4FRONT2	1
R1	DGN2100631-WCM7	SHROUD SERVICE ASSEMBLY,FRONT SHROUD PAINTED W/HARDWARE,PWT-CMO-07,4FRONT2	1
S1	DGN2100631-WFL2	SHROUD SERVICE ASSEMBLY,FRONT SHROUD PAINTED W/HARDWARE,PWT-FLG-02,4FRONT2	1
T1	MEC169383	BATTERY DOOR ASSEMBLY	1

# Rear Shroud Assembly with and without Lighting, 4Front 2

The Rear Door, Thumb Screws, and Washers are not included with the Painted Cover Assemblies and must be selected separately if needed.

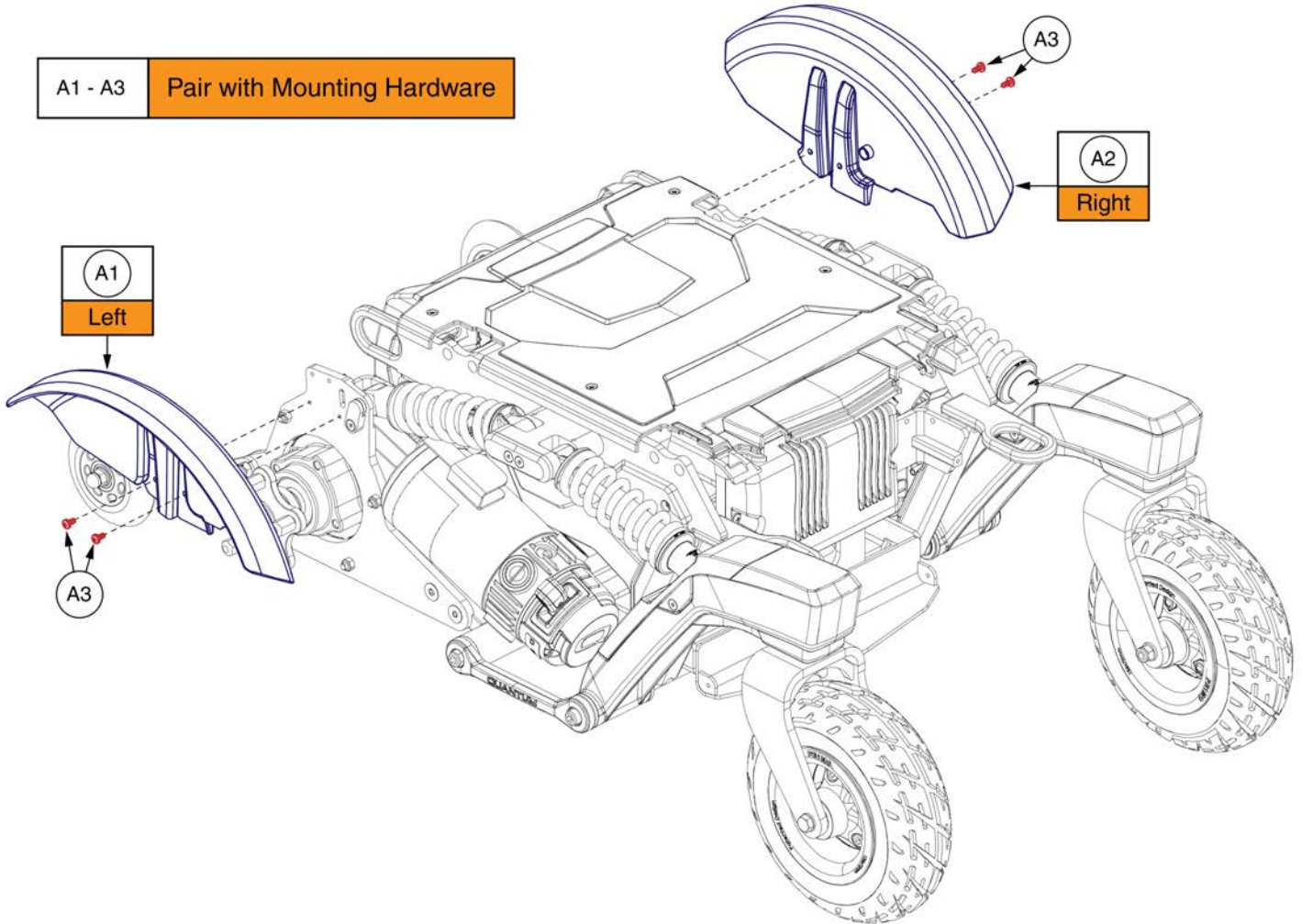


## Painted Rear Door Cover w/ Hardware

Ref#	Color Name
A1	Back in Black
B1	Night Train
C1	Grey Street
D1	White Satin
E1	Red Corvette
F1	Cherry Bomb
G1	Pretty in Pink
H1	Raspberry Beret
I1	Sugar Plum
J1	Deep Purple
K1	Midnight Blue
L1	Electric Blue
M1	Blue Jean
N1	Green Machine
O1	Military Green
P1	Lemon Crush
Q1	Evolution Orange
R1	Digital Camo
S1	Faded Glory

## Rear Shroud Assembly with and without Lighting, 4Front 2

Item	Part No.	Name	Qty
A1	DGN2100632-PBK1	SHROUD SERVICE ASSEMBLY, REAR SHROUD PAINTED W/HARDWARE, PPW-BLK-01, 4FRONT2	1
B1	DGN2100632-PBK3	SHROUD SERVICE ASSEMBLY, REAR SHROUD PAINTED W/HARDWARE, PPW-BLK-03, 4FRONT2	1
C1	DGN2100632-PSL3	SHROUD SERVICE ASSEMBLY, REAR SHROUD PAINTED W/HARDWARE, PPW-SIL-03, 4FRONT2	1
D1	DGN2100632-PWT2	SHROUD SERVICE ASSEMBLY, REAR SHROUD PAINTED W/HARDWARE, PPW-WHT-02, 4FRONT2	1
E1	DGN2100632-PRD1	SHROUD SERVICE ASSEMBLY, REAR SHROUD PAINTED W/HARDWARE, PPW-RED-01, 4FRONT2	1
F1	DGN2100632-PRD4	SHROUD SERVICE ASSEMBLY, REAR SHROUD PAINTED W/HARDWARE, PPW-RED-04, 4FRONT2	1
G1	DGN2100632-PPK3	SHROUD SERVICE ASSEMBLY, REAR SHROUD PAINTED W/HARDWARE, PPW-PNK-03, 4FRONT2	1
H1	DGN2100632-PPK4	SHROUD SERVICE ASSEMBLY, REAR SHROUD PAINTED W/HARDWARE, PPW-PNK-04, 4FRONT2	1
I1	DGN2100632-PPR7	SHROUD SERVICE ASSEMBLY, REAR SHROUD PAINTED W/HARDWARE, PPW-PRP-07, 4FRONT2	1
J1	DGN2100632-PPR5	SHROUD SERVICE ASSEMBLY, REAR SHROUD PAINTED W/HARDWARE, PPW-PRP-05, 4FRONT2	1
K1	DGN2100632-PBU10	SHROUD SERVICE ASSEMBLY, REAR SHROUD PAINTED W/HARDWARE, PPW-BLU-10, 4FRONT2	1
L1	DGN2100632-PBU9	SHROUD SERVICE ASSEMBLY, REAR SHROUD PAINTED W/HARDWARE, PPW-BLU-09, 4FRONT2	1
M1	DGN2100632-PBU11	SHROUD SERVICE ASSEMBLY, REAR SHROUD PAINTED W/HARDWARE, PPW-BLU-11, 4FRONT2	1
N1	DGN2100632-PGN11	SHROUD SERVICE ASSEMBLY, REAR SHROUD PAINTED W/HARDWARE, PPW-GRN-11, 4FRONT2	1
O1	DGN2100632-PGN8	SHROUD SERVICE ASSEMBLY, REAR SHROUD PAINTED W/HARDWARE, PPW-GRN-08, 4FRONT2	1
P1	DGN2100632-PYL4	SHROUD SERVICE ASSEMBLY, REAR SHROUD PAINTED W/HARDWARE, PPW-YEL-04, 4FRONT2	1
Q1	DGN2100632-POR7	SHROUD SERVICE ASSEMBLY, REAR SHROUD PAINTED W/HARDWARE, PPW-ORN-07, 4FRONT2	1
R1	DGN2100632-WCM7	SHROUD SERVICE ASSEMBLY, REAR SHROUD PAINTED W/HARDWARE, PWT-CMO-07, 4FRONT2	1
S1	DGN2100632-WFL2	SHROUD SERVICE ASSEMBLY, REAR SHROUD PAINTED W/HARDWARE, PWT-FLG-02, 4FRONT2	1
T1	DGN1611517	FWD REAR DOOR, ASSEMBLY, WITH PLUGS	1
U1	DGN1611520	FWD, REAR DOOR, ASSEMBLY, WITH LIGHTS	1
V1	PLSKNCP1056	KNOB, PLASTIC, M4-.7 X 12MM, KNURLED HEAD, TALL, C-1060-041	1
W1	WASNEOP1003	WASHER, BLACK, NEOPRENE, 3.20MM ID X 7.00MM OD X 1.90MM TH, O-RING	1

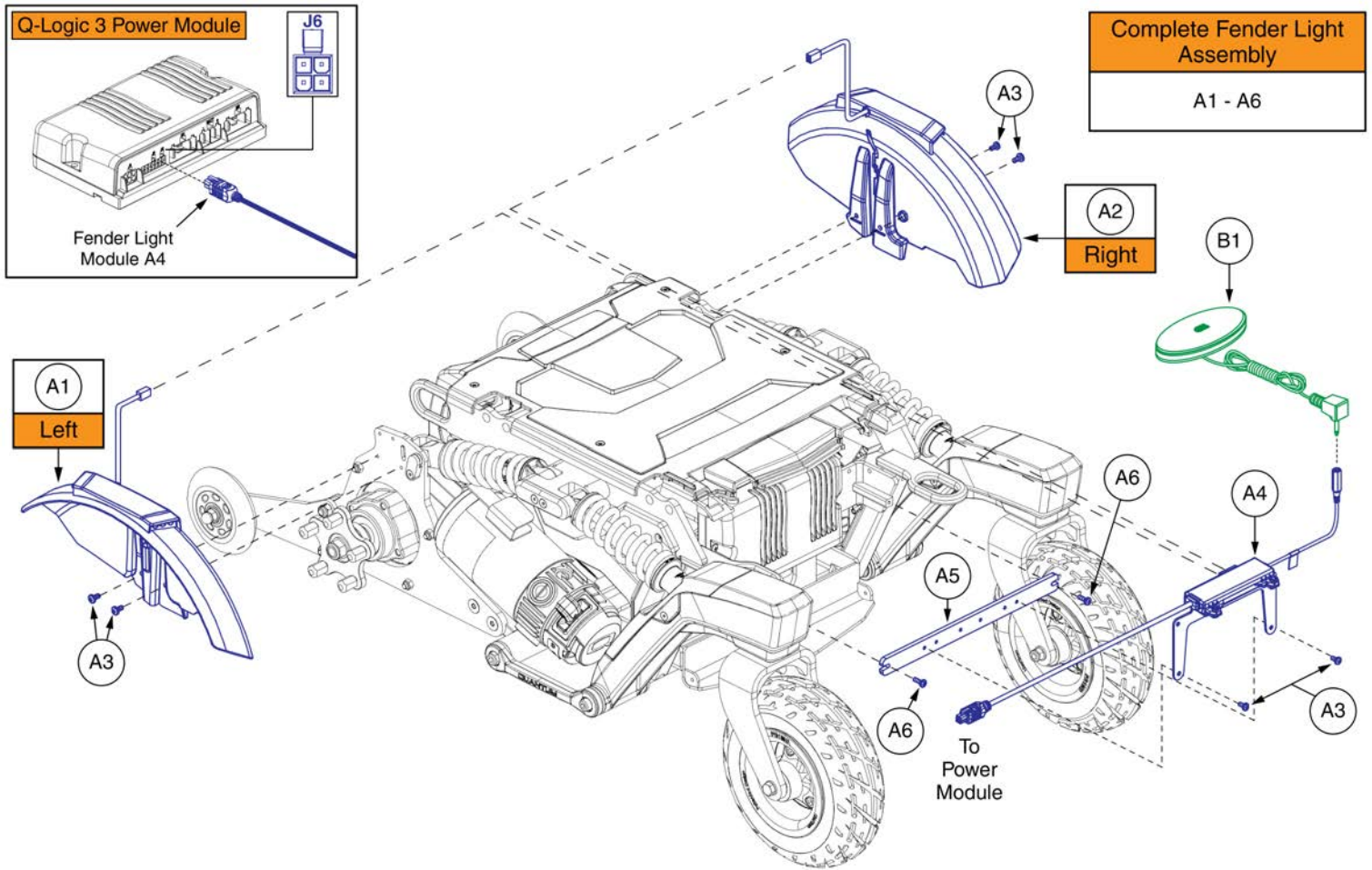


## Standard Fenders, 4Front 2

Item	Part No.	Name	Qty
A1 - A3	DGN1700032	SHROUD,ASSY,FENDERS,QUANTUM 4FRONT SERIES	1
A1	DGN169072	FENDER, RIGHT, FWD	1
A2	DGN169073	FENDER, LEFT, FWD	1
A3	SCRPPH1036	SCREW, PAN HEAD, TYPE H, M4X0.7 X 8, FT, ISO 7045, CL 4.8, BZ	4



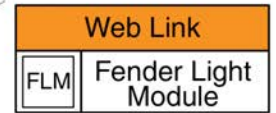
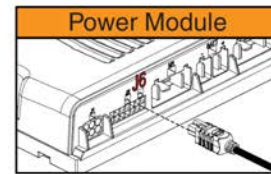
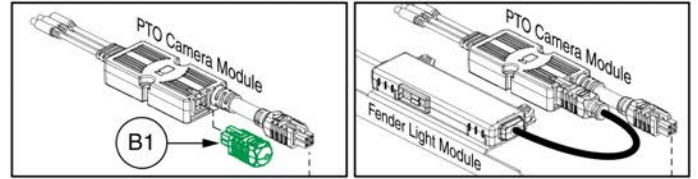
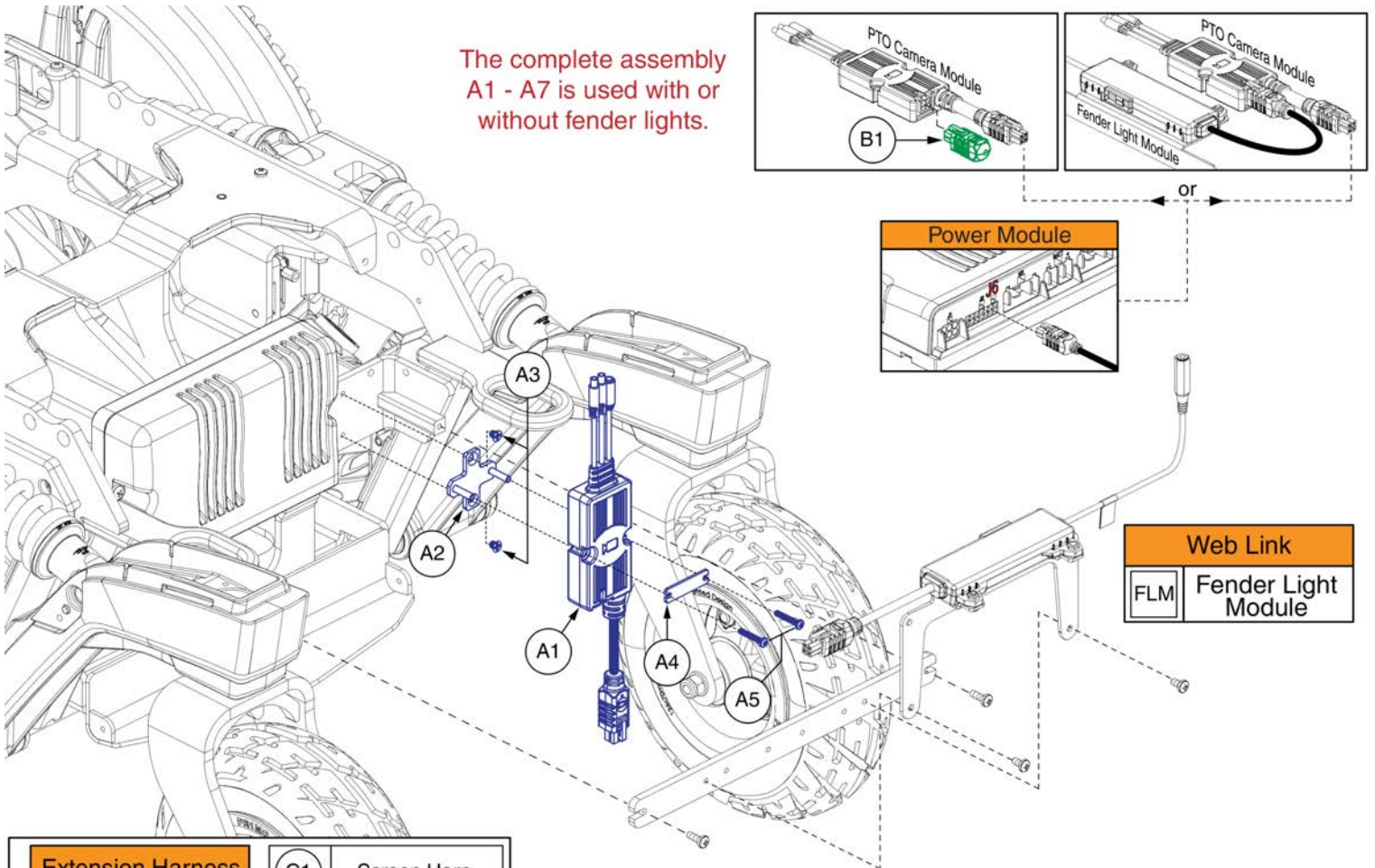
# Lighting Fenders w/ 4 Pin Module, 4Front Series




## Lighting Fenders w/ 4 Pin Module, 4Front Series

Item	Part No.	Name	Qty
A1 - A6	DGN2004686	FENDER,ASSY,SWITCH LIGHTS,4FRONT SERIES	1
A1	DGN1700204	FENDER LIGHT ASSEMBLY, FWD, RIGHT	1
A2	DGN1700203	FENDER LIGHT ASSEMBLY, FWD, LEFT	1
A3	SCRPPH1036	SCREW, PAN HEAD, TYPE H, M4X0.7 X 8, FT, ISO 7045, CL 4.8, BZ	6
A4	MEC2004534	LIGHT MODULE, LED, 4 FRONT, BRACKET ASSEMBLY	1
A5	MEC167317	LIGHT MODULE BRACKET	1
A6	SCRPPH1044	SCREW, PAN HEAD, TYPE H, M4X0.7 X 12, FT, ISO 7045, CL 4.8, BZ	2
B1	ELE160183	ELECTRONIC,ASSY,SWITCH,BLACK,EGG,W/LIGHT SYMBOL,W/DUAL LOCK	1

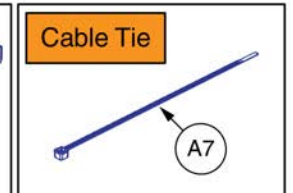
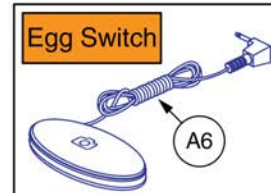
The complete assembly A1 - A7 is used with or without fender lights.



<b>Extension Harness</b> 	C1	Screen Harn.
	D1	Lift Camera Harn.

**Please note:**

- The screen harness is used on all units.
- The lift camera harness is needed for the camera when equipped with lift.



## PTO Backup Camera Module, QL3, 4Front 2

Item	Part No.	Name	Qty
A1 - A7	ACC2103121	QUANTUM BACKUP CAMERA SYSTEM, PTO VERSION,4FRONT 2	1
A1	ELE1908252	QUANTUM BACKUP CAMERA, PTO MODULE ASSEMBLY	1
A2	MEC154602	MULTIPLIER STUD MOUNT ASSEMBLY	1
A3	HDW155879	SCREW,PHILLIPS FLAT HEAD, M4-0.7 X 5MM L, ISO 7046, BLACK ZINC, NYLON PATCH	2
A4	MEC153354	MULTIPLIER HOLD DOWN STRAP	1
A5	SCRPPH1342	SCREW,PPH,BLACK ZINC,M3-.5 X 20MM	2
A6	ELE2004373	ELECTRONIC,ASSY,EGG SWITCH,BLACK,CAMERA SYMBOL,W/DUAL LOCK	1
A7	PLSTIE1001	CABLE TIE,BLACK PLASTIC,95MM (3.7IN)	3
B1	DGN1901203	OVER-MOLD RUN RECEPTACLE, 4-CIRCUIT	1
C1	ELE2101000	HARNESS, 4 PIN MINI-DIN EXTENSION CABLE, L = 1000	1
D1	ELE2101001	HARNESS, 4 PIN MINI-DIN EXTENSION CABLE, L = 500	1
FLM		WEB LINK,IPB,STRETTO FENDER LIGHTS (This is not an orderable part, see IPB)	0

**Backup Camera with Dual Lock Mount**

**Please note:**  
The backup camera can be placed anywhere on the back. Positioning shown is not mandatory.

**Headrest Mount for Backup Camera**

**Please note:**  
The back up camera is not included and must be ordered separately.

Prior to installing the camera to the headrest mount, the dual lock mount must be removed.

**Track Mount for Backup Camera**

**Please note:**  
The camera is **NOT** included with the trackmount mounting bracket and must be ordered separately. Hardware is included with assembly.

**Extension Harness**

**Back Track Mounting**

**Seat Track Mounting**

**D1** PTO Lift Camera Harness

**Please note:**  
- When equipped with a PTO camera module, the PTO lift camera harness is used on all units equipped with lift and connects between the module and the camera.

**Headrest Receiver Mounting**

**Armrest Track Mounting**

- Some configurations use 2 lift camera harnesses, refer to the specific power base IPB to verify quantity.

## Quantum Backup Camera, Standard Mount, and Headrest Mount

---

Item	Part No.	Name	Qty
A1	MEC1910365	QUANTUM BACKUP CAMERA, BRACKET DUAL LOCK ASSEMBLY	1
B1	MEC1910373	STANDARD CAMERA BRACKET, ASSEMBLY	1
C1	MEC2104227	QUANTUM BACKUP CAMERA, TRACK MOUNT, ASSEMBLY	1
D1	ELE2101001	HARNESS, 4 PIN MINI-DIN EXTENSION CABLE, L = 500	1

# Quantum Backup Camera Display Mounts

**A1 Q-Logic Quantum Backup Camera Display with Joystick Mount**

Hardware is included with assembly

**B1 NE/NE+ Quantum Backup Camera Display with Joystick Mount**

Hardware is included with assembly

**Display Screen with Flexible "Gooseneck" Mount**

Reverse View

**Tip:** Insert the gooseneck into the receiver mount before bending it. This will make positioning it much easier.

To Receiver Mount

**Receiver Mounts**

TB3 Flip-back Armrests (all versions)

D1

Tubular Style Armrests

E1

Refer to the "Joystick Receiver Mounts" IPB for more mounting options.

**Extension Harness**

F1	PTO Screen Harness
G1	QL3 Screen Harness (Back Mounted QL3 Modules)

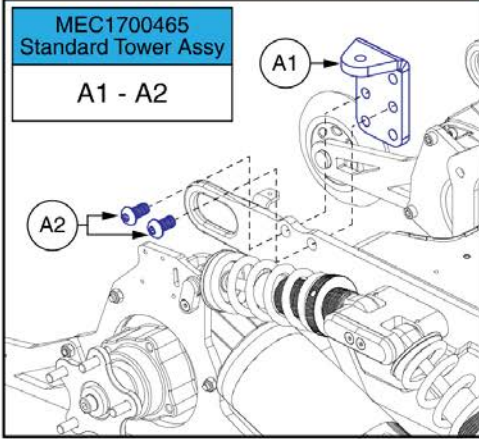
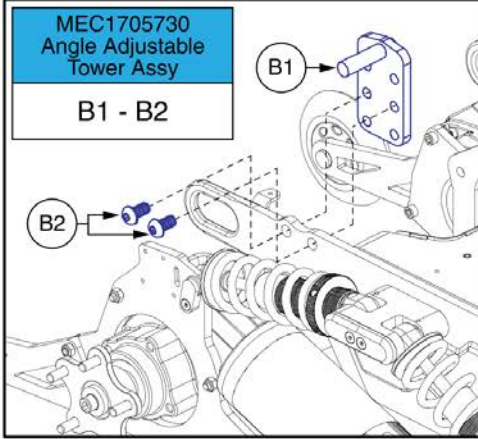
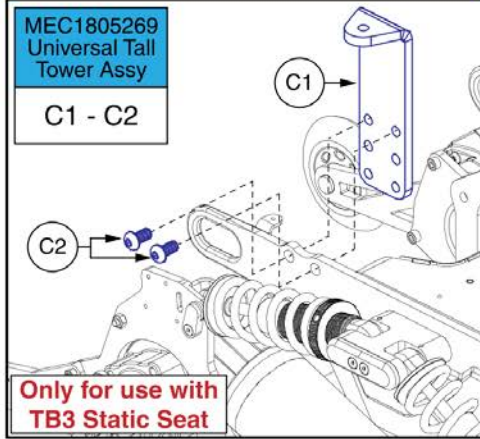
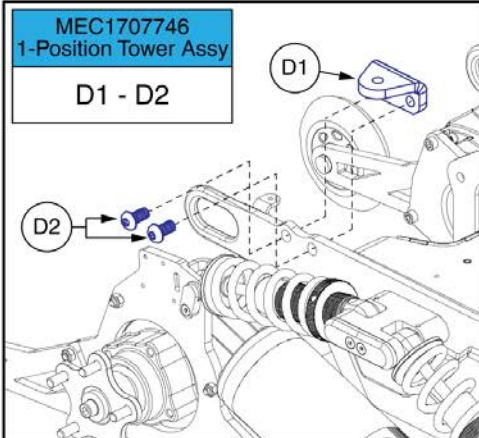
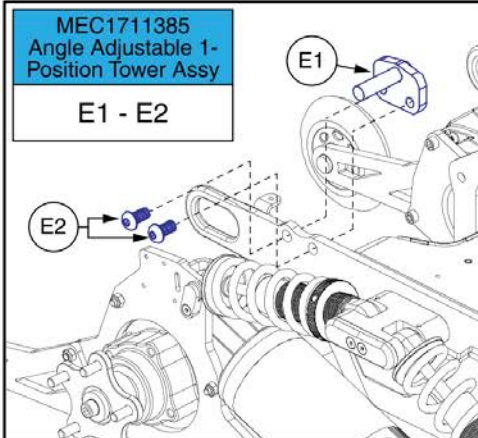
**Please note:**

- When equipped with a PTO camera module, the PTO screen harness is used on all units and connects between the module and the display screen. Some configurations use 2 screen harnesses, refer to the the specific power base IPB to verify quantity.
- When equipped with a QL3 back mounted camera module, the QL3 Screen Harness is used on units with seats 20"W and greater and connects between the module and the display screen.

## Quantum Backup Camera Display Mounts

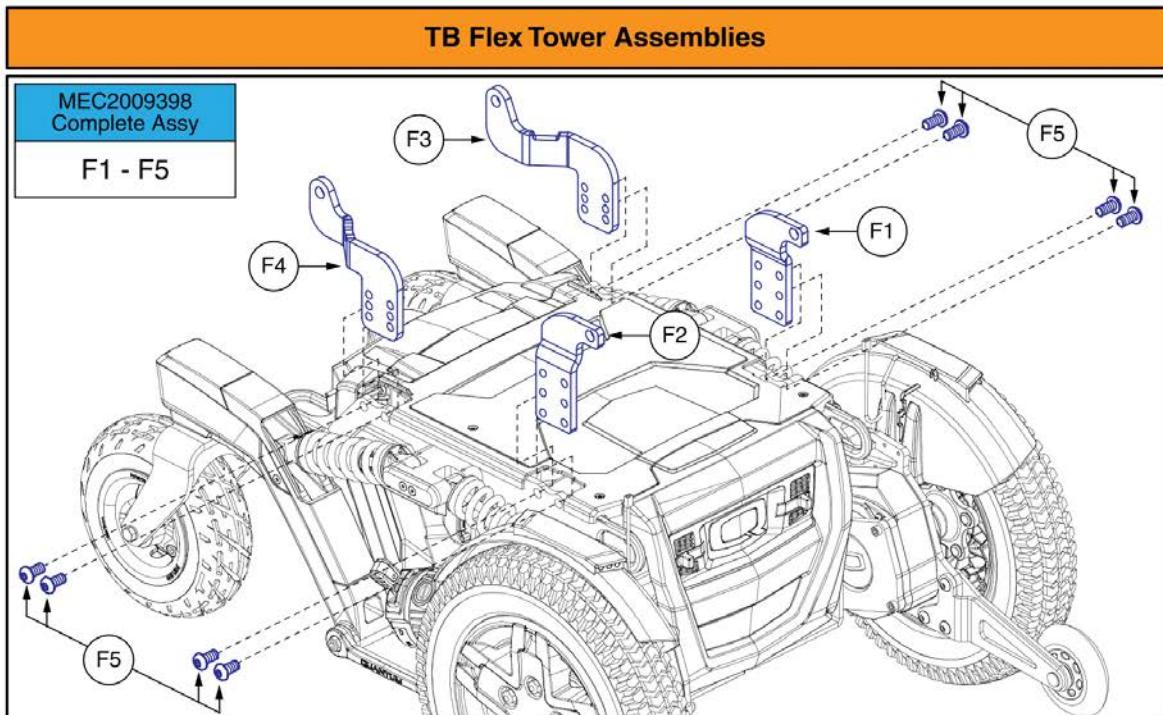
Item	Part No.	Name	Qty
A1	MEC2106123	QUANTUM BACKUP CAMERA,DISPLAY MOUNT,ASSEMBLY,Q-LOGIC 3	1
B1	MEC2106132	QUANTUM BACKUP CAMERA,DISPLAY MOUNT,ASSEMBLY,NE/NE+	1
C1	MEC1906270	QBC, SCREEN HINGE ASSEMBLY, W/GOOSENECK	1
D1	MEC1907331	JOYSTICK RECEIVER MOUNT,ASSY,W/MOUNTING HARDWARE,QBC GOOSENECK CLAMP	1
E1	FRMASMB16062	JOYSTICK RECEIVER MOUNT,ASSY,UNIVERSAL,ADJUSTABLE BLOCK,D-1000-313	1
F1	ELE2101000	HARNESS, 4 PIN MINI-DIN EXTENSION CABLE, L = 1000	1
G1	ELE2000271	HARNESS, 4 PIN MINI-DIN EXTENSION CABLE, L = 1400mm	1



Universal Tower Assemblies	TB3 Tilt Tower Assemblies	Tall Tower Assembly
<p>MEC1700465 Standard Tower Assy A1 - A2</p> 	<p>MEC1705730 Angle Adjustable Tower Assy B1 - B2</p> 	<p>MEC1805269 Universal Tall Tower Assy C1 - C2</p>  <p><b>Only for use with TB3 Static Seat</b></p>
<p>MEC1707746 1-Position Tower Assy D1 - D2</p> 	<p>MEC1711385 Angle Adjustable 1-Position Tower Assy E1 - E2</p> 	<p><b>Please Note:</b></p> <ul style="list-style-type: none"> <li>- The universal tower's are used with Q-Captain static seat bases, TB3 static seat bases, and TB3 REAC lift seat bases. The seating interfaces are not shown. See the applicable seating system IPB for interface selection.</li> <li>- Q-Captains seats with lift require the selection of MEC1707746.</li> <li>- Units configured without anti-tips require the use of the 1-Position tower.</li> <li>- Configurations are subject to change. Contact Technical Service for more information.</li> </ul>

**Important - Occupied Transit Systems: PROHIBITED!** Do not modify your power chair in any way not authorized by Pride/Quantum. Do not make alterations or substitutions to power chair structural parts or frame components without consulting Pride/Quantum.

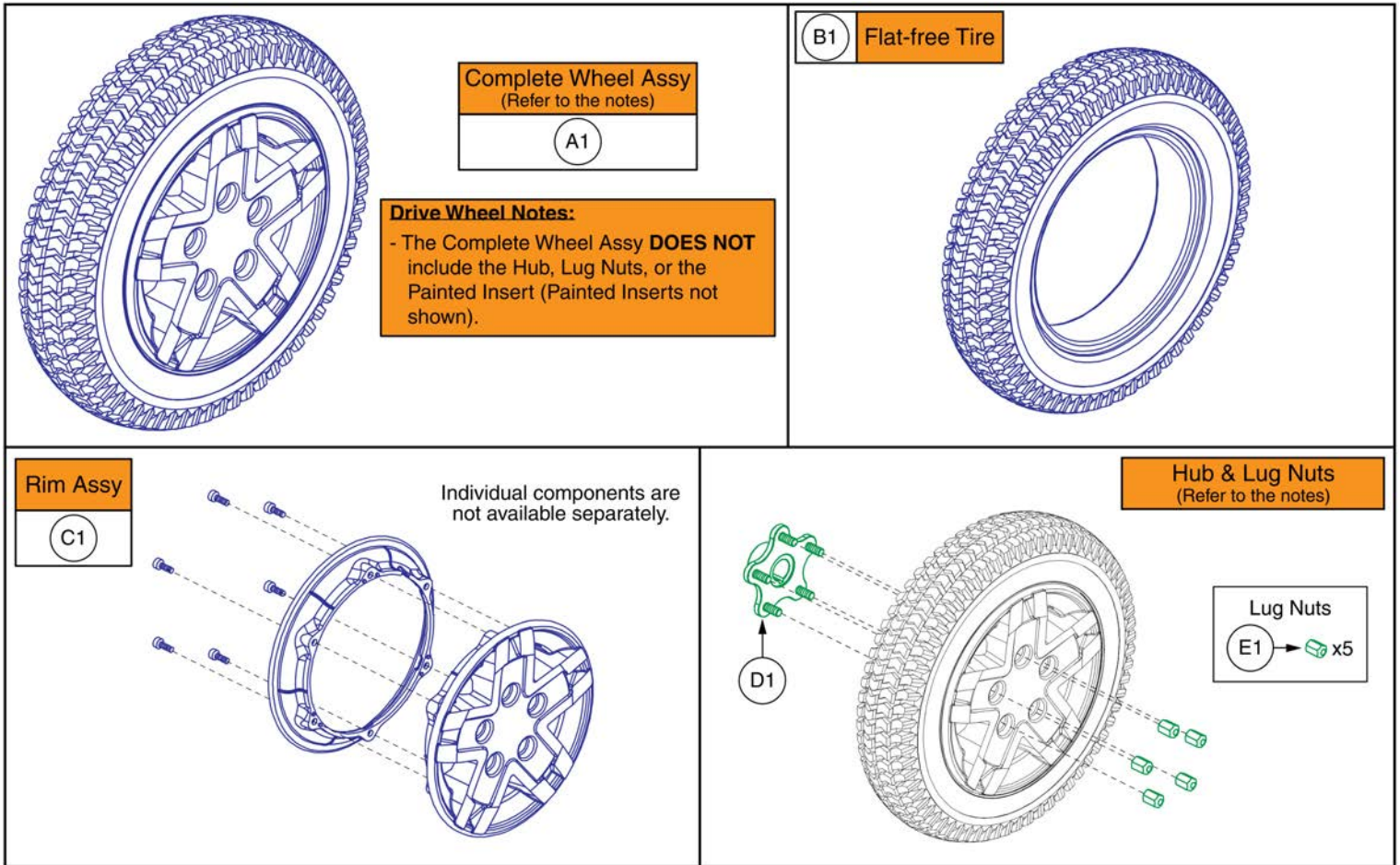
**TB Flex Tower Assemblies**



MEC2009398  
Complete Assy  
F1 - F5

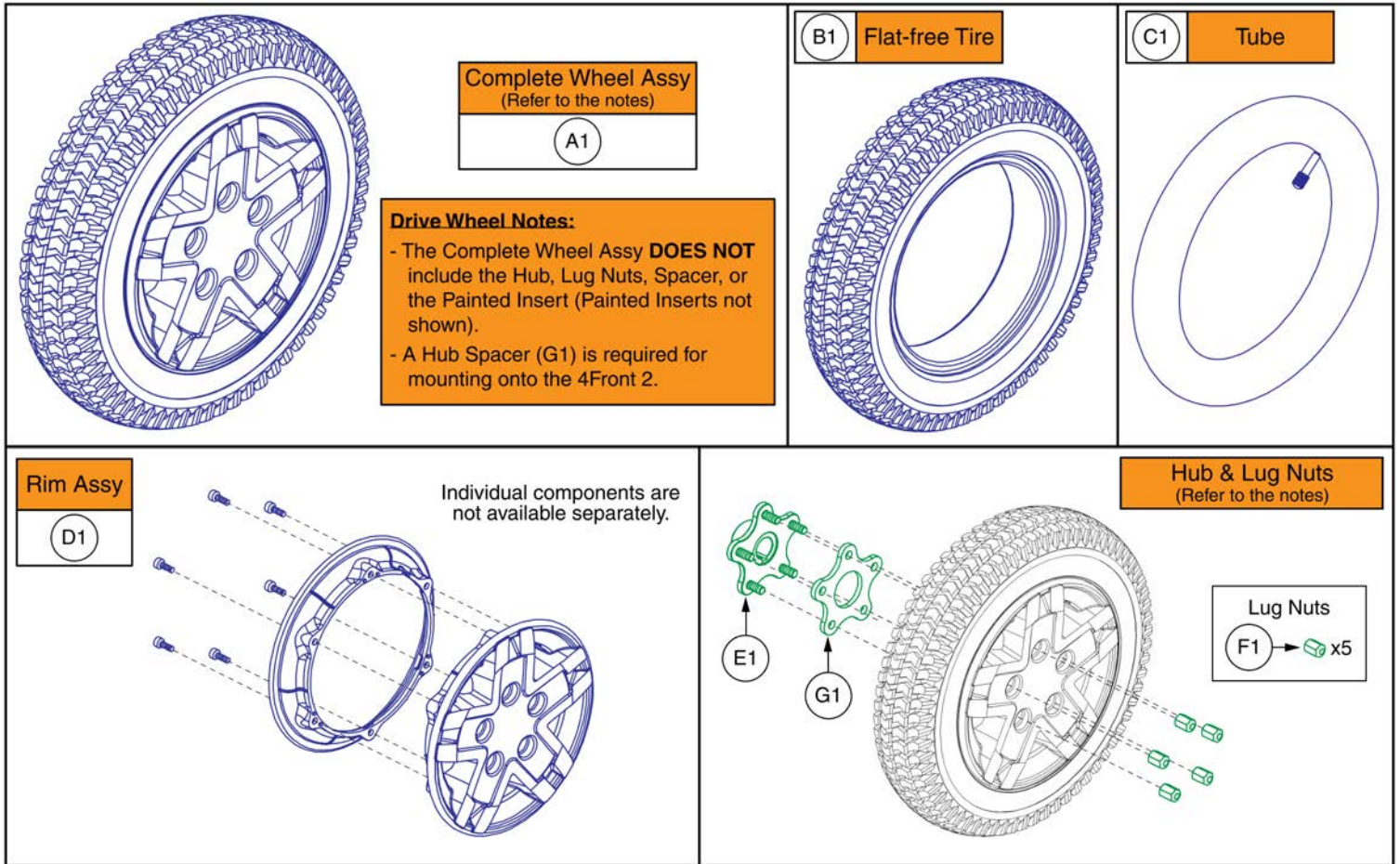
## Seat Interfaces, 4Front 2

Item	Part No.	Name	Qty
A1 - A2	MEC1700465	SEAT INTERFACE,ASSY,TB3,QUANTUM 4FRONT,W/MOUNTING HARDWARE	1
A1	BRK8110003	MOUNTING BRACKET,SEAT INTERFACE,UNIVERSAL,BRK8110003	1
A2	HDW1700456	SCREW, BUTTON HEAD, M10X1.5 X 20, ISO 7380-1, CL 10.9, BZ, PVTP	2
B1 - B2	MEC1705730	SEAT INTERFACE,ASSY,TB3.5,QUANTUM 4FRONT,W/MOUNTING HARDWARE	1
B1	MEC131182	MOUNTING BRACKET,SEAT INTERFACE,TRU-BALANCE 3	1
B2	HDW1700456	SCREW, BUTTON HEAD, M10X1.5 X 20, ISO 7380-1, CL 10.9, BZ, PVTP	2
C1 - C2	MEC1805269	SEAT INTERFACE,ASSY,TB3 TALL,QUANTUM 4FRONT,W/MOUNTING HARDWARE	1
C1	MEC151481	SEATING INTERFACE BRACKET, TALL	1
C2	HDW1700456	SCREW, BUTTON HEAD, M10X1.5 X 20, ISO 7380-1, CL 10.9, BZ, PVTP	2
D1 - D2	MEC1707746	SEAT INTERFACE,ASSY,UNIVERSAL,1-POSITION	1
D1	MEC1707642	SEAT INTERFACE BRACKET,UNIVERSAL,SINGLE POSITION	1
D2	HDW1700456	SCREW, BUTTON HEAD, M10X1.5 X 20, ISO 7380-1, CL 10.9, BZ, PVTP	2
E1 - E2	MEC1711385	SEAT INTERFACE ASSY,ANGLE-ADJ,1-POSITION	1
E1	MEC1708208	SEAT BRACKET WELDMENT,ANGLE ADJUSTABLE,SINGLE POSITION	1
E2	HDW1700456	SCREW, BUTTON HEAD, M10X1.5 X 20, ISO 7380-1, CL 10.9, BZ, PVTP	2
F1 - F5	MEC2009398	SEAT INTERFACE,ASSY,TB FLEX SEAT,4FRONT 2	1
F1	MEC1800079	SEAT INTERFACE BRACKET, FRONT LEFT	1
F2	MEC1800080	SEAT INTERFACE BRACKET, FRONT RIGHT	1
F3	MEC2003052	SEAT INTERFACE BRACKET, REAR LEFT	1
F4	MEC2003053	SEAT INTERFACE BRACKET, REAR RIGHT	1
F5	HDW1700456	SCREW, BUTTON HEAD, M10X1.5 X 20, ISO 7380-1, CL 10.9, BZ, PVTP	8



## Flat-free Drive Wheel, 5 Spoke Black Rim / Black Tire, 4Front 2

Item	Part No.	Name	Qty
A1	WHL1703588	WHEEL,ASSY,FLAT FREE,14" X 3" DRIVE,BLACK RIM/BLACK TIRE,E-1203-043	1
B1	TIR8110024	TIRE,FLAT FREE,BLACK,14" OD,3" W,C-248 POWERTRAX TREAD,(GALLOP: 5508018 YT57)	1
C1	WHL1703586	WHEEL,ASSY,RIM,BLACK,ALUMINUM,8",5 SPOKE,D-1203-071	1
D1	MEC1714220	LINIX HD HUB ASSEMBLY	1
E1	DWR1005B049	NUT, LUG, 5/16-24, ZINC	5



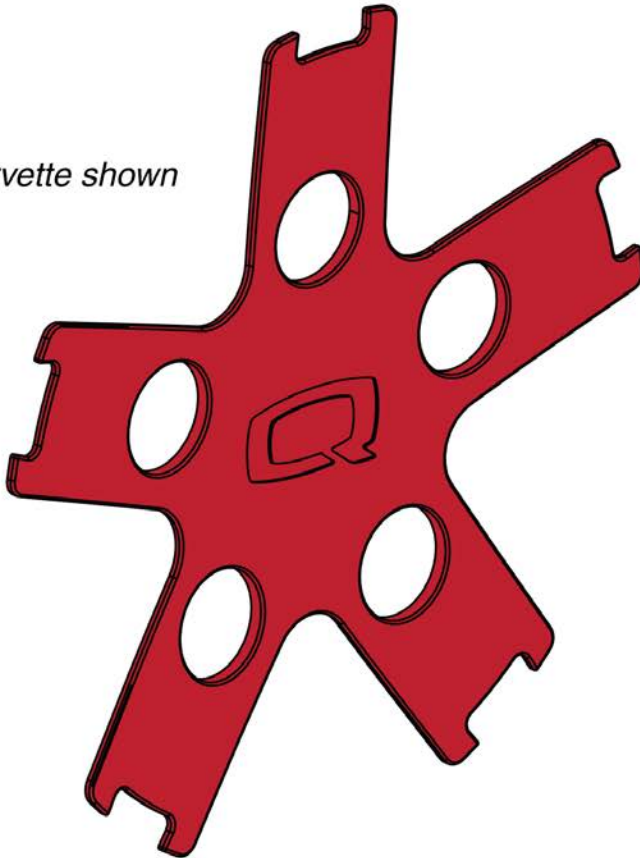
## Pneumatic Drive Wheel, 5 Spoke Black Rim / Black Tire, 4Front 2

Item	Part No.	Name	Qty
A1	WHL1704507	WHEEL,ASSY,PNEUMATIC,14" X 3" DRIVE,BLACK RIM/BLACK TIRE, E-1203-051	1
B1	TIR8110026	TIRE,PNEUMATIC,BLACK,14" OD,3" W,C-248-5 TREAD	1
C1	TUBSTND1002	TUBE,300-8,ANGLED VALVE W/CAP	1
D1	WHL1703586	WHEEL,ASSY,RIM,BLACK,ALUMINUM,8",5 SPOKE,D-1203-071	1
E1	MEC1714220	LINIX HD HUB ASSEMBLY	1
F1	DWR1005B049	NUT, LUG, 5/16-24, ZINC	5
G1	MEC1610056	HUB SPACER	1

**\*Important Please Note:**

- The painted wheel inserts are available in all the colors listed.
- **Power base color varies by model and some colors listed may not be available on all power bases.** Visit [www.quantumrehab.com](http://www.quantumrehab.com) for a model specific break-down of all available colors.
- Contact Technical Service for more information.

Red Corvette shown



\*\*The inserts contain all of the adhesive mounting fasteners.\*\*

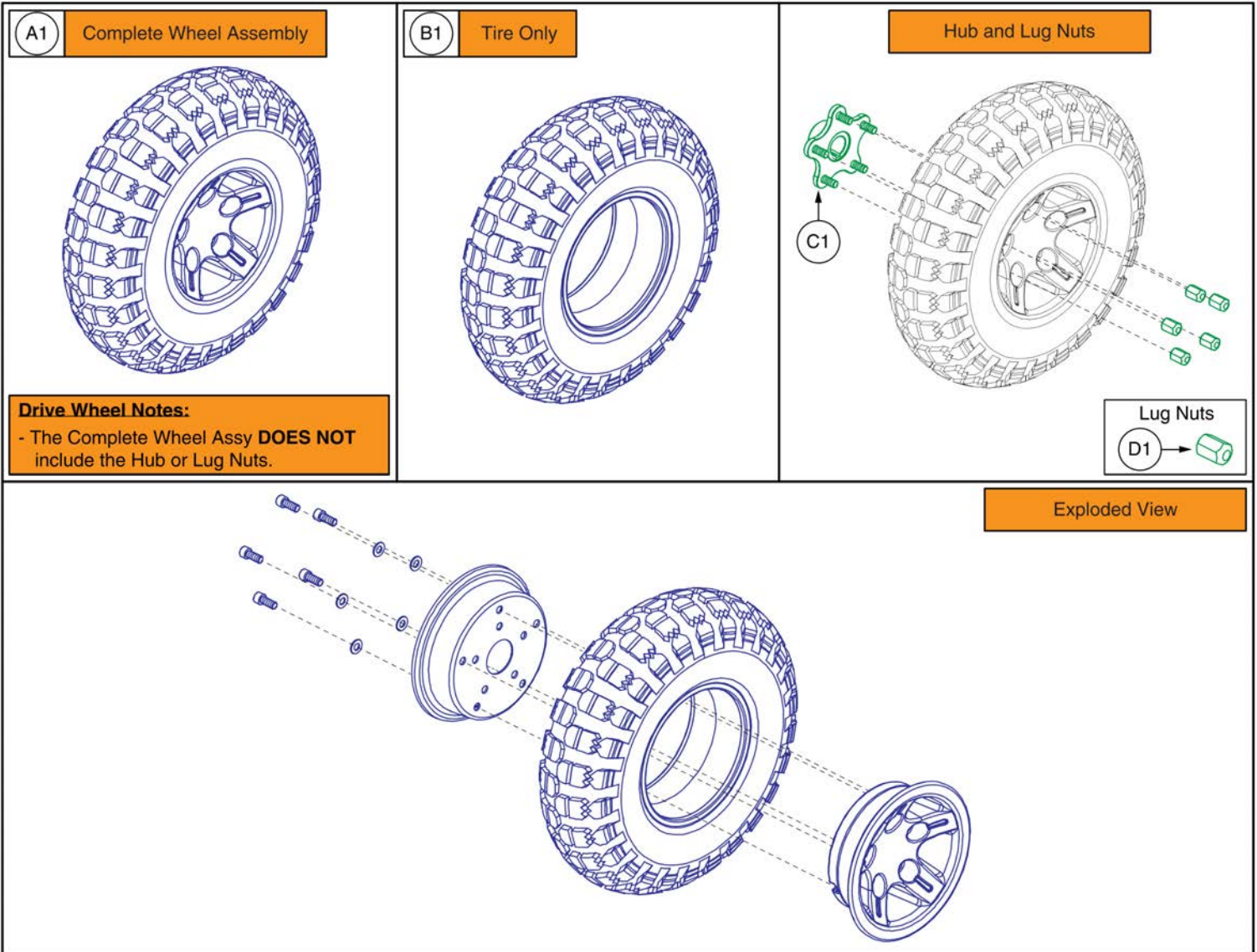
Painted Wheel Inserts	
Ref#	Color Name
(A1)	Back in Black
(B1)	Night Train
(C1)	Grey Street
(D1)	Silver Bullet
(E1)	White Satin
(F1)	Red Corvette
(G1)	Cherry Bomb
(H1)	Pretty in Pink
(I1)	Raspberry Beret
(J1)	Sugar Plum
(K1)	Deep Purple
(L1)	Midnight Blue
(M1)	Electric Blue
(N1)	Blue Jean
(O1)	Green Machine
(P1)	Military Green
(Q1)	Lime Light
(R1)	Yellow Blaze
(S1)	Lemon Crush
(T1)	Orange Crush
(U1)	Evolution Orange
(V1)	Carbon Fiber
(W1)	Digital Camo
(X1)	Faded Glory

## Painted Rim Inserts

Item	Part No.	Name	Qty
A1	DGN164245-PBK1	DRIVE WHEEL COLOR INSERT, WITH ADHESIVE TAPE, PPW-BLK-01 (BACK IN BLACK/BLACK)	1
B1	DGN164245-PBK3	DRIVE WHEEL COLOR INSERT, WITH ADHESIVE TAPE, PPW-BLK-03 (NIGHT TRAIN)	1
C1	DGN164245-PSL3	DRIVE WHEEL COLOR INSERT, WITH ADHESIVE TAPE, PPW-SIL-03 (GREY STREET)	1
D1	DGN164245-PSL7	DRIVE WHEEL COLOR INSERT, WITH ADHESIVE TAPE, PPW-SIL-07 (SILVER BULLET)	1
E1	DGN164245-PWH2	DRIVE WHEEL COLOR INSERT, WITH ADHESIVE TAPE, PPW-WHT-02 (WHITE SATIN)	1
F1	DGN164245-PRD1	DRIVE WHEEL COLOR INSERT, WITH ADHESIVE TAPE, PPW-RED-01 (RED CORVETTE/CANDY APPLE RED)	1
G1	DGN164245-PRD4	DRIVE WHEEL COLOR INSERT, WITH ADHESIVE TAPE, PPW-RED-04(CHERRY BOMB)	1
H1	DGN164245-PPK3	DRIVE WHEEL COLOR INSERT, WITH ADHESIVE TAPE, PPW-PNK-03 (PRETTY IN PINK)	1
I1	DGN164245-PPK4	DRIVE WHEEL COLOR INSERT, WITH ADHESIVE TAPE, PPW-PNK-04(RASPBERRY BERET)	1
J1	DGN164245-PPR7	DRIVE WHEEL COLOR INSERT, WITH ADHESIVE TAPE, PPW-PRP-07(SUGAR PLUM)	1
K1	DGN164245-PPR5	DRIVE WHEEL COLOR INSERT, WITH ADHESIVE TAPE, PPW-PRP-05 (DEEP PURPLE)	1
L1	DGN164245-PBU10	DRIVE WHEEL COLOR INSERT, WITH ADHESIVE TAPE, PPW-BLU-10 (MIDNIGHT BLUE)	1
M1	DGN164245-PBU9	DRIVE WHEEL COLOR INSERT, WITH ADHESIVE TAPE, PPW-BLU-09 (ELECTRIC BLUE/TRUE BLUE)	1
N1	DGN164245-PBU11	DRIVE WHEEL COLOR INSERT, WITH ADHESIVE TAPE, PPW-BLU-11(BLUE JEAN)	1
O1	DGN164245-PGN11	DRIVE WHEEL COLOR INSERT, WITH ADHESIVE TAPE, PPW-GRN-11(GREEN MACHINE)	1
P1	DGN164245-PGN8	DRIVE WHEEL COLOR INSERT, WITH ADHESIVE TAPE, PPW-GRN-08 (MILITARY GREEN)	1
Q1	DGN164245-PGN7	DRIVE WHEEL COLOR INSERT, WITH ADHESIVE TAPE, PPW-GRN-07 (LIME LIGHT)	1
R1	DGN164245-PYL3	DRIVE WHEEL COLOR INSERT, WITH ADHESIVE TAPE, PPW-YEL-03 (YELLOW BLAZE/ORION YELLOW)	1
S1	DGN164245-PYL4	DRIVE WHEEL COLOR INSERT, WITH ADHESIVE TAPE, PPW-YEL-04(LEMON CRUSH)	1
T1	DGN164245-POR6	DRIVE WHEEL COLOR INSERT, WITH ADHESIVE TAPE, PPW-ORN-06 (ORANGE CRUSH)	1
U1	DGN164245-POR7	DRIVE WHEEL COLOR INSERT, WITH ADHESIVE TAPE, PPW-ORN-07(EVOLUTION ORANGE)	1
V1	DGN164245-WCB1	DRIVE WHEEL COLOR INSERT, WITH ADHESIVE TAPE, PWT-CBN-01 (CARBON FIBER)	1
W1	DGN164245-WCM7	DRIVE WHEEL COLOR INSERT, WITH ADHESIVE TAPE, PWT-CMO-07 (MILITARY DIGITAL CAMO)	1
X1	DGN164245-WFL2	DRIVE WHEEL COLOR INSERT, WITH ADHESIVE TAPE, PWT-FLG-02 (FADED GLORY)	1



Only serviceable parts contain callouts. The parts without callouts require the complete assembly to be selected.

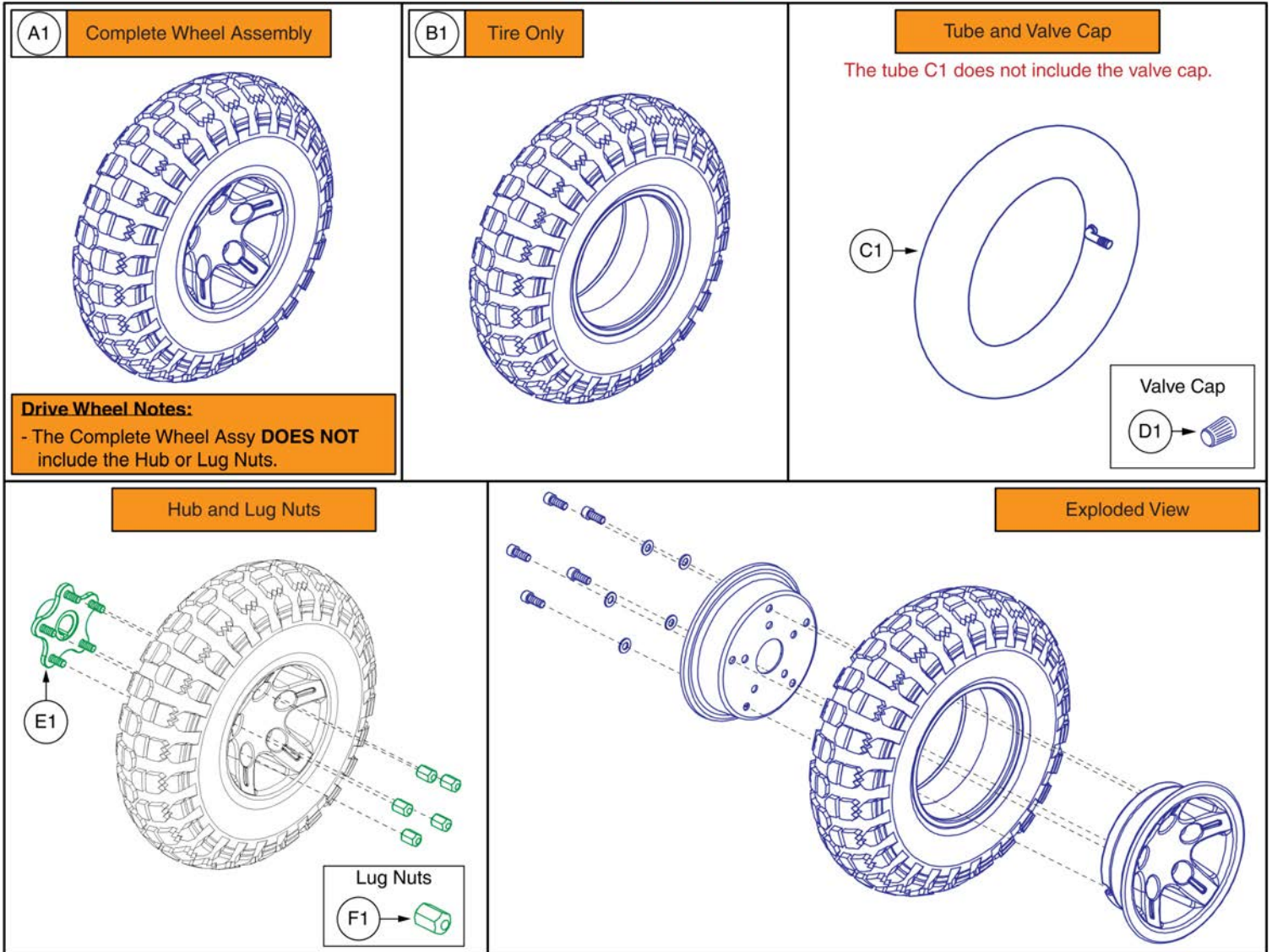


**Flat-free Drive Wheel, 5 Spoke, Black Rim / Black "Knobby" Tire, 14" x 4", 4Front 2**

<b>Item</b>	<b>Part No.</b>	<b>Name</b>	<b>Qty</b>
A1	WHL1903913	WHEEL ASSY, FLAT FREE BLACK 14 X 4 DRIVE BLACK RIM/BLACK TIRE, COMMUNITY USE	1
B1	TIR8110019	TIRE,FLAT FREE,BLACK,14" OD,4" W,C166 KNOBBY TREAD,(GALLOP: 114292)	1
C1	MEC1714220	LINIX HD HUB ASSEMBLY	1
D1	DWR1005B049	NUT, LUG, 5/16-24, ZINC	5

**Pneumatic Drive Wheel, 5 Spoke, Black Rim / Black "Knobby" Tire, 14" x 4", 4Front 2**

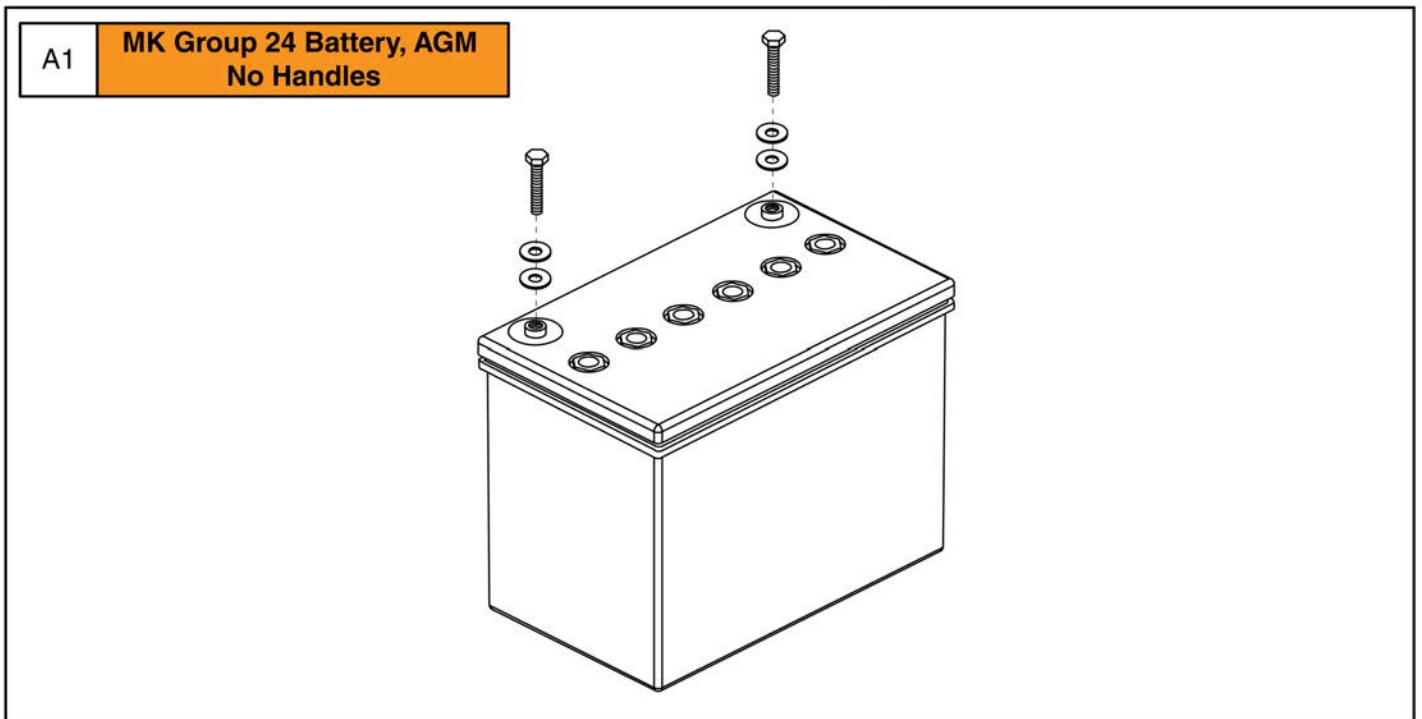
Only serviceable parts contain callouts. The parts without callouts require the complete assembly to be selected.  
**MAX 35psi / 2.4 bar**



**Pneumatic Drive Wheel, 5 Spoke, Black Rim / Black "Knobby" Tire, 14" x 4", 4Front 2**

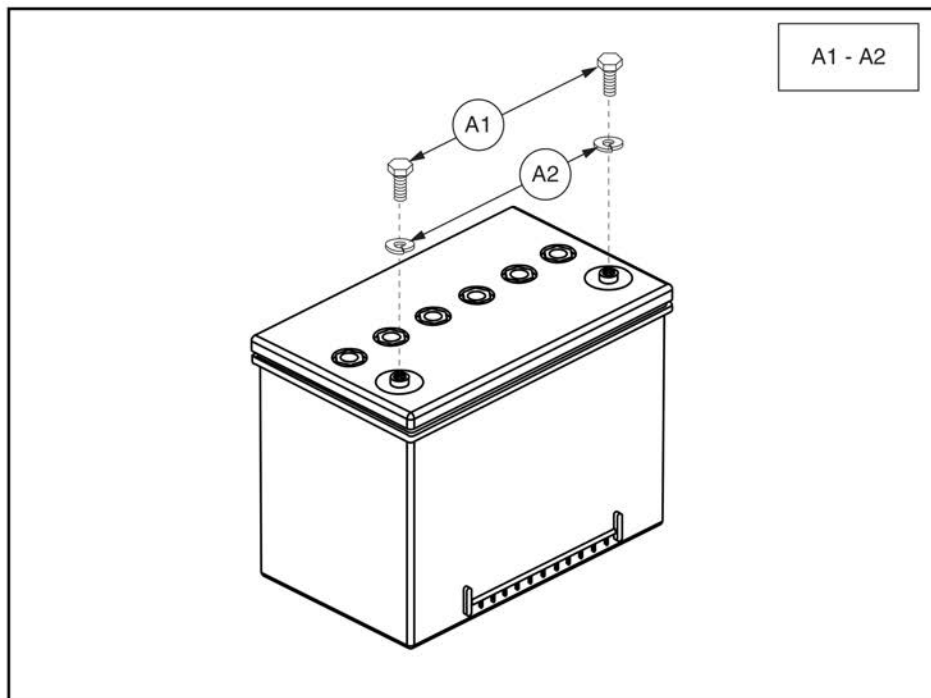
<b>Item</b>	<b>Part No.</b>	<b>Name</b>	<b>Qty</b>
A1	WHL1903914	WHEEL ASSY, PNEUMATIC BLACK 14 X 4 DRIVE BLACK RIM/BLACK TIRE, COMMUNITY USE	1
B1	TIR8110017	TIRE,PNEUMATIC,BLACK,14" OD, 4" W,C166 KNOBBY TREAD,(GALLOP: RP265087)	1
C1	TUBSTND1043	TIRE,TUBE,4.00-6,90 DEGREE VALVE STEM,(TAG: 163265)	1
D1	PLSINDV1003	CAP,BLACK,VALVE	1
E1	MEC1714220	LINIX HD HUB ASSEMBLY	1
F1	DWR1005B049	NUT, LUG, 5/16-24, ZINC	5

\*\*\* Please note that hardware is included with the complete assembly.  
It is not available individually.\*\*\*



**Group 24 AGM Battery, No Handles, Flush Mount, MK**

Item	Part No.	Name	Qty
A1	BAT1712207	BATTERY, AGM, 12V, 69.2AH (C/5),GROUP 24, HANDLES REMOVED	1



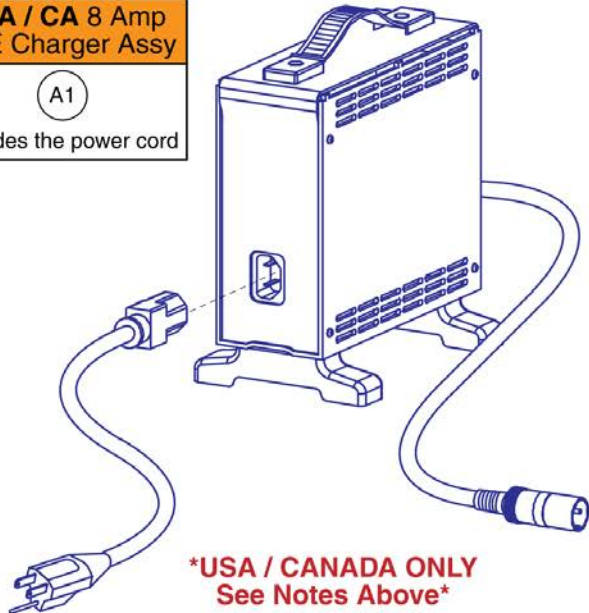
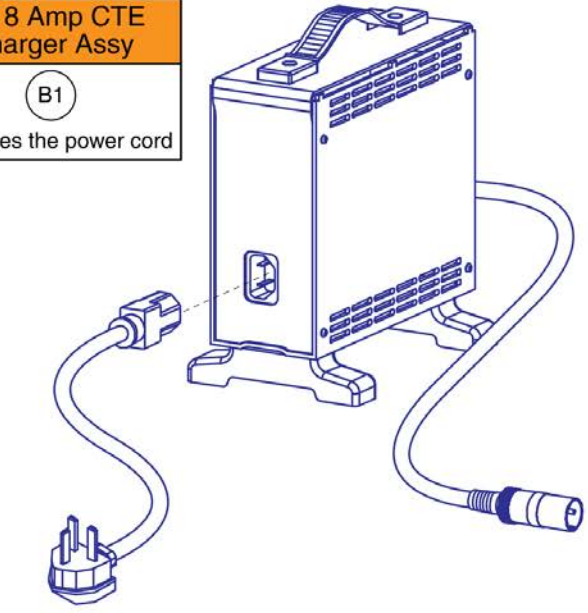
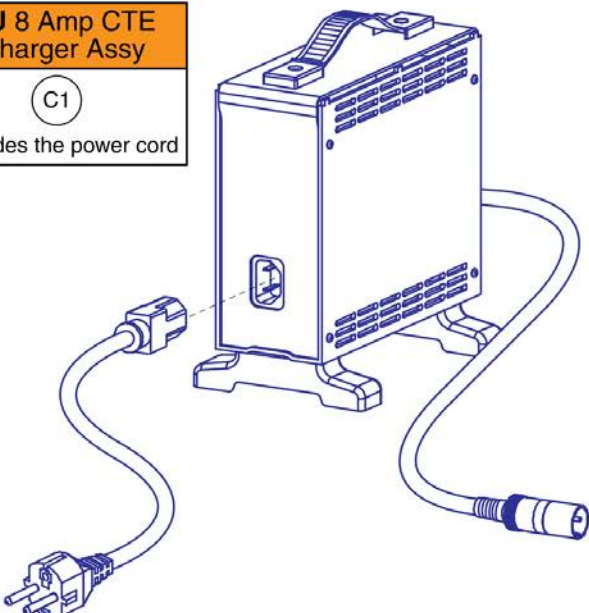
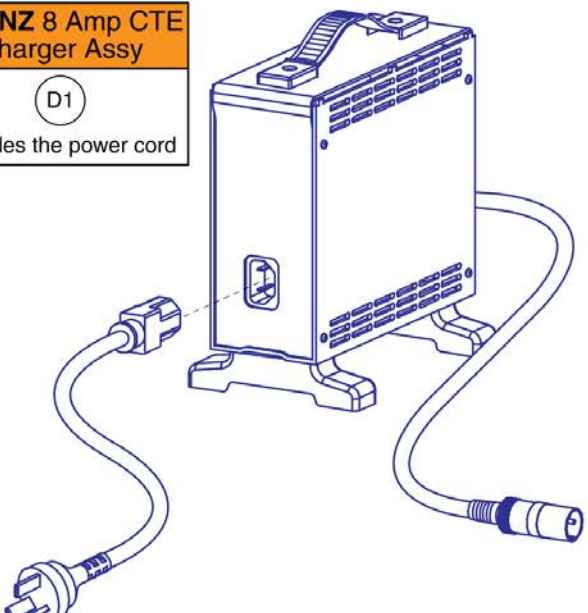
**Group 34 Flush Mount Terminal Battery**







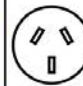

Item	Part No.	Name	Qty
A1 - A2	BATGEL1006	BATTERY,GEL,GROUP 34,W/FLUSH MOUNT TERMINALS,H-1000-140	1
A1	SCRHHCS1667	SCREW,HHCS,STAINLESS STEEL,1/4-20 X 0.50"	2
A2	WASLOCK1084	WASHER,LOCK,STAINLESS STEEL,0.25" ID X 0.4375" OD X 0.0625" TH	2



# 8 Amp CTE Charger

**IMPORTANT:** The USA / CA charger (A1) **CANNOT** be used internationally and the power cord **CANNOT** be swapped out for an international power cord. If an international charger is needed then the complete international charger assembly must be selected. Contact Technical Service for more information.

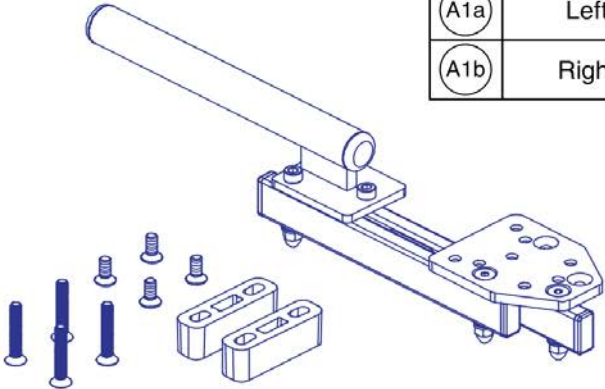
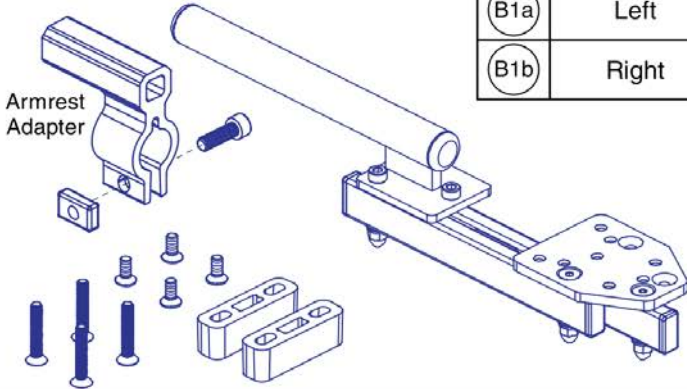
<p><b>USA / CA 8 Amp CTE Charger Assy</b></p> <p>(A1)</p> <p>Includes the power cord</p>  <p><b>*USA / CANADA ONLY See Notes Above*</b></p>	<p><b>UK 8 Amp CTE Charger Assy</b></p> <p>(B1)</p> <p>Includes the power cord</p> 
<p><b>EU 8 Amp CTE Charger Assy</b></p> <p>(C1)</p> <p>Includes the power cord</p> 	<p><b>AU / NZ 8 Amp CTE Charger Assy</b></p> <p>(D1)</p> <p>Includes the power cord</p> 

Replacement Power Cords							
(E1)	United States / CA	(F1)	United Kingdom	(G1)	European	(H1)	Australian / NZ
							
Type B		Type G	<b>*Cannot be used with the USA / CA charger A1</b>	Type F	<b>*Cannot be used with the USA / CA charger A1</b>	Type I	<b>*Cannot be used with the USA / CA charger A1</b>

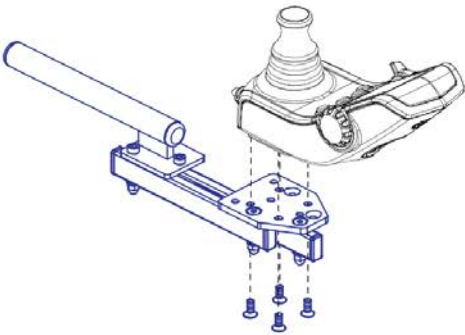
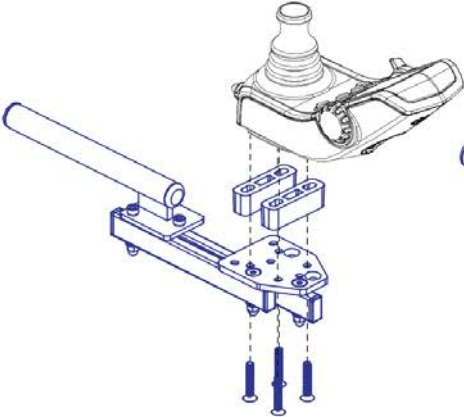
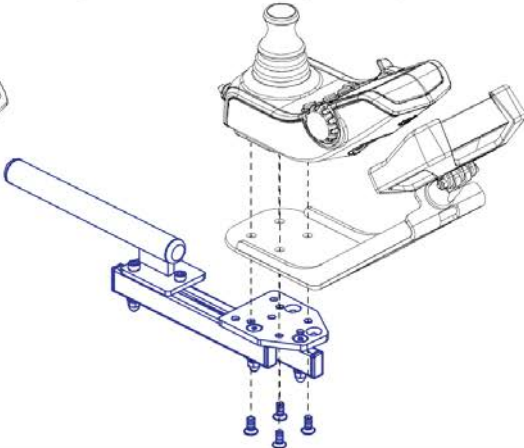
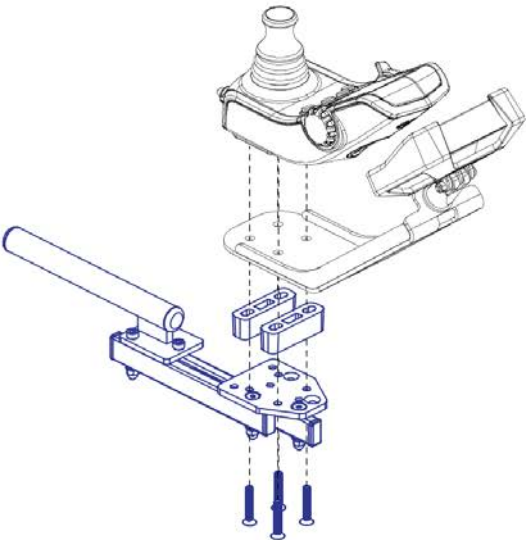
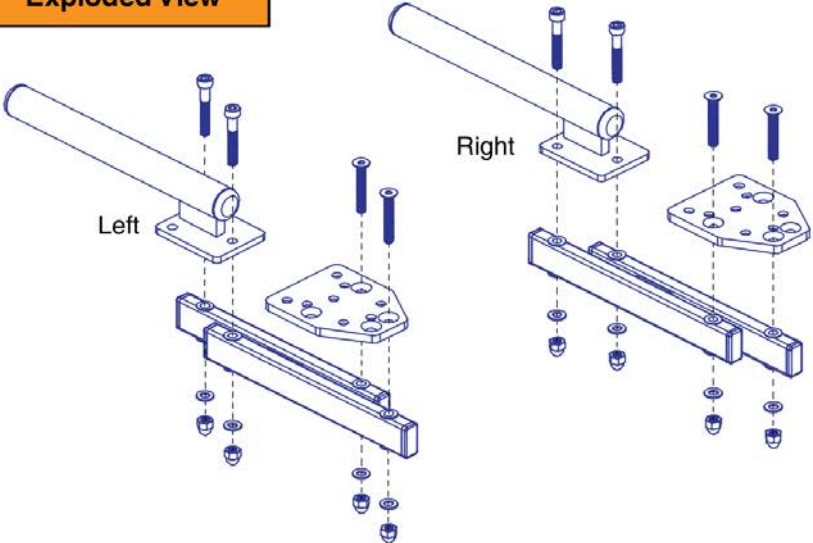
## 8 Amp CTE Charger

Item	Part No.	Name	Qty
A1	ELE2000091	CHARGER, OFFBOARD, LOW INHIBIT, 8A W/ USA POWERCORD	1
B1	ELEASMB5670	CHARGER, OFFBOARD, LOW INHIBIT, 8A W/ UK POWERCORD	1
C1	ELEASMB5671	CHARGER, OFFBOARD, LOW INHIBIT, 8A W/ EU POWERCORD	1
D1	ELEASMB5672	CHARGER, OFFBOARD, LOW INHIBIT, 8A W/ AU POWERCORD	1
E1	HARUSHD1065	ELECTRONIC,HARNESS,POWER CORD,IEC - USA	1
F1	HARUSHD2041	ELECTRONIC,HARNESS, POWER CORD,AC W/UK PLUG,H-1020-049	1
G1	HARUSHD2160	ELECTRONIC,HARNESS,POWER CORD,IEC - EUROPE PLUG	1
H1	DWR1000H174	ELECTRONIC,HARNESS,AC POWER CORD,INSULATED BLADES,AUSTRALIA	1

# Basic Swing-away Joystick Mount, Q-Logic

Q-Logic, Rehab Seating		Ref	Left / Right	Q-Logic, Contoured Seating		Ref	Left / Right
		A1a	Left			B1a	Left
		A1b	Right			B1b	Right

## Joystick Mounting

Joystick Mounting		
<p>Joystick Only - No Spacers</p> 	<p>Joystick Only - With Spacers</p> 	<p>Joystick &amp; QBC Display - No Spacers</p> 
<p>Joystick &amp; QBC Display - With Spacers</p> 	<div style="background-color: #f4a460; padding: 5px; display: inline-block; margin-bottom: 10px;"><b>Exploded View</b></div> 	

## Basic Swing-away Joystick Mount, Q-Logic

---

Item	Part No.	Name	Qty
A1a	ACC2201041	JOYSTICK MOUNTING BRACKET,ASSY,BASIC SWING AWAY,LEFT,Q-LOGIC	1
A1b	ACC2201042	JOYSTICK MOUNTING BRACKET,ASSY,BASIC SWING AWAY,RIGHT,Q-LOGIC	1
B1a	ACC2201043	JOYSTICK MOUNTING BRACKET,ASSY,BASIC SWING AWAY,LEFT,Q-LOGIC,CONTOURED SEAT	1
B1b	ACC2201044	JOYSTICK MOUNTING BRACKET,ASSY,BASIC SWING AWAY,RIGHT,Q-LOGIC,CONTOURED SEAT	1

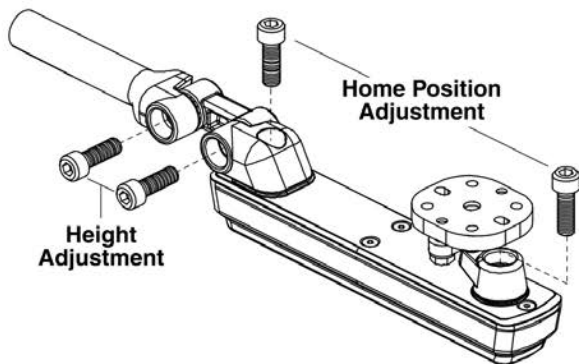
Complete Swing-away Joystick Mount w/ Hardware				Mounting Hardware		
Ref	Part Number	Mounting Hardware	Seating Type	NE / NE+	Q-Logic	Contoured Seat Armrest Adapter
A1	ACC1908434	Q-Logic	Rehab			
B1	ACC1908435	Q-Logic	Contoured			
C1	ACC1908437	NE/NE+	Rehab		<b>PG Drives</b>	
D1	ACC1908438	NE/NE+	Contoured			
E1	ACC1908439	PG Drives*	Rehab			
F1	ACC1908440	PG Drives*	Contoured			

**Please Note:**

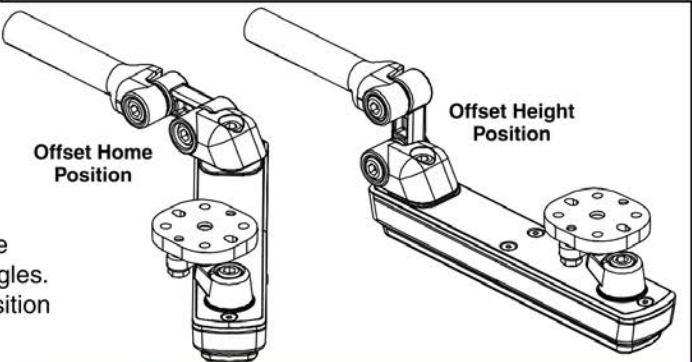
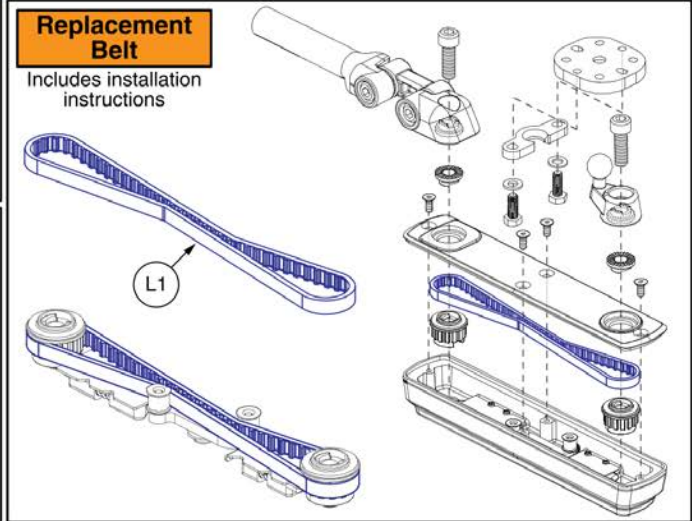
- The complete assemblies A1 thru F1 include the swing-away joystick mount, the applicable joystick mounting hardware, and adjustment instructions.
- The assemblies used with contoured seating also include the armrest adapter K1.
- PG Drives does **NOT** include Remote Plus.

**Adjustments**

Reference Only. See the include instructions before making any changes.

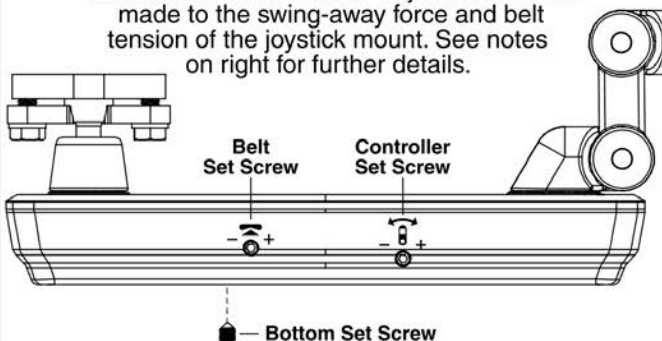


- Each pivot can be adjusted independently in 15 Degree increments to allow for a wide range of positions and angles.
- Two examples are shown. One for a possible home position and one for a possible height position.



**Swing-away Force Adjustment and Belt Tightening**

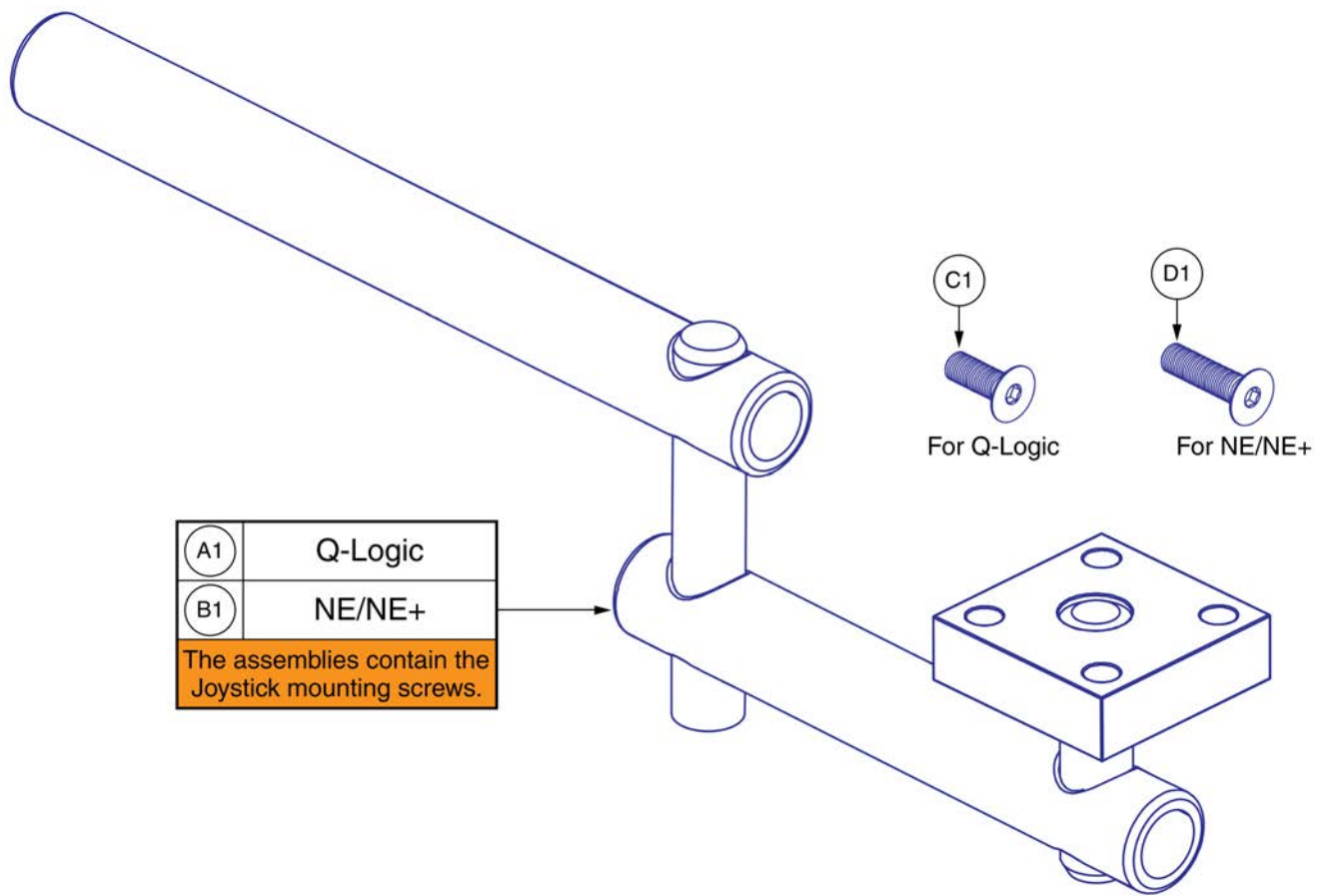
Three set screws allow for adjustments to be made to the swing-away force and belt tension of the joystick mount. See notes on right for further details.



Set Screw	Notes
Controller	- Adjusts the force needed to swing the joystick mount away. Force range depends on where the <b>Bottom</b> Set Screw is positioned.
Bottom	- Sets the force range of the <b>Controller</b> Set Screw. Removed sets the range from 3 to 6lbs. Inserted sets the range from 5 to 8lbs.
Belt	- Adjusts the internal belt tension. Turn inward 1/4 turn if the controller does not maintain the set orientation when swinging away or if the controller spins. - <b>Note:</b> This <b>ONLY</b> needs to be adjusted if the belt is loose and should be performed rarely.

## Version 3 Swing-away Joystick Bracket & Components

Item	Part No.	Name	Qty
A1	ACC1908434	JOYSTICK MOUNTING BRACKET,ASSY,SWING AWAY,Q-LOGIC	1
B1	ACC1908435	JOYSTICK MOUNTING BRACKET,ASSY,SWING AWAY,Q-LOGIC CONTOURED SEAT	1
C1	ACC1908437	JOYSTICK MOUNTING BRACKET,ASSY,SWING AWAY,NE / NE PLUS	1
D1	ACC1908438	JOYSTICK MOUNTING BRACKET,ASSY,SWING AWAY,NE / NE PLUS CONTOURED SEAT	1
E1	ACC1908439	JOYSTICK MOUNTING BRACKET,ASSY,SWING AWAY,VSI / VR2 / GC3 / R-NET	1
F1	ACC1908440	JOYSTICK MOUNTING BRACKET,ASSY,SWING AWAY,VSI / VR2 / GC3 / R-NET CONTOURED SEAT	1
G1	DWR1111C002	SPACER,CURTIS NE/NE PLUS MOUNT BRACKET,C-1111-002	2
H1	SCRPPH1384	SCREW, PAN HEAD, TYPE H, M5X0.8 X 20, ISO 7045, CL 4.8, BZ	4
I1	SCRPPH1279	SCREW, PAN HEAD, TYPE H, M5X0.8 X 16, ISO 7045, CL 4.8, BZ	4
J1	SCRPPH1384	SCREW, PAN HEAD, TYPE H, M5X0.8 X 20, ISO 7045, CL 4.8, BZ	2
K1	MEC146133	ARMREST ADAPTER ASSEMBLY	1
L1	KIT2103246	TIMING BELT SERVICE ASSEMBLY, SWING AWAY JOYSTICK MOUNT	1

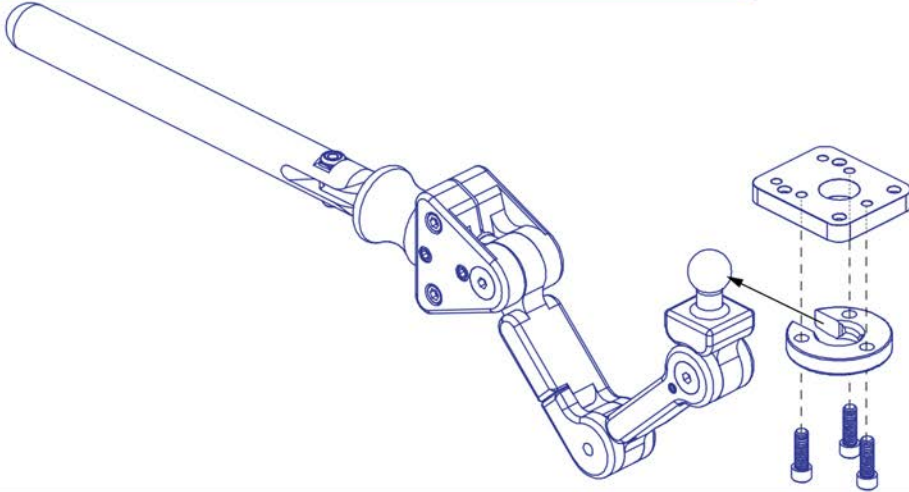


## Retract 4 Swing-away Joystick Bracket for Curtis Joysticks

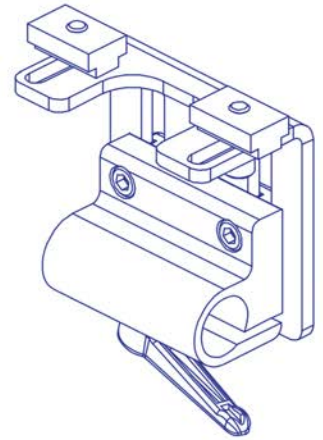
Item	Part No.	Name	Qty
A1	MEC138860	SWING AWAY JOYSTICK MOUNT,ASSY,RETRACT 4,Q-LOGIC	1
B1	MEC138876	SWING AWAY JOYSTICK MOUNT,ASSY,RETRACT 4,NE/NE PLUS	1
C1	SCRSFH1005	SCREW,SHFH,BLACK ZINC,M5-.8 X 14MM	4
D1	SCRSHFH1053	SCREW, FLAT HEAD, M5X0.8 X 20, ISO 10642, CL 10.9, BZ	4



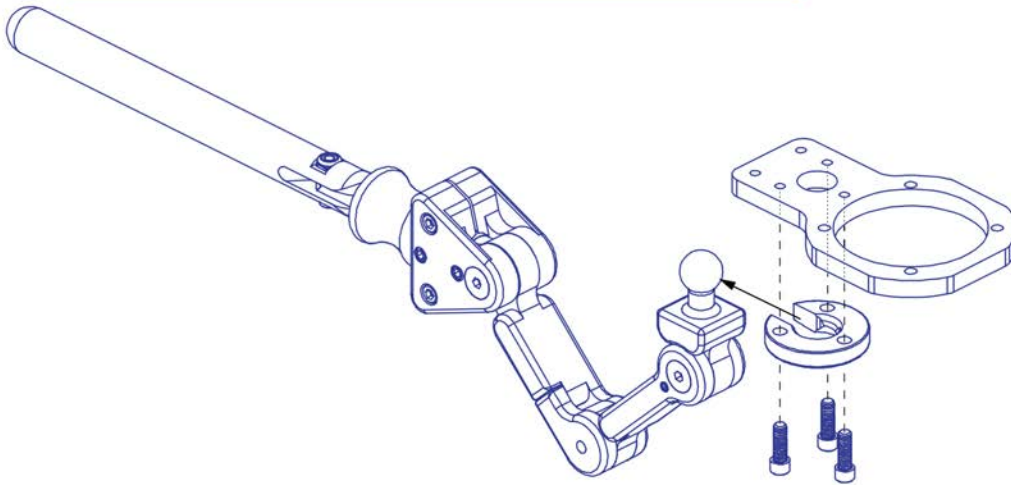
A1 Stealth Swing-away/Flip-down Joystick Bracket, NE/NE+/Q-Logic



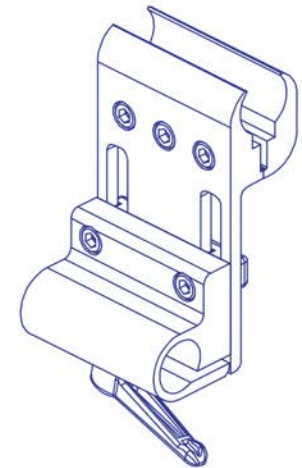
C1 Stealth Height Adjustable Joystick Mounting Bracket, Track Mount



B1 Stealth Swing-away/Flip-down Joystick Bracket, Stand-alone

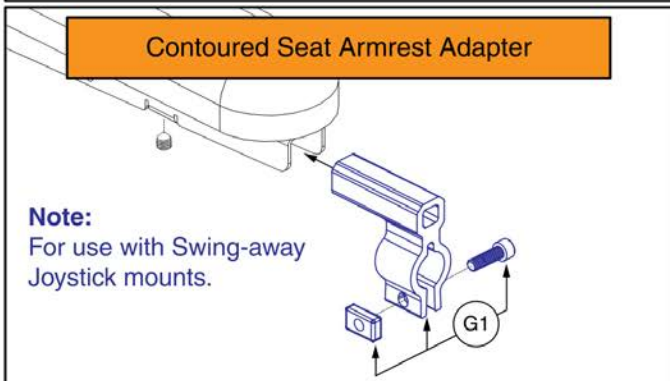
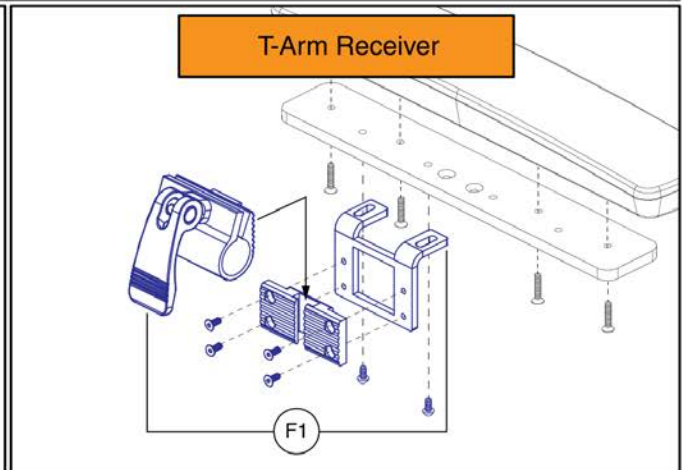
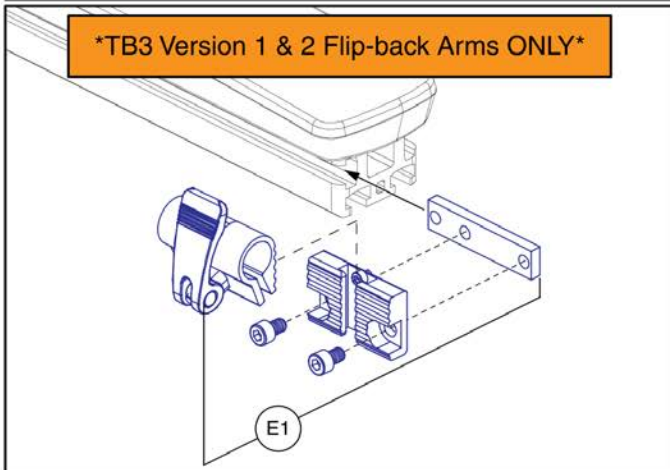
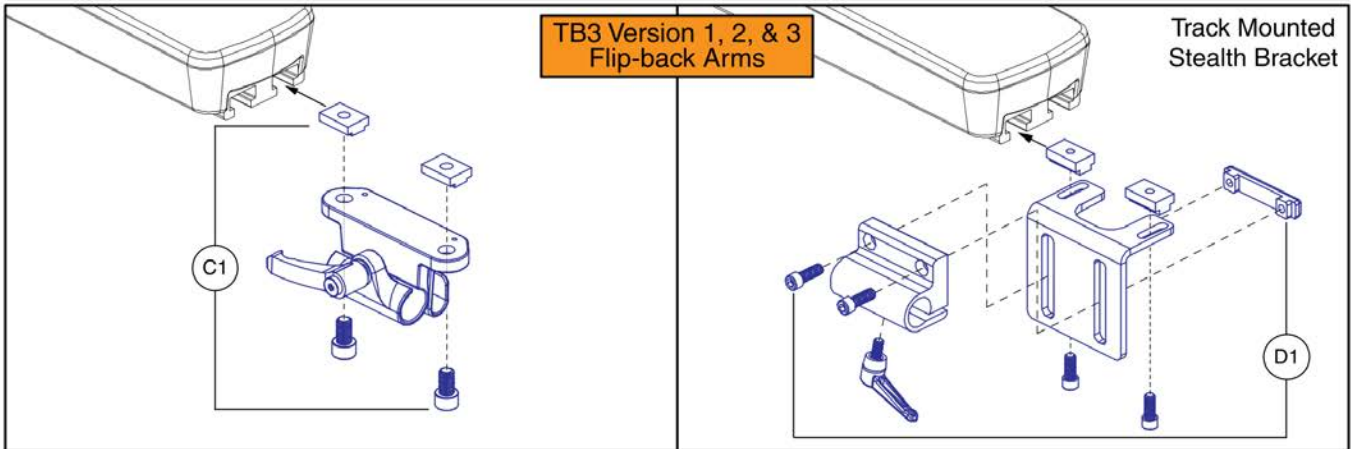
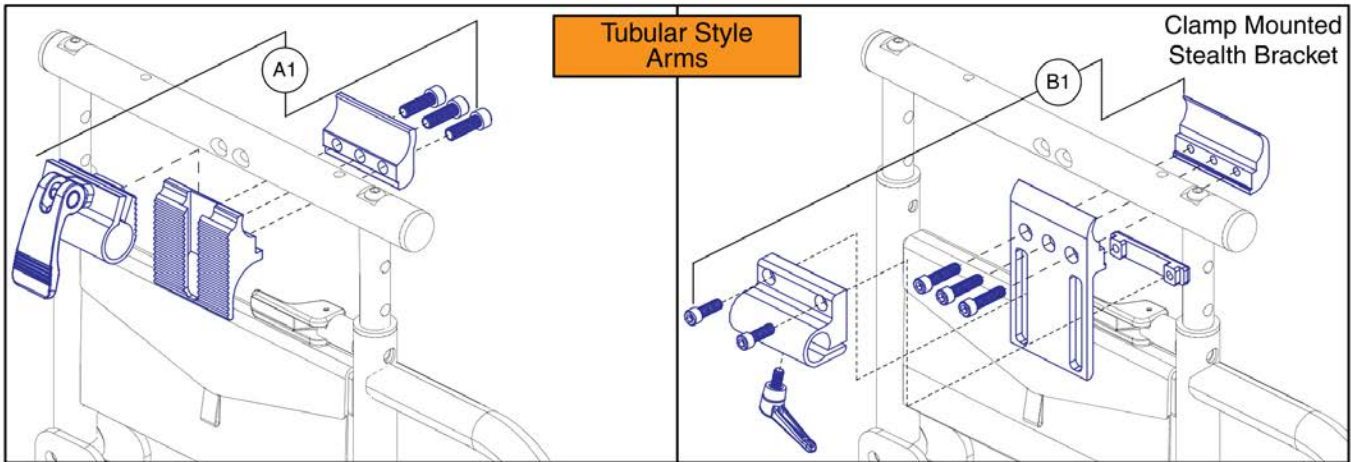


D1 Stealth Height Adjustable Joystick Mounting Bracket, Clamp Mount



## Stealth Swing-away / Flip Down Joystick Brackets & Mounts

Item	Part No.	Name	Qty
A1	ST-TWBM480QL-Q	JOYSTICK MOUNTING BRACKET,ASSY,SWING AWAY/FLIP DOWN,NE/NE PLUS/Q-LOGIC,W/MOUNTING HARDWARE	1
B1	ST-TWBM480CJ-Q	JOYSTICK MOUNTING BRACKET,ASSY,SWING AWAY/FLIP DOWN,STANDALONE,W/MOUNTING HARDWARE	1
C1	ST-ARM250T-Q	JOYSTICK MOUNT,ASSY,HEIGHT ADJUSTABLE,W/TRACK HARDWARE	1
D1	ST-ARM250C-Q	JOYSTICK MOUNT,ASSY,HEIGHT ADJUSTABLE,W/CLAMP HARDWARE	1



**Please note:**

- Joystick receiver selection varies by armrest type.
- The replacement parts shown may not be applicable to all power bases / seating systems.
- Contact Technical Service for more information.

## Joystick Receiver Mounts, Quantum

Item	Part No.	Name	Qty
A1	FRMASMB16062	JOYSTICK RECEIVER MOUNT,ASSY,UNIVERSAL,ADJUSTABLE BLOCK,D-1000-313	1
B1	ST-ARM250C-Q	JOYSTICK MOUNT,ASSY,HEIGHT ADJUSTABLE,W/CLAMP HARDWARE	1
C1	MEC1809294	JOYSTICK RECEIVER MOUNT,ASSY,W/MOUNTING HARDWARE,ADJUSTABLE HANDLE	1
D1	ST-ARM250T-Q	JOYSTICK MOUNT,ASSY,HEIGHT ADJUSTABLE,W/TRACK HARDWARE	1
E1		JOYSTICK RECEIVER MOUNT,ASSY,W/ACCESSORY BLOCK,TRUBALANCE 3	1
F1	ACC1800991	JOYSTICK RECEIVER MOUNT,ASSY,TBFLEX	1
G1	MEC146133	ARMREST ADAPTER ASSEMBLY	1



# Owner's Package

## Owner's Package, 4Front 2

Item	Part No.	Name	Qty
N/A	INFMANU4864	MANUAL,OWNER'S,Q4FRONT,ENGLISH	1
N/A	INFINFB2779	MANUAL,PRODUCT INSERT SHEET,WARRANTY,DOMESTIC QUANTUM POWER CHAIRS,ENGLISH	1
N/A	INFMANU5075	MANUAL,CONSUMER SAFETY GUIDE,QUANTUM	1
N/A	INFINFB4034	MANUAL,INTERACTIVE ASSIST,CUSTOMER INFORMATION PRODUCT INSERT SHEET,ENGLISH/FRENCH	1
N/A	INF152048	MANUAL,ASSY,QUICK REFERENCE TAG,WITH LANYARD AND RING,GENERIC TRANSIT,US	1
N/A	INFINFB4329	MANUAL,PRODUCT INSERT,SPECIFICATIONS,4FRONT 2,ENGLISH	1
N/A	INFINFB4335	MANUAL,PRODUCT INSERT,SPECIFICATIONS,4FRONT 2HD,ENGLISH	1



# Decal Package

## Decal Package, 4Front 2

Item	Part No.	Name	Qty
N/A	LAB2005184	DECAL,4FRONT 2 AESTHETIC	1
N/A	LAB2005185	DECAL,4FRONT 2 HD AESTHETIC	1
N/A	LAB148325	DECAL,READ OWNERS MANUAL, 19.1 DIAMETER	1
N/A	LAB1703664	DECAL,4FRONT BATTERY WIRING DIAGRAM	1
N/A	DWR1234L957	DECAL,WARNING,DEFLATE TIRE COMPLETELY,L-1234-957	1
N/A	DWR1235L515	DECAL,WARNING,BATTERY WARNINGS,L-1235-515	1
N/A	DWR1235L516	DECAL,WARNING,DEFLATE TIRE COMPLETELY,FRENCH,L-1235-516	1
N/A	DWR1235L520	DECAL,CAUTION,EXTENSION CORD/GROUNDING PRONG,L-1235-520	1
N/A	DWR1235L521	DECAL,WARNING,CONTROLLER CORD PLACEMENT,L-1235-521	1
N/A	DWR1235L551	DECAL,ISO,"AGM/GEL CELL/DOT CERTIFIED",L-1235-551	1
N/A	DWR1235L638	DECAL,ICON,JAZZY FREEWHEEL,UP-DRIVE/DOWN-NEUTRAL,L-1235-638	1
N/A	LAB1809139	HANG TAG,ENGLISH/FRENCH INTERACTIVE ASSIST	1
N/A	LAB2005393	DECAL,4FRONT REAR CASTER NUT WARNING LABEL	1
N/A	LAB2101449	DECAL,ISO SYMBOL,BATTERY ISOLATION/DISCONNECT	1



---

Appendix A:Pages Index

8 Amp CTE Charger	69
Aftermarket Joystick Knobs - Curtis and P&G	21
Anti-tip Assembly, 4Front 2	3
Base Mounted Light Assemblies, 4Front 2	33
Basic Swing-away Joystick Mount, Q-Logic	71
Complete Shroud Assemblies, 4Front 2	35
Decal Package, 4Front 2	83
Drive Motor & Motor Mount Assy w/ Hub, 4Front 2	9
Flat-free Drive Wheel, 5 Spoke Black Rim / Black Tire, 4Front 2	55
Flat-free Drive Wheel, 5 Spoke, Black Rim / Black "Knobby" Tire, 14" x 4", 4Front 2	61
Front Door Shroud and Battery Access Bracket Assemblies, 4Front 2	39
Group 24 AGM Battery, No Handles, Flush Mount, MK	65
Group 34 Flush Mount Terminal Battery	67
Joystick Receiver Mounts, Quantum	79
Lighting Fenders w/ 4 Pin Module, 4Front Series	45
Main Frame Assembly, 4Front 2	1
Owner's Package, 4Front 2	81
PTO Backup Camera Module, QL3, 4Front 2	47
Painted Caster Arm Top Cover and Cap, 4Front 2	37
Painted Rim Inserts	59
Pneumatic Drive Wheel, 5 Spoke Black Rim / Black Tire, 4Front 2	57
Pneumatic Drive Wheel, 5 Spoke, Black Rim / Black "Knobby" Tire, 14" x 4", 4Front 2	63
Q-Logic 2 & 3 Joystick Shrouds	19
Q-Logic 3 EX Joystick Assemblies	11
Q-Logic 3 LM, AM1, & LAM2, 4Front 2	29
Q-Logic 3 SD Cards, 4Front 2 (USA, Canada, Australia, Europe)	17, 31
Q-Logic 3 Stand Alone Joystick Assy	15
Q-Logic 3e Joystick Assemblies, 4Front 2	13
QL3 Electronics, Light Fenders / PTO QBC, 4Front 2	25
QL3 Electronics, Manual Recline, Standard Fender / No PTO QBC, 4Front 2	27
QL3 Electronics, Standard Fenders / No PTO QBC, 4Front 2	23
Quantum Backup Camera Display Mounts	51
Quantum Backup Camera, Standard Mount, and Headrest Mount	49
Rear Caster Arm and Wheel, 4Front 2	7
Rear Shroud Assembly with and without Lighting, 4Front 2	41
Retract 4 Swing-away Joystick Bracket for Curtis Joysticks	75
Seat Interfaces, 4Front 2	53
Standard Fenders, 4Front 2	43
Stealth Swing-away / Flip Down Joystick Brackets & Mounts	77
Suspension Spring Packages, 4Front 2	5
Version 3 Swing-away Joystick Bracket & Components	73

Appendix B:Parts Index

ACC123525	80	DGN124336-PRD1	20, 20
ACC1800991	80	DGN124336-PRD4	20
ACC1908434	74	DGN124336-PSL1	20
ACC1908435	74	DGN124336-PSL3	20
ACC1908437	74	DGN124336-PSL7	20
ACC1908438	74	DGN124336-PWH2	20
ACC1908439	74	DGN124336-PYL3	20, 20
ACC1908440	74	DGN124336-PYL4	20
ACC2103121	48	DGN124336-WCB1	20
ACC2201041	72	DGN124336-WCM7	20
ACC2201042	72	DGN124336-WFL2	20
ACC2201043	72	DGN154742	12, 14, 16
ACC2201044	72	DGN1611517	42
ACCASMB1856	22	DGN1611520	42
ACCASMB1857	22	DGN1611522	2
ACCASMB1858	22	DGN164245-PBK1	60
ACCASMB1859	22	DGN164245-PBK3	60
ACCASMB1860	22	DGN164245-PBU10	60
ACCASMB1861	22	DGN164245-PBU11	60
ACCASMB1862	22	DGN164245-PBU9	60
BAT1712207	66	DGN164245-PGN11	60
BATGEL1006	68	DGN164245-PGN7	60
BRK8110003	54	DGN164245-PGN8	60
CTL143976	12	DGN164245-POR6	60
CTL143977	12	DGN164245-POR7	60
CTL143978	24, 26, 28	DGN164245-PPK3	60
CTL143980	16	DGN164245-PPK4	60
CTL143983	30	DGN164245-PPR5	60
CTL143985	30	DGN164245-PPR7	60
CTL143986	30	DGN164245-PRD1	60
DGN124307	12, 20, 20	DGN164245-PRD4	60
DGN124309	12	DGN164245-PSL3	60
DGN124336-PBK1	20, 20	DGN164245-PSL7	60
DGN124336-PBK3	20	DGN164245-PWH2	60
DGN124336-PBU1	20	DGN164245-PYL3	60
DGN124336-PBU10	20	DGN164245-PYL4	60
DGN124336-PBU11	20	DGN164245-WCB1	60
DGN124336-PBU9	20, 20	DGN164245-WCM7	60
DGN124336-PGN11	20	DGN164245-WFL2	60
DGN124336-PGN5	20	DGN169072	44
DGN124336-PGN7	20	DGN169073	44
DGN124336-PGN8	20	DGN1700032	44
DGN124336-POR4	20	DGN1700203	46
DGN124336-POR6	20	DGN1700204	46
DGN124336-POR7	20	DGN1804274	38
DGN124336-PPK1	20	DGN1901203	24, 26, 48
DGN124336-PPK3	20	DGN2003761	2
DGN124336-PPK4	20	DGN2004686	46
DGN124336-PPR4	20	DGN2100631-PBK1	40
DGN124336-PPR5	20	DGN2100631-PBK3	40
DGN124336-PPR7	20	DGN2100631-PBU10	40
		DGN2100631-PBU11	40

DGN2100631-PBU9	40	DGN2100633-WFL2	38
DGN2100631-PGN11	40	DGN2101587-PBK1	36
DGN2100631-PGN8	40	DGN2101587-PBK3	36
DGN2100631-POR7	40	DGN2101587-PBU10	36
DGN2100631-PPK3	40	DGN2101587-PBU11	36
DGN2100631-PPK4	40	DGN2101587-PBU9	36
DGN2100631-PPR5	40	DGN2101587-PGN11	36
DGN2100631-PPR7	40	DGN2101587-PGN8	36
DGN2100631-PRD1	40	DGN2101587-POR7	36
DGN2100631-PRD4	40	DGN2101587-PPK3	36
DGN2100631-PSL3	40	DGN2101587-PPK4	36
DGN2100631-PWT2	40	DGN2101587-PPR5	36
DGN2100631-PYL4	40	DGN2101587-PPR7	36
DGN2100631-WCM7	40	DGN2101587-PRD1	36
DGN2100631-WFL2	40	DGN2101587-PRD4	36
DGN2100632-PBK1	42	DGN2101587-PSL3	36
DGN2100632-PBK3	42	DGN2101587-PWT2	36
DGN2100632-PBU10	42	DGN2101587-PYL4	36
DGN2100632-PBU11	42	DGN2101587-WCM7	36
DGN2100632-PBU9	42	DGN2101587-WFL2	36
DGN2100632-PGN11	42	DWR1000H174	70
DGN2100632-PGN8	42	DWR1005B049	56, 58, 62, 64
DGN2100632-POR7	42	DWR1010B161	34
DGN2100632-PPK3	42	DWR1111C002	74
DGN2100632-PPK4	42	DWR1234L957	84
DGN2100632-PPR5	42	DWR1235L515	84
DGN2100632-PPR7	42	DWR1235L516	84
DGN2100632-PRD1	42	DWR1235L520	84
DGN2100632-PRD4	42	DWR1235L521	84
DGN2100632-PSL3	42	DWR1235L551	84
DGN2100632-PWT2	42	DWR1235L638	84
DGN2100632-PYL4	42	DWR1265H021	28
DGN2100632-WCM7	42	ELE124312	12
DGN2100632-WFL2	42	ELE133304	30
DGN2100633-PBK1	38	ELE144006	12
DGN2100633-PBK3	38	ELE160183	46
DGN2100633-PBU10	38	ELE1611828	34
DGN2100633-PBU11	38	ELE1700035	34
DGN2100633-PBU9	38	ELE1701559	34
DGN2100633-PGN11	38	ELE1701560	34
DGN2100633-PGN8	38	ELE1702281	30
DGN2100633-POR7	38	ELE1709864	24, 26, 28
DGN2100633-PPK3	38	ELE1908252	48
DGN2100633-PPK4	38	ELE1910369	24, 26, 28
DGN2100633-PPR5	38	ELE2000091	70
DGN2100633-PPR7	38	ELE2000271	52
DGN2100633-PRD1	38	ELE2002741	2
DGN2100633-PRD4	38	ELE2004373	48
DGN2100633-PSL3	38	ELE2005663	24, 26, 28
DGN2100633-PWT2	38	ELE2007294	24, 26
DGN2100633-PYL4	38	ELE2007295	24, 26
DGN2100633-WCM7	38	ELE2007296	28

ELE2007298	26	INFINFB4034	82
ELE2007299	26	INFINFB4329	82
ELE2009405	30	INFINFB4335	82
ELE2009407	30	INFMANU4864	82
ELE2101000	48, 52	INFMANU5075	82
ELE2101001	48, 50	KIT1902931	12
ELE2102335	18, 32	KIT2008010	14
ELE2102336	18, 32	KIT2103246	74
ELE2102337	18, 32	LAB148325	84
ELE2102338	18, 32	LAB1703664	84
ELE2102341	14	LAB1809139	84
ELE2102342	14	LAB2005184	84
ELE2102343	14	LAB2005185	84
ELE2102344	14	LAB2005393	84
ELE2105127	18, 32	LAB2101449	84
ELE2105128	18, 32	MEC131182	54
ELE2105131	14	MEC138860	76
ELE2105132	14	MEC138876	76
ELEASMB5670	70	MEC146133	74, 80
ELEASMB5671	70	MEC151481	54
ELEASMB5672	70	MEC153354	48
ELEASMB7120023	34	MEC154602	48
ELEASMB7120024	34	MEC160250	10
FRMASMB10454	16	MEC160251	10
FRMASMB10617	12, 14	MEC1610056	58
FRMASMB11156	16	MEC1611656	30
FRMASMB16062	52, 80	MEC167317	24, 26, 28, 30, 34, 46
FRMASMB8691	10	MEC168447	6, 10
HAR143994	30	MEC169383	40
HAR144001	16	MEC1700465	54
HAR144003	16	MEC1701452	34
HAR144004	30	MEC1701453	34
HAR144005	24, 26, 28, 30, 34	MEC1703423	6
HARUSHD1065	70	MEC1705019	4
HARUSHD2041	70	MEC1705020	4
HARUSHD2160	70	MEC1705730	54
HDW120030	6, 8, 10	MEC1707642	54
HDW138262	4	MEC1707746	54
HDW155879	48	MEC1708208	54
HDW1700456	54, 54, 54, 54, 54, 54	MEC1711385	54
HDW1703666	4	MEC1714220	10, 56, 58, 62, 64
HPL-QL3_JOY_RECEIVER	12, 14	MEC1800079	54
HPL_CAMERA_MOD_4FRONT2	26	MEC1800080	54
HPL_FENDER_LIGHTS_4FRONT2	26, 48	MEC1804271	6, 8
HPL_QL3_JOY_AFTER_KNOBS	12, 14	MEC1804451	6, 8
HPL_QL3_JOY_MOUNT	12, 14	MEC1805269	54
HPL_QL3_JOY_SD_CARD	12	MEC1809294	80
HPL_QL3_JOY_SHRD	12	MEC1810323	6, 8, 10
HPL_SD_CARDS_4FRONT2	24, 26, 28	MEC1906270	52
INDPART2431	10	MEC1907331	52
INF152048	82	MEC1908272	8, 10
INFINFB2779	82	MEC1910365	50

MEC1910373	50	SCRSHFH1053	76
MEC2002740	2	ST-ARM250C-Q	78, 80
MEC2003018	6	ST-ARM250T-Q	78, 80
MEC2003019	6	ST-TWBM480CJ-Q	78
MEC2003020	6	ST-TWBM480QL-Q	78
MEC2003021	6	STP8120001	2
MEC2003052	54	TIR8110009	8
MEC2003053	54	TIR8110017	64
MEC2003762	2	TIR8110019	62
MEC2004534	46	TIR8110024	56
MEC2009398	54	TIR8110026	58
MEC2100694	6	TUBSTND1002	58
MEC2100695	6	TUBSTND1043	64
MEC2100696	6	WASLOCK1084	68
MEC2100698	6	WASNEOP1003	42
MEC2100699	6	WHL1703586	56, 58
MEC2100700	6	WHL1703588	56
MEC2100701	6	WHL1703592	8
MEC2102652	8	WHL1704507	58
MEC2102653	8	WHL1903913	62
MEC2103773	6	WHL1903914	64
MEC2104227	50	WHLASMB1523	4
MEC2106123	52		
MEC2106132	52		
MOT1714330-05	10		
MOT1714330-06	10		
MOT1714331-05	10		
MOT1714331-06	10		
MOT1901488	10		
MOT1901490	10		
NUTACRN1012	4		
NUTJAM1062	34		
PLSINDV1003	64		
PLSKNCP1056	42		
PLSKNCP1057	22		
PLSKNCP1058	22		
PLSTIE1001	24, 26, 28, 48		
PLSTIE1004	24, 26, 28, 30		
RECPART1006	12, 14		
SCR8110001	2, 24, 26, 28		
SCR8120014	2		
SCRHHCS1667	68		
SCRPPH1036	2, 44, 46		
SCRPPH1044	24, 26, 28, 30, 34, 46		
SCRPPH1153	30		
SCRPPH1279	74		
SCRPPH1342	48		
SCRPPH1382	24, 26, 28		
SCRPPH1384	74, 74		
SCRSHFH1005	76		
SCRSHCS1117	34		
SCRSHCS1259	34		

# Illustrated Parts Breakdown

## **USA - Quantum Rehab**

401 York Avenue  
Duryea, PA 18642  
[www.quantumrehab.com](http://www.quantumrehab.com)

## **USA - Pride Mobility Products, Corp.**

401 York Avenue  
Duryea, PA 18642  
[www.pridemobility.com](http://www.pridemobility.com)

## **Canada**

5096 South Service Road  
Beamsville, Ontario L0R 1B3  
[www.pridemobility.ca](http://www.pridemobility.ca)  
[www.quantumrehab.ca](http://www.quantumrehab.ca)

## **Australia**

20-24 Apollo Drive  
Hallam, Victoria 3803  
[www.pridemobility.com.au](http://www.pridemobility.com.au)  
[www.quantumrehab.com.au](http://www.quantumrehab.com.au)

## **New Zealand**

Unit 5/208 Swanson Road  
Henderson, Auckland 0610  
[www.pridemobility.co.nz](http://www.pridemobility.co.nz)

## **UK**

### **(Authorised UK Representative)**

32 Wedgwood Road  
Bicester, Oxfordshire OX26 4UL  
[www.pride-mobility.co.uk](http://www.pride-mobility.co.uk)  
[www.quantumrehab.co.uk](http://www.quantumrehab.co.uk)

## **Netherlands**

### **(Authorised EU Representative)**

De Zwaan 3  
1601 MS Enkhuizen  
[www.pridemobility.eu](http://www.pridemobility.eu)  
[www.quantumrehab.eu](http://www.quantumrehab.eu)

## **Italy**

Via del Progresso, ang. Via del Lavoro  
Loc. Prato della Corte  
00065 Fiano Romano (RM)  
[www.pride-italia.it](http://www.pride-italia.it)  
[www.quantumrehab-italia.it](http://www.quantumrehab-italia.it)

## **France**

26 Rue Monseigneur Ancel  
69800 Saint-Priest  
[www.pridemobility.fr](http://www.pridemobility.fr)  
[www.quantumrehab.fr](http://www.quantumrehab.fr)

## **Spain**

Calle Las Minas Número 67  
Polígono Industrial Urtinsa II, de Alcorcón  
28923 Madrid  
[www.pridemobility.es](http://www.pridemobility.es)

## **Germany**

Hövelrieger Str. 28  
33161 Hövelhof  
[www.pridemobility.de](http://www.pridemobility.de)  
[www.quantumrehab.de](http://www.quantumrehab.de)

## **China**

Room 508, Building #4  
TianNa Business Zone  
No. 500 Jianyun Road  
Pudong New Area  
Shanghai 201318  
[www.pridechina.cn](http://www.pridechina.cn)

