



**ALLIED
MEDICAL**
LIMITED

USER MANUAL

AML Shifty Assist Transfer Trolley

AMLSTA



Instruction Manual

This manual provides information of JY-YWS03 Assist Transfer Trolley and instruction for installation. Please read the manual carefully and understand it sufficiently before attempting to use the trolley. Must stand to NOTE in the manual.

ontents

1. Explanation of symbols in the manual.....	4
2. Introduction of products.....	4
3. Main purposes and application scope.....	4
4. Main technical parameters.....	4
5. Schematic diagram of product and annotations.....	5
6. Precautions.....	6
7. Operation methods.....	6
7.1 Seat board turn.....	6
7.2 Brake.....	7
7.3 Movement of the trolley.....	7
7.4 Leg open of the trolley.....	8
7.5 Height adjustment of knee support.....	8
7.6 Angle adjustment of knee support.....	9
8. Conditions for operation, storage and transportation.....	9
9. Failure analysis and solutions.....	9
10. Maintenance and service.....	9

1. Explanation of symbols in the manual

This manual includes different font and symbol to improve readability and understanding. Please refer to following sample:

- Standard font—general information
- **Boldfaced** font—important word or phrase
- Note—important information or indication
- The following symbol means “warning”



“Warning” means the operation may menace the safety of user or operator. Act against may cause the damage to user or operator.

“Warning” includes

- Dangerous: beware of pinch
- Dangerous: beware of electricity shock
- The regulation or measure which the operator must obey to avoid damage of device.

2. Introduction of product

This trolley offers an easy way for persons who have a leg injury or who unable to transfer independently from a chair, sofa, wheelchair, or toilet. It makes nursing much easier and safer and makes it much easier for persons to participate in daily life and the Carer has a more positive, easier and pleasant experience. It helps with OH&S issues.

3. Main purposes and application scope

The trolley is used in the family or nursing home where there is need to transfer patients.

4. Main technical parameters

Seat board turn:	150°
Trolley size: (Standard size)	800 (L) ±20*615 (W) ±20*1070 (H) ±20
Front castor diameter:	Φ75mm
Rear castor diameter:	Φ100mm with brake
Trolley weight:	24kg
Loading capacity:	200kg
Note: The parts which directly contact the human body is foamed PU material. The parameters are subject to changes without prior notice.	

5. Schematic diagram of product and annotations (Fig. 1)

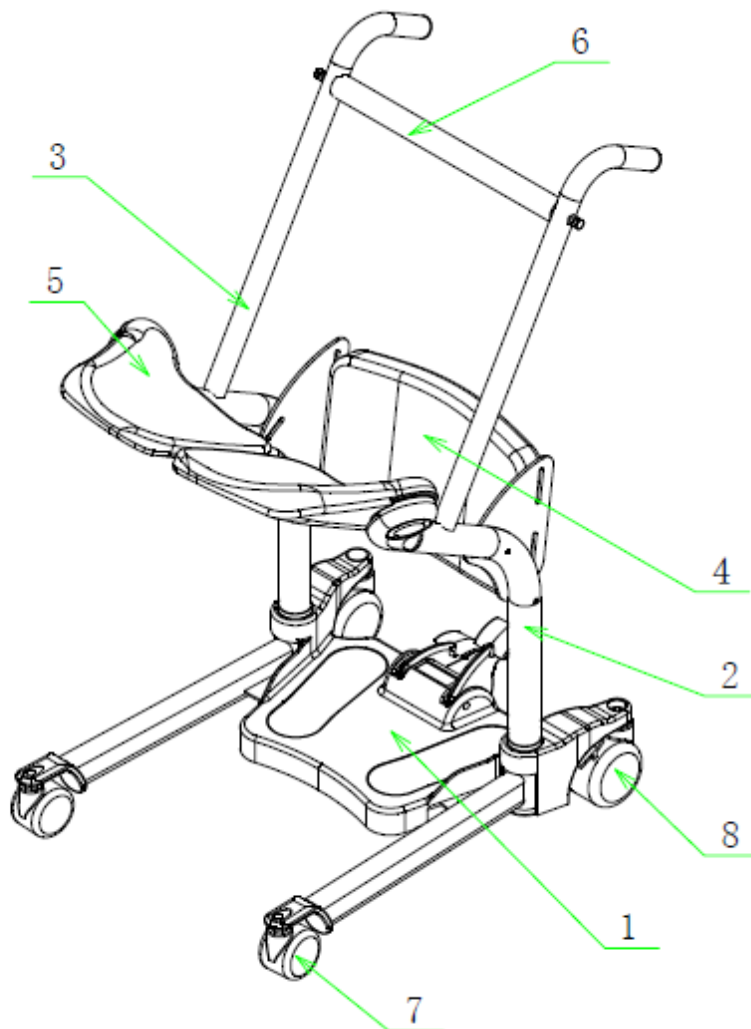


Fig.1

1. Base 2. Left support 3. Right support 4. Knee support
5. Seat board 6. Connecting rod 7. Front castor 8. Rear castor

6. Precautions

1. When you move the trolley, please make sure no foreign objects are on the floor.
2. When you use the trolley, please do not shake violently.
3. Please do not allow children to use trolley unattended.
4. Please do not attempt to disassemble the trolley.
5. If you try to carry items by trolley, please bundle them firmly.

7. Operation methods

7.1 Seat board turn

Please see Fig.2, outward turn.

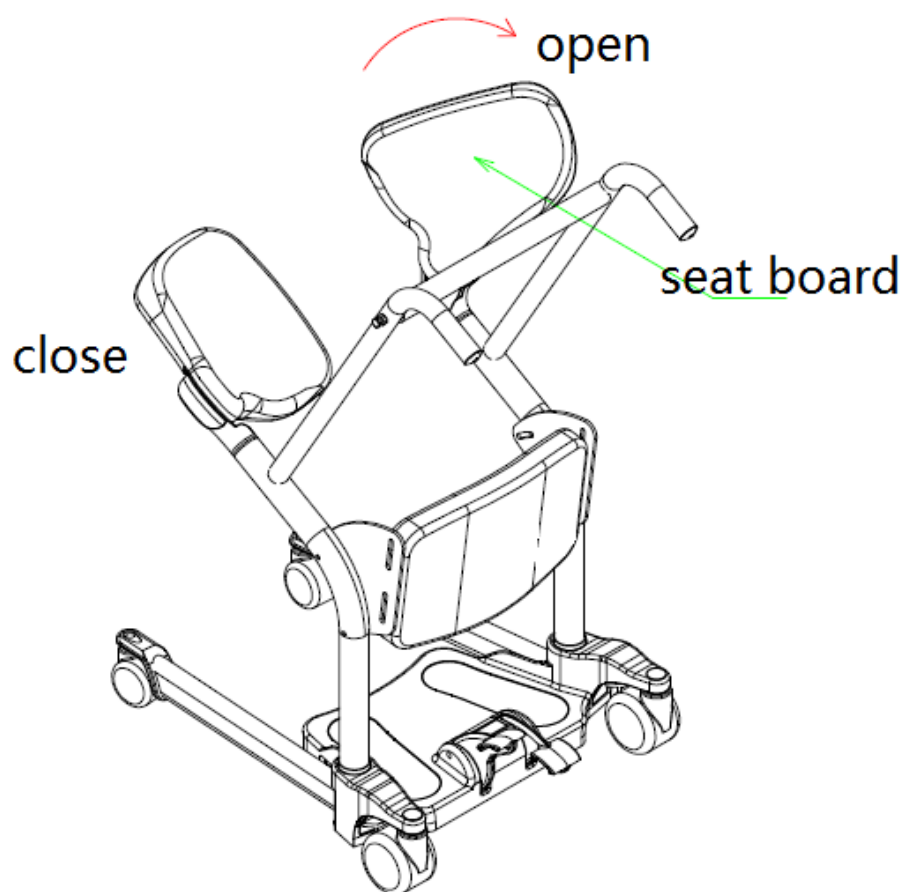


Fig.2

7.2 Brake

Step on the brake pedal at the rear castor to engage the brake, lift it up to release the brake.

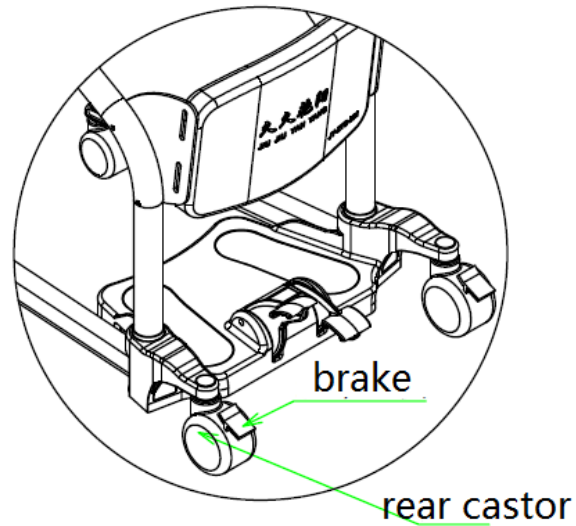


Fig.3

7.3 Movement of the trolley

Hold the armrests and push to move the trolley. (see Fig.4)

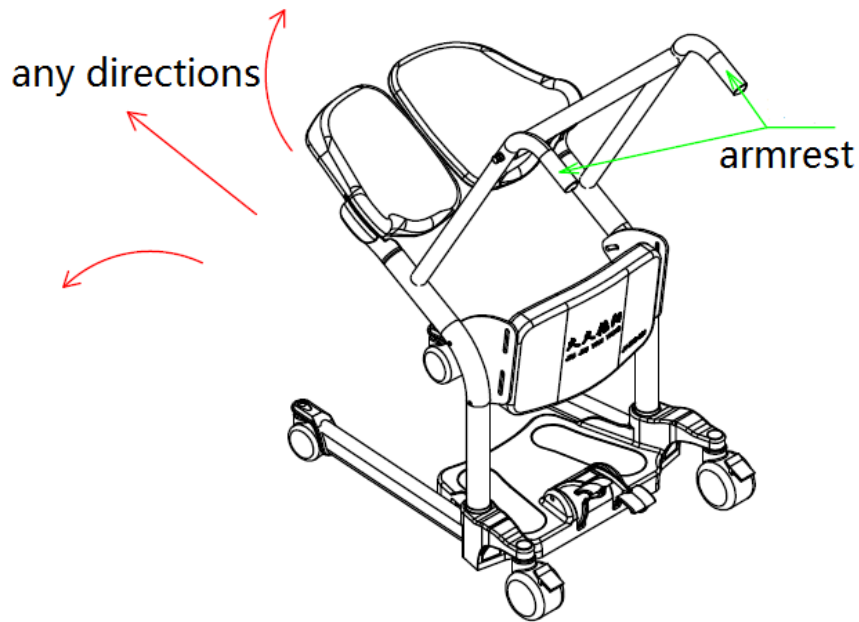


Fig.4

7.4 Leg opening of the trolley

Step on the foot pedal to open or close the legs.(see Fig.5)

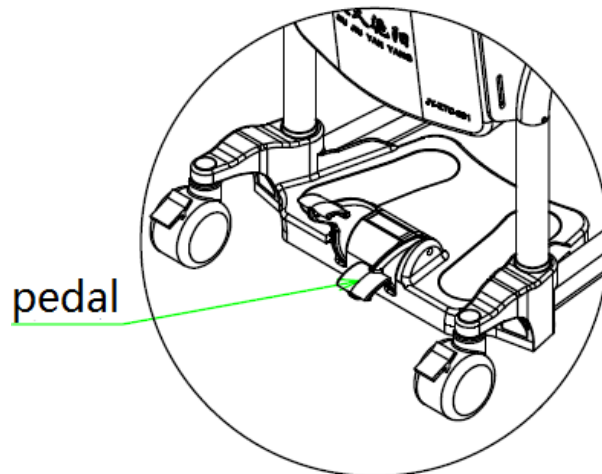
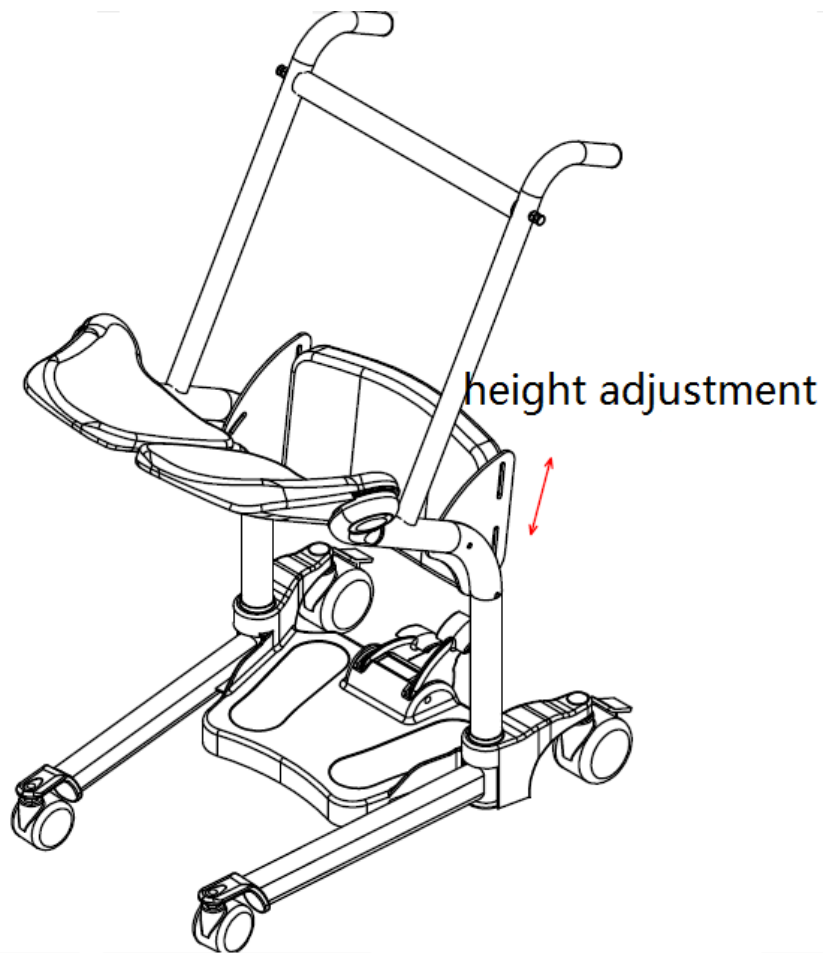


Fig.5

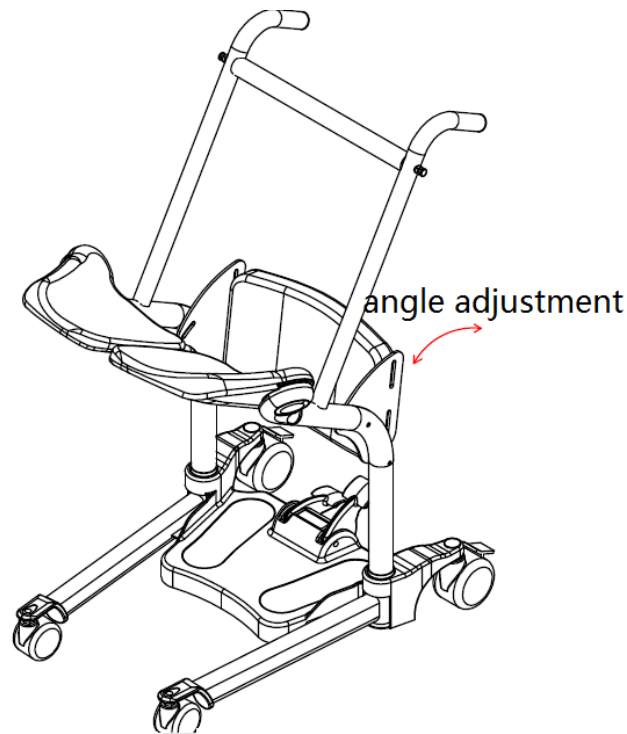
7.5 Height adjustment of knee support

Unscrew the screws on the two sides of knee support, then the height of trolley can be adjusted. Finally, tighten the screws.



7.6 Angle adjustment of knee support

Screw off the nuts on the two sides of supports, then the angle of knee support can be adjusted. Finally, tighten the nuts.



8. Conditions for operation, storage and transportation

8.1 Conditions for normal operation

1. Ambient temperature: 5 °C ~ 40°C
2. Relative humidity: ≤ 80%
3. Atmosphere pressure: 70kPa ~ 106kPa

8.2 Conditions for storage and transportation

1. Ambient temperature: -40 °C ~ 55°C
2. Relative humidity: ≤ 95%
3. Atmosphere pressure: 50kPa ~ 106kPa
4. The packed assist transfer trolley should be stored in a room which has a relative humidity less than 80%, no corrosive gas and well-ventilated condition.

9. Failure analysis and solutions

<i>Fault</i>	<i>Item that shall be confirmed</i>	<i>Solutions</i>
Noise of movement part	Lubrication scarcity.	Add the lubrication to the movement part

10. Maintenance and service

Without consulting suppliers in advance, please do not use any detergent.

Instruction for use and the drawing

- Description of the safety belt composition

1. The safety belt is packed assembled. Simply remove it from the package for use.(Fig.1)

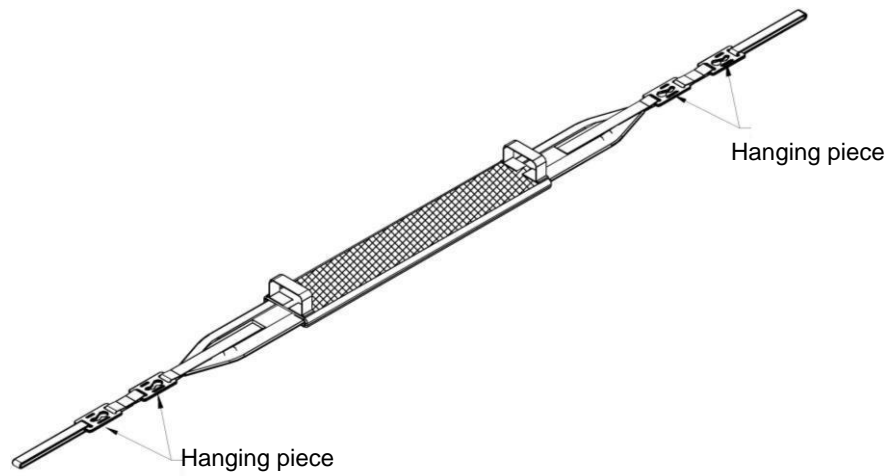


Fig. 1

2. Steps for use

- Help the user to sit on the trolley first;
- Hang on one end of the safety belt to the special bolt on the trolley, refer to Fig 2 and Fig.3.

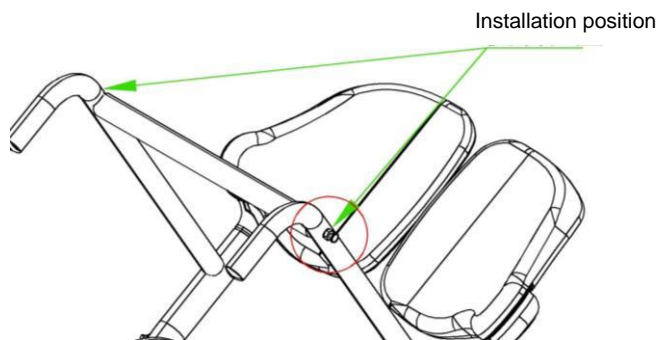


Fig. 2



Fig. 3

Operation steps:

Place the large hole on the hanging piece to the special bolt, pull up the hanging piece slightly until it reaches its slot end, the hook on operation is done. Refer to Fig. 4

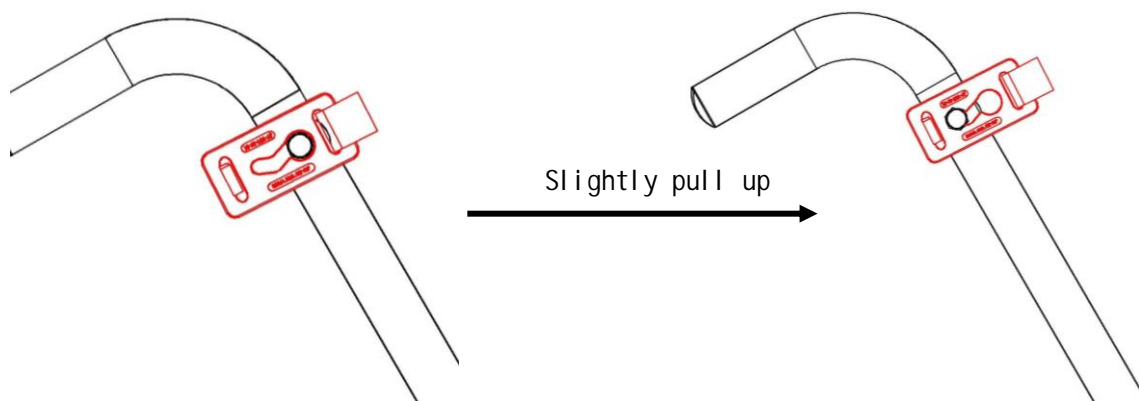


Fig. 4

- Put the safety belt around the users back, then hang on the other end of the belt to the special bolt on the other side of the trolley, refer to Fig.5.



Fig. 5

- Safety belt length is adjustable by hanging on different hanging pieces. Take off the safety belt.
- Slightly pull the hanging piece to move the larger hole to the special bolt, then you can take it off. Refer to Fig,6

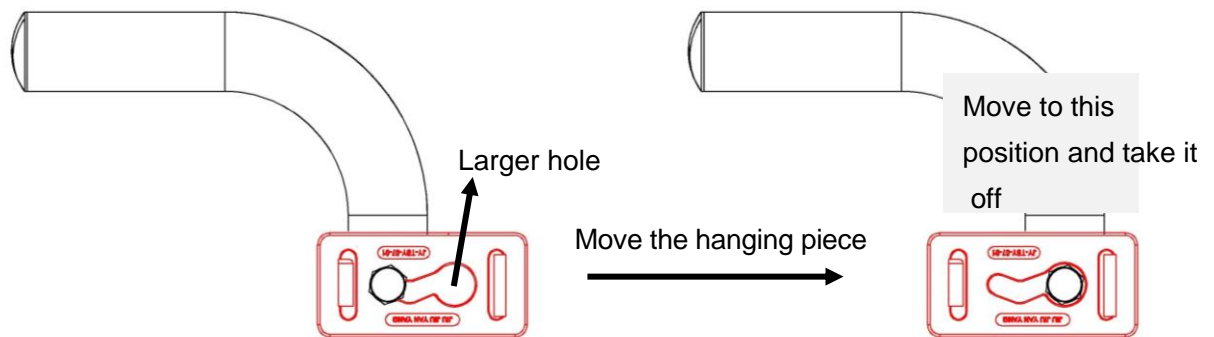


Fig.6