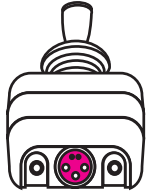


Shark Quick Guide

Front View



Charger Port

This is where you plug in your charger. Remember to charge your chair every night.



On/Off Switch

Push to power on your chair.

Seat Functions



Switches between seat and drive functions. Press to access seat function 1, press again to access seat function 2 (if fitted) press again to return to drive mode.



Horn Button



Joystick

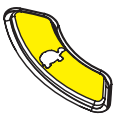
Battery Meter

Shows how much charge you have remaining.



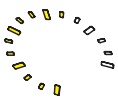
Turtle Button

Decreases the maximum speed setting.



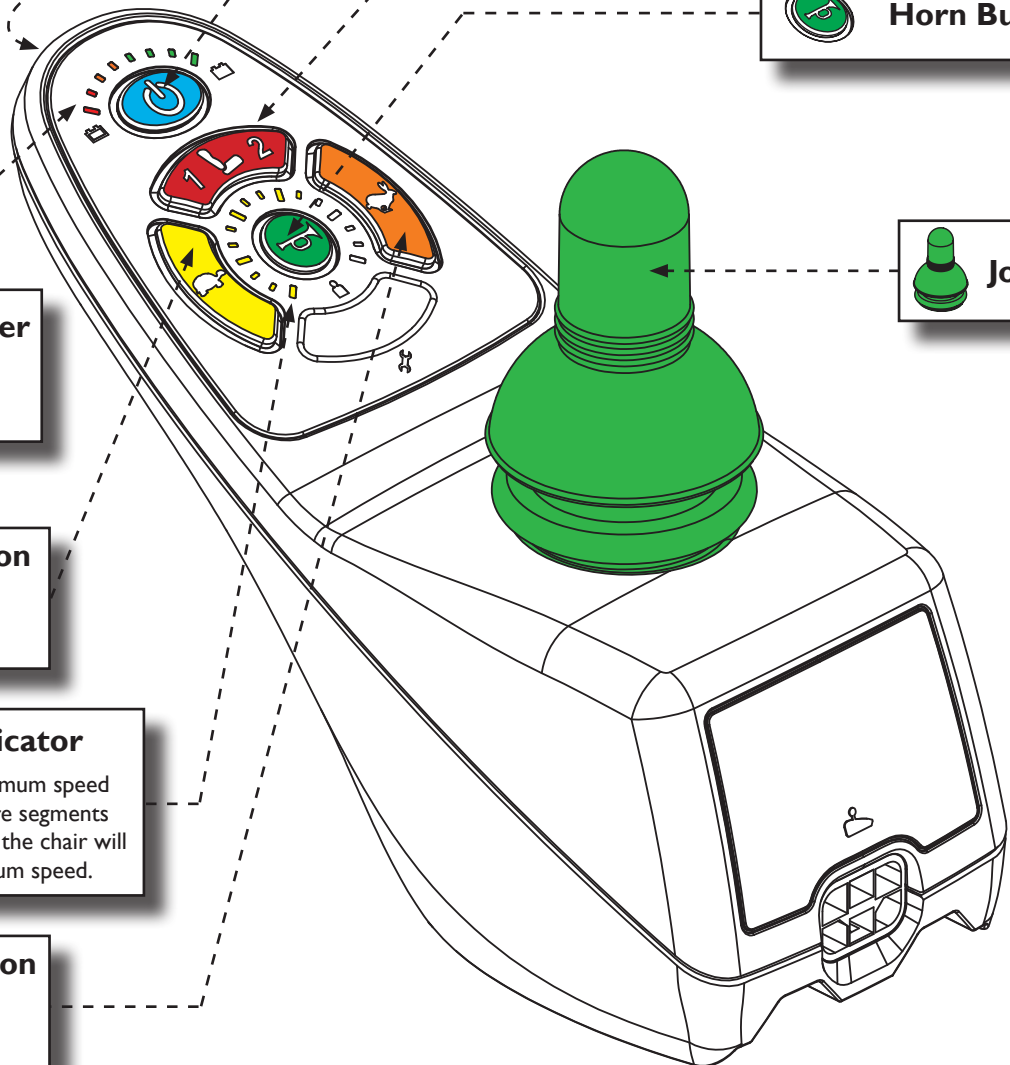
Speed Indicator

Shows the maximum speed setting. The more segments lit up, the faster the chair will travel at maximum speed.



Rabbit Button

Increases the maximum speed setting.



PO Box 302 250
North Harbour
Auckland



It's Wheelie Easy
with Allied Medical

Freephone 0800 31 61 81
Ph 09 415 1685
Fax 09 415 1686
greatwheelchairs@alliedmedical.co.nz
www.alliedmedical.co.nz

**ALLIED
MEDICAL**
LIMITED

Shark Quick Guide



Ensure you turn off the chair for transfers.



Freewheel your chair by disengaging both motors.



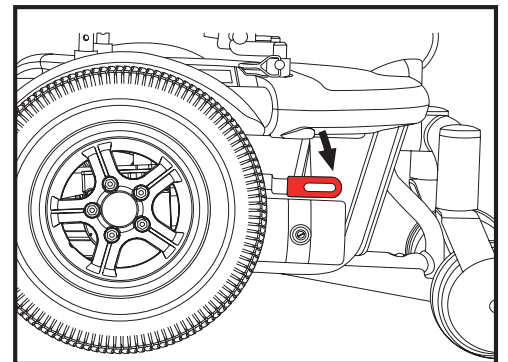
Never disengage your motors when on a slope!



Locked and in drive mode

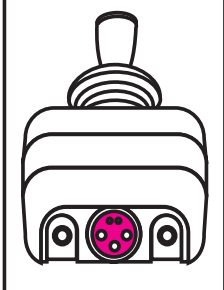
Place unit on level ground and stand to one side when changing between modes.

Unlocked and in freewheel mode.



Remember to charge your chair every night.

Front View



Your charger plugs into the front of your hand control.

