

QUANTUM® EDGE® 4

PRODUCT SPECIFICATIONS SHEET

Class of Use	B (Group 3)
Weight Capacity	330 lbs. (150 kg)
Maximum Speed ¹	Up to 7 mph (11.2 km/h) Up to 4.5 mph (7.25 km/h) with iLevel®
Ground Clearance ²	2.87 in. (73 mm)
Turning Radius ^{2,6}	22.8 in. (579 mm)
Overall Size ^{2,6}	Length: 38.27 in. (972.06 mm) without front riggings Width: 24.02 in. (610.11 mm)
Drive Wheels	14 in. (356 mm), pneumatic and flat free available 14 in. (356 mm) pneumatic and Knobby flat free
Caster Wheels	Front: 7 in. (178 mm), flat free Rear: 7 in. (178 mm), flat free
Suspension	SRS (Smooth Ride Suspension)
Range ^{1,4}	Up to 18.1 miles (29.2 km) with Group 24 batteries
Component Weights ^{5,7}	Base without batteries: 154 lbs (70 kg) Batteries: 47.8 lbs. (21.68 kg) each for Group 24;
Drivetrain	Two motor, Mid-wheel 6® drive
Brakes	4 nm Brakes, "Intelligent Braking" electronic regenerative, disc park brake
Batteries ³	Group 24 62 Ah (C/5) 75/Ah (C/20)
Battery Charger	8-amp, off-board
Freewheel Operational Force	Less than 60 N
Drive Control Operational Force	Less than 5 N
Maximum Rated Slope	7.5° (13.2%)
Maximum Obstacle Climbing Ability (Ascending and Descending)	3.5 in (90 mm)
Measured Sound Level (A-weighted)	Less than 65 dB
Operating Forces	All switches less than 5N

- ¹ Varies with base model, user weight, terrain type, battery amp hour rating (Ah), battery charge, battery condition, motors, controller type, tire type, and tire condition. This specification is subject to a variance of +10%, -5%.
- ² Due to manufacturing tolerances and continued product improvement, this specification can be subject to a variance of (+ or -) 3%.
- ³ AGM, Gel-Cell, or Hybrid Gel (Hybrid Gel is defined as Nano Silica Gel Electrolyte with High Quality Glass Mat Separators) type required. See "Batteries and Charging."
- ⁴ Tested in accordance with ANSI/RESNA, WC Vol. 2, Section 4 & ISO 7176-4 standards. Results derived from theoretical calculations based on battery specifications and drive system performance. Test conducted at maximum weight capacity.
- ⁵ Battery weight may vary based on manufacturer.
- ⁶ Dimensions listed are for power base only. Overall measurements will vary based on seating and accessory selections.
- ⁷ The base mode Climbing Ability ranges will vary based on the different configurations selected.

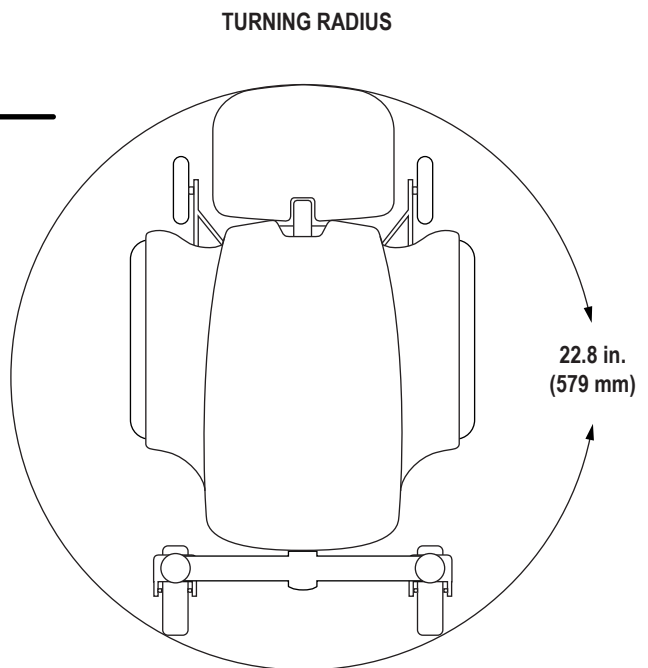
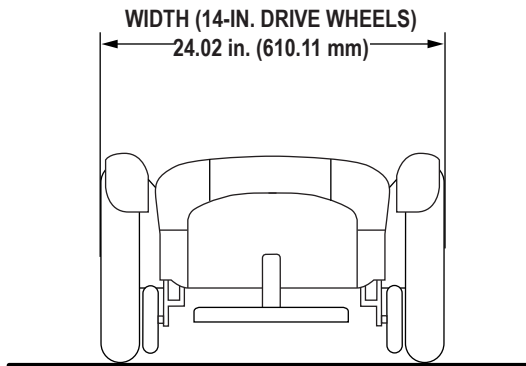
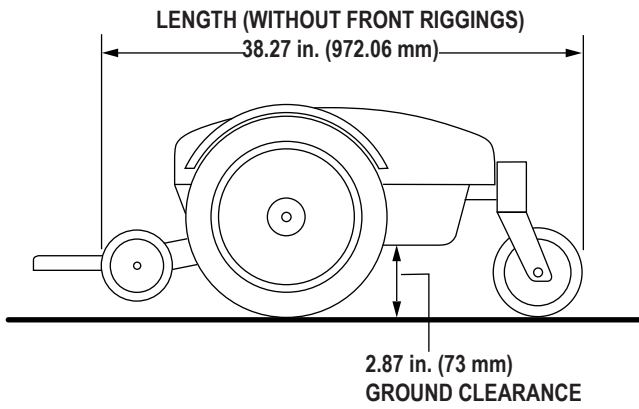
NOTE: This product conforms to all applicable ANSI/RESNA, ISO 7176 Series, AS/NZS 3695.2, and EN12184 standards. All specifications subject to change without notice.

Rev B/July 2025



QUANTUM[®] **EDGE[®] 4**

PRODUCT SPECIFICATIONS SHEET



Rev B/July 2025

