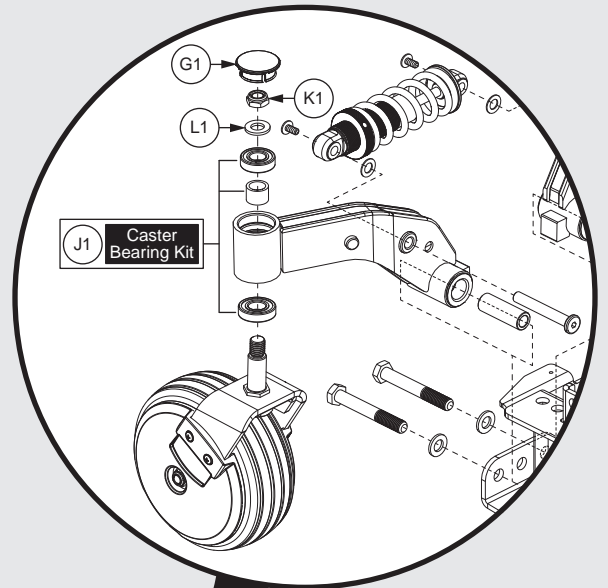




PRIDE
MOBILITY
LIVE YOUR BEST®



Illustrated Parts Breakdown



This Illustrated Parts Breakdown (IPB) Catalog has been compiled from the latest product information available at the time of publication. Quantum Rehab[®] / Pride Mobility Products[®] Corporation reserves the right to make changes and updates to this manual and to the product(s) it represents. Any changes, updates, or improvements to the product(s) may result in slight differences between this manual and the product that has been purchased.

An IPB is a graphically portrayed parts listing of product components which have been deemed to have serviceable, maintenance significance. When applicable, IPBs utilize “exploded” illustrations that detail serviceable components and a corresponding itemized parts list of reference numbers, part numbers, descriptions, quantities, and any applicable pricing. Most product components are incorporated into assemblies and may not be available for replacement.

Serviceable components will be noted by a callout in the illustration that will correspond to a alphanumeric reference number in the parts list. Items may also be listed in the parts list by parent assemblies. In most cases when a parent assembly is listed, there will be child parts or sub-assemblies listed under that parent.

For example: The parent assembly reference number is A1 — A5. That part contains all of the items listed as and contained within A1, A2, A3, A4, & A5. As long as these subcomponents have a callout associated with them, they can be selected for replacement or quote.

Updates to the contents of an IPB will be made on a regular basis based upon applicable product changes and enhancements. This PDF catalog has been export from the Provider based service site. The most up to date parts look up tool and ordering application is located at: prideprovider.com. Please utilize this system to enhance your user experience. It is built with highly interactive materials that are set with relational properties that will facilitate easier part look-up, more accurate parts selection, notification of onhand part availability, and quick links to related documents and products.

We welcome all questions and comments regarding the Quantum Rehab[®] / Pride Mobility Products[®] Corporation IPB systems.

Any pricing that is included in Quantum Rehab[®] /Pride Mobility Products[®] Corporation IPBs is subject to change without prior notice.

Thank you for choosing products from Quantum Rehab[®] and Pride Mobility Products[®] Corporation.



1. Main Frame Assy	
Main Frame, Q6 Edge HD	1
2. Front Caster Arm & Suspension Assy	
Front Caster Arm & Front Suspension, Q6 Edge HD	3
3. Articulating Beam Assy	
Articulating Beam, Edge Z / Edge HD / Q6 Ultra	5
4. Rear Swing-arm & Strut Assy	
Rear Swing Arm & Strut, Q6 Edge HD	7
5. Drive Motor & Motor Mount	
Hammer II Drive Motor Assembly	9
6. Joystick Assy's	
NE, NE+, & Q-Logic 1 Joystick Assy's	11
Q-Logic 2 Joystick Assemblies	13
Q-Logic 2 Stand Alone Joystick Assy	15
Q-Logic 3 Joystick Assy's	17
Q-Logic 3e Joystick Assy's - Q6 Edge HD	19
Q-Logic 3 Stand Alone Joystick Assy	21
Q-Logic 3 SD Cards for Edge HD	23
Joystick Knobs & Overlays	
Aftermarket Joystick Knobs	25
Q-Logic 1 / Stand Alone / NE / NE+ Joystick Overlays	27
Q-Logic Joystick Knobs	29
Q-Logic 2 & 3 Joystick Shrouds	
Q-Logic 2 & 3 Joystick Shrouds	31
Joystick Bottom Housings	
NE + Joystick Bottom Housing w/Bus Cable	33
Q-Logic 1 Joystick & Enhanced Display Bottom Housing w/Bus Cable	35
Q-Logic 2 & 3 Joystick Bottom Housing w/Bus Cable	37
7. Electronics Assy's	
7.1. NE Electronics Assy's	
NE Electronics - No Power Positioning, Q6 Edge HD	39
NE Electronics - Tilt Thru Toggle, Q6 Edge HD	41
7.2. NE+ Electronics Assy's	
NE+ Electronics - No Power Positioning, Q6 Edge HD	43
NE+ Electronics - Quantum Ready/Tilt Thru Toggle, Q6 Edge HD	45
NE+ Electronics - Switch Operated Lighting, Q6 Edge HD	47
NE+ Electronics - Automatic Lighting, Q6 Edge HD	49
7.3. Q-Logic 2 Electronics Assy's	
Q-Logic 2 Electronics - Non-Power Positioning, Q6 Edge HD	51
Q-Logic 2 Electronics - Quantum Ready/Tilt Thru Toggle, Q6 Edge HD	53
Q-Logic 2 Electronics - Switch Operated Lighting, Q6 Edge HD	55
7.4. Q-Logic 3 Electronics Assy's	
Q-Logic 3 Master Assy Matrix, Q6 Edge HD	57
Q-Logic 3 Module, Harnessing & Mounting Hardware, Q6 Edge HD	59
Q-Logic 3 SD Cards for Edge HD	61

8. Shroud & Fender Assy's

Complete Shroud Assy's (Rear Door & Shoulder), Q6 Edge HD	63
Shrouds - Rear Bucket, Center Panel, & Hardware, Q6 Edge HD	65
Front Battery Door Shroud Assy's, Q6 Edge HD	67
Fender Shrouds without Lights, Q6 Edge HD	69
Fender Shrouds with Lights, Q6 Edge HD	71

9. Foot Platform Assy's

Bell Foot Platform, Edge Z / Edge HD / Q6 Ultra	73
Foot Platform, Edge Z / Edge HD / Q6 Ultra	75

10. Battery Access Brackets

Battery Access Brackets, Edge Z / Edge HD / Q6 Ultra	77
--	----

11. Trapeze Bar Assy

Trapeze Bar, Q6 Edge HD	79
-------------------------	----

12. Seat Tower & Interface Assy's

Seat Interface - HD Tilt w/ Transit Loops, Q6 Edge HD	81
Seat Interface - L-Brackets, Universal & Pediatric Tilt, Q6 Edge HD	83
Seat Interface - HD Tilt, Q6 Edge HD	85

13. Drive Wheel Assy's

5-Spoke Drive Wheels

Run Flat Drive Wheel, Silver Rim/Charcoal Tire w/ Color Rim Insert	87
Pneumatic Drive Wheel, 5 Spoke Silver Rim/Charcoal Tire w/ Color Rim Insert	89
Flat-free Drive Wheel, 5 Spoke Silver Rim/Charcoal Tire w/ Color Rim Insert	91
Painted Wheel Inserts	93

4-Spoke Drive Wheels ("Knobby" Tires)

Flat-free "Knobby" Drive Wheel, 4 Spoke, Black Rim/Charcoal Tire	95
Pneumatic "Knobby" Drive Wheel, 4 Spoke, Black Rim/Charcoal Tire	97

14. Batteries

Group 24 Battery, MK	99
Universal, Group 24, Battery Assy	101
Group 24 Battery, Interceptor	103

15. Off-board Charger

8 amp CTE Charger, Australia	105
8 Amp UPG Charger Assy, AGM / GEL Selectable	107

16. Joystick Mounts & Receivers

16.1. Swing-away, Version 3

Swing-away Joystick Bracket & Components, Version 3	109
---	-----

16.2. Version 2. Swing-away/Multi-axis Joystick Brackets

Swing-away & Multi-axis Mount Matrix, Rehab Seat, Version 2	111
Swing-away & Multi-axis Mount Matrix, Captain Seat, Version 2	113
Swing-away Joystick Bracket Components, Version 2	115
Multi-Axis Joystick Bracket Components, Version 2	117

16.3. Retract 4 Swing-away Joystick Bracket

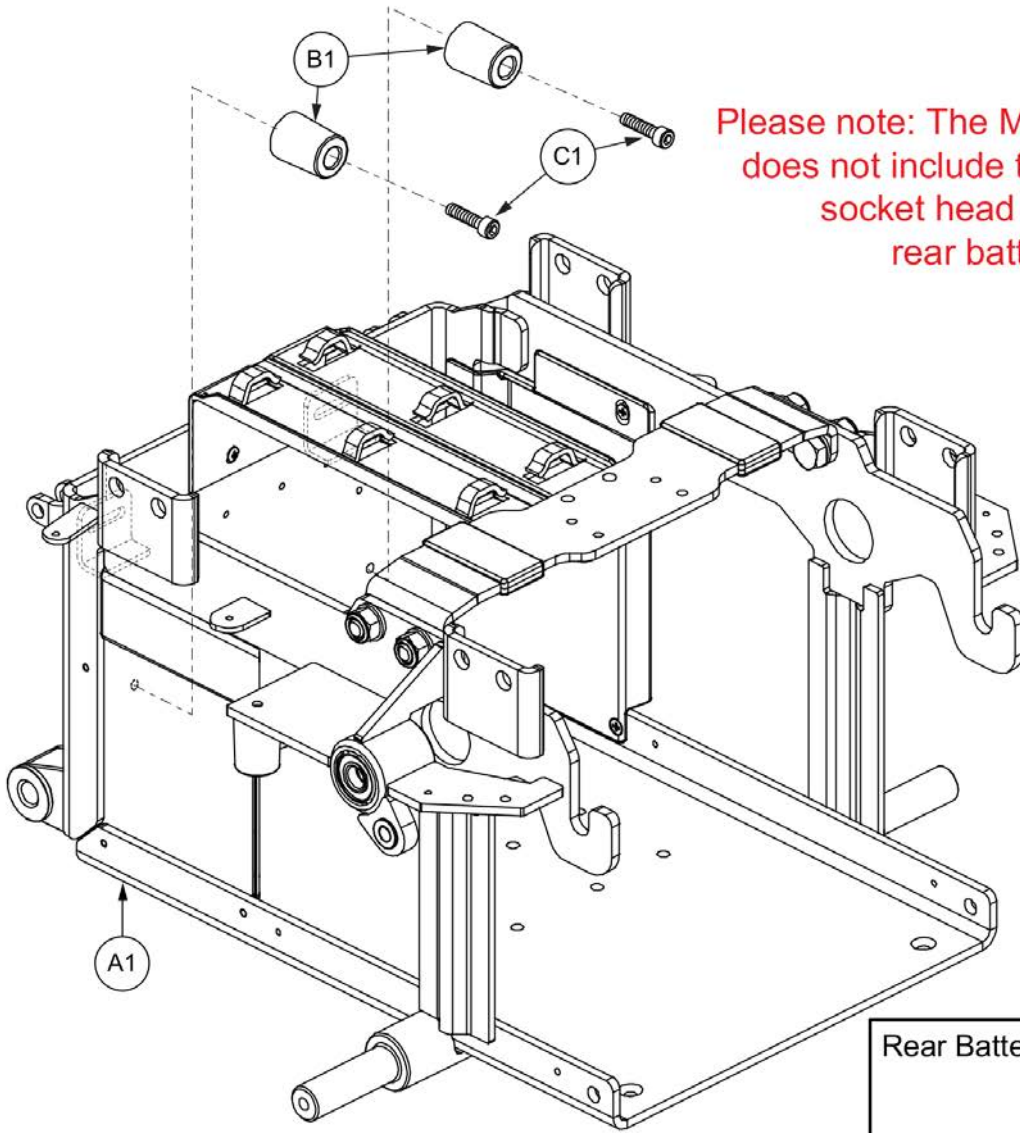
Retract 4 Swing-away Joystick Bracket for Curtis Joysticks	119
--	-----

16.4. Stealth Swing-away / Flip-down Joystick Bracket

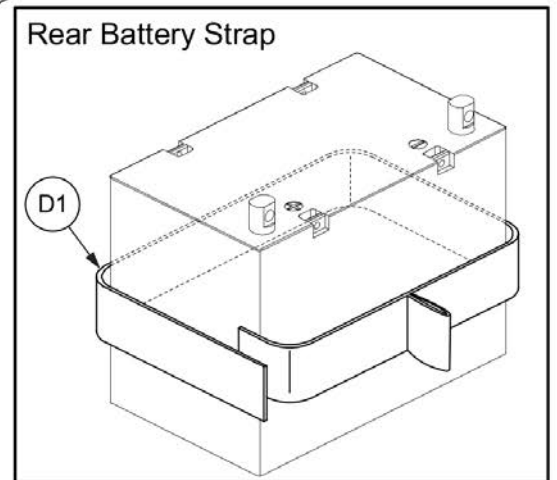
Stealth Swing-away / Flip Down Joystick Brackets & Mounts	121
---	-----

16.5. Fixed Inline Joystick Brackets	
Fixed Joystick Mounts, Quantum Joysticks	123
16.6. Joystick Bracket Receivers	
Joystick Receiver Mounts, Quantum	125
17. Owner's & Decal Packages	
Owner's Package, AU, Q6 Edge HD	127
Decal Package, Q6 Edge HD	129
18. I-Level Base Components	
I-Level Power Base Components, Curtis, Edge HD & Edge Z	131
I-Level Power Base Components, Edge HD & Edge Z w/Base Mounted lights	133
I-Level Power Base Cable & Mounting Block Assy	135
19. Quantum Color Reference Chart	
Quantum Color Reference Chart	137
Appendix A:Pages Index	138
Appendix B:Parts Index	139

1. Main Frame Assy



Please note: The Main Frame Assembly does not include the rubber bumper, socket head cap screw, or rear battery strap.

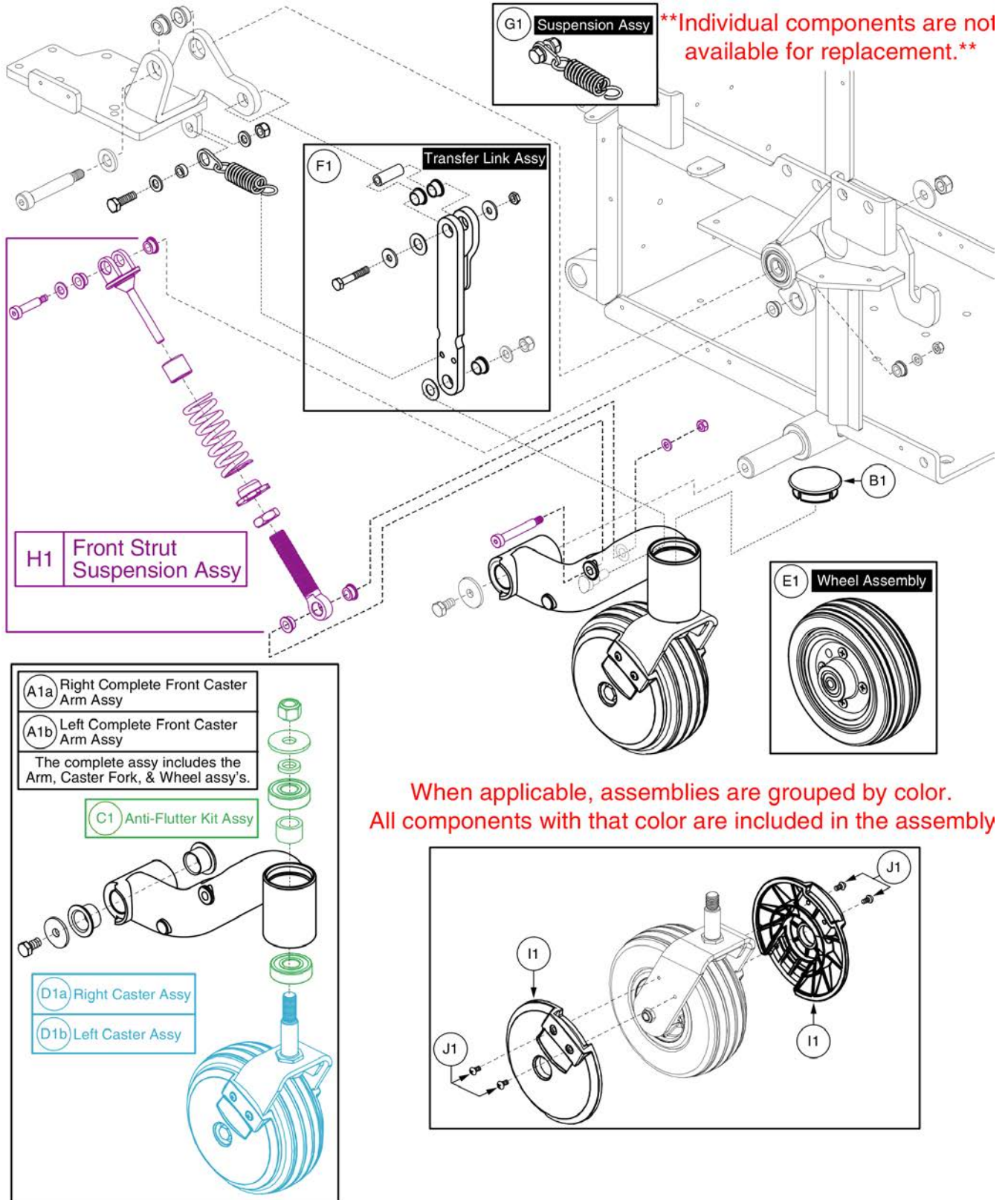


Main Frame, Q6 Edge HD



Item	Part No.	Name	Qty
A1	FRMASMB7110030	FRAME,ASSY,MAIN,W/STABILIZER BRIDGE & WIRE LOOM,Q6EDGEHD,FRMASMB7110030	1
B1	DWR1056B062	BUMPER,BLACK,RUBBER,6.5MM ID X 25MM OD X 32MM TH,SHORE 90 A,B-1056-062	2
C1	SCRSHCS1001	SCREW,SHCS,BLACK ZINC,M6-1.0 X 16MM	2
D1	STP8120001	STRAP,REAR BATTERY PULL	1

2. Front Caster Arm & Suspension Assy



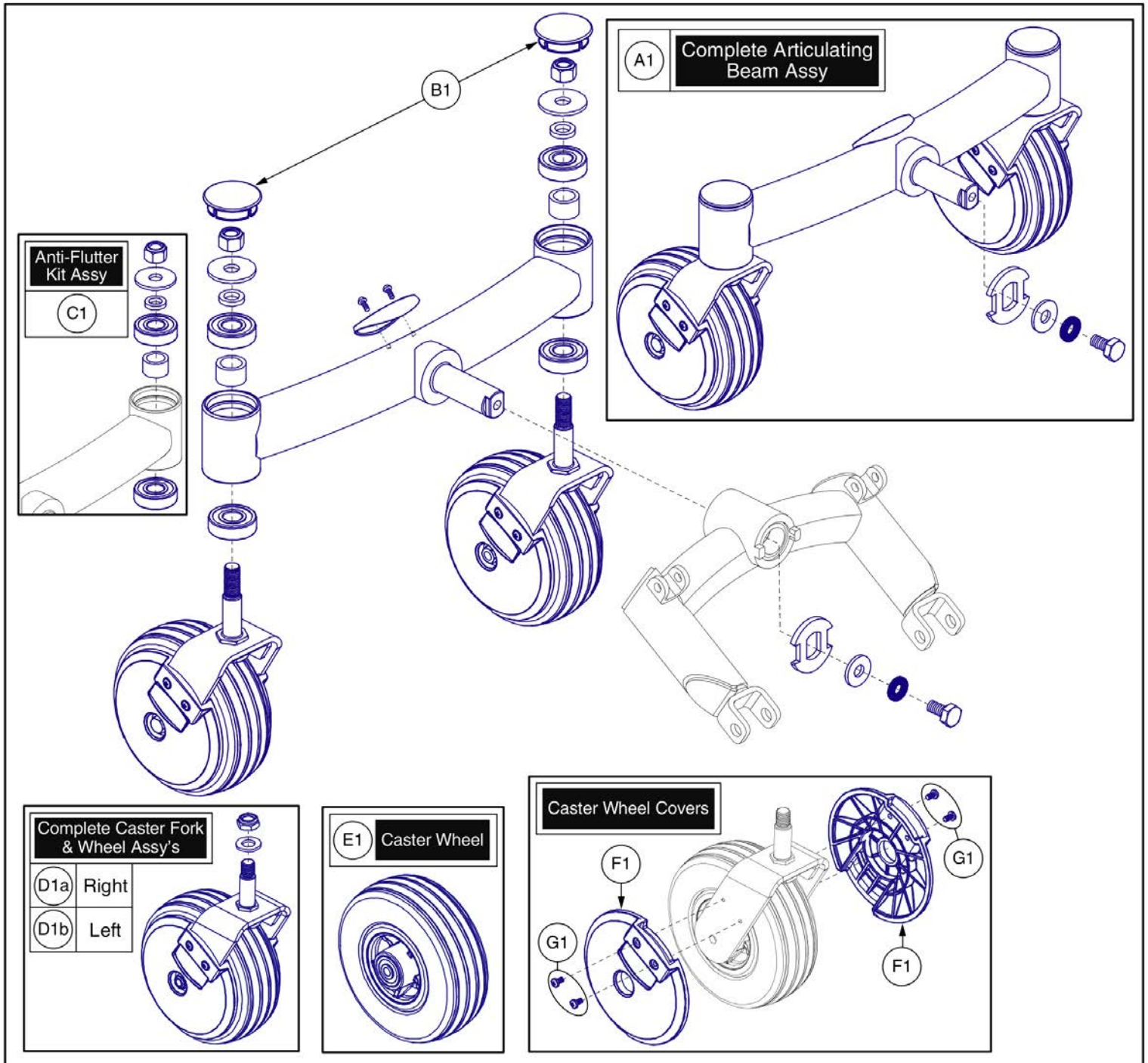
Front Caster Arm & Front Suspension, Q6 Edge HD



Item	Part No.	Name	Qty
A1a	CASASMB7120020	FRAME,ASSY,FRONT ARM W/CASTER,REINFORCED,BLACK POWDERCOAT,BLACK RIM/CHARCOAL TIRE,RIGHT,Q6EDGE HD,CASASMB7110010	1
A1b	CASASMB7120016	FRAME,ASSY,FRONT ARM W/CASTER,REINFORCED,BLACK POWDERCOAT,BLACK RIM/CHARCOAL TIRE,LEFT,Q6EDGE HD,CASASMB7110009	1
B1	DWR1065C008	SHROUD,COVER,CAP,CASTER,BLACK	1
C1	HDWASMB1187	ANTI-FLUTTER KIT,REAR CASTER,JAZZY,B-1005-137	1
D1a	CASASMB7120012	CASTER,ASSY,LOW IMPACT,BLACK RIM/CHARCOAL TIRE,6" WHEEL,W/FORK & COVERS,RIGHT,W/RADIUS	1
D1b	CASASMB7120008	CASTER,ASSY,LOW IMPACT,BLACK RIM/CHARCOAL TIRE,6" WHEEL,W/FORK & COVERS,LEFT,W/RADIUS	1
E1	WHLASMB7110040	WHEEL,ASSY,LOW IMPACT,BLACK RIM/CHARCOAL TIRE,6" X 2",W/BEARINGS & SPACER	1
F1	FRMASMB10713	FRONT CASTER,ASSY,TRANSFER LINK,ACTIVE-TRACK	1
G1	FRMASMB11110	SUSPENSION,ASSY,PIVOTING SPRING MOUNT,QUANTUM6000Z,C-1065-024	1
H1	SUSASMB7120004	STRUT,ASSY,FRONT SUSPENSION,W/MOUNTING HARDWARE	2
I1	DWR1202D044	COVER,CASTER SPHERE,BLACK,6" WHEEL,THIN,LOW PROFILE,D- 1202-044	2
J1	SCRPPH1036	SCREW, PAN HEAD, TYPE H, M4X0.7 X 8, FT, ISO 7045, CL 4.8, BZ	4

3. Articulating Beam Assy

NOTE: Only serviceable components contain callouts. Items with lower-case extensions represent left/right specific sides. Individual components are not available for replacement.

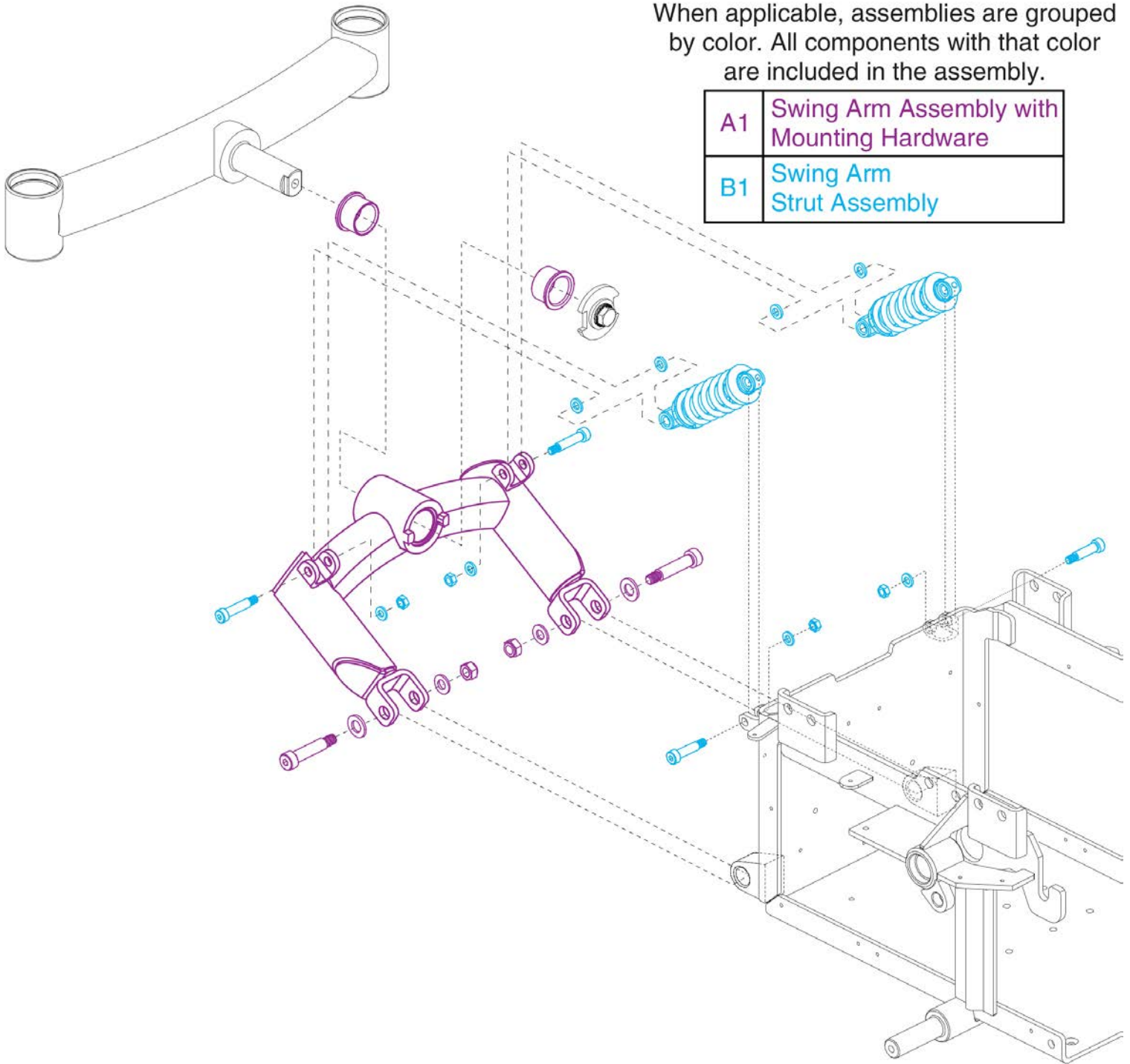


Item	Part No.	Name	Qty
A1	ABMASMB7110006	ARTICULATING BEAM,ASSY,BLACK POWDERCOAT,W/CASTER WHEELS,Q6EDGE	1
B1	DWR1065C008	SHROUD,COVER,CAP,CASTER,BLACK	2
C1	HDWASMB1187	ANTI-FLUTTER KIT,REAR CASTER,JAZZY,B-1005-137	2
D1a	CASASMB7120012	CASTER,ASSY,LOW IMPACT,BLACK RIM/CHARCOAL TIRE,6" WHEEL,W/FORK & COVERS,RIGHT,W/RADIUS	1
D1b	CASASMB7120008	CASTER,ASSY,LOW IMPACT,BLACK RIM/CHARCOAL TIRE,6" WHEEL,W/FORK & COVERS,LEFT,W/RADIUS	1
E1	WHLASMB7110040	WHEEL,ASSY,LOW IMPACT,BLACK RIM/CHARCOAL TIRE,6" X 2",W/BEARINGS & SPACER	1
F1	DWR1202D044	COVER,CASTER SPHERE,BLACK,6" WHEEL,THIN,LOW PROFILE,D- 1202-044	2
G1	SCRPPH1036	SCREW, PAN HEAD, TYPE H, M4X0.7 X 8, FT, ISO 7045, CL 4.8, BZ	4

4. Rear Swing-arm & Strut Assy

When applicable, assemblies are grouped by color. All components with that color are included in the assembly.

A1	Swing Arm Assembly with Mounting Hardware
B1	Swing Arm Strut Assembly

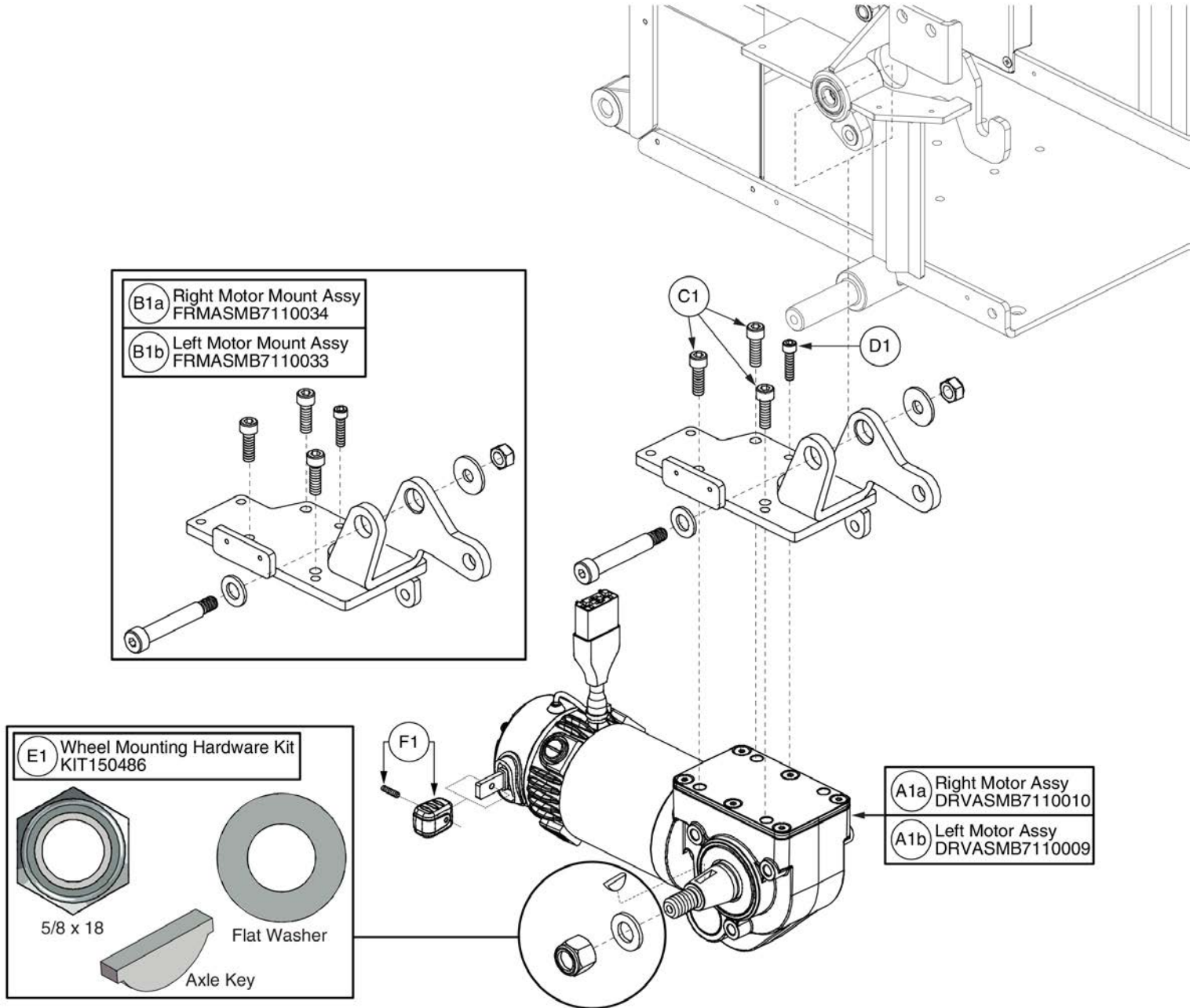


Rear Swing Arm & Strut, Q6 Edge HD



Item	Part No.	Name	Qty
A1	ABMASMB7110004	FRAME,ASSY,SWING ARM W/MOUNTING HARDWARE,BLACK POWDERCOAT,QUANTUM6000Z,E-1065-007	1
B1	SUSASMB7120005	STRUT,ASSY,SWING ARM,Q6 EDGE HD,B-1065-003	2

5. Drive Motor & Motor Mount

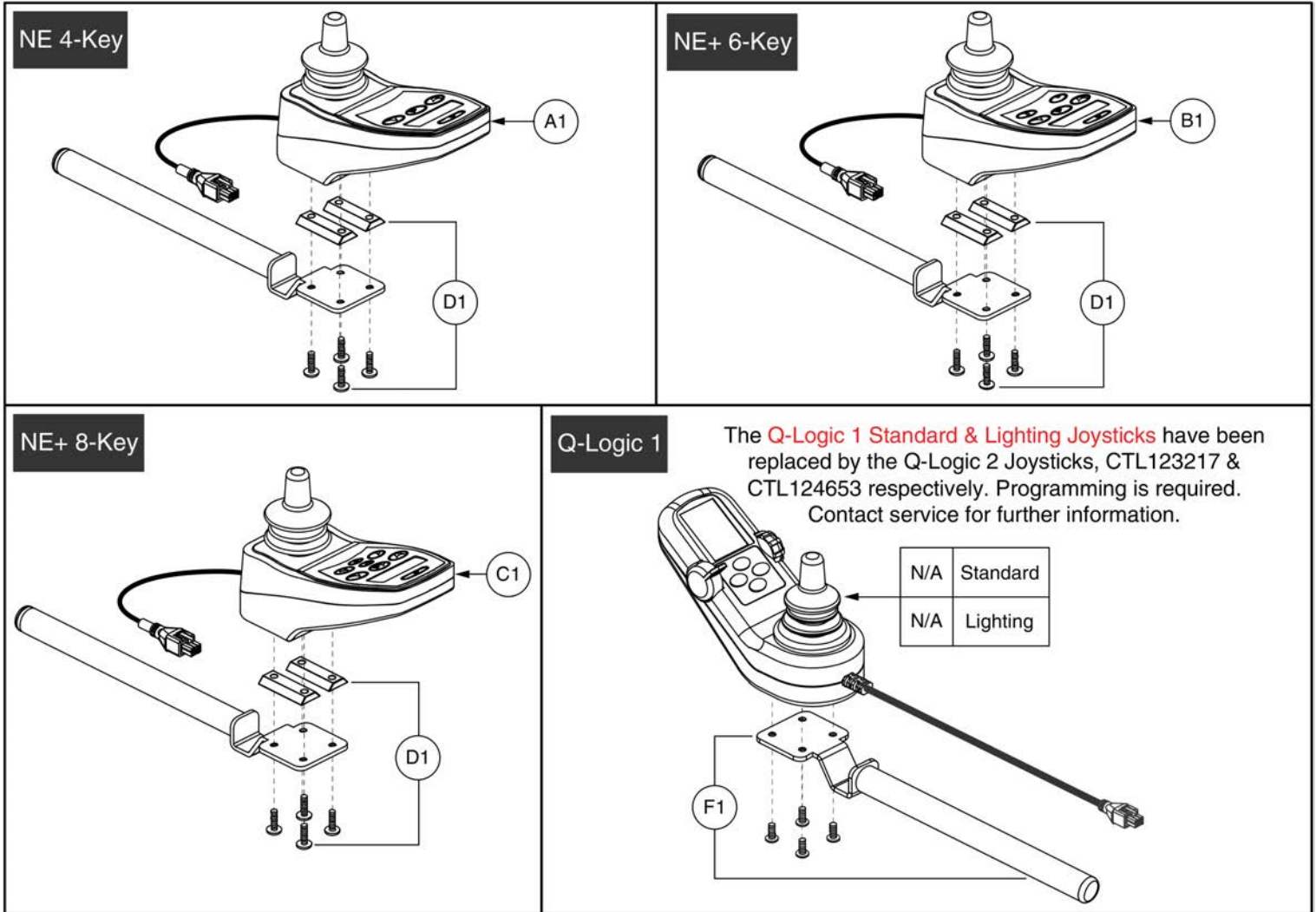


Hammer II Drive Motor Assembly



Item	Part No.	Name	Qty
A1a	DRVASMB7110010	RIGHT MOTOR,ASSY,DRIVE,64 HAMMER II,W/GEARBOX,3800RPM MOTOR,32.79:1 GEAR RATIO TAPERED SHAFT GEARBOX,ELECTROMECHANICAL RELEASED BRAKE,116RPM SHAFT OUTPUT,18.5" LEAD LENGTH,CURTIS CONNECTOR	1
A1b	DRVASMB7110009	LEFT MOTOR,ASSY,DRIVE,64 HAMMER II,W/GEARBOX,3800RPM MOTOR,32.79:1 GEAR RATIO TAPERED SHAFT GEARBOX,ELECTROMECHANICAL RELEASED BRAKE,116RPM SHAFT OUTPUT,18.5" LEAD LENGTH,CURTIS CONNECTOR	1
B1a	FRMASMB7110034	MOTOR MOUNT,ASSY,Q6EDGE HD,HAMMER MOTOR,RIGHT	1
B1b	FRMASMB7110033	MOTOR MOUNT,ASSY,Q6EDGE HD,HAMMER MOTOR,LEFT	1
C1	SCRSHCS1172	SCREW,SHCS,BLACK ZINC,M8-1.25 X 25MM,GRADE 12.9	3
D1	SCRSHCS1132	SCREW,SHCS,BLACK ZINC,M6-1.0 X 25MM,GRADE 8.8	1
E1	KIT150486	KIT,ASSY,WHEEL MOUNTING HARDWARE,HAMMER MOTORS	1
F1	FRMASMB8691	FREEWHEEL,ASSY,RELEASE HANDLE GRIP,YELLOW,B-1160-051	1

6. Joystick Assy's

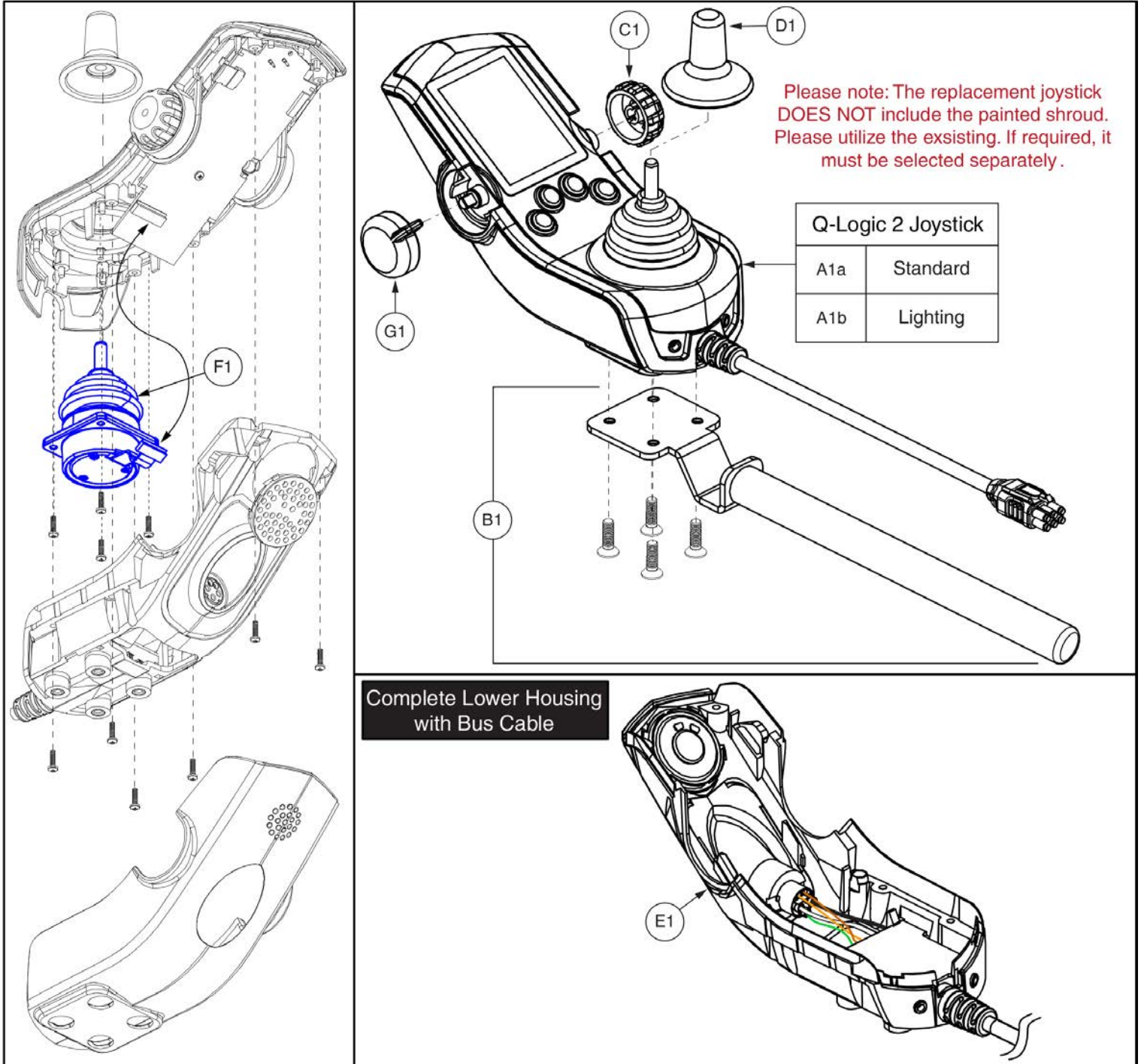


NE, NE+, & Q-Logic 1 Joystick Assy's



Item	Part No.	Name	Qty
A1	CTLDC1554	CONTROLLER,JOYSTICK MODULE,CURTIS,NE,4 KEY,H-1111-263,(CURTIS: 378692019)	1
B1	CTLDC1560	CONTROLLER,JOYSTICK MODULE,CURTIS NE PLUS,6 KEY,SWITCH JACKS AND ACTUATORS,H-1111-268,(CURTIS: 17905700)	1
C1	CTLDC1561	CONTROLLER,JOYSTICK MODULE,CURTIS NE PLUS,8 KEY,SWITCH JACKS,ACTUATORS,AND LIGHTS,H-1111-269,(CURTIS: 17906700)	1
D1	FRMASMB12744	JOYSTICK MOUNTING BRACKET,ASSY,NE/NE PLUS CONTROLLER,INLINE	1
E1		CONTROLLER,JOYSTICK MODULE,Q-LOGIC,CURTIS,4 KEY,W/LCD COLOR DISPLAY,H-1111-022,(CURTIS: 17856700)	1
F1	FRMASMB10617	JOYSTICK MOUNTING BRACKET,ASSY,CURTIS,INLINE	1

6. Joystick Assy's

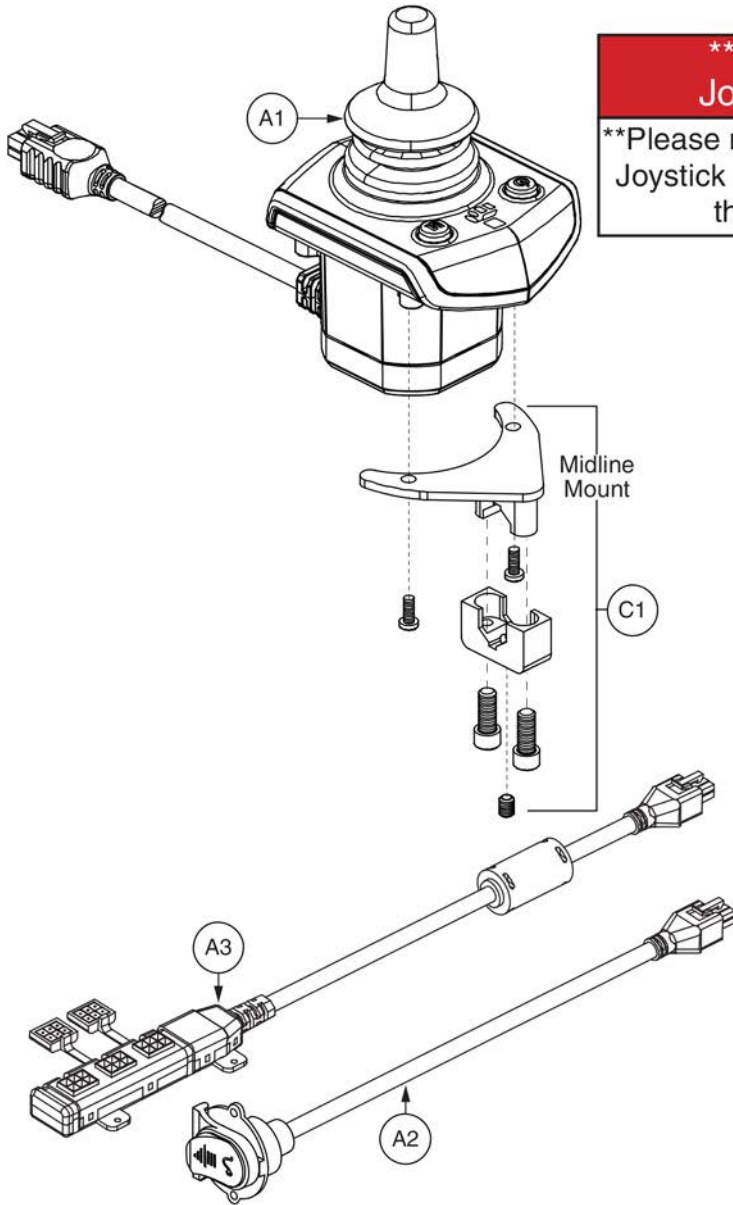


Q-Logic 2 Joystick Assemblies

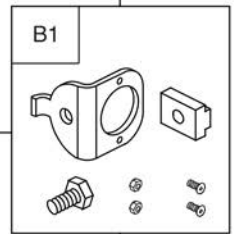
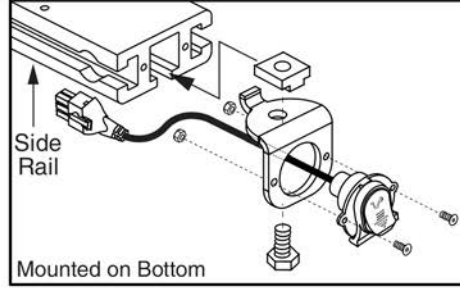
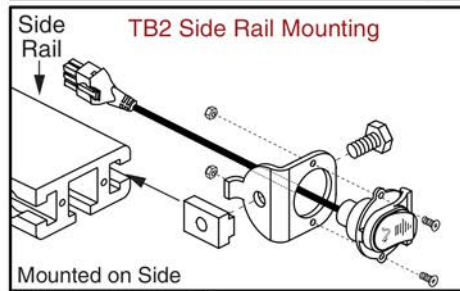
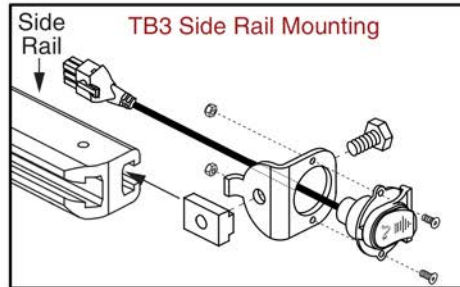
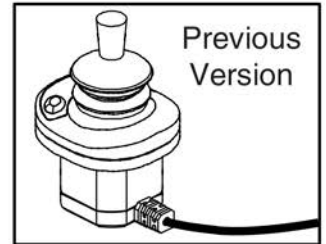


Item	Part No.	Name	Qty
A1a	CTL123217	CONTROLLER,JOYSTICK MODULE Q-LOGIC 2,4 KEY,W/LCD COLOR DISPLAY	1
A1b	CTL124653	CONTROLLER,JOYSTICK MODULE Q-LOGIC 2,4 KEY,LIGHTS,W/LCD COLOR DISPLAY	1
B1	FRMASMB10617	JOYSTICK MOUNTING BRACKET,ASSY,CURTIS,INLINE	1
C1	DGN124309	SPEED WHEEL,KNOB,CURTIS Q-LOGIC 2,BLACK,PLASTIC,DGN124309,(CURTIS: 17949367-01)	1
D1	DGN124308	JOYSTICK,KNOB,CURTIS,STANDARD,6.35MM-ID,DGN124308,(CURTIS: 37381)	1
E1	ELE124313	Q-LOGIC 2 BOTTOM HOUSING,JOYSTICK MODULE,W/BUS CABLE	1
F1	ELE124312	ELECTRONIC,JOYSTICK GIMBLE,DIGITAL,Q-LOGIC 2&3	1
G1	KIT152919	KIT,ASSY,Q-LOGIC 2 CONTROLLER,ON/OFF/MODE TOGGLE REPLACEMENT,W/INSTALLATION INSTRUCTIONS	1

6. Joystick Assy's



*****Q-Logic Stand Alone Joystick Replacement*****
****Please note: The Q-Logic 2 Stand Alone Joystick replaces all previous versions of the Stand Alone joystick.****



Q-Logic 2 Stand Alone Joystick Assy



Item	Part No.	Name	Qty
A1	CTL137635	CONTROLLER,STAND ALONE JOYSTICK 2.0,Q-LOGIC 2 (CURTIS: 17960700-8109)	1
A2	DWR1111H051	HARNESS,CHARGER/PROGRAMMER,1.0 METER,H-1111-051,(CURTIS: 17880700)	1
A3	DWR1111H053	HARNESS,MULTIPLIER BOX,0.3 METER,H-1111-053,(CURTIS: 17869700)	1
B1	FRMASMB11156	MOUNTING BRACKET,ASSY,STAND ALONE JOYSTICK,SIDE RAIL MOUNT,C-1360-163	1
C1	FRMASMB10454	JOYSTICK MOUNTING BRACKET,ASSY,CURTIS STAND ALONE JOYSTICK,MIDLINE,C-1010-263	1

6. Joystick Assy's

Q-Logic 3 Joysticks

* Q-Logic 3 Joystick replacement requires the selection of a Pre-programmed SD Card. SD Cards are not shown. Refer to the model specific SD Card pages for selection. *

Q-Logic 3 Joysticks (Shroud NOT Included) Select Separately	
A1	Standard
B1	Lighting

Standard Inline Joystick Mounting Bracket Assy
C1

D1	Speed Knob
E1	Joystick Knob

Lower Housing w/ Bus Cable
F1

Joystick Replacement notes:

- The replacement joystick DOES NOT include the painted shroud. Please utilize the existing. If required, it must be selected separately.
- The replacement joystick DOES NOT include the SD card. Refer to the model specific SD Card pages for selection.
- A Pre-programmed, Joystick mounted SD Card is required when:
 - Replacing a Joystick, Power Base Module, Seating Module, or Display.
 - Any circumstance where all of the electronics modules require replacement.
 - When retrofitting a unit in the field to Q-Logic 3 Electronics.
- The Q-Logic 3 system will reprogram the unit based upon the information loaded onto the SD card. A new SD card ensures the unit is loaded with the latest software.
- Contact Technical Service for more information.

- Refer to the Joystick Mounts & Receivers Sections for more Joystick mounting options.

Q-Logic 3 Joystick Assy's



Item	Part No.	Name	Qty
A1	CTL143976	EXPANDABLE CONTROLLER W/ JOYSTICK AND LCD COLOR DISPLAY, Q-LOGIC 3, 4-KEY, (CURTIS: 17949700-02-0009)	1
B1	CTL143977	EXPANDABLE CONTROLLER W/ JOYSTICK AND LCD COLOR DISPLAY AND LIGHTS, Q-LOGIC 3, 4-KEY, (CURTIS: 17949700-02-0109)	1
C1	FRMASMB10617	JOYSTICK MOUNTING BRACKET,ASSY,CURTIS,INLINE	1
D1	DGN124309	SPEED WHEEL,KNOB,CURTIS Q-LOGIC 2,BLACK,PLASTIC,DGN124309,(CURTIS: 17949367-01)	1
E1	DGN154742	JOYSTICK, KNOB, Q-LOGIC 3, 6.35MM-ID, (CURTIS: 17519114-01)	1
F1	ELE144006	ELECTRONIC, BOTTOM HOUSING, JOYSTICK MODULE Q-LOGIC 3,W/ BUS CABLE Q-LOGIC 3, (CURTIS: 17949366-02)	1

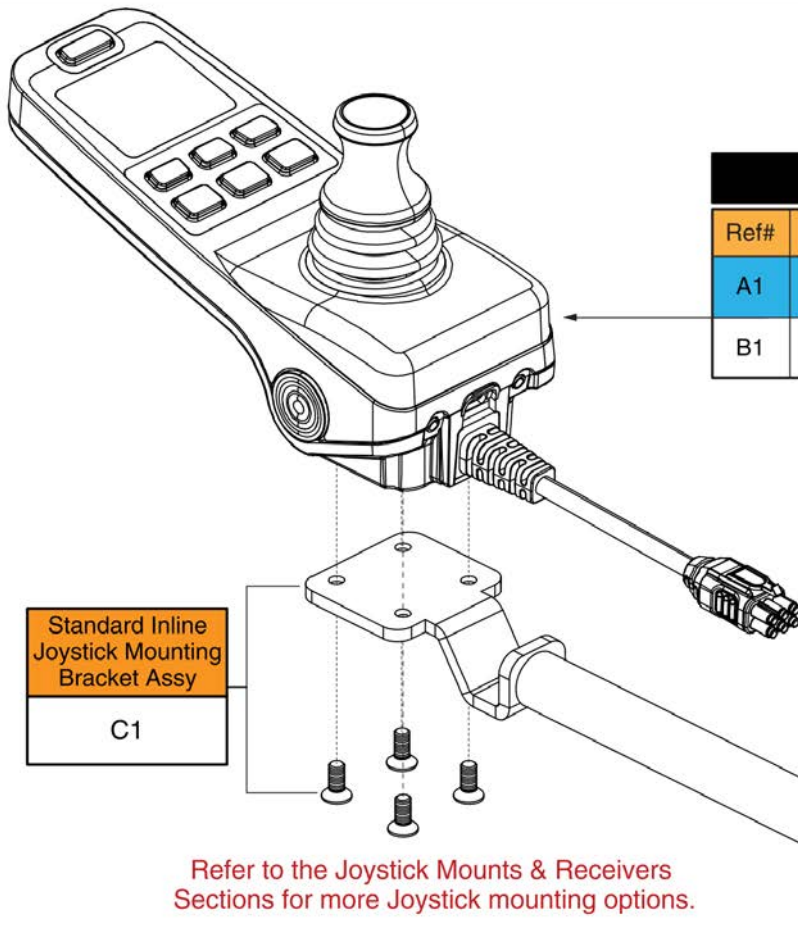
6. Joystick Assy's

Q-Logic 3e Joysticks

Joystick Replacement Notes:

- The proper joystick assembly with programming must be selected to ensure the unit functions as intended.
- A pre-programmed SD card is **NOT** needed when replacing or retrofitting a Q-Logic 3e joystick on a unit. The latest firmware and program file are stored internally on the new joystick.
- The Q-Logic 3e joystick is compatible with all previous and current units equipped with Q-Logic 3 electronics and can be used in place of the full-featured joystick.

Contact Technical Service for more information.



Q6 Edge HD Joysticks w/ Programming

Ref#	Part Number	Motors	Seating Config.
A1	ELE2001176	4.5 mph Hammer II	Static Seat
B1	ELE2001175	4.5 mph Hammer II	Power Positioning

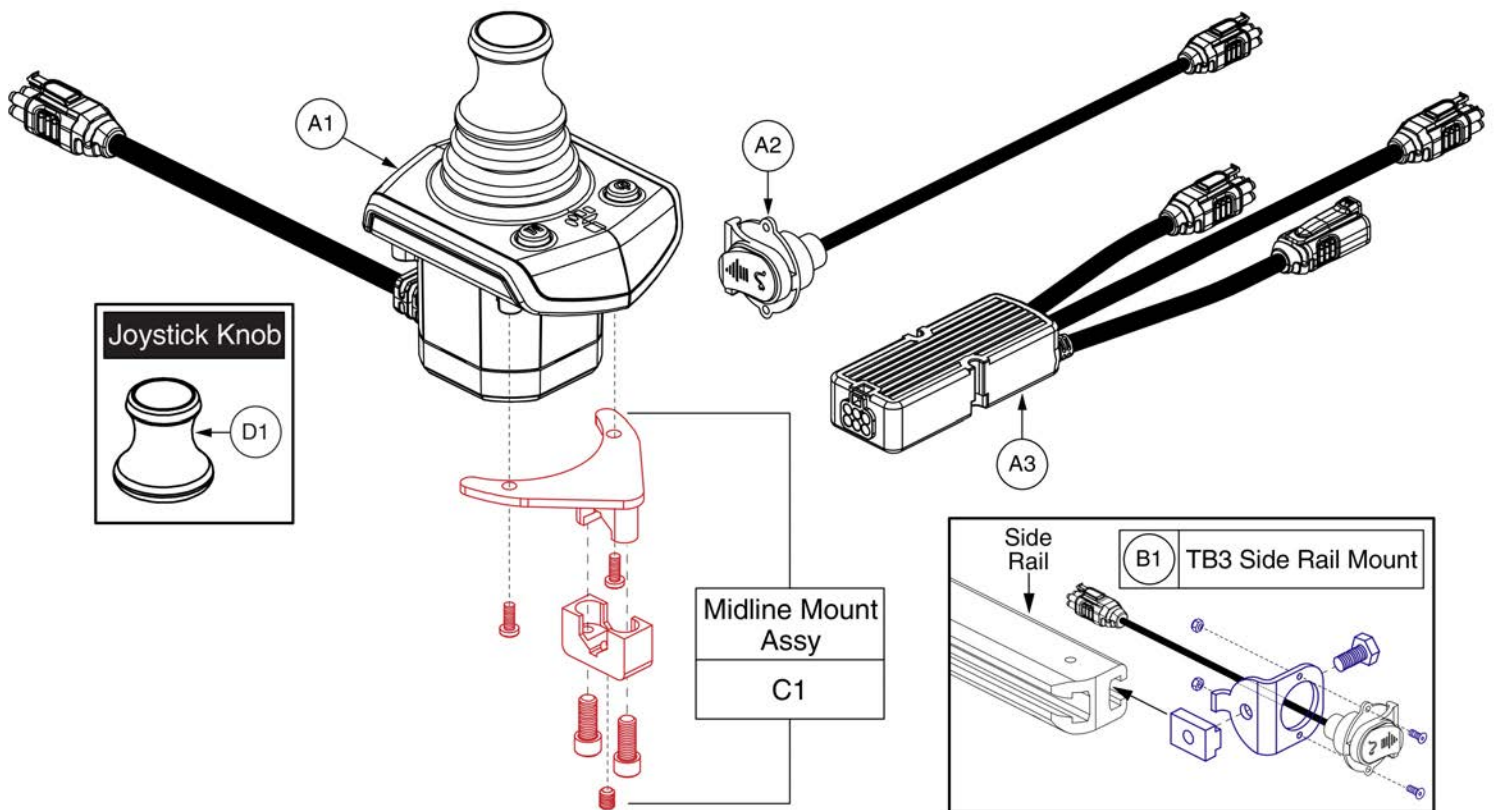
Refer to the Joystick Mounts & Receivers Sections for more Joystick mounting options.

Q-Logic 3e Joystick Assy's - Q6 Edge HD



Item	Part No.	Name	Qty
A1	ELE2001176	SERVICEABLE ASSEMBLY, Q-LOGIC 3E, Q6EDGE HD, HAMMER II 4.5MPH MOTORS, STATIC SEATING	1
B1	ELE2001175	SERVICEABLE ASSEMBLY, Q-LOGIC 3E, Q6EDGE HD, HAMMER II 4.5MPH MOTORS,POWER POSITIONING	1
C1	FRMASMB10617	JOYSTICK MOUNTING BRACKET,ASSY,CURTIS,INLINE	1

6. Joystick Assy's

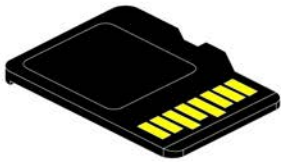


Q-Logic 3 Stand Alone Joystick Assy



Item	Part No.	Name	Qty
A1	CTL143980	STANDALONE JOYSTICK, Q-LOGIC 3, (CURTIS: 17953700-1109)	1
A2	HAR144001	HARNESS, CHARGER/PROGRAMMER, Q-LOGIC 3, 0.9 METER,(CURTIS: 17880701)	1
A3	HAR144003	HARNESS, SEAT MULTIPLIER Q-LOGIC 3, (CURTIS: 17881360-02-01)	1
B1	FRMASMB11156	MOUNTING BRACKET,ASSY,STAND ALONE JOYSTICK,SIDE RAIL MOUNT,C-1360-163	1
C1	FRMASMB10454	JOYSTICK MOUNTING BRACKET,ASSY,CURTIS STAND ALONE JOYSTICK,MIDLINE,C-1010-263	1
D1	DGN154742	JOYSTICK, KNOB, Q-LOGIC 3, 6.35MM-ID, (CURTIS: 17519114-01)	1

6. Joystick Assy's



Pre-programmed
Micro SD Card

Q-Logic 3 SD Card Master List - Q6 Edge HD			
Ref#	Part Number	Motor Type	Options
A1	ELE1805107	4.5 mph Hammer II	Power Positioning
B1	ELE1805109	4.5 mph Hammer II	Static

Please note:

- Pre-programmed SD Cards are required when:
 - Replacing a Joystick, Power Base Module, or Seating Module. A firmware upgrade occurred requiring a system update to enable all of the enhanced features.
 - Any circumstance where all of the electronics modules require replacement.
- The Q-Logic 3 system will reprogram the unit based upon the information loaded onto the SD card.
- The proper, programmed SD card must be selected to ensure the unit functions as intended.

Q-Logic 3 SD Cards for Edge HD



Item	Part No.	Name	Qty
A1	ELE1805107	SERVICEABLE ASSEMBLY, SD CARD, Q6EDGE HD, Q-LOGIC 3,HAMMER II 4.5MPH MOTORS,POWER POSITIONING	1
B1	ELE1805109	SERVICEABLE ASSEMBLY, SD CARD, Q6EDGE HD, Q-LOGIC 3,HAMMER II 4.5MPH MOTORS, STATIC SEATING	1

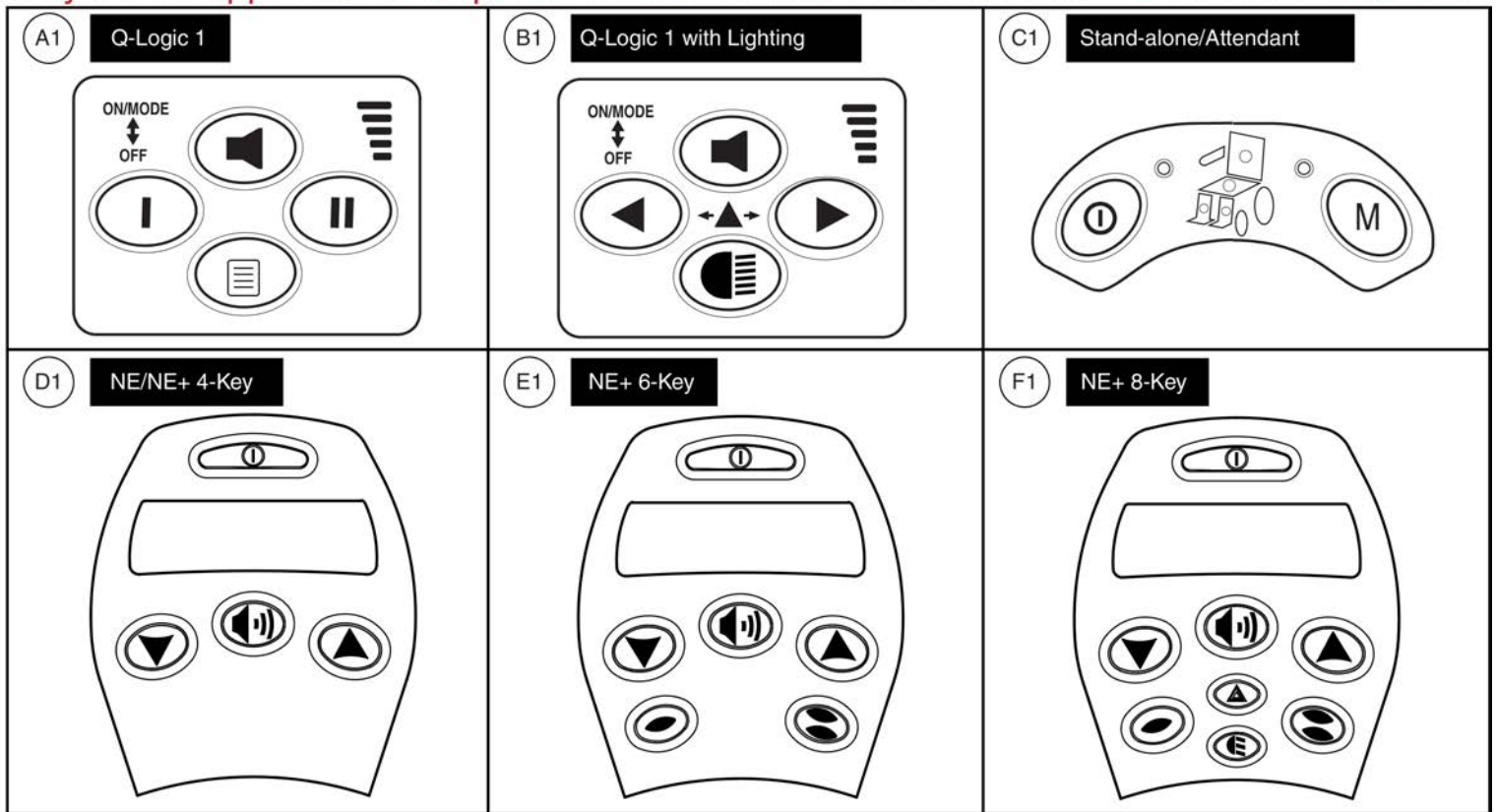
Joystick Knobs & Overlays

<p>A1 Soft Ball</p> 	<p>B1 I-Handle</p> 	<p>C1 T-bar</p> 	<p>D1 Ball</p> 				
<p>E1 Mushroom</p> 	<p>F1 Chin Cup</p> 	<p>G1 Remote Plus (Carrot)</p> 	<p>Goal Posts</p> <table border="1" data-bbox="1425 1066 1546 1171"> <tr> <td>H1</td> <td>3"</td> </tr> <tr> <td>I1</td> <td>4"</td> </tr> </table> 	H1	3"	I1	4"
H1	3"						
I1	4"						

Item	Part No.	Name	Qty
A1	ACCASMB1856	P&G JOYSTICK KNOB,ASSY,JAZZY,SOFT BALL	1
B1	ACCASMB1857	P&G JOYSTICK KNOB,ASSY,JAZZY,EXTENDED I-HANDLE	1
C1	ACCASMB1858	P&G JOYSTICK KNOB,ASSY,JAZZY,T BAR	1
D1	ACCASMB1859	P&G JOYSTICK KNOB,ASSY,JAZZY,BALL	1
E1	ACCASMB1860	P&G JOYSTICK KNOB,ASSY,JAZZY,MUSHROOM	1
F1	ACCASMB1861	P&G JOYSTICK KNOB,ASSY,JAZZY,CHIN CUP	1
G1	ACCASMB1862	P&G JOYSTICK KNOB,ASSY,JAZZY,REMOTE STANDARD	1
H1	PLSKNCP1057	JOYSTICK KNOB,3",GOAL POST,W/FLEX SHAFT,FOR 1/4" STEM,(BP: PC101B)	1
I1	PLSKNCP1058	JOYSTICK KNOB,4",GOAL POST,W/FLEX SHAFT,FOR 1/4" STEM,(BP: PC102B)	1

Joystick Knobs & Overlays

Please note: Joystick selection varies by power base model. Replacement parts shown may not be applicable to all power bases. Contact Technical Service for more information.

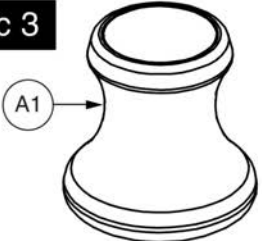
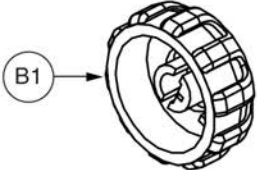
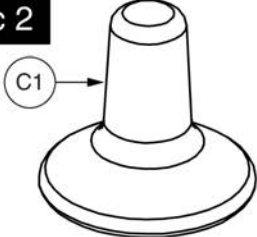
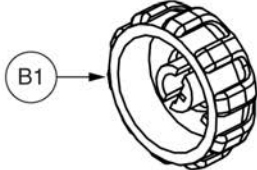
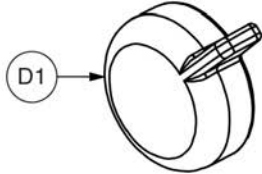
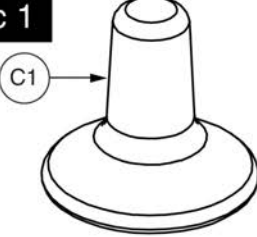
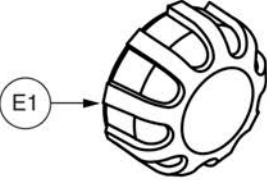


Item	Part No.	Name	Qty
A1	KITASMB1728	KIT,ASSY,Q-LOGIC CONTROLLER KEYPAD REPLACEMENT,W/INSTALLATION INSTRUCTIONS	1
B1	KITASMB1729	KIT,ASSY,Q-LOGIC CONTROLLER W/LIGHTS KEYPAD REPLACEMENT,W/INSTALLATION INSTRUCTIONS	1
C1	KITASMB1730	KIT,ASSY,Q-LOGIC STAND ALONE CONTROLLER KEYPAD REPLACEMENT,W/INSTALLATION INSTRUCTIONS	1
D1	KIT152913	KIT,ASSY,NE/NE PLUS CONTROLLER,4 KEY KEYPAD REPLACEMENT,W/INSTALLATION INSTRUCTIONS	1
E1	KIT152914	KIT,ASSY,NE/NE PLUS CONTROLLER,6 KEY KEYPAD REPLACEMENT,W/INSTALLATION INSTRUCTIONS	1
F1	KIT152915	KIT,ASSY,NE/NE PLUS CONTROLLER,8 KEY KEYPAD REPLACEMENT,W/INSTALLATION INSTRUCTIONS	1

Joystick Knobs & Overlays

Please note:

- Joystick selection varies by power base model. Replacement parts shown may not be applicable to all power bases.
- Serviceable components vary for each version of the Q-Logic Joystick and only the serviceable parts are shown for each.
- Contact Technical Service for more information.

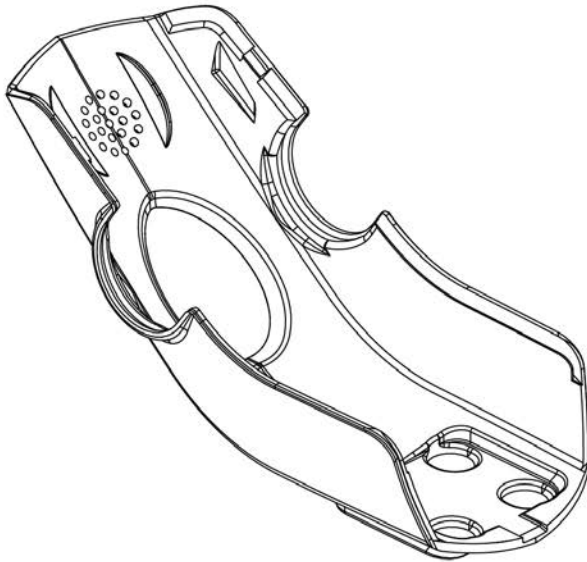
<p>Q-Logic 3</p>  <p>A1</p> <p>Joystick & Stand-alone/Attendant Gimble Knob</p>	 <p>B1</p> <p>Speed Knob</p>	
<p>Q-Logic 2</p>  <p>C1</p> <p>Joystick & Stand-alone/Attendant Gimble Knob</p>	 <p>B1</p> <p>Speed Knob</p>	 <p>D1</p> <p>On/Off/Mode Knob <i>(NOT compatible with Q-Logic 1 or 3)</i></p>
<p>Q-Logic 1</p>  <p>C1</p> <p>Joystick & Stand-alone/Attendant Gimble Knob</p>	 <p>E1</p> <p>Speed Knob</p>	

Item	Part No.	Name	Qty
A1	DGN154742	JOYSTICK, KNOB, Q-LOGIC 3, 6.35MM-ID, (CURTIS: 17519114-01)	1
B1	DGN124309	SPEED WHEEL,KNOB,CURTIS Q-LOGIC 2,BLACK,PLASTIC,DGN124309,(CURTIS: 17949367-01)	1
C1	DGN124308	JOYSTICK,KNOB,CURTIS,STANDARD,6.35MM-ID,DGN124308,(CURTIS: 37381)	1
D1	KIT152919	KIT,ASSY,Q-LOGIC 2 CONTROLLER,ON/OFF/MODE TOGGLE REPLACEMENT,W/INSTALLATION INSTRUCTIONS	1
E1	PLSINDV1252	ELECTRONIC,KNOB,BLACK,PLASTIC,SPEED WHEEL,(CURTIS: 17856352-A)	1

Q-Logic 2 & 3 Joystick Shrouds

***Please Note:**

- The joystick shrouds are available in all the Quantum colors listed.
- Power base colors vary by model and some colors listed may not be available on all power bases. See the Quantum Color Reference Chart for color options.
- Some colors listed may have prolonged lead times.
- Contact Technical Service for more information.



Q-Logic 2 (Pre 2015)	
Ref#	Color Name
A1	Std., Soft Touch
A2	Black
A3	Silver
A4	Candy Apple Red
A5	Pearl Pink
A6	Sapphire Blue
A7	True Blue
A8	Viper Blue
A9	Emerald Green
A10	Orion Yellow
A11	Sunburst Orange

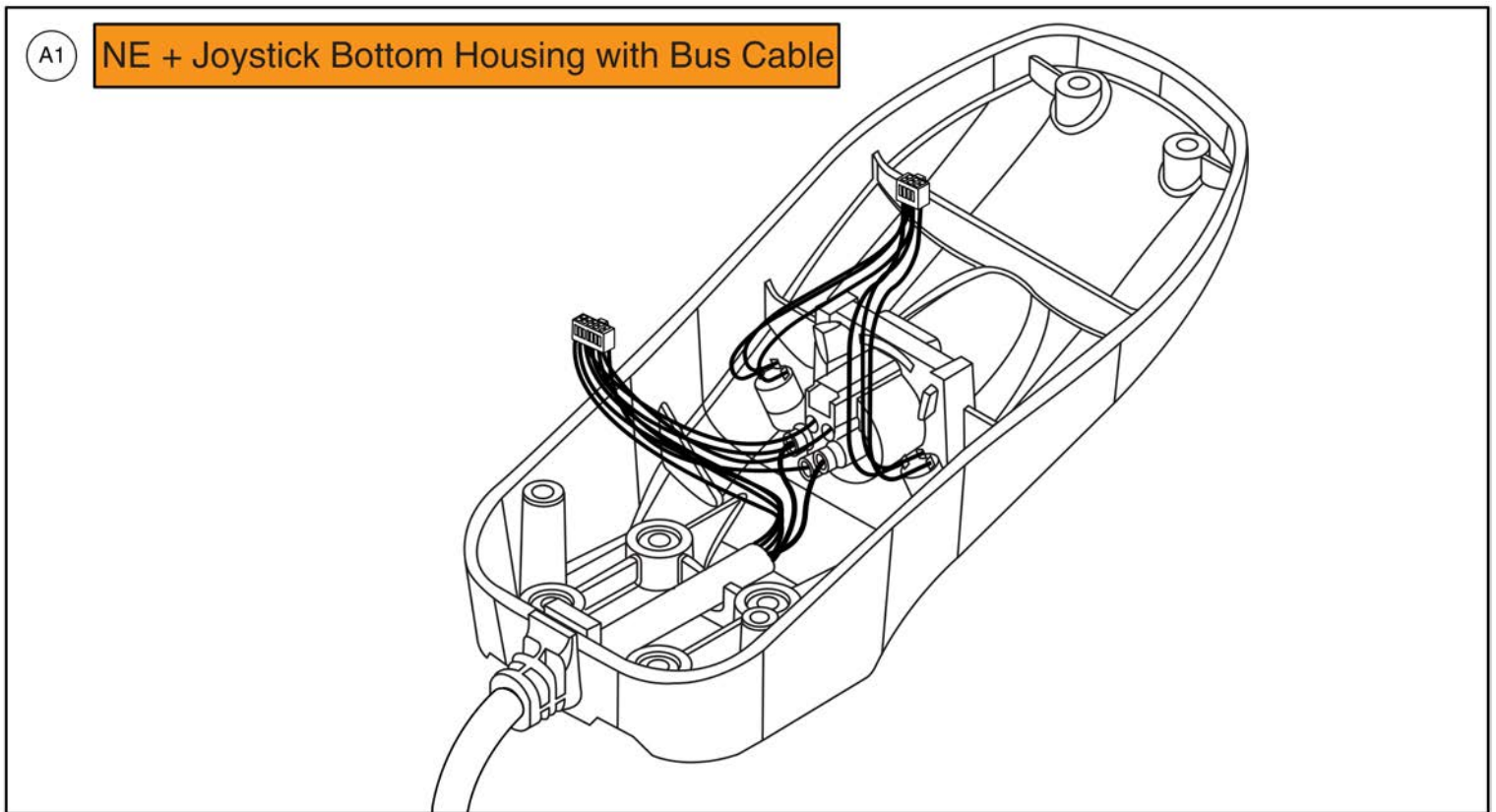
Q-Logic 2 (Post 2015) & Q-Logic 3	
Ref#	Color Name
B1	Std., Soft Touch
B2	Back in Black
B3	Night Train
B4	Grey Street
B5	Silver Bullet
B6	White Satin
B7	Red Corvette
B8	Cherry Bomb
B9	Pretty in Pink
B10	Raspberry Beret
B11	Sugar Plum
B12	Deep Purple
B13	Midnight Blue
B14	Electric Blue
B15	Blue Jean
B16	Green Machine
B17	Military Green
B18	Lime Light
B19	Yellow Blaze
B20	Lemon Crush
B21	Orange Crush
B22	Evolution Orange
B23	Carbon Fiber
B24	Digital Camo
B25	Faded Glory

Q-Logic 2 & 3 Joystick Shrouds



Item	Part No.	Name	Qty
A1	DGN124307	Q-LOGIC 2/3 JOYSTICK SHROUD,BLACK SOFT-TOUCH PAINT,(CURTIS: 17949365-02)	1
A2	DGN124336-PBK1	Q-LOGIC 2/3 JOYSTICK SHROUD,PPW-BLK-01 (BACK IN BLACK/BLACK)	1
A3	DGN124336-PSL1	Q-LOGIC 2/3 JOYSTICK SHROUD,PPW-SIL-01 (SILVER)	1
A4	DGN124336-PRD1	Q-LOGIC 2/3 JOYSTICK SHROUD,PPW-RED-01 (RED CORVETTE/CANDY APPLE RED)	1
A5	DGN124336-PPK1	Q-LOGIC 2/3 JOYSTICK SHROUD,PPW-PNK-01 (PEARL PINK)	1
A6	DGN124336-PPR4	Q-LOGIC 2/3 JOYSTICK SHROUD,PPW-PRP-04 (SAPPHIRE BLUE)	1
A7	DGN124336-PBU9	Q-LOGIC 2/3 JOYSTICK SHROUD,PPW-BLU-09 (ELECTRIC BLUE/TRUE BLUE)	1
A8	DGN124336-PBU1	Q-LOGIC 2/3 JOYSTICK SHROUD,PPW-BLU-01 (VIPER BLUE)	1
A9	DGN124336-PGN5	Q-LOGIC 2/3 JOYSTICK SHROUD,PPW-GRN-05 (EMERALD GREEN)	1
A10	DGN124336-PYL3	Q-LOGIC 2/3 JOYSTICK SHROUD,PPW-YEL-03 (YELLOW BLAZE/ORION YELLOW)	1
A11	DGN124336-POR4	Q-LOGIC 2/3 JOYSTICK SHROUD,PPW-ORN-04 (SUNBURST ORANGE)	1
B1	DGN124307	Q-LOGIC 2/3 JOYSTICK SHROUD,BLACK SOFT-TOUCH PAINT,(CURTIS: 17949365-02)	1
B2	DGN124336-PBK1	Q-LOGIC 2/3 JOYSTICK SHROUD,PPW-BLK-01 (BACK IN BLACK/BLACK)	1
B3	DGN124336-PBK3	Q-LOGIC 2/3 JOYSTICK SHROUD,PPW-BLK-03 (NIGHT TRAIN)	1
B4	DGN124336-PSL3	Q-LOGIC 2/3 JOYSTICK SHROUD,PPW-SIL-03 (GREY STREET)	1
B5	DGN124336-PSL7	Q-LOGIC 2/3 JOYSTICK SHROUD,PPW-SIL-07 (SILVER BULLET)	1
B6	DGN124336-PWH2	Q-LOGIC 2/3 JOYSTICK SHROUD,PPW-WHT-02 (WHITE SATIN)	1
B7	DGN124336-PRD1	Q-LOGIC 2/3 JOYSTICK SHROUD,PPW-RED-01 (RED CORVETTE/CANDY APPLE RED)	1
B8	DGN124336-PRD4	Q-LOGIC 2/3 JOYSTICK SHROUD,PPW-RED-04 (CHERRY BOMB)	1
B9	DGN124336-PPK3	Q-LOGIC 2/3 JOYSTICK SHROUD,PPW-PNK-03 (PRETTY IN PINK)	1
B10	DGN124336-PPK4	Q-LOGIC 2/3 JOYSTICK SHROUD,PPW-PNK-04 (RASPBERRY BERET)	1
B11	DGN124336-PPR7	Q-LOGIC 2/3 JOYSTICK SHROUD,PPW-PRP-07 (SUGAR PLUM)	1
B12	DGN124336-PPR5	Q-LOGIC 2/3 JOYSTICK SHROUD,PPW-PRP-05 (DEEP PURPLE)	1
B13	DGN124336-PBU10	Q-LOGIC 2/3 JOYSTICK SHROUD,PPW-BLU-10 (MIDNIGHT BLUE)	1
B14	DGN124336-PBU9	Q-LOGIC 2/3 JOYSTICK SHROUD,PPW-BLU-09 (ELECTRIC BLUE/TRUE BLUE)	1
B15	DGN124336-PBU11	Q-LOGIC 2/3 JOYSTICK SHROUD,PPW-BLU-11 (BLUE JEAN)	1
B16	DGN124336-PGN11	Q-LOGIC 2/3 JOYSTICK SHROUD,PPW-GRN-11 (GREEN MACHINE)	1
B17	DGN124336-PGN8	Q-LOGIC 2/3 JOYSTICK SHROUD,PPW-GRN-08 (MILITARY GREEN)	1
B18	DGN124336-PGN7	Q-LOGIC 2/3 JOYSTICK SHROUD,PPW-GRN-07 (LIME LIGHT)	1
B19	DGN124336-PYL3	Q-LOGIC 2/3 JOYSTICK SHROUD,PPW-YEL-03 (YELLOW BLAZE/ORION YELLOW)	1
B20	DGN124336-PYL4	Q-LOGIC 2/3 JOYSTICK SHROUD,PPW-YEL-04 (LEMON CRUSH)	1
B21	DGN124336-POR6	Q-LOGIC 2/3 JOYSTICK SHROUD,PPW-ORN-06 (ORANGE CRUSH)	1
B22	DGN124336-POR7	Q-LOGIC 2/3 JOYSTICK SHROUD,PPW-ORN-07 (EVOLUTION ORANGE)	1
B23	DGN124336-WCB1	Q-LOGIC 2/3 JOYSTICK SHROUD,PWT-CBN-01 (CARBON FIBER)	1
B24	DGN124336-WCM7	Q-LOGIC 2/3 JOYSTICK SHROUD,PWT-CMO-07 (MILITARY DIGITAL CAMO)	1
B25	DGN124336-WFL2	Q-LOGIC 2/3 JOYSTICK SHROUD,PWT-FLG-02 (FADED GLORY)	1

Joystick Bottom Housings

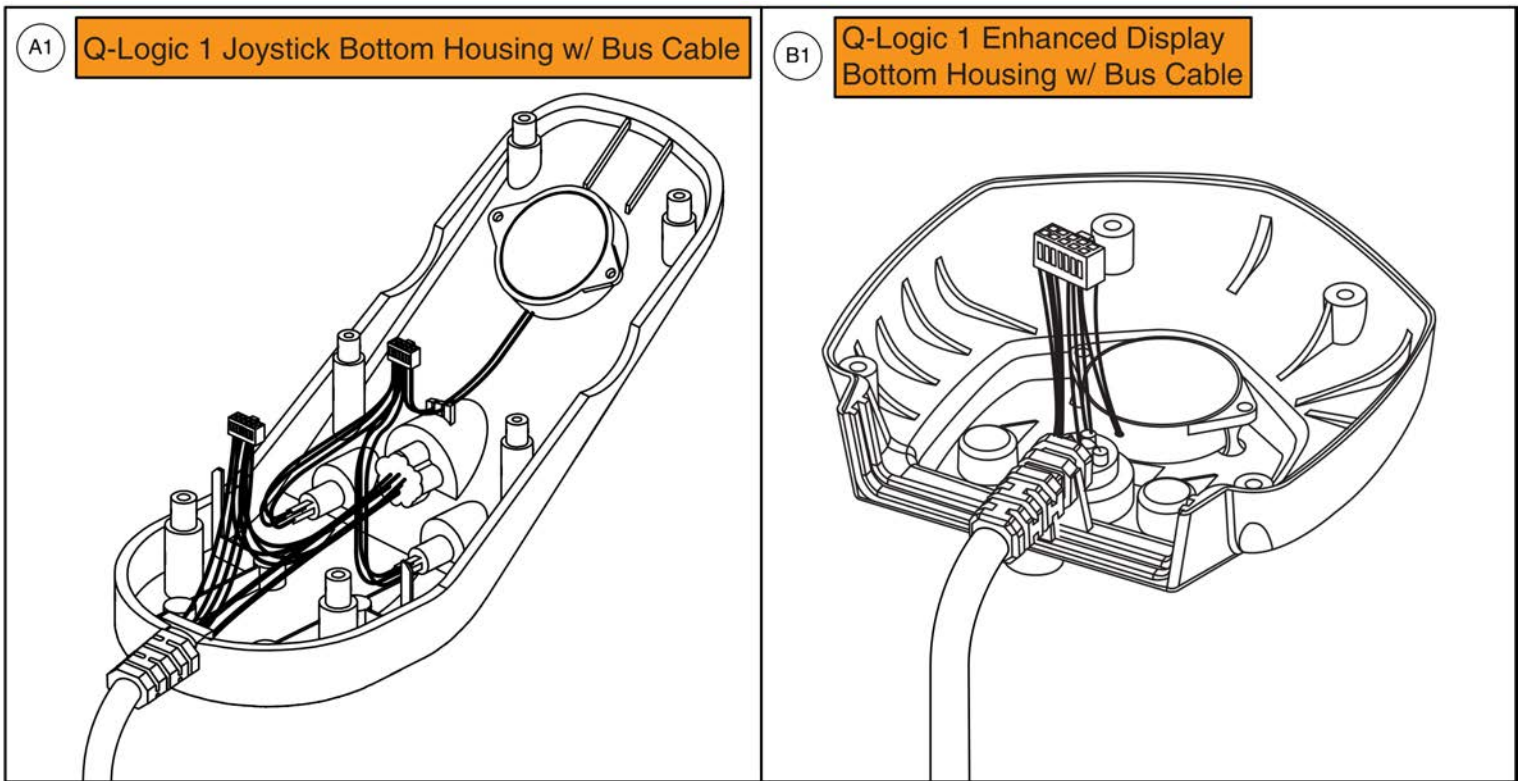


NE + Joystick Bottom Housing w/Bus Cable



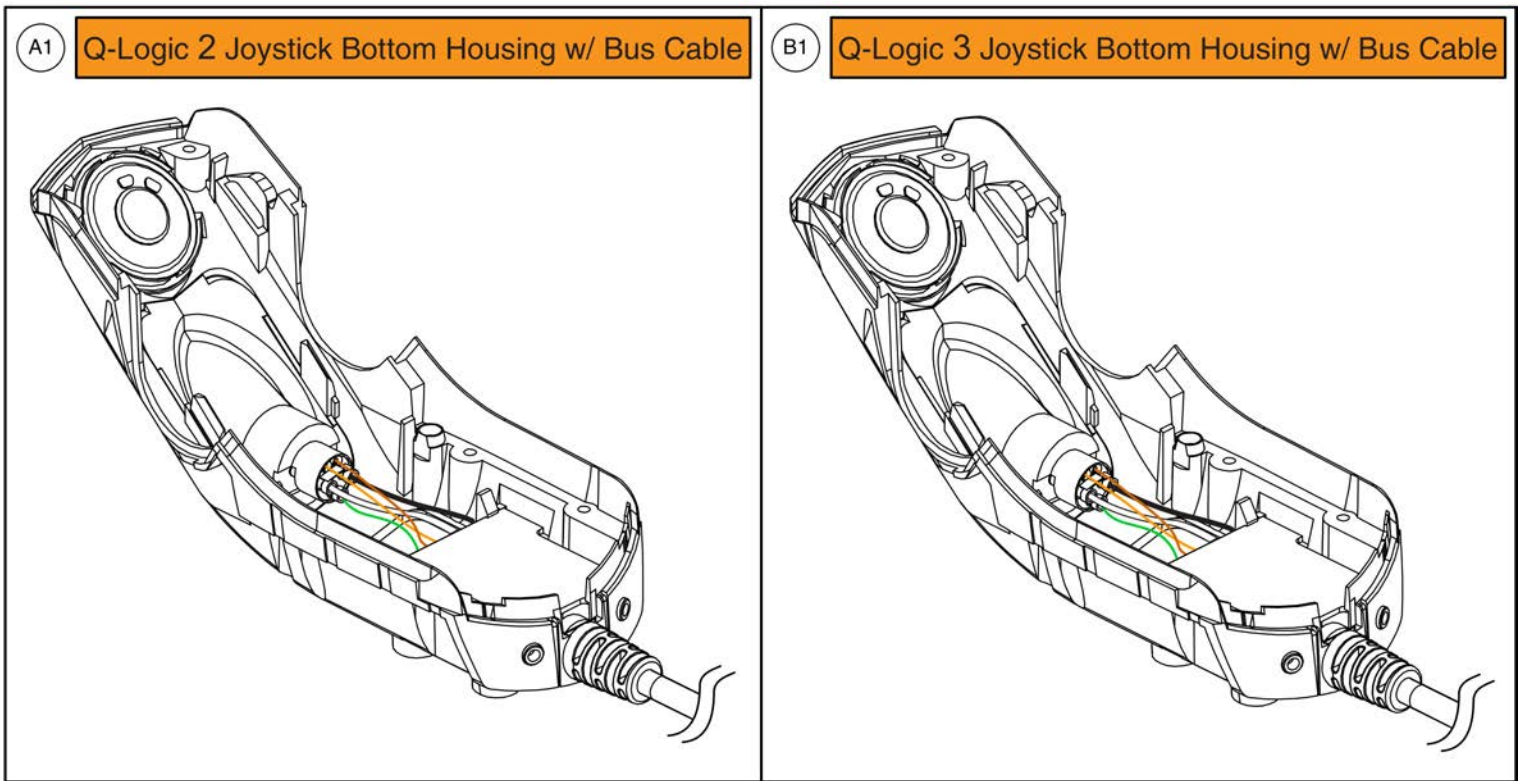
Item	Part No.	Name	Qty
A1	DWR1111C003	JOYSTICK REPLACEMENT BOTTOM,W/HARNESS,NE+ W/JACKS,C-1111-003,(CURTIS: 17906705)	1

Joystick Bottom Housings



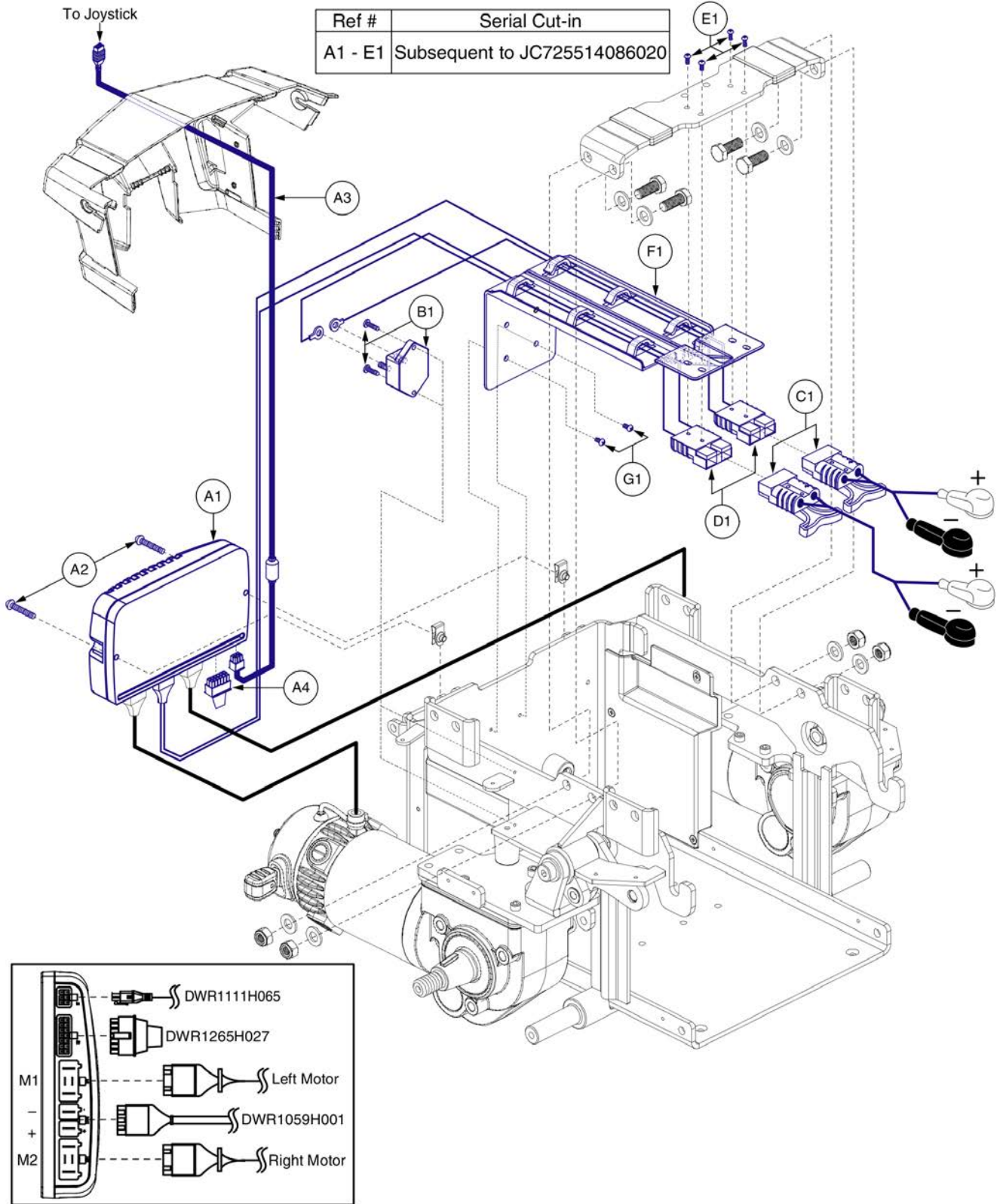
Item	Part No.	Name	Qty
A1	DWR1111H066	ELECTRONIC,BOTTOM HOUSING,4 KEY JOYSTICK MODULE,W/BUS CABLE,CURTIS,H-1111-066,(CURTIS: 17856705)	1
B1	DWR1111H067	ELECTRONIC,BOTTOM HOUSING,ENHANCED DISPLAY CONTROLLER,W/BUS CABLE,CURTIS,H-1111-067,(CURTIS: 17861705)	1

Joystick Bottom Housings

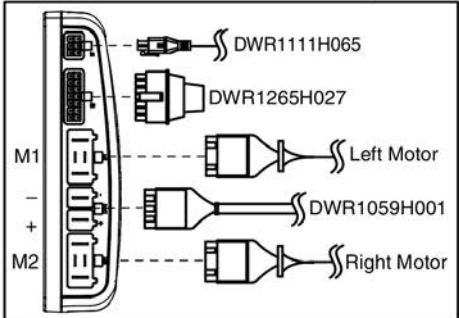


Item	Part No.	Name	Qty
A1	ELE124313	Q-LOGIC 2 BOTTOM HOUSING,JOYSTICK MODULE,W/BUS CABLE	1
B1	ELE144006	ELECTRONIC, BOTTOM HOUSING, JOYSTICK MODULE Q-LOGIC 3,W/ BUS CABLE Q-LOGIC 3, (CURTIS: 17949366-02)	1

7.1. NE Electronics Assy's

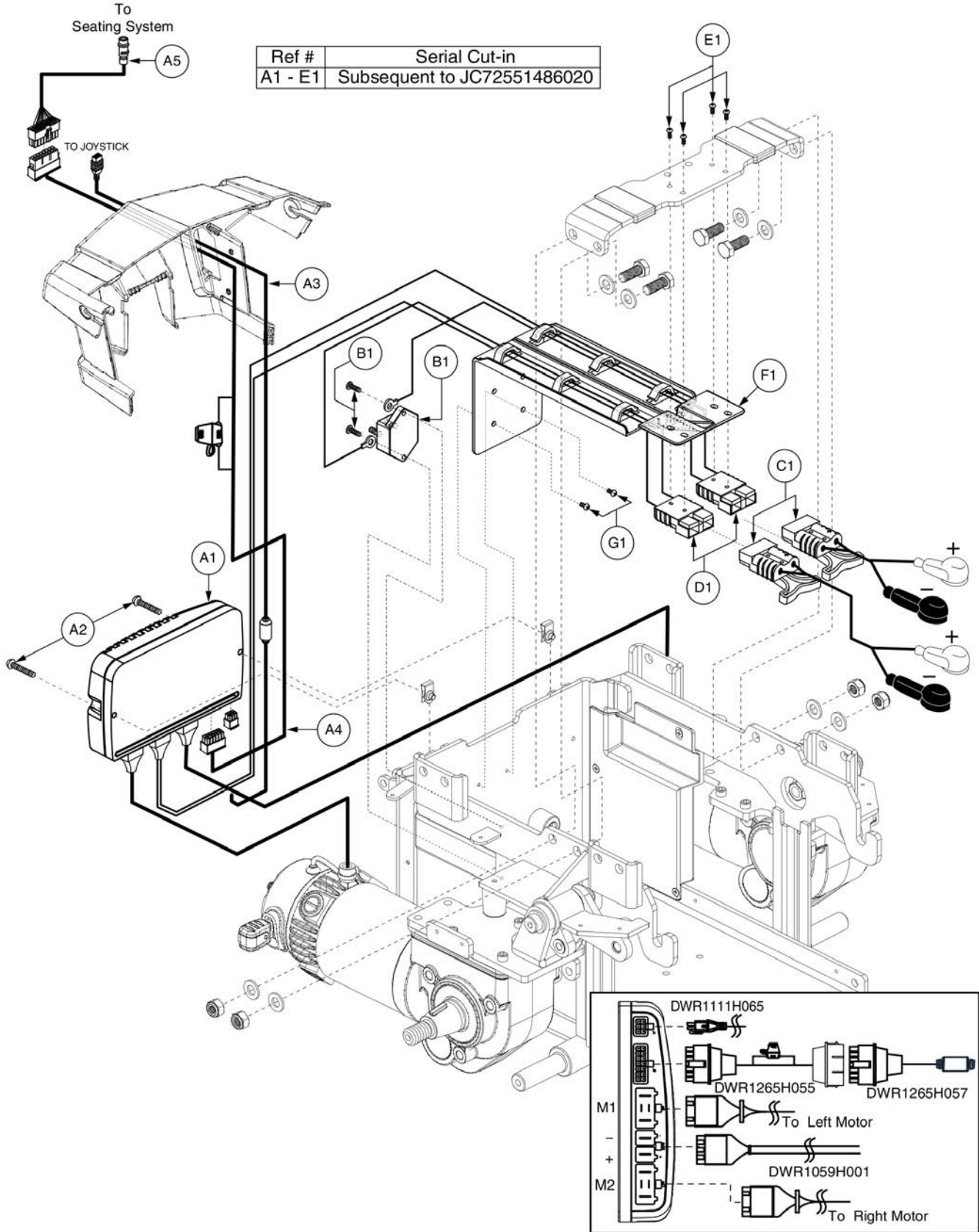


Ref #	Serial Cut-in
A1 - E1	Subsequent to JC725514086020



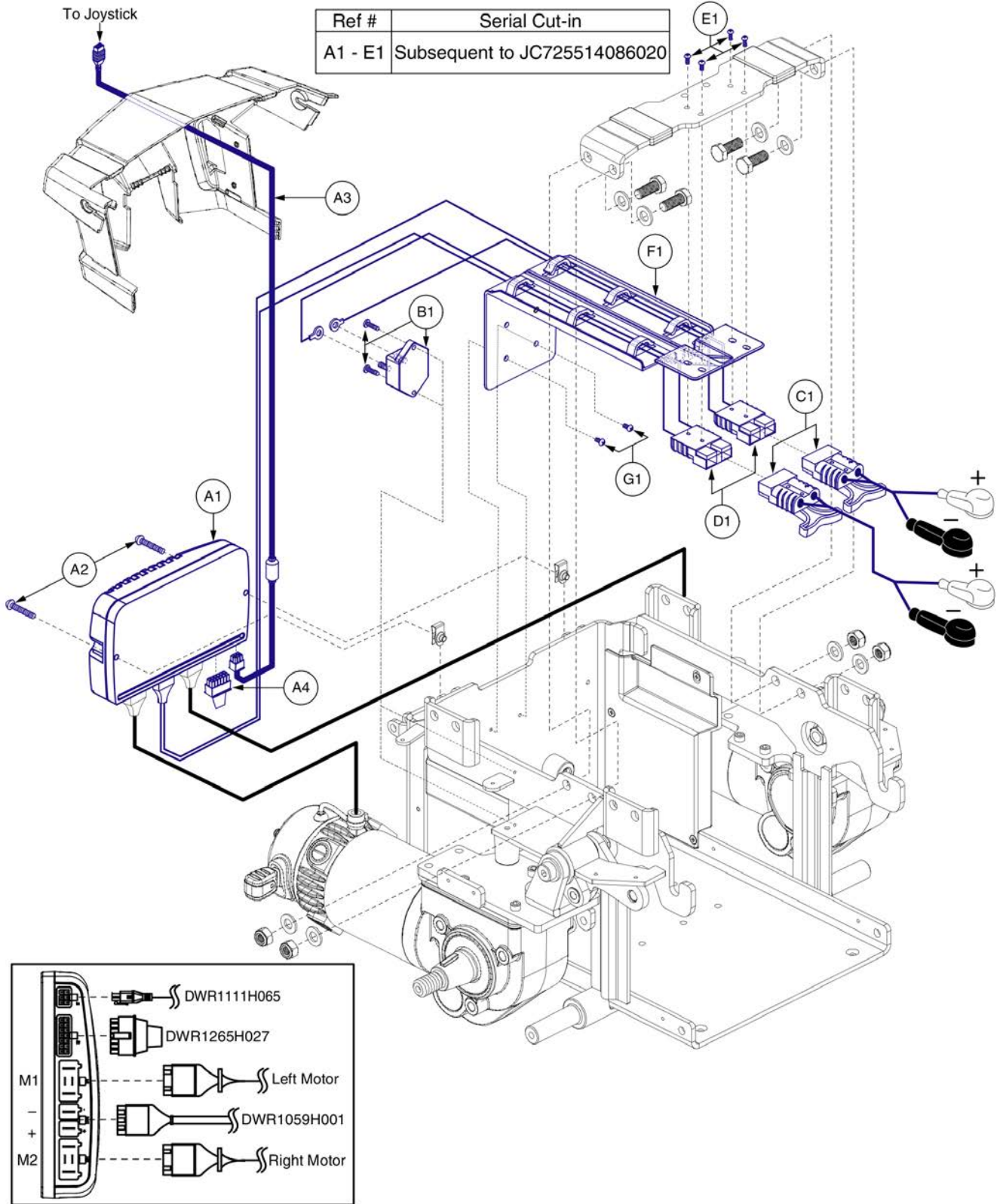
Item	Part No.	Name	Qty
A1 - E1	ELE142680	ELECTRONIC,ASSY,NE,CURTIS,64 HAMMER II MOTORS,Q6EDGE HD	1
A1	CTL120039	CONTROLLER,NE,ASSY,75AMP,W/Q6EDGE HD 64 HAMMER II MOTOR PROGRAM	1
A2	SCRPPH1390	SCREW,PPH,BLACK ZINC,M5-.8 X 35MM	2
A3	DWR1111H065	ELECTRONIC,HARNESS,BUS EXTENSION CABLE,CURTIS,0.410 METER,MALE/FEMALE,H-1111-065,(CURTIS: 17881303)	1
A4	DWR1265H061	ELECTRONIC,HARNESS,RUN PLUG,NE,CURTIS,H-1265-061	1
B1	ELEASMB5478	ELECTRONIC,ASSY,CIRCUIT BREAKER,50 AMP,W/MOUNTING HARDWARE,QUANTUM6000Z	1
C1	ELEASMB2868	ELECTRONIC,ASSY,BATTERY CABLE,GRAY,W/125A/32V FUSEABLE LINK,QUICK DISCONNECT,H-1500-013	2
D1	DWR1059H001	ELECTRONIC,HARNESS,POWER CABLE,QLOGIC,CURTIS,QUANTUM6000/R4000,H-1059-001	1
E1	SCRPPPTC1047	SCREW,PPH,ZINC,M4 X 16MM,SELF TAP	4
F1		FRAME,WIRE LOOM,BLACK,PLASTIC,E-1059-030	1
G1	SCRPPH1036	SCREW, PAN HEAD, TYPE H, M4X0.7 X 8, FT, ISO 7045, CL 4.8, BZ	2

7.1. NE Electronics Assy's



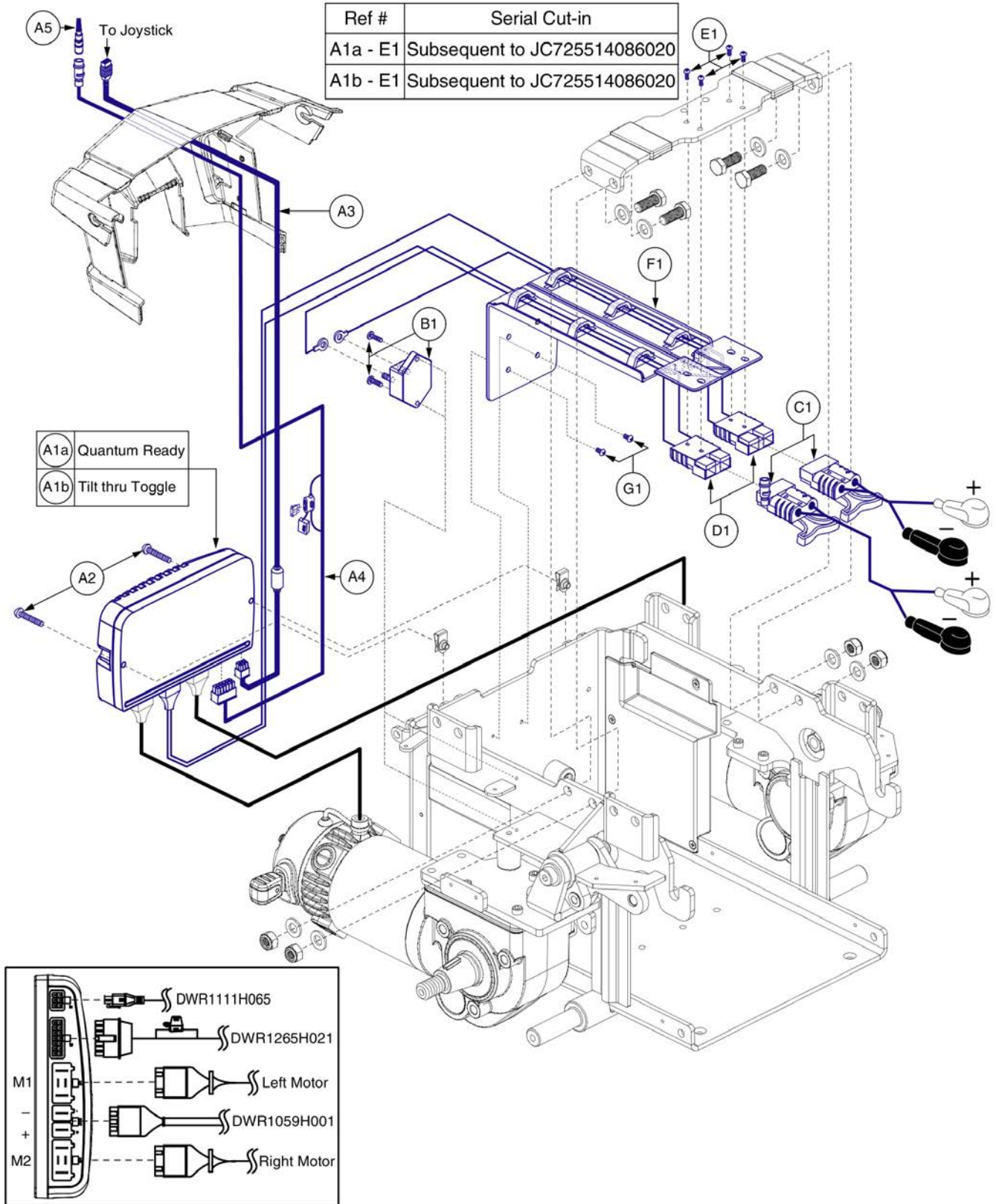
Item	Part No.	Name	Qty
A1 - E1	ELE142681	ELECTRONIC,ASSY,NE,CURTIS,64 HAMMER II MOTORS,Q6EDGE HD,TILT THRU TOGGLE	1
A1	CTL120039	CONTROLLER,NE,ASSY,75AMP,W/Q6EDGE HD 64 HAMMER II MOTOR PROGRAM	1
A2	SCRPPH1390	SCREW,PPH,BLACK ZINC,M5-.8 X 35MM	2
A3	DWR1111H065	ELECTRONIC,HARNESS,BUS EXTENSION CABLE,CURTIS,0.410 METER,MALE/FEMALE,H-1111-065,(CURTIS: 17881303)	1
A4	DWR1265H055	ELECTRONIC,HARNESS,INTERMEDIATE,OFFBOARD CHARGER,NE,H-1265-055	1
A5	DWR1265H057	ELECTRONIC,HARNESS,PTO ONLY,NE,H-1265-057	1
B1	ELEASMB5478	ELECTRONIC,ASSY,CIRCUIT BREAKER,50 AMP,W/MOUNTING HARDWARE,QUANTUM6000Z	1
C1	ELEASMB2868	ELECTRONIC,ASSY,BATTERY CABLE,GRAY,W/125A/32V FUSEABLE LINK,QUICK DISCONNECT,H-1500-013	2
D1	DWR1059H001	ELECTRONIC,HARNESS,POWER CABLE,QLOGIC,CURTIS,QUANTUM6000/R4000,H-1059-001	1
E1	SCRPPTC1047	SCREW,PPH,ZINC,M4 X 16MM,SELF TAP	4
F1		FRAME,WIRE LOOM,BLACK,PLASTIC,E-1059-030	1
G1	SCRPPH1036	SCREW, PAN HEAD, TYPE H, M4X0.7 X 8, FT, ISO 7045, CL 4.8, BZ	2

7.2. NE+ Electronics Assy's



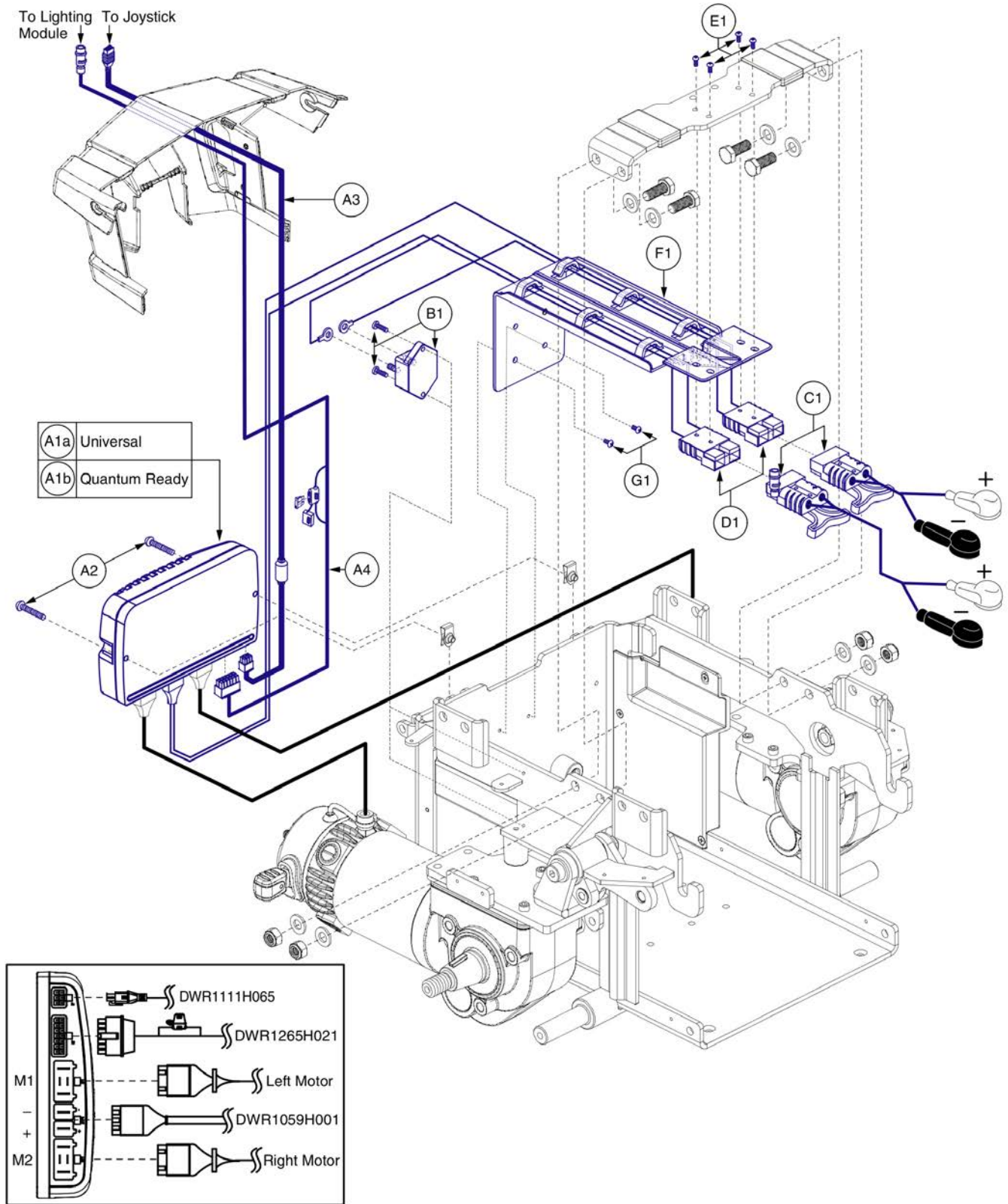
Item	Part No.	Name	Qty
A1 - E1	ELE142673	ELECTRONIC,ASSY,NE PLUS,CURTIS,64 HAMMER II MOTORS,Q6EDGE HD	1
A1 - C1	ELEASMB7120048	ELECTRONIC,ASSY,NE PLUS,CURTIS,64 HAMMER II MOTORS,Q6EDGE HD	1
A1	CTL120040	CONTROLLER,NE PLUS,CURTIS,ASSY,75 AMP,W/Q6EDGE HD 64 HAMMER II MOTOR PROGRAM	1
A2	SCRPPH1390	SCREW,PPH,BLACK ZINC,M5-.8 X 35MM	2
A3	DWR1111H065	ELECTRONIC,HARNESS,BUS EXTENSION CABLE,CURTIS,0.410 METER,MALE/FEMALE,H-1111-065,(CURTIS: 17881303)	1
A4	DWR1265H027	ELECTRONIC,HARNESS,RUN PLUG,Q-LOGIC	1
B1	ELEASMB5478	ELECTRONIC,ASSY,CIRCUIT BREAKER,50 AMP,W/MOUNTING HARDWARE,QUANTUM6000Z	1
C1	ELEASMB2868	ELECTRONIC,ASSY,BATTERY CABLE,GRAY,W/125A/32V FUSEABLE LINK,QUICK DISCONNECT,H-1500-013	2
D1	DWR1059H001	ELECTRONIC,HARNESS,POWER CABLE,QLOGIC,CURTIS,QUANTUM6000/R4000,H-1059-001	1
E1	SCRPPPTC1047	SCREW,PPH,ZINC,M4 X 16MM,SELF TAP	4
F1		FRAME,WIRE LOOM,BLACK,PLASTIC,E-1059-030	1
G1	SCRPPH1036	SCREW, PAN HEAD, TYPE H, M4X0.7 X 8, FT, ISO 7045, CL 4.8, BZ	2

7.2. NE+ Electronics Assy's



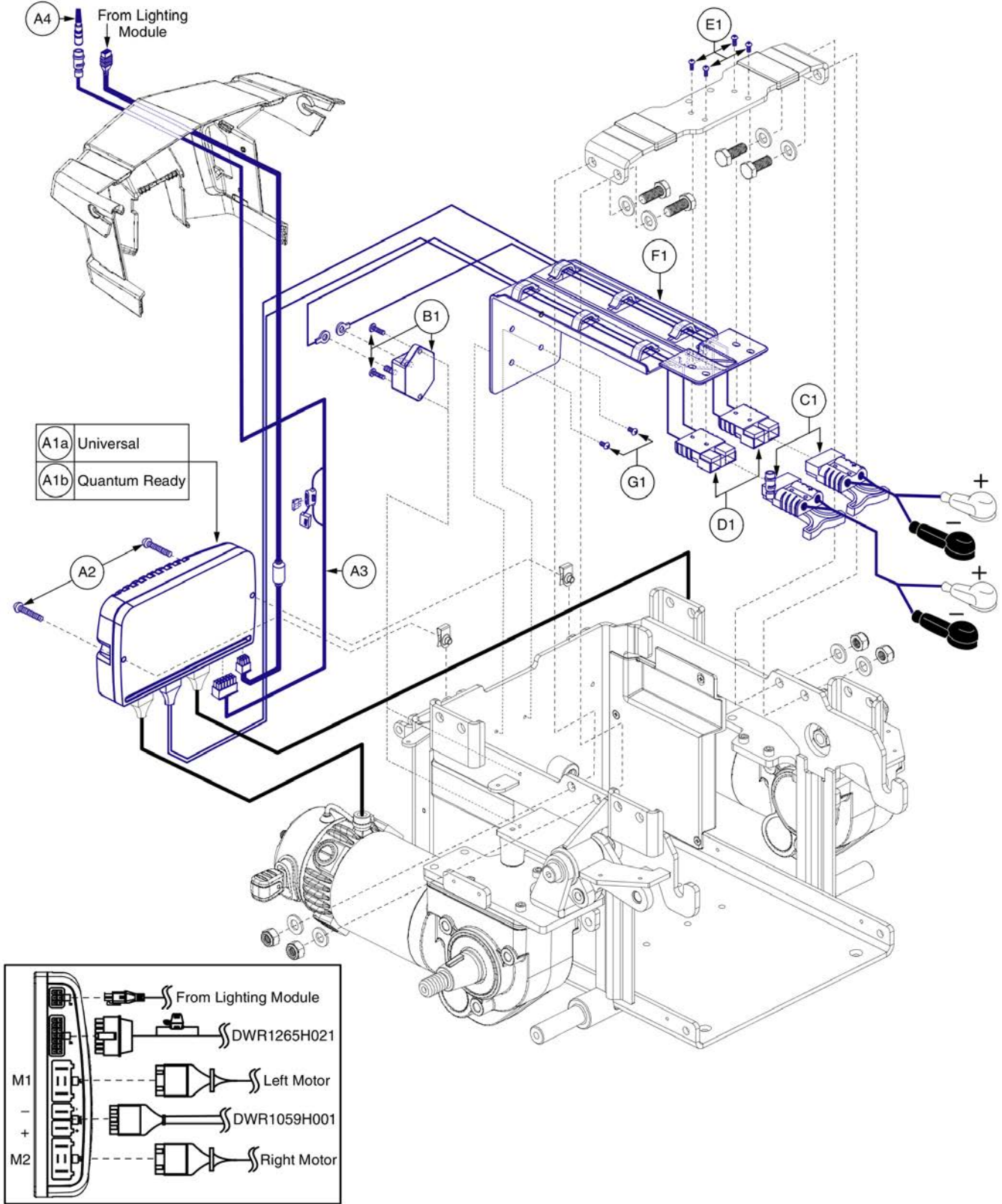
Item	Part No.	Name	Qty
A1a - E1	ELE142675	ELECTRONIC,ASSY,NE PLUS,CURTIS,64 HAMMER II MOTORS,Q6EDGE HD,QUANTUM	1
A1b - E1	ELE142674	ELECTRONIC,ASSY,NE PLUS,CURTIS,64 HAMMER II MOTORS,Q6EDGE HD,TILT THRU TOGGLE	1
A1a	CTL120041	CONTROLLER,NE PLUS,CURTIS,ASSY,75 AMP,W/Q6EDGE HD 64 HAMMER II MOTOR PROGRAM,QUANTUM	1
A1b	CTL120040	CONTROLLER,NE PLUS,CURTIS,ASSY,75 AMP,W/Q6EDGE HD 64 HAMMER II MOTOR PROGRAM	1
A2	SCRPPH1390	SCREW,PPH,BLACK ZINC,M5- 8 X 35MM	2
A3	DWR1111H065	ELECTRONIC,HARNESS,BUS EXTENSION CABLE,CURTIS,0.410 METER,MALE/FEMALE,H-1111-065,(CURTIS: 17881303)	1
A4	DWR1265H021	ELECTRONIC,HARNESS,POWER TAKE OFF(PTO)/INHIBIT,CURTIS,H-1265-021	1
A5	DWR1361H038	ELECTRONIC,HARNESS,RUN PLUG,SURE SEAL,SYNERGY TILT,H-1361-038	1
B1	ELEASMB5478	ELECTRONIC,ASSY,CIRCUIT BREAKER,50 AMP,W/MOUNTING HARDWARE,QUANTUM6000Z	1
C1	ELEASMB2868	ELECTRONIC,ASSY,BATTERY CABLE,GRAY,W/125A/32V FUSEABLE LINK,QUICK DISCONNECT,H-1500-013	2
D1	DWR1059H001	ELECTRONIC,HARNESS,POWER CABLE,QLOGIC,CURTIS,QUANTUM6000/R4000,H-1059-001	1
E1	SCRPPPTC1047	SCREW,PPH,ZINC,M4 X 16MM,SELF TAP	4
F1		FRAME,WIRE LOOM,BLACK,PLASTIC,E-1059-030	1
G1	SCRPPH1036	SCREW, PAN HEAD, TYPE H, M4X0.7 X 8, FT, ISO 7045, CL 4.8, BZ	2

7.2. NE+ Electronics Assy's



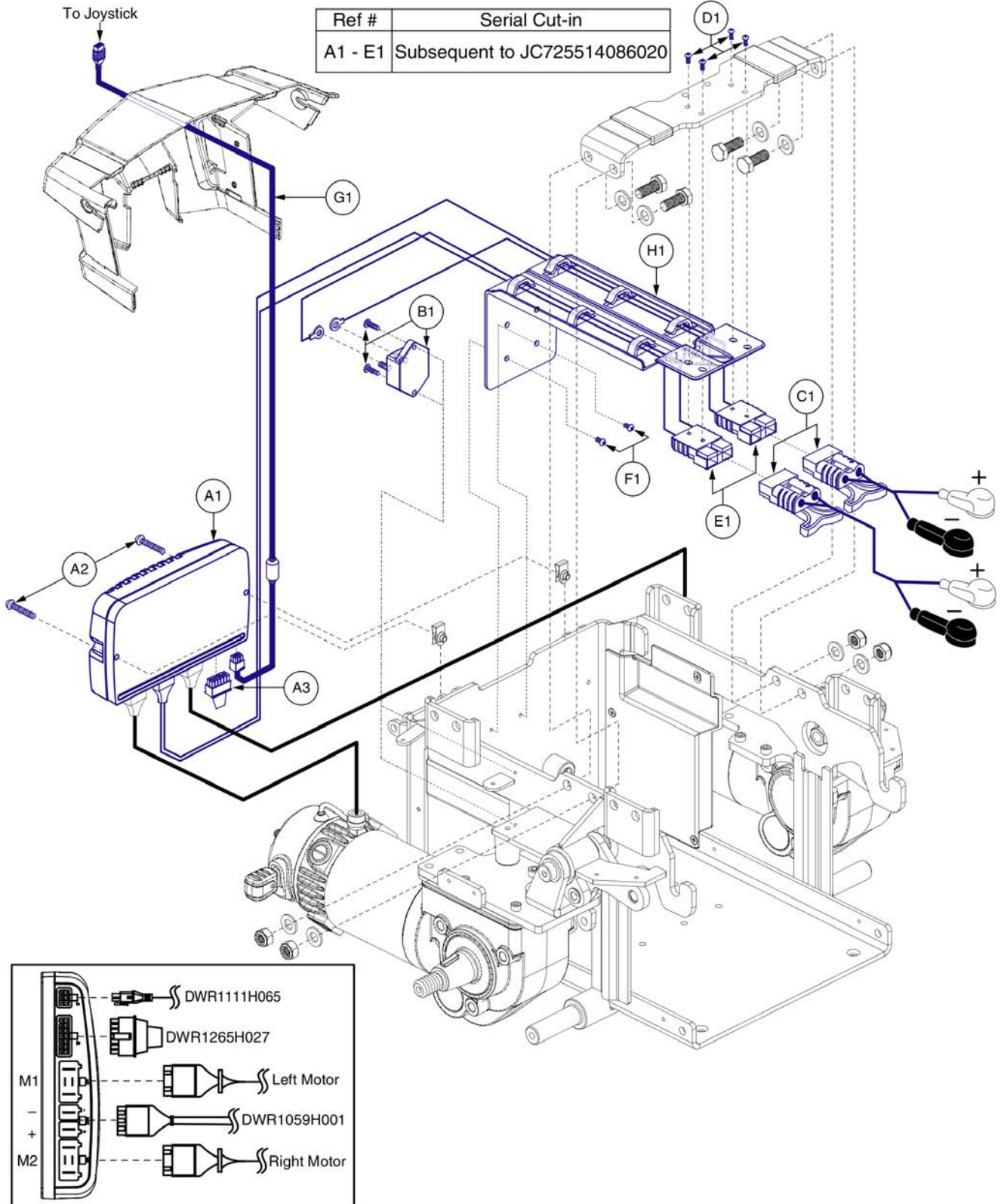
Item	Part No.	Name	Qty
A1a - E1	ELE163529	ELECTRONIC,ASSY,NE PLUS,CURTIS,64 HAMMER II MOTORS,Q6EDGE HD,BASE MOUNTED,SWITCH OPERATED LIGHTS,UNIVERSAL	1
A1b - E1	ELE163530	ELECTRONIC,ASSY,NE PLUS,CURTIS,64 HAMMER II MOTORS,Q6EDGE HD,BASE MOUNTED,SWITCH OPERATED LIGHTS,QUANTUM	1
A1a	CTL120040	CONTROLLER,NE PLUS,CURTIS,ASSY,75 AMP,W/Q6EDGE HD 64 HAMMER II MOTOR PROGRAM	1
A1b	CTL120041	CONTROLLER,NE PLUS,CURTIS,ASSY,75 AMP,W/Q6EDGE HD 64 HAMMER II MOTOR PROGRAM,QUANTUM	1
A2	SCRPPH1390	SCREW,PPH,BLACK ZINC,M5-.8 X 35MM	2
A3	DWR1111H065	ELECTRONIC,HARNESS,BUS EXTENSION CABLE,CURTIS,0.410 METER,MALE/FEMALE,H-1111-065,(CURTIS: 17881303)	1
A4	DWR1265H021	ELECTRONIC,HARNESS,POWER TAKE OFF(PTO)/INHIBIT,CURTIS,H-1265-021	1
B1	ELEASMB5478	ELECTRONIC,ASSY,CIRCUIT BREAKER,50 AMP,W/MOUNTING HARDWARE,QUANTUM6000Z	1
C1	ELEASMB2868	ELECTRONIC,ASSY,BATTERY CABLE,GRAY,W/125A/32V FUSEABLE LINK,QUICK DISCONNECT,H-1500-013	2
D1	DWR1059H001	ELECTRONIC,HARNESS,POWER CABLE,QLOGIC,CURTIS,QUANTUM6000/R4000,H-1059-001	1
E1	SCRPPPTC1047	SCREW,PPH,ZINC,M4 X 16MM,SELF TAP	4
F1		FRAME,WIRE LOOM,BLACK,PLASTIC,E-1059-030	1
G1	SCRPPH1036	SCREW, PAN HEAD, TYPE H, M4X0.7 X 8, FT, ISO 7045, CL 4.8, BZ	2

7.2. NE+ Electronics Assy's



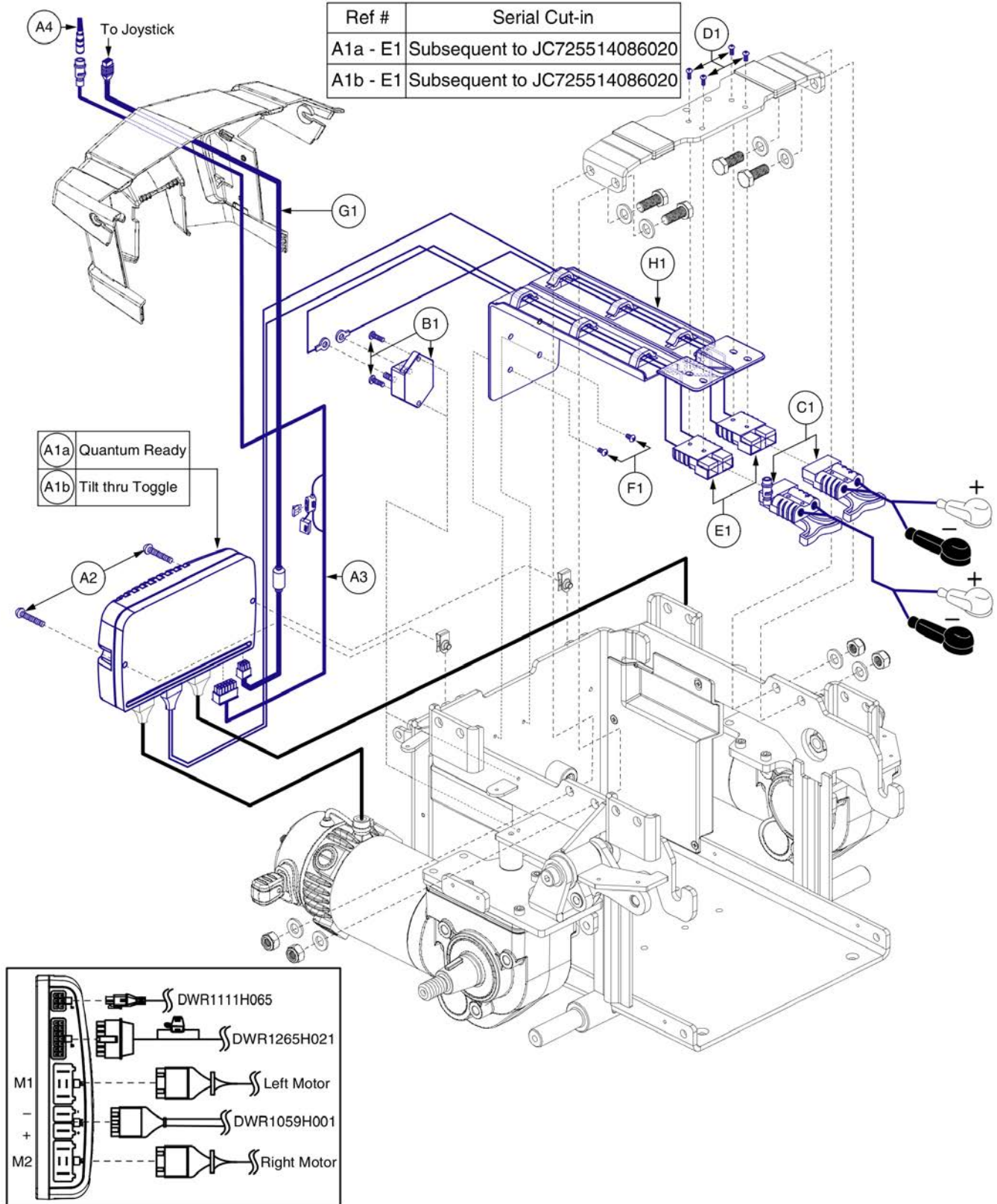
Item	Part No.	Name	Qty
A1a - E1	ELE163627	ELECTRONIC,ASSY,NE PLUS,CURTIS,64 HAMMER II MOTORS,Q6EDGE HD,BASE MOUNTED,AUTOMATIC LIGHTS,UNIVERSAL	1
A1b - E1	ELE163628	ELECTRONIC,ASSY,NE PLUS,CURTIS,64 HAMMER II MOTORS,Q6EDGE HD,BASE MOUNTED,AUTOMATIC LIGHTS,QUANTUM	1
A1a	CTL120040	CONTROLLER,NE PLUS,CURTIS,ASSY,75 AMP,W/Q6EDGE HD 64 HAMMER II MOTOR PROGRAM	1
A1b	CTL120041	CONTROLLER,NE PLUS,CURTIS,ASSY,75 AMP,W/Q6EDGE HD 64 HAMMER II MOTOR PROGRAM,QUANTUM	1
A2	SCRPPH1390	SCREW,PPH,BLACK ZINC,M5-.8 X 35MM	2
A3	DWR1265H021	ELECTRONIC,HARNESS,POWER TAKE OFF(PTO)/INHIBIT,CURTIS,H-1265-021	1
A4	DWR1361H038	ELECTRONIC,HARNESS,RUN PLUG,SURE SEAL,SYNERGY TILT,H-1361-038	1
B1	ELEASMB5478	ELECTRONIC,ASSY,CIRCUIT BREAKER,50 AMP,W/MOUNTING HARDWARE,QUANTUM6000Z	1
C1	ELEASMB2868	ELECTRONIC,ASSY,BATTERY CABLE,GRAY,W/125A/32V FUSEABLE LINK,QUICK DISCONNECT,H-1500-013	2
D1	DWR1059H001	ELECTRONIC,HARNESS,POWER CABLE,QLOGIC,CURTIS,QUANTUM6000/R4000,H-1059-001	1
E1	SCRPPTC1047	SCREW,PPH,ZINC,M4 X 16MM,SELF TAP	4
F1		FRAME,WIRE LOOM,BLACK,PLASTIC,E-1059-030	1
G1	SCRPPH1036	SCREW, PAN HEAD, TYPE H, M4X0.7 X 8, FT, ISO 7045, CL 4.8, BZ	2

7.3. Q-Logic 2 Electronics Assy's



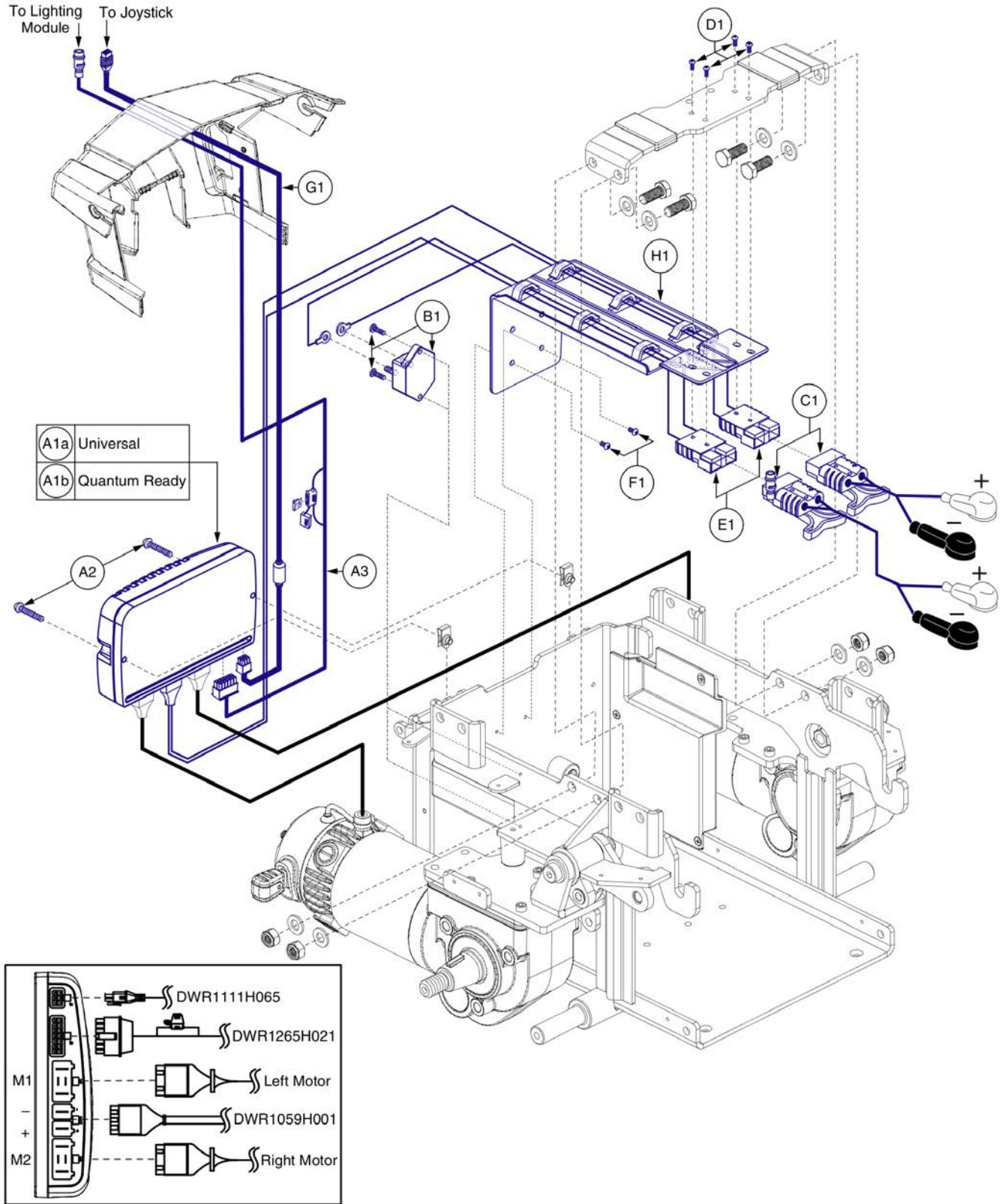
Item	Part No.	Name	Qty
A1 - E1	ELE142657	ELECTRONIC,ASSY,Q-LOGIC,CURTIS,64 HAMMER II MOTORS,Q6EDGE HD	1
A1	CTL120037	CONTROLLER,Q-LOGIC,CURTIS,ASSY,100AMP,W/Q6EDGE HD 64 HAMMER II MOTOR PROGRAM	1
A2	SCRPPH1390	SCREW,PPH,BLACK ZINC,M5-.8 X 35MM	2
A3	DWR1265H027	ELECTRONIC,HARNESS,RUN PLUG,Q-LOGIC	1
B1	ELEASMB4721	ELECTRONIC,ASSY,CIRCUIT BREAKER,70 AMP,W/MOUNTING HARDWARE,QUANTUM6000	1
C1	ELEASMB2868	ELECTRONIC,ASSY,BATTERY CABLE,GRAY,W/125A/32V FUSEABLE LINK,QUICK DISCONNECT,H-1500-013	2
D1	SCRPPPTC1047	SCREW,PPH,ZINC,M4 X 16MM,SELF TAP	4
E1	DWR1059H001	ELECTRONIC,HARNESS,POWER CABLE,QLOGIC,CURTIS,QUANTUM6000/R4000,H-1059-001	1
F1	SCRPPH1036	SCREW, PAN HEAD, TYPE H, M4X0.7 X 8, FT, ISO 7045, CL 4.8, BZ	2
G1	DWR1111H065	ELECTRONIC,HARNESS,BUS EXTENSION CABLE,CURTIS,0.410 METER,MALE/FEMALE,H-1111-065,(CURTIS: 17881303)	1
H1		FRAME,WIRE LOOM,BLACK,PLASTIC,E-1059-030	1

7.3. Q-Logic 2 Electronics Assy's



Item	Part No.	Name	Qty
A1a - E1	ELE142660	ELECTRONIC,ASSY,Q-LOGIC,CURTIS,64 HAMMER II MOTORS,Q6EDGE HD,QUANTUM	1
A1b - E1	ELE142658	ELECTRONIC,ASSY,Q-LOGIC,CURTIS,64 HAMMER II MOTORS,Q6EDGE HD,TILT THRU TOGGLE	1
A1a	CTL120038	CONTROLLER,Q-LOGIC,CURTIS,ASSY,100AMP,W/Q6EDGE HD 64 HAMMER II MOTOR PROGRAM,QUANTUM	1
A1b	CTL120037	CONTROLLER,Q-LOGIC,CURTIS,ASSY,100AMP,W/Q6EDGE HD 64 HAMMER II MOTOR PROGRAM	1
A2	SCRPPH1390	SCREW,PPH,BLACK ZINC,M5- 8 X 35MM	1
A3	DWR1265H021	ELECTRONIC,HARNESS,POWER TAKE OFF(PTO)/INHIBIT,CURTIS,H-1265-021	1
A4	DWR1361H038	ELECTRONIC,HARNESS,RUN PLUG,SURE SEAL,SYNERGY TILT,H-1361-038	1
B1	ELEASMB4721	ELECTRONIC,ASSY,CIRCUIT BREAKER,70 AMP,W/MOUNTING HARDWARE,QUANTUM6000	1
C1	ELEASMB2868	ELECTRONIC,ASSY,BATTERY CABLE,GRAY,W/125A/32V FUSEABLE LINK,QUICK DISCONNECT,H-1500-013	2
D1	SCRPPTC1047	SCREW,PPH,ZINC,M4 X 16MM,SELF TAP	4
E1	DWR1059H001	ELECTRONIC,HARNESS,POWER CABLE,QLOGIC,CURTIS,QUANTUM6000/R4000,H-1059-001	1
F1	SCRPPH1036	SCREW, PAN HEAD, TYPE H, M4X0.7 X 8, FT, ISO 7045, CL 4.8, BZ	2
G1	DWR1111H065	ELECTRONIC,HARNESS,BUS EXTENSION CABLE,CURTIS,0.410 METER,MALE/FEMALE,H-1111-065,(CURTIS: 17881303)	1
H1		FRAME,WIRE LOOM,BLACK,PLASTIC,E-1059-030	1

7.3. Q-Logic 2 Electronics Assy's



Item	Part No.	Name	Qty
A1a - E1	ELE163525	ELECTRONIC,ASSY,Q-LOGIC,CURTIS,64 HAMMER II MOTORS,Q6EDGE HD,BASE MOUNTED,SWITCH OPERATED LIGHTS,UNIVERSAL	1
A1b - E1	ELE163526	ELECTRONIC,ASSY,Q-LOGIC,CURTIS,64 HAMMER II MOTORS,Q6EDGE HD,BASE MOUNTED,SWITCH OPERATED LIGHTS,QUANTUM	1
A1a	CTL120037	CONTROLLER,Q-LOGIC,CURTIS,ASSY,100AMP,W/Q6EDGE HD 64 HAMMER II MOTOR PROGRAM	1
A1b	CTL120038	CONTROLLER,Q-LOGIC,CURTIS,ASSY,100AMP,W/Q6EDGE HD 64 HAMMER II MOTOR PROGRAM,QUANTUM	1
A2	SCRPPH1390	SCREW,PPH,BLACK ZINC,M5-.8 X 35MM	2
A3	DWR1265H021	ELECTRONIC,HARNESS,POWER TAKE OFF(PTO)/INHIBIT,CURTIS,H-1265-021	1
B1	ELEASMB4721	ELECTRONIC,ASSY,CIRCUIT BREAKER,70 AMP,W/MOUNTING HARDWARE,QUANTUM6000	1
C1	ELEASMB2868	ELECTRONIC,ASSY,BATTERY CABLE,GRAY,W/125A/32V FUSEABLE LINK,QUICK DISCONNECT,H-1500-013	2
D1	SCRPPPTC1047	SCREW,PPH,ZINC,M4 X 16MM,SELF TAP	4
E1	DWR1059H001	ELECTRONIC,HARNESS,POWER CABLE,QLOGIC,CURTIS,QUANTUM6000/R4000,H-1059-001	1
F1	SCRPPH1036	SCREW, PAN HEAD, TYPE H, M4X0.7 X 8, FT, ISO 7045, CL 4.8, BZ	2
G1	DWR1111H065	ELECTRONIC,HARNESS,BUS EXTENSION CABLE,CURTIS,0.410 METER,MALE/FEMALE,H-1111-065,(CURTIS: 17881303)	1
H1		FRAME,WIRE LOOM,BLACK,PLASTIC,E-1059-030	1

7.4. Q-Logic 3 Electronics Assy's

Q-Logic 3 Base Electronics Matrix

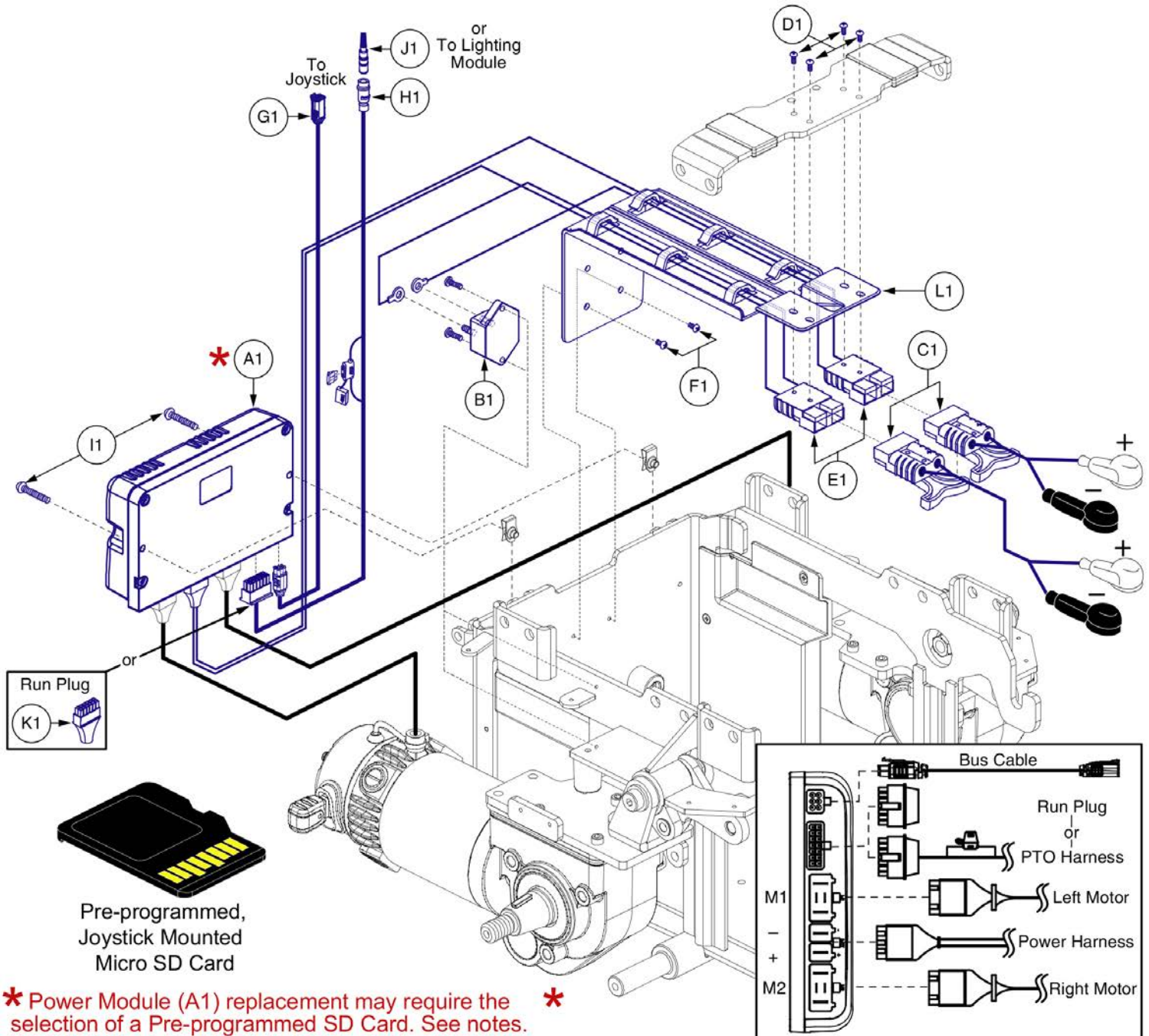
A1	Static/Captains Seating (No Lights/Base Mounted Lights)
B1	Static/Captains Seating w/Power Legs (No Lights/Base Mounted Lights)
C1	Power Positioning (No Lights/Base Mounted Lights)
D1	Static/Captains Seating w/PTO (Fender Lights)
E1	Static/Captains Seating w/Power Legs & w/PTO (Fender Lights)
F1	Tilt thru Toggle w/PTO (Fender Lights)
G1	Power Power Postioning w/PTO (Fender Lights)

Q-Logic 3 Master Assy Matrix, Q6 Edge HD



Item	Part No.	Name	Qty
A1	ELE1705058	ELECTRONIC,ASSY,Q-LOGIC 3,64 HAMMER II MOTORS,Q6EDGE HD,STATIC SEATING	1
B1	ELE1705059	ELECTRONIC,ASSY,Q-LOGIC 3,64 HAMMER II MOTORS,Q6EDGE HD,STATIC SEATING,W/POWER	1
C1	ELE1705060	ELECTRONIC,ASSY,Q-LOGIC 3,64 HAMMER II MOTORS,Q6EDGE HD,POWER POSITIONING	1
D1	ELE1705061	ELECTRONIC,ASSY,Q-LOGIC 3,64 HAMMER II MOTORS,Q6EDGE HD,STATIC SEATING,W/PTO	1
E1	ELE1705062	ELECTRONIC,ASSY,Q-LOGIC 3,64 HAMMER II MOTORS,Q6EDGE HD,STATIC SEATING,W/POWER,W/PTO	1
F1	ELE1705178	ELECTRONIC,ASSY,Q-LOGIC 3,64 HAMMER II MOTORS,Q6EDGE HD,TILT THRU TOGGLE,W/PTO	1
G1	ELE1705063	ELECTRONIC,ASSY,Q-LOGIC 3,64 HAMMER II MOTORS,Q6EDGE HD,POWER POSITIONING,W/PTO	1

7.4. Q-Logic 3 Electronics Assy's



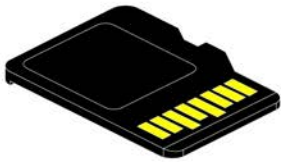
* Power Module (A1) replacement may require the selection of a Pre-programmed SD Card. See notes. *

Q-Logic 3 SD Card Master List - Q6 Edge HD			
Ref#	Part Number	Motor	Options
M1	ELE1805107	4.5 mph Hammer II	Power Positioning
N1	ELE1805109	4.5 mph Hammer II	Static

- Please note:
- Pre-programmed, joystick mounted SD Cards are required when:
 - Retrofitting a unit in the field to Q-Logic 3 Electronics.
 - Replacing a Joystick, Power Base Module, or Seating Module prior to S/N JC715818187020 (6/7/18). A firmware upgrade occurred requiring a system update to enable the enhanced features.
 - Any circumstance where all of the electronics modules require replacement.
 - The Q-Logic 3 system will reprogram the unit based upon the information loaded onto the SD card.
 - The proper, programmed SD card must be selected to ensure the unit functions as intended.

Item	Part No.	Name	Qty
A1	CTL143978	POWER MODULE, Q-LOGIC 3,120 AMP, (CURTIS: 17930700-3509)	1
B1	ELEASMB4721	ELECTRONIC,ASSY,CIRCUIT BREAKER,70 AMP,W/MOUNTING HARDWARE,QUANTUM6000	1
C1	ELEASMB2868	ELECTRONIC,ASSY,BATTERY CABLE,GRAY,W/125A/32V FUSEABLE LINK,QUICK DISCONNECT,H-1500-013	2
D1	SCRPPTC1047	SCREW,PPH,ZINC,M4 X 16MM,SELF TAP	4
E1	DWR1059H001	ELECTRONIC,HARNESS,POWER CABLE,QLOGIC,CURTIS,QUANTUM6000/R4000,H-1059-001	1
F1	SCRPPH1036	SCREW, PAN HEAD, TYPE H, M4X0.7 X 8, FT, ISO 7045, CL 4.8, BZ	2
G1	HAR144005	HARNESS, BUS EXTENSION CABLE, Q-LOGIC 3, 0.410 METER,MALE/FEMALE, (CURTIS: 17881362-01-01)	1
H1	DWR1265H021	ELECTRONIC,HARNESS,POWER TAKE OFF(PTO)/INHIBIT,CURTIS,H-1265-021	1
I1	SCRPPH1390	SCREW,PPH,BLACK ZINC,M5-8 X 35MM	2
J1	DWR1361H038	ELECTRONIC,HARNESS,RUN PLUG,SURE SEAL,SYNERGY TILT,H-1361-038	1
K1	DWR1265H027	ELECTRONIC,HARNESS,RUN PLUG,Q-LOGIC	1
L1		FRAME,WIRE LOOM,BLACK,PLASTIC,E-1059-030	1
M1	ELE1805107	SERVICEABLE ASSEMBLY, SD CARD, Q6EDGE HD, Q-LOGIC 3,HAMMER II 4.5MPH MOTORS,POWER POSITIONING	1
N1	ELE1805109	SERVICEABLE ASSEMBLY, SD CARD, Q6EDGE HD, Q-LOGIC 3,HAMMER II 4.5MPH MOTORS, STATIC SEATING	1

7.4. Q-Logic 3 Electronics Assy's



Pre-programmed
Micro SD Card

Q-Logic 3 SD Card Master List - Q6 Edge HD			
Ref#	Part Number	Motor Type	Options
A1	ELE1805107	4.5 mph Hammer II	Power Positioning
B1	ELE1805109	4.5 mph Hammer II	Static

Please note:

- Pre-programmed SD Cards are required when:
 - Replacing a Joystick, Power Base Module, or Seating Module. A firmware upgrade occurred requiring a system update to enable all of the enhanced features.
 - Any circumstance where all of the electronics modules require replacement.
- The Q-Logic 3 system will reprogram the unit based upon the information loaded onto the SD card.
- The proper, programmed SD card must be selected to ensure the unit functions as intended.

Q-Logic 3 SD Cards for Edge HD

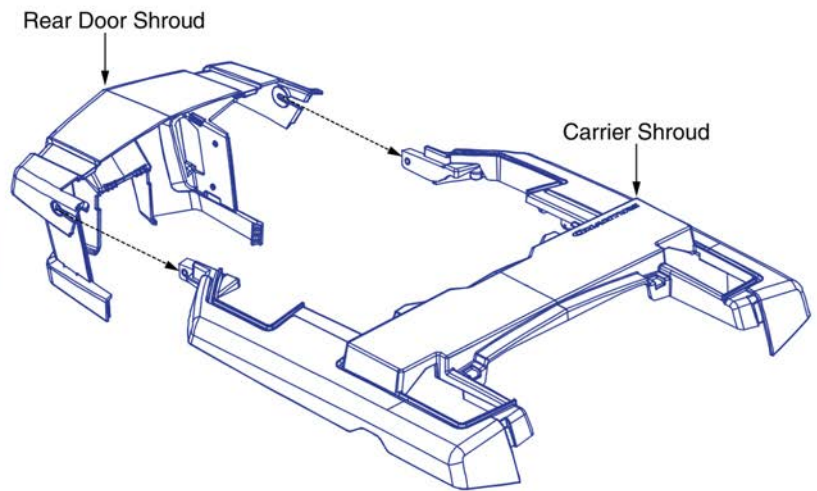


Item	Part No.	Name	Qty
A1	ELE1805107	SERVICEABLE ASSEMBLY, SD CARD, Q6EDGE HD, Q-LOGIC 3,HAMMER II 4.5MPH MOTORS,POWER POSITIONING	1
B1	ELE1805109	SERVICEABLE ASSEMBLY, SD CARD, Q6EDGE HD, Q-LOGIC 3,HAMMER II 4.5MPH MOTORS, STATIC SEATING	1

8. Shroud & Fender Assy's

Please note: The Painted Rear Door & Carrier Shrouds are only available as an assembly. The individual components are not available separately. All prior colors and configurations are no longer available for replacement.

Painted Rear Door & Carrier Shroud Assemblies			
Ref#	Color Name	Part Suffix	Color Code
A1	Back in Black	PBK1	PPW-BLK-01
B1	Night Train	PBK3	PPW-BLK-03
C1	Grey Street	PSL3	PPW-SIL-03
D1	Silver Bullet	PSL7	PPW-SIL-07
E1	White Satin	PWT2	PPW-WHT-02
F1	Red Corvette	PRD1	PPW-RED-01
G1	Pretty in Pink	PPK3	PPW-PNK-03
H1	Deep Purple	PPR5	PPW-PRP-05
I1	Midnight Blue	PBU10	PPW-BLU-10
J1	Electric Blue	PBU9	PPW-BLU-09
K1	Green Machine	PGN11	PPW-GRN-11
L1	Military Green	PGN8	PPW-GRN-08
M1	Lime Light	PGN7	PPW-GRN-07
N1	Yellow Blaze	PYL3	PPW-YEL-03
O1	Orange Crush	POR6	PPW-ORN-06
P1	Evolution Orange	POR7	PPW-ORN-07

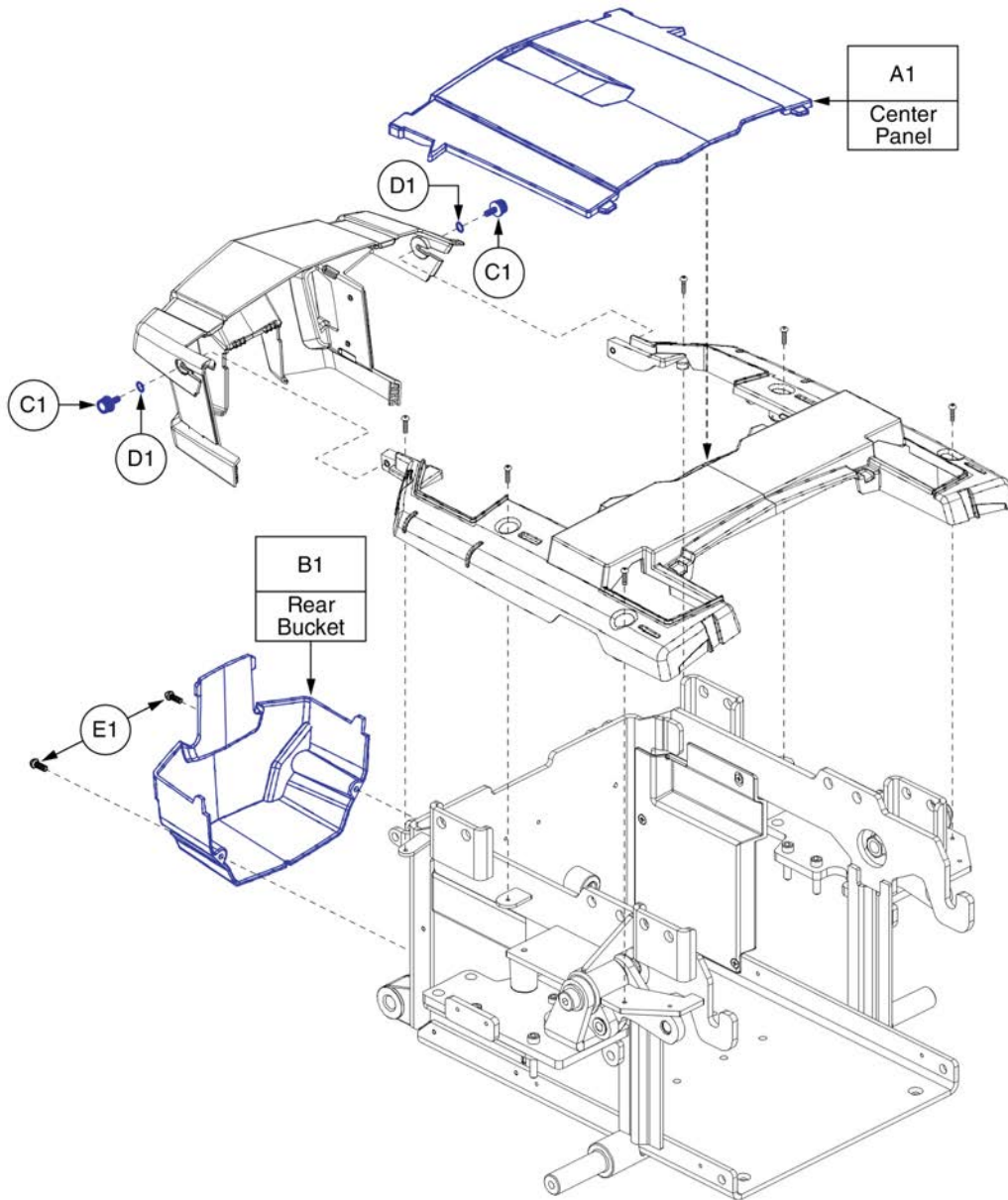


The assemblies include quantity 2 of the name decal:



Item	Part No.	Name	Qty
A1	DGN169178-PBK1	SHROUD,ASSY,BACK IN BLACK,Q6EDGE HD	1
B1	DGN169178-PBK3	SHROUD,ASSY,NIGHT TRAIN,Q6EDGE HD	1
C1	DGN169178-PSL3	SHROUD,ASSY,GREY STREET,Q6EDGE HD	1
D1	DGN169178-PSL7	SHROUD,ASSY,SILVER BULLET,Q6EDGE HD	1
E1	DGN169178-PWT2	SHROUD,ASSY,WHITE SATIN,Q6EDGE HD	1
F1	DGN169178-PRD1	SHROUD,ASSY,RED CORVETTE,Q6EDGE HD	1
G1	DGN169178-PPK3	SHROUD,ASSY,PRETTY IN PINK,Q6EDGE HD	1
H1	DGN169178-PPR5	SHROUD,ASSY,DEEP PURPLE,Q6EDGE HD	1
I1	DGN169178-PBU10	SHROUD,ASSY,MIDNIGHT BLUE,Q6EDGE HD	1
J1	DGN169178-PBU9	SHROUD,ASSY,ELECTRIC BLUE,Q6EDGE HD	1
K1	DGN169178-PGN11	SHROUD,ASSY,GREEN MACHINE,Q6EDGE HD	1
L1	DGN169178-PGN8	SHROUD,ASSY,MILITARY GREEN,Q6EDGE HD	1
M1	DGN169178-PGN7	SHROUD,ASSY,LIME LIGHT,Q6EDGE HD	1
N1	DGN169178-PYL3	SHROUD,ASSY,YELLOW BLAZE,Q6EDGE HD	1
O1	DGN169178-POR6	SHROUD,ASSY,ORANGE CRUSH,Q6EDGE HD	1
P1	DGN169178-POR7	SHROUD,ASSY,EVOLUTION ORANGE,Q6EDGE HD	1

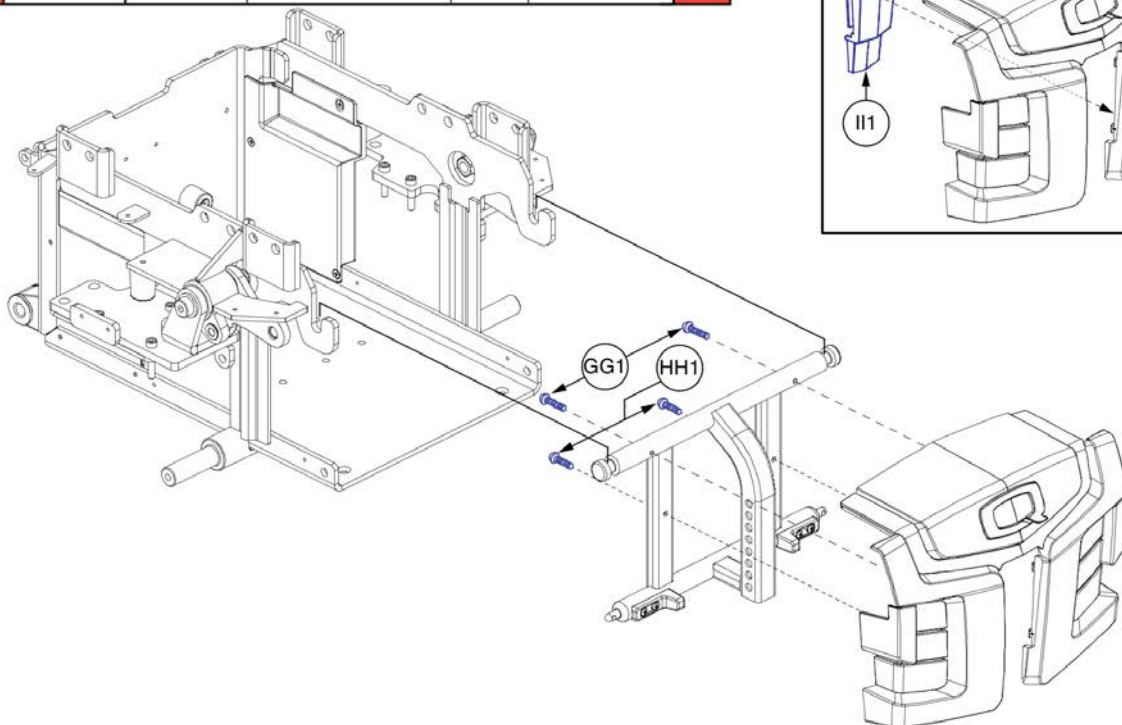
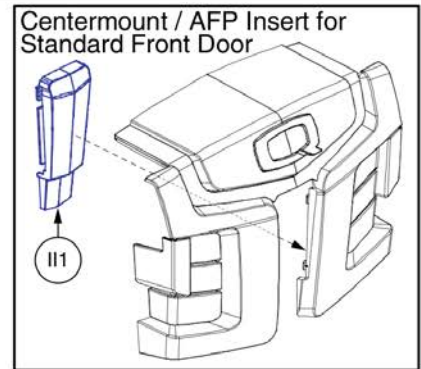
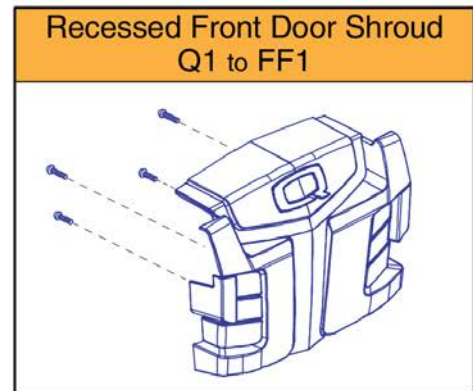
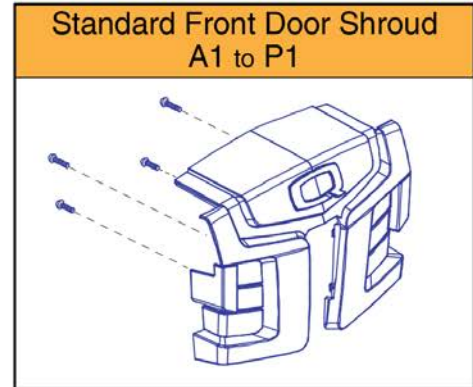
8. Shroud & Fender Assy's



Item	Part No.	Name	Qty
A1	PLS8110082	PLASTICS, TOP CENTER PANEL, BLACK, STANDARD	1
B1	DGN156257	REAR DOOR BUCKET, EXTENDED	1
C1	PLSKNCP1056	KNOB, PLASTIC, M4-.7 X 12MM, KNURLED HEAD, TALL, C-1060-041	2
D1	WASNEOP1003	WASHER, BLACK, NEOPRENE, 3.20MM ID X 7.00MM OD X 1.90MM TH, O-RING	2
E1	SCRPPH1163	SCREW, PAN HEAD, TYPE H, M4X0.7 X 10, FT, ISO 7045, CL 4.8, BZ	2

8. Shroud & Fender Assy's

Front Door Shroud Assemblies (Includes mounting hardware GG1 and HH1)				
Standard	Recessed	Color Name	Part Suffix	Color Code
A1	Q1	Back in Black	PBK1	PPW-BLK-01
B1	R1	Night Train	PBK3	PPW-BLK-03
C1	S1	Grey Street	PSL3	PPW-SIL-03
D1	T1	Silver Bullet	PSL7	PPW-SIL-07
E1	U1	White Satin	PWT2	PPW-WHT-02
F1	V1	Red Corvette	PRD1	PPW-RED-01
G1	W1	Pretty in Pink	PPK3	PPW-PNK-03
H1	X1	Deep Purple	PPR5	PPW-PRP-05
I1	Y1	Midnight Blue	PBU10	PPW-BLU-10
J1	Z1	Electric Blue	PBU9	PPW-BLU-09
K1	AA1	Green Machine	PGN11	PPW-GRN-11
L1	BB1	Military Green	PGN8	PPW-GRN-08
M1	CC1	Lime Light	PGN7	PPW-GRN-07
N1	DD1	Yellow Blaze	PYL3	PPW-YEL-03
O1	EE1	Orange Crush	POR6	PPW-ORN-06
P1	FF1	Evolution Orange	POR7	PPW-ORN-07

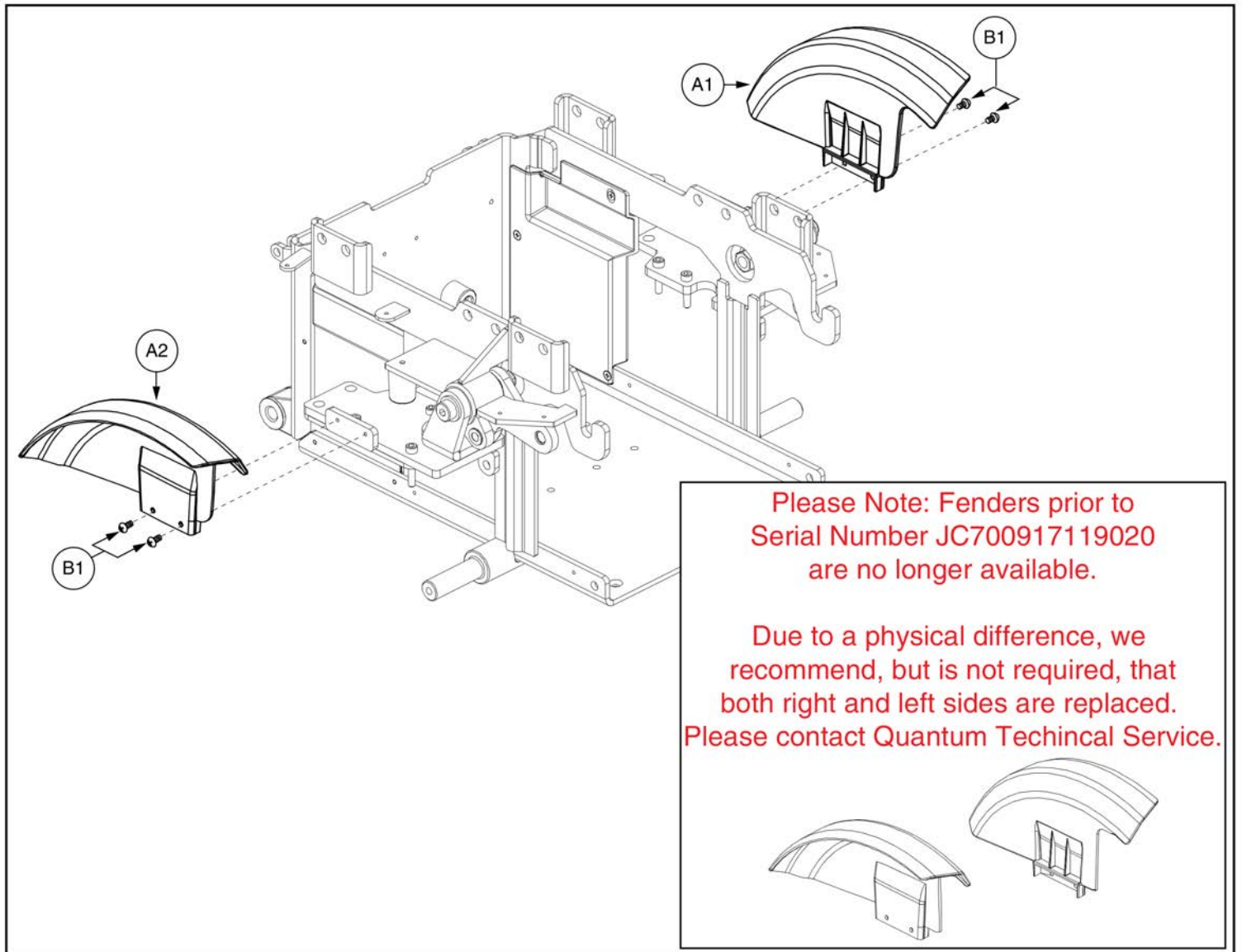


Front Battery Door Shroud Assy's, Q6 Edge HD



Item	Part No.	Name	Qty
A1	DGN169179-PBK1	SHROUD,ASSY,STANDARD FRONT DOOR,BACK IN BLACK	1
B1	DGN169179-PBK3	SHROUD,ASSY,STANDARD FRONT DOOR,NIGHT TRAIN	1
C1	DGN169179-PSL3	SHROUD,ASSY,STANDARD FRONT DOOR,GREY STREET	1
D1	DGN169179-PSL7	SHROUD,ASSY,STANDARD FRONT DOOR,SILVER BULLET	1
E1	DGN169179-PWT2	SHROUD,ASSY,STANDARD FRONT DOOR,WHITE SATIN	1
F1	DGN169179-PRD1	SHROUD,ASSY,STANDARD FRONT DOOR,RED CORVETTE	1
G1	DGN169179-PPK3	SHROUD,ASSY,STANDARD FRONT DOOR,PRETTY IN PINK	1
H1	DGN169179-PPR5	SHROUD,ASSY,STANDARD FRONT DOOR,DEEP PURPLE	1
I1	DGN169179-PBU10	SHROUD,ASSY,STANDARD FRONT DOOR,MIDNIGHT BLUE	1
J1	DGN169179-PBU9	SHROUD,ASSY,STANDARD FRONT DOOR,ELECTRIC BLUE	1
K1	DGN169179-PGN11	SHROUD,ASSY,STANDARD FRONT DOOR,GREEN MACHINE	1
L1	DGN169179-PGN8	SHROUD,ASSY,STANDARD FRONT DOOR,MILITARY GREEN	1
M1	DGN169179-PGN7	SHROUD,ASSY,STANDARD FRONT DOOR,LIME LIGHT	1
N1	DGN169179-PYL3	SHROUD,ASSY,STANDARD FRONT DOOR,YELLOW BLAZE	1
O1	DGN169179-POR6	SHROUD,ASSY,STANDARD FRONT DOOR,ORANGE CRUSH	1
P1	DGN169179-POR7	SHROUD,ASSY,STANDARD FRONT DOOR,EVOLUTION ORANGE	1
Q1	DGN156749-PBK1	SHROUD,ASSY,RECESSED FRONT DOOR,BACK IN BLACK	1
R1	DGN156749-PBK3	SHROUD,ASSY,RECESSED FRONT DOOR,NIGHT TRAIN	1
S1	DGN156749-PSL3	SHROUD,ASSY,RECESSED FRONT DOOR,GREY STREET	1
T1	DGN156749-PSL7	SHROUD,ASSY,RECESSED FRONT DOOR,SILVER BULLET	1
U1	DGN156749-PWT2	SHROUD,ASSY,RECESSED FRONT DOOR,WHITE SATIN	1
V1	DGN156749-PRD1	SHROUD,ASSY,RECESSED FRONT DOOR,RED CORVETTE	1
W1	DGN156749-PPK3	SHROUD,ASSY,RECESSED FRONT DOOR,PRETTY IN PINK	1
X1	DGN156749-PPR5	SHROUD,ASSY,RECESSED FRONT DOOR,DEEP PURPLE	1
Y1	DGN156749-PBU10	SHROUD,ASSY,RECESSED FRONT DOOR,MIDNIGHT BLUE	1
Z1	DGN156749-PBU9	SHROUD,ASSY,RECESSED FRONT DOOR,ELECTRIC BLUE	1
AA1	DGN156749-PGN11	SHROUD,ASSY,RECESSED FRONT DOOR,GREEN MACHINE	1
BB1	DGN156749-PGN8	SHROUD,ASSY,RECESSED FRONT DOOR,MILITARY GREEN	1
CC1	DGN156749-PGN7	SHROUD,ASSY,RECESSED FRONT DOOR,LIME LIGHT	1
DD1	DGN156749-PYL3	SHROUD,ASSY,RECESSED FRONT DOOR,YELLOW BLAZE	1
EE1	DGN156749-POR6	SHROUD,ASSY,RECESSED FRONT DOOR,ORANGE CRUSH	1
FF1	DGN156749-POR7	SHROUD,ASSY,RECESSED FRONT DOOR,EVOLUTION ORANGE	1
GG1	SCRPPH1103	SCREW,PPH,BLACK ZINC,M4-.7 X 25MM	2
HH1	SCRPPH1153	SCREW, PAN HEAD, TYPE H, M4X0.7 X 20, FT, ISO 7045, CL 4.8, BZ	2
II1	PLS8110080	PLASTICS,FRONT DOOR INSERT,AFP	1

8. Shroud & Fender Assy's

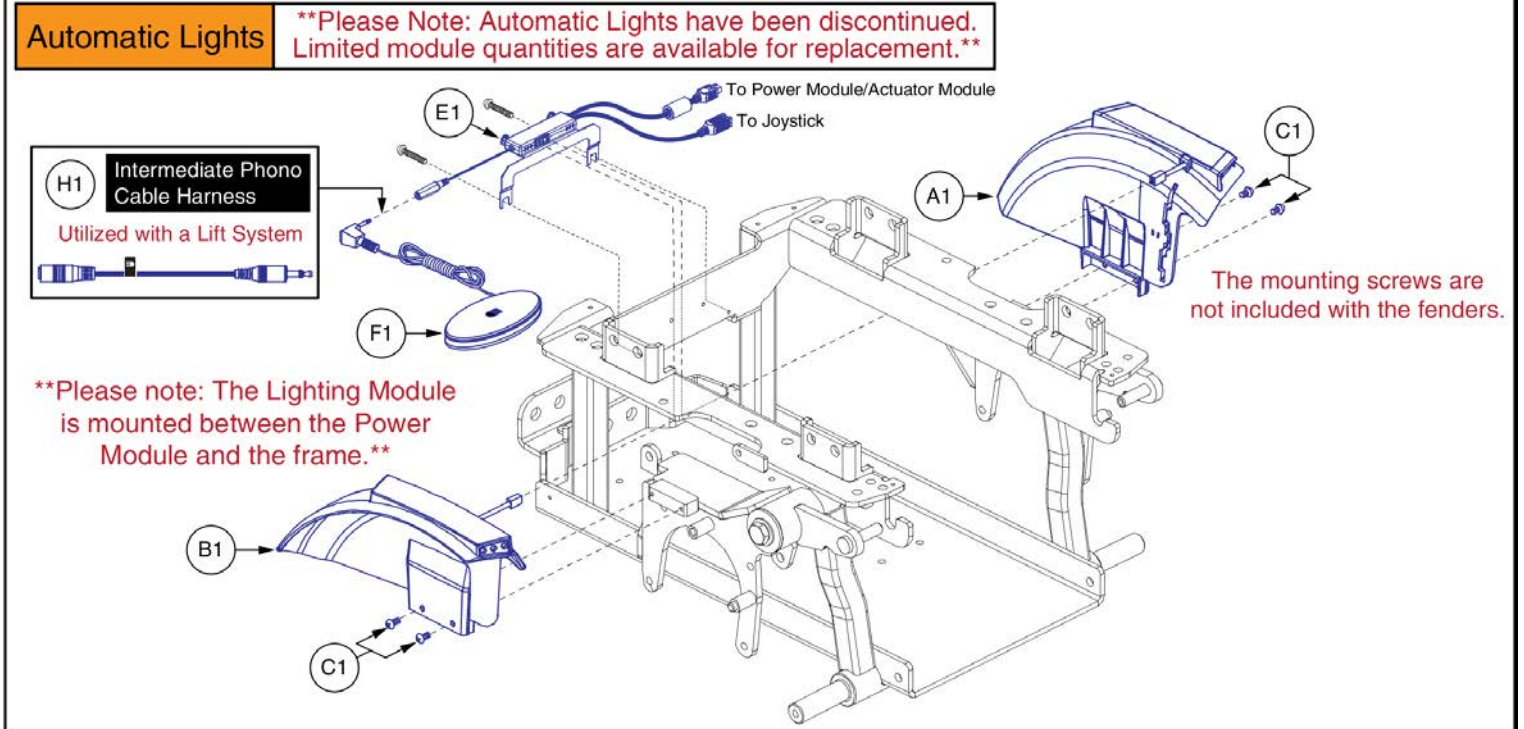
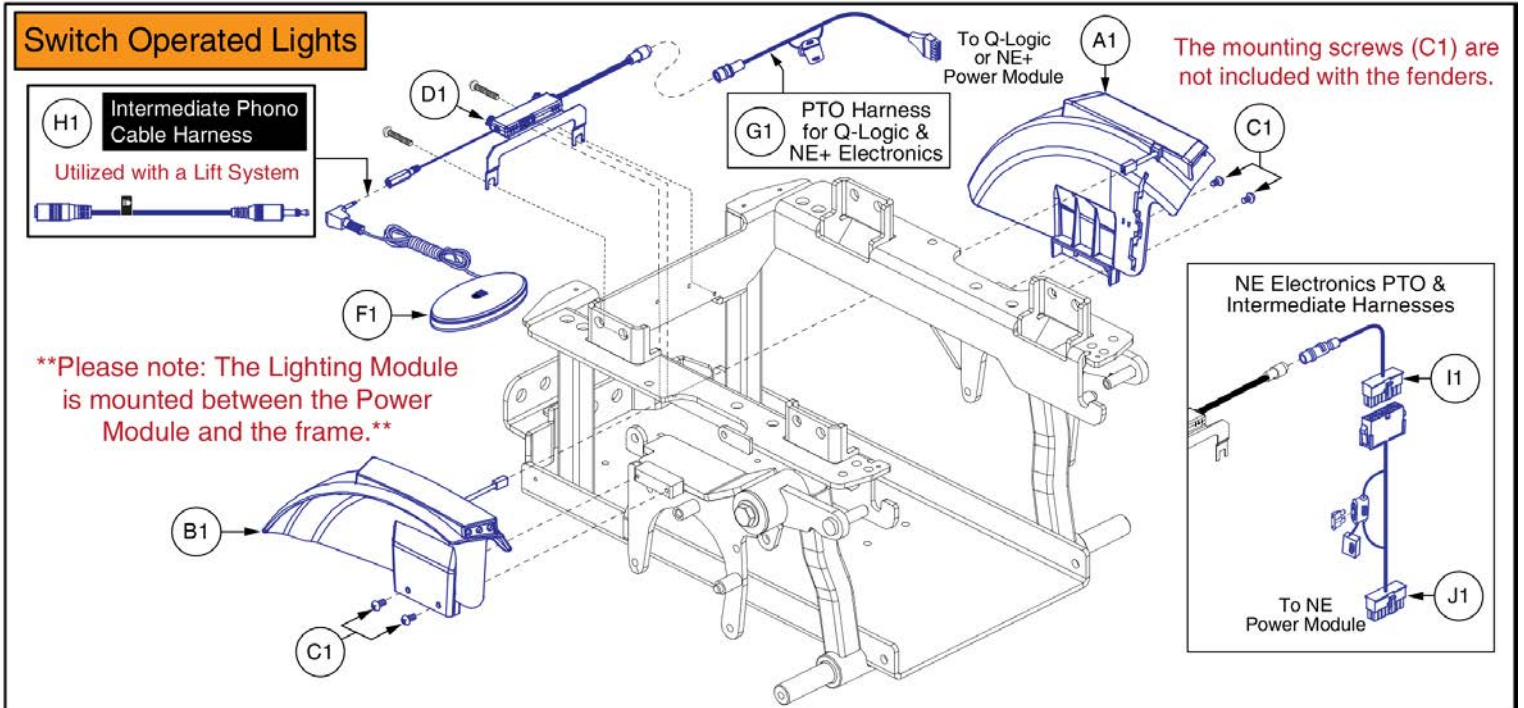


Fender Shrouds without Lights, Q6 Edge HD



Item	Part No.	Name	Qty
A1	DGN155720	LEFT FENDER, ILEVEL	1
A2	DGN155719	RIGHT FENDER, ILEVEL	1
B1	SCRPPH1036	SCREW, PAN HEAD, TYPE H, M4X0.7 X 8, FT, ISO 7045, CL 4.8, BZ	4

8. Shroud & Fender Assy's

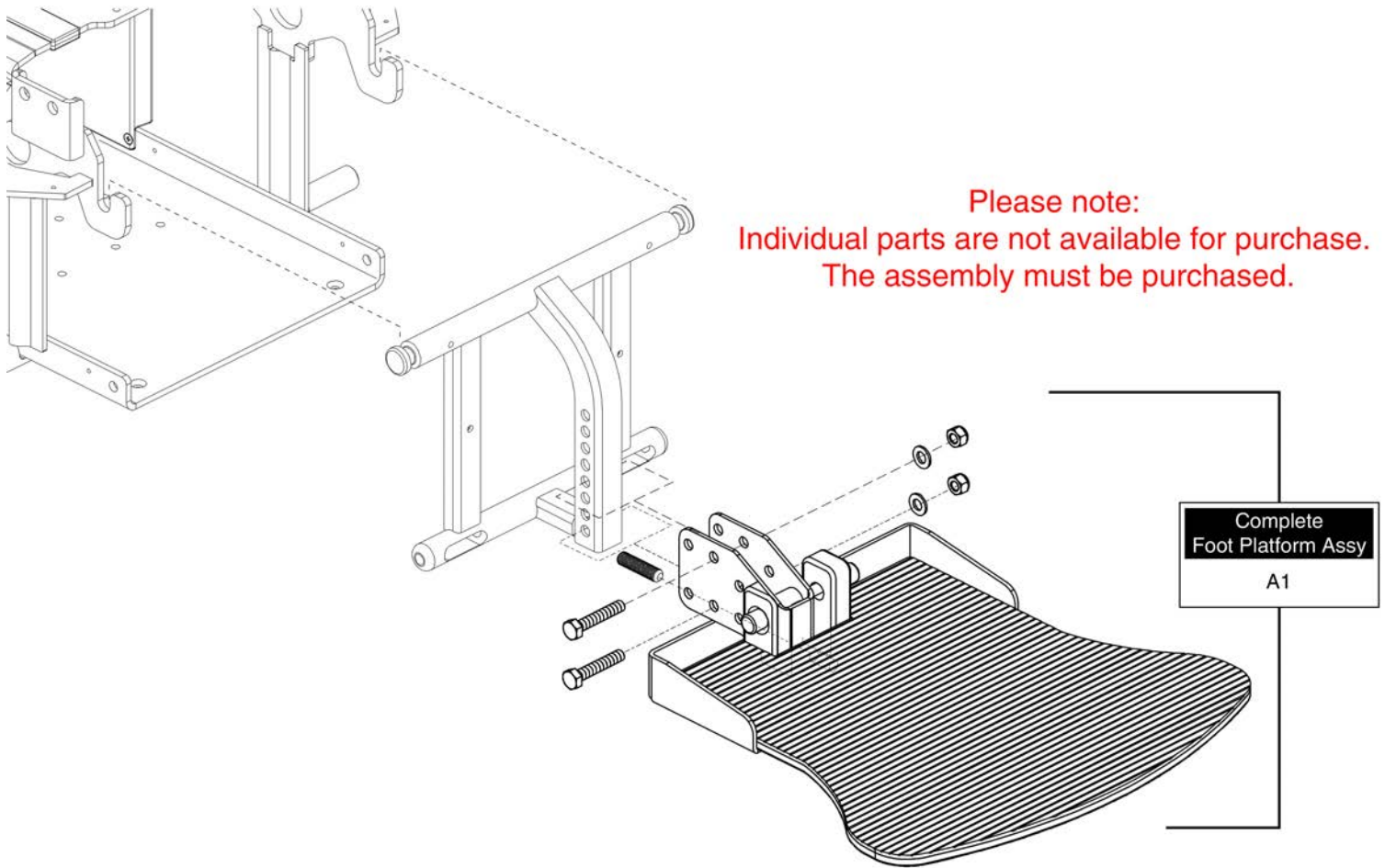


Fender Shrouds with Lights, Q6 Edge HD



Item	Part No.	Name	Qty
A1	DGN153020	DUAL MARKER LIGHT FENDER ASSEM, LEFT	1
B1	DGN152223	DUAL MARKER LIGHT FENDER ASSEM, RIGHT	1
C1	SCRPPH1036	SCREW, PAN HEAD, TYPE H, M4X0.7 X 8, FT, ISO 7045, CL 4.8, BZ	2
D1	MEC154280	FENDER LIGHT MODULE BRACKET ASSEMBLY	1
E1	MEC154352	ELECTRONIC,ASSY,EXPANDABLE HARNESS,W/LIGHT CAPABILITY,FENDER LIGHTS	1
F1	ELE160183	ELECTRONIC,ASSY,SWITCH,BLACK,EGG,W/LIGHT SYMBOL,W/DUAL LOCK	1
G1	DWR1265H021	ELECTRONIC,HARNESS,POWER TAKE OFF(PTO)/INHIBIT,CURTIS,H-1265-021	1
H1	ELE155901	HARNESS,CABLE,PHONO,MALE TO FEMALE,UL2464 22AWG	1
I1	DWR1265H057	ELECTRONIC,HARNESS,PTO ONLY,NE,H-1265-057	1
J1	DWR1265H055	ELECTRONIC,HARNESS,INTERMEDIATE,OFFBOARD CHARGER,NE,H-1265-055	1

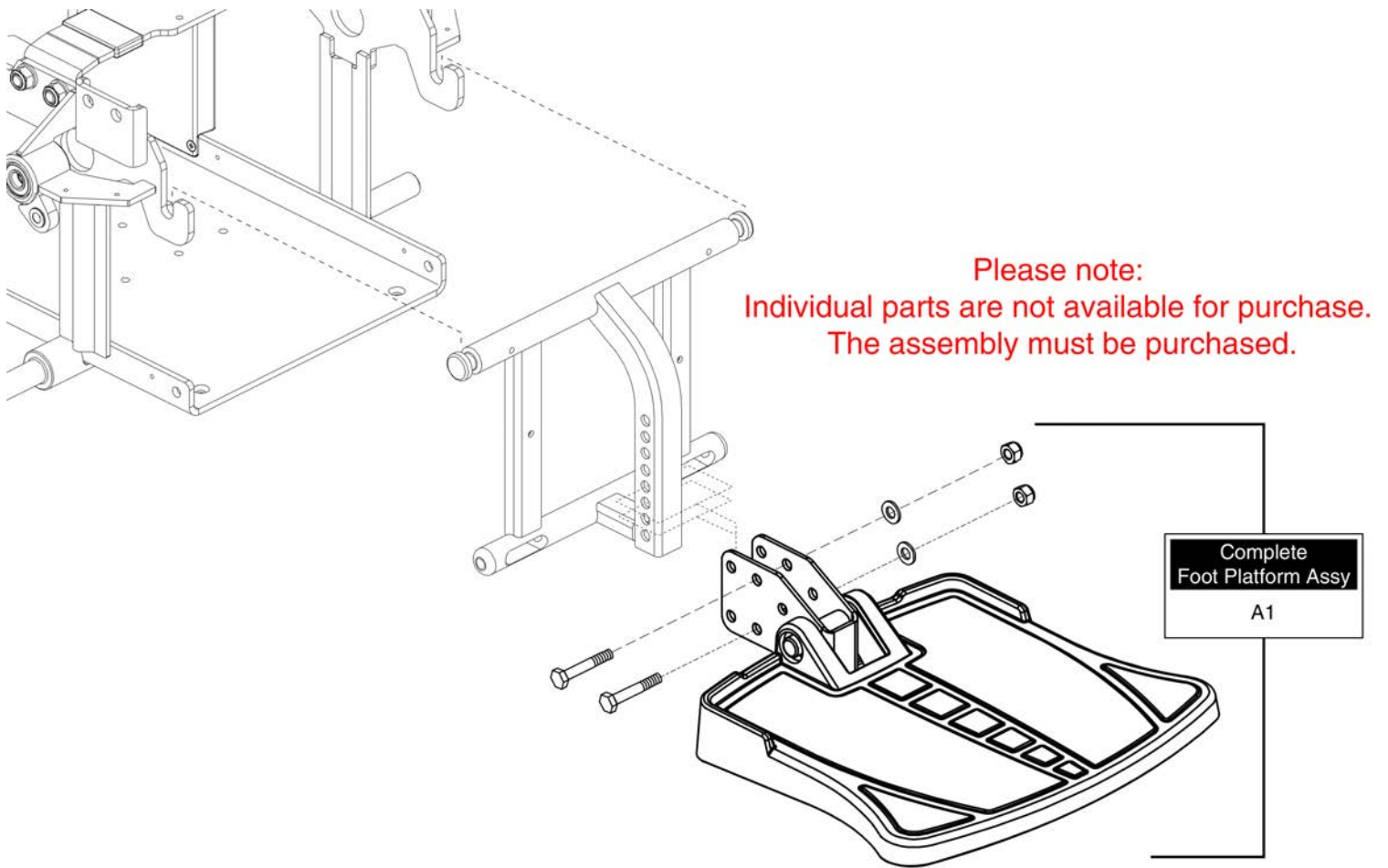
9. Foot Platform Assy's





Item	Part No.	Name	Qty
A1	RIGASMB7120041	FOOT PLATFORM,ASSY,BELL,W/MOUNTING BRACKET,RIGASMB7120041	1

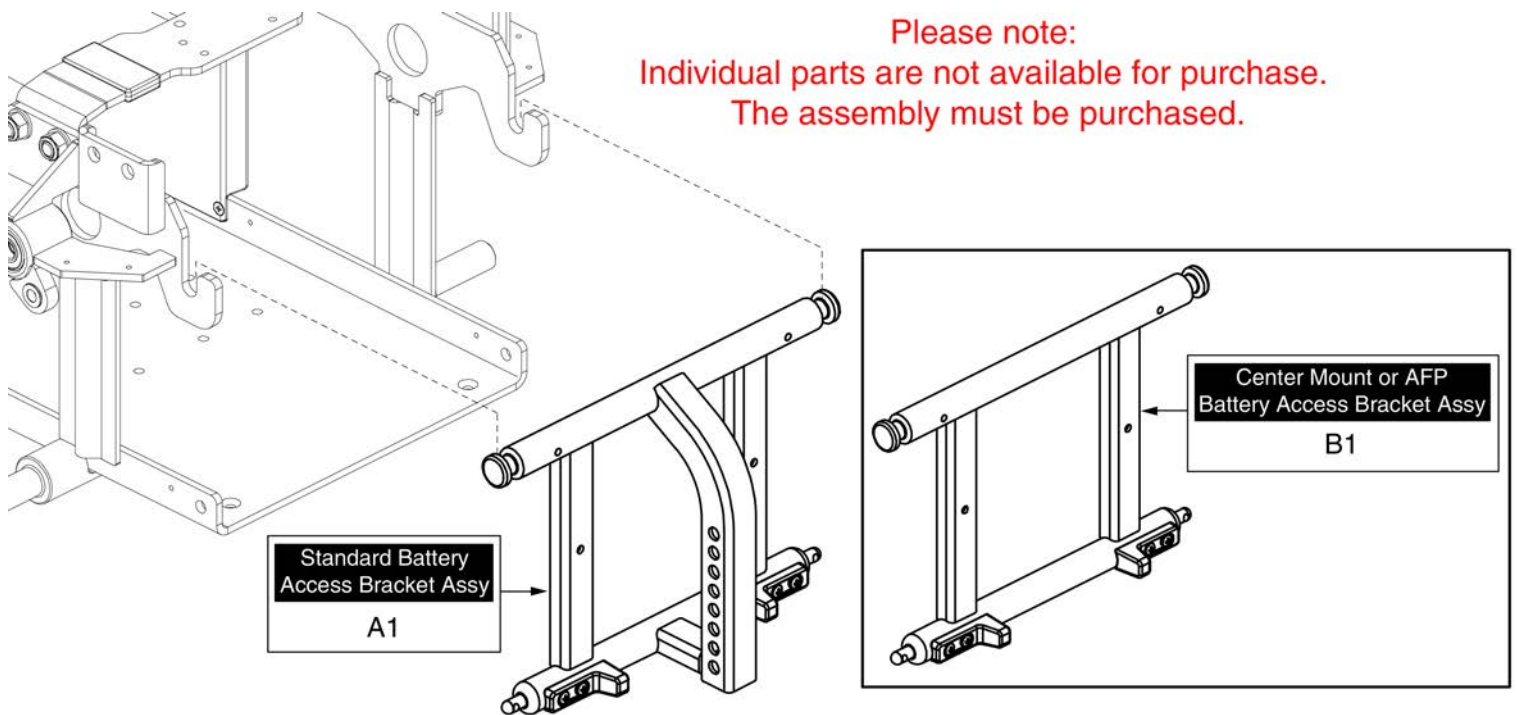
9. Foot Platform Assy's





Item	Part No.	Name	Qty
A1	FRMASMB16077	FOOT PLATFORM,ASSY,W/MOUNTING BRACKET,Q6 EDGE,D-1201-067	1

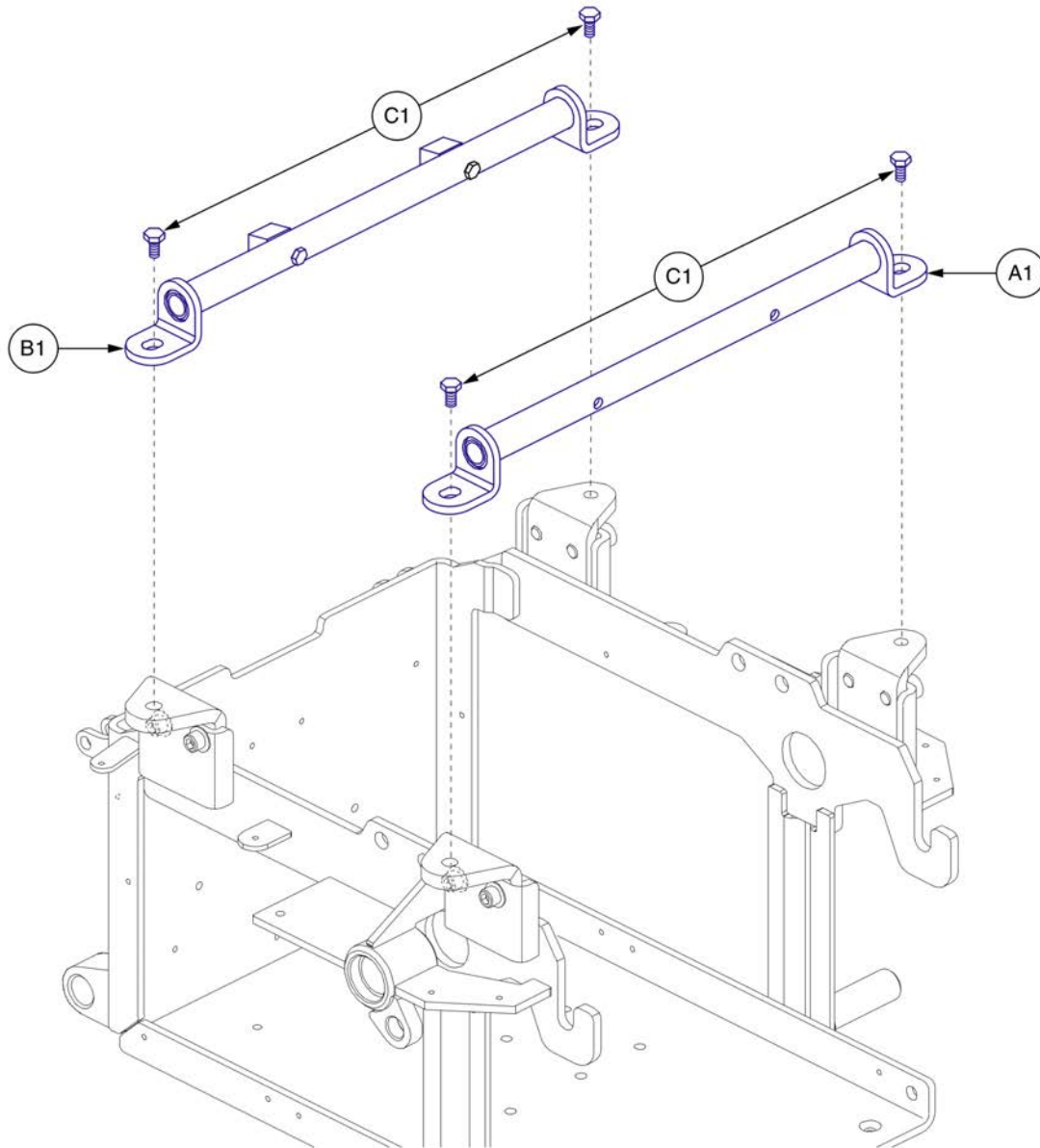
10. Battery Access Brackets





Item	Part No.	Name	Qty
A1	FRMASMB7110032	FRAME,ASSY,FRONT DOOR UPRIGHT,STANDARD	1
B1	FRMASMB7120013	FRAME,ASSY,FRONT DOOR UPRIGHT,FLAT,FRMASMB7120013	1

11. Trapeze Bar Assy



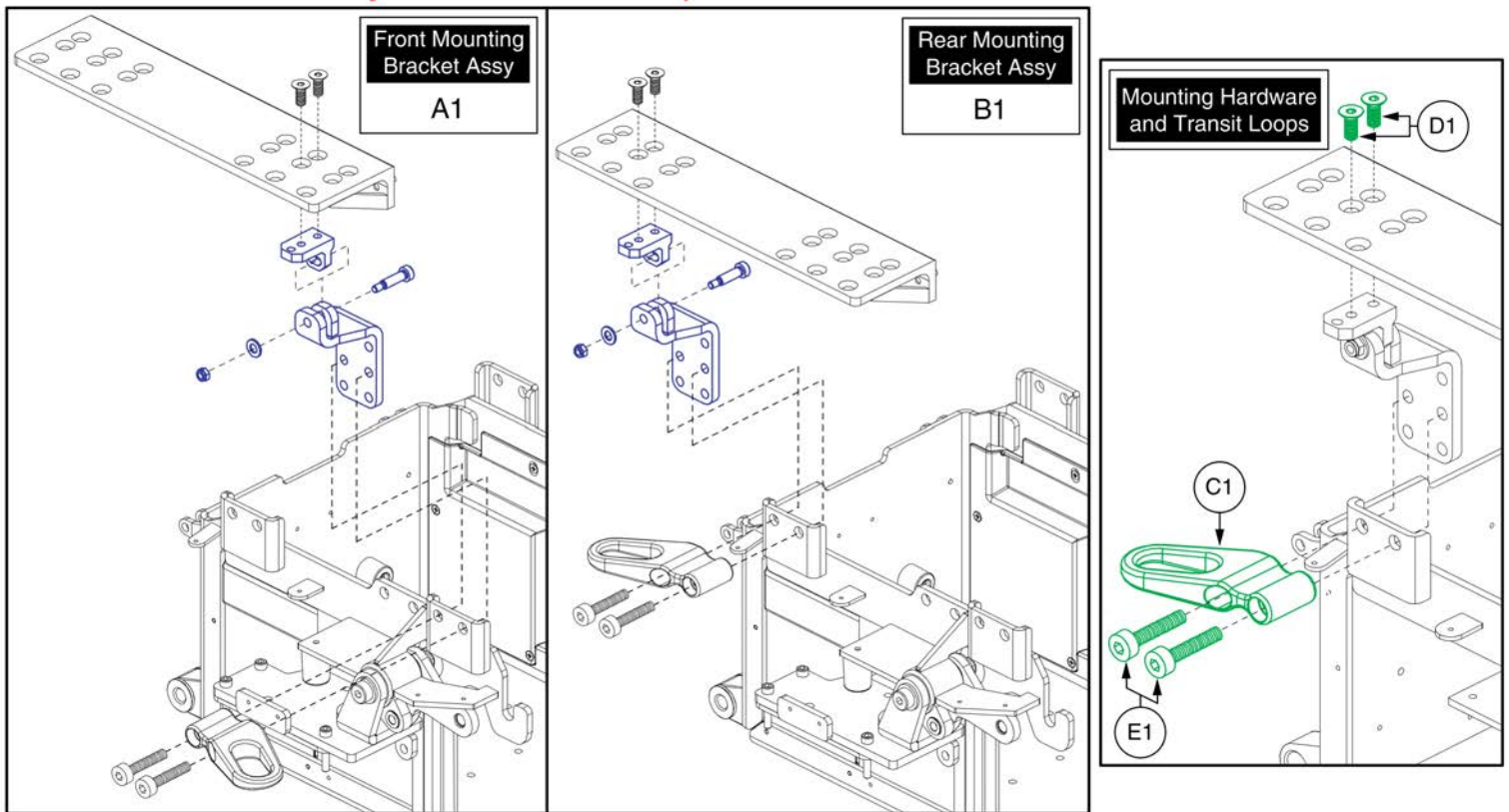
Trapeze Bar, Q6 Edge HD



Item	Part No.	Name	Qty
A1	TWRASMB7120002	SEAT TOWER,ASSY,14.00" CENTERS,FRONT TRAPEZE BAR,METRIC	1
B1	TWRASMB7120003	SEAT TOWER,ASSY,14.00" CENTERS,REAR TRAPEZE BAR,METRIC	1
C1	SCR8120003	SCREW,HHCS,BLACK ZINC,M10-1.5 X 12MM,10.9,W/PATCH	1

12. Seat Tower & Interface Assy's

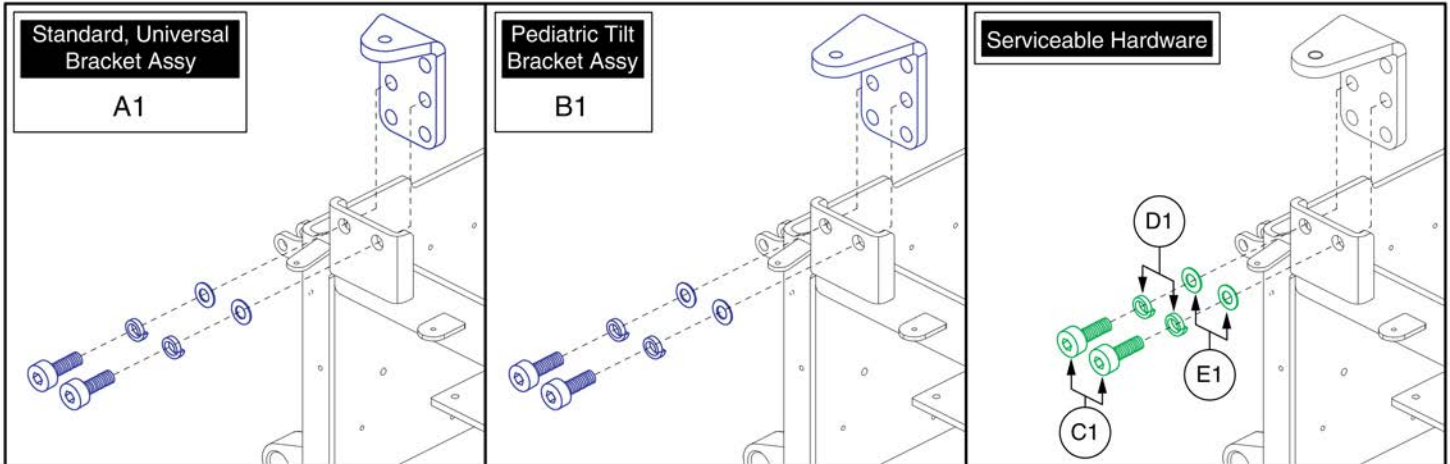
Please note: Only serviceable components are shown.



Item	Part No.	Name	Qty
A1		MOUNTING BRACKET,ASSY,SEAT INTERFACE,HD TILT,FRONT	2
B1		MOUNTING BRACKET,ASSY,SEAT INTERFACE,HD TILT,REAR	2
C1	MEC142133	MOUNTING BRACKET,ASSY,UNIVERSAL TRANSIT SECUREMENT LOOP W/DECALS	4
D1	SCRSHFH1203	SCREW,FLAT HEAD,M8X1.25 X 20,10.9,BZ	8
E1	HDW142810	SCREW, SOCKET HEAD, M10 X 50, ISO 4762, CL 12.9, BZ, PVTP	8

12. Seat Tower & Interface Assy's

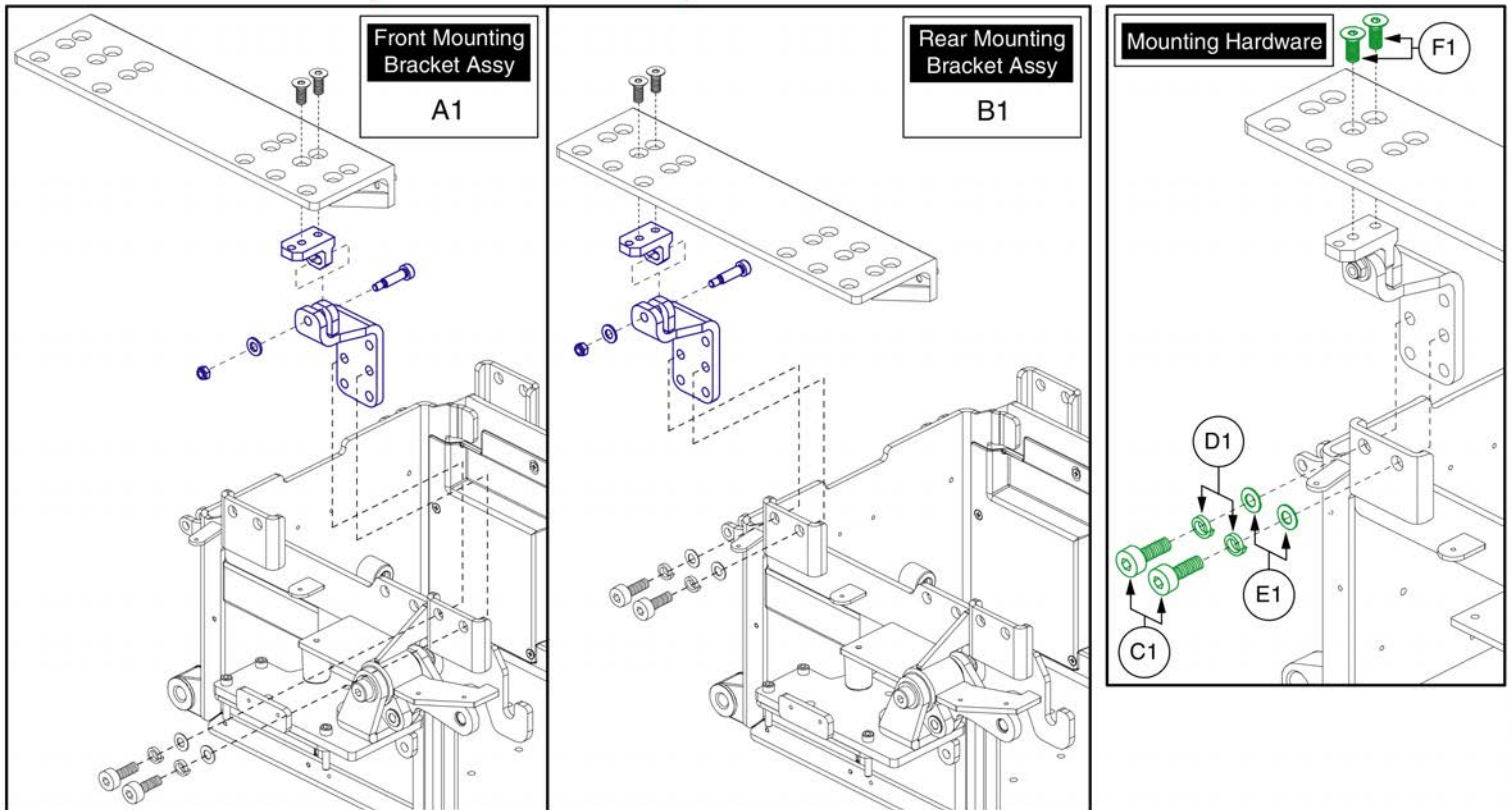
Please note: Only serviceable components are shown.



Item	Part No.	Name	Qty
A1	BRKASMB7110030	SEAT INTERFACE,ASSY,L-BRACKET,UNIVERSAL,METRIC,BRKASMB7110030	1
B1	BRKASMB7120007	SEAT INTERFACE,ASSY,L-BRACKET,PEDIATRIC TILT,METRIC	1
C1	SCR8110003	SCREW, SOCKET HEAD, M10X1.5 X 25, ISO 4762, CL 12.9, BZ, PVTP	2
D1	WASLOCK1094	WASHER, LOCK, 10.7 ID X 18.1 OD X 2.0 THK, DIN 127B, BZ	2
E1	WASMETR1031	WASHER,FLAT,10.5 ID X 20 OD X 2 THK,BZ	2

12. Seat Tower & Interface Assy's

Please note: Only serviceable components are shown.

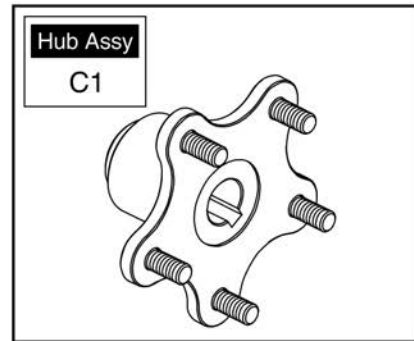
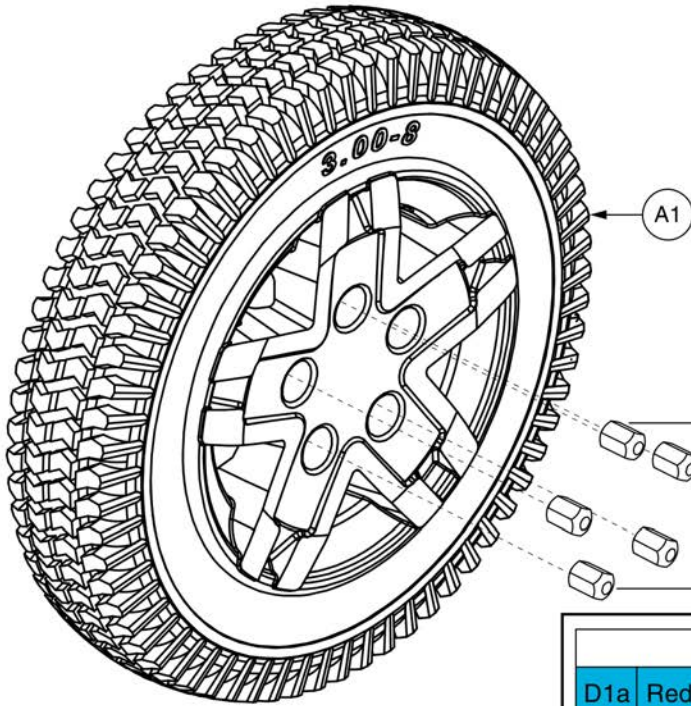


Seat Interface - HD Tilt, Q6 Edge HD



Item	Part No.	Name	Qty
A1		MOUNTING BRACKET,ASSY,SEAT INTERFACE,HD TILT,FRONT	2
B1		MOUNTING BRACKET,ASSY,SEAT INTERFACE,HD TILT,REAR	2
C1	SCR8110003	SCREW, SOCKET HEAD, M10X1.5 X 25, ISO 4762, CL 12.9, BZ, PVTP	2
D1	WASLOCK1094	WASHER, LOCK, 10.7 ID X 18.1 OD X 2.0 THK, DIN 127B, BZ	2
E1	WASMETR1031	WASHER,FLAT,10.5 ID X 20 OD X 2 THK,BZ	2
F1	SCRSHFH1203	SCREW,FLAT HEAD,M8X1.25 X 20,10.9,BZ	2

5-Spoke Drive Wheels



Painted Rim Inserts					
D1a	Red Corvette	D1g	Electric Blue	D1m	White Satin
D1b	Pretty In Pink	D1h	Midnight Blue	D1n	Night Train
D1c	Orange Crush	D1i	Deep Purple	D1o	Carbon Fiber
D1d	Yellow Blaze	D1j	Back In Black	D1p	Digital Camo
D1e	Lime Light	D1k	Grey Street	D1q	Faded Glory
D1f	Military Green	D1l	Silver Bullet		



Item	Part No.	Name	Qty
A1	WHLASMB7120005	WHEEL,ASSY,RUN FLAT,SILVER RIM/CHARCOAL TIRE,14",5 SPOKE,E-1203-052	1
B1	DWR1005B049	NUT,LUG,ZINC,5/16-24,B-1005-049	5
C1	WHLASMB1644	WHEEL,ASSY,HUB,5 SPOKE,W/STUDS,HAMMER MOTORS,B-1059-025	1
D1a	DGN164245-PRD1	DRIVE WHEEL COLOR INSERT, WITH ADHESIVE TAPE, PPW-RED-01 (RED CORVETTE/CANDY APPLE RED)	1
D1b	DGN164245-PPK3	DRIVE WHEEL COLOR INSERT, WITH ADHESIVE TAPE, PPW-PNK-03 (PRETTY IN PINK)	1
D1c	DGN164245-POR6	DRIVE WHEEL COLOR INSERT, WITH ADHESIVE TAPE, PPW-ORN-06 (ORANGE CRUSH)	1
D1d	DGN164245-PYL3	DRIVE WHEEL COLOR INSERT, WITH ADHESIVE TAPE, PPW-YEL-03 (YELLOW BLAZE/ORION YELLOW)	1
D1e	DGN164245-PGN7	DRIVE WHEEL COLOR INSERT, WITH ADHESIVE TAPE, PPW-GRN-07 (LIME LIGHT)	1
D1f	DGN164245-PGN8	DRIVE WHEEL COLOR INSERT, WITH ADHESIVE TAPE, PPW-GRN-08 (MILITARY GREEN)	1
D1g	DGN164245-PBU9	DRIVE WHEEL COLOR INSERT, WITH ADHESIVE TAPE, PPW-BLU-09 (ELECTRIC BLUE/TRUE BLUE)	1
D1h	DGN164245-PBU10	DRIVE WHEEL COLOR INSERT, WITH ADHESIVE TAPE, PPW-BLU-10 (MIDNIGHT BLUE)	1
D1i	DGN164245-PPR5	DRIVE WHEEL COLOR INSERT, WITH ADHESIVE TAPE, PPW-PRP-05 (DEEP PURPLE)	1
D1j	DGN164245-PBK1	DRIVE WHEEL COLOR INSERT, WITH ADHESIVE TAPE, PPW-BLK-01 (BACK IN BLACK/BLACK)	1
D1k	DGN164245-PSL3	DRIVE WHEEL COLOR INSERT, WITH ADHESIVE TAPE, PPW-SIL-03 (GREY STREET)	1
D1l	DGN164245-PSL7	DRIVE WHEEL COLOR INSERT, WITH ADHESIVE TAPE, PPW-SIL-07 (SILVER BULLET)	1
D1m	DGN164245-PWH2	DRIVE WHEEL COLOR INSERT, WITH ADHESIVE TAPE, PPW-WHT-02 (WHITE SATIN)	1
D1n	DGN164245-PBK3	DRIVE WHEEL COLOR INSERT, WITH ADHESIVE TAPE, PPW-BLK-03 (NIGHT TRAIN)	1
D1o	DGN164245-WCB1	DRIVE WHEEL COLOR INSERT, WITH ADHESIVE TAPE, PWT-CBN-01 (CARBON FIBER)	1
D1p	DGN164245-WCM7	DRIVE WHEEL COLOR INSERT, WITH ADHESIVE TAPE, PWT-CMO-07 (MILITARY DIGITAL CAMO)	1
D1q	DGN164245-WFL2	DRIVE WHEEL COLOR INSERT, WITH ADHESIVE TAPE, PWT-FLG-02 (FADED GLORY)	1

5-Spoke Drive Wheels

<p>A1 Complete Tire/Rim Assy</p>	<p>B1 Pneumatic Tire</p>	<p>C1 Pneumatic Tube</p>	<p>E1 Rim Assy</p>																																					
<p>Hub and Lug Nuts</p>	<p>Painted Rim Inserts</p> <table border="1" style="width: 100%; border-collapse: collapse; text-align: center;"> <tr> <td>G1a</td><td>Red Corvette</td> <td>G1g</td><td>Electric Blue</td> <td>G1m</td><td>White Satin</td> </tr> <tr> <td>G1b</td><td>Pretty In Pink</td> <td>G1h</td><td>Midnight Blue</td> <td>G1n</td><td>Night Train</td> </tr> <tr> <td>G1c</td><td>Orange Crush</td> <td>G1i</td><td>Deep Purple</td> <td>G1o</td><td>Carbon Fiber</td> </tr> <tr> <td>G1d</td><td>Yellow Blaze</td> <td>G1j</td><td>Back In Black</td> <td>G1p</td><td>Digital Camo</td> </tr> <tr> <td>G1e</td><td>Lime Light</td> <td>G1k</td><td>Grey Street</td> <td>G1q</td><td>Faded Glory</td> </tr> <tr> <td>G1f</td><td>Military Green</td> <td>G1l</td><td>Silver Bullet</td> <td></td><td></td> </tr> </table>			G1a	Red Corvette	G1g	Electric Blue	G1m	White Satin	G1b	Pretty In Pink	G1h	Midnight Blue	G1n	Night Train	G1c	Orange Crush	G1i	Deep Purple	G1o	Carbon Fiber	G1d	Yellow Blaze	G1j	Back In Black	G1p	Digital Camo	G1e	Lime Light	G1k	Grey Street	G1q	Faded Glory	G1f	Military Green	G1l	Silver Bullet			
G1a	Red Corvette	G1g	Electric Blue	G1m	White Satin																																			
G1b	Pretty In Pink	G1h	Midnight Blue	G1n	Night Train																																			
G1c	Orange Crush	G1i	Deep Purple	G1o	Carbon Fiber																																			
G1d	Yellow Blaze	G1j	Back In Black	G1p	Digital Camo																																			
G1e	Lime Light	G1k	Grey Street	G1q	Faded Glory																																			
G1f	Military Green	G1l	Silver Bullet																																					

Please Note: The Complete Wheel Assemblies do not contain the Hub, Lug Nuts, or the Painted Inserts.

Item	Part No.	Name	Qty
A1	WHLASMB7110045	WHEEL,ASSY,PNEUMATIC,14" X 3" DRIVE,SILVER RIM/CHARCOAL TIRE,E-1203-051	1
B1	TIR8110027	TIRE,PNEUMATIC,CHARCOAL,14" OD,3" W,C-248-5 TREAD	1
C1	TUBSTND1002	TUBE,300-8,ANGLED VALVE W/CAP	1
D1	DWR1005B049	NUT,LUG,ZINC,5/16-24,B-1005-049	5
E1	WHLASMB2095	WHEEL,ASSY,RIM,SILVER,ALUMINUM,8",5 SPOKE,MACHINED FACE	1
F1	WHLASMB1644	WHEEL,ASSY,HUB,5 SPOKE,W/STUDS,HAMMER MOTORS,B-1059-025	1
G1a	DGN164245-PRD1	DRIVE WHEEL COLOR INSERT, WITH ADHESIVE TAPE, PPW-RED-01 (RED CORVETTE/CANDY APPLE RED)	1
G1b	DGN164245-PPK3	DRIVE WHEEL COLOR INSERT, WITH ADHESIVE TAPE, PPW-PNK-03 (PRETTY IN PINK)	1
G1c	DGN164245-POR6	DRIVE WHEEL COLOR INSERT, WITH ADHESIVE TAPE, PPW-ORN-06 (ORANGE CRUSH)	1
G1d	DGN164245-PYL3	DRIVE WHEEL COLOR INSERT, WITH ADHESIVE TAPE, PPW-YEL-03 (YELLOW BLAZE/ORION YELLOW)	1
G1e	DGN164245-PGN7	DRIVE WHEEL COLOR INSERT, WITH ADHESIVE TAPE, PPW-GRN-07 (LIME LIGHT)	1
G1f	DGN164245-PGN8	DRIVE WHEEL COLOR INSERT, WITH ADHESIVE TAPE, PPW-GRN-08 (MILITARY GREEN)	1
G1g	DGN164245-PBU9	DRIVE WHEEL COLOR INSERT, WITH ADHESIVE TAPE, PPW-BLU-09 (ELECTRIC BLUE/TRUE BLUE)	1
G1h	DGN164245-PBU10	DRIVE WHEEL COLOR INSERT, WITH ADHESIVE TAPE, PPW-BLU-10 (MIDNIGHT BLUE)	1
G1i	DGN164245-PPR5	DRIVE WHEEL COLOR INSERT, WITH ADHESIVE TAPE, PPW-PRP-05 (DEEP PURPLE)	1
G1j	DGN164245-PBK1	DRIVE WHEEL COLOR INSERT, WITH ADHESIVE TAPE, PPW-BLK-01 (BACK IN BLACK/BLACK)	1
G1k	DGN164245-PSL3	DRIVE WHEEL COLOR INSERT, WITH ADHESIVE TAPE, PPW-SIL-03 (GREY STREET)	1
G1l	DGN164245-PSL7	DRIVE WHEEL COLOR INSERT, WITH ADHESIVE TAPE, PPW-SIL-07 (SILVER BULLET)	1
G1m	DGN164245-PWH2	DRIVE WHEEL COLOR INSERT, WITH ADHESIVE TAPE, PPW-WHT-02 (WHITE SATIN)	1
G1n	DGN164245-PBK3	DRIVE WHEEL COLOR INSERT, WITH ADHESIVE TAPE, PPW-BLK-03 (NIGHT TRAIN)	1
G1o	DGN164245-WCB1	DRIVE WHEEL COLOR INSERT, WITH ADHESIVE TAPE, PWT-CBN-01 (CARBON FIBER)	1
G1p	DGN164245-WCM7	DRIVE WHEEL COLOR INSERT, WITH ADHESIVE TAPE, PWT-CMO-07 (MILITARY DIGITAL CAMO)	1
G1q	DGN164245-WFL2	DRIVE WHEEL COLOR INSERT, WITH ADHESIVE TAPE, PWT-FLG-02 (FADED GLORY)	1

5-Spoke Drive Wheels

A1 Complete Tire/Rim Assy

B1 Flat-free Tire

C1 Rim Assy

Hub and Lug Nuts

E1

Lug Nuts
D1 x5

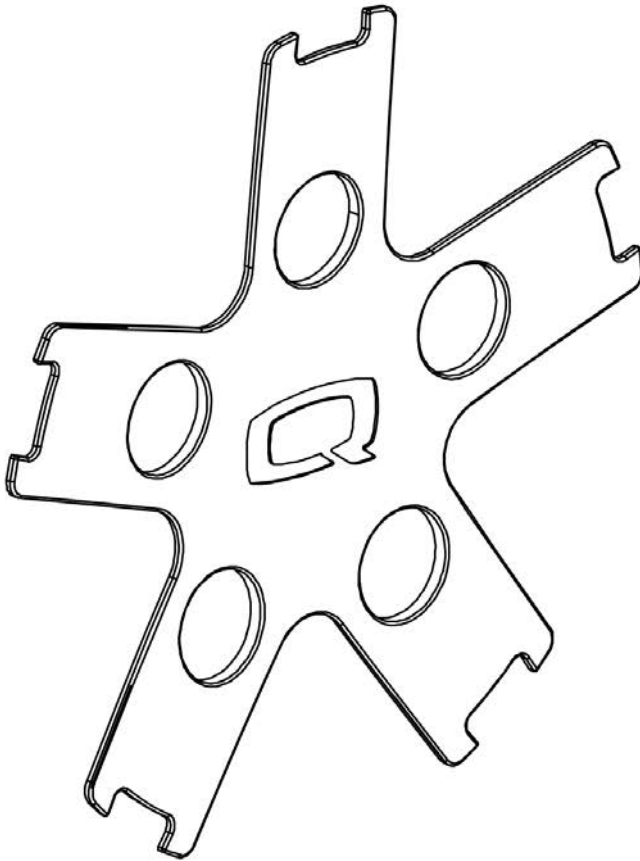
Painted Rim Inserts

F1a	Red Corvette	F1g	Electric Blue	F1m	White Satin
F1b	Pretty In Pink	F1h	Midnight Blue	F1n	Night Train
F1c	Orange Crush	F1i	Deep Purple	F1o	Carbon Fiber
F1d	Yellow Blaze	F1j	Back In Black	F1p	Digital Camo
F1e	Lime Light	F1k	Grey Street	F1q	Faded Glory
F1f	Military Green	F1l	Silver Bullet		

Please Note: The Complete Wheel Assemblies do not contain the Hub, Lug Nuts, or the Painted Inserts.

Item	Part No.	Name	Qty
A1	WHLASMB7110043	WHEEL,ASSY,FLAT FREE,14" X 3" DRIVE,SILVER RIM/CHARCOAL TIRE,E-1203-043	1
B1	TIR8110025	TIRE,FLAT FREE,CHARCOAL,14" OD,3" W,C-248 POWERTRAX TREAD,(GALLOP: 5508018 YT57)	1
C1	WHLASMB2095	WHEEL,ASSY,RIM,SILVER,ALUMINUM,8",5 SPOKE,MACHINED FACE	1
D1	DWR1005B049	NUT,LUG,ZINC,5/16-24,B-1005-049	5
E1	WHLASMB1644	WHEEL,ASSY,HUB,5 SPOKE,W/STUDS,HAMMER MOTORS,B-1059-025	1
F1a	DGN164245-PRD1	DRIVE WHEEL COLOR INSERT, WITH ADHESIVE TAPE, PPW-RED-01 (RED CORVETTE/CANDY APPLE RED)	1
F1b	DGN164245-PPK3	DRIVE WHEEL COLOR INSERT, WITH ADHESIVE TAPE, PPW-PNK-03 (PRETTY IN PINK)	1
F1c	DGN164245-POR6	DRIVE WHEEL COLOR INSERT, WITH ADHESIVE TAPE, PPW-ORN-06 (ORANGE CRUSH)	1
F1d	DGN164245-PYL3	DRIVE WHEEL COLOR INSERT, WITH ADHESIVE TAPE, PPW-YEL-03 (YELLOW BLAZE/ORION YELLOW)	1
F1e	DGN164245-PGN7	DRIVE WHEEL COLOR INSERT, WITH ADHESIVE TAPE, PPW-GRN-07 (LIME LIGHT)	1
F1f	DGN164245-PGN8	DRIVE WHEEL COLOR INSERT, WITH ADHESIVE TAPE, PPW-GRN-08 (MILITARY GREEN)	1
F1g	DGN164245-PBU9	DRIVE WHEEL COLOR INSERT, WITH ADHESIVE TAPE, PPW-BLU-09 (ELECTRIC BLUE/TRUE BLUE)	1
F1h	DGN164245-PBU10	DRIVE WHEEL COLOR INSERT, WITH ADHESIVE TAPE, PPW-BLU-10 (MIDNIGHT BLUE)	1
F1i	DGN164245-PPR5	DRIVE WHEEL COLOR INSERT, WITH ADHESIVE TAPE, PPW-PRP-05 (DEEP PURPLE)	1
F1j	DGN164245-PBK1	DRIVE WHEEL COLOR INSERT, WITH ADHESIVE TAPE, PPW-BLK-01 (BACK IN BLACK/BLACK)	1
F1k	DGN164245-PSL3	DRIVE WHEEL COLOR INSERT, WITH ADHESIVE TAPE, PPW-SIL-03 (GREY STREET)	1
F1l	DGN164245-PSL7	DRIVE WHEEL COLOR INSERT, WITH ADHESIVE TAPE, PPW-SIL-07 (SILVER BULLET)	1
F1m	DGN164245-PWH2	DRIVE WHEEL COLOR INSERT, WITH ADHESIVE TAPE, PPW-WHT-02 (WHITE SATIN)	1
F1n	DGN164245-PBK3	DRIVE WHEEL COLOR INSERT, WITH ADHESIVE TAPE, PPW-BLK-03 (NIGHT TRAIN)	1
F1o	DGN164245-WCB1	DRIVE WHEEL COLOR INSERT, WITH ADHESIVE TAPE, PWT-CBN-01 (CARBON FIBER)	1
F1p	DGN164245-WCM7	DRIVE WHEEL COLOR INSERT, WITH ADHESIVE TAPE, PWT-CMO-07 (MILITARY DIGITAL CAMO)	1
F1q	DGN164245-WFL2	DRIVE WHEEL COLOR INSERT, WITH ADHESIVE TAPE, PWT-FLG-02 (FADED GLORY)	1

5-Spoke Drive Wheels



****Note:** The inserts contain all of the adhesive mounting fasteners.**

Painted Wheel Inserts			
Ref#	Color Name	Part Suffix	Color Code
A1	Back in Black	PBK1	PPW-BLK-01
B1	Night Train	PBK3	PPW-BLK-03
C1	Grey Street	PSL3	PPW-SIL-03
D1	Silver Bullet	PSL7	PPW-SIL-07
E1	White Satin	PWT2	PPW-WHT-02
F1	Red Corvette	PRD1	PPW-RED-01
G1	Cherry Bomb	PRD4	PPW-RED-04
H1	Pretty in Pink	PPK3	PPW-PNK-03
I1	Raspberry Beret	PPK4	PPW-PNK-04
J1	Sugar Plum	PPR7	PPW-PRP-07
K1	Deep Purple	PPR5	PPW-PRP-05
L1	Midnight Blue	PBU10	PPW-BLU-10
M1	Electric Blue	PBU9	PPW-BLU-09
N1	Blue Jean	PBU11	PPW-BLU-11
O1	Green Machine	PGN11	PPW-GRN-11
P1	Military Green	PGN8	PPW-GRN-08
Q1	Lime Light	PGN7	PPW-GRN-07
R1	Yellow Blaze	PYL3	PPW-YEL-03
S1	Lemon Crush	PYL4	PPW-YEL-04
T1	Orange Crush	POR6	PPW-ORN-06
U1	Evolution Orange	POR7	PPW-ORN-07
V1	Carbon Fiber	WCB1	PWT-CBN-01
W1	Digital Camo	WCM7	PWT-CMO-07
X1	Faded Glory	WFL2	PWT-FLG-02

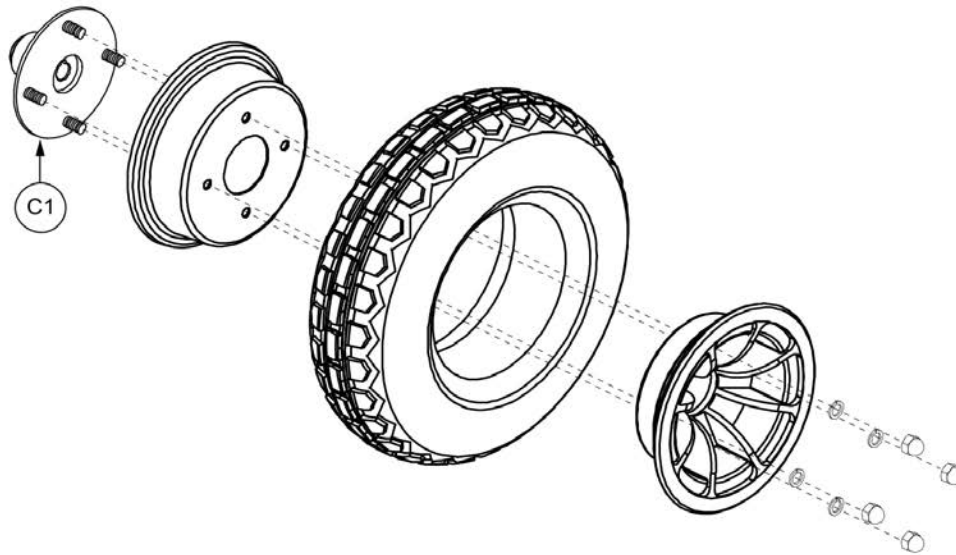
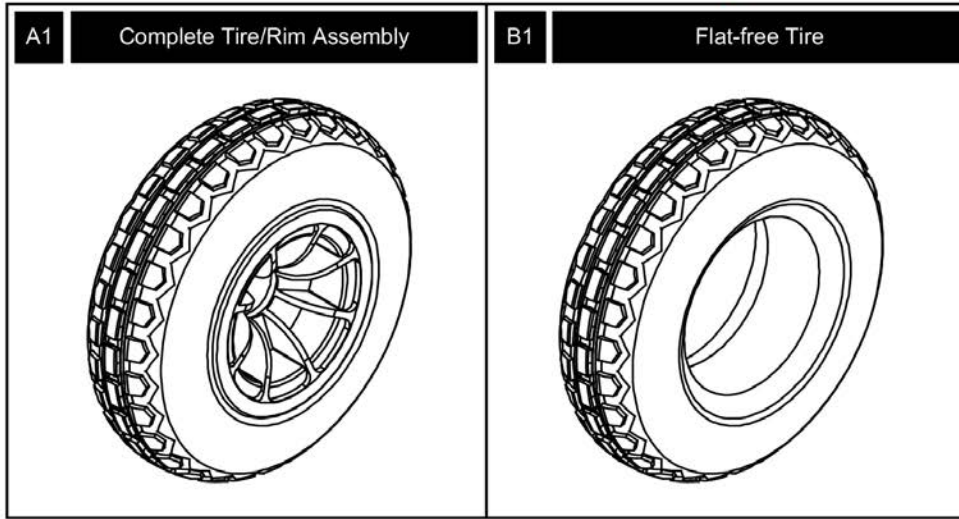
Painted Wheel Inserts



Item	Part No.	Name	Qty
A1	DGN164245-PBK1	DRIVE WHEEL COLOR INSERT, WITH ADHESIVE TAPE, PPW-BLK-01 (BACK IN BLACK/BLACK)	1
B1	DGN164245-PBK3	DRIVE WHEEL COLOR INSERT, WITH ADHESIVE TAPE, PPW-BLK-03 (NIGHT TRAIN)	1
C1	DGN164245-PSL3	DRIVE WHEEL COLOR INSERT, WITH ADHESIVE TAPE, PPW-SIL-03 (GREY STREET)	1
D1	DGN164245-PSL7	DRIVE WHEEL COLOR INSERT, WITH ADHESIVE TAPE, PPW-SIL-07 (SILVER BULLET)	1
E1	DGN164245-PWH2	DRIVE WHEEL COLOR INSERT, WITH ADHESIVE TAPE, PPW-WHT-02 (WHITE SATIN)	1
F1	DGN164245-PRD1	DRIVE WHEEL COLOR INSERT, WITH ADHESIVE TAPE, PPW-RED-01 (RED CORVETTE/CANDY APPLE RED)	1
G1	DGN164245-PRD4	DRIVE WHEEL COLOR INSERT, WITH ADHESIVE TAPE, PPW-RED-04(CHERRY BOMB)	1
H1	DGN164245-PPK3	DRIVE WHEEL COLOR INSERT, WITH ADHESIVE TAPE, PPW-PNK-03 (PRETTY IN PINK)	1
I1	DGN164245-PPK4	DRIVE WHEEL COLOR INSERT, WITH ADHESIVE TAPE, PPW-PNK-04(RASPBERRY BERET)	1
J1	DGN164245-PPR7	DRIVE WHEEL COLOR INSERT, WITH ADHESIVE TAPE, PPW-PRP-07(SUGAR PLUM)	1
K1	DGN164245-PPR5	DRIVE WHEEL COLOR INSERT, WITH ADHESIVE TAPE, PPW-PRP-05 (DEEP PURPLE)	1
L1	DGN164245-PBU10	DRIVE WHEEL COLOR INSERT, WITH ADHESIVE TAPE, PPW-BLU-10 (MIDNIGHT BLUE)	1
M1	DGN164245-PBU9	DRIVE WHEEL COLOR INSERT, WITH ADHESIVE TAPE, PPW-BLU-09 (ELECTRIC BLUE/TRUE BLUE)	1
N1	DGN164245-PBU11	DRIVE WHEEL COLOR INSERT, WITH ADHESIVE TAPE, PPW-BLU-11(BLUE JEAN)	1
O1	DGN164245-PGN11	DRIVE WHEEL COLOR INSERT, WITH ADHESIVE TAPE, PPW-GRN-11(GREEN MACHINE)	1
P1	DGN164245-PGN8	DRIVE WHEEL COLOR INSERT, WITH ADHESIVE TAPE, PPW-GRN-08 (MILITARY GREEN)	1
Q1	DGN164245-PGN7	DRIVE WHEEL COLOR INSERT, WITH ADHESIVE TAPE, PPW-GRN-07 (LIME LIGHT)	1
R1	DGN164245-PYL3	DRIVE WHEEL COLOR INSERT, WITH ADHESIVE TAPE, PPW-YEL-03 (YELLOW BLAZE/ORION YELLOW)	1
S1	DGN164245-PYL4	DRIVE WHEEL COLOR INSERT, WITH ADHESIVE TAPE, PPW-YEL-04(LEMON CRUSH)	1
T1	DGN164245-POR6	DRIVE WHEEL COLOR INSERT, WITH ADHESIVE TAPE, PPW-ORN-06 (ORANGE CRUSH)	1
U1	DGN164245-POR7	DRIVE WHEEL COLOR INSERT, WITH ADHESIVE TAPE, PPW-ORN-07(EVOLUTION ORANGE)	1
V1	DGN164245-WCB1	DRIVE WHEEL COLOR INSERT, WITH ADHESIVE TAPE, PWT-CBN-01 (CARBON FIBER)	1
W1	DGN164245-WCM7	DRIVE WHEEL COLOR INSERT, WITH ADHESIVE TAPE, PWT-CMO-07 (MILITARY DIGITAL CAMO)	1
X1	DGN164245-WFL2	DRIVE WHEEL COLOR INSERT, WITH ADHESIVE TAPE, PWT-FLG-02 (FADED GLORY)	1

4-Spoke Drive Wheels ("Knobby" Tires)

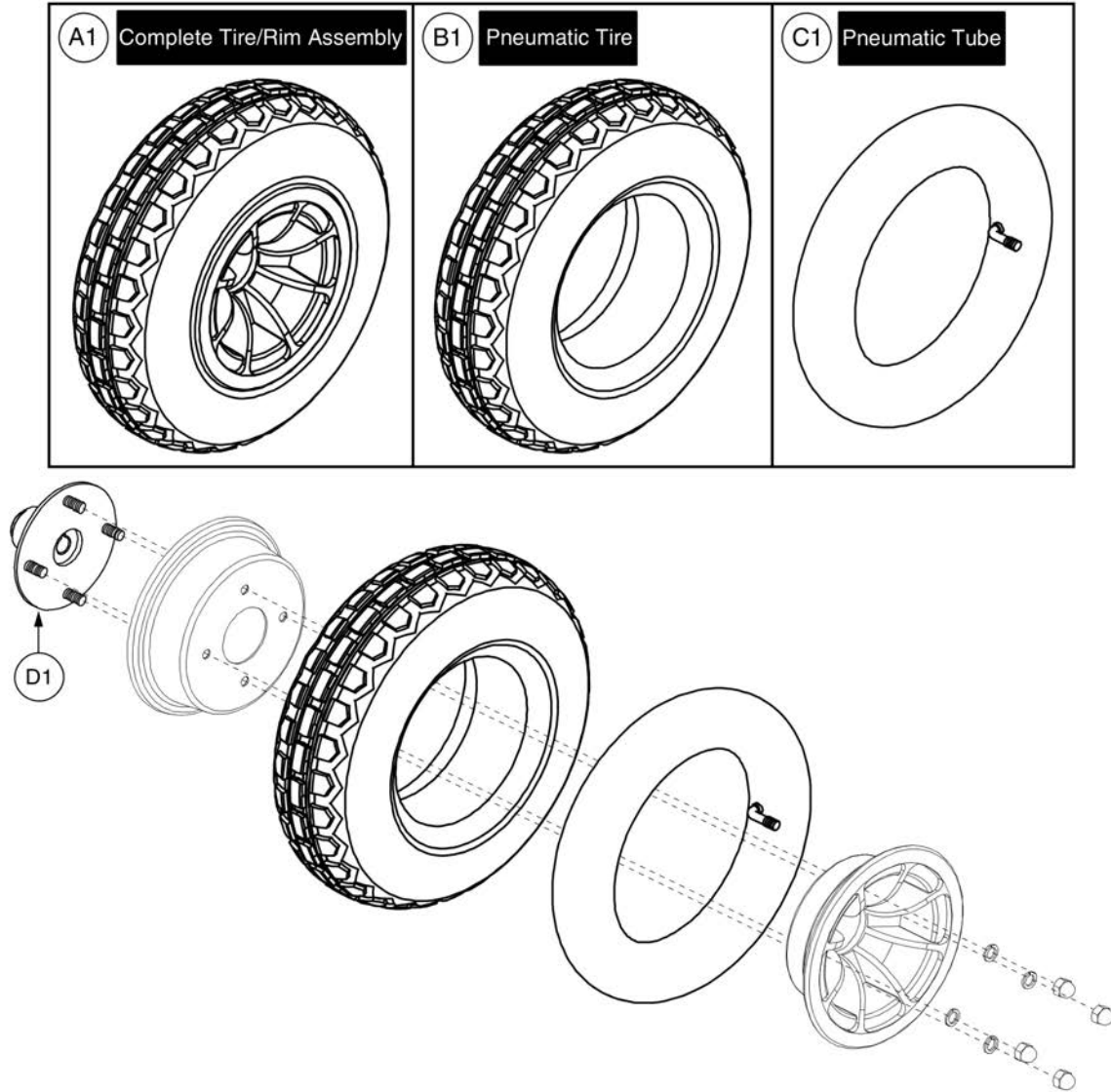
Please note: Rims and hardware are included in the top-level assemblies and are not available individually.



Item	Part No.	Name	Qty
A1	WHL121698	WHEEL,ASSY,FLAT-FREE,BLACK RIM/CHARCOAL TIRE,14" X 4",4 SPOKE,KNOBBY TREAD,W/HAMMER HUB & LUGNUTS, C1203-028	1
B1	TIR8110020	TIRE,FLAT FREE,CHARCOAL,14" OD,4" W",C166 KNOBBY TREAD,(GALLOP: 114292)	1
C1	WHLASMB2149	WHEEL,ASSY,HUB,4 SPOKE,W/STUDS,HAMMER MOTORS,C-1203-027	1

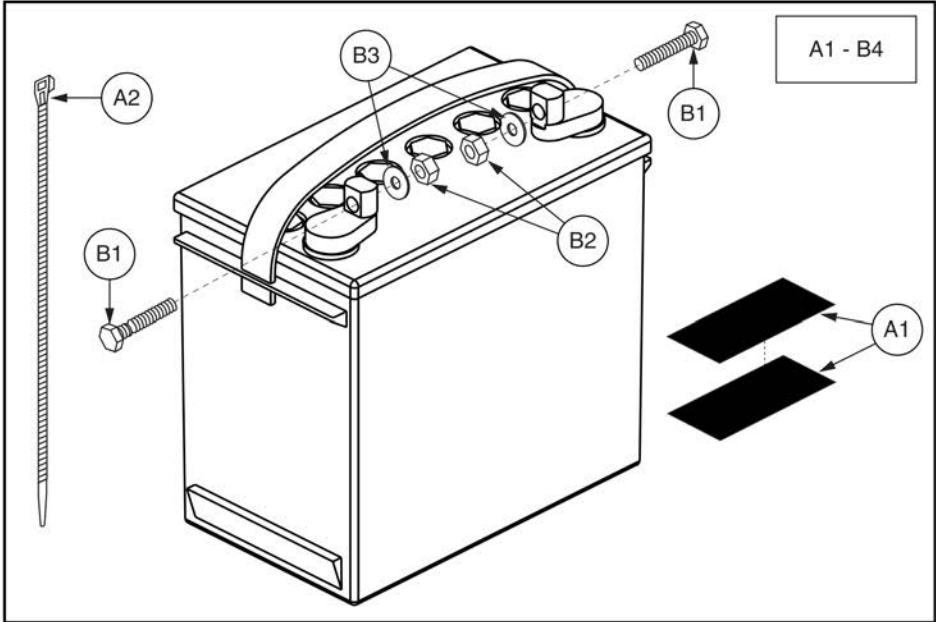
4-Spoke Drive Wheels ("Knobby" Tires)

Please note: Rims and hardware are included in the top-level assemblies and are not available individually.



Item	Part No.	Name	Qty
A1	WHL121703	WHEEL,ASSY,PNEUMATIC,BLACK RIM/CHARCOAL TIRE,14" X 4",4 SPOKE,KNOBBY TREAD,W/HAMMER HUB & LUGNUTS,C-1203-029	1
B1	TIR8110018	TIRE,PNEUMATIC,CHARCOAL,14" OD,4" W,C166 KNOBBY TREAD,(GALLOP: RP265087)	1
C1	TUBSTND1043	TIRE,TUBE,4.00-6,90 DEGREE VALVE STEM,(TAG: 163265)	1
D1	WHLASMB2149	WHEEL,ASSY,HUB,4 SPOKE,W/STUDS,HAMMER MOTORS,C-1203-027	1

14. Batteries

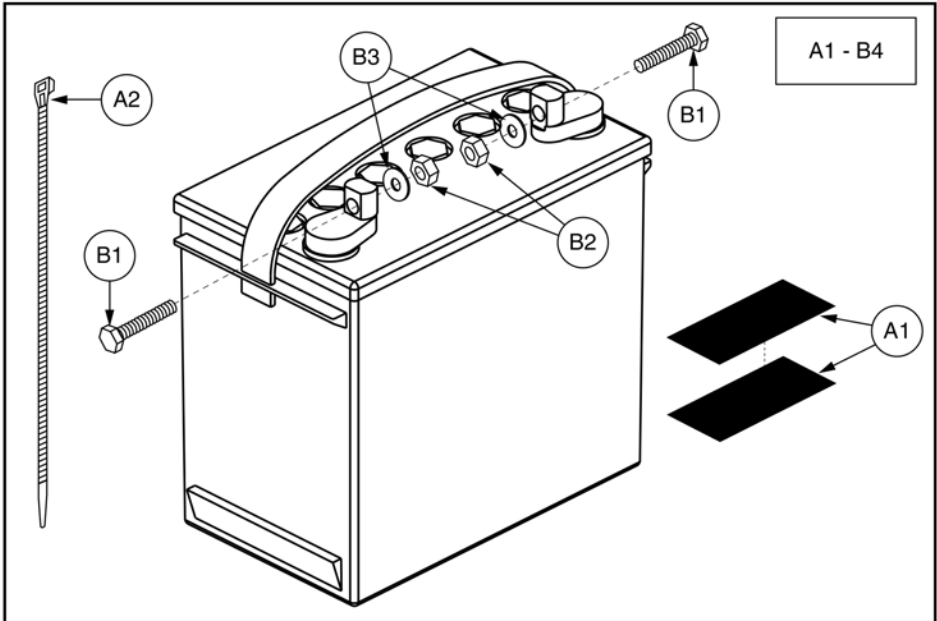


Group 24 Battery, MK



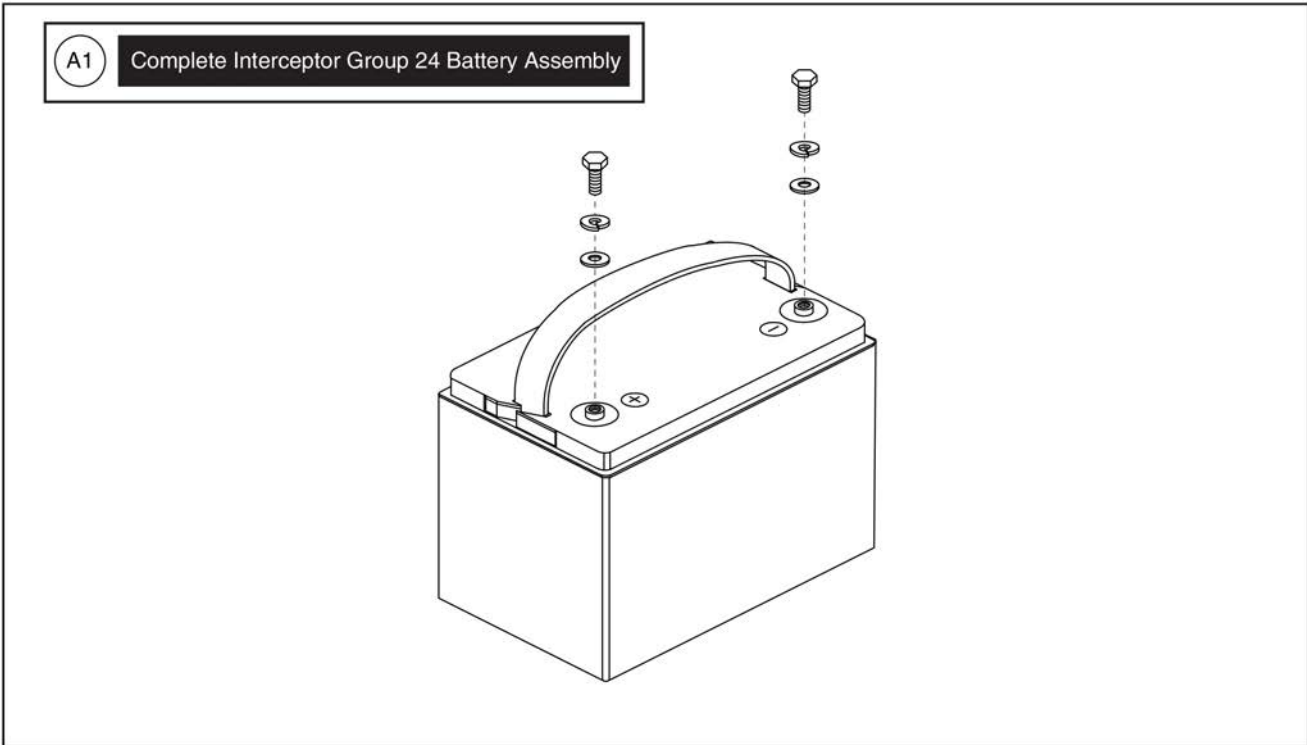
Item	Part No.	Name	Qty
A1 - B4		BATTERY,ASSY,GEL,GROUP 24,MK BATTERY,W/VELCRO & CABLE TIES	1
A1	HDW124834	REUSABLE FASTENER,HOOK & LOOP,BLACK,4" X 7",W/ADHESIVE BACK,#0115,B STOUT,SET	1
A2	PLSTIE1011	CABLE TIE,NYLON,48"L,HEAVY DUTY	1
B1 - B4	BATGEL1009	BATTERY,GEL,GROUP 24,H-1000-138,(MK BATTERY: M24 SLDG)	1
B1	SCRHHCS1668	SCREW,HHCS,STAINLESS STEEL,5/16-18 X 1.00"	2
B2	NUTSTD1020	NUT,HEX,STAINLESS STEEL,5/16-18	2
B3	WASLOCK1093	WASHER,LOCK,STAINLESS STEEL,0.3125" ID X 0.500" OD X 0.125"TH	2
B4		DECAL,BATTERY & BATTERY CHARGER MANUFACTURER,L-1235-817	1

14. Batteries



Item	Part No.	Name	Qty
A1 - B4		BATTERY,ASSY,GEL,GROUP 24,W/VELCRO & CABLE TIES	1
A1	HDW124834	REUSABLE FASTENER,HOOK & LOOP,BLACK,4" X 7",W/ADHESIVE BACK,#0115,B STOUT,SET	1
A2	PLSTIE1011	CABLE TIE,NYLON,48"L,HEAVY DUTY	1
B1 - B4	BATGEL1004	BATTERY,GEL,GROUP 24,H-1000-138	1
B1	SCRHHCS1668	SCREW,HHCS,STAINLESS STEEL,5/16-18 X 1.00"	2
B2	NUTSTD1020	NUT,HEX,STAINLESS STEEL,5/16-18	2
B3	WASLOCK1093	WASHER,LOCK,STAINLESS STEEL,0.3125" ID X 0.500" OD X 0.125"TH	2
B4		DECAL,BATTERY & BATTERY CHARGER MANUFACTURER,L-1235-817	1

14. Batteries

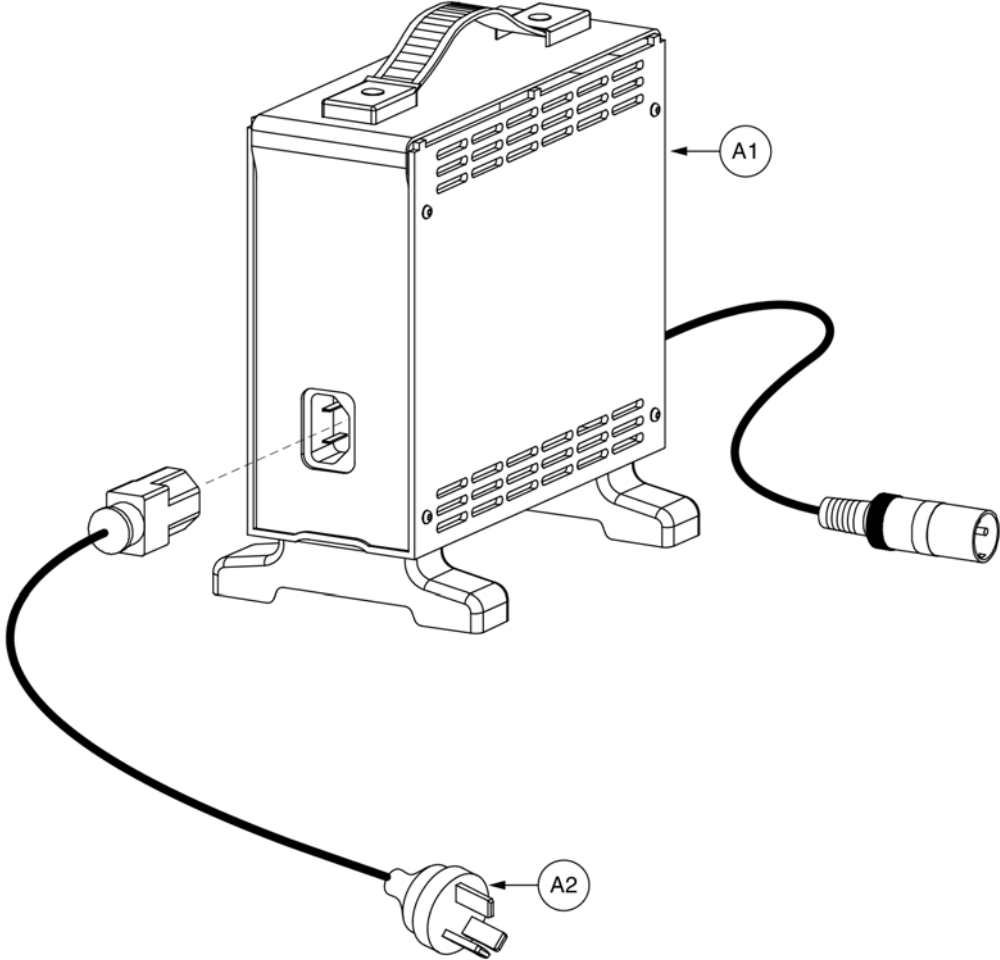


Group 24 Battery, Interceptor



Item	Part No.	Name	Qty
A1	BAT1704614-P	BATTERY,PACKAGED,INTERCEPTOR,GEL,70AH/3HR,GROUP 24,(YAHENG: 6-EVF-70)	1

15. Off-board Charger

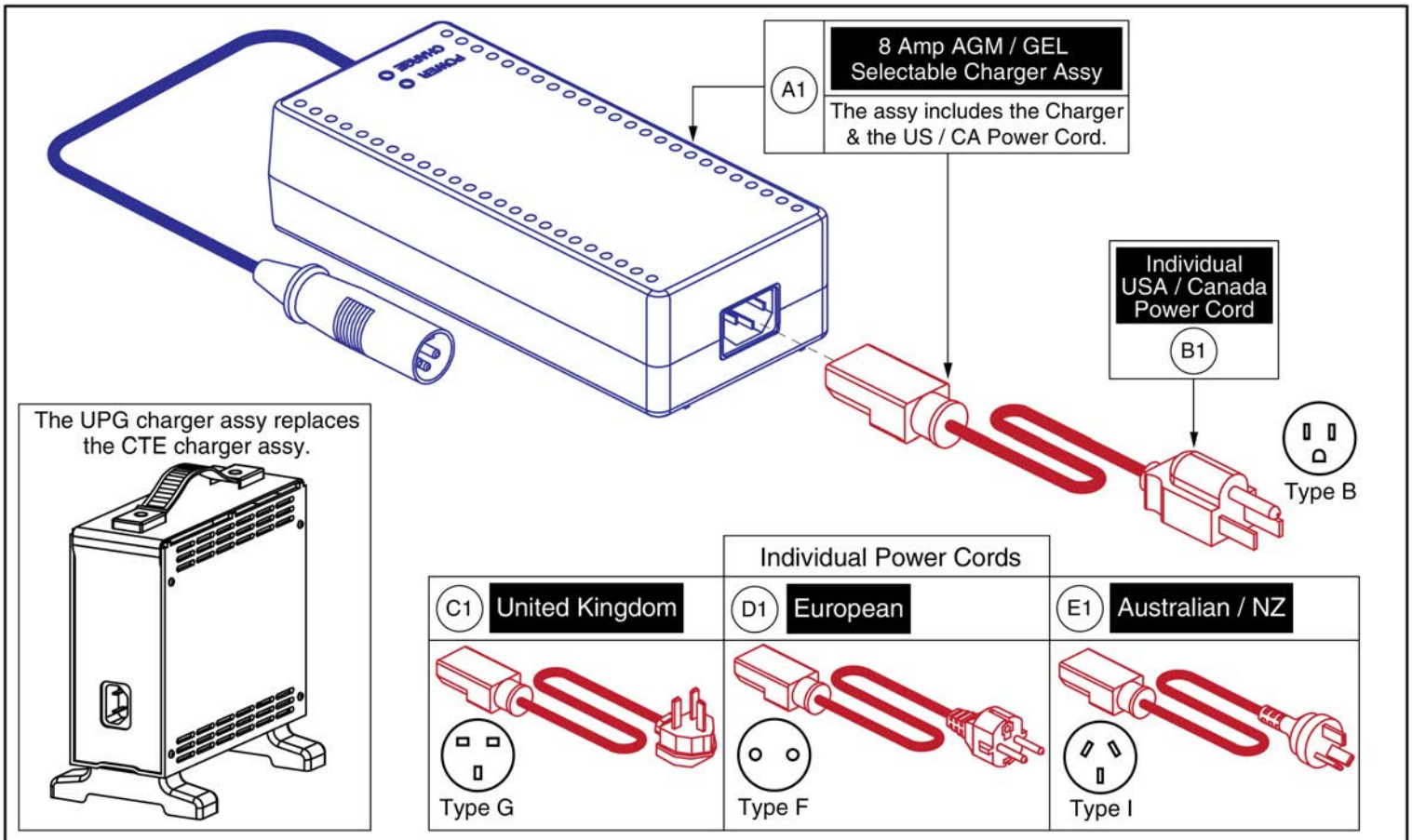


8 amp CTE Charger, Australia



Item	Part No.	Name	Qty
A1 - A3	ELEASMB5672	CHARGER,ASSY,OFFBOARD,LOW INHIBIT,110V-230V,8AMP,W/AUSTRALIA POWERCORD	1
A1		CHARGER,OFFBOARD,LOW INHIBIT,110V-230V,8AMP,H-1000-192,(CTE: CK84215000)	1
A2	DWR1000H174	ELECTRONIC,HARNES,AC POWER CORD,INSULATED BLADES,AUSTRALIA,H-1000-174	1
A3	DWR1235L520	DECAL,CAUTION,EXTENSION CORD/GROUNDING PRONG,L-1235-520	1

15. Off-board Charger



8 Amp UPG Charger Assy, AGM / GEL Selectable



Item	Part No.	Name	Qty
A1	ELE1803440	CHARGER, OFFBOARD, LOW INHIBIT, AC 100V-240V, DC 28.6-29.6V @8A, AGM/GEL SELECTABLE, WITH USA CORDSET	1
B1	HARUSHD1065	ELECTRONIC,HARNESS,POWER CORD,IEC - USA,H-1000-128	1
C1	HARUSHD2041	ELECTRONIC,HARNESS, POWER CORD,AC W/UK PLUG,H-1020-049	1
D1	HARUSHD2160	ELECTRONIC,HARNESS,POWER CORD,IEC - EUROPE PLUG	1
E1	DWR1000H174	ELECTRONIC,HARNESS,AC POWER CORD,INSULATED BLADES,AUSTRALIA,H-1000-174	1

16.1. Swing-away, Version 3

Complete Swing-away Mount w/ Hardware				Please Note:	
Ref	Part Number	Mounting Hardware	Seating Type	- The complete assemblies A1 thru F1 include the swing-away joystick mount and the applicable joystick mounting hardware. - The contoured seat assemblies also include the armrest adapter K1. * PG Drives does NOT include Remote Plus. Contact Technical Service for more information.	
A1	ACC1908434	Q-Logic	Rehab		
B1	ACC1908435	Q-Logic	Contoured		
C1	ACC1908437	NE/NE+	Rehab		
D1	ACC1908438	NE/NE+	Contoured		
E1	ACC1908439	PG Drives*	Rehab		
F1	ACC1908440	PG Drives*	Contoured		

Mounting Hardware		
<p>NE / NE+</p> <p>G1</p> <p>H1 x4</p>	<p>Q-Logic</p> <p>I1 x4</p>	<p>Contoured Seat Armrest Adapter</p> <p>K1</p>
<p>PG Drives</p> <p>J1 x2</p> <p>*Does not include Remote Plus Joysticks</p>		

Swing-away Joystick Mount

Not available individually. The complete assembly with hardware must be selected.

Adjustments

Height and Home Position Adjustments

Height Adjustment

Home Position Adjustment

Offset Height Position

Offset Home Position

Notes:

- Loosen the appropriate screws to adjust the height or home position of the swing-away joystick mount.
- Each pivot can be adjusted independently in 15 Degree increments to allow for a wide range of positions and angles.
- The "Home" position refers to the orientation the joystick & mount rest while the chair is in use and the mount is not performing the swing-away action.

Swing-away Force Adjustment and Belt Tightening

Three set screws allow for adjustments to be made to the swing-away force and belt tension of the joystick mount. See notes on right for further details.

Belt Set Screw

Controller Set Screw

Bottom Set Screw

Set Screw:	Notes:
<p>Controller</p>	- Used to adjust the force needed to swing the joystick mount away. Force range depends on where the Bottom Set Screw is positioned.
<p>Bottom</p>	- Used to set the force range of the Controller Set Screw . Removed sets the range from 3 to 6lbs. Inserted sets the range from 5 to 8lbs.
<p>Belt</p>	- Used to adjust the internal belt tension. Turn inward 1/4 turn if the controller does not maintain the set orientation when swinging away or if the controller spins. - Note: This ONLY needs to be adjusted if the belt is loose and should be performed rarely.

Item	Part No.	Name	Qty
A1	ACC1908434	JOYSTICK MOUNTING BRACKET,ASSY,SWING AWAY,Q-LOGIC	1
B1	ACC1908435	JOYSTICK MOUNTING BRACKET,ASSY,SWING AWAY,Q-LOGIC CONTOURED SEAT	1
C1	ACC1908437	JOYSTICK MOUNTING BRACKET,ASSY,SWING AWAY,NE / NE PLUS	1
D1	ACC1908438	JOYSTICK MOUNTING BRACKET,ASSY,SWING AWAY,NE / NE PLUS CONTOURED SEAT	1
E1	ACC1908439	JOYSTICK MOUNTING BRACKET,ASSY,SWING AWAY,VSI / VR2 / GC3 / R-NET	1
F1	ACC1908440	JOYSTICK MOUNTING BRACKET,ASSY,SWING AWAY,VSI / VR2 / GC3 / R-NET CONTOURED SEAT	1
G1	DWR1111C002	SPACER,CURTIS NE/NE PLUS MOUNT BRACKET,C-1111-002	2
H1	SCRPPH1384	SCREW,PPH,BLACK ZINC,M5-.8 X 20MM	4
I1	SCRPPH1279	SCREW,PPH,BLACK ZINC CHROMATE,M5-.8 X 16MM	4
J1	SCRPPH1384	SCREW,PPH,BLACK ZINC,M5-.8 X 20MM	2
K1	MEC146133	ARMREST ADAPTER ASSEMBLY	1

16.2. Version 2. Swing-away/Multi-axis Joystick Brackets

Rehab Seating

Ref	Part Number	Bracket Type	Joystick Type	Side	Ref	Part Number	Bracket Type	Joystick Type	Side
A1	ACC142525	In-line SWA	Q-Logic	Right	N1	ACC142747	Offset SWA	NE/NE+	Left
B1	ACC142524	In-line SWA	Q-Logic	Left	O1	ACC142750	Offset SWA	PG Drives	Right
C1	ACC142527	In-line SWA	NE/NE+	Right	P1	ACC142749	Offset SWA	PG Drives	Left
D1	ACC142526	In-line SWA	NE/NE+	Left	Q1	ACC142752	Offset SWA	Shark	Right
E1	ACC142530	In-line SWA	PG Drives	Right	R1	ACC142751	Offset SWA	Shark	Left
F1	ACC142529	In-line SWA	PG Drives	Left	S1	ACC142746	Offset SWA	Standalone	Right
G1	ACC142533	In-line SWA	Shark	Right	T1	ACC142745	Offset SWA	Standalone	Left
H1	ACC142532	In-line SWA	Shark	Left	U1	ACC131216	Multi-Axis	Q-Logic	R/L
I1	ACC142739	In-line SWA	Standalone	Right	V1	ACC142528	Multi-Axis	NE/NE+	R/L
J1	ACC142738	In-line SWA	Standalone	Left	W1	ACC142531	Multi-Axis	PG Drives	R/L
K1	ACC142743	Offset SWA	Q-Logic	Right	X1	ACC142534	Multi-Axis	Shark	R/L
L1	ACC142742	Offset SWA	Q-Logic	Left	Y1	ACC142740	Multi-Axis	Standalone	R/L
M1	ACC142748	Offset SWA	NE/NE+	Right					

PG Drives does not include Remote Plus Joysticks

Item	Part No.	Name	Qty
A1	ACC142525	JOYSTICK MOUNT,ASSY,SWING AWAY,INLINE,RIGHT,Q-LOGIC 2	1
B1	ACC142524	JOYSTICK MOUNTING BRACKET,ASSY,SWING AWAY,INLINE,LEFT,Q-LOGIC 2	1
C1	ACC142527	JOYSTICK MOUNT,ASSY,SWING AWAY,INLINE,RIGHT,NE/NE PLUS	1
D1	ACC142526	JOYSTICK MOUNT,ASSY,SWING AWAY,INLINE,LEFT,NE/NE PLUS	1
E1	ACC142530	JOYSTICK MOUNT,ASSY,SWING AWAY,INLINE,RIGHT,PG DRIVES	1
F1	ACC142529	JOYSTICK MOUNT,ASSY,SWING AWAY,INLINE,LEFT,PG DRIVES	1
G1	ACC142533	JOYSTICK MOUNT,ASSY,SWING AWAY,INLINE,RIGHT,SHARK	1
H1	ACC142532	JOYSTICK MOUNT,ASSY,SWING AWAY,INLINE,LEFT,SHARK	1
I1	ACC142739	JOYSTICK MOUNT,ASSY,SWING AWAY,INLINE,RIGHT,STANDALONE	1
J1	ACC142738	JOYSTICK MOUNT,ASSY,SWING AWAY,INLINE,LEFT,STANDALONE	1
K1	ACC142743	JOYSTICK MOUNT,ASSY,SWING AWAY,OFFSET,RIGHT,Q-LOGIC	1
L1	ACC142742	JOYSTICK MOUNT,ASSY,SWING AWAY,OFFSET,LEFT,Q-LOGIC	1
M1	ACC142748	JOYSTICK MOUNT,ASSY,SWING AWAY,OFFSET,RIGHT,NE/NE PLUS	1
N1	ACC142747	JOYSTICK MOUNT,ASSY,SWING AWAY,OFFSET,LEFT,NE/NE PLUS	1
O1	ACC142750	JOYSTICK MOUNT,ASSY,SWING AWAY,OFFSET,RIGHT,PG DRIVES	1
P1	ACC142749	JOYSTICK MOUNT,ASSY,SWING AWAY,OFFSET,LEFT,PG DRIVES	1
Q1	ACC142752	JOYSTICK MOUNT,ASSY,SWING AWAY,OFFSET,RIGHT,SHARK	1
R1	ACC142751	JOYSTICK MOUNT,ASSY,SWING AWAY,OFFSET,LEFT,SHARK	1
S1	ACC142746	JOYSTICK MOUNT,ASSY,SWING AWAY,OFFSET,RIGHT,STANDALONE	1
T1	ACC142745	JOYSTICK MOUNT,ASSY,SWING AWAY,OFFSET,LEFT,STANDALONE	1
U1	ACC131216	JOYSTICK MOUNT,ASSY,MULTI-AXIS,Q-LOGIC	1
V1	ACC142528	JOYSTICK MOUNT,ASSY,MULTI-AXIS,NE/NE PLUS	1
W1	ACC142531	JOYSTICK MOUNT,ASSY,MULTI-AXIS,PG DRIVES	1
X1	ACC142534	JOYSTICK MOUNT,ASSY,MULTI-AXIS,SHARK	1
Y1	ACC142740	JOYSTICK MOUNT,ASSY,MULTI-AXIS,STANDALONE	1

16.2. Version 2. Swing-away/Multi-axis Joystick Brackets

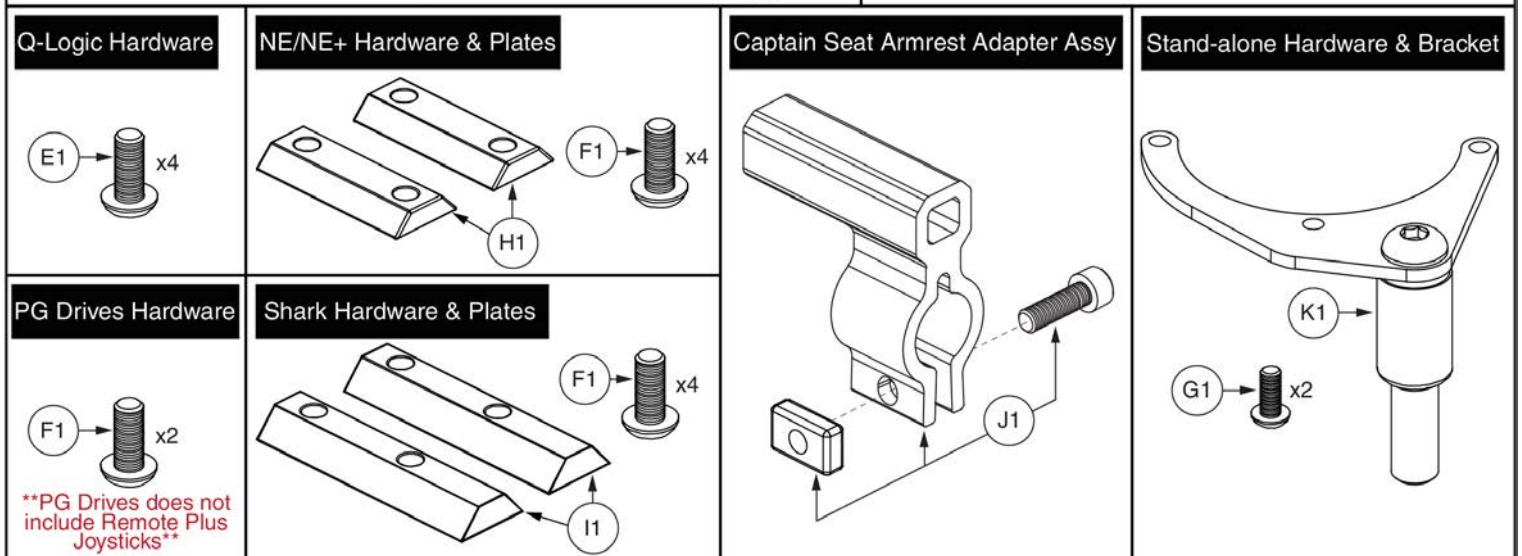
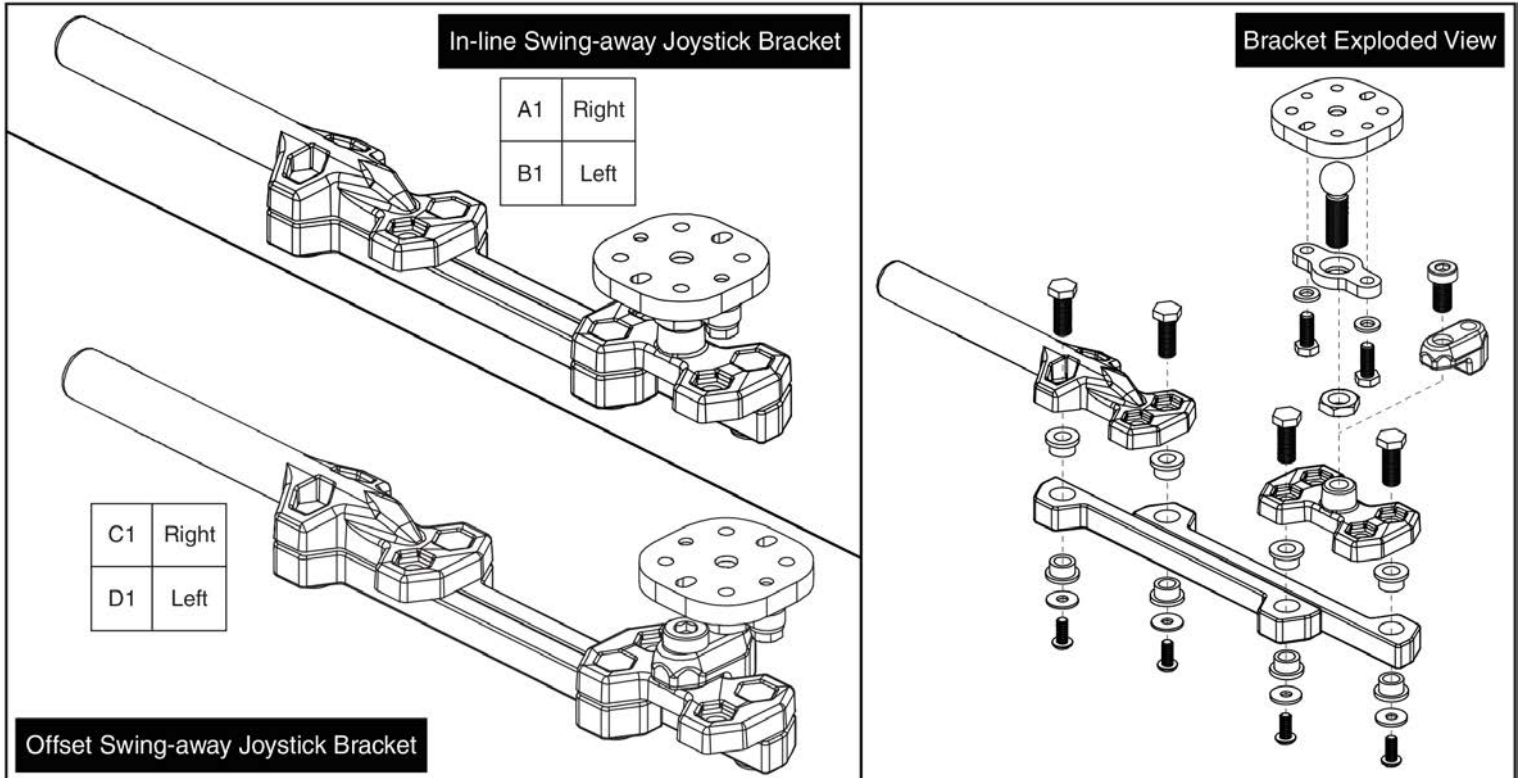
Captain Seating

Ref	Part Number	Bracket Type	Joystick Type	Side	Ref	Part Number	Bracket Type	Joystick Type	Side
A1	ACC148357	In-line SWA	Q-Logic	Right	I1	ACC148359	Offset SWA	Q-Logic	Right
B1	ACC148356	In-line SWA	Q-Logic	Left	J1	ACC148358	Offset SWA	Q-Logic	Left
C1	ACC148361	In-line SWA	NE/NE+	Right	K1	ACC148363	Offset SWA	NE/NE+	Right
D1	ACC148360	In-line SWA	NE/NE+	Left	L1	ACC148362	Offset SWA	NE/NE+	Left
E1	ACC148365	In-line SWA	PG Drives	Right	M1	ACC148367	Offset SWA	PG Drives	Right
F1	ACC148364	In-line SWA	PG Drives	Left	N1	ACC148366	Offset SWA	PG Drives	Left
G1	ACC148369	In-line SWA	Shark	Right	O1	ACC148371	Offset SWA	Shark	Right
H1	ACC148368	In-line SWA	Shark	Left	P1	ACC148370	Offset SWA	Shark	Left

PG Drives does not include Remote Plus Joysticks

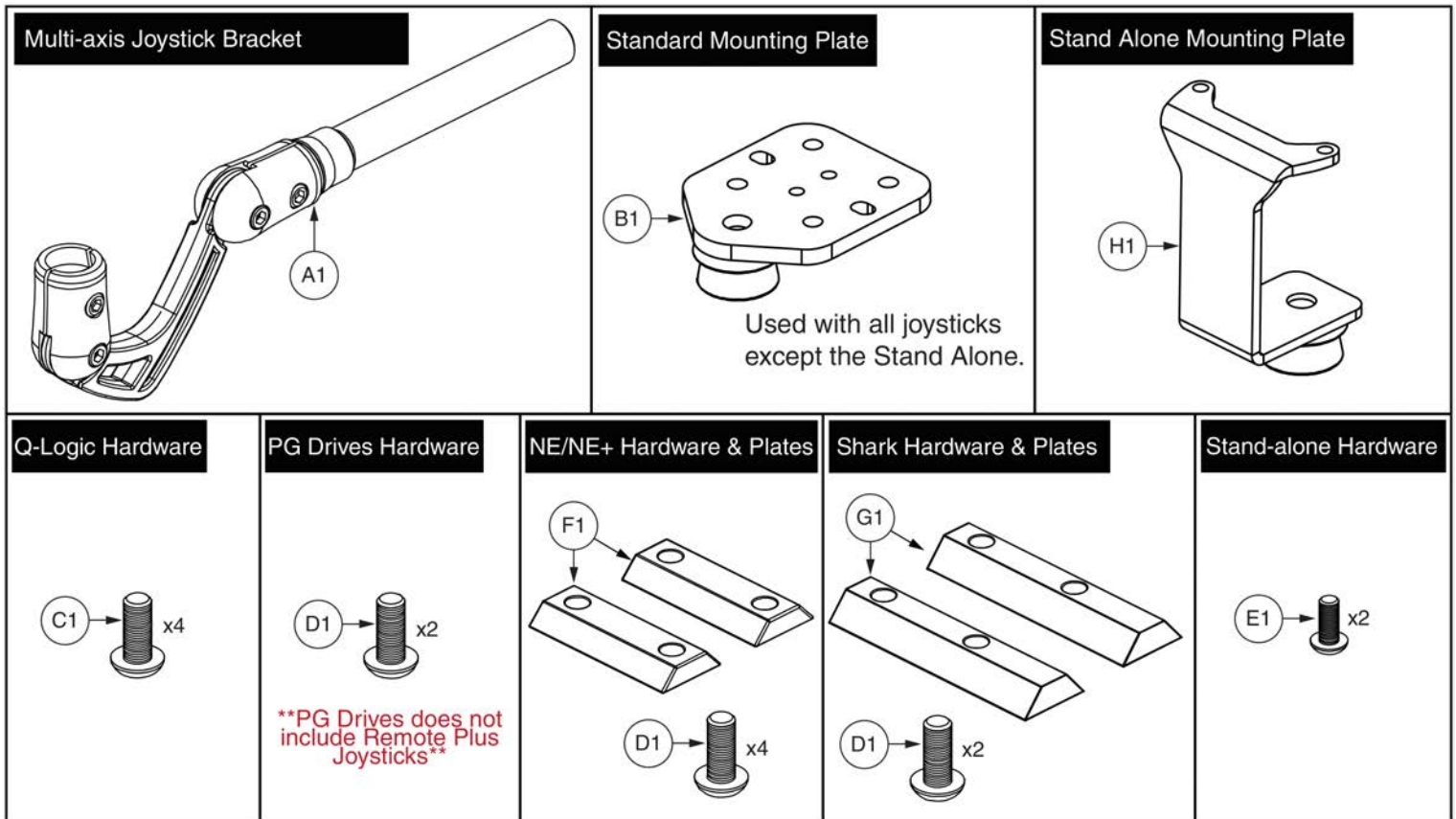
Item	Part No.	Name	Qty
A1	ACC148357	JOYSTICK MOUNTING BRACKET,ASSY,SWING AWAY,INLINE,RIGHT,Q-LOGIC,CAPTAINS SEAT	1
B1	ACC148356	JOYSTICK MOUNTING BRACKET,ASSY,SWING AWAY,INLINE,LEFT,Q-LOGIC,CAPTAINS SEAT	1
C1	ACC148361	JOYSTICK MOUNTING BRACKET,ASSY,SWING AWAY,INLINE,RIGHT,NE/NE PLUS,CAPTAINS SEAT	1
D1	ACC148360	JOYSTICK MOUNTING BRACKET,ASSY,SWING AWAY,INLINE,LEFT,NE/NE PLUS,CAPTAINS SEAT	1
E1	ACC148365	JOYSTICK MOUNTING BRACKET,ASSY,SWING AWAY,INLINE,RIGHT,VSI/VR2/GC3/R-NET,CAPTAINS SEAT	1
F1	ACC148364	JOYSTICK MOUNTING BRACKET,ASSY,SWING AWAY,INLINE,LEFT,VSI/VR2/GC3/R-NET,CAPTAINS SEAT	1
G1	ACC148369	JOYSTICK MOUNTING BRACKET,ASSY,SWING AWAY,INLINE,RIGHT,SHARK,CAPTAINS SEAT	1
H1	ACC148368	JOYSTICK MOUNTING BRACKET,ASSY,SWING AWAY,INLINE,LEFT,SHARK,CAPTAINS SEAT	1
I1	ACC148359	JOYSTICK MOUNTING BRACKET,ASSY,SWING AWAY,OFFSET,RIGHT,Q-LOGIC,CAPTAINS SEAT	1
J1	ACC148358	JOYSTICK MOUNTING BRACKET,ASSY,SWING AWAY,OFFSET,LEFT,Q-LOGIC,CAPTAINS SEAT	1
K1	ACC148363	JOYSTICK MOUNTING BRACKET,ASSY,SWING AWAY,OFFSET,RIGHT,NE/NE PLUS,CAPTAINS SEAT	1
L1	ACC148362	JOYSTICK MOUNTING BRACKET,ASSY,SWING AWAY,OFFSET,LEFT,NE/NE PLUS,CAPTAINS SEAT	1
M1	ACC148367	JOYSTICK MOUNTING BRACKET,ASSY,SWING AWAY,OFFSET,RIGHT,VSI/VR2/GC3/R-NET,CAPTAINS SEAT	1
N1	ACC148366	JOYSTICK MOUNTING BRACKET,ASSY,SWING AWAY,OFFSET,LEFT,VSI/VR2/GC3/R-NET,CAPTAINS SEAT	1
O1	ACC148371	JOYSTICK MOUNTING BRACKET,ASSY,SWING AWAY,OFFSET,RIGHT,SHARK,CAPTAINS SEAT	1
P1	ACC148370	JOYSTICK MOUNTING BRACKET,ASSY,SWING AWAY,OFFSET,LEFT,SHARK,CAPTAINS SEAT	1

16.2. Version 2. Swing-away/Multi-axis Joystick Brackets



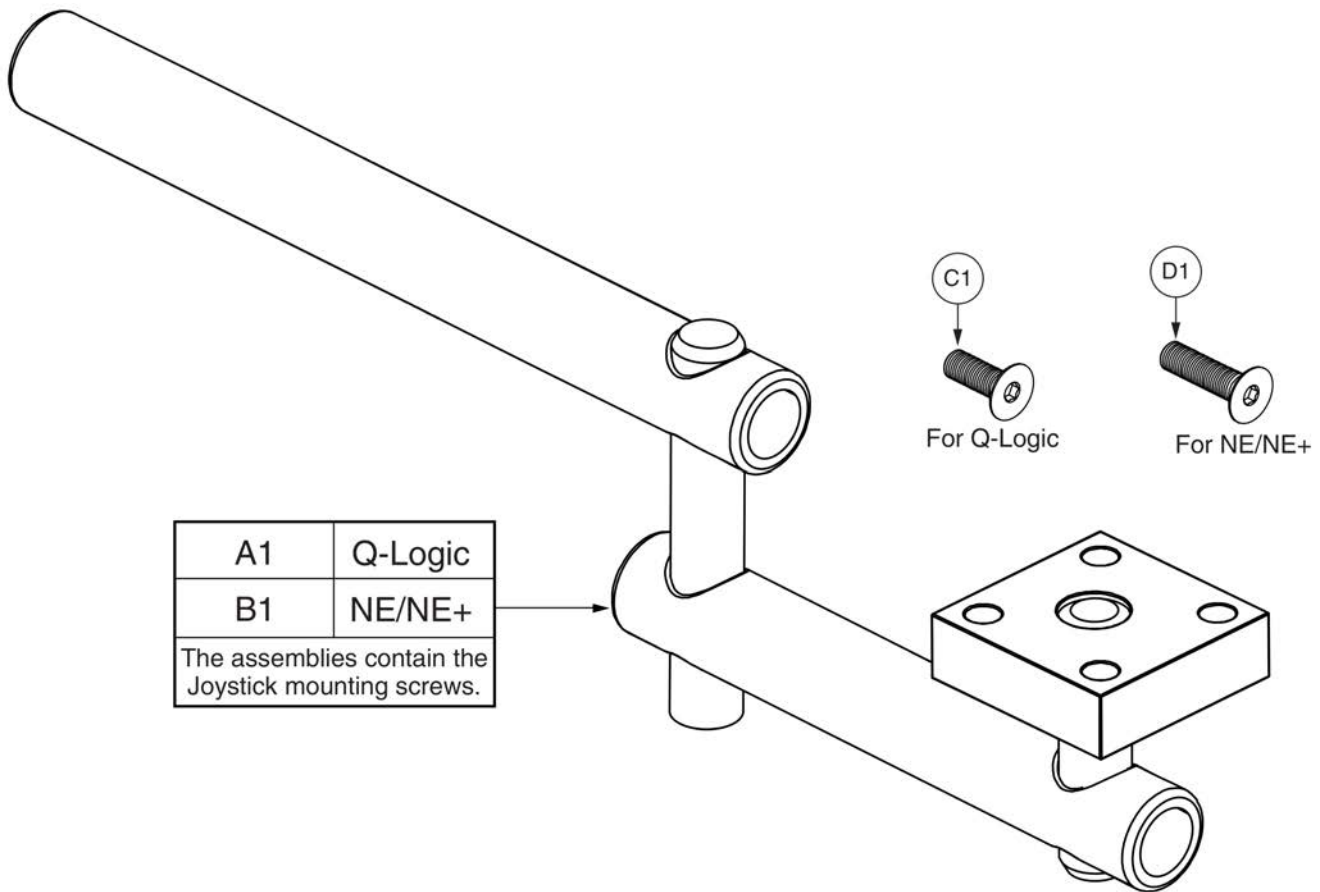
Item	Part No.	Name	Qty
A1	ACC131586	SWING AWAY JOYSTICK MOUNT,ASSY,INLINE,RIGHT	1
B1	ACC124921	SWING AWAY JOYSTICK MOUNT,ASSY,INLINE,LEFT	1
C1	MEC1712220	SWING-AWAY ASSEMBLY, EXTENDED OFFSET, RIGHT	1
D1	MEC1712217	SWING-AWAY ASSEMBLY, EXTENDED OFFSET, LEFT	1
E1	SCRPPH1279	SCREW,PPH,BLACK ZINC CHROMATE,M5-.8 X 16MM	1
F1	SCRPPH1384	SCREW,PPH,BLACK ZINC,M5-.8 X 20MM	1
G1	SCRPPH1036	SCREW, PAN HEAD, TYPE H, M4X0.7 X 8, FT, ISO 7045, CL 4.8, BZ	1
H1	DWR1111C002	SPACER,CURTIS NE/NE PLUS MOUNT BRACKET,C-1111-002	2
I1	DWR1010B089	SPACER,FLIGHT MOUNT BRACKET,B-1010-089	2
J1	MEC146133	ARMREST ADAPTER ASSEMBLY	1
K1	MEC142426	MOUNTING BRACKET,ASSY,STAND ALONE JOYSTICK	1

16.2. Version 2. Swing-away/Multi-axis Joystick Brackets



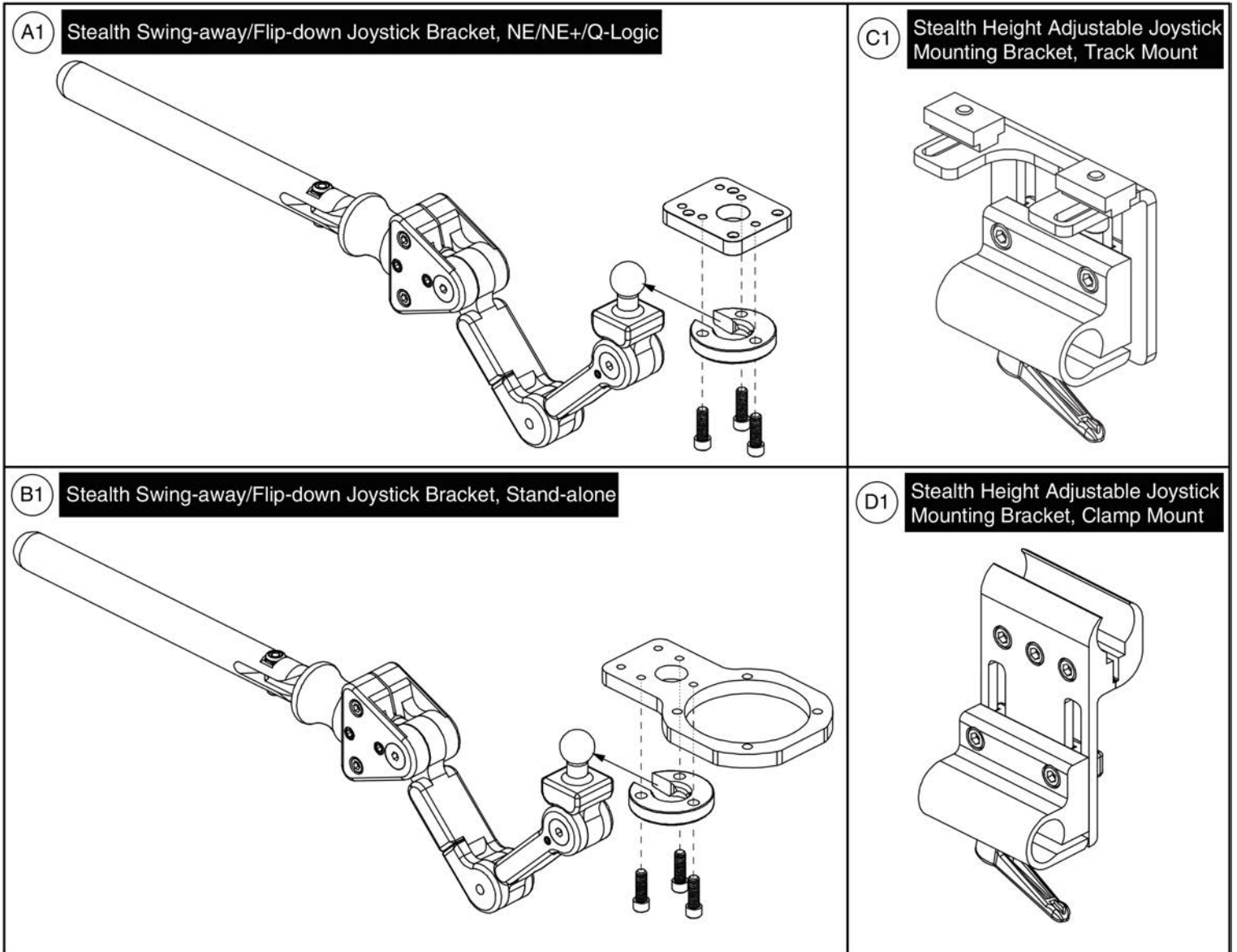
Item	Part No.	Name	Qty
A1	ACC124132	MULTI-AXIS JOYSTICK ASSEMBLY	1
B1	MEC124133	MULTI-AXIS JOYSTICK PLATE WELDMENT	1
C1	SCRPPH1097	SCREW,PPH,BLACK ZINC,M5-.8 X 12MM	1
D1	SCRPPH1384	SCREW,PPH,BLACK ZINC,M5-.8 X 20MM	1
E1	SCRPPH1036	SCREW, PAN HEAD, TYPE H, M4X0.7 X 8, FT, ISO 7045, CL 4.8, BZ	1
F1	DWR1111C002	SPACER,CURTIS NE/NE PLUS MOUNT BRACKET,C-1111-002	2
G1	DWR1010B089	SPACER,FLIGHT MOUNT BRACKET,B-1010-089	2
H1	MEC138180	STAND ALONE WELDMENT	1

16.3. Retract 4 Swing-away Joystick Bracket



Item	Part No.	Name	Qty
A1	MEC138860	SWING AWAY JOYSTICK MOUNT,ASSY,RETRACT 4,Q-LOGIC	1
B1	MEC138876	SWING AWAY JOYSTICK MOUNT,ASSY,RETRACT 4,NE/NE PLUS	1
C1	SCRSFH1005	SCREW,SHFH,BLACK ZINC,M5-.8 X 14MM	4
D1	SCRSHFH1053	SCREW,SHFH,BLACK ZINC,M5-.8 X 20MM	4

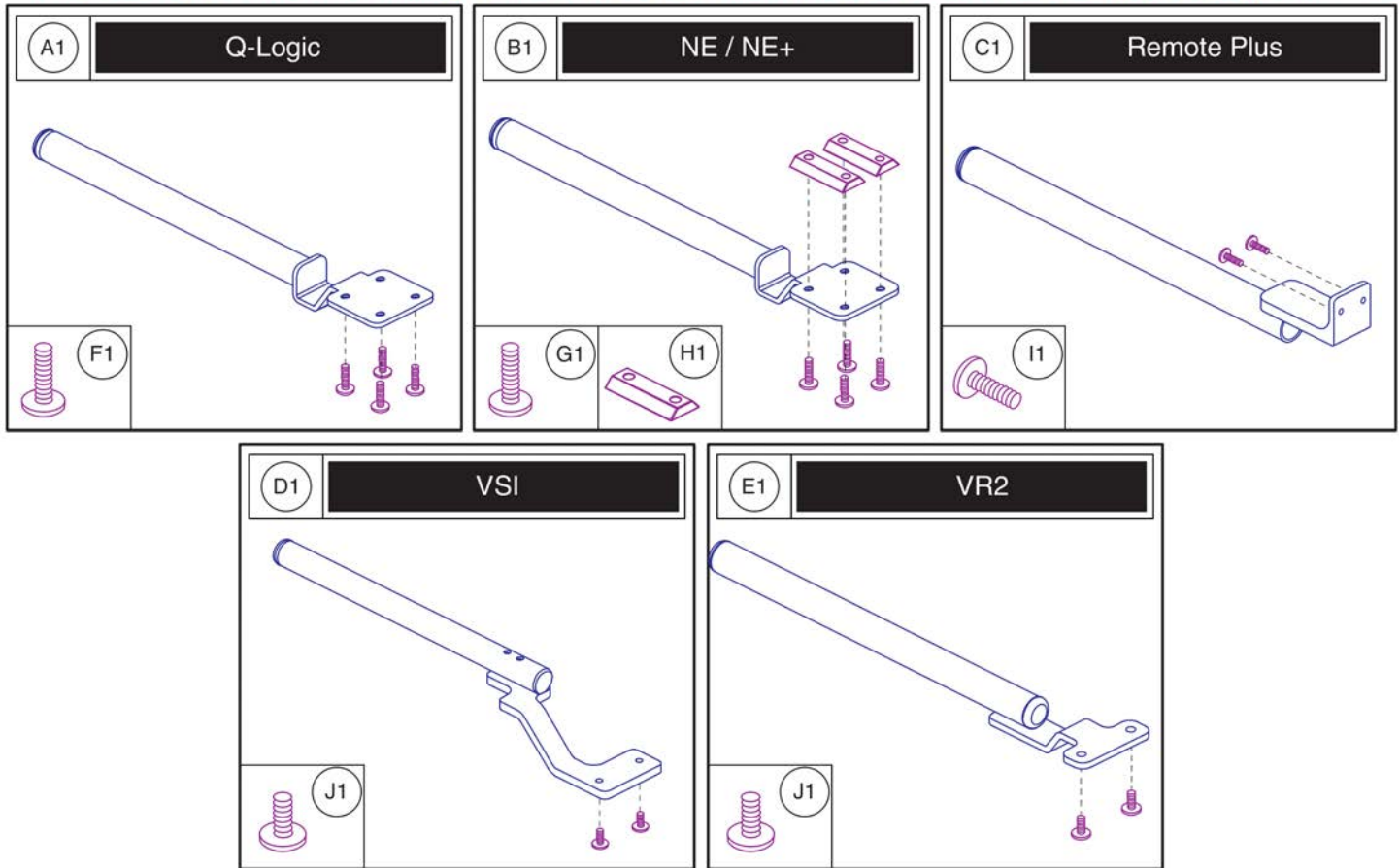
16.4. Stealth Swing-away / Flip-down Joystick Bracket



Item	Part No.	Name	Qty
A1	ST-TWBM480QL-Q	JOYSTICK MOUNTING BRACKET,ASSY,SWING AWAY/FLIP DOWN,NE/NE PLUS/Q-LOGIC,W/MOUNTING HARDWARE	1
B1	ST-TWBM480CJ-Q	JOYSTICK MOUNTING BRACKET,ASSY,SWING AWAY/FLIP DOWN,STANDALONE,W/MOUNTING HARDWARE	1
C1	ST-ARM250T-Q	JOYSTICK MOUNT,ASSY,HEIGHT ADJUSTABLE,W/TRACK HARDWARE	1
D1	ST-ARM250C-Q	JOYSTICK MOUNT,ASSY,HEIGHT ADJUSTABLE,W/CLAMP HARDWARE	1

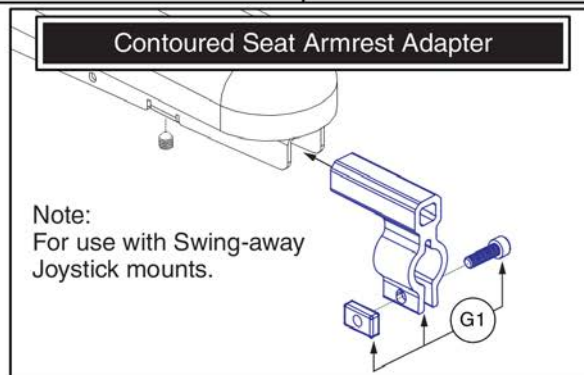
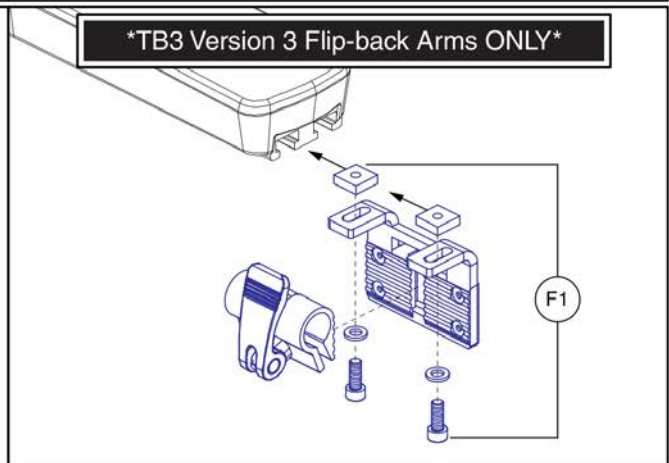
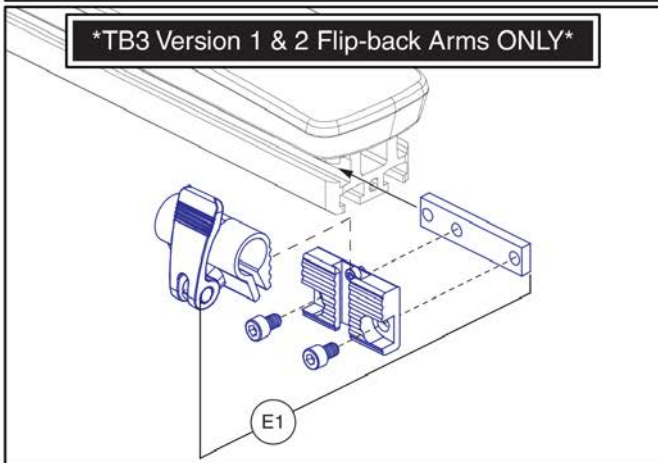
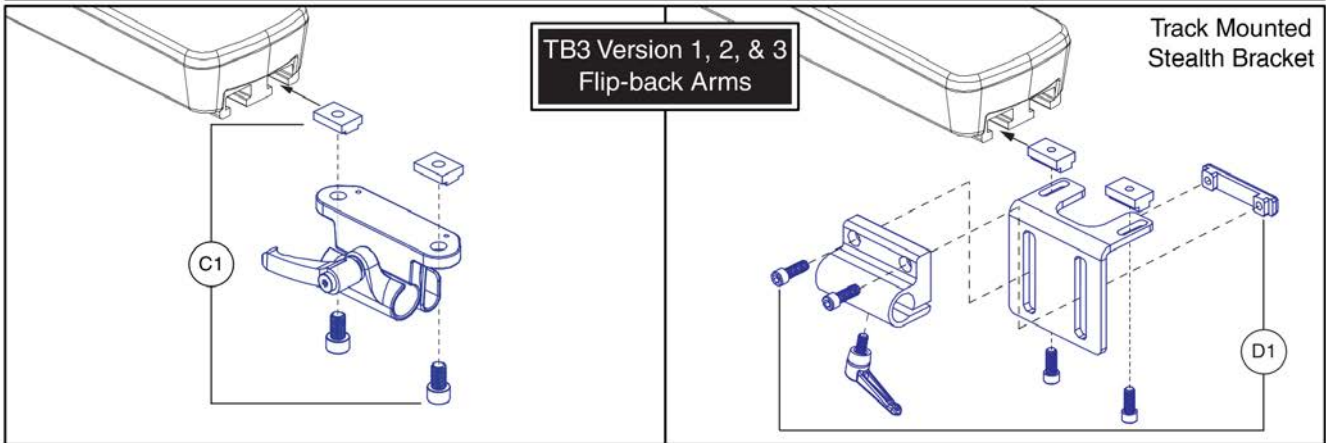
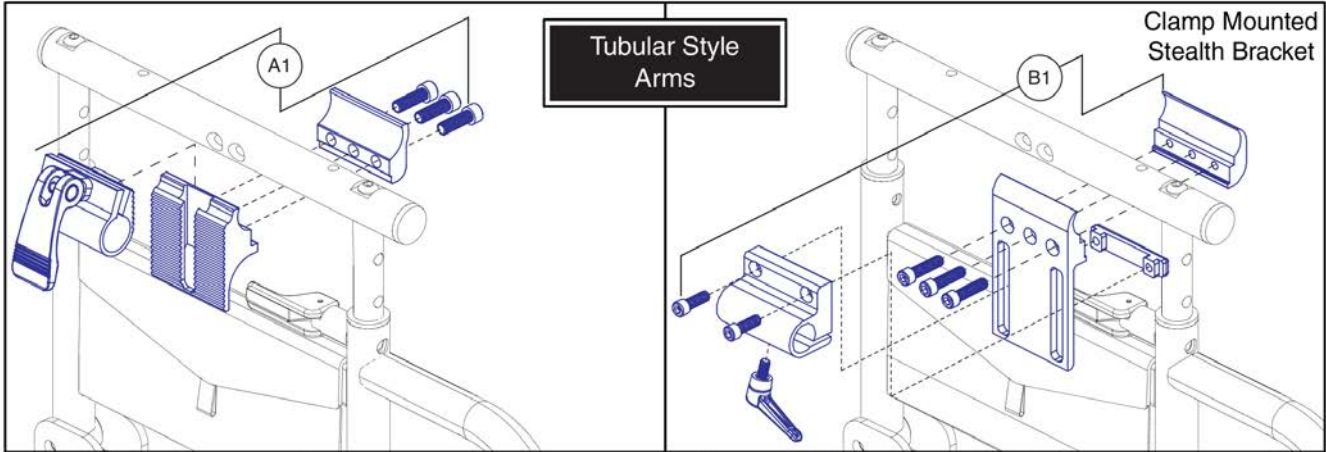
16.5. Fixed Inline Joystick Brackets

Please note: The mounting hardware shown is included with the top level assy's A1 - E1.



Item	Part No.	Name	Qty
A1	FRMASMB10617	JOYSTICK MOUNTING BRACKET,ASSY,CURTIS,INLINE	1
B1	FRMASMB12744	JOYSTICK MOUNTING BRACKET,ASSY,NE/NE PLUS CONTROLLER,INLINE	1
C1	FRMASMB2066	FIXED INLINE JOYSTICK MOUNT,ASSY,REMOTE PLUS	1
D1	FRMASMB4767	JOYSTICK MOUNTING BRACKET,ASSY,VSI CONTROLLER,INLINERIGHT,C-1010-193	1
E1	FRMASMB9532	JOYSTICK MOUNTING BRACKET,ASSY,GC/VR2 CONTROLLER,INLINE	1
F1	SCRSHFH1015	SCREW,SHFH,BLACK ZINC,M5-.8 X 12MM,GRADE 10.9	4
G1	SCRSHFH1053	SCREW,SHFH,BLACK ZINC,M5-.8 X 20MM	4
H1	DWR1111C002	SPACER,CURTIS NE/NE PLUS MOUNT BRACKET,C-1111-002	2
I1	SCRPPH1006	SCREW,PPH,BLACK ZINC,8-32 X 0.500",GRADE 2	2
J1	SCRPPH1122	SCREW,PPH,BLACK ZINC,M5-.8 X 18MM	2

16.6. Joystick Bracket Receivers



Item	Part No.	Name	Qty
A1	FRMASMB16062	JOYSTICK RECEIVER MOUNT,ASSY,UNIVERSAL,ADJUSTABLE BLOCK,D-1000-313	1
B1	ST-ARM250C-Q	JOYSTICK MOUNT,ASSY,HEIGHT ADJUSTABLE,W/CLAMP HARDWARE	1
C1	MEC1809294	JOYSTICK RECEIVER MOUNT,ASSY,W/MOUNTING HARDWARE,ADJUSTABLE HANDLE	1
D1	ST-ARM250T-Q	JOYSTICK MOUNT,ASSY,HEIGHT ADJUSTABLE,W/TRACK HARDWARE	1
E1	ACC123525	JOYSTICK RECEIVER MOUNT,ASSY,W/ACCESSORY BLOCK,TRUBALANCE 3	1
F1	ACC1806853	JOYSTICK RECEIVER MOUNT,ASSY,W/MOUNTING HARDWARE,TRU-BALANCE 3 ARMREST	1
G1	MEC146133	ARMREST ADAPTER ASSEMBLY	1

17. Owner's & Decal Packages



Owner's Package

Item	Part No.	Name	Qty
N/A	PLSTIE1015	CABLE TIE,BLACK,NYLON,7.5-8MM W X 200-220MM L,100 LBS MINIMUM TESILE STRENGTH	6
N/A		HANG TAG,ROUND,EMI-RFI 20V,DEC8120002	1
N/A	INFMANU3992	MANUAL,CONSUMER SAFETY GUIDE,POWERCHAIR	1
N/A	INFMANU4237	MANUAL,OWNER'S,Q6EDGE HD,ENGLISH	1
N/A		MANUAL,PRODUCT INSERT SHEET,POWER CHAIR WARRANTY,AUSTRALIA	1
N/A	INFINFB2528	MANUAL,PRODUCT INSERT SHEET,Q6EDGE,REFLECTOR INSTALLATION	1
N/A	INFINFB2801	MANUAL,PRODUCT SPECIFICATION SHEET,Q6EDGE HD,US	1
N/A		MANUAL,WARRANTY CARD,AUSTRALIAN	1
N/A	DWR1202C027	REFLECTOR,AMBER,CASTER SPHERE,C-1202-027	8

17. Owner's & Decal Packages



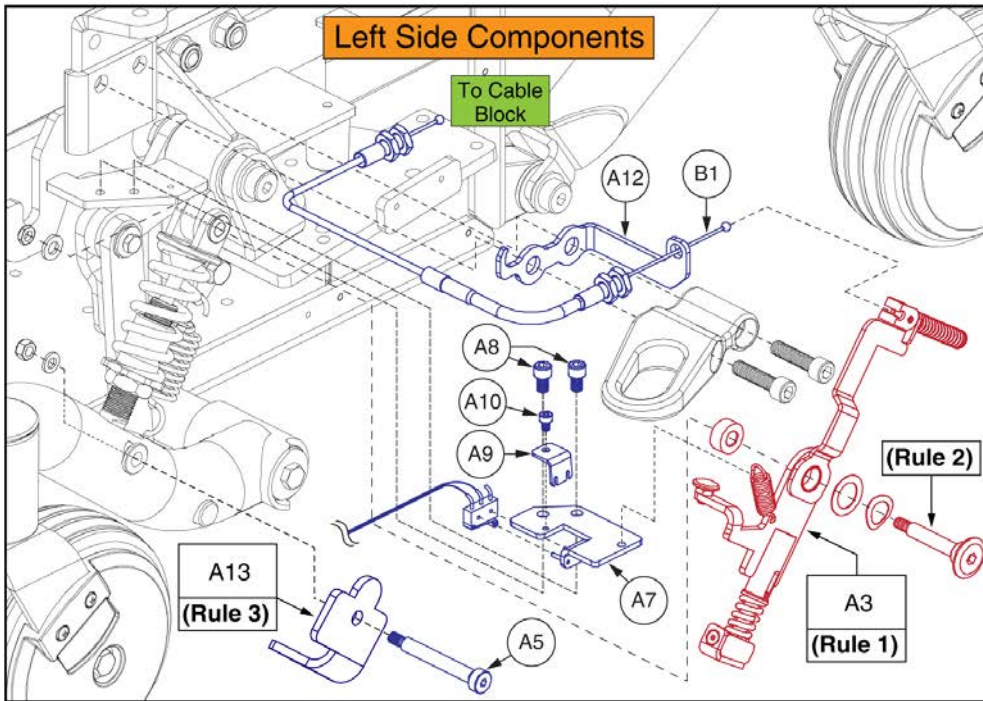
Decal Package

Decal Package, Q6 Edge HD



Item	Part No.	Name	Qty
*N/A	DWR1234L799	DECAL,ICON,1" X 2.5",WEATHER/MANUAL/LOOSE GARMENT,L-1234-799	1
*N/A	DWR1235L176	DECAL,ICON,MAXIMUM WEIGHT CAPACITY,450LBS/204KG,L-1235-176	1
*N/A	DWR1235L515	DECAL,WARNING,BATTERY WARNINGS,L-1235-515	1
*N/A	DWR1235L520	DECAL,CAUTION,EXTENSION CORD/GROUNDING PRONG,L-1235-520	1
*N/A	DWR1235L521	DECAL,WARNING,CONTROLLER CORD PLACEMENT,L-1235-521	1
*N/A	DEC8120019	DECAL,NAME,Q6EDGE HD	2
*N/A	DEC8120018	DECAL,NOT RATED FOR OCCUPIED TRANSPORT,POWER CHAIR	2
*N/A	LAB120011	DECAL,Q6EDGE HD BATTERY WIRING DIAGRAM	1
*N/A		DECAL,DATA PLATE,Q6EDGE HD	1

18. I-Level Base Components

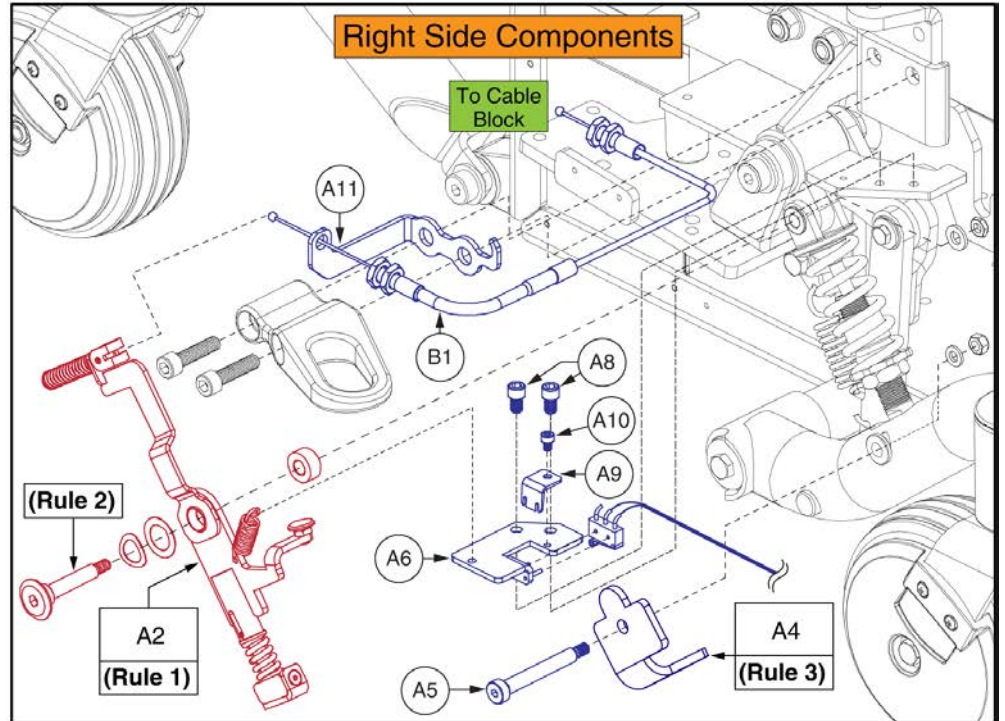
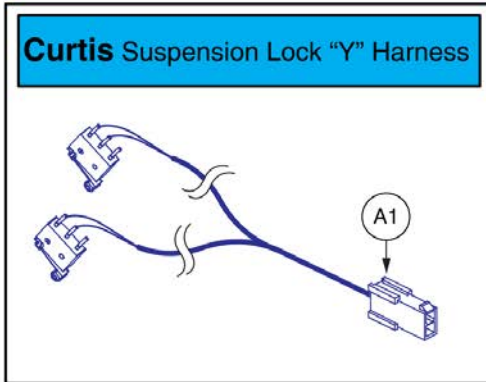


Complete I-Level Base Assy's,
Q6 Edge HD / Q6 Edge Z

A1 - A13	Curtis Electronics
----------	--------------------

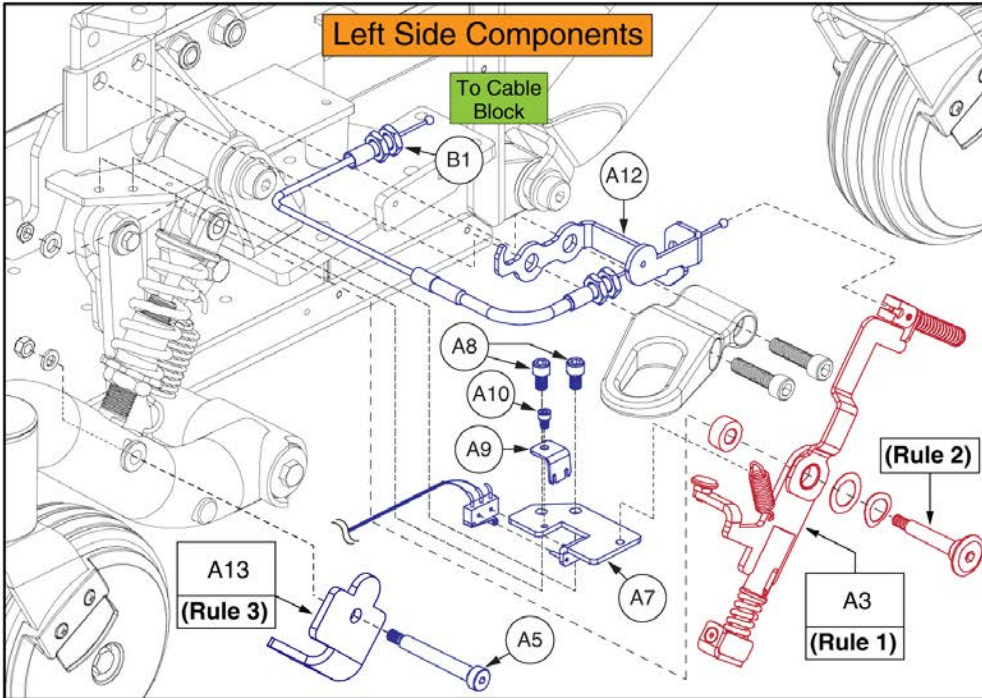
Rules:

1. If a Suspension Limiter Assy (A2 or A3) requires replacement, both the left and right sides must be selected.
2. Torque the suspension Limiter Assy fasteners to **15 N • m (11 ft • lb)**
3. The "Universal", I-Level Castor Bracket is no longer available. Both A4 & A13 must be selected for replacement.



Item	Part No.	Name	Qty
A1 - A13	MEC167592	ILEVEL,ASSY,CURTIS,Q6 EDGE HD/Q6 EDGE Z	1
A1	ELE145674	HARNESS,ILEVEL BASE SUSPENSION LOCK SIGNAL CURTIS,Q6EDGE	1
A2	MEC155025	HD ILEVEL LOCKOUT,ASSY,RIGHT	1
A3	MEC155045	HD ILEVEL LOCKOUT,ASSY,LEFT	1
A4	MEC1706847	CASTER BRACKET,RIGHT	1
A5	HDW155221	BOLT, SHOULDER, 8MM X 55MM, ISO 7379, CL 12.9	2
A6	MEC155515	SWITCH BRACKET WELDMENT,RIGHT	1
A7	MEC155518	SWITCH BRACKET WELDMENT,LEFT	1
A8	HDW166324	SCREW, SOCKET HEAD CAP, M6x1 x 10, ISO 4762, CL 12.9, BZ, NYP	4
A9	MEC155688	SWITCH HOLDING BRACKET	2
A10	HDW147454	SCREW,SHCS,M4-0.7 X 6MM LG,CLASS 10.9,BLACK ZINC,NYLON PATCH	2
A11	MEC162155	RIGHT CABLE BRACKET	1
A12	MEC162154	LEFT CABLE BRACKET	1
A13	MEC1707284	CASTER BRACKET,LEFT	1
B1	MEC148172	ILEVEL CABLE,ASSY,TRU-BALANCE 3 POWER ADJUSTABLE SEAT LIFT W/ILEVEL	1

18. I-Level Base Components

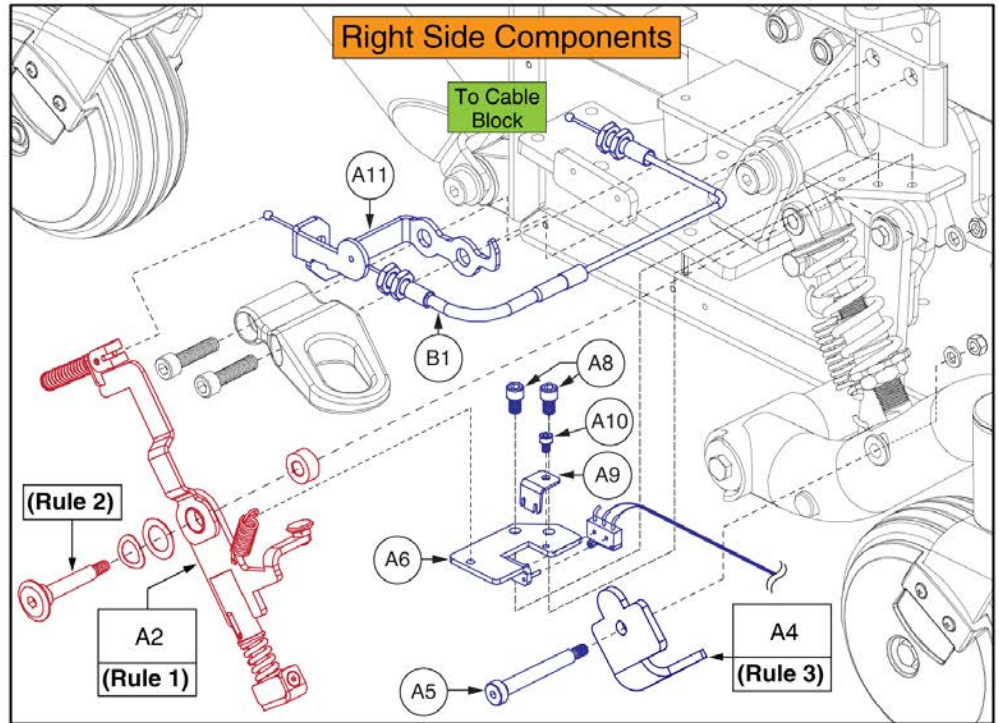
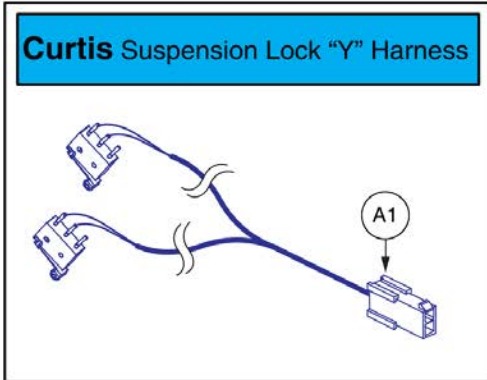


Complete I-Level Base Assy's,
Q6 Edge HD / Q6 Edge Z

A1-A13	Curtis Electronics
--------	--------------------

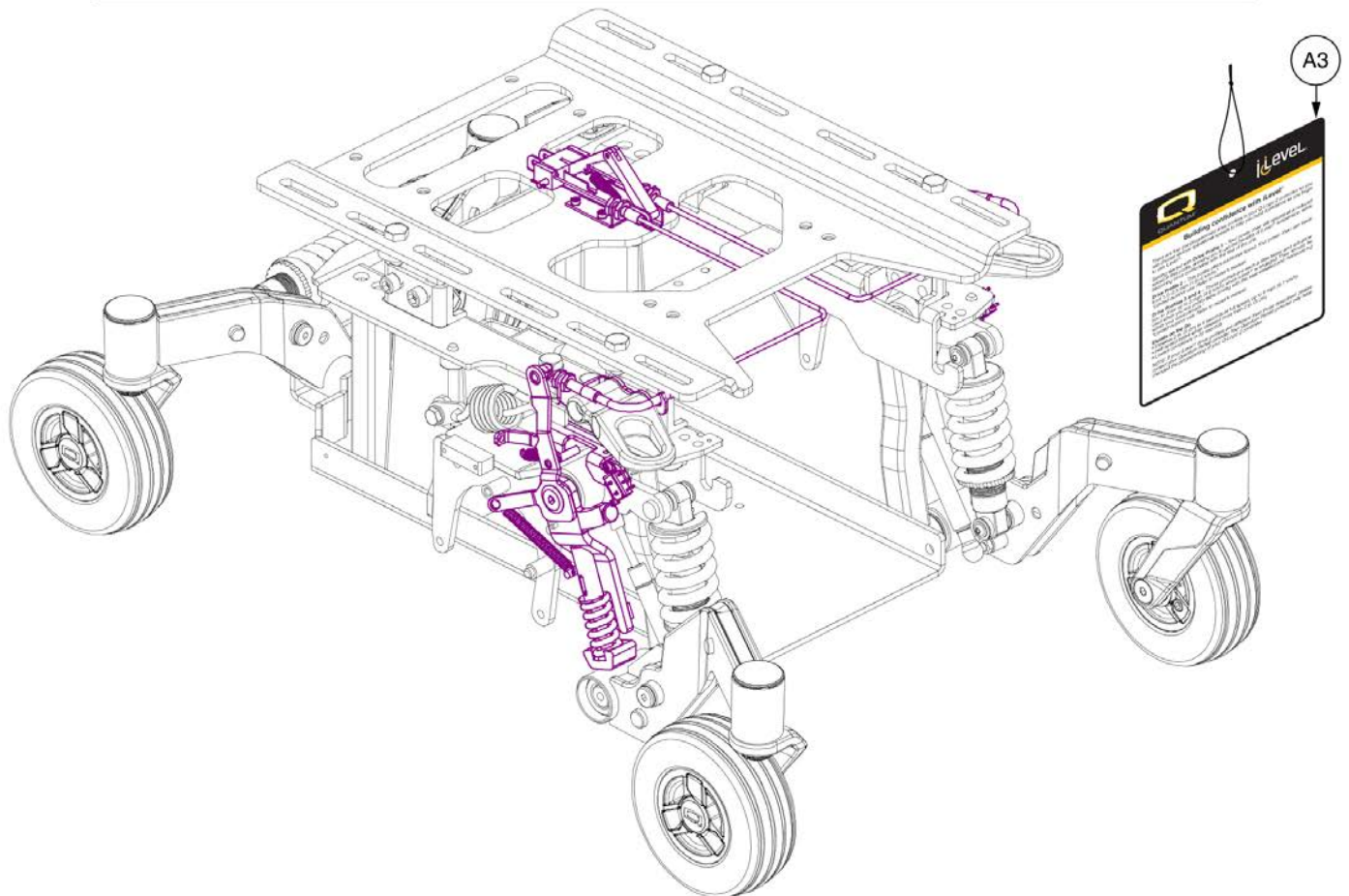
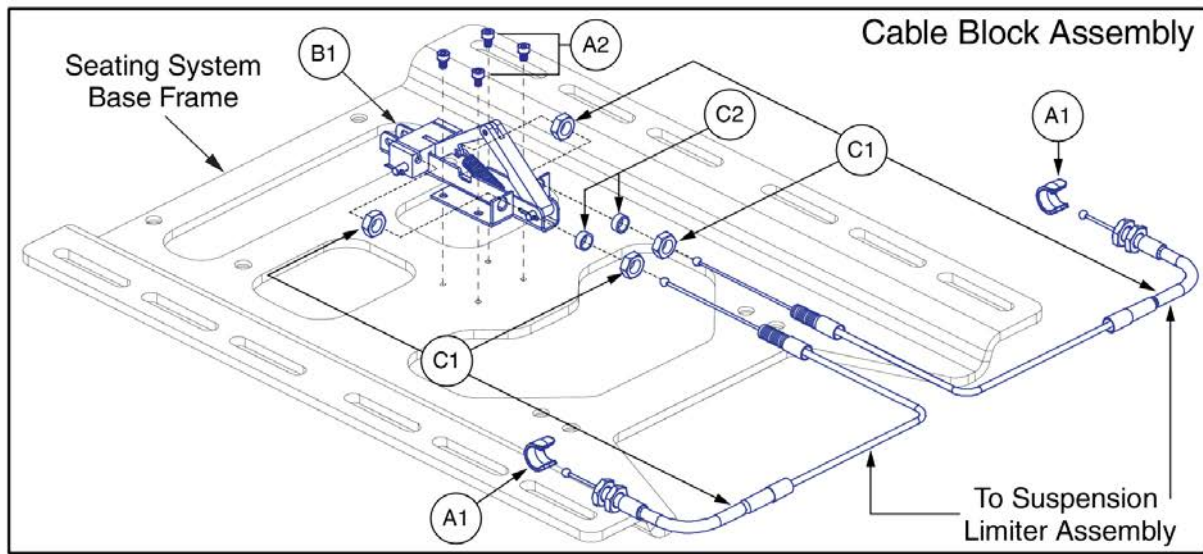
Rules:

1. If a Suspension Limiter Assy (A2 or A3) requires replacement, both the left and right sides must be selected.
2. Torque the Suspension Limiter Assy fasteners to **15 N • m (11 ft • lb)**
3. The "Universal", I-Level Caster Bracket is no longer available. Both A4 & A13 must be selected for replacement.






Item	Part No.	Name	Qty
A1 - A13	MEC167593	ILEVEL,ASSY,CURTIS,Q6 EDGE HD/Q6 EDGE Z,W/FENDER LIGHTS	1
A1	ELE145674	HARNESS,ILEVEL BASE SUSPENSION LOCK SIGNAL CURTIS,Q6EDGE	1
A2	MEC155025	HD ILEVEL LOCKOUT,ASSY,RIGHT	1
A3	MEC155045	HD ILEVEL LOCKOUT,ASSY,LEFT	1
A4	MEC1706847	CASTER BRACKET,RIGHT	1
A5	HDW155221	BOLT, SHOULDER, 8MM X 55MM, ISO 7379, CL 12.9	2
A6	MEC155515	SWITCH BRACKET WELDMENT,RIGHT	1
A7	MEC155518	SWITCH BRACKET WELDMENT,LEFT	1
A8	HDW166324	SCREW, SOCKET HEAD CAP, M6x1 x 10, ISO 4762, CL 12.9, BZ, NYP	4
A9	MEC155688	SWITCH HOLDING BRACKET	2
A10	HDW147454	SCREW,SHCS,M4-0.7 X 6MM LG,CLASS 10.9,BLACK ZINC,NYLON PATCH	2
A11	MEC160013	RIGHT CABLE BRACKET WITH LIGHT EXTENSION	1
A12	MEC160012	LEFT CABLE BRACKET WITH LIGHT EXTENSION	1
A13	MEC1707284	CASTER BRACKET,LEFT	1
B1	MEC148172	ILEVEL CABLE,ASSY,TRU-BALANCE 3 POWER ADJUSTABLE SEAT LIFT W/ILEVEL	1

18. I-Level Base Components



Item	Part No.	Name	Qty
A1 - C2	MEC148170	ILEVEL,ASSY,TB3 POWER ADJUSTABLE SEAT LIFT W/ILEVEL	1
A1	DGN146907	ILEVEL CABLE END RETAINER	2
A2	HDW147454	SCREW,SHCS,M4-0.7 X 6MM LG,CLASS 10.9,BLACK ZINC,NYLON PATCH	4
A3	LAB150425	HANG TAG,TRU-BALANCE 3 LIFT W/ILEVEL	1
B1 - C2	MEC148171	ILEVEL CABLE,ASSY,W/MOUNTING BLOCK,TRU-BALANCE 3 POWER ADJUSTABLE SEAT LIFT W/ILEVEL	1
B1	MEC146025	CABLE PUSH BLOCK ASSEMBLY	1
C1 - C2	MEC148172	ILEVEL CABLE,ASSY,TRU-BALANCE 3 POWER ADJUSTABLE SEAT LIFT W/ILEVEL	1
C1	MEC145589	CABLE,ASSY,ILEVEL SUSPENSION LOCKOUT	2
C2	MEC147688	ILEVEL CABLE FITTING SPACER	2

Current Quantum Colors as of 9-1-2019																		
Color Name	Color Name Variant	Part Suffix	Color Code	Edge 3 Stretto	Edge 3	Edge 2.0	Edge 2.0X	Edge	Edge X	4Front	Edge Z	Edge HD	R44 Rival	J4 / Q4	J6	1450	Kozmo	
Back in Black	Black, Onyx Black Metallic Black	PBK1	PPW-BLK-01	X	X	X	X	X	X	X	X	X	X	X	X			
Night Train		PBK3	PPW-BLK-03	X	X	X	X			X	X	X	X					
Grey Street		PSL3	PPW-SIL-03	X	X	X	X			X	X	X	X					
Silver Bullet		PSL7	PPW-SIL-07			X	X			X	X	X	X					
White Satin	Pearl White	PWT2	PPW-WHT-02	X	X	X	X			X	X	X	X				X	
Red Corvette	Candy Apple Red, Ruby Red	PRD1	PPW-RED-01	X	X	X	X	X	X	X	X	X	X	X	X	X	X	
Cherry Bomb		PRD4	PPW-RED-04	X	X					X								
Pretty in Pink	Rose Quartz	PPK3	PPW-PNK-03	X	X	X	X			X	X	X	X	X	X	X	X	
Raspberry Beret		PPK4	PPW-PNK-04	X	X					X								
Sugar Plum		PPR7	PPW-PRP-07	X	X					X								
Deep Purple		PPR5	PPW-PRP-05	X	X	X	X			X	X	X	X					
Midnight Blue		PBU10	PPW-BLU-10	X	X	X	X			X	X	X	X					
Electric Blue	True Blue, Sapphire Blue	PBU9	PPW-BLU-09	X	X	X	X	X	X	X	X	X	X	X	X	X	X	
Blue Jean		PBU11	PPW-BLU-11	X	X					X								
Green Machine		PGN11	PPW-GRN-11	X	X	X	X			X	X	X	X					
Military Green		PGN8	PPW-GRN-08	X	X					X	X	X	X					
Lime Light		PGN7	PPW-GRN-07			X	X			X	X	X	X					
Yellow Blaze	Orion Yellow, Citrine Yellow	PYL3	PPW-YEL-03			X	X	X	X	X	X	X	X			X	X	
Lemon Crush		PYL4	PPW-YEL-04	X	X	X	X			X								
Orange Crush	Amber Orange	POR6	PPW-ORN-06			X	X			X	X	X	X				X	
Evolution Orange		POR7	PPW-ORN-07	X	X	X	X			X	X	X	X	X	X	X		
Carbon Fiber		WCB1	PWT-CBN-01		X	X				X								
Digital Camo		WCM7	PWT-CMO-07		X	X				X								
Faded Glory		WFL2	PWT-FLG-02		X	X				X								

Prior Generation Quantum Colors as of 9-1-2019																		
Color Name	Color Name Variant	Part Suffix	Color Code	Edge 3 Stretto	Edge 3	Edge 2.0	Edge 2.0X	Edge	Edge X	4Front	Edge Z	Edge HD	R44 Rival	J4 / Q4	J6	1450	Kozmo	
Pewter Grey		PGY1	PPW-GRY-01						X			X						
Silver		PSL1	PPW-SIL-01					X	X		X	X			X			
Cardinal Red	Rex Red	PRD2	PPW-RED-02					X				X						
Pearl Pink	Prehistoric Pink	PPK1	PPW-PNK-01					X	X		X	X		X	X			
Violet	Primitive Purple	PPR2	PPW-PRP-02					X				X						
Sapphire Blue		PPR4	PPW-PRP-04					X	X		X	X			X			
Mariner Blue	Bronto Blue	PBU2	PPW-BLU-02					X				X						
Graphite Blue		PBU3	PPW-BLU-03					X				X						
Viper Blue		PBU1	PPW-BLU-01					X	X		X	X		X	X			
Spring Green	Gator Green	PGN3	PPW-GRN-03					X				X						
Emerald Green		PGN5	PPW-GRN-05					X	X		X	X			X			
Kelly Green		PGN6	PPW-GRN-06					X				X		X				
Solar Yellow		PYL1	PPW-YEL-01					X				X						
Champagne	Saber Yellow	PCH1	PPW-CHA-01					X	X		X	X			X			
Tangerine		POR2	PPW-ORN-02					X				X						
Sunburst Orange		POR1	PPW-ORN-01					X	X		X	X		X	X			

Appendix A:Pages Index	
8 Amp UPG Charger Assy, AGM / GEL Selectable	107
8 amp CTE Charger, Australia	105
Aftermarket Joystick Knobs	25
Articulating Beam, Edge Z / Edge HD / Q6 Ultra	5
Battery Access Brackets, Edge Z / Edge HD / Q6 Ultra	77
Bell Foot Platform, Edge Z / Edge HD / Q6 Ultra	73
Complete Shroud Assy's (Rear Door & Shoulder), Q6 Edge HD	63
Decal Package, Q6 Edge HD	129
Fender Shrouds with Lights, Q6 Edge HD	71
Fender Shrouds without Lights, Q6 Edge HD	69
Fixed Joystick Mounts, Quantum Joysticks	123
Flat-free "Knobby" Drive Wheel, 4 Spoke, Black Rim/Charcoal Tire	95
Flat-free Drive Wheel, 5 Spoke Silver Rim/Charcoal Tire w/ Color Rim Insert	91
Foot Platform, Edge Z / Edge HD / Q6 Ultra	75
Front Battery Door Shroud Assy's, Q6 Edge HD	67
Front Caster Arm & Front Suspension, Q6 Edge HD	3
Group 24 Battery, Interceptor	103
Group 24 Battery, MK	99
Hammer II Drive Motor Assembly	9
I-Level Power Base Cable & Mounting Block Assy	135
I-Level Power Base Components, Curtis, Edge HD & Edge Z	131
I-Level Power Base Components, Edge HD & Edge Z w/Base Mounted lights	133
Joystick Receiver Mounts, Quantum	125
Main Frame, Q6 Edge HD	1
Multi-Axis Joystick Bracket Components, Version 2	117
NE + Joystick Bottom Housing w/Bus Cable	33
NE Electronics - No Power Positioning, Q6 Edge HD	39
NE Electronics - Tilt Thru Toggle, Q6 Edge HD	41
NE+ Electronics - Automatic Lighting, Q6 Edge HD	49
NE+ Electronics - No Power Positioning, Q6 Edge HD	43
NE+ Electronics - Quantum Ready/Tilt Thru Toggle, Q6 Edge HD	45
NE+ Electronics - Switch Operated Lighting, Q6 Edge HD	47
NE, NE+, & Q-Logic 1 Joystick Assy's	11
Owner's Package, AU, Q6 Edge HD	127
Painted Wheel Inserts	93
Pneumatic "Knobby" Drive Wheel, 4 Spoke, Black Rim/Charcoal Tire	97
Pneumatic Drive Wheel, 5 Spoke Silver Rim/Charcoal Tire w/ Color Rim Insert	89
Q-Logic 1 / Stand Alone / NE / NE+ Joystick Overlays	27
Q-Logic 1 Joystick & Enhanced Display Bottom Housing w/Bus Cable	35
Q-Logic 2 & 3 Joystick Shrouds	31
Q-Logic 2 & 3 Joystick Bottom Housing w/Bus Cable	37
Q-Logic 2 Electronics - Non-Power Positioning, Q6 Edge HD	51
Q-Logic 2 Electronics - Quantum Ready/Tilt Thru Toggle, Q6 Edge HD	53
Q-Logic 2 Electronics - Switch Operated Lighting, Q6 Edge HD	55
Q-Logic 2 Joystick Assemblies	13
Q-Logic 2 Stand Alone Joystick Assy	15
Q-Logic 3 Joystick Assy's	17
Q-Logic 3 Master Assy Matrix, Q6 Edge HD	57
Q-Logic 3 Module, Harnessing & Mounting Hardware, Q6 Edge HD	59
Q-Logic 3 SD Cards for Edge HD	23, 61
Q-Logic 3 Stand Alone Joystick Assy	21
Q-Logic 3e Joystick Assy's - Q6 Edge HD	19
Q-Logic Joystick Knobs	29
Quantum Color Reference Chart	137
Rear Swing Arm & Strut, Q6 Edge HD	7
Retract 4 Swing-away Joystick Bracket for Curtis Joysticks	119
Run Flat Drive Wheel, Silver Rim/Charcoal Tire w/ Color Rim Insert	87
Seat Interface - HD Tilt w/ Transit Loops, Q6 Edge HD	81
Seat Interface - HD Tilt, Q6 Edge HD	85
Seat Interface - L-Brackets, Universal & Pediatric Tilt, Q6 Edge HD	83
Shrouds - Rear Bucket, Center Panel, & Hardware, Q6 Edge HD	65
Stealth Swing-away / Flip Down Joystick Brackets & Mounts	121
Swing-away & Multi-axis Mount Matrix, Captain Seat, Version 2	113
Swing-away & Multi-axis Mount Matrix, Rehab Seat, Version 2	111
Swing-away Joystick Bracket & Components, Version 3	109
Swing-away Joystick Bracket Components, Version 2	115
Trapeze Bar, Q6 Edge HD	79
Universal, Group 24, Battery Assy	101

Appendix B:Parts Index		ACC1908437	110
ABMASMB7110004	8	ACC1908438	110
ABMASMB7110006	6	ACC1908439	110
ACC123525	126	ACC1908440	110
ACC124132	118	ACCASMB1856	26
ACC124921	116	ACCASMB1857	26
ACC131216	112	ACCASMB1858	26
ACC131586	116	ACCASMB1859	26
ACC142524	112	ACCASMB1860	26
ACC142525	112	ACCASMB1861	26
ACC142526	112	ACCASMB1862	26
ACC142527	112	BAT1704614-P	104
ACC142528	112	BATASMB1011	102
ACC142529	112	BATASMB1095	100
ACC142530	112	BATGEL1004	102
ACC142531	112	BATGEL1009	100
ACC142532	112	BRKASMB7110030	84
ACC142533	112	BRKASMB7120007	84
ACC142534	112	CASASMB7120008	4, 6
ACC142738	112	CASASMB7120012	4, 6
ACC142739	112	CASASMB7120016	4
ACC142740	112	CASASMB7120020	4
ACC142742	112	CTL120037	52, 54, 56
ACC142743	112	CTL120038	54, 56
ACC142745	112	CTL120039	40, 42
ACC142746	112	CTL120040	44, 46, 48, 50
ACC142747	112	CTL120041	46, 48, 50
ACC142748	112	CTL123217	14
ACC142749	112	CTL124653	14
ACC142750	112	CTL137635	16
ACC142751	112	CTL143976	18
ACC142752	112	CTL143977	18
ACC148356	114	CTL143978	60
ACC148357	114	CTL143980	22
ACC148358	114	CTLDC1467	12
ACC148359	114	CTLDC1554	12
ACC148360	114	CTLDC1560	12
ACC148361	114	CTLDC1561	12
ACC148362	114	DEC8120002	128
ACC148363	114	DEC8120018	130
ACC148364	114	DEC8120019	130
ACC148365	114	DGN124307	32, 32
ACC148366	114	DGN124308	14, 30
ACC148367	114	DGN124309	14, 18, 30
ACC148368	114	DGN124336-PBK1	32, 32
ACC148369	114	DGN124336-PBK3	32
ACC148370	114	DGN124336-PBU1	32
ACC148371	114	DGN124336-PBU10	32
ACC1806853	126	DGN124336-PBU11	32
ACC1908434	110	DGN124336-PBU9	32, 32
ACC1908435	110	DGN124336-PGN11	32

DGN124336-PGN5	32	DGN164245-PGN11	94
DGN124336-PGN7	32	DGN164245-PGN7	88, 90, 92, 94
DGN124336-PGN8	32	DGN164245-PGN8	88, 90, 92, 94
DGN124336-POR4	32	DGN164245-POR6	88, 90, 92, 94
DGN124336-POR6	32	DGN164245-POR7	94
DGN124336-POR7	32	DGN164245-PPK3	88, 90, 92, 94
DGN124336-PPK1	32	DGN164245-PPK4	94
DGN124336-PPK3	32	DGN164245-PPR5	88, 90, 92, 94
DGN124336-PPK4	32	DGN164245-PPR7	94
DGN124336-PPR4	32	DGN164245-PRD1	88, 90, 92, 94
DGN124336-PPR5	32	DGN164245-PRD4	94
DGN124336-PPR7	32	DGN164245-PSL3	88, 90, 92, 94
DGN124336-PRD1	32, 32	DGN164245-PSL7	88, 90, 92, 94
DGN124336-PRD4	32	DGN164245-PWH2	88, 90, 92, 94
DGN124336-PSL1	32	DGN164245-PYL3	88, 90, 92, 94
DGN124336-PSL3	32	DGN164245-PYL4	94
DGN124336-PSL7	32	DGN164245-WCB1	88, 90, 92, 94
DGN124336-PWH2	32	DGN164245-WCM7	88, 90, 92, 94
DGN124336-PYL3	32, 32	DGN164245-WFL2	88, 90, 92, 94
DGN124336-PYL4	32	DGN169178-PBK1	64
DGN124336-WCB1	32	DGN169178-PBK3	64
DGN124336-WCM7	32	DGN169178-PBU10	64
DGN124336-WFL2	32	DGN169178-PBU9	64
DGN146907	136	DGN169178-PGN11	64
DGN152223	72	DGN169178-PGN7	64
DGN153020	72	DGN169178-PGN8	64
DGN154742	18, 22, 30	DGN169178-POR6	64
DGN155719	70	DGN169178-POR7	64
DGN155720	70	DGN169178-PPK3	64
DGN156257	66	DGN169178-PPR5	64
DGN156749-PBK1	68	DGN169178-PRD1	64
DGN156749-PBK3	68	DGN169178-PSL3	64
DGN156749-PBU10	68	DGN169178-PSL7	64
DGN156749-PBU9	68	DGN169178-PWT2	64
DGN156749-PGN11	68	DGN169178-PYL3	64
DGN156749-PGN7	68	DGN169179-PBK1	68
DGN156749-PGN8	68	DGN169179-PBK3	68
DGN156749-POR6	68	DGN169179-PBU10	68
DGN156749-POR7	68	DGN169179-PBU9	68
DGN156749-PPK3	68	DGN169179-PGN11	68
DGN156749-PPR5	68	DGN169179-PGN7	68
DGN156749-PRD1	68	DGN169179-PGN8	68
DGN156749-PSL3	68	DGN169179-POR6	68
DGN156749-PSL7	68	DGN169179-POR7	68
DGN156749-PWT2	68	DGN169179-PPK3	68
DGN156749-PYL3	68	DGN169179-PPR5	68
DGN164245-PBK1	88, 90, 92, 94	DGN169179-PRD1	68
DGN164245-PBK3	88, 90, 92, 94	DGN169179-PSL3	68
DGN164245-PBU10	88, 90, 92, 94	DGN169179-PSL7	68
DGN164245-PBU11	94	DGN169179-PWT2	68
DGN164245-PBU9	88, 90, 92, 94	DGN169179-PYL3	68

DRVASMB7110009	10	ELE1705059	58
DRVASMB7110010	10	ELE1705060	58
DWR1000H174	106, 108	ELE1705061	58
DWR1005B049	88, 90, 92	ELE1705062	58
DWR1010B089	116, 118	ELE1705063	58
DWR1056B062	2	ELE1705178	58
DWR1059E030	40, 42, 44, 46, 48, 50, 52, 54, 56, 60	ELE1803440	108
DWR1059H001	40, 42, 44, 46, 48, 50, 52, 54, 56, 60	ELE1805107	24, 60, 62
DWR1065C008	4, 6	ELE1805109	24, 60, 62
DWR1111C002	110, 116, 118, 124	ELE2001175	20
DWR1111C003	34	ELE2001176	20
DWR1111H051	16	ELEASMB2868	40, 42, 44, 46, 48, 50, 52, 54, 56, 60
DWR1111H053	16	ELEASMB4721	52, 54, 56, 60
DWR1111H065	40, 42, 44, 46, 48, 52, 54, 56	ELEASMB5478	40, 42, 44, 46, 48, 50
DWR1111H066	36	ELEASMB5672	106
DWR1111H067	36	ELEASMB7120048	44
DWR1202C027	128	ELECHG1017	106
DWR1202D044	4, 6	FRMASMB10454	16, 22
DWR1234L799	130	FRMASMB10617	12, 14, 18, 20, 124
DWR1235L176	130	FRMASMB10713	4
DWR1235L515	130	FRMASMB11110	4
DWR1235L520	106, 130	FRMASMB11156	16, 22
DWR1235L521	130	FRMASMB12744	12, 124
DWR1235L817	100, 102	FRMASMB16062	126
DWR1265H021	46, 48, 50, 54, 56, 60, 72	FRMASMB16077	76
DWR1265H027	44, 52, 60	FRMASMB2066	124
DWR1265H055	42, 72	FRMASMB4767	124
DWR1265H057	42, 72	FRMASMB7110030	2
DWR1265H061	40	FRMASMB7110032	78
DWR1361H038	46, 50, 54, 60	FRMASMB7110033	10
ELE124312	14	FRMASMB7110034	10
ELE124313	14, 38	FRMASMB7120013	78
ELE142657	52	FRMASMB8691	10
ELE142658	54	FRMASMB9532	124
ELE142660	54	HAR144001	22
ELE142673	44	HAR144003	22
ELE142674	46	HAR144005	60
ELE142675	46	HARUSHD1065	108
ELE142680	40	HARUSHD2041	108
ELE142681	42	HARUSHD2160	108
ELE144006	18, 38	HDW124834	100, 102
ELE145674	132, 134	HDW142810	82
ELE155901	72	HDW147454	132, 134, 136
ELE160183	72	HDW155221	132, 134
ELE163525	56	HDW166324	132, 134
ELE163526	56	HDWASMB1187	4, 6
ELE163529	48	INFINFB1149	128
ELE163530	48	INFINFB2528	128
ELE163627	50	INFINFB2801	128
ELE163628	50	INFINFB3072	128
ELE1705058	58	INFMANU3992	128

INFMANU4237	128	PLSKNCP1058	26
KIT150486	10	PLSTIE1011	100, 102
KIT152913	28	PLSTIE1015	128
KIT152914	28	RIGASMB7120041	74
KIT152915	28	SCR8110003	84, 86
KIT152919	14, 30	SCR8120003	80
KITASMB1728	28	SCRHHCS1668	100, 102
KITASMB1729	28	SCRPPH1006	124
KITASMB1730	28	SCRPPH1036	4, 6, 40, 42, 44, 46, 48, 50, 52, 54, 56, 60, 70, 72, 116, 118
LAB120011	130	SCRPPH1097	118
LAB121212	130	SCRPPH1103	68
LAB150425	136	SCRPPH1122	124
MEC120202	82, 86	SCRPPH1153	68
MEC120203	82, 86	SCRPPH1163	66
MEC124133	118	SCRPPH1279	110, 116
MEC138180	118	SCRPPH1384	110, 110, 116, 118
MEC138860	120	SCRPPH1390	40, 42, 44, 46, 48, 50, 52, 54, 56, 60
MEC138876	120	SCRPPTC1047	40, 42, 44, 46, 48, 50, 52, 54, 56, 60
MEC142133	82	SCRSFH1005	120
MEC142426	116	SCRSHCS1001	2
MEC145589	136	SCRSHCS1132	10
MEC146025	136	SCRSHCS1172	10
MEC146133	110, 116, 126	SCRSHFH1015	124
MEC147688	136	SCRSHFH1053	120, 124
MEC148170	136	SCRSHFH1203	82, 86
MEC148171	136	ST-ARM250C-Q	122, 126
MEC148172	132, 134, 136	ST-ARM250T-Q	122, 126
MEC154280	72	ST-TWBM480CJ-Q	122
MEC154352	72	ST-TWBM480QL-Q	122
MEC155025	132, 134	STP8120001	2
MEC155045	132, 134	SUSASMB7120004	4
MEC155515	132, 134	SUSASMB7120005	8
MEC155518	132, 134	TIR8110018	98
MEC155688	132, 134	TIR8110020	96
MEC160012	134	TIR8110025	92
MEC160013	134	TIR8110027	90
MEC162154	132	TUBSTND1002	90
MEC162155	132	TUBSTND1043	98
MEC167592	132	TWRASMB7120002	80
MEC167593	134	TWRASMB7120003	80
MEC1706847	132, 134	WASLOCK1093	100, 102
MEC1707284	132, 134	WASLOCK1094	84, 86
MEC1712217	116	WASMETR1031	84, 86
MEC1712220	116	WASNEOP1003	66
MEC1809294	126	WHL121698	96
NUTSTD1020	100, 102	WHL121703	98
PLS8110080	68	WHLASMB1644	88, 90, 92
PLS8110082	66	WHLASMB2095	90, 92
PLSINDV1252	30	WHLASMB2149	96, 98
PLSKNCP1056	66	WHLASMB7110040	4, 6
PLSKNCP1057	26	WHLASMB7110043	92

WHLASMB7110045	90
WHLASMB7120005	88

Illustrated Parts Breakdown

USA - Quantum Rehab

401 York Avenue
Duryea, Pa 18642
www.quantumrehab.com

USA - Pride Mobility Products Corp.

182 Susquehanna Avenue
Exeter, Pa 18643
www.pridemobility.com

Canada

5096 South Service Road
Beamsville, Ontario L0R 1B3
www.pridemobility.ca
www.quantumrehab.com

Australia

20-24 Apollo Drive
Hallam, Victoria 3803
www.pridemobility.com.au
www.quantumrehab.com.au

New Zealand

38 Lansford Crescent
Avondale, Auckland 0600
www.pridemobility.co.nz

UK

32 Wedgwood Road
Bicester, Oxfordshire OX26 4UL
www.pride-mobility.co.uk
www.quantumrehab.co.uk

Netherlands

(Authorised EU Representative)

De Zwaan 3
1601 MS Enkhuizen
www.pridemobility.eu
www.quantumrehab.eu

Italy

Via del Progresso, ang. Via del Lavoro
Loc. Prato della Corte
00065 Fiano Romano (RM)
www.pride-italia.it
www.quantumrehab-italia.it

France

26 Rue Monseigneur Ancel
69800 Saint-Priest
www.pridemobility.fr
www.quantumrehab.fr

Spain

Calle Las Minas Número 67
Polígono Industrial Urtinsa II, de Alcorcón
28923 Madrid

Germany

Hövelrieger Str. 28
33161 Hövelhof
www.pridemobility.de

China

Room 508, Building #4
TianNa Business Zone
No. 500 Jianyun Road
Pudong New Area
Shanghai 201318

