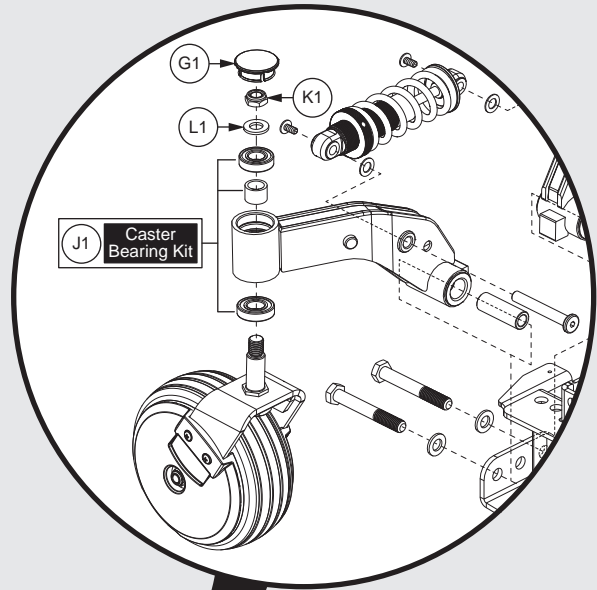




PRIDE
MOBILITY
LIVE YOUR BEST®



Illustrated Parts Breakdown



This Illustrated Parts Breakdown (IPB) Catalog has been compiled from the latest product information available at the time of publication. Quantum Rehab[®] / Pride Mobility Products[®] Corporation reserves the right to make changes and updates to this manual and to the product(s) it represents. Any changes, updates, or improvements to the product(s) may result in slight differences between this manual and the product that has been purchased.

An IPB is a graphically portrayed parts listing of product components which have been deemed to have serviceable, maintenance significance. When applicable, IPBs utilize “exploded” illustrations that detail serviceable components and a corresponding itemized parts list of reference numbers, part numbers, descriptions, quantities, and any applicable pricing. Most product components are incorporated into assemblies and may not be available for replacement.

Serviceable components will be noted by a callout in the illustration that will correspond to a alphanumeric reference number in the parts list. Items may also be listed in the parts list by parent assemblies. In most cases when a parent assembly is listed, there will be child parts or sub-assemblies listed under that parent.

For example: The parent assembly reference number is A1 — A5. That part contains all of the items listed as and contained within A1, A2, A3, A4, & A5. As long as these subcomponents have a callout associated with them, they can be selected for replacement or quote.

Updates to the contents of an IPB will be made on a regular basis based upon applicable product changes and enhancements. This PDF catalog has been export from the Provider based service site. The most up to date parts look up tool and ordering application is located at: prideprovider.com. Please utilize this system to enhance your user experience. It is built with highly interactive materials that are set with relational properties that will facilitate easier part look-up, more accurate parts selection, notification of onhand part availability, and quick links to related documents and products.

We welcome all questions and comments regarding the Quantum Rehab[®] / Pride Mobility Products[®] Corporation IPB systems.

Any pricing that is included in Quantum Rehab[®] /Pride Mobility Products[®] Corporation IPBs is subject to change without prior notice.

Thank you for choosing products from Quantum Rehab[®] and Pride Mobility Products[®] Corporation.

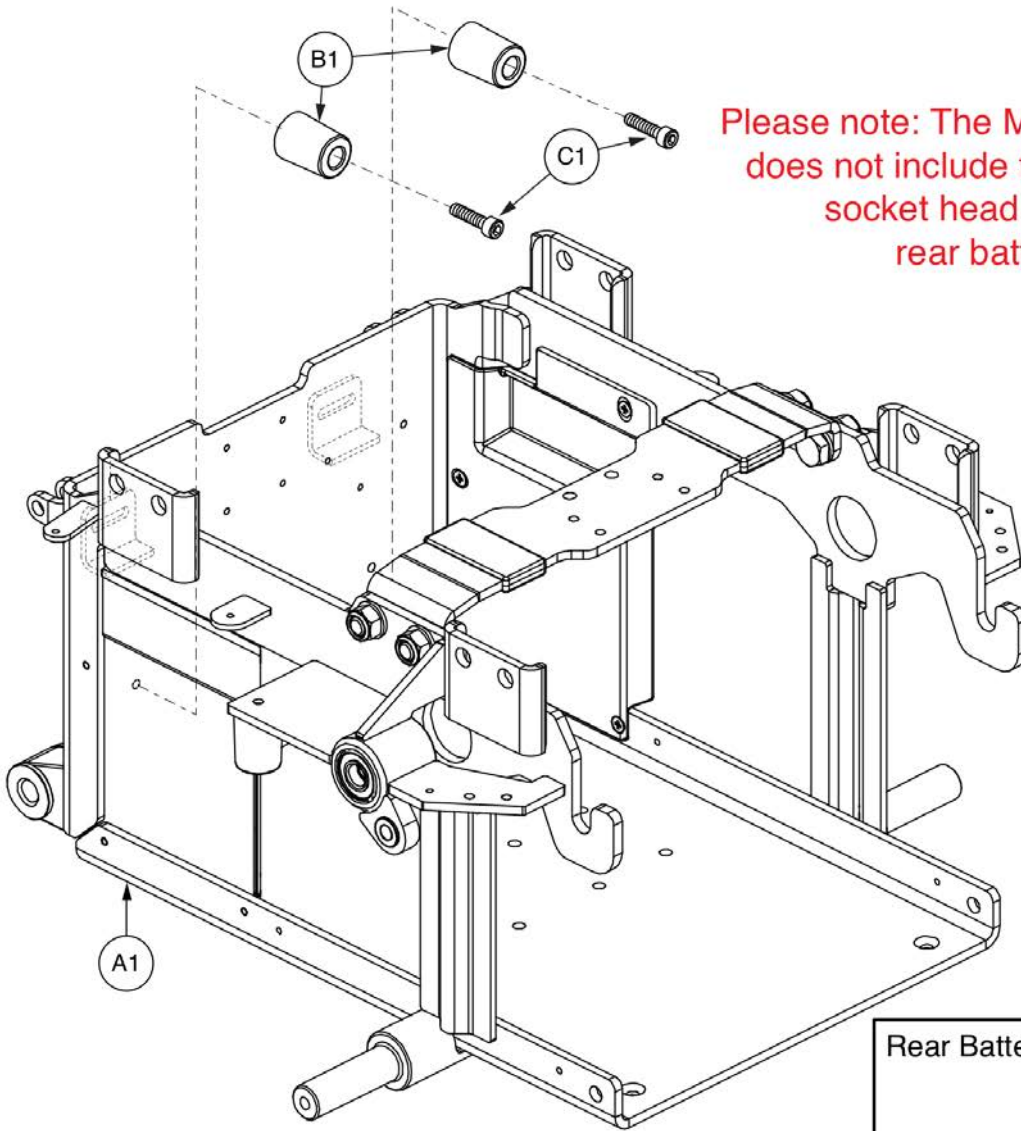


1. Main Frame Assy	
Main Frame, Edge Z / Q6 Ultra	1
2. Front Caster & Front Suspension Assy	
Front Caster & Front Suspension, Edge Z / Q6 Ultra	3
3. Articulating Beam Assy	
Articulating Beam, Edge Z / Edge HD / Q6 Ultra	5
4. Rear Swing-arm & Strut Assy	
Rear Swing Arm & Strut, Edge Z / Q6 Ultra	7
5. Motor Assy's	
Drive Motor - Hammer & High Speed Hammer, Curtis Connector, Edge Z / Q6 Ultra	9
Drive Motor - H2 & H2 Accu-trac, Curtis Connector, Edge Z / Q6 Ultra	11
6. Motor Mount Assy	
Motor Mount, Hammer & H2 Motors, Edge Z / Q6 Ultra	13
7. Joystick Assy's	
Q-Logic 3 Joystick Assy's	15
Q-Logic 3e Joystick Assy's - Q6 Edge Z	17
Q-Logic 3 Stand Alone Joystick Assy	19
Q-Logic 2 Joystick Assemblies	21
Q-Logic 2 Stand Alone Joystick Assy	23
NE+ Joystick Assy's	25
Joystick Knobs & Overlays	
Aftermarket Joystick Knobs	27
Q-Logic 1 / Stand Alone / NE / NE+ Joystick Overlays	29
Q-Logic Joystick Knobs	31
Q-Logic 2 & 3 Joystick Shrouds	
Q-Logic 2 & 3 Joystick Shrouds	33
Joystick Bottom Housings	
NE + Joystick Bottom Housing w/Bus Cable	35
Q-Logic 2 & 3 Joystick Bottom Housing w/Bus Cable	37
8. Electronics Assy's	
Q-Logic 3	
Q-Logic 3 Electronics Master Assy's w/o Fender Lights, Edge Z	39
Q-Logic 3 Electronics Master Assy's with Fender Lights, Edge Z	41
Q-Logic 3 Electronics Power Module, Hardware, & Harnesses, w/o Fender Lights, Edge Z	43
Q-Logic 3 Electronics Power Module, Hardware, & Harnesses, with Fender Lights, Edge Z	45
Q-Logic 3 SD Cards for Q6 Edge Z	47
Q-Logic 2	
Q-Logic 2 Electronics Master Assy's w/o Fender Lights, Edge Z / Q6 Ultra	49
Q-Logic 2 Electronics Master Assy's w/ Fender Lights, Edge Z / Q6 Ultra	51
Q-Logic 2 Power Modules, Edge Z / Q6 Ultra	53
NE+ & Q-Logic 2 Electronics Hardware & Harnesses, w/o Fender Lights, Edge Z / Q6 Ultra	55
NE+ & Q-Logic 2 Electronics Hardware & Harnesses, with Fender Lights, Edge Z / Q6 Ultra	57
NE+	
NE+ Electronics Master Assy's w/o Fender Lights, Edge Z / Q6 Ultra	59
NE+ Electronics Master Assy's w/ Fender Lights, Edge Z / Q6 Ultra	61
NE+ Power Modules, Edge Z / Q6 Ultra	63

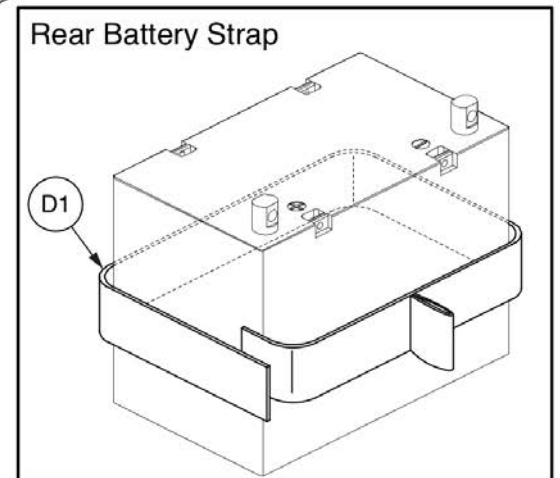
NE+ & Q-Logic 2 Electronics Hardware & Harnesses, w/o Fender Lights, Edge Z / Q6 Ultra	65
NE+ & Q-Logic 2 Electronics Hardware & Harnesses, with Fender Lights, Edge Z / Q6 Ultra	67
9. Shroud & Fender Assy's	
Complete Shroud Matrix, Edge Z / Q6 Ultra	69
Edge Z / Q6 Ultra Shroud Assy - Rear Bucket, Center Panel, Plastic Inserts, & Hardware	71
Fender Shrouds w/o Lights, Edge Z / Q6 Ultra	73
Fender Shrouds with Lights, Edge Z / Q6 Ultra	75
10. Foot Platform Assy	
Foot Platform, Edge Z / Edge HD / Q6 Ultra	77
Bell Foot Platform, Edge Z / Edge HD / Q6 Ultra	79
11. Battery Access Brackets	
Battery Access Brackets, Edge Z / Edge HD / Q6 Ultra	81
12. Seating Interface Assy's	
Seat Towers & Universal Transit Package, Edge Z / Q6 Ultra	83
TB3 Tilt Seat Mounts w/Transit Loops, Metric, Edge Z / Q6 Ultra	85
13. Drive Wheel Assy's	
5-Spoke Drive Wheels	
Run Flat Drive Wheel, Silver Rim/Charcoal Tire w/ Color Rim Insert	87
Pneumatic Drive Wheel, 5 Spoke Silver Rim/Charcoal Tire w/ Color Rim Insert	89
Flat-free Drive Wheel, 5 Spoke Silver Rim/Charcoal Tire w/ Color Rim Insert	91
Run Flat Drive Wheel Assy, 5 Spoke Titanium Rim/Charcoal Tire	93
Pneumatic Drive Wheel Assy, 5 Spoke Titanium Rim/Charcoal Tire	95
Flat-free Drive Wheel Assy, 5 Spoke Titanium Rim/Charcoal Tire	97
Painted Wheel Inserts	99
4-Spoke Drive Wheels ("Knobby" Tires)	
Pneumatic/Flat-free "Knobby" Drive Wheel Assy, 4 Spoke Hammer Hub	101
Pneumatic/Flat-free "Knobby" Drive Wheel Assy, 4 Spoke H2 Hub	103
14. Batteries	
Group 24 Battery, MK	105
Universal, Group 24, Battery Assy	107
Group 24 Battery, Interceptor	109
15. Off-board Charger	
8 amp CTE Charger, Australia	111
8 Amp UPG Charger Assy, AGM / GEL Selectable	113
16. Joystick Mounts & Receivers	
16.1. Swing-away, Version 3	
Swing-away Joystick Bracket & Components, Version 3	115
16.2. Version 2. Swing-away/Multi-axis Joystick Brackets	
Swing-away & Multi-axis Mount Matrix, Rehab Seat, Version 2	117
Swing-away & Multi-axis Mount Matrix, Captain Seat, Version 2	119
Swing-away Joystick Bracket Components, Version 2	121
Multi-Axis Joystick Bracket Components, Version 2	123
16.3. Retract 4 Swing-away Joystick Bracket	
Retract 4 Swing-away Joystick Bracket for Curtis Joysticks	125
16.4. Stealth Swing-away / Flip-down Joystick Bracket	
Stealth Swing-away / Flip Down Joystick Brackets & Mounts	127

16.5. Fixed Inline Joystick Brackets	
Fixed Joystick Mounts, Quantum Joysticks	129
16.6. Joystick Bracket Receivers	
Joystick Receiver Mounts, Quantum	131
17. Owner's & Decal Packages	
17.1. Owner's Package	
Owner's Package, Australia, Edge Z	133
17.2. Decal Packages	
Decal Package - Unoccupied Transit, Q-Logic, Edge Z	135
Decal Package - Unoccupied Transit, Edge Z	137
Decal Package - Occupied Transit Q-Logic, Edge Z	139
Decal Package - Occupied Transit, Edge Z	141
18. I-Level Base Components	
I-Level Power Base Components, Curtis, Edge HD & Edge Z	143
I-Level Power Base Components, Edge HD & Edge Z w/Base Mounted lights	145
I-Level Power Base Cable & Mounting Block Assy	147
19. Quantum Color Reference Chart	
Quantum Color Reference Chart	149
Appendix A:Pages Index	150
Appendix B:Parts Index	151

1. Main Frame Assy



Please note: The Main Frame Assembly does not include the rubber bumper, socket head cap screw, or rear battery strap.

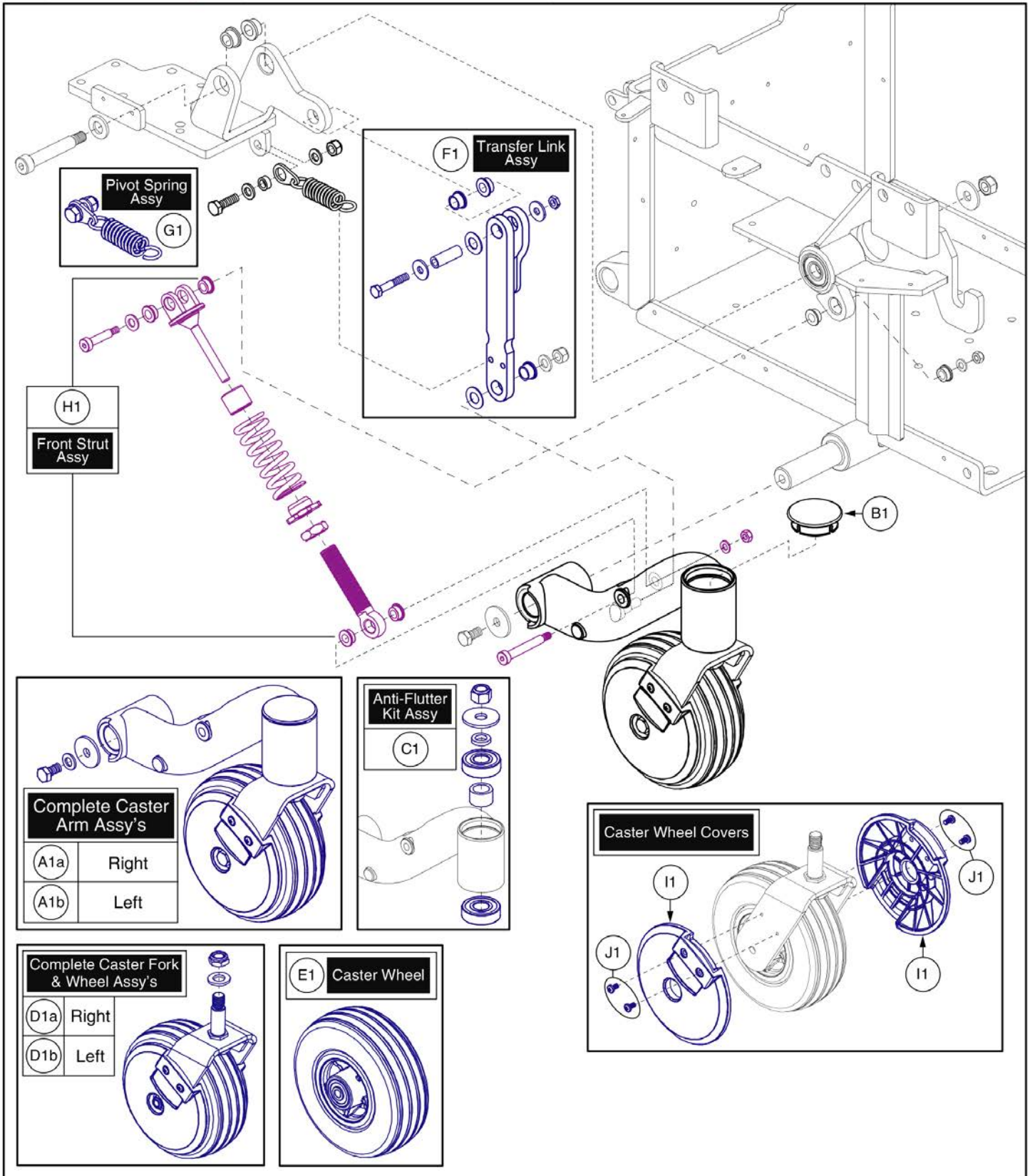




Item	Part No.	Name	Qty
A1	FRMASMB7110029	FRAME,ASSY,MAIN,Q6EDGE HD	1
B1	DWR1056B062	BUMPER,BLACK,RUBBER,6.5MM ID X 25MM OD X 32MM TH,SHORE 90 A,B-1056-062	2
C1	SCRSHCS1132	SCREW,SHCS,BLACK ZINC,M6-1.0 X 25MM,GRADE 8.8	2
D1	STP8120001	STRAP,REAR BATTERY PULL	1

2. Front Caster & Front Suspension Assy

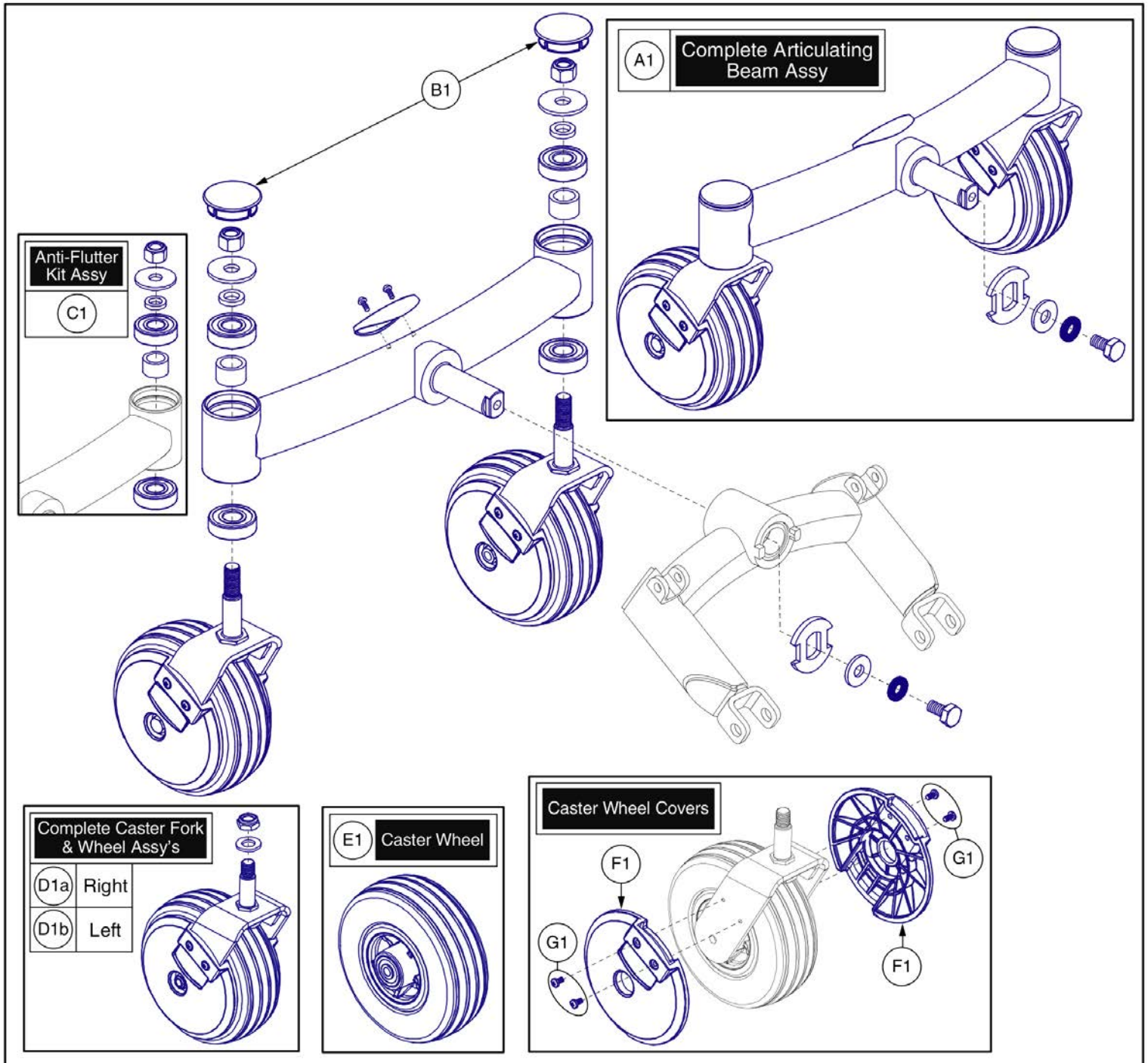
NOTE: Only serviceable components contain callouts. Items with lower-case extensions represent left/right specific sides. Individual components are not available for replacement.



Item	Part No.	Name	Qty
A1a	CASASMB7120020	FRAME,ASSY,FRONT ARM W/CASTER,REINFORCED,BLACK POWDERCOAT,BLACK RIM/CHARCOAL TIRE,RIGHT,Q6EDGE HD,CASASMB7110010	1
A1b	CASASMB7120016	FRAME,ASSY,FRONT ARM W/CASTER,REINFORCED,BLACK POWDERCOAT,BLACK RIM/CHARCOAL TIRE,LEFT,Q6EDGE HD,CASASMB7110009	1
B1	DWR1065C008	SHROUD,COVER,CAP,CASTER,BLACK	1
C1	HDWASMB1187	ANTI-FLUTTER KIT,REAR CASTER,JAZZY,B-1005-137	1
D1a	CASASMB7120012	CASTER,ASSY,LOW IMPACT,BLACK RIM/CHARCOAL TIRE,6" WHEEL,W/FORK & COVERS,RIGHT,W/RADIUS	1
D1b	CASASMB7120008	CASTER,ASSY,LOW IMPACT,BLACK RIM/CHARCOAL TIRE,6" WHEEL,W/FORK & COVERS,LEFT,W/RADIUS	1
E1	WHLASMB7110040	WHEEL,ASSY,LOW IMPACT,BLACK RIM/CHARCOAL TIRE,6" X 2",W/BEARINGS & SPACER	1
F1	FRMASMB10713	FRONT CASTER,ASSY,TRANSFER LINK,ACTIVE-TRACK	1
G1	FRMASMB11110	SUSPENSION,ASSY,PIVOTING SPRING MOUNT,QUANTUM6000Z,C-1065-024	1
H1	MEC136293	STRUT,ASSY,FRONT SUSPENSION,Q6 ULTRA,W/MOUNTING HARDWARE	1
I1	DWR1202D044	COVER,CASTER SPHERE,BLACK,6" WHEEL,THIN,LOW PROFILE,D- 1202-044	2
J1	SCRPPH1036	SCREW, PAN HEAD, TYPE H, M4X0.7 X 8, FT, ISO 7045, CL 4.8, BZ	4

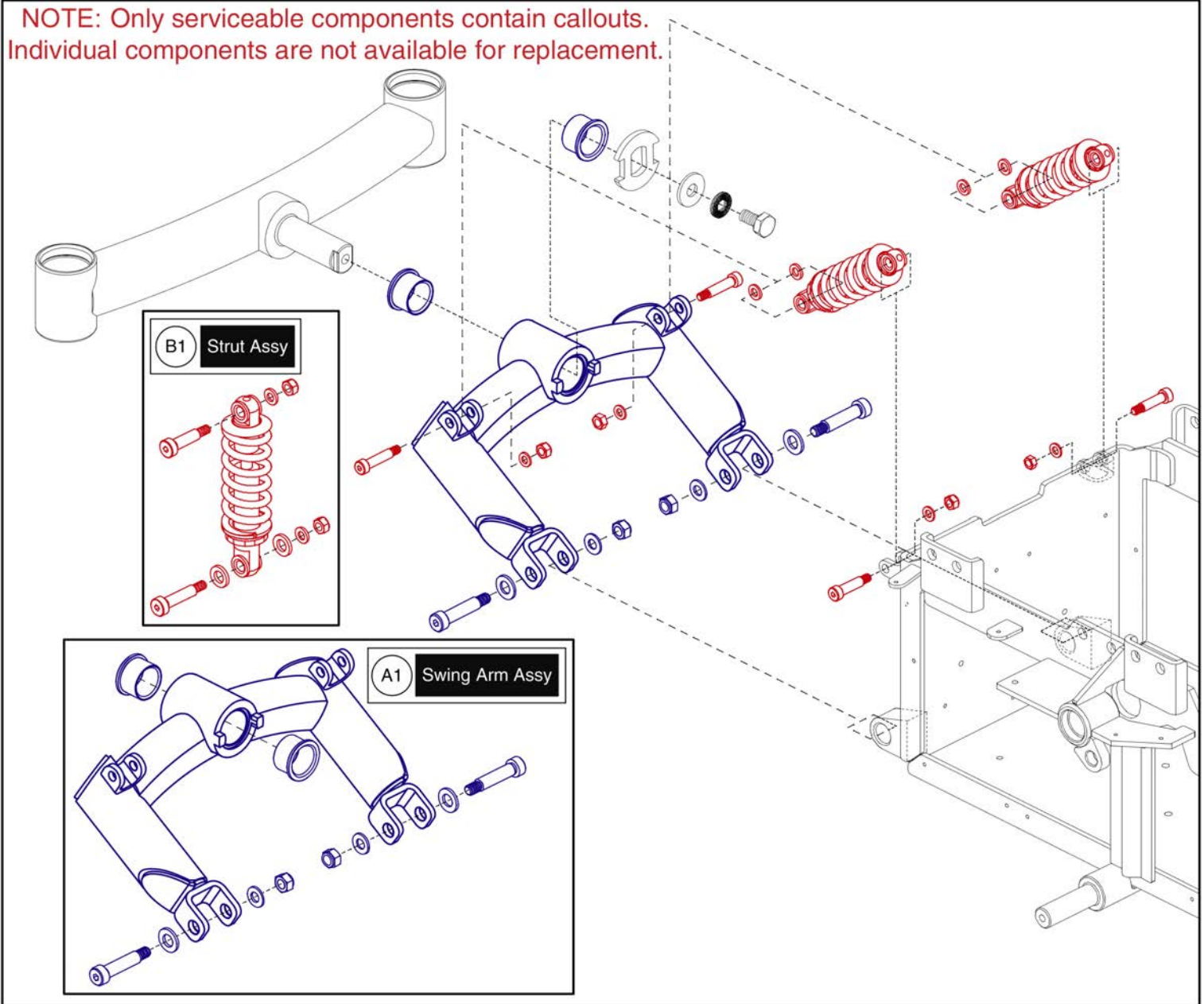
3. Articulating Beam Assy

NOTE: Only serviceable components contain callouts. Items with lower-case extensions represent left/right specific sides. Individual components are not available for replacement.



Item	Part No.	Name	Qty
A1	ABMASMB7110006	ARTICULATING BEAM,ASSY,BLACK POWDERCOAT,W/CASTER WHEELS,Q6EDGE	1
B1	DWR1065C008	SHROUD,COVER,CAP,CASTER,BLACK	2
C1	HDWASMB1187	ANTI-FLUTTER KIT,REAR CASTER,JAZZY,B-1005-137	2
D1a	CASASMB7120012	CASTER,ASSY,LOW IMPACT,BLACK RIM/CHARCOAL TIRE,6" WHEEL,W/FORK & COVERS,RIGHT,W/RADIUS	1
D1b	CASASMB7120008	CASTER,ASSY,LOW IMPACT,BLACK RIM/CHARCOAL TIRE,6" WHEEL,W/FORK & COVERS,LEFT,W/RADIUS	1
E1	WHLASMB7110040	WHEEL,ASSY,LOW IMPACT,BLACK RIM/CHARCOAL TIRE,6" X 2",W/BEARINGS & SPACER	1
F1	DWR1202D044	COVER,CASTER SPHERE,BLACK,6" WHEEL,THIN,LOW PROFILE,D- 1202-044	2
G1	SCRPPH1036	SCREW, PAN HEAD, TYPE H, M4X0.7 X 8, FT, ISO 7045, CL 4.8, BZ	4

4. Rear Swing-arm & Strut Assy



Rear Swing Arm & Strut, Edge Z / Q6 Ultra

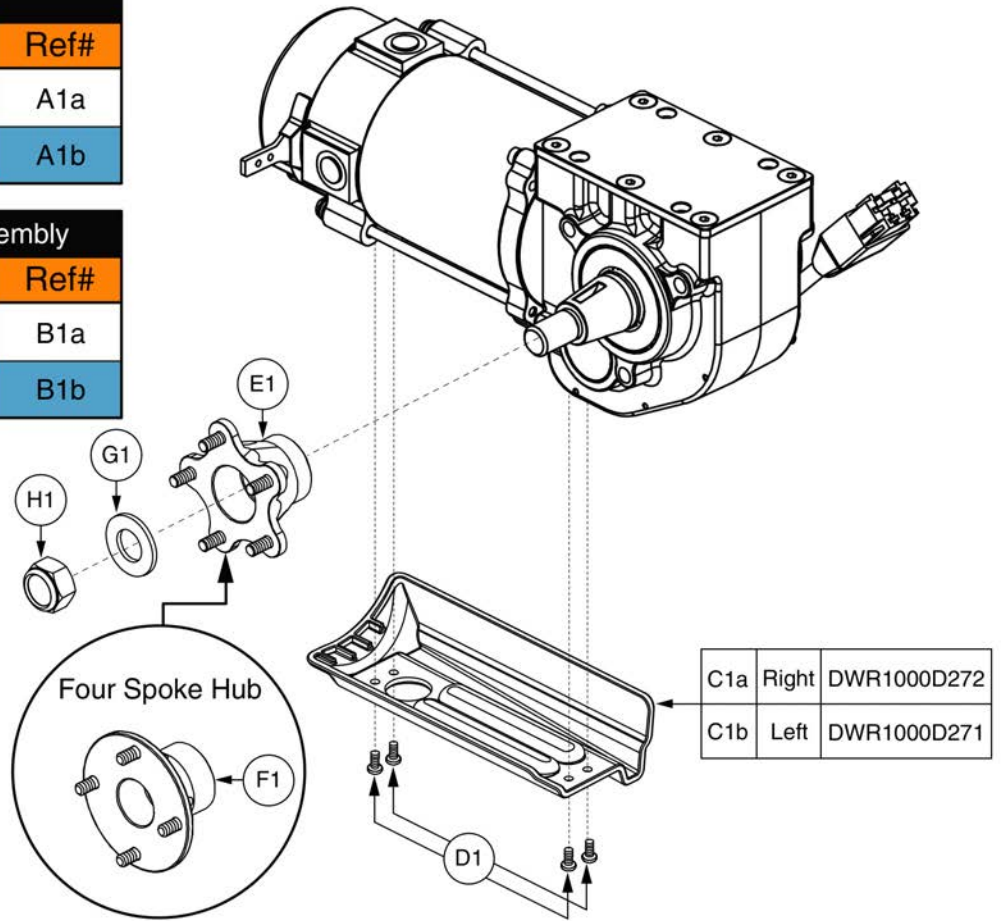


Item	Part No.	Name	Qty
A1	ABMASMB7110004	FRAME,ASSY,SWING ARM W/MOUNTING HARDWARE,BLACK POWDERCOAT,QUANTUM6000Z,E-1065-007	1
B1	MEC138686	STRUT,ASSY,BLACK,SWING ARM,Q6 ULTRA,B-1065-003	2

5. Motor Assy's

Hammer Motor Assembly		
Motor	Part Number	Ref#
Right Hand	DRVMOTR1305	A1a
Left Hand	DRVMOTR1304	A1b

High Speed Hammer Motor Assembly		
Motor	Part Number	Ref#
Right Hand	DRVMOTR1306	B1a
Left Hand	DRVMOTR1307	B1b

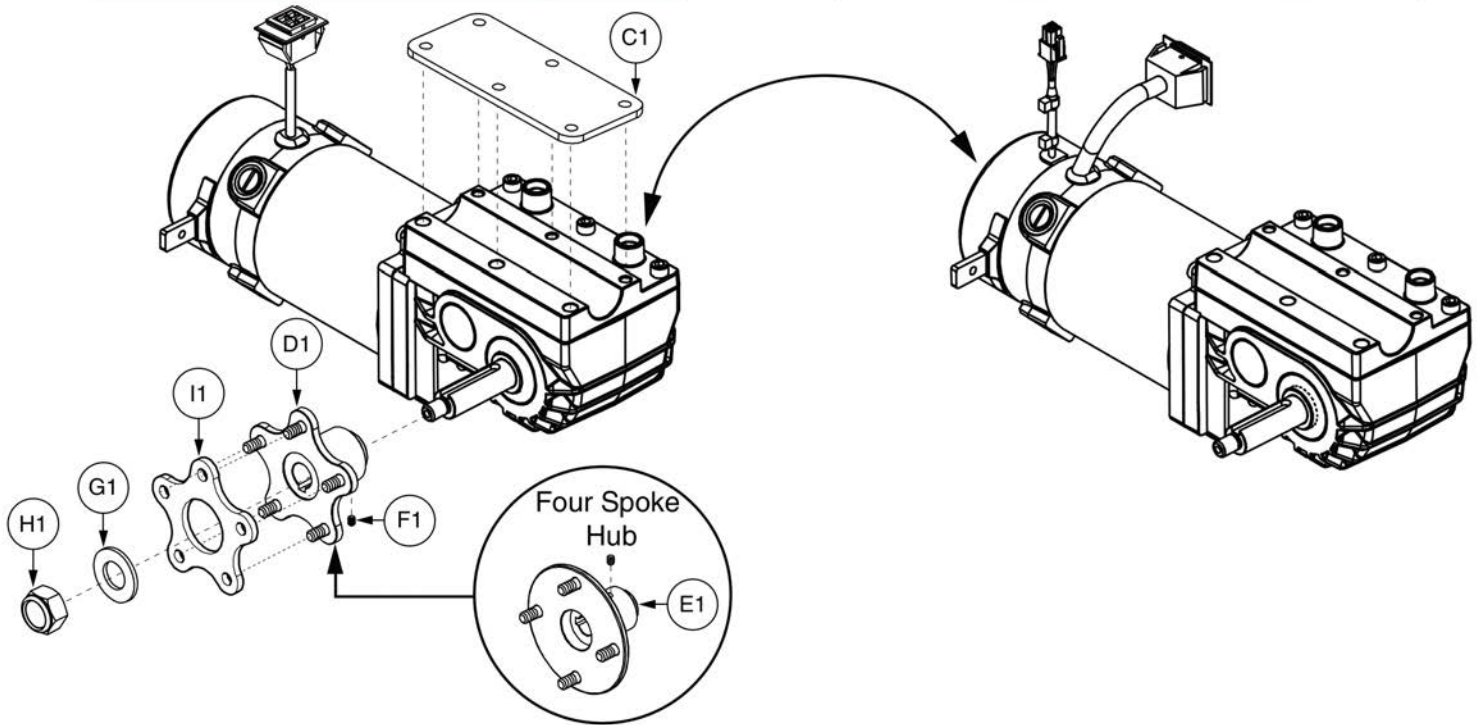


Item	Part No.	Name	Qty
A1a	DRVMOTR1305	RIGHT MOTOR,DRIVE,ES712,HAMMER,TAPERED SHAFT,CURTIS,H-1059-004,(ELECTROCRAFT: 712-107-006-02)	1
A1b	DRVMOTR1304	LEFT MOTOR,DRIVE,ES712,HAMMER,TAPERED SHAFT,CURTIS,H-1059-003,(ELECTROCRAFT: 712-106-005-02)	1
B1a	DRVMOTR1306	RIGHT MOTOR,DRIVE,ES712 HIGH SPEED HAMMER,TAPERED SHAFT W/43" LEADS,CURTIS CONNECTOR,H-1059-007,(ELECTROCRAFT: 712-113-006-02)	1
B1b	DRVMOTR1307	LEFT MOTOR,DRIVE,ES712 HIGH SPEED HAMMER,TAPERED SHAFT W/43" LEADS,CURTIS CONNECTOR,H-1059-008,(ELECTROCRAFT:712-112-005-02)	1
C1a	DWR1000D272	COVER,MOTOR CABLE GUARD,RIGHT,D-1000-272	1
C1b	DWR1000D271	COVER,MOTOR CABLE GUARD,LEFT,D-1000-271	1
D1	SCRPPH1036	SCREW, PAN HEAD, TYPE H, M4X0.7 X 8, FT, ISO 7045, CL 4.8, BZ	4
E1	WHLASMB1644	WHEEL,ASSY,HUB,5 SPOKE,W/STUDS,HAMMER MOTORS,B-1059-025	1
F1	WHLASMB2149	WHEEL,ASSY,HUB,4 SPOKE,W/STUDS,HAMMER MOTORS,C-1203-027	1
G1	WASSTND1141	WASHER,FLAT,BLACK ZINC,STEEL,0.668" ID X 1.262" OD X 0.101" TH	1
H1	NUTNYLK1091	NUT,NYLOCK,BLACK ZINC,5/8-18	1

5. Motor Assy's

H2 Motor Assembly		
Motor	Part Number	Ref#
Right Hand	DRVASMB1906	A1a
Left Hand	DRVASMB1905	A1b

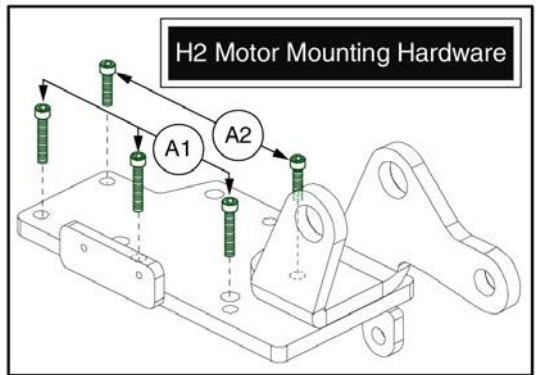
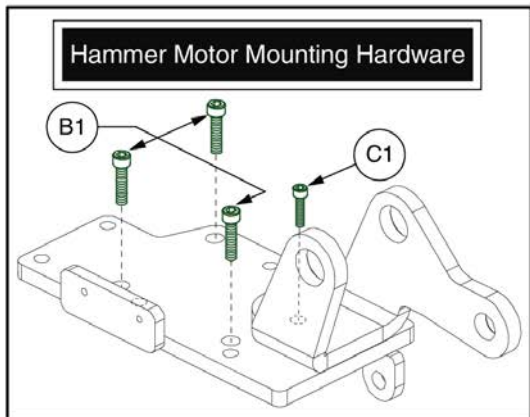
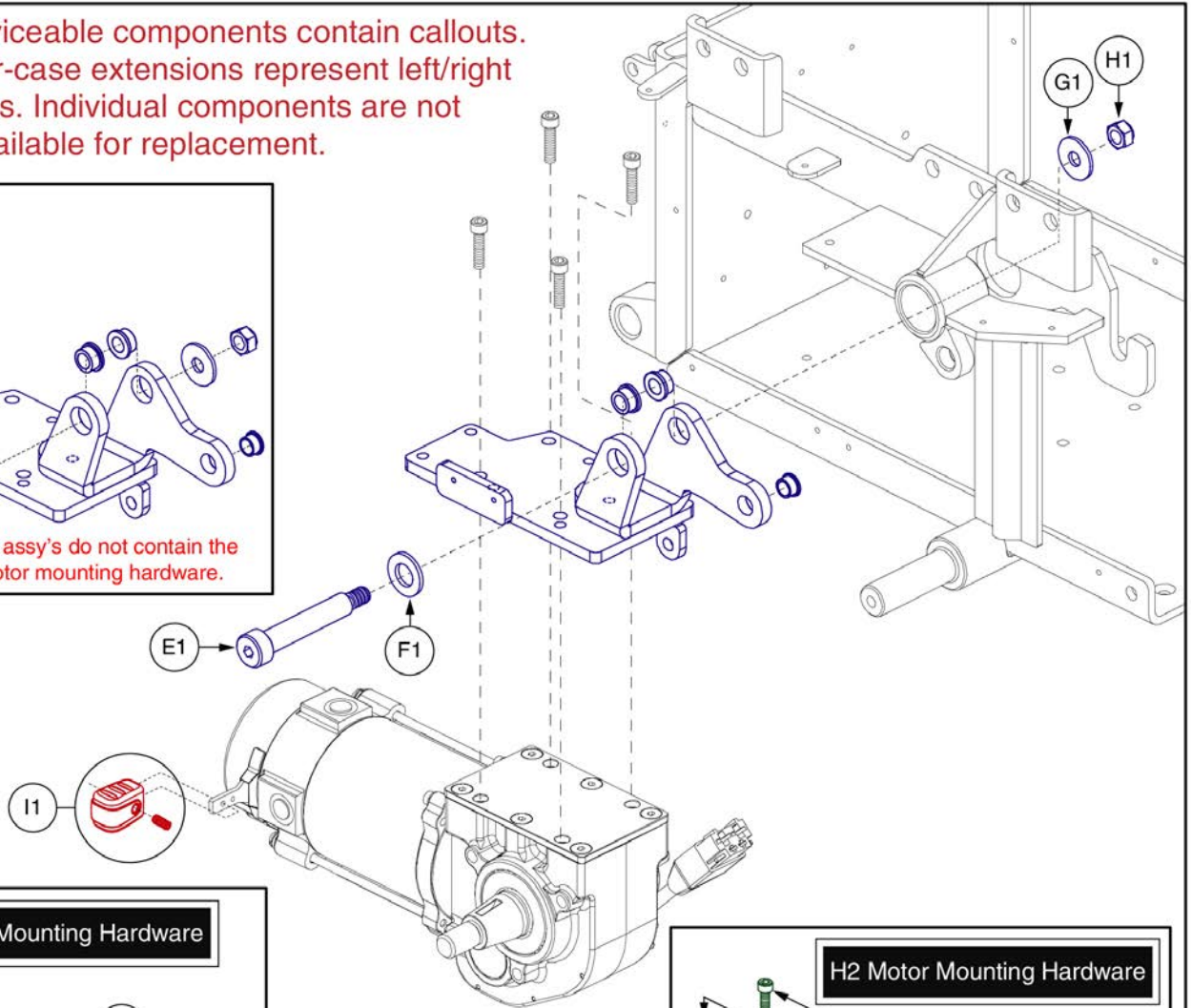
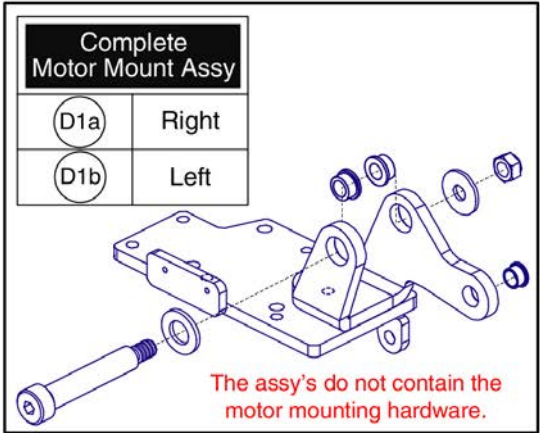
H2 Accu-Trac Motor Assembly		
Motor	Part Number	Ref#
Right Hand	DRVASMB1988	B1a
Left Hand	DRVASMB1987	B1b



Item	Part No.	Name	Qty
A1a	DRVASMB1906	RIGHT MOTOR,ASSY,E925 H2,ANDERSON,(EC:925-101-006)	1
A1b	DRVASMB1905	LEFT MOTOR,ASSY,E925 H2,ANDERSON,(EC:925-100-005)	1
B1a	DRVASMB1988	MOTOR,ASSY,DRIVE,E925 H2,ACCUTRAC,W/GEARBOX,RIGHT,W/ENCODER,ANDERSON CONNECTOR,E-1210-029,(ELECTROCRAFT: 925-103-006-01)	1
B1b	DRVASMB1987	MOTOR,ASSY,DRIVE,E925 H2,ACCUTRAC,W/GEARBOX,LEFT,W/ENCODER,ANDERSON CONNECTOR,E-1210-028,(ELECTROCRAFT: 925-102-005-01)	1
C1	DWR1065C004	MOTOR MOUNT,SPACER,STEEL,C-1065-004	1
D1	WHLASMB1747	WHEEL,ASSY,HUB,W/STUDS,5 SPOKE,B-1203-001	1
E1	WHLASMB2086	WHEEL,ASSY,HUB,4 SPOKE,W/STUDS,GLIDE/H2 MOTORS,C-1203-	1
F1	SCRSETS1105	SCREW,SET,M6-1.0T X 8MM,CUP POINT,W/NYLON PATCH	1
G1	WASSTND1138	WASHER,FLAT,BLACK ZINC,10.3MM ID X 24MM OD X 3MM TH,SERRATED,B-1005-033	1
H1	NUTNYLK1041	NUT,NYLOCK,ZINC,M10-1.25,GRADE 8	1
I1	MEC1610056	HUB SPACER	1

6. Motor Mount Assy

NOTE: Only serviceable components contain callouts. Items with lower-case extensions represent left/right specific sides. Individual components are not available for replacement.



Item	Part No.	Name	Qty
A1	SCRSHCS1111	SCREW,SHCS,BLACK ZINC,M6-1.0 X 40MM,GRADE 12.9	3
A2	SCRSHCS1132	SCREW,SHCS,BLACK ZINC,M6-1.0 X 25MM,GRADE 8.8	2
B1	SCRSHCS1172	SCREW,SHCS,BLACK ZINC,M8-1.25 X 25MM,GRADE 12.9	3
C1	SCRSHCS1132	SCREW,SHCS,BLACK ZINC,M6-1.0 X 25MM,GRADE 8.8	1
D1a	MEC138476	RIGHT HAND MOTOR MOUNT,ASSY,Q6EDGE Z	1
D1b	MEC138475	LEFT HAND MOTOR MOUNT,ASSY,Q6EDGE Z	1
E1	BLTASHL1157	BOLT,SHOULDER,12MM X 60MM,GRADE 12.9,C-1005-011	1
F1	WASMETR1032	WASHER,FLAT,13ID X 24OD X 2.5TH,ISO 7089-12-200 HV,BZ	1
G1	WASMETR1043	WASHER,FLAT,BLACK ZINC,10.5MM ID X 30MM OD X 2.5MM TH	1
H1	NUTNYLK1073	NUT,NYLOCK,BLACK ZINC,M10-1.5,GRADE 8	1
I1	FRMASMB8691	FREEWHEEL,ASSY,RELEASE HANDLE GRIP,YELLOW,B-1160-051	1

7. Joystick Assy's

Q-Logic 3 Joysticks

* Q-Logic 3 Joystick replacement requires the selection of a Pre-programmed SD Card. SD Cards are not shown. Refer to the model specific SD Card pages for selection. *

Q-Logic 3 Joysticks (Shroud NOT Included) Select Separately	
A1	Standard
B1	Lighting

Standard Inline Joystick Mounting Bracket Assy
C1

D1	Speed Knob
E1	Joystick Knob

Lower Housing w/ Bus Cable
F1

Joystick Replacement notes:

- The replacement joystick DOES NOT include the painted shroud. Please utilize the existing. If required, it must be selected separately.
- The replacement joystick DOES NOT include the SD card. Refer to the model specific SD Card pages for selection.
- A Pre-programmed, Joystick mounted SD Card is required when:
 - Replacing a Joystick, Power Base Module, Seating Module, or Display.
 - Any circumstance where all of the electronics modules require replacement.
 - When retrofitting a unit in the field to Q-Logic 3 Electronics.
- The Q-Logic 3 system will reprogram the unit based upon the information loaded onto the SD card. A new SD card ensures the unit is loaded with the latest software.
- Contact Technical Service for more information.

- Refer to the Joystick Mounts & Receivers Sections for more Joystick mounting options.

Q-Logic 3 Joystick Assy's



Item	Part No.	Name	Qty
A1	CTL143976	EXPANDABLE CONTROLLER W/ JOYSTICK AND LCD COLOR DISPLAY, Q-LOGIC 3, 4-KEY, (CURTIS: 17949700-02-0009)	1
B1	CTL143977	EXPANDABLE CONTROLLER W/ JOYSTICK AND LCD COLOR DISPLAY AND LIGHTS, Q-LOGIC 3, 4-KEY, (CURTIS: 17949700-02-0109)	1
C1	FRMASMB10617	JOYSTICK MOUNTING BRACKET,ASSY,CURTIS,INLINE	1
D1	DGN124309	SPEED WHEEL,KNOB,CURTIS Q-LOGIC 2,BLACK,PLASTIC,DGN124309,(CURTIS: 17949367-01)	1
E1	DGN154742	JOYSTICK, KNOB, Q-LOGIC 3, 6.35MM-ID, (CURTIS: 17519114-01)	1
F1	ELE144006	ELECTRONIC, BOTTOM HOUSING, JOYSTICK MODULE Q-LOGIC 3,W/ BUS CABLE Q-LOGIC 3, (CURTIS: 17949366-02)	1

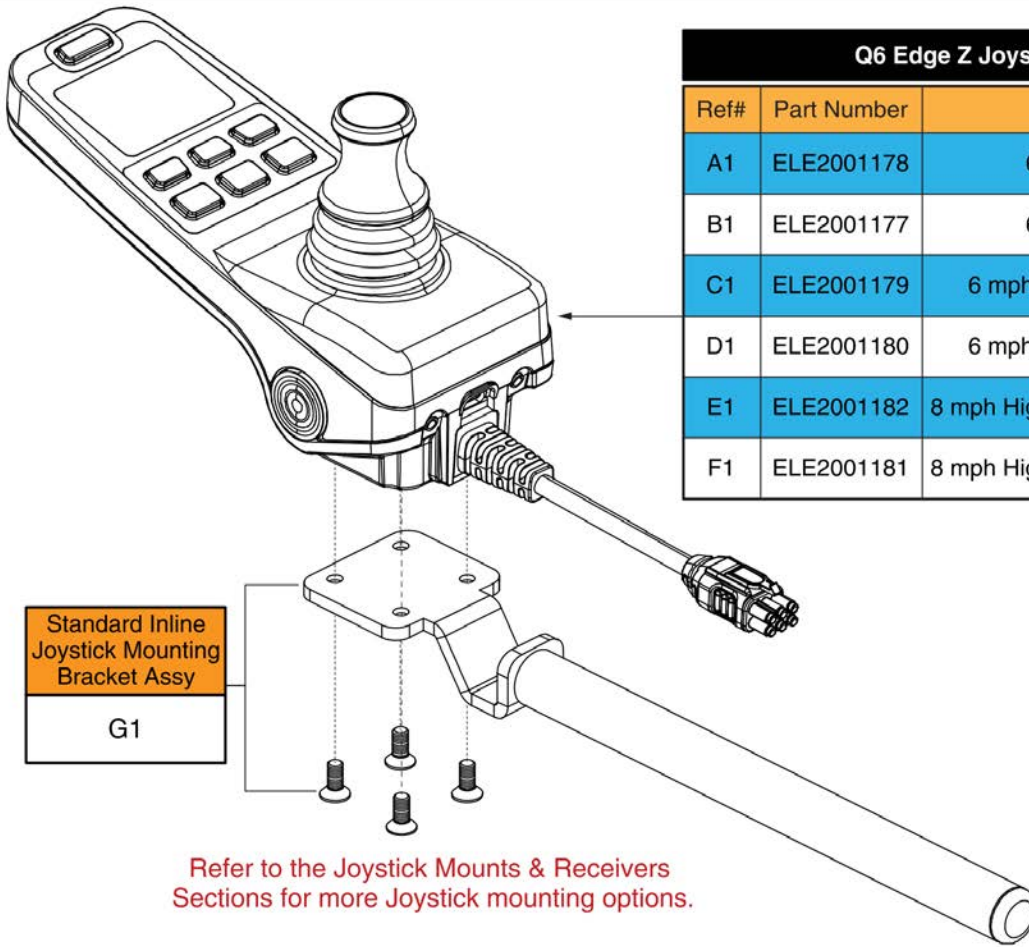
7. Joystick Assy's

Q-Logic 3e Joysticks

Joystick Replacement Notes:

- The proper joystick assembly with programming must be selected to ensure the unit functions as intended.
- A pre-programmed SD card is **NOT** needed when replacing or retrofitting a Q-Logic 3e joystick on a unit. The latest firmware and program file are stored internally on the new joystick.
- The Q-Logic 3e joystick is compatible with all previous and current units equipped with Q-Logic 3 electronics and can be used in place of the full-featured joystick.

Contact Technical Service for more information.



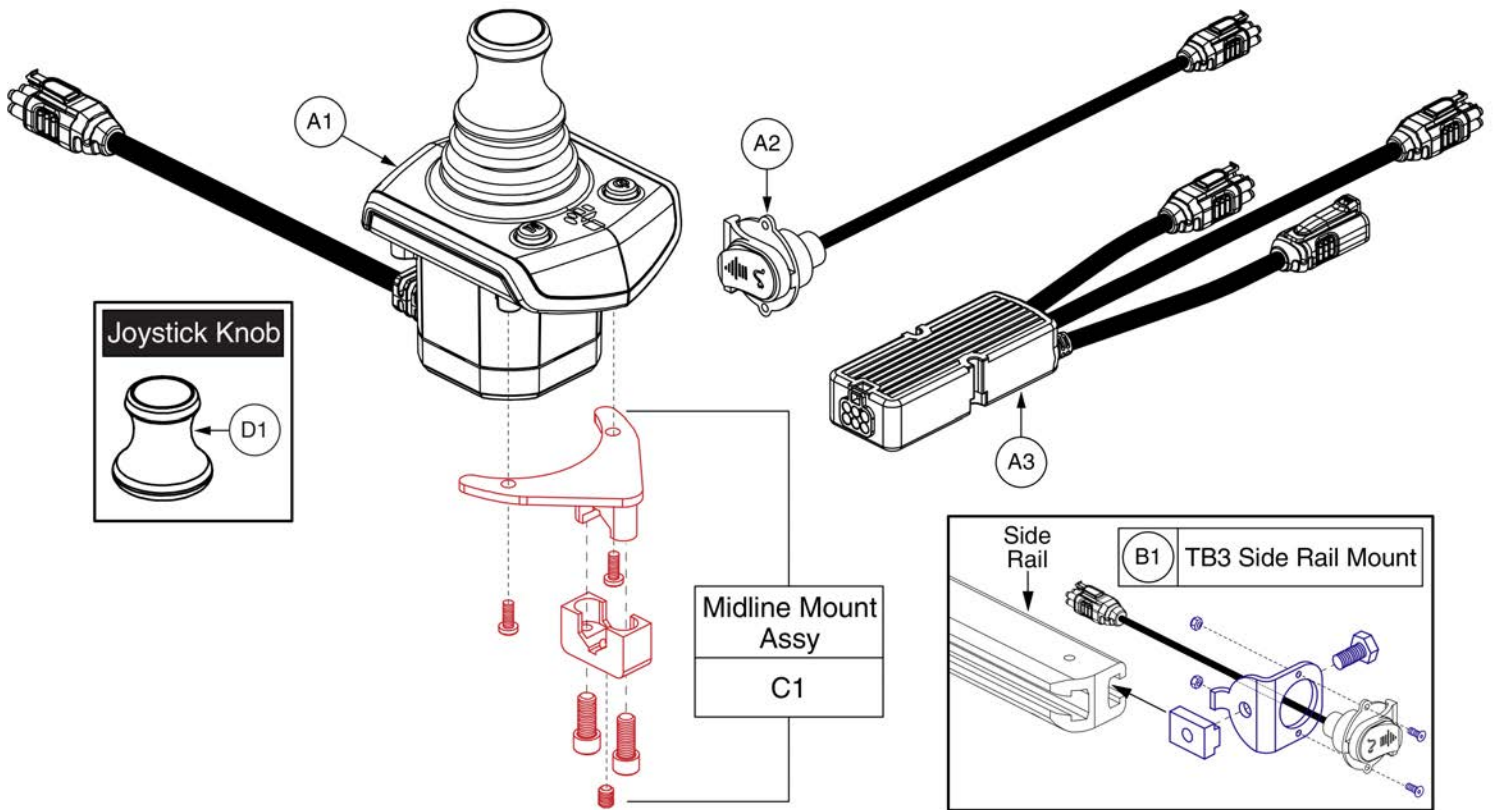
Q6 Edge Z Joysticks w/ Programming			
Ref#	Part Number	Motors	Seating Config.
A1	ELE2001178	6 mph H2	Static Seat
B1	ELE2001177	6 mph H2	Power Positioning
C1	ELE2001179	6 mph H2, Accu Trac	Static Seat
D1	ELE2001180	6 mph H2, Accu Trac	Power Positioning
E1	ELE2001182	8 mph High Speed Hammer	Static Seat
F1	ELE2001181	8 mph High Speed Hammer	Power Positioning

Q-Logic 3e Joystick Assy's - Q6 Edge Z



Item	Part No.	Name	Qty
A1	ELE2001178	SERVICEABLE ASSEMBLY, Q-LOGIC 3E, Q6EDGE Z, H2 6MPH MOTORS, STATIC SEATING	1
B1	ELE2001177	SERVICEABLE ASSEMBLY, Q-LOGIC 3E, Q6EDGE Z, H2 6MPH MOTORS, POWER POSITIONING	1
C1	ELE2001179	SERVICEABLE ASSEMBLY, Q-LOGIC 3E, Q6EDGE Z, H2 6MPH ACCU TRAC MOTORS, STATIC SEATING	1
D1	ELE2001180	SERVICEABLE ASSEMBLY, Q-LOGIC 3E, Q6EDGE Z, H2 6MPH ACCU TRAC MOTORS, POWER POSITIONING	1
E1	ELE2001182	SERVICEABLE ASSEMBLY, Q-LOGIC 3E, Q6EDGE Z, HAMMER 8MPH MOTORS, STATIC SEATING	1
F1	ELE2001181	SERVICEABLE ASSEMBLY, Q-LOGIC 3E, Q6EDGE Z, HAMMER 8MPH MOTORS, POWER POSITIONING	1
G1	FRMASMB10617	JOYSTICK MOUNTING BRACKET,ASSY,CURTIS,INLINE	1

7. Joystick Assy's

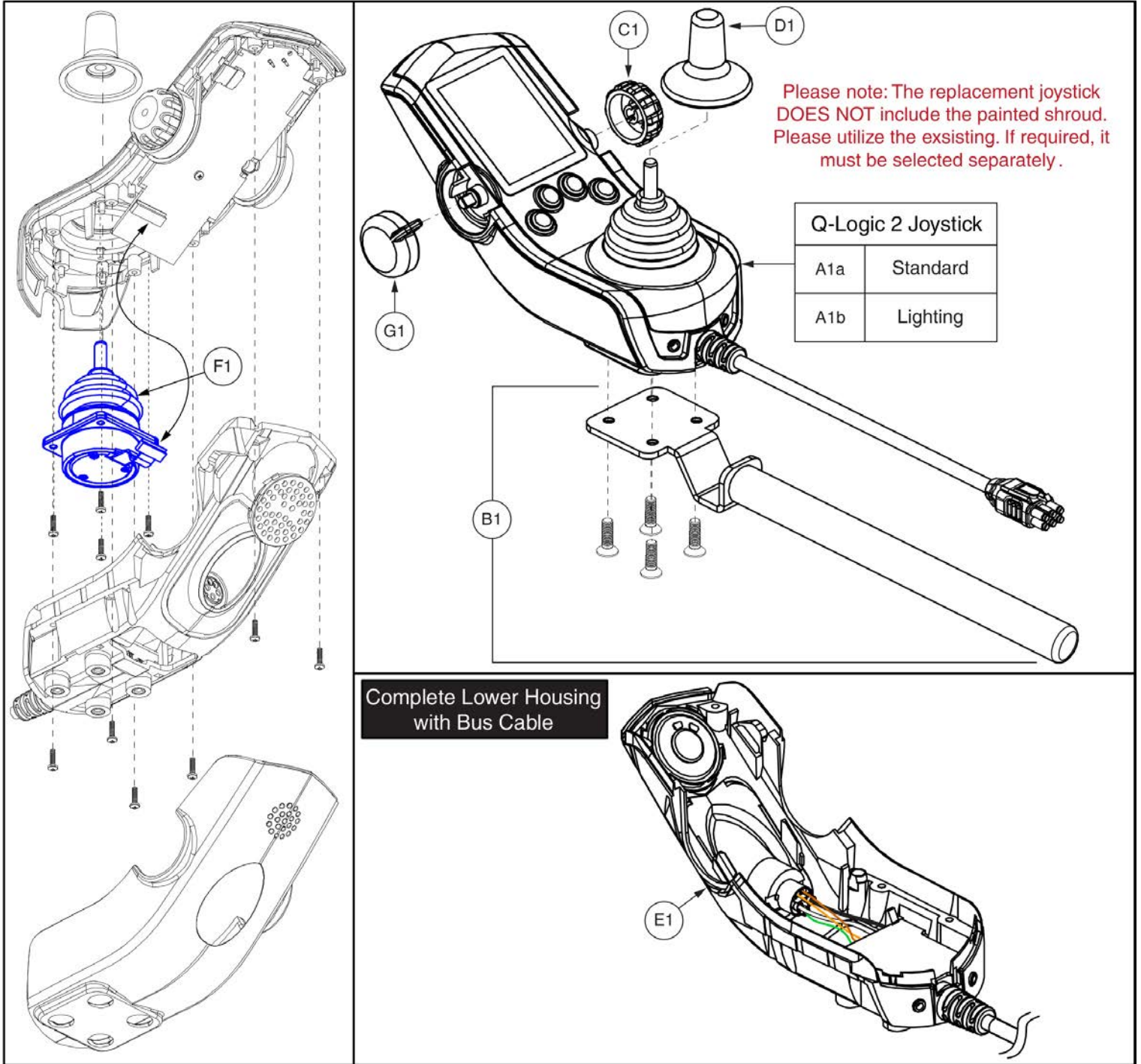


Q-Logic 3 Stand Alone Joystick Assy



Item	Part No.	Name	Qty
A1	CTL143980	STANDALONE JOYSTICK, Q-LOGIC 3, (CURTIS: 17953700-1109)	1
A2	HAR144001	HARNESS, CHARGER/PROGRAMMER, Q-LOGIC 3, 0.9 METER,(CURTIS: 17880701)	1
A3	HAR144003	HARNESS, SEAT MULTIPLIER Q-LOGIC 3, (CURTIS: 17881360-02-01)	1
B1	FRMASMB11156	MOUNTING BRACKET,ASSY,STAND ALONE JOYSTICK,SIDE RAIL MOUNT,C-1360-163	1
C1	FRMASMB10454	JOYSTICK MOUNTING BRACKET,ASSY,CURTIS STAND ALONE JOYSTICK,MIDLINE,C-1010-263	1
D1	DGN154742	JOYSTICK, KNOB, Q-LOGIC 3, 6.35MM-ID, (CURTIS: 17519114-01)	1

7. Joystick Assy's

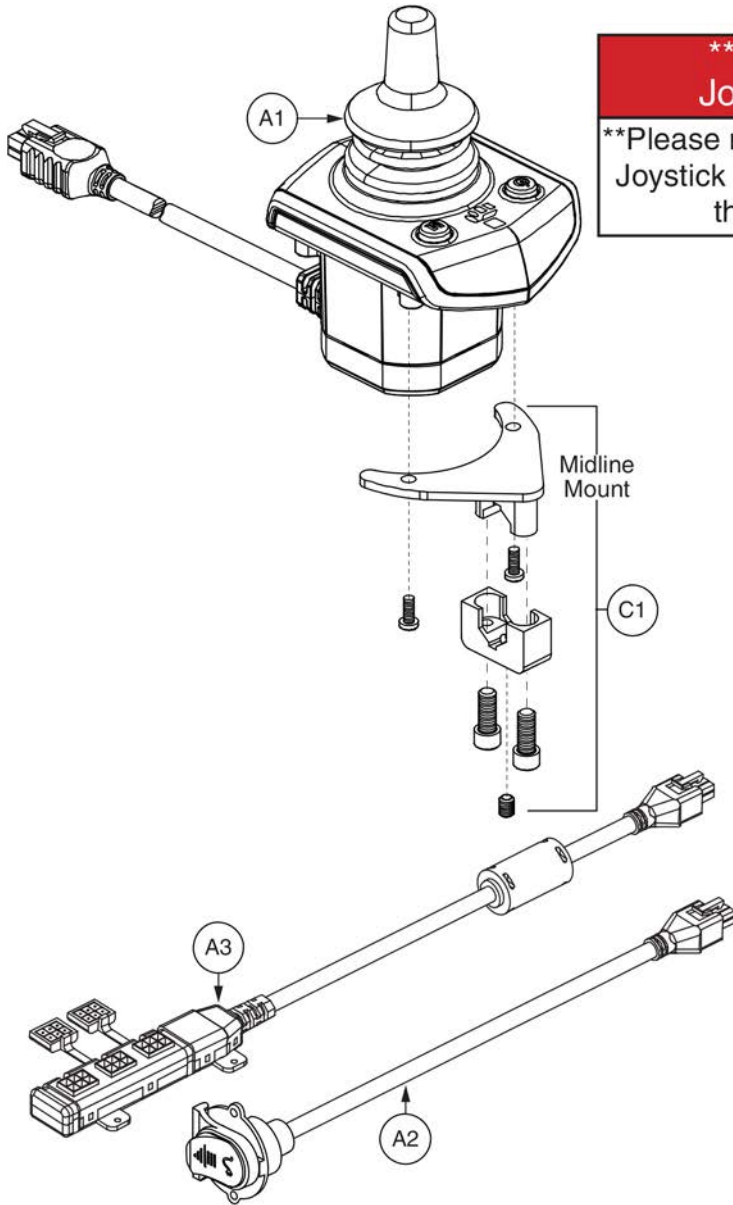


Q-Logic 2 Joystick Assemblies

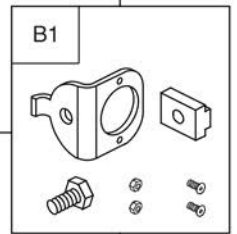
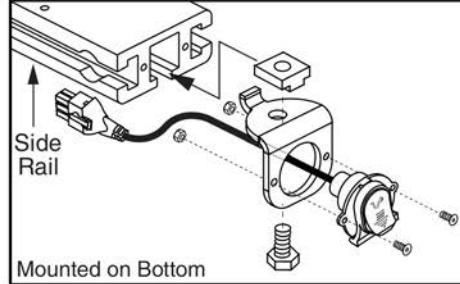
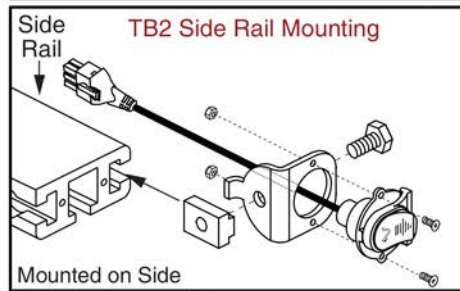
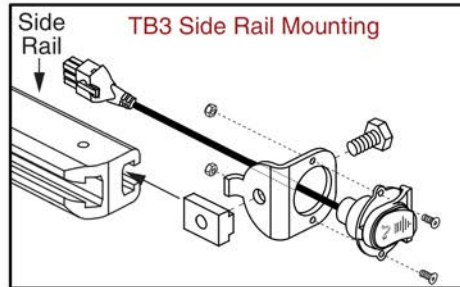
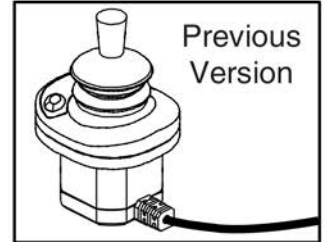


Item	Part No.	Name	Qty
A1a	CTL123217	CONTROLLER,JOYSTICK MODULE Q-LOGIC 2,4 KEY,W/LCD COLOR DISPLAY	1
A1b	CTL124653	CONTROLLER,JOYSTICK MODULE Q-LOGIC 2,4 KEY,LIGHTS,W/LCD COLOR DISPLAY	1
B1	FRMASMB10617	JOYSTICK MOUNTING BRACKET,ASSY,CURTIS,INLINE	1
C1	DGN124309	SPEED WHEEL,KNOB,CURTIS Q-LOGIC 2,BLACK,PLASTIC,DGN124309,(CURTIS: 17949367-01)	1
D1	DGN124308	JOYSTICK,KNOB,CURTIS,STANDARD,6.35MM-ID,DGN124308,(CURTIS: 37381)	1
E1	ELE124313	Q-LOGIC 2 BOTTOM HOUSING,JOYSTICK MODULE,W/BUS CABLE	1
F1	ELE124312	ELECTRONIC,JOYSTICK GIMBLE,DIGITAL,Q-LOGIC 2&3	1
G1	KIT152919	KIT,ASSY,Q-LOGIC 2 CONTROLLER,ON/OFF/MODE TOGGLE REPLACEMENT,W/INSTALLATION INSTRUCTIONS	1

7. Joystick Assy's



*****Q-Logic Stand Alone Joystick Replacement*****
****Please note: The Q-Logic 2 Stand Alone Joystick replaces all previous versions of the Stand Alone joystick.****

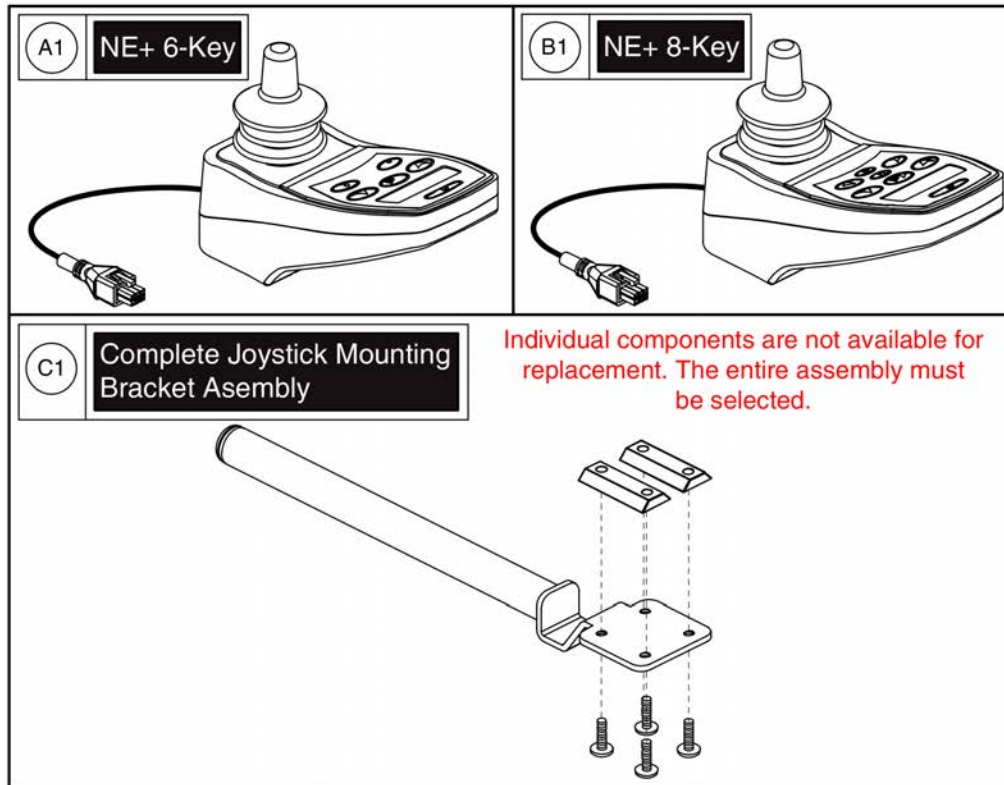


Q-Logic 2 Stand Alone Joystick Assy



Item	Part No.	Name	Qty
A1	CTL137635	CONTROLLER,STAND ALONE JOYSTICK 2.0,Q-LOGIC 2 (CURTIS: 17960700-8109)	1
A2	DWR1111H051	HARNESS,CHARGER/PROGRAMMER,1.0 METER,H-1111-051,(CURTIS: 17880700)	1
A3	DWR1111H053	HARNESS,MULTIPLIER BOX,0.3 METER,H-1111-053,(CURTIS: 17869700)	1
B1	FRMASMB11156	MOUNTING BRACKET,ASSY,STAND ALONE JOYSTICK,SIDE RAIL MOUNT,C-1360-163	1
C1	FRMASMB10454	JOYSTICK MOUNTING BRACKET,ASSY,CURTIS STAND ALONE JOYSTICK,MIDLINE,C-1010-263	1

7. Joystick Assy's



NE+ Joystick Assy's



Item	Part No.	Name	Qty
A1	CTLDC1560	CONTROLLER,JOYSTICK MODULE,CURTIS NE PLUS,6 KEY,SWITCH JACKS AND ACTUATORS,H-1111-268,(CURTIS: 17905700)	1
B1	CTLDC1561	CONTROLLER,JOYSTICK MODULE,CURTIS NE PLUS,8 KEY,SWITCH JACKS,ACTUATORS,AND LIGHTS,H-1111-269,(CURTIS: 17906700)	1
C1	FRMASMB12744	JOYSTICK MOUNTING BRACKET,ASSY,NE/NE PLUS CONTROLLER,INLINE	1

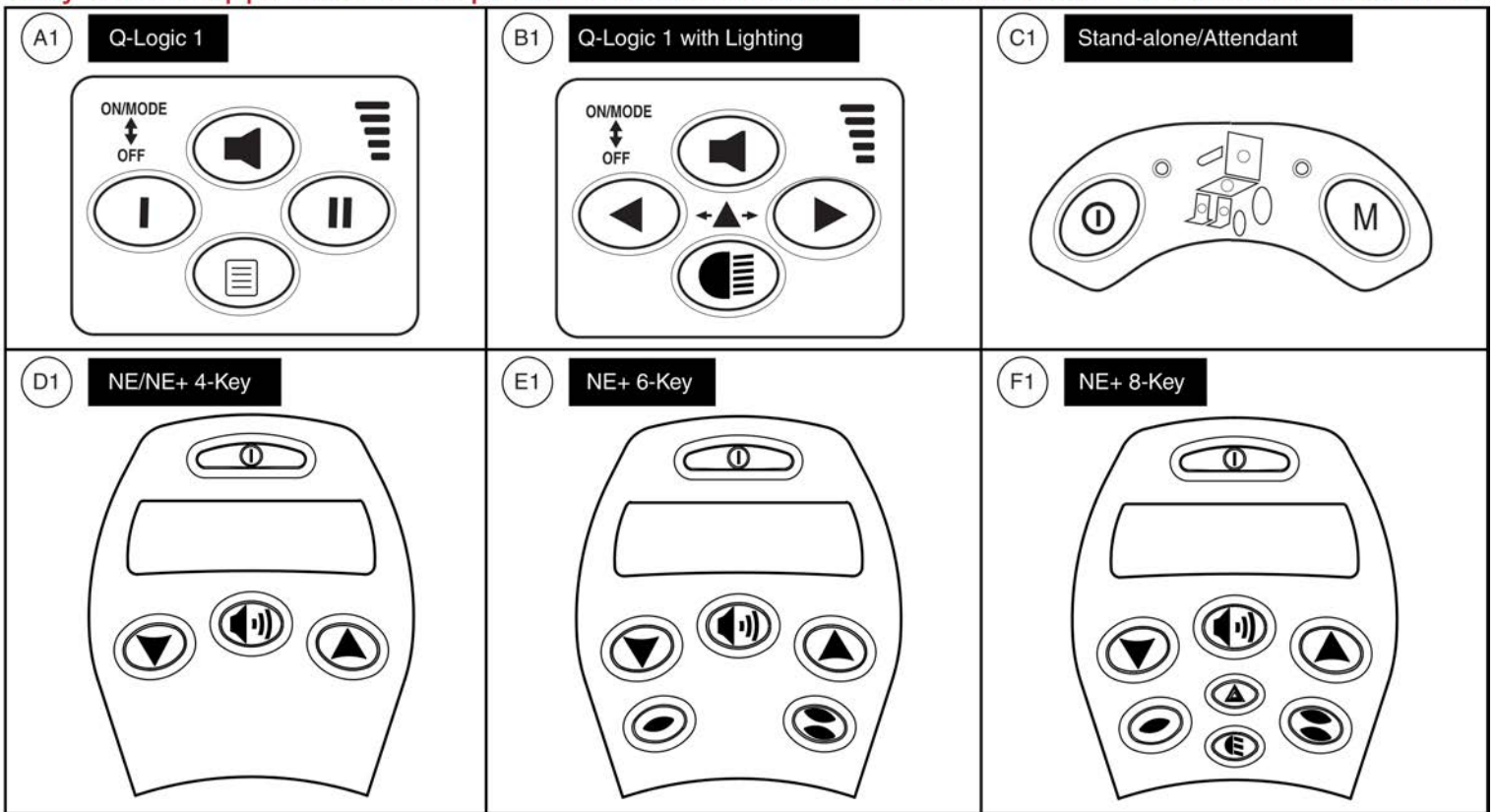
Joystick Knobs & Overlays

<p>A1 Soft Ball</p> 	<p>B1 I-Handle</p> 	<p>C1 T-bar</p> 	<p>D1 Ball</p> 				
<p>E1 Mushroom</p> 	<p>F1 Chin Cup</p> 	<p>G1 Remote Plus (Carrot)</p> 	<p>Goal Posts</p> <table border="1" data-bbox="1425 1062 1544 1167"> <tr> <td>H1</td> <td>3"</td> </tr> <tr> <td>I1</td> <td>4"</td> </tr> </table> 	H1	3"	I1	4"
H1	3"						
I1	4"						

Item	Part No.	Name	Qty
A1	ACCASMB1856	P&G JOYSTICK KNOB,ASSY,JAZZY,SOFT BALL	1
B1	ACCASMB1857	P&G JOYSTICK KNOB,ASSY,JAZZY,EXTENDED I-HANDLE	1
C1	ACCASMB1858	P&G JOYSTICK KNOB,ASSY,JAZZY,T BAR	1
D1	ACCASMB1859	P&G JOYSTICK KNOB,ASSY,JAZZY,BALL	1
E1	ACCASMB1860	P&G JOYSTICK KNOB,ASSY,JAZZY,MUSHROOM	1
F1	ACCASMB1861	P&G JOYSTICK KNOB,ASSY,JAZZY,CHIN CUP	1
G1	ACCASMB1862	P&G JOYSTICK KNOB,ASSY,JAZZY,REMOTE STANDARD	1
H1	PLSKNCP1057	JOYSTICK KNOB,3",GOAL POST,W/FLEX SHAFT,FOR 1/4" STEM,(BP: PC101B)	1
I1	PLSKNCP1058	JOYSTICK KNOB,4",GOAL POST,W/FLEX SHAFT,FOR 1/4" STEM,(BP: PC102B)	1

Joystick Knobs & Overlays

Please note: Joystick selection varies by power base model. Replacement parts shown may not be applicable to all power bases. Contact Technical Service for more information.

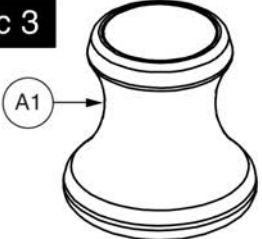
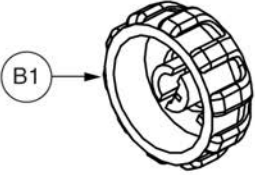
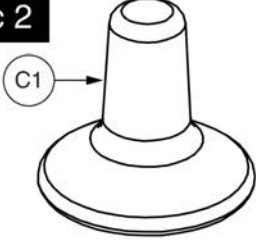
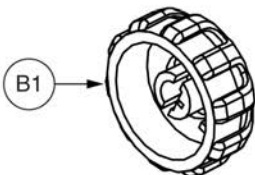
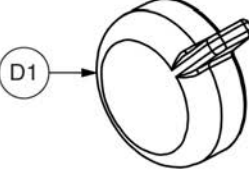
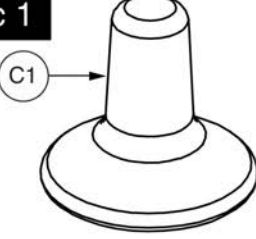
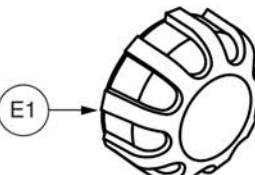


Item	Part No.	Name	Qty
A1	KITASMB1728	KIT,ASSY,Q-LOGIC CONTROLLER KEYPAD REPLACEMENT,W/INSTALLATION INSTRUCTIONS	1
B1	KITASMB1729	KIT,ASSY,Q-LOGIC CONTROLLER W/LIGHTS KEYPAD REPLACEMENT,W/INSTALLATION INSTRUCTIONS	1
C1	KITASMB1730	KIT,ASSY,Q-LOGIC STAND ALONE CONTROLLER KEYPAD REPLACEMENT,W/INSTALLATION INSTRUCTIONS	1
D1	KIT152913	KIT,ASSY,NE/NE PLUS CONTROLLER,4 KEY KEYPAD REPLACEMENT,W/INSTALLATION INSTRUCTIONS	1
E1	KIT152914	KIT,ASSY,NE/NE PLUS CONTROLLER,6 KEY KEYPAD REPLACEMENT,W/INSTALLATION INSTRUCTIONS	1
F1	KIT152915	KIT,ASSY,NE/NE PLUS CONTROLLER,8 KEY KEYPAD REPLACEMENT,W/INSTALLATION INSTRUCTIONS	1

Joystick Knobs & Overlays

Please note:

- Joystick selection varies by power base model. Replacement parts shown may not be applicable to all power bases.
- Serviceable components vary for each version of the Q-Logic Joystick and only the serviceable parts are shown for each.
- Contact Technical Service for more information.

<p>Q-Logic 3</p>  <p>Joystick & Stand-alone/Attendant Gimble Knob</p>	 <p>Speed Knob</p>	
<p>Q-Logic 2</p>  <p>Joystick & Stand-alone/Attendant Gimble Knob</p>	 <p>Speed Knob</p>	 <p>On/Off/Mode Knob <i>(NOT compatible with Q-Logic 1 or 3)</i></p>
<p>Q-Logic 1</p>  <p>Joystick & Stand-alone/Attendant Gimble Knob</p>	 <p>Speed Knob</p>	

Q-Logic Joystick Knobs

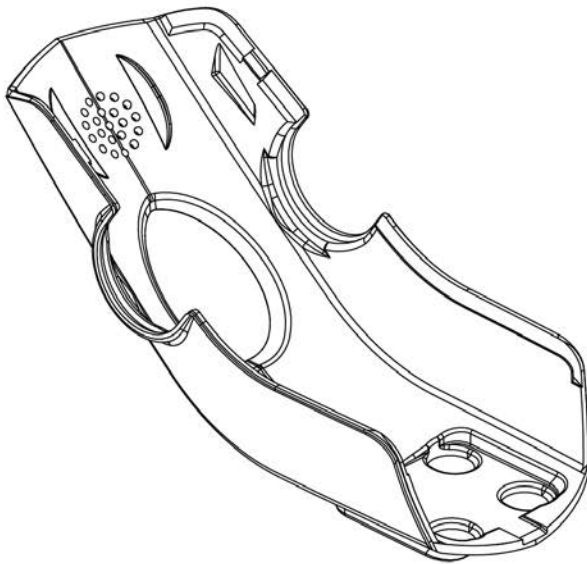


Item	Part No.	Name	Qty
A1	DGN154742	JOYSTICK, KNOB, Q-LOGIC 3, 6.35MM-ID, (CURTIS: 17519114-01)	1
B1	DGN124309	SPEED WHEEL, KNOB, CURTIS Q-LOGIC 2, BLACK, PLASTIC, DGN124309, (CURTIS: 17949367-01)	1
C1	DGN124308	JOYSTICK, KNOB, CURTIS, STANDARD, 6.35MM-ID, DGN124308, (CURTIS: 37381)	1
D1	KIT152919	KIT, ASSY, Q-LOGIC 2 CONTROLLER, ON/OFF/MODE TOGGLE REPLACEMENT, W/INSTALLATION INSTRUCTIONS	1
E1	PLSINDV1252	ELECTRONIC, KNOB, BLACK, PLASTIC, SPEED WHEEL, (CURTIS: 17856352-A)	1

Q-Logic 2 & 3 Joystick Shrouds

***Please Note:**

- The joystick shrouds are available in all the Quantum colors listed.
- Power base colors vary by model and some colors listed may not be available on all power bases. See the Quantum Color Reference Chart for color options.
- Some colors listed may have prolonged lead times.
- Contact Technical Service for more information.



Q-Logic 2 (Pre 2015)	
Ref#	Color Name
A1	Std., Soft Touch
A2	Black
A3	Silver
A4	Candy Apple Red
A5	Pearl Pink
A6	Sapphire Blue
A7	True Blue
A8	Viper Blue
A9	Emerald Green
A10	Orion Yellow
A11	Sunburst Orange

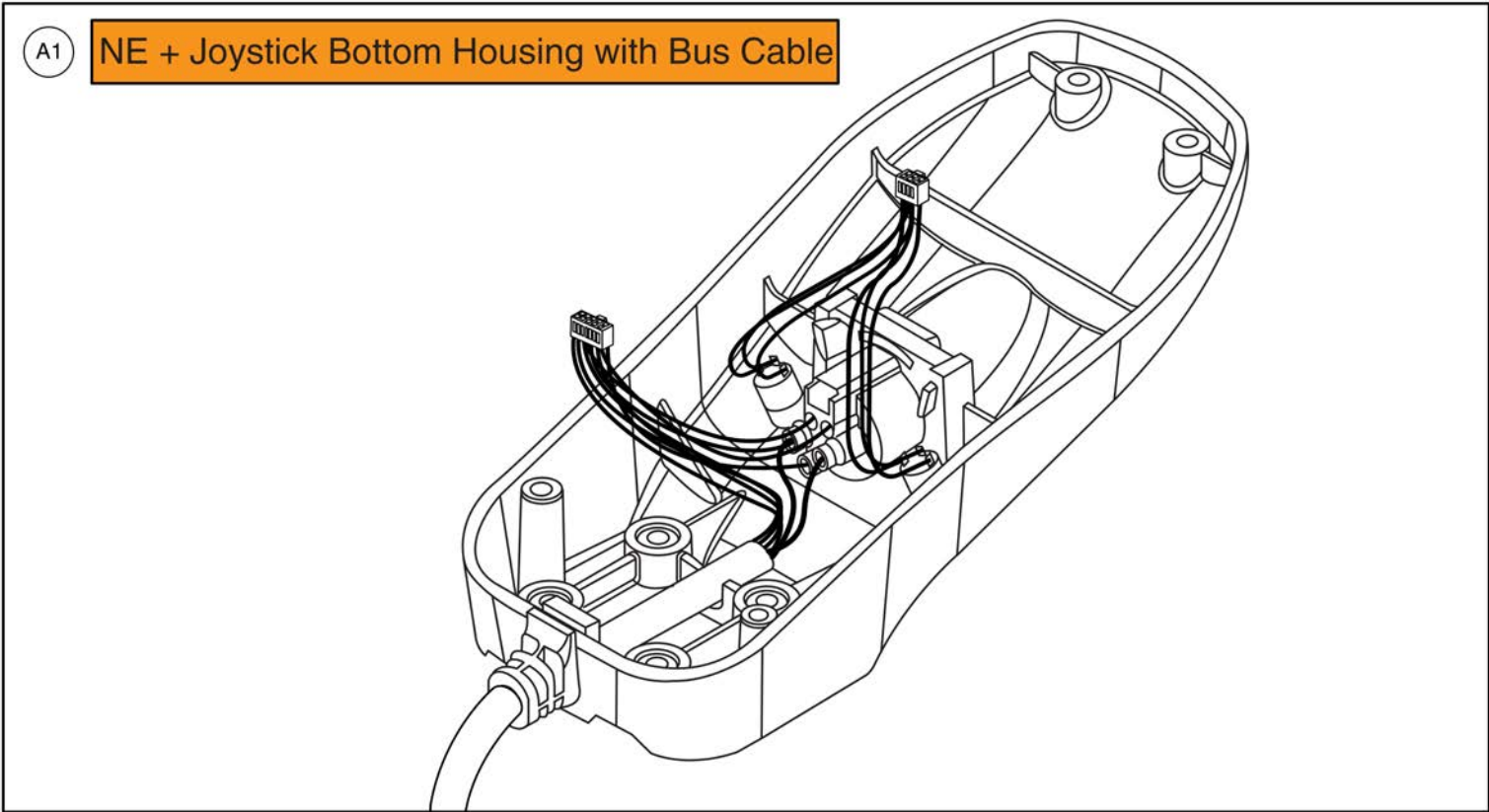
Q-Logic 2 (Post 2015) & Q-Logic 3	
Ref#	Color Name
B1	Std., Soft Touch
B2	Back in Black
B3	Night Train
B4	Grey Street
B5	Silver Bullet
B6	White Satin
B7	Red Corvette
B8	Cherry Bomb
B9	Pretty in Pink
B10	Raspberry Beret
B11	Sugar Plum
B12	Deep Purple
B13	Midnight Blue
B14	Electric Blue
B15	Blue Jean
B16	Green Machine
B17	Military Green
B18	Lime Light
B19	Yellow Blaze
B20	Lemon Crush
B21	Orange Crush
B22	Evolution Orange
B23	Carbon Fiber
B24	Digital Camo
B25	Faded Glory

Q-Logic 2 & 3 Joystick Shrouds



Item	Part No.	Name	Qty
A1	DGN124307	Q-LOGIC 2/3 JOYSTICK SHROUD,BLACK SOFT-TOUCH PAINT,(CURTIS: 17949365-02)	1
A2	DGN124336-PBK1	Q-LOGIC 2/3 JOYSTICK SHROUD,PPW-BLK-01 (BACK IN BLACK/BLACK)	1
A3	DGN124336-PSL1	Q-LOGIC 2/3 JOYSTICK SHROUD,PPW-SIL-01 (SILVER)	1
A4	DGN124336-PRD1	Q-LOGIC 2/3 JOYSTICK SHROUD,PPW-RED-01 (RED CORVETTE/CANDY APPLE RED)	1
A5	DGN124336-PPK1	Q-LOGIC 2/3 JOYSTICK SHROUD,PPW-PNK-01 (PEARL PINK)	1
A6	DGN124336-PPR4	Q-LOGIC 2/3 JOYSTICK SHROUD,PPW-PRP-04 (SAPPHIRE BLUE)	1
A7	DGN124336-PBU9	Q-LOGIC 2/3 JOYSTICK SHROUD,PPW-BLU-09 (ELECTRIC BLUE/TRUE BLUE)	1
A8	DGN124336-PBU1	Q-LOGIC 2/3 JOYSTICK SHROUD,PPW-BLU-01 (VIPER BLUE)	1
A9	DGN124336-PGN5	Q-LOGIC 2/3 JOYSTICK SHROUD,PPW-GRN-05 (EMERALD GREEN)	1
A10	DGN124336-PYL3	Q-LOGIC 2/3 JOYSTICK SHROUD,PPW-YEL-03 (YELLOW BLAZE/ORION YELLOW)	1
A11	DGN124336-POR4	Q-LOGIC 2/3 JOYSTICK SHROUD,PPW-ORN-04 (SUNBURST ORANGE)	1
B1	DGN124307	Q-LOGIC 2/3 JOYSTICK SHROUD,BLACK SOFT-TOUCH PAINT,(CURTIS: 17949365-02)	1
B2	DGN124336-PBK1	Q-LOGIC 2/3 JOYSTICK SHROUD,PPW-BLK-01 (BACK IN BLACK/BLACK)	1
B3	DGN124336-PBK3	Q-LOGIC 2/3 JOYSTICK SHROUD,PPW-BLK-03 (NIGHT TRAIN)	1
B4	DGN124336-PSL3	Q-LOGIC 2/3 JOYSTICK SHROUD,PPW-SIL-03 (GREY STREET)	1
B5	DGN124336-PSL7	Q-LOGIC 2/3 JOYSTICK SHROUD,PPW-SIL-07 (SILVER BULLET)	1
B6	DGN124336-PWH2	Q-LOGIC 2/3 JOYSTICK SHROUD,PPW-WHT-02 (WHITE SATIN)	1
B7	DGN124336-PRD1	Q-LOGIC 2/3 JOYSTICK SHROUD,PPW-RED-01 (RED CORVETTE/CANDY APPLE RED)	1
B8	DGN124336-PRD4	Q-LOGIC 2/3 JOYSTICK SHROUD,PPW-RED-04 (CHERRY BOMB)	1
B9	DGN124336-PPK3	Q-LOGIC 2/3 JOYSTICK SHROUD,PPW-PNK-03 (PRETTY IN PINK)	1
B10	DGN124336-PPK4	Q-LOGIC 2/3 JOYSTICK SHROUD,PPW-PNK-04 (RASPBERRY BERET)	1
B11	DGN124336-PPR7	Q-LOGIC 2/3 JOYSTICK SHROUD,PPW-PRP-07 (SUGAR PLUM)	1
B12	DGN124336-PPR5	Q-LOGIC 2/3 JOYSTICK SHROUD,PPW-PRP-05 (DEEP PURPLE)	1
B13	DGN124336-PBU10	Q-LOGIC 2/3 JOYSTICK SHROUD,PPW-BLU-10 (MIDNIGHT BLUE)	1
B14	DGN124336-PBU9	Q-LOGIC 2/3 JOYSTICK SHROUD,PPW-BLU-09 (ELECTRIC BLUE/TRUE BLUE)	1
B15	DGN124336-PBU11	Q-LOGIC 2/3 JOYSTICK SHROUD,PPW-BLU-11 (BLUE JEAN)	1
B16	DGN124336-PGN11	Q-LOGIC 2/3 JOYSTICK SHROUD,PPW-GRN-11 (GREEN MACHINE)	1
B17	DGN124336-PGN8	Q-LOGIC 2/3 JOYSTICK SHROUD,PPW-GRN-08 (MILITARY GREEN)	1
B18	DGN124336-PGN7	Q-LOGIC 2/3 JOYSTICK SHROUD,PPW-GRN-07 (LIME LIGHT)	1
B19	DGN124336-PYL3	Q-LOGIC 2/3 JOYSTICK SHROUD,PPW-YEL-03 (YELLOW BLAZE/ORION YELLOW)	1
B20	DGN124336-PYL4	Q-LOGIC 2/3 JOYSTICK SHROUD,PPW-YEL-04 (LEMON CRUSH)	1
B21	DGN124336-POR6	Q-LOGIC 2/3 JOYSTICK SHROUD,PPW-ORN-06 (ORANGE CRUSH)	1
B22	DGN124336-POR7	Q-LOGIC 2/3 JOYSTICK SHROUD,PPW-ORN-07 (EVOLUTION ORANGE)	1
B23	DGN124336-WCB1	Q-LOGIC 2/3 JOYSTICK SHROUD,PWT-CBN-01 (CARBON FIBER)	1
B24	DGN124336-WCM7	Q-LOGIC 2/3 JOYSTICK SHROUD,PWT-CMO-07 (MILITARY DIGITAL CAMO)	1
B25	DGN124336-WFL2	Q-LOGIC 2/3 JOYSTICK SHROUD,PWT-FLG-02 (FADED GLORY)	1

Joystick Bottom Housings

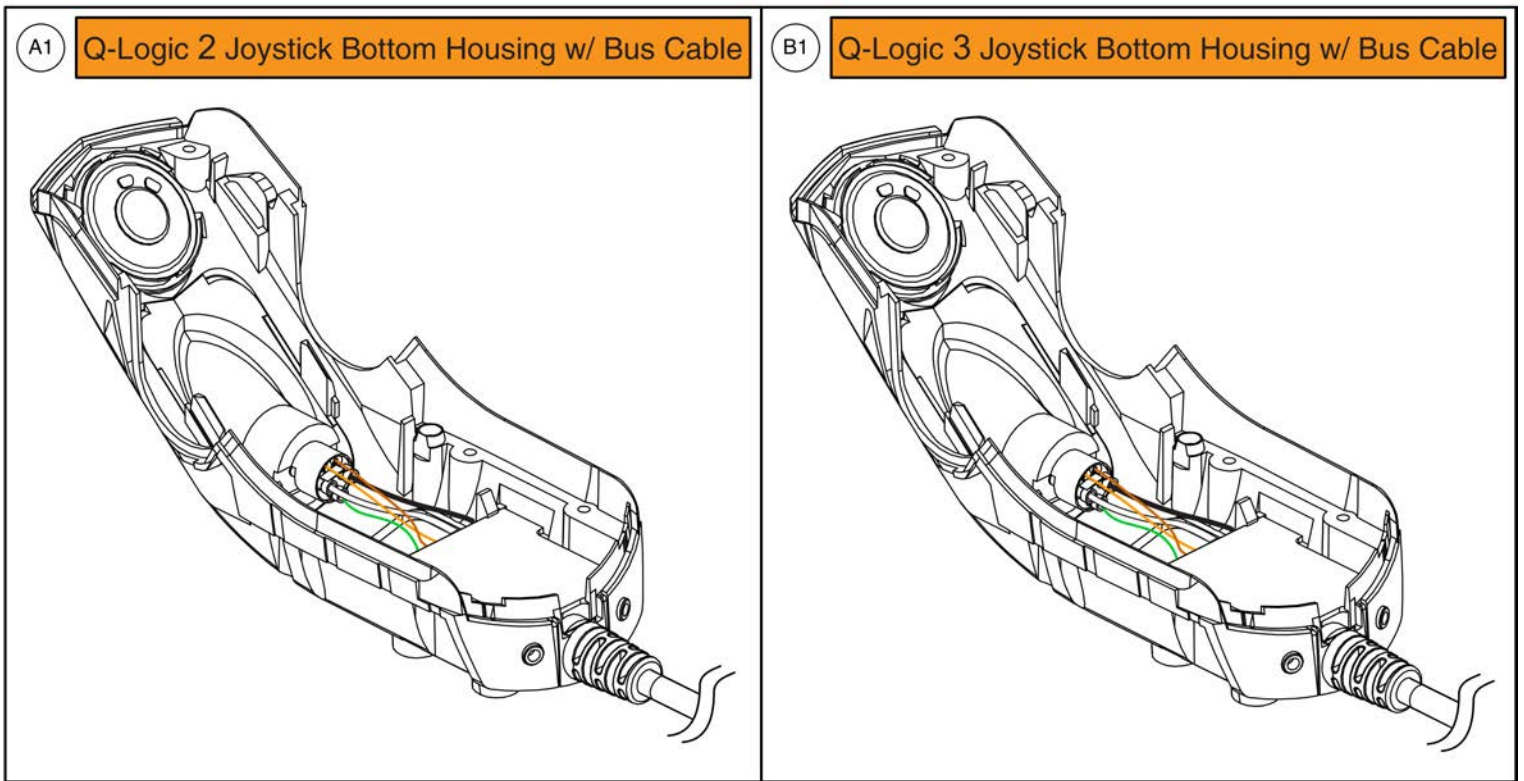


NE + Joystick Bottom Housing w/Bus Cable



Item	Part No.	Name	Qty
A1	DWR1111C003	JOYSTICK REPLACEMENT BOTTOM,W/HARNESS,NE+ W/JACKS,C-1111-003,(CURTIS: 17906705)	1

Joystick Bottom Housings



Item	Part No.	Name	Qty
A1	ELE124313	Q-LOGIC 2 BOTTOM HOUSING,JOYSTICK MODULE,W/BUS CABLE	1
B1	ELE144006	ELECTRONIC, BOTTOM HOUSING, JOYSTICK MODULE Q-LOGIC 3,W/ BUS CABLE Q-LOGIC 3, (CURTIS: 17949366-02)	1

Q-Logic 3

Note: The listed master assemblies are utilized on units NOT EQUIPPED with fender lights. The master assemblies contain the power module, harnesses, and hardware components.

Q-Logic 3, H2 Motor Configurations		
Electronics	Master Assy	Ref#
Power Positioning	ELE1714099	A1
Static Seating w/Power Legs	ELE1714107	B1
Static Seating	ELE1714108	C1

Q-Logic 3, H2 Accu-Trac Motor Configurations		
Electronics	Master Assy	Ref#
Power Positioning	ELE1808697	G1
Static Seating w/Power Legs	ELE1808698	H1
Static Seating	ELE1808699	I1

Q-Logic 3, High Speed Hammer Motor Configurations		
Electronics	Master Assy	Ref#
Power Positioning	ELE1714119	D1
Static Seating w/Power Legs	ELE1714122	E1
Static Seating	ELE1714123	F1

Item	Part No.	Name	Qty
A1	ELE1714099	ELECTRONIC,ASSY,Q-LOGIC 3,H2 MOTORS,Q6 EDGE Z,POWER POSITIONING	1
B1	ELE1714107	ELECTRONIC,ASSY,Q-LOGIC 3,H2 MOTORS,Q6 EDGE Z,STATIC SEATING,W/POWER	1
C1	ELE1714108	ELECTRONIC,ASSY,Q-LOGIC 3,H2 MOTORS,Q6 EDGE Z,STATIC SEATING	1
D1	ELE1714119	ELECTRONIC,ASSY,Q-LOGIC 3,HIGH SPEED HAMMER MOTORS,Q6 EDGE Z,POWER POSITIONING	1
E1	ELE1714122	ELECTRONIC,ASSY,Q-LOGIC 3,HIGH SPEED HAMMER MOTORS,Q6 EDGE Z,STATIC SEATING,W/POWER	1
F1	ELE1714123	ELECTRONIC,ASSY,Q-LOGIC 3,HIGH SPEED HAMMER MOTORS,Q6 EDGE Z,STATIC SEATING	1
G1	ELE1808697	ELECTRONIC,ASSY,Q-LOGIC 3,H2 ACCU-TRAC MOTORS,Q6 EDGE Z,POWER POSITIONING,W/PTO & SURE SEAL	1
H1	ELE1808698	ELECTRONIC,ASSY,Q-LOGIC 3,H2 ACCU-TRAC MOTORS,Q6 EDGE Z,STATIC SEATING,W/POWER,W/PTO & SURE SEAL	1
I1	ELE1808699	ELECTRONIC,ASSY,Q-LOGIC 3,H2 ACCU-TRAC MOTORS,Q6 EDGE Z,STATIC SEATING,W/PTO & SURE SEAL	1

Q-Logic 3

Note: The listed master assemblies are utilized on units EQUIPPED with fender lights. The master assemblies contain the power module, harnesses, and hardware components.

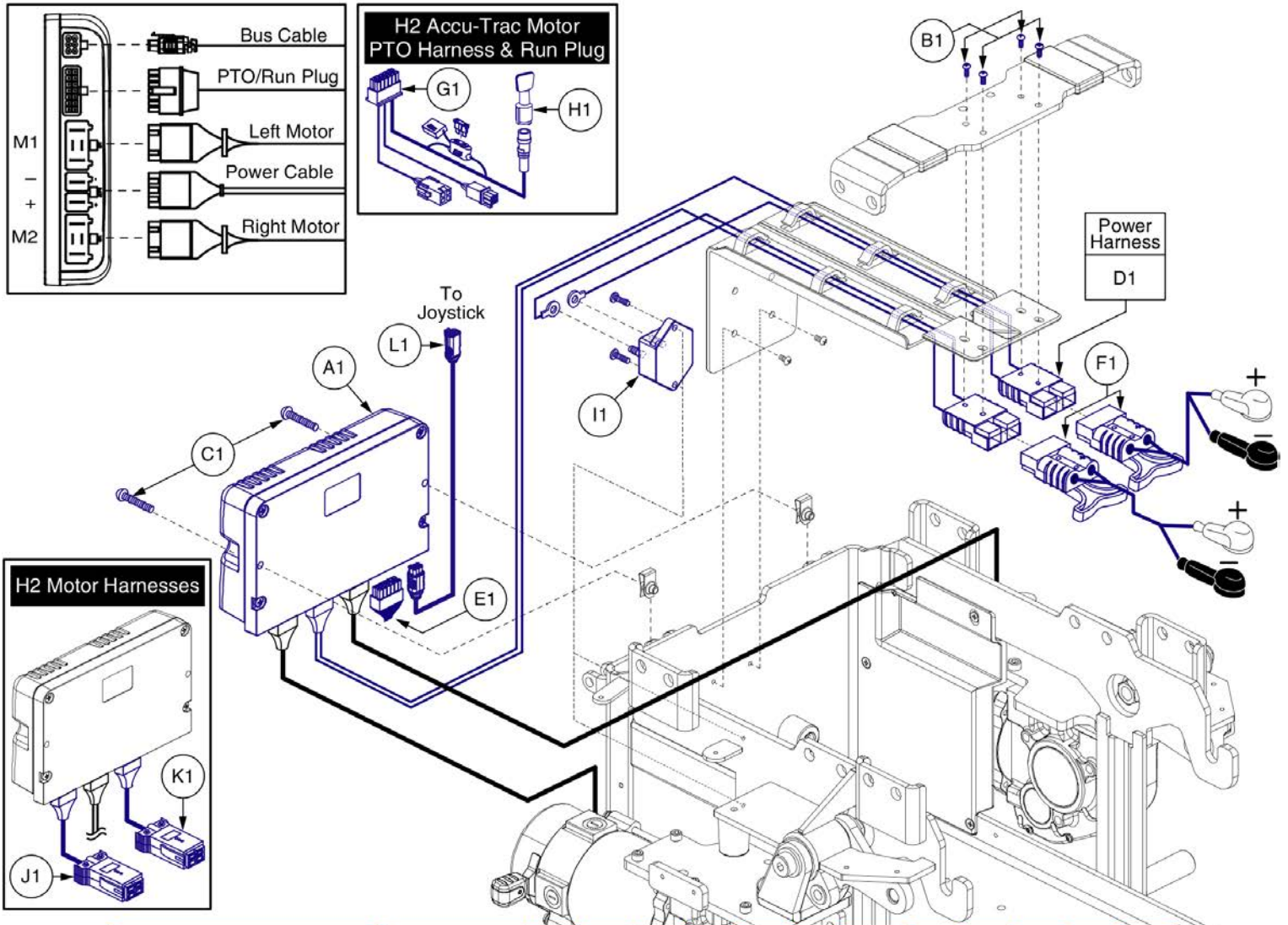
Q-Logic 3, H2 Motor Configurations		
Electronics	Master Assy	Ref#
Power Positioning	ELE1714110	A1
Tilt thru Toggle	ELE1714111	B1
Static Seating w/Power Legs	ELE1714113	C1
Static Seating	ELE1714114	D1

Q-Logic 3, H2 Accu-Trac Motor Configurations		
Electronics	Master Assy	Ref#
Power Positioning	ELE1714115	I1
Tilt thru Toggle	ELE1714116	J1
Static Seating w/Power Legs	ELE1714117	K1
Static Seating	ELE1714118	L1

Q-Logic 3, High Speed Hammer Motor Configurations		
Electronics	Master Assy	Ref#
Power Positioning	ELE1714124	E1
Tilt thru Toggle	ELE1714125	F1
Static Seating w/Power Legs	ELE1714126	G1
Static Seating	ELE1714128	H1

Item	Part No.	Name	Qty
A1	ELE1714110	ELECTRONIC,ASSY,Q-LOGIC 3,H2 MOTORS,Q6 EDGE Z,POWER POSITIONING,W/PTO	1
B1	ELE1714111	ELECTRONIC,ASSY,Q-LOGIC 3,H2 MOTORS,Q6 EDGE Z,TILT THRU TOGGLE,W/PTO	1
C1	ELE1714113	ELECTRONIC,ASSY,Q-LOGIC 3,H2 MOTORS,Q6 EDGE Z,STATIC SEATING,W/POWER,W/PTO	1
D1	ELE1714114	ELECTRONIC,ASSY,Q-LOGIC 3,H2 MOTORS,Q6 EDGE Z,STATIC SEATING,W/PTO	1
E1	ELE1714124	ELECTRONIC,ASSY,Q-LOGIC 3,HIGH SPEED HAMMER MOTORS,Q6 EDGE Z,POWER POSITIONING,W/PTO	1
F1	ELE1714125	ELECTRONIC,ASSY,Q-LOGIC 3,HIGH SPEED HAMMER MOTORS,Q6 EDGE Z,TILT THRU TOGGLE,W/PTO	1
G1	ELE1714126	ELECTRONIC,ASSY,Q-LOGIC 3,HIGH SPEED HAMMER MOTORS,Q6 EDGE Z,STATIC SEATING,W/POWER,W/PTO	1
H1	ELE1714128	ELECTRONIC,ASSY,Q-LOGIC 3,HIGH SPEED HAMMER MOTORS,Q6 EDGE Z,STATIC SEATING,W/PTO	1
I1	ELE1714115	ELECTRONIC,ASSY,Q-LOGIC 3,H2 ACCU-TRAC MOTORS,Q6 EDGE Z,POWER POSITIONING,W/PTO	1
J1	ELE1714116	ELECTRONIC,ASSY,Q-LOGIC 3,H2 ACCU-TRAC MOTORS,Q6 EDGE Z,TILT THRU TOGGLE,W/PTO	1
K1	ELE1714117	ELECTRONIC,ASSY,Q-LOGIC 3,H2 ACCU-TRAC MOTORS,Q6 EDGE Z,STATIC SEATING,W/POWER,W/PTO	1
L1	ELE1714118	ELECTRONIC,ASSY,Q-LOGIC 3,H2 ACCU-TRAC MOTORS,Q6 EDGE Z,STATIC SEATING,W/PTO	1

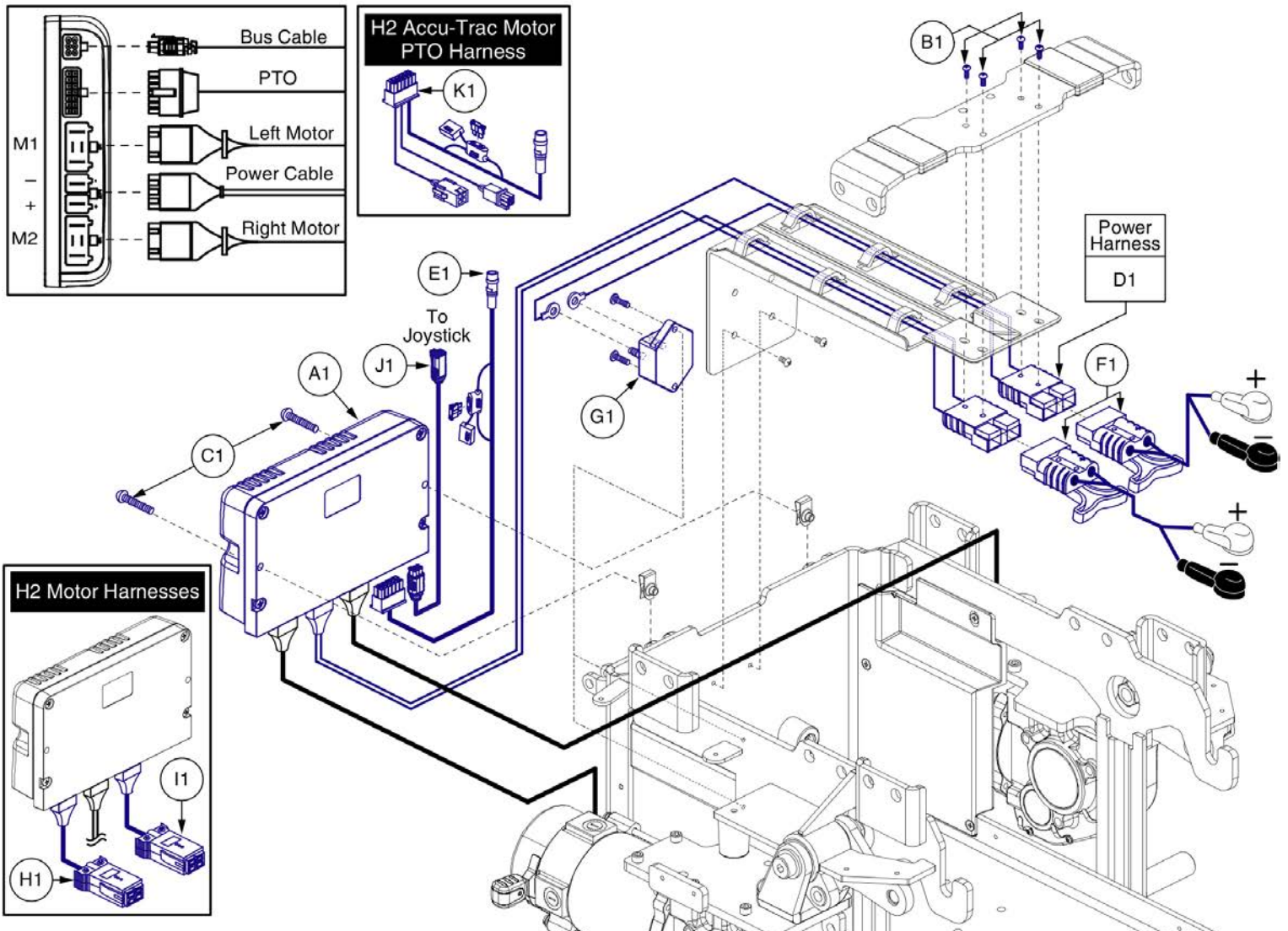
Q-Logic 3



H2	Master Assy	A1	B1	C1	D1	E1	F1	G1	H1	I1	J1	K1	L1
Power Positioning	ELE1714099	1	4	2	1	1	2			1	1	1	1
Static Seating w/Power Legs	ELE1714107	1	4	2	1	1	2			1	1	1	1
Static Seating	ELE1714108	1	4	2	1	1	2			1	1	1	1
High Speed Hammer	Master Assy	A1	B1	C1	D1	E1	F1	G1	H1	I1	J1	K1	L1
Power Positioning	ELE1714119	1	4	2	1	1	2			1			1
Static Seating w/Power Legs	ELE1714122	1	4	2	1	1	2			1			1
Static Seating	ELE1714123	1	4	2	1	1	2			1			1
H2 Accu-Trac	Master Assy	A1	B1	C1	D1	E1	F1	G1	H1	I1	J1	K1	L1
Power Positioning	ELE1808697	1	4	2	1		2	1	1	1	1	1	1
Static Seating w/Power Legs	ELE1808698	1	4	2	1		2	1	1	1	1	1	1
Static Seating	ELE1808699	1	4	2	1		2	1	1	1	1	1	1

Item	Part No.	Name	Qty
A1	CTL143978	POWER MODULE, Q-LOGIC 3,120 AMP, (CURTIS: 17930700-3509)	1
B1	SCRPPTC1047	SCREW,PPH,ZINC,M4 X 16MM,SELF TAP	4
C1	SCRPPH1390	SCREW,PPH,BLACK ZINC,M5-.8 X 35MM	2
D1	DWR1059H001	ELECTRONIC,HARNESS,POWER CABLE,QLOGIC,CURTIS,QUANTUM6000/R4000,H-1059-001	1
E1	DWR1265H027	ELECTRONIC,HARNESS,RUN PLUG,Q-LOGIC	1
F1	ELEASMB2868	ELECTRONIC,ASSY,BATTERY CABLE,GRAY,W/125A/32V FUSEABLE LINK,QUICK DISCONNECT,H-1500-013	2
G1	DWR1265H050	ELECTRONIC,MOTOR DECODER/POWER TAKE OFF(PTO)/INHIBIT,QLOGIC,H-1265-050	1
H1	DWR1361H038	ELECTRONIC,HARNESS,RUN PLUG,SURE SEAL,SYNERGY TILT,H-1361-038	1
I1	ELEASMB4721	ELECTRONIC,ASSY,CIRCUIT BREAKER,70 AMP,W/MOUNTING HARDWARE,QUANTUM6000	1
J1	DWR1065H005	ELECTRONIC,HARNESS,MOTOR,RIGHT,QLOGIC,CURTIS,QUANTUM6000Z,H-1065-005	1
K1	DWR1065H006	ELECTRONIC,HARNESS,MOTOR,LEFT,QLOGIC,CURTIS,QUANTUM6000Z,H-1065-006	1
L1	HAR144005	HARNESS, BUS EXTENSION CABLE, Q-LOGIC 3, 0.410 METER,MALE/FEMALE, (CURTIS: 17881362-01-01)	1

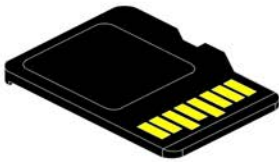
Q-Logic 3



H2	Master Assy	A1	B1	C1	D1	E1	F1	G1	H1	I1	J1	K1
Power Positioning	ELE1714110	1	4	2	1	1	2	1	1	1	1	
Tilt thru Toggle	ELE1714111	1	4	2	1	1	2	1	1	1	1	
Static Seating w/Power Legs	ELE1714113	1	4	2	1	1	2	1	1	1	1	
Static Seating	ELE1714114	1	4	2	1	1	2	1	1	1	1	
High Speed Hammer	Master Assy	A1	B1	C1	D1	E1	F1	G1	H1	I1	J1	K1
Power Positioning	ELE1714124	1	4	2	1	1	2	1			1	
Tilt thru Toggle	ELE1714125	1	4	2	1	1	2	1			1	
Static Seating w/Power Legs	ELE1714126	1	4	2	1	1	2	1			1	
Static Seating	ELE1714128	1	4	2	1	1	2	1			1	
H2 Accu-Trac	Master Assy	A1	B1	C1	D1	E1	F1	G1	H1	I1	J1	K1
Power Positioning	ELE1714115	1	4	2	1		2	1	1	1	1	1
Tilt thru Toggle	ELE1714116	1	4	2	1		2	1	1	1	1	1
Static Seating w/Power Legs	ELE1714117	1	4	2	1		2	1	1	1	1	1
Static Seating	ELE1714118	1	4	2	1		2	1	1	1	1	1

Item	Part No.	Name	Qty
A1	CTL143978	POWER MODULE, Q-LOGIC 3,120 AMP, (CURTIS: 17930700-3509)	1
B1	SCRPPPTC1047	SCREW,PPH,ZINC,M4 X 16MM,SELF TAP	4
C1	SCRPPH1390	SCREW,PPH,BLACK ZINC,M5-.8 X 35MM	2
D1	DWR1059H001	ELECTRONIC,HARNESS,POWER CABLE,QLOGIC,CURTIS,QUANTUM6000/R4000,H-1059-001	1
E1	DWR1265H021	ELECTRONIC,HARNESS,POWER TAKE OFF(PTO)/INHIBIT,CURTIS,H-1265-021	1
F1	ELEASMB2868	ELECTRONIC,ASSY,BATTERY CABLE,GRAY,W/125A/32V FUSEABLE LINK,QUICK DISCONNECT,H-1500-013	2
G1	ELEASMB4721	ELECTRONIC,ASSY,CIRCUIT BREAKER,70 AMP,W/MOUNTING HARDWARE,QUANTUM6000	1
H1	DWR1065H005	ELECTRONIC,HARNESS,MOTOR,RIGHT,QLOGIC,CURTIS,QUANTUM6000Z,H-1065-005	1
I1	DWR1065H006	ELECTRONIC,HARNESS,MOTOR,LEFT,QLOGIC,CURTIS,QUANTUM6000Z,H-1065-006	1
J1	HAR144005	HARNESS, BUS EXTENSION CABLE, Q-LOGIC 3, 0.410 METER,MALE/FEMALE, (CURTIS: 17881362-01-01)	1
K1	DWR1265H050	ELECTRONIC,MOTOR DECODER/POWER TAKE OFF(PTO)/INHIBIT,QLOGIC,H-1265-050	1

Q-Logic 3 SD Card Master List - Q6 Edge Z			
Ref#	Part Number	Motor Type	Options
A1	ELE1903803	6 mph H2	Static
B1	ELE1903802	6 mph H2	Power Positioning
C1	ELE1903804	6 mph H2, Accu Trac	Static
D1	ELE1903805	6 mph H2, Accu Trac	Power Positioning
E1	ELE1903807	8 mph High Speed Hammer	Static
F1	ELE1903806	8 mph High Speed Hammer	Power Positioning



Pre-programmed
Micro SD Card

Please note:

- Pre-programmed SD Cards are required when:
 - Replacing a Joystick, Power Base Module, or Seating Module. A firmware upgrade occurred requiring a system update to enable all of the enhanced features.
 - Any circumstance where all of the electronics modules require replacement.
- The Q-Logic 3 system will reprogram the unit based upon the information loaded onto the SD card.
- The proper, programmed SD card must be selected to ensure the unit functions as intended.

Q-Logic 3 SD Cards for Q6 Edge Z



Item	Part No.	Name	Qty
A1	ELE1903803	SERVICEABLE ASSEMBLY, SD CARD, Q6EDGE Z, Q-LOGIC 3, H2 6MPH MOTORS, STATIC SEATING	1
B1	ELE1903802	SERVICEABLE ASSEMBLY, SD CARD, Q6EDGE Z, Q-LOGIC 3, H2 6MPH MOTORS, POWER POSITIONING	1
C1	ELE1903804	SERVICEABLE ASSEMBLY, SD CARD, Q6EDGE Z, Q-LOGIC 3, H2 6MPH ACCU TRAC MOTORS, STATIC SEATING	1
D1	ELE1903805	SERVICEABLE ASSEMBLY, SD CARD, Q6EDGE Z, Q-LOGIC 3, H2 6MPH ACCU TRAC MOTORS, POWER POSITIONING	1
E1	ELE1903807	SERVICEABLE ASSEMBLY, SD CARD, Q6EDGE Z, Q-LOGIC 3, HAMMER 8MPH MOTORS, STATIC SEATING	1
F1	ELE1903806	SERVICEABLE ASSEMBLY, SD CARD, Q6EDGE Z, Q-LOGIC 3, HAMMER 8MPH MOTORS, POWER POSITIONING	1

Q-Logic 2

Note: The listed master assemblies are utilized on units NOT EQUIPPED with fender lights. The master assemblies contain the power module, harnesses, and hardware components.

Q-Logic 2, Hammer Motor Configurations		
Electronics	Master Assy	Ref#
Non-Power Positioning	ELE153370	A1
Tilt Thru Toggle	ELE153371	B1
Power Positioning	ELE153372	C1

Q-Logic 2, High Speed Hammer Motor Configurations		
Electronics	Master Assy	Ref#
Non-Power Positioning	ELE153373	D1
Tilt Thru Toggle	ELE153374	E1
Power Positioning	ELE153375	F1

Q-Logic 2, H2 Motor Configurations		
Electronics	Master Assy	Ref#
Non-Power Positioning	ELE153376	G1
Tilt Thru Toggle	ELE153377	H1
Power Positioning	ELE153378	I1
Accu-Trac, Tilt thru Toggle	ELE153379	J1
Accu-Trac, Power Positioning	ELE153380	K1

Item	Part No.	Name	Qty
A1	ELE153370	ELECTRONIC,ASSY,Q-LOGIC,HAMMER MOTORS,Q6EDGE Z	1
B1	ELE153371	ELECTRONIC,ASSY,Q-LOGIC,HAMMER MOTORS,Q6EDGE Z,TILT THRU TOGGLE	1
C1	ELE153372	ELECTRONIC,ASSY,Q-LOGIC,HAMMER MOTORS,Q6EDGE Z,QUANTUM	1
D1	ELE153373	ELECTRONIC,ASSY,Q-LOGIC,HIGH SPEED HAMMER MOTORS,Q6EDGE Z	1
E1	ELE153374	ELECTRONIC,ASSY,Q-LOGIC,HIGH SPEED HAMMER MOTORS,Q6EDGE Z,TILT THRU TOGGLE	1
F1	ELE153375	ELECTRONIC,ASSY,Q-LOGIC,HIGH SPEED HAMMER MOTORS,Q6EDGE Z,QUANTUM	1
G1	ELE153376	ELECTRONIC,ASSY,Q-LOGIC,H2 MOTORS,Q6EDGE Z	1
H1	ELE153377	ELECTRONIC,ASSY,Q-LOGIC,H2 MOTORS,Q6EDGE Z,TILT THRU TOGGLE	1
I1	ELE153378	ELECTRONIC,ASSY,Q-LOGIC,H2 MOTORS,Q6EDGE Z,QUANTUM	1
J1	ELE153379	ELECTRONIC,ASSY,Q-LOGIC,H2 ACCU-TRAC MOTORS,Q6EDGE Z,UNIVERSAL/TILT THRU TOGGLE	1
K1	ELE153380	ELECTRONIC,ASSY,Q-LOGIC,H2 ACCU-TRAC MOTORS,Q6EDGE Z,QUANTUM	1

Q-Logic 2

Note: The listed master assemblies are utilized on units EQUIPPED with fender lights. The master assemblies contain the power module, harnesses, and hardware components.

Q-Logic 2, Hammer Motor Configurations		
Electronics	Master Assy	Ref#
Non-Power Positioning	ELE166190	A1
Power Positioning	ELE166191	B1

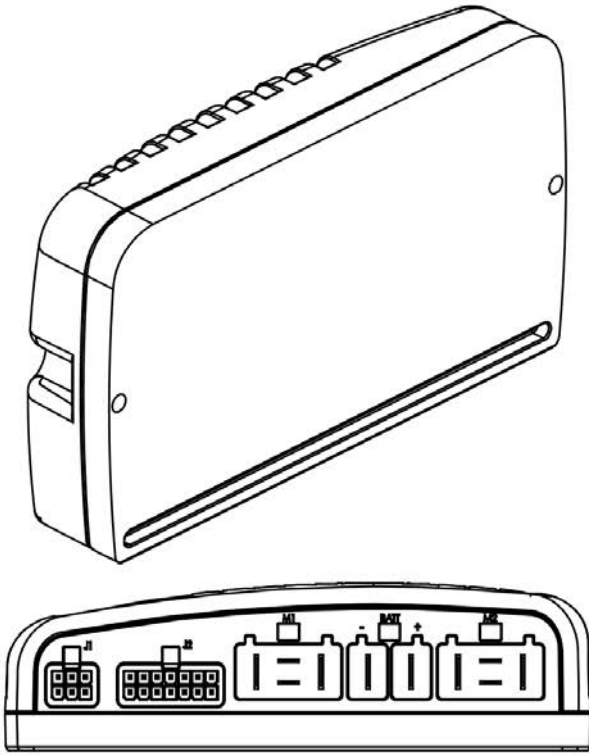
Q-Logic 2, H2 Motor Configurations		
Electronics	Master Assy	Ref#
Non-Power Positioning	ELE166194	E1
Power Positioning	ELE166195	F1

Q-Logic 2, High Speed Hammer Motor Configurations		
Electronics	Master Assy	Ref#
Non-Power Positioning	ELE166192	C1
Power Positioning	ELE166193	D1

Q-Logic 2, H2 Accu-Trac Motor Configurations		
Electronics	Master Assy	Ref#
Non-Power Positioning	ELE166196	G1
Power Positioning	ELE166197	H1

Item	Part No.	Name	Qty
A1	ELE166190	ELECTRONIC,ASSY,Q-LOGIC,HAMMER MOTORS,Q6EDGE Z,BASE MOUNTED,SWITCH OPERATED LIGHTS,UNIVERSAL	1
B1	ELE166191	ELECTRONIC,ASSY,Q-LOGIC,HAMMER MOTORS,Q6EDGE Z,BASE MOUNTED,SWITCH OPERATED LIGHTS,QUANTUM	1
C1	ELE166192	ELECTRONIC,ASSY,Q-LOGIC,HIGH SPEED HAMMER MOTORS,Q6EDGE Z,BASE MOUNTED,SWITCH OPERATED LIGHTS,UNIVERSAL	1
D1	ELE166193	ELECTRONIC,ASSY,Q-LOGIC,HIGH SPEED HAMMER MOTORS,Q6EDGE Z,BASE MOUNTED,SWITCH OPERATED LIGHTS,QUANTUM	1
E1	ELE166194	ELECTRONIC,ASSY,Q-LOGIC,H2 MOTORS,Q6EDGE Z,BASE MOUNTED,SWITCH OPERATED LIGHTS,UNIVERSAL	1
F1	ELE166195	ELECTRONIC,ASSY,Q-LOGIC,H2 MOTORS,Q6EDGE Z,BASE MOUNTED,SWITCH OPERATED LIGHTS,QUANTUM	1
G1	ELE166196	ELECTRONIC,ASSY,Q-LOGIC,H2 ACCU-TRAC MOTORS,Q6EDGE Z,BASE MOUNTED,SWITCH OPERATED LIGHTS,UNIVERSAL	1
H1	ELE166197	ELECTRONIC,ASSY,Q-LOGIC,H2 ACCU-TRAC MOTORS,Q6EDGE Z,BASE MOUNTED,SWITCH OPERATED LIGHTS,QUANTUM	1

Q-Logic 2



Note: The listed master assemblies are utilized on units NOT EQUIPPED with fender lights.

Q-Logic 2, Hammer Motor Configurations			
Electronics	Master Assy	Power Module	Ref#
Non-Power Positioning	ELE153370	ELEASMB5212	A1
Tilt Thru Toggle	ELE153371	ELEASMB5212	A1
Power Positioning	ELE153372	ELEASMB5286	B1

Q-Logic 2, High Speed Hammer Motor Configurations			
Electronics	Master Assy	Power Module	Ref#
Non-Power Positioning	ELE153373	ELEASMB5213	C1
Tilt Thru Toggle	ELE153374	ELEASMB5213	C1
Power Positioning	ELE153375	ELEASMB5287	D1

Q-Logic 2, H2 Motor Configurations			
Electronics	Master Assy	Power Module	Ref#
Non-Power Positioning	ELE153376	ELEASMB5547	E1
Tilt Thru Toggle	ELE153377	ELEASMB5547	E1
Power Positioning	ELE153378	ELEASMB5548	F1
Accu-Trac, Tilt thru Toggle	ELE153379	ELEASMB6274	G1
Accu-Trac, Power Positioning	ELE153380	ELEASMB6275	H1

Note: The listed master assemblies are utilized on units EQUIPPED with fender lights.

Q-Logic 2, Hammer Motor Configurations			
Electronics	Master Assy	Power Module	Ref#
Non-Power Positioning	ELE166190	ELEASMB5212	A1
Power Positioning	ELE166191	ELEASMB5286	B1

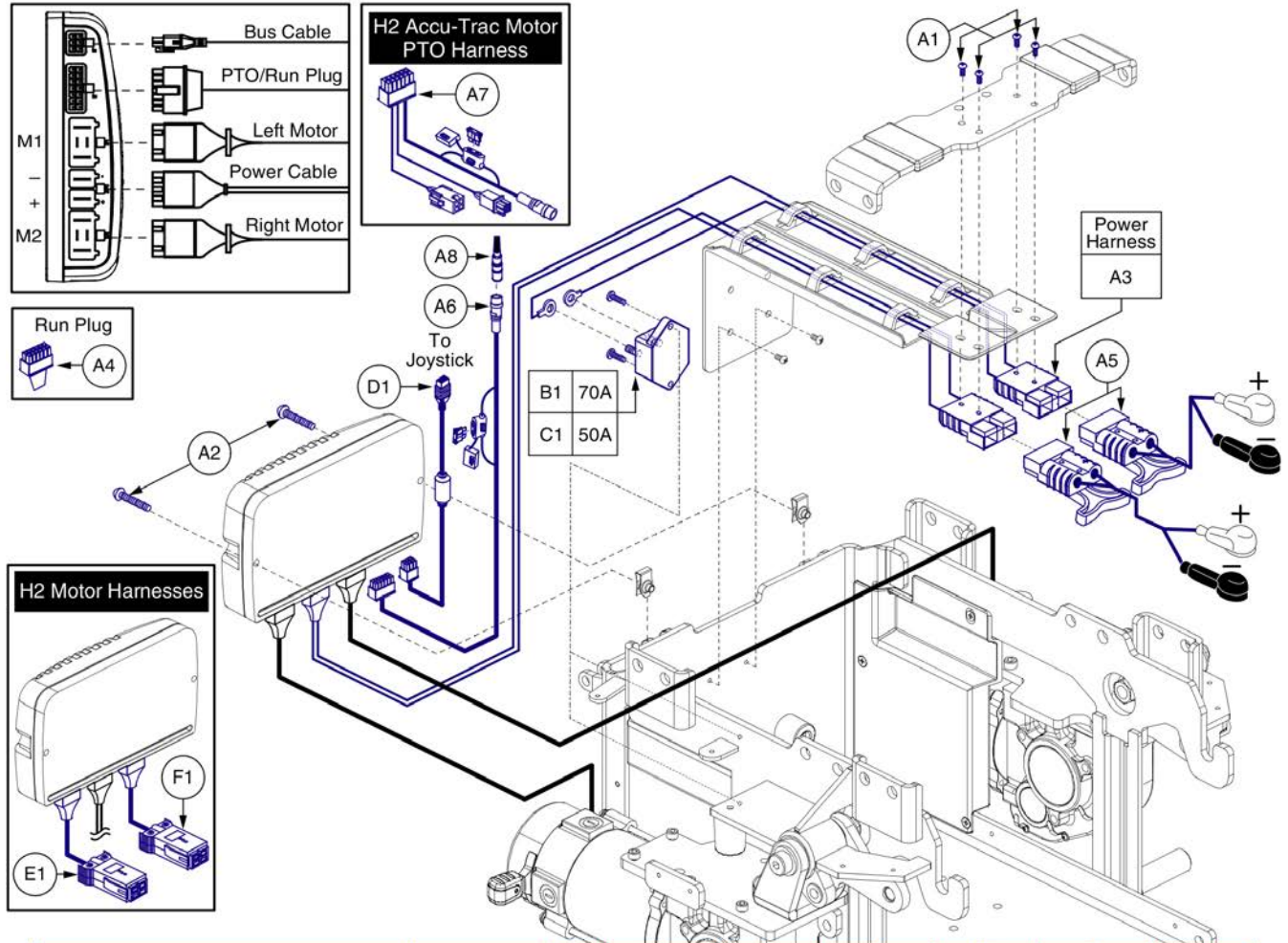
Q-Logic 2, High Speed Hammer Motor Configurations			
Electronics	Master Assy	Power Module	Ref#
Non-Power Positioning	ELE166192	ELEASMB5213	C1
Power Positioning	ELE166193	ELEASMB5287	D1

Q-Logic 2, H2 Motor Configurations			
Electronics	Master Assy	Power Module	Ref#
Non-Power Positioning	ELE166194	ELEASMB5547	E1
Power Positioning	ELE166195	ELEASMB5548	F1

Q-Logic 2, H2 Accu-Trac Motor Configurations			
Electronics	Master Assy	Power Module	Ref#
Non-Power Positioning	ELE166196	ELEASMB6274	G1
Power Positioning	ELE166197	ELEASMB6275	H1

Item	Part No.	Name	Qty
A1	ELEASMB5212	CONTROLLER,Q-LOGIC,CURTIS,ASSY,100AMP,W/QUANTUM6000 PROGRAM	1
B1	ELEASMB5286	CONTROLLER,Q-LOGIC,CURTIS,ASSY,100AMP,W/QUANTUM6000 PROGRAM,QUANTUM	1
C1	ELEASMB5213	CONTROLLER,CURTIS,ASSY,100AMP,W/QUANTUM6000 HIGH SPEED PROGRAM	1
D1	ELEASMB5287	CONTROLLER,Q-LOGIC,CURTIS,ASSY,100AMP,W/QUANTUM6000 HIGH SPEED PROGRAM,QUANTUM	1
E1	ELEASMB5547	CONTROLLER,CURTIS,ASSY,100AMP,W/QUANTUM6000Z H2 PROGRAM	1
F1	ELEASMB5548	CONTROLLER,CURTIS,ASSY,100AMP,W/QUANTUM6000Z H2 PROGRAM,QUANTUM	1
G1	ELEASMB6274	CONTROLLER,Q-LOGIC,CURTIS,ASSY,100 AMP,W/QUANTUM6000Z H2 ACCU-TRAC PROGRAM	1
H1	ELEASMB6275	CONTROLLER,Q-LOGIC,CURTIS,ASSY,100 AMP,W/QUANTUM6000Z H2 ACCU-TRAC PROGRAM,QUANTUM	1

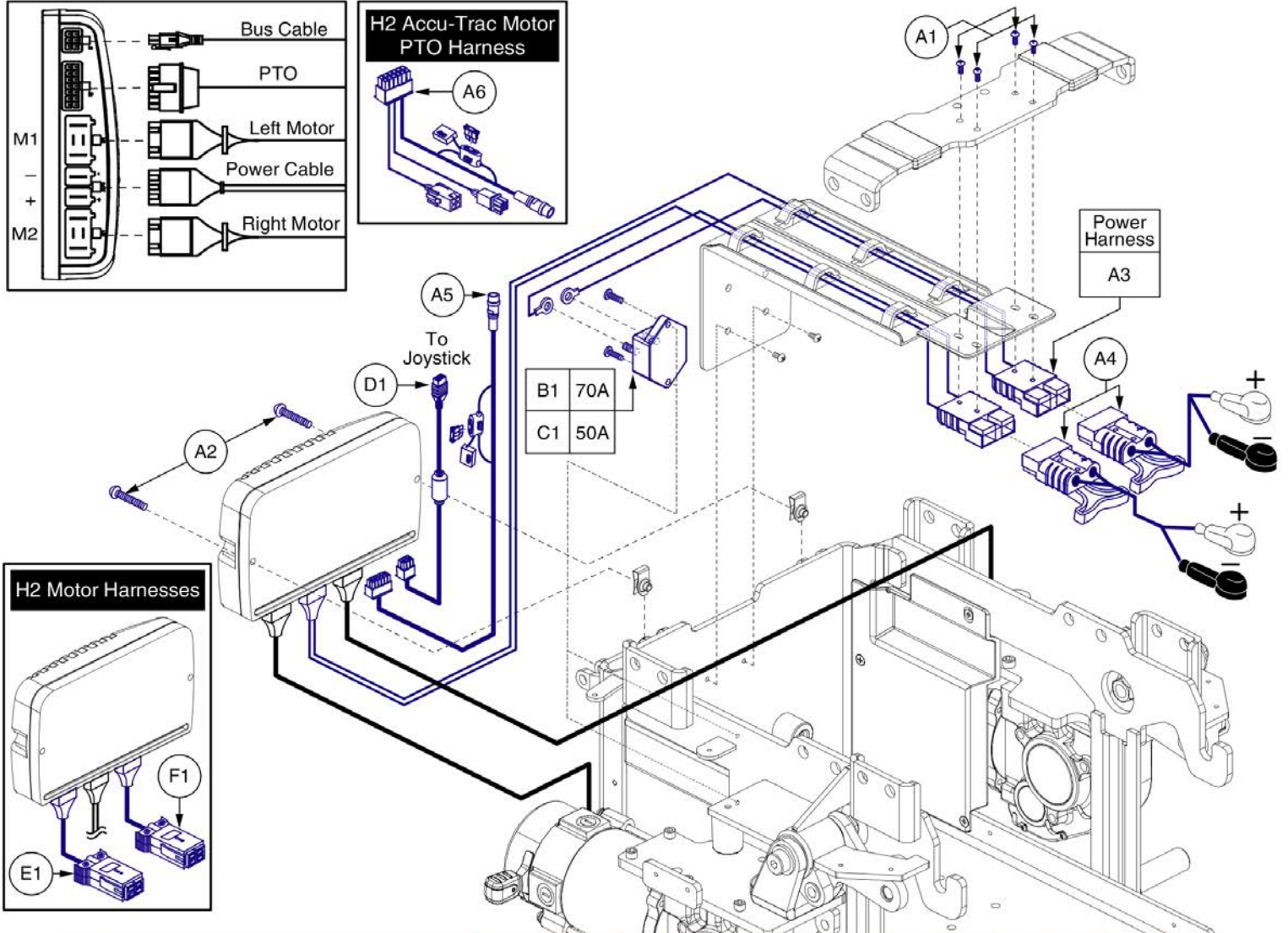
Q-Logic 2



Hammer	Master Assy	A1	A2	A3	A4	A5	A6	A7	A8	B1	C1	D1	E1	F1
Q-Logic 2, Non-Power Positioning	ELE153370	4	2	1	1	2				1		1		
Q-Logic 2, Tilt Thru Toggle	ELE153371	4	2	1		2	1		1	1		1		
Q-Logic 2, Power Positioning	ELE153372	4	2	1		2	1		1	1		1		
NE+, Non-Power Positioning	ELE153386	4	2	1	1	2					1	1		
NE+, Tilt Thru Toggle	ELE153387	4	2	1		2	1		1		1	1		
NE+, Power Positioning	ELE153388	4	2	1		2	1		1		1	1		
High Speed Hammer	Master Assy	A1	A2	A3	A4	A5	A6	A7	A8	B1	C1	D1	E1	F1
Q-Logic 2, Non-Power Positioning	ELE153373	4	2	1	1	2				1		1		
Q-Logic 2, Tilt Thru Toggle	ELE153374	4	2	1		2	1		1	1		1		
Q-Logic 2, Power Positioning	ELE153375	4	2	1		2	1		1	1		1		
NE+, Non-Power Positioning	ELE153389	4	2	1	1	2					1	1		
NE+, Tilt Thru Toggle	ELE153390	4	2	1		2	1		1		1	1		
NE+, Power Positioning	ELE153391	4	2	1		2	1		1		1	1		
H2	Master Assy	A1	A2	A3	A4	A5	A6	A7	A8	B1	C1	D1	E1	F1
Q-Logic 2, Non-Power Positioning	ELE153376	4	2	1	1	2				1		1	1	1
Q-Logic 2, Tilt Thru Toggle	ELE153377	4	2	1		2	1		1	1		1	1	1
Q-Logic 2, Power Positioning	ELE153378	4	2	1		2	1		1	1		1	1	1
Q-Logic 2, Accu-Trac, Tilt Thru Toggle	ELE153379	4	2	1		2		1	1	1		1	1	1
Q-Logic 2, Accu-Trac, Power Positioning	ELE153380	4	2	1		2		1	1	1		1	1	1
NE+, Non-Power Positioning	ELE153394	4	2	1	1	2					1	1	1	1
NE+, Tilt Thru Toggle	ELE153395	4	2	1		2	1		1		1	1	1	1
NE+, Power Positioning	ELE153396	4	2	1		2	1		1		1	1	1	1

Item	Part No.	Name	Qty
A1	SCRPPTC1047	SCREW,PPH,ZINC,M4 X 16MM,SELF TAP	4
A2	SCRPPH1315	SCREW,PPH,BLACK ZINC,M5-.8 X 30MM,(MTS: 51205003)	2
A3	DWR1059H001	ELECTRONIC,HARNESS,POWER CABLE,QLOGIC,CURTIS,QUANTUM6000/R4000,H-1059-001	1
A4	DWR1265H027	ELECTRONIC,HARNESS,RUN PLUG,Q-LOGIC	1
A5	ELEASMB2868	ELECTRONIC,ASSY,BATTERY CABLE,GRAY,W/125A/32V FUSEABLE LINK,QUICK DISCONNECT,H-1500-013	2
A6	DWR1265H021	ELECTRONIC,HARNESS,POWER TAKE OFF(PTO)/INHIBIT,CURTIS,H-1265-021	1
A7	DWR1265H050	ELECTRONIC,MOTOR DECODER/POWER TAKE OFF(PTO)/INHIBIT,QLOGIC,H-1265-050	1
A8	DWR1361H038	ELECTRONIC,HARNESS,RUN PLUG,SURE SEAL,SYNERGY TILT,H-1361-038	1
B1	ELEASMB4721	ELECTRONIC,ASSY,CIRCUIT BREAKER,70 AMP,W/MOUNTING HARDWARE,QUANTUM6000	1
C1	ELEASMB5478	ELECTRONIC,ASSY,CIRCUIT BREAKER,50 AMP,W/MOUNTING HARDWARE,QUANTUM6000Z	1
D1	DWR1111H065	ELECTRONIC,HARNESS,BUS EXTENSION CABLE,CURTIS,0.410 METER,MALE/FEMALE,H-1111-065,(CURTIS: 17881303)	1
E1	DWR1065H005	ELECTRONIC,HARNESS,MOTOR,RIGHT,QLOGIC,CURTIS,QUANTUM6000Z,H-1065-005	1
F1	DWR1065H006	ELECTRONIC,HARNESS,MOTOR,LEFT,QLOGIC,CURTIS,QUANTUM6000Z,H-1065-006	1

Q-Logic 2



Hammer	Master Assy	A1	A2	A3	A4	A5	A6	B1	C1	D1	E1	F1
Q-Logic 2, Non-Power Positioning	ELE166190	4	2	1	2	1		1		1		
Q-Logic 2, Power Positioning	ELE166191	4	2	1	2	1		1		1		
NE+, Non-Power Positioning	ELE166198	4	2	1	2	1			1	1		
NE+, Power Positioning	ELE166203	4	2	1	2	1			1	1		
High Speed Hammer	Master Assy	A1	A2	A3	A4	A5	A6	B1	C1	D1	E1	F1
Q-Logic 2, Non-Power Positioning	ELE166192	4	2	1	2	1		1		1		
Q-Logic 2, Power Positioning	ELE166193	4	2	1	2	1		1		1		
NE+, Non-Power Positioning	ELE166206	4	2	1	2	1			1	1		
NE+, Power Positioning	ELE166207	4	2	1	2	1			1	1		
H2	Master Assy	A1	A2	A3	A4	A5	A6	B1	C1	D1	E1	F1
Q-Logic 2, Non-Power Positioning	ELE166194	4	2	1	2	1		1		1	1	1
Q-Logic 2, Power Positioning	ELE166195	4	2	1	2	1		1		1	1	1
Q-Logic 2, Accu-Trac, Non-Power Positioning	ELE166196	4	2	1	2		1		1	1	1	1
Q-Logic 2, Accu-Trac, Power Positioning	ELE166197	4	2	1	2		1		1	1	1	1
NE+, Non-Power Positioning	ELE166210	4	2	1	2	1			1	1	1	1
NE+, Power Positioning	ELE166211	4	2	1	2	1			1	1	1	1

Item	Part No.	Name	Qty
A1	SCRPPTC1047	SCREW,PPH,ZINC,M4 X 16MM,SELF TAP	4
A2	SCRPPH1390	SCREW,PPH,BLACK ZINC,M5-.8 X 35MM	2
A3	DWR1059H001	ELECTRONIC,HARNESS,POWER CABLE,QLOGIC,CURTIS,QUANTUM6000/R4000,H-1059-001	1
A4	ELEASMB2868	ELECTRONIC,ASSY,BATTERY CABLE,GRAY,W/125A/32V FUSEABLE LINK,QUICK DISCONNECT,H-1500-013	2
A5	DWR1265H021	ELECTRONIC,HARNESS,POWER TAKE OFF(PTO)/INHIBIT,CURTIS,H-1265-021	1
A6	DWR1265H050	ELECTRONIC,MOTOR DECODER/POWER TAKE OFF(PTO)/INHIBIT,QLOGIC,H-1265-050	1
B1	ELEASMB4721	ELECTRONIC,ASSY,CIRCUIT BREAKER,70 AMP,W/MOUNTING HARDWARE,QUANTUM6000	1
C1	ELEASMB5478	ELECTRONIC,ASSY,CIRCUIT BREAKER,50 AMP,W/MOUNTING HARDWARE,QUANTUM6000Z	1
D1	DWR1111H065	ELECTRONIC,HARNESS,BUS EXTENSION CABLE,CURTIS,0.410 METER,MALE/FEMALE,H-1111-065,(CURTIS: 17881303)	1
E1	DWR1065H005	ELECTRONIC,HARNESS,MOTOR,RIGHT,QLOGIC,CURTIS,QUANTUM6000Z,H-1065-005	1
F1	DWR1065H006	ELECTRONIC,HARNESS,MOTOR,LEFT,QLOGIC,CURTIS,QUANTUM6000Z,H-1065-006	1

NE+

Note: The listed master assemblies are utilized on units NOT EQUIPPED with fender lights. The master assemblies contain the power module, harnesses, and hardware components.

NE+, Hammer Motor Configurations		
Electronics	Master Assy	Ref#
Non-Power Positioning	ELE153386	A1
Tilt Thru Toggle	ELE153387	B1
Power Positioning	ELE153388	C1

NE+, H2 Motor Configurations		
Electronics	Master Assy	Ref#
Non-Power Positioning	ELE153394	G1
Tilt Thru Toggle	ELE153395	H1
Power Positioning	ELE153396	I1

NE+, High Speed Hammer Motor Configurations		
Electronics	Master Assy	Ref#
Non-Power Positioning	ELE153389	D1
Tilt Thru Toggle	ELE153390	E1
Power Positioning	ELE153391	F1

Item	Part No.	Name	Qty
A1	ELE153386	ELECTRONIC,ASSY,NE PLUS,HAMMER MOTORS,Q6EDGE Z	1
B1	ELE153387	ELECTRONIC,ASSY,NE PLUS,HAMMER MOTORS,Q6EDGE Z,TILT THRU TOGGLE	1
C1	ELE153388	ELECTRONIC,ASSY,NE PLUS,HAMMER MOTORS,Q6EDGE Z,QUANTUM	1
D1	ELE153389	ELECTRONIC,ASSY,NE PLUS,HIGH SPEED HAMMER MOTORS,Q6EDGE Z	1
E1	ELE153390	ELECTRONIC,ASSY,NE PLUS,HIGH SPEED HAMMER MOTORS,Q6EDGE Z,TILT THRU TOGGLE	1
F1	ELE153391	ELECTRONIC,ASSY,NE PLUS,HIGH SPEED HAMMER MOTORS,Q6EDGE Z,QUANTUM	1
G1	ELE153394	ELECTRONIC,ASSY,NE PLUS,H2 MOTORS,Q6EDGE Z	1
H1	ELE153395	ELECTRONIC,ASSY,NE PLUS,H2 MOTORS,Q6EDGE Z,TILT THRU TOGGLE	1
I1	ELE153396	ELECTRONIC,ASSY,NE PLUS,H2 MOTORS,Q6EDGE Z,QUANTUM	1

NE+

Note: The listed master assemblies are utilized on units EQUIPPED with fender lights. The master assemblies contain the power module, harnesses, and hardware components.

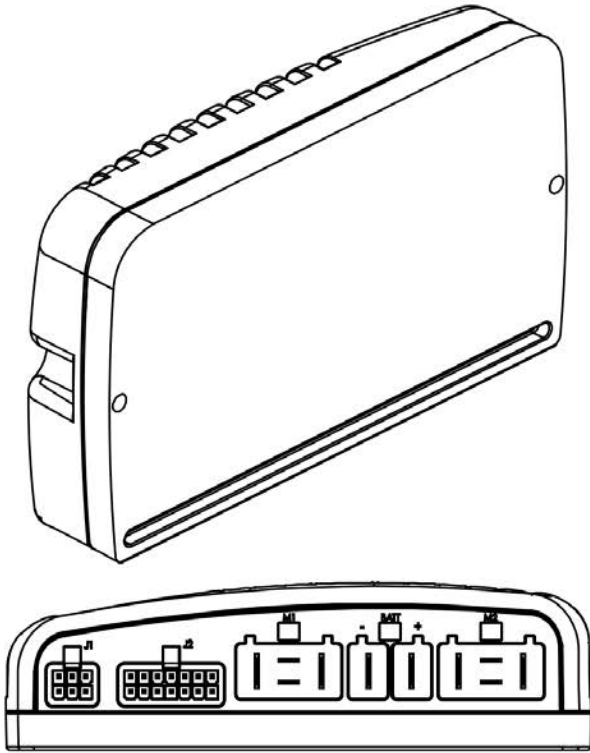
NE+, Hammer Motor Configurations		
Electronics	Master Assy	Ref#
Non-Power Positioning	ELE166198	A1
Power Positioning	ELE166203	B1

NE+, H2 Motor Configurations		
Electronics	Master Assy	Ref#
Non-Power Positioning	ELE166210	E1
Power Positioning	ELE166211	F1

NE+, High Speed Hammer Motor Configurations		
Electronics	Master Assy	Ref#
Non-Power Positioning	ELE166206	C1
Power Positioning	ELE166207	D1

Item	Part No.	Name	Qty
A1	ELE166198	ELECTRONIC,ASSY,NE PLUS,HAMMER MOTORS,Q6EDGE Z,BASE MOUNTED,SWITCH OPERATED LIGHTS,UNIVERSAL	1
B1	ELE166203	ELECTRONIC,ASSY,NE PLUS,HAMMER MOTORS,Q6EDGE Z,BASE MOUNTED,SWITCH OPERATED LIGHTS,QUANTUM	1
C1	ELE166206	ELECTRONIC,ASSY,NE PLUS,HIGH SPEED HAMMER MOTORS,Q6EDGE Z,BASE MOUNTED,SWITCH OPERATED LIGHTS,UNIVERSAL	1
D1	ELE166207	ELECTRONIC,ASSY,NE PLUS,HIGH SPEED HAMMER MOTORS,Q6EDGE Z,BASE MOUNTED,SWITCH OPERATED LIGHTS,QUANTUM	1
E1	ELE166210	ELECTRONIC,ASSY,NE PLUS,H2 MOTORS,Q6EDGE Z,BASE MOUNTED,SWITCH OPERATED LIGHTS,UNIVERSAL	1
F1	ELE166211	ELECTRONIC,ASSY,NE PLUS,H2 MOTORS,Q6EDGE Z,BASE MOUNTED,SWITCH OPERATED LIGHTS,QUANTUM	1

NE+



Note: The listed master assemblies are utilized on units NOT EQUIPPED with fender lights.

NE+, Hammer Motor Configurations			
Electronics	Master Assy	Power Module	Ref#
Non-Power Positioning	ELE153386	ELEASMB6785	A1
Tilt Thru Toggle	ELE153387	ELEASMB6785	A1
Power Positioning	ELE153388	ELEASMB6786	B1

NE+, High Speed Hammer Motor Configurations			
Electronics	Master Assy	Power Module	Ref#
Non-Power Positioning	ELE153389	ELEASMB6787	C1
Tilt Thru Toggle	ELE153390	ELEASMB6787	C1
Power Positioning	ELE153391	ELEASMB6788	D1

NE+, H2 Motor Configurations			
Electronics	Master Assy	Power Module	Ref#
Non-Power Positioning	ELE153394	ELEASMB6790	E1
Tilt Thru Toggle	ELE153395	ELEASMB6790	E1
Power Positioning	ELE153396	ELEASMB6791	F1

Note: The listed master assemblies are utilized on units EQUIPPED with fender lights.

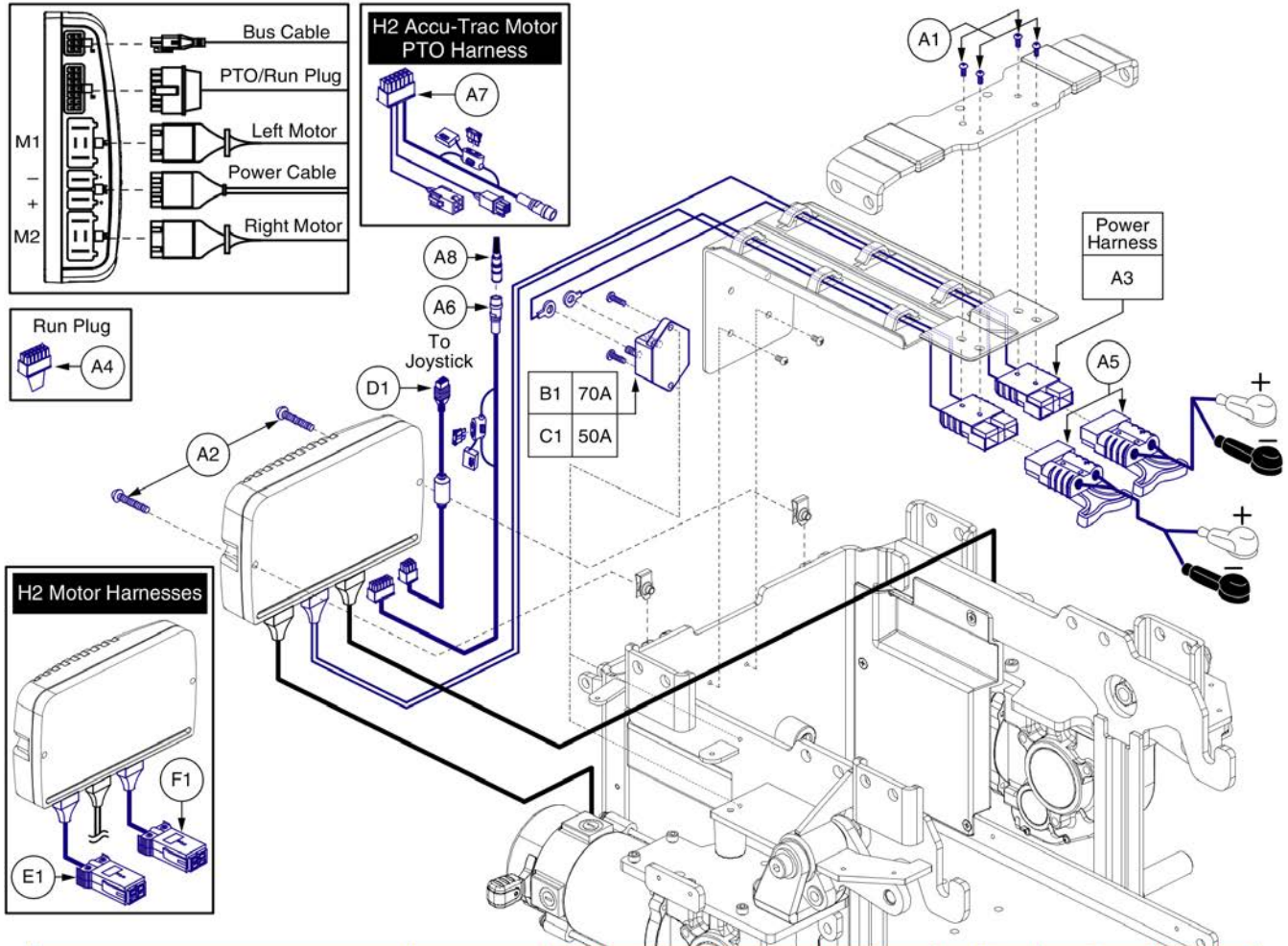
NE+, Hammer Motor Configurations			
Electronics	Master Assy	Power Module	Ref#
Non-Power Positioning	ELE166198	ELEASMB6785	A1
Power Positioning	ELE166203	ELEASMB6786	B1

NE+, High Speed Hammer Motor Configurations			
Electronics	Master Assy	Power Module	Ref#
Non-Power Positioning	ELE166206	ELEASMB6787	C1
Power Positioning	ELE166207	ELEASMB6788	D1

NE+, H2 Motor Configurations			
Electronics	Master Assy	Power Module	Ref#
Non-Power Positioning	ELE166210	ELEASMB6790	E1
Power Positioning	ELE166211	ELEASMB6791	F1

Item	Part No.	Name	Qty
A1	ELEASMB6785	CONTROLLER,NE PLUS,CURTIS,ASSY,75 AMP,W/QUANTUM6000 PROGRAM	1
B1	ELEASMB6786	CONTROLLER,NE PLUS,CURTIS,ASSY,75AMP,W/QUANTUM6000 PROGRAM,QUANTUM	1
C1	ELEASMB6787	CONTROLLER,NE PLUS,CURTIS,ASSY,75 AMP,W/QUANTUM6000 HIGH SPEED PROGRAM	1
D1	ELEASMB6788	CONTROLLER,NE PLUS,CURTIS,ASSY,75AMP,W/QUANTUM6000 HIGH SPEED PROGRAM,QUANTUM	1
E1	ELEASMB6790	CONTROLLER,NE PLUS,CURTIS,ASSY,75AMP,W/QUANTUM6000Z H2 PROGRAM	1
F1	ELEASMB6791	CONTROLLER,NE PLUS,CURTIS,ASSY,75 AMP,W/QUANTUM6000Z H2 PROGRAM,QUANTUM	1

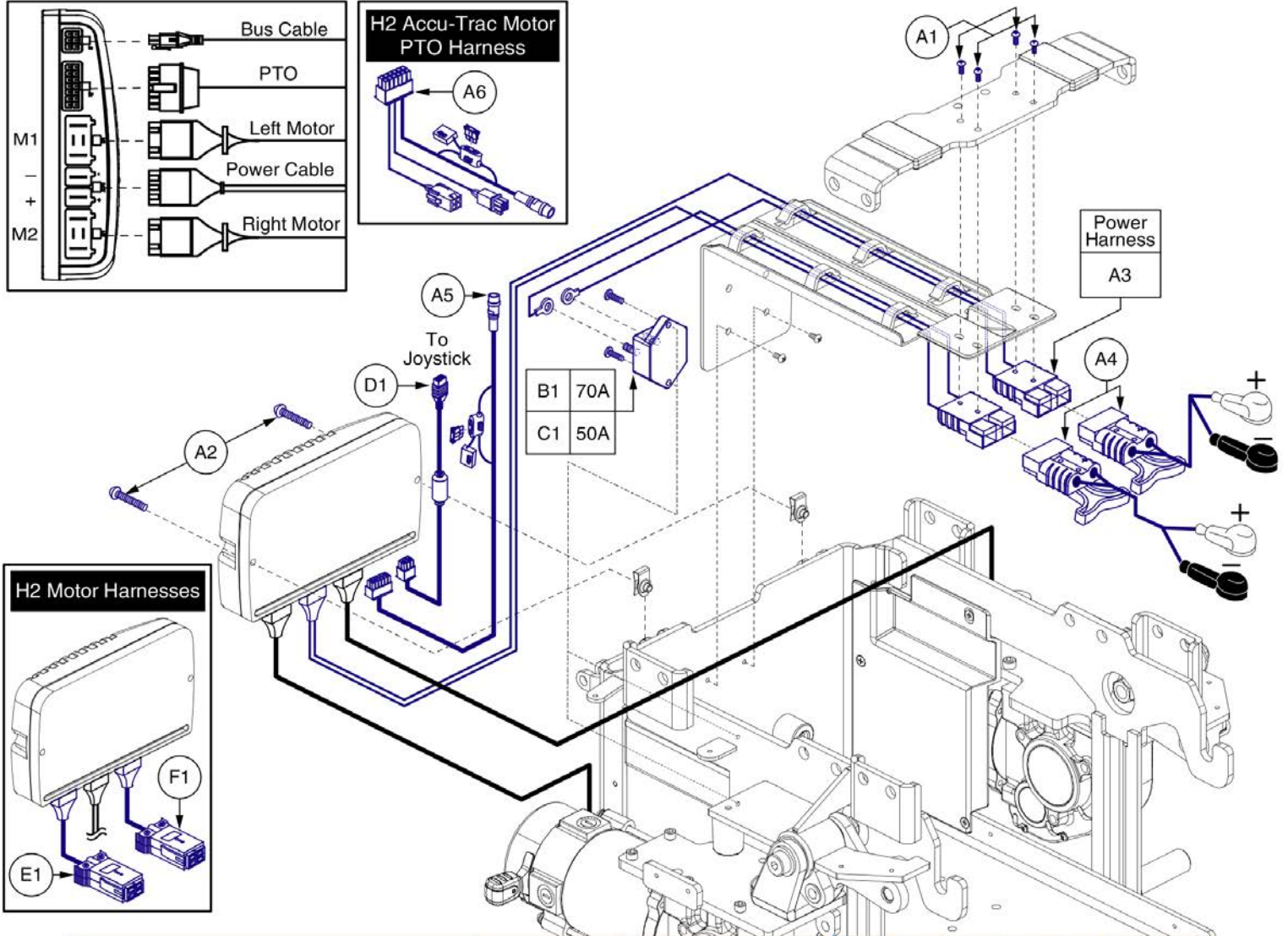
NE+



Hammer	Master Assy	A1	A2	A3	A4	A5	A6	A7	A8	B1	C1	D1	E1	F1
Q-Logic 2, Non-Power Positioning	ELE153370	4	2	1	1	2				1		1		
Q-Logic 2, Tilt Thru Toggle	ELE153371	4	2	1		2	1		1	1		1		
Q-Logic 2, Power Positioning	ELE153372	4	2	1		2	1		1	1		1		
NE+, Non-Power Positioning	ELE153386	4	2	1	1	2						1	1	
NE+, Tilt Thru Toggle	ELE153387	4	2	1		2	1		1			1	1	
NE+, Power Positioning	ELE153388	4	2	1		2	1		1			1	1	
High Speed Hammer	Master Assy	A1	A2	A3	A4	A5	A6	A7	A8	B1	C1	D1	E1	F1
Q-Logic 2, Non-Power Positioning	ELE153373	4	2	1	1	2				1		1		
Q-Logic 2, Tilt Thru Toggle	ELE153374	4	2	1		2	1		1	1		1		
Q-Logic 2, Power Positioning	ELE153375	4	2	1		2	1		1	1		1		
NE+, Non-Power Positioning	ELE153389	4	2	1	1	2						1	1	
NE+, Tilt Thru Toggle	ELE153390	4	2	1		2	1		1			1	1	
NE+, Power Positioning	ELE153391	4	2	1		2	1		1			1	1	
H2	Master Assy	A1	A2	A3	A4	A5	A6	A7	A8	B1	C1	D1	E1	F1
Q-Logic 2, Non-Power Positioning	ELE153376	4	2	1	1	2				1		1	1	1
Q-Logic 2, Tilt Thru Toggle	ELE153377	4	2	1		2	1		1	1		1	1	1
Q-Logic 2, Power Positioning	ELE153378	4	2	1		2	1		1	1		1	1	1
Q-Logic 2, Accu-Trac, Tilt Thru Toggle	ELE153379	4	2	1		2		1	1	1		1	1	1
Q-Logic 2, Accu-Trac, Power Positioning	ELE153380	4	2	1		2		1	1	1		1	1	1
NE+, Non-Power Positioning	ELE153394	4	2	1	1	2						1	1	1
NE+, Tilt Thru Toggle	ELE153395	4	2	1		2	1		1			1	1	1
NE+, Power Positioning	ELE153396	4	2	1		2	1		1			1	1	1

Item	Part No.	Name	Qty
A1	SCRPPTC1047	SCREW,PPH,ZINC,M4 X 16MM,SELF TAP	4
A2	SCRPPH1315	SCREW,PPH,BLACK ZINC,M5-.8 X 30MM,(MTS: 51205003)	2
A3	DWR1059H001	ELECTRONIC,HARNESS,POWER CABLE,QLOGIC,CURTIS,QUANTUM6000/R4000,H-1059-001	1
A4	DWR1265H027	ELECTRONIC,HARNESS,RUN PLUG,Q-LOGIC	1
A5	ELEASMB2868	ELECTRONIC,ASSY,BATTERY CABLE,GRAY,W/125A/32V FUSEABLE LINK,QUICK DISCONNECT,H-1500-013	2
A6	DWR1265H021	ELECTRONIC,HARNESS,POWER TAKE OFF(PTO)/INHIBIT,CURTIS,H-1265-021	1
A7	DWR1265H050	ELECTRONIC,MOTOR DECODER/POWER TAKE OFF(PTO)/INHIBIT,QLOGIC,H-1265-050	1
A8	DWR1361H038	ELECTRONIC,HARNESS,RUN PLUG,SURE SEAL,SYNERGY TILT,H-1361-038	1
B1	ELEASMB4721	ELECTRONIC,ASSY,CIRCUIT BREAKER,70 AMP,W/MOUNTING HARDWARE,QUANTUM6000	1
C1	ELEASMB5478	ELECTRONIC,ASSY,CIRCUIT BREAKER,50 AMP,W/MOUNTING HARDWARE,QUANTUM6000Z	1
D1	DWR1111H065	ELECTRONIC,HARNESS,BUS EXTENSION CABLE,CURTIS,0.410 METER,MALE/FEMALE,H-1111-065,(CURTIS: 17881303)	1
E1	DWR1065H005	ELECTRONIC,HARNESS,MOTOR,RIGHT,QLOGIC,CURTIS,QUANTUM6000Z,H-1065-005	1
F1	DWR1065H006	ELECTRONIC,HARNESS,MOTOR,LEFT,QLOGIC,CURTIS,QUANTUM6000Z,H-1065-006	1

NE+



Hammer	Master Assy	A1	A2	A3	A4	A5	A6	B1	C1	D1	E1	F1
Q-Logic 2, Non-Power Positioning	ELE166190	4	2	1	2	1		1		1		
Q-Logic 2, Power Positioning	ELE166191	4	2	1	2	1		1		1		
NE+, Non-Power Positioning	ELE166198	4	2	1	2	1			1	1		
NE+, Power Positioning	ELE166203	4	2	1	2	1			1	1		
High Speed Hammer	Master Assy	A1	A2	A3	A4	A5	A6	B1	C1	D1	E1	F1
Q-Logic 2, Non-Power Positioning	ELE166192	4	2	1	2	1		1		1		
Q-Logic 2, Power Positioning	ELE166193	4	2	1	2	1		1		1		
NE+, Non-Power Positioning	ELE166206	4	2	1	2	1			1	1		
NE+, Power Positioning	ELE166207	4	2	1	2	1			1	1		
H2	Master Assy	A1	A2	A3	A4	A5	A6	B1	C1	D1	E1	F1
Q-Logic 2, Non-Power Positioning	ELE166194	4	2	1	2	1		1		1	1	1
Q-Logic 2, Power Positioning	ELE166195	4	2	1	2	1		1		1	1	1
Q-Logic 2, Accu-Trac, Non-Power Positioning	ELE166196	4	2	1	2		1		1	1	1	1
Q-Logic 2, Accu-Trac, Power Positioning	ELE166197	4	2	1	2		1		1	1	1	1
NE+, Non-Power Positioning	ELE166210	4	2	1	2	1			1	1	1	1
NE+, Power Positioning	ELE166211	4	2	1	2	1			1	1	1	1

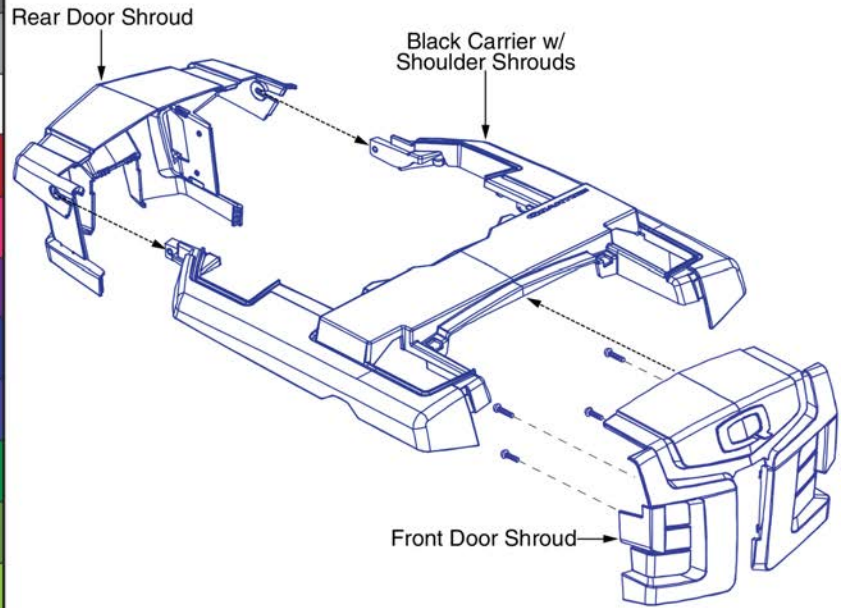
Item	Part No.	Name	Qty
A1	SCRPPTC1047	SCREW,PPH,ZINC,M4 X 16MM,SELF TAP	4
A2	SCRPPH1390	SCREW,PPH,BLACK ZINC,M5-.8 X 35MM	2
A3	DWR1059H001	ELECTRONIC,HARNESS,POWER CABLE,QLOGIC,CURTIS,QUANTUM6000/R4000,H-1059-001	1
A4	ELEASMB2868	ELECTRONIC,ASSY,BATTERY CABLE,GRAY,W/125A/32V FUSEABLE LINK,QUICK DISCONNECT,H-1500-013	2
A5	DWR1265H021	ELECTRONIC,HARNESS,POWER TAKE OFF(PTO)/INHIBIT,CURTIS,H-1265-021	1
A6	DWR1265H050	ELECTRONIC,MOTOR DECODER/POWER TAKE OFF(PTO)/INHIBIT,QLOGIC,H-1265-050	1
B1	ELEASMB4721	ELECTRONIC,ASSY,CIRCUIT BREAKER,70 AMP,W/MOUNTING HARDWARE,QUANTUM6000	1
C1	ELEASMB5478	ELECTRONIC,ASSY,CIRCUIT BREAKER,50 AMP,W/MOUNTING HARDWARE,QUANTUM6000Z	1
D1	DWR1111H065	ELECTRONIC,HARNESS,BUS EXTENSION CABLE,CURTIS,0.410 METER,MALE/FEMALE,H-1111-065,(CURTIS: 17881303)	1
E1	DWR1065H005	ELECTRONIC,HARNESS,MOTOR,RIGHT,QLOGIC,CURTIS,QUANTUM6000Z,H-1065-005	1
F1	DWR1065H006	ELECTRONIC,HARNESS,MOTOR,LEFT,QLOGIC,CURTIS,QUANTUM6000Z,H-1065-006	1

9. Shroud & Fender Assy's

Complete Shroud Assemblies			
Ref#	Color Name	Part Suffix	Color Code
A1	Back in Black	PBK1	PPW-BLK-01
B1	Night Train	PBK3	PPW-BLK-03
C1	Grey Street	PSL3	PPW-SIL-03
D1	Silver Bullet	PSL7	PPW-SIL-07
E1	White Satin	PWT2	PPW-WHT-02
F1	Red Corvette	PRD1	PPW-RED-01
G1	Pretty in Pink	PPK3	PPW-PNK-03
H1	Deep Purple	PPR5	PPW-PRP-05
I1	Midnight Blue	PBU10	PPW-BLU-10
J1	Electric Blue	PBU9	PPW-BLU-09
K1	Green Machine	PGN11	PPW-GRN-11
L1	Military Green	PGN8	PPW-GRN-08
M1	Lime Light	PGN7	PPW-GRN-07
N1	Yellow Blaze	PYL3	PPW-YEL-03
O1	Orange Crush	POR6	PPW-ORN-06
P1	Evolution Orange	POR7	PPW-ORN-07

Please note:

- The Rear Door, Front Door, and Black Carrier with Shoulder Shrouds are only available as an assembly.
- Although the Front Door can be selected individually, to obtain the Rear Door, Carrier, or Shoulder Shrouds the Assembly must be selected.
- The individual components are not available separately.



The assemblies include quantity 2 of the name decal:



Complete Shroud Matrix, Edge Z / Q6 Ultra



Item	Part No.	Name	Qty
A1	DGN1610108-PBK1	SHROUD,ASSY,BACK IN BLACK,Q6EDGE Z	1
B1	DGN1610108-PBK3	SHROUD,ASSY,NIGHT TRAIN,Q6EDGE Z	1
C1	DGN1610108-PSL3	SHROUD,ASSY,GREY STREET,Q6EDGE Z	1
D1	DGN1610108-PSL7	SHROUD,ASSY,SILVER BULLET,Q6EDGE Z	1
E1	DGN1610108-PWT2	SHROUD,ASSY,WHITE SATIN,Q6EDGE Z	1
F1	DGN1610108-PRD1	SHROUD,ASSY,CORVETTE RED,Q6EDGE Z	1
G1	DGN1610108-PPK3	SHROUD,ASSY,PRETTY IN PINK,Q6EDGE Z	1
H1	DGN1610108-PPR5	SHROUD,ASSY,DEEP PURPLE,Q6EDGE Z	1
I1	DGN1610108-PBU10	SHROUD,ASSY,MIDNIGHT BLUE,Q6EDGE Z	1
J1	DGN1610108-PBU9	SHROUD,ASSY,ELECTRIC BLUE,Q6EDGE Z	1
K1	DGN1610108-PGN11	SHROUD,ASSY,GREEN MACHINE,Q6EDGE Z	1
L1	DGN1610108-PGN8	SHROUD,ASSY,MILITARY GREEN,Q6EDGE Z	1
M1	DGN1610108-PGN7	SHROUD,ASSY,LIME LIGHT,Q6EDGE Z	1
N1	DGN1610108-PYL3	SHROUD,ASSY,YELLOW BLAZE,Q6EDGE Z	1
O1	DGN1610108-POR6	SHROUD,ASSY,ORANGE CRUSH,Q6EDGE Z	1
P1	DGN1610108-POR7	SHROUD,ASSY,EVOLUTION ORANGE,Q6EDGE Z	1

9. Shroud & Fender Assy's

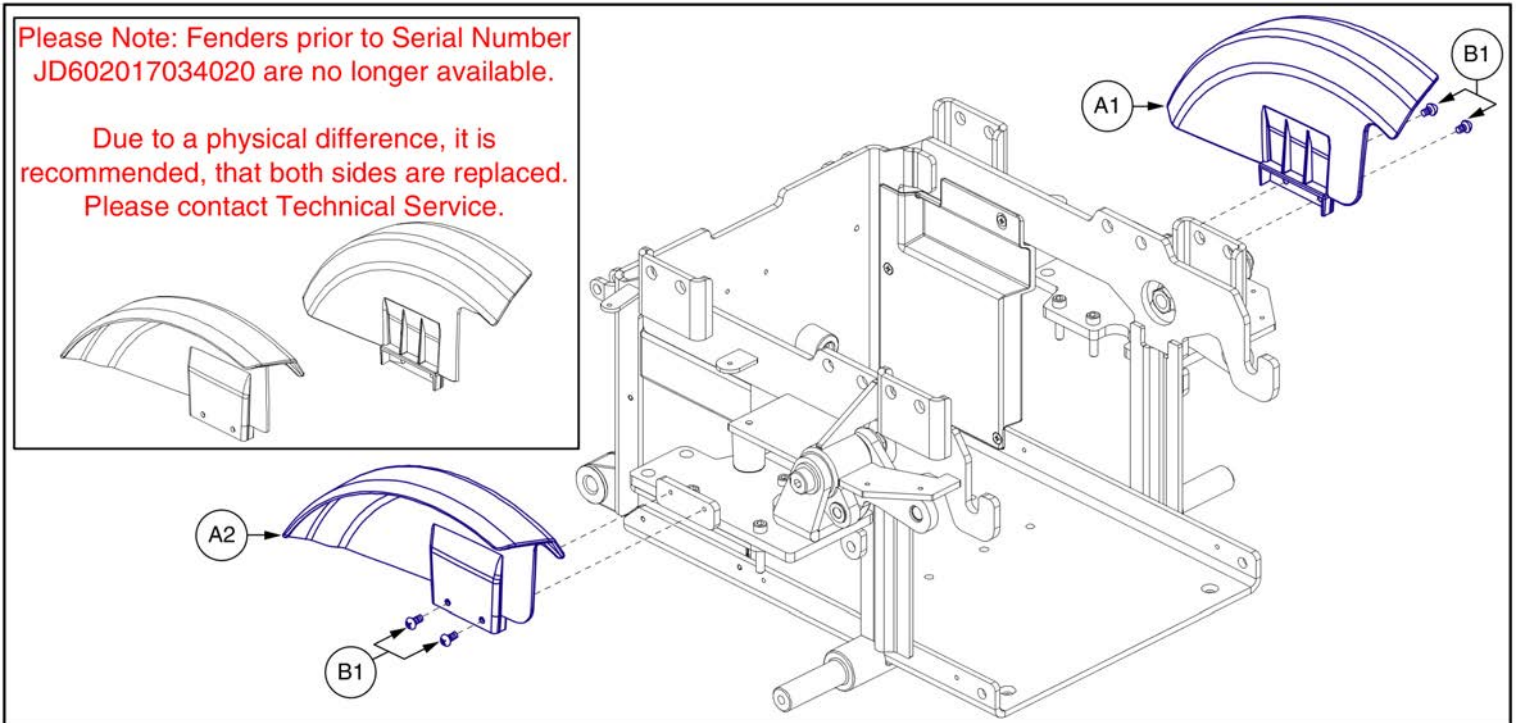
Front Door Shroud Assemblies (includes mounting hardware Q1 & R1)			
Ref#	Color Name	Part Suffix	Color Code
A1	Back in Black	PBK1	PPW-BLK-01
B1	Night Train	PBK3	PPW-BLK-03
C1	Grey Street	PSL3	PPW-SIL-03
D1	Silver Bullet	PSL7	PPW-SIL-07
E1	White Satin	PWT2	PPW-WHT-02
F1	Red Corvette	PRD1	PPW-RED-01
G1	Pretty in Pink	PPK3	PPW-PNK-03
H1	Deep Purple	PPR5	PPW-PRP-05
I1	Midnight Blue	PBU10	PPW-BLU-10
J1	Electric Blue	PBU9	PPW-BLU-09
K1	Green Machine	PGN11	PPW-GRN-11
L1	Military Green	PGN8	PPW-GRN-08
M1	Lime Light	PGN7	PPW-GRN-07
N1	Yellow Blaze	PYL3	PPW-YEL-03
O1	Orange Crush	POR6	PPW-ORN-06
P1	Evolution Orange	POR7	PPW-ORN-07

Item	Part No.	Name	Qty
A1	DGN169179-PBK1	SHROUD,ASSY,STANDARD FRONT DOOR,BACK IN BLACK	1
B1	DGN169179-PBK3	SHROUD,ASSY,STANDARD FRONT DOOR,NIGHT TRAIN	1
C1	DGN169179-PSL3	SHROUD,ASSY,STANDARD FRONT DOOR,GREY STREET	1
D1	DGN169179-PSL7	SHROUD,ASSY,STANDARD FRONT DOOR,SILVER BULLET	1
E1	DGN169179-PWT2	SHROUD,ASSY,STANDARD FRONT DOOR,WHITE SATIN	1
F1	DGN169179-PRD1	SHROUD,ASSY,STANDARD FRONT DOOR,RED CORVETTE	1
G1	DGN169179-PPK3	SHROUD,ASSY,STANDARD FRONT DOOR,PRETTY IN PINK	1
H1	DGN169179-PPR5	SHROUD,ASSY,STANDARD FRONT DOOR,DEEP PURPLE	1
I1	DGN169179-PBU10	SHROUD,ASSY,STANDARD FRONT DOOR,MIDNIGHT BLUE	1
J1	DGN169179-PBU9	SHROUD,ASSY,STANDARD FRONT DOOR,ELECTRIC BLUE	1
K1	DGN169179-PGN11	SHROUD,ASSY,STANDARD FRONT DOOR,GREEN MACHINE	1
L1	DGN169179-PGN8	SHROUD,ASSY,STANDARD FRONT DOOR,MILITARY GREEN	1
M1	DGN169179-PGN7	SHROUD,ASSY,STANDARD FRONT DOOR,LIME LIGHT	1
N1	DGN169179-PYL3	SHROUD,ASSY,STANDARD FRONT DOOR,YELLOW BLAZE	1
O1	DGN169179-POR6	SHROUD,ASSY,STANDARD FRONT DOOR,ORANGE CRUSH	1
P1	DGN169179-POR7	SHROUD,ASSY,STANDARD FRONT DOOR,EVOLUTION ORANGE	1
Q1	SCRPPH1153	SCREW, PAN HEAD, TYPE H, M4X0.7 X 20, FT, ISO 7045, CL 4.8, BZ	2
R1	SCRPPH1103	SCREW,PPH,BLACK ZINC,M4-.7 X 25MM	2
S1	PLS8110080	PLASTICS,FRONT DOOR INSERT,AFP	1
T1	SCRPPH1163	SCREW, PAN HEAD, TYPE H, M4X0.7 X 10, FT, ISO 7045, CL 4.8, BZ	2
U1	DGN156257	REAR DOOR BUCKET, EXTENDED	1
V1	PLS8110082	PLASTICS,TOP CENTER PANEL,BLACK,STANDARD	1
W1	PLSKNCP1056	KNOB,PLASTIC,M4-.7 X 12MM,KNURLED HEAD,TALL,C-1060-041	2
X1	WASNEOP1003	WASHER,BLACK,NEOPRENE,3.20MM ID X 7.00MM OD X 1.90MM TH,O-RING	2

9. Shroud & Fender Assy's

Please Note: Fenders prior to Serial Number JD602017034020 are no longer available.

Due to a physical difference, it is recommended, that both sides are replaced. Please contact Technical Service.

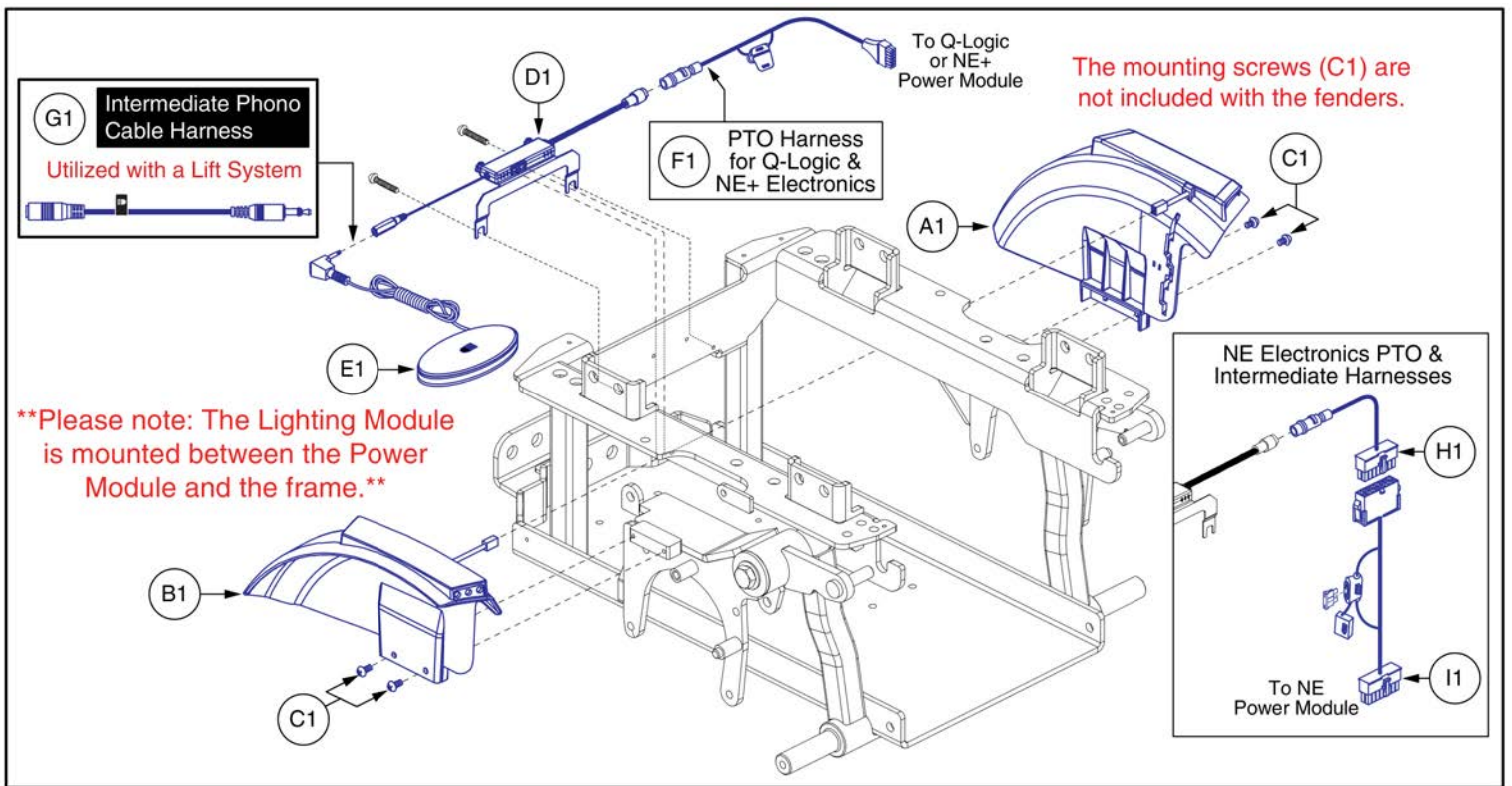


Fender Shrouds w/o Lights, Edge Z / Q6 Ultra



Item	Part No.	Name	Qty
A1	DGN155720	LEFT FENDER, ILEVEL	1
A2	DGN155719	RIGHT FENDER, ILEVEL	1
B1	SCRPPH1036	SCREW, PAN HEAD, TYPE H, M4X0.7 X 8, FT, ISO 7045, CL 4.8, BZ	4

9. Shroud & Fender Assy's

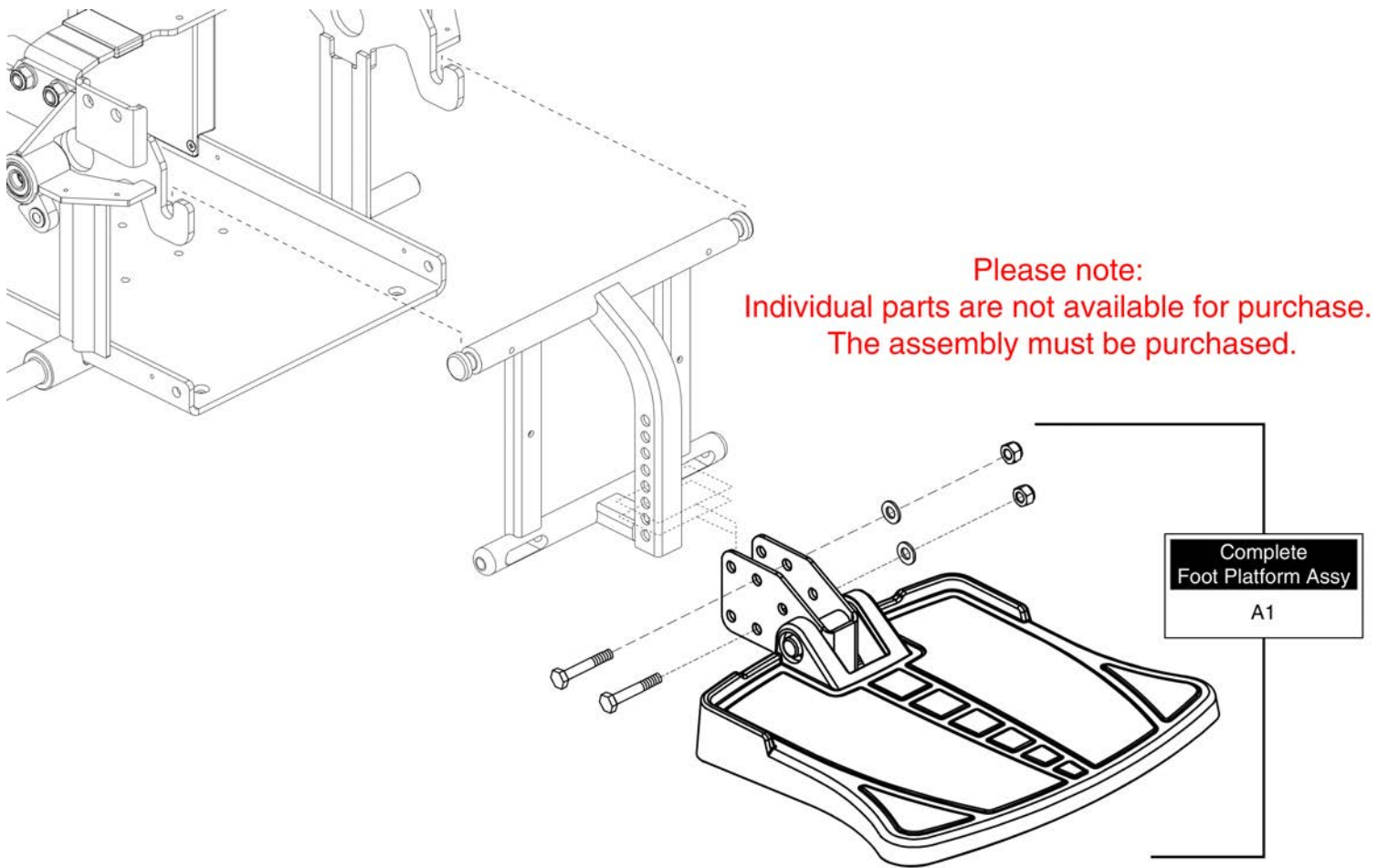


Fender Shrouds with Lights, Edge Z / Q6 Ultra



Item	Part No.	Name	Qty
A1	DGN153020	DUAL MARKER LIGHT FENDER ASSEM, LEFT	1
B1	DGN152223	DUAL MARKER LIGHT FENDER ASSEM, RIGHT	1
C1	SCRPPH1036	SCREW, PAN HEAD, TYPE H, M4X0.7 X 8, FT, ISO 7045, CL 4.8, BZ	2
D1	MEC154280	FENDER LIGHT MODULE BRACKET ASSEMBLY	1
E1	ELE160183	ELECTRONIC,ASSY,SWITCH,BLACK,EGG,W/LIGHT SYMBOL,W/DUAL LOCK	1
F1	DWR1265H021	ELECTRONIC,HARNES,POWER TAKE OFF(PTO)/INHIBIT,CURTIS,H-1265-021	1
G1	ELE155901	HARNES,CABLE,PHONO,MALE TO FEMALE,UL2464 22AWG	1
H1	DWR1265H057	ELECTRONIC,HARNES,PTO ONLY,NE,H-1265-057	1
I1	DWR1265H055	ELECTRONIC,HARNES,INTERMEDIATE,OFFBOARD CHARGER,NE,H-1265-055	1

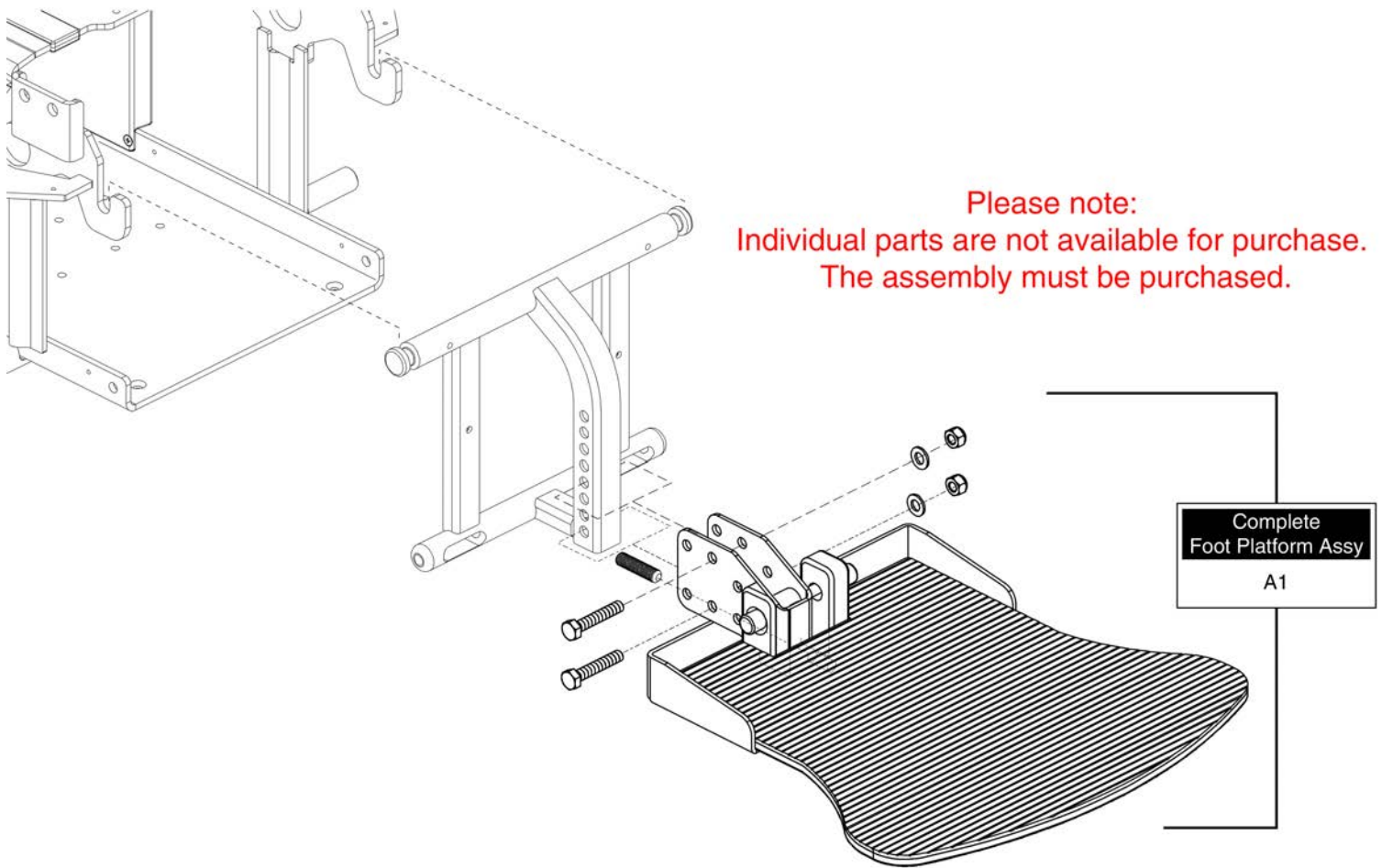
10. Foot Platform Assy





Item	Part No.	Name	Qty
A1	FRMASMB16077	FOOT PLATFORM,ASSY,W/MOUNTING BRACKET,Q6 EDGE,D-1201-067	1

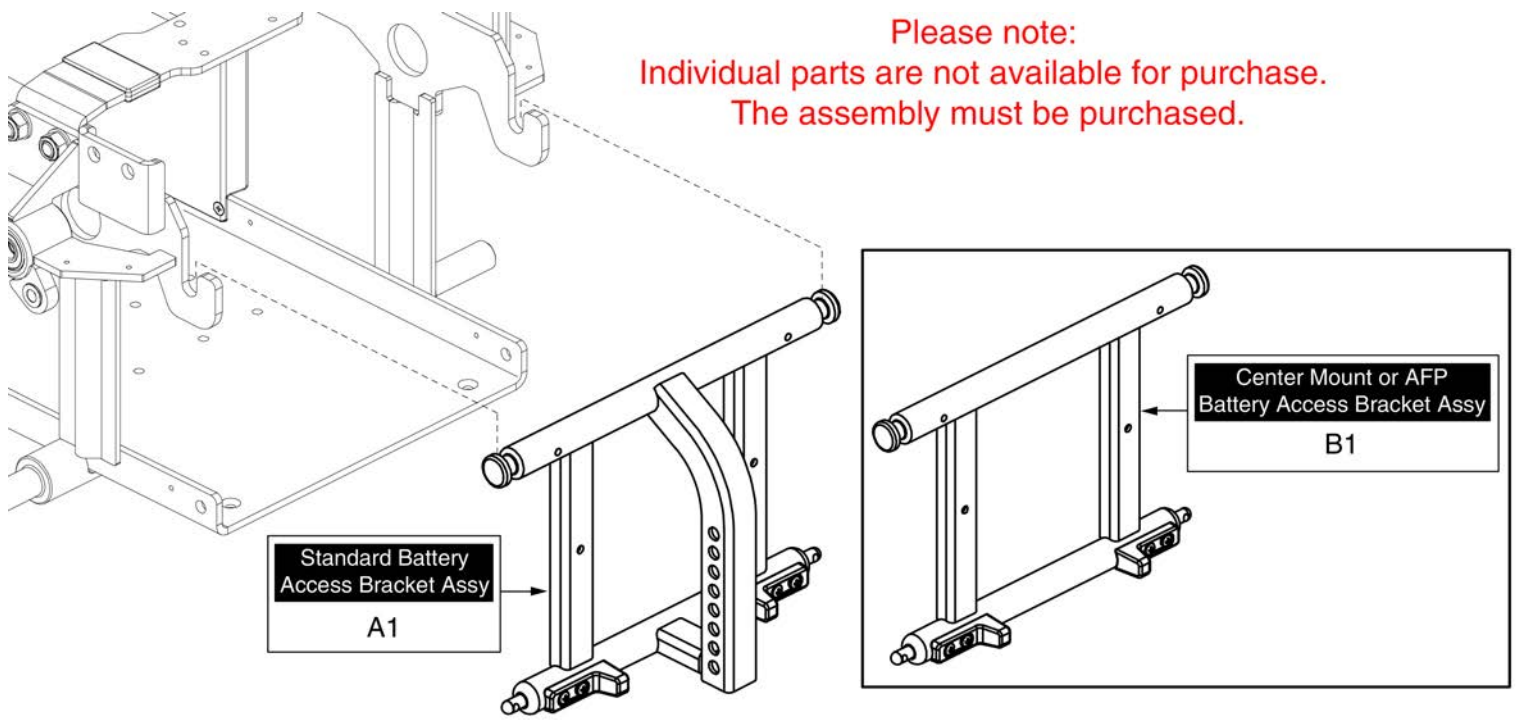
10. Foot Platform Assy





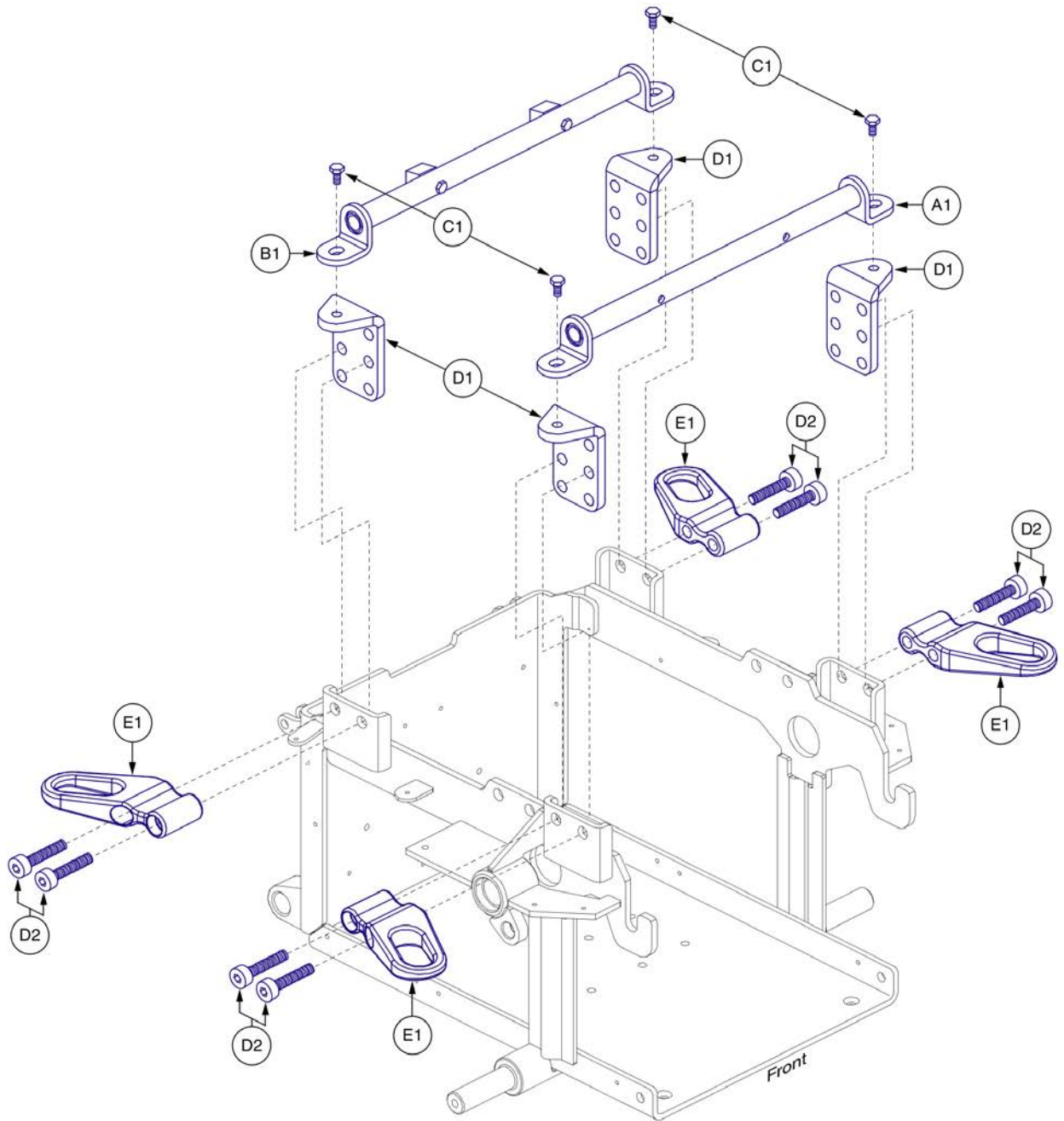
Item	Part No.	Name	Qty
A1	RIGASMB7120041	FOOT PLATFORM,ASSY,BELL,W/MOUNTING BRACKET,RIGASMB7120041	1

11. Battery Access Brackets



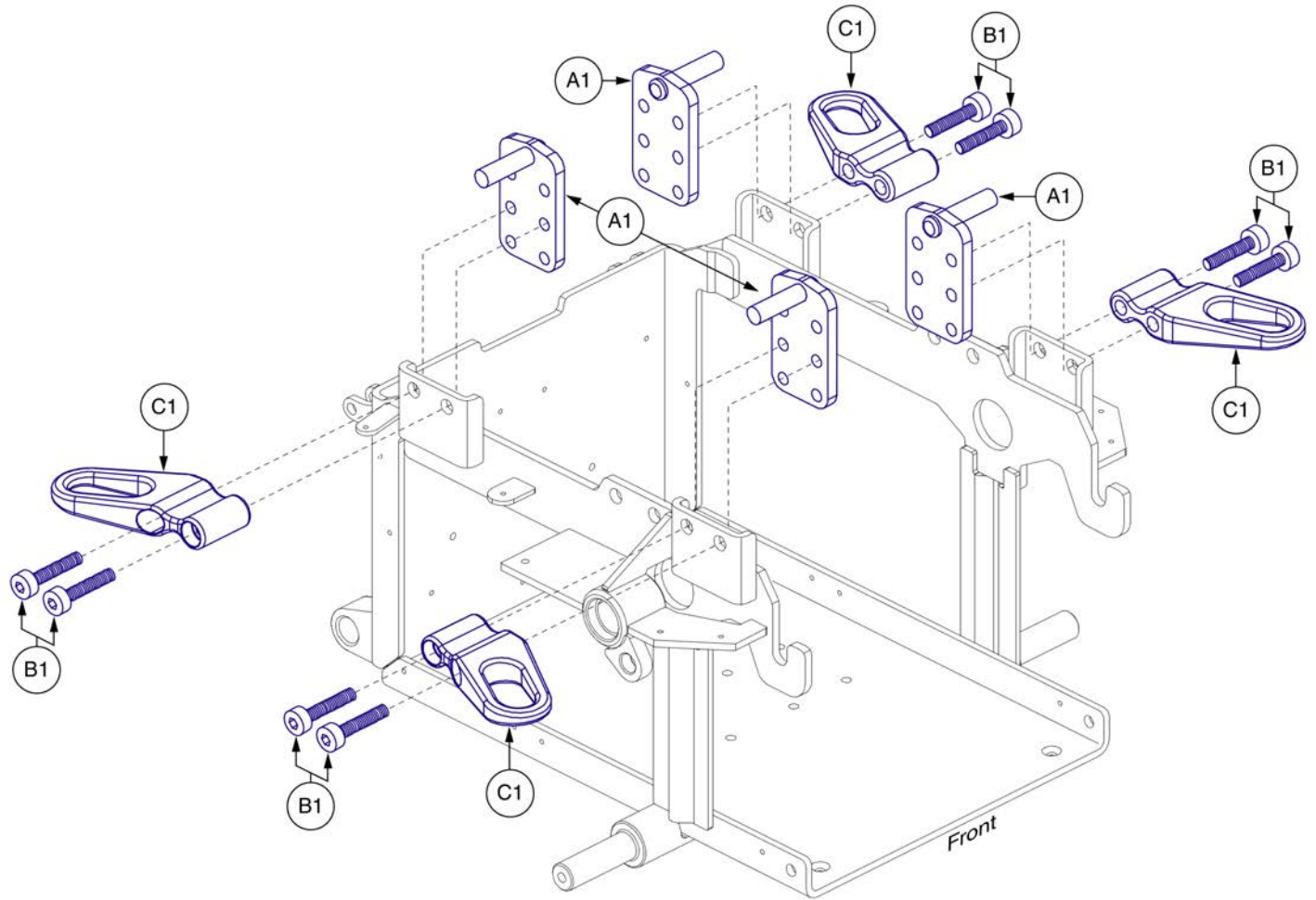
Item	Part No.	Name	Qty
A1	FRMASMB7110032	FRAME,ASSY,FRONT DOOR UPRIGHT,STANDARD	1
B1	FRMASMB7120013	FRAME,ASSY,FRONT DOOR UPRIGHT,FLAT,FRMASMB7120013	1

12. Seating Interface Assy's



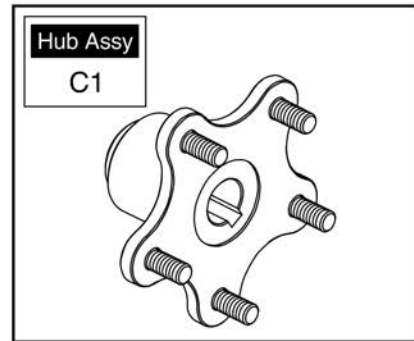
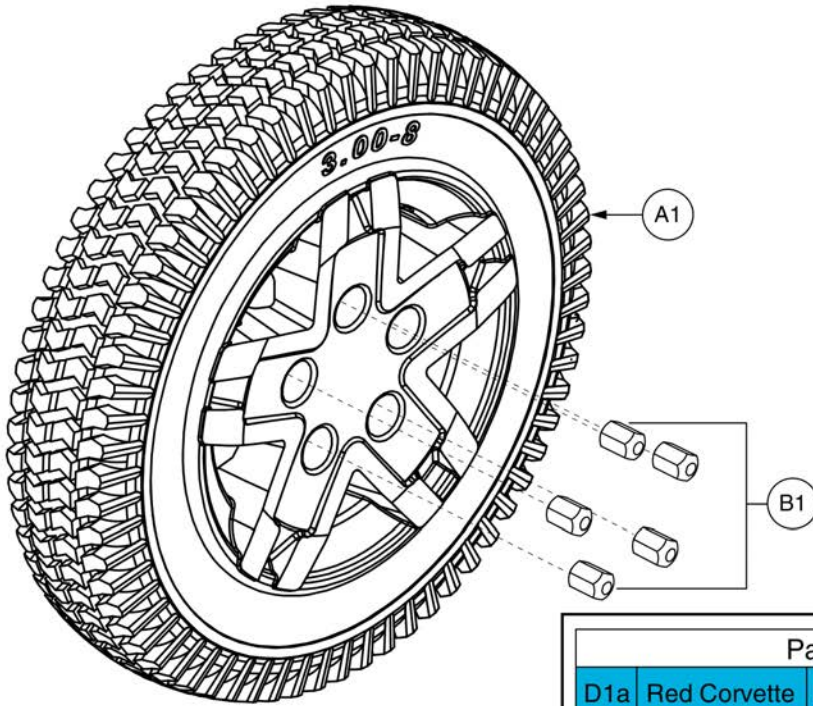
Item	Part No.	Name	Qty
A1	TWRASMB7120002	SEAT TOWER,ASSY,14.00" CENTERS,FRONT TRAPEZE BAR,METRIC	1
B1	TWRASMB7120003	SEAT TOWER,ASSY,14.00" CENTERS,REAR TRAPEZE BAR,METRIC	1
C1	SCR8120003	SCREW,HHCS,BLACK ZINC,M10-1.5 X 12MM,10.9,W/PATCH	4
D1	BRK8110003	MOUNTING BRACKET,SEAT INTERFACE,UNIVERSAL,BRK8110003	4
D2	HDW142810	SCREW, SOCKET HEAD, M10 X 50, ISO 4762, CL 12.9, BZ, PVTP	8
E1	MEC142133	MOUNTING BRACKET,ASSY,UNIVERSAL TRANSIT SECUREMENT LOOP W/DECALS	4

12. Seating Interface Assy's



Item	Part No.	Name	Qty
A1	MEC131182	MOUNTING BRACKET,SEAT INTERFACE,TRU-BALANCE 3	4
B1	HDW142810	SCREW, SOCKET HEAD, M10 X 50, ISO 4762, CL 12.9, BZ, PVTP	8
C1	MEC142133	MOUNTING BRACKET,ASSY,UNIVERSAL TRANSIT SECUREMENT LOOP W/DECALS	4

5-Spoke Drive Wheels



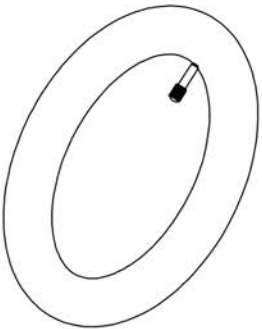
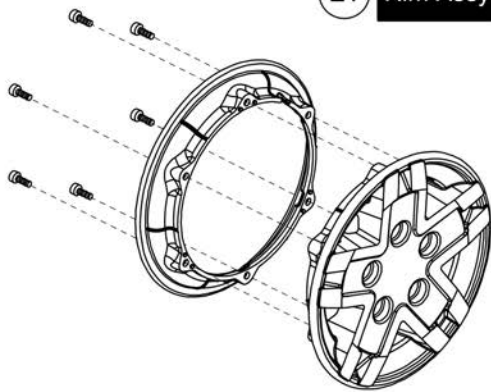
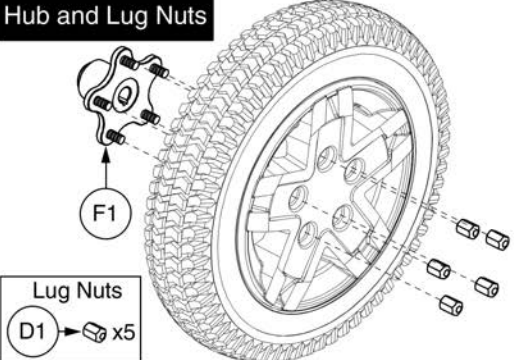



Painted Rim Inserts					
D1a	Red Corvette	D1g	Electric Blue	D1m	White Satin
D1b	Pretty In Pink	D1h	Midnight Blue	D1n	Night Train
D1c	Orange Crush	D1i	Deep Purple	D1o	Carbon Fiber
D1d	Yellow Blaze	D1j	Back In Black	D1p	Digital Camo
D1e	Lime Light	D1k	Grey Street	D1q	Faded Glory
D1f	Military Green	D1l	Silver Bullet		



Item	Part No.	Name	Qty
A1	WHLASMB7120005	WHEEL,ASSY,RUN FLAT,SILVER RIM/CHARCOAL TIRE,14",5 SPOKE,E-1203-052	1
B1	DWR1005B049	NUT,LUG,ZINC,5/16-24,B-1005-049	5
C1	WHLASMB1644	WHEEL,ASSY,HUB,5 SPOKE,W/STUDS,HAMMER MOTORS,B-1059-025	1
D1a	DGN164245-PRD1	DRIVE WHEEL COLOR INSERT, WITH ADHESIVE TAPE, PPW-RED-01 (RED CORVETTE/CANDY APPLE RED)	1
D1b	DGN164245-PPK3	DRIVE WHEEL COLOR INSERT, WITH ADHESIVE TAPE, PPW-PNK-03 (PRETTY IN PINK)	1
D1c	DGN164245-POR6	DRIVE WHEEL COLOR INSERT, WITH ADHESIVE TAPE, PPW-ORN-06 (ORANGE CRUSH)	1
D1d	DGN164245-PYL3	DRIVE WHEEL COLOR INSERT, WITH ADHESIVE TAPE, PPW-YEL-03 (YELLOW BLAZE/ORION YELLOW)	1
D1e	DGN164245-PGN7	DRIVE WHEEL COLOR INSERT, WITH ADHESIVE TAPE, PPW-GRN-07 (LIME LIGHT)	1
D1f	DGN164245-PGN8	DRIVE WHEEL COLOR INSERT, WITH ADHESIVE TAPE, PPW-GRN-08 (MILITARY GREEN)	1
D1g	DGN164245-PBU9	DRIVE WHEEL COLOR INSERT, WITH ADHESIVE TAPE, PPW-BLU-09 (ELECTRIC BLUE/TRUE BLUE)	1
D1h	DGN164245-PBU10	DRIVE WHEEL COLOR INSERT, WITH ADHESIVE TAPE, PPW-BLU-10 (MIDNIGHT BLUE)	1
D1i	DGN164245-PPR5	DRIVE WHEEL COLOR INSERT, WITH ADHESIVE TAPE, PPW-PRP-05 (DEEP PURPLE)	1
D1j	DGN164245-PBK1	DRIVE WHEEL COLOR INSERT, WITH ADHESIVE TAPE, PPW-BLK-01 (BACK IN BLACK/BLACK)	1
D1k	DGN164245-PSL3	DRIVE WHEEL COLOR INSERT, WITH ADHESIVE TAPE, PPW-SIL-03 (GREY STREET)	1
D1l	DGN164245-PSL7	DRIVE WHEEL COLOR INSERT, WITH ADHESIVE TAPE, PPW-SIL-07 (SILVER BULLET)	1
D1m	DGN164245-PWH2	DRIVE WHEEL COLOR INSERT, WITH ADHESIVE TAPE, PPW-WHT-02 (WHITE SATIN)	1
D1n	DGN164245-PBK3	DRIVE WHEEL COLOR INSERT, WITH ADHESIVE TAPE, PPW-BLK-03 (NIGHT TRAIN)	1
D1o	DGN164245-WCB1	DRIVE WHEEL COLOR INSERT, WITH ADHESIVE TAPE, PWT-CBN-01 (CARBON FIBER)	1
D1p	DGN164245-WCM7	DRIVE WHEEL COLOR INSERT, WITH ADHESIVE TAPE, PWT-CMO-07 (MILITARY DIGITAL CAMO)	1
D1q	DGN164245-WFL2	DRIVE WHEEL COLOR INSERT, WITH ADHESIVE TAPE, PWT-FLG-02 (FADED GLORY)	1

5-Spoke Drive Wheels

<p>A1 Complete Tire/Rim Assy</p> 	<p>B1 Pneumatic Tire</p> 	<p>C1 Pneumatic Tube</p> 	<p>E1 Rim Assy</p> 																																					
<p>Hub and Lug Nuts</p>  <p>F1</p> <p>Lug Nuts D1 x5</p>	<p>Painted Rim Inserts</p> <table border="1" style="width: 100%; border-collapse: collapse;"> <tr> <td>G1a</td><td>Red Corvette</td> <td>G1g</td><td>Electric Blue</td> <td>G1m</td><td>White Satin</td> </tr> <tr> <td>G1b</td><td>Pretty In Pink</td> <td>G1h</td><td>Midnight Blue</td> <td>G1n</td><td>Night Train</td> </tr> <tr> <td>G1c</td><td>Orange Crush</td> <td>G1i</td><td>Deep Purple</td> <td>G1o</td><td>Carbon Fiber</td> </tr> <tr> <td>G1d</td><td>Yellow Blaze</td> <td>G1j</td><td>Back In Black</td> <td>G1p</td><td>Digital Camo</td> </tr> <tr> <td>G1e</td><td>Lime Light</td> <td>G1k</td><td>Grey Street</td> <td>G1q</td><td>Faded Glory</td> </tr> <tr> <td>G1f</td><td>Military Green</td> <td>G1l</td><td>Silver Bullet</td> <td></td><td></td> </tr> </table>			G1a	Red Corvette	G1g	Electric Blue	G1m	White Satin	G1b	Pretty In Pink	G1h	Midnight Blue	G1n	Night Train	G1c	Orange Crush	G1i	Deep Purple	G1o	Carbon Fiber	G1d	Yellow Blaze	G1j	Back In Black	G1p	Digital Camo	G1e	Lime Light	G1k	Grey Street	G1q	Faded Glory	G1f	Military Green	G1l	Silver Bullet			
G1a	Red Corvette	G1g	Electric Blue	G1m	White Satin																																			
G1b	Pretty In Pink	G1h	Midnight Blue	G1n	Night Train																																			
G1c	Orange Crush	G1i	Deep Purple	G1o	Carbon Fiber																																			
G1d	Yellow Blaze	G1j	Back In Black	G1p	Digital Camo																																			
G1e	Lime Light	G1k	Grey Street	G1q	Faded Glory																																			
G1f	Military Green	G1l	Silver Bullet																																					

Please Note: The Complete Wheel Assemblies do not contain the Hub, Lug Nuts, or the Painted Inserts.

Item	Part No.	Name	Qty
A1	WHLASMB7110045	WHEEL,ASSY,PNEUMATIC,14" X 3" DRIVE,SILVER RIM/CHARCOAL TIRE,E-1203-051	1
B1	TIR8110027	TIRE,PNEUMATIC,CHARCOAL,14" OD,3" W,C-248-5 TREAD	1
C1	TUBSTND1002	TUBE,300-8,ANGLED VALVE W/CAP	1
D1	DWR1005B049	NUT,LUG,ZINC,5/16-24,B-1005-049	5
E1	WHLASMB2095	WHEEL,ASSY,RIM,SILVER,ALUMINUM,8",5 SPOKE,MACHINED FACE	1
F1	WHLASMB1644	WHEEL,ASSY,HUB,5 SPOKE,W/STUDS,HAMMER MOTORS,B-1059-025	1
G1a	DGN164245-PRD1	DRIVE WHEEL COLOR INSERT, WITH ADHESIVE TAPE, PPW-RED-01 (RED CORVETTE/CANDY APPLE RED)	1
G1b	DGN164245-PPK3	DRIVE WHEEL COLOR INSERT, WITH ADHESIVE TAPE, PPW-PNK-03 (PRETTY IN PINK)	1
G1c	DGN164245-POR6	DRIVE WHEEL COLOR INSERT, WITH ADHESIVE TAPE, PPW-ORN-06 (ORANGE CRUSH)	1
G1d	DGN164245-PYL3	DRIVE WHEEL COLOR INSERT, WITH ADHESIVE TAPE, PPW-YEL-03 (YELLOW BLAZE/ORION YELLOW)	1
G1e	DGN164245-PGN7	DRIVE WHEEL COLOR INSERT, WITH ADHESIVE TAPE, PPW-GRN-07 (LIME LIGHT)	1
G1f	DGN164245-PGN8	DRIVE WHEEL COLOR INSERT, WITH ADHESIVE TAPE, PPW-GRN-08 (MILITARY GREEN)	1
G1g	DGN164245-PBU9	DRIVE WHEEL COLOR INSERT, WITH ADHESIVE TAPE, PPW-BLU-09 (ELECTRIC BLUE/TRUE BLUE)	1
G1h	DGN164245-PBU10	DRIVE WHEEL COLOR INSERT, WITH ADHESIVE TAPE, PPW-BLU-10 (MIDNIGHT BLUE)	1
G1i	DGN164245-PPR5	DRIVE WHEEL COLOR INSERT, WITH ADHESIVE TAPE, PPW-PRP-05 (DEEP PURPLE)	1
G1j	DGN164245-PBK1	DRIVE WHEEL COLOR INSERT, WITH ADHESIVE TAPE, PPW-BLK-01 (BACK IN BLACK/BLACK)	1
G1k	DGN164245-PSL3	DRIVE WHEEL COLOR INSERT, WITH ADHESIVE TAPE, PPW-SIL-03 (GREY STREET)	1
G1l	DGN164245-PSL7	DRIVE WHEEL COLOR INSERT, WITH ADHESIVE TAPE, PPW-SIL-07 (SILVER BULLET)	1
G1m	DGN164245-PWH2	DRIVE WHEEL COLOR INSERT, WITH ADHESIVE TAPE, PPW-WHT-02 (WHITE SATIN)	1
G1n	DGN164245-PBK3	DRIVE WHEEL COLOR INSERT, WITH ADHESIVE TAPE, PPW-BLK-03 (NIGHT TRAIN)	1
G1o	DGN164245-WCB1	DRIVE WHEEL COLOR INSERT, WITH ADHESIVE TAPE, PWT-CBN-01 (CARBON FIBER)	1
G1p	DGN164245-WCM7	DRIVE WHEEL COLOR INSERT, WITH ADHESIVE TAPE, PWT-CMO-07 (MILITARY DIGITAL CAMO)	1
G1q	DGN164245-WFL2	DRIVE WHEEL COLOR INSERT, WITH ADHESIVE TAPE, PWT-FLG-02 (FADED GLORY)	1

5-Spoke Drive Wheels

A1 Complete Tire/Rim Assy

B1 Flat-free Tire

C1 Rim Assy

Hub and Lug Nuts

E1

Lug Nuts
D1 x5

Painted Rim Inserts

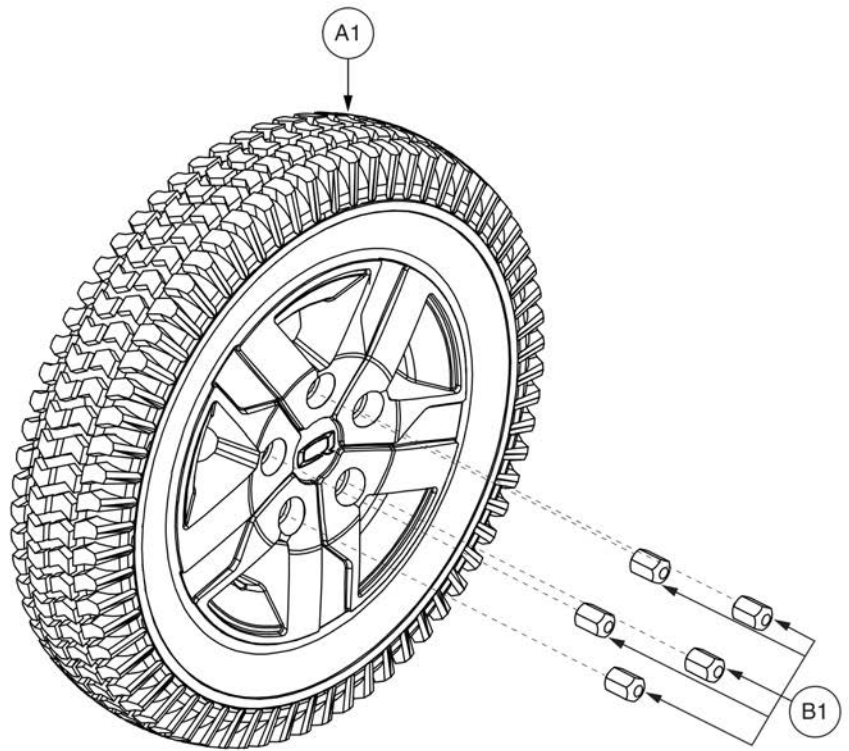
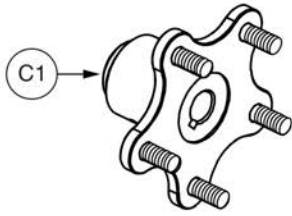
F1a	Red Corvette	F1g	Electric Blue	F1m	White Satin
F1b	Pretty In Pink	F1h	Midnight Blue	F1n	Night Train
F1c	Orange Crush	F1i	Deep Purple	F1o	Carbon Fiber
F1d	Yellow Blaze	F1j	Back In Black	F1p	Digital Camo
F1e	Lime Light	F1k	Grey Street	F1q	Faded Glory
F1f	Military Green	F1l	Silver Bullet		

Please Note: The Complete Wheel Assemblies do not contain the Hub, Lug Nuts, or the Painted Inserts.

Item	Part No.	Name	Qty
A1	WHLASMB7110043	WHEEL,ASSY,FLAT FREE,14" X 3" DRIVE,SILVER RIM/CHARCOAL TIRE,E-1203-043	1
B1	TIR8110025	TIRE,FLAT FREE,CHARCOAL,14" OD,3" W,C-248 POWERTRAX TREAD,(GALLOP: 5508018 YT57)	1
C1	WHLASMB2095	WHEEL,ASSY,RIM,SILVER,ALUMINUM,8",5 SPOKE,MACHINED FACE	1
D1	DWR1005B049	NUT,LUG,ZINC,5/16-24,B-1005-049	5
E1	WHLASMB1644	WHEEL,ASSY,HUB,5 SPOKE,W/STUDS,HAMMER MOTORS,B-1059-025	1
F1a	DGN164245-PRD1	DRIVE WHEEL COLOR INSERT, WITH ADHESIVE TAPE, PPW-RED-01 (RED CORVETTE/CANDY APPLE RED)	1
F1b	DGN164245-PPK3	DRIVE WHEEL COLOR INSERT, WITH ADHESIVE TAPE, PPW-PNK-03 (PRETTY IN PINK)	1
F1c	DGN164245-POR6	DRIVE WHEEL COLOR INSERT, WITH ADHESIVE TAPE, PPW-ORN-06 (ORANGE CRUSH)	1
F1d	DGN164245-PYL3	DRIVE WHEEL COLOR INSERT, WITH ADHESIVE TAPE, PPW-YEL-03 (YELLOW BLAZE/ORION YELLOW)	1
F1e	DGN164245-PGN7	DRIVE WHEEL COLOR INSERT, WITH ADHESIVE TAPE, PPW-GRN-07 (LIME LIGHT)	1
F1f	DGN164245-PGN8	DRIVE WHEEL COLOR INSERT, WITH ADHESIVE TAPE, PPW-GRN-08 (MILITARY GREEN)	1
F1g	DGN164245-PBU9	DRIVE WHEEL COLOR INSERT, WITH ADHESIVE TAPE, PPW-BLU-09 (ELECTRIC BLUE/TRUE BLUE)	1
F1h	DGN164245-PBU10	DRIVE WHEEL COLOR INSERT, WITH ADHESIVE TAPE, PPW-BLU-10 (MIDNIGHT BLUE)	1
F1i	DGN164245-PPR5	DRIVE WHEEL COLOR INSERT, WITH ADHESIVE TAPE, PPW-PRP-05 (DEEP PURPLE)	1
F1j	DGN164245-PBK1	DRIVE WHEEL COLOR INSERT, WITH ADHESIVE TAPE, PPW-BLK-01 (BACK IN BLACK/BLACK)	1
F1k	DGN164245-PSL3	DRIVE WHEEL COLOR INSERT, WITH ADHESIVE TAPE, PPW-SIL-03 (GREY STREET)	1
F1l	DGN164245-PSL7	DRIVE WHEEL COLOR INSERT, WITH ADHESIVE TAPE, PPW-SIL-07 (SILVER BULLET)	1
F1m	DGN164245-PWH2	DRIVE WHEEL COLOR INSERT, WITH ADHESIVE TAPE, PPW-WHT-02 (WHITE SATIN)	1
F1n	DGN164245-PBK3	DRIVE WHEEL COLOR INSERT, WITH ADHESIVE TAPE, PPW-BLK-03 (NIGHT TRAIN)	1
F1o	DGN164245-WCB1	DRIVE WHEEL COLOR INSERT, WITH ADHESIVE TAPE, PWT-CBN-01 (CARBON FIBER)	1
F1p	DGN164245-WCM7	DRIVE WHEEL COLOR INSERT, WITH ADHESIVE TAPE, PWT-CMO-07 (MILITARY DIGITAL CAMO)	1
F1q	DGN164245-WFL2	DRIVE WHEEL COLOR INSERT, WITH ADHESIVE TAPE, PWT-FLG-02 (FADED GLORY)	1

5-Spoke Drive Wheels



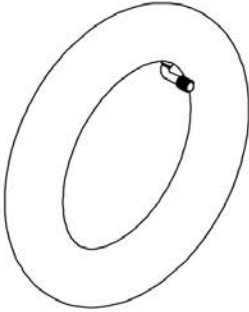
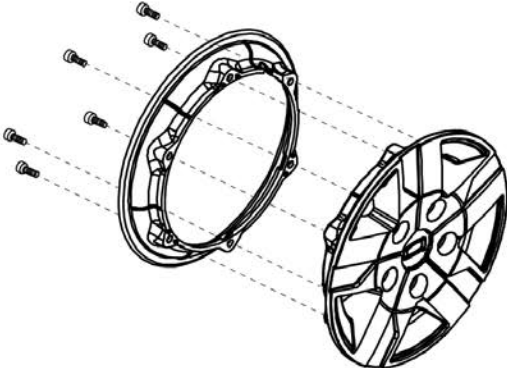
Please note: The hub does not come with the drive wheel .

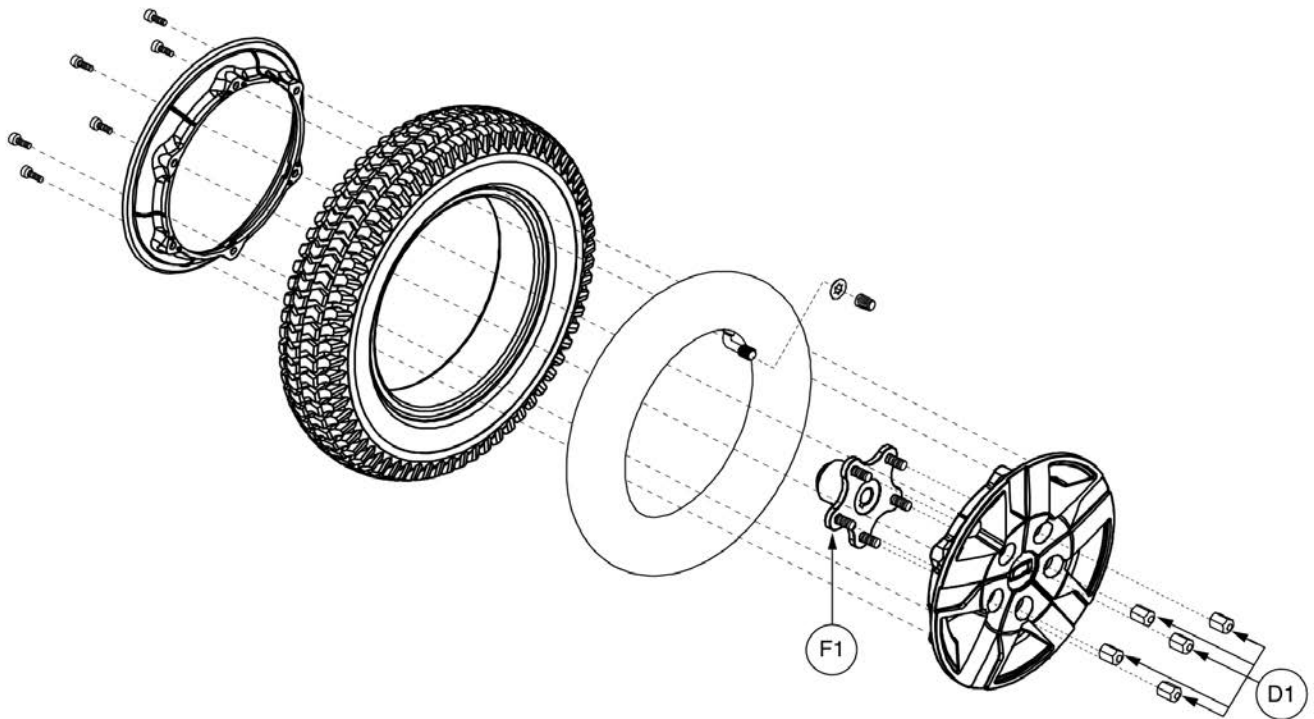


Item	Part No.	Name	Qty
A1	WHL138826-C	WHEEL,ASSY,RUN FLAT,14" X 3" DRIVE,TITANIUM RIM/CHARCOAL TIRE	1
B1	DWR1005B049	NUT,LUG,ZINC,5/16-24,B-1005-049	5
C1	WHLASMB1644	WHEEL,ASSY,HUB,5 SPOKE,W/STUDS,HAMMER MOTORS,B-1059-025	1

5-Spoke Drive Wheels

Please note: Hardware is included in the top-level assemblies and is not available individually.

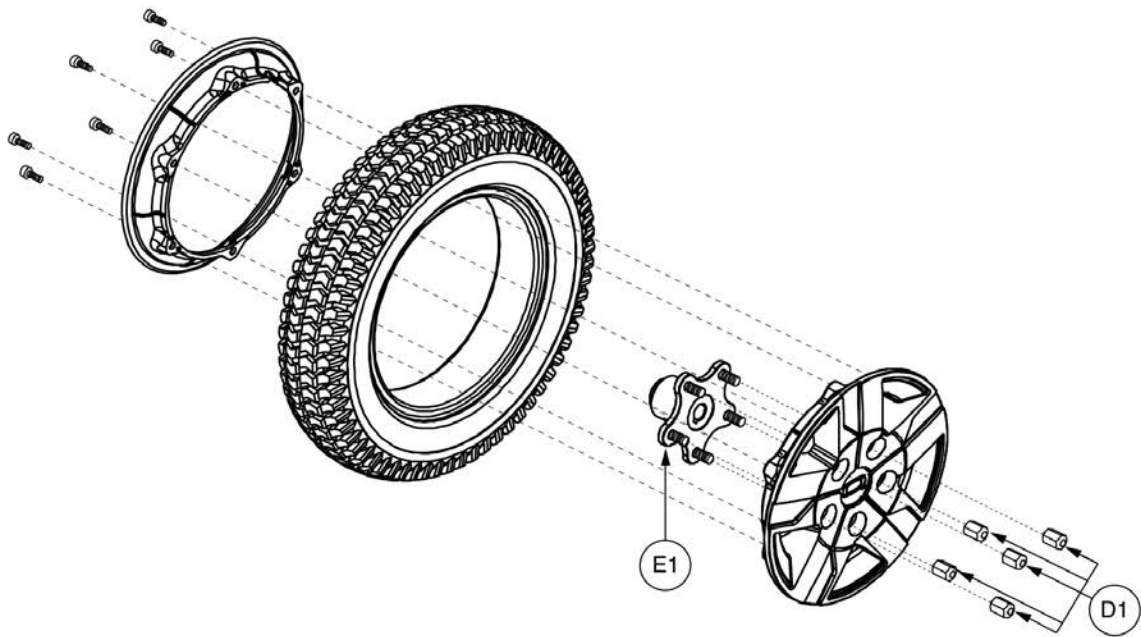
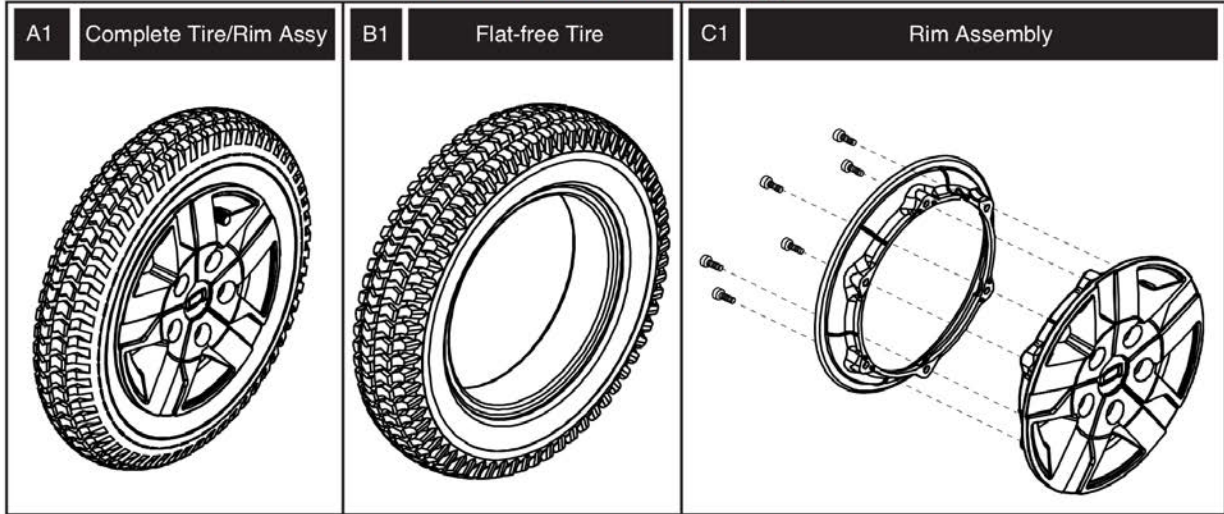
A1	Complete Tire/Rim Assy	B1	Pneumatic Tire	C1	Pneumatic Tube	E1	Rim Assembly
							



Item	Part No.	Name	Qty
A1	WHL138793-C	QUANTUM WHEEL AND TIRE ASM,PNEUMATIC,TITANIUM RIM/CHARCOAL TIRE	1
B1	TIR8110027	TIRE,PNEUMATIC,CHARCOAL,14" OD,3" W,C-248-5 TREAD	1
C1	TUBSTND1002	TUBE,300-8,ANGLED VALVE W/CAP	1
D1	DWR1005B049	NUT,LUG,ZINC,5/16-24,B-1005-049	5
E1	WHL130780-CGY1	WHEEL,ASSY,RIM,COSMIC SILVER,ALUMINUM,8",5 SPOKE,MACHINED FACE,130780	1
F1	WHLASMB2081	WHEEL,ASSY,HUB,5 SPOKE,W/STUDS,G4 MOTORS,B-1203-010	1

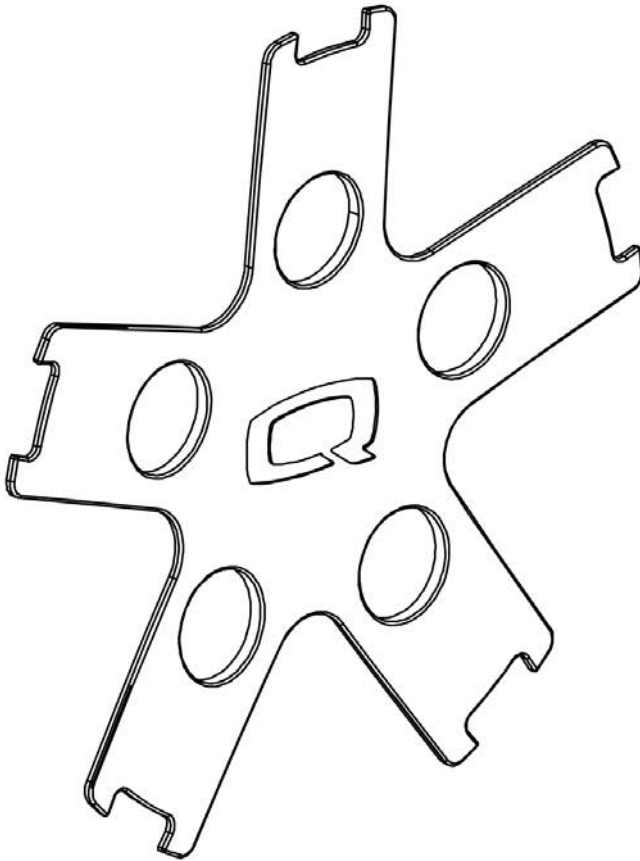
5-Spoke Drive Wheels

Please note: Hardware is included in the top-level assemblies and is not available individually.



Item	Part No.	Name	Qty
A1	WHL138798-C	QUANTUM WHEEL AND TIRE ASM,SOLID,TITANIUM RIM/CHARCOAL TIRE	1
B1	TIR8110025	TIRE,FLAT FREE,CHARCOAL,14" OD,3" W,C-248 POWERTRAX TREAD,(GALLOP: 5508018 YT57)	1
C1	WHL130780-CGY1	WHEEL,ASSY,RIM,COSMIC SILVER,ALUMINUM,8",5 SPOKE,MACHINED FACE,130780	1
D1	DWR1005B049	NUT,LUG,ZINC,5/16-24,B-1005-049	5
E1	WHLASMB2081	WHEEL,ASSY,HUB,5 SPOKE,W/STUDS,G4 MOTORS,B-1203-010	1

5-Spoke Drive Wheels



Note: The inserts contain all of the adhesive mounting fasteners.

Painted Wheel Inserts			
Ref#	Color Name	Part Suffix	Color Code
A1	Back in Black	PBK1	PPW-BLK-01
B1	Night Train	PBK3	PPW-BLK-03
C1	Grey Street	PSL3	PPW-SIL-03
D1	Silver Bullet	PSL7	PPW-SIL-07
E1	White Satin	PWT2	PPW-WHT-02
F1	Red Corvette	PRD1	PPW-RED-01
G1	Cherry Bomb	PRD4	PPW-RED-04
H1	Pretty in Pink	PPK3	PPW-PNK-03
I1	Raspberry Beret	PPK4	PPW-PNK-04
J1	Sugar Plum	PPR7	PPW-PRP-07
K1	Deep Purple	PPR5	PPW-PRP-05
L1	Midnight Blue	PBU10	PPW-BLU-10
M1	Electric Blue	PBU9	PPW-BLU-09
N1	Blue Jean	PBU11	PPW-BLU-11
O1	Green Machine	PGN11	PPW-GRN-11
P1	Military Green	PGN8	PPW-GRN-08
Q1	Lime Light	PGN7	PPW-GRN-07
R1	Yellow Blaze	PYL3	PPW-YEL-03
S1	Lemon Crush	PYL4	PPW-YEL-04
T1	Orange Crush	POR6	PPW-ORN-06
U1	Evolution Orange	POR7	PPW-ORN-07
V1	Carbon Fiber	WCB1	PWT-CBN-01
W1	Digital Camo	WCM7	PWT-CMO-07
X1	Faded Glory	WFL2	PWT-FLG-02

Painted Wheel Inserts

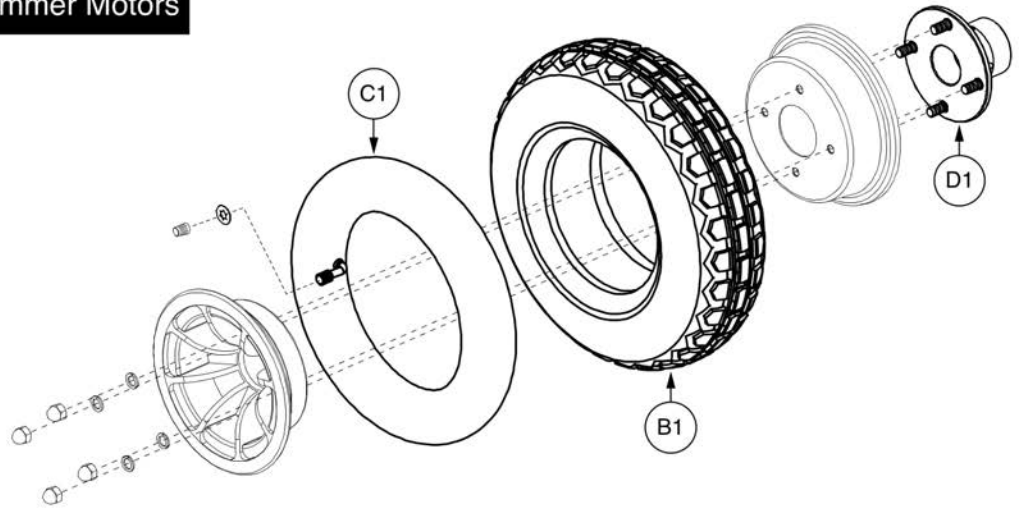
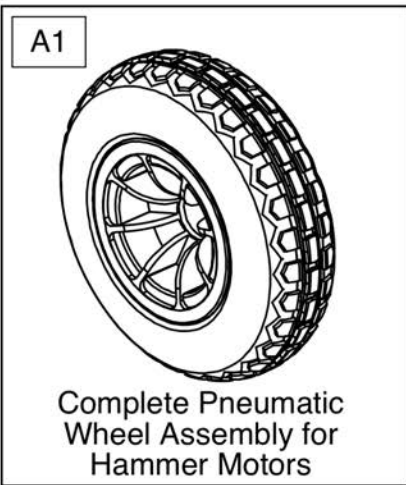


Item	Part No.	Name	Qty
A1	DGN164245-PBK1	DRIVE WHEEL COLOR INSERT, WITH ADHESIVE TAPE, PPW-BLK-01 (BACK IN BLACK/BLACK)	1
B1	DGN164245-PBK3	DRIVE WHEEL COLOR INSERT, WITH ADHESIVE TAPE, PPW-BLK-03 (NIGHT TRAIN)	1
C1	DGN164245-PSL3	DRIVE WHEEL COLOR INSERT, WITH ADHESIVE TAPE, PPW-SIL-03 (GREY STREET)	1
D1	DGN164245-PSL7	DRIVE WHEEL COLOR INSERT, WITH ADHESIVE TAPE, PPW-SIL-07 (SILVER BULLET)	1
E1	DGN164245-PWH2	DRIVE WHEEL COLOR INSERT, WITH ADHESIVE TAPE, PPW-WHT-02 (WHITE SATIN)	1
F1	DGN164245-PRD1	DRIVE WHEEL COLOR INSERT, WITH ADHESIVE TAPE, PPW-RED-01 (RED CORVETTE/CANDY APPLE RED)	1
G1	DGN164245-PRD4	DRIVE WHEEL COLOR INSERT, WITH ADHESIVE TAPE, PPW-RED-04(CHERRY BOMB)	1
H1	DGN164245-PPK3	DRIVE WHEEL COLOR INSERT, WITH ADHESIVE TAPE, PPW-PNK-03 (PRETTY IN PINK)	1
I1	DGN164245-PPK4	DRIVE WHEEL COLOR INSERT, WITH ADHESIVE TAPE, PPW-PNK-04(RASPBERRY BERET)	1
J1	DGN164245-PPR7	DRIVE WHEEL COLOR INSERT, WITH ADHESIVE TAPE, PPW-PRP-07(SUGAR PLUM)	1
K1	DGN164245-PPR5	DRIVE WHEEL COLOR INSERT, WITH ADHESIVE TAPE, PPW-PRP-05 (DEEP PURPLE)	1
L1	DGN164245-PBU10	DRIVE WHEEL COLOR INSERT, WITH ADHESIVE TAPE, PPW-BLU-10 (MIDNIGHT BLUE)	1
M1	DGN164245-PBU9	DRIVE WHEEL COLOR INSERT, WITH ADHESIVE TAPE, PPW-BLU-09 (ELECTRIC BLUE/TRUE BLUE)	1
N1	DGN164245-PBU11	DRIVE WHEEL COLOR INSERT, WITH ADHESIVE TAPE, PPW-BLU-11(BLUE JEAN)	1
O1	DGN164245-PGN11	DRIVE WHEEL COLOR INSERT, WITH ADHESIVE TAPE, PPW-GRN-11(GREEN MACHINE)	1
P1	DGN164245-PGN8	DRIVE WHEEL COLOR INSERT, WITH ADHESIVE TAPE, PPW-GRN-08 (MILITARY GREEN)	1
Q1	DGN164245-PGN7	DRIVE WHEEL COLOR INSERT, WITH ADHESIVE TAPE, PPW-GRN-07 (LIME LIGHT)	1
R1	DGN164245-PYL3	DRIVE WHEEL COLOR INSERT, WITH ADHESIVE TAPE, PPW-YEL-03 (YELLOW BLAZE/ORION YELLOW)	1
S1	DGN164245-PYL4	DRIVE WHEEL COLOR INSERT, WITH ADHESIVE TAPE, PPW-YEL-04(LEMON CRUSH)	1
T1	DGN164245-POR6	DRIVE WHEEL COLOR INSERT, WITH ADHESIVE TAPE, PPW-ORN-06 (ORANGE CRUSH)	1
U1	DGN164245-POR7	DRIVE WHEEL COLOR INSERT, WITH ADHESIVE TAPE, PPW-ORN-07(EVOLUTION ORANGE)	1
V1	DGN164245-WCB1	DRIVE WHEEL COLOR INSERT, WITH ADHESIVE TAPE, PWT-CBN-01 (CARBON FIBER)	1
W1	DGN164245-WCM7	DRIVE WHEEL COLOR INSERT, WITH ADHESIVE TAPE, PWT-CMO-07 (MILITARY DIGITAL CAMO)	1
X1	DGN164245-WFL2	DRIVE WHEEL COLOR INSERT, WITH ADHESIVE TAPE, PWT-FLG-02 (FADED GLORY)	1

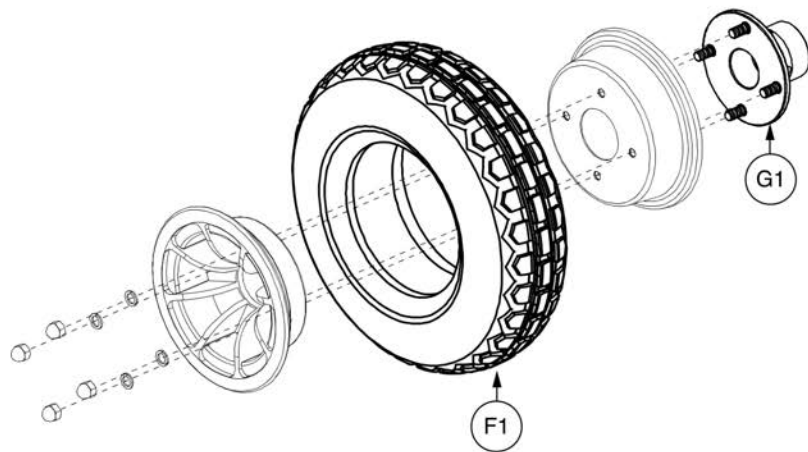
4-Spoke Drive Wheels ("Knobby" Tires)

Please note: Rims and hardware are included in the top-level assemblies and are not available individually.

Pneumatic, 4 Spoke Hub for Hammer Motors



Flat-free, 4 Spoke Hub for Hammer Motors



Item	Part No.	Name	Qty
A1	WHL121703	WHEEL,ASSY,PNEUMATIC,BLACK RIM/CHARCOAL TIRE,14" X 4",4 SPOKE,KNOBBY TREAD,W/HAMMER HUB & LUGNUTS,C-1203-029	1
B1	TIR8110018	TIRE,PNEUMATIC,CHARCOAL,14" OD,4" W,C166 KNOBBY TREAD,(GALLOP: RP265087)	1
C1	TUBSTND1043	TIRE,TUBE,4.00-6,90 DEGREE VALVE STEM,(TAG: 163265)	1
D1	WHLASMB2149	WHEEL,ASSY,HUB,4 SPOKE,W/STUDS,HAMMER MOTORS,C-1203-027	1
E1	WHL121698	WHEEL,ASSY,FLAT-FREE,BLACK RIM/CHARCOAL TIRE,14" X 4",4 SPOKE,KNOBBY TREAD,W/HAMMER HUB & LUGNUTS, C1203-028	1
F1	TIR8110020	TIRE,FLAT FREE,CHARCOAL,14" OD,4" W",C166 KNOBBY TREAD,(GALLOP: 114292)	1
G1	WHLASMB2149	WHEEL,ASSY,HUB,4 SPOKE,W/STUDS,HAMMER MOTORS,C-1203-027	1

4-Spoke Drive Wheels ("Knobby" Tires)

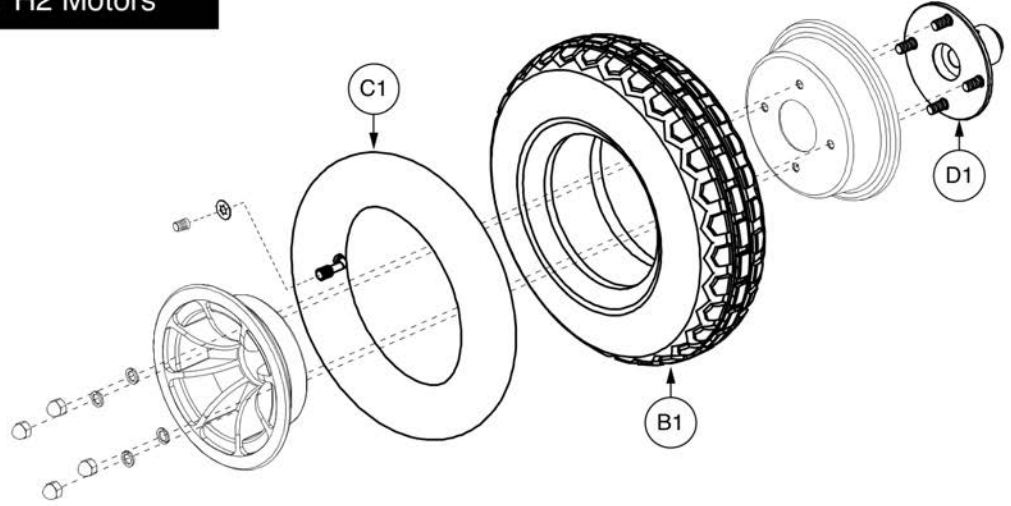
Please note: Rims and hardware are included in the top-level assemblies and are not available individually.

Pneumatic, 4 Spoke Hub for H2 Motors

A1



Complete Pneumatic Wheel Assembly for H2 Motors

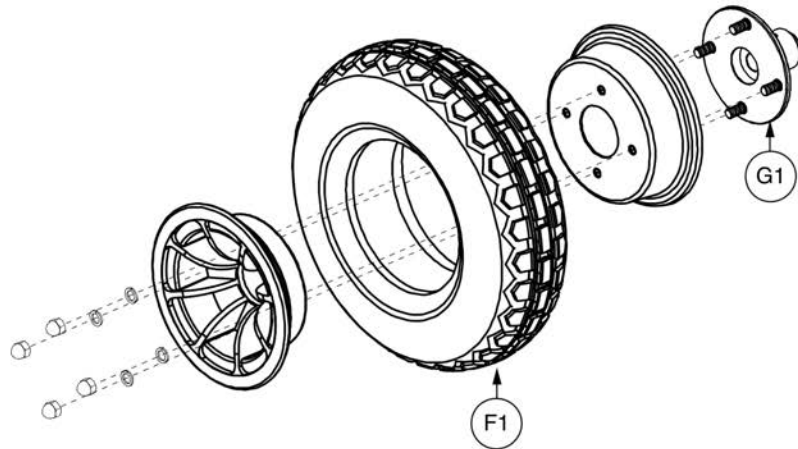


Flat-free, 4 Spoke Hub for H2 Motors

E1

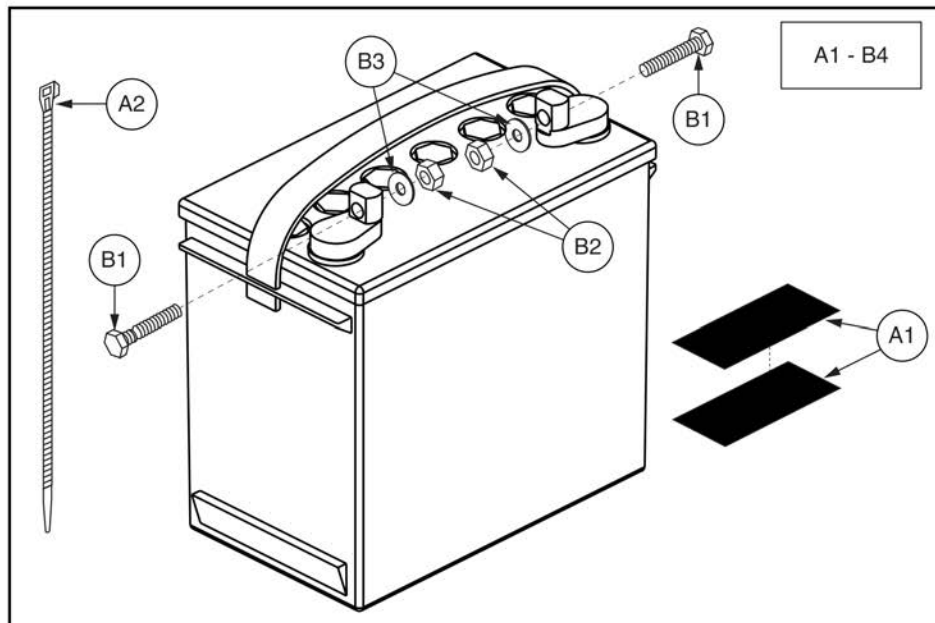


Complete Flat-free Wheel Assembly for H2 Motors



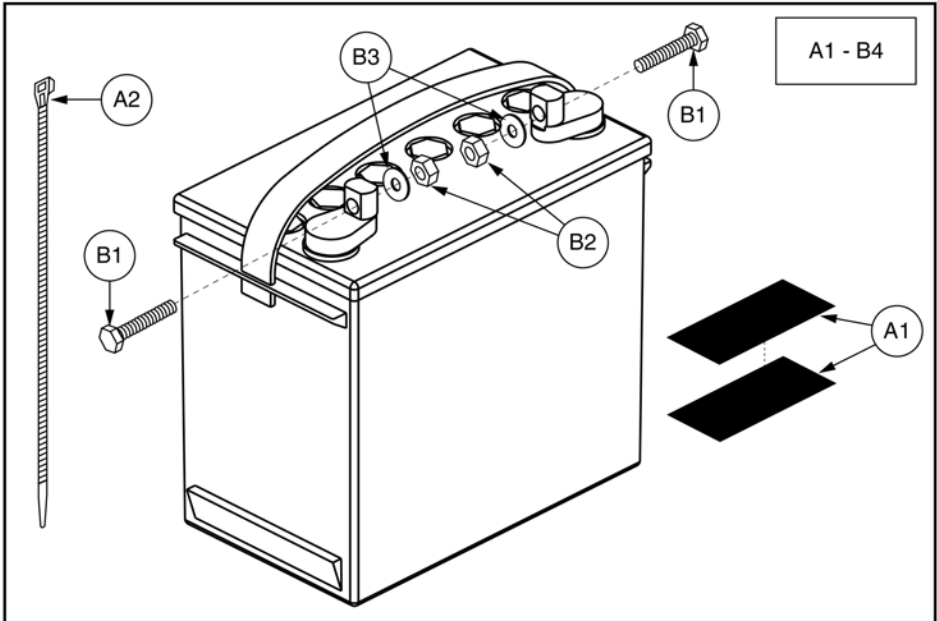
Item	Part No.	Name	Qty
A1	WHL153737	WHEEL,ASSY,PNEUMATIC,BLACK RIM/CHARCOAL TIRE,14" X 4",4 SPOKE,KNOBBY TREAD,W/GLIDE/H2 HUB & LUGNUTS,E-1203-059	1
B1	TIR8110018	TIRE,PNEUMATIC,CHARCOAL,14" OD,4" W,C166 KNOBBY TREAD,(GALLOP: RP265087)	1
C1	TUBSTND1043	TIRE,TUBE,4.00-6,90 DEGREE VALVE STEM,(TAG: 163265)	1
D1	WHLASMB2086	WHEEL,ASSY,HUB,4 SPOKE,W/STUDS,GLIDE/H2 MOTORS,C-1203-	1
E1	WHL153739	WHEEL,ASSY,FLAT-FREE,BLACK RIM/CHARCOAL TIRE,14" X 4",4 SPOKE,KNOBBY TREAD,W/GLIDE/H2 HUB & LUGNUTS,E-1203-058	1
F1	TIR8110020	TIRE,FLAT FREE,CHARCOAL,14" OD,4" W",C166 KNOBBY TREAD,(GALLOP: 114292)	1
G1	WHLASMB2086	WHEEL,ASSY,HUB,4 SPOKE,W/STUDS,GLIDE/H2 MOTORS,C-1203-	1

14. Batteries



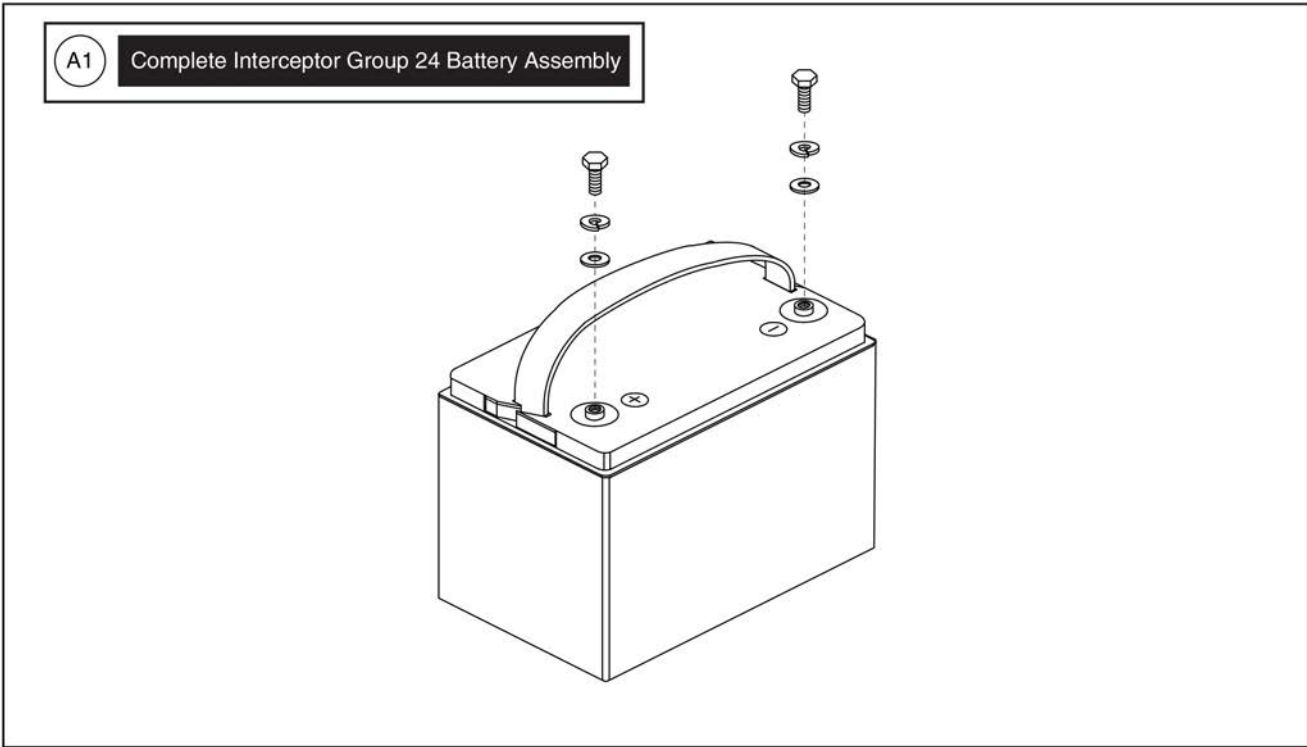
Item	Part No.	Name	Qty
A1 - B4		BATTERY,ASSY,GEL,GROUP 24,MK BATTERY,W/VELCRO & CABLE TIES	1
A1	HDW124834	REUSABLE FASTENER,HOOK & LOOP,BLACK,4" X 7",W/ADHESIVE BACK,#0115,B STOUT,SET	1
A2	PLSTIE1011	CABLE TIE,NYLON,48"L,HEAVY DUTY	1
B1 - B4	BATGEL1009	BATTERY,GEL,GROUP 24,H-1000-138,(MK BATTERY: M24 SLDG)	1
B1	SCRHHCS1668	SCREW,HHCS,STAINLESS STEEL,5/16-18 X 1.00"	2
B2	NUTSTD1020	NUT,HEX,STAINLESS STEEL,5/16-18	2
B3	WASLOCK1093	WASHER,LOCK,STAINLESS STEEL,0.3125" ID X 0.500" OD X 0.125"TH	2
B4		DECAL,BATTERY & BATTERY CHARGER MANUFACTURER,L-1235-817	1

14. Batteries



Item	Part No.	Name	Qty
A1 - B4		BATTERY,ASSY,GEL,GROUP 24,W/VELCRO & CABLE TIES	1
A1	HDW124834	REUSABLE FASTENER,HOOK & LOOP,BLACK,4" X 7",W/ADHESIVE BACK,#0115,B STOUT,SET	1
A2	PLSTIE1011	CABLE TIE,NYLON,48"L,HEAVY DUTY	1
B1 - B4	BATGEL1004	BATTERY,GEL,GROUP 24,H-1000-138	1
B1	SCRHHCS1668	SCREW,HHCS,STAINLESS STEEL,5/16-18 X 1.00"	2
B2	NUTSTD1020	NUT,HEX,STAINLESS STEEL,5/16-18	2
B3	WASLOCK1093	WASHER,LOCK,STAINLESS STEEL,0.3125" ID X 0.500" OD X 0.125"TH	2
B4		DECAL,BATTERY & BATTERY CHARGER MANUFACTURER,L-1235-817	1

14. Batteries

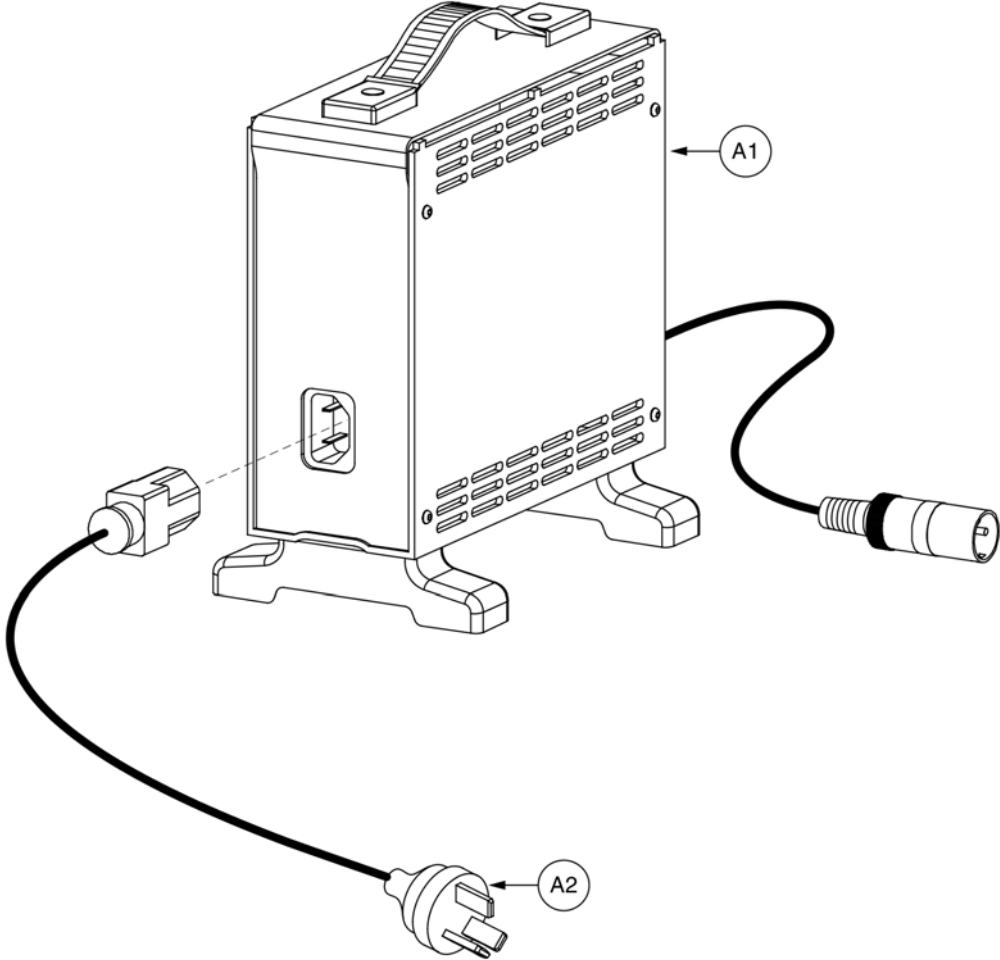


Group 24 Battery, Interceptor



Item	Part No.	Name	Qty
A1	BAT1704614-P	BATTERY,PACKAGED,INTERCEPTOR,GEL,70AH/3HR,GROUP 24,(YAHENG: 6-EVF-70)	1

15. Off-board Charger

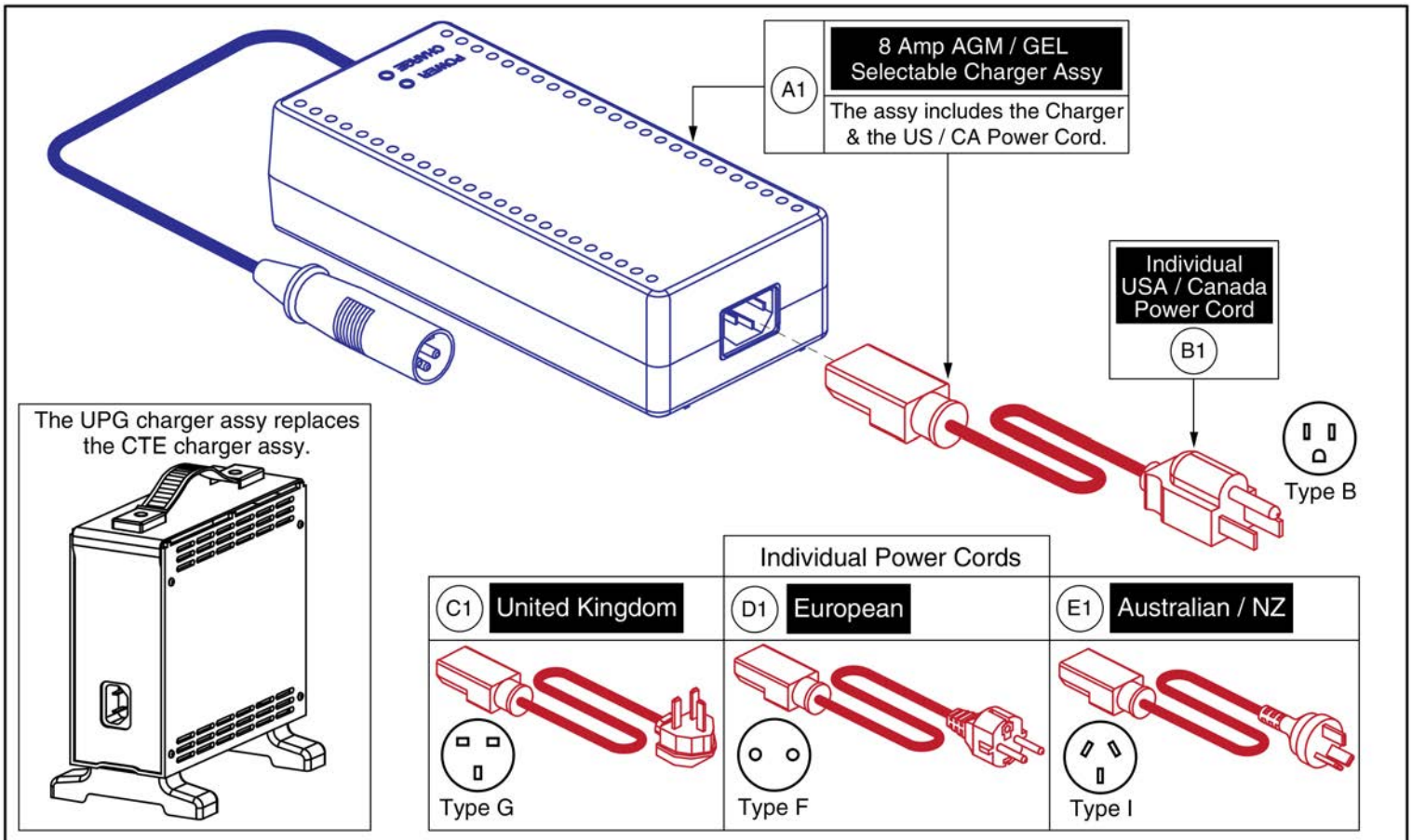


8 amp CTE Charger, Australia



Item	Part No.	Name	Qty
A1 - A3	ELEASMB5672	CHARGER,ASSY,OFFBOARD,LOW INHIBIT,110V-230V,8AMP,W/AUSTRALIA POWERCORD	1
A1		CHARGER,OFFBOARD,LOW INHIBIT,110V-230V,8AMP,H-1000-192,(CTE: CK84215000)	1
A2	DWR1000H174	ELECTRONIC,HARNES,AC POWER CORD,INSULATED BLADES,AUSTRALIA,H-1000-174	1
A3	DWR1235L520	DECAL,CAUTION,EXTENSION CORD/GROUNDING PRONG,L-1235-520	1

15. Off-board Charger



8 Amp UPG Charger Assy, AGM / GEL Selectable



Item	Part No.	Name	Qty
A1	ELE1803440	CHARGER, OFFBOARD, LOW INHIBIT, AC 100V-240V, DC 28.6-29.6V @8A, AGM/GEL SELECTABLE, WITH USA CORDSET	1
B1	HARUSHD1065	ELECTRONIC,HARNESS,POWER CORD,IEC - USA,H-1000-128	1
C1	HARUSHD2041	ELECTRONIC,HARNESS, POWER CORD,AC W/UK PLUG,H-1020-049	1
D1	HARUSHD2160	ELECTRONIC,HARNESS,POWER CORD,IEC - EUROPE PLUG	1
E1	DWR1000H174	ELECTRONIC,HARNESS,AC POWER CORD,INSULATED BLADES,AUSTRALIA,H-1000-174	1

16.1. Swing-away, Version 3

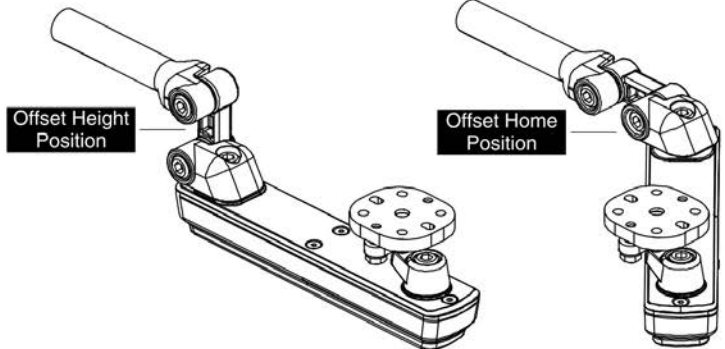
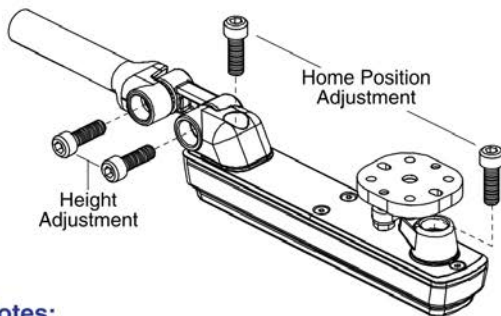
Complete Swing-away Mount w/ Hardware				Please Note:	
Ref	Part Number	Mounting Hardware	Seating Type	<p>- The complete assemblies A1 thru F1 include the swing-away joystick mount and the applicable joystick mounting hardware.</p> <p>- The contoured seat assemblies also include the armrest adapter K1.</p> <p>* PG Drives does NOT include Remote Plus.</p> <p>Contact Technical Service for more information.</p>	
A1	ACC1908434	Q-Logic	Rehab		
B1	ACC1908435	Q-Logic	Contoured		
C1	ACC1908437	NE/NE+	Rehab		
D1	ACC1908438	NE/NE+	Contoured		
E1	ACC1908439	PG Drives*	Rehab		
F1	ACC1908440	PG Drives*	Contoured		

Mounting Hardware		
<p>NE / NE+</p>	<p>Q-Logic</p>	<p>Contoured Seat Armrest Adapter</p>
<p>PG Drives</p> <p><i>*Does not include Remote Plus Joysticks</i></p>		

Not available individually. The complete assembly with hardware must be selected.

Adjustments

Height and Home Position Adjustments

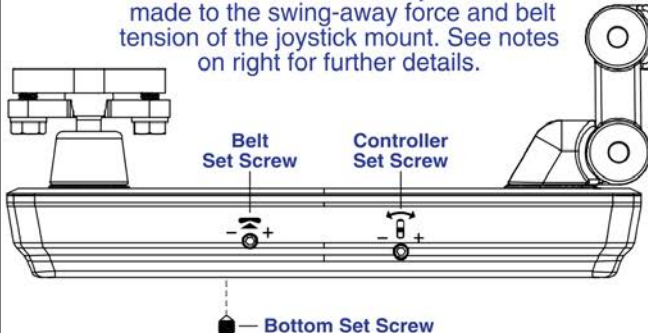


Notes:

- Loosen the appropriate screws to adjust the height or home position of the swing-away joystick mount.
- Each pivot can be adjusted independently in 15 Degree increments to allow for a wide range of positions and angles.
- The "Home" position refers to the orientation the joystick & mount rest while the chair is in use and the mount is not performing the swing-away action.

Swing-away Force Adjustment and Belt Tightening

Three set screws allow for adjustments to be made to the swing-away force and belt tension of the joystick mount. See notes on right for further details.



Set Screw:	Notes:
<p>Controller</p>	<ul style="list-style-type: none"> - Used to adjust the force needed to swing the joystick mount away. Force range depends on where the Bottom Set Screw is positioned. - Used to set the force range of the Controller Set Screw. Removed sets the range from 3 to 6lbs. Inserted sets the range from 5 to 8lbs.
<p>Bottom</p>	<ul style="list-style-type: none"> - Used to adjust the internal belt tension. Turn inward 1/4 turn if the controller does not maintain the set orientation when swinging away or if the controller spins. - Note: This ONLY needs to be adjusted if the belt is loose and should be performed rarely.
<p>Belt</p>	

Item	Part No.	Name	Qty
A1	ACC1908434	JOYSTICK MOUNTING BRACKET,ASSY,SWING AWAY,Q-LOGIC	1
B1	ACC1908435	JOYSTICK MOUNTING BRACKET,ASSY,SWING AWAY,Q-LOGIC CONTOURED SEAT	1
C1	ACC1908437	JOYSTICK MOUNTING BRACKET,ASSY,SWING AWAY,NE / NE PLUS	1
D1	ACC1908438	JOYSTICK MOUNTING BRACKET,ASSY,SWING AWAY,NE / NE PLUS CONTOURED SEAT	1
E1	ACC1908439	JOYSTICK MOUNTING BRACKET,ASSY,SWING AWAY,VSI / VR2 / GC3 / R-NET	1
F1	ACC1908440	JOYSTICK MOUNTING BRACKET,ASSY,SWING AWAY,VSI / VR2 / GC3 / R-NET CONTOURED SEAT	1
G1	DWR1111C002	SPACER,CURTIS NE/NE PLUS MOUNT BRACKET,C-1111-002	2
H1	SCRPPH1384	SCREW,PPH,BLACK ZINC,M5-.8 X 20MM	4
I1	SCRPPH1279	SCREW,PPH,BLACK ZINC CHROMATE,M5-.8 X 16MM	4
J1	SCRPPH1384	SCREW,PPH,BLACK ZINC,M5-.8 X 20MM	2
K1	MEC146133	ARMREST ADAPTER ASSEMBLY	1

16.2. Version 2. Swing-away/Multi-axis Joystick Brackets

Rehab Seating

Ref	Part Number	Bracket Type	Joystick Type	Side	Ref	Part Number	Bracket Type	Joystick Type	Side
A1	ACC142525	In-line SWA	Q-Logic	Right	N1	ACC142747	Offset SWA	NE/NE+	Left
B1	ACC142524	In-line SWA	Q-Logic	Left	O1	ACC142750	Offset SWA	PG Drives	Right
C1	ACC142527	In-line SWA	NE/NE+	Right	P1	ACC142749	Offset SWA	PG Drives	Left
D1	ACC142526	In-line SWA	NE/NE+	Left	Q1	ACC142752	Offset SWA	Shark	Right
E1	ACC142530	In-line SWA	PG Drives	Right	R1	ACC142751	Offset SWA	Shark	Left
F1	ACC142529	In-line SWA	PG Drives	Left	S1	ACC142746	Offset SWA	Standalone	Right
G1	ACC142533	In-line SWA	Shark	Right	T1	ACC142745	Offset SWA	Standalone	Left
H1	ACC142532	In-line SWA	Shark	Left	U1	ACC131216	Multi-Axis	Q-Logic	R/L
I1	ACC142739	In-line SWA	Standalone	Right	V1	ACC142528	Multi-Axis	NE/NE+	R/L
J1	ACC142738	In-line SWA	Standalone	Left	W1	ACC142531	Multi-Axis	PG Drives	R/L
K1	ACC142743	Offset SWA	Q-Logic	Right	X1	ACC142534	Multi-Axis	Shark	R/L
L1	ACC142742	Offset SWA	Q-Logic	Left	Y1	ACC142740	Multi-Axis	Standalone	R/L
M1	ACC142748	Offset SWA	NE/NE+	Right					

PG Drives does not include Remote Plus Joysticks

Item	Part No.	Name	Qty
A1	ACC142525	JOYSTICK MOUNT,ASSY,SWING AWAY,INLINE,RIGHT,Q-LOGIC 2	1
B1	ACC142524	JOYSTICK MOUNTING BRACKET,ASSY,SWING AWAY,INLINE,LEFT,Q-LOGIC 2	1
C1	ACC142527	JOYSTICK MOUNT,ASSY,SWING AWAY,INLINE,RIGHT,NE/NE PLUS	1
D1	ACC142526	JOYSTICK MOUNT,ASSY,SWING AWAY,INLINE,LEFT,NE/NE PLUS	1
E1	ACC142530	JOYSTICK MOUNT,ASSY,SWING AWAY,INLINE,RIGHT,PG DRIVES	1
F1	ACC142529	JOYSTICK MOUNT,ASSY,SWING AWAY,INLINE,LEFT,PG DRIVES	1
G1	ACC142533	JOYSTICK MOUNT,ASSY,SWING AWAY,INLINE,RIGHT,SHARK	1
H1	ACC142532	JOYSTICK MOUNT,ASSY,SWING AWAY,INLINE,LEFT,SHARK	1
I1	ACC142739	JOYSTICK MOUNT,ASSY,SWING AWAY,INLINE,RIGHT,STANDALONE	1
J1	ACC142738	JOYSTICK MOUNT,ASSY,SWING AWAY,INLINE,LEFT,STANDALONE	1
K1	ACC142743	JOYSTICK MOUNT,ASSY,SWING AWAY,OFFSET,RIGHT,Q-LOGIC	1
L1	ACC142742	JOYSTICK MOUNT,ASSY,SWING AWAY,OFFSET,LEFT,Q-LOGIC	1
M1	ACC142748	JOYSTICK MOUNT,ASSY,SWING AWAY,OFFSET,RIGHT,NE/NE PLUS	1
N1	ACC142747	JOYSTICK MOUNT,ASSY,SWING AWAY,OFFSET,LEFT,NE/NE PLUS	1
O1	ACC142750	JOYSTICK MOUNT,ASSY,SWING AWAY,OFFSET,RIGHT,PG DRIVES	1
P1	ACC142749	JOYSTICK MOUNT,ASSY,SWING AWAY,OFFSET,LEFT,PG DRIVES	1
Q1	ACC142752	JOYSTICK MOUNT,ASSY,SWING AWAY,OFFSET,RIGHT,SHARK	1
R1	ACC142751	JOYSTICK MOUNT,ASSY,SWING AWAY,OFFSET,LEFT,SHARK	1
S1	ACC142746	JOYSTICK MOUNT,ASSY,SWING AWAY,OFFSET,RIGHT,STANDALONE	1
T1	ACC142745	JOYSTICK MOUNT,ASSY,SWING AWAY,OFFSET,LEFT,STANDALONE	1
U1	ACC131216	JOYSTICK MOUNT,ASSY,MULTI-AXIS,Q-LOGIC	1
V1	ACC142528	JOYSTICK MOUNT,ASSY,MULTI-AXIS,NE/NE PLUS	1
W1	ACC142531	JOYSTICK MOUNT,ASSY,MULTI-AXIS,PG DRIVES	1
X1	ACC142534	JOYSTICK MOUNT,ASSY,MULTI-AXIS,SHARK	1
Y1	ACC142740	JOYSTICK MOUNT,ASSY,MULTI-AXIS,STANDALONE	1

16.2. Version 2. Swing-away/Multi-axis Joystick Brackets

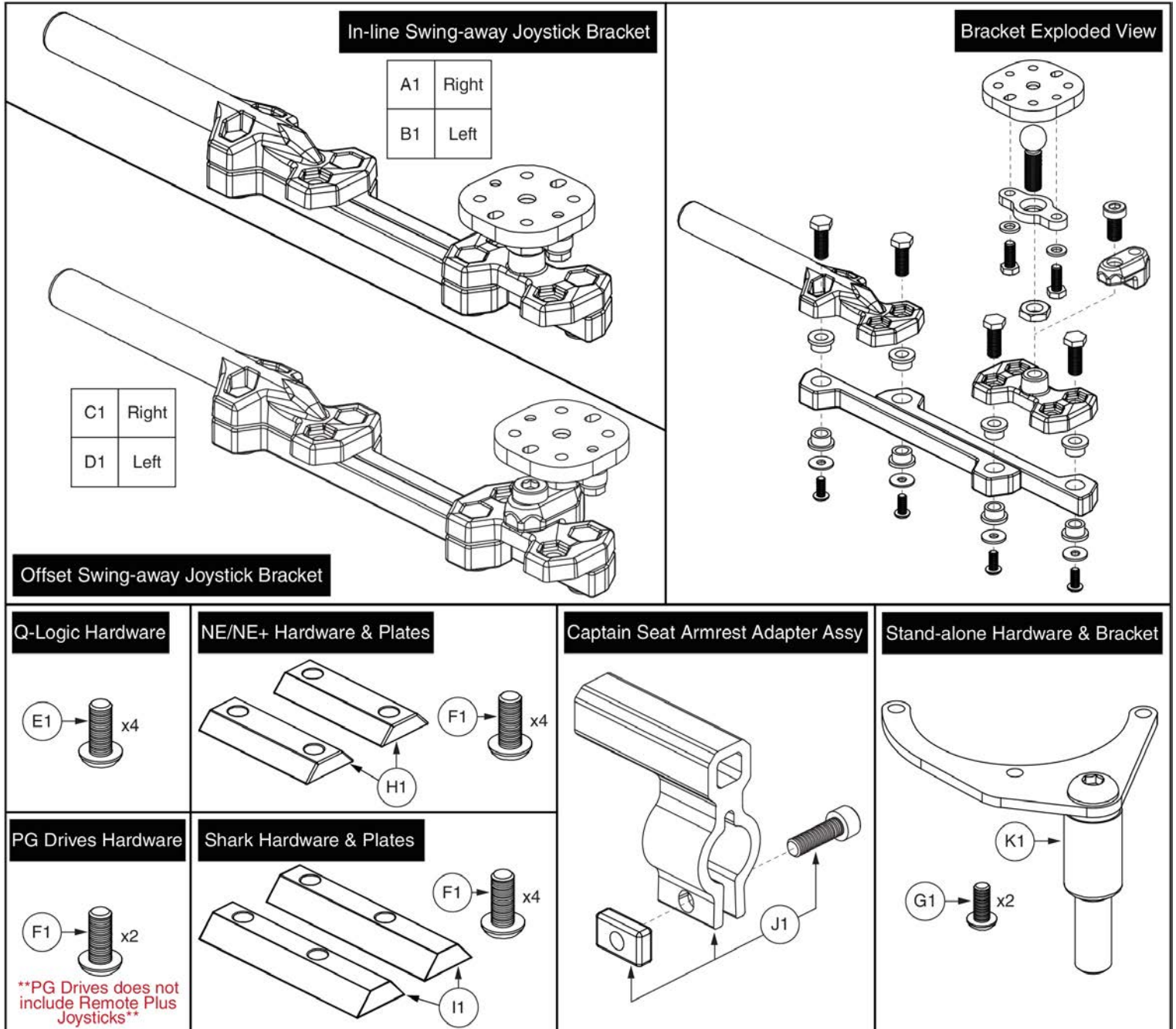
Captain Seating

Ref	Part Number	Bracket Type	Joystick Type	Side	Ref	Part Number	Bracket Type	Joystick Type	Side
A1	ACC148357	In-line SWA	Q-Logic	Right	I1	ACC148359	Offset SWA	Q-Logic	Right
B1	ACC148356	In-line SWA	Q-Logic	Left	J1	ACC148358	Offset SWA	Q-Logic	Left
C1	ACC148361	In-line SWA	NE/NE+	Right	K1	ACC148363	Offset SWA	NE/NE+	Right
D1	ACC148360	In-line SWA	NE/NE+	Left	L1	ACC148362	Offset SWA	NE/NE+	Left
E1	ACC148365	In-line SWA	PG Drives	Right	M1	ACC148367	Offset SWA	PG Drives	Right
F1	ACC148364	In-line SWA	PG Drives	Left	N1	ACC148366	Offset SWA	PG Drives	Left
G1	ACC148369	In-line SWA	Shark	Right	O1	ACC148371	Offset SWA	Shark	Right
H1	ACC148368	In-line SWA	Shark	Left	P1	ACC148370	Offset SWA	Shark	Left

PG Drives does not include Remote Plus Joysticks

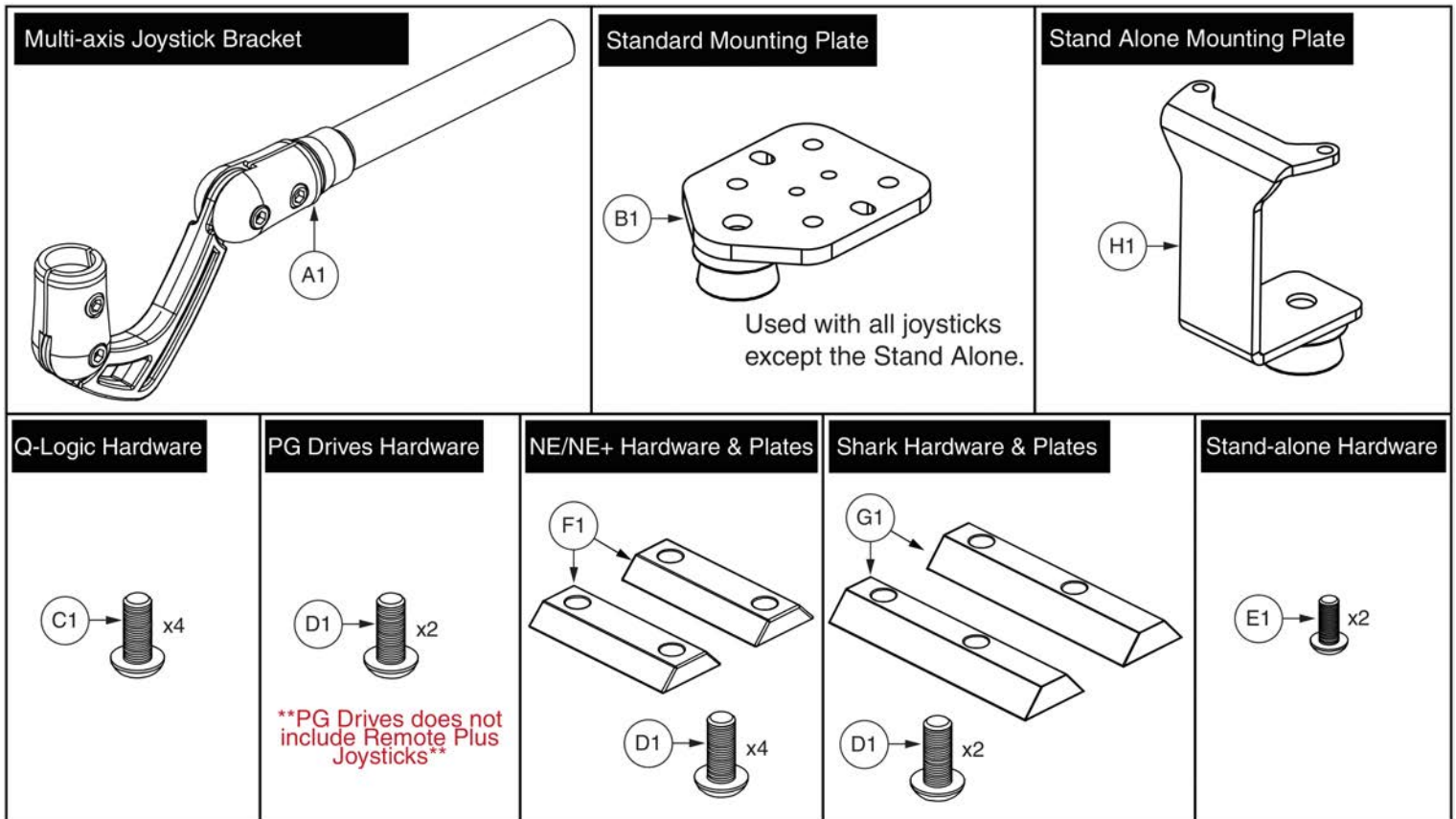
Item	Part No.	Name	Qty
A1	ACC148357	JOYSTICK MOUNTING BRACKET,ASSY,SWING AWAY,INLINE,RIGHT,Q-LOGIC,CAPTAINS SEAT	1
B1	ACC148356	JOYSTICK MOUNTING BRACKET,ASSY,SWING AWAY,INLINE,LEFT,Q-LOGIC,CAPTAINS SEAT	1
C1	ACC148361	JOYSTICK MOUNTING BRACKET,ASSY,SWING AWAY,INLINE,RIGHT,NE/NE PLUS,CAPTAINS SEAT	1
D1	ACC148360	JOYSTICK MOUNTING BRACKET,ASSY,SWING AWAY,INLINE,LEFT,NE/NE PLUS,CAPTAINS SEAT	1
E1	ACC148365	JOYSTICK MOUNTING BRACKET,ASSY,SWING AWAY,INLINE,RIGHT,VSI/VR2/GC3/R-NET,CAPTAINS SEAT	1
F1	ACC148364	JOYSTICK MOUNTING BRACKET,ASSY,SWING AWAY,INLINE,LEFT,VSI/VR2/GC3/R-NET,CAPTAINS SEAT	1
G1	ACC148369	JOYSTICK MOUNTING BRACKET,ASSY,SWING AWAY,INLINE,RIGHT,SHARK,CAPTAINS SEAT	1
H1	ACC148368	JOYSTICK MOUNTING BRACKET,ASSY,SWING AWAY,INLINE,LEFT,SHARK,CAPTAINS SEAT	1
I1	ACC148359	JOYSTICK MOUNTING BRACKET,ASSY,SWING AWAY,OFFSET,RIGHT,Q-LOGIC,CAPTAINS SEAT	1
J1	ACC148358	JOYSTICK MOUNTING BRACKET,ASSY,SWING AWAY,OFFSET,LEFT,Q-LOGIC,CAPTAINS SEAT	1
K1	ACC148363	JOYSTICK MOUNTING BRACKET,ASSY,SWING AWAY,OFFSET,RIGHT,NE/NE PLUS,CAPTAINS SEAT	1
L1	ACC148362	JOYSTICK MOUNTING BRACKET,ASSY,SWING AWAY,OFFSET,LEFT,NE/NE PLUS,CAPTAINS SEAT	1
M1	ACC148367	JOYSTICK MOUNTING BRACKET,ASSY,SWING AWAY,OFFSET,RIGHT,VSI/VR2/GC3/R-NET,CAPTAINS SEAT	1
N1	ACC148366	JOYSTICK MOUNTING BRACKET,ASSY,SWING AWAY,OFFSET,LEFT,VSI/VR2/GC3/R-NET,CAPTAINS SEAT	1
O1	ACC148371	JOYSTICK MOUNTING BRACKET,ASSY,SWING AWAY,OFFSET,RIGHT,SHARK,CAPTAINS SEAT	1
P1	ACC148370	JOYSTICK MOUNTING BRACKET,ASSY,SWING AWAY,OFFSET,LEFT,SHARK,CAPTAINS SEAT	1

16.2. Version 2. Swing-away/Multi-axis Joystick Brackets



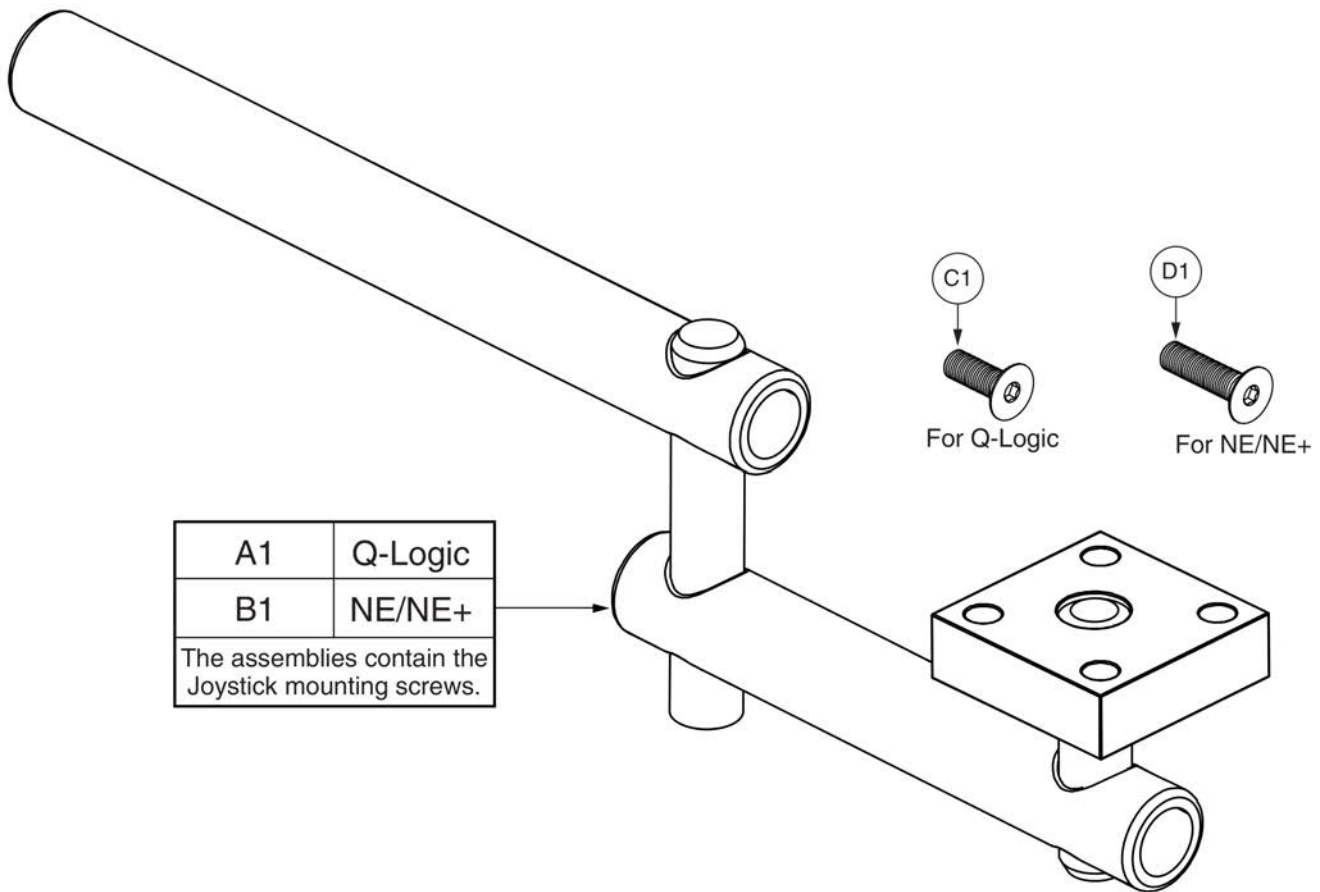
Item	Part No.	Name	Qty
A1	ACC131586	SWING AWAY JOYSTICK MOUNT,ASSY,INLINE,RIGHT	1
B1	ACC124921	SWING AWAY JOYSTICK MOUNT,ASSY,INLINE,LEFT	1
C1	MEC1712220	SWING-AWAY ASSEMBLY, EXTENDED OFFSET, RIGHT	1
D1	MEC1712217	SWING-AWAY ASSEMBLY, EXTENDED OFFSET, LEFT	1
E1	SCRPPH1279	SCREW,PPH,BLACK ZINC CHROMATE,M5-.8 X 16MM	1
F1	SCRPPH1384	SCREW,PPH,BLACK ZINC,M5-.8 X 20MM	1
G1	SCRPPH1036	SCREW, PAN HEAD, TYPE H, M4X0.7 X 8, FT, ISO 7045, CL 4.8, BZ	1
H1	DWR1111C002	SPACER,CURTIS NE/NE PLUS MOUNT BRACKET,C-1111-002	2
I1	DWR1010B089	SPACER,FLIGHT MOUNT BRACKET,B-1010-089	2
J1	MEC146133	ARMREST ADAPTER ASSEMBLY	1
K1	MEC142426	MOUNTING BRACKET,ASSY,STAND ALONE JOYSTICK	1

16.2. Version 2. Swing-away/Multi-axis Joystick Brackets



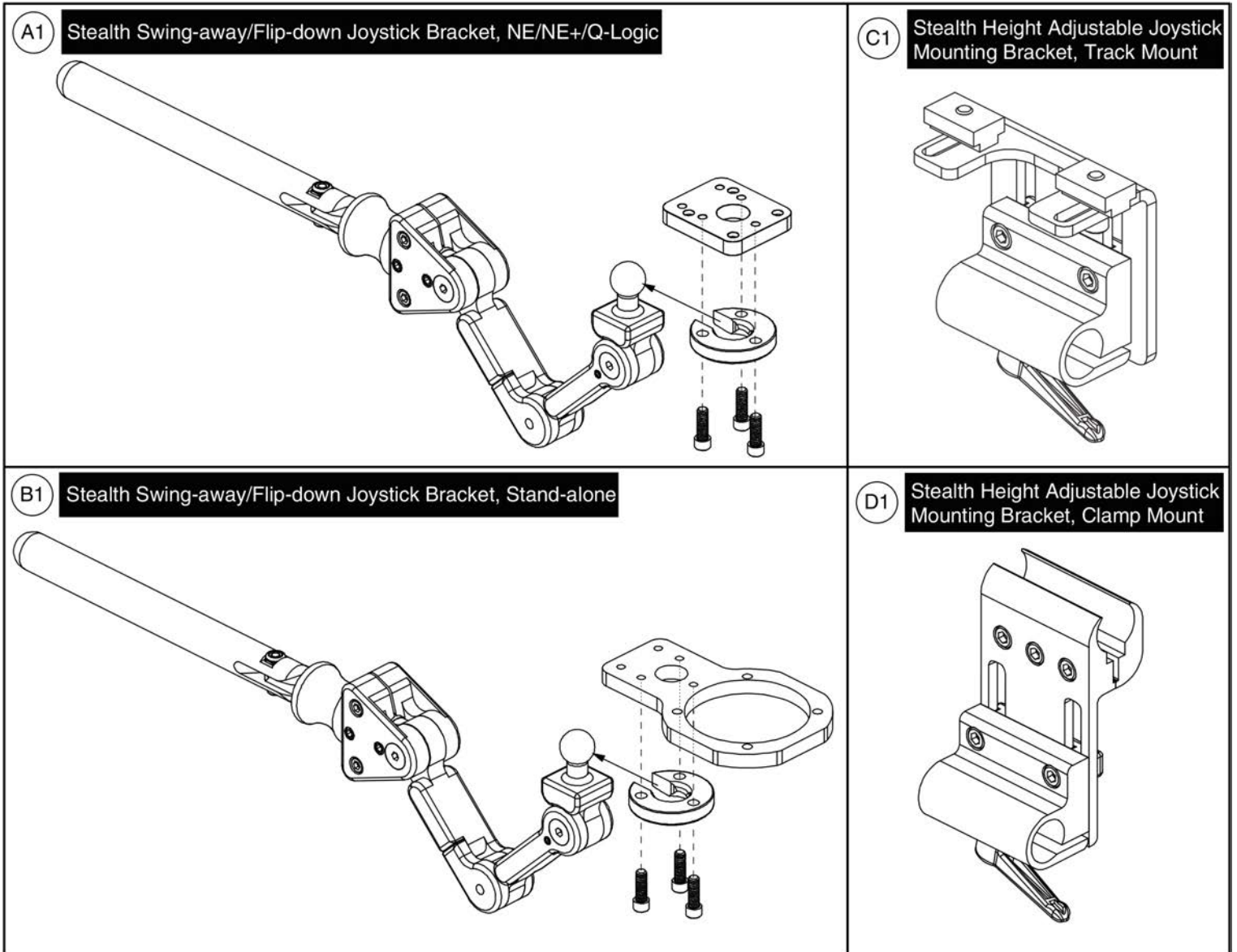
Item	Part No.	Name	Qty
A1	ACC124132	MULTI-AXIS JOYSTICK ASSEMBLY	1
B1	MEC124133	MULTI-AXIS JOYSTICK PLATE WELDMENT	1
C1	SCRPPH1097	SCREW,PPH,BLACK ZINC,M5-.8 X 12MM	1
D1	SCRPPH1384	SCREW,PPH,BLACK ZINC,M5-.8 X 20MM	1
E1	SCRPPH1036	SCREW, PAN HEAD, TYPE H, M4X0.7 X 8, FT, ISO 7045, CL 4.8, BZ	1
F1	DWR1111C002	SPACER,CURTIS NE/NE PLUS MOUNT BRACKET,C-1111-002	2
G1	DWR1010B089	SPACER,FLIGHT MOUNT BRACKET,B-1010-089	2
H1	MEC138180	STAND ALONE WELDMENT	1

16.3. Retract 4 Swing-away Joystick Bracket



Item	Part No.	Name	Qty
A1	MEC138860	SWING AWAY JOYSTICK MOUNT,ASSY,RETRACT 4,Q-LOGIC	1
B1	MEC138876	SWING AWAY JOYSTICK MOUNT,ASSY,RETRACT 4,NE/NE PLUS	1
C1	SCRSFH1005	SCREW,SHFH,BLACK ZINC,M5-.8 X 14MM	4
D1	SCRSHFH1053	SCREW,SHFH,BLACK ZINC,M5-.8 X 20MM	4

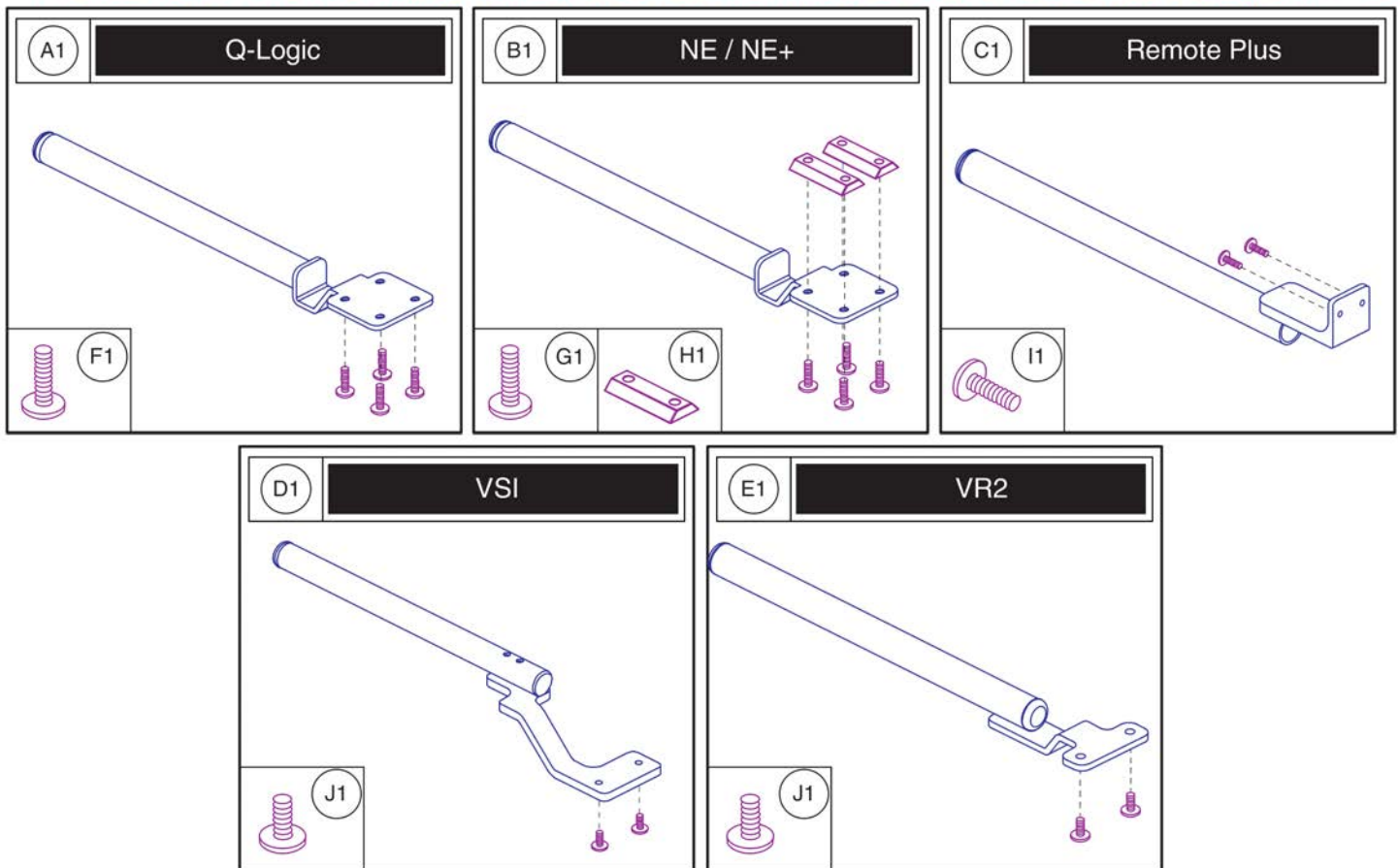
16.4. Stealth Swing-away / Flip-down Joystick Bracket



Item	Part No.	Name	Qty
A1	ST-TWBM480QL-Q	JOYSTICK MOUNTING BRACKET,ASSY,SWING AWAY/FLIP DOWN,NE/NE PLUS/Q-LOGIC,W/MOUNTING HARDWARE	1
B1	ST-TWBM480CJ-Q	JOYSTICK MOUNTING BRACKET,ASSY,SWING AWAY/FLIP DOWN,STANDALONE,W/MOUNTING HARDWARE	1
C1	ST-ARM250T-Q	JOYSTICK MOUNT,ASSY,HEIGHT ADJUSTABLE,W/TRACK HARDWARE	1
D1	ST-ARM250C-Q	JOYSTICK MOUNT,ASSY,HEIGHT ADJUSTABLE,W/CLAMP HARDWARE	1

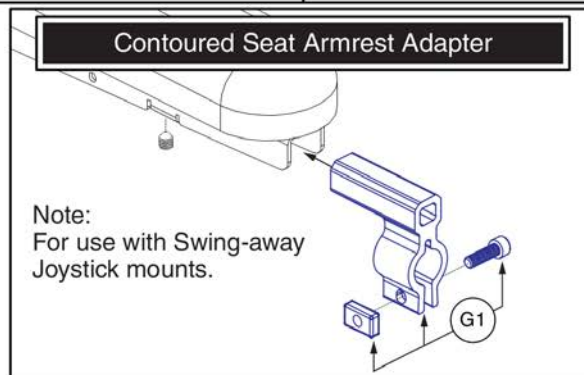
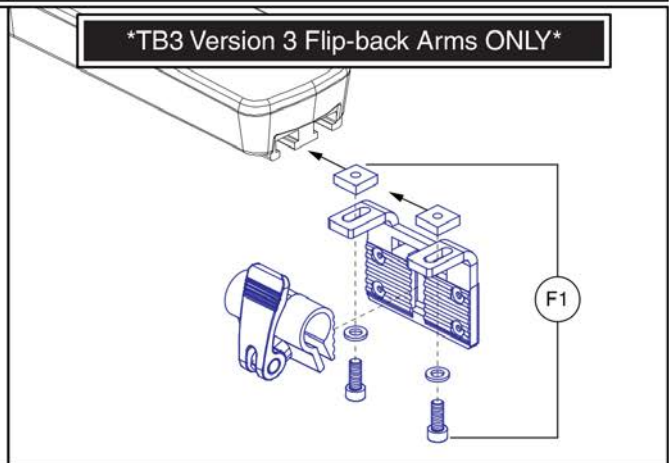
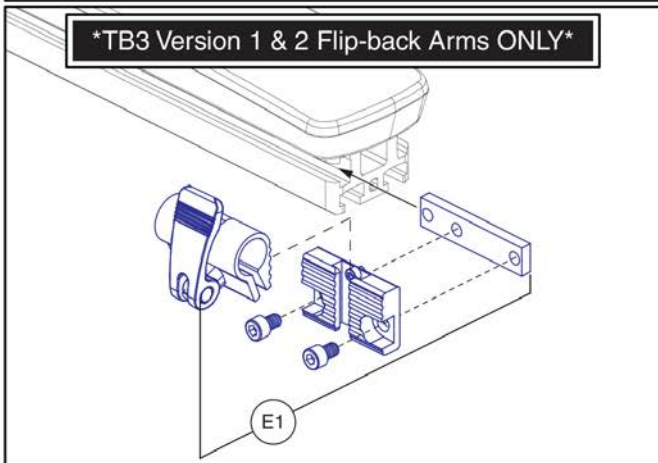
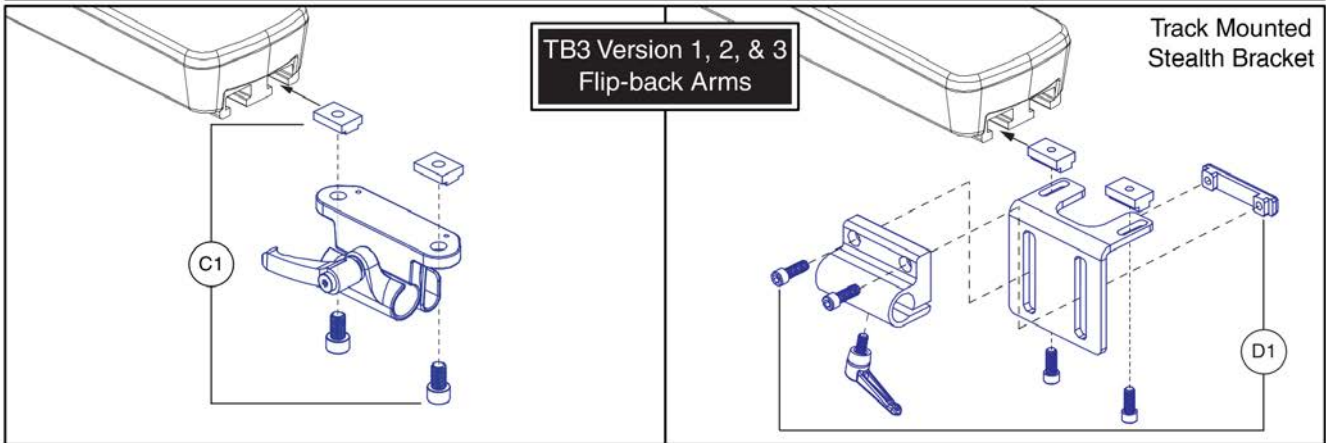
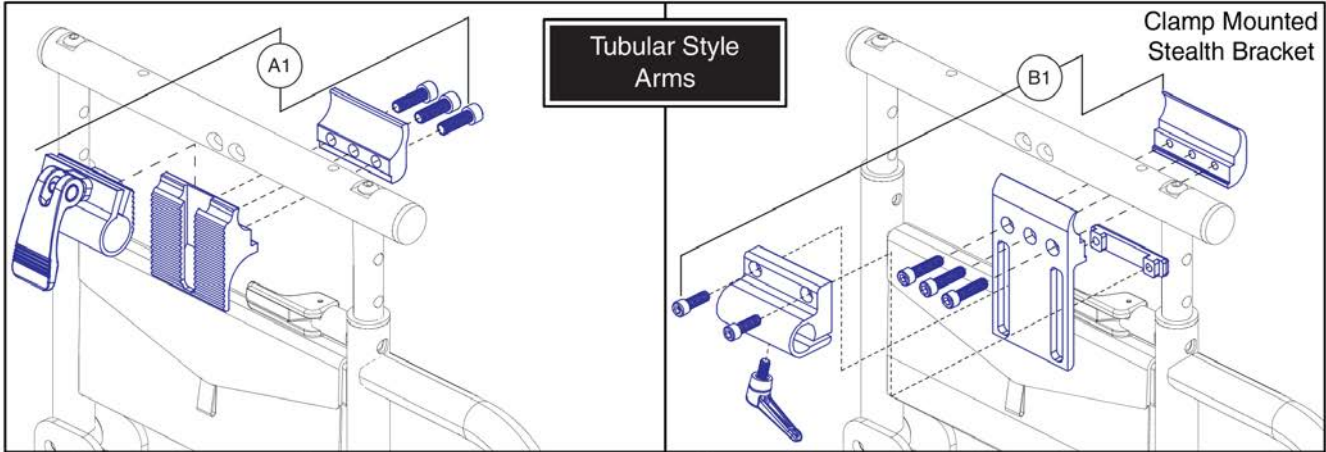
16.5. Fixed Inline Joystick Brackets

Please note: The mounting hardware shown is included with the top level assy's A1 - E1.



Item	Part No.	Name	Qty
A1	FRMASMB10617	JOYSTICK MOUNTING BRACKET,ASSY,CURTIS,INLINE	1
B1	FRMASMB12744	JOYSTICK MOUNTING BRACKET,ASSY,NE/NE PLUS CONTROLLER,INLINE	1
C1	FRMASMB2066	FIXED INLINE JOYSTICK MOUNT,ASSY,REMOTE PLUS	1
D1	FRMASMB4767	JOYSTICK MOUNTING BRACKET,ASSY,VSI CONTROLLER,INLINERIGHT,C-1010-193	1
E1	FRMASMB9532	JOYSTICK MOUNTING BRACKET,ASSY,GC/VR2 CONTROLLER,INLINE	1
F1	SCRSHFH1015	SCREW,SHFH,BLACK ZINC,M5-.8 X 12MM,GRADE 10.9	4
G1	SCRSHFH1053	SCREW,SHFH,BLACK ZINC,M5-.8 X 20MM	4
H1	DWR1111C002	SPACER,CURTIS NE/NE PLUS MOUNT BRACKET,C-1111-002	2
I1	SCRPPH1006	SCREW,PPH,BLACK ZINC,8-32 X 0.500",GRADE 2	2
J1	SCRPPH1122	SCREW,PPH,BLACK ZINC,M5-.8 X 18MM	2

16.6. Joystick Bracket Receivers



Item	Part No.	Name	Qty
A1	FRMASMB16062	JOYSTICK RECEIVER MOUNT,ASSY,UNIVERSAL,ADJUSTABLE BLOCK,D-1000-313	1
B1	ST-ARM250C-Q	JOYSTICK MOUNT,ASSY,HEIGHT ADJUSTABLE,W/CLAMP HARDWARE	1
C1	MEC1809294	JOYSTICK RECEIVER MOUNT,ASSY,W/MOUNTING HARDWARE,ADJUSTABLE HANDLE	1
D1	ST-ARM250T-Q	JOYSTICK MOUNT,ASSY,HEIGHT ADJUSTABLE,W/TRACK HARDWARE	1
E1	ACC123525	JOYSTICK RECEIVER MOUNT,ASSY,W/ACCESSORY BLOCK,TRUBALANCE 3	1
F1	ACC1806853	JOYSTICK RECEIVER MOUNT,ASSY,W/MOUNTING HARDWARE,TRU-BALANCE 3 ARMREST	1
G1	MEC146133	ARMREST ADAPTER ASSEMBLY	1

17.1. Owner's Package



Owner's Package

Item	Part No.	Name	Qty
N/A		MANUAL,PRODUCT SPECIFICATION SHEET,Q6EDGE Z,UNIVERSAL	1
N/A	INFMANU3992	MANUAL,CONSUMER SAFETY GUIDE,POWERCHAIR	1
N/A	INFMANU4237	MANUAL,OWNER'S,Q6EDGE HD,ENGLISH	1
N/A	PLSTIE1015	CABLE TIE,BLACK,NYLON,7.5-8MM W X 200-220MM L,100 LBS MINIMUM TESILE STRENGTH	6
N/A	DWR1202C027	REFLECTOR,AMBER,CASTER SPHERE,C-1202-027	8
N/A		HANG TAG,ROUND,EMI-RFI 20V,DEC8120002	1
N/A		MANUAL,WARRANTY CARD,AUSTRALIAN	1
N/A	INFINFB2528	MANUAL,PRODUCT INSERT SHEET,Q6EDGE,REFLECTOR INSTALLATION	1
N/A		MANUAL,PRODUCT INSERT SHEET,POWER CHAIR WARRANTY,AUSTRALIA	1

17.2. Decal Packages



Decal Package

Item	Part No.	Name	Qty
*N/A		DECAL,ASSY,Q6 EDGE Z,UNOCCUPIED TRANSIT,Q-LOGIC 2	1
*N/A	DEC8120018	DECAL,NOT RATED FOR OCCUPIED TRANSPORT,POWER CHAIR	2
*N/A	DWR1235L515	DECAL,WARNING,BATTERY WARNINGS,L-1235-515	1
*N/A	DWR1235L521	DECAL,WARNING,CONTROLLER CORD PLACEMENT,L-1235-521	1
*N/A	DWR1235L638	DECAL,ICON,JAZZY FREEWHEEL,UP-DRIVE/DOWN-NEUTRAL,L-1235-638	2
*N/A	LAB120011	DECAL,Q6EDGE HD BATTERY WIRING DIAGRAM	1
*N/A		DECAL,NAME,EDGE Z	2

17.2. Decal Packages



Decal Package

Decal Package - Unoccupied Transit, Edge Z



Item	Part No.	Name	Qty
*N/A		DECAL,ASSY,Q6 EDGE Z,UNOCCUPIED TRANSIT	1
*N/A	DEC8120018	DECAL,NOT RATED FOR OCCUPIED TRANSPORT,POWER CHAIR	2
*N/A	DWR1234L799	DECAL,ICON,1" X 2.5",WEATHER/MANUAL/LOOSE GARMENT,L-1234-799	1
*N/A	DWR1235L515	DECAL,WARNING,BATTERY WARNINGS,L-1235-515	1
*N/A	DWR1235L521	DECAL,WARNING,CONTROLLER CORD PLACEMENT,L-1235-521	1
*N/A	DWR1235L638	DECAL,ICON,JAZZY FREEWHEEL,UP-DRIVE/DOWN-NEUTRAL,L-1235-638	2
*N/A	LAB120011	DECAL,Q6EDGE HD BATTERY WIRING DIAGRAM	1
*N/A		DECAL,NAME,EDGE Z	2

17.2. Decal Packages



Decal Package

Item	Part No.	Name	Qty
*N/A		DECAL,ASSY,Q6 EDGE Z,OCCUPIED TRANSIT,Q-LOGIC 2	1
*N/A		DECAL,NAME,EDGE Z	2
*N/A	DWR1235L515	DECAL,WARNING,BATTERY WARNINGS,L-1235-515	1
*N/A	LAB120011	DECAL,Q6EDGE HD BATTERY WIRING DIAGRAM	1
*N/A	DWR1235L638	DECAL,ICON,JAZZY FREEWHEEL,UP-DRIVE/DOWN-NEUTRAL,L-1235-638	2
*N/A	DWR1235L521	DECAL,WARNING,CONTROLLER CORD PLACEMENT,L-1235-521	1

17.2. Decal Packages



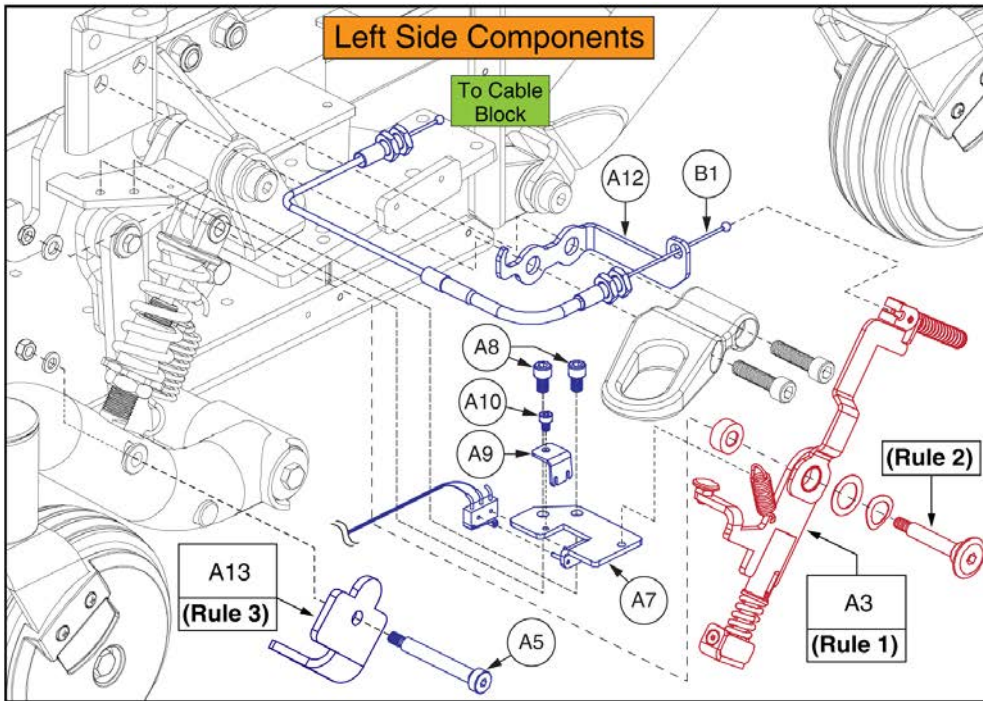
Decal Package

Decal Package - Occupied Transit, Edge Z



Item	Part No.	Name	Qty
*N/A		DECAL,ASSY,Q6 EDGE Z,OCCUPIED TRANSIT	1
*N/A		DECAL,NAME,EDGE Z	2
*N/A	DWR1235L515	DECAL,WARNING,BATTERY WARNINGS,L-1235-515	1
*N/A	LAB120011	DECAL,Q6EDGE HD BATTERY WIRING DIAGRAM	1
*N/A	DWR1235L638	DECAL,ICON,JAZZY FREEWHEEL,UP-DRIVE/DOWN-NEUTRAL,L-1235-638	2
*N/A	DWR1234L799	DECAL,ICON,1" X 2.5",WEATHER/MANUAL/LOOSE GARMENT,L-1234-799	1
*N/A	DWR1235L521	DECAL,WARNING,CONTROLLER CORD PLACEMENT,L-1235-521	1

18. I-Level Base Components



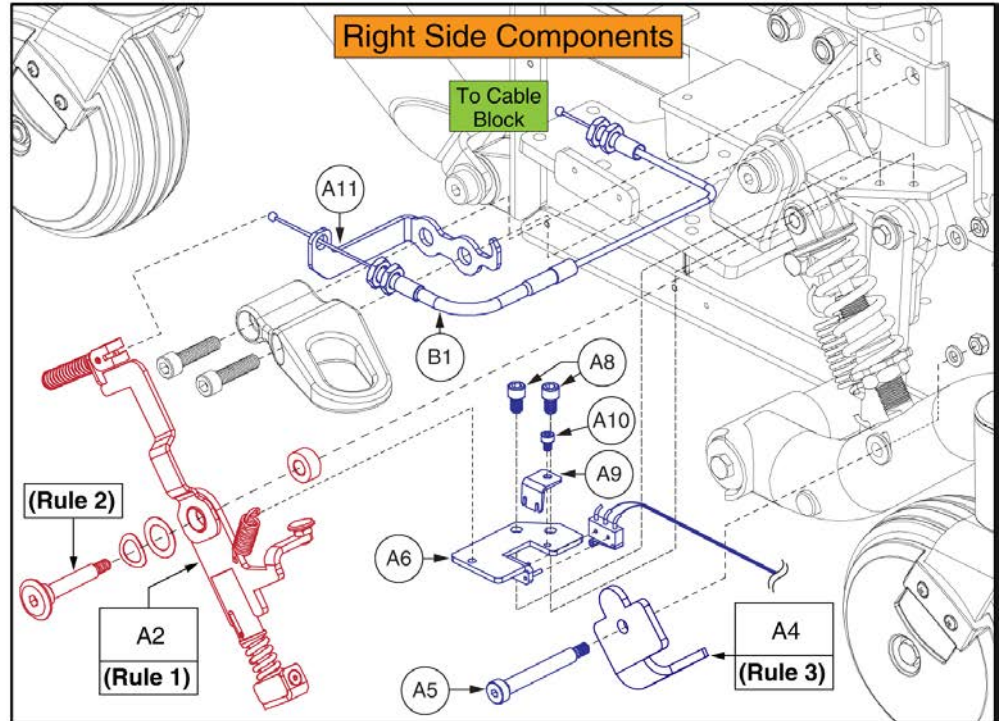
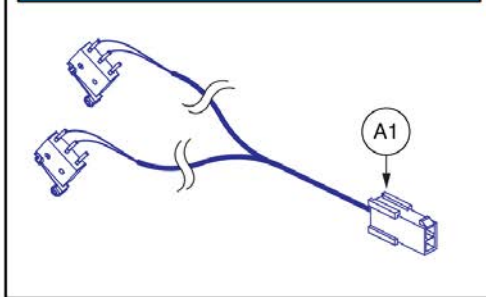
Complete I-Level Base Assy's,
Q6 Edge HD / Q6 Edge Z

A1 - A13	Curtis Electronics
----------	--------------------

Rules:

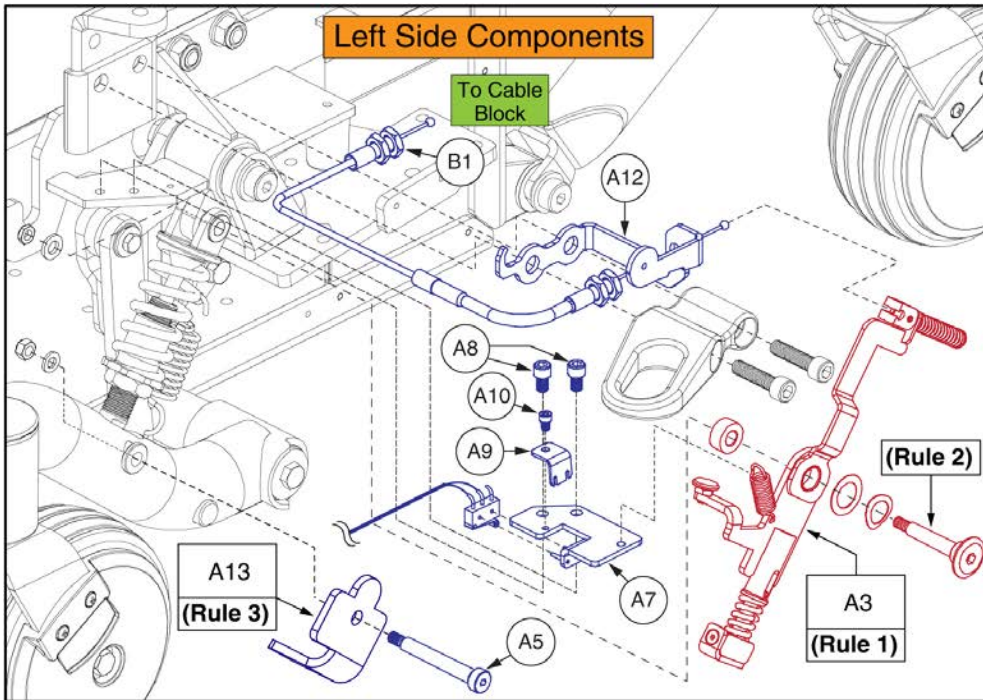
1. If a Suspension Limiter Assy (A2 or A3) requires replacement, both the left and right sides must be selected.
2. Torque the suspension Limiter Assy fasteners to **15 N • m (11 ft • lb)**
3. The "Universal", I-Level Castor Bracket is no longer available. Both A4 & A13 must be selected for replacement.

Curtis Suspension Lock "Y" Harness



Item	Part No.	Name	Qty
A1 - A13	MEC167592	ILEVEL,ASSY,CURTIS,Q6 EDGE HD/Q6 EDGE Z	1
A1	ELE145674	HARNESS,ILEVEL BASE SUSPENSION LOCK SIGNAL CURTIS,Q6EDGE	1
A2	MEC155025	HD ILEVEL LOCKOUT,ASSY,RIGHT	1
A3	MEC155045	HD ILEVEL LOCKOUT,ASSY,LEFT	1
A4	MEC1706847	CASTER BRACKET,RIGHT	1
A5	HDW155221	BOLT, SHOULDER, 8MM X 55MM, ISO 7379, CL 12.9	2
A6	MEC155515	SWITCH BRACKET WELDMENT,RIGHT	1
A7	MEC155518	SWITCH BRACKET WELDMENT,LEFT	1
A8	HDW166324	SCREW, SOCKET HEAD CAP, M6x1 x 10, ISO 4762, CL 12.9, BZ, NYP	4
A9	MEC155688	SWITCH HOLDING BRACKET	2
A10	HDW147454	SCREW,SHCS,M4-0.7 X 6MM LG,CLASS 10.9,BLACK ZINC,NYLON PATCH	2
A11	MEC162155	RIGHT CABLE BRACKET	1
A12	MEC162154	LEFT CABLE BRACKET	1
A13	MEC1707284	CASTER BRACKET,LEFT	1
B1	MEC148172	ILEVEL CABLE,ASSY,TRU-BALANCE 3 POWER ADJUSTABLE SEAT LIFT W/ILEVEL	1

18. I-Level Base Components

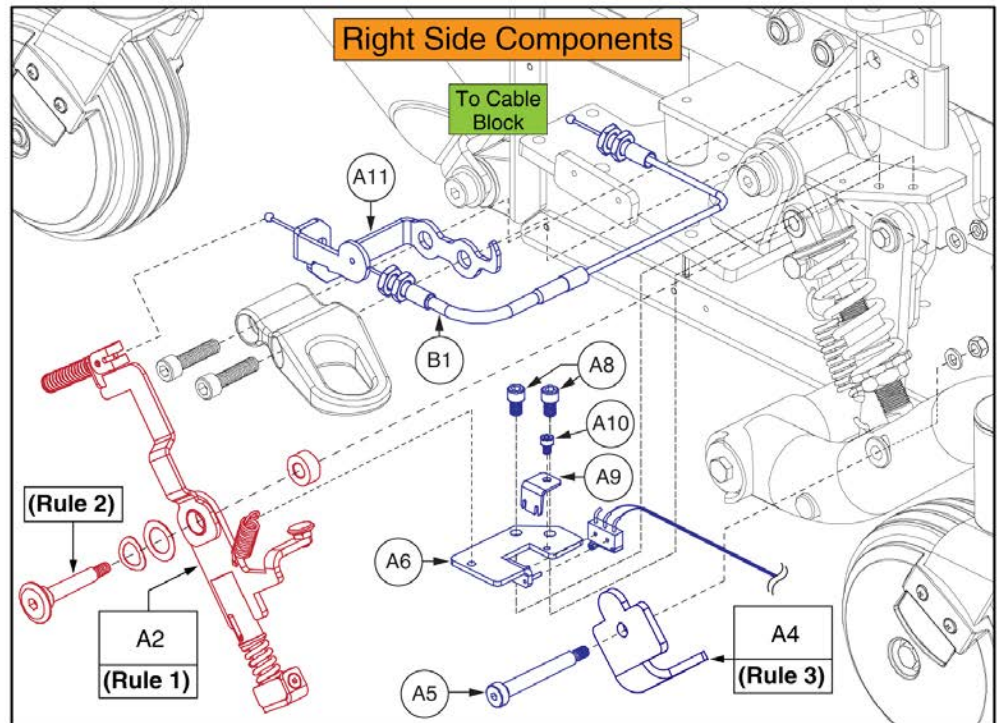
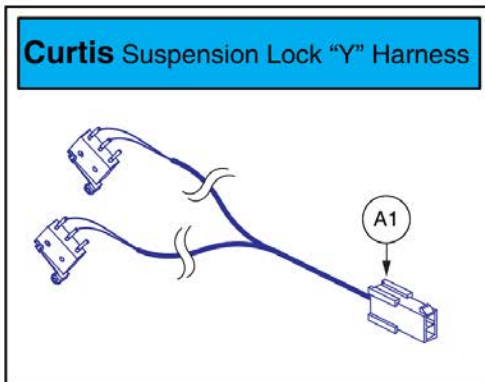


Complete I-Level Base Assy's,
Q6 Edge HD / Q6 Edge Z

A1-A13	Curtis Electronics
--------	--------------------

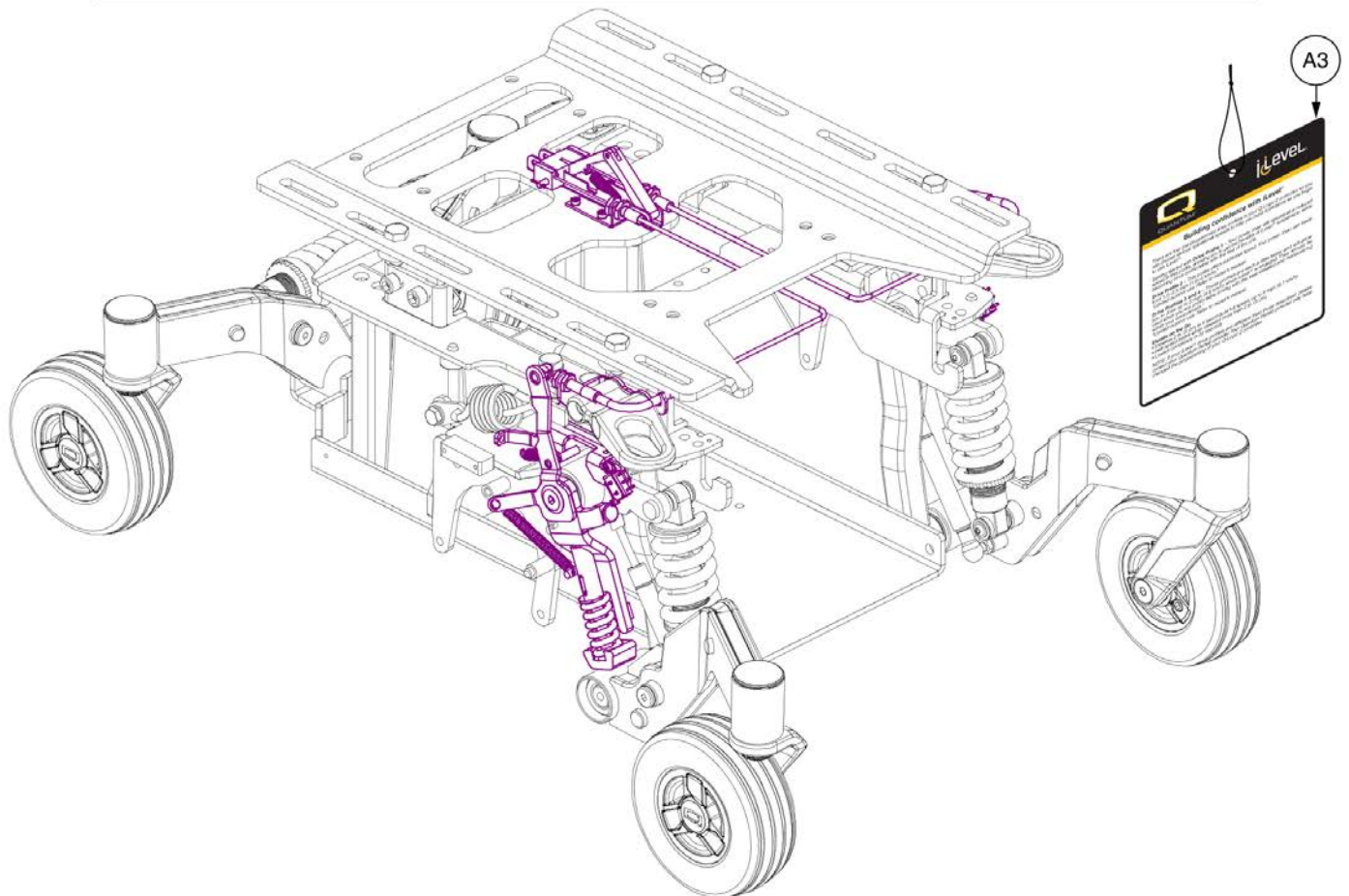
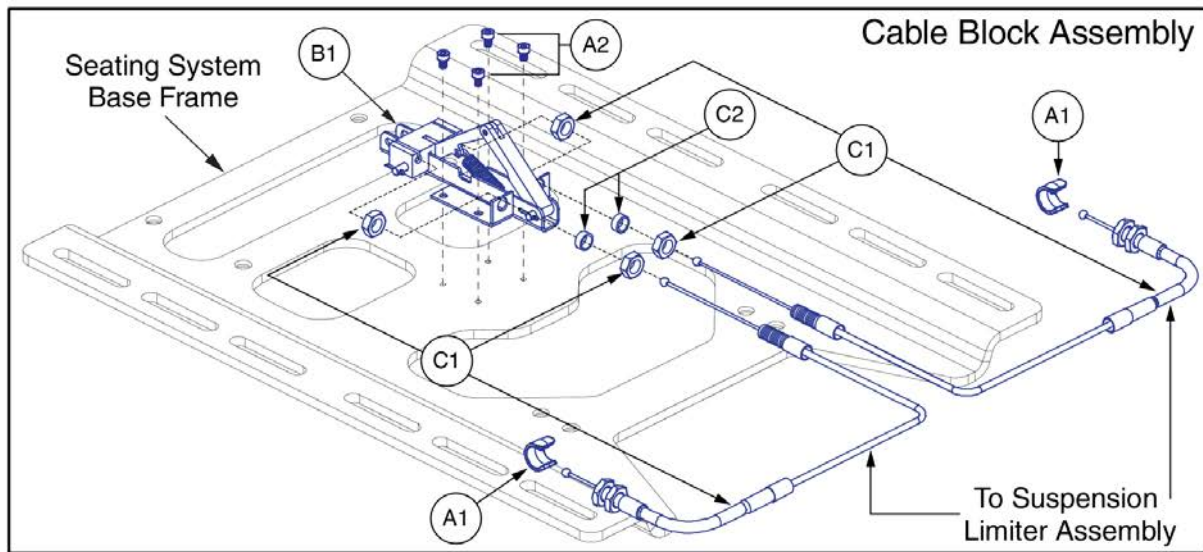
Rules:

1. If a Suspension Limiter Assy (A2 or A3) requires replacement, both the left and right sides must be selected.
2. Torque the Suspension Limiter Assy fasteners to **15 N • m (11 ft • lb)**
3. The "Universal", I-Level Caster Bracket is no longer available. Both A4 & A13 must be selected for replacement.



Item	Part No.	Name	Qty
A1 - A13	MEC167593	ILEVEL,ASSY,CURTIS,Q6 EDGE HD/Q6 EDGE Z,W/FENDER LIGHTS	1
A1	ELE145674	HARNESS,ILEVEL BASE SUSPENSION LOCK SIGNAL CURTIS,Q6EDGE	1
A2	MEC155025	HD ILEVEL LOCKOUT,ASSY,RIGHT	1
A3	MEC155045	HD ILEVEL LOCKOUT,ASSY,LEFT	1
A4	MEC1706847	CASTER BRACKET,RIGHT	1
A5	HDW155221	BOLT, SHOULDER, 8MM X 55MM, ISO 7379, CL 12.9	2
A6	MEC155515	SWITCH BRACKET WELDMENT,RIGHT	1
A7	MEC155518	SWITCH BRACKET WELDMENT,LEFT	1
A8	HDW166324	SCREW, SOCKET HEAD CAP, M6x1 x 10, ISO 4762, CL 12.9, BZ, NYP	4
A9	MEC155688	SWITCH HOLDING BRACKET	2
A10	HDW147454	SCREW,SHCS,M4-0.7 X 6MM LG,CLASS 10.9,BLACK ZINC,NYLON PATCH	2
A11	MEC160013	RIGHT CABLE BRACKET WITH LIGHT EXTENSION	1
A12	MEC160012	LEFT CABLE BRACKET WITH LIGHT EXTENSION	1
A13	MEC1707284	CASTER BRACKET,LEFT	1
B1	MEC148172	ILEVEL CABLE,ASSY,TRU-BALANCE 3 POWER ADJUSTABLE SEAT LIFT W/ILEVEL	1




18. I-Level Base Components



I-Level Power Base Cable & Mounting Block Assy



Item	Part No.	Name	Qty
A1 - C2	MEC148170	ILEVEL,ASSY,TB3 POWER ADJUSTABLE SEAT LIFT W/ILEVEL	1
A1	DGN146907	ILEVEL CABLE END RETAINER	2
A2	HDW147454	SCREW,SHCS,M4-0.7 X 6MM LG,CLASS 10.9,BLACK ZINC,NYLON PATCH	4
A3	LAB150425	HANG TAG,TRU-BALANCE 3 LIFT W/ILEVEL	1
B1 - C2	MEC148171	ILEVEL CABLE,ASSY,W/MOUNTING BLOCK,TRU-BALANCE 3 POWER ADJUSTABLE SEAT LIFT W/ILEVEL	1
B1	MEC146025	CABLE PUSH BLOCK ASSEMBLY	1
C1 - C2	MEC148172	ILEVEL CABLE,ASSY,TRU-BALANCE 3 POWER ADJUSTABLE SEAT LIFT W/ILEVEL	1
C1	MEC145589	CABLE,ASSY,ILEVEL SUSPENSION LOCKOUT	2
C2	MEC147688	ILEVEL CABLE FITTING SPACER	2

Current Quantum Colors as of 9-1-2019																		
Color Name	Color Name Variant	Part Suffix	Color Code	Edge 3 Stretto	Edge 3	Edge 2.0	Edge 2.0X	Edge	Edge X	4Front	Edge Z	Edge HD	R44 Rival	J4 / Q4	J6	1450	Kozmo	
Back in Black	Black, Onyx Black Metallic Black	PBK1	PPW-BLK-01	X	X	X	X	X	X	X	X	X	X	X	X			
Night Train		PBK3	PPW-BLK-03	X	X	X	X			X	X	X	X					
Grey Street		PSL3	PPW-SIL-03	X	X	X	X			X	X	X	X					
Silver Bullet		PSL7	PPW-SIL-07			X	X			X	X	X	X					
White Satin	Pearl White	PWT2	PPW-WHT-02	X	X	X	X			X	X	X	X				X	
Red Corvette	Candy Apple Red, Ruby Red	PRD1	PPW-RED-01	X	X	X	X	X	X	X	X	X	X	X	X	X	X	
Cherry Bomb		PRD4	PPW-RED-04	X	X					X								
Pretty in Pink	Rose Quartz	PPK3	PPW-PNK-03	X	X	X	X			X	X	X	X	X	X	X	X	
Raspberry Beret		PPK4	PPW-PNK-04	X	X					X								
Sugar Plum		PPR7	PPW-PRP-07	X	X					X								
Deep Purple		PPR5	PPW-PRP-05	X	X	X	X			X	X	X	X					
Midnight Blue		PBU10	PPW-BLU-10	X	X	X	X			X	X	X	X					
Electric Blue	True Blue, Sapphire Blue	PBU9	PPW-BLU-09	X	X	X	X	X	X	X	X	X	X	X	X	X	X	
Blue Jean		PBU11	PPW-BLU-11	X	X					X								
Green Machine		PGN11	PPW-GRN-11	X	X	X	X			X	X	X	X					
Military Green		PGN8	PPW-GRN-08	X	X					X	X	X	X					
Lime Light		PGN7	PPW-GRN-07			X	X			X	X	X	X					
Yellow Blaze	Orion Yellow, Citrine Yellow	PYL3	PPW-YEL-03			X	X	X	X	X	X	X	X			X	X	
Lemon Crush		PYL4	PPW-YEL-04	X	X	X	X			X								
Orange Crush	Amber Orange	POR6	PPW-ORN-06			X	X			X	X	X	X				X	
Evolution Orange		POR7	PPW-ORN-07	X	X	X	X			X	X	X	X	X	X	X		
Carbon Fiber		WCB1	PWT-CBN-01		X	X				X								
Digital Camo		WCM7	PWT-CMO-07		X	X				X								
Faded Glory		WFL2	PWT-FLG-02		X	X				X								

Prior Generation Quantum Colors as of 9-1-2019																		
Color Name	Color Name Variant	Part Suffix	Color Code	Edge 3 Stretto	Edge 3	Edge 2.0	Edge 2.0X	Edge	Edge X	4Front	Edge Z	Edge HD	R44 Rival	J4 / Q4	J6	1450	Kozmo	
Pewter Grey		PGY1	PPW-GRY-01						X				X					
Silver		PSL1	PPW-SIL-01					X	X			X	X			X		
Cardinal Red	Rex Red	PRD2	PPW-RED-02					X					X					
Pearl Pink	Prehistoric Pink	PPK1	PPW-PNK-01					X	X			X	X		X	X		
Violet	Primitive Purple	PPR2	PPW-PRP-02					X					X					
Sapphire Blue		PPR4	PPW-PRP-04					X	X			X	X			X		
Mariner Blue	Bronto Blue	PBU2	PPW-BLU-02					X					X					
Graphite Blue		PBU3	PPW-BLU-03					X					X					
Viper Blue		PBU1	PPW-BLU-01					X	X			X	X		X	X		
Spring Green	Gator Green	PGN3	PPW-GRN-03					X					X					
Emerald Green		PGN5	PPW-GRN-05					X	X			X	X			X		
Kelly Green		PGN6	PPW-GRN-06					X					X		X			
Solar Yellow		PYL1	PPW-YEL-01					X					X					
Champagne	Saber Yellow	PCH1	PPW-CHA-01					X	X			X	X			X		
Tangerine		POR2	PPW-ORN-02					X					X					
Sunburst Orange		POR1	PPW-ORN-01					X	X			X	X		X	X		

Appendix A:Pages Index

8 Amp UPG Charger Assy, AGM / GEL Selectable 113

8 amp CTE Charger, Australia 111

Aftermarket Joystick Knobs 27

Articulating Beam, Edge Z / Edge HD / Q6 Ultra 5

Battery Access Brackets, Edge Z / Edge HD / Q6 Ultra 81

Bell Foot Platform, Edge Z / Edge HD / Q6 Ultra 79

Complete Shroud Matrix, Edge Z / Q6 Ultra 69

Decal Package - Occupied Transit Q-Logic, Edge Z 139

Decal Package - Occupied Transit, Edge Z 141

Decal Package - Unoccupied Transit, Edge Z 137

Decal Package - Unoccupied Transit, Q-Logic, Edge Z 135

Drive Motor - H2 & H2 Accu-trac, Curtis Connector, Edge Z / Q6 Ultra . . 11

Drive Motor - Hammer & High Speed Hammer, Curtis Connector, Edge Z / Q6 Ultra 9

Edge Z / Q6 Ultra Shroud Assy - Rear Bucket, Center Panel, Plastic Inserts, & Hardware 71

Fender Shrouds w/o Lights, Edge Z / Q6 Ultra 73

Fender Shrouds with Lights, Edge Z / Q6 Ultra 75

Fixed Joystick Mounts, Quantum Joysticks 129

Flat-free Drive Wheel Assy, 5 Spoke Titanium Rim/Charcoal Tire 97

Flat-free Drive Wheel, 5 Spoke Silver Rim/Charcoal Tire w/ Color Rim Insert 91

Foot Platform, Edge Z / Edge HD / Q6 Ultra 77

Front Caster & Front Suspension, Edge Z / Q6 Ultra 3

Group 24 Battery, Interceptor 109

Group 24 Battery, MK 105

I-Level Power Base Cable & Mounting Block Assy 147

I-Level Power Base Components, Curtis, Edge HD & Edge Z 143

I-Level Power Base Components, Edge HD & Edge Z w/Base Mounted lights 145

Joystick Receiver Mounts, Quantum 131

Main Frame, Edge Z / Q6 Ultra 1

Motor Mount, Hammer & H2 Motors, Edge Z / Q6 Ultra 13

Multi-Axis Joystick Bracket Components, Version 2 123

NE + Joystick Bottom Housing w/Bus Cable 35

NE+ & Q-Logic 2 Electronics Hardware & Harnesses, w/o Fender Lights, Edge Z / Q6 Ultra 55, 65

NE+ & Q-Logic 2 Electronics Hardware & Harnesses, with Fender Lights, Edge Z / Q6 Ultra 57, 67

NE+ Electronics Master Assy's w/ Fender Lights, Edge Z / Q6 Ultra 61

NE+ Electronics Master Assy's w/o Fender Lights, Edge Z / Q6 Ultra . . . 59

NE+ Joystick Assy's 25

NE+ Power Modules, Edge Z / Q6 Ultra 63

Owner's Package, Australia, Edge Z 133

Painted Wheel Inserts 99

Pneumatic Drive Wheel Assy, 5 Spoke Titanium Rim/Charcoal Tire 95

Pneumatic Drive Wheel, 5 Spoke Silver Rim/Charcoal Tire w/ Color Rim Insert 89

Pneumatic/Flat-free "Knobby" Drive Wheel Assy, 4 Spoke H2 Hub 103

Pneumatic/Flat-free "Knobby" Drive Wheel Assy, 4 Spoke Hammer Hub . .

101

Q-Logic 1 / Stand Alone / NE / NE+ Joystick Overlays 29

Q-Logic 2 & 3 Joystick Shrouds 33

Q-Logic 2 & 3 Joystick Bottom Housing w/Bus Cable 37

Q-Logic 2 Electronics Master Assy's w/ Fender Lights, Edge Z / Q6 Ultra . . . 51

Q-Logic 2 Electronics Master Assy's w/o Fender Lights, Edge Z / Q6 Ultra . . 49

Q-Logic 2 Joystick Assemblies 21

Q-Logic 2 Power Modules, Edge Z / Q6 Ultra 53

Q-Logic 2 Stand Alone Joystick Assy 23

Q-Logic 3 Electronics Master Assy's w/o Fender Lights, Edge Z 39

Q-Logic 3 Electronics Master Assy's with Fender Lights, Edge Z 41

Q-Logic 3 Electronics Power Module, Hardware, & Harnesses, w/o Fender Lights, Edge Z 43

Q-Logic 3 Electronics Power Module, Hardware, & Harnesses, with Fender Lights, Edge Z 45

Q-Logic 3 Joystick Assy's 15

Q-Logic 3 SD Cards for Q6 Edge Z 47

Q-Logic 3 Stand Alone Joystick Assy 19

Q-Logic 3e Joystick Assy's - Q6 Edge Z 17

Q-Logic Joystick Knobs 31

Quantum Color Reference Chart 149

Rear Swing Arm & Strut, Edge Z / Q6 Ultra 7

Retract 4 Swing-away Joystick Bracket for Curtis Joysticks 125

Run Flat Drive Wheel Assy, 5 Spoke Titanium Rim/Charcoal Tire 93

Run Flat Drive Wheel, Silver Rim/Charcoal Tire w/ Color Rim Insert 87

Seat Towers & Universal Transit Package, Edge Z / Q6 Ultra 83

Stealth Swing-away / Flip Down Joystick Brackets & Mounts 127

Swing-away & Multi-axis Mount Matrix, Captain Seat, Version 2 119

Swing-away & Multi-axis Mount Matrix, Rehab Seat, Version 2 117

Swing-away Joystick Bracket & Components, Version 3 115

Swing-away Joystick Bracket Components, Version 2 121

TB3 Tilt Seat Mounts w/Transit Loops, Metric, Edge Z / Q6 Ultra 85

Universal, Group 24, Battery Assy 107

Appendix B:Parts Index		ACC1908437	116
ABMASMB7110004	8	ACC1908438	116
ABMASMB7110006	6	ACC1908439	116
ACC123525	132	ACC1908440	116
ACC124132	124	ACCASMB1856	28
ACC124921	122	ACCASMB1857	28
ACC131216	118	ACCASMB1858	28
ACC131586	122	ACCASMB1859	28
ACC142524	118	ACCASMB1860	28
ACC142525	118	ACCASMB1861	28
ACC142526	118	ACCASMB1862	28
ACC142527	118	BAT1704614-P	110
ACC142528	118	BATASMB1011	108
ACC142529	118	BATASMB1095	106
ACC142530	118	BATGEL1004	108
ACC142531	118	BATGEL1009	106
ACC142532	118	BLTASHL1157	14
ACC142533	118	BRK8110003	84
ACC142534	118	CASASMB7120008	4, 6
ACC142738	118	CASASMB7120012	4, 6
ACC142739	118	CASASMB7120016	4
ACC142740	118	CASASMB7120020	4
ACC142742	118	CTL123217	22
ACC142743	118	CTL124653	22
ACC142745	118	CTL137635	24
ACC142746	118	CTL143976	16
ACC142747	118	CTL143977	16
ACC142748	118	CTL143978	44, 46
ACC142749	118	CTL143980	20
ACC142750	118	CTLDC1560	26
ACC142751	118	CTLDC1561	26
ACC142752	118	DEC8120002	134
ACC148356	120	DEC8120018	136, 138
ACC148357	120	DGN124307	34, 34
ACC148358	120	DGN124308	22, 32
ACC148359	120	DGN124309	16, 22, 32
ACC148360	120	DGN124336-PBK1	34, 34
ACC148361	120	DGN124336-PBK3	34
ACC148362	120	DGN124336-PBU1	34
ACC148363	120	DGN124336-PBU10	34
ACC148364	120	DGN124336-PBU11	34
ACC148365	120	DGN124336-PBU9	34, 34
ACC148366	120	DGN124336-PGN11	34
ACC148367	120	DGN124336-PGN5	34
ACC148368	120	DGN124336-PGN7	34
ACC148369	120	DGN124336-PGN8	34
ACC148370	120	DGN124336-POR4	34
ACC148371	120	DGN124336-POR6	34
ACC1806853	132	DGN124336-POR7	34
ACC1908434	116	DGN124336-PPK1	34
ACC1908435	116	DGN124336-PPK3	34

DGN124336-PPK4	34	DGN164245-PPR7	100
DGN124336-PPR4	34	DGN164245-PRD1	88, 90, 92, 100
DGN124336-PPR5	34	DGN164245-PRD4	100
DGN124336-PPR7	34	DGN164245-PSL3	88, 90, 92, 100
DGN124336-PRD1	34, 34	DGN164245-PSL7	88, 90, 92, 100
DGN124336-PRD4	34	DGN164245-PWH2	88, 90, 92, 100
DGN124336-PSL1	34	DGN164245-PYL3	88, 90, 92, 100
DGN124336-PSL3	34	DGN164245-PYL4	100
DGN124336-PSL7	34	DGN164245-WCB1	88, 90, 92, 100
DGN124336-PWH2	34	DGN164245-WCM7	88, 90, 92, 100
DGN124336-PYL3	34, 34	DGN164245-WFL2	88, 90, 92, 100
DGN124336-PYL4	34	DGN169179-PBK1	72
DGN124336-WCB1	34	DGN169179-PBK3	72
DGN124336-WCM7	34	DGN169179-PBU10	72
DGN124336-WFL2	34	DGN169179-PBU9	72
DGN146907	148	DGN169179-PGN11	72
DGN152223	76	DGN169179-PGN7	72
DGN153020	76	DGN169179-PGN8	72
DGN154742	16, 20, 32	DGN169179-POR6	72
DGN155719	74	DGN169179-POR7	72
DGN155720	74	DGN169179-PPK3	72
DGN156257	72	DGN169179-PPR5	72
DGN1610108-PBK1	70	DGN169179-PRD1	72
DGN1610108-PBK3	70	DGN169179-PSL3	72
DGN1610108-PBU10	70	DGN169179-PSL7	72
DGN1610108-PBU9	70	DGN169179-PWT2	72
DGN1610108-PGN11	70	DGN169179-PYL3	72
DGN1610108-PGN7	70	DRVASMB1905	12
DGN1610108-PGN8	70	DRVASMB1906	12
DGN1610108-POR6	70	DRVASMB1987	12
DGN1610108-POR7	70	DRVASMB1988	12
DGN1610108-PPK3	70	DRVMOTR1304	10
DGN1610108-PPR5	70	DRVMOTR1305	10
DGN1610108-PRD1	70	DRVMOTR1306	10
DGN1610108-PSL3	70	DRVMOTR1307	10
DGN1610108-PSL7	70	DWR1000D271	10
DGN1610108-PWT2	70	DWR1000D272	10
DGN1610108-PYL3	70	DWR1000H174	112, 114
DGN164245-PBK1	88, 90, 92, 100	DWR1005B049	88, 90, 92, 94, 96, 98
DGN164245-PBK3	88, 90, 92, 100	DWR1010B089	122, 124
DGN164245-PBU10	88, 90, 92, 100	DWR1056B062	2
DGN164245-PBU11	100	DWR1059H001	44, 46, 56, 58, 66, 68
DGN164245-PBU9	88, 90, 92, 100	DWR1065C004	12
DGN164245-PGN11	100	DWR1065C008	4, 6
DGN164245-PGN7	88, 90, 92, 100	DWR1065H005	44, 46, 56, 58, 66, 68
DGN164245-PGN8	88, 90, 92, 100	DWR1065H006	44, 46, 56, 58, 66, 68
DGN164245-POR6	88, 90, 92, 100	DWR1111C002	116, 122, 124, 130
DGN164245-POR7	100	DWR1111C003	36
DGN164245-PPK3	88, 90, 92, 100	DWR1111H051	24
DGN164245-PPK4	100	DWR1111H053	24
DGN164245-PPR5	88, 90, 92, 100	DWR1111H065	56, 58, 66, 68

DWR1202C027	134	ELE166207	62
DWR1202D044	4, 6	ELE166210	62
DWR1234L799	138, 142	ELE166211	62
DWR1235L515	136, 138, 140, 142	ELE1714099	40
DWR1235L520	112	ELE1714107	40
DWR1235L521	136, 138, 140, 142	ELE1714108	40
DWR1235L638	136, 138, 140, 142	ELE1714110	42
DWR1235L817	106, 108	ELE1714111	42
DWR1265H021	46, 56, 58, 66, 68, 76	ELE1714113	42
DWR1265H027	44, 56, 66	ELE1714114	42
DWR1265H050	44, 46, 56, 58, 66, 68	ELE1714115	42
DWR1265H055	76	ELE1714116	42
DWR1265H057	76	ELE1714117	42
DWR1361H038	44, 56, 66	ELE1714118	42
ELE124312	22	ELE1714119	40
ELE124313	22, 38	ELE1714122	40
ELE144006	16, 38	ELE1714123	40
ELE145674	144, 146	ELE1714124	42
ELE153370	50	ELE1714125	42
ELE153371	50	ELE1714126	42
ELE153372	50	ELE1714128	42
ELE153373	50	ELE1803440	114
ELE153374	50	ELE1808697	40
ELE153375	50	ELE1808698	40
ELE153376	50	ELE1808699	40
ELE153377	50	ELE1903802	48
ELE153378	50	ELE1903803	48
ELE153379	50	ELE1903804	48
ELE153380	50	ELE1903805	48
ELE153386	60	ELE1903806	48
ELE153387	60	ELE1903807	48
ELE153388	60	ELE2001177	18
ELE153389	60	ELE2001178	18
ELE153390	60	ELE2001179	18
ELE153391	60	ELE2001180	18
ELE153394	60	ELE2001181	18
ELE153395	60	ELE2001182	18
ELE153396	60	ELEASMB2868	44, 46, 56, 58, 66, 68
ELE155901	76	ELEASMB4721	44, 46, 56, 58, 66, 68
ELE160183	76	ELEASMB5212	54
ELE166190	52	ELEASMB5213	54
ELE166191	52	ELEASMB5286	54
ELE166192	52	ELEASMB5287	54
ELE166193	52	ELEASMB5478	56, 58, 66, 68
ELE166194	52	ELEASMB5547	54
ELE166195	52	ELEASMB5548	54
ELE166196	52	ELEASMB5672	112
ELE166197	52	ELEASMB6274	54
ELE166198	62	ELEASMB6275	54
ELE166203	62	ELEASMB6785	64
ELE166206	62	ELEASMB6786	64

ELEASMB6787	64	LAB166739	142
ELEASMB6788	64	MEC124133	124
ELEASMB6790	64	MEC131182	86
ELEASMB6791	64	MEC136293	4
ELECHG1017	112	MEC138180	124
FRMASMB10454	20, 24	MEC138475	14
FRMASMB10617	16, 18, 22, 130	MEC138476	14
FRMASMB10713	4	MEC138686	8
FRMASMB11110	4	MEC138860	126
FRMASMB11156	20, 24	MEC138876	126
FRMASMB12744	26, 130	MEC142133	84, 86
FRMASMB16062	132	MEC142426	122
FRMASMB16077	78	MEC145589	148
FRMASMB2066	130	MEC146025	148
FRMASMB4767	130	MEC146133	116, 122, 132
FRMASMB7110029	2	MEC147688	148
FRMASMB7110032	82	MEC148170	148
FRMASMB7120013	82	MEC148171	148
FRMASMB8691	14	MEC148172	144, 146, 148
FRMASMB9532	130	MEC154280	76
HAR144001	20	MEC155025	144, 146
HAR144003	20	MEC155045	144, 146
HAR144005	44, 46	MEC155515	144, 146
HARUSHD1065	114	MEC155518	144, 146
HARUSHD2041	114	MEC155688	144, 146
HARUSHD2160	114	MEC160012	146
HDW124834	106, 108	MEC160013	146
HDW142810	84, 86	MEC1610056	12
HDW147454	144, 146, 148	MEC162154	144
HDW155221	144, 146	MEC162155	144
HDW166324	144, 146	MEC167592	144
HDWASMB1187	4, 6	MEC167593	146
INFINFB1149	134	MEC1706847	144, 146
INFINFB2528	134	MEC1707284	144, 146
INFINFB3072	134	MEC1712217	122
INFINFB3442	134	MEC1712220	122
INFMANU3992	134	MEC1809294	132
INFMANU4237	134	NUTNYLK1041	12
KIT152913	30	NUTNYLK1073	14
KIT152914	30	NUTNYLK1091	10
KIT152915	30	NUTSTD1020	106, 108
KIT152919	22, 32	PLS8110080	72
KITASMB1728	30	PLS8110082	72
KITASMB1729	30	PLSINDV1252	32
KITASMB1730	30	PLSKNCP1056	72
LAB120011	136, 138, 140, 142	PLSKNCP1057	28
LAB147762	136, 138, 140, 142	PLSKNCP1058	28
LAB150425	148	PLSTIE1011	106, 108
LAB153623	136	PLSTIE1015	134
LAB153624	138	RIGASMB7120041	80
LAB166737	140	SCR8120003	84

SCRHHCS1668	106, 108	WHLASMB2095	90, 92
SCRPPH1006	130	WHLASMB2149	10, 102, 102
SCRPPH1036	4, 6, 10, 74, 76, 122, 124	WHLASMB7110040	4, 6
SCRPPH1097	124	WHLASMB7110043	92
SCRPPH1103	72	WHLASMB7110045	90
SCRPPH1122	130	WHLASMB7120005	88
SCRPPH1153	72		
SCRPPH1163	72		
SCRPPH1279	116, 122		
SCRPPH1315	56, 66		
SCRPPH1384	116, 116, 122, 124		
SCRPPH1390	44, 46, 58, 68		
SCRPPTC1047	44, 46, 56, 58, 66, 68		
SCRSETS1105	12		
SCRSFH1005	126		
SCRSHCS1111	14		
SCRSHCS1132	2, 14, 14		
SCRSHCS1172	14		
SCRSHFH1015	130		
SCRSHFH1053	126, 130		
ST-ARM250C-Q	128, 132		
ST-ARM250T-Q	128, 132		
ST-TWBM480CJ-Q	128		
ST-TWBM480QL-Q	128		
STP8120001	2		
TIR8110018	102, 104		
TIR8110020	102, 104		
TIR8110025	92, 98		
TIR8110027	90, 96		
TUBSTND1002	90, 96		
TUBSTND1043	102, 104		
TWRASMB7120002	84		
TWRASMB7120003	84		
WASLOCK1093	106, 108		
WASMETR1032	14		
WASMETR1043	14		
WASNEOP1003	72		
WASSTND1138	12		
WASSTND1141	10		
WHL121698	102		
WHL121703	102		
WHL130780-CGY1	96, 98		
WHL138793-C	96		
WHL138798-C	98		
WHL138826-C	94		
WHL153737	104		
WHL153739	104		
WHLASMB1644	10, 88, 90, 92, 94		
WHLASMB1747	12		
WHLASMB2081	96, 98		
WHLASMB2086	12, 104, 104		

Illustrated Parts Breakdown

USA - Quantum Rehab

401 York Avenue
Duryea, Pa 18642
www.quantumrehab.com

USA - Pride Mobility Products Corp.

182 Susquehanna Avenue
Exeter, Pa 18643
www.pridemobility.com

Canada

5096 South Service Road
Beamsville, Ontario L0R 1B3
www.pridemobility.ca
www.quantumrehab.com

Australia

20-24 Apollo Drive
Hallam, Victoria 3803
www.pridemobility.com.au
www.quantumrehab.com.au

New Zealand

38 Lansford Crescent
Avondale, Auckland 0600
www.pridemobility.co.nz

UK

32 Wedgwood Road
Bicester, Oxfordshire OX26 4UL
www.pride-mobility.co.uk
www.quantumrehab.co.uk

Netherlands

(Authorised EU Representative)

De Zwaan 3
1601 MS Enkhuizen
www.pridemobility.eu
www.quantumrehab.eu

Italy

Via del Progresso, ang. Via del Lavoro
Loc. Prato della Corte
00065 Fiano Romano (RM)
www.pride-italia.it
www.quantumrehab-italia.it

France

26 Rue Monseigneur Ancel
69800 Saint-Priest
www.pridemobility.fr
www.quantumrehab.fr

Spain

Calle Las Minas Número 67
Polígono Industrial Urtinsa II, de Alcorcón
28923 Madrid

Germany

Hövelrieger Str. 28
33161 Hövelhof
www.pridemobility.de

China

Room 508, Building #4
TianNa Business Zone
No. 500 Jianyun Road
Pudong New Area
Shanghai 201318

