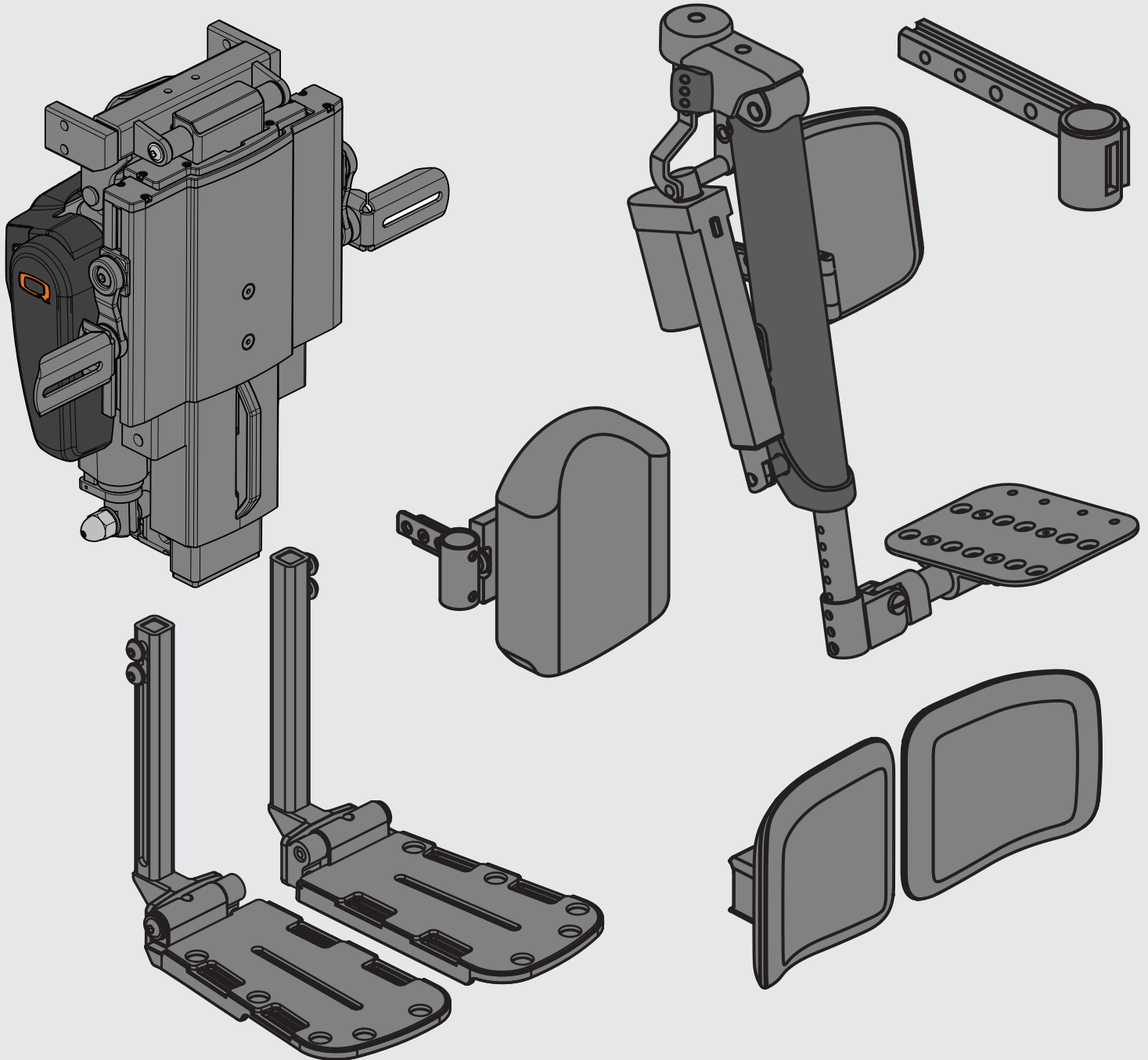


# Powered Front Riggings

## Illustrated Parts Breakdown

**PRIDE**<sup>®</sup>  
MOBILITY  
LIVE YOUR BEST<sup>®</sup>

**Q**  
QUANTUM<sup>®</sup>



This Illustrated Parts Breakdown (IPB) Catalog has been compiled from the latest product information available at the time of publication. Quantum Rehab<sup>®</sup> / Pride Mobility Products<sup>®</sup> Corporation reserves the right to make changes and updates to this manual and to the product(s) it represents. Any changes, updates, or improvements to the product(s) may result in slight differences between this manual and the product that has been purchased.

An IPB is a graphically portrayed parts listing of product components which have been deemed to have serviceable, maintenance significance. When applicable, IPBs utilize “exploded” illustrations that detail serviceable components and a corresponding itemized parts list of reference numbers, part numbers, descriptions, quantities, and any applicable pricing. Most product components are incorporated into assemblies and may not be available for replacement.

Serviceable components will be noted by a callout in the illustration that will correspond to a alphanumeric reference number in the parts list. Items may also be listed in the parts list by parent assemblies. In most cases when a parent assembly is listed, there will be child parts or sub-assemblies listed under that parent.

For example: The parent assembly reference number is A1 — A5. That part contains all of the items listed as and contained within A1, A2, A3, A4, & A5. As long as these subcomponents have a callout associated with them, they can be selected for replacement or quote.

Updates to the contents of an IPB will be made on a regular basis based upon applicable product changes and enhancements. This PDF catalog has been export from the Provider based service site. The most up to date parts look up tool and ordering application is located at: [prideprovider.com](http://prideprovider.com). Please utilize this system to enhance your user experience. It is built with highly interactive materials that are set with relational properties that will facilitate easier part look-up, more accurate parts selection, notification of onhand part availability, and quick links to related documents and products.

We welcome all questions and comments regarding the Quantum Rehab<sup>®</sup> / Pride Mobility Products<sup>®</sup> Corporation IPB systems.

Any pricing that is included in Quantum Rehab<sup>®</sup> /Pride Mobility Products<sup>®</sup> Corporation IPBs is subject to change without prior notice.

Thank you for choosing products from Quantum Rehab<sup>®</sup> and Pride Mobility Products<sup>®</sup> Corporation.



## 1. Legrest Hanger Assy's

### 1.1. TB3 Seating Legrest Hanger Assy's

Style #8 Swing-away Legrest Hangers - TB3 Seating	1
ELR Legrest Hangers - TB3 Seating	3
HD Drop-in Legrest Hangers - TB3 Seating	5

### 1.2. Synergy & TRU-Balance Seating Legrest Hanger Assy's

Legrest Hanger - Drop-in Power ALRs, & Power ELRs for Synergy & TRU-Balance Seating	7
Legrest Hanger - Swing-away ALRs for Pediatric Tilt, Synergy, & TRU-Balance Seating	9

### 1.3. TB Flex Seating

TB Flex Legrest Hangers	11
TB Flex Legrest Hangers Gen 2	13
Style #8 Swing-away Legrest Hangers - TB3 Seating	15
ELR Legrest Hangers - TB3 Seating	17
HD Drop-in Legrest Hangers - TB3 Seating	19

### 1.4. Motion Concepts & Versa Seating Legrest Hanger Assy's

Legrest Hanger - Motion Concepts & Versa Seating	21
--	----

## 2. Gen. 2 Power AFP Components

### 2.1. Gen. 2 Power AFP Upper Assy's

Gen. 2 Power AFP Complete Upper Assy's, TB2 & TB3	23
Gen. 2 Power AFP 14"-18"W & 16"-20"W Upper Assy's, TB2	25
Gen. 2 Power AFP 20"-24"W Upper Assy, TB2	27
AFP Upper Assy's, TB3	29

### 2.2. Gen. 2 Power AFP Lower's & Footplates

Gen. 2 AFP and CMT Tapered Footplates	31
Gen. 2 AFP and CMT Tapered Footplates Extensions & Mats	33
AFP and Center Mount Preconfigured Footplates w/Extensions (4Front)	37
Gen. 2 Power AFP 10"-16"L Lower's & Footplates	39
Gen. 2 Power AFP 13"-19"L Lower's & Footplates	41
Center Mount Foot Platform Non-Tapered Footplate Extension Brackets	43
Stealth Footplate Covers, Gen 2. AFP & Center Mount	45

### 2.3. Gen. 2 Power AFP Calf Pads & Calf Panels

Gen. 2 Power AFP & Center Mount Foot Platform Calf Pads	47
Gen. 2 Power AFP Calf Panels	49
Gen. 2 AFP & Center Mount Calf Pad & Calf Panel Covers	51

### 2.4. Gen. 2 Power AFP Actuators, Electronics, & Shrouds

Gen. 2 Power AFP Actuators & Shrouds	53
Gen. 2 Power AFP Electronics & Wiring	55

## 3. Gen. 1 Power AFP Components

### 3.1. Gen. 1 Power AFP Upper Assy's

Gen. 1 Power AFP Upper Assy, 14"-18"W	57
Gen. 1 Power AFP Upper Assy, 16"-20"W	58
Gen. 1 Power AFP Upper Assy, 20"-24"W	60

### 3.2. Gen. 1 Power AFP Lower's & Footplates

Gen. 1 Power AFP Lower Extensions	62
Gen. 1 Power AFP Foot Plate Connecting Bracket	65
Gen. 1 Power AFP Depth Adjustable Foot Plates	67
Gen. 1 Power AFP Adult Non-Depth Adjustable Foot Plates	69

Gen. 1 Power AFP Pediatric Non-Depth Adjustable Foot Plates	71
---	----

### 3.3. Gen. 1 Power AFP Shear Pin Replacement Kit

Power AFP Shear Pin Replacement Kit, Gen 1	74
--	----

## 4. ALR - Swing-away and Drop-in

### 4.1. Swing-away Power ALR's

#### 70° Uppers

70° Swing-away Power ALR Upper, Right 4" Stroke, for 11"-13" Lower Extension	77
70° Swing-away Power ALR Upper, Left 4" Stroke, for 11"-13" Lower Extension	81
70° Swing-away Power ALR Upper, Right 4" Stroke, for 14.5"-21" Lower Extension	85
70° Swing-away Power ALR Upper, Left 4" Stroke, for 14.5"-21" Lower Extension	89

#### 80° Uppers

80° Swing-away Power ALR Upper, Right 4" Stroke, for 11"-13" Lower Extension	93
80° Swing-away Power ALR Upper, Left 4" Stroke, for 11"-13" Lower Extension	97
80° Swing-away Power ALR Upper, Right 4" Stroke, for 14.5"-21" Lower Extension	101
80° Swing-away Power ALR Upper, Left 4" Stroke, for 14.5"-21" Lower Extension	105

#### Lowert

11"-13" Lowert, Small (Used w/ 4" & 5" W Footplates) - Swing-away Power ALR	109
11"-13" Lowert, Large (Used w/ 6"+ W Footplates) - Swing-away Power ALR	111
14.5"-18" Lowert, Small (Used w/ 4" & 5" W Footplates) - Swing-away Power ALR	113
14.5"-18" Lowert, Large (Used w/ 6"+ W Footplates) - Swing-away Power ALR	115
17.5"-21" Lowert, Small (Used w/ 4" & 5" W Footplates) - Swing-away Power ALR	117
17.5"-21" Lowert, Large (Used w/ 6"+ W Footplates) - Swing-away Power ALR	119

#### Foot Plates

4" x 6" Foot Plates - Power ALR	121
5" x 6" Foot Plates - Power ALR	123
5" x 8" Foot Plates - Power ALR	125
6" x 8" Foot Plates - Power ALR	127
6" x 11" Foot Plates - Power ALR	129
8" x 11" Foot Plates - Power ALR	131

#### Calf Pads and Adductor Button

Power ALR Calf Pad Assy's	133
Power ALR Adductor Button	135

### 4.2. Drop-in Power ALR's

#### 70° Uppers

70° Drop-in Power ALR Upper, Right 4" Stroke	137
70° Drop-in Power ALR Upper, Left 4" Stroke	139
70° Drop-in Power ALR Upper, Right 6" Stroke	141
70° Drop-in Power ALR Upper, Left 6" Stroke	143

#### 80° Uppers

80° Drop-in Power ALR Upper, Right 4" Stroke	145
80° Drop-in Power ALR Upper, Left 4" Stroke	147
80° Drop-in Power ALR Upper, Right 6" Stroke	149
80° Drop-in Power ALR Upper, Left 6" Stroke	151

#### Lowert

12"-14.5" Lowert, Small (Used with 4 & 5 Inch Wide Footplates) - Drop-in Power ALR	153
12"-14.5" Lowert, Large (Used with 6+ Inch Wide Footplates) - Drop-in Power ALR	155
14.5"-18" Lowert, Small (Used with 4 & 5 Inch Wide Footplates) - Drop-in Power ALR	157
14.5"-18" Lowert, Large (Used with 6+ Inch Wide Footplates) - Drop-in Power ALR	159

17.5"-21" Lowers, Small (Used with 4 & 5 Inch Wide Footplates) - Drop-in Power ALR	161
17.5"-21" Lowers, Large (Used with 6+ Inch Wide Footplates) - Drop-in Power ALR	163

### Foot Plates

4" x 6" Foot Plates - Power ALR	165
5" x 6" Foot Plates - Power ALR	167
5" x 8" Foot Plates - Power ALR	169
6" x 8" Foot Plates - Power ALR	171
6" x 11" Foot Plates - Power ALR	173
8" x 11" Foot Plates - Power ALR	175

### Calf Pads and Adductor Button

Power ALR Calf Pad Assy's	177
Power ALR Adductor Button	179

## 5. Power ELR

### 5.1. High Knee Pivot ELR

#### 5.1. Upper Assy

Power ELR Assy, High Knee Pivot, Upper	181
--	-----

#### 5.2. Lower Extensions

Angle Adjustable Lower Legrests, Large (Used with 6+ Inch Wide Footplates) - Style #7 & #12	183
Angle Adjustable Lower Legrests, Short (Used with 4 & 5 Inch Wide Footplates) - Style #7 & #12	185

#### 5.3. Foot Plates

Angle Adjustable Foot Plates, 5" x 6" - Style #7 Swing-away & Style #12 ELR	187
Angle Adjustable Foot Plates, 5" x 8" - Style #7 Swing-away & Style #12 ELR	189
Angle Adjustable Foot Plates, 6" x 8" - Style #7 Swing-away & Style #12 ELR	191
Angle Adjustable Foot Plates, 6" x 11" - Style #7 Swing-away & Style #12 ELR	193
Angle Adjustable Foot Plates, 8" x 11" - Style #7 Swing-away & Style #12 ELR	195

#### 5.4. Calf Pad Assy's

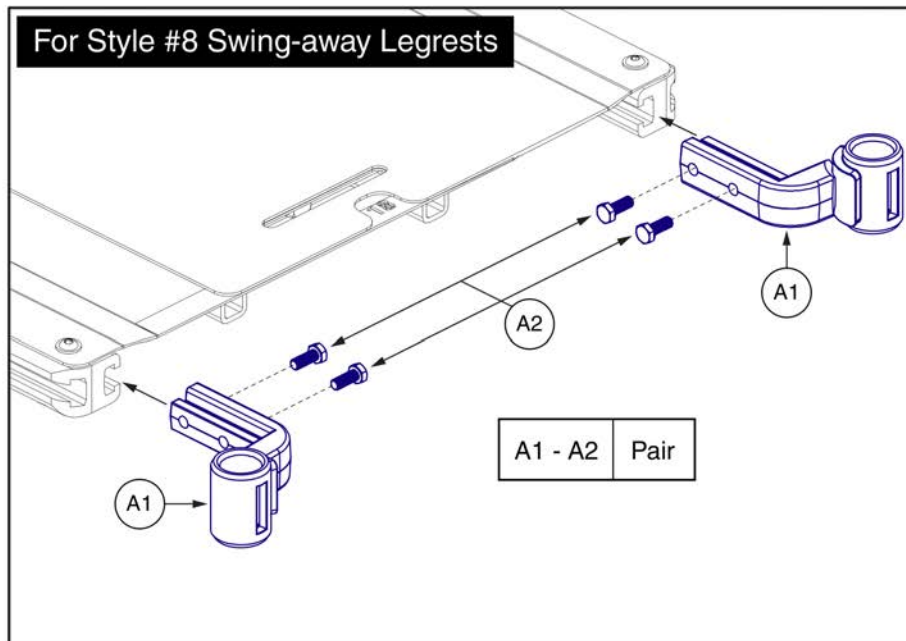
Style #12 ELR Calf Pad Assy's, Standard	197
Style #12 ELR Calf Pad Assy's, 1 Hole Adjustment	199
Style #12 ELR Calf Pad Assy's, 3 Hole Adjustment	201
Style #12 ELR Calf Pad Assy's, 6 Hole Adjustment	203

### 5.2. TB Flex Seating

TB Flex, Legrest Assembly - Power ELR	205
TB Flex, Legrest Assembly - Power ELR, Gen2	209

Appendix A:Pages Index	211
Appendix B:Parts Index	213

1.1. TB3 Seating Legrest Hanger Assy's



Item	Part No.	Name	Qty
A1 - A2	RIG136407	LEGREST HANGER,ASSY,S/A #8,TRU-BALANCE 3,PAIR	1
A1	MEC132306	LEGREST WELDMENT HANGER,S/A #8,LEFT/RIGHT,TRU-BALANCE 3	1
A2	SCRHHCS1322	SCREW, HEX HEAD, M8x1.25 x 25, ISO 4014, CL 10.9, BZ	4

1.1. TB3 Seating Legrest Hanger Assy's

Hangers and Hardware	Please Note:						
<p><b>For ELR Legrests</b> (Updated Configuration)</p> <div style="border: 1px solid black; padding: 5px; margin: 10px auto; width: fit-content;"> <p><b>Hanger Assemblies</b> (includes hardware B1 &amp; C1)</p> <table border="1" style="width: 100%; border-collapse: collapse; text-align: center;"> <tr> <td>A1a - A1b</td> <td>Pair</td> </tr> <tr> <td>A1a</td> <td>Right</td> </tr> <tr> <td>A1b</td> <td>Left</td> </tr> </table> <p>The hangers are only available as an assembly with the mounting hardware.</p> </div>	A1a - A1b	Pair	A1a	Right	A1b	Left	<ul style="list-style-type: none"> <li>- The updated ELR hanger mounting hardware replaces the previous configuration shown below.</li> <li>- Visually inspect the unit prior to replacing any components. If the unit is equipped with the previous configuration, follow the Replacement and Installation steps as outlined.</li> <li>- The left and right hangers should always be installed in the same configuration. A mismatch of hardware and mounting should never occur.</li> <li>- The width adjustment brackets shown may differ in appearance between TB3 seating systems.</li> </ul> <p style="color: red; font-weight: bold;">Contact Technical Service for more information .</p>
A1a - A1b	Pair						
A1a	Right						
A1b	Left						

**Replacement and Installation**

<p><b>Previous ELR Hanger Configuration</b></p> <p><b>Step 1:</b> - Remove the legrest hangers.</p>	<p><b>Front Width Adjustment Hardware Removal</b></p> <p><b>Step 2:</b> - Remove the front screws and t-nuts that hold the width adjustment brackets to the side rails.</p> <p style="color: red; font-size: small;">Note: Seat pan shown removed for illustration purposes only.</p>
---	---

<p><b>New Hardware Installation</b></p> <p><b>Step 3:</b> - Insert the bolt (B1) through the width adjustment bracket and side rail, then thread it into the legrest hanger as shown. Torque to <b>20.3 N • m (15 ft • lb)</b>. - Insert and tighten the set screw (C1).</p> <p><b>Note:</b> - If the width adjustment bracket and side rail do not line up properly, additional adjustments to the seating system may be needed to achieve proper alignment.</p> <p style="color: red; font-size: small;">Note: Seat pan shown removed for illustration purposes only.</p>	<p><b>Additional Information</b></p> <p>- The set screw and bolt mounting hole locations can be swapped to bring the hanger out an additional inch if needed.</p> <p style="text-align: center;">Mounting Hole Locations      Set Screw      1"</p>
---	---



## ELR Legrest Hangers - TB3 Seating



Item	Part No.	Name	Qty
A1a - A1b	RIG142468	LEGREST HANGER,ASSY,ELR,TB3,SLOTTED,OFFSET,PAIR	1
A1a	RIG142470	LEGREST HANGER,ASSY,ELR,TB3,SLOTTED,OFFSET,RIGHT	1
A1b	RIG142469	LEGREST HANGER,ASSY,ELR,TB3,SLOTTED,OFFSET,LEFT	1
B1	SCRHHCS1116	SCREW,HHCS,BLACK ZINC,5/16-18 X 1.75",GRADE 5	1
C1	SCRSETS1064	SCREW,SET,BLACK ZINC,5/16-18 X 0.375",W/NYLON TIP	1

## 1.1. TB3 Seating Legrest Hanger Assy's

Hangers and Hardware	Please Note:						
<div style="display: flex; justify-content: space-between;"> <div style="width: 45%;"> <p><b>For HD Drop-in Legrests</b> (Updated Configuration)</p> </div> <div style="width: 45%;"> <table border="1" style="margin-left: auto; margin-right: auto; border-collapse: collapse; text-align: center;"> <caption>Hanger Assemblies (includes hardware B1 &amp; C1)</caption> <tr> <td>A1a - A1b</td> <td>Pair</td> </tr> <tr> <td>A1a</td> <td>Right</td> </tr> <tr> <td>A1b</td> <td>Left</td> </tr> </table> <p style="font-size: small;">The hangers are only available as an assembly with the mounting hardware.</p> </div> </div>	A1a - A1b	Pair	A1a	Right	A1b	Left	<ul style="list-style-type: none"> <li>- The updated Drop-in hanger mounting hardware replaces the previous configuration shown below.</li> <li>- Visually inspect the unit prior to replacing any components. If the unit is equipped with the previous configuration, follow the Replacement and Installation steps as outlined.</li> <li>- The left and right hangers should always be installed in the same configuration. A mismatch of hardware and mounting should never occur.</li> <li>- The width adjustment brackets shown may differ in appearance between TB3 seating systems.</li> </ul> <p style="color: red; font-weight: bold;">Contact Technical Service for more information .</p>
A1a - A1b	Pair						
A1a	Right						
A1b	Left						

### Replacement and Installation

<p><b>Previous HD Drop-in Hanger Configuration</b></p> <p><b>Step 1:</b> - Remove the legrest hangers.</p>	<p><b>Front Width Adjustment Hardware Removal</b></p> <p><b>Step 2:</b> - Remove the front screws and t-nuts that hold the width adjustment brackets to the side rails.</p> <p style="font-size: small; color: red;">Note: Seat pan shown removed for illustration purposes only.</p>
--	---

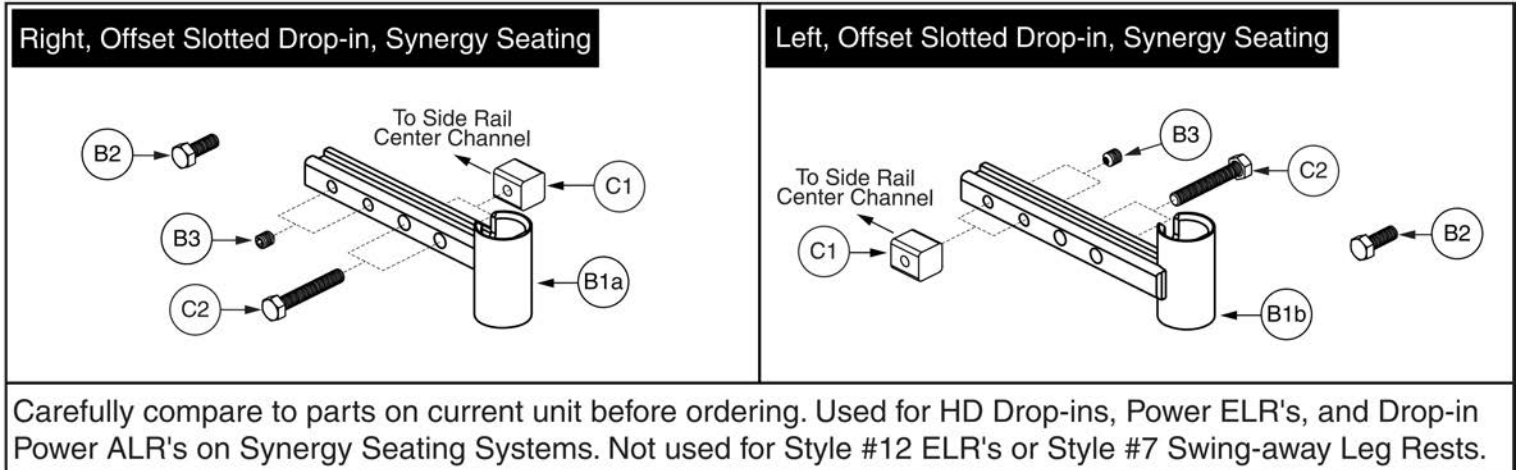
<p><b>New Hardware Installation</b></p> <p><b>Step 3:</b> - Insert the bolt (B1) through the width adjustment bracket and side rail, then thread it into the legrest hanger as shown. Torque to <b>20.3 N • m (15 ft • lb)</b>. - Insert and tighten the set screw (C1).</p> <p><b>Note:</b> - If the width adjustment bracket and side rail do not line up properly, additional adjustments to the seating system may be needed to achieve proper alignment.</p> <p style="font-size: small; color: red;">Note: Seat pan shown removed for illustration purposes only.</p>	<p><b>Additional Information</b></p> <p>- The set screw and bolt mounting hole locations can be swapped to bring the hanger out an additional inch if needed.</p>
---	---

# HD Drop-in Legrest Hangers - TB3 Seating



Item	Part No.	Name	Qty
A1a - A1b	RIG1704788	LEGREST HANGER,ASSY,DROP-IN,TB3,SLOTTED,OFFSET,PAIR	1
A1a	RIG1704790	LEGREST HANGER,ASSY,DROP-IN,TB3,SLOTTED,OFFSET,RIGHT	1
A1b	RIG1704789	LEGREST HANGER,ASSY,DROP-IN,TB3,SLOTTED,OFFSET,LEFT	1
B1	SCRHHCS1116	SCREW,HHCS,BLACK ZINC,5/16-18 X 1.75",GRADE 5	1
C1	SCRSETS1064	SCREW,SET,BLACK ZINC,5/16-18 X 0.375",W/NYLON TIP	1

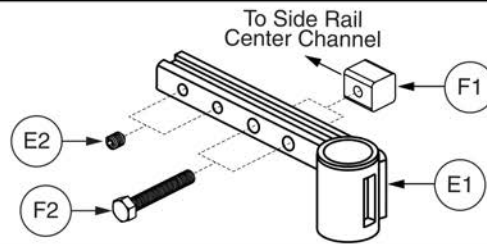
## 1.2. Synergy & TRU-Balance Seating Legrest Hanger Assy's



Item	Part No.	Name	Qty
B1 - C2	FRMASMB5257	LEGREST HANGER,ASSY,DROPIN,SYNERGY,SLOTTED,OFFSET,PAIR	1
B1a - B3	FRMASMB5252	LEGREST HANGER,ASSY,DROPIN,SYNERGY,SLOTTER,OFFSET,RIGHT,C-1360-082	1
B1b - B3	FRMASMB5253	LEGREST HANGER,ASSY,DROPIN,SYNERGY,SLOTTED,OFFSET,LEFT,C-1360-083	1
B1a		LEGREST HANGER WELDMENT,HD DROPIN,SLOTTED,OFFSET,RIGHT,SYNERGY SEAT,C-1360-056	1
B1b		LEGREST HANGER WELDMENT,HD DROPIN,SLOTTED,OFFSET,LEFT,SYNERGY SEAT,C-1360-057	1
B2	SCRHHCS1256	SCREW,HHCS,BLACK ZINC,5/16-18 X 0.625",GR 8,W/PATCH	1
B3	SCRSETS1064	SCREW,SET,BLACK ZINC,5/16-18 X 0.375",W/NYLON TIP	1
C1	DWR1005B180	NUT,MIDDLE CHANNEL,5/16-18,B-1005-180	2
C2	SCRHHCS1478	SCREW, HHCS,BLACK ZINC,5/16-18 X 2.00",GR 8,W/PATCH	2

## 1.2. Synergy & TRU-Balance Seating Legrest Hanger Assy's

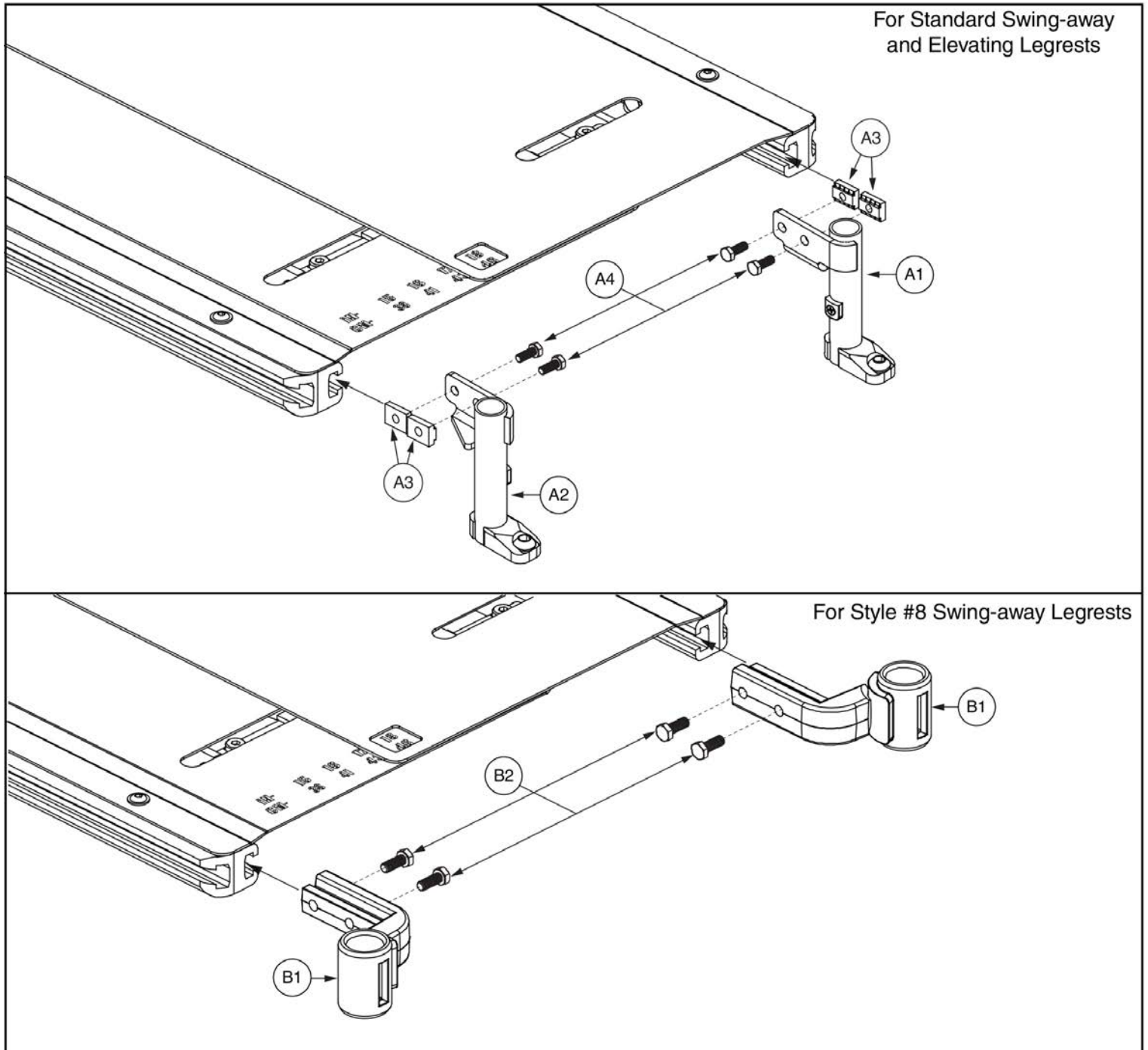
E1 - F2 Right/Left, Style #8 Swing-away, Pediatric Tilt and Swing-away Power ALRs



Carefully compare to parts on current unit before ordering. Used with Style #8 Swing-away Leg Rests on Pediatric Synergy Tilt and Swing-away Power ALR's on Synergy Seating Systems.

Item	Part No.	Name	Qty
E1 - F2	FRMASMB9972	LEGREST HANGER,ASSY,S/A #8,SYNERGY,SLOTTED,OFFSET,LEFT/RIGHT,PAIR	1
E1 - E2	FRMASMB9973	LEGREST HANGER,ASSY,S/A #8,SYNERGY,SLOTTED,OFFSET,LEFT/RIGHT,C-1010-280	2
E1	DWR1010D299	LEGREST HANGER WELDMENT,S/A #8,LEFT/RIGHT,D-1010-299	1
E2	SCRSETS1121	SCREW,SET,BLACK ZINC,5/16-18 X .375",CUP POINT,W/PATCH	1
F1	DWR1005B180	NUT,MIDDLE CHANNEL,5/16-18,B-1005-180	2
F2	SCRHHCS1478	SCREW, HHCS,BLACK ZINC,5/16-18 X 2.00",GR 8,W/PATCH	2

1.3. TB Flex Seating



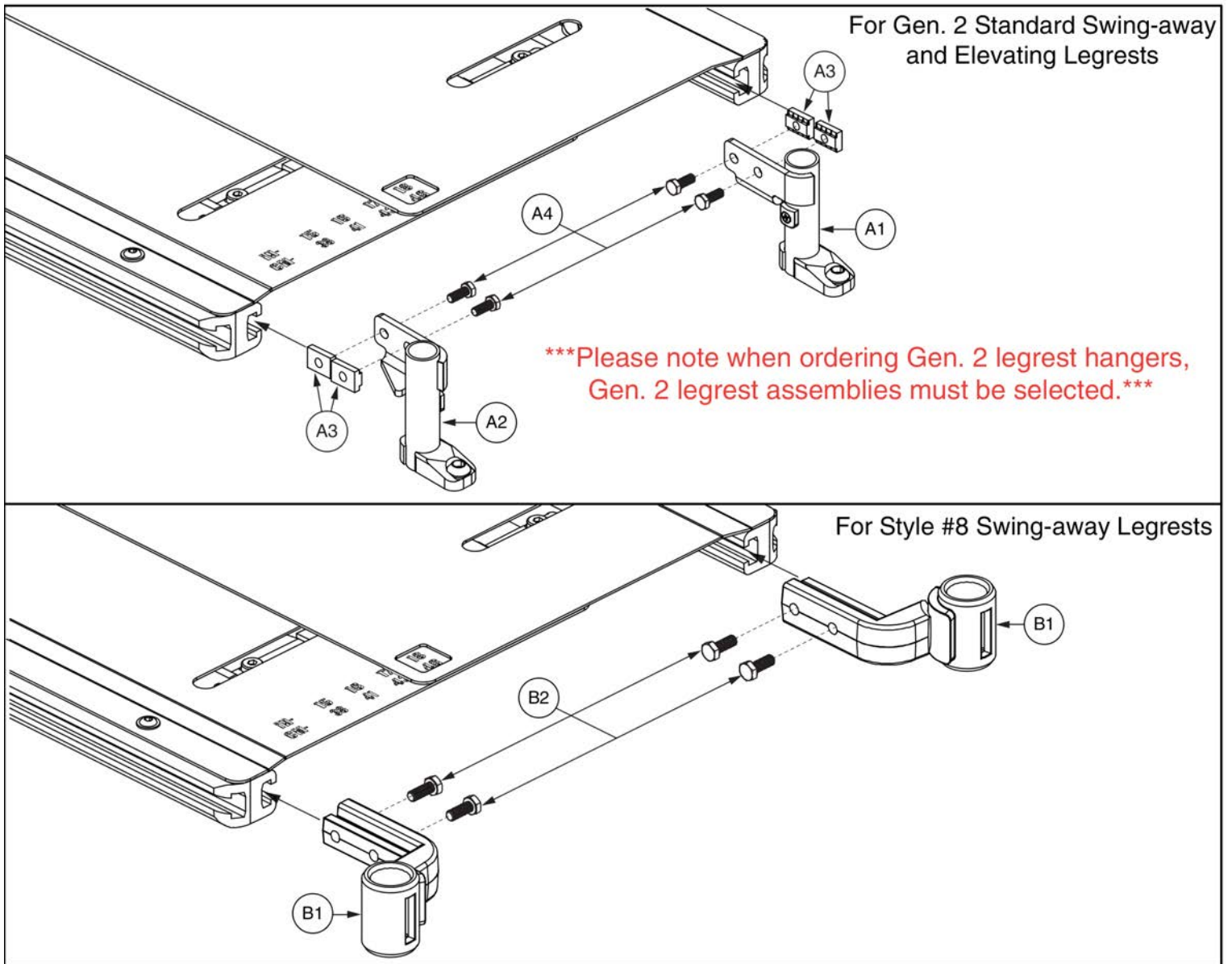


# TB Flex Legrest Hangers



Item	Part No.	Name	Qty
A1 - A4	RIG150610	LEGREST HANGER,ASSY,POWER ELR,TRU-BALANCE 3,SLOTTED,OFFSET,PAIR	1
A1	MEC148422	LEGREST HANGER,POWER ELR,TRU-BALANCE 3,LEFT	1
A2	MEC148423	LEGREST HANGER,POWER ELR,TRU-BALANCE 3,RIGHT	1
A3	NUT8120005	NUT,T-SLOT,BLACK,M8-1.25	4
A4	SCRHHCS1412	SCREW, HEX HEAD, M8X1.25 X 16, ISO 4014, CL 10.9, BZ, PVTP	4
B1 - B2	RIG136407	LEGREST HANGER,ASSY,S/A #8,TRU-BALANCE 3,PAIR	1
B1	MEC132306	LEGREST WELDMENT HANGER,S/A #8,LEFT/RIGHT,TRU-BALANCE 3	2
B2	SCRHHCS1322	SCREW, HEX HEAD, M8x1.25 x 25, ISO 4014, CL 10.9, BZ	4

1.3. TB Flex Seating

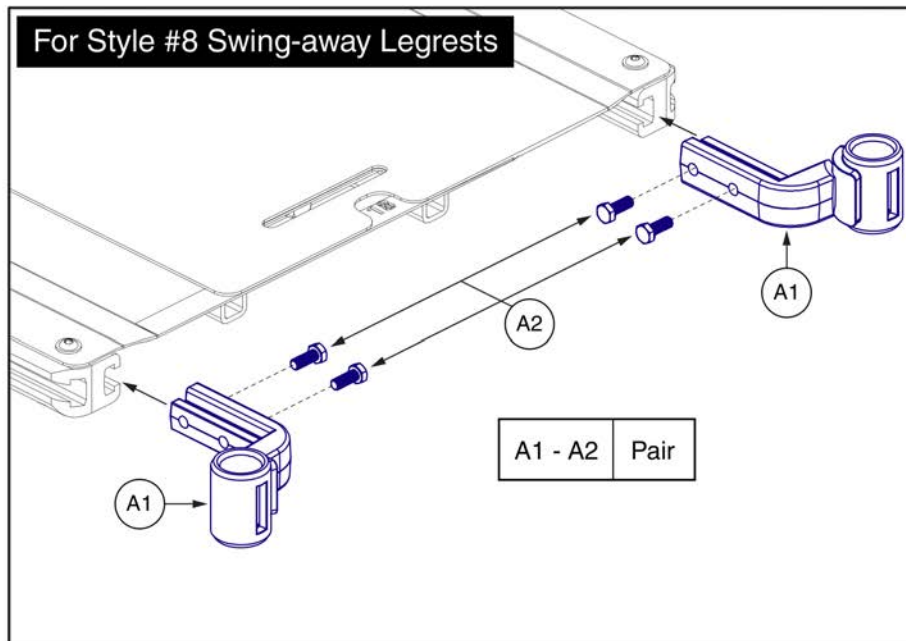


# TB Flex Legrest Hangers Gen 2



Item	Part No.	Name	Qty
A1 - A4	RIG1702200	GEN2 LEGREST HANGER,ASSY,POWER ELR,TRU-BALANCE 3,SLOTTED,OFFSET,PAIR	1
A1	MEC155441	GEN2 LEGREST HANGER,POWER ELR,TRU-BALANCE 3,LEFT	1
A2	MEC155442	GEN2 LEGREST HANGER,POWER ELR,TRU-BALANCE 3,RIGHT	1
A3	NUT8120005	NUT,T-SLOT,BLACK,M8-1.25	4
A4	SCRHHCS1412	SCREW, HEX HEAD, M8X1.25 X 16, ISO 4014, CL 10.9, BZ, PVTP	4
B1 - B2	RIG136407	LEGREST HANGER,ASSY,S/A #8,TRU-BALANCE 3,PAIR	1
B1	MEC132306	LEGREST WELDMENT HANGER,S/A #8,LEFT/RIGHT,TRU-BALANCE 3	2
B2	SCRHHCS1322	SCREW, HEX HEAD, M8x1.25 x 25, ISO 4014, CL 10.9, BZ	4

1.3. TB Flex Seating



Item	Part No.	Name	Qty
A1 - A2	RIG136407	LEGREST HANGER,ASSY,S/A #8,TRU-BALANCE 3,PAIR	1
A1	MEC132306	LEGREST WELDMENT HANGER,S/A #8,LEFT/RIGHT,TRU-BALANCE 3	1
A2	SCRHHCS1322	SCREW, HEX HEAD, M8x1.25 x 25, ISO 4014, CL 10.9, BZ	4

1.3. TB Flex Seating

Hangers and Hardware	Please Note:						
<p><b>For ELR Legrests</b> (Updated Configuration)</p> <div style="border: 1px solid black; padding: 5px; margin: 10px auto; width: fit-content;"> <p><b>Hanger Assemblies</b> (includes hardware B1 &amp; C1)</p> <table border="1" style="width: 100%; border-collapse: collapse; text-align: center;"> <tr> <td>A1a - A1b</td> <td>Pair</td> </tr> <tr> <td>A1a</td> <td>Right</td> </tr> <tr> <td>A1b</td> <td>Left</td> </tr> </table> <p>The hangers are only available as an assembly with the mounting hardware.</p> </div>	A1a - A1b	Pair	A1a	Right	A1b	Left	<ul style="list-style-type: none"> <li>- The updated ELR hanger mounting hardware replaces the previous configuration shown below.</li> <li>- Visually inspect the unit prior to replacing any components. If the unit is equipped with the previous configuration, follow the Replacement and Installation steps as outlined.</li> <li>- The left and right hangers should always be installed in the same configuration. A mismatch of hardware and mounting should never occur.</li> <li>- The width adjustment brackets shown may differ in appearance between TB3 seating systems.</li> </ul> <p style="color: red; font-weight: bold;">Contact Technical Service for more information .</p>
A1a - A1b	Pair						
A1a	Right						
A1b	Left						

**Replacement and Installation**

<p><b>Previous ELR Hanger Configuration</b></p> <p><b>Step 1:</b> - Remove the legrest hangers.</p>	<p><b>Front Width Adjustment Hardware Removal</b></p> <p><b>Step 2:</b> - Remove the front screws and t-nuts that hold the width adjustment brackets to the side rails.</p> <p style="color: red; font-size: small;">Note: Seat pan shown removed for illustration purposes only.</p>
---	---

<p><b>New Hardware Installation</b></p> <p><b>Step 3:</b> - Insert the bolt (B1) through the width adjustment bracket and side rail, then thread it into the legrest hanger as shown. Torque to <b>20.3 N • m (15 ft • lb)</b>. - Insert and tighten the set screw (C1).</p> <p><b>Note:</b> - If the width adjustment bracket and side rail do not line up properly, additional adjustments to the seating system may be needed to achieve proper alignment.</p> <p style="color: red; font-size: small;">Note: Seat pan shown removed for illustration purposes only.</p>	<p><b>Additional Information</b></p> <p>- The set screw and bolt mounting hole locations can be swapped to bring the hanger out an additional inch if needed.</p> <p style="text-align: center;">Mounting Hole Locations      Set Screw</p>
---	---

## ELR Legrest Hangers - TB3 Seating



Item	Part No.	Name	Qty
A1a - A1b	RIG142468	LEGREST HANGER,ASSY,ELR,TB3,SLOTTED,OFFSET,PAIR	1
A1a	RIG142470	LEGREST HANGER,ASSY,ELR,TB3,SLOTTED,OFFSET,RIGHT	1
A1b	RIG142469	LEGREST HANGER,ASSY,ELR,TB3,SLOTTED,OFFSET,LEFT	1
B1	SCRHHCS1116	SCREW,HHCS,BLACK ZINC,5/16-18 X 1.75",GRADE 5	1
C1	SCRSETS1064	SCREW,SET,BLACK ZINC,5/16-18 X 0.375",W/NYLON TIP	1

## 1.3. TB Flex Seating

Hangers and Hardware	Please Note:						
<div style="display: flex; justify-content: space-between;"> <div style="width: 45%;"> <p><b>For HD Drop-in Legrests</b> (Updated Configuration)</p> </div> <div style="width: 45%; border: 1px solid black; padding: 5px;"> <p><b>Hanger Assemblies</b> (includes hardware B1 &amp; C1)</p> <table border="1" style="width: 100%; border-collapse: collapse; text-align: center;"> <tr> <td>A1a - A1b</td> <td>Pair</td> </tr> <tr> <td>A1a</td> <td>Right</td> </tr> <tr> <td>A1b</td> <td>Left</td> </tr> </table> <p>The hangers are only available as an assembly with the mounting hardware.</p> </div> </div>	A1a - A1b	Pair	A1a	Right	A1b	Left	<ul style="list-style-type: none"> <li>- The updated Drop-in hanger mounting hardware replaces the previous configuration shown below.</li> <li>- Visually inspect the unit prior to replacing any components. If the unit is equipped with the previous configuration, follow the Replacement and Installation steps as outlined.</li> <li>- The left and right hangers should always be installed in the same configuration. A mismatch of hardware and mounting should never occur.</li> <li>- The width adjustment brackets shown may differ in appearance between TB3 seating systems.</li> </ul> <p style="color: red; font-weight: bold;">Contact Technical Service for more information .</p>
A1a - A1b	Pair						
A1a	Right						
A1b	Left						

## Replacement and Installation

<p><b>Previous HD Drop-in Hanger Configuration</b></p> <p><b>Step 1:</b> - Remove the legrest hangers.</p>	<p><b>Front Width Adjustment Hardware Removal</b></p> <p><b>Step 2:</b> - Remove the front screws and t-nuts that hold the width adjustment brackets to the side rails.</p> <p style="color: red; font-size: small;">Note: Seat pan shown removed for illustration purposes only.</p>
--	---

<p><b>New Hardware Installation</b></p> <p><b>Step 3:</b> - Insert the bolt (B1) through the width adjustment bracket and side rail, then thread it into the legrest hanger as shown. Torque to <b>20.3 N • m (15 ft • lb)</b>. - Insert and tighten the set screw (C1).</p> <p><b>Note:</b> - If the width adjustment bracket and side rail do not line up properly, additional adjustments to the seating system may be needed to achieve proper alignment.</p> <p style="color: red; font-size: small;">Note: Seat pan shown removed for illustration purposes only.</p>	<p><b>Additional Information</b></p> <ul style="list-style-type: none"> <li>- The set screw and bolt mounting hole locations can be swapped to bring the hanger out an additional inch if needed.</li> </ul>
---	--



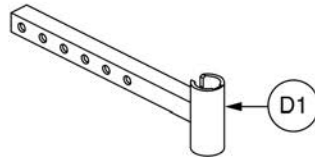
## HD Drop-in Legrest Hangers - TB3 Seating



Item	Part No.	Name	Qty
A1a - A1b	RIG1704788	LEGREST HANGER,ASSY,DROP-IN,TB3,SLOTTED,OFFSET,PAIR	1
A1a	RIG1704790	LEGREST HANGER,ASSY,DROP-IN,TB3,SLOTTED,OFFSET,RIGHT	1
A1b	RIG1704789	LEGREST HANGER,ASSY,DROP-IN,TB3,SLOTTED,OFFSET,LEFT	1
B1	SCRHHCS1116	SCREW,HHCS,BLACK ZINC,5/16-18 X 1.75",GRADE 5	1
C1	SCRSETS1064	SCREW,SET,BLACK ZINC,5/16-18 X 0.375",W/NYLON TIP	1

1.4. Motion Concepts & Versa Seating Legrest Hanger Assy's

D1 Right/Left, HD Drop-in

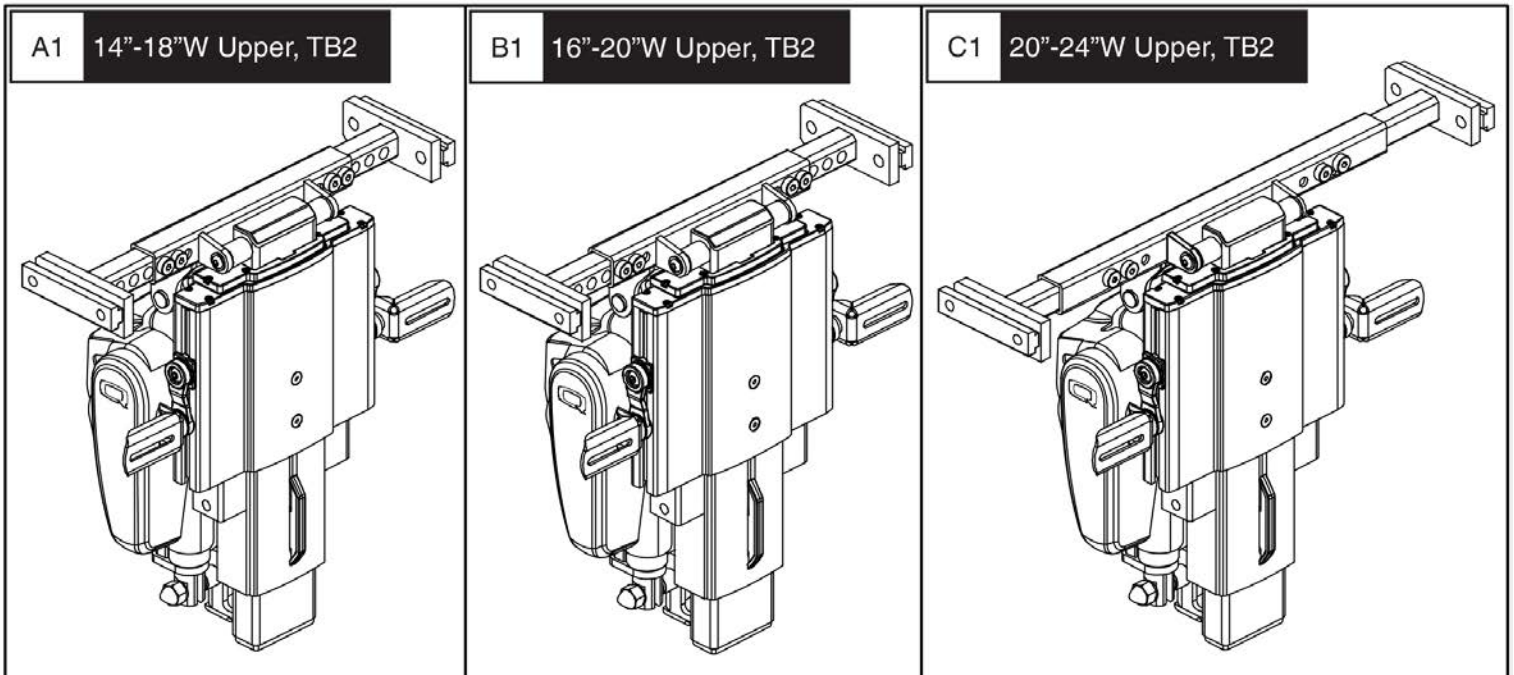


Carefully compare to parts on current unit before ordering. Used for HD Drop-ins, on Versa Seating, and Motion Concepts Seating with Pride's Heavy Duty Drop-in Leg Rests, Drop-in Power ALR's, and Power ELR's. Not used for Style #12 ELR's or Style #7 Swing-away Leg Rests.

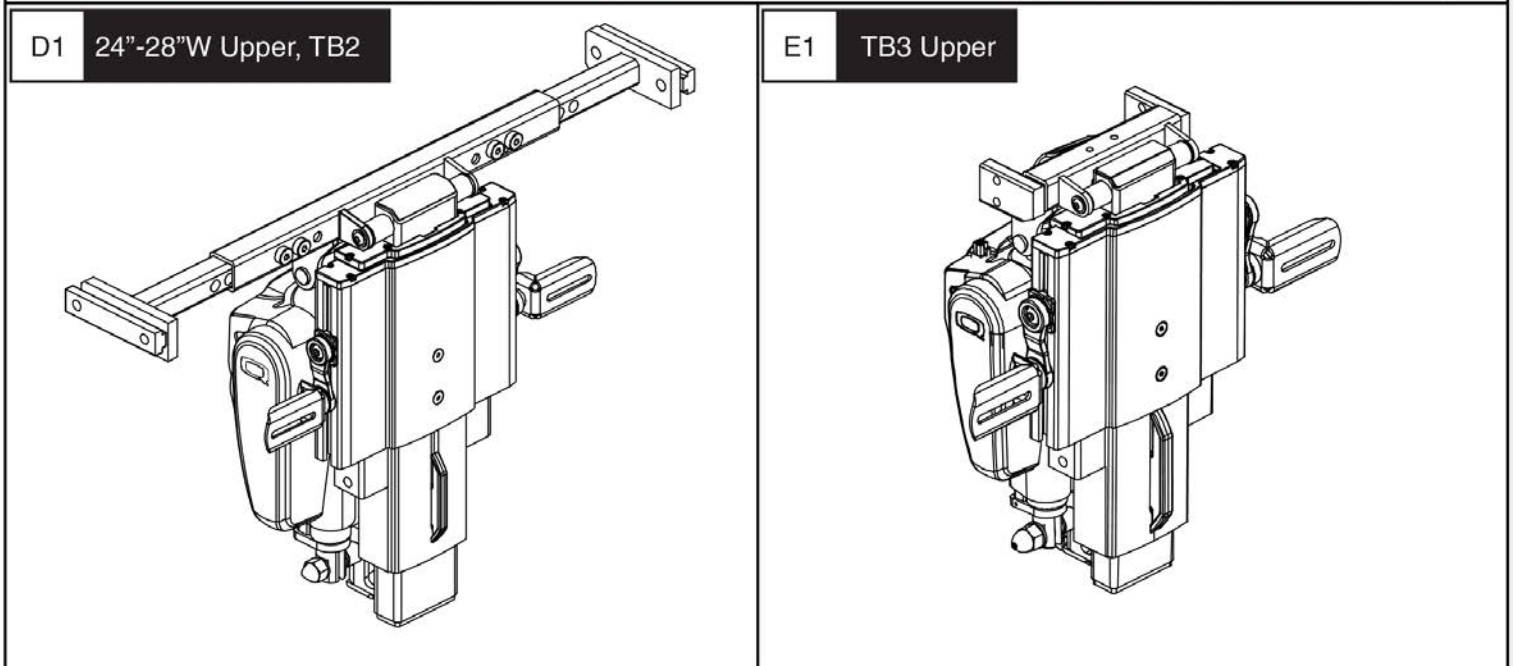


Item	Part No.	Name	Qty
D1	DWR1000C204	LEGREST HANGER WELDMENT,HD DROP-IN,LEFT/RIGHT	1

2.1. Gen. 2 Power AFP Upper Assy's

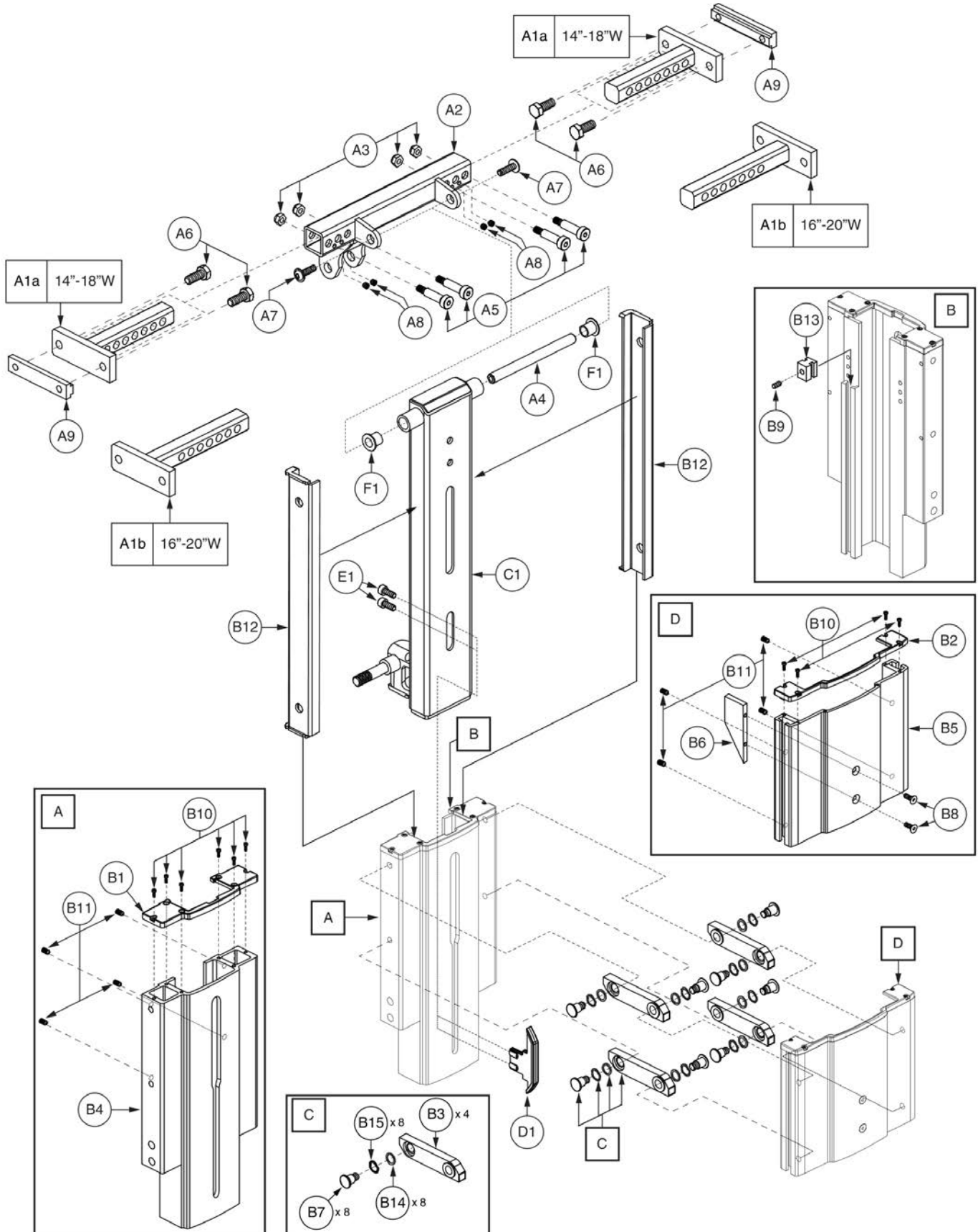


\*\*\*Please Note: These assemblies DO NOT contain the Calf Pads. They must be selected separately\*\*\*



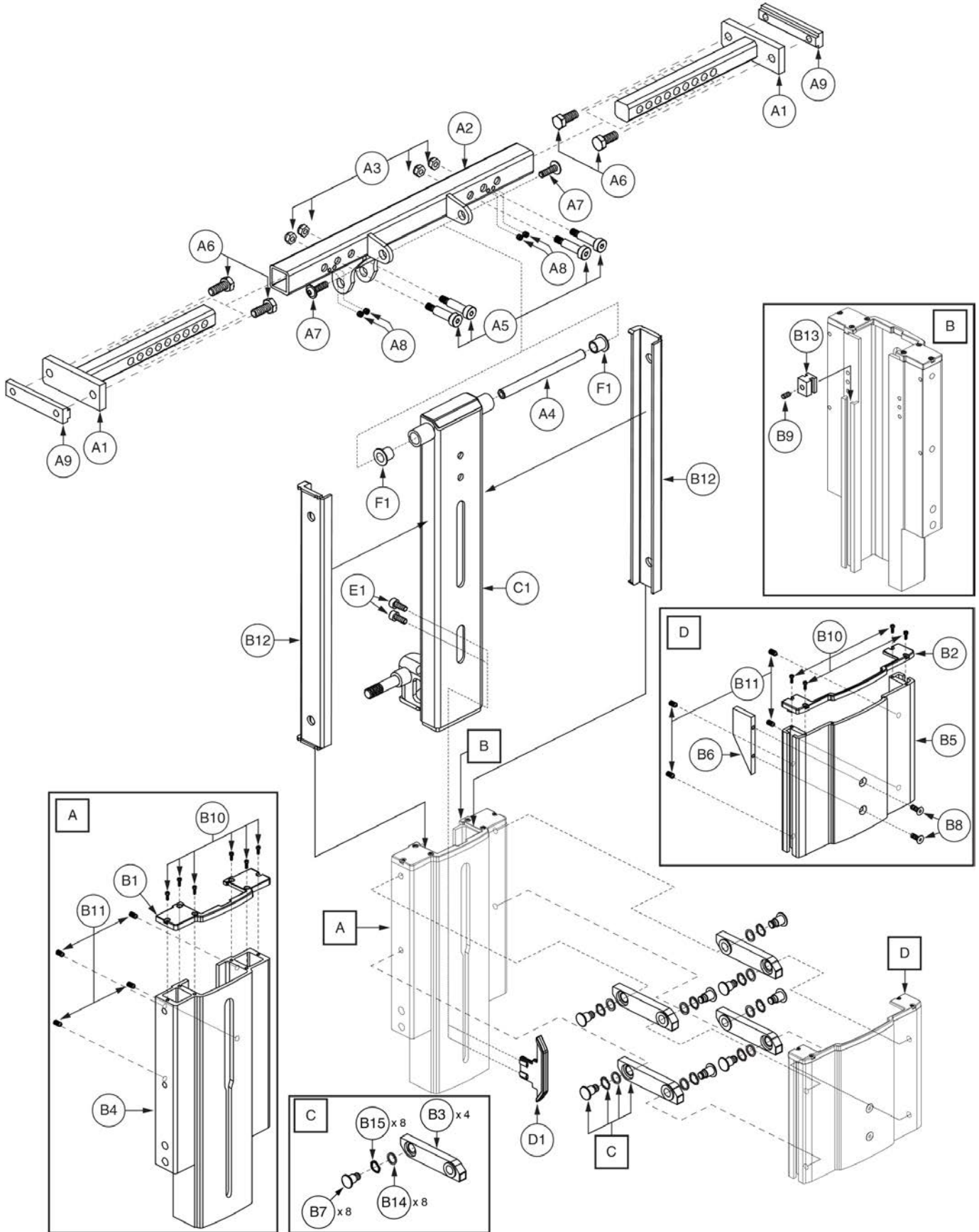
Item	Part No.	Name	Qty
A1	RIGASMB7120028	LEGREST,ASSY,14"W-18"W,CENTER MOUNT AFP,W/HARNESSES	1
B1	RIGASMB7120030	LEGREST,ASSY,16"W-20"W,CENTER MOUNT AFP,W//HARNESSES	1
C1	RIGASMB7120031	LEGREST,ASSY,20"W-24"W,CENTER MOUNT AFP,W/HARNESSES	1
D1	RIGASMB7120032	LEGREST,ASSY,24"W-28"W,CENTER MOUNT AFP,W//HARNESSES	1
E1	RIG131108	LEGREST,ASSY,CENTER MOUNT,ARTICULATING FOOT PLATFORM,W/MOUNTING HARDWARE,TRU-BALANCE 3	1

2.1. Gen. 2 Power AFP Upper Assy's



Item	Part No.	Name	Qty
A1a - A9	FRMASMB17961	WIDTH ADJUSTMENT,ASSY,UPPER PIVOT,14"W-18"W,TRUBALANCE POWER ARTICULATING FOOT PLATFORM,D-1404-014	1
A1a	DWR1404C064	BRACKET,WIDTH ADJUSTMENT WELDMENT,14"W-18"W,CENTER MOUNT LEGREST,C-1404-064	2
A1b - A9	RIGASMB7110014	WIDTH ADJUSTMENT,ASSY,UPPER PIVOT,16"W-20"W,CENTER MOUNT ARTICULATING FOOT PLATFORM,D-1404-053	1
A1b	DWR1404C065	BRACKET,WIDTH ADJUSTMENT WELDMENT,16"W-20"W,CENTER MOUNT LEGREST,C-1404-065	2
A2	DWR1404D013	WIDTH ADJUSTMENT WELDMENT,UPPER PIVOT,14"W-20"W,AFP	1
A3	NUTNYLK1019	NUT,NYLOCK,BLACK ZINC,M6-1.0	4
A4	DWR1404C063	PIVOT ROD,UPPER,AFP	1
A5	BLTASHL1088	BOLT, SHOULDER, M8 X 25, ISO 7379, CL 12.9, BZ	4
A6	SCRHHCS1727	SCREW,HHCS,BLACK ZINC,M8-1.25 X 20MM,GRADE 10.9,W/NYLON PATCH,C-1005-098	4
A7	SCRASBH1331	SCREW,BHSCS,M6-1.0 X 20MM,FLANGED,GR 10.9,W/PATCH	2
A8		SCREW,SET,M5-0.8 X 5MM,FLAT POINT,W/NYLON PATCH,	4
A9	DWR1404C058	T-NUT,BLACK ZINC,M8-1.25,C-1404-058	2
B1 - B15	FRMASMB17963	SLIDE,ASSY,CALF PAD,CENTER MOUNT AFP,E-1404-005	1
B1		EXTRUSION END CAP,ARTICULATING FOOT PLATFORM	1
B2		EXTRUSION END CAP,OUTER,AFP	1
B3		MOUNTING BRACKET,ASSY,CALF PAD LINK,POWER ALR,C-1404-037	4
B4		SLIDE EXTRUSION,MAIN,AFP	1
B5		SLIDE EXTRUSION,CALF PAD,AFP	1
B6		BRACKET,CALF PAD UPPER RAMP,AFP	1
B7		PIN,PIVOT,CALF PAD LINK,AFP	8
B8	HDW120030	SCREW,SHFH,BLACK ZINC,M5-.8 X 12MM,GR 10.9,W/PATCH	2
B9	SCRSETS1105	SCREW,SET,M6-1.0T X 8MM,CUP POINT,W/NYLON PATCH	1
B10		SCREW,SHCS,M2.5-0.45 X 8MM,W/NYLON PATCH,C-1005-100	10
B11		SCREW,SET,BLACK ZINC,M5-.8 X 8MM,W/PATCH,CONE POINT	8
B12		BUSHING,11.22"L,ADJUSTABLE CENTER MOUNT FOOT PLATFORM	2
B13		NUT,BLACK,M6 X 1.0,ARTICULATING LIMIT SWITCH,C-1404-033	1
B14		WASHER,FLAT,BLACK ACETAL,8.0MM X 13MM X 0.50MM THK	8
B15		WASHER,WAVE DISC SPRING,0.350 ID X 0.492 OD X 0.007 TH	8
C1		SLIDE TUBE WELDMENT,MAIN,AFP	1
D1	DWR1404C028	BRACKET,CALF PAD LOWER RAMP,PLASTIC,POWER AFP	1
E1	SCR8110014	SCREW,SHCS,BLACK ZINC,M5-.8 X 8MM,ASTM A574M,NYLON PATCH	2
F1	BRGFLNG1065	BEARING,FLANGE0.375"ID X .46875"OD X .500"TH,.687" FOD X .046" FTH	2

2.1. Gen. 2 Power AFP Upper Assy's



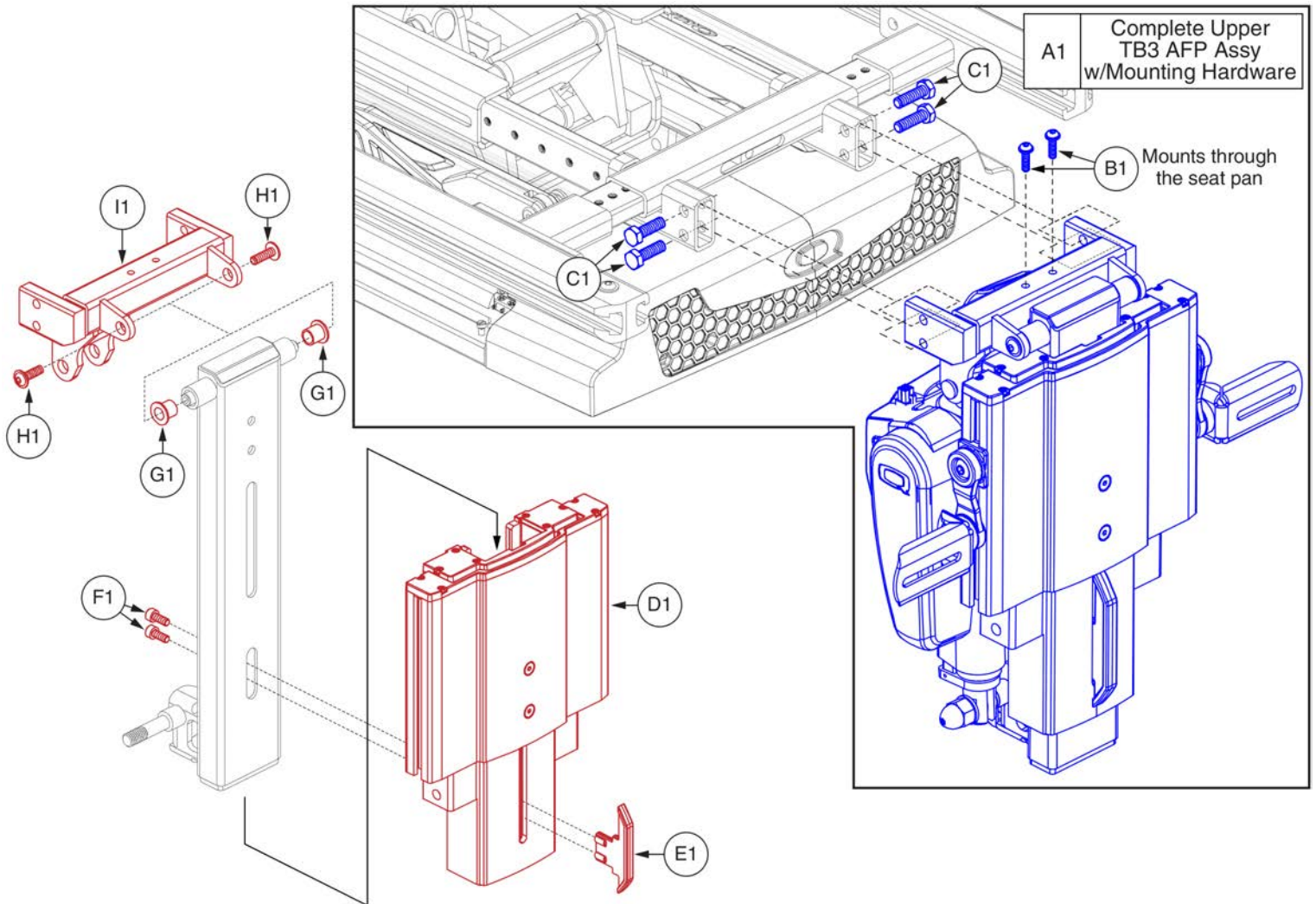


Gen. 2 Power AFP 20"-24"W Upper Assy, TB2



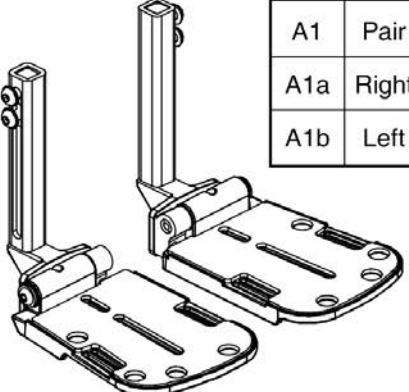
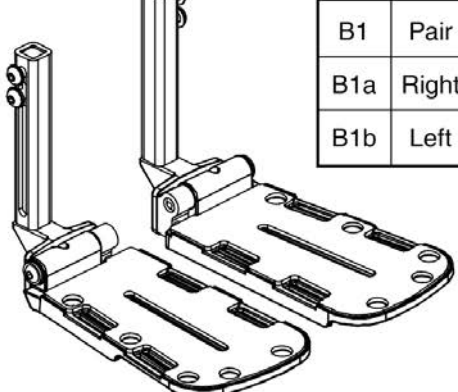
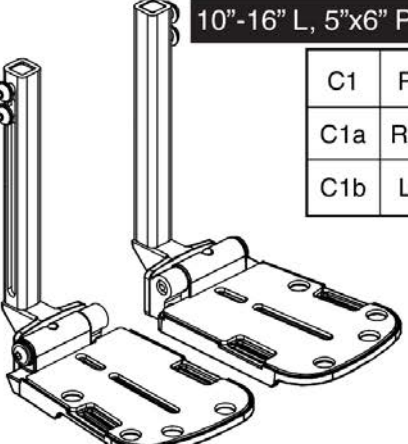
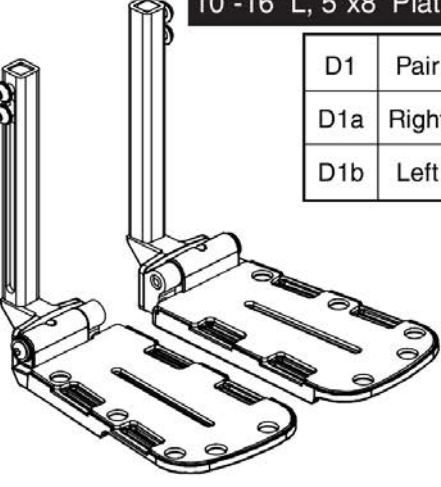
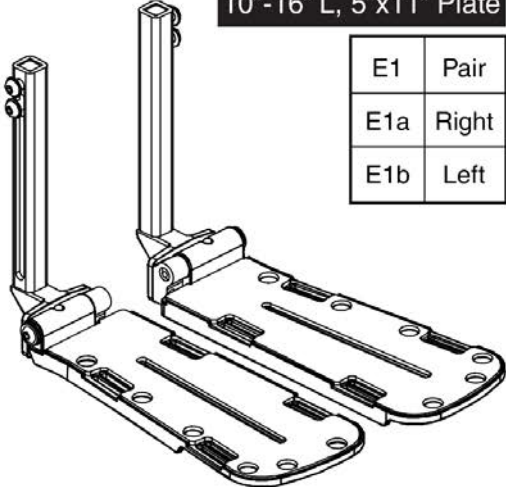
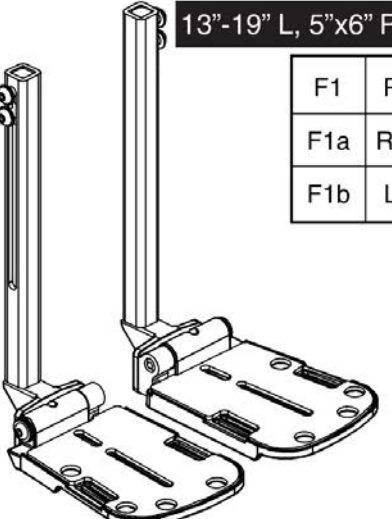
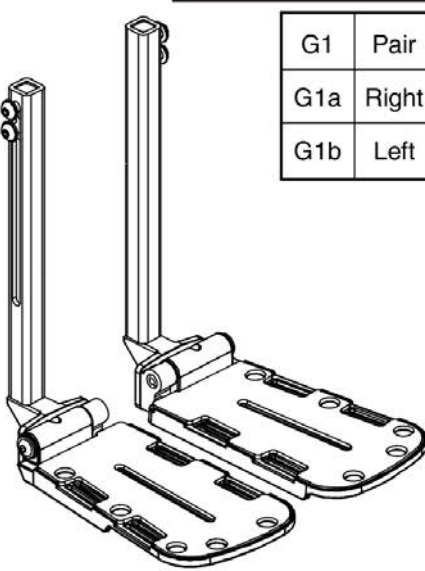
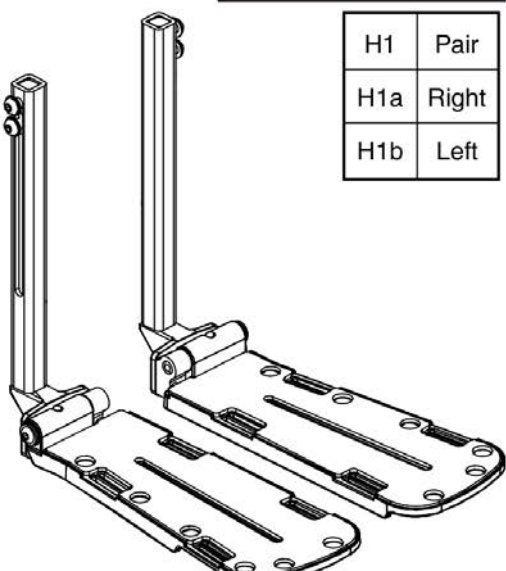
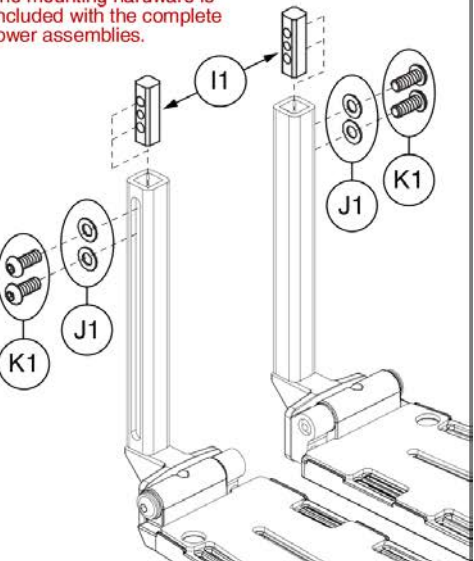
Item	Part No.	Name	Qty
A1 - A9	RIGASMB7110015	WIDTH ADJUSTMENT ASSY, UPPER PIVOT, 20"W-24"W, CENTER MOUNT ARTICULATING FOOT PLATFORM, D1404-054	1
A1	DWR1404C066	BRACKET, WIDTH ADJUSTMENT WELDMENT, 20"W-24"W, CENTER MOUNT LEGREST, C-1404-066	2
A2		UPPER PIVOT WELDMENT, 20"-32"W, AFP	1
A3	NUTNYLK1019	NUT, NYLOCK, BLACK ZINC, M6-1.0	4
A4	DWR1404C063	PIVOT ROD, UPPER, AFP	1
A5	BLTASHL1088	BOLT, SHOULDER, M8 X 25, ISO 7379, CL 12.9, BZ	4
A6	SCRHHCS1727	SCREW, HHCS, BLACK ZINC, M8-1.25 X 20MM, GRADE 10.9, W/NYLON PATCH, C-1005-098	4
A7	SCRASBH1331	SCREW, BHSCS, M6-1.0 X 20MM, FLANGED, GR 10.9, W/PATCH	2
A8		SCREW, SET, M5-0.8 X 5MM, FLAT POINT, W/NYLON PATCH,	4
A9	DWR1404C058	T-NUT, BLACK ZINC, M8-1.25, C-1404-058	2
B1 - B15	FRMASMB17963	SLIDE, ASSY, CALF PAD, CENTER MOUNT AFP, E-1404-005	1
B1		EXTRUSION END CAP, ARTICULATING FOOT PLATFORM	1
B2		EXTRUSION END CAP, OUTER, AFP	1
B3		MOUNTING BRACKET, ASSY, CALF PAD LINK, POWER ALR, C-1404-037	4
B4		SLIDE EXTRUSION, MAIN, AFP	1
B5		SLIDE EXTRUSION, CALF PAD, AFP	1
B6		BRACKET, CALF PAD UPPER RAMP, AFP	1
B7		PIN, PIVOT, CALF PAD LINK, AFP	8
B8	HDW120030	SCREW, SHFH, BLACK ZINC, M5-.8 X 12MM, GR 10.9, W/PATCH	2
B9	SCRSETS1105	SCREW, SET, M6-1.0T X 8MM, CUP POINT, W/NYLON PATCH	1
B10		SCREW, SHCS, M2.5-0.45 X 8MM, W/NYLON PATCH, C-1005-100	10
B11		SCREW, SET, BLACK ZINC, M5-.8 X 8MM, W/PATCH, CONE POINT	8
B12		BUSHING, 11.22"L, ADJUSTABLE CENTER MOUNT FOOT PLATFORM	2
B13		NUT, BLACK, M6 X 1.0, ARTICULATING LIMIT SWITCH, C-1404-033	1
B14		WASHER, FLAT, BLACK ACETAL, 8.0MM X 13MM X 0.50MM THK	8
B15		WASHER, WAVE DISC SPRING, 0.350 ID X 0.492 OD X 0.007 TH	8
C1		SLIDE TUBE WELDMENT, MAIN, AFP	1
D1	DWR1404C028	BRACKET, CALF PAD LOWER RAMP, PLASTIC, POWER AFP	1
E1	SCR8110014	SCREW, SHCS, BLACK ZINC, M5-.8 X 8MM, ASTM A574M, NYLON PATCH	2
F1	BRGFLNG1065	BEARING, FLANGE 0.375" ID X .46875" OD X .500" TH, .687" FOD X .046" FTH	2

2.1. Gen. 2 Power AFP Upper Assy's



Item	Part No.	Name	Qty
A1	RIG131108	LEGREST,ASSY,CENTER MOUNT,ARTICULATING FOOT PLATFORM,W MOUNTING HARDWARE,TRU-BALANCE 3	1
B1	HDW147703	SCREW, FLANGED BUTTON HEAD, M6X1.0 X 20, ISO 7380-2, CL 10.9, BZ, PVTP	2
C1	SCRHHCS1727	SCREW,HHCS,BLACK ZINC,M8-1.25 X 20MM,GRADE 10.9,W/NYLON PATCH,C-1005-098	4
D1	FRMASMB17963	SLIDE,ASSY,CALF PAD,CENTER MOUNT AFP,E-1404-005	1
E1	DWR1404C028	BRACKET,CALF PAD LOWER RAMP,PLASTIC,POWER AFP	1
F1	SCR8110014	SCREW,SHCS,BLACK ZINC,M5-.8 X 8MM,ASTM A574M,NYLON PATCH	2
G1	BRGFLNG1065	BEARING,FLANGE0.375"ID X .46875"OD X .500"TH,.687" FOD X .046" FTH	2
H1	SCRASBH1331	SCREW,BHSCS,M6-1.0 X 20MM,FLANGED,GR 10.9,W/PATCH	2
I1	MEC134031	UPPER PIVOT WELDMENT,CENTERMOUNT AFP,TB3	1

2.2. Gen. 2 Power AFP Lower & Footplates

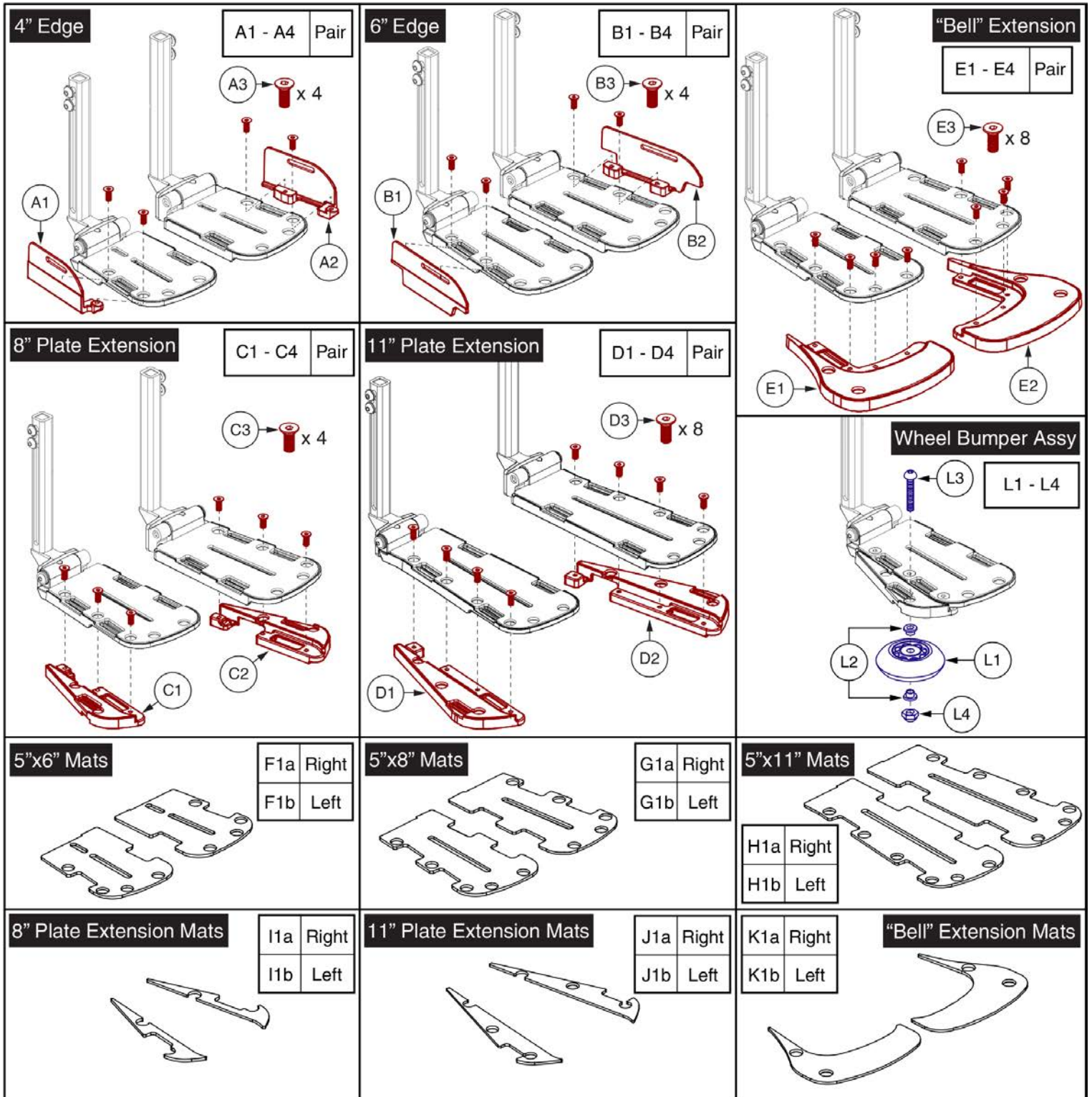
<p><b>Pediatric, 5"x6" Plate</b></p>  <table border="1" data-bbox="386 262 544 430"> <tr><td>A1</td><td>Pair</td></tr> <tr><td>A1a</td><td>Right</td></tr> <tr><td>A1b</td><td>Left</td></tr> </table>	A1	Pair	A1a	Right	A1b	Left	<p><b>Pediatric, 5"x8" Plate</b></p>  <table border="1" data-bbox="901 262 1058 430"> <tr><td>B1</td><td>Pair</td></tr> <tr><td>B1a</td><td>Right</td></tr> <tr><td>B1b</td><td>Left</td></tr> </table>	B1	Pair	B1a	Right	B1b	Left	<p><b>10"-16" L, 5"x6" Plate</b></p>  <table border="1" data-bbox="1404 262 1562 430"> <tr><td>C1</td><td>Pair</td></tr> <tr><td>C1a</td><td>Right</td></tr> <tr><td>C1b</td><td>Left</td></tr> </table>	C1	Pair	C1a	Right	C1b	Left
A1	Pair																			
A1a	Right																			
A1b	Left																			
B1	Pair																			
B1a	Right																			
B1b	Left																			
C1	Pair																			
C1a	Right																			
C1b	Left																			
<p><b>10"-16" L, 5"x8" Plate</b></p>  <table border="1" data-bbox="386 735 544 903"> <tr><td>D1</td><td>Pair</td></tr> <tr><td>D1a</td><td>Right</td></tr> <tr><td>D1b</td><td>Left</td></tr> </table>	D1	Pair	D1a	Right	D1b	Left	<p><b>10"-16" L, 5"x11" Plate</b></p>  <table border="1" data-bbox="901 735 1058 903"> <tr><td>E1</td><td>Pair</td></tr> <tr><td>E1a</td><td>Right</td></tr> <tr><td>E1b</td><td>Left</td></tr> </table>	E1	Pair	E1a	Right	E1b	Left	<p><b>13"-19" L, 5"x6" Plate</b></p>  <table border="1" data-bbox="1404 735 1562 903"> <tr><td>F1</td><td>Pair</td></tr> <tr><td>F1a</td><td>Right</td></tr> <tr><td>F1b</td><td>Left</td></tr> </table>	F1	Pair	F1a	Right	F1b	Left
D1	Pair																			
D1a	Right																			
D1b	Left																			
E1	Pair																			
E1a	Right																			
E1b	Left																			
F1	Pair																			
F1a	Right																			
F1b	Left																			
<p><b>13"-19" L, 5"x8" Plate</b></p>  <table border="1" data-bbox="386 1281 544 1449"> <tr><td>G1</td><td>Pair</td></tr> <tr><td>G1a</td><td>Right</td></tr> <tr><td>G1b</td><td>Left</td></tr> </table>	G1	Pair	G1a	Right	G1b	Left	<p><b>13"-19" L, 5"x11" Plate</b></p>  <table border="1" data-bbox="901 1281 1058 1449"> <tr><td>H1</td><td>Pair</td></tr> <tr><td>H1a</td><td>Right</td></tr> <tr><td>H1b</td><td>Left</td></tr> </table>	H1	Pair	H1a	Right	H1b	Left	<p><b>Lower Mounting Hardware</b></p>  <p>*The mounting hardware is included with the complete lower assemblies.</p>						
G1	Pair																			
G1a	Right																			
G1b	Left																			
H1	Pair																			
H1a	Right																			
H1b	Left																			

## Gen. 2 AFP and CMT Tapered Footplates

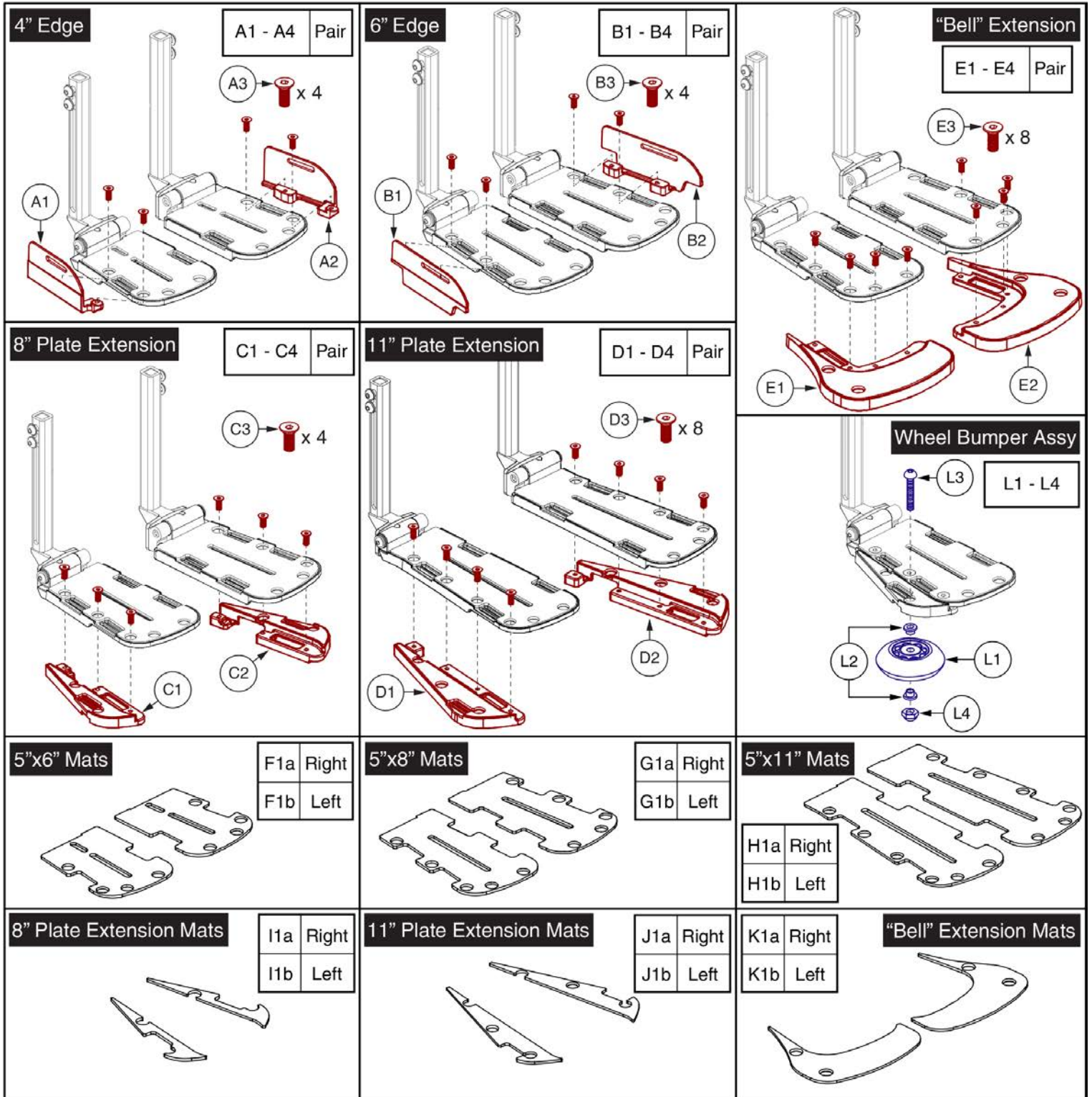


Item	Part No.	Name	Qty
A1	RIG152577	ADJUSTABLE CENTER MOUNT FOOT PLATFORM,ASSY,PEDIATRIC LENGTH,5.00" X 6.00" ANGLE ADJUSTABLE FOOTPLATES & MOUNTING HARDWARE	1
A1a	MEC152553	FOOTPLATE,ASSY,5" X 6",CAST,PEDIATRIC LENGTH,RIGHT	1
A1b	MEC152554	FOOTPLATE,ASSY,5" X 6",CAST,PEDIATRIC LENGTH,LEFT	1
B1	RIG152578	ADJUSTABLE CENTER MOUNT FOOT PLATFORM,ASSY,PEDIATRIC LENGTH,5.00" X 8.00" ANGLE ADJUSTABLE FOOTPLATES & MOUNTING HARDWARE	1
B1a	MEC152555	FOOTPLATE,ASSY,5" X 8",CAST,PEDIATRIC ADJUSTMENT,RIGHT	1
B1b	MEC152556	FOOTPLATE,ASSY,5" X 8",CAST,PEDIATRIC ADJUSTMENT,LEFT	1
C1	RIG150206	ANGLE ADJUSTABLE FOOTPLATES,ASSY,10-16" EXT,5.00" X 6.00" ,CENTER MOUNT/AFP,PAIR	1
C1a	MEC141648	FOOTPLATE,ASSY,5" X 6",CAST,10"-16" LENGTH,RIGHT	1
C1b	MEC141650	FOOTPLATE,ASSY,5" X 6",CAST,10"-16" LENGTH,LEFT	1
D1	RIG150203	ANGLE ADJUSTABLE FOOTPLATES,ASSY,10-16" EXT,5.00" X 8.00" ,CENTER MOUNT/AFP,PAIR	1
D1a	MEC141241	FOOTPLATE,ASSY,5" X 8",CAST,10"-16" LENGTH,RIGHT	1
D1b	MEC141646	FOOTPLATE,ASSY,5" X 8",CAST,10"-16" LENGTH,LEFT	1
E1	RIG150212	ANGLE ADJUSTABLE FOOTPLATES,ASSY,10-16" EXT,5.00" X 11.00",CENTER MOUNT/AFP,PAIR	1
E1a	MEC144220	FOOTPLATE,ASSY,5" X 11",CAST,10"-16" LENGTH,RIGHT	1
E1b	MEC144221	FOOTPLATE,ASSY,5" X 11",CAST,10"-16" LENGTH,LEFT	1
F1	RIG151505	ANGLE ADJUSTABLE FOOTPLATES,ASSY,13-19" EXT,5.00" X 6.00",CENTER MOUNT/AFP,PAIR	1
F1a	MEC151472	FOOTPLATE,ASSY,5" X 6",CAST,13"-19" LENGTH,RIGHT	1
F1b	MEC151365	FOOTPLATE,ASSY,5" X 6",CAST,13"-19" LENGTH,LEFT	1
G1	RIG151506	ANGLE ADJUSTABLE FOOTPLATES,ASSY,13-19" EXT,5.00" X 8.00",CENTER MOUNT/AFP,PAIR	1
G1a	MEC151470	FOOTPLATE,ASSY,5" X 8",CAST,13"-19" LENGTH,RIGHT	1
G1b	MEC151369	FOOTPLATE,ASSY,5" X 8",CAST,13"-19" LENGTH,LEFT	1
H1	RIG151508	ANGLE ADJUSTABLE FOOTPLATES,ASSY,13-19" EXT,5.00" X 11.00",CENTER MOUNT/AFP,PAIR	1
H1a	MEC151473	FOOTPLATE,ASSY,5" X 11",CAST,13"-19" LENGTH,RIGHT	1
H1b	MEC151468	FOOTPLATE,ASSY,5" X 11",CAST,13"-19" LENGTH,LEFT	1
I1	DWR1404B003	NUT,FLAT,BLACK ZINC,M8-1.25,LOWER ADJUSTMENT,B-1404-003	2
J1	HDW138262	WASHER, FLAT, 8.4 ID X 16 OD X 1.6 THK, ISO 7089-8-200 HV, BZ	4
K1	SCRASBH1251	SCREW,BHSCS,M8 X 1.25T X 20MM,GRADE 10.9,W/PATCH	4

2.2. Gen. 2 Power AFP Lowers & Footplates



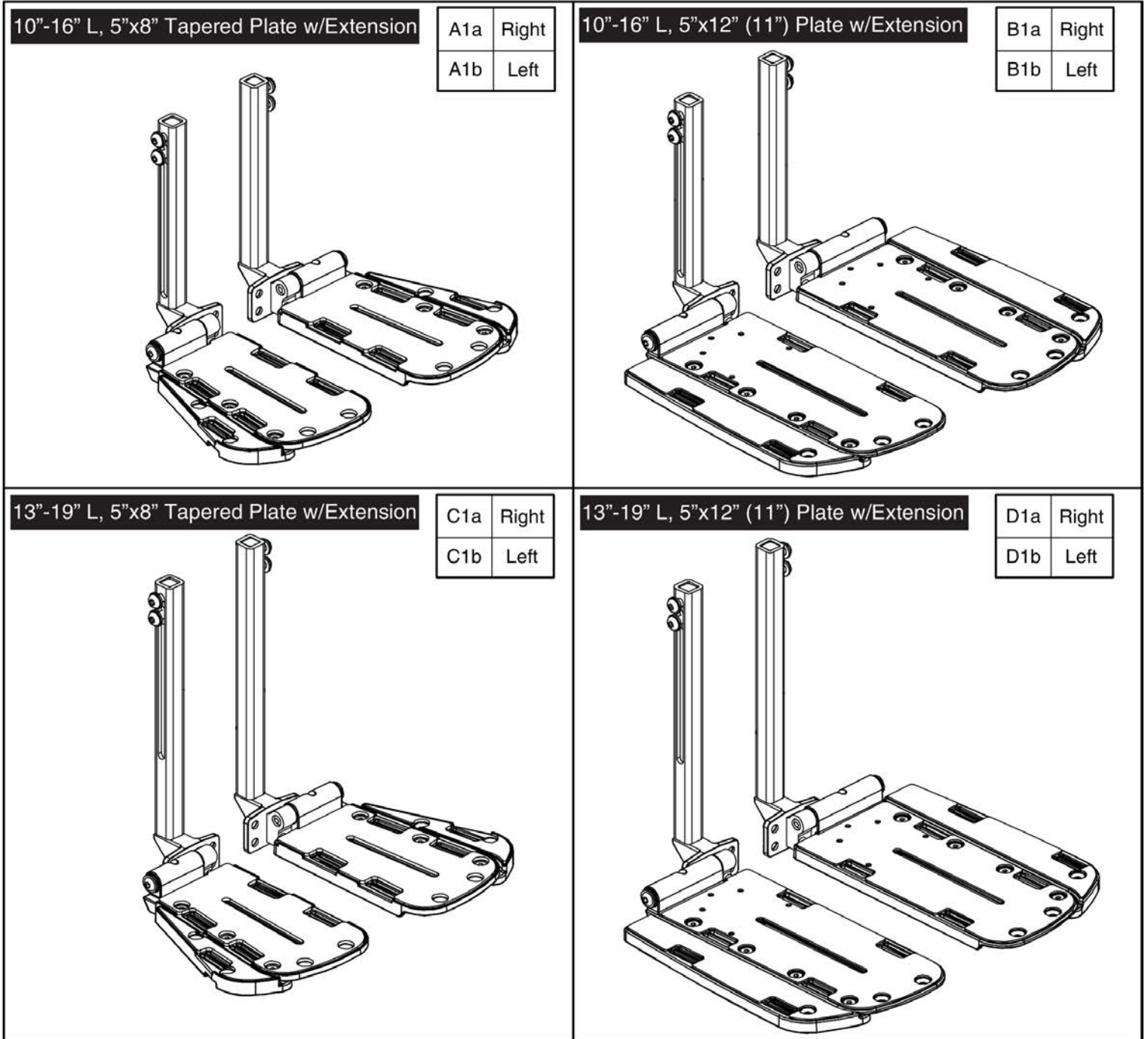
Item	Part No.	Name	Qty
A1 - A4	RIG152510	BRACKET,ASSY,4" FOOTPLATE OUTSIDE EDGE,PAIR	1
A1	MEC142335	FOOTPLATE,OUTSIDE EDGE,4",RIGHT	1
A2	MEC142336	FOOTPLATE,OUTSIDE EDGE,4",LEFT	1
A3	SCRSHFH1022	SCREW,SHFH,BLACK ZINC,M6-1.0 X 16MM	4
A4		MANUAL,INSTALLATION INSTRUCTIONS,TAPERED FOOTPLATE	1
B1 - B4	RIG152516	BRACKET,ASSY,6" FOOTPLATE OUTSIDE EDGE,PAIR	1
B1	MEC142330	FOOTPLATE,OUTSIDE EDGE,6",RIGHT	1
B2	MEC142331	FOOTPLATE,OUTSIDE EDGE,6",LEFT	1
B3	SCRSHFH1022	SCREW,SHFH,BLACK ZINC,M6-1.0 X 16MM	4
B4		MANUAL,INSTALLATION INSTRUCTIONS,TAPERED FOOTPLATE	1
C1 - C4	RIG152517	BRACKET,ASSY,FOOTPLATE WIDTH EXTENSION FOR 8",PAIR	1
C1	MEC142570	FOOTPLATE,EXTENSION,W/MAT,TAPERED,8",RIGHT	1
C2	MEC142573	FOOTPLATE,EXTENSION,W/MAT,TAPERED,8",LEFT	1
C3	SCRSHFH1022	SCREW,SHFH,BLACK ZINC,M6-1.0 X 16MM	6
C4		MANUAL,INSTALLATION INSTRUCTIONS,TAPERED FOOTPLATE	1
D1 - D4	RIG152518	BRACKET,ASSY,FOOTPLATE WIDTH EXTENSION FOR 11",PAIR	1
D1	MEC142502	FOOTPLATE,EXTENSION,W/MAT,TAPERED,11",RIGHT	1
D2	MEC142537	FOOTPLATE,EXTENSION,W/MAT,TAPERED,11",LEFT	1
D3	SCRSHFH1022	SCREW,SHFH,BLACK ZINC,M6-1.0 X 16MM	8
D4		MANUAL,INSTALLATION INSTRUCTIONS,TAPERED FOOTPLATE	1
E1 - E4	RIG152519	BRACKET,ASSY,FOOTPLATE BELL SHAPED EXTENSION,PAIR	1
E1	MEC144456	FOOTPLATE,EXTENSION,UPPER,TAPERED,W/MAT,RIGHT	1
E2	MEC144485	FOOTPLATE,EXTENSION,UPPER,TAPERED,W/MAT,LEFT	1
E3	SCRSHFH1022	SCREW,SHFH,BLACK ZINC,M6-1.0 X 16MM	8
E4		MANUAL,INSTALLATION INSTRUCTIONS,TAPERED FOOTPLATE	1
F1a	MEC144155	MAT, FOOTPLATE,5" X 6",TAPERED,RIGHT	1
F1b	MEC144168	MAT,FOOTPLATE,5" X 6",TAPERED,LEFT	1
G1a	MEC144127	MAT, FOOTPLATE,5" X 8",TAPERED,RIGHT	1
G1b	MEC144134	MAT, FOOTPLATE,5" X 8",TAPERED,LEFT	1
H1a	MEC144053	MAT, FOOTPLATE,5" X 11",TAPERED RIGHT	1
H1b	MEC144061	MAT, FOOTPLATE,5" X 11",TAPERED,LEFT	1
I1a	DGN142568	MAT,FOOTPLATE EXTENSION,TAPERED,8",RIGHT	1
I1b	DGN142571	MAT,FOOTPLATE EXTENSION,TAPERED,8",LEFT	1
J1a	DGN142501	MAT,FOOTPLATE EXTENSION,TAPERED,11",RIGHT	1
J1b	DGN142516	MAT,FOOTPLATE EXTENSION,TAPERED,11",LEFT	1
K1a	MEC144455	MAT,FOOTPLATE EXTENSION,UPPER,TAPERED,RIGHT	1





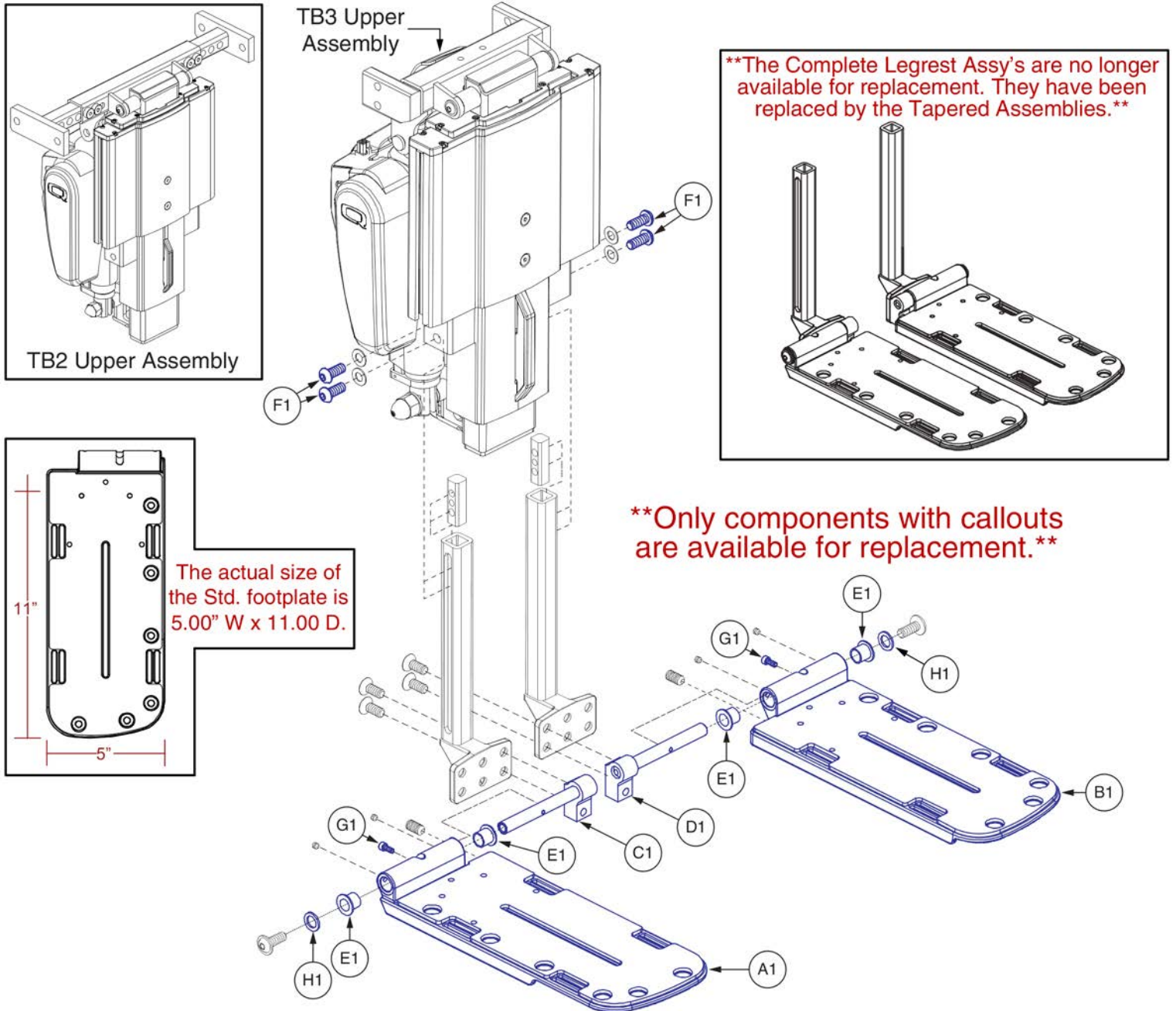
Item	Part No.	Name	Qty
K1b	MEC144484	MAT,FOOTPLATE EXTENSION,UPPER,TAPERED,LEFT	1
L1 - L4	WHL1612226	WHEEL,ASSY,BUMPER,ANGLE ADJUSTABLE FOOTPLATE	1
L1	WHLATIP1004	WHEEL,ANTI-TIP,BLACK,3" DIAMETER	1
L2	BSHNYLN1003	BUSHING, FLANGE,WHITE,NYLON,0.260"ID X 0.312"OD X 0.4375"TH X 0.513" FOD X 0.0625"FTH,(MICRO PLASTICS:10SC250037)	2
L3	SCRSHFH1076	SCREW, SHFH,BLACK ZINC,1/4-20 X 1.75"	1
L4	NUTACRN1029	NUT,ACORN,1/4-20,W/NYLON PATCH	1

2.2. Gen. 2 Power AFP Lower & Footplates



Item	Part No.	Name	Qty
A1a	MEC1707403	FOOTPLATE ASSY,5" X 8",W/ WIDTH EXTENSION,10"-16" LENGTH,RIGHT	1
A1b	MEC1707409	FOOTPLATE ASSY,5" X 8",W/ WIDTH EXTENSION,10"-16" LENGTH,LEFT	1
B1a	MEC1707399	FOOTPLATE ASSY,5" X 12",W/ WIDTH EXTENSION,10"-16" LENGTH,RIGHT	1
B1b	MEC1707397	FOOTPLATE ASSY,5" X 12",W/ WIDTH EXTENSION,10"-16" LENGTH,LEFT	1
C1a	MEC1707426	FOOTPLATE ASSY,5" X 8",W/ WIDTH EXTENSION,13"-19" LENGTH,RIGHT	1
C1b	MEC1707428	FOOTPLATE ASSY,5" X 8",W/ WIDTH EXTENSION,13"-19" LENGTH,LEFT	1
D1a	MEC1707400	FOOTPLATE ASSY,5" X 12",W/ WIDTH EXTENSION,13"-19" LENGTH,RIGHT	1
D1b	MEC1707401	FOOTPLATE ASSY,5" X 12",W/ WIDTH EXTENSION,13"-19" LENGTH,LEFT	1

2.2. Gen. 2 Power AFP Lowers & Footplates

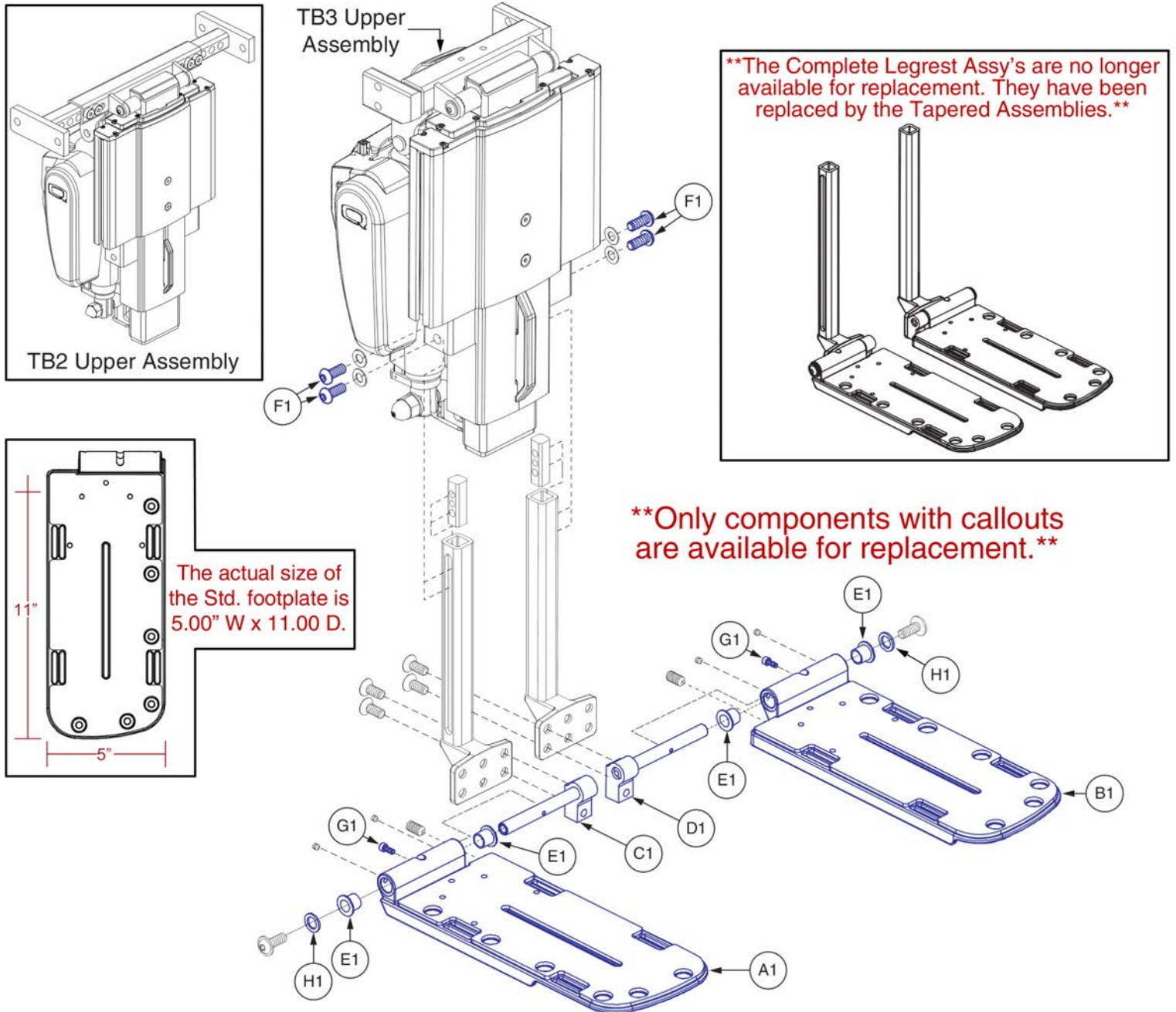


Gen. 2 Power AFP 10"-16"L Lowers & Footplates



Item	Part No.	Name	Qty
A1	DWR1304D068	FOOTPLATE,5.00" X 12.00,W/MAT,RIGHT,D-1304-068	1
B1	DWR1304D069	FOOTPLATE,5.00" X 12.00",W/MAT,LEFT,D-1304-069	1
C1	DWR1404C008	PIVOT BRACKET WELDMENT,CENTER MOUNT LEGREST,RIGHT	1
D1	DWR1404C007	PIVOT BRACKET WELDMENT,CENTER MOUNT LEGREST,LEFT	1
E1	BRGFLNG1066	BEARING,FLANGE,.4375"ID X .531"OD X .75"FOD X .046"FTH	2
F1	SCRASBH1251	SCREW,BHSCS,M8 X 1.25T X 20MM,GRADE 10.9,W/PATCH	2
G1	SCRSHCS1127	SCREW,SHCS,BLACK ZINC,M4-.7 X 10MM,GRADE 8.8	1
H1	WASNYLN1128	WASHER,NYLON,0.438" ID X 0.675" OD X 0.0625" TH	1

2.2. Gen. 2 Power AFP Lowers & Footplates

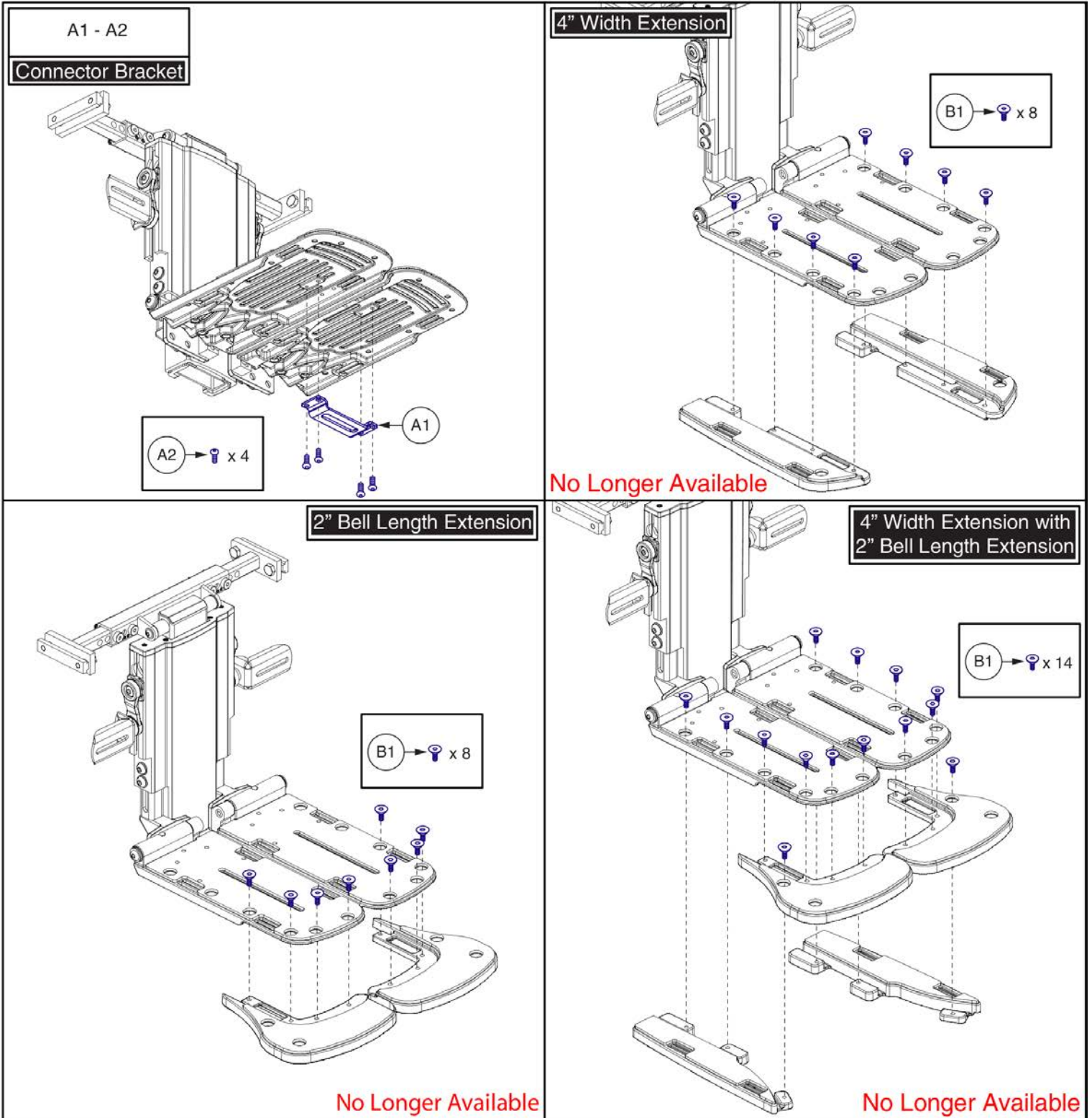


Gen. 2 Power AFP 13"-19"L Lowers & Footplates



Item	Part No.	Name	Qty
A1	DWR1304D068	FOOTPLATE,5.00" X 12.00,W/MAT,RIGHT,D-1304-068	1
B1	DWR1304D069	FOOTPLATE,5.00" X 12.00",W/MAT,LEFT,D-1304-069	1
C1	DWR1404C008	PIVOT BRACKET WELDMENT,CENTER MOUNT LEGREST,RIGHT	1
D1	DWR1404C007	PIVOT BRACKET WELDMENT,CENTER MOUNT LEGREST,LEFT	1
E1	BRGFLNG1066	BEARING,FLANGE,.4375"ID X .531"OD X .75"FOD X .046"FTH	1
F1	SCRASBH1251	SCREW,BHSCS,M8 X 1.25T X 20MM,GRADE 10.9,W/PATCH	1
G1	SCRSHCS1127	SCREW,SHCS,BLACK ZINC,M4-.7 X 10MM,GRADE 8.8	1
H1	WASNYLN1128	WASHER,NYLON,0.438" ID X 0.675" OD X 0.0625" TH	1

### 2.2. Gen. 2 Power AFP Lowers & Footplates






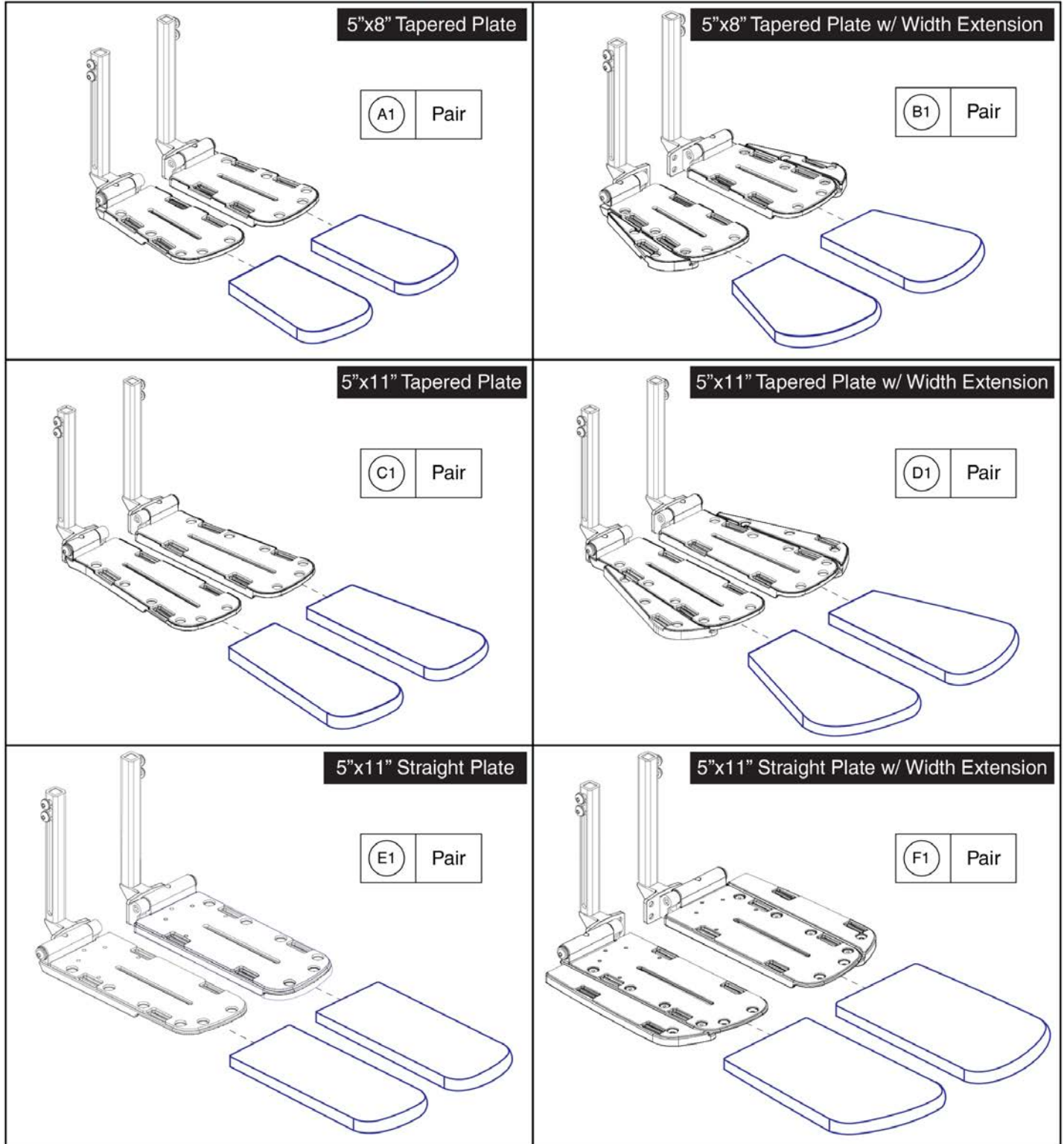


Item	Part No.	Name	Qty
A1 - A2	RIGASMB7120023	BRACKET,ASSY,FOOTPLATE CONNECTOR,W/MOUNTING HARDWARE	1
A1	DWR1304C111	BRACKET,FOOTPLATE CONNECTOR,C-1304-111	1
A2	SCRASBH1147	SCREW,BHSCS,BLACK ZINC,10-32 X 0.250",W/NYLON PATCH	4
B1	SCRSHFH1022	SCREW,SHFH,BLACK ZINC,M6-1.0 X 16MM	1

2.2. Gen. 2 Power AFP Lowers & Footplates

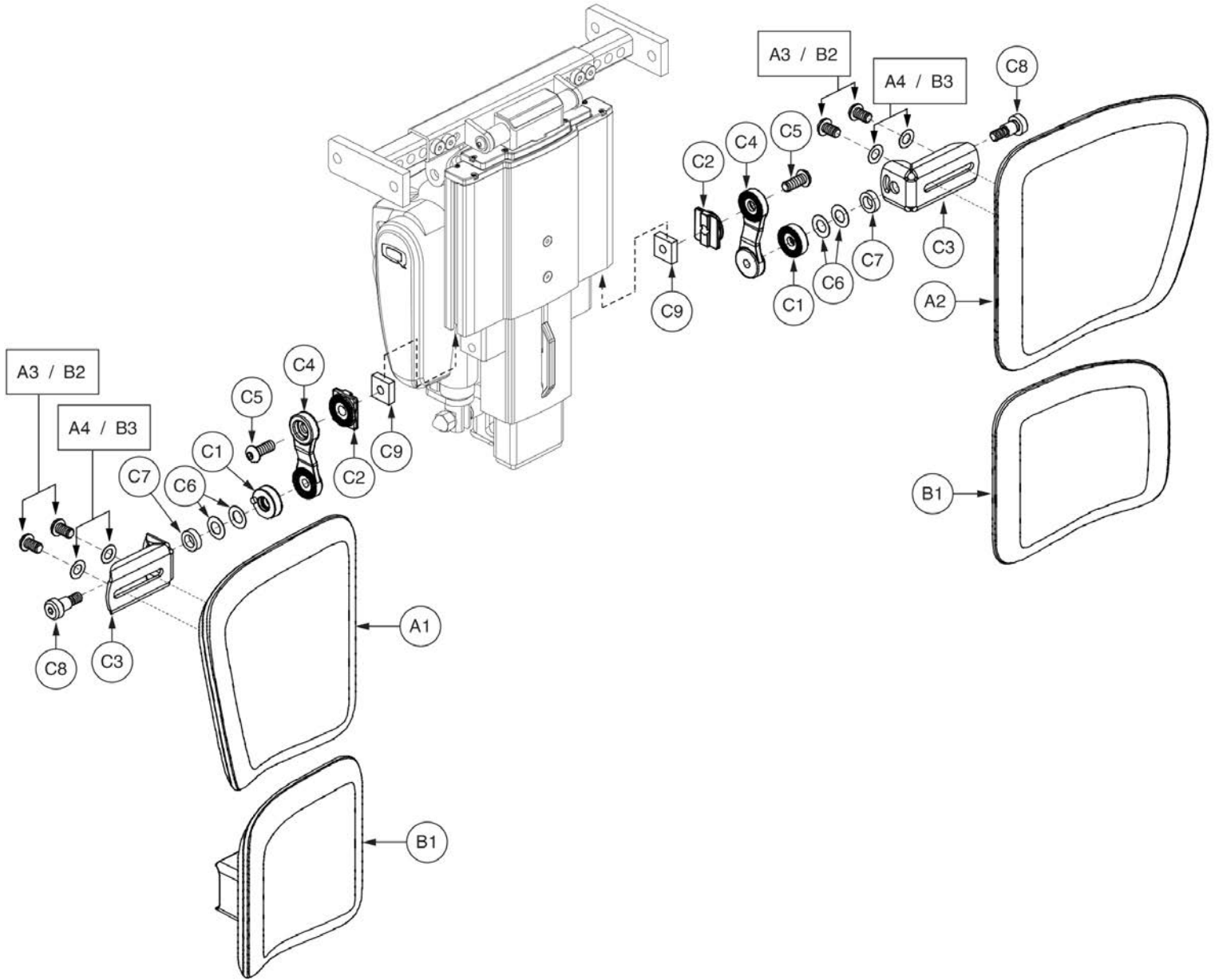
Please note:

- The Stealth AFP/Center Mount Footplate Covers are not compatible on footplates equipped with bell (length) extensions  or outside edges .
- If equipped with width extensions  the applicable assembly must be selected.



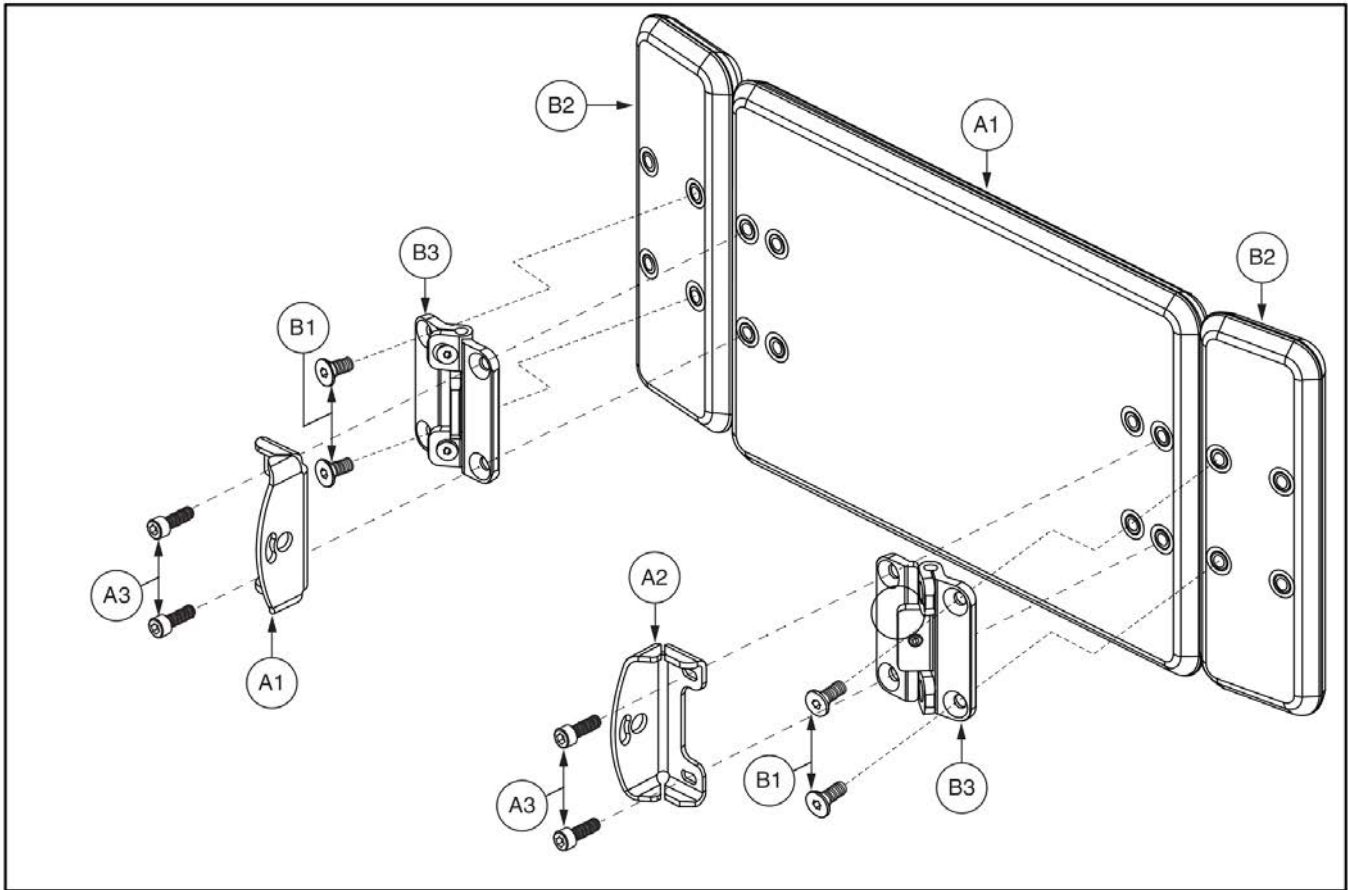
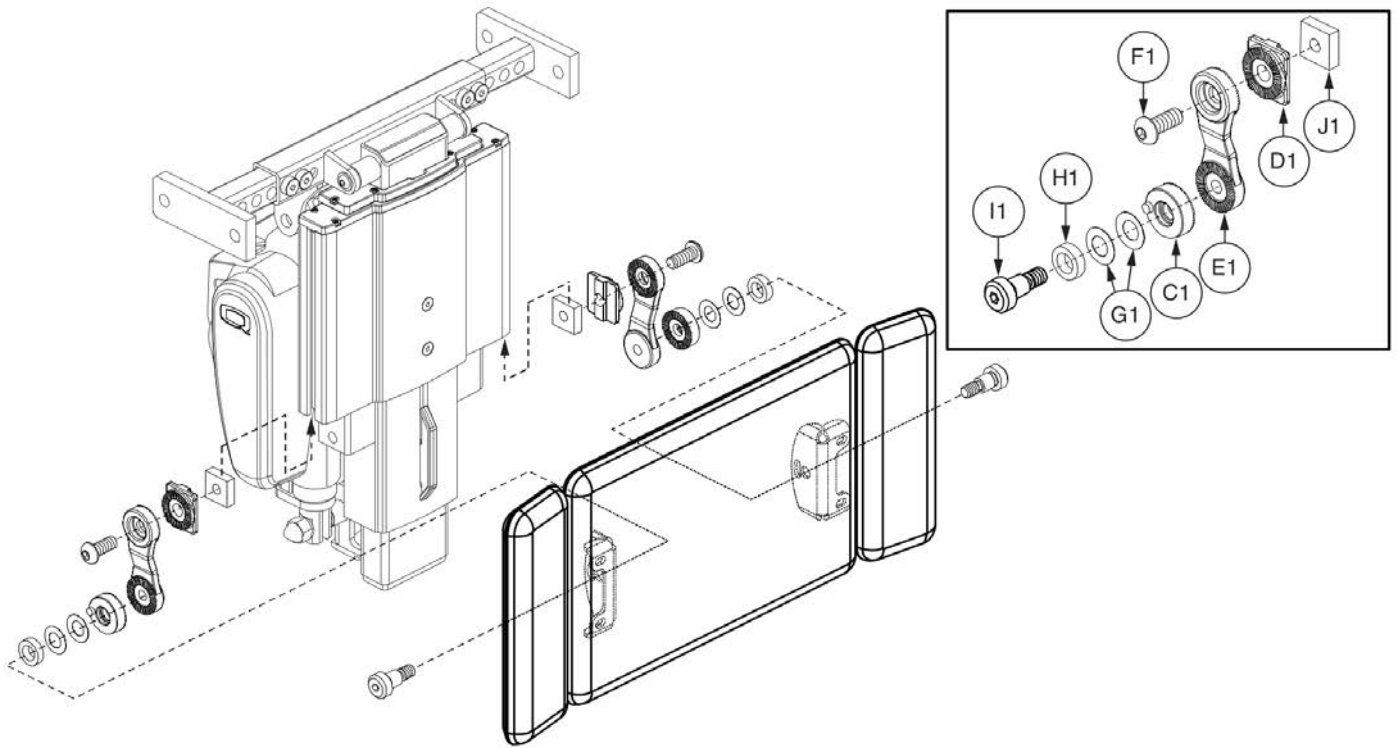
Item	Part No.	Name	Qty
A1	ST-FPG5008T-Q	5"X8" TAPERED FOOTPLATE COVER,CENTER MOUNT/ARTICULATING FOOT PLATFORM,GEL (STEALTH: FPG5008T-Q)	1
B1	ST-FPG6508T-Q	5"X8" TAPERED FOOTPLATE COVER WITH WIDTH EXTENSION,CENTER MOUNT/ARTICULATING FOOT PLATFORM,GEL (STEALTH: FPG6508T-Q)	1
C1	ST-FPG5011T-Q	5"X11" TAPERED FOOTPLATE COVER,CENTER MOUNT/ARTICULATING FOOT PLATFORM,GEL (STEALTH: FPG5011T-Q)	1
D1	ST-FPG7011T-Q	5"X11" TAPERED FOOTPLATE COVER WITH WIDTH EXTENSION,CENTER MOUNT/ARTICULATING FOOT PLATFORM,GEL (STEALTH: FPG7011T-Q)	1
E1	ST-FPG5011S-Q	5"X11" STRAIGHT FOOTPLATE COVER,CENTER MOUNT/ARTICULATING FOOT PLATFORM,GEL (STEALTH: FPG5011S-Q)	1
F1	ST-FPG7011S-Q	5"X11" STRAIGHT FOOTPLATE COVER WITH WIDTH EXTENSION,CENTER MOUNT/ARTICULATING FOOT PLATFORM,GEL (STEALTH: FPG7011S-Q)	1

2.3. Gen. 2 Power AFP Calf Pads & Calf Panels



Item	Part No.	Name	Qty
A1 - A4	RIGASMB7120019	CALF PAD,ASSY,LARGE,CENTER MOUNT FOOT PLATFORM	1
A1	DWR1404D031	CALF PAD,8" X 8",POWER AFP,RIGHT	1
A2	DWR1404D030	CALF PAD,8" X 8",POWER AFP,LEFT	1
A3	SCRSHCS1095	SCREW,SHCS,BLACK ZINC,M6-1.0 X 12MM,GR 10.9,W/PATCH	4
A4	WASSTND1196	WASHER,FLAT,BLACK ZINC,0.25" ID X 0.50" OD X 0.03125" TH	4
B1 - B3	RIGASMB7120018	CALF PAD,ASSY,SMALL,CENTER MOUNT FOOT PLATFORM	1
B1	DWR1404D029	CALF PAD,6" X 6",POWER AFP	2
B2	SCRSHCS1095	SCREW,SHCS,BLACK ZINC,M6-1.0 X 12MM,GR 10.9,W/PATCH	4
B3	WASSTND1196	WASHER,FLAT,BLACK ZINC,0.25" ID X 0.50" OD X 0.03125" TH	4
C1 - C9	FRMASMB17964	PIVOT BRACKET,ASSY,CALF PAD SUPPORT,POWER AFP	2
C1	DWR1404C031	STANDOFF,CALF SUPPORT,OUTSIDE,CENTER MOUNT,C-1404-031	1
C2	DWR1404C032	STANDOFF,CALF SUPPORT,INSIDE,CENTER MOUNT,C-1404-032	1
C3	DWR1404D005	BRACKET,CALF SUPPORT,CENTER MOUNT LEGREST,D-1404-005	1
C4	DWR1404D016	BRACKET,CALF SUPPORT STANDOFF,CENTER MOUNT,D-1404-016	1
C5	SCRASBH1251	SCREW,BHSCS,M8 X 1.25T X 20MM,GRADE 10.9,W/PATCH	1
C6	WASBELV1011	WASHER,BELLEVILLE,10.2MM ID X 18.8MM OD X 0.35MM TH	2
C7	WAS8110007	WASHER,FLAT,BLACK NYLON,10.5MM ID X 16MM OD X 5MM THK	1
C8	BLT8110009	SHOULDER BOLT, M10 X 12MM, CLASS 12.9	1
C9	DWR1404B001	NUT,BLACK ZINC,M8-1.25,B-1404-001	1

2.3. Gen. 2 Power AFP Calf Pads & Calf Panels

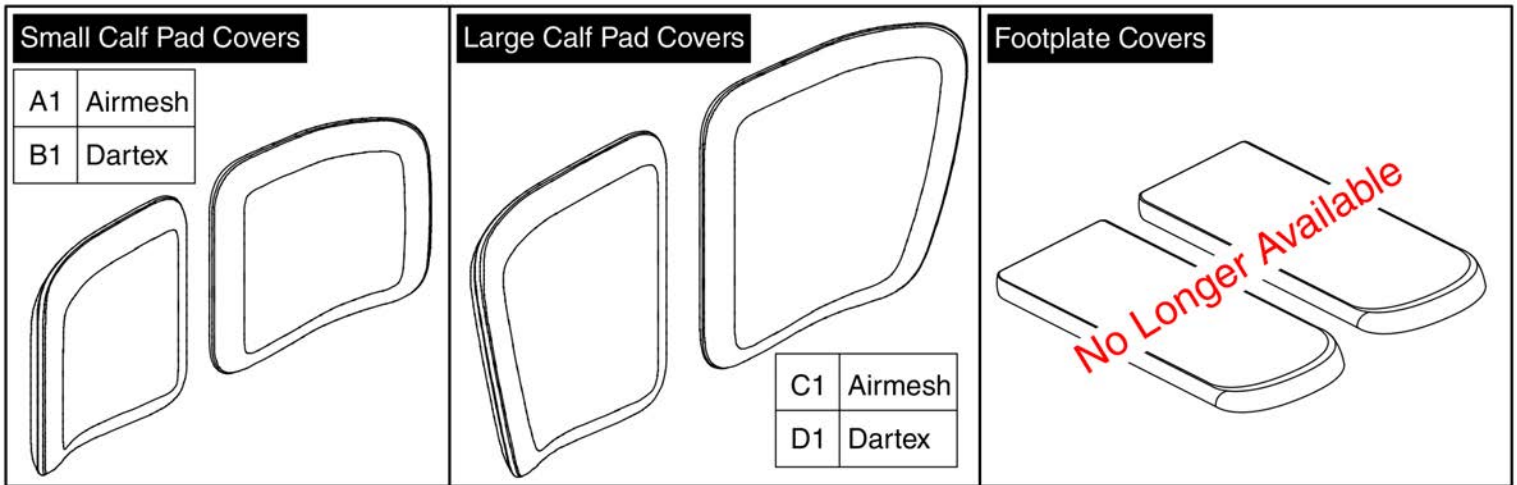


## Gen. 2 Power AFP Calf Panels

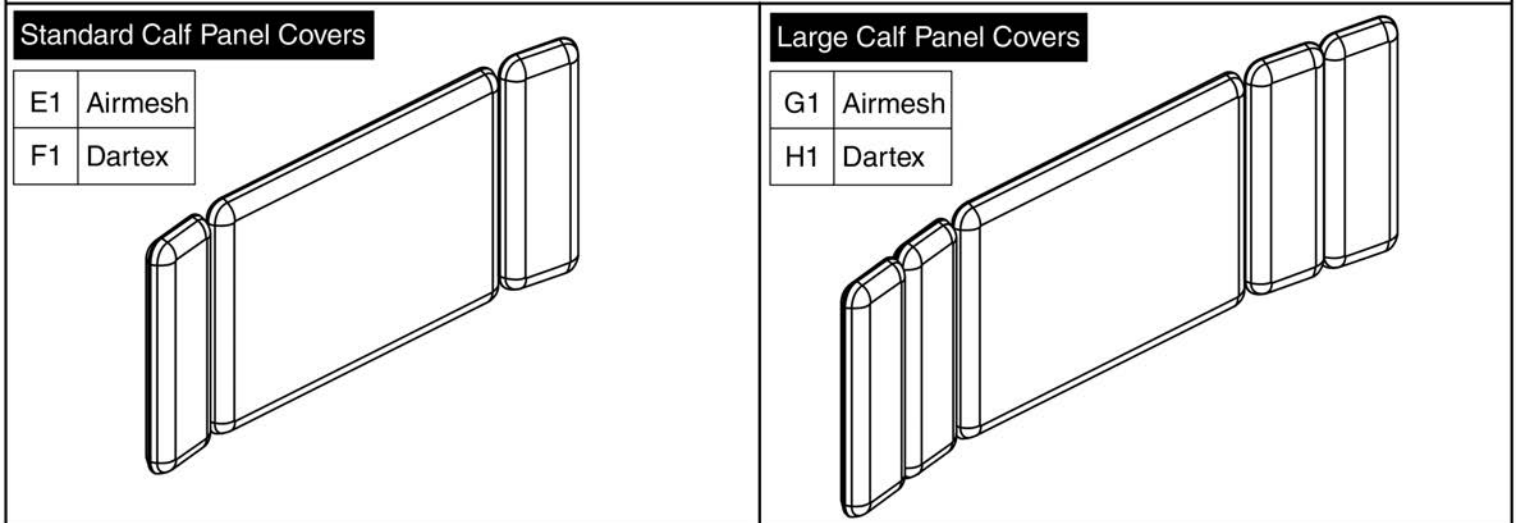


Item	Part No.	Name	Qty
A1 - B3	FRMASMB7110007	CALF PANEL,ASSY,AFP	1
A1		CALF PANEL,BLACK,FOAM,7.97"W X 11.97"L,CENTER,D-1404-058	1
A2		BRACKET,BLACK,CALF PANEL SUPPORT	2
A3	SCR8110001	SCREW,SHCS,BLACK ZINC,M6x1.0 x 14MM,NYLON PATCH	4
B1 - B3	FRMASMB7110011	CALF PANEL,ASSY,EXTENSION,W/MOUNTING HARDWARE	2
B1	SCRSHFH1190	SCREW,SHFH,BLACK ZINC,M6-1.0 X 10MM,W/NYLON PATCH	2
B2		CALF PANEL,BLACK,FOAM,2.78"W X 11.97"L,EXTENSION,D-1404-059	1
B3		HINGE,ASSY,CALF PANEL,C-1404-071	1
C1	DWR1404C031	STANDOFF,CALF SUPPORT,OUTSIDE,CENTER MOUNT,C-1404-031	1
D1	DWR1404C032	STANDOFF,CALF SUPPORT,INSIDE,CENTER MOUNT,C-1404-032	1
E1	DWR1404D016	BRACKET,CALF SUPPORT STANDOFF,CENTER MOUNT,D-1404-016	1
F1	SCRASBH1251	SCREW,BHSCS,M8 X 1.25T X 20MM,GRADE 10.9,W/PATCH	1
G1	WASBELV1011	WASHER,BELLEVILLE,10.2MM ID X 18.8MM OD X 0.35MM TH	2
H1	WAS8110007	WASHER,FLAT,BLACK NYLON,10.5MM ID X 16MM OD X 5MM THK	1
I1	BLT8110009	SHOULDER BOLT, M10 X 12MM, CLASS 12.9	1
J1	DWR1404B001	NUT,BLACK ZINC,M8-1.25,B-1404-001	1

2.3. Gen. 2 Power AFP Calf Pads & Calf Panels



The Calf Pad and Footplate Covers are only available in pairs.

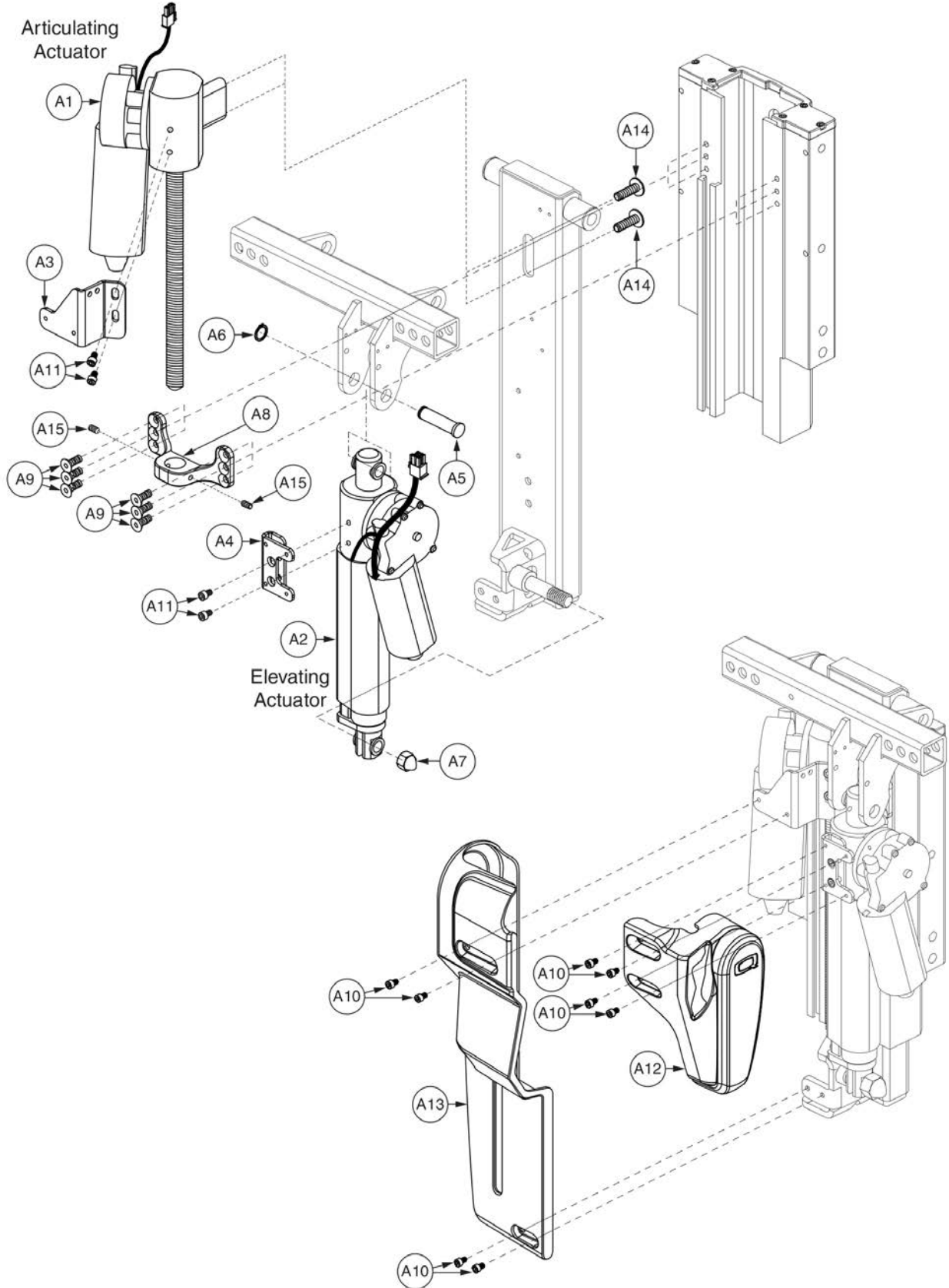


The Calf Panel Covers are only available as a complete set.



Item	Part No.	Name	Qty
A1	RIG133716	CALF PAD COVER,ASSY,AIRMESH,SMALL,SOFT MEMORY FOAM,PAIR,(INNOVATIVE CONCEPTS:PRI-30005)	1
B1	RIG133717	CALF PAD COVER,ASSY,REVERSED DARTEX,SMALL,SOFT MEMORY FOAM,PAIR,(INNOVATIVE CONCEPTS:PRI-30006)	1
C1	RIG133718	CALF PAD COVER,ASSY,AIRMESH,LARGE,SOFT MEMORY FOAM,PAIR,(INNOVATIVE CONCEPTS:PRI-30022)	1
D1	RIG133719	CALF PAD COVER,ASSY,REVERSED DARTEX,LARGE,SOFT MEMORY FOAM,PAIR,)INNOVATIVE CONCEPTS:PRI-30023)	1
E1	RIG134672	CALF PANEL COVER,ASSY,CENTER MOUNT/ARTICULATING FOOT PLATFORM,AIRMESH,SOFT MEMORY FOAM	1
F1	RIG134673	CALF PANEL COVER,ASSY,CENTER MOUNT/ARTICULATING FOOT PLATFORM,REVERSED DARTEX,SOFT MEMORY FOAM	1
G1	RIG134743	CALF PANEL COVER,ASSY,LARGE,CENTER MOUNT/ARTICULATING FOOT PLATFORM,AIRMESH,SOFT MEMORY FOAM	1
H1	RIG134744	CALF PANEL COVER,ASSY,LARGE,CENTER MOUNT/ARTICULATING FOOT PLATFORM,REVERSED DARTEX,SOFT MEMORY FOAM	1

2.4. Gen. 2 Power AFP Actuators, Electronics, & Shrouds

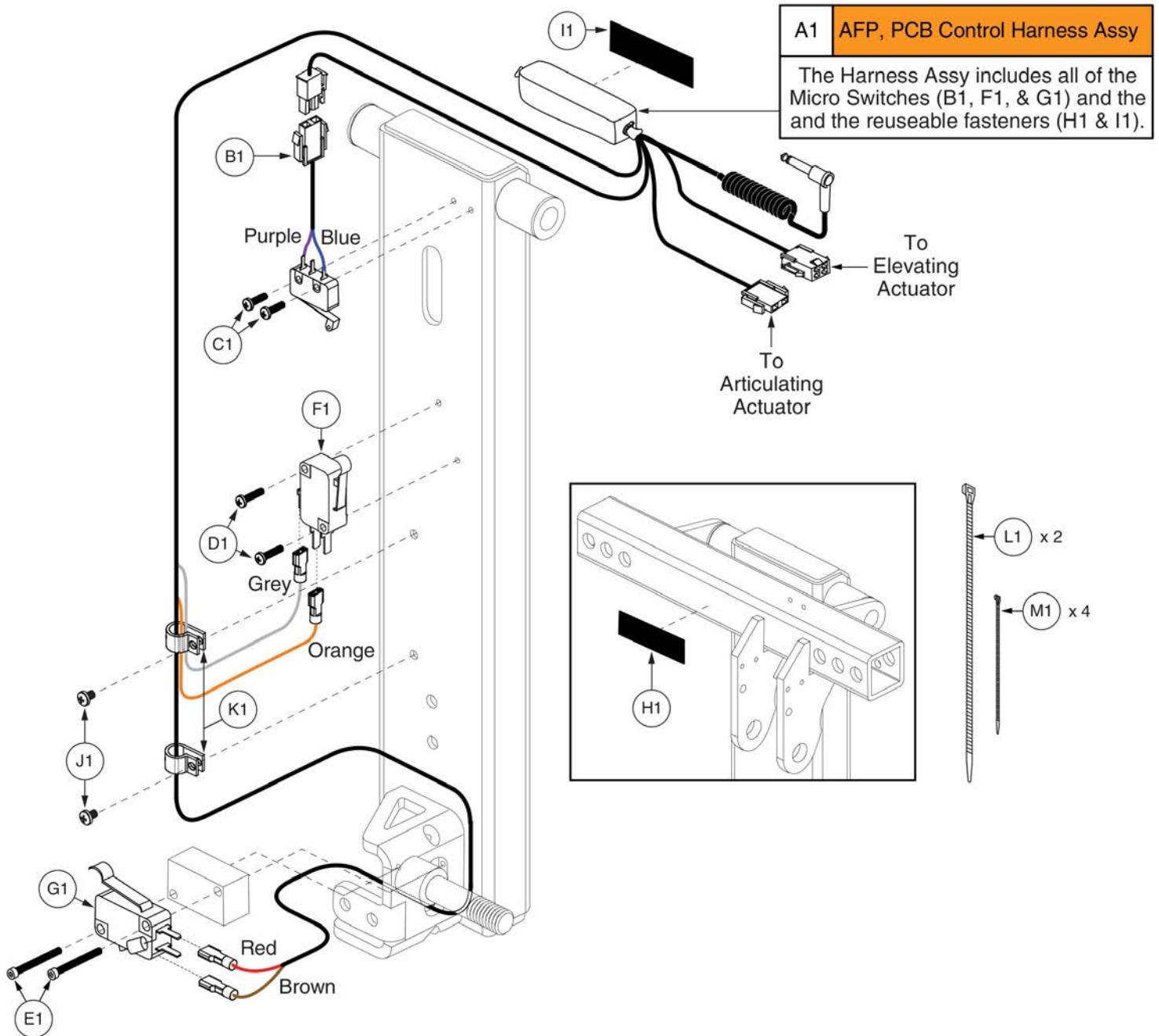


## Gen. 2 Power AFP Actuators & Shrouds



Item	Part No.	Name	Qty
A1	ACCACTR1062	ACTUATOR,ARTICULATING,TRU-BALANCE POWER AFP	1
A2	ACT8110005	ACTUATOR,ELEVATE,96MM STROKE,TRU-BALANCE POWER AFP	1
A3		BRACKET,UPPER,LH COVER	1
A4		BRACKET,UPPER,RH COVER	1
A5	DWR1404B010	CLEVIS PIN,ACTUATOR,TRU-BALANCE POWER AFP,UPPER	1
A6	RNGRTAN1035	RETAINING RING,BLACK ZINC,0.375",EXTERNAL,B-1005-084	1
A7		NUT,ACORN,HIGH CROWN,BLIND,BLACK ZINC,M10-1.50,W/PATCH	1
A8		BRACKET,ARTICULATING MOTOR MOUNT,AFP,C-1404-024	1
A9	SCRSHFH1015	SCREW,SHFH,BLACK ZINC,M5-.8 X 12MM,GRADE 10.9	6
A10	SCR8110015	SCREW,SHCS,BLACK ZINC,M4-.7 X 8MM,NYLON PATCH	8
A11	SCR8110014	SCREW,SHCS,BLACK ZINC,M5-.8 X 8MM,ASTM A574M,NYLON PATCH	4
A12	PLS8110044	COVER,PLASTIC,ELEVATING MOTOR,CENTER MOUNT AFP	1
A13	PLS8110043	COVER,PLASTIC,ARTICULATING MOTOR,CENTER MOUNT AFP	1
A14	SCRASBH1118	SCREW,BHSCS,BLACK ZINC CHROMATE,M6-1.0 X 12MM	2
A15		SCREW,SET,M5-0.8 X 5MM,FLAT POINT,W/NYLON PATCH,	2

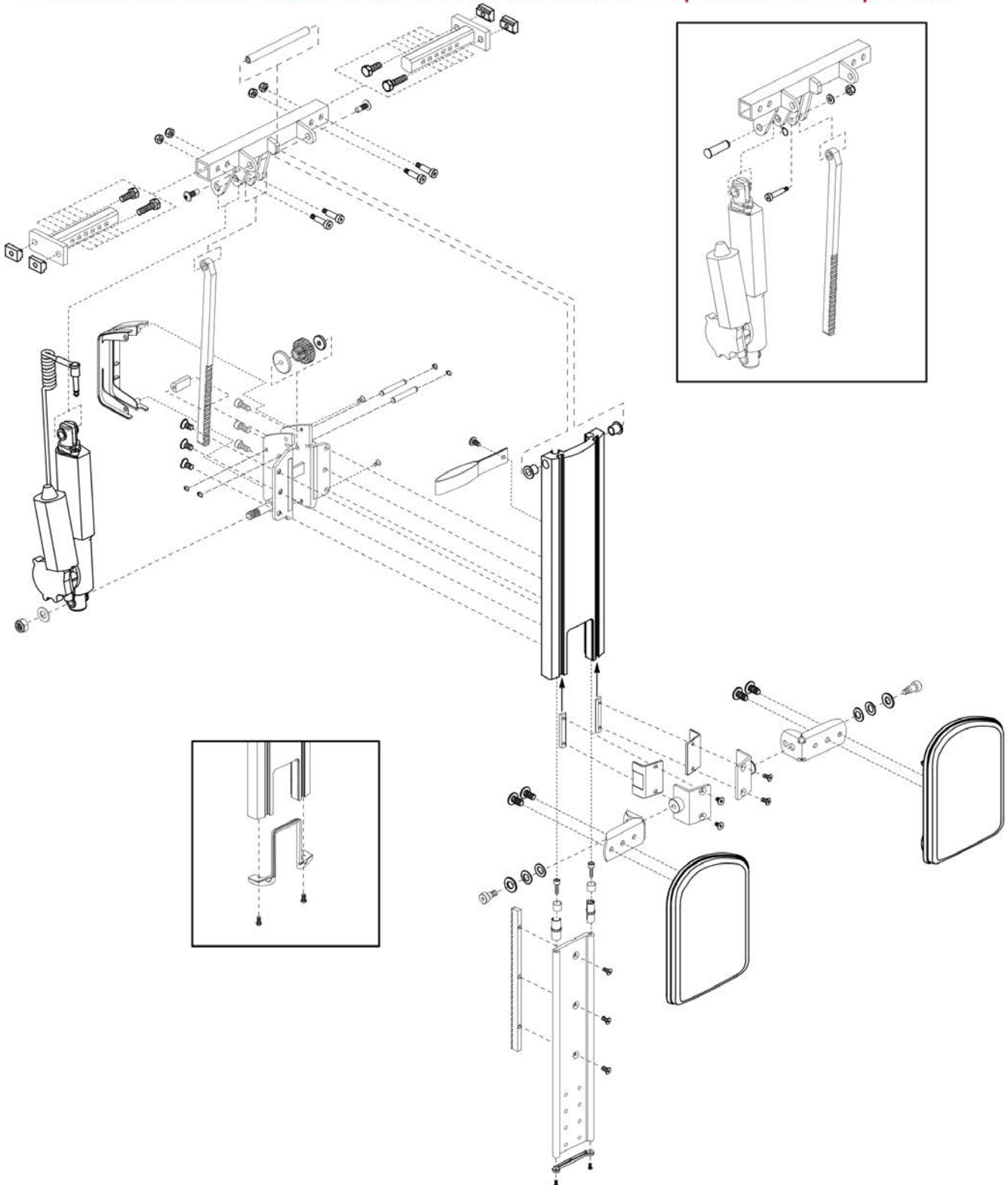
2.4. Gen. 2 Power AFP Actuators, Electronics, & Shrouds



Item	Part No.	Name	Qty
A1	ELEASMB7110406	ELECTRONIC,ASSY,PCB,CONTROL HARNESS,W/MONO PLUG,AFP	1
B1	HAR8110014	HARNESS,ARTICULATING ACTUATOR,REAR STOP SWITCH,AFP	1
C1	SCRPPH1454	SCREW,PPH,M2 X 0.4 X 10MM,304 SS	2
D1	SCRPPH1455	SCREW,PPH,M2.5 X 0.45 X 16MM,304 SS	2
E1	HDW120020	SCREW,SHCS,M2.5 X 0.45 X 30MM,BLACK ZINC	2
F1	SWTMCRO1113	ELECTRONIC,SWITCH,MICRO,15 AMP,W/SIMULATED ROLLER,(OMRON: V-15G4-1C25-K)	1
G1	SWT8110004	ELECTRONIC,SWITCH,MICRO,15AMP,W/SIMULATED ROLLER,6A DIODE OPPOSITE NUMBERS,(OMRON:V-15G4-1C25-K)	1
H1	VELLOOP1007	REUSABLE FASTENER,LOOP,2" X 1",W/ADHESIVE BACK	1
I1	VELHOOK1054	FASTENER,1"W X 2"L,REUSABLE,HOOK	1
J1	SCR8110014	SCREW,SHCS,BLACK ZINC,M5-.8 X 8MM,ASTM A574M,NYLON PATCH	2
K1	CLP8120001	CLAMP,CABLE,BLACK NYLON,5/8"D,P-CLIP	2
L1	PLSTIE1004	TIE WRAP,BLACK,8"	2
M1	PLSTIE1001	TIE WRAP,BLACK,4"	4

3.1. Gen. 1 Power AFP Upper Assy's

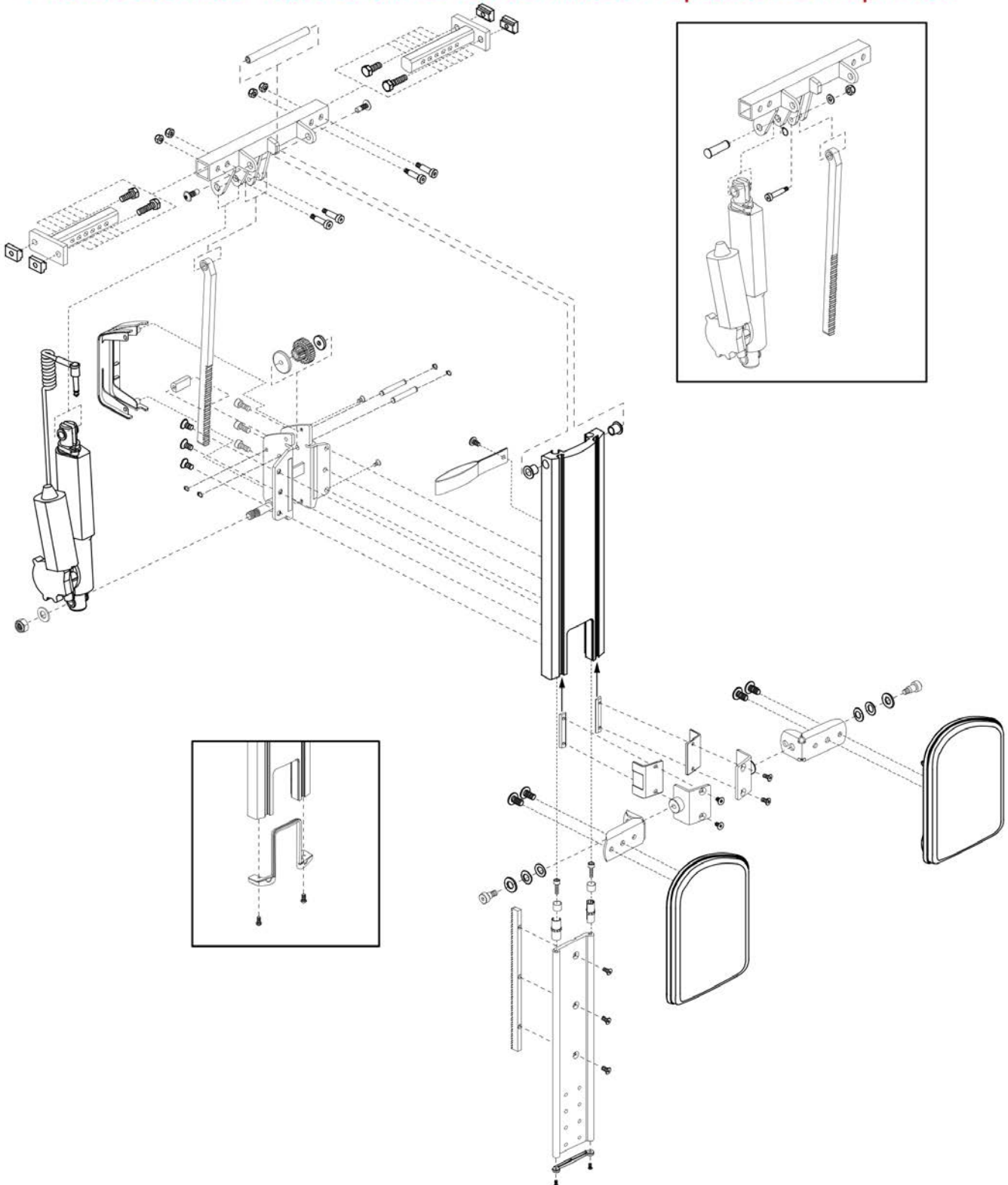
\*\*\*The Gen.1 AFP has been discontinued.  
No components are available for replacement.  
Please Contact Tech Service for service or replacement options.\*\*\*



This page intentionally left blank

3.1. Gen. 1 Power AFP Upper Assy's

\*\*\*The Gen.1 AFP has been discontinued.  
No components are available for replacement.  
Please Contact Tech Service for service or replacement options.\*\*\*

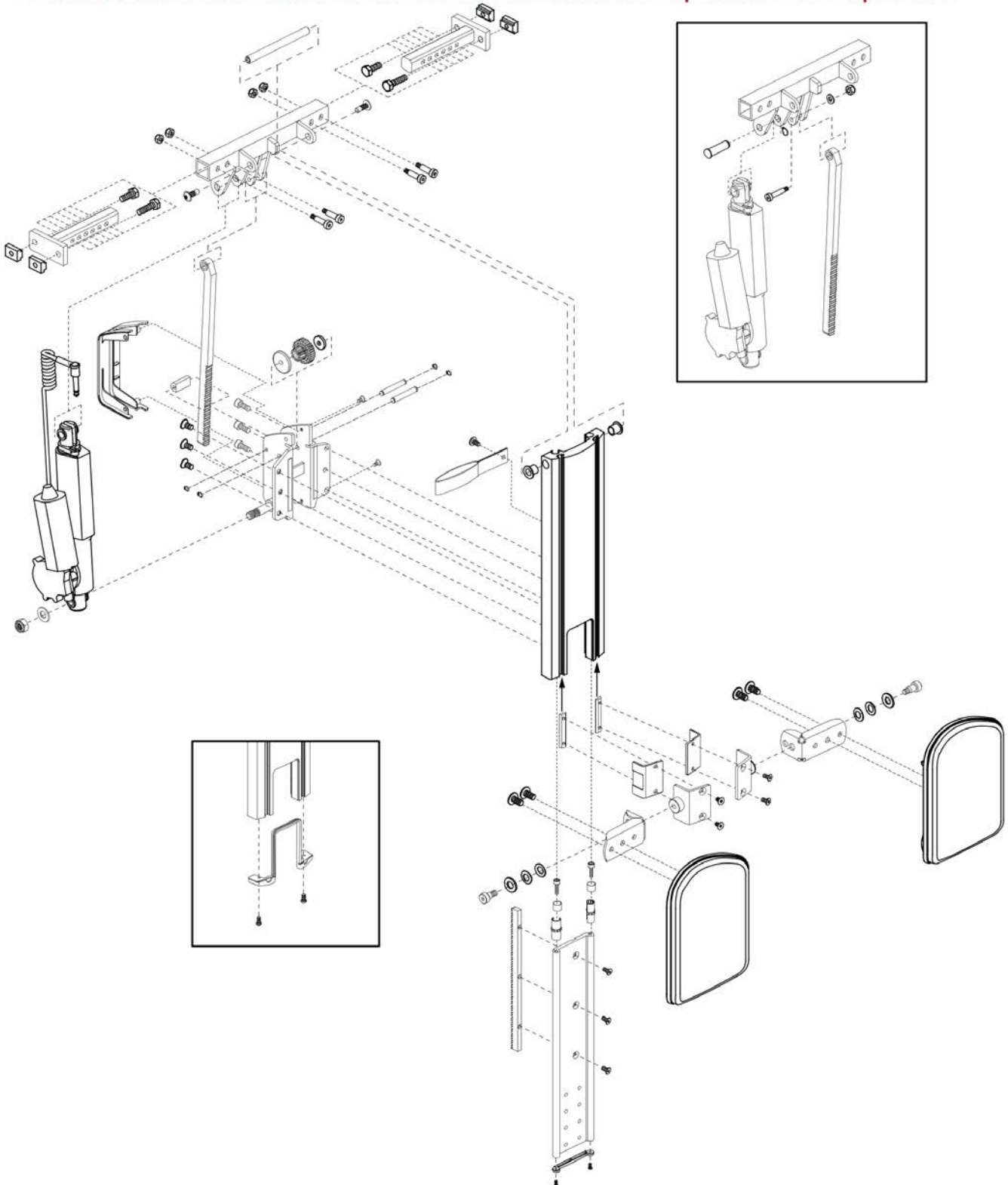




This page intentionally left blank

3.1. Gen. 1 Power AFP Upper Assy's

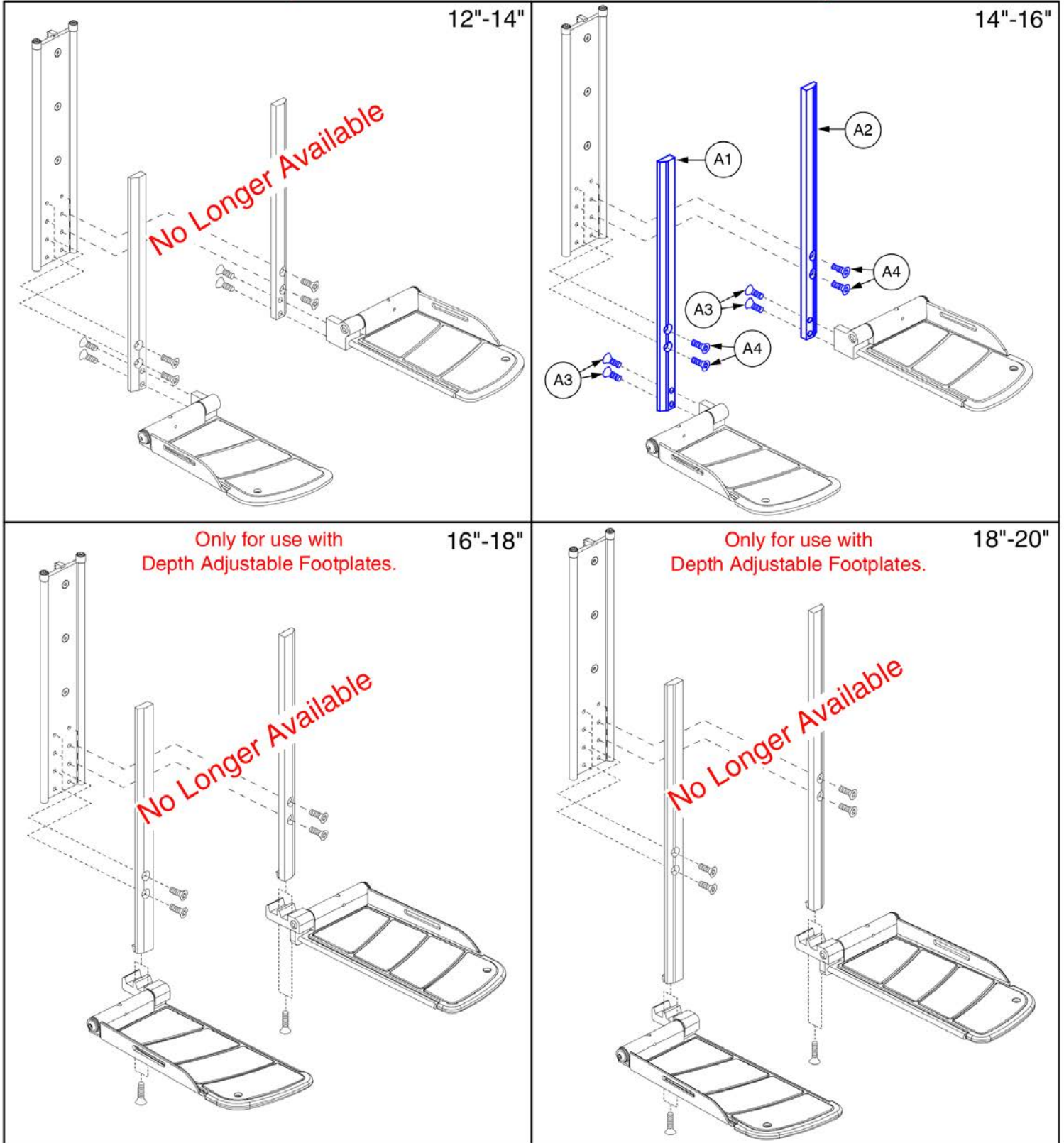
\*\*\*The Gen.1 AFP has been discontinued.  
No components are available for replacement.  
Please Contact Tech Service for service or replacement options.\*\*\*



This page intentionally left blank

3.2. Gen. 1 Power AFP Lowers & Footplates

\*\*\*The Gen.1 AFP has been discontinued. Only items with callouts are available for replacement. Limited quantities are on hand. Contact service for availability.\*\*\*



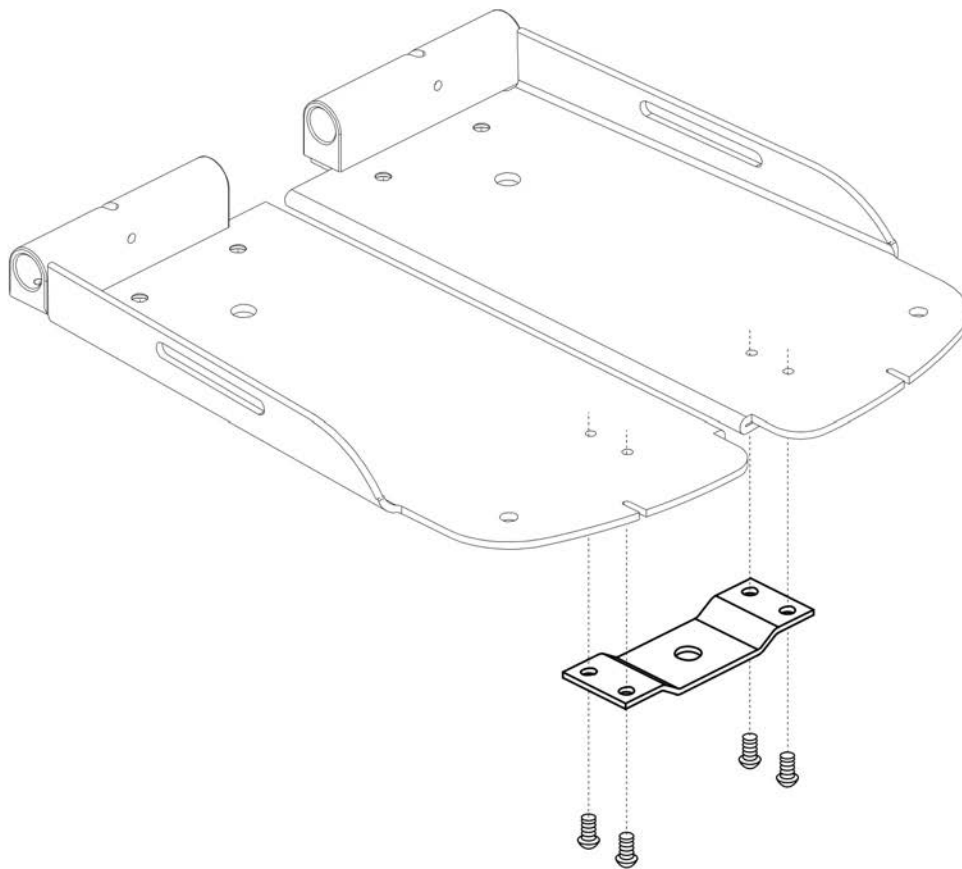
## Gen. 1 Power AFP Lower Extensions



Item	Part No.	Name	Qty
A1		HEIGHT ADJUSTMENT PLATE,14"-16" EXT,POWER AFP,RIGHT	1
A2		HEIGHT ADJUSTMENT PLATE,14"-16" EXT,POWER AFP,LEFT	1
A3	SCRSHFH1085	SCREW,SHFH,BLACK ZINC,1/4-20 X 0.75",GRADE 8,W/NYLON PATCH,A-1367-005	4
A4	SCRSHFH1094	SCREW,SHFH,BLACK ZINC,1/4-20 X 0.625",GR 8,W/PATCH	4

3.2. Gen. 1 Power AFP Lowers & Footplates

The Generation 1 AFP Footplate Connecting Bracket is no longer available for replacement.



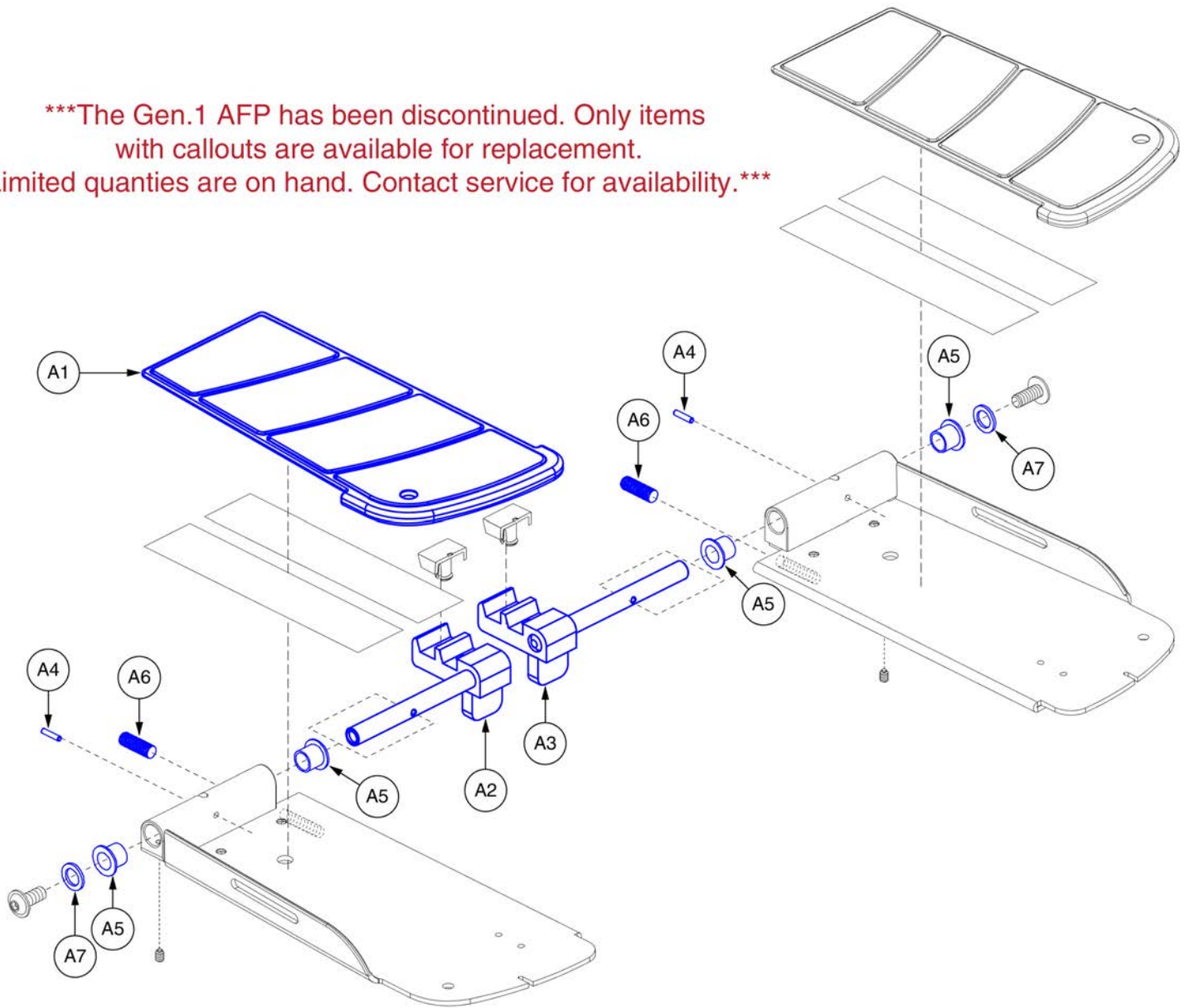
# Gen. 1 Power AFP Foot Plate Connecting Bracket



Item	Part No.	Name	Qty
A1		FOOTPLATE,ASSY,CONNECTING BRACKET,POWER AFP	1

3.2. Gen. 1 Power AFP Lowers & Footplates

\*\*\*The Gen.1 AFP has been discontinued. Only items with callouts are available for replacement. Limited quantities are on hand. Contact service for availability.\*\*\*





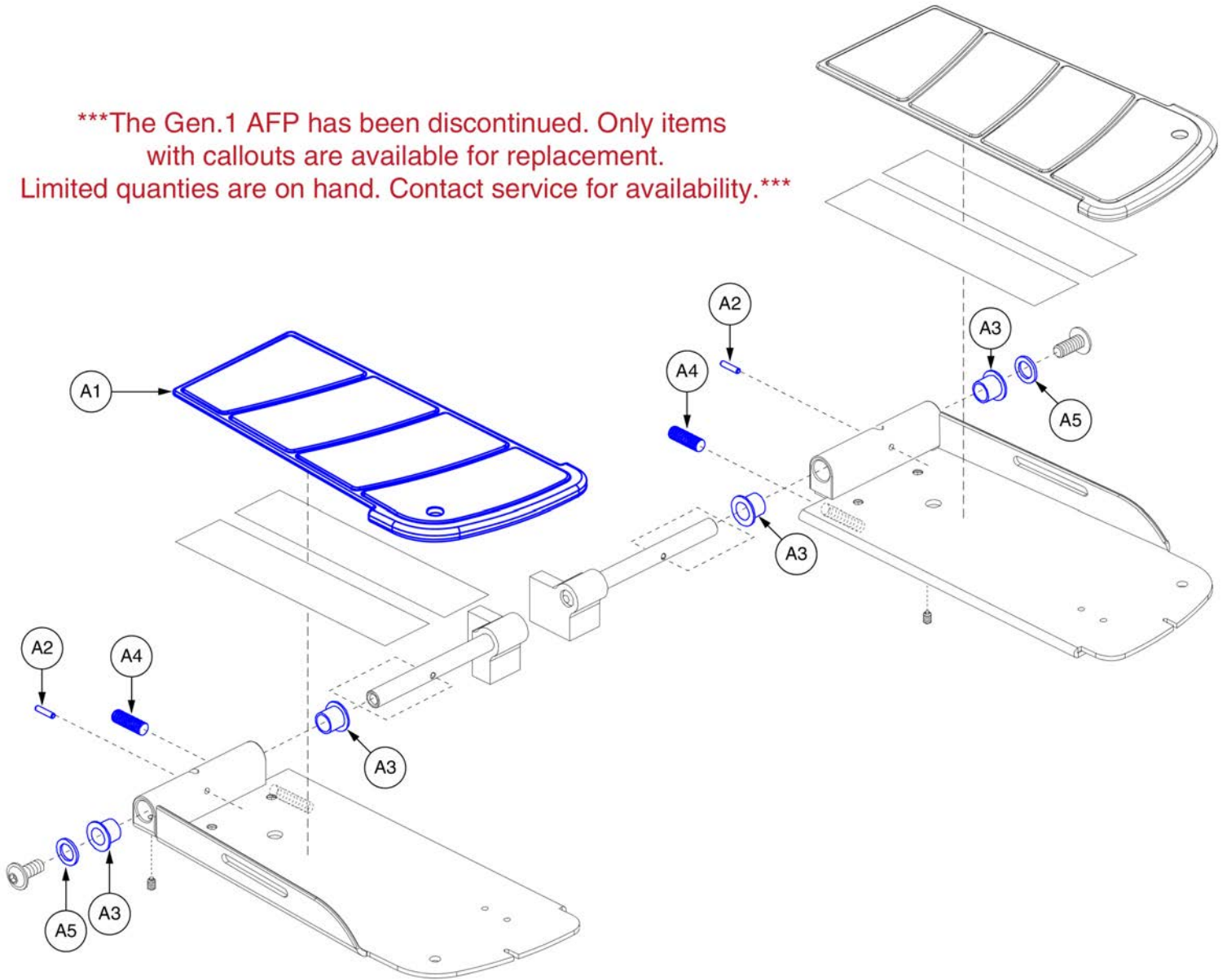
**Gen. 1 Power AFP Depth Adjustable Foot Plates**



Item	Part No.	Name	Qty
A1		COVER,PLASTIC,FOOTPLATE,POWER AFP,RIGHT	1
A2		FOOTPLATE DEPTH ADJUSTMENT,POWER AFP,SMALL,RIGHT	1
A3		FOOTPLATE DEPTH ADJUSTMENT,POWER,SMALL,LEFT	1
A4		PIN, DOWEL,0.125" DIA X 0.56" L,B-1005-095	1
A5	BRGFLNG1066	BEARING,FLANGE,.4375"ID X .531"OD X .75"FOD X .046"FTH	1
A6	SCRSETS1079	SCREW, SET,BLACK,ZINC,5/16-24 X 1.00",OVAL POINT	2
A7	WASNYLN1128	WASHER,NYLON,0.438" ID X 0.675" OD X 0.0625" TH	1

3.2. Gen. 1 Power AFP Lowers & Footplates

\*\*\*The Gen.1 AFP has been discontinued. Only items with callouts are available for replacement. Limited quantities are on hand. Contact service for availability.\*\*\*

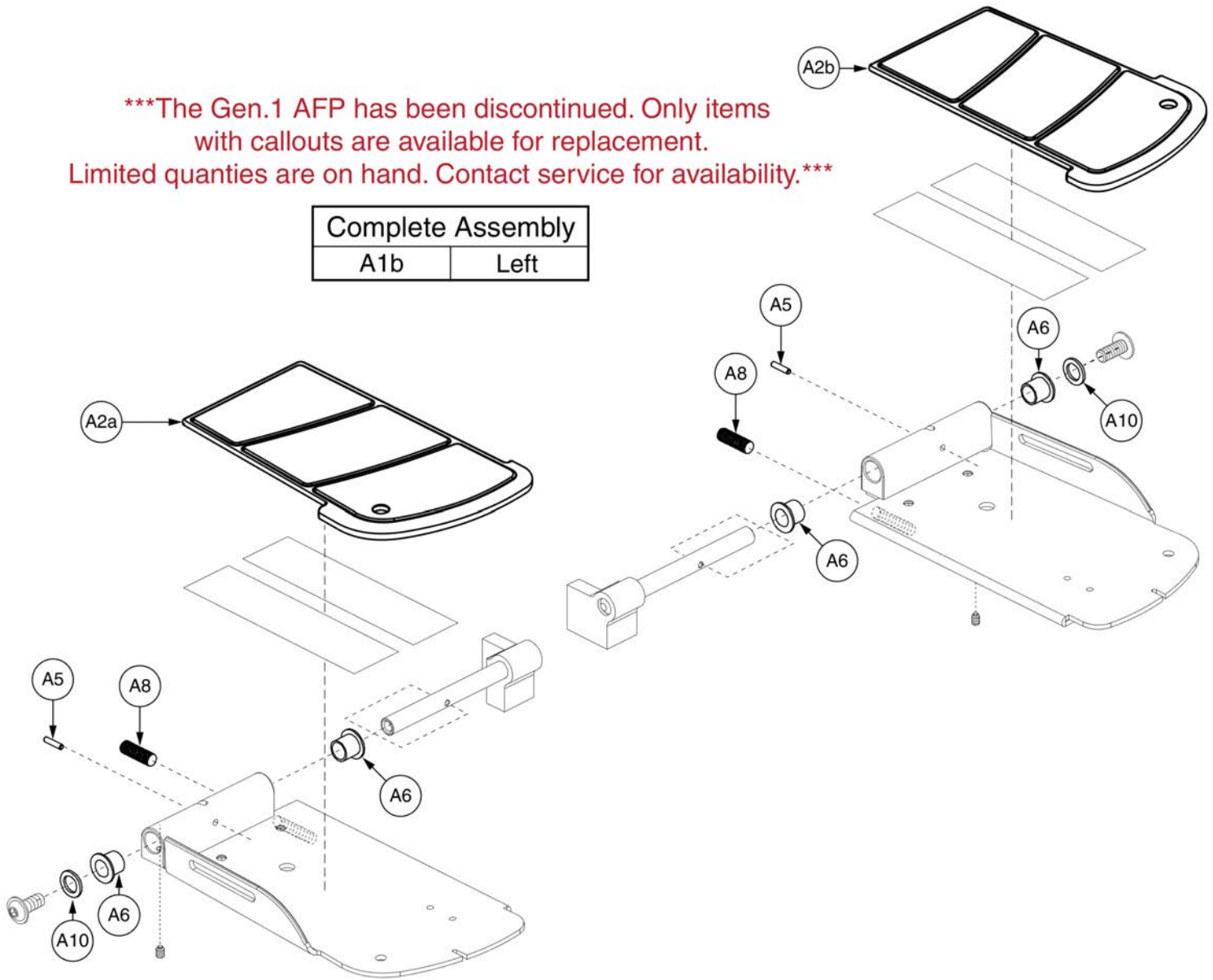


Item	Part No.	Name	Qty
A1		COVER,PLASTIC,FOOTPLATE,POWER AFP,RIGHT	1
A2		PIN, DOWEL,0.125" DIA X 0.56" L,B-1005-095	1
A3	BRGFLNG1066	BEARING,FLANGE,.4375"ID X .531"OD X .75"FOD X .046"FTH	2
A4	SCRSETS1079	SCREW, SET,BLACK,ZINC,5/16-24 X 1.00",OVAL POINT	1
A5	WASNYLN1128	WASHER,NYLON,0.438" ID X 0.675" OD X 0.0625" TH	1

3.2. Gen. 1 Power AFP Lowers & Footplates

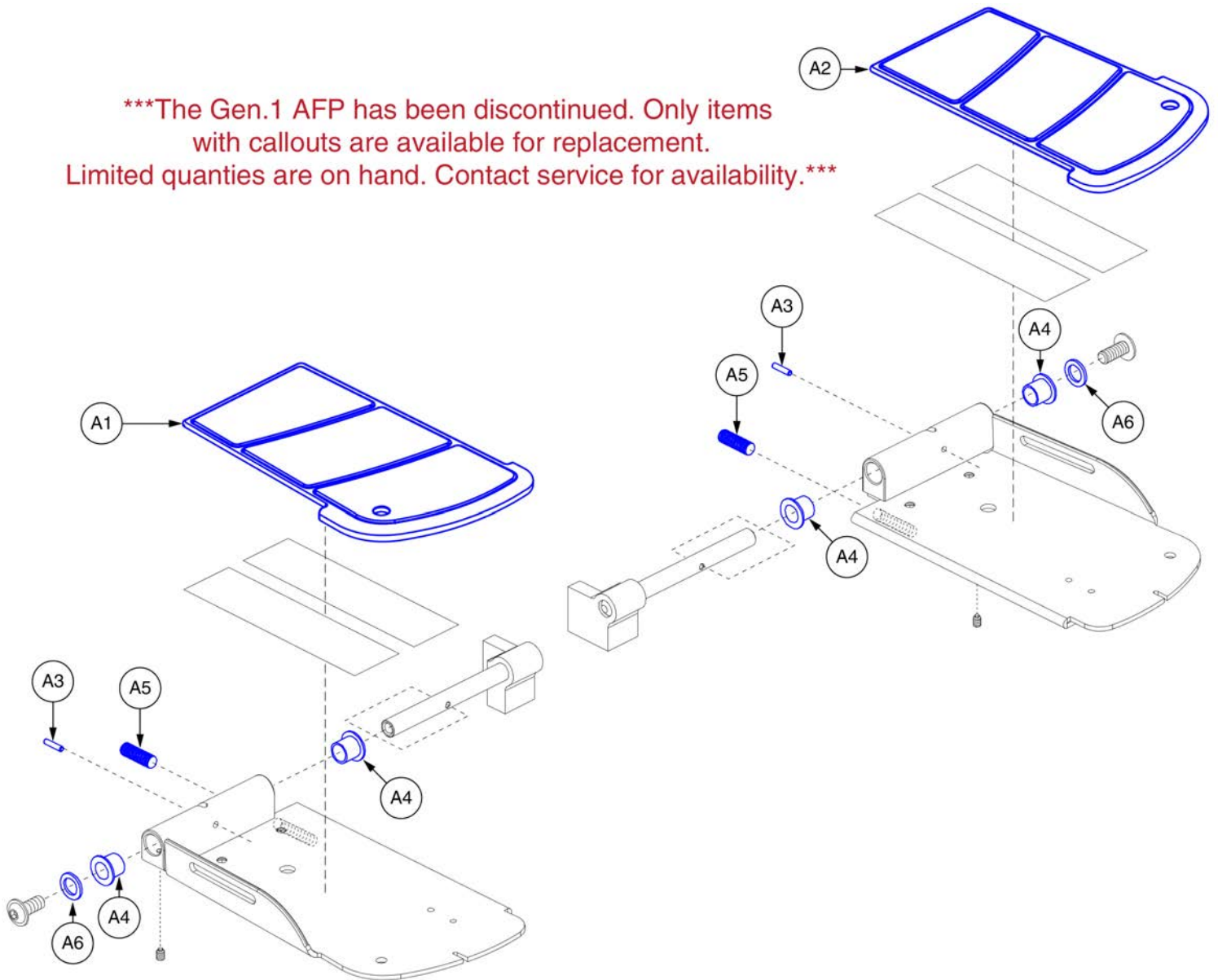
\*\*\*The Gen.1 AFP has been discontinued. Only items with callouts are available for replacement. Limited quantities are on hand. Contact service for availability.\*\*\*

Complete Assembly	
A1b	Left



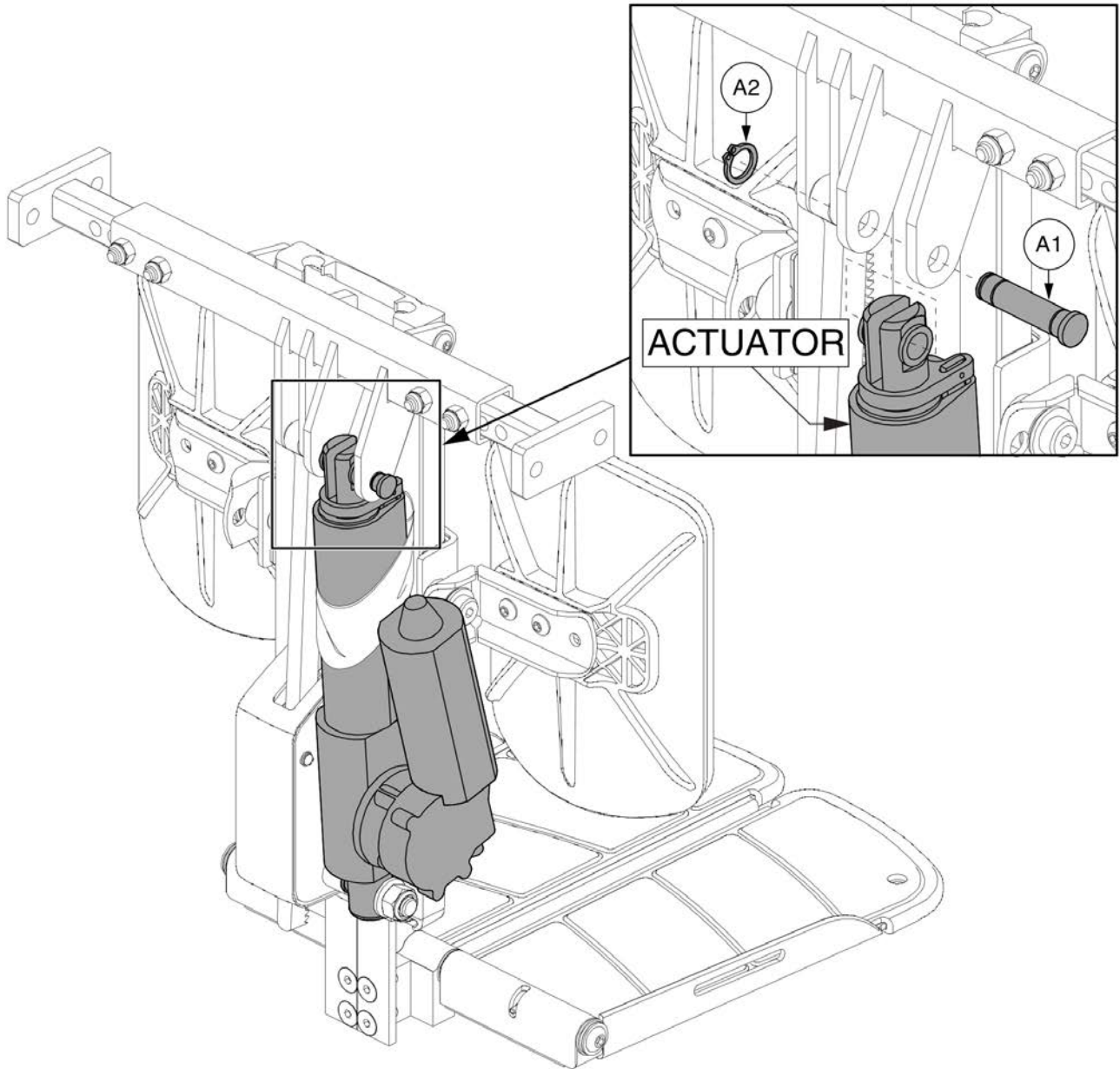
Item	Part No.	Name	Qty
A1		COVER,PLASTIC,FOOTPLATE,POWER AFP,PEDIATRIC,RIGHT	1
A2		COVER,PLASTIC,FOOTPLATE,POWER AFP,PEDIATRIC,LEFT	1
A3		PIN, DOWEL,0.125" DIA X 0.56" L,B-1005-095	1
A4	BRGFLNG1066	BEARING,FLANGE,.4375"ID X .531"OD X .75"FOD X .046"FTH	2
A5	SCRSETS1079	SCREW, SET,BLACK,ZINC,5/16-24 X 1.00",OVAL POINT	1
A6	WASNYLN1128	WASHER,NYLON,0.438" ID X 0.675" OD X 0.0625" TH	1

\*\*\*The Gen.1 AFP has been discontinued. Only items with callouts are available for replacement. Limited quantities are on hand. Contact service for availability.\*\*\*



This page intentionally left blank

3.3. Gen. 1 Power AFP Shear Pin Replacement Kit



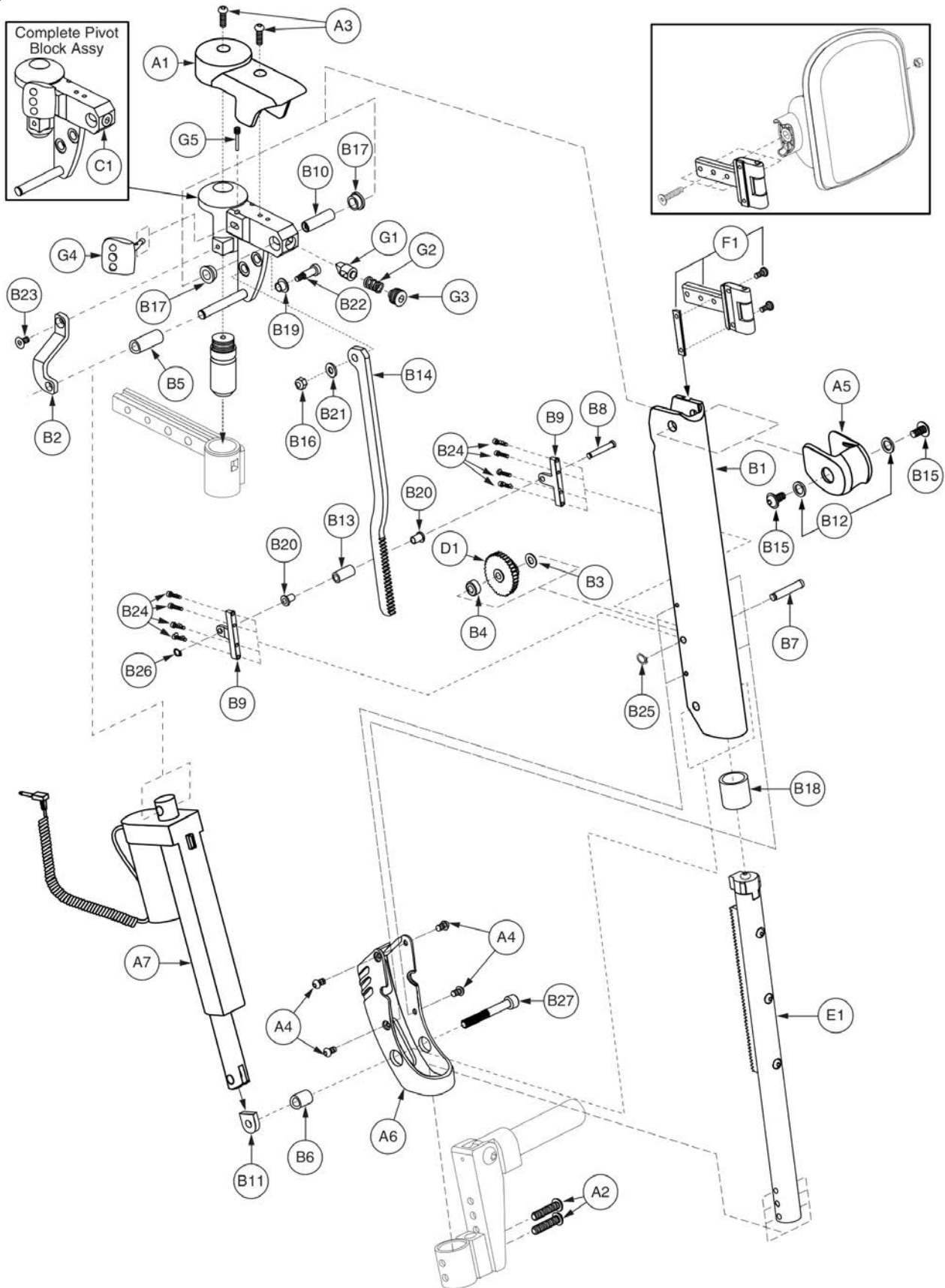


# Power AFP Shear Pin Replacement Kit, Gen 1



Item	Part No.	Name	Qty
A1 - A3	KITASMB1761	KIT,ASSY,AFP SHEAR PIN,W/INSTALLATION INSTRUCTIONS	1
A1		CLEVIS PIN,ACTUATOR,TRU-BALANCE POWER ARTICULATING FOOT PLATFORM,UPPER,BREAK AWAY,B-1304-084	1
A2	RNGRTAN1035	RETAINING RING,BLACK ZINC,0.375",EXTERNAL,B-1005-084	1
A3	INFINFB2522	MANUAL,INSTALLATION INSTRUCTIONS,AFP SHEAR PIN	1

### 70° Uppers



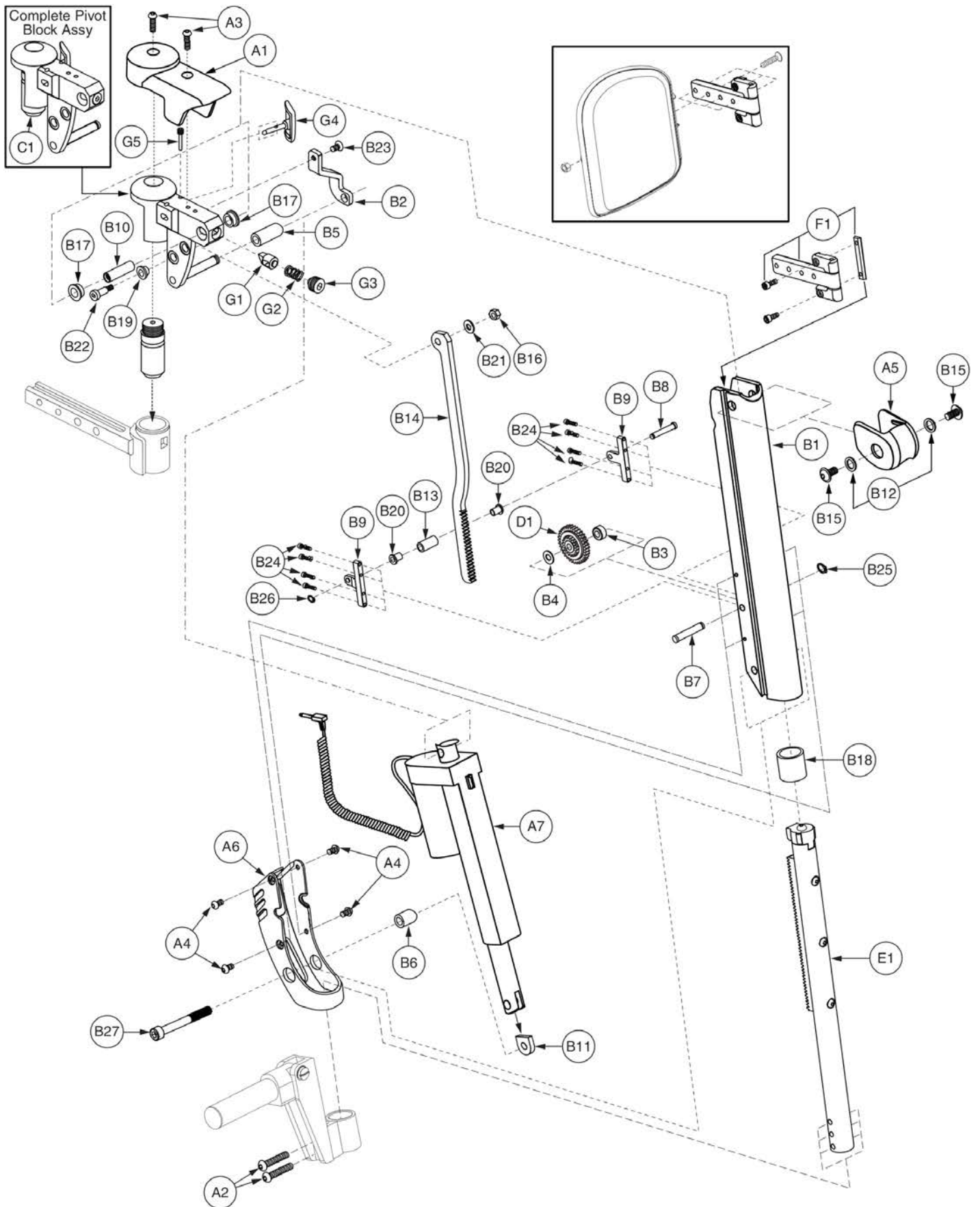
Item	Part No.	Name	Qty
A1 - F1	FRMASMB11367	LEGREST,ASSY,70°,4" STROKE,S/A POWER ALR,UPPER,RIGHT,W/PLASTICS,11"-13",D-1303-085	1
A1	DWR1303D039	TOP CAP,PLASTIC,S/A POWER ALR,RIGHT	1
A2	SCRASBH1254	SCREW,BHSCS,BLACK ZINC,1/4-20 X 1.875",GR 8,W/PATCH	2
A3	SCRASBH1154	SCREW,BHSCS,BLACK ZINC,8-32 X 0.3125",W/PATCH	2
A4	SCRASBH1153	SCREW,BHSCS,BLACK ZINC,6-32 X 0.250",W/NYLON PATCH	4
A5	DWR1303D016	BALL CAP,PLASTIC,UPPER,POWER ALR	1
A6	DWR1303D018	ACTUATOR END CAP,PLASTIC,POWER ALR,RIGHT	1
A7	ACCACTR1026	ACTUATOR,70°,POWER ALR(HIWIN: LAS-1-1-89-24E)	1
B1 - F1		LEGREST,ASSY,4",S/A POWER ALR,RIGHT,11"-13",E-1303-044	1
B1		LEGREST EXTENSION,MAIN,POWER ALR,RIGHT	1
B2		ACTUATOR SUPPORT BRACKET,S/A POWER ALR,RIGHT	1
B3		SPACER,PINION GEAR SIDE,.257"ID X .50"OD X .04"TH,POWER ALR	1
B4		SPACER,PUSH GEAR SIDE,.257"ID X .50"OD X .265"TH,POWER ALR	1
B5		SPACER,UPPER ACTUATOR CLEVIS,.32"ID X .50"OD X 1.19"L	1
B6		SPACER,LOWER ACTUATOR CLEVIS,.32"ID X .50"OD X .67"L	1
B7		GEAR SHAFT,STAINLESS STEEL,1.340" L,POWER ALR,RIGHT	1
B8		RACK SUPPORT PIN,LOWER,POWER ALR	1
B9		RACK PIN SUPPORT BRACKET,LOWER,POWER ALR	2
B10		THREADED SHAFT,STAINLESS STEEL,1/4-20 X 1.30"L	1
B11	DWR1303B027	ACTUATOR PIVOT NUT,M8-1.25,LOWER,POWER ALR	1
B12		WASHER,FLAT,BLACK,STEEL,0.376"ID X 0.563"OD X 0.060"TH	2
B13		RACK SUPPORT PIN,LOWER,BEARING RACE,POWER ALR	1
B14		RACK MOUNT BRACKET,SHORT STROKE,LOWER,POWER ALR	1
B15		SCREW,BHSCS,BLACK ZINC,1/4-20 X 0.500",FLANGE,W/PATCH	2
B16	NUTNYLK1040	NUT, NYLOCK, 10-24, BLACK ZINC	1
B17	BRGFLNG1059	BEARING,FLANGE,.375"ID X .50"OD X .25"TH,.625"FOD X .062"FTH	2
B18		BEARING,SLEEVE,0.875"ID X 1.00"OD X 1.00"L	1
B19	BRGFLNG1030	BEARING,FLANGE,.25"ID X .3125"OD X .25"L X .4375"FOD X .032"FTH	1
B20		BEARING,FLANGE,.1875"ID X .25"OD X .375"L X .375"FOD X .032"FTH	2
B21	WASPTFE1000	WASHER,PTFE,0.250" ID X 0.500" OD X 0.0625" TH	1
B22	BLTASHL1006	BOLT,SHOULDER,1/4" X 0.50"	1
B23	SCRSHFH1084	SCREW, SHFH,BLACK ZINC,10-32 X .375",GRADE 8,W/PATCH	1
B24	SCRSHCS1149	SCREW, SHCS,BLACK ZINC,4-40 X 0.500",W/NYLON PATCH	8
B25		RETAINING RING,BLACK,.25",EXTERNAL	1
B26		RETAINING RING,COPPER,.1875",EXTERNAL	1
B27	SCRSHCS1150	SCREW,SHCS,BLACK ZINC,M8-1.25 X 60MM,LOW HEAD,GR 8	1



Item	Part No.	Name	Qty
C1	FRMASMB9079	PIVOT BLOCK ASSY,S/A POWER ALR,W/LEVER,RIGHT,D-1303-034	1
D1		GEAR,ASSY,POWER ALR	1
E1		SLIDE TUBE,ASSY,POWER ALR,11"-13",D-1303-081	1
F1	FRMASMB7273	LEGREST,ASSY,BRACKET,FLIP-UP CALF PAD,TRU-BALANCE POWER ELEVATING ARTICULATING LEGS,C-1303-028	1
G1	DWR1010C135	LATCH,DETENT,RIGHT,C-1010-135	1
G2	DWR1010B064	SPRING,COMPRESSION,0.563" FL X 0.360" OD X 0.032" WIRE DIA X RATE: 2.328N/MM,B-1010-064,(LEE SPRING: LC-032E-2-M)	1
G3	SCRSETS1093	SCREW,SET,BLACK ZINC,M14-1.5 X 12MM,HALF DOG POINT	1
G4	DWR1303B037	LEVER,MOLDED,S/A RELEASE,B-1303-037	1
G5	DWR1303B035	SCREW,PIN,10-32,B-1303-035	1



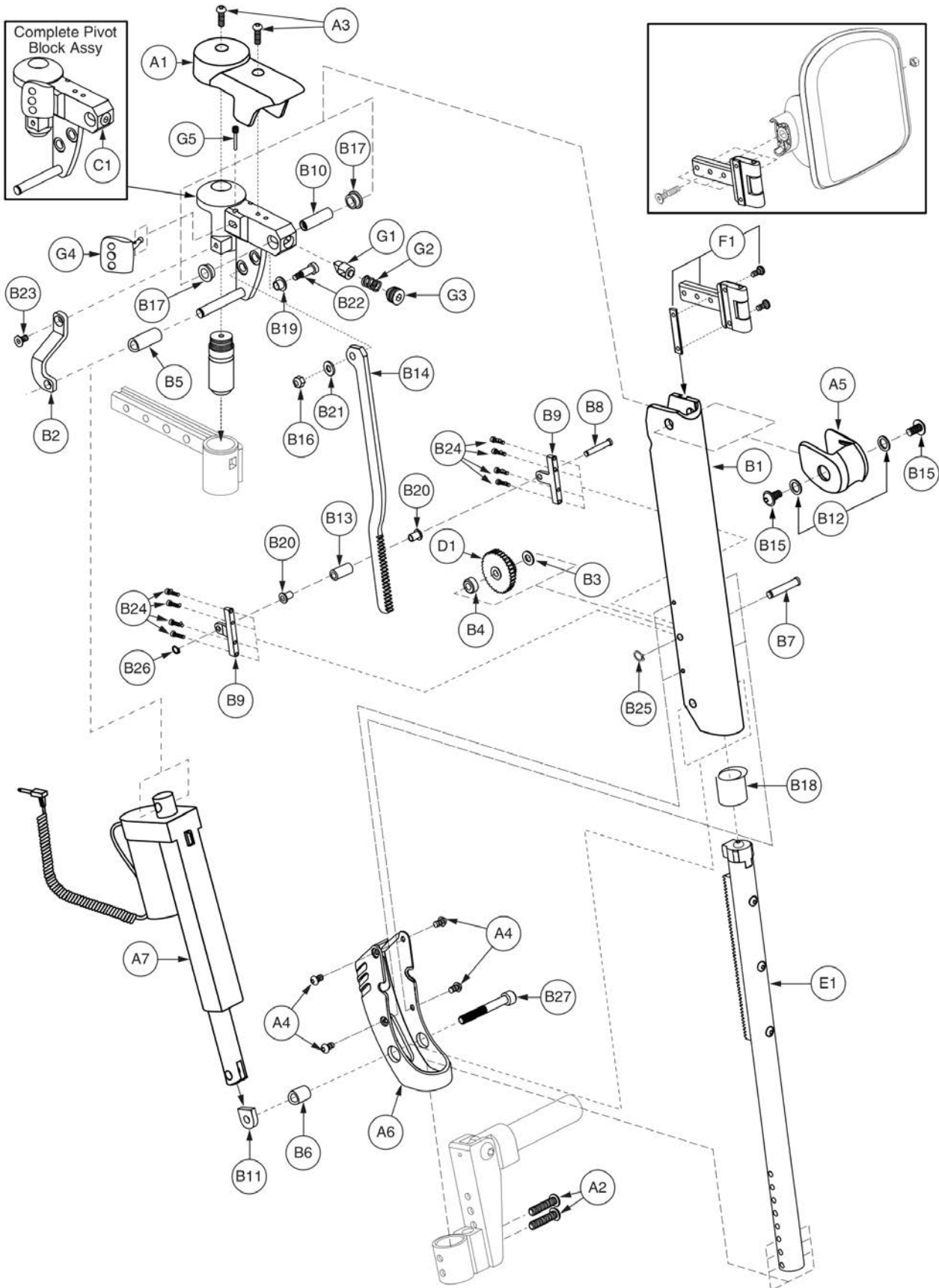
Item	Part No.	Name	Qty
A1 - F1	FRMASMB11366	LEGREST,ASSY,70°,4" STROKE,S/A POWER ALR,UPPER,LEFT,W/PLASTICS,11"-13",D-1303-082	1
A1	DWR1303D038	TOP CAP,PLASTIC,S/A POWER ALR,LEFT	1
A2	SCRASBH1254	SCREW,BHSCS,BLACK ZINC,1/4-20 X 1.875",GR 8,W/PATCH	2
A3	SCRASBH1154	SCREW,BHSCS,BLACK ZINC,8-32 X 0.3125",W/PATCH	2
A4	SCRASBH1153	SCREW,BHSCS,BLACK ZINC,6-32 X 0.250",W/NYLON PATCH	4
A5	DWR1303D016	BALL CAP,PLASTIC,UPPER,POWER ALR	1
A6	DWR1303D019	ACTUATOR END CAP,PLASTIC,POWER ALR,LEFT	1
A7	ACCACTR1026	ACTUATOR,70°,POWER ALR(HIWIN: LAS-1-1-89-24E)	1
B1 - F1		LEGREST,ASSY,4",S/A POWER ALR,LEFT,11"-13",E-1303-043	1
B1		LEGREST EXTENSION,MAIN,POWER ALR,LEFT	1
B2		ACTUATOR SUPPORT BRACKET,S/A POWER ALR,LEFT	1
B3		SPACER,PINION GEAR SIDE,.257"ID X .50"OD X .04"TH,POWER ALR	1
B4		SPACER,PUSH GEAR SIDE,.257"ID X .50"OD X .265"TH,POWER ALR	1
B5		SPACER,UPPER ACTUATOR CLEVIS,.32"ID X .50"OD X 1.19"L	1
B6		SPACER,LOWER ACTUATOR CLEVIS,.32"ID X .50"OD X .67"L	1
B7		GEAR SHAFT,STAINLESS STEEL,1.340" L,POWER ALR,RIGHT	1
B8		RACK SUPPORT PIN,LOWER,POWER ALR	1
B9		RACK PIN SUPPORT BRACKET,LOWER,POWER ALR	2
B10		THREADED SHAFT,STAINLESS STEEL,1/4-20 X 1.30"L	1
B11	DWR1303B027	ACTUATOR PIVOT NUT,M8-1.25,LOWER,POWER ALR	1
B12		WASHER,FLAT,BLACK,STEEL,0.376"ID X 0.563"OD X 0.060"TH	2
B13		RACK SUPPORT PIN,LOWER,BEARING RACE,POWER ALR	1
B14		RACK MOUNT BRACKET,SHORT STROKE,LOWER,POWER ALR	1
B15		SCREW,BHSCS,BLACK ZINC,1/4-20 X 0.500",FLANGE,W/PATCH	2
B16	NUTNYLK1040	NUT, NYLOCK, 10-24, BLACK ZINC	1
B17	BRGFLNG1059	BEARING,FLANGE,.375"ID X .50"OD X .25"TH,.625"FOD X .062"FTH	2
B18		BEARING,SLEEVE,0.875"ID X 1.00"OD X 1.00"L	1
B19	BRGFLNG1030	BEARING,FLANGE,.25"ID X .3125"OD X .25"L X .4375"FOD X .032"FTH	1
B20		BEARING,FLANGE,.1875"ID X .25"OD X .375"L X .375"FOD X .032"FTH	2
B21	WASPTFE1000	WASHER,PTFE,0.250" ID X 0.500" OD X 0.0625" TH	1
B22	BLTASHL1006	BOLT,SHOULDER,1/4" X 0.50"	1
B23	SCRSHFH1084	SCREW, SHFH,BLACK ZINC,10-32 X .375",GRADE 8,W/PATCH	1
B24	SCRSHCS1149	SCREW, SHCS,BLACK ZINC,4-40 X 0.500",W/NYLON PATCH	8
B25		RETAINING RING,BLACK,.25",EXTERNAL	1
B26		RETAINING RING,COPPER,.1875",EXTERNAL	1
B27	SCRSHCS1150	SCREW,SHCS,BLACK ZINC,M8-1.25 X 60MM,LOW HEAD,GR 8	1



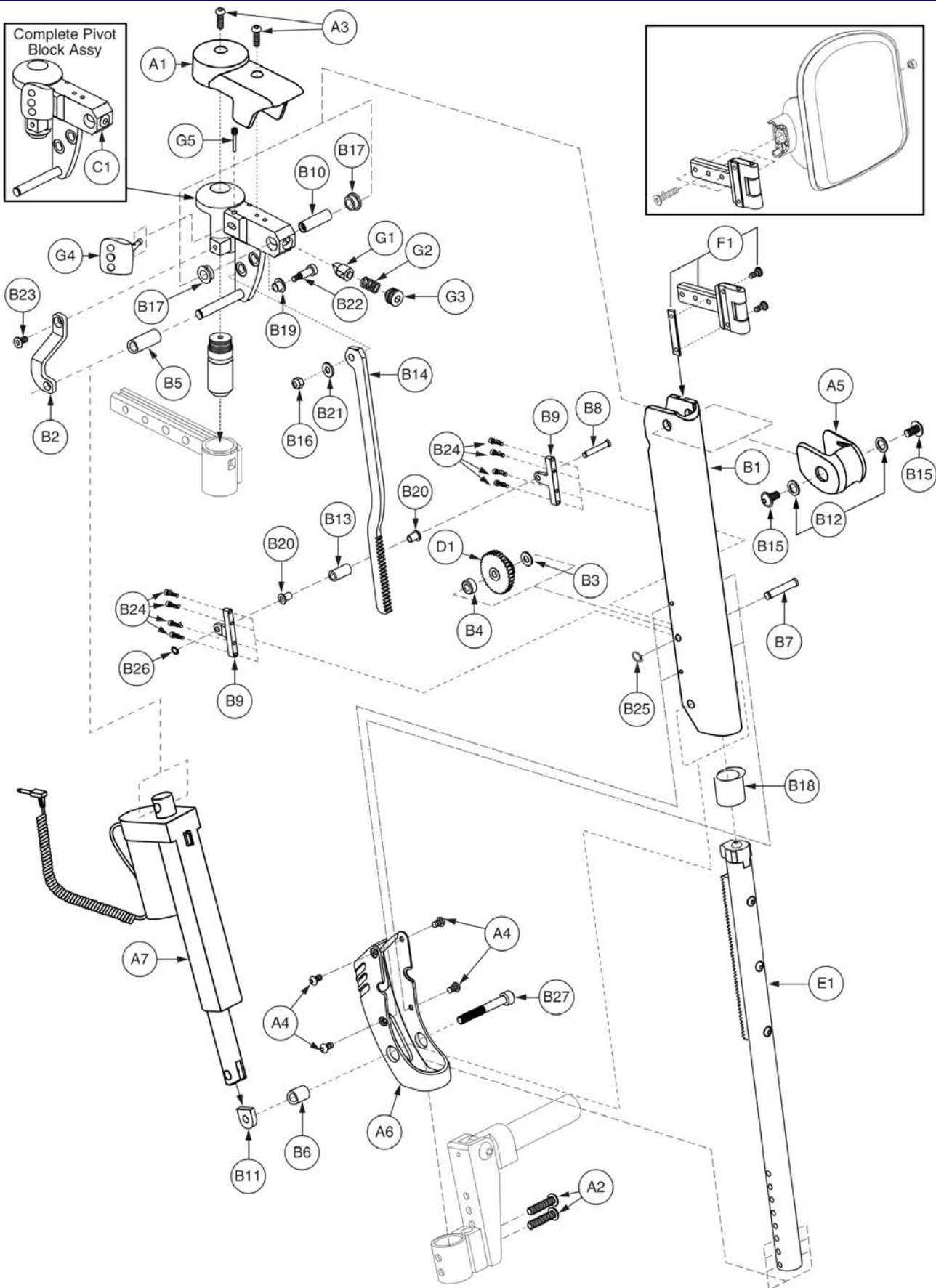


Item	Part No.	Name	Qty
C1		PIVOT BLOCK ASSY,S/A POWER ALR,W/LEVER,LEFT,D-1303-035	1
D1		GEAR,ASSY,POWER ALR	1
E1		SLIDE TUBE,ASSY,POWER ALR,11"-13",D-1303-081	1
F1	FRMASMB7273	LEGREST,ASSY,BRACKET,FLIP-UP CALF PAD,TRU-BALANCE POWER ELEVATING ARTICULATING LEGS,C-1303-028	1
G1	DWR1010C132	LATCH,DETENT,LEFT,C-1010-132	1
G2	DWR1010B064	SPRING,COMPRESSION,0.563" FL X 0.360" OD X 0.032" WIRE DIA X RATE: 2.328N/MM,B-1010-064,(LEE SPRING: LC-032E-2-M)	1
G3	SCRSETS1093	SCREW,SET,BLACK ZINC,M14-1.5 X 12MM,HALF DOG POINT	1
G4	DWR1303B037	LEVER,MOLDED,S/A RELEASE,B-1303-037	1
G5	DWR1303B035	SCREW,PIN,10-32,B-1303-035	1

### 70° Uppers

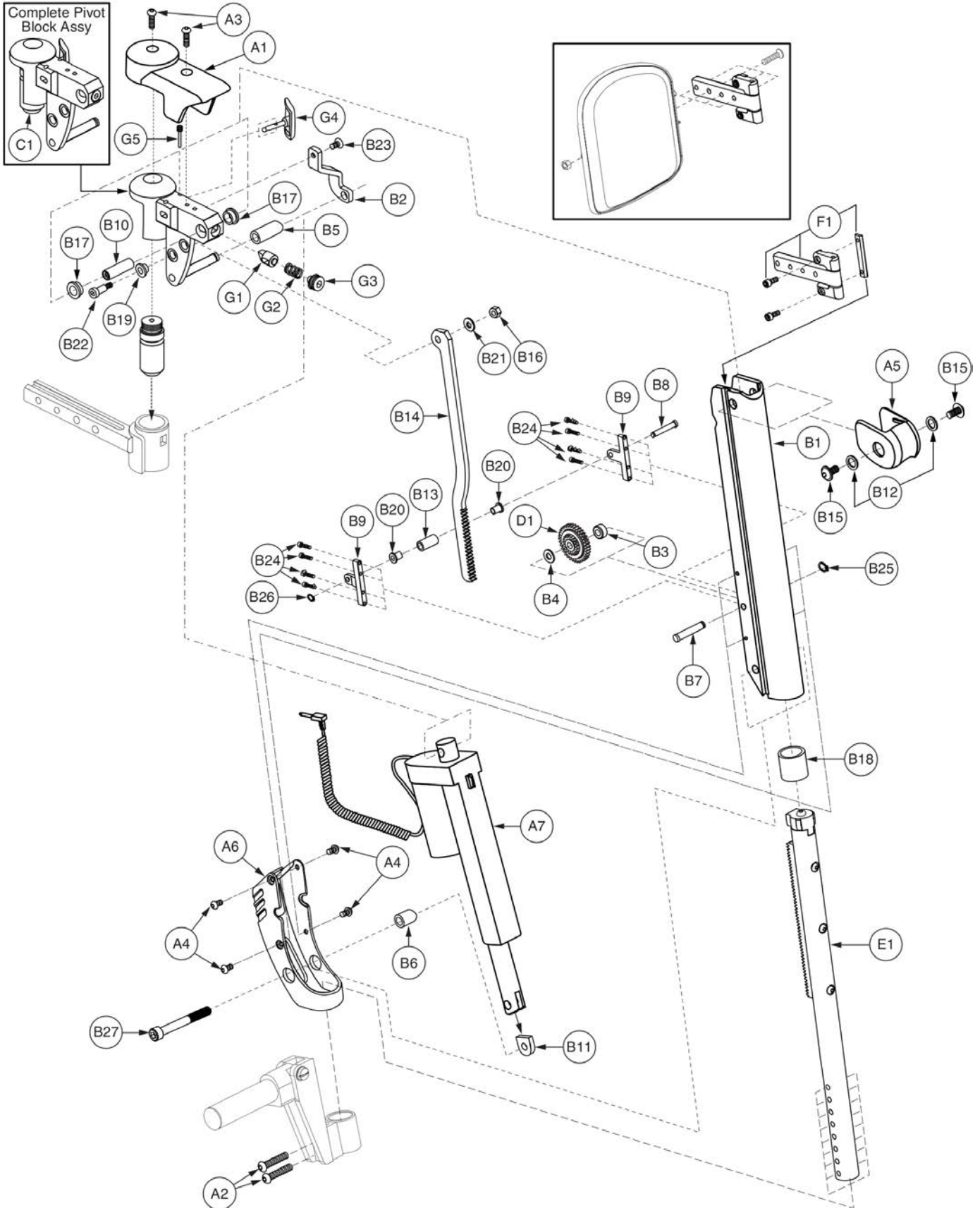


Item	Part No.	Name	Qty
A1 - F1	FRMASMB9075	LEGREST,ASSY,70°,4" STROKE,S/A POWER ALR,UPPER,RIGHT,W/PLASTICS,D-1303-078	1
A1	DWR1303D039	TOP CAP,PLASTIC,S/A POWER ALR,RIGHT	1
A2	SCRASBH1213	SCREW,BHSCS,BLACK ZINC,1/4-20 X 1.125",GR 8,W/PATCH	2
A3	SCRASBH1154	SCREW,BHSCS,BLACK ZINC,8-32 X 0.3125",W/PATCH	2
A4	SCRASBH1153	SCREW,BHSCS,BLACK ZINC,6-32 X 0.250",W/NYLON PATCH	4
A5	DWR1303D016	BALL CAP,PLASTIC,UPPER,POWER ALR	1
A6	DWR1303D018	ACTUATOR END CAP,PLASTIC,POWER ALR,RIGHT	1
A7	ACCACTR1026	ACTUATOR,70°,POWER ALR(HIWIN: LAS-1-1-89-24E)	1
B1 - F1		LEGREST,ASSY,UPPER,4",S/A POWER ALR,RIGHT,E-1303-018	1
B1		LEGREST EXTENSION,MAIN,POWER ALR,RIGHT	1
B2		ACTUATOR SUPPORT BRACKET,S/A POWER ALR,RIGHT	1
B3		SPACER,PINION GEAR SIDE,.257"ID X .50"OD X .04"TH,POWER ALR	1
B4		SPACER,PUSH GEAR SIDE,.257"ID X .50"OD X .265"TH,POWER ALR	1
B5		SPACER,UPPER ACTUATOR CLEVIS,.32"ID X .50"OD X 1.19"L	1
B6		SPACER,LOWER ACTUATOR CLEVIS,.32"ID X .50"OD X .67"L	1
B7		GEAR SHAFT,STAINLESS STEEL,1.340" L,POWER ALR,RIGHT	1
B8		RACK SUPPORT PIN,LOWER,POWER ALR	1
B9		RACK PIN SUPPORT BRACKET,LOWER,POWER ALR	2
B10		THREADED SHAFT,STAINLESS STEEL,1/4-20 X 1.30"L	1
B11	DWR1303B027	ACTUATOR PIVOT NUT,M8-1.25,LOWER,POWER ALR	1
B12		WASHER,FLAT,BLACK,STEEL,0.376"ID X 0.563"OD X 0.060"TH	2
B13		RACK SUPPORT PIN,LOWER,BEARING RACE,POWER ALR	1
B14		RACK MOUNT BRACKET,SHORT STROKE,LOWER,POWER ALR	1
B15		SCREW,BHSCS,BLACK ZINC,1/4-20 X 0.500",FLANGE,W/PATCH	2
B16	NUTNYLK1040	NUT, NYLOCK, 10-24, BLACK ZINC	1
B17	BRGFLNG1059	BEARING,FLANGE,.375"ID X .50"OD X .25"TH,.625"FOD X .062"FTH	2
B18		BEARING,SLEEVE,0.875"ID X 1.00"OD X 1.00"L	1
B19	BRGFLNG1030	BEARING,FLANGE,.25"ID X .3125"OD X .25"L X .4375"FOD X .032"FTH	1
B20		BEARING,FLANGE,.1875"ID X .25"OD X .375"L X .375"FOD X .032"FTH	2
B21	WASPTFE1000	WASHER,PTFE,0.250" ID X 0.500" OD X 0.0625" TH	1
B22	BLTASHL1006	BOLT,SHOULDER,1/4" X 0.50"	1
B23	SCRSHFH1084	SCREW, SHFH,BLACK ZINC,10-32 X .375",GRADE 8,W/PATCH	1
B24	SCRSHCS1149	SCREW, SHCS,BLACK ZINC,4-40 X 0.500",W/NYLON PATCH	8
B25		RETAINING RING,BLACK,.25",EXTERNAL	1
B26		RETAINING RING,COPPER,.1875",EXTERNAL	1
B27	SCRSHCS1150	SCREW,SHCS,BLACK ZINC,M8-1.25 X 60MM,LOW HEAD,GR 8	1

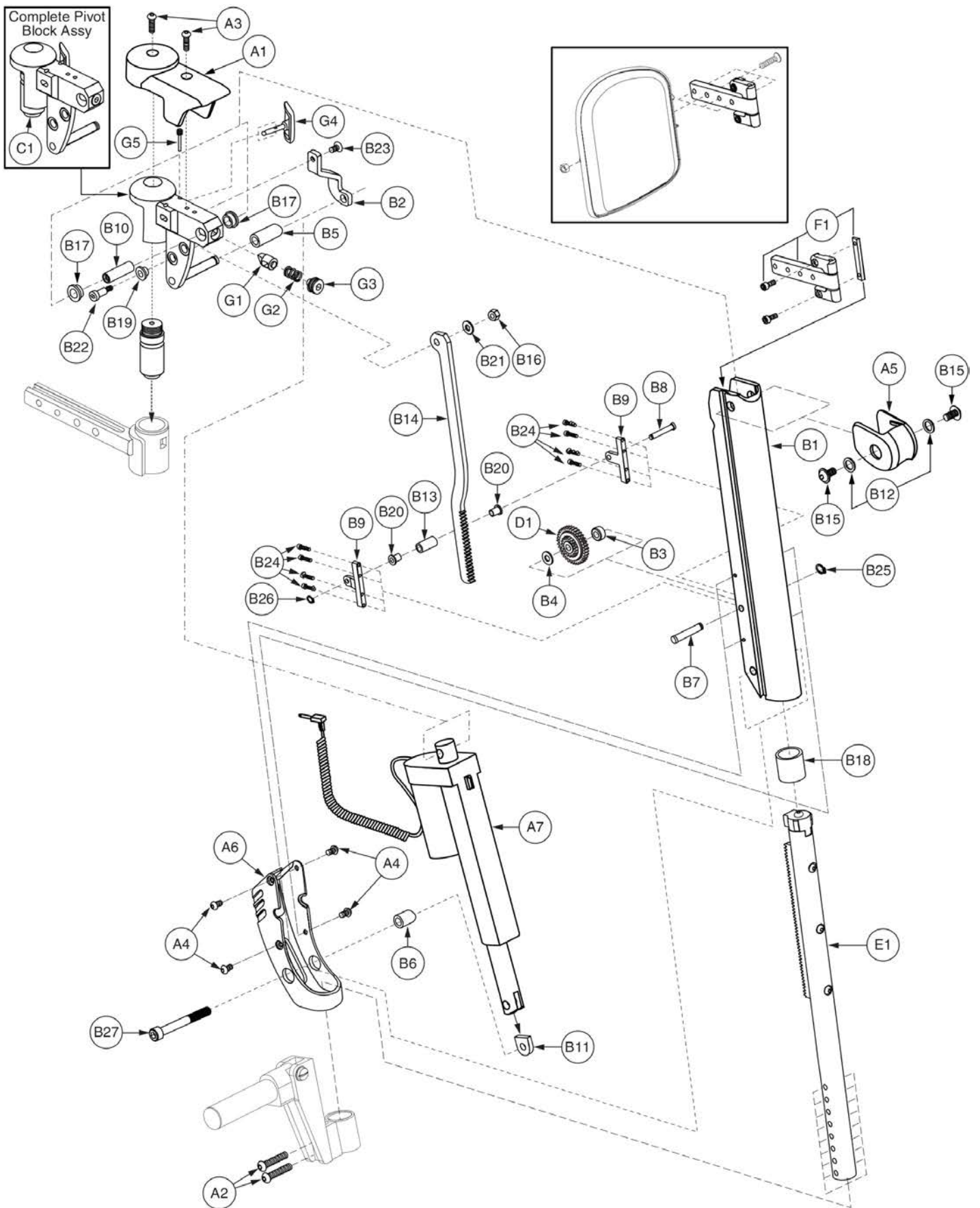


Item	Part No.	Name	Qty
C1	FRMASMB9079	PIVOT BLOCK ASSY,S/A POWER ALR,W/LEVER,RIGHT,D-1303-034	1
D1		GEAR,ASSY,POWER ALR	1
E1		SLIDE TUBE,POWER ALR	1
F1	FRMASMB7273	LEGREST,ASSY,BRACKET,FLIP-UP CALF PAD,TRU-BALANCE POWER ELEVATING ARTICULATING LEGS,C-1303-028	1
G1	DWR1010C135	LATCH,DETENT,RIGHT,C-1010-135	1
G2	DWR1010B064	SPRING,COMPRESSION,0.563" FL X 0.360" OD X 0.032" WIRE DIA X RATE: 2.328N/MM,B-1010-064,(LEE SPRING: LC-032E-2-M)	1
G3	SCRSETS1093	SCREW,SET,BLACK ZINC,M14-1.5 X 12MM,HALF DOG POINT	1
G4	DWR1303B037	LEVER,MOLDED,S/A RELEASE,B-1303-037	1
G5	DWR1303B035	SCREW,PIN,10-32,B-1303-035	1

### 70° Uppers



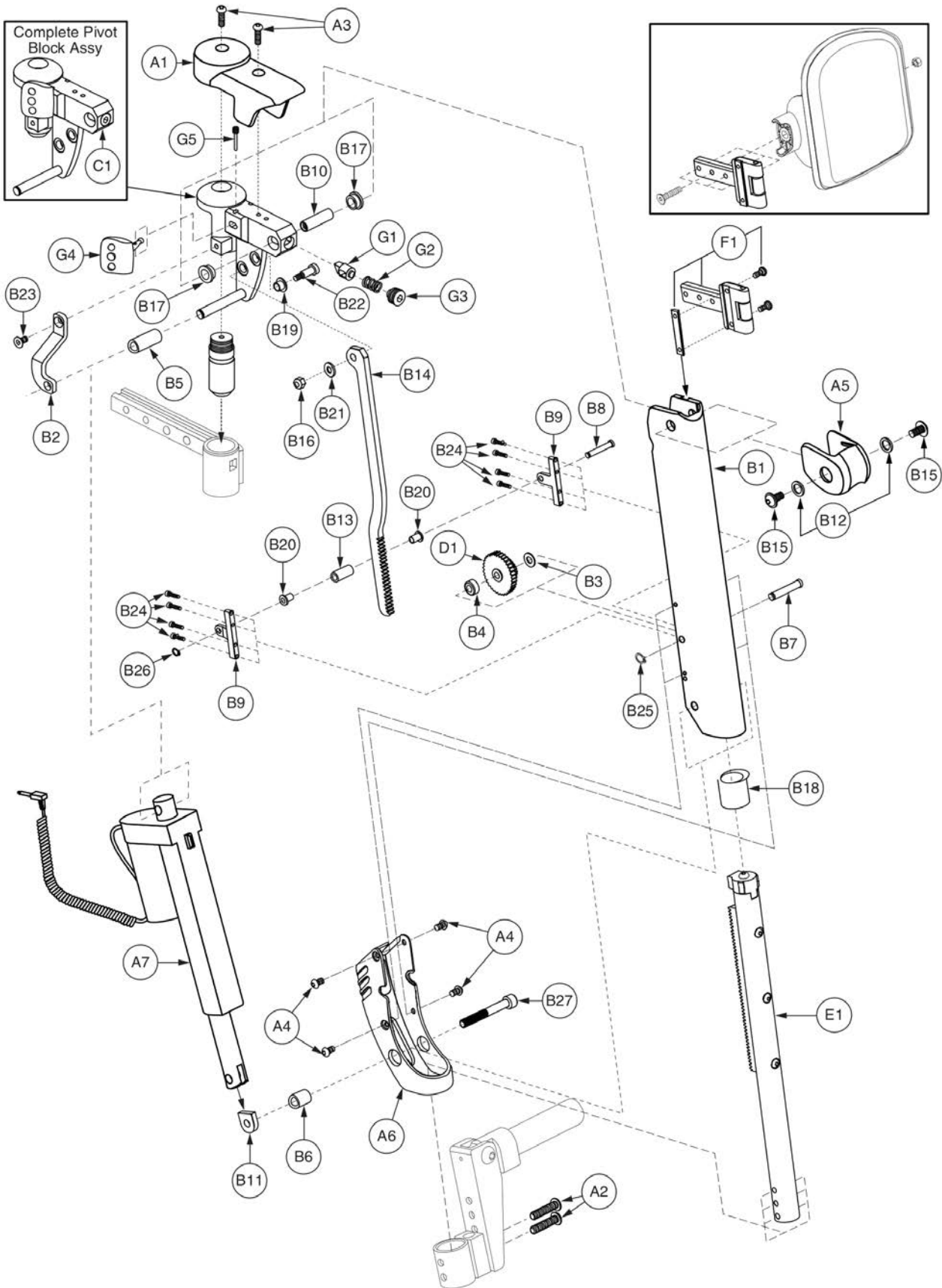
Item	Part No.	Name	Qty
A1 - F1	FRMASMB9074	LEGREST,ASSY,70°,4" STROKE,S/A POWER ALR,UPPER,LEFT,W/PLASTICS,D-1303-079	1
A1	DWR1303D038	TOP CAP,PLASTIC,S/A POWER ALR,LEFT	1
A2	SCRASBH1213	SCREW,BHSCS,BLACK ZINC,1/4-20 X 1.125",GR 8,W/PATCH	2
A3	SCRASBH1154	SCREW,BHSCS,BLACK ZINC,8-32 X 0.3125",W/PATCH	2
A4	SCRASBH1153	SCREW,BHSCS,BLACK ZINC,6-32 X 0.250",W/NYLON PATCH	4
A5	DWR1303D016	BALL CAP,PLASTIC,UPPER,POWER ALR	1
A6	DWR1303D019	ACTUATOR END CAP,PLASTIC,POWER ALR,LEFT	1
A7	ACCACTR1026	ACTUATOR,70°,POWER ALR(HIWIN: LAS-1-1-89-24E)	1
B1 - F1		LEGREST,ASSY,4" STROKE,S/A POWER ALR,LEFT,E-1303-017	1
B1		LEGREST EXTENSION,MAIN,POWER ALR,LEFT	1
B2		ACTUATOR SUPPORT BRACKET,S/A POWER ALR,LEFT	1
B3		SPACER,PINION GEAR SIDE,.257"ID X .50"OD X .04"TH,POWER ALR	1
B4		SPACER,PUSH GEAR SIDE,.257"ID X .50"OD X .265"TH,POWER ALR	1
B5		SPACER,UPPER ACTUATOR CLEVIS,.32"ID X .50"OD X 1.19"L	1
B6		SPACER,LOWER ACTUATOR CLEVIS,.32"ID X .50"OD X .67"L	1
B7		GEAR SHAFT,STAINLESS STEEL,1.340" L,POWER ALR,RIGHT	1
B8		RACK SUPPORT PIN,LOWER,POWER ALR	1
B9		RACK PIN SUPPORT BRACKET,LOWER,POWER ALR	2
B10		THREADED SHAFT,STAINLESS STEEL,1/4-20 X 1.30"L	1
B11	DWR1303B027	ACTUATOR PIVOT NUT,M8-1.25,LOWER,POWER ALR	1
B12		WASHER,FLAT,BLACK,STEEL,0.376"ID X 0.563"OD X 0.060"TH	2
B13		RACK SUPPORT PIN,LOWER,BEARING RACE,POWER ALR	1
B14		RACK MOUNT BRACKET,SHORT STROKE,LOWER,POWER ALR	1
B15		SCREW,BHSCS,BLACK ZINC,1/4-20 X 0.500",FLANGE,W/PATCH	2
B16	NUTNYLK1040	NUT, NYLOCK, 10-24, BLACK ZINC	1
B17	BRGFLNG1059	BEARING,FLANGE,.375"ID X .50"OD X .25"TH,.625"FOD X .062"FTH	2
B18		BEARING,SLEEVE,0.875"ID X 1.00"OD X 1.00"L	1
B19	BRGFLNG1030	BEARING,FLANGE,.25"ID X .3125"OD X .25"L X .4375"FOD X .032"FTH	1
B20		BEARING,FLANGE,.1875"ID X .25"OD X .375"L X .375"FOD X .032"FTH	2
B21	WASPTFE1000	WASHER,PTFE,0.250" ID X 0.500" OD X 0.0625" TH	1
B22	BLTASHL1006	BOLT,SHOULDER,1/4" X 0.50"	1
B23	SCRSHFH1084	SCREW, SHFH,BLACK ZINC,10-32 X .375",GRADE 8,W/PATCH	1
B24	SCRSHCS1149	SCREW, SHCS,BLACK ZINC,4-40 X 0.500",W/NYLON PATCH	8
B25		RETAINING RING,BLACK,.25",EXTERNAL	1
B26		RETAINING RING,COPPER,.1875",EXTERNAL	1
B27	SCRSHCS1150	SCREW,SHCS,BLACK ZINC,M8-1.25 X 60MM,LOW HEAD,GR 8	1



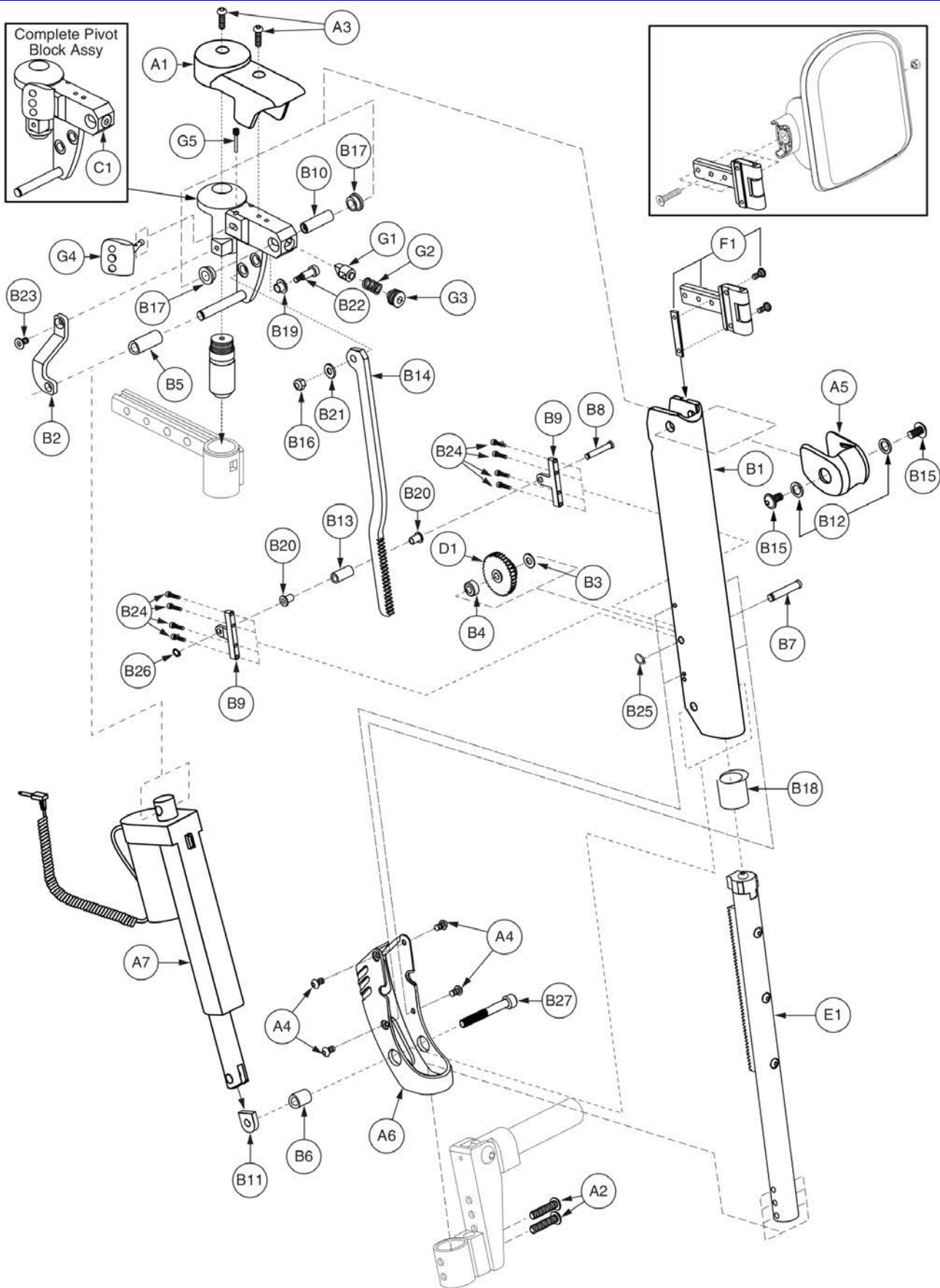


Item	Part No.	Name	Qty
C1		PIVOT BLOCK ASSY,S/A POWER ALR,W/LEVER,LEFT,D-1303-035	1
D1		GEAR,ASSY,POWER ALR	1
E1		SLIDE TUBE,POWER ALR	1
F1	FRMASMB7273	LEGREST,ASSY,BRACKET,FLIP-UP CALF PAD,TRU-BALANCE POWER ELEVATING ARTICULATING LEGS,C-1303-028	1
G1	DWR1010C132	LATCH,DETENT,LEFT,C-1010-132	1
G2	DWR1010B064	SPRING,COMPRESSION,0.563" FL X 0.360" OD X 0.032" WIRE DIA X RATE: 2.328N/MM,B-1010-064,(LEE SPRING: LC-032E-2-M)	1
G3	SCRSETS1093	SCREW,SET,BLACK ZINC,M14-1.5 X 12MM,HALF DOG POINT	1
G4	DWR1303B037	LEVER,MOLDED,S/A RELEASE,B-1303-037	1
G5	DWR1303B035	SCREW,PIN,10-32,B-1303-035	1

### 80° Uppers

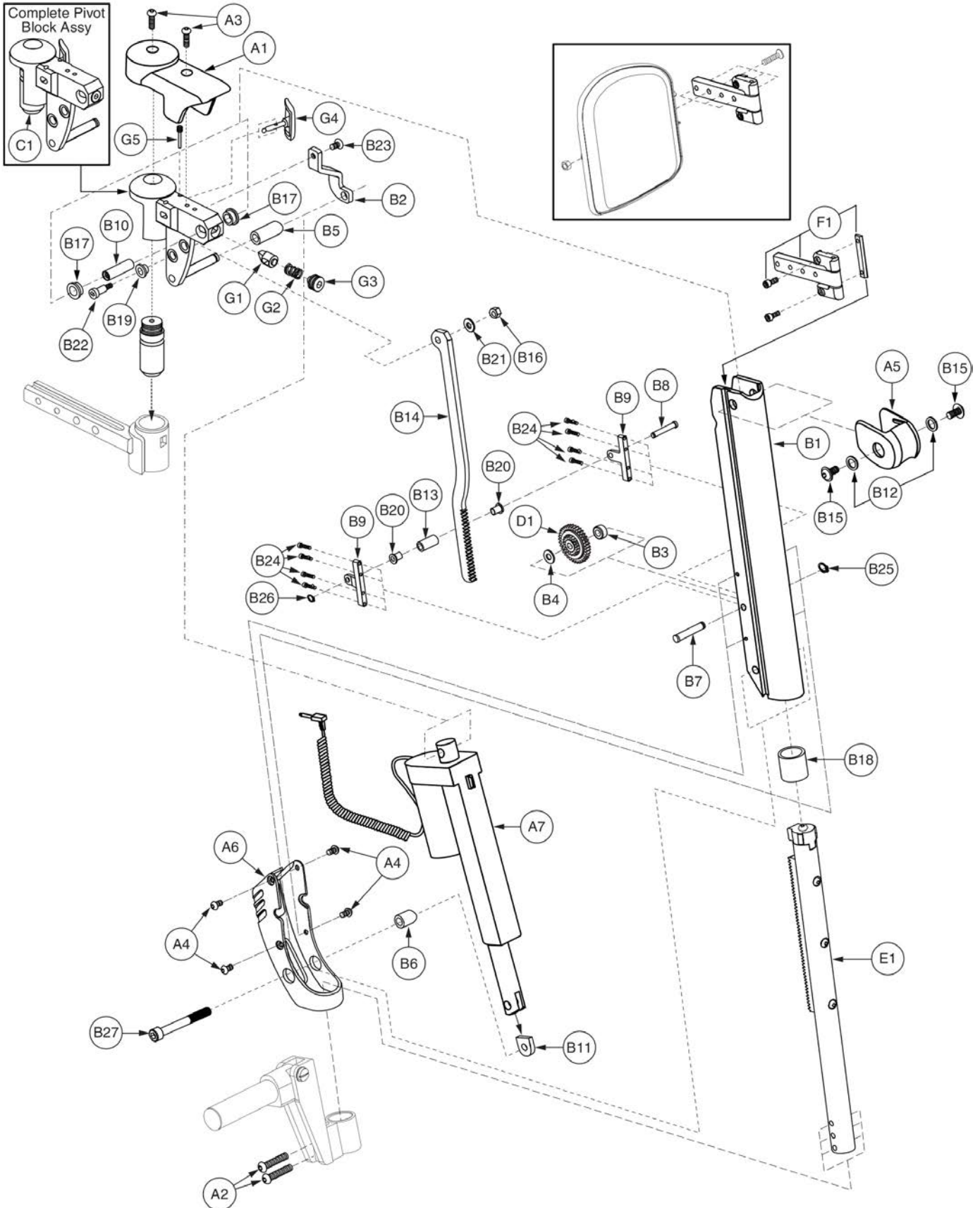


Item	Part No.	Name	Qty
A1 - F1	FRMASMB11369	LEGREST,ASSY,80°,4" STROKE,S/A POWER ALR,UPPER,RIGHT,W/PLASTICS,11"-13",D-1303-083	1
A1	DWR1303D039	TOP CAP,PLASTIC,S/A POWER ALR,RIGHT	1
A2	SCRASBH1254	SCREW,BHSCS,BLACK ZINC,1/4-20 X 1.875",GR 8,W/PATCH	2
A3	SCRASBH1154	SCREW,BHSCS,BLACK ZINC,8-32 X 0.3125",W/PATCH	2
A4	SCRASBH1153	SCREW,BHSCS,BLACK ZINC,6-32 X 0.250",W/NYLON PATCH	4
A5	DWR1303D016	BALL CAP,PLASTIC,UPPER,POWER ALR	1
A6	DWR1303D018	ACTUATOR END CAP,PLASTIC,POWER ALR,RIGHT	1
A7	ACCACTR1025	ACTUATOR,80°,POWER ALR(HIWIN: LAS-1-1-100-24E)	1
B1 - F1		LEGREST,ASSY,4",S/A POWER ALR,RIGHT,11"-13",E-1303-044	1
B1		LEGREST EXTENSION,MAIN,POWER ALR,RIGHT	1
B2		ACTUATOR SUPPORT BRACKET,S/A POWER ALR,RIGHT	1
B3		SPACER,PINION GEAR SIDE,.257"ID X .50"OD X .04"TH,POWER ALR	1
B4		SPACER,PUSH GEAR SIDE,.257"ID X .50"OD X .265"TH,POWER ALR	1
B5		SPACER,UPPER ACTUATOR CLEVIS,.32"ID X .50"OD X 1.19"L	1
B6		SPACER,LOWER ACTUATOR CLEVIS,.32"ID X .50"OD X .67"L	1
B7		GEAR SHAFT,STAINLESS STEEL,1.340" L,POWER ALR,RIGHT	1
B8		RACK SUPPORT PIN,LOWER,POWER ALR	1
B9		RACK PIN SUPPORT BRACKET,LOWER,POWER ALR	2
B10		THREADED SHAFT,STAINLESS STEEL,1/4-20 X 1.30"L	1
B11	DWR1303B027	ACTUATOR PIVOT NUT,M8-1.25,LOWER,POWER ALR	1
B12		WASHER,FLAT,BLACK,STEEL,0.376"ID X 0.563"OD X 0.060"TH	2
B13		RACK SUPPORT PIN,LOWER,BEARING RACE,POWER ALR	1
B14		RACK MOUNT BRACKET,SHORT STROKE,LOWER,POWER ALR	1
B15		SCREW,BHSCS,BLACK ZINC,1/4-20 X 0.500",FLANGE,W/PATCH	2
B16	NUTNYLK1040	NUT, NYLOCK, 10-24, BLACK ZINC	1
B17	BRGFLNG1059	BEARING,FLANGE,.375"ID X .50"OD X .25"TH,.625"FOD X .062"FTH	2
B18		BEARING,SLEEVE,0.875"ID X 1.00"OD X 1.00"L	1
B19	BRGFLNG1030	BEARING,FLANGE,.25"ID X .3125"OD X .25"L X .4375"FOD X .032"FTH	1
B20		BEARING,FLANGE,.1875"ID X .25"OD X .375"L X .375"FOD X .032"FTH	2
B21	WASPTFE1000	WASHER,PTFE,0.250" ID X 0.500" OD X 0.0625" TH	1
B22	BLTASHL1006	BOLT,SHOULDER,1/4" X 0.50"	1
B23	SCRSHFH1084	SCREW, SHFH,BLACK ZINC,10-32 X .375",GRADE 8,W/PATCH	1
B24	SCRSHCS1149	SCREW, SHCS,BLACK ZINC,4-40 X 0.500",W/NYLON PATCH	8
B25		RETAINING RING,BLACK,.25",EXTERNAL	1
B26		RETAINING RING,COPPER,.1875",EXTERNAL	1
B27	SCRSHCS1150	SCREW,SHCS,BLACK ZINC,M8-1.25 X 60MM,LOW HEAD,GR 8	1

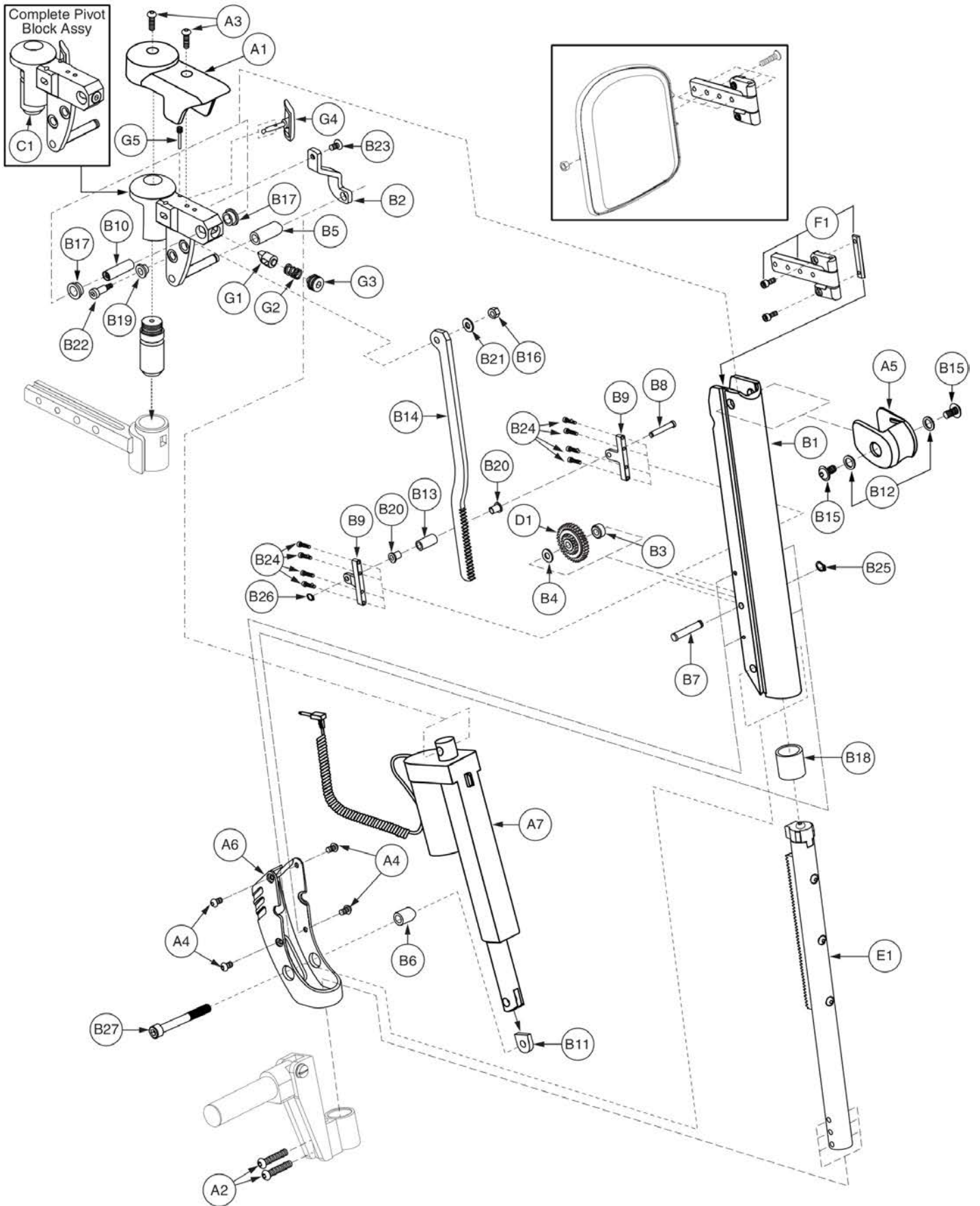


Item	Part No.	Name	Qty
C1	FRMASMB9079	PIVOT BLOCK ASSY,S/A POWER ALR,W/LEVER,RIGHT,D-1303-034	1
D1		GEAR,ASSY,POWER ALR	1
E1		SLIDE TUBE,ASSY,POWER ALR,11"-13",D-1303-081	1
F1	FRMASMB7273	LEGREST,ASSY,BRACKET,FLIP-UP CALF PAD,TRU-BALANCE POWER ELEVATING ARTICULATING LEGS,C-1303-028	1
G1	DWR1010C135	LATCH,DETENT,RIGHT,C-1010-135	1
G2	DWR1010B064	SPRING,COMPRESSION,0.563" FL X 0.360" OD X 0.032" WIRE DIA X RATE: 2.328N/MM,B-1010-064,(LEE SPRING: LC-032E-2-M)	1
G3	SCRSETS1093	SCREW,SET,BLACK ZINC,M14-1.5 X 12MM,HALF DOG POINT	1
G4	DWR1303B037	LEVER,MOLDED,S/A RELEASE,B-1303-037	1
G5	DWR1303B035	SCREW,PIN,10-32,B-1303-035	1

### 80° Uppers



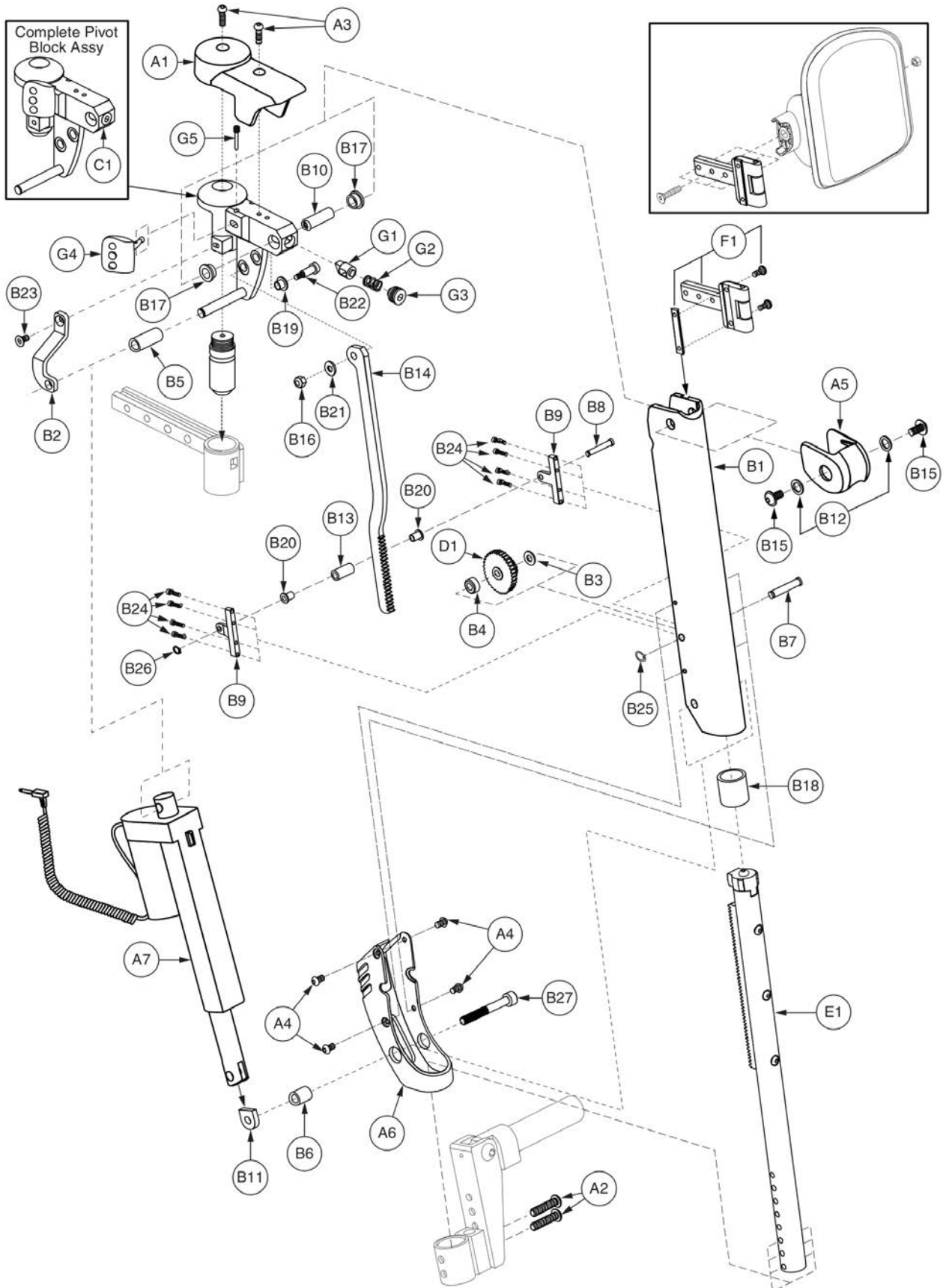
Item	Part No.	Name	Qty
A1 - F1	FRMASMB11368	LEGREST,ASSY,80°,4" STROKE,S/A POWERALR,UPPER,LEFT,W/PLASTICS,11"-13",D-1303-084	1
A1	DWR1303D038	TOP CAP,PLASTIC,S/A POWER ALR,LEFT	1
A2	SCRASBH1254	SCREW,BHSCS,BLACK ZINC,1/4-20 X 1.875",GR 8,W/PATCH	2
A3	SCRASBH1154	SCREW,BHSCS,BLACK ZINC,8-32 X 0.3125",W/PATCH	2
A4	SCRASBH1153	SCREW,BHSCS,BLACK ZINC,6-32 X 0.250",W/NYLON PATCH	4
A5	DWR1303D016	BALL CAP,PLASTIC,UPPER,POWER ALR	1
A6	DWR1303D019	ACTUATOR END CAP,PLASTIC,POWER ALR,LEFT	1
A7	ACCACTR1025	ACTUATOR,80°,POWER ALR(HIWIN: LAS-1-1-100-24E)	1
B1 - F1		LEGREST,ASSY,4",S/A POWER ALR,LEFT,11"-13",E-1303-043	1
B1		LEGREST EXTENSION,MAIN,POWER ALR,LEFT	1
B2		ACTUATOR SUPPORT BRACKET,S/A POWER ALR,LEFT	1
B3		SPACER,PINION GEAR SIDE,.257"ID X .50"OD X .04"TH,POWER ALR	1
B4		SPACER,PUSH GEAR SIDE,.257"ID X .50"OD X .265"TH,POWER ALR	1
B5		SPACER,UPPER ACTUATOR CLEVIS,.32"ID X .50"OD X 1.19"L	1
B6		SPACER,LOWER ACTUATOR CLEVIS,.32"ID X .50"OD X .67"L	1
B7		GEAR SHAFT,STAINLESS STEEL,1.340" L,POWER ALR,RIGHT	1
B8		RACK SUPPORT PIN,LOWER,POWER ALR	1
B9		RACK PIN SUPPORT BRACKET,LOWER,POWER ALR	2
B10		THREADED SHAFT,STAINLESS STEEL,1/4-20 X 1.30"L	1
B11	DWR1303B027	ACTUATOR PIVOT NUT,M8-1.25,LOWER,POWER ALR	1
B12		WASHER,FLAT,BLACK,STEEL,0.376"ID X 0.563"OD X 0.060"TH	2
B13		RACK SUPPORT PIN,LOWER,BEARING RACE,POWER ALR	1
B14		RACK MOUNT BRACKET,SHORT STROKE,LOWER,POWER ALR	1
B15		SCREW,BHSCS,BLACK ZINC,1/4-20 X 0.500",FLANGE,W/PATCH	2
B16	NUTNYLK1040	NUT, NYLOCK, 10-24, BLACK ZINC	1
B17	BRGFLNG1059	BEARING,FLANGE,.375"ID X .50"OD X .25"TH,.625"FOD X .062"FTH	2
B18		BEARING,SLEEVE,0.875"ID X 1.00"OD X 1.00"L	1
B19	BRGFLNG1030	BEARING,FLANGE,.25"ID X .3125"OD X .25"L X .4375"FOD X .032"FTH	1
B20		BEARING,FLANGE,.1875"ID X .25"OD X .375"L X .375"FOD X .032"FTH	2
B21	WASPTFE1000	WASHER,PTFE,0.250" ID X 0.500" OD X 0.0625" TH	1
B22	BLTASHL1006	BOLT,SHOULDER,1/4" X 0.50"	1
B23	SCRSHFH1084	SCREW, SHFH,BLACK ZINC,10-32 X .375",GRADE 8,W/PATCH	1
B24	SCRSHCS1149	SCREW, SHCS,BLACK ZINC,4-40 X 0.500",W/NYLON PATCH	8
B25		RETAINING RING,BLACK,.25",EXTERNAL	1
B26		RETAINING RING,COPPER,.1875",EXTERNAL	1
B27	SCRSHCS1150	SCREW,SHCS,BLACK ZINC,M8-1.25 X 60MM,LOW HEAD,GR 8	1



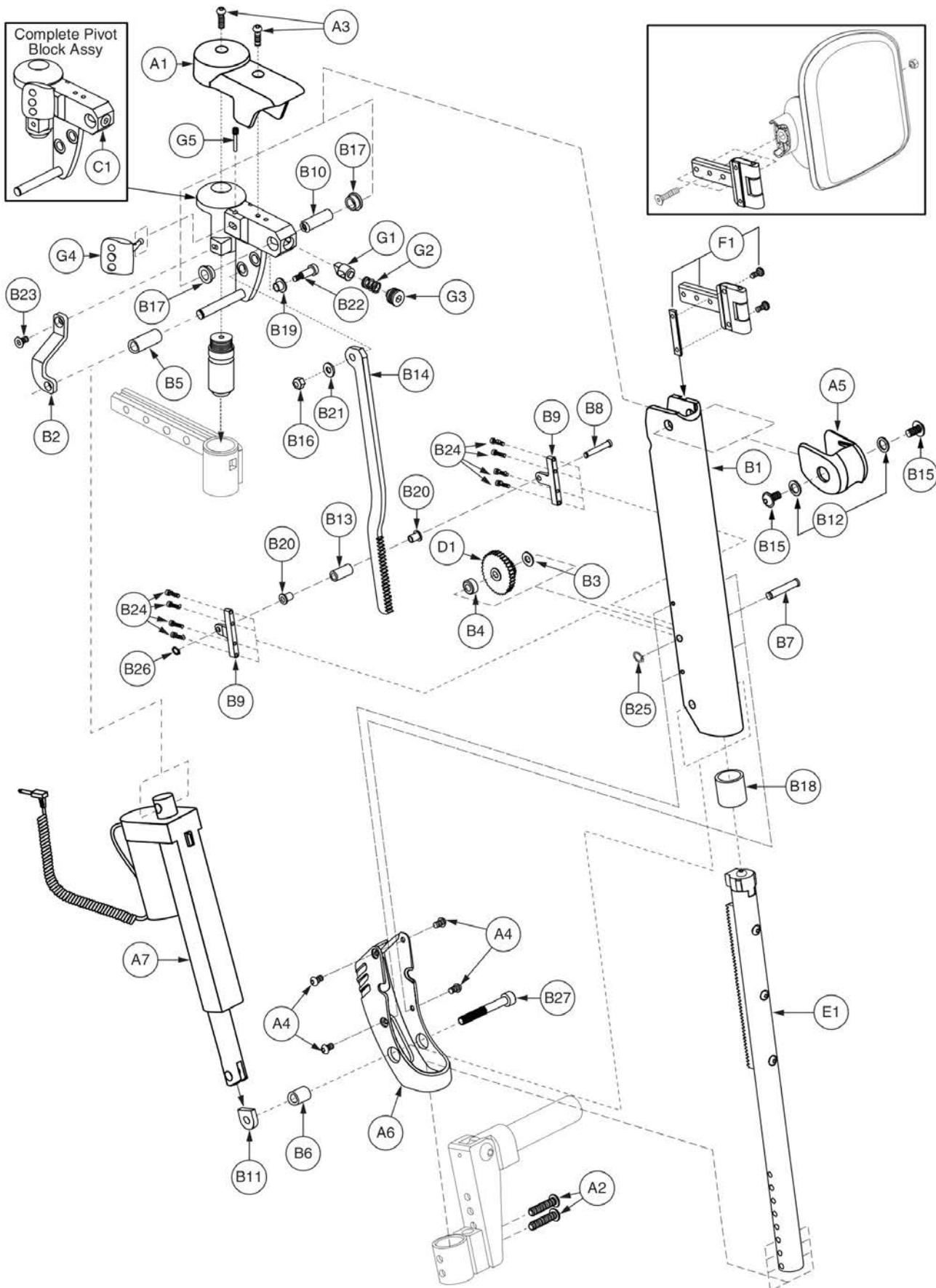


Item	Part No.	Name	Qty
C1		PIVOT BLOCK ASSY,S/A POWER ALR,W/LEVER,LEFT,D-1303-035	1
D1		GEAR,ASSY,POWER ALR	1
E1		SLIDE TUBE,ASSY,POWER ALR,11"-13",D-1303-081	1
F1	FRMASMB7273	LEGREST,ASSY,BRACKET,FLIP-UP CALF PAD,TRU-BALANCE POWER ELEVATING ARTICULATING LEGS,C-1303-028	1
G1	DWR1010C132	LATCH,DETENT,LEFT,C-1010-132	1
G2	DWR1010B064	SPRING,COMPRESSION,0.563" FL X 0.360" OD X 0.032" WIRE DIA X RATE: 2.328N/MM,B-1010-064,(LEE SPRING: LC-032E-2-M)	1
G3	SCRSETS1093	SCREW,SET,BLACK ZINC,M14-1.5 X 12MM,HALF DOG POINT	1
G4	DWR1303B037	LEVER,MOLDED,S/A RELEASE,B-1303-037	1
G5	DWR1303B035	SCREW,PIN,10-32,B-1303-035	1

80° Uppers

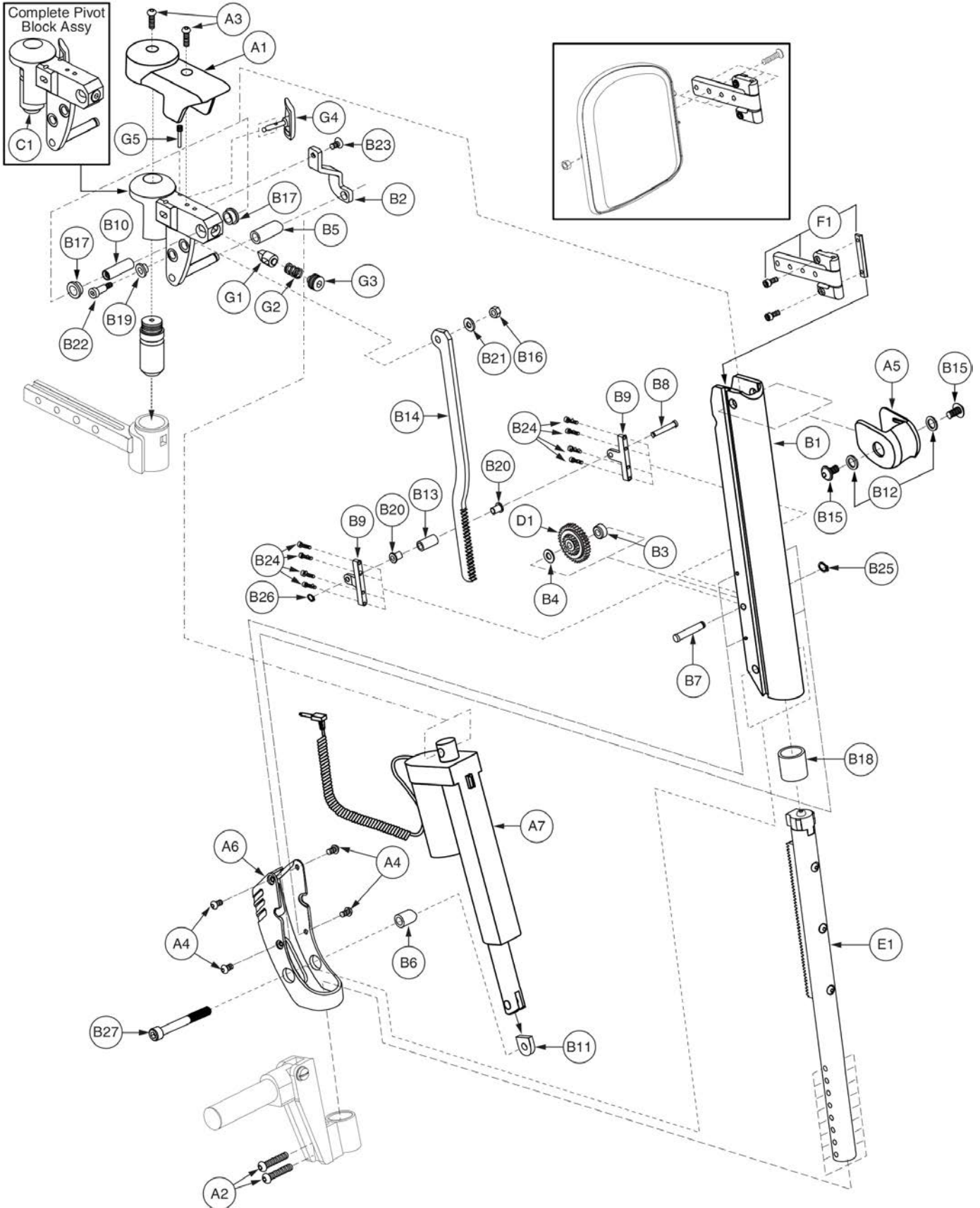


Item	Part No.	Name	Qty
A1 - F1	FRMASMB9072	LEGREST,ASSY,80°,4" STROKE,S/A POWER ALR,UPPER,RIGHT,W/PLASTICS,D-1303-076	1
A1	DWR1303D039	TOP CAP,PLASTIC,S/A POWER ALR,RIGHT	1
A2	SCRASBH1213	SCREW,BHSCS,BLACK ZINC,1/4-20 X 1.125",GR 8,W/PATCH	2
A3	SCRASBH1154	SCREW,BHSCS,BLACK ZINC,8-32 X 0.3125",W/PATCH	2
A4	SCRASBH1153	SCREW,BHSCS,BLACK ZINC,6-32 X 0.250",W/NYLON PATCH	4
A5	DWR1303D016	BALL CAP,PLASTIC,UPPER,POWER ALR	1
A6	DWR1303D018	ACTUATOR END CAP,PLASTIC,POWER ALR,RIGHT	1
A7	ACCACTR1025	ACTUATOR,80°,POWER ALR(HIWIN: LAS-1-1-100-24E)	1
B1 - F1		LEGREST,ASSY,UPPER,4",S/A POWER ALR,RIGHT,E-1303-018	1
B1		LEGREST EXTENSION,MAIN,POWER ALR,RIGHT	1
B2		ACTUATOR SUPPORT BRACKET,S/A POWER ALR,RIGHT	1
B3		SPACER,PINION GEAR SIDE,.257"ID X .50"OD X .04"TH,POWER ALR	1
B4		SPACER,PUSH GEAR SIDE,.257"ID X .50"OD X .265"TH,POWER ALR	1
B5		SPACER,UPPER ACTUATOR CLEVIS,.32"ID X .50"OD X 1.19"L	1
B6		SPACER,LOWER ACTUATOR CLEVIS,.32"ID X .50"OD X .67"L	1
B7		GEAR SHAFT,STAINLESS STEEL,1.340" L,POWER ALR,RIGHT	1
B8		RACK SUPPORT PIN,LOWER,POWER ALR	1
B9		RACK PIN SUPPORT BRACKET,LOWER,POWER ALR	2
B10		THREADED SHAFT,STAINLESS STEEL,1/4-20 X 1.30"L	1
B11	DWR1303B027	ACTUATOR PIVOT NUT,M8-1.25,LOWER,POWER ALR	1
B12		WASHER,FLAT,BLACK,STEEL,0.376"ID X 0.563"OD X 0.060"TH	2
B13		RACK SUPPORT PIN,LOWER,BEARING RACE,POWER ALR	1
B14		RACK MOUNT BRACKET,SHORT STROKE,LOWER,POWER ALR	1
B15		SCREW,BHSCS,BLACK ZINC,1/4-20 X 0.500",FLANGE,W/PATCH	2
B16	NUTNYLK1040	NUT, NYLOCK, 10-24, BLACK ZINC	1
B17	BRGFLNG1059	BEARING,FLANGE,.375"ID X .50"OD X .25"TH,.625"FOD X .062"FTH	2
B18		BEARING,SLEEVE,0.875"ID X 1.00"OD X 1.00"L	1
B19	BRGFLNG1030	BEARING,FLANGE,.25"ID X .3125"OD X .25"L X .4375"FOD X .032"FTH	1
B20		BEARING,FLANGE,.1875"ID X .25"OD X .375"L X .375"FOD X .032"FTH	2
B21	WASPTFE1000	WASHER,PTFE,0.250" ID X 0.500" OD X 0.0625" TH	1
B22	BLTASHL1006	BOLT,SHOULDER,1/4" X 0.50"	1
B23	SCRSHFH1084	SCREW, SHFH,BLACK ZINC,10-32 X .375",GRADE 8,W/PATCH	1
B24	SCRSHCS1149	SCREW, SHCS,BLACK ZINC,4-40 X 0.500",W/NYLON PATCH	8
B25		RETAINING RING,BLACK,.25",EXTERNAL	1
B26		RETAINING RING,COPPER,.1875",EXTERNAL	1
B27	SCRSHCS1150	SCREW,SHCS,BLACK ZINC,M8-1.25 X 60MM,LOW HEAD,GR 8	1

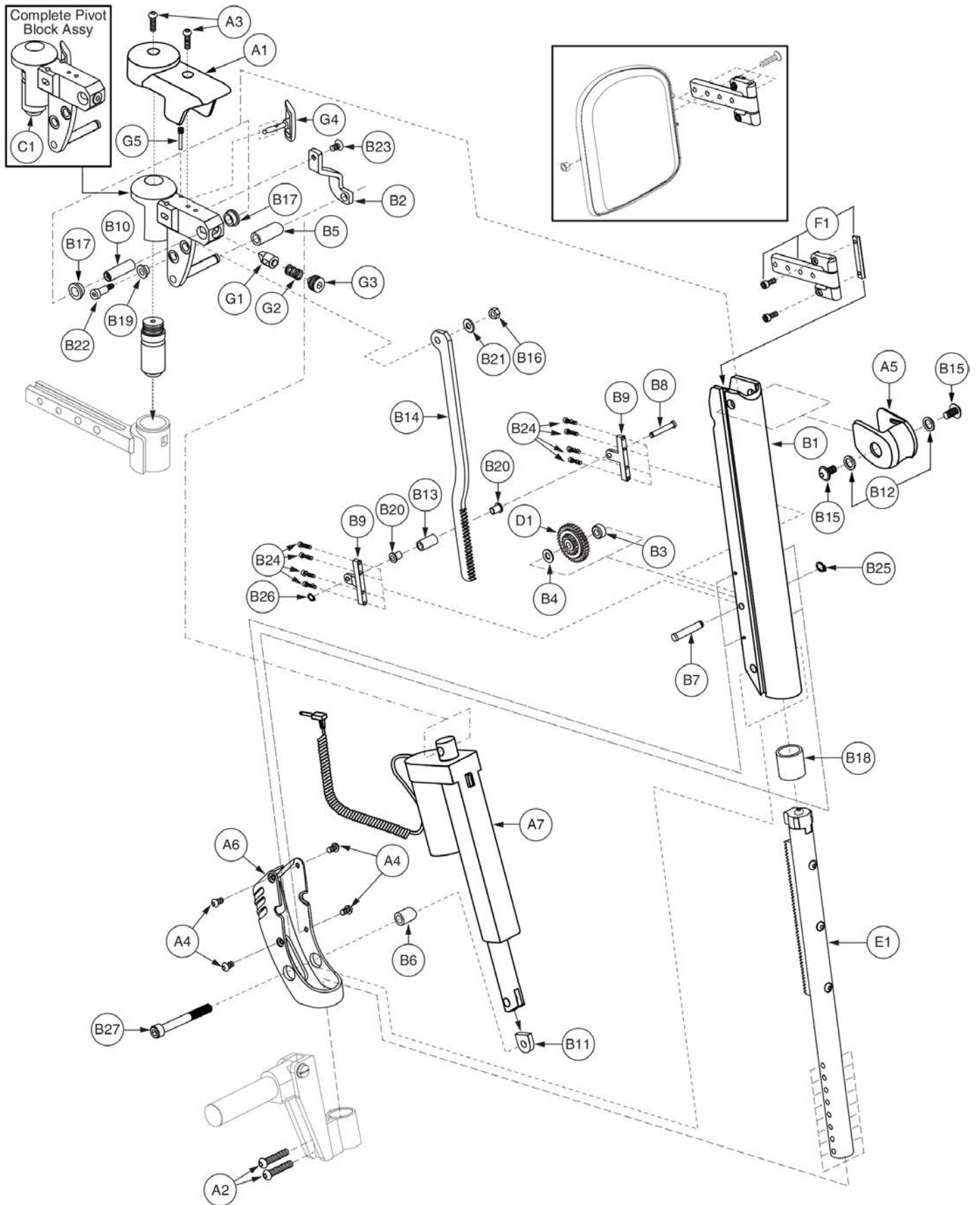


Item	Part No.	Name	Qty
C1	FRMASMB9079	PIVOT BLOCK ASSY,S/A POWER ALR,W/LEVER,RIGHT,D-1303-034	1
D1		GEAR,ASSY,POWER ALR	1
E1		SLIDE TUBE,POWER ALR	1
F1	FRMASMB7273	LEGREST,ASSY,BRACKET,FLIP-UP CALF PAD,TRU-BALANCE POWER ELEVATING ARTICULATING LEGS,C-1303-028	1
G1	DWR1010C135	LATCH,DETENT,RIGHT,C-1010-135	1
G2	DWR1010B064	SPRING,COMPRESSION,0.563" FL X 0.360" OD X 0.032" WIRE DIA X RATE: 2.328N/MM,B-1010-064,(LEE SPRING: LC-032E-2-M)	1
G3	SCRSETS1093	SCREW,SET,BLACK ZINC,M14-1.5 X 12MM,HALF DOG POINT	1
G4	DWR1303B037	LEVER,MOLDED,S/A RELEASE,B-1303-037	1
G5	DWR1303B035	SCREW,PIN,10-32,B-1303-035	1

### 80° Uppers



Item	Part No.	Name	Qty
A1 - F1	FRMASMB9071	LEGREST,ASSY,80°,4" STROKE,S/A POWER ALR,UPPER,LEFT,W/PLASTICS,D-1303-077	1
A1	DWR1303D038	TOP CAP,PLASTIC,S/A POWER ALR,LEFT	1
A2	SCRASBH1213	SCREW,BHSCS,BLACK ZINC,1/4-20 X 1.125",GR 8,W/PATCH	2
A3	SCRASBH1154	SCREW,BHSCS,BLACK ZINC,8-32 X 0.3125",W/PATCH	2
A4	SCRASBH1153	SCREW,BHSCS,BLACK ZINC,6-32 X 0.250",W/NYLON PATCH	4
A5	DWR1303D016	BALL CAP,PLASTIC,UPPER,POWER ALR	1
A6	DWR1303D019	ACTUATOR END CAP,PLASTIC,POWER ALR,LEFT	1
A7	ACCACTR1025	ACTUATOR,80°,POWER ALR(HIWIN: LAS-1-1-100-24E)	1
B1 - F1		LEGREST,ASSY,4" STROKE,S/A POWER ALR,LEFT,E-1303-017	1
B1		LEGREST EXTENSION,MAIN,POWER ALR,LEFT	1
B2		ACTUATOR SUPPORT BRACKET,S/A POWER ALR,LEFT	1
B3		SPACER,PINION GEAR SIDE,.257"ID X .50"OD X .04"TH,POWER ALR	1
B4		SPACER,PUSH GEAR SIDE,.257"ID X .50"OD X .265"TH,POWER ALR	1
B5		SPACER,UPPER ACTUATOR CLEVIS,.32"ID X .50"OD X 1.19"L	1
B6		SPACER,LOWER ACTUATOR CLEVIS,.32"ID X .50"OD X .67"L	1
B7		GEAR SHAFT,STAINLESS STEEL,1.340" L,POWER ALR,RIGHT	1
B8		RACK SUPPORT PIN,LOWER,POWER ALR	1
B9		RACK PIN SUPPORT BRACKET,LOWER,POWER ALR	2
B10		THREADED SHAFT,STAINLESS STEEL,1/4-20 X 1.30"L	1
B11	DWR1303B027	ACTUATOR PIVOT NUT,M8-1.25,LOWER,POWER ALR	1
B12		WASHER,FLAT,BLACK,STEEL,0.376"ID X 0.563"OD X 0.060"TH	2
B13		RACK SUPPORT PIN,LOWER,BEARING RACE,POWER ALR	1
B14		RACK MOUNT BRACKET,SHORT STROKE,LOWER,POWER ALR	1
B15		SCREW,BHSCS,BLACK ZINC,1/4-20 X 0.500",FLANGE,W/PATCH	2
B16	NUTNYLK1040	NUT, NYLOCK, 10-24, BLACK ZINC	1
B17	BRGFLNG1059	BEARING,FLANGE,.375"ID X .50"OD X .25"TH,.625"FOD X .062"FTH	2
B18		BEARING,SLEEVE,0.875"ID X 1.00"OD X 1.00"L	1
B19	BRGFLNG1030	BEARING,FLANGE,.25"ID X .3125"OD X .25"L X .4375"FOD X .032"FTH	1
B20		BEARING,FLANGE,.1875"ID X .25"OD X .375"L X .375"FOD X .032"FTH	2
B21	WASPTFE1000	WASHER,PTFE,0.250" ID X 0.500" OD X 0.0625" TH	1
B22	BLTASHL1006	BOLT,SHOULDER,1/4" X 0.50"	1
B23	SCRSHFH1084	SCREW, SHFH,BLACK ZINC,10-32 X .375",GRADE 8,W/PATCH	1
B24	SCRSHCS1149	SCREW, SHCS,BLACK ZINC,4-40 X 0.500",W/NYLON PATCH	8
B25		RETAINING RING,BLACK,.25",EXTERNAL	1
B26		RETAINING RING,COPPER,.1875",EXTERNAL	1
B27	SCRSHCS1150	SCREW,SHCS,BLACK ZINC,M8-1.25 X 60MM,LOW HEAD,GR 8	1

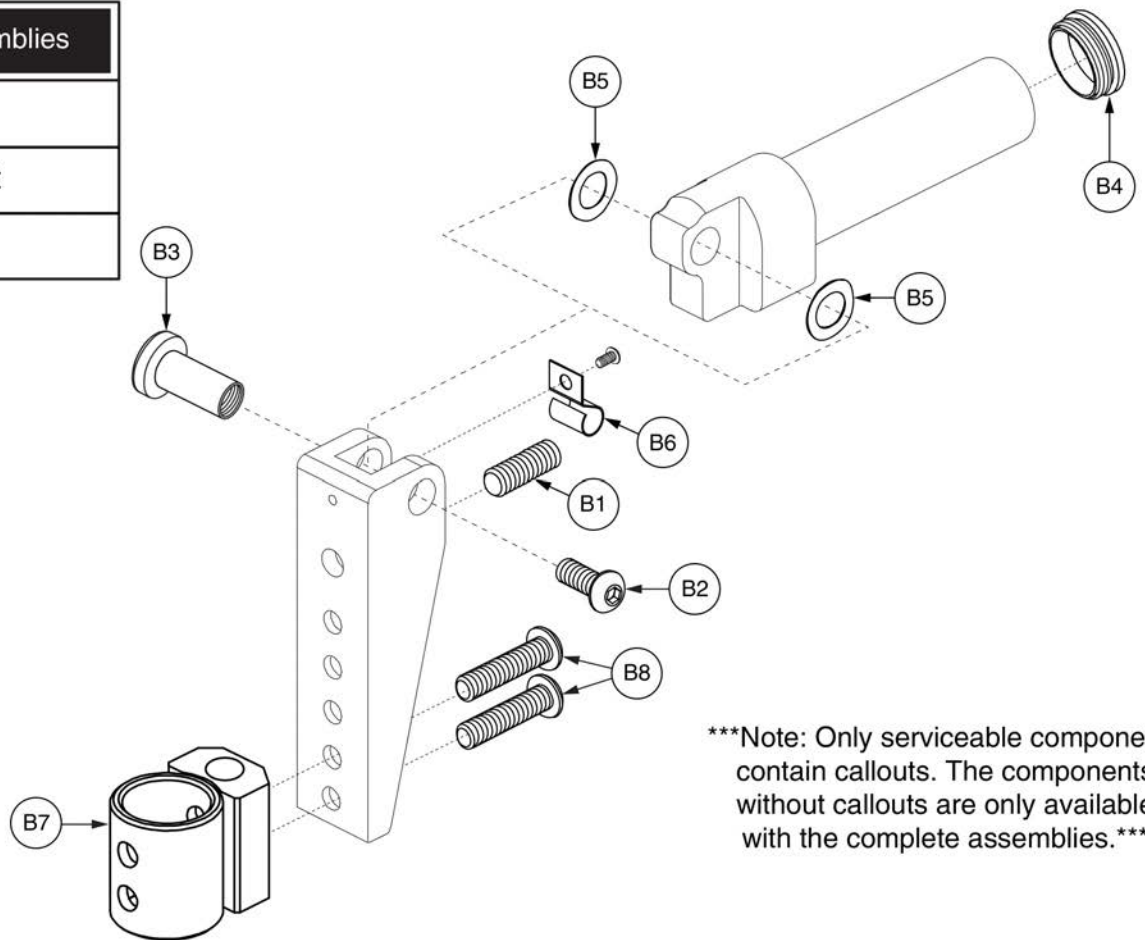




Item	Part No.	Name	Qty
C1		PIVOT BLOCK ASSY,S/A POWER ALR,W/LEVER,LEFT,D-1303-035	1
D1		GEAR,ASSY,POWER ALR	1
E1		SLIDE TUBE,POWER ALR	1
F1	FRMASMB7273	LEGREST,ASSY,BRACKET,FLIP-UP CALF PAD,TRU-BALANCE POWER ELEVATING ARTICULATING LEGS,C-1303-028	1
G1	DWR1010C132	LATCH,DETENT,LEFT,C-1010-132	1
G2	DWR1010B064	SPRING,COMPRESSION,0.563" FL X 0.360" OD X 0.032" WIRE DIA X RATE: 2.328N/MM,B-1010-064,(LEE SPRING: LC-032E-2-M)	1
G3	SCRSETS1093	SCREW,SET,BLACK ZINC,M14-1.5 X 12MM,HALF DOG POINT	1
G4	DWR1303B037	LEVER,MOLDED,S/A RELEASE,B-1303-037	1
G5	DWR1303B035	SCREW,PIN,10-32,B-1303-035	1

**Lowers**

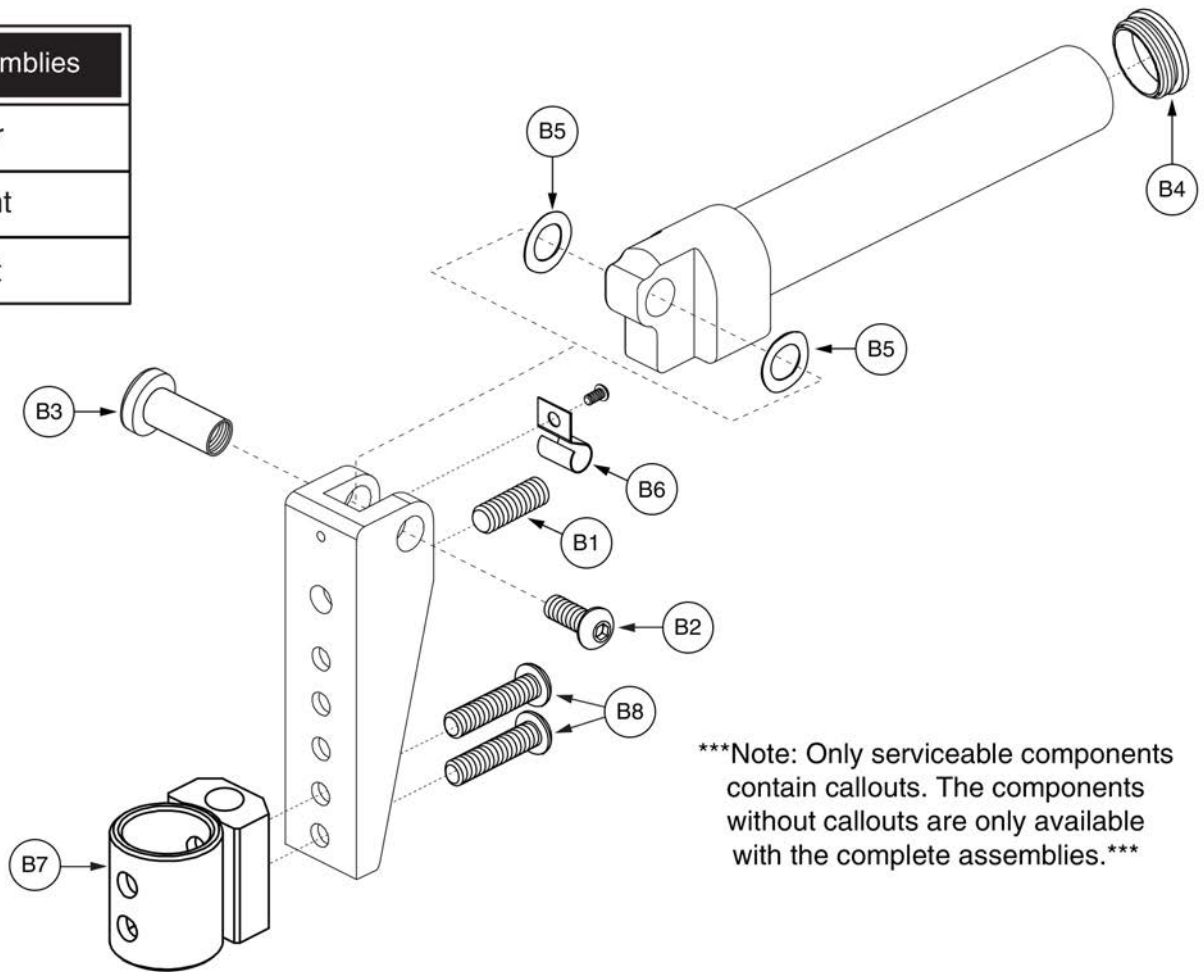
Complete Assemblies	
A1	Pair
A1a	Right
A1b	Left



Item	Part No.	Name	Qty
A1		LEGREST,ASSY,ANGLE ADJUSTABLE,LOWER,11"-13" EXT,SMALL,POWER ALR S/A LEGS,PAIR	1
A1a	FRMASMB9093	LEGREST,ASSY,ANGLE ADJUSTABLE,LOWER,11"-13" EXT,SMALL,POWER ALR S/A LEGS,RIGHT,E-1303-016	1
A1b	FRMASMB9092	LEGREST,ASSY,ANGLE ADJUSTABLE,LOWER,11"-13" EXT,SMALL,POWER ALR S/A LEGS,LEFT,E-1303-015	1
B1	SCRSETS1079	SCREW, SET,BLACK,ZINC,5/16-24 X 1.00",OVAL POINT	1
B2	SCRASBH1148	SCREW,BHSCS,BLACK ZINC,1/4-20 X 0.50",W/PATCH	1
B3	BLTSEX1001	BOLT,SEX,BLACK ZINC,3/8" X 1.00",1/4-20 FEMALE	1
B4	PROECAP1017	CAP,END,BLACK,PLASTIC,0.875" OD,14-20GA	1
B5	WASWAVY1000	WASHER, WAVY,3/8"ID X 5/8"OD X .013"T	2
B6		SPRING,CLIP,ANGLE ADJUSTABLE LEGREST,B-1000-419	1
B7		FOOTREST EXTENSION WELDMENT,ANGLE ADJUSTABLE,POWER ALR S/A LEGS,11"-13" EXT.,C-1303-040	1
B8	SCRASBH1254	SCREW,BHSCS,BLACK ZINC,1/4-20 X 1.875",GR 8,W/PATCH	2

**Lowers**

Complete Assemblies	
A1	Pair
A1a	Right
A1b	Left



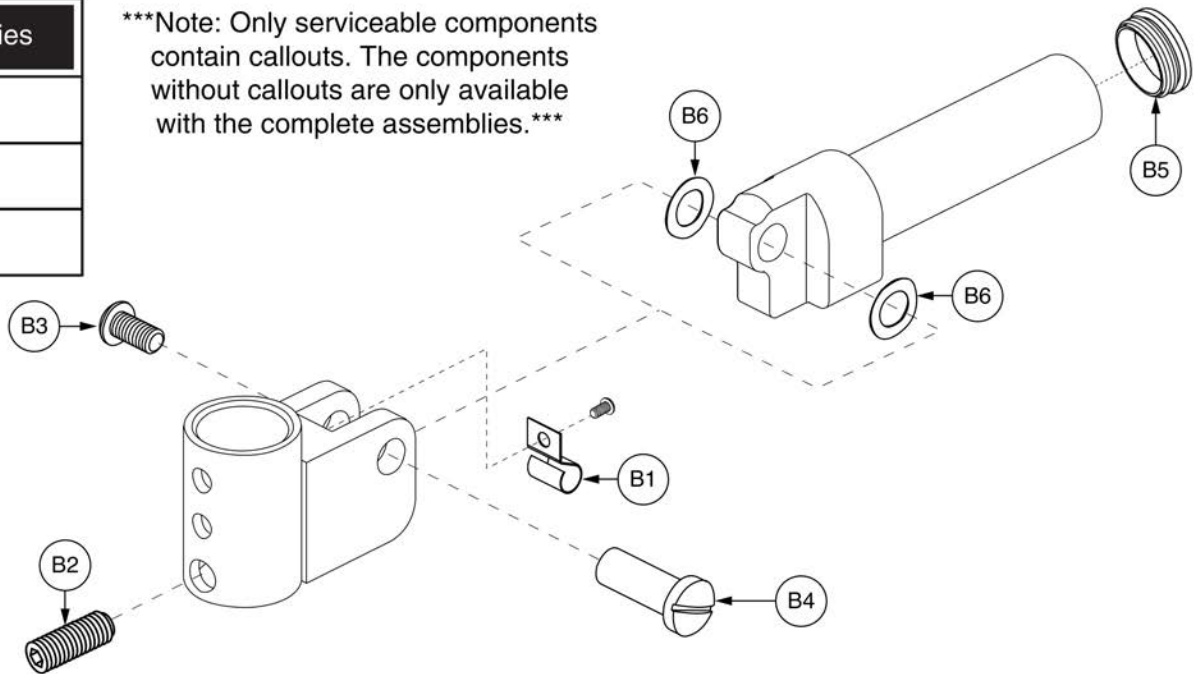
\*\*\*Note: Only serviceable components contain callouts. The components without callouts are only available with the complete assemblies.\*\*\*

Item	Part No.	Name	Qty
A1		LEGREST,ASSY,ANGLE ADJUSTABLE,LOWER,11"-13" EXT,LARGE,POWER ALR S/A LEGS,PAIR	1
A1a	FRMASMB11295	LEGREST,ASSY,ANGLE ADJUSTABLE,LOWER,11"-13" EXT,LARGE,POWER ALR S/A LEGS,RIGHT,E-1303-042	1
A1b	FRMASMB11294	LEGREST,ASSY,ANGLE ADJUSTABLE,LOWER,11"-13" EXT,LARGE,POWER ALR S/A LEGS,LEFT,E-1303-041	1
B1	SCRSETS1079	SCREW, SET,BLACK,ZINC,5/16-24 X 1.00",OVAL POINT	1
B2	SCRASBH1148	SCREW,BHSCS,BLACK ZINC,1/4-20 X 0.50",W/PATCH	1
B3	BLTSEX1001	BOLT,SEX,BLACK ZINC,3/8" X 1.00",1/4-20 FEMALE	1
B4	PROECAP1017	CAP,END,BLACK,PLASTIC,0.875" OD,14-20GA	1
B5	WASWAVY1000	WASHER, WAVY,3/8"ID X 5/8"OD X .013"T	2
B6		SPRING,CLIP,ANGLE ADJUSTABLE LEGREST,B-1000-419	1
B7		FOOTREST EXTENSION WELDMENT,ANGLE ADJUSTABLE,POWER ALR S/A LEGS,11"-13" EXT.,C-1303-040	1
B8	SCRASBH1254	SCREW,BHSCS,BLACK ZINC,1/4-20 X 1.875",GR 8,W/PATCH	2

**Lowers**

Complete Assemblies	
A1	Pair
A1a	Right
A1b	Left

\*\*\*Note: Only serviceable components contain callouts. The components without callouts are only available with the complete assemblies.\*\*\*

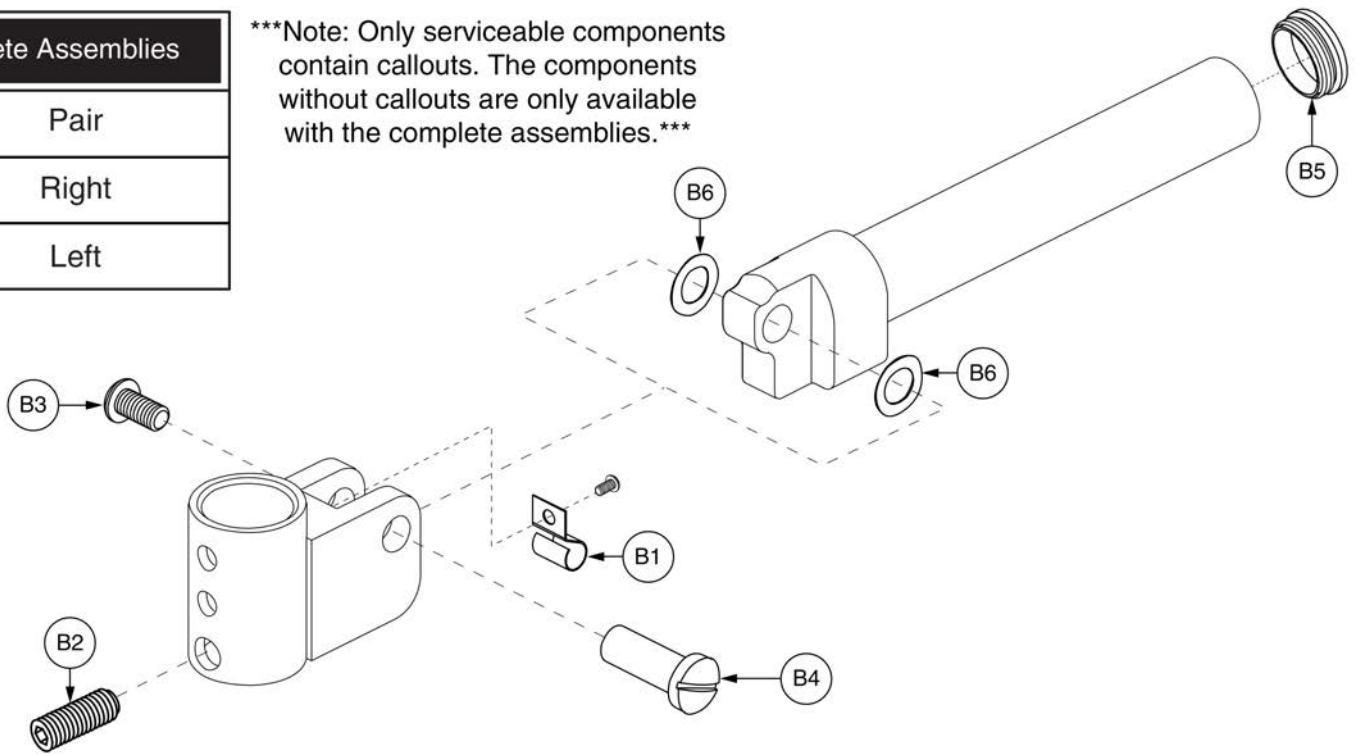


Item	Part No.	Name	Qty
A1		LEGREST,ASSY,ANGLE ADJUSTABLE,LOWER,14.5"-18" EXT,SMALL,POWER ALR S/A LEGS,PAIR	1
A1a	FRMASMB9085	LEGREST,ASSY,ANGLE ADJUSTABLE,LOWER,14.5"-18" EXT,SMALL,POWER ALR S/A LEGS,RIGHT,D-1303-043	1
A1b	FRMASMB9084	LEGREST,ASSY,ANGLE ADJUSTABLE,LOWER,14.5"-18" EXT,SMALL,POWER ALR S/A LEGS,LEFT,D-1303-042	1
B1		SPRING,CLIP,ANGLE ADJUSTABLE LEGREST,B-1000-419	1
B2	SCRSETS1079	SCREW, SET,BLACK,ZINC,5/16-24 X 1.00",OVAL POINT	1
B3	SCRASBH1148	SCREW,BHSCS,BLACK ZINC,1/4-20 X 0.50",W/PATCH	1
B4	BLTSEX1001	BOLT,SEX,BLACK ZINC,3/8" X 1.00",1/4-20 FEMALE	1
B5	PROECAP1017	CAP,END,BLACK,PLASTIC,0.875" OD,14-20GA	1
B6	WASWAVY1000	WASHER, WAVY,3/8"ID X 5/8"OD X .013"T	2

**Lowers**

Complete Assemblies	
A1	Pair
A1a	Right
A1b	Left

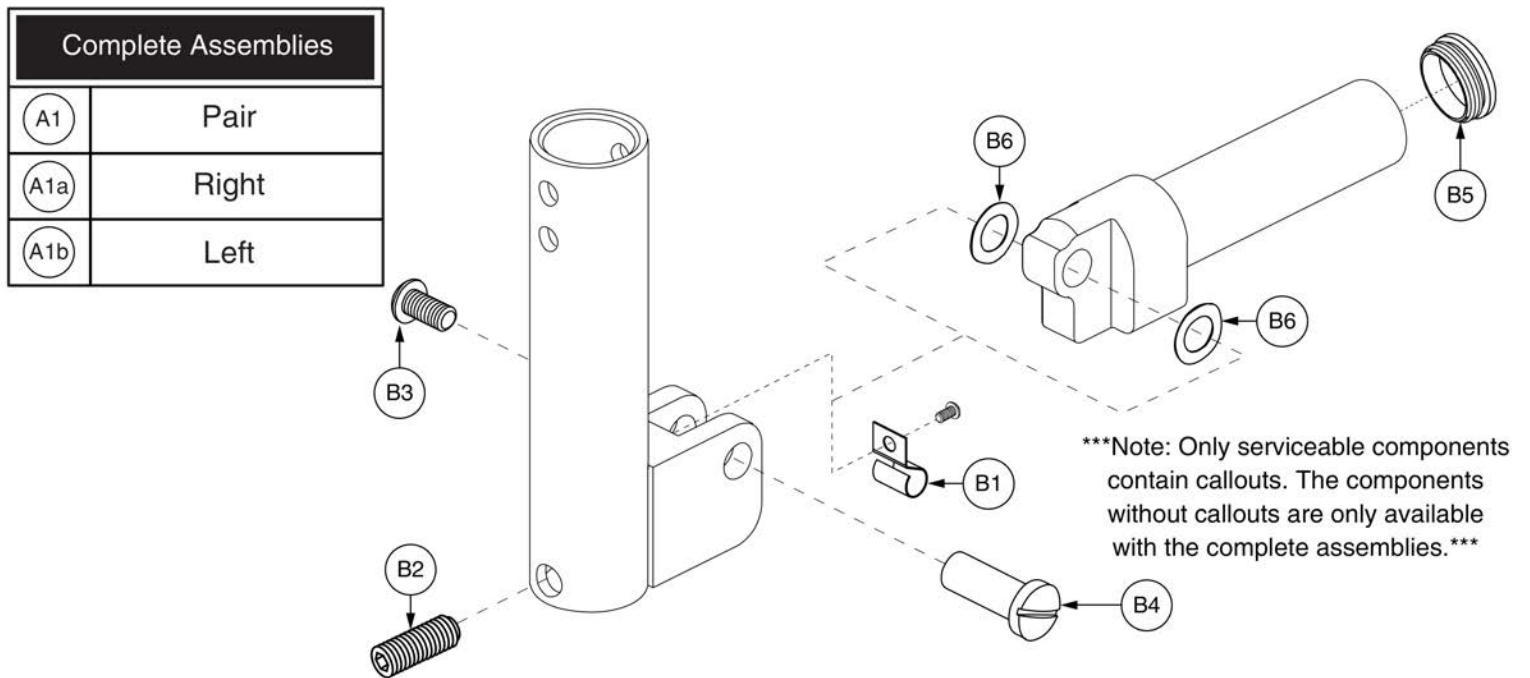
\*\*\*Note: Only serviceable components contain callouts. The components without callouts are only available with the complete assemblies.\*\*\*





Item	Part No.	Name	Qty
A1		LEGREST,ASSY,ANGLE ADJUSTABLE,LOWER,14.5"-18" EXT,LARGE,POWER ALR S/A LEGS,PAIR	1
A1a	FRMASMB9082	LEGREST,ASSY,ANGLE ADJUSTABLE,LOWER,14.5"-18" EXT,LARGE,POWER ALR S/A LEGS,RIGHT,D-1303-041	1
A1b	FRMASMB9081	LEGREST,ASSY,ANGLE ADJUSTABLE,LOWER,14.5"-18" EXT,LARGE,POWER ALR S/A LEGS,LEFT,D-1303-040	1
B1		SPRING,CLIP,ANGLE ADJUSTABLE LEGREST,B-1000-419	1
B2	SCRSETS1079	SCREW, SET,BLACK,ZINC,5/16-24 X 1.00",OVAL POINT	1
B3	SCRASBH1148	SCREW,BHSCS,BLACK ZINC,1/4-20 X 0.50",W/PATCH	1
B4	BLTSEX1001	BOLT,SEX,BLACK ZINC,3/8" X 1.00",1/4-20 FEMALE	1
B5	PROECAP1017	CAP,END,BLACK,PLASTIC,0.875" OD,14-20GA	1
B6	WASWAVY1000	WASHER, WAVY,3/8"ID X 5/8"OD X .013"T	2

**Lowers**

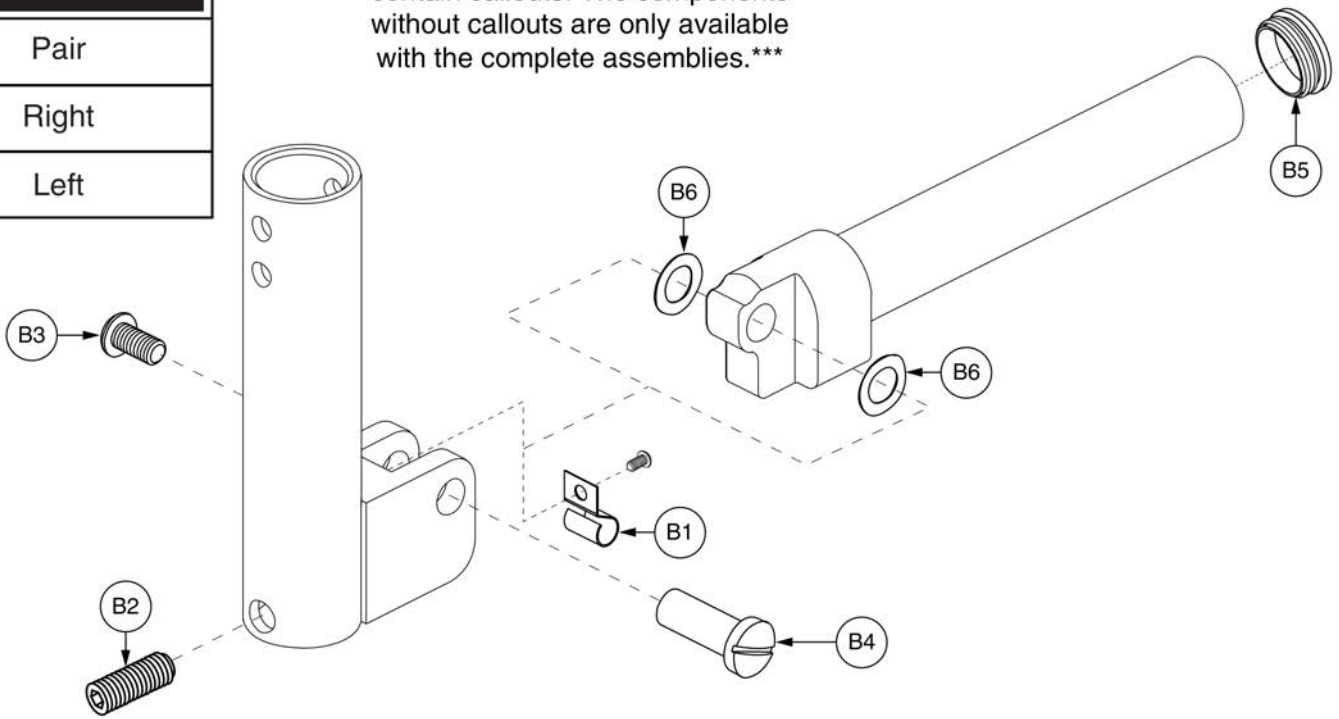


Item	Part No.	Name	Qty
A1	FRMASMB9089	LEGREST,ASSY,ANGLE ADJUSTABLE,LOWER,17.5"-21" EXT,SMALL,POWER ALR S/A LEGS,PAIR	1
A1a	FRMASMB9091	LEGREST,ASSY,ANGLE ADJUSTABLE,LOWER,17.5"-21" EXT,SMALL,POWER ALR S/A LEGS,RIGHT,D-1303-047	1
A1b	FRMASMB9090	LEGREST,ASSY,ANGLE ADJUSTABLE,LOWER,17.5"-21" EXT,SMALL,POWER ALR S/A LEGS,LEFT,D-1303-046	1
B1		SPRING,CLIP,ANGLE ADJUSTABLE LEGREST,B-1000-419	1
B2	SCRSETS1079	SCREW, SET,BLACK,ZINC,5/16-24 X 1.00",OVAL POINT	1
B3	SCRASBH1148	SCREW,BHSCS,BLACK ZINC,1/4-20 X 0.50",W/PATCH	1
B4	BLTSEX1001	BOLT,SEX,BLACK ZINC,3/8" X 1.00",1/4-20 FEMALE	1
B5	PROECAP1017	CAP,END,BLACK,PLASTIC,0.875" OD,14-20GA	1
B6	WASWAVY1000	WASHER, WAVY,3/8"ID X 5/8"OD X .013"T	2

**Lowers**

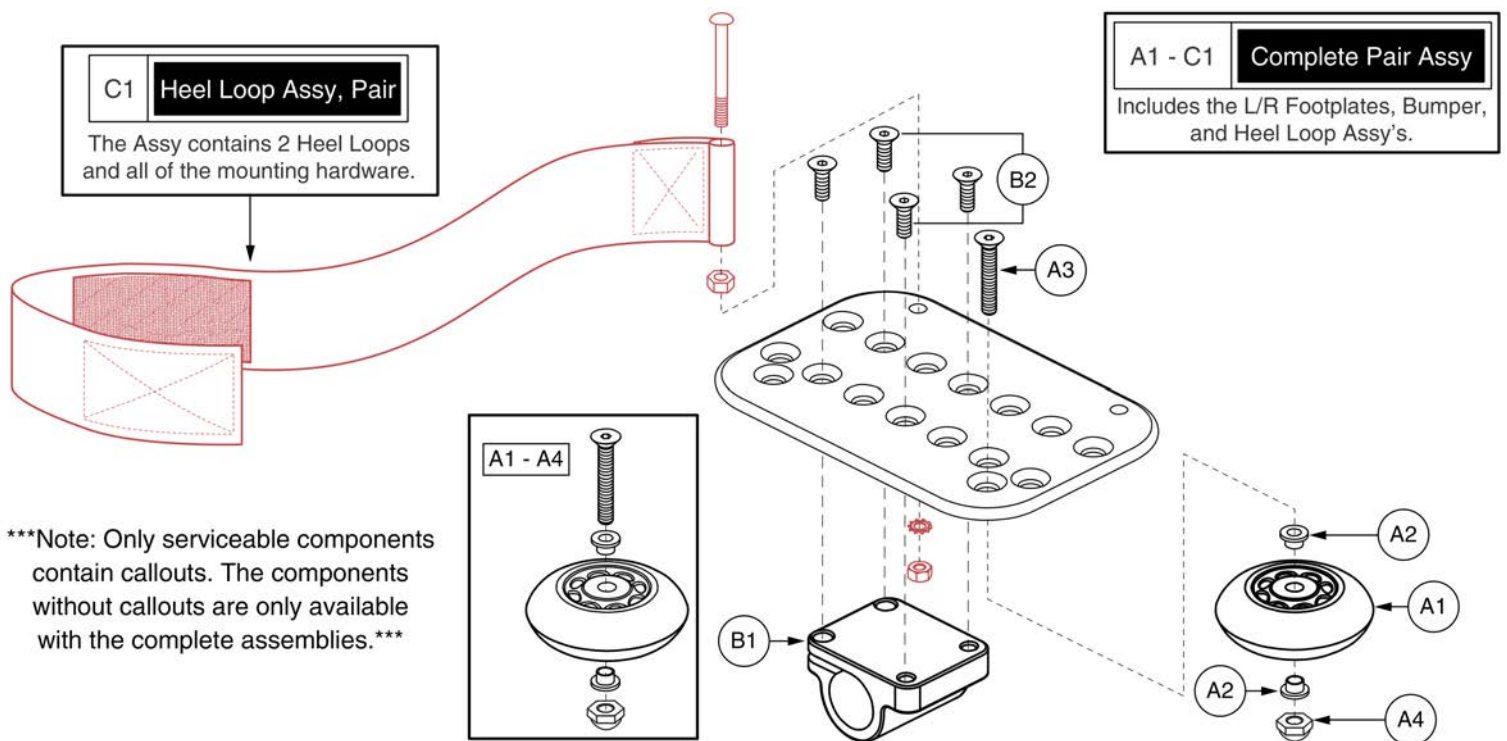
Complete Assemblies	
A1	Pair
A1a	Right
A1b	Left

\*\*\*Note: Only serviceable components contain callouts. The components without callouts are only available with the complete assemblies.\*\*\*



Item	Part No.	Name	Qty
A1		LEGREST,ASSY,ANGLE ADJUSTABLE,LOWER,17.5"-21" EXT,LARGE,POWER ALR S/A LEGS,PAIR	1
A1a	FRMASMB9088	LEGREST,ASSY,ANGLE ADJUSTABLE,LOWER,17.5"-21" EXT,LARGE,POWER ALR S/A LEGS,RIGHT,D-1303-045	1
A1b	FRMASMB9087	LEGREST,ASSY,ANGLE ADJUSTABLE,LOWER,17.5"-21" EXT,LARGE,POWER ALR S/A LEGS,LEFT,D-1303-044	1
B1		SPRING,CLIP,ANGLE ADJUSTABLE LEGREST,B-1000-419	1
B2	SCRSETS1079	SCREW, SET,BLACK,ZINC,5/16-24 X 1.00",OVAL POINT	1
B3	SCRASBH1148	SCREW,BHSCS,BLACK ZINC,1/4-20 X 0.50",W/PATCH	1
B4	BLTSEX1001	BOLT,SEX,BLACK ZINC,3/8" X 1.00",1/4-20 FEMALE	1
B5	PROECAP1017	CAP,END,BLACK,PLASTIC,0.875" OD,14-20GA	1
B6	WASWAVY1000	WASHER, WAVY,3/8"ID X 5/8"OD X .013"T	2

Foot Plates

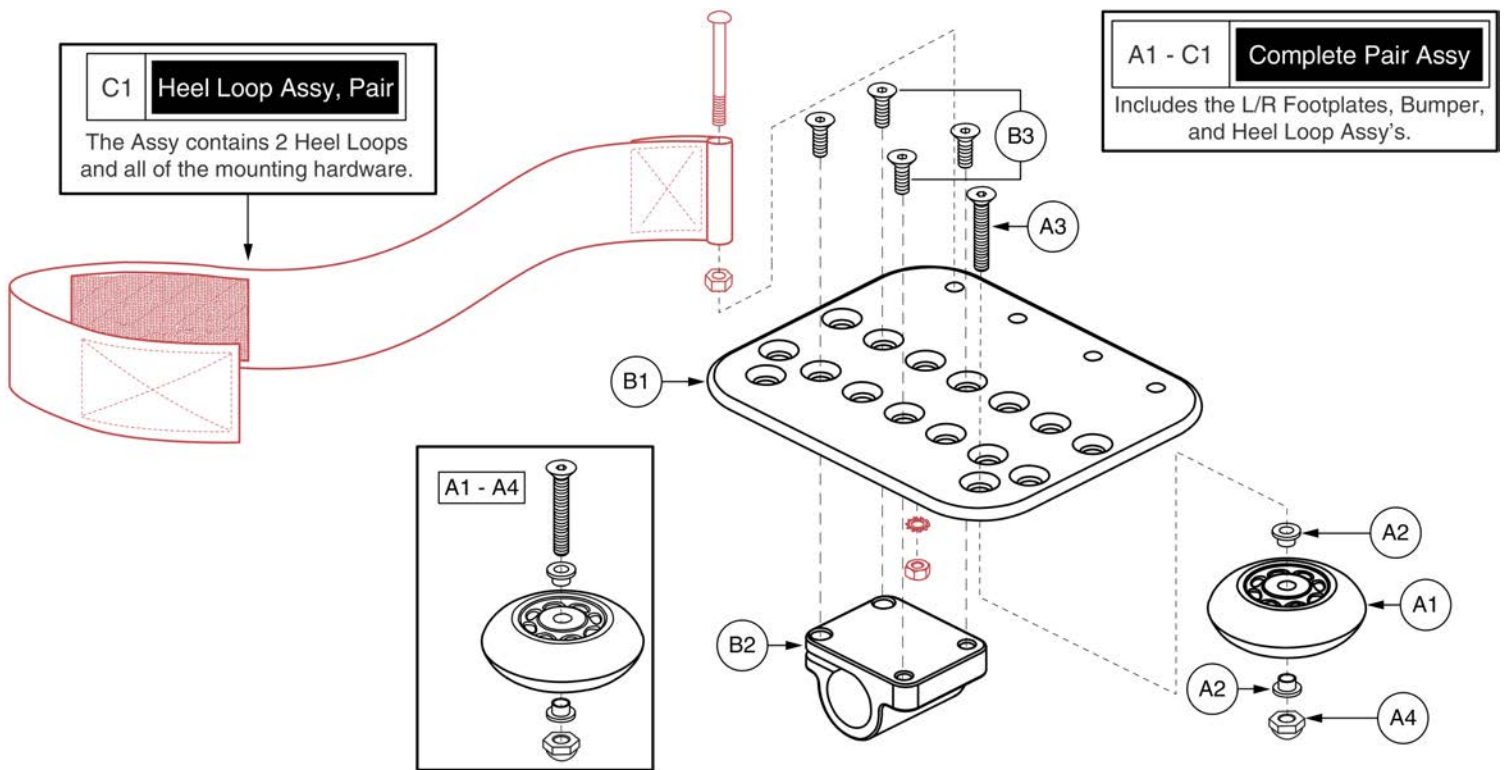


## 4" x 6" Foot Plates - Power ALR



Item	Part No.	Name	Qty
A1 - C1	FRMASMB7448	FOOTPLATE,ASSY,ANGLE ADJUSTABLE,4" X 6",W/ PEDIATRIC MOUNTING BLOCK,HEEL LOOPS & WHEEL BUMPER,ALR,PAIR	1
A1 - A4	WHLASMB1578	WHEEL,ASSY,BUMPER,ANGLE ADJUSTABLE FOOTPLATE	2
A1	WHLATIP1004	WHEEL,ANTI-TIP,BLACK,3" DIAMETER	1
A2	BSHNYLN1003	BUSHING, FLANGE,WHITE,NYLON,0.260"ID X 0.312"OD X 0.4375"TH X 0.513" FOD X 0.0625"FTH,(MICRO PLASTICS:10SC250037)	2
A3	SCRSHFH1033	SCREW,SHFH,BLACK ZINC,1/4-20 X 1.50"	1
A4	NUTACRN1029	NUT,ACORN,1/4-20,W/NYLON PATCH	1
B1	DWR1000C317	MOUNTING BLOCK,PEDIATRIC ANGLE ADJUSTABLE FOOTPLATE	1
B2	SCRSHFH1010	SCREW,SHFH,BLACK ZINC,1/4-20 X 0.75"	4
C1	FRMASMB7454	HEEL LOOP,ASSY,16.87"L,ADJUSTABLE,W/HARDWARE,PAIR	1

Foot Plates



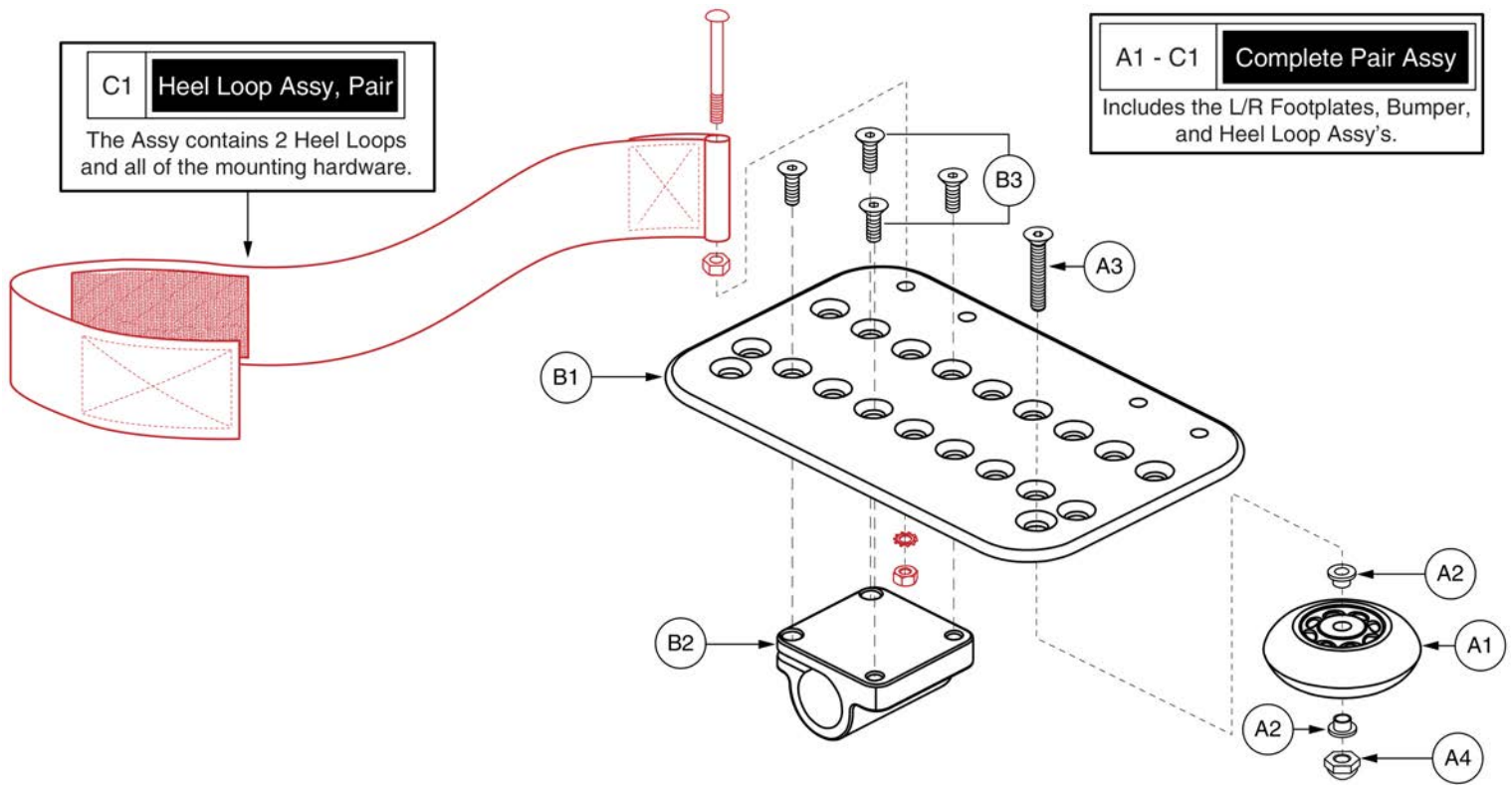


## 5" x 6" Foot Plates - Power ALR



Item	Part No.	Name	Qty
A1 - C1	FRMASMB7449	FOOTPLATE,ASSY,ANGLE ADJUSTABLE,5" X 6",W/ PEDIATRIC MOUNTING BLOCK,HEEL LOOPS & WHEEL BUMPER,ALR,PAIR	1
A1 - A4	WHLASMB1578	WHEEL,ASSY,BUMPER,ANGLE ADJUSTABLE FOOTPLATE	2
A1	WHLATIP1004	WHEEL,ANTI-TIP,BLACK,3" DIAMETER	1
A2	BSHNYLN1003	BUSHING, FLANGE,WHITE,NYLON,0.260"ID X 0.312"OD X 0.4375"TH X 0.513" FOD X 0.0625"FTH,(MICRO PLASTICS:10SC250037)	2
A3	SCRSHFH1033	SCREW,SHFH,BLACK ZINC,1/4-20 X 1.50"	1
A4	NUTACRN1029	NUT,ACORN,1/4-20,W/NYLON PATCH	1
B1 - B3	FRMASMB5201	FOOTPLATE,ASSY,ANGLE ADJUSTABLE,5" X 6",W/PEDIATRIC MOUNTING BLOCK,RIGHT,C-1000-324	1
B1 - B3	FRMASMB5202	FOOTPLATE,ASSY,ANGLE ADJUSTABLE,5" X 6",W/PEDIATRIC MOUNTING BLOCK,LEFT,C-1000-325	1
B1		FOOTPLATE,5" X 6" ANGLE ADJUSTABLE,C-1000-321	1
B2	DWR1000C317	MOUNTING BLOCK,PEDIATRIC ANGLE ADJUSTABLE FOOTPLATE	1
B3	SCRSHFH1010	SCREW,SHFH,BLACK ZINC,1/4-20 X 0.75"	4
C1	FRMASMB7454	HEEL LOOP,ASSY,16.87"L,ADJUSTABLE,W/HARDWARE,PAIR	1

Foot Plates

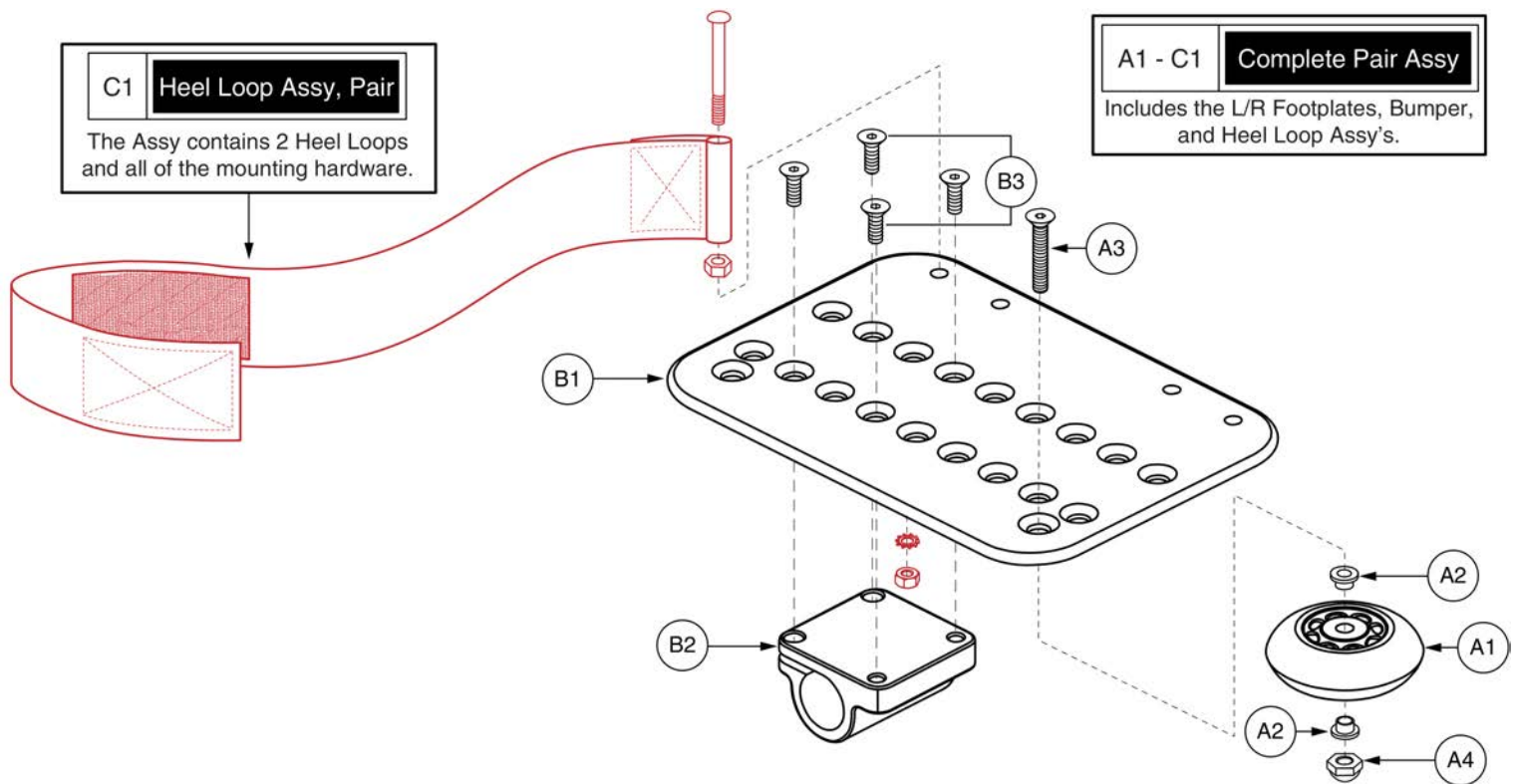


## 5" x 8" Foot Plates - Power ALR



Item	Part No.	Name	Qty
A1 - C1	FRMASMB7450	FOOTPLATE,ASSY,ANGLE ADJUSTABLE,5" X 8",W/ OFFSET MOUNTING BLOCK,HEEL LOOPS & WHEEL BUMPER,ALR,PAIR	1
A1 - A4	WHLASMB1578	WHEEL,ASSY,BUMPER,ANGLE ADJUSTABLE FOOTPLATE	2
A1	WHLATIP1004	WHEEL,ANTI-TIP,BLACK,3" DIAMETER	1
A2	BSHNYLN1003	BUSHING, FLANGE,WHITE,NYLON,0.260"ID X 0.312"OD X 0.4375"TH X 0.513" FOD X 0.0625"FTH,(MICRO PLASTICS:10SC250037)	2
A3	SCRSHFH1033	SCREW,SHFH,BLACK ZINC,1/4-20 X 1.50"	1
A4	NUTACRN1029	NUT,ACORN,1/4-20,W/NYLON PATCH	1
*B1 - B3	FRMASMB4737	FOOTPLATE,ANGLE ADJUSTABLE,5" X 8",RIGHT	1
*B1 - B3	FRMASMB4736	FOOTPLATE,ANGLE ADJUSTABLE,5" X 8",LEFT	1
B1	DWR1000D107	FOOTPLATE,5" X 8" ANGLE ADJUSTABLE,D-1000-007	1
B2		OFFSET MOUNTING BLOCK,BLACK,ANGLE ADJUSTABLE FOOTPLATE	1
B3	SCRSHFH1010	SCREW,SHFH,BLACK ZINC,1/4-20 X 0.75"	4
C1	FRMASMB7454	HEEL LOOP,ASSY,16.87"L,ADJUSTABLE,W/HARDWARE,PAIR	1

Foot Plates

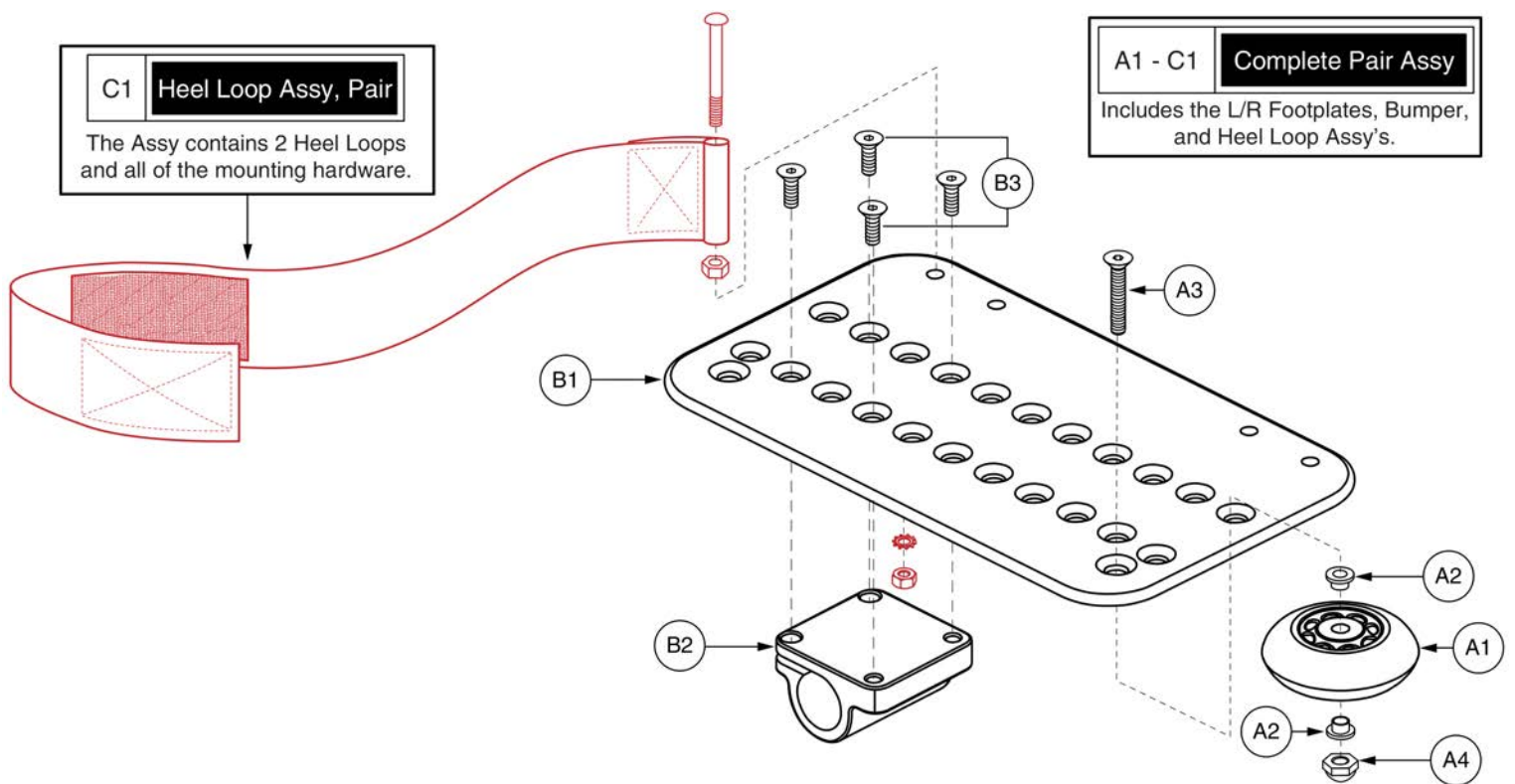


# 6" x 8" Foot Plates - Power ALR



Item	Part No.	Name	Qty
A1 - C1	FRMASMB7451	FOOTPLATE,ASSY,ANGLE ADJUSTABLE,6" X 8",W/ OFFSET MOUNTING BLOCK,HEEL LOOPS & WHEEL BUMPER,ALR,PAIR	1
A1 - A4	WHLASMB1578	WHEEL,ASSY,BUMPER,ANGLE ADJUSTABLE FOOTPLATE	2
A1	WHLATIP1004	WHEEL,ANTI-TIP,BLACK,3" DIAMETER	1
A2	BSHNYLN1003	BUSHING, FLANGE,WHITE,NYLON,0.260"ID X 0.312"OD X 0.4375"TH X 0.513" FOD X 0.0625"FTH,(MICRO PLASTICS:10SC250037)	2
A3	SCRSHFH1033	SCREW,SHFH,BLACK ZINC,1/4-20 X 1.50"	1
A4	NUTACRN1029	NUT,ACORN,1/4-20,W/NYLON PATCH	1
*B1 - B3	FRMASMB4740	FOOTPLATE,ASSY,ANGLE ADJUSTABLE,6" X 8",W/OFFSET MOUNTING BLOCK,RIGHT,C-1000-296	1
*B1 - B3	FRMASMB4739	FOOTPLATE,ASSY,ANGLE ADJUSTABLE,6" X 8",W/OFFSET MOUNTING BLOCK,LEFT,C-1000-297	1
B1	DWR1000D080	FOOTPLATE,6" X 8" ANGLE ADJUSTABLE,D-1000-080	1
B2		OFFSET MOUNTING BLOCK,BLACK,ANGLE ADJUSTABLE FOOTPLATE	1
B3	SCRSHFH1010	SCREW,SHFH,BLACK ZINC,1/4-20 X 0.75"	4
C1	FRMASMB7454	HEEL LOOP,ASSY,16.87"L,ADJUSTABLE,W/HARDWARE,PAIR	1

Foot Plates

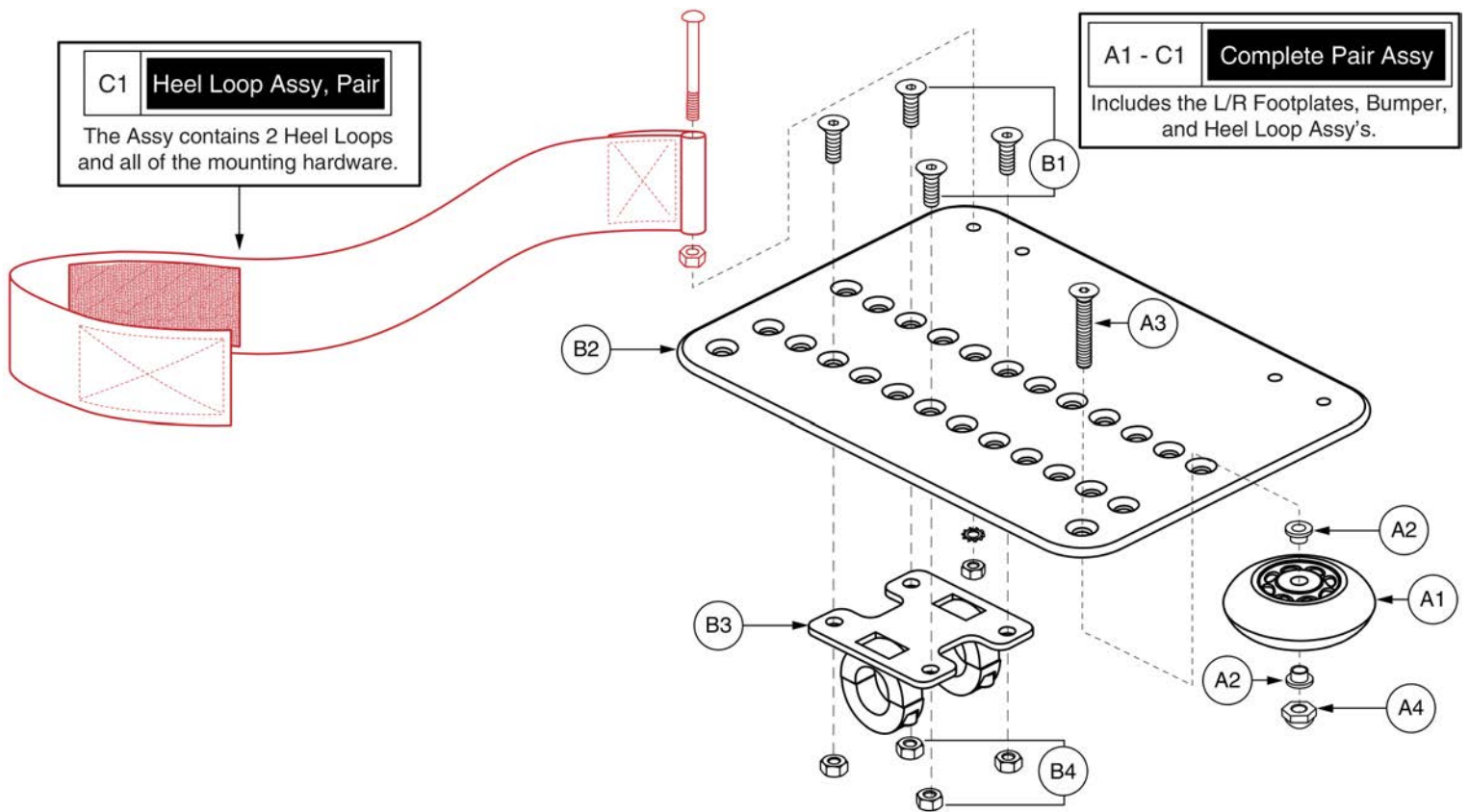


# 6" x 11" Foot Plates - Power ALR



Item	Part No.	Name	Qty
A1 - C1	FRMASMB7452	FOOTPLATE,ASSY,ANGLE ADJUSTABLE,6" X 11",W/ OFFSET MOUNTING BLOCK,HEEL LOOPS & WHEEL BUMPER,ALR,PAIR	1
A1 - A4	WHLASMB1578	WHEEL,ASSY,BUMPER,ANGLE ADJUSTABLE FOOTPLATE	2
A1	WHLATIP1004	WHEEL,ANTI-TIP,BLACK,3" DIAMETER	1
A2	BSHNYLN1003	BUSHING, FLANGE,WHITE,NYLON,0.260"ID X 0.312"OD X 0.4375"TH X 0.513" FOD X 0.0625"FTH,(MICRO PLASTICS:10SC250037)	2
A3	SCRSHFH1033	SCREW,SHFH,BLACK ZINC,1/4-20 X 1.50"	1
A4	NUTACRN1029	NUT,ACORN,1/4-20,W/NYLON PATCH	1
*B1 - B3	FRMASMB4743	FOOTPLATE,ASSY,ANGLE ADJUSTABLE,6" X 11",W/OFFSET MOUNTING BLOCK,RIGHT,C-1000-298	1
*B1 - B3	FRMASMB4742	FOOTPLATE,ASSY,ANGLE ADJUSTABLE,6" X 11",W/OFFSET MOUNTING BLOCK,LEFT,C-1000-299	1
B1		FOOTPLATE,ANGLE ADJUSTABLE,6" X 11",C-1000-165	1
B2		OFFSET MOUNTING BLOCK,BLACK,ANGLE ADJUSTABLE FOOTPLATE	1
B3	SCRSHFH1010	SCREW,SHFH,BLACK ZINC,1/4-20 X 0.75"	4
C1	FRMASMB7454	HEEL LOOP,ASSY,16.87"L,ADJUSTABLE,W/HARDWARE,PAIR	1

Foot Plates





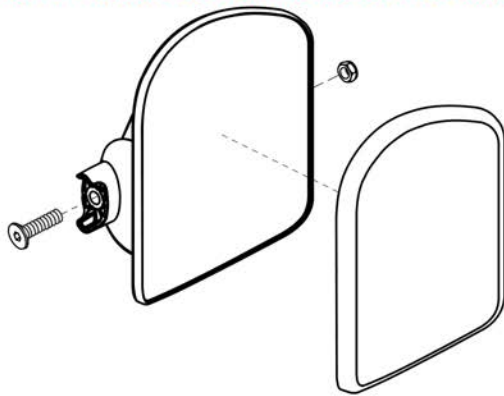
# 8" x 11" Foot Plates - Power ALR



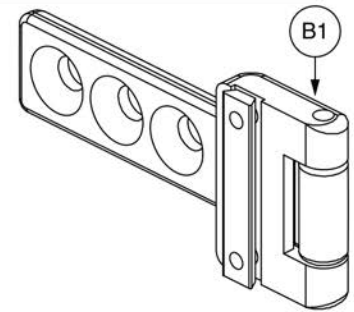
Item	Part No.	Name	Qty
A1 - C1	FRMASMB7453	FOOTPLATE,ASSY,ANGLE ADJUSTABLE,8" X 11",W/ OFFSET MOUNTING BLOCK,HEEL LOOPS & WHEEL BUMPER,ALR,PAIR	1
A1 - A4	WHLASMB1578	WHEEL,ASSY,BUMPER,ANGLE ADJUSTABLE FOOTPLATE	2
A1	WHLATIP1004	WHEEL,ANTI-TIP,BLACK,3" DIAMETER	1
A2	BSHNYLN1003	BUSHING, FLANGE,WHITE,NYLON,0.260"ID X 0.312"OD X 0.4375"TH X 0.513" FOD X 0.0625"FTH,(MICRO PLASTICS:10SC250037)	2
A3	SCRSHFH1033	SCREW,SHFH,BLACK ZINC,1/4-20 X 1.50"	1
A4	NUTACRN1029	NUT,ACORN,1/4-20,W/NYLON PATCH	1
*B1 - B4	FRMASMB4746	FOOTPLATE,ANGLE ADJUSTABLE,8" X 11",W/HD MOUNTING PLATE,RIGHT	1
*B1 - B4	FRMASMB4745	FOOTPLATE,ANGLE ADJUSTABLE,8" X 11",W/HD MOUNTING PLATE,LEFT	1
B1	SCRSHFH1034	SCREW,SHFH,BLACK ZINC,1/4-20 X 0.625",GRADE 8	1
B2	DWR1000D106	FOOTPLATE,8" X 11" ANGLE ADJUSTABLE,D-1000-106	1
B3	FRMASMB4123	MOUNTING BRACKET,FOOTPLATE,8" X 11" ANGLE ADJUSTABLE	1
B4	NUTNYLK1014	NUT,NYLOCK,BLACK ZINC,1/4-20	4
C1	FRMASMB7454	HEEL LOOP,ASSY,16.87"L,ADJUSTABLE,W/HARDWARE,PAIR	1

Calf Pads and Adductor Button

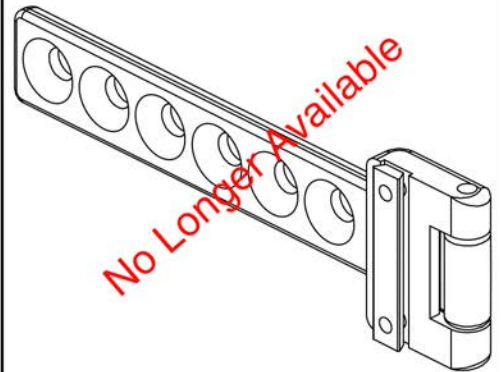
The Version 1 Small and Large Calf Pads are NO LONGER available for replacement. Please select the Version 2 assembly for retrofit.



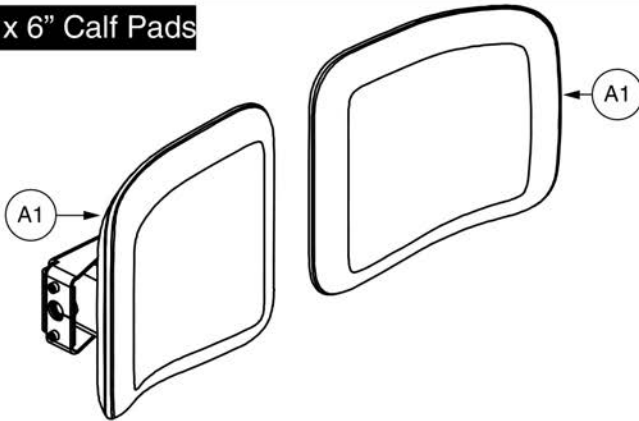
Version 1 Calf Pad, 3-Hole Flip-up Mounting Bracket



Version 1 Calf Pad, 6-Hole Flip-up Mounting Bracket



Version 2, 6" x 6" Calf Pads

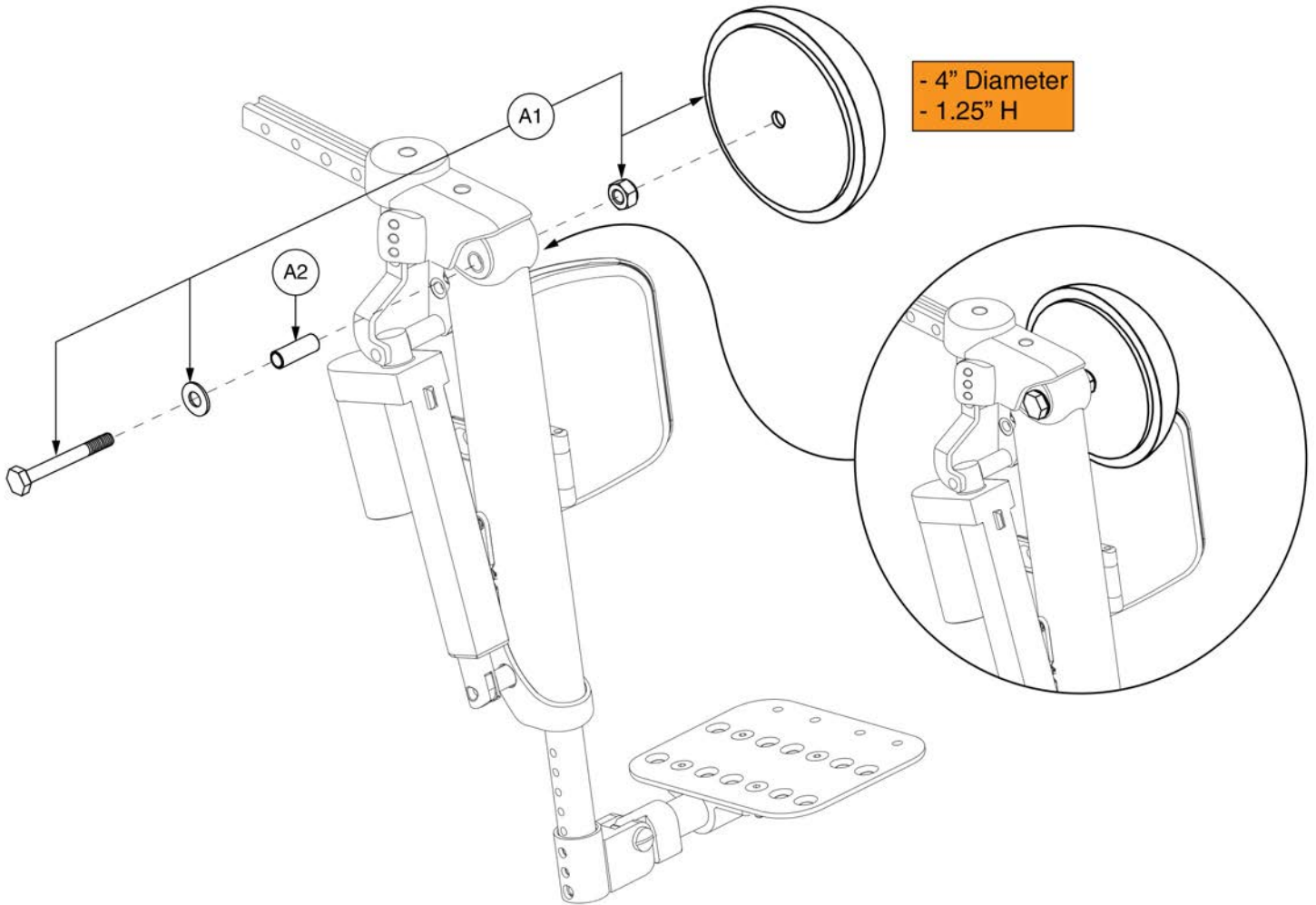


# Power ALR Calf Pad Assy's



Item	Part No.	Name	Qty
A1	MEC153735	CALF PAD,ASSY,TRU-BALANCE POWER ELEVATING ARTICULATING LEGS,W/MOUNTING HARDWARE	1
B1	FRMASMB7273	LEGREST,ASSY,BRACKET,FLIP-UP CALF PAD,TRU-BALANCE POWER ELEVATING ARTICULATING LEGS,C-1303-028	1

*Calf Pads and Adductor Button*

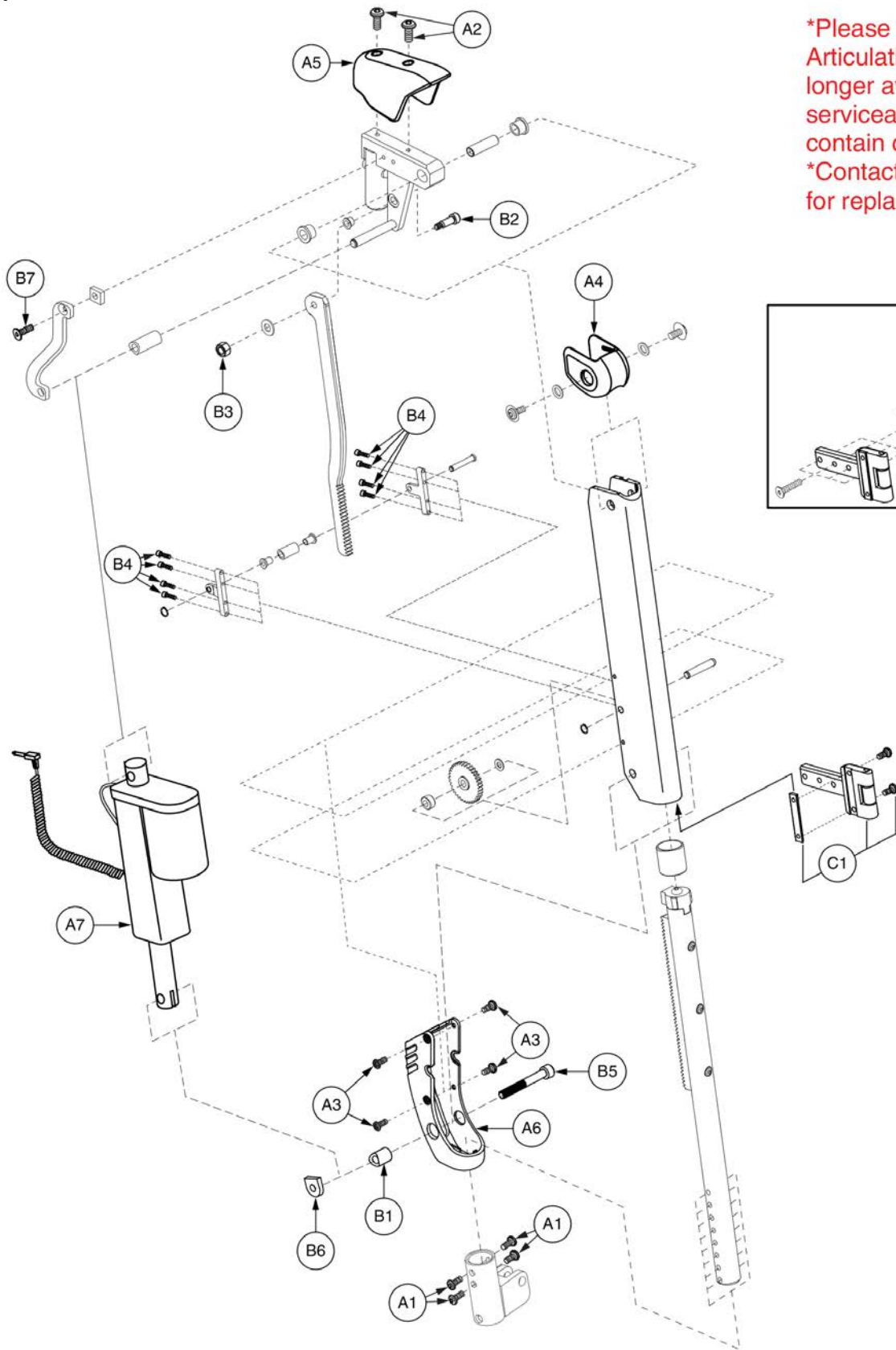


# Power ALR Adductor Button

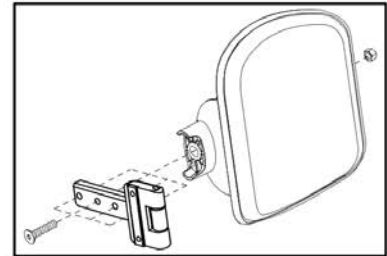


Item	Part No.	Name	Qty
A1	INDPART2242	GEL PADDED ADDUCTOR BUTTONS,PAIR,(FALCON REHAB: KBE)	1
A2		SLEEVE,STAINLESS STEEL,0.250" ID X 0.375" OD X 1.285" L,B-1303-038	2

70° Uppers



\*Please note: The Drop-in Articulating Legrest is no longer available. Only serviceable components contain callouts.  
\*Contact Technical Service for replacement options.



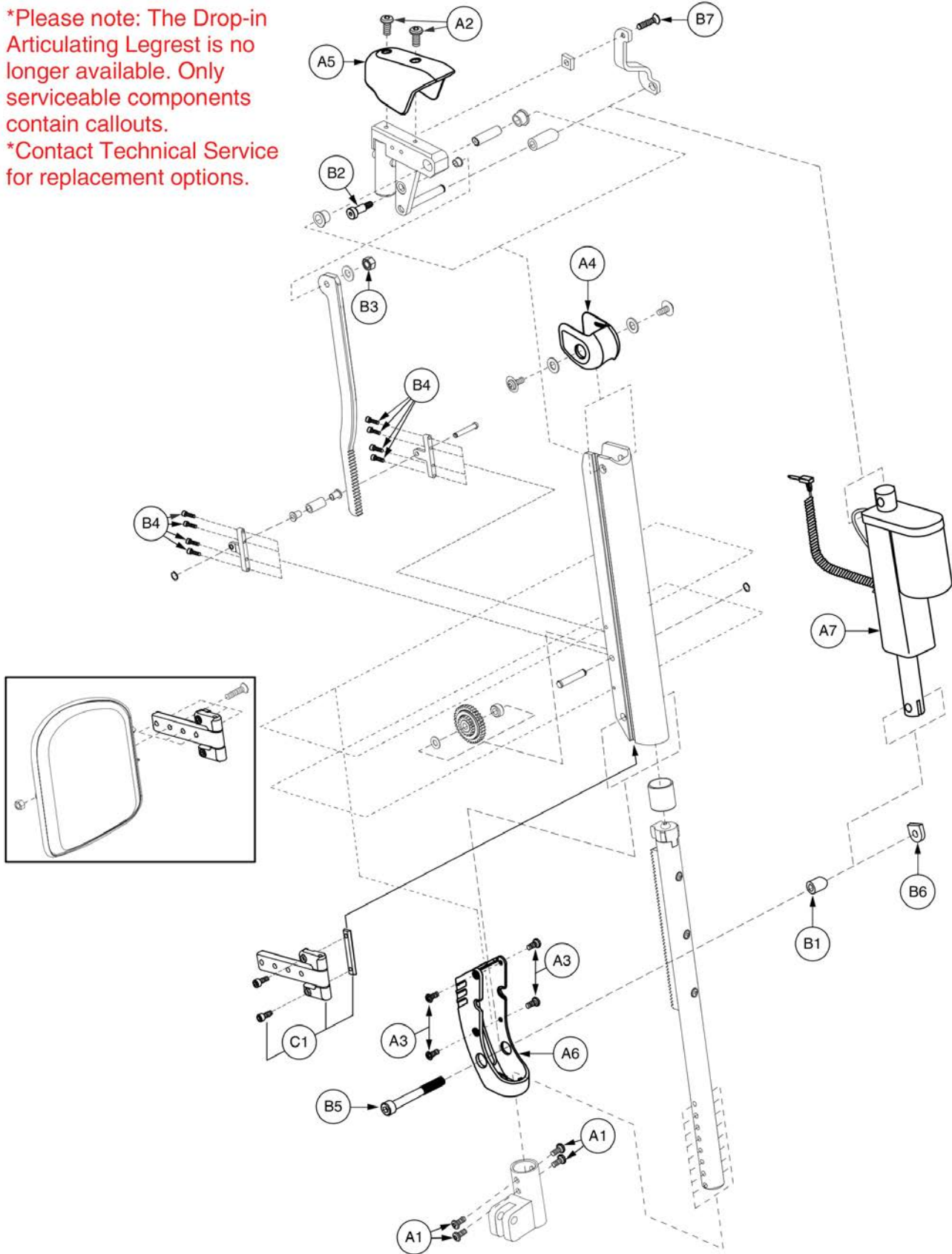
70° Drop-in Power ALR Upper, Right 4" Stroke



Item	Part No.	Name	Qty
A1	SCRASBH1148	SCREW,BHSCS,BLACK ZINC,1/4-20 X 0.50",W/PATCH	4
A2	SCRASBH1144	SCREW,BHSCS,BLACK ZINC,8-32 X 0.375",GRADE 8,W/PATCH	2
A3	SCRASBH1153	SCREW,BHSCS,BLACK ZINC,6-32 X 0.250",W/NYLON PATCH	4
A4	DWR1303D016	BALL CAP,PLASTIC,UPPER,POWER ALR	1
A5	DWR1303D017	TOP CAP,PLASTIC,POWER ALR	1
A6	DWR1303D018	ACTUATOR END CAP,PLASTIC,POWER ALR,RIGHT	1
A7	ACCACTR1026	ACTUATOR,70°,POWER ALR(HIWIN: LAS-1-1-89-24E)	1
B1		SPACER,LOWER ACTUATOR CLEVIS,.32"ID X .50"OD X .67"L	1
B2	BLTASHL1006	BOLT,SHOULDER,1/4" X 0.50"	1
B3	NUTNYLK1040	NUT, NYLOCK, 10-24, BLACK ZINC	1
B4	SCRSHCS1149	SCREW, SHCS,BLACK ZINC,4-40 X 0.500",W/NYLON PATCH	8
B5	SCRSHCS1150	SCREW,SHCS,BLACK ZINC,M8-1.25 X 60MM,LOW HEAD,GR 8	1
B6	DWR1303B027	ACTUATOR PIVOT NUT,M8-1.25,LOWER,POWER ALR	1
B7	SCRSHFH1081	SCREW,SHFH,BLACK ZINC,10-32 X 0.75",GRADE 8,W/NYLON PATCH	1
C1	FRMASMB7273	LEGREST,ASSY,BRACKET,FLIP-UP CALF PAD,TRU-BALANCE POWER ELEVATING ARTICULATING LEGS,C-1303-028	1

70° Uppers

\*Please note: The Drop-in Articulating Legrest is no longer available. Only serviceable components contain callouts.  
\*Contact Technical Service for replacement options.



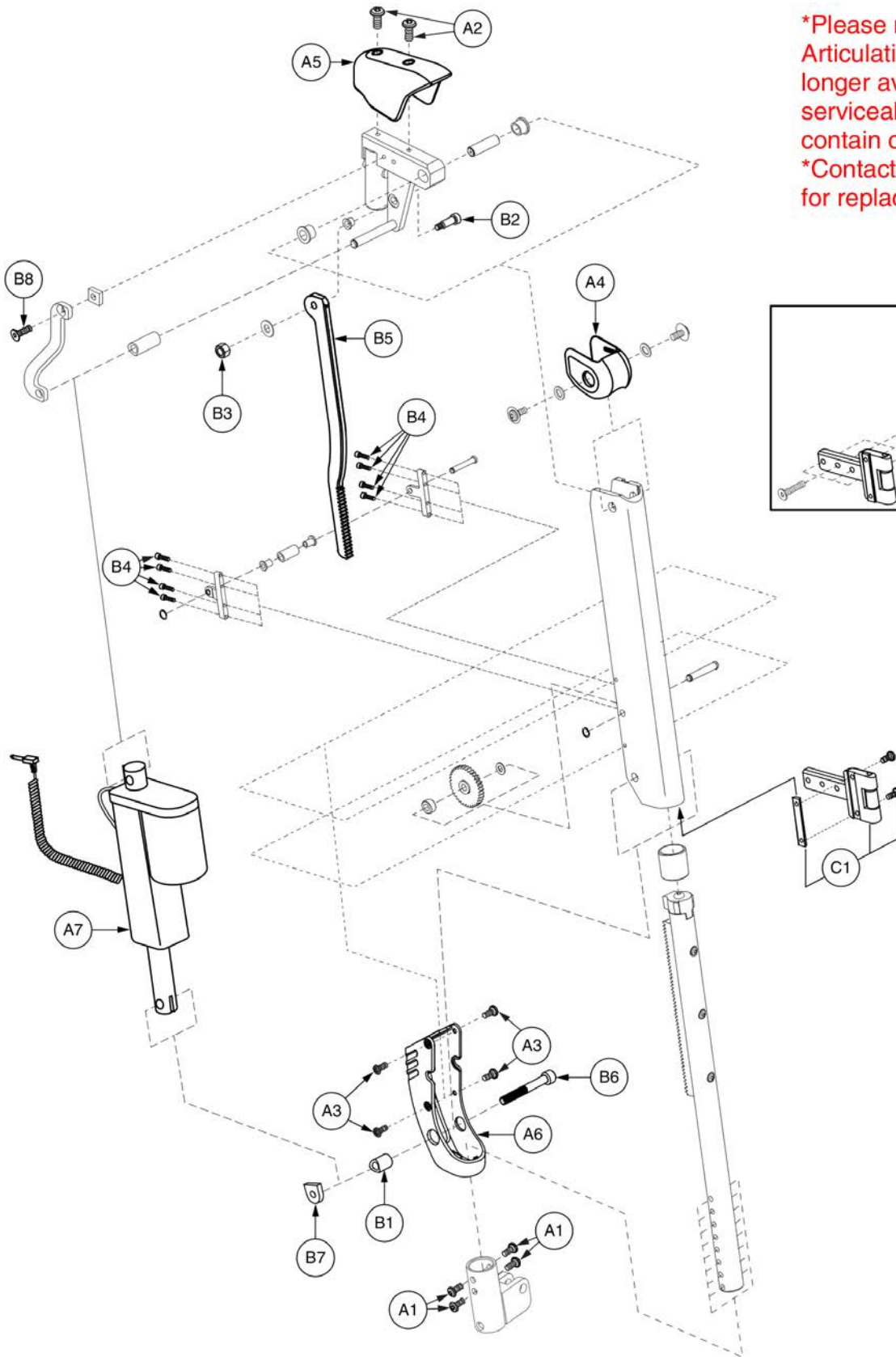


# 70° Drop-in Power ALR Upper, Left 4" Stroke



Item	Part No.	Name	Qty
A1	SCRASBH1148	SCREW,BHSCS,BLACK ZINC,1/4-20 X 0.50",W/PATCH	4
A2	SCRASBH1144	SCREW,BHSCS,BLACK ZINC,8-32 X 0.375",GRADE 8,W/PATCH	2
A3	SCRASBH1153	SCREW,BHSCS,BLACK ZINC,6-32 X 0.250",W/NYLON PATCH	4
A4	DWR1303D016	BALL CAP,PLASTIC,UPPER,POWER ALR	1
A5	DWR1303D017	TOP CAP,PLASTIC,POWER ALR	1
A6	DWR1303D019	ACTUATOR END CAP,PLASTIC,POWER ALR,LEFT	1
A7	ACCACTR1026	ACTUATOR,70°,POWER ALR(HIWIN: LAS-1-1-89-24E)	1
B1		SPACER,LOWER ACTUATOR CLEVIS,.32"ID X .50"OD X .67"L	1
B2	BLTASHL1006	BOLT,SHOULDER,1/4" X 0.50"	1
B3	NUTNYLK1040	NUT, NYLOCK, 10-24, BLACK ZINC	1
B4	SCRSHCS1149	SCREW, SHCS,BLACK ZINC,4-40 X 0.500",W/NYLON PATCH	8
B5	SCRSHCS1150	SCREW,SHCS,BLACK ZINC,M8-1.25 X 60MM,LOW HEAD,GR 8	1
B6	DWR1303B027	ACTUATOR PIVOT NUT,M8-1.25,LOWER,POWER ALR	1
B7	SCRSHFH1081	SCREW,SHFH,BLACK ZINC,10-32 X 0.75",GRADE 8,W/NYLON PATCH	1
C1	FRMASMB7273	LEGREST,ASSY,BRACKET,FLIP-UP CALF PAD,TRU-BALANCE POWER ELEVATING ARTICULATING LEGS,C-1303-028	1

70° Uppers



\*Please note: The Drop-in Articulating Legrest is no longer available. Only serviceable components contain callouts.  
\*Contact Technical Service for replacement options.

70° Drop-in Power ALR Upper, Right 6" Stroke

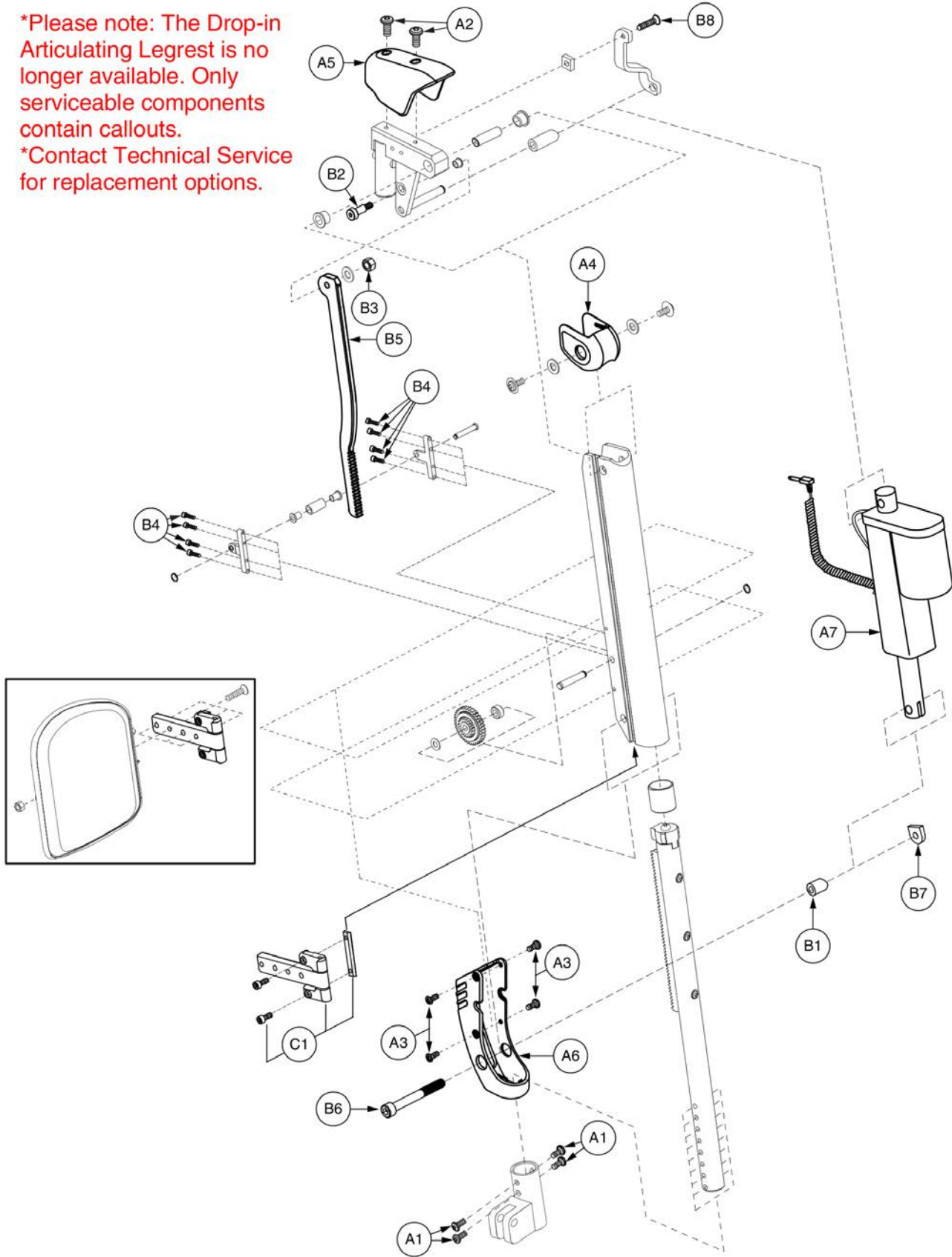


Item	Part No.	Name	Qty
A1	SCRASBH1148	SCREW,BHSCS,BLACK ZINC,1/4-20 X 0.50",W/PATCH	4
A2	SCRASBH1144	SCREW,BHSCS,BLACK ZINC,8-32 X 0.375",GRADE 8,W/PATCH	2
A3	SCRASBH1153	SCREW,BHSCS,BLACK ZINC,6-32 X 0.250",W/NYLON PATCH	4
A4	DWR1303D016	BALL CAP,PLASTIC,UPPER,POWER ALR	1
A5	DWR1303D017	TOP CAP,PLASTIC,POWER ALR	1
A6	DWR1303D018	ACTUATOR END CAP,PLASTIC,POWER ALR,RIGHT	1
A7	ACCACTR1026	ACTUATOR,70°,POWER ALR(HIWIN: LAS-1-1-89-24E)	1
B1		SPACER,LOWER ACTUATOR CLEVIS,.32"ID X .50"OD X .67"L	1
B2	BLTASHL1006	BOLT,SHOULDER,1/4" X 0.50"	1
B3	NUTNYLK1040	NUT, NYLOCK, 10-24, BLACK ZINC	1
B4	SCRSHCS1149	SCREW, SHCS,BLACK ZINC,4-40 X 0.500",W/NYLON PATCH	8
B5		RACK MOUNT BRACKET,POWER ALR	1
B6	SCRSHCS1150	SCREW,SHCS,BLACK ZINC,M8-1.25 X 60MM,LOW HEAD,GR 8	1
B7	DWR1303B027	ACTUATOR PIVOT NUT,M8-1.25,LOWER,POWER ALR	1
B8	SCRSHFH1081	SCREW,SHFH,BLACK ZINC,10-32 X 0.75",GRADE 8,W/NYLON PATCH	1
C1	FRMASMB7273	LEGREST,ASSY,BRACKET,FLIP-UP CALF PAD,TRU-BALANCE POWER ELEVATING ARTICULATING LEGS,C-1303-028	1

70° Uppers

\*Please note: The Drop-in Articulating Legrest is no longer available. Only serviceable components contain callouts.

\*Contact Technical Service for replacement options.

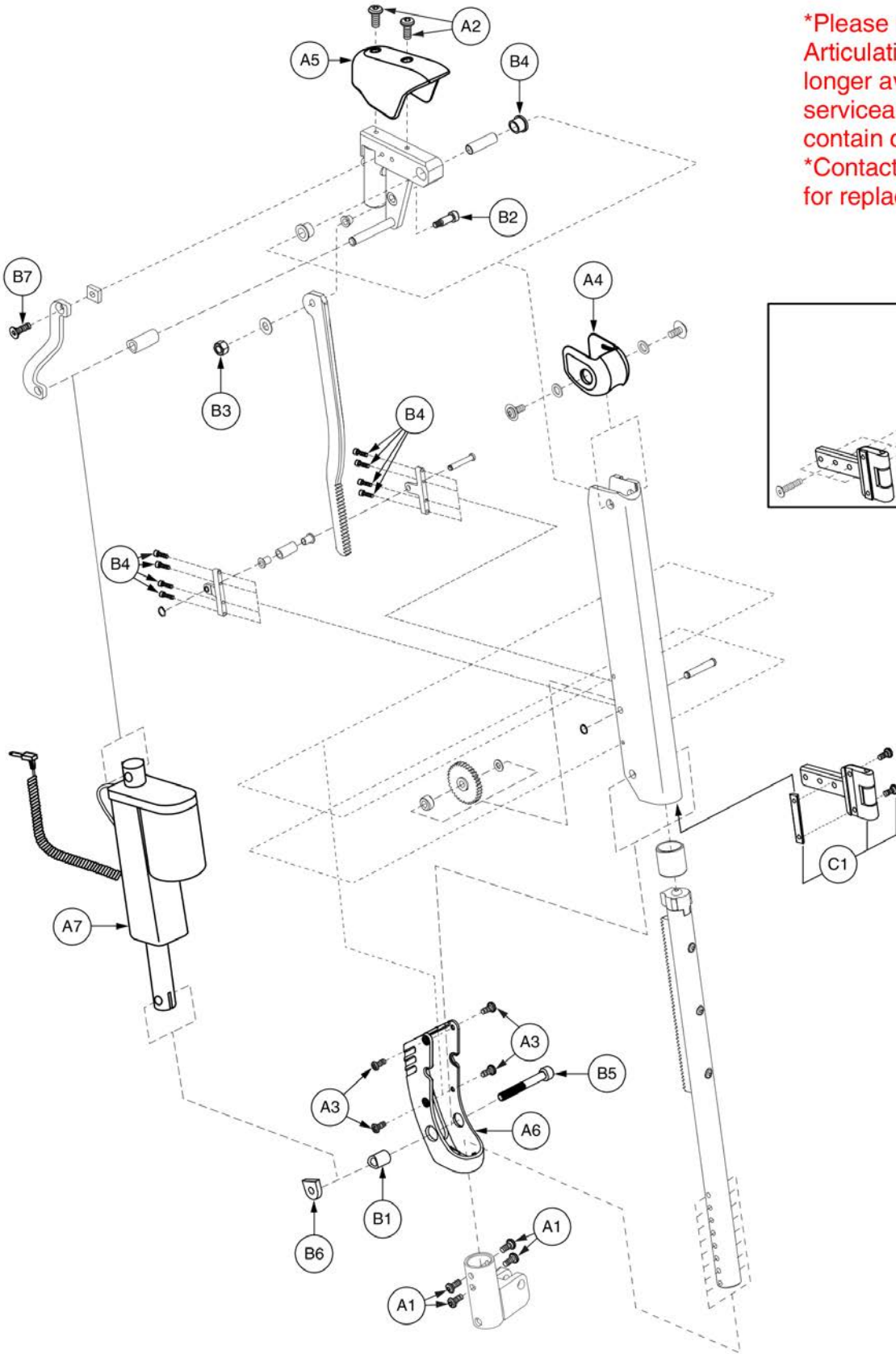


# 70° Drop-in Power ALR Upper, Left 6" Stroke

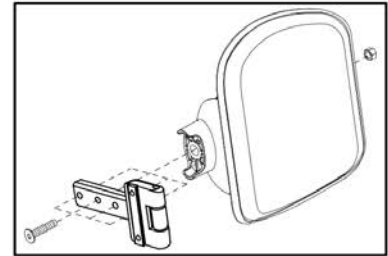


Item	Part No.	Name	Qty
A1	SCRASBH1148	SCREW,BHSCS,BLACK ZINC,1/4-20 X 0.50",W/PATCH	4
A2	SCRASBH1144	SCREW,BHSCS,BLACK ZINC,8-32 X 0.375",GRADE 8,W/PATCH	2
A3	SCRASBH1153	SCREW,BHSCS,BLACK ZINC,6-32 X 0.250",W/NYLON PATCH	4
A4	DWR1303D016	BALL CAP,PLASTIC,UPPER,POWER ALR	1
A5	DWR1303D017	TOP CAP,PLASTIC,POWER ALR	1
A6	DWR1303D019	ACTUATOR END CAP,PLASTIC,POWER ALR,LEFT	1
A7	ACCACTR1026	ACTUATOR,70°,POWER ALR(HIWIN: LAS-1-1-89-24E)	1
B1		SPACER,LOWER ACTUATOR CLEVIS,.32"ID X .50"OD X .67"L	1
B2	BLTASHL1006	BOLT,SHOULDER,1/4" X 0.50"	1
B3	NUTNYLK1040	NUT, NYLOCK, 10-24, BLACK ZINC	1
B4	SCRSHCS1149	SCREW, SHCS,BLACK ZINC,4-40 X 0.500",W/NYLON PATCH	8
B5		RACK MOUNT BRACKET,POWER ALR	1
B6	SCRSHCS1150	SCREW,SHCS,BLACK ZINC,M8-1.25 X 60MM,LOW HEAD,GR 8	1
B7	DWR1303B027	ACTUATOR PIVOT NUT,M8-1.25,LOWER,POWER ALR	1
B8	SCRSHFH1081	SCREW,SHFH,BLACK ZINC,10-32 X 0.75",GRADE 8,W/NYLON PATCH	1
C1	FRMASMB7273	LEGREST,ASSY,BRACKET,FLIP-UP CALF PAD,TRU-BALANCE POWER ELEVATING ARTICULATING LEGS,C-1303-028	1

80° Uppers



\*Please note: The Drop-in Articulating Legrest is no longer available. Only serviceable components contain callouts.  
\*Contact Technical Service for replacement options.



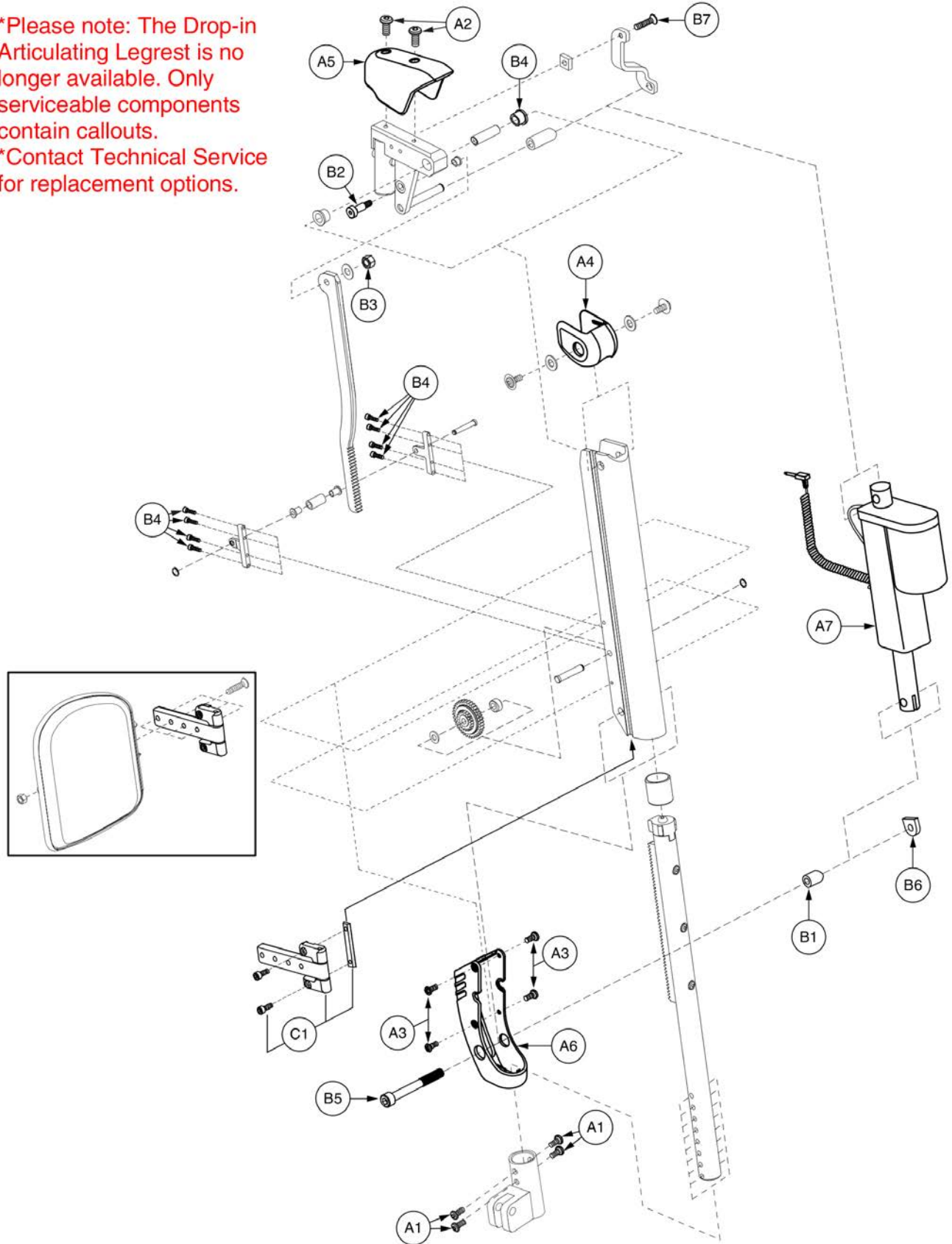
# 80° Drop-in Power ALR Upper, Right 4" Stroke



Item	Part No.	Name	Qty
A1	SCRASBH1148	SCREW,BHSCS,BLACK ZINC,1/4-20 X 0.50",W/PATCH	4
A2	SCRASBH1144	SCREW,BHSCS,BLACK ZINC,8-32 X 0.375",GRADE 8,W/PATCH	2
A3	SCRASBH1153	SCREW,BHSCS,BLACK ZINC,6-32 X 0.250",W/NYLON PATCH	4
A4	DWR1303D016	BALL CAP,PLASTIC,UPPER,POWER ALR	1
A5	DWR1303D017	TOP CAP,PLASTIC,POWER ALR	1
A6	DWR1303D018	ACTUATOR END CAP,PLASTIC,POWER ALR,RIGHT	1
A7	ACCACTR1025	ACTUATOR,80°,POWER ALR(HIWIN: LAS-1-1-100-24E)	1
B1		SPACER,LOWER ACTUATOR CLEVIS,.32"ID X .50"OD X .67"L	1
B2	BLTASHL1006	BOLT,SHOULDER,1/4" X 0.50"	1
B3	NUTNYLK1040	NUT, NYLOCK, 10-24, BLACK ZINC	1
B4	SCRSHCS1149	SCREW, SHCS,BLACK ZINC,4-40 X 0.500",W/NYLON PATCH	8
B5	SCRSHCS1150	SCREW,SHCS,BLACK ZINC,M8-1.25 X 60MM,LOW HEAD,GR 8	1
B6	DWR1303B027	ACTUATOR PIVOT NUT,M8-1.25,LOWER,POWER ALR	1
B7	SCRSHFH1081	SCREW,SHFH,BLACK ZINC,10-32 X 0.75",GRADE 8,W/NYLON PATCH	1
C1	FRMASMB7273	LEGREST,ASSY,BRACKET,FLIP-UP CALF PAD,TRU-BALANCE POWER ELEVATING ARTICULATING LEGS,C-1303-028	1

80° Uppers

\*Please note: The Drop-in Articulating Legrest is no longer available. Only serviceable components contain callouts.  
\*Contact Technical Service for replacement options.



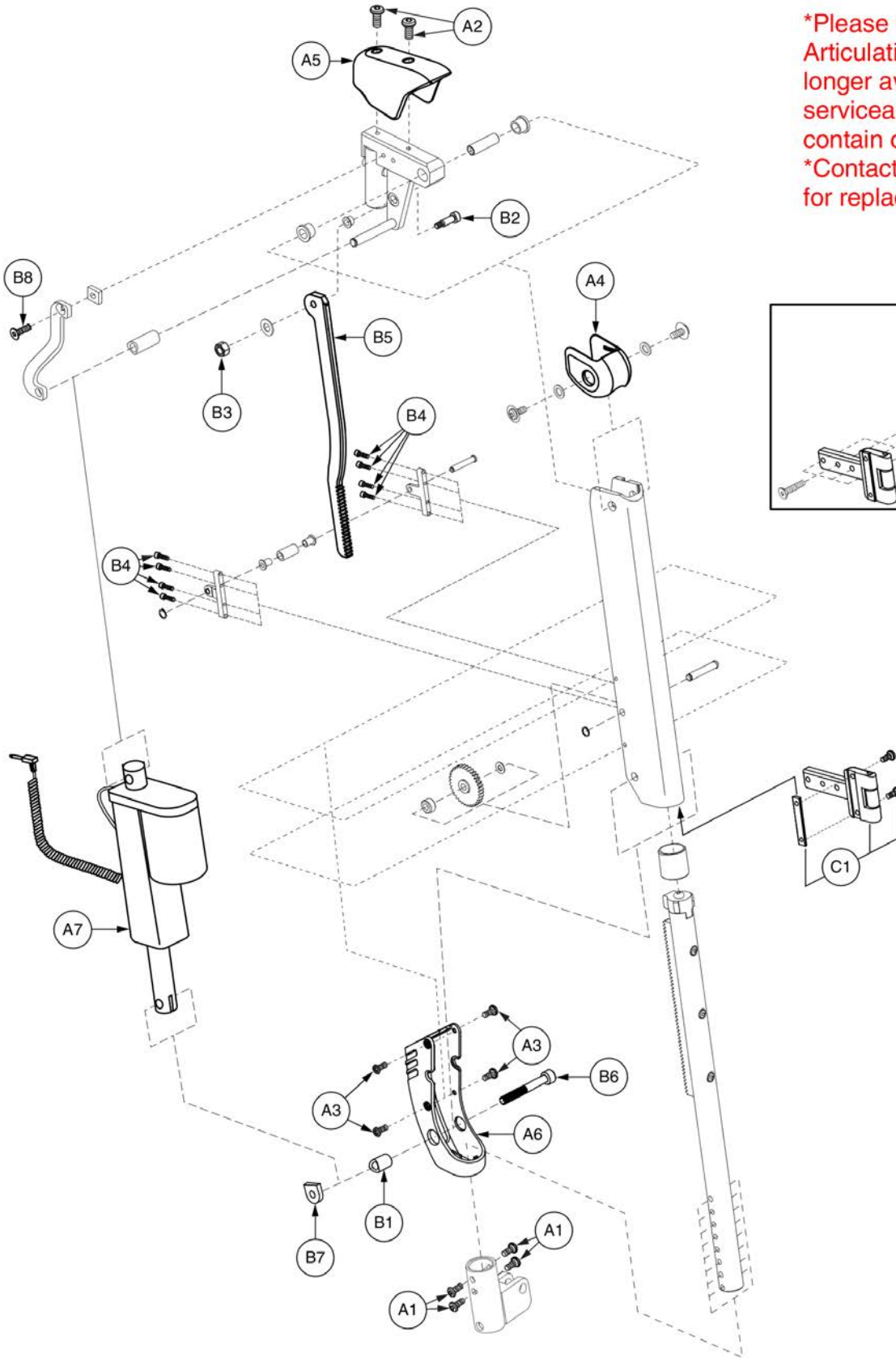


# 80° Drop-in Power ALR Upper, Left 4" Stroke

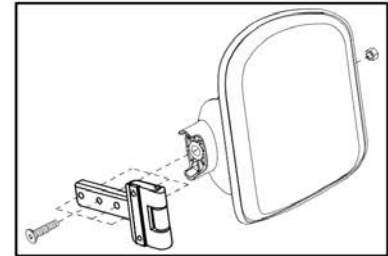


Item	Part No.	Name	Qty
A1	SCRASBH1148	SCREW,BHSCS,BLACK ZINC,1/4-20 X 0.50",W/PATCH	4
A2	SCRASBH1144	SCREW,BHSCS,BLACK ZINC,8-32 X 0.375",GRADE 8,W/PATCH	2
A3	SCRASBH1153	SCREW,BHSCS,BLACK ZINC,6-32 X 0.250",W/NYLON PATCH	4
A4	DWR1303D016	BALL CAP,PLASTIC,UPPER,POWER ALR	1
A5	DWR1303D017	TOP CAP,PLASTIC,POWER ALR	1
A6	DWR1303D019	ACTUATOR END CAP,PLASTIC,POWER ALR,LEFT	1
A7	ACCACTR1025	ACTUATOR,80°,POWER ALR(HIWIN: LAS-1-1-100-24E)	1
B1		SPACER,LOWER ACTUATOR CLEVIS,.32"ID X .50"OD X .67"L	1
B2	BLTASHL1006	BOLT,SHOULDER,1/4" X 0.50"	1
B3	NUTNYLK1040	NUT, NYLOCK, 10-24, BLACK ZINC	1
B4	SCRSHCS1149	SCREW, SHCS,BLACK ZINC,4-40 X 0.500",W/NYLON PATCH	8
B5	SCRSHCS1150	SCREW,SHCS,BLACK ZINC,M8-1.25 X 60MM,LOW HEAD,GR 8	1
B6	DWR1303B027	ACTUATOR PIVOT NUT,M8-1.25,LOWER,POWER ALR	1
B7	SCRSHFH1081	SCREW,SHFH,BLACK ZINC,10-32 X 0.75",GRADE 8,W/NYLON PATCH	1
C1	FRMASMB7273	LEGREST,ASSY,BRACKET,FLIP-UP CALF PAD,TRU-BALANCE POWER ELEVATING ARTICULATING LEGS,C-1303-028	1

80° Uppers



\*Please note: The Drop-in Articulating Legrest is no longer available. Only serviceable components contain callouts.  
\*Contact Technical Service for replacement options.



80° Drop-in Power ALR Upper, Right 6" Stroke

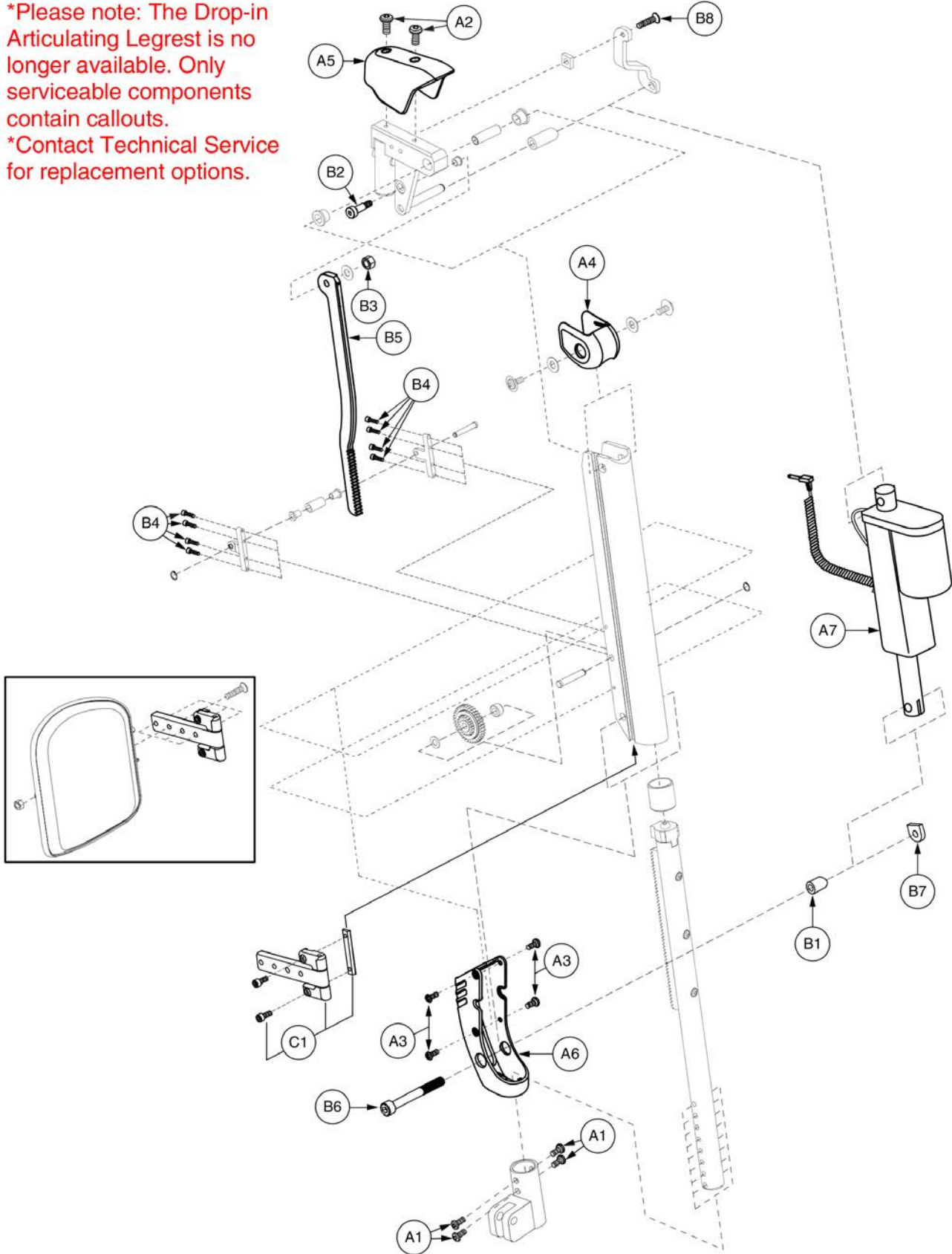


Item	Part No.	Name	Qty
A1	SCRASBH1148	SCREW,BHSCS,BLACK ZINC,1/4-20 X 0.50",W/PATCH	4
A2	SCRASBH1144	SCREW,BHSCS,BLACK ZINC,8-32 X 0.375",GRADE 8,W/PATCH	2
A3	SCRASBH1153	SCREW,BHSCS,BLACK ZINC,6-32 X 0.250",W/NYLON PATCH	4
A4	DWR1303D016	BALL CAP,PLASTIC,UPPER,POWER ALR	1
A5	DWR1303D017	TOP CAP,PLASTIC,POWER ALR	1
A6	DWR1303D018	ACTUATOR END CAP,PLASTIC,POWER ALR,RIGHT	1
A7	ACCACTR1025	ACTUATOR,80°,POWER ALR(HIWIN: LAS-1-1-100-24E)	1
B1		SPACER,LOWER ACTUATOR CLEVIS,.32"ID X .50"OD X .67"L	1
B2	BLTASHL1006	BOLT,SHOULDER,1/4" X 0.50"	1
B3	NUTNYLK1040	NUT, NYLOCK, 10-24, BLACK ZINC	1
B4	SCRSHCS1149	SCREW, SHCS,BLACK ZINC,4-40 X 0.500",W/NYLON PATCH	8
B5		RACK MOUNT BRACKET,POWER ALR	1
B6	SCRSHCS1150	SCREW,SHCS,BLACK ZINC,M8-1.25 X 60MM,LOW HEAD,GR 8	1
B7	DWR1303B027	ACTUATOR PIVOT NUT,M8-1.25,LOWER,POWER ALR	1
B8	SCRSHFH1081	SCREW,SHFH,BLACK ZINC,10-32 X 0.75",GRADE 8,W/NYLON PATCH	1
C1	FRMASMB7273	LEGREST,ASSY,BRACKET,FLIP-UP CALF PAD,TRU-BALANCE POWER ELEVATING ARTICULATING LEGS,C-1303-028	1

80° Uppers

\*Please note: The Drop-in Articulating Legrest is no longer available. Only serviceable components contain callouts.

\*Contact Technical Service for replacement options.



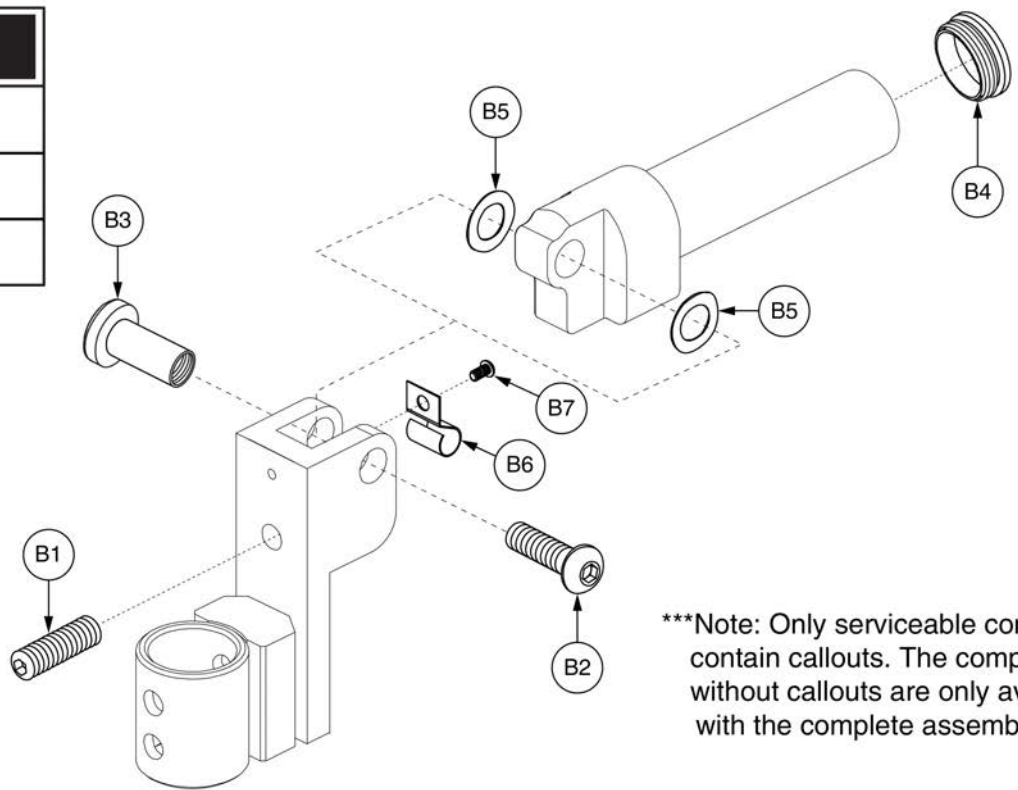
# 80° Drop-in Power ALR Upper, Left 6" Stroke



Item	Part No.	Name	Qty
A1	SCRASBH1148	SCREW,BHSCS,BLACK ZINC,1/4-20 X 0.50",W/PATCH	4
A2	SCRASBH1144	SCREW,BHSCS,BLACK ZINC,8-32 X 0.375",GRADE 8,W/PATCH	2
A3	SCRASBH1153	SCREW,BHSCS,BLACK ZINC,6-32 X 0.250",W/NYLON PATCH	4
A4	DWR1303D016	BALL CAP,PLASTIC,UPPER,POWER ALR	1
A5	DWR1303D017	TOP CAP,PLASTIC,POWER ALR	1
A6	DWR1303D019	ACTUATOR END CAP,PLASTIC,POWER ALR,LEFT	1
A7	ACCACTR1025	ACTUATOR,80°,POWER ALR(HIWIN: LAS-1-1-100-24E)	1
B1		SPACER,LOWER ACTUATOR CLEVIS,.32"ID X .50"OD X .67"L	1
B2	BLTASHL1006	BOLT,SHOULDER,1/4" X 0.50"	1
B3	NUTNYLK1040	NUT, NYLOCK, 10-24, BLACK ZINC	1
B4	SCRSHCS1149	SCREW, SHCS,BLACK ZINC,4-40 X 0.500",W/NYLON PATCH	8
B5		RACK MOUNT BRACKET,POWER ALR	1
B6	SCRSHCS1150	SCREW,SHCS,BLACK ZINC,M8-1.25 X 60MM,LOW HEAD,GR 8	1
B7	DWR1303B027	ACTUATOR PIVOT NUT,M8-1.25,LOWER,POWER ALR	1
B8	SCRSHFH1081	SCREW,SHFH,BLACK ZINC,10-32 X 0.75",GRADE 8,W/NYLON PATCH	1
C1	FRMASMB7273	LEGREST,ASSY,BRACKET,FLIP-UP CALF PAD,TRU-BALANCE POWER ELEVATING ARTICULATING LEGS,C-1303-028	1

**Lowers**

Complete Assemblies	
A1	Pair
A1a	Right
A1b	Left

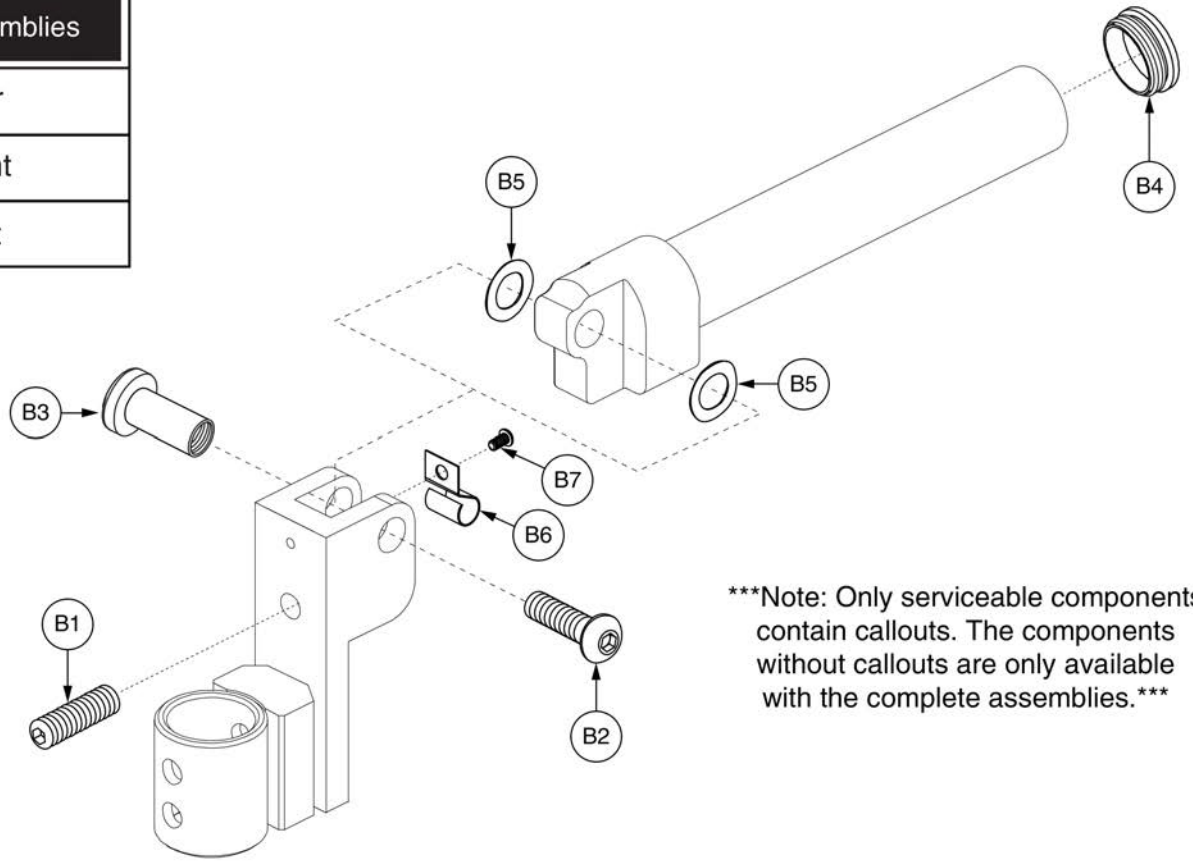


\*\*\*Note: Only serviceable components contain callouts. The components without callouts are only available with the complete assemblies.\*\*\*

Item	Part No.	Name	Qty
A1		LEGREST,ASSY,ANGLE ADJUSTABLE,LOWER,12"-14.5" EXT,SMALL,POWER ALR,PAIR	1
A1a	FRMASMB11174	LEGREST,ASSY,ANGLE ADJUSTABLE,LOWER,12"-14.5" EXT,SMALL,TRU-BALANCE POWER ALR,RIGHT,C-1303-051	1
A1b	FRMASMB11173	LEGREST,ASSY,ANGLE ADJUSTABLE,LOWER,12"-14.5" EXT,SMALL,POWER ALR S/A LEGS,LEFT,C-1303-050	1
B1	SCRSETS1079	SCREW, SET,BLACK,ZINC,5/16-24 X 1.00",OVAL POINT	1
B2	SCRASBH1148	SCREW,BHSCS,BLACK ZINC,1/4-20 X 0.50",W/PATCH	1
B3	BLTSEX1001	BOLT,SEX,BLACK ZINC,3/8" X 1.00",1/4-20 FEMALE	1
B4	PROECAP1017	CAP,END,BLACK,PLASTIC,0.875" OD,14-20GA	1
B5	WASWAVY1000	WASHER, WAVY,3/8"ID X 5/8"OD X .013"T	2
B6		SPRING,CLIP,ANGLE ADJUSTABLE LEGREST,B-1000-419	1
B7	SCRASBH1153	SCREW,BHSCS,BLACK ZINC,6-32 X 0.250",W/NYLON PATCH	1

**Lowers**

Complete Assemblies	
(A1)	Pair
(A1a)	Right
(A1b)	Left



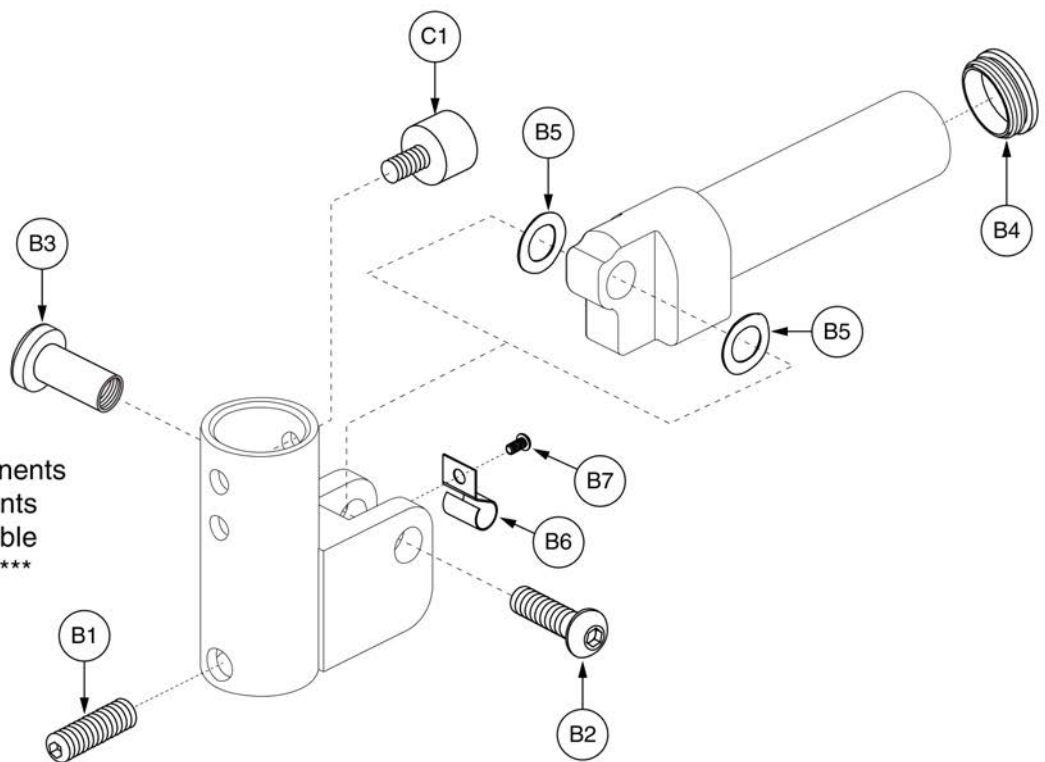
\*\*\*Note: Only serviceable components contain callouts. The components without callouts are only available with the complete assemblies.\*\*\*



Item	Part No.	Name	Qty
A1		LEGREST,ASSY,ANGLE ADJUSTABLE,LOWER,12"-14.5" EXT,LARGE,POWER ALR,PAIR	1
A1a	FRMASMB11176	LEGREST,ASSY,ANGLE ADJUSTABLE,LOWER,12"-14.5" EXT,LARGE,POWER ALR,RIGHT,C-1303-053	1
A1b	FRMASMB11175	LEGREST,ASSY,ANGLE ADJUSTABLE,LOWER,12"-14.5" EXT,LARGE,POWER ALR,LEFT,C-1303-052	1
B1	SCRSETS1079	SCREW, SET,BLACK,ZINC,5/16-24 X 1.00",OVAL POINT	1
B2	SCRASBH1148	SCREW,BHSCS,BLACK ZINC,1/4-20 X 0.50",W/PATCH	1
B3	BLTSEX1001	BOLT,SEX,BLACK ZINC,3/8" X 1.00",1/4-20 FEMALE	1
B4	PROECAP1017	CAP,END,BLACK,PLASTIC,0.875" OD,14-20GA	1
B5	WASWAVY1000	WASHER, WAVY,3/8"ID X 5/8"OD X .013"T	2
B6		SPRING,CLIP,ANGLE ADJUSTABLE LEGREST,B-1000-419	1
B7	SCRASBH1153	SCREW,BHSCS,BLACK ZINC,6-32 X 0.250",W/NYLON PATCH	1

**Lowers**

Complete Assemblies	
A1	Pair
A1a	Right
A1b	Left

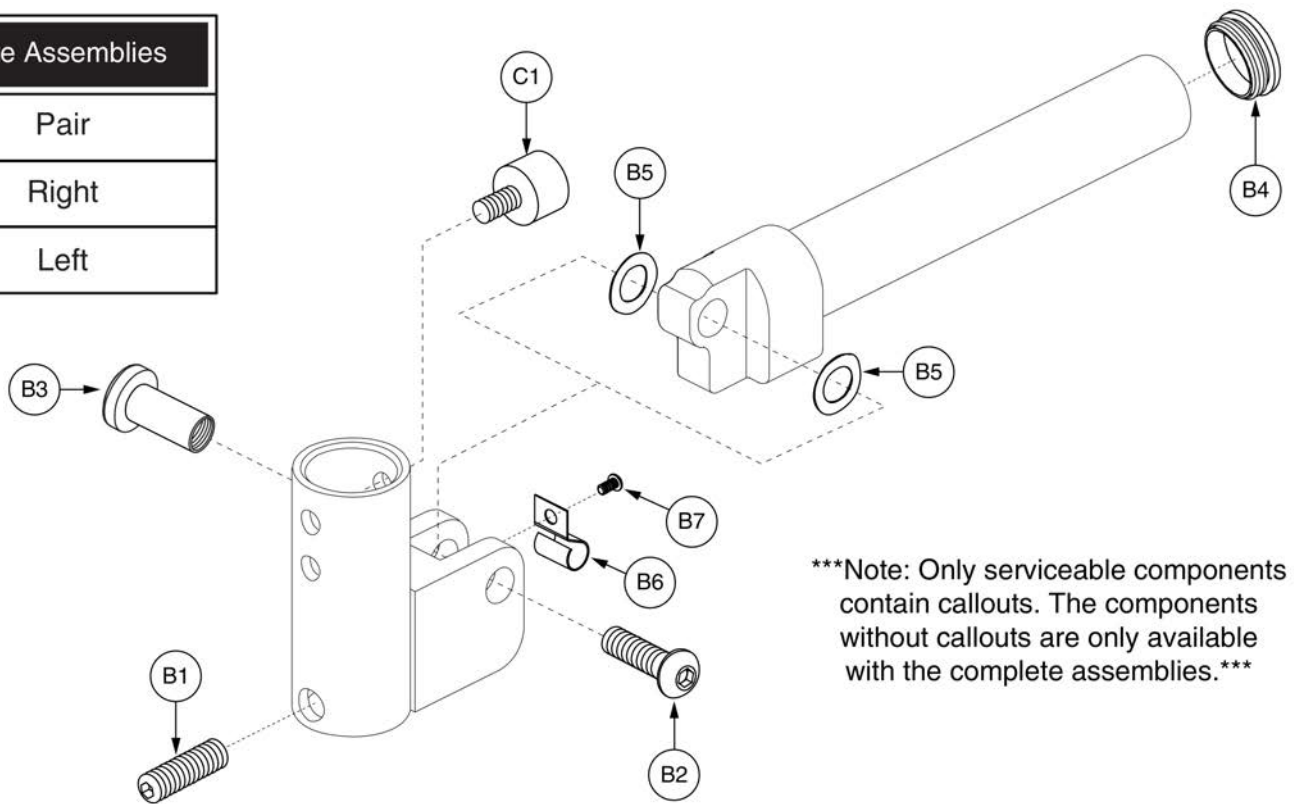


\*\*\*Note: Only serviceable components contain callouts. The components without callouts are only available with the complete assemblies.\*\*\*

Item	Part No.	Name	Qty
A1	FRMASMB7536	LEGREST,ASSY,ANGLE ADJUSTABLE,LOWER,14.5"-18" EXT,SMALL,POWER ALR,PAIR	1
A1a	FRMASMB7459	LEGREST,ASSY,ANGLE ADJUSTABLE,LOWER,14.5"-18" EXT,SMALL,POWER ALR,RIGHT,D-1303-026	1
A1b	FRMASMB7269	LEGREST,ASSY,ANGLE ADJUSTABLE,LOWER,14.5"-18" EXT,SMALL,POWER ALR,LEFT,D-1303-022	1
B1	SCRSETS1079	SCREW, SET,BLACK,ZINC,5/16-24 X 1.00",OVAL POINT	1
B2	SCRASBH1148	SCREW,BHSCS,BLACK ZINC,1/4-20 X 0.50",W/PATCH	1
B3	BLTSEX1001	BOLT,SEX,BLACK ZINC,3/8" X 1.00",1/4-20 FEMALE	1
B4	PROECAP1017	CAP,END,BLACK,PLASTIC,0.875" OD,14-20GA	1
B5	WASWAVY1000	WASHER, WAVY,3/8"ID X 5/8"OD X .013"T	2
B6		SPRING,CLIP,ANGLE ADJUSTABLE LEGREST,B-1000-419	1
B7	SCRASBH1153	SCREW,BHSCS,BLACK ZINC,6-32 X 0.250",W/NYLON PATCH	1
C1	PROBUMP1036	BUMPER,BLACK,RUBBER,0.625" DIA X 0.625" TH,1/4-20 THREADED STUD,W/PLATE,(MCMASTER-CARR: 93115K35)	2

**Lowers**

Complete Assemblies	
A1	Pair
A1a	Right
A1b	Left



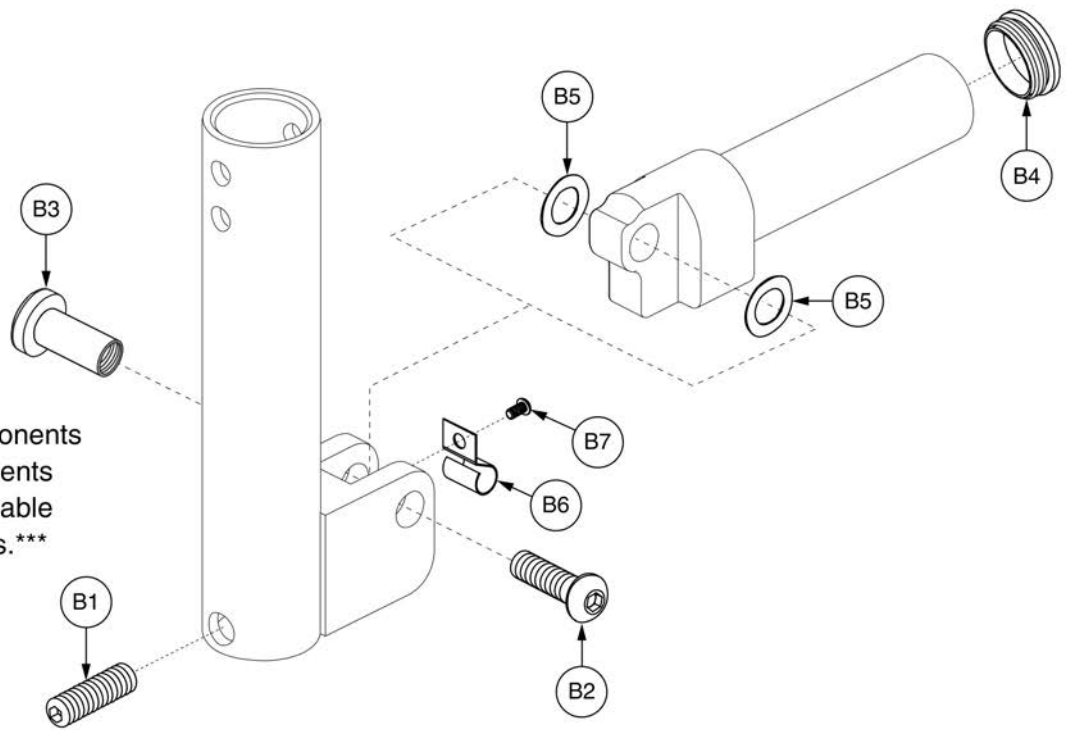
\*\*\*Note: Only serviceable components contain callouts. The components without callouts are only available with the complete assemblies.\*\*\*

Item	Part No.	Name	Qty
A1	FRMASMB7537	LEGREST,ASSY,ANGLE ADJUSTABLE,LOWER,14.5"-18" EXT,LARGE,POWER ALR,PAIR	1
A1a	FRMASMB7460	LEGREST,ASSY,ANGLE ADJUSTABLE,LOWER,14.5"-18" EXT,LARGE,POWER ALR,RIGHT,D-1303-024	1
A1b	FRMASMB7270	LEGREST,ASSY,ANGLE ADJUSTABLE,LOWER,14.5"-18" EXT,LARGE,POWER ALR,LEFT,D-1303-020	1
B1	SCRSETS1079	SCREW, SET,BLACK,ZINC,5/16-24 X 1.00",OVAL POINT	1
B2	SCRASBH1148	SCREW,BHSCS,BLACK ZINC,1/4-20 X 0.50",W/PATCH	1
B3	BLTSEX1001	BOLT,SEX,BLACK ZINC,3/8" X 1.00",1/4-20 FEMALE	1
B4	PROECAP1017	CAP,END,BLACK,PLASTIC,0.875" OD,14-20GA	1
B5	WASWAVY1000	WASHER, WAVY,3/8"ID X 5/8"OD X .013"T	2
B6		SPRING,CLIP,ANGLE ADJUSTABLE LEGREST,B-1000-419	1
B7	SCRASBH1153	SCREW,BHSCS,BLACK ZINC,6-32 X 0.250",W/NYLON PATCH	1
C1	PROBUMP1036	BUMPER,BLACK,RUBBER,0.625" DIA X 0.625" TH,1/4-20 THREADED STUD,W/PLATE,(MCMASTER-CARR: 93115K35)	2

**Lowers**

Complete Assemblies	
A1	Pair
A1a	Right
A1b	Left

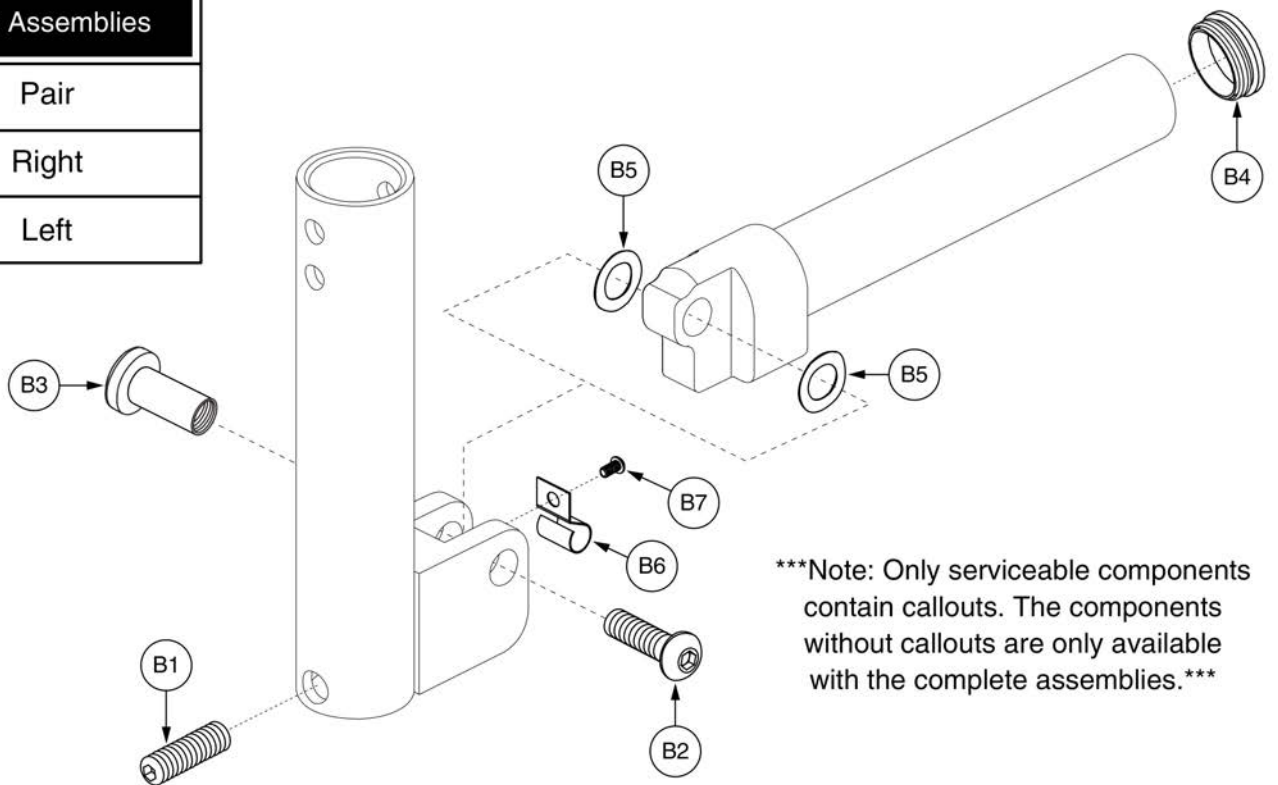
\*\*\*Note: Only serviceable components contain callouts. The components without callouts are only available with the complete assemblies.\*\*\*



Item	Part No.	Name	Qty
A1	FRMASMB7538	LEGREST,ASSY,ANGLE ADJUSTABLE,LOWER,17.5"-21" EXT,SMALL,POWER ALR,PAIR	1
A1a	FRMASMB7461	LEGREST,ASSY,ANGLE ADJUSTABLE,LOWER,17.5"-21" EXT,SMALL,POWER ALR,RIGHT,D-1303-027	1
A1b	FRMASMB7271	LEGREST,ASSY,ANGLE ADJUSTABLE,LOWER,17.5"-21" EXT,SMALL,POWER ALR,LEFT,D-1303-023	1
B1	SCRSETS1079	SCREW, SET,BLACK,ZINC,5/16-24 X 1.00",OVAL POINT	1
B2	SCRASBH1148	SCREW,BHSCS,BLACK ZINC,1/4-20 X 0.50",W/PATCH	1
B3	BLTSEX1001	BOLT,SEX,BLACK ZINC,3/8" X 1.00",1/4-20 FEMALE	1
B4	PROECAP1017	CAP,END,BLACK,PLASTIC,0.875" OD,14-20GA	1
B5	WASWAVY1000	WASHER, WAVY,3/8"ID X 5/8"OD X .013"T	2
B6		SPRING,CLIP,ANGLE ADJUSTABLE LEGREST,B-1000-419	1
B7	SCRASBH1153	SCREW,BHSCS,BLACK ZINC,6-32 X 0.250",W/NYLON PATCH	1

**Lowers**

Complete Assemblies	
A1	Pair
A1a	Right
A1b	Left

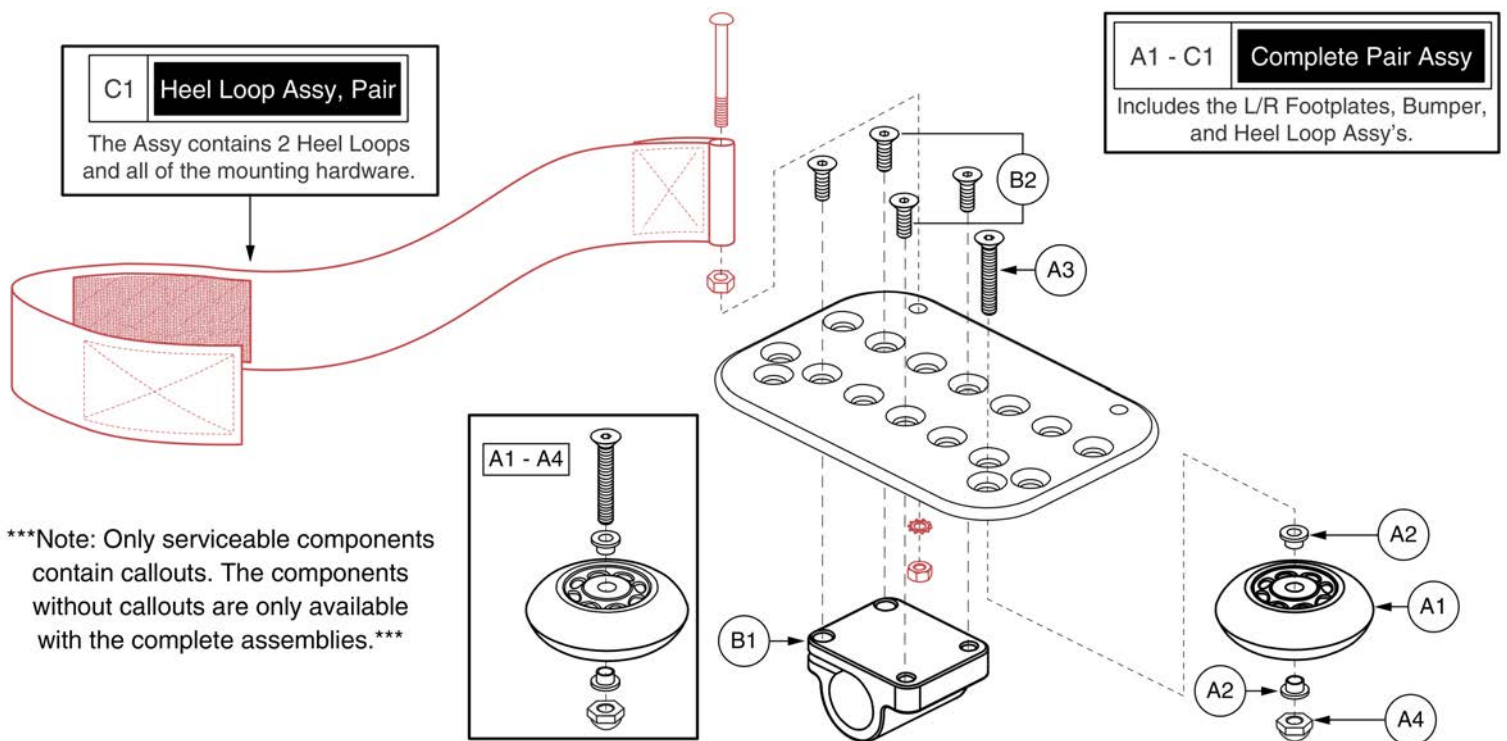


\*\*\*Note: Only serviceable components contain callouts. The components without callouts are only available with the complete assemblies.\*\*\*



Item	Part No.	Name	Qty
A1	FRMASMB7539	LEGREST,ASSY,ANGLE ADJUSTABLE,LOWER,17.5"-21" EXT,LARGE,POWER ALR,PAIR	1
A1a	FRMASMB7462	LEGREST,ASSY,ANGLE ADJUSTABLE,LOWER,17.5"-21" EXT,LARGE,POWER ALR,RIGHT,D-1303-025	1
A1b	FRMASMB7272	LEGREST,ASSY,ANGLE ADJUSTABLE,LOWER,17.5"-21" EXT,LARGE,POWER ALR,LEFT,D-1303-021	1
B1	SCRSETS1079	SCREW, SET,BLACK,ZINC,5/16-24 X 1.00",OVAL POINT	1
B2	SCRASBH1148	SCREW,BHSCS,BLACK ZINC,1/4-20 X 0.50",W/PATCH	1
B3	BLTSEX1001	BOLT,SEX,BLACK ZINC,3/8" X 1.00",1/4-20 FEMALE	1
B4	PROECAP1017	CAP,END,BLACK,PLASTIC,0.875" OD,14-20GA	1
B5	WASWAVY1000	WASHER, WAVY,3/8"ID X 5/8"OD X .013"T	2
B6		SPRING,CLIP,ANGLE ADJUSTABLE LEGREST,B-1000-419	1
B7	SCRASBH1153	SCREW,BHSCS,BLACK ZINC,6-32 X 0.250",W/NYLON PATCH	1

Foot Plates



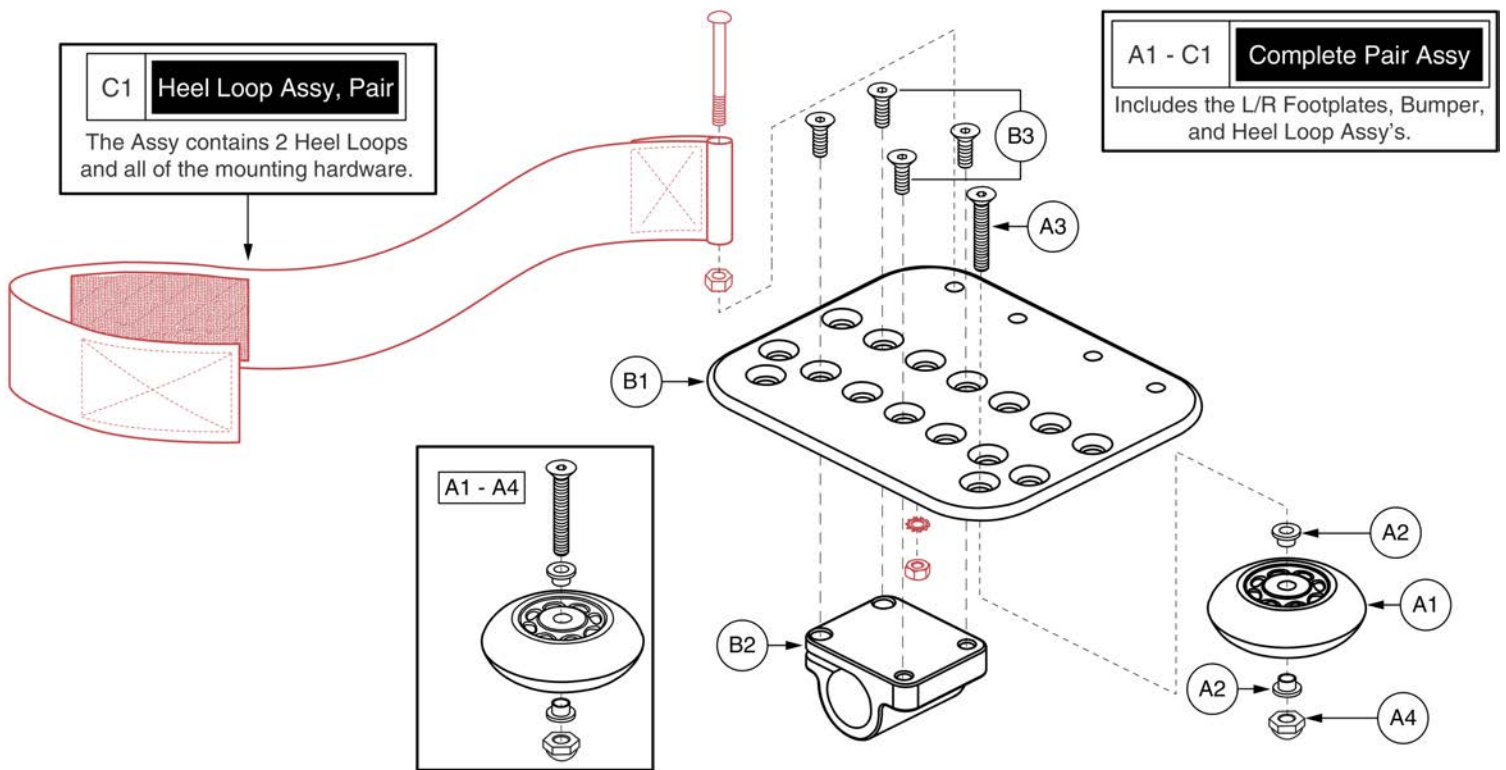
\*\*\*Note: Only serviceable components contain callouts. The components without callouts are only available with the complete assemblies.\*\*\*

## 4" x 6" Foot Plates - Power ALR



Item	Part No.	Name	Qty
A1 - C1	FRMASMB7448	FOOTPLATE,ASSY,ANGLE ADJUSTABLE,4" X 6",W/ PEDIATRIC MOUNTING BLOCK,HEEL LOOPS & WHEEL BUMPER,ALR,PAIR	1
A1 - A4	WHLASMB1578	WHEEL,ASSY,BUMPER,ANGLE ADJUSTABLE FOOTPLATE	2
A1	WHLATIP1004	WHEEL,ANTI-TIP,BLACK,3" DIAMETER	1
A2	BSHNYLN1003	BUSHING, FLANGE,WHITE,NYLON,0.260"ID X 0.312"OD X 0.4375"TH X 0.513" FOD X 0.0625"FTH,(MICRO PLASTICS:10SC250037)	2
A3	SCRSHFH1033	SCREW,SHFH,BLACK ZINC,1/4-20 X 1.50"	1
A4	NUTACRN1029	NUT,ACORN,1/4-20,W/NYLON PATCH	1
B1	DWR1000C317	MOUNTING BLOCK,PEDIATRIC ANGLE ADJUSTABLE FOOTPLATE	1
B2	SCRSHFH1010	SCREW,SHFH,BLACK ZINC,1/4-20 X 0.75"	4
C1	FRMASMB7454	HEEL LOOP,ASSY,16.87"L,ADJUSTABLE,W/HARDWARE,PAIR	1

Foot Plates

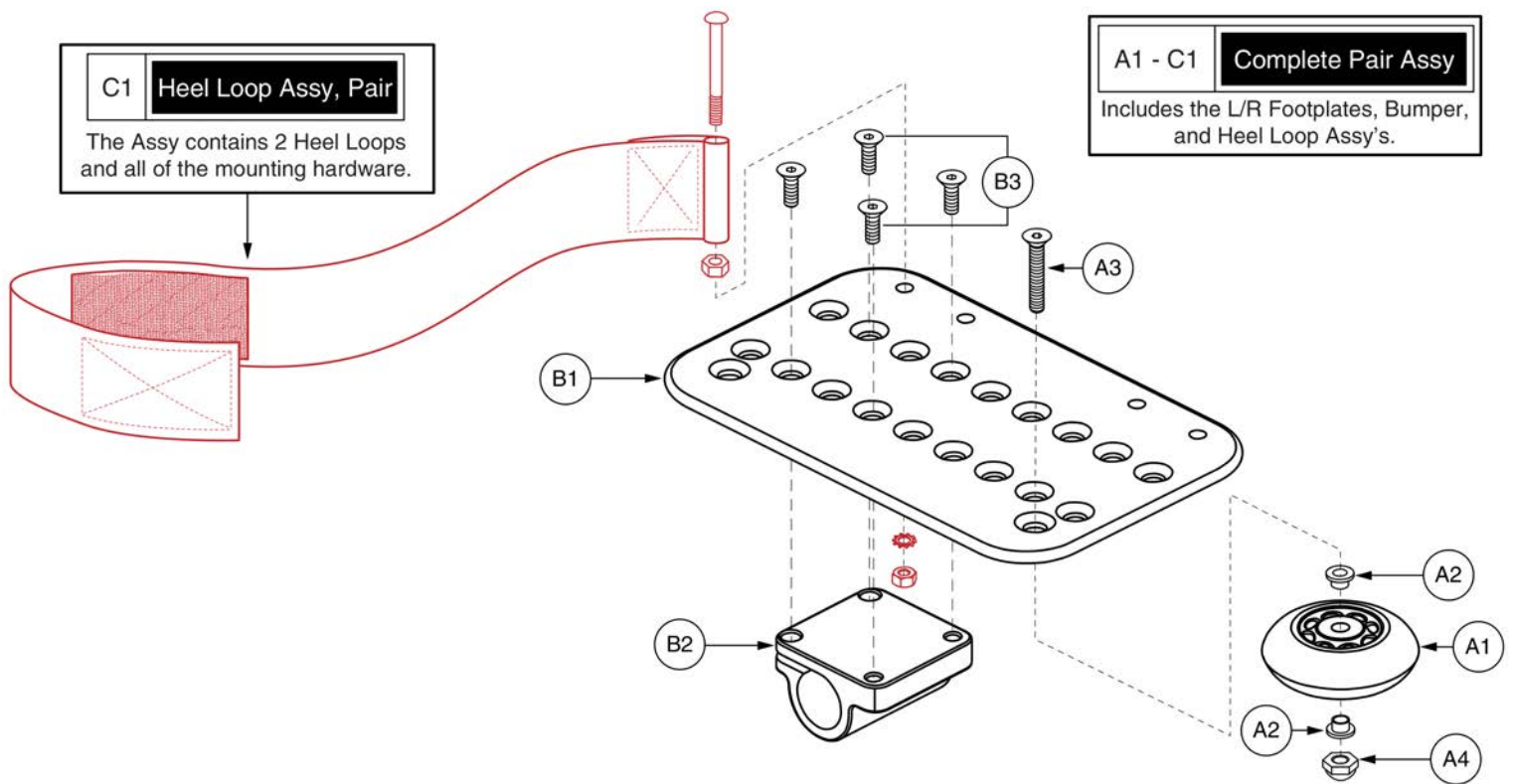


## 5" x 6" Foot Plates - Power ALR



Item	Part No.	Name	Qty
A1 - C1	FRMASMB7449	FOOTPLATE,ASSY,ANGLE ADJUSTABLE,5" X 6",W/ PEDIATRIC MOUNTING BLOCK,HEEL LOOPS & WHEEL BUMPER,ALR,PAIR	1
A1 - A4	WHLASMB1578	WHEEL,ASSY,BUMPER,ANGLE ADJUSTABLE FOOTPLATE	2
A1	WHLATIP1004	WHEEL,ANTI-TIP,BLACK,3" DIAMETER	1
A2	BSHNYLN1003	BUSHING, FLANGE,WHITE,NYLON,0.260"ID X 0.312"OD X 0.4375"TH X 0.513" FOD X 0.0625"FTH,(MICRO PLASTICS:10SC250037)	2
A3	SCRSHFH1033	SCREW,SHFH,BLACK ZINC,1/4-20 X 1.50"	1
A4	NUTACRN1029	NUT,ACORN,1/4-20,W/NYLON PATCH	1
B1 - B3	FRMASMB5201	FOOTPLATE,ASSY,ANGLE ADJUSTABLE,5" X 6",W/PEDIATRIC MOUNTING BLOCK,RIGHT,C-1000-324	1
B1 - B3	FRMASMB5202	FOOTPLATE,ASSY,ANGLE ADJUSTABLE,5" X 6",W/PEDIATRIC MOUNTING BLOCK,LEFT,C-1000-325	1
B1		FOOTPLATE,5" X 6" ANGLE ADJUSTABLE,C-1000-321	1
B2	DWR1000C317	MOUNTING BLOCK,PEDIATRIC ANGLE ADJUSTABLE FOOTPLATE	1
B3	SCRSHFH1010	SCREW,SHFH,BLACK ZINC,1/4-20 X 0.75"	4
C1	FRMASMB7454	HEEL LOOP,ASSY,16.87"L,ADJUSTABLE,W/HARDWARE,PAIR	1

Foot Plates

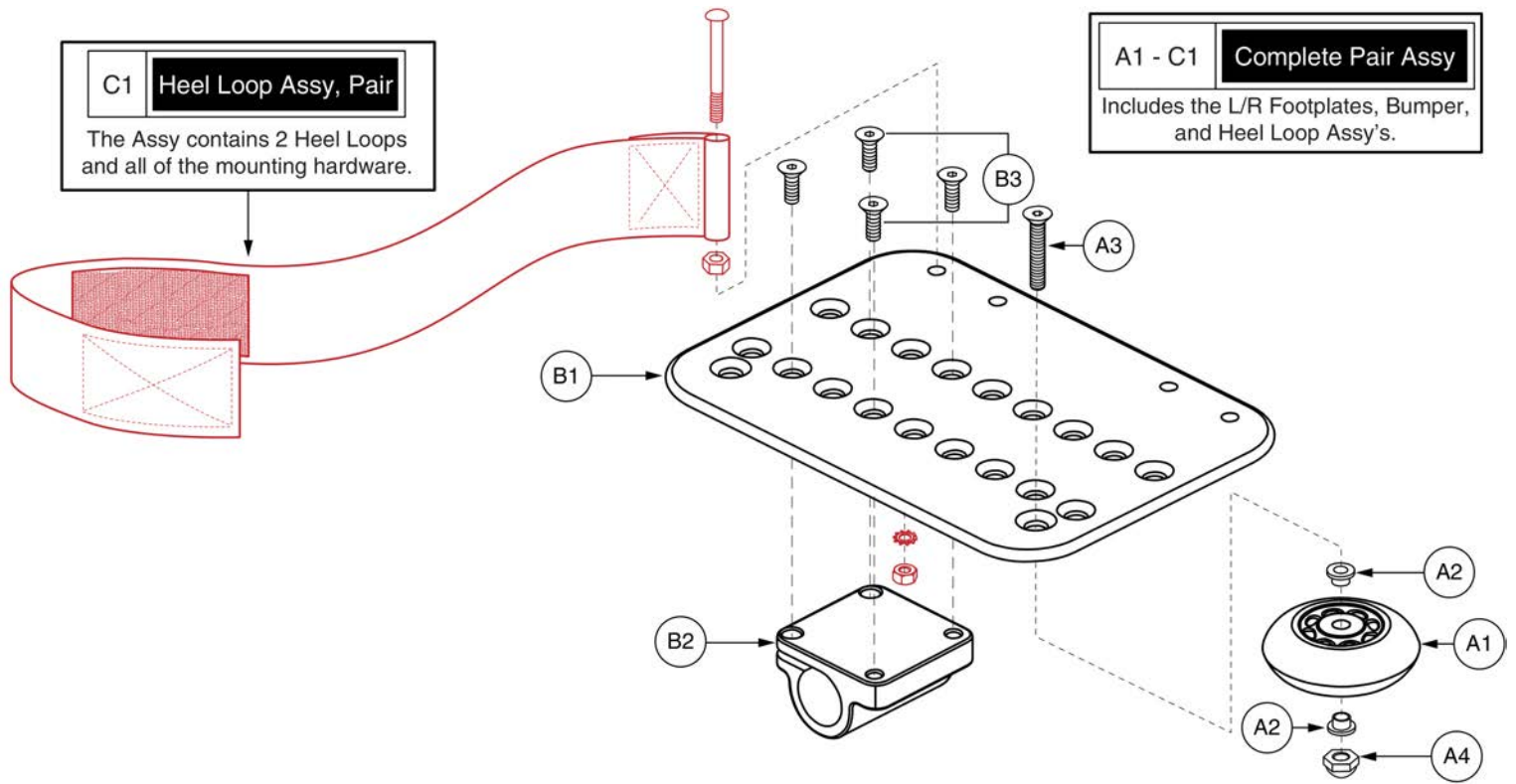


# 5" x 8" Foot Plates - Power ALR



Item	Part No.	Name	Qty
A1 - C1	FRMASMB7450	FOOTPLATE,ASSY,ANGLE ADJUSTABLE,5" X 8",W/ OFFSET MOUNTING BLOCK,HEEL LOOPS & WHEEL BUMPER,ALR,PAIR	1
A1 - A4	WHLASMB1578	WHEEL,ASSY,BUMPER,ANGLE ADJUSTABLE FOOTPLATE	2
A1	WHLATIP1004	WHEEL,ANTI-TIP,BLACK,3" DIAMETER	1
A2	BSHNYLN1003	BUSHING, FLANGE,WHITE,NYLON,0.260"ID X 0.312"OD X 0.4375"TH X 0.513" FOD X 0.0625"FTH,(MICRO PLASTICS:10SC250037)	2
A3	SCRSHFH1033	SCREW,SHFH,BLACK ZINC,1/4-20 X 1.50"	1
A4	NUTACRN1029	NUT,ACORN,1/4-20,W/NYLON PATCH	1
*B1 - B3	FRMASMB4737	FOOTPLATE,ANGLE ADJUSTABLE,5" X 8",RIGHT	1
*B1 - B3	FRMASMB4736	FOOTPLATE,ANGLE ADJUSTABLE,5" X 8",LEFT	1
B1	DWR1000D107	FOOTPLATE,5" X 8" ANGLE ADJUSTABLE,D-1000-007	1
B2		OFFSET MOUNTING BLOCK,BLACK,ANGLE ADJUSTABLE FOOTPLATE	1
B3	SCRSHFH1010	SCREW,SHFH,BLACK ZINC,1/4-20 X 0.75"	4
C1	FRMASMB7454	HEEL LOOP,ASSY,16.87"L,ADJUSTABLE,W/HARDWARE,PAIR	1

Foot Plates



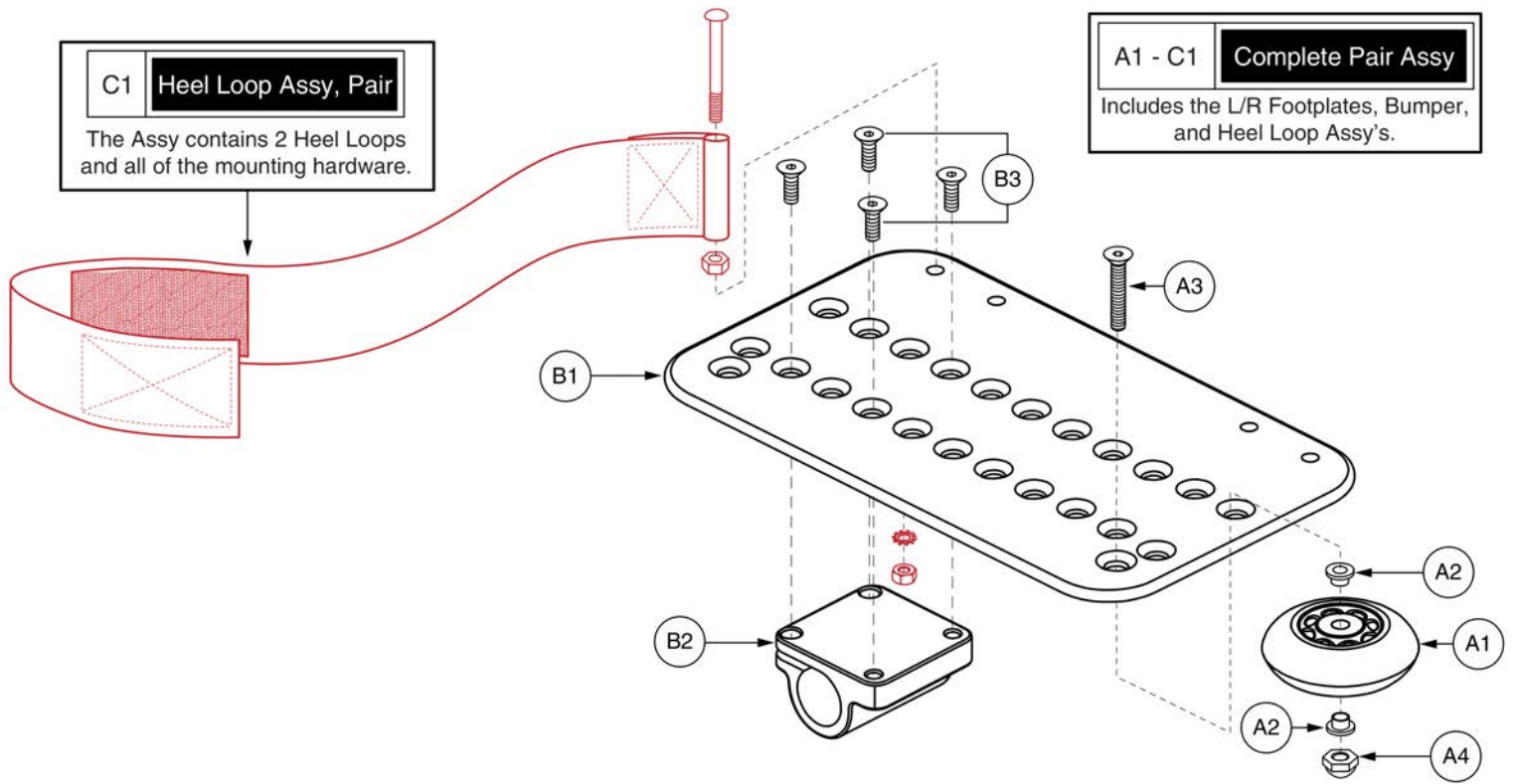


## 6" x 8" Foot Plates - Power ALR



Item	Part No.	Name	Qty
A1 - C1	FRMASMB7451	FOOTPLATE,ASSY,ANGLE ADJUSTABLE,6" X 8",W/ OFFSET MOUNTING BLOCK,HEEL LOOPS & WHEEL BUMPER,ALR,PAIR	1
A1 - A4	WHLASMB1578	WHEEL,ASSY,BUMPER,ANGLE ADJUSTABLE FOOTPLATE	2
A1	WHLATIP1004	WHEEL,ANTI-TIP,BLACK,3" DIAMETER	1
A2	BSHNYLN1003	BUSHING, FLANGE,WHITE,NYLON,0.260"ID X 0.312"OD X 0.4375"TH X 0.513" FOD X 0.0625"FTH,(MICRO PLASTICS:10SC250037)	2
A3	SCRSHFH1033	SCREW,SHFH,BLACK ZINC,1/4-20 X 1.50"	1
A4	NUTACRN1029	NUT,ACORN,1/4-20,W/NYLON PATCH	1
*B1 - B3	FRMASMB4740	FOOTPLATE,ASSY,ANGLE ADJUSTABLE,6" X 8",W/OFFSET MOUNTING BLOCK,RIGHT,C-1000-296	1
*B1 - B3	FRMASMB4739	FOOTPLATE,ASSY,ANGLE ADJUSTABLE,6" X 8",W/OFFSET MOUNTING BLOCK,LEFT,C-1000-297	1
B1	DWR1000D080	FOOTPLATE,6" X 8" ANGLE ADJUSTABLE,D-1000-080	1
B2		OFFSET MOUNTING BLOCK,BLACK,ANGLE ADJUSTABLE FOOTPLATE	1
B3	SCRSHFH1010	SCREW,SHFH,BLACK ZINC,1/4-20 X 0.75"	4
C1	FRMASMB7454	HEEL LOOP,ASSY,16.87"L,ADJUSTABLE,W/HARDWARE,PAIR	1

Foot Plates

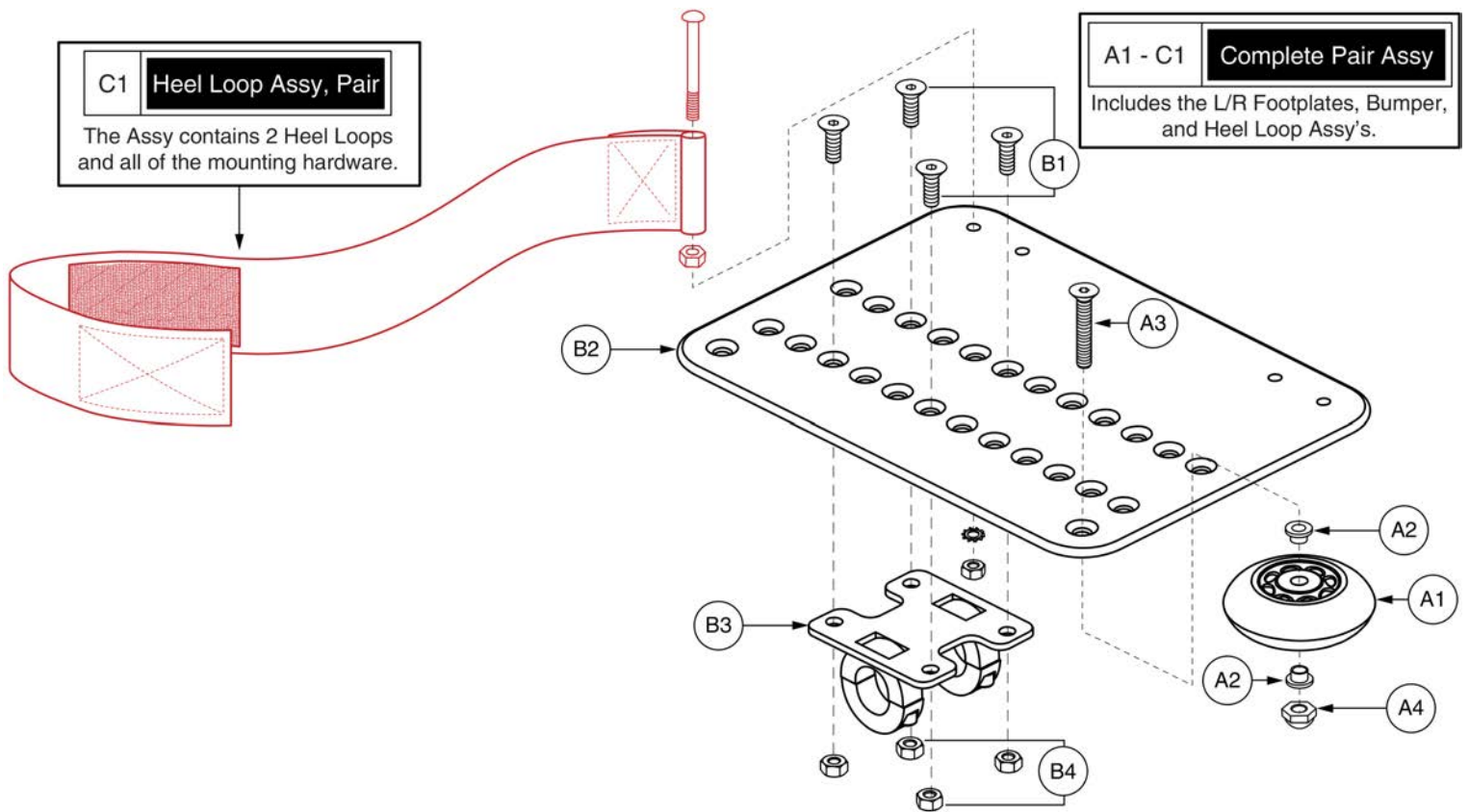


# 6" x 11" Foot Plates - Power ALR



Item	Part No.	Name	Qty
A1 - C1	FRMASMB7452	FOOTPLATE,ASSY,ANGLE ADJUSTABLE,6" X 11",W/ OFFSET MOUNTING BLOCK,HEEL LOOPS & WHEEL BUMPER,ALR,PAIR	1
A1 - A4	WHLASMB1578	WHEEL,ASSY,BUMPER,ANGLE ADJUSTABLE FOOTPLATE	2
A1	WHLATIP1004	WHEEL,ANTI-TIP,BLACK,3" DIAMETER	1
A2	BSHNYLN1003	BUSHING, FLANGE,WHITE,NYLON,0.260"ID X 0.312"OD X 0.4375"TH X 0.513" FOD X 0.0625"FTH,(MICRO PLASTICS:10SC250037)	2
A3	SCRSHFH1033	SCREW,SHFH,BLACK ZINC,1/4-20 X 1.50"	1
A4	NUTACRN1029	NUT,ACORN,1/4-20,W/NYLON PATCH	1
*B1 - B3	FRMASMB4743	FOOTPLATE,ASSY,ANGLE ADJUSTABLE,6" X 11",W/OFFSET MOUNTING BLOCK,RIGHT,C-1000-298	1
*B1 - B3	FRMASMB4742	FOOTPLATE,ASSY,ANGLE ADJUSTABLE,6" X 11",W/OFFSET MOUNTING BLOCK,LEFT,C-1000-299	1
B1		FOOTPLATE,ANGLE ADJUSTABLE,6" X 11",C-1000-165	1
B2		OFFSET MOUNTING BLOCK,BLACK,ANGLE ADJUSTABLE FOOTPLATE	1
B3	SCRSHFH1010	SCREW,SHFH,BLACK ZINC,1/4-20 X 0.75"	4
C1	FRMASMB7454	HEEL LOOP,ASSY,16.87"L,ADJUSTABLE,W/HARDWARE,PAIR	1

Foot Plates



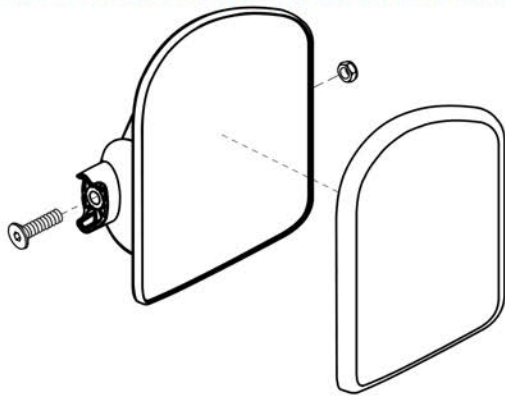
# 8" x 11" Foot Plates - Power ALR



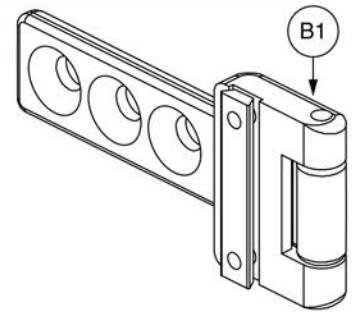
Item	Part No.	Name	Qty
A1 - C1	FRMASMB7453	FOOTPLATE,ASSY,ANGLE ADJUSTABLE,8" X 11",W/ OFFSET MOUNTING BLOCK,HEEL LOOPS & WHEEL BUMPER,ALR,PAIR	1
A1 - A4	WHLASMB1578	WHEEL,ASSY,BUMPER,ANGLE ADJUSTABLE FOOTPLATE	2
A1	WHLATIP1004	WHEEL,ANTI-TIP,BLACK,3" DIAMETER	1
A2	BSHNYLN1003	BUSHING, FLANGE,WHITE,NYLON,0.260"ID X 0.312"OD X 0.4375"TH X 0.513" FOD X 0.0625"FTH,(MICRO PLASTICS:10SC250037)	2
A3	SCRSHFH1033	SCREW,SHFH,BLACK ZINC,1/4-20 X 1.50"	1
A4	NUTACRN1029	NUT,ACORN,1/4-20,W/NYLON PATCH	1
*B1 - B4	FRMASMB4746	FOOTPLATE,ANGLE ADJUSTABLE,8" X 11",W/HD MOUNTING PLATE,RIGHT	1
*B1 - B4	FRMASMB4745	FOOTPLATE,ANGLE ADJUSTABLE,8" X 11",W/HD MOUNTING PLATE,LEFT	1
B1	SCRSHFH1034	SCREW,SHFH,BLACK ZINC,1/4-20 X 0.625",GRADE 8	1
B2	DWR1000D106	FOOTPLATE,8" X 11" ANGLE ADJUSTABLE,D-1000-106	1
B3	FRMASMB4123	MOUNTING BRACKET,FOOTPLATE,8" X 11" ANGLE ADJUSTABLE	1
B4	NUTNYLK1014	NUT,NYLOCK,BLACK ZINC,1/4-20	4
C1	FRMASMB7454	HEEL LOOP,ASSY,16.87"L,ADJUSTABLE,W/HARDWARE,PAIR	1

Calf Pads and Adductor Button

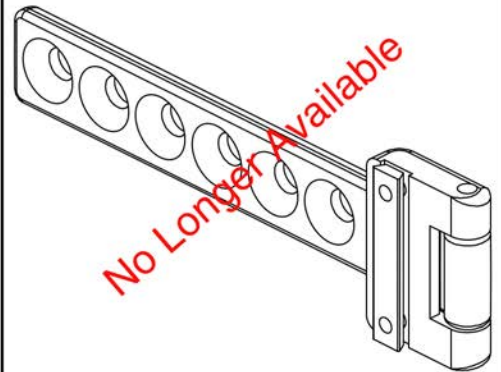
The Version 1 Small and Large Calf Pads are NO LONGER available for replacement. Please select the Version 2 assembly for retrofit.



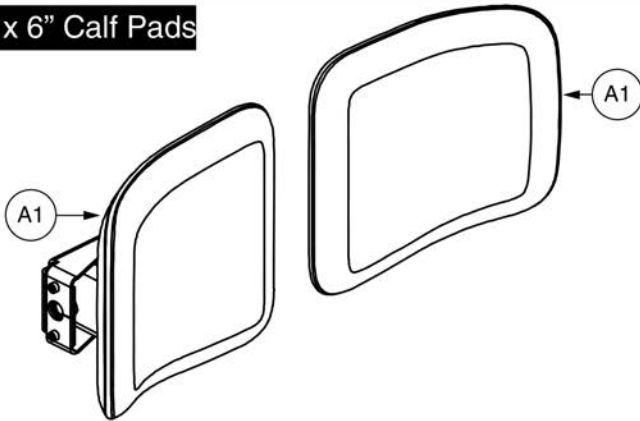
Version 1 Calf Pad, 3-Hole Flip-up Mounting Bracket



Version 1 Calf Pad, 6-Hole Flip-up Mounting Bracket



Version 2, 6" x 6" Calf Pads

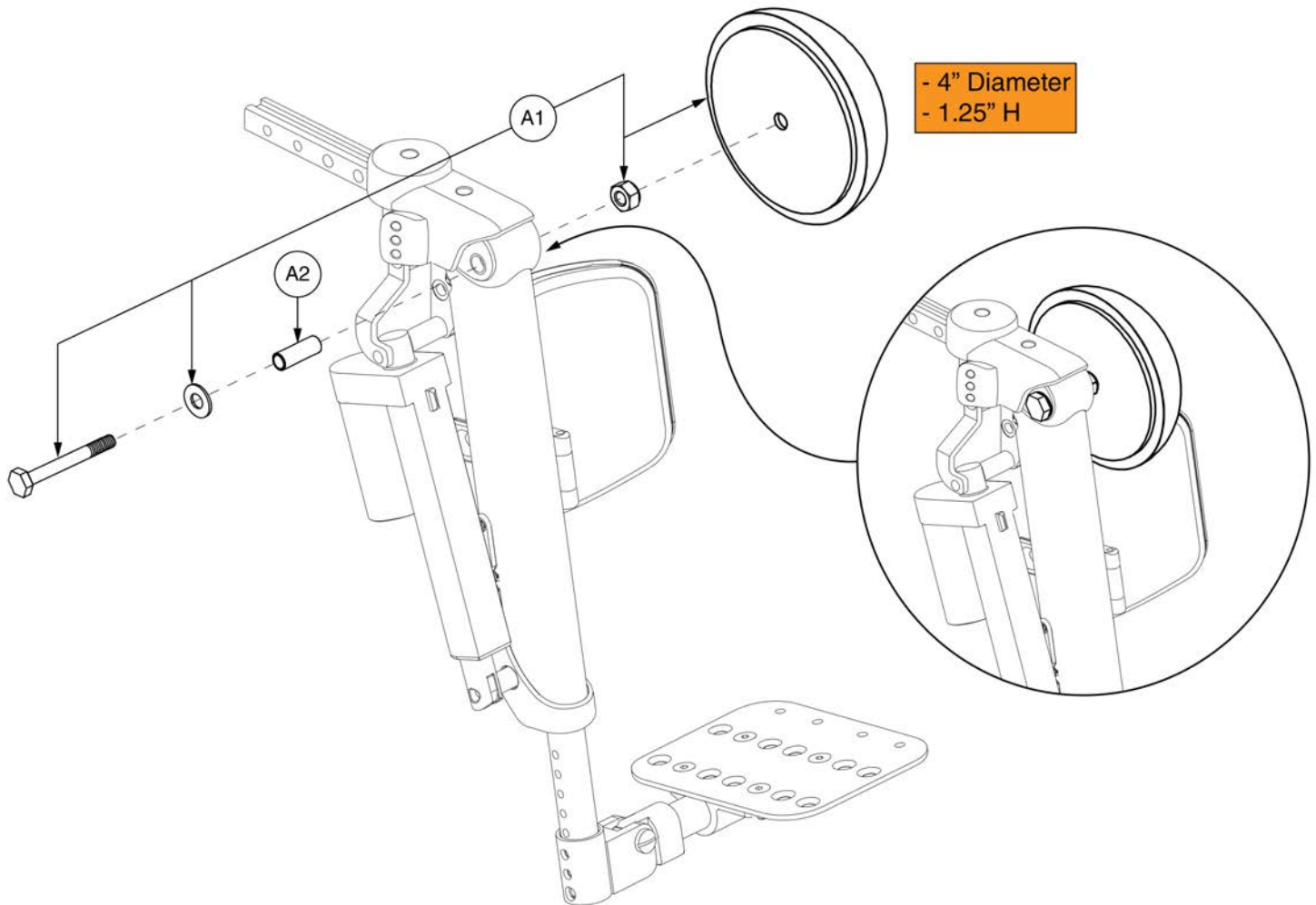


# Power ALR Calf Pad Assy's



Item	Part No.	Name	Qty
A1	MEC153735	CALF PAD,ASSY,TRU-BALANCE POWER ELEVATING ARTICULATING LEGS,W/MOUNTING HARDWARE	1
B1	FRMASMB7273	LEGREST,ASSY,BRACKET,FLIP-UP CALF PAD,TRU-BALANCE POWER ELEVATING ARTICULATING LEGS,C-1303-028	1

*Calf Pads and Adductor Button*



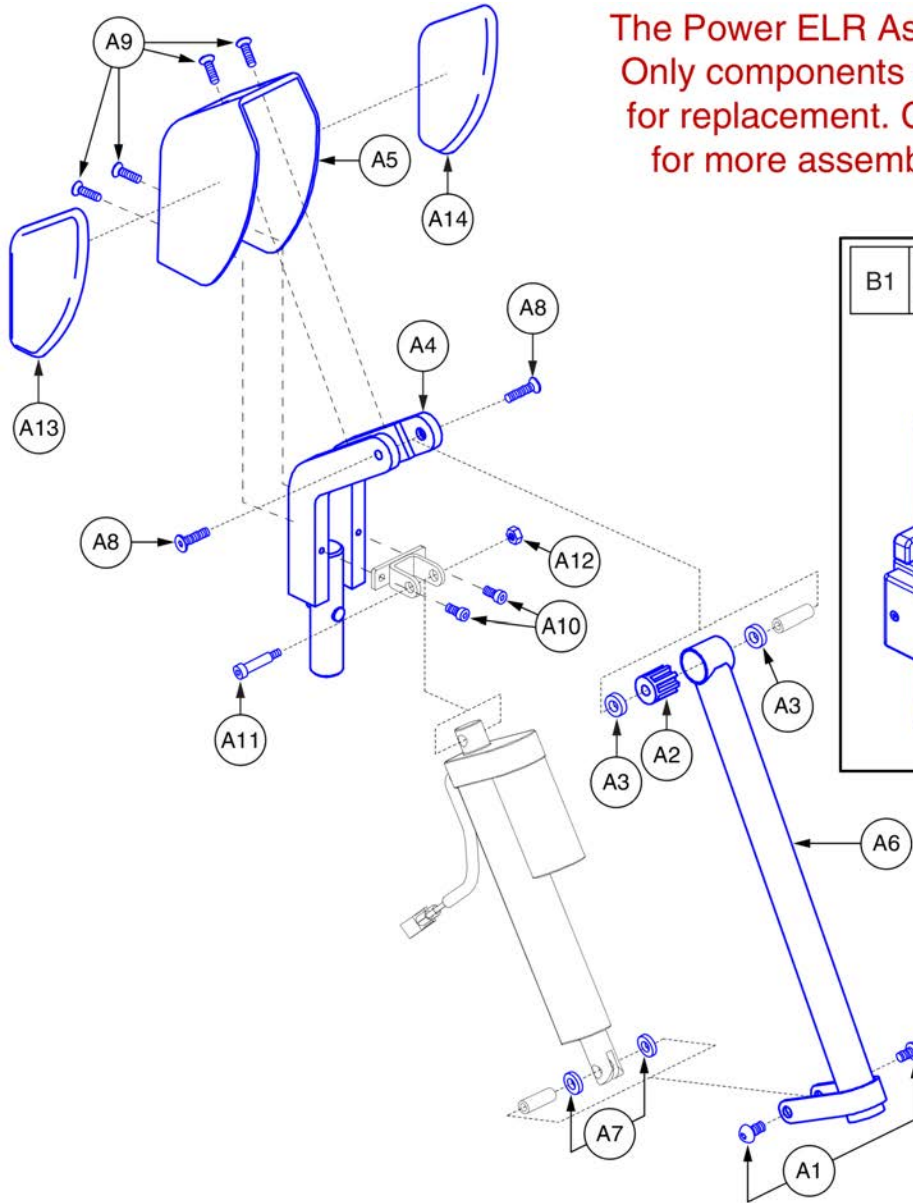


**Power ALR Adductor Button**

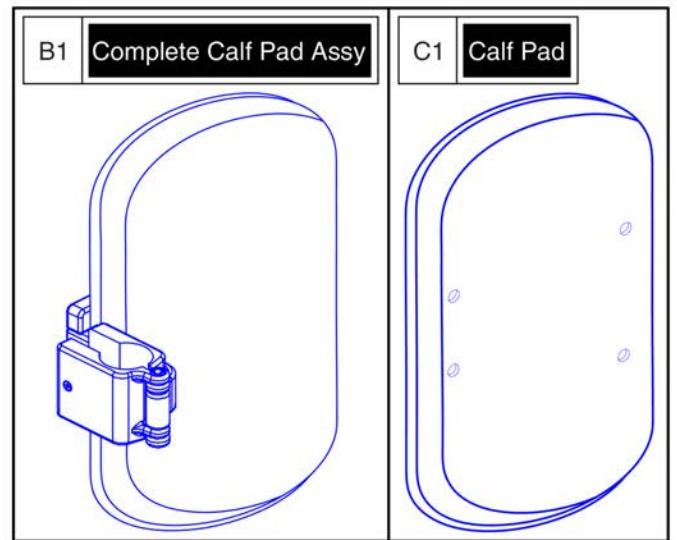


Item	Part No.	Name	Qty
A1	INDPART2242	GEL PADDED ADDUCTOR BUTTONS,PAIR,(FALCON REHAB: KBE)	1
A2		SLEEVE,STAINLESS STEEL,0.250" ID X 0.375" OD X 1.285" L,B-1303-038	2

5.1. Upper Assy



The Power ELR Assy has been discontinued. Only components with callouts are available for replacement. Contact Technical Service for more assembly replacement options.

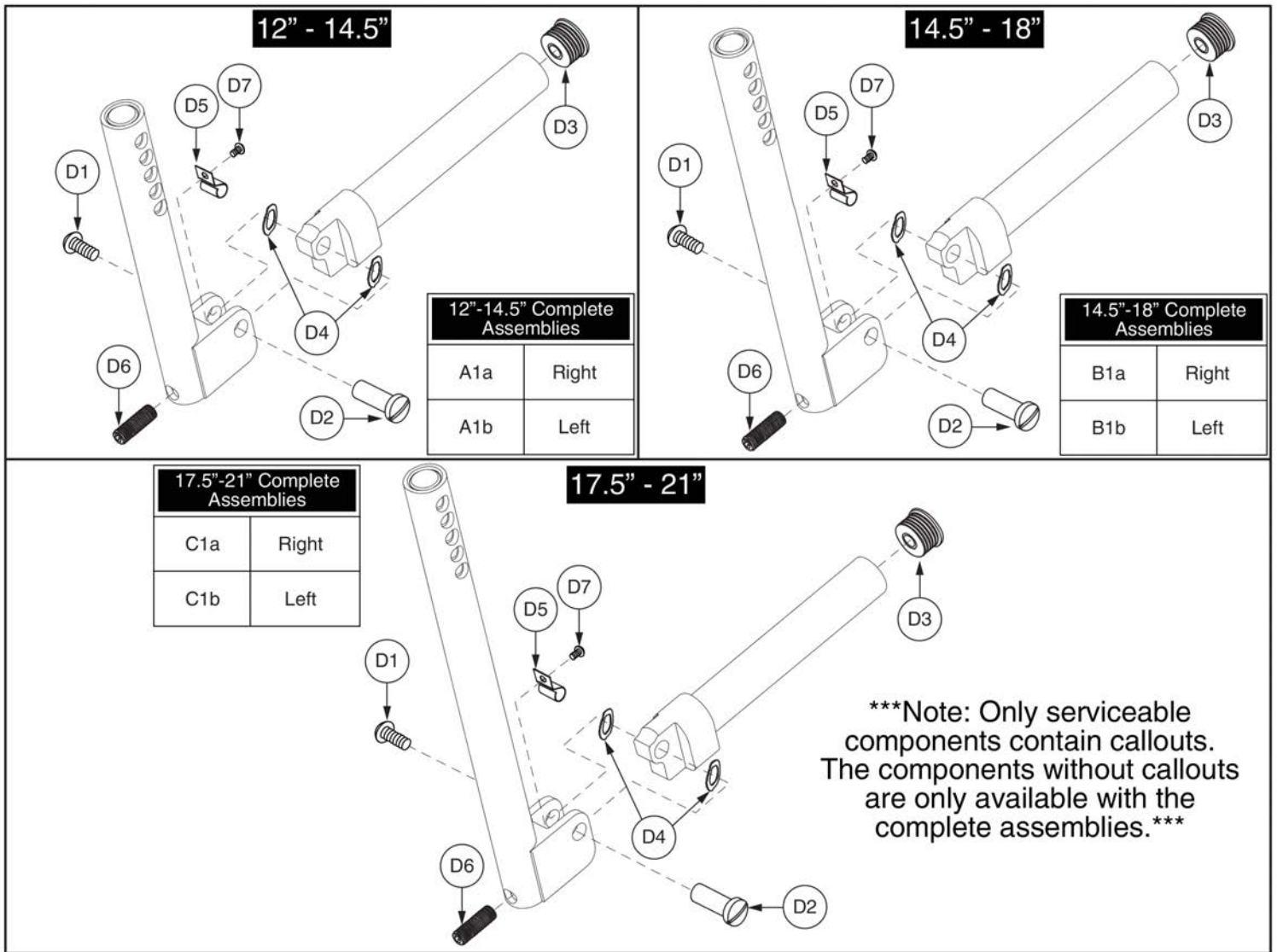


# Power ELR Assy, High Knee Pivot, Upper



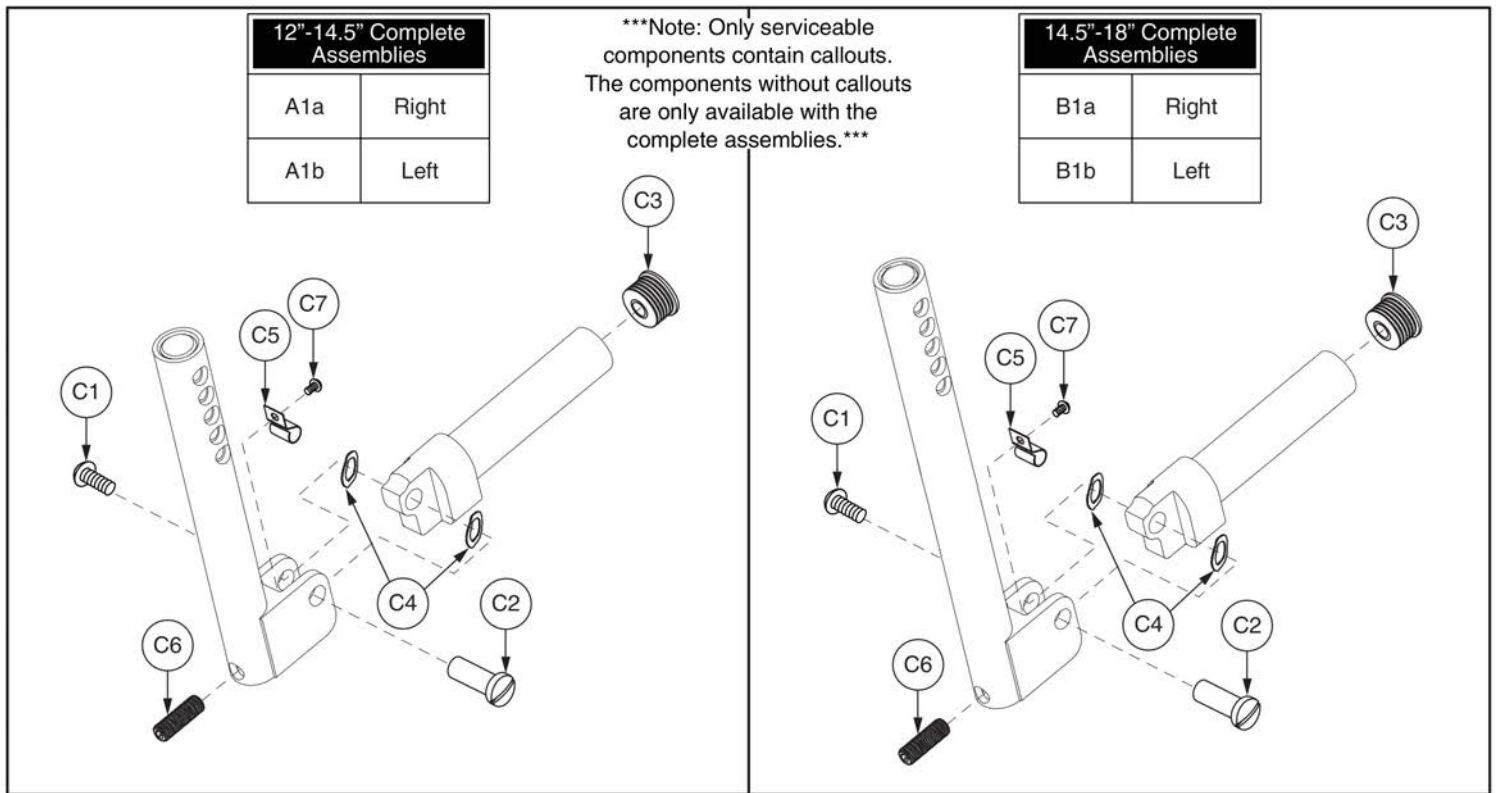
Item	Part No.	Name	Qty
A1	SCRASBH1001	SCREW,BHSCS,BLACK ZINC,1/4-20 X 0.50",GRADE 8	2
A2	DWR1000A125	BUSHING,NYLON,0.34"ID X 0.90"OD X 1.0"TH	1
A3	WASNYLN1036	WASHER,NYLON,5/16"ID X 1" OD X 1/8" THICK	2
A4		KNEE BRACKET WELDMENT,POWER ACTUATED ELR,E-1610-028	1
A5		COVER,PLASTIC,HIGH KNEE PIVOT,POWER ACTUATED ELR	1
A6		EXTENSION WELDMENT,POWER ACTUATED ELR,E-1610-029	1
A7		WASHER,BLACK,NYLON,0.3125" ID X 0.875" OD X 0.125" TH	2
A8	SCRSHFH1010	SCREW,SHFH,BLACK ZINC,1/4-20 X 0.75"	2
A9	SCRSHFH1084	SCREW, SHFH,BLACK ZINC,10-32 X .375",GRADE 8,W/PATCH	4
A10	SCRSHCS1067	SCREW,SHCS,BLACK ZINC,10-32 X 0.50",GRADE 8	2
A11		BOLT,SHOULDER,5/16" X 1.00",C-1005-022	1
A12	NUTNYLK1014	NUT,NYLOCK,BLACK ZINC,1/4-20	1
A13		PAD,GEL,POWER ACTUATED ELR,HIGH KNEE PIVOT,RIGHT	1
A14		PAD,GEL,POWER ACTUATED ELR,HIGH KNEE PIVOT,LEFT	1
B1	FRMASMB1984	CALF PAD,BLACK,9.50" X 6",W/MOUNTING BRACKET,LEFT/RIGHT	2
C1	INDPART2003	CALF PAD,BLACK,6"W X 9 1/2"L X 1 1/2"THICK	1

## 5.2. Lower Extensions



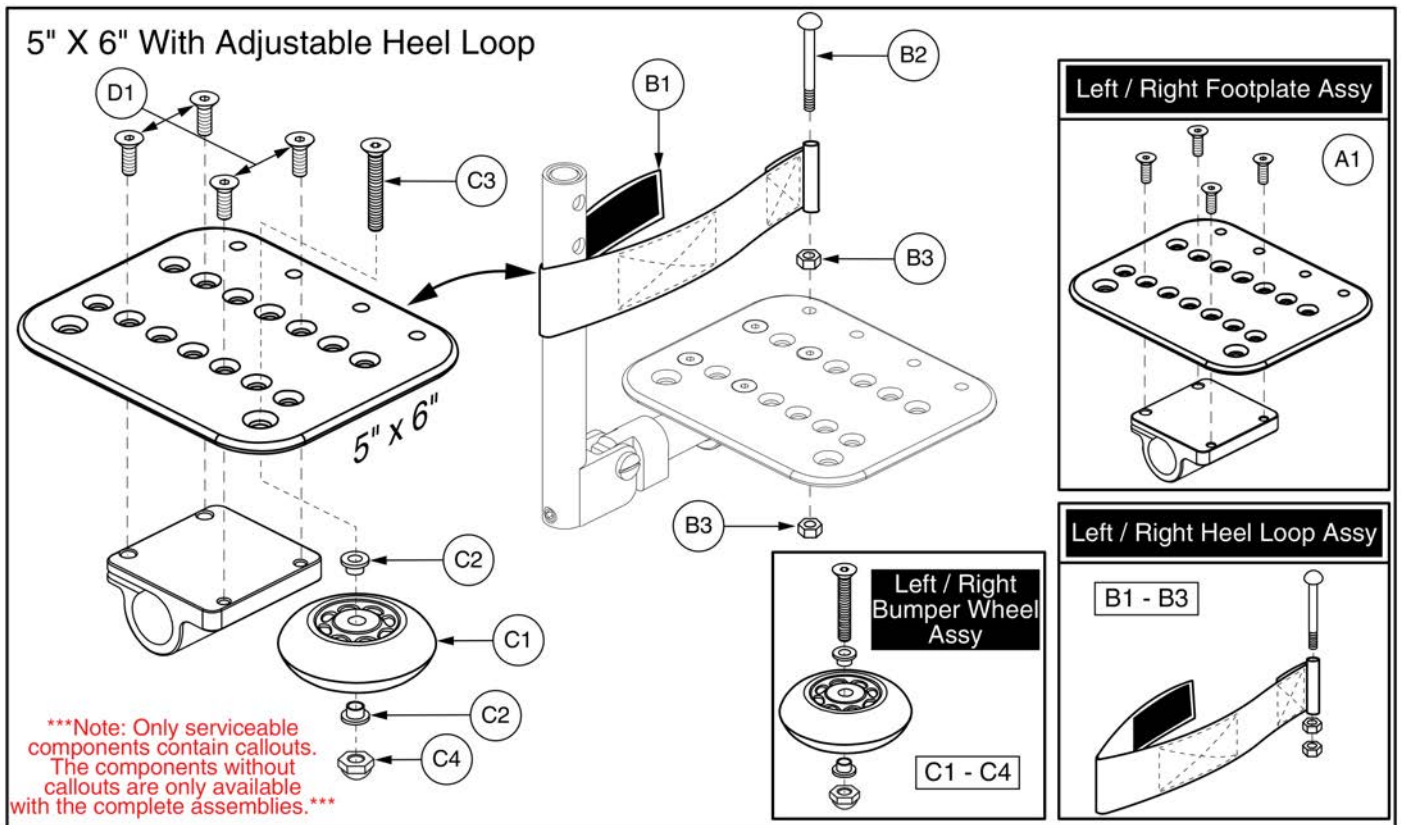
Item	Part No.	Name	Qty
A1a	FRMASMB4723	LEGREST,ANGLE ADJUSTABLE,LOWER,12"-14.5" EXT,RIGHT	1
A1b	FRMASMB5391	LEGREST,ANGLE ADJUSTABLE,LOWER,12"-14.5" EXT,LEFT	1
B1a	FRMASMB5392	LEGREST,ANGLE ADJUSTABLE,LOWER,14.5"-18" EXT,RIGHT	1
B1b	FRMASMB4724	LEGREST,ANGLE ADJUSTABLE,LOWER,14.5"-18" EXT,LEFT	1
C1a	FRMASMB5393	LEGREST,ANGLE ADJUSTABLE,LOWER,17.5"-21" EXT,RIGHT	1
C1b	FRMASMB4725	LEGREST,ANGLE ADJUSTABLE,LOWER,17.5"-21" EXT,LEFT	1
D1	SCRASBH1001	SCREW,BHSCS,BLACK ZINC,1/4-20 X 0.50",GRADE 8	1
D2	BLTSEX1001	BOLT,SEX,BLACK ZINC,3/8" X 1.00",1/4-20 FEMALE	1
D3	PROECAP1017	CAP,END,BLACK,PLASTIC,0.875" OD,14-20GA	1
D4	WASWAVY1000	WASHER, WAVY,3/8"ID X 5/8"OD X .013"T	2
D5		SPRING,CLIP,ANGLE ADJUSTABLE LEGREST,B-1000-419	1
D6	SCRSETS1079	SCREW, SET,BLACK,ZINC,5/16-24 X 1.00",OVAL POINT	1
D7	SCRASBH1130	SCREW,BHSCS,BLACK ZINC,6-32 X 0.1875"	1

## 5.2. Lower Extensions



Item	Part No.	Name	Qty
A1a	FRMASMB5136	LEGREST,ANGLE ADJUSTABLE,LOWER,12"-14.5",SHORT BLOCK,RIGHT	1
A1b	FRMASMB6279	LEGREST,ANGLE ADJUSTABLE,LOWER,12"-14.5",SHORT BLOCK,LEFT	1
B1a	FRMASMB5137	LEGREST,ANGLE ADJUSTABLE,LOWER,14.5"-18",SHORT BLOCK,RIGHT	1
B1b	FRMASMB6280	LEGREST,ANGLE ADJUSTABLE,LOWER,14.5"-18",SHORT BLOCK,LEFT	1
C1	SCRASBH1001	SCREW,BHSCS,BLACK ZINC,1/4-20 X 0.50",GRADE 8	1
C2	BLTSEX1001	BOLT,SEX,BLACK ZINC,3/8" X 1.00",1/4-20 FEMALE	1
C3	PROECAP1017	CAP,END,BLACK,PLASTIC,0.875" OD,14-20GA	1
C4	WASWAVY1000	WASHER, WAVY,3/8"ID X 5/8"OD X .013"T	2
C5		SPRING,CLIP,ANGLE ADJUSTABLE LEGREST,B-1000-419	1
C6	SCRSETS1079	SCREW, SET,BLACK,ZINC,5/16-24 X 1.00",OVAL POINT	1
C7	SCRASBH1130	SCREW,BHSCS,BLACK ZINC,6-32 X 0.1875"	1

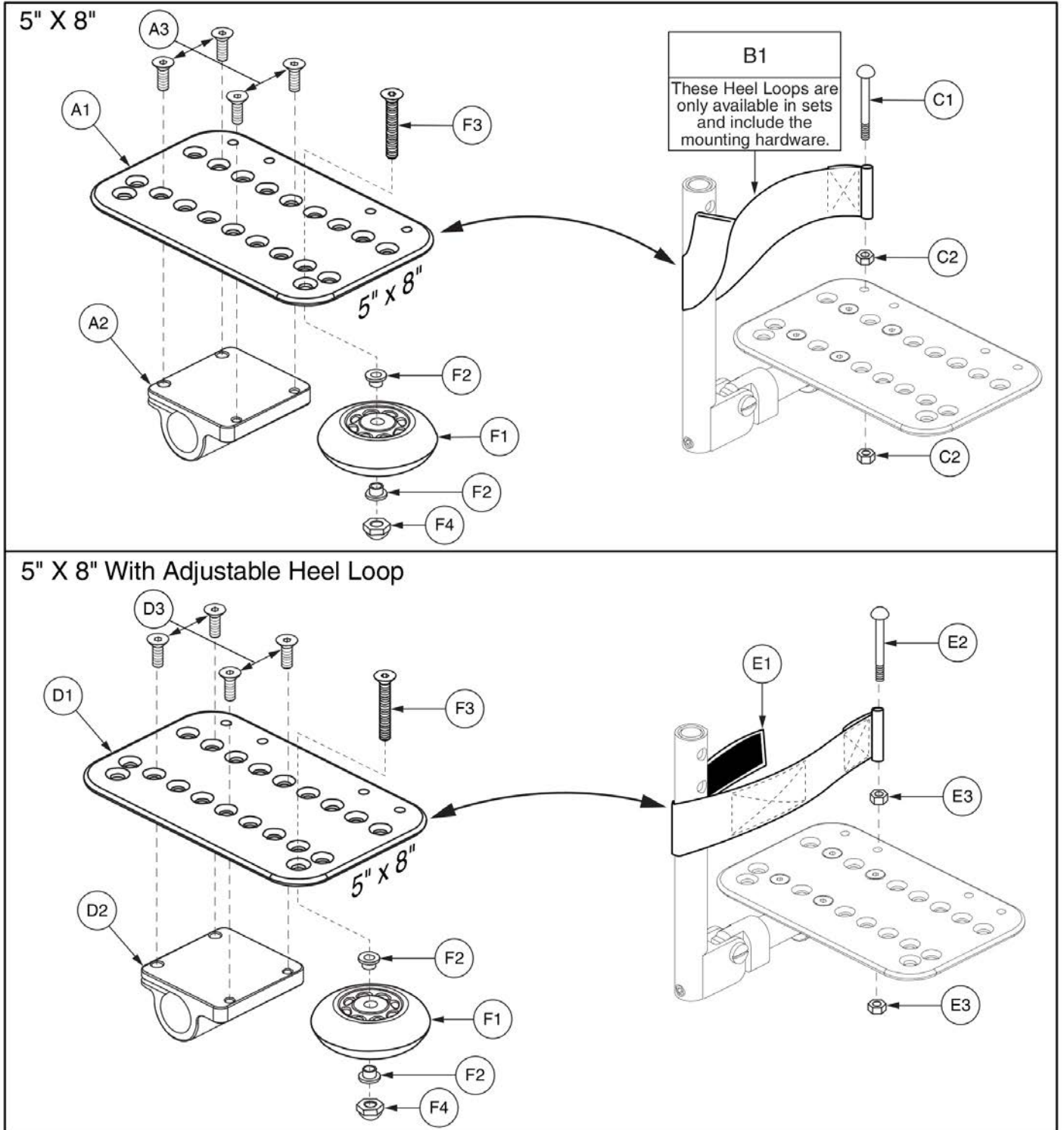
5.3. Foot Plates





Item	Part No.	Name	Qty
A1	FRMASMB4733	FOOTPLATE,ASSY,ANGLE ADJUSTABLE,5" X 6",W/OFFSET MOUNTING BLOCK,LEFT,C-1000-291	1
B1 - B3	FRMASMB6769	HEEL LOOP,ASSY,2"W X 18"L,ADJUSTABLE W/VELCRO	2
B1	DWR1500D042	HEEL LOOP,2"W X 18"L X .0625"TH,ADJUSTABLE W/VELCRO	1
B2	SCRMISC1002	SCREW,ROUND HEAD,BLACK ZINC,M6-1.0 X 70MM	1
B3	NUTSTD1037	NUT,HEX,BLACK ZINC,M6-1.0	2
C1 - C4	WHLASMB1578	WHEEL,ASSY,BUMPER,ANGLE ADJUSTABLE FOOTPLATE	1
C1	WHLATIP1004	WHEEL,ANTI-TIP,BLACK,3" DIAMETER	1
C2	BSHNYLN1003	BUSHING, FLANGE,WHITE,NYLON,0.260"ID X 0.312"OD X 0.4375"TH X 0.513" FOD X 0.0625"FTH,(MICRO PLASTICS:10SC250037)	2
C3	SCRSHFH1033	SCREW,SHFH,BLACK ZINC,1/4-20 X 1.50"	1
C4	NUTACRN1029	NUT,ACORN,1/4-20,W/NYLON PATCH	1
D1	SCRSHFH1010	SCREW,SHFH,BLACK ZINC,1/4-20 X 0.75"	4

5.3. Foot Plates



Item	Part No.	Name	Qty
A1 - B1	FRMASMB4735	FOOTPLATE,ANGLE ADJUSTABLE,5" X 8",HEEL LOOPS,PAIR	1
*A1 - A3	FRMASMB4737	FOOTPLATE,ANGLE ADJUSTABLE,5" X 8",RIGHT	1
*A1 - A3	FRMASMB4736	FOOTPLATE,ANGLE ADJUSTABLE,5" X 8",LEFT	1
A1	DWR1000D107	FOOTPLATE,5" X 8" ANGLE ADJUSTABLE,D-1000-007	1
A2		OFFSET MOUNTING BLOCK,BLACK,ANGLE ADJUSTABLE FOOTPLATE	1
A3	SCRSHFH1010	SCREW,SHFH,BLACK ZINC,1/4-20 X 0.75"	4
B1	FRMASMB2693	HEEL LOOP,ASSY,9"LG,DOUBLE THICKNESS,W/HARDWARE	1
C1	SCRMISC1002	SCREW,ROUND HEAD,BLACK ZINC,M6-1.0 X 70MM	1
C2	NUTSTD1037	NUT,HEX,BLACK ZINC,M6-1.0	2
D1 - E3	FRMASMB6699	FOOTPLATE,ANGLE ADJ,5" X 8",ADJUSTABLE HEEL LOOPS,PAIR	1
*D1 - D3	FRMASMB4737	FOOTPLATE,ANGLE ADJUSTABLE,5" X 8",RIGHT	1
*D1 - D3	FRMASMB4736	FOOTPLATE,ANGLE ADJUSTABLE,5" X 8",LEFT	1
D1	DWR1000D107	FOOTPLATE,5" X 8" ANGLE ADJUSTABLE,D-1000-007	1
D2		OFFSET MOUNTING BLOCK,BLACK,ANGLE ADJUSTABLE FOOTPLATE	1
D3	SCRSHFH1010	SCREW,SHFH,BLACK ZINC,1/4-20 X 0.75"	4
E1 - E3	FRMASMB6769	HEEL LOOP,ASSY,2"W X 18"L,ADJUSTABLE W/VELCRO	2
E1	DWR1500D042	HEEL LOOP,2"W X 18"L X .0625"TH,ADJUSTABLE W/VELCRO	1
E2	SCRMISC1002	SCREW,ROUND HEAD,BLACK ZINC,M6-1.0 X 70MM	1
E3	NUTSTD1037	NUT,HEX,BLACK ZINC,M6-1.0	2
F1 - F4	WHLASMB1578	WHEEL,ASSY,BUMPER,ANGLE ADJUSTABLE FOOTPLATE	1
F1	WHLATIP1004	WHEEL,ANTI-TIP,BLACK,3" DIAMETER	1
F2	BSHNYLN1003	BUSHING, FLANGE,WHITE,NYLON,0.260"ID X 0.312"OD X 0.4375"TH X 0.513" FOD X 0.0625"FTH,(MICRO PLASTICS:10SC250037)	2
F3	SCRSHFH1033	SCREW,SHFH,BLACK ZINC,1/4-20 X 1.50"	1
F4	NUTACRN1029	NUT,ACORN,1/4-20,W/NYLON PATCH	1

5.3. Foot Plates

**6" X 8" With 10.50"L Heel Loop**

\*\*\*Note: Only serviceable components contain callouts. The components without callouts are only available with the complete assemblies.\*\*\*

**Complete Assemblies**  
\*Bumper Wheel (G1 - G4) NOT Included\*

A1	Pair, w/ Mounting Block & Heel Loop
A1a	Right, w/ Mounting Block, No Heel Loop
A1b	Left, w/ Mounting Block, No Heel Loop

**6" X 8" With 18"L Adjustable Heel Loop**

**Complete Assemblies**  
\*Bumper Wheel (G1 - G4) NOT Included\*

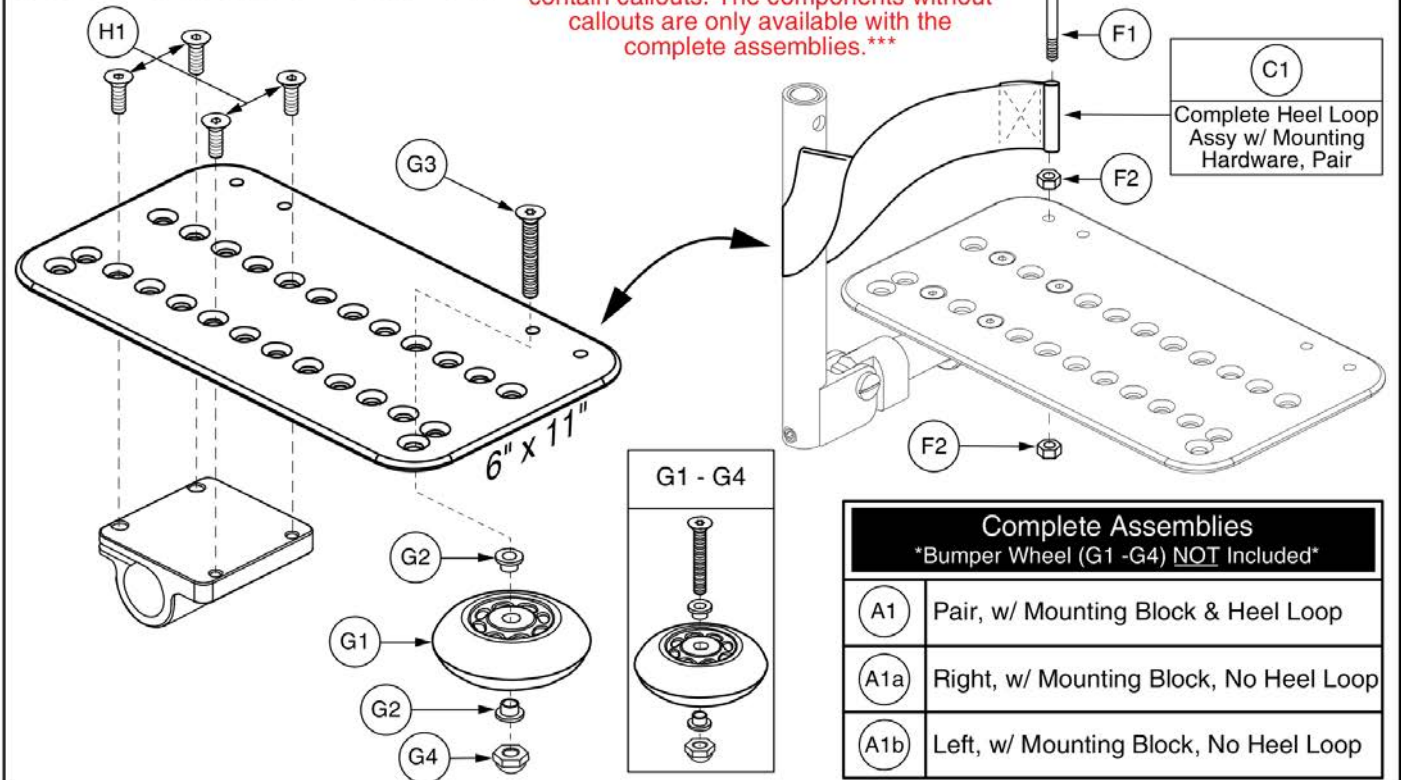
B1	Pair, w/ Mounting Block & Heel Loop
B1a	Right, w/ Mounting Block, No Heel Loop
B1b	Left, w/ Mounting Block, No Heel Loop

Item	Part No.	Name	Qty
A1	FRMASMB4738	FOOTPLATE,ASSY,ANGLE ADJUSTABLE,6" X 8",W/OFFSET MOUNTING BLOCK & HEEL LOOPS,PAIR	1
A1a	FRMASMB4740	FOOTPLATE,ASSY,ANGLE ADJUSTABLE,6" X 8",W/OFFSET MOUNTING BLOCK,RIGHT,C-1000-296	1
A1b	FRMASMB4739	FOOTPLATE,ASSY,ANGLE ADJUSTABLE,6" X 8",W/OFFSET MOUNTING BLOCK,LEFT,C-1000-297	1
B1	FRMASMB6700	FOOTPLATE,ASSY,ANGLE ADJUSTABLE,6" X 8",W/OFFSET MOUNTING BLOCK & ADJUSTABLE HEEL LOOPS,PAIR	1
B1a	FRMASMB4740	FOOTPLATE,ASSY,ANGLE ADJUSTABLE,6" X 8",W/OFFSET MOUNTING BLOCK,RIGHT,C-1000-296	1
B1b	FRMASMB4739	FOOTPLATE,ASSY,ANGLE ADJUSTABLE,6" X 8",W/OFFSET MOUNTING BLOCK,LEFT,C-1000-297	1
C1	FRMASMB1503	HEEL LOOP,ASSY,10.50"LG,DOUBLE THICKNESS,W/HARDWARE,PAIR	1
D1	FRMASMB6769	HEEL LOOP,ASSY,2"W X 18"L,ADJUSTABLE W/VELCRO	2
E1	DWR1500D042	HEEL LOOP,2"W X 18"L X .0625"TH,ADJUSTABLE W/VELCRO	1
F1	SCRMISC1002	SCREW,ROUND HEAD,BLACK ZINC,M6-1.0 X 70MM	1
F2	NUTSTD1037	NUT,HEX,BLACK ZINC,M6-1.0	2
G1 - G4	WHLASMB1578	WHEEL,ASSY,BUMPER,ANGLE ADJUSTABLE FOOTPLATE	1
G1	WHLATIP1004	WHEEL,ANTI-TIP,BLACK,3" DIAMETER	1
G2	BSHNYLN1003	BUSHING, FLANGE,WHITE,NYLON,0.260"ID X 0.312"OD X 0.4375"TH X 0.513" FOD X 0.0625"FTH,(MICRO PLASTICS:10SC250037)	2
G3	SCRSHFH1033	SCREW,SHFH,BLACK ZINC,1/4-20 X 1.50"	1
G4	NUTACRN1029	NUT,ACORN,1/4-20,W/NYLON PATCH	1
H1	SCRSHFH1010	SCREW,SHFH,BLACK ZINC,1/4-20 X 0.75"	4
I1	DWR1000D080	FOOTPLATE,6" X 8" ANGLE ADJUSTABLE,D-1000-080	1

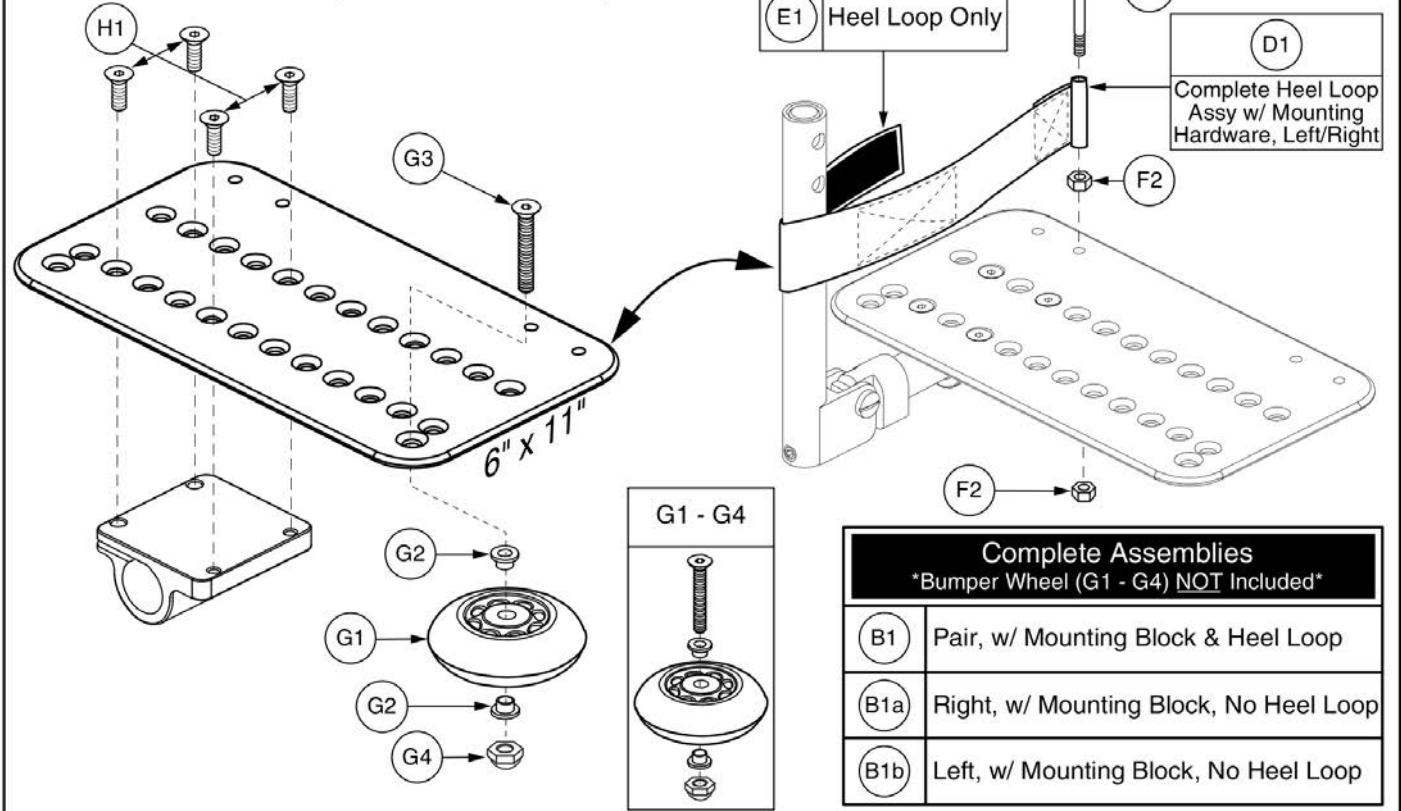
5.3. Foot Plates

6" X 11" With 10.50"L Heel Loop

\*\*\*Note: Only serviceable components contain callouts. The components without callouts are only available with the complete assemblies.\*\*\*

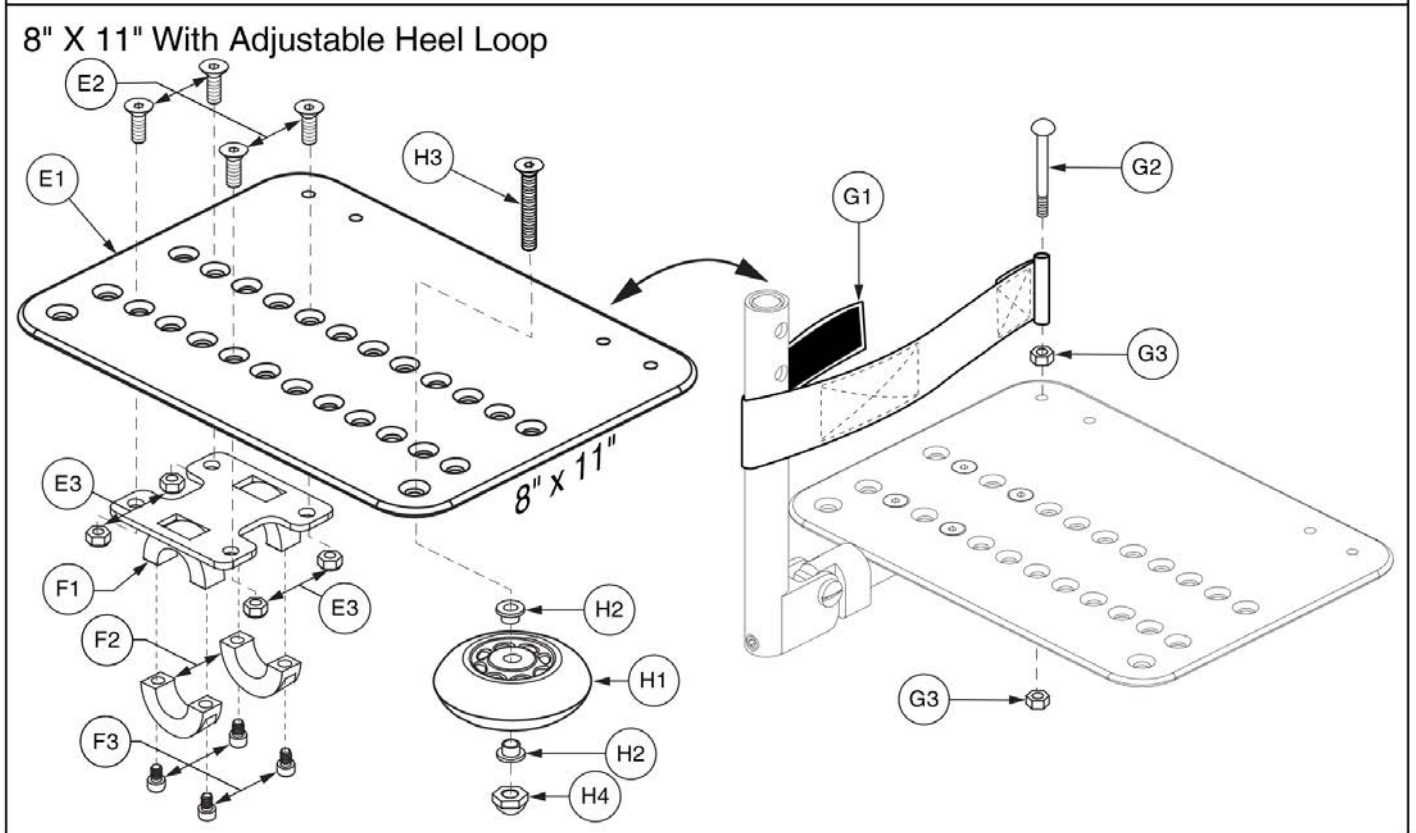
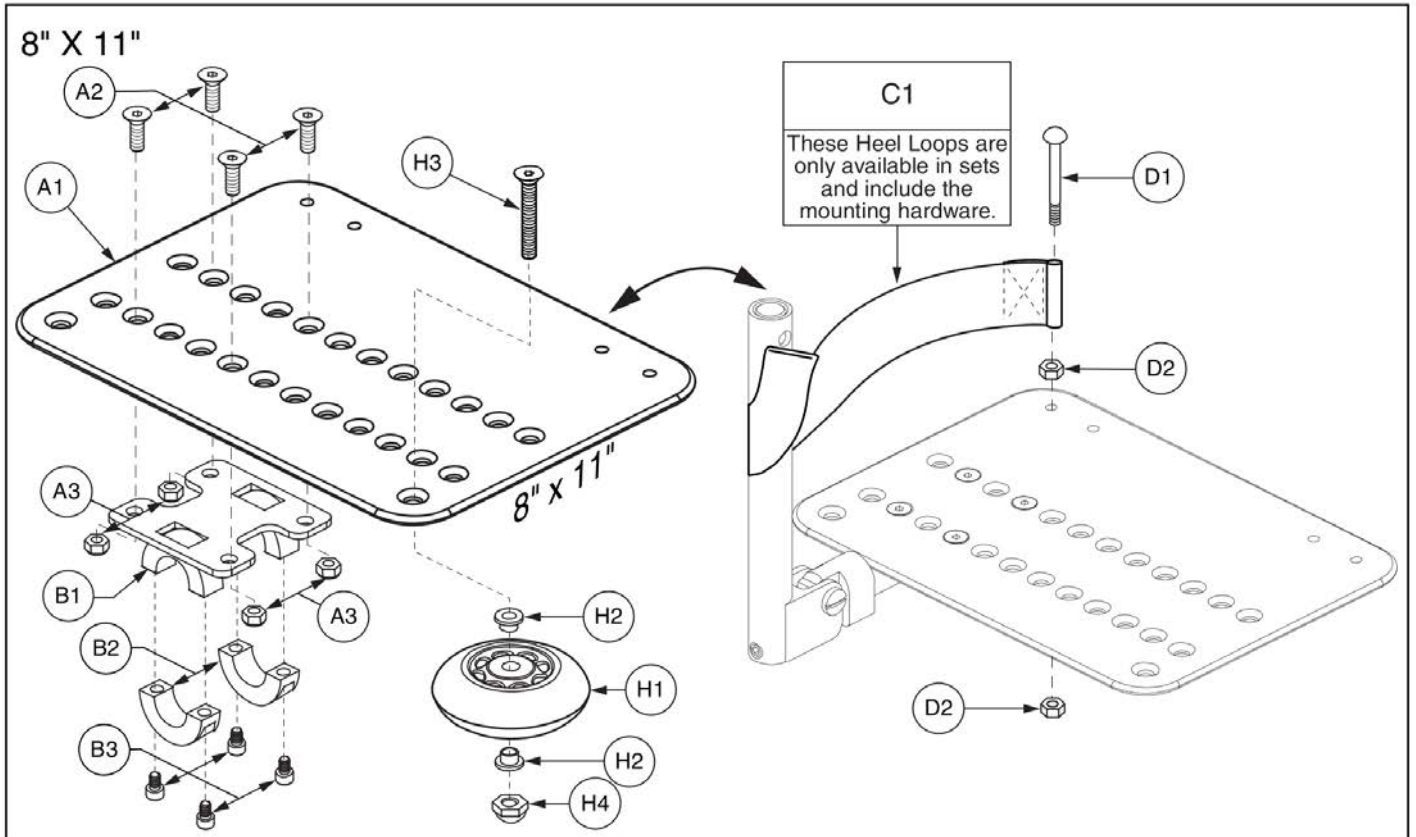


6" X 11" With 18"L Adjustable Heel Loop



Item	Part No.	Name	Qty
A1	FRMASMB4741	FOOTPLATE,ASSY,ANGLE ADJUSTABLE,6" X 11",W/OFFSET MOUNTING BLOCK & HEEL LOOPS,PAIR	1
A1a	FRMASMB4743	FOOTPLATE,ASSY,ANGLE ADJUSTABLE,6" X 11",W/OFFSET MOUNTING BLOCK,RIGHT,C-1000-298	1
A1b	FRMASMB4742	FOOTPLATE,ASSY,ANGLE ADJUSTABLE,6" X 11",W/OFFSET MOUNTING BLOCK,LEFT,C-1000-299	1
B1	FRMASMB6771	FOOTPLATE,ASSY,ANGLE ADJUSTABLE,6" X 11",W/OFFSET MOUNTING BLOCK & ADJUSTABLE HEEL LOOPS,PAIR	1
B1a	FRMASMB4743	FOOTPLATE,ASSY,ANGLE ADJUSTABLE,6" X 11",W/OFFSET MOUNTING BLOCK,RIGHT,C-1000-298	1
B1b	FRMASMB4742	FOOTPLATE,ASSY,ANGLE ADJUSTABLE,6" X 11",W/OFFSET MOUNTING BLOCK,LEFT,C-1000-299	1
C1	FRMASMB1503	HEEL LOOP,ASSY,10.50"LG,DOUBLE THICKNESS,W/HARDWARE,PAIR	1
D1	FRMASMB6769	HEEL LOOP,ASSY,2"W X 18"L,ADJUSTABLE W/VELCRO	2
E1	DWR1500D042	HEEL LOOP,2"W X 18"L X .0625"TH,ADJUSTABLE W/VELCRO	1
F1	SCRMISC1002	SCREW,ROUND HEAD,BLACK ZINC,M6-1.0 X 70MM	1
F2	NUTSTD1037	NUT,HEX,BLACK ZINC,M6-1.0	2
G1 - G4	WHLASMB1578	WHEEL,ASSY,BUMPER,ANGLE ADJUSTABLE FOOTPLATE	1
G1	WHLATIP1004	WHEEL,ANTI-TIP,BLACK,3" DIAMETER	1
G2	BSHNYLN1003	BUSHING, FLANGE,WHITE,NYLON,0.260"ID X 0.312"OD X 0.4375"TH X 0.513" FOD X 0.0625"FTH,(MICRO PLASTICS:10SC250037)	2
G3	SCRSHFH1033	SCREW,SHFH,BLACK ZINC,1/4-20 X 1.50"	1
G4	NUTACRN1029	NUT,ACORN,1/4-20,W/NYLON PATCH	1
H1	SCRSHFH1010	SCREW,SHFH,BLACK ZINC,1/4-20 X 0.75"	4

5.3. Foot Plates

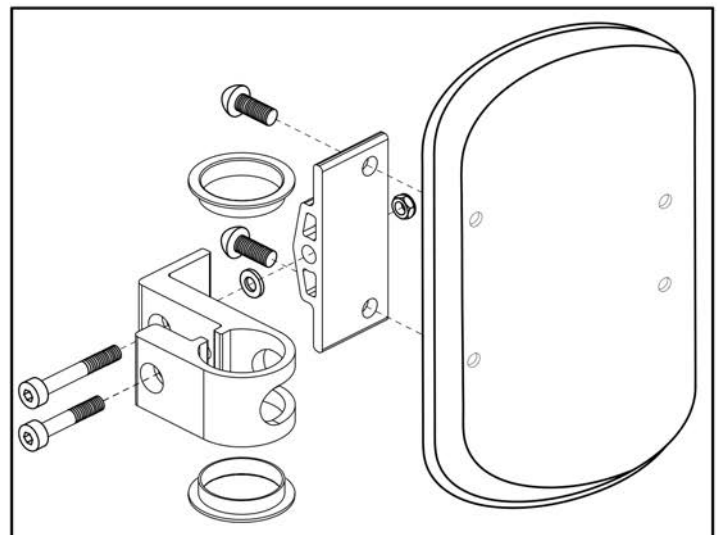
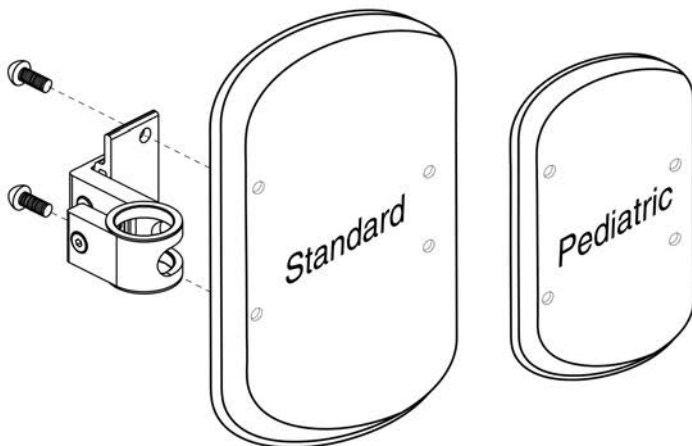




Item	Part No.	Name	Qty
A1 - C1	FRMASMB4744	FOOTPLATE,ASSY,ANGLE ADJUSTABLE,8" X 11",W/OFFSETMOUNTING BLOCK & HEEL LOOPS,PAIR	1
A1 - B3	FRMASMB4746	FOOTPLATE,ANGLE ADJUSTABLE,8" X 11",W/HD MOUNTING PLATE,RIGHT	1
A1 - B3	FRMASMB4745	FOOTPLATE,ANGLE ADJUSTABLE,8" X 11",W/HD MOUNTING PLATE,LEFT	1
A1	DWR1000D106	FOOTPLATE,8" X 11" ANGLE ADJUSTABLE,D-1000-106	1
A2	SCRSHFH1034	SCREW,SHFH,BLACK ZINC,1/4-20 X 0.625",GRADE 8	4
A3	NUTNYLK1014	NUT,NYLOCK,BLACK ZINC,1/4-20	4
B1 - B3	FRMASMB4123	MOUNTING BRACKET,FOOTPLATE,8" X 11" ANGLE ADJUSTABLE	1
B1		FOOTPLATE MOUNTING BRACKET BASE WELDMENT,8" X 11" ANGLE ADJUSTABLE,C-1000-258	1
B2		SPLIT COLLAR, TOP, BLACK, 0.87"ID X 0.50"TH, A-1000-067	2
B3	SCRSHCS1136	SCREW, SHCS, BLACK ZINC, 1/4-28 X 0.625"	4
C1	FRMASMB2692	HEEL LOOP, ASSY, 12"LG, DOUBLE THICKNESS, W/HARDWARE	1
D1	SCRMISC1002	SCREW, ROUND HEAD, BLACK ZINC, M6-1.0 X 70MM	1
D2	NUTSTD1037	NUT, HEX, BLACK ZINC, M6-1.0	2
E1 - G3	FRMASMB6772	FOOTPLATE,ASSY,ANGLE ADJUSTABLE,8" X 11",W/OFFSET MOUNTING BLOCK & ADJUSTABLE HEEL LOOPS,PAIR	1
*E1 - F3	FRMASMB4746	FOOTPLATE,ANGLE ADJUSTABLE,8" X 11",W/HD MOUNTING PLATE,RIGHT	1
*E1 - F3	FRMASMB4745	FOOTPLATE,ANGLE ADJUSTABLE,8" X 11",W/HD MOUNTING PLATE,LEFT	1
E1	DWR1000D106	FOOTPLATE,8" X 11" ANGLE ADJUSTABLE,D-1000-106	1
E2	SCRSHFH1034	SCREW,SHFH,BLACK ZINC,1/4-20 X 0.625",GRADE 8	4
E3	NUTNYLK1014	NUT,NYLOCK,BLACK ZINC,1/4-20	4
F1 - F3	FRMASMB4123	MOUNTING BRACKET,FOOTPLATE,8" X 11" ANGLE ADJUSTABLE	1
F1		FOOTPLATE MOUNTING BRACKET BASE WELDMENT,8" X 11" ANGLE ADJUSTABLE,C-1000-258	1
F2		SPLIT COLLAR, TOP, BLACK, 0.87"ID X 0.50"TH, A-1000-067	2
F3	SCRSHCS1136	SCREW, SHCS, BLACK ZINC, 1/4-28 X 0.625"	4
G1 - G3	FRMASMB6769	HEEL LOOP,ASSY,2"W X 18"L,ADJUSTABLE W/VELCRO	2
G1	DWR1500D042	HEEL LOOP,2"W X 18"L X .0625"TH,ADJUSTABLE W/VELCRO	1
G2	SCRMISC1002	SCREW,ROUND HEAD,BLACK ZINC,M6-1.0 X 70MM	1
G3	NUTSTD1037	NUT,HEX,BLACK ZINC,M6-1.0	2
H1 - H4	WHLASMB1578	WHEEL,ASSY,BUMPER,ANGLE ADJUSTABLE FOOTPLATE	1
H1	WHLATIP1004	WHEEL,ANTI-TIP,BLACK,3" DIAMETER	1
H2	BSHNYLN1003	BUSHING, FLANGE, WHITE, NYLON, 0.260"ID X 0.312"OD X 0.4375"TH X 0.513" FOD X 0.0625"FTH, (MICRO PLASTICS:10SC250037)	2
H3	SCRSHFH1033	SCREW,SHFH,BLACK ZINC,1/4-20 X 1.50"	1
H4	NUTACRN1029	NUT,ACORN,1/4-20,W/NYLON PATCH	1

5.4. Calf Pad Assy's

A1	Complete Assy w/Standard Calf Pad & Mounting Bracket
B1	Standard Calf Pad
C1	Pediatric Calf Pad



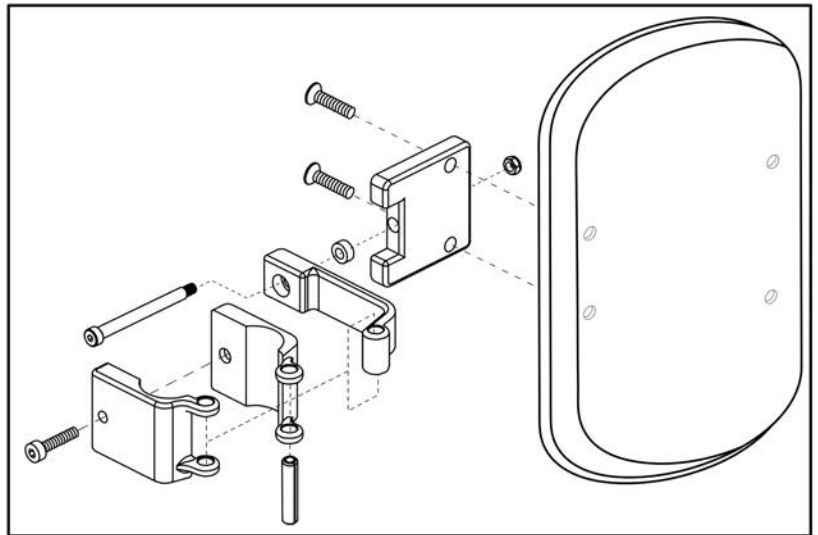
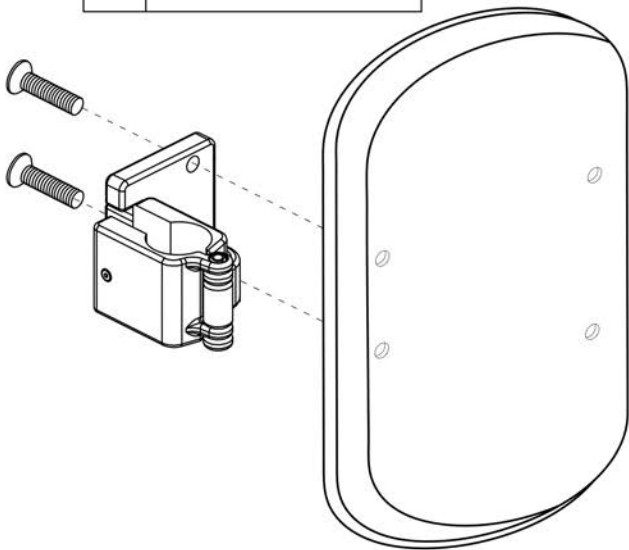
## Style #12 ELR Calf Pad Assy's, Standard



Item	Part No.	Name	Qty
A1	FRMASMB5732	CALF PAD,ASSY,W/COMPACT MOUNTING BRACKET	1
B1	INDPART2003	CALF PAD,BLACK,6"W X 9 1/2"L X 1 1/2"THICK	1
C1	DWR1327C010	CALF PAD,PEDIATRIC,6.75"L X 4.38"W X 1.31"TH,C-1327-010	1

5.4. Calf Pad Assy's

A1	Complete Assy w/Calf Pad & Mounting Bracket
B1	Calf Pad



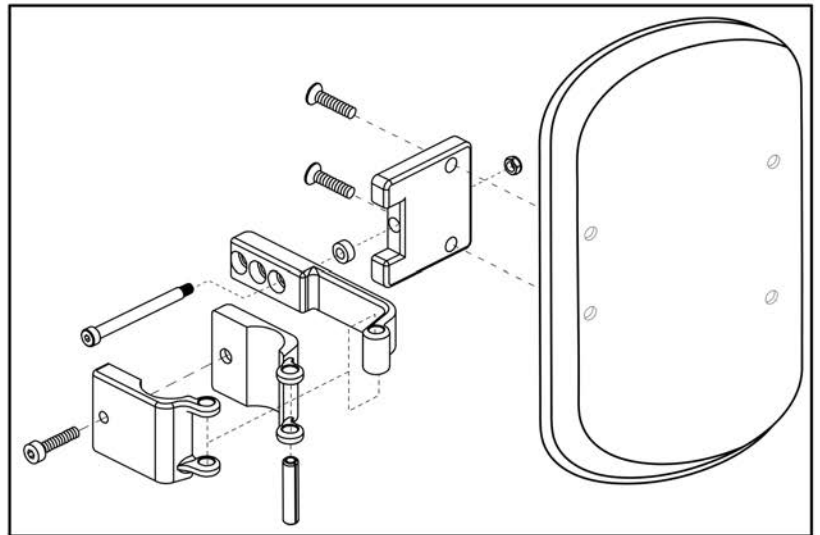
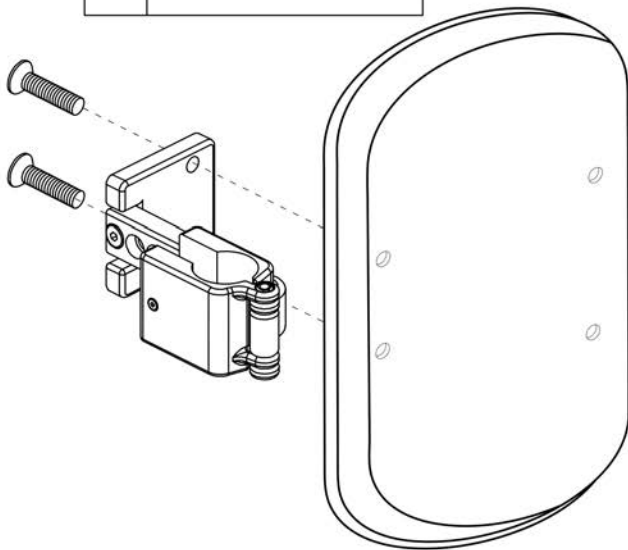
# Style #12 ELR Calf Pad Assy's, 1 Hole Adjustment



Item	Part No.	Name	Qty
A1	FRMASMB1984	CALF PAD,BLACK,9.50" X 6",W/MOUNTING BRACKET,LEFT/RIGHT	1
B1	INDPART2003	CALF PAD,BLACK,6"W X 9 1/2"L X 1 1/2"THICK	1

5.4. Calf Pad Assy's

A1	Complete Assy w/Calf Pad & Mounting Bracket
B1	Calf Pad



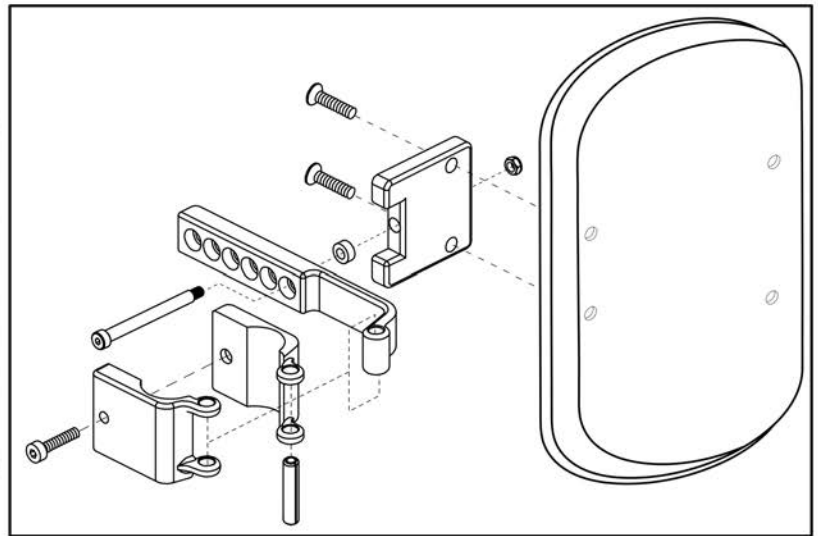
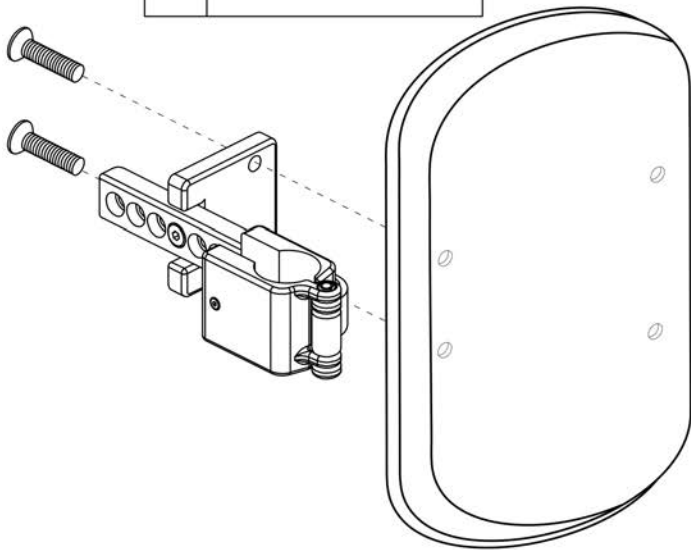
Style #12 ELR Calf Pad Assy's, 3 Hole Adjustment



Item	Part No.	Name	Qty
A1	FRMASMB6432	CALF PAD,3 HOLE,W/MOUNTING BRK,LEFT/RIGHT	1
B1	INDPART2003	CALF PAD,BLACK,6"W X 9 1/2"L X 1 1/2"THICK	1

5.4. Calf Pad Assy's

A1	Complete Assy w/Calf Pad & Mounting Bracket
B1	Calf Pad



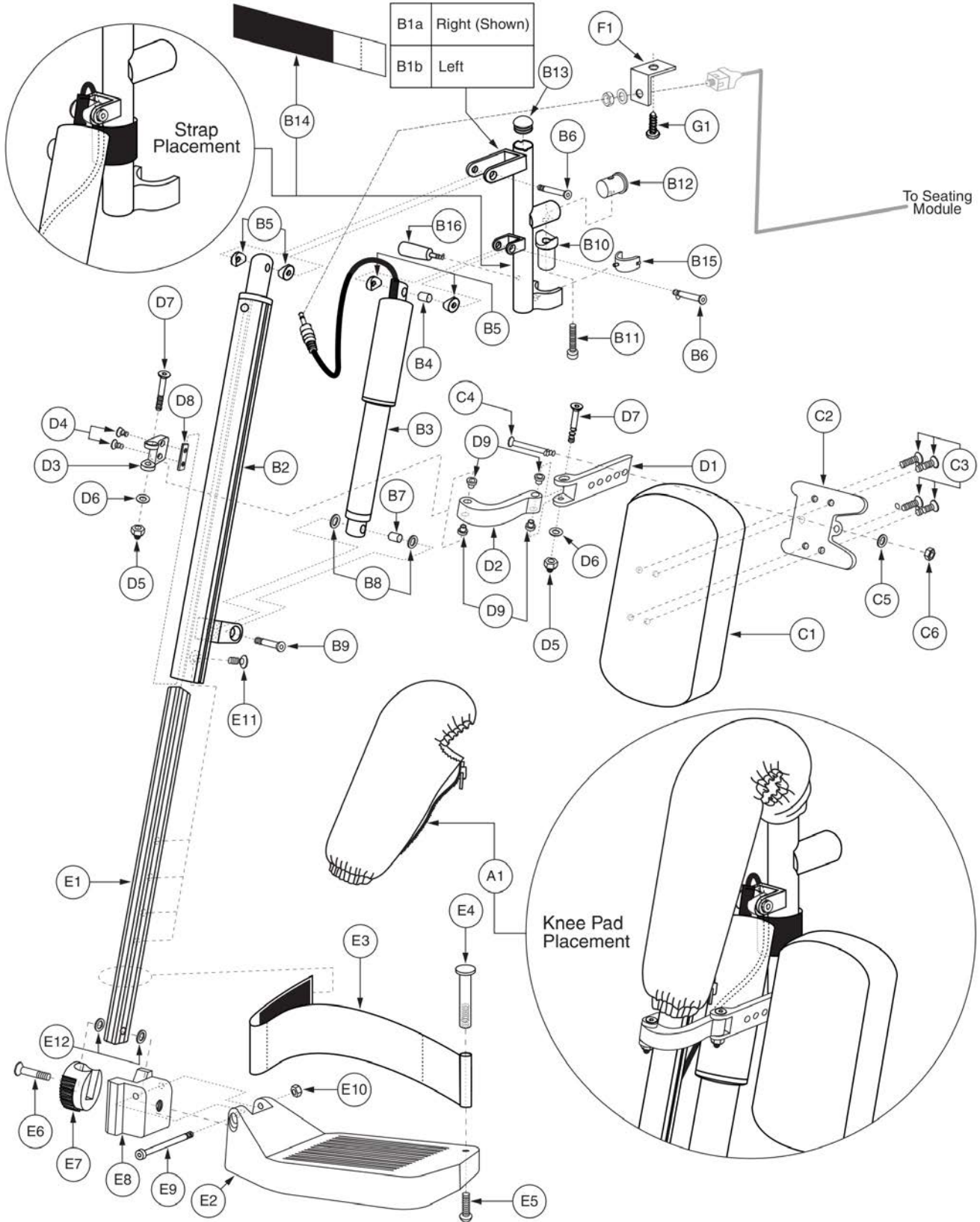


Style #12 ELR Calf Pad Assy's, 6 Hole Adjustment



Item	Part No.	Name	Qty
A1	FRMASMB6433	CALF PAD,6 HOLE,W/MOUNTING BRK,LEFT/RIGHT	1
B1	INDPART2003	CALF PAD,BLACK,6"W X 9 1/2"L X 1 1/2"THICK	1

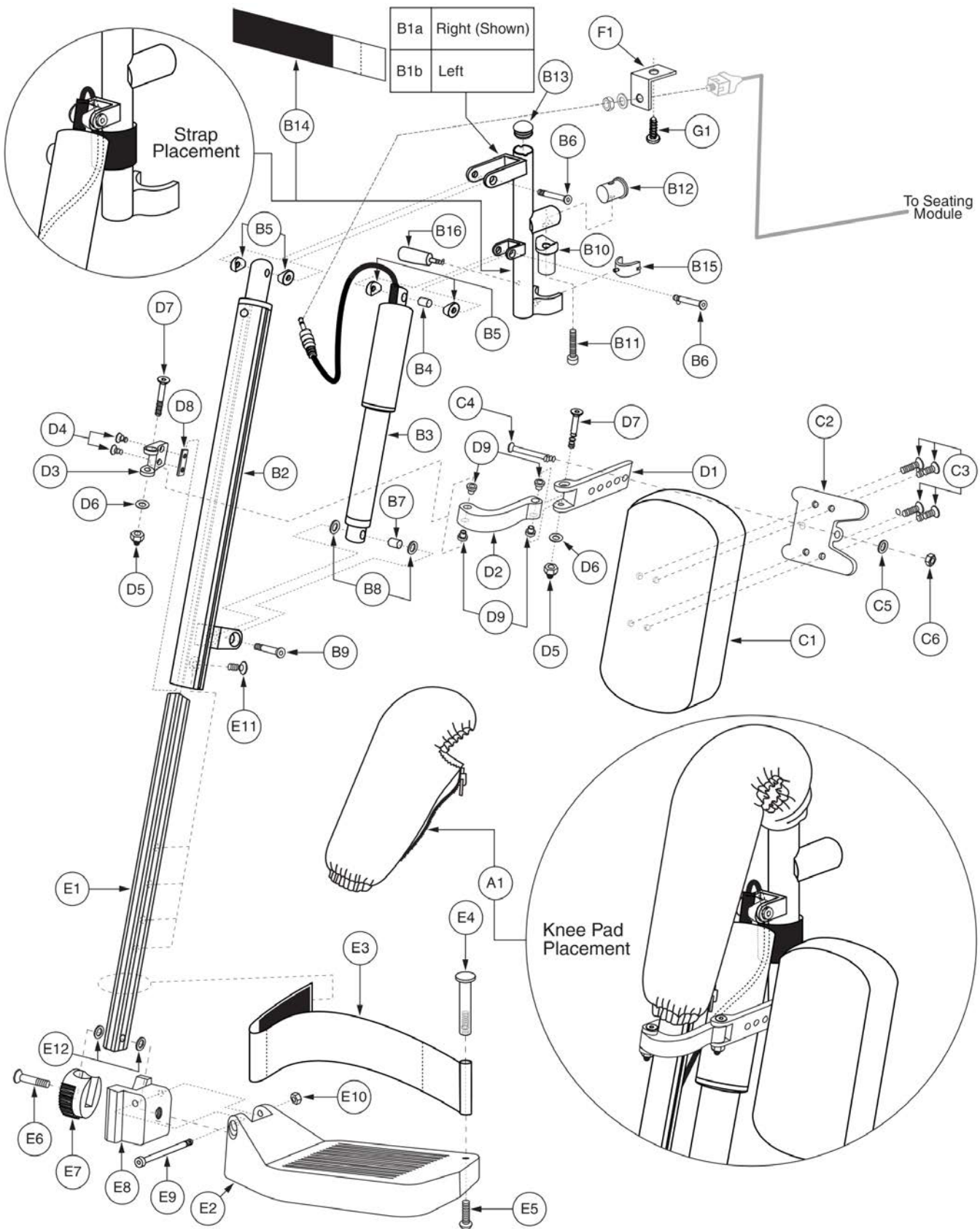
5.2. TB Flex Seating



# TB Flex, Legrest Assembly - Power ELR



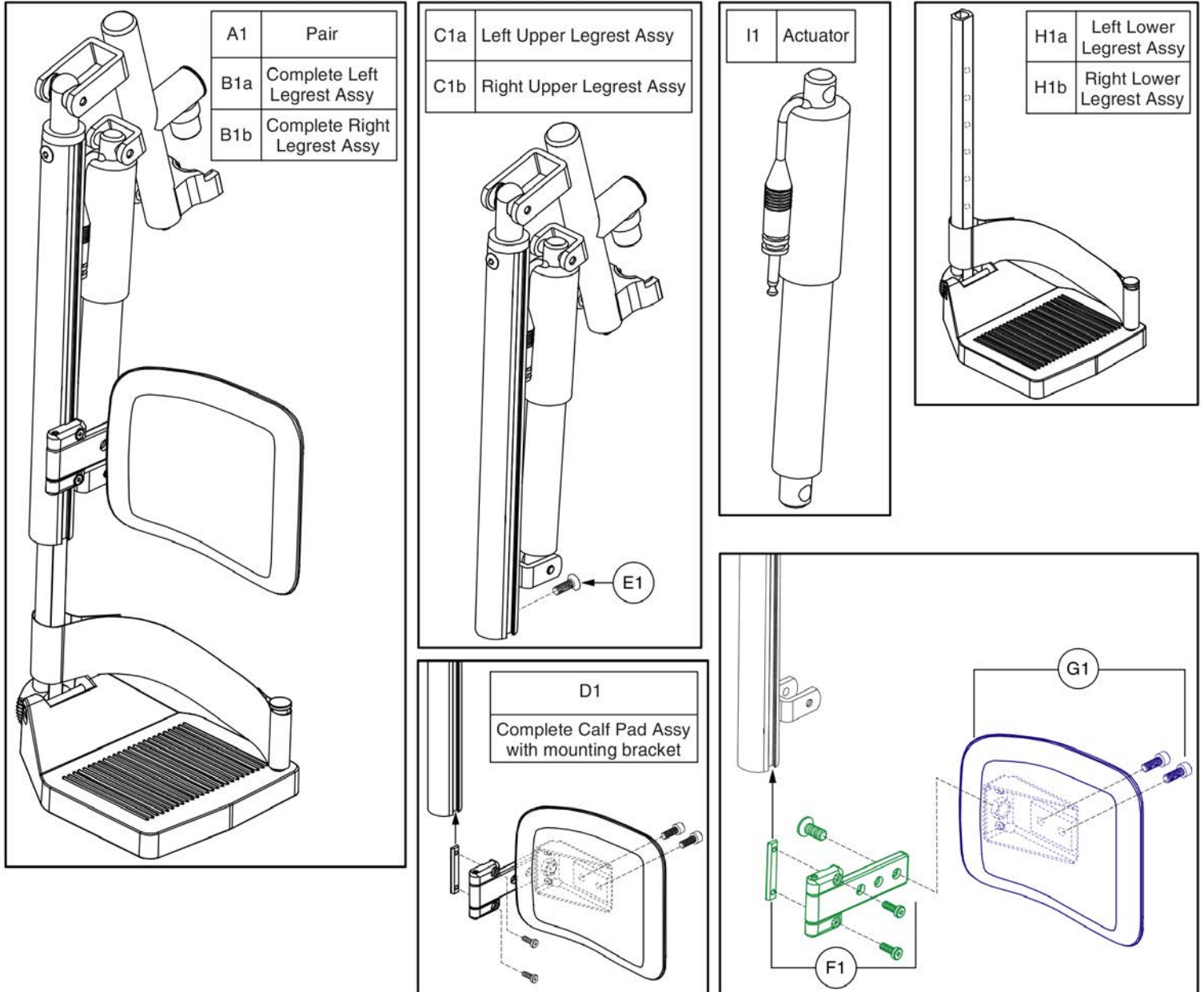
Item	Part No.	Name	Qty
A1 - G1	FRMASMB16339	LEGREST,ASSY,POWER ELR,4.75" X 6" COMPOSITE FOOTPLATE,W/CALF PADS, PAIR	1
A1a - G1	FRMASMB16341	LEGREST,ASSY,POWER ELR UPPER, RIGHT	1
A1b - G1	FRMASMB16340	LEGREST,ASSY,POWER ELR UPPER, LEFT	1
A1	INDPART2865	PAD,KNEE PIVOT COVER,POWER ELR	1
B1a - B16	RIG131657	LEGREST,ASSY,POWER ELR UPPER, RIGHT	1
B1b - B16	FRMASMB16342	LEGREST,ASSY,POWER ELR UPPER, LEFT	1
B1a	MEC131658	KNEE BRACKET WELDMENT,POWER ELR, RIGHT	1
B1b	INDPART2860	KNEE BRACKET WELDMENT,POWER ELR, LEFT	1
B2	INDPART2859	EXTENSION WELDMENT,320MM L,POWER ELR	1
B3	ACCACTR1058	ACTUATOR,100MM STROKE,LINEAR,(MBL: LL 1000 )	1
B4	HDWINDV1217	SPACER,BLACK,ALUMINUM,8.1 MM ID X 10 MM OD X 18 MM THK	1
B5	HDWINDV1218	WASHER,COPED,BLACK,PLASTIC,6.20 MM ID X 19MM OD	4
B6	SCRSHFH1182	SCREW,SHFH,ZINC,M6-1.0 X 38MM	2
B7	HDWINDV1219	SPACER,BLACK,ALUMINUM,8 MM ID X 10.10 MM OD X 18 MM TH	1
B8	WASMETR1146	WASHER,FLAT,BLACK ZINC,8.4MM ID X 16MM OD X 1.6MM TH	2
B9	SCRSHFH1183	SCREW,SHFH,ZINC,M8-1.25 X 35MM	1
B10	HDWINDV1212	TAPERED PIN,ALUMINUM,45MM L	1
B11	SCRSHCS1198	SCREW,SHCS,ZINC,M8-1.25 X 30MM	1
B12	PROECAP1137	END CAP,ROUND,BLACK,ALUMINUM,21MM OD X 26MM L	1
B13	PROECAP1138	END CAP,BLACK,PLASTIC,15MM	1
B14	ACCSTRP1068	STRAP,BLACK,NYLON WEBBING,1 3/8MM WIDE X 7 3/4MM LONG	1
B15	INDPART2867	INSERT CLIP,BLACK,SILICONE	1
B16	INDPART2868	LEVER,THREADED,BLACK,40MM L	1
C1a - D9	FRMASMB16344	CALF PAD,ASSY,BLACK,5.75"W X 9.125"L,W/MOUNTING BRACKET,RIGHT	1
C1b - D9	FRMASMB16343	CALF PAD,ASSY,BLACK,5.75"W X 9.125",W/MOUNTING BRACKET,LEFT	1
C1	INDPART2853	CALF PAD,BLACK,5.75"W X 9.125"L	1
C2	INDPART2861	CALF PAD MOUNTING BRACKET,BLACK,PLASTIC	1
C3	SCRSHFH1184	SCREW,SHFH,ZINC,M6-1.0 X 21MM,W/NYLON PATCH	4
C4	SCRSHFH1185	SCREW,SHFH,ZINC,M8-1.25 X 65MM	1
C5	WASMETR1146	WASHER,FLAT,BLACK ZINC,8.4MM ID X 16MM OD X 1.6MM TH	1
C6	NUTNYLK1011	NUT,NYLOCK,BLACK ZINC,M8-1.25	1
D1 - D9	FRMASMB16347	MOUNTING BRACKET,ASSY,CALF PAD,5 HOLE	1
D1	INDPART2862	CALF PAD BRACKET,DEPTH ADJUSTABLE,5 HOLE	1
D2	INDPART2863	CALF PAD BRACKET,FLIP UP	1
D3	INDPART2864	MOUNTING BRACKET, CALF PAD	1
D4	SCRSHFH1187	SCREW,SHFH,ZINC,M6-1.0 X 38MM	2



Item	Part No.	Name	Qty
D5	NUTNYLK1084	NUT,NYLOCK,BLACK ZINC,M6-1.0,W/BLACK CAP	2
D6	WASSTND1053	WASHER,FLAT,BLACK ZINC,6MM ID X 13MM OD X 1MM TH	2
D7	SCRSHFH1188	SCREW,SHFH,ZINC,M6-1.0 X 10MM	2
D8	HDWINDV1225	T-NUT,ALUMINUM,M6-1.0,2 HOLE	1
D9	BSHFLNG1079	BUSHING,FLANGED,ALUMINUM,6MM ID X 7.9MM OD X 10MM TH X 12MM FOD X 1MM FTH	4
E1a - E12	FRMASMB16346	LEGREST,ASSY,LOWER,POWER ELR,W/4.75" X 6" COMPOSITE FOOTPLATE,POWER ELR, RIGHT	1
E1b - E12	FRMASMB16345	LEGREST,ASSY,LOWER,W/4.75" X 6" COMPOSITE FOOTPLATE,LEFT	1
E1	FRMINDV1496	LEGREST EXTENSION,ALUMINUM,260MM L,POWER ELR	1
E2	PLSINDV1295	FOOTPLATE,4.75" X 6" COMPOSITE, POWER ELR	1
E3	ACCSTRP1067	HEEL LOOP,345MM, ADJUSTABLE	1
E4	BLTSEX1006	BOLT,SEX,BLACK ZINC,M6-1.0 X 50MM,FEMALE	1
E5	SCRASBH1133	SCREW,BHSCS,BLACK ZINC,M6-1.0 X 35 MM	1
E6	SCRSHFH1189	SCREW,SHFH,BLACK ZINC,M6-1.0 X 15MM,W/NYLON PATCH	1
E7	FRMINDV1497	LEGREST PIVOT SOCKET,ANGLE ADJUSTABLE, POWER ELR	1
E8	FRMINDV1498	LOWER FOOTPLATE,FOOTPLATE INSERT,POWER LEG	1
E9	SCRSHCS1321	SCREW,SHCS,BLACK ZINC,M6-1.0 X 60MM,W/NYLON PATCH	1
E10	NUTNYLK1019	NUT,NYLOCK,BLACK ZINC,M6-1.0	1
E11	SCRSHFH1186	SCREW,SHFH,BLACK ZINC,M8-1.25 X 35MM	1
E12	WASSTND1053	WASHER,FLAT,BLACK ZINC,6MM ID X 13MM OD X 1MM TH	2
F1	FRMINDV1629	L-BRACKET,POWER TILT ACTUATOR HARNESS	1
G1	SCRPPH1162	SCREW,PPH,BLACK ZINC,M4 X 10MM,THREAD FORMING	1

5.2. TB Flex Seating

\*\*\* Please note when ordering Gen. 2 legrest assemblies, the Gen. 2 legrest hangers must also be selected. \*\*\*



Item	Part No.	Name	Qty
A1	RIG1611106	LEGREST,ASSY,POWER ELR,4.75" X 6" COMPOSITE FOOTPLATE,W/CALF PADS,TBFLEX,PAIR	1
B1a	RIG1611107	LEGREST,ASSY,POWER ELR,TBFLEX,LEFT(HF:HFGJ15006)	1
B1b	RIG1611108	LEGREST,ASSY,POWER ELR,TBFLEX,RIGHT(HF:HFGJ15005)	1
C1a	RIG1611109	LEGREST,ASSY,POWER ELR UPPER,LEFT,TBFLEX(HF:HFGJ15006A)	1
C1b	RIG1611110	LEGREST,ASSY,POWER ELR UPPER,RIGHT,TBFLEX(HF:HFGJ15005A)	1
D1	RIG1611103	CALF PAD,ASSY,BLACK,6"W X6"H",W/MOUNTING BRACKET(HF:HFGJ15003C)	1
E1	SCRSHFH1203	SCREW,FLAT HEAD,M8X1.25 X 20,10.9,BZ	1
F1	FRMASMB7273	LEGREST,ASSY,BRACKET,FLIP-UP CALF PAD,TRU-BALANCE POWER ELEVATING ARTICULATING LEGS,C-1303-028	1
G1	MEC150393	CALF PAD,ASSY,6"X6",TRU-BALANCE POWER ELEVATING ARTICULATING LEGS,W/MOUNTING HARDWARE	1
H1a	RIG1611104	LEGREST,ASSY,LOWER,W/4.75" X 6" COMPOSITE FOOTPLATE,TBFLEX,LEFT(HF:HFGJ15004A)	1
H1b	RIG1611105	LEGREST,ASSY,LOWER,W/4.75" X 6" COMPOSITE FOOTPLATE,TBFLEX,RIGHT(HF:HFGJ15003A)	1
I1	ACCACTR1058	ACTUATOR,100MM STROKE,LINEAR,(MBL: LL 1000 )	1

Appendix A:Pages Index

11"-13" Lowers, Large (Used w/ 6"+ W Footplates) - Swing-away Power ALR . . . . . 111

11"-13" Lowers, Small (Used w/ 4" & 5" W Footplates) - Swing-away Power ALR . . . . . 109

12"-14.5" Lowers, Large (Used with 6+ Inch Wide Footplates) - Drop-in Power ALR . . . . . 155

12"-14.5" Lowers, Small (Used with 4 & 5 Inch Wide Footplates) - Drop-in Power ALR . . . . . 153

14.5"-18" Lowers, Large (Used w/ 6"+ W Footplates) - Swing-away Power ALR . . . . . 115

14.5"-18" Lowers, Large (Used with 6+ Inch Wide Footplates) - Drop-in Power ALR . . . . . 159

14.5"-18" Lowers, Small (Used with 4 & 5 Inch Wide Footplates) - Drop-in Power ALR . . . . . 157

14.5"-18" Lowers, Small (Used w/ 4" & 5" W Footplates) - Swing-away Power ALR . . . . . 113

17.5"-21" Lowers, Large (Used w/ 6"+ W Footplates) - Swing-away Power ALR . . . . . 119

17.5"-21" Lowers, Large (Used with 6+ Inch Wide Footplates) - Drop-in Power ALR . . . . . 163

17.5"-21" Lowers, Small (Used w/ 4" & 5" W Footplates) - Swing-away Power ALR . . . . . 117

17.5"-21" Lowers, Small (Used with 4 & 5 Inch Wide Footplates) - Drop-in Power ALR . . . . . 161

4" x 6" Foot Plates - Power ALR . . . . . 121, 165

5" x 6" Foot Plates - Power ALR . . . . . 123, 167

5" x 8" Foot Plates - Power ALR . . . . . 125, 169

6" x 11" Foot Plates - Power ALR . . . . . 129, 173

6" x 8" Foot Plates - Power ALR . . . . . 127, 171

70° Drop-in Power ALR Upper, Left 4" Stroke . . . . . 139

70° Drop-in Power ALR Upper, Left 6" Stroke . . . . . 143

70° Drop-in Power ALR Upper, Right 4" Stroke . . . . . 137

70° Drop-in Power ALR Upper, Right 6" Stroke . . . . . 141

70° Swing-away Power ALR Upper, Left 4" Stroke, for 11"-13" Lower Extension . . . . . 81

70° Swing-away Power ALR Upper, Left 4" Stroke, for 14.5"-21" Lower Extension . . . . . 89

70° Swing-away Power ALR Upper, Right 4" Stroke, for 11"-13" Lower Extension . . . . . 77

70° Swing-away Power ALR Upper, Right 4" Stroke, for 14.5"-21" Lower Extension . . . . . 85

8" x 11" Foot Plates - Power ALR . . . . . 131, 175

80° Drop-in Power ALR Upper, Left 4" Stroke . . . . . 147

80° Drop-in Power ALR Upper, Left 6" Stroke . . . . . 151

80° Drop-in Power ALR Upper, Right 4" Stroke . . . . . 145

80° Drop-in Power ALR Upper, Right 6" Stroke . . . . . 149

80° Swing-away Power ALR Upper, Left 4" Stroke, for 11"-13" Lower Extension . . . . . 97

80° Swing-away Power ALR Upper, Left 4" Stroke, for 14.5"-21" Lower Extension . . . . . 105

80° Swing-away Power ALR Upper, Right 4" Stroke, for 11"-13" Lower Extension . . . . . 93

80° Swing-away Power ALR Upper, Right 4" Stroke, for 14.5"-21" Lower Extension . . . . . 101

AFP Upper Assy's, TB3 . . . . . 29

AFP and Center Mount Preconfigured Footplates w/Extensions (4Front) . . . . . 37

Angle Adjustable Foot Plates, 5" x 6" - Style #7 Swing-away & Style #12 ELR . . . . . 187

Angle Adjustable Foot Plates, 5" x 8" - Style #7 Swing-away & Style #12 ELR . . . . . 189

Angle Adjustable Foot Plates, 6" x 11" - Style #7 Swing-away & Style #12 ELR . . . . . 193

Angle Adjustable Foot Plates, 6" x 8" - Style #7 Swing-away & Style #12 ELR . . . . . 191

Angle Adjustable Foot Plates, 8" x 11" - Style #7 Swing-away & Style #12 ELR . . . . . 195

Angle Adjustable Lower Legrests, Large (Used with 6+ Inch Wide Footplates) - Style #7 & #12 . . . . . 183

Angle Adjustable Lower Legrests, Short (Used with 4 & 5 Inch Wide Footplates) - Style #7 & #12 . . . . . 185

Center Mount Foot Platform Non-Tapered Footplate Extension Brackets . . . . . 43

ELR Legrest Hangers - TB3 Seating . . . . . 3, 17

Gen. 1 Power AFP Adult Non-Depth Adjustable Foot Plates . . . . . 69

Gen. 1 Power AFP Depth Adjustable Foot Plates . . . . . 67

Gen. 1 Power AFP Foot Plate Connecting Bracket . . . . . 65

Gen. 1 Power AFP Lower Extensions . . . . . 62

Gen. 1 Power AFP Pediatric Non-Depth Adjustable Foot Plates . . . . . 71

Gen. 1 Power AFP Upper Assy, 14"-18"W . . . . . 57

Gen. 1 Power AFP Upper Assy, 16"-20"W . . . . . 58

Gen. 1 Power AFP Upper Assy, 20"-24"W . . . . . 60

Gen. 2 AFP & Center Mount Calf Pad & Calf Panel Covers . . . . . 51

Gen. 2 AFP and CMT Tapered Footplates . . . . . 31

Gen. 2 AFP and CMT Tapered Footplates Extensions & Mats . . . . . 33

Gen. 2 Power AFP & Center Mount Foot Platform Calf Pads . . . . . 47

Gen. 2 Power AFP 10"-16"L Lowers & Footplates . . . . . 39

Gen. 2 Power AFP 13"-19"L Lowers & Footplates . . . . . 41

Gen. 2 Power AFP 14"-18"W & 16"-20"W Upper Assy's, TB2 . . . . . 25

Gen. 2 Power AFP 20"-24"W Upper Assy, TB2 . . . . . 27

Gen. 2 Power AFP Actuators & Shrouds . . . . . 53

Gen. 2 Power AFP Calf Panels . . . . . 49

Gen. 2 Power AFP Complete Upper Assy's, TB2 & TB3 . . . . . 23

Gen. 2 Power AFP Electronics & Wiring . . . . . 55

HD Drop-in Legrest Hangers - TB3 Seating . . . . . 5, 19

Legrest Hanger - Drop-in Power ALRs, & Power ELRs for Synergy & TRU-Balance Seating . . . . . 7

Legrest Hanger - Motion Concepts & Versa Seating . . . . . 21

Legrest Hanger - Swing-away ALRs for Pediatric Tilt, Synergy, & TRU-Balance Seating . . . . . 9

Power AFP Shear Pin Replacement Kit, Gen 1 . . . . . 74

Power ALR Adductor Button . . . . . 135, 179

Power ALR Calf Pad Assy's . . . . . 133, 177



---

Power ELR Assy, High Knee Pivot, Upper	181
Stealth Footplate Covers, Gen 2. AFP & Center Mount	45
Style #12 ELR Calf Pad Assy's, 1 Hole Adjustment	199
Style #12 ELR Calf Pad Assy's, 3 Hole Adjustment	201
Style #12 ELR Calf Pad Assy's, 6 Hole Adjustment	203
Style #12 ELR Calf Pad Assy's, Standard	197
Style #8 Swing-away Legrest Hangers - TB3 Seating	1, 15
TB Flex Legrest Hangers	11
TB Flex Legrest Hangers Gen 2	13
TB Flex, Legrest Assembly - Power ELR	205
TB Flex, Legrest Assembly - Power ELR, Gen2	209

Appendix B:Parts Index

ACCACTR1025	94, 98, 102, 106, 146, 148, 150, 152	DWR1303B025	78, 82, 86, 90, 94, 98, 102, 106
ACCACTR1026	78, 82, 86, 90, 138, 140, 142, 144	DWR1303B027	78, 82, 86, 90, 94, 98, 102, 106, 138, 140, 142, 144, 146, 148, 150, 152
ACCACTR1058	206, 210	DWR1303B028	78, 82, 86, 90, 94, 98, 102, 106
ACCACTR1062	54	DWR1303B035	80, 84, 88, 92, 96, 100, 104, 108
ACCSTRP1067	208	DWR1303B037	80, 84, 88, 92, 96, 100, 104, 108
ACCSTRP1068	206	DWR1303B038	136, 180
ACT8110005	54	DWR1303C014	78, 82, 86, 90, 94, 98, 102, 106
BLT8110009	48, 50	DWR1303C021	78, 82, 86, 90, 94, 98, 102, 106
BLTASHL1006	78, 82, 86, 90, 94, 98, 102, 106, 138, 140, 142, 144, 146, 148, 150, 152	DWR1303C022	78, 82, 86, 90, 94, 98, 102, 106
BLTASHL1035	182	DWR1303C040	110, 112
BLTASHL1088	26, 28	DWR1303D003	142, 144, 150, 152
BLTSEX1001	110, 112, 114, 116, 118, 120, 154, 156, 158, 160, 162, 164, 184, 186	DWR1303D016	78, 82, 86, 90, 94, 98, 102, 106, 138, 140, 142, 144, 146, 148, 150, 152
BLTSEX1006	208	DWR1303D017	138, 140, 142, 144, 146, 148, 150, 152
BRGFLNG1030	78, 82, 86, 90, 94, 98, 102, 106	DWR1303D018	78, 86, 94, 102, 138, 142, 146, 150
BRGFLNG1031	78, 82, 86, 90, 94, 98, 102, 106	DWR1303D019	82, 90, 98, 106, 140, 144, 148, 152
BRGFLNG1059	78, 82, 86, 90, 94, 98, 102, 106	DWR1303D028	78, 82, 86, 90, 94, 98, 102, 106
BRGFLNG1065	26, 28, 30	DWR1303D036	82, 90, 98, 106
BRGFLNG1066	40, 42, 68, 70, 72	DWR1303D037	78, 86, 94, 102
BRGSLV1039	78, 82, 86, 90, 94, 98, 102, 106	DWR1303D038	82, 90, 98, 106
BSHFLNG1079	208	DWR1303D039	78, 86, 94, 102
BSHNYLN1003	36, 122, 124, 126, 128, 130, 132, 166, 168, 170, 172, 174, 176, 188, 190, 192, 194, 196	DWR1303E002	78, 86, 94, 102
CLP8120001	56	DWR1303E003	82, 90, 98, 106
DGN142501	34	DWR1304B084	76
DGN142516	34	DWR1304C084	68
DGN142568	34	DWR1304C085	68
DGN142571	34	DWR1304C105	64
DWR1000A067	196, 196	DWR1304C106	64
DWR1000A125	182	DWR1304C111	44
DWR1000C164	126, 128, 130, 170, 172, 174, 190, 190	DWR1304D068	40, 42
DWR1000C165	130, 174	DWR1304D069	40, 42
DWR1000C204	22	DWR1304E023	68, 70
DWR1000C258	196, 196	DWR1304E032	72
DWR1000C317	122, 124, 166, 168	DWR1304E033	72
DWR1000C321	124, 168	DWR1327C010	198
DWR1000D080	128, 172, 192	DWR1360C056	8
DWR1000D106	132, 176, 196, 196	DWR1360C057	8
DWR1000D107	126, 170, 190, 190	DWR1404B001	48, 50
DWR1005B180	8, 10	DWR1404B003	32
DWR1010B064	80, 84, 88, 92, 96, 100, 104, 108	DWR1404B010	54
DWR1010C132	84, 92, 100, 108	DWR1404C007	40, 42
DWR1010C135	80, 88, 96, 104	DWR1404C008	40, 42
DWR1010D299	10	DWR1404C012	26, 28
DWR1303A005	78, 82, 86, 90, 94, 98, 102, 106	DWR1404C024	54
DWR1303A006	78, 82, 86, 90, 94, 98, 102, 106	DWR1404C028	26, 28, 30
DWR1303A007	78, 82, 86, 90, 94, 98, 102, 106	DWR1404C031	48, 50
DWR1303B022	78, 82, 86, 90, 94, 98, 102, 106	DWR1404C032	48, 50
DWR1303B023	78, 82, 86, 90, 94, 98, 102, 106, 138, 140, 142, 144, 146, 148, 150, 152	DWR1404C033	26, 28
		DWR1404C034	26, 28

DWR1404C058	26, 28	FRMASMB16341	206
DWR1404C063	26, 28	FRMASMB16342	206
DWR1404C064	26	FRMASMB16343	206
DWR1404C065	26	FRMASMB16344	206
DWR1404C066	28	FRMASMB16345	208
DWR1404D005	48	FRMASMB16346	208
DWR1404D013	26	FRMASMB16347	206
DWR1404D016	48, 50	FRMASMB17961	26
DWR1404D019	26, 28	FRMASMB17963	26, 28, 30
DWR1404D021	26, 28	FRMASMB17964	48
DWR1404D022	26, 28	FRMASMB17965	26, 28
DWR1404D029	48	FRMASMB18038	50
DWR1404D030	48	FRMASMB1984	182, 200
DWR1404D031	48	FRMASMB2692	196
DWR1404D052	26, 28	FRMASMB2693	190
DWR1404D056	28	FRMASMB4123	132, 176, 196, 196
DWR1404D058	50	FRMASMB4723	184
DWR1404D059	50	FRMASMB4724	184
DWR1404E003	26, 28	FRMASMB4725	184
DWR1404E004	26, 28	FRMASMB4733	188
DWR1500D042	188, 190, 192, 194, 196	FRMASMB4735	190
DWR1610D052	182	FRMASMB4736	126, 170, 190, 190
DWR1610D053	182	FRMASMB4737	126, 170, 190, 190
DWR1610E028	182	FRMASMB4738	192
DWR1610E029	182	FRMASMB4739	128, 172, 192, 192
DWR1610E031	182	FRMASMB4740	128, 172, 192, 192
ELEASMB7110406	56	FRMASMB4741	194
FRM8110008	50	FRMASMB4742	130, 174, 194, 194
FRM8110135	54	FRMASMB4743	130, 174, 194, 194
FRM8110136	54	FRMASMB4744	196
FRMASMB11125	66	FRMASMB4745	132, 176, 196, 196
FRMASMB11171	154	FRMASMB4746	132, 176, 196, 196
FRMASMB11172	156	FRMASMB5136	186
FRMASMB11173	154	FRMASMB5137	186
FRMASMB11174	154	FRMASMB5201	124, 168
FRMASMB11175	156	FRMASMB5202	124, 168
FRMASMB11176	156	FRMASMB5252	8
FRMASMB11294	112	FRMASMB5253	8
FRMASMB11295	112	FRMASMB5257	8
FRMASMB11365	80, 84, 96, 100	FRMASMB5391	184
FRMASMB11366	82	FRMASMB5392	184
FRMASMB11367	78	FRMASMB5393	184
FRMASMB11368	98	FRMASMB5732	198
FRMASMB11369	94	FRMASMB6279	186
FRMASMB11370	82, 98	FRMASMB6280	186
FRMASMB11371	78, 94	FRMASMB6432	202
FRMASMB12341	112	FRMASMB6433	204
FRMASMB12342	110	FRMASMB6699	190
FRMASMB1503	192, 194	FRMASMB6700	192
FRMASMB16339	206	FRMASMB6769	188, 190, 192, 194, 196
FRMASMB16340	206	FRMASMB6771	194

FRMASMB6772	196	FRMINDV1496	208
FRMASMB7110007	50	FRMINDV1497	208
FRMASMB7110011	50	FRMINDV1498	208
FRMASMB7232	80, 84, 88, 92, 96, 100, 104, 108	FRMINDV1629	208
FRMASMB7233	88, 92, 104, 108	HAR8110014	56
FRMASMB7269	158	HDW120020	56
FRMASMB7270	160	HDW120030	26, 28
FRMASMB7271	162	HDW138262	32
FRMASMB7272	164	HDW147703	30
FRMASMB7273	80, 84, 88, 92, 96, 100, 104, 108, 134, 138, 140, 142, 144, 146, 148, 150, 152, 178, 210	HDWINDV1212	206
FRMASMB7448	122, 166	HDWINDV1217	206
FRMASMB7449	124, 168	HDWINDV1218	206
FRMASMB7450	126, 170	HDWINDV1219	206
FRMASMB7451	128, 172	HDWINDV1225	208
FRMASMB7452	130, 174	INDPART2003	182, 198, 200, 202, 204
FRMASMB7453	132, 176	INDPART2242	136, 180
FRMASMB7454	122, 124, 126, 128, 130, 132, 166, 168, 170, 172, 174, 176	INDPART2853	206
FRMASMB7459	158	INDPART2859	206
FRMASMB7460	160	INDPART2860	206
FRMASMB7461	162	INDPART2861	206
FRMASMB7462	164	INDPART2862	206
FRMASMB7536	158	INDPART2863	206
FRMASMB7537	160	INDPART2864	206
FRMASMB7538	162	INDPART2865	206
FRMASMB7539	164	INDPART2866	206
FRMASMB9071	106	INDPART2867	206
FRMASMB9072	102	INDPART2868	206
FRMASMB9074	90	INFINFB2522	76
FRMASMB9075	86	INFINFB3394	34, 34, 34, 34, 34
FRMASMB9076	90, 106	KITASMB1761	76
FRMASMB9077	86, 102	MEC131658	206
FRMASMB9078	84, 92, 100, 108	MEC132306	2, 12, 14, 16
FRMASMB9079	80, 88, 96, 104	MEC134031	30
FRMASMB9080	116	MEC141241	32
FRMASMB9081	116	MEC141646	32
FRMASMB9082	116	MEC141648	32
FRMASMB9083	114	MEC141650	32
FRMASMB9084	114	MEC142330	34
FRMASMB9085	114	MEC142331	34
FRMASMB9086	120	MEC142335	34
FRMASMB9087	120	MEC142336	34
FRMASMB9088	120	MEC142502	34
FRMASMB9089	118	MEC142537	34
FRMASMB9090	118	MEC142570	34
FRMASMB9091	118	MEC142573	34
FRMASMB9092	110	MEC144053	34
FRMASMB9093	110	MEC144061	34
FRMASMB9972	10	MEC144127	34
FRMASMB9973	10	MEC144134	34
		MEC144155	34
		MEC144168	34
		MEC144220	32

MEC144221	32	RIG131108	24, 30
MEC144455	34	RIG131657	206
MEC144456	34	RIG133716	52
MEC144484	36	RIG133717	52
MEC144485	34	RIG133718	52
MEC148422	12	RIG133719	52
MEC148423	12	RIG134672	52
MEC150393	210	RIG134673	52
MEC151365	32	RIG134743	52
MEC151369	32	RIG134744	52
MEC151468	32	RIG136407	2, 12, 14, 16
MEC151470	32	RIG142468	4, 18
MEC151472	32	RIG142469	4, 18
MEC151473	32	RIG142470	4, 18
MEC152553	32	RIG150203	32
MEC152554	32	RIG150206	32
MEC152555	32	RIG150212	32
MEC152556	32	RIG150610	12
MEC153735	134, 178	RIG151505	32
MEC155441	14	RIG151506	32
MEC155442	14	RIG151508	32
MEC1707397	38	RIG152510	34
MEC1707399	38	RIG152516	34
MEC1707400	38	RIG152517	34
MEC1707401	38	RIG152518	34
MEC1707403	38	RIG152519	34
MEC1707409	38	RIG152577	32
MEC1707426	38	RIG152578	32
MEC1707428	38	RIG1611103	210
NUT8120005	12, 14	RIG1611104	210
NUTACRN1029	36, 122, 124, 126, 128, 130, 132, 166, 168, 170, 172, 174, 176, 188, 190, 192, 194, 196	RIG1611105	210
NUTACRN1036	54	RIG1611106	210
NUTNYLK1011	206	RIG1611107	210
NUTNYLK1014	132, 176, 182, 196, 196	RIG1611108	210
NUTNYLK1019	26, 28, 208	RIG1611109	210
NUTNYLK1040	78, 82, 86, 90, 94, 98, 102, 106, 138, 140, 142, 144, 146, 148, 150, 152	RIG1611110	210
NUTNYLK1084	208	RIG1702200	14
NUTSTD1037	188, 190, 190, 192, 194, 196, 196	RIG1704788	6, 20
PINDOWL1014	68, 70, 72	RIG1704789	6, 20
PLS8110043	54	RIG1704790	6, 20
PLS8110044	54	RIGASMB7110014	26
PLSINDV1295	208	RIGASMB7110015	28
PLSTIE1001	56	RIGASMB7120018	48
PLSTIE1004	56	RIGASMB7120019	48
PROBUMP1036	158, 160	RIGASMB7120023	44
PROECAP1017	110, 112, 114, 116, 118, 120, 154, 156, 158, 160, 162, 164, 184, 186	RIGASMB7120028	24
PROECAP1137	206	RIGASMB7120030	24
PROECAP1138	206	RIGASMB7120031	24
		RIGASMB7120032	24
		RNGRTAN1028	78, 82, 86, 90, 94, 98, 102, 106
		RNGRTAN1029	78, 82, 86, 90, 94, 98, 102, 106

RNGRTAN1035	54, 76	SCRSHFH1015	54
SCR8110001	50	SCRSHFH1022	34, 34, 34, 34, 34, 44
SCR8110014	26, 28, 30, 54, 56	SCRSHFH1033	122, 124, 126, 128, 130, 132, 166, 168, 170, 172, 174, 176, 188, 190, 192, 194, 196
SCR8110015	54	SCRSHFH1034	132, 176, 196, 196
SCRASBH1001	182, 184, 186	SCRSHFH1076	36
SCRASBH1118	54	SCRSHFH1081	138, 140, 142, 144, 146, 148, 150, 152
SCRASBH1130	184, 186	SCRSHFH1084	78, 82, 86, 90, 94, 98, 102, 106, 182
SCRASBH1133	208	SCRSHFH1085	64
SCRASBH1144	138, 140, 142, 144, 146, 148, 150, 152	SCRSHFH1094	64
SCRASBH1147	44	SCRSHFH1182	206
SCRASBH1148	110, 112, 114, 116, 118, 120, 138, 140, 142, 144, 146, 148, 150, 152, 154, 156, 158, 160, 162, 164	SCRSHFH1183	206
SCRASBH1153	78, 82, 86, 90, 94, 98, 102, 106, 138, 140, 142, 144, 146, 148, 150, 152, 154, 156, 158, 160, 162, 164	SCRSHFH1184	206
SCRASBH1154	78, 82, 86, 90, 94, 98, 102, 106	SCRSHFH1185	206
SCRASBH1156	78, 82, 86, 90, 94, 98, 102, 106	SCRSHFH1186	208
SCRASBH1213	86, 90, 102, 106	SCRSHFH1187	206
SCRASBH1251	32, 40, 42, 48, 50	SCRSHFH1188	208
SCRASBH1254	78, 82, 94, 98, 110, 112	SCRSHFH1189	208
SCRASBH1331	26, 28, 30	SCRSHFH1190	50
SCRHHCS1116	4, 6, 18, 20	SCRSHFH1203	210
SCRHHCS1256	8	SPGRAW1071	110, 112, 114, 116, 118, 120, 154, 156, 158, 160, 162, 164, 184, 186
SCRHHCS1322	2, 12, 14, 16	ST-FPG5008T-Q	46
SCRHHCS1412	12, 14	ST-FPG5011S-Q	46
SCRHHCS1478	8, 10	ST-FPG5011T-Q	46
SCRHHCS1727	26, 28, 30	ST-FPG6508T-Q	46
SCRMISC1002	188, 190, 190, 192, 194, 196, 196	ST-FPG7011S-Q	46
SCRPPH1162	208	ST-FPG7011T-Q	46
SCRPPH1454	56	SWT8110004	56
SCRPPH1455	56	SWTMCRO1113	56
SCRSETS1064	4, 6, 8, 18, 20	VELHOOK1054	56
SCRSETS1079	68, 70, 72, 110, 112, 114, 116, 118, 120, 154, 156, 158, 160, 162, 164, 184, 186	VELLOOP1007	56
SCRSETS1093	80, 84, 88, 92, 96, 100, 104, 108	WAS8110007	48, 50
SCRSETS1105	26, 28	WASBELV1011	48, 50
SCRSETS1121	10	WASMETR1146	206, 206
SCRSETS1149	26, 28, 54	WASNYLN1036	182
SCRSETS1151	26, 28	WASNYLN1062	182
SCRSHCS1067	182	WASNYLN1128	40, 42, 68, 70, 72
SCRSHCS1095	48, 48	WASPTFE1000	78, 82, 86, 90, 94, 98, 102, 106
SCRSHCS1127	40, 42	WASSTND1053	208, 208
SCRSHCS1136	196, 196	WASSTND1196	48, 48
SCRSHCS1149	78, 82, 86, 90, 94, 98, 102, 106, 138, 140, 142, 144, 146, 148, 150, 152	WASSTND1214	26, 28
SCRSHCS1150	78, 82, 86, 90, 94, 98, 102, 106, 138, 140, 142, 144, 146, 148, 150, 152	WASWAVY1000	110, 112, 114, 116, 118, 120, 154, 156, 158, 160, 162, 164, 184, 186
SCRSHCS1198	206	WASWAVY1030	26, 28
SCRSHCS1321	208	WHL1612226	36
SCRSHCS1355	26, 28	WHLASMB1578	122, 124, 126, 128, 130, 132, 166, 168, 170, 172, 174, 176, 188, 190, 192, 194, 196
SCRSHFH1010	122, 124, 126, 128, 130, 166, 168, 170, 172, 174, 182, 188, 190, 190, 192, 194	WHLATIP1004	36, 122, 124, 126, 128, 130, 132, 166, 168, 170, 172, 174, 176, 188, 190, 192, 194, 196

# Illustrated Parts Breakdown

## **USA - Quantum Rehab**

401 York Avenue  
Duryea, Pa 18642  
[www.quantumrehab.com](http://www.quantumrehab.com)

## **USA - Pride Mobility Products Corp.**

182 Susquehanna Avenue  
Exeter, Pa 18643  
[www.pridemobility.com](http://www.pridemobility.com)

## **Canada**

5096 South Service Road  
Beamsville, Ontario L0R 1B3  
[www.pridemobility.ca](http://www.pridemobility.ca)  
[www.quantumrehab.com](http://www.quantumrehab.com)

## **Australia**

20-24 Apollo Drive  
Hallam, Victoria 3803  
[www.pridemobility.com.au](http://www.pridemobility.com.au)  
[www.quantumrehab.com.au](http://www.quantumrehab.com.au)

## **New Zealand**

38 Lansford Crescent  
Avondale, Auckland 0600  
[www.pridemobility.co.nz](http://www.pridemobility.co.nz)

## **UK**

32 Wedgwood Road  
Bicester, Oxfordshire OX26 4UL  
[www.pride-mobility.co.uk](http://www.pride-mobility.co.uk)  
[www.quantumrehab.co.uk](http://www.quantumrehab.co.uk)

## **Netherlands**

**(Authorised EU Representative)**

De Zwaan 3  
1601 MS Enkhuizen  
[www.pridemobility.eu](http://www.pridemobility.eu)  
[www.quantumrehab.eu](http://www.quantumrehab.eu)

## **Italy**

Via del Progresso, ang. Via del Lavoro  
Loc. Prato della Corte  
00065 Fiano Romano (RM)  
[www.pride-italia.it](http://www.pride-italia.it)  
[www.quantumrehab-italia.it](http://www.quantumrehab-italia.it)

## **France**

26 Rue Monseigneur Ancel  
69800 Saint-Priest  
[www.pridemobility.fr](http://www.pridemobility.fr)  
[www.quantumrehab.fr](http://www.quantumrehab.fr)

## **Spain**

Calle Las Minas Número 67  
Polígono Industrial Urtinsa II, de Alcorcón  
28923 Madrid

## **Germany**

Hövelrieger Str. 28  
33161 Hövelhof  
[www.pridemobility.de](http://www.pridemobility.de)

## **China**

Room 508, Building #4  
TianNa Business Zone  
No. 500 Jianyun Road  
Pudong New Area  
Shanghai 201318

