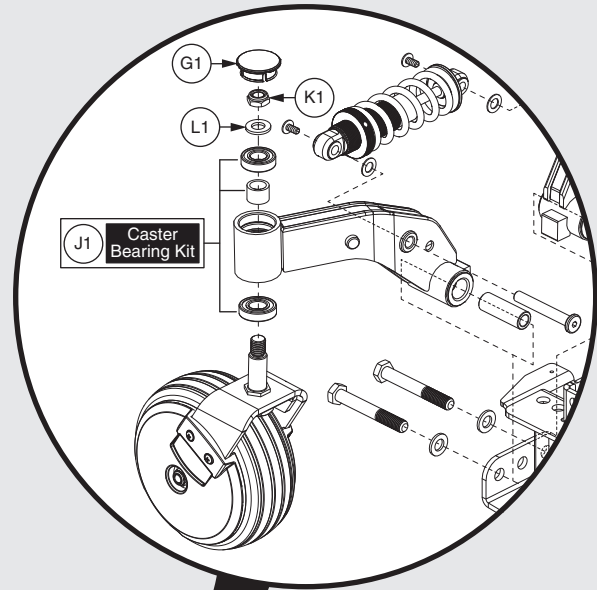




PRIDE[®]
MOBILITY
LIVE YOUR BEST[®]



Illustrated Parts Breakdown



This Illustrated Parts Breakdown (IPB) Catalog has been compiled from the latest product information available at the time of publication. Quantum Rehab[®] / Pride Mobility Products[®] Corporation reserves the right to make changes and updates to this manual and to the product(s) it represents. Any changes, updates, or improvements to the product(s) may result in slight differences between this manual and the product that has been purchased.

An IPB is a graphically portrayed parts listing of product components which have been deemed to have serviceable, maintenance significance. When applicable, IPBs utilize “exploded” illustrations that detail serviceable components and a corresponding itemized parts list of reference numbers, part numbers, descriptions, quantities, and any applicable pricing. Most product components are incorporated into assemblies and may not be available for replacement.

Serviceable components will be noted by a callout in the illustration that will correspond to a alphanumeric reference number in the parts list. Items may also be listed in the parts list by parent assemblies. In most cases when a parent assembly is listed, there will be child parts or sub-assemblies listed under that parent.

For example: The parent assembly reference number is A1 — A5. That part contains all of the items listed as and contained within A1, A2, A3, A4, & A5. As long as these subcomponents have a callout associated with them, they can be selected for replacement or quote.

Updates to the contents of an IPB will be made on a regular basis based upon applicable product changes and enhancements. This PDF catalog has been export from the Provider based service site. The most up to date parts look up tool and ordering application is located at: prideprovider.com. Please utilize this system to enhance your user experience. It is built with highly interactive materials that are set with relational properties that will facilitate easier part look-up, more accurate parts selection, notification of onhand part availability, and quick links to related documents and products.

We welcome all questions and comments regarding the Quantum Rehab[®] / Pride Mobility Products[®] Corporation IPB systems.

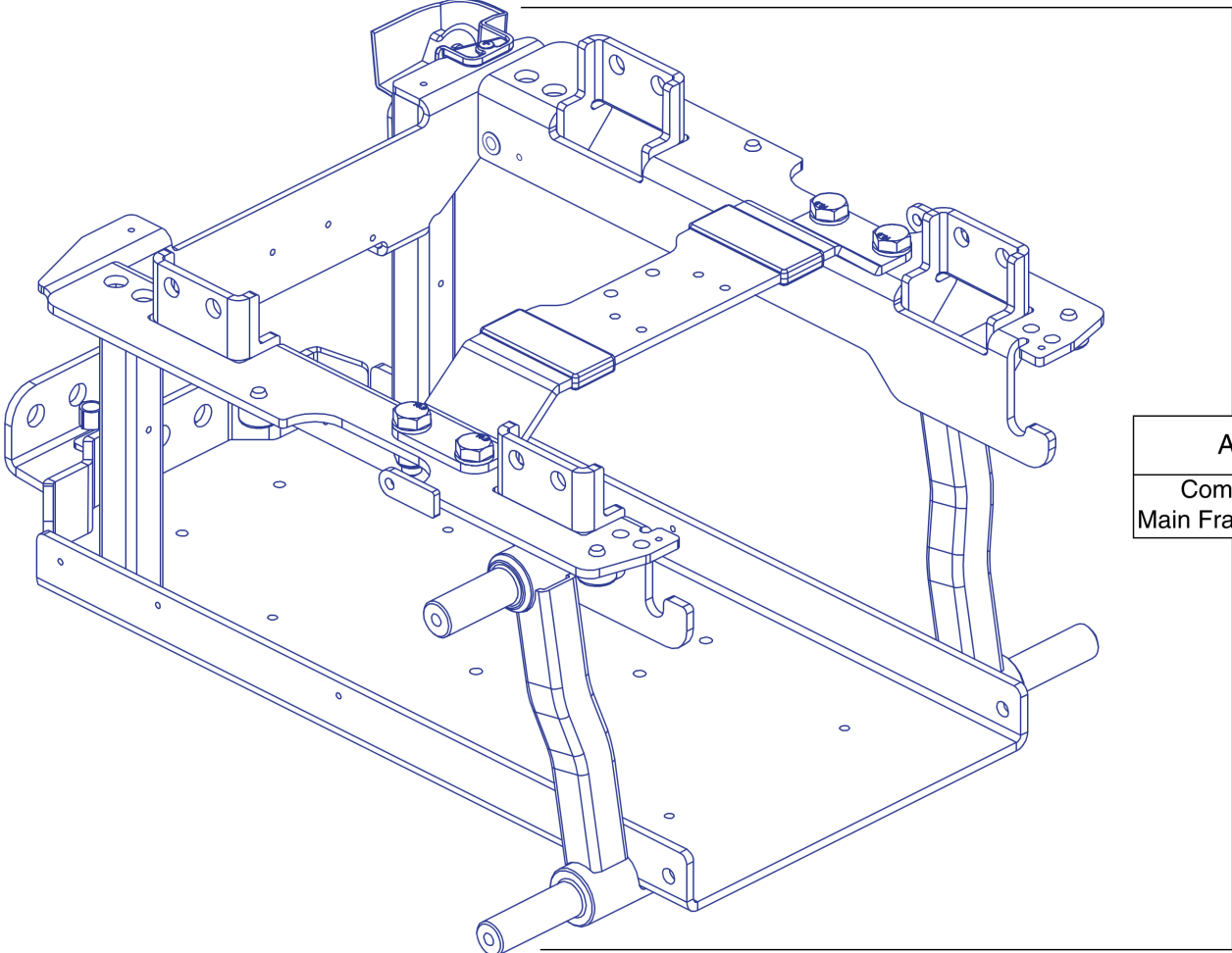
Any pricing that is included in Quantum Rehab[®] /Pride Mobility Products[®] Corporation IPBs is subject to change without prior notice.

Thank you for choosing products from Quantum Rehab[®] and Pride Mobility Products[®] Corporation.



1. Main Frame Assy	
Main Frame Assy - J623 2.0	1
2. Front Caster Assy	
Front Caster Assy - 6" Casters, Edge 2.0	3
3. Rear Caster Assy	
Rear Caster Assy - 6" Casters, Edge 2.0	5
4. Drive Motor Assy	
Drive Motor Assy - 5 Spoke Hub, 6MPH, PG, J623 2.0	7
5. Joystick Assy	
VR2 Joystick Assemblies	9
6. Electronics Assy's	
VR2, Static Seat Electronic Assy, J623 2.0	11
VR2, Tilt Only Electronic Assy, J623 2.0	13
VR2, Lift Only Electronic Assy, J623 2.0	15
VR2, Lift and Tilt Electronic Assy, J623 2.0	17
7. Foot Platform Assy	
Foot Platform Assy's, Edge Series	19
8. Battery Access Brackets	
Recessed Battery Access Bracket Assy	21
Standard Battery Access Bracket Assy's	23
9. Shroud Assy's	
Main Carrier Shroud & Rear Door Shroud Assy's, J623 2.0	25
Standard & Recessed Front Door Shroud Assy's, J623 2.0	27
Center Panel Shroud and Battery Spacer, J623 2.0	29
10. Fenders	
Fender Shroud Assy, Without Lights, Edge 2.0 / Edge 3	31
11. Seat Towers, Transit Loops, and Trapeze Bars	
Seat Towers, Transit Loops, and Trapeze Bar's - J623 2.0	33
12. Drive Wheel Assy's	
Drive Wheel - Pneumatic, 5 Spoke Titanium Rim/Black Tire	35
Drive Wheel - Flat-free, 5 Spoke Titanium Rim/Black Tire	37
13. Off-board Charger Assy	
8 Amp UPG Charger Assy, AGM / GEL Selectable	39
14. Batteries	
MK, NF-22, AGM, Battery Assy	41
MK, NF-22, GEL, Battery Assy	43
Universal, NF-22, AGM, Battery Assy	45
Universal, NF-22, GEL, Battery Assy	47
Interceptor, NF-22, GEL, Battery	49
15. Owner's & Decal Packages	
Owner's Package, J623 2.0 Australia	51
Decal Package, J623 2.0 Australia	53
Appendix A:Pages Index	55
Appendix B:Parts Index	56

1. Main Frame Assy



A1
Complete Main Frame Assy

Main Frame Assy - J623 2.0



Item	Part No.	Name	Qty
A1	MEC1714451	MAIN FRAME ASSEMBLY	1

2. Front Caster Assy

NOTE: Only serviceable components contain callouts. Items with lower-case extensions represent left/right specific sides.

Complete Caster Arm Assy's

(A1a) Right	(A1b) Left
-------------	------------

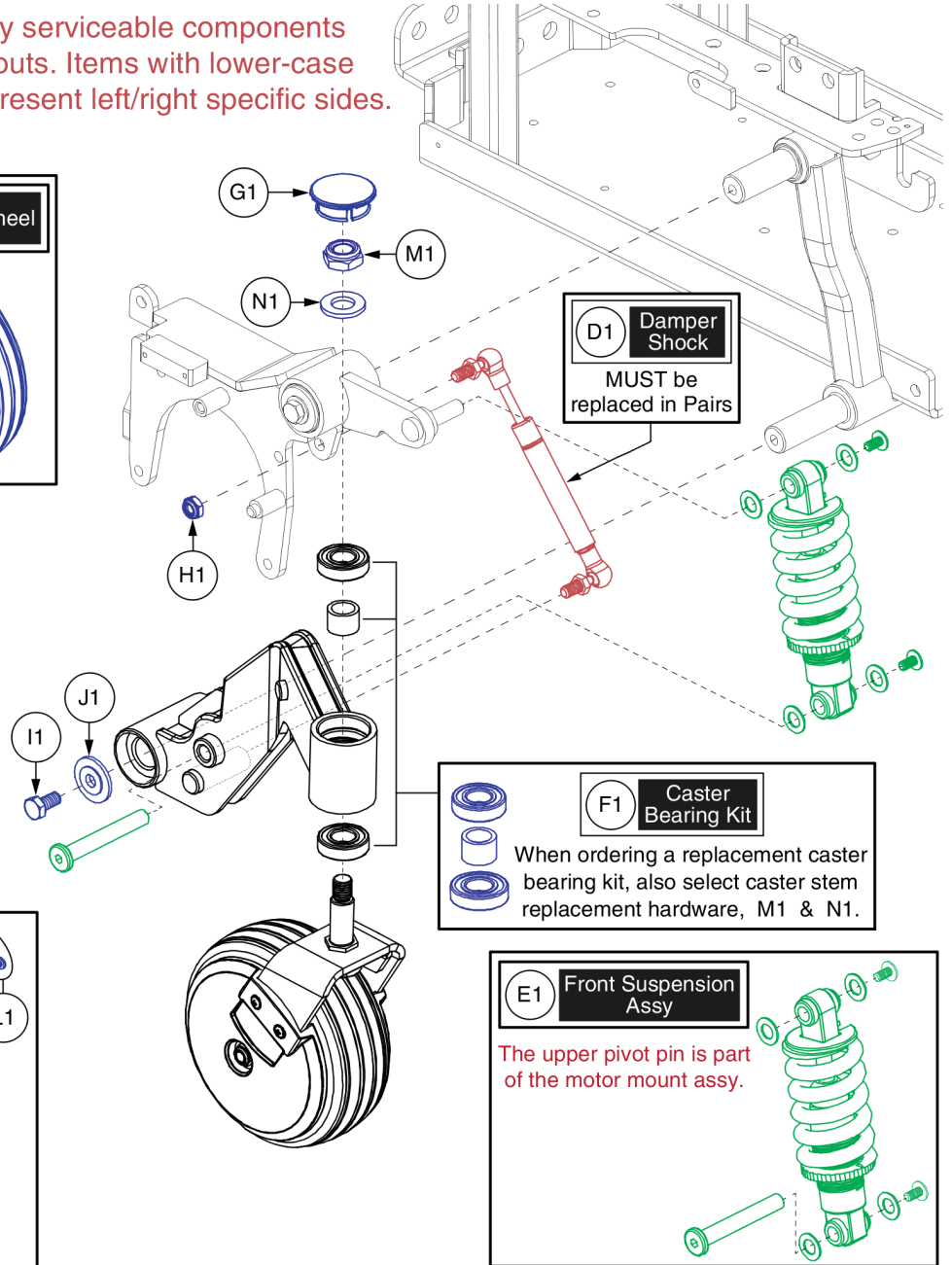
Does not include the mounting hardware, I1 & J1.

(C1) 6" Caster Wheel

Complete Caster Fork & Wheel Assy's

(B1a) Right	
(B1b) Left	

Caster Wheel Covers



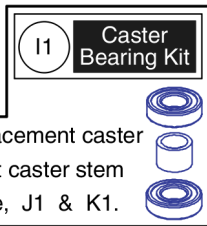
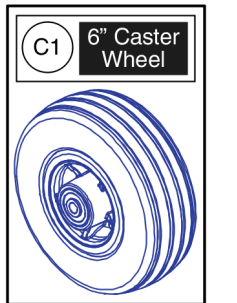
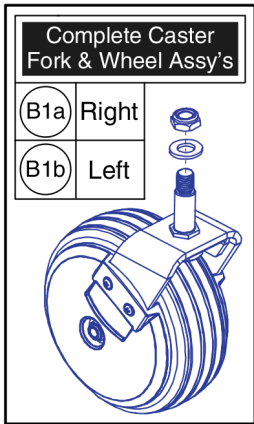
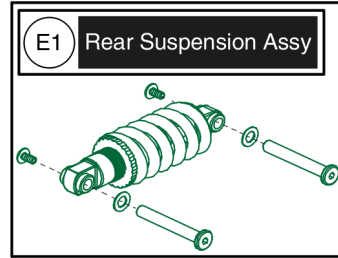
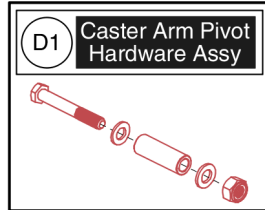
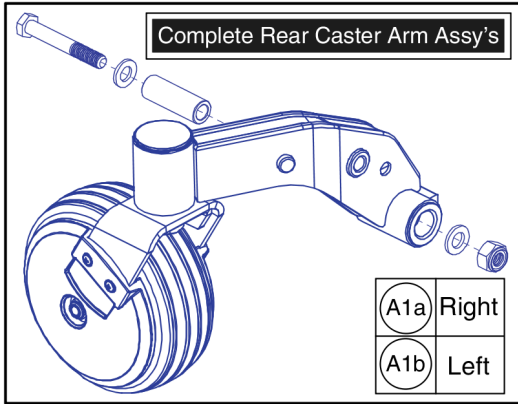
Front Caster Assy - 6" Casters, Edge 2.0



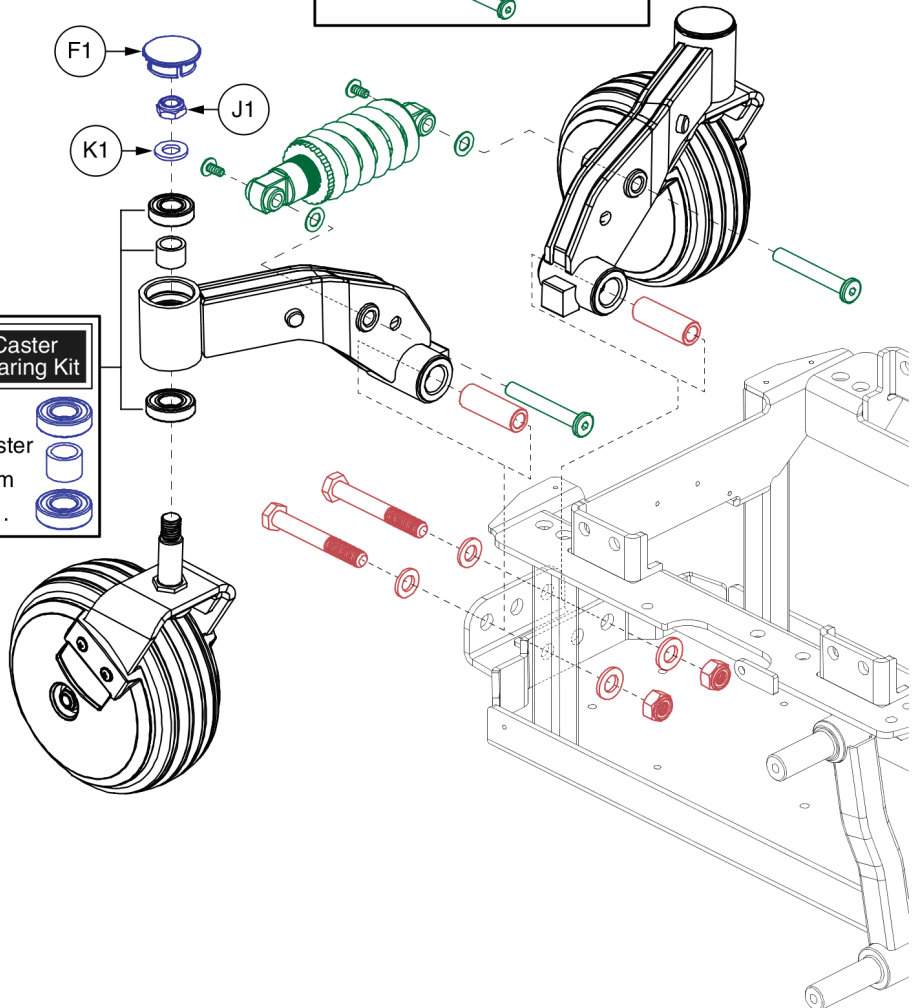
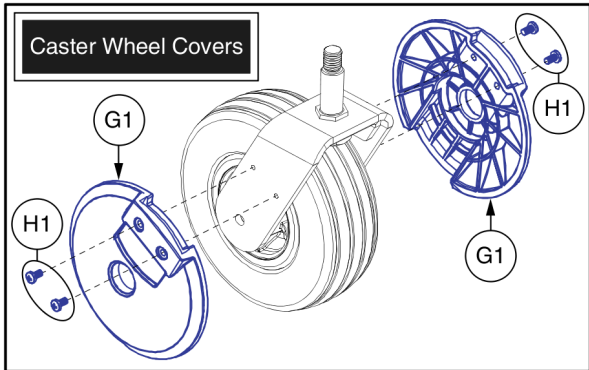
Item	Part No.	Name	Qty
A1a	MEC138478-D	CASTER ARM,ASSY,6" EURO GRAY RIM/BLACK TIRE,BLACK CASTER ARM,FRONT RIGHT	1
A1b	MEC137719-D	CASTER ARM,ASSY,6" EURO GRAY RIM/BLACK TIRE,BLACK CASTER ARM,FRONT LEFT	1
B1a	MEC151501-B	CASTER ASSEMBLY, 6", BLACK RIM / BLACK TIRE, RIGHT	1
B1b	MEC151499-B	CASTER ASSEMBLY, 6", BLACK RIM / BLACK TIRE, LEFT	1
C1	WHLASMB7110039	WHEEL,ASSY,LOW IMPACT,BLACK RIM/BLACK TIRE,6" X 2",W/BEARINGS & SPACER,E-1202-039	1
D1	DWR1062C058	SUSPENSION,DAMPER SHOCK,W/10MM BALL ENDS,60MM STROKE,COMPRESSION,C-1062-058 ***Must Be Replaced In Pairs***	1
E1	MEC145229	FRONT SUSPENSION ASSEMBLY, EDGE 2.0	1
F1	MEC122534	CASTER BEARING KIT	1
G1	DGN140932	CASTER CAP, 42MM BARREL	1
H1	NUTNJAM1020	NUT,NYLOCK JAM,BLACK ZINC,M8-1.25	1
I1	SCRHHCS1412	SCREW, HEX HEAD, M8X1.25 X 16, ISO 4014, CL 10.9, BZ, PVTP	1
J1	WASMETR1096	WASHER,CUSTOM,BLACK ZINC,8.4MM ID X 30MM OD X 2.5MM TH	1
K1	DWR1202D044	COVER,CASTER SPHERE,BLACK,6" WHEEL,THIN,LOW PROFILE,D- 1202-044	2
L1	SCRPPH1036	SCREW, PAN HEAD, TYPE H, M4X0.7 X 8, FT, ISO 7045, CL 4.8, BZ	4
M1	NUTNYLK1013	NUT,LOCK,M12X1.75,12 HIGH,19 WIDE,CL 8,BZ,PVTP	1
N1	WASMETR1032	WASHER,FLAT,13ID X 24OD X 2.5TH,ISO 7089-12-200 HV,BZ	1

3. Rear Caster Assy

NOTE: Only serviceable components contain callouts. Items with lower-case extensions represent left/right specific sides.



When ordering a replacement caster bearing kit, also select caster stem replacement hardware, J1 & K1.

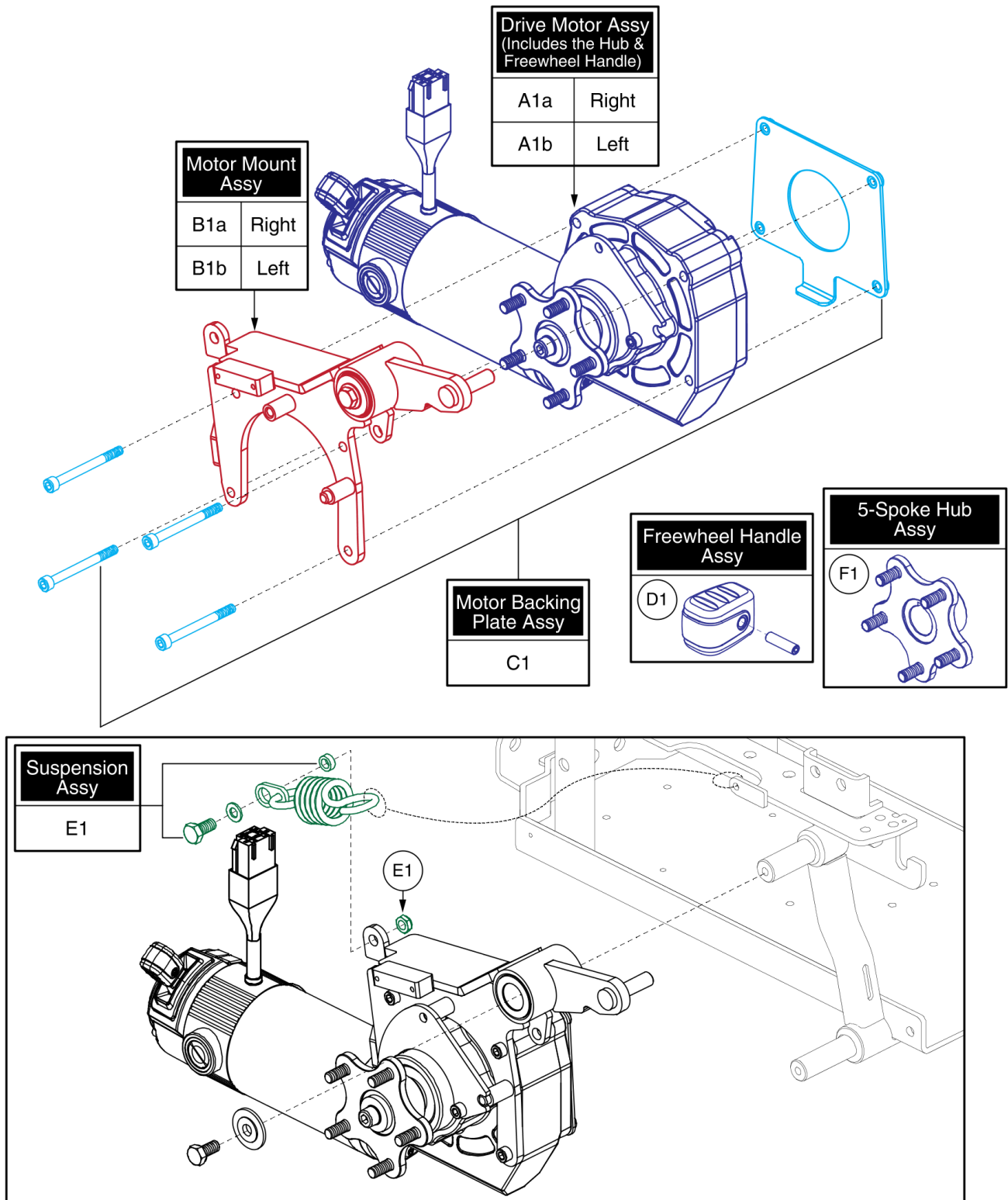


Rear Caster Assy - 6" Casters, Edge 2.0



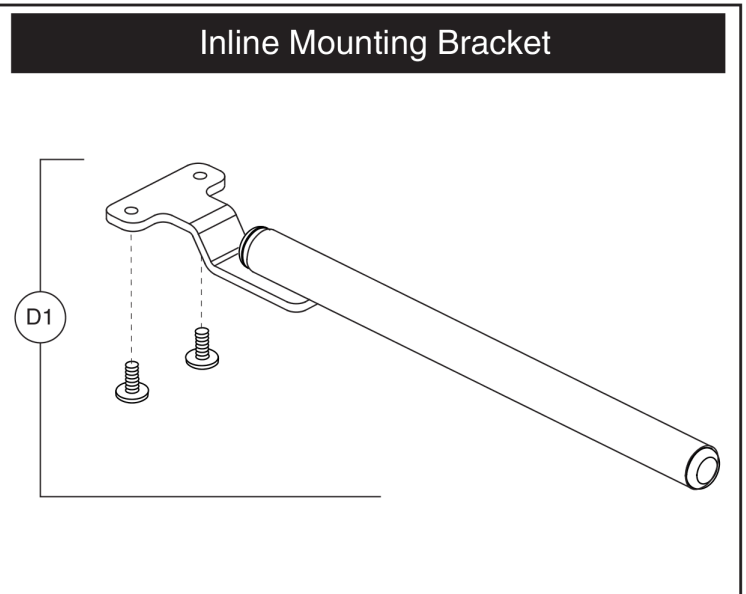
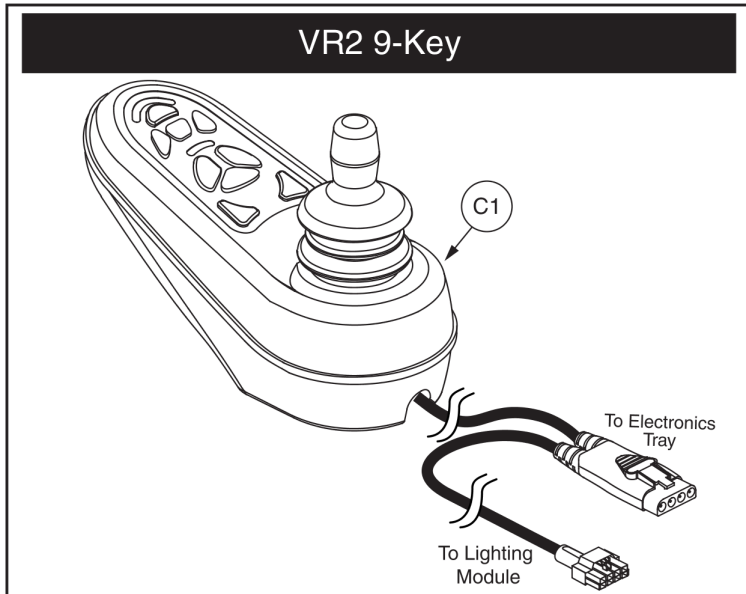
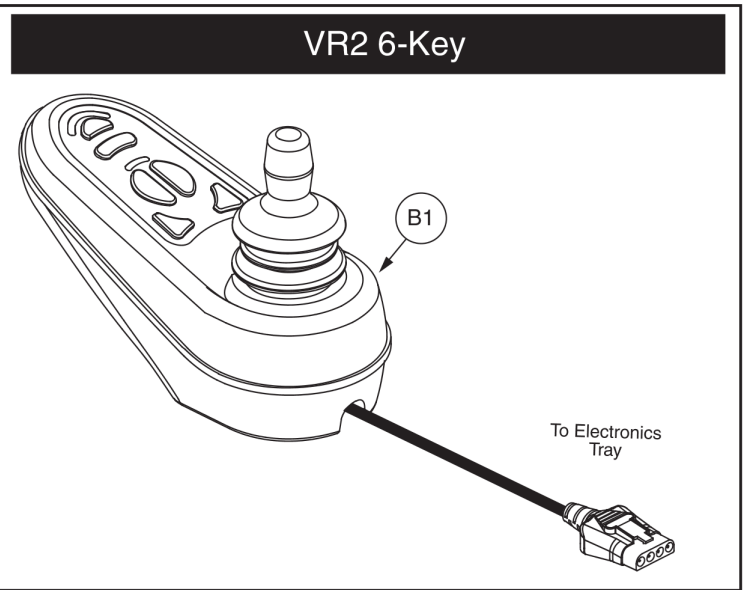
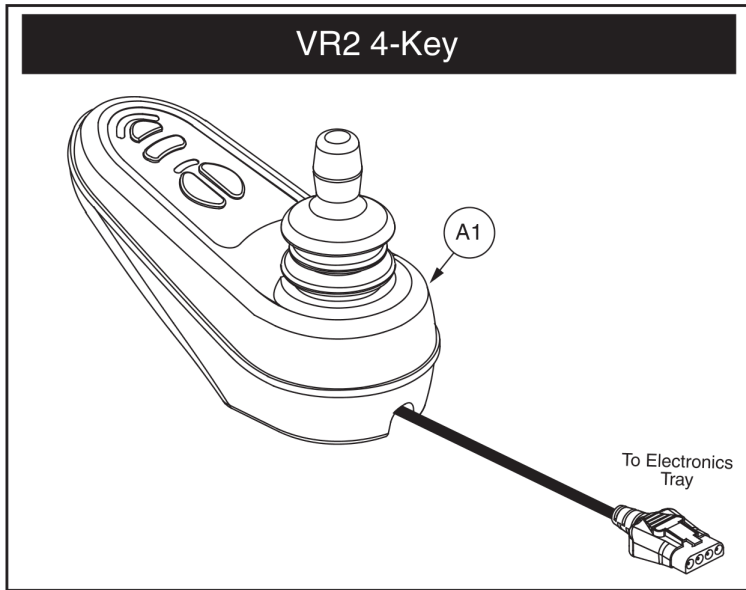
Item	Part No.	Name	Qty
A1a	MEC138498-D	CASTER ARM,ASSY,6" EURO GRAY RIM/BLACK TIRE,BLACK CASTER ARM,REAR RIGHT	1
A1b	MEC138497-D	CASTER ARM,ASSY,6" EURO GRAY RIM/BLACK TIRE,6" BLACK CASTER ARM,REAR LEFT	1
B1a	MEC151501-B	CASTER ASSEMBLY, 6", BLACK RIM / BLACK TIRE, RIGHT	1
B1b	MEC151499-B	CASTER ASSEMBLY, 6", BLACK RIM / BLACK TIRE, LEFT	1
C1	WHLASMB7110039	WHEEL,ASSY,LOW IMPACT,BLACK RIM/BLACK TIRE,6" X 2",W/BEARINGS & SPACER,E-1202-039	1
D1	HDWASMB1170	PIVOT HARDWARE SUB-ASSEMBLY	1
E1	MEC145230	REAR SUSPENSION ASSEMBLY, EDGE 2.0	1
F1	DGN140932	CASTER CAP, 42MM BARREL	1
G1	DWR1202D044	COVER,CASTER SPHERE,BLACK,6" WHEEL,THIN,LOW PROFILE,D- 1202-044	2
H1	SCRPPH1036	SCREW, PAN HEAD, TYPE H, M4X0.7 X 8, FT, ISO 7045, CL 4.8, BZ	4
I1	MEC122534	CASTER BEARING KIT	1
J1	NUTNYLK1013	NUT,LOCK,M12X1.75,12 HIGH,19 WIDE,CL 8,BZ,PVTP	1
K1	WASMETR1032	WASHER,FLAT,13ID X 24OD X 2.5TH,ISO 7089-12-200 HV,BZ	1

4. Drive Motor Assy



Item	Part No.	Name	Qty
A1a	MOT1810170-02	MOTOR ASM, EDGE, HUB BRACKET LABEL, 700MM R-NET CONNECTOR	1
A1b	MOT1810171-02	MOTOR ASM, EDGE, HUB BRACKET LABEL, MIR, 700MM R-NET CONNECTOR	1
B1a	MEC145208	RIGHT MOTOR MOUNT ASSEMBLY, LINIX	1
B1b	MEC145207	LEFT MOTOR MOUNT ASSEMBLY, LINIX	1
C1	MEC145634	MOTOR MOUNT,ASSY,LINIX TO EDGE 2.0	1
D1	FRMASMB8691	FREEWHEEL,ASSY,RELEASE HANDLE GRIP,YELLOW,B-1160-051	1
E1	MEC1714454	MOTOR SUSPENSION ASSEMBLY, EDGE 2.0	1
F1	MEC145417	HUB ASSEMBLY	1

5. Joystick Assy

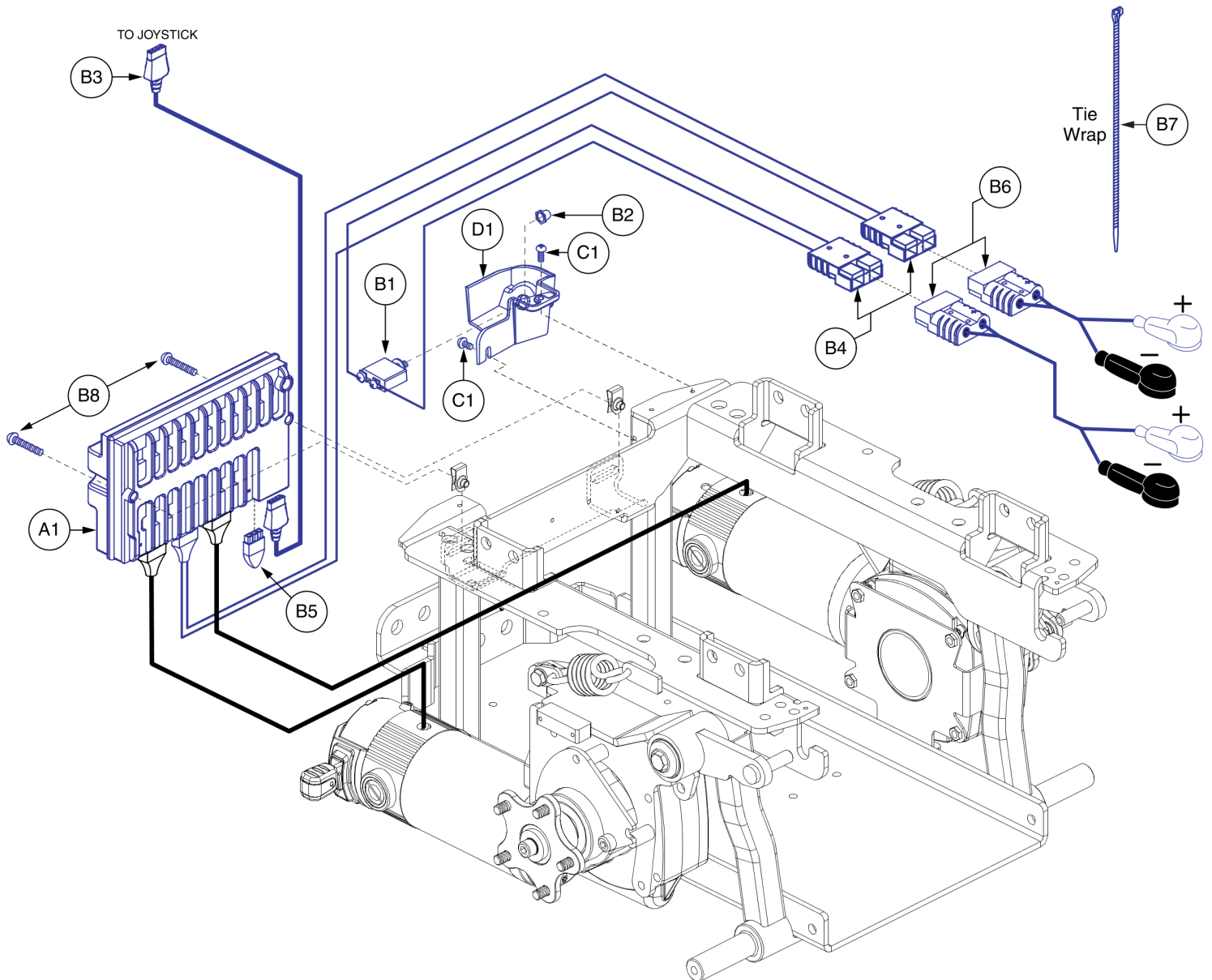


VR2 Joystick Assemblies



Item	Part No.	Name	Qty
A1	CTLDC1463	CONTROLLER,JOYSTICK MODULE,4 KEY,VR2,H-1111-015,(P&G: D50677)	1
B1	CTLDC1498	CONTROLLER,JOYSTICK MODULE,6 KEY,VR2,H-1111-063,(P&G: D50680)	1
C1	CTLDC1505	CONTROLLER,JOYSTICK MODULE,9 KEY,ACTUATORS & LIGHTS,VR2,H-1010-130,(P&G: D50871)	1
D1	FRMASMB9532	JOYSTICK MOUNTING BRACKET,ASSY,GC/VR2 CONTROLLER,INLINE	1

6. Electronics Assy's

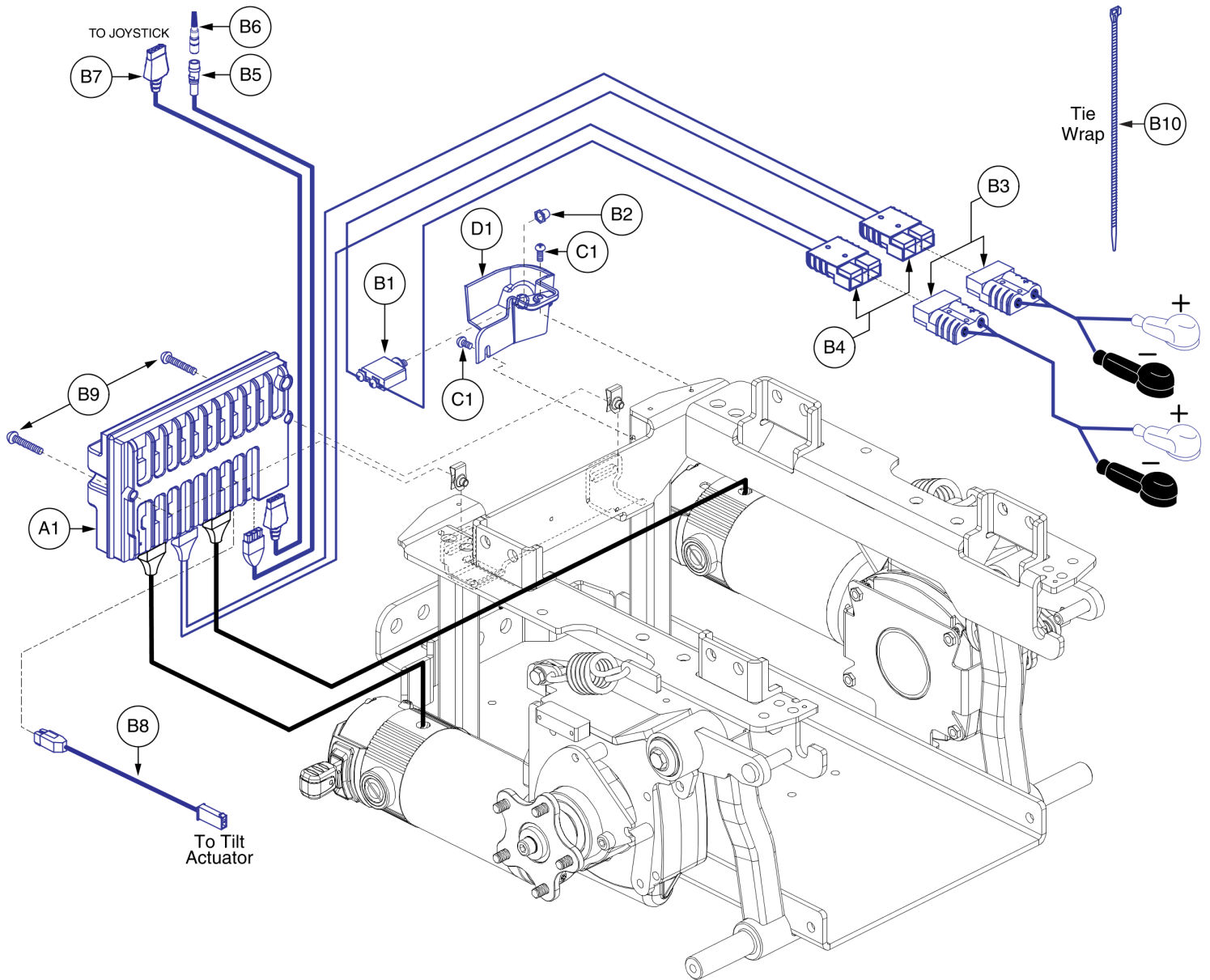


VR2, Static Seat Electronic Assy, J623 2.0



Item	Part No.	Name	Qty
A1 - B8	ELE2000958	ELECTRONIC,ASSY,VR2,LINIX,6 MPH,J623 2.0, STATIC SEAT	1
A1	CTL2000959	CONTROLLER,VR2,ASSY,90 AMP,W/LINIX,6 MPH PROGRAM,J623 2.0, STATIC SEAT	1
B1 - B8	ELE2000891	ELECTRONIC,ASSY,VR2,PARTIAL J623 2.0	1
B1	ELE1705477	ELECTRONIC,ASSY,CIRCUIT BREAKER,70 AMP,COMPLETE,RIGHT ANGLE TERMINALS,PUSH TO RESET	1
B2	INDPART2420	BREAKER WEATHER CAP, SILICA GEL, W/ M11-1.0 NUT	1
B3	DWR1010H128	ELECTRONIC,HARNESS,VR2 EXTENSION CABLE,H-1010-128,(P&G: SA77974)	1
B4	DWR1062H004	ELECTRONIC,HARNESS,POWER CABLE,Q6EDGE,R-NET,H-1062-004	1
B5	DWR1116H054	ELECTRONIC,HARNESS,RUN PLUG,3 PIN,VR2,H-1116-054	1
B6	DWR1502H005	ELECTRONIC,ASSY,BATTERY CABLE,GRAY,W/125A/32V FUSEABLE LINK,QUICK DISCONNECT,H-1502-005	2
B7	PLSTIE1004	TIE WRAP,BLACK,8"	5
B8	SCRPPH1390	SCREW,PPH,BLACK ZINC,M5-8 X 35MM	2
C1	SCRPPH1036	SCREW, PAN HEAD, TYPE H, M4X0.7 X 8, FT, ISO 7045, CL 4.8, BZ	2
D1	DWR1062D078	SHROUD,BREAKER MOUNT,BLACK,MOLDED ABS,D-1062-078	1

6. Electronics Assy's

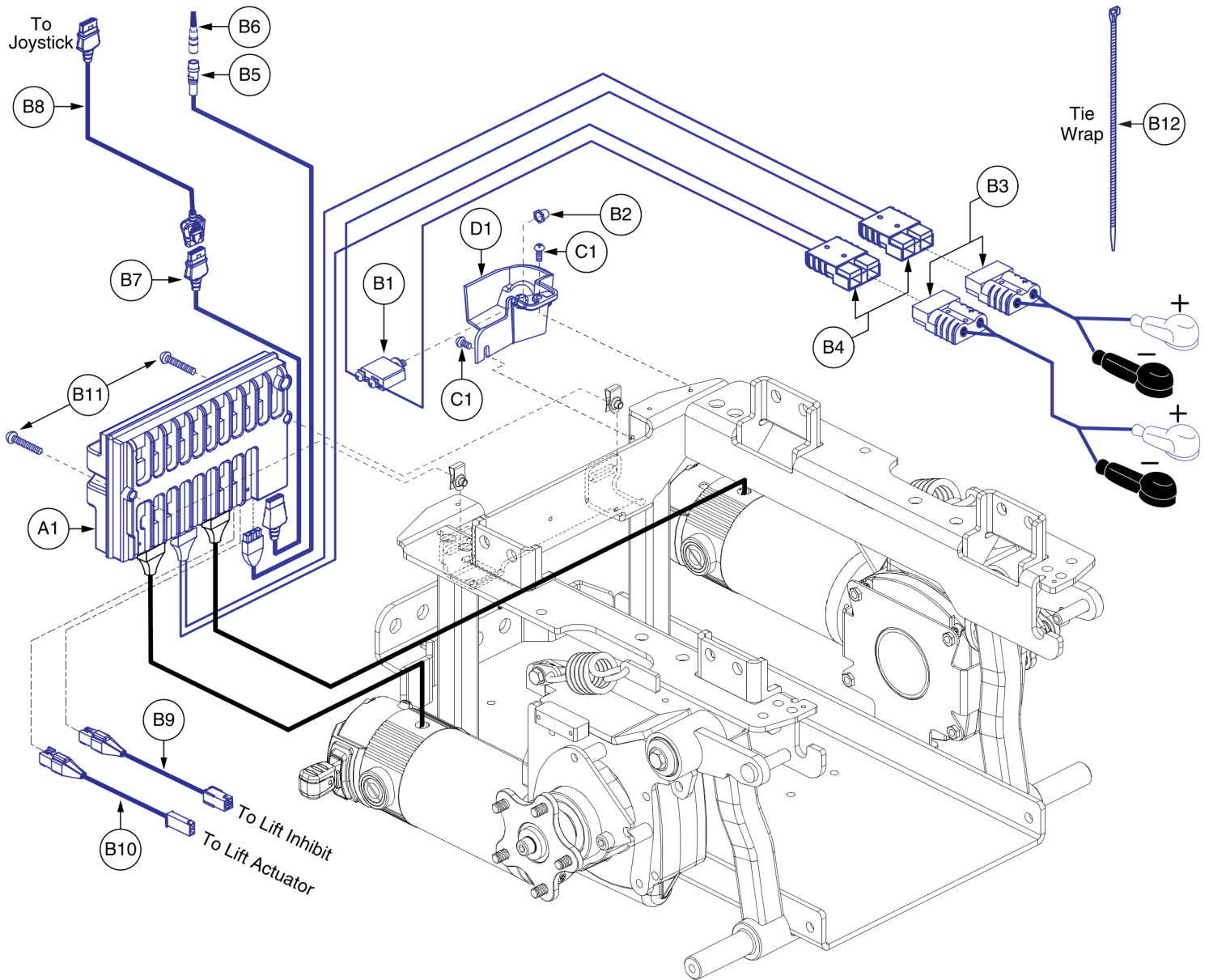


VR2, Tilt Only Electronic Assy, J623 2.0



Item	Part No.	Name	Qty
A1 - B10	ELE2000947	ELECTRONIC,ASSY,VR2,LINIX,6 MPH,J623 2.0, TILT ONLY	
A1	CTL2000951	CONTROLLER,VR2,ASSY,90 AMP,W/LINIX,6 MPH PROGRAM,J623 2.0, TILT ONLY	1
B1 - B10	ELE2000954	ELECTRONIC,ASSY, VR2, J623 2.0, QUANTUM,TILT ONLY	1
B1	ELE1705477	ELECTRONIC,ASSY,CIRCUIT BREAKER,70 AMP,COMPLETE,RIGHT ANGLE TERMINALS,PUSH TO RESET	1
B2	INDPART2420	BREAKER WEATHER CAP, SILICA GEL, W/ M11-1.0 NUT	1
B3	DWR1502H005	ELECTRONIC,ASSY,BATTERY CABLE,GRAY,W/125A/32V FUSEABLE LINK,QUICK DISCONNECT,H-1502-005	2
B4	DWR1062H004	ELECTRONIC,HARNESS,POWER CABLE,Q6EDGE,R-NET,H-1062-004	1
B5	DWR1265H030	ELECTRONIC,HARNESS,POWER TAKE OFF(PTO)/INHIBIT,VR2,H-1265-030	1
B6	DWR1361H038	ELECTRONIC,HARNESS,RUN PLUG,SURE SEAL,SYNERGY TILT,H-1361-038	1
B7	DWR1010H128	ELECTRONIC,HARNESS,VR2 EXTENSION CABLE,H-1010-128,(P&G: SA77974)	1
B8	DWR1361H076	ELECTRONIC,HARNESS,TRU-BALANCE 2 POWER TILT/RECLINE ACTUATOR,VR2,H-1361-076	1
B9	SCRPPH1390	SCREW,PPH,BLACK ZINC,M5-8 X 35MM	2
B10	PLSTIE1004	TIE WRAP,BLACK,8"	5
C1	SCRPPH1036	SCREW, PAN HEAD, TYPE H, M4X0.7 X 8, FT, ISO 7045, CL 4.8, BZ	2
D1	DWR1062D078	SHROUD,BREAKER MOUNT,BLACK,MOLDED ABS,D-1062-078	1

6. Electronics Assy's

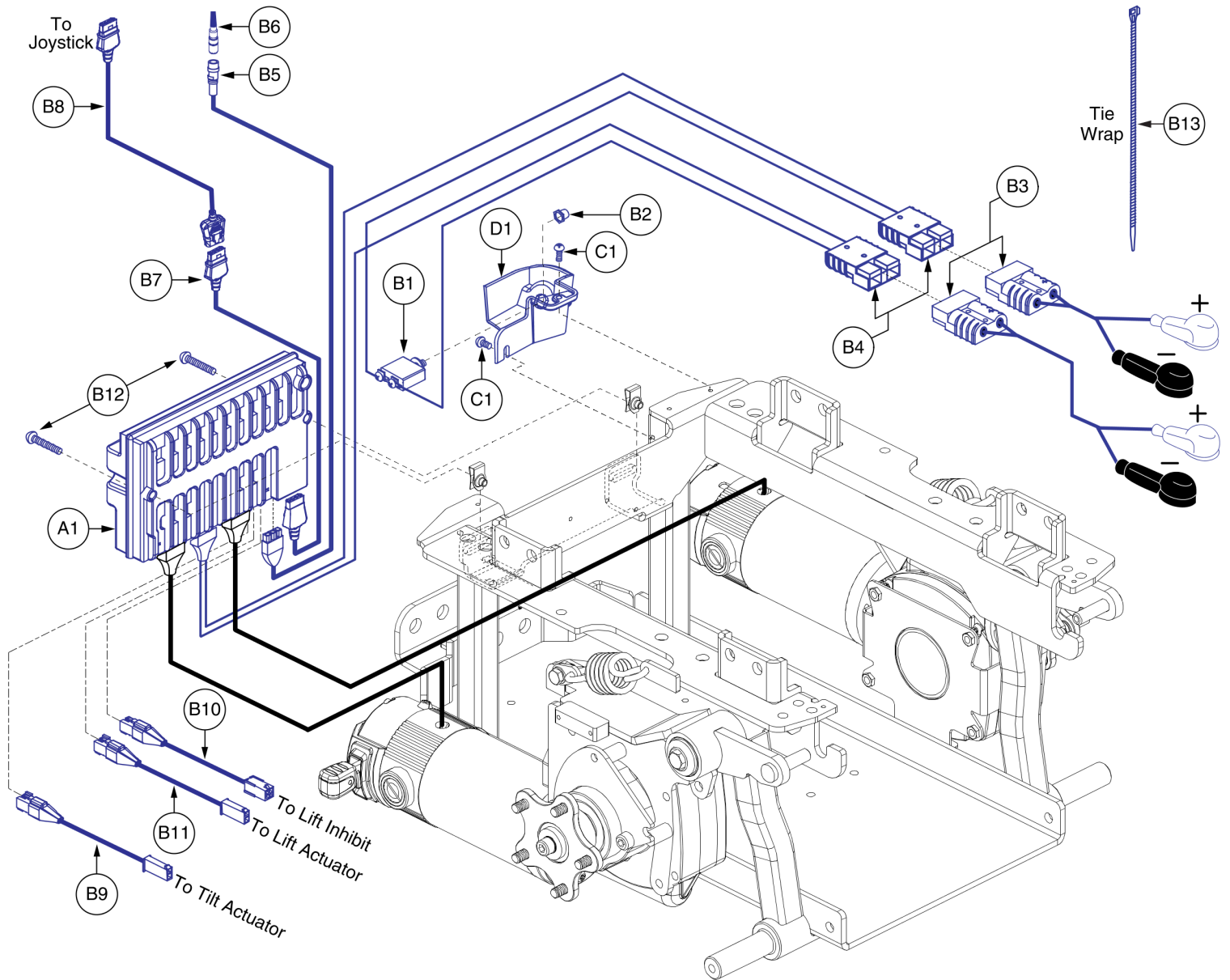


VR2, Lift Only Electronic Assy, J623 2.0



Item	Part No.	Name	Qty
A1 - B12	ELE2000948	ELECTRONIC,ASSY,VR2,LINIX,6 MPH,J623 2.0, LIFT ONLY	1
A1	CTL2000952	CONTROLLER,VR2,ASSY,90 AMP,W/LINIX,6 MPH PROGRAM,J623 2.0, LIFT ONLY	1
B1 - B12	ELE2000955	ELECTRONIC,ASSY, VR2, J623 2.0, QUANTUM, LIFT ONLY	1
B1	ELE1705477	ELECTRONIC,ASSY,CIRCUIT BREAKER,70 AMP,COMPLETE,RIGHT ANGLE TERMINALS,PUSH TO RESET	1
B2	INDPART2420	BREAKER WEATHER CAP, SILICA GEL, W/ M11-1.0 NUT	1
B3	DWR1502H005	ELECTRONIC,ASSY,BATTERY CABLE,GRAY,W/125A/32V FUSEABLE LINK,QUICK DISCONNECT,H-1502-005	2
B4	DWR1062H004	ELECTRONIC,HARNESS,POWER CABLE,Q6EDGE,R-NET,H-1062-004	1
B5	DWR1265H030	ELECTRONIC,HARNESS,POWER TAKE OFF(PTO)/INHIBIT,VR2,H-1265-030	1
B6	DWR1361H038	ELECTRONIC,HARNESS,RUN PLUG,SURE SEAL,SYNERGY TILT,H-1361-038	1
B7	DWR1010H128	ELECTRONIC,HARNESS,VR2 EXTENSION CABLE,H-1010-128,(P&G: SA77974)	1
B8	ELE1800022	VR2 EXTENSION CABLE 2M (P&G: SA81797)	1
B9	ELE137874	ELECTRONIC,HARNESS, R-NET,LIFT INHIBIT INTERFACE	1
B10	ELE136088	ELECTRONIC,HARNESS,R-NET ACTUATOR INTERFACE,MOLEX/INTECH	1
B11	SCRPPH1390	SCREW,PPH,BLACK ZINC,M5-8 X 35MM	2
B12	PLSTIE1004	TIE WRAP,BLACK,8"	5
C1	SCRPPH1036	SCREW, PAN HEAD, TYPE H, M4X0.7 X 8, FT, ISO 7045, CL 4.8, BZ	2
D1	DWR1062D078	SHROUD,BREAKER MOUNT,BLACK,MOLDED ABS,D-1062-078	1

6. Electronics Assy's

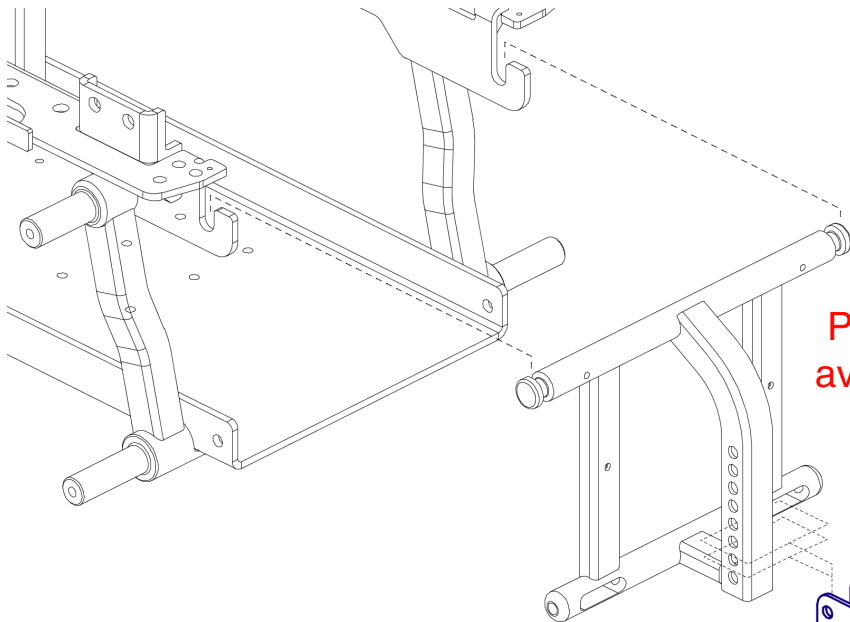


VR2, Lift and Tilt Electronic Assy, J623 2.0

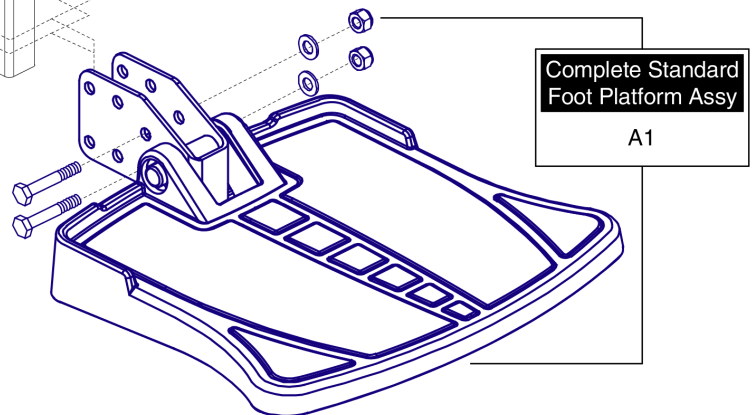
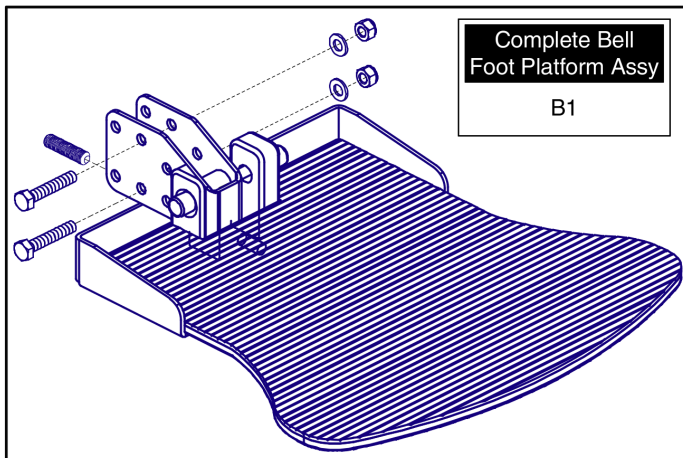


Item	Part No.	Name	Qty
A1 - B13	ELE2000949	ELECTRONIC,ASSY,VR2,LINIX,6 MPH,J623 2.0, LIFT & TILT	1
A1	CTL2000953	CONTROLLER,VR2,ASSY,90 AMP,W/LINIX,6 MPH PROGRAM,J623 2.0, LIFT & TILT	1
B1 - B13	ELE2000956	ELECTRONIC,ASSY, VR2, J623 2.0, QUANTUM,LIFT&TILT	1
B1	ELE1705477	ELECTRONIC,ASSY,CIRCUIT BREAKER,70 AMP,COMPLETE,RIGHT ANGLE TERMINALS,PUSH TO RESET	1
B2	INDPART2420	BREAKER WEATHER CAP, SILICA GEL, W/ M11-1.0 NUT	1
B3	DWR1502H005	ELECTRONIC,ASSY,BATTERY CABLE,GRAY,W/125A/32V FUSEABLE LINK,QUICK DISCONNECT,H-1502-005	2
B4	DWR1062H004	ELECTRONIC,HARNESS,POWER CABLE,Q6EDGE,R-NET,H-1062-004	1
B5	DWR1265H030	ELECTRONIC,HARNESS,POWER TAKE OFF(PTO)/INHIBIT,VR2,H-1265-030	1
B6	DWR1361H038	ELECTRONIC,HARNESS,RUN PLUG,SURE SEAL,SYNERGY TILT,H-1361-038	1
B7	DWR1010H128	ELECTRONIC,HARNESS,VR2 EXTENSION CABLE,H-1010-128,(P&G: SA77974)	1
B8	ELE1800022	VR2 EXTENSION CABLE 2M (P&G: SA81797)	1
B9	DWR1361H076	ELECTRONIC,HARNESS,TRU-BALANCE 2 POWER TILT/RECLINE ACTUATOR,VR2,H-1361-076	1
B10	ELE137874	ELECTRONIC,HARNESS, R-NET,LIFT INHIBIT INTERFACE	1
B11	ELE136088	ELECTRONIC,HARNESS,R-NET ACTUATOR INTERFACE,MOLEX/INTECH	1
B12	SCRPPH1390	SCREW,PPH,BLACK ZINC,M5-8 X 35MM	2
B13	PLSTIE1004	TIE WRAP,BLACK,8"	5
C1	SCRPPH1036	SCREW, PAN HEAD, TYPE H, M4X0.7 X 8, FT, ISO 7045, CL 4.8, BZ	2
D1	DWR1062D078	SHROUD,BREAKER MOUNT,BLACK,MOLDED ABS,D-1062-078	1

7. Foot Platform Assy



Please note: Individual parts are not available for purchase. The assembly must be selected.



Foot Platform Assy's, Edge Series

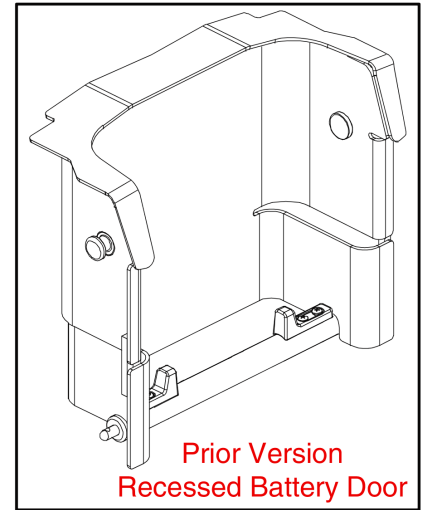
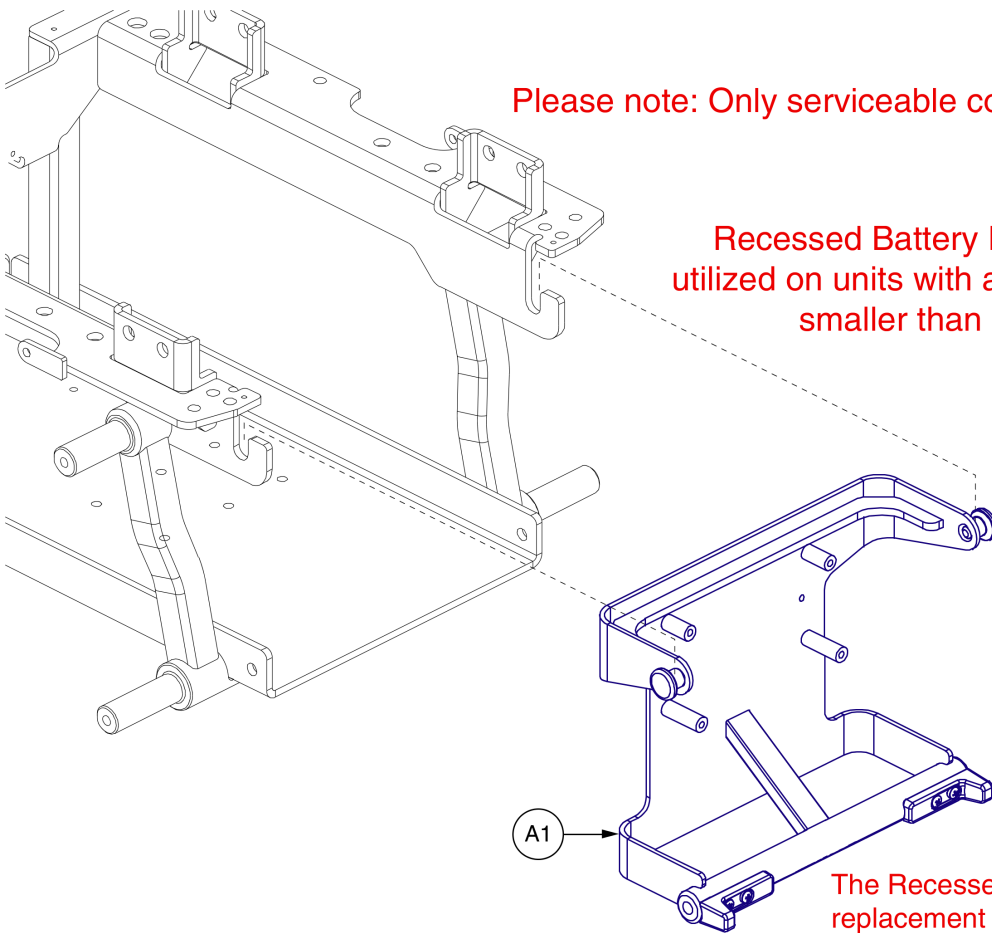


Item	Part No.	Name	Qty
A1	FRMASMB16077	FOOT PLATFORM,ASSY,W/MOUNTING BRACKET,Q6 EDGE,D-1201-067	1
B1	RIGASMB7120041	FOOT PLATFORM,ASSY,BELL,W/MOUNTING BRACKET,RIGASMB7120041	1

8. Battery Access Brackets

Please note: Only serviceable components are shown.

Recessed Battery Doors are utilized on units with a seat depth smaller than 18".



Prior Version
Reccessed Battery Door

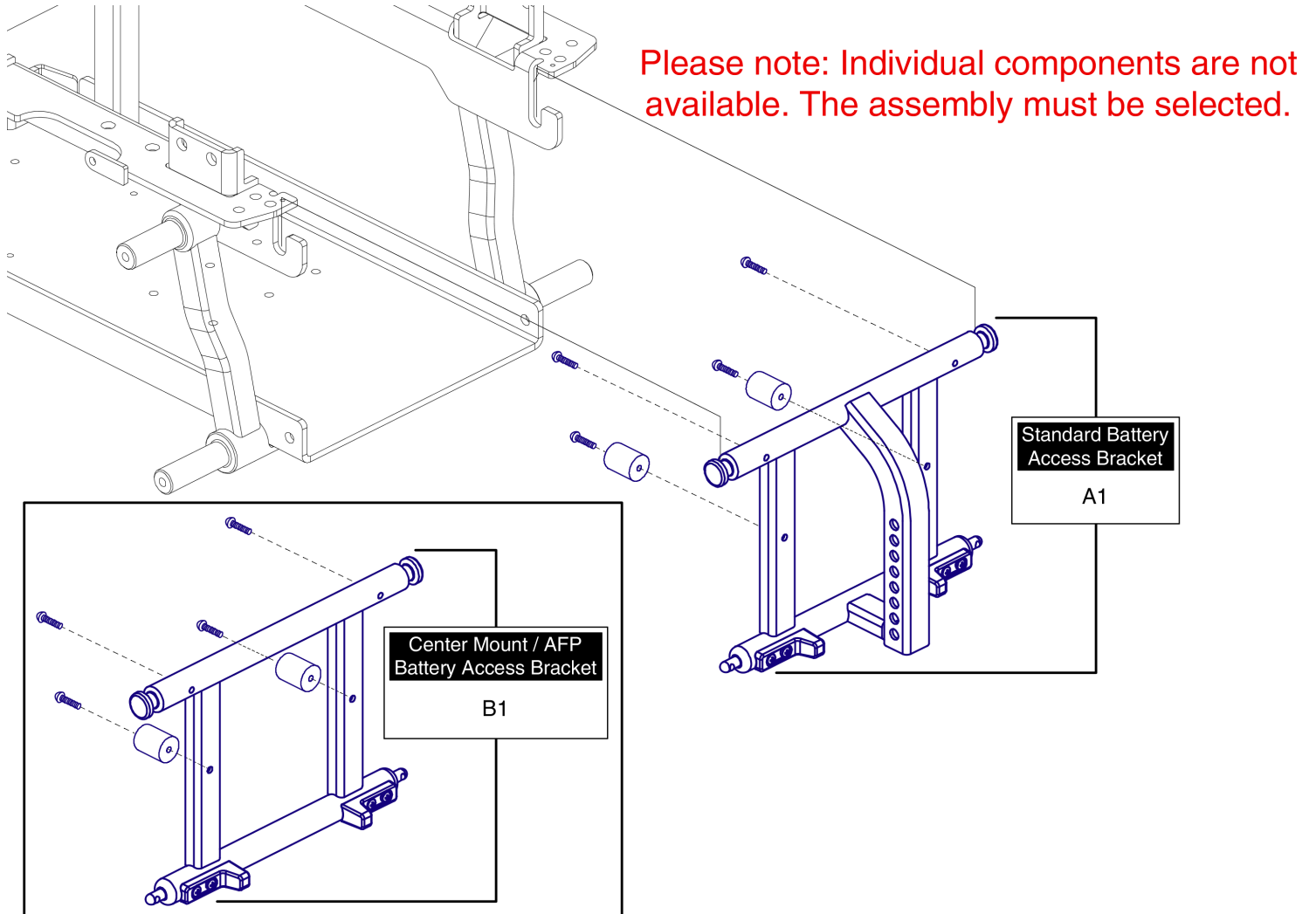
The Reccessed Battery Door shown is a direct replacement for all previous versions.

Recessed Battery Access Bracket Assy



Item	Part No.	Name	Qty
A1	MEC152612	FRAME,ASSY,RECESSED BATTERY DOOR	1

8. Battery Access Brackets



Standard Battery Access Bracket Assy's

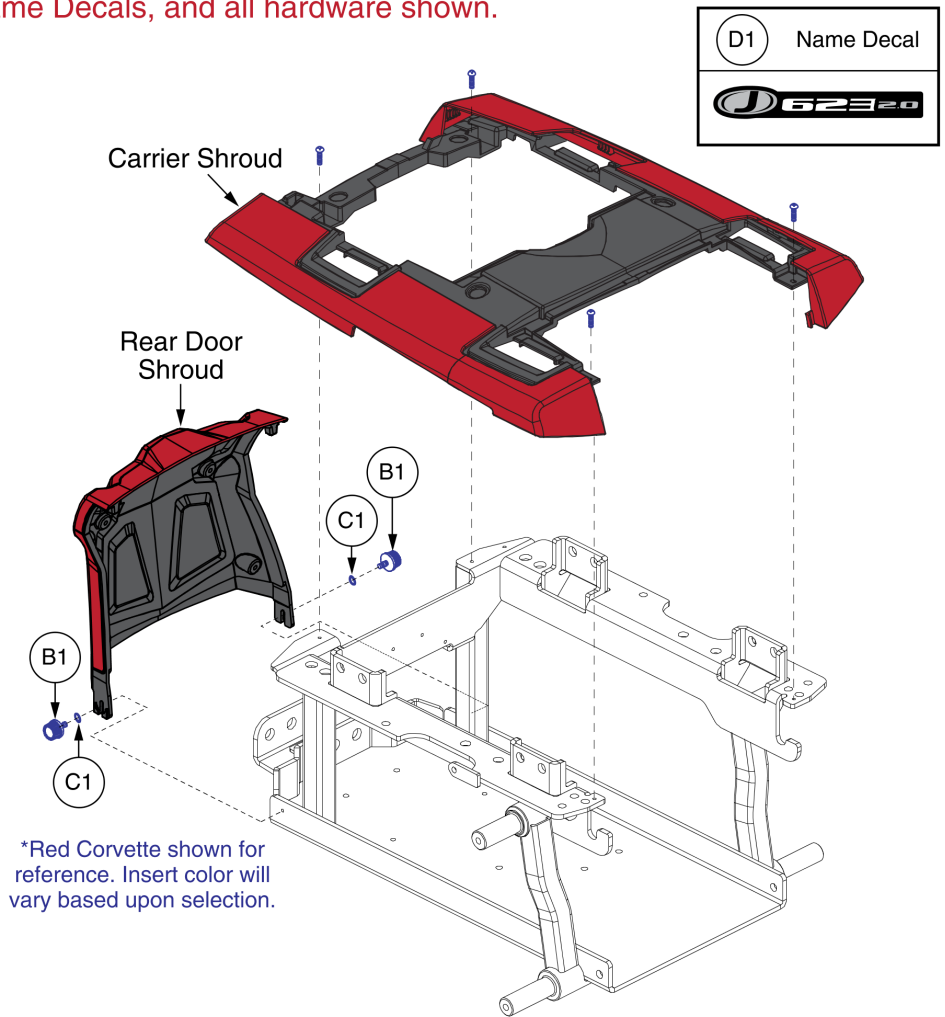


Item	Part No.	Name	Qty
A1	FRMASMB16033	FRAME,ASSY,BATTERY ACCESS BRACKET,STANDARD,Q6 EDGE,C-1062-073	1
B1	MEC141305	FRAME,ASSY,BATTERY ACCESS BRACKET,HIGH MOUNT/AFP,Q6 EDGE 2.0	1

9. Shroud Assy's

Please note: The Complete Shroud Assemblies include the Carrier Shroud, the Rear Door Shroud, two Name Decals, and all hardware shown.

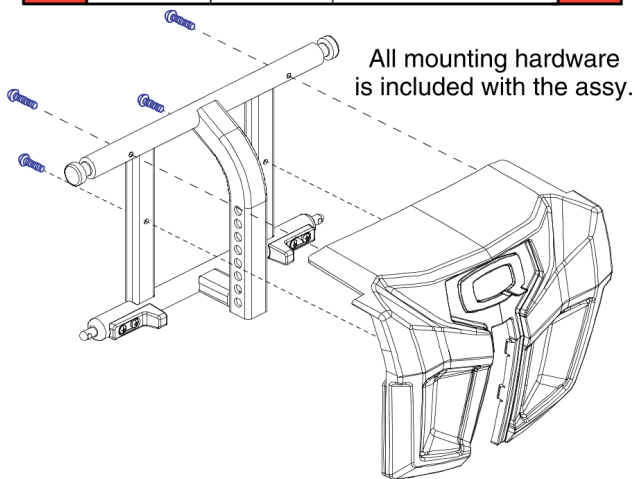
Rear Door & Carrier Shroud Assy's	
Ref#	Color Name
A1a	Back in Black
A1b	Night Train
A1c	Grey Street
A1d	White Satin
A1e	Red Corvette
A1f	Pretty in Pink
A1g	Deep Purple
A1h	Midnight Blue
A1i	Electric Blue
A1j	Green Machine
A1k	Military Green
A1l	Lemon Crush
A1m	Evolution Orange



Item	Part No.	Name	Qty
A1a	DGN2000889-PBK1	SHROUD,ASSY,BACK IN BLACK,J623 2.0	1
A1b	DGN2000889-PBK3	SHROUD,ASSY,NIGHT TRAIN,J623 2.0	1
A1c	DGN2000889-PSL3	SHROUD,ASSY,GREY STREET,J623 2.0	1
A1d	DGN2000889-PWT2	SHROUD,ASSY,WHITE SATIN,J623 2.0	1
A1e	DGN2000889-PRD1	SHROUD,ASSY,RED CORVETTE,J623 2.0	1
A1f	DGN2000889-PPK3	SHROUD,ASSY,PRETTY IN PINK,J623 2.0	1
A1g	DGN2000889-PPR5	SHROUD,ASSY,DEEP PURPLE,J623 2.0	1
A1h	DGN2000889-PBU10	SHROUD,ASSY,MIDNIGHT BLUE,J623 2.0	1
A1i	DGN2000889-PBU9	SHROUD,ASSY,ELECTRIC BLUE,J623 2.0	1
A1j	DGN2000889-PGN11	SHROUD,ASSY,GREEN MACHINE,J623 2.0	1
A1k	DGN2000889-PGN8	SHROUD,ASSY,MILITARY GREEN,J623 2.0	1
A1l	DGN2000889-PYL4	SHROUD,ASSY,LEMON CRUSH,J623 2.0	1
A1m	DGN2000889-POR7	SHROUD,ASSY,EVOLUTION ORANGE,J623 2.0	1
B1	PLSKNCP1056	KNOB,PLASTIC,M4-.7 X 12MM,KNURLED HEAD,TALL,C-1060-041	2
C1	WASNEOP1003	WASHER,BLACK,NEOPRENE,3.20MM ID X 7.00MM OD X 1.90MM TH,O-RING	2
D1	LAB2001283	DECAL,AESTHETIC,J623 2.0	2

9. Shroud Assy's

Front Door Shroud Assy's		
Standard	Recessed	Color Name
A1a	B1a	Back in Black
A1b	B1b	Night Train
A1c	B1c	Grey Street
A1d	B1d	White Satin
A1e	B1e	Red Corvette
A1f	B1f	Pretty in Pink
A1g	B1g	Deep Purple
A1h	B1h	Midnight Blue
A1i	B1i	Electric Blue
A1j	B1j	Green Machine
A1k	B1k	Military Green
A1l	B1l	Lemon Crush
A1m	B1m	Evolution Orange

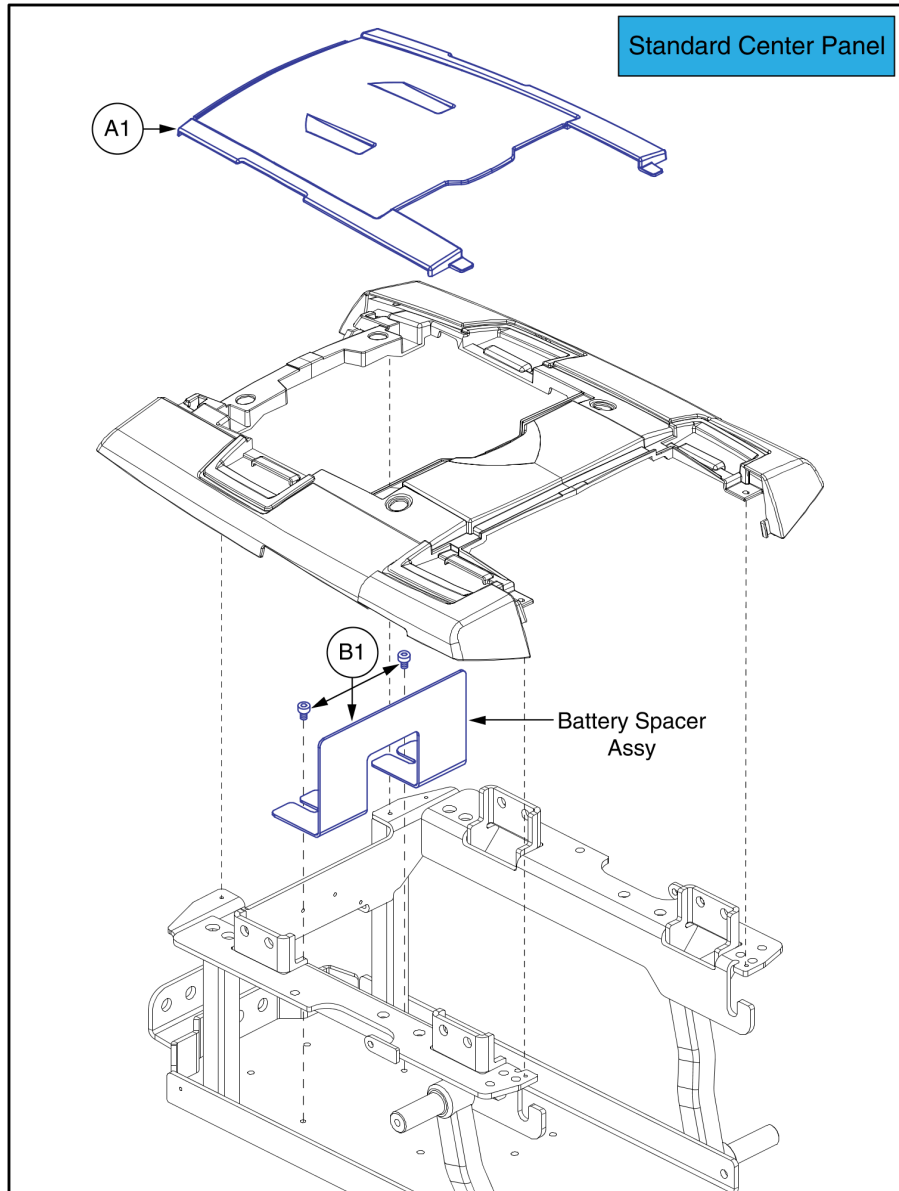


Standard Front Door Shroud - A1's		
		<p>Centermount/AFP Insert for Std. Front Door</p>
Recessed Front Door Shroud - B1's		
Decals		
Decal	Part #	Ref #
Max. Weight Capacity	DWR1234L004	D1
Read Owner's Manual	LAB148325	D2
Battery Warning	DWR1235L515	D3
Battery Connection	DWR1235L678	D4

*Red Corvette shown for reference. Insert color will vary based upon selection.

Item	Part No.	Name	Qty
A1a	DGN152585-PBK1	SHROUD,ASSY,STANDARD FRONT DOOR,BACK IN BLACK	1
A1b	DGN152585-PBK3	SHROUD,ASSY,STANDARD FRONT DOOR,NIGHT TRAIN	1
A1c	DGN152585-PSL3	SHROUD,ASSY,STANDARD FRONT DOOR,GREY STREET	1
A1d	DGN152585-PWT2	SHROUD,ASSY,STANDARD FRONT DOOR,WHITE SATIN	1
A1e	DGN152585-PRD1	SHROUD,ASSY,STANDARD FRONT DOOR,RED CORVETTE	1
A1f	DGN152585-PPK3	SHROUD,ASSY,STANDARD FRONT DOOR,PRETTY IN PINK	1
A1g	DGN152585-PPR5	SHROUD,ASSY,STANDARD FRONT DOOR,DEEP PURPLE	1
A1h	DGN152585-PBU10	SHROUD,ASSY,STANDARD FRONT DOOR,MIDNIGHT BLUE	1
A1i	DGN152585-PBU9	SHROUD,ASSY,STANDARD FRONT DOOR,ELECTRIC BLUE	1
A1j	DGN152585-PGN11	SHROUD,ASSY,STANDARD FRONT DOOR,GREEN MACHINE	1
A1k	DGN152585-PGN8	SHROUD,ASSY,STANDARD FRONT DOOR,MILITARY GREEN	1
A1l	DGN152585-PYL4	SHROUD,ASSY,STANDARD FRONT DOOR,LEMON CRUSH	1
A1m	DGN152585-POR7	SHROUD,ASSY,STANDARD FRONT DOOR,EVOLUTION ORANGE	1
B1a	DGN152613-PBK1	SHROUD,ASSY,RECESSED FRONT DOOR,BACK IN BLACK	1
B1b	DGN152613-PBK3	SHROUD,ASSY,RECESSED FRONT DOOR,NIGHT TRAIN	1
B1c	DGN152613-PSL3	SHROUD,ASSY,RECESSED FRONT DOOR,GREY STREET	1
B1d	DGN152613-PWT2	SHROUD,ASSY,RECESSED FRONT DOOR,WHITE SATIN	1
B1e	DGN152613-PRD1	SHROUD,ASSY,RECESSED FRONT DOOR,RED CORVETTE	1
B1f	DGN152613-PPK3	SHROUD,ASSY,RECESSED FRONT DOOR,PRETTY IN PINK	1
B1g	DGN152613-PPR5	SHROUD,ASSY,RECESSED FRONT DOOR,DEEP PURPLE	1
B1h	DGN152613-PBU10	SHROUD,ASSY,RECESSED FRONT DOOR,MIDNIGHT BLUE	1
B1i	DGN152613-PBU9	SHROUD,ASSY,RECESSED FRONT DOOR,ELECTRIC BLUE	1
B1j	DGN152613-PGN11	SHROUD,ASSY,RECESSED FRONT DOOR,GREEN MACHINE	1
B1k	DGN152613-PGN8	SHROUD,ASSY,RECESSED FRONT DOOR,MILITARY GREEN	1
B1l	DGN152613-PYL4	SHROUD,ASSY,RECESSED FRONT DOOR,LEMON CRUSH	1
B1m	DGN152613-POR7	SHROUD,ASSY,RECESSED FRONT DOOR,EVOLUTION ORANGE	1
C1	DGN135824	FRONT DOOR CAP	1
D1	DWR1234L004	DECAL,ICON,300LBS/135 KG,MAXIMUM WEIGHT CAPACITY,L-1234-004	1
D2	LAB148325	DECAL,READ OWNERS MANUAL, 19.1 DIAMETER	1
D3	DWR1235L515	DECAL,WARNING,BATTERY WARNINGS,L-1235-515	1
D4	DWR1235L678	DECAL,BATTERY CONNECTION,1.6" X 2.3",QUANTUM623,L-1235-678	1

9. Shroud Assy's

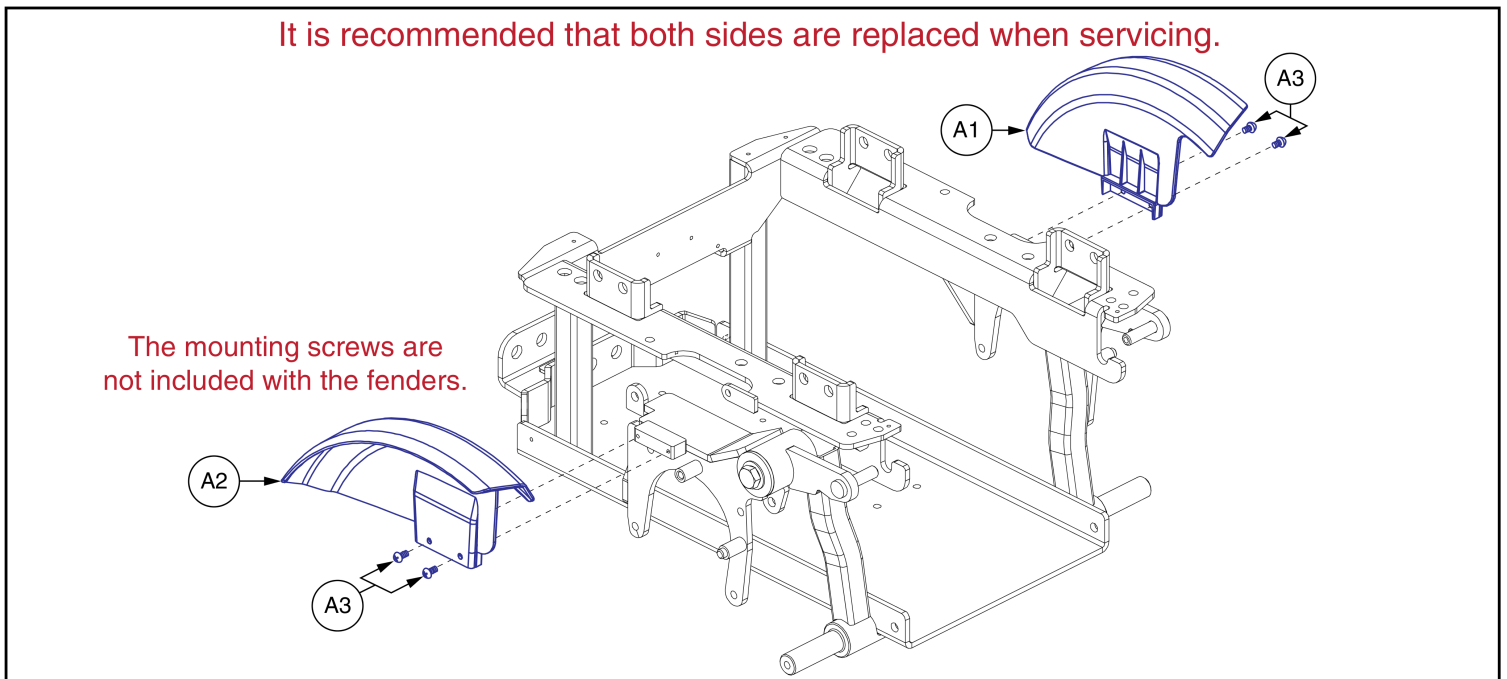


Center Panel Shroud and Battery Spacer, J623 2.0



Item	Part No.	Name	Qty
A1	SHDASMB6043	SHROUD,ASSY,CENTER PANEL,STANDARD,Q6 EDGE	1
B1	MEC154025	SHROUD,ASSY,BATTERY SPACER,METAL,Q6 EDGE	1

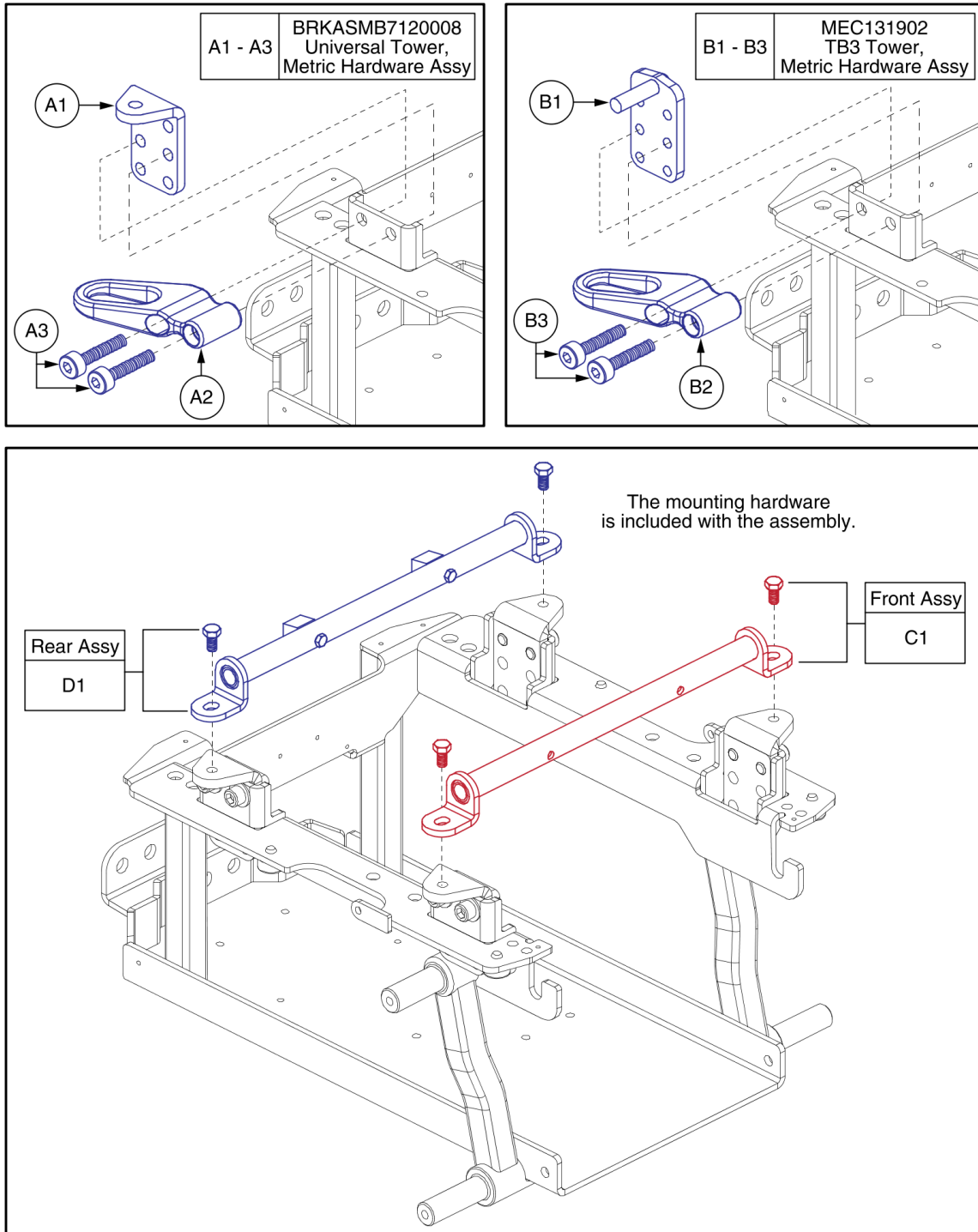
10. Fenders





Item	Part No.	Name	Qty
A1	DGN155720	LEFT FENDER, ILEVEL	1
A2	DGN155719	RIGHT FENDER, ILEVEL	1
A3	SCRPPH1036	SCREW, PAN HEAD, TYPE H, M4X0.7 X 8, FT, ISO 7045, CL 4.8, BZ	2

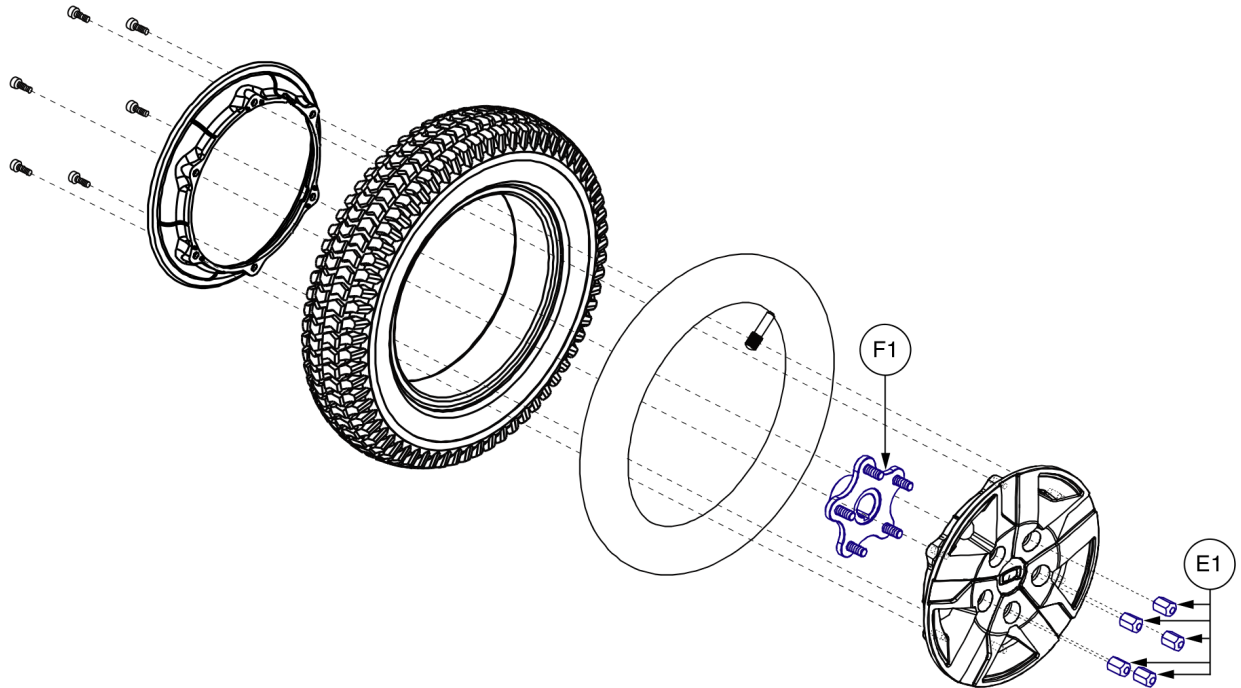
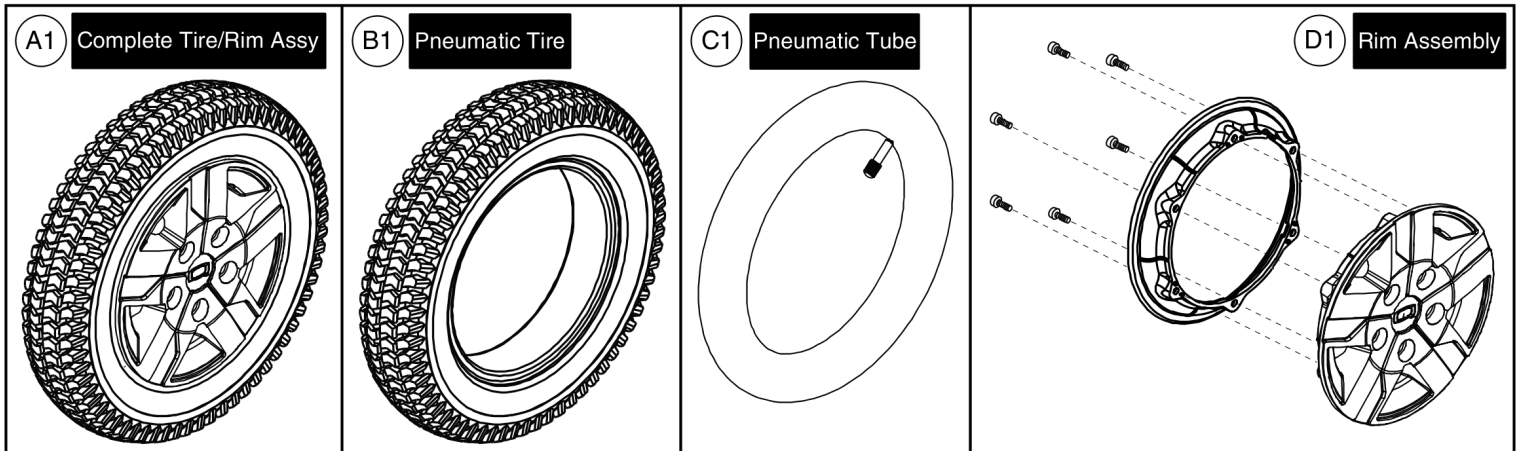
11. Seat Towers, Transit Loops, and Trapeze Bars



Item	Part No.	Name	Qty
A1 - A3	BRKASMB7120008	SEAT MOUNT CONNECTOR,ASSY,UNIVERSAL,TRANSIT PACKAGE,METRIC	1
A1	BRK8110003	MOUNTING BRACKET,SEAT INTERFACE,UNIVERSAL,BRK8110003	4
A2	MEC142133	MOUNTING BRACKET,ASSY,UNIVERSAL TRANSIT SECUREMENT LOOP W/DECALS	4
A3	HDW142810	SCREW, SOCKET HEAD, M10 X 50, ISO 4762, CL 12.9, BZ, PVTP	8
B1 - B3	MEC131902	SEAT MOUNT CONNECTOR,ASSY,TB3 TILT,TRANSIT PACKAGE,METRIC	1
B1	MEC131182	MOUNTING BRACKET,SEAT INTERFACE,TRU-BALANCE 3	4
B2	MEC142133	MOUNTING BRACKET,ASSY,UNIVERSAL TRANSIT SECUREMENT LOOP W/DECALS	4
B3	HDW142810	SCREW, SOCKET HEAD, M10 X 50, ISO 4762, CL 12.9, BZ, PVTP	8
C1	TWRASMB7120002	SEAT TOWER,ASSY,14.00" CENTERS,FRONT TRAPEZE BAR,METRIC	1
D1	TWRASMB7120003	SEAT TOWER,ASSY,14.00" CENTERS,REAR TRAPEZE BAR,METRIC	1

12. Drive Wheel Assy's

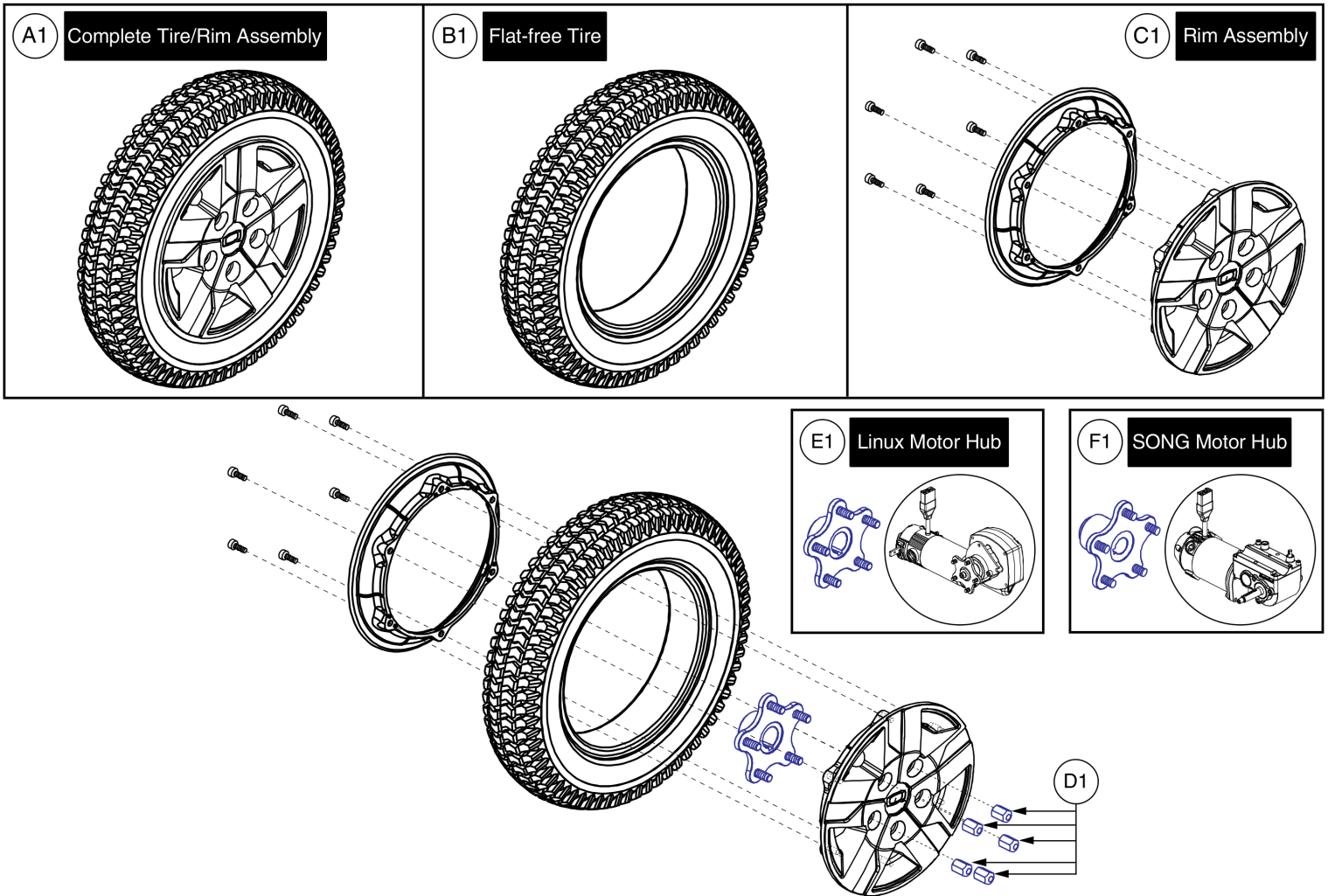
Please note: Hardware is included in the top-level assemblies and is not available individually.



Item	Part No.	Name	Qty
A1	WHL138793-B	WHEEL,ASSY,PNEUMATIC,14" X 3" DRIVE,TITANIUM RIM/BLACK TIRE	1
B1	TIR8110026	TIRE,PNEUMATIC,BLACK,14" OD,3" W,C-248-5 TREAD	1
C1	TUBSTND1002	TUBE,300-8,ANGLED VALVE W/CAP	1
D1	WHL130780-CGY1	WHEEL,ASSY,RIM,COSMIC SILVER,ALUMINUM,8",5 SPOKE,MACHINED FACE,130780	1
E1	DWR1005B049	NUT,LUG,ZINC,5/16-24,B-1005-049	5
F1	MEC145417	HUB ASSEMBLY	1

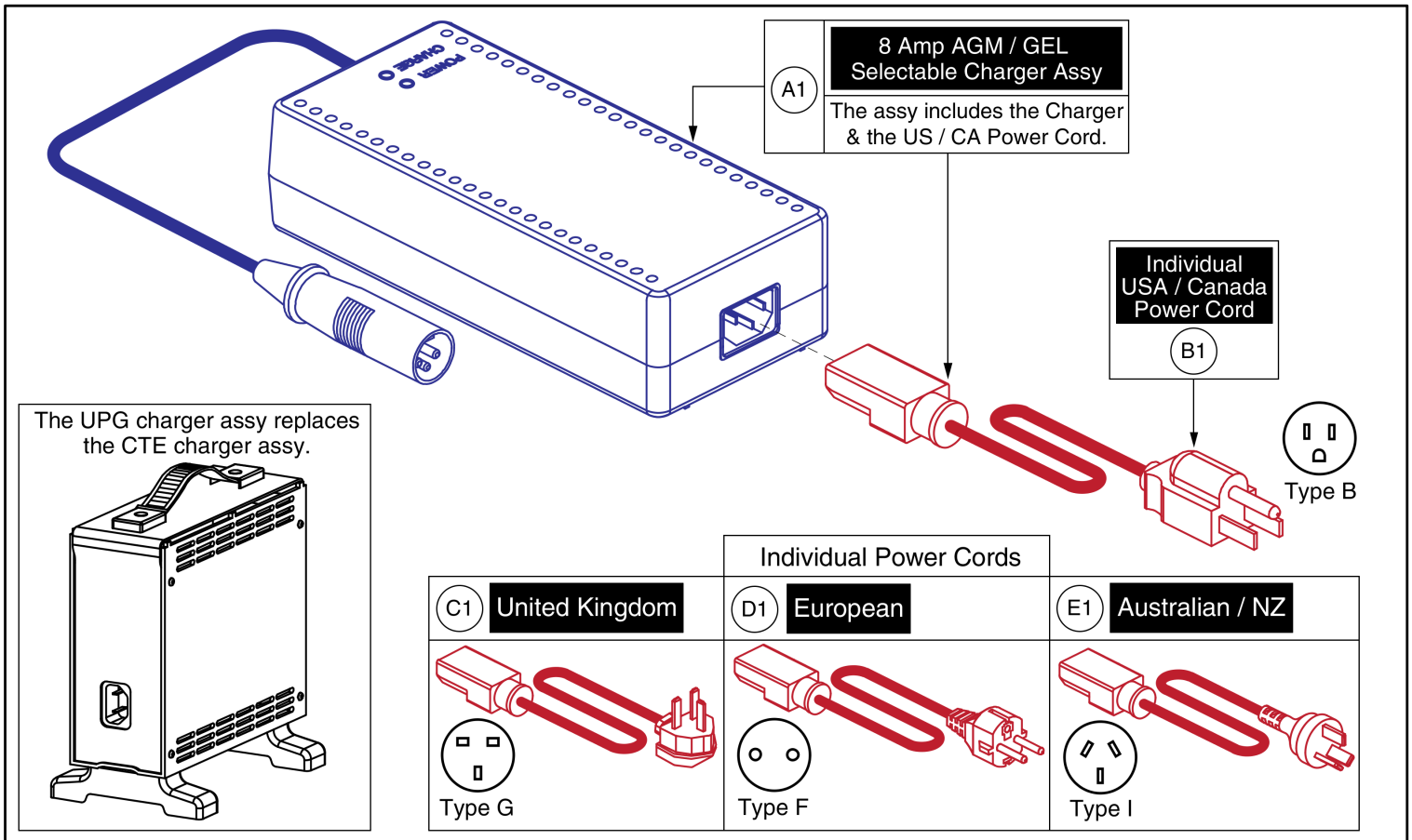
12. Drive Wheel Assy's

Please note: Hardware is included in the top-level assys. It is not available individually.



Item	Part No.	Name	Qty
A1	WHL138798-B	WHEEL,ASSY,FLAT FREE,14" X 3" DRIVE,TITANIUM RIM/BLACK TIRE	1
B1	TIR8110024	TIRE,FLAT FREE,BLACK,14" OD,3" W,C-248 POWERTRAX TREAD,(GALLOP: 5508018 YT57)	1
C1	WHL130780-CGY1	WHEEL,ASSY,RIM,COSMIC SILVER,ALUMINUM,8",5 SPOKE,MACHINED FACE,130780	1
D1	DWR1005B049	NUT,LUG,ZINC,5/16-24,B-1005-049	5
E1	MEC145417	HUB ASSEMBLY	1
F1	WHLASMB2081	WHEEL,ASSY,HUB,5 SPOKE,W/STUDS,G4 MOTORS,B-1203-010	1

13. Off-board Charger Assy



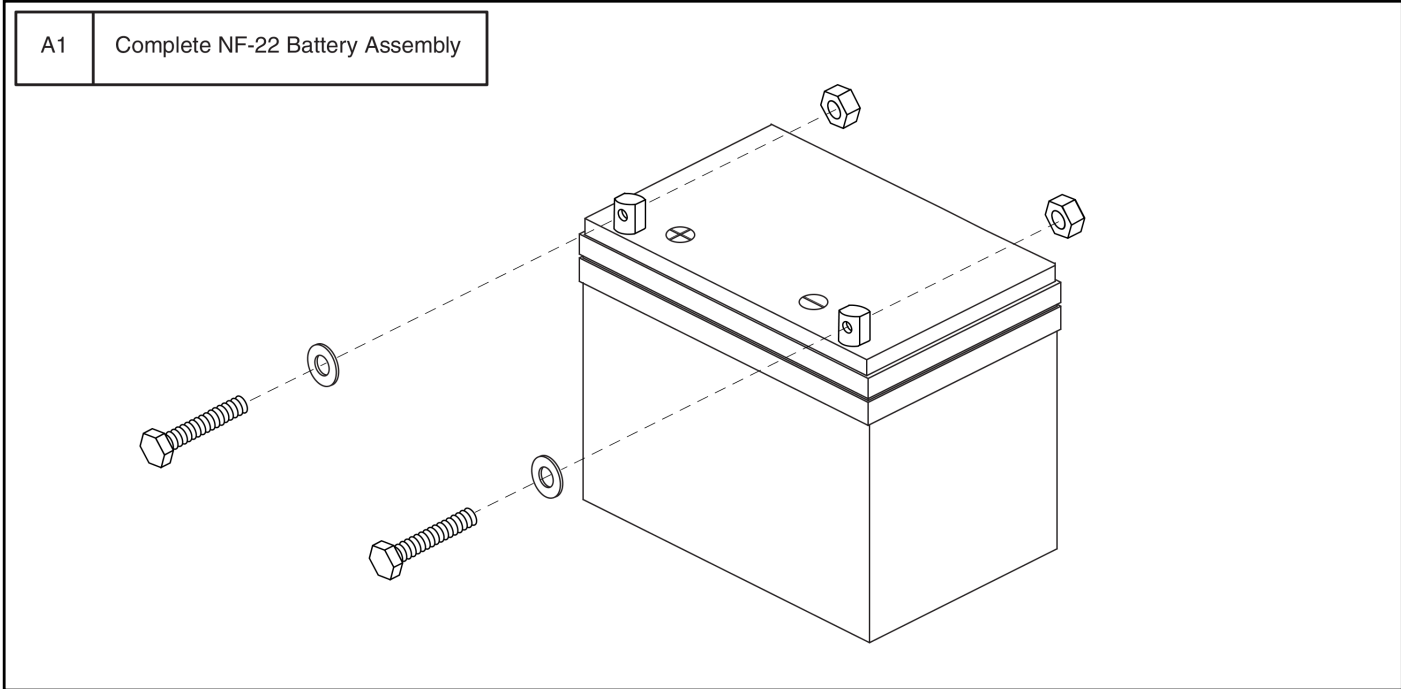
8 Amp UPG Charger Assy, AGM / GEL Selectable



Item	Part No.	Name	Qty
A1	ELE1803440	CHARGER, OFFBOARD, LOW INHIBIT, AC 100V-240V, DC 28.6-29.6V @8A, AGM/GEL SELECTABLE, WITH USA CORDSET	1
B1	HARUSHD1065	ELECTRONIC,HARNESS,POWER CORD,IEC - USA,H-1000-128	1
C1	HARUSHD2041	ELECTRONIC,HARNESS, POWER CORD,AC W/UK PLUG,H-1020-049	1
D1	HARUSHD2160	ELECTRONIC,HARNESS,POWER CORD,IEC - EUROPE PLUG	1
E1	DWR1000H174	ELECTRONIC,HARNESS,AC POWER CORD,INSULATED BLADES,AUSTRALIA,H-1000-174	1

14. Batteries

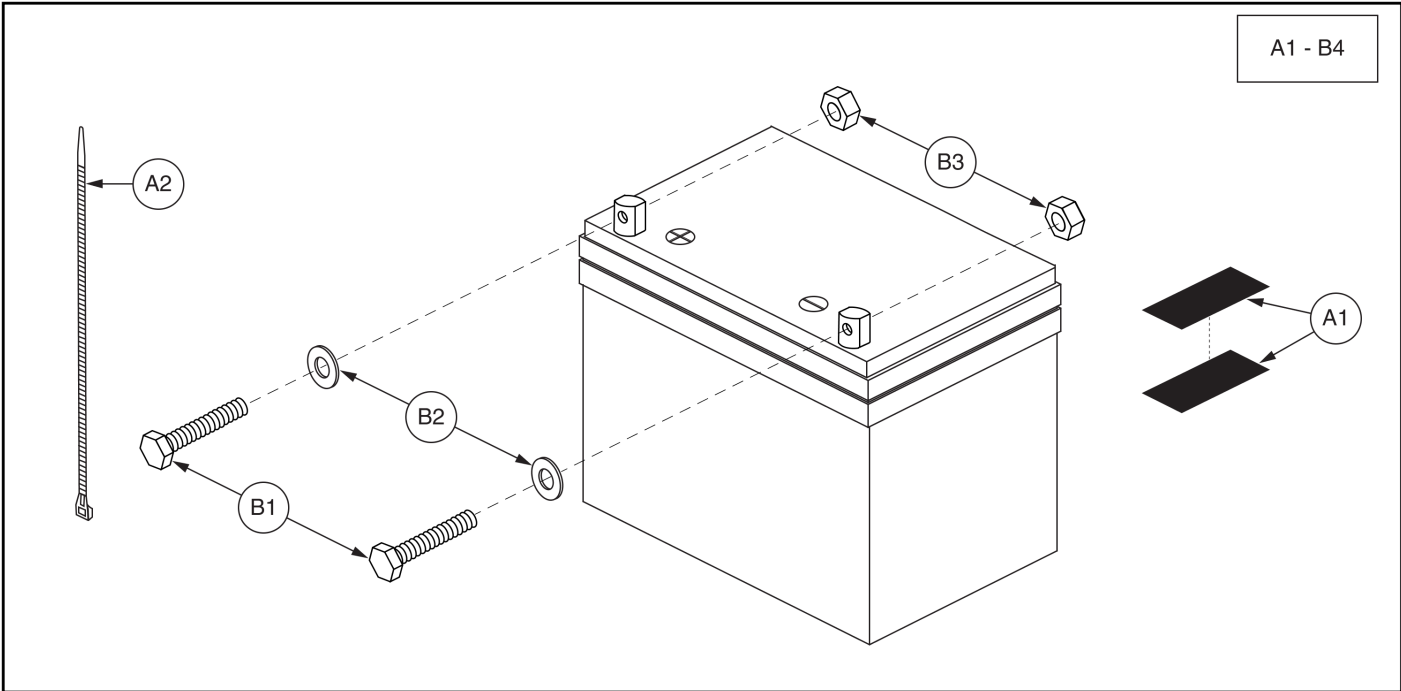
*** Please note that hardware is not available individually is needed.***





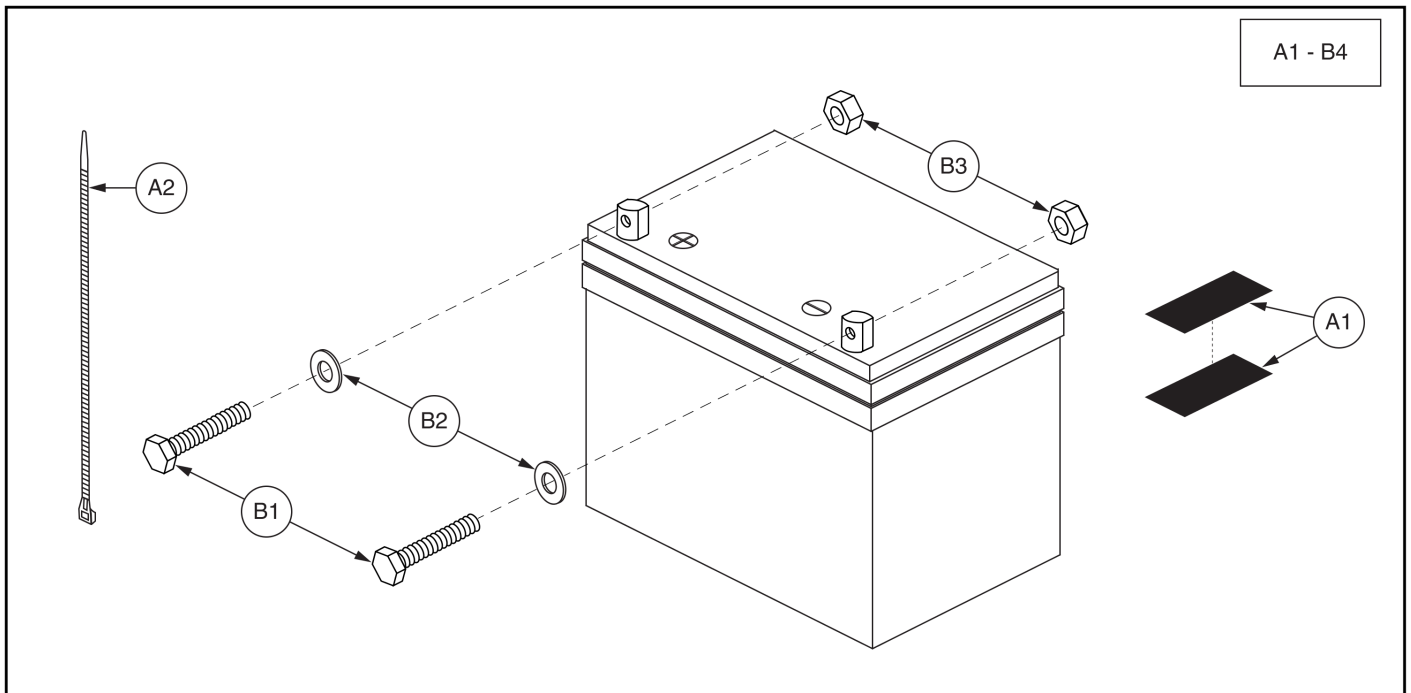
Item	Part No.	Name	Qty
A1	BAT121346	BATTERY,AGM,NF-22,H1000-139,(MK: M22NF SLD A H)	1

14. Batteries



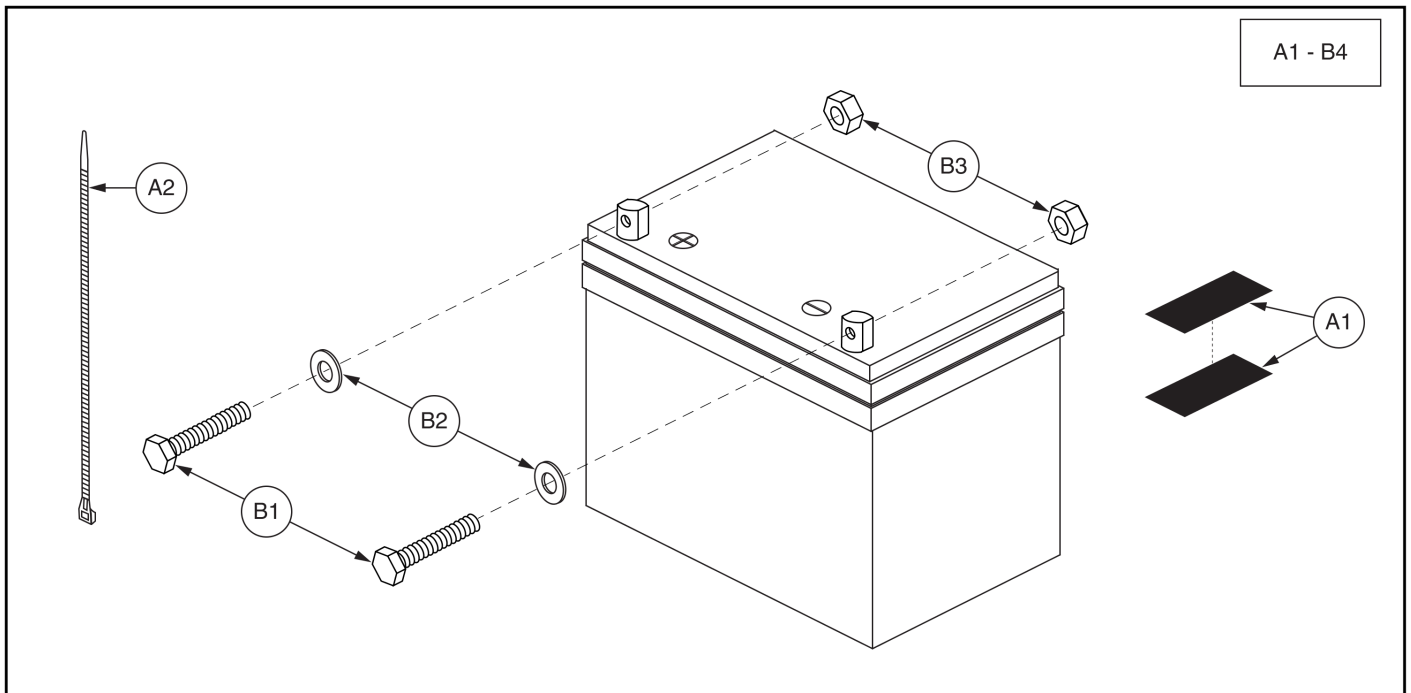
Item	Part No.	Name	Qty
A1 - B4	BATASMB1094	BATTERY,ASSY,GEL,NF-22,MK BATTERY,W/VELCRO & CABLE TIES	1
A1	HDW124834	REUSABLE FASTENER,HOOK & LOOP,BLACK,4" X 7",W/ADHESIVE BACK,#0115,B STOUT,SET	1
A2	PLSTIE1011	CABLE TIE,NYLON,48"L,HEAVY DUTY	1
B1 - B4	BATGEL1008	BATTERY,GEL,NF-22,H-1000-188,(MK BATTERY: M22NF SLDG)	1
B1	SCRHHCS1668	SCREW,HHCS,STAINLESS STEEL,5/16-18 X 1.00"	2
B2	WASLOCK1093	WASHER,LOCK,STAINLESS STEEL,0.3125" ID X 0.500" OD X 0.125"TH	2
B3	NUTSTD1020	NUT,HEX,STAINLESS STEEL,5/16-18	2
B4		DECAL,BATTERY & BATTERY CHARGER MANUFACTURER,L-1235-817	1

14. Batteries



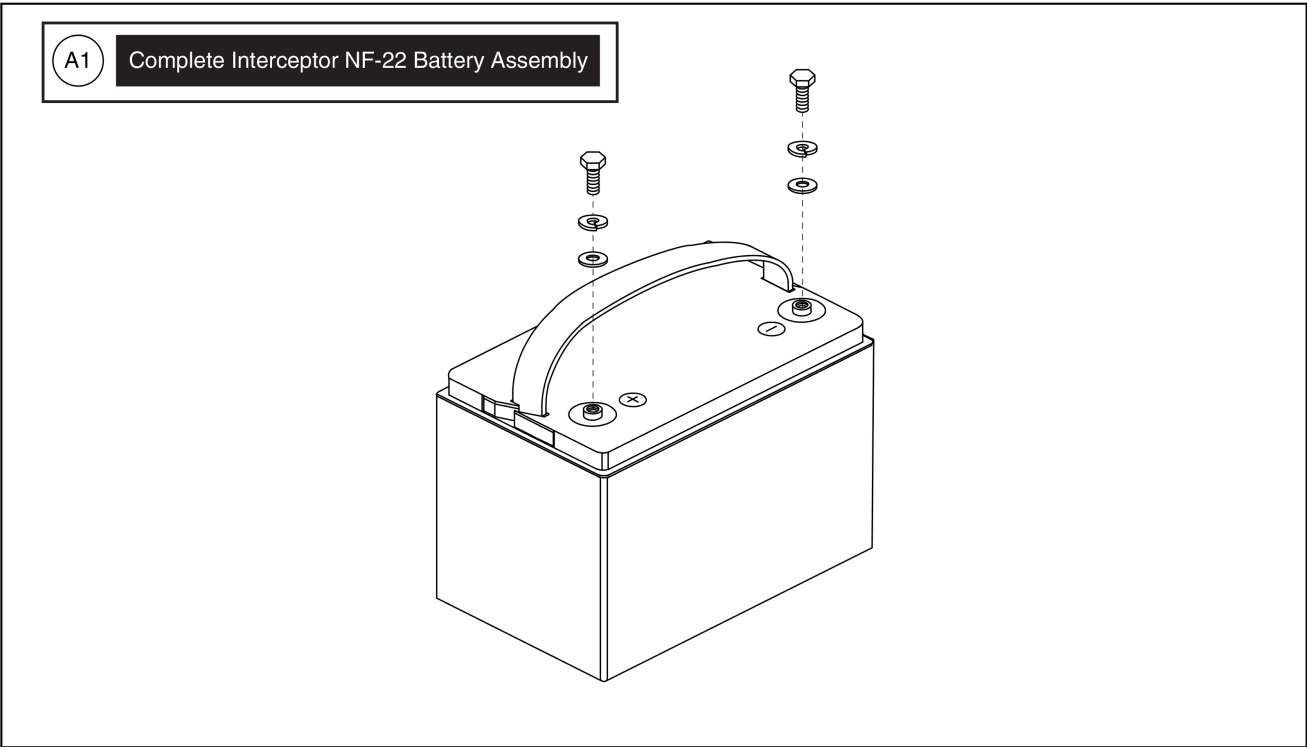
Item	Part No.	Name	Qty
A1 - B4		BATTERY,ASSY,SEALED,NF-22,W/VELCRO & CABLE TIES	1
A1	HDW124834	REUSABLE FASTENER,HOOK & LOOP,BLACK,4" X 7",W/ADHESIVE BACK,#0115,B STOUT,SET	1
A2	PLSTIE1011	CABLE TIE,NYLON,48"L,HEAVY DUTY	1
B1 - B4	BATLIQ1018	BATTERY,AGM,NF-22,H1000-139 - OBSOLETE	1
B1	SCRHHCS1668	SCREW,HHCS,STAINLESS STEEL,5/16-18 X 1.00"	2
B2	WASLOCK1093	WASHER,LOCK,STAINLESS STEEL,0.3125" ID X 0.500" OD X 0.125"TH	2
B3	NUTSTD1020	NUT,HEX,STAINLESS STEEL,5/16-18	2
B4		DECAL,BATTERY & BATTERY CHARGER MANUFACTURER,L-1235-817	1

14. Batteries



Item	Part No.	Name	Qty
A1 - B4	BATASMB1010	BATTERY,ASSY,GEL,NF-22,W/VELCRO & CABLE TIES	1
A1	HDW124834	REUSABLE FASTENER,HOOK & LOOP,BLACK,4" X 7",W/ADHESIVE BACK,#0115,B STOUT,SET	1
A2	PLSTIE1011	CABLE TIE,NYLON,48"L,HEAVY DUTY	1
B1 - B4	BATGEL1003	BATTERY,GEL,NF-22,H-1000-188	1
B1	SCRHHCS1668	SCREW,HHCS,STAINLESS STEEL,5/16-18 X 1.00"	2
B2	WASLOCK1093	WASHER,LOCK,STAINLESS STEEL,0.3125" ID X 0.500" OD X 0.125"TH	2
B3	NUTSTD1020	NUT,HEX,STAINLESS STEEL,5/16-18	2
B4		DECAL,BATTERY & BATTERY CHARGER MANUFACTURER,L-1235-817	1

14. Batteries





Item	Part No.	Name	Qty
A1	BAT1704613-P	BATTERY,PACKAGED,INTERCEPTOR,GEL,55AH,NF-22,(YAHENG: 6-EVF-55)	1

15. Owner's & Decal Packages



Owner's Package

Item	Part No.	Name	Qty
N/A		MANUAL,WARRANTY CARD,AUSTRALIAN	1
N/A	PLSTIE1004	TIE WRAP,BLACK,8"	6
N/A	DWR1235L517	HANG TAG,EMI-RFI,MADE IN CHINA	1
N/A	INFMANU3992	MANUAL,CONSUMER SAFETY GUIDE,POWERCHAIR	1
N/A		MANUAL,PRODUCT INSERT SHEET,POWER CHAIR WARRANTY,AUSTRALIA	1
N/A	INFMANU5181	MANUAL,OWNER'S,J623 2.0,AUSTRALIA	1
N/A	INFINFB4263	MANUAL,PRODUCT INSERT,SPECIFICATIONS,J623 2.0,AUSTRALIA	1
N/A	DWR1202C027	REFLECTOR,AMBER,CASTER SPHERE,C-1202-027	8
N/A	INFINFB2528	MANUAL,PRODUCT INSERT SHEET,Q6EDGE,REFLECTOR INSTALLATION	1

15. Owner's & Decal Packages



Decal Package

Decal Package, J623 2.0 Australia



Item	Part No.	Name	Qty
N/A	LAB2000881	DECAL,ASSY,J263 2.0,AUSTRALIA,CONTRACT MFG	1
N/A		DECAL,POWERCHAIR,US AND FOREIGN PATENTS PENDING,DOMESTIC,L-1000-025	1
N/A	DWR1234L004	DECAL,ICON,300LBS/135 KG,MAXIMUM WEIGHT CAPACITY,L-1234-004	1
N/A	DWR1234L957	DECAL,WARNING,DEFLATE TIRE COMPLETELY,L-1234-957	2
N/A	DWR1235L225	DECAL,LIMITED STABILITY,LITESTREAMXF,L-1235-225	1
N/A	DWR1235L512	DECAL,WARNING,EMI-RFI,20V/M,L-1235-512	1
N/A	DWR1235L515	DECAL,WARNING,BATTERY WARNINGS,L-1235-515	1
N/A	DWR1235L521	DECAL,WARNING,CONTROLLER CORD PLACEMENT,L-1235-521	1
N/A	DWR1235L638	DECAL,ICON,JAZZY FREEWHEEL,UP-DRIVE/DOWN-NEUTRAL,L-1235-638	2
N/A	DWR1235L678	DECAL,BATTERY CONNECTION,1.6" X 2.3",QUANTUM623,L-1235-678	1
N/A	LAB2001283	DECAL,AESTHETIC,J623 2.0	2
N/A	DWR1234L799	DECAL,ICON,1" X 2.5",WEATHER/MANUAL/LOOSE GARMENT,L-1234-799	1
N/A	LAB148325	DECAL,READ OWNERS MANUAL, 19.1 DIAMETER	1

Appendix A:Pages Index

8 Amp UPG Charger Assy, AGM / GEL Selectable	39
Center Panel Shroud and Battery Spacer, J623 2.0	29
Decal Package, J623 2.0 Australia	53
Drive Motor Assy - 5 Spoke Hub, 6MPH, PG, J623 2.0	7
Drive Wheel - Flat-free, 5 Spoke Titanium Rim/Black Tire	37
Drive Wheel - Pneumatic, 5 Spoke Titanium Rim/Black Tire	35
Fender Shroud Assy, Without Lights, Edge 2.0 / Edge 3	31
Foot Platform Assy's, Edge Series	19
Front Caster Assy - 6" Casters, Edge 2.0	3
Interceptor, NF-22, GEL, Battery	49
MK, NF-22, AGM, Battery Assy	41
MK, NF-22, GEL, Battery Assy	43
Main Carrier Shroud & Rear Door Shroud Assy's, J623 2.0	25
Main Frame Assy - J623 2.0	1
Owner's Package, J623 2.0 Australia	51
Rear Caster Assy - 6" Casters, Edge 2.0	5
Recessed Battery Access Bracket Assy	21
Seat Towers, Transit Loops, and Trapeze Bar's - J623 2.0	33
Standard & Recessed Front Door Shroud Assy's, J623 2.0	27
Standard Battery Access Bracket Assy's	23
Universal, NF-22, AGM, Battery Assy	45
Universal, NF-22, GEL, Battery Assy	47
VR2 Joystick Assemblies	9
VR2, Lift Only Electronic Assy, J623 2.0	15
VR2, Lift and Tilt Electronic Assy, J623 2.0	17
VR2, Static Seat Electronic Assy, J623 2.0	11
VR2, Tilt Only Electronic Assy, J623 2.0	13

Appendix B:Parts Index

BAT121346	42	DGN2000889-PGN11	26
BAT1704613-P	50	DGN2000889-PGN8	26
BATASMB1010	48	DGN2000889-POR7	26
BATASMB1094	44	DGN2000889-PPK3	26
BATGEL1003	48	DGN2000889-PPR5	26
BATGEL1008	44	DGN2000889-PRD1	26
BATLIQ1018	46	DGN2000889-PSL3	26
BRK8110003	34	DGN2000889-PWT2	26
BRKASMB7120008	34	DGN2000889-PYL4	26
CTL2000951	14	DWR1000H174	40
CTL2000952	16	DWR1000L025	54
CTL2000953	18	DWR1005B049	36, 38
CTL2000959	12	DWR1010H128	12, 14, 16, 18
CTLDC1463	10	DWR1062C058	4
CTLDC1498	10	DWR1062D078	12, 14, 16, 18
CTLDC1505	10	DWR1062H004	12, 14, 16, 18
DGN135824	28	DWR1116H054	12
DGN140932	4, 6	DWR1202C027	52
DGN152585-PBK1	28	DWR1202D044	4, 6
DGN152585-PBK3	28	DWR1234L004	28, 54
DGN152585-PBU10	28	DWR1234L799	54
DGN152585-PBU9	28	DWR1234L957	54
DGN152585-PGN11	28	DWR1235L225	54
DGN152585-PGN8	28	DWR1235L512	54
DGN152585-POR7	28	DWR1235L515	28, 54
DGN152585-PPK3	28	DWR1235L517	52
DGN152585-PPR5	28	DWR1235L521	54
DGN152585-PRD1	28	DWR1235L638	54
DGN152585-PSL3	28	DWR1235L678	28, 54
DGN152585-PWT2	28	DWR1235L817	44, 46, 48
DGN152585-PYL4	28	DWR1265H030	14, 16, 18
DGN152613-PBK1	28	DWR1361H038	14, 16, 18
DGN152613-PBK3	28	DWR1361H076	14, 18
DGN152613-PBU10	28	DWR1502H005	12, 14, 16, 18
DGN152613-PBU9	28	ELE136088	16, 18
DGN152613-PGN11	28	ELE137874	16, 18
DGN152613-PGN8	28	ELE1705477	12, 14, 16, 18
DGN152613-POR7	28	ELE1800022	16, 18
DGN152613-PPK3	28	ELE1803440	40
DGN152613-PPR5	28	ELE2000891	12
DGN152613-PRD1	28	ELE2000947	14
DGN152613-PSL3	28	ELE2000948	16
DGN152613-PWT2	28	ELE2000949	18
DGN152613-PYL4	28	ELE2000954	14
DGN155719	32	ELE2000955	16
DGN155720	32	ELE2000956	18
DGN2000889-PBK1	26	ELE2000958	12
DGN2000889-PBK3	26	ELEASMB1195	46
DGN2000889-PBU10	26	FRMASMB16033	24
DGN2000889-PBU9	26	FRMASMB16077	20
		FRMASMB8691	8

FRMASMB9532	10	SHDASMB6043	30
HARUSHD1065	40	TIR8110024	38
HARUSHD2041	40	TIR8110026	36
HARUSHD2160	40	TUBSTND1002	36
HDW124834	44, 46, 48	TWRASMB7120002	34
HDW142810	34, 34	TWRASMB7120003	34
HDWASMB1170	6	WASLOCK1093	44, 46, 48
INDPART2420	12, 14, 16, 18	WASMETR1032	4, 6
INFINFB1149	52	WASMETR1096	4
INFINFB2528	52	WASNEOP1003	26
INFINFB3072	52	WHL130780-CGY1	36, 38
INFINFB4263	52	WHL138793-B	36
INFMANU3992	52	WHL138798-B	38
INFMANU5181	52	WHLASMB2081	38
LAB148325	28, 54	WHLASMB7110039	4, 6
LAB2000881	54		
LAB2001283	26, 54		
MEC122534	4, 6		
MEC131182	34		
MEC131902	34		
MEC137719-D	4		
MEC138478-D	4		
MEC138497-D	6		
MEC138498-D	6		
MEC141305	24		
MEC142133	34, 34		
MEC145207	8		
MEC145208	8		
MEC145229	4		
MEC145230	6		
MEC145417	8, 36, 38		
MEC145634	8		
MEC151499-B	4, 6		
MEC151501-B	4, 6		
MEC152612	22		
MEC154025	30		
MEC1714451	2		
MEC1714454	8		
MOT1810170-02	8		
MOT1810171-02	8		
NUTNJAM1020	4		
NUTNYLK1013	4, 6		
NUTSTD1020	44, 46, 48		
PLSKNCP1056	26		
PLSTIE1004	12, 14, 16, 18, 52		
PLSTIE1011	44, 46, 48		
RIGASMB7120041	20		
SCRHHCS1412	4		
SCRHHCS1668	44, 46, 48		
SCRPPH1036	4, 6, 12, 14, 16, 18, 32		
SCRPPH1390	12, 14, 16, 18		

Illustrated Parts Breakdown

USA - Quantum Rehab

401 York Avenue
Duryea, Pa 18642
www.quantumrehab.com

USA - Pride Mobility Products Corp.

182 Susquehanna Avenue
Exeter, Pa 18643
www.pridemobility.com

Canada

5096 South Service Road
Beamsville, Ontario L0R 1B3
www.pridemobility.ca
www.quantumrehab.com

Australia

20-24 Apollo Drive
Hallam, Victoria 3803
www.pridemobility.com.au
www.quantumrehab.com.au

New Zealand

38 Lansford Crescent
Avondale, Auckland 0600
www.pridemobility.co.nz

UK

32 Wedgwood Road
Bicester, Oxfordshire OX26 4UL
www.pride-mobility.co.uk
www.quantumrehab.co.uk

Netherlands

(Authorised EU Representative)

De Zwaan 3
1601 MS Enkhuizen
www.pridemobility.eu
www.quantumrehab.eu

Italy

Via del Progresso, ang. Via del Lavoro
Loc. Prato della Corte
00065 Fiano Romano (RM)
www.pride-italia.it
www.quantumrehab-italia.it

France

26 Rue Monseigneur Ancel
69800 Saint-Priest
www.pridemobility.fr
www.quantumrehab.fr

Spain

Calle Las Minas Número 67
Polígono Industrial Urtinsa II, de Alcorcón
28923 Madrid
www.pridemobility.es

Germany

Hövelrieger Str. 28
33161 Hövelhof
www.pridemobility.de
www.quantumrehab.de

China

Room 508, Building #4
TianNa Business Zone
No. 500 Jianyun Road
Pudong New Area
Shanghai 201318
www.pridechina.cn

