

ENGLISH



Owner's Handbook:

Ride® Java® Back Support



Ride Designs®

a branch of Aspen Seating, LLC

8100 SouthPark Way, C400
Littleton, Colorado 80120 USA

toll-free (U.S. Only): 866.781.1633
phone: 303.781.1633
www.ridedesigns.com

Supplier: This manual must be transferred to the end user of this product as it contains important information for proper use of this product.

User: Carefully read this entire manual prior to using this product and keep for future reference.

Intended Use and Installation Instructions

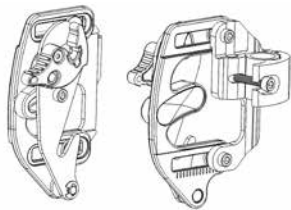
Intended Use

Your Ride Designs® Java® Back Support is an Adjustable Wheelchair Back Support that has been carefully constructed to meet your posture and skin integrity needs and has been designed to be mounted to multiple wheelchair styles and sizes to aid in supporting and positioning of wheelchair users.

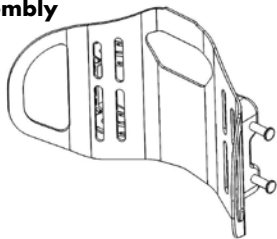
Weight Capacity

Maximum user weight is 300 pounds (136kg).

Mounting Hardware



Back Shell Assembly



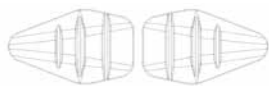
Cover Assembly



A. Outer Cover



B. Removable Foam Insert



C. Pelvic Wedges



D. Flexa-just Accessories

Shell Depth Options



Regular



Deep

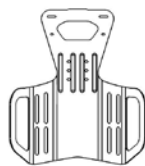
Shell Height Options



Regular



Tall



Grande

General Product Safety

Safe application of this product depends upon your good judgment and common sense, as well as that of your provider, caregiver, and/or healthcare professional, and your attentiveness in following the cautions, notes, and instructions in this manual.

NOTE: We have compiled this manual from the latest specifications and product information available at the time of publication. We reserve the right to make changes as they become necessary. Any changes to our products might cause slight variations between the illustrations and explanations in this manual and the product you have purchased. Always contact your nearest authorized Ride Designs supplier or distributor for the latest literature and information.

⚠ WARNING: Failure to heed these instructions could result in damage to the product or injury to the user.

⚠ All Ride Designs support surfaces are designed to help reduce the incidence of pressure sores. However, no back support can completely eliminate sitting pressure or prevent pressure sores. The Ride Java back support is not a substitute for good skin care including proper diet, cleanliness, and regular pressure relief techniques.

⚠ Installation of any back rest on your wheelchair might alter your center of gravity within the wheelchair. A recessed back position might cause the wheelchair to tip backwards, potentially resulting in injury. Always assess the need for anti-tippers or amputee axle adapter brackets to be added to your wheelchair to help increase stability. Similarly, a more forward back position might reduce the forward stability of the wheelchair, increasing risk of tipping forward, with potential for injury.

⚠ Do not use your Java Back without the foam insert and cover in place.

⚠ Failure to properly place and secure the Java Back to your wheelchair might result in injury.

⚠ Do not lift the wheelchair by the Java Back.

⚠ This product should be installed and fitted by a qualified and competent healthcare professional. Failure to accurately assess and adjust the fit of the Java Back Support could result in injury to the user.

⚠ Only Grande size back rests are designed with increased strength hardware for use in "Tilt in space" or other reclining style wheelchairs.

⚠ Please read this instruction manual before using this product.

Available Sizes

The Java Back is available in a range of sizes. Please visit www.ridedesigns.com for the most current information on size availability.

Installation Instructions

We recommend that a therapist or authorized Ride Designs supplier perform the initial fitting of your back support. Your Java Back is designed so that pelvic support and trunk balance can be adjusted independently of each other. Lateral pelvic wedges and the new Flexa-just™ support provides additional support and stability when needed.

The Java Back consists of three components: 1) Mounting hardware, 2) Back Shell Assembly, and 3) Cover assembly containing outer cover, removable foam insert, pelvic wedges, and Flexa-just accessories.

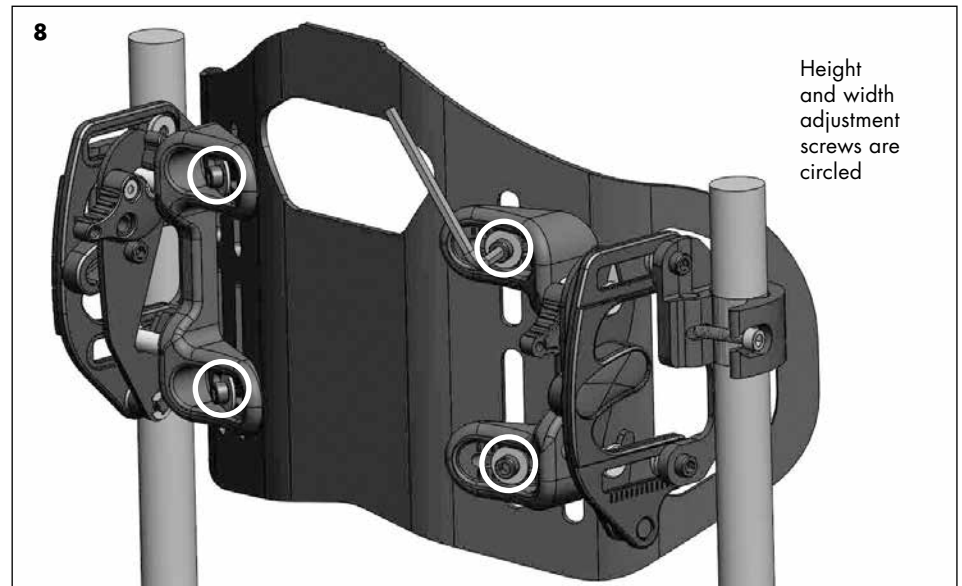
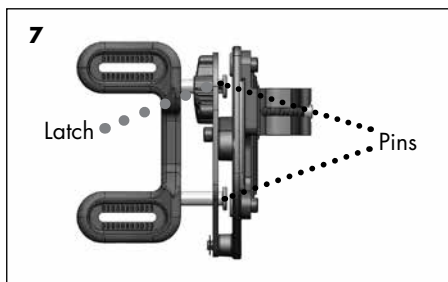
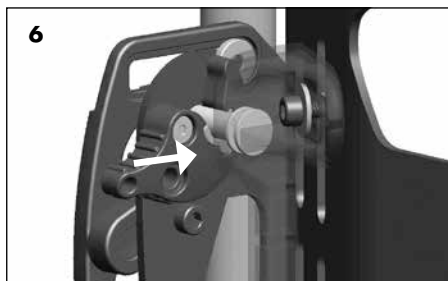
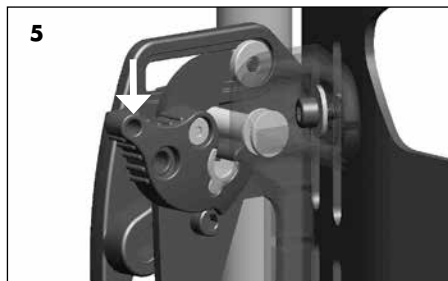
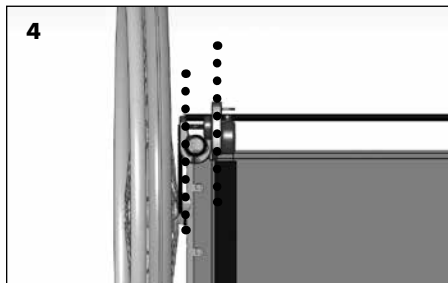
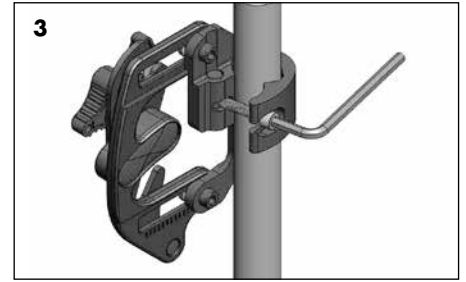
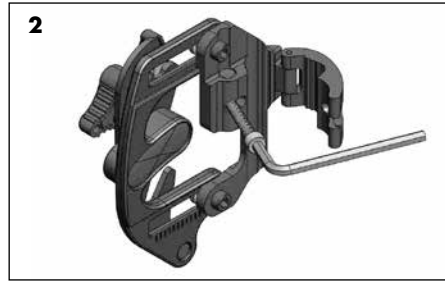
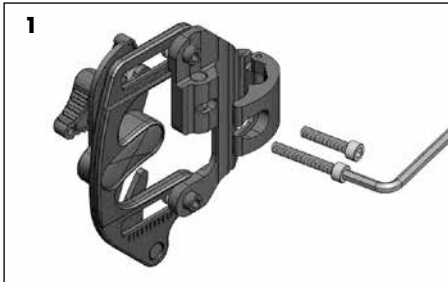
Tools and Hardware

The Java Back comes fully assembled and ready to install. The tools you need to install and adjust the Java Back are included in the package:

- two M6 lockout screws
- one 5mm Allen wrench
- two clamp screws for mounting back to ¾" (1.9cm) diameter back canes.

Mounting Hardware

The mounting hardware fits all common wheelchair frame tubing from ¾" to 1" (1.9cm to 2.54cm) diameter. Use the screws that are already in the clamps for 7/8" (2.2cm) and 1" (2.54cm) diameter tubing. Use the shorter screws, included in the Java Back Tools kit, for ¾" (1.9cm) tubing.



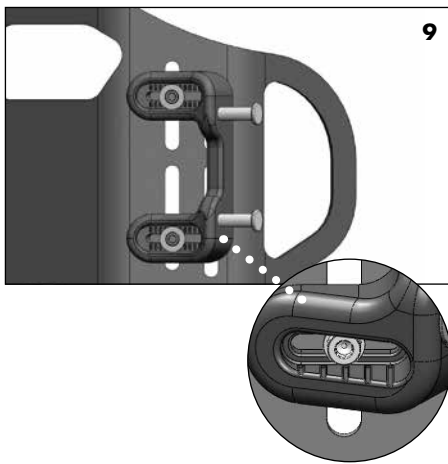
Installing the Mounting Hardware

⚠ No one should be seated in the wheelchair during the first four steps.

⚠ **WARNING:** The Java hardware clamp has been designed to mount to round tubing only. Mounting the clamp to non-round tubing may not be sufficiently secure and could result in injury to the user. Contact your Ride Designs authorized provider regarding available adapters and alternative mounting options.

NOTE: Fastener torques not to exceed 75 in.-lbs. (8.5Nm) unless otherwise specified. If torque is specified for a piece of hardware, it is recommended that a torque meter (not included) should be used to ensure proper torque setting.

1. Loosen the clamp screw and swing it out of the recess in the clamp (Illustration 2).
 2. Pull the two halves of the clamp together around the tubing. Swing the screw back into position within the clamp recess (Illustration 3). Orient the clamp to approximate the desired back height. You will adjust for correct back height once the user is sitting in the wheelchair. Rotate the hardware about the canes so the hardware is square with the chair (Illustration 4).
 3. Repeat steps 1 and 2 for the opposite clamp ensuring the clamp is set at the same height as the opposite side previously installed. Attach the back shell by guiding the bottom attachment pins into the lower receiver slots and then push the top of the shell backwards until the top pins engage into the top receiver slots, then push downward on the lock components to rotate them until they fully engage the top pins (Illustration 5, 6).
- ⚠ Adjust hardware to ensure that pins fully engage through latch (Illustration 7).



4. Wheelchair frame widths can vary from chair to chair. If you have any trouble aligning the mounting brackets with the attachment pins, you can easily adjust the width of the Java Back to fit perfectly.

Use the 5mm Allen wrench to loosen the height and width adjustment screws indicated in Illustration 8. Move the pin brackets on the shell inward/outward enough to allow all four attachment pins to align and sit securely into the mounting hardware. Use the index marks provided (Illustration 9) to center the back shell on the pin brackets. Tighten the height and width adjustment screws securely.

NOTE: The Java Back is assembled at the factory to fit a wheelchair matching the width of the Java Back. The width adjustment screws allow for fine tuning of width as outlined above, and also have sufficient range of movement to permit installation of 14" (36cm) and wider Java Backs on wheelchairs -1"/+2" (-3cm/+5cm) from specified width, e.g the 16" (41cm) wide Java Back can be adjusted to fit 15" (38cm), 16" (41cm) and 17" (43cm) wide wheelchairs.

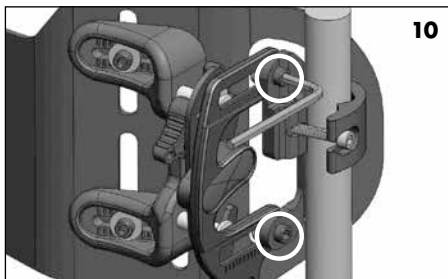
5. Check to make sure the back shell detaches easily by lifting up on the latch lock components (see Illustrations 21-23) and pulling the back shell upward and forward. Make sure the back shell reattaches easily and securely by guiding the bottom attachment pins into the lower receiver slots and then pushing the top attachment pins into the upper receiver slot. Be sure to manually rotate the lock components and tug the back shell forward to verify that it is secure. If there is any binding or if you have any trouble removing or replacing the back shell, repeat step 4 as necessary for smooth operation.

6. Place the appropriate wheelchair cushion on the wheelchair and have the user transfer to the wheelchair. Ensure the user is correctly positioned on the cushion.

Adjusting the Seat Depth

If you need to adjust the seat depth, follow the instructions below.

1. Loosen the depth adjustment screws indicated (see Illustration 10).
2. Move the back shell to the appropriate seat depth for the user.
3. Tighten the screws just enough to hold the back in position, and use the index marks near the adjustment slots to be sure that both sides of the back are at the same depth.
4. When the depth is set correctly, torque all four depth adjustment screws to 60-70 in-lbs. (6.7~7.9 Nm).



Adjusting the Back Height

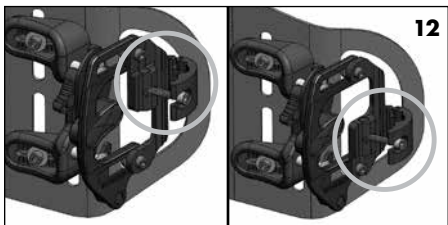
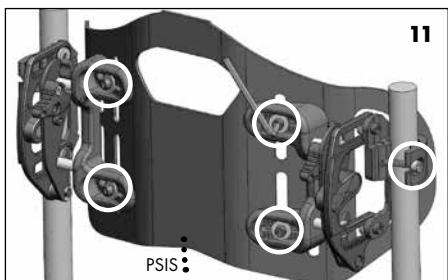
1. Loosen the clamp screws and move the mounting brackets up or down on the back canes as necessary to set the back height so that the PSIS alignment line labeled near the bottom center of the Java back shell is at the level of the posterior superior iliac spines (PSIS). See Illustration 11.

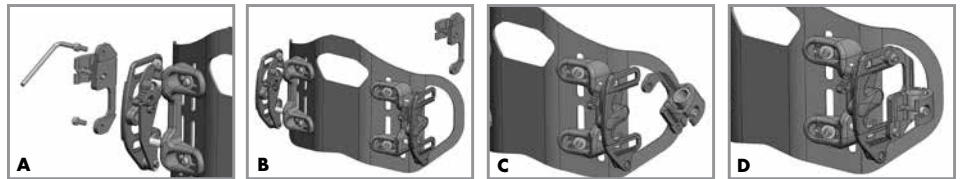
2. Torque the two clamp screws to 75-85 in-lbs. (8.5~9.6 Nm).

3. If you need to position the mounting brackets to clear armrests, a rigidizer bar, or other wheelchair hardware, you can adjust the height of the back independently of the clamps. Begin by positioning the mounting clamps as close as possible to the desired back height. Then use the 5mm Allen wrench to loosen the height and width screws in the horizontal slots on the back shell brackets (Illustration 11), move the back shell to the desired height, and retighten the screws. Make sure the back shell is level from left to right, and that you have preserved the width adjustment for smooth and safe removal and replacement.

NOTE: Java Clamp Reversal Instructions

Clamps can be flipped upside down (Illustration 12) to achieve a higher backrest or to avoid interferences. See steps A-D.



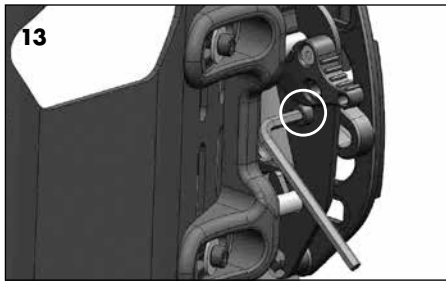


A
Remove the two clamp screws and two slot nuts from the mounting bracket and set aside.

B
Move clamp to opposite side of back.

C
Flip clamp upside down.

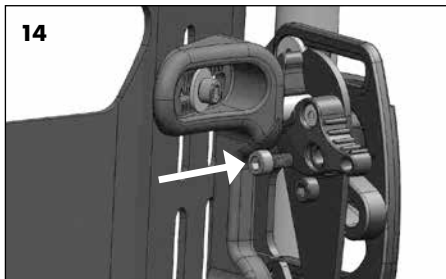
D
Attach clamp to mounting bracket using the two clamp screws and two slot nuts from A.



13

Adjusting Seat to Back Angle

1. Use the 5mm Allen wrench to loosen the back angle adjustment screws indicated in Illustration 13.
2. Adjust the Java Back to the desired seat-to-back angle.
3. Tighten the screws just enough to hold the back in position, and use the index marks near the adjustment slots to be sure that both sides of the back are at the same angle.
4. When the angle is set correctly, torque the screws to 75-85 in-lbs. (8.5~9.6 Nm).



14

Fixed Mount Option Using Lock Out Screw

1. Insert the M6 screw (provided with the parts kit) into the extra hole in the lock toggle as shown in Illustration 14.
2. Use a 5mm hex key to tighten screw to 50 in-Lbs (6Nm) torque maximum.



15

Adjusting the Flexa-just Stays

1. The Flexa-just stays are thin aluminum strips inserted into pockets on the inside surface of the back cover, behind the foam pads. NOTE: The Flexa-just stays can be bent to provide comfortable support to the gluteal area below the level of the back shell. Depending on the unique needs of the user, you can easily adjust the stays to provide the correct amount of support.

The stays are easy to bend using hand pressure—no tools are required (Illustration 15).

2. The stays can be bent while the user is sitting in the wheelchair. Simply insert your hand between the foam insert and the sitter, grasp the lower portion of the stays through the cover and foam insert, and bend in the amount and direction needed to apply comfortable support.
3. If opening the back angle causes undesirable pressure or discomfort in the gluteal area, simply bend the Flexa-just stays posteriorly to accommodate and comfortably support the gluteal soft tissue.
4. If there is insufficient contact with the gluteal soft tissue, bend the stays anteriorly to provide optimum support.



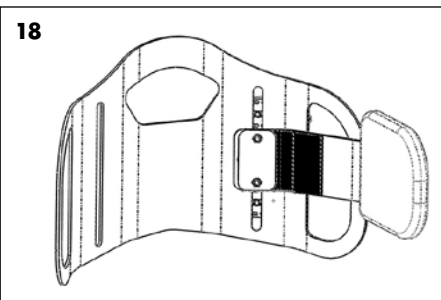
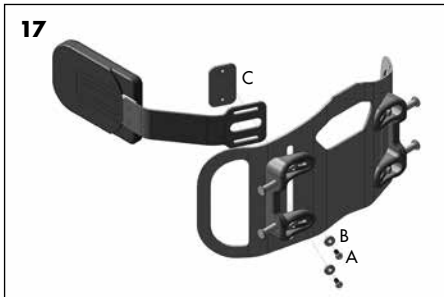
16

Installing the Pelvic Wedges

NOTE: If you determine that further posterior lateral pelvic support is necessary, use the pelvic wedges to provide greater control at the posterior lateral iliac crests. See Illustration 16 for suggested orientation of pelvic wedges.

1. For evaluation, have the user lean forward enough for you to position the pelvic wedges on the front of the foam insert cover to establish where they should be installed.
2. Have the user lean back, and fine-tune the height and distance from the center for each pelvic wedge.
3. Have the user lean forward or transfer from the chair, and remove the foam insert and cover from the back shell.

4. Open the cover and attach the pelvic wedges to the front surface of the Flexajust platform, behind the foam pad, at the height and width you determined during assessment. Press the hook and loop fasteners together firmly to hold the pelvic wedges in place.
5. Close the cover and reinstall the foam insert and cover on the chair.
6. The user can now transfer back into the wheelchair.
7. Check the position of the pelvic supports and verify that the user has appropriate balance and control.



Installing the Optional Lateral Trunk Supports (Fixed and Swing-Away)

NOTE: If you are not installing the optional lateral trunk supports, go to next section.

Fixed Laterals

1. With the user in the chair and the foam insert and cover installed, estimate where the lateral trunk supports will be installed by slipping them between the back shell and the foam insert and cover.
2. Once you have established the approximate position of the lateral trunk supports, transfer the user from the wheelchair.
3. Remove the foam insert and cover from the back shell.
4. Attach each lateral support using the mounting hardware (Illustration 17). With the lateral trunk support positioned on the front of the back shell, insert the provided screw (A) and non-threaded slot nut (B) from the outside of the back shell through the vertical slot in the back shell and the horizontal slot in the trunk support, and hand tighten into the nut plate (C). Make sure the square portion of the washer fits inside the vertical slots on the shell.
5. Repeat for additional trunk supports.
6. Attach hook patch included to better secure back cushion (Illustration 18).
7. Reattach the foam insert and cover.
8. The user can now return to the wheelchair for final adjustment of lateral trunk support alignment.
9. When you have determined the final position of the trunk supports, tighten the mounting hardware securely with a 5mm Allen wrench.

Note possible location options, depending on back size, below.

Swing-Away Laterals

Follow above installation instructions for Swing-Away Laterals (Illustration 19).

Note: Swing-Away lateral release button (circled) faces down.



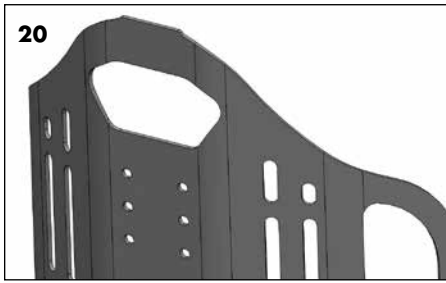
High Mounted Location



Center Mounted Location



Low Mounted Location



Installing a Headrest Support (for Java Tall and Grande only)

Six holes, located below handle opening, are provided to attach most common styles of headrest supports and hardware at various heights (Illustration 20).

Ensure all Fasteners are secure

Using the 5mm Allen wrench, recheck all of the fasteners and tighten them securely.

Initial wearing schedule

Prior to prolonged sitting, you should use your Ride Java Back for a short period of time and visually check any area that contacts the back support. Any reddened area should fade within 10-30 minutes. Contact your doctor or therapist if redness persists for longer than 30 minutes. As long as skin inspections do not show red areas persisting more than 30 minutes, you are safe to continue use. Make a careful skin check at least daily, even after skin tolerance is established. Continue to perform routine intermittent pressure relief techniques (forward lean) as advised by your healthcare professional.

⚠ If any redness associated with the use of the Java Back persists for longer than 30 minutes, cease using and contact your therapist or doctor immediately.

Follow-up

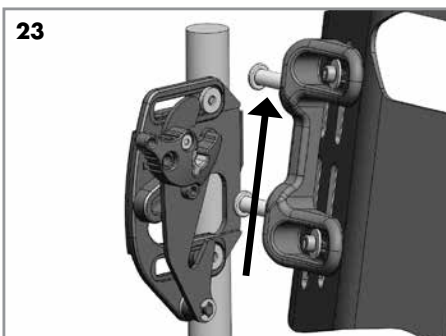
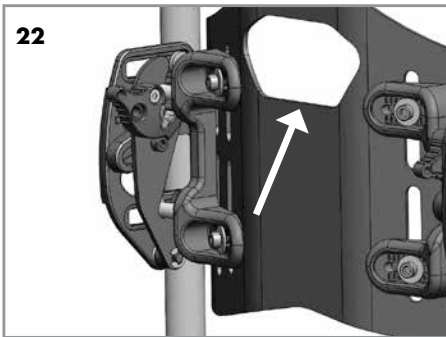
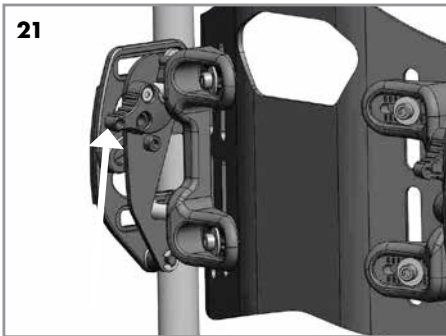
We recommend you have your seated posture and skin integrity checked by your healthcare professional at least annually, or whenever you experience a change in your weight, posture, or general condition that could impact your ability to sit safely, comfortably, and functionally.

Retighten all of the fasteners regularly, and periodically check the hardware for security and wear.

Use of your Ride Java Back

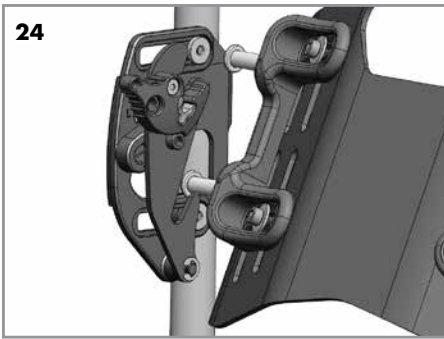
Your Ride Java Back is designed to provide optimal pelvic support and trunk balance while allowing upper body freedom.

You can remove or attach the back shell with one hand.



To remove the back shell from the wheelchair

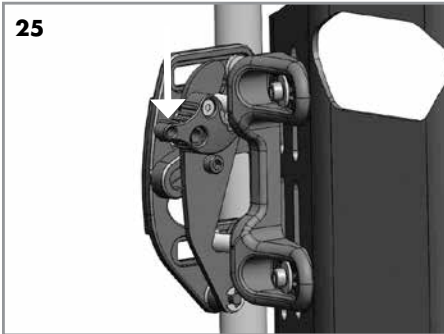
1. Lift up each of the lock components to unlock them from the upper pins (Illustration 21).
2. Push the backrest forward and upwards to free the backrest from the mounting hardware (Illustration 22 and 23).



24

To attach the back shell to the wheelchair

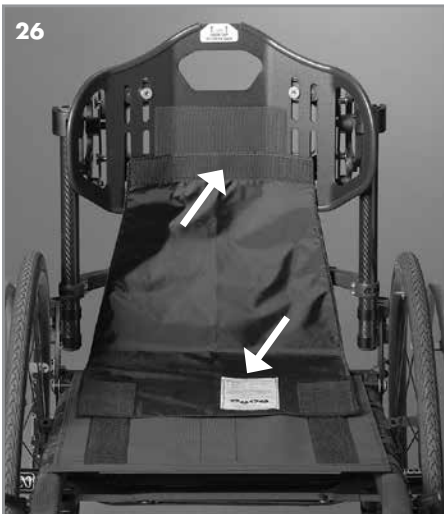
1. Guide the bottom two attachment pins into the lower receiver slots on the latch brackets (Illustration 24).
2. Push the backrest shell back gently to engage the top two attachment pins into the top receiver slots.
3. Manually press down on both latch components until they rotate and lock on the top pins (Illustration 25).
4. Tug the back shell forward to verify that it is attached securely.



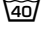




25

Installation of optional Privacy Flap

1. Attach hook and loop fastener at top (narrow end) of privacy flap to corresponding hook and loop fastener between back shell and covered foam insert (Illustration 26).
2. Extend flap down and onto corresponding hook and loop on sling (or solid seat of wheelchair), underneath cushion, with label facing up (Illustration 26).



26

Laundry Care Symbols	
	Machine wash warm water (40° C)
	Do not bleach
	Drip dry
	Do not dry clean
	Do not iron

Care and Maintenance of your Ride Java Back

Cleaning the Java Back outer cover

1. Remove the foam insert and cover from the Java back shell.
2. Open the cover and remove the foam pad, Flexa-just stays (make note of left and right, and direction of bend), and flexa-just platform with pelvic wedges from the outer cover.
Note: Ride Designs recommends using a permanent marker to carefully outline the position of the pelvic wedges so that you can reattach them in the same positions if moved during cleaning.
3. Close the cover. Machine or hand wash the cover in warm water (40°C regular detergent, no bleach).
4. Hang dry.

Cleaning the Java Back shell and hardware

Using a damp cloth or mild disinfectant, clean the shell, pelvic wedges, and mounting hardware as needed.

NOTE: Do not clean your Java Back with isopropyl alcohol or any other chemical solvents.

Assembling the outer cover

1. Re-attach pelvic wedges to Flexa-just platform then roll up the foam pad and Flexa-just platform together to make installation into the cover easier (Illustration 27).
- ⚠** Installing the Flexa-just stays or new pelvic wedges in the wrong position could result in injury to the user.
2. Insert the foam pad and Flexa-just platform into the outer cover with flap folded back for maximum access to cover opening (Illustration 28).
 3. Spread out foam pad and Flexa-just platform inside the cover taking care to ensure they are inserted as far as possible into the interior perimeter edges of the cover (Illustration 29).
 4. Close the cover by pulling sufficiently on the cover flap to ensure full engagement of the hook and loop materials (Illustration 30).





Attaching Java cover assembly to back shell

1. Feed plastic clip through handle opening and attach to top of back shell (Illustrations 31 and 32).
2. Wrap cover over back shell pulling from the bottom of the cover. Take care that the cover is centered with the back shell (Illustration 33).
3. Push cover into back shell firmly to ensure joining of hook and loop fasteners on cover and back shell.



Attaching the Java Deep cover assembly to the back shell

Follow Installation instructions for regular Java shells but take care to ensure shell is inserted fully into outer cover side pockets. (Illustration 34).



Motor vehicle safety

Your Ride Java Back Support has undergone dynamic testing for use in a motor vehicle per RESNA WC-4:2012, Section 20 and ISO 16840-4.

⚠ WARNING: FAILURE TO HEED THESE WARNINGS AND INSTRUCTIONS COULD RESULT IN INJURY TO THE USER OR OTHERS.

⚠ If possible, the user should use an Original Equipment Manufacturer (OEM) car seat with OEM seat restraints.

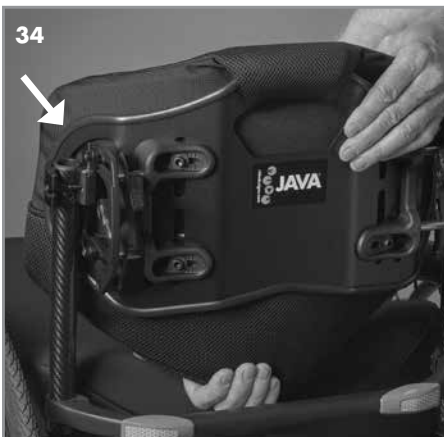
⚠ Although your Ride Java Back Support has been successfully tested for use in a motor vehicle, your wheelchair may not have been tested. Verify the wheelchair has been successfully tested to RESNA and ISO standards prior to using your Ride Java Back Support in a motor vehicle.

⚠ This product is rated for a maximum client weight of 300 pounds (136 kg).

⚠ Failure to use appropriate vehicle restraint can result in serious injury or death.

⚠ The wheelchair tie-down and securement system must be positioned and installed per manufacturer's instructions. Verify the wheelchair securement system has been successfully tested to RESNA and ISO standards prior to using your Ride Java Back Support in a motor vehicle.

⚠ Remove and secure any wheelchair accessories such as trays during transport.



Maintenance

The Java Back and hardware should be routinely checked every 6 months minimum for loose, missing or damaged hardware and proper functionality. Inspect and tighten all hardware according to this manual. Contact your authorized Ride Designs supplier regarding any damaged or missing components.

⚠ Do NOT continue to use your product with any loose, missing or damaged components.

The maximum intended usage of this product is four years.

Reuse

⚠ **RISK OF INJURY:** Consult an authorized Ride Designs dealer before transferring to another user. Do NOT use product if any damage is found.

Disposal

♻ Recycle components and materials per local, state, and national regulations.



Warranty Policy

Your Ride Designs® Java® Adjustable Wheelchair Back Support has been carefully constructed to meet your posture and skin integrity needs. This Limited Warranty is effective for 24 months from the date of delivery to the original purchaser. If any defect in material or workmanship is found, Ride Designs will repair or replace the component, at our discretion. This limited warranty does not cover daily wear and tear or damage that is a result of mishandling, misuse, neglect, or not following the care and maintenance instructions.

Claims and repairs should be processed through your nearest authorized Ride Designs rehab technology supplier or distributor. A copy of the Bill of Sale issued to the purchaser of the product might be required prior to processing a warranty claim.

The Ride Java Back support works best when used with the Ride Java® Cushion, Ride Forward™ Cushion or Ride Custom Cushion

(Custom available in U.S. only)

Achieve a high level of skin protection and functional performance with the Ride Java Cushion (only the Ride Custom Cushion can provide a higher level of protection and support). The Ride Forward Cushion is most appropriate for people with mild to moderate risk for skin breakdown.

Installation Notes

Patents: www.ridedesigns.com/patents
 © 2017, Ride Designs. 090-121-C



MDSS GmbH
 Schiffgraben 41
 30175 Hannover, Germany