



JUNIOR *BACK SUPPORT* ***Installation Instructions***



This manual explains how to install, operate and maintain the VARILITE JUNIOR Back Support.

If you do not understand this instruction manual or if you have any questions, please contact VARILITE Customer Service at (800) 827-4548.

 **VARILITE® Installation Instructions****Table of Contents**

<i>JUNIOR Back Support Styles</i>	<i>Page 4</i>
<i>WARNINGS</i>	<i>Pages 5-8</i>
<i>JUNIOR Back Support Components</i>	<i>Pages 9-10</i>
<i>Assembly and Mounting</i>	<i>Page 11</i>
<i>Adjustment</i>	<i>Page 12</i>
<i>Seat Depth Adjustment</i>	<i>Page 13</i>
<i>Operation</i>	<i>Pages 14-15</i>
<i>Back Cushion Adjustment</i>	<i>Page 16</i>
<i>Thoracic Support</i>	<i>Page 16</i>
<i>Troubleshooting</i>	<i>Page 17</i>
<i>Warranty</i>	<i>Page 18</i>
<i>Care and Maintenance</i>	<i>Page 19</i>
<i>Contact Information</i>	<i>Page 19</i>

JUNIOR Back Support Styles

These instructions are applicable to the following JUNIOR Back Support Styles:

M i d

D e e p



VARILITE® Installation Instructions

TO AVOID INJURY, read, understand and follow all instructions and warnings in this manual before using your *VARILITE* back support.

There are hazards associated with the use of wheelchairs and adaptive equipment. If you misuse your wheelchair or your back support you can be seriously injured.

WARNING

Installation and adjustment of your *VARILITE* back support should be performed only by an authorized dealer or qualified therapist.

Failure to use the appropriate equipment for restraint in a vehicle can result in serious injury or death.

- Never use your *VARILITE* back support if any hardware is missing, malfunctioning, or broken. Seek qualified assistance with any repairs or adjustments.
- Never exceed the weight capacity of the back support. The maximum user weight for JUNIOR back supports is 100 lbs (45 kg).
- Never exceed the weight capacity of the wheelchair as specified by the wheelchair manufacturer.
- Never perform weight training that causes you to exceed the weight capacity of the wheelchair.
- Do not exceed the weight capacity of the wheelchair during other activities of daily living.
- Never lift the wheelchair by the back support.
- Never use the back support without its cover. The cover is made with flame retardant materials. Using the back support without its cover increases the risk of flammability.
- Never modify your *VARILITE* back support or use it in a way not described by these instructions.

Wheelchair Compatibility

 **WARNING**

VARILITE back supports are designed to be compatible with most wheelchairs, noting the following exceptions:

The back supports can be used only with wheelchairs with round canes.

The back support can be used only with wheelchairs with cane diameters equal to 1 in. (25 mm) or less.

Wheelchairs are not required to have stabilizer bars, provided the canes can maintain their position.

Failure to use compatible equipment can result in equipment breakage and serious injury.

Wheelchair Compatibility

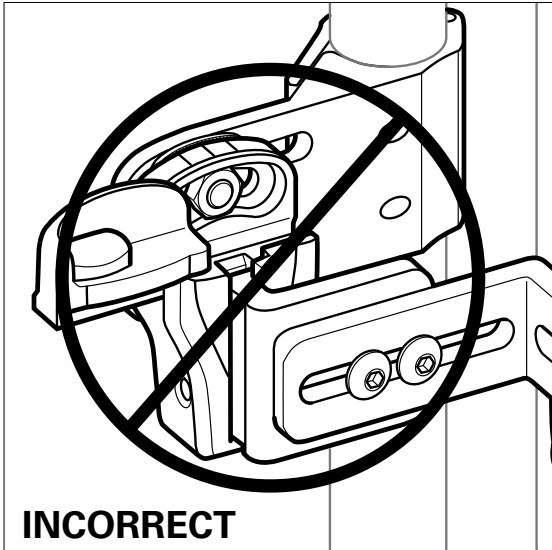


Fig. 1

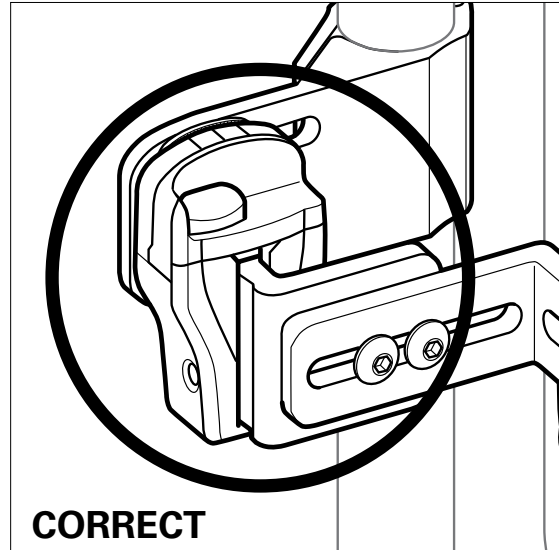


Fig. 2

 **WARNING**

Do not leave the Slide Caps in the open position. Doing so may allow the Slide Brackets to disengage from the Holsters, causing the back support to accidentally fall out, which can result in serious injury. Fig. 1 and Fig. 2.

Wheelchair Compatibility

 **WARNING**

Failure to install and use Cane Bracket Shims as instructed can result in equipment breakage and serious injury.

Cane Brackets are sized for 1 in. (25 mm) diameter round wheelchair canes. Shims are provided for wheelchair canes that are less than 1 in. (25 mm) in diameter.

Attach Cane Bracket over shim at appropriate height. Use “Fitting Cane Bracket Shims” chart below to properly fit your wheelchair cane diameter.

Fitting Cane Bracket Shims

Cane Size	Shim Size	Included with Hardware?
7/8 in. (22 mm)	1/8 in. (3 mm)	Yes
3/4 in. (19 mm)	1/4 in. (6 mm)	Yes

 **WARNING**

Thoroughly clean canes before installing shims.
Grease, oil or other residue on the canes may result in shim slippage.
Shim slippage may result in equipment breakage and serious injury.

JUNIOR Back Support Components

Please familiarize yourself with the parts of the back support before installation, adjustment or use.

Cane Hardware Components

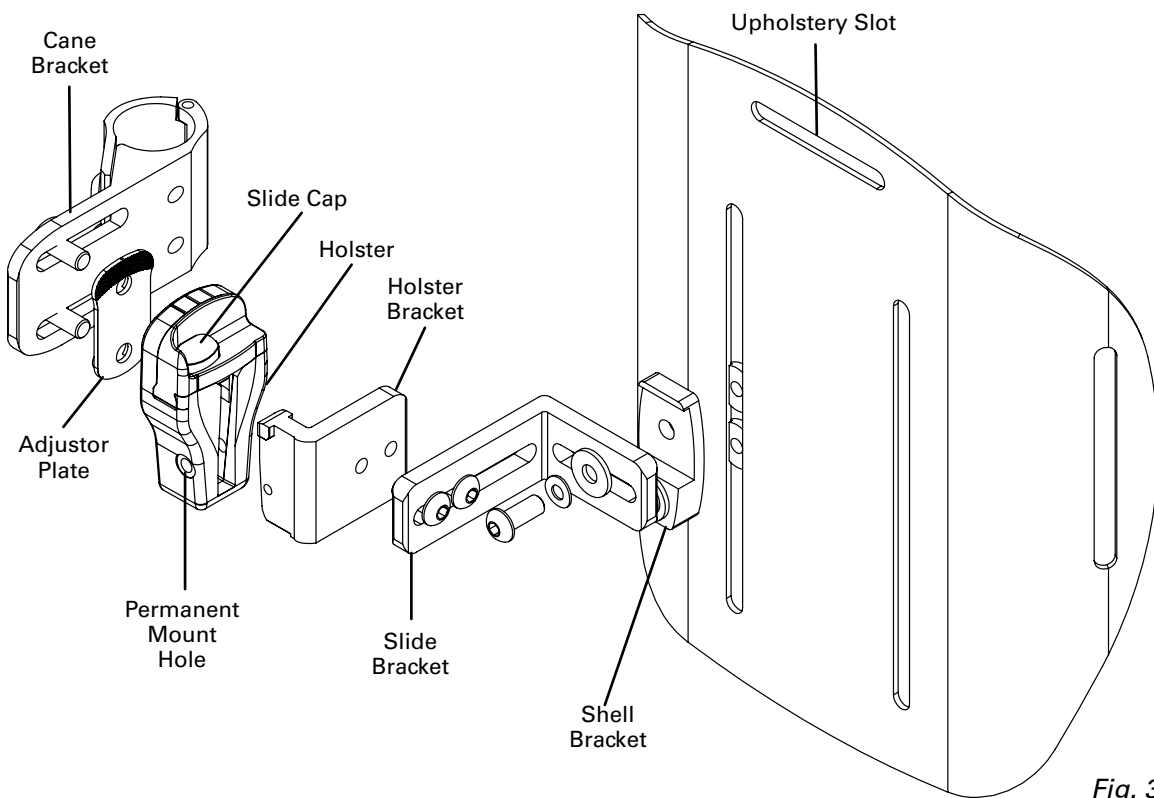


Fig. 3

JUNIOR Back Support Components

Self-Inflating Cushion

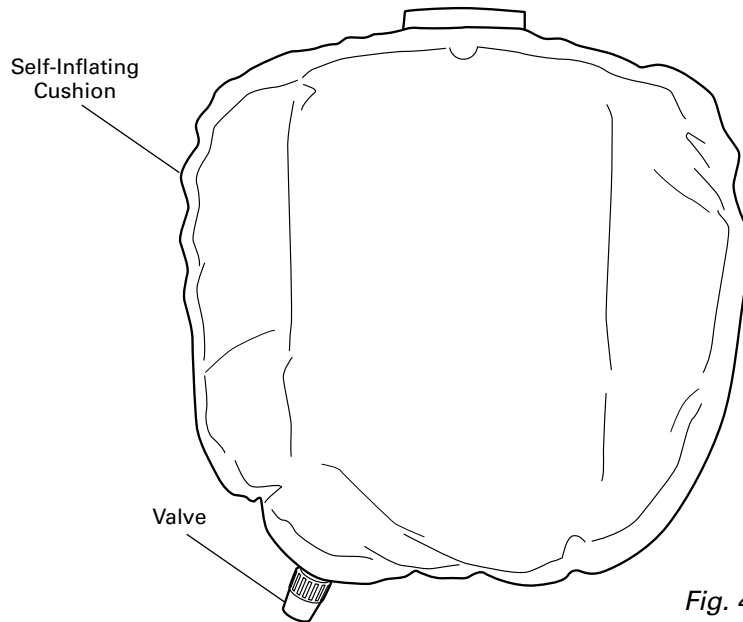


Fig. 4

Shell Interior

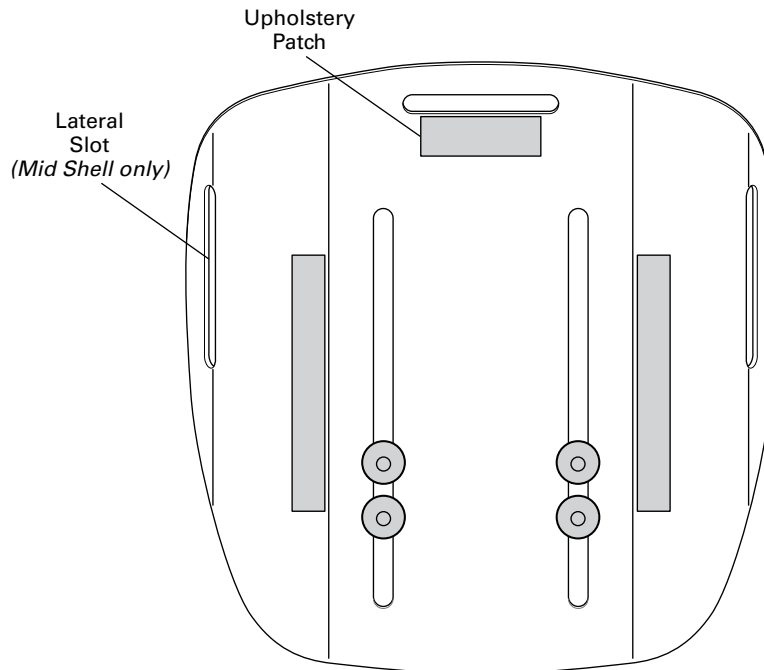


Fig. 5

Assembly and Mounting

Adjustment may be necessary to complete the installation and accommodate the width of the wheelchair, or for desired seat depth, angle and height.

The following steps must be done before the client is in the wheelchair:

1. Determine the optimal height of the back on the wheelchair.
2. Attach Cane Brackets to each wheelchair cane, ensuring that the Holsters face each other and the Slide Caps open rearward.
3. Align the two Cane Brackets so they are parallel and level with each other. Tighten Cane Bracket screws enough to hold the Cane Brackets lightly in place.
4. Loosen the Slide Bracket screws.
5. Insert the back so that the Slide Brackets fit securely into the Holsters.
6. Tighten the screws on the Cane Brackets and Slide Brackets to 4.5 Newton Meters.
7. Slide left and right Slide Caps closed, towards the shell.

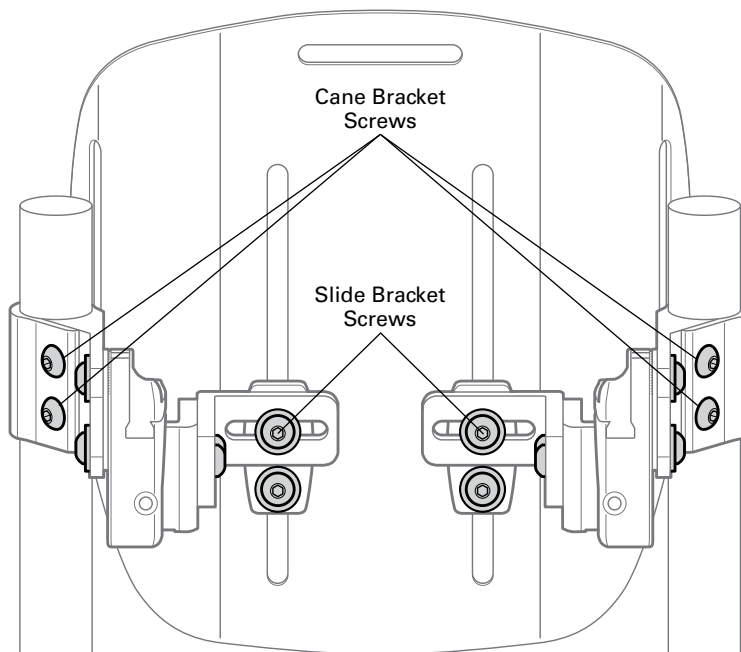


Fig. 6

Adjustment

The following steps can be done with or without someone in the wheelchair:

Depth and Angle Adjustments

1. Loosen the two Cane Bracket Adjustment Screws and adjust for desired level of depth and angle. **Only loosen adjustment screws 3/4 of a turn to slide. Do not disconnect from the attached nut.**
2. Use reference marks on the top of the Holster to make incremental adjustments.
3. Adjust the hardware on both Cane Brackets before fully tightening the adjustment screws.
4. Tighten the two Cane Bracket Adjustment Screws to maintain the adjustment.

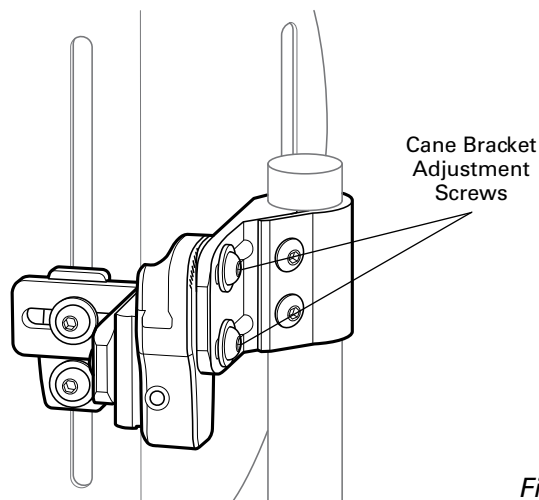


Fig. 7

Horizontal Shell Bracket Adjustment

1. Loosen the two Slide Bracket Screws.
2. Make lateral shell adjustments.
3. Retighten the screws.

Vertical Shell Bracket Adjustment

1. Loosen the two screws on each Shell Bracket.
2. Make vertical shell adjustments.
3. Retighten the screws.

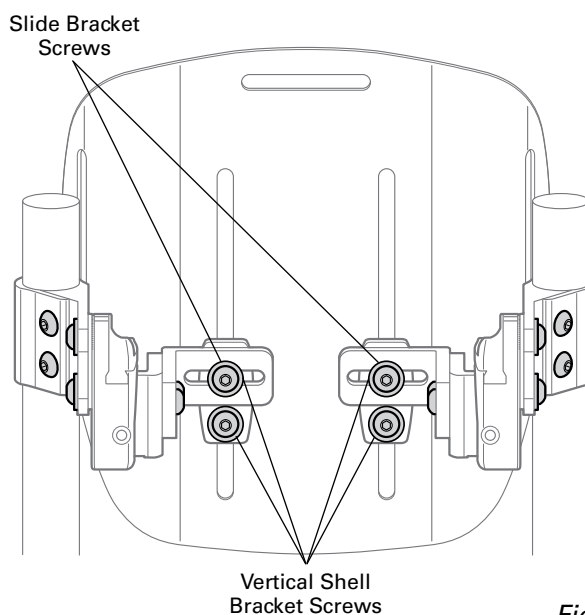


Fig. 8

Seat Depth Adjustment

Seat depth adjustment varies according to the clinical application, specific wheelchair features, and the recline angle of the back. The JUNIOR Back hardware allows for seat depth adjustment in front of the canes to provide correct positioning or allow for recline adjustment without the shell hitting the canes.

Installation Type	Space Saver	Growth
Cane Bracket	Posterior	Anterior
Holster Bracket	Anterior	Posterior
Trunk Support Range¹	From: -1.0" Up to: +1.25"	From: +1.9" ² Up to: +4.15"
Notes	Shell is in maximum rear position against canes ³ . This configuration frees up valuable space behind the canes.	<p><i>From Space Saver Installation:</i></p> <ol style="list-style-type: none"> 1. Remove Holsters from Cane Brackets 2. Flip Cane Brackets to anterior position 3. Remount Holsters to Cane Brackets ensuring that the Slide Caps open rearwards 4. Remove left and right Holster Brackets and swap them 6. Remount so tabs face upwards

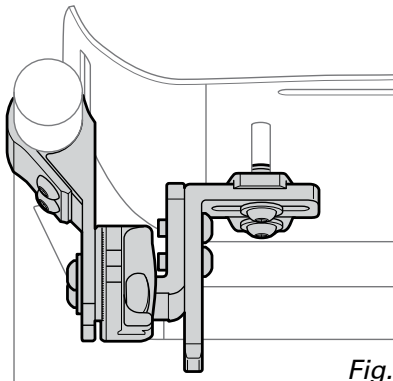


Fig. 9

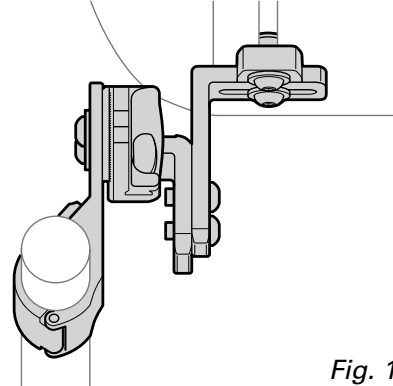


Fig. 10

¹ Measured from front of canes to center of shell; cushion thickness ranges from 1 ¼" to 2 ¾" depending on inflation

² Hardware cannot be adjusted between +1.25" and +1.9"

³ Back shell cannot be positioned behind the canes

Operation

Removing the JUNIOR Back Support

1. Depress buttons and slide the left and right Slide Caps open. *Fig. 11*
2. Grab the top of the shell and lift up until the Slide Bars clear the Holster. *Fig. 12*
3. Slide the left and right Slide Caps closed, towards the shell. *Fig. 13*

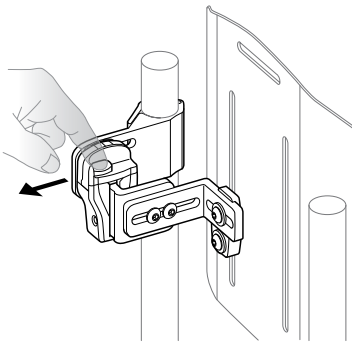


Fig. 11

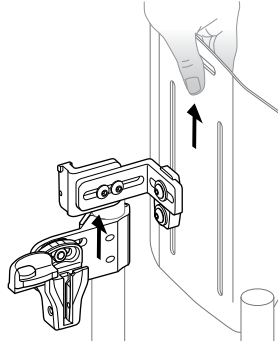


Fig. 12

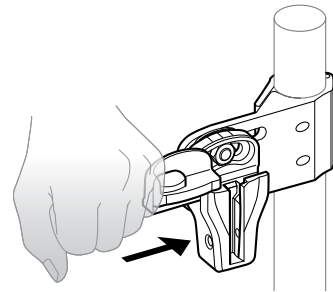


Fig. 13

Inserting the JUNIOR Back Support

1. Depress buttons and slide the left and right Slide Caps open, away from the shell. *Fig. 14*
2. Align the Slide Brackets above the track of the Holsters.
3. Insert the Slide Brackets into the Holsters. *Fig. 15*
4. Slide the left and right Slide Caps closed, towards the shell. *Fig. 16*

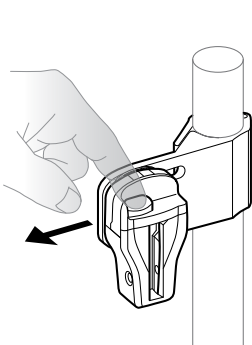


Fig. 14

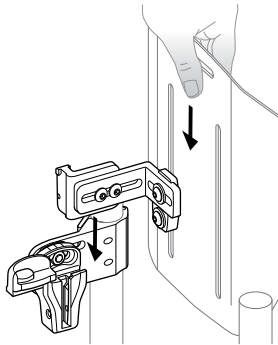


Fig. 15

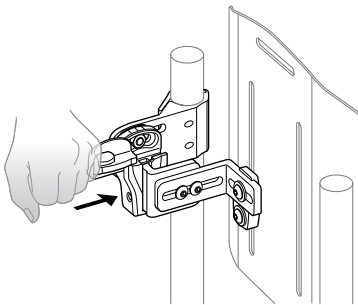


Fig. 16

Operation

Permanent Mount Installation

1. Loosen the left and right Slide Bracket screws. *Fig. 8*
2. Install the Permanent Mount Screw using the 3-32 in. hex key through the Permanent Mount Hole into the Slide Bracket. *Fig. 3*
3. Tighten the left and right Slide Bracket screws.

Back Cushion Adjustment

Inflating Cushion

1. To inflate cushion, remove load from cushion.
2. Open air valve by turning valve counterclockwise.
3. When cushion is fully inflated, close air valve by turning valve clockwise.

Adjusting Cushion

1. To adjust the air level of the *VARILITE* back support, begin with the cushion fully inflated and the valve closed.
2. Position wheelchair user securely in wheelchair.
3. Turn the valve counterclockwise to open the valve and release air.
4. Close the valve when the air level that provides the support needed for the user's comfort and functionality is reached.

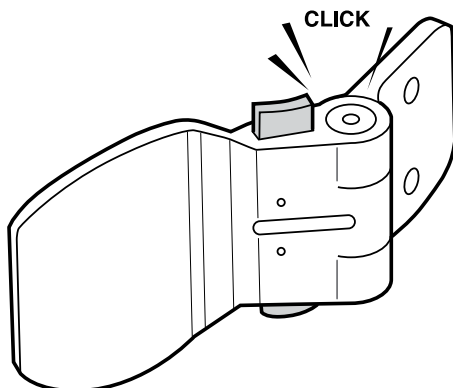
Removing Cushion

1. Pull the cushion up to detach the cover from the shell.
2. Detach the Handle Flap from the Handle Patch on the inside of the Shell and pull the Handle Flap through the slot in the Shell.
3. Remove the back cushion from the attached flap on the inside of the cover.

Note: Reverse the steps above to reattach the cushion.

Thoracic Supports Instructions

Follow installation instructions provided with the JUNIOR Thoracic Support.



Note: Although the *VARILITE JUNIOR* Back Support warranty permits drilling the Shell for attachment of thoracic, head or other ancillary supports, these should be installed only by qualified persons.

Troubleshooting

The JUNIOR Back Support should operate smoothly. The back support should remove and insert without binding. If the back support binds or seems “sticky” during removal and insertion, quick and easy adjustments will correct the situation.

1. Check the back height. Ensure that the Cane Brackets are installed at the same height and are parallel.
2. Allow the Slide Brackets to self-center. Loosen the left and right Slide Bracket screws until the slide brackets fit loosely and self-center in the Holsters. Tighten the Slide Bracket Screws. *Fig. 8*
3. Check the depth adjustment. Ensure that the depth adjustment is the same on the left and right Holsters. Loosen the top and bottom Cane Bracket Adjustment Screws a three-quarter ($\frac{3}{4}$) turn. While holding the back system at the appropriate depth, tighten the top and bottom adjustment screws. *Fig. 7*
4. Check the angle adjustment. Ensure that the angle adjustment is the same on the left and right Holsters. Loosen the top Cane Bracket Adjustment Screws a three-quarter ($\frac{3}{4}$) turn. While holding the back system at the appropriate angle, tighten the top adjustment screw. *Fig. 7*

Note: *Only loosen the Cane Bracket Screw three-quarter ($\frac{3}{4}$) turn when making angle or depth adjustments. Loosening the screw more than a three-quarter ($\frac{3}{4}$) turn will cause it to disconnect from the nut inside the Holster.*

Warranty

LIMITED WARRANTY/LIMITATIONS OF REMEDIES AND LIABILITY U.S.A. and Canada

Limited Warranty. VARILITE, a division of Cascade Designs, Inc., to the original owner ("Owner"), under intended use and maintenance, warrants the enclosed product ("Product") to be free from defects in materials and workmanship for two years from date of purchase of the Product. No warranty against defects in materials and workmanship will apply if Product is: (i) altered in any way, except as specifically provided for in product instructions; (ii) used for purposes inconsistent with Product's intended purpose or design; or (iii) improperly maintained. Warranty will furthermore be voided where user: (i) failed to follow Product instructions or warnings; or (ii) subjected Product to misuse, abuse, or neglect.

During the warranty period, original Product parts determined by VARILITE to be defective in materials or workmanship will be repaired or replaced as Owner's sole remedy. VARILITE reserves the right to replace any discontinued product with a new product of comparable value and function. A returned product deemed irreparable becomes the property of VARILITE, and will not be returned.

EXCLUDING THE LIMITED WARRANTY PROVIDED ABOVE, VARILITE, ITS AFFILIATES AND THEIR SUPPLIERS, TO THE MAXIMUM EXTENT PERMITTED BY LAW, MAKE NO WARRANTIES, EXPRESSED OR IMPLIED, AND DISCLAIM ALL WARRANTIES, DUTIES AND CONDITIONS, WHETHER EXPRESSED, IMPLIED, OR STATUTORY, WITH RESPECT TO THE PRODUCT, INCLUDING WITHOUT LIMITATION ANY IMPLIED WARRANTIES OF MERCHANTABILITY, AGAINST LATENT DEFECTS, FITNESS FOR A PARTICULAR PURPOSE, OR CORRESPONDENCE TO DESCRIPTION.

Warranty Service To obtain service under this warranty, the warranty-eligible Product must be presented to a VARILITE authorized dealer. In the United States and Canada, warranty service may also be obtained by calling (800) 827-4548, Monday through Friday 7:00 AM to 4:30 PM Pacific Standard Time. Owner is responsible for all costs associated with returning Product to VARILITE for service. Where at its sole discretion VARILITE deems Product eligible for warranty repair or replacement, VARILITE will pay the shipping and handling associated with returning repaired or replaced Product to Owner. In instances where VARILITE deems a returned product ineligible for warranty service, VARILITE will, if possible, repair product for a reasonable charge that includes return shipping and handling.

Limitation of Remedies Should a court of competent jurisdiction find the limited warranty set forth above breached, VARILITE's only obligation will be to, at its option, either repair or replace Product. Should the aforementioned remedy fail of its essential purpose, VARILITE will, in exchange for return of Product, refund to Owner Product's original purchase price. THE FOREGOING REMEDY IS THE SOLE AND EXCLUSIVE REMEDY OF THE PURCHASER AGAINST VARILITE, ITS AFFILIATES AND THEIR SUPPLIERS, REGARDLESS OF LEGAL THEORY.

Limitation of Liability VARILITE's, its affiliates' and their suppliers' maximum liability is limited to incidental damages not to exceed the original purchase price of the Product. VARILITE, ITS AFFILIATES AND THEIR SUPPLIERS HEREBY DISCLAIM AND EXCLUDE ANY LIABILITY FOR ANY CONSEQUENTIAL OR OTHER DAMAGES RESULTING FROM ANY REASON WHATSOEVER. THIS EXCLUSION AND LIMITATION APPLIES TO ALL LEGAL THEORIES UNDER WHICH DAMAGES MAY BE SOUGHT, AND WILL APPLY EVEN IF ANY REMEDY FAILS OF ITS ESSENTIAL PURPOSE.

This limited warranty gives you specific legal rights; you may have additional rights which vary state to state.

Always completely follow: safety, use, operation, and maintenance instructions for this or any other VARILITE product.

European Union customer statutory rights are not affected.

VARILITE® *Installation Instructions*

Care and Maintenance

- The aluminum shell can be cleaned with soap and warm water. Do not saturate. Avoid getting water under the edge trim.
- The self-inflating cushion can be wiped with a damp cloth.
- The cushion cover can be removed and washed. Machine wash at 140° F (60° C). Air dry.
- Never store your back support in conditions of extreme heat or exposure to direct sunlight for long periods of time.
- Never store sharp or heavy objects on top of your back cushion.
- Once a week, leave valve open overnight, allowing cushion to fully inflate in an unloaded state.

Contact Information

VARILITE
4000 1st Ave. S
Seattle, WA 98134

Phone: (206) 505-9500
Toll Free: (800) 827-4548
Fax: (206) 343-5795
Toll Free Fax: (800) 363-7739

Email: info@varilite.com
Website: www.varilite.com

Customer Service Hours:
Monday through Friday from 7:00 AM to 4:30 PM Pacific Standard Time (PST)



4000 1st Ave. S
Seattle, WA 98134
Phone: (800) 827-4548
Fax: (206) 343-5795
www.varilite.com

Authorized EU Representative:
Cascade Designs, Limited
Dwyer Road, Midleton, Co. Cork
Republic of Ireland



