



Little Wave "Fl!p" XP

Little Wave "Fl!p" XPe

**USER INSTRUCTION MANUAL & WARRANTY
MANUAL DE INSTRUCCIONES Y GARANTÍA**

Ki  Mobility

I. INTRODUCTION

Thank you for purchasing a Little Wave “Flip” XP or Little Wave “Flip” XPe wheelchair!

Please do not use this wheelchair without first reading this entire manual. BEFORE riding, you should be trained in the safe use of this chair by an Assistive Technology Practitioner (ATP) or clinical professional.

If you have any questions or concerns about any aspect of this wheelchair, this manual, or the service provided by us or your retail supplier, please do not hesitate to contact us by telephone at:

715-254-0991

In writing at:

Ki Mobility
5201 Woodward Drive
Stevens Point, WI 54481
U.S.A

Or via email at:

sales@kimobility.com

Or via our Authorized EU Representative:

James Leckey Design
19C Ballinderry Road
Lisburn
BT28 2SA
Phone: 0800 318265 (UK) or 1800 626020 (ROI)
www.leckey.com



II. TABLE OF CONTENTS

La Versión en Español comienza en la página 61

I.	INTRODUCTION	
II.	TABLE OF CONTENTS	
III.	NOTICE - READ BEFORE USE	
	A. Your Safety and Stability	4
IV.	WARNINGS	
	A. Signal Words.....	4
	B. General Warnings.....	5
	C. Positioning Belts	6
	D. Riding Your Wheelchair	7
	E. Power Drives.....	8
	F. Ascending Stairs	8
	G. Descending Stairs	8
	H. Transfers.....	9
	I. Your Wheelchair and the Environment.....	9
	J. Modifying your Wheelchair	10
	K. Wheelchair Stability	10
V.	SET UP & USE OF YOUR WHEELCHAIR	
	A. Your Little Wave "Flip" & It's Parts	13
	B. Transit Use.....	14
	C. Folding Wheelchair.....	17
	D. Height Adjustable T-Arm	19
	E. Angle Adjustable Locking Flip Up Extendable Armrest.....	21
	F. Armrest Warnings	22
	G. Swing Away Hangers	22
	H. Swing Away Hangers with 4-Way Latch.....	23
	I. Extension Tubes	24
	J. Elevating Leg Rests.....	25
	K. Pro Elevating Leg Rest	26
	L. Pediatric Pro Elevating Leg Rest.....	27
	M. Contracture Footrest.....	28
	N. Multi-Angle Footrest	29
	O. Backrest	30
	P. Reclining Backrest	32
	Q. Hand Tilt Mechanism	34
	R. Foot Tilt Mechanism.....	36
	S. Tilt Stops.....	36
	T. Seat Frame Setup	37
	U. Casters	38
	V. Axle Arm	40

II. TABLE OF CONTENTS

W.	Rear Wheels.....	42
X.	Drum Brake.....	44
Y.	Push / Pull to Lock Wheel Locks.....	46
Z.	Attendant Foot Lock (Hub Lock).....	47
AA.	Frame Width	48
BB.	Anti-Tips	50
CC.	Seat Pan.....	52
DD.	Bushings.....	53
EE.	Canopy.....	54
VI.	MAINTENANCE	
A.	Inspecting Your Wheelchair.....	55
B.	Routine Maintenance	56
C.	Cleaning.....	57
D.	Storage.....	57
VII.	TROUBLESHOOTING.....	58
VIII.	WARRANTY	60

III. NOTICE - READ BEFORE USE

A. Your Safety and Stability

Ki Mobility manufactures many different wheelchairs that might meet your needs. You should consult an Assistive Technology Professional when selecting which model would best meet your particular requirements and how the wheelchair should be set up and adjusted. Final selection of the type of wheelchair, options and adjustments rests solely with you and your medical professional. The options you choose and the set-up and adjustment of the wheelchair have a direct impact on its stability. Factors to consider that affect your safety and stability are:

- a. Your personal abilities and capabilities including strength, balance and coordination.
- b. The types of hazards and obstacles you might encounter during your day.
- c. The specific dimensions, options and set up. In particular, the seat height, seat depth, seat angle, back angle, size and position of the rear wheels and size and position of the front casters. Any change to any of these items will change the stability of your wheelchair. You should only make changes after consulting with a qualified professional.

IV. WARNINGS

A. Signal Words

Within this manual you will find what are referred to as “Signal” words. These words are used to identify and convey the severity of varying hazards. Before using this chair you, and each person who may assist you, should read this entire manual. Please note the Signal word and consider any warnings, cautions or dangers. Make sure to follow all instructions and use your chair safely. The Signal word refers to a hazard or unsafe practice that may cause severe injury or death to you or to other persons. The “Warnings” are in three main categories, as follows:

DANGER – Danger indicates an imminently hazardous situation which, if not avoided, will result in serious injury or death.

WARNING – Warning indicates a potentially hazardous situation which, if not avoided, could result in serious injury or death.

CAUTION – Caution indicates a potentially hazardous situation which, if not avoided, could result in injury or damage to your wheelchair.

These signal words will be placed throughout the manual, where appropriate to highlight the hazardous situation. Refer to the following list for hazardous situations that will apply to the general use of this wheelchair.

IV. WARNINGS

B. General Warnings

WARNING

WARNING: Do not exceed the weight limit of 165 lb (75 kg) for the Little Wave "Flip". This is the combined weight of user and all items carried. Exceeding the weight limit can cause damage to your chair or increase the likelihood of a fall or tip back resulting in severe injury or death to the user or others.

DANGER

DANGER: Do not use this chair for weight training. The movement of the additional weight will alter the center of gravity of the wheelchair increasing the likelihood of a tip-over which can cause damage to your chair or cause severe injury or death to the user or others.

WARNING

WARNING: If your wheelchair is equipped with inflatable tires, make sure the tires have been inflated to the correct tire pressure as indicated on the side wall of the tire. Your wheelchair provider can determine if you have inflatable tires. Using your wheelchair without properly inflated tires can have an effect on the stability of the wheelchair causing it to tip over resulting in death or injury to the user or others.

DANGER

DANGER: Do not attempt to push your wheelchair up or down ramps or traverse across a slope of greater than 9 degrees. This is dangerous and increases the likelihood of a fall or tip back resulting in severe injury or death to the user or others.

WARNING

WARNING: Do not attempt to push your wheelchair up an incline that is slick or coated with ice, oil or water. This can cause an unstable situation resulting in death or injury to the user or others.

DANGER

DANGER: Do not lean over the side or back of the wheelchair to extend your reach. This may cause you to fall out of the wheelchair or the wheelchair to tip over resulting in injury or death.

IV. WARNINGS

B. General Warnings

DANGER

DANGER: Do not attempt to lift the wheelchair by holding on to removable parts such as the arms or footrests. Only lift the wheelchair by holding on to the frame. This may cause a fall or loss of control and result in serious injury or death.

CAUTION

CAUTION: Do not overtighten the bolts and hardware that attaches various components together on the frame. This could cause serious damage and affect the safety and durability of the wheelchair.

C. Positioning Belts

Positioning belts are designed to assist with proper positioning within the wheelchair. They are not designed as seat belts. Use positioning belts **ONLY** to help support the user's posture. Misuse of positioning belts may cause severe injury to or death of the user.

- Ensure the user does not slide underneath the positioning belt in the wheelchair seat. If this occurs, the user's breathing may be hampered causing death or serious injury.
- The positioning belt should have a snug fit; tight enough to hold their position, but not so tight as to restrict breathing. You should be able to slide your hand between the positioning belt and the user.
- **NEVER** Use Positioning Belts:
 - a. As a restraint. A restraint requires a doctor's order.
 - b. On a user who is unconscious.
 - c. As an occupant restraint in a motor vehicle. A positioning belt is not designed to replace a seat belt that is attached to the frame of a vehicle, which would be required of an effective seat belt. During a sudden stop, with the force of the stop, the user would be thrown forward. Wheelchair seat belts will not prevent this, and further injury may result from the belts or straps.

DANGER

DANGER: Failure to comply with the instruction above could result in serious injury or death.

IV. WARNINGS

D. Riding Your Wheelchair

Your chair is designed for use on solid, flat surfaces such as concrete, asphalt and flooring. Use caution if you push your wheelchair on a wet or slick surface.

WARNING

WARNING: Do not push your chair in sand, loose soil or over rough terrain. This may cause a loss of stability and result in a fall or loss of control and cause serious injury or death.

DANGER

DANGER: In most states, wheelchairs are not legal for use on public roads. If you find you must push on a public road, be alert to the danger of motor vehicles. Use of a wheelchair on a public road can cause serious injury or death.

WARNING

WARNING: Obstacles and road hazards (such as potholes and broken pavement) can damage your chair and may cause a fall, tip-over or loss of control. Failure to comply with this instruction could result in serious injury or death.

DANGER

DANGER: Do not ride your wheelchair on an escalator. Use of a wheelchair on an escalator can cause serious injury or death.

To minimize these risks:

- 1) Keep a lookout for danger-scan the area well ahead of your chair as you ride.
- 2) Make sure the floor areas where you live and work are level and free of obstacles.
- 3) Remove or cover threshold strips between rooms.
- 4) Install a ramp at entry or exit doors. Make sure there is not a drop off at the bottom of the ramp.
- 5) To Help Correct Your Center of Balance:
 - a. Lean your upper body **FORWARD** slightly as you go **UP** over an obstacle.
 - b. Press your upper body **BACKWARD** as you go **DOWN** from a higher to a lower level.
- 6) If your chair has anti-tip tubes, lock them in place before you go UP over an obstacle.
- 7) Keep both of your hands on the handrims as you go over an obstacle.
- 8) Never push or pull on an object (such as furniture or a doorjamb) to propel your chair.
- 9) Do not operate your wheelchair on roads, streets or highways.
- 10) Do not attempt to push over obstacles without assistance.

IV. WARNINGS

E. Power Drives

Ki Mobility does not recommend the installation of power drive systems on any Little Wave "Flip" wheelchair.

Little Wave "Flip" wheelchairs have not been designed or tested as power wheelchairs. If you add a power drive system to a Little Wave "Flip" wheelchair, be sure the manufacturer of the power drive system has validated and approved the combination of the power drive system and Little Wave "Flip" wheelchair as safe and effective.

WARNING

WARNING: Use of a power drive system that has not been properly validated could result in serious injury or death.

F. Ascending Stairs

- Have at least two people, who have sufficient strength and skill to handle the weight of the user and wheelchair, assist when trying to go up a set of stairs in this wheelchair.
- Move the wheelchair and user backwards up the stairs.
- Position one person behind the user, one person in front. The person in front must hold onto a non-removable part of the wheelchair.
- The rear attendant tilts the chair back and they both lift together. Take one step at a time.
- This may require the anti-tips be flipped up or removed. Make sure the anti-tips are reattached or flipped back down before using the wheelchair.

DANGER

DANGER: Failure to comply with the instructions above could result in serious injury or death.

G. Descending Stairs

- When descending a set of stairs the user should be facing forward.
- A person behind the user, who has sufficient strength and skill to handle the weight of the user and the wheelchair, should tilt the chair backward and let the chair down the stairs one step at a time on the rear wheels.
- This may require that anti-tips be flipped up or removed. Make sure the anti-tips are reattached or flipped back down before using the wheelchair.

DANGER

DANGER: Failure to comply with the instructions above could result in serious injury or death.

IV. WARNINGS

H. Transfers

A transfer requires good balance and stability. You should receive training from your therapist before attempting to do a transfer on your own.

- Before transferring out of your wheelchair every caution should be taken to reduce the gap between the two surfaces.
- Engage the wheel locks to lock the rear wheels.
- Rotate the casters forward to increase the wheelbase of the wheelchair.
- Remove or swing away the footrests.
- Have someone assist you unless you are well experienced in transfers.

It is dangerous to transfer on your own. It requires good balance and agility. Be aware there is a point during every transfer when the wheelchair seat is not below you.

WARNING

WARNING: Failure to comply with the instructions above may cause a fall or loss of control, which may result in serious injury or death.

I. Your Wheelchair and the Environment

- Your wheelchair is made of many different materials including metal and fabric. Exposure to water or excessive moisture may cause the metal in the wheelchair to rust or corrode and the fabric to tear. Dry your chair as soon as possible if exposed to water.
- **DO NOT USE YOUR WHEELCHAIR IN A SHOWER, POOL OR BODY OF WATER.** This will cause your wheelchair to rust or corrode and eventually fail.
- Do not operate your wheelchair in sand. Sand can get into the wheel bearings and moving parts. This will cause damage and eventually will cause the wheelchair to fail.
- Make sure any ramp, slope or curb cut you may attempt to ride on is compliant with ADA guidelines. Riding across, up or down any slope that is too great may cause a loss of stability.

ADA Guidelines and more information about accessible design are available at:
<http://www.ada.gov/>

WARNING

WARNING: Failure to comply with the instructions above may cause a fall or loss of control, which may result in serious injury or death.

IV. WARNINGS

J. Modifying your Wheelchair

Your wheelchair was engineered and manufactured under strict design controls. An integral part of this process is ensuring the various components work together correctly; they have been tested to various standards to ensure quality and are approved to work together.

YOU SHOULD NOT CHANGE, ADD OR REMOVE COMPONENTS OR OTHERWISE MODIFY THIS WHEELCHAIR. NO ONE SHOULD MODIFY THIS WHEELCHAIR EXCEPT BY ASSEMBLING APPROVED OPTIONS. THERE ARE NO APPROVED OPTIONS THAT INVOLVE DRILLING OR CUTTING THE FRAME BY ANYONE OTHER THAN A TRAINED KI MOBILITY ASSOCIATE. Contact Ki Mobility or an authorized Ki Mobility supplier before adding any accessories or components not provided by Ki Mobility.

DANGER

DANGER: Failure to comply to these instructions may cause the wheelchair to fail and result in serious injury or death.

K. Wheelchair Stability

To ensure proper stability of your wheelchair, you must make sure the center of gravity and the wheelchairs base of support is correct for your balance and abilities. Many factors can affect these two elements:

- Seat height
- Seat depth
- Back angle
- Seat Angle
- Size and position of rear wheels
- Size and position of front casters
- Any seating system components
- Tilt Position

Generally, the most important factor is the position of the rear wheels for rearward stability. There are other actions than can have an adverse effect on your stability. You should consult with your wheelchair provider and clinicians familiar with your needs and capabilities in determining how this affects your use.

WARNING

WARNING: This chair is equipped with a system to vary the tilt angle of the seat frame. Make sure that the chair is stable throughout the range of tilt angle change. Failure to comply to the instruction above could result in serious injury or death.

WARNING

WARNING: Moving the rear wheels forward increases the likelihood of the wheelchair tipping backwards. Make small adjustments and proceed slowly until you learn the new balance point of your wheelchair. Failure to comply with the instruction above could result in serious injury or death.

IV. WARNINGS

K. Wheelchair Stability

WARNING

WARNING: The farther rearward you place the front casters the greater the likelihood of the wheelchair tipping forwards. If possible, have your casters mounted forward and whenever doing a static activity which involves shifting your weight, rotate the casters forward to increase your wheel base. Failure to comply with this instruction above could result in serious injury or death.

WARNING

WARNING: Always have a qualified technician set up your wheelchair with the accessories you plan to use daily.

Changes to how you sit or changes in your weight require your chair to be readjusted by a qualified technician. Always use anti-tips while you acclimate to any changes in your chair set up. Failure to comply with the instruction above could result in serious injury or death.

WARNING

WARNING: Changes to your Center of Gravity during your daily activities may occur many times a day, changing and affecting the stability of your wheelchair. You should be aware of these activities and take precautions to minimize the risk of a fall. Failure to comply with the instruction above could result in serious injury or death.

WARNING

WARNING: Dressing in your wheelchair produces movements and momentary positions that can reduce stability. Ensure that your anti-tips are in place and rotate your casters forward. Failure to comply with the instruction above could result in serious injury or death.

WARNING

WARNING: Be very careful when reaching for objects if this movement requires you to shift in your seat. This changes your center of gravity. Ensure that your anti-tips are in place. Failure to comply with the instruction above could result in serious injury or death.

WARNING

WARNING: Pushing up an incline shifts your center of gravity rearward and can reduce stability. Ensure your anti-tips are in place. Failure to comply with the instruction above could result in serious injury or death.

IV. WARNINGS

K. Wheelchair Stability

WARNING

WARNING: If attempting a wheelie to get over a curb or obstacle, ensure your anti-tips are in place and lean forward. Do not attempt a wheelie unless you have been trained and always have an attendant behind you to provide assistance if needed. Failure to comply with the instruction above could result in serious injury or death.

WARNING

WARNING: Placing items on the back or front of your wheelchair, such as a backpack or briefcase, alters the balance and center of gravity of the wheelchair. Since the weight of these items can vary greatly at each use do not assume you are accustomed to the balance point. Failure to comply with the instruction above could result in serious injury or death.

BE AWARE THAT CARRYING HEAVY OBJECTS ON YOUR WHEELCHAIR CAN HAVE AN ADVERSE EFFECT ON THE BALANCE WHICH MAY CAUSE A TIP-OVER WHICH MAY RESULT IN SERIOUS INJURY OR DEATH TO THE USER.

WARNING

WARNING: Ensure your anti-tips are in place. You should discuss how you plan to use your wheelchair or any changes you are planning with your clinician. Failure to comply with this instruction may create a potential hazardous situation which, if not avoided, could result in serious injury or death.

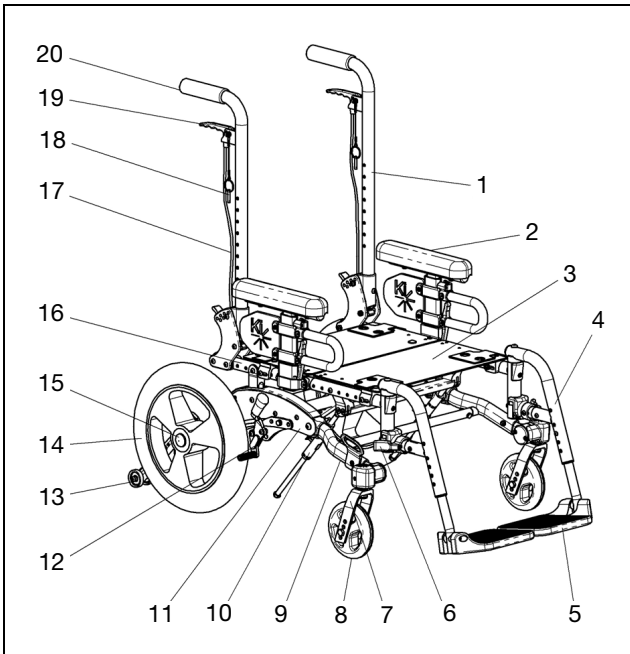
V. SET UP & USE OF YOUR WHEELCHAIR

A. Your Little Wave "Flip" & It's Parts

1. Inspect and maintain this chair. See *MAINTENANCE* on page 55.
2. If you detect a problem, make sure to service or repair the chair before use.
3. Have a complete inspection, safety check and service of your chair performed by an authorized supplier annually.

⚠ WARNING ⚠

WARNING: Failure to read or comply with these instructions may result in damage to your wheelchair, a fall, or loss of control causing severe injury to the user or others.



- | | |
|------------------------|------------------------|
| 1. Back Cane | 11. Base Frame |
| 2. Height Adj. Armrest | 12. Wheel Lock |
| 3. Seat Pan | 13. Anti-Tip |
| 4. Footrest Hanger | 14. Rear Wheel |
| 5. Footrest | 15. Quick Release Axle |
| 6. Swing Away Lever | 16. Seat Tube |
| 7. Caster Fork | 17. Tilt Cable |
| 8. Caster Wheel | 18. Tilt Locking Pin |
| 9. Caster Arm | 19. Tilt Lever |
| 10. Mech Lock | 20. Push Handle |

V. SET UP & USE OF YOUR WHEELCHAIR

B. Transit Use

It is always safest to transfer out of your wheelchair onto a seat in a motor vehicle with appropriate seat and shoulder belts. **Never use this wheelchair as a seat in a motor vehicle unless it has been equipped with the Transit Option.**

The Little Wave "Flip" Series wheelchair equipped with the Transit Option has been tested to and passed the **RESNA WC-4:2012, Section 19: Wheelchairs used as seats in motor vehicles and ISO 7176-19:2008 Wheelchairs -- Part 19: Wheeled mobility devices for use as seats in motor vehicles.** RESNA and ISO standards are designed to test the structural integrity of the wheelchair as a seat for use in a motor vehicle. These standards are also designed to create compatibility with Wheelchair Tie-down and Occupant Restraint Systems (WTORS).

Not all configurations of the Little Wave "Flip" wheelchairs are compatible with the Transit Option. Ki Mobility manages the configuration and does not offer the Little Wave "Flip" wheelchair except in compatible configurations. If you make changes to your Little Wave "Flip" wheelchair after you receive it, you should contact your wheelchair provider or Ki Mobility to make sure it is appropriate to continue to use your wheelchair as a seat in a motor vehicle.

Aftermarket seating may have replaced the original equipment seat and back support designed and tested as part of the Transit Option. Your wheelchair provider should tell you if the seating they provided is original equipment or replacement aftermarket seating. A complete system of wheelchair frame, seating, **Wheelchair Tie-down** and **Occupant Restraint Systems** and a properly equipped motor vehicle, that have all complied with the standards mentioned in this section, should be in place before using a Little Wave "Flip" wheelchair equipped with the Transit Option as a seat in a motor vehicle.

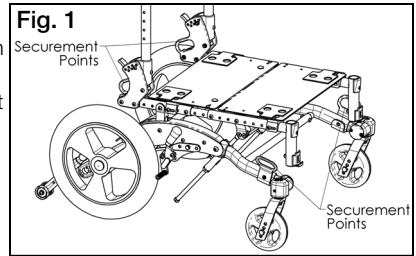
When using your wheelchair as a seat in a motor vehicle you should always observe the following instructions:

- The rider must be in a forward-facing position.
- The rider and all items carried must not weigh more than 165 lbs (75 kg).
- Backpacks and pouches should be removed and secured separately in the motor vehicle. In the event of an accident these items can become dangerous projectiles, which may injure or kill you or other occupants of the motor vehicle.
- The rider must use a Wheelchair Tie-down and Occupant Restraint System that complies with **RESNA WC-4:2012, Section 18: Wheelchair tie-down and occupant restraint systems for use in motor vehicles or ISO 10542-1:2012 Technical systems and aids for disabled or handicapped persons -- Wheelchair tie-down and occupant-restraint systems -- Part 1: Requirements and test methods for all systems.**
- Attach wheelchair tie-downs to the four securement points (two front, two rear) on the Little Wave "Flip" wheelchair with the Transit Option (Fig. 1) in accordance with the wheelchair tie-down manufacturer's instructions and **RESNA WC-4:2012, Section 18 or ISO 10542-1:2012 - Part 1.**
- Attach occupant restraints in accordance with the occupant restraint manufacturer's instructions and **RESNA WC-4:2012, Section 18 or ISO 10542-1:2012, Part 1.**

V. SET UP & USE OF YOUR WHEELCHAIR

B. Transit Use

- Use of lap belts, chest straps, shoulder harnesses, any other positioning strap system or positioning accessory should not be used, or relied on as an occupant restraint, unless it is marked as such by the manufacturer in accordance with **RESNA WC-4:2012, Section 18** or **ISO 10542-1:2012, Part 1**.
- Use of headrests, lateral supports or other positioning accessories should not be used, or relied on as an occupant restraint, unless it is marked as such by the manufacturer in accordance with **RESNA WC-4:2012, Section 18** or **ISO 10542-1:2012, Part 1** or **RESNA WC-4:2012, Section 20: Wheelchair seating systems for use in motor vehicles** or **ISO 16840-4:2009 Wheelchair seating -- Part 4: Seating systems for use in motor vehicles**.
- Any aftermarket seating should be tested to comply with **RESNA WC-4:2012, Section 20** or **ISO 16840-4:2009 - Part 4**.
- Attach the seating to the wheelchair frame in accordance with the seating manufacturer's instructions and **RESNA WC-4:2012, Section 20** or **ISO 16840-4:2009 - Part 4**.
- Aftermarket accessories such as trays, oxygen tank holders, oxygen tanks, IV poles, back packs, pouches and other items not manufactured by Ki Mobility should be removed and secured separately in the motor vehicle. In the event of an accident, these items can become dangerous projectiles which may injure or kill you or other occupants of the motor vehicle.
- If the wheelchair has been involved in an accident, you should not continue to use it, as it may have suffered fatigue that may not be visible.



⚠ DANGER ⚠

DANGER: Failure to comply with any of these instructions could result in severe injury or death!

- When using this wheelchair as a seat in a motor vehicle you must remove any items attached to the vent tray, battery tray or oxygen tank holder and properly secure them separately.

⚠ DANGER ⚠

DANGER: Failure to remove items attached to the vent tray, battery tray or oxygen tank holder and properly secure them separately in the motor vehicle can result in these items becoming dangerous projectiles in the event of an accident. Oxygen tanks contain a highly pressurized gas that vigorously accelerates combustion. Failure to heed this warning can result in severe injury or death.

- If the chair is equipped with an oxygen tank holder, never use the wheelchair as a seat in a motor vehicle.

⚠ DANGER ⚠

DANGER: Using a Flip wheelchair equipped with an oxygen tank holder as a seat in a motor vehicle can result in severe injury or death.

V. SET UP & USE OF YOUR WHEELCHAIR

B. Transit Use

NOTE: To obtain copies of RESNA or ISO standards please contact the standards organizations below:

RESNA

1700 North Moore St., Suite 1540
Arlington, VA 22209
Phone: 703-524-6686
Fax: 703-524-6630
Email: technicalstandards@resna.org

ANSI/RESNA Standards:

RESNA WC-4:2012, Section 18:

Wheelchair tie-down and occupant restraint systems for use in motor vehicles.

RESNA WC-4:2012, Section 19:

Wheelchairs used as seats in motor vehicles.

RESNA WC-4:2012, Section 20:

Wheelchair seating systems for use in motor vehicles.

International Organization for Standardization (ISO)

BIBC II
Chemin de Blandonnet 8
CP 401
1214 Vernier, Geneva
Switzerland
Phone: +41 22 749 01 11
Fax: +41 22 733 34 30
Email: central@iso.org

ISO Standards:

ISO 10542-1:2012 Technical systems and aids for disabled or handicapped person -- Wheelchair tie-down and occupant-restraint systems -- Part 1:

Requirements and test methods for all systems.

ISO 16840-4:2009 Wheelchair seating -- Part 4:

Seating systems for use in motor vehicles.

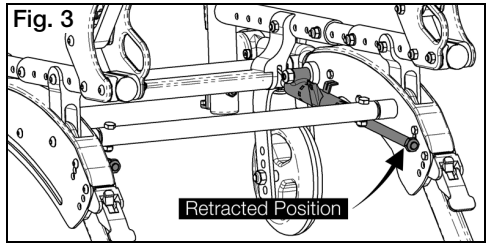
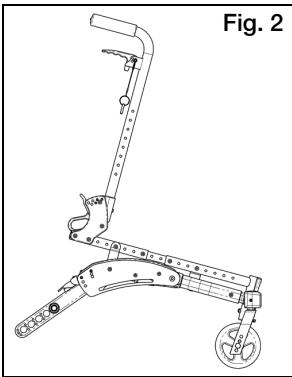
ISO 7176-19:2008 Wheelchairs -- Part 19:

Wheeled mobility devices for use as seats in motor vehicles.

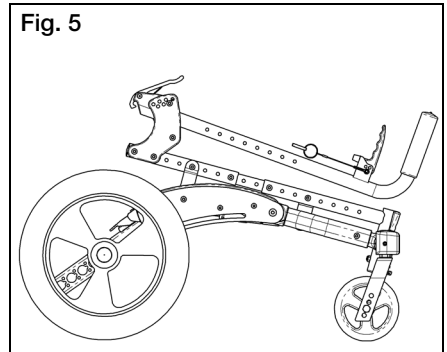
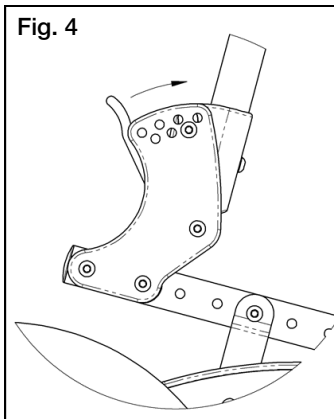
V. SET UP & USE OF YOUR WHEELCHAIR

C. Folding Wheelchair

1. Remove footrest and "T" armrests (See Sections D: Height Adjustable T-Arm and G: Swing Away Hangers for removal instructions).
2. Remove seating as necessary.
3. Using tilt hand levers (Section Q: Hand Tilt Mechanism) or foot tilt pedal (Section R: Foot Tilt Mechanism), tilt front of seat frame down, until bottom of seat frame contacts base top of base frame cover (Fig. 2). Make sure mech locks are retracted properly (Fig. 3).



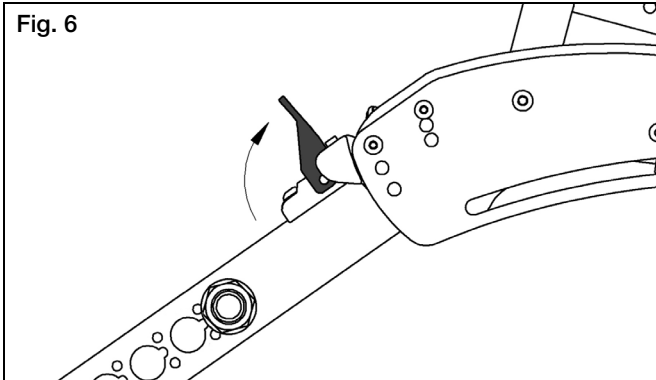
4. Push both backrest release levers forward and unlatch (Fig. 4).
5. Fold back canes downward toward front of seat frame (Fig. 5).
6. If height adjustable backrest is installed, push handles can be folded down also to minimize folded size.



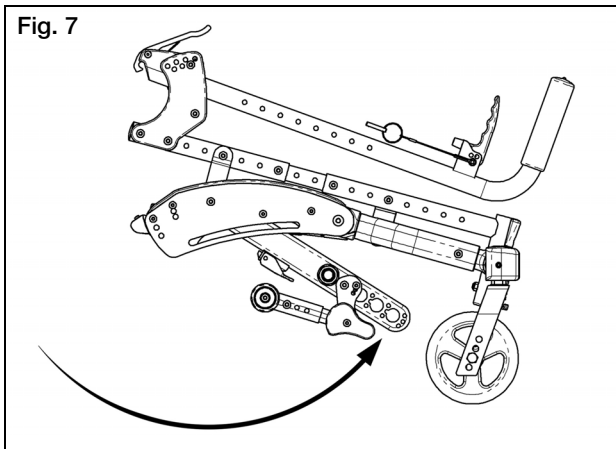
V. SET UP & USE OF YOUR WHEELCHAIR

C. Folding Wheelchair

7. Flip anti-tips up (See Section BB: Anti-Tips), then remove wheels and flip up red levers on top of axle arms on both sides of chair (Fig. 6). Levers will remain upright until chair is folded.



8. Lift rear of chair off of the floor and swing axle bar down and forward as far as it will go, engaging into slit in bottom of base frame between side plates (Fig. 7).



V. SET UP & USE OF YOUR WHEELCHAIR

D. Height Adjustable T-Arm

1. Installation

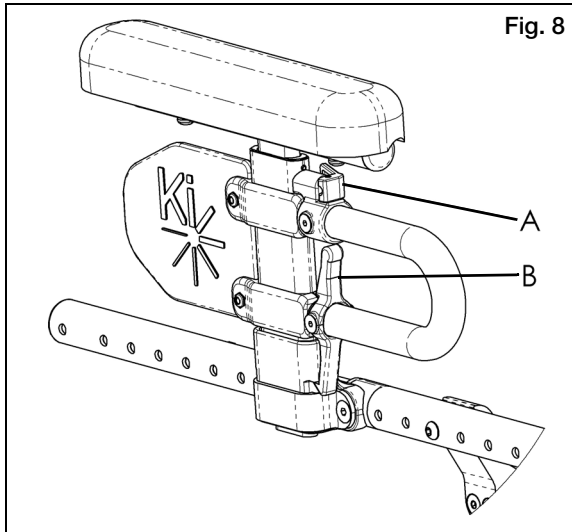
- a. Slide the outer arm post into the receiver mounted to the wheelchair frame.
- b. The armrest will automatically lock into place. Check to make sure the locking lever is as shown (Fig. 8:B).

2. Height Adjustment

- a. Rotate release lever (Fig. 8:A).
- b. Slide armrest pad up or down to desired height.
- c. Return lever to locked position against arm post.
- d. Push arm pad until upper arm post locks firmly into place. Check to make sure the locking lever is as shown (Fig. 8:A).

3. Removal

- a. Squeeze release lever (Fig. 8:B) and remove the armrest.

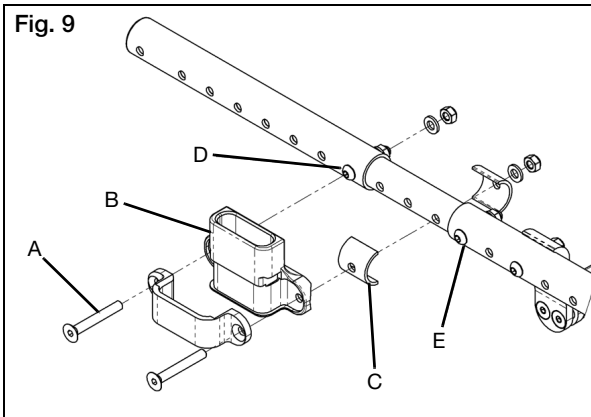


V. SET UP & USE OF YOUR WHEELCHAIR

D. Height Adjustable T-Arm

4. Adjusting Position

- a. Remove both screws (Fig. 9:A) from each armrest receiver (Fig. 9:B), retaining the spacers (Fig. 9:C) if installed. If not installed at factory, they are included in a separate bag in the packaging.
- b. Move receiver to desired location on seat frame and reinstall screws with washers and nuts to tighten.
- c. If screws for new armrest receiver location coincide with seat frame screws (Fig. 9:D and E), remove seat frame screws and replace with armrest receiver screws. Retain (do not discard) these screws for potential future use, or optionally, they may be retained by reinstalling them in an alternate location on the seat frame.
- d. If one of the armrest receiver screws lies on the center growth section of the seat frame, be sure to use the spacers (as described in step 1) around growth tube in location of mounting hole.



DANGER: Failure to comply with the instructions above may result in the armrest accidentally disconnecting from the wheelchair and result in a fall or loss of control and may cause serious injury or death.



DANGER: Never attempt to lift the chair by the armrests; they may break or disconnect resulting in a fall or loss of control and may cause serious injury or death.

V. SET UP & USE OF YOUR WHEELCHAIR

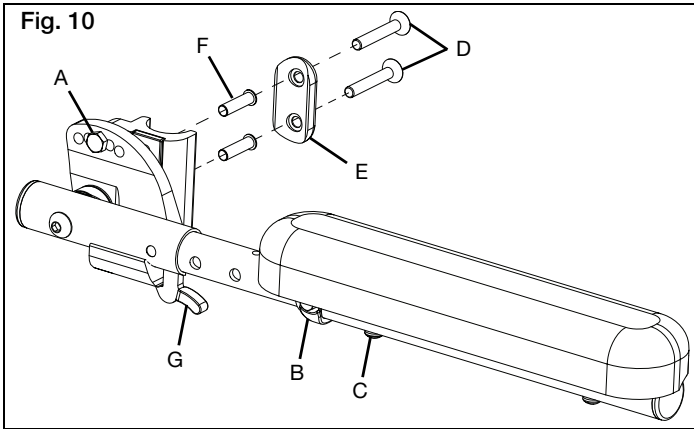
E. Angle Adjustable Locking Flip Up Extendable Armrest

Adjustments

1. Set the angle of the armrest based on your preferences. There are five holes that can be used to set the angle (Fig. 10:A). Tighten the bolt once angle is set.
2. Set the length of the armrest based on your preferences. To adjust the length, remove the bolts and spacer (Fig. 10:B) on the tube and the screw (Fig. 10:C) closest to the back of the chair. Slide the armrest to desired length available by the predrilled holes and reinstall the screw and bolts.
3. Set the height of the armrest on the chair based on your preferences. There are four holes on the armrest that allow for two different height settings for each set of holes on the back tube. Use the holes that provide the correct height setting for the user. The two bolts (Fig. 10:D) pass through the spacer (Fig. 10:E), sleeves (Fig. 10:F), back posts and into the armrest.

Use

1. Press the release lever (Fig. 10:G) up to release the armrest and swing it upwards. To return the armrest to the operating position, push the armrest down until the lever clicks and locks.



⚠ DANGER ⚠

DANGER: Always make sure the arms are locked in place before using them for repositioning yourself failure to do so may result in a fall or loss of control and may cause serious injury or death.

⚠ DANGER ⚠

DANGER: Never attempt to lift the chair by the armrests; they may break or disconnect resulting in a fall or loss of control and may cause serious injury or death.

V. SET UP & USE OF YOUR WHEELCHAIR

F. Armrest Warnings

- All Ki Mobility armrests are designed to detach from the chair and will not bear even the weight of this chair.
- NEVER lift this chair by its armrests. The armrests will release and the user may fall.
- Lift this chair only by non-detachable parts of the main frame.

⚠ WARNING ⚠

WARNING: Failure to heed these instructions may result in a fall, tip-over or loss of control causing severe injury to the user or others.

G. Swing Away Hangers

1. Installation

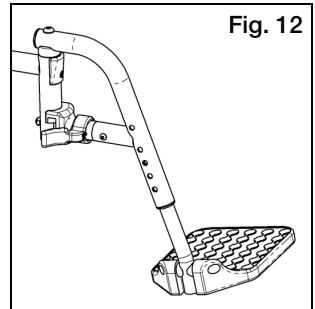
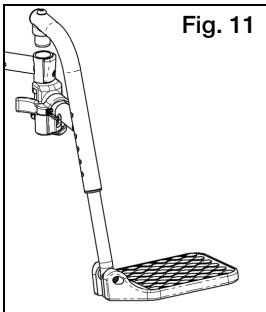
- a. Place swing away pivot saddle into the receiver on front frame tube with the footrest facing either inward or outward from the frame (Fig. 11).
- b. Rotate the footrest so that it aligns with the frame until it locks into place in the latch block (Fig. 12).

2. Swinging the Footrest Away

- a. Push release latch toward the frame.
- b. Rotate footrest outward or inward as desired.

3. Removal

- a. To remove footrest, push release latch toward the frame.
- b. Lift the footrest straight upward to remove. You may also swing the footrest inward or outward before lifting it off.



⚠ WARNING ⚠

WARNING: Always make sure the hangers are locked in place before using them or riding the wheelchair. Failure to do so may result in a fall or loss of control and may cause serious injury or death.

⚠ DANGER ⚠

DANGER: Never attempt to lift the chair by the hangers; they may break or disconnect resulting in a fall or loss of control and may cause serious injury or death.

V. SET UP & USE OF YOUR WHEELCHAIR

H. Swing Away Hangers with 4-Way Latch

1. Installation

- Place swing away pivot saddle into the receiver on front frame tube (Fig. 13:A).
- Rotate the footrest so that it aligns with the frame and locks into place in the latch block (Fig. 13:B).

2. Swinging the Footrest Away

- Push or pull on release latch.
- Rotate footrest outward or inward as desired.

3. Removal

- To remove footrest, push or pull release latch.
- Lift the footrest straight upward to remove. You may also swing the footrest inward or outward before lifting it off.

4. Rotating (Fig. 14)

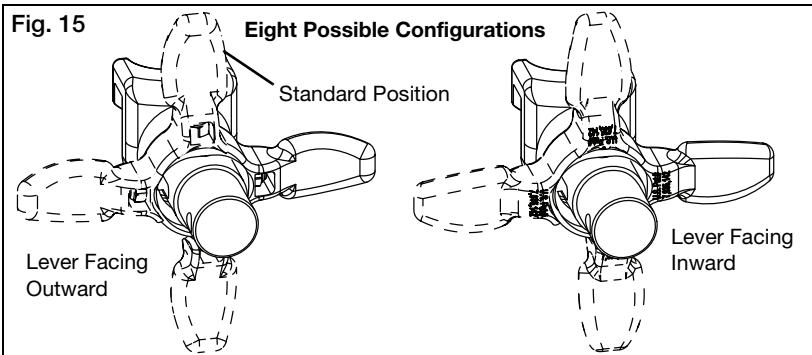
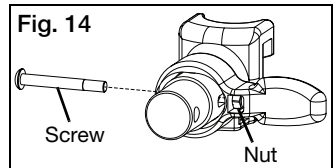
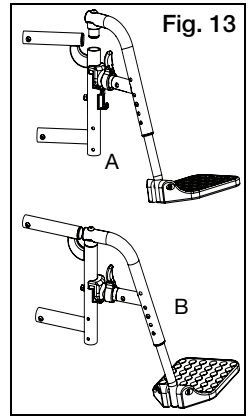
The 4-way latch has eight possible configurations, four with the curve of the lever facing outward and four with the curve of the lever facing inward. See Fig. 15 for possible configurations.

- To rotate the 4-way latch, remove the screw using a 3mm Allen wrench while the hanger is still on the chair (spring must be engaged to remove and reinsert screw and keeping the hanger on the chair keeps the spring engaged). Ensure nut does not fall out.
- Rotate the 4-way latch to desired orientation and reinsert screw with 3mm Allen wrench. Ensure that nut stays in position while tightening the screw. Do not overtighten screw or mechanism will bind.

NOTE: To reverse the 4-way latch, the same screw is removed, but the hanger has to be removed from the latch block. Once removed, slide the latch off, flip over and reinstall. Ensure spring is engaged, by pushing and holding the latch button in, and nut stays in position while reinstalling the screw.

NOTE: In-line position is not achievable with the Pro ELR Footrest option.

NOTE: On the Flip wheelchair, using the 4-way latch in the vertical in-line position allows the chair to be folded without removing hangers.



V. SET UP & USE OF YOUR WHEELCHAIR

I. Extension Tubes

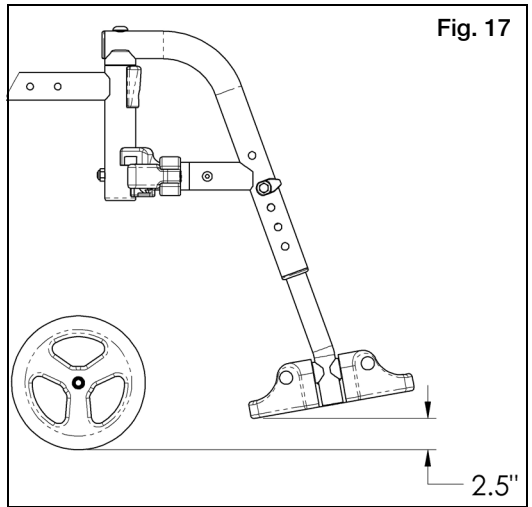
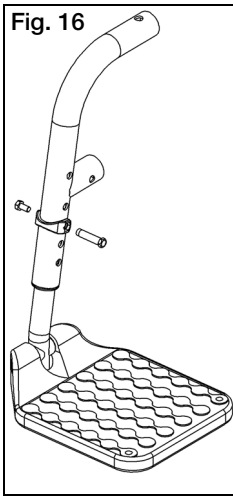
1. Adjustment

- a. Remove mounting fasteners from each side of the hanger tube.
- b. Slide footrest extension tube to the desired height.
- c. Line up holes and reassemble fasteners in desired hole through hanger and extension tube.
- d. Follow same procedure on opposite side (Fig. 16).

At the lowest point, footrests should be **AT LEAST 2 ½ INCHES (6.35 cm)** off the ground. If set too low, they may "catch" on obstacles you would expect to find in normal use. This may cause the chair to stop suddenly and tip forward (Fig. 17).

To Avoid a Trip or Fall When You Transfer:

- Make sure your feet do not get caught in the space between the footrests.
- Avoid putting weight on the footrests as the chair may tip forward.



V. SET UP & USE OF YOUR WHEELCHAIR

J. Elevating Leg Rests

1. Installation

- Place swing away pivot saddle into the receiver on front frame tube with the footrest facing either inward or outward from the frame. Similar to swing away footrest pictured in Fig. 11 and 12.
- Rotate the footrest so it aligns with the frame until it locks into place in the latch block.

2. Removal

- To remove footrest, push release latch toward the frame.
- Rotate footrest outward and lift.

3. Extension Tube Adjustment

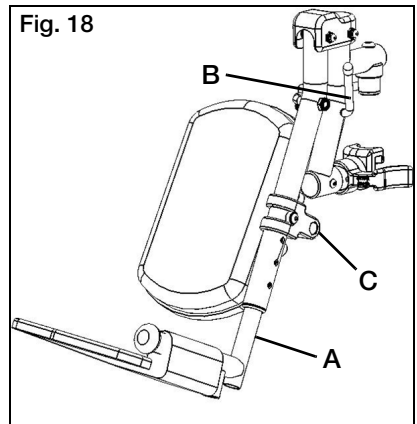
- Remove mounting bolt that is threaded into the leg rest tube in the center of the pad bracket (Fig. 18:C). In some circumstances this bolt may be inserted in the tube below the pivot bracket.
- Slide footrest extension tube to the desired height.
- Line up holes and replace the bolt through leg rest tube and extension tube.
- Follow same procedure on opposite side.

4. Angle Adjustment

- To raise, lift up on the rear of the extension tube (Fig. 18:A). The rod will slide through the ratchet in this direction. Stop at desired position.
- To lower, firmly hold the leg from behind the extension tube (Fig. 18:A). Pull forward on the lever (Fig. 18:B) and while holding the lever, lift the leg rest. Releasing the lever will cause the leg rest to lock into position.

To Avoid a Trip or Fall When You Transfer:

- Make sure your feet do not get caught in the space between the footrests.
- Avoid putting weight on the footrests as the chair may tip forward.



⚠ WARNING ⚠

WARNING: At the lowest point, footrests should be **AT LEAST 2 ½ INCHES (6.35 cm)** off the ground. If set too low, they may "catch" on obstacles you would expect to find in normal use. This may cause the chair to stop suddenly and tip forward and could result in a fall or loss of control and may cause serious injury or death.

⚠ DANGER ⚠

DANGER: Never attempt to lift the chair by the hangers; they may break or disconnect resulting in a fall or loss of control and may cause serious injury or death.

V. SET UP & USE OF YOUR WHEELCHAIR

K. Pro Elevating Leg Rest

Installation

NOTE: The Pro ELR is mounted onto the chair the same way as a swing away hanger.

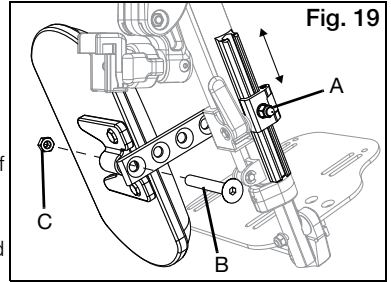
1. Place swing away pivot saddle into the receiver on front frame tube with the leg rest facing either inward or outward from the frame.
2. Rotate the leg rest so that it aligns with the frame and locks into place in the latch block.

Adjusting Height of Calf Pad

1. Loosen nut (Fig. 19:A) using a 10mm wrench.
2. Slide calf pad arm up or down to desired location. Retighten nut.

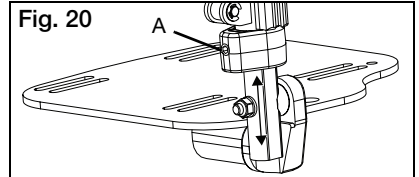
Adjusting Depth of Calf Pad

1. Remove screw (Fig. 19:B) and nut (Fig. 19:C) on calf pad arm using a 5mm Allen wrench and a 13mm wrench.
2. Pick the desired location based on the four predrilled holes and reinstall screw and nut.



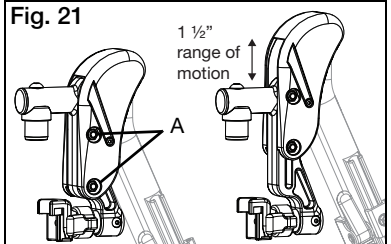
Adjusting Length of Footrest

1. Loosen set screw (Fig. 20:A) with a 4mm Allen wrench.
2. Slide extension tube in or out to get to desired length and secure by tightening set screw.



Adjusting Knee Height

1. Using two 10mm socket wrenches, loosen the two nuts (Fig. 21:A) on the cover.
2. Adjust knee height to desired setting.
3. Retighten the two nuts (Fig. 21:A) after desired height is attained.



Use

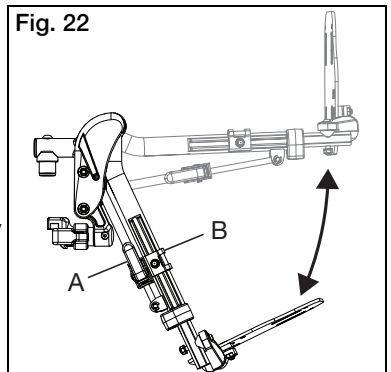
1. To raise the Pro ELR, lift the leg rest tube (Fig. 22:A) to desired angle of elevation.
2. To lower the Pro ELR, press and hold the lever lock (Fig. 22:B) while pushing the leg rest tube (Fig. 22:A) down.

NOTE: Remove the Pro ELR from the chair or remove weight from the Pro ELR while lowering to avoid a sudden drop when the lever lock is pushed.

NOTE: The calf pad can swing outward to clear the front of the chair for transfers.

Removal

1. To remove leg rest, push or pull release latch.
2. Lift the leg rest straight upward to remove. You may also swing the leg rest inward or outward before lifting it off.



V. SET UP & USE OF YOUR WHEELCHAIR

L. Pediatric Pro Elevating Leg Rest

Installation

NOTE: The Pediatric Pro ELR is mounted onto the chair the same way as a swing away hanger.

1. Place swing away pivot saddle into the receiver on front frame tube with the leg rest facing either inward or outward from the frame.
2. Rotate the leg rest so that it aligns with the frame and locks into place in the latch block.

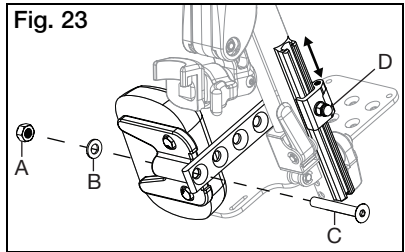
Adjusting Height of Calf Pad

1. Loosen nut (Fig. 23:D) using a 10mm wrench.
2. Slide calf pad arm up or down to desired location. Retighten nut.

Adjusting Depth of Calf Pad

1. Remove screw (Fig. 23:C), washer (Fig. 23:B) and nut (Fig. 23:A) on calf pad arm using a 5mm Allen wrench and a 13mm wrench.
2. Pick the desired location based on the four predrilled holes and reinstall screw and nut.

Fig. 23



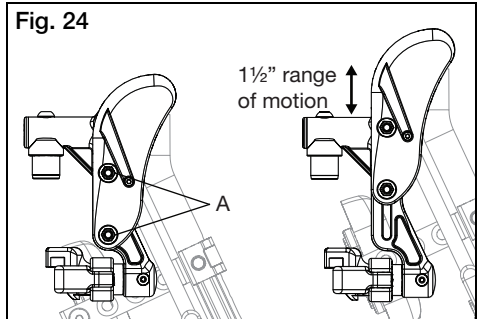
Adjusting Knee Height

1. Using two 10mm socket wrenches, loosen the two nuts (Fig. 24:A) on the cover.
2. Adjust knee height to desired setting.
3. Retighten the two nuts (Fig. 24:A) after desired height is attained.

Use

1. To raise the Pediatric Pro ELR, lift the leg rest tube (Fig. 25:A) to desired angle of elevation.
2. To lower the Pediatric Pro ELR, press and hold the lever lock (Fig. 25:B) while pushing the leg rest tube (Fig. 25:A) down.

Fig. 24



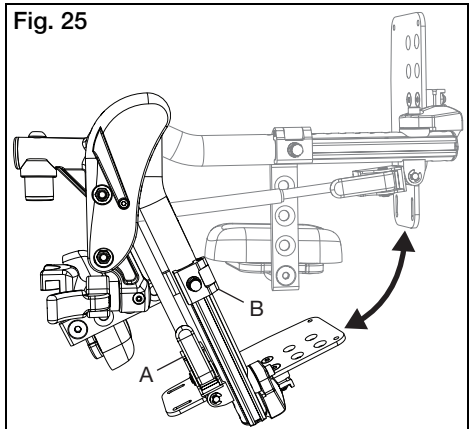
NOTE: Remove the Pediatric Pro ELR from the chair or remove weight from the Pediatric Pro ELR while lowering to avoid a sudden drop when the lever lock is pushed.

NOTE: The calf pad can swing outward to clear the front of the chair for transfers.

Removal

1. To remove leg rest, push or pull release latch.
2. Lift the leg rest straight upward to remove. You may also swing the leg rest inward or outward before lifting it off.

Fig. 25



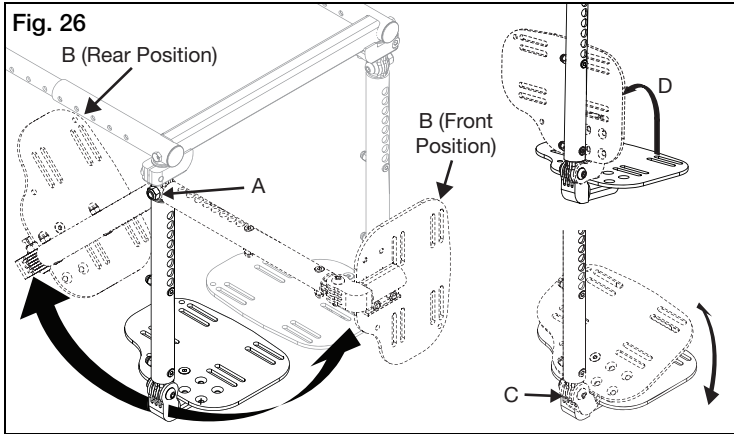
V. SET UP & USE OF YOUR WHEELCHAIR

M. Contracture Footrest

1. Changing Footrest and Footplate Angle

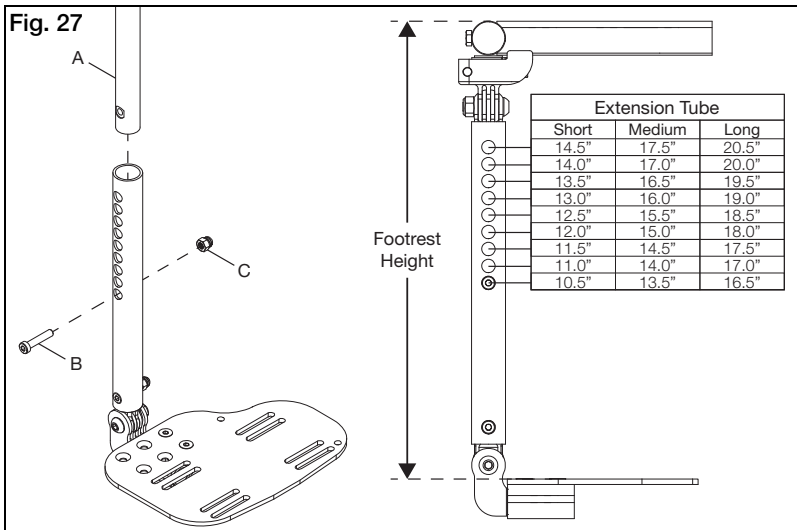
NOTE: Contracture Footrest is shown in the outside mount configuration. An inside mount can be achieved by moving the leg rests to the opposite side.

- The footrests on a contracture footrest can be angled toward the chair and away from the chair by simply adjusting to upper pivot point (Fig. 26:A).
- The footplates on a contracture footrest can also be moved front to rear (Fig. 26:B), are angle adjustable (Fig. 26:C) and can be flipped up for transfer (Fig. 26:D).



2. Changing Footrest Height

- Remove screw (Fig. 27:B) and nut (Fig. 27:C) from the long pivot (Fig. 27:A) and slide extension tube to desired height. See Chart in Fig. 27 for footrest heights that correspond with each hole.

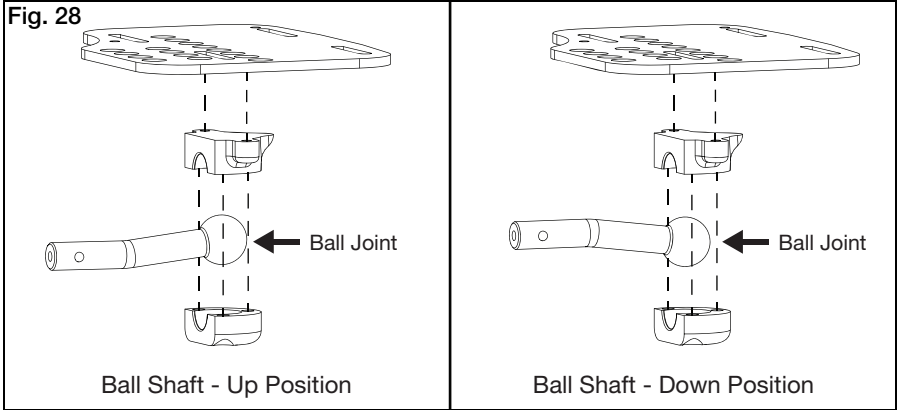


V. SET UP & USE OF YOUR WHEELCHAIR

N. Multi-Angle Footrest

1. Changing Footrest Angle (Fig. 28)

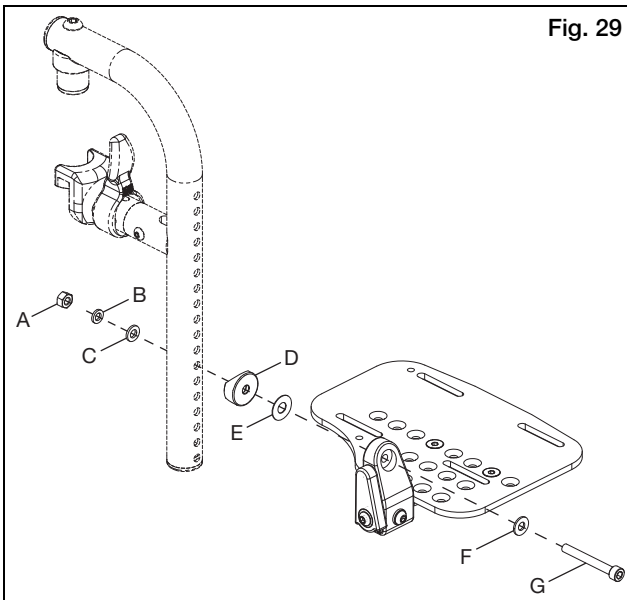
The Multi-Angle Footrest utilizes a ball joint which allows the footrest to be set in a variety of angles just by applying pressure to different areas on the top of the footplate.



2. Changing Footrest Height

a. Remove footplate assembly from hanger by removing screw (Fig. 29:G), washer (Fig. 29:F), washer (Fig. 29:E), saddle spacer (Fig. 29:D), washer (Fig. 29:C), washer (Fig. 29:B) and nut (Fig. 29:A) using a 5mm Allen wrench and a 10mm wrench.

a. Slide the footplate assembly to desired height and reinstall hardware in nearest hole.

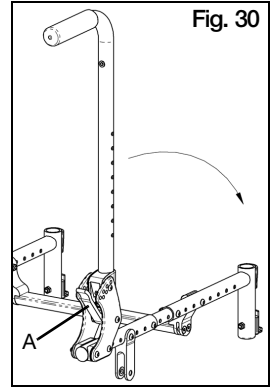


V. SET UP & USE OF YOUR WHEELCHAIR

O. Backrest

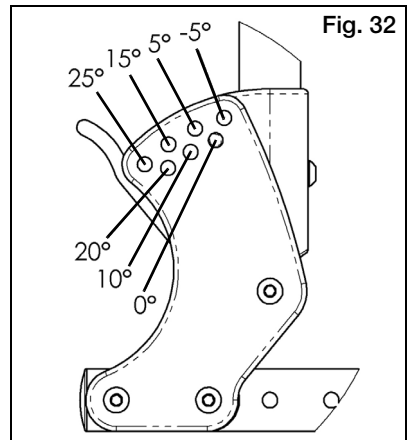
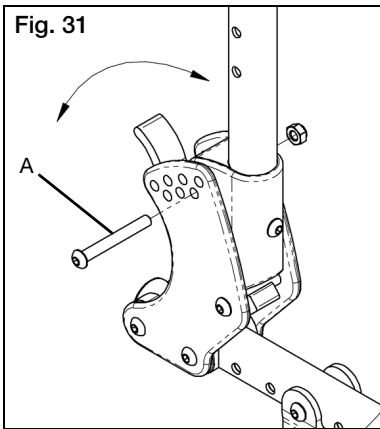
1. Folding Backrest Down

- If chair is equipped with a fold down backrest, push levers (Fig. 30:A) toward the front of the chair to disengage the latches. If backrest seating is attached, both latches must be disengaged simultaneously in order to allow the backrest to fold.
- Push forward on the backrest to rotate it downward. Once it begins to rotate forward, the latch levers may be released.



2. Angle Adjustment

- Using a 4mm Allen wrench and a 10mm wrench, remove button head screws (Fig. 31:A) with their washers and nuts.
- Rotate backrest to desired angle. Each hole represents 5° of rotation. The upper row of holes correspond to -5°, 5°, 15° and 25°, and the lower row of holes correspond to 0° (vertical), 10° and 20° (See Fig. 32).
- Replace button head screw and tighten with washer and nut.
- Repeat for opposite side of chair.



V. SET UP & USE OF YOUR WHEELCHAIR

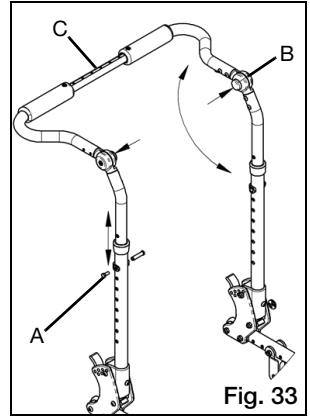
O. Backrest

3. Adjusting Height

- If chair is equipped with a height adjustable backrest, remove both screws (Fig. 33:A) of the telescoping backrest tubes using a 10mm wrench.
- Move upper tubes up or down to set height as desired.
- Replace screws and nuts to set height.

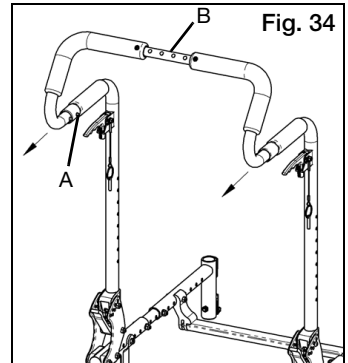
4. Push Handle Angle Adjustment

- If chair is equipped with a height adjustable backrest, push buttons of locking hinges (Fig. 33:B). Both buttons must be pressed simultaneously to adjust angle.
- While holding buttons down, rotate push handle to desired position.
- Release buttons when desired angle is achieved.
- Verify that hinge is locked by pulling upwards on push handles.



5. Removable Stroller Handle

- Depress buttons (Fig. 34:A) on both sides of chair toward lower end of stroller tubes to disengage locking tabs.
- Pull handle out of receivers to remove or push stroller handle into receivers to install. For best results, insert both sides at the same time.
- Verify snap buttons are engaged in receivers.



⚠ DANGER ⚠

DANGER: Do not attempt to lift or tilt the wheelchair by holding the center strut that joins the Adjustment Height Back push handles (Fig. 33:C) or the center strut that joins Removable Stroller Handle push handles (Fig. 34:B). These struts may break resulting in a fall or loss of control and may cause serious injury or death.

6. Dynamic Back

- See instructions for this back provided separately with chair.

V. SET UP & USE OF YOUR WHEELCHAIR

P. Reclining Backrest

WARNING

WARNING: Back height, back angle, seat depth, tilt angle, recline angle, seat height, size/position of rear wheels, size/position of front casters and any added weight to the back of the chair such as accessories, backpacks and oxygen tanks all relate to and affect the stability of the wheelchair. Any adjustments or change to one or more of the items listed above can decrease the stability of the wheelchair. Take caution when making changes to the above items. Consult a qualified technician when adjusting back height, back angle, seat depth, seat height, size/position of rear wheels and size/position of front casters. Inappropriate adjustments can result in serious injury.

Reclining Back Notes for Operation

1. After making any adjustments to the system make sure all attaching hardware is securely tightened.
2. Always ensure the wheelchair is stable in the fully reclined position.
3. In order to ensure maximum safety and security for the patient in the chair, it is important to make sure the patient is properly positioned before reclining or inclining (sitting up) the backrest.
4. Always engage the wheel locks while reclining or inclining to ensure maximum safety of the patient.
5. Before using the reclining backrest, ensure the anti-tips are adjusted properly to ensure the wheelchair will not become unstable when in use.

DANGER

DANGER: Tilting or reclining the chair beyond level greatly increases the risk of falling out of the chair which can result in serious injury or death.

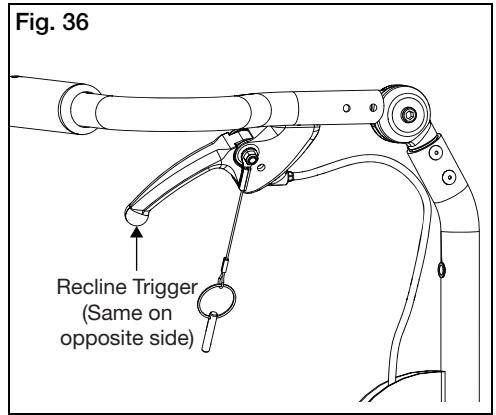
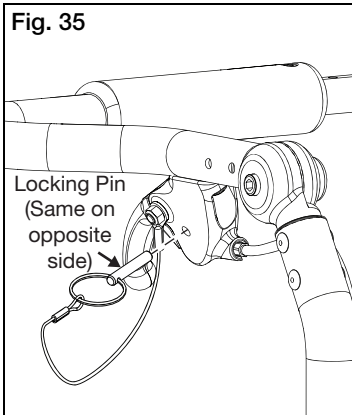
V. SET UP & USE OF YOUR WHEELCHAIR

P. Reclining Backrest

Instructions for Use:

Recline / Incline:

1. Unlock the system prior to recline or incline adjustment by removing the locking pin from the the locking hole on each recline trigger (Fig. 35).
2. Ensure wheel locks are engaged and wheelchair is on a level surface.
3. Grip the handles securely and slowly depress both reclining triggers (Fig. 36) at the same time to release the gas cylinders. This will allow you to adjust the backrest position as follows:
 - a. **Reclining** - to open the angle of the backrest relative to the seat frame, or recline, by applying downward force on gas springs.
 - b. **Inclining** - return to upright position by applying force upward and pushing the backrest towards the front of the wheelchair.
4. Once desired backrest recline angle has been achieved, slowly release both reclining triggers.
5. To lock the system, insert the locking pin into the locking pin hole (Fig. 35). It is recommended that you always lock both reclining backrest triggers when you are done positioning the patient.



V. SET UP & USE OF YOUR WHEELCHAIR

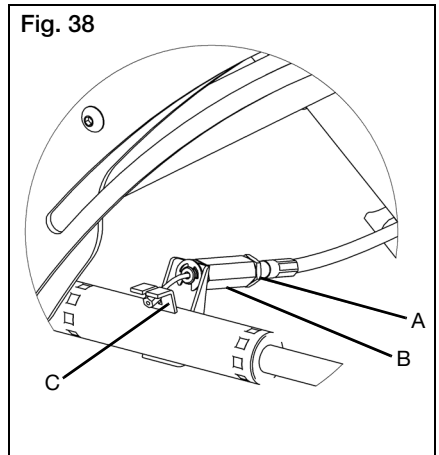
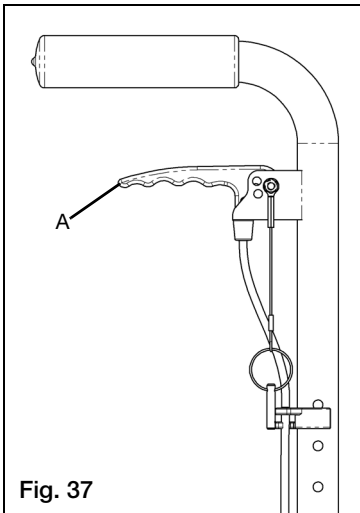
Q. Hand Tilt Mechanism

1. Tilting Seat Frame

- a. Squeeze trigger (Fig. 37:A).
- b. While keeping triggers depressed, rotate seat frame to desired position.
- c. Release trigger to lock into place.

2. Cable Adjustment

- a. Unlock jam nut (Fig. 38:A) from cable adjuster body (Fig. 38:B) using a 10mm and 3/8" open ended wrench.
- b. Twist adjuster body in or out until slack in cable is eliminated, but also such that the mech lock lever (Fig. 38:C) is still fully open.
- c. Verify function of cable. Mech locks should slide freely when triggers are pulled and be fully locked when triggers are released.
- d. Once proper adjustment is obtained, tighten jam nut against adjuster body to lock.



V. SET UP & USE OF YOUR WHEELCHAIR

Q. Hand Tilt Mechanism

3. Locking Triggers

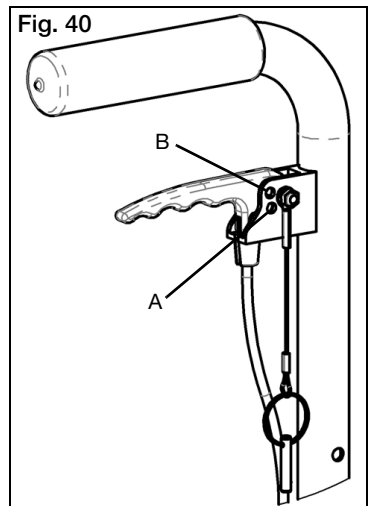
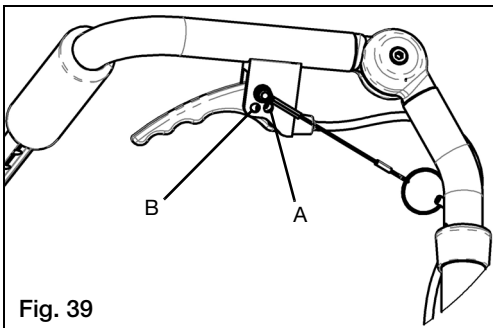
- a. Pins are provided to secure the trigger in either the locked or unlocked position.

To secure the triggers in the locked position:

- a. Determine which style back canes and trigger were provided with the chair by checking against Fig. 39 and 40.
- b. Make sure the chair is locked by pushing on the back handles.
- c. Insert the pin attached to the trigger by a lanyard into hole (Fig. 39:A and 40:A).
- d. Make sure the trigger no longer releases the tilt locks by gently squeezing the trigger and pushing on the back canes to tilt the chair.

To secure the triggers in the unlocked position:

- a. Determine which style back canes and triggers were provided with the chair by checking against Fig. 39 and 40.
- b. Squeeze the triggers to unlock the tilt mechanism while holding the back canes and controlling the tilt position.
- c. Allow the seat frame to tilt until it comes to rest in a stable position.
- d. Insert the pin attached to the trigger by a lanyard into hole (Fig. 39:B and 40:B).



⚠ WARNING ⚠

WARNING: Never leave someone seated in the chair unattended with the triggers secured in the unlocked position. This may lead to serious injury to the person seated in the wheelchair.

V. SET UP & USE OF YOUR WHEELCHAIR

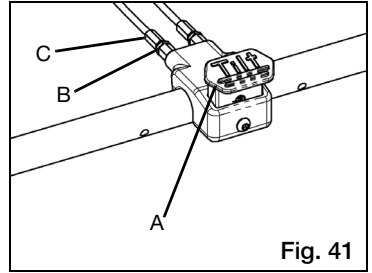
R. Foot Tilt Mechanism

1. Tilting Seat Frame

- a. Depress foot tilt pedal (Fig. 41:A).
- b. Tilt seat frame to desired position while keeping pedal depressed.
- c. Release pedal to lock into place.

2. Cable Adjustment

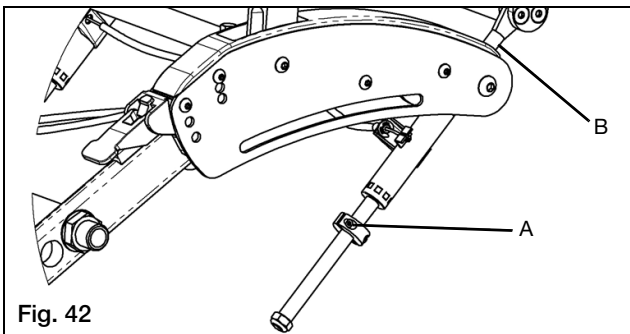
- a. Using two 10mm wrenches, loosen jam nut (Fig. 41:B) while holding adjuster (Fig. 41:C) in place. Repeat for opposite cable.
- b. Adjust cable by twisting adjusters until desired tension is obtained, ensuring that actuators on mech locks are not being actuated at all while pedal is released. Ensure that mech locks slide freely when pedal is depressed.
- c. Once desired tension is obtained, hold adjusters in place with wrench and tighten jam nut. Repeat for both cables.



S. Tilt Stops

1. Tilt Stop Adjustment

- a. Remove screws from tilt stops and install onto shaft of mech lock. Reinstall screws, but do not tighten (Fig. 42:A). Repeat for opposite mech lock.
- b. Set chair to desired angle that tilt would like to be limited to.
- c. For limiting rearward tilt, slide tilt stop to bottom of mech lock body and tighten into place.
- d. For limiting forward tilt, tilt stops may be placed above the body of the mech lock (Fig. 42:B). When desired angle is achieved, slide tilt stop against top of mech lock body and tighten.
- e. Ensure both tilt stops are against their respective mech locks simultaneously.



V. SET UP & USE OF YOUR WHEELCHAIR

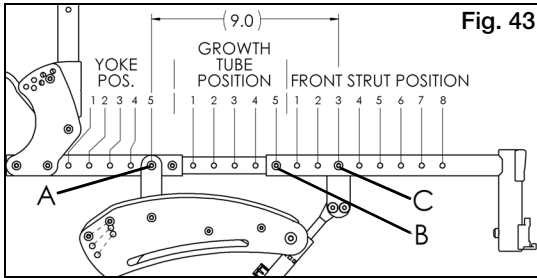
T. Seat Frame Setup

1. Setting Seat Depth

- Using a 4mm Allen wrench and a 10mm wrench, remove seat pan from frame (See Section CC). If lengthening more than 2" (5.08 cm) for even depths or 1" (2.54 cm) for odd depths, new seat pan parts will be required. Please contact Customer Service for assistance.
- Using a 4mm Allen wrench and a 10mm wrench, remove button head screws (Fig. 43:A, B, and C) from both sides of chair.
- Slide front seat tube in or out as desired. Replace screw B at proper position as shown in the table of Figure 43 for your respective front seat tube. Do not tighten screw/nut.
- Fasten seat frame into yoke at position indicated in table. Replace screw A, but do not tighten screw/nut.
- Fasten mech lock mount into position indicated in table. Replace screw C. Do not tighten screw/nut.
- Repeat for both sides of chair. Once all screws are in place, screws/nuts may be tightened.

⚠ WARNING ⚠

WARNING: The distance from screw A to screw C is ALWAYS to be exactly 9" (22.86 cm). If set to different value, damage to chair can occur.



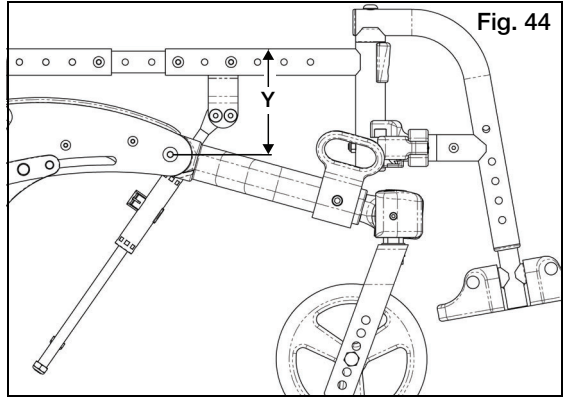
FRONT FRAME SIZE	FRAME DEPTH	YOKE POS.	GROWTH TUBE POS.	FRONT STRUT POS.
SHORT	12	1	1	3
	13	1	2	2
	14	2	3	2
	15	2	4	1
	16	3	5	1
MED	14	2	1	4
	15	2	2	3
	16	3	3	3
	17	3	4	2
	18	4	5	2
LONG	16	3	1	5
	17	3	2	4
	18	4	3	4
	19	4	4	3
	20	5	5	3

V. SET UP & USE OF YOUR WHEELCHAIR

T. Seat Frame Setup

Verify the Validity of the Seat Frame Setup (Fig. 44)

Set the chair with all four wheels on a flat surface and set the seat to a level position, using a bubble level if possible. Dimension Y, which is the vertical distance from the center of the front caster arm pivot bolt to the top of the seat tube, should be between 4 and 5 inches (10.16 - 12.7 cm). If it is less than 4" (10.16 cm) the rear seat height should be raised or the front seat height should be lowered until Dimension Y is between 4 and 5 inches (10.16 - 12.7 cm). If it is more than 5" (12.7 cm), the front seat height should be raised or the rear seat height lowered until Dimension Y is between 4 and 5 inches (10.16 - 12.7 cm).



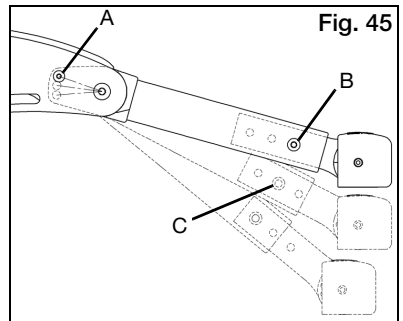
U. Casters

1. Adjusting Caster Arm Position

- Using a 4mm Allen wrench (5mm if transit is installed) and a 10mm wrench, remove screw (Fig. 45:B) and slide caster extension in or out as desired.
- Replace screw and nut and tighten. Repeat for opposite side of chair.

2. Adjusting Caster Arm Angle

- Using a 3mm Allen wrench and a 10mm wrench, remove screw (Fig. 45:A) with mating fastener and rotate caster arm to desired position.
- Replace screw and fastener and tighten. Repeat for opposite side of chair.



NOTE: If desired, height adjustment can be changed with negligible change in wheelbase by extending caster extension while increasing caster arm angle (See Fig. 45:B and C as an example).



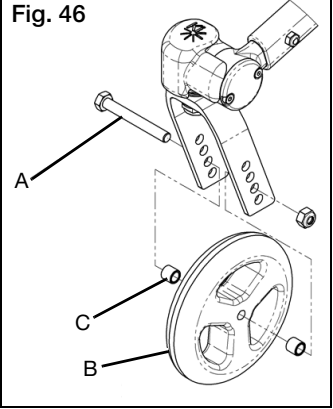
DANGER: Failure to comply with the instructions above may cause the wheelchair to tip forward during use and result in a fall or loss of control and may cause serious injury or death.

V. SET UP & USE OF YOUR WHEELCHAIR

U. Casters

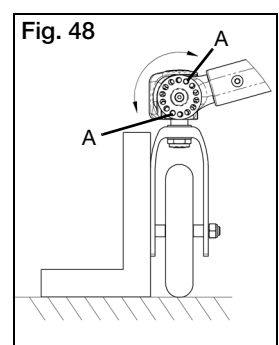
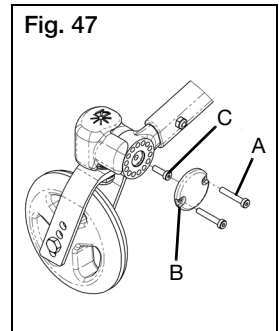
3. Adjusting Caster Height

- Remove hex bolt (Fig. 46:A) and nut using 13mm wrenches.
- Remove caster wheel (Fig. 46:B) and spacers (Fig. 46:C).
- Feed hex bolt thru desired hole in one side of the caster fork.
- Slide one spacer over hex bolt.
- Slide caster wheel over hex bolt and push hex bolt thru caster wheel, flush with the opposite side of the caster wheel bearing.
- Slide second spacer between caster wheel and caster fork, aligning spacer with bearing hole.
- Push hex bolt thru spacer and hole in opposite side of caster fork.
- Retighten hex bolt with nut.
- Repeat for opposite side of chair. Ensure both casters are set up identically.



4. Squaring Caster Stem

- Place chair on a flat, hard surface.
- Using 4mm Allen wrench, remove screws (Fig. 47:A) and caster cover plate (Fig. 47:B).
- Loosen center caster barrel screw (Fig. 47:C) approximately 1-2 turns. Do not remove.
- Rotate caster fork outward as shown (Fig. 47).
- Use square to align caster fork with vertical (Fig. 48).
- Thread screws (Fig. 47:A) into the pair of holes that most closely aligns with caster fork square. In Fig. 48, holes "A" are closest. Your setup may use different holes.
- Tighten center screw.
- Remove screws (Fig. 47:A) and replace, capturing cover (Fig. 47:B) underneath screws.
- Repeat for opposite side of chair.



V. SET UP & USE OF YOUR WHEELCHAIR

V. Axle Arm

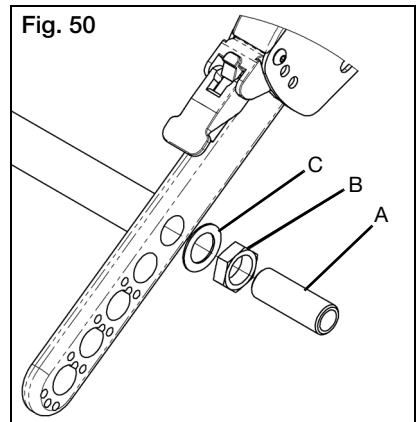
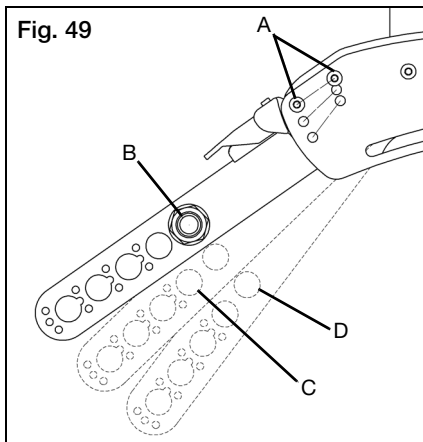
1. Adjusting Axle Arm Angle

- Locate the set screw on each side of the frame (Fig. 49:A).
- Loosen the set screw on each side of the frame using an M3 Allen wrench. Do not remove.
- Adjust footrest tube up or down to achieve the desired height (Fig. 49:B).
- Ensure both sides are adjusted equally.

2. Adjust Axle Tube Position

- Using 24mm wrench, remove axle sleeve nuts (Fig. 50:B), axle sleeve (Fig. 50:A) and washers (Fig. 50:C). Repeat on opposite side of chair.
- Align axle tube with desired hole in axle plate.
- Replace axle sleeves with nuts and washers, ensuring that axle tube position is the same on both sides of chair.
- Repeat for opposite side of chair, ensuring axle bar angle is the same on both sides of the chair.

NOTE: Change in seat height can be achieved with negligible change in wheelbase by simultaneously changing axle arm angle along with axle tube position (See Fig. 49, positions B and C as an example). Similarly, wheelbase can be changed with negligible change in seat height (See Fig. 49, positions C and D as an example).

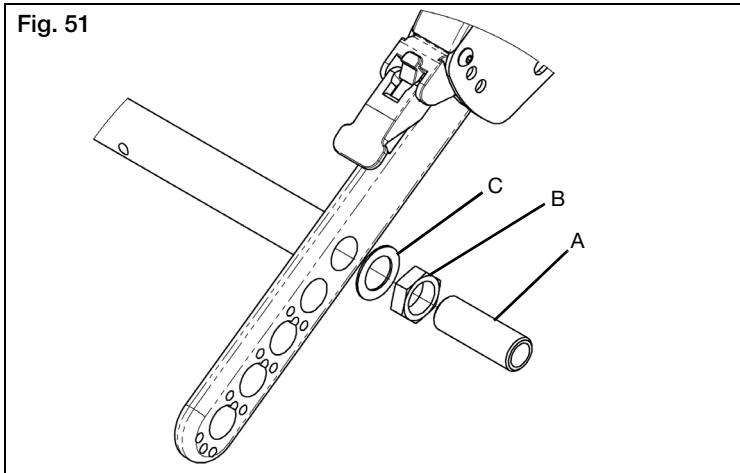


V. SET UP & USE OF YOUR WHEELCHAIR

V. Axle Arm

3. Adjusting Axle Spacing

- Loosen axle sleeve nut (Fig. 51:B) using 24mm wrench.
- Thread axle sleeve in or out of axle tube to achieve desired wheel spacing.
- Retighten axle sleeve nuts.
- Ensure both sides of the chair have the same axle spacing.
- Retighten axle sleeve nuts.



⚠ DANGER ⚠

DANGER: Adjusting the axle position too far forward can result in a chair that may tip over backward resulting in a fall or loss of control that could cause severe injury or death.

⚠ WARNING ⚠

WARNING: Increasing the seat to back angle will change the center of gravity of the wheelchair. Make sure your axle position is adjusted properly in order to maintain constant stability of the wheelchair. Reference instruction for axle arm position in Section V: Axle Arm.

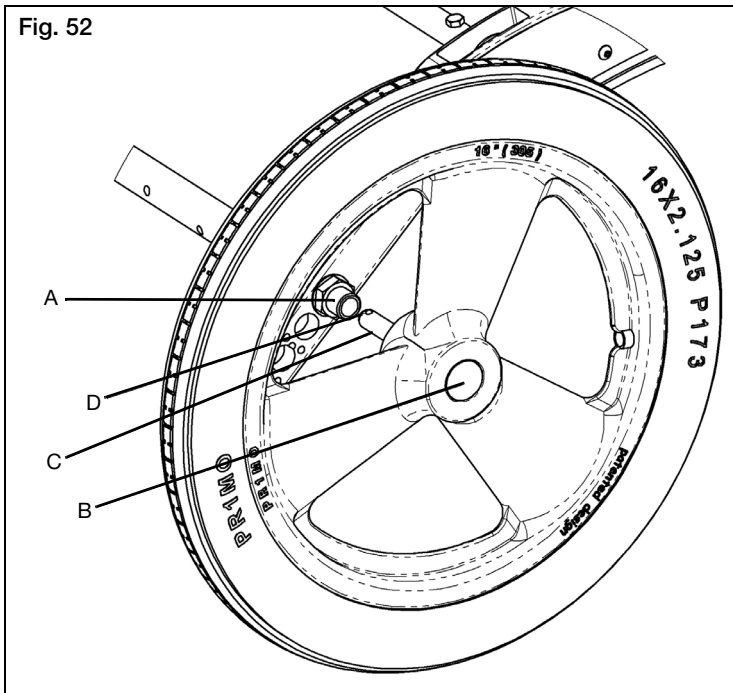
V. SET UP & USE OF YOUR WHEELCHAIR

W. Rear Wheels

1. Installing Wheels

Identify if your chair uses the quick release button on the axle (Fig. 52:B) and if your chair uses the button, continue to next steps. If your chair uses a threaded axle, you will see a bolt head instead of the quick release button. Threaded axle wheels are designed to not be removed so the following steps don't apply.

- Push the quick release button (Fig. 52:B) on the axle (Fig. 52:C) to allow the locking balls (Fig. 52:D) to retract. Make note of the difference between the extended and depressed position of the axle release button and its effect on the locking balls on the end of the axle.
- Push on quick release button again and slide axle into axle sleeve (Fig. 52:A).
- Release the button to lock axle in sleeve. If release button does not fully extend and the locking balls do not move into the locked position after releasing the button, the axle length needs to be adjusted.



V. SET UP & USE OF YOUR WHEELCHAIR

W. Rear Wheels

2. Adjusting Axles

- a. To adjust the axle you will need a 19mm wrench to turn the outside axle nuts.
- b. You will also need a 11mm wrench to hold the ball bearings on the opposite end of the axle and prevent the axle from turning.
- c. When the wheel is installed, if the axle does not lock, loosen the axle nut until it locks and axle can move in and out slightly when locked. If the axle locks, but moves in and out slightly, proceed to next step.
- d. Turn the axle nut counterclockwise until it is tight, then turn the axle nut clockwise 1/3 turn at a time. Check to see if it is properly adjusted after each 1/3 turn. When properly adjusted there should be no perceptible movement of the axle in and out in the sleeve, but the axle release button should be easy to push in.

3. Removing Wheels

- a. Hold the wheel close to the hub and push in the button on the outside end of the axle.
- b. While still holding the button, pull the wheel and axle out of the axle sleeve.



DANGER: Make sure the push button is completely extended and the locking balls on the inside of the chair are fully engaged before operating the wheelchair. Failure to do so may result in the wheel falling off and may cause serious injury or death.

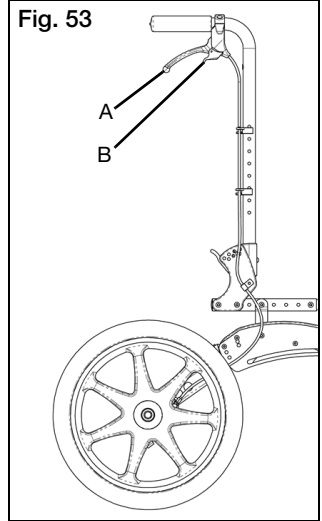
Review and understand Section W. Rear Wheel Installation and Removal before attempting an axle adjustment!

V. SET UP & USE OF YOUR WHEELCHAIR

X. Drum Brake

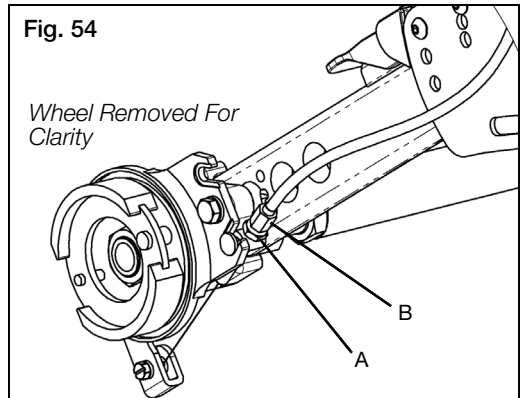
1. Brake Operation

- a. Squeeze brake levers (Fig. 53:A) on both sides of chair to activate brakes. Each side is operated independently and may be squeezed with more or less force to get more or less braking action.
- b. Let go of brake levers to release brake.
- c. For parking brake function, squeeze each brake lever and, with trigger squeezed, use index finger to flip locking lever (Fig. 53:B) down into teeth on lever mount. While holding locking lever down, release brake handles and parking brake will remain engaged.
- d. To release parking brake, squeeze brake levers until spring loaded locking levers snap back. Release brake levers to deactivate the brake.



2. Brake Adjustment

- a. Using a 10mm wrench, unlock jam nut (Fig. 54:A) on adjuster (Fig. 54:B). Unthread adjuster to get tighter braking action or thread adjuster in to reduce braking action.
- b. It is recommended to adjust the brake until there is a slight bit of drag on the wheel when spun. Then thread the adjuster inward about $\frac{1}{2}$ turn, or whatever is necessary to remove all drag from the spinning wheel.
- c. Retighten jam nut to lock the adjustment in place. Repeat for opposite side of chair.



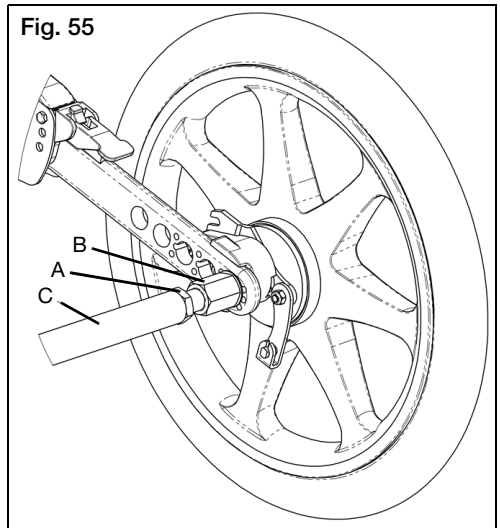
V. SET UP & USE OF YOUR WHEELCHAIR

X. Drum Brake

3. Axle Sleeve Position Adjustment

- a. Remove both wheels. Using a 24mm wrench, loosen jam nut (Fig. 55:A) and unthread all the way onto unthreaded portion of strut adapter (Fig. 55:B). Repeat for opposite side of chair.
- b. Using a 24mm wrench, loosen strut adapter and thread all the way into strut (Fig. 55:C), which will also unthread it from the axle sleeve of the brake assembly. Repeat for opposite side of chair.
- c. Remove washers, move brake assemblies to new position and replace washers.
- d. With brake assemblies seated against the outside of the axle plates, rethread strut adapters onto axle sleeves on each side of the chair. Do not force axle plates outward or inward to begin threads. If there is a gap between the end of the strut adapter and the axle sleeve, thread the adapter outward to meet the sleeve (again, make sure that the brake assembly is seated against the axle plate) - do not force the axle plate inward to start the threads. If there is interference between the adapter and the axle sleeve, thread the adapter into the strut tube further until threads can be started without flexing axle plates outward.
- e. Tighten strut adapters. Strut should be centered between axle plates. Strut can be threaded one way or the other on strut adapters to center the strut after adapters are tightened. Ensure strut is oriented so that foot tilt pedal is approximately horizontal when chair is unfolded.
- f. Strut should neither be forcing axle plates outward nor drawing them inward when tightened. Ensure proper function of axle plate folding.
- g. Cables may need to be adjusted after repositioning axle sleeve.

NOTE: Axle sleeve spacing may not be adjusted with drum brake option.



V. SET UP & USE OF YOUR WHEELCHAIR

Y. Push / Pull to Lock Wheel Locks

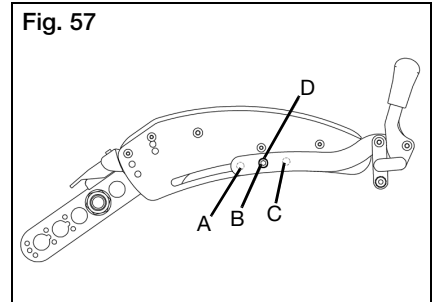
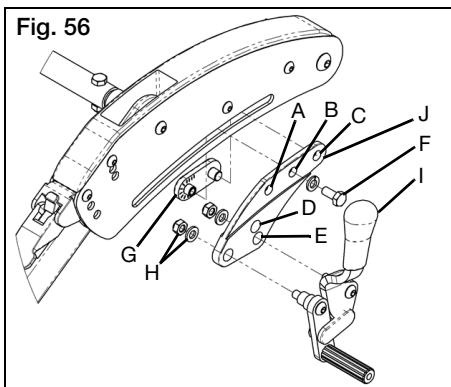
1. Adjustment

- a. For standard axle plate, use a 10mm wrench or socket to loosen (do not remove) hex bolt (Fig. 56:F). Self-propel axle plate requires a 5mm Allen wrench to loosen socket head cap screw (Fig. 57).
- b. Slide mount (Fig. 56:J) forward or rearward to achieve proper locking.
- c. Screw may be completely removed and slide nut (Fig. 56:G) can be mounted in alternate holes (A & B or B & C) to optimize adjustment range. It is recommended that the threaded hole of slide nut is positioned in either hole A or B.
- d. Retighten bolt. Repeat for opposite side of chair.

2. Reversing Wheel Lock Mount (Standard Axle Plate Only)

- a. Using a 10mm wrench or socket, remove hex bolt (Fig. 56:F) completely and remove wheel lock assembly from chair.
- b. Using a 10mm wrench or socket, remove nuts and washers (Fig. 56:H) from wheel lock studs and remove wheel lock (Fig. 56:I) from mount.
- c. Flip mount around and reassemble wheel lock to mount. Wheel lock may be installed in either hole D or E to position wheel lock for optimum effectiveness.
- d. Reinstall wheel lock onto side frame and into slide nut (Fig. 56:G). Note that slide nut can be positioned in holes A & B or B & C to optimize adjustment range. It is recommended that the threaded hole of slide nut be placed in either hole A or B.
- e. See 1. Adjustment above for wheel lock adjustment procedure.
- f. Repeat for opposite side of chair. Ensure wheel lock is in the same orientation on both sides of chair.

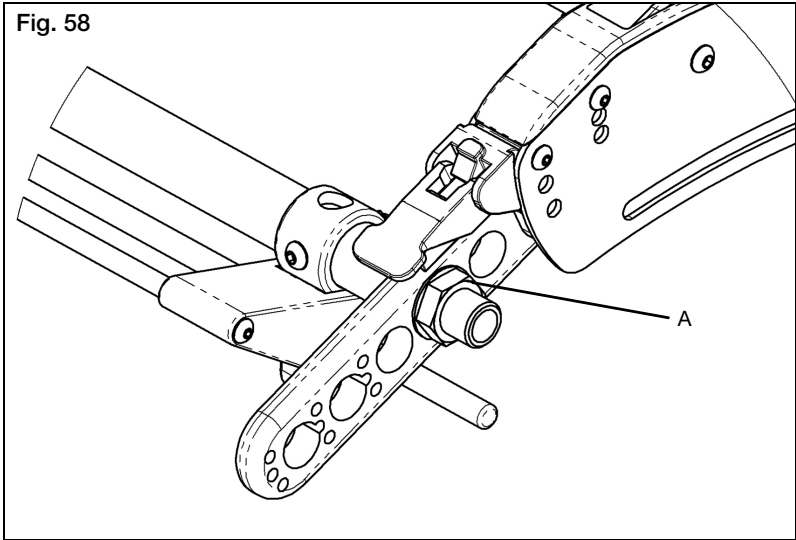
NOTE: Always loosen and tighten wheel hardware by alternating between the two bolts while loosening/tightening a little at a time. This prevents overclamping on one set of hardware which can lead to binding of the fasteners and increased difficulty in removal.



V. SET UP & USE OF YOUR WHEELCHAIR

Z. Attendant Foot Lock (Hub Lock)

- a. Remove both wheels from wheelchair (see Section W.).
- b. Using 24mm wrench, loosen (but do not remove) both axle sleeve nuts (Fig. 58:A).
- c. Twist axle tube to desired angle. If foot tilt is installed, it is not recommended to make large changes to foot pedal as this can over stress the cables attached to the foot tilt.
- d. Retighten nuts and replace wheels.
- e. Ensure rear frame still folds properly for storage.

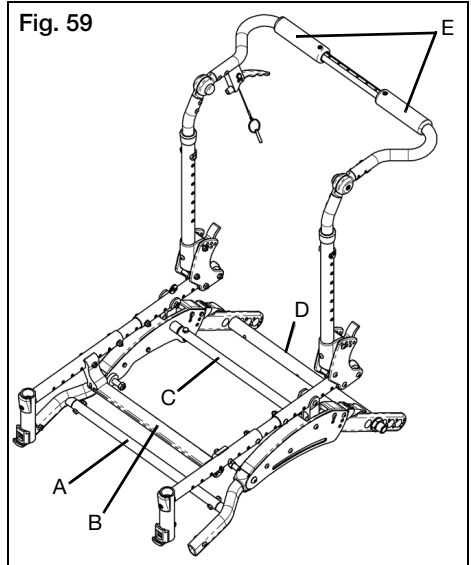


V. SET UP & USE OF YOUR WHEELCHAIR

AA. Frame Width

1. Frame Width Adjustment

- a. Remove backrest and seating. If a seat pan is installed, a new seat pan will be required for the new seat width. Please contact customer service for assistance.
- b. Remove screws that attach all cross struts - front frame strut (Fig. 59:A), seat frame strut (Fig. 59:B), rear frame strut (Fig. 59:C) and axle strut (Fig. 59:D).
- c. Remove screws for height adjustable back strut. If adjusting from a width of less than 14 to a width of more than 16, new push handles will be required. Please contact customer service for assistance.
- d. Install new struts for new seat width, leaving all nuts and bolts only finger tight. Note that the rear frame strut is identical to the front frame strut, only 3 inches (7.62 cm) shorter.
- e. Place chair on a flat hard surface. With all four wheels contacting the surface, retighten all strut screws.
- f. Verify smooth tilt function.

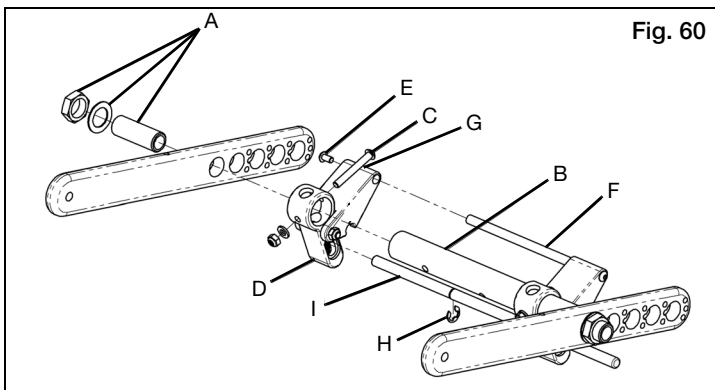


V. SET UP & USE OF YOUR WHEELCHAIR

AA. Frame Width

2. Attendant Foot Lock Width Adjustment

- a. Remove both wheels. Note how much of the axle sleeve is protruding from nut. Using a 24mm wrench, remove axle sleeve, washer and nut (Fig. 60:A) from axle tube (Fig. 60:B). Repeat for opposite side of chair.
- b. Remove axle tube and lock assembly from chair. Using a 4mm Allen wrench and a 10mm wrench, remove screw (Fig. 60:C) from rod guide (Fig. 60:D). Repeat for opposite side of chair.
- c. Using two 3mm Allen wrenches, while holding screw (Fig. 60:E) on one side of chair, remove corresponding screw on opposite side of chair.
- d. Slide link rod (Fig. 60:F) out from rod levers (Fig. 60:G). Remove other screw from link rod.
- e. Slide rod guide and rod lever outward enough to expose E-Rings (Fig. 60:H). Using a pair of pliers, remove E-Ring (Fig. 60:H) from locking rod (Fig. 60:I). Repeat for opposite side of chair.
- f. Align new locking rod with old locking rod (end to end) and push the old locking rod from the rod guide out with the new, being sure to keep spring inside of rod guide in place, keeping the new rod above the spring. Use a flat screwdriver through end slot if necessary to keep spring compressed while inserting new rod. Continue insertion of new rod through rod guide on opposite side of chair, again making sure that the spring remains beneath the new rod. If spring slips and extends before getting the new rod in place, use a flat screwdriver to retract the spring through the side slots in the rod guide.
- g. Position rod guide and rod lever outboard of the E-Ring grooves in the new locking rod. Reinstall E-Rings and slide rod guides/rod levers in against E-Rings.
- h. Slide new link rod through rod levers and reattach with screws (Fig. 60:E) using two 3mm Allen wrenches.
- i. Align holes in rod guides with cross holes in axle tube and reinstall screws (Fig. 60:C).
- j. After adjusting the width of the rest of the chair (See Section AA.), slide reassembled axle tube assembly between the axle plates and reinstall the axle sleeves with washers and nuts. Ensure that the axle protrudes the same amount on both sides of the chair and that it is at the same distance as it was before removing in step 1.
- k. Reinstall wheels and verify function.



V. SET UP & USE OF YOUR WHEELCHAIR

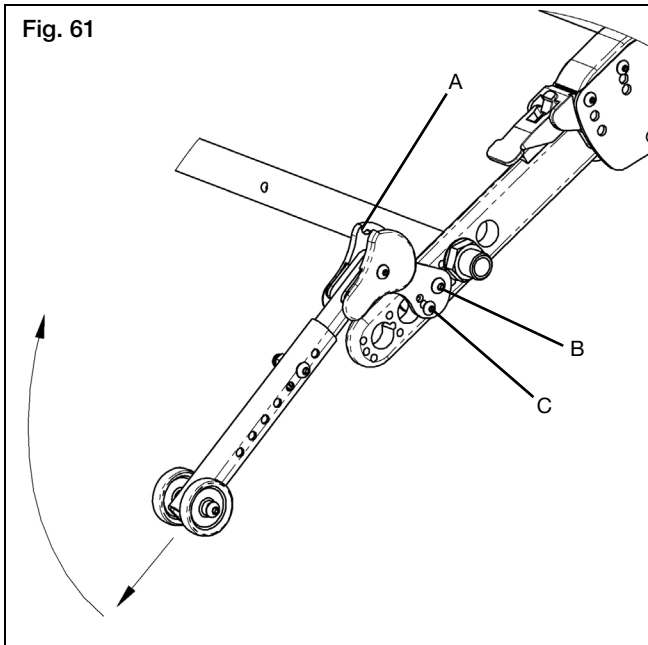
BB. Anti-Tips

1. Disengaging Anti-tips

- Pull Anti-tip down parallel to the adjustment tube and rotate upward as shown in Fig. 61.
- Anti-tip may be left floating for curb navigation, or it may be rotated all the way up into the detent (Fig. 61:A) to hold it up.
- To re-engage, lift anti-tip back up over detent (if engaged in detent) and push downward to re-latch into place.

2. Removing Anti-tips

- Using a 4mm Allen wrench and a 10mm wrench or socket, remove pivot screw and nut (Fig. 61:B).
- Using a 3mm Allen wrench and an 8mm wrench or socket, remove angle adjustment screw and nut (Fig. 61:C).
- Remove anti-tip from chair along with anti-tip bushing from axle plate hole.
- It is recommended to reassemble screws and nuts with bushing back together to avoid loss of parts until future use.



V. SET UP & USE OF YOUR WHEELCHAIR

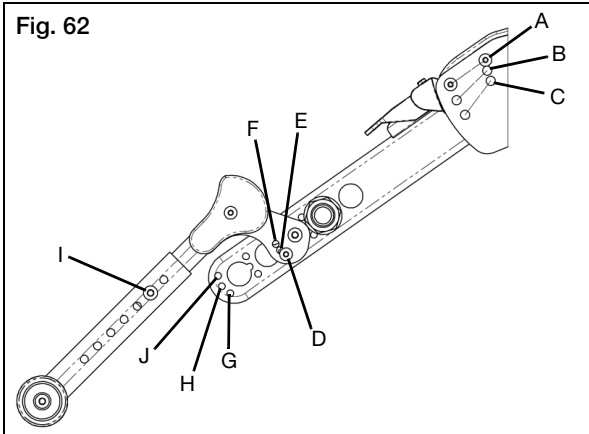
BB. Anti-Tips

3. Adjusting Anti-tip Angle

- a. In most cases, the angle of the anti-tip to correlates to the axle plate angle.
- b. Using a 3mm Allen wrench and an 8mm wrench or socket, remove angle adjustment screw and nut (Fig. 61:C).
- c. Refer to Fig. 62. When axle bar angle is in position A, hole D in the anti-tip should be aligned with hole G in the axle plate. Note that holes G, H and J are labeled on the endmost hole of the axle plate for clarity, but the corresponding hole under the anti-tip should be used in whatever position the anti-tip is in.
- d. Similarly, for axle plate position B, hole E in the anti-tip should be aligned with hole H in the axle plate and for axle plate position C, hole F in the anti-tip should be aligned with hole J in the axle plate.
- e. After retightening the screws and nuts, repeat for opposite side of chair, ensuring both sides are set up identically.

4. Adjusting Anti-tip Height

- a. Using a 4mm Allen wrench and a 10mm wrench or socket, remove extension screw and nut (Fig. 62:I).
- b. Align extension tube hole with anti-tip hole so that 1.5" to 2" (2.54 - 5.08 cm) gap is achieved between the floor and the bottom of the anti-tip wheel.
- c. Retighten extension screw and nut and repeat for opposite side of chair. Ensure that both anti-tips are set up identically.



V. SET UP & USE OF YOUR WHEELCHAIR

CC. Seat Pan

1. Removal

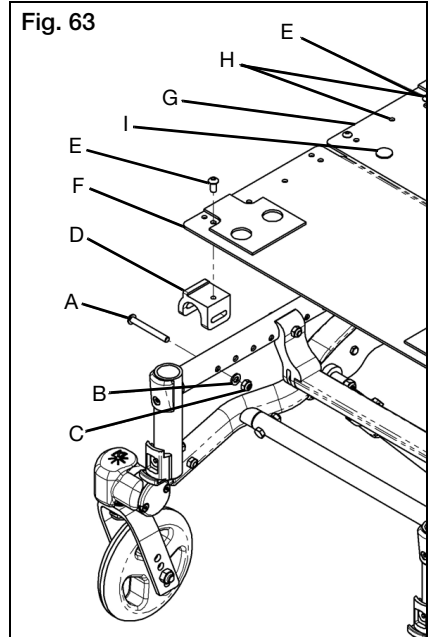
- a. Using a 4mm Allen wrench and a 10mm wrench or socket, remove seat pan bracket screws (Fig. 63:A), washers (Fig. 63:B) and nuts (Fig. 63:C) on all four seat pan brackets (Fig. 63:D).
- b. Lift entire seat pan from chair.

2. Installation

- a. Install seat pan brackets (Fig. 63:D) onto front seat pan (Fig. 63:F) using seat pan screws (Fig. 63:E). Use frontmost hole in seat pan. Repeat for opposite side of chair.
- b. Install seat pan brackets onto rear seat pan (Fig. 63:G) using seat pan screw (Fig. 63:E). Different seat pan holes (Fig. 63:H) may be used in the rear seat pan to avoid interference with the seat frame yoke (Section T. Seat Frame Setup - Fig. 43:A).
- c. Place seat pans onto seat frame and install carriage bolts (Fig. 63:I) with nuts finger tight.
- d. Once desired position of seat pan is obtained, tighten carriage bolt nuts.
- e. Install seat pan bracket screws (Fig. 63:A), washers (Fig. 63:B) and nuts (Fig. 63:C) on all four seat pan brackets.

3. Length Adjustment

- a. When adjusting frame depth of wheelchair, loosen carriage bolt nuts (Fig. 63:I). Do not remove.
- b. Slide seat pan forward or rearward corresponding to frame depth and retighten carriage bolt nuts.
- c. If seat pan length cannot be adjusted to accommodate new seat frame depth, new front and/or rear seat pans will be required. Please contact customer service.

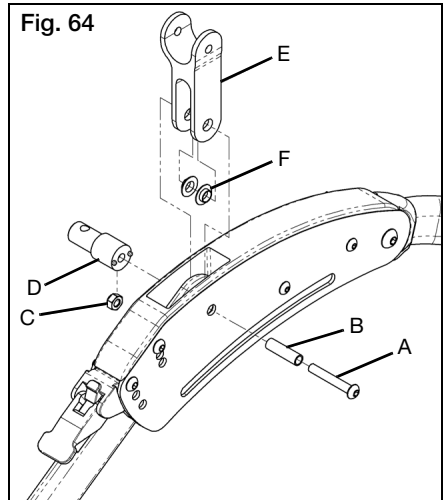


V. SET UP & USE OF YOUR WHEELCHAIR

DD. Bushings

1. Bushing Replacement (It is recommended that this procedure be performed by a qualified technician)

- a. Note which hole the yoke is aligned with in the seat frame. Using a 4mm Allen wrench and a 10mm wrench or socket, remove screws and nuts that hold seat frame to yokes (Fig. 64:E) on both sides of chair and flip seat forward.
- b. Using a 4mm Allen wrench, remove pivot screw (Fig. 64:A) and pivot sleeve (Fig. 64:B). Note that the nut (Fig. 64:C) will fall out of pocket in rear frame strut mount (Fig. 64:D). Keep nut in safe place for future reinstallation.
- c. Carefully slide yoke (Fig. 64:E) up and out of the base frame.
- d. Remove old bushings (Fig. 64:F) from the legs of the yoke. Note that bushings are to be pushed through from the outside of the legs. Ensure all old bushing material is removed and holes are smooth.



- e. If bushings are worn through, or if there is other damage to the yoke that prevents proper function, replacement yokes are required. Please contact customer service.
- f. Install new bushings from between the legs of the yoke. It may be helpful to push bushings in by using the side of a knife blade or other thin, flat, rigid object, taking care not to damage new bushings. It is not recommended to use fingers as this may skew the bushings and damage them while installing. Ensure bushings are installed straight. Do not use excessive force to get them into place - very little force should be necessary to push bushings in straight. When finished, the flanges of the bushings should be resting flat against the insides of the yoke legs. A replacement yoke is required.
- g. Slide yoke with new bushings in between base frame plates with legs of yoke straddling axle plate. Note that the flatter side of the yoke is to be facing the outside of the chair.
- h. Align holes of base frame plates, yoke and axle bar and reinstall pivot sleeve. It may be helpful to use a long, round object such as a #2 Philips screwdriver to pre-align the holes for easier installation. Do not force sleeve into place as this could damage one or more components, including the bushings.
- i. Slide pivot screw (Fig. 64:A) through sleeve. While holding nut (Fig. 64:C) in pocket of rear frame strut mount (Fig. 64:D), thread screw into nut and tighten, ensuring small pegs on face of strut mount align with holes on the inside base frame plate.
- j. Repeat for opposite side of chair.
- k. Reinstall seat frame in same position as installed previously. The distance between the front strut mount screw (Section T: Fig 43:C) mount and the yoke mount screw (Section T: Fig. 43:A) should be 9" (22.86 cm) (See Section T: Seat Frame Set Up). Check to verify smooth tilt operation.

V. SET UP & USE OF YOUR WHEELCHAIR

EE. Canopy

1. Folding (Fig. 65)

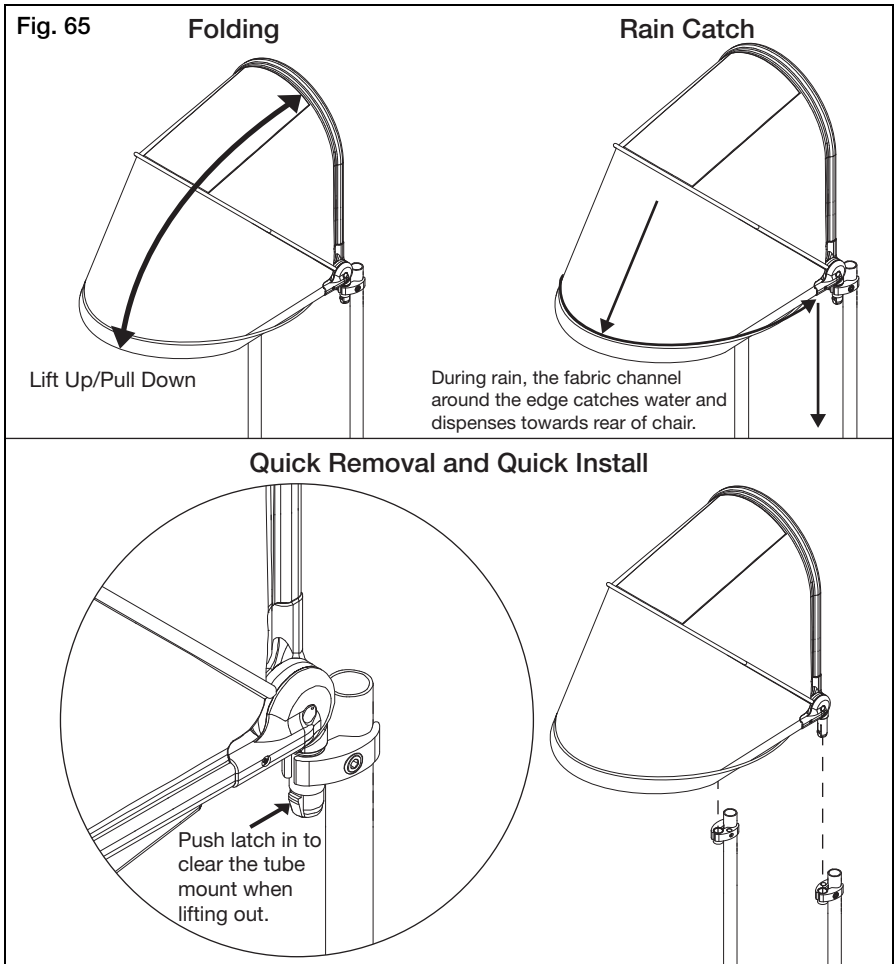
- Close - Lift the front end of the canopy and take the front end all the way to the back end to fold the canopy out of the way.
- Open - Take the front end and pull out and down until the canopy is fully stretched out.

2. Quick Removal and Quick Install (Fig. 65)

- Push in the latches on both sides of the canopy and lift up and out of receivers.
- To reinstall canopy, install both ends into the receivers until latches catch the bottoms of the tube mount clamps and "lock" into place.

3. Rain Catch (Fig. 65)

- The edge of the canopy will fold up to catch and direct rain away from the chair user.



VI. MAINTENANCE

A. Inspecting Your Wheelchair

Regular and routine maintenance will extend the life of your wheelchair while improving its performance. Wheelchair repairs and the replacement of parts should be done by a qualified technician or an authorized Ki Mobility supplier.

1. General Inspections:

- a. Clean your chair at least once per month. You may need to clean your chair more frequently if you operate it in dirty environments, such as a worksite.
- b. Check to be sure that all fasteners are tight. Unless otherwise noted, fasteners should be tightened to 40 in./lbs (4.52 N*m).
- c. Check tires and casters:
 - Check the tire for tread wear. Replace the tires if they have flat spots, visible cracks or if the tread is worn off.
 - If you have inflatable tires with a valve stem, check the pressure and set to the pressure listed on the tire sidewall.



DANGER: Replace worn tires. The wheel locks will not grip properly if you fail to maintain the air pressure shown on tire sidewall. This could result in a fall or loss of control and cause severe injury or death.

- d. Check spoke wheels for loose spokes.
- e. Check your wheel locks. As tires wear the wheel locks should be adjusted. See Section X. Drum Brake, Y. Push / Pull Wheel Locks or Section Z. Attendant Foot Lock (Hub Lock).

VI. MAINTENANCE

B. Routine Maintenance

1. Weekly:

- a. Check wheel locks to be sure they are adjusted correctly.
- b. Check axle sleeves to ensure the axle sleeve nuts are tight.
- c. Check for broken, bent or loose spokes.
- d. Check that casters spin freely.
- e. Inspect tires and casters for wear spots.
- f. Check pneumatic tires for proper inflation.
- g. Wipe mech lock rods with a soft cloth.
- h. Adjust tilt cable to ensure proper tilt lock function (See Section Q: Hand Tilt Mechanism or Section R: Foot Tilt Mechanism).
- i. Inspect roller bearings to ensure proper function and wear.
- j. Ensure hand grips do not rotate or pull off.

2. Monthly:

- a. Inspect rear wheel axles and tighten if necessary.
- b. Inspect caster housing bearings for hair build up and remove if necessary.
- c. Inspect wheel locks to be sure assembly is tight. Make sure wheel locks properly engage the tires.
- d. Check that all fasteners are tight and secure.
- e. Inspect frame for any deformities, defects, cracks, dimples or bends. These could be signs of fatigue in the frame which could result in a failure of the chair. Discontinue use of the wheelchair immediately and contact your authorized Ki Mobility dealer.

3. Annually:

- a. Have wheelchair checked and adjusted by a qualified technician.

WARNING

WARNING: After adjustments and before using this wheelchair, ensure all fasteners are tight and secure or injury or damage may occur.

CAUTION

CAUTION: Do not overtighten fasteners as this could damage the frame tubing.

DANGER

DANGER: Failure to read and comply with these instructions may result in a fall or loss of control causing severe injury or death to the user or others.

VI. MAINTENANCE

C. Cleaning

1. Axles and Wheels:

- a. Clean around the axles and wheels WEEKLY with a damp rag.
- b. Hair and lint will lodge in the caster housing. Disassemble the caster housing every six months to remove entangled hair.

NOTE: Do not use WD-40 or any other penetrating oil on this wheelchair. This will destroy the sealed bearings.

NOTE: Do not use any chemical cleaning agents on casters or tires.

WARNING

WARNING: Failure to read and comply with these instructions may result in damage to your wheelchair, a fall or loss of control causing severe injury to the user or others.

D. Storage

1. When not in use, keep your chair in a clean, dry area. Failure to do so may result in your chair rusting and/or corroding.
2. If your chair has been in storage for more than a few weeks you should make sure it is working properly. You should inspect and service, if necessary, all items in Section A. Inspecting Your Wheelchair.
3. If your chair has been in storage for more than two months, it should be serviced and inspected by your authorized supplier before you use it.

WARNING

WARNING: Failure to read and comply with these instructions may result in damage to your wheelchair, a fall, or loss of control causing severe injury to the user or others.

VII. TROUBLESHOOTING

A. Symptoms and Solutions

For optimum performance, your Little Wave "Flip" wheelchair will need to be adjusted occasionally. On the next page is a list of potential symptoms that may occur when adjusting your chair, as well as one or more suggested solutions for each symptom. For best results, when troubleshooting, try one solution at a time before proceeding to a second solution. If symptoms are not relieved, it is recommended to take the chair to an authorized service center for repair.

Please see chart on next page.

Symptoms							
Chair does not track straight	Loose-ness in Chair	Sluggishness in Turning	One caster does not contact the floor	Caster Flutter	Squeak-ing or rattling	Will not tilt/ Rattling when tilting	Difficulty in tilting
✓			✓	✓			
✓		✓	✓				
✓	✓			✓			✓
					✓		
						✓	
							✓

Solutions

Add spacer washer between caster stem and bottom caster housing bearing on left or right side of chair.

Ensure all tire pressures are correct and equal on both sides of chair.

Ensure all fasteners are tightened.

Use Teflon® based lubricant (such as Tri-Flow®) between modular frame components.

Ensure cable/foot tilt mechanism is adjusted (see section V.K.2 or V.L.2).

VIII. WARRANTY

A. Warranty Information

Ki Mobility warrants the frame and quick-release axles of this wheelchair against defects in materials and workmanship for the life of the original purchaser. All other Ki Mobility-made parts and components of this wheelchair are warranted against defects in materials and workmanship for one year from the date of first consumer purchase.

The expected life of the frame is five years.

Limitations to the Warranty

1. We do not warrant:
 - a. Wear items: Upholstery, tires, armrest pads, tubes, armrests and push-handle grips.
 - b. Damage resulting from neglect, misuse or from improper installation or repair.
 - c. Damage from exceeding weight limit.
2. This warranty is VOID if the original chair serial number tag is removed or altered.
3. This warranty is VOID if the original chair has been modified from its original condition and it is determined the modification resulted in failure.
4. This warranty applies in the USA only. Check with your supplier to find out if international warranties apply.

Ki Mobility's Responsibility

Ki Mobility's only liability is to replace or repair, at our discretion, the covered parts. There are no other remedies, expressed or implied.

Your Responsibility

- a. Notify Ki Mobility, via an authorized supplier, prior to the end of the warranty period and get a return authorization (RA) for the return or repair of the covered parts.
- b. Have the supplier send the authorized return, freight pre-paid, to:
Ki Mobility
5201 Woodward Drive
Stevens Point, WI 54481
- c. Pay any charges for labor to repair or install parts.



Little Wave "Fl!p" XP

Little Wave "Fl!p" XPe

MANUAL DE INSTRUCCIONES Y GARANTÍA

 Ki Mobility

I. INTRODUCCIÓN

Gracias por comprar una silla de ruedas Little Wave “Flip” XP or Little Wave “Flip” XPe!

Por favor, no use esta silla de ruedas sin antes leer completamente este manual. ANTES de conducir, debe estar capacitado en el uso seguro de esta silla por un practicante de Tecnología Asistencial (ATP) o profesional clínico.

Si usted tiene alguna pregunta o inquietud acerca de cualquier aspecto de esta silla de ruedas, en este manual, o el servicio prestado por Ki Mobility o su proveedor minorista, por favor no dude en ponerse en contacto con nosotros por teléfono al:

715-254-0991

Por escrito a:

Ki Mobility
5201 Woodward Drive
Stevens Point, WI 54481
U.S.A

O por correo electrónico a:

sales@kimobility.com

O a través de nuestro Representante EU Autorizado:

James Leckey Design
19C Ballinderry Road
Lisburn
BT28 2SA
Phone: 0800 318265 (UK) or 1800 626020 (ROI)
www.leckey.com



II. TABLA DE CONTENIDOS

I.	INTRODUCCIÓN	
II.	TABLA DE CONTENIDOS	
III.	AVISO - LEA ANTES DE USAR	
	A. Su Seguridad y Estabilidad.....	65
IV.	ADVERTENCIAS	
	A. Palabras de Advertencia	65
	B. Advertencias Generales.....	66
	C. Cinturones de Posicionamiento.....	67
	D. Andar en Silla de Ruedas	68
	E. Motores	69
	F. Ascender Escaleras.....	69
	G. Descender Escaleras	69
	H. Transferencias.....	70
	I. Su Silla de Ruedas y el Medio Ambiente	70
	J. Modificación de su Silla de Ruedas	71
	K. Estabilidad en su Silla de Ruedas.....	71
V.	CONFIGURACIÓN Y USO	
	A. Su Little Wave Flip y Sus Partes	74
	B. Uso Tránsito.....	75
	C. Silla de Ruedas Plegable	78
	D. Brazos-T de Altura Ajustable	80
	E. Apoyabrazos Extendido Flip Up con Angulo Ajustable Bloqueable	82
	F. Advertencias de Reposabrazos.....	83
	G. Sostenes Giratorios.....	83
	H. Apoyapiernas Swing Away con Pestillo de 4 Posiciones.....	84
	I. Tubos de Extensión	85
	J. Elevar Reposapiernas.....	86
	K. Apoyapiernas Elevable Pro	87
	L. Apoyapiernas Pediátrico Elevable Pro	88
	M. Apoyapiés	89
	N. Apoyapiés Multi-Ángulo	90
	O. Respaldo	91
	P. Espaldar Reclinable.....	93
	Q. Mecanismo de Basculación Manual	95
	R. Mecanismo de Basculación de Pie.....	97
	S. Topes de Basculación.....	97
	T. Seteo de Cuadro de Asiento	98
	U. Casters	99
	V. Brazo de Eje	101

II. TABLE OF CONTENTS

W.	Ruedas Traseras	103
X.	Freno de Tambor	105
Y.	Trabas de Ruedas Empuje / Hale para Trabar	107
Z.	Traba de Pie para Asistente (Traba Hub)	108
AA.	Ancho del Cuadro	109
BB.	Anti-Vuelcos.....	111
CC.	Panel de Asiento	113
DD.	Panel de Asiento	114
EE.	Capote.....	115
VI.	MANTENIMIENTO	
A.	Inspección de la Silla de Ruedas	116
B.	Mantenimiento de Rutina	117
C.	Limpieza	118
D.	Almacenamiento	118
VII.	SOLUCIÓN DE PROBLEMAS	119
VIII.	GARANTÍA	121

III. AVISO - LEA ANTES DE USAR

A. Su Seguridad y Estabilidad

Ki Mobility fabrica muchas sillas diferentes que pueden satisfacer sus necesidades. Debe consultar con un Profesional de Asistencia Tecnológica al seleccionar el modelo que mejor se adapta a sus necesidades particulares y la forma en que la silla de ruedas se debe instalar y ajustar. La selección final del tipo de silla de ruedas, las opciones y ajustes corresponde únicamente en usted y su profesional médico. Las opciones que elija, la instalación y el ajuste de la silla de ruedas tienen un impacto directo en su estabilidad. Los factores a considerar que afectan su seguridad y la estabilidad son:

- a. Sus habilidades y capacidades, incluyendo fuerza, equilibrio y coordinación personal.
- b. Los tipos de peligros y obstáculos que pueden surgir durante el día.
- c. Las dimensiones específicas, opciones y configuración. En particular, la altura del asiento, la profundidad del asiento, ángulo del asiento, ángulo del respaldo, el tamaño y la posición de las ruedas traseras y el tamaño y la posición de las ruedas pivotantes. Cualquier cambio en cualquiera de estos elementos va a cambiar la estabilidad de la silla de ruedas. Sólo debe hacer cambios después de consultar con un profesional calificado.

IV. ADVERTENCIAS

A. Palabras de Advertencia

En este manual se incluye lo que se conoce como palabras “Señal”. Estas palabras se usan para identificar y transmitir la gravedad de los diferentes riesgos. Antes de usar esta silla de ruedas, usted y cada persona que pueda ayudarle, debe leer todo el manual. Por favor, tenga en cuenta las palabras de advertencia y considere las advertencias, precauciones y peligros. Asegúrese de seguir todas las instrucciones y usar su silla de ruedas con seguridad. La Palabra de advertencia indica un riesgo o uso peligroso que puede provocar lesiones graves o la muerte de usted o otras personas. Las “Advertencias” se dividen en tres categorías principales, de la siguiente manera:

PELIGRO – Peligro indica una situación inminentemente peligrosa que, de no evitarse, puede ocasionar lesiones graves o la muerte.

ADVERTENCIA – Advertencia indica una situación potencialmente peligrosa que, de no evitarse, puede ocasionar lesiones graves o la muerte.

PRECAUSIÓN – Precaución indica una situación potencialmente peligrosa que, de no evitarse, puede provocar lesiones o daños a la silla de ruedas.

Estas palabras de señalización se colocarán a lo largo del manual, en su caso, para resaltar la situación de peligro. Consulte la siguiente lista para situaciones peligrosas que se aplicarán en la utilización general de esta silla de ruedas.

IV. ADVERTENCIAS

B. Advertencias Generales

ADVERTENCIA

ADVERTENCIA: No exceda el límite de peso de 165 libras (75 kg) para la Little Wave Flip. Este es el peso combinado del usuario y todos los objetos que lleven consigo. Exceder el límite de peso puede causar daño a su silla o aumentar la probabilidad de una caída o volcadura hacia atrás y causar lesiones graves o la muerte para el usuario o para otros.

PELIGRO

PELIGRO: No use esta silla para el entrenamiento con pesas. El movimiento del peso adicional alterará el centro de gravedad de la silla de ruedas que aumenta la probabilidad de un vuelco, que puede causar daño a su silla o causar lesiones graves o la muerte para el usuario o los demás.

ADVERTENCIA

ADVERTENCIA: Si su silla está equipada con neumáticos inflables, asegúrese de que los neumáticos hayan sido inflados a la presión correcta de los neumáticos como se indica en la pared lateral del neumático. Su proveedor de silla de ruedas puede determinar si usted tiene neumáticos inflables. El uso de la silla de ruedas sin neumáticos inflados correctamente puede tener un efecto en la estabilidad de la silla de ruedas haciendo que se vuelque con resultado de muerte o lesiones al usuario o a otras personas.

PELIGRO

PELIGRO: No trate de empujar su silla de ruedas hacia arriba o bajo rampas o recorrer a través de un pendiente de más de 9 grados. Esto es peligroso y aumenta la probabilidad de una caída o volcadura hacia atrás y causar lesiones graves o la muerte para el usuario o para otros.

ADVERTENCIA

ADVERTENCIA: No trate de empujar su silla de ruedas por un pendiente que es liso o cubierto con hielo, aceite o agua. Esto puede causar una situación inestable que resulta en la muerte o lesiones al usuario o a otras personas.

ADVERTENCIA

ADVERTENCIA: No se incline sobre la parte lateral o posterior de la silla de ruedas para ampliar su alcance. Esto puede ocasionar que cayera de la silla, o que la silla de ruedas pueda volcarse y causar lesiones o la muerte.

IV. ADVERTENCIAS

B. Advertencias Generales

PELIGRO

PELIGRO: No intente levantar la silla de ruedas aferrándose a las piezas desmontables, como los brazos o los reposapiés. Sólo levante la silla aferrándose al marco. Esto puede provocar una caída o pérdida del control y provocar lesiones graves o la muerte.

PRECAUSIÓN

PRECAUSIÓN: No apriete demasiado los tornillos y hardware que conecta varios componentes juntos en el marco. Esto podría causar daños graves y afectar la seguridad y la durabilidad de la silla de ruedas.

C. Cinturones de Posicionamiento

Los cinturones de posicionamiento, están diseñados para ayudar en la colocación apropiada dentro de la silla de ruedas. No están diseñados como cinturones de seguridad. Use el cinturón de posicionamiento SOLAMENTE para ayudar a apoyar la postura del usuario. El mal uso de los cinturones de posicionamiento puede causar lesiones graves o la muerte del usuario.

- Asegúrese de que el usuario no se deslice por debajo del cinturón de posición en el asiento de la silla de ruedas. Si esto ocurre, la respiración del usuario puede verse obstaculizado y causar la muerte o lesiones graves.
- El cinturón de posicionamiento debe tener un ajuste perfecto; apretado lo suficiente para mantener su posición, pero no tan fuerte como para restringir la respiración. Usted debe ser capaz de deslizar la mano entre el cinturón de posicionamiento y el usuario.
- **NUNCA** utilice el Cinturon de Posicionamiento:
 - a. Como un sistema de retención. Un restrictor de movimiento requiere la orden de un médico.
 - b. En un usuario que está inconsciente.
 - c. Como una de retención de ocupantes en un vehículo. Un cinturón de posicionamiento no está diseñado para reemplazar un cinturón de seguridad que está unido al bastidor de un vehículo, que se requiere para que un cinturón de seguridad sea efectiva. Durante una parada repentina, con la fuerza de la parada, el usuario será arrojado hacia adelante. Cinturones de seguridad para sillas de ruedas no prevendrán esto y más lesiones pueden resultar de los cinturones o correas.

PELIGRO

PELIGRO: El incumplimiento de las instrucciones anteriores puede resultar en lesiones graves o la muerte.

IV. ADVERTENCIAS

D. Andar en Silla de Ruedas

Su silla está diseñada para su uso en superficies sólidas, planas, tal como concreto, asfalto y suelos. Tenga cuidado si usted empuja su silla de ruedas en una superficie mojada o resbaladiza.

ADVERTENCIA

ADVERTENCIA: No empuje su silla en arena, tierra suelta o sobre terreno áspero. Esto puede causar una pérdida de estabilidad y provocar una caída o pérdida del control y provocar lesiones graves o la muerte.

PELIGRO

PELIGRO: En la mayoría de los estados, las sillas de ruedas no son legales para su uso en la vía pública. Si usted encuentra que usted tiene que empujar en la vía pública, esté alerta sobre el peligro de los vehículos. El uso de una silla de ruedas en la vía pública puede causar lesiones graves o la muerte.

ADVERTENCIA

ADVERTENCIA: Los obstáculos y los peligros del camino (como baches y pavimento roto) pueden dañar su silla y pueden causar una caída, un vuelco o pérdida de control. No cumplir con estas instrucciones podría resultar en lesiones graves o la muerte.

PELIGRO

PELIGRO: No use su silla de ruedas en una escalera mecánica. El uso de una silla de ruedas en una escalera mecánica puede causar lesiones graves o la muerte.

Para minimizar estos riesgos:

- 1) Mantenga un puesto de observación para el peligro - escanea el área mucho antes de que su silla pase.
- 2) Asegúrese de que los pisos donde usted vive y trabaja estén a nivel y sin obstáculos.
- 3) Retira o cubra las tiras de los umbrales entre las habitaciones.
- 4) Instale una rampa en las puertas de entrada o salida. Asegúrese de que no hay una caída en la parte inferior de la rampa.
- 5) Para Ayudar a Corregir su Centro de Equilibrio:
 - a. Incline la parte superior del cuerpo ligeramente hacia **ADELANTE** a medida que **AVANZA** a lo largo de un obstáculo.
 - b. Presione la parte superior del cuerpo hacia **ATRÁS** a medida que **AVANZA** por debajo de un nivel superior a uno inferior.
- 6) Si su silla tiene tubos contra volcaduras, colocarlos en su sitio antes de ir a lo largo de un obstáculo.
- 7) Mantenga ambas manos sobre los aros de empuje a medida que avanza sobre un obstáculo.
- 8) Nunca empuje o jale de un objeto (como muebles o una jamba de la puerta) para propulsar su silla.
- 9) No haga funcionar su silla de ruedas en las carreteras o calles.
- 10) No trate de empujar por encima de obstáculos sin ayuda.

IV. ADVERTENCIAS

E. Motores

Ki Mobility no recomienda la instalación de sistemas de motores en cualquier silla de ruedas Little Wave Flip.

Sillas de ruedas Little Wave Flip no han sido diseñadas o probadas como sillas de ruedas eléctricas. Si se agrega un sistema de motor de potencia a una silla de ruedas Little Wave Flip, asegúrese de que el fabricante del sistema de motor de potencia se ha validado y aprobado la combinación del sistema de motor de potencia y su silla de ruedas Little Wave Flip como seguro y eficaz.

ADVERTENCIA

ADVERTENCIA: El uso de un sistema de motor que no ha sido validado adecuadamente podría causar lesiones graves o la muerte.

F. Ascender Escaleras

- Tener por lo menos dos personas, que tengan fuerza y habilidad suficiente para soportar el peso del usuario y la silla de ruedas, ayudar cuando se trata de subir un tramo de escaleras en esta silla de ruedas.
- Mueva la silla de ruedas y el usuario hacia atrás por las escaleras.
- Una persona detrás del usuario, y una persona adelante. La persona frente debe mantenerse en una parte inamovible de la silla de ruedas.
- El encargado de la parte trasera se inclina la silla hacia atrás y ambos levantan juntos. Dando un paso a la vez.
- Esto puede requerir que los tubos contra volcaduras sean volteados hacia arriba o retirados. Verifique que los tubos contra volcaduras se vuelven a unir o volteadas hacia abajo antes de usar la silla de ruedas.

PELIGRO

PELIGRO: El incumplimiento de las instrucciones anteriores puede resultar en lesiones graves o la muerte.

G. Descender Escaleras

- Al descender por unas escaleras el usuario debe estar mirando hacia adelante.
- Una persona detrás del usuario, que tenga suficiente fuerza y habilidad para manejar el peso del usuario y la silla de ruedas, debe inclinar la silla hacia atrás y dejar que baje la silla por las escaleras un paso a la vez en las ruedas traseras.
- Esto puede requerir que los tubos contra volcaduras sean volteados hacia arriba o retirados. Verifique que los tubos contra volcaduras se vuelven a unir o volteadas hacia abajo antes de usar la silla de ruedas.

PELIGRO

PELIGRO: El incumplimiento de las instrucciones anteriores puede resultar en lesiones graves o la muerte.

IV. ADVERTENCIAS

H. Transferencias

Una transferencia requiere buen equilibrio y estabilidad. Usted debe recibir entrenamiento de su terapeuta antes de intentar hacer una transferencia por su cuenta.

- Antes de transferir fuera de su silla de ruedas se debe tener cuidado para reducir el espacio entre las dos superficies.
- Emplear los frenos de las ruedas para bloquear las ruedas traseras.
- Gire las ruedas pivotantes hacia adelante para aumentar la distancia entre ejes de la silla de ruedas.
- Retire o abatir los reposapiés.
- Consiga que alguien lo asista al menos que tenga mucha experiencia en las transferencias.

Es peligroso transferirse usted solo. Se requiere de buen equilibrio y agilidad. Tenga en cuenta que hay un punto en cada transferencia en que el asiento de la silla de ruedas no esta por debajo de usted.

ADVERTENCIA

ADVERTENCIA: Si no se realiza una transferencia adecuada puede dar lugar a una caída y puede causar lesiones graves o la muerte.

I. Su Silla de Ruedas y el Medio Ambiente

- Su silla de ruedas está hecha de muchos materiales diferentes, incluyendo metal y tela. La exposición al agua o humedad excesiva puede hacer que el metal en la silla de ruedas se oxide y la tela se rasgue. Seque la silla tan pronto como sea posible si se expone al agua.
- **NO UTILICE LA SILLA DE RUEDAS EN UNA DUCHA, ALBERCA O CUERPO DE AGUA.** Esto hará que su silla de ruedas se oxide o corroe y eventualmente falle.
- No utilice su silla de ruedas en la arena. La arena puede entrar en los valeros de las ruedas y partes móviles. Esto puede causar daños y, finalmente, hará que la silla de ruedas falle.
- Asegúrese de que cualquier rampa, pendiente o bordillo que pueda intentar montar cumpla con las directrices de la ADA. El montar a través, hacia arriba o hacia abajo de cualquier pendiente que es demasiado grande puede causar una pérdida de estabilidad.

Lineamientos de ADA y más información sobre el diseño accesible están disponibles en <http://www.ada.gov/>

ADVERTENCIA

ADVERTENCIA: El incumplimiento de las instrucciones anteriores puede provocar una caída o pérdida del control, lo que puede provocar lesiones graves o la muerte.

IV. ADVERTENCIAS

J. Modificación de su Silla de Ruedas

Su silla de ruedas fue diseñada y fabricada bajo estrictos controles de diseño. Una parte integral de este proceso es asegurar que los diversos componentes funcionen juntos correctamente; ellos han sido testeados bajo diversos estándares para asegurar su calidad y están aprobados para funcionar juntos.

USTED NO DEBERIA ALTERAR, AGREGAR O REMOVER COMPONENTES O MODIFICAR ESTA SILLA DE RUEDAS. NADIE DEBERIA MODIFICAR ESTA SILLA DE RUEDAS EXCEPTO POR OPCIONES DE ENSAMBLE APROBADAS. NO EXISTEN OPCIONES APROBADAS QUE INVOLUCREN PERFORAR O CORTAR EL CUADRO, A MENOS QUE SEA REALIZADO POR UN ASOCIADO ENTRENADO DE KI MOBILITY. Contacte Ki Mobility o a un proveedor autorizado de Ki Mobility antes de agregar cualquier accesorio o componente no provisto por Ki Mobility.

PELIGRO

PELIGRO: El no cumplimiento de estas instrucciones puede causar fallas en la silla de ruedas y resultar en lesiones severas o muerte.

K. Estabilidad en su Silla de Ruedas

Para asegurar la estabilidad adecuada de la silla de ruedas se debe asegurar el centro de gravedad y la base de las sillas de ruedas de apoyo es correcta para su equilibrio y habilidades. Hay muchos factores que pueden afectar a estos dos elementos;

- Altura del asiento
- Profundidad del asiento
- Ángulo del respaldo
- El tamaño y la posición de las ruedas traseras
- El tamaño y la posición de las ruedas pivotantes
- Cualquier componente del sistema de asientos
- Angulo de asiento
- Posición de basculación

En general, el factor más importante es la posición de las ruedas traseras para la estabilidad posterior. Hay otras acciones que puedan tener un efecto adverso en su estabilidad. Usted debe consultar con su proveedor de sillas de ruedas y los médicos que están familiarizados con sus necesidades y capacidades en la determinación de cómo esto afectan a su uso.

ADVERTENCIA

ADVERTENCIA: Moviendo las ruedas traseras hacia adelante aumenta la probabilidad de que la silla de ruedas de un vuelco hacia atrás. Haga pequeños ajustes y proceda lentamente hasta que aprenda el nuevo punto de equilibrio de su silla de ruedas. El incumplimiento de las instrucciones anteriores puede resultar en lesiones graves o la muerte.

ADVERTENCIA

ADVERTENCIA: Cuanto más atrás se coloca las ruedas pivotantes mayor es la probabilidad de que la silla de ruedas de un vuelco hacia adelante. Si es posible, haga que sus ruedas pivotantes sean montadas hacia adelante y, cada vez que hace una actividad estática que implica desplazar el peso, gire las ruedas hacia adelante para aumentar su distancia entre ejes. El incumplimiento de las instrucciones anteriores puede resultar en lesiones graves o la muerte.

IV. ADVERTENCIAS

K. Estabilidad en su Silla de Ruedas

ADVERTENCIA

ADVERTENCIA: Siempre tenga a un técnico calificado configurar su silla de ruedas con los accesorios que va a utilizar todos los días.

Los cambios en la forma en que usted se sienta o cambios en su peso requieren que su silla sea ajustada por un técnico calificado. Siempre use tubos contra volcaduras mientras se aclimata a los cambios en su silla de ruedas. El incumplimiento de las instrucciones anteriores puede resultar en lesiones graves o la muerte.

ADVERTENCIA

ADVERTENCIA: Cambios en su Centro de Gravedad durante sus actividades diarias pueden ocurrir varias veces al día y cambiar y afectar la estabilidad de la silla de ruedas. Usted debe ser consciente de estas actividades y tomar las precauciones para minimizar el riesgo de una caída. El incumplimiento de las instrucciones anteriores puede resultar en lesiones graves o la muerte.

ADVERTENCIA

ADVERTENCIA: Vestirse en su silla de ruedas produce movimientos y posiciones momentáneas que pueden reducir la estabilidad. Asegurarse de que sus tubos contra volcaduras están en su lugar y gire sus ruedas pivotantes hacia adelante. El incumplimiento de las instrucciones anteriores puede resultar en lesiones graves o la muerte.

ADVERTENCIA

ADVERTENCIA: Tenga mucho cuidado cuando trate de alcanzar objetos si este movimiento requiere que se cambie en su asiento. Esto cambia el centro de gravedad. Asegurarse de que sus tubos contra volcaduras están en su lugar. El incumplimiento de las instrucciones anteriores puede resultar en lesiones graves o la muerte.

ADVERTENCIA

ADVERTENCIA: Empujando por un pendiente desplaza su centro de gravedad hacia atrás y puede reducir la estabilidad. Asegurarse de que sus tubos contra volcaduras están en su lugar. El incumplimiento de las instrucciones anteriores puede resultar en lesiones graves o la muerte.

ADVERTENCIA

ADVERTENCIA: Si intenta un caballito para superar un bordillo o obstáculo, procure que los tubos contra volcaduras están en su lugar y se inclina hacia adelante. No intente un caballito al menos que haya sido entrenado y siempre tenga un asistente detrás de usted para proporcionar ayuda si es necesario. El incumplimiento de las instrucciones anteriores puede resultar en lesiones graves o la muerte.

IV. ADVERTENCIAS

K. Estabilidad en su Silla de Ruedas

ADVERTENCIA

ADVERTENCIA: La colocación de artículos en la parte trasera o delantera de su silla de ruedas, como una mochila o maletín, altera el equilibrio y el centro de gravedad de la silla de ruedas. Dado que el peso de estos artículos puede variar mucho en cada uso, no asuma que está acostumbrado al punto de equilibrio. El incumplimiento de las instrucciones anteriores puede resultar en lesiones graves o la muerte.

TENGA EN CUENTA QUE LLEVA OBJETOS PESADOS SOBRE LA SILLA DE RUEDAS QUE PUEDE TENER UN EFECTO ADVERSO SOBRE SU BALANCE QUE PUEDE CAUSAR UN VUELCO Y RESULTE EN LESIONES GRAVES O LA MUERTE DEL USUARIO.

ADVERTENCIA

ADVERTENCIA: Asegúrese de que sus tubos contra volcaduras están en su lugar. Usted debe discutir cómo va a utilizar su silla de ruedas o cualquier cambio que se está planeando con su médico. El incumplimiento de esta instrucción puede crear una situación potencialmente peligrosa que, de no evitarse, puede ocasionar lesiones graves o la muerte.

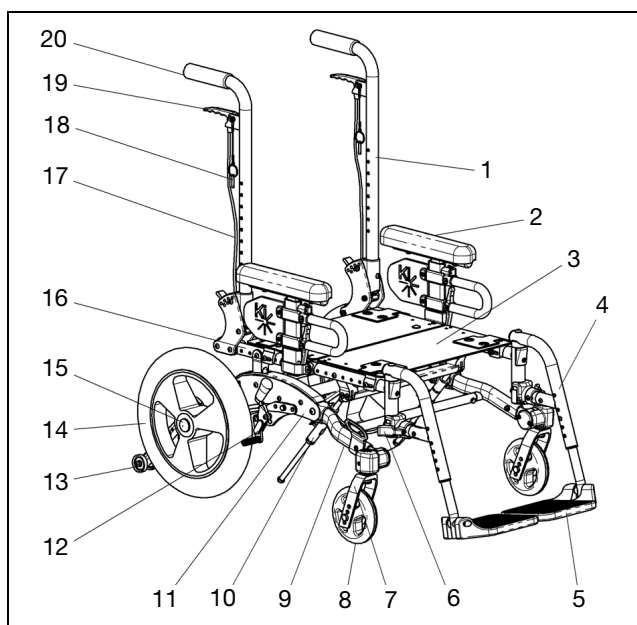
V. CONFIGURACIÓN Y USO

A. Su Little Wave Flip y Sus Partes

1. Inspeccione y mantenga esta silla estrictamente por tabla de mantenimiento en la Sección VI.
2. Si detecta algún problema, asegúrese de dar servicio o reparar la silla antes de su uso.
3. Tener una inspección completa, control de seguridad y el servicio de la silla realizada por un proveedor autorizado anualmente.

▲ ADVERTENCIA ▲

ADVERTENCIA: La falta de lectura o el incumplimiento de estas instrucciones puede resultar en daños a su silla de ruedas, una caída o pérdida del control y provocar lesiones severas al usuario o a otras personas.



- | | |
|-------------------------------------|-----------------------------------|
| 1. Caño Posterior | 11. Cuadro Base |
| 2. Apoyabrazos con Altura Ajustable | 12. Traba de Rueda |
| 3. Panel de Asiento | 13. Anti-Vuelcos |
| 4. Percha de Apoyapiés | 14. Rueda Posterior |
| 5. Apoyapiés | 15. Eje de Liberación Rápida |
| 6. Palanca Swing Away | 16. Tubo de Asiento |
| 7. Horquilla de Caster | 17. Cable de Basculación |
| 8. Rueda Caster | 18. Pin de Bloqueo de Basculación |
| 9. Brazo de Caster | 19. Palanca de Basculación |
| 10. Traba Mecánica | 20. Manijas de Empuje |

V. CONFIGURACIÓN Y USO

B. Uso Tránsito

Siempre es más seguro para la transferencia de su silla de ruedas al asiento en un vehículo con asiento apropiado y cinturones de hombro. Nunca use esta silla de ruedas como asiento en un vehículo, a menos que ha sido equipada con la Opción de Tránsito.

La silla de ruedas Little Wave Flip equipada con la Opción de Tránsito ha sido probada y aprobada con **RESNA WC-4:2012, Sección 19: Las Sillas de Ruedas utilizadas como asientos en vehículos de motor y ISO 7176-19:2008 Sillas de ruedas -- Parte 19: Dispositivos de movilidad de ruedas para su uso como asientos de los vehículos de motor. Normas ISO y RESNA están diseñadas para probar la integridad estructural de la silla de ruedas como un asiento para su uso en un vehículo de motor. Estas normas también se han diseñado para crear compatibilidad con los Sujetadores de Silla de Ruedas y de los Sistemas de Sujeción del Ocupante (WTORS) por sus siglas en inglés.**

No todas las configuraciones de las sillas de ruedas Little Wave Flip son compatibles con la Opción de Tránsito. Ki Mobility administra la configuración y no ofrece la silla de ruedas Little Wave Flip, excepto en configuraciones compatibles. Si realiza cambios a su silla de ruedas Little Wave Flip después de que la reciban, debe comunicarse con su proveedor de silla de ruedas o Ki Mobility para asegurarse de que es conveniente seguir utilizando su silla de ruedas como asiento en un vehículo de motor.

Asientos aftermarket pueden haber sustituido el asiento original del equipo y apoyo para la espalda diseñado y probado como parte de la Opción de Tránsito. Su proveedor de silla de ruedas debe decirle si el asiento es de el equipo original o de asientos de reemplazo aftermarket. Un sistema completo del marco de la silla, asiento, Sujetadores de Silla de Ruedas y de los Sistemas de Sujeción del Ocupante y un vehículo de motor equipado adecuadamente, que todos han cumplido con las normas mencionadas en esta sección, debe estar en su lugar antes de usar una silla de ruedas Little Wave Flip equipada con el Opción de Tránsito como asiento en un vehículo de motor.

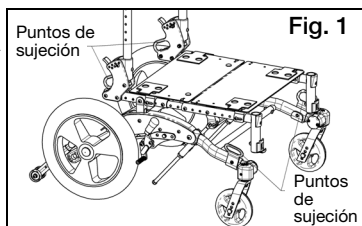
Cuando se utiliza la silla de ruedas como asiento en un vehículo de motor siempre se debe seguir las siguientes instrucciones:

- El usuario debe estar en una posición orientada hacia adelante.
- El usuario no debe pesar más de 165 libras (75 kg).
- Las mochilas y las bolsas deben ser removidas y fijadas por separado en el vehículo. En el caso de un accidente estos artículos pueden convertirse en proyectiles peligrosos, lo que puede lesionar o matar a usted o los demás ocupantes del vehículo de motor.
- El usuario debe utilizar Sujetadores de Silla de Ruedas y un Sistema de Sujeción del Ocupante que cumpla con **RESNA WC-4: 2012, Sección 18: Sujetadores de Silla de Ruedas y Sistemas de Sujeción del Ocupante para su uso en vehículos de motor o ISO 10542-1:2012 Sistemas técnicos y ayudas para las personas con discapacidad o movilidad reducida - Sujetadores de Silla de Ruedas y Sistemas de Sujeción del Ocupante -- Parte 1: Requisitos y métodos de pruebas para todos los sistemas.**
- Adjunte sujetadores para sillas de ruedas a los cuatro puntos de sujeción (dos frontales, dos traseros) en la silla de ruedas Flip con la Opción de Tránsito (Fig. 1), de acuerdo con las instrucciones de la silla de ruedas de sujeción del fabricante y **RESNA WC-4:2012, Sección 18 o ISO 10542-1:2012 - Parte 1.**
- Fije las restricciones de los ocupantes de acuerdo con las instrucciones del fabricante de retención de ocupantes y **RESNA WC-4:2012, Sección 18 o ISO 10542-1:2012, Parte 1.**

V. CONFIGURACIÓN Y USO

B. Uso Tránsito

- El uso de cinturones de seguridad, correas para el pecho, arneses de hombro, cualquier otro sistema de correa de posicionamiento o accesorio de posicionamiento no debe utilizarse, o confiado como retención del ocupante, a menos que se marque como tal por el fabricante de acuerdo con RESNA WC-4:2012, Sección 18 o ISO 10542-1:2012, Parte 1.



- El uso de apoyos para la cabeza, soportes laterales o otros accesorios de posicionamiento no deben utilizarse, o confiado como retención del ocupante, a menos que se marque como tal por el fabricante de acuerdo con RESNA WC-4:2012, Sección 18 o ISO 10542-1:2012, Parte 1. o RESNA WC-4:2012, Sección 20: Sistemas de asiento para silla de ruedas para su uso en vehículos de motor o ISO 16840-4:2009 Asientos para sillas de ruedas -- Parte 4: Sistemas de asientos para su uso en vehículos de motor.
- Cualquier asiento aftermarket debe ser probado para cumplir con RESNA WC-4:2012, Sección 20 o ISO 16840-4:2009 - Parte 4.
- Coloque el asiento al marco de silla de ruedas de acuerdo con las instrucciones del fabricante de asientos y RESNA WC-4:2012, Sección 20 o ISO 16840-4:2009 - Parte 4.
- Los accesorios aftermarket tales como bandejas, soportes de tanques de oxígeno, tanques de oxígeno, postes IV, mochilas, bolsas y otros artículos no fabricados por Ki Mobility deben retirarse y asegurarse por separado en el vehículo de motor. En el caso de un accidente estos artículos pueden convertirse en proyectiles peligrosos, lo que pueden lesionar o matar a usted o los demás ocupantes del vehículo de motor.
- Si la silla de ruedas ha estado involucrada en un accidente, usted no debe seguir utilizándola, ya que puede haber sufrido de fatiga que pueden no ser visibles.

⚠ PELIGRO ⚠

PELIGRO: El incumplimiento de las instrucciones de uso de tránsito se pueden producir lesiones graves o la muerte!

- Siempre que utilice esta silla de ruedas como asiento en un vehículo motorizado, deberá remover todas las partes conectadas a la bandeja de venteo, la bandeja de baterías o el soporte del tanque de oxígeno y asegurarlos correctamente por separado.

⚠ PELIGRO ⚠

PELIGRO: El no remover los elementos conectados a la bandeja de venteo, la bandeja de baterías o el soporte del tanque de oxígeno y asegurarlos correctamente por separado en el vehículo motorizado, puede convertir estos elementos en proyectiles peligrosos en caso de accidente. Los tanques de oxígeno contienen un gas altamente presurizado que acelera poderosamente la combustión. No acatar esta advertencia puede resultar en lesiones graves o la muerte.

- Si la silla está equipada con un soporte para el tanque de oxígeno nunca utilizar la silla de ruedas como asiento en un vehículo de motor.

⚠ PELIGRO ⚠

PELIGRO: El uso de una silla de ruedas Flip equipada con un soporte para el tanque de oxígeno como asiento en un vehículo de motor puede provocar lesiones graves o la muerte.

V. CONFIGURACIÓN Y USO

B. Uso Tránsito

NOTA: Para obtener una copia de las normas de RESNA o ISO póngase en contacto con los organismos de normalización a continuación:

RESNA

1700 North Moore St., Suite 1540
Arlington, VA 22209
Teléfono: 703-524-6686
Fax: 703-524-6630
Email: technicalstandards@resna.org

Normas ANSI / RESNA:

RESNA WC-4:2012, Sección 18:

Sujetadores de Silla de Ruedas y Sistemas de Sujeción del Ocupante para su uso en vehículos de motor.

RESNA WC-4:2012, Sección 19:

Las sillas de ruedas utilizadas como asientos en vehículos de motor.

RESNA WC-4:2012, Sección 20:

Sistemas de asiento para silla de ruedas para su uso en vehículos de motor.

International Organization for Standardization (ISO)

BIBC II
Chemin de Blandonnet 8
CP 401
1214 Vernier, Geneva
Switzerland
Teléfono: +41 22 749 01 11
Fax: +41 22 733 34 30
Email: central@iso.org

Normas ISO:

ISO 10542-1:2012 Sistemas técnicos y ayudas para las personas con discapacidad o movilidad reducida - Sujetadores de Silla de Ruedas y Sistemas de Sujeción del Ocupante -- Parte 1:

Requisitos y métodos de prueba para todos los sistemas.

ISO 16840-4:2009 Asientos para sillas de ruedas -- Parte 4:

Sistemas de asientos para su uso en vehículos de motor.

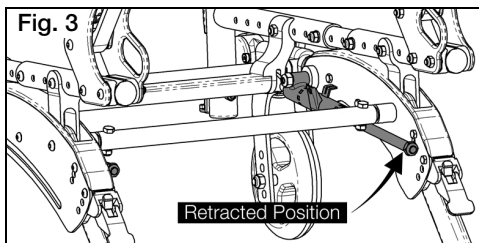
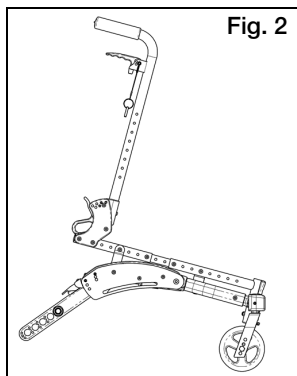
ISO 7176-19:2008 Silla de Ruedas -- Parte 19:

Dispositivos de movilidad de ruedas para su uso como asientos de los vehículos de motor.

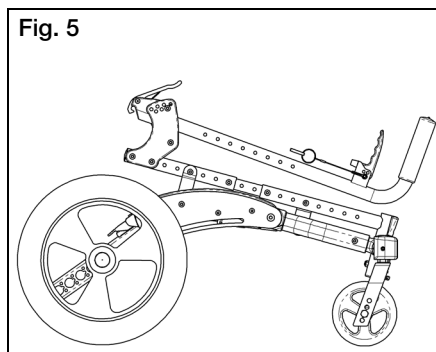
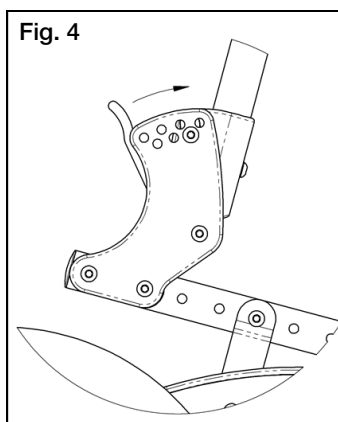
V. CONFIGURACIÓN Y USO

C. Silla de Ruedas Plegable

1. Remover los Apoyapiés y Apoyabrazos "T" (Ver Secciones D: Brazo-T con Altura Ajustable y G: Perchas Swing Away para obtener instrucciones de remoción).
2. Remover asiento según sea necesario.
3. Utilizando las Palancas de Basculación Manual (Sección Q: Mecanismo de Basculación Manual) o Pedal de Basculación de Pie (Sección R: Mecanismo de Basculación de Pie), bascule la parte anterior del cuadro del asiento hacia abajo, hasta que la base del cuadro del asiento contacte la parte superior de la funda del cuadro base (Fig. 2). Asegure ue las Trabas Mecánicas están retraídas apropiadamente (Fig. 3).



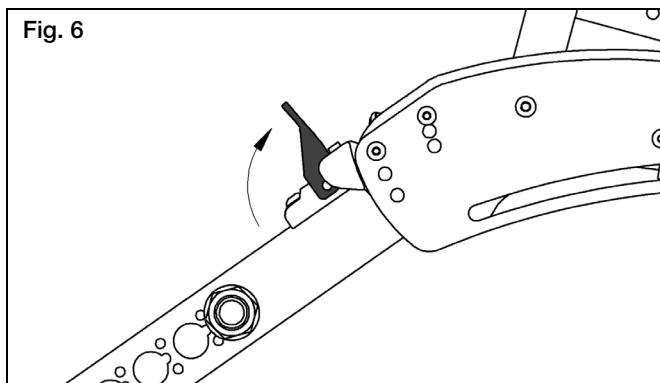
4. Presione ambas palancas de liberación de espaldas hacia abajo y abra (Fig. 4).
5. Pliegue los caños posteriores hacia abajo hacia la parte anterior del cuadro de asiento (Fig. 5).
6. Si el espaldar con altura ajustable se halla instalado, las manijas de empuje pueden ser plegadas hacia abajo para minimizar el tamaño de plegado.



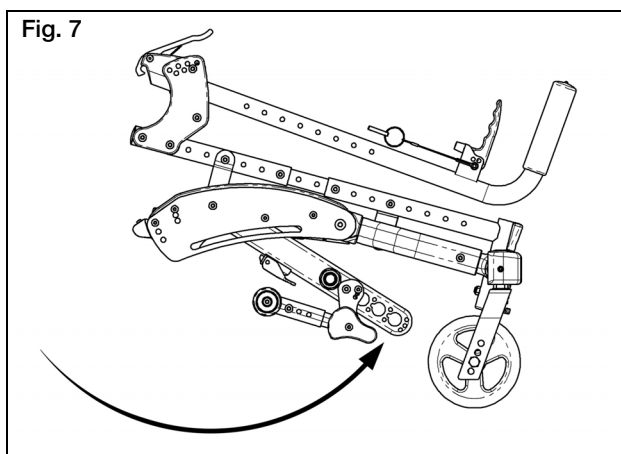
V. CONFIGURACIÓN Y USO

C. Silla de Ruedas Plegable

7. Gire los Anti-Vuelcos hacia arriba (Ver Sección BB: Anti-Vuelcos) luego remueva las ruedas y gire las palancas rojas hacia arriba, sobre los brazos de eje a ambos lados de la silla (Fig. 6). Las palancas se mantendrán hacia arriba hasta que la silla sea plegada.



8. Levante la parte posterior de la silla del suelo y gire la barra del eje hacia abajo y hacia adelante, tanto como sea posible, encajando en la ranura en la parte inferior del cuadro base, entre las placas laterales (Fig. 7).



V. CONFIGURACIÓN Y USO

D. Brazos-T de Altura Ajustable

1. Instalación

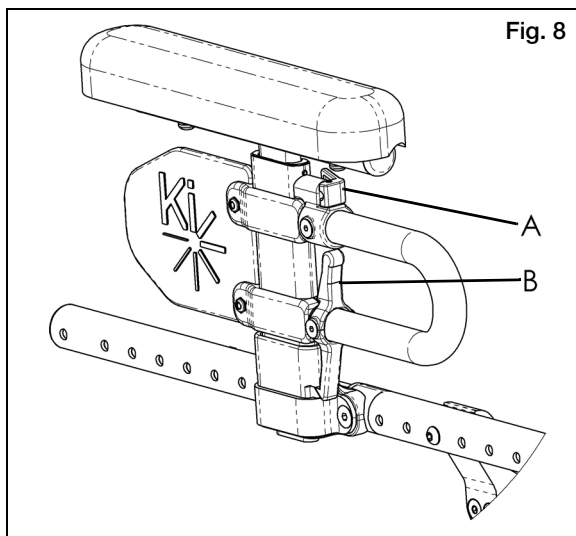
- Deslice el poste del brazo exterior en el receptor montado en el marco de la silla de ruedas.
- El reposabrazos se bloqueará automáticamente en su lugar. Asegúrese de que la palanca de bloqueo esta como se muestra en la (Fig. 8:B).

2. Ajuste de Altura

- Gire la palanca de liberación (Fig. 8:A).
- Deslizar reposabrazos hacia arriba o hacia abajo a la altura deseada.
- Regresar palanca a la posición de bloqueo contra el poste del brazo.
- Presione el cojín del brazo hasta que el poste superior del brazo se bloquee firmemente en su lugar. Asegúrese de que la palanca de bloqueo esta como se muestra en (Fig. 8:A).

3. Quitar

- Apretar palanca de liberación (Fig. 8:B) y quitar el reposabrazos.

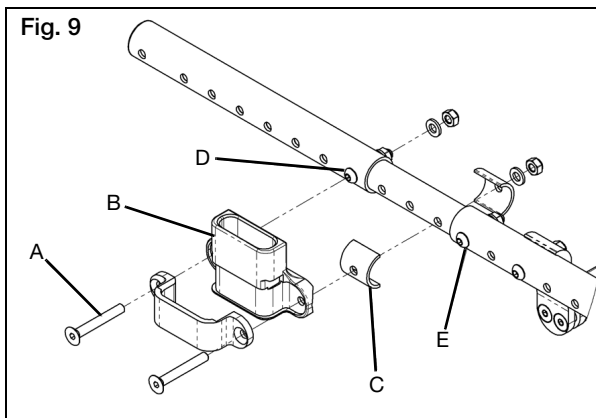


V. CONFIGURACIÓN Y USO

D. Brazos-T de Altura Ajustable

4. Ajuste de Posición

- Retire los dos tornillos (Fig. 9:A) de cada receptor del reposabrazos (Fig. 9:B), retener los separadores (Fig. 9:C) si está instalado. Si no se instala en la fábrica, están incluidos en una bolsa separada en el paquete.
- Mueva el receptor a la ubicación deseada en el bastidor del asiento y vuelva a instalar los tornillos con arandelas y tuercas y apriete.
- Si los tornillos para la nueva ubicación del reposabrazos coinciden con tornillos del bastidor del asiento (Fig. 9:D and E), quite los tornillos del bastidor del asiento y sustituir con tornillos del receptor del reposabrazos. Retener (no descarten) estos tornillos para su posible uso en el futuro, o opcionalmente, pueden ser retenidos para volver a instalarlos en una ubicación alternativa en el bastidor del asiento.
- Si uno de los tornillos del receptor del reposabrazos se encuentra en la sección de crecimiento central de la estructura del asiento, asegúrese de usar los separadores (como se describe en el paso a) alrededor del tubo de crecimiento en la ubicación de los orificios de montaje.



⚠ PELIGRO ⚠

PELIGRO: El incumplimiento de las instrucciones anteriores puede resultar en el reposabrazos accidentalmente desconectarse de la silla de ruedas y provocar una caída o la pérdida de control y puede causar lesiones graves o la muerte.

⚠ PELIGRO ⚠

PELIGRO: Nunca intente levantar la silla por los reposabrazos; que pueden romper o desconectar lo que resulta en una caída o la pérdida de control y pueden causar lesiones graves o la muerte.

V. CONFIGURACIÓN Y USO

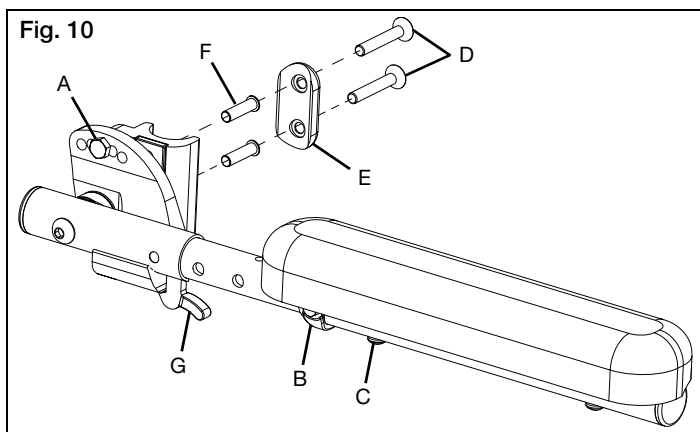
E. Apoyabrazos Extendido Flip Up con Angulo Ajustable Bloqueable

Ajustes

1. Setee el ángulo del apoyabrazos de acuerdo con sus preferencias. Existen cinco orificios que pueden ser utilizados para setear el ángulo (Fig. 10:A). Ajuste el tornillo una vez seteado el ángulo.
2. Setee el largo del apoyabrazos de acuerdo con sus preferencias. Para ajustar el largo, retire los tornillos y arandela (Fig. 10:B) en el tubo y el tornillo (Fig. 10:C) que se halla más cerca de la parte posterior de la silla. Deslice el apoyabrazos al largo deseado disponible según los orificios y vuelva a instalar los tornillos.
3. Setee la altura del apoyabrazos en la silla de acuerdo con sus preferencias. Existen cuatro orificios en el apoyabrazos que permiten dos seteos de altura diferentes para cada set de orificios en el tubo posterior. Utilice los orificios que proveen la altura correcta para cada usuario. Los dos tornillos (Fig. 10:D) pasan a través de la arandela (Fig. 10:E), mangas (Fig. 10:F), tubos posteriores y dentro del apoyabrazos.

Uso

1. Presione la palanca de extracción (Fig. 10:G) para extraer el apoyabrazos y abatirlo hacia arriba. Para regresar el apoyabrazos a su posición operativa, presione el apoyabrazos hacia abajo hasta que la palanca se trabe en su sitio con un click.



PELIGRO: Asegúrese siempre que los brazos estén bloqueados en su lugar antes de usarlos en caso de apoyarse para su posicionamiento. El no hacerlo puede resultar en una caída o la pérdida de control y puede causar lesiones graves o la muerte.



PELIGRO: Nunca intente levantar la silla por los reposabrazos, se pueden romper o desconectar lo que resulta en una caída o la pérdida de control y pueden causar lesiones graves o la muerte.

V. CONFIGURACIÓN Y USO

F. Advertencias de Reposabrazos

- Todos los reposabrazos de Ki Mobility están diseñados para separarse de la silla y no soportan incluso el peso de esta silla.
- NUNCA levante esta silla tomándola por los reposabrazos. Los reposabrazos serán liberados y el usuario puede caer.
- Levante esta silla tomándola solamente de partes no desprendibles del marco principal.

▲ ADVERTENCIA ▲

ADVERTENCIA: La inobservancia de estas instrucciones puede resultar en una caída, volcadura o pérdida del control y provocar lesiones severas el usuario o otras personas.

G. Sostenes Giratorios

1. Instalación

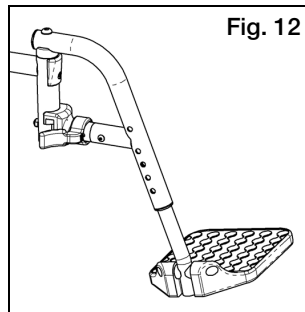
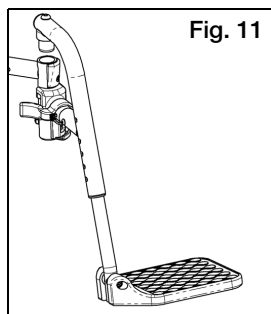
- a. Coloque el pasador del pivote giratorio en el receptáculo en el tubo delantero del marco con el reposapiés mirando hacia afuera o dentro del marco (Fig. 11).
- b. Gire el reposapiés para que se alinee con el marco hasta que encaje en su lugar en el bloque de enganche (Fig. 12).

2. Girar el Reposapiés Hacia Afuera

- a. Presione el pestillo de liberación hacia el marco.
- b. Gire el reposapiés hacia afuera o hacia adentro si lo desea.

3. Quitar

- a. Para quitar el reposapiés, presione el pestillo de liberación hacia el marco.
- b. Levante el reposapiés hacia arriba para quitar. También puede girar el reposapiés hacia adentro o hacia afuera antes de levantarla.



▲ ADVERTENCIA ▲

ADVERTENCIA: Asegúrese siempre de que los sostenes están bloqueados en su lugar antes de usarlos o andar en la silla de ruedas. El no hacerlo puede resultar en una caída o la pérdida de control y puede causar lesiones graves o la muerte.

▲ PELIGRO ▲

PELIGRO: Nunca intente levantar la silla por los sostenes, que pueden romper o desconectar lo que resulta en una caída o la pérdida de control y pueden causar lesiones graves o la muerte.

V. CONFIGURACIÓN Y USO

H. Apoyapiernas Swing Away con Pestillo de 4 Posiciones

1. Instalación

- Colocar el sillín pivotante swing away dentro del receptor del tubo anterior del cuadro (Fig. 13:A).
- Rotar el apoyapiernas para que se alinee con el cuadro y se bloquee en su sitio (Fig. 13:B).

2. Abatiendo el Apoyapiernas

- Hale o empuje el pestillo de extracción.
- Rote el apoyapiernas hacia afuera o hacia adentro según su necesidad.

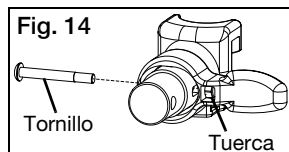
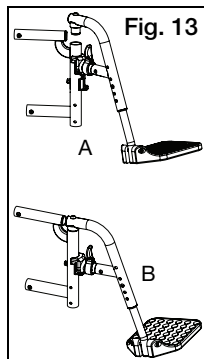
3. Extracción

- Para extraer el apoyapiernas, hale o empuje el pestillo de extracción.
- Hale el apoyapiernas hacia arriba para extraerlo. Usted también puede abatir el apoyapiernas hacia adentro o hacia afuera antes de halarlo hacia arriba.

4. Rotar (Fig. 14)

El pestillo de 4 posiciones posee ocho configuraciones posibles, cuatro con la curva de la palanca hacia afuera y cuatro con la curva de la palanca hacia adentro. Ver Fig. 15 para ver las configuraciones posibles.

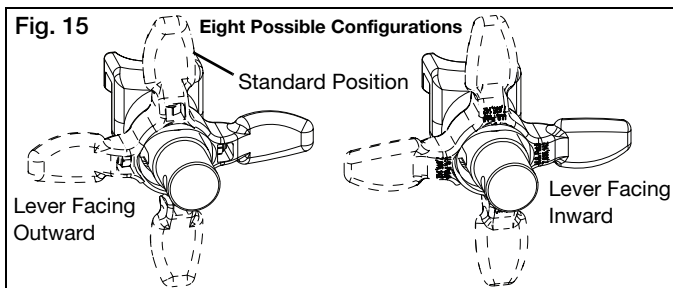
- Para rotar el pestillo de 4 posiciones, retire el tornillo utilizando una llave Allen de 3mm, mientras la bandeja se halla todavía en la silla (el resorte debe estar colocado para extraer y reinsertar el tornillo y al dejar la bandeja en la silla se mantiene el resorte instalado). Asegure que la tuerca no caiga.
- Rotar el pestillo de 4 posiciones en la orientación deseada y volver a insertar el tornillo con la llave Allen de 3mm. Asegure que la tuerca permanece en su posición mientras ajusta el tornillo. No ajuste demasiado el tornillo o el mecanismo se invalidará.



NOTA: Para regresar el pestillo de 4 posiciones retire el mismo tornillo, pero deberá retirar la bandeja de su sitio. Una vez retirada, deslice el pestillo hacia afuera, déle la vuelta y vuelva a instalarlo. Asegure que el resorte está instalado presionando y sosteniendo el botón del pestillo, la tuerca debe permanecer en su posición mientras se instala el tornillo.

NOTA: Usted no podrá obtener la posición in-line con la opción de apoyapiernas Pro ELR.

NOTA: Para una silla de ruedas Flip, al utilizar el pestillo de 4 posiciones en posición vertical in-line permite que la silla sea plegada sin remover las bandejas.



V. CONFIGURACIÓN Y USO

I. Tubos de Extensión

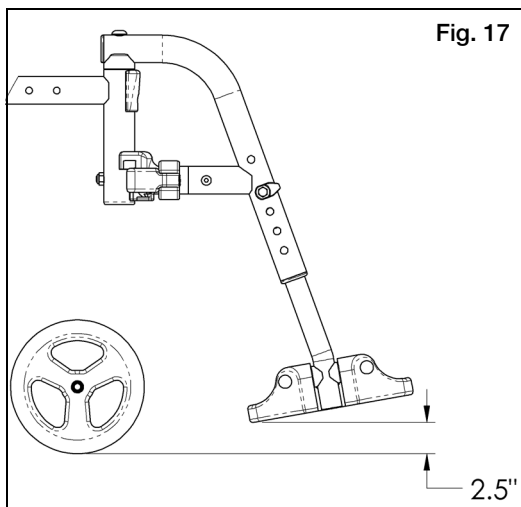
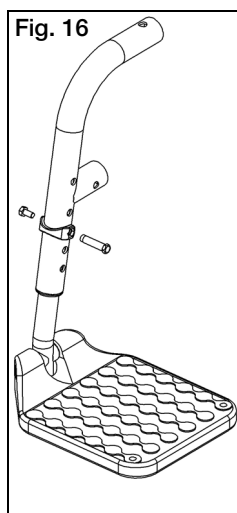
1. Ajuste

- Retire los tornillos de montaje de cada lado del tubo del sostén.
- Deslice el tubo de extensión del reposapiés a la altura deseada.
- Alinee los agujeros y reensamble los sujetadores en el agujero deseado a través del sostén y el tubo de extensión.
- Siga el mismo procedimiento en el lado opuesto (Fig. 16).

En el punto más bajo, reposapiés debe estar Al Menos 2½ Pulgadas (6,35 cm) del suelo. Si se establece demasiado bajo, pueden "atrapar" a obstáculos que se puede esperar de encontrar en un uso normal. Esto puede provocar que la silla se detenga súbitamente y se vuelque hacia adelante (Fig. 17).

Para Evitar un Tropezón o una Caída Cuando Usted Transfiere:

- Asegúrese de que sus pies no queden atrapados en el espacio entre los reposapiés.
- Evite cargar el peso sobre los reposapiés que la silla podría volcar hacia adelante.



V. CONFIGURACIÓN Y USO

J. Elevar Reposapiernas

1. Instalación

- Coloque el pasador del pivote giratorio en el receptáculo en el tubo delantero del marco con el reposapiés mirando hacia afuera o dentro del marco. Similar a abatir el reposapiés representado en la Fig. 11 y 12.
- Gire el reposapiés para que se alinee con el marco hasta que encaje en su lugar en el bloque de enganche.

2. Quitar

- Para quitar el reposapiés, presione el pestillo de liberación hacia el marco.
- Gire el reposapiés hacia afuera y levantar.

3. Ajuste Del Tubo de Extensión

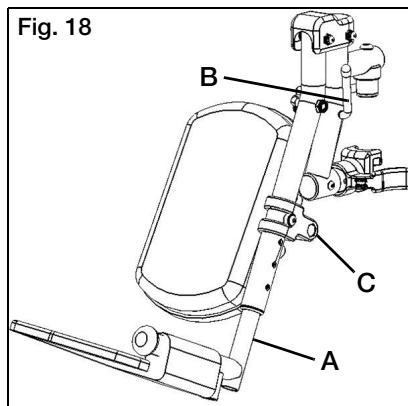
- Retire el perno de montaje que está roscado en el tubo de apoyo para las piernas en el centro de la abrazadera de la almohadilla (Fig. 18:C). En algunas circunstancias, este perno se puede insertar en el tubo por debajo del soporte de pivote.
- Deslice el tubo de extensión del reposapiés a la altura deseada.
- Alinee los agujeros y reemplace el perno a través del tubo de reposapiernas y el tubo de extensión.
- Siga el mismo procedimiento en el lado opuesto.

4. Ajuste Del Ángulo

- Para levantar, levante la parte trasera del tubo de extensión (Fig. 18:A). La varilla se desliza a través del trinquete en esta dirección. Deténgase en la posición deseada.
- Para bajar, mantener firmemente la pierna de detrás del tubo de extensión (Fig. 18:A). Tire hacia adelante en la palanca (Fig. 18:B) y mientras sujeta la palanca, levante el soporte para las piernas. Liberación de la palanca, causará que el reposapiernas se bloquee en su posición.

Para Evitar un Tropezón o Una Caída Cuando Usted Transfiere:

- Asegúrese de que sus pies no queden atrapados en el espacio entre los reposapiés.
- Evite cargar el peso sobre los reposapiés que la silla podría volcar hacia adelante.



⚠ ADVERTENCIA ⚠

ADVERTENCIA: En el punto más bajo, reposapiés debe estar Al Menos 2½ Pulgadas (6,35 cm) del suelo. Si se establece demasiado bajo, pueden "atrapar" a obstáculos que se puede esperar de encontrar en un uso normal. Esto puede provocar que la silla se detenga súbitamente y se vuelque hacia adelante.

⚠ PELIGRO ⚠

PELIGRO: Nunca intente levantar la silla por los sostenes, que pueden romper o desconectar lo que resulta en una caída o la pérdida de control y pueden causar lesiones graves o la muerte.

V. CONFIGURACIÓN Y USO

K. Apoyapiernas Elevable Pro

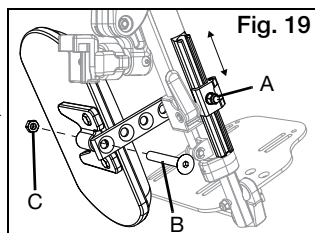
Instalación

NOTA: El Pro ELR es montado sobre la silla de la misma manera que una bandeja swing away.

1. Coloque el sillín del pivote swing away dentro del receptor en el tubo anterior del cuadro con el apoyapiernas mirando hacia adentro o hacia afuera del cuadro.
2. Rotar el apoyapiernas para que se alinee con el cuadro hasta que se trabaje en su sitio.

Ajustando la Altura de la Almohadilla de Pantorrilla

1. Aflojar la tuerca (Fig. 19:A) utilizando una llave de 10mm.
2. Deslice la almohadilla de pantorrilla hacia arriba o hacia abajo hasta lograr la ubicación deseada. Vuelva a ajustar la tuerca.

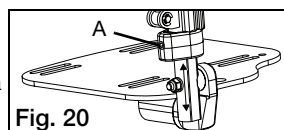


Ajustando la Profundidad de la Almohadilla de Pantorrilla

1. Retire el tornillo (Fig. 19:B) y tuerca (Fig. 19:C) en el brazo de almohadilla de pantorrilla utilizando una llave Allen de 5mm y una llave de 13mm.
2. Seleccione la ubicación deseada en base a los 4 orificios y vuelva a instalar el tornillo y la tuerca.

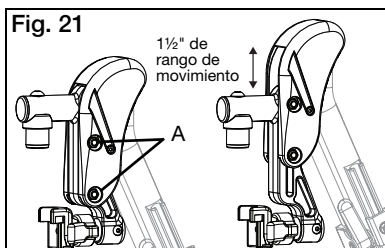
Ajustando el Largo del Apoyapiernas

1. Afloje el tornillo (Fig. 20:A) con una llave Allen de 4mm.
2. Deslice el tubo de extensión hacia adentro o hacia afuera para obtener el largo deseado y asegure ajustando el tornillo.



Ajustando Altura de Rodilla

1. Utilizando dos llaves tubulares de 10mm, afloje las dos tuercas (Fig. 21:A) en la cubierta.
2. Ajuste la altura de rodilla al seteo deseado.
3. Vuelva a ajustar las dos tuercas (Fig. 21:A) luego de obtener la altura deseada.



Usos

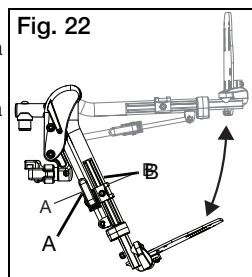
1. Para elevar el Pro ELR, levante el tubo de apoyapiernas (Fig. 22:A) al ángulo de elevación deseado.
2. Para bajar el Pro ELR, presione y sostenga el bloqueo de la palanca (Fig. 22:B) mientras empuja el tubo del apoyapiernas (Fig. 22:A) hacia abajo.

NOTA: Retire el Pro ELR de la silla o retire el peso del Pro ELR mientras lo baja, para evitar una caída inesperada cuando se presiona el bloqueo de la palanca .

NOTA: La almohadilla de pantorrilla puede abatirse hacia afuera para liberar la parte anterior de la silla en caso de transferencias.

Extracción

1. Para remover el apoyapiernas, hale o empuje el pestillo de extracción.
2. Levante el apoyapiernas hacia arriba para extraer. Usted también puede abatir el apoyapiernas hacia adentro o hacia afuera antes de levantarlo.



V. CONFIGURACIÓN Y USO

L. Apoyapiernas Pediátrico Elevable Pro

Instalación

NOTA: El Pro ELR pediátrico se monta a una silla de la misma manera que un apoyapiés swing-away.

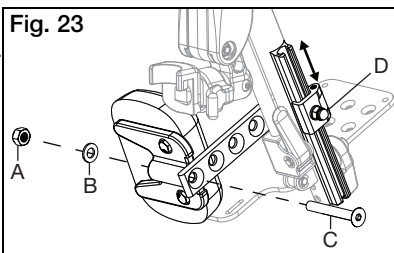
1. Coloque la montura del pivote swing away en el receptor en el tubo anterior del cuadro con el apoyapiernas mirando hacia adentro o hacia afuera del cuadro.
2. Rote el apoyapiernas para alinearlos con el cuadro y encastre en el sistema de bloqueo.

Ajustar Altura de Almohadilla de Pantorrilla

1. Afloje la tuerca (Fig. 23:D) con una llave de 10mm.
2. Deslice el brazo de la almohadilla a la ubicación deseada. Ajuste la tuerca.

Ajustar Profundidad de Almohadilla de Pantorrilla

1. Retire el tornillo (Fig. 23:C), arandela (Fig. 23:B) y tuerca (Fig. 23:A) con una llave Allen de 5mm y una llave de 13mm.
2. Seleccione la ubicación en base a los cuatro orificios y coloque tornillo y tuerca.

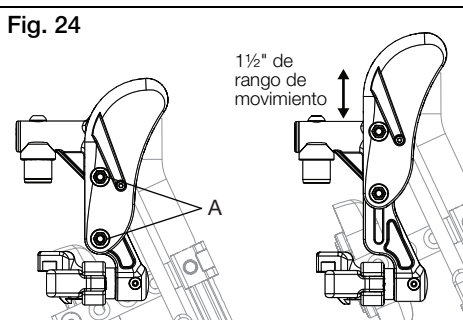


Ajustar Altura de Rodilla

1. Con dos llaves de 10mm afloje las dos tuercas (Fig. 24:A) y la funda.
2. Ajuste la altura de rodilla.
3. Ajuste las dos tuercas (Fig. 24:A) al lograr la altura deseada.

Uso

1. Para elevar el Pro ELR Pediátrico, levante el tubo del apoyapiernas (Fig. 25:A) al ángulo de elevación deseado.
2. Para bajar el Pro ELR Pediátrico, presione y sostenga la palanca de bloqueo (Fig. 25:B) mientras empuja el tubo del apoyapiernas (Fig. 25:A) hacia abajo.

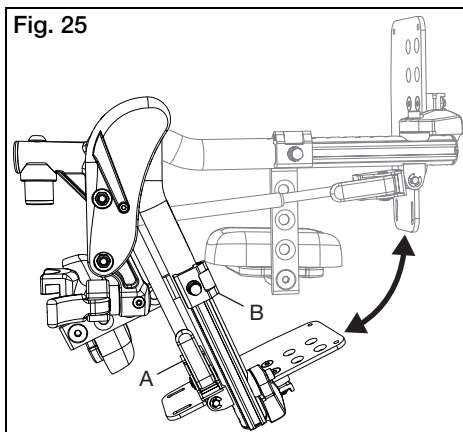


NOTA: Retire el Pro ELR Pediátrico de la silla o quite el peso del Pro ELR mientras lo baja, para evitar una caída sorpresiva al presionar la palanca de bloqueo.

NOTA: La almohadilla de pantorrilla puede deslizarse hacia afuera durante transferencias.

Remoción

1. Para retirar el apoyapiernas, presione o hale de la perilla de expulsión.
2. Levante el apoyapiernas hacia arriba. También puede deslizarlo hacia afuera o hacia adentro antes de levantarlo.



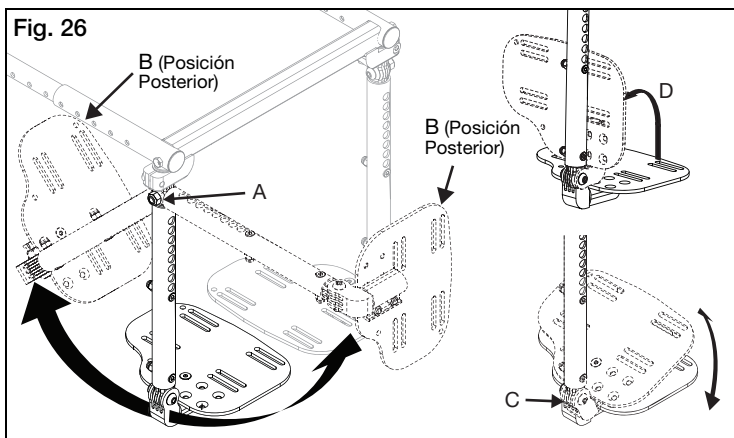
V. CONFIGURACIÓN Y USO

M. Apoyapiés

1. Cambiar los apoyapiés y el ángulo de los apoyapiés

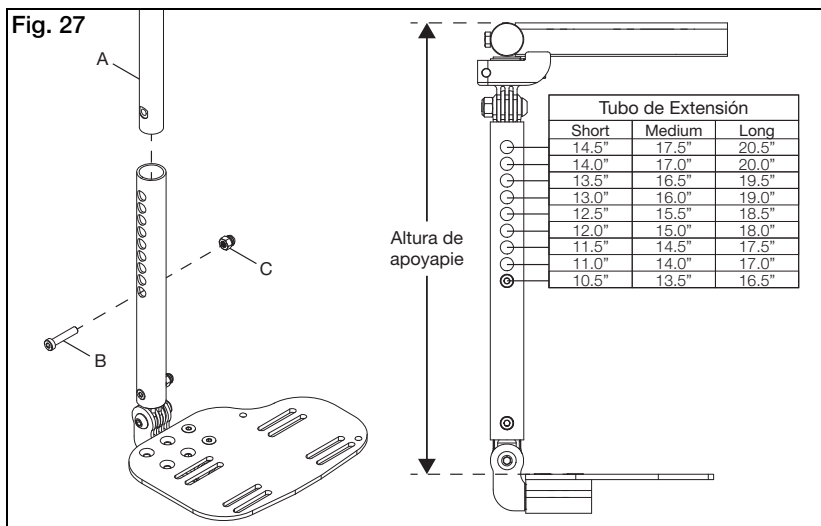
NOTA: Los Apoyapiés muestran la configuración de montaje externo. Un montaje interno puede lograrse moviendo los apoyapiés hacia el lateral opuesto.

- El ángulo de los apoyapiés puede ser seteado mirando hacia la silla o hacia afuera, simplemente ajustando el punto de pivote superior (Fig. 26:A).
- Los apoyapiés también pueden ser llevados hacia adelante o hacia atrás (Fig. 26:B), poseen ángulo ajustable (Fig. 26:C) y pueden ser levantados para transferencias (Fig. 26:D).



2. Modificar la altura de los apoyapiés

- Retire el tornillo (Fig. 27:B) y la tuerca (Fig. 27:C) del pivote largo (Fig. 27:A) y deslice el tubo de extensión a la altura deseada. Ver Alturas de apoyapiés que corresponden con cada orificio en el cuadro en Fig. 27.

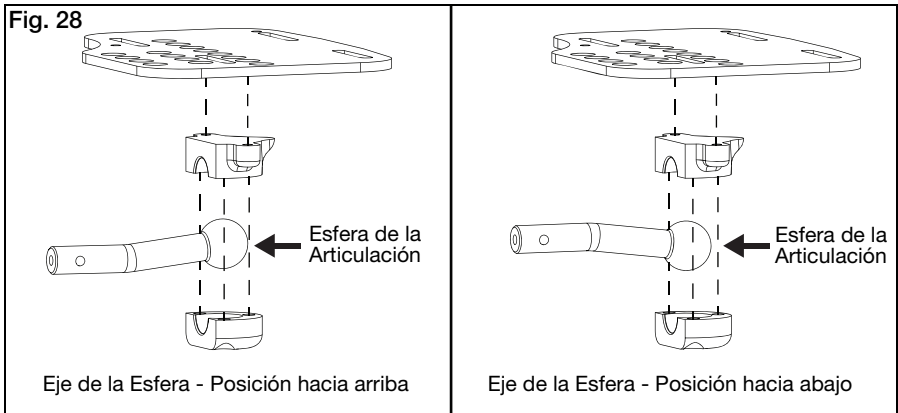


V. CONFIGURACIÓN Y USO

N. Apoyapiés Multi-Ángulo

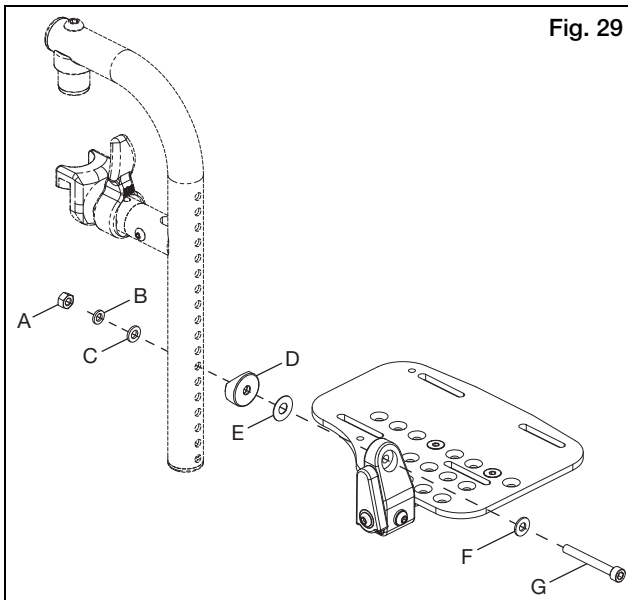
1. Modificar el ángulo del apoyapiés (Fig. 28)

La articulación esférica de los apoyapiés multi-ángulo les permite lograr una variedad de ángulos, simplemente aplicando presión en diferentes puntos del extremo superior del apoyapiés.



2. Modificar la altura del apoyapiés

- Retire el ensamblaje del apoyapiés del soporte quitando el tornillo (Fig. 29:G), arandela (Fig. 29:F), arandela (Fig. 29:E), espaciador (Fig. 29:D), arandela (Fig. 29:C), arandela (Fig. 29:B) y tuerca (Fig. 29:A) utilizando una llave Allen de 5mm y una llave de 10mm.
- Deslice el ensamblaje del apoyapiés a la altura deseada y coloque el hardware en el orificio más cercano.

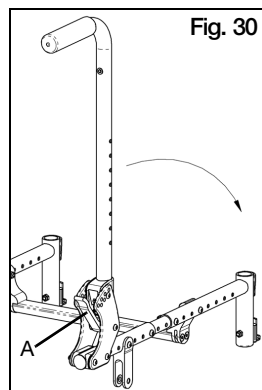


V. CONFIGURACIÓN Y USO

O. Respaldo

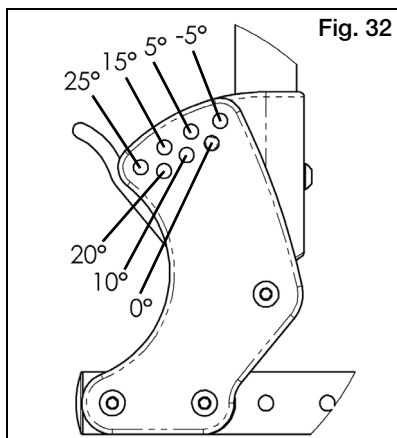
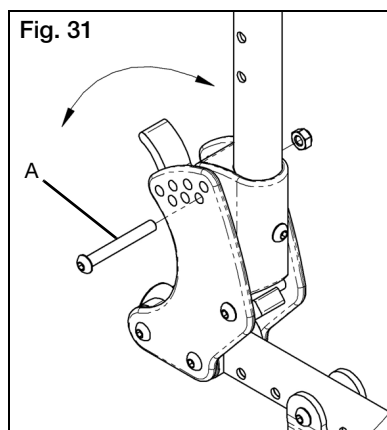
1. Respaldo Plegable Hacia Abajo

- Si la silla está equipada con un respaldo plegable hacia abajo, empuje las palancas (Fig. 30:A) hacia la parte anterior de la silla para soltar los pestillos. Si se adjunta asiento con respaldo, ambos pestillos deben estar desactivados de forma simultánea con el fin de permitir que el respaldo se pliegue.
- Empuje hacia adelante en el respaldo para girar hacia abajo. Una vez que comienza a girar hacia adelante, los pestillos se pueden liberar.



2. Ajustar Ángulo

- Utilizando una llave Allen de 4mm y una llave de 10mm, retire los tornillos de cabeza redonda (Fig. 31:A) con sus tuercas y arandelas.
- Gire el respaldo al ángulo deseado. Cada agujero representa 5° de rotación. La fila de agujeros superiores corresponden a -5°, 5°, 15° y 25°, y la fila inferior de agujeros corresponden a 0° (vertical), 10° y 20° (Ver Fig. 32).
- Vuelva a colocar el tornillo de cabeza redonda y apriete con arandela y tuerca.
- Repetir en el lado opuesto de la silla.



V. CONFIGURACIÓN Y USO

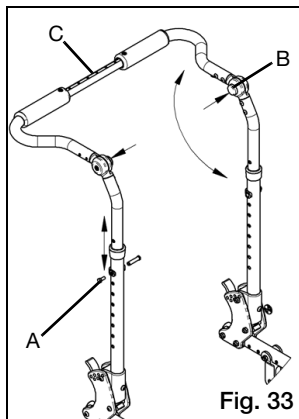
O. Respaldo

3. Ajuste de Altura

- Si la silla está equipada con un respaldo de altura ajustable, quite los dos tornillos (Fig. 33:A) de los tubos del respaldo telescópico con una llave Allen de 4mm y una llave de 10mm.
- Mueva los tubos superiores hacia arriba o hacia abajo para ajustar la altura si lo desea.
- Vuelva a colocar los tornillos con arandelas y tuercas para configurar la altura.

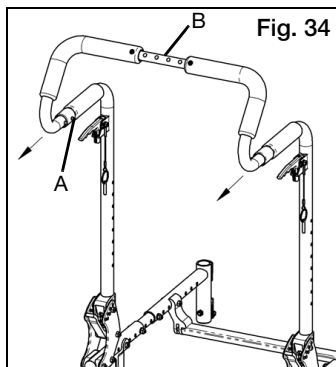
4. Ajustar Ángulo de Manija de Empuje

- Si la silla está equipada con un respaldo de altura ajustable, pulsar botones de bisagras de bloqueo (Fig. 33:B). Ambos botones deben presionarse simultáneamente para ajustar el ángulo.
- Mientras sostiene los botones abajo, girar la manija de empuje a la posición deseada.
- Suelte los botones cuando se consigue el ángulo deseado.
- Compruebe que la bisagra está bloqueada tirando hacia arriba en manijas de empuje.



5. Manija Tipo Carriola Extraíble

- Presione los botones (Fig. 34:A) a ambos lados de la silla hacia el extremo inferior de los tubos de la manija tipo carriola para desenganchar las lengüetas de bloqueo.
- Jale manija fuera de receptores para quitar o empuje manija tipo carriola adentro de los receptores para instalar. Para obtener los mejores resultados, inserte los dos lados al mismo tiempo.
- Verificar botones de presión se enganchan a receptores.



PELIGRO: No intente levantar o inclinar la silla de ruedas sujetando el puntal central que une la manijas de empuje del respaldo de altura ajustable (Fig. 33:C) o del puntal central que une las manijas de empuje de la manija tipo carriola extraíble (Fig. 34:B). Estos puntales pueden romperse resultando en una caída o la pérdida de control y pueden causar lesiones graves o la muerte.

6. Respaldo Dinámico

- Vea las instrucciones para este respaldo proporcionado por separado con la silla.

V. CONFIGURACIÓN Y USO

P. Espaldar Reclinable

ADVERTENCIA

ADVERTENCIA: La altura y el ángulo del espaldar, la profundidad del asiento, el ángulo de basculación y reclinación, la altura del asiento, el tamaño y la posición de las ruedas posteriores, el tamaño y posición de los casters anteriores y cualquier peso agregado en la parte posterior de su silla de ruedas, tales como accesorios, morrales y tanques de oxígeno, todos ellos se relacionan y afectan la estabilidad de su silla de ruedas. Cualquier ajuste o modificación a uno o más de los ítems arriba mencionados, puede disminuir la estabilidad de su silla de ruedas. Tome precauciones cuando realice modificaciones a los ítems mencionados. Consulte con un técnico calificado cuando ajuste la altura o el ángulo del espaldar, la profundidad y altura del asiento, el tamaño y la posición de las ruedas posteriores y el tamaño y posición de los casters anteriores. Los ajustes inapropiados pueden resultar en lesiones severas.

Notas para la Operación del Espaldar Reclinable

1. Luego de realizar cualquier modificación al Sistema, asegure que todas las partes del hardware son ajustadas eficientemente.
2. Siempre asegure que la silla de ruedas es estable en posición de reclinación total.
3. Para garantizar la máxima seguridad del paciente y de la silla, es importante que el paciente está correctamente posicionado antes de reclinar o inclinar (posición vertical) el espaldar.
4. Siempre coloque los frenos en las ruedas mientras reclina o inclina la silla, para garantizar la máxima seguridad del paciente.
5. Antes de utilizar el espaldar reclinable, asegure que los anti-vuelcos están colocados correctamente para garantizar que la silla es estable durante su uso.

PELIGRO

PELIGRO: Bascular o reclinar la silla más allá de su nivel, aumenta grandemente el riesgo de caídas fuera de la silla, lo que puede resultar en lesiones severas o muerte.

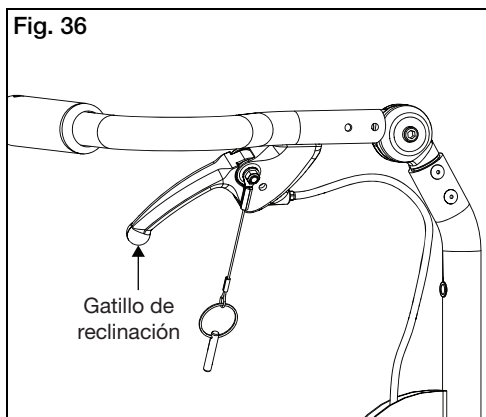
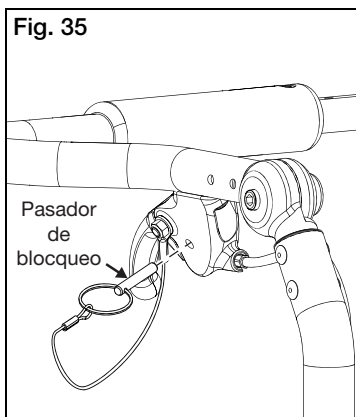
V. CONFIGURACIÓN Y USO

P. Espaldar Reclinable

Instrucciones de Uso:

Reclinación / Inclinación:

1. Para desbloquear el sistema antes de ajuste de reclinación o inclinación mediante la eliminación del pasador de bloqueo del orificio de bloqueo en cada gatillo de reclinación (Fig. 35).
2. Hacer que seguros de las ruedas estén comprometidos y la silla de ruedas está en una superficie plana.
3. Agarre las asas de forma segura y lentamente presione los dos gatillos reclinables (Fig. 36) al mismo tiempo para liberar los cilindros de gas. Esto le permitirá ajustar la posición del respaldo de la siguiente manera:
 - a. **Reclinación** - para abrir el ángulo del respaldo con relación al bastidor del asiento, o reclinarse, aplicando fuerza hacia abajo sobre los resortes de gas.
 - b. **Inclinación** - volver a la posición vertical mediante la aplicación de fuerza hacia arriba y empujando el respaldo hacia la parte delantera de la silla de ruedas.
4. Una vez que el ángulo de reclinación del respaldo deseada se ha alcanzado, suelte lentamente los dos gatillos reclinables.
5. Para bloquear el sistema insertar el pasador de bloqueo en el orificio de bloqueo (Fig. 35). Se recomienda que siempre bloquea ambos gatillos del respaldo reclinable cuando haya terminado de colocar al paciente.



V. CONFIGURACIÓN Y USO

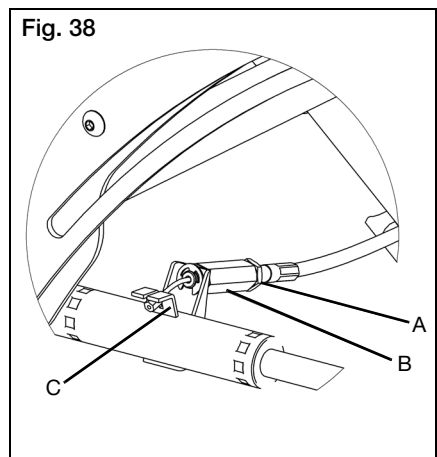
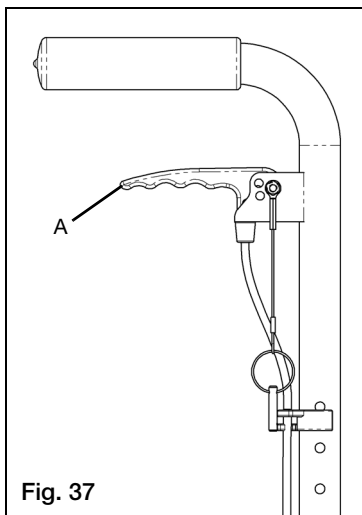
Q. Mecanismo de Basculación Manual

1. Inclinando Bastidor del Asiento

- Apriete el gatillo (Fig. 37:A).
- Mientras mantiene el gatillo presionado, gire bastidor del asiento a la posición deseada.
- Suelte el gatillo para que encaje en su lugar.

2. Ajuste del Cable

- Desbloquear la contratuerca (Fig. 38:A) del cable del cuerpo de regulación (Fig. 38:B), utilizando un llave de 10mm y de 3/8".
- Tuerza el cuerpo ajustador hacia adentro o afuera hasta eliminar la curva en el cable, pero también para que la palanca de la traba mecánico (Fig. 38:C) se halle totalmente abierta.
- Verifique la función del cable. Las trabas mecánicas deberían deslizarse libremente al halar de los gatillos, y trabarse totalmente cuando los gatillos son liberados.
- Una vez obtenido el ajuste apropiado, ajuste la tuerca contra el cuerpo ajustador para trabar.



V. CONFIGURACIÓN Y USO

Q. Mecanismo de Basculación Manual

3. Gatillos de bloqueo

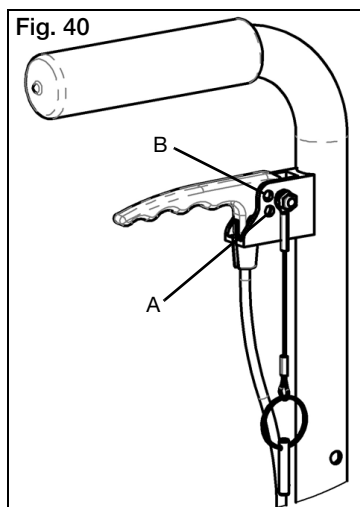
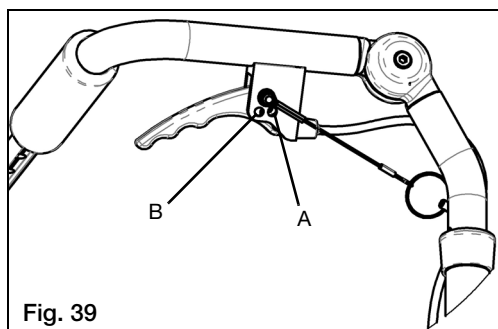
- Pasadores se proporcionan para fijar el gatillo en cualquier posición de bloqueo o desbloqueo.

Para asegurar los gatillos en la posición de bloqueo:

- Determinar qué estilo de tubos de respaldo y gatillo se les proporcionó con la silla comprobando contra las figuras Fig. 39 y 40.
- Asegúrese de que la silla está bloqueada empujando las manijas del respaldo.
- Inserte el pasador unido al gatillo por un cordón en el orificio número (Fig. 39:A y 40:A).
- Asegúrese de que el gatillo ya no libera los bloqueos de inclinación apretando suavemente el gatillo y empuje en los tubos del respaldo para inclinar la silla.

Para asegurar los gatillos en la posición de desbloqueo:

- Determinar qué estilo de tubos de respaldo y gatillo se les proporcionó con la silla comprobando contra las Fig. 39 y 40.
- Apriete el gatillo para desbloquear el mecanismo de inclinación mientras mantiene los tubos del respaldo y controlando la posición de inclinación.
- Permitir que el bastidor del asiento se incline hasta que descansa en una posición estable.
- Inserte el pasador unido al gatillo por un cordón en el orificio (Fig. 39:B y 40:B).



⚠ ADVERTENCIA ⚠

ADVERTENCIA: Nunca deje a alguien sentado en la silla sin atención con el gatillo asegurado en la posición de desbloqueo. Esto puede conducir a un daño grave a la persona sentada en la silla de ruedas.

V. CONFIGURACIÓN Y USO

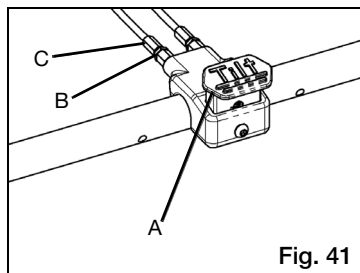
R. Mecanismo de Basculación de Pie

1. Cuadro de Asiento Basculante

- Libere el pedal de basculación de pie (Fig. 41:A).
- Basculé el cuadro del asiento a la posición deseada mientras mantiene el pedal liberado.
- Libere el pedal para trabarlo en su sitio.

2. Ajuste del Cable

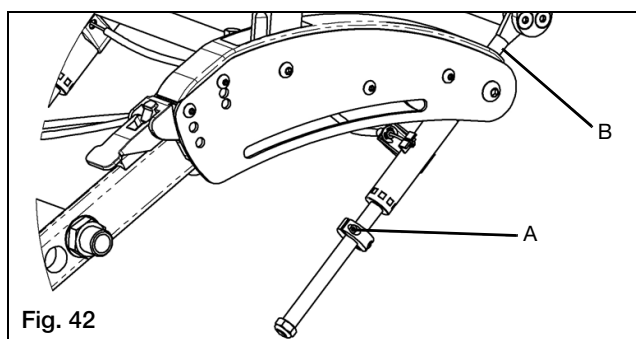
- Utilizando dos llaves de 10mm, afloje la tuerca (Fig. 41:B) mientras sostiene el ajustador (Fig. 41:C) en su sitio. Repita en el cable opuesto.
- Ajuste el cable torciendo los ajustadores hasta obtener la tensión deseada, asegurando que los actuadores en las trabas mecánicas no están en funcionamiento mientras el pedal se halla liberado. Asegurese de que las trabas mecánicas se deslizan libremente cuando el pedal es liberado.
- Una vez obtenida la tensión deseada, sostenga los ajustadores en su sitio con una llave y ajuste la tuerca. Repita en ambos cables.



S. Topes de Basculación

1. Ajuste de Tope de Basculación

- Remueva los tornillos de los topes de basculación e instale sobre el mango de la traba mecánica. Vuelva a instalar los tornillos sin ajustarlos (Fig. 42:A). Repita en la traba mecánica opuesta.
- Setee la silla al ángulo deseado al que la basculación debería estar limitada.
- Para limitar la basculación hacia atrás, deslice el tope de basculación hacia la parte inferior del cuerpo de la traba mecánica y ajuste en su lugar.
- Para limitar la basculación hacia adelante, los topes de basculación pueden ser colocados por encima del cuerpo de la traba mecánica (Fig. 42:B). Cuando obtenga el ángulo deseado, deslice el tope de basculación contra la parte superior del cuerpo de traba mecánica y ajuste.
- Asegure que ambos topes de basculación se hallan contra sus respectivas trabas mecánicas simultáneamente.



V. CONFIGURACIÓN Y USO

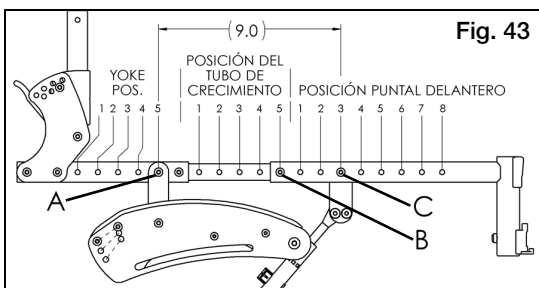
T. Seteo de Cuadro de Asiento

1. Seteando la Profundidad del Asiento

- Utilizando una llave Allen de 4mm y una llave de 10mm, remueva el panel del asiento del cuadro (Ver Sección CC). Si el largo es mayor que 2" (5,08 cm) para profundidades pares o 1" (2,54 cm) para profundidades impares, se requerirán nuevas partes de panel de asiento. Por favor contacte a Atención al Cliente para obtener ayuda.
- Utilizando una llave Allen de 4mm y una llave de 10mm, remueva los tornillos con cabeza de botón (Fig. 43:A, B, y C) a ambos lados de la silla.
- Deslice el tubo de asiento anterior dentro o fuera, según sea necesario. Vuelva a colocar el tornillo B en la posición apropiada como se muestra en la tabla de la Fig. 43 para su tubo de asiento anterior respectivo. No ajuste el tornillo/tuerca.
- Ajuste el cuadro del asiento al yoke en la posición indicada en la tabla. Vuelva a colocar el tornillo A, pero no ajuste el tornillo/tuerca.
- Ajuste la montura de la traba mecánica en la posición indicada en la tabla. Vuelva a colocar el tornillo C. No ajuste el tornillo/tuerca.
- Repita en ambos lados de la silla. Una vez que todos los tornillos se hallan en su sitio, todos los tornillos/tuercas pueden ser ajustados.

▲ ADVERTENCIA ▲

ADVERTENCIA: La distancia entre el tornillo A y el tornillo C es SIEMPRE de exactamente 9" (22.86 cm). Si se setea a un valor diferente, podrían ocurrir daños a la silla.



TAMANO DEL MARCO FRONTAL	PROFUNDIDAD DEL MARCO	YOKE POS.	POS. DEL TUBO DE CRECIMIENTO	POS. PUNTAL DELANTERO
CORTO	12	1	1	3
	13	1	2	2
	14	2	3	2
	15	2	4	1
MEDIO	16	3	5	1
	14	2	1	4
	15	2	2	3
	16	3	3	3
	17	3	4	2
LARGO	18	4	5	2
	16	3	1	5
	17	3	2	4
	18	4	3	4
	19	4	4	3
	20	5	5	3

V. CONFIGURACIÓN Y USO

T. Seteo de Cuadro de Asiento

Verifique la Validez del Seteo del Cuadro del Asiento (Fig. 44)

Coloque la silla con sus cuatro ruedas sobre una superficie plana y setee el asiento a una posición nivelada, utilizando un nivel de burbuja, de ser posible. La Dimensión Y, que es la distancia vertical desde el centro del tornillo de pivot del brazo del caster anterior en la parte superior del tubo del asiento, debería hallarse entre 4 y 5 pulgadas (10,16 - 12,7 cm). Si ésto es menor a 4 pulgadas (10,16 cm), la altura del asiento posterior debería ser incrementada o la altura del asiento anterior debería ser disminuida hasta que la Dimensión Y sea entre 4 y 5 pulgadas (10,16 - 12,7 cm). Si es más de 5 pulgadas (12,7 cm), la altura del asiento anterior debería ser incrementada o la altura del asiento posterior debería ser disminuida hasta que la Dimensión Y sea entre 4 y 5 pulgadas (10,16 - 12,7 cm). Opcionalmente, la Dimensión Y puede exceder las 5 pulgadas (12,7 cm), pero el rango de basculación posterior será reducido de acuerdo a ello. Asegure que los casters se hallan en escuadra cuando el seteo esté completo.

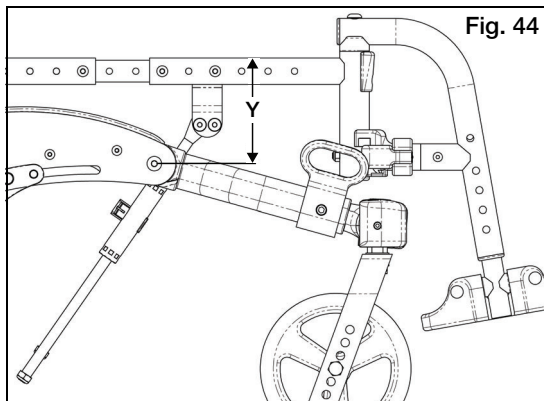


Fig. 44

U. Casters

1. Ajustando la Posición del Brazo de Caster

- Utilizando una llave Allen de 4mm (5mm si se instala la opción para vehículo) y una llave de 10mm, remueva el tornillo (Fig. 45:B) y deslice la extensión del caster hacia adentro o fuera, según sea necesario.
- Vuelva a colocar el tornillo y tuerca y ajuste. Repita en el lado opuesto de la silla.

2. Ajustando el Ángulo del Brazo del Caster

- Utilizando una llave Allen de 3mm y una llave de 10mm, remueva el tornillo (Fig. 45:A) con un ajustador y rote el brazo del caster a la posición deseada.
- Vuelva a colocar el tornillo y ajuste. Repita en el lado opuesto de la silla.

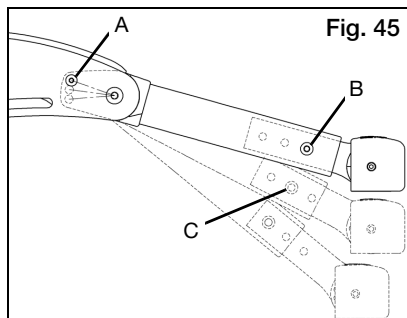


Fig. 45

NOTA: Si lo desea, el ajuste de altura puede ser cambiado con un cambio insignificante en la base de la silla al extender la extensión del caster mientras se aumenta el ángulo del brazo del caster (Ver Fig. 45:B y C como un ejemplo).



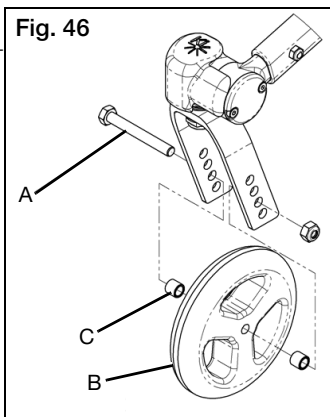
PELIGRO: El no cumplir las instrucciones arriba mencionadas podría causar que la silla de ruedas vuelque hacia adelante durante su uso y ocasione una caída o pérdida de control, causando serias lesiones o muerte.

V. CONFIGURACIÓN Y USO

U. Casters

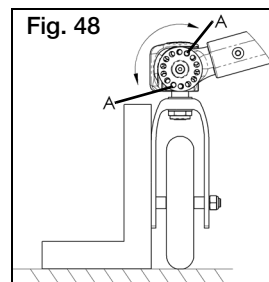
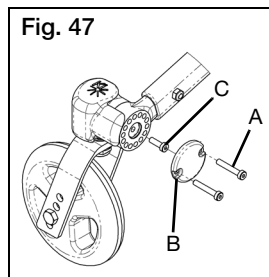
3. Ajustando la Altura de Casters

- Remueva el tornillo hexagonal (Fig. 46:A) y la tuerca utilizando llaves de 13mm.
- Remueva la rueda caster (Fig. 46:B) y los distanciadores (Fig. 46:C).
- Inserte el tornillo hexagonal a través del orificio deseado a un lado de la horquilla del caster.
- Deslice un distanciador sobre el tornillo hexagonal.
- Deslice la rueda caster sobre el tornillo hexagonal y empuje el tornillo hexagonal a través de la rueda caster, purgue con el lado opuesto del rulemán de la rueda caster.
- Deslice el segundo distanciador entre la rueda caster y la horquilla del caster, alineando el distanciador con el orificio del ruleman.
- Empuje el tornillo hexagonal a través del distanciador y del orificio en el lado opuesto de la horquilla del caster.
- Vuelva a ajustar el tornillo hexagonal con la tuerca.
- Repita en el lado opuesto de la silla. Asegúrese de que ambos casters sean seteados de forma idéntica.



4. Encuadrando la Cuña de Caster

- Coloque la silla sobre una superficie plana y resistente.
- Utilizando una llave Allen de 4mm, remueva los tornillos (Fig. 47:A) y la placa cubre caster (Fig. 47:B).
- Afloje el tornillo del caster central (Fig. 47:C) aproximadamente 1-2 vueltas. No lo retire.
- Rote la horquilla del caster hacia afuera como muestra (Fig. 47).
- Utilice una escuadra para alinear la horquilla del caster con vertical (Fig. 48).
- Coloque los tornillos (Fig. 47:A) en el par de orificios que más cerca se alinean con la escuadra de la horquilla del caster. En Fig. 47, los orificios "A" son los más cercanos. Su seteo podría utilizar diferentes orificios.
- Ajuste el tornillo central.
- Remueva los tornillos (Fig. 47:A) y vuelva a colocar, capturando la cubierta (Fig. 47:B) debajo de los tornillos.
- Repita en el lado opuesto de la silla.



V. CONFIGURACIÓN Y USO

V. Brazo de Eje

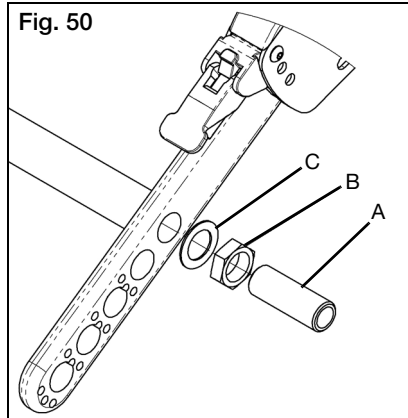
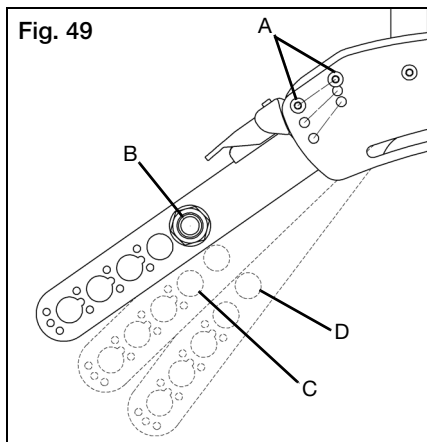
1. Ajustando el Angulo del Brazo de Eje

- Utilizando una llave Allen de 3mm y una llave de 8mm, remueva los tornillos (Fig. 49:A) con los correspondientes ajustadores.
- Rote el brazo de eje con montura hasta el ángulo deseado.
- Vuelva a colocar los tornillos con sus correspondientes ajustadores (Fig. 49:B).
- Repita en el lado opuesto de la silla, asegurando que el ángulo de la barra de eje es el mismo a ambos lados de la silla.

2. Ajustar la Posición del Tubo de Eje

- Utilizando una llave de 24mm, remueva las tuercas de la manga del eje (Fig. 50:B), la manga del eje (Fig. 50:A) y las arandelas (Fig. 50:C). Repita en el lado opuesto de la silla.
- Alinear el tubo del eje con el orificio deseado en la placa del eje.
- Vuelva a colocar las mangas del eje con tuercas y arandelas, asegurando que la posición del tubo de eje es la misma a ambos lados de la silla.
- Repita en el lado opuesto de la silla, asegurando .

NOTA: El cambio en la altura de la silla puede ser logrado con un cambio insignificante en la base de la silla, al cambiar el ángulo del brazo del eje simultáneamente junto con la posición del tubo de eje (Ver Fig. 49, posiciones B y C como ejemplo). Similarmente, la base de la silla puede ser cambiada con un cambio insignificante en la altura del asiento (Ver Fig. 49, posiciones C y D como ejemplo).

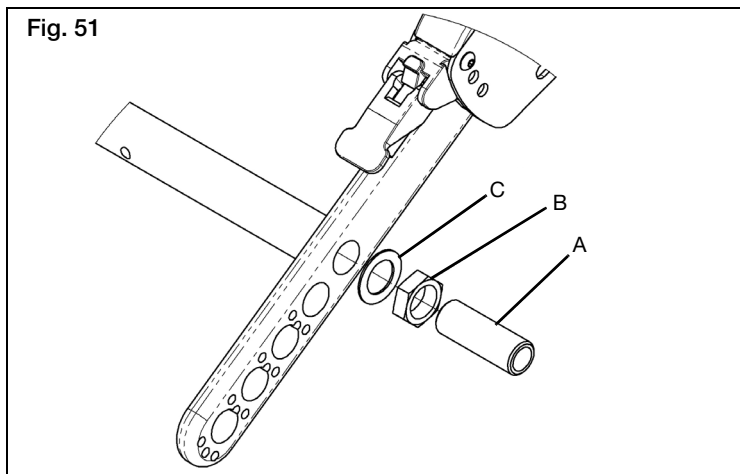


V. CONFIGURACIÓN Y USO

V. Brazo de Eje

3. Ajustando la Distancia del Eje

- Afloje la tuerca de la manga del eje (Fig. 51:B) utilizando una llave de 24mm.
- Enrosque la manga del eje dentro o fuera del tubo del eje para lograr la distancia de rueda deseada.
- Vuelva a ajustar las tuercas de la manga del eje.
- Asegure que ambos lados de la silla tienen la misma distancia de eje.
- Vuelva a ajustar las tuercas de la manga del eje.



⚠ PELIGRO ⚠

PELIGRO: Ajustar la posición del eje demasiado hacia adelante puede resultar en vuelco de la silla hacia atrás, resultando en caída o pérdida de control que pudiera causar lesiones severas o muerte.

⚠ ADVERTENCIA ⚠

ADVERTENCIA: Aumentar el ángulo de asiento a espaldar cambiará el centro de gravedad de la silla. Asegure que la posición del eje está ajustada apropiadamente, para mantener una constante estabilidad de la silla de ruedas. Vea las instrucciones para obtener la posición del brazo de eje en Sección V: Brazo de Eje.

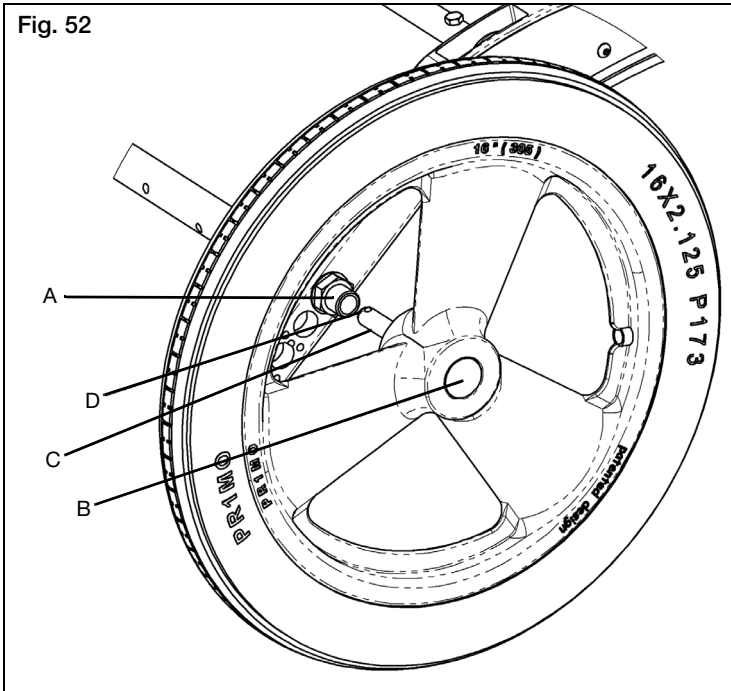
V. CONFIGURACIÓN Y USO

W. Ruedas Traseras

1. Instalando las Ruedas

Identifique si su silla utiliza el botón de extracción rápida en el eje (Fig. 52:B). De ser así, continúe con los siguientes pasos. Si su silla utiliza un eje roscado, usted verá la cabeza de un tornillo en lugar del botón de extracción rápida. Las ruedas con eje roscado no están diseñadas para ser removidas, por lo tanto, los siguientes pasos no aplican.

- Presione el botón de liberación rápida (Fig. 52:B) en el eje (Fig. 52:C) para permitir que las esferas de bloqueo (Fig. 52:D) se retraigan. Note la diferencia entre la posición extendida y deprimida del botón de liberación del eje y su efecto en las esferas de bloqueo al final del eje.
- Presione el botón de liberación rápida nuevamente y deslice el eje dentro de la manga del eje (Fig. 52:A).
- Libere el botón para trabar el eje en la manga. Si el botón de liberación no se extiende totalmente y las esferas de bloqueo no se mueven dentro de la posición de bloqueo luego de liberar el botón, el eje deberá ser ajustado.



V. CONFIGURACIÓN Y USO

W. Ruedas Traseras

2. Ajuste de Ejes

- a. Para ajustar el eje necesitará una llave de 19mm para girar las tuercas exteriores del eje.
- b. Usted también necesitará una llave de 11mm para mantener los rodamientos de bolas en el extremo opuesto del eje, y evitar que el eje gire.
- c. Cuando se instala la rueda, si el eje no funciona para bloquear, aflojar la tuerca del eje hasta que se bloquee y el eje pueda moverse dentro y fuera ligeramente una vez cerradas. Si se bloquea el eje, pero se mueve dentro y fuera ligeramente, proceden a D.
- d. Girar la tuerca del eje hacia la izquierda hasta que quede bien apretado luego gire la tuerca del eje hacia la derecha 1/3 de vuelta a la vez. Revise para ver si se ajusta adecuadamente después de cada una 1/3 vuelta. Cuando se ajusta adecuadamente no debería haber ningún movimiento perceptible del eje de entrada y salida de la manga, pero el botón de liberación del eje debe ser fácil de empujar adentro.

3. Extracción de Ruedas

- a. Sostenga la rueda cerca al buje y empujar adentro el botón en el extremo exterior del eje.
- b. Mientras mantiene presionado el botón jale la rueda y el eje fuera del casquillo del eje.



PELIGRO: Asegúrese de que el botón pulsador está completamente extendido y las bolas de seguridad en el interior de la silla están totalmente ocupado antes de utilizar la silla de ruedas. El no hacerlo puede resultar en la rueda de caerse y causar lesiones graves o la muerte.

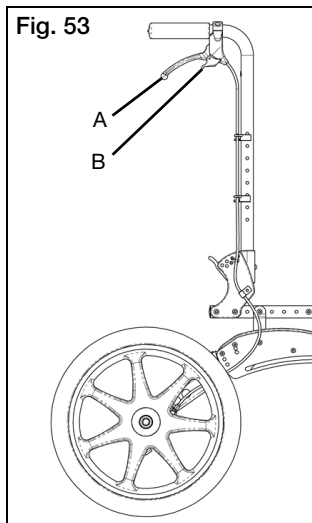
Revisar y entender Ruedas Traseras Sección W. antes de intentar un ajuste del eje!

V. CONFIGURACIÓN Y USO

X. Freno de Tambor

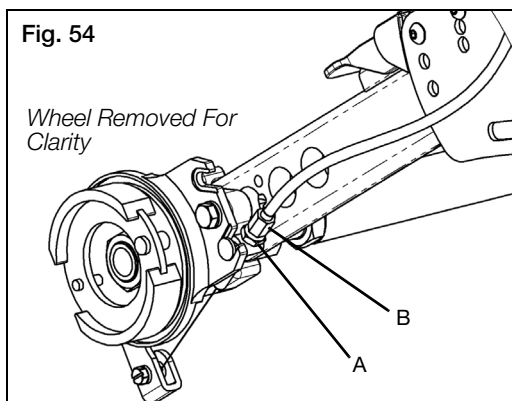
1. Operación del Freno

- Presione las palancas del freno (Fig. 53:A) a ambos lados de la silla para activar los frenos. Cada lado está en operación independientemente y puede ser presionado con más o menos fuerza para obtener mayor o menos acción de frenos.
- Deje de presionar las palancas de freno para liberar el freno.
- Para usar la función de freno de estacionamiento, presione cada palanca de freno y, con el gatillo presionado, utilice el dedo índice para mover la palanca de traba (Fig. 53:B) hacia abajo, dentro del diente en el montaje de la palanca. Mientras que sostiene la palanca de traba hacia abajo, libere las manijas de freno y el freno de estacionamiento permanecerá en su sitio.
- Para liberar el freno de estacionamiento, presione las palancas de freno hasta que las palancas de bloqueo con resortes vuelvan a su lugar. Libere las palancas de freno para desactivar el freno.



2. Ajuste de Freno

- Utilizando una llave de 10mm, afloje la tuerca (Fig. 54:A) del ajustador (Fig. 54:B). Desenrosque el ajustador para obtener una acción de freno más apretada o enrosque el ajustador para reducir la acción de freno.
- Se recomienda ajustar el freno para que exista un leve arrastre en la rueda cuando se hace girar. Luego enrosque el ajustador hacia adentro un $\frac{1}{2}$ giro o lo que sea necesario para remover todo arrastre de la rueda que está girando.



- Vuelva a ajustar la tuerca para trabar el ajuste en su lugar. Repita en el lado opuesto de la silla.

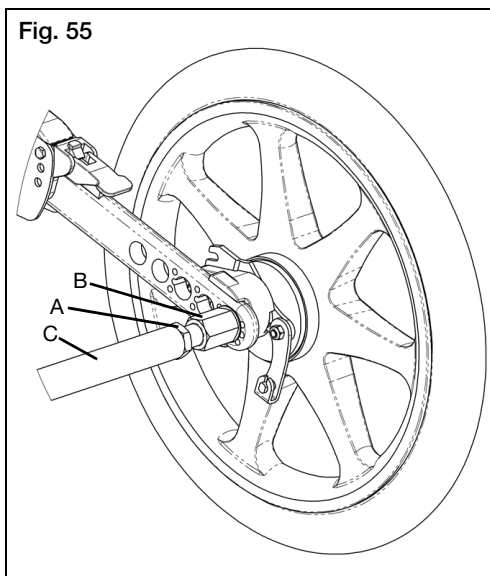
V. CONFIGURACIÓN Y USO

X. Freno de Tambor

3. Ajuste de la Posición de la Manga del Eje

- Remueva ambas ruedas. Utilizando una llave de 24mm, afloje la tuerca (Fig. 55:A) y desenrosque totalmente sobre la porción del Adaptador del Puntal (Fig. 55:B). Repita en el lado opuesto de la silla.
- Utilizando una llave de 24mm, afloje el Adaptador del Puntal y enrosque totalmente dentro del Puntal (Fig. 55:C), lo cual también lo desenroscará de la manga del eje del ensamble de freno. Repita en el lado opuesto de la silla.
- Retirar las arandelas, mover los ensambles de frenos a su nueva posición y volver a colocar las arandelas.
- Con los ensambles de frenos colocados contra la parte exterior de las placas de eje, enrosque los Adaptadores del Puntal sobre las mangas del eje a cada lado de la silla. No fuerce las placas del eje hacia afuera o hacia adentro al comenzar a enroscar. Si existe un espacio entre el final del adaptador del puntal y la manga del eje, enrosque el adaptador hacia afuera para encontrar la manga (nuevamente, asegure que el ensamble del freno está colocado contra la placa del eje) - no fuerce la placa del eje hacia adentro para comenzar a enroscar. Si hay intererencia entre el adaptador y la manga del eje, enrosque el adaptador dentro del tubo del puntal un poco más, hasta que las roscas puedan comenzar sin flexionar las placas del eje hacia afuera.
- Ajuste los adaptadores del puntal. El puntal debería quedar centrado entre las placas del eje. El puntal puede ser enroscado hacia un lado u otro en los adaptadores son ajustados. Asegure que el puntal está orientado de tal modo que el pedal de basculación de pie es aproximadamente horizontal, cuando la silla está desplegada.
- El puntal no debería forzar las placas de eje hacia afuera o halarlas hacia adentro cuando se ajustan. Asegure la función apropiada del plegado de placa de eje.
- Los cables podrían necesitar ser ajustados luego de reposicionar la manga del eje.

NOTA: La distancia de la manga del eje podría no ser ajustada con la opción de freno de tambor.



V. CONFIGURACIÓN Y USO

Y. Trabas de Ruedas Empuje / Hale para Trabajar

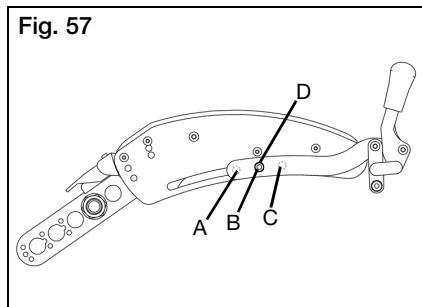
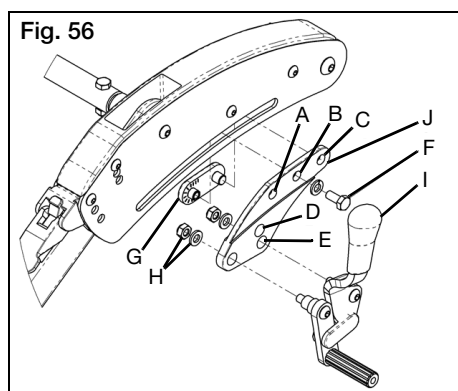
1. Ajuste

- Para una placa de eje estandar, utilice una llave de 10mm o llave macho para aflojar (no remueva) el tornillo hexagonal (Fig. 56:F). La placa de eje auto-propulsable requiere una llave Allen de 5mm para aflojar el tornillo macho (Fig. 56).
- Deslice el montaje (Fig. 56:J) hacia adelante o atrás para lograr un a traba adecuada.
- El tornillo puede ser completamente removido y la tuerca (Fig. 56:G) puede ser montada en orificios alternados (A & B o B & C) para optimizar el rango de ajuste. Es recomendable que el orificio roscado de la tuerca sea posicionado en cualquiera de los orificios A ó en el B.
- Vuelva a ajustar la tuerca. Repita en el lado opuesto de la silla.

2. Invertir el Montaje de Traba de Rueda (Solamente en Placa de Eje Estandar)

- Utilizando una llave de 10mm o tubular, remueva el tornillo hexagonal (Fig. 56:F) completamente y remueva el ensamble de traba de rueda de la silla.
- Utilizando una llave de 10mm o tubular, remueva las tuercas y las arandelas (Fig. 56:H) de los tacos de traba de ruedas y remueva la traba de rueda (Fig. 56:I) del montaje.
- Flser colocada en el orificio D ó E ser colocada en el orificio D ó E ser colocada en el orificio D ó E para posicionar la traba de rueda en óptima efectividad.
- Vuelva a instalar la traba de rueda al costado del cuadro y dentro de la tuerca (Fig. 56:G). Note que la tuerca puede ser posicionada en los orificios A & B ó B & C para optimizar el rango de ajuste. Es recomendado que el orificio roscado de la tuerca sea colocado en cualquiera de los orificios A ó B.
- Ver 1. Ajuste arriba, para procedimiento de ajuste de traba de rueda.
- Repita en el lado opuesto de la silla. Asegure que la traba de rueda se halla en la misma orientación a ambos lados de la silla.

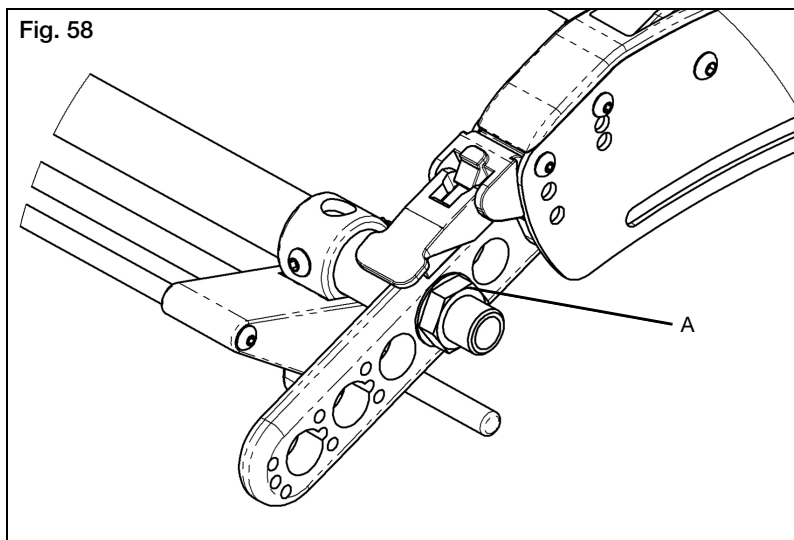
NOTA: Siempre afloje y ajuste el hardware de la rueda alternando entre los dos tornillos mientras afloja/ajusta un poco cada uno. Esto evita ajustes excesivos del hardware, lo cual puede dificultar la posterior tarea de extracción.



V. CONFIGURACIÓN Y USO

Z. Traba de Pie para Asistente (Traba Hub)

- Remueva ambas ruedas de la silla (ver Sección W).
- Utilizando una llave de 24mm, afloje (pero no remueva) ambos tornillos de manga de eje (Fig. 58:A).
- Gire el tubo de eje al ángulo deseado. Si la basculación de pie se halla instalada, no se recomienda realizar grandes cambios al pedal de pie, pues esto puede estresar los cables adjuntos a la basculación de pie.
- Vuelva a ajustar las tuercas y coloque las ruedas.
- Asegure que el cuadro posterior aún se pliega adecuadamente para almacenaje.

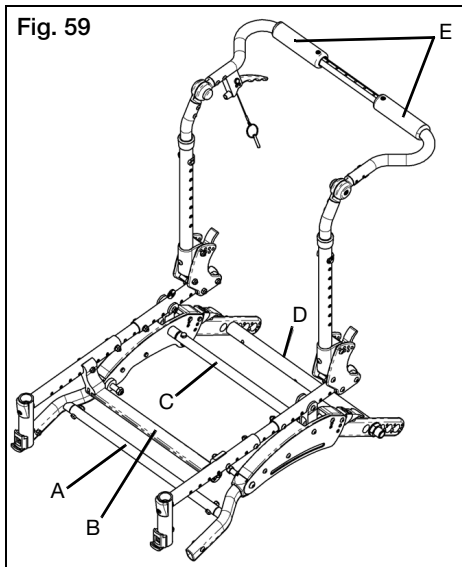


V. CONFIGURACIÓN Y USO

AA. Ancho del Cuadro

1. Ajuste del Ancho del Cuadro

- Remueva el espaldar y el asiento. Si el panel de asiento está instalado, un nuevo panel de asiento será necesario para el nuevo ancho del asiento. Por favor contacte a Atención al Cliente para obtener ayuda.
- Remueva los tornillos que unen todos los puntales de la cruzeta - puntal de cuadro anterior (Fig. 59:A), puntal de cuadro de asiento (Fig. 59:B), puntal de cuadro posterior (Fig. 59:C) y puntal de eje (Fig. 59:D).
- Remueva los tornillos para los puntales posteriores de altura ajustable. Si se ajusta desde un ancho de menos de 14 a un ancho mayor que 16, se requerirán nuevas manijas de empuje. Por favor contacte a Atención al Cliente para obtener ayuda.
- Instale los nuevos puntales para el nuevo ancho de asiento, dejando todas las tuercas y tornillos ajustados levemente. Note que el puntal de cuadro posterior es idéntico al puntal del cuadro anterior, sólo 3 pulgadas (7,62 cm) más corto.
- Coloque la silla sobre una superficie plana y resistente. Con las cuatro ruedas en contacto con la superficie, vuelva a ajustar los tornillos de los puntales.
- Verifique que la basculación funciona suavemente.

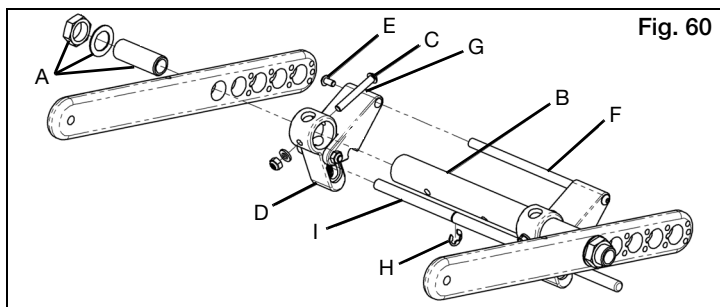


V. CONFIGURACIÓN Y USO

AA. Ancho del Cuadro

2. Ajuste del Ancho de Traba de Pie para Asistente

- Remueva ambas ruedas. Note cuánto de la manga del eje sobresale de la tuerca. Utilizando una llave de 24mm, remueva la manga del eje, la arandela y la tuerca (Fig. 60:A) del tubo del eje (Fig. 60:B). Repita en el lado opuesto de la silla.
- Remueva el tubo del eje y trabe el ensamble de la silla. Utilizando una llave Allen de 4mm y una llave de 10mm, remueva el tornillo (Fig. 60:C) de la Guía de Varilla (Fig. 60:D). Repita en el lado opuesto de la silla.
- Utilizando una llave Allen de 3mm, mientras sostiene el tornillo (Fig. 60:E) en un lado de la silla, remueva el correspondiente tornillo en el lado opuesto de la silla.
- Deslice la varilla de enlace (Fig. 60:F) fuera de las palancas de varilla (Fig. 60:G). Remueva otro tornillo de la varilla de enlace.
- Deslice la guía de varilla y la palanca de varilla hacia afuera, (Fig. 60:H). Utilizando un par de pinzas, remueva el anillo E (Fig. 60:H) de la varilla de bloqueo (Fig. 60:I). Repita en el lado opuesto de la silla.
- Alinee la nueva varilla de bloqueo con la vieja varilla de bloqueo (punta con punta) y empuje la vieja varilla de bloqueo desde la guía de varilla hacia afuera, utilizando la nueva varilla, asegurando mantener el resorte dentro de la guía de varilla y en su sitio, manteniendo la nueva varilla por sobre el resorte. Utilice un destornillador plano a través de la ranura, de ser necesario, para mantener el resorte comprimido mientras inserta la nueva varilla. Continúe la inserción de la nueva varilla a través de la guía de varillas en el lado opuesto de la silla, nuevamente asegurando que el resorte permanece debajo de la nueva varilla. Si el resorte se mueve y se expande antes de colocar la nueva varilla en su lugar, utilice un destornillador plano para retractar el resorte a través de las ranuras laterales en la guía de varilla.
- Posicione la guía de varilla y la palanca de varilla fuera de los surcos del anillo E en la nueva varilla de bloqueo. Vuelva a instalar los anillos E y deslice las guías de varilla / palancas de varilla hacia adentro, contra los anillos E.
- Deslice la nueva varilla de enlace a través de las palancas de varillas y vuelva a unir con los tornillos (Fig. 60:E) utilizando dos llaves Allen de 3mm.
- Anlinee los orificios en las guías de varilla con los orificios en cruz en el tubo del eje y vuelva a instalar los tornillos (Fig. 60:C).
- Luego de ajustar el ancho del resto de la silla (ver Sección AA), deslice el ensamble de tubo de eje rearmado entre las placas de eje y vuelva a instalar las mangas de eje con arandelas y tuercas. Asegure que el eje sobresale en la misma cantidad a ambos lados de la silla, y que se halla a la misma distancia como estaba antes de removerlo en el Paso 1.
- Vuelva a instalar las ruedas y verifique la función.



V. CONFIGURACIÓN Y USO

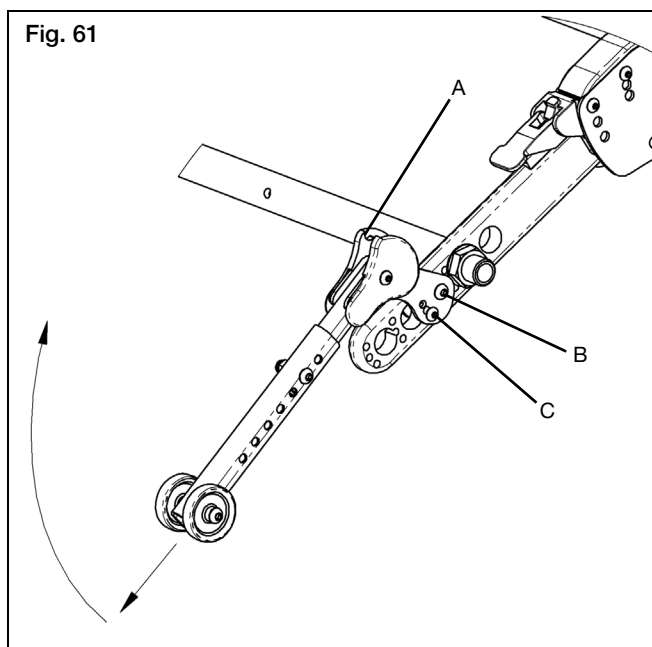
BB. Anti-Vuelcos

1. Desconectar los Anti-Vuelcos

- Hale los Anti-Vuelcos hacia abajo, paralelo al tubo de ajuste y rotelos hacia arriba como se muestra en la Fig. 61.
- Los Anti-Vuelcos pueden ser dejados flotando para navegación curva, o pueden ser rotados totalmente hacia arriba dentro del detentor (Fig. 61:A) para mantenerlos allí.
- Para volver a colocar los Anti-Vuelcos, levante la parte posterior de los Anti-Vuelcos por sobre los detentores (si se hallan en los detentores) y empuje hacia abajo para sujetarlos en su sitio.

2. Retirar los Anti-Vuelcos

- Utilizando una llave Allen de 4mm y una llave de 10mm o tubular, remueva el tornillo de pivote y (Fig. 61:B).
- Utilizando una llave Allen de 3mm y una llave de 8mm o tubular, remueva el tornillo de ajuste de ángulo y su terca (Fig. 61:C).
- Remueva los Anti-Vuelcos de la silla junto con el cojinete del Anti-Vuelco del orificio de la placa de eje.
- Se recomienda volver a colocar los tornillos y tuercas con el rulemán para evitar extravió de partes hasta nuevo uso.



V. CONFIGURACIÓN Y USO

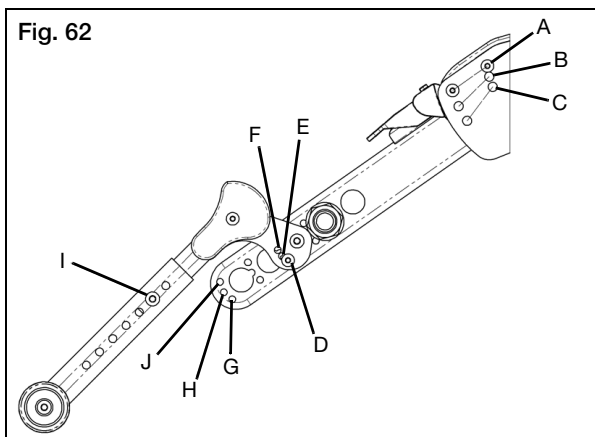
BB. Anti-Vuelcos

3. Ajustando el Angulo del Anti-Vuelco

- En la mayoría de los casos, el ángulo del Anti-Vuelco está relacionado con el ángulo de la placa de eje.
- Utilizando una llave Allen de 3mm y una llave de 8mm o tubular, remueva el tornillo de ajuste de ángulo y la tuerca (Fig. 61:C).
- Ver Fig. 62. Cuando el ángulo de la barra del eje esté en posición A, el orificio D en el Anti-Vuelco debería estar alineado con el orificio G en la placa del eje. Note que los orificios G, H y J están etiquetados en el último orificio de la placa del eje para claridad, pero el orificio correspondiente debajo del Anti-Vuelcos debería ser utilizado en cualquier posición en que el Anti-Vuelcos se halle.
- Similarmente, para la posición B de la placa del eje, el orificio E en el Anti-Vuelcos debería estar alineado con el orificio H en la placa del eje, y para la posición C de la placa de eje, el orificio F en el Anti-Vuelco debería estar alineado con el orificio J en la placa de eje.
- Luego de ajustar los tornillos y tuercas, repita en el lado opuesto de la silla, asegurando que ambos lados son seteados idénticamente.

4. Ajustando la Altura del Anti-Vuelco

- Utilizando una llave Allen de 4mm y una llave de 10mm o tubular, remueva el tornillo de extensión y la tuerca (Fig. 62:I).
- Alinee el orificio en el tubo de extensión con el orificio en el Anti-Vuelco, hasta lograr una distancia de entre 1.5" a 2" (2,54 - 5,08 cm) entre el piso y la parte inferior de la rueda del Anti-Vuelco.
- Vuelva a ajustar el tornillo de extensión y la tuerca y repita en el lado opuesto de la silla. Asegure que ambos Anti-Vuelcos están seteados idénticamente.



V. CONFIGURACIÓN Y USO

CC. Panel de Asiento

1. Remoción

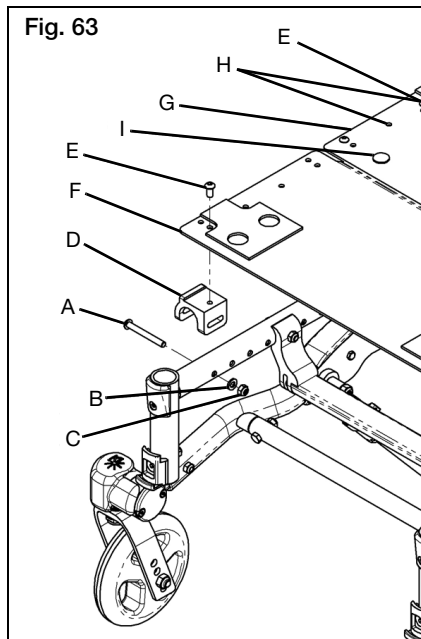
- a. Utilizando una llave Allen de 4mm y una llave de 10mm o tubular, remueva los tornillos del panel del asiento (Fig. 63:A), las arandelas (Fig. 63:B) y las tuercas (Fig. 63:C) en todas las cuatro abrazaderas del panel de asiento (Fig. 63:D).
- b. Levante la totalidad del panel de asiento de la silla.

2. Instalación

- a. Instale las abrazaderas del panel de asiento (Fig. 63:D) sobre el panel de asiento anterior (Fig. 63:F) utilizando los tornillos del panel de asiento (Fig. 63:E). Utilice el orificio que se halla más al frente del panel de asiento. Repita en el lado opuesto de la silla.
- b. Instale las abrazaderas del panel de asiento (Fig. 63:G) utilizando un tornillo de panel de asiento (Fig. 63:E). Se pueden utilizar diferentes orificios del panel de asiento (Fig. 63:H) en el panel de asiento posterior, para evitar interferencia con el yoke de cuadro de asiento (Sección T, Seteo del Cuadro de Asiento - Fig. 43:A).
- c. Coloque los paneles de asiento sobre el cuadro del asiento e instale los tornillos (Fig. 63:I) apenas ajustando las tuercas con sus dedos.
- d. Una vez obtenida la posición del panel de asiento deseada, ajuste las tuercas de los tornillos.
- e. Instale los tornillos de abrazadera del panel de asiento (Fig. 63:A), las arandelas (Fig. 63:B) y las tuercas (Fig. 63:C) en todas las cuatro abrazaderas del panel de asiento.

3. Ajuste del Largo

- a. Cuando ajuste la profundidad del cuadro de una silla de ruedas, afloje las tuercas de los tornillos (Fig. 63:I). No las retire.
- b. Deslice el panel del asiento hacia adelante o hacia atrás correspondiendo con la profundidad del cuadro y vuelva a ajustar las tuercas de los tornillos.
- c. Si el largo del panel del asiento no puede ser ajustado para acomodar una nueva profundidad del cuadro del asiento, nuevos paneles de asiento anteriores y/o posteriores serán requeridos. Por favor contacte a Atención al Cliente.

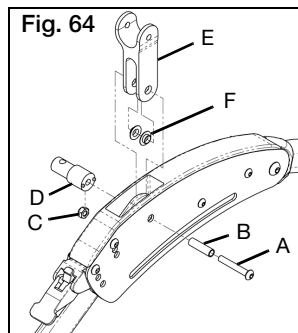


V. CONFIGURACIÓN Y USO

DD. Cojinetes

1. Reemplazo de cojinetes (se recomienda que este procedimiento sea realizado por un técnico calificado)

- Note con cuál orificio se halla alineado el yoke con el cuadro del asiento. Utilizando una llave Allen de 4mm y una llave de 10mm o tubular, remueva los tornillos y las tuercas que sostienen el cuadro del asiento a los yokes (Fig. 64:E) a ambos la dos de la silla, y gire el asiento hacia adelante.
- Utilizando una llave Allen de 4mm, remueva el tornillo de pivote (Fig. 64:A) y la manga de pivote (Fig. 64:B). Note que el tornillo (Fig. 64:C) se caerá fuera del bolsillo en el montaje de la ranura del cuadro posterior (Fig. 64:D). Conserve el tornillo en un lugar seguro para su futura reinstalación.
- Cuidadosamente deslice el yoke (Fig. 64:E) hacia arriba y fuera del cuadro base.
- Remueva los viejos cojinetes (Fig. 64:F) de las patas del yoke. Note que los cojinetes deben ser empujados a través, desde la parte exterior de las patas. Asegure que todo el material de los viejos cojinetes es removido y que los orificios están suaves.
- Si los cojinetes están gastados, o si existe otro daño en el yoke que evita una función apropiada, es necesario reemplazar el yoke. Por favor contacte Atención al Cliente.
- Instale nuevos cojinetes entre las patas del yoke. Podría ayudar empujar los cojinetes hacia dentro utilizando el borde de un cuchillo afilado o un objeto delgado, rígido y plano, cuidando de no dañar los nuevos cojinetes. No se recomienda utilizar los dedos pues esto podría doblar los cojinetes y dañarlos durante su instalación. Asegure que los cojinetes son instalados derechos. No utilice excesiva fuerza para colocarlos en su sitio - sólo será necesario un poco de fuerza para empujar los cojinetes dentro. Cuando termine, los bordes de los cojinetes deberían quedar descansando planos contra los interiores de las patas del yoke. Se requiere un yoke de reemplazo.
- Deslice el yoke con los nuevos cojinetes entre las placas del cuadro base con las patas del yoke a horcajadas de la placa de eje. Note que la parte más plana del yoke quede mirando la parte externa de la silla.
- Alinee los orificios en las placas del cuadro base, yoke y barra de eje, y vuelva a instalar la manga de pivote. Podría ser útil usar un objeto largo y redondo como un destornillador Phillips Nro. 2, para pre-alinear los orificios para una instalación más sencilla. No fuerce la manga en su lugar pues podría dañar uno o más componentes, incluyendo los cojinetes.
- Deslice el tornillo de pivote (Fig. 64:A) a través de la manga. Mientras sostiene la tuerca (Fig. 64:C) en el bolsillo del montaje del puntal del cuadro posterior (Fig. 64:D), enrosque el tornillo dentro de la tuerca y ajuste, asegurando que las pequeñas clavijas en la cara del puntal se montan alineadas con los orificios en la parte interior de la placa de cuadro base.
- Repira en el lado opuesto de la silla.
- Vuelva a instalar el cuadro de asiento en la misma posición en que estaba previamente. La distancia entre el tornillo de montaje del puntal anterior (Sección T: Fig 43:C) y el tornillo de montaje del yoke (Sección T: Fig. 43:A) debería ser de 9" (22,86 cm) (Ver Sección T: Seteo del Cuadro de Asiento). Verifique que la basculación opera suavemente.



V. CONFIGURACIÓN Y USO

EE. Capote

1. Plegado (Fig. 65)

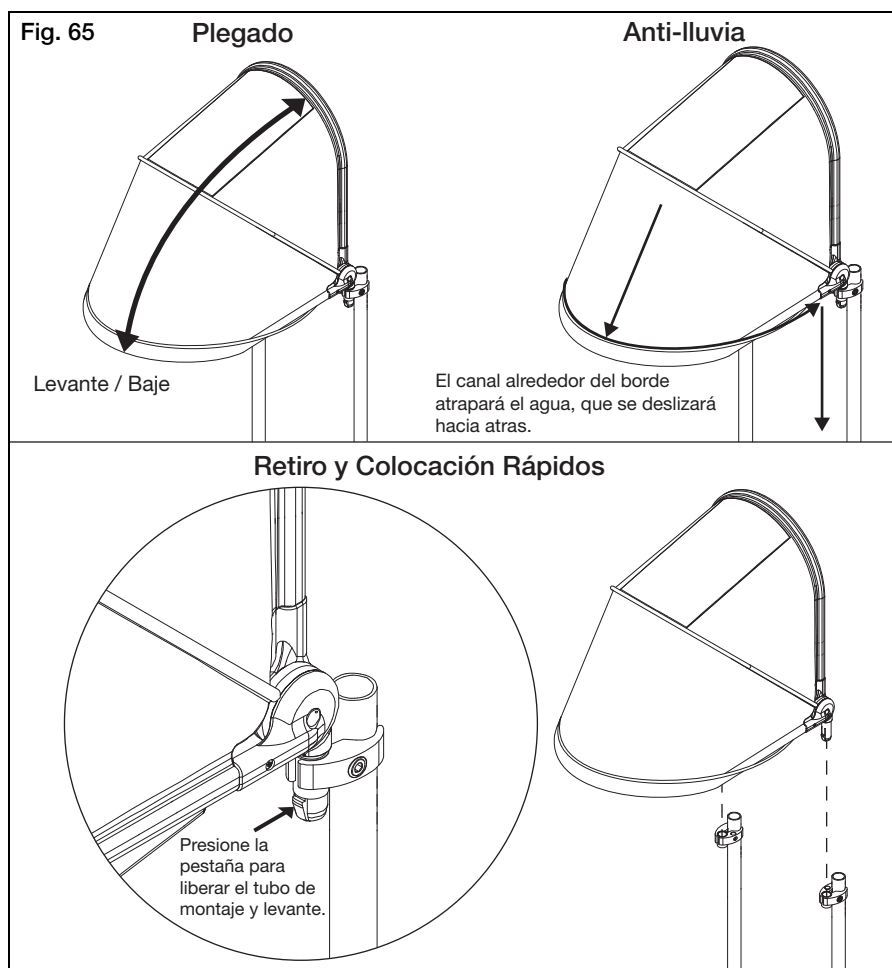
- Cerrar - Levante el extremo anterior del capote y llévelo hacia el extremo posterior.
- Abrir - Hale del extremo anterior del capote y extiéndalo hacia adelante.

2. Retiro y Colocación Rápidos (Fig. 65)

- Presione las pestañas a ambos lados del capote y hale fuera de los receptores.
- Para volver a colocar el capote, coloque ambos extremos dentro de los receptores hasta que las pestañas se encastran en los botones del tubo de montaje.

3. Anti-Lluvia (Fig. 65)

- El pliegue en el borde del capote recoge el agua evitando que llegue al usuario.



VI. MANTENIMIENTO

A. Inspección de la Silla de Ruedas

El mantenimiento periódico y rutinario prolongará la vida de su silla de ruedas mientras mejora su rendimiento. Reparaciones en la silla de ruedas y la sustitución de piezas debe ser realizado por un técnico calificado de un proveedor autorizado de Ki Mobility.

1. Inspecciones Generales:

- a. Limpie su silla, al menos, una vez al mes. Puede que tenga que limpiar su silla con mayor frecuencia si se opera en ambientes sucios, como un lugar de trabajo.
- b. Revise para asegurarse de que todos los sujetadores estén apretados. A menos que se indique lo contrario, los sujetadores deben apretarse a 40 in./lbs (4.52 N*m).
- c. Revise Neumáticos y Ruedas Pivotantes:
 - Revise el neumático para desgaste de la banda. Reemplace los neumáticos cuando la banda de rodadura está desgastada o tiene puntos planos o grietas visibles.
 - Si tiene neumáticos inflables con una espiga de válvula, comprobar la presión y ajustar a la presión indicada en la pared lateral del neumático.

PELIGRO

PELIGRO: Reemplace las llantas desgastadas. Los seguros de las ruedas no encajan correctamente si usted no puede mantener la presión de aire mostrado en la pared lateral del neumático. Esto podría resultar en una caída o pérdida del control y provocar lesiones graves o la muerte.

- d. Revise los rayos de ruedas por rayos flojos.
- e. Revise sus seguros de las ruedas. Al desgastarse las llantas los seguros de las ruedas deben ajustarse. Ver Sección X. Freno de Tambor, Y. Trabas Empuje / Hale para Trabrar, ó la Sección Z. Traba de Pie para Asistente (Traba Hub).

VI. MANTENIMIENTO

B. Mantenimiento de Rutina

1. Semanalmente:

- a. Compruebe seguro de las ruedas para asegurarse de que están correctamente ajustados.
- b. Compruebe casquillo de eje para asegurar que las tuercas de los casquillos del eje están apretadas.
- c. Compruebe si hay rayos quebrados, doblados o sueltos.
- d. Compruebe que las ruedas pivotantes puedan girar libremente.
- e. Inspeccione las llantas y ruedas pivotantes para puntos de desgaste.
- f. Revise neumáticos para la inflación apropiada.
- g. Limpie las varillas de traba mecánica con un paño suave.
- h. Ajuste el cable de basculación para asegurar una función de traba de basculación apropiada (Ver Sección Q: Mecanismo de Basculación Manual ó la Sección R: Mecanismo de Basculación de Pie).
- i. Inspeccione los cojinetes para asegurar que funcionan adecuadamente y si no están gastados.
- j. Asegúrese de que las empuñaduras no giran o se salen de su sitio.

2. Mensualmente:

- a. Inspeccione ejes de las ruedas traseras y apriete si es necesario.
- b. Inspeccione los rodamientos del alojamiento de la rueda pivotante para acumulación de cabellos y eliminar si es necesario.
- c. Inspeccione seguros de las ruedas para estar seguro montaje esta apretado. Asegurarse que seguros de las ruedas se enganchen correctamente los neumáticos.
- d. Verifique que todos los sujetadores estén ajustados y seguros.
- e. Inspeccione el cuadro por cualquier deformidad, defecto, rotura, marca o torcedura. Esto podría ser signo de fatiga en el cuadro, que podrían resultar en falla de la silla. Discontinúe el uso de la silla de ruedas inmediatamente y contacte a su agente Ki Mobility autorizado.

3. Anualmente:

- a. Haga que la silla de ruedas sea comprobada y ajustada por un técnico calificado.

ADVERTENCIA

ADVERTENCIA: Después de los ajustes y antes de utilizar esta silla de ruedas, asegúrese de que todos los sujetadores estén apretados y seguros o lesión o daño puede ocurrir.

PRECAUSIÓN

PRECAUSIÓN: No apriete los sujetadores ya que esto podría dañar el tubo del marco.

PELIGRO

PELIGRO: El no leer completamente estas instrucciones podría resultar en falla o pérdida del control, causando severas lesiones o muerte al usuario o a terceros.

VI. MANTENIMIENTO

C. Limpieza

1. Ejes y ruedas:
 - a. Limpie alrededor de los ejes y ruedas semanalmente con un trapo húmedo.
 - b. Cabello y la pelusa se alojarán en el alojamiento de rueda pivotante. Desensamblar el alojamiento de rueda pivotante cada seis meses para eliminar el pelo enredado.

NOTA: No utilice WD-40 o cualquier otro aceite penetrante sobre esta silla de ruedas. Esto destruirá los rodamientos sellados.

NOTA: No utilice ningún producto de limpieza con agentes químicos en las ruedas pivotantes o en ruedas traseras.

ADVERTENCIA

ADVERTENCIA: El no leer y cumplir con estas instrucciones puede resultar en daños a su silla de ruedas, una caída o pérdida del control y provocar lesiones severas al usuario o a otras personas.

D. Almacenamiento

1. Cuando no esté en uso, mantenga su silla en un área limpia y seca. El no hacerlo puede resultar en que su silla se oxide y / o corroe.
2. Si su silla ha estado almacenada durante más de un par de semanas usted debe asegurarse de que funciona correctamente. Usted debe inspeccionar y dar servicio si es necesario, todos los artículos en la Sección VI. A. Inspección de su silla de ruedas.
3. Si su silla ha estado almacenada durante más de dos meses, debe solicitar mantenimiento y revisar por su distribuidor autorizado antes de usarla.

ADVERTENCIA

ADVERTENCIA: El no leer y cumplir con estas instrucciones puede resultar en daños a su silla de ruedas, una caída o pérdida del control y provocar lesiones severas al usuario o a otras personas.

VII. SOLUCIÓN DE PROBLEMAS

A. Síntomas y Soluciones

Para un funcionamiento óptimo, su silla de ruedas Little Wave Flip tendrá que ajustarse ocasionalmente. En la página siguiente se muestra una lista de los posibles síntomas que pueden ocurrir cuando ajuste su silla, así como una o varias propuestas de solución para cada síntoma. Para obtener los mejores resultados, al solucionar problemas, intente una solución a la vez antes de proceder a una segunda solución. Si no se alivian los síntomas, se recomienda llevar la silla a un centro de servicio autorizado para su reparación.

Por favor, consulte la tabla en la página siguiente.

Síntomas							
Silla no hace un seguimiento recto	Flojedad en la silla	Lentitud en dar Vueltas	Una rueda pivotante no hace contacto con el suelo	Aleteo de Rueda Pivotante	Chirriar o Traqueo	No se inclina/ Traqueo al inclinar	Dificultad en la inclinación
✓			✓	✓			Añadir arandela espaciadora entre el vástago de la rueda pivotante y la parte inferior del rodamiento de alojamiento de la rueda pivotante en el lado izquierdo o derecho de la silla.
✓		✓	✓				Asegúrese de que todas las presiones de los neumáticos sean la correcta e igual en ambos lados de la silla.
✓	✓			✓			Asegúrese de que todos los sujetadores estén apretados.
					✓		Utilice Teflon [®] lubricante basado (como Tri-Flow [®]) entre los componentes del bastidor modular.
						✓	Asegurar mecanismo de inclinación cable / pie se ajusta y engranajes desenganchan los dientes (ver sección V.K.2 o V.L.2).

VII. GARANTÍA

A. Información de Garantía

Ki Mobility garantiza el cuadro, las perchas, el ensamble de basculación y los ejes de liberación rápida de esta silla de ruedas contra defectos en materiales y mano de obra, durante la vida del comprador original. Todas las demás partes y componentes Ki Mobility de esta silla de ruedas están garantizados contra defectos en materiales y mano de obra por un año desde la fecha de la primera compra de consumidor.

La expectativa de vida del cuadro es de cinco años.

Limitaciones de la Garantía

1. No garantizamos:
 - a. Items gastados: Tapizados, llantas, almohadillas de apoyabrazos, tubos, apoyabrazos y agarres de manijas de empuje.
 - b. Daños resultantes por negligencia, uso indebido o inapropiada instalación o reparación.
 - c. Daño por exceso en el límite de peso.
2. Esta garantía será considerada NULA si la etiqueta del número de serie de esta silla es removida o alterada.
3. Esta garantía será considerada NULA si la silla original ha sido modificada de su condición original y se determina que dicha modificación fue la causa de la falla.
4. Esta garantía aplica en USA solamente. Por favor verifique con su proveedor de sillas de ruedas y averigüe si las garantías internacionales aplican a su silla.

Responsabilidad de Ki Mobility

La única responsabilidad de Ki Mobility es la de reemplazar o reparar, a su sola discreción, las partes cubiertas por esta garantía. No existen otras soluciones, expresas o implícitas.

Su Responsabilidad

- a. Notifique a Ki Mobility a través de un proveedor autorizado, antes de la caducidad de esta garantía y obtenga una autorización de devolución (AD) para el envío o reparación de las partes cubiertas por esta garantía.
- b. Haga que su proveedor envíe la autorización de devolución (AD), envío pre-pago a:
Ki Mobility
5201 Woodward Drive
Stevens Point, WI 54481
- c. Realice el pago de cualquier cargo por tareas de reparación o instalación de partes.



Ki Mobility
5201 Woodward Drive
Stevens Point, Wisconsin 54481
715-254-0991
www.kimobility.com



DCN0133.2