

Account Number:

Date:

Address:

Quote: PO Number:

City:

Associated Quote/Order#:

Phone:

Email:

Effective: 6/17/2024

Rogue2 (K0005, E1235) \_\_\_\_\_ \$

Rogue Standard Frame, 275 lb weight capacity

## Frame

### Seat Width

See reference A on page 7

12"	N/C
13"	N/C
14"	N/C
15"	N/C
16"	N/C
17"	N/C
18"	N/C
19"	N/C
20" (E2201)	\$

### Seat Depth

See reference B on page 7

14"	N/C
15"	N/C
16"	N/C
17"	N/C
18"	N/C
19"	N/C
20" (E2203)	\$

### Transit Option

Transit System	\$
<i>Cannot be retrofitted. Requires Expanded Width Caster Position.</i>	
Omit	N/C

### Adjustable Depth

Adds the capability to grow seat in depth

No Rear Adjustment	N/C
1/2"	N/C
1"	\$
2"	\$

### Sling Position

In Performance Position (0"), sling is at front of frame. The 1" or 2" sling position extends the frame in front of the sling by that amount. See reference C on page 7.

0" (Performance)	N/C
1"	N/C
2" (Classic)	N/C

### Seat Option

Standard Seat Sling	N/C
Aluminum Solid Seat Pan (E2231)	\$

### Front Frame Bend

Angle between front seat tube and ground. See reference D on page 7.

90°	\$
85°	N/C
80°	N/C
75°	N/C
70°	N/C

## Backrest

### Back Post / Height Range / Back Height

Back Post	Price	Height Range	Back Height				
			11" <sup>2</sup>	12"	13"	14"	17"
Height Adjustable	N/C	Height Adjustable Short Back Post	11" <sup>2</sup>	12"	13"	14"	
		Height Adjustable Medium Back Post	13"	14"	15"	16"	17"
		Height Adjustable Tall Back Post	17"	18"	19"	20"	
Fixed Height <sup>1</sup>	N/C	Fixed Height Straight Back Post	9" <sup>2</sup>	10" <sup>2</sup>	11" <sup>2</sup>	12"	13"
			14"	15"	16"	17"	18"

<sup>1</sup> Not available with back upholstery

<sup>2</sup> Not available with Fold Down Push Handle

### Seat Back Angle

Standard is 90° (perpendicular to floor). Minus (-°) closes back angle. Plus (+°) opens back angle.

Standard	+3°	+6°	+9°	-3°	-6°	
	-9°	-12°				N/C

### Back Upholstery Options

Available only with Height Adjustable Back Posts. If selecting both upholstery and Axiom Back, the upholstery will be installed.

Padded Velcro Adjustable with Standard Cover	N/C
Padded Velcro Adjustable with Air Mesh Breathable Cover	\$
Tension Adjustable with Standard Cover (E2611)	\$
Tension Adjustable with Air Mesh Breathable Cover (E2611)	\$
Omit	(\$ )

### Push Handles

Omit Push Handle	N/C
Standard Push Handle	N/C
Low Profile Push Handle	\$
<i>2" shorter than standard push handles</i>	
Bolt-On Push Handle	\$
<i>Handles will be 1" - 2" above back height</i>	
Fold Down Push Handle	\$

### Stroller Handle

Stroller Handles are removable and height adjustable

Single Stroller Handle	\$
Double Stroller Handle	\$
<i>Not available with Push Handles</i>	

### Rigidizer Bar

Adjustable Height Rigidizer Bar	\$
Non-Adjustable Height Rigidizer Bar	N/C
<i>Not Available with Fixed Height Back Post</i>	

### US Military Patches

Army	Navy	Marines	Air Force	
Coast Guard	US Purple Heart			\$
Combo Army/Purple Heart		Combo Navy/Purple Heart		
Combo Marines/Purple Heart		Combo Air Force/Purple Heart		
Combo Coast Guard/Purple Heart				\$

## Front Seat Height and Casters

### Caster Size / Footrest Taper / Front Seat Height

Select Front Seat Height and Footrest Taper in row corresponding to Caster Size. 6" casters not available with 85° and 90° Front Frame Bend.

Footrest Taper indicates bend of front frame creating footrest width. Taper is measured from outside of seat frame to outside of front tube. 2" Taper not available with 75° Front Frame Bend. Taper is not available with 70° Front Frame Bend. See reference E on page 7.

Front Seat Height is measured from floor to top of seat tube at front of seat sling. Adjustable up or down by 1/2". See reference F on page 7.

Footrest	Price	Caster	Front Seat Height																			
			3"	4"	5"	6"	7"	8"	9"	10"	11"	12"	13"	14"	15"	16"	17"	18"	19"	20"	20.5"	
Straight	N/C	3"	13.5"	14"	14.5"	15"	15.5"	16"	16.5"	17"	17.5"	18"	18.5"	19"	19.5"	20"	20.5"					
		4"	14"	14.5"	15"	15.5"	16"	16.5"	17"	17.5"	18"	18.5"	19"	19.5"	20"	20.5"						
		5"	14.5"	15"	15.5"	16"	16.5"	17"	17.5"	18"	18.5"	19"	19.5"	20"	20.5"							
		6"	15"	15.5"	16"	16.5"	17"	17.5"	18"	18.5"	19"	19.5"	20"	20.5"								
1"	N/C	3"	16.5"	17"	17.5"	18"	18.5"	19"	19.5"	20"	20.5"											
		4"	17"	17.5"	18"	18.5"	19"	19.5"	20"	20.5"												
		5"	17.5"	18"	18.5"	19"	19.5"	20"	20.5"													
		6"	18"	18.5"	19"	19.5"	20"	20.5"														
2"	N/C	3"	16.5"	17"	17.5"	18"	18.5"	19"	19.5"	20"	20.5"											
		4"	17"	17.5"	18"	18.5"	19"	19.5"	20"	20.5"												
		5"	17.5"	18"	18.5"	19"	19.5"	20"	20.5"													
		6"	18"	18.5"	19"	19.5"	20"	20.5"														
3.5° V-Front	\$103	3"	13.5"	14"	14.5"	15"	15.5"	16"	16.5"	17"	17.5"	18"	18.5"	19"	19.5"	20"	20.5"					
		4"	14"	14.5"	15"	15.5"	16"	16.5"	17"	17.5"	18"	18.5"	19"	19.5"	20"	20.5"						
		5"	14.5"	15"	15.5"	16"	16.5"	17"	17.5"	18"	18.5"	19"	19.5"	20"	20.5"							
		6"	15"	15.5"	16"	16.5"	17"	17.5"	18"	18.5"	19"	19.5"	20"	20.5"								
7° V-Front	\$103	3"	13.5"	14"	14.5"	15"	15.5"	16"	16.5"	17"	17.5"	18"	18.5"	19"	19.5"	20"	20.5"					
		4"	14"	14.5"	15"	15.5"	16"	16.5"	17"	17.5"	18"	18.5"	19"	19.5"	20"	20.5"						
		5"	14.5"	15"	15.5"	16"	16.5"	17"	17.5"	18"	18.5"	19"	19.5"	20"	20.5"							
		6"	15"	15.5"	16"	16.5"	17"	17.5"	18"	18.5"	19"	19.5"	20"	20.5"								

**Casters**

		Caster Size				
		Price	3"	4"	5"	6"
Caster Type	.75" Rollerblade	N/C				
	.75" Lighted Rollerblade	\$				
	1" Poly	N/C				
	1" Poly Aluminum	\$				
	1" Pneumatic	\$				
	1.5" Poly	\$				
	1.5" Soft Roll Aluminum	\$				

**Caster Position**

See reference L on page 7

Optimized	N/C
Caster Placement minimizes the footprint of the chair	
Expanded Width	N/C
Caster arm is positioned approximately .75" wider than Optimized position	

**Fork Options**

Standard Fork	N/C
Single Sided Fork	\$
Frog Legs II Suspension System	\$
Lightweight shock absorbing fork. Not included in Colored Anodizing Package.	

**Footrest**

**Footplate**

Tubular "Open" Footplate	N/C
Not available with V-Taper	
Tubular Footplate with ABS Cover	\$
Not available w/footrest widths greater than 15.5". See Reference G on page 7.	
Not available with V-Taper.	
Tubular Footplate with Carbon Fiber Cover	\$
Not available with footrest widths greater than 15.5". See Reference G on Page 7. Not available with V-Taper.	
Aluminum Angle Adjustable (K0040)	\$
Aluminum Angle Adjustable with Riser (K0040)	\$
High Mount Aluminum Angle Adjustable (K0040)	\$
Not available with V-Taper	
Angle Adjustable Flip Under (K0040, K0037)	\$
Not available with footrest widths less than 9.5". Not available with V-Taper.	
See Reference G on page 7.	
High Mount Angle Adjustable Flip Under (K0040, K0037)	\$
Not available w/footrest widths greater than 15.5". See Reference G on page 7. Not available with V-Taper.	
Hybrid Angle Adjustable	\$
Hybrid Angle Adjustable with Wings	\$

**Footrest Protector**

Footrest Protector	N/C
Not available with Angle Adjustable Flip Under, High Mount Angle Adjustable Flip Under or High Mount Aluminum Angle Adjustable Footplates	

**Seat to Footrest Length**

Measured from front edge of seat sling to top, rear of footrest. Footrest length at least 2.5" shorter than Front Seat Height recommended. See reference H on page 7.

8"	8.5"	9"	9.5"	10"	10.5"
11"	11.5"	12"	12.5"	13"	13.5"
14"	14.5"	15"	15.5"	16"	16.5"
17"	17.5"	18"	18.5"	19"	19.5"

**Rear Seat Height and Wheels**

**Wheel Size / Rear Seat Height**

Select Rear Seat Height in row corresponding to desired Wheel Size. For proper setup, selection is required when omitting rear wheels. Measured from floor to top of seat tube at front of back post. Rear Seat Height is custom to needs. See reference I on page 7.

Wheel	Rear Seat Height															
20"	12.5" <sup>1</sup>	13"	13.5"	14"	14.5"	15"	15.5"	16"	16.5"	17"	17.5"	18"	18.5"	19"	19.5"	20"
22"	13.5" <sup>1</sup>	14"	14.5"	15"	15.5"	16"	16.5"	17"	17.5"	18"	18.5"	19"	19.5"	20"		
24"	14.5" <sup>1</sup>	15"	15.5"	16"	16.5"	17"	17.5"	18"	18.5"	19"	19.5"	20"				
25"	15" <sup>1</sup>	15.5"	16"	16.5"	17"	17.5"	18"	18.5"	19"	19.5"	20"					
26"	15.5" <sup>1</sup>	16"	16.5"	17"	17.5"	18"	18.5"	19"	19.5"	20"						

<sup>1</sup> Available only with Low Profile tires

**One Arm Drive**

One Arm Drive - Quick Release (E0958)	\$
Available only with 20", 22" and 24" spoke wheels and quick release axles.	
Spoke wheel style provided is exclusive to OAD. Standard handrim will be Aluminum Anodized. Limitations exist based on rear wheel spacing, camber and armrest selections.	

Left Side Drive	N/C
Right Side Drive	N/C
Aluminum Drive Handrim	N/C
Poly Coated Drive Handrim	\$

**Wheels**

No selection needed with One Arm Drive

		Rear Wheel Size					
		Price	20"	22"	24"	25"	26"
Rear Wheel Type	MAXX Spoke	N/C					
	Mag	N/C					
	Mag (Color) <sup>2</sup>	\$					
	Superlight Spoke	\$				1	
	Spinergy Spox	\$					
	Spinergy LX	\$					

<sup>1</sup> Available only with Superlight and Plastic Coated Handrims  
<sup>2</sup> Color selection on page 6

**Spinergy Options**

Select spoke color for Spinergy Wheels

Black Spokes   Red Spokes   Blue Spokes   White Spokes \_\_\_\_\_ N/C

**Rear Tire Type**

**Full Profile**

Street Pneumatic 1 3/8" (E2211, E2212) \_\_\_\_\_ N/C  
*Not available on 25" wheel size*  
 Full Poly 1 3/8" (E2218) \_\_\_\_\_ N/C  
*Not available on Superlight wheel or 25" or 26" wheel sizes*  
 Pneumatic with Airless Insert 1 3/8" (E2211, E2213) \_\_\_\_\_ \$  
*Not available on Superlight wheel or 25" wheel size*  
 Schwalbe HS-127 1 3/8" (E2211, E2212) \_\_\_\_\_ \$  
*Available only on 24" wheel size. Not available on Mag wheel*  
 Mountain 2" Black (E2211, E2212) \_\_\_\_\_ \$  
*Available only on 22", 24" and 25" MAXX wheels and Spinergy wheels*

**Low Profile**

Low Poly 1" (E2218) \_\_\_\_\_ \$  
*Not available on Superlight wheel, 25" or 26" wheel sizes*  
 Sentinel Solid Tire 1" \_\_\_\_\_ \$  
*Not available on Superlight wheels*  
 High Pressure 1" (E2211, E2212) \_\_\_\_\_ \$  
*Not available on Mag wheel*  
 Schwalbe One 1" (E2211, E2212) \_\_\_\_\_ \$  
*Available only on 24" and 25" wheel sizes. Not available on Mag wheel*  
 Schwalbe Marathon Plus Evolution 1" (E2211, E2212) \_\_\_\_\_ \$  
*Not available on Mag wheel, 20" or 22" wheel sizes*

**Handrims**

**Standard Handrims**

Aluminum Anodized \_\_\_\_\_ N/C  
 Superlight Aluminum Anodized \_\_\_\_\_ \$  
*Available only on 24" and 25" wheel sizes. Available only on MAXX Spokes, Superlight or Spinergy wheels. Not available with One Arm Drive.*  
 Plastic Coated \_\_\_\_\_ \$  
 Projection (8 Vertical Projections) \_\_\_\_\_ \$  
*Available only with full profile tires in combination with 22", 24", and 26" MAXX Spoke wheels, or 22" and 24" Mag wheels. Not available with One Arm Drive.*  
 Omit Handrim \_\_\_\_\_ N/C

**Ergonomic Handrims**

*Not available with 20" or 26" wheels*

Ergo Lite Regular Grip \_\_\_\_\_ \$  
 Ergo Standard Regular Grip \_\_\_\_\_ \$  
 Ergo Lite Extra Grip \_\_\_\_\_ \$  
 Ergo Standard Extra Grip \_\_\_\_\_ \$  
 Ergo Lite Omit Grip \_\_\_\_\_ \$  
 Ergo Standard Omit Grip \_\_\_\_\_ \$

**Handrim Options**

**Handrim Mount**

*If no selection is made, Standard Mount will be used*

Close Mount \_\_\_\_\_ \$  
*Reduces overall width by .75"*

**Micro-Grip**

3M Micro Grip \_\_\_\_\_ \$  
*Not available on Plastic Coated or Projection Handrims*

**Axles**

Quick Release \_\_\_\_\_ N/C  
 Quad Quick Release \_\_\_\_\_ \$  
*Not available with Mag or Spinergy wheels*

**Center of Gravity Presets**

*Measured from front of back post to center of rear axle. 0" indicates axle will be directly under back post. See reference J on page 7.*

Amputee Positions				
-1.5"	-1"	-.5"	0"	.25"
Standard Positions				
.5"	.75"	1"	1.25"	1.5"
1.75"	2"	2.25"	2.5"	2.75"
3"	3.25"	3.5"	3.75"	4"
4.25"	4.5"	4.75"	5"	

**Rear Wheel Spacing**

*1" minimum with 0° camber. 1.5" minimum with T-Arms. The following apply if One Arm Drive is selected: 1.75" minimum with T-Arms. 1.25" minimum with select Rear Seat Heights. See Reference K on page 7.*

0.75"   1"   1.25"   1.5"   1.75" \_\_\_\_\_ N/C

**Rear Wheel Camber**

*The following apply if One Arm Drive is selected: 6° and 8° not available. 4° not available with T-Arms.*

0°   2°   4°   6°   8° \_\_\_\_\_ N/C

## Wheel Locks

Wheel Lock	
Push to Lock	N/C
Push to Lock Flush Mount	N/C
Pull to Lock	N/C
Under Seat Scissor Lock	\$
<i>Not available with User Activated Anti-Tips</i>	
Low Profile Scissor Lock	\$
<i>Not available with Full Poly tires</i>	
Omit	N/C

### Wheel Lock Options

Extension Handles (E0961)	\$
<i>Available only with Push to Lock or Pull to Lock Wheel Locks</i>	
Grade Aids (E0974)	\$
<i>Available only with Push to Lock Wheel Locks and Pneumatic or Pneumatic with Airless Insert tires</i>	

## Armrests

Armrest Type	Length	Price
Height Adjustable T-Arm Tall (11.5"-15") E0973	Desk	\$
	Full	
Height Adjustable T-Arm (8.5"-13.5") E0973	Desk	\$
	Full	
Height Adjustable T-Arm Low (6.5"-10.5") E0973 <sup>1</sup>	Desk	\$
	Full	

<sup>1</sup> If requested configuration is unavailable, standard height T-Arm will be used. 14" minimum seat depth with Offset Frame.

<sup>2</sup> Includes direct mount receiver

Armrest Type	Price
Swing Away (8.5"-12.5") E0973	\$
Swing Away with Side Guard (8.5"-12.5") E0973 <sup>2</sup>	\$
Omit Armrests	N/C

## Side Guards

### Direct Mount Side Guards

*Not available with T-Arms or Swing Away with Side Guard Armrests*

Composite Side Guards - Direct Mount Receiver (K0108)	\$
Aluminum Straight - Direct Mount Receiver - Black Matte (K0108)	\$
Aluminum Straight - Direct Mount Receiver - Match Frame Color (K0108)	\$
<i>Not available with Hydrographics</i>	
Aluminum Adjustable Fender w/Foam Pad - Direct Mount Receiver - Black Matte (K0108)	\$
<i>Not available with Adjustable Depth greater than 1/2"</i>	
Aluminum Adjustable Fender w/Foam Pad - Direct Mount Receiver - Match Frame Color (K0108)	\$
<i>Not available with Adjustable Depth greater than 1/2". Not available with Hydrographics.</i>	
Carbon Fiber Adjustable Fender - Direct Mount Receiver (K0108)	\$
<i>Not available with Adjustable Depth greater than 1/2"</i>	

### Clamp-On Mount Side Guards

*Not available with T-Arms or Swing Away with Side Guard Armrests*

Composite Side Guards - Clamp-On Receiver (K0108)	\$
Aluminum Straight - Clamp On Receiver - Black Matte (K0108)	\$
Aluminum Straight - Clamp-On Receiver - Match Frame Color (K0108)	\$
<i>Not available with Hydrographics</i>	
Aluminum Adjustable Fender w/Foam Pad - Clamp-On Receiver - Black Matte (K0108)	\$
Aluminum Adjustable Fender w/Foam Pad - Clamp-On Receiver - Match Frame Color (K0108)	\$
<i>Not available with Hydrographics</i>	
Carbon Fiber Adjustable Fender - Clamp-On Receiver (K0108)	\$

## Accessories

### Anti-Tips

Rear Anti-Tips (E0971)	\$
User Activated - Pair	\$
User Activated - Left	\$
User Activated - Right	\$
Omit	N/C

### Calf Strap

Velcro Adjustable (K0038)	\$
Padded Velcro Adjustable (K0038)	\$
Padded Airmesh Calf Strap (K0038)	\$

**Pelvic Positioning Belt**

1 1/2" Auto Buckle Pelvic Positioning Belt (E0978)	\$
1 1/2" Padded Auto Buckle Pelvic Positioning Belt (E0978)	\$
Small Flex-Mount Positioning Belt (16-24") (E0978)	\$
Medium Flex-Mount Positioning Belt (19-29") (E0978)	\$
Large Flex-Mount Positioning Belt (25-37") (E0978)	\$

**Belt Mounting Kit**

Ki Mobility Belt Mounting Clamp	\$
Bodypoint Belt Mounting Bracket Kit	\$

**Other Accessories**

Tool Kit	\$
Removable Underseat Pouch	\$
Ki Mobility Backpack	\$
Luggage Carrier	\$
Black Neoprene Impact Guards	\$
Under Chair Carrier and Removable Bag	\$
<i>Not available with Seat Widths less than 14" or scissor locks</i>	
Cane and Crutch Holder	\$

**Color**

Options	Price	Colors																							
		Gloss														Matte						Metallic			
		Black	Yellow	Light Pink	Dark Pink	Glacier Blue	Electric Green	Radiant Orange	Opalescent Violet	Purple Plum	Rich Teal	Metallic Orange	Granny Smith	Candy Red	Candy Blue	Candy Purple	Tactical Green	Dry Earth Tan	White	Shadow Black	Bright Red	Royal Blue	Charcoal Gray	Iridescent Navy	Iridescent Burgundy
Frame	N/C																								
Color Accent <sup>1,2</sup> Package	N/C																								
Backrest Release Bar	\$																								
	N/C	Black Anodized																							
Maxx Mag Color																									

<sup>1</sup> Includes backplates, towers, tower clamps, and camber tube. Not available with transit.

<sup>2</sup> Limited Time Promotional Pricing

**Colored Anodizing Package**

Select desired color. If no selection is made, black will be used.

	Color	Black <sup>1</sup>	Blue	Bright Green	Gold	Orange	Pewter	Pink	Purple	Red
Retail		N/C	\$26	\$26	\$26	\$26	\$26	\$26	\$26	\$26
Option	Back Plates <sup>2</sup>									
	Camber Tube <sup>3</sup>									
	Towers									
	Side Guard Receiver									
	Caster Fork <sup>3</sup>									

<sup>1</sup> Black is no charge

<sup>2</sup> Not available with Transit Option

<sup>3</sup> Available only with Standard or Single Sided

**References**

**A. Seat Width** See Diagram 1

Measured from outside of frame tube on one side to outside of frame tube on other side.

**B. Seat Depth** See Diagram 3

Measured from front of back posts to front edge of seat sling. Seat sling starts at beginning of bend at front of frame.

**C. Sling Position** See Diagram 2

In Performance Position (0°), sling is at front of frame to keep chair shorter and more maneuverable. The 1° or 2° seat sling position extends the frame in front of the sling by that amount. Adding more frame can improve stability and provide support to aid in transfers.

**D. Front Frame Bend** See Diagram 3

Angle between front seat tube and ground.

**E. Footrest Taper** See Diagram 1

Indicates bend of front frame creating footrest. Taper is measured from outside of seat frame to outside of front tube.

**F. Front Seat Height** See Diagram 1

Measured from floor to top of seat tube at front of seat sling.

**G. Footrest Width** See Diagram 1

Measured from inside of front tube to inside of front tube on other side. Footrest width is listed below for each seat width and taper.

Seat Width	Straight	1" Y Taper	2" Y Taper	3.5" V Taper	7" V Taper
Outside Measurement	2" Narrower than Seat Width	4" Narrower than Seat Width	6" Narrower than Seat Width	4" Narrower than Seat Width	6" Narrower than Seat Width
12"	9.5"	7.5"		7.5"	
13"	10.5"	8.5"		8.5"	
14"	11.5"	9.5"		9.5"	
15"	12.5"	10.5"		10.5"	
16"	13.5"	11.5"	9.5"	11.5"	9.5"
17"	14.5"	12.5"	10.5"	12.5"	10.5"
18"	15.5"	13.5"	11.5"	13.5"	11.5"
19"	16.5"	14.5"	12.5"	14.5"	12.5"
20"	17.5"	15.5"	13.5"	15.5"	13.5"

**H. Seat to Footrest Length** See Diagram 3

Measured from front edge of seat sling to top rear of footrest. Footrest length of at least 2.5" shorter than front seat height recommended.

**I. Rear Seat Height** See Diagram 3

Measured from floor to top of seat tube at front of back post. Rear seat height is custom to needs.

**J. Center of Gravity Preset** See Diagram 3

Measured from front of back post to center of rear axle. 0° indicates axle will be directly under back post.

**K. Rear Wheel Spacing** See Diagram 1

Measured from outside of seat back to inside of rear tire. Adjustable out .5" from setting.

**L. Caster Position** See Diagram 4

The Optimized Position keeps the casters tighter to the frame for enhanced maneuverability. Expanded Position pushes the casters out .75" past the Optimized Position for increased stability.

Diagram 1

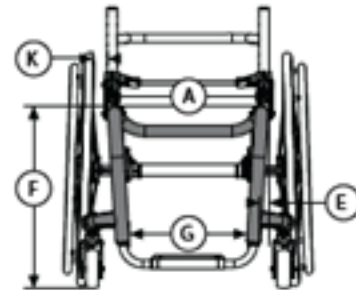


Diagram 2

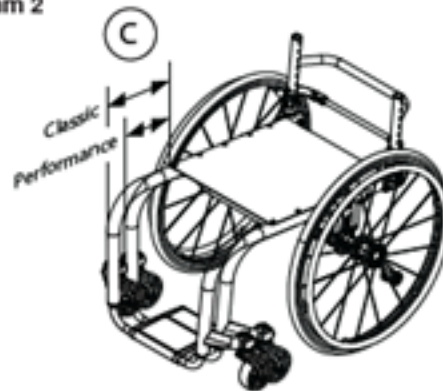


Diagram 3

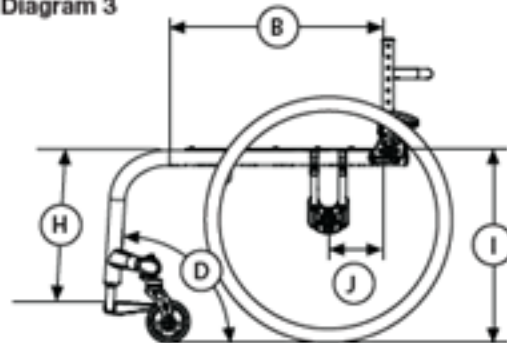
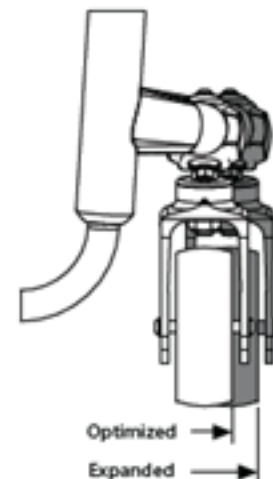


Diagram 4



## Cushions and Backrests

**AXIOM**

**Ki Mobility**

**ADI**  
A Stealth Product

**VARILITE**

**RIDE**

Cushion:

Backrest:

Other Accessories: