

LECKEY^o

Easy Seat

Spare Parts Catalogue



Contents

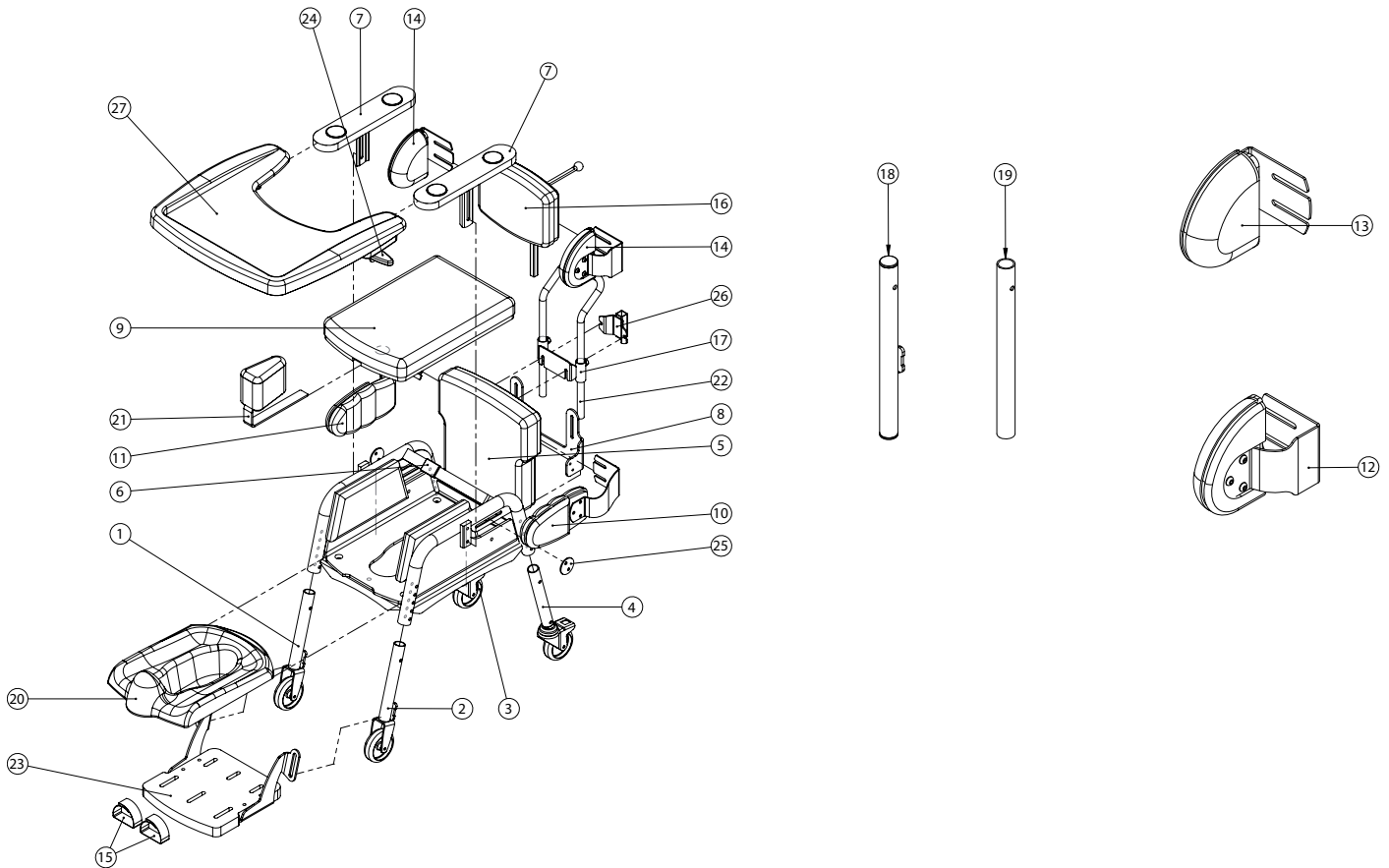
03- 05 Easy Seat Product Overview

Please substitute -XX for the following colours when placing order:

MW - Meadow fabric

MB - Mondeo Blue

Easy Seat Product Overview



Pos.	Leckey Code	Description	Qty	Compatible with			
				Size 1	Size 2	Size 3	Size 4
1	RAQ-4-1915	Front Castor Leg (Right) Size 1 & 2	1	✓	✓		
1	RAQ-4-3915	Front Castor Leg (Right) Size 3	1			✓	
1	RAQ-4-4915	Front Castor Leg (Right) Size 4	1				✓
2	RAQ-4-1937	Front Castor Leg (Left) Size 1 & 2	1	✓	✓		
2	RAQ-4-3937	Front Castor Leg (Left) Size 3	1			✓	
2	RAQ-4-4937	Front Castor Leg (Left) Size 4	1				✓
3	RAQ-4-1916	Rear Castor Leg (Right) Size 1 & 2	1	✓	✓		
3	RAQ-4-3916	Rear Castor Leg (Right) Size 3	1			✓	
3	RAQ-4-4916	Rear Castor Leg (Right) Size 4	1				✓
4	RAQ-4-1938	Rear Castor Leg (Left) Size 1 & 2	1	✓	✓		
4	RAQ-4-3938	Rear Castor Leg (Left) Size 3	1			✓	
4	RAQ-4-4938	Rear Castor Leg (Left) Size 4	1				✓
5	RAQ-4-1917-XX	Upholstered Backrest Complete Size 1	1	✓			
5	RAQ-4-2917-XX	Upholstered Backrest Complete Size 2	1		✓		
5	RAQ-4-3917-XX	Upholstered Backrest Complete Size 3	1			✓	
5	RAQ-4-4917-XX	Upholstered Backrest Complete Size 4	1				✓

Easy Seat Product Overview

Pos.	Leckey Code	Description	Qty	Compatible with			
				Size 1	Size 2	Size 3	Size 4
6	RAQ-4-1919	Lap Strap Complete Size 1	1	✓			
6	RAQ-4-2919	Lap Strap Complete Size 2	1		✓		
6	RAQ-4-3919	Lap Strap Complete Size 3	1			✓	
6	RAQ-4-4919	Lap Strap Complete Size 4	1				✓
7	RAQ-4-1920	Armrest Complete Size 1	1	✓			
7	RAQ-4-2920	Armrest Complete Size 2	1		✓		
7	RAQ-4-3920	Armrest Complete Size 3	1			✓	
7	RAQ-4-4920	Armrest Complete Size 4	1				✓
8	RAQ-4-1124	Backrest Sliding Bracket Size 1	1	✓			
8	RAQ-4-2124	Backrest Sliding Bracket Size 2	1		✓		
8	RAQ-4-3124	Backrest Sliding Bracket Size 3	1			✓	
8	RAQ-4-4124	Backrest Sliding Bracket Size 4	1				✓
9	LES/1/R-XX	Seat Pad Size 1	1	✓			
9	LES/2/R-XX	Seat Pad Size 2	1		✓		
9	LES/3/R-XX	Seat Pad Size 3	1			✓	
9	LES/3/R-XX	Seat Pad Size 4	1				✓
10	RAQ-4-1900-XX	Single Flexible Lateral Support (Left) Size 1 & 2	1	✓	✓		
10	RAQ-4-2900-XX	Single Flexible Lateral Support (Left) Size 3 & 4	1			✓	✓
11	RAQ-4-1901-XX	Single Flexible Lateral Support (Right) Size 1 & 2	1	✓	✓		
11	RAQ-4-2901-XX	Single Flexible Lateral Support (Right) Size 3 & 4	1			✓	✓
12	RAQ-4-1909-XX	Single Rigid Lateral Support (Left) Size 1 & 2	1	✓	✓		
12	RAQ-4-2909-XX	Single Rigid Lateral Support (Left) Size 3 & 4	1			✓	✓
13	RAQ-4-1910-XX	Single Rigid Lateral Support (Right) Size 1 & 2	1	✓	✓		
13	RAQ-4-2910-XX	Single Rigid Lateral Support (Right) Size 3 & 4	1			✓	✓
14	RAQ-4-1911-XX	Single Lateral Support For Flat High Back Size 1-2	1	✓	✓		
14	RAQ-4-2911-XX	Single Lateral Support For Flat High Back Size 3-4	1			✓	✓
15	RAQ-4-1699	Single Sandal Strap For Footplate Size 1	1	✓			
15	RAQ-4-2699	Single Sandal Strap For Footplate Size 2	1		✓		
15	RAQ-4-3699	Single Sandal Strap For Footplate Size 3	1			✓	
15	RAQ-4-4699	Single Sandal Strap For Footplate Size 4	1				✓
16	LES/1/L-XX	Flat Head Support Size 1-2	1	✓	✓		
16	LES/3/L-XX	Flat Head Support Size 2-3	1			✓	✓
17	RAQ-4-1234	Push Bar Bracket Size 1-4	1	✓	✓	✓	✓

Easy Seat Product Overview

Pos.	Leckey Code	Description	Qty	Compatible with			
				Size 1	Size 2	Size 3	Size 4
18	RAQ-4-1913	Front Basic Leg (No Castor) Size 1	1	✓			
18	RAQ-4-2913	Front Basic Leg (No Castor) Size 2	1		✓		
18	RAQ-4-3913	Front Basic Leg (No Castor) Size 3	1			✓	
18	RAQ-4-4913	Front Basic Leg (No Castor) Size 4	1				✓
19	RAQ-4-1914	Rear Basic Leg (No Castor) Size 1	1	✓			
19	RAQ-4-2914	Rear Basic Leg (No Castor) Size 2	1		✓		
19	RAQ-4-3914	Rear Basic Leg (No Castor) Size 3	1			✓	
19	RAQ-4-4914	Rear Basic Leg (No Castor) Size 4	1				✓
20	RAQ-4-1101	Potty Insert Size 1	1	✓			
20	RAQ-4-2101	Potty Insert Size 2	1		✓		
20	RAQ-4-3101	Potty Insert Size 3	1			✓	
20	RAQ-4-4101	Potty Insert Size 4	1				✓
21	LES/1/C-XX	Pommel Size 1	1	✓			
21	LES/2/C-XX	Pommel Size 2	1		✓		
21	LES/3/C-XX	Pommel Size 3 & 4	1			✓	✓
22	LES/1/Q	Push Bar	1	✓	✓	✓	✓
23	LES/1/F	Footplate Size 1	1	✓			
23	LES/2/F	Footplate Size 2	1		✓		
23	LES/3/F	Footplate Size 3	1			✓	
23	LES/4/F	Footplate Size 4	1				✓
24	RAW-4-1007	Tray Locking Plate	1	✓	✓	✓	✓
25	RAQ-4-1125	Backrest Clamping Plate Size 1-4	1	✓	✓	✓	✓
26	RAQ-4-1634	Head Support Attachment Bracket Size 1-4	1	✓	✓	✓	✓
27	LES/1/A	Tray Complete Size 1	1	✓			
27	LES/2/A	Tray Complete Size 2	1		✓		
27	LES/3/A	Tray Complete Size 3	1			✓	
27	LES/4/A	Tray Complete Size 4	1				✓
	LES Care Kit	Easy Seat Care Kit	1	✓	✓	✓	✓