

LECKEY[®]

Spare Parts Catalogue

Contents

- 01 - KIT
 - 02 - Mygo Seat (New)
 - 03 - Squiggles Seat (New)
 - 04 - Easy Seat
 - 05 - Squiggles Saddle Seat
 - 06 - PAL
 - 07 - CAS
 - 08 - Corner Sitter
 - 09 - Squiggles Stander
 - 10 - Horizon Stander
 - 11 - Pronestander
 - 12 - Freestander
 - 13 - Totstander
 - 14 - Early Activity System
 - 15 - Early Sitting System
 - 16 - Advanced Bath Chair
 - 17 - Bath Support
 - 18 - Shower Frame
 - 19 - Toilet Seat
 - 20 - Waistcoat
 - 21 - Mygo Seat
 - 22 - Squiggles Seat
-

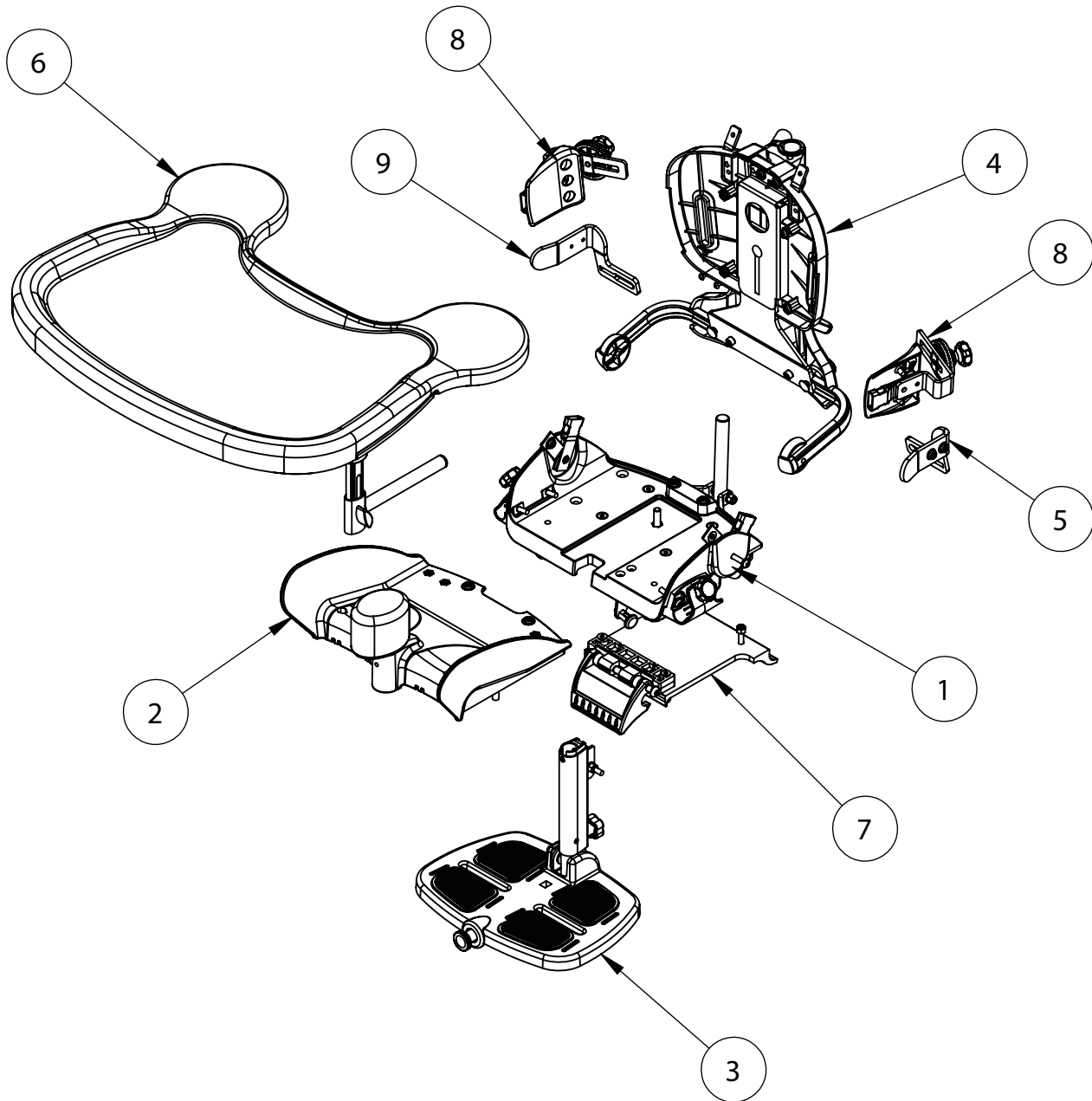
Squiggles Seat Spare Parts Catalogue



Contents

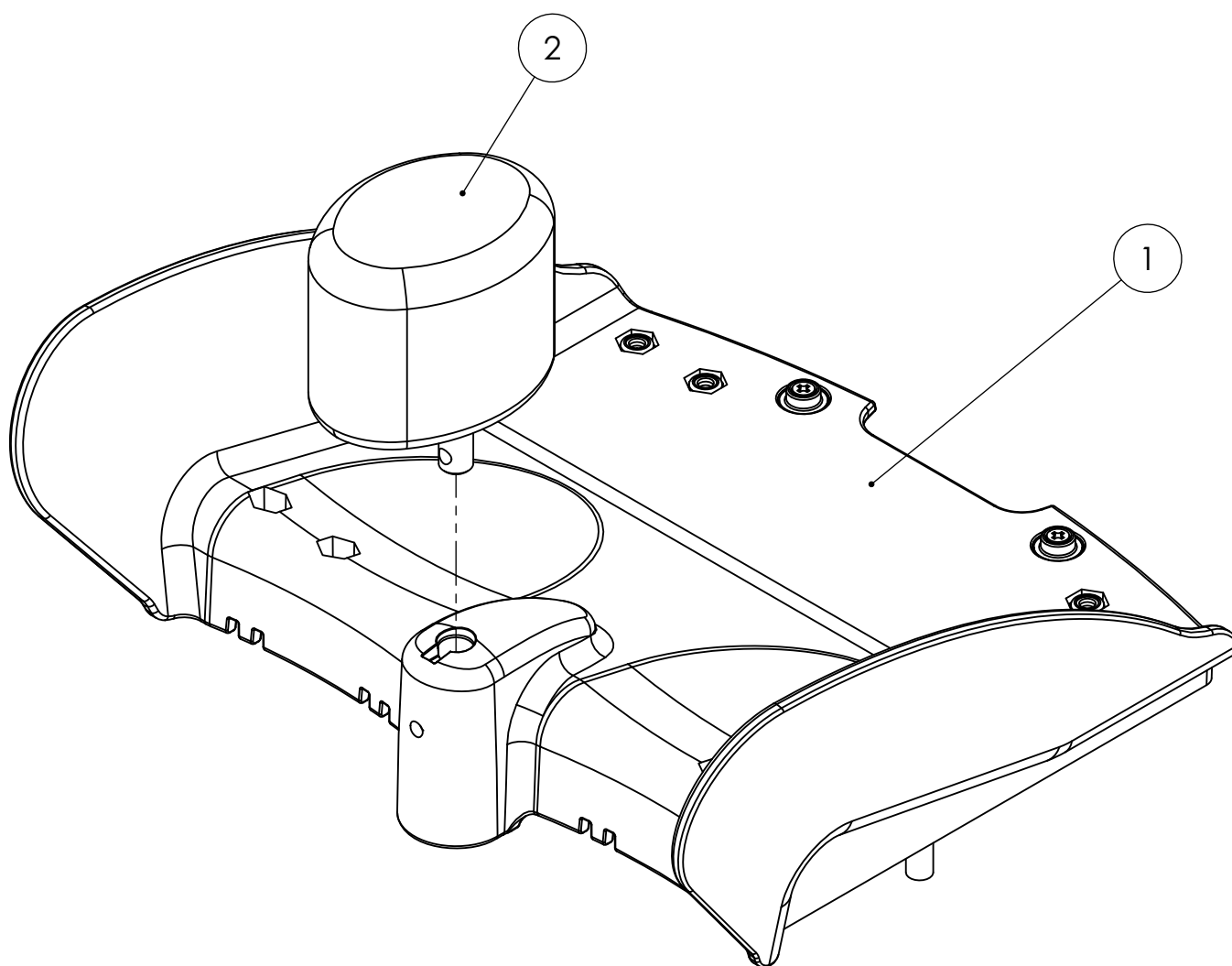
03	Squiggles Seat - Product Overview
04	Squiggles Seat - Sliding Seatbase Assembly
05	Squiggles Seat - Static Seatbase Assembly
06	Squiggles Seat - Footrest Assembly
07	Squiggles Seat - Backrest Assembly
08	Squiggles Seat - Lateral Assembly
09	Squiggles Seat - Tray Assembly
10	Squiggles Seat - Hi-Low Base Assembly
11	Squiggles Seat - Easy Chassis

Squiggles Seat - Product Overview



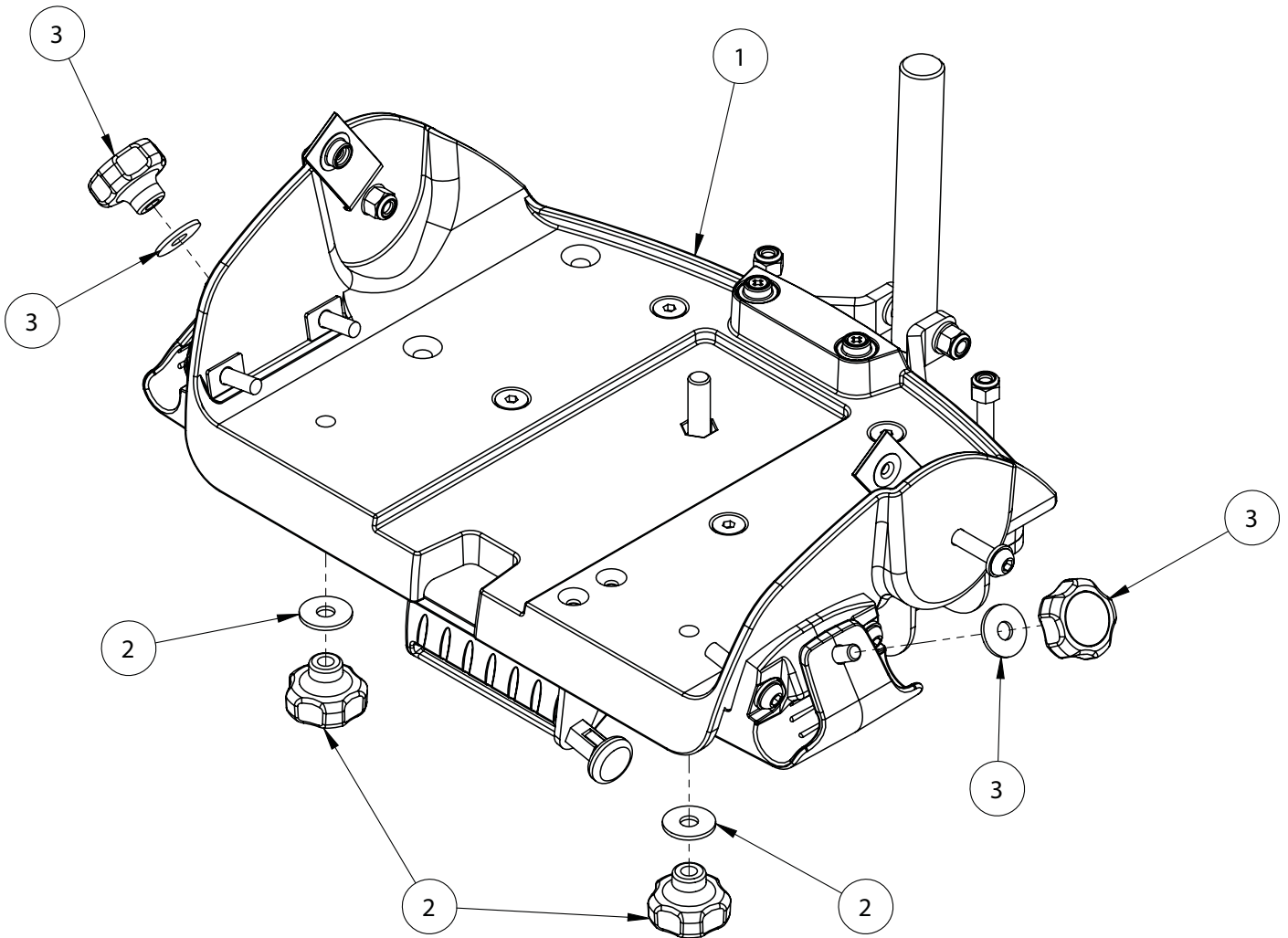
Pos.	Leckey Code	Description	Qty
1	120-635	Static Seat Base Assembly	1
2	120-634	Sliding Seat Base Assembly	1
3	120-637	Footrest Assembly	1
4	120-640	Backrest Assembly	1
5	120-195	LHS Hip Guide	1
6	120-672	Tray Assembly	1
7	117-720	Interface Assembly	1
8	120-656	Rigid Lateral Assembly	1
9	120-201	RHS Hip Guide	1

Squiggles Seat - Sliding Seatbase Assembly



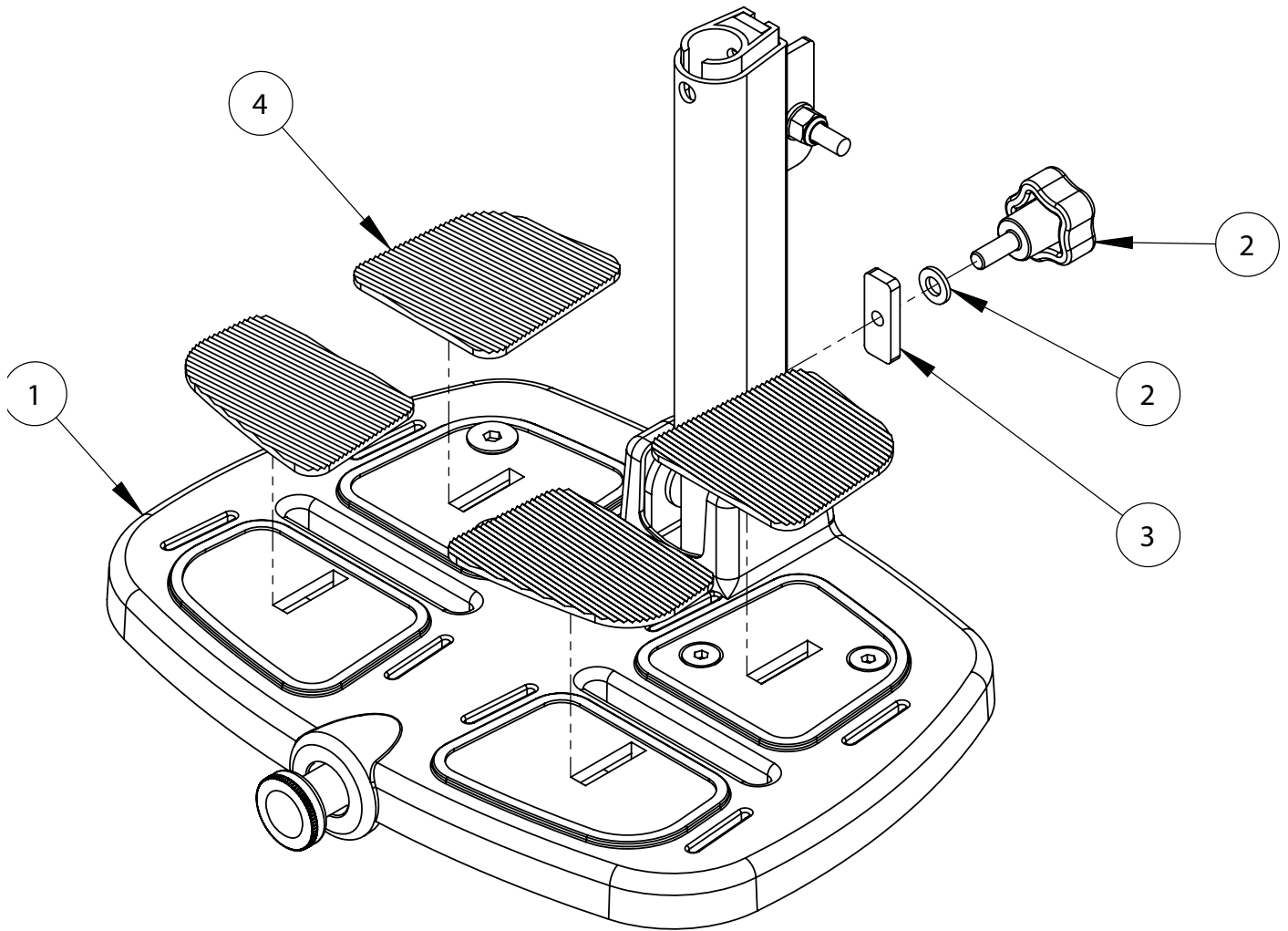
Pos.	Leckey Code	Description	Qty
1	120-634	Sliding Seat Base Assembly	1
2	120-641	Pommel	1

Squiggles Seat - Static Seatbase Assembly



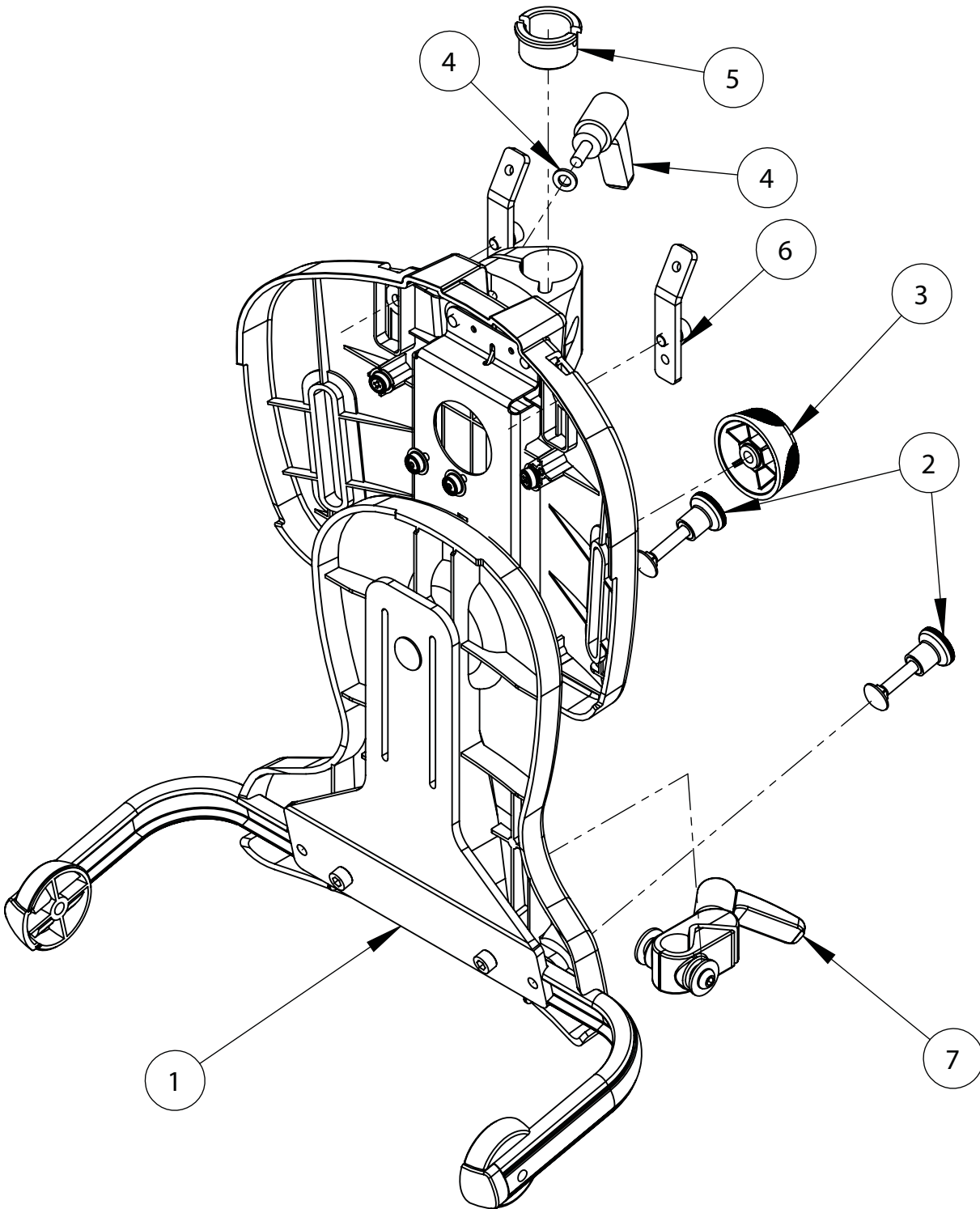
Pos.	Leckey Code	Description	Qty
1	120-635	Static Seat Base Assembly	1
2	SP-1027	Squiggles Seatbase Depth Adjustment Kit	1
3	SP-1028	Tray Assembly Adjustment Kit	1

Squiggles Seat - Footrest Assembly



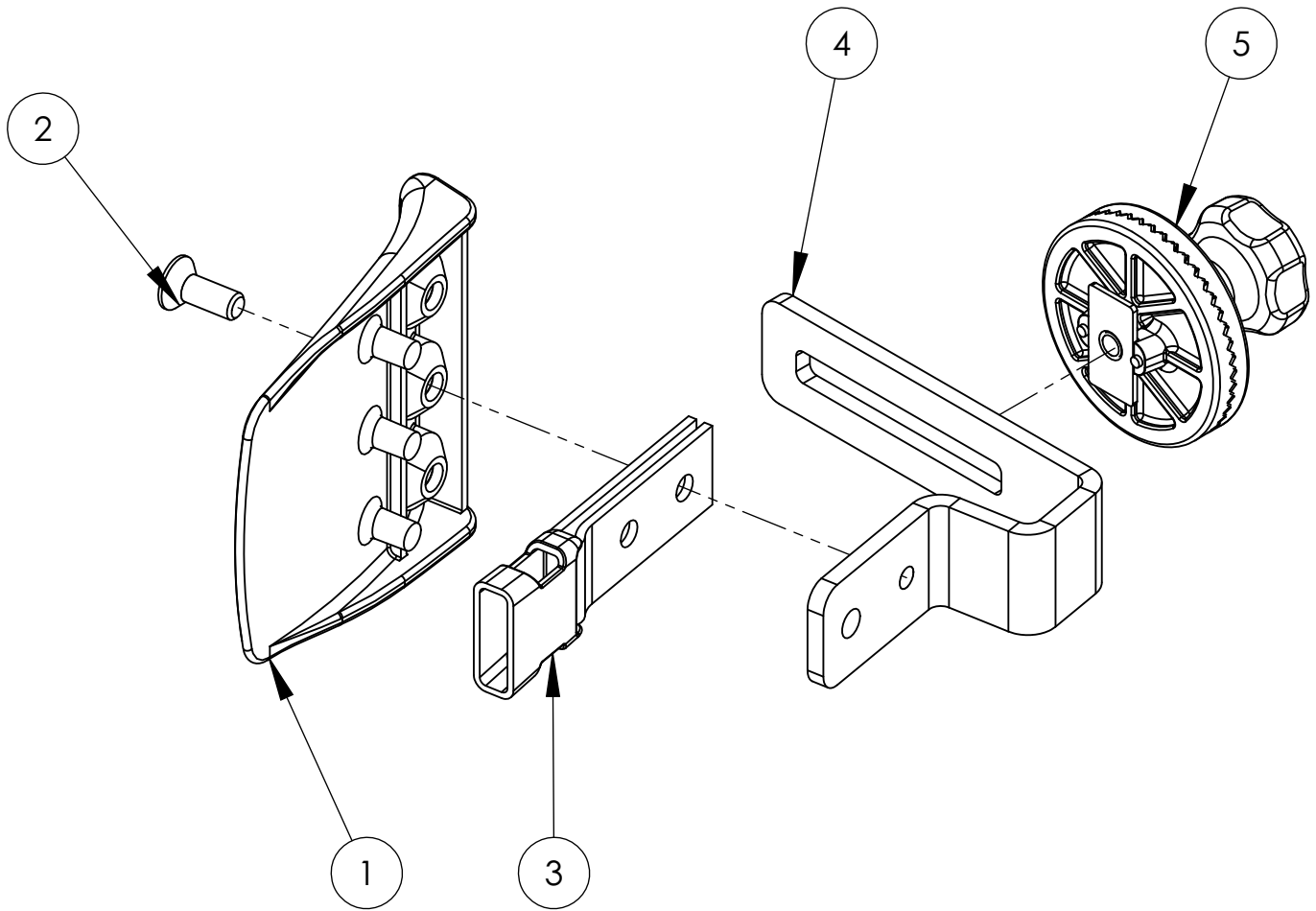
Pos.	Leckey Code	Description	Qty
1	120-637	Footrest Assembly	1
2	SP-1029	Footrest Locking Kit	1
3	117-115	Extrusion Locking Plate	1
4	120-214	Footplate Pad Kit	1

Squiggles Seat - Backrest Assembly



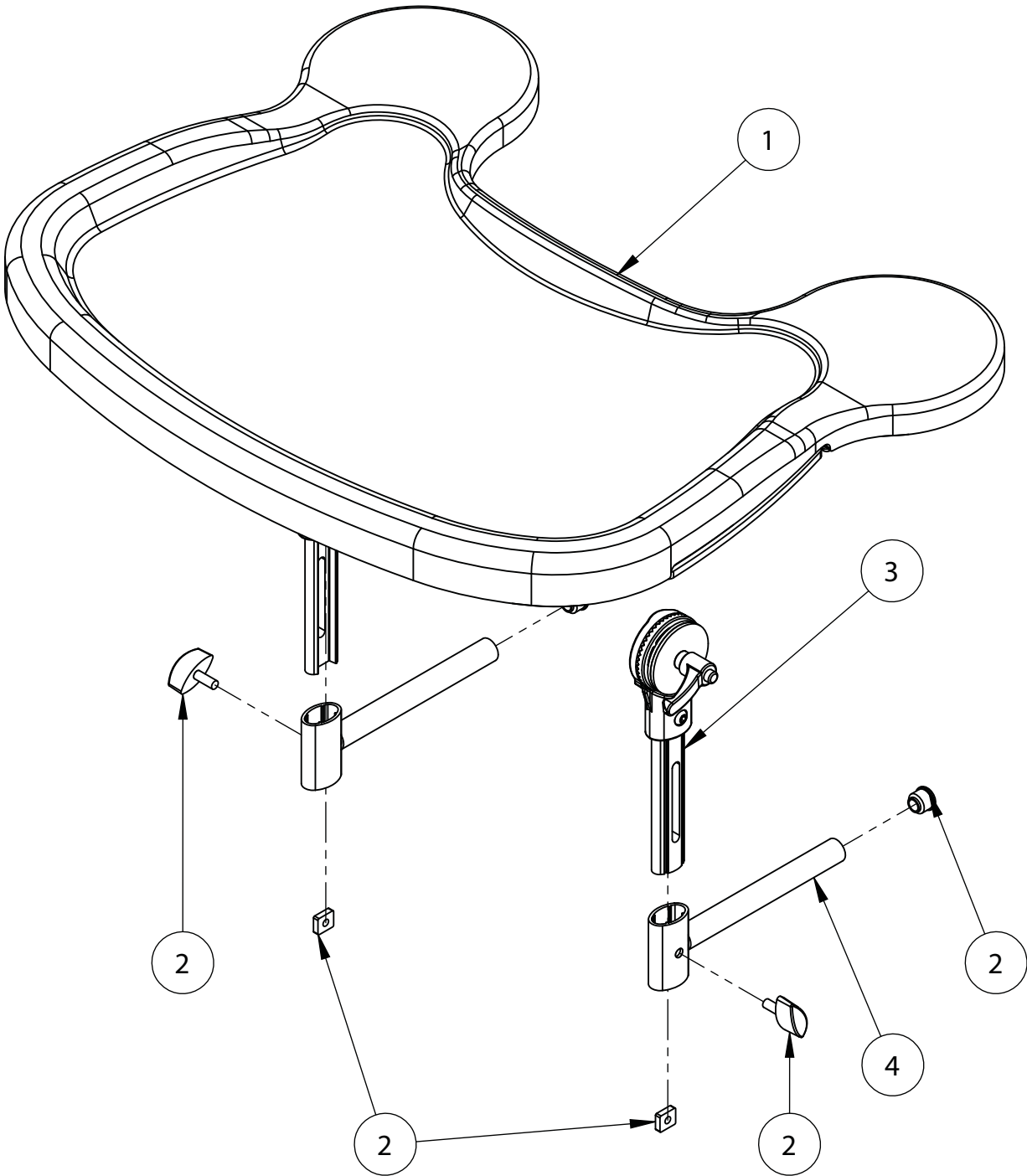
Pos.	Leckey Code	Description	Qty
1	120-640	Backrest Assembly	1
2	SF01	Elesa Knurled Knob Kit	1
3	118-716	Orb Knob	1
4	120-1020	Head Support Ratchet Assembly	1
5	118-166	Head Support Collar	1
6	120-9029	Trunk Harness Attachment Kit	1
7	120-665	Backrest Angle Clamp Assembly	1

Squiggles Seat - Lateral Assembly



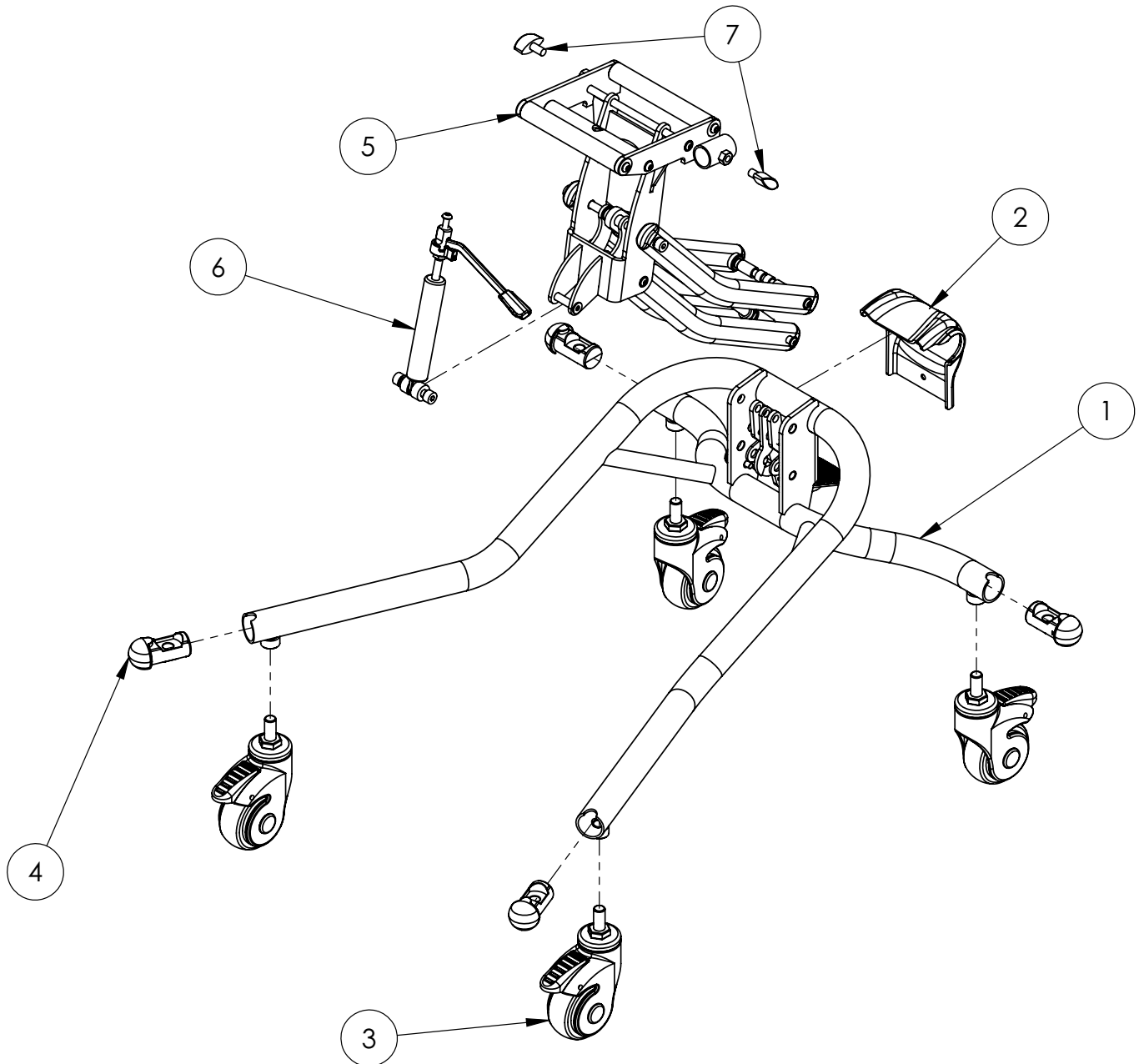
Pos.	Leckey Code	Description	Qty
1	118-049	Lateral	1
2	SL19	Csk Socket Screw M6 X 16	1
3	117-700	Harness Buckle Attachment	1
4	120-175	Lateral Bracket	1
5	117-139	Angle Lock Assembly	1

Squiggles Seat - Tray Assembly



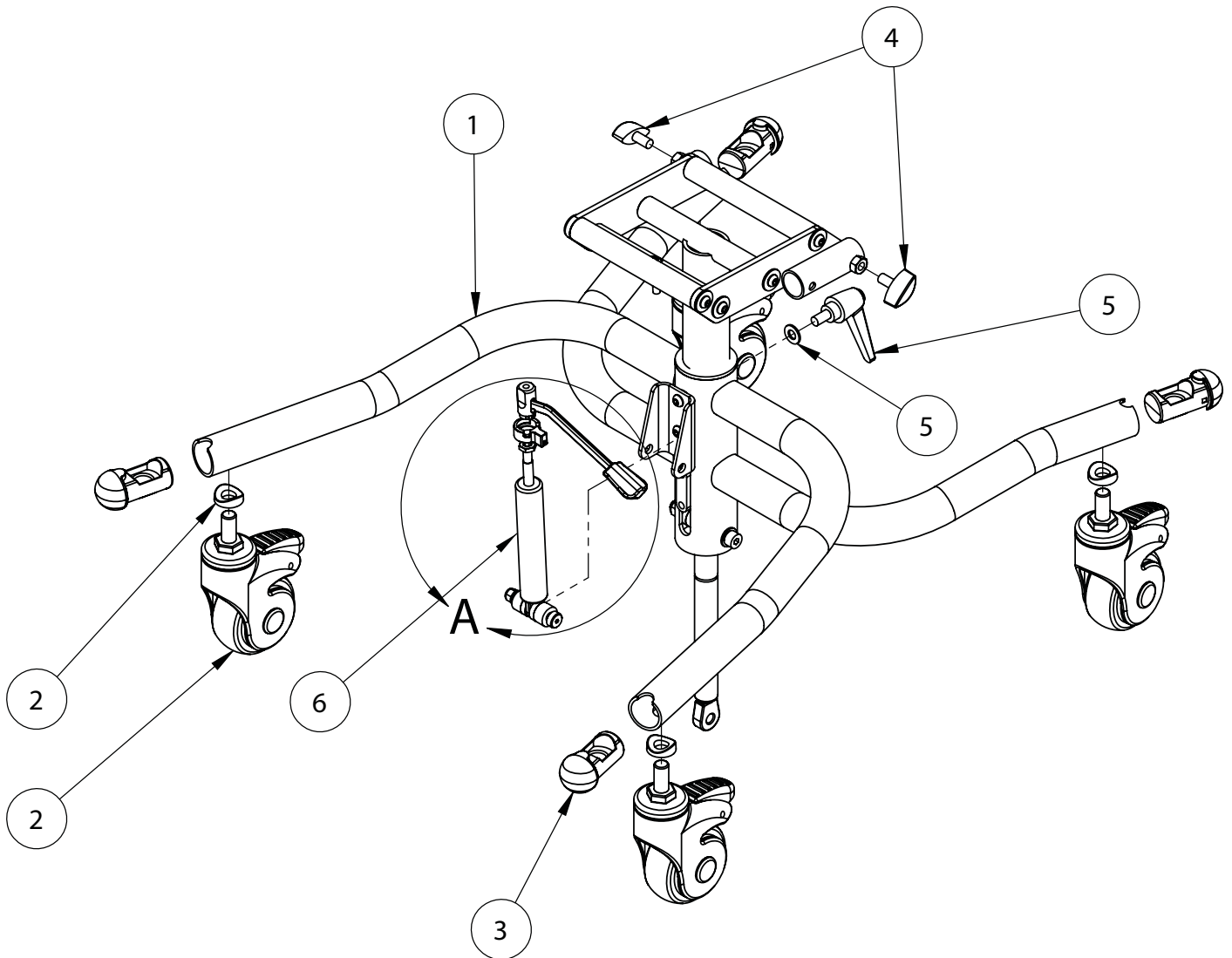
Pos.	Leckey Code	Description	Qty
1	120-672	Tray Assembly	1
2	120-9032	Tray Adjustment Kit	2
3	120-671	Tray Height Adjustment Assembly	2
4	120-638	Tray Depth Adjustment Assembly	2

Squiggles Seat - Hi-Low Base



Pos.	Leckey Code	Description	Qty
1	120-800	Squiggles Chassis Assembly	1
2	120-371	Chassis Rear Moulding	1
3	IA32	Castor	4
4	118-160	Castor Tube Insert	4
5	120-802	Chassis Arm Assembly	1
6	120-812	Bansback Tilt Spring Assembly	1
7	SF19	Locking Key (M8 X 16)	2

Squiggles Seat - Easy Chassis



Pos.	Leckey Code	Description	Qty
1	122-717	Easy Chassis	1
2	120-9031	Easy Chassis Castor Kit	4
3	118-160	Castor Tube Insert	4
4	SF19	Locking Key (M8 X 16)	2
5	SP-1030	Easy Chassis Ratchet Kit	1
6	120-812	Gas Strut Activation	1

Mygo Seat Spare Parts Catalogue



Contents

03	Mygo Seat - Product Overview
04	Mygo Seat - Backrest Assembly
05	Mygo Seat - Footplate Assembly
06	Mygo Seat - Abduction Assembly
07	Mygo Seat - Seatbase Assembly
08	Mygo Seat - Tray Assembly
09	Mygo Seat - Lateral Assembly Overview
10	Mygo Seat - Lateral Assembly
11	Mygo Seat - Armrest Assembly
12	Mygo Seat - Head Support Assembly Overview
13	Mygo Seat - Head Support Assembly
14	Mygo Seat - Upholstery
15	Mygo Seat - Hi-Low Chassis Power
16	Mygo Seat - Hi-Low Chassis Manual

Please substitute _XX for the following colours when placing order:

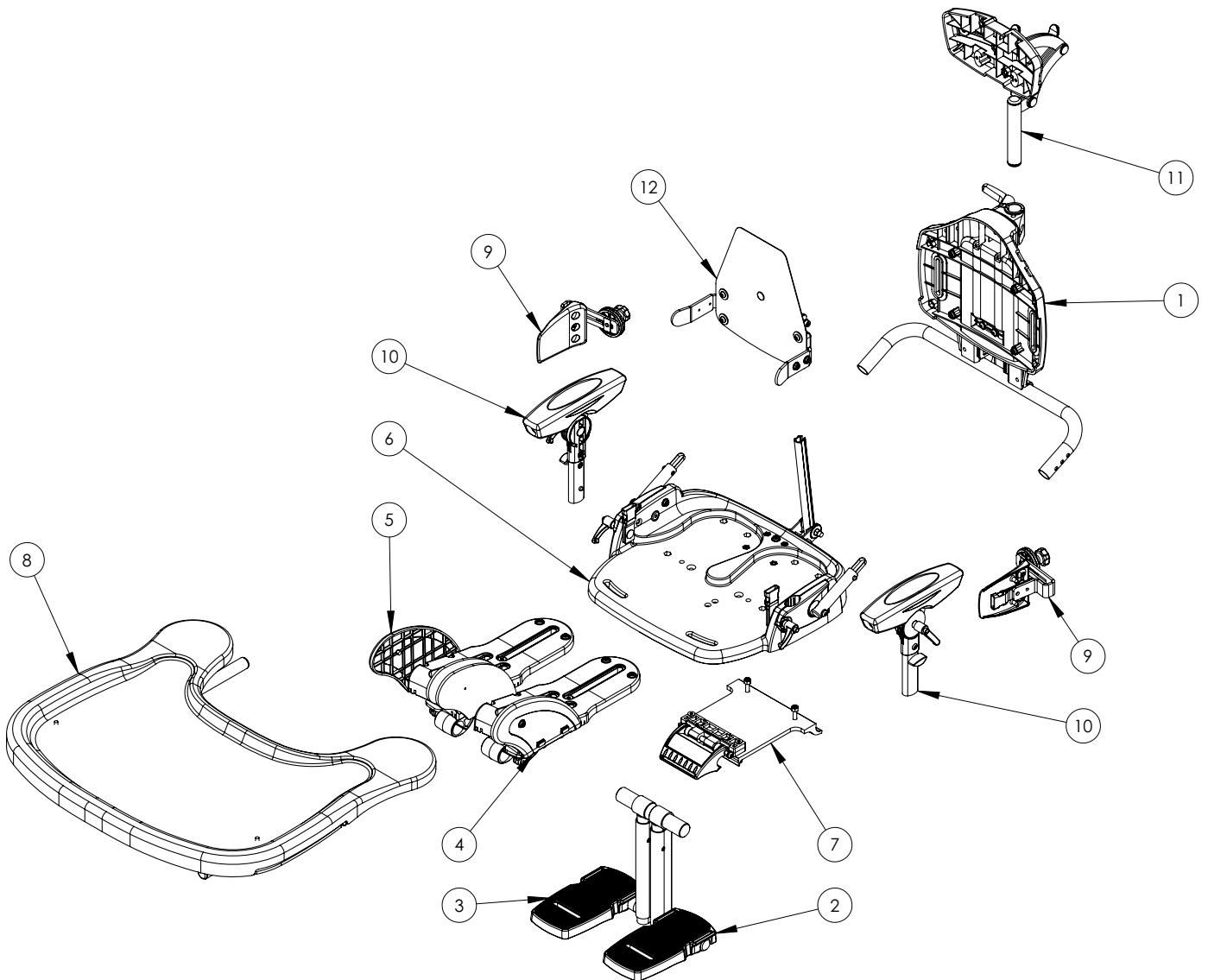
01 - Orange

02 - Blue

03 - Pink

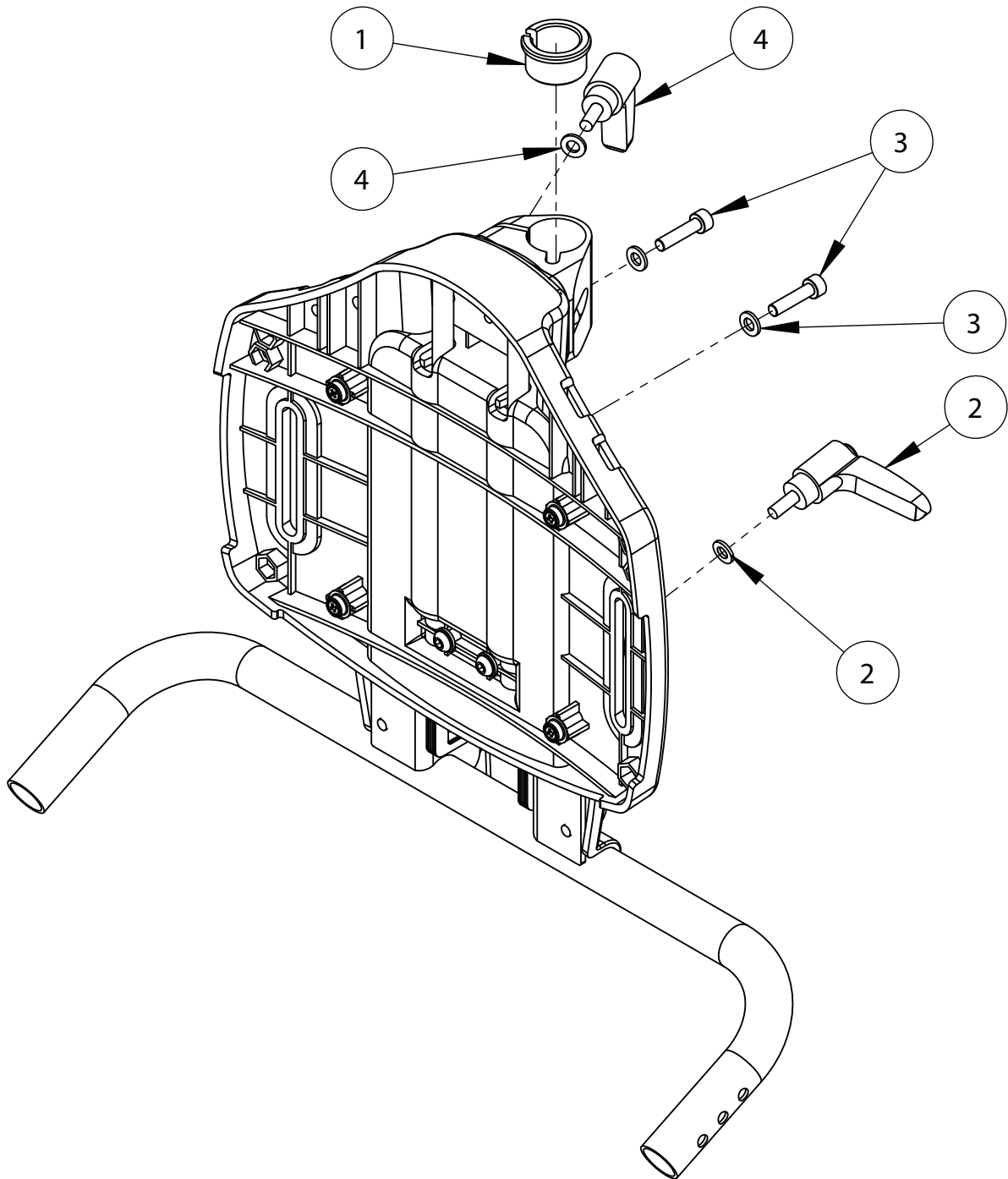
04 - Grey

Mygo Seat - Product Overview



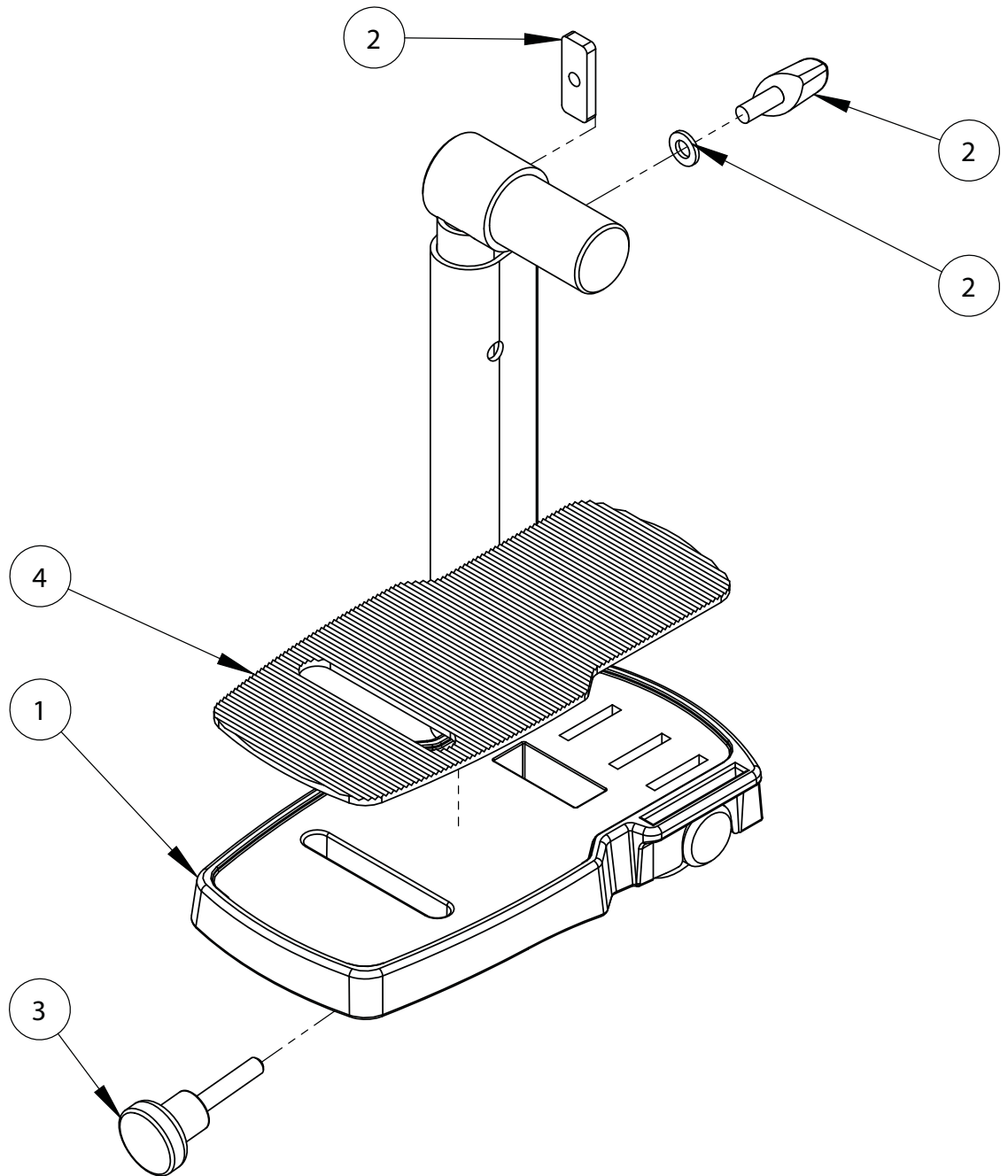
Pos.	Leckey Code	Description	Qty
1	117-670	Backrest Assembly	1
2	117-690	Footplate Assembly Lhs	1
3	117-691	Footplate Assembly RhS	1
4	117-694	Abduction Assembly Lhs	1
5	117-693	Abduction Assembly RhS	1
6	117-713	Seat Base Assembly	1
7	117-720	Interface Assembly	1
8	117-724	Tray Assembly	1
9	117-764	Lateral Assembly	1
10	117-777	Armrest Assembly	1
11	118-697	Head Support	1
12	117-702	Sacral Pad Assembly	1

Mygo Seat - Backrest Assembly



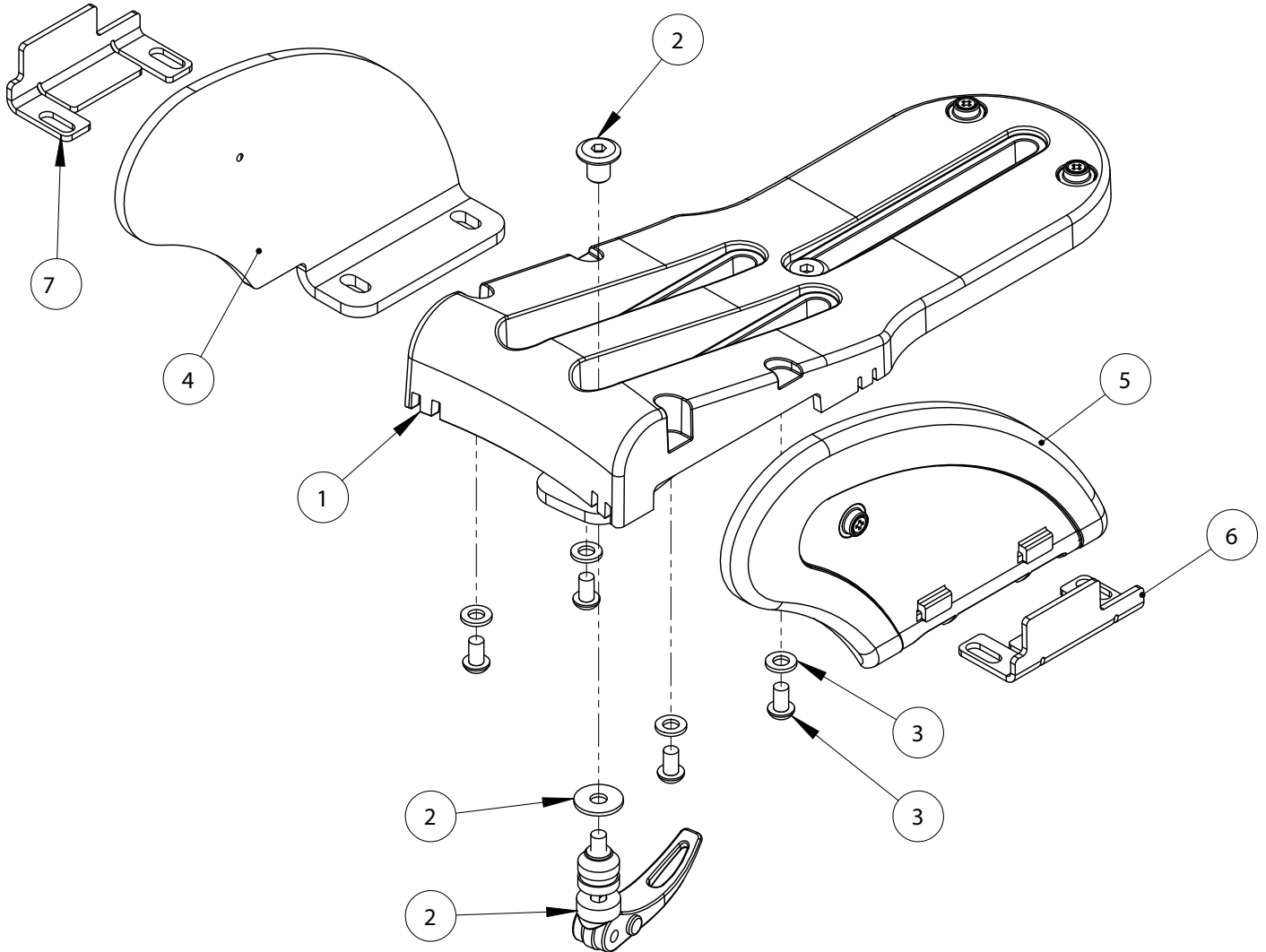
Pos.	Leckey Code	Description	Qty
1	118-166	Head Support Collar	1
2	SP-1031	Mygo Backrest Adjustment Kit	1
3	SP-1001	Sliding Backrest Attachment Kit	1
4	SP-1000	Head Support Adjustment Kit	1

Mygo Seat - Footplate Assembly



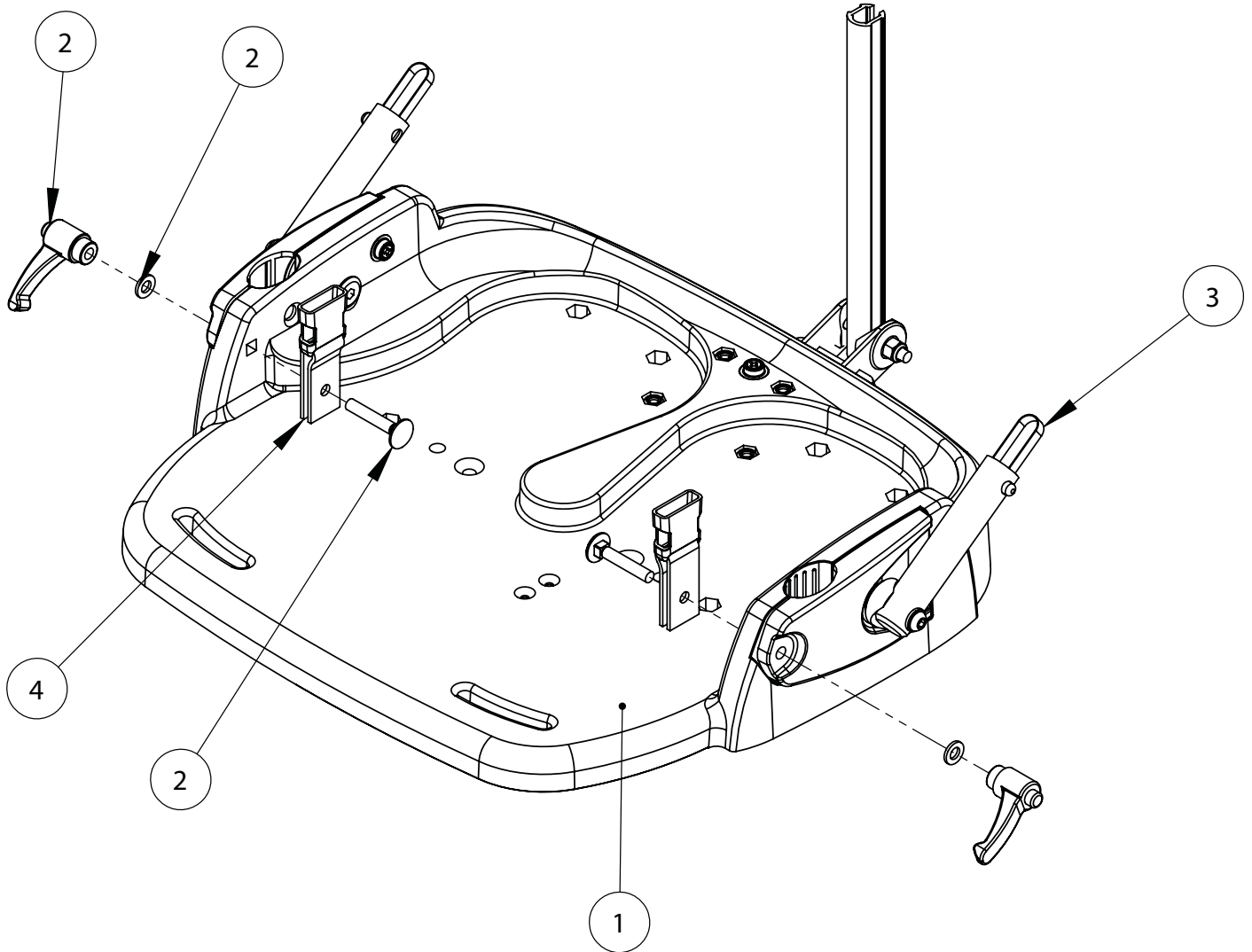
Pos.	Leckey Code	Description	Qty
1	117-690	Footplate Assembly Lhs	1
1	117-691	Footplate Assembly RhS	1
2	117-9007	Footplate Height Adjustment Kit	1
3	SF84	Knurled Knob (M6 X 30)	1
4	117-156	Rubber Pad	1

Mygo Seat - Abduction Assembly



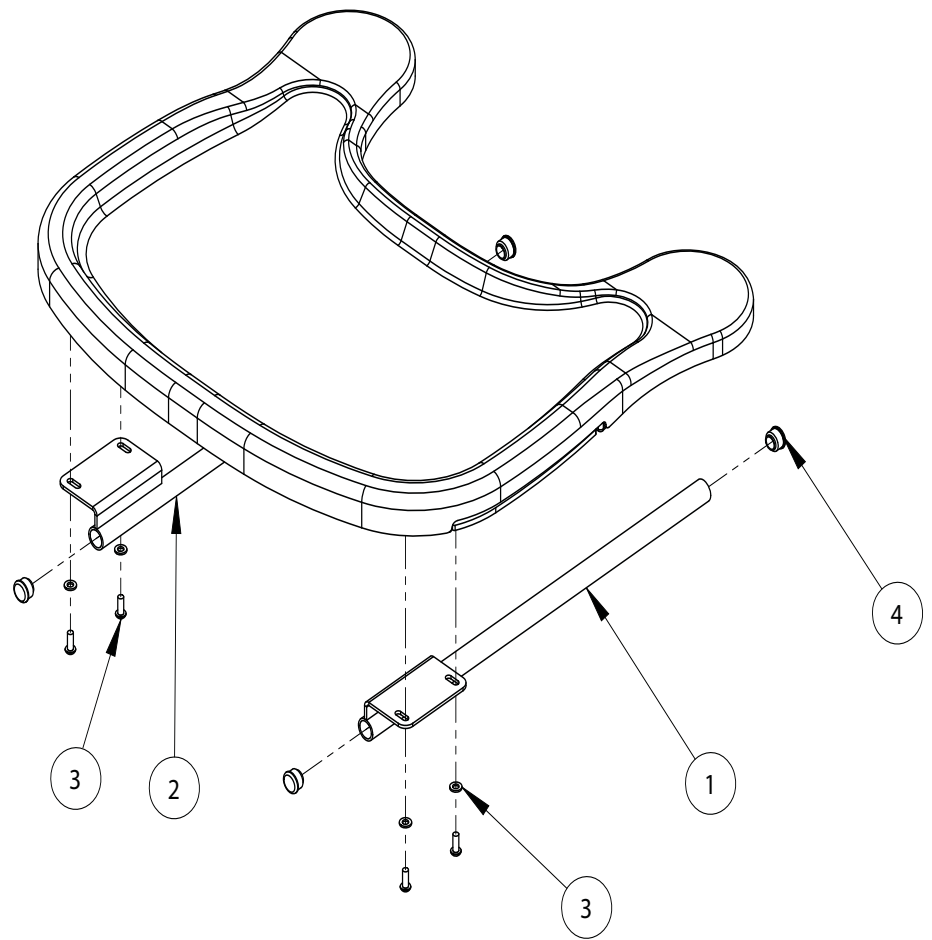
Pos.	Leckey Code	Description	Qty
1	117-694	Abduction Assembly LH	1
1	117-693	Abduction Assembly RH	1
2	SP-1010	Abduction Assembly Adjuster Kit	1
3	SP-1011	Femoral Guide Attachment Kit	1
4	117-718	RH Femoral Guard Assembly Inside	1
4	117-716	LH Femoral Guard Assembly Inside	1
5	117-719	RH Femoral Guard Assembly Outside	1
5	117-717	LH Femoral Guard Assembly Outside	1
6	117-461	Femoral Support LH	1
7	117-462	Femoral Support RH	1

Mygo Seat - Seatbase Assembly



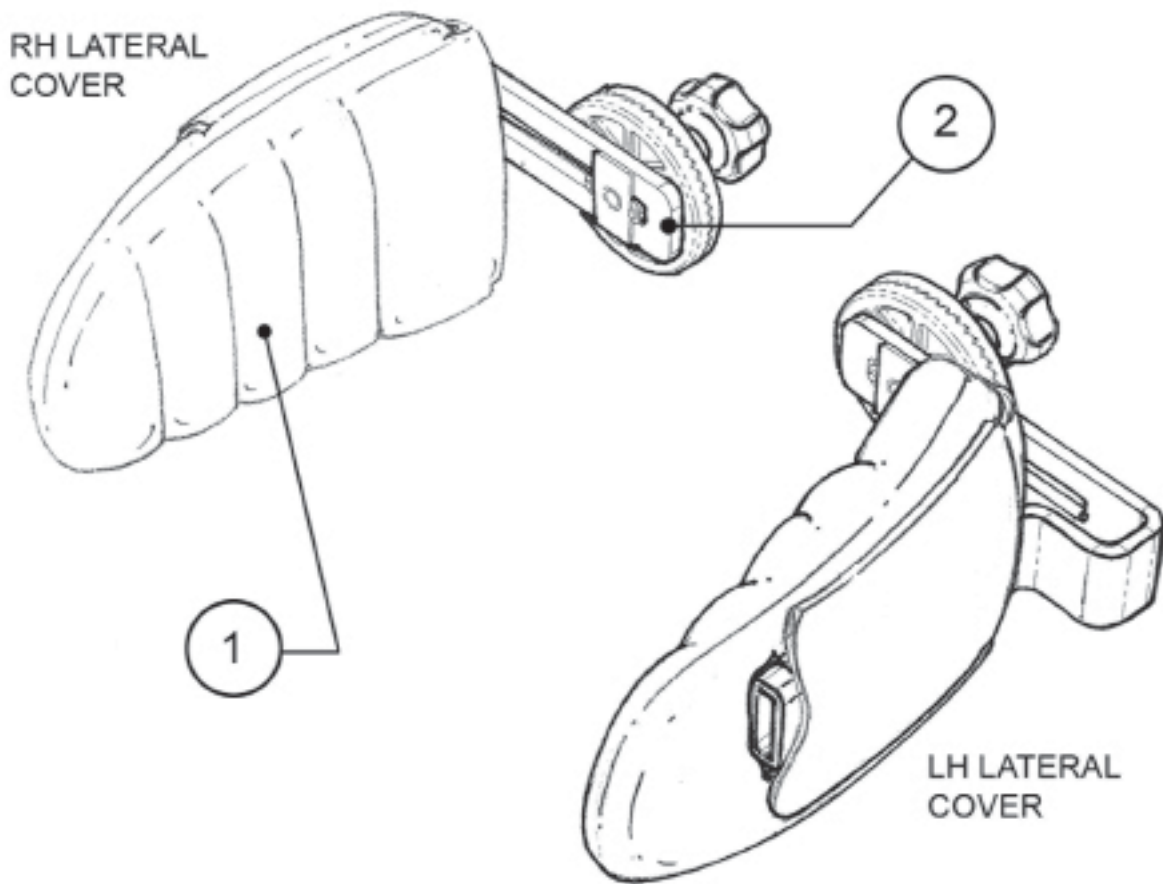
Pos.	Leckey Code	Description	Qty
1	117-713	Seat Base Assembly	1
2	SP-1005	Harness Attachment Kit	1
3	117-123	Backrest Depth Adjustment Assembly	1
4	117-749	Pelvic Harness Attachment Assembly	1

Mygo Seat - Tray Assembly



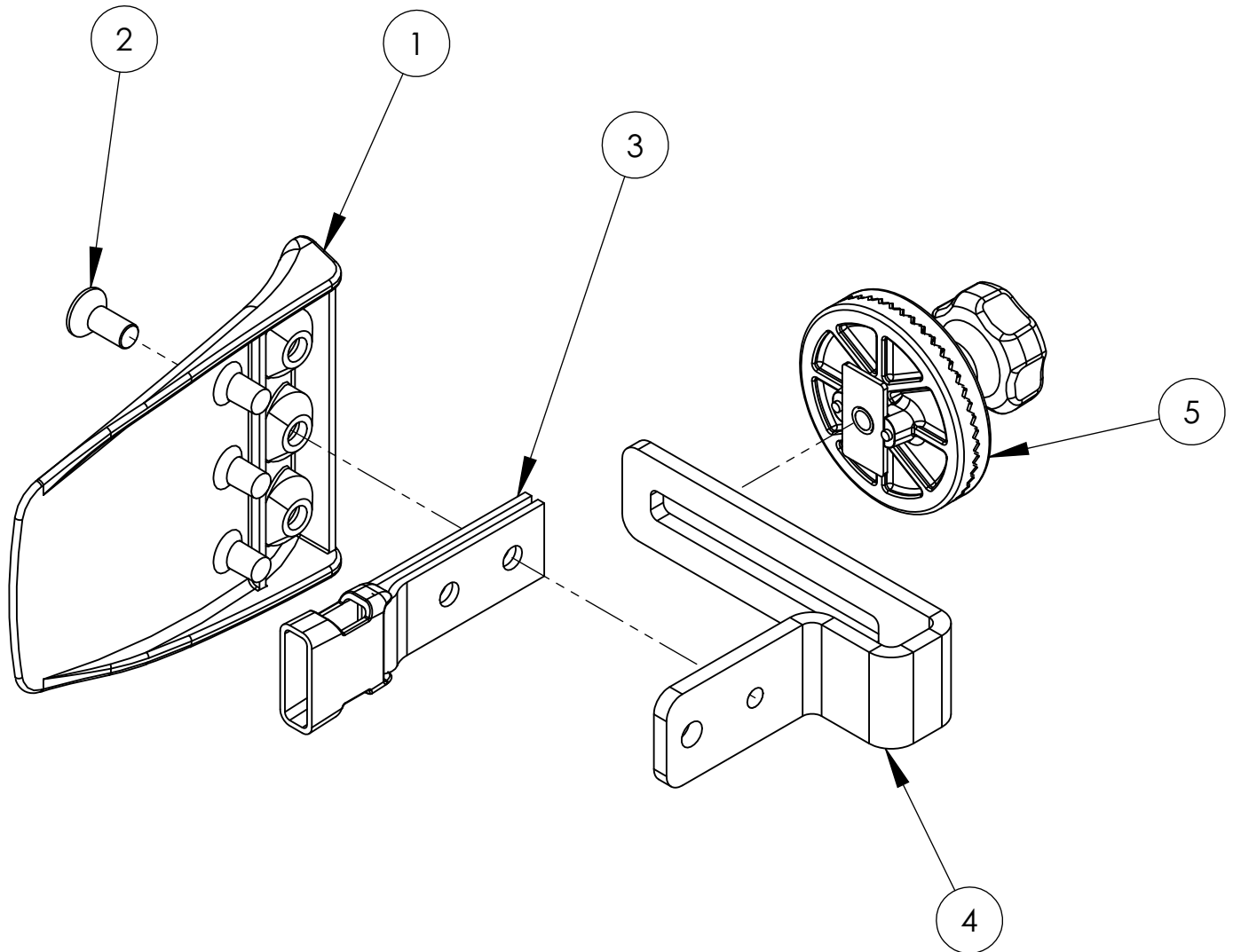
Pos.	Leckey Code	Description	Qty
1	117-222	Tray Bar Assembly RH	1
2	117-223	Tray Bar Assembly LH	1
3	SP-1032	Tray Bar Screw Kit	1
4	SF52	Round Tube Insert	4

Mygo Seat - Lateral Assembly Overview



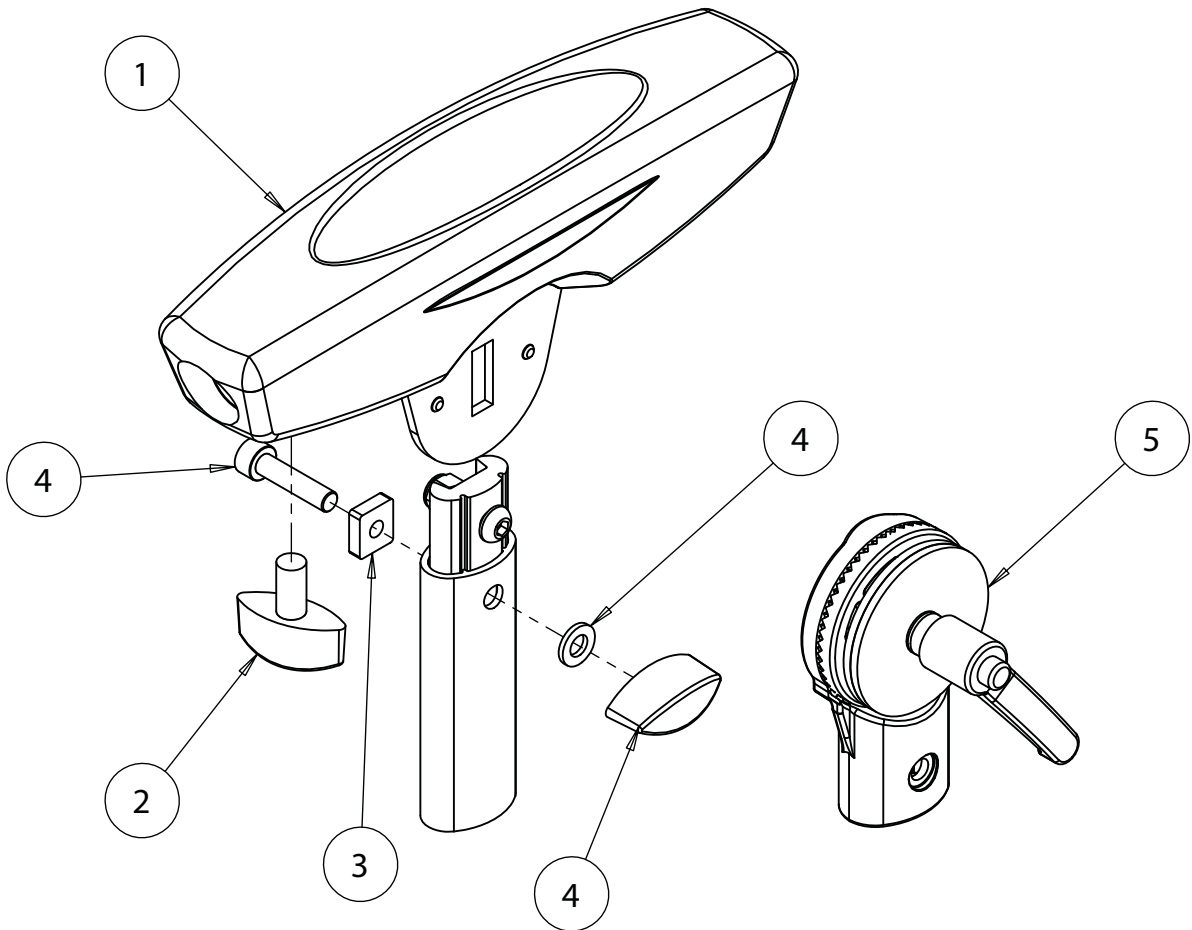
Pos.	Leckey Code	Description	Qty
1	117-751	Lateral Covers	1
2	117-764	Lateral Support Assembly	2

Mygo Seat - Lateral Assembly



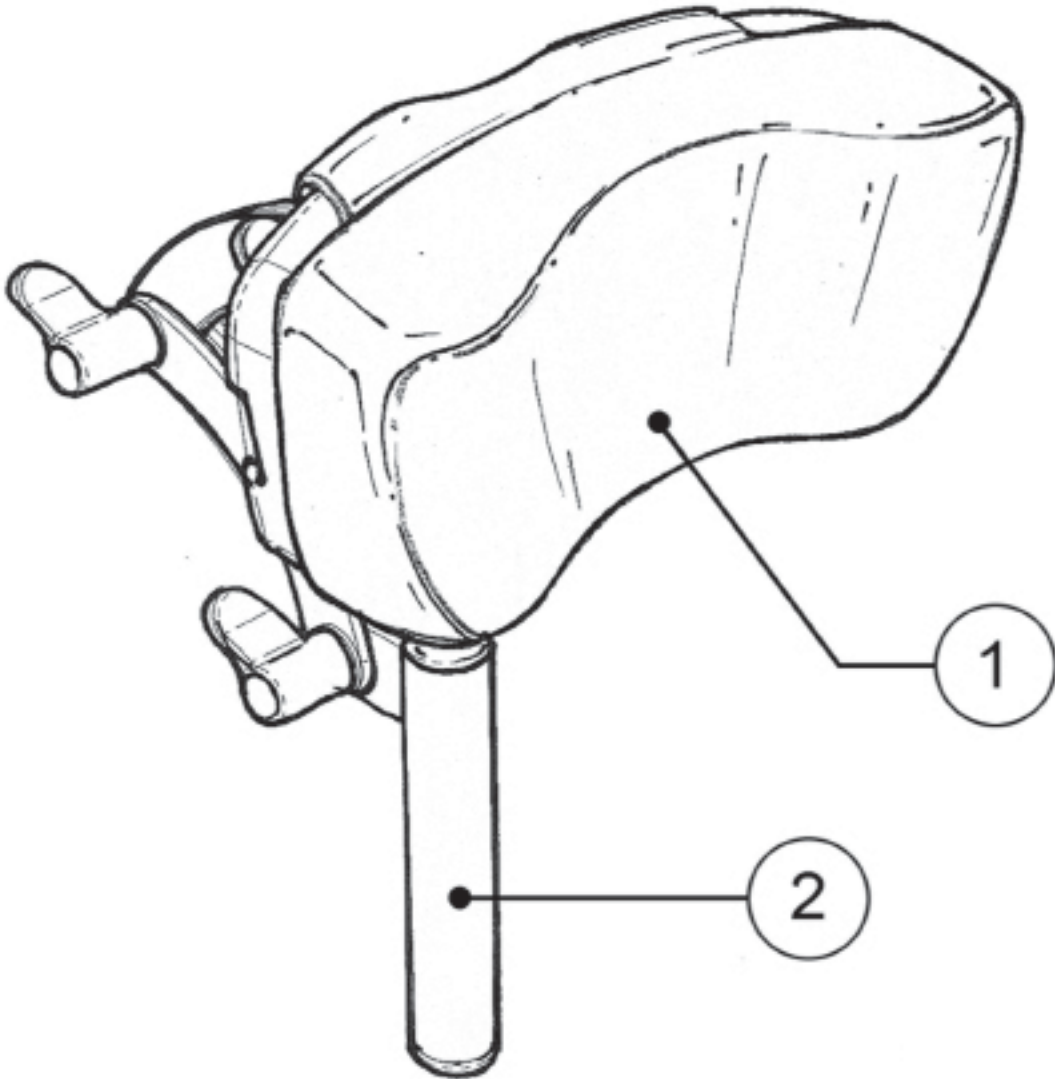
Pos.	Leckey Code	Description	Qty
1	117-176	Lateral	1
2	SJ112	Csk Socket Screw (M6 X 8)	1
3	117-700	Harness Buckle Attachment	1
4	117-191	Lateral Bracket	1
5	117-139	Angle Lock Assembly	1

Mygo Seat - Armrest Assembly



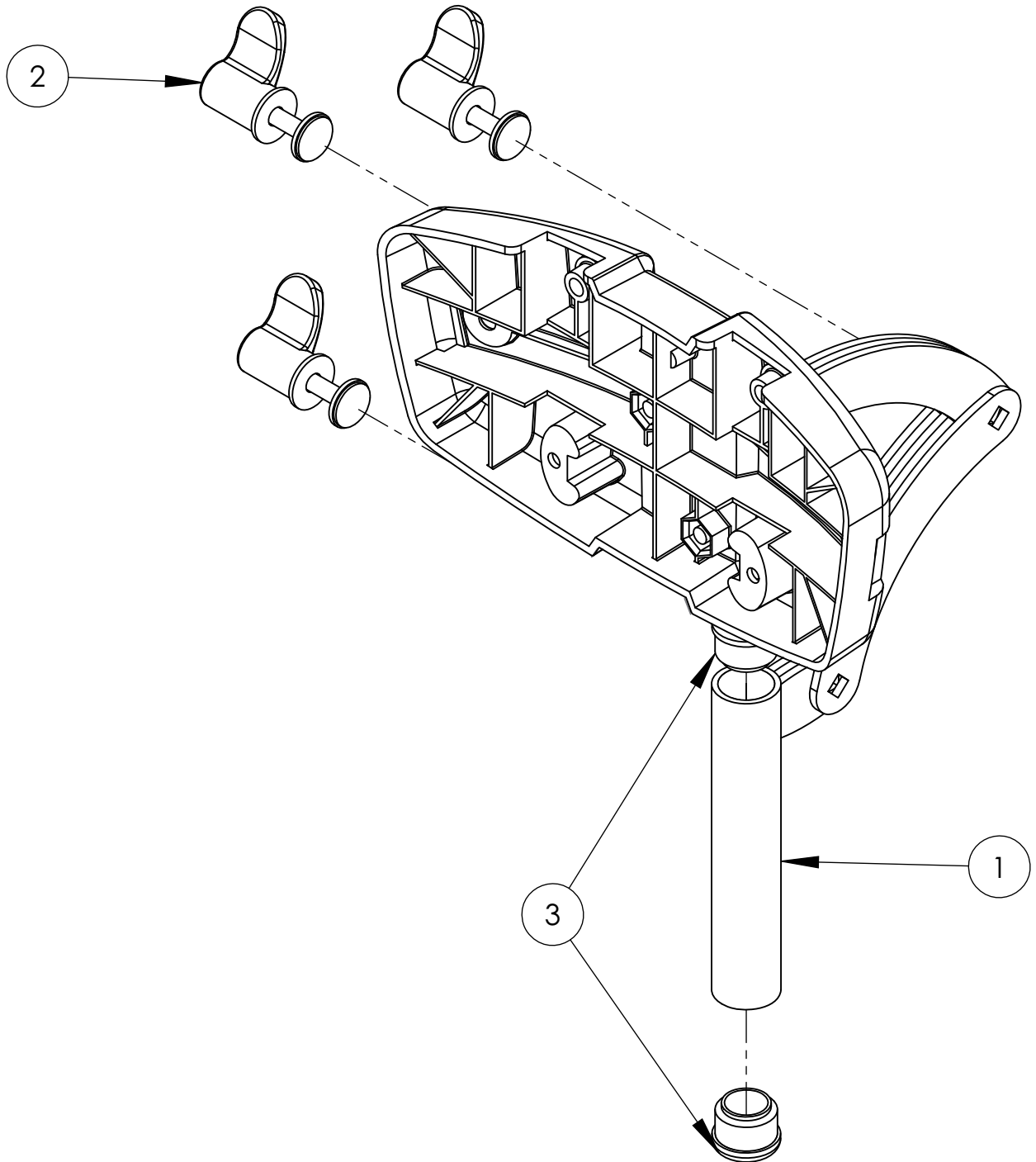
Pos.	Leckey Code	Description	Qty
1	117-777	ARMREST ASSEMBLY	1
2	SF19	LOCKING KEY (M8 X 16)	1
3	117-268	ARMREST LOCKPLATE	1
4	137-9012	ARMREST OUTER ADJUSTMENT ASSEMBLY	1

Mygo Seat - Head Support Assembly Overview



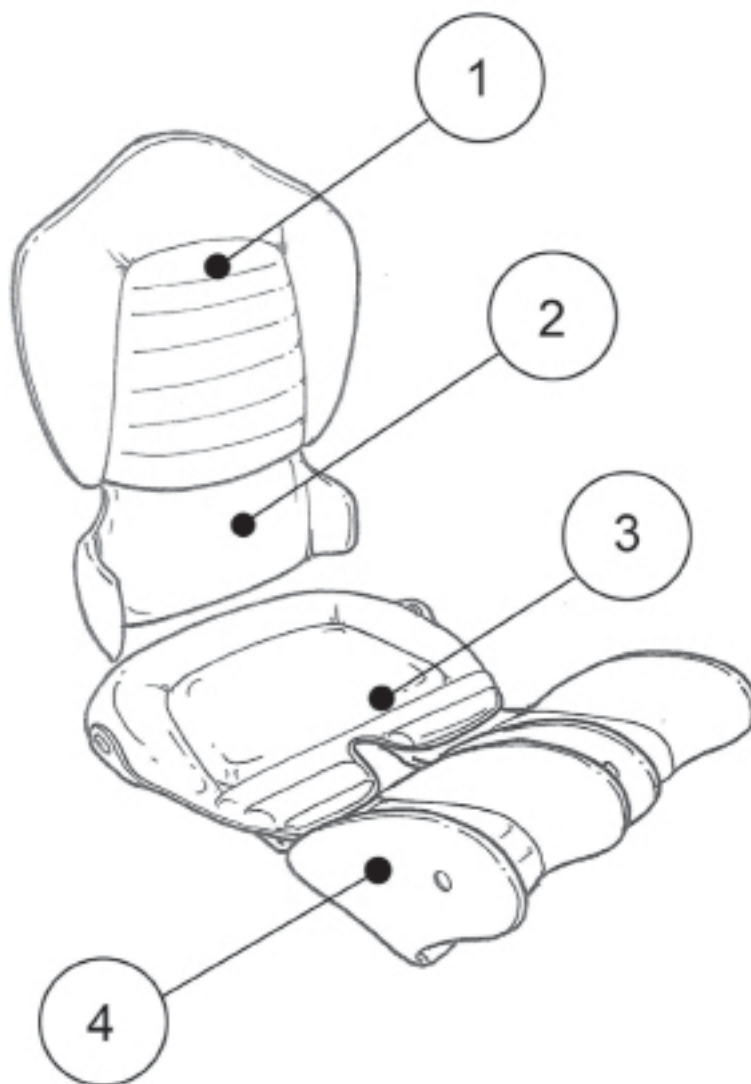
Pos.	Leckey Code	Description	Qty
1	118-766	Head Rest Cushion	1
2	118-697	Head Support	1

Mygo Seat - Head Support Assembly



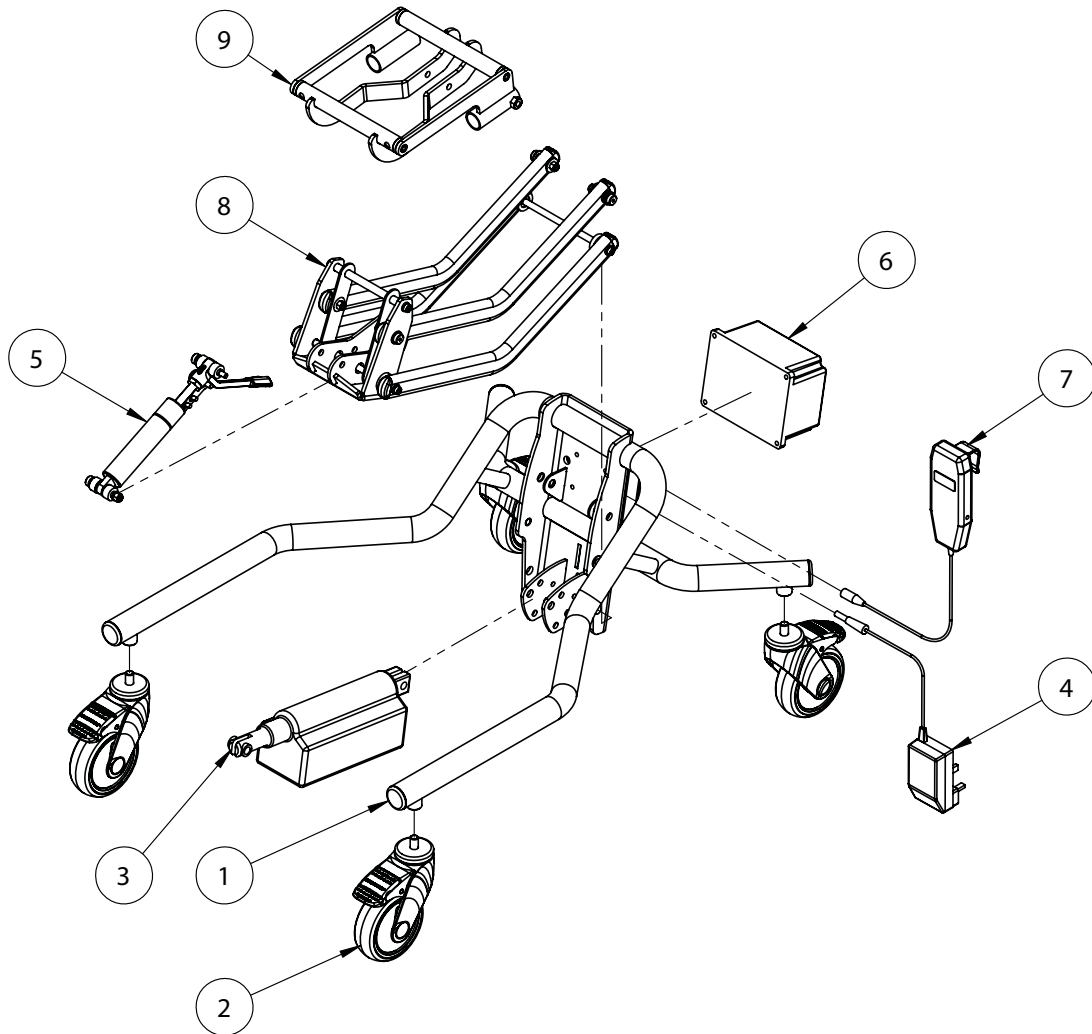
Pos.	Leckey Code	Description	Qty
1	118-697	HEAD SUPPORT ASSEMBLY	1
2	137-9015	WING NUT ASSEMBLY	1
3	SF53	ROUND TUBE INSERT	2

Mygo Seat - Upholstery



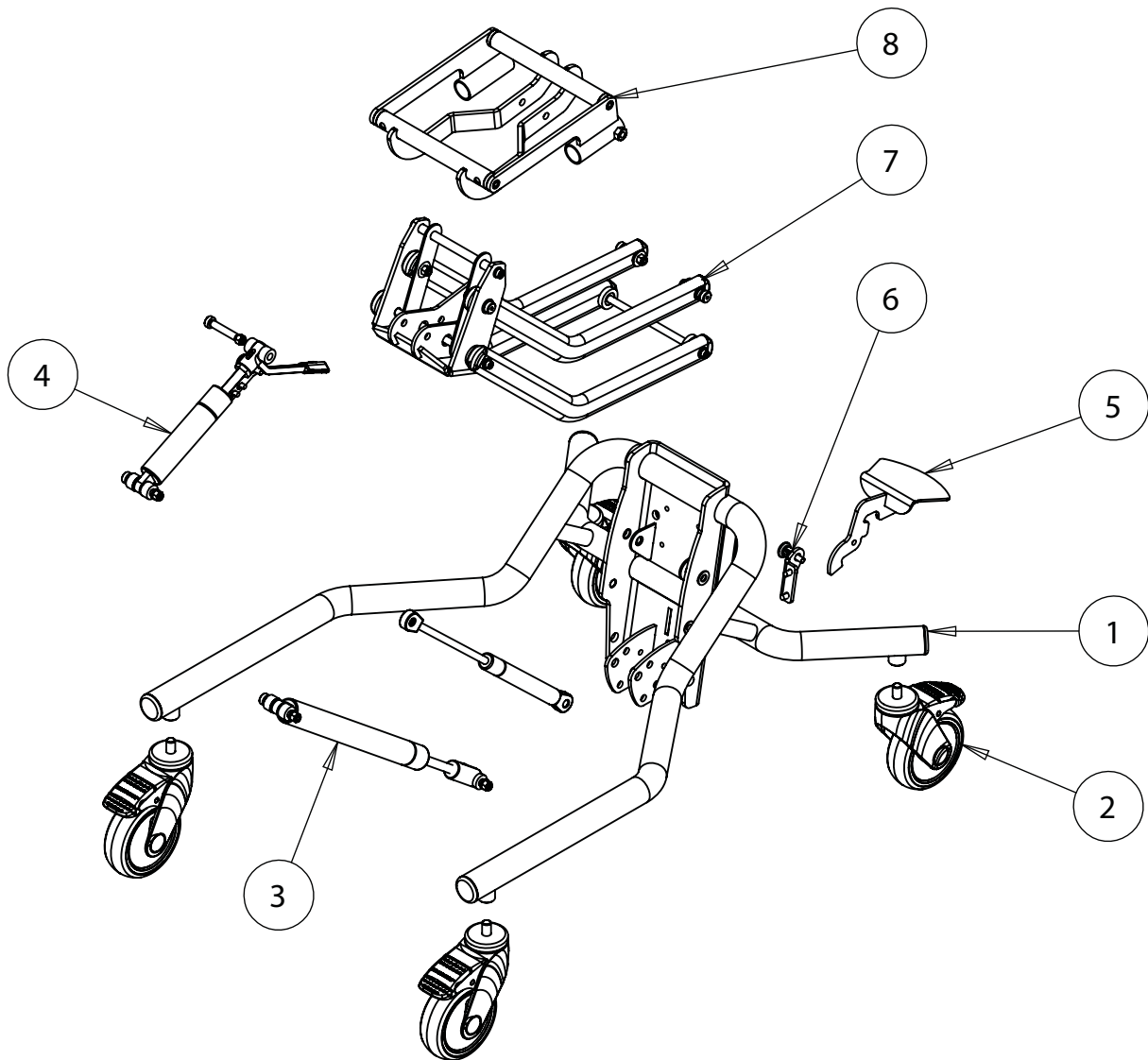
Pos.	Leckey Code	Description	Qty
1	117-750-XX	Backrest Cushion	1
1	117-752-XX	Sacral Cushion	1
2	117-754-XX	Seat Base Cushion	1
3	117-753-XX	Upper Leg Cushion	1

Mygo Seat - Hi-Low Chassis Power



Pos.	Leckey Code	Description	Qty
1	102-1693	Chassis Welded Assy Size 1&2	1
1	102-2693	Chassis Welded Assy Size 3	1
2	IA13	Castor	4
3	102-1694	Actuator Assy	1
4	SI74	Charger UK	1
4	SI125	Charger EUR	1
4	SI126	Charger USA/JAPAN	1
4	SI127	Charger AUSW	1
5	102-1695	500N Blocolift Size 1&2 Assy	1
5	102-1696	800N Blocolift Size 3 Assy	1
6	SI64	Battery	1
7	SI67	Handset	1
8	117-651	Lever Arm Assembly Size 1-3	1
9	117-633	Mygo Interface Assembly	1

Mygo Seat - Hi Low Chassis Manual



Pos.	Leckey Code	Description	Qty
1	102-1693	Chassis Welded Assy Size 1&2	1
1	102-2693	Chassis Welded Assy Size 3	1
2	IA13	Castor	4
3	102-1698	1200N Liftomat Shock Size 1-3 Assy	1
4	102-1699	100N Liftomot Shock Size 2-3 Assy	1
5	102-1695	500N Blocolift Size 1&2 Assy	1
5	102-1696	800N Blocolift Size 3 Assy	1
6	102-1692	Short Foot Pedal	1
7	102-1761	Locking Pin Assy	1
8	117-651	Lever Arm Assembly Size 1-3	1

Waistcoat

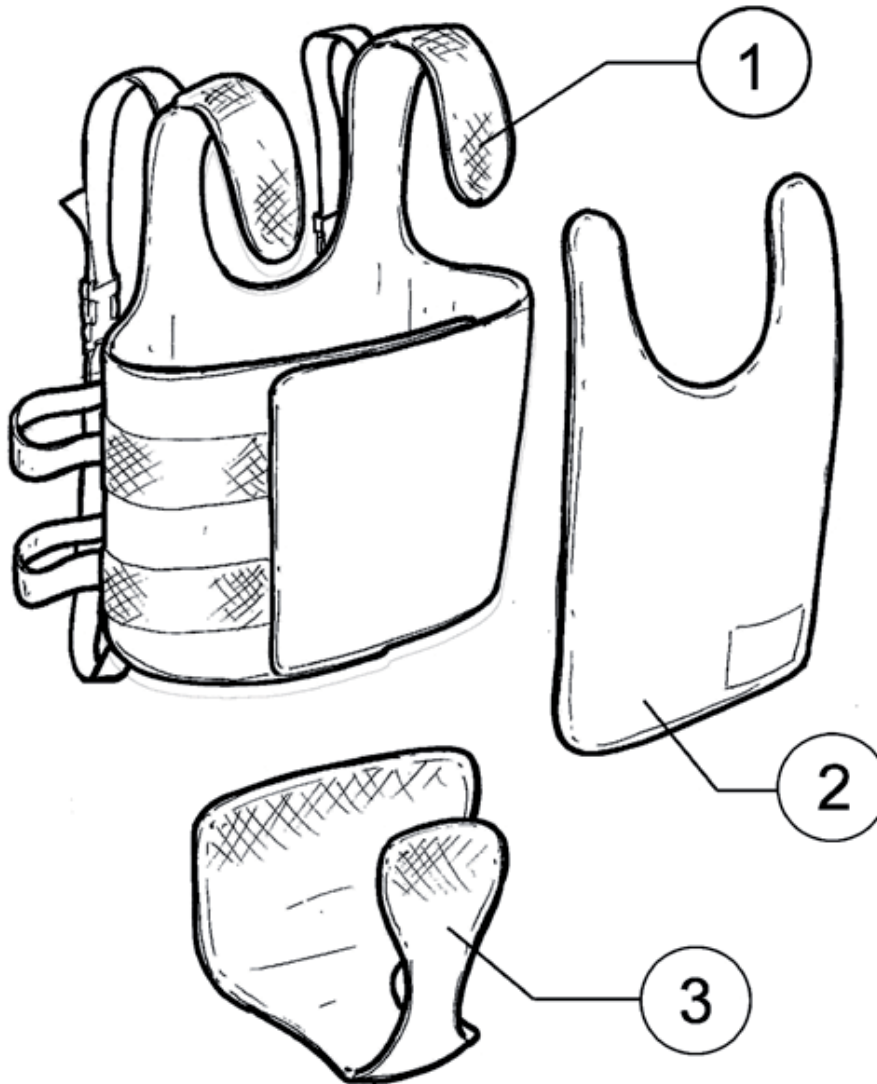
Spare Parts Catalogue



Contents

03 - Waistcoat

Waistcoat



Pos.	Leckey Code	Description	Qty	Compatible with			
				Size 1	Size 2	Size 3	Size 4
1	GV00	Waist Coat Body Size 1	1	✓			
1	GV01	Waist Coat Body Size 2	1		✓		
1	GV02	Waist Coat Body Size 3	1			✓	
1	GV03	Waist Coat Body Size 4	1				✓
2	GV08	Waist Coat Bib Size 1	1	✓			
2	GV09	Waist Coat Bib Size 2	1		✓		
2	GV10	Waist Coat Bib Size 3	1			✓	
2	GV11	Waist Coat Bib Size 4	1				✓
3	GV04	Waistcoat Tail Size 1	1	✓			
3	GV04	Waistcoat Tail Size 2	1		✓		
3	GV04	Waistcoat Tail Size 3	1			✓	
3	GV04	Waistcoat Tail Size 4	1				✓

Toilet Chair

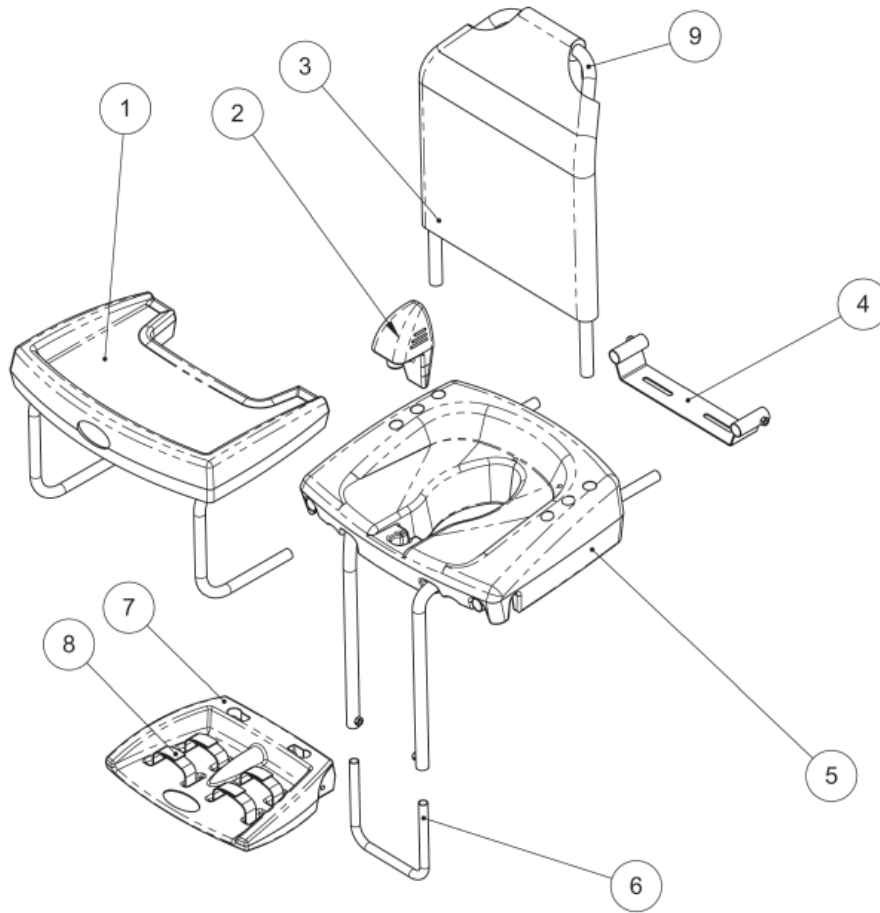
Spare Parts Catalogue



Contents

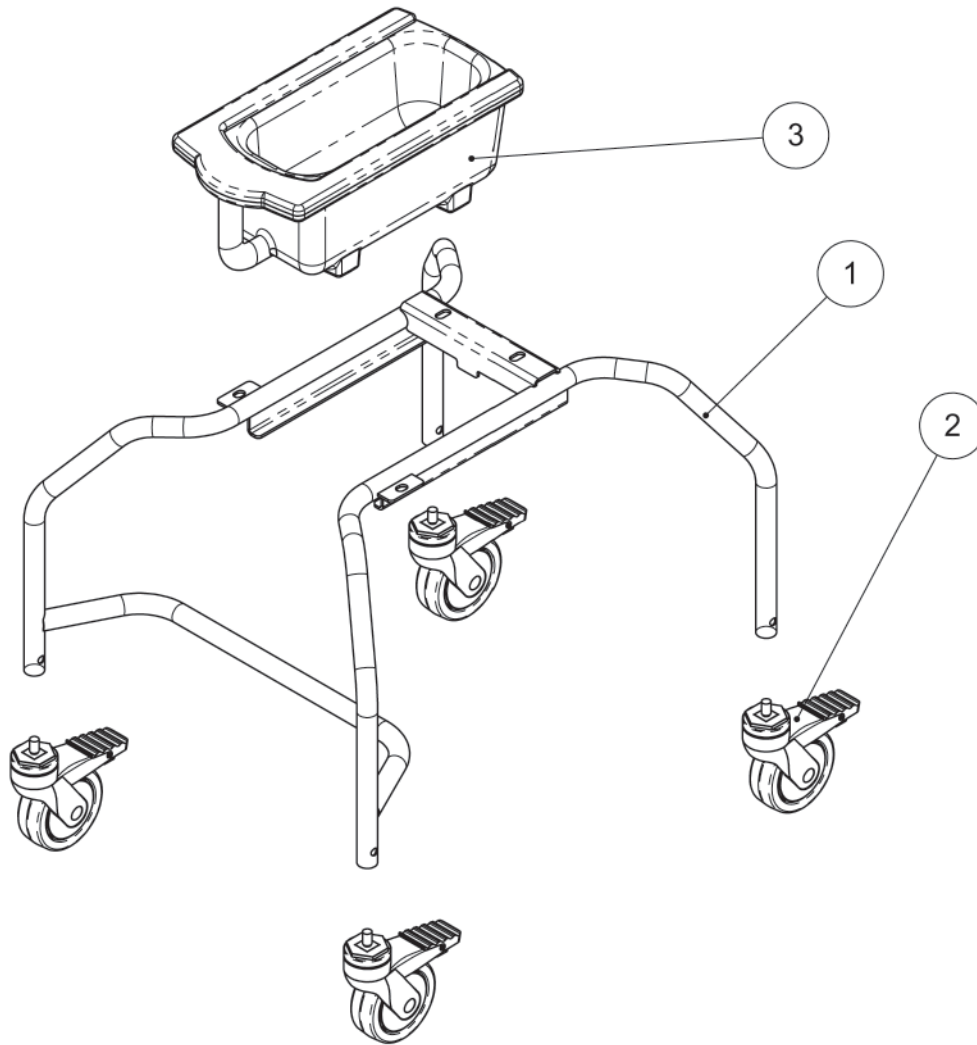
03	Toilet Chair
04	Toilet Chair Frame

Toilet Chair



Pos.	Leckey Code	Description	Qty	Compatible with		
				Size 1	Size 2	Size 3
1	LTS/1/C	Tray Assembly Size 1	1	✓		
1	LTS/2/C	Tray Assembly Size 2	1		✓	
1	LTS/3/C	Tray Assembly Size 3	1			✓
2	RAP-4-1032	Toilet Chair Pommel Size 1	1	✓		
2	RAP-4-3032	Toilet Chair Pommel Size 2 & 3	1		✓	✓
3	LTS/1/E	Toilet Chair Backrest Cover Size 1	1	✓		
3	LTS/2/E	Toilet Chair Backrest Cover Size 2 & 3	1		✓	✓
4	OTS/1/A	Toilet Chair Bracket	1	✓	✓	✓
5	RAP-4-1963	Toilet Chair Seat Size 1	1	✓		
5	RAP-4-2963	Toilet Chair Seat Size 2	1		✓	
5	RAP-4-3963	Toilet Chair Seat Size 3	1			✓
6	RAP-4-1011	U Bend Footplate Stability Bar All Sizes	1	✓	✓	✓
7	RAP-4-1033	Footrest All Sizes	1	✓	✓	✓
8	LTS/1/D	Footrest Straps All Sizes	1	✓	✓	✓
9	RAP-4-1041	Backrest Tube Size 1	1	✓		
9	RAP-4-2041	Backrest Tube Size 2	1		✓	
9	RAP-4-3041	Backrest Tube Size 3	1			✓
	LTS Care Kit	Toilet Seat Care Kit	1	✓	✓	✓

Toilet Chair Frame



Pos.	Leckey Code	Description	Qty
1	RAP-4-1601	Welded Frame Assembly	1
2	IA14	Castor	1
3	RAP-4-1030	Toilet Chair Potty	1

Shower Frame

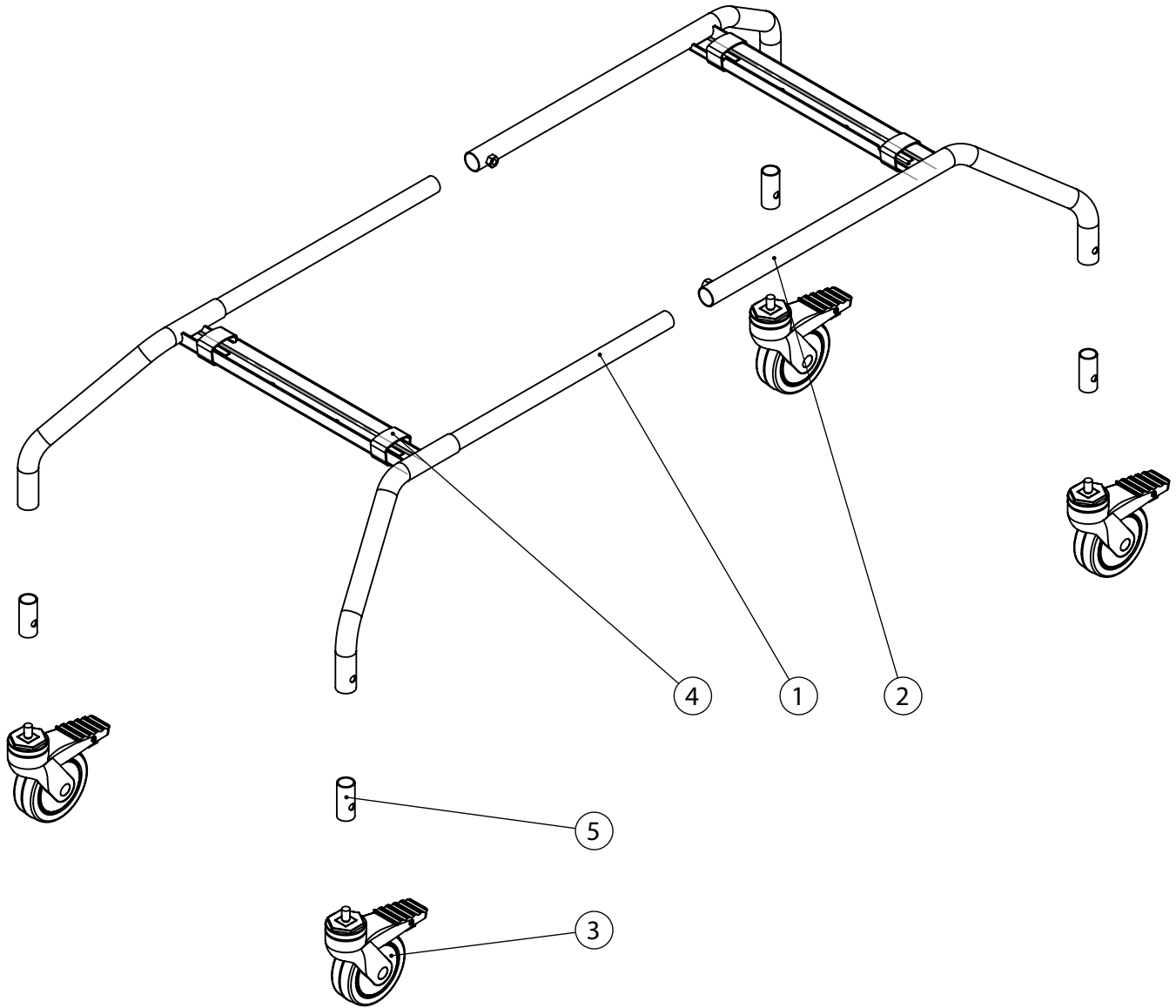
Spare Parts Catalogue



Contents

03 Shower Frame

Shower Frame



Pos.	Leckey Code	Description	Qty
1	RAP-4-1626	Front Frame	1
2	RAP-4-1627	Rear Frame	1
3	RAP-4-9000	Castor Kit	1
4	RAP-4-1079	Velcro Securing Straps	1
5	RAP-4-1065	Castor Collar	1

Bath Support

Spare Parts Catalogue



Contents

03 Bath Support

Please substitute -XX for the following when placing order:

01 - Aquamarine

02 - Royal Blue

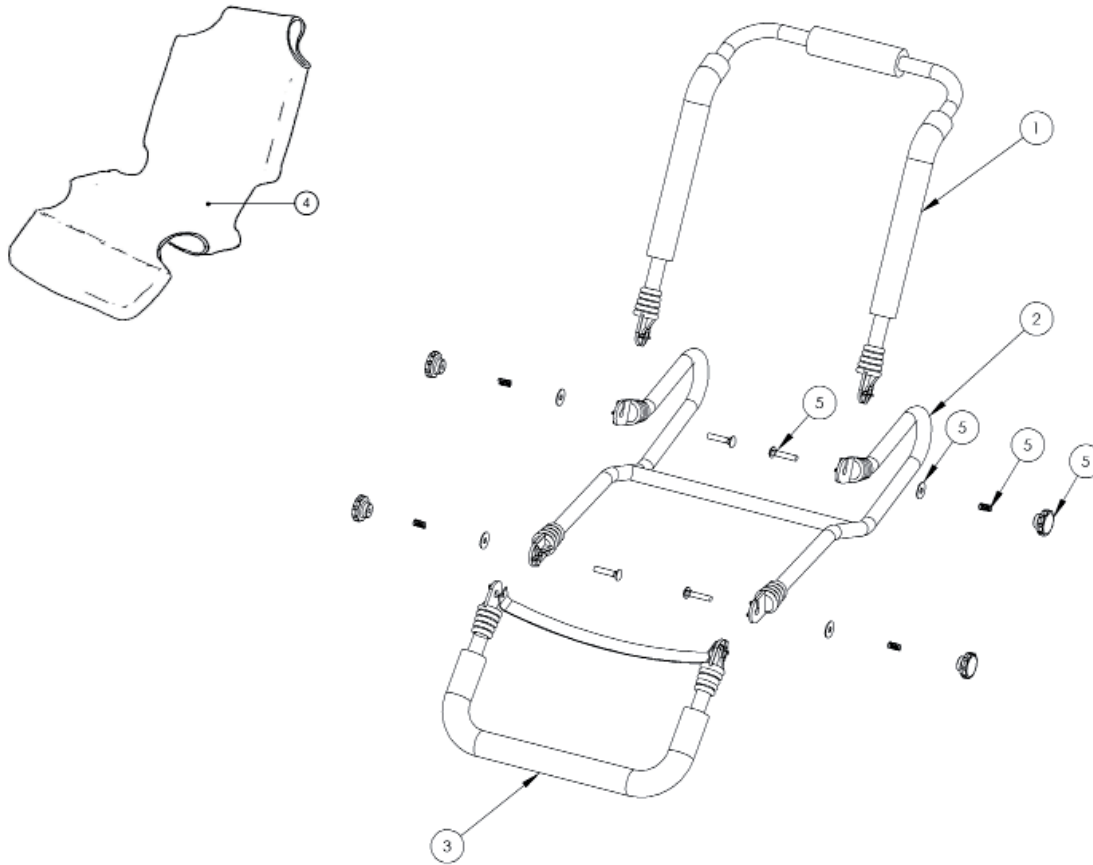
03 - Irish Green

04 - Terracotta

05 - Violet

06 - Sunshine Yellow

Bath Support



Pos.	Leckey Code	Description	Qty	Compatible with	
				Size 1	Size 2
1	RAP-4-9000	Bath Support Torso Frame Size 1	1	✓	
1	RAP-4-9001	Bath Support Torso Frame Size 2	1		✓
2	RAP-4-9002	Bath Support Bottom Frame Size 1	1	✓	
2	RAP-4-9003	Bath Support Bottom Frame Size 2	1		✓
3	RAP-4-9004	Bath Support Lower Frame Size 1	1	✓	
3	RAP-4-9005	Bath Support Lower Frame Size 2	1		✓
4	SP-1034	Bath Support Screw Kit	1	✓	✓
5	LAB/2/D-XX	Cover	1	✓	
5	LAB/3/D-XX	Cover	1		✓

LECKEY[®]

Advanced Bath Chair Spare Parts Catalogue



Contents

03-04 Advanced Bath Chair

Please substitute -XX for the following colours when placing order:

01 - Aquamarine

02 - Royal Blue

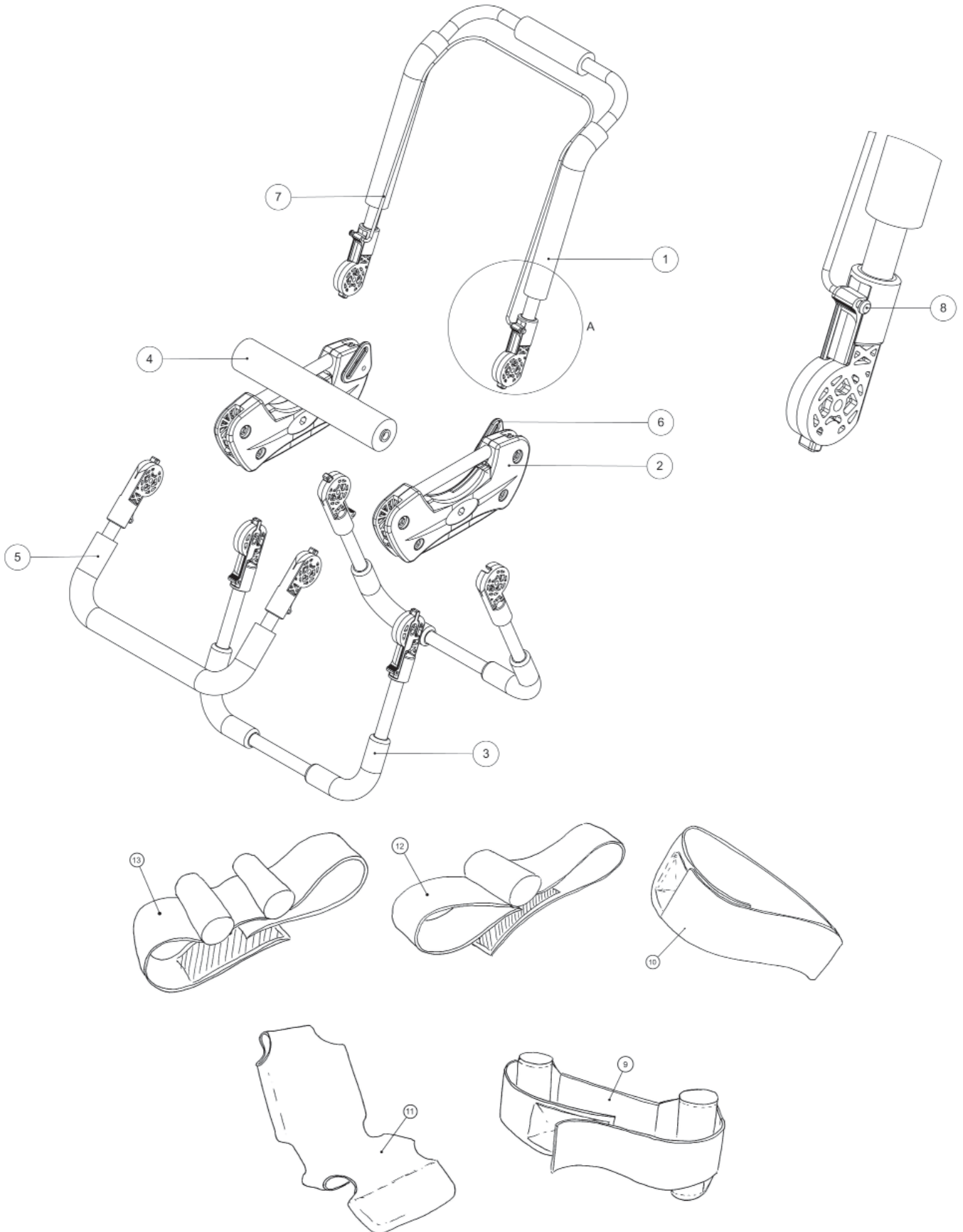
03 - Irish Green

04 - Terracotta

05 - Violet

06 - Sunshine Yellow

Advanced Bath Chair



Advanced Bath Chair

Pos.	Leckey Code	Description	Qty	Compatible with			
				Size 1	Size 2	Size 3	Size 4
1	RAP-4-1955	Backrest Assembly Size 1	1	✓			
1	RAP-4-2955	Backrest Assembly Size 2	1		✓		
1	RAP-4-3955	Backrest Assembly Size 3	1			✓	
1	RAP-4-4955	Backrest Assembly Size 4	1				✓
2	RAP-4-1956	Side Moulding Assembly Size 1	1	✓			
2	RAP-4-2956	Side Moulding Assembly Size 2	1		✓		
2	RAP-4-3956	Side Moulding Assembly Size 3	1			✓	
2	RAP-4-4956	Side Moulding Assembly Size 4	1				✓
3	RAP-4-1900	Lower Leg Assembly Complete Size 1-4	1	✓	✓	✓	✓
4	RAP-4-1957	Knee Roll Assembly Size 1-4	1	✓	✓	✓	✓
5	RAP-4-1958	Calf Support Assembly Size 1 & 2	1	✓	✓		
5	RAP-4-3958	Calf Support Assembly Size 3 & 4	1			✓	✓
6	RAP-4-1064	Belt Plate	1	✓	✓	✓	✓
7	RAP-4-1039	Back Angle Adjuster Bar Size 1	1	✓			
7	RAP-4-2039	Back Angle Adjuster Bar Size 2	1		✓		
7	RAP-4-3039	Back Angle Adjuster Bar Size 3	1			✓	
7	RAP-4-4039	Back Angle Adjuster Bar Size 4	1				✓
8	SI24	Poppers For Back Angle Adjuster Bar	1	✓	✓	✓	✓
9	LAB/1/A-XX	Chest Belt	1	✓	✓	✓	✓
10	LAB/1/E-XX	Hip Belt	1	✓	✓	✓	✓
11	LAB/1/D-XX	Cover Size 1	1	✓			
11	LAB/2/D-XX	Cover Size 2	1		✓		
11	LAB/3/D-XX	Cover Size 3	1			✓	
11	LAB/4/D-XX	Cover Size 4	1				✓
12	LAB/1/B-XX	Abduction Belt Size 1 & 2	1	✓	✓		
12	LAB/2/B-XX	Abduction Belt Size 3 & 4	1			✓	✓
13	LAB/1/C-XX	Head Support All Sizes	1	✓	✓	✓	✓

LECKEY^o

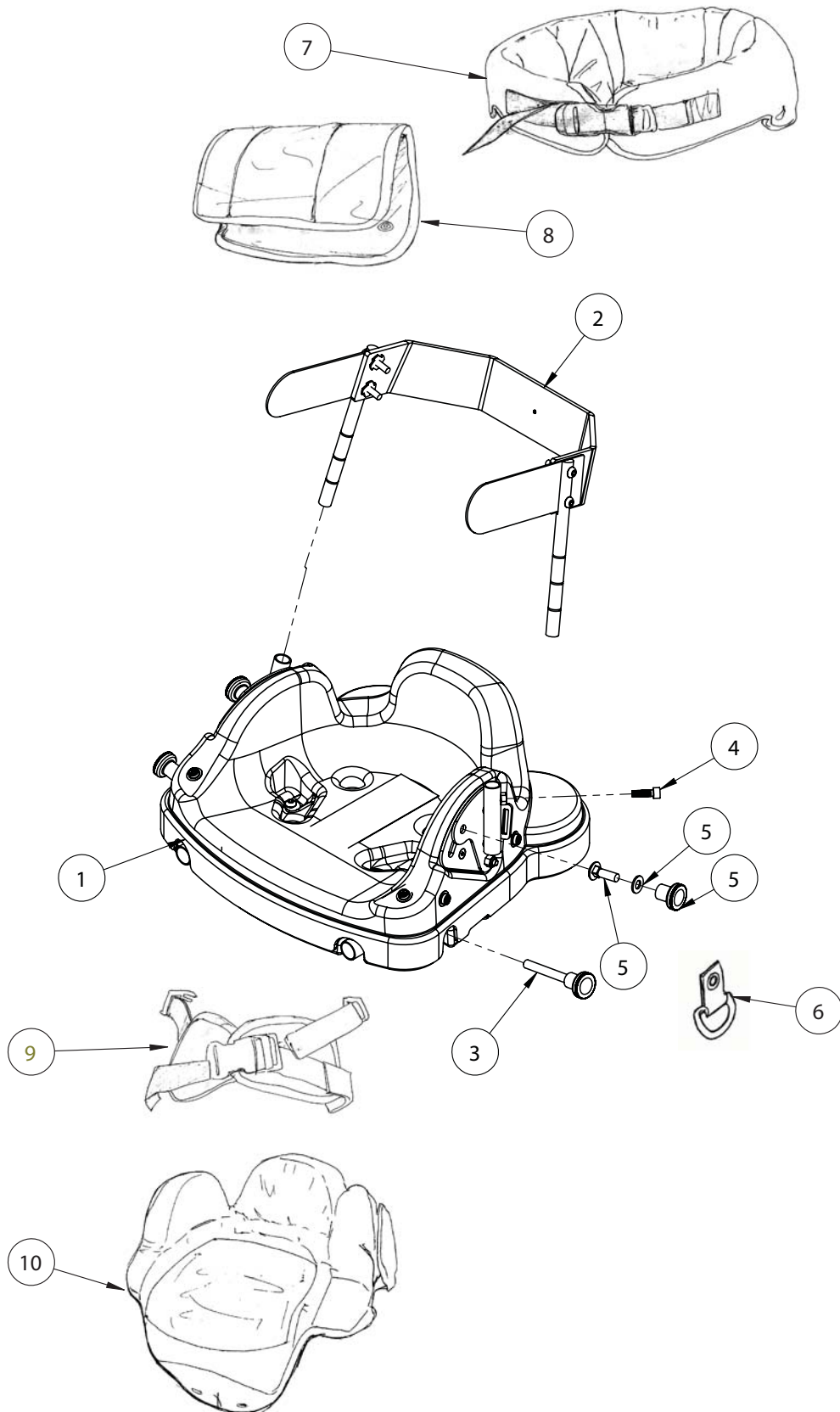
Squiggles Early Sitting System Spare Parts Catalogue



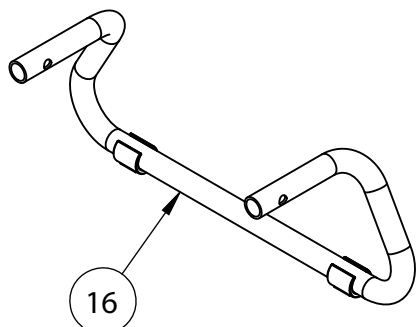
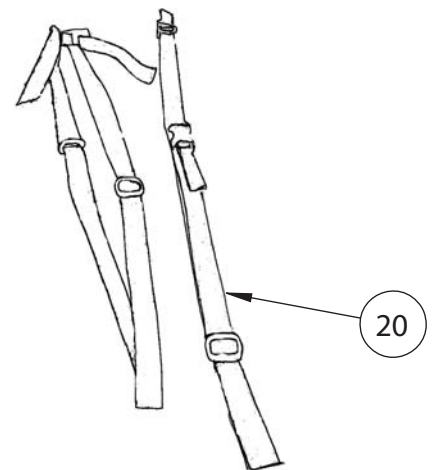
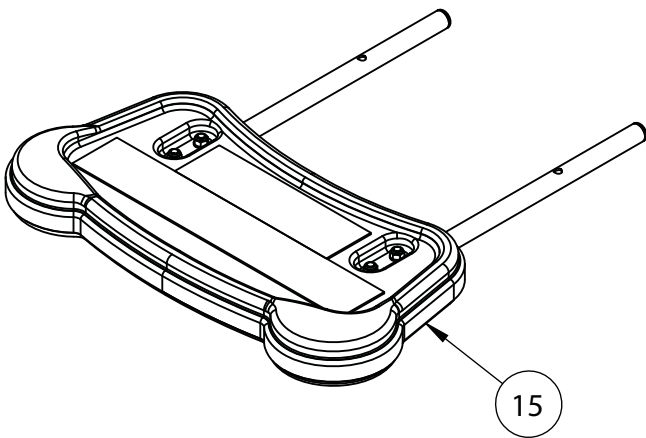
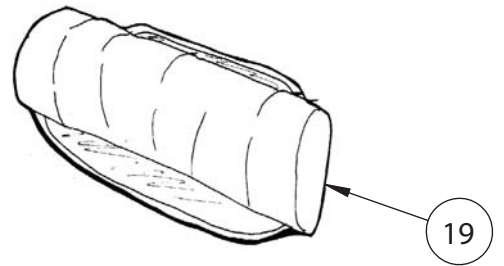
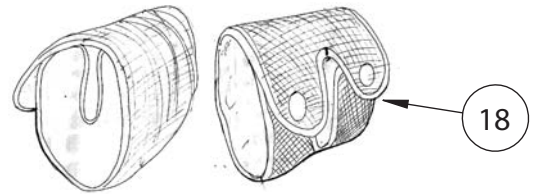
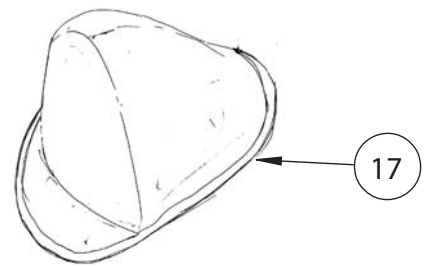
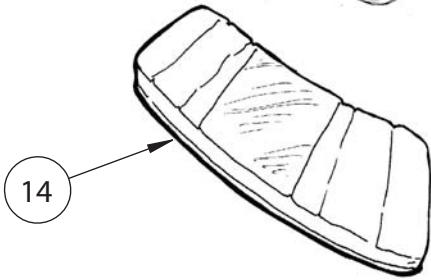
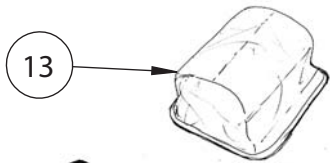
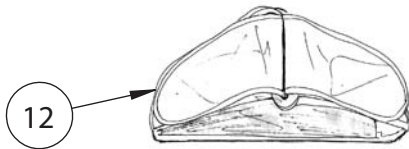
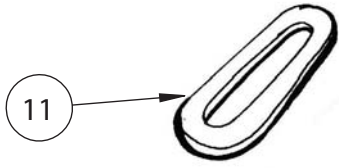
Contents

03-05	Squiggles Early Sitting System
06	Tray Assembly

Squiggles Early Sitting System



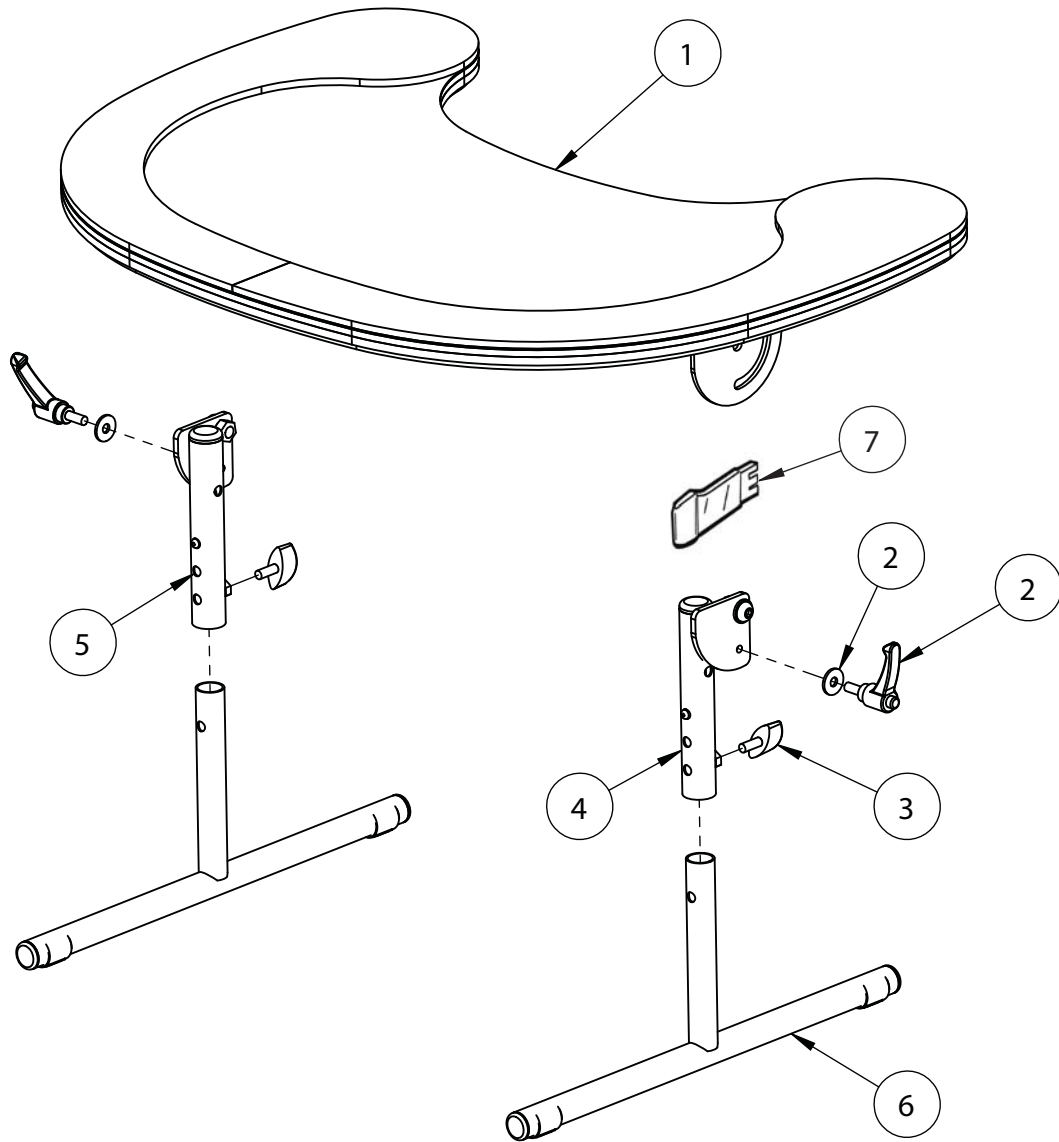
Squiggles Early Sitting System



Squiggles Early Sitting System

Pos.	Leckey Code	Description	Qty
1	119-601	Base Assembly	1
2	119-609	Trunk Assembly	1
3	SF100	Elesa Knurled Locking Knob	2
4	SJ60	M6 X 12 Socket Cap	1
5	SP-1024	Ess Screw Kit	1
6	119-674	Seat Side Strap	2
7	119-421	Trunk Support Upholstery Surround	1
8	119-422	Trunk Support Upholstery Front Flap	1
9	119-651	Pelvic Harness	1
10	119-667	Seat Cover	1
11	119-044	Positioning Strap Slide	1
12	119-671	Positioning Strap	1
13	119-668	Leg Support Pommel	1
14	119-665	Leg Support Cushion	1
15	119-621	Leg Support Assembly	1
16	119-062	Prone Bar	1
17	119-669	Abduction Pommel	1
18	119-672	Spacer Pads	2
19	119-670	Flexion Roll	1
20	119-653	Chair Attachment Straps	1

Squiggles Early Sitting System Tray Assembly



Pos.	Leckey Code	Description	Qty
1	119-629	Tray Assembly Top	1
2	SP-1025	Tray Adjustment Screw Kit	1
3	SF87	Locking Key M6 X 10	2
4	119-645	Upper Leg Assembly Lh	1
5	119-644	Upper Leg Assembly Rh	1
6	119-639	Lower Leg Assembly	2
7	119-078	Tray Attachment Strap	1

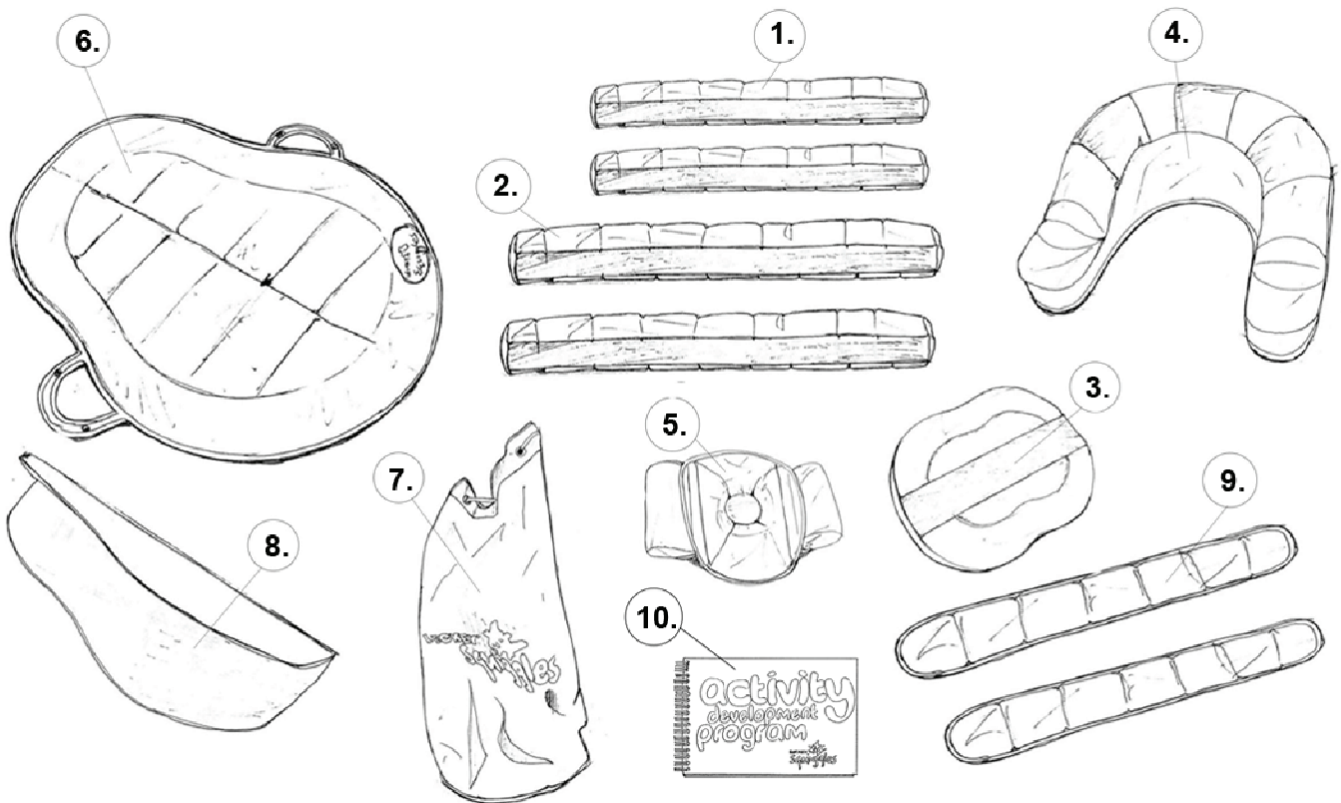
Squiggles Early Activity System Spare Parts Catalogue



Contents

03	Squiggles Early Activity System
----	---------------------------------

Squiggles Early Activity System



Pos.	Leckey Code	Description	Qty
1	130-615	Support Roll Small	1
2	130-617	Support Roll Medium	1
3	130-621	Trunk Wedge	1
4	130-613	Sitting Support	1
5	130-601	Head Rest	1
6	130-622	Floor Mat	1
7	SQ01	Squiggles Bag	1
8	130-007	Floor Mat Insert	1
9	130-606	Positioning Strap	1
10	USM38	Early Development Programme	1

Totstander

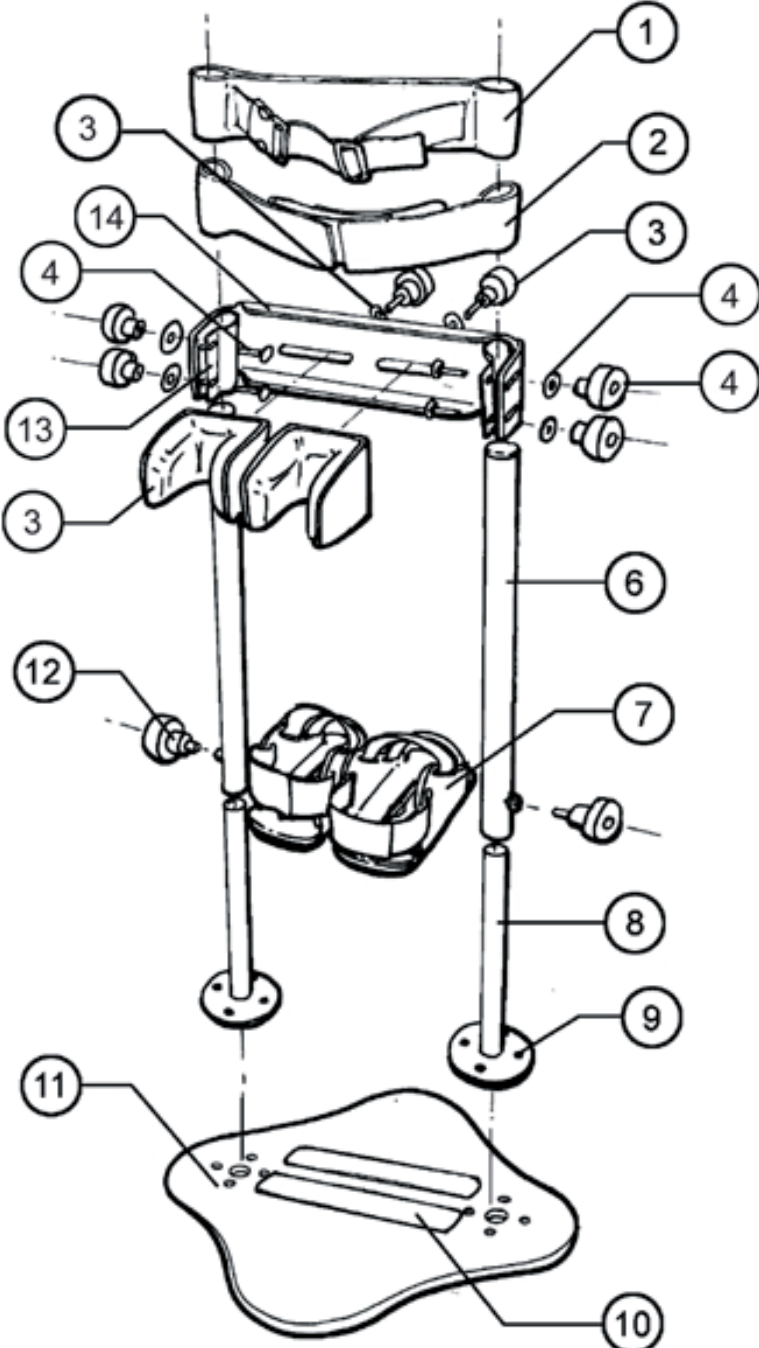
Spare Parts Catalogue



Contents

W03-04 Totstander

Totstander



Totstander

Pos.	Leckey Code	Description	Qty
1	GI23	Top Belt	1
2	GA026	Pelvic Band	1
3	SF43	M8x25 Male Soft Touch Hand Knob	1
3	102-1759	Knee Cup (Outer & Upholstered Inner)	1
3	SI27	Neoprene Disc	1
4	SI15	Mudguard Washer	1
4	SF40	M8 Female Hand Knob	1
4	SK30	M8x35 Cup Square Bolt	1
6	RAT-4-1006	Upper Tube	1
7	LFS/1/A	Sandal Assembly	1
8	RAT-4-1615	Inner Tube & Base Flange Plate	1
9	SJ97	M8x16 Socket Button	1
10	SG02	Velcro Strip	1
11	RAT-4-1615	Wooden Baseplate	1
12	SG10	Self Adhesive Grey Loop	1
13	RAT-4-1032	Knee Cleat (NA313)	1
14	CA18	Knee Plate	1

Freestander

Spare Parts Catalogue



Contents

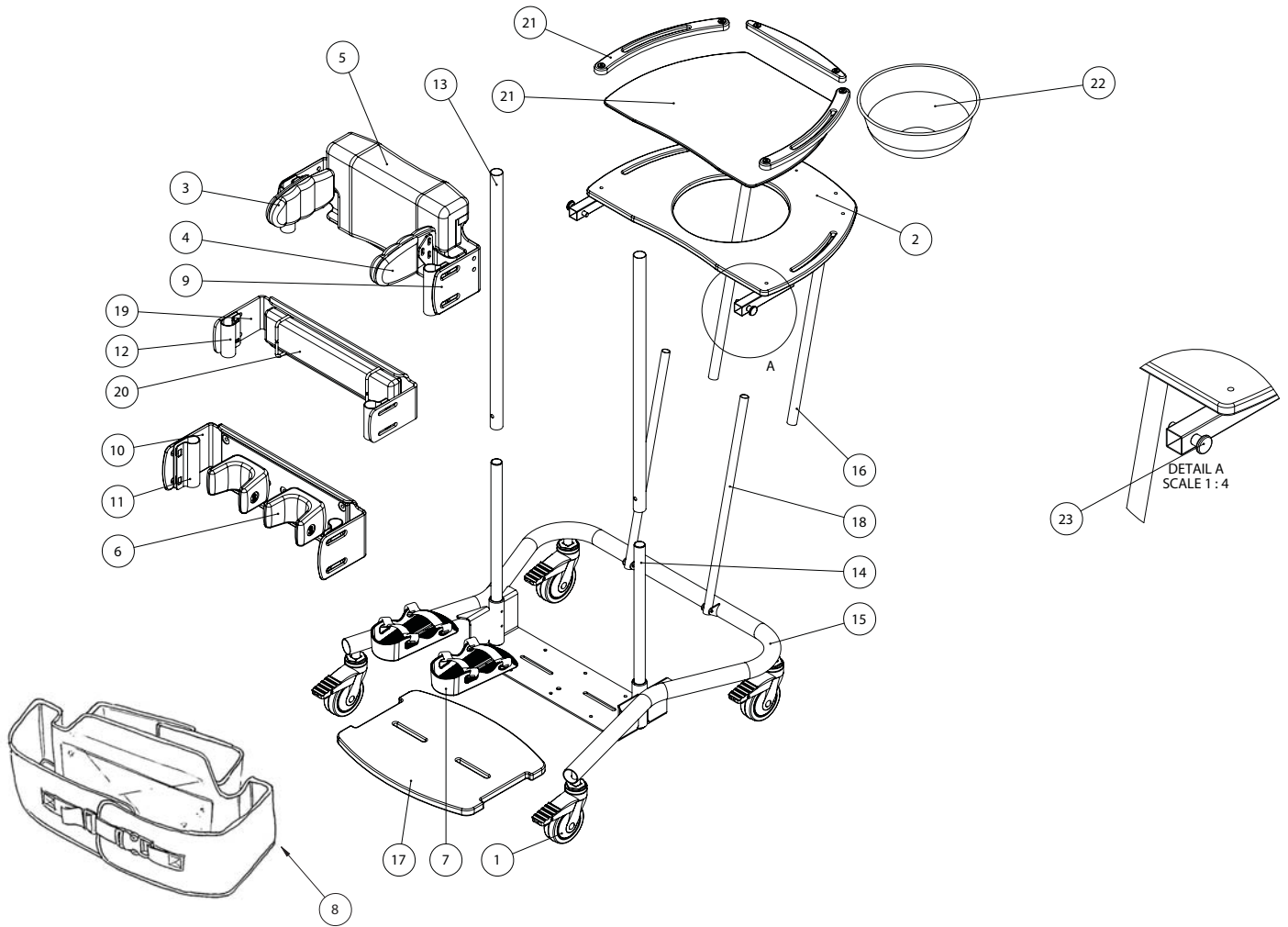
03-05 Freestander Product Overview

Please substitute -XX for the following colours when placing order:

MW - Meadow

MB - Mondeo Blue

Freestander Product Overview



Freestander Product

Overview

Pos.	Leckey Code	Description	Qty	Compatible with		
				Size 1	Size 2	Size 3
1	IA14	4" Locking Swivel Castor	1	✓	✓	✓
2	RAS-4-1949	Tray Assembly (No Poles) Size 1	1	✓		
2	RAS-4-2949	Tray Assembly (No Poles) Size 2	1		✓	
2	RAS-4-3949	Tray Assembly (No Poles) Size 3	1			✓
3	RAS-4-1900-XX	Flexible Lateral Support Complete Lhs Size 1	1	✓		
3	RAS-4-2900-XX	Flexible Lateral Support Complete Lhs Size 2	1		✓	
3	RAS-4-3900-XX	Flexible Lateral Support Complete Lhs Size 3	1			✓
4	RAS-4-1901-XX	Flexible Lateral Support Complete Rhs Size 1	1	✓		
4	RAS-4-2901-XX	Flexible Lateral Support Complete Rhs Size 2	1		✓	
4	RAS-4-3901-XX	Flexible Lateral Support Complete Rhs Size 3	1			✓
5	RAT-4-1611-XX	Chest Pad Size 1	1	✓		
5	RAT-4-1611-XX	Chest Pad Size 2	1		✓	
5	RAT-4-1611-XX	Chest Pad Size 3	1			✓
6	102-1640	Single Pu Knee Cup Size 1	1	✓		
6	102-2640	Single Pu Knee Cup Size 2	1		✓	
6	102-3640	Single Pu Knee Cup Size 3	1			✓
6	102-4640	Single Pu Knee Cup Extra Large	1			✓
7	RAS-4-1906	Vac Form Sandal With Heel Cup Complete Size 1	1	✓		
7	RAS-4-2906	Vac Form Sandal With Heel Cup Complete Size 2	1		✓	
7	RAS-4-3906	Vac Form Sandal With Heel Cup Complete Size 3	1			✓
8	LFS/1/B-XX	Pelvic Band Size 1	1	✓		
8	LFS/2/B-XX	Pelvic Band Size 2	1		✓	
8	LFS/3/B-XX	Pelvic Band Size 3	1			✓
9	RAT-4-1007	Abs Chest Plate Size 1	1	✓		
9	RAT-4-2007	Abs Chest Plate Size 2	1		✓	
9	RAT-4-3007	Abs Chest Plate Size 3	1			✓
10	RAT-4-1008	Abs Knee Plate Size 1	1	✓		
10	RAT-4-2008	Abs Knee Plate Size 2	1		✓	
10	RAT-4-3008	Abs Knee Plate Size 3	1			✓
11	RAT-4-1031	Large Cleat	1	✓	✓	✓
12	RAT-4-1032	Small Cleat	1	✓	✓	✓
13	RAT-4-1006	Pole Outer Size 1	1	✓		
13	RAT-4-2006	Pole Outer Size 2	1		✓	
13	RAT-4-3006	Pole Outer Size 3	1			✓
14	RAT-4-1005	Pole Inner Size 1	1	✓		
14	RAT-4-2005	Pole Inner Size 2	1		✓	
14	RAT-4-3005	Pole Inner Size 3	1			✓

Freestander Product

Overview

Pos.	Leckey Code	Description	Qty	Compatible with		
				Size 1	Size 2	Size 3
15	RAT-4-1950	Frame Size 1	1	✓		
15	RAT-4-2950	Frame Size 2	1		✓	
15	RAT-4-3950	Frame Size 3	1			✓
16	RAT-4-1012	Tray Poles Size 1	1	✓		
16	RAT-4-2012	Tray Poles Size 2	1		✓	
16	RAT-4-3012	Tray Poles Size 3	1			✓
17	RAT-4-1004	Footplate Size 1	1	✓		
17	RAT-4-2004	Footplate Size 2	1		✓	
17	RAT-4-3004	Footplate Size 3	1			✓
18	RAT-4-1014	Tray Poles Inner Size 1	1	✓		
18	RAT-4-2014	Tray Poles Inner Size 2	1		✓	
18	RAT-4-3014	Tray Poles Inner Size 3	1			✓
19	RAT-4-1025	Hip Plate Abs Size 1	1	✓		
19	RAT-4-2025	Hip Plate Abs Size 2	1		✓	
19	RAT-4-3025	Hip Plate Abs Size 3	1			✓
20	RAT-4-1609	Hip Pad Size 1	1	✓		
20	RAT-4-2609	Hip Pad Size 2	1		✓	
20	RAT-4-3609	Hip Pad Size 3	1			✓
21	RAS-4-1066	Tray Cover (With Velcro Spots) Size 1	1	✓		
21	RAS-4-2066	Tray Cover (With Velcro Spots) Size 2	1		✓	
21	RAS-4-3066	Tray Cover (With Velcro Spots) Size 3	1			✓
22	SG41	8" Lotion Bowl Size 1	1	✓		
22	SG42	10" Lotion Bowl Size 2 & 3	1		✓	✓
23	RAS-4-1948	Tray Trim Set Size 1	1	✓		
23	RAS-4-2948	Tray Trim Set Size 2	1		✓	
23	RAS-4-3948	Tray Trim Set Size 3	1			✓
24	RAS-4-1939	Tray Pin	1	✓	✓	✓
	LFS Care Kit	Freestander Care Kit	1	✓	✓	✓

Pronestander

Spare Parts Catalogue



Contents

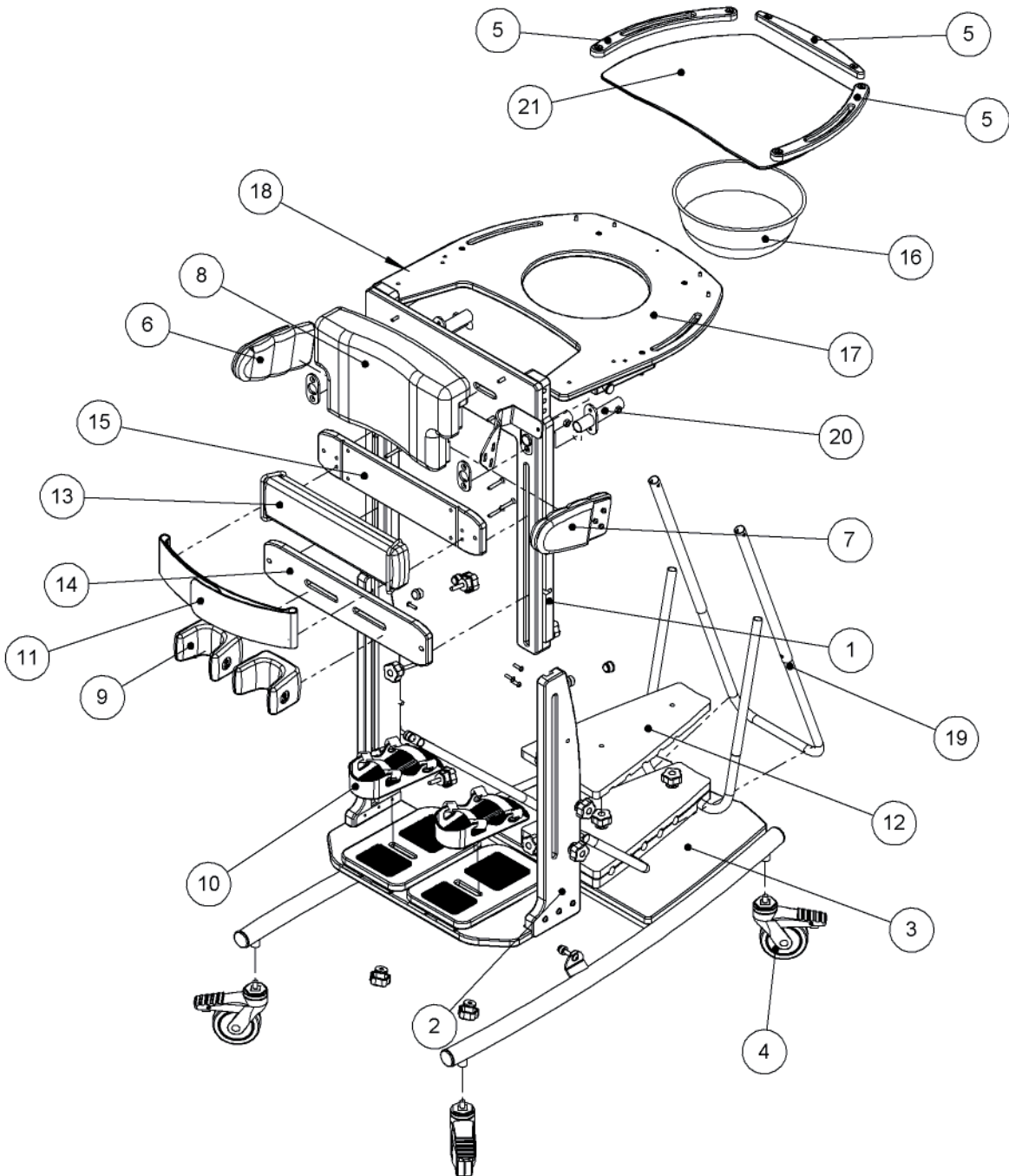
03-05 Pronestander

Please substitute -XX for the following colours when placing order:

MW - Meadow fabric

MB - Mondeo Blue

Pronestander



Pronestander

Pos.	Leckey Code	Description	Qty	Compatible with		
				Size 1	Size 2	Size 3
1	RAS-4-1961	Inner Frame Assy Size 1	1	✓		
1	RAS-4-2961	Inner Frame Assy Size 2	1		✓	
1	RAS-4-3961	Inner Frame Assy Size 3	1			✓
2	RAS-4-1962	Outer Frame Assy Size 1	1	✓		
2	RAS-4-2962	Outer Frame Assy Size 2	1		✓	
2	RAS-4-3962	Outer Frame Assy Size 2	1			✓
3	RAS-4-1950	Stander Base Assy Size 1	1	✓		
3	RAS-4-2950	Stander Base Assy Size 2	1		✓	
3	RAS-4-3950	Stander Base Assy Size 3	1			✓
4	IA14	4" Locking Swivel Castor	1	✓	✓	✓
5	RAS-4-1948	Tray Trim Set Size 1	1	✓		
5	RAS-4-1066	Tray Cover Size 1	1	✓		
5	RAS-4-2948	Tray Trim Set Size 2	1		✓	
5	RAS-4-2066	Tray Cover Size 2	1		✓	
5	RAS-4-3948	Tray Trim Set Size 3	1			✓
5	RAS-4-3066	Tray Cover Size 3	1			✓
6	RAS-4-1900-XX	Flexible Lateral Support Complete Lhs Size 1	1	✓		
6	RAS-4-2900-XX	Flexible Lateral Support Complete Lhs Size 2	1		✓	
6	RAS-4-3900-XX	Flexible Lateral Support Complete Lhs Size 3	1			✓
7	RAS-4-1901-XX	Flexible Lateral Support Complete Rhs Size 1	1	✓		
7	RAS-4-2901-XX	Flexible Lateral Support Complete Rhs Size 2	1		✓	
7	RAS-4-3901-XX	Flexible Lateral Support Complete Rhs Size 3	1			✓
8	RAT-4-1611-XX	Chest Pad Size 1	1	✓		
8	RAT-4-2611-XX	Chest Pad Size 2	1		✓	
8	RAT-4-3611-XX	Chest Pad Size 3	1			✓
9	102-1640	Single Pu Knee Cup Size 1	1	✓		
9	102-2640	Single Pu Knee Cup Size 2	1		✓	
9	102-3640	Single Pu Knee Cup Size 3	1			✓
9	102-4640	Single Pu Knee Cup Extra Large	1			✓
10	RAS-4-1906	Vac Form Sandal With Heel Cup Complete Size 1	1	✓		
10	RAS-4-2906	Vac Form Sandal With Heel Cup Complete Size 2	1		✓	
10	RAS-4-3906	Vac Form Sandal With Heel Cup Complete Size 3	1			✓
11	LFS/1/B-XX	Pelvic Band Size 1	1	✓		
11	LFS/2/B-XX	Pelvic Band Size 2	1		✓	
11	LFS/3/B-XX	Pelvic Band Size 3	1			✓
12	RAS-4-1038	Prone Angle Securing Plate Top Size 1	1	✓		
12	RAS-4-2038	Prone Angle Securing Plate Top Size 2	1		✓	
12	RAS-4-3038	Prone Angle Securing Plate Top Size 3	1			✓

Pronestander

Pos.	Leckey Code	Description	Qty	Compatible with		
				Size 1	Size 2	Size 3
13	RAS-4-1605-XX	Hip Pad Size 1	1	✓		
13	RAS-4-2605-XX	Hip Pad Size 2	1		✓	
13	RAS-4-3605-XX	Hip Pad Size 3	1			✓
14	RAS-4-1028	Knee Plate Size 1	1	✓		
14	RAS-4-2028	Knee Plate Size 2	1		✓	
14	RAS-4-3028	Knee Plate Size 2	1			✓
15	RAS-4-1026	Hip Plate Size 1	1	✓		
15	RAS-4-2026	Hip Plate Size 2	1		✓	
15	RAS-4-3026	Hip Plate Size 3	1			✓
16	SG41	8" Lotion Bowl Size 1	1	✓		
16	SG42	10" Lotion Bowl Size 2 & 3	1		✓	✓
17	RAS-4-1949	Tray Assembly (No Poles) Size 1	1	✓		
17	RAS-4-2949	Tray Assembly (No Poles) Size 2	1		✓	
17	RAS-4-3949	Tray Assembly (No Poles) Size 3	1			✓
18	RAS-4-1939	Tray Pin	1	✓	✓	✓
19	RAS-4-1035	Tray Support Poles Size 1	1	✓		
19	RAS-4-2035	Tray Support Poles Size 2	1		✓	
19	RAS-4-3035	Tray Support Poles Size 3	1			✓
20	RAS-4-1608	Head Support Receiving Bracket Size 1-3	1	✓	✓	✓
	LPS Care Kit	Pronestander Care Kit	1	✓	✓	✓

Horizon Stander Spare Parts Catalogue



Contents

03	Horizon Stander Supine
04	Horizon Stander Prone
05-06	Horizon Stander

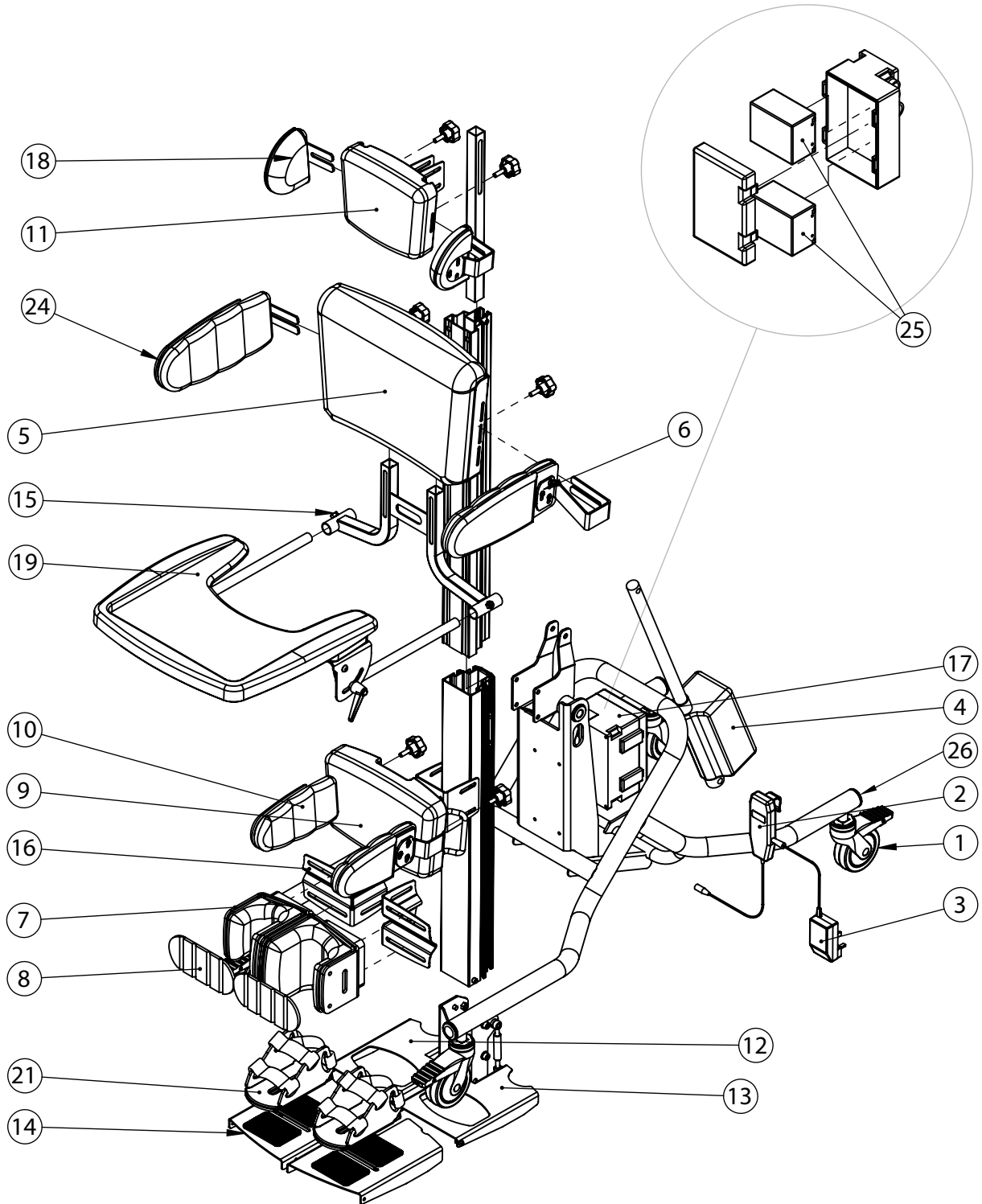
Please substitute -XX for the following colours:

MB - Blue

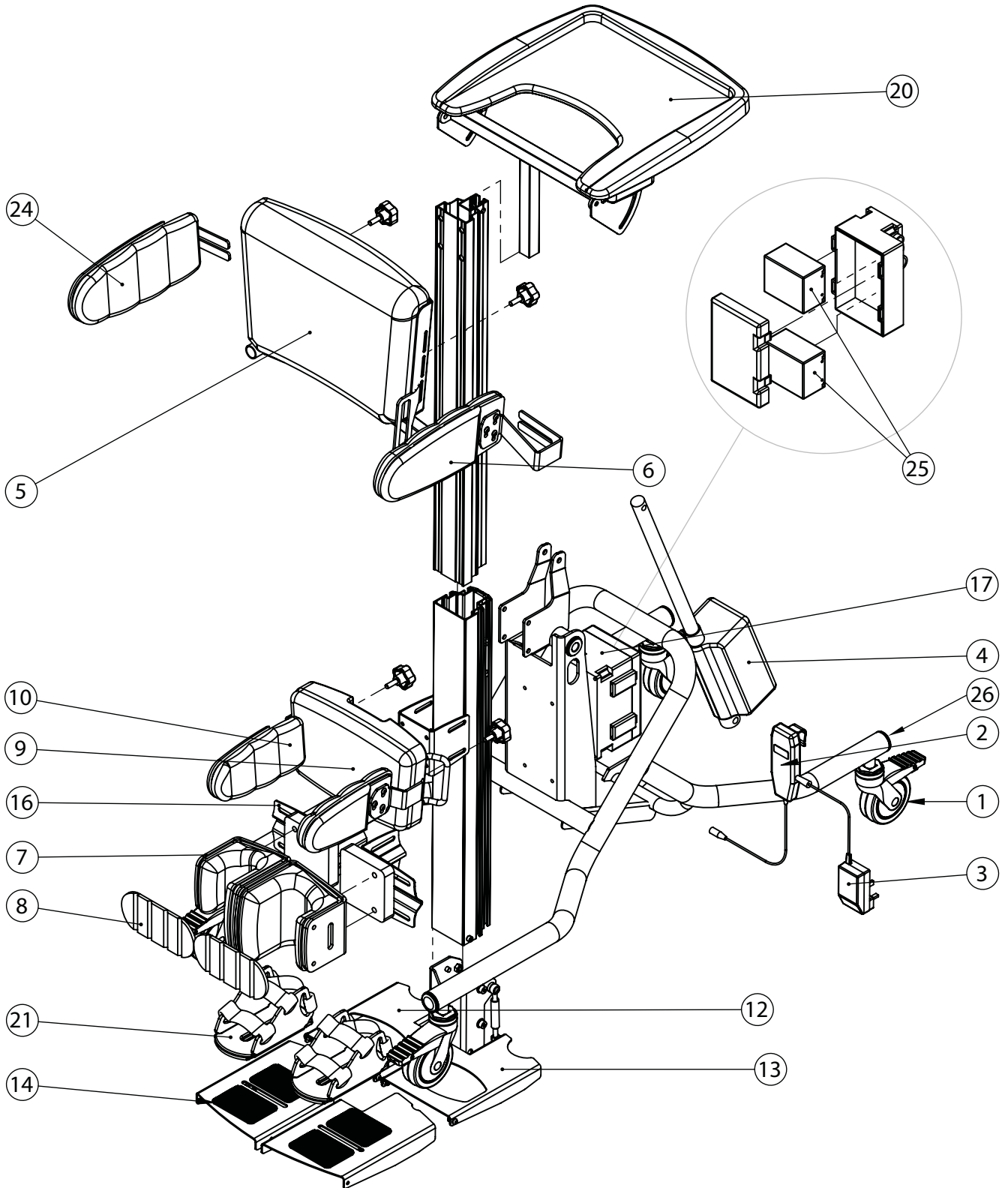
MC - Charcoal

MV - Purple

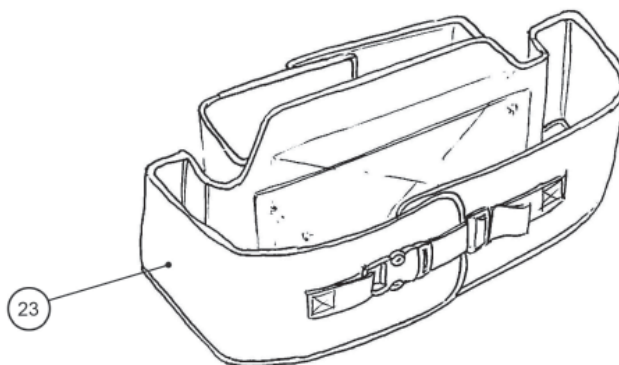
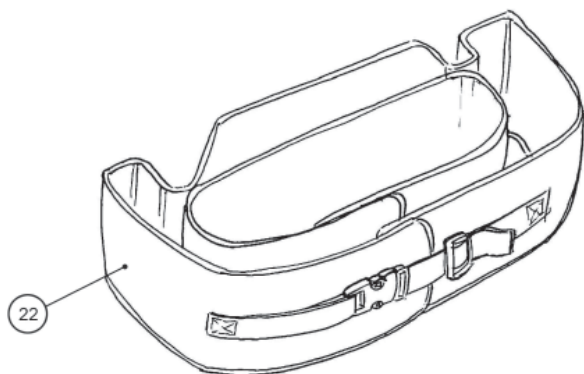
Horizon Stander Supine



Horizon Stander Prone



Horizon Stander



Pos.	Leckey Code	Description	Qty	Compatible with	
				Size 1	Size 2
1	IA27	Castor Size 1	1	✓	
1	IA31	Castor Size 1	1		✓
2	SI73	Hand Set	1	✓	✓
3	SI125	Charger EUR	1	✓	✓
3	SI126	Charger USA/JAPAN	1	✓	✓
3	SI127	Charger AUS	1	✓	✓
4	SI54	Actuator	1	✓	✓
5	101-1931-XX	Chest Pad Complete Size 1	1	✓	
5	101-2931-XX	Chest Pad Complete Size 2	1		✓
6	101-1900-XX	Single Flexible Lateral Support With Bracket (Left) Size 1	1	✓	
6	101-1901-XX	Single Flexible Lateral Support With Bracket (Right) Size 1	1	✓	
7	101-1904-XX	Single Upholstered Kneecup Complete Size 1	1	✓	
7	101-2904-XX	Single Upholstered Kneecup Complete Size 2	1		✓
8	101-1619-XX	Single Upholstered Knee Cup - Rear Support Pad Only Size 1	1	✓	
8	101-2619-XX	Single Upholstered Knee Cup - Rear Support Pad Only Size 2	1		✓
9	101-1930-XX	Hip Pad Complete Size 1	1	✓	
9	101-2930-XX	Hip Pad Complete Size 2	1		✓
10	101-1922-XX	Single Hip Lateral Complete Size 1	1	✓	
10	101-2922-XX	Single Hip Lateral Complete Size 2	1		✓
11	LHZ/1/11-XX	Supine Head Support Size 1	1	✓	
11	LHZ/2/11-XX	Supine Head Support Size 2	1		✓
12	101-1923	Footplate Complete LH Size 1	1	✓	
12	101-2923	Footplate Complete LH Size 2	1		✓

Horizon Stander

Pos.	Leckey Code	Description	Qty	Compatible with	
				Size 1	Size 2
13	101-1924	Footplate Complete RH Size 1	1	✓	
13	101-2924	Footplate Complete RH Size 2	1		✓
14	101-1925	Footplate Rubber Mat (Set Of 2) Size 1 & 2	1	✓	✓
15	101-2614	Tray Height Adjustment Bracket Assembly	1	✓	✓
16	101-2050	Knee Bracket	1	✓	✓
17	SI80	CB08 Control Box	1	✓	✓
18	101-1911-XX	Single Head Support Lateral Size 1 & 2	1	✓	✓
19	LHZ/1/143	Horizon Supine Stander Tray Complete Size 1	1	✓	
19	LHZ/2/143	Horizon Supine Stander Tray Complete Size 2	1		✓
20	LHZ/1/142	Horizon Pronestander Tray Complete Size 1	1	✓	
20	LHZ/2/142	Horizon Pronestander Tray Complete Size 2	1	✓	✓
21	RAS-4-1905	Abs Sandal Complete Size 1	1	✓	
21	RAS-4-2905	Abs Sandal Complete Size 2 (LHZ/1 Standard)	1		✓
21	RAS-4-3905	Abs Sandal Complete Size 3 (LHZ/2 Standard)	1		✓
21	RAS-4-4905	Abs Sandal Complete Size 4	1		✓
22	LHZ/1/141	Horizon Supine Stander Pelvic Belt Size 1	1	✓	
22	LHZ/2/141	Horizon Supine Stander Pelvic Belt Size 2 (LHX/1 Standard)	1		✓
22	LHZ/3/141	Horizon Supine Stander Pelvic Belt Size 3 (LHZ/2 Standard)	1		✓
23	LHZ/1/140	Horizon Pronestander Pelvic Belt Size 1	1	✓	
23	LHZ/2/140	Horizon Pronestander Pelvic Belt Size 2 (LHZ/1 Standard)	1		✓
23	LHZ/3/140	Horizon Pronestander Pelvic Belt Size 3 (LHZ/2 Standard)	1		✓
24	101-2900-XX	Single Flexible Lateral Support With Bracket LH Size 2	1		✓
24	101-2901-XX	Single Flexible Lateral Support With Bracket RH Size 2	1		✓
25	SI123	Horizon Replacement Battery Pack X 2	1	✓	✓
	LHZ Care Kit	Horizon Care Kit	1	✓	✓

LECKEY^o

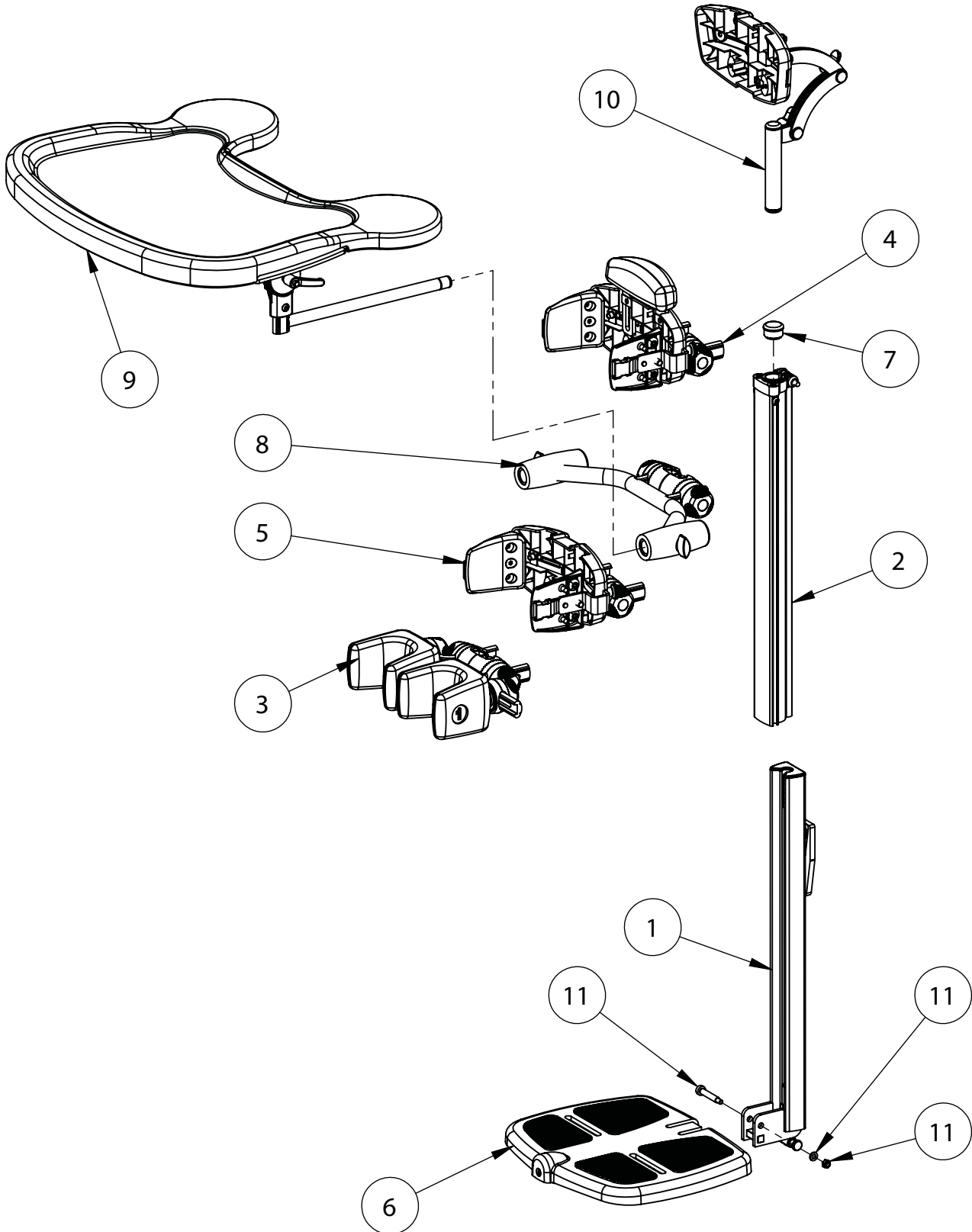
Squiggles Stander Spare Parts Catalogue



Contents

03-04	Squiggles Stander Product Overview
05	Outer Spine Assembly
06	Inner Spine Assembly
07	Knee Assembly
08	Chest Pad and Orb Assembly
09	Hip Pad and Orb Assembly
10	Footrest Assembly
11	Tray Assembly
12	Tray Support Assembly
13	Head Support Assy
14	Easel Chassis
15	Pivot Chassis
16	Mobile Chassis

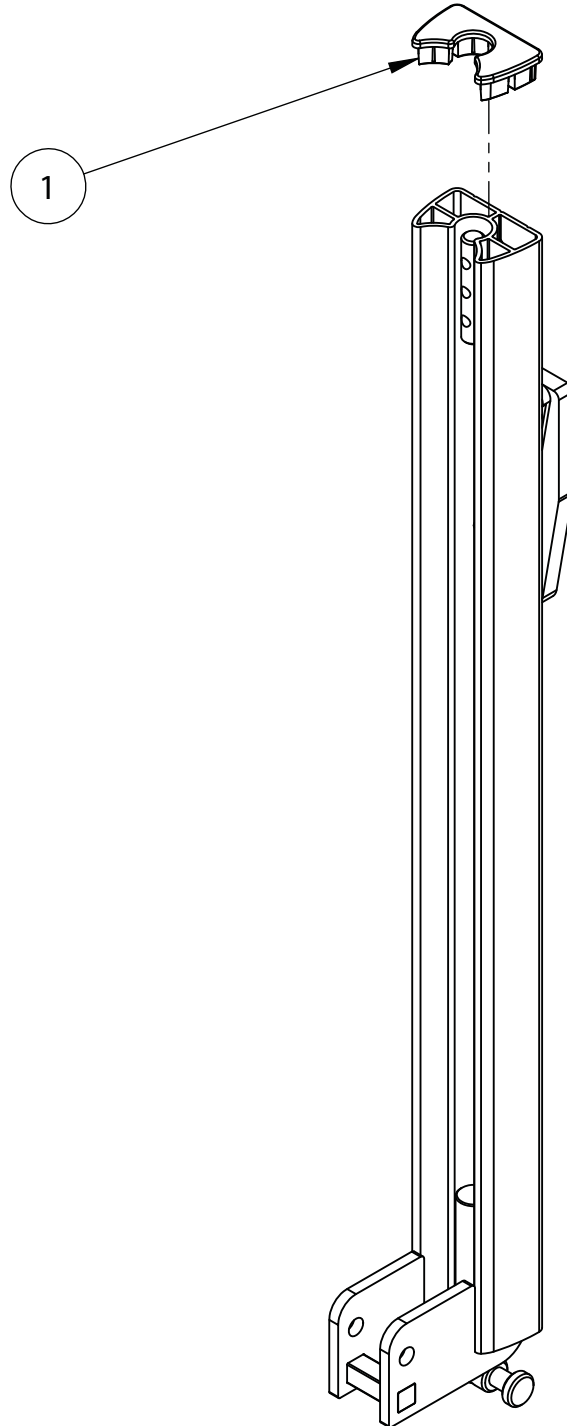
Squiggles Stander Product Overview



Squiggles Stander Product Overview

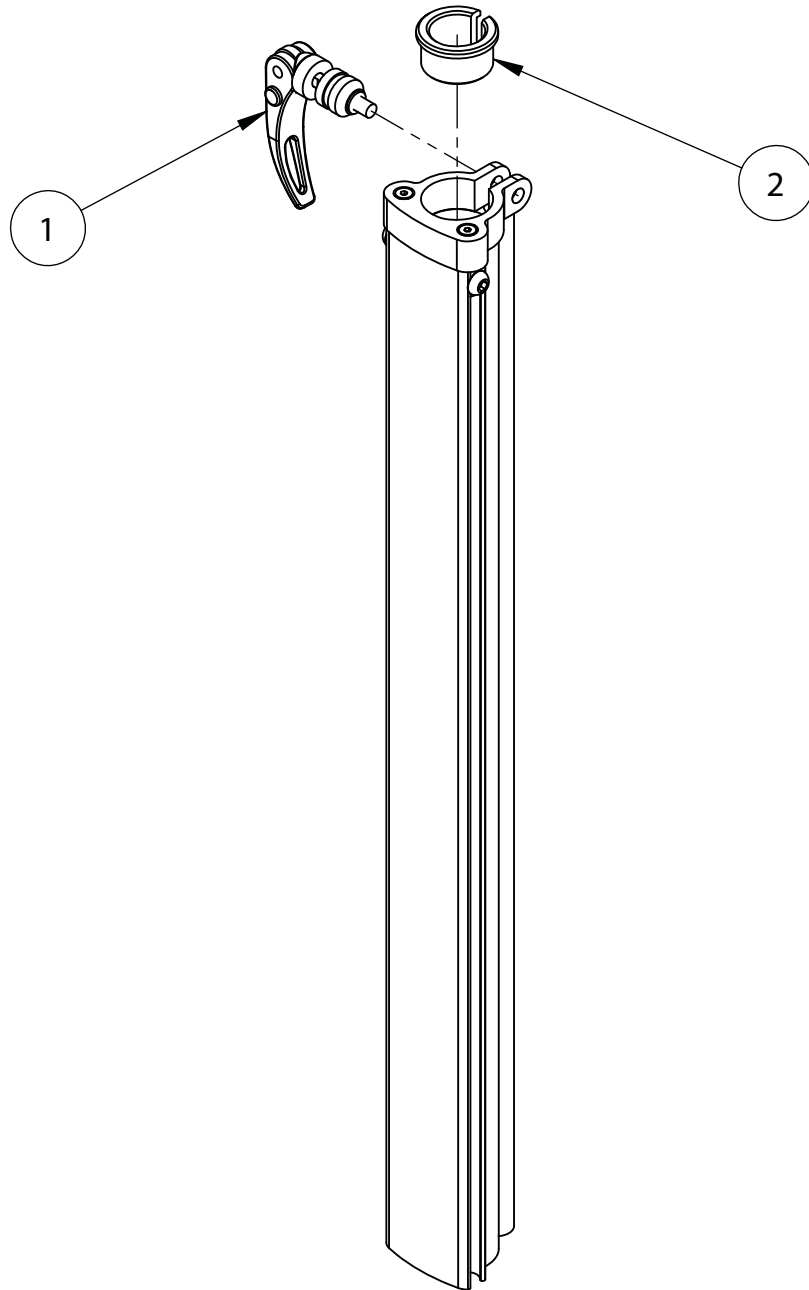
Pos.	Leckey Code	Description	Qty
1	118-610	Outer Spine Assembly	1
2	118-611	Spine Inner Assembly	1
3	118-613	Knee Full Assembly	1
4	118-615	Chest Pad And Orb	1
5	118-612	Hip Pad & Orb Assembly	1
6	118-614	Footrest Assembly	1
7	SF55	Tube Insert	1
8	118-689	Tray Support Assembly	1
9	118-619	Tray Assembly	1
10	118-697	Head Support	1
11	SP-1026	Squiggles Stander Footplate Attachment Kit	1

Squiggles Stander Outer Spine Assembly



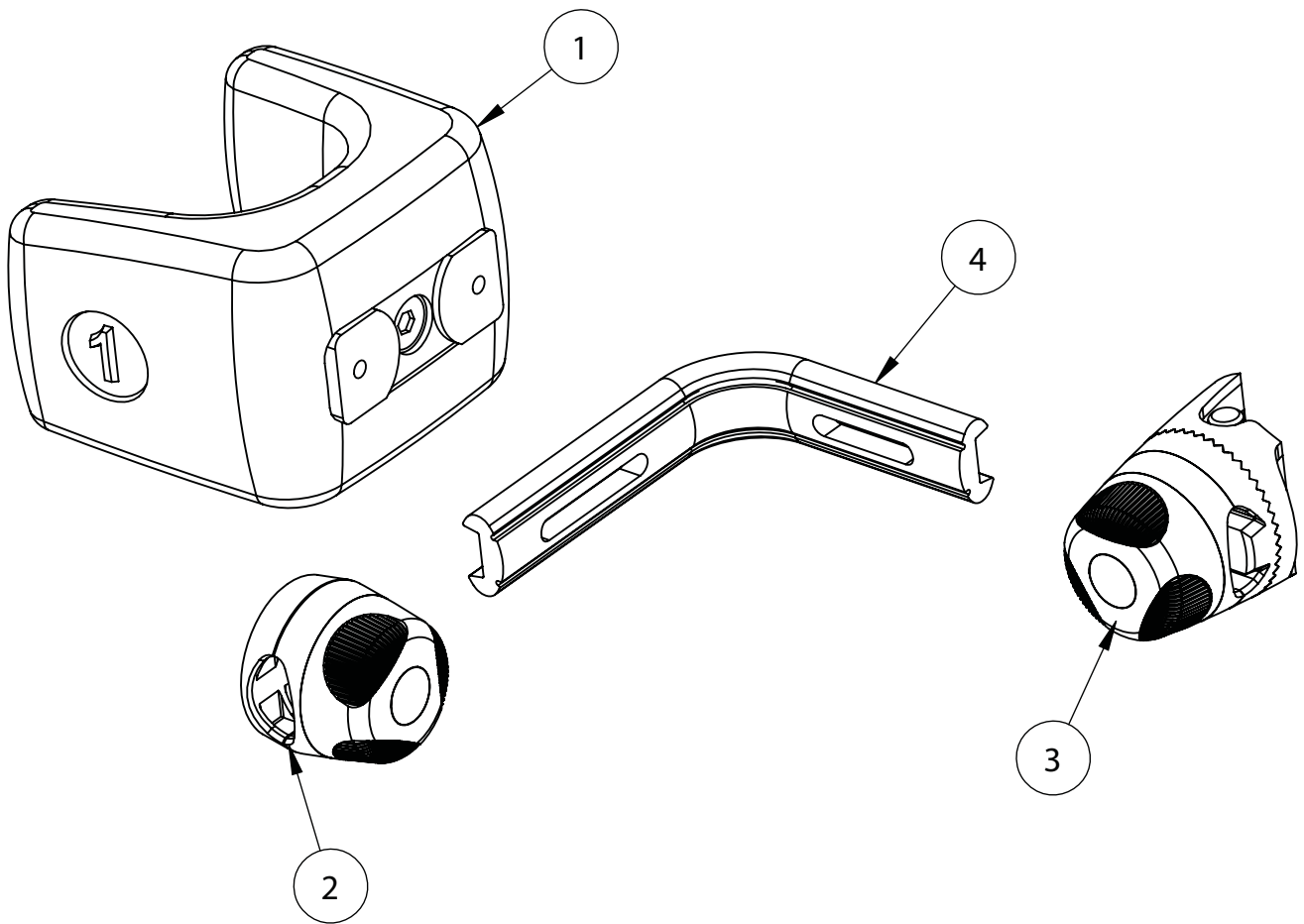
Pos.	Leckey Code	Description	Qty
1	118-154	Extrusion Outer Cap	1

Squiggles Stander Inner Spine Assembly



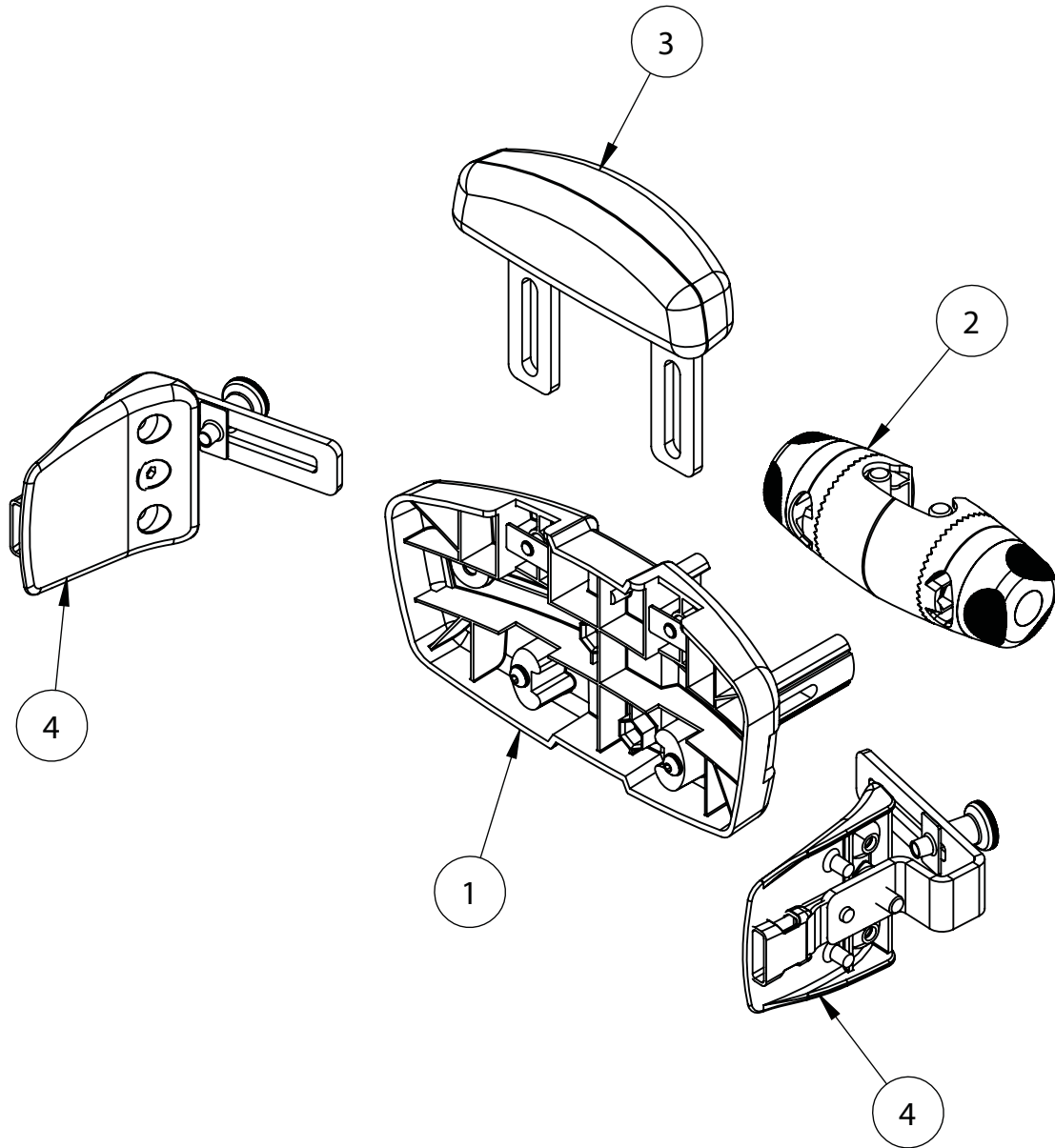
Pos.	Leckey Code	Description	Qty
1	118-614	Cam Lever Assembly	1
2	118-166	Head Support Collar	1

Squiggles Stander Knee Assembly



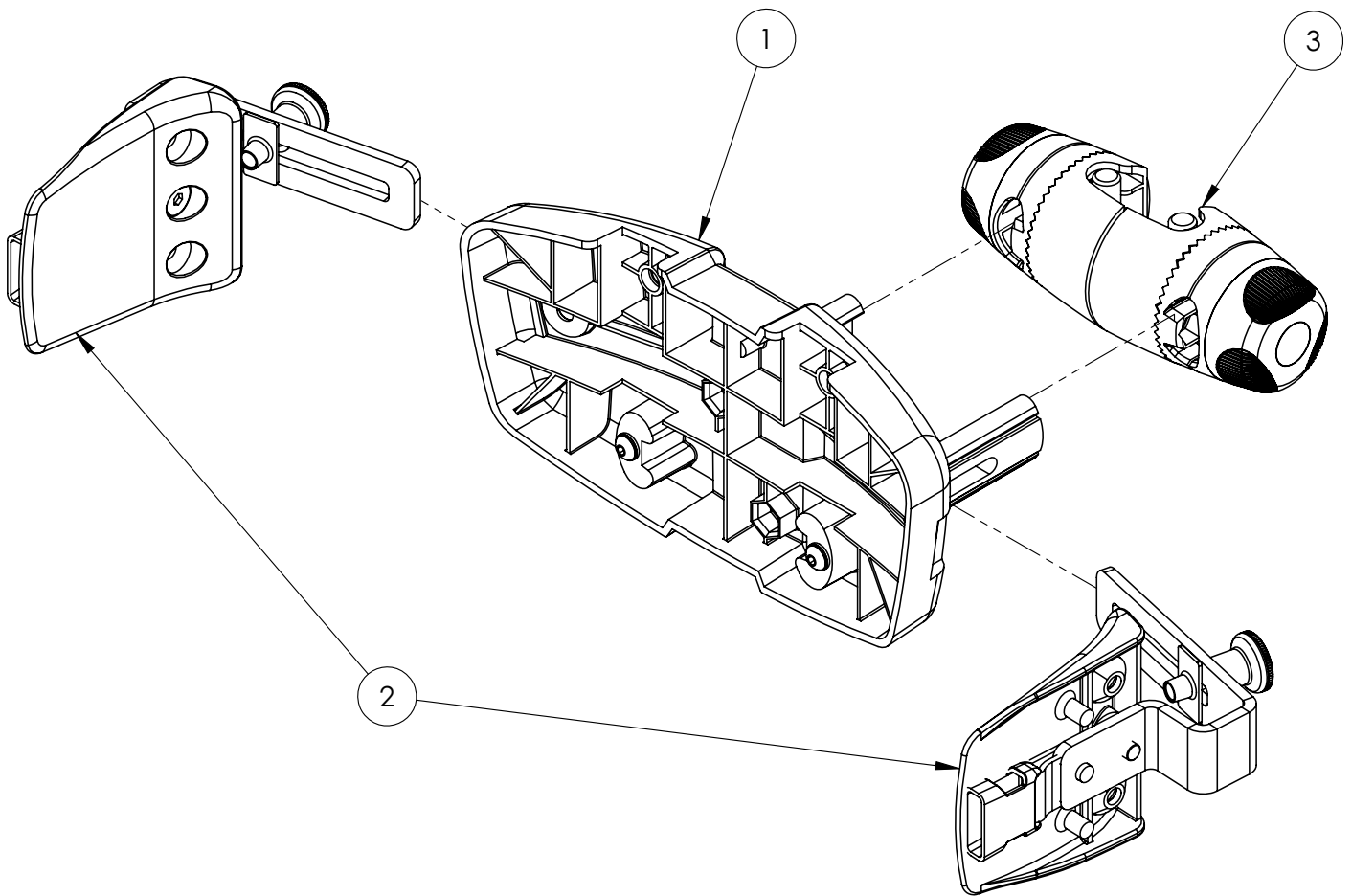
Pos.	Leckey Code	Description	Qty
1	118-674	Pu Knee Cup	1
2	118-673	Spine Orb Assembly	1
3	118-675	Knee Orb Assembly	1
4	118-030	Kneecup Extruded Plate	1

Squiggles Stander Chest Pad and Orb Assembly



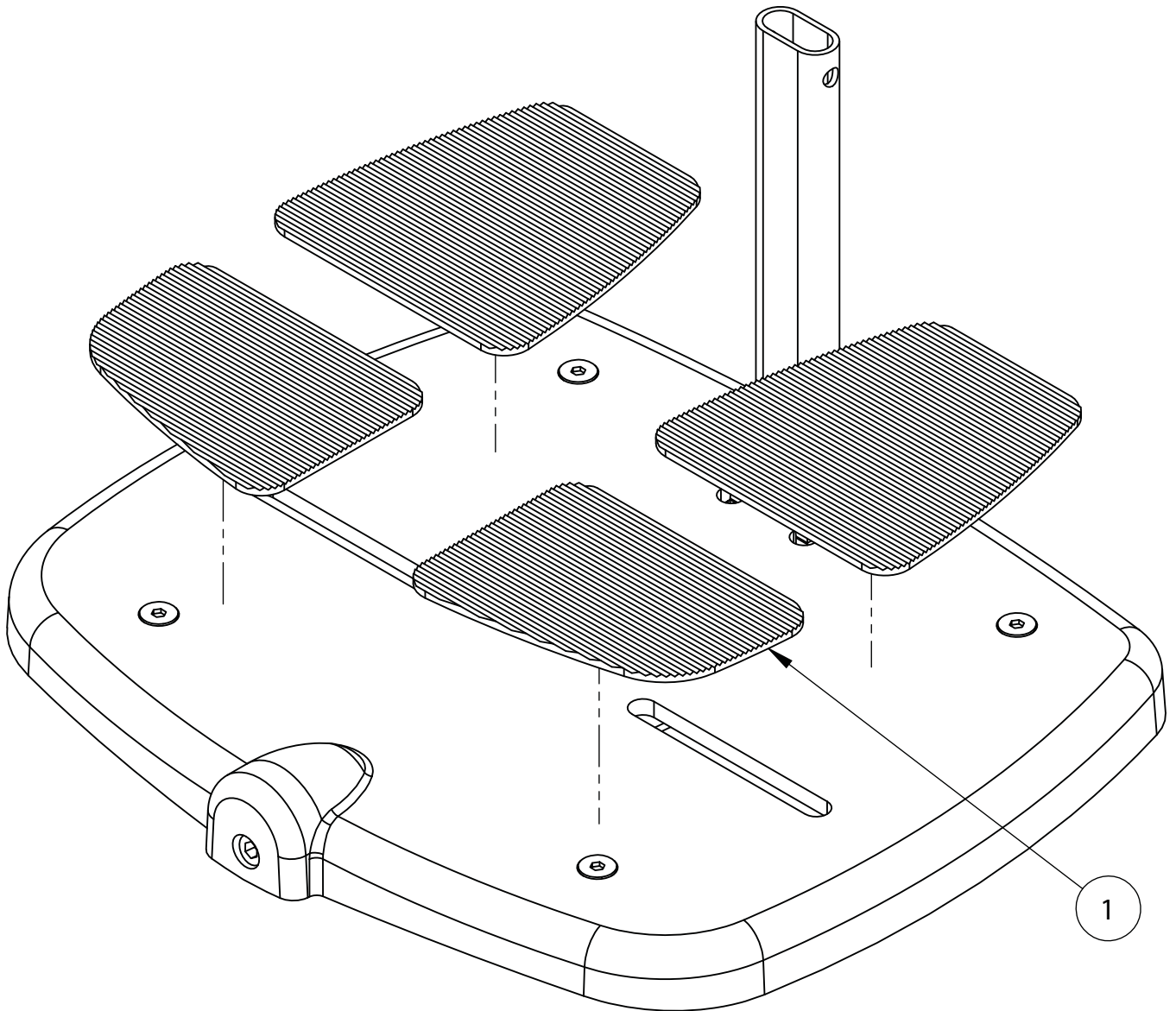
Pos.	Leckey Code	Description	Qty
1	118-663	chest pad assembly	1
2	118-680	orb assembly	1
3	118-664	sternum pad	1
4	118-666	lateral assembly	2

Squiggles Stander Hip Pad and Orb Assembly



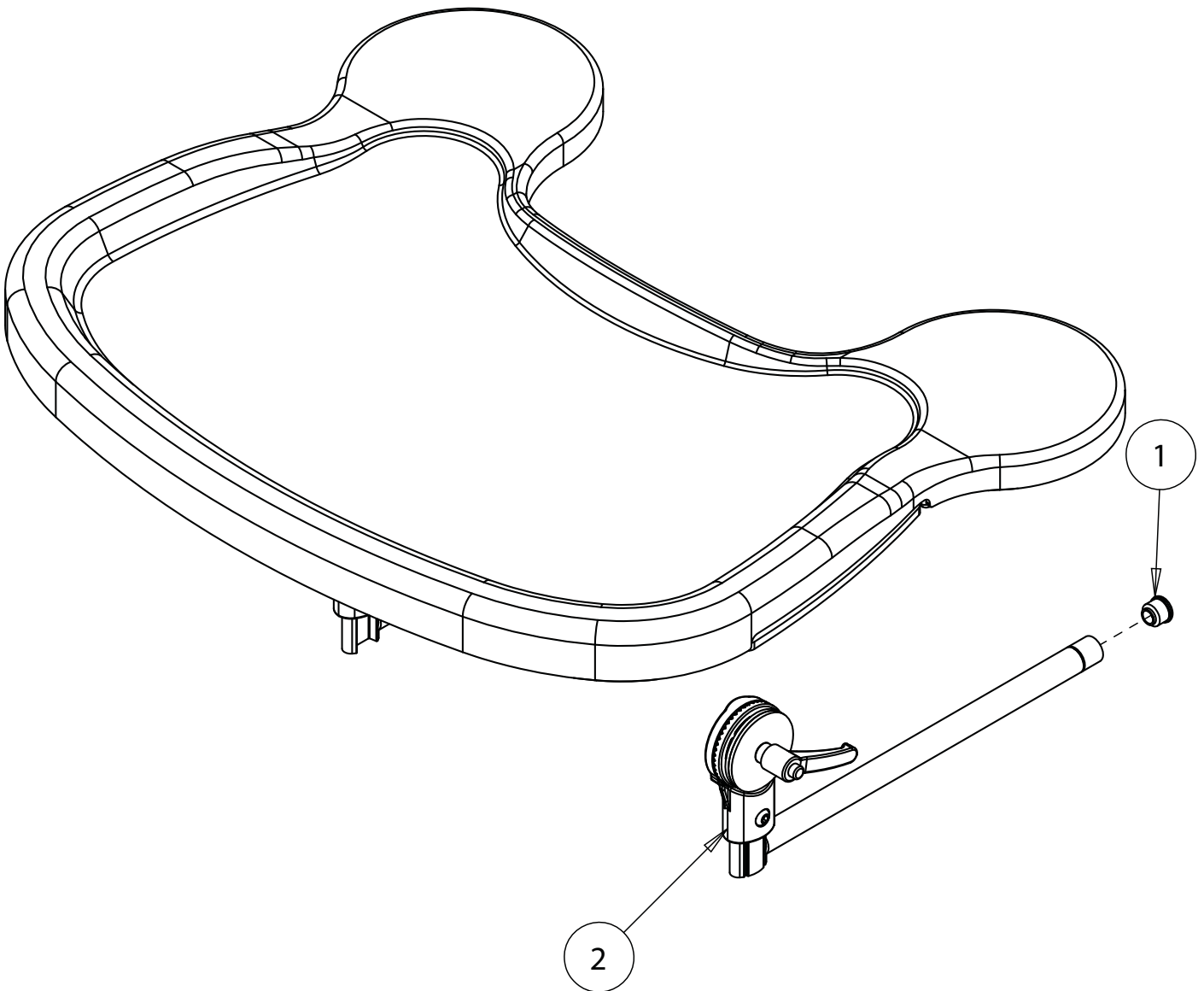
Pos.	Leckey Code	Description	Qty
1	118-663	Hip Chest Pad Assembly	1
2	118-666	Lateral Assembly (Single)	2
3	118-660	Orb Chest Assembly	1

Squiggles Stander Footrest Assembly



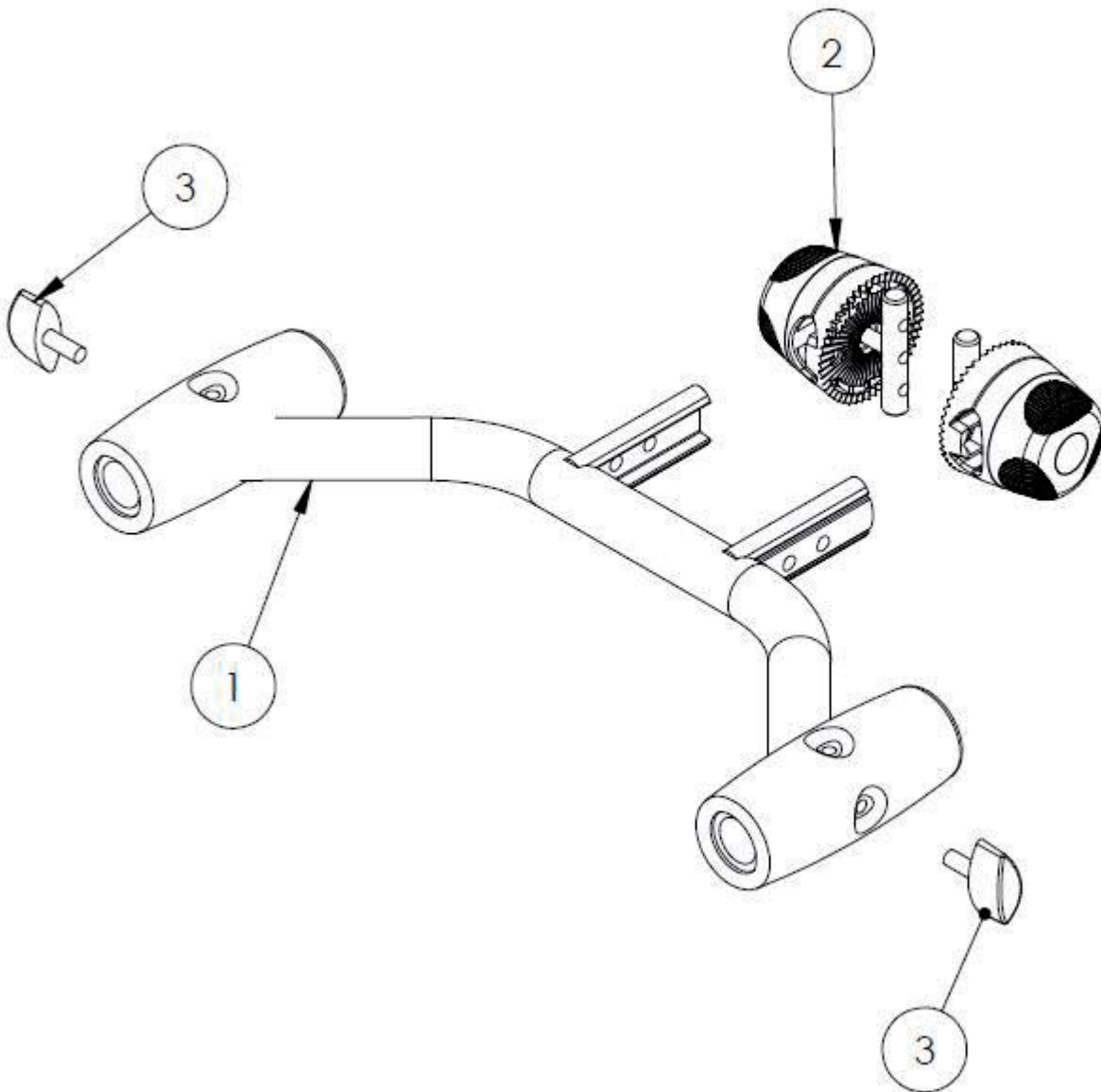
Pos.	Leckey Code	Description	Qty
1	118-207	Rubber Pad Set	1

Squiggles Stander Tray Assembly



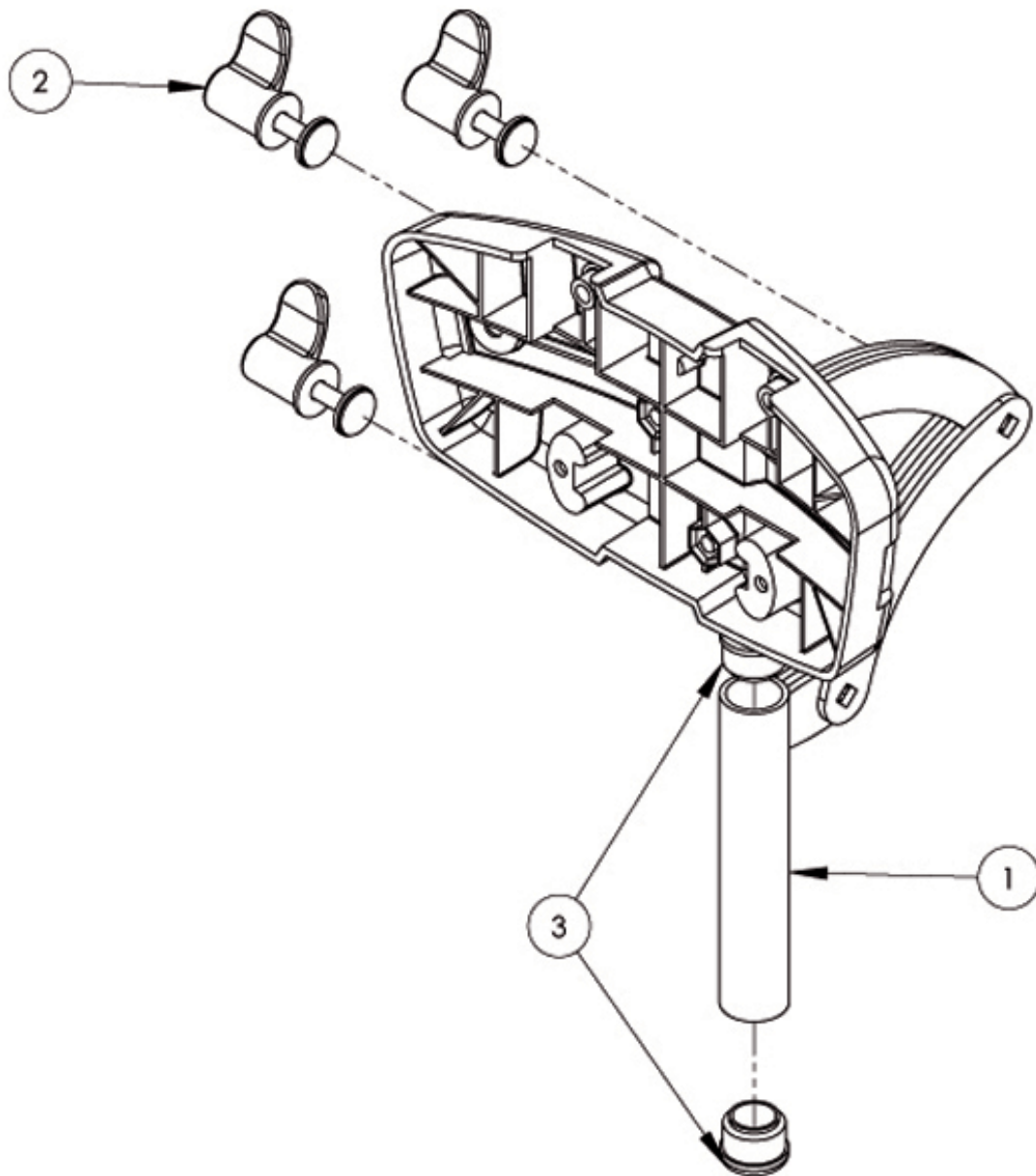
Pos.	Leckey Code	Description	Qty
1	SF51	Round Tube Insert	2
2	118-710	Tray Depth Adjustment Assembly	1

Squiggles Stander Tray Support Assembly



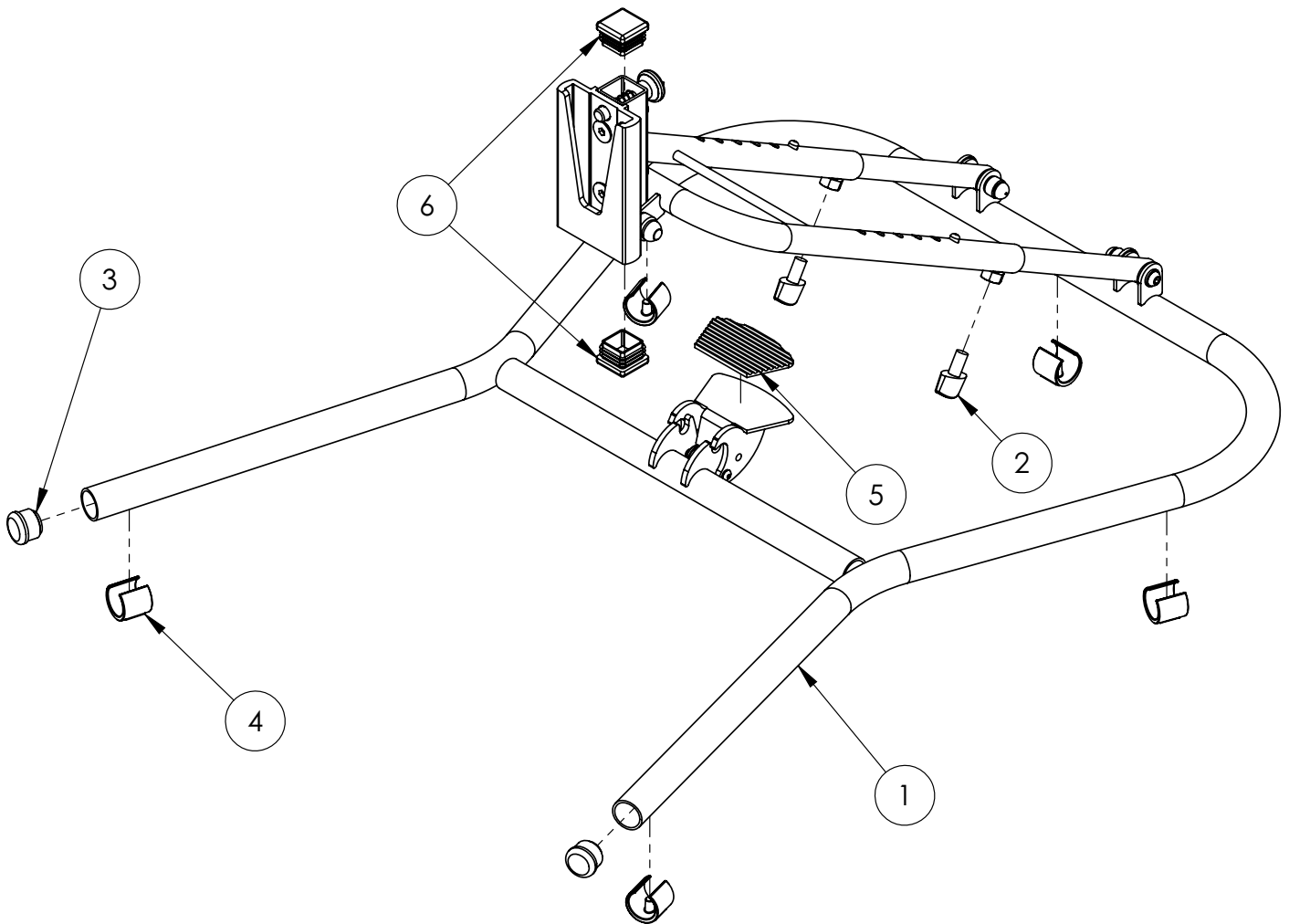
Pos.	Leckey Code	Description	Qty
1	118-709	Tray Horn Assembly	1
2	118-660	Orb Chest Assembly	1
3	SF48	Locking Key (M6x16)	2

Squiggles Stander Head Support Assembly



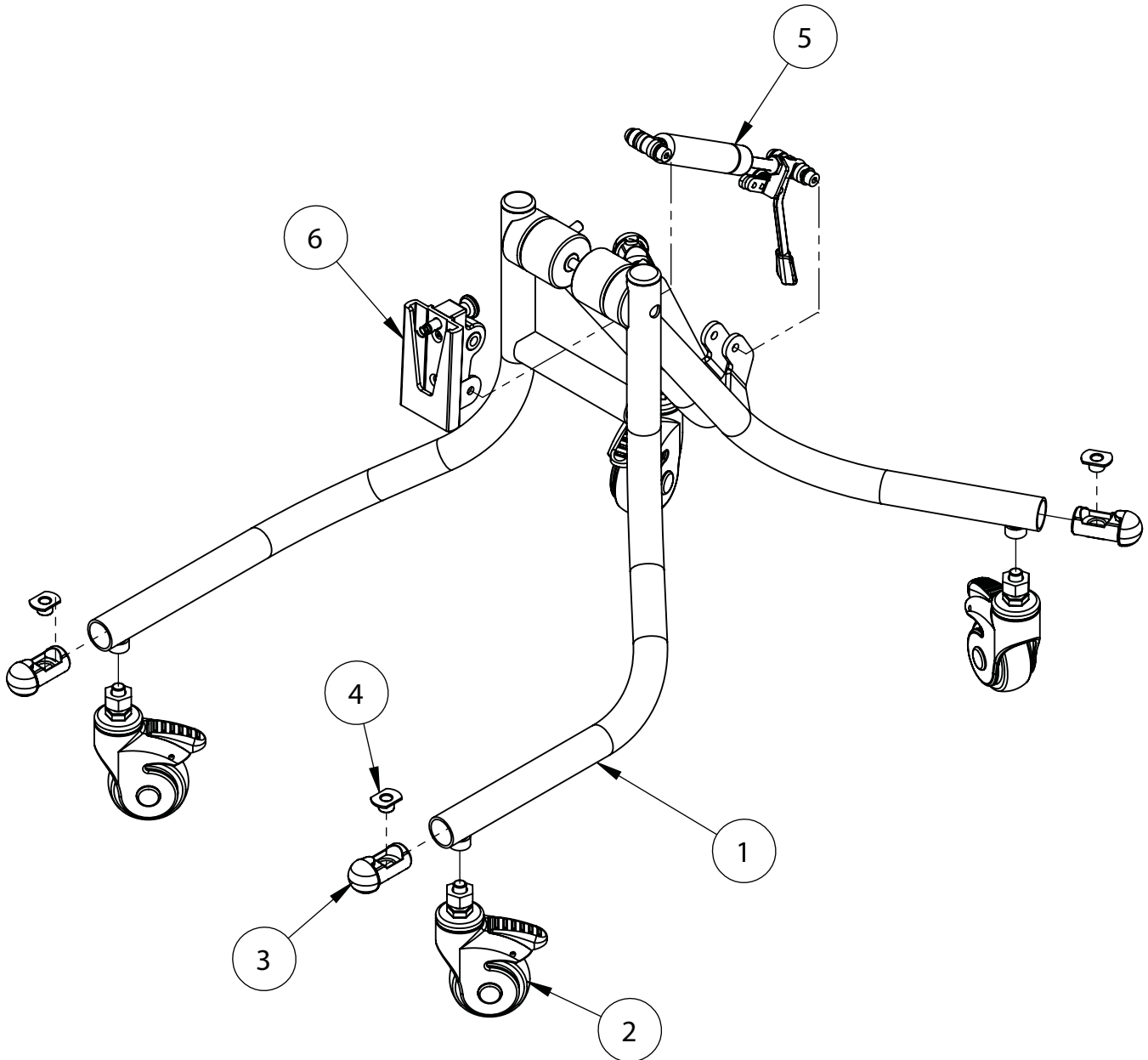
Pos.	Leckey Code	Description	Qty
1	118-697	Head Support Assembly	1
2	137-9015	Wing Nut Assembly	1
3	SF53	Round Tube Insert	2

Squiggles Stander Easel Chassis



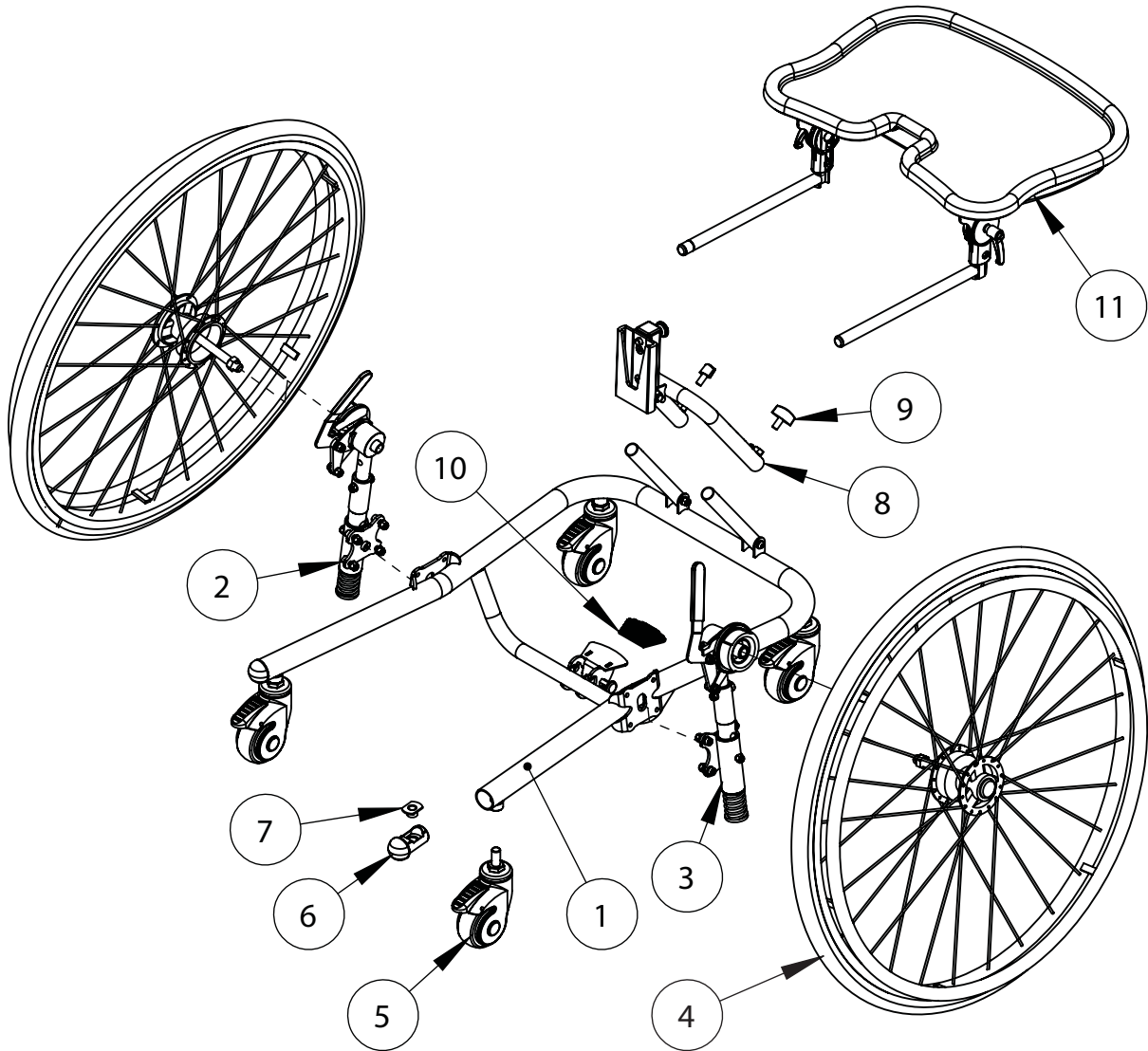
Pos.	Leckey Code	Description	Qty
1	118-765	Easel Chassis	1
2	SF19	Locking Key (M8 X 16)	2
3	SF53	Round Tube Insert	2
4	SC62	Plastic C'feet	5
5	102-1232	Pedal Rubber Pad (Trim)	1
6	SF61	Square Ribbed Insert	2

Squiggles Stander Pivot Chassis



Pos.	Leckey Code	Description	Qty
1	118-764	Pivot Chassis	1
2	IA32	Castor	4
3	118-160	Castor Tube Insert	4
4	SJ136	Jetpress Nut	4
5	118-717	Gas Spring Assembly	1
6	118-713	Pivot Interface Assembly	1

Squiggles Stander Mobile Chassis



Pos.	Leckey Code	Description	Qty
1	129-600	Mobile Chassis	1
2	129-631	Suspension Arm LH Assembly	1
3	129-632	Suspensions Arm RHW Assembly	1
4	129-647	Wheel 24" Pair	1
4	139-646	Wheel 27" Pair	1
5	IA34	Castor	4
6	118-160	Castor Tube Insert	2
7	SJ136	Jetpress Nut	1
8	129-625	Angle Tube Outer Assembly	1
9	SF19	Locking Key M8 X 16	1
10	102-1232	Rubber Pad	1

Corner Sitter

Spare Parts Catalogue



Contents

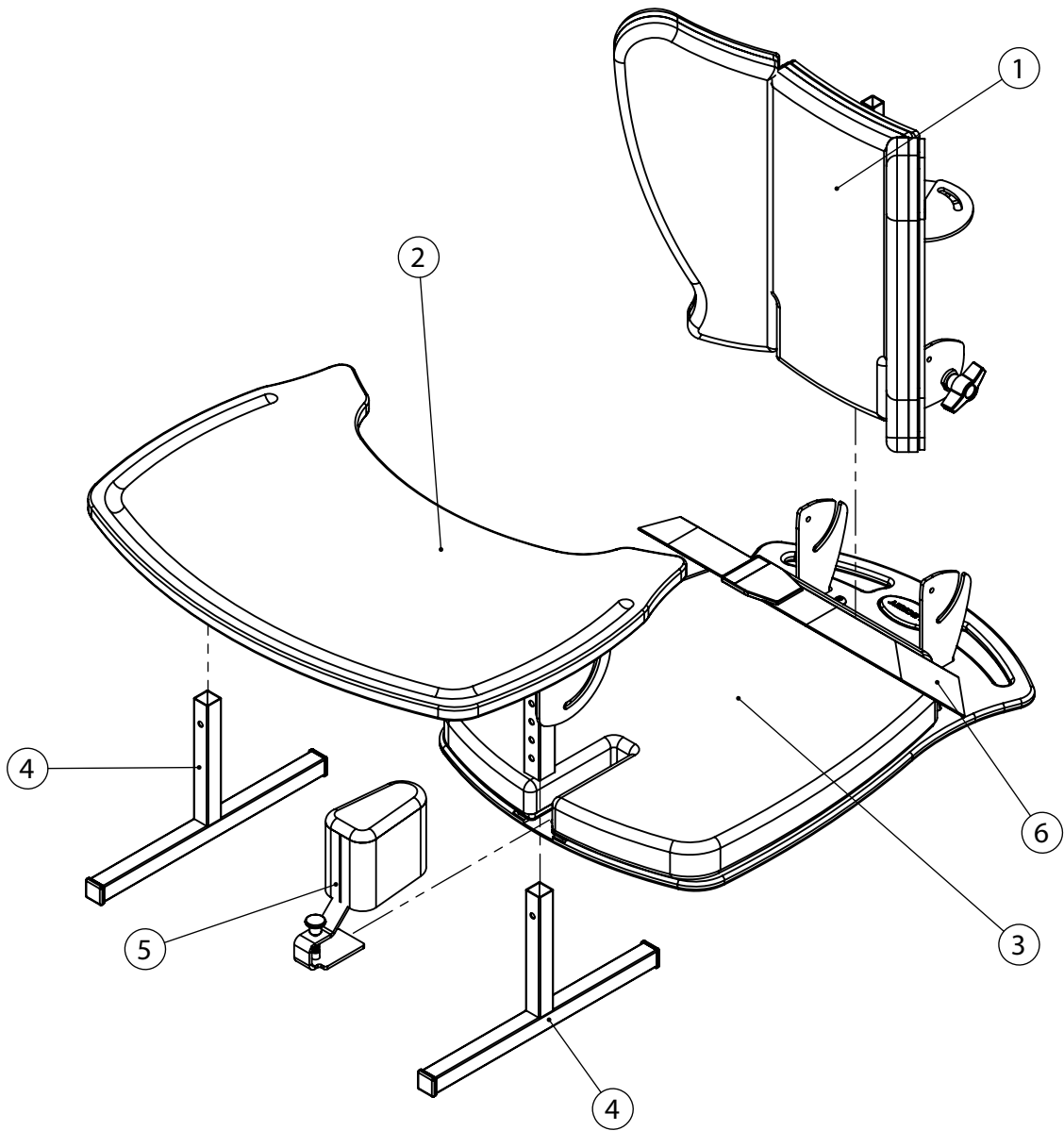
03-04 Corner Sitter

Please substitute -XX for the following colours when placing order:

FY - Farmyard Fabric

MB - Mondeo Blue

Corner Sitter



Pos.	Leckey Code	Description	Qty	Compatible with		
				Size 1	Size 2	Size 3
1	104-1965-XX	Backrest Assembly Complete Size 1	1	✓		
1	104-2965-XX	Backrest Assembly Complete Size 2	1		✓	
1	104-3965-XX	Backrest Assembly Complete Size 3	1			✓
2	104-1949	Tray Assembly Size 1	1	✓		
2	104-2949	Tray Assembly Size 2	1		✓	
2	104-3949	Tray Assembly Size 3	1			✓
3	104-1967-XX	Seat Base Assembly Size 1	1	✓		
3	104-2967-XX	Seat Base Assembly Size 1	1		✓	
3	104-3967-XX	Seat Base Assembly Size 1	1			✓

Corner Sitter

Pos.	Leckey Code	Description	Qty	Compatible with		
				Size 1	Size 2	Size 3
4	104-1614	Tray Leg	1	✓	✓	✓
5	104-1925-XX	Pommel Assembly Size 1 & 2	1	✓	✓	
5	104-3925-XX	Pommel Assembly Size 3	1			✓
6	104-1918	Lcs Lap Belt Size 1	1	✓		
6	104-2918	Lcs Lap Belt Size 2 & 3	1		✓	✓
	LCS	Corner Sitter Care Kit	1	✓	✓	✓

Contoured Advanced Seat Spare Parts Catalogue



Contents

03- 05	Contoured Advanced Seat
06	Contoured Advanced Seat Hi-Low Frame Power Chassis
07	Contoured Advanced Seat Manual Chassis

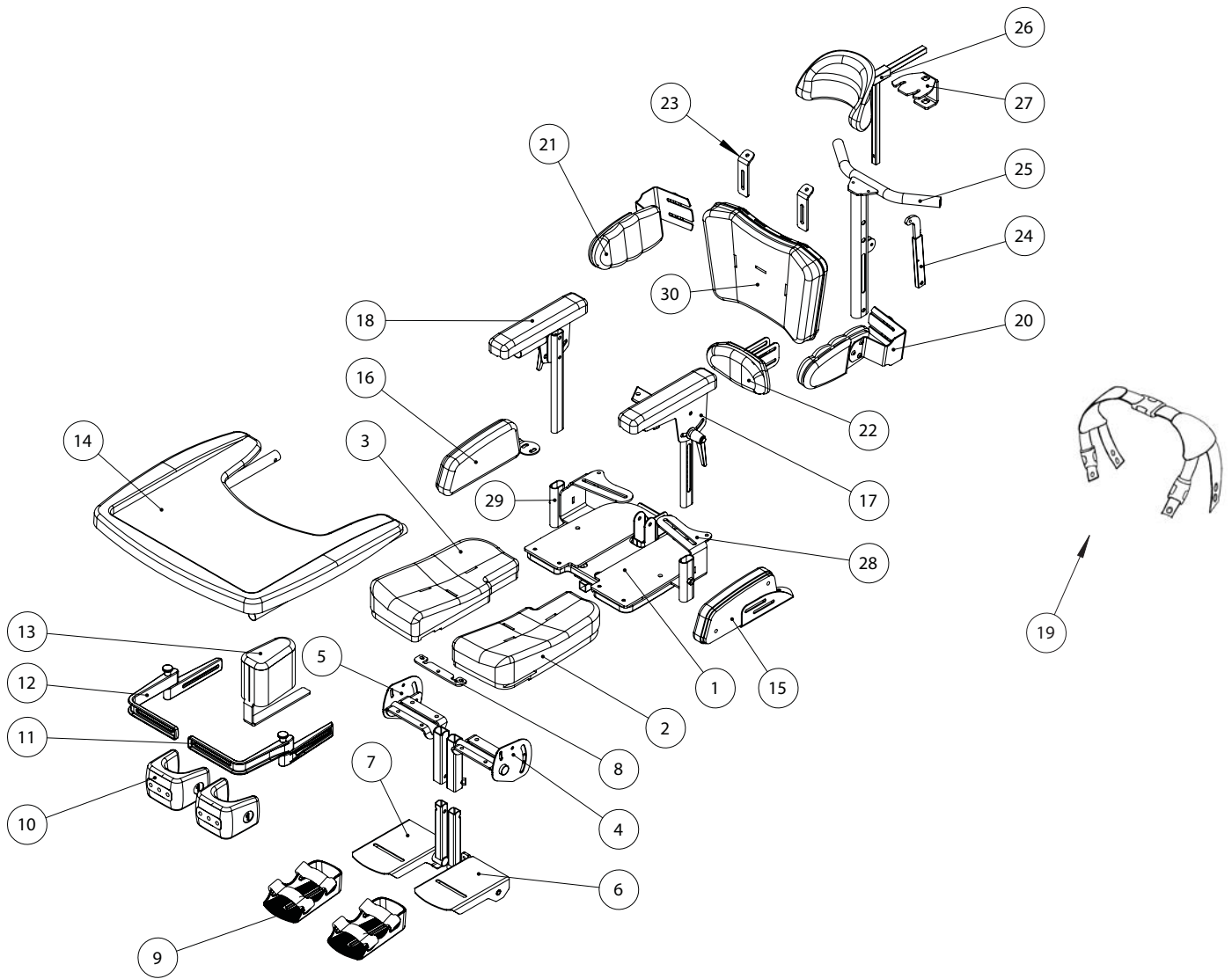
Please substitute -XX for the following colours when placing order:

MB - Mondeo Blue

MC - Mondeo Charcoal

MV - Mondeo Violet

Contoured Advanced Seat



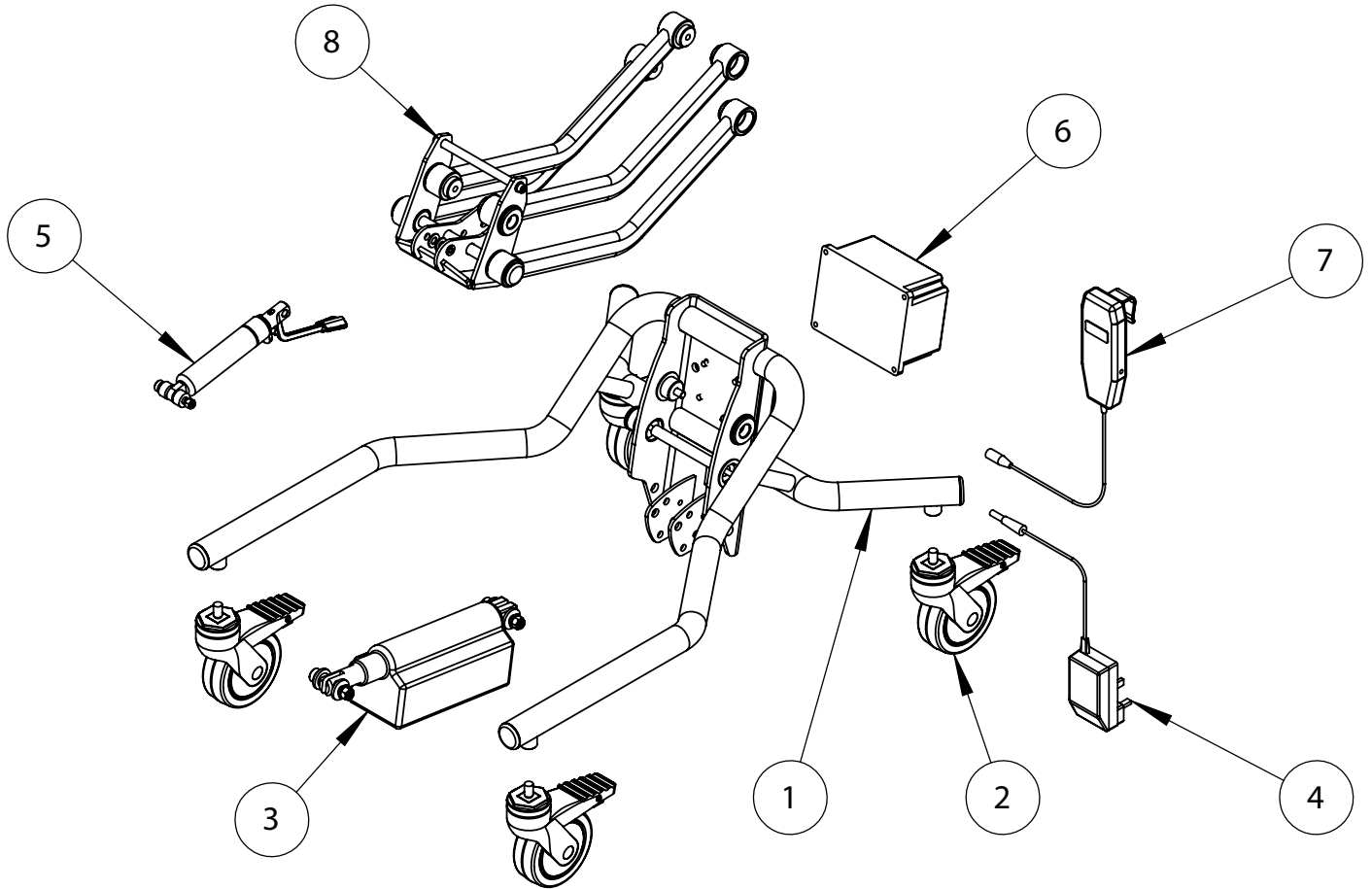
Contoured Advanced Seat

Pos.	Leckey Code	Description	Qty	Compatible with		
				Size 1	Size 2	Size 3
1	102-1960-XX	Seat Base Support Size 1	1	✓		
1	102-2960-XX	Seat Base Support Size 2	1		✓	
1	102-3960-XX	Seat Base Support Size 3	1			✓
2	102-1926-XX	Split Seat Pad (Left) Size 1	1	✓		
2	102-2926-XX	Split Seat Pad (Left) Size 2	1		✓	
2	102-3926-XX	Split Seat Pad (Left) Size 3	1			✓
3	102-1927-XX	Split Seat Pad (Right) Size 1	1	✓		
3	102-2927-XX	Split Seat Pad (Right) Size 2	1		✓	
3	102-3927-XX	Split Seat Pad (Right) Size 3	1			✓
4	102-4-1943	Single Footrest Upper (Left) Size 1&2	1	✓	✓	
4	102-4-3943	Single Footrest Upper (Left) Size 3	1			✓
5	102-4-1944	Single Footrest Upper (Right) Size 1&2	1	✓	✓	
5	102-4-3944	Single Footrest Upper (Right) Size 3	1			✓
6	102-4-1923	Single Footrest Lower (Left) Size 1&2	1	✓	✓	
6	102-4-3923	Single Footrest Lower (Left) Size 3	1			✓
7	102-4-1924	Single Footrest Lower (Right) Size 1&2	1	✓	✓	
7	102-4-3924	Single Footrest Lower (Right) Size 3	1			✓
8	RAF-4-1226	Pommel Locking Plate Size 1-3	1	✓	✓	✓
9	RAS-4-1906	Vac Form Sandal With Heel Complete Size 1	1	✓		
9	RAS-4-2906	Vac Form Sandal With Heel Complete Size 2	1		✓	
9	RAS-4-3906	Vac Form Sandal With Heel Complete Size 3	1			✓
10	102-1640	Single Pu Knee Cup Size 1	1	✓		
10	102-2640	Single Pu Knee Cup Size 2	1		✓	
10	102-3640	Single Pu Knee Cup Size 3	1			✓
10	102-4640	Single Pu Knee Cup Extra Large	1			✓
11	RAF-4-1932	Swing Away Knee Bracket Assy LH Size 1-3	1	✓	✓	✓
12	RAF-4-1933	Swing Away Knee Bracket Assy RH Size 1-3	1	✓	✓	✓
13	CAS/1/170	Pommel Size 1&2	1	✓	✓	
13	CAS/3/170	Pommel Size 3	1			✓
14	CAS/1/105	Tray Size 1	1	✓		
14	CAS/2/105	Tray Size 2	1		✓	
14	CAS/3/105	Tray Size 3	1			✓
15	102-1935-XX	Single Side Pad (Left) Size 1	1	✓		
15	102-2935-XX	Single Side Pad (Left) Size 2	1		✓	
15	102-3935-XX	Single Side Pad (Left) Size 3	1			✓

Contoured Advanced Seat

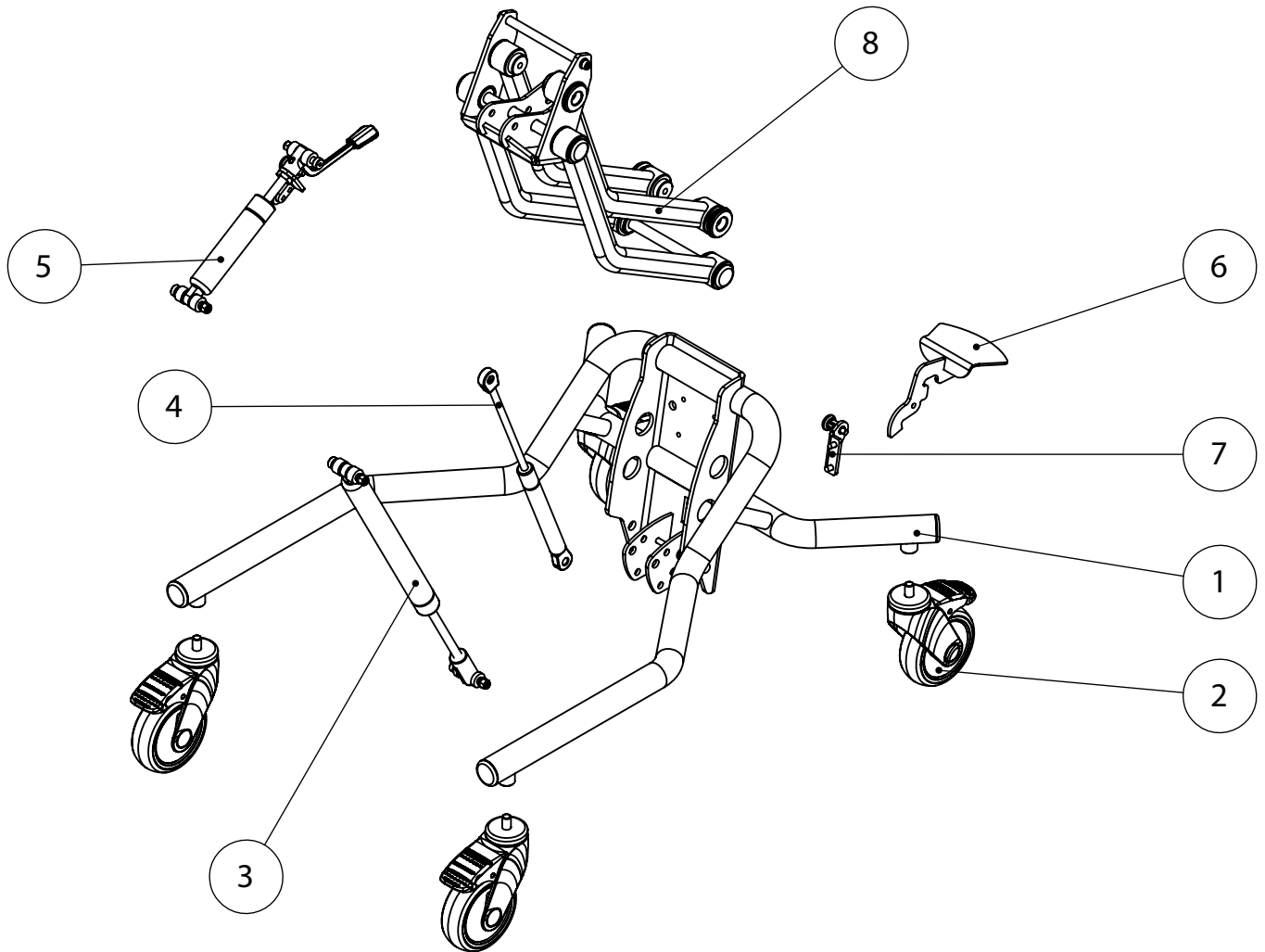
Pos.	Leckey Code	Description	Qty	Compatible with		
				Size 1	Size 2	Size 3
16	102-1936-XX	Single Side Pad (Right) Size 1	1	✓		
16	102-2936-XX	Single Side Pad (Right) Size 2	1		✓	
16	102-3936-XX	Single Side Pad (Right) Size 3	1			✓
17	102-1920	Single Armrest (Left) Complete Size 1&2	1	✓	✓	
17	102-3920	Single Armrest (Left) Complete Size 3	1			✓
18	102-1921	Single Armrest (Right) Complete Size 1&2	1	✓	✓	
18	102-3921	Single Armrest (Right) Complete Size 3	1			✓
19	CAS/1/154	4 Point Hip Belt Size 1	1	✓		
19	CAS/2/154	4 Point Hip Belt Size 2	1		✓	
19	CAS/3/154	4 Point Hip Belt Size 3	1			✓
20	102-1900-XX	Single Flexible Lateral Support (Left) Size 1	1	✓		
20	102-2900-XX	Single Flexible Lateral Support (Left) Size 2	1		✓	
20	102-3900-XX	Single Flexible Lateral Support (Left) Size 3	1			✓
21	102-1901-XX	Single Flexible Lateral Support (Right) Size 1	1	✓		
21	102-2901-XX	Single Flexible Lateral Support (Right) Size 2	1		✓	
21	102-3901-XX	Single Flexible Lateral Support (Right) Size 3	1			✓
22	CAS/1/147-XX	Split Back Sacral Pad Size 1	1	✓		
22	CAS/2/147-XX	Split Back Sacral Pad Size 2	1		✓	
22	CAS/3/147-XX	Split Back Sacral Pad Size 3	1			✓
23	102-1360	Shoulder Retraction Plate	1	✓	✓	✓
24	102-1753	Back Angle Lock	1	✓	✓	✓
25	RAF-4-1618	Backspine Locking Mechanism Size 1	1	✓		
25	RAF-4-2618	Backspine Locking Mechanism Size 2	1		✓	
25	RAF-4-3618	Backspine Locking Mechanism Size 3	1			✓
26	CAS/1/104	Pu Contoured Head Support Size 1	1	✓		
26	CAS/2/104	Pu Contoured Head Support Size 2	1		✓	
26	CAS/3/104	Pu Contoured Head Support Size 3	1			✓
27	RAF-4-3447	Head Support Attachment Bracket	1	✓	✓	✓
28	RAF-4-1734	Tray & Side Bracket Lh Size 1& 2	1	✓	✓	
28	RAF-4-3734	Tray & Side Bracket Lh Size 3	1			✓
29	RAF-4-1738	Tray & Side Bracket Rh Size 1&2	1	✓	✓	
29	RAF-4-3738	Tray & Side Bracket Rh Size 3	1			✓
30	CAS/1/148-XX	Split Back High Back Pad Size 1	1	✓		
30	CAS/2/148-XX	Split Back High Back Pad Size 2	1		✓	
30	CAS/3/148-XX	Split Back High Back Pad Size 3	1			✓
	CAS Care Kit	Contoured Advanccd Seat Care Kit	1	✓	✓	✓

Contoured Advanced Seat - Hi Low Frame Power



Pos.	Leckey Code	Description	Qty	Compatible with		
				Size 1	Size 2	Size 3
1	102-1693	Chassis Welded Assy Size 1&2	1	✓	✓	
1	102-2693	Chassis Welded Assy Size 3	1			✓
2	IA13	Castor	4	✓	✓	✓
3	102-1694	Actuator Assy	1	✓	✓	✓
4	SI74	Charger UK	1	✓	✓	✓
4	SI125	Charger EUR	1	✓	✓	✓
4	SI126	Charger USA/JAPAN	1	✓	✓	✓
4	SI127	Charger AUS	1	✓	✓	✓
5	102-1695	500N Blocolift Size 1&2 Assy	1	✓	✓	
5	102-1696	800N Blocolift Size 3 Assy	1			✓
6	SI64	Battery	1	✓	✓	✓
7	SI67	Handset	1	✓	✓	✓
8	117-651	Lever Arm Assembly Size 1-3	1	✓	✓	✓

Contoured Advanced Seat - Manual Chassis



Pos.	Leckey Code	Description	Qty	Compatible with		
				Size 1	Size 2	Size 3
1	102-1693	Chassis Welded Assy Size 1&2	1	✓	✓	
1	102-2693	Chassis Welded Assy Size 3	1			✓
2	IA13	Castor	4	✓	✓	✓
3	102-1698	1200N Liftomat Shock Size 1-3 Assy	1	✓	✓	✓
4	102-1699	100N Liftomat Shock Size 2-3 Assy	1		✓	✓
5	102-1695	500N Blocolift Size 1&2 Assy	1	✓	✓	
5	102-1696	800N Blocolift Size 3 Assy	1			✓
6	102-1692	Short Foot Pedal	1	✓	✓	✓
7	102-1761	Locking Pin Assy	1	✓	✓	✓
8	117-651	Lever Arm Assembly Size 1-3	1	✓	✓	✓

PAL Spare Parts Catalogue

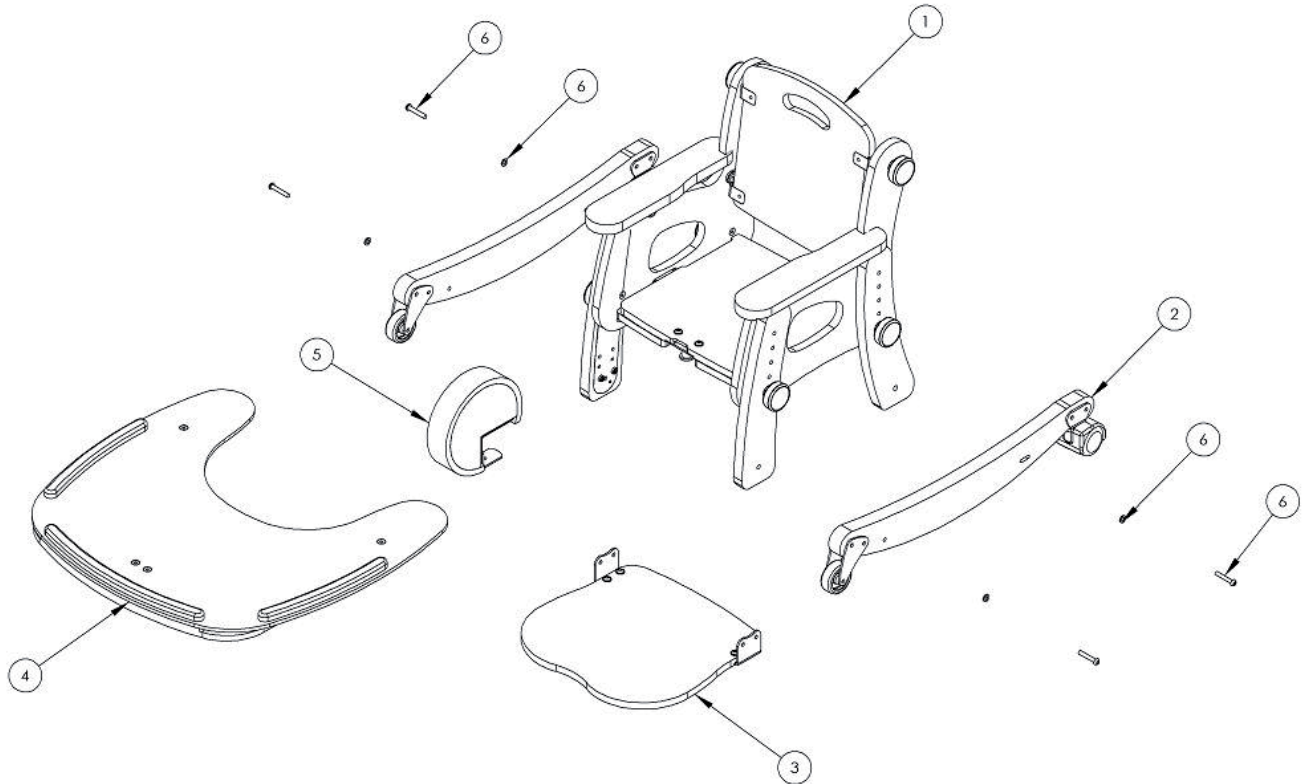


Contents

03	PAL Seat Product Overview
04-05	PAL Seat Assembly
06	PAL High Seat Assembly
07	PAL Tray Assembly
08	PAL Ski Assembly
09	PAL Footrest Assembly
10	PAL Two Person Table Assembly
11	PAL Four Person Table Assembly

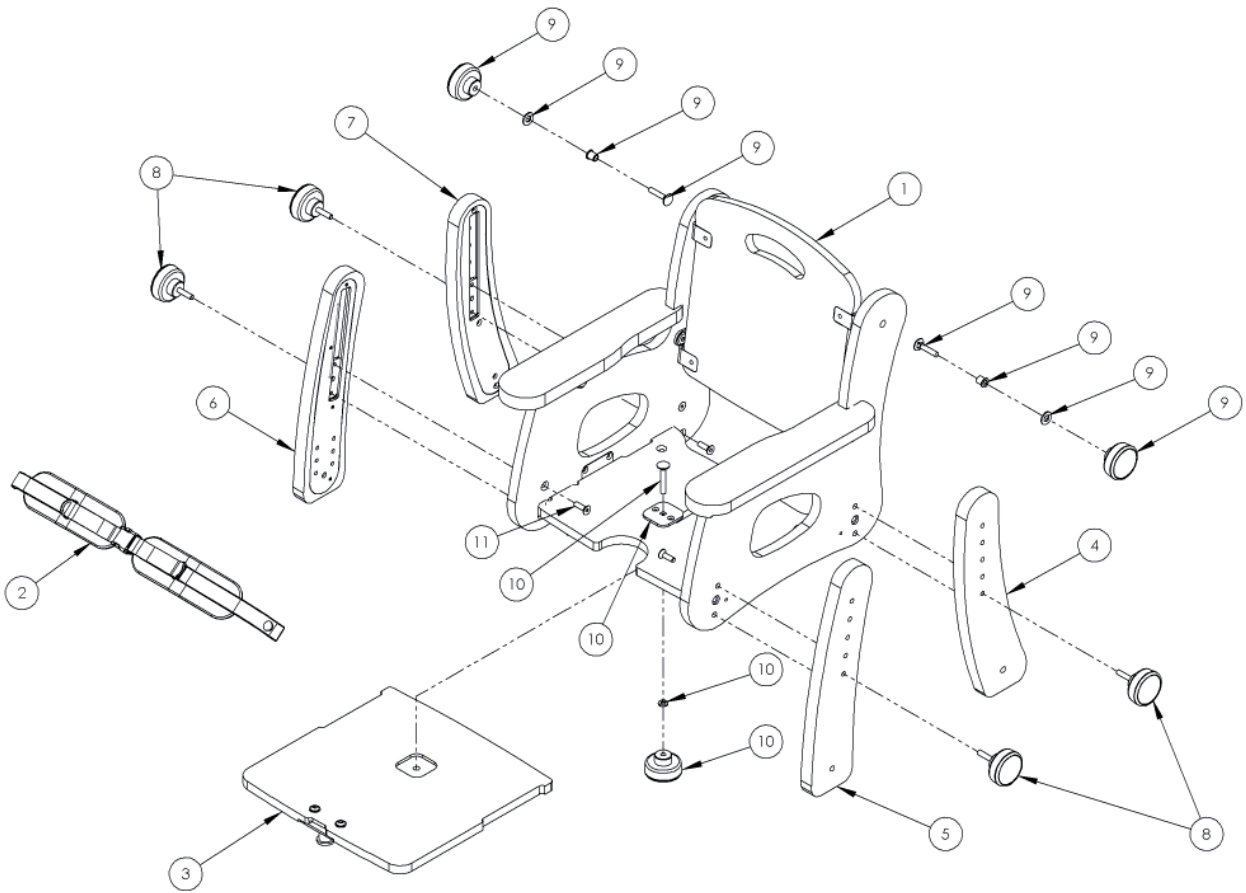
PAL Seat - Product

Overview



Pos.	Leckey Code	Description	Qty	Compatible with		
				Size 1	Size 2	Size 3
1	135-1600-XX	Chair Size 1	1	✓		
1	135-2600-XX	Chair Size 2	1		✓	
1	135-3600-XX	Chair Size 3	1			✓
2	135-1610	Ski With Castors Size 1	2	✓		
2	135-2610	Ski With Castors Size 2	2		✓	
2	135-3610	Ski With Castors Size 3	2			✓
3	135-1603	Footrest Size 1	1	✓		
3	135-2603	Footrest Size 2	1		✓	
3	135-3603	Footrest Size 3	1			✓
4	135-1620	Activity Tray Size 1	1	✓		
4	135-2620	Activity Tray Size 2	1		✓	
4	135-3620	Activity Tray Size 3	1			✓
5	135-1602-XX	Pommel Size 1	1	✓		
5	135-3602-XX	Pommel Size 3	1		✓	✓
6	SP-1025	Ski Screw Kit	4	✓	✓	✓

PAL Seat Assembly

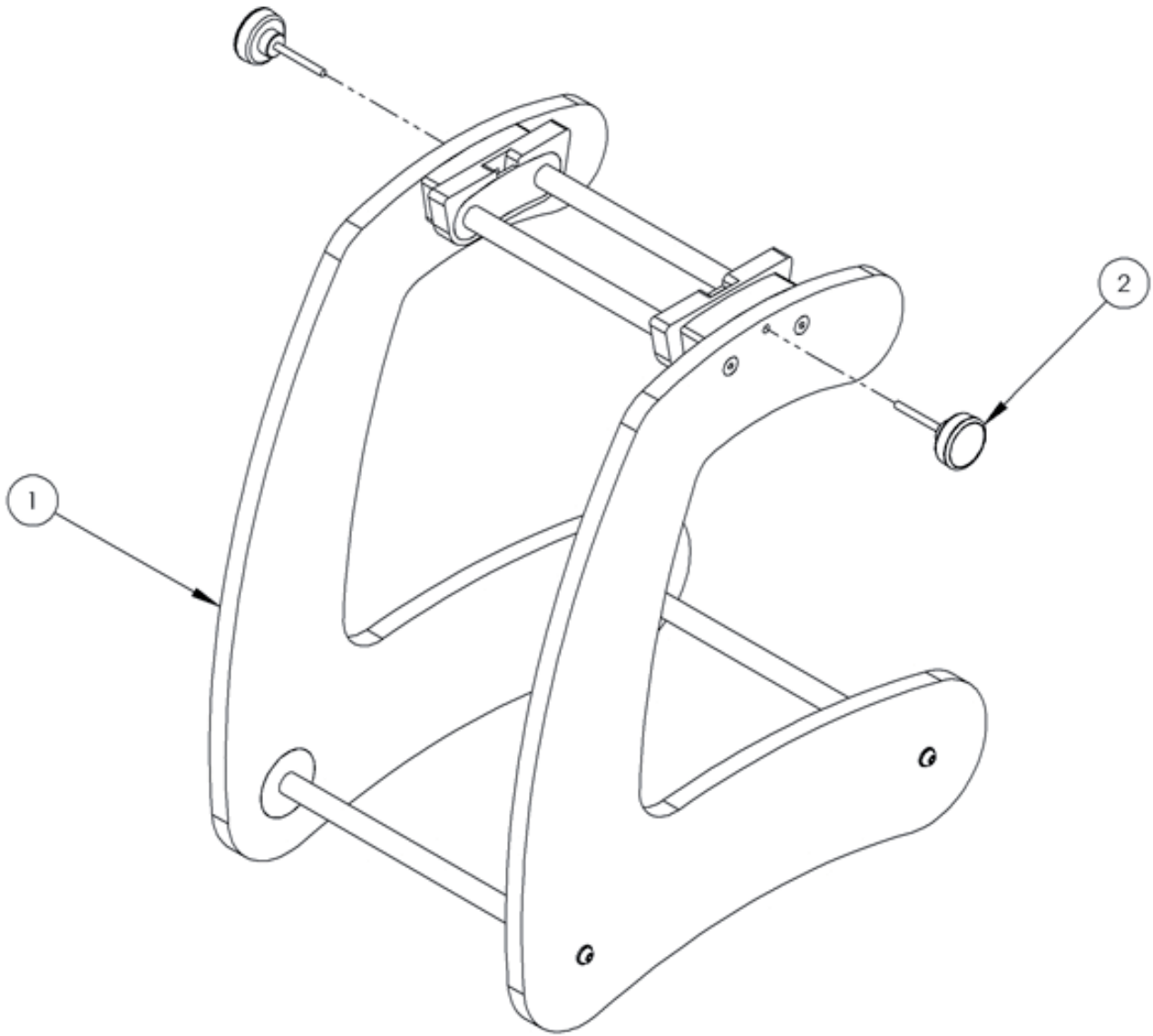


Pos.	Leckey Code	Description	Qty	Compatible with		
				Size 1	Size 2	Size 3
1	135-9001-XX	Seat Size 1	1	✓		
1	135-9002-XX	Seat Size 2	1		✓	
1	135-9003-XX	Seat Size 3	1			✓
2	135-1657	Lap Belt Size 1	1	✓		
2	135-2657	Lap Belt Size 2	1		✓	
2	135-3657	Lap Belt Size 3	1			✓
3	135-1108	Sliding Seatbase Size 1	1	✓		
3	135-2108	Sliding Seatbase Size 2	1		✓	
3	135-3108	Sliding Seatbase Size 3	1			✓
4	135-1612	Leg Rear Left Size 1	1	✓		
4	135-2612	Leg Rear Left Size 2	1		✓	
4	135-3612	Leg Rear Left Size 3	1			✓

PAL Seat Assembly

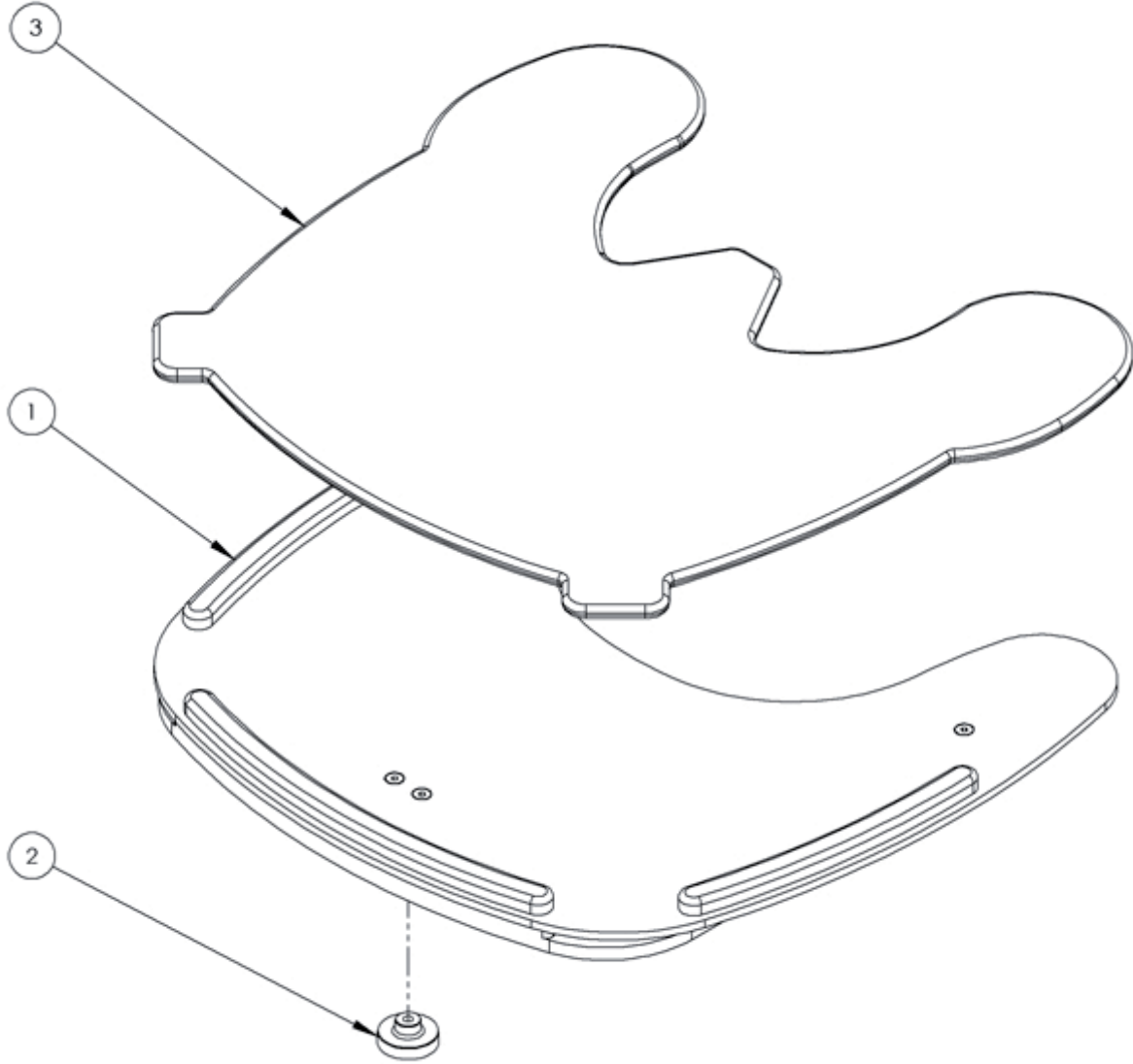
Pos.	Leckey Code	Description	Qty	Compatible with		
				Size 1	Size 2	Size 3
5	135-1618	Leg Front Left Size 1	1	✓		
5	135-2618	Leg Front Left Size 2	1		✓	
5	135-3618	Leg Front Left Size 3	1			✓
6	135-1611	Leg Front Right Size 1	1	✓		
6	135-2611	Leg Front Right Size 2	1		✓	
6	135-3611	Leg Front Right Size 3	1			✓
7	135-1613	Leg Rear Right Size 1	1	✓		
7	135-2613	Leg Rear Right Size 2	1		✓	
7	135-3613	Leg Rear Right Size 3	1			✓
8	SF90	M6 Knob Male X 25 Thread	4	✓	✓	✓
9	SP-1023	Backrest Knob & Screw Kit	4	✓	✓	✓
10	135-9000	Sliding Seatbase Knob & Screw Kit	1	✓	✓	✓
11	SP-1025	Leg Attachment Screw Kit	4	✓	✓	✓

PAL - High Seat Assembly



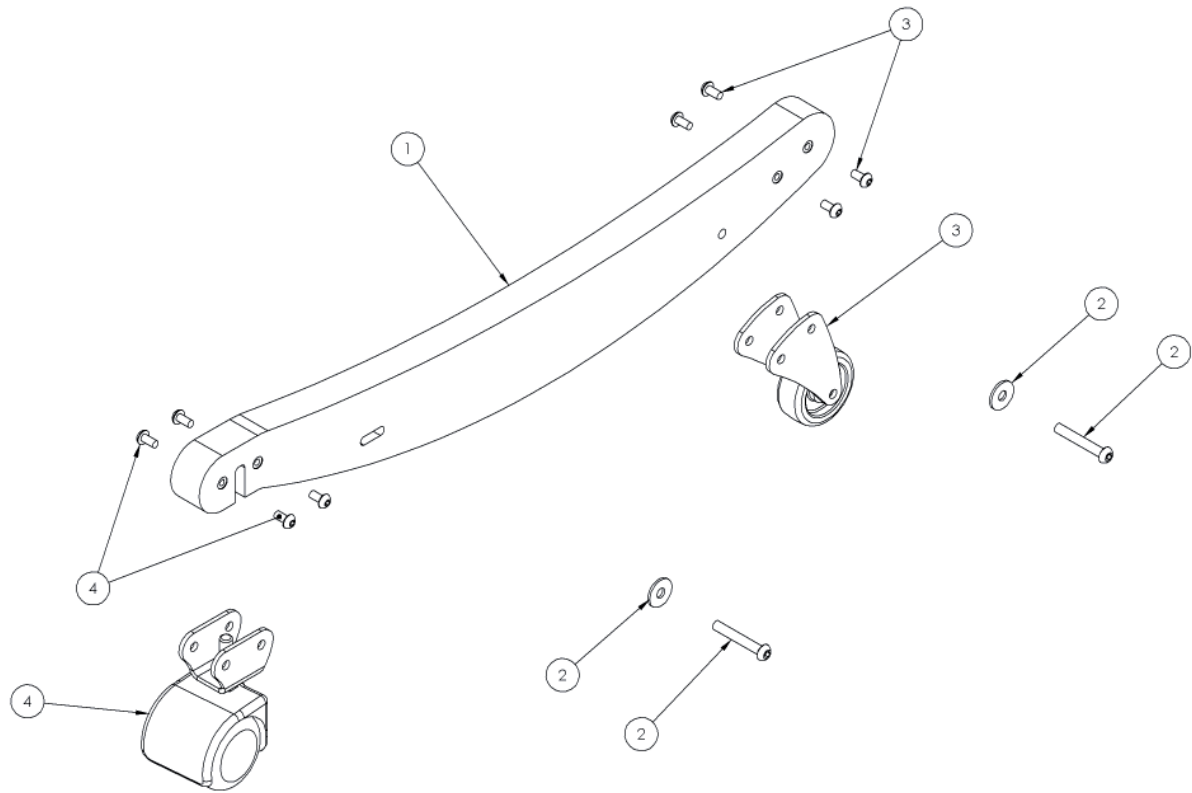
Pos.	Leckey Code	Description	Qty	Compatible with		
				Size 1	Size 2	Size 3
1	135-1630	High Seat Frame (Size 1 Only)	1	✓		
2	SF90	Wixroyd Knob M6	2	✓		

PAL -Tray Assembly



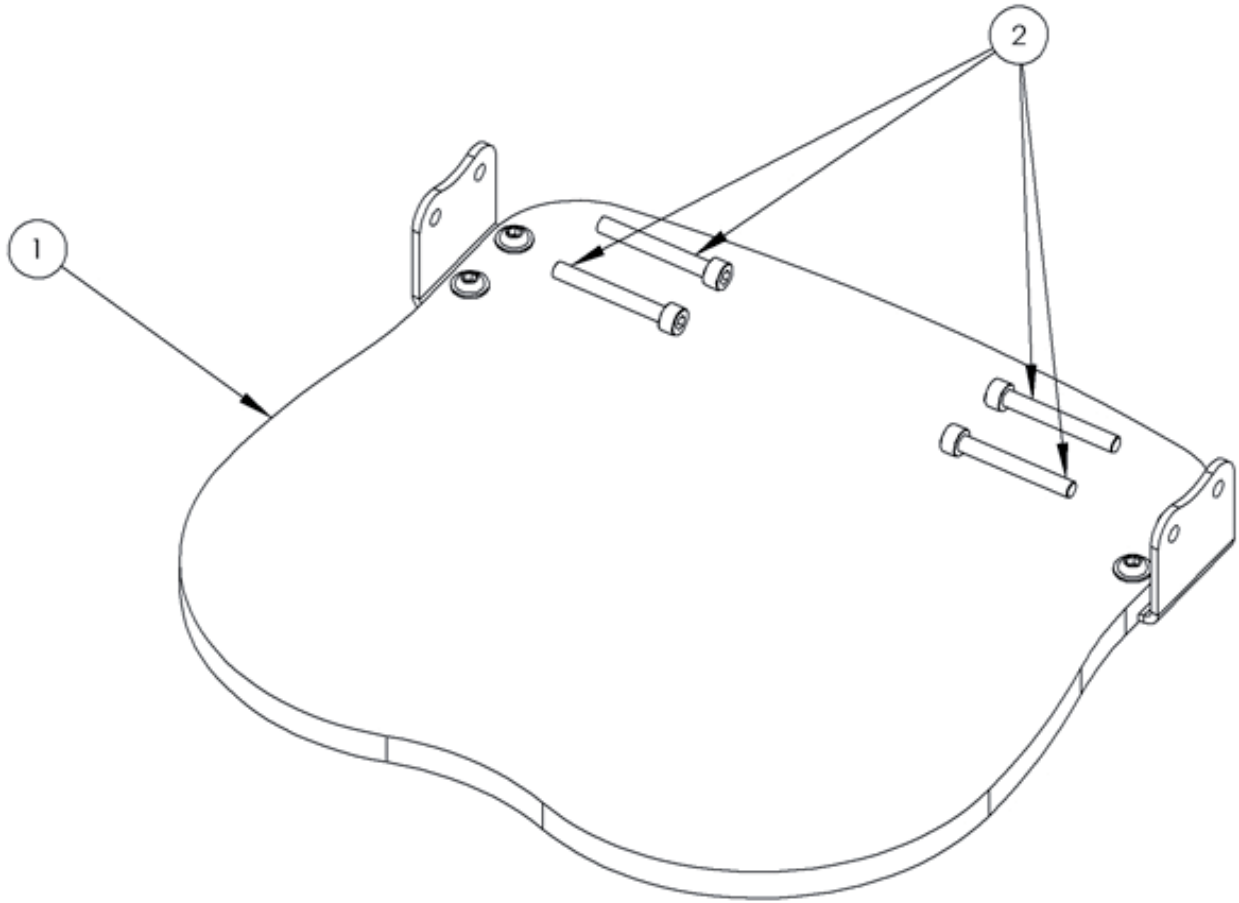
Pos.	Leckey Code	Description	Qty	Compatible with		
				Size 1	Size 2	Size 3
1	135-1620	Activity Tray Size 1	1	✓		
1	135-2620	Activity Tray Size 2	1		✓	
1	135-3620	Activity Tray Size 3	1			✓
2	SF90	Wixroyd Knob M6	1	✓	✓	✓
3	135-1656	Tray Pad Size 1	1	✓		
3	135-2656	Tray Pad Size 2	1		✓	
3	135-3656	Tray Pad Size 3	1			✓

PAL -Ski Assembly



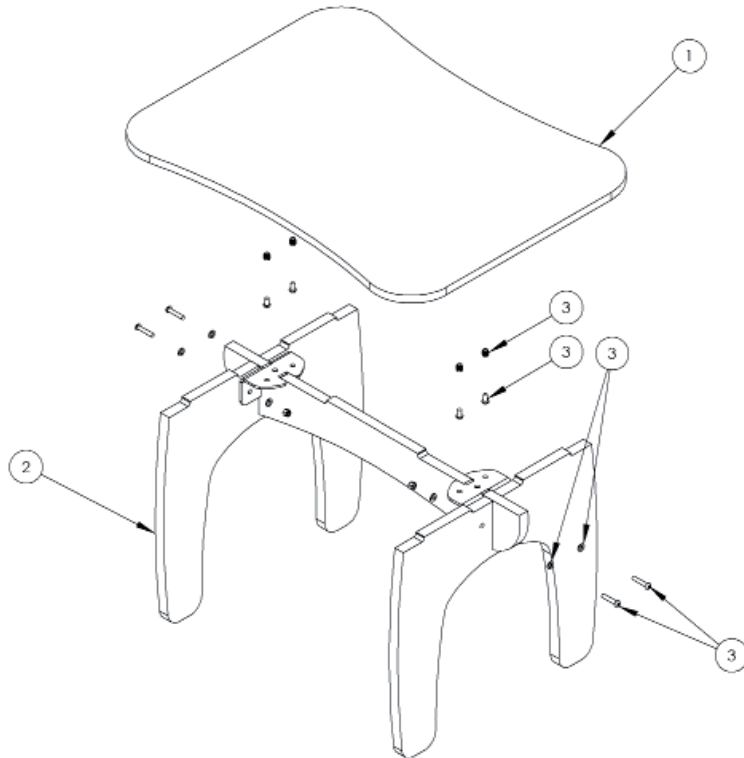
Pos.	Leckey Code	Description	Qty	Compatible with		
				Size 1	Size 2	Size 3
1	135-1610	Ski With Castors Size 1	1	✓		
1	135-2610	Ski With Castors Size 2	1		✓	
1	135-3610	Ski With Castors Size 3	1			✓
2	SP-1035	Ski Attachment Screw Kit	1	✓	✓	✓
3	135-9004	Front Castor Assembly	1	✓	✓	✓
4	135-9005	Rear Castor Assembly	1	✓	✓	✓

PAL -Footrest Assembly



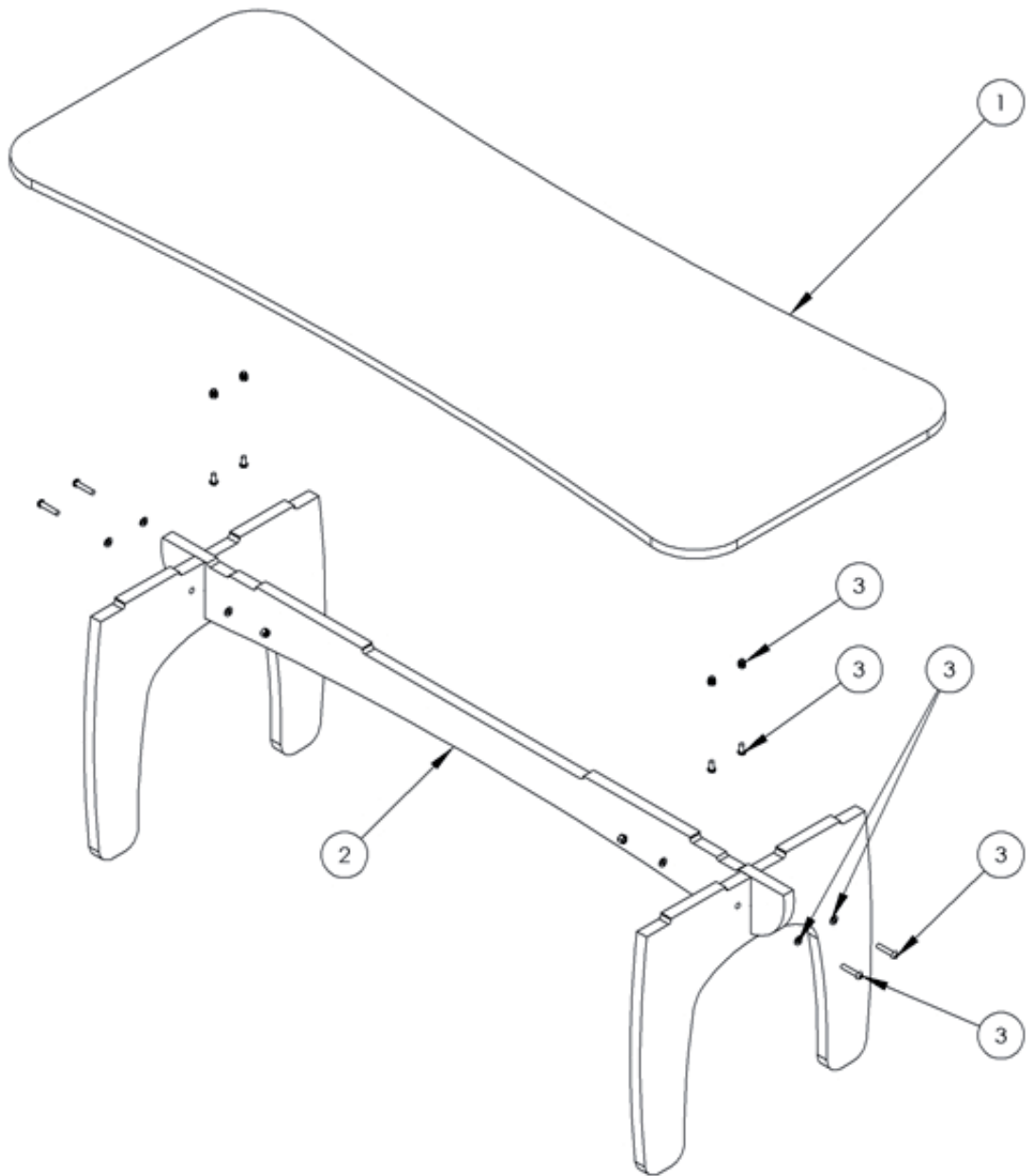
Pos.	Leckey Code	Description	Qty	Compatible with		
				Size 1	Size 2	Size 3
1	135-1603	Footrest Size 1	1	✓		
1	135-2603	Footrest Size 2	1		✓	
1	135-3603	Footrest Size 3	1			✓
2	SP-1021	Footrest Attachment Screw Kit	1	✓	✓	✓

PAL - Two Person Table Assembly



Pos.	Leckey Code	Description	Qty	Compatible with		
				Size 1	Size 2	Size 3
1	135-1710-XX	Table Top	1	✓	✓	✓
2	135-1715	Table Leg Assembly Size 1	1	✓		
2	135-2715	Table Leg Assembly Size 2	1		✓	
2	135-3715	Table Leg Assembly Size 3	1			✓
3	SP-1022	Table Attachment Screw Kit	1	✓	✓	✓

PAL - Four Person Table Assembly



Pos.	Leckey Code	Description	Qty	Compatible with		
				Size 1	Size 2	Size 3
1	135-1720-XX	Table Top	1	✓	✓	✓
2	135-1715	Table Leg Assembly Size 1	1	✓		
2	135-2715	Table Leg Assembly Size 2	1		✓	
2	135-3715	Table Leg Assembly Size 3	1			✓
3	SP-1022	Table Attachment Screw Kit	1	✓	✓	✓

LECKEY^o

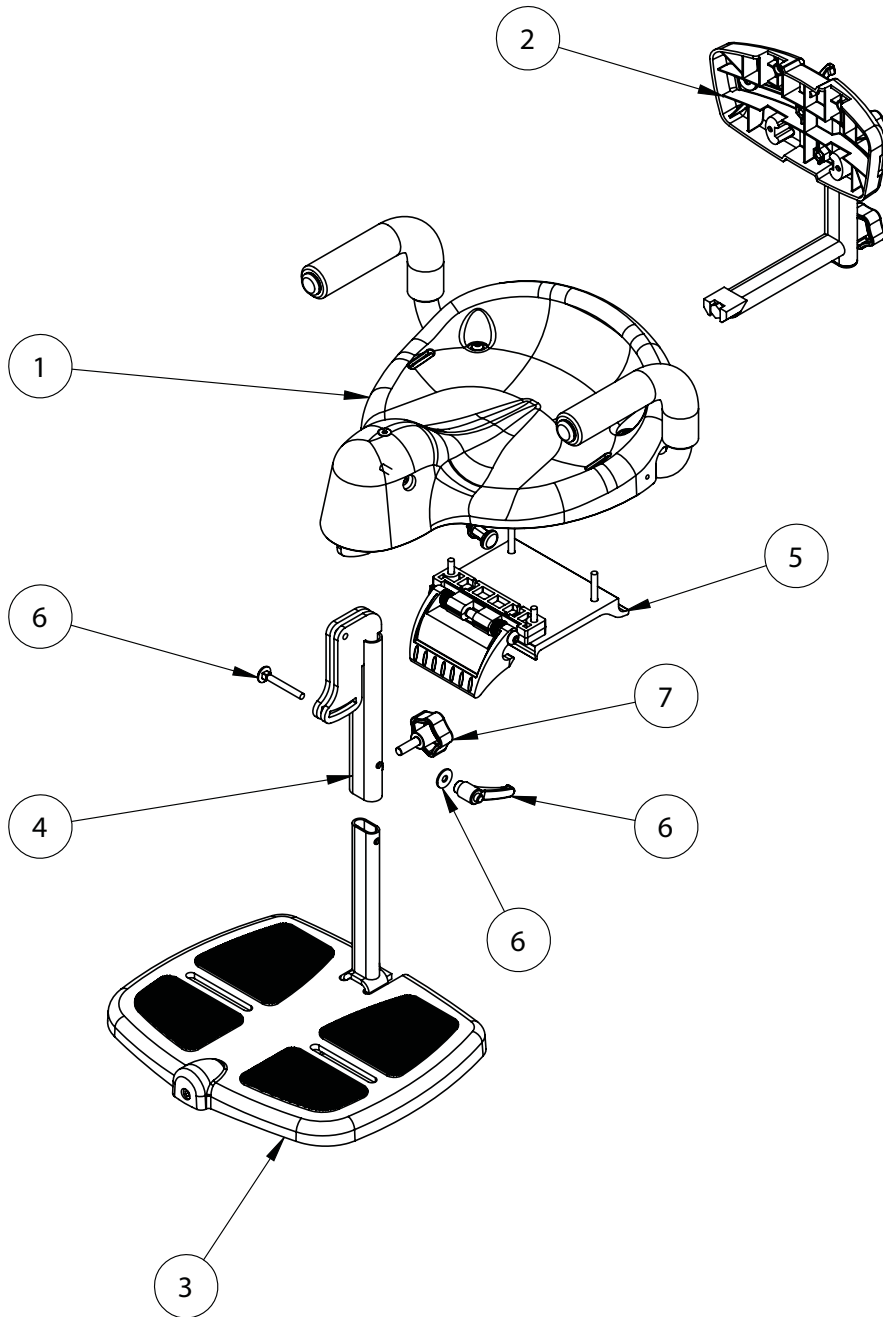
Squiggles Saddle Seat Spare Parts Catalogue



Contents

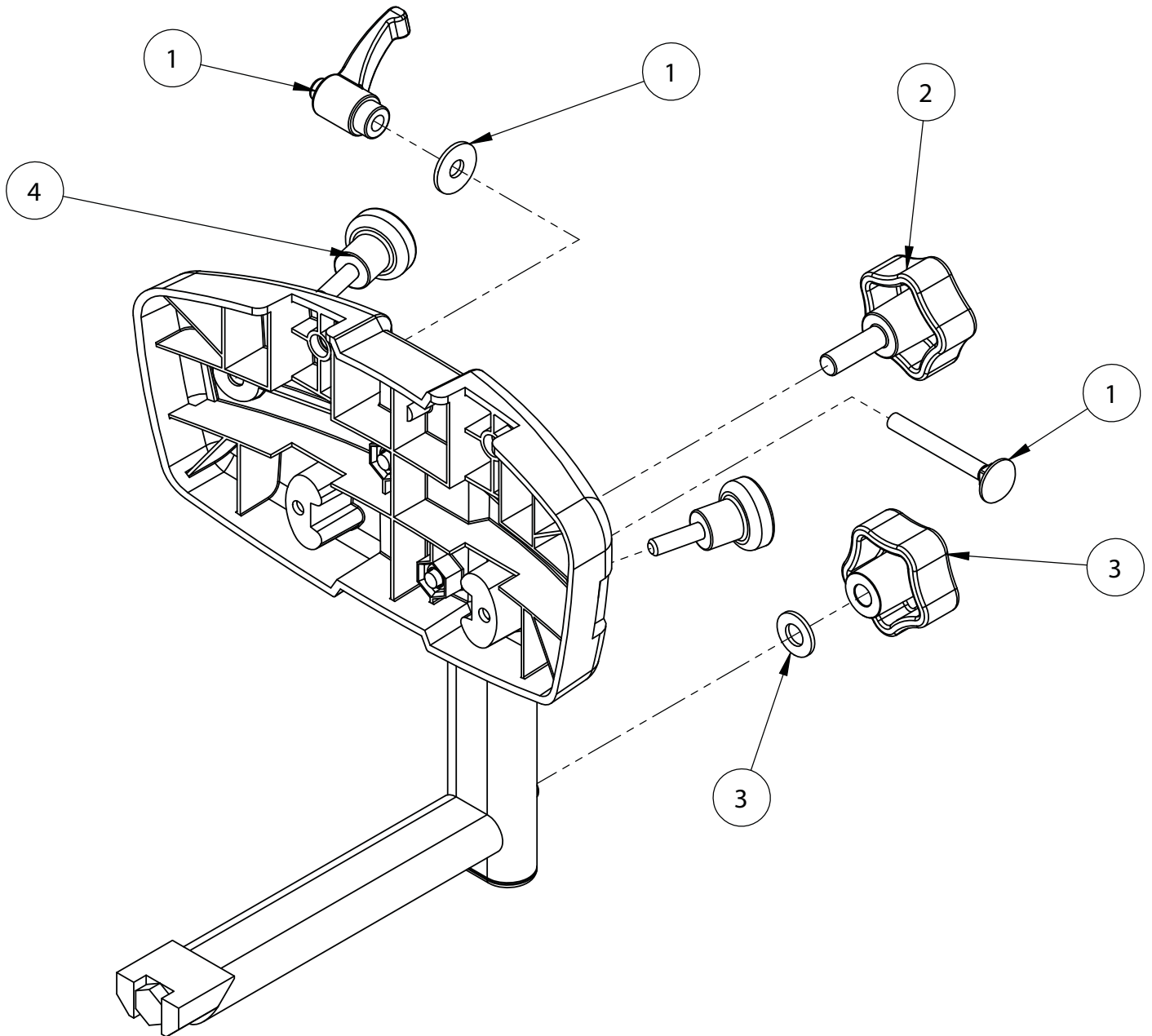
03	Squiggles Saddle Seat - Product Overview
04	Squiggles Saddle Seat - Backrest Assembly
05	Squiggles Saddle Seat - Footrest Assembly

Squiggles Saddle Seat Product Overview



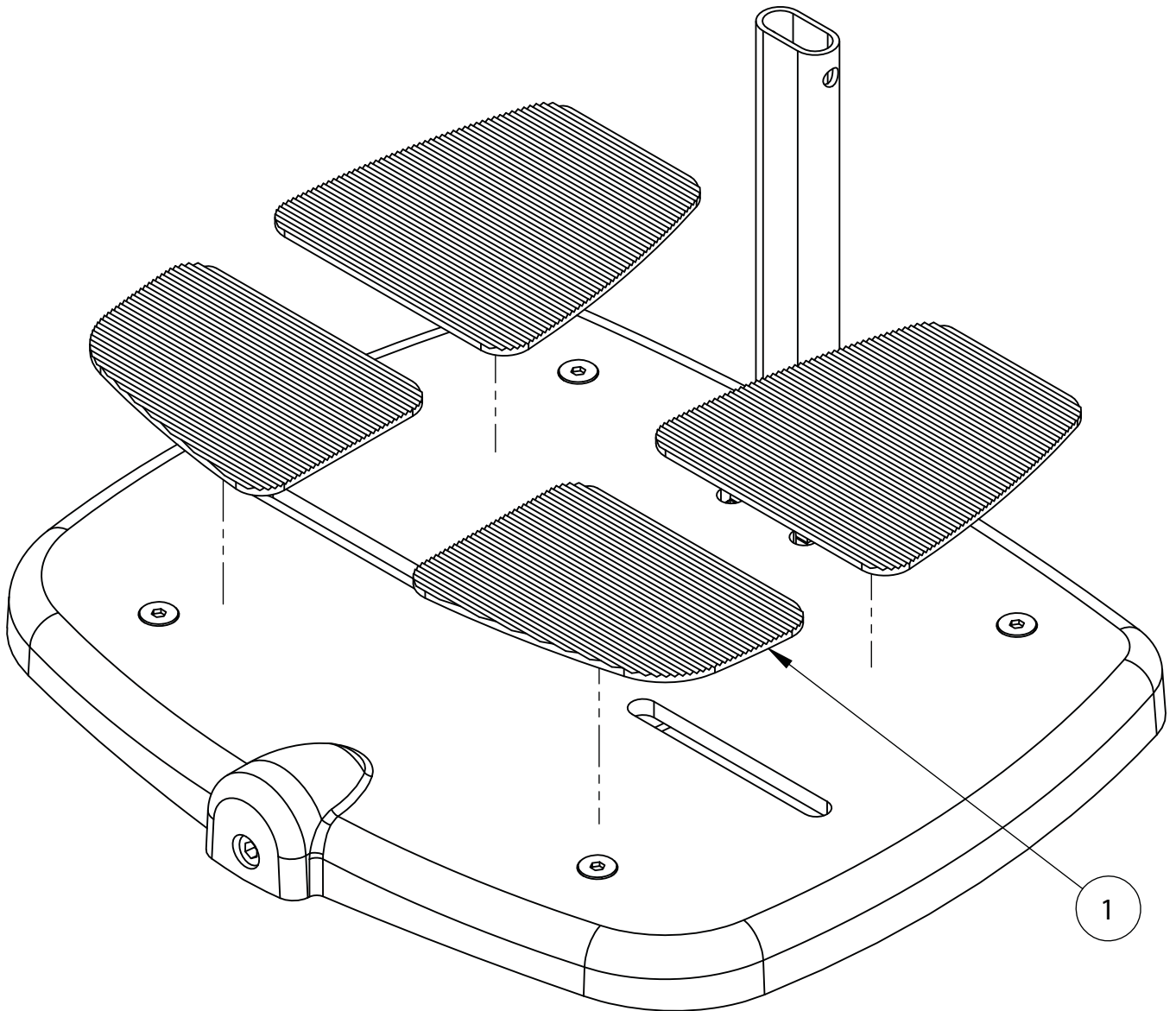
Pos.	Leckey Code	Description	Qty
1	122-668	Seat Shell	1
2	122-663	Backrest Sub Assembly	1
3	122-664	Footrest Assembly	1
4	122-698	Obround Leg Upper	1
5	122-679	Interface Handle Assembly	1
6	SP-1021	Footrest Adjustment Screw Kit	1

Squiggles Saddle Seat Backrest Assembly



Pos.	Leckey Code	Description	Qty
1	SP-1022	Backrest Adjustment Screw Kit	1
2	SF43	Elesa M8 Male Knob	1
3	SP-1023	Backrest Knob Kit	1
4	SF82	Elesa Knurled Knob	2

Squiggles Saddle Seat Footrest Assembly



Pos.	Leckey Code	Description	Qty
1	118-207	Rubber Pad Set	1

LECKEY^o

Easy Seat

Spare Parts Catalogue



Contents

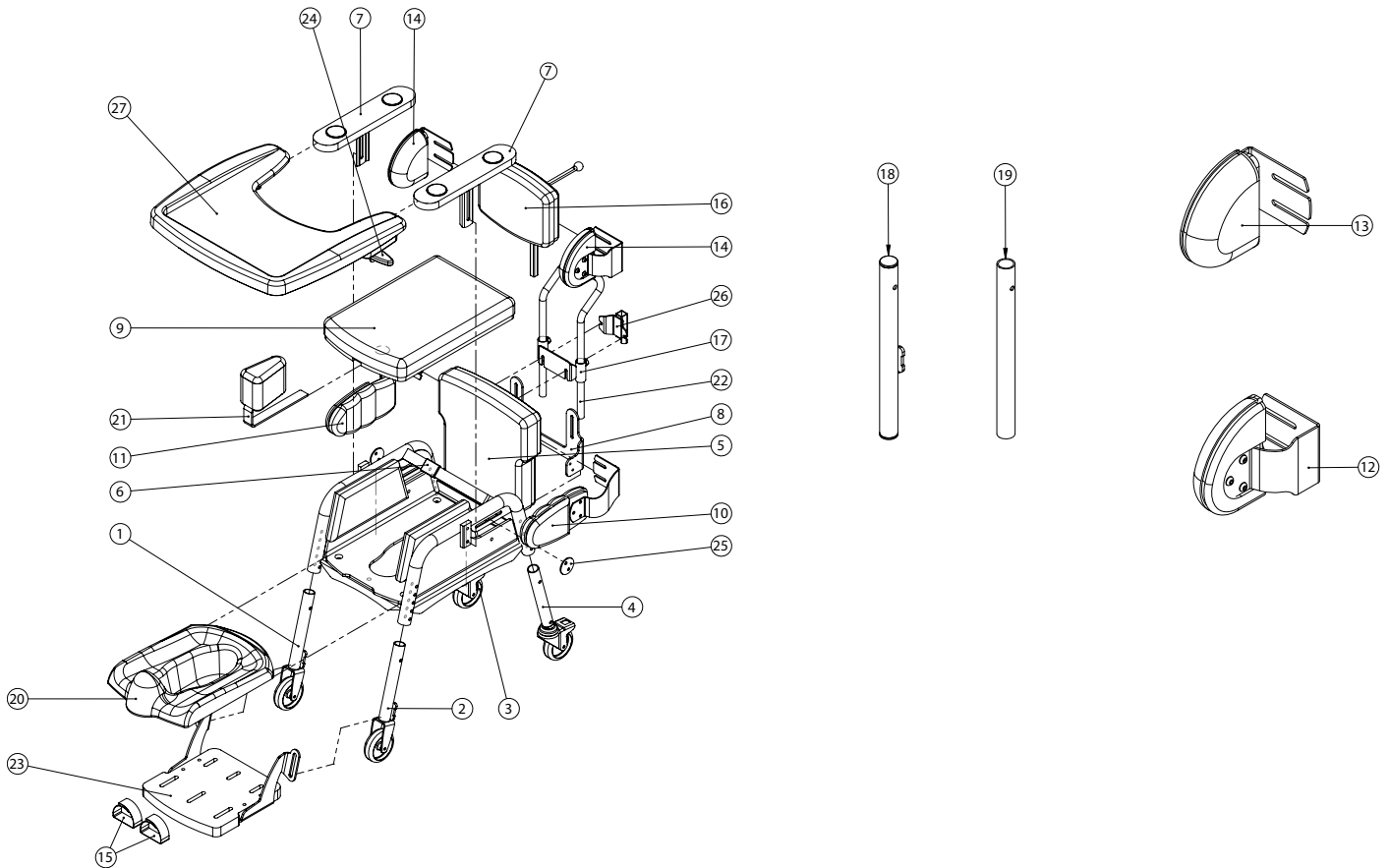
03- 05 Easy Seat Product Overview

Please substitute -XX for the following colours when placing order:

MW - Meadow fabric

MB - Mondeo Blue

Easy Seat Product Overview



Pos.	Leckey Code	Description	Qty	Compatible with			
				Size 1	Size 2	Size 3	Size 4
1	RAQ-4-1915	Front Castor Leg (Right) Size 1 & 2	1	✓	✓		
1	RAQ-4-3915	Front Castor Leg (Right) Size 3	1			✓	
1	RAQ-4-4915	Front Castor Leg (Right) Size 4	1				✓
2	RAQ-4-1937	Front Castor Leg (Left) Size 1 & 2	1	✓	✓		
2	RAQ-4-3937	Front Castor Leg (Left) Size 3	1			✓	
2	RAQ-4-4937	Front Castor Leg (Left) Size 4	1				✓
3	RAQ-4-1916	Rear Castor Leg (Right) Size 1 & 2	1	✓	✓		
3	RAQ-4-3916	Rear Castor Leg (Right) Size 3	1			✓	
3	RAQ-4-4916	Rear Castor Leg (Right) Size 4	1				✓
4	RAQ-4-1938	Rear Castor Leg (Left) Size 1 & 2	1	✓	✓		
4	RAQ-4-3938	Rear Castor Leg (Left) Size 3	1			✓	
4	RAQ-4-4938	Rear Castor Leg (Left) Size 4	1				✓
5	RAQ-4-1917-XX	Upholstered Backrest Complete Size 1	1	✓			
5	RAQ-4-2917-XX	Upholstered Backrest Complete Size 2	1		✓		
5	RAQ-4-3917-XX	Upholstered Backrest Complete Size 3	1			✓	
5	RAQ-4-4917-XX	Upholstered Backrest Complete Size 4	1				✓

Easy Seat Product Overview

Pos.	Leckey Code	Description	Qty	Compatible with			
				Size 1	Size 2	Size 3	Size 4
6	RAQ-4-1919	Lap Strap Complete Size 1	1	✓			
6	RAQ-4-2919	Lap Strap Complete Size 2	1		✓		
6	RAQ-4-3919	Lap Strap Complete Size 3	1			✓	
6	RAQ-4-4919	Lap Strap Complete Size 4	1				✓
7	RAQ-4-1920	Armrest Complete Size 1	1	✓			
7	RAQ-4-2920	Armrest Complete Size 2	1		✓		
7	RAQ-4-3920	Armrest Complete Size 3	1			✓	
7	RAQ-4-4920	Armrest Complete Size 4	1				✓
8	RAQ-4-1124	Backrest Sliding Bracket Size 1	1	✓			
8	RAQ-4-2124	Backrest Sliding Bracket Size 2	1		✓		
8	RAQ-4-3124	Backrest Sliding Bracket Size 3	1			✓	
8	RAQ-4-4124	Backrest Sliding Bracket Size 4	1				✓
9	LES/1/R-XX	Seat Pad Size 1	1	✓			
9	LES/2/R-XX	Seat Pad Size 2	1		✓		
9	LES/3/R-XX	Seat Pad Size 3	1			✓	
9	LES/3/R-XX	Seat Pad Size 4	1				✓
10	RAQ-4-1900-XX	Single Flexible Lateral Support (Left) Size 1 & 2	1	✓	✓		
10	RAQ-4-2900-XX	Single Flexible Lateral Support (Left) Size 3 & 4	1			✓	✓
11	RAQ-4-1901-XX	Single Flexible Lateral Support (Right) Size 1 & 2	1	✓	✓		
11	RAQ-4-2901-XX	Single Flexible Lateral Support (Right) Size 3 & 4	1			✓	✓
12	RAQ-4-1909-XX	Single Rigid Lateral Support (Left) Size 1 & 2	1	✓	✓		
12	RAQ-4-2909-XX	Single Rigid Lateral Support (Left) Size 3 & 4	1			✓	✓
13	RAQ-4-1910-XX	Single Rigid Lateral Support (Right) Size 1 & 2	1	✓	✓		
13	RAQ-4-2910-XX	Single Rigid Lateral Support (Right) Size 3 & 4	1			✓	✓
14	RAQ-4-1911-XX	Single Lateral Support For Flat High Back Size 1-2	1	✓	✓		
14	RAQ-4-2911-XX	Single Lateral Support For Flat High Back Size 3-4	1			✓	✓
15	RAQ-4-1699	Single Sandal Strap For Footplate Size 1	1	✓			
15	RAQ-4-2699	Single Sandal Strap For Footplate Size 2	1		✓		
15	RAQ-4-3699	Single Sandal Strap For Footplate Size 3	1			✓	
15	RAQ-4-4699	Single Sandal Strap For Footplate Size 4	1				✓
16	LES/1/L-XX	Flat Head Support Size 1-2	1	✓	✓		
16	LES/3/L-XX	Flat Head Support Size 2-3	1			✓	✓
17	RAQ-4-1234	Push Bar Bracket Size 1-4	1	✓	✓	✓	✓

Easy Seat Product Overview

Pos.	Leckey Code	Description	Qty	Compatible with			
				Size 1	Size 2	Size 3	Size 4
18	RAQ-4-1913	Front Basic Leg (No Castor) Size 1	1	✓			
18	RAQ-4-2913	Front Basic Leg (No Castor) Size 2	1		✓		
18	RAQ-4-3913	Front Basic Leg (No Castor) Size 3	1			✓	
18	RAQ-4-4913	Front Basic Leg (No Castor) Size 4	1				✓
19	RAQ-4-1914	Rear Basic Leg (No Castor) Size 1	1	✓			
19	RAQ-4-2914	Rear Basic Leg (No Castor) Size 2	1		✓		
19	RAQ-4-3914	Rear Basic Leg (No Castor) Size 3	1			✓	
19	RAQ-4-4914	Rear Basic Leg (No Castor) Size 4	1				✓
20	LES/1/S	Potty Insert Size 1	1	✓			
20	LES/2/S	Potty Insert Size 2	1		✓		
20	LES/3/S	Potty Insert Size 3	1			✓	
20	LES/4/S	Potty Insert Size 4	1				✓
21	LES/1/C-XX	Pommel Size 1	1	✓			
21	LES/2/C-XX	Pommel Size 2	1		✓		
21	LES/3/C-XX	Pommel Size 3 & 4	1			✓	✓
22	LES/1/Q	Push Bar	1	✓	✓	✓	✓
23	LES/1/F	Footplate Size 1	1	✓			
23	LES/2/F	Footplate Size 2	1		✓		
23	LES/3/F	Footplate Size 3	1			✓	
23	LES/4/F	Footplate Size 4	1				✓
24	RAW-4-1007	Tray Locking Plate	1	✓	✓	✓	✓
25	RAQ-4-1125	Backrest Clamping Plate Size 1-4	1	✓	✓	✓	✓
26	RAQ-4-1634	Head Support Attachment Bracket Size 1-4	1	✓	✓	✓	✓
27	LES/1/A	Tray Complete Size 1	1	✓			
27	LES/2/A	Tray Complete Size 2	1		✓		
27	LES/3/A	Tray Complete Size 3	1			✓	
27	LES/4/A	Tray Complete Size 4	1				✓
	LES Care Kit	Easy Seat Care Kit	1	✓	✓	✓	✓

Squiggles Seat Spare Parts Catalogue



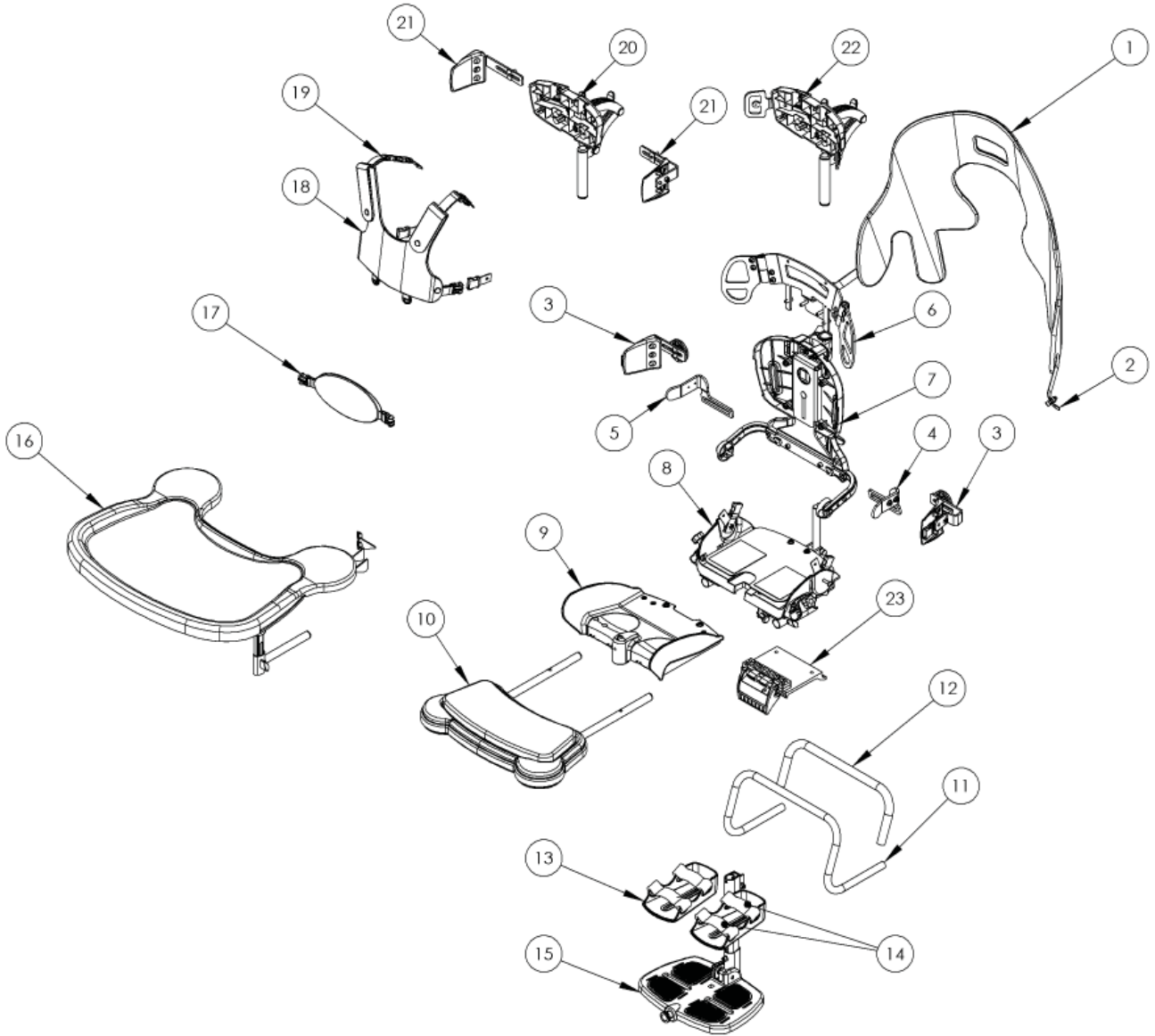
Contents

03 - 04	Squiggles Seat Assembly
05	Backrest Assembly
06	Static Seatbase Assembly
07	Sliding Seatbase Assembly
08	Interface Assembly
09	Footplate Assembly
10	Rigid Lateral Assembly
11	Flipaway Lateral Assembly
12	Flat Headrest Support
13	Contoured Head Support
14	Shoulder Support Assembly
15	Long Sitting Assembly
16	Upholstery
17	Tray Assembly
18	Hi-Low Chassis
19	Easy Chassis

Please substitute -XX for the following colours when placing order:

- 01 - Green
- 02 - Orange
- 03 - Blue
- 04 - Pink

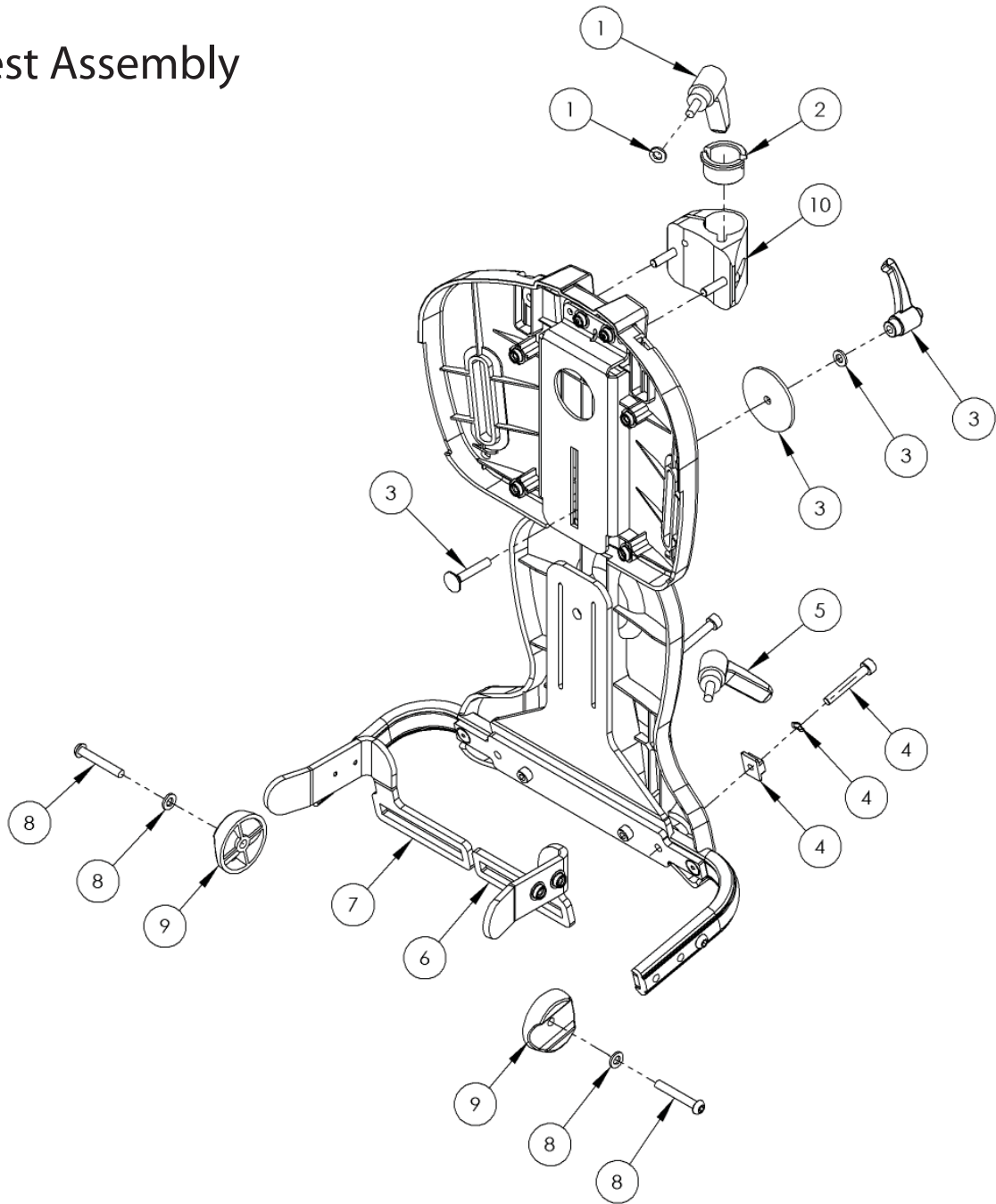
Squiggles Seat Assembly



Squiggles Seat Assembly

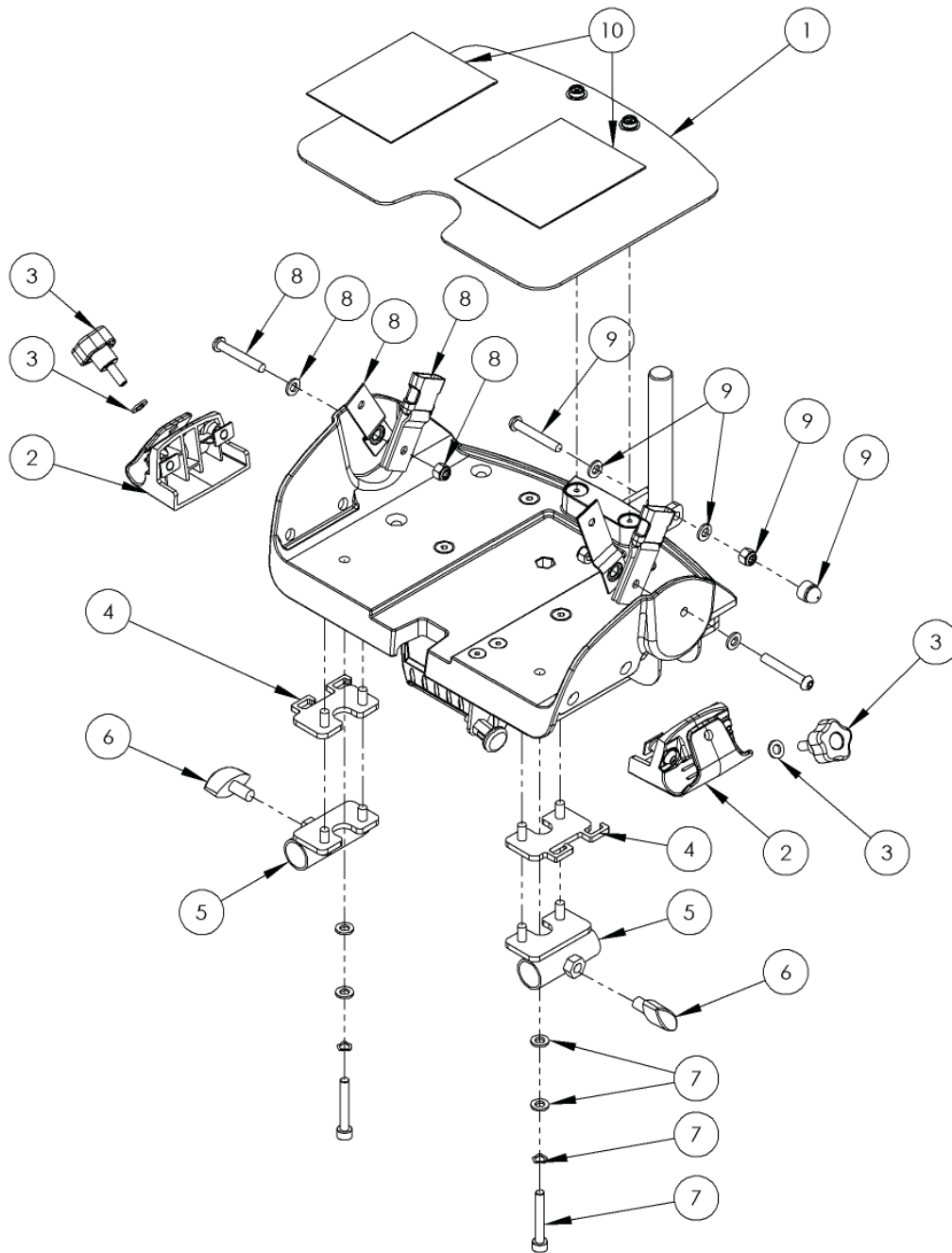
Pos.	Leckey Code	Description	Qty
1	120-945	Cosyshell	1
2	120-9028	Cosyshell Attachment Kit	1
3	120-656	Rigid Lateral Assembly	1
3	120-855	Flipaway Lateral Assembly	1
4	120-678	LH Hip Guide Assembly	1
5	120-679	RH Hip Guide Assembly	1
6	120-702	Shoulder Support Assembly	1
7	120-645	Backrest Assembly	1
8	120-666	Static Seat Base Assembly	1
9	120-634	Sliding Seat Base Assembly	1
10	120-675	Long Sitting Support Assembly & Cushion	1
11	120-657	Grab Rail	1
12	120-846	Grab Rail Cover	1
13	117-1781	Small Sandals	1
13	117-2781	Medium Sandals	1
14	120-765	Sandal Strap Kit S1 (Small)	1
14	120-766	Sandal Strap Kit S2 (Medium)	1
15	120-639	Footrest Assembly	1
16	120-672	Tray Assembly	1
17	137-808	Support Harness	1
18	120-779	Small Trunk Harness	1
18	120-757	Medium Trunk Harness	1
19	120-9029	Trunk Harness Attachment Kit	1
20	117-697	Flat Headrest Support	1
21	118-667	Flat Headrest Lateral Brackets	1
22	120-859	Contoured Headrest Support	1
23	117-720	Interface Handle Assy	1

Backrest Assembly



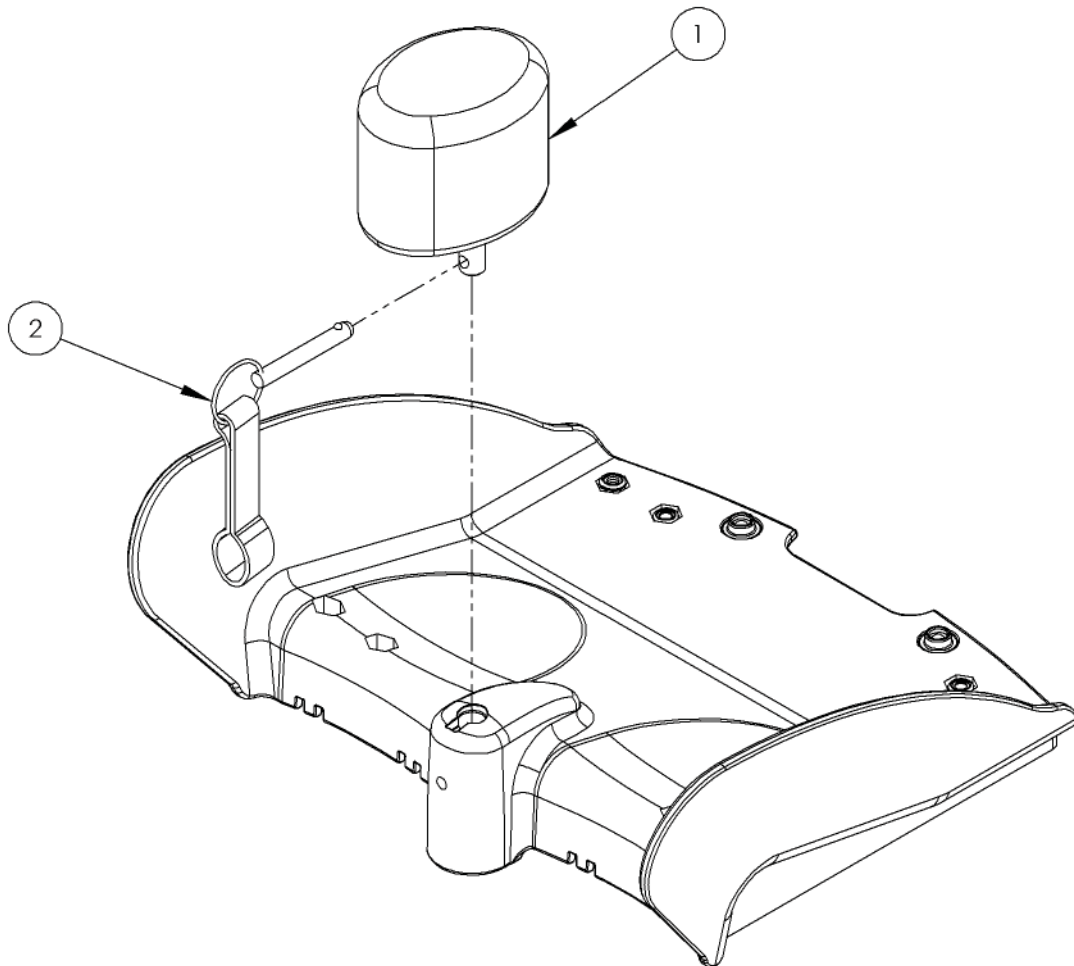
Pos.	Leckey Code	Description	Qty
1	SP-1020	Head Support Ratchet Assembly	1
2	118-166	Head Support Collar	1
3	120-9002	Backrest Adjustment Assembly	1
4	120-9003	Hip Guide Locking Assembly	2
5	SF101	M6 Male Ratchet Handle	1
6	120-678	Hip Guide Bracket Assembly Lh	1
7	120-679	Hip Guide Bracket Assembly Rh	1
8	SP-1014	Seatbase Attachment Screw Kit	2
9	120-190	Backrest Pivot Mould	2
10	120-9005	Whitmyer Casting Assembly	1

Static Seatbase Assembly



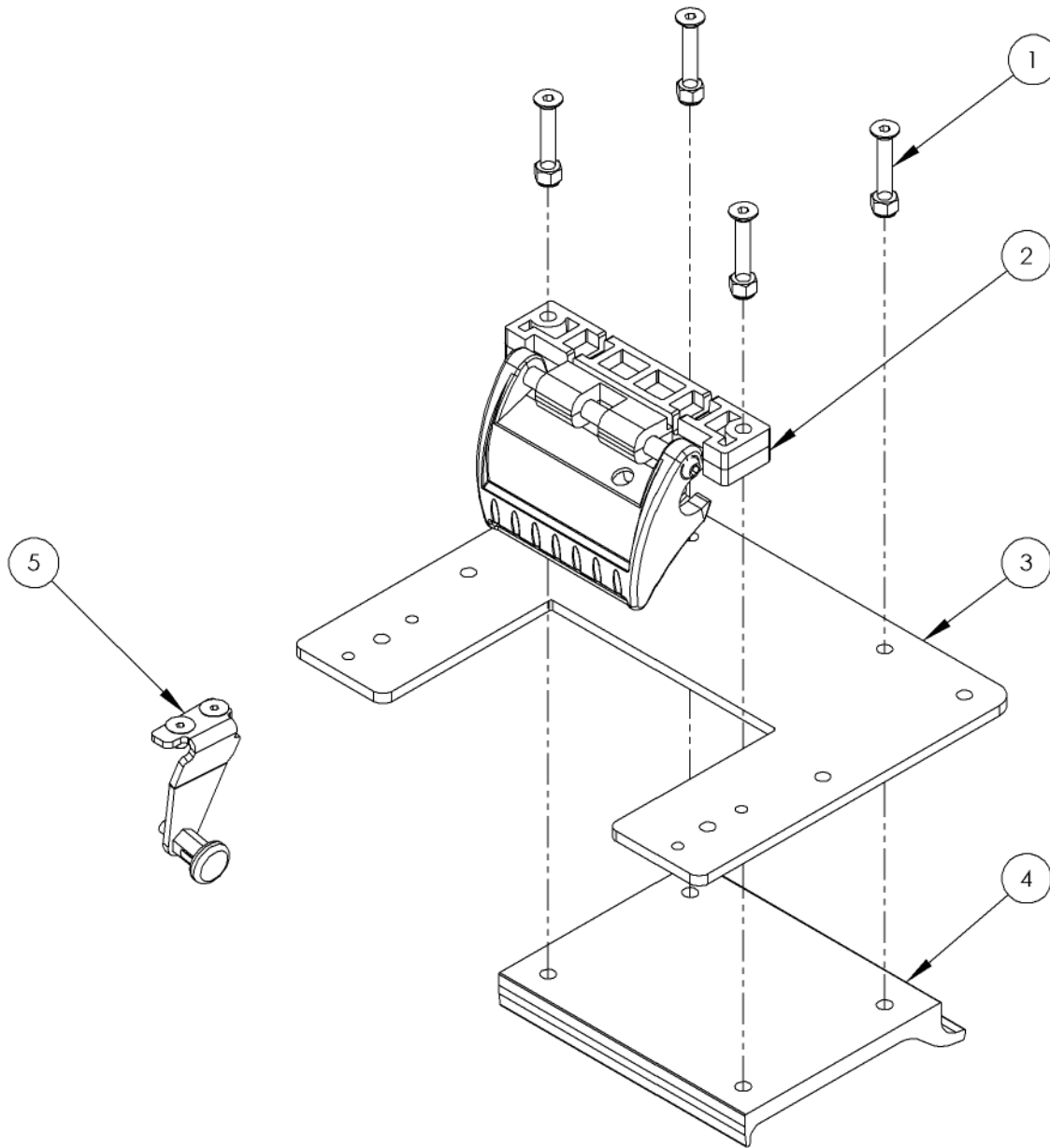
Pos.	Leckey Code	Description	Qty
1	120-851	Seatbase Shelf	1
2	120-9006	Tray Holder Assembly	2
3	120-9007	Tray Holder Knob Assembly	2
4	120-9008	Long Sitting Spacer Plate Assembly	2
5	120-9009	Long Sitting Receiver Brkt Assembly	2
6	SF19	M8 Locking Key	2
7	SP-1012	Sliding Seatbase Attachment Screw Kit	2
8	120-9011	Seatbase & Strap Attachment Screw Kit	2
9	SP-1013	Back Angle Bar Screw Kit	1
10	120-9013	Seatbase Shelf Velcro Kit	1

Sliding Seatbase Assembly



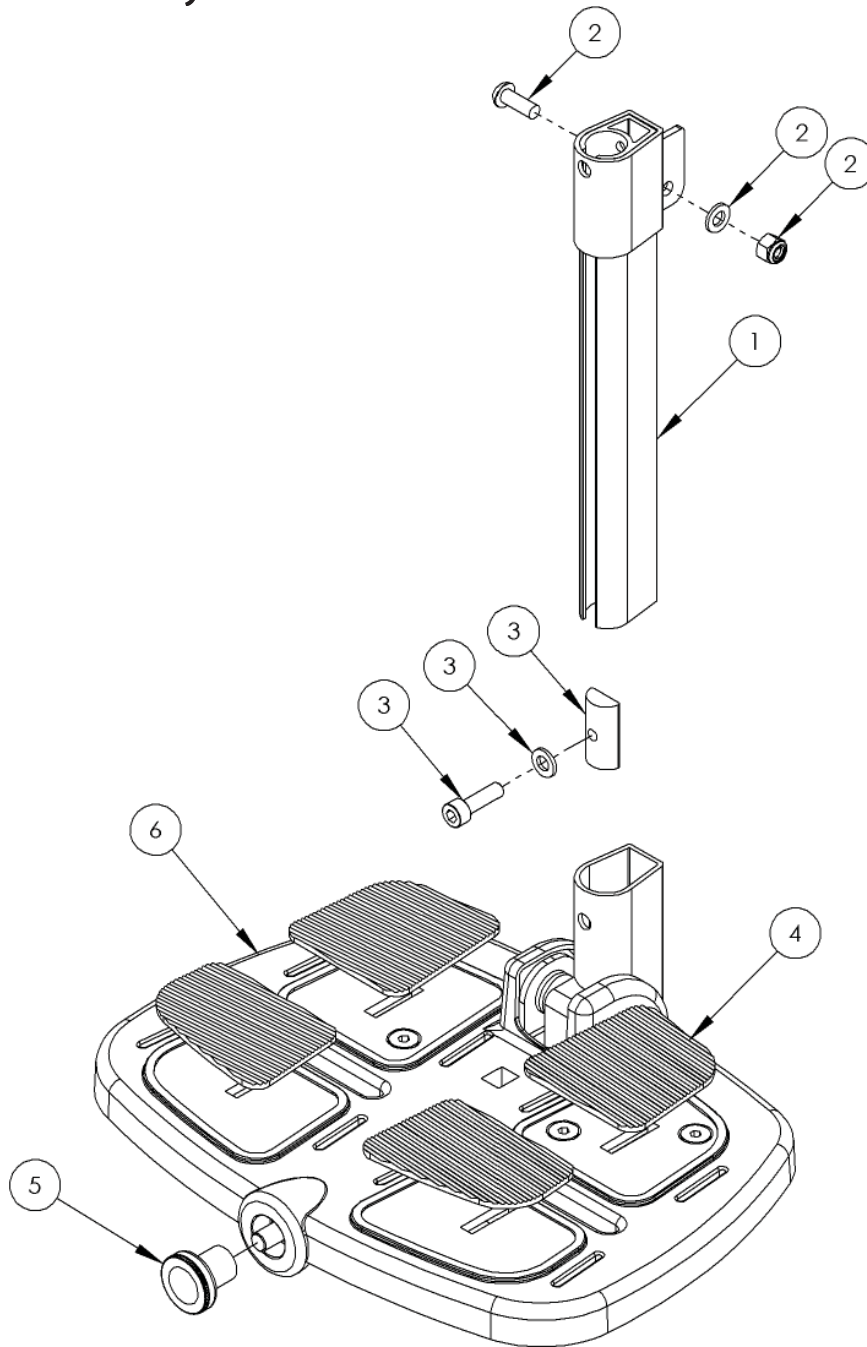
Pos.	Leckey Code	Description	Qty
1	120-641	Pommel	1
2	120-161	Pommel Pin & Lanyard	1

Interface Assembly



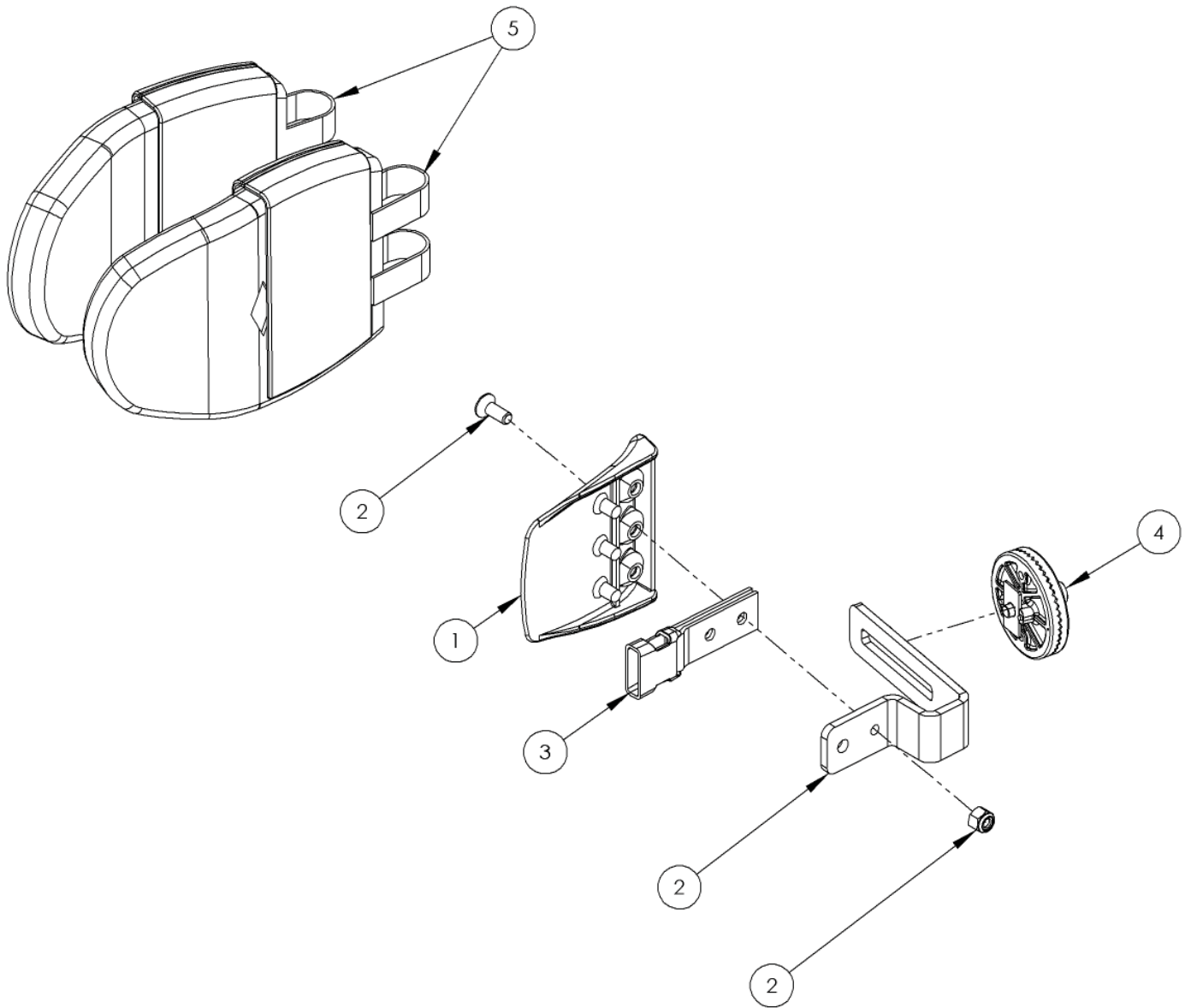
Pos.	Leckey Code	Description	Qty
1	SP-1018	Interface Attachment Screw Kit	1
2	120-9016	Interface Handle Assy	1
3	120-187	Interface Aluminium Plate	1
4	120-326	Interface Plate	1
5	120-9017	Interface Pin Assy	1

Footrest Assembly



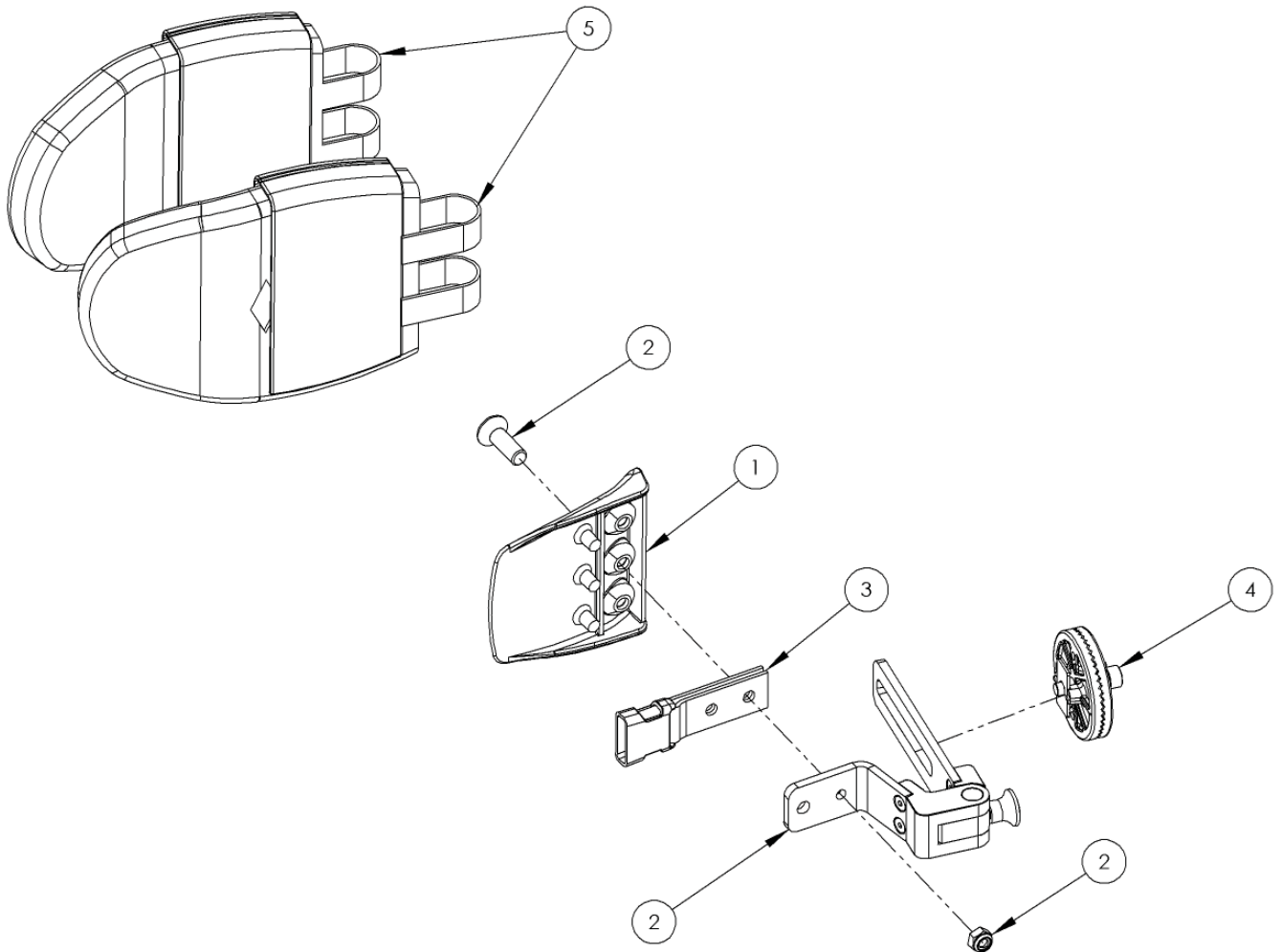
Pos.	Leckey Code	Description	Qty
1	120-700	Leg Extension Assy	1
2	SP-1019	Leg Extension Bolt Kit	1
3	120-9015	Calf Locking Assy	1
4	120-214	Footplate Pad Kit	1
5	SF85	Elesa Knurled Knob M8	1
6	120-9031	Footplate Assy	1

Rigid Lateral Assembly



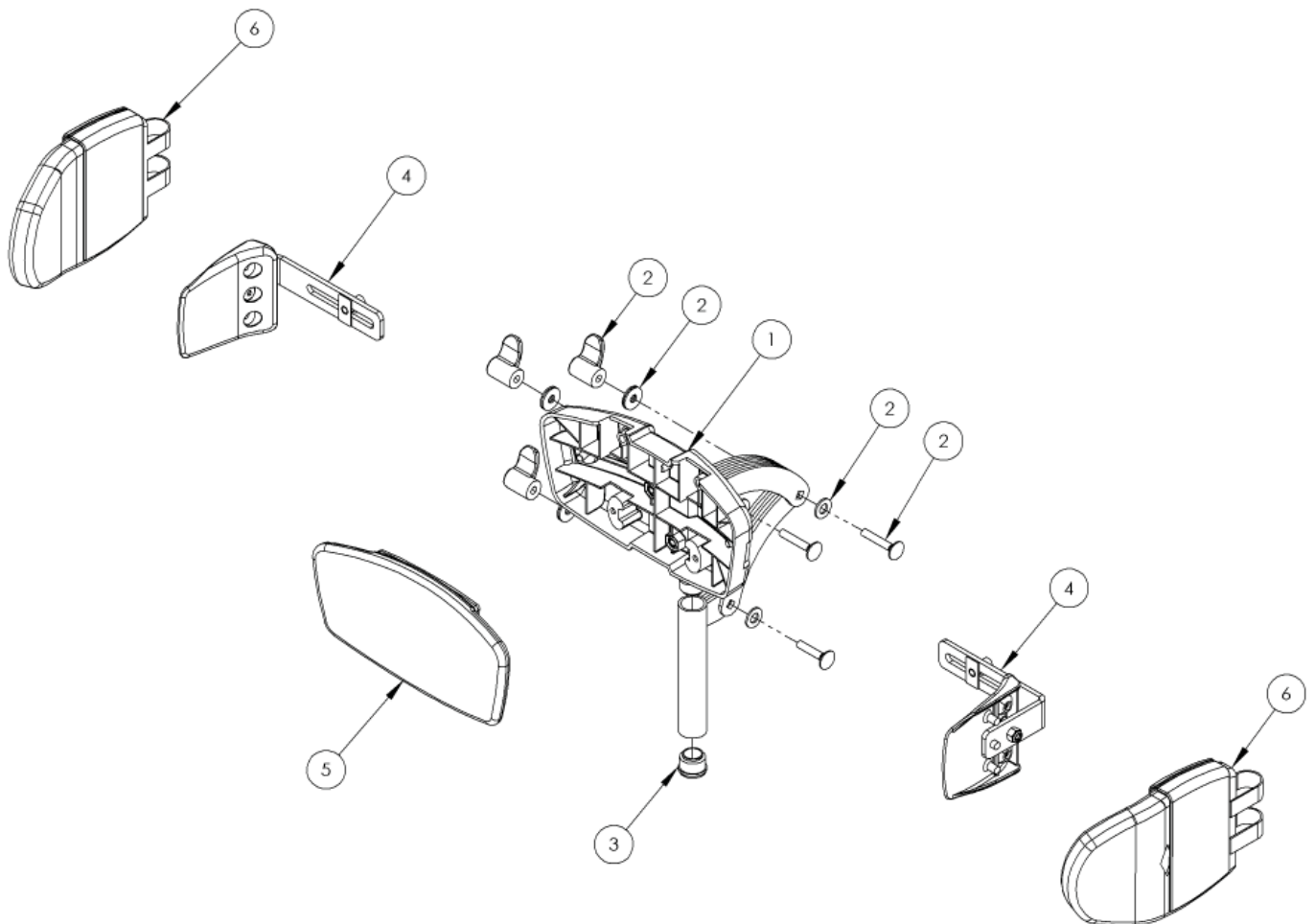
Pos.	Leckey Code	Description	Qty
1	118-049	Lateral	1
2	120-9032	Lateral Bracket & Screw Assy	1
3	117-700	Harness Buckle Attachment	1
4	120-9027	Angle Lock Assy	1
5	120-838-XX	Lateral Cover Set	1

Flipaway Lateral Assembly



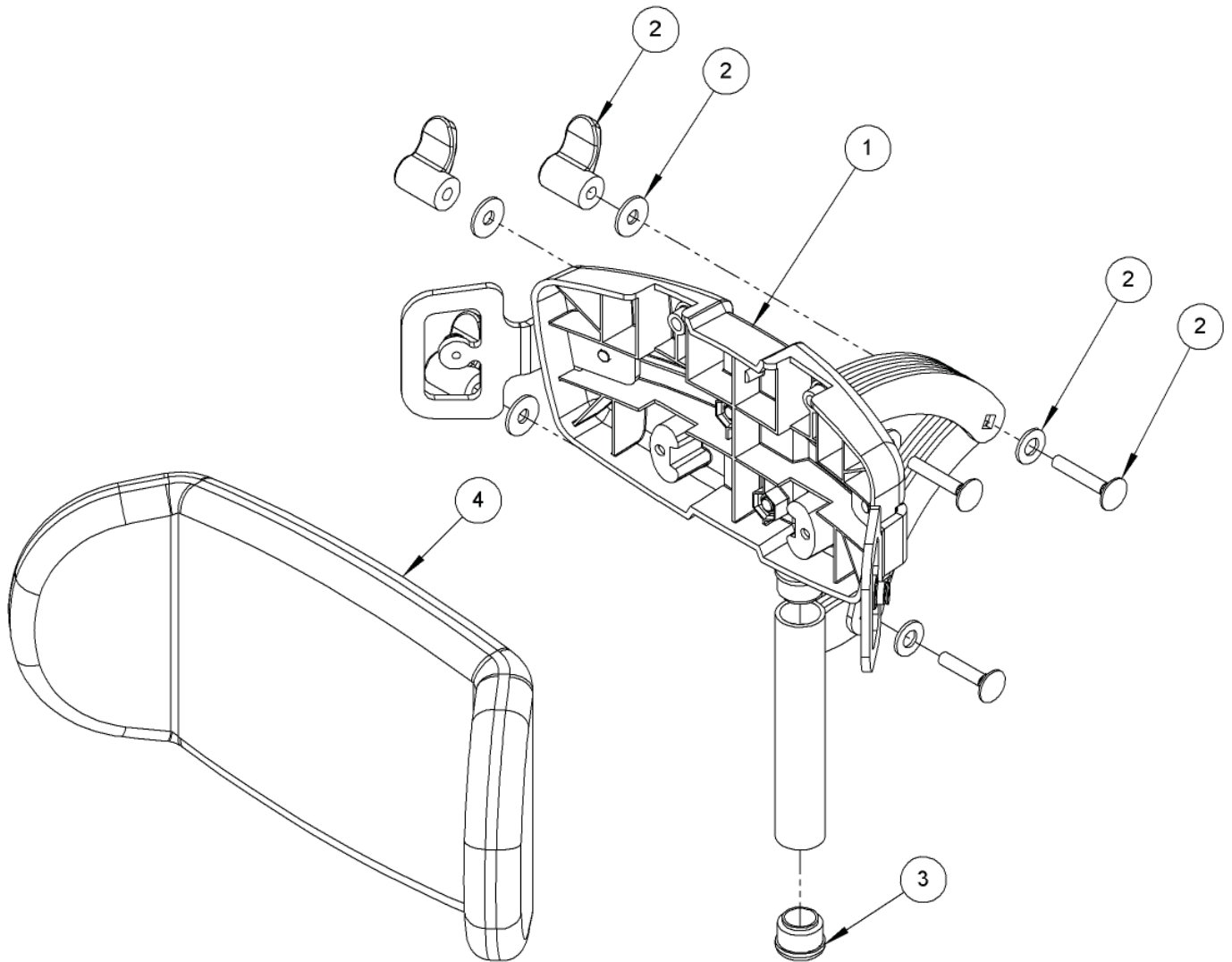
Pos.	Leckey Code	Description	Qty
1	118-049	Lateral	1
2	120-9035	Lateral Bracket & Screw Assembly	1
3	117-700	Harness Buckle Attachment	1
4	120-9027	Angle Lock Assy	1
5	120-838-XX	Lateral Cover Set	1

Flat Headrest Support



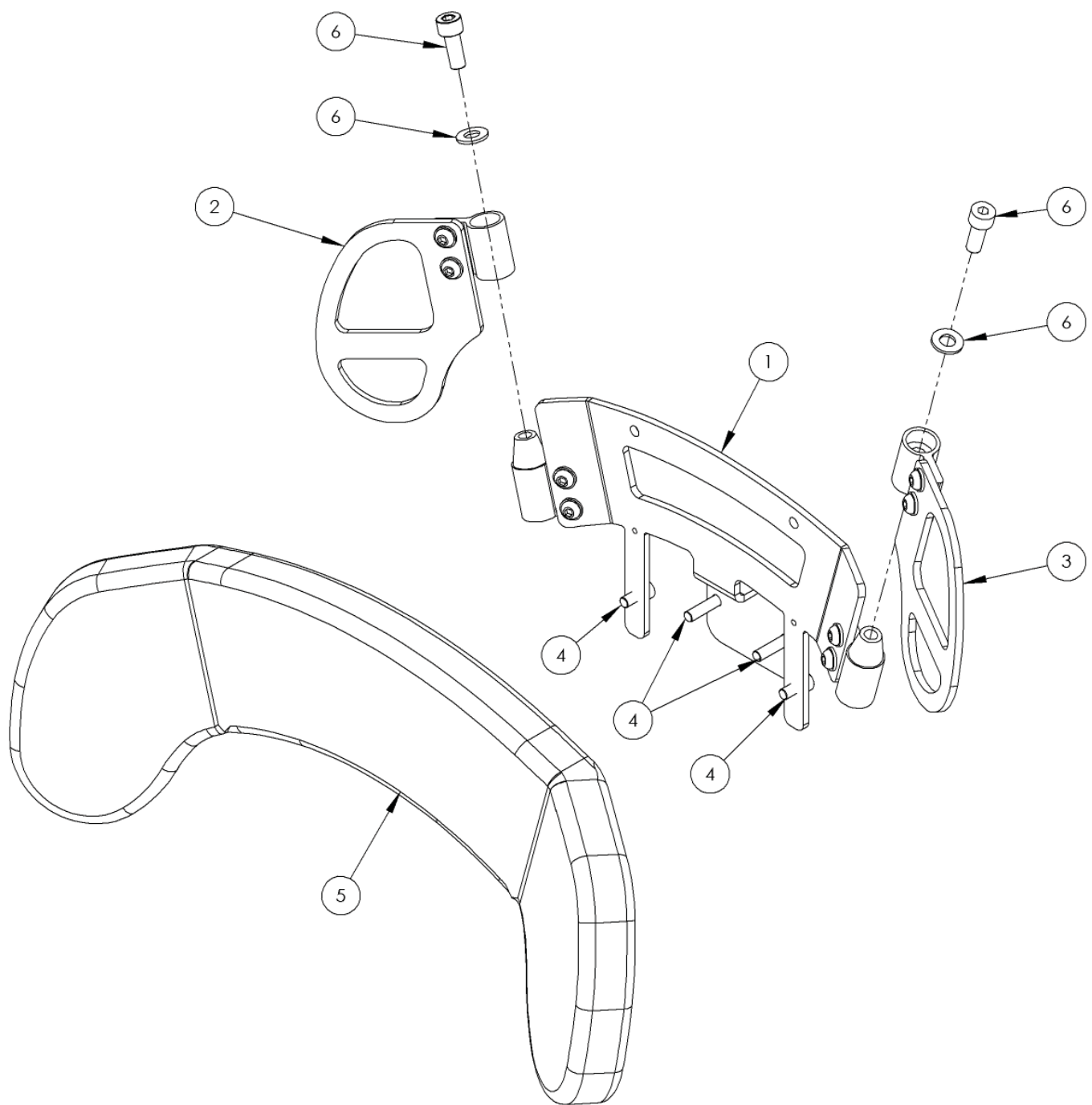
Pos.	Leckey Code	Description	Qty
1	117-697	Flat Headrest Support (Hardware Only)	1
2	137-9015	Wing Nut Assembly	3
3	SF53	Round Tube Insert (Ø22)	2
4	118-666	Flat Headrest Lateral Bracket(Single)	2
5	117-850-XX	Flat Headrest Cover	1
6	137-807-05	Headrest / Hip Lateral Covers (Pair)	1

Contoured Head Support



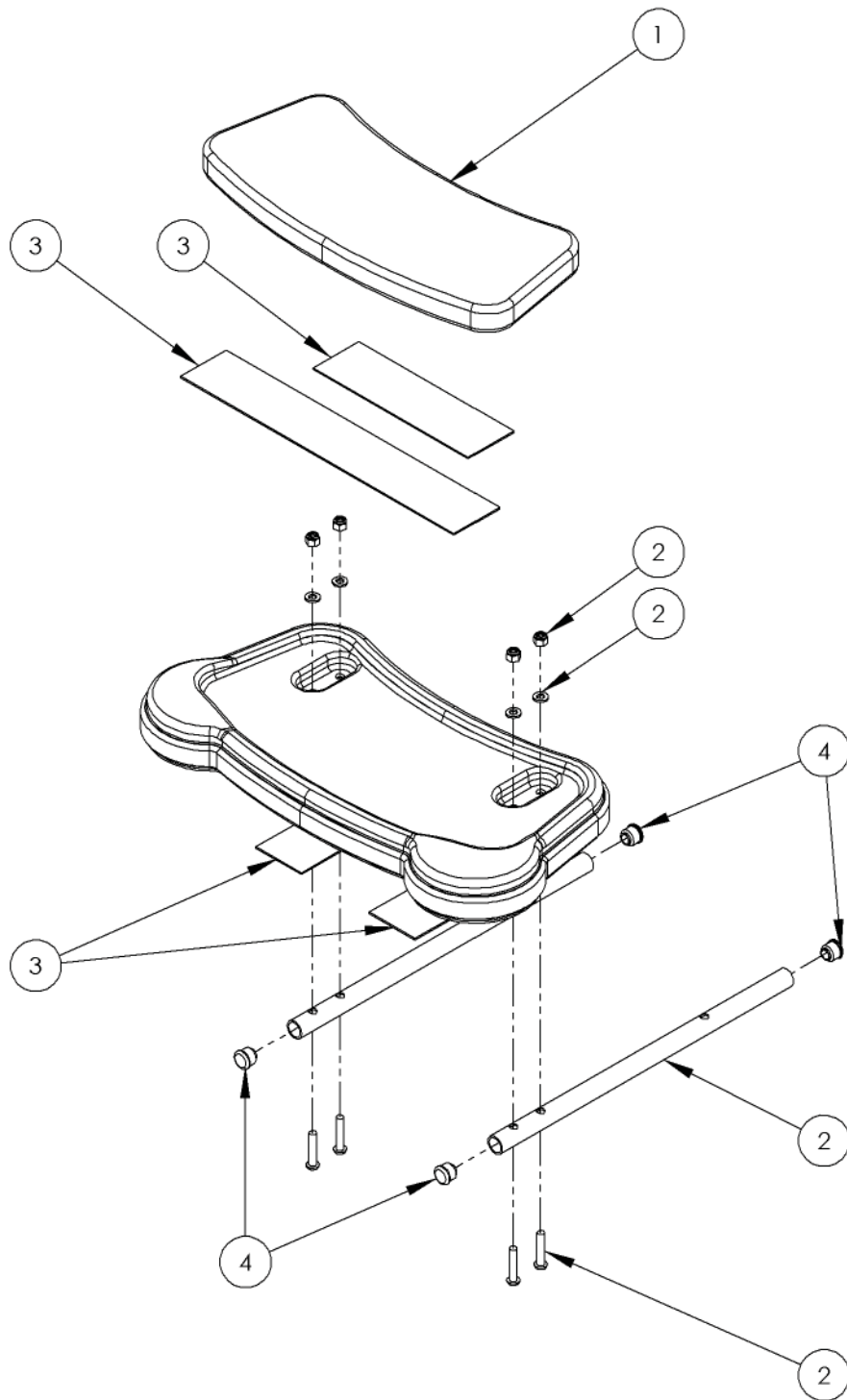
Pos.	Leckey Code	Description	Qty
1	120-859	Contoured Head Support	1
2	137-9015	Wing Nut Assy	3
3	SF53	Round Tube Insert	2
4	137-800-XX	Contoured Head Support Cushion	1

Shoulder Support Assembly



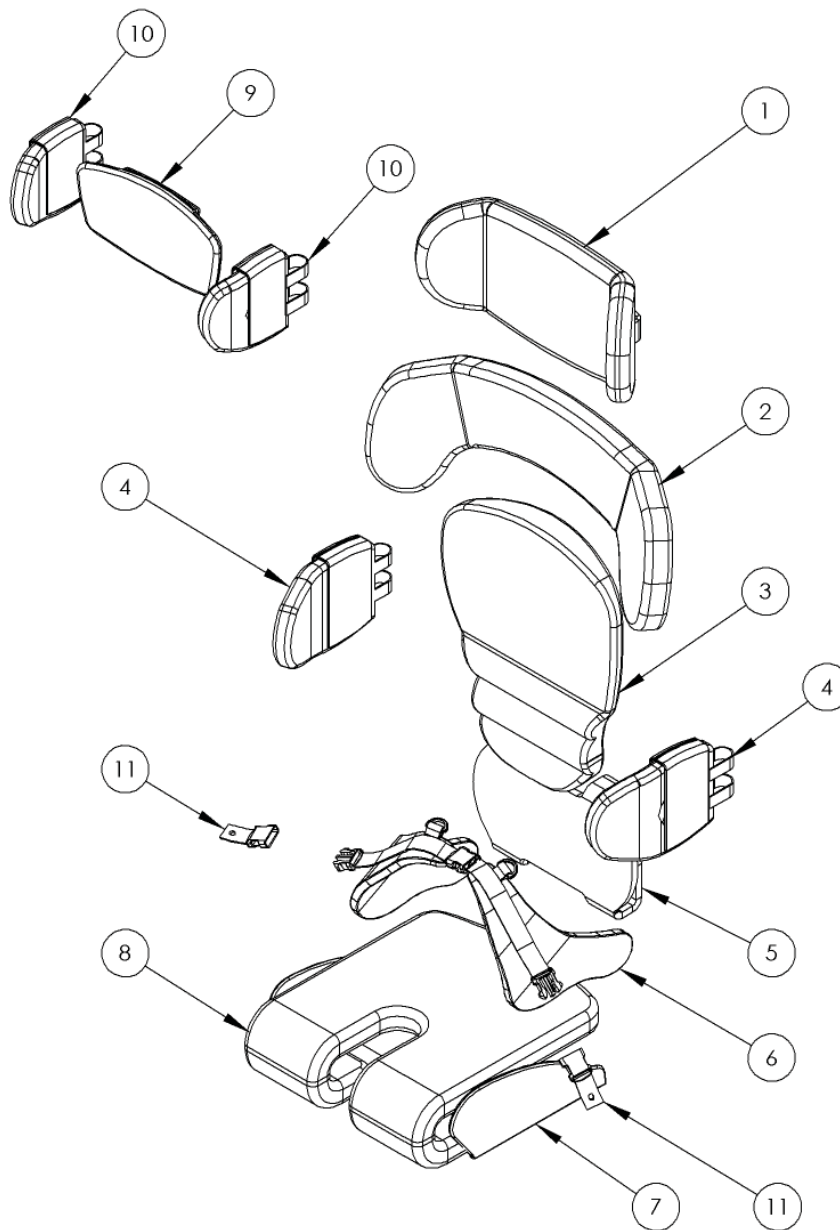
Pos.	Lecky Code	Description	Qty
1	120-9021	Shoulder Centre Plate Assembly	1
2	120-9022	Shoulder Wing Plate Assembly RH	1
3	120-9023	Shoulder Wing Plate Assembly LH	1
4	SP-1015	Shoulder Attachment Bolt Kit	1
5	120-828-XX	Shoulder Cushion	1
6	SP-1016	Taperlock Adjustment Bolt Kit	2

Long Sitting Assembly



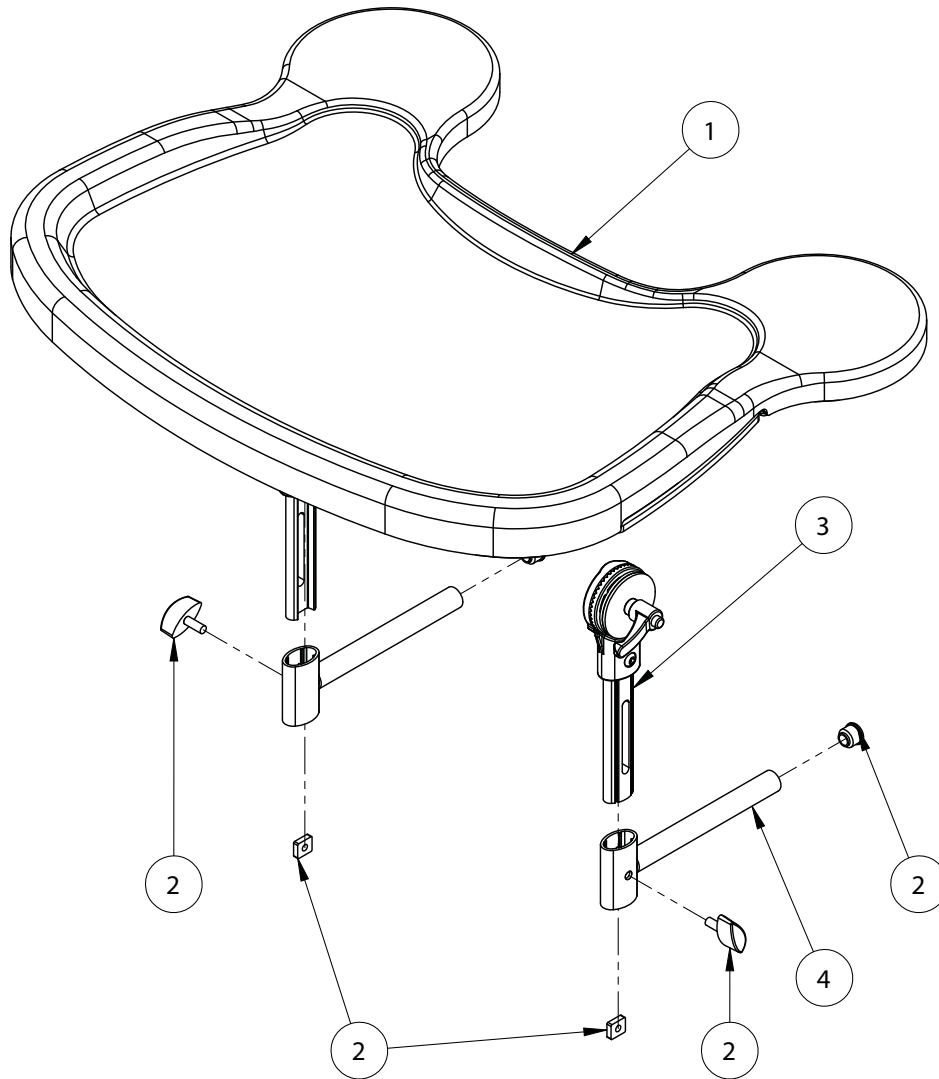
Pos.	Leckey Code	Description	Qty
1	120-847	Leg Support Cushion	1
2	120-9033	Long Sitting Leg & Screw Kit	2
3	120-9037	Leg Support Velcro Assy	1
4	SF51	Round Tube Insert	4

Upholstery



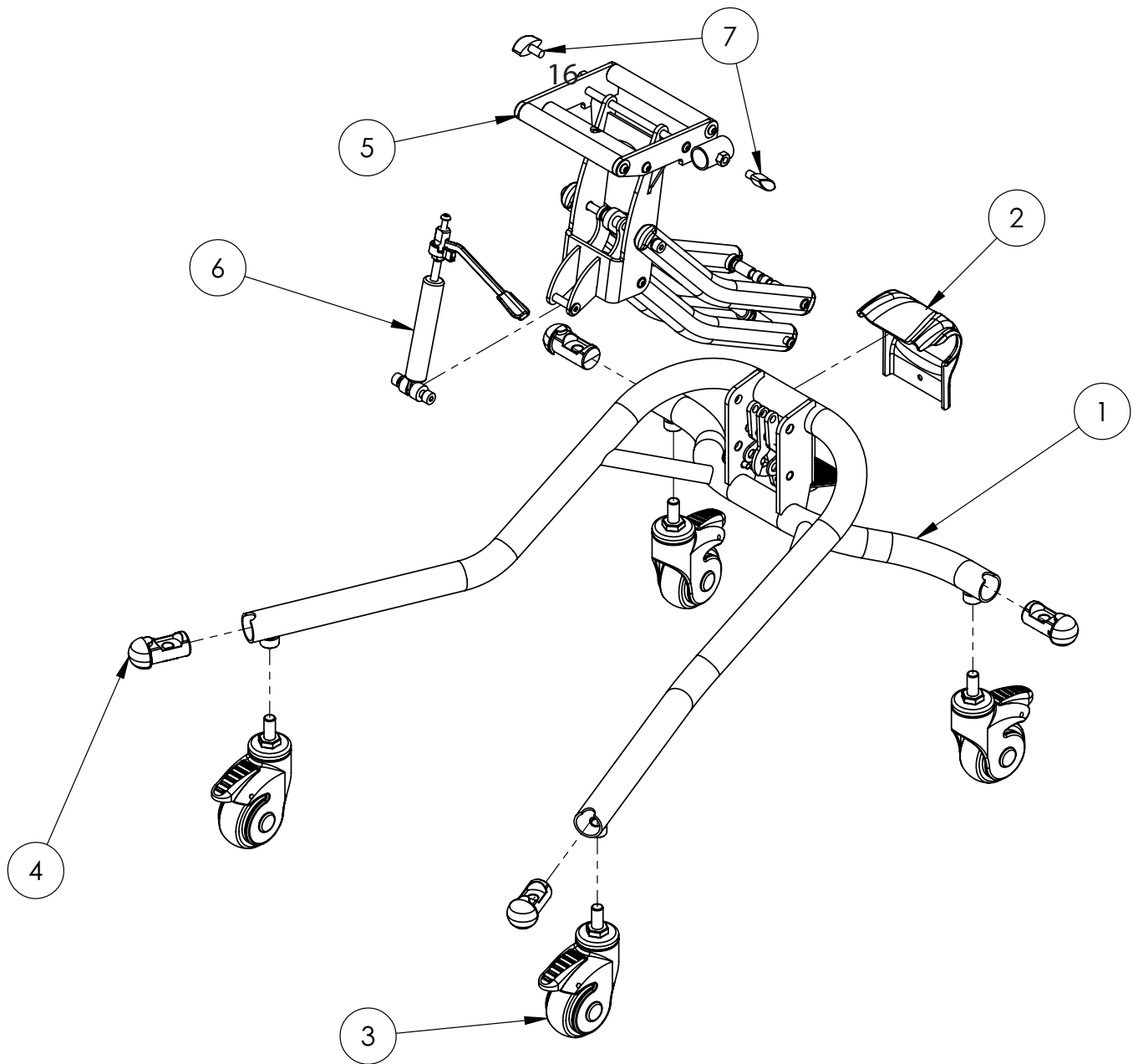
Pos.	Leckey Code	Description	Qty
1	137-800-XX	Contoured Head Support Cushion	1
2	120-828-XX	Shoulder Support Cushion	1
3	120-845-XX	Backrest Cushion	1
4	120-838-XX	Lateral Covers (Pair)	1
5	120-833-XX	Sacral Cushion	1
6	120-844-XX	Pelvic Harness Small	1
6	117-848-XX	Pelvic Harness Medium	1
7	120-836-XX	1 Piece Femoral Guide	1
8	120-834-XX	Seatbase Cushion	1
9	117-850-XX	Flat Headrest Cushion	1
10	137-807-XX	Head/Hip Lateral Covers	1
11	120-9004	Pelvic Harness Attachment Kit	1

Tray Assembly



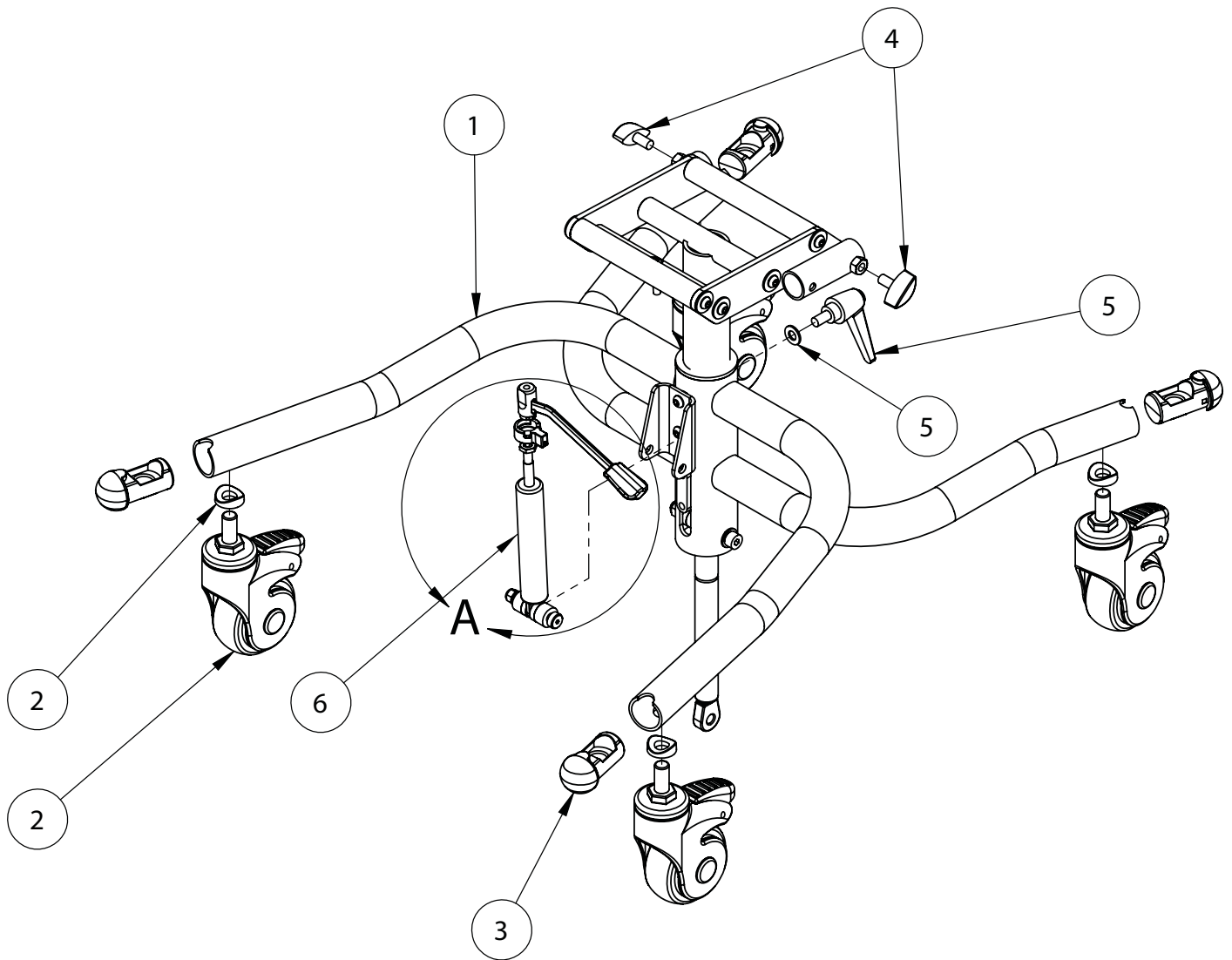
Pos.	Leckey Code	Description	Qty
1	120-672	Tray Assembly	1
2	120-9032	Tray Adjustment Kit	2
3	120-671	Tray Height Adjustment Assembly	2
4	120-638	Tray Depth Adjustment Assembly	2

Hi-Low Chassis



Pos.	Leckey Code	Description	Qty
1	120-800	Squiggles Chassis Assembly	1
2	120-371	Chassis Rear Moulding	1
3	IA32	Castor	4
4	118-160	Castor Tube Insert	4
5	120-802	Chassis Arm Assembly	1
6	120-812	Bansback Tilt Spring Assembly	1
7	SF19	Locking Key (M8 X 16)	2

Easy Chassis Assembly



Pos.	Leckey Code	Description	Qty
1	122-717	Easy Chassis	1
2	120-9031	Easy Chassis Castor Kit	4
3	118-160	Castor Tube Insert	4
4	SF19	Locking Key (M8 X 16)	2
5	SP-1030	Easy Chassis Ratchet Kit	1
6	120-812	Gas Strut Activation	1

LECKEY[®]

Mygo Seat Spare Parts Catalogue



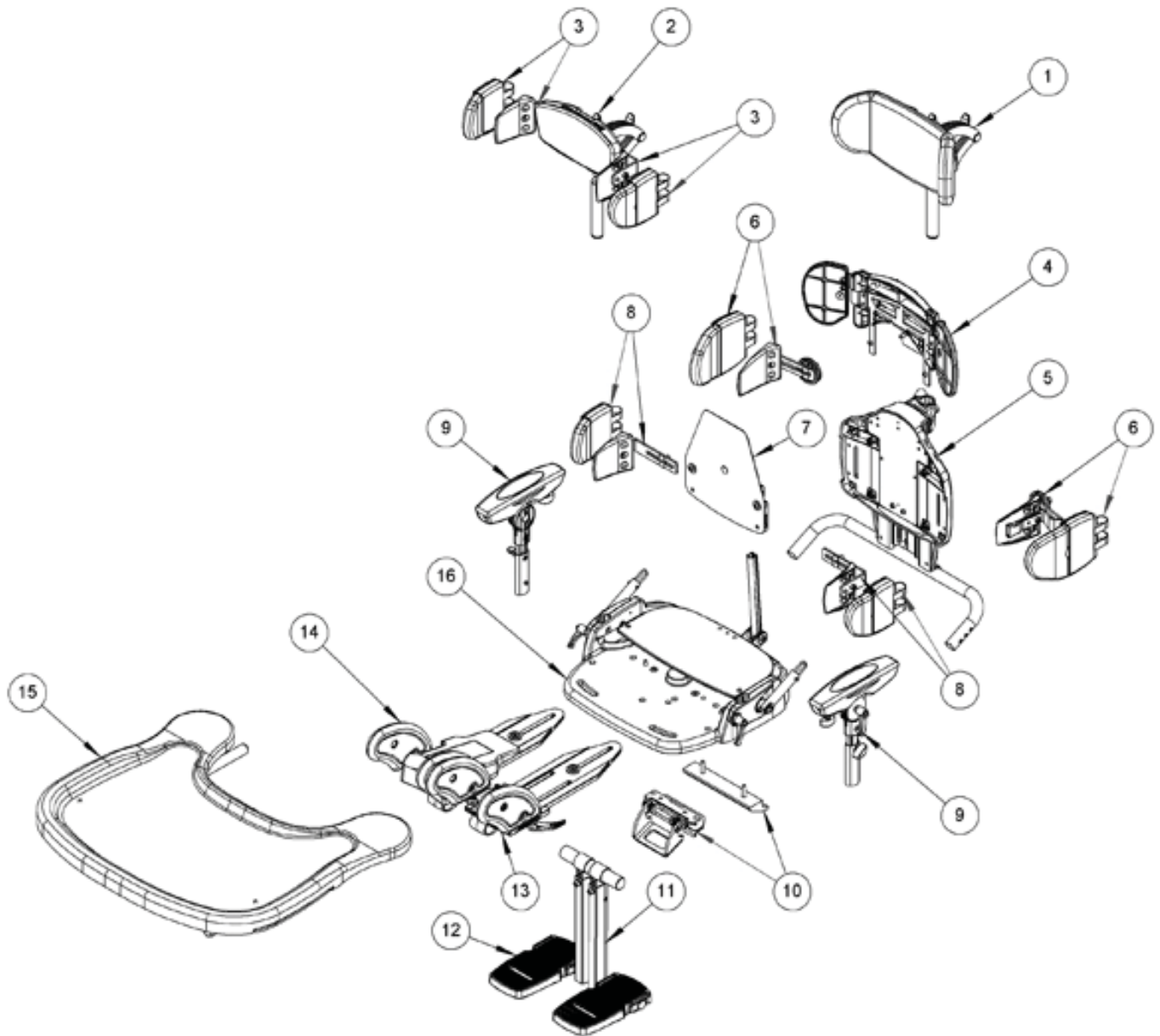
Contents

03-04	Mygo Seat Complete
05	Backrest Assembly
06	LH Footrest Assembly
07	RH Footrest Assembly
08	Size 1 Abduction Assembly
09-10	Size 2 Abduction Assembly
11	Seatbase Assembly
12	Rigid Lateral Assembly
13	Rigid Lateral Extended Height Assembly
14	Flipaway Lateral Assembly
15	Flipaway Lateral Extended Height Assembly
16	Hip Lateral Assembly
17	Armrest Assembly
18	Flat Head Support
19	Contoured Head Support
20	Shoulder Support Assembly
21-22	Upholstery
23	Tray Assembly
24	Hi-Low Chassis - Power
25	Hi-Low Chassis - Manual

Please substitute -XX for the following colours when placing order:

- 01 - Orange
- 02 - Blue
- 03 - Pink
- 04 - Grey

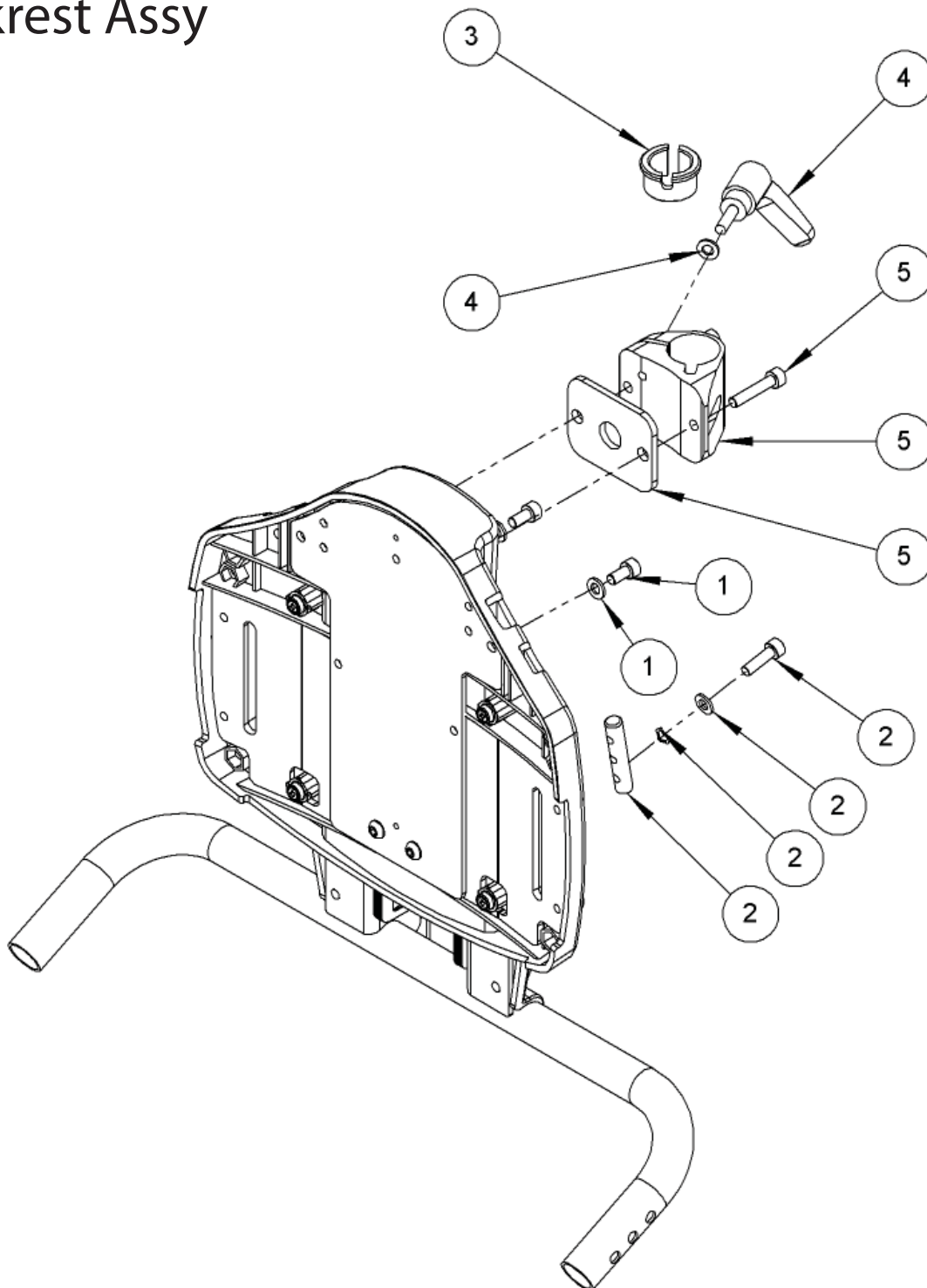
Mygo Seat Assembly



Mygo Seat Assembly

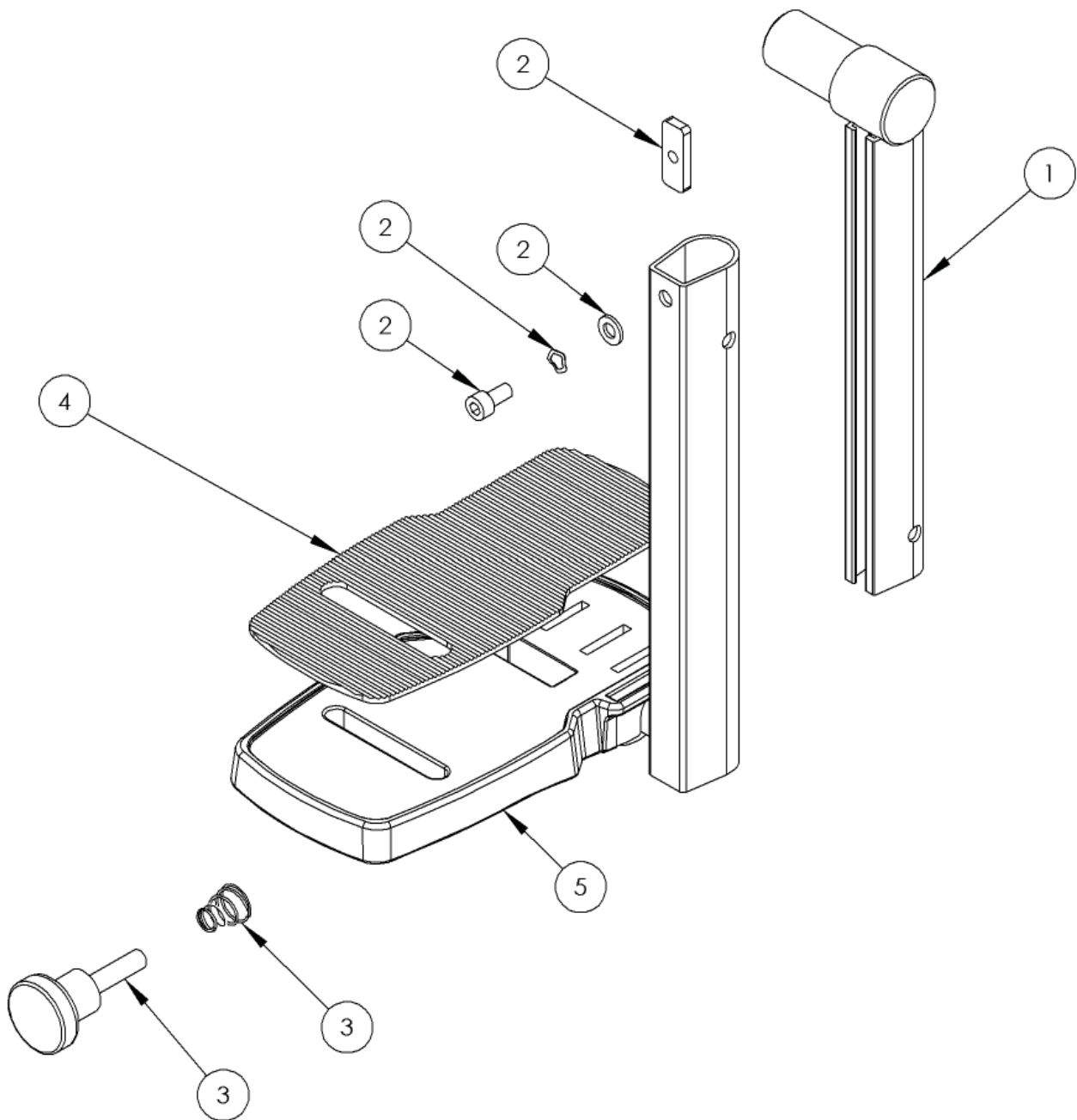
Pos.	Leckey Code	Description	Qty	Compatible with	
				Size 1	Size 2
1	137-699-05	Contoured Head Rest Support & Cushion	1	✓	✓
2	117-851-05	Flat Headrest & Cushion	1	✓	✓
3	120-893-05	Flat Headrest Laterals & Covers	1	✓	✓
4	137-621	Shoulder Assembly	1		✓
5	137-670	Backrest Assembly	1	✓	✓
6	117-803	Rigid Laterals & Covers	1	✓	✓
6	137-633	Rigid Laterals Extended Height & Covers	1	✓	✓
6	117-837	Flipaway Laterals & Covers	1	✓	✓
6	137-634	Flipaway Laterals Extended Height & Covers	1	✓	✓
7	137-630	Sacral Pad Assembly	1	✓	✓
8	137-632	Hip Laterals & Covers	1	✓	✓
9	117-9004	Armrest Assembly S1 (Single)	1	✓	
9	137-9015	Armrest Assembly S2 (Single)	1		✓
10	117-720	Interface Assembly	1	✓	✓
11	117-695	Footplate Assembly LH S1	1	✓	
11	137-641	Footplate Assembly LH S2	1		✓
12	117-696	Footplate Assembly RH S1	1	✓	
12	137-640	Footplate Assembly RH S2	1		✓
13	117-694	Abduction Assembly LH S1	1	✓	
13	137-602	Abduction Assembly LH S2	1		✓
14	117-693	Abduction Assembly RH S1	1	✓	
14	137-601	Abduction Assembly RH S2	1		✓
15	117-724	Tray Assembly	1	✓	✓
16	117-713	Seatbase Assembly S1	1	✓	
16	137-713	Seatbase Assembly S2	1		✓

Backrest Assy



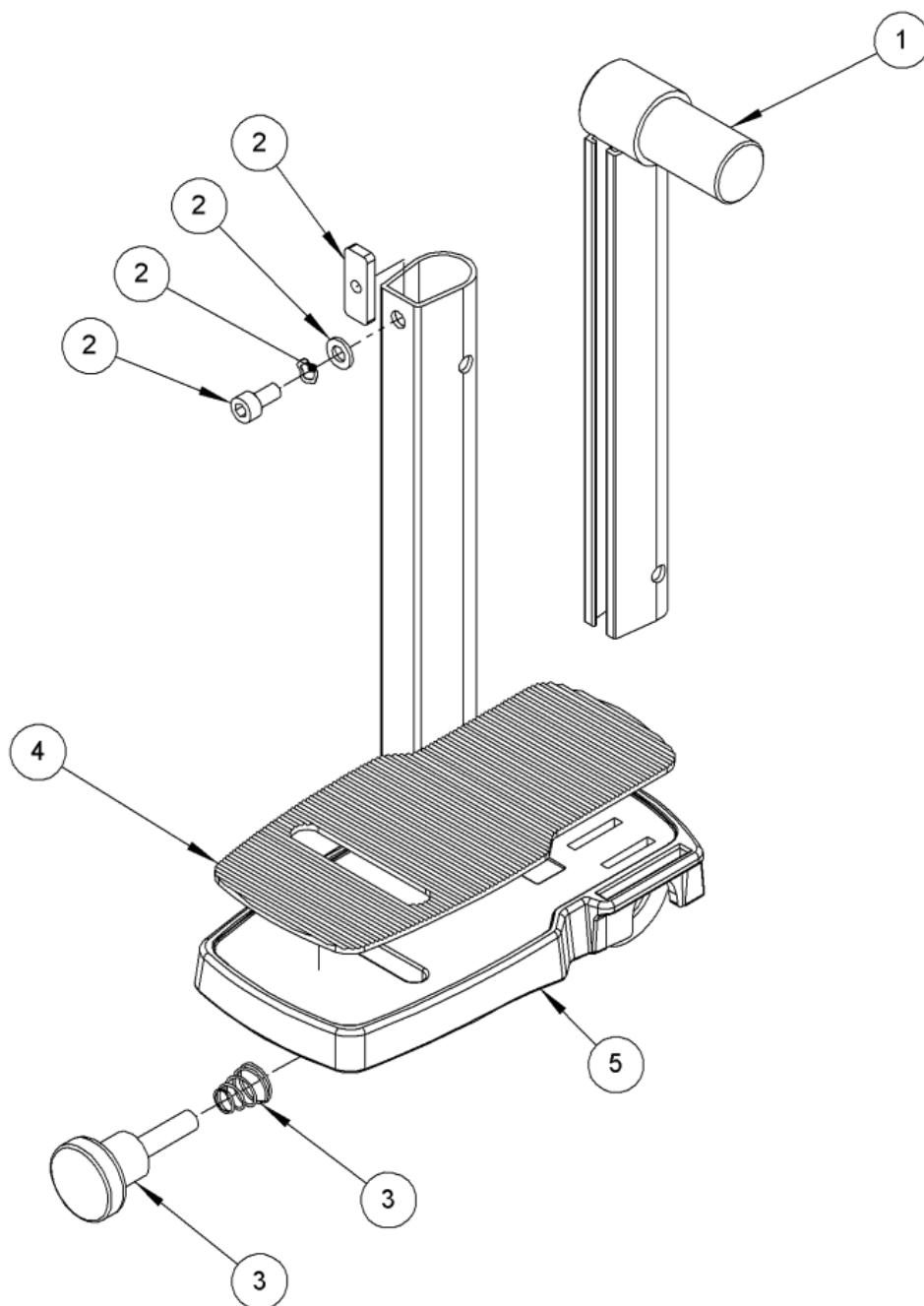
Pos.	Leckey Code	Description	Qty	Compatible with	
				Size 1	Size 2
1	SP-1001	Sliding Backrest Attachment Kit	1	✓	✓
2	137-9015	Backrest Adjustment Kit	1	✓	✓
3	118-166	Head Support Collar	1	✓	✓
4	SP-1000	Head Support Adjustment Kit	1	✓	✓
5	117-9007	Head Support Mtg Assembly Size 1	1	✓	
5	137-9016	Head Support Mtg Assembly Size 2	1		✓

LH Footrest Assembly



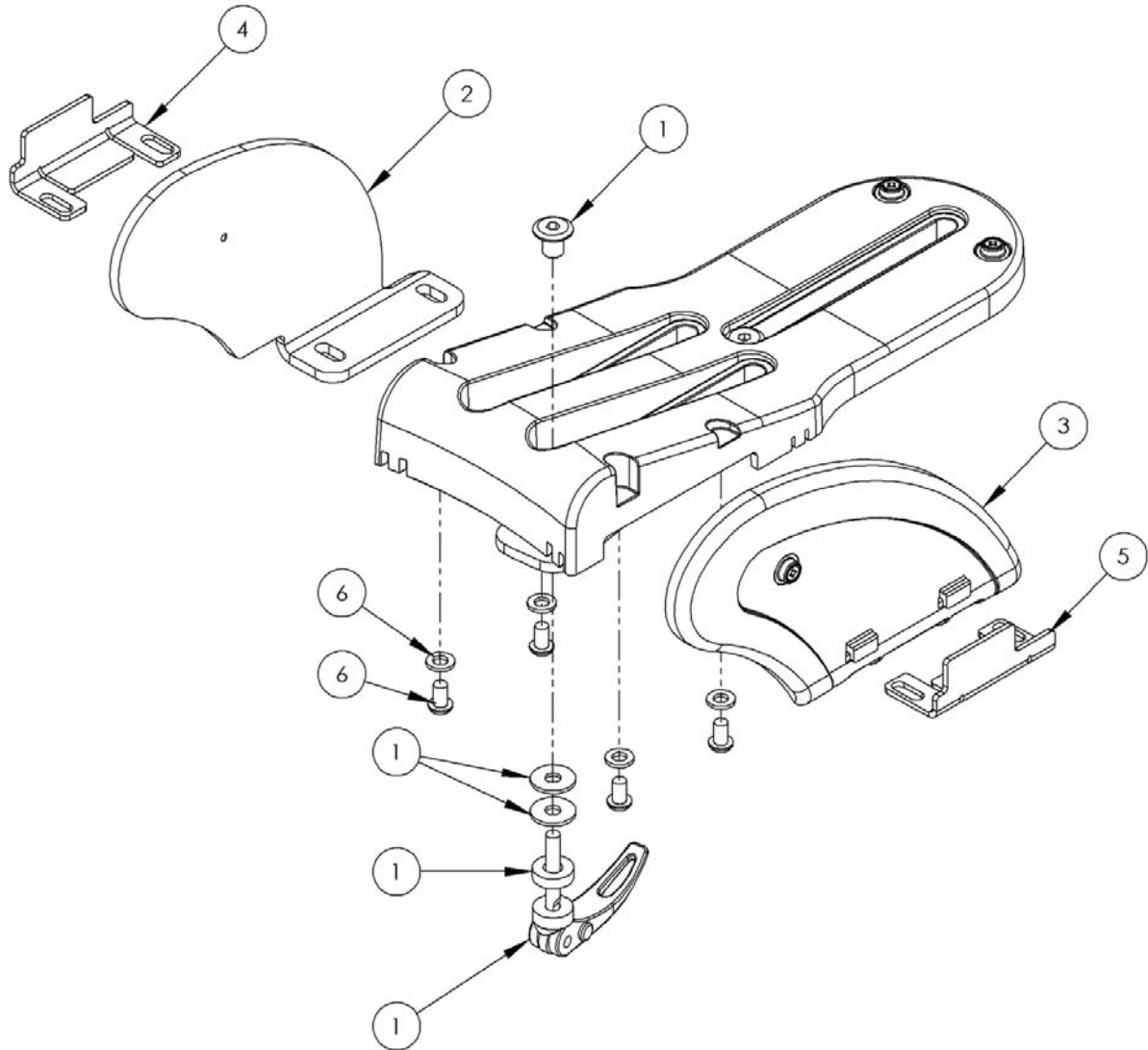
Pos.	Leckey Code	Description	Qty	Compatible with	
				Size 1	Size 2
1	117-689	Calf Inner Support Assembly LH	1	✓	✓
2	137-9005	Footplate Locking Assembly	1	✓	✓
3	137-9006	Footplate Adjuster Assembly	1	✓	✓
4	117-156	Footplate Rubber Matting	1	✓	✓
5	117-9008	Footplate Assembly LH Size 1	1	✓	
5	137-9021	Footplate Assembly LH Size 2	1		✓

RH Footrest Assembly



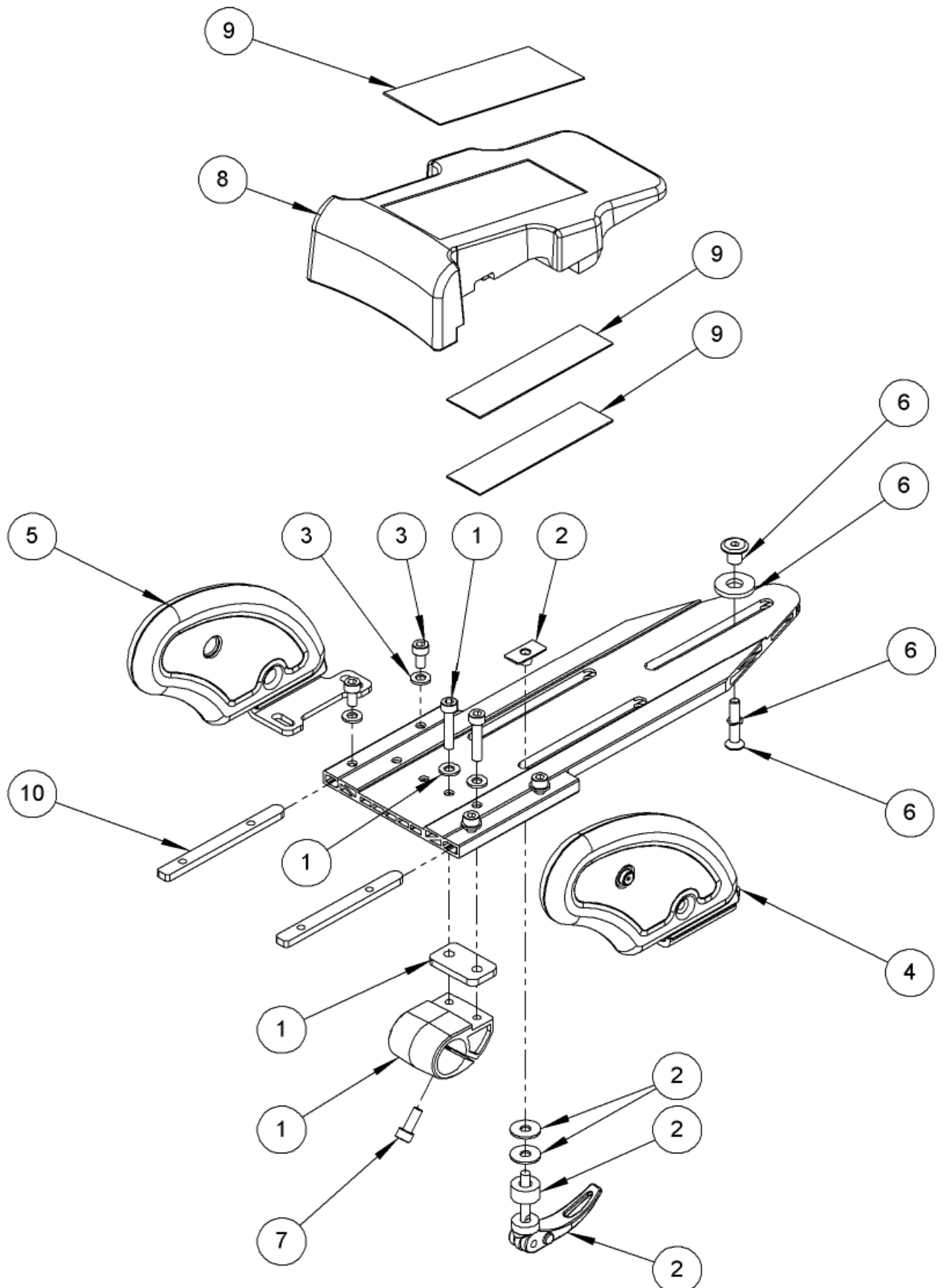
Pos.	Leckey Code	Description	Qty	Compatible with	
				Size 1	Size 2
1	117-691	Calf Inner Support Assembly RH	1	✓	✓
2	137-9005	Footplate Locking Assembly	1	✓	✓
3	137-9006	Footplate Adjuster Assembly	1	✓	✓
4	117-156	Footplate Rubber Matting	1	✓	✓
5	117-9009	Footplate Assembly RH Size 1	1	✓	
5	137-9021	Footplate Assembly RH Size 2	1		✓

Size 1 Abduction Assembly



Pos.	Leckey Code	Description	Qty	Compatible with	
				Size 1	Size 2
1	SP-1010	Abduction Assembly Adjuster Kit Size 1	1	✓	
2	117-718	RH Femoral Guard Assembly Inside	1	✓	
2	117-716	LH Femoral Guard Assembly Inside	1	✓	
3	117-719	RH Femoral Guard Assembly Outside	1	✓	
3	117-717	LH Femoral Guard Assembly Outside	1	✓	
4	117-461	Femoral Support LH	1	✓	
5	117-462	Femoral Support RH	1	✓	
6	SP-1011	Femoral Guide Attachment Kit Size 1	1	✓	

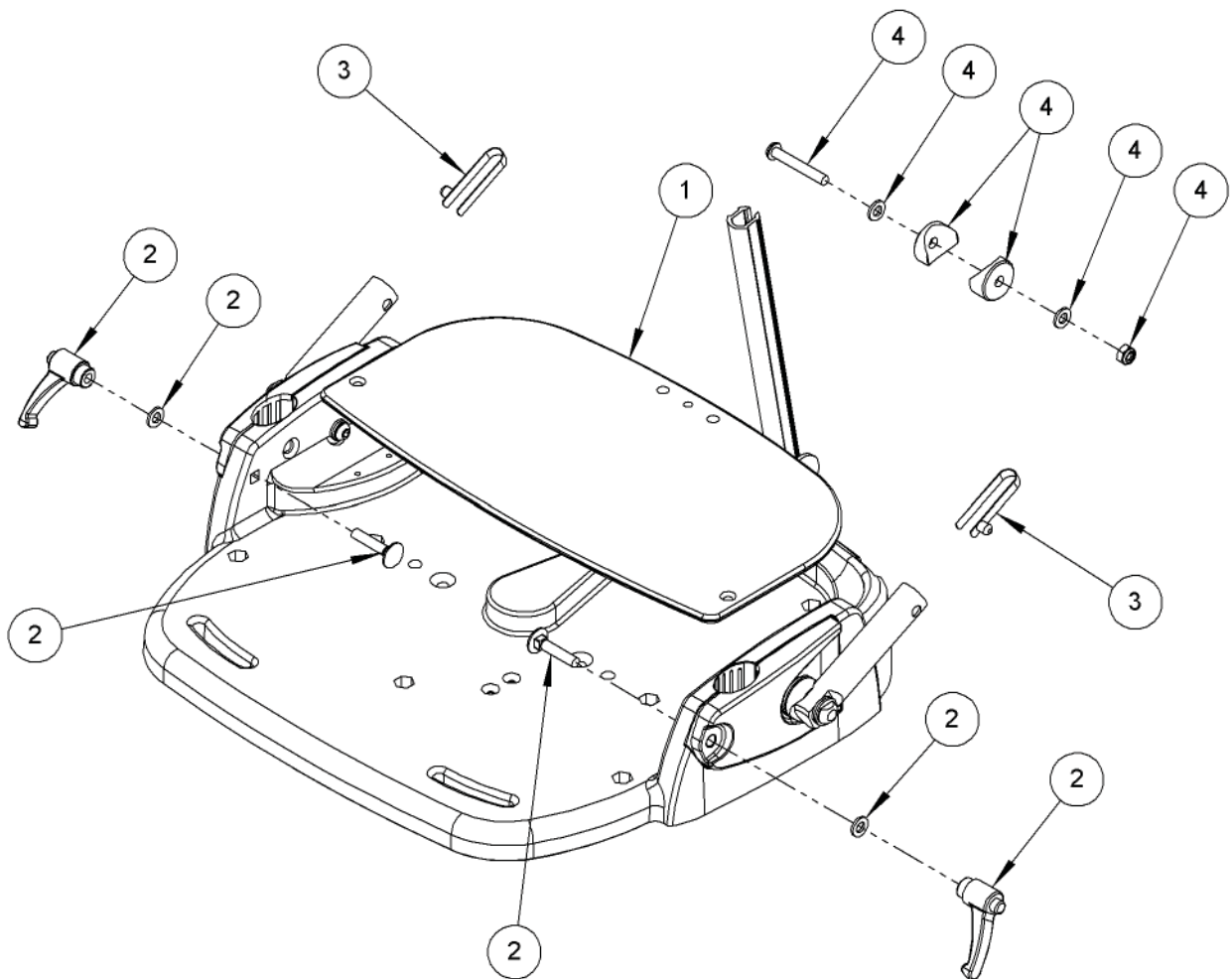
Size 2 Abduction Assembly



Size 2 Abduction Assembly

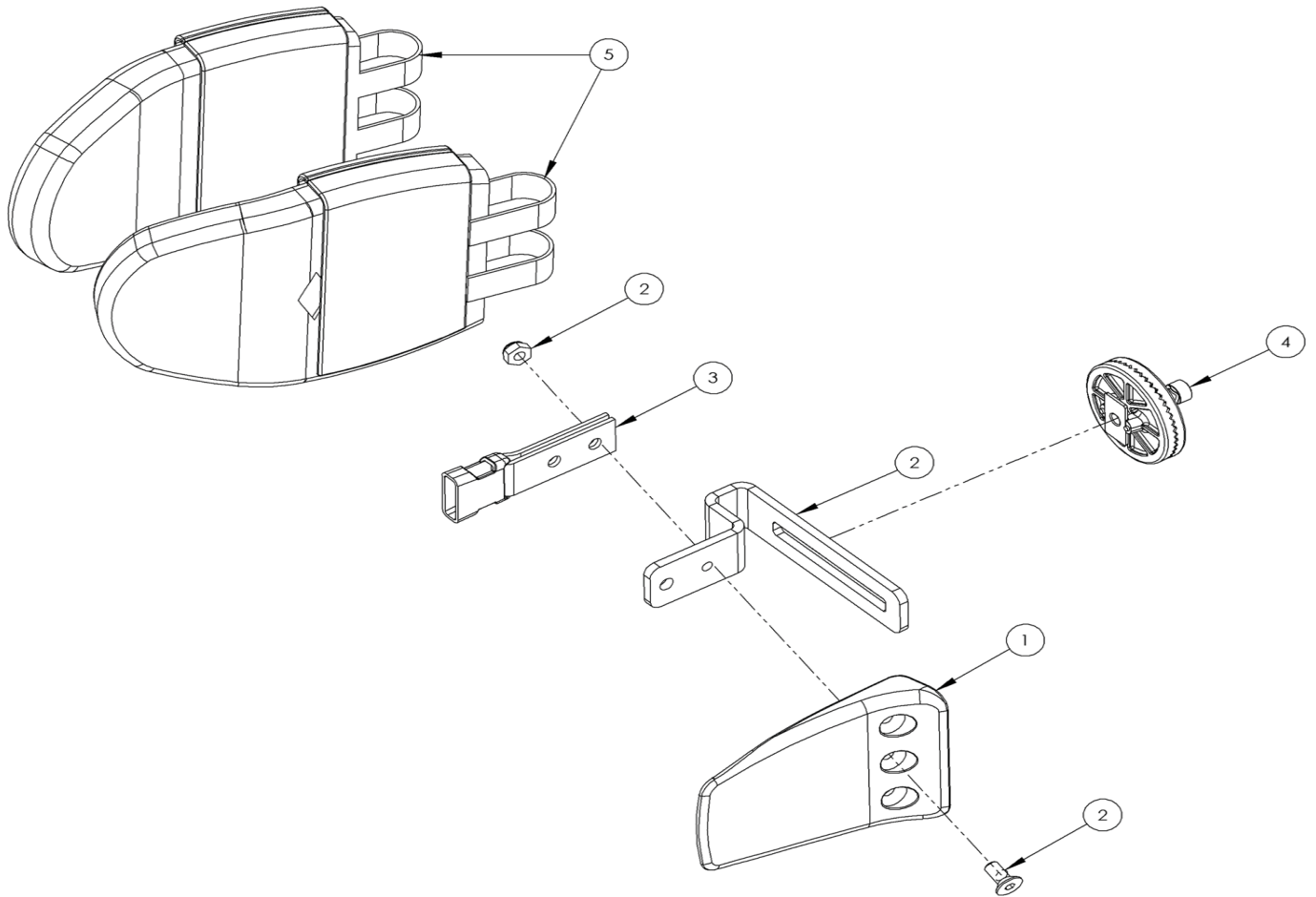
Pos.	Leckey Code	Description	Qty	Compatible with	
				Size 1	Size 2
1	120-9023	Calf Casting Assembly	1		✓
2	SP-1006	Abduction Assembly Adjuster Kit Size 2	1		✓
3	SP-1008	Femoral Guide Attachment Kit Size 2	2		✓
4	137-610	Femoral Guide Assembly Lh	1		✓
5	137-611	Femoral Guide Assembly Rh	1		✓
6	SP-1009	Adjustment Kit	1		✓
7	SL04	M6 X 16 Socket Cap Screw	1		✓
8	137-101	Ramp	1		✓
9	137-9009	Ramp Attachment Velcro Kit	1		✓
10	137-112	Femoral Guide Thread Plate	2		✓

Seatbase Assembly



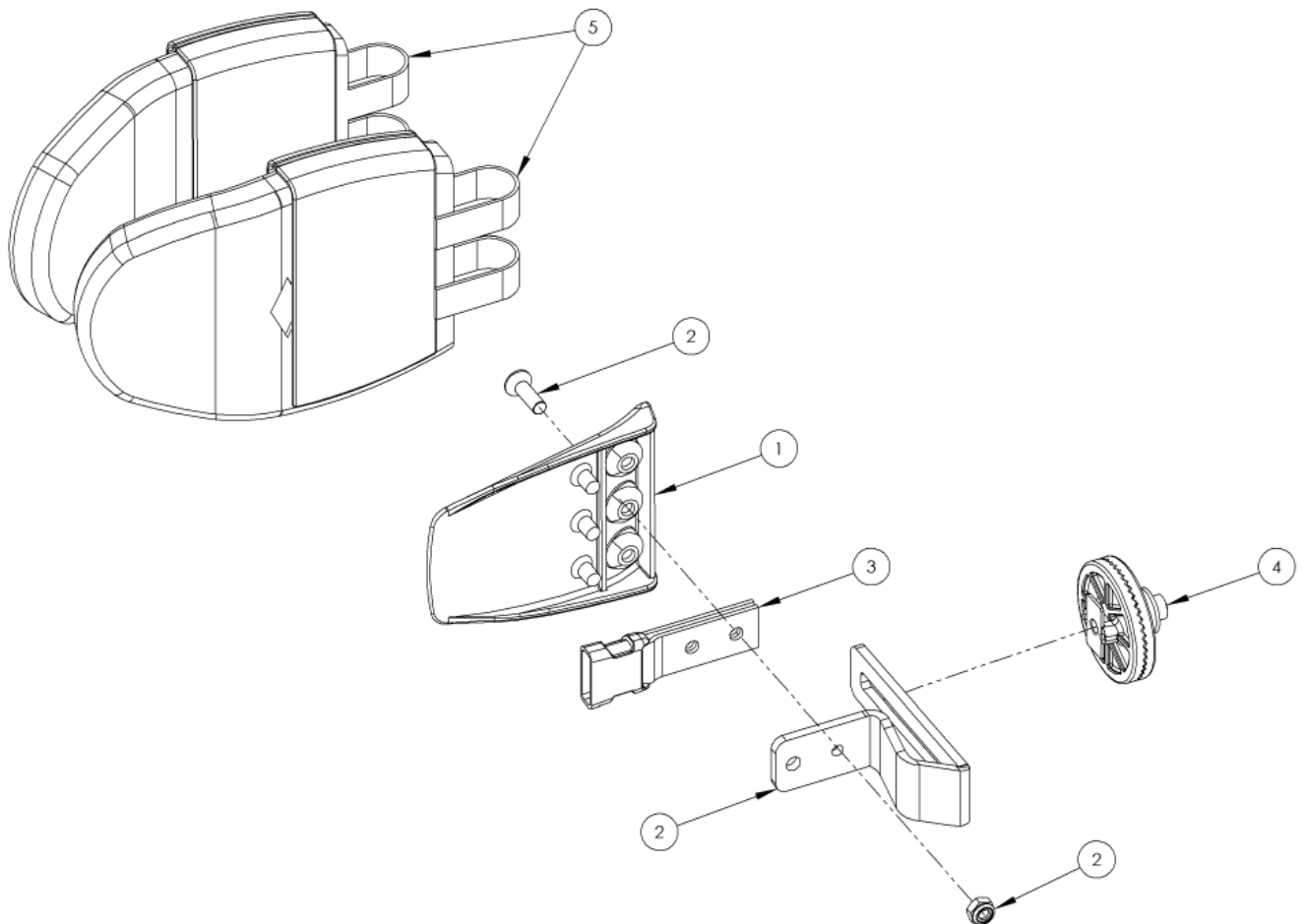
Pos.	Leckey Code	Description	Qty	Compatible with	
				Size 1	Size 2
1	137-121	Seatbase ABS Shelf Size 1	1	✓	
1	137-120	Seatbase ABS Shelf Size 2	1		✓
2	SP-1005	Harness Attachment Kit	2	✓	✓
3	SJ109	1/4 Single Popper	2	✓	✓
4	SP-1004	Back Angle Attachment Kit	1	✓	✓

Rigid Lateral Assembly



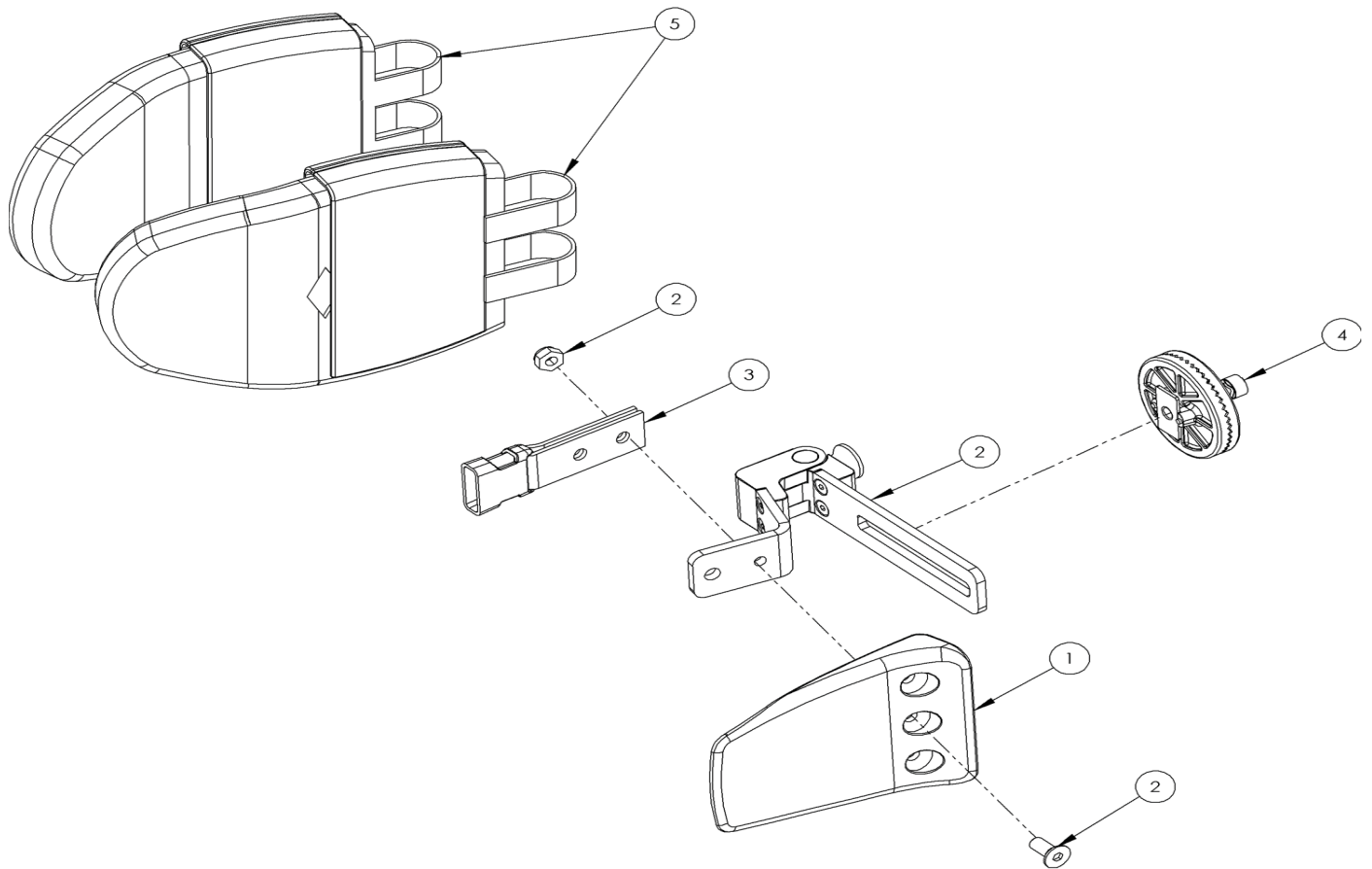
Pos.	Leckey Code	Description	Qty	Compatible with	
				Size 1	Size 2
1	117-176	Lateral	1	✓	✓
2	117-9003	Lateral Bracket & Screw Kit	1	✓	✓
3	117-700	Harness Buckle Attachment	1	✓	✓
4	120-9027	Angle Lock Assembly	1	✓	✓
5	137-806-05	Lateral Covers Pair	1	✓	✓

Rigid Lateral Extended Height Assembly



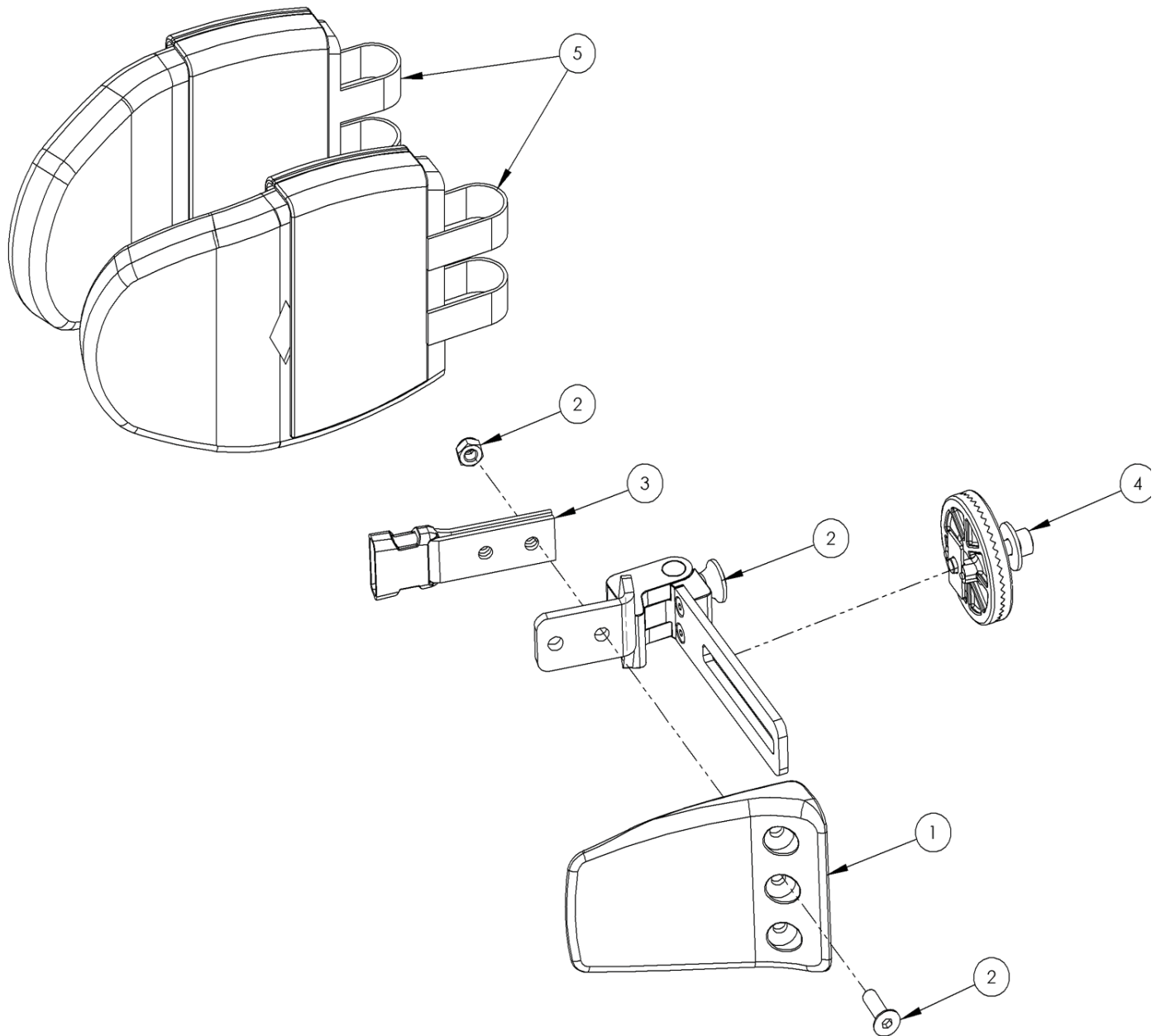
Pos.	Leckey Code	Description	Qty	Compatible with	
				Size 1	Size 2
1	117-176	Lateral	1	✓	✓
2	137-9018	Lateral Bracket & Screw Kit LH	1	✓	✓
2	137-9019	Lateral Bracket & Screw Kit RH	1	✓	✓
3	117-700	Harness Buckle Attachment	1	✓	✓
4	120-9027	Angle Lock Assembly	1	✓	✓
5	137-806-05	Lateral Covers Pair	1	✓	✓

Flipaway Lateral Assembly



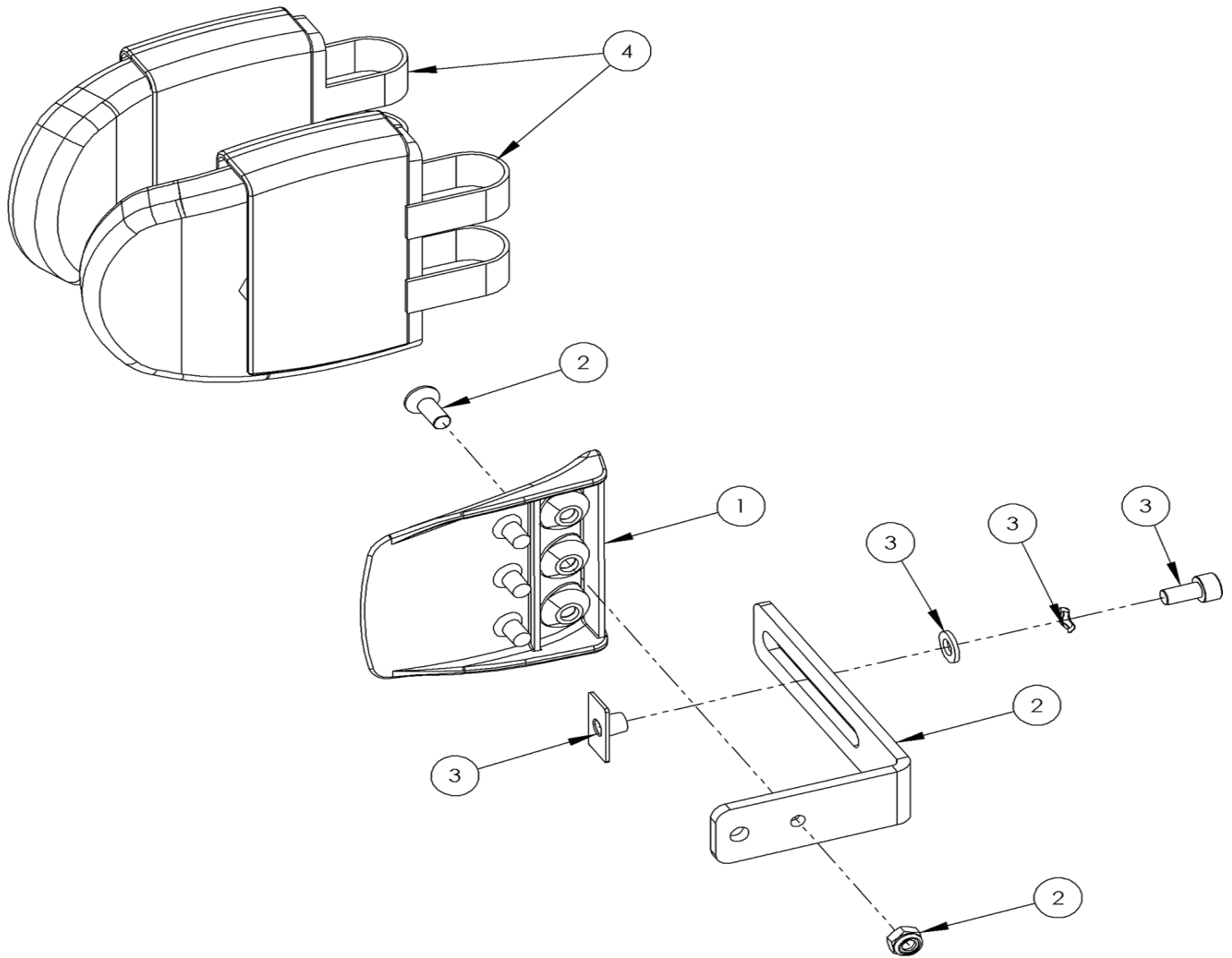
Pos.	Leckey Code	Description	Qty	Compatible with	
				Size 1	Size 2
1	117-176	Lateral	1	✓	✓
2	117-9006	Lateral Bracket & Screw Kit	1	✓	✓
3	117-700	Harness Buckle Attachment	1	✓	✓
4	120-9027	Angle Lock Assembly	1	✓	✓
5	137-806-05	Lateral Covers Pair	1	✓	✓

Flipaway Lateral Ext Height Assembly



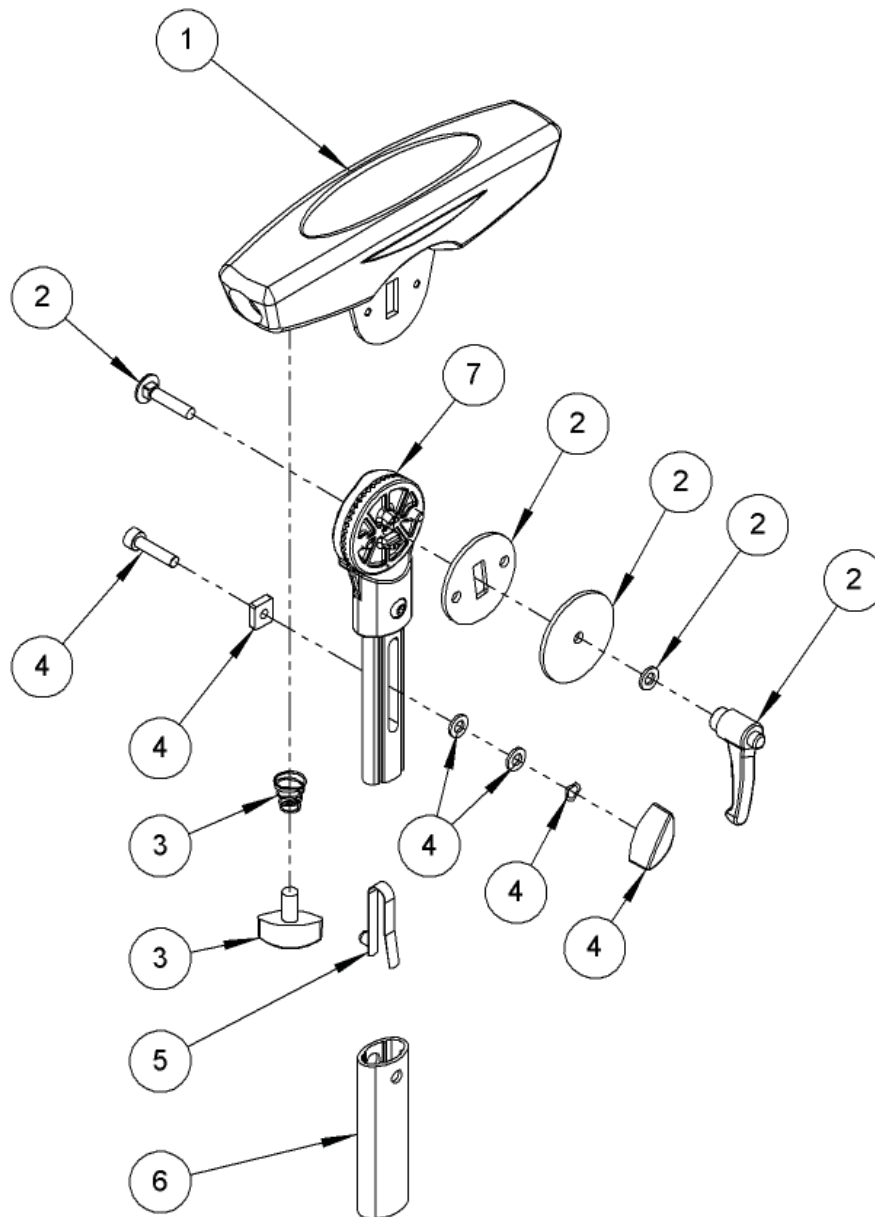
Pos.	Leckey Code	Description	Qty	Compatible with	
				Size 1	Size 2
1	117-176	Lateral	1	✓	✓
2	137-9007	Lateral Bracket & Screw Kit LH	1	✓	✓
2	137-9008	Lateral Bracket & Screw Kit RH	1	✓	✓
3	117-700	Harness Buckle Attachment	1	✓	✓
4	120-9027	Angle Lock Assembly	1	✓	✓
5	137-806-05	Lateral Covers Pair	1	✓	✓

Hip Lateral Assembly



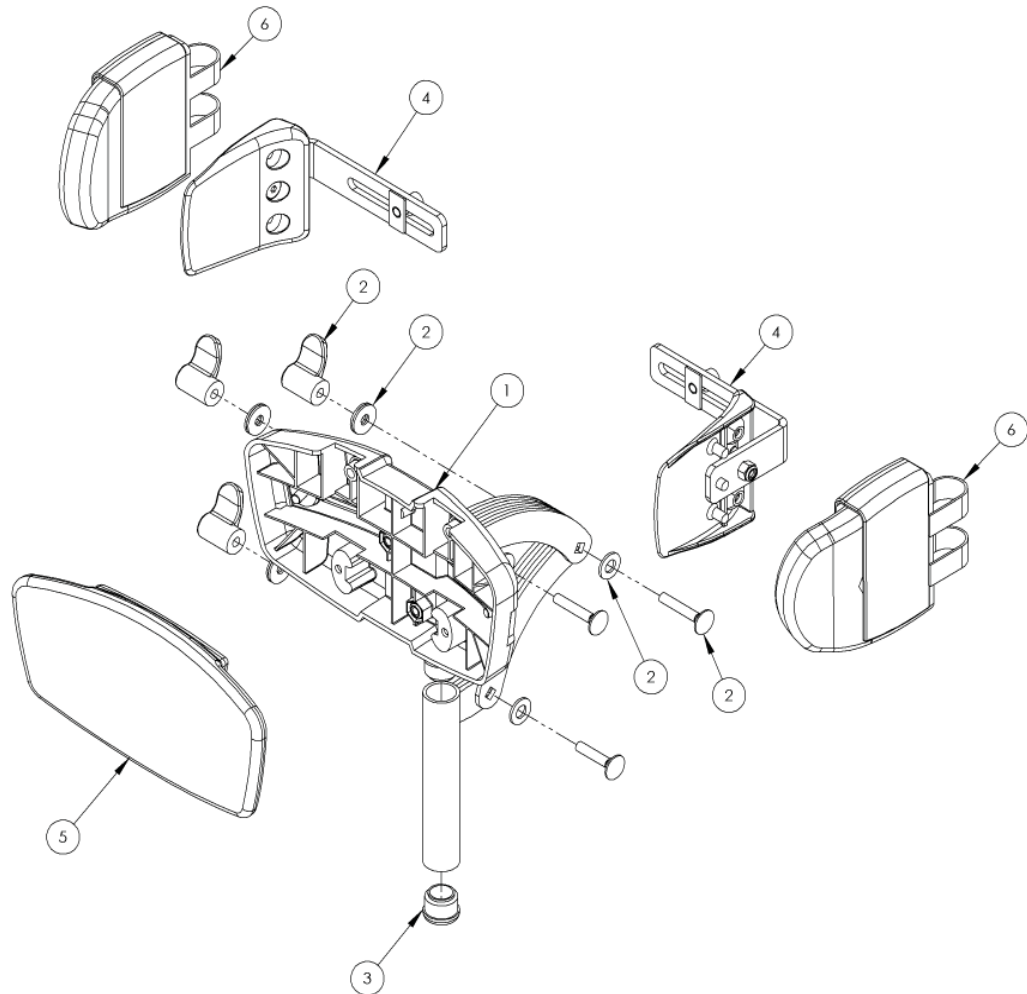
Pos.	Leckey Code	Description	Qty	Compatible with	
				Size 1	Size 2
1	118-049	Lateral	1	✓	✓
2	137-9020	Lateral Bracket & Screw Kit	1	✓	✓
3	SP-1003	Hip Lateral Locking Kit	1	✓	✓
4	137-807-05	Flat Headrest Lateral Covers	1	✓	✓

Armrest Assembly



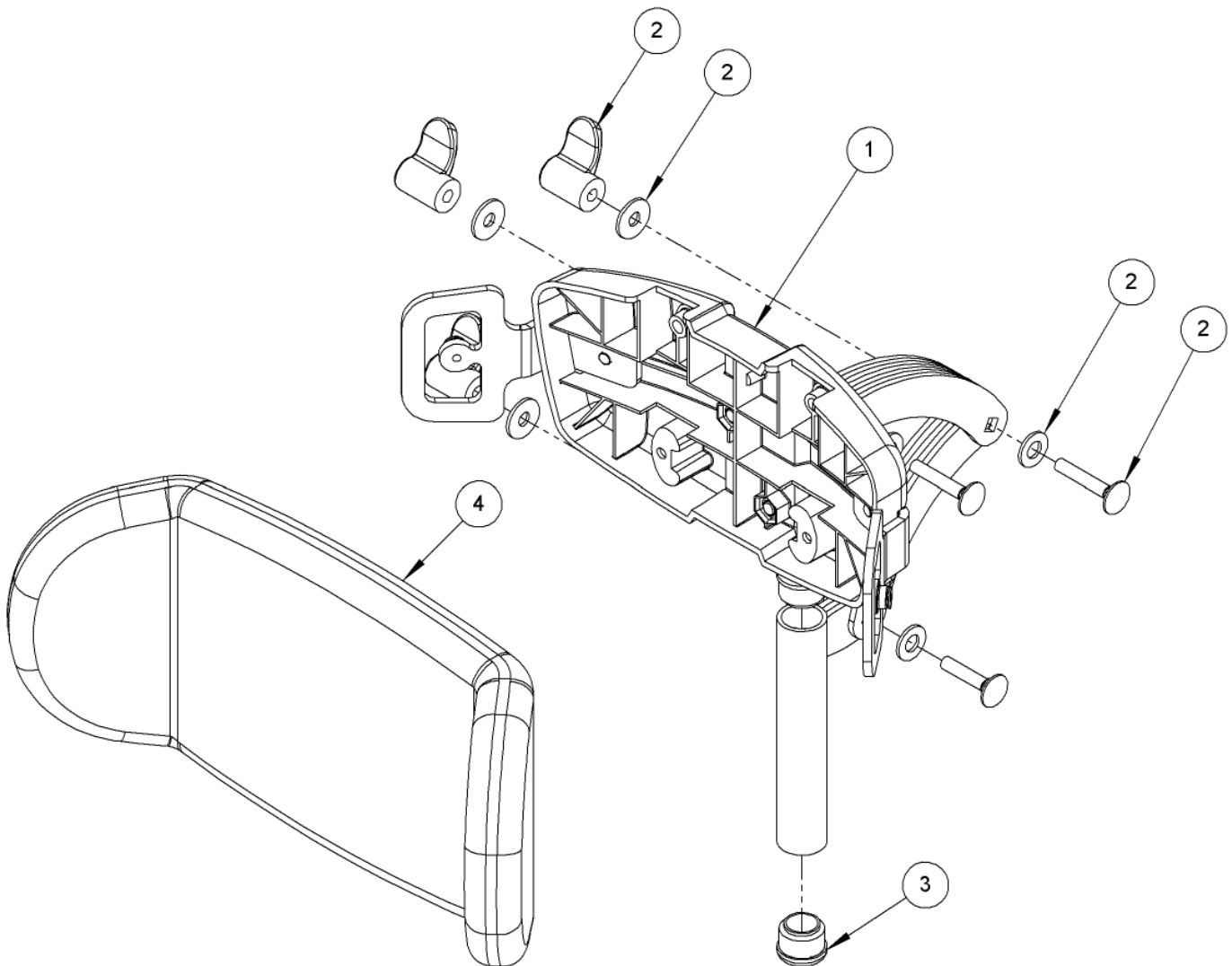
Pos.	Leckey Code	Description	Qty	Compatible with	
				Size 1	Size 2
1	117-715	Armrest Moulded Assembly	1	✓	✓
2	137-9011	Armrest Adjustment Kit	1	✓	✓
3	137-9013	Armrest Locking Kit	1	✓	✓
4	137-9012	Armrest Outer Adjustment Assembly	1	✓	✓
5	SJ109	1/4 Single Popper	1	✓	✓
6	117-145	Armrest Outer Extrusion Size 1	1	✓	
6	137-146	Armrest Outer Extrusion Size 2	1		✓
7	117-9005	Armrest Adjuster Size 1	1	✓	
7	137-9014	Armrest Adjuster Size 2	1		✓

Flat Head Support Assembly



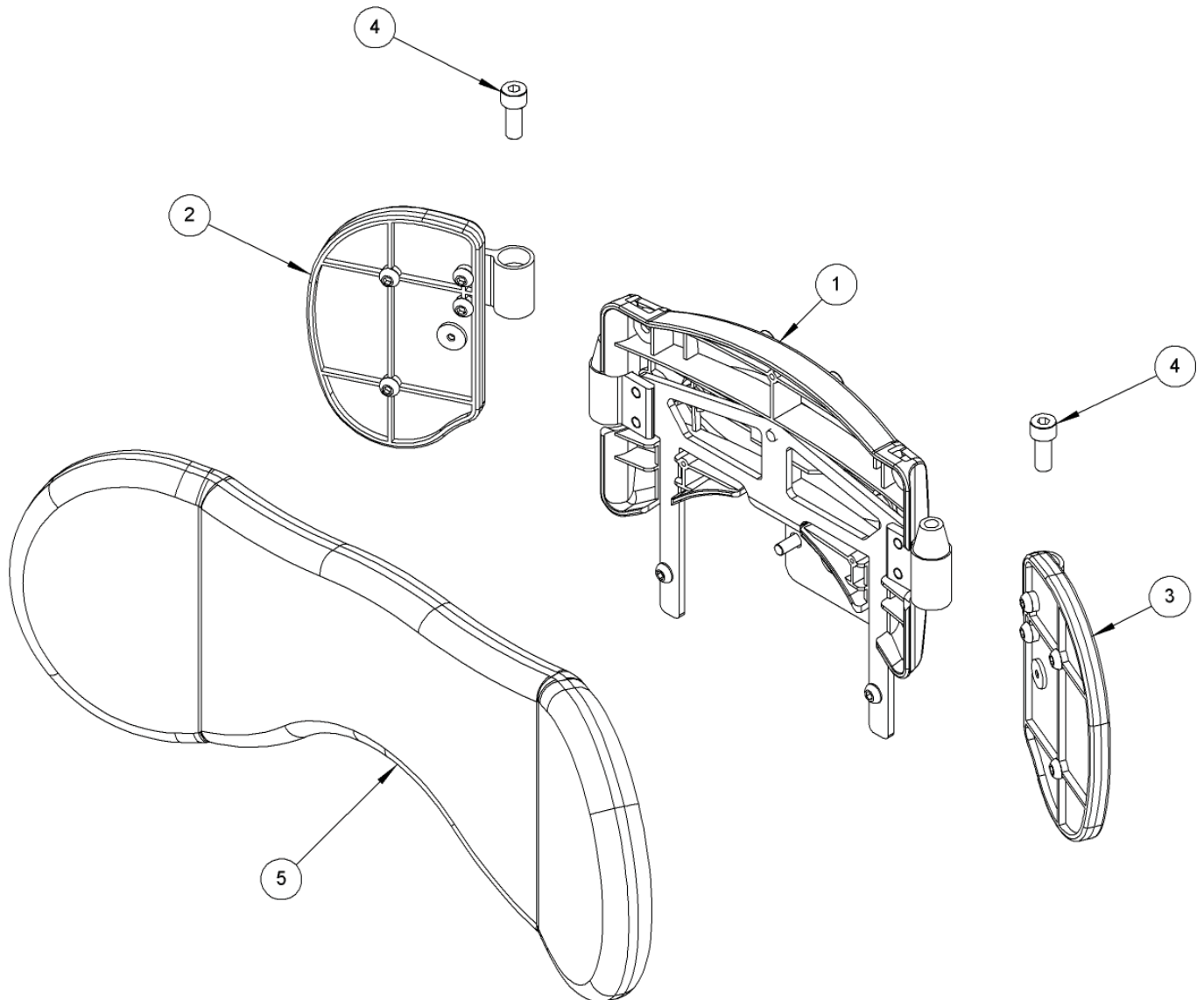
Pos.	Leckey Code	Description	Qty	Compatible with	
				Size 1	Size 2
1	117-697	Flat Headrest Support (Hardware Only)	1	✓	✓
2	137-9015	Wing Nut Assembly	3	✓	✓
3	SF53	Round Tube Insert (Ø22)	2	✓	✓
4	118-666	Flat Headrest Lateral Bracket(Single)	1	✓	✓
5	117-850-XX	Flat Headrest Cover	1	✓	✓
6	137-807-05	Headrest / Hip Lateral Covers (Pair)	1	✓	✓

Contoured Head Support Assembly



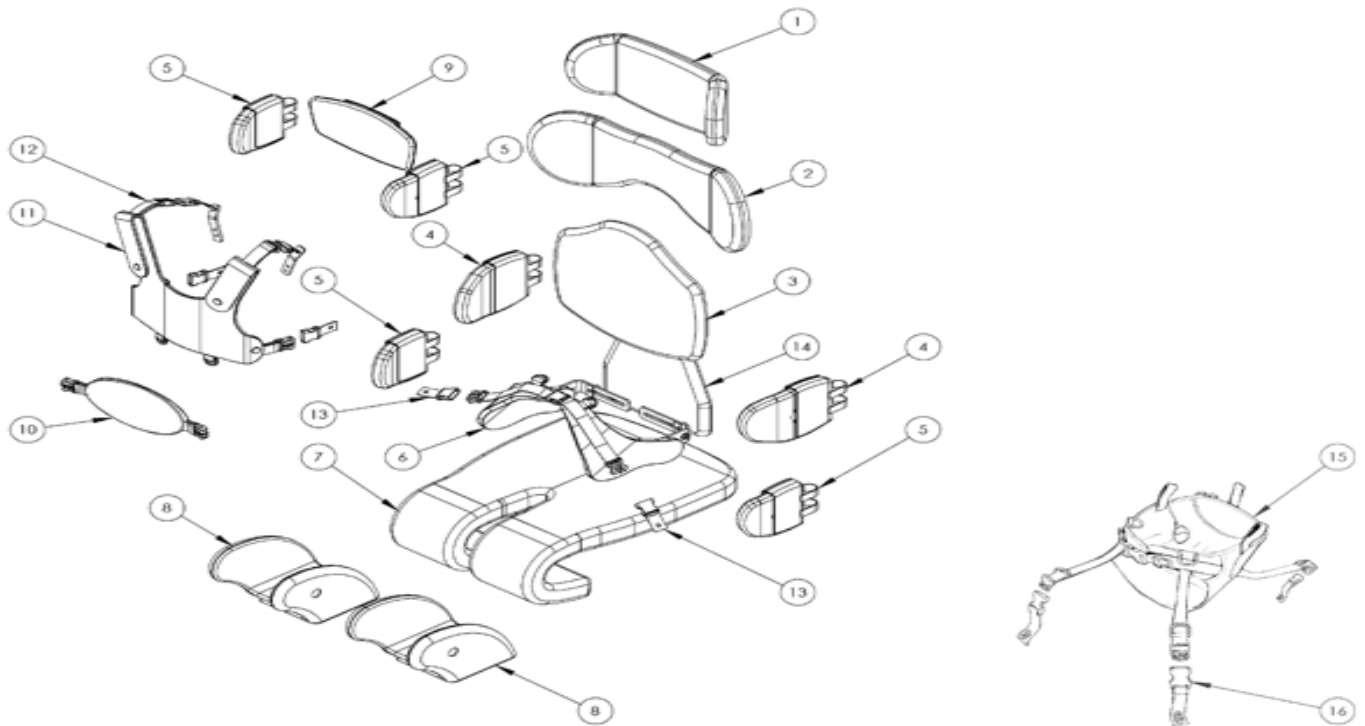
Pos.	Leckey Code	Description	Qty	Compatible with	
				Size 1	Size 2
1	120-859	Contoured Headrest (Hardware Only)	1	✓	✓
2	137-9015	Wing Nut Assembly	3	✓	✓
3	SF53	Round Tube Insert	2	✓	✓
4	137-800-05	Contoured Headrest Cushion	1	✓	✓

Shoulder Support Assembly



Pos.	Leckey Code	Description	Qty	Compatible with	
				Size 1	Size 2
1	137-9001	Shoulder Central Assembly	1		✓
2	137-9002	Shoulder Wing Assembly RH	1		✓
3	137-9003	Shoulder Wing Assembly LH	1		✓
4	SP-1016	Taperlock Adjustment Screw Kit	2		✓
5	137-801-XX	Shoulder Cushion	1		✓

Upholstery

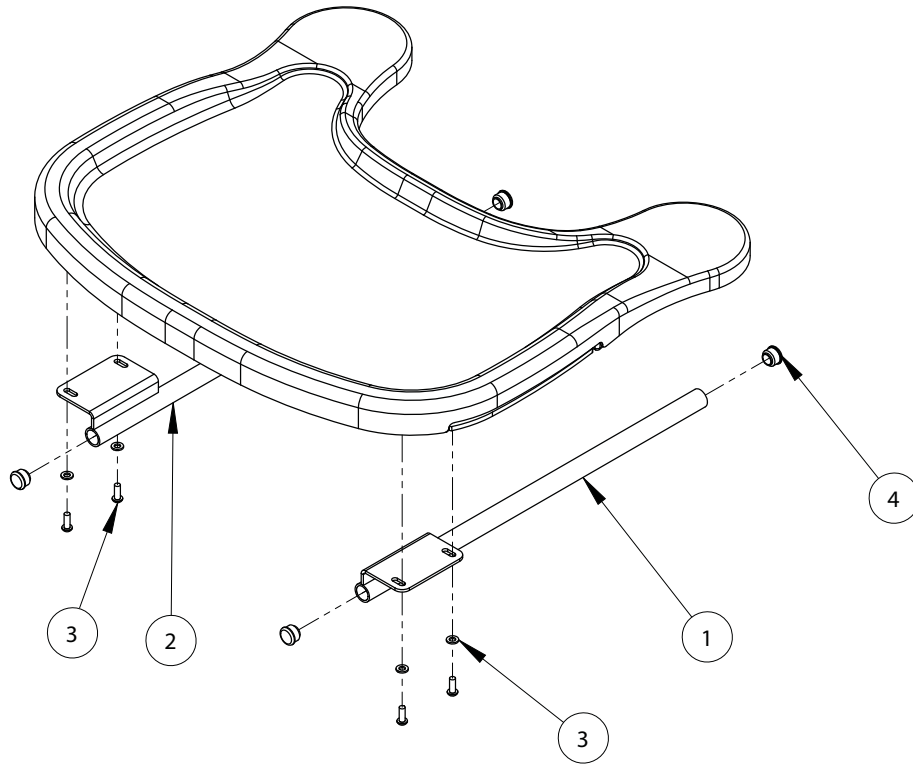


Pos.	Leckey Code	Description	Qty	Compatible with	
				Size 1	Size 2
1	137-800-05	Contoured Headrest Cushion	1	✓	✓
2	137-801-XX	Shoulder Cushion	1		✓
3	137-802-XX	Backrest Cushion	1	✓	✓
4	137-806-05	Lateral Covers (Pair)	1	✓	✓
5	137-807-05	Head/Hip Lateral Covers (Pair)	1	✓	✓
6	117-801	Pelvic Harness Small With Hip Brackets	1	✓	✓
6	117-802	Pelvic Harness Medium With Hip Brackets	1	✓	✓
7	117-843-XX	Seatbase Cushion Size 1	1	✓	
7	137-804-XX	Seatbase Cushion Size 2	1		✓
8	117-844	Femoral Guide Covers (Pair)	1	✓	✓
9	117-850-XX	Flat Headrest Cushion	1	✓	✓
10	137-808	Chest Harness	1	✓	✓

Upholstery

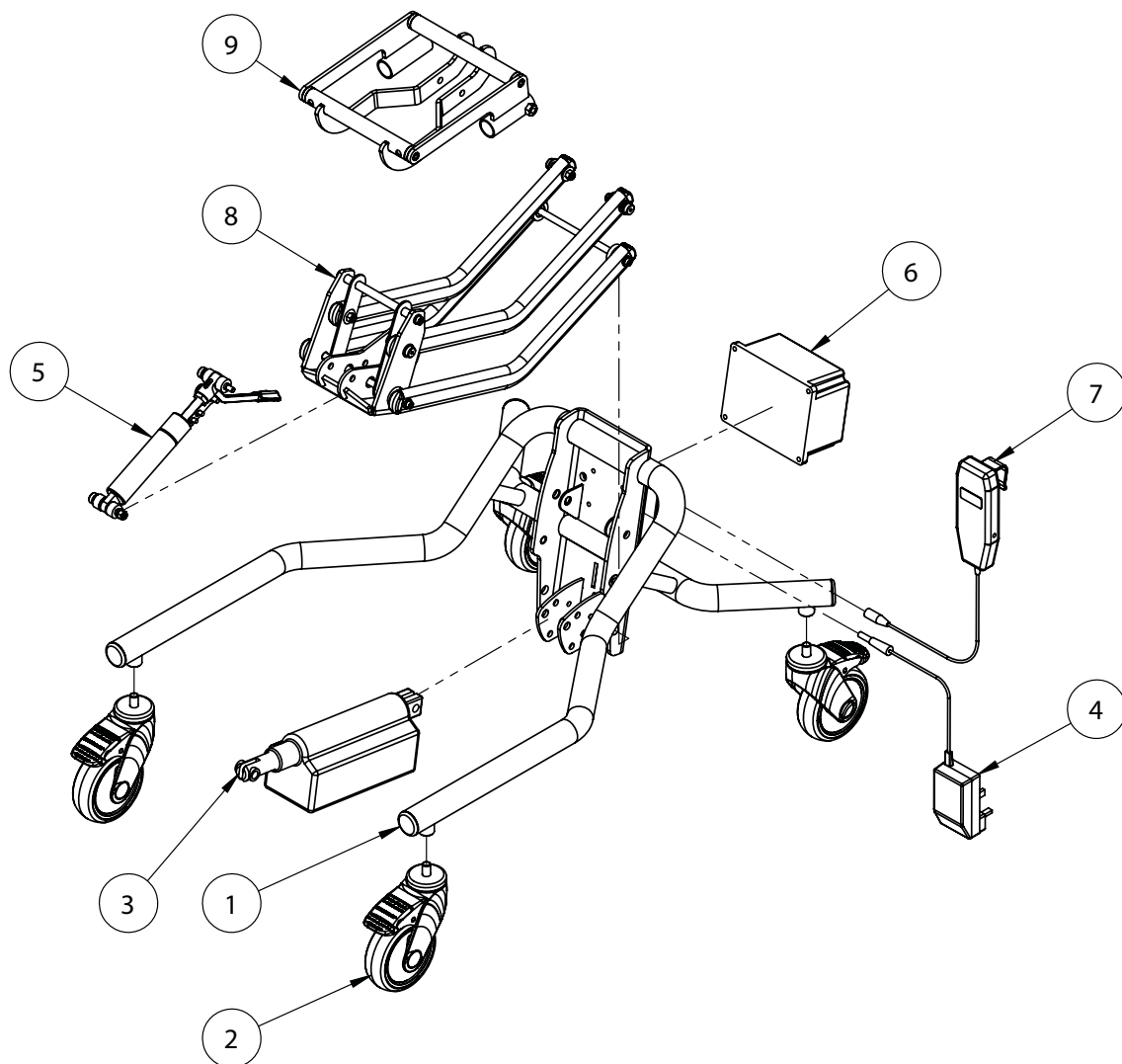
Pos.	Leckey Code	Description	Qty	Compatible with	
				Size 1	Size 2
11	120-779	Trunk Harness Small	1	✓	
11	120-757	Trunk Harness Medium	1	✓	✓
11	117-761	Trunk Harness Large	1		✓
12	120-9029	Trunk Harness Attachment Kit	1	✓	✓
13	117-749	Pelvic Harness Attachment Kit	1	✓	✓
14	137-803-XX	Sacral Pad	1	✓	✓
15	133-728	Pelvic Cradle	1	✓	✓
16	133-733	Pelvic Cradle Attachment Kit	1	✓	✓

Tray Assembly



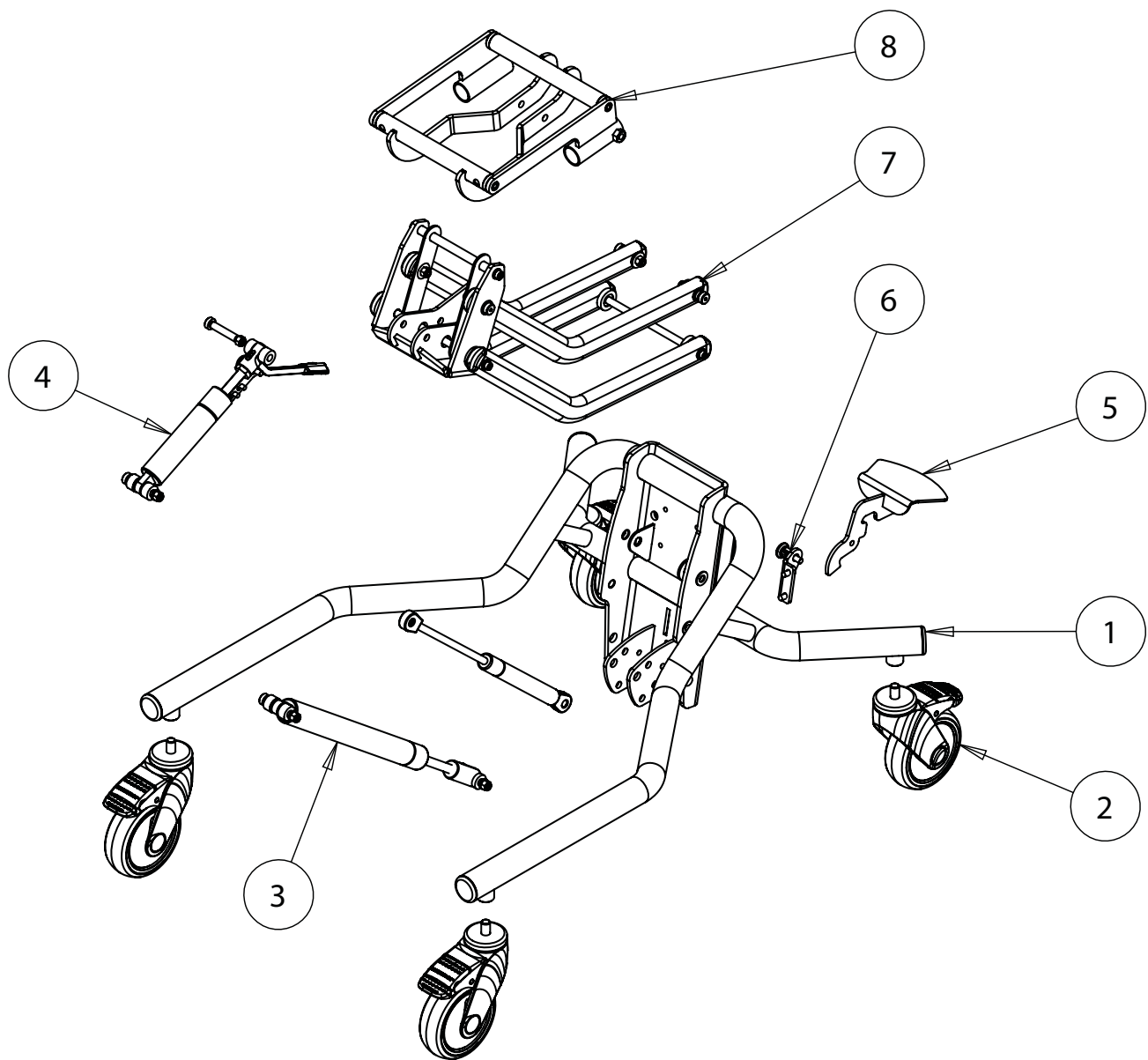
Pos.	Leckey Code	Description	Qty	Compatible with	
				Size 1	Size 2
1	117-222	Tray Bar Assembly RH	1	✓	✓
2	117-223	Tray Bar Assembly LH	1	✓	✓
3	SP-1021	Tray Bar Screw Kit	1	✓	✓
4	SF52	Round Tube Insert	4	✓	✓

Hi-Low Chassis - Power



Pos.	Leckey Code	Description	Qty	Compatible with	
				Size 1	Size 2
1	102-1693	Chassis Welded Assy Size 1&2	1	✓	✓
2	IA13	Castor	4	✓	✓
3	102-1694	Actuator Assy	1	✓	✓
4	SI74	Charger UK	1	✓	✓
4	SI125	Charger EUR	1	✓	✓
4	SI126	Charger USA/JAPAN	1	✓	✓
4	SI127	Charger Aus	1	✓	✓
5	102-1695	500N Blocolift Size 1&2 Assy	1	✓	✓
5	102-1696	800N Blocolift Size 3 Assy	1		
6	SI64	Battery	1	✓	✓
7	SI67	Handset	1	✓	✓
8	117-651	Lever Arm Assembly Size 1-3	1	✓	✓
9	117-633	Mygo Interface Assembly	1	✓	✓

Hi-Low Chassis - Manual



Pos.	Leckey Code	Description	Qty	Compatible with	
				Size 1	Size 2
1	102-1693	Chassis Welded Assy Size 1&2	1	✓	✓
2	IA13	Castor	4	✓	✓
3	102-1698	1200N Liftomat Shock Size 1-3 Assy	1	✓	✓
3	102-1699	100N Liftomat Shock Size 2-3 Assy	1		✓
4	102-1695	500N Blocolift Size 1&2 Assy	1	✓	✓
4	102-1696	800N Blocolift Size 3 Assy	1		
5	102-1692	Short Foot Pedal	1	✓	✓
6	102-1761	Locking Pin Assy	1	✓	✓
7	117-651	Lever Arm Assembly Size 1-3	1	✓	✓
8	117-633	Mygo Interface Assembly	1	✓	✓

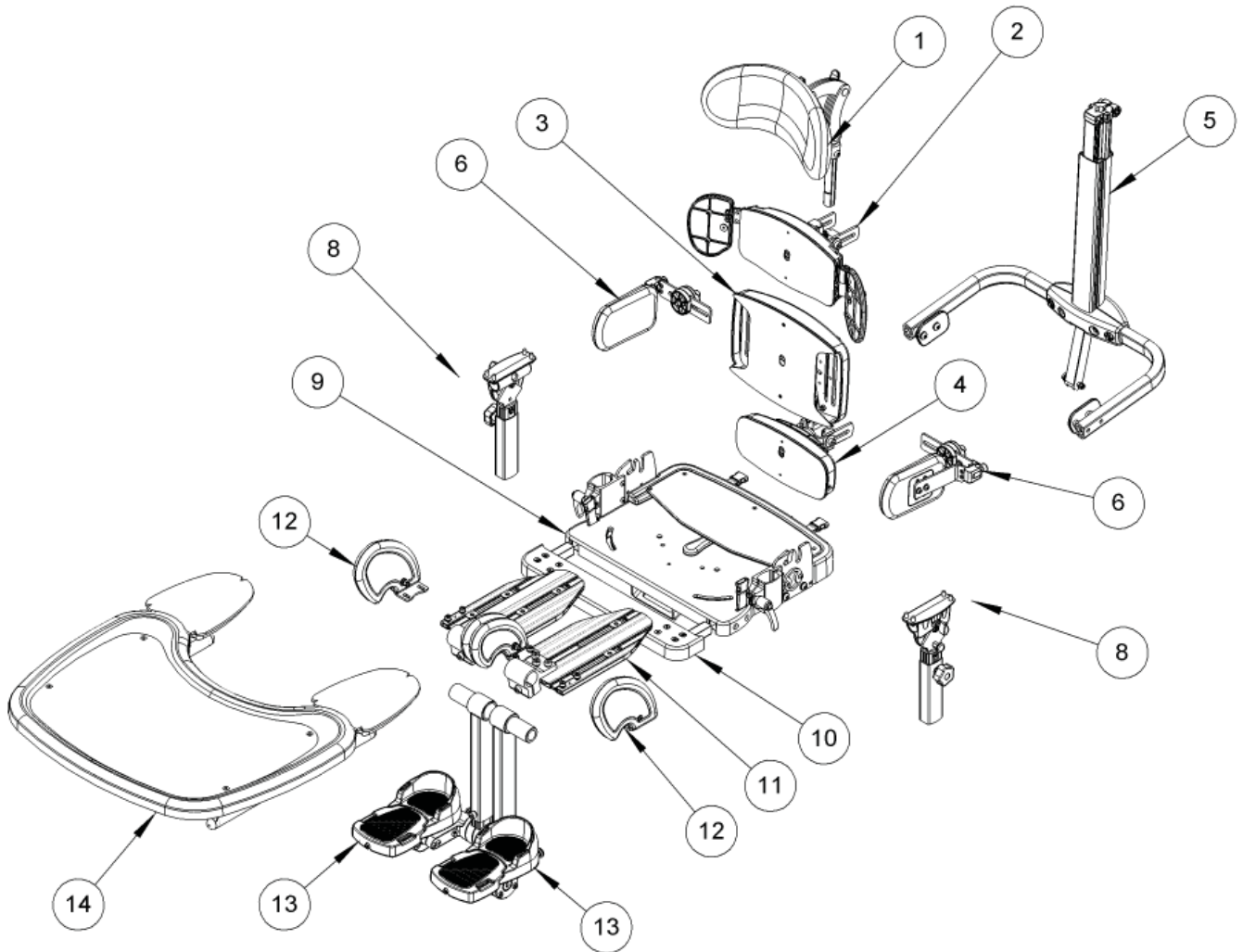
KIT Spare Parts Catalogue



Contents

03 - 04	Seat Assembly
05	Head Support Assembly
06	Shoulder Support Assembly
07	Thoracic Support Assembly
08	Sacral Support Assembly
09	Contoured Sacral Support Assembly
10	Backspine Assembly
11	Flipaway Lateral Assembly
12	Basic Lateral Assembly
13	Complex Lateral Vertical Assembly
14	Complex Lateral Horizontal Assembly
15	Hip Pad Lateral Assembly
16	Armrest Assembly
17	Seatbase Assembly
18	Seatbase Extension Assembly
19	Femoral Plate Assembly
20	Femoral Gables Assembly
21	Foot Support Assembly
22	Tray Assembly
23	Hi-Lo Chassis Assembly - Hydraulic
24	Hi-Lo Chassis Assembly - Power
25	Hi-Lo Assembly

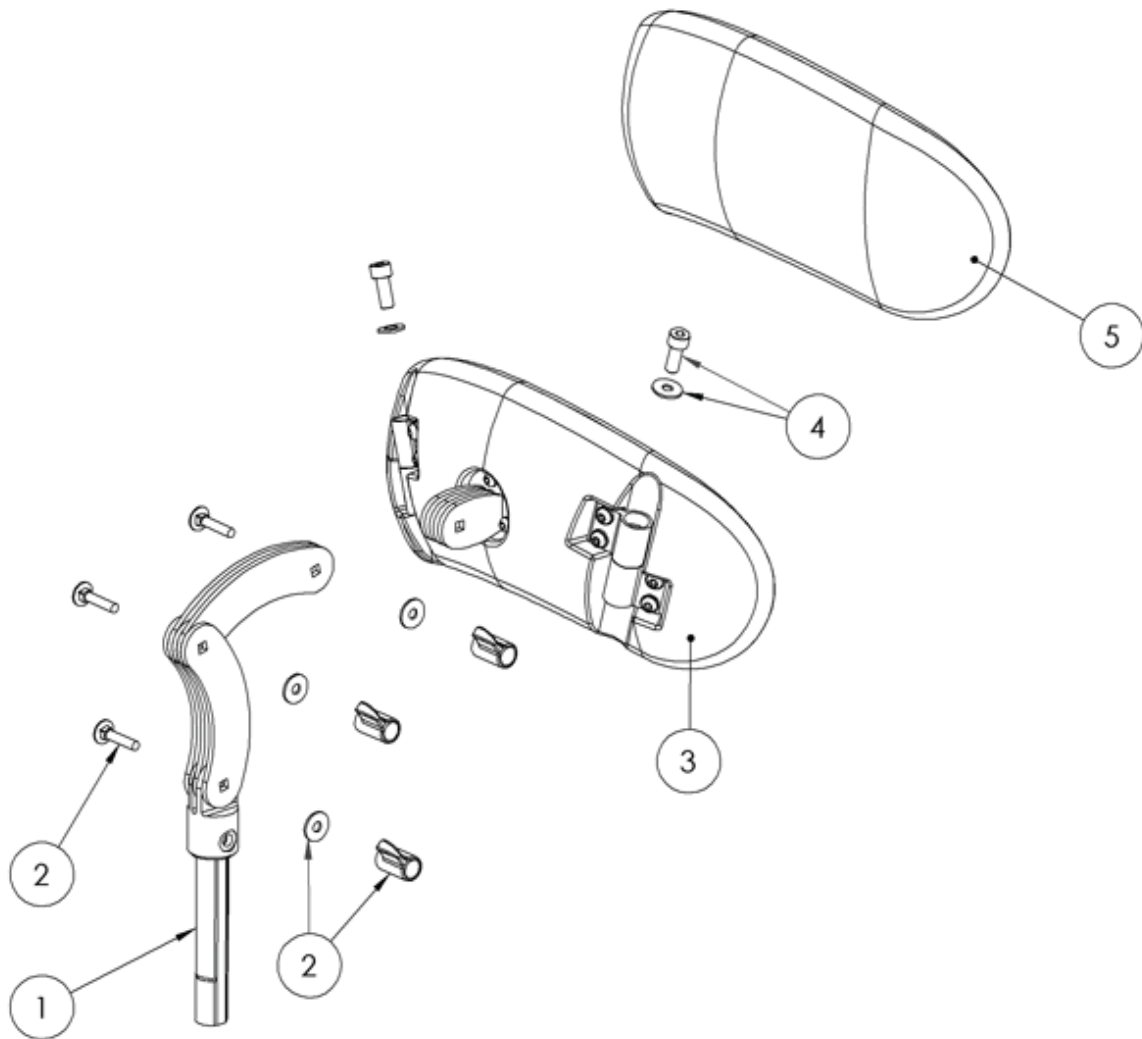
KIT Chair Assembly



KIT Chair Assembly

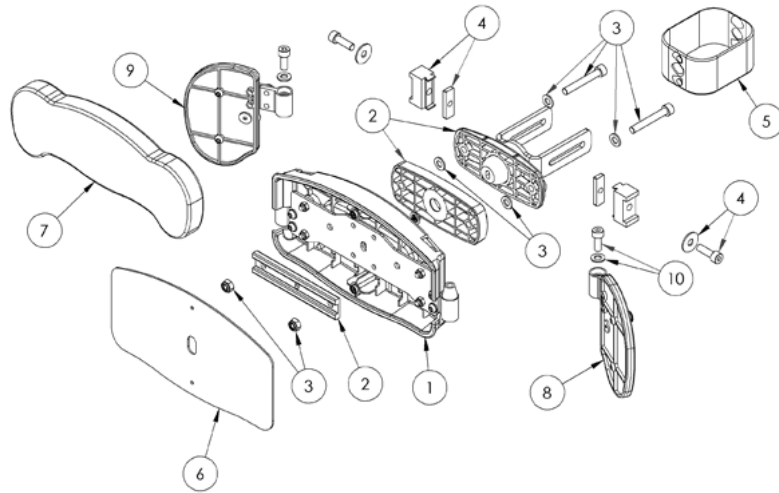
Pos.	Leckey Code	Description	Qty	Compatible with	
				Size 1	Size 2
1	133-627	Profiling Contoured Headrest	1	✓	✓
1	133-626	PU Countoured Headrest	1	✓	✓
2	133-611	Shoulder Support Assembly Size 1	1	✓	
2	139-611	Shoulder Support Assembly Size 2	1		✓
3	133-605	Thoracic Support Assembly	1	✓	✓
4	133-612	Sacral Support Assembly	1	✓	✓
4	133-604	Contoured Sacral Support	1	✓	✓
5	133-615	Back Spine	1	✓	✓
5	139-615	Back Spine	1	✓	✓
6	133-609	Flip away Laterals (single)	1	✓	✓
6	133-622	Flip Away Complex Laterals Horizontal (single)	1	✓	✓
6	133-614	Flip Away Complex Laterals Vertical (single)	1	✓	✓
6	133-619	Angle Adjustable Laterals (pair)	1	✓	✓
7	133-608	Hip Lateral Pads (pair)	1	✓	✓
8	133-735	Armrests	1	✓	✓
9	133-623-FIX	Seatbase Fixed	1	✓	✓
9	133-623-REM	Seatbase Removable	1	✓	✓
10	133-2058	Seatbase Extension	1		✓
11	133-2062	Femoral Plate LH S1	1	✓	
11	133-2063	Femoral Plate RH S1	1	✓	
11	133-2064	Femoral Plate LH S2	1		✓
11	133-2065	Femoral Plate RH S2	1		✓
12	133-687	Femoral Gable RH Small	1	✓	✓
12	133-686	Femoral Gable RH Large	1	✓	✓
12	133-683	Femoral Gable LH Small	1	✓	✓
12	133-682	Femoral Gable LH Large	1	✓	✓
13	133-606	Foot Supports Complex	1	✓	✓
13	133-607	Foot Supports Basic	1	✓	✓
14	133-635	Tray Clear	1	✓	✓
14	133-624	Tray Black	1	✓	✓

Head Support Assembly



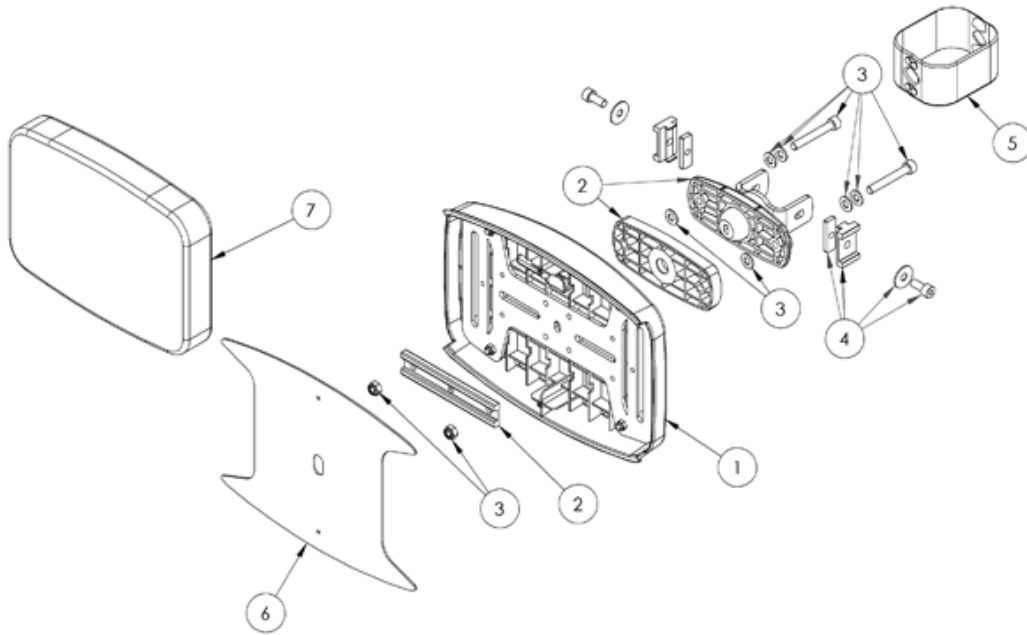
Pos.	Leckey Code	Description	Qty	Compatible with	
				Size 1	Size 2
1	133-2001	Headrest Stem	1	✓	✓
2	133-2002	Headrest Stem Bolt Kit	3	✓	✓
3	133-2003	Headrest Moulding	1	✓	✓
4	133-2014	Taperlock Bolt Kit	2	✓	✓
5	133-716	Headrest Cover	1	✓	✓

Shoulder Support Assembly



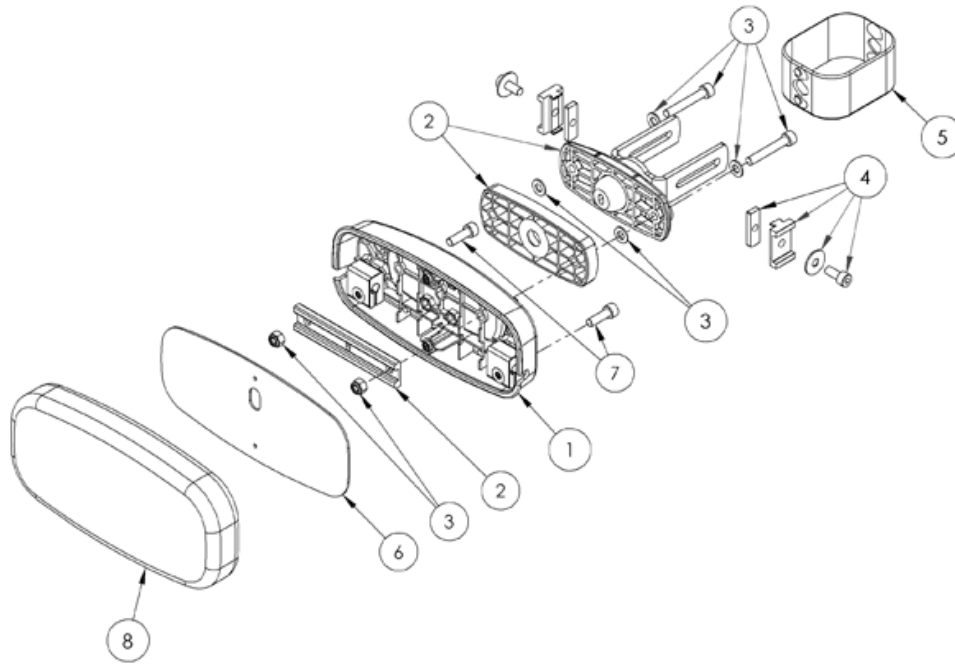
Pos.	Leckey Code	Description	Qty	Compatible with	
				Size 1	Size 2
1	133-2005	Shoulder Moulding Assy S1	1	✓	
1	133-2006	Shoulder Moulding Assy S2	1		✓
2	133-2007	Shoulder/Sacral Adjustment Assy	1	✓	✓
3	133-2008	Shoulder Adjustment Bolt Kit	1	✓	✓
4	133-2016	Shoulder Spine Slider Assy	2	✓	✓
5	133-765	Spine shroud Pack (3 Covers)	1	✓	✓
6	133-2013	Shoulder Cover	1	✓	✓
7	133-400-10	Shoulder Foam & Cover Blue	1	✓	✓
7	133-400-11	Shoulder Foam & Cover Grey	1	✓	✓
7	133-400-12	Shoulder Foam & Cover Purple	1	✓	✓
7	133-400-13	Shoulder Foam & Cover Infection Control	1	✓	✓
7	139-400-10	Shoulder Foam & Cover Blue	1	✓	✓
7	139-400-11	Shoulder Foam & Cover Grey	1	✓	✓
7	139-400-12	Shoulder Foam & Cover Purple	1	✓	✓
7	139-400-13	Shoulder Foam & Cover Infection Control	1	✓	✓
8	133-2009	Shoulder Wing LH S1	1	✓	
8	133-2010	Shoulder Wing LH S2	1		✓
9	133-2011	Shoulder Wing RH S1	1	✓	
9	133-2012	Shoulder Wing RH S2	1		✓
10	133-2014	Taperlock Bolt Kit	2	✓	✓

Thoracic Support Assembly



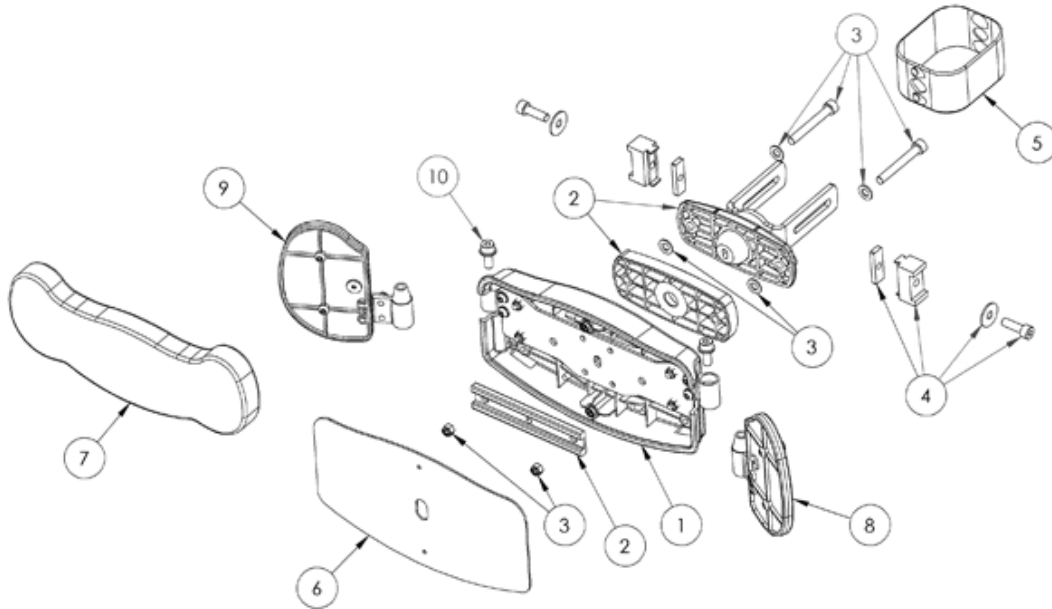
Pos.	Leckey Code	Description	Qty	Compatible with	
				Size 1	Size 2
1	133-2021	Thoracic Moulding Assy	1	✓	✓
2	133-2020	Thoracic Adjustment Assy	1	✓	✓
3	133-2018	Thoracic Adjustmant Bolt Kit	1	✓	✓
4	133-2019	Thoracic/Sacral Spine Slider Assy	2	✓	✓
5	133-765	Spine Shroud Pack (3 Covers)	1	✓	✓
6	133-023	Thoracic Cover	1	✓	✓
7	133-401-10	Thoracic Foam and Cover Blue	1	✓	✓
7	133-401-11	Thoracic Foam and Cover Grey	1	✓	✓
7	133-401-12	Thoracic Foam and Cover Purple	1	✓	✓
7	133-401-13	Thoracic Foam and Cover Infection Control	1	✓	✓

Sacral Support Assembly



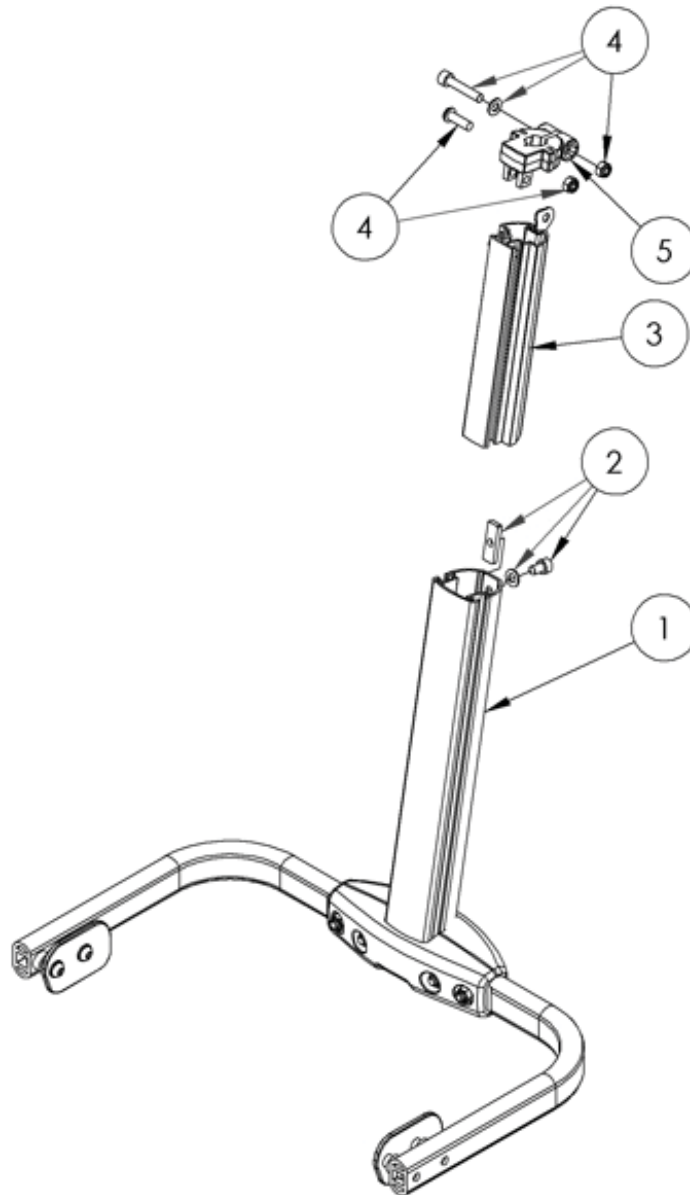
Pos.	Leckey Code	Description	Qty	Compatible with	
				Size 1	Size 2
1	133-2025	Sacral Moulding Assy	1	✓	✓
2	133-2007	Shoulder/Sacral Adjustment Assy	1	✓	✓
3	133-2023	Sacral Adjustment Bolt Kit	1	✓	✓
4	133-2019	Thoracic/Sacral Spine Slider Assy	2	✓	✓
5	133-2015	Shoulder/Sacral Neoprene Cover	1	✓	✓
6	133-024	Sacral Cover	1	✓	✓
7	133-2024	Hip Pad Clamp Bolt Kit	2	✓	✓
8	133-403-10	Sacral Foam and Cover Blue	1	✓	✓
8	133-403-11	Sacral Foam and Cover Grey	1	✓	✓
8	133-403-12	Sacral Foam and Cover Purple	1	✓	✓
8	133-403-13	Sacral Foam and Cover Infection Control	1	✓	✓

Contoured Sacral Support Assembly



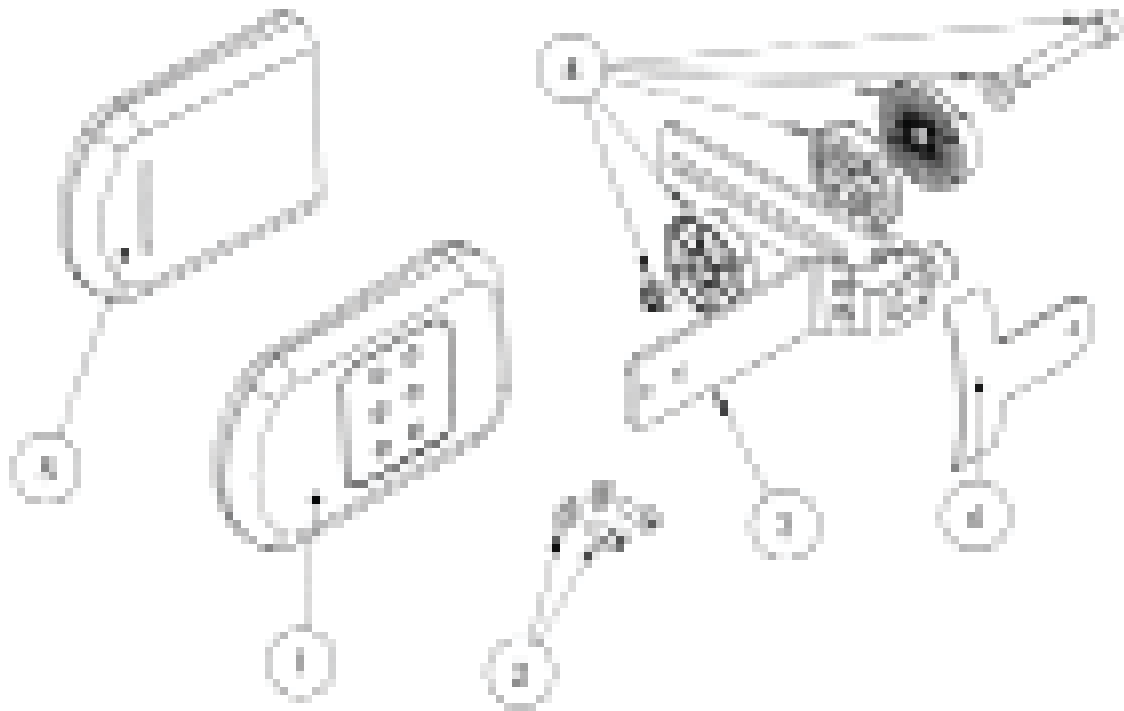
Pos.	Leckey Code	Description	Qty	Compatible with	
				Size 1	Size 2
1	133-2103	Contoured Sacral Moulding Assy S1	1	✓	✓
2	133-2007	Shoulder/Sacral Adjustment Assy	1	✓	✓
3	133-2008	Shoulder Adjustment Bolt Kit	1	✓	✓
4	133-2016	Shoulder Spine Slider Assy	2	✓	✓
5	133-765	Spine Shroud Pack	1	✓	✓
6	133-2013	Shoulder Cover	1	✓	✓
7	133-400-10	Shoulder Foam & Cover Blue	1	✓	✓
7	133-400-11	Shoulder Foam & Cover Grey	1	✓	✓
7	133-400-12	Shoulder Foam & Cover Purple	1	✓	✓
7	133-400-13	Shoulder Foam & Cover Infection Control	1	✓	✓
8	133-2104	Contoured Sacral Wing LH S1	1	✓	✓
9	133-2105	Contoured Sacral Wing RH S1	1	✓	✓
10	133-2014	Taperlock Bolt Kit	2	✓	✓

Back Spine Assembly



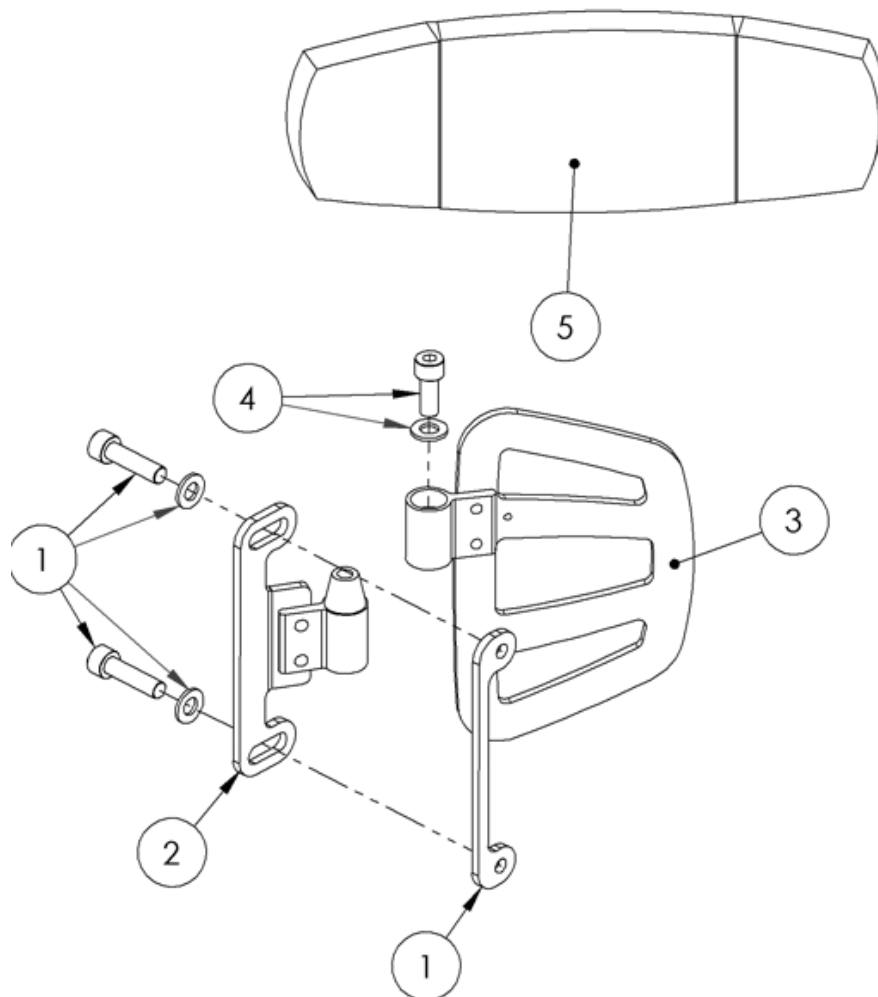
Pos.	Leckey Code	Description	Qty	Compatible with	
				Size 1	Size 2
1	133-2022	Backspine Assy	1	✓	✓
2	133-2017	Spine Clamp Adjustment Kit	1	✓	✓
3	133-2026	Spine Upper S1	1	✓	
3	133-2027	Spine Upper S2	1		✓
4	133-2028	Head Support Clamp Bolt Kit	1	✓	✓
5	133-020	Head Support Clamp	1	✓	✓

Flipaway Lateral Assembly



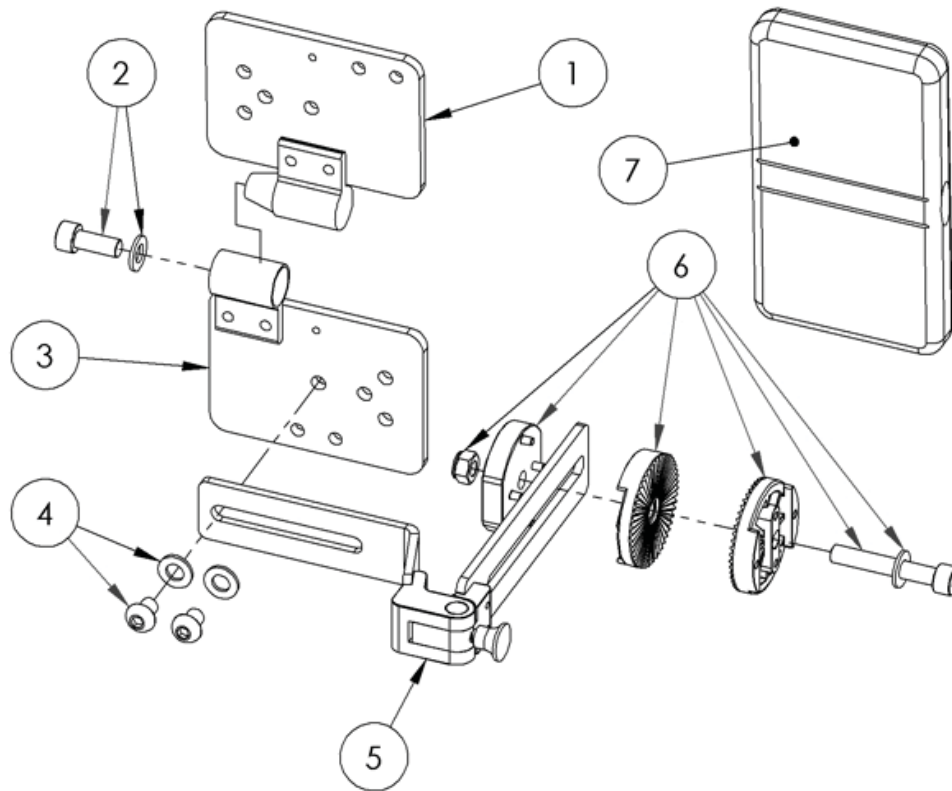
Pos.	Leckey Code	Description	Qty	Compatible with	
				Size 1	Size 2
1	133-2029	Hip Pad Assy	1	✓	✓
2	133-2030	Flipaway Lateral Bolt Kit (x2)	2	✓	✓
3	133-2031	Flip Away Lateral Bracket	1	✓	✓
4	133-2032	Lateral Clamp Assy	1	✓	✓
5	133-747	Lateral Cover	1	✓	✓
6	133-726	Lateral & Bracket Protection Covers (x2)	2	✓	✓

Basic Lateral Assembly



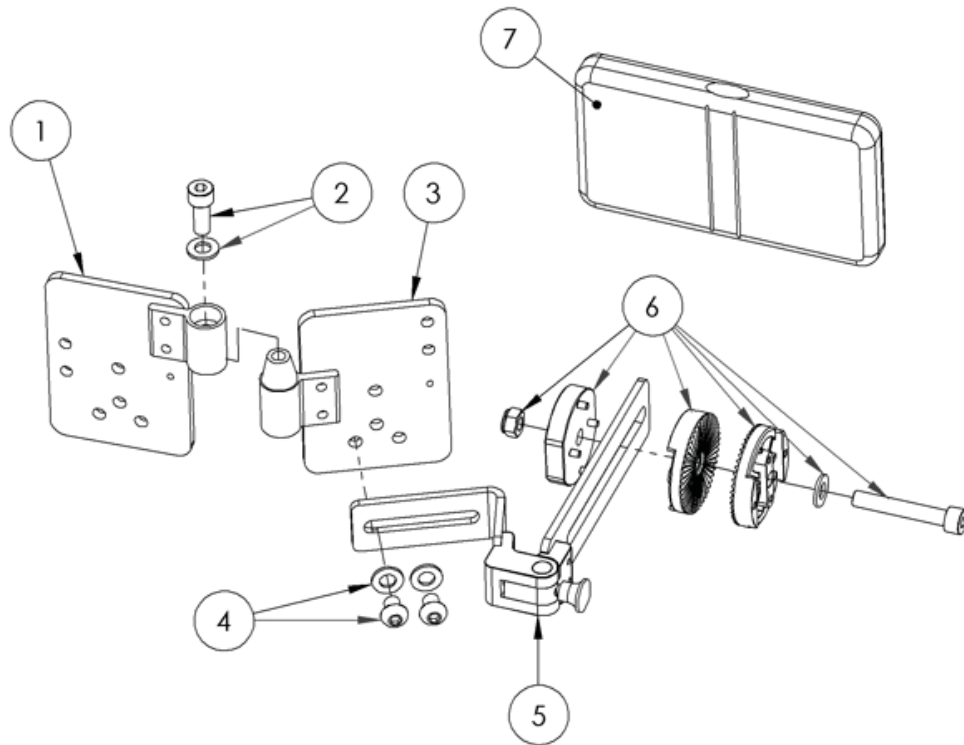
Pos.	Leckey Code	Description	Qty	Compatible with	
				Size 1	Size 2
1	133-2081	Basic Lateral Clamp Kit	1	✓	✓
2	133-2033	Basic Lateral Inner Assy LH	1	✓	✓
2	133-2034	Basic Lateral Inner Assy RH	1	✓	✓
3	133-2035	Basic Lateral Outer Assy LH	1	✓	✓
3	133-2036	Basic Lateral Outer Assy RH	1	✓	✓
4	133-2014	Taperlock Bolt Kit	2	✓	✓
5	133-402-10	Thoracic Angle Adjustment Laterals Cushison and Cover Blue	1	✓	✓
5	133-402-11	Thoracic Angle Adjustment Laterals Cushison and Cover Grey	1	✓	✓
5	133-402-12	Thoracic Angle Adjustment Laterals Cushison and Cover Purple	1	✓	✓
5	133-402-13	Thoracic Angle Adjustment Laterals Cushison and Cover Infection Control	1	✓	✓

Complex Lateral Vertical Assembly



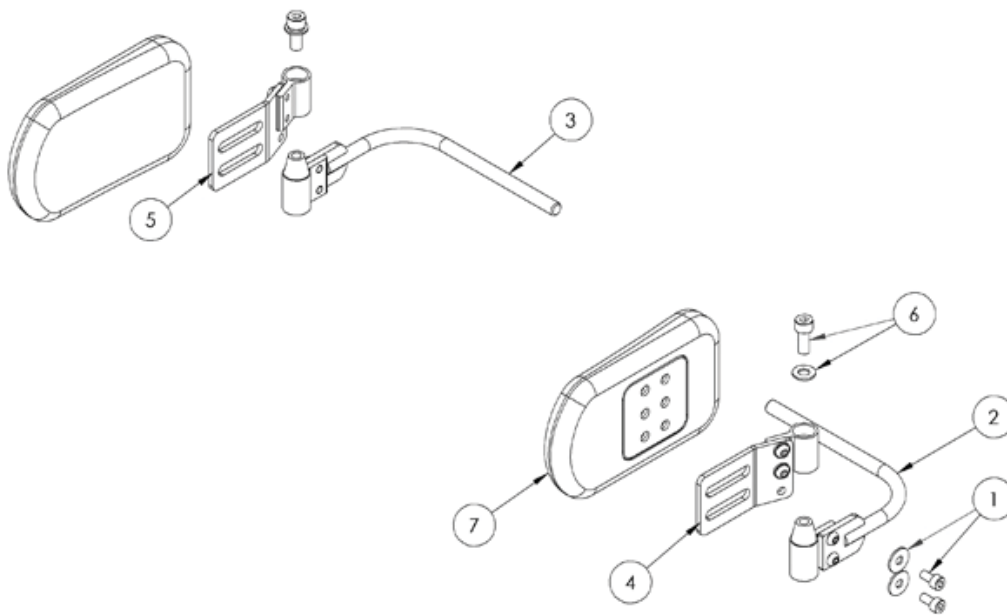
Pos.	Leckey Code	Description	Qty	Compatible with	
				Size 1	Size 2
1	133-2037	Complex Lateral Plate Female	1	✓	✓
2	133-2014	Taperlock Bolt Kit	2	✓	✓
3	133-2038	Complex Lateral Plate Male	1	✓	✓
4	133-2039	Complex Lateral Bolt Kit	2	✓	✓
5	133-2040	Complex Lateral Horiz Flipaway Bracket	1	✓	✓
6	133-2032	Lateral Clamp Assy	1	✓	✓
7	133-748	Complex Lateral Cover	1	✓	✓

Complex Horizontal Assembly



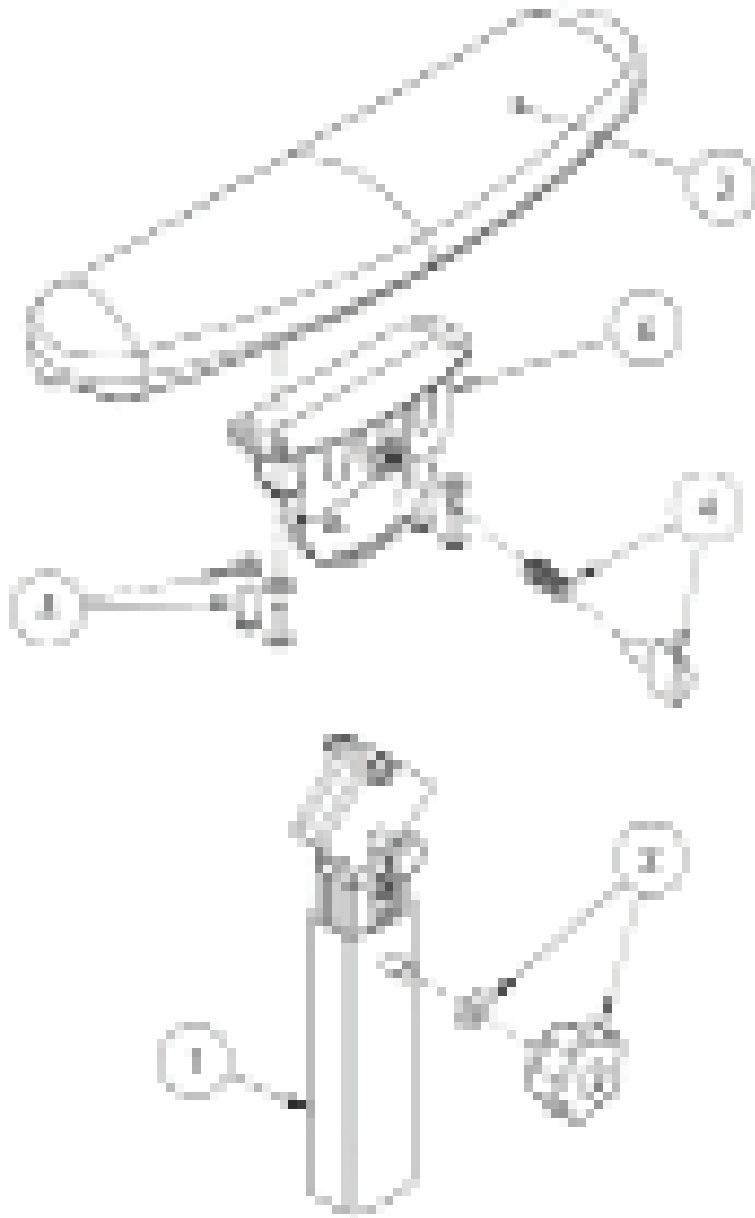
Pos.	Leckey Code	Description	Qty	Compatible with	
				Size 1	Size 2
1	133-2038	Complex Lateral Plate Male	1	✓	✓
2	133-2014	Taperlock Bolt Kit	2	✓	✓
3	133-2037	Complex Lateral Plate Female	1	✓	✓
4	133-2039	Complex Lateral Bolt Kit	2	✓	✓
5	133-2042	Complex Lateral Vert Flipaway Bracket	1	✓	✓
6	133-2032	Lateral Clamp Assy	1	✓	✓
7	133-748	Complex Lateral Cover	1	✓	✓

Hip Pad Lateral Assembly



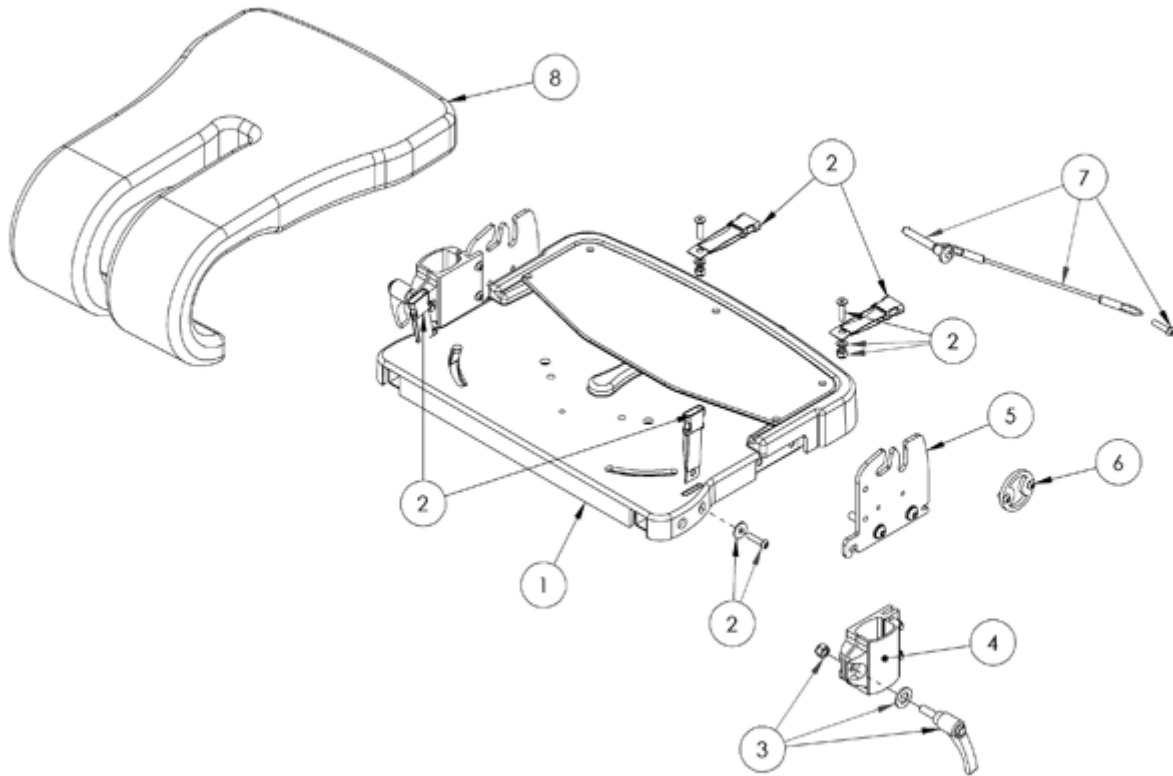
Pos.	Leckey Code	Description	Qty	Compatible with	
				Size 1	Size 2
1	133-2043	Hip Pad Blot Kit	2	✓	✓
2	133-2044	Hip Pad Bar LH	1	✓	✓
2	133-2045	Hip Pad Bar RH	1	✓	✓
3	133-2014	Taperlock Bolt Kit	2	✓	✓
4	133-2046	Hip Pad Angle Bracket LH	1	✓	✓
4	133-2047	Hip Pad Angle Bracket RH	1	✓	✓
5	133-2029	Hip Pad Assy	1	✓	✓
6	133-747	Lateral Cover	1	✓	✓

Armrest Assembly



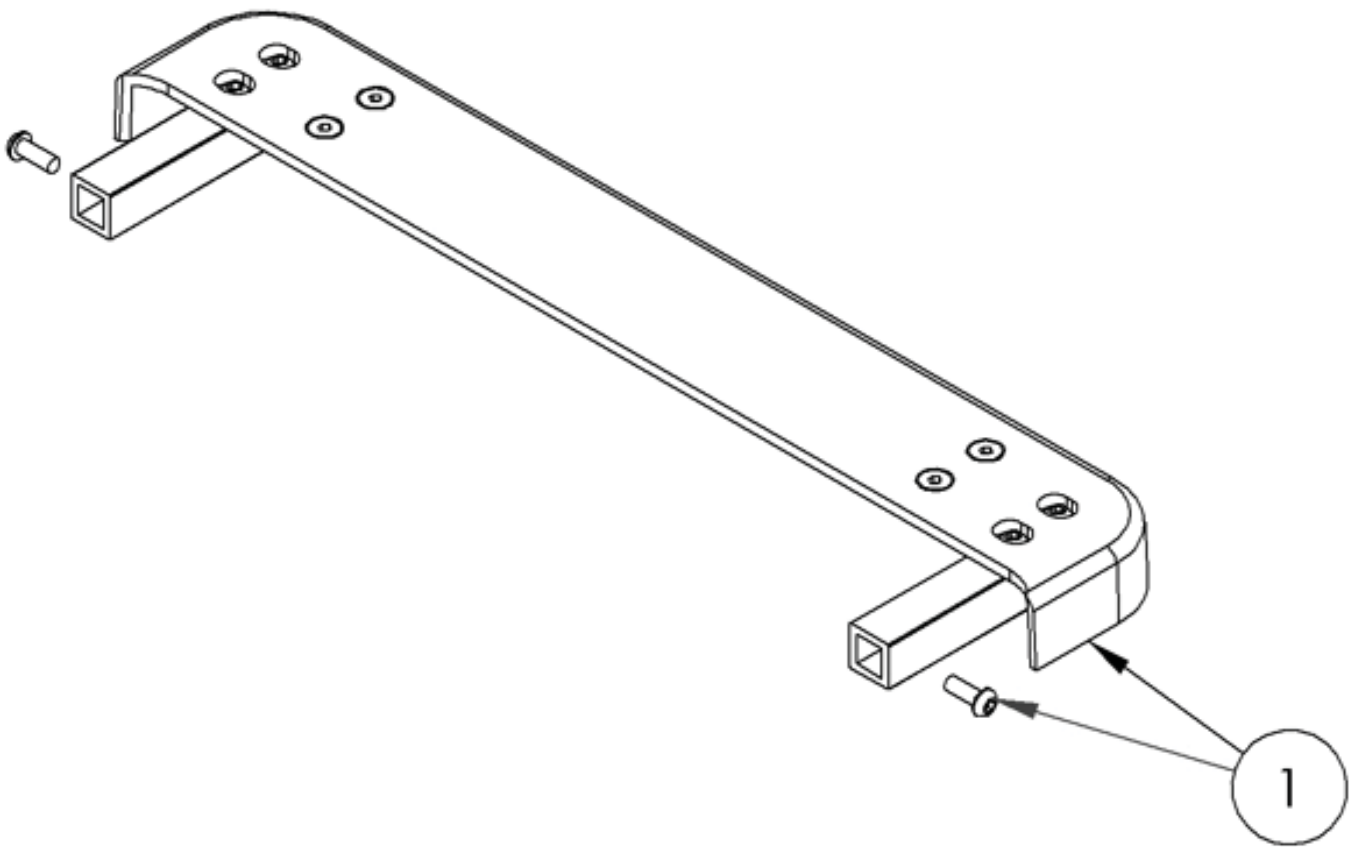
Pos.	Leckey Code	Description	Qty	Compatible with	
				Size 1	Size 2
1	133-2048	Armrest Main Assy	1	✓	✓
2	133-2049	Height Adjustment Knob	1	✓	✓
3	133-641	Armrest Top	1	✓	✓
4	133-2050	Tray Clamp Knob	1	✓	✓
5	133-2051	Armrest Bolt Kit	4	✓	✓
6	133-630	Armrest Casting	1	✓	✓

Seatbase Assembly



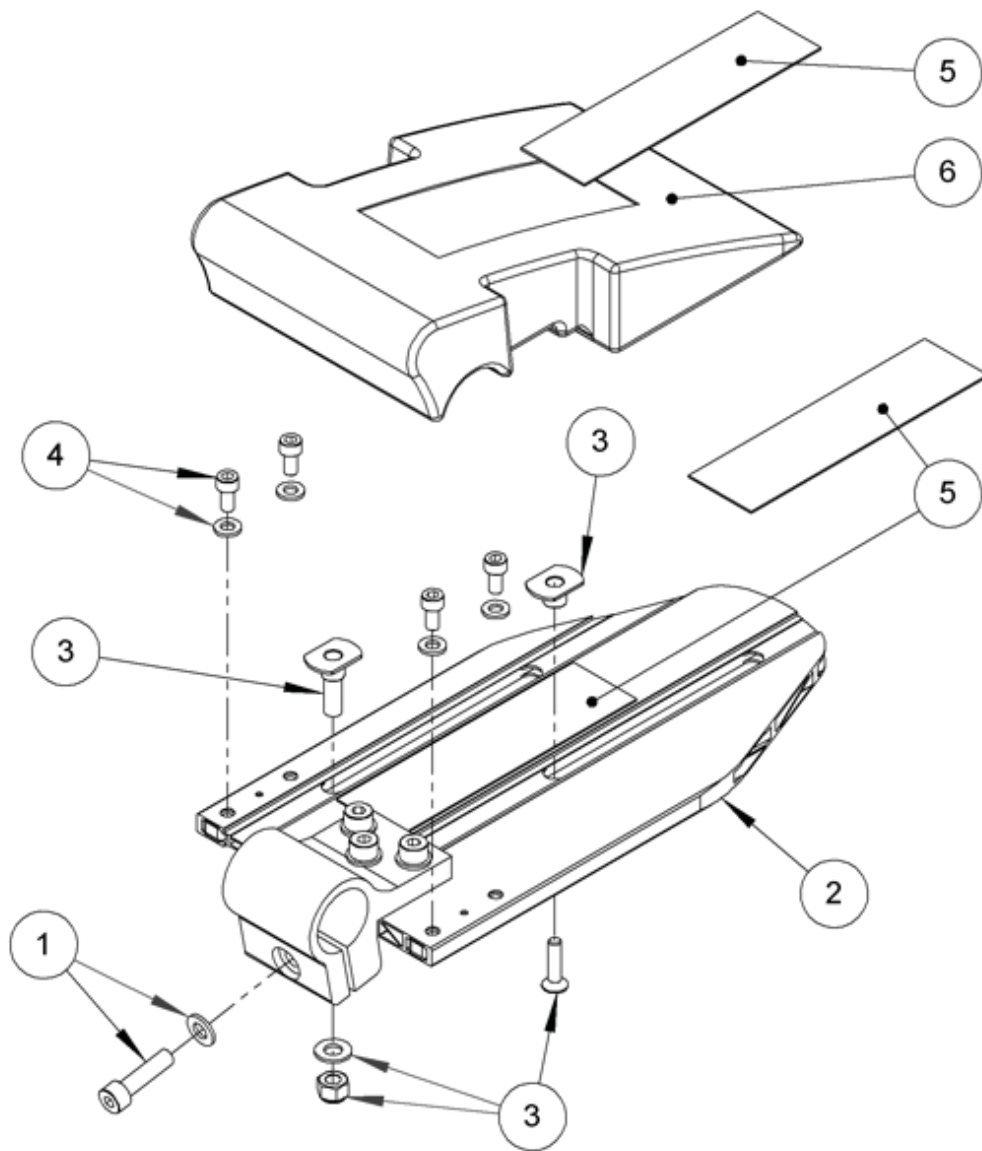
Pos.	Leckey Code	Description	Qty	Compatible with	
				Size 1	Size 2
1	133-2052	Seatbase Assy	1	✓	✓
2	133-2053	Seatbase Buckle Kit	4	✓	✓
3	133-2054	Armrest Clamp Knob Assy	1	✓	✓
4	133-2055	Armrest Clamp Assy	1	✓	✓
5	133-2056	Seatbase Side Plate Assy Fixed	1	✓	✓
5	133-2082	Seatbase Side Plate Assy Removable	1	✓	✓
6	133-2057	Coms Bracket Assy	1	✓	✓
7	133-2083	Lockpin Assy	1	✓	✓

Seatbase Extension Assembly



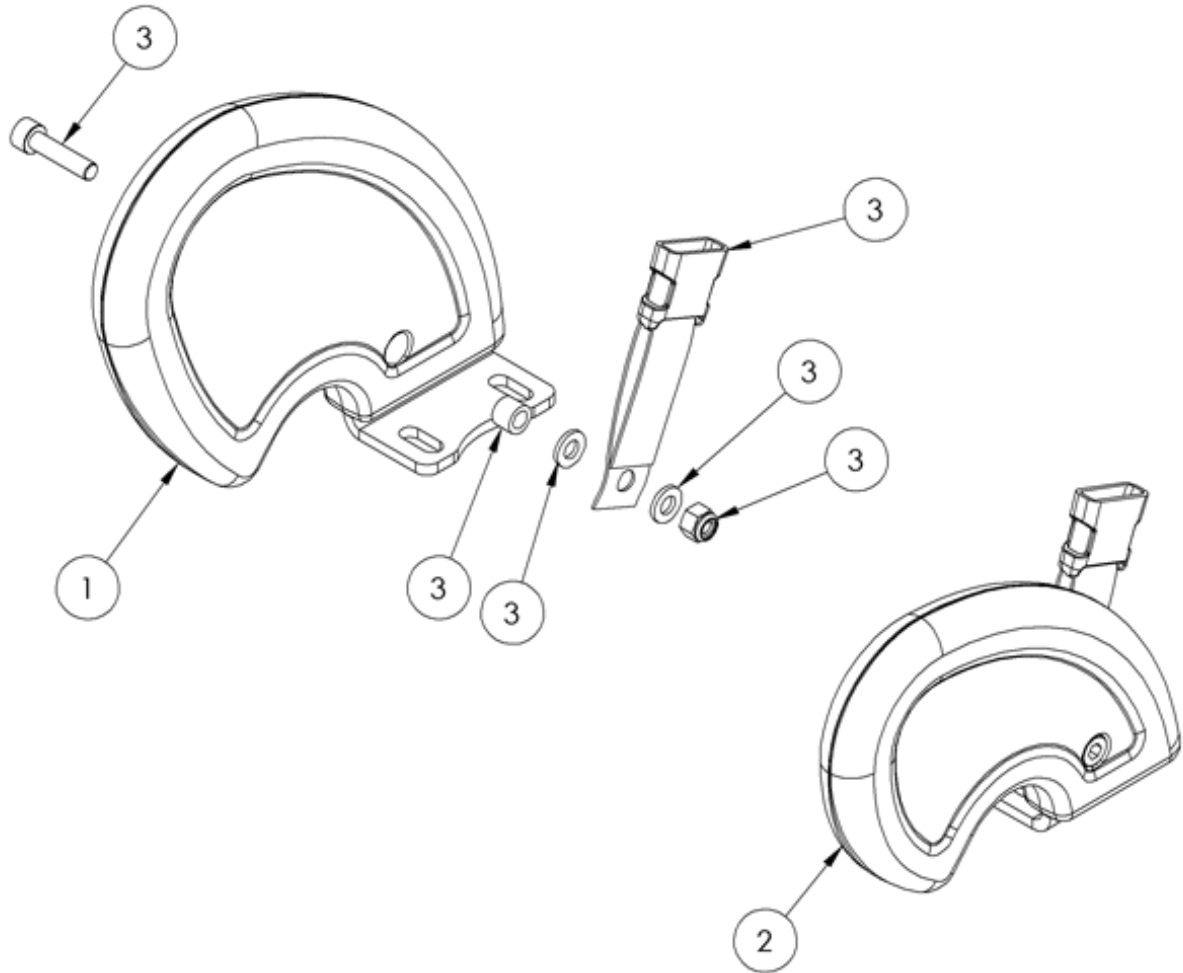
Pos.	Leckey Code	Description	Qty	Compatible with	
				Size 1	Size 2
1	133-2058	Seatbase Extension Assy	1		✓

Femoral Plate Assembly



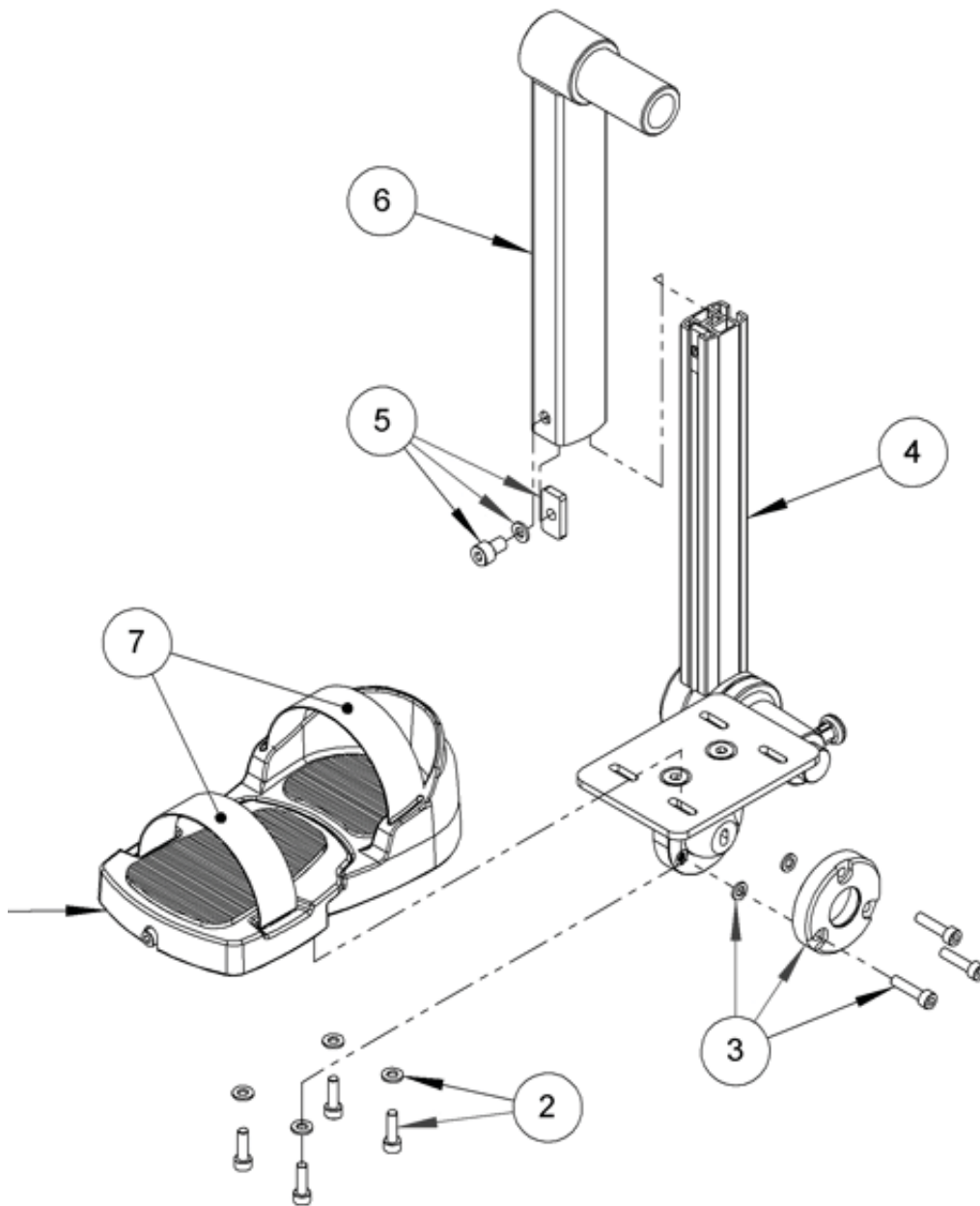
Pos.	Leckey Code	Description	Qty	Compatible with	
				Size 1	Size 2
1	133-2061	Leg Support Clamp Bolt Kit	1	✓	✓
2	133-2062	Femoral Plate LH S1	1	✓	
2	133-2063	Femoral Plate RH S1	1	✓	
2	133-2064	Femoral Plate LH S2	1		✓
2	133-2065	Femoral Plate RH S2	1		✓
3	133-2066	Femoral Adjustment Bolt Kit	1	✓	✓
4	133-2067	Femoral Gable Bolt Kit	1	✓	✓
5	133-2068	Velcro Strip Kit	1	✓	✓
6	133-2069	Femoral Ramp	1	✓	✓

Femoral Gables Assembly



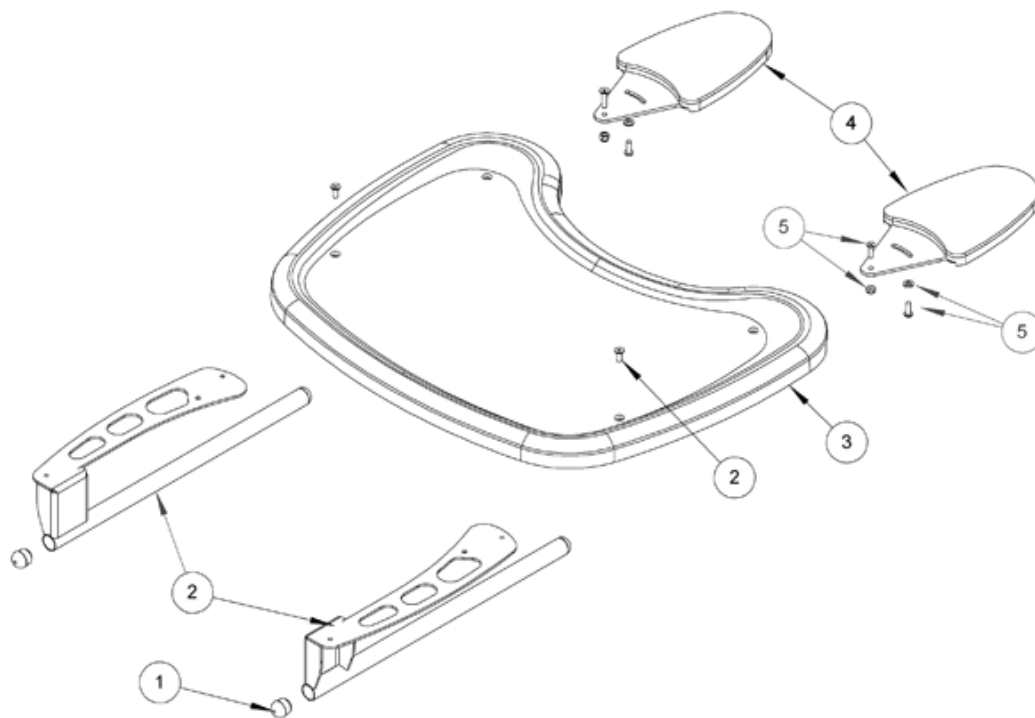
Pos.	Leckey Code	Description	Qty	Compatible with	
				Size 1	Size 2
1	133-687	Femoral Gable RH Small	1	✓	✓
1	133-686	Femoral Gable RH Large	1	✓	✓
2	133-683	Femoral Gable LH Small	1	✓	✓
2	133-682	Femoral Gable LH Large	1	✓	✓
3	133-2070	Leg Strap Kit	2	✓	✓

Foot Support Assembly



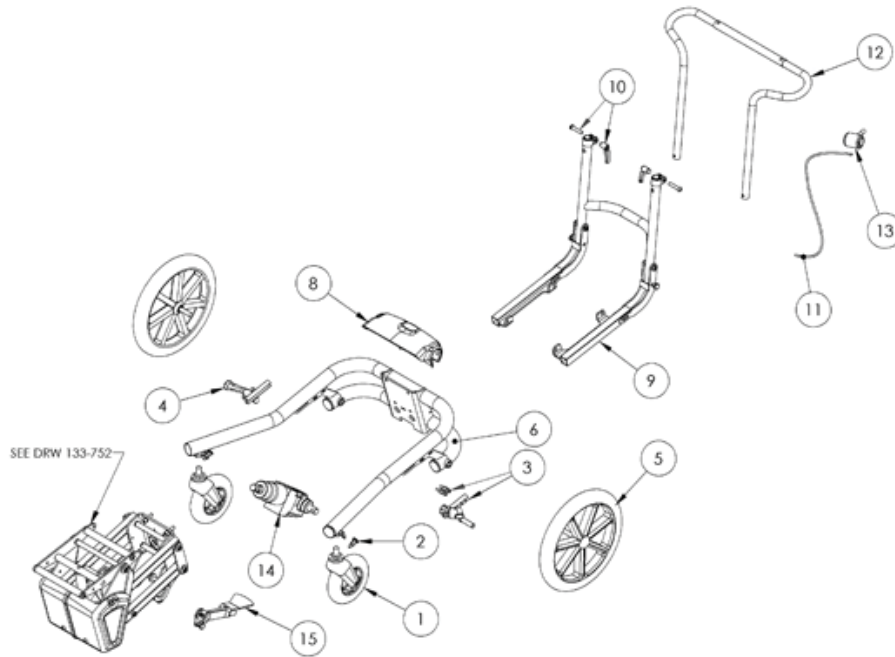
Pos.	Leckey Code	Description	Qty	Compatible with	
				Size 1	Size 2
1	133-2071	Sandal Assy	1	✓	✓
2	133-2072	Sandal Bolt Kit	1	✓	✓
3	133-2073	Footplate Adjustment Clamp Kit	1	✓	✓
4	133-2074	Inner Leg LH	1	✓	✓
4	133-2075	Inner Leg RH	1	✓	✓
5	133-2076	Leg Height Adjustment Clamp Kit	1	✓	✓
6	133-654	Outer Leg	1	✓	✓

Tray Assembly



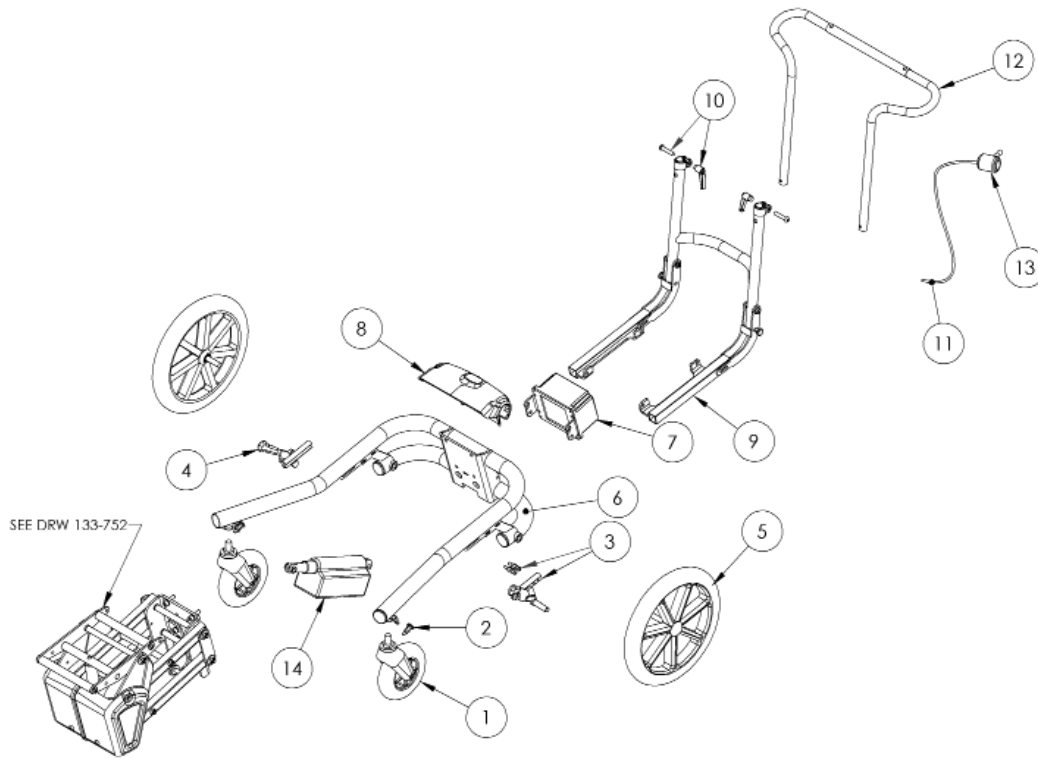
Pos.	Leckey Code	Description	Qty	Compatible with	
				Size 1	Size 2
1	133-2077	Tray Bar Plug	4	✓	✓
2	133-2078	Tray Bars (Pair including screws)	1	✓	✓
3	133-195	Tray Clear	1	✓	✓
3	133-196	Tray Black	1	✓	✓
4	133-2079	Elbow Pads	2	✓	✓
5	133-2080	Elbow Pad Screw Kit	2	✓	✓

Hi-lo Chassis Assembly - Hydraulic



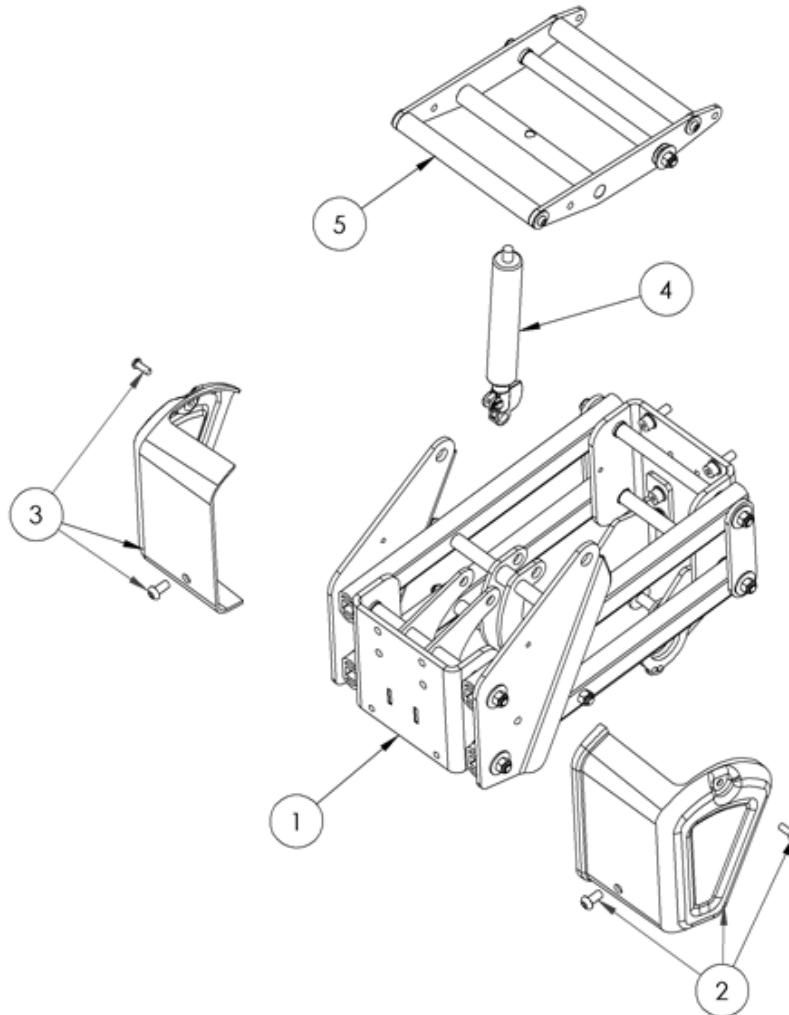
Pos.	Leckey Code	Description	Qty	Compatible with	
				Size 1	Size 2
1	133-2084	Front Castor Assy	1	✓	✓
2	IA19	Lock Pin	1	✓	✓
3	133-2085	Brake Assy LH	1	✓	✓
4	133-2086	Brake Assy RH	1	✓	✓
5	133-2087	Rear Wheel Assy	1	✓	✓
6	133-2088	Chassis Assy	1	✓	✓
8	133-2090	Rear Cover	1	✓	✓
9	133-2091	Lower Pushbar Assy	1	✓	✓
10	133-2092	Pushbar Clamp	1	✓	✓
11	133-856	Cable	1	✓	✓
12	133-2093	Upper Pushbar	1	✓	✓
13	133-851	Lever	1	✓	✓
14	133-2098	Hydraulic Actuator	1	✓	✓
15	133-2102	Pedal	1	✓	✓

Hi-lo Chassis Assembly - Power



Pos.	Leckey Code	Description	Qty	Compatible with	
				Size 1	Size 2
1	133-2084	Front Castor Assy	1	✓	✓
2	IA19	Lock Pin	1	✓	✓
3	133-2085	Brake Assy LH	1	✓	✓
4	133-2086	Brake Assy RH	1	✓	✓
5	133-2087	Rear Wheel Assy	1	✓	✓
6	133-2088	Chassis Assy	1	✓	✓
7	133-2089	Battery Box	1	✓	✓
8	133-2090	Rear Cover	1	✓	✓
9	133-2091	Lower Pushbar Assy	1	✓	✓
10	133-2092	Pushbar Clamp	1	✓	✓
11	133-856	Cable	1	✓	✓
12	133-2093	Upper Pushbar	1	✓	✓
13	133-851	Lever	1	✓	✓
14	133-2095	HiLo Assy Power Actuator	1	✓	✓

Hi-lo Assembly



Pos.	Leckey Code	Description	Qty	Compatible with	
				Size 1	Size 2
1	133-2094	HiLo Assy Hyd	1	✓	✓
1	133-2095	HiLo Assy Power Actuator	1	✓	✓
2	133-2096	Front Cover LH	1	✓	✓
3	133-2097	Front Cover RH	1	✓	✓
4	133-2100	Tilt Gas Shock	1	✓	✓
5	133-2101	Interface	1	✓	✓