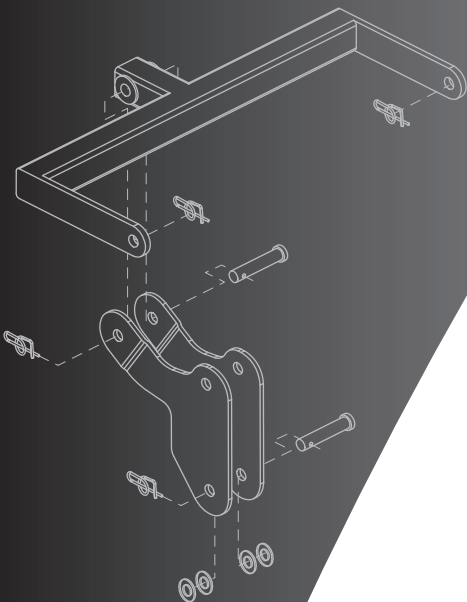
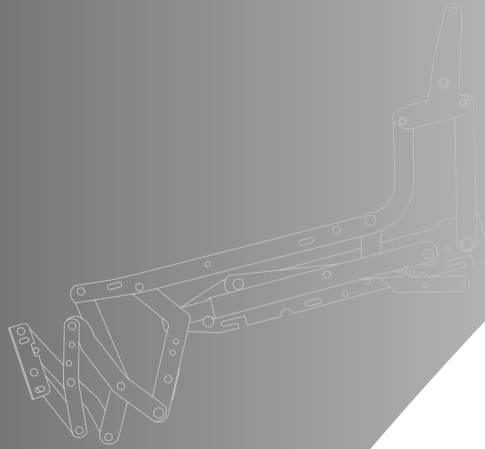
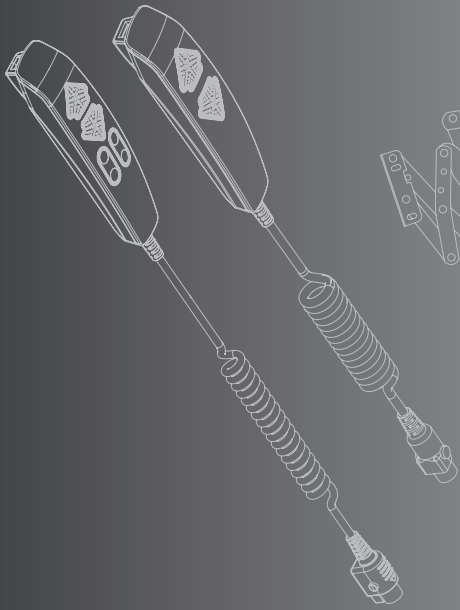


Power Lift Recliner

AU

Parts Manual



Your new Pride Illustrated Parts Breakdown (IPB) Manual has been compiled from the latest product information available at the time of publication. Pride[®] Mobility Products Corporation reserves the right to make changes and updates to this manual and to the product(s) it represents. Any changes, updates, or improvements to the product(s) may result in slight differences between this manual and the product you purchased.

An IPB is an illustrated parts listing of all product components which have maintenance significance. IPB's utilize "exploded" drawings to detail the individual components for each assembly and an itemized list of reference numbers, part numbers, descriptions, and quantities per assembly. Some parts may be included in an assembly but may not be available for purchase separately. Refer to the parts list to locate the part numbers for assemblies and components for ordering what you need.

To achieve proper identification and relationship of detail parts and next higher assemblies, parts listings are presented in a convenient alphanumeric reference system. Reference numbers for parent assemblies identify one part number that can be used to order all of the components listed within it. Components of an assembly will have the same alpha character as its parent assembly.

- For example, the parent assembly part number using reference number of A1 — A4 is the only number you need to place an order for parts with references of A1, A2, A3, and A4. Instead of ordering 4 separate parts, use the parent assembly part number to get the complete assembly.

Master assembly part numbers have reference numbers that include several subassemblies. By ordering parts using master assembly part numbers, you can save a lot of time and reduce the chance for error.

- For example, A1 — G10, a master assembly reference number, includes all components of assemblies A, B, C, D, E, F, and G. Use caution when ordering assemblies. Check to see if a master assembly part number exists for the components that you need. If an entire master assembly is not needed, then the individual assembly part number (i.e. for reference number G1 — G10) will be sufficient to use for ordering.

Asterisks (*) and NOTES are used throughout this service manual to point out important information regarding assembly structure and contents.

- For example, in some illustrations, only the left OR right side is shown. In other drawings, only the front OR back is depicted. The part numbers for ALL components are listed. An asterisk will also be used to indicate which components are not illustrated. Illustrated Items without callouts are shown for assembly purposes.

Updates to the contents of this IPB will be made on a regular basis. Providers may retrieve updates immediately upon their release by going to the Pride Service Website. The web address is www.pridemobility.com. We welcome any questions or comments regarding the new Pride IPB Manual that you may have.

Please note all pricing included with this manual is subject to change without prior notice from Pride.

Thank you for choosing products from Pride[®] Mobility Products Corporation.

(This page intentionally left blank.)

SECTION I.

Scissor Mechanism..... 6
 Scissor Mechanism, Mounting Hardware 13

SECTION II.

Lift Mechanism
 Standard..... 20
 Infinite Motor..... 22
 Dual Motor, Heavyweight 24
 C1KD, C1WA..... 26
 C5..... 28
 LL805KD 30
 Super Sagless 31
 LC101 32
 LC900..... 34
 T3 36
 LC107 38

SECTION III.

Brackets
 Infinite Position Kidney Brackets 40
 Super Sagless Adjustable Lift Activator 41

SECTION IV.

Seat Frames
 C1KD 42
 C5 43

SECTION V.

Motor Assembly
 Standard..... 44
 Standard, No Logo 46
 Standard..... 48
 Infinite Motor..... 50
 C1KD, C11KD 54
 C1WA Heat and Massage 56
 C5..... 58
 Super Sagless 60
 LC101, Standard 62
 LC101, Heat and Massage..... 64
 LC101R, Heat and Massage 66
 T3 68
 LC107..... 72
 AU107, USB 74
 LC358XL, Heat and Massage 76
 LC358XXL, Heat and Massage..... 78
 LC440..... 80
 LL805KD 82
 LC900 (FBS) 84
 LC900..... 86

SECTION VI.

Hand Controls
 Standard, Single Motors..... 88
 Standard, Infinite Motors 89

SECTION VI. (Continued)

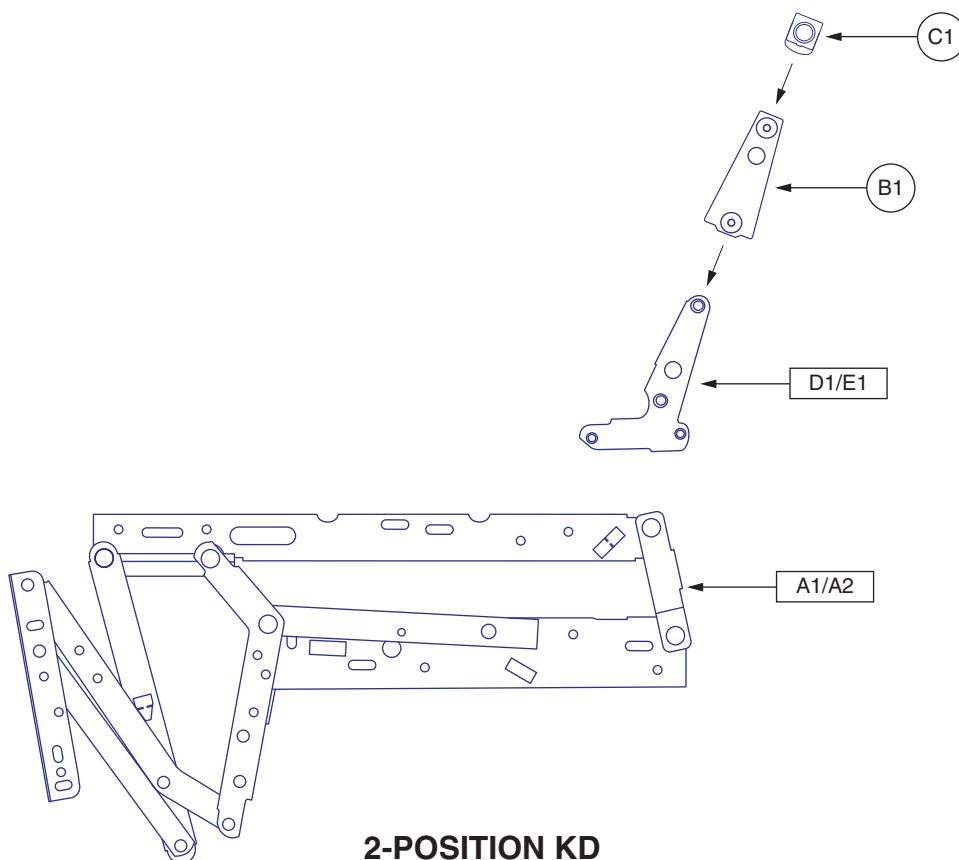
4-Pin, Dual Lead Motors 92
C5 93
Standard, Super Sagless 94
Heat and Massage 95
LC440 96
LC440, Keylock 97
T3 98
Standard, Single Motors, Push Button 99
Standard, Single Motors, Lighted Push Button, USB 100
Infinite Position, Lighted Push Button, USB 101

SECTION VII.

Heat and Massage Components 102

APPENDIX A.

Electrical Diagrams
Standard 104
Heat and Massage 105
C5 106



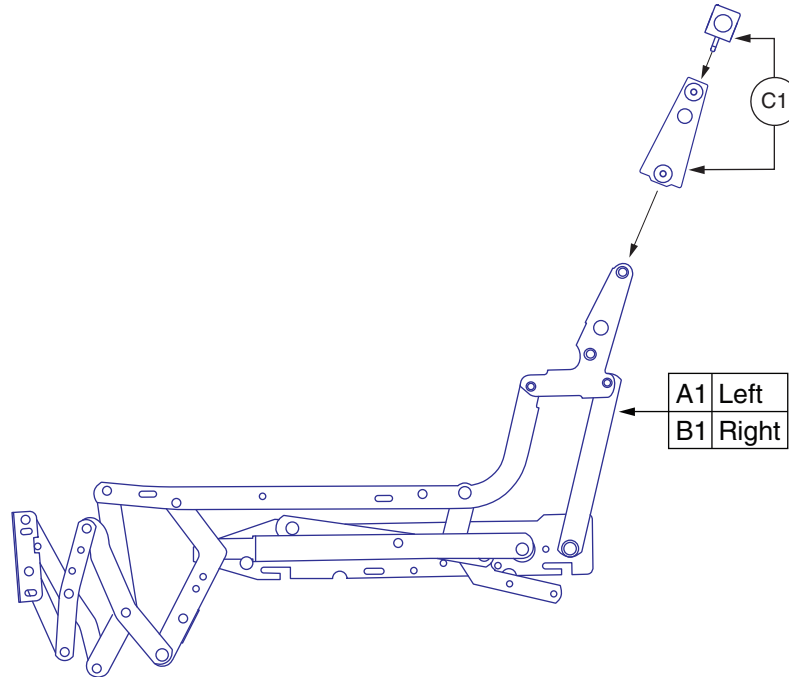
2-POSITION KD

Pride recommends replacing both left and right scissor mechanisms.

REF #	PART #	DESCRIPTION	QTY	MSRP (AU\$) ¹¹ⁱ
A1 - A2	FRMASMB1375	SCISSOR MECH,2E8541 PAIR 2 POSITION STD	1	N/A
A1	BRKINDV1053	SCISSOR MECH,2EL8541 LEFT - STD 2 POSITION	1	N/A
A2	BRKINDV1054	SCISSOR MECH,2ER8541 RIGHT - STD 2 POSITION	1	N/A
B1	BRKINDV1055	FRAME,SLEEVE,BACK KD	2	11.94
C1	CLISTL1015	CLIP,SPRING,KD SLEEVE,WITH PULL TAB	2	36.42
D1	BRKINDV1056	BRACKET BACK,KD 2 POSITION LEFT	1	N/A
E1	BRKINDV1057	BRACKET BACK,KD 2 POSITION RIGHT	1	N/A

Notes :

Left side shown.



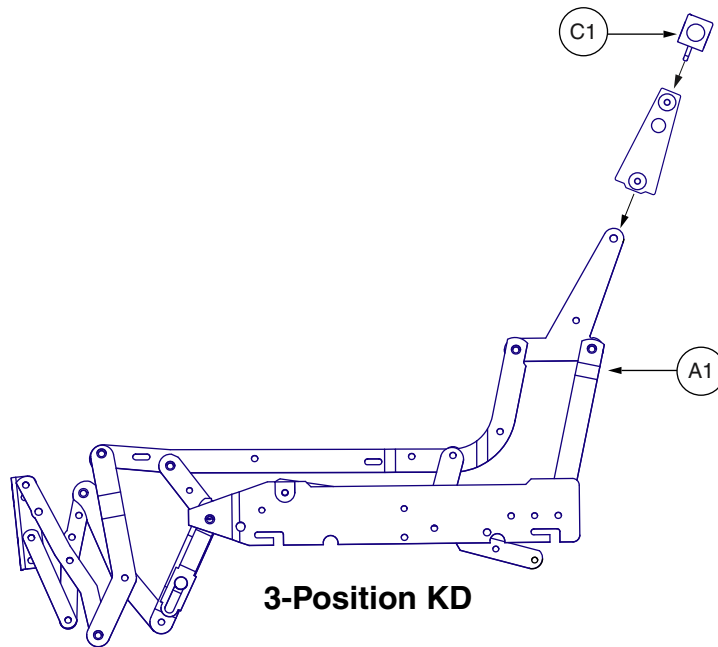
3-POSITION KD

Pride recommends replacing both left and right scissor mechanisms.

REF #	PART #	DESCRIPTION	QTY	MSRP (AU\$) ¹¹ⁱ
A1	BRKINDV1071	SCISSOR MECH,2EL8544 LEFT - KD 3 POSITION	1	124.58
*B1	BRKINDV1072	SCISSOR MECH,2ER8544 RIGHT - KD 3 POSITION	1	124.58
C1	MEC151951	KD CLIP,ASSY,BRACKET	2	5.92

Notes :

*B1 Right side shown.

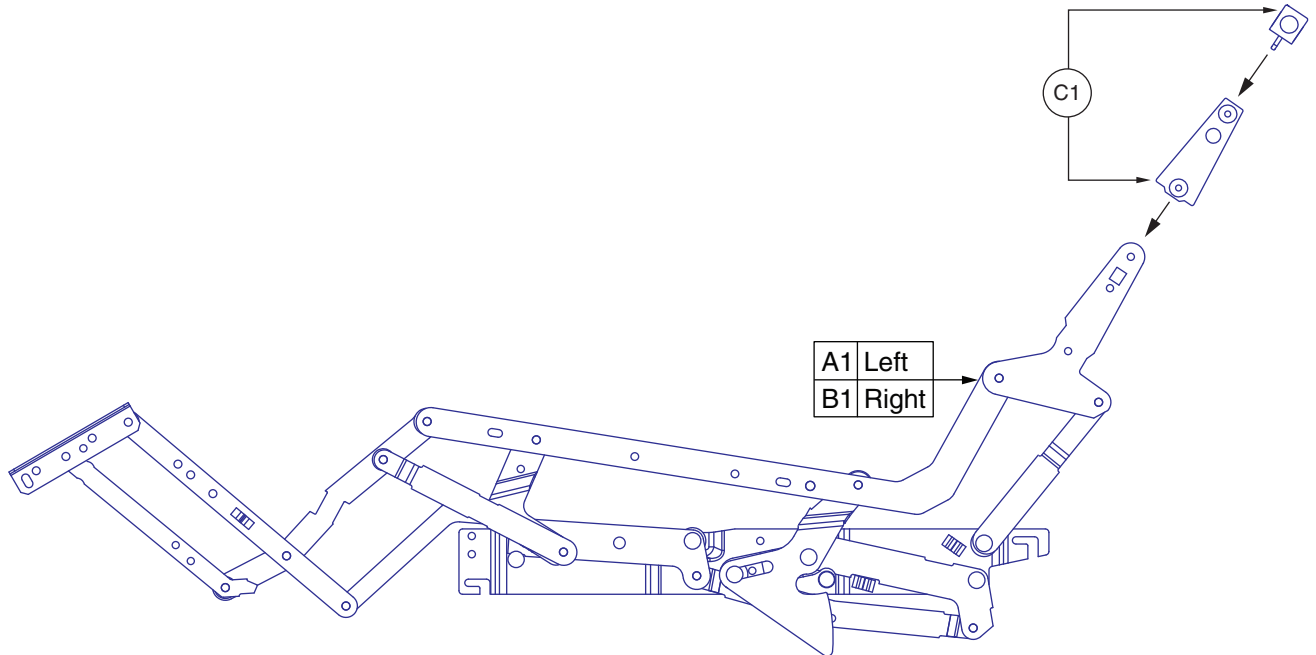


Pride recommends replacing both left and right scissor mechanisms.

REF #	PART #	DESCRIPTION	QTY	MSRP (AU\$) ¹¹ⁱ
A1	BRKINDV1186	SCISSOR MECHANISM,ASSY,LEFT & RIGHT,KD,3 POS,C1KD,(SFV: SJ001)	1	401.62
*B1	SPCRBR1002	SPACER ADHESIVE,RUBBER,70 MM WIDE,337 MM LONG,2 MM THK,C1KD,(SFV: S107-1013)	2	N/A
C1	MEC151952	KD CLIP,ASSY,BRACKET W/HARDWARE	2	18.06

Notes :

*B1 Not shown.



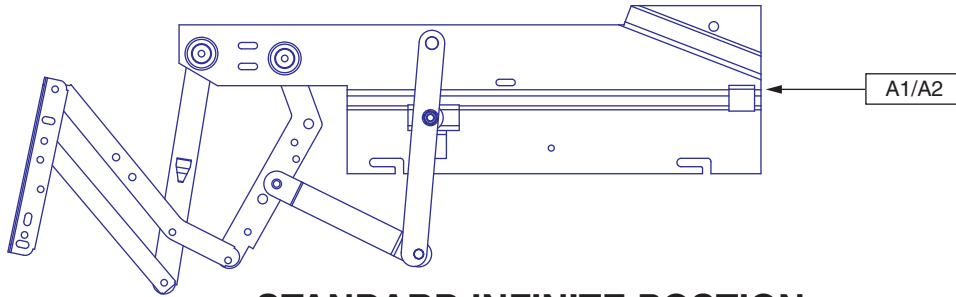
SUPER SAGLESS 3-POSITION

Pride recommends replacing both left and right scissor mechanisms.

REF #	PART #	DESCRIPTION	QTY	MSRP (AU\$)	11i
A1	FRMASMB10776	FRAME,ASSY,SCISSOR MECHANISM,3 POSITION,LEFT,(SS: 2E 620 RAPR)	1	273.1	
*B1	FRMASMB10777	FRAME,ASSY,SCISSOR MECHANISM,3 POSITION,RIGHT,(SS: 2E 620 LAPR)	1	273.1	
C1	MEC151951	KD CLIP,ASSY,BRACKET	2	5.92	

Notes :

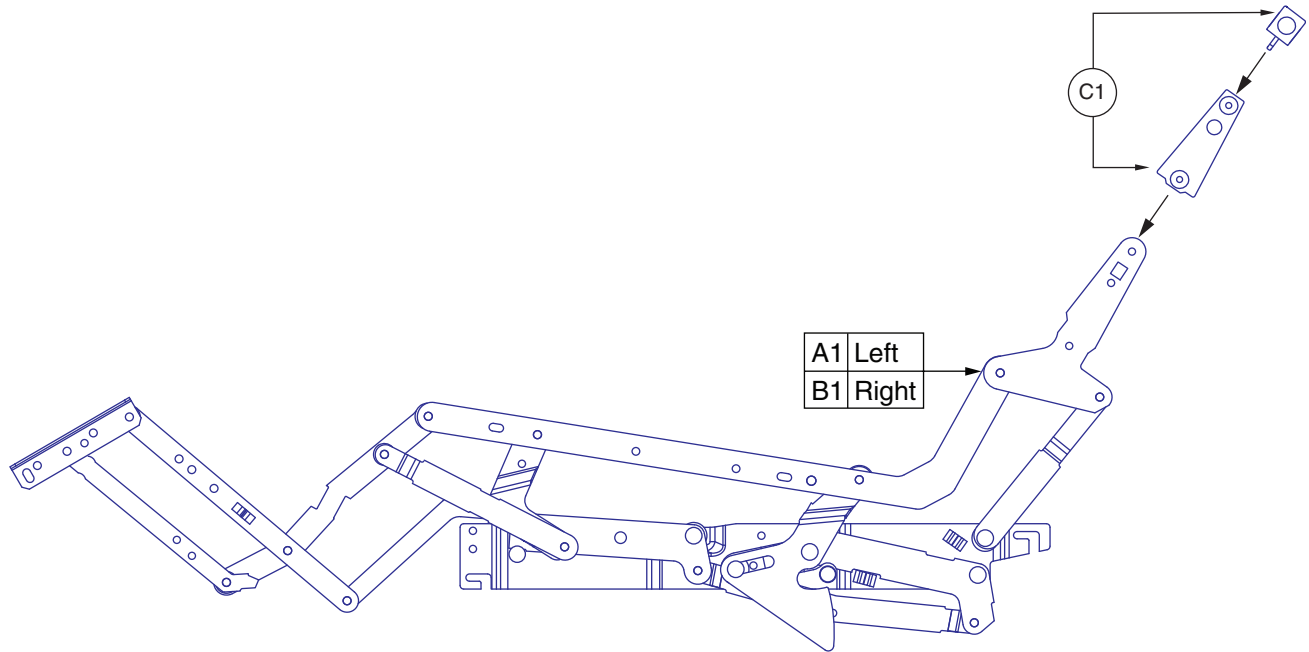
*B1 Right side shown.



STANDARD INFINITE POSTION

Pride recommends replacing both left and right scissor mechanisms.

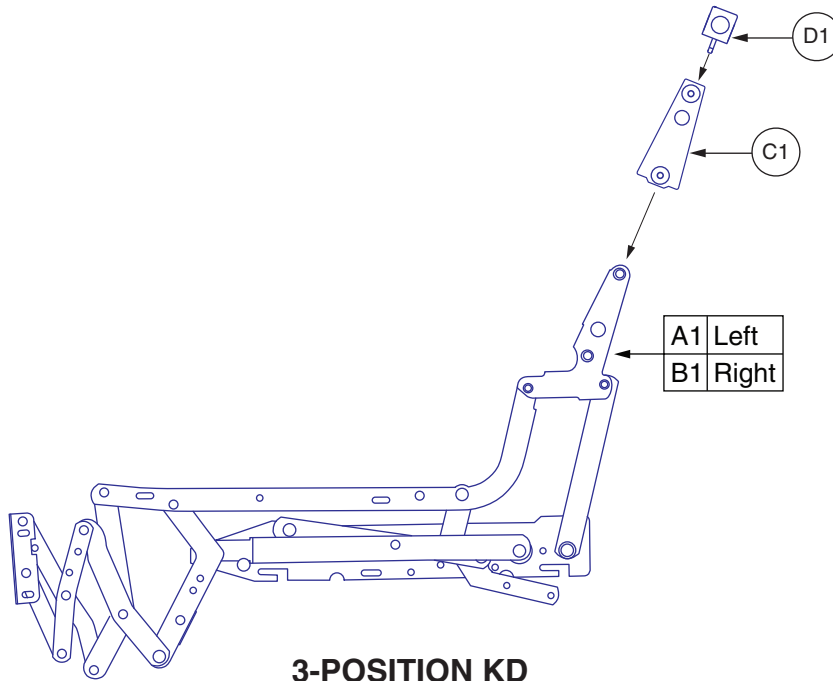
REF #	PART #	DESCRIPTION	QTY	MSRP (AU\$) ¹¹ⁱ
A1 - A2	FRMASMB7388	ASSY,SCISSOR MECH,DMR, W/MODIFIED T-LINKAGE, PAIR	1	552.82
A1	IND0201E003	SCISSOR MECH,DMR MODIFIED T-LINKAGE LEFT	1	276.4
A2	IND0201E004	SCISSOR MECH,DMR MODIFIED T-LINKAGE RIGHT	1	276.4



3-POSITION FBS

Pride recommends replacing both left and right scissor mechanisms.

REF #	PART #	DESCRIPTION	QTY	MSRP (AU\$) ¹¹ⁱ
A1	FRMASMB14016	FRAME,ASSY,SCISSOR MECHANISM,3 POSITION,LEFT,(FBS:C124027-1002)	1	145.2
B1	FRMASMB14017	FRAME,ASSY,SCISSOR MECHANISM,3 POSITION,RIGHT,(FBS:C124027-1001)	1	145.2
C1	MEC151951	KD CLIP,ASSY,BRACKET	2	5.92



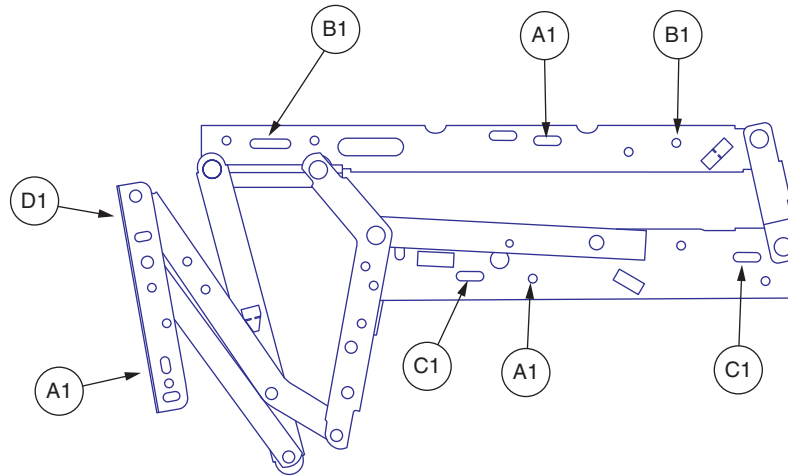
3-POSITION KD

Pride recommends replacing both left and right scissor mechanisms.

REF #	PART #	DESCRIPTION	QTY	MSRP (AU\$) ¹¹ⁱ
A1	BRKINDV1199	SCISSOR MECHANISM,ASSY,LEFT,3 POS,LC101	1	142.06
*B1	BRKINDV1200	SCISSOR MECHANISM,ASSY,RIGHT,3 POS,LC101	1	142.06
C1	BRKINDV1055	FRAME,SLEEVE,BACK KD	2	11.94
D1	CLISTL1015	CLIP,SPRING,KD SLEEVE,WITH PULL TAB	2	36.42

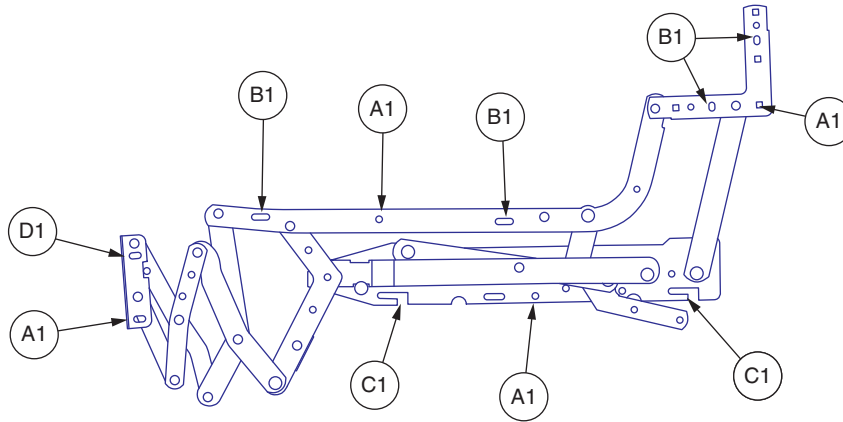
Notes :

*B1 Right side shown.



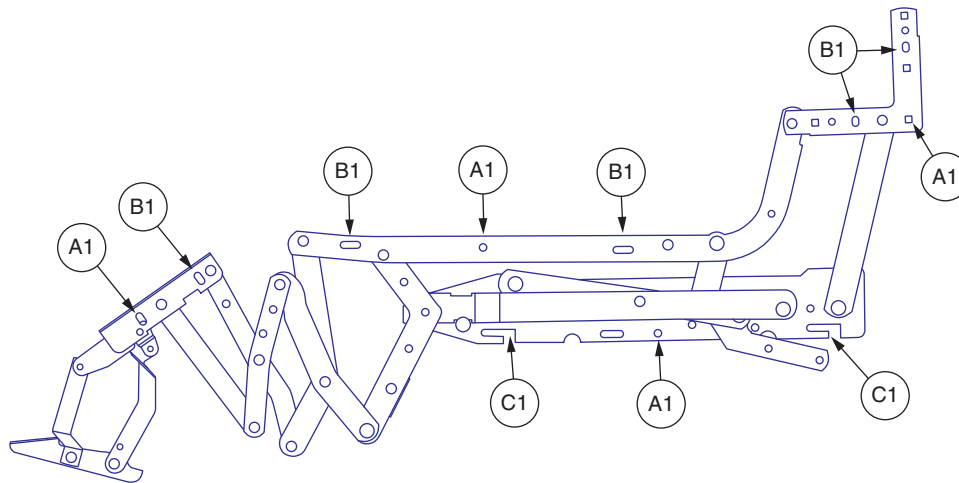
**2-POSITION (non KD)
 mounting hardware locations**

REF #	PART #	DESCRIPTION	QTY	MSRP (AU\$) ¹¹ⁱ
A1	SCRHHWS1003	SCREW, HHWS, YELLOW ZINC, #10 X 0.875", SERRATED HEX WASHER HEAD, WOOD SCREW	6	6.04
B1	SCRHHCS1408	SCREW, HHCS-SERRATED FLANGE, BLACK ZINC, 1/4-20 X 1.50", GRADE 5	4	6.04
C1	SCRHHCS1077	SCREW, HHCS, 1/4-20 X 2.75", GRADE 5	2	5.84
D1	SCRHHCS1548	SCREW, HHCS, BLACK ZINC, 1/4-20 X 0.750", W/WASHER, W/NYLON PATCH	2	6.04



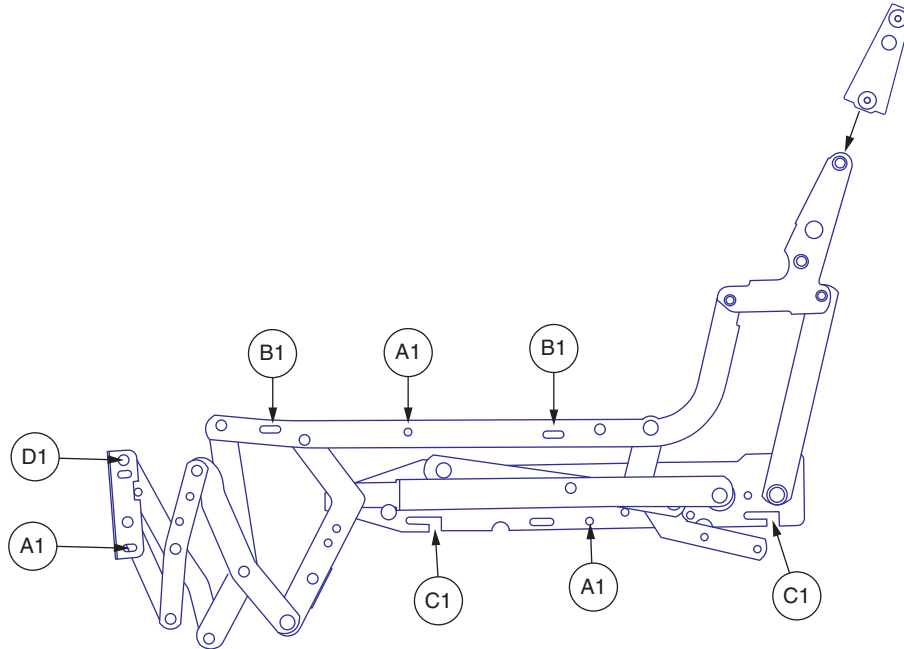
**3-POSITION (non KD)
 mounting hardware locations**

REF #	PART #	DESCRIPTION	QTY	MSRP (AU\$) ¹¹ⁱ
A1 - D1	HDWASMB1200	HARDWARE KIT,SCISSOR, 3 POSITION,KD,F20/SUPER SAGLESS	1	125.88
A1	SCRHHWS1003	SCREW,HHWS,YELLOW ZINC,#10 X 0.875",SERRATED HEX WASHER HEAD,WOOD SCREW	8	6.04
B1	SCRHHCS1408	SCREW,HHCS-SERRATED FLANGE,BLACK ZINC,1/4-20 X 1.50",GRADE 5	8	6.04
C1	SCRHHCS1534	SCREW,HHCS-SERRATED FLANGE,ZINC,1/4-20 X 1.75",GRADE 5	4	13.38
D1	SCRHHCS1548	SCREW,HHCS,BLACK ZINC,1/4-20 X 0.750",W/WASHER,W/NYLON PATCH	2	6.04



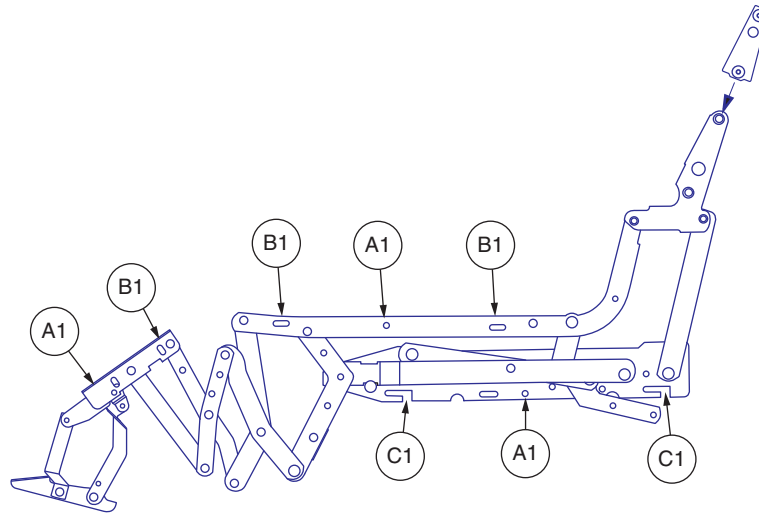
**3-POSITION w/FOOTREST EXT
 (non KD)
 mounting hardware locations**

REF #	PART #	DESCRIPTION	QTY	MSRP (AU\$) ¹¹ⁱ
A1	SCRHHWS1003	SCREW,HHWS,YELLOW ZINC,#10 X 0.875",SERRATED HEX WASHER HEAD,WOOD SCREW	8	6.04
B1	SCRHHCS1408	SCREW,HHCS-SERRATED FLANGE,BLACK ZINC,1/4-20 X 1.50",GRADE 5	10	6.04
C1	SCRHHCS1534	SCREW,HHCS-SERRATED FLANGE,ZINC,1/4-20 X 1.75",GRADE 5	4	13.38



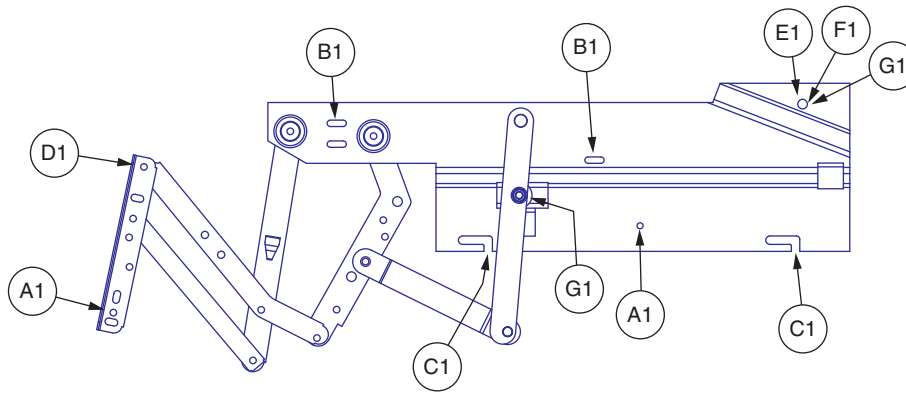
**3-POSITION KD, F20/ SUPER SAGLESS
 mounting hardware locations**

REF #	PART #	DESCRIPTION	QTY	MSRP (AU\$) ¹¹ⁱ
A1	SCRHHWS1003	SCREW,HHWS,YELLOW ZINC,#10 X 0.875",SERRATED HEX WASHER HEAD,WOOD SCREW	6	6.04
B1	SCRHHCS1408	SCREW,HHCS-SERRATED FLANGE,BLACK ZINC,1/4-20 X 1.50",GRADE 5	4	6.04
C1	SCRHHCS1534	SCREW,HHCS-SERRATED FLANGE,ZINC,1/4-20 X 1.75",GRADE 5	4	13.38
D1	SCRHHCS1548	SCREW,HHCS,BLACK ZINC,1/4-20 X 0.750",W/WASHER,W/NYLON PATCH	2	6.04



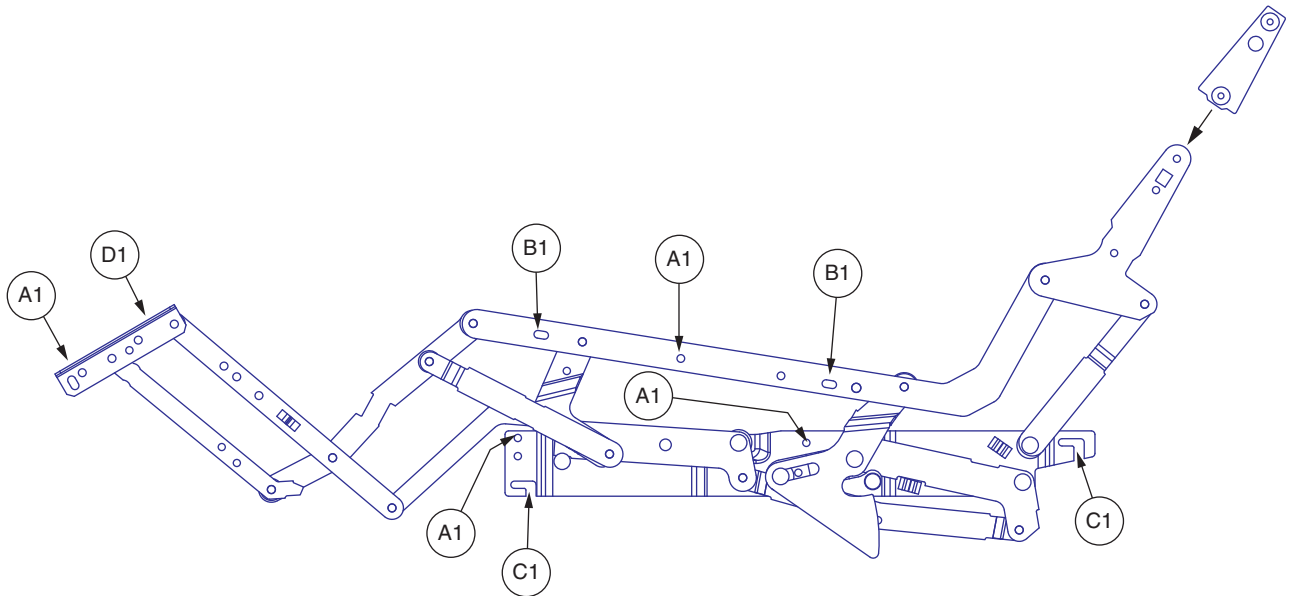
3-POSITION KD, w/FOOTREST EXTENSION
 mounting hardware locations

REF #	PART #	DESCRIPTION	QTY	MSRP (AU\$) ¹¹ⁱ
A1	SCRHHWS1003	SCREW,HHWS,YELLOW ZINC,#10 X 0.875",SERRATED HEX WASHER HEAD,WOOD SCREW	6	6.04
B1	SCRHHCS1408	SCREW,HHCS-SERRATED FLANGE,BLACK ZINC,1/4-20 X 1.50",GRADE 5	6	6.04
C1	SCRHHCS1534	SCREW,HHCS-SERRATED FLANGE,ZINC,1/4-20 X 1.75",GRADE 5	4	13.38



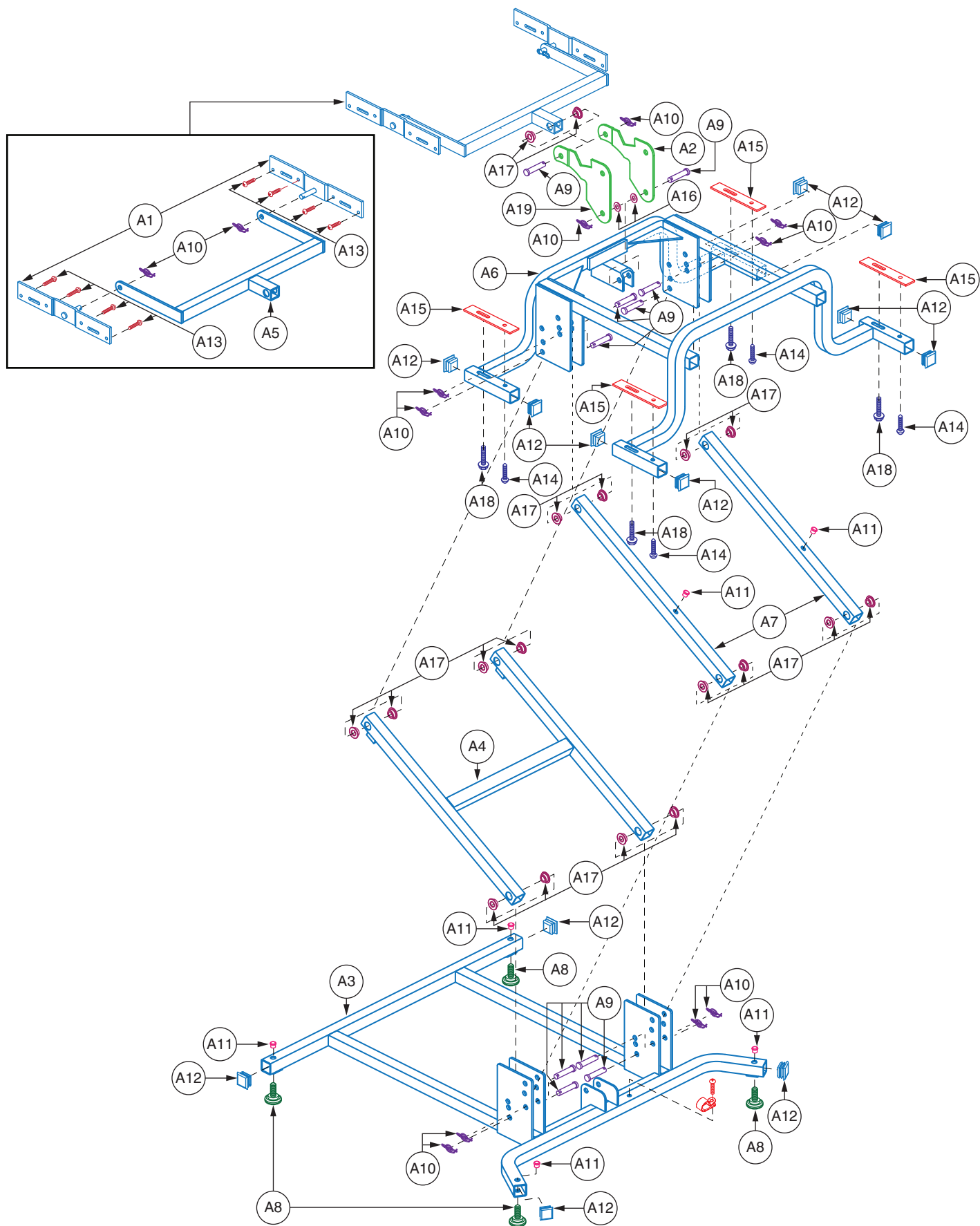
**INFINITE POSITION
(non KD and KD)
mounting hardware locations**

REF #	PART #	DESCRIPTION	QTY	MSRP (AU\$) ¹¹ⁱ
A1	SCRHHWS1003	SCREW, HHWS, YELLOW ZINC, #10 X 0.875", SERRATED HEX WASHER HEAD, WOOD SCREW	4	6.04
B1	SCRHHCS1408	SCREW, HHCS-SERRATED FLANGE, BLACK ZINC, 1/4-20 X 1.50", GRADE 5	4	6.04
C1	SCRHHCS1534	SCREW, HHCS-SERRATED FLANGE, ZINC, 1/4-20 X 1.75", GRADE 5	4	13.38
D1	SCRHHCS1548	SCREW, HHCS, BLACK ZINC, 1/4-20 X 0.750", W/WASHER, W/NYLON PATCH	2	6.04
E1	SCRHHCS1010	SCREW, HHCS, ZINC, 3/8-16 X 1.00", GRADE 5	2	6.04
F1	NUTNYLK1007	NUT, NYLOCK, ZINC, 3/8-16	2	5.84
G1	WASNYLN1030	WASHER, NYLON, .3851DX1.00DX3/8"T	4	6.02



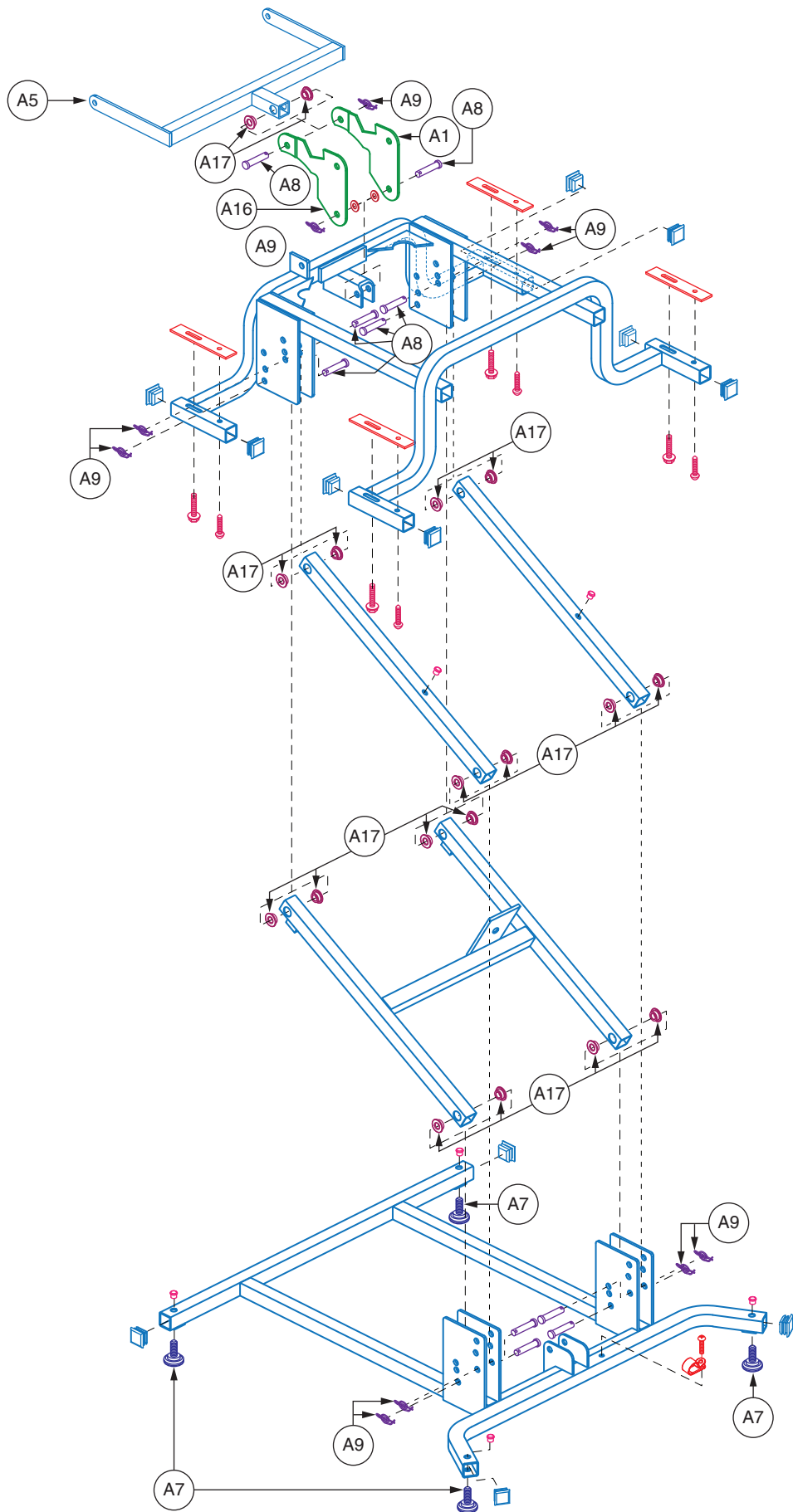
**3-POSITION KD, FBS
 mounting hardware locations**

REF #	PART #	DESCRIPTION	QTY	MSRP (AU\$) ¹¹ⁱ
A1	SCRHHWS1003	SCREW,HHWS,YELLOW ZINC,#10 X 0.875",SERRATED HEX WASHER HEAD,WOOD SCREW	8	6.04
B1	SCRHHCS1408	SCREW,HHCS-SERRATED FLANGE,BLACK ZINC,1/4-20 X 1.50",GRADE 5	4	6.04
C1	SCRHHCS1534	SCREW,HHCS-SERRATED FLANGE,ZINC,1/4-20 X 1.75",GRADE 5	4	13.38
D1	SCRHHCS1548	SCREW,HHCS,BLACK ZINC,1/4-20 X 0.750",W/WASHER,W/NYLON PATCH	2	6.04



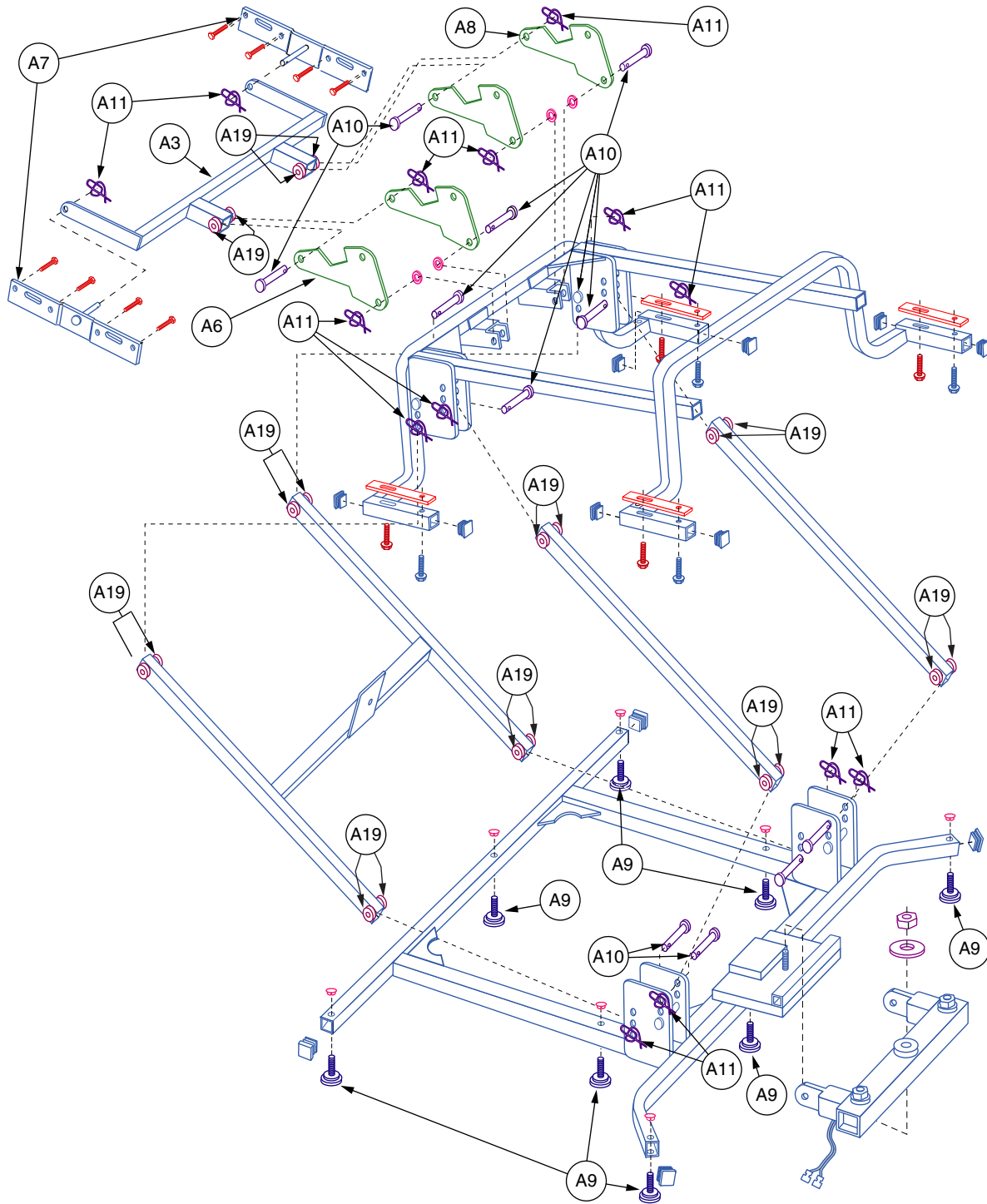
II. Lift Mechanism — Standard

REF #	PART #	DESCRIPTION	QTY	MSRP (AU\$) ¹¹ⁱ
A1 - A21	FRMASMB2118	FRAME,ASSY,LIFT,EXPANSION STANDARD,E-0101-014	1	921.36
A1	BRK0102D020	SIDE BRACKET,EXPANSION & DUAL MOTOR FRAMES	2	42.12
A2	BRK0102D014	FRAME,LIFT/RECLINE ACTUATOR BRKT,RIGHT,C-0101-004	1	62.48
A5	FRMASMB2122	MOTOR,SINGLE MOTOR,T-BRKT ASSY, EXPANSION, WELDMENT,E-0101-011	1	N/A
A8	LLGCHRM1000	LEVELING LEG,3/8-16 X 1",METAL	4	5.84
A9	PINCLEV1021	CLEVIS PIN,3/8"X1.71",UNPLATED	10	6.04
A10	CLISTL1010	RING, COTTER,1/2"	12	6.04
A17	BSHFLNG1001	BUSHING,FLANGE,OIL IMPREGNATED BRONZE,0.38" ID X 0.63" OD X 0.31" TH X 0.87" FOD X 0.07" FTH,A-0101-001	18	6.04
A19	BRK0102D021	FRAME,LIFT/RECLINE ACTUATOR BRKT,LEFT,C-0101-011	1	62.48



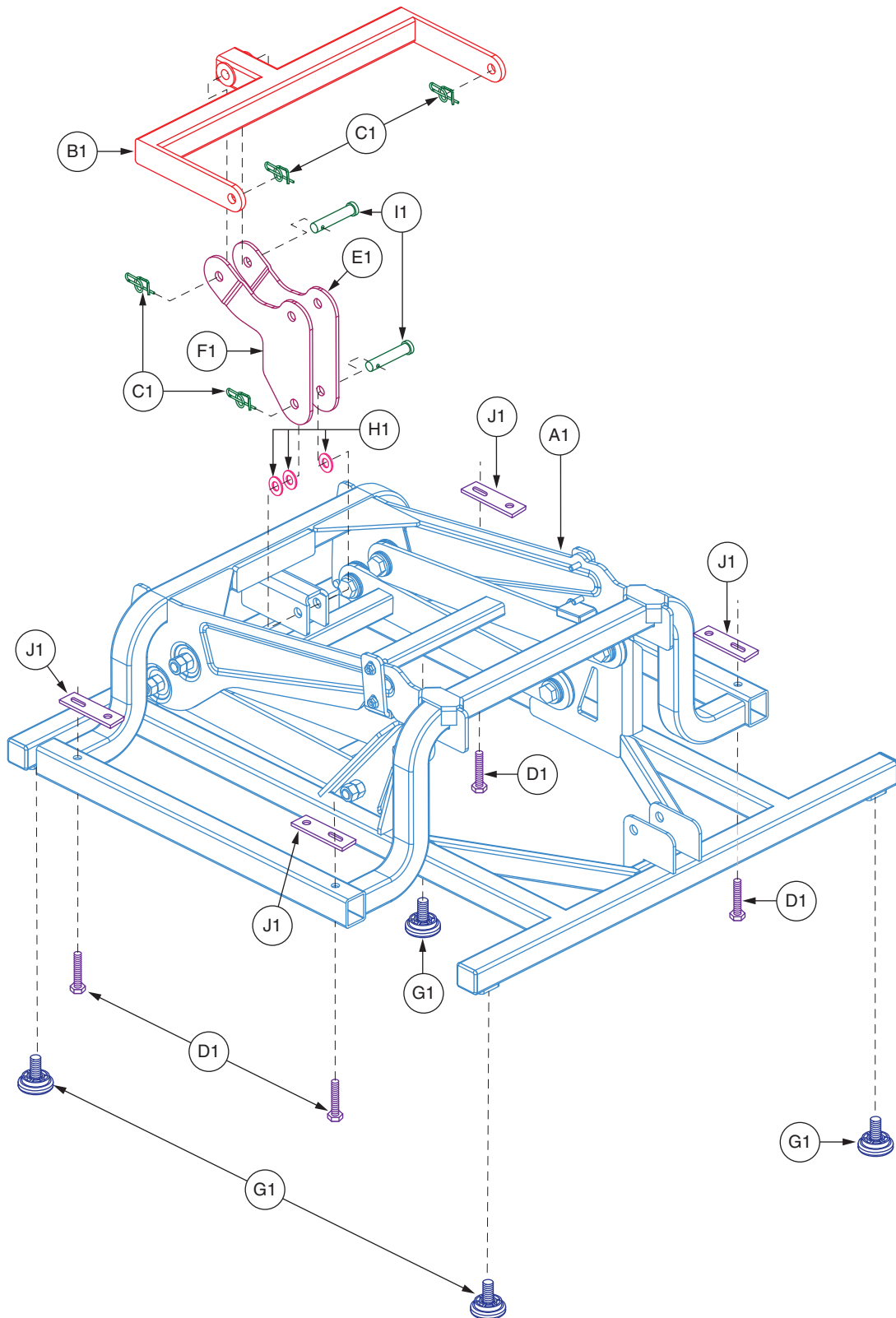
II. Lift Mechanism — Infinite Motor

REF #	PART #	DESCRIPTION	QTY	MSRP (AU\$) ¹¹ⁱ
A1 - A20	FRMASMB2591	FRAME,ASSY,LIFT,EXPANSION FRAME FOR INFINITE MOTOR CHAIRS	1	1535.6
A1	BRK0102D014	FRAME,LIFT/RECLINE ACTUATOR BRKT,RIGHT,C-0101-004	1	62.48
A5	FRMASMB1673	FRAME,ASSY,T-BRACKET,OPPOSING MOTOR WELDMENT	1	200.74
A7	LLGCHRM1000	LEVELING LEG,3/8-16 X 1",METAL	4	5.84
A8	PINCLEV1021	CLEVIS PIN,3/8"X1.71",UNPLATED	10	6.04
A9	CLISTL1010	RING, COTTER,1/2"	10	6.04
A16	BRK0102D021	FRAME,LIFT/RECLINE ACTUATOR BRKT,LEFT,C-0101-011	1	62.48
A17	BSHFLNG1001	BUSHING,FLANGE,OIL IMPREGNATED BRONZE,0.38" ID X 0.63" OD X 0.31" TH X 0.87" FOD X 0.07" FTH,A-0101-001	18	6.04



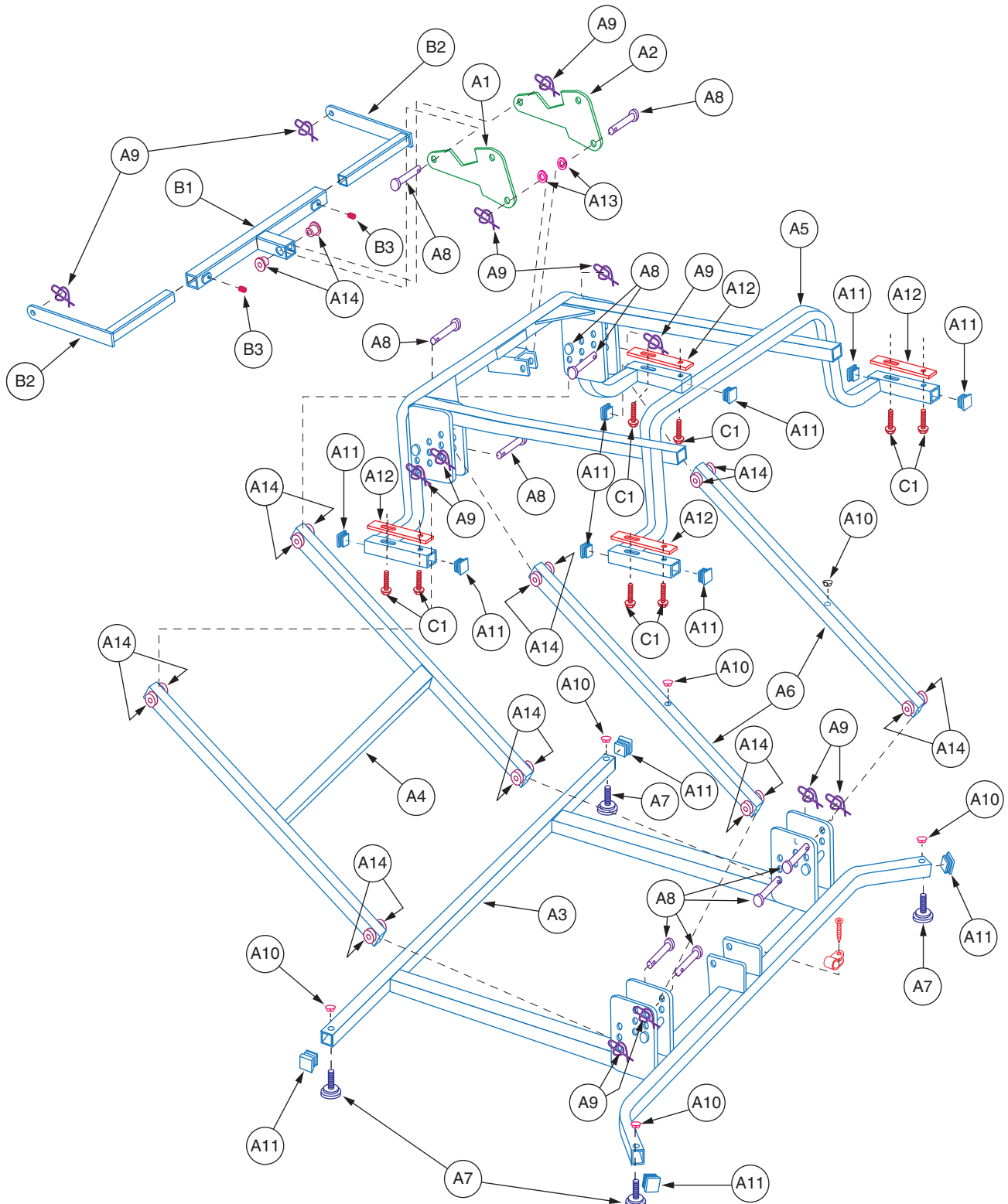
II. Lift Mechanism — Dual Motor, Heavyweight

REF #	PART #	DESCRIPTION	QTY	MSRP (AU\$) ¹¹ⁱ
A1 - A23	FRMASMB7143	FRAME,ASSY,LIFT,DUAL MOTOR, HEAVYWEIGHT	1	971.2
A3	FRMASMB1671	FRAME,ASSY,T-BRACKET,DUAL MOTOR WELDMENT	1	143.38
A6	BRK0102D021	FRAME,LIFT/RECLINE ACTUATOR BRKT,LEFT,C-0101-011	2	62.48
A7	BRK0102D020	SIDE BRACKET,EXPANSION & DUAL MOTOR FRAMES	2	42.12
A8	BRK0102D014	FRAME,LIFT/RECLINE ACTUATOR BRKT,RIGHT,C-0101-004	2	62.48
A9	LLGCHRM1000	LEVELING LEG,3/8-16 X 1",METAL	8	5.84
A10	PINCLEV1021	CLEVIS PIN,3/8"X1.71",UNPLATED	12	6.04
A11	CLISTL1010	RING, COTTER,1/2"	14	6.04
A19	BSHFLNG1001	BUSHING,FLANGE,OIL IMPREGNATED BRONZE,0.38" ID X 0.63" OD X 0.31" TH X 0.87" FOD X 0.07" FTH,A-0101-001	20	6.04
A20	FRMASMB7321	FRAME,ASSY,PIVOT,NEW STYLE FOR 545/555, HEAVYWEIGHT	1	153.56



II. Lift Mechanism — C1KD, C11KD, C1WA

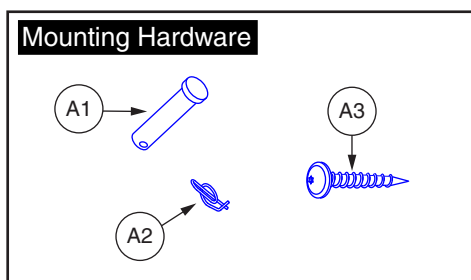
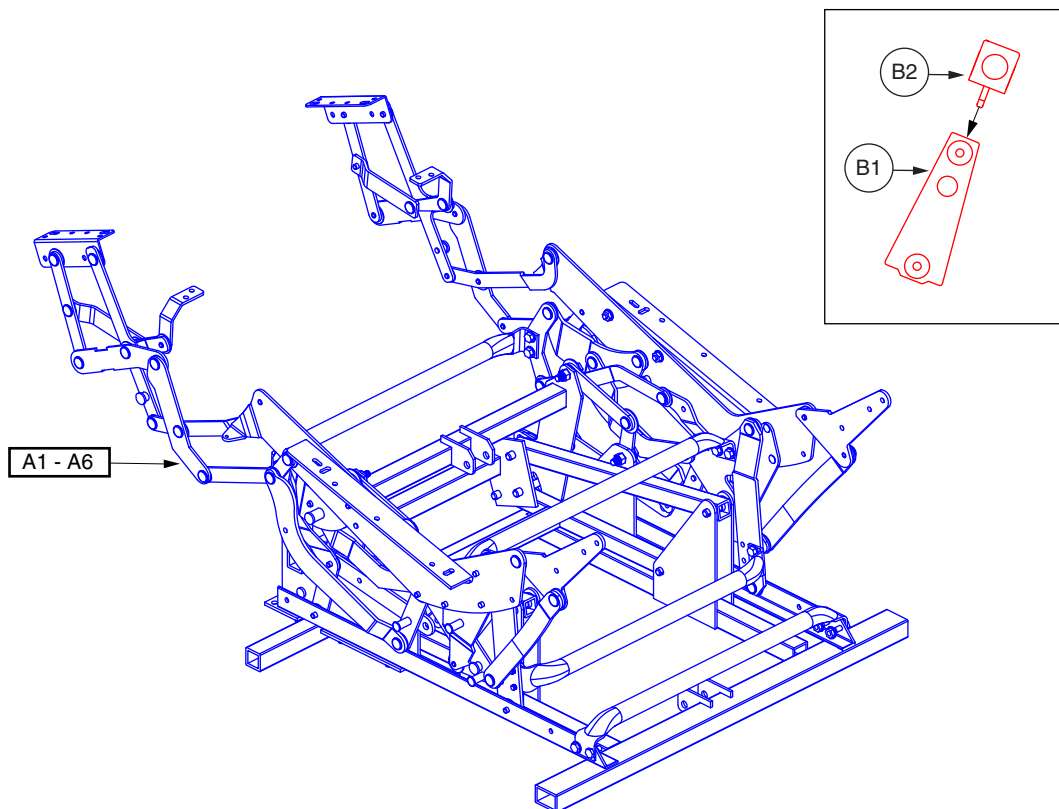
REF #	PART #	DESCRIPTION	QTY	MSRP (AU\$) ¹¹ⁱ
A1	FRMASMB12238	FRAME,MINI LIFT BASE,ASSY,C1KD,(SFV: SY)	1	790.5
B1	INDPART2621	FRAME,T-BRACKET,FOOTREST,C1KD	1	49.8
C1	PINSOTR1018	PIN,COTTER,0.37" SHAFT X 1.25" OVERALL LENGTH X 0.072" WIRE,BOW TYPE, SELF LOCKING	4	5.72
D1	SCRHHCS1547	SCREW,HHCS-SERRATED FLANGE,ZINC PLATED,1/4-20 X 15MM,GRADE 8.8,(SFV: S107-1004)	4	5.72
E1	INDPART2622	ACTUATOR BRACKET,LIFT,RECLINE,RIGHT,C1KD,(SFV: SY004-0002)	1	8.5
F1	INDPART2627	ACTUATOR BRACKET,LIFT,RECLINE,LEFT,C1KD,(SFV: SY004-0001)	1	8.5
G1	LLGCHRM1000	LEVELING LEG,3/8-16 X 1",METAL	4	5.84
H1	WASNYLN1151	WASHER,NYLON,10MM ID X 16MM OD X 1MM TH	3	5.72
I1	PINCLEV1054	CLEVIS PIN,ZINC PLATED,9.5MM OD X 43MM L,(SFV: S107-A-001)	2	5.84
J1	SPCRBR1001	SPACER ADHESIVE,1" W X 3.5" L X 1/8 THK,RUBBER DURO NEOPRENE	4	5.74



REF #	PART #	DESCRIPTION	QTY	MSRP (AU\$) ¹¹ⁱ
A1	BRK0102D021	FRAME,LIFT/RECLINE ACTUATOR BRKT,LEFT,C-0101-011	1	62.48
A2	BRK0102D014	FRAME,LIFT/RECLINE ACTUATOR BRKT,RIGHT,C-0101-004	1	62.48
A3	FRMASMB2120	FRAME,ASSY,BASE,EXPANSION SINGLE AND OPPOSING MOTOR WELDMENT	1	N/A
A4	FRMASMB2121	MOTOR,SINGLE MOTOR,H-BRKT ASSY,EXPANSION,WELDMENT	1	N/A
A5	FRMASMB2123	MOTOR,SINGLE MOTOR,TOP FRAME ASSY,EXPANSION,WELDMENT,E-0101-013	1	N/A
A6	INDPART1063	FRAME,FREE ARM,(OR 1" X 1" STEEL BAR)	2	30.72
A7	LLGCHRM1000	LEVELING LEG,3/8-16 X 1",METAL	4	5.84
A8	PINCLEV1021	CLEVIS PIN,3/8"X1.71",UNPLATED	10	6.04
A9	CLISTL1010	RING, COTTER,1/2"	12	6.04
A10	PLSINDV1048	PLUG PLASTIC,37/64 HEAD SIZE,FITS .5 HOLE	6	5.62
A11	PROECAP1009	END CAP,1" SQUARE,W/CHAIR FRAME	12	5.62
A12	SPCRBR1001	SPACER ADHESIVE,1" W X 3.5" L X 1/8 THK,RUBBER DURO NEOPRENE	4	5.74
A13	WASNYLN1004	WASHER, NYLON,3/8ID 5/8ODX1/8	2	5.62
A14	BSHFLNG1001	BUSHING,FLANGE,OIL IMPREGNATED BRONZE,0.38" ID X 0.63" OD X 0.31" TH X 0.87" FOD X 0.07" FTH,A-0101-001	18	6.04
*A15	DWR1235L121	DECAL,ISO,WARNING,LIFT CHAIR,L-1235-121	1	N/A
B1	DWR0101D004	BRACKET,WELDMENT,OUTSIDE TUBE ON EXPANDABLE T-BRACKET	1	N/A
B2	DWR0101C009	BRACKET, WELDMENT,INSIDE TUBE ON EXPANDABLE T-BRACKET	2	N/A
B3	SCRSETS1042	SCREW,SET,3/8-16 X 0.50",CUP POINT	2	57.12
C1	SCRHHCS1598	SCREW,HHCS-SERRATED FLANGE,ZINC PLATED,1/4-20 X 18MM,GRADE 10.9,(SFV: S118-2001)	8	N/A

Notes :

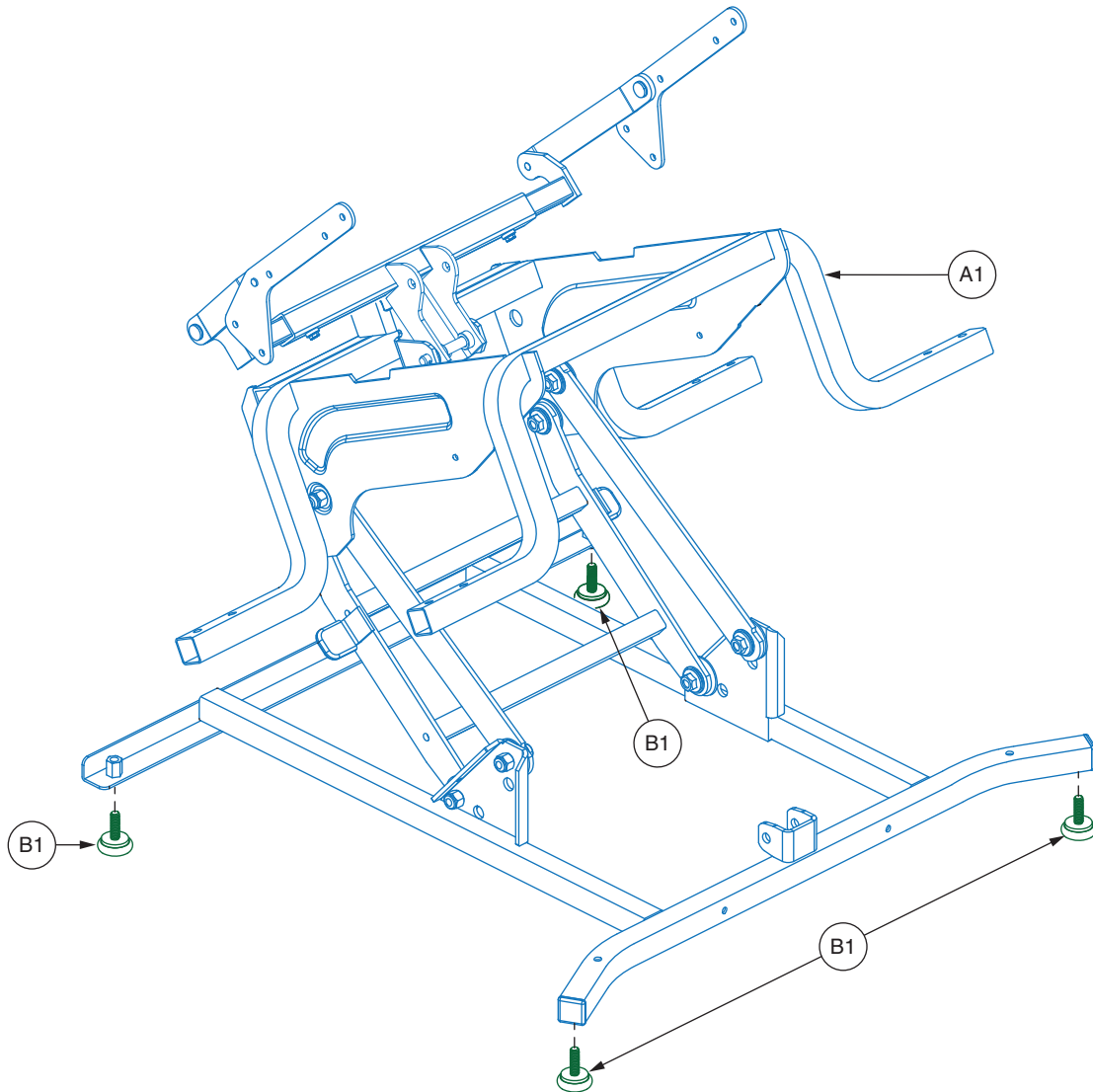
*A15 Not shown.



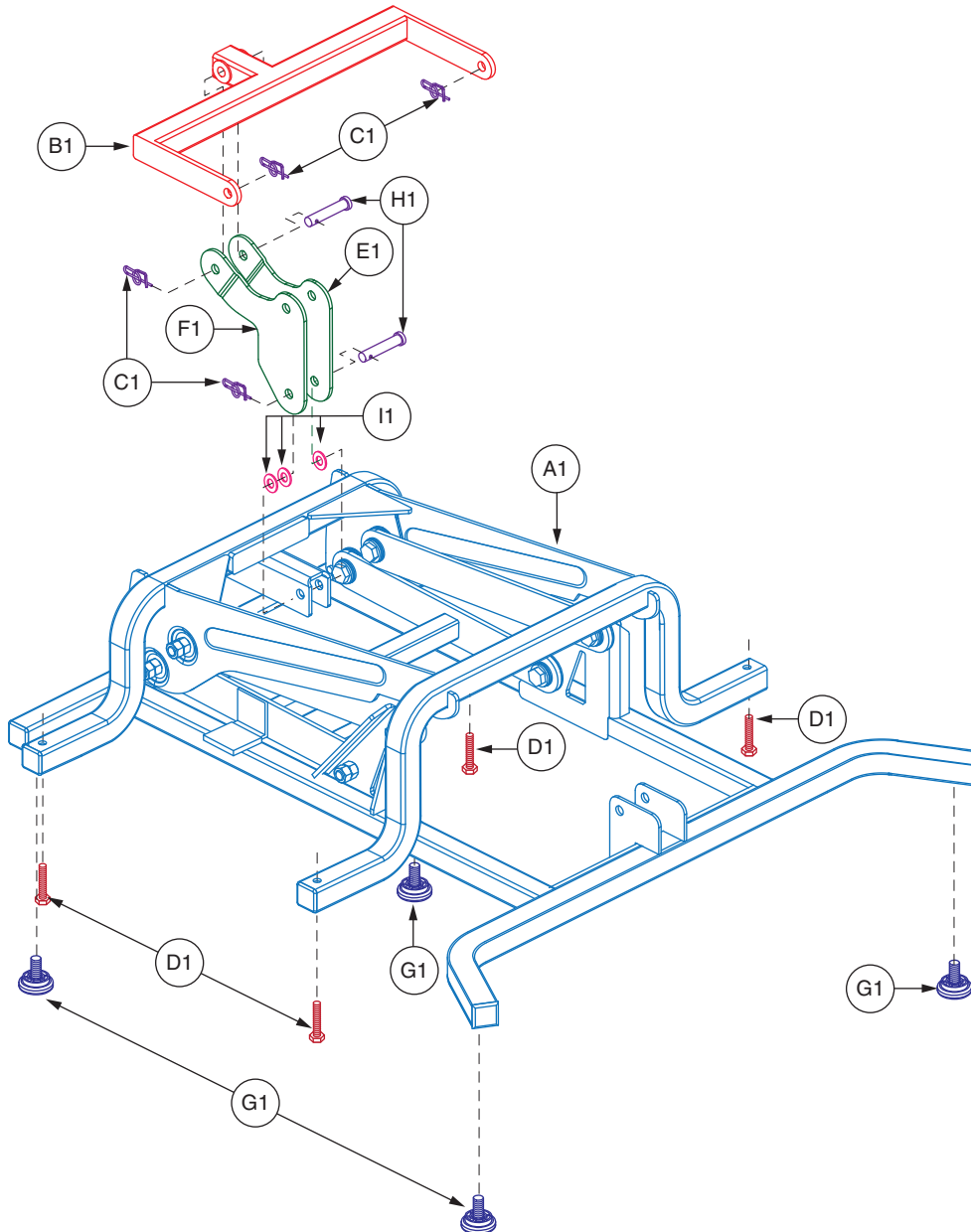
REF #	PART #	DESCRIPTION	QTY	MSRP (AU\$) ¹¹ⁱ
*A1 - A6	FRMASMB16378	FRAME,ASSY,LIFT FRAME,WALLHUGGER,LL805,(FBS)	1	910.36
A1	PINCLEV1021	CLEVIS PIN,3/8"X1.71",UNPLATED	10	6.04
A2	CLISTL1010	RING, COTTER,1/2"	10	6.04
A3	SCRTORX1002	SCREW, TORX,ZINC PLATED,#25,SERRATED COARSE THREAD TYPE 17 TIP	6	10.62
A4	INDPART2277	BOLT, HEX HEAD,7 X 1 X 25MM,SELF TAPPING, 805 (7167-5101)	4	5.62
A5	LLGCHRM1004	GLIDE,PLASTIC,LARGE, 805 (7168-5100)	4	5.74
A6	SPCNYLN1051	SPACER,1" OD X 3/8" ID, 5/16TH,PLASTIC MEDALLION WHEEL, 805 (7168-4000)	4	5.62

Notes :

*A1 - A6 Shown fully assembled.



REF #	PART #	DESCRIPTION	QTY	MSRP (AU\$) ¹¹ⁱ
A1	FRMASMB10775	FRAME,ASSY,LIFT CHAIR,SINGLE MOTOR,(SS: 3Q 220N ARR)	1	1134.4
B1	LLGCHRM1000	LEVELING LEG,3/8-16 X 1",METAL	4	5.84

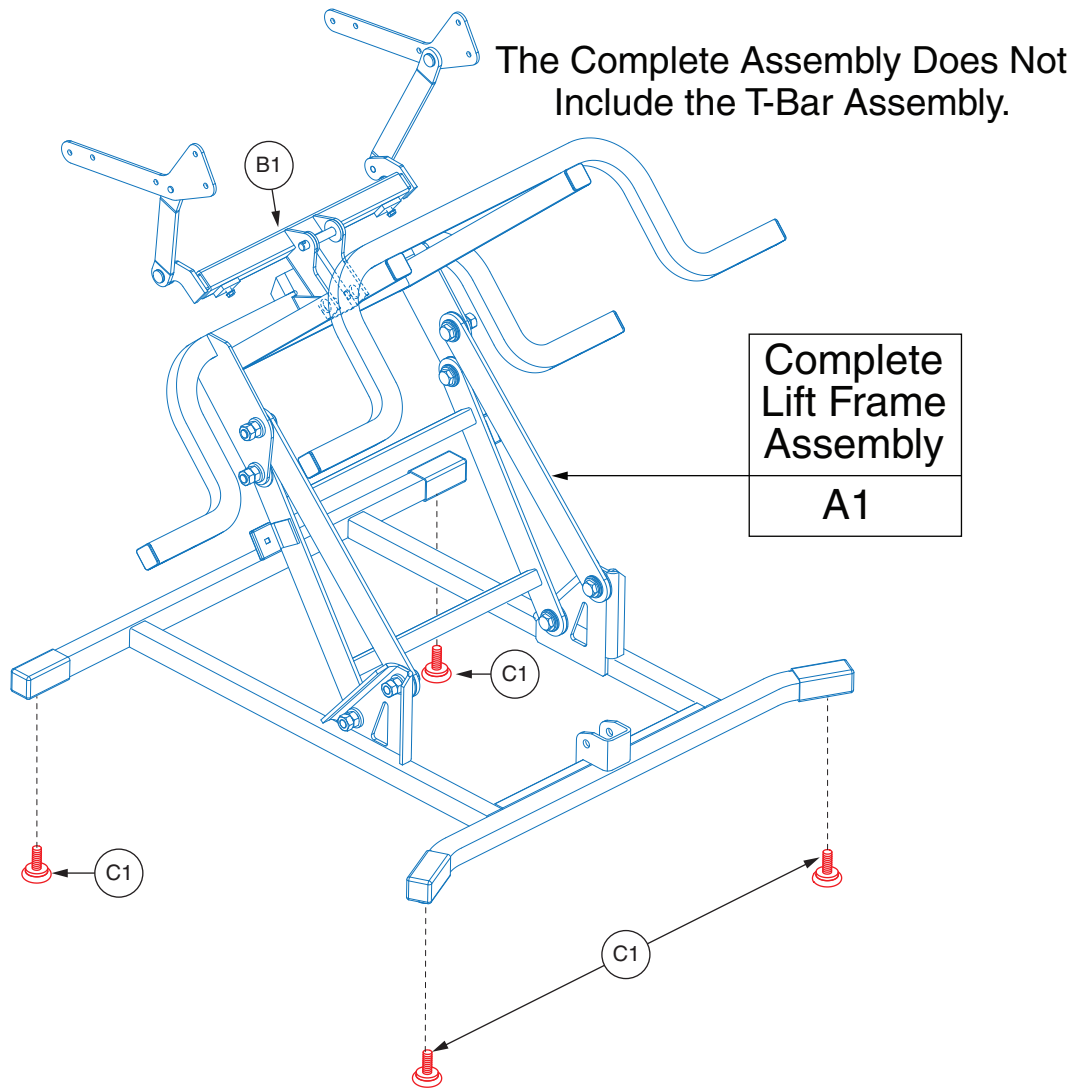


REF #	PART #	DESCRIPTION	QTY	MSRP (AU\$) ¹¹ⁱ
A1	FRMASMB14433	FRAME,LIFT BASE,ASSY,LC101	1	846.62
B1	INDPART2764	FRAME,T-BRACKET,FOOTREST,LC101	1	131.26
*C1	PINSOTR1018	PIN,COTTER,0.37" SHAFT X 1.25" OVERALL LENGTH X 0.072" WIRE,BOW TYPE, SELF LOCKING	6	5.72
D1	SCRHHCS1599	SCREW,HHCS-SERRATED FLANGE,ZINC PLATED,1/4-20 X 43MM,GRADE 10.9,(SFV: S118-0001)	4	6.14
E1	INDPART2762	ACTUATOR BRACKET,LIFT,RECLINE,RIGHT,LC101	1	82.32
F1	INDPART2761	ACTUATOR BRACKET,LIFT,RECLINE,LEFT,LC101	1	82.32
G1	LLGCHRM1000	LEVELING LEG,3/8-16 X 1",METAL	4	5.84
*H1	PINCLEV1059	CLEVIS PIN,ZINC PLATED,9.5MM OD X 38MM L	3	5.72
I1	WASNYLN1151	WASHER,NYLON,10MM ID X 16MM OD X 1MM TH	3	5.72

Notes :

Utilized on the LC100, LC101, LC158, LC200, NM200, AM201, AS4001, NM158, and FC201 models.

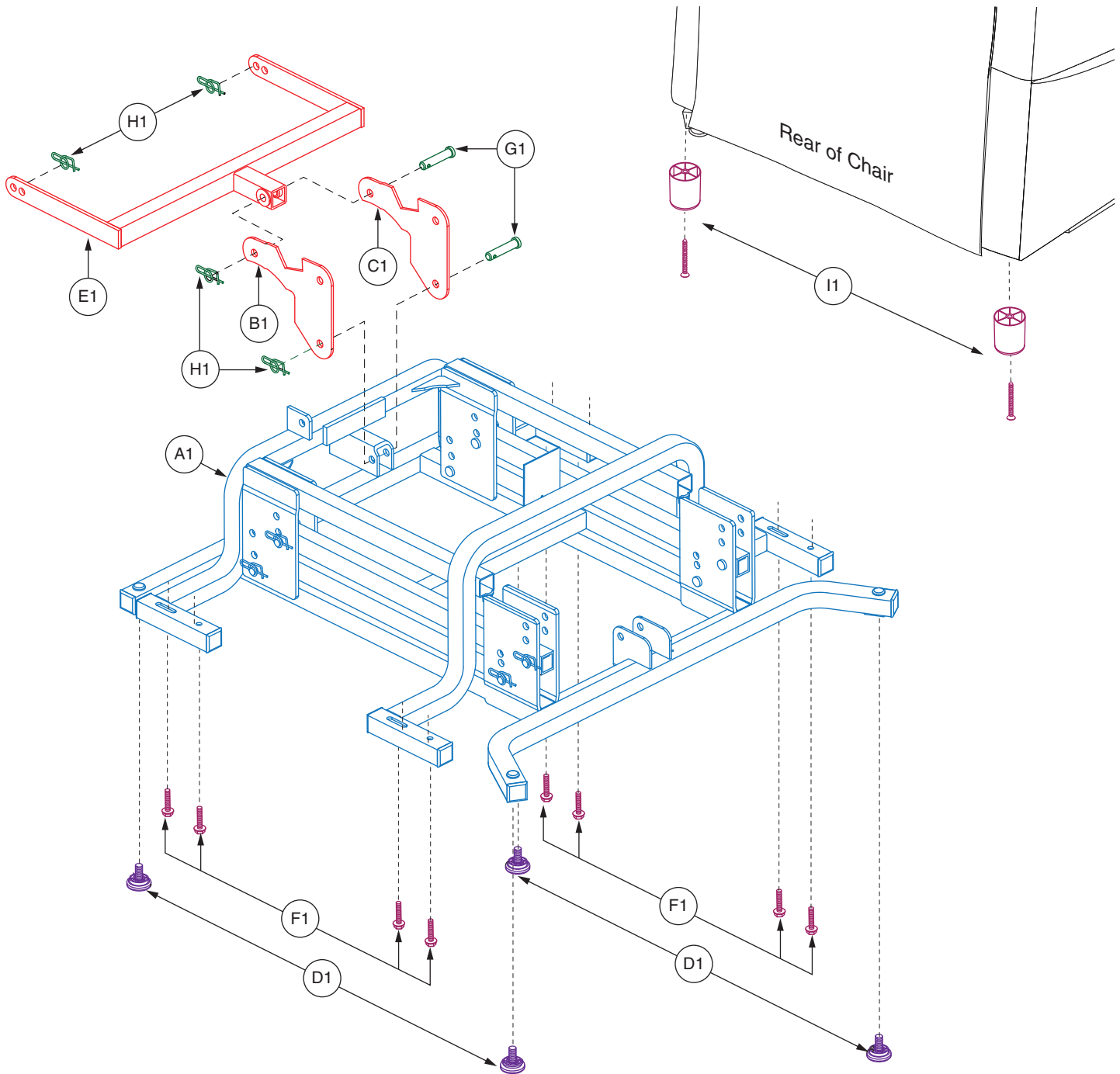
*C1 Four shown.
 *H1 Two shown.



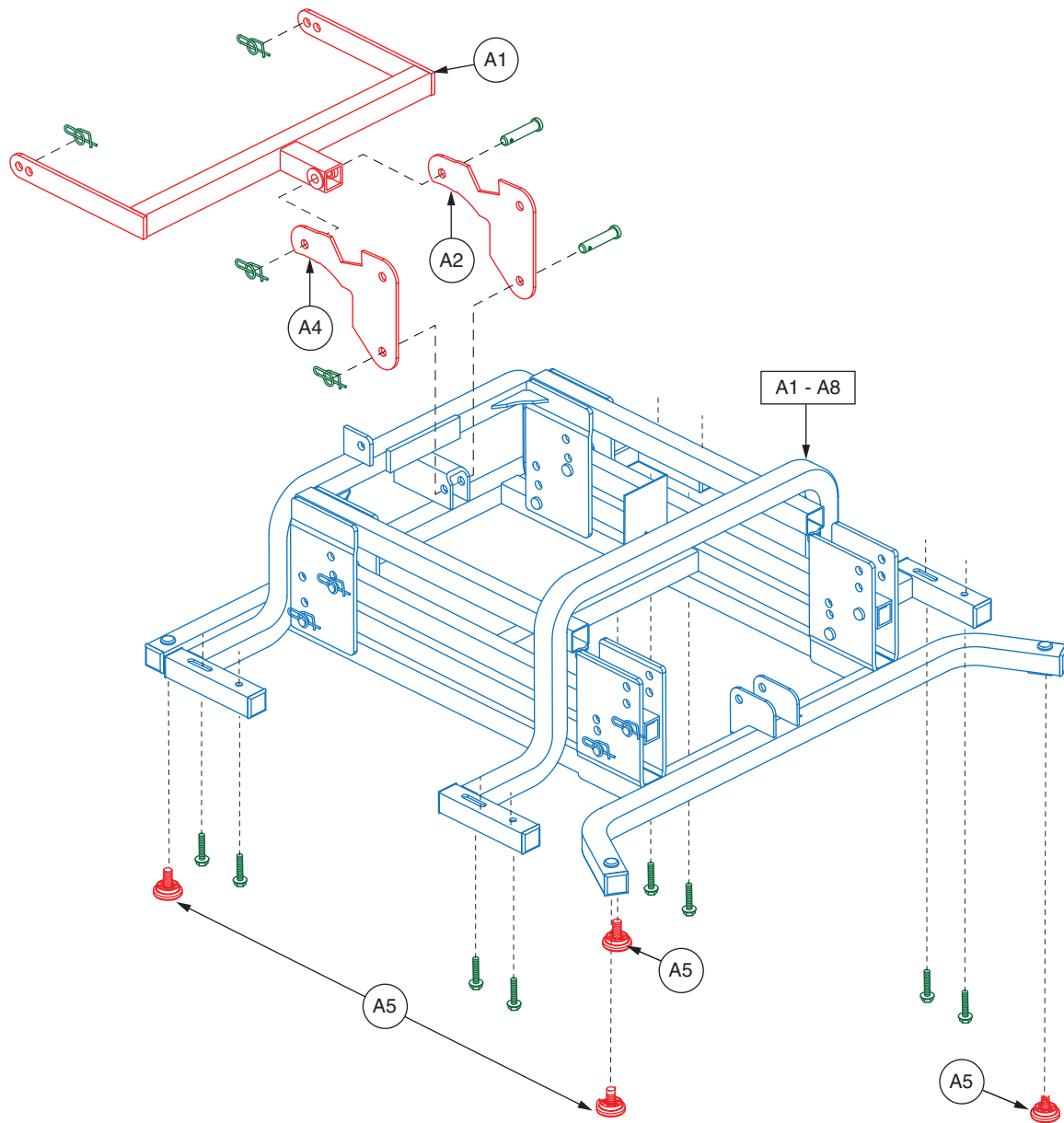
REF #	PART #	DESCRIPTION	QTY	Dealer \$	11i MSRP
A1	FRMASMB13778	FRAME,ASSY,LIFT FRAME,(FBS: C124026)	1	\$246.4	\$628.31
B1	FRMASMB14023	FRAME,ASSY,T-BRKT,ADJUSTABLE,(FBS: C124028)	1	\$12.33	\$31.45
*C1	LLGCHRM1000	LEVELING LEG,3/8-16 X 1",METAL	4	\$1.15	\$2.92

Notes :

*C1 Included with A1.



REF #	PART #	DESCRIPTION	QTY	MSRP (AU\$) ¹¹ⁱ
A1	FRMASMB13773	FRAME,ASSY,LIFT FRAME,(FV: SY004)	1	937.12
B1	BRK0102D021	FRAME,LIFT/RECLINE ACTUATOR BRKT,LEFT,C-0101-011	1	N/A
C1	BRK0102D014	FRAME,LIFT/RECLINE ACTUATOR BRKT,RIGHT,C-0101-004	1	61.26
D1	LLGCHRM1000	LEVELING LEG,3/8-16 X 1",METAL	4	5.74
E1	FRMASMB1673	FRAME,ASSY,T-BRACKET,OPPOSING MOTOR WELDMENT	1	200.74
F1	SCRHHCS1596	SCREW,HHCS-SERRATED FLANGE,ZINC,PLATED,1/4-20 X 36MM,GRADE 10.9,(SFV: S101-1008)	8	N/A
G1	PINCLEV1054	CLEVIS PIN,ZINC PLATED,9.5MM OD X 43MM L,(SFV: S107-A-001)	2	5.72
H1	PINSOTR1018	PIN,COTTER,0.37" SHAFT X 1.25" OVERALL LENGTH X 0.072" WIRE,BOW TYPE, SELF LOCKING	4	5.6
I1	PLSASMB1801	TRI LEG,ASSY,PLASTIC,1.75"	2	N/A

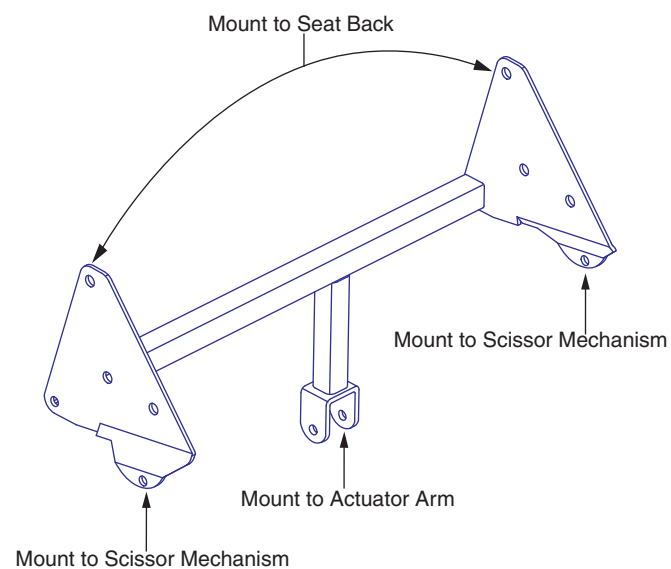
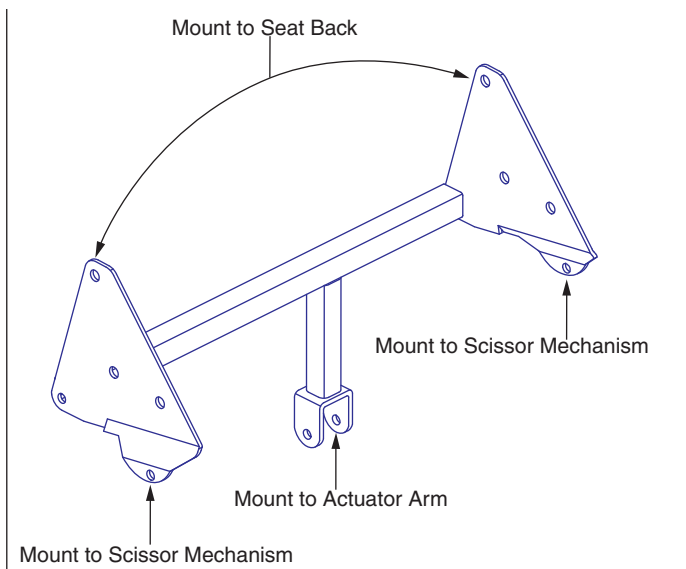


REF #	PART #	DESCRIPTION	QTY	MSRP (AU\$) ¹¹ⁱ
A1 - A8	FRMASMB16373	FRAME,ASSY,EXPANSION,FOR "LC" DUAL MOTOR LIFT CHAIRS,(FBS: LM010#10)	1	619.4
A1	FRMASMB1673	FRAME,ASSY,T-BRACKET,OPPOSING MOTOR WELDMENT	1	200.74
A2	BRK0102D014	FRAME,LIFT/RECLINE ACTUATOR BRKT,RIGHT,C-0101-004	1	62.48
**A3	BRKASMB1005	BRACKET,ASSY,KIDNEY KD,WITH U SHAPED MOTOR MOUNT	1	142.06
A4	BRK0102D021	FRAME,LIFT/RECLINE ACTUATOR BRKT,LEFT,C-0101-011	1	62.48
A5	LLGCHRM1000	LEVELING LEG,3/8-16 X 1",METAL	4	5.84
**A6	PROECAP1009	END CAP,1" SQUARE,B-0100-014	8	5.62
*A7	DWR1234L947	DECAL,WARNING,FOR INDOOR USE ONLY/CRUSH HAZARD,LIFT CHAIR,L-1234-947	1	N/A
*A8	DWR1234L948	DECAL,WARNING,LIFT CHAIR,RIGHT SIDE,L-1234-948	1	N/A

Notes :

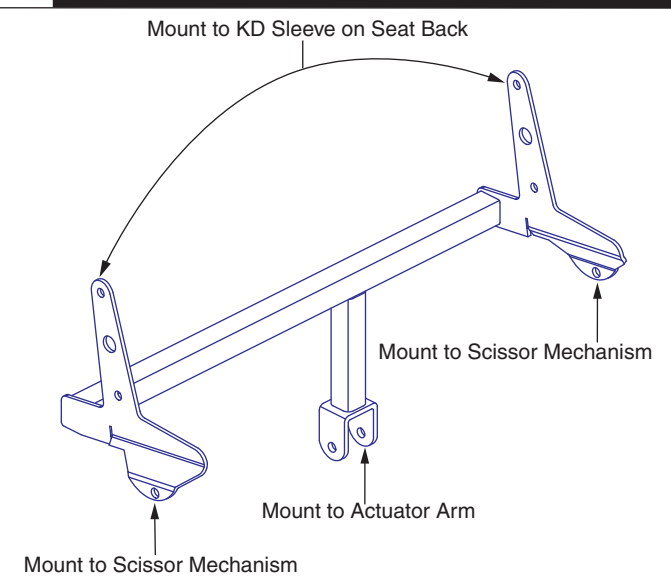
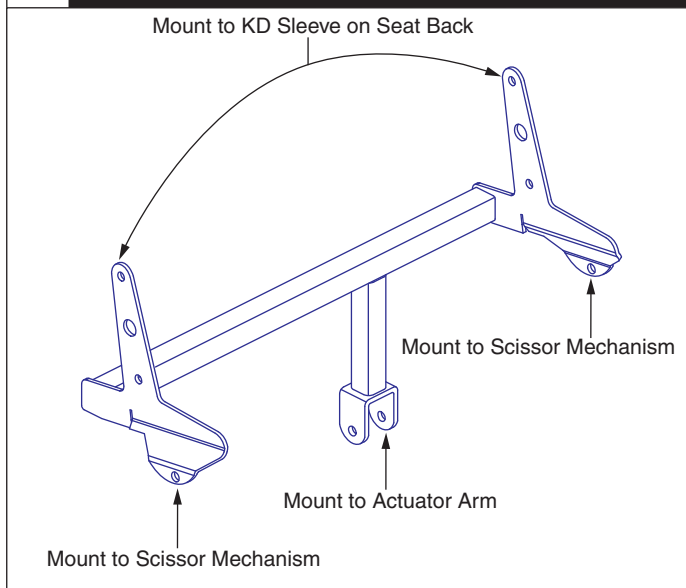
Items preceded by "*" are not shown.

- **A3** Refer to SECTION III. Infinite Position Kidney Brackets for illustration.
- **A6** Shown assembled with frame.

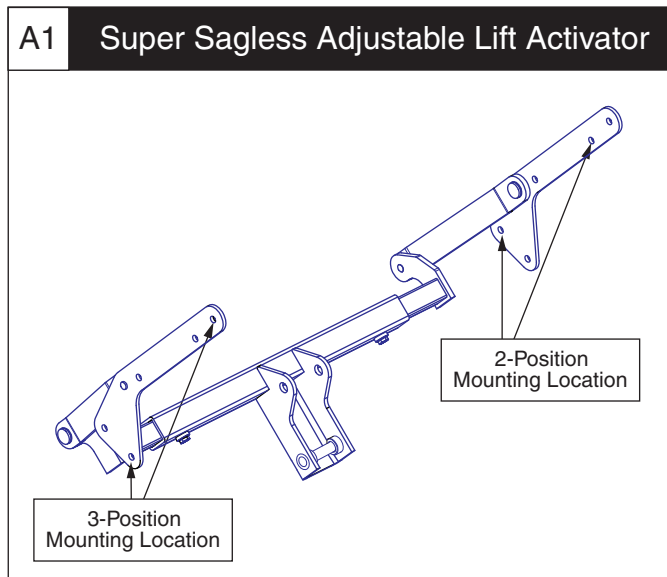


C1 Infinite Position KD, Petite Kidney Bracket

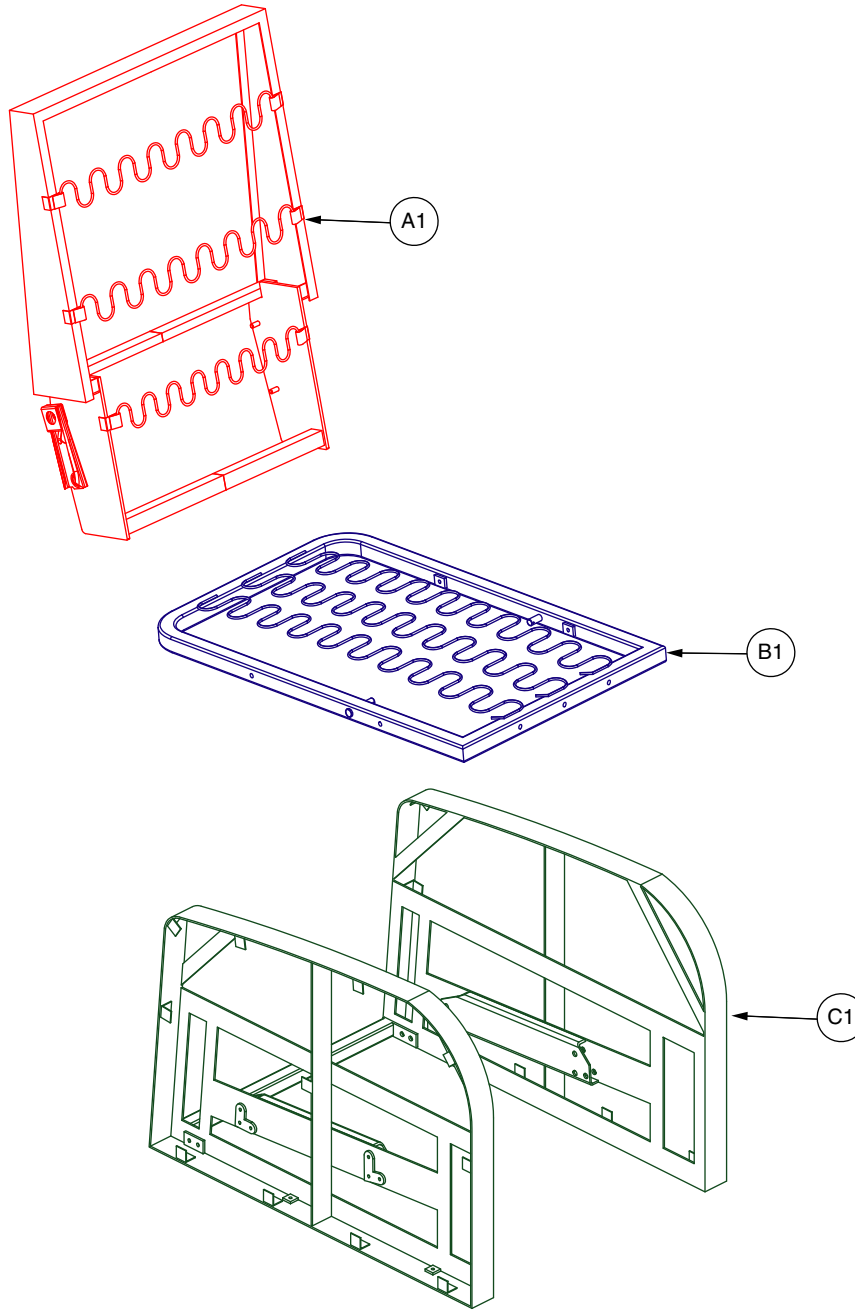
D1 Infinite Position KD, Kidney Bracket



REF #	PART #	DESCRIPTION	QTY	MSRP (AU\$) ¹¹ⁱ
A1	BRKASMB1001	BRACKET,ASSY,PETITE KIDNEY,WITH U SHAPED MOTOR MOUNT	1	N/A
B1	BRKASMB1000	BRACKET,ASSY,KIDNEY,WITH U SHAPED MOTOR MOUNT	1	210.76
C1	BRKASMB1004	BRACKET,ASSY,PETITE KIDNEY KD,WITH U SHAPED MOTOR MOUNT	1	55.06
D1	BRKASMB1005	BRACKET,ASSY,KIDNEY KD,WITH U SHAPED MOTOR MOUNT	1	142.06



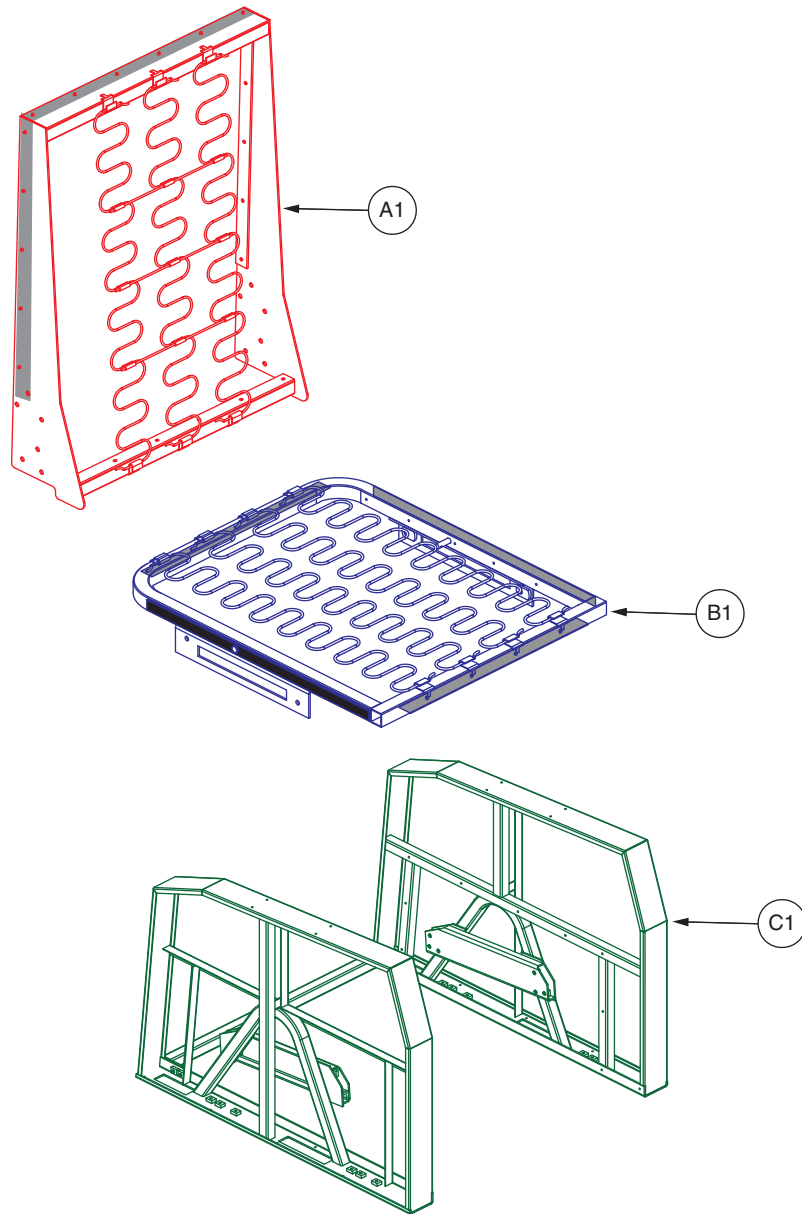
REF #	PART #	DESCRIPTION	QTY	MSRP (AU\$) ¹¹ⁱ
A1	FRMASMB14994	FRAME,ASSY,ADJUSTABLE LIFT ACTIVATOR,(SS: 1324840000)	1	210.6
B1	FRMASMB14023	FRAME,ASSY,T-BRKT,ADJUSTABLE,(FBS: C124028)	1	62.9



REF #	PART #	DESCRIPTION	QTY	MSRP (AU\$) ¹¹ⁱ
A1	FRMASMB12239	SEAT BACK,FRAME,ASSY,C1KD,(SFV:SK)	1	N/A
B1	FRMASMB12242	SEAT,BOX,ASSY,C1KD,(SFV:SZ)	1	N/A
C1	FRMASMB14287	ARM REST,FRAME,ASSY,C1KD,(FV:SF007(B)-0000)	1	N/A
*D1	FOMINDV1103	SEAT FOAM,BLACK,C1KD	1	N/A

Notes :

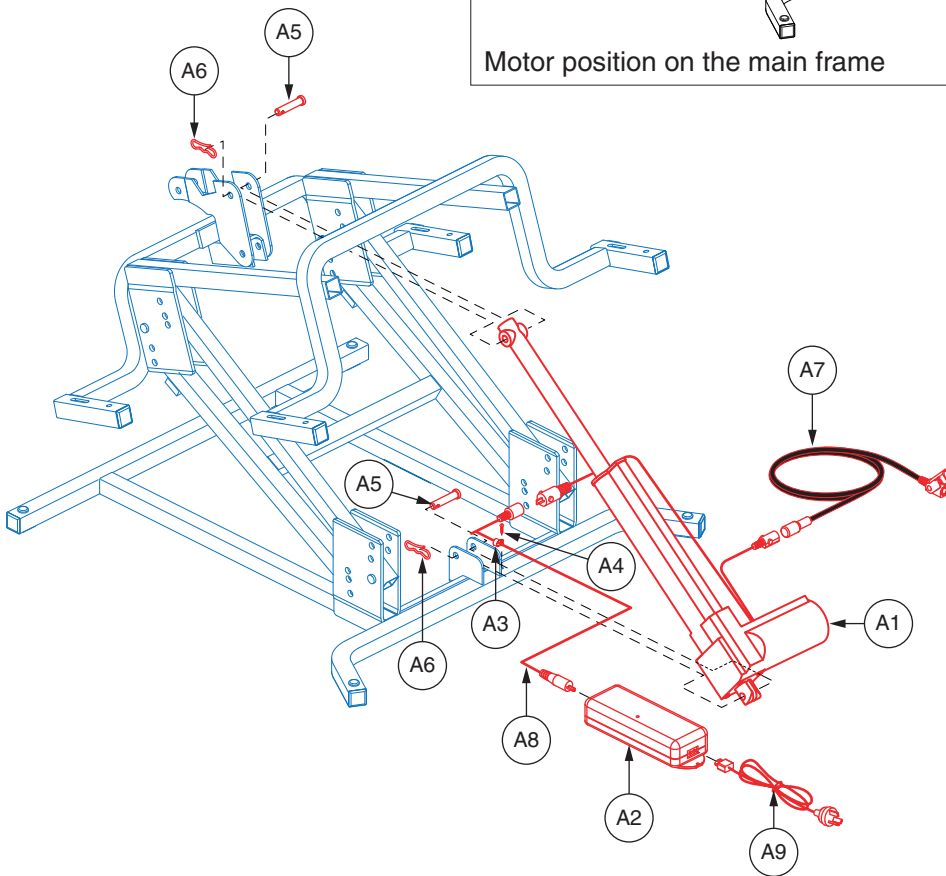
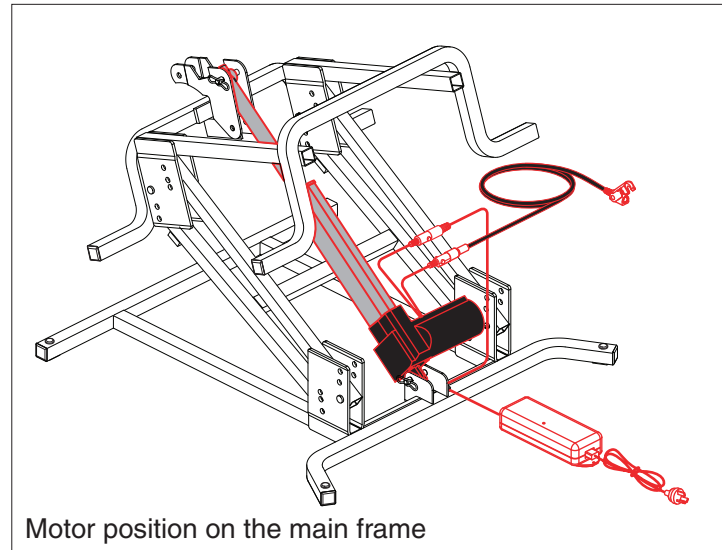
*D1 Not shown.



REF #	PART #	DESCRIPTION	QTY	MSRP (AU\$)
A1	FRMASMB8781	SEAT FRAME,ASSY,BACK,W/ HOOK FASTENER,C40,E-0C40-070	1	217.26
B1	FRMASMB8782	SEAT FRAME,ASSY,BASE,W/ HOOK FASTENER,C40,E-0C40-069	1	174.52
C1	FRMASMB14099	ARM REST,FRAME,ASSY,RAW,BOLTED,C5 & C6,E-0C40-071	1	N/A
*D1	DWR0C40E064	SEAT FOAM,21"W,24"D,2"TH,C40,E-0C40-064	1	73.3
*E1	DWR0C40D012	ARMREST,FOAM,W/LOOP FASTENER,D-0C40-012	1	N/A

Notes :

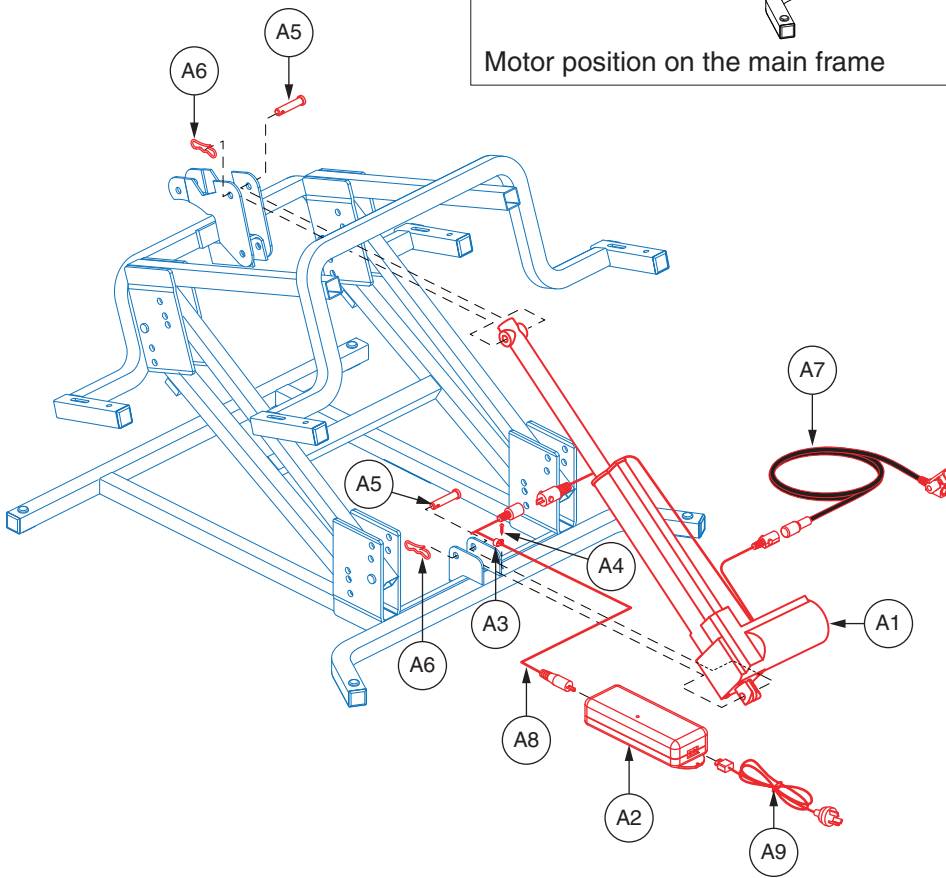
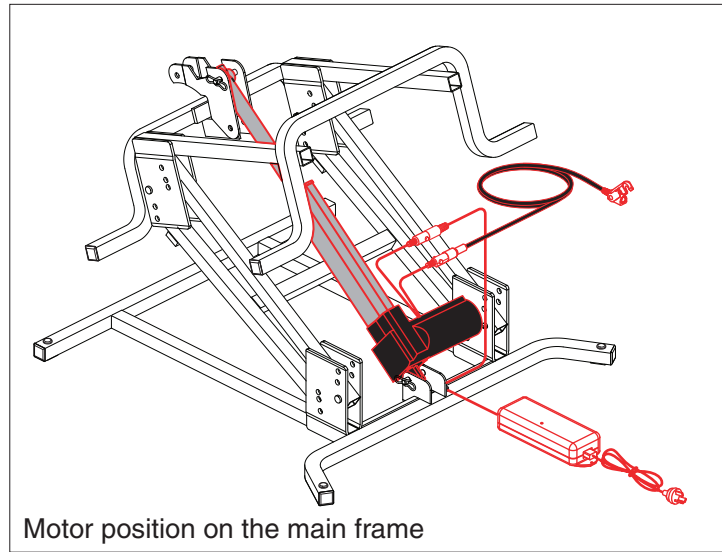
- *D1 Not shown.
- *E1 Not shown.



REF #	PART #	DESCRIPTION	QTY	MSRP (AU\$) ¹¹ⁱ
A1 - A17	DRVASMB1548	MOTOR,ASSY,TRANSFORMER,EXTERNAL, STANDARD MOTOR, AUS	1	652.24
A1	DRV/MOTR1375	MOTOR,SLAVE MOTOR,LIFT CHAIR,HEAT/MASSAGE,(FBS:C124041)	1	395.86
A2	CTL169001	ELECTRONIC,TRANSFORMER,CLASS 6,ENERGY EFFICIENT,HHC(W52RA199-290020)	1	N/A
A3	CLPCBLC1001	CLAMP,CABLE,BLACK NYLON,3/16",P-CLIP	1	5.74
A4	SCRPPTC1021	SCREW, PPH,BZ,#8 X 1/2", THREAD CUTTING,TYPE 25	1	6.02
A5	PINCLEV1021	CLEVIS PIN,3/8"X1.71",UNPLATED	2	6.04
A6	PINSOTR1018	PIN,COTTER,0.37" SHAFT X 1.25" OVERALL LENGTH X 0.072" WIRE,RUE CLIP,SELF LOCKING	2	5.72
A7	ELE137801	LIFT CHAIR HAND CONTROL 5 PIN DIN EXTENTION CABLE	1	83.58
A8	HARUSHD2534	ELECTRONIC,TRANSFORMER/MOTOR CABLE,SINGLE MOTOR CHAIRS,(SS: 300.402.026.30)	1	88.88
A9	HARUSHD2542	ELECTRONIC,HARNESS, POWER CORD,LIFT CHAIR,UNIVERSAL TRANSFORMER,AUSTRALIA PLUG	1	N/A
*A10	SCR TORX1002	SCREW, TORX,ZINC PLATED,#25,SERRATED COARSE THREAD TYPE 17 TIP	1	10.62
*A11	DWR1235L134	DECAL,WEIGHT CAPACITY,LIFT CHAIR SERIES,L-1235-134	1	N/A
*A12	DECINDV1236	DECAL,1 3/4"L X 1/2"H,ELECTRICAL APPROVAL,C-TICK DECAL,SILVER,L-1234-569	1	N/A
*A13	DWR1235L648	DECAL,WARNING,EXTERNAL TRANSFORMER PLACEMENT,L-1235-648	1	N/A
*A14	DWR1235L520	DECAL,CAUTION,EXTENSION CORD/GROUNDING PRONG,L-1235-520	1	7.16
*A15	DWR1234L945	DECAL,WARNING,TRANSFORMER,DISPOSE OF PROPERLY/SHOCK/READ OWNERS MANUAL,LIFT CHAIR,L-1234-945	1	N/A
*A16	PLSTIE1004	TIE WRAP,BLACK,8"	3	5.84
*A17	LAB160007	DECAL,GENERIC WEIGHT CAPACITY,LIFT CHAIR	1	N/A

Notes :

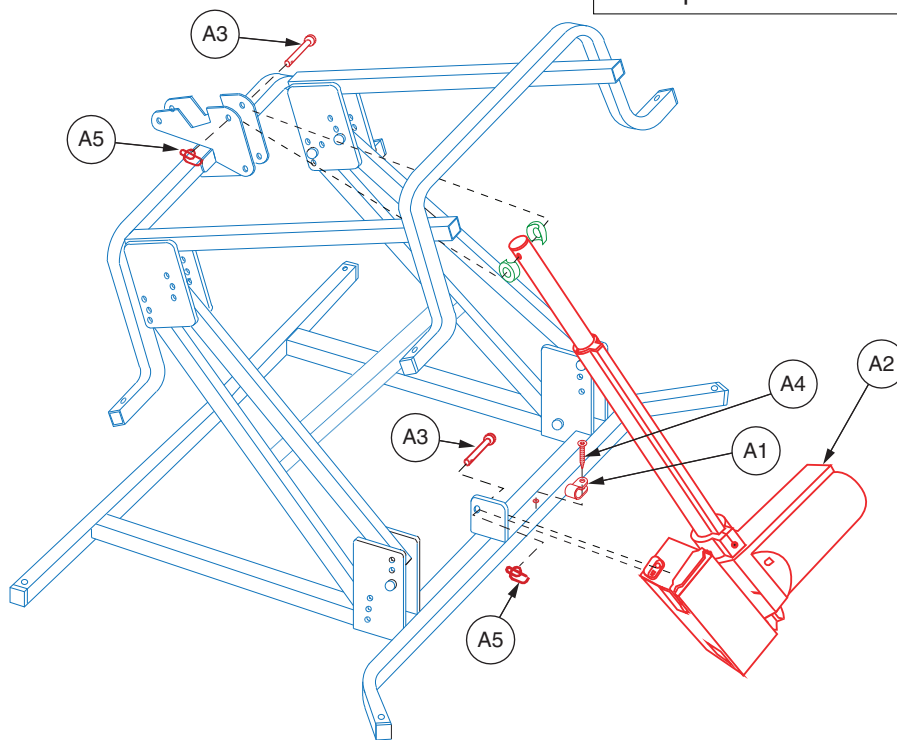
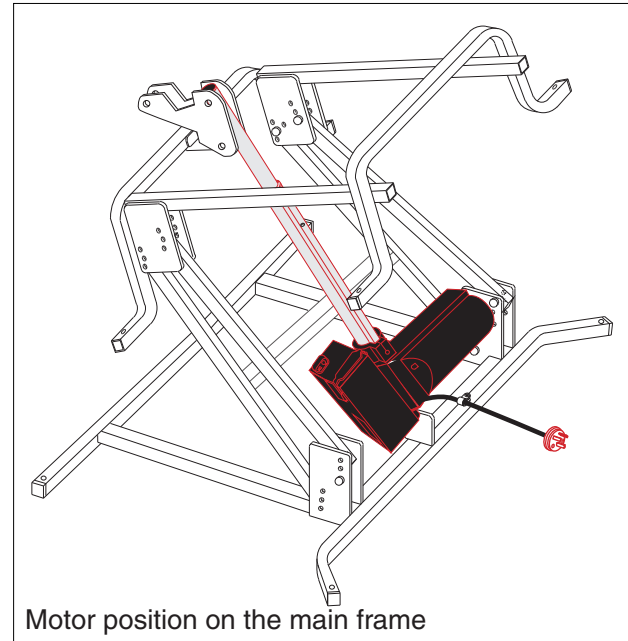
Generation 2. Items preceded by "*" are not shown.



REF #	PART #	DESCRIPTION	QTY	MSRP (AU\$) ¹¹ⁱ
A1 - A11	DRVASMB1563	MOTOR,ASSY,TRANSFORMER,EXTERNAL, STANDARD MOTOR, AUS, NO LOGO	1	669.1
A1	DRVMOTR1375	MOTOR,SLAVE MOTOR,LIFT CHAIR,HEAT/MASSAGE,(FBS:C124041)	1	395.86
A2	CTL140958	ELECTRONIC,TRANSFORMER,LIFT CHAIR,APPROVED FOR AUSTRALIA	1	N/A
A3	CLPCBLC1001	CLAMP,CABLE,BLACK NYLON,3/16",P-CLIP	1	5.74
A4	SCRPPTC1021	SCREW, PPH,BZ,#8 X 1/2",THREAD CUTTING,TYPE 25	1	6.02
A5	PINCLEV1021	CLEVIS PIN,3/8"X1.71",UNPLATED	2	6.04
A6	PINSOTR1018	PIN,COTTER,0.37" SHAFT X 1.25" OVERALL LENGTH X 0.072" WIRE,RUE CLIP,SELF LOCKING	2	5.72
A7	HARUSHD2547	ELECTRONIC,HARNESS, HAND CONTROL,CONNECTION CABLE FOR DUAL LEAD MOTOR	1	85.24
A8	HARUSHD2534	ELECTRONIC,TRANSFORMER/MOTOR CABLE,SINGLE MOTOR CHAIRS,(SS: 300.402.026.30)	1	88.88
A9	HARUSHD2542	ELECTRONIC,HARNESS, POWER CORD,LIFT CHAIR,UNIVERSAL TRANSFORMER,AUSTRALIA PLUG	1	N/A
*A10	SCRTORX1002	SCREW, TORX,ZINC PLATED,#25,SERRATED COARSE THREAD TYPE 17 TIP	1	10.62
*A11	PLSTIE1004	TIE WRAP,BLACK,8"	3	5.84

Notes :

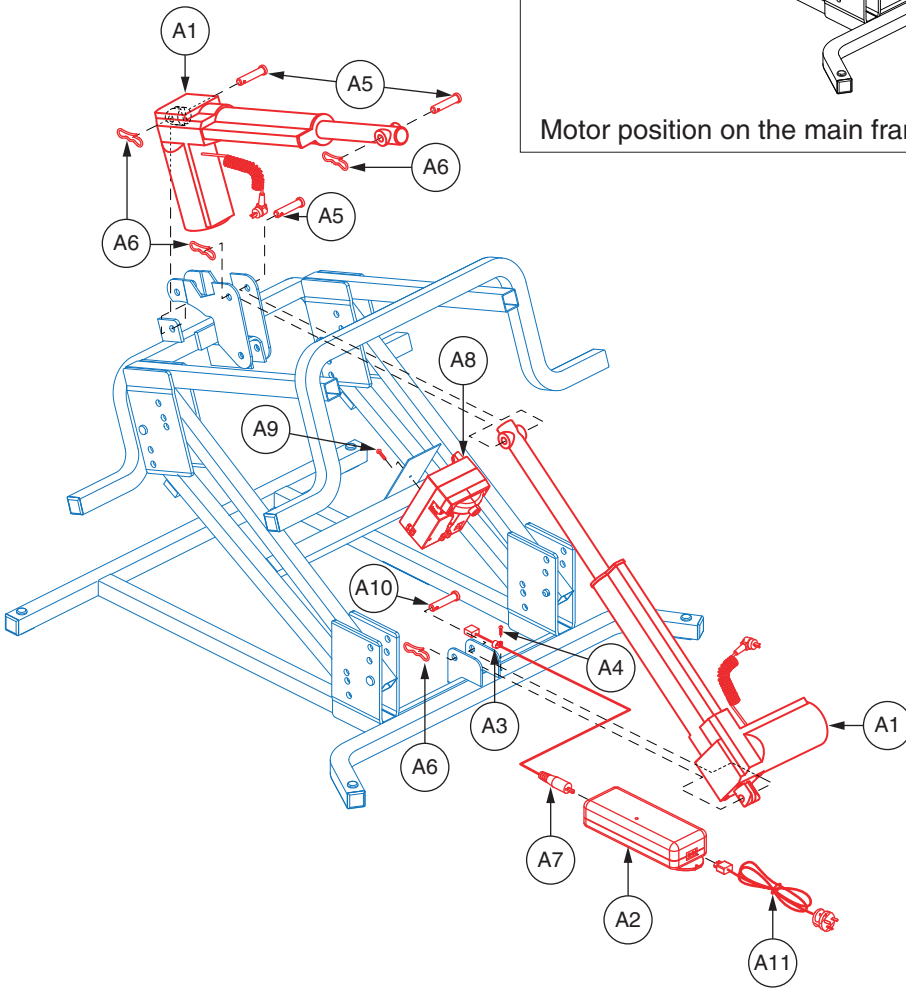
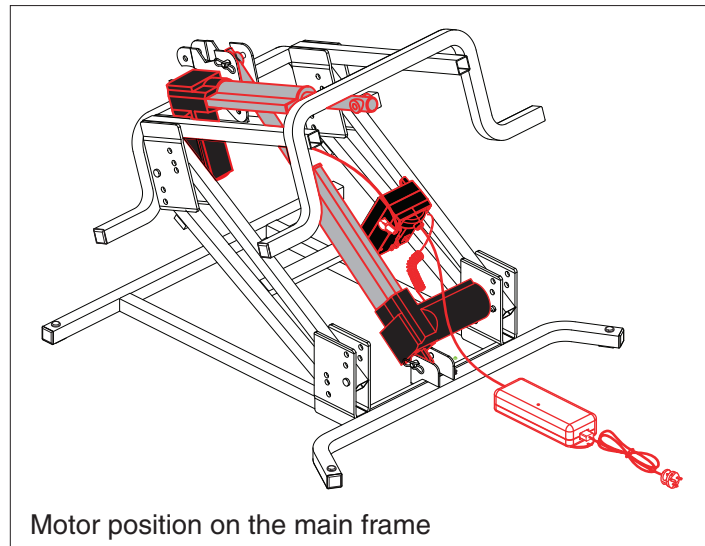
Items preceded by "*" are not shown.



REF #	PART #	DESCRIPTION	QTY	MSRP (AU\$) ¹¹ⁱ
A1 - A5	DRVASMB1242	MOTOR,ASSY,STANDARD LIFT CHAIR,AUSTRALIA	1	N/A
A1	CLPCBLC1001	CLAMP,CABLE,BLACK NYLON,3/16",P-CLIP	1	5.74
A2	DRVMOTR1146	MOTOR,MEGAMAT PLUS,992.075.008.1,{PAL 1.059 MOTOR},230V WITH AUSTRALIAN PLUG ON E	1	N/A
A3	PINCLEV1021	CLEVIS PIN,3/8"X1.71",UNPLATED	2	6.04
A4	SCRPPTC1021	SCREW, PPH,BZ,#8 X 1/2",THREAD CUTTING,TYPE 25	1	6.02
A5	PINSOTR1018	PIN,COTTER,0.37" SHAFT X 1.25" OVERALL LENGTH X 0.072" WIRE,RUE CLIP,SELF LOCKING	2	5.72

Notes :

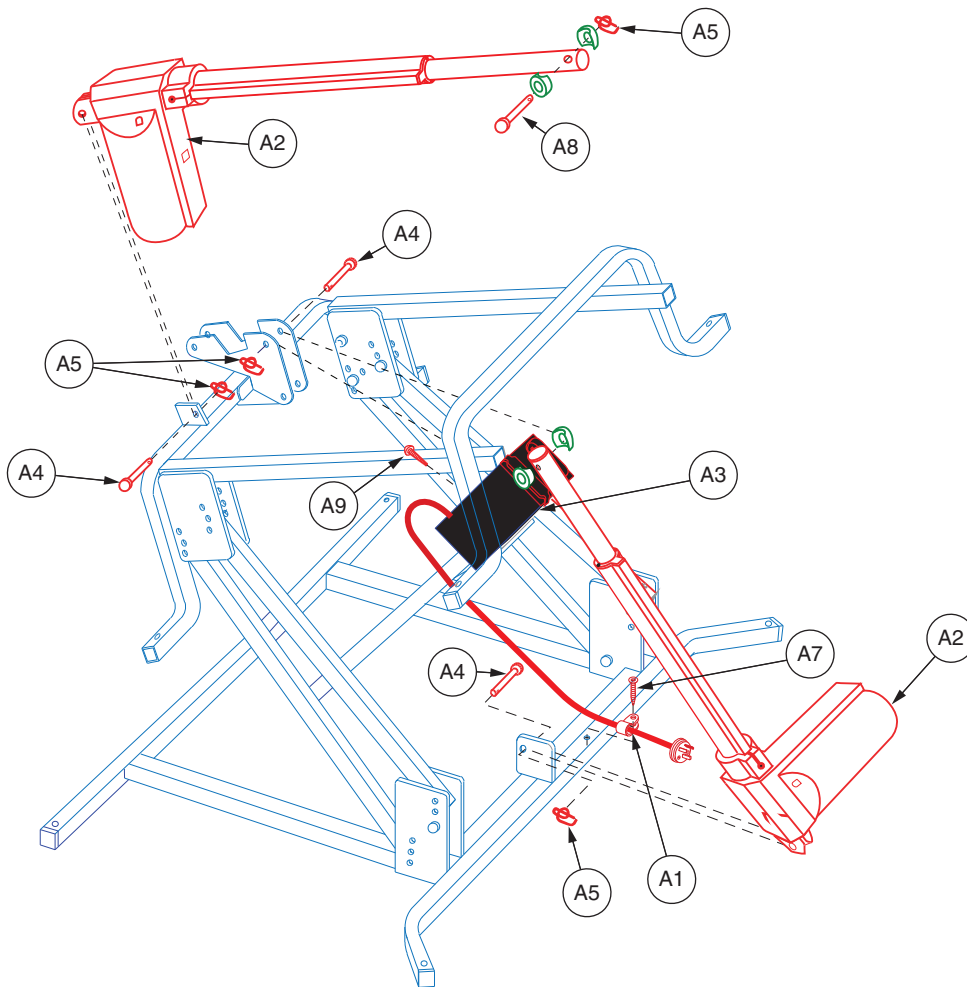
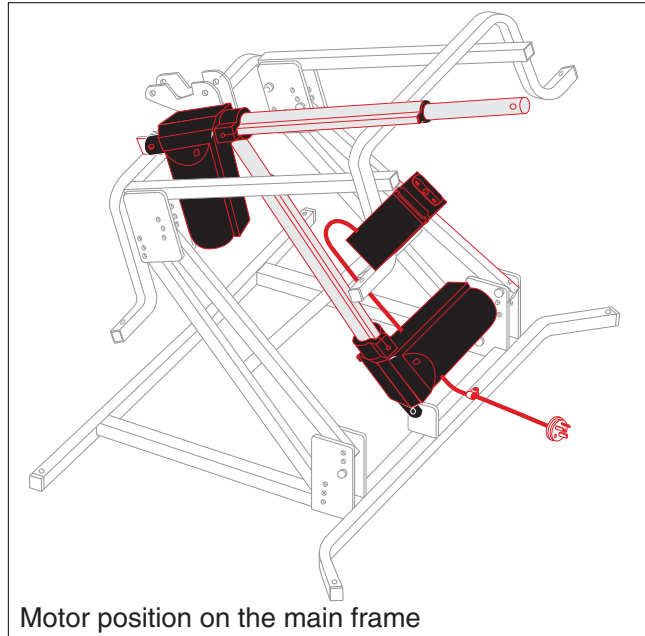
Generation 1



REF #	PART #	DESCRIPTION	QTY	MSRP (AU\$)
A1 - A18	DRVASMB1631	MOTOR,ASSY,TRANSFORMER,EXTERNAL,INFINITE MOTOR,AUS	1	N/A
A1	DRVMOTR1139	MOTOR,MEGAMAT PLUS,992.870.002.2,(PAL 1.059 MOTOR)	2	808.8
A2	CTL169001	ELECTRONIC,TRANSFORMER,CLASS 6,ENERGY EFFICIENT,HHC(W52RA199-290020)	1	N/A
A3	CLPCBLC1001	CLAMP,CABLE,BLACK NYLON,3/16",P-CLIP	1	5.74
A4	SCRPPTC1021	SCREW, PPH,BZ,#8 X 1/2",THREAD CUTTING,TYPE 25	1	6.02
A5	PINCLEV1021	CLEVIS PIN,3/8"X1.71",UNPLATED	3	6.04
A6	PINSOTR1018	PIN,COTTER,0.37" SHAFT X 1.25" OVERALL LENGTH X 0.072" WIRE,RUE CLIP,SELF LOCKING	4	5.72
A7	HARUSHD2539	ELECTRONIC,CONNECTION CABLE,UNIVERSAL,DUAL,INFINITE MOTOR,(FBS)	1	142.06
A8	ELEASMB6936	ELECTRONIC,MOTOR CONTROL BOX,UNIVERSAL,INFINITE MOTOR,(FBS:CM105B)	1	121.46
A9	SCRPPTC1043	SCREW, PPH,ZINC,8-32 X 0.250",THREAD CUTTING,TYPE F	1	11.48
A10	PINCLEV1018	CLEVIS PIN,3/8" X 1.875	1	12.04
A11	HARUSHD2542	ELECTRONIC,HARNESS, POWER CORD,LIFT CHAIR,UNIVERSAL TRANSFORMER,AUSTRALIA PLUG	1	N/A
*A12	DWR1235L520	DECAL,CAUTION,EXTENSION CORD/GROUNDING PRONG,L-1235-520	1	7.16
*A13	DWR1235L648	DECAL,WARNING,EXTERNAL TRANSFORMER PLACEMENT,L-1235-648	1	N/A
*A14	DECINDV1236	DECAL,1 3/4"L X 1/2"H,ELECTRICAL APPROVAL,C-TICK DECAL,SILVER,L-1234-569	1	N/A
*A15	DWR1234L945	DECAL,WARNING,TRANSFORMER,DISPOSE OF PROPERLY/SHOCK/READ OWNERS MANUAL,LIFT CHAIR,L-1234-945	1	N/A
*A16	DWR1235L134	DECAL,WEIGHT CAPACITY,LIFT CHAIR SERIES,L-1235-134	1	N/A
*A17	PLSTIE1004	TIE WRAP,BLACK,8"	6	5.84
*A18	ELE137859	ELECTRONIC,RIGHT ANGLE HAND CONTROL EXTENSION CABLE,DUAL INFINITE MOTOR,(HHC XS001B)	1	67.32

Notes :

Used on the LL660, LL670, and C6 Lift Chairs. Items preceded by "*" are not shown.

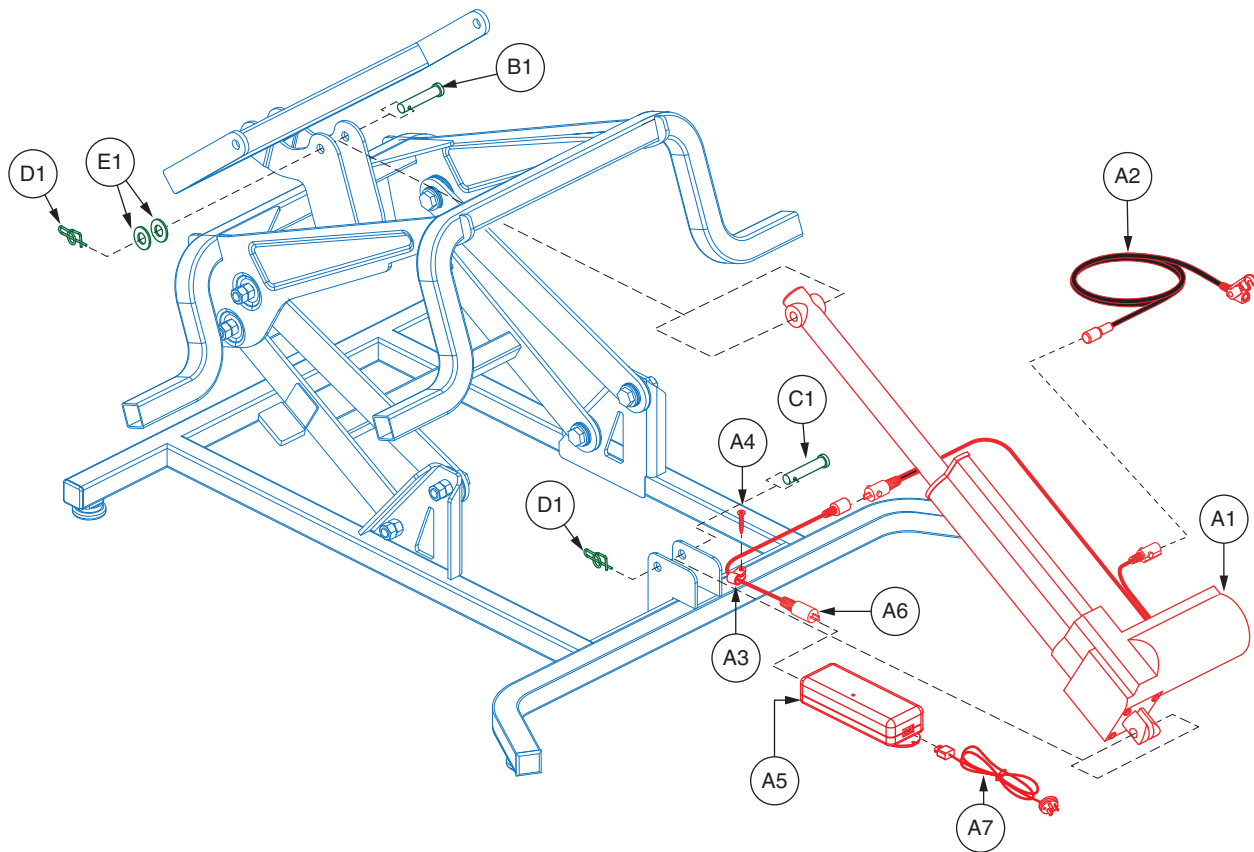
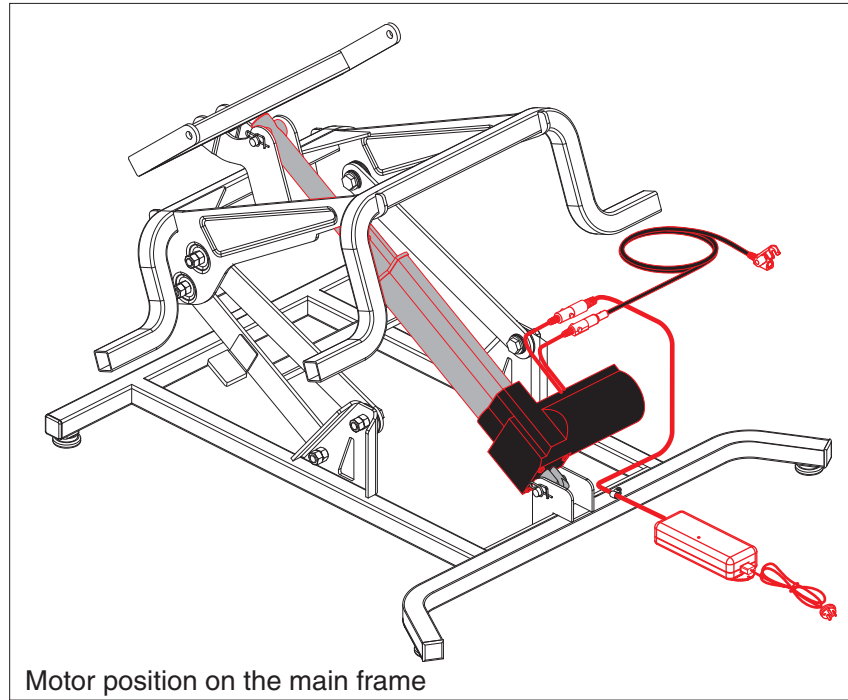


REF #	PART #	DESCRIPTION	QTY	MSRP (AU\$) ¹¹ⁱ
A1 - A9	DRVASMB1312	MOTOR,INFINITE MOTOR,AUSTRALIA	1	N/A
A1	CLPCBLC1001	CLAMP,CABLE,BLACK NYLON,3/16",P-CLIP	1	5.74
A2	DRVMOTR1139	MOTOR,MEGAMAT PLUS,992.870.002.2,(PAL 1.059 MOTOR)	2	808.8
A3	CTLDC1173	ELECTRONIC,TRANSFORMER BOX,230V,AUS INFINITE MOTOR 990.760.017	1	N/A
A4	PINCLEV1021	CLEVIS PIN,3/8"X1.71",UNPLATED	3	6.04
A5	PINSOTR1018	PIN,COTTER,0.37" SHAFT X 1.25" OVERALL LENGTH X 0.072" WIRE,RUE CLIP,SELF LOCKING	4	5.72
*A6	PLSTIE1004	TIE WRAP,BLACK,8"	6	5.84
A7	SCRPPTC1021	SCREW, PPH,BZ,#8 X 1/2",THREAD CUTTING,TYPE 25	1	6.02
A8	PINCLEV1018	CLEVIS PIN,3/8" X 1.875	1	12.04
A9	SCRPPTC1043	SCREW, PPH,ZINC,8-32 X 0.250",THREAD CUTTING,TYPE F	1	11.48

Notes :

Generation 1

*A6 Not shown.

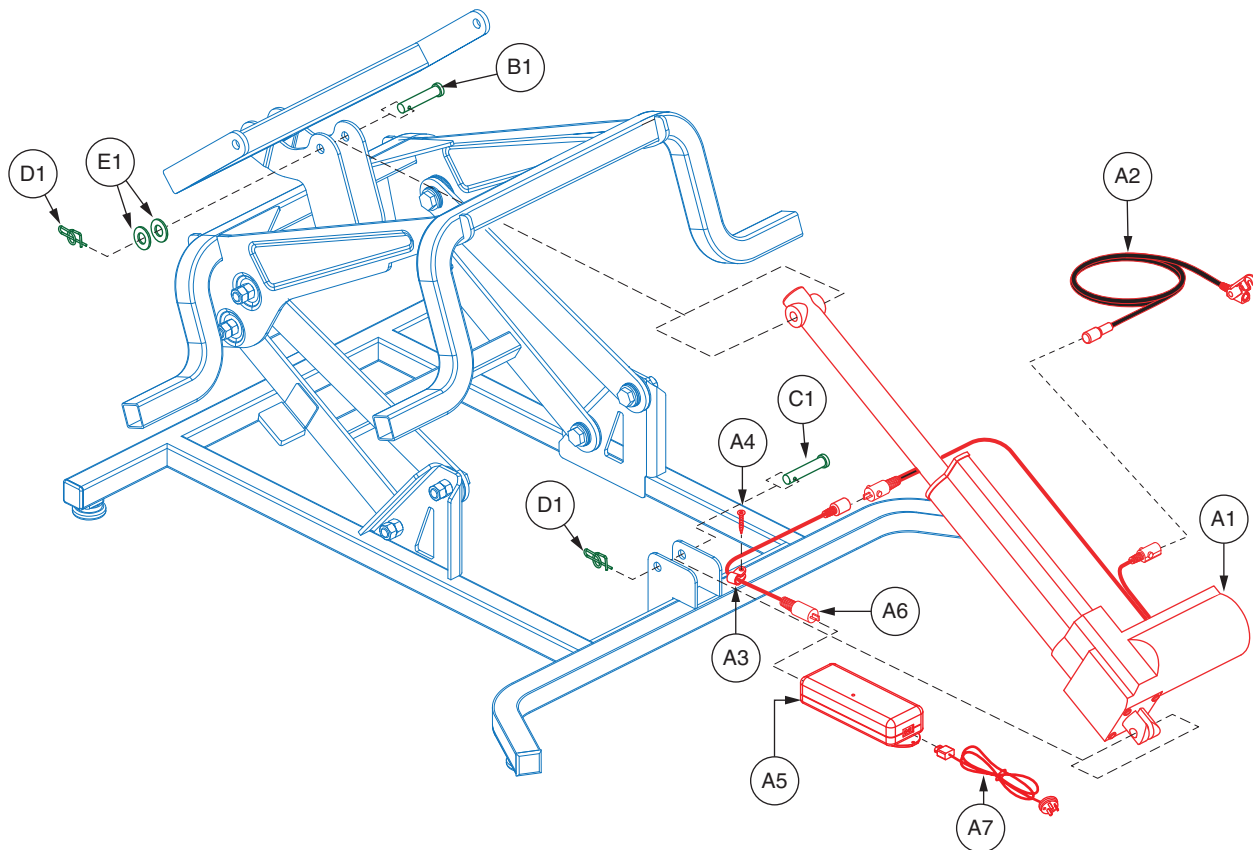
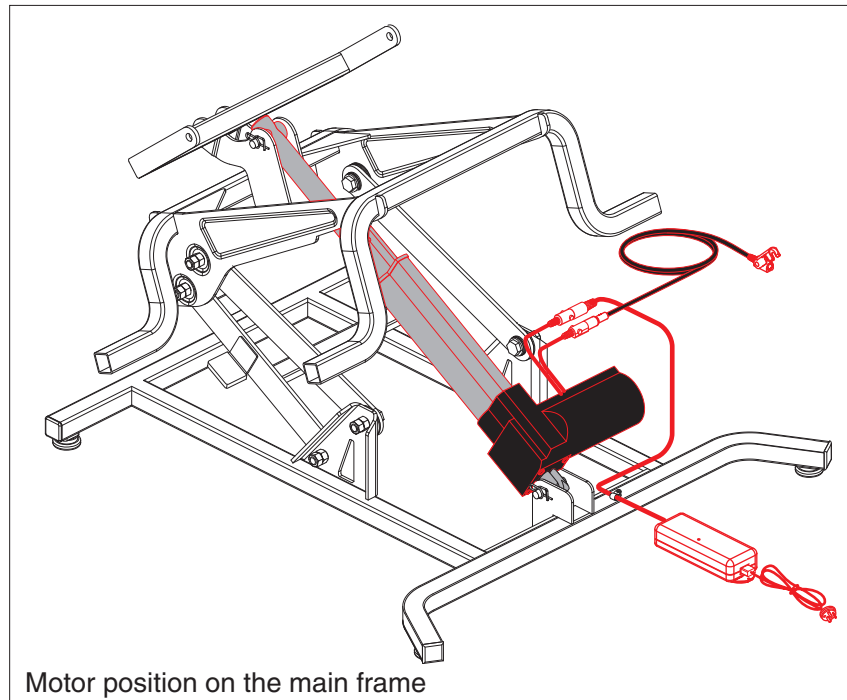


REF #	PART #	DESCRIPTION	QTY	MSRP (AU\$)
A1 - A14	FRMASMB12321	MOTOR,ASSY,TRANSFORMER,EXTERNAL,STANDARD MOTOR,AUS	1	N/A
A1	DRVMOTR1375	MOTOR,SLAVE MOTOR,LIFT CHAIR,HEAT/MASSAGE,(FBS:C124041)	1	395.86
A2	HARUSHD2547	ELECTRONIC,HARNESS, HAND CONTROL,CONNECTION CABLE FOR DUAL LEAD MOTOR	1	85.24
**A3	CLPCBLC1001	CLAMP,CABLE,BLACK NYLON,3/16",P-CLIP	2	5.74
**A4	SCRPPSM1036	SCREW,PPH-SHEET METAL,BLACK ZINC,M4.5 X 12MM,TYPE B2,SELF DRILLING	2	5.72
A5	CTL169001	ELECTRONIC,TRANSFORMER,CLASS VI,ENERGY EFFICIENT,HHC(W52RA199-290020)	1	N/A
A6	HARUSHD2534	ELECTRONIC,TRANSFORMER/MOTOR CABLE,SINGLE MOTOR CHAIRS,(SS: 300.402.026.30)	1	88.88
A7	HARUSHD2542	ELECTRONIC,HARNESS, POWER CORD,LIFT CHAIR,UNIVERSAL TRANSFORMER,AUSTRALIA PLUG	1	N/A
*A8	DWR1235L134	DECAL,WEIGHT CAPACITY,LIFT CHAIR SERIES,L-1235-134	1	N/A
*A9	DWR1234L945	DECAL,WARNING,TRANSFORMER,DISPOSE OF PROPERLY/SHOCK/READ OWNERS MANUAL,LIFT CHAIR,L-1234-945	1	N/A
*A10	DWR1235L520	DECAL,CAUTION,EXTENSION CORD/GROUNDING PRONG,L-1235-520	1	7.16
*A11	DECINDV1236	DECAL,1 3/4"L X 1/2"H,ELECTRICAL APPROVAL,C-TICK DECAL,SILVER,L-1234-569	1	N/A
*A12	DWR1235L648	DECAL,WARNING,EXTERNAL TRANSFORMER PLACEMENT,L-1235-648	1	N/A
*A13	PLSTIE1001	TIE WRAP,BLACK,4"	2	5.96
*A14	PLSTIE1004	TIE WRAP,BLACK,8"	2	5.84
B1	PINCLEV1053	CLEVIS PIN,ZINC PLATED,9.5MM OD X 40MM L	1	5.72
C1	PINCLEV1052	CLEVIS PIN,ZINC PLATED,9.5MM OD X 36MM L	1	5.72
D1	PINSOTR1018	PIN,COTTER,0.37" SHAFT X 1.25" OVERALL LENGTH X 0.072" WIRE,BOW TYPE, SELF LOCKING	2	5.72
E1	WASNLYN1151	WASHER,NYLON,10MM ID X 16MM OD X 1MM TH	2	5.72

Notes :

Items preceded by "*" are not shown.

- **A3** One shown.
- **A4** One shown.

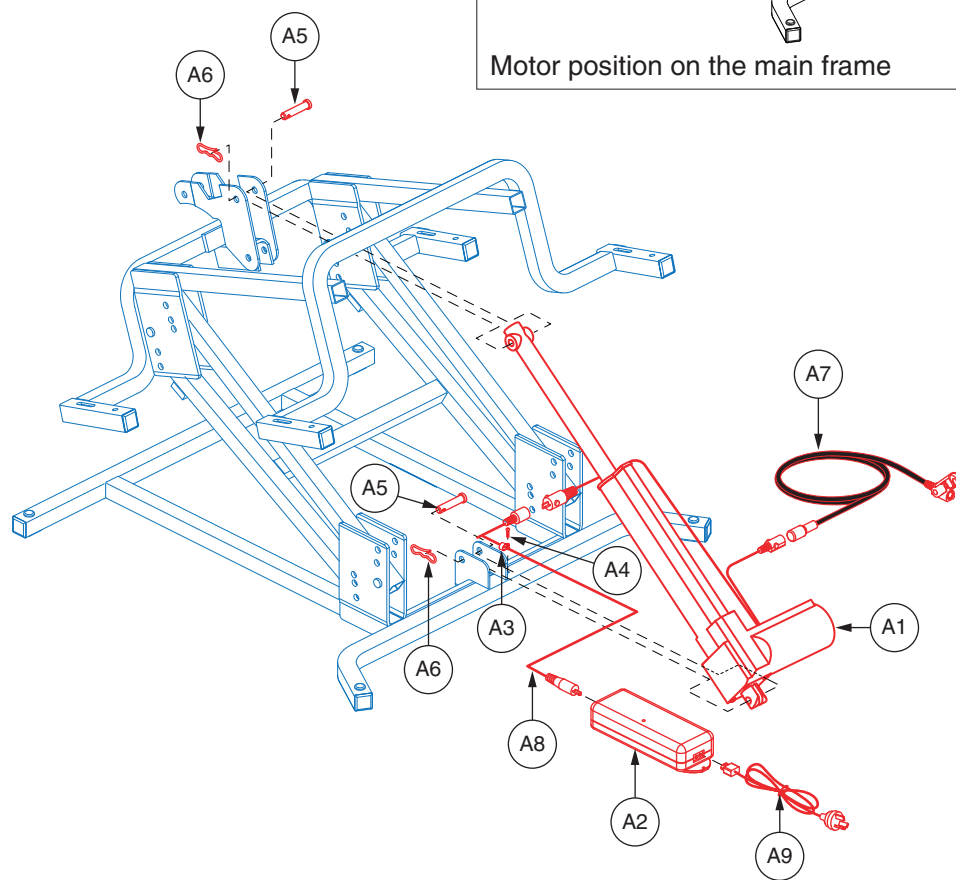
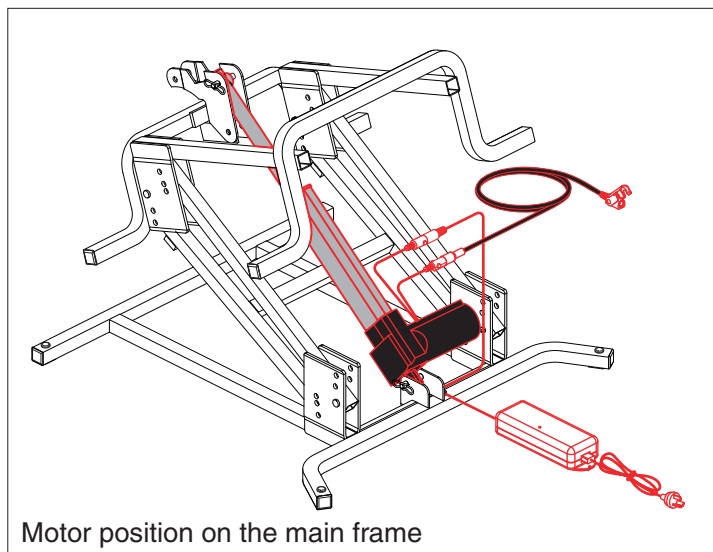


REF #	PART #	DESCRIPTION	QTY	MSRP (AU\$)
A1 - A14	FRMASMB14443	MOTOR,ASSY,TRANSFORMER,EXTERNAL,FBS MOTOR,AUS	1	N/A
A1	DRVMOTR1374	MOTOR,SLAVE MOTOR,LIFT CHAIR,HEAT/MASSAGE,(FBS)	1	737.38
A2	HARUSHD2547	ELECTRONIC,HARNESS, HAND CONTROL,CONNECTION CABLE FOR DUAL LEAD MOTOR	1	85.24
**A3	CLPCBLC1001	CLAMP,CABLE,BLACK NYLON,3/16",P-CLIP	2	5.74
**A4	SCRPPSM1036	SCREW,PPH-SHEET METAL,BLACK ZINC,M4.5 X 12MM,TYPE B2,SELF DRILLING	2	5.72
A5	CTL140958	ELECTRONIC,TRANSFORMER,LIFT CHAIR,APPROVED FOR AUSTRALIA	1	N/A
A6	HARUSHD2534	ELECTRONIC,TRANSFORMER/MOTOR CABLE,SINGLE MOTOR CHAIRS,(SS: 300.402.026.30)	1	88.88
A7	HARUSHD2542	ELECTRONIC,HARNESS, POWER CORD,LIFT CHAIR,UNIVERSAL TRANSFORMER,AUSTRALIA PLUG	1	N/A
*A8	DWR1235L134	DECAL,WEIGHT CAPACITY,LIFT CHAIR SERIES,L-1235-134	1	N/A
*A9	DWR1234L945	DECAL,WARNING,TRANSFORMER,DISPOSE OF PROPERLY/SHOCK/READ OWNERS MANUAL,LIFT CHAIR,L-1234-945	1	N/A
*A10	DWR1235L520	DECAL,CAUTION,EXTENSION CORD/GROUNDING PRONG,L-1235-520	1	7.16
*A11	DECINDV1236	DECAL,1 3/4"L X 1/2"H,ELECTRICAL APPROVAL,C-TICK DECAL,SILVER,L-1234-569	1	N/A
*A12	DWR1235L648	DECAL,WARNING,EXTERNAL TRANSFORMER PLACEMENT,L-1235-648	1	N/A
*A13	PLSTIE1004	TIE WRAP,BLACK,8"	2	5.84
*A14	PLSTIE1001	TIE WRAP,BLACK,4"	2	5.96
B1	PINCLEV1053	CLEVIS PIN,ZINC PLATED,9.5MM OD X 40MM L	1	5.72
C1	PINCLEV1052	CLEVIS PIN,ZINC PLATED,9.5MM OD X 36MM L	1	5.72
D1	PINSOTR1018	PIN,COTTER,0.37" SHAFT X 1.25" OVERALL LENGTH X 0.072" WIRE,BOW TYPE, SELF LOCKING	2	5.72
E1	WASNLYN1151	WASHER,NYLON,10MM ID X 16MM OD X 1MM TH	2	5.72

Notes :

Items preceded by "*" are not shown.

- **A3** One shown.
- **A4** One shown.

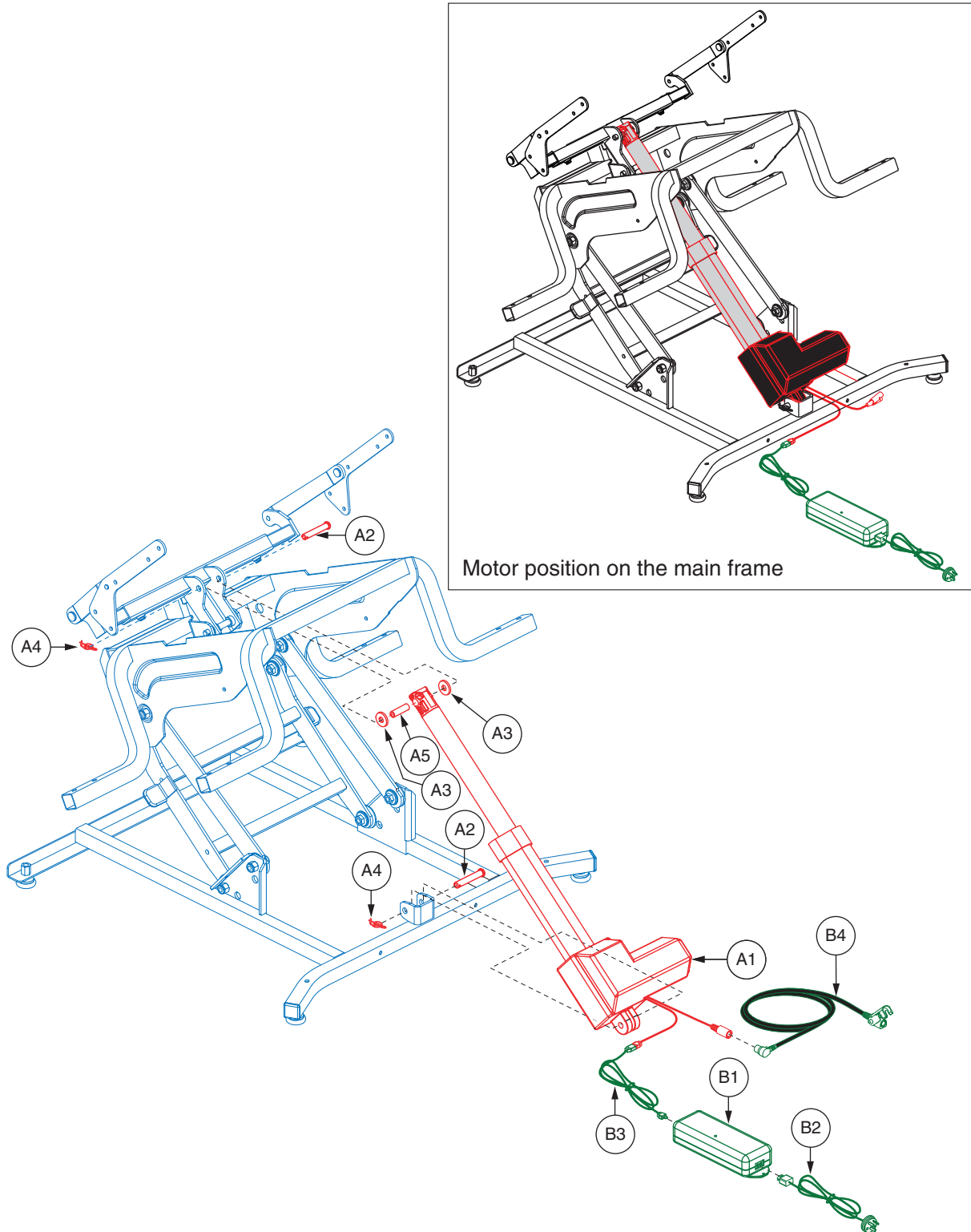


REF #	PART #	DESCRIPTION	QTY	MSRP (AU\$) ¹¹ⁱ
A1 - A15	DRVASMB1795	MOTOR,ASSY,TRANSFORMER,EXTERNAL,STANDARD MOTOR,STEEL FRAME CHAIR,AUSTRALIA	1	N/A
A1	DRVMOTR1375	MOTOR,SLAVE MOTOR,LIFT CHAIR,HEAT/MASSAGE,(FBS:C124041)	1	395.86
A2	CTL169001	ELECTRONIC,TRANSFORMER,CLASS VI,ENERGY EFFICIENT,HHC(W52RA199-290020)	1	N/A
**A3	CLPCBLC1001	CLAMP,CABLE,BLACK NYLON,3/16",P-CLIP	2	5.74
**A4	SCRPPSM1000	SCREW,PPH-SHEET METAL,ZINC,#8 X 0.50"	2	6.02
A5	PINCLEV1021	CLEVIS PIN,3/8"X1.71",UNPLATED	2	6.04
A6	PINSOTR1018	PIN,COTTER,0.37" SHAFT X 1.25" OVERALL LENGTH X 0.072" WIRE,RUE CLIP,SELF LOCKING	2	5.72
A7	HARUSHD2547	ELECTRONIC,HARNESS, HAND CONTROL,CONNECTION CABLE FOR DUAL LEAD MOTOR	1	85.24
A8	HARUSHD2534	ELECTRONIC,TRANSFORMER/MOTOR CABLE,SINGLE MOTOR CHAIRS,(SS: 300.402.026.30)	1	88.88
A9	HARUSHD2542	ELECTRONIC,HARNESS, POWER CORD,LIFT CHAIR,UNIVERSAL TRANSFORMER,AUSTRALIA PLUG	1	N/A
*A10	DWR1235L648	DECAL,WARNING,EXTERNAL TRANSFORMER PLACEMENT,L-1235-648	1	N/A
*A11	DECINDV1236	DECAL,1 3/4"L X 1/2"H,ELECTRICAL APPROVAL,C-TICK DECAL,SILVER,L-1234-569	1	N/A
*A12	DWR1234L945	DECAL,WARNING,TRANSFORMER,DISPOSE OF PROPERLY/SHOCK/READ OWNERS MANUAL,LIFT CHAIR,L-1234-945	1	N/A
*A13	DWR1235L134	DECAL,WEIGHT CAPACITY,LIFT CHAIR SERIES,L-1235-134	1	N/A
*A14	DWR1235L520	DECAL,CAUTION,EXTENSION CORD/GROUNDING PRONG,L-1235-520	1	7.16
*A15	PLSTIE1004	TIE WRAP,BLACK,8"	3	5.84

Notes :

Items preceded by "*" are not shown.

- **A3 One shown.
- **A4 One shown.

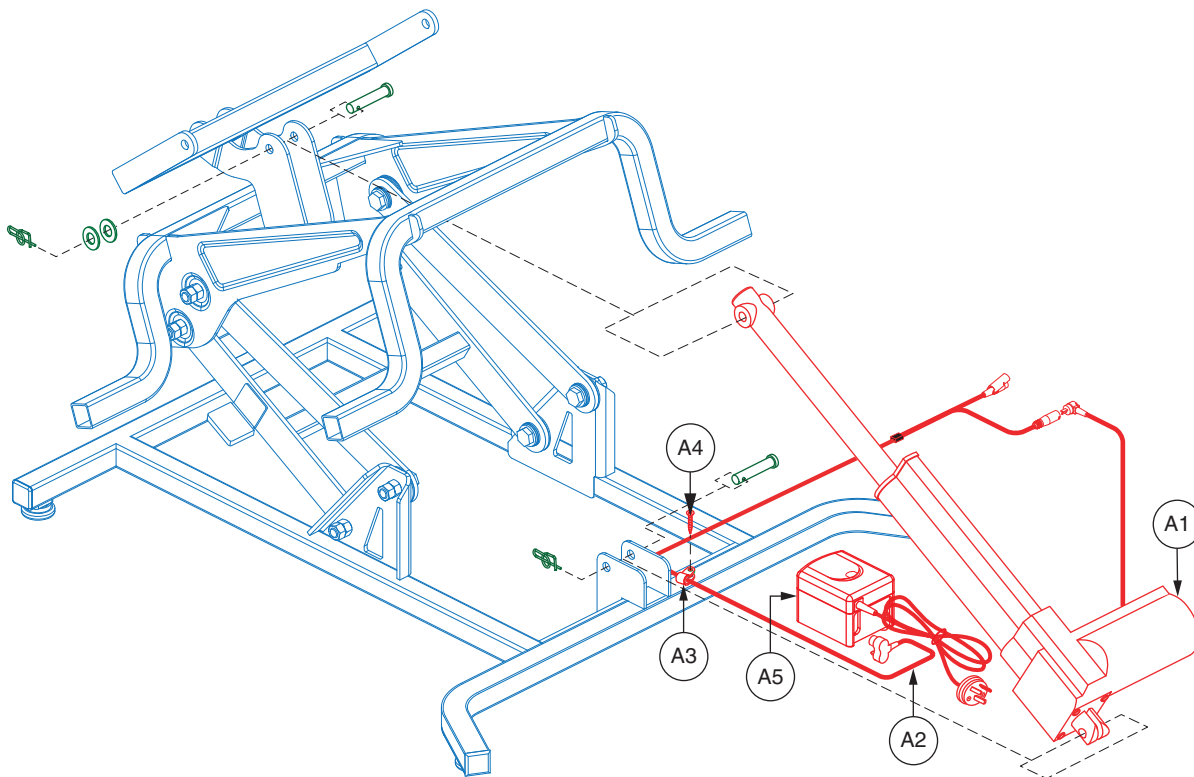
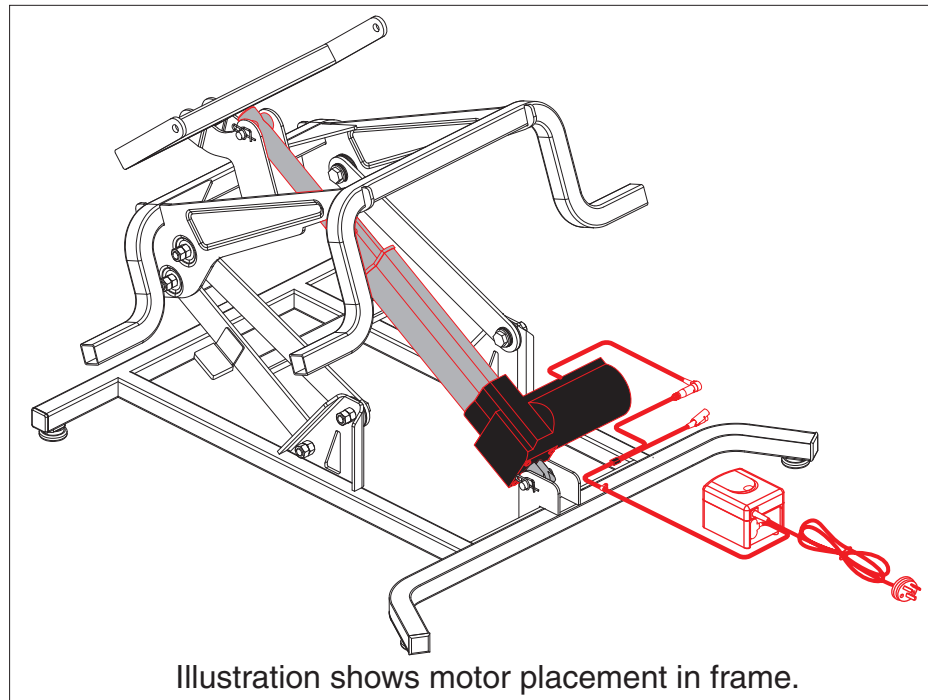


REF #	PART #	DESCRIPTION	QTY	MSRP (AU\$) ¹¹ⁱ
A1 - A5	DRVASMB2007	MOTOR,ASSY,LIFT CHAIR,SUPER SAGLESS	1	N/A
A1	MOT152486	MOTOR,LIFT CHAIR,OKIN EMC	1	277.18
A2	PINCLEV1050	CLEVIS PIN,STEEL,ZINC PLATED,0.375" X 2.188",(SS: 7160 9303)	2	6.04
A3	WASNYLN1140	WASHER,BLACK,NYLON,0.390" ID X 1.00" OD X 0.120" TH,(SS: 7167 9300)	2	5.84
A4	PINSOTR1018	PIN,COTTER,0.37" SHAFT X 1.25" OVERALL LENGTH X 0.072" WIRE,RUE CLIP,SELF LOCKING	2	5.72
A5	INDPART2629	SLEEVE,BLACK,SS MOTOR,FRONT SHAFT	1	5.74
B1 - B9	ELEASMB5874	ELECTRONIC,ASSY,TRANSFORMER,W/BATTERY BACKUP,C13170,SS,AUS	1	N/A
B1	CTL140958	ELECTRONIC,TRANSFORMER,LIFT CHAIR,APPROVED FOR AUSTRALIA	1	N/A
B2	HARUSHD2542	ELECTRONIC,HARNESS, POWER CORD,LIFT CHAIR,UNIVERSAL TRANSFORMER,AUSTRALIA PLUG	1	N/A
B3	HARUSHD2534	ELECTRONIC,TRANSFORMER/MOTOR CABLE,SINGLE MOTOR CHAIRS,(SS: 300.402.026.30)	1	88.88
**B4	HARUSHD2536	ELECTRONIC,HARNESS,LOCKING EXTENSION CABLE,HAND CONTROL,(KII: KC7071)	1	71.6
*B5	DWR1234L945	DECAL,WARNING,TRANSFORMER,DISPOSE OF PROPERLY/SHOCK/READ OWNERS MANUAL,LIFT CHAIR,L-1234-945	1	N/A
*B6	DWR1235L520	DECAL,CAUTION,EXTENSION CORD/GROUNDING PRONG,L-1235-520	1	7.16
*B7	DECINDV1236	DECAL,1 3/4"L X 1/2"H,ELECTRICAL APPROVAL,C-TICK DECAL,SILVER,L-1234-569	1	N/A
*B8	DWR1235L648	DECAL,WARNING,EXTERNAL TRANSFORMER PLACEMENT,L-1235-648	1	N/A
*B9	LAB160007	DECAL,GENERIC WEIGHT CAPACITY,LIFT CHAIR	1	N/A
*C1	PLSTIE1004	TIE WRAP,BLACK,8"	3	5.84

Notes :

Items preceded by "*" are not shown.

****B4** For use on units without heat and massage.



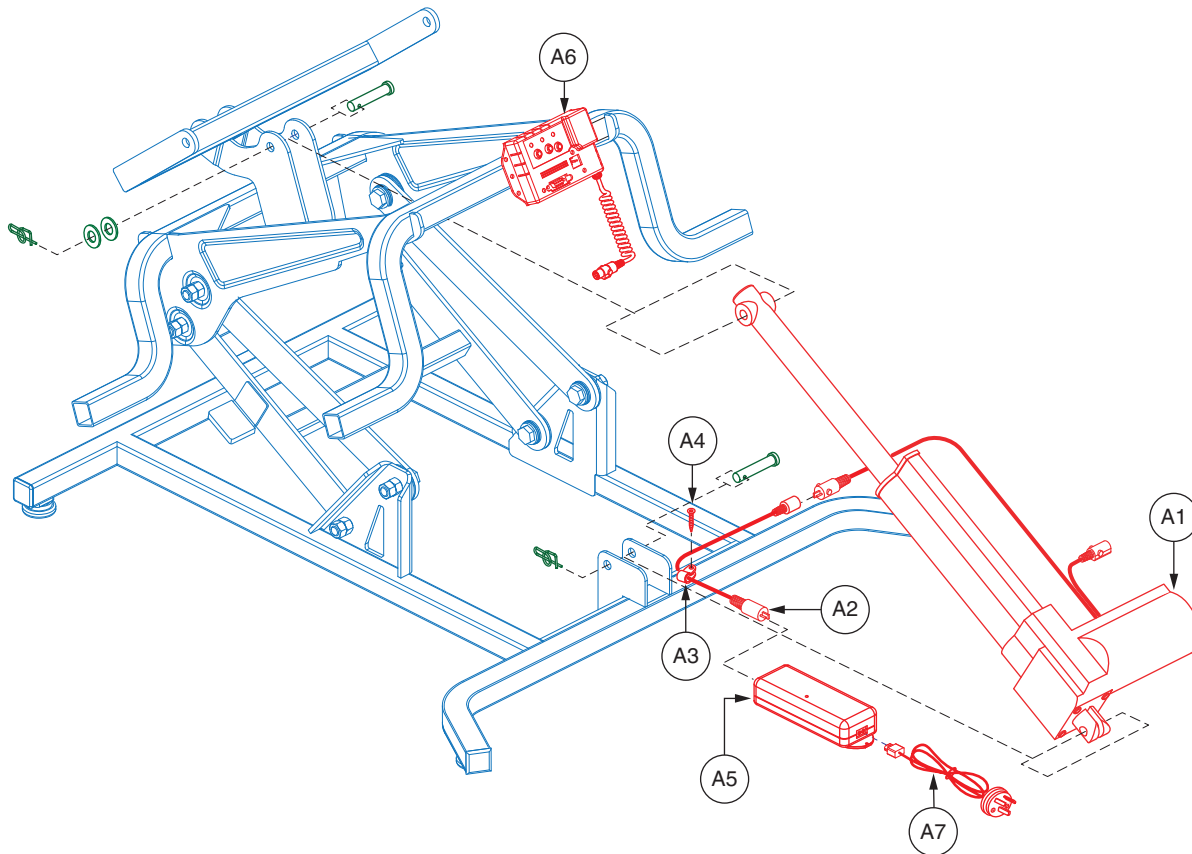
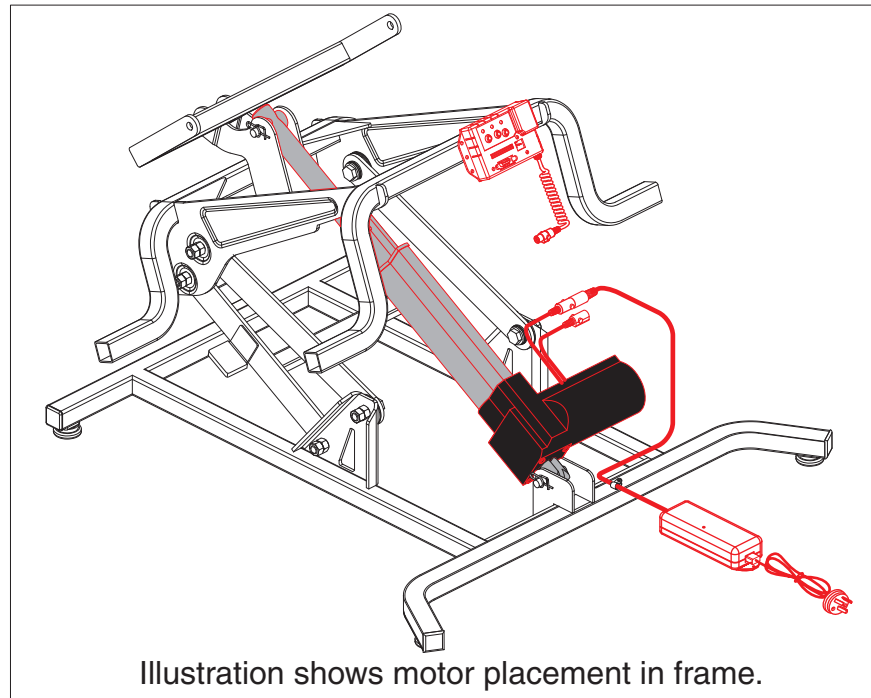
REF #	PART #	DESCRIPTION	QTY	MSRP (AU\$) ¹¹ⁱ
A1 - A12	FRMASMB14431	MOTOR,ASSY,TRANSFORMER,EXTERNAL,STANDARD MOTOR,AUS,LC101	1	N/A
A1	DRVMOTR1379	MOTOR,SLAVE MOTOR,LIFT CHAIR,LC101,(FBS:C124043)	1	724.28
A2	HARUSHD2436	ELECTRONIC, CONNECTION Y CABLE,7 FT,LIFT CHAIR,LOW VOLTAGE, UNIVERSAL, STANDARD WITH QUICK RELEASE CLIP	1	145.92
**A3	CLPCBLC1001	CLAMP,CABLE,BLACK NYLON,3/16",P-CLIP	2	5.74
**A4	SCRPPSM1036	SCREW,PPH-SHEET METAL,BLACK ZINC,M4.5 X 12MM,TYPE B2,SELF DRILLING	2	5.72
A5	CTLDC1550	CONTROLLER BOX, TRANSFORMER,EXTERNAL,SINGLE MOTOR,PRIDE LOGO,AUS,(SFV: CT1502D)	1	N/A
*A6	DWR1235L134	DECAL,WEIGHT CAPACITY,LIFT CHAIR SERIES,L-1235-134	1	N/A
*A7	DWR1234L945	DECAL,WARNING,TRANSFORMER,DISPOSE OF PROPERLY/SHOCK/READ OWNERS MANUAL,LIFT CHAIR,L-1234-945	1	N/A
*A8	DWR1235L520	DECAL,CAUTION,EXTENSION CORD/GROUNDING PRONG,L-1235-520	1	7.16
*A9	DECINDV1236	DECAL,1 3/4"L X 1/2"H,ELECTRICAL APPROVAL,C-TICK DECAL,SILVER,L-1234-569	1	N/A
*A10	DWR1235L648	DECAL,WARNING,EXTERNAL TRANSFORMER PLACEMENT,L-1235-648	1	N/A
*A11	PLSTIE1001	TIE WRAP,BLACK,4"	2	5.96
*A12	PLSTIE1004	TIE WRAP,BLACK,8"	2	5.84

Notes :

Items preceded by "*" are not shown.

****A3** One shown.

****A4** One shown.

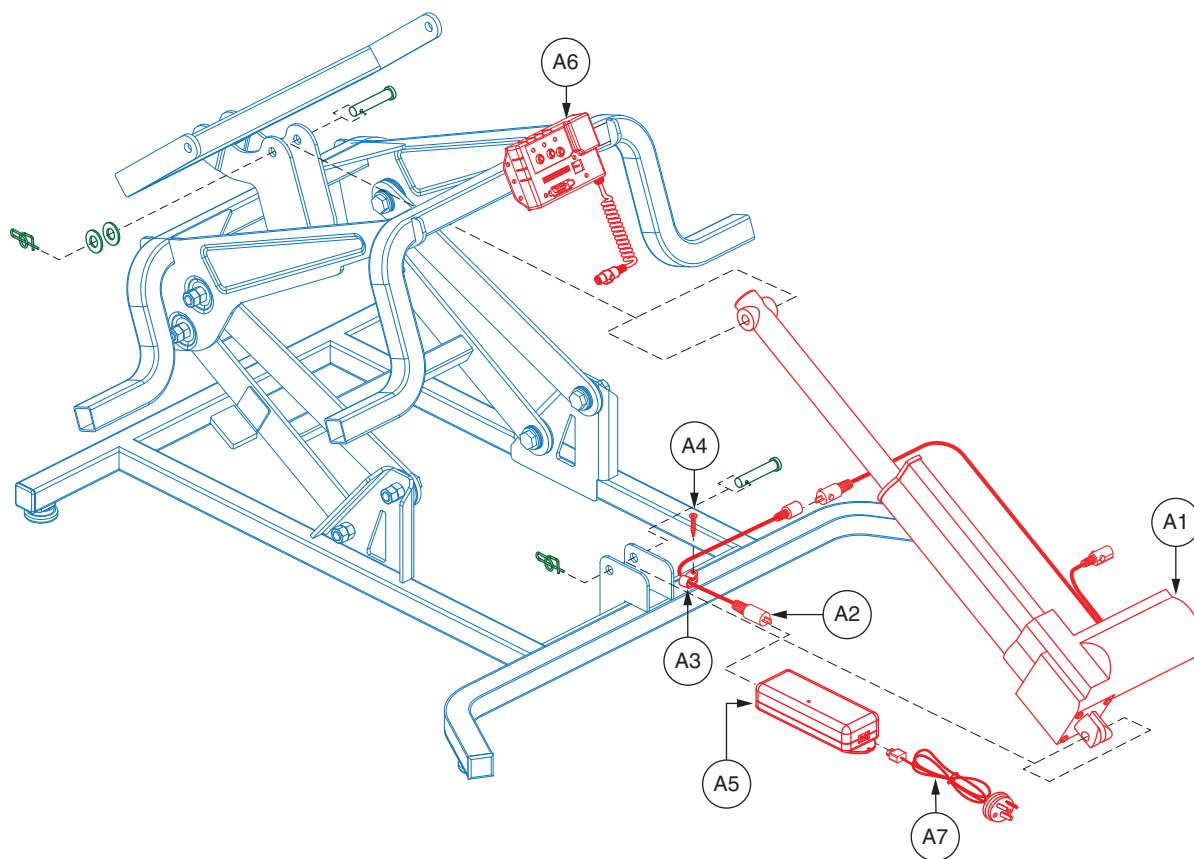
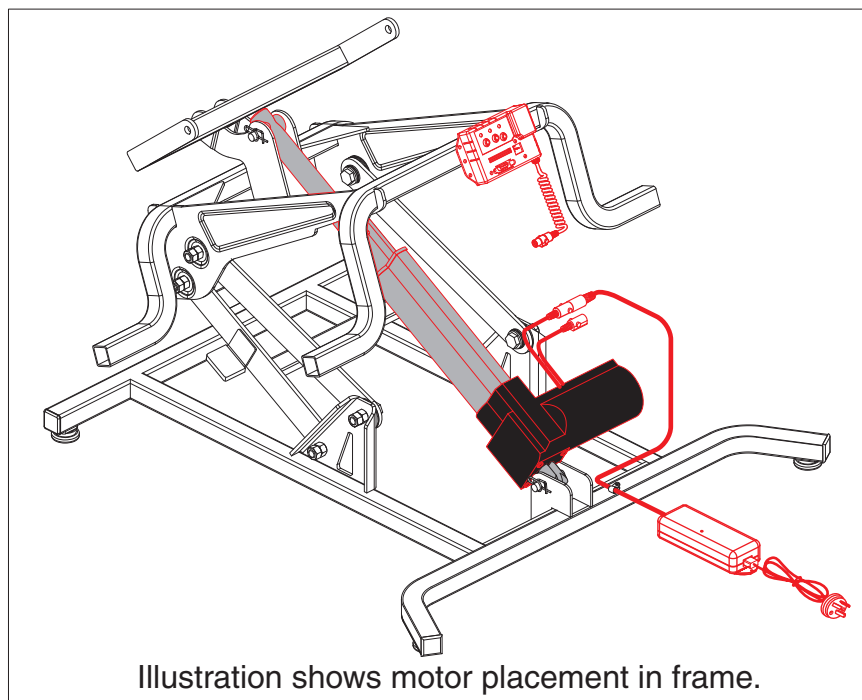


REF #	PART #	DESCRIPTION	QTY	MSRP (AU\$)
A1 - A14	FRMASMB14909	MOTOR,ASSY,TRANSFORMER,EXTERNAL,FBS MOTOR,HEAT/MASSAGE,AUS	1	N/A
A1	DRVMOTR1375	MOTOR,SLAVE MOTOR,LIFT CHAIR,HEAT/MASSAGE,(FBS:C124041)	1	395.86
A2	HARUSHD2534	ELECTRONIC,TRANSFORMER/MOTOR CABLE,SINGLE MOTOR CHAIRS,(SS: 300.402.026.30)	1	88.88
A3	CLPCBLC1001	CLAMP,CABLE,BLACK NYLON,3/16",P-CLIP	1	5.74
**A4	SCRPPSM1036	SCREW,PPH-SHEET METAL,BLACK ZINC,M4.5 X 12MM,TYPE B2,SELF DRILLING	2	5.72
A5	CTL140958	ELECTRONIC,TRANSFORMER,LIFT CHAIR,APPROVED FOR AUSTRALIA	1	N/A
A6	ELEINDV1071	ELECTRONIC,LIFT CHAIR JUNCTION BOX,(FIN-LJ-FR-LIFT)	1	325.26
A7	HARUSHD2542	ELECTRONIC,HARNESS, POWER CORD,LIFT CHAIR,UNIVERSAL TRANSFORMER,AUSTRALIA PLUG	1	N/A
*A8	DWR1234L945	DECAL,WARNING,TRANSFORMER,DISPOSE OF PROPERLY/SHOCK/READ OWNERS MANUAL,LIFT CHAIR,L-1234-945	1	N/A
*A9	DWR1235L648	DECAL,WARNING,EXTERNAL TRANSFORMER PLACEMENT,L-1235- 648	1	N/A
*A10	DWR1235L134	DECAL,WEIGHT CAPACITY,LIFT CHAIR SERIES,L-1235-134	1	N/A
*A11	DWR1235L520	DECAL,CAUTION,EXTENSION CORD/GROUNDING PRONG,L-1235- 520	1	7.16
*A12	DECINDV1236	DECAL,1 3/4"L X 1/2"H,ELECTRICAL APPROVAL,C-TICK DECAL,SILVER,L-1234-569	1	N/A
*A13	PLSTIE1001	TIE WRAP,BLACK,4"	2	5.96
*A14	PLSTIE1004	TIE WRAP,BLACK,8"	2	5.84

Notes :

Items preceded by "*" are not shown.

****A4** One shown.



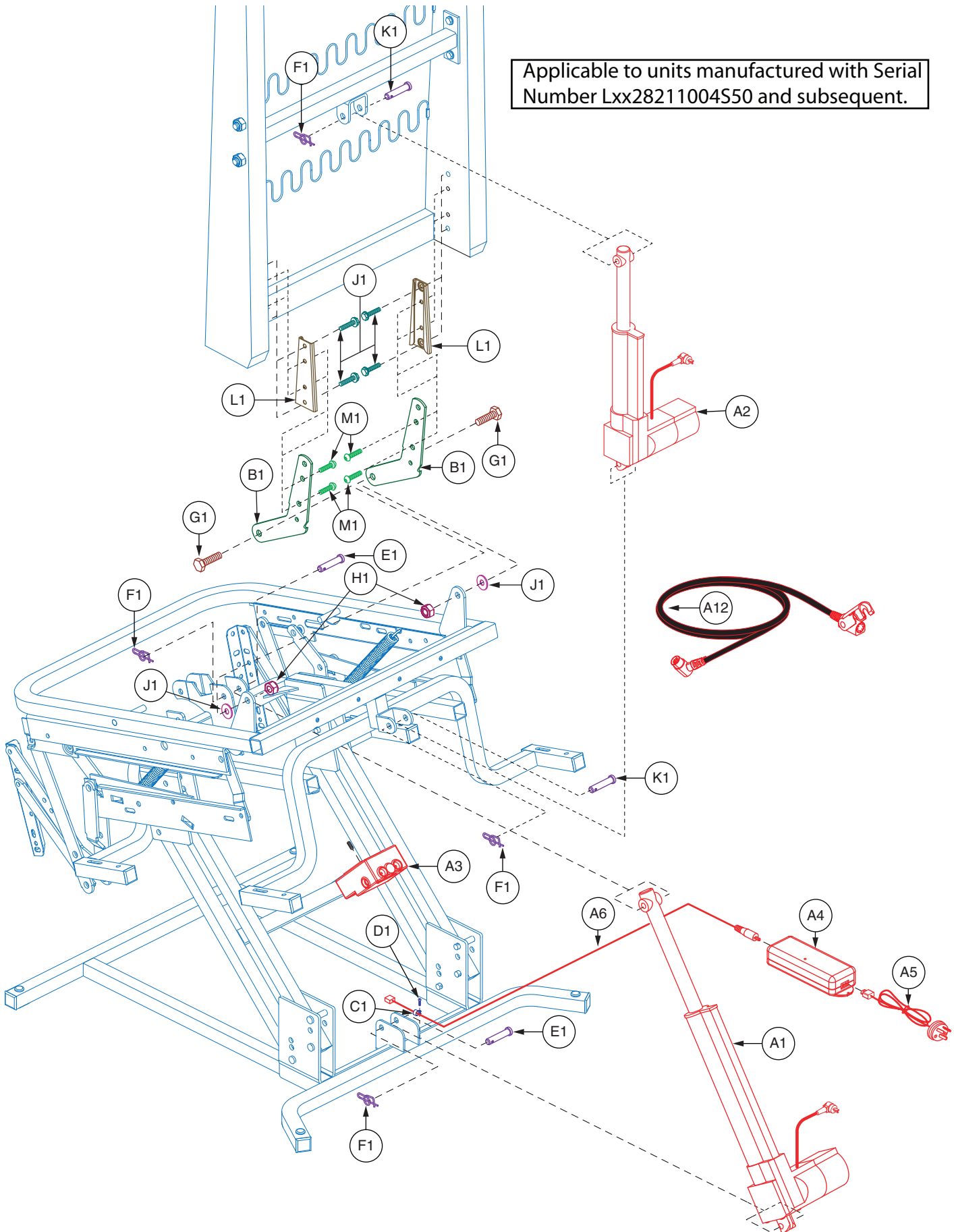
REF #	PART #	DESCRIPTION	QTY	MSRP (AU\$) ¹¹ⁱ
A1 - A11	DRVASMB2187	MOTOR,ASSY,UNIVERSAL TRANSFORMER,FBS MOTOR,HEAT/MASSAGE,LC101,AUS	1	N/A
A1	DRVMOTR1427	MOTOR,SLAVE MOTOR,LIFT CHAIR,LC101,HEAT/MASSAGE,(FBS)	1	738.76
A2	HARUSHD2534	ELECTRONIC,TRANSFORMER/MOTOR CABLE,SINGLE MOTOR CHAIRS,(SS: 300.402.026.30)	1	88.88
A3	CLPCBLC1001	CLAMP,CABLE,BLACK NYLON,3/16",P-CLIP	1	5.74
**A4	SCRPPSM1036	SCREW,PPH-SHEET METAL,BLACK ZINC,M4.5 X 12MM,TYPE B2,SELF DRILLING	2	5.72
A5	CTL140958	ELECTRONIC,TRANSFORMER,LIFT CHAIR,APPROVED FOR AUSTRALIA	1	N/A
A6	ELEINDV1071	ELECTRONIC,LIFT CHAIR JUNCTION BOX,(FIN-LJ-FR-LIFT)	1	325.26
A7	HARUSHD2542	ELECTRONIC,HARNESS, POWER CORD,LIFT CHAIR,UNIVERSAL TRANSFORMER,AUSTRALIA PLUG	1	N/A
*A8	DWR1235L520	DECAL,CAUTION,EXTENSION CORD/GROUNDING PRONG,L-1235- 520	1	7.16
*A9	DWR1235L648	DECAL,WARNING,EXTERNAL TRANSFORMER PLACEMENT,L-1235- 648	1	N/A
*A10	PLSTIE1001	TIE WRAP,BLACK,4"	2	5.96
*A11	PLSTIE1004	TIE WRAP,BLACK,8"	2	5.84
A15	DWR1234L945	DECAL,WARNING,TRANSFORMER,DISPOSE OF PROPERLY/SHOCK/READ OWNERS MANUAL,LIFT CHAIR,L-1234-945	1	N/A

Notes :

Items preceded by "*" are not shown.

****A4** One shown.

Applicable to units manufactured with Serial Number Lxx28211004550 and subsequent.



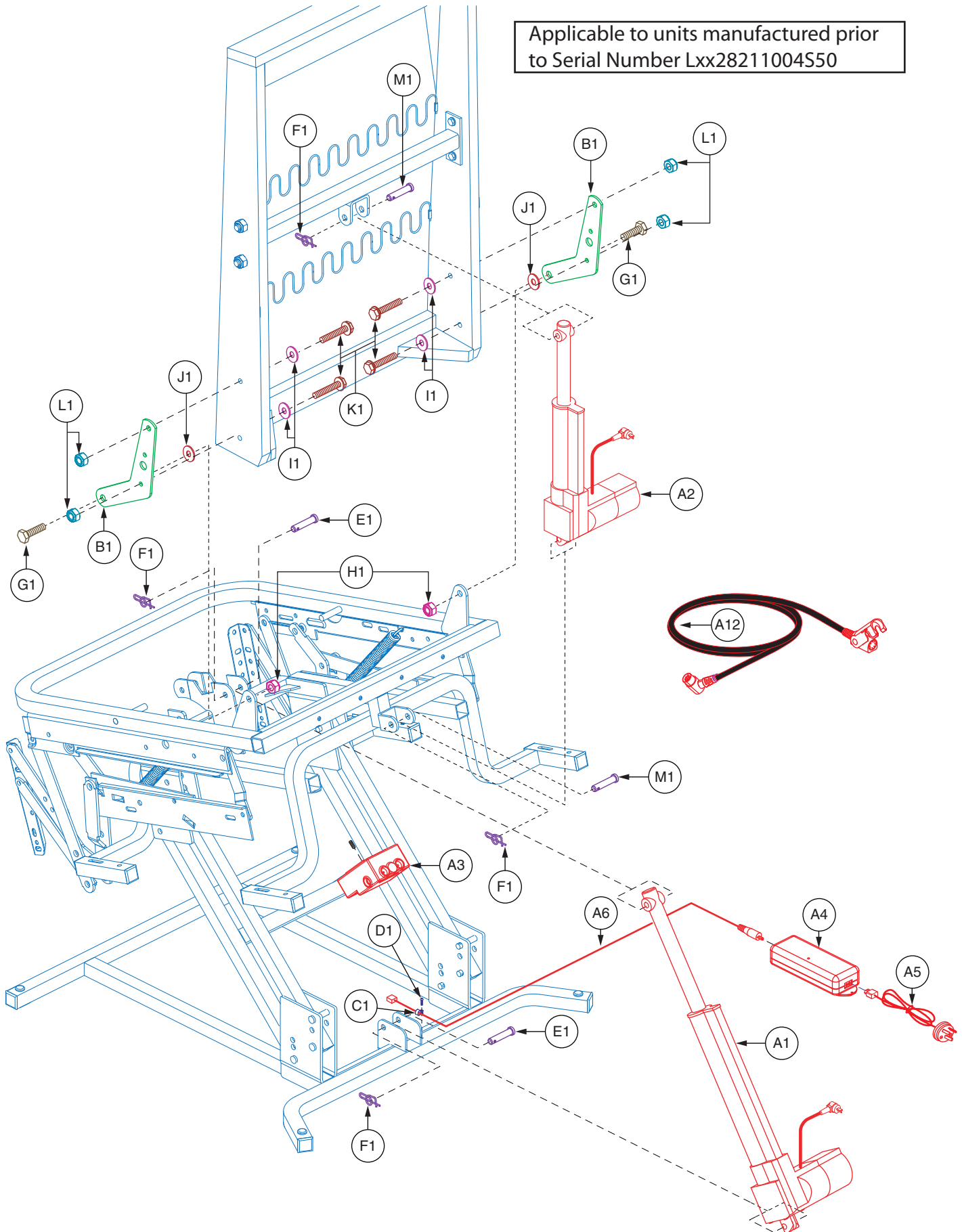
REF #	PART #	DESCRIPTION	QTY	MSRP (AU\$) ¹¹ⁱ
A1 - A12	DRVASMB2380	MOTOR,ASSY,UNIVERSAL TRANSFORMER,INFINITE MOTOR,T3,AUSTRALIA	1	N/A
A1	DRVMOTR1361	MOTOR,SLAVE MOTOR,LIFT CHAIR,BASE,(FV: LMD6205G)	1	738.76
A2	DRVMOTR1362	MOTOR,SLAVE MOTOR,LIFT CHAIR,BACK,(FV: LMD6205H)	1	738.76
A3	ELEASMB6237	ELECTRONIC,MOTOR CONTROL BOX,UNIVERSAL,INFINITE MOTOR,(FV: CM105)	1	234
A4	CTL169001	ELECTRONIC,TRANSFORMER,CLASS VI,ENERGY EFFICIENT,HHC(W52RA199-290020)	1	N/A
A5	HARUSHD2542	ELECTRONIC,HARNESS, POWER CORD,LIFT CHAIR,UNIVERSAL TRANSFORMER,AUSTRALIA PLUG	1	N/A
A6	HARUSHD2539	ELECTRONIC,CONNECTION CABLE,UNIVERSAL,DUAL,INFINITE MOTOR,(FBS)	1	142.06
*A7	DWR1235L520	DECAL,CAUTION,EXTENSION CORD/GROUNDING PRONG,L-1235-520	1	7.16
*A8	DWR1235L293	DECAL,MOTOR CABLE,DRVMOTR1361,LIFT CHAIR,YELLOW "B",L-1235-293	1	N/A
*A9	DWR1235L294	DECAL,MOTOR CABLE,DRVMOTR1362,LIFT CHAIR,GREEN "A",L-1235-294	1	N/A
*A10	DWR1235L295	DECAL,WARNING,MOTOR POSITION,LIFT CHAIR,MOTOR,L-1235-295	1	6.02
*A11	DWR1235L297	DECAL,CONTROL BOX,MOTOR PLUG IDENTIFIICATION,LIFT CHAIR,L-1235-297	1	N/A
A12	ELE137859	ELECTRONIC,RIGHT ANGLE HAND CONTROL EXTENSION CABLE,DUAL INFINITE MOTOR,(HHC XS001B)	1	67.32
B1	BRKINDV1263	BRACKET,LIFT CHAIR,SEAT TO BACK,T3,108,125,(FBS:S129-A-1002)	2	26.76
C1	CLPCBLC1001	CLAMP,CABLE,BLACK NYLON,3/16",P-CLIP	1	5.74
D1	SCRPPTC1021	SCREW, PPH,BZ,#8 X 1/2",THREAD CUTTING,TYPE 25	1	6.02
E1	PINCLEV1003	CLEVIS PIN,STEEL,3/8" X 1 1/2"	2	11.48
**F1	PINSOTR1018	PIN,COTTER,0.37" SHAFT X 1.25" OVERALL LENGTH X 0.072" WIRE,BOW TYPE, SELF LOCKING	8	5.72
G1	SCRHHCS1010	SCREW,HHCS,ZINC,3/8-16 X 1.00",GRADE 5	2	6.04
H1	NUTNYLK1110	NUT,NYLOCK,YELLOW ZINC,3/8-16	2	6.02
I1	WASNLYN1159	WASHER,NYLON,10.3MM ID X 25.4MM OD X 2.1MM TH,(FV: S102-1004)	2	5.6
J1	HDWINDV1256	SCREW,INDENTED HEX WASHER HEAD,ZINC,1/4-20 X 0.50"	4	6.02
K1	PINCLEV1054	CLEVIS PIN,ZINC PLATED,9.5MM OD X 43MM L,(SFV: S107-A-001)	2	5.84
L1	BRKINDV1264	SLEEVE,LIFT CHAIR,KD,T3,LC108,LC125,(FBS:S129-A-1006)	2	26.76
M1	SCRASBH1015	SCREW,BHSCS,BLACK ZINC,1/4-20 X 1.00",GRADE 8	4	5.72
*N1	HDWINDV1024	ALLEN KEY,5MM	1	6.14
*O1	ELE137859	ELECTRONIC,RIGHT ANGLE HAND CONTROL EXTENSION CABLE,DUAL INFINITE MOTOR,(HHC XS001B)	1	67.32

Notes :

Applicable to units manufactured with Serial Number Lxx28211004S50 and subsequent. All items preceded by "*" are not shown.

**F1 Four shown.

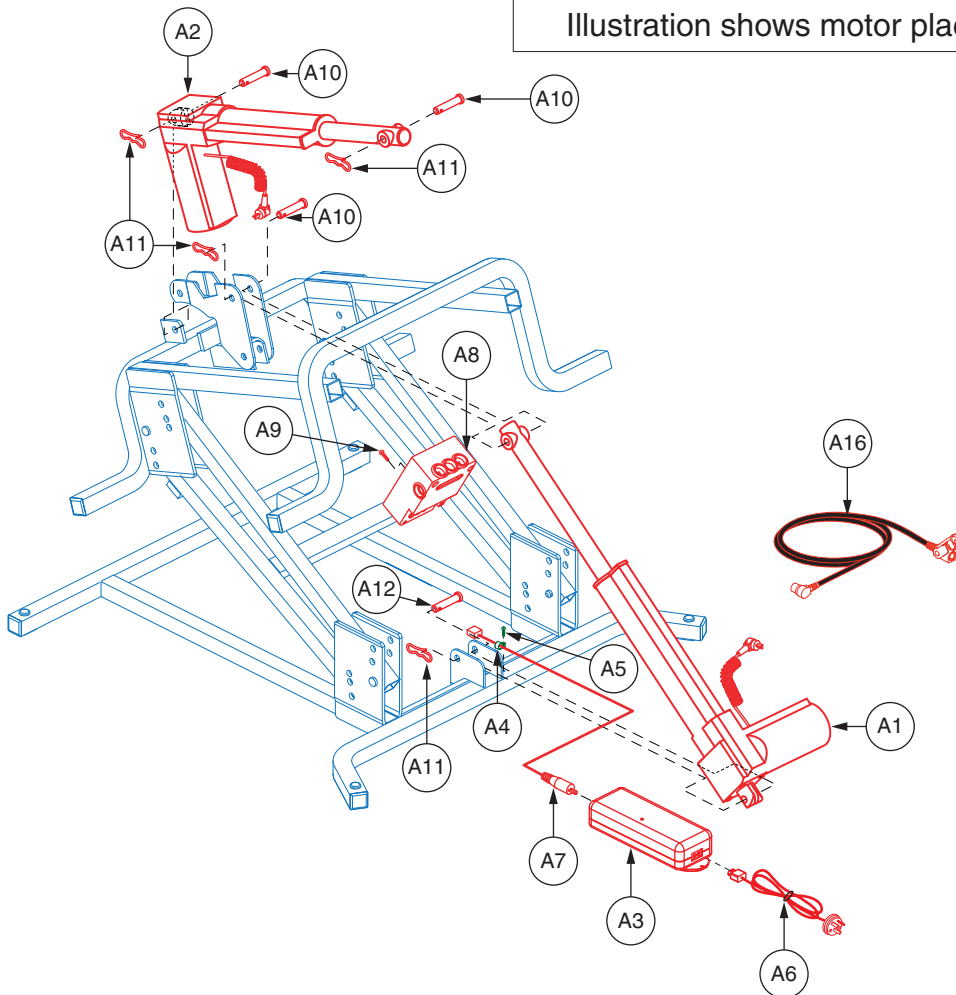
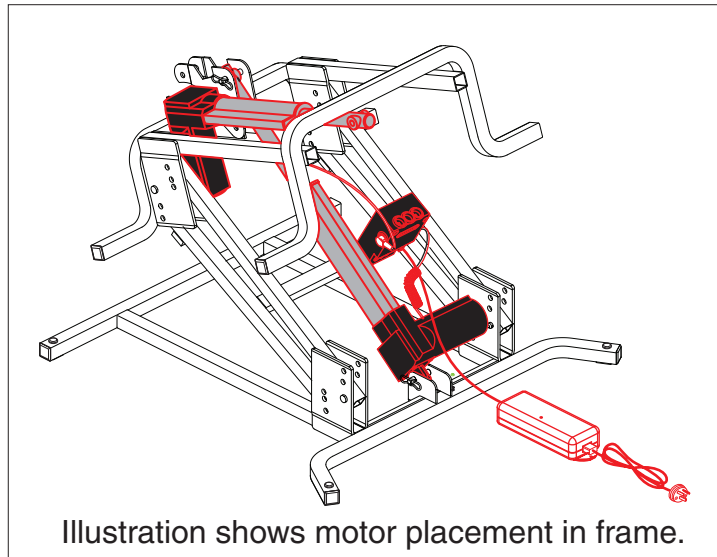
Applicable to units manufactured prior to Serial Number Lxx28211004S50



REF #	PART #	DESCRIPTION	QTY	MSRP (AU\$)
A1 - A12	DRVASMB2380	MOTOR,ASSY,UNIVERSAL TRANSFORMER,INFINITE MOTOR,T3,AUSTRALIA	1	N/A
A1	DRVMOTR1361	MOTOR,SLAVE MOTOR,LIFT CHAIR,BASE,(FV: LMD6205G)	1	738.76
A2	DRVMOTR1362	MOTOR,SLAVE MOTOR,LIFT CHAIR,BACK,(FV: LMD6205H)	1	738.76
A3	ELEASMB6237	ELECTRONIC,MOTOR CONTROL BOX,UNIVERSAL,INFINITE MOTOR,(FV: CM105)	1	234
A4	CTL169001	ELECTRONIC,TRANSFORMER,CLASS VI,ENERGY EFFICIENT,HHC(W52RA199-290020)	1	N/A
A5	HARUSHD2542	ELECTRONIC,HARNESS, POWER CORD,LIFT CHAIR,UNIVERSAL TRANSFORMER,AUSTRALIA PLUG	1	N/A
A6	HARUSHD2539	ELECTRONIC,CONNECTION CABLE,UNIVERSAL,DUAL,INFINITE MOTOR,(FBS)	1	142.06
*A7	DWR1235L520	DECAL,CAUTION,EXTENSION CORD/GROUNDING PRONG,L-1235-520	1	7.16
*A8	DWR1235L293	DECAL,MOTOR CABLE,DRVMOTR1361,LIFT CHAIR,YELLOW "B",L-1235-293	1	N/A
*A9	DWR1235L294	DECAL,MOTOR CABLE,DRVMOTR1362,LIFT CHAIR,GREEN "A",L-1235-294	1	N/A
*A10	DWR1235L295	DECAL,WARNING,MOTOR POSITION,LIFT CHAIR,MOTOR,L-1235-295	1	6.02
*A11	DWR1235L297	DECAL,CONTROL BOX,MOTOR PLUG IDENTIFICATION,LIFT CHAIR,L-1235-297	1	N/A
A12	ELE137859	ELECTRONIC,RIGHT ANGLE HAND CONTROL EXTENSION CABLE,DUAL INFINITE MOTOR,(HHC XS001B)	1	67.32
B1	BRKINDV1194	BRACKET,LIFT CHAIR,SEAT TO BACK,T3	2	18.74
C1	CLPCBLC1001	CLAMP,CABLE,BLACK NYLON,3/16",P-CLIP	1	5.74
D1	SCRPPTC1021	SCREW, PPH,BZ,#8 X 1/2", THREAD CUTTING,TYPE 25	1	6.02
E1	PINCLEV1003	CLEVIS PIN,STEEL,3/8" X 1 1/2"	2	11.48
F1	PINSOTR1018	PIN,COTTER,0.37" SHAFT X 1.25" OVERALL LENGTH X 0.072" WIRE,BOW TYPE, SELF LOCKING	4	5.72
G1	SCRHHCS1010	SCREW,HHCS,ZINC,3/8-16 X 1.00",GRADE 5	2	6.04
H1	NUTNYLK1110	NUT,NYLOCK,YELLOW ZINC,3/8-16	2	6.02
I1	WASMETR1017	WASHER,FLAT,BLACK ZINC,10.2MM ID X 21MM OD X 2.0MM TH,METRIC,(53110005)	4	5.74
J1	WASNLYN1159	WASHER,NYLON,10.3MM ID X 25.4MM OD X 2.1MM TH,(FV: S102-1004)	2	5.6
K1	SCRHHCS1546	SCREW,HHCS-SERRATED FLANGE,ZINC PLATED,1/4-20 X 18MM,GRADE 8.8,(SFV: S107-2001)	4	5.72
L1	NUTSERF1010	NUT,STEEL,ZINC PLATED,1/4" - 20,SERRATED FLANGE	4	6.02
M1	PINCLEV1054	CLEVIS PIN,ZINC PLATED,9.5MM OD X 43MM L,(SFV: S107-A-001)	2	5.84

Notes :

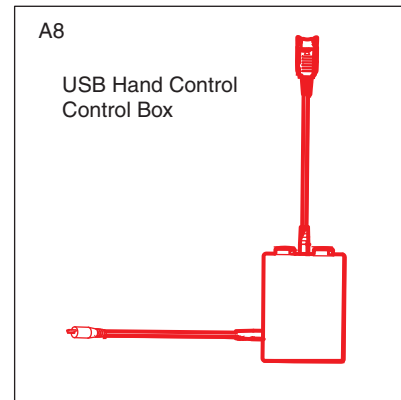
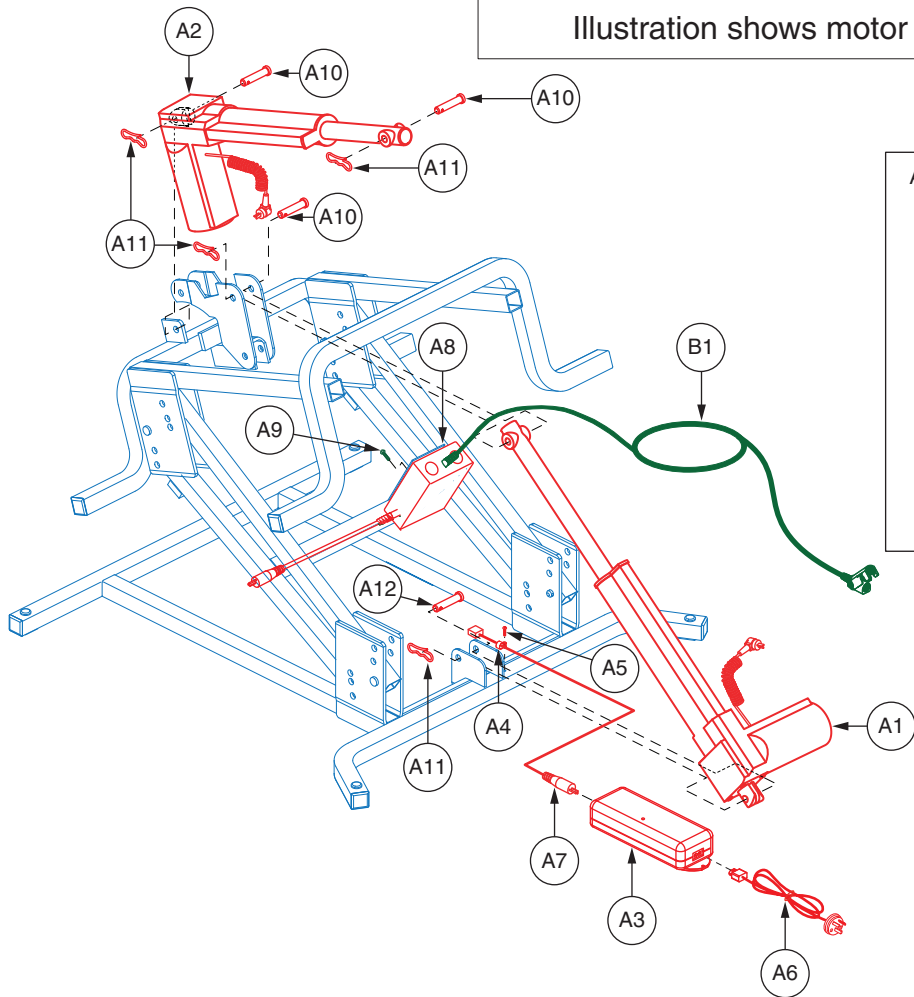
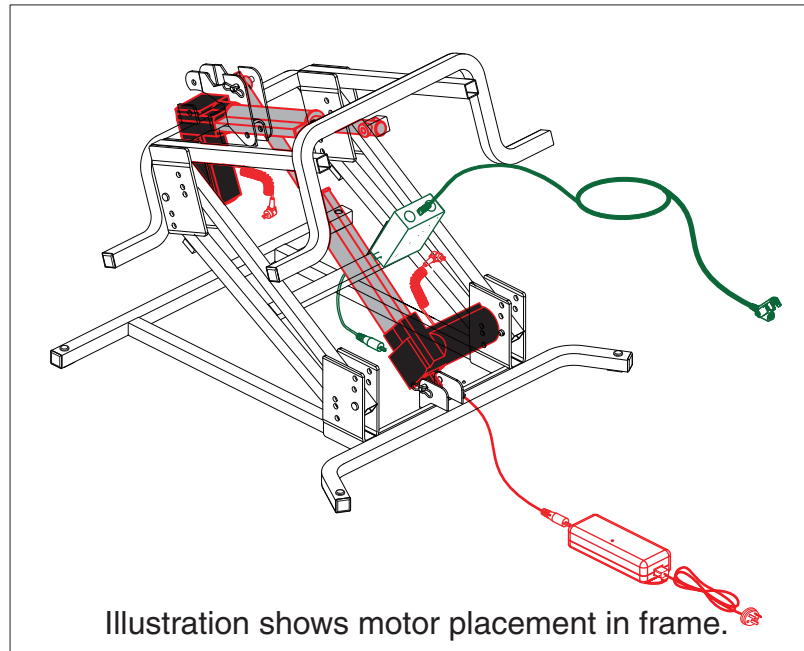
Applicable to units manufactured prior to Serial Number Lxx28211004S50. Items preceded by "*" are not shown.



REF #	PART #	DESCRIPTION	QTY	MSRP (AU\$) ¹¹ⁱ
A1 - A18	MOT130942	MOTOR,ASSY,UNIVERSAL TRANSFORMER,INFINITE MOTOR,AUSTRALIA,LC107	1	N/A
A1	DRVMOTR1477	MOTOR,FOR "LC" DUAL MOTOR LIFT CHAIRS,(FBS: C124162)	1	767.18
A2	DRVMOTR1478	MOTOR,FOR "LC" DUAL MOTOR LIFT CHAIRS,(FBS: C124163)	1	767.18
A3	CTL169001	ELECTRONIC,TRANSFORMER,CLASS VI,ENERGY EFFICIENT,HHC(W52RA199-290020)	1	N/A
A4	CLPCBLC1001	CLAMP,CABLE,BLACK NYLON,3/16",P-CLIP	1	5.74
A5	SCRPPTC1043	SCREW, PPH,ZINC,8-32 X 0.250",THREAD CUTTING,TYPE F	1	11.48
A6	HARUSHD2542	ELECTRONIC,HARNESS, POWER CORD,LIFT CHAIR,UNIVERSAL TRANSFORMER,AUSTRALIA PLUG	1	N/A
A7	HARUSHD2539	ELECTRONIC,CONNECTION CABLE,UNIVERSAL,DUAL,INFINITE MOTOR,(FBS)	1	142.06
A8	ELEASMB6237	ELECTRONIC,MOTOR CONTROL BOX,UNIVERSAL,INFINITE MOTOR,(FV: CM105)	1	234
A9	SCRPPTC1021	SCREW, PPH,BZ,#8 X 1/2",THREAD CUTTING,TYPE 25	1	6.02
A10	PINCLEV1021	CLEVIS PIN,3/8"X1.71",UNPLATED	3	6.04
A11	PINSOTR1018	PIN,COTTER,0.37" SHAFT X 1.25" OVERALL LENGTH X 0.072" WIRE,RUE CLIP,SELF LOCKING	4	5.72
A12	PINCLEV1018	CLEVIS PIN,3/8" X 1.875	1	12.04
*A13	DWR1235L648	DECAL,WARNING,EXTERNAL TRANSFORMER PLACEMENT,L-1235-648	1	N/A
*A14	DWR1235L520	DECAL,CAUTION,EXTENSION CORD/GROUNDING PRONG,L-1235-520	1	7.16
*A15	PLSTIE1004	TIE WRAP,BLACK,8"	6	5.84
A16	ELE137859	ELECTRONIC,RIGHT ANGLE HAND CONTROL EXTENSION CABLE,DUAL INFINITE MOTOR,(HHC XS001B)	1	67.32
*A17	DWR1234L945	DECAL,WARNING,TRANSFORMER,DISPOSE OF PROPERLY/SHOCK/READ OWNERS MANUAL,LIFT CHAIR,L-1234-945	1	N/A
*A18	DWR1235L452	DECAL,MAXIMUM WEIGHT CAPACITY,325LBS/147KGS,NO LOGO,L-1235-452	1	N/A

Notes :

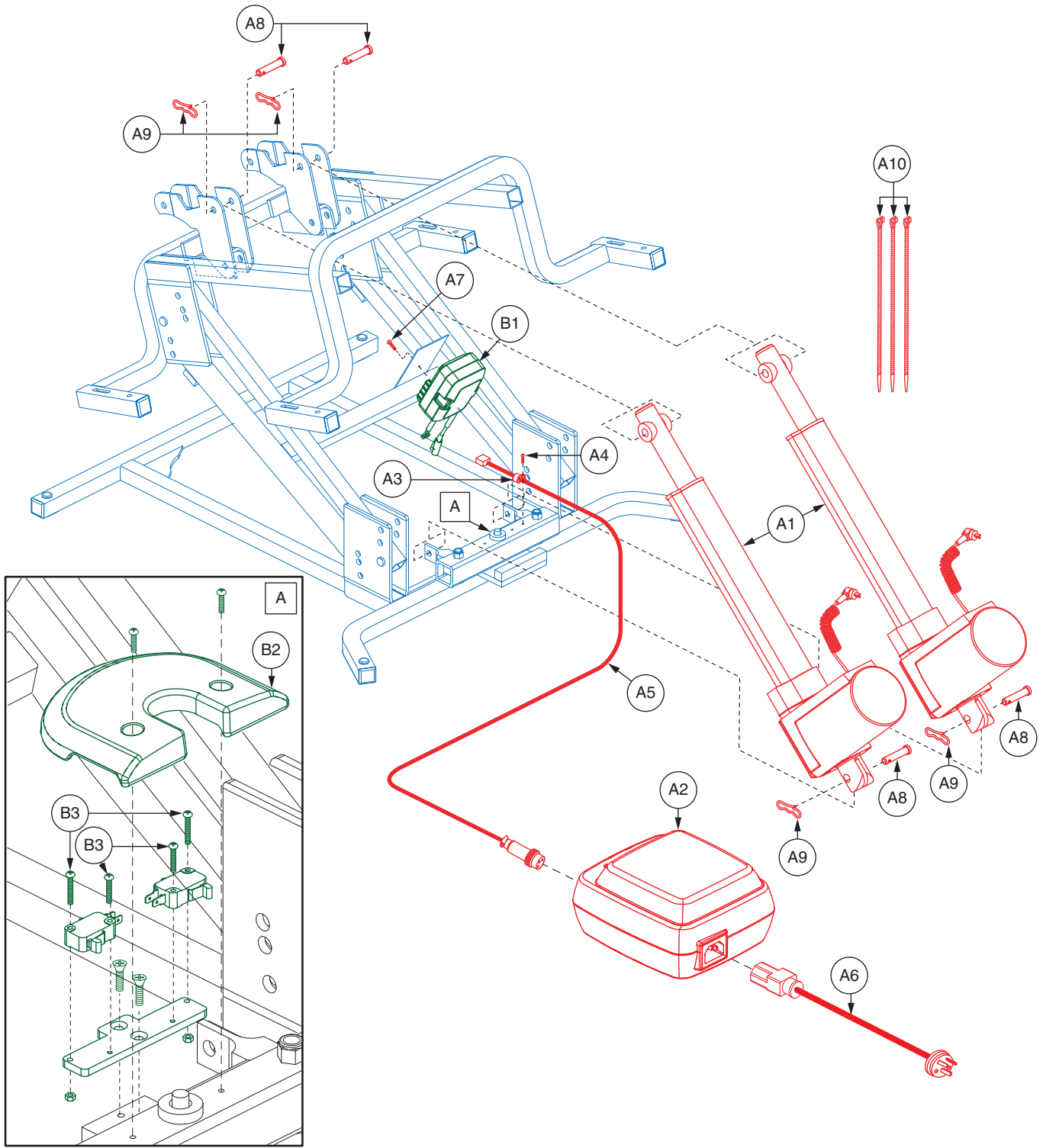
Items preceded by "*" are not shown.



REF #	PART #	DESCRIPTION	QTY	MSRP (AU\$) ¹¹ⁱ
A1 - A17	MOT166310	MOTOR,ASSY,UNIVERSAL TRANSFORMER,INFINITE MOTOR,AUSTRALIA,LC107	1	N/A
A1	DRVMOTR1477	MOTOR,FOR "LC" DUAL MOTOR LIFT CHAIRS,(FBS: C124162)	1	767.18
A2	DRVMOTR1478	MOTOR,FOR "LC" DUAL MOTOR LIFT CHAIRS,(FBS: C124163)	1	767.18
A3	CTL169001	ELECTRONIC,TRANSFORMER,CLASS VI,ENERGY EFFICIENT,HHC(W52RA199-290020)	1	N/A
A4	CLPCBLC1001	CLAMP,CABLE,BLACK NYLON,3/16",P-CLIP	1	5.74
A5	SCRPPPTC1043	SCREW, PPH,ZINC,8-32 X 0.250",THREAD CUTTING,TYPE F	1	11.48
A6	HARUSHD2542	ELECTRONIC,HARNESS, POWER CORD,LIFT CHAIR,UNIVERSAL TRANSFORMER,AUSTRALIA PLUG	1	N/A
A7	HARUSHD2539	ELECTRONIC,CONNECTION CABLE,UNIVERSAL,DUAL,INFINITE MOTOR,(FBS)	1	142.06
A8	ELE132831	USB INFINITE POSITION CONTROL BOX	1	233.98
A9	SCRPPPTC1021	SCREW,PPH,BZ,#8 X 1/2",THREAD CUTTING	1	6.02
A10	PINCLEV1021	CLEVIS PIN,3/8"X1.71",UNPLATED	3	6.04
A11	PINSOTR1018	PIN,COTTER,0.37" SHAFT X 1.25" OVERALL LENGTH X 0.072" WIRE,RUE CLIP,SELF LOCKING	4	5.72
A12	PINCLEV1018	CLEVIS PIN,3/8" X 1.875	1	12.04
*A13	DWR1235L648	DECAL,WARNING,EXTERNAL TRANSFORMER PLACEMENT,L-1235-648	1	N/A
*A14	DWR1235L520	DECAL,CAUTION,EXTENSION CORD/GROUNDING PRONG,L-1235-520	1	7.16
*A15	PLSTIE1004	TIE WRAP,BLACK,8"	6	5.84
*A16	LAB160007	DECAL,GENERIC WEIGHT CAPACITY,LIFT CHAIR	1	N/A
*A17	DWR1234L945	DECAL,WARNING,TRANSFORMER,DISPOSE OF PROPERLY/SHOCK/READ OWNERS MANUAL,LIFT CHAIR,L-1234-945	1	N/A
B1	ELE132515	USB INFINITE POSITION HAND CONTROL EXTENTION HARNESS	1	66

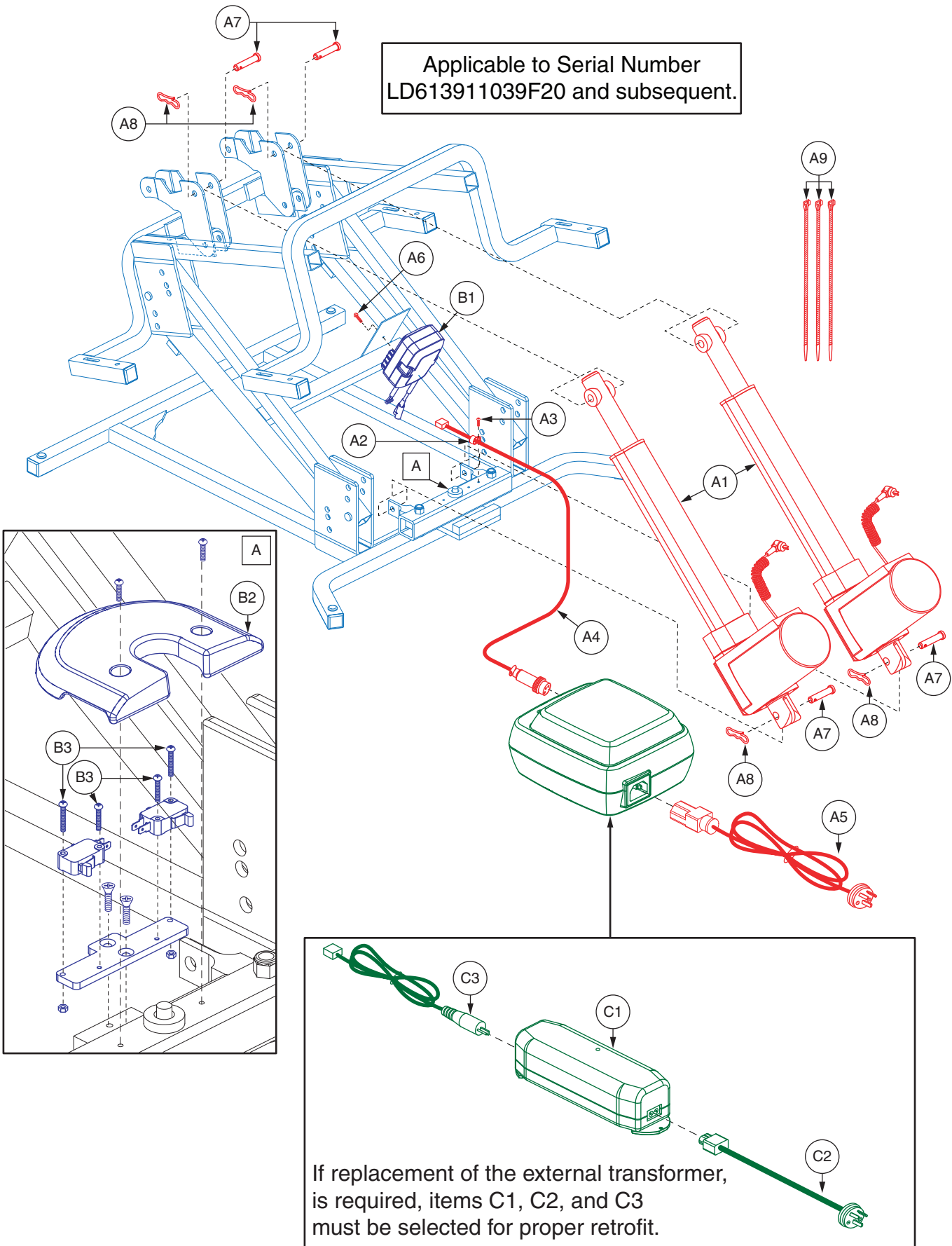
Notes :

Items preceded by "*" are not shown.



REF #	PART #	DESCRIPTION	QTY	MSRP (AU\$) ¹¹ⁱ
A1	DRVMOTR1268	MOTOR,SLAVE MOTOR,LIFT CHAIR,(FBS: SFC592385-10240)	1	730.64
A2	CTLDC1336	ELECTRONIC,TRANSFORMER,115V,EXTERNAL,STANDARD,UNIVERSAL,DUAL,INFINITE MOTOR,HEAT & MASSAGE,555,PRIDE LOGO	1	N/A
A3	CLPCBLC1001	CLAMP,CABLE,BLACK NYLON,3/16",P-CLIP	1	5.74
A4	SCRPPPTC1043	SCREW, PPH,ZINC,8-32 X 0.250",THREAD CUTTING,TYPE F	1	11.48
A5	HARUSHD2443	ELECTRONIC,HARNESS, CONNECTION CABLE,7 FT,LOW VOLTAGE HEAT & MASSAGE, LIFT CHAIR	1	71.6
A6	HARUSHD2437	ELECTRONIC,HARNESS,3 FT A/C POWER CORD,LIFT CHAIR, EXTERNAL TRANSFORMER, AUSTRALIA PLUG	1	67.48
A7	SCRPPPTC1021	SCREW,PPH,BZ,#8 X 1/2", THREAD CUTTING	1	6.02
A8	PINCLEV1021	CLEVIS PIN,3/8"X1.71",UNPLATED	1	6.04
A9	PINSOTR1018	PIN,COTTER,0.37" SHAFT X 1.25" OVERALL LENGTH X 0.072" WIRE,RUE CLIP,SELF LOCKING	4	5.72
A10	PLSTIE1004	TIE WRAP,BLACK,8"	3	5.84
B1	ELE123014	CONTROLLER BOX,ASSY,DUAL MOTOR,SYNC SYSTEM	1	452.16
B2	ELE123009	ELECTRONIC,ASSY,CIRCUIT BOARD,DUAL MOTOR,SYNC SYSTEM	1	N/A
B3	SCRPPH1366	SCREW,PPH,ZINC,M3.5 X 10MM,THREAD FORMING	4	6.02

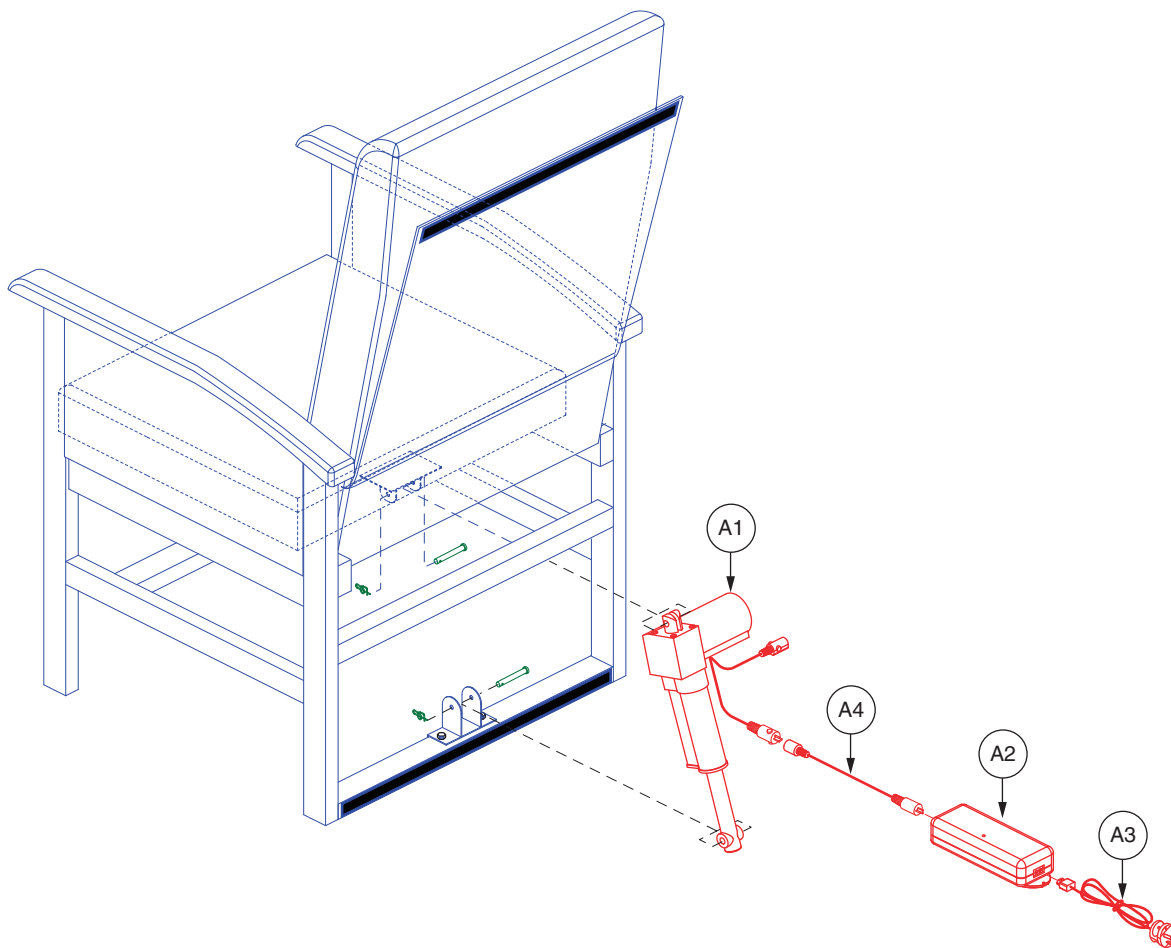
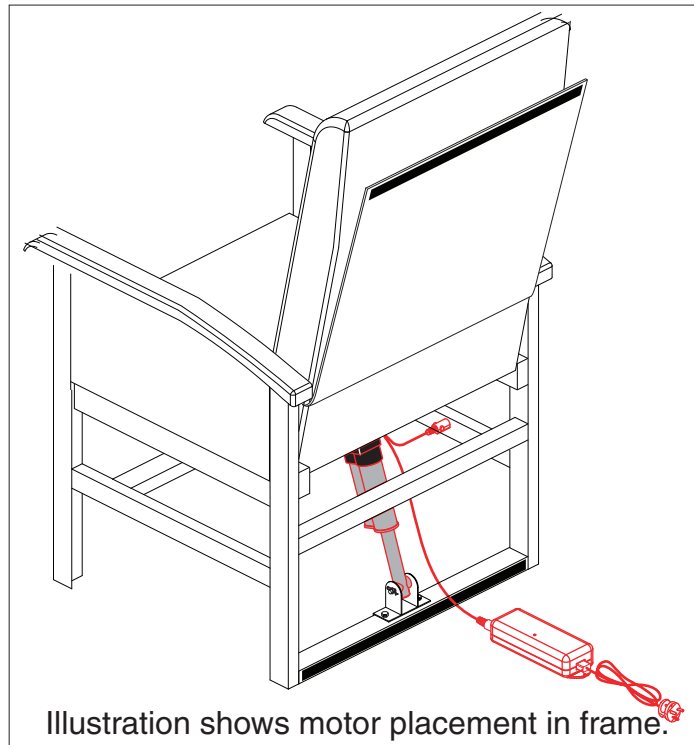
Applicable to Serial Number
 LD613911039F20 and subsequent.



REF #	PART #	DESCRIPTION	QTY	MSRP (AU\$) ¹¹ⁱ
A1	DRVMOTR1268	MOTOR,SLAVE MOTOR,LIFT CHAIR,(FBS: SFC592385-10240)	2	730.64
A2	CLPCBLC1001	CLAMP,CABLE,BLACK NYLON,3/16",P-CLIP	1	5.74
A3	SCRPPTC1043	SCREW, PPH,ZINC,8-32 X 0.250",THREAD CUTTING,TYPE F	1	11.48
A4	HARUSHD2443	ELECTRONIC,HARNESS, CONNECTION CABLE,7 FT,LOW VOLTAGE HEAT & MASSAGE, LIFT CHAIR	1	71.6
A5	HARUSHD2437	ELECTRONIC,HARNESS,3 FT A/C POWER CORD,LIFT CHAIR, EXTERNAL TRANSFORMER, AUSTRALIA PLUG	1	67.48
A6	SCRPPTC1021	SCREW, PPH,BZ,#8 X 1/2",THREAD CUTTING,TYPE 25	1	6.02
A7	PINCLEV1021	CLEVIS PIN,3/8"X1.71",UNPLATED	4	6.04
A8	PINSOTR1018	PIN,COTTER,0.37" SHAFT X 1.25" OVERALL LENGTH X 0.072" WIRE,RUE CLIP,SELF LOCKING	4	5.72
A9	PLSTIE1004	TIE WRAP,BLACK,8"	3	5.84
B1	ELE123014	CONTROLLER BOX,ASSY,DUAL MOTOR,SYNC SYSTEM	1	452.16
B2	ELE123009	ELECTRONIC,ASSY,CIRCUIT BOARD,DUAL MOTOR,SYNC SYSTEM	1	N/A
B3	SCRPPH1366	SCREW,PPH,ZINC,M3.5 X 10MM,THREAD FORMING	4	6.02
C1	CTL169001	ELECTRONIC,TRANSFORMER,CLASS VI,ENERGY EFFICIENT,HHC(W52RA199-290020)	1	N/A
C2	HARUSHD2542	ELECTRONIC,HARNESS, POWER CORD,LIFT CHAIR,UNIVERSAL TRANSFORMER,AUSTRALIA PLUG	1	N/A
C3	HARUSHD2539	ELECTRONIC,CONNECTION CABLE,UNIVERSAL,DUAL,INFINITE MOTOR,(FBS)	1	142.06

Notes :

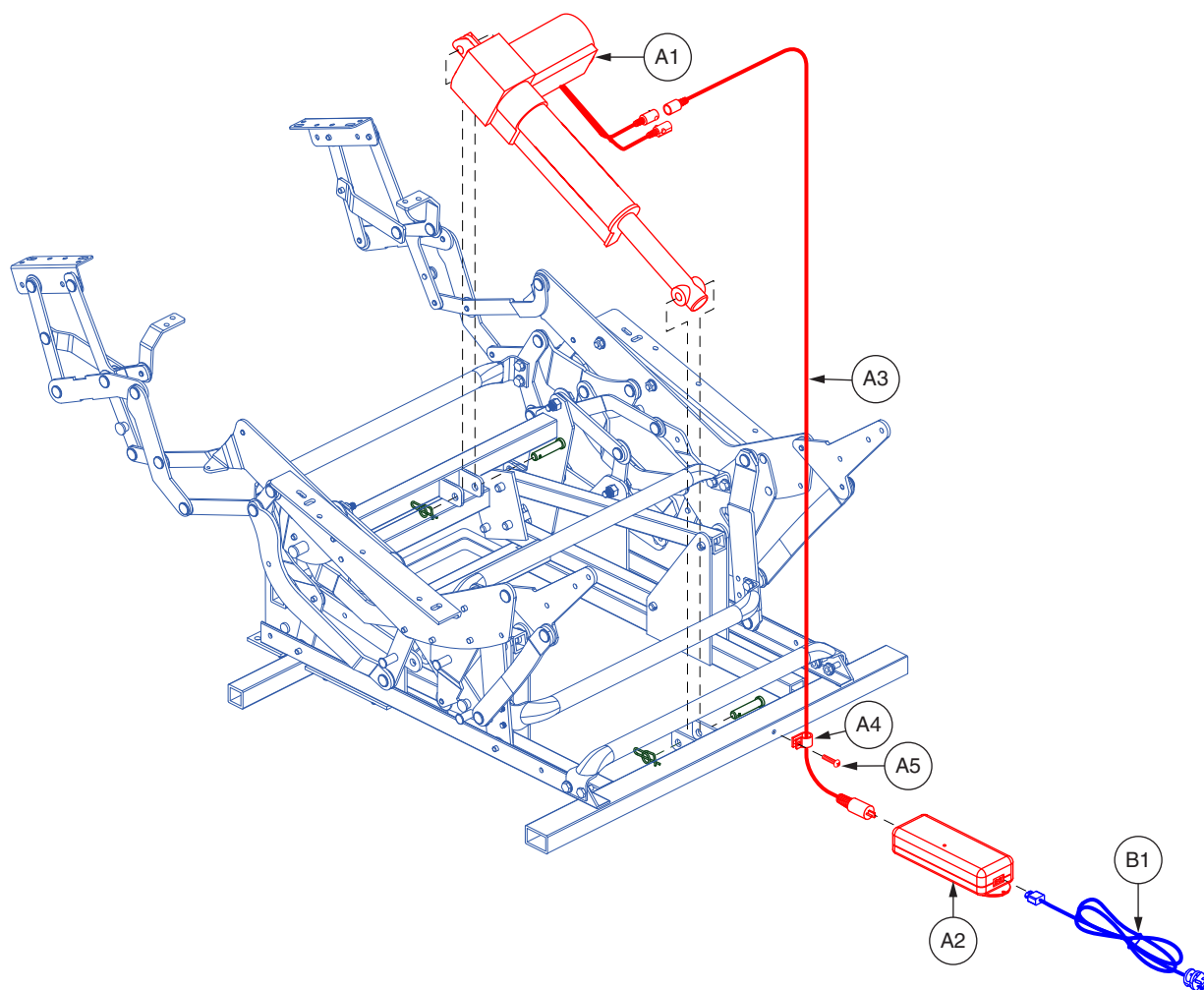
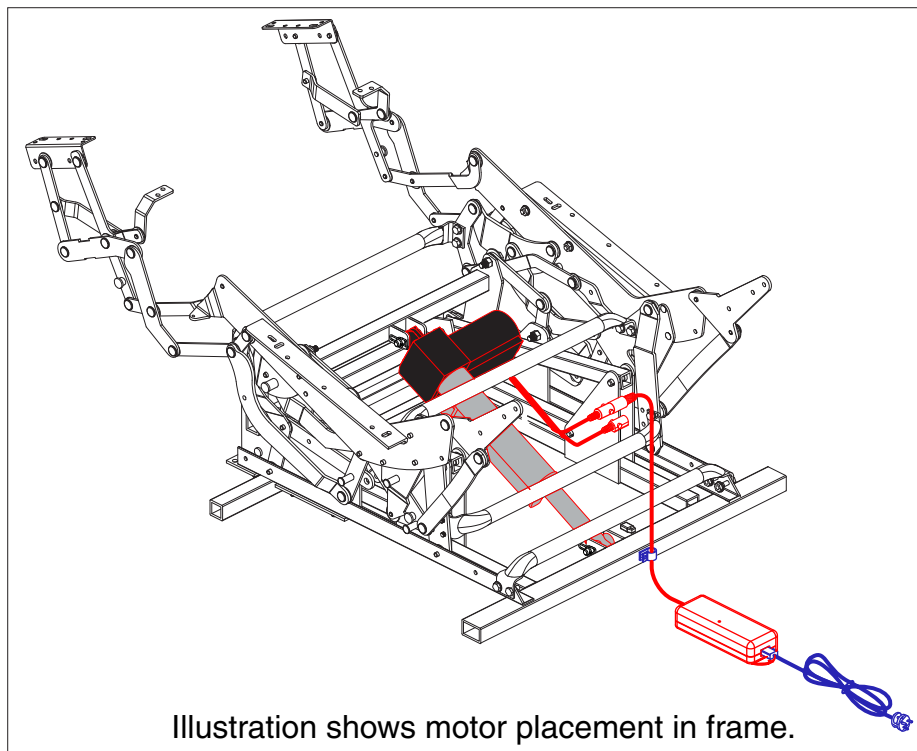
Applicable to Serial Number LD613911039F20 and subsequent.



REF #	PART #	DESCRIPTION	QTY	MSRP (AU\$) ¹¹ⁱ
A1 - A9	DRVASMB2328	MOTOR,ASSY,UNIVERSAL TRANSFORMER,DUAL LEAD MOTOR,AUSTRALIA,AUSLC440	1	N/A
A1	DRVMOTR1476	MOTOR,DUAL LEAD FOR STAND ASSIST CHAIR,LC440	1	N/A
A2	CTL140958	ELECTRONIC,TRANSFORMER,LIFT CHAIR,APPROVED FOR AUSTRALIA	1	N/A
A3	HARUSHD2542	ELECTRONIC,HARNESS, POWER CORD,LIFT CHAIR,UNIVERSAL TRANSFORMER,AUSTRALIA PLUG	1	N/A
A4	HARUSHD2534	ELECTRONIC,TRANSFORMER/MOTOR CABLE,SINGLE MOTOR CHAIRS,(SS: 300.402.026.30)	1	88.88
*A5	DWR1235L648	DECAL,WARNING,EXTERNAL TRANSFORMER PLACEMENT,L-1235- 648	1	N/A
*A6	DECINDV1236	DECAL, 1 3/4"L X 1/2"H,ELECTRICAL APPROVAL,C-TICK DECAL,SILVER,L-1234-569	1	N/A
*A7	DWR1235L520	DECAL,CAUTION,EXTENSION CORD/GROUNDING PRONG,L-1235- 520	1	7.16
*A8	DWR1234L945	DECAL,WARNING,TRANSFORMER,DISPOSE OF PROPERLY/SHOCK/READ OWNERS MANUAL,LIFT CHAIR,L-1234-945	1	N/A
*A9	DWR1235L134	DECAL,WEIGHT CAPACITY,LIFT CHAIR SERIES,L-1235-134	1	N/A

Notes :

Items preceded by "*" are not shown.

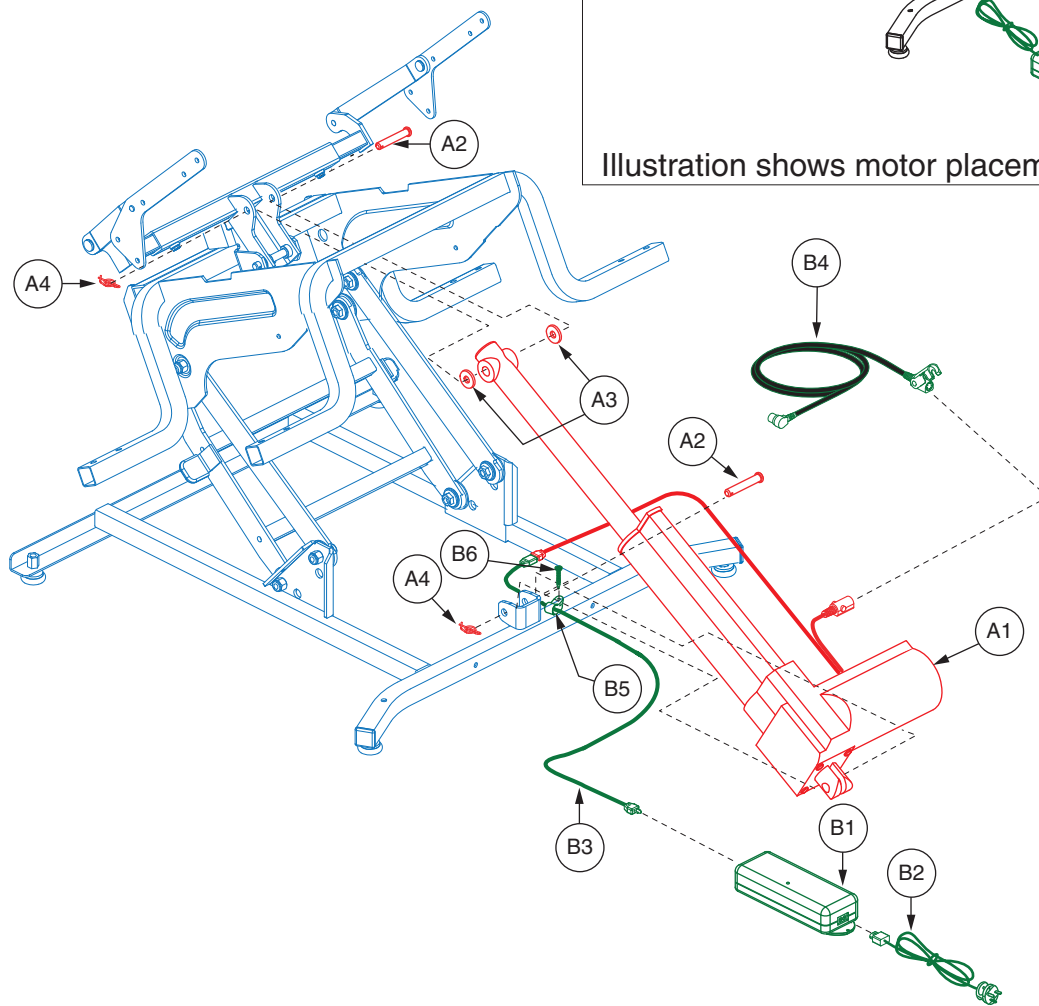
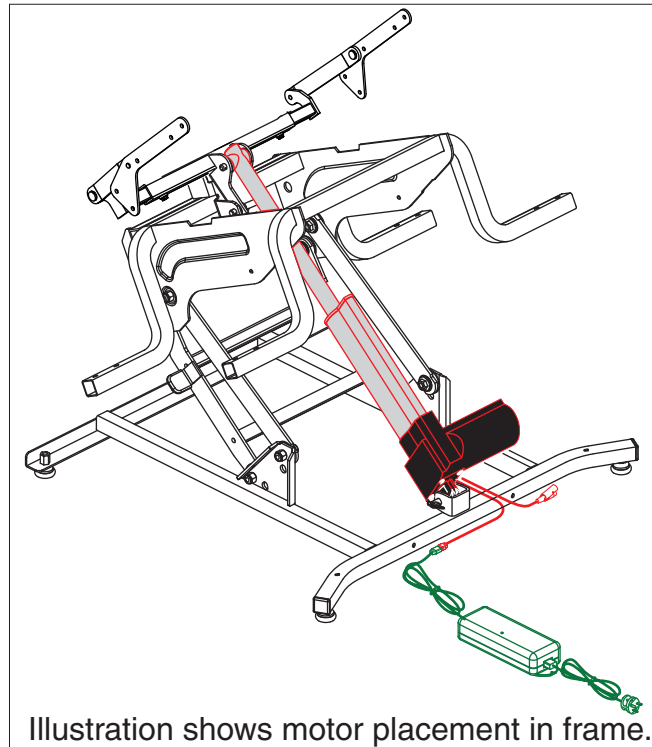


REF #	PART #	DESCRIPTION	QTY	MSRP (AU\$) ¹¹ⁱ
A1 - A10	DRVASMB2347	MOTOR,ASSY,UNIVERSAL TRANSFORMER,DUAL LEAD MOTOR	1	N/A
A1	DRVMOTR1482	MOTOR,DUAL LEAD MOTOR,(FBS:C124164)	1	728.28
A2	CTLDC1582	ELECTRONIC,TRANSFORMER,240V,UNIVERSAL,(FBS)	1	369.38
A3	HARUSHD2534	ELECTRONIC,TRANSFORMER/MOTOR CABLE,SINGLE MOTOR CHAIRS,(SS: 300.402.026.30)	1	88.88
**A4	CLPCBLC1001	CLAMP,CABLE,BLACK NYLON,3/16",P-CLIP	2	5.74
**A5	SCRPPSM1036	SCREW,PPH-SHEET METAL,BLACK ZINC,M4.5 X 12MM,TYPE B2,SELF DRILLING	2	5.72
*A6	DWR1235L520	DECAL,CAUTION,EXTENSION CORD/GROUNDING PRONG,L-1235-520	1	7.16
*A7	DWR1235L648	DECAL,WARNING,EXTERNAL TRANSFORMER PLACEMENT,L-1235-648	1	N/A
*A8	DWR1234L945	DECAL,WARNING,TRANSFORMER,DISPOSE OF PROPERLY/SHOCK/READ OWNERS MANUAL,LIFT CHAIR,L-1234-945	1	N/A
*A9	PLSTIE1001	TIE WRAP,BLACK,4"	2	5.96
*A10	PLSTIE1004	TIE WRAP,BLACK,8"	2	5.84
B1	HARUSHD2542	ELECTRONIC,HARNESS, POWER CORD,LIFT CHAIR,UNIVERSAL TRANSFORMER,AUSTRALIA PLUG	1	N/A

Notes :

Items preceded by "*" are not shown.

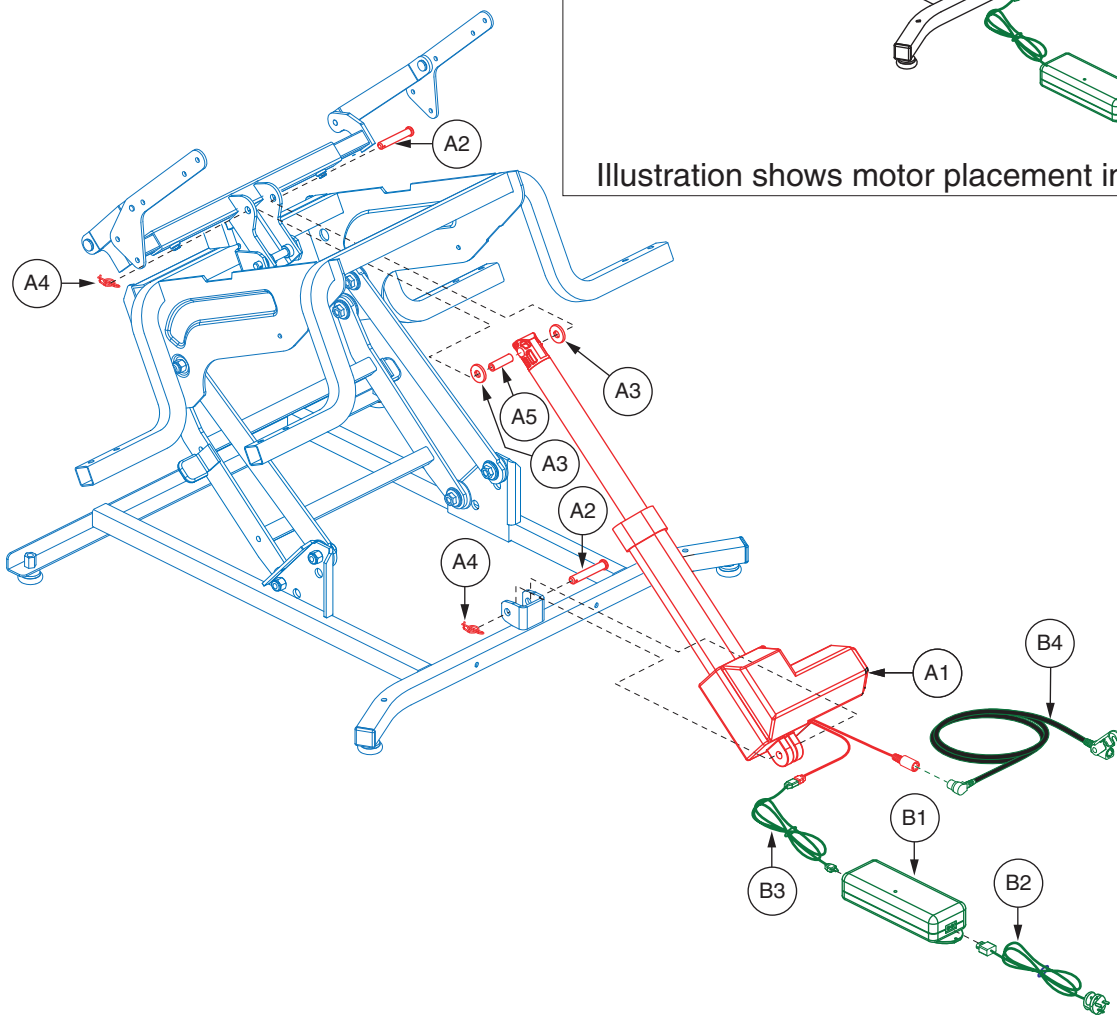
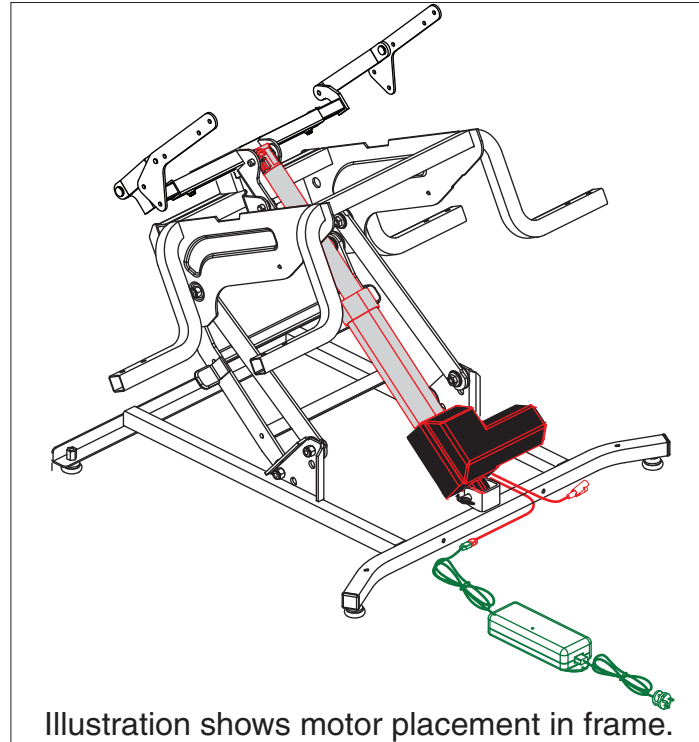
- **A4** One shown.
- **A5** One shown.



REF #	PART #	DESCRIPTION	QTY	MSRP (AU\$)
A1 - A4	DRVASMB7110015	MOTOR,ASSY,SINGLE MOTOR,FBS C124096	1	N/A
A1	DRVMOTR1414	MOTOR,SLAVE MOTOR,DUAL LEAD,LIFT CHAIR,DOMESTIC,CL MODELS,(FBS:C124096)	1	724.28
A2	PINCLEV1050	CLEVIS PIN,STEEL,ZINC PLATED,0.375" X 2.188",(SS: 7160 9303)	2	6.04
A3	WASNYLN1140	WASHER,BLACK,NYLON,0.390" ID X 1.00" OD X 0.120" TH,(SS: 7167 9300)	2	5.84
A4	PINSOTR1018	PIN,COTTER,0.37" SHAFT X 1.25" OVERALL LENGTH X 0.072" WIRE,RUE CLIP,SELF LOCKING	2	5.72
B1 - B13	ELEASMB7110405	ELECTRONIC,ASSY,UNIVERSAL TRANSFORMER,AUS	1	N/A
B1	CTL140958	ELECTRONIC,TRANSFORMER,LIFT CHAIR,APPROVED FOR AUSTRALIA	1	N/A
B2	HARUSHD2542	ELECTRONIC,HARNESS, POWER CORD,LIFT CHAIR,UNIVERSAL TRANSFORMER,AUSTRALIA PLUG	1	N/A
B3	HARUSHD2534	ELECTRONIC,TRANSFORMER/MOTOR CABLE,SINGLE MOTOR CHAIRS,(SS: 300.402.026.30)	1	88.88
B4	HARUSHD2550	ELECTRONIC,HARNESS,HAND CONTROL,EXTENSION,(LIMOSS: 403829)	1	18.58
B5	CLPCBLC1001	CLAMP,CABLE,BLACK NYLON,3/16",P-CLIP	1	5.74
B6	SCRPPSM1036	SCREW,PPH-SHEET METAL,BLACK ZINC,M4.5 X 12MM,TYPE B2,SELF DRILLING	1	5.72
*B7	DECINDV1236	DECAL,1 3/4"L X 1/2"H,ELECTRICAL APPROVAL,C-TICK DECAL,SILVER,L-1234-569	1	N/A
*B8	DWR1235L648	DECAL,WARNING,EXTERNAL TRANSFORMER PLACEMENT,L-1235-648	1	N/A
*B9	PLSTIE1001	TIE WRAP,BLACK,4"	2	5.96
*B10	PLSTIE1004	TIE WRAP,BLACK,8"	2	5.84
*B11	DWR1234L945	DECAL,WARNING,TRANSFORMER,DISPOSE OF PROPERLY/SHOCK/READ OWNERS MANUAL,LIFT CHAIR,L-1234-945	1	N/A
*B12	DWR1235L520	DECAL,CAUTION,EXTENSION CORD/GROUNDING PRONG,L-1235-520	1	7.16
*B13	LAB160007	DECAL,GENERIC WEIGHT CAPACITY,LIFT CHAIR	1	N/A

Notes :

Items preceded by "*" are not shown.

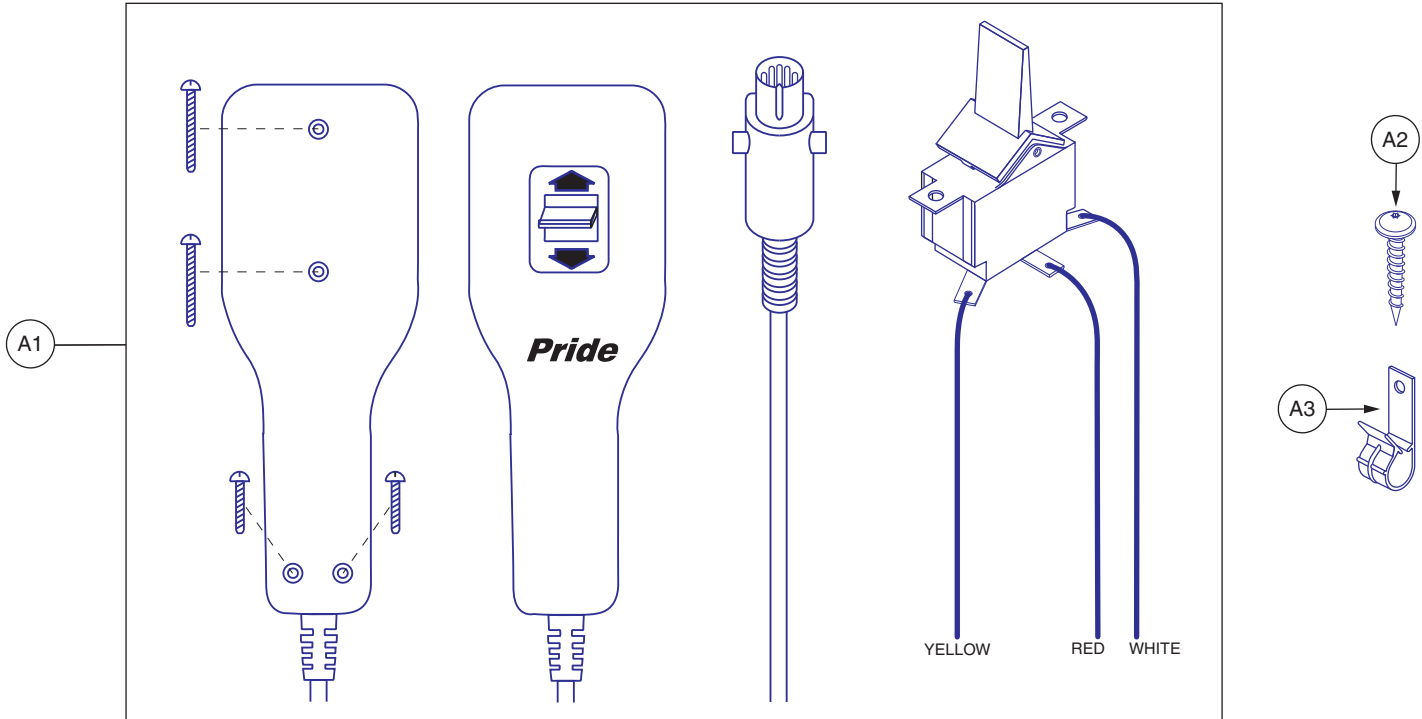


REF #	PART #	DESCRIPTION	QTY	MSRP (AU\$) ¹¹ⁱ
A1 - A5	DRVASMB2007	MOTOR,ASSY,LIFT CHAIR,SUPER SAGLESS	1	N/A
A1	MOT152486	MOTOR,LIFT CHAIR,OKIN EMC	1	277.18
A2	PINCLEV1050	CLEVIS PIN,STEEL,ZINC PLATED,0.375" X 2.188",(SS: 7160 9303)	2	6.04
A3	WASNLYN1140	WASHER,BLACK,NYLON,0.390" ID X 1.00" OD X 0.120" TH,(SS: 7167 9300)	2	5.84
A4	PINSOTR1018	PIN,COTTER,0.37" SHAFT X 1.25" OVERALL LENGTH X 0.072" WIRE,RUE CLIP,SELF LOCKING	2	5.72
A5	INDPART2629	SLEEVE,BLACK,SS MOTOR,FRONT SHAFT	1	5.74
B1 - B9	ELEASMB5874	ELECTRONIC,ASSY,TRANSFORMER,W/BATTERY BACKUP,C13170,SS,AUS	1	N/A
B1	CTL140958	ELECTRONIC,TRANSFORMER,LIFT CHAIR,APPROVED FOR AUSTRALIA	1	N/A
B2	HARUSHD2542	ELECTRONIC,HARNESS, POWER CORD,LIFT CHAIR,UNIVERSAL TRANSFORMER,AUSTRALIA PLUG	1	N/A
B3	HARUSHD2534	ELECTRONIC,TRANSFORMER/MOTOR CABLE,SINGLE MOTOR CHAIRS,(SS: 300.402.026.30)	1	88.88
B4	HARUSHD2536	ELECTRONIC,HARNESS,LOCKING EXTENSION CABLE,HAND CONTROL,(KII: KC7071)	1	71.6
*B5	DECINDV1236	DECAL,1 3/4"L X 1/2"H,ELECTRICAL APPROVAL,C-TICK DECAL,SILVER,L-1234-569	1	N/A
*B6	DWR1234L945	DECAL,WARNING,TRANSFORMER,DISPOSE OF PROPERLY/SHOCK/READ OWNERS MANUAL,LIFT CHAIR,L-1234-945	1	N/A
*B7	DWR1235L520	DECAL,CAUTION,EXTENSION CORD/GROUNDING PRONG,L-1235-520	1	7.16
*B8	DWR1235L648	DECAL,WARNING,EXTERNAL TRANSFORMER PLACEMENT,L-1235-648	1	N/A
*B9	LAB160007	DECAL,GENERIC WEIGHT CAPACITY,LIFT CHAIR	1	N/A

Notes :

Items preceded by "*" are not shown.

Generation 3

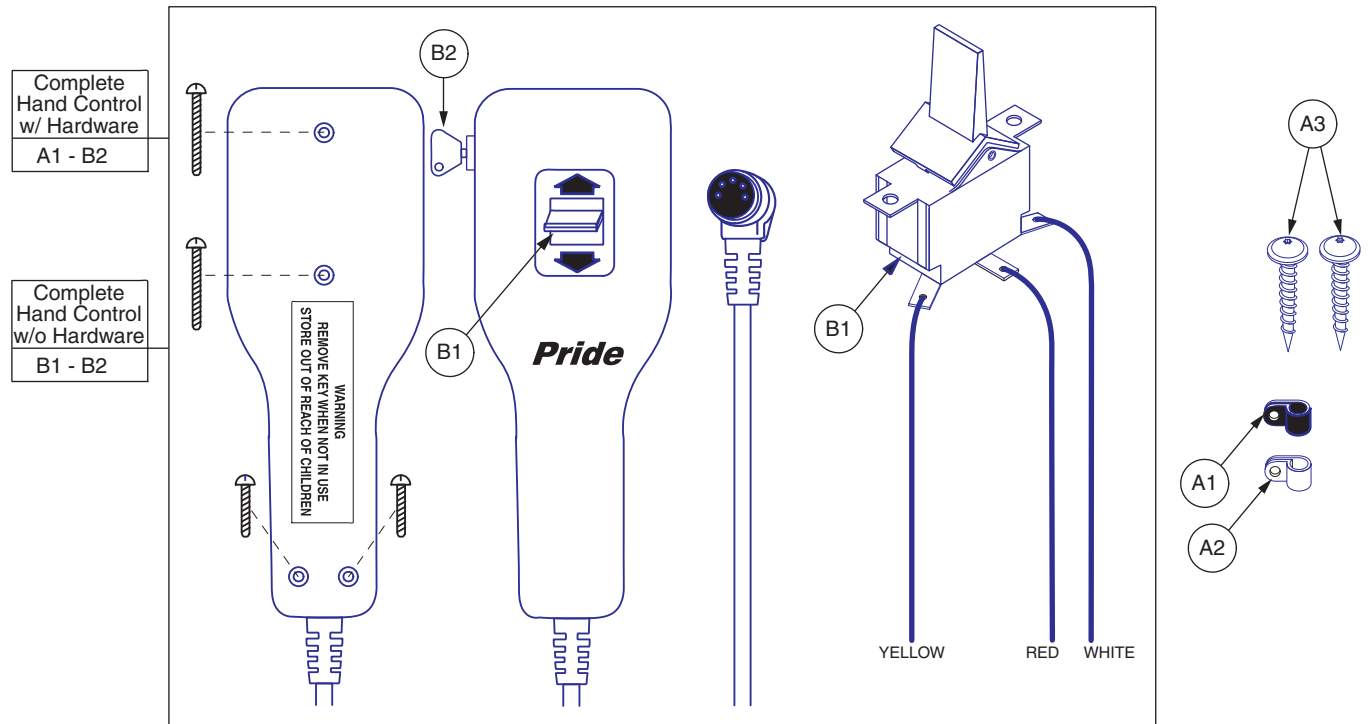


**ELEASMB3789
SINGLE MOTOR HAND CONTROL, QUICK RELEASE**

REF #	PART #	DESCRIPTION	QTY	MSRP (AU\$) ¹¹ⁱ
A1	ELEASMB3789	HAND CONTROL, ASSY, STANDARD, QUICK RELEASE, PRIDE	1	214.8
A2	SCRTORX1002	SCREW, TORX, ZINC PLATED, #25, SERRATED COARSE THREAD TYPE 17 TIP	1	10.62
A3	CLPCBLC1020	CLAMP, CABLE, BLACK, 1/2", QUICK RELEASE, 220-242400-02	1	11.7

VI. Hand Controls — Standard, Single Motors

Generation #2 Standard Hand Control (Units manufactured on or after 12-6-01).



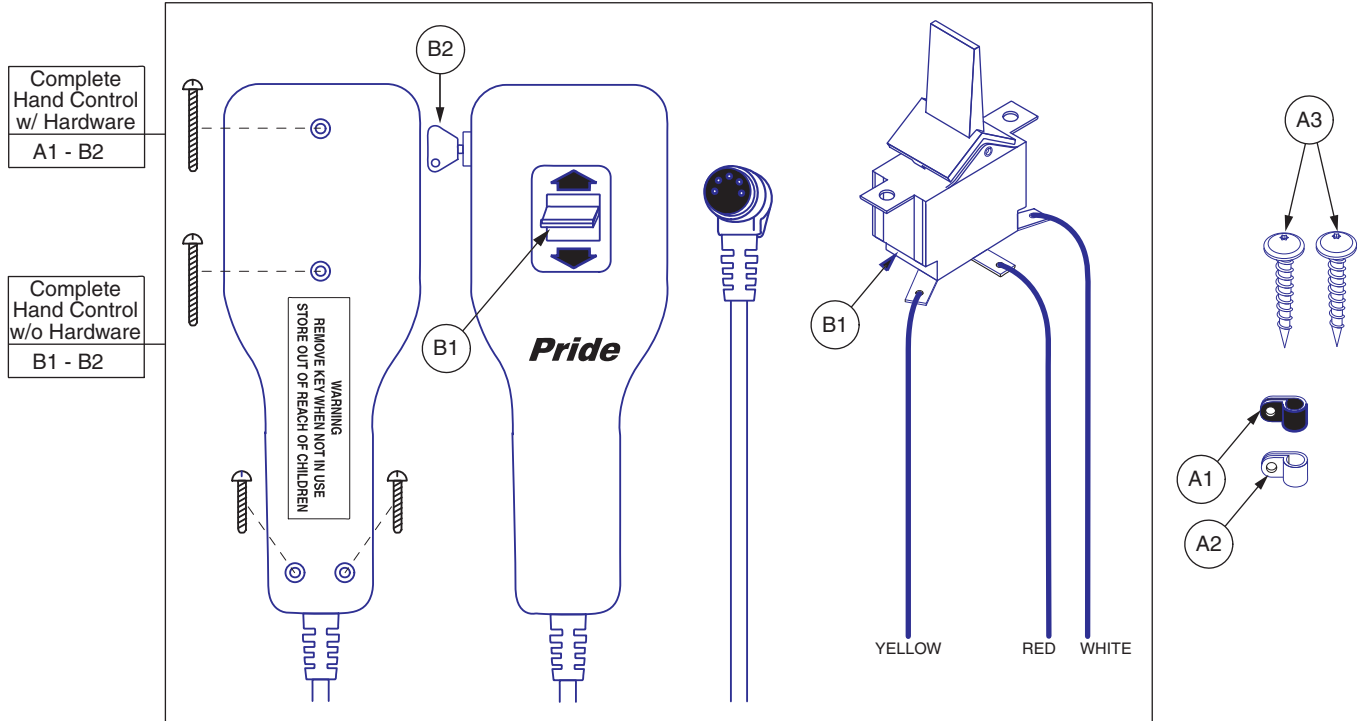
ELEASMB1123 SINGLE MOTOR HAND CONTROL

REF #	PART #	DESCRIPTION	QTY	MSRP (AU\$) ¹¹ⁱ
A1 - B2	ELEASMB1123	HAND CONTROL,ASSY,KEYLOCK,STANDARD	1	200.74
A1	CLPCBLC1001	CLAMP,CABLE,BLACK NYLON,3/16",P-CLIP	1	5.74
A2	CLPCBLC1002	CLAMP,CABLE,WHITE,5/16"	1	6.14
A3	SCRTORX1001	SCREW, TORX,ZINC PLATED,#10 X 1"	2	5.62
*A4	PLSTIE1004	TIE WRAP,BLACK,8"	3	5.84
B1 - B2	ELEASMB2883	HAND CONTROL,ASSY,KEYLOCK STANDARD,H-0100-018	1	187.42
B1	SWTTOGL1000	ELECTRONIC,SWITCH,SPDT CHAIR	1	N/A
B2	KEYLFCH1000	HAND CONTROL,KEY,CHAIR	1	5.74

Notes :

Generation #2 Standard Hand Control (Units manufactured on or after 12-6-01).

Generation #2 Standard Hand Control (Units manufactured on or after 12-6-01).



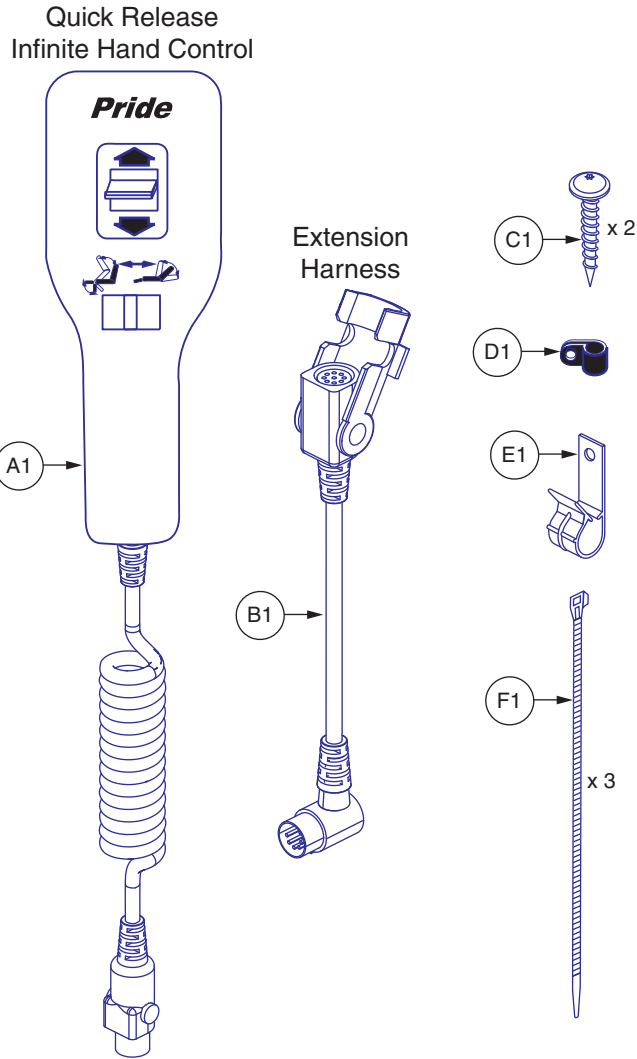
**ELEASMB1255
INFINITE POSITION HAND CONTROL**

REF #	PART #	DESCRIPTION	QTY	MSRP (AU\$) ¹¹ⁱ
A1	CLPCBLC1001	CLAMP,CABLE,BLACK NYLON,3/16",P-CLIP	1	5.74
A2	CLPCBLC1002	CLAMP,CABLE,WHITE,5/16"	1	6.14
A3	SCRTORX1001	SCREW, TORX,ZINC PLATED,#10 X 1"	2	5.62
*A4	PLSTIE1004	TIE WRAP,BLACK,8"	3	5.84
*A5	DWR1234L944	DECAL,WARNING,CONTROLLER,DISPOSE OF PROPERLY,LIFT CHAIR,L-1234-944	1	5.72
*A6	DWR1234L185	DECAL,QUICK RELEASE HAND CONTROL,LIFT CHAIR,L-1234-185	1	N/A
B1 - B4	ELEASMB2890	HAND CONTROL,ASSY,KEYLOCK STANDARD,INFINITE MOTOR,H-0100-009	1	N/A
B1	SWTSLDE1001	ELECTRONIC,SWITCH, SLIDE,DPDT	1	7.82
B2	SWTTOGL1000	ELECTRONIC,SWITCH,SPDT CHAIR	1	N/A
B3	PLSINDV1010	HAND CONTROL,ASSY,SWITCH CAP,WHITE	1	6.02
B4	KEYLFCH1000	HAND CONTROL,KEY,CHAIR	1	5.74

Notes :

Generation #2 Standard Hand Control (Units manufactured on or after 12-6-01).

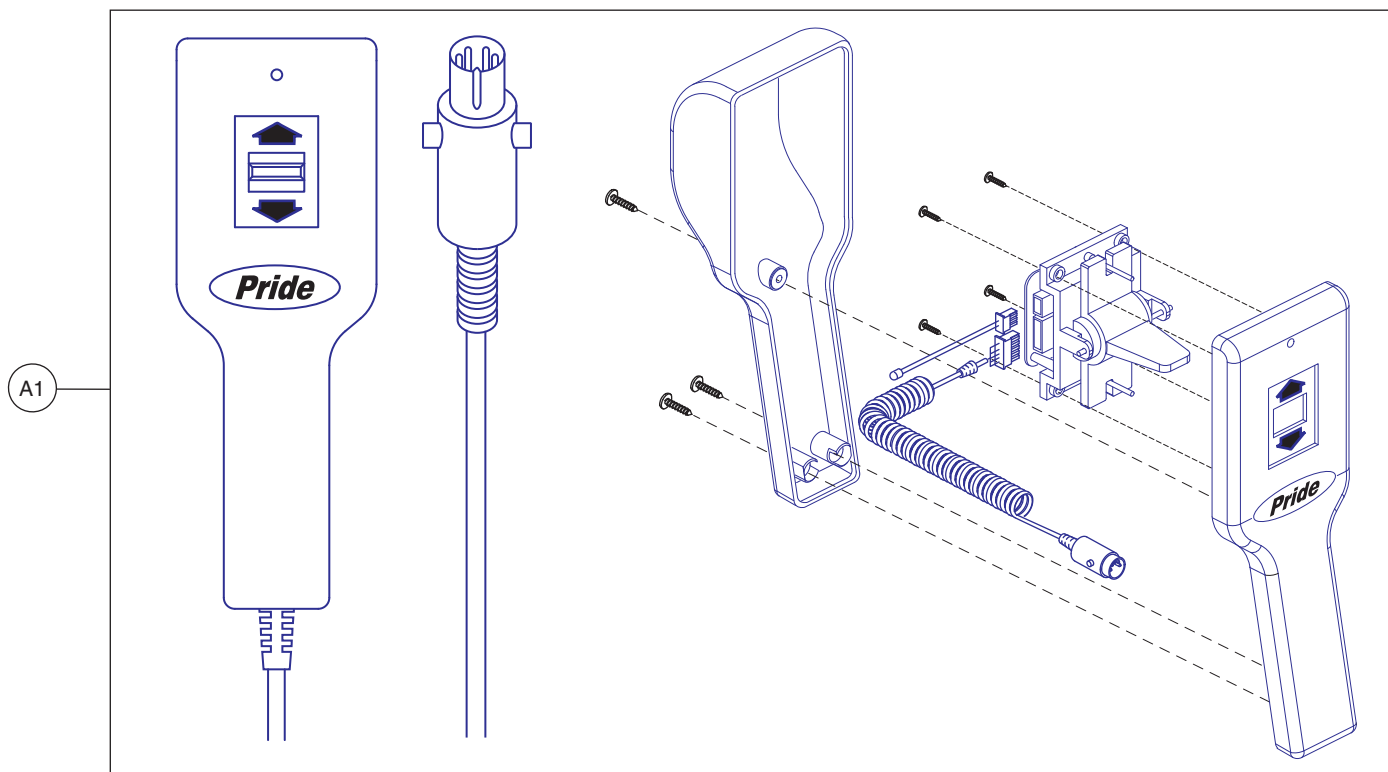
- *A4 Not shown.
- *A5 Not shown.
- *A6 Not shown.



REF #	PART #	DESCRIPTION	QTY	MSRP (AU\$) ¹¹ⁱ
A1	ELEASMB4086	HAND CONTROL,ASSY,PRIDE,INFINITE MOTOR, QUICK RELEASE,H-0100-012	1	238.68
B1	HARUSHD2456	ELECTRONIC,HARNESS,5 WIRE, HAND CONTROL, QUICK RELEASE,H-0100-022	1	71.58
C1	SCRTORX1002	SCREW, TORX,ZINC PLATED,#25,SERRATED COARSE THREAD TYPE 17 TIP	2	10.62
D1	CLPCBLC1001	CLAMP,CABLE,BLACK NYLON,3/16",P-CLIP	1	5.74
E1	CLPCBLC1020	CLAMP, CABLE,BLACK,1/2",QUICK RELEASE,220-242400-02	1	11.7
F1	PLSTIE1004	TIE WRAP,BLACK,8"	3	5.84

Notes :

Generation #3. Applicable to units manufactured on or after January 11, 2005.

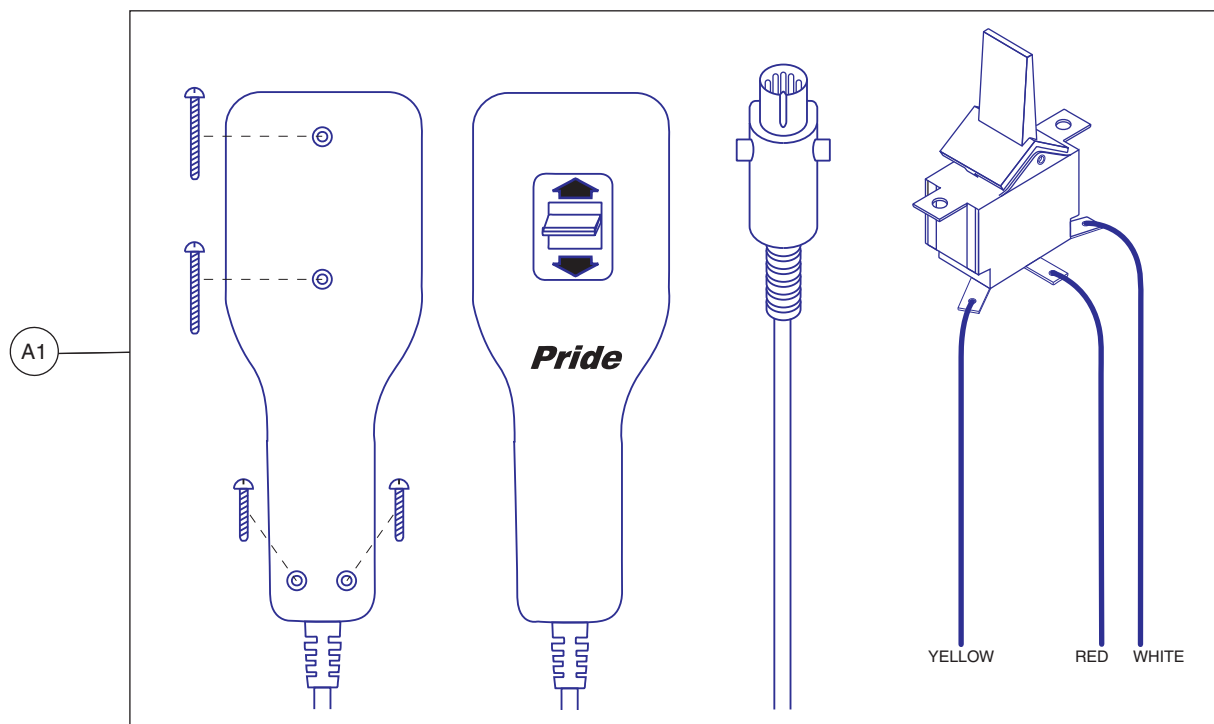


**SINGLE MOTOR HAND CONTROL, 4-PIN, DUAL LEAD,
QUICK RELEASE W/LED LIGHT**

REF #	PART #	DESCRIPTION	QTY	MSRP (AU\$) ¹¹ⁱ
A1 - A3	ELEASMB5868	HAND CONTROL,ASSY,PRIDE LOGO,W/LED LIGHT,W/DECALS	1	227.32
A1	ELEASMB6934	HAND CONTROL,ASSY,PRIDE LOGO,FOR DUAL LEAD MOTOR,W/LED LIGHT,4 PIN	1	N/A
*A2	DWR1234L185	DECAL,QUICK RELEASE HAND CONTROL,LIFT CHAIR,L-1234-185	1	N/A
*A3	DWR1234L944	DECAL,WARNING,CONTROLLER,DISPOSE OF PROPERLY,LIFT CHAIR,L-1234-944	1	5.72

Notes :

Items preceded by "*" are not shown.

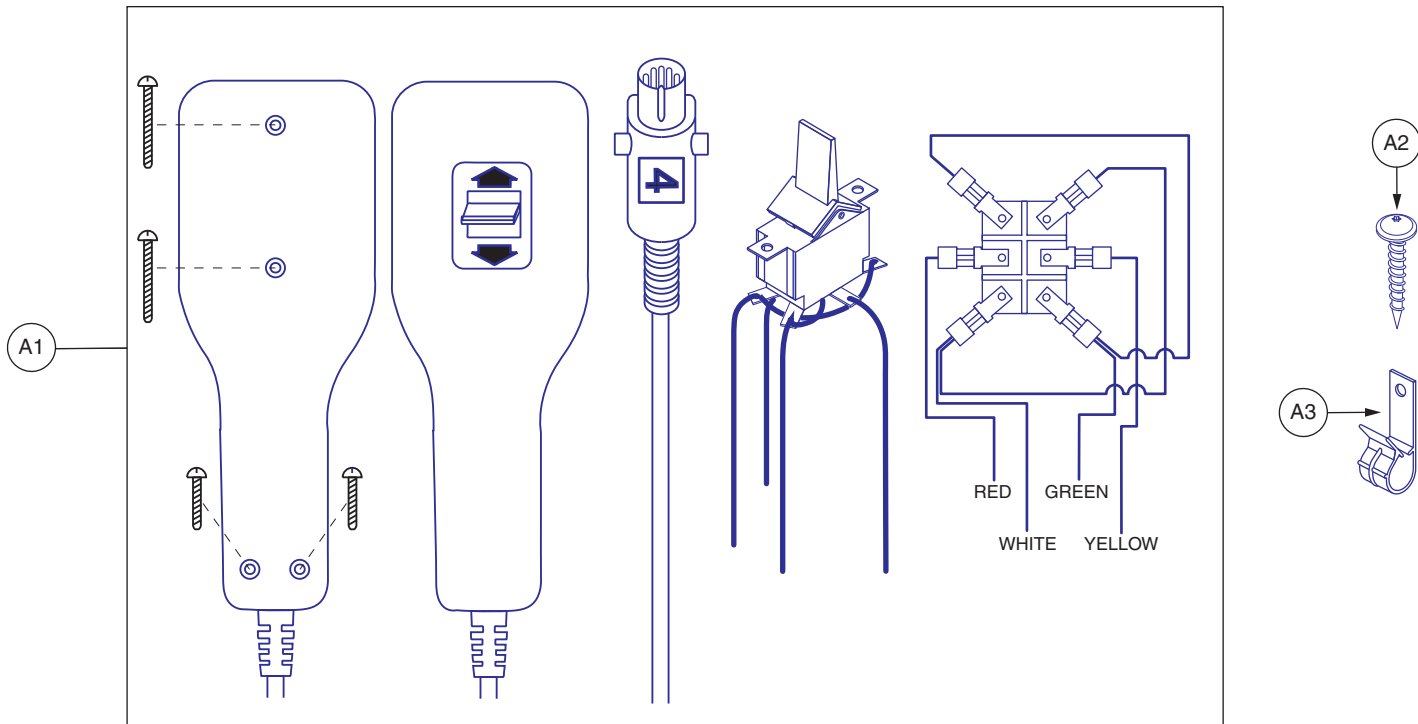


ELEASMB4819
SINGLE MOTOR HAND CONTROL, QUICK RELEASE, C5

REF #	PART #	DESCRIPTION	QTY	MSRP (AU\$) ¹¹ⁱ
A1 - A3	ELEASMB4819	HAND CONTROL,ASSY,SINGLE MOTOR,QUICK RELEASE, STEEL FRAME CHAIR	1	N/A
A1	ELEASMB3544	HAND CONTROL,ASSY,STANDARD,PRIDE,QUICK RELEASE,H-0100-021	1	N/A
*A2	DWR1234L185	DECAL,QUICK RELEASE HAND CONTROL,LIFT CHAIR,L-1234-185	1	N/A
*A3	DWR1234L944	DECAL,WARNING,CONTROLLER,DISPOSE OF PROPERLY,LIFT CHAIR,L-1234-944	1	5.72

Notes :

Items preceded by "*" are not shown.

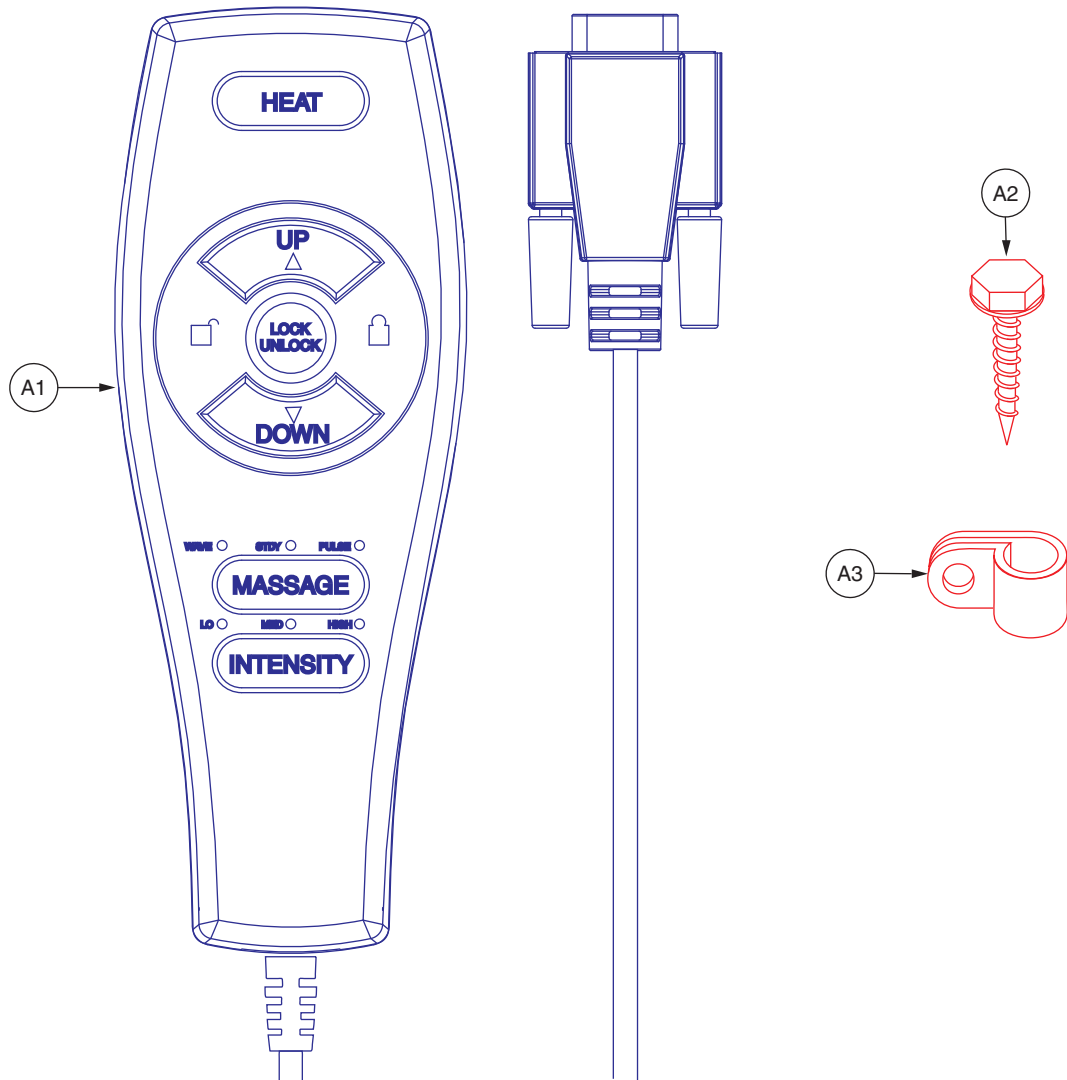


**ELEASMB5283
SINGLE MOTOR HAND CONTROL, SUPER SAGLESS**

REF #	PART #	DESCRIPTION	QTY	MSRP (AU\$) ¹¹ⁱ
A1	ELEASMB5285	HAND CONTROL,ASSY,NO LOGO,SINGLE MOTOR LIFT CHAIR,(SS: KC-7059)	1	228.16
A2	SCRTORX1002	SCREW, TORX,ZINC PLATED,#25,SERRATED COARSE THREAD TYPE 17 TIP	1	10.62
A3	CLPCBLC1020	CLAMP, CABLE,BLACK,1/2",QUICK RELEASE,220-242400-02	1	11.7
*A4	DWR1234L944	DECAL,WARNING,CONTROLLER,DISPOSE OF PROPERLY,LIFT CHAIR,L-1234-944	1	5.72
*A5	DWR1234L185	DECAL,QUICK RELEASE HAND CONTROL,LIFT CHAIR,L-1234-185	1	N/A
*A6	INFINFB2265	MANUAL,INSTRUCTION SHEET,PB HAND CONTROL TO TOGGLE HAND CONTROL	1	N/A

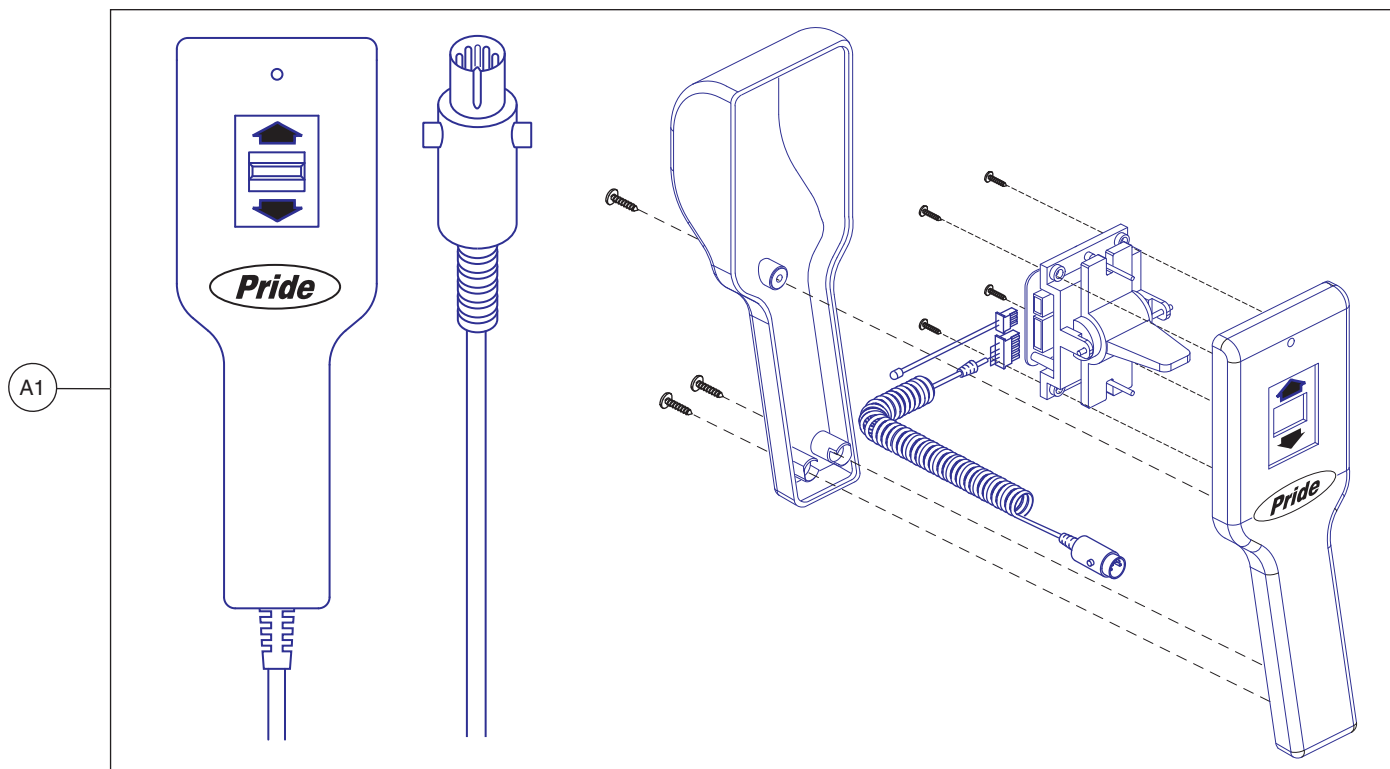
Notes :

Items preceded by "*" are not shown.



ELEASMB5577
SINGLE MOTOR HAND CONTROL, HEAT AND MASSAGE

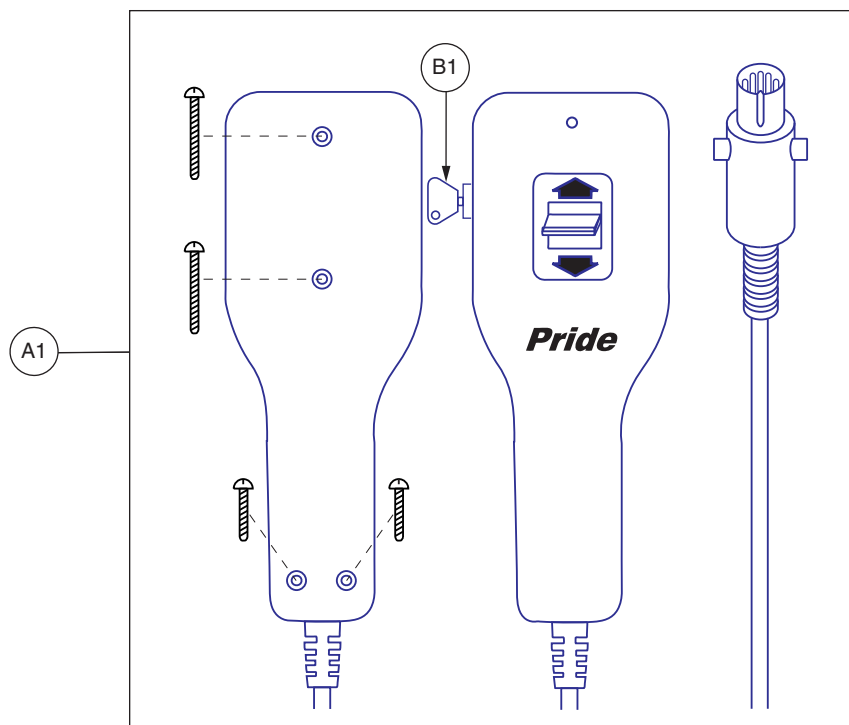
REF #	PART #	DESCRIPTION	QTY	MSRP (AU\$) ¹¹ⁱ
A1	ELEASMB5578	HAND CONTROL,ASSY,HEAT/MASSAGE,W/LEDS,(RFL: FIN HC 2802HL-FR3)	1	228.88
A2	SCRHHWS1003	SCREW,HHWS,YELLOW ZINC,#10 X 0.875",SERRATED HEX WASHER HEAD,WOOD SCREW	1	5.92
A3	CLPCBLC1002	CLAMP,CABLE,WHITE,5/16"	1	6.02



REF #	PART #	DESCRIPTION	QTY	MSRP (AU\$) ¹¹ⁱ
A1	ELEASMB7143	HAND CONTROL, BLACK, PRIDE LOGO, FOR DUAL LEAD MOTOR, W/LED LIGHT	1	N/A
*A2	DWR1235L711	DECAL, WARNING, HAND CONTROL, WHITE CHARACTERS, L-1235-711	1	N/A
*A3	DWR1234L944	DECAL, WARNING, CONTROLLER, DISPOSE OF PROPERLY, LIFT CHAIR, L-1234-944	1	5.72

Notes :

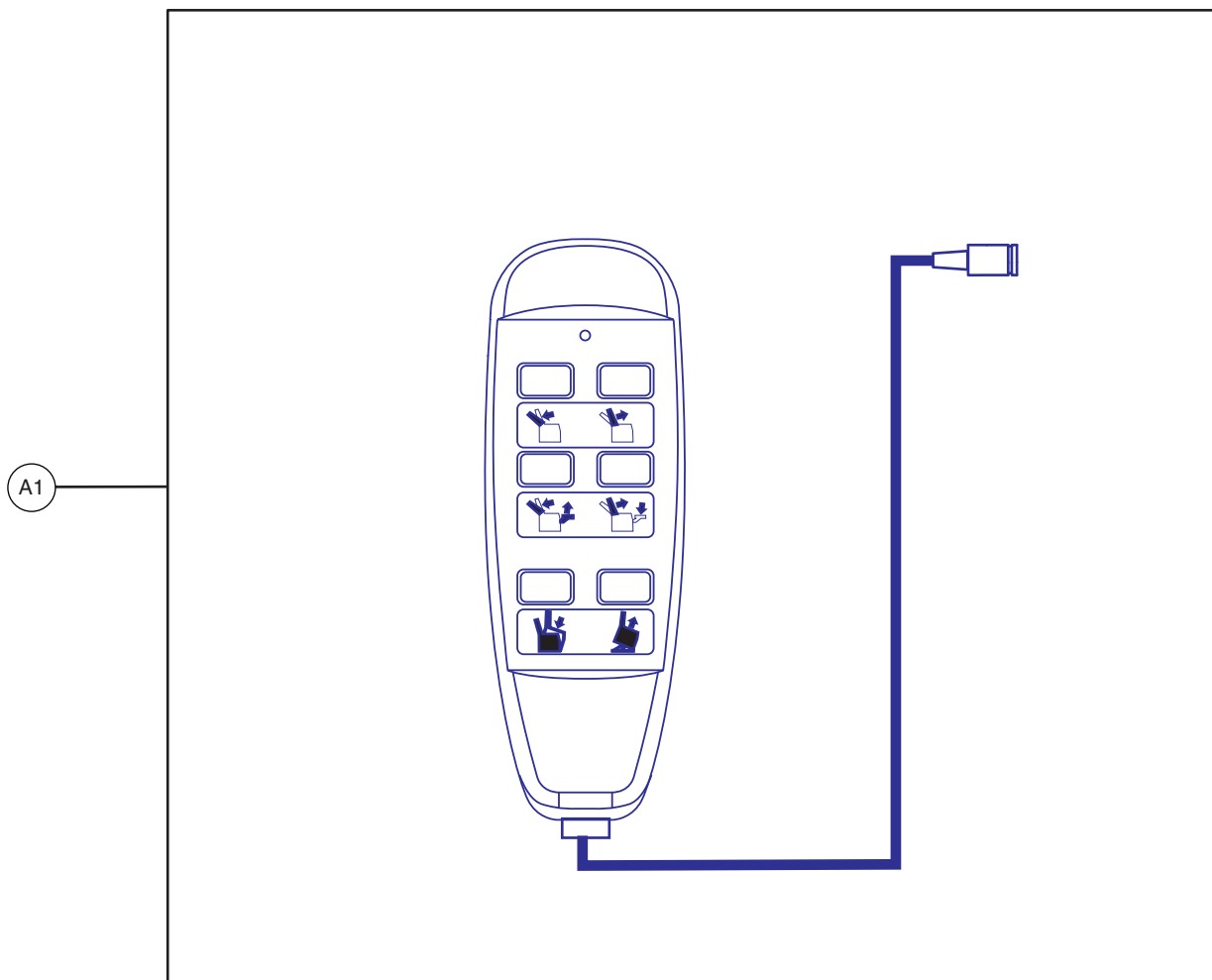
Items preceded by "*" are not shown.



REF #	PART #	DESCRIPTION	QTY	MSRP (AU\$)
A1	ELEASMB7145	HAND CONTROL, BLACK, PRIDE LOGO, FOR DUAL LEAD MOTOR, W/KEYLOCK & LED LIGHT	1	N/A
*A2	DWR1235L711	DECAL, WARNING, HAND CONTROL, WHITE CHARACTERS, L-1235-711	1	N/A
*A3	DWR1234L944	DECAL, WARNING, CONTROLLER, DISPOSE OF PROPERLY, LIFT CHAIR, L-1234-944	1	5.72
B1	KEYLFCH1000	HAND CONTROL, KEY, CHAIR	1	5.74

Notes :

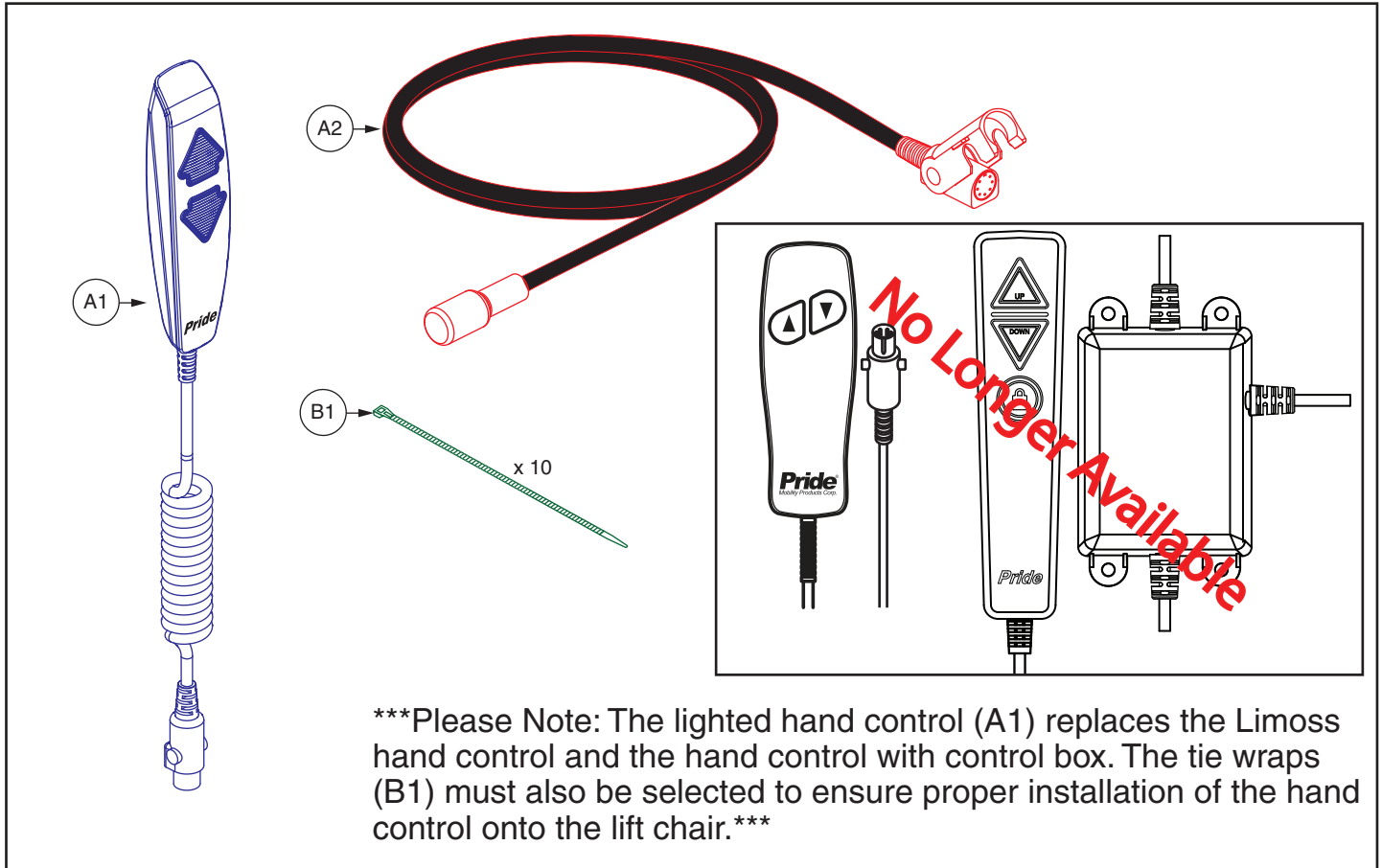
Items preceded by "*" are not shown.



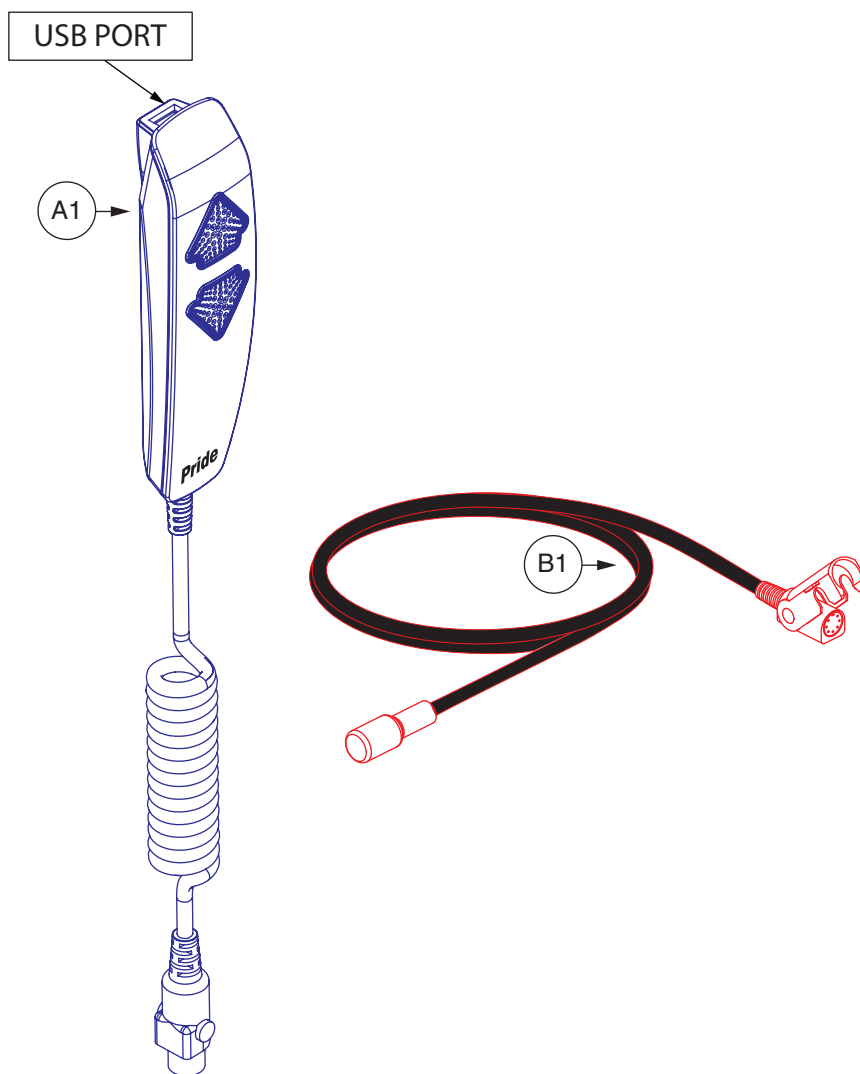
REF #	PART #	DESCRIPTION	QTY	MSRP (AU\$) ¹¹ⁱ
A1 - A2	ELEASMB7275	HAND CONTROL,ASSY,6 BUTTON,T3,WITH DECALS,W/O KEYLOCK,(FV)	1	N/A
A1	ELEASMB7276	HAND CONTROL,6 BUTTON,T3,W/O KEYLOCK,(FV)	1	N/A
*A2	DWR1235L298	DECAL,WARNING,HAND CONTROL,LIFT CHAIR,L-1235-298	1	N/A

Notes :

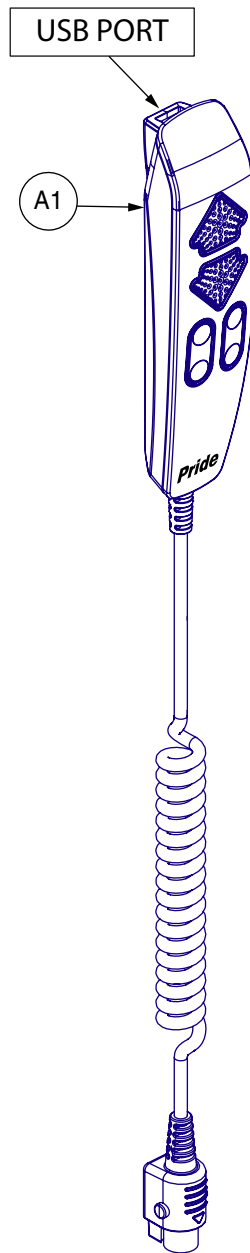
*A2 Not shown.



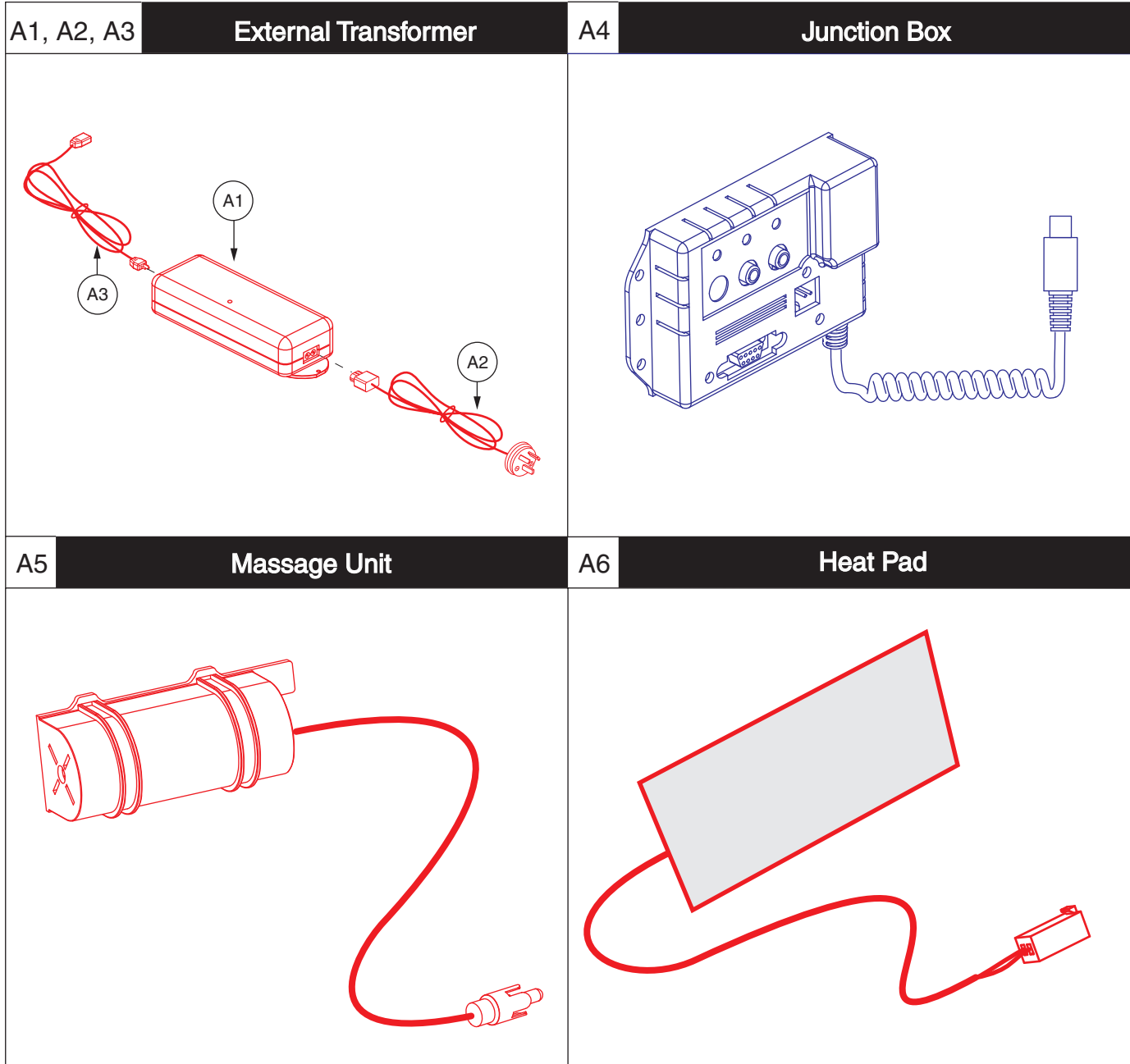
REF #	PART #	DESCRIPTION	QTY	MSRP (AU\$) ¹¹ⁱ
A1	KITASMB1858	KIT,ASSY,HAND CONTROL,LIMOSS,2 BUTTON,W/2' CORD & EXTENSION CABLE	1	284.14
B1	HARUSHD2550	ELECTRONIC,HARNESS,HAND CONTROL,EXTENSION,(LIMOSS: 403829)	1	18.58



REF #	PART #	DESCRIPTION	QTY	MSRP (AU\$) ¹¹ⁱ
A1	ELEASMB7120017	HAND CONTROL, ASSY, LIGHTED PUSH BUTTON, USB, NO KEYLOCK, PRIDE LOGO, WARNING LABEL	1	273.12
B1	ELE137801	LIFT CHAIR HAND CONTROL 5 PIN DIN EXTENTION CABLE	1	83.58



REF #	PART #	DESCRIPTION	QTY	MSRP (AU\$) ¹¹ⁱ
A1	CTL150060	HAND CONTROL,ASSY,USB,INFINITE POSITION,PRIDE LOGO,WARNING LABEL	1	178.66

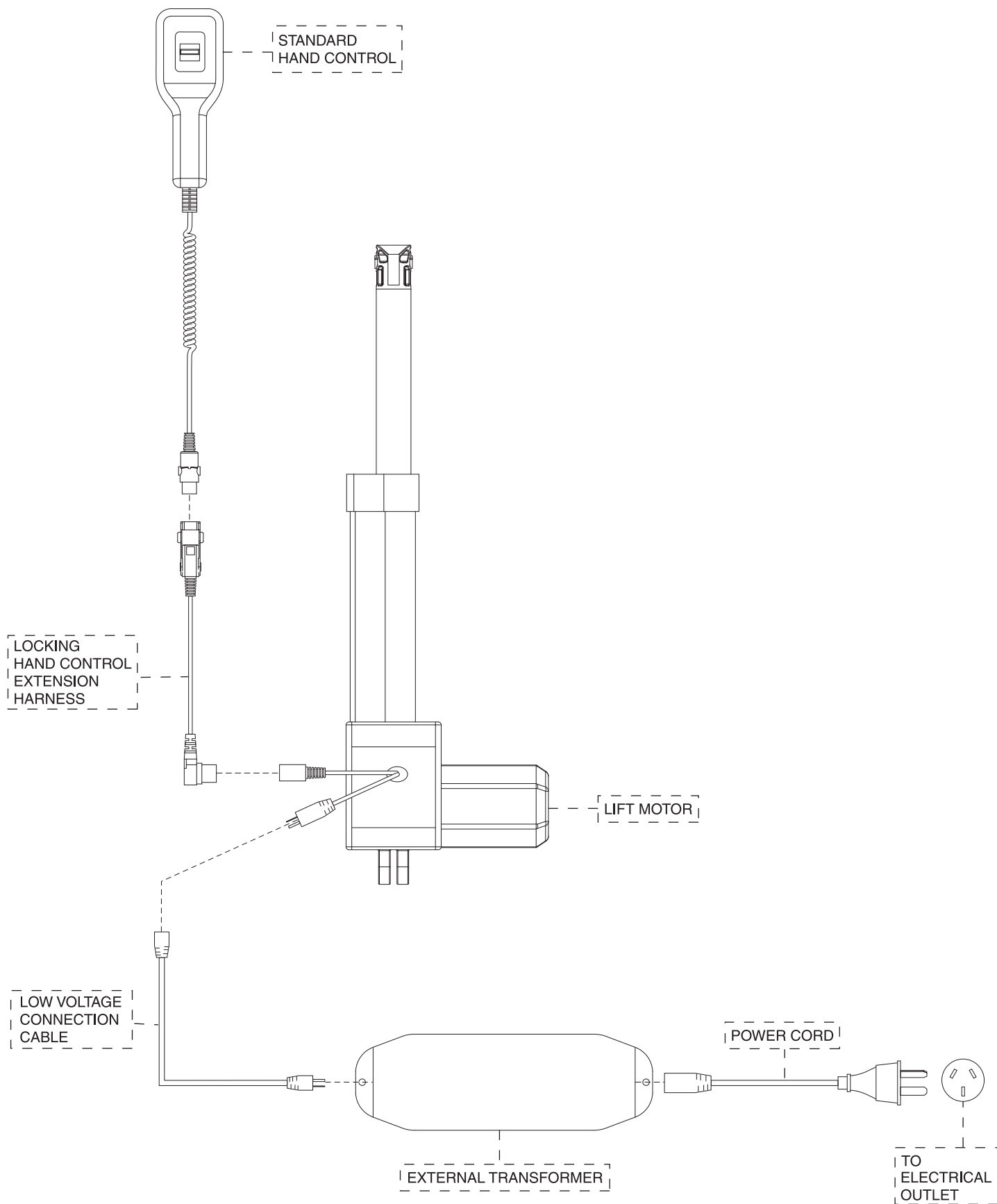


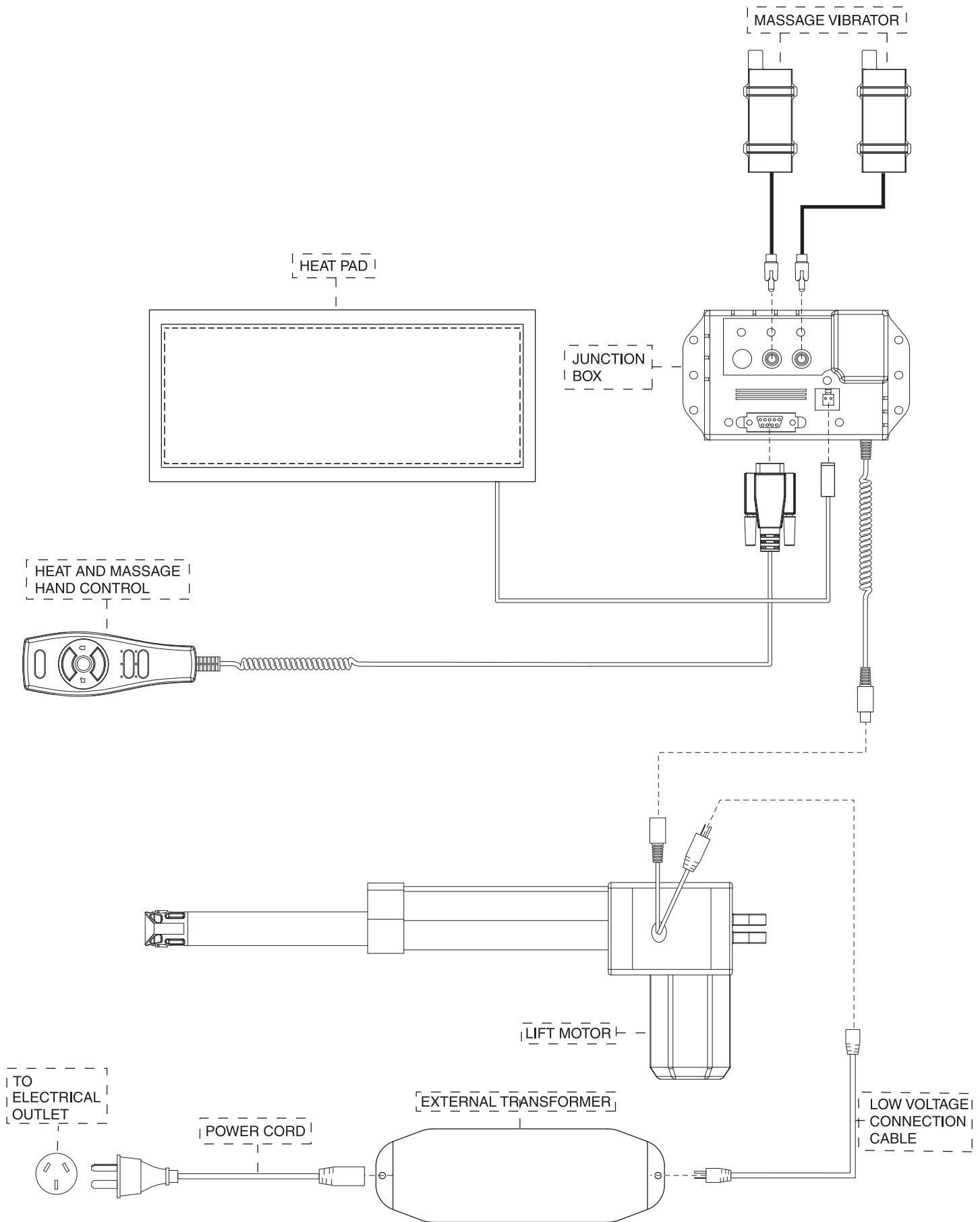
VII. Heat and Massage Components

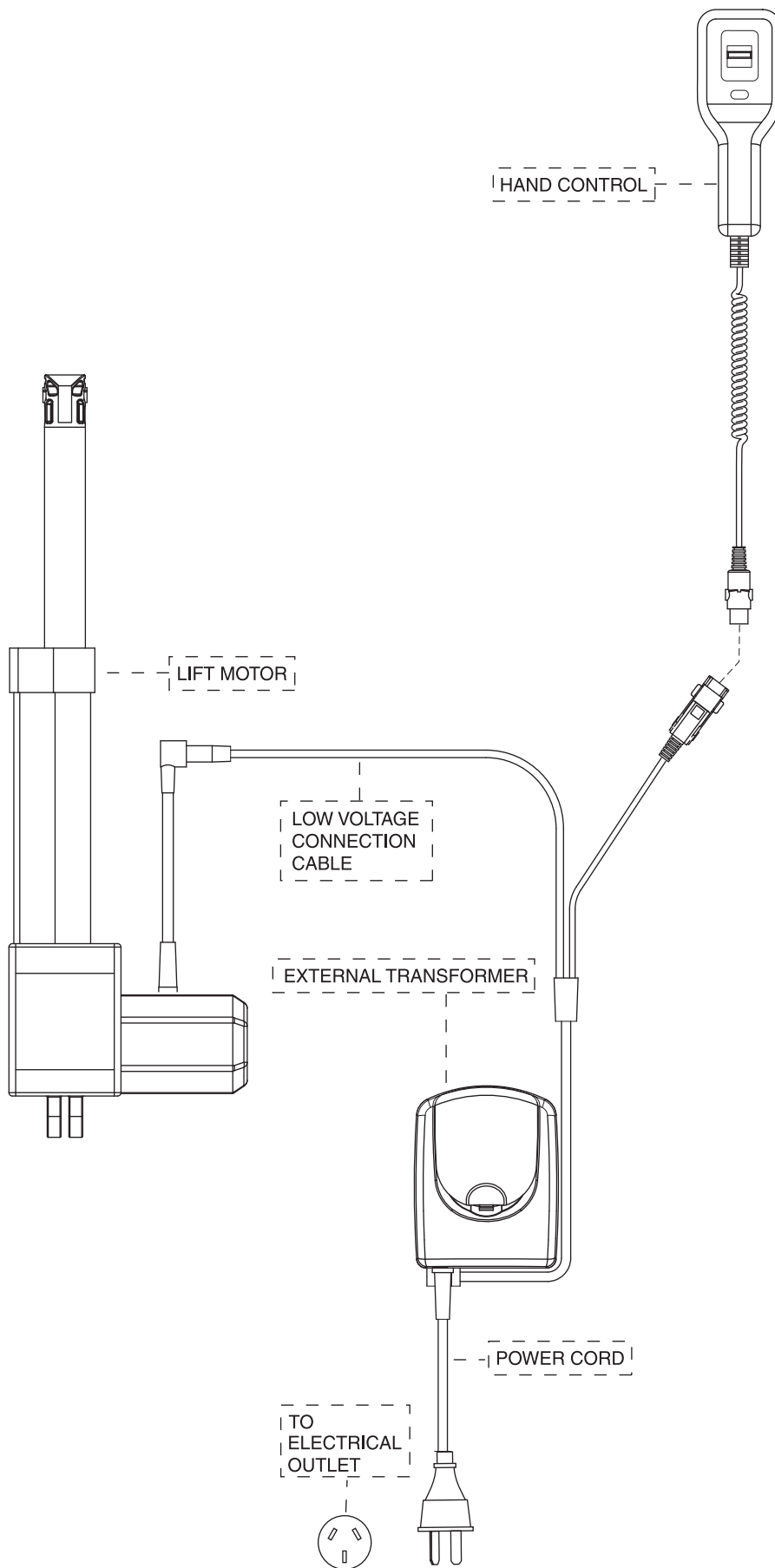
REF #	PART #	DESCRIPTION	QTY	MSRP (AU\$) ¹¹ⁱ
A1 - A14	ELEASMB5875	ELECTRONIC,ASSY,TRANSFORMER,W/BATTERY BACKUP,C13170,HEAT/MASSAGE,SS,AUS	1	N/A
A1	ELEINDV1069	ELECTRONIC,TRANSFORMER,W/BATTERY BACKUP,C13170,(SS: 3R011600G)	1	N/A
A2	HARUSHD2537	ELECTRONIC,HARNESS,POWER CORD,LIFT CHAIR,EXTERNAL TRANSFORMER,(SS: 7701240001),AUS	1	N/A
A3	HARUSHD2534	ELECTRONIC,TRANSFORMER/MOTOR CABLE,(SS: 300.402.026.30)	1	88.88
A4	ELEINDV1071	ELECTRONIC,LIFT CHAIR JUNCTION BOX,(RFL: FIN LJ-D-36-C2-F)	1	325.26
A5	HMGMASG1007	ELECTRONIC,VIBRATOR,MASSAGE MOTOR,(RFL: MTR RM12 C 26 RCA)	1	N/A
A6	HMGHEAT1006	ELECTRONIC,HEAT PAD,29V,(RFL: HTP-40W29V 32-A)	1	69.5
*A7	DWR1234L945	DECAL,WARNING,TRANSFORMER,DISPOSE OF PROPERLY/SHOCK/READ OWNERS MANUAL,LIFT CHAIR,L-1234-945	1	N/A
*A8	PLSTIE1024	TIE WRAP,BLACK,11"L	1	5.62
*A9	CLPCBLC1002	CLAMP,CABLE,WHITE,5/16"	1	6.14
*A10	SCRHHWS1003	SCREW,HHWS,YELLOW ZINC,#10 X 0.875",SERRATED HEX WASHER HEAD,WOOD SCREW	1	6.04
*A11	DWR1235L134	DECAL,WEIGHT CAPACITY,LIFT CHAIR SERIES,L-1235-134	1	N/A
*A12	DWR1235L520	DECAL,CAUTION,EXTENSION CORD/GROUNDING PRONG,L-1235-520	1	7.16
*A13	DECINDV1236	DECAL,1 3/4"L X 1/2"H,ELECTRICAL APPROVAL,C-TICK DECAL,SILVER,L-1234-569	1	N/A
*A14	DECINDV1041	DECAL,CE,ROUND,5/8",WHITE/BLACK,L-1234-190	1	N/A

Notes :

All items marked with an "*" are not shown.







Pride® Mobility Products Corporation

182 Susquehanna Avenue
Exeter, PA 18643
USA

Pride® Mobility Products Company

5095 South Service Road
Beamsville, ON L0R 1B3
Canada

Pride® Mobility Products Ltd.

32 Wedgwood Road
Bicester, Oxfordshire OX26 4UL
UK

Pride® Mobility Products Australia Pty. Ltd.

20-24 Apollo Drive
Hallam, Victoria 3803
Australia

Pride® Mobility Products New Zealand Ltd.

38 Lansford Crescent
Avondale
Auckland, New Zealand 1007

Pride® Mobility Products Italia S.r.l.

Via del Porgresso - ang. Via del Lavoro
Loc. Prato della Corte
00065 - Fiano Romano (RM)

**Pride® Mobility Products Europe B.V.
(Authorised EU Representative)**

Castricummer Werf 26
1901 RW Castricum
The Netherlands

