

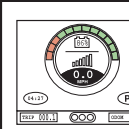
Enhanced Display Quick Guide

It's Wheelie Easy
with Allied Medical



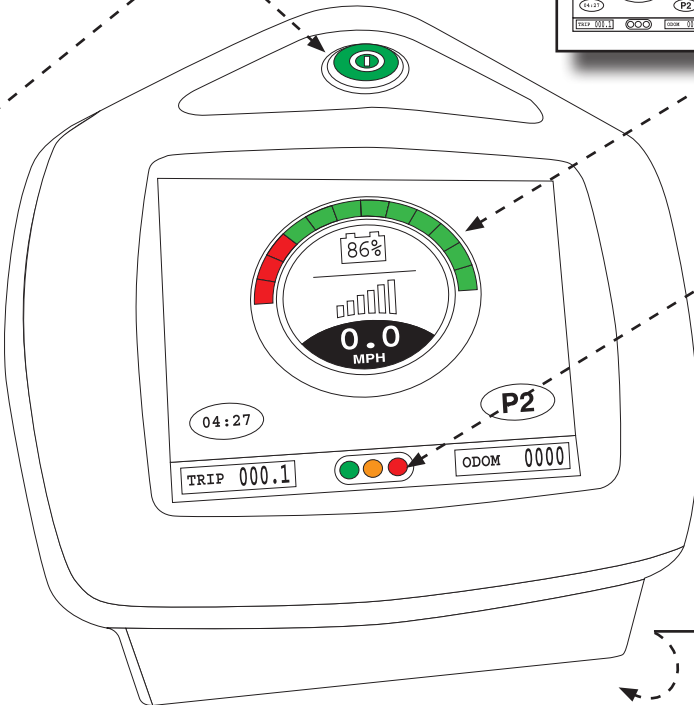
On/Off Switch

Push to power on your chair.
Push again to turn off your chair.



Battery Meter

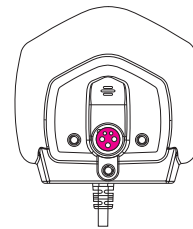
Shows how much charge you have remaining.



Drive Indicator

- Drive active (green) - your chair will move as normal
- Speed limited (orange) - your seat is raised and will drive slowly.
- Drive stopped (red) - your chair is tilted too far back.

Front View



Charger Port

This is where you plug in your charger.
Remember to charge your chair every night.

Battery LED

Shows how much charge you have remaining.
Green = Full
Amber = Partial
Red = Low

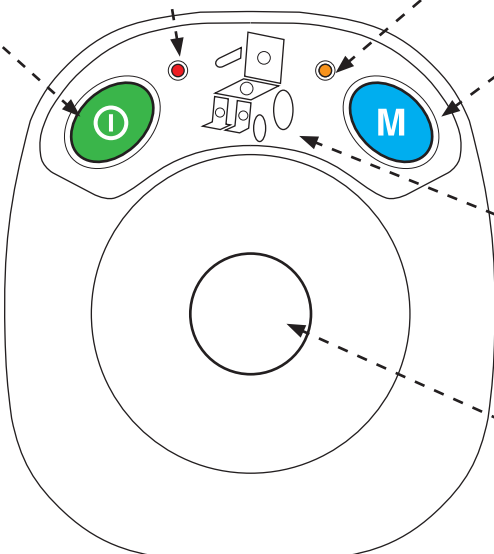
Profile LED

Shows which drive profile you are in.
Green = Profile 1
Amber = Profile 2
Red = Profile 3



Mode Button

Press to cycle between drive, seat and auxillary profiles.
In drive profiles, use input device to move
In seat profiles, use left/right to select seat function and up/down to adjust.
In auxillary profiles use input device to navigate menu.



Seat Function

Shows which function is selected.
Use up and down on the joystick to actuate.



Joystick

PO Box 302 250
North Harbour
Auckland

Freephone 0800 31 61 81

Ph 09 415 1685

Fax 09 415 1686

greatwheelchairs@alliedmedical.co.nz

www.alliedmedical.co.nz



**ALLIED
MEDICAL**
LIMITED

Enhanced Display Quick Guide



Ensure you turn off the chair for transfers.



Freewheel your chair by disengaging both motors.



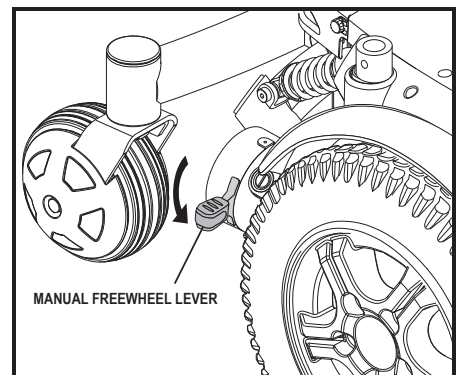
Never disengage your motors when on a slope!



Locked and in drive mode

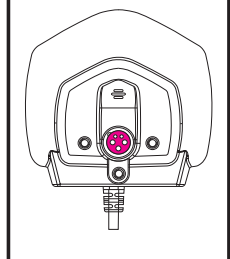
Place unit on level ground and stand to one side when changing between modes.

Unlocked and in freewheel mode.



Remember to charge your chair every night.

Front View



Your charger plugs into the front of your enhanced display.

