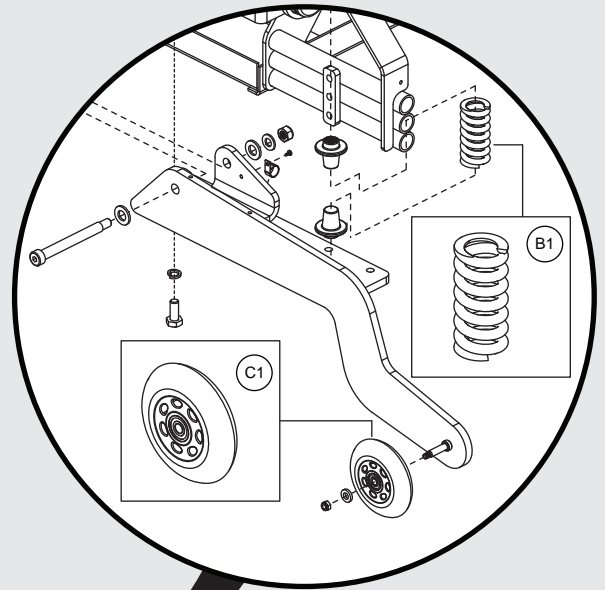


Q1450

PRIDE[®]
MOBILITY
LIVE YOUR BEST[®]

Q
QUANTUM[®]

Illustrated Parts Breakdown



This Illustrated Parts Breakdown (IPB) Catalog has been compiled from the latest product information available at the time of publication. Quantum Rehab[®] / Pride Mobility Products[®] Corporation reserves the right to make changes and updates to this manual and to the product(s) it represents. Any changes, updates, or improvements to the product(s) may result in slight differences between this manual and the product that has been purchased.

An IPB is a graphically portrayed parts listing of product components which have been deemed to have serviceable, maintenance significance. When applicable, IPBs utilize “exploded” illustrations that detail serviceable components and a corresponding itemized parts list of reference numbers, part numbers, descriptions, quantities, and any applicable pricing. Most product components are incorporated into assemblies and may not be available for replacement.

Serviceable components will be noted by a callout in the illustration that will correspond to a alphanumeric reference number in the parts list. Items may also be listed in the parts list by parent assemblies. In most cases when a parent assembly is listed, there will be child parts or sub-assemblies listed under that parent.

For example: The parent assembly reference number is A1 — A5. That part contains all of the items listed as and contained within A1, A2, A3, A4, & A5. As long as these subcomponents have a callout associated with them, they can be selected for replacement or quote.

Updates to the contents of an IPB will be made on a regular basis based upon applicable product changes and enhancements. This PDF catalog has been export from the Provider based service site. The most up to date parts look up tool and ordering application is located at: prideprovider.com. Please utilize this system to enhance your user experience. It is built with highly interactive materials that are set with relational properties that will facilitate easier part look-up, more accurate parts selection, notification of onhand part availability, and quick links to related documents and products.

We welcome all questions and comments regarding the Quantum Rehab[®] / Pride Mobility Products[®] Corporation IPB systems.

Any pricing that is included in Quantum Rehab[®] /Pride Mobility Products[®] Corporation IPBs is subject to change without prior notice.

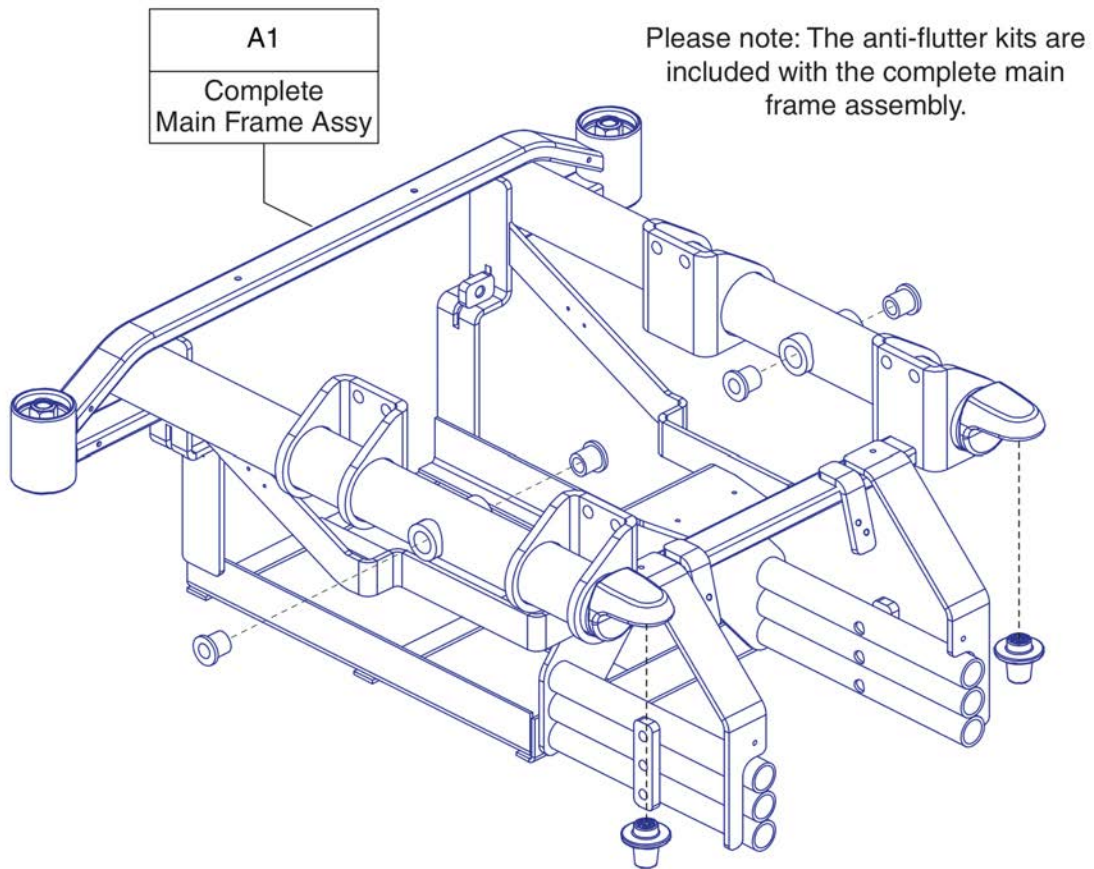
Thank you for choosing products from Quantum Rehab[®] and Pride Mobility Products[®] Corporation.



1. Main Frame Assy's	
Main Frame, J/Q 1450	1
2. Motor Mount, Anti-tip, & Front Suspension Assy's	
Motor Mount, Anti-tip, Suspension Assy, J/Q1450	3
3. Caster Wheel Assy	
Caster Wheels, J/Q 1450	5
4. Motor Assy's	
Hammer II Curtis Motor Assy's and Motor & Wheel Mounting Hardware	7
Hammer II VR2 Motor Assy's and Motor & Wheel Mounting Hardware	9
5. Electronics Assy's	
5.1. Q-Logic 3 Electronic Assy's	
Q-Logic 3 Base Electronics, Harnesses, and Modules, Q1450	11
Q-Logic 3 SD Cards for Q1450	13
5.2. Q-Logic 1&2 Electronic Assy's	
Q-Logic Electronics - Hammer XL Motors, No Power Positioning, J/Q 1450	15
Q-Logic Electronics - Hammer XL Motors, Tilt Thru Toggle/Quantum Ready, J/Q 1450	17
Q-Logic Electronics - Hammer II Motors, No Power Positioning, J/Q 1450	19
Q-Logic Electronics - Hammer II Motors, Tilt Thru Toggle/Quantum Ready, J/Q 1450	21
5.3. VR2 Electronic Assy's	
VR2 Electronics - Hammer XL Motors, No Power Positioning, J/Q 1450	23
VR2 Electronics - Hammer XL Motors, Tilt Thru Toggle/Future Actuator Expansion, J/Q 1450	25
VR2 Electronics - Hammer XL Motors, Tilt Thru Joystick, J/Q 1450	27
6. Joystick Assy's	
Q-Logic 3 Joystick Assy's	29
Q-Logic 3e Joystick Assy's - Q1450	31
Q-Logic 3 Stand Alone Joystick Assy	33
Q-Logic 2 Joystick Assemblies	35
Q-Logic 2 Stand Alone Joystick Assy	37
VR2 and Q-Logic 1 Joystick Assy's	39
Joystick Knobs & Overlays	
Aftermarket Joystick Knobs	41
PG Joystick Overlays	43
Q-Logic 1 / Stand Alone / NE / NE+ Joystick Overlays	45
Q-Logic Joystick Knobs	47
Q-Logic 2 & 3 Joystick Shrouds	
Q-Logic 2 & 3 Joystick Shrouds	49
Joystick Bottom Housings	
Q-Logic 1 Joystick & Enhanced Display Bottom Housing w/Bus Cable	51
Q-Logic 2 & 3 Joystick Bottom Housing w/Bus Cable	53
7. Drive Wheel Assy	
Flat-free Drive Wheel Assy, J/Q 1450	55
8. Foot Platform Assy	
Foot Platform Assy, J/Q 1450	57
9. Shroud Assy's	
Complete Shroud Assy Matrix, Q1450 - New Colors	59

Front Door Shroud Assy, Q1450 - New Colors	61
Rear Door Shroud, Q1450 - New Colors	63
Fender Shrouds, Q1450 - New Colors	65
10. Seat Interfaces	
Seat Mount Connectors, J/Q 1450	67
Trapeze Bars, J/Q 1450	69
Angle Adjustable Seat Mounts, TRU-Balance Bariatric Tilt, J/Q 1450	71
11. Batteries	
Group 24 Battery, MK	73
Universal, Group 24, Battery Assy	75
Group 24 Battery, Interceptor	77
12. Off-board Charger Assy	
8 Amp UPG Charger Assy, AGM / GEL Selectable	79
13. Joystick Mounts & Receivers	
13.1. Swing-away, Version 3	
Swing-away Joystick Bracket & Components, Version 3	81
13.2. Version 2. Swing-away/Multi-axis Joystick Brackets	
Swing-away & Multi-axis Mount Matrix, Rehab Seat, Version 2	83
Swing-away & Multi-axis Mount Matrix, Captain Seat, Version 2	85
Swing-away Joystick Bracket Components, Version 2	87
Multi-Axis Joystick Bracket Components, Version 2	89
13.3. Retract 4 Swing-away Joystick Bracket	
Retract 4 Swing-away Joystick Bracket for Curtis Joysticks	91
13.4. Stealth Swing-away / Flip-down Joystick Bracket	
Stealth Swing-away / Flip Down Joystick Brackets & Mounts	93
13.5. Fixed Inline Joystick Brackets	
Fixed Joystick Mounts, Quantum Joysticks	95
13.6. Joystick Bracket Receivers	
Joystick Receiver Mounts, Quantum	97
14. Owner's & Decal Packages	
Owner's Package - Q1450 AU	99
Decal Package - Q1450 AU	101
Appendix A:Pages Index	103
Appendix B:Parts Index	104

1. Main Frame Assy's

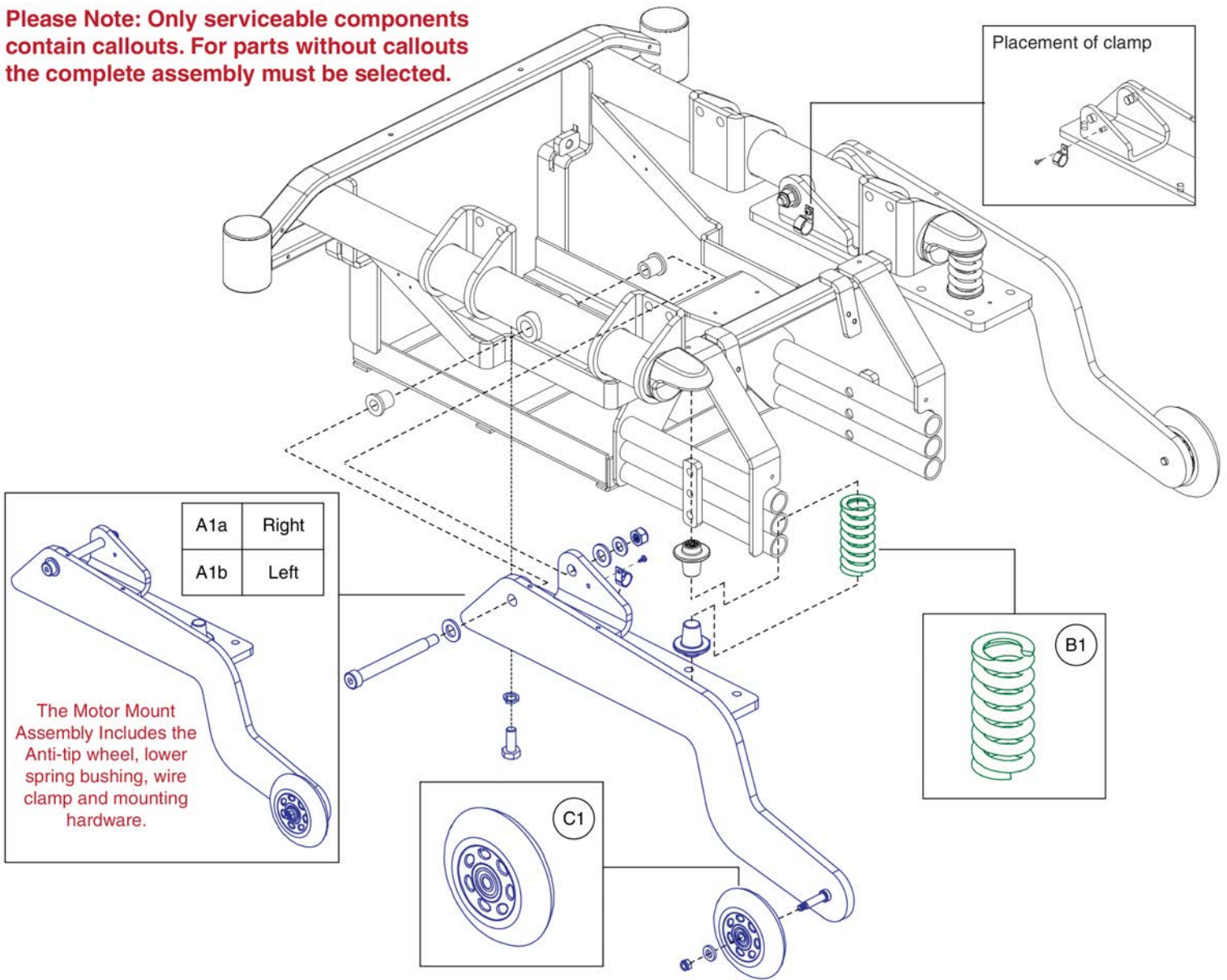




Item	Part No.	Name	Qty
A1	FRMASMB17481	FRAME,ASSY,MAIN,QUANTUM1450,D-1660-025	1

2. Motor Mount, Anti-tip, & Front Suspension Assy's

Please Note: Only serviceable components contain callouts. For parts without callouts the complete assembly must be selected.

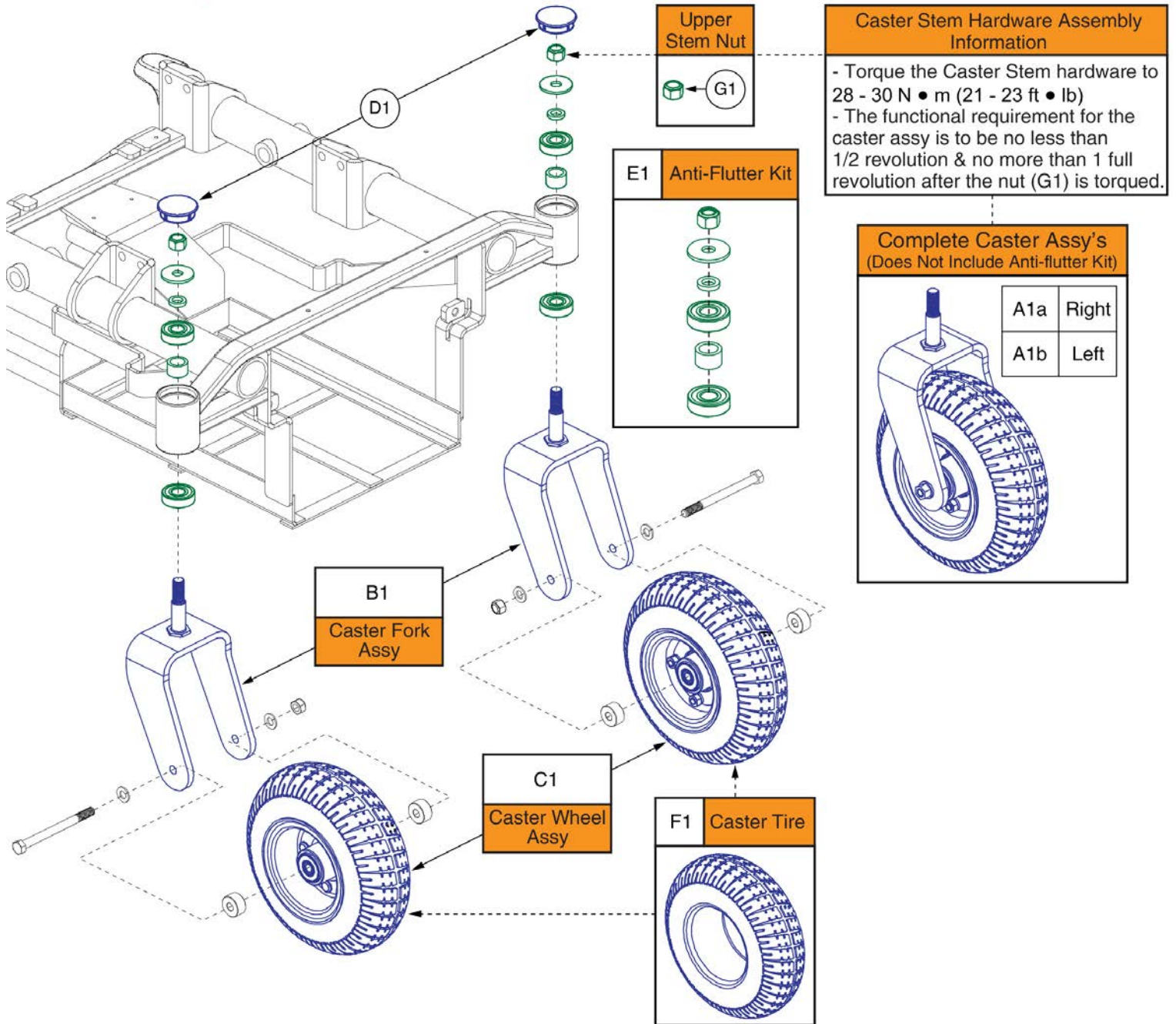


Motor Mount, Anti-tip, Suspension Assy, J/Q1450

Item	Part No.	Name	Qty
A1a	FRMASMB17461	MOTOR MOUNT,RIGHT,W/MOUNTING HARDWARE & ANTI-TIP	1
A1b	FRMASMB17460	MOTOR MOUNT,LEFT,W/MOUNTING HARDWARE & ANTI-TIP	1
B1	DWR1660C047	SPRING,SILVER,3.00" FL X 0.854" ID X 1.400" OD X 0.273" WIRE DIA X RATE: 1000 LBS/IN,C-1660-047,(LEE SPRING: LHL 1500C 03)	2
C1	WHLASMB1523	WHEEL,ASSY,ANTI-TIP,100MM OD X 23.76MM TH,W/BEARINGS & SPACER,C-1505-032	2

3. Caster Wheel Assy

Please Note: Only serviceable components contain callouts.
For parts without callouts, the complete assembly must be selected.

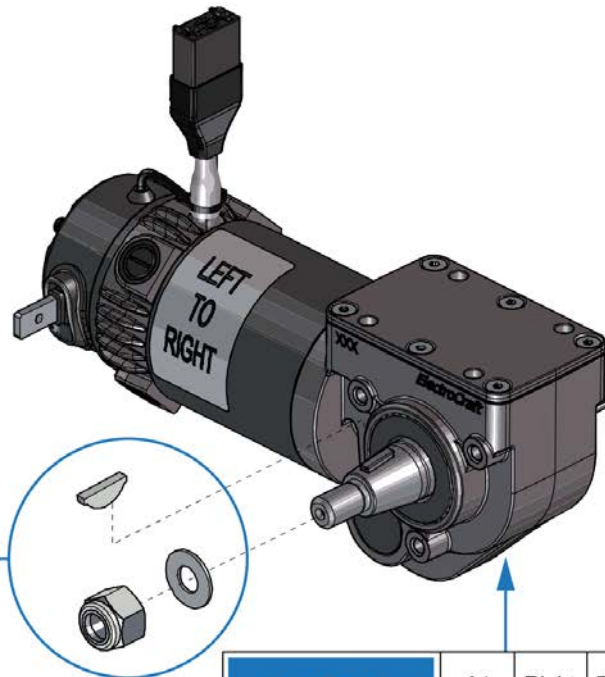


Caster Wheels, J/Q 1450



Item	Part No.	Name	Qty
A1a	CASASMB7110022	CASTER,ASSY,FLAT-FREE,BLACK RIM/CHARCOAL TIRE,9" WHEEL,W/FORK,RIGHT,C-1202-034	1
A1b	CASASMB7110021	CASTER,ASSY,FLAT-FREE,BLACK RIM/CHARCOAL TIRE,9" WHEEL,W/FORK,LEFT,C-1202-033	1
B1	FRMASMB17462	FORK,ASSY,CASTER,9",C-1202-032	1
C1	WHLASMB7110035	WHEEL,ASSY,FLAT FREE,9" CASTER,BLACK RIM/CHARCOAL TIRE,D-1203-013	1
D1	DWR1065C008	SHROUD,COVER,CAP,CASTER,BLACK	1
E1	HDWASMB1187	ANTI-FLUTTER KIT,REAR CASTER,JAZZY,B-1005-137	1
F1	TIR8110022	TIRE,FLAT FREE,CHARCOAL,9" OD,3" W,C-9210F,AQUATREAD	1
G1	NUTNYLK1010	NUT, HEX, LOCK, .50-20, ASME B18.16.6, BZ, PVTP	1

4. Motor Assy's



C1 KIT150486 - Wheel Mounting Hardware

5/8 x 18
Flat Washer
Axle Key

*****The Complete Drive Motor does not include the Motor Mounting Hardware or Wheel Mounting Hardware. They must be selected separately.*****

Complete Drive Motors Curtis Connector	A1	Right	DRVASMB7110010
	B1	Left	DRVASMB7110009
Q6 Edge HD			
J1450 - S/N JC528113047020 and subsequent			
Q1450 - S/N JC427313082020 and subsequent			

Motor Mounting Hardware

D1
M8-1.25 x 25MM, Gr. 12.9 x 4

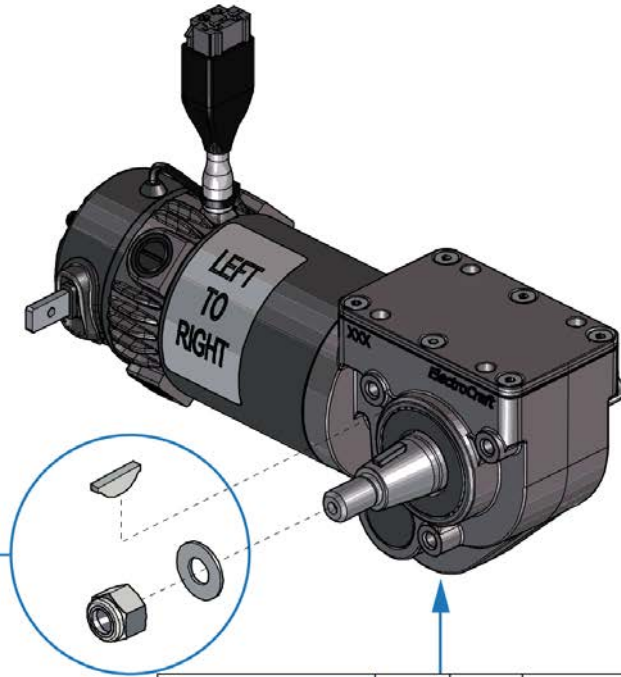
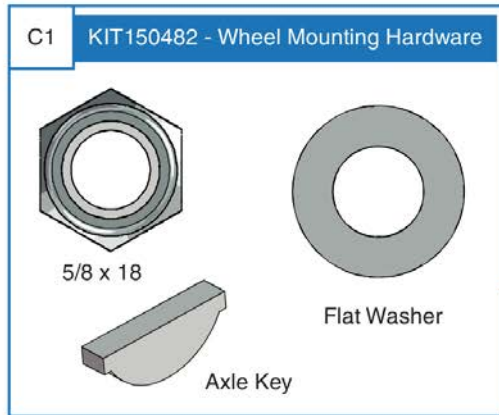
*****The Hammer II Motor replaced the Hammer XL Motor effective with the S/N's listed for the J/Q1450 models. If motor replacement is required on units prior to the S/N's listed, both left and right motors must be selected.*****

Freewheel Lever

E1

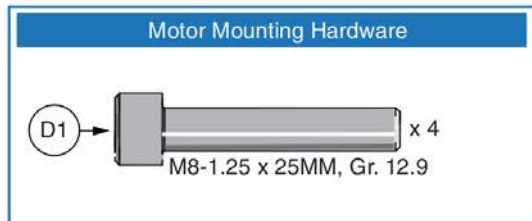
Item	Part No.	Name	Qty
A1	DRVASMB7110010	RIGHT MOTOR,ASSY,DRIVE,64 HAMMER II,W/GEARBOX,3800RPM MOTOR,32.79:1 GEAR RATIO TAPERED SHAFT GEARBOX,ELECTROMECHANICAL RELEASED BRAKE,116RPM SHAFT OUTPUT,18.5" LEAD LENGTH,CURTIS CONNECTOR	1
B1	DRVASMB7110009	LEFT MOTOR,ASSY,DRIVE,64 HAMMER II,W/GEARBOX,3800RPM MOTOR,32.79:1 GEAR RATIO TAPERED SHAFT GEARBOX,ELECTROMECHANICAL RELEASED BRAKE,116RPM SHAFT OUTPUT,18.5" LEAD LENGTH,CURTIS CONNECTOR	1
C1	KIT150486	KIT,ASSY,WHEEL MOUNTING HARDWARE,HAMMER MOTORS	1
D1	SCRSHCS1172	SCREW,SHCS,BLACK ZINC,M8-1.25 X 25MM,GRADE 12.9	4
E1	FRMASMB8691	FREEWHEEL,ASSY,RELEASE HANDLE GRIP,YELLOW,B-1160-051	1

4. Motor Assy's

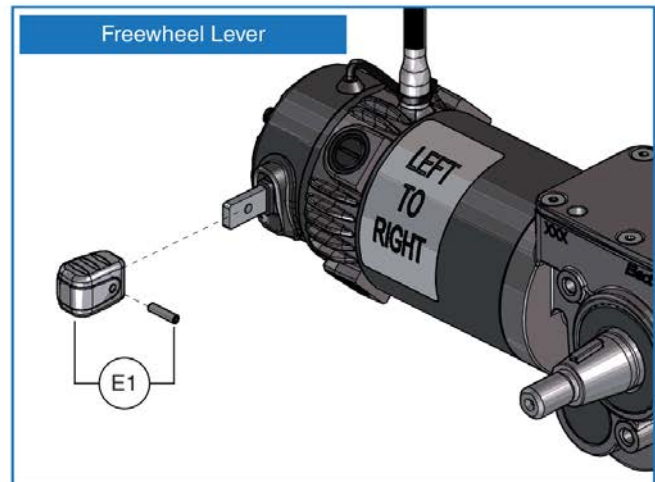


*****The Complete Drive Motor does not include the Motor Mounting Hardware or Wheel Mounting Hardware. They must be selected separately.*****

Complete Drive Motors PG Connector	A1	Right	DRVASMB7120035
	B1	Left	DRVASMB7120034
J1450 - S/N JC528113047020 and subsequent			
Q1450 - S/N JC427313082020 and subsequent			

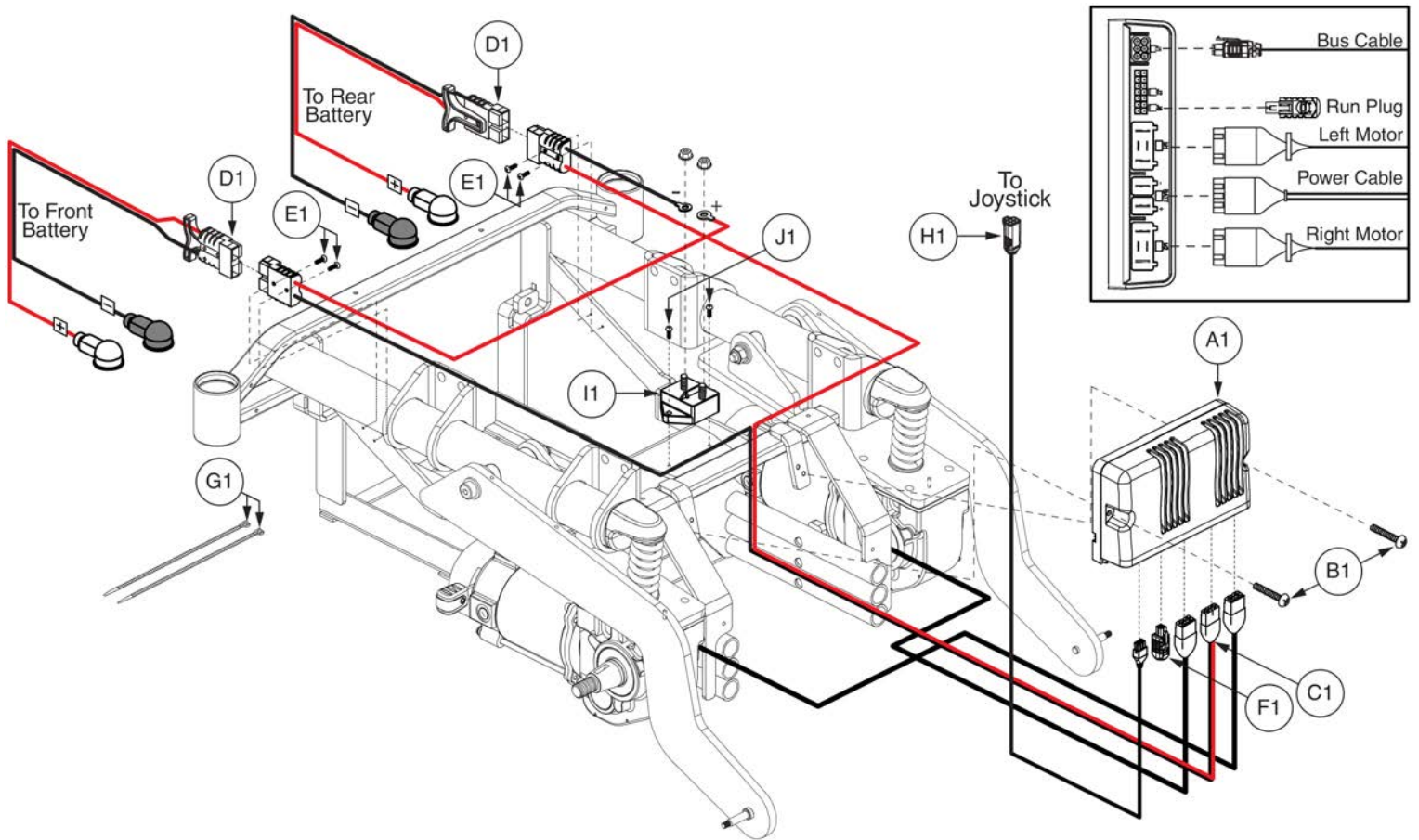


*****The Hammer II Motor replaced the Hammer XL Motor effective with the S/N's listed for the J/Q1450 models. If motor replacement is required on units prior to the S/N's listed, both left and right motors must be selected.*****



Item	Part No.	Name	Qty
A1	DRVASMB7120035	RIGHT HAND MOTOR,ASSY,DRIVE,64 HAMMER II,W/GEARBOX,3700RPM MOTOR,32.79:1 GEAR RATIO,TAPERED SHAFT GEARBOX,ELECTROMECHANICAL RELEASED BRAKE,114RPM SHAFT OUTPUT,24" LEAD LENGTH,PG CONNECTOR	1
B1	DRVASMB7120034	LEFT HAND MOTOR,ASSY,DRIVE,64 HAMMER II,W/GEARBOX,3700RPM MOTOR,32.79:1 GEAR RATIO,TAPERED SHAFT GEARBOX,ELECTROMECHANICAL RELEASED BRAKE,114RPM SHAFT OUTPUT,24" LEAD LENGTH,PG CONNECTOR	1
C1	KIT150482	KIT,ASSY,WHEEL MOUNTING HARDWARE,HAMMER II MOTORS	1
D1	SCRSHCS1172	SCREW,SHCS,BLACK ZINC,M8-1.25 X 25MM,GRADE 12.9	4
E1	FRMASMB8691	FREEWHEEL,ASSY,RELEASE HANDLE GRIP,YELLOW,B-1160-051	1

5.1. Q-Logic 3 Electronic Assy's

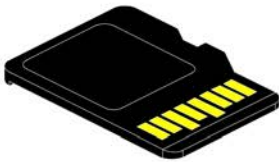


Item	Part No.	Name	Qty
A1	CTL143978	POWER MODULE, Q-LOGIC 3,120 AMP, (CURTIS: 17930700-3509)	1
B1	SCRPPH1390	SCREW,PPH,BLACK ZINC,M5-.8 X 35MM	2
C1	DWR1059H001	ELECTRONIC,HARNESS,POWER CABLE,QLOGIC,CURTIS,QUANTUM6000/R4000,H-1059-001	1
D1	ELEASMB2868	ELECTRONIC,ASSY,BATTERY CABLE,GRAY,W/125A/32V FUSEABLE LINK,QUICK DISCONNECT,H-1500-013	2
E1	SCRPPH1266	SCREW,PPH,ZINC,M3-.5 X 16MM	4
F1	DGN1901203	OVER-MOLD RUN RECEPTACLE, 4-CIRCUIT	1
G1	PLSTIE1004	TIE WRAP,BLACK,8"	2
H1	HAR144005	HARNESS, BUS EXTENSION CABLE, Q-LOGIC 3, 0.410 METER,MALE/FEMALE, (CURTIS: 17881362-01-01)	1
I1	ELECBRK1033	CIRCUIT BREAKER,100 AMP,SELF-RESETTING,H-8500-064	1
J1	SCRPPH1318	SCREW, PAN HEAD, TYPE H, M4X0.7 X 16, FT, ISO 7045, CL 4.8, BZ	2

5.1. Q-Logic 3 Electronic Assy's

Q-Logic 3 SD Card Master List - Q1450

Ref#	Part Number	Motor Type	Options
A1	ELE2000743	Hammer II	Static
B1	ELE2000745	Hammer II	Power Positioning



Pre-programmed
Micro SD Card

Please note:

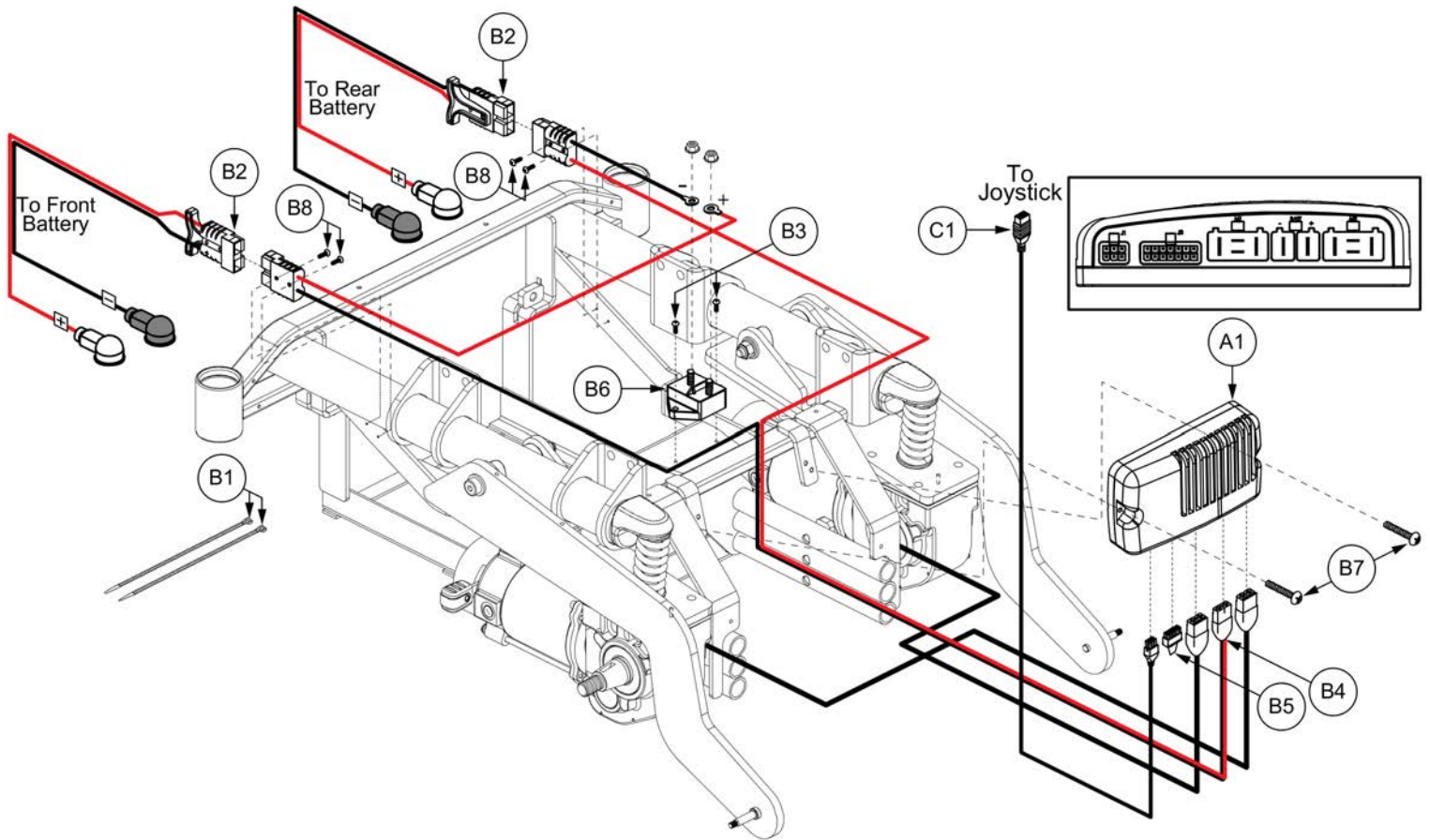
- Pre-programmed SD Cards are required when:
 - Replacing a Joystick, Power Base Module, or Seating Module. A firmware upgrade occurred requiring a system update to enable all of the enhanced features.
 - Any circumstance where all of the electronics modules require replacement.
- The Q-Logic 3 system will reprogram the unit based upon the information loaded onto the SD card.
- The proper, programmed SD card must be selected to ensure the unit functions as intended.

Q-Logic 3 SD Cards for Q1450



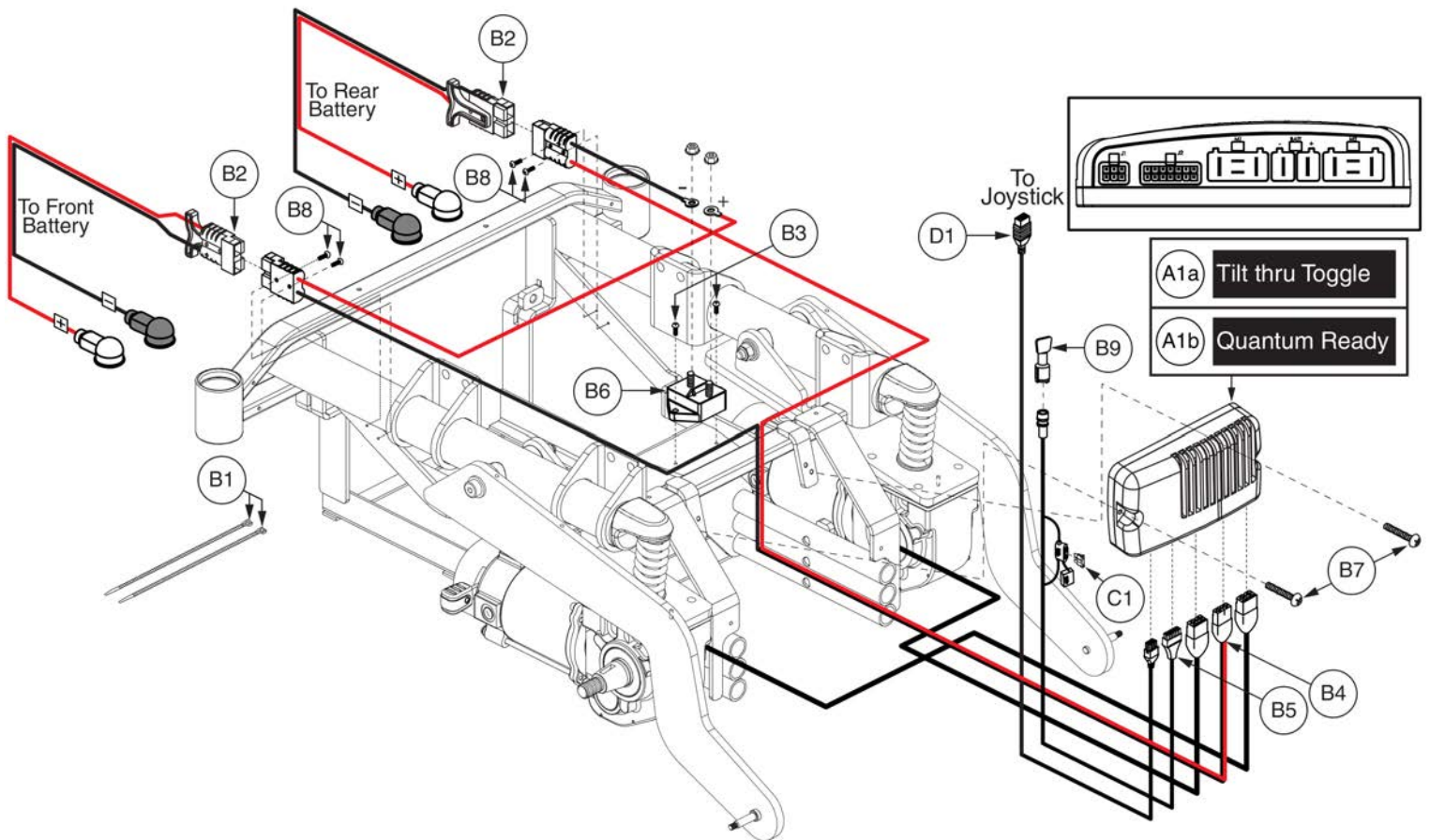
Item	Part No.	Name	Qty
A1	ELE2000743	SERVICABLE ASSEMBLY,SD CARD,Q-LOGIC 3,QUANTUM 1450,4.5MPH HAMMER II MOTORS, STATIC SEATING	1
B1	ELE2000745	SERVICABLE ASSEMBLY,SD CARD,Q-LOGIC 3,QUANTUM 1450,4.5MPH HAMMER II MOTORS,POWER POSTIONING	1

5.2. Q-Logic 1&2 Electronic Assy's



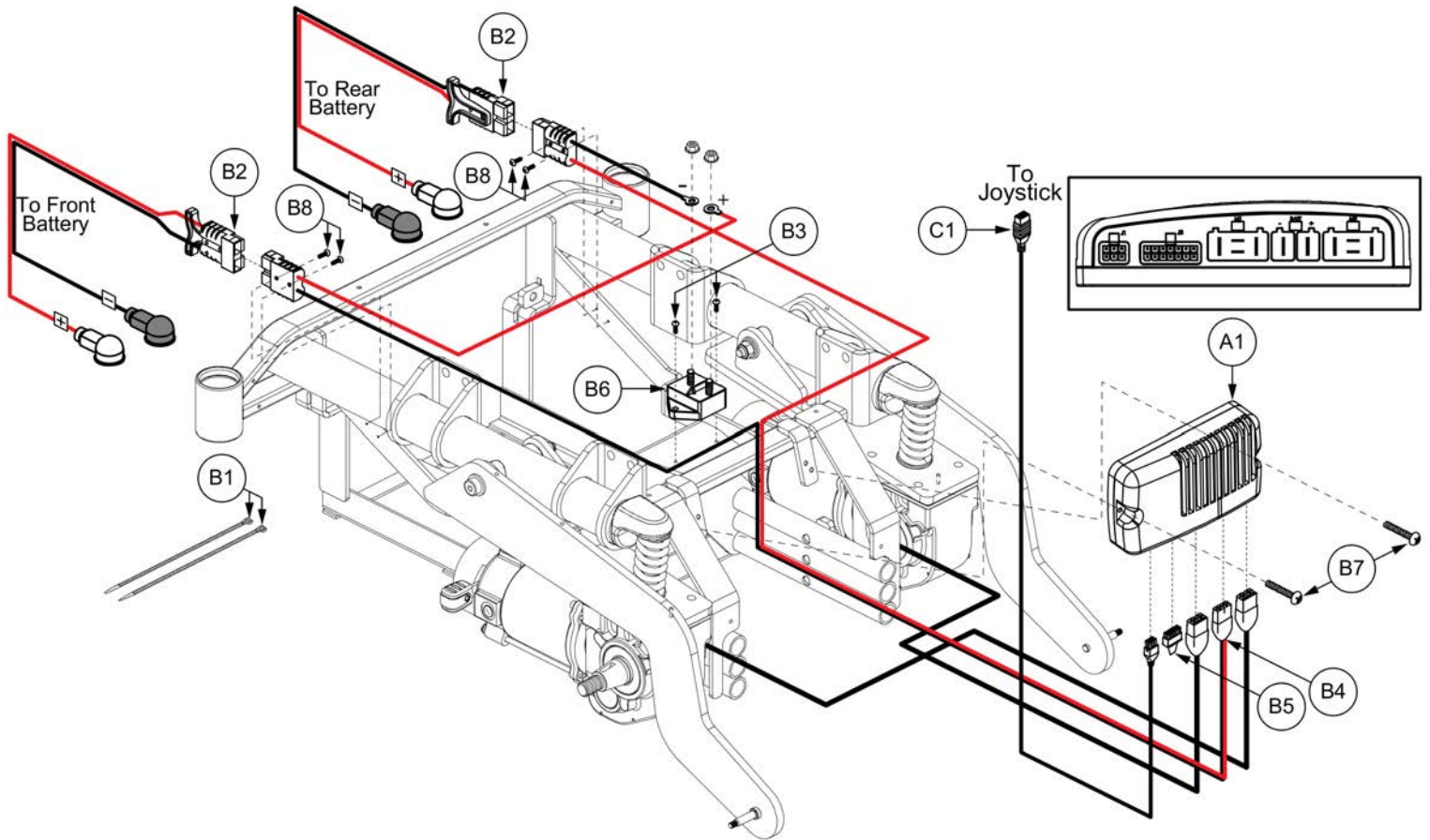
Item	Part No.	Name	Qty
A1 - B8	ELEASMB7110490	ELECTRONIC,ASSY,Q-LOGIC,100 AMP,HAMMER XL,Q1450	1
A1	CTLASMB7110090	CONTROLLER,Q-LOGIC,ASSY,100 AMP,W/HAMMER XL PROGRAM,Q1450	1
B1 - B8	ELEASMB7110485	ELECTRONIC,ASSY,Q-LOGIC,CURTIS,PARTIAL,QUANTUM1450	1
B1	PLSTIE1004	TIE WRAP,BLACK,8"	2
B2	ELEASMB2868	ELECTRONIC,ASSY,BATTERY CABLE,GRAY,W/125A/32V FUSEABLE LINK,QUICK DISCONNECT,H-1500-013	2
B3	SCRPPH1318	SCREW, PAN HEAD, TYPE H, M4X0.7 X 16, FT, ISO 7045, CL 4.8, BZ	2
B4	DWR1059H001	ELECTRONIC,HARNESS,POWER CABLE,QLOGIC,CURTIS,QUANTUM6000/R4000,H-1059-001	1
B5	DWR1265H027	ELECTRONIC,HARNESS,RUN PLUG,Q-LOGIC	1
B6	ELECBRK1033	CIRCUIT BREAKER,100 AMP,SELF-RESETTING,H-8500-064	1
B7	SCRPPH1390	SCREW,PPH,BLACK ZINC,M5-.8 X 35MM	2
B8	SCRPPH1266	SCREW,PPH,ZINC,M3-.5 X 16MM	4
C1	DWR1111H065	ELECTRONIC,HARNESS,BUS EXTENSION CABLE,CURTIS,0.410 METER,MALE/FEMALE,H-1111-065,(CURTIS: 17881303)	1

5.2. Q-Logic 1&2 Electronic Assy's



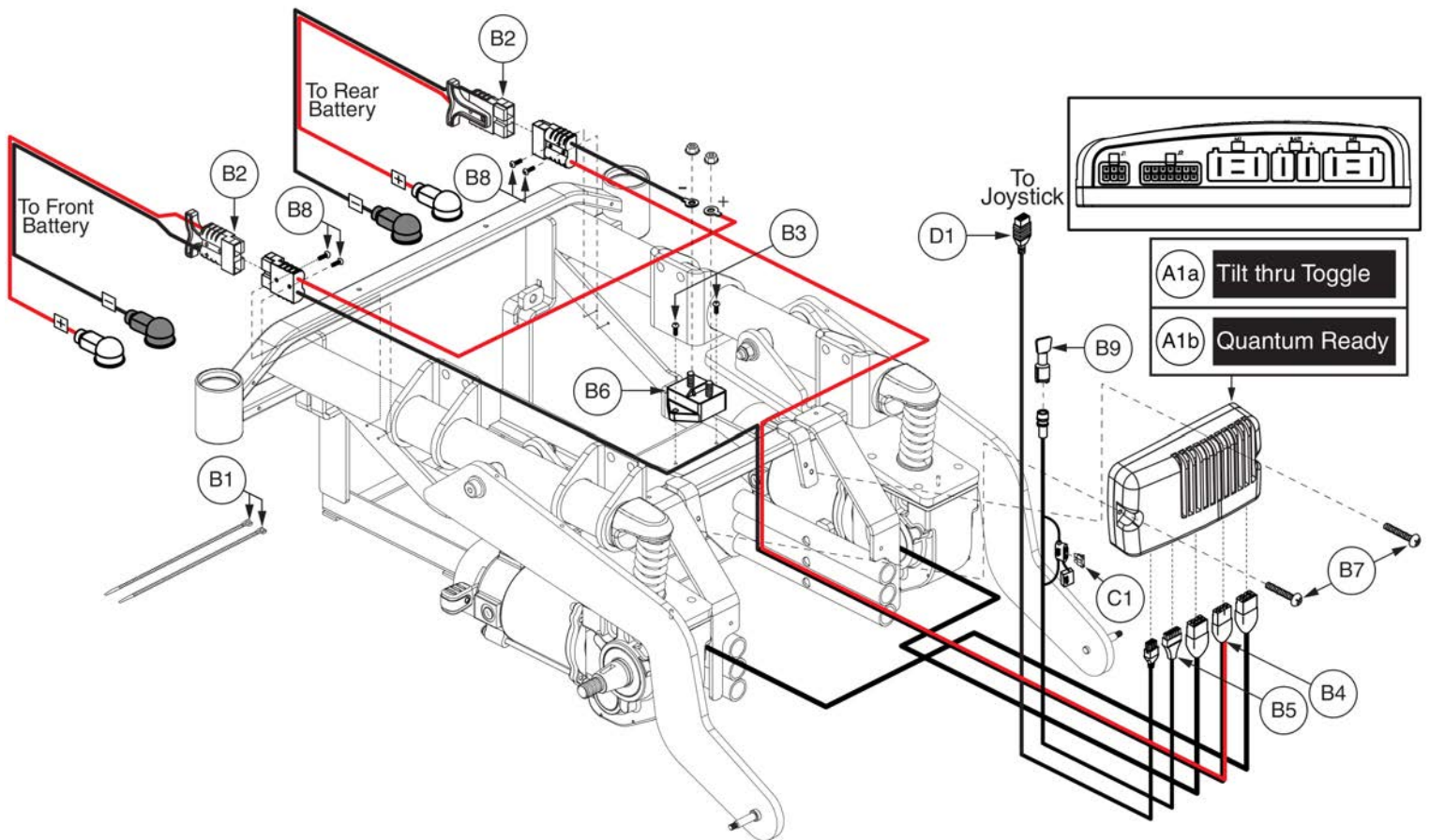
Item	Part No.	Name	Qty
A1a - B9	ELEASMB7110491	ELECTRONIC,ASSY,Q-LOGIC,CURTIS,100 AMP,HAMMER XL MOTORS,QUANTUM 1450,TILT THRU TOGGLE	1
A1a	CTLASMB7110090	CONTROLLER,Q-LOGIC,ASSY,100 AMP,W/HAMMER XL PROGRAM,Q1450	1
A1b - B9	ELEASMB7110492	ELECTRONIC,ASSY,Q-LOGIC,CURTIS,100 AMP,HAMMER XL MOTORS,QUANTUM 1450,QUANTUM	1
A1b	CTLASMB7110091	CONTROLLER,Q-LOGIC,ASSY,100 AMP,W/HAMMER XL PROGRAM,Q1450,QUANTUM	1
B1 - B9	ELEASMB7110486	ELECTRONIC,ASSY,Q-LOGIC,CURTIS,PARTIAL,1450,QUANTUM	1
B1	PLSTIE1004	TIE WRAP,BLACK,8"	2
B2	ELEASMB2868	ELECTRONIC,ASSY,BATTERY CABLE,GRAY,W/125A/32V FUSEABLE LINK,QUICK DISCONNECT,H-1500-013	2
B3	SCRPPH1318	SCREW, PAN HEAD, TYPE H, M4X0.7 X 16, FT, ISO 7045, CL 4.8, BZ	2
B4	DWR1059H001	ELECTRONIC,HARNESS,POWER CABLE,QLOGIC,CURTIS,QUANTUM6000/R4000,H-1059-001	1
B5	DWR1265H021	ELECTRONIC,HARNESS,POWER TAKE OFF(PTO)/INHIBIT,CURTIS,H-1265-021	1
B6	ELECBRK1033	CIRCUIT BREAKER,100 AMP,SELF-RESETTING,H-8500-064	1
B7	SCRPPH1390	SCREW,PPH,BLACK ZINC,M5-.8 X 35MM	2
B8	SCRPPH1266	SCREW,PPH,ZINC,M3-.5 X 16MM	4
B9	DWR1361H038	ELECTRONIC,HARNESS,RUN PLUG,SURE SEAL,SYNERGY TILT,H-1361-038	1
C1		ELECTRONIC,FUSE,15 AMP,ATO	1
D1	DWR1111H065	ELECTRONIC,HARNESS,BUS EXTENSION CABLE,CURTIS,0.410 METER,MALE/FEMALE,H-1111-065,(CURTIS: 17881303)	1

5.2. Q-Logic 1&2 Electronic Assy's



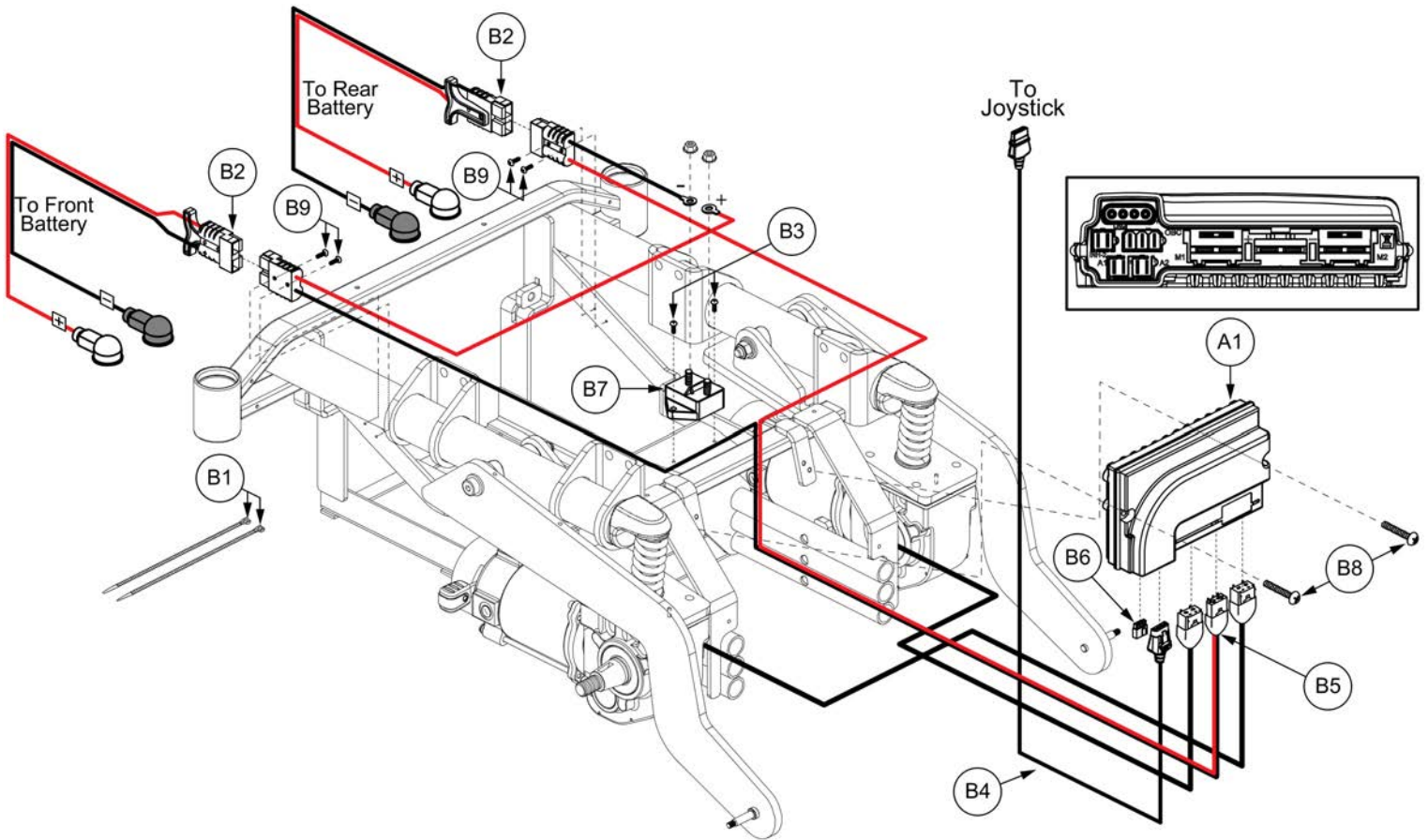
Item	Part No.	Name	Qty
A1 - B8	ELE132809	ELECTRONIC,ASSY,Q-LOGIC,100 AMP,HAMMER II,Q1450	1
A1	CTL132804	CONTROLLER,Q-LOGIC,ASSY,100 AMP,W/HAMMER II PROGRAM,Q1450	1
B1 - B8	ELEASMB7110485	ELECTRONIC,ASSY,Q-LOGIC,CURTIS,PARTIAL,QUANTUM1450	1
B1	PLSTIE1004	TIE WRAP,BLACK,8"	2
B2	ELEASMB2868	ELECTRONIC,ASSY,BATTERY CABLE,GRAY,W/125A/32V FUSEABLE LINK,QUICK DISCONNECT,H-1500-013	2
B3	SCRPPH1318	SCREW, PAN HEAD, TYPE H, M4X0.7 X 16, FT, ISO 7045, CL 4.8, BZ	2
B4	DWR1059H001	ELECTRONIC,HARNESS,POWER CABLE,QLOGIC,CURTIS,QUANTUM6000/R4000,H-1059-001	1
B5	DWR1265H027	ELECTRONIC,HARNESS,RUN PLUG,Q-LOGIC	1
B6	ELECBRK1033	CIRCUIT BREAKER,100 AMP,SELF-RESETTING,H-8500-064	1
B7	SCRPPH1390	SCREW,PPH,BLACK ZINC,M5- 8 X 35MM	2
B8	SCRPPH1266	SCREW,PPH,ZINC,M3-.5 X 16MM	4
C1	DWR1111H065	ELECTRONIC,HARNESS,BUS EXTENSION CABLE,CURTIS,0.410 METER,MALE/FEMALE,H-1111-065,(CURTIS: 17881303)	1

5.2. Q-Logic 1&2 Electronic Assy's



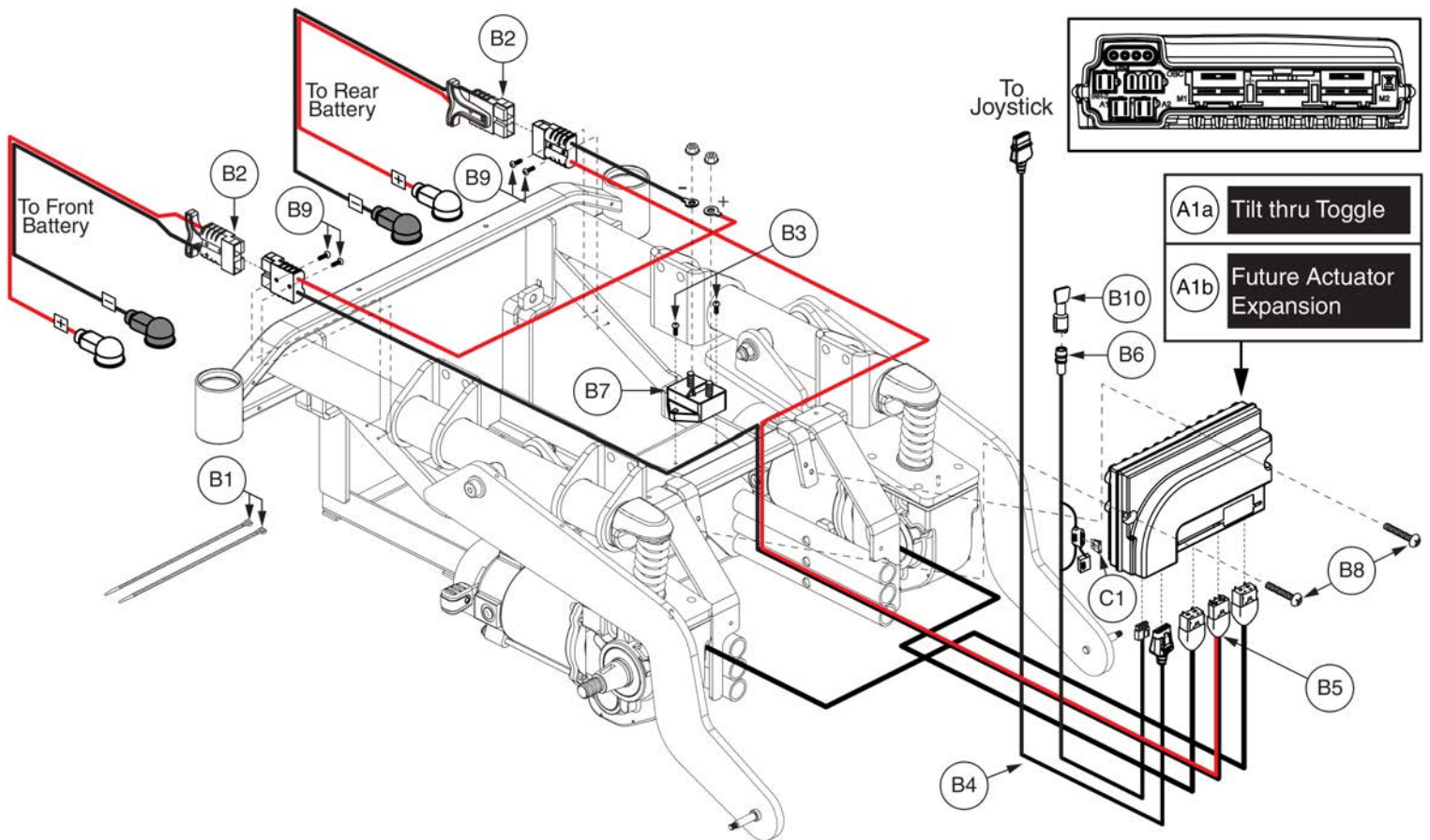
Item	Part No.	Name	Qty
A1a - B9	ELE132810	ELECTRONIC,ASSY,Q-LOGIC,CURTIS,100 AMP,HAMMER II MOTORS,QUANTUM 1450,TILT THRU TOGGLE	1
A1a	CTL132804	CONTROLLER,Q-LOGIC,ASSY,100 AMP,W/HAMMER II PROGRAM,Q1450	1
A1b - B9	ELE132811	ELECTRONIC,ASSY,Q-LOGIC,CURTIS,100 AMP,HAMMER II MOTORS,QUANTUM 1450,QUANTUM	1
A1b	CTL132805	CONTROLLER,Q-LOGIC,ASSY,100 AMP,W/HAMMER II PROGRAM,Q1450,QUANTUM	1
B1 - B9	ELEASMB7110486	ELECTRONIC,ASSY,Q-LOGIC,CURTIS,PARTIAL,1450,QUANTUM	1
B1	PLSTIE1004	TIE WRAP,BLACK,8"	2
B2	ELEASMB2868	ELECTRONIC,ASSY,BATTERY CABLE,GRAY,W/125A/32V FUSEABLE LINK,QUICK DISCONNECT,H-1500-013	2
B3	SCRPPH1318	SCREW, PAN HEAD, TYPE H, M4X0.7 X 16, FT, ISO 7045, CL 4.8, BZ	2
B4	DWR1059H001	ELECTRONIC,HARNESS,POWER CABLE,QLOGIC,CURTIS,QUANTUM6000/R4000,H-1059-001	1
B5	DWR1265H021	ELECTRONIC,HARNESS,POWER TAKE OFF(PTO)/INHIBIT,CURTIS,H-1265-021	1
B6	ELECBRK1033	CIRCUIT BREAKER,100 AMP,SELF-RESETTING,H-8500-064	1
B7	SCRPPH1390	SCREW,PPH,BLACK ZINC,M5-.8 X 35MM	2
B8	SCRPPH1266	SCREW,PPH,ZINC,M3-.5 X 16MM	4
B9	DWR1361H038	ELECTRONIC,HARNESS,RUN PLUG,SURE SEAL,SYNERGY TILT,H-1361-038	1
C1		ELECTRONIC,FUSE,15 AMP,ATO	1
D1	DWR1111H065	ELECTRONIC,HARNESS,BUS EXTENSION CABLE,CURTIS,0.410 METER,MALE/FEMALE,H-1111-065,(CURTIS: 17881303)	1

5.3. VR2 Electronic Assy's



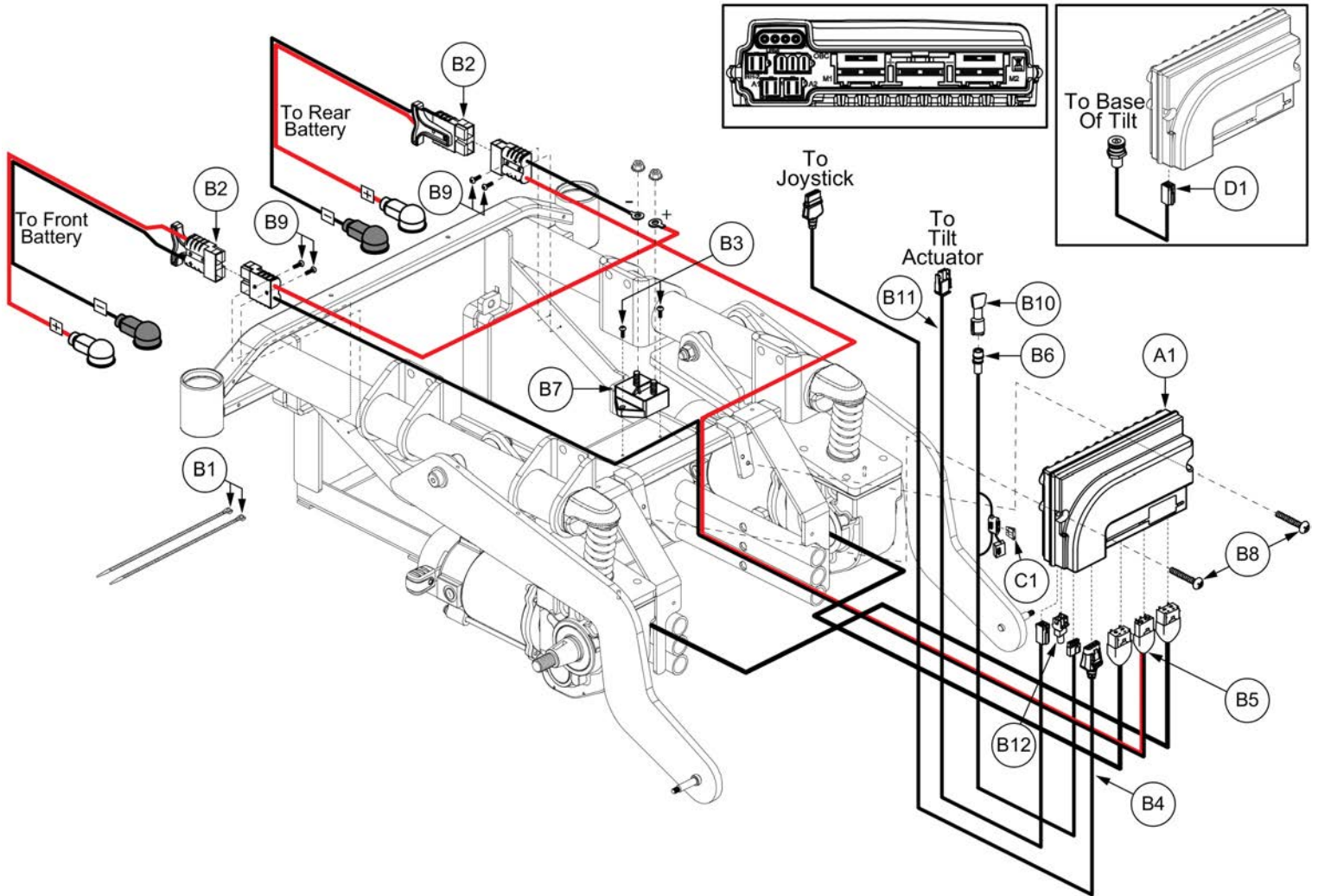
Item	Part No.	Name	Qty
A1 - B9	ELEASMB7110493	ELECTRONIC,ASSY,VR2,90 AMP,HAMMER XL MOTORS,Q1450	1
A1	CTLASMB7110092	CONTROLLER,VR2,ASSY,90 AMP,HAMMER XL PROGRAM,Q1450	1
B1 - B9	ELEASMB7110487	ELECTRONIC,ASSY,VR2,PARTIAL,QUANTUM1450	1
B1	PLSTIE1004	TIE WRAP,BLACK,8"	2
B2	ELEASMB2868	ELECTRONIC,ASSY,BATTERY CABLE,GRAY,W/125A/32V FUSEABLE LINK,QUICK DISCONNECT,H-1500-013	2
B3	SCRPPH1318	SCREW, PAN HEAD, TYPE H, M4X0.7 X 16, FT, ISO 7045, CL 4.8, BZ	2
B4	DWR1010H128	ELECTRONIC,HARNESS,VR2 EXTENSION CABLE,H-1010-128,(P&G: SA77974)	1
B5	DWR1160H001	ELECTRONIC,HARNESS,POWER CABLE,REMOTE PLUS,H-1160-001	1
B6	DWR1116H054	ELECTRONIC,HARNESS,RUN PLUG,3 PIN,VR2,H-1116-054	1
B7	ELECBRK1033	CIRCUIT BREAKER,100 AMP,SELF-RESETTING,H-8500-064	1
B8	SCRPPH1390	SCREW,PPH,BLACK ZINC,M5-.8 X 35MM	2
B9	SCRPPH1266	SCREW,PPH,ZINC,M3-.5 X 16MM	4

5.3. VR2 Electronic Assy's



Item	Part No.	Name	Qty
A1a - B10	ELEASMB7110494	ELECTRONIC,ASSY,VR2,90 AMP,HAMMER XL MOTORS,QUANTUM 1450,TILT THRU TOGGLE	1
A1a	CTLASMB7110092	CONTROLLER,VR2,ASSY,90 AMP,HAMMER XL PROGRAM,Q1450	1
A1b - B10	ELEASMB7110496	ELECTRONIC,ASSY,VR2,90 AMP,HAMMER XL MOTORS,QUANTUM 1450,FUTURE ACTUATOR EXPANSION	1
A1b	CTLASMB7110093	CONTROLLER,VR2,ASSY,90 AMP,W/HAMMER XL PROGRAM,Q1450,QUANTUM	1
B1 - B10	ELEASMB7110488	ELECTRONIC,ASSY,VR2,PARTIAL,Q1450,TILT THRU TOGGLE	1
B1	PLSTIE1004	TIE WRAP,BLACK,8"	2
B2	ELEASMB2868	ELECTRONIC,ASSY,BATTERY CABLE,GRAY,W/125A/32V FUSEABLE LINK,QUICK DISCONNECT,H-1500-013	2
B3	SCRPPH1318	SCREW, PAN HEAD, TYPE H, M4X0.7 X 16, FT, ISO 7045, CL 4.8, BZ	2
B4	DWR1010H128	ELECTRONIC,HARNESS,VR2 EXTENSION CABLE,H-1010-128,(P&G: SA77974)	1
B5	DWR1160H001	ELECTRONIC,HARNESS,POWER CABLE,REMOTE PLUS,H-1160-001	1
B6	DWR1265H030	ELECTRONIC,HARNESS,POWER TAKE OFF(PTO)/INHIBIT,VR2,H-1265-030	1
B7	ELECBRK1033	CIRCUIT BREAKER,100 AMP,SELF-RESETTING,H-8500-064	1
B8	SCRPPH1390	SCREW,PPH,BLACK ZINC,M5-.8 X 35MM	2
B9	SCRPPH1266	SCREW,PPH,ZINC,M3-.5 X 16MM	4
B10	DWR1361H038	ELECTRONIC,HARNESS,RUN PLUG,SURE SEAL,SYNERGY TILT,H-1361-038	1
C1		ELECTRONIC,FUSE,15 AMP,ATO	1

5.3. VR2 Electronic Assy's



Item	Part No.	Name	Qty
A1 - B12	ELEASMB7110495	ELECTRONIC,ASSY,VR2,90 AMP,HAMMER XL MOTORS,QUANTUM 1450,TILT THRU JOYSTICK	1
A1	CTLASMB7110093	CONTROLLER,VR2,ASSY,90 AMP,W/HAMMER XL PROGRAM,Q1450,QUANTUM	1
B1 - B12	ELEASMB7110489	ELECTRONIC,ASSY,VR2,PARTIAL,QUANTUM1450,TILT THRU JOYSTICK	1
B1	PLSTIE1004	TIE WRAP,BLACK,8"	2
B2	ELEASMB2868	ELECTRONIC,ASSY,BATTERY CABLE,GRAY,W/125A/32V FUSEABLE LINK,QUICK DISCONNECT,H-1500-013	2
B3	SCRPPH1318	SCREW, PAN HEAD, TYPE H, M4X0.7 X 16, FT, ISO 7045, CL 4.8, BZ	2
B4	DWR1010H128	ELECTRONIC,HARNESS,VR2 EXTENSION CABLE,H-1010-128,(P&G: SA77974)	1
B5	DWR1160H001	ELECTRONIC,HARNESS,POWER CABLE,REMOTE PLUS,H-1160-001	1
B6	DWR1265H030	ELECTRONIC,HARNESS,POWER TAKE OFF(PTO)/INHIBIT,VR2,H-1265-030	1
B7	ELECBRK1033	CIRCUIT BREAKER,100 AMP,SELF-RESETTING,H-8500-064	1
B8	SCRPPH1390	SCREW,PPH,BLACK ZINC,M5- 8 X 35MM	2
B9	SCRPPH1266	SCREW,PPH,ZINC,M3-. 5 X 16MM	4
B10	DWR1361H038	ELECTRONIC,HARNESS,RUN PLUG,SURE SEAL,SYNERGY TILT,H-1361-038	1
B11	DWR1361H076	ELECTRONIC,HARNESS,TRU-BALANCE 2 POWER TILT/RECLINE ACTUATOR,VR2,H-1361-076	1
B12	DWR1361H091	ELECTRONIC,HARNESS,RUN PLUG,2 PIN,R-NET/VR2	1
C1		ELECTRONIC,FUSE,15 AMP,ATO	1
D1	DWR1361H075	ELECTRONIC,HARNESS,INHIBIT,VR2,H-1361-075	1

6. Joystick Assy's

Q-Logic 3 Joysticks

* Q-Logic 3 Joystick replacement requires the selection of a Pre-programmed SD Card. SD Cards are not shown. Refer to the model specific SD Card pages for selection. *

Q-Logic 3 Joysticks (Shroud NOT Included) Select Separately	
A1	Standard
B1	Lighting

Standard Inline Joystick Mounting Bracket Assy	
C1	

- Refer to the Joystick Mounts & Receivers Sections for more Joystick mounting options.

Joystick Replacement notes:

- The replacement joystick DOES NOT include the painted shroud. Please utilize the existing. If required, it must be selected separately.
- The replacement joystick DOES NOT include the SD card. Refer to the model specific SD Card pages for selection.
- A Pre-programmed, Joystick mounted SD Card is required when:
 - Replacing a Joystick, Power Base Module, Seating Module, or Display.
 - Any circumstance where all of the electronics modules require replacement.
 - When retrofitting a unit in the field to Q-Logic 3 Electronics.
- The Q-Logic 3 system will reprogram the unit based upon the information loaded onto the SD card. A new SD card ensures the unit is loaded with the latest software.
- Contact Technical Service for more information.

D1	Speed Knob
E1	Joystick Knob

F1	Lower Housing w/ Bus Cable

Q-Logic 3 Joystick Assy's



Item	Part No.	Name	Qty
A1	CTL143976	EXPANDABLE CONTROLLER W/ JOYSTICK AND LCD COLOR DISPLAY, Q-LOGIC 3, 4-KEY, (CURTIS: 17949700-02-0009)	1
B1	CTL143977	EXPANDABLE CONTROLLER W/ JOYSTICK AND LCD COLOR DISPLAY AND LIGHTS, Q-LOGIC 3, 4-KEY, (CURTIS: 17949700-02-0109)	1
C1	FRMASMB10617	JOYSTICK MOUNTING BRACKET,ASSY,CURTIS,INLINE	1
D1	DGN124309	SPEED WHEEL,KNOB,CURTIS Q-LOGIC 2,BLACK,PLASTIC,DGN124309,(CURTIS: 17949367-01)	1
E1	DGN154742	JOYSTICK, KNOB, Q-LOGIC 3, 6.35MM-ID, (CURTIS: 17519114-01)	1
F1	ELE144006	ELECTRONIC, BOTTOM HOUSING, JOYSTICK MODULE Q-LOGIC 3,W/ BUS CABLE Q-LOGIC 3, (CURTIS: 17949366-02)	1

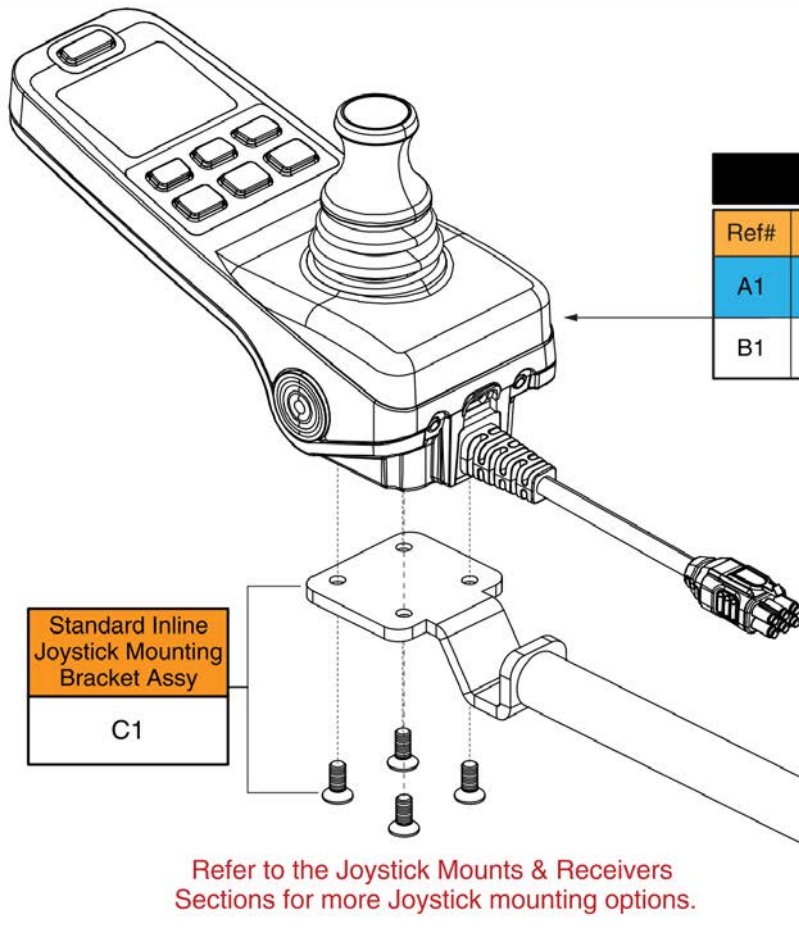
6. Joystick Assy's

Q-Logic 3e Joysticks

Joystick Replacement Notes:

- The proper joystick assembly with programming must be selected to ensure the unit functions as intended.
- A pre-programmed SD card is **NOT** needed when replacing or retrofitting a Q-Logic 3e joystick on a unit. The latest firmware and program file are stored internally on the new joystick.
- The Q-Logic 3e joystick is compatible with all previous and current units equipped with Q-Logic 3 electronics and can be used in place of the full-featured joystick.

Contact Technical Service for more information.



Q1450 Joysticks w/ Programming			
Ref#	Part Number	Motors	Seating Config.
A1	ELE2001183	4.5 mph Hammer II	Static Seat
B1	ELE2001184	4.5 mph Hammer II	Power Positioning

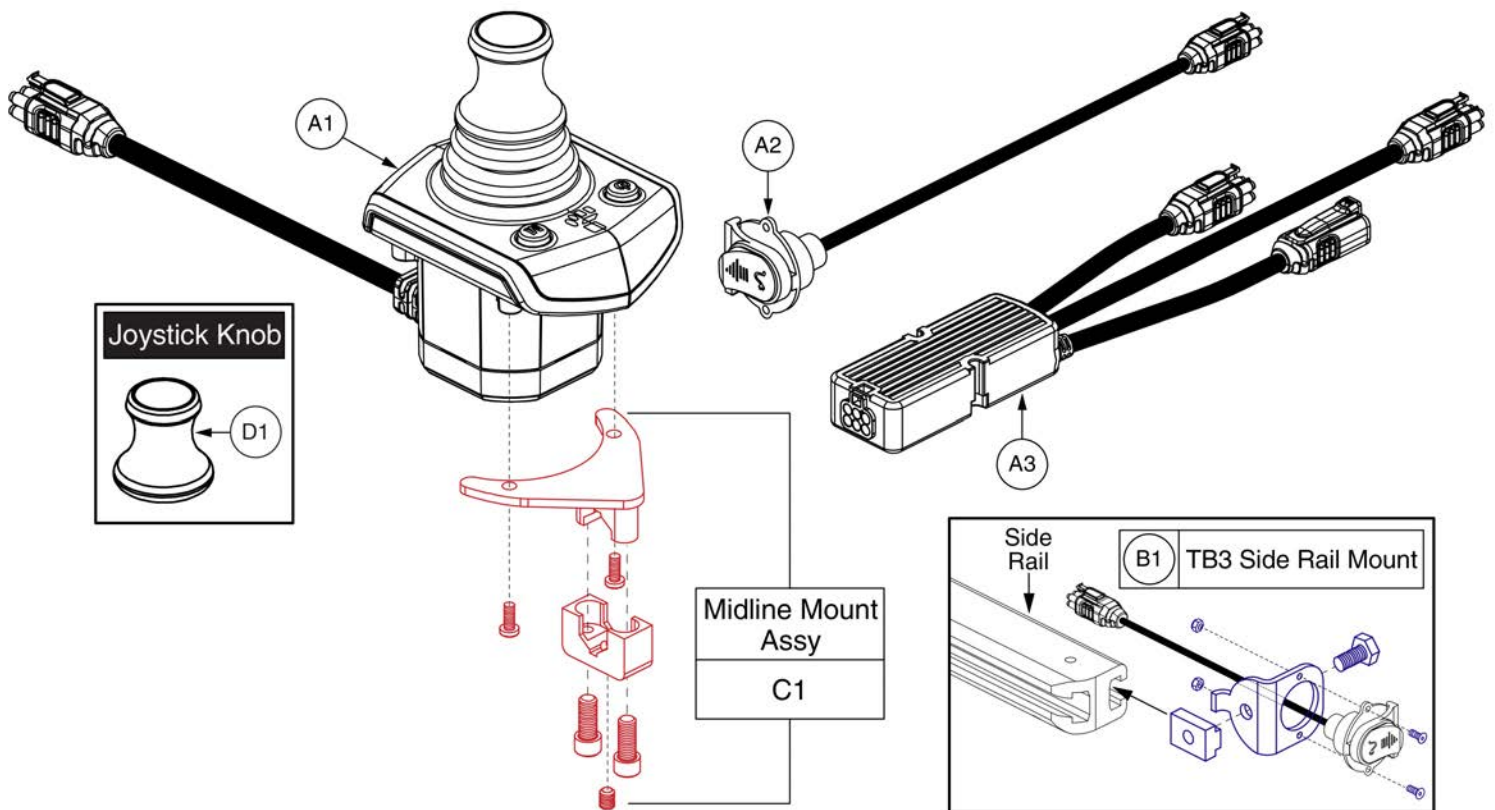
Refer to the Joystick Mounts & Receivers Sections for more Joystick mounting options.

Q-Logic 3e Joystick Assy's - Q1450



Item	Part No.	Name	Qty
A1	ELE2001183	SERVICABLE ASSEMBLY, Q-LOGIC 3E, QUANTUM 1450, 4.5MPH HAMMER II MOTORS, STATIC SEATING	1
B1	ELE2001184	SERVICEABLE ASSEMBLY, Q-LOGIC 3E, QUANTUM 1450, 4.5MPH HAMMER II MOTORS, POWER POSTIONING	1
C1	FRMASMB10617	JOYSTICK MOUNTING BRACKET,ASSY,CURTIS,INLINE	1

6. Joystick Assy's

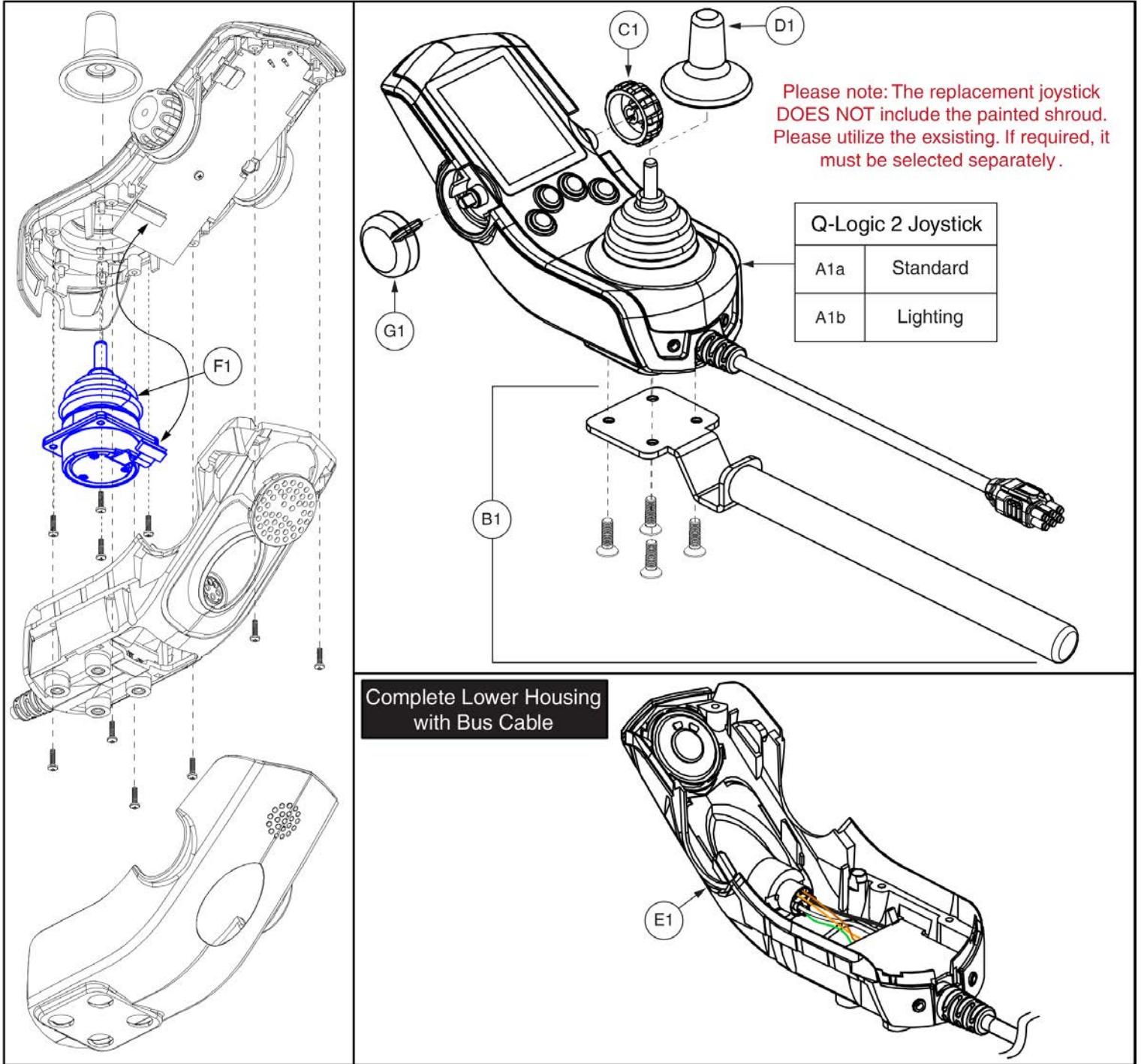


Q-Logic 3 Stand Alone Joystick Assy



Item	Part No.	Name	Qty
A1	CTL143980	STANDALONE JOYSTICK, Q-LOGIC 3, (CURTIS: 17953700-1109)	1
A2	HAR144001	HARNESS, CHARGER/PROGRAMMER, Q-LOGIC 3, 0.9 METER,(CURTIS: 17880701)	1
A3	HAR144003	HARNESS, SEAT MULTIPLIER Q-LOGIC 3, (CURTIS: 17881360-02-01)	1
B1	FRMASMB11156	MOUNTING BRACKET,ASSY,STAND ALONE JOYSTICK,SIDE RAIL MOUNT,C-1360-163	1
C1	FRMASMB10454	JOYSTICK MOUNTING BRACKET,ASSY,CURTIS STAND ALONE JOYSTICK,MIDLINE,C-1010-263	1
D1	DGN154742	JOYSTICK, KNOB, Q-LOGIC 3, 6.35MM-ID, (CURTIS: 17519114-01)	1

6. Joystick Assy's

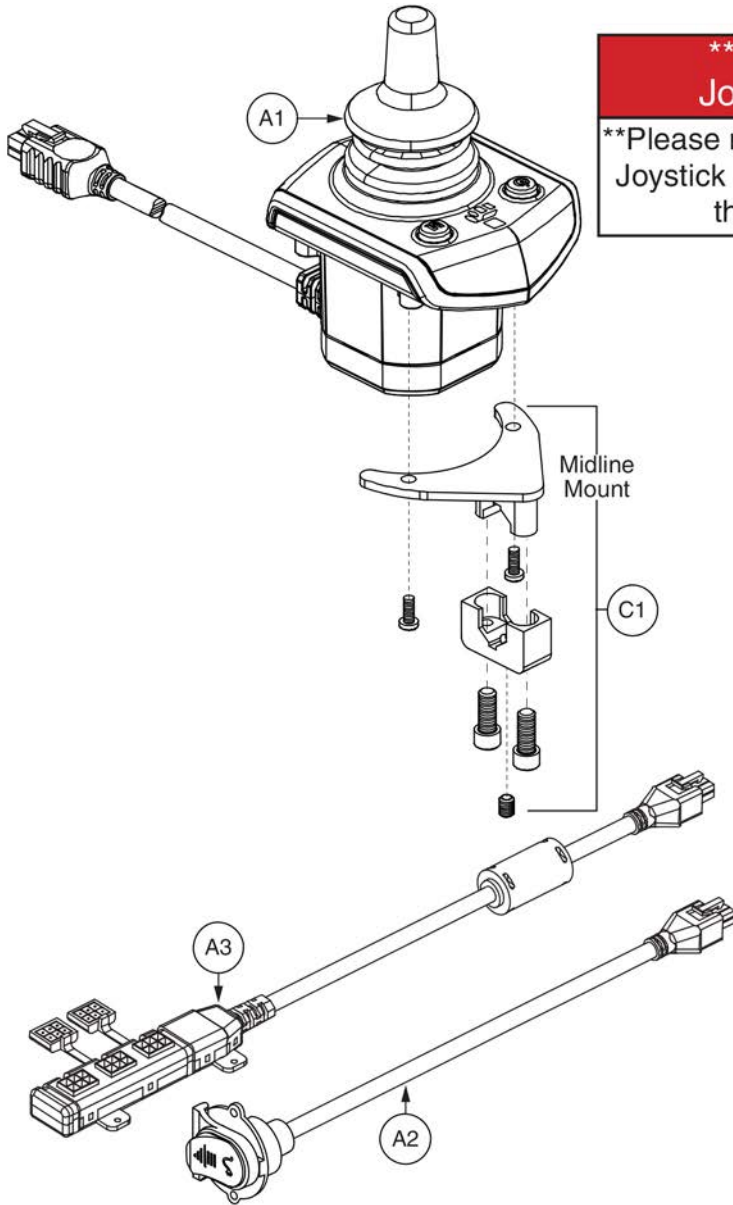


Q-Logic 2 Joystick Assemblies

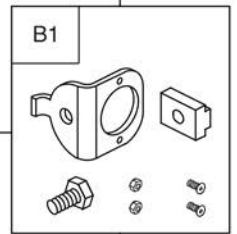
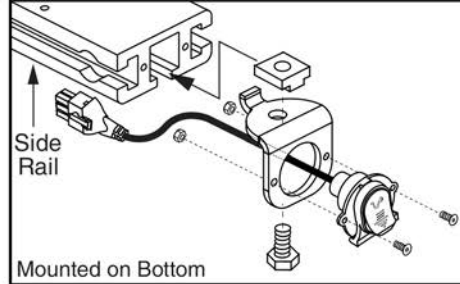
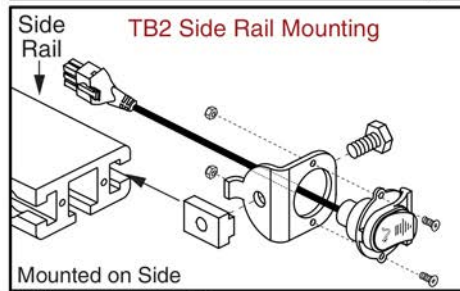
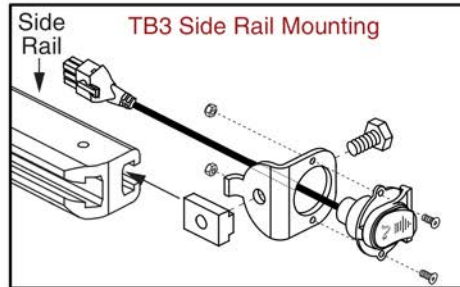
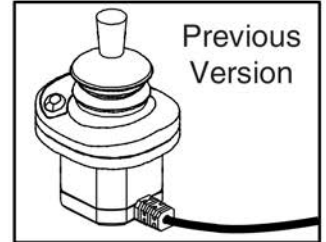


Item	Part No.	Name	Qty
A1a	CTL123217	CONTROLLER,JOYSTICK MODULE Q-LOGIC 2,4 KEY,W/LCD COLOR DISPLAY	1
A1b	CTL124653	CONTROLLER,JOYSTICK MODULE Q-LOGIC 2,4 KEY,LIGHTS,W/LCD COLOR DISPLAY	1
B1	FRMASMB10617	JOYSTICK MOUNTING BRACKET,ASSY,CURTIS,INLINE	1
C1	DGN124309	SPEED WHEEL,KNOB,CURTIS Q-LOGIC 2,BLACK,PLASTIC,DGN124309,(CURTIS: 17949367-01)	1
D1	DGN124308	JOYSTICK,KNOB,CURTIS,STANDARD,6.35MM-ID,DGN124308,(CURTIS: 37381)	1
E1	ELE124313	Q-LOGIC 2 BOTTOM HOUSING,JOYSTICK MODULE,W/BUS CABLE	1
F1	ELE124312	ELECTRONIC,JOYSTICK GIMBLE,DIGITAL,Q-LOGIC 2&3	1
G1	KIT152919	KIT,ASSY,Q-LOGIC 2 CONTROLLER,ON/OFF/MODE TOGGLE REPLACEMENT,W/INSTALLATION INSTRUCTIONS	1

6. Joystick Assy's



*****Q-Logic Stand Alone Joystick Replacement*****
****Please note: The Q-Logic 2 Stand Alone Joystick replaces all previous versions of the Stand Alone joystick.****

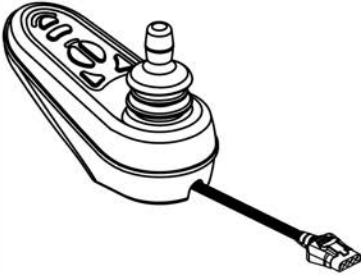
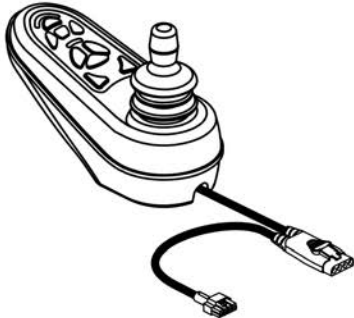
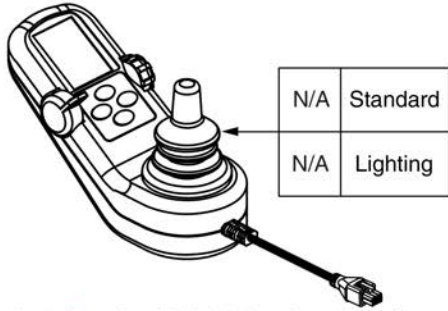
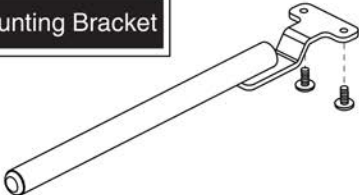
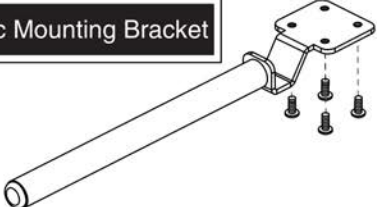


Q-Logic 2 Stand Alone Joystick Assy



Item	Part No.	Name	Qty
A1	CTL137635	CONTROLLER,STAND ALONE JOYSTICK 2.0,Q-LOGIC 2 (CURTIS: 17960700-8109)	1
A2	DWR1111H051	HARNESS,CHARGER/PROGRAMMER,1.0 METER,H-1111-051,(CURTIS: 17880700)	1
A3	DWR1111H053	HARNESS,MULTIPLIER BOX,0.3 METER,H-1111-053,(CURTIS: 17869700)	1
B1	FRMASMB11156	MOUNTING BRACKET,ASSY,STAND ALONE JOYSTICK,SIDE RAIL MOUNT,C-1360-163	1
C1	FRMASMB10454	JOYSTICK MOUNTING BRACKET,ASSY,CURTIS STAND ALONE JOYSTICK,MIDLINE,C-1010-263	1

6. Joystick Assy's

<p>A1 VR2 6-Key</p> 	<p>B1 VR2 9-Key(Lighting)</p> 	<p>Q-Logic 1</p>  <table border="1" data-bbox="1266 793 1437 924"> <tr> <td>N/A</td> <td>Standard</td> </tr> <tr> <td>N/A</td> <td>Lighting</td> </tr> </table> <p>The Q-Logic 1 Standard & Lighting Joysticks have been replaced by the Q-Logic 2 Joysticks, CTL123217 & CTL124653 respectively. Programming is required. Contact service for further information.</p>	N/A	Standard	N/A	Lighting
N/A	Standard					
N/A	Lighting					
<p>C1 VR2 Mounting Bracket</p> 	<p>E1 Q-Logic Mounting Bracket</p> 					

VR2 and Q-Logic 1 Joystick Assy's



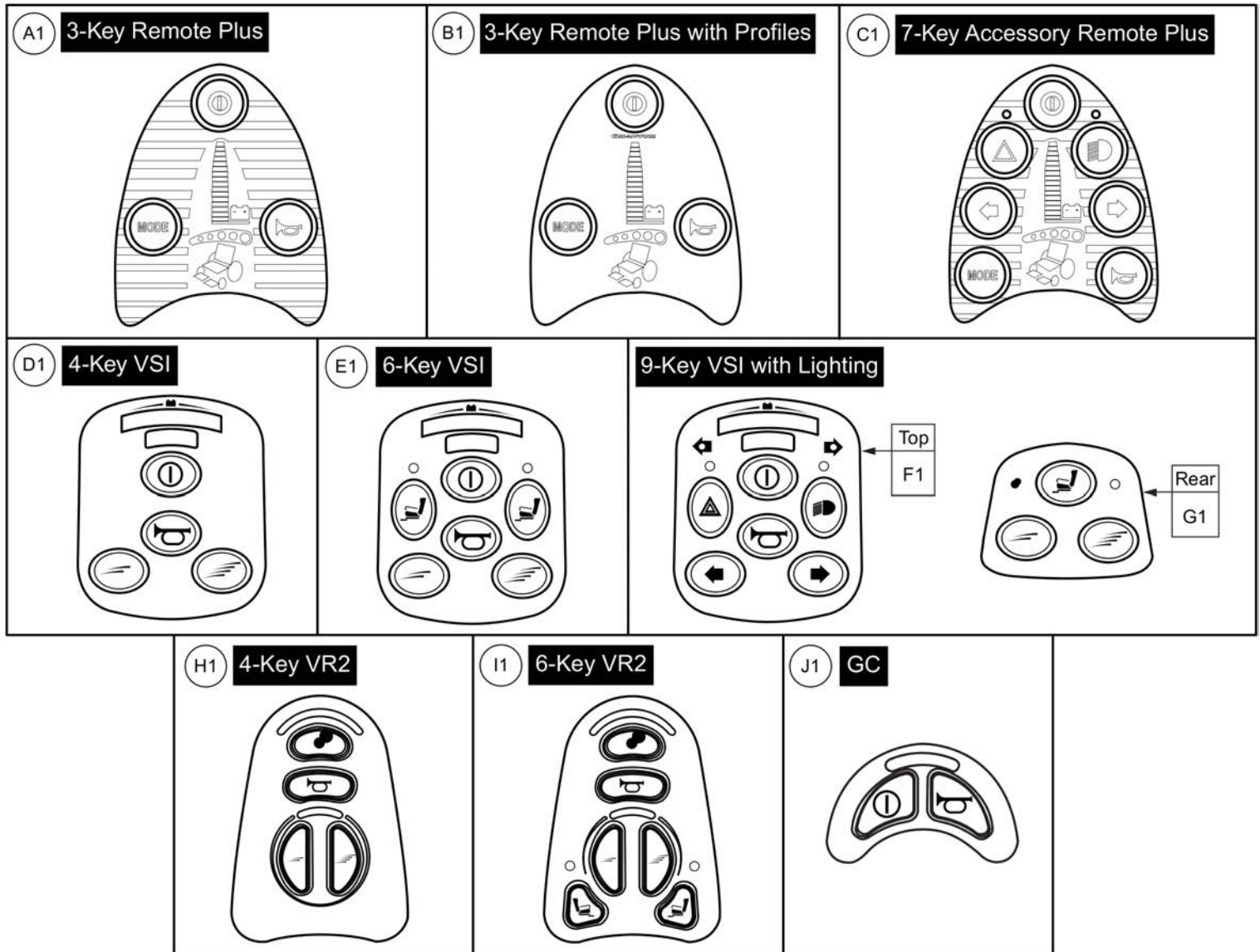
Item	Part No.	Name	Qty
A1	CTLDC1498	CONTROLLER,JOYSTICK MODULE,6 KEY,VR2,H-1111-063,(P&G: D50680)	1
B1	CTLDC1505	CONTROLLER,JOYSTICK MODULE,9 KEY,ACTUATORS & LIGHTS,VR2,H-1010-130,(P&G: D50871)	1
C1	FRMASMB9532	JOYSTICK MOUNTING BRACKET,ASSY,GC/VR2 CONTROLLER,INLINE	1
D1		CONTROLLER,JOYSTICK MODULE,Q-LOGIC,CURTIS,4 KEY,W/LCD COLOR DISPLAY,H-1111-022,(CURTIS: 17856700)	1
E1	FRMASMB10617	JOYSTICK MOUNTING BRACKET,ASSY,CURTIS,INLINE	1

Joystick Knobs & Overlays

<p>A1 Soft Ball</p> 	<p>B1 I-Handle</p> 	<p>C1 T-bar</p> 	<p>D1 Ball</p> 				
<p>E1 Mushroom</p> 	<p>F1 Chin Cup</p> 	<p>G1 Remote Plus (Carrot)</p> 	<p>Goal Posts</p> <table border="1" data-bbox="1425 1066 1546 1171"> <tr> <td>H1</td> <td>3"</td> </tr> <tr> <td>L1</td> <td>4"</td> </tr> </table> 	H1	3"	L1	4"
H1	3"						
L1	4"						

Item	Part No.	Name	Qty
A1	ACCASMB1856	P&G JOYSTICK KNOB,ASSY,JAZZY,SOFT BALL	1
B1	ACCASMB1857	P&G JOYSTICK KNOB,ASSY,JAZZY,EXTENDED I-HANDLE	1
C1	ACCASMB1858	P&G JOYSTICK KNOB,ASSY,JAZZY,T BAR	1
D1	ACCASMB1859	P&G JOYSTICK KNOB,ASSY,JAZZY,BALL	1
E1	ACCASMB1860	P&G JOYSTICK KNOB,ASSY,JAZZY,MUSHROOM	1
F1	ACCASMB1861	P&G JOYSTICK KNOB,ASSY,JAZZY,CHIN CUP	1
G1	ACCASMB1862	P&G JOYSTICK KNOB,ASSY,JAZZY,REMOTE STANDARD	1
H1	PLSKNCP1057	JOYSTICK KNOB,3",GOAL POST,W/FLEX SHAFT,FOR 1/4" STEM,(BP: PC101B)	1
I1	PLSKNCP1058	JOYSTICK KNOB,4",GOAL POST,W/FLEX SHAFT,FOR 1/4" STEM,(BP: PC102B)	1

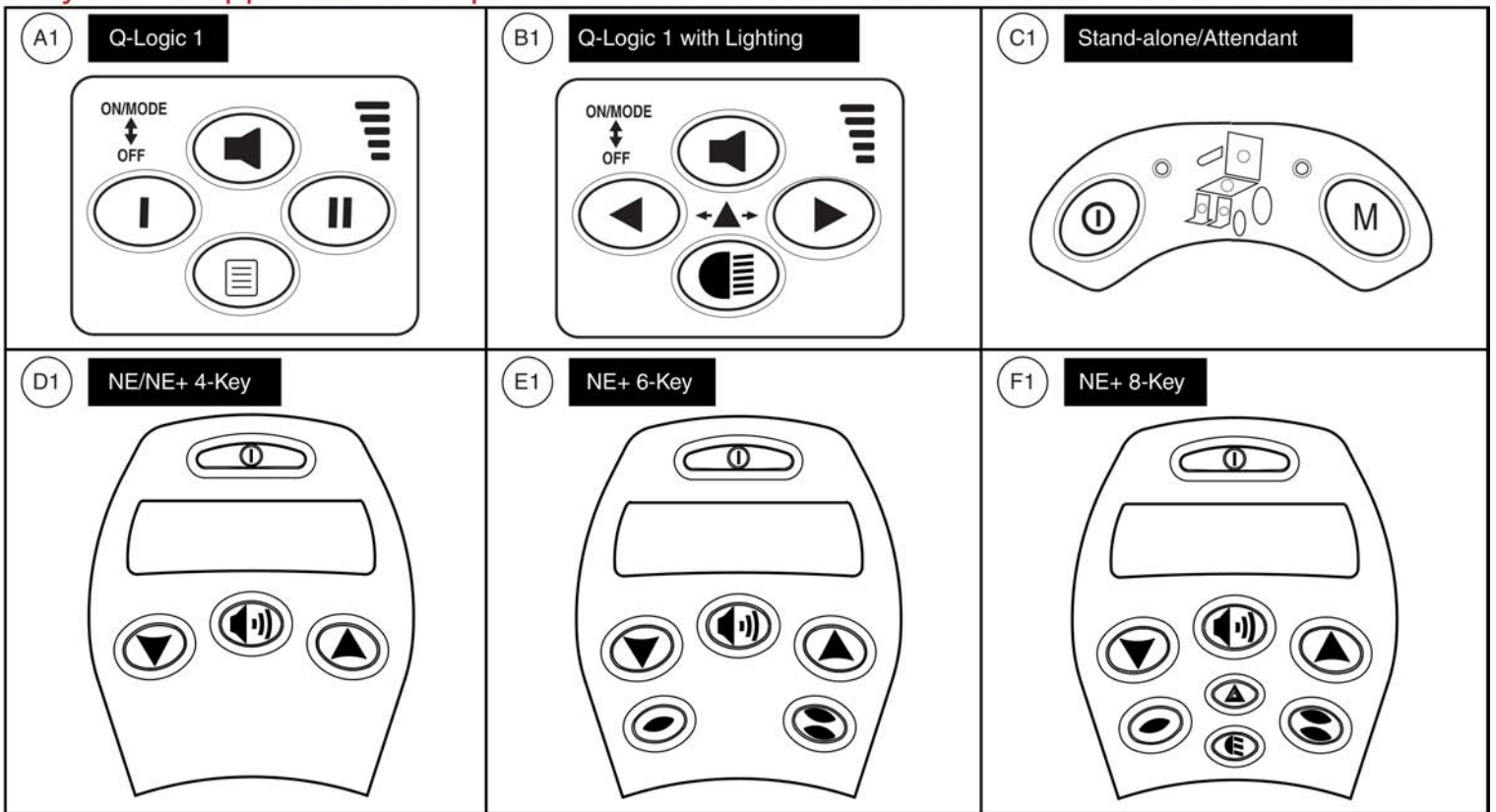
Joystick Knobs & Overlays



Item	Part No.	Name	Qty
A1	TECSERV1064	ELECTRONIC,REMOTE PLUS JOYSTICK,3 KEY TEMPLATE,(PGDT: 73903)	1
B1	RECPART1085	ELECTRONIC,KEYPAD,REMOTE PLUS,3 KEY,PROFILED,(PGDT: P76347)	1
C1	TECSERV1065	ELECTRONIC,REMOTE PLUS JOYSTICK,7 KEY TEMPLATE,(P&G: P73907)	1
D1	RECPART1071	ELECTRONIC,KEYPAD,VSI,4 KEY,(PGDT: 222-P75736)	1
E1	RECPART1061	ELECTRONIC,KEYPAD,VSI,6 KEY,(PGDT: 222-P75735)	1
F1	RECPART1066	ELECTRONIC,KEYPAD,VSI,6 KEY W/LIGHTS,(PGDT: 222-P76522)	1
G1	RECPART1067	ELECTRONIC,KEYPAD,VSI,3 KEY,REAR,(PGDT: 222-SA76710)	1
H1	RECPART1129	ELECTRONIC,KEYPAD,VR2 CONTROLLER,4 KEY,(PG: P77909)	1
I1	RECPART1130	ELECTRONIC,KEYPAD,VR2 CONTROLLER,6 KEY,(PG: P77910)	1
J1	DWR1111H199	ELECTRONIC,KEYPAD,GC CONTROLLER,2 KEY,H-1111-199,(PGDT: P78238)	1

Joystick Knobs & Overlays

Please note: Joystick selection varies by power base model. Replacement parts shown may not be applicable to all power bases. Contact Technical Service for more information.

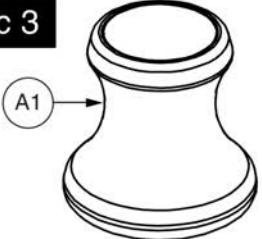
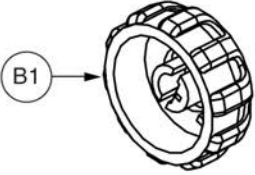
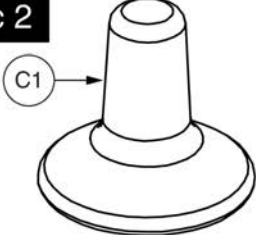
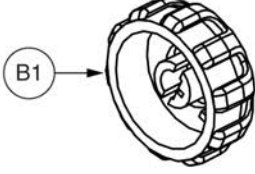
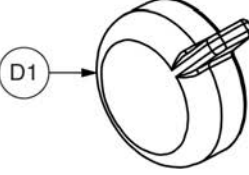
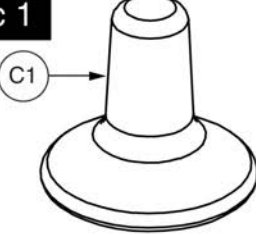
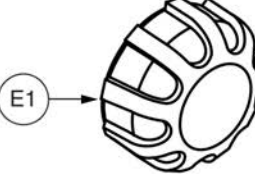


Item	Part No.	Name	Qty
A1	KITASMB1728	KIT,ASSY,Q-LOGIC CONTROLLER KEYPAD REPLACEMENT,W/INSTALLATION INSTRUCTIONS	1
B1	KITASMB1729	KIT,ASSY,Q-LOGIC CONTROLLER W/LIGHTS KEYPAD REPLACEMENT,W/INSTALLATION INSTRUCTIONS	1
C1	KITASMB1730	KIT,ASSY,Q-LOGIC STAND ALONE CONTROLLER KEYPAD REPLACEMENT,W/INSTALLATION INSTRUCTIONS	1
D1	KIT152913	KIT,ASSY,NE/NE PLUS CONTROLLER,4 KEY KEYPAD REPLACEMENT,W/INSTALLATION INSTRUCTIONS	1
E1	KIT152914	KIT,ASSY,NE/NE PLUS CONTROLLER,6 KEY KEYPAD REPLACEMENT,W/INSTALLATION INSTRUCTIONS	1
F1	KIT152915	KIT,ASSY,NE/NE PLUS CONTROLLER,8 KEY KEYPAD REPLACEMENT,W/INSTALLATION INSTRUCTIONS	1

Joystick Knobs & Overlays

Please note:

- Joystick selection varies by power base model. Replacement parts shown may not be applicable to all power bases.
- Serviceable components vary for each version of the Q-Logic Joystick and only the serviceable parts are shown for each.
- Contact Technical Service for more information.

<p>Q-Logic 3</p>  <p>Joystick & Stand-alone/Attendant Gimble Knob</p>	 <p>Speed Knob</p>	
<p>Q-Logic 2</p>  <p>Joystick & Stand-alone/Attendant Gimble Knob</p>	 <p>Speed Knob</p>	 <p>On/Off/Mode Knob (NOT compatible with Q-Logic 1 or 3)</p>
<p>Q-Logic 1</p>  <p>Joystick & Stand-alone/Attendant Gimble Knob</p>	 <p>Speed Knob</p>	

Q-Logic Joystick Knobs

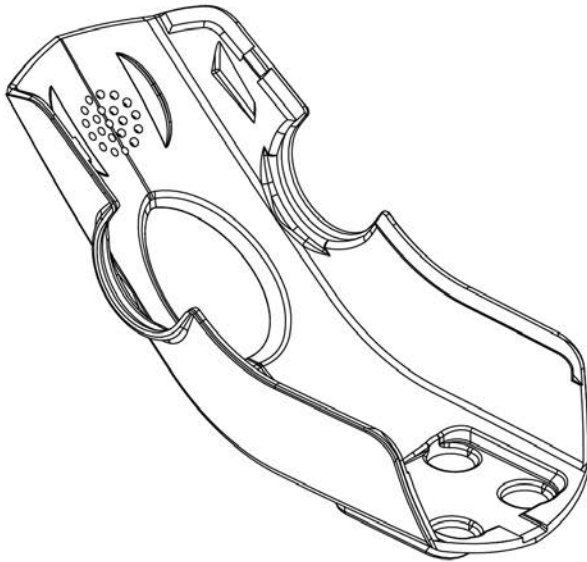


Item	Part No.	Name	Qty
A1	DGN154742	JOYSTICK, KNOB, Q-LOGIC 3, 6.35MM-ID, (CURTIS: 17519114-01)	1
B1	DGN124309	SPEED WHEEL, KNOB, CURTIS Q-LOGIC 2, BLACK, PLASTIC, DGN124309, (CURTIS: 17949367-01)	1
C1	DGN124308	JOYSTICK, KNOB, CURTIS, STANDARD, 6.35MM-ID, DGN124308, (CURTIS: 37381)	1
D1	KIT152919	KIT, ASSY, Q-LOGIC 2 CONTROLLER, ON/OFF/MODE TOGGLE REPLACEMENT, W/INSTALLATION INSTRUCTIONS	1
E1	PLSINDV1252	ELECTRONIC, KNOB, BLACK, PLASTIC, SPEED WHEEL, (CURTIS: 17856352-A)	1

Q-Logic 2 & 3 Joystick Shrouds

***Please Note:**

- The joystick shrouds are available in all the Quantum colors listed.
- Power base colors vary by model and some colors listed may not be available on all power bases. See the Quantum Color Reference Chart for color options.
- Some colors listed may have prolonged lead times.
- Contact Technical Service for more information.



Q-Logic 2 (Pre 2015)	
Ref#	Color Name
A1	Std., Soft Touch
A2	Black
A3	Silver
A4	Candy Apple Red
A5	Pearl Pink
A6	Sapphire Blue
A7	True Blue
A8	Viper Blue
A9	Emerald Green
A10	Orion Yellow
A11	Sunburst Orange

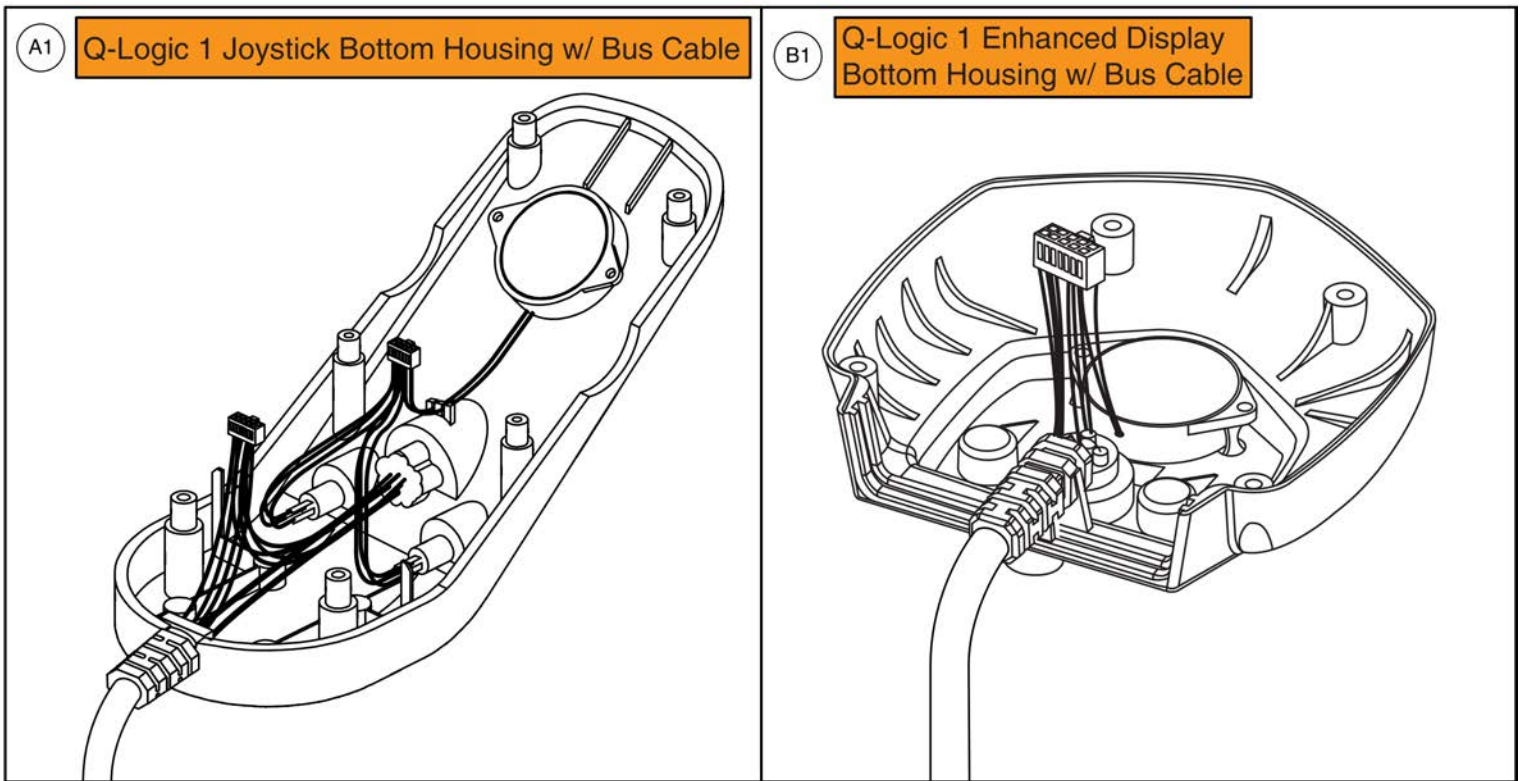
Q-Logic 2 (Post 2015) & Q-Logic 3	
Ref#	Color Name
B1	Std., Soft Touch
B2	Back in Black
B3	Night Train
B4	Grey Street
B5	Silver Bullet
B6	White Satin
B7	Red Corvette
B8	Cherry Bomb
B9	Pretty in Pink
B10	Raspberry Beret
B11	Sugar Plum
B12	Deep Purple
B13	Midnight Blue
B14	Electric Blue
B15	Blue Jean
B16	Green Machine
B17	Military Green
B18	Lime Light
B19	Yellow Blaze
B20	Lemon Crush
B21	Orange Crush
B22	Evolution Orange
B23	Carbon Fiber
B24	Digital Camo
B25	Faded Glory

Q-Logic 2 & 3 Joystick Shrouds



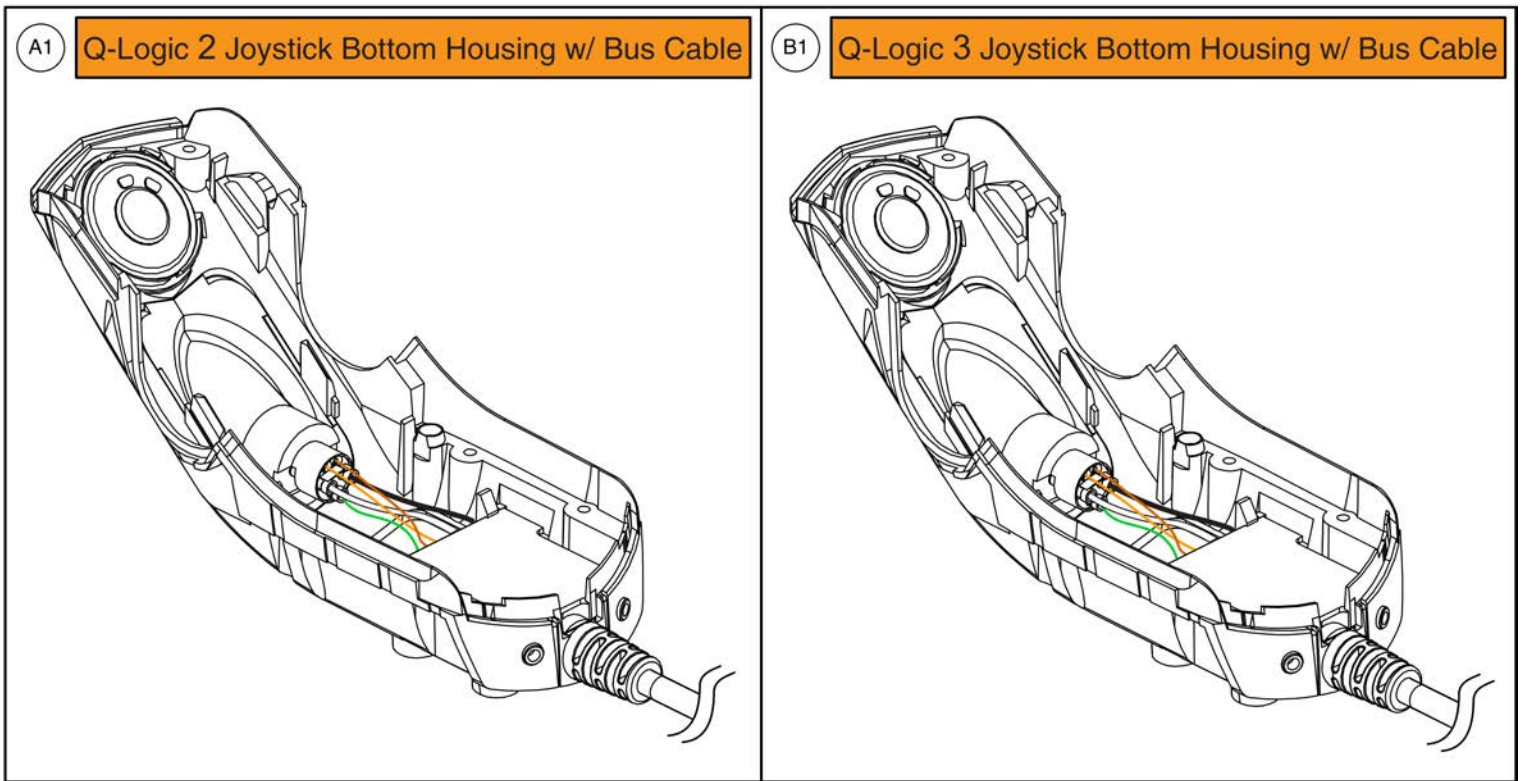
Item	Part No.	Name	Qty
A1	DGN124307	Q-LOGIC 2/3 JOYSTICK SHROUD,BLACK SOFT-TOUCH PAINT,(CURTIS: 17949365-02)	1
A2	DGN124336-PBK1	Q-LOGIC 2/3 JOYSTICK SHROUD,PPW-BLK-01 (BACK IN BLACK/BLACK)	1
A3	DGN124336-PSL1	Q-LOGIC 2/3 JOYSTICK SHROUD,PPW-SIL-01 (SILVER)	1
A4	DGN124336-PRD1	Q-LOGIC 2/3 JOYSTICK SHROUD,PPW-RED-01 (RED CORVETTE/CANDY APPLE RED)	1
A5	DGN124336-PPK1	Q-LOGIC 2/3 JOYSTICK SHROUD,PPW-PNK-01 (PEARL PINK)	1
A6	DGN124336-PPR4	Q-LOGIC 2/3 JOYSTICK SHROUD,PPW-PRP-04 (SAPPHIRE BLUE)	1
A7	DGN124336-PBU9	Q-LOGIC 2/3 JOYSTICK SHROUD,PPW-BLU-09 (ELECTRIC BLUE/TRUE BLUE)	1
A8	DGN124336-PBU1	Q-LOGIC 2/3 JOYSTICK SHROUD,PPW-BLU-01 (VIPER BLUE)	1
A9	DGN124336-PGN5	Q-LOGIC 2/3 JOYSTICK SHROUD,PPW-GRN-05 (EMERALD GREEN)	1
A10	DGN124336-PYL3	Q-LOGIC 2/3 JOYSTICK SHROUD,PPW-YEL-03 (YELLOW BLAZE/ORION YELLOW)	1
A11	DGN124336-POR4	Q-LOGIC 2/3 JOYSTICK SHROUD,PPW-ORN-04 (SUNBURST ORANGE)	1
B1	DGN124307	Q-LOGIC 2/3 JOYSTICK SHROUD,BLACK SOFT-TOUCH PAINT,(CURTIS: 17949365-02)	1
B2	DGN124336-PBK1	Q-LOGIC 2/3 JOYSTICK SHROUD,PPW-BLK-01 (BACK IN BLACK/BLACK)	1
B3	DGN124336-PBK3	Q-LOGIC 2/3 JOYSTICK SHROUD,PPW-BLK-03 (NIGHT TRAIN)	1
B4	DGN124336-PSL3	Q-LOGIC 2/3 JOYSTICK SHROUD,PPW-SIL-03 (GREY STREET)	1
B5	DGN124336-PSL7	Q-LOGIC 2/3 JOYSTICK SHROUD,PPW-SIL-07 (SILVER BULLET)	1
B6	DGN124336-PWH2	Q-LOGIC 2/3 JOYSTICK SHROUD,PPW-WHT-02 (WHITE SATIN)	1
B7	DGN124336-PRD1	Q-LOGIC 2/3 JOYSTICK SHROUD,PPW-RED-01 (RED CORVETTE/CANDY APPLE RED)	1
B8	DGN124336-PRD4	Q-LOGIC 2/3 JOYSTICK SHROUD,PPW-RED-04 (CHERRY BOMB)	1
B9	DGN124336-PPK3	Q-LOGIC 2/3 JOYSTICK SHROUD,PPW-PNK-03 (PRETTY IN PINK)	1
B10	DGN124336-PPK4	Q-LOGIC 2/3 JOYSTICK SHROUD,PPW-PNK-04 (RASPBERRY BERET)	1
B11	DGN124336-PPR7	Q-LOGIC 2/3 JOYSTICK SHROUD,PPW-PRP-07 (SUGAR PLUM)	1
B12	DGN124336-PPR5	Q-LOGIC 2/3 JOYSTICK SHROUD,PPW-PRP-05 (DEEP PURPLE)	1
B13	DGN124336-PBU10	Q-LOGIC 2/3 JOYSTICK SHROUD,PPW-BLU-10 (MIDNIGHT BLUE)	1
B14	DGN124336-PBU9	Q-LOGIC 2/3 JOYSTICK SHROUD,PPW-BLU-09 (ELECTRIC BLUE/TRUE BLUE)	1
B15	DGN124336-PBU11	Q-LOGIC 2/3 JOYSTICK SHROUD,PPW-BLU-11 (BLUE JEAN)	1
B16	DGN124336-PGN11	Q-LOGIC 2/3 JOYSTICK SHROUD,PPW-GRN-11 (GREEN MACHINE)	1
B17	DGN124336-PGN8	Q-LOGIC 2/3 JOYSTICK SHROUD,PPW-GRN-08 (MILITARY GREEN)	1
B18	DGN124336-PGN7	Q-LOGIC 2/3 JOYSTICK SHROUD,PPW-GRN-07 (LIME LIGHT)	1
B19	DGN124336-PYL3	Q-LOGIC 2/3 JOYSTICK SHROUD,PPW-YEL-03 (YELLOW BLAZE/ORION YELLOW)	1
B20	DGN124336-PYL4	Q-LOGIC 2/3 JOYSTICK SHROUD,PPW-YEL-04 (LEMON CRUSH)	1
B21	DGN124336-POR6	Q-LOGIC 2/3 JOYSTICK SHROUD,PPW-ORN-06 (ORANGE CRUSH)	1
B22	DGN124336-POR7	Q-LOGIC 2/3 JOYSTICK SHROUD,PPW-ORN-07 (EVOLUTION ORANGE)	1
B23	DGN124336-WCB1	Q-LOGIC 2/3 JOYSTICK SHROUD,PWT-CBN-01 (CARBON FIBER)	1
B24	DGN124336-WCM7	Q-LOGIC 2/3 JOYSTICK SHROUD,PWT-CMO-07 (MILITARY DIGITAL CAMO)	1
B25	DGN124336-WFL2	Q-LOGIC 2/3 JOYSTICK SHROUD,PWT-FLG-02 (FADED GLORY)	1

Joystick Bottom Housings



Item	Part No.	Name	Qty
A1	DWR1111H066	ELECTRONIC,BOTTOM HOUSING,4 KEY JOYSTICK MODULE,W/BUS CABLE,CURTIS,H-1111-066,(CURTIS: 17856705)	1
B1	DWR1111H067	ELECTRONIC,BOTTOM HOUSING,ENHANCED DISPLAY CONTROLLER,W/BUS CABLE,CURTIS,H-1111-067,(CURTIS: 17861705)	1

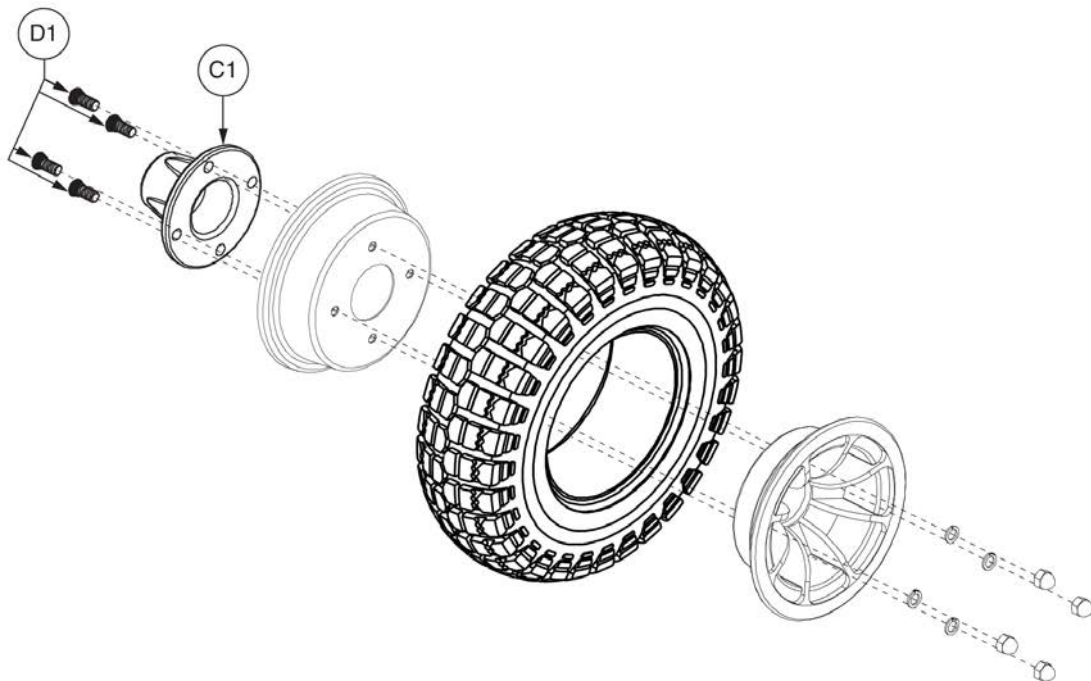
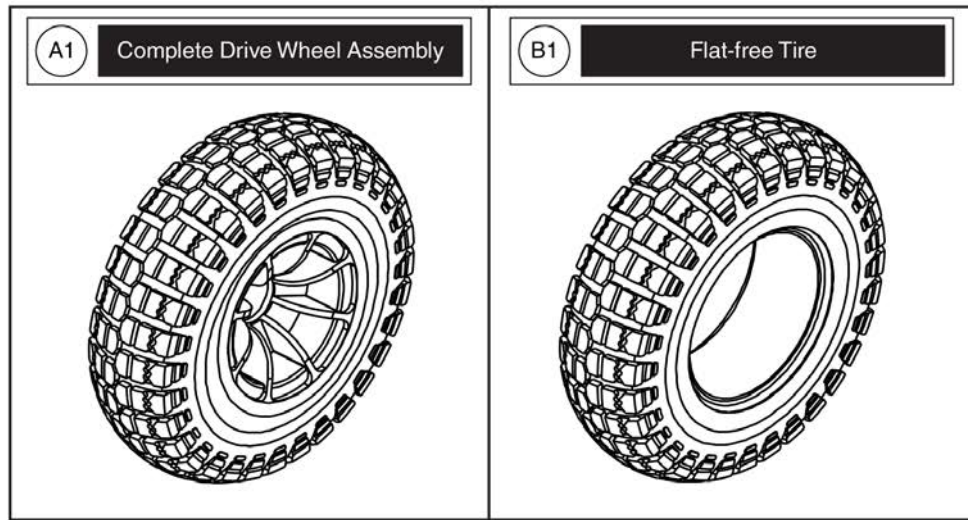
Joystick Bottom Housings



Item	Part No.	Name	Qty
A1	ELE124313	Q-LOGIC 2 BOTTOM HOUSING,JOYSTICK MODULE,W/BUS CABLE	1
B1	ELE144006	ELECTRONIC, BOTTOM HOUSING, JOYSTICK MODULE Q-LOGIC 3,W/ BUS CABLE Q-LOGIC 3, (CURTIS: 17949366-02)	1

7. Drive Wheel Assy

Please note: Rims and hardware are included in the top-level assemblies and are not available individually.

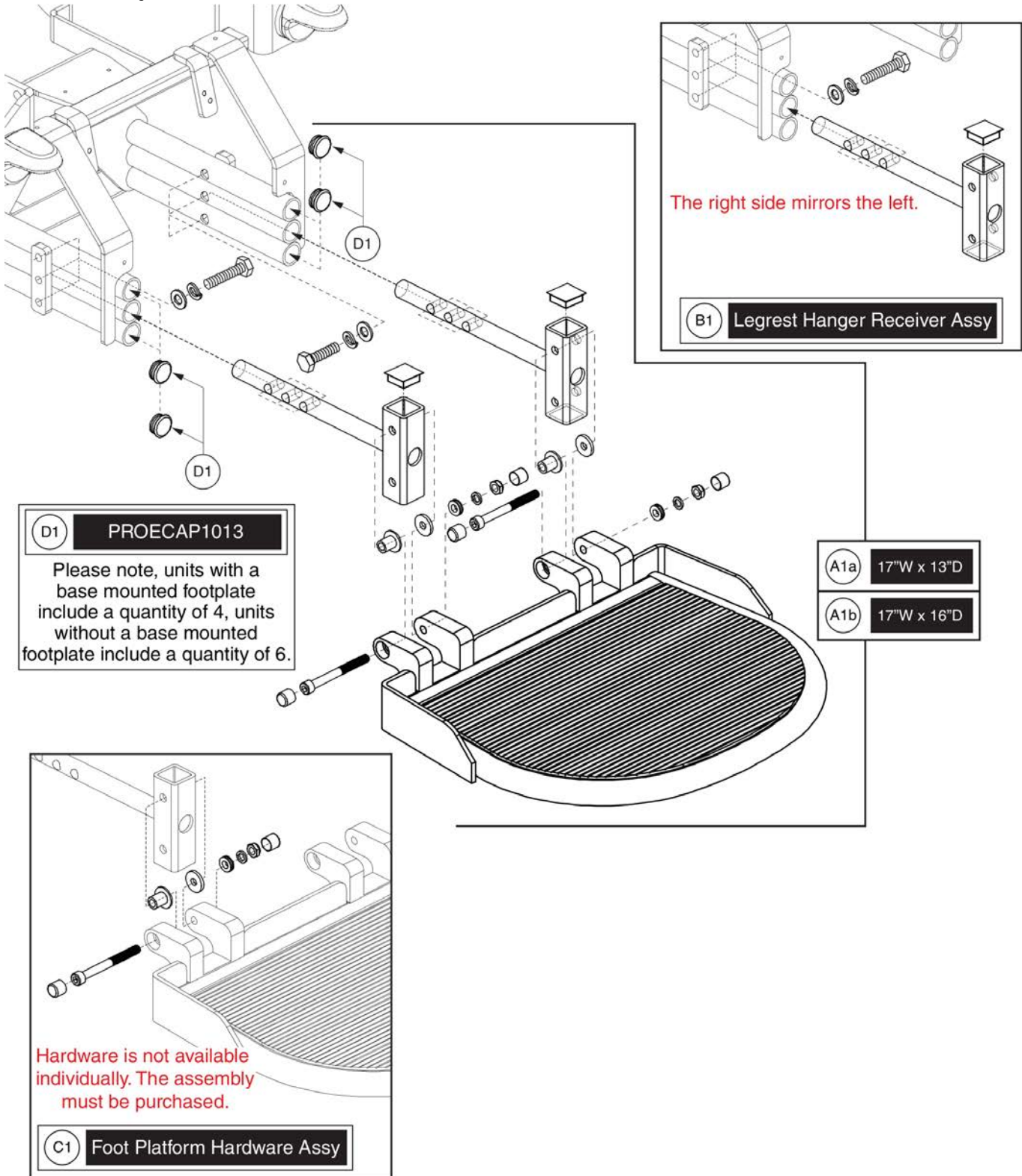


Flat-free Drive Wheel Assy, J/Q 1450



Item	Part No.	Name	Qty
A1	WHLASMB7110036	WHEEL,ASSY,FLAT FREE,BLACK RIM/CHARCOAL TIRE,14" X 4",4 STUD,KNOBBY TREAD,(LENCO: F70047)	1
B1	TIR8110023	TIRE,FLAT FREE,HD GEL,14" X 4",C166 KNOBBY TREAD,CHARCOAL	1
C1	DWR1203D080	HUB,4 STUD,HAMMER,D-1203-080	1
D1		STUD,ZINC,3/8-24 X 0.89",C-1005-071	4

8. Foot Platform Assy

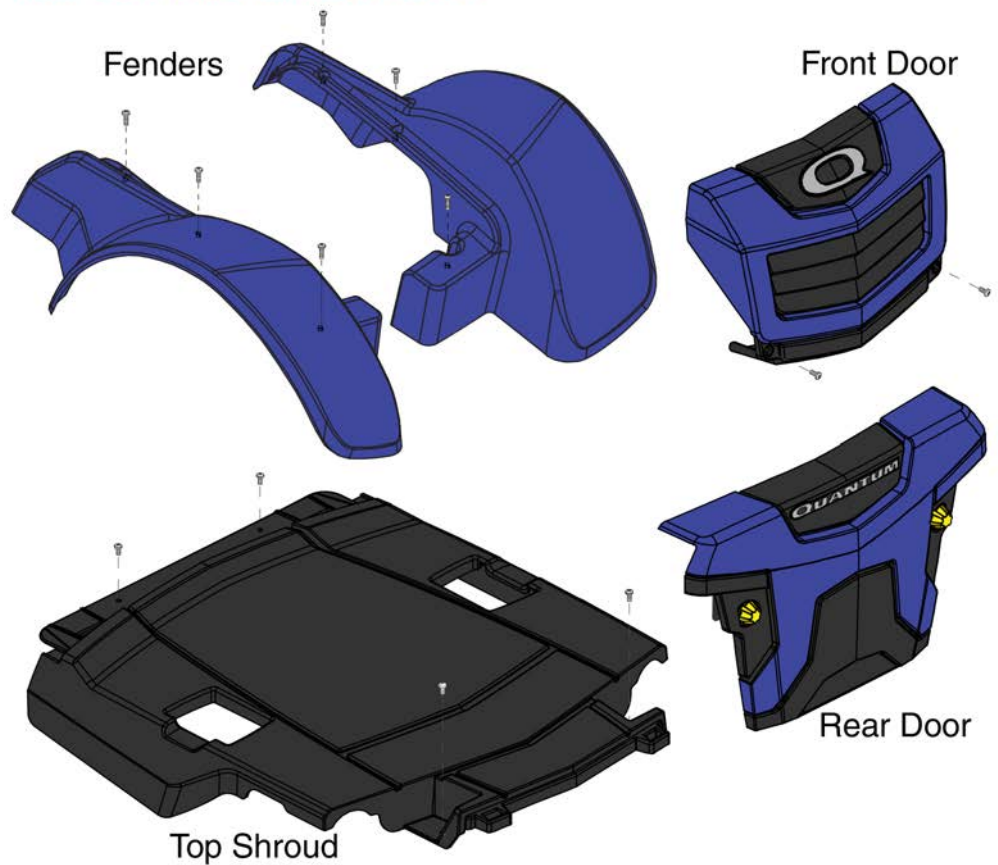


Item	Part No.	Name	Qty
A1a	FRMASMB9444	FOOT PLATFORM,ASSY,HD,17"W,13"D,W/MAT & HARDWARE	1
A1b	FRMASMB7943	FOOT PLATFORM,ASSY,HD,17"W,16"D,W/MAT & HARDWARE	1
B1	FRMASMB17827	LEGREST HANGER RECEIVER,ASSY,BARIATRIC,C-1660-058	2
C1	HDWASMB1204	HARDWARE,ASSY,FOOT PLATFORM,BARIATRIC,C-1201-149	2
D1	PROECAP1013	CAP,END,PLASTIC,1" X 10GA - 14GA,ROUND	4

9. Shroud Assy's

Please note: The complete shroud assemblies include the top shroud, fenders, front door, rear door, and all hardware .

Complete Shroud Assemblies	
Ref#	Color Name
A1	Back in Black
B1	Red Corvette
C1	Pretty in Pink
D1	Electric Blue
E1	Evolution Orange



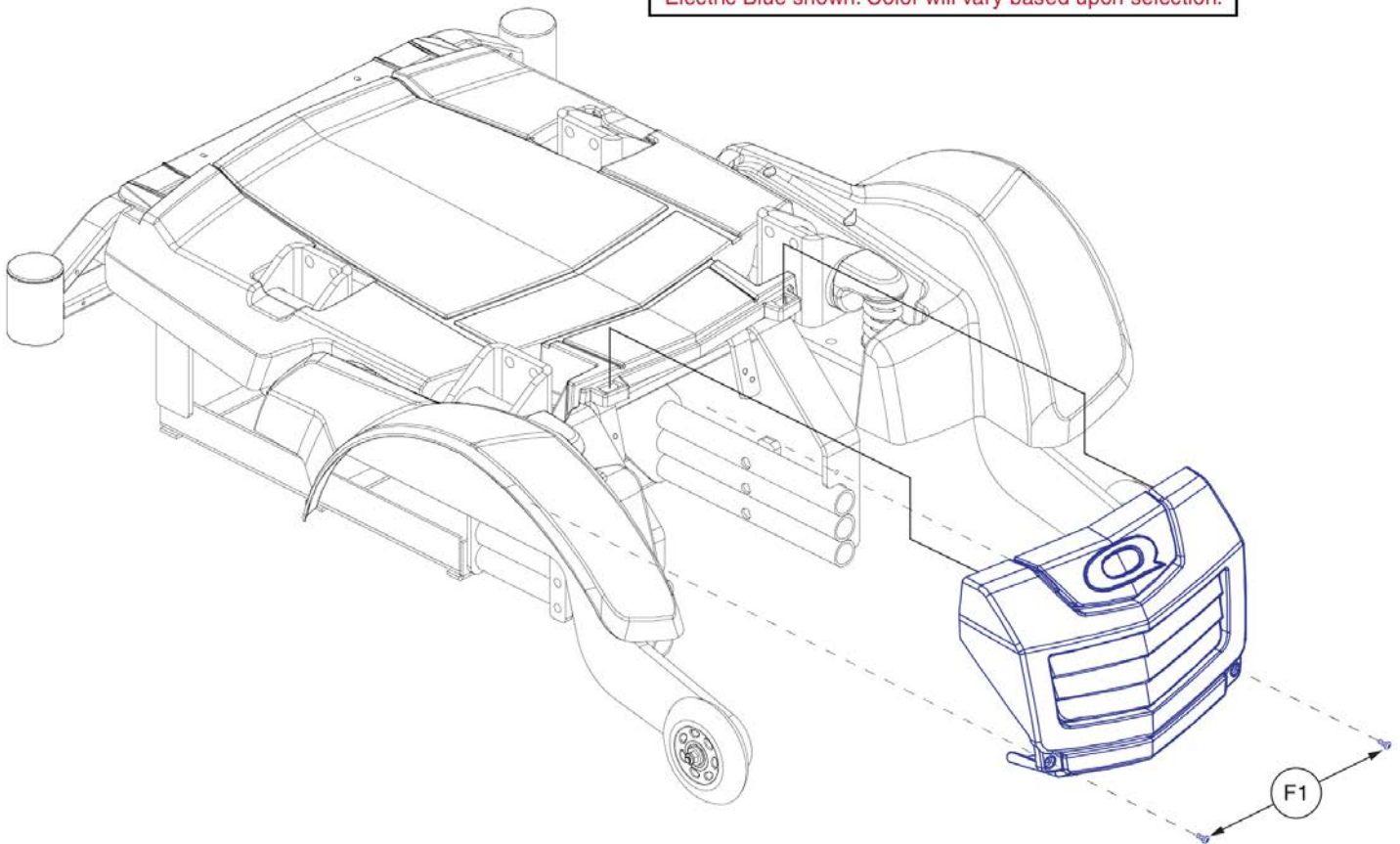
Electric Blue shown. Color will vary based upon selection.

Item	Part No.	Name	Qty
A1	SHDASMB6686	SHROUD,ASSY,BACK IN BLACK,QUANTUM 1450	1
B1	SHDASMB6684	SHROUD,ASSY,RED CORVETTE,QUANTUM 1450	1
C1	DGN1903817	SHROUD,ASSY,PRETTY IN PINK,QUANTUM 1450	1
D1	SHDASMB7110018	SHROUD,ASSY,ELECTRIC BLUE/TRUE BLUE,QUANTUM 1450	1
E1	DGN1903818	SHROUD,ASSY,EVOLUTION ORANGE,QUANTUM 1450	1

9. Shroud Assy's

Please note: The front door assembly includes mounting hardware F1.

Front Door Assy's	
Ref#	Color Name
A1	Back in Black
B1	Red Corvette
C1	Pretty in Pink
D1	Electric Blue
E1	Evolution Orange

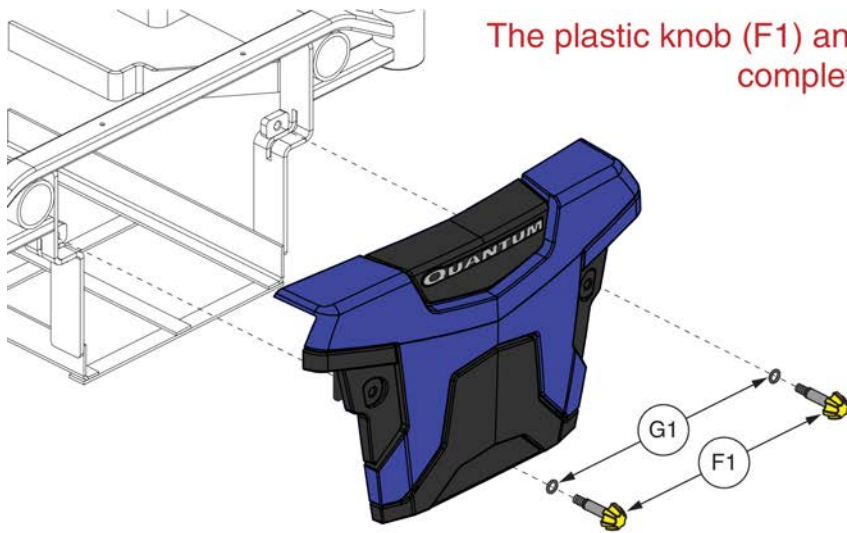


Front Door Shroud Assy, Q1450 - New Colors



Item	Part No.	Name	Qty
A1	SHDASMB6309	SHROUD,ASSY,FRONT DOOR,BACK IN BLACK,QUANTUM1450,D-1660-027	1
B1	SHDASMB6307	SHROUD,ASSY,FRONT DOOR,RED CORVETTE,QUANTUM1450,D-1660-027	1
C1	DGN1908206	SHROUD,ASSY,FRONT DOOR,Pretty in PINK,QUANTUM1450	1
D1	SHDASMB7110019	SHROUD,ASSY,FRONT DOOR,ELECTRIC BLUE,QUANTUM1450,D-1660-027	1
E1	DGN1908209	SHROUD,ASSY,FRONT DOOR,Evolution Orange,QUANTUM1450	1
F1	SCRPPH1163	SCREW, PAN HEAD, TYPE H, M4X0.7 X 10, FT, ISO 7045, CL 4.8, BZ	2

9. Shroud Assy's



The plastic knob (F1) and the washers (G1) are included in the complete shroud assemblies.

Electric blue shown. Color will vary based upon selection.

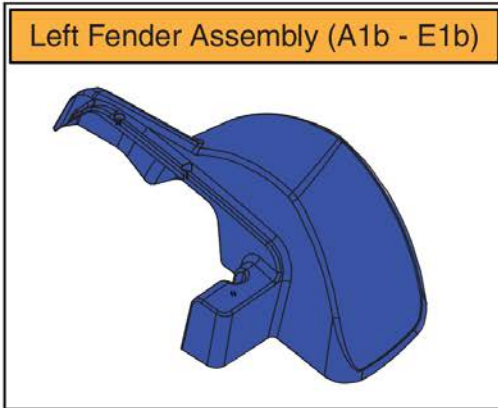
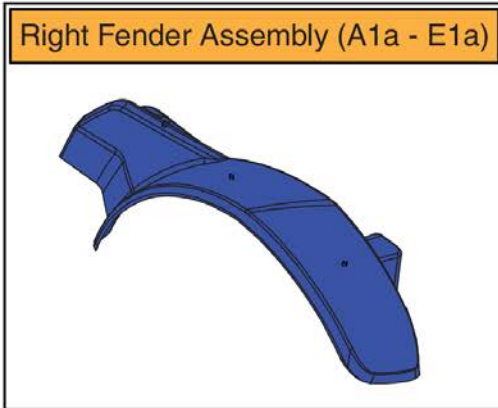
Rear Door Assy's	
Ref#	Color Name
A1	Back in Black
B1	Red Corvette
C1	Pretty in Pink
D1	Electric Blue
E1	Evolution Orange

Rear Door Shroud, Q1450 - New Colors



Item	Part No.	Name	Qty
A1	SHDASMB6290	SHROUD,ASSY,REAR DOOR,BACK IN BLACK,QUANTUM1450	1
B1	SHDASMB6288	SHROUD,ASSY,REAR DOOR,RED CORVETTE,QUANTUM1450	1
C1	DGN1908212	SHROUD,ASSY,REAR DOOR,PRETTY IN PINK,QUANTUM1450	1
D1	SHDASMB7110022	SHROUD,ASSY,REAR DOOR,ELECTRIC BLUE,QUANTUM1450	1
E1	DGN1908213	SHROUD,ASSY,REAR DOOR,EVOLUTION ORANGE,QUANTUM1450	1
F1	PLSKNCP1071	KNOB,YELLOW,PLASTIC,10MM X 25MM,CUSTOM,C-1660-046	2
G1	WASNEOP1006	WASHER,NEOPRENE,9.81MM ID X 13.6MM OD X 1.9MM TH	2

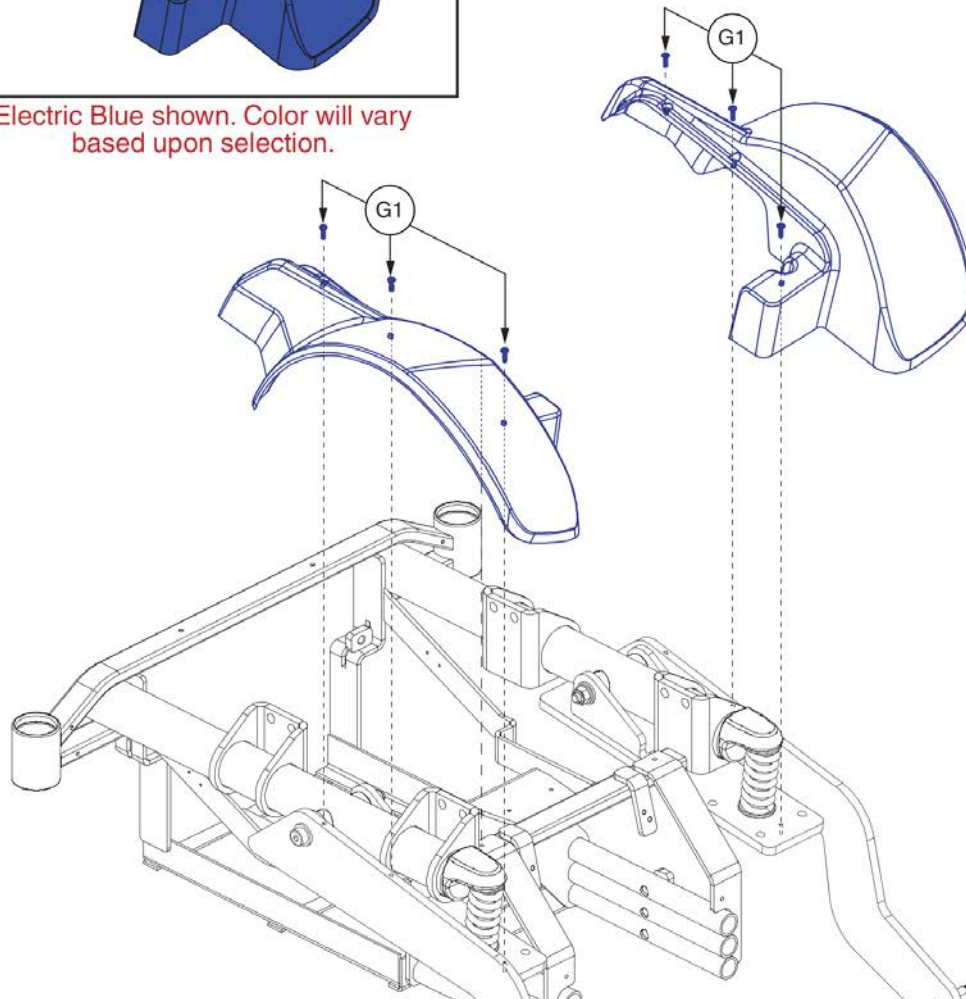
9. Shroud Assy's



Electric Blue shown. Color will vary based upon selection.

Please note:
The left / right fender assemblies do NOT include the mounting hardware G1.

Fender Assemblies		
Right	Left	Color Name
A1a	A1b	Back in Black
B1a	B1b	Red Corvette
C1a	C1b	Pretty in Pink
D1a	D1b	Electric Blue
E1a	E1b	Evolution Orange

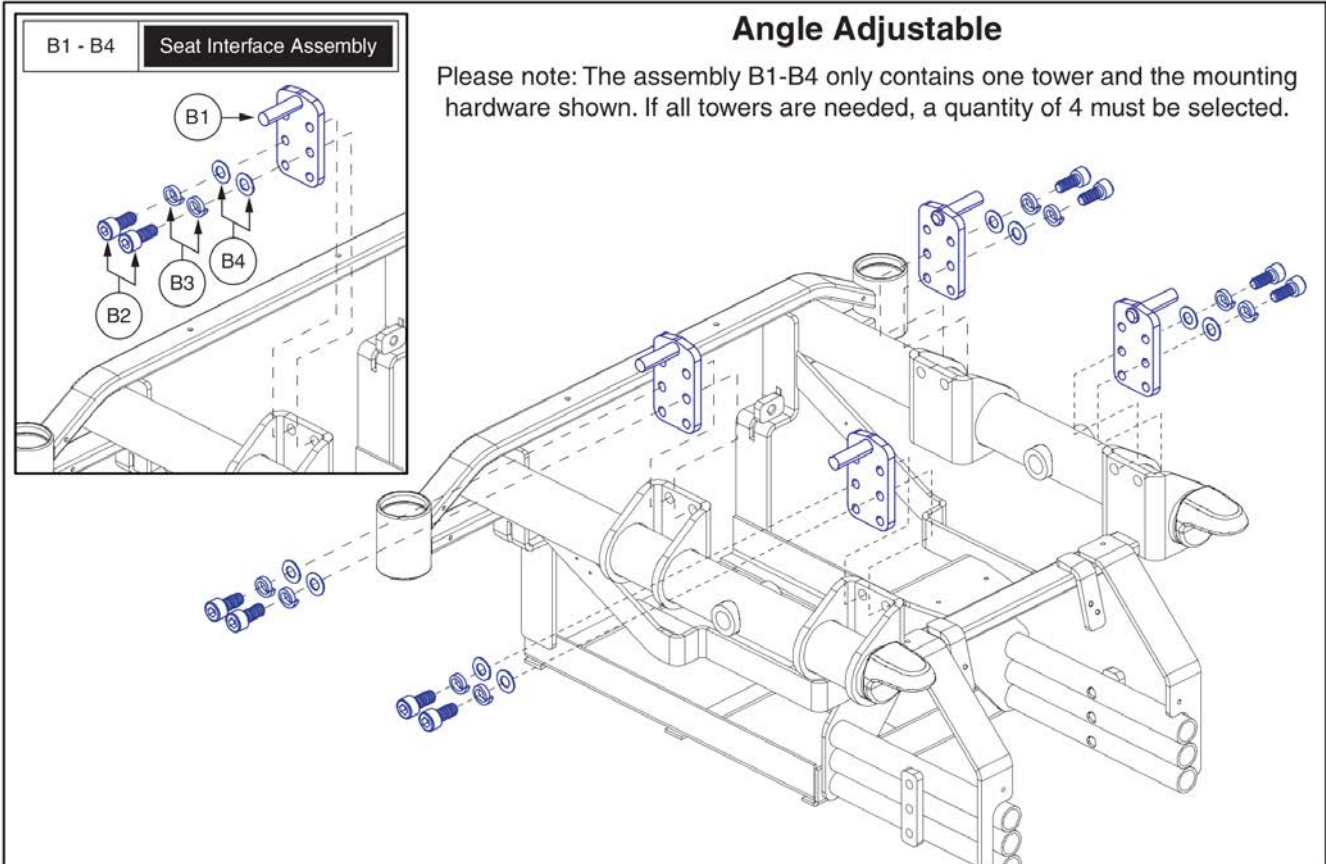
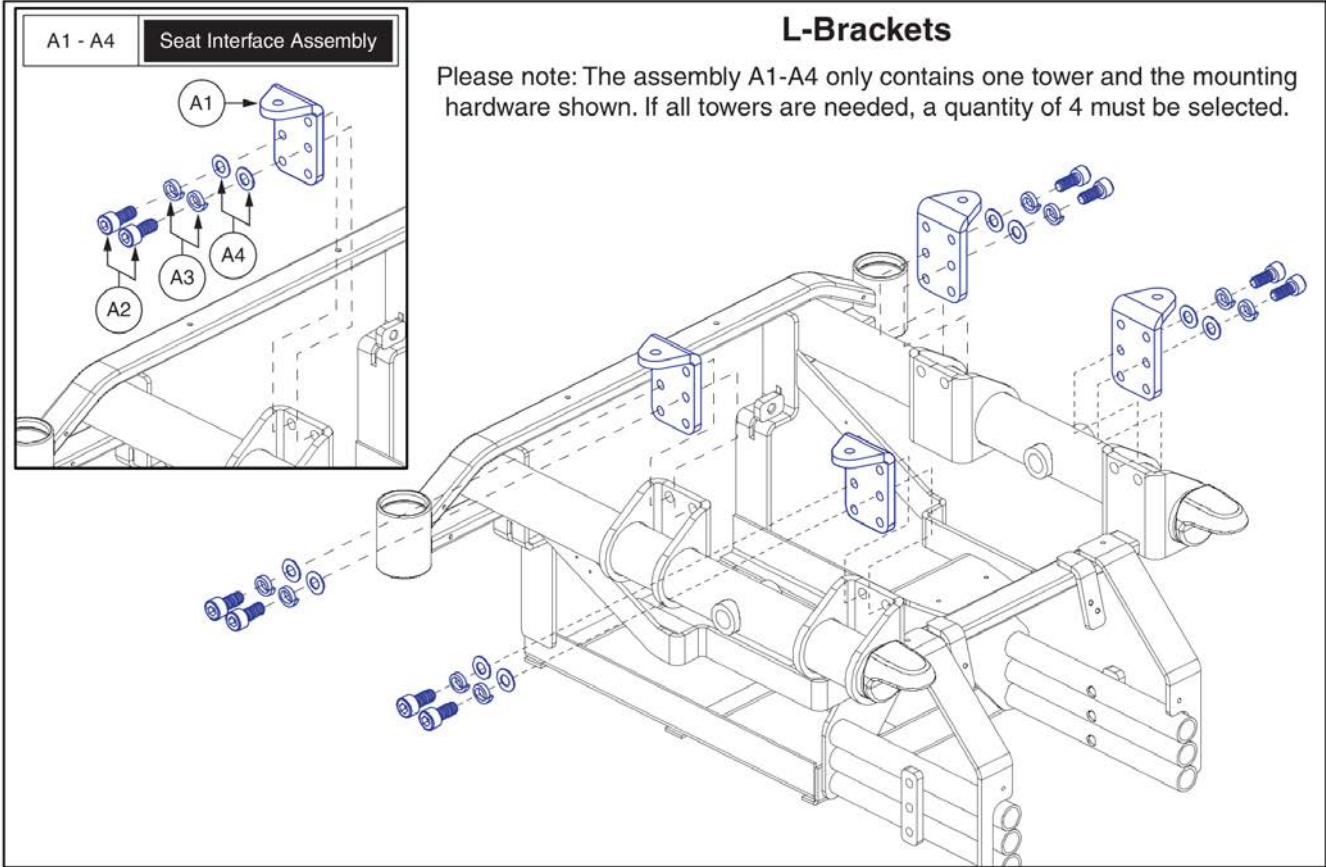


Fender Shrouds, Q1450 - New Colors



Item	Part No.	Name	Qty
A1a	DWR1660E021C	SHROUD,FENDER,BACK IN BLACK,RIGHT,JAZZY/QUANTUM1450,E-1660-021	1
B1a	DWR1660E021A	SHROUD,FENDER,RED CORVETTE,RIGHT,JAZZY/QUANTUM1450,E-1660-021	1
C1a	DWR1660E021V	SHROUD,FENDER,Pretty IN PINK,RIGHT,JAZZY/QUANTUM1450	1
D1a	DWR1660E021U	SHROUD,FENDER,ELECTRIC BLUE,RIGHT,JAZZY/QUANTUM1450,E-1660-021	1
E1a	DWR1660E021W	SHROUD,FENDER,EVOLUTION ORANGE,RIGHT,JAZZY/QUANTUM1450	1
A1b	DWR1660E020C	SHROUD,FENDER,BACK IN BLACK,LEFT,JAZZY/QUANTUM1450,E-1660-020	1
B1b	DWR1660E020A	SHROUD,FENDER,RED CORVETTE,LEFT,JAZZY/QUANTUM1450,E-1660-020	1
C1b	DWR1660E020V	SHROUD,FENDER,Pretty IN PINK,LEFT,JAZZY/QUANTUM1450,E-1660-020	1
D1b	DWR1660E020U	SHROUD,FENDER,ELECTRIC BLUE,LEFT,JAZZY/QUANTUM1450,E-1660-020	1
E1b	DWR1660E020W	SHROUD,FENDER,EVOLUTION ORANGE,LEFT,JAZZY/QUANTUM1450,E-1660-020	1
G1	SCRPPH1163	SCREW, PAN HEAD, TYPE H, M4X0.7 X 10, FT, ISO 7045, CL 4.8, BZ	6

10. Seat Interfaces



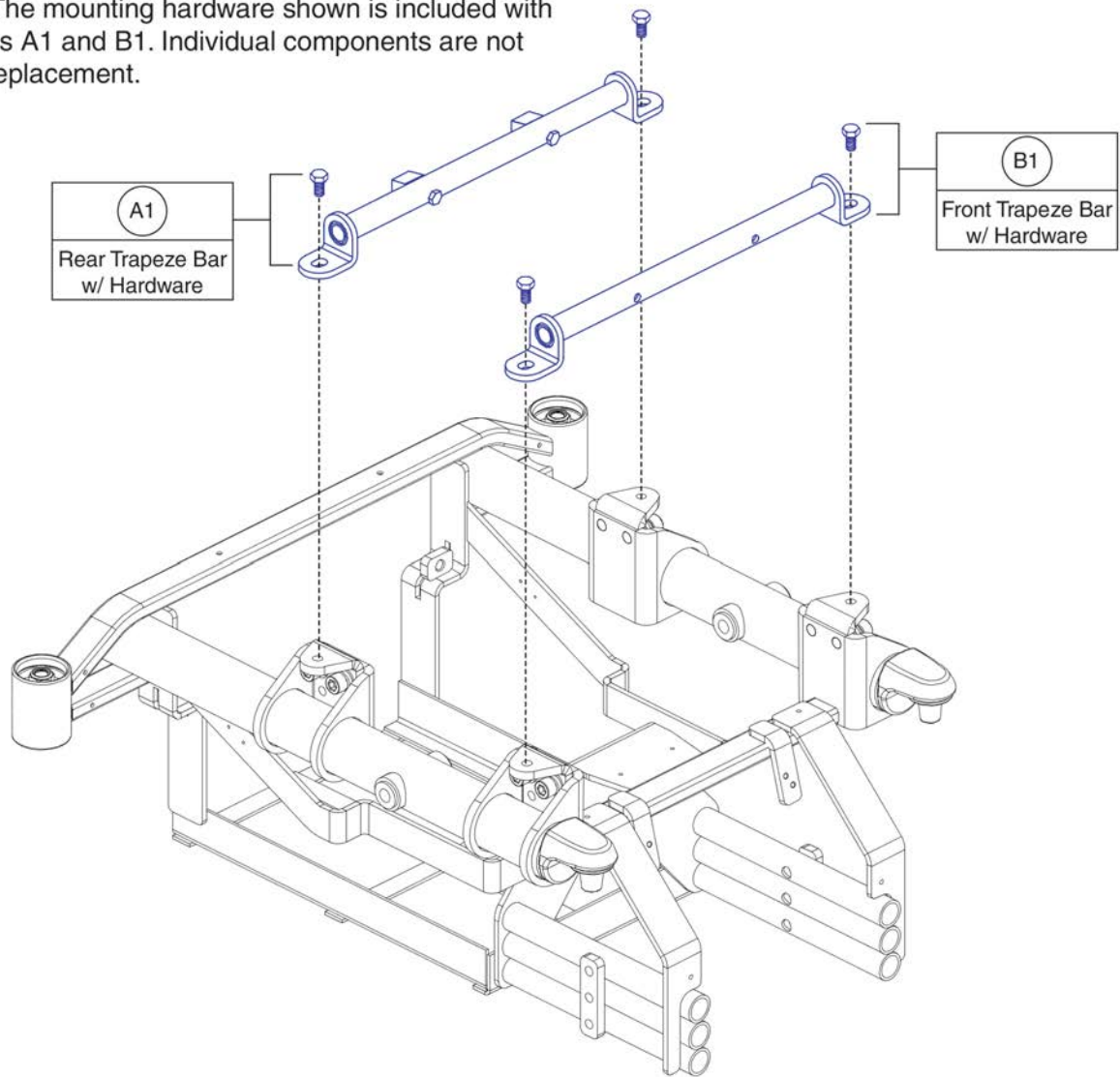
Seat Mount Connectors, J/Q 1450



Item	Part No.	Name	Qty
A1 - A4	BRKASMB7110030	SEAT INTERFACE,ASSY,L-BRACKET,UNIVERSAL,METRIC,BRKASMB7110030	1
A1	BRK8110003	MOUNTING BRACKET,SEAT INTERFACE,UNIVERSAL,BRK8110003	1
A2	SCR8110003	SCREW, SOCKET HEAD, M10X1.5 X 25, ISO 4762, CL 12.9, BZ, PVTP	2
A3	WASLOCK1094	WASHER, LOCK, 10.7 ID X 18.1 OD X 2.0 THK, DIN 127B, BZ	2
A4	WASMETR1031	WASHER,FLAT,10.5 ID X 20 OD X 2 THK,BZ	2
B1 - B4	MEC133591	SEAT MOUNT CONNECTOR,ASSY,TB3 TILT,METRIC	1
B1	MEC131182	MOUNTING BRACKET,SEAT INTERFACE,TRU-BALANCE 3	1
B2	SCR8110003	SCREW, SOCKET HEAD, M10X1.5 X 25, ISO 4762, CL 12.9, BZ, PVTP	2
B3	WASLOCK1094	WASHER, LOCK, 10.7 ID X 18.1 OD X 2.0 THK, DIN 127B, BZ	2
B4	WASMETR1031	WASHER,FLAT,10.5 ID X 20 OD X 2 THK,BZ	2

10. Seat Interfaces

Please note: The mounting hardware shown is included with the assemblies A1 and B1. Individual components are not available for replacement.



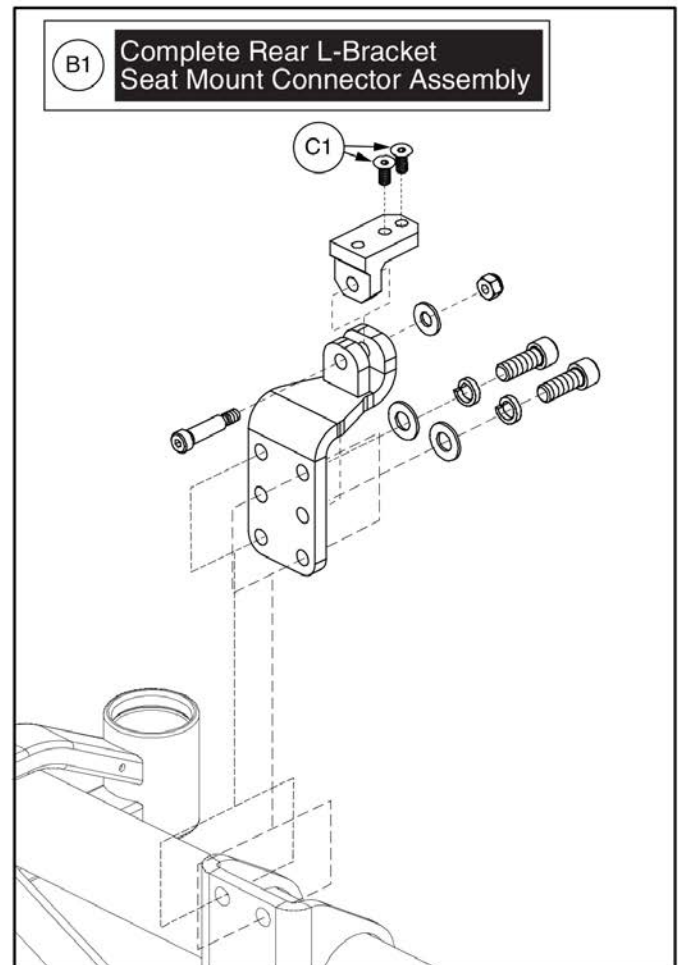
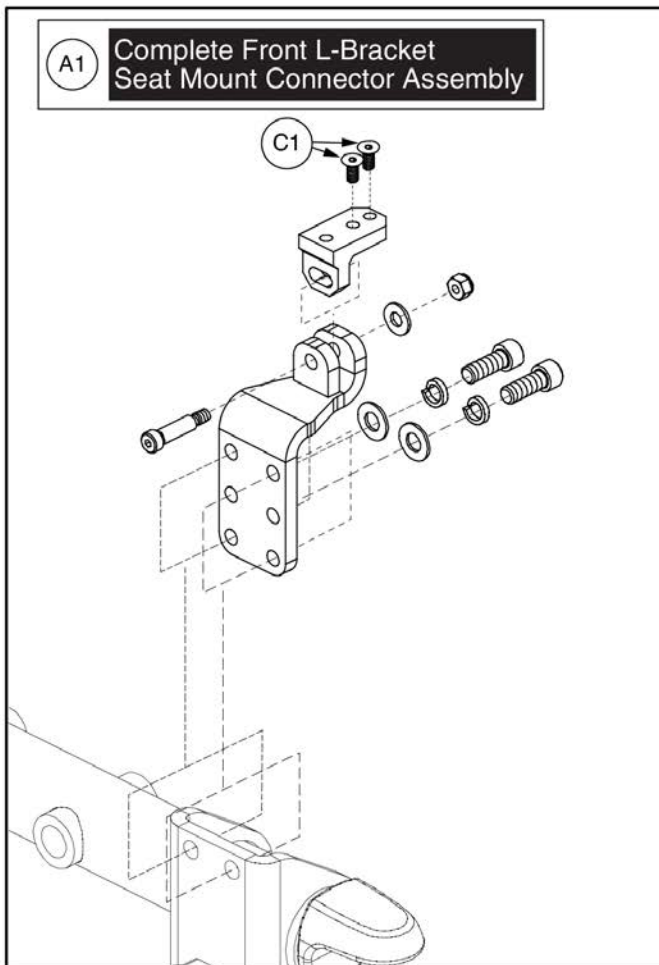
Trapeze Bars, J/Q 1450



Item	Part No.	Name	Qty
A1	TWRASMB7120003	SEAT TOWER,ASSY,14.00" CENTERS,REAR TRAPEZE BAR,METRIC	1
B1	TWRASMB7120002	SEAT TOWER,ASSY,14.00" CENTERS,FRONT TRAPEZE BAR,METRIC	1

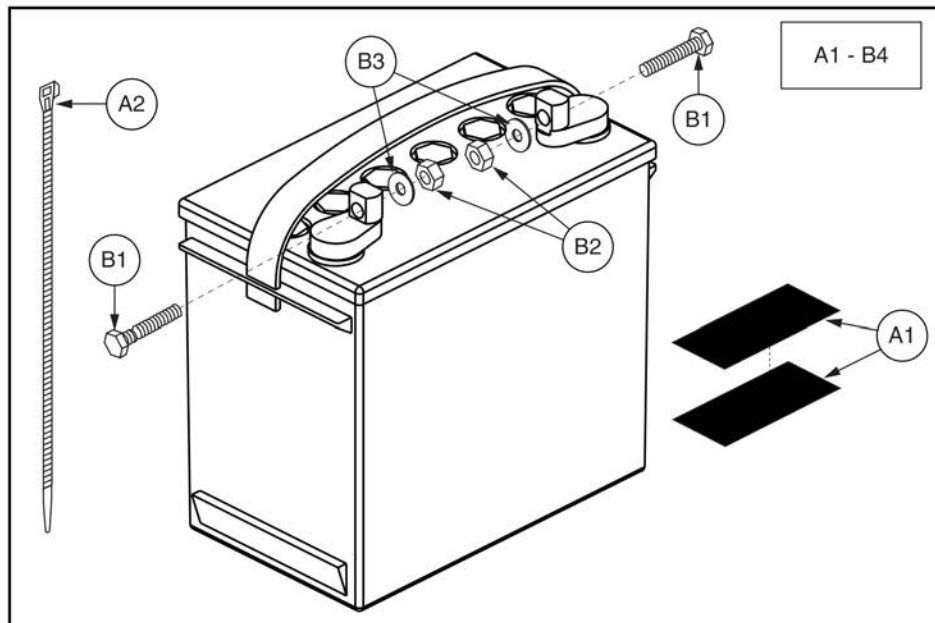
10. Seat Interfaces

Please note: Individual parts are not available for purchase.
The assembly must be ordered.



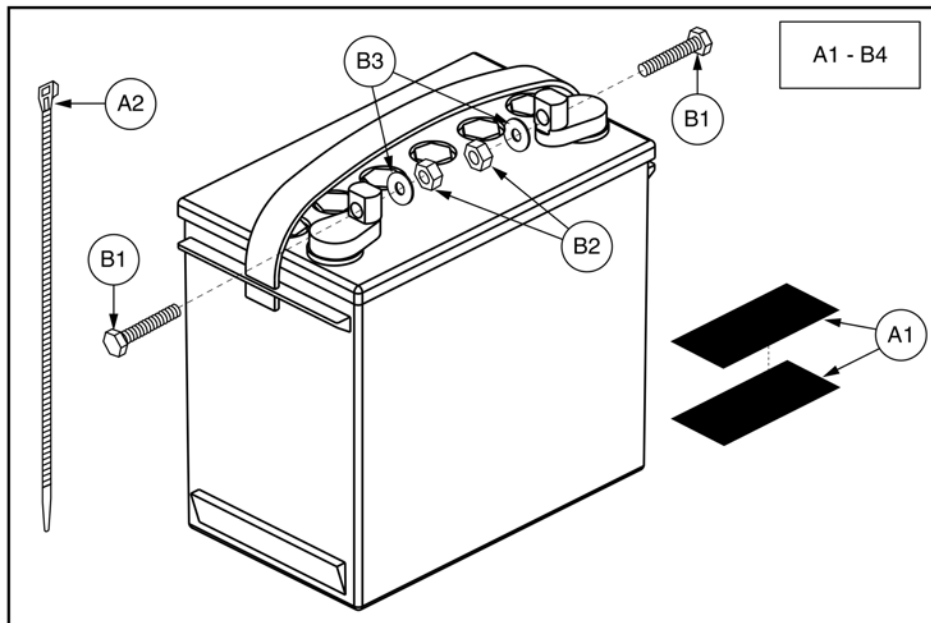
Item	Part No.	Name	Qty
A1	FRMASMB17479	SEAT MOUNT CONNECTOR,ASSY,L-BRACKET,HD TILT,REAR	2
B1	FRMASMB17478	SEAT MOUNT CONNECTOR,ASSY,L-BRACKET,HD TILT,FRONT	2
C1	SCRSHFH1203	SCREW,FLAT HEAD,M8X1.25 X 20,10.9,BZ	8

11. Batteries



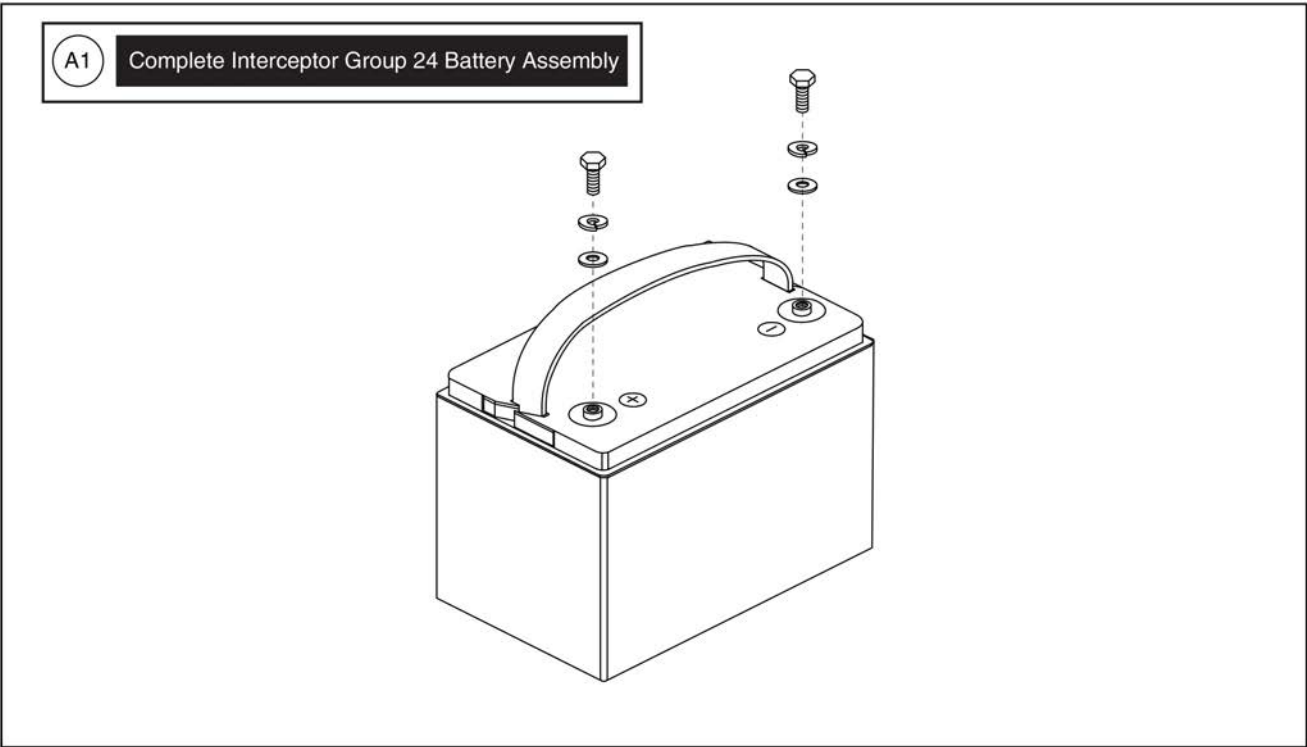
Item	Part No.	Name	Qty
A1 - B4		BATTERY,ASSY,GEL,GROUP 24,MK BATTERY,W/VELCRO & CABLE TIES	1
A1	HDW124834	REUSABLE FASTENER,HOOK & LOOP,BLACK,4" X 7",W/ADHESIVE BACK,#0115,B STOUT,SET	1
A2	PLSTIE1011	CABLE TIE,NYLON,48"L,HEAVY DUTY	1
B1 - B4	BATGEL1009	BATTERY,GEL,GROUP 24,H-1000-138,(MK BATTERY: M24 SLDG)	1
B1	SCRHHCS1668	SCREW,HHCS,STAINLESS STEEL,5/16-18 X 1.00"	2
B2	NUTSTD1020	NUT,HEX,STAINLESS STEEL,5/16-18	2
B3	WASLOCK1093	WASHER,LOCK,STAINLESS STEEL,0.3125" ID X 0.500" OD X 0.125"TH	2
B4		DECAL,BATTERY & BATTERY CHARGER MANUFACTURER,L-1235-817	1

11. Batteries



Item	Part No.	Name	Qty
A1 - B4		BATTERY,ASSY,GEL,GROUP 24,W/VELCRO & CABLE TIES	1
A1	HDW124834	REUSABLE FASTENER,HOOK & LOOP,BLACK,4" X 7",W/ADHESIVE BACK,#0115,B STOUT,SET	1
A2	PLSTIE1011	CABLE TIE,NYLON,48"L,HEAVY DUTY	1
B1 - B4	BATGEL1004	BATTERY,GEL,GROUP 24,H-1000-138	1
B1	SCRHHCS1668	SCREW,HHCS,STAINLESS STEEL,5/16-18 X 1.00"	2
B2	NUTSTD1020	NUT,HEX,STAINLESS STEEL,5/16-18	2
B3	WASLOCK1093	WASHER,LOCK,STAINLESS STEEL,0.3125" ID X 0.500" OD X 0.125"TH	2
B4		DECAL,BATTERY & BATTERY CHARGER MANUFACTURER,L-1235-817	1

11. Batteries

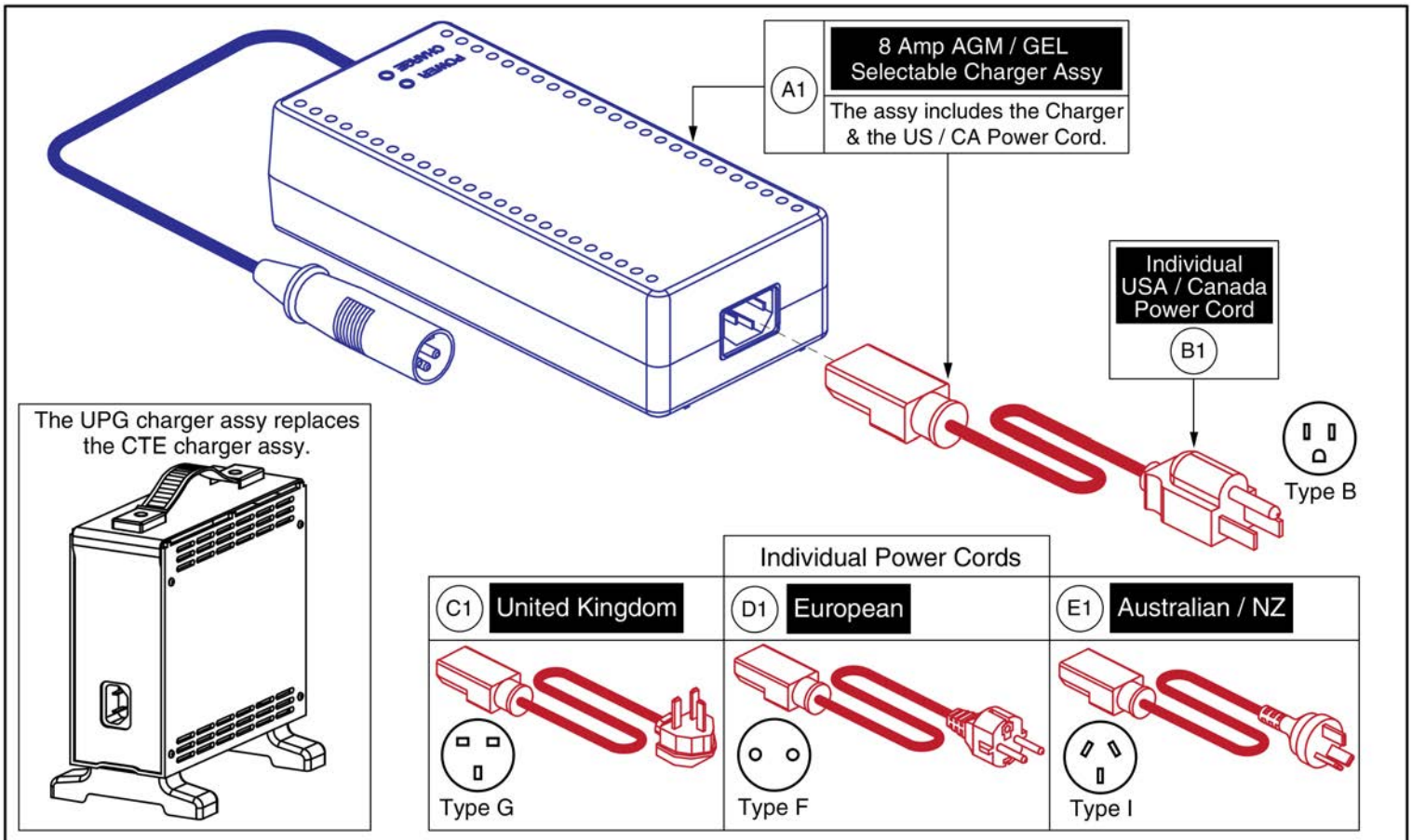


Group 24 Battery, Interceptor



Item	Part No.	Name	Qty
A1	BAT1704614-P	BATTERY,PACKAGED,INTERCEPTOR,GEL,70AH/3HR,GROUP 24,(YAHENG: 6-EVF-70)	1

12. Off-board Charger Assy



8 Amp UPG Charger Assy, AGM / GEL Selectable



Item	Part No.	Name	Qty
A1	ELE1803440	CHARGER, OFFBOARD, LOW INHIBIT, AC 100V-240V, DC 28.6-29.6V @8A, AGM/GEL SELECTABLE, WITH USA CORDSET	1
B1	HARUSHD1065	ELECTRONIC,HARNESS,POWER CORD,IEC - USA,H-1000-128	1
C1	HARUSHD2041	ELECTRONIC,HARNESS, POWER CORD,AC W/UK PLUG,H-1020-049	1
D1	HARUSHD2160	ELECTRONIC,HARNESS,POWER CORD,IEC - EUROPE PLUG	1
E1	DWR1000H174	ELECTRONIC,HARNESS,AC POWER CORD,INSULATED BLADES,AUSTRALIA,H-1000-174	1

13.1. Swing-away, Version 3

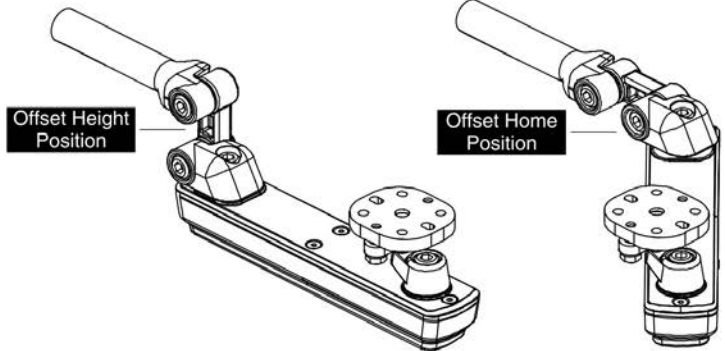
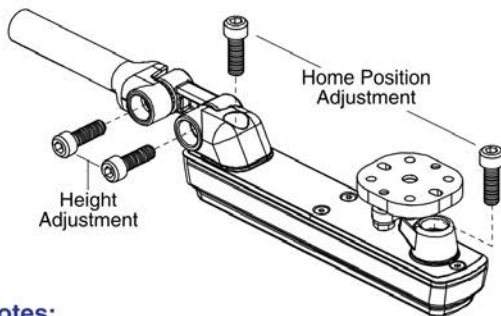
Complete Swing-away Mount w/ Hardware				Please Note:	
Ref	Part Number	Mounting Hardware	Seating Type	<p>- The complete assemblies A1 thru F1 include the swing-away joystick mount and the applicable joystick mounting hardware.</p> <p>- The contoured seat assemblies also include the armrest adapter K1.</p> <p>* PG Drives does NOT include Remote Plus.</p> <p>Contact Technical Service for more information.</p>	
A1	ACC1908434	Q-Logic	Rehab		
B1	ACC1908435	Q-Logic	Contoured		
C1	ACC1908437	NE/NE+	Rehab		
D1	ACC1908438	NE/NE+	Contoured		
E1	ACC1908439	PG Drives*	Rehab		
F1	ACC1908440	PG Drives*	Contoured		

Mounting Hardware		
<p>NE / NE+</p>	<p>Q-Logic</p>	<p>Contoured Seat Armrest Adapter</p>
<p>PG Drives</p> <p><i>*Does not include Remote Plus Joysticks</i></p>		

Not available individually. The complete assembly with hardware must be selected.

Adjustments

Height and Home Position Adjustments



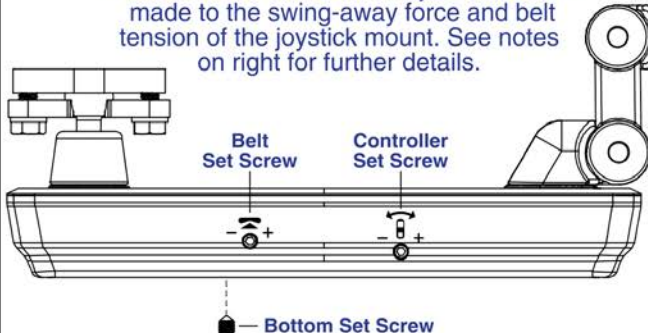
Notes:

- Loosen the appropriate screws to adjust the height or home position of the swing-away joystick mount.
- Each pivot can be adjusted independently in 15 Degree increments to allow for a wide range of positions and angles.

- The "Home" position refers to the orientation the joystick & mount rest while the chair is in use and the mount is not performing the swing-away action.

Swing-away Force Adjustment and Belt Tightening

Three set screws allow for adjustments to be made to the swing-away force and belt tension of the joystick mount. See notes on right for further details.



Set Screw:	Notes:
<p>Controller</p>	<ul style="list-style-type: none"> - Used to adjust the force needed to swing the joystick mount away. Force range depends on where the Bottom Set Screw is positioned.
<p>Bottom</p>	<ul style="list-style-type: none"> - Used to set the force range of the Controller Set Screw. Removed sets the range from 3 to 6lbs. Inserted sets the range from 5 to 8lbs.
<p>Belt</p>	<ul style="list-style-type: none"> - Used to adjust the internal belt tension. Turn inward 1/4 turn if the controller does not maintain the set orientation when swinging away or if the controller spins. - Note: This ONLY needs to be adjusted if the belt is loose and should be performed rarely.

Item	Part No.	Name	Qty
A1	ACC1908434	JOYSTICK MOUNTING BRACKET,ASSY,SWING AWAY,Q-LOGIC	1
B1	ACC1908435	JOYSTICK MOUNTING BRACKET,ASSY,SWING AWAY,Q-LOGIC CONTOURED SEAT	1
C1	ACC1908437	JOYSTICK MOUNTING BRACKET,ASSY,SWING AWAY,NE / NE PLUS	1
D1	ACC1908438	JOYSTICK MOUNTING BRACKET,ASSY,SWING AWAY,NE / NE PLUS CONTOURED SEAT	1
E1	ACC1908439	JOYSTICK MOUNTING BRACKET,ASSY,SWING AWAY,VSI / VR2 / GC3 / R-NET	1
F1	ACC1908440	JOYSTICK MOUNTING BRACKET,ASSY,SWING AWAY,VSI / VR2 / GC3 / R-NET CONTOURED SEAT	1
G1	DWR1111C002	SPACER,CURTIS NE/NE PLUS MOUNT BRACKET,C-1111-002	2
H1	SCRPPH1384	SCREW,PPH,BLACK ZINC,M5-.8 X 20MM	4
I1	SCRPPH1279	SCREW,PPH,BLACK ZINC CHROMATE,M5-.8 X 16MM	4
J1	SCRPPH1384	SCREW,PPH,BLACK ZINC,M5-.8 X 20MM	2
K1	MEC146133	ARMREST ADAPTER ASSEMBLY	1

13.2. Version 2. Swing-away/Multi-axis Joystick Brackets

Rehab Seating

Ref	Part Number	Bracket Type	Joystick Type	Side	Ref	Part Number	Bracket Type	Joystick Type	Side
A1	ACC142525	In-line SWA	Q-Logic	Right	N1	ACC142747	Offset SWA	NE/NE+	Left
B1	ACC142524	In-line SWA	Q-Logic	Left	O1	ACC142750	Offset SWA	PG Drives	Right
C1	ACC142527	In-line SWA	NE/NE+	Right	P1	ACC142749	Offset SWA	PG Drives	Left
D1	ACC142526	In-line SWA	NE/NE+	Left	Q1	ACC142752	Offset SWA	Shark	Right
E1	ACC142530	In-line SWA	PG Drives	Right	R1	ACC142751	Offset SWA	Shark	Left
F1	ACC142529	In-line SWA	PG Drives	Left	S1	ACC142746	Offset SWA	Standalone	Right
G1	ACC142533	In-line SWA	Shark	Right	T1	ACC142745	Offset SWA	Standalone	Left
H1	ACC142532	In-line SWA	Shark	Left	U1	ACC131216	Multi-Axis	Q-Logic	R/L
I1	ACC142739	In-line SWA	Standalone	Right	V1	ACC142528	Multi-Axis	NE/NE+	R/L
J1	ACC142738	In-line SWA	Standalone	Left	W1	ACC142531	Multi-Axis	PG Drives	R/L
K1	ACC142743	Offset SWA	Q-Logic	Right	X1	ACC142534	Multi-Axis	Shark	R/L
L1	ACC142742	Offset SWA	Q-Logic	Left	Y1	ACC142740	Multi-Axis	Standalone	R/L
M1	ACC142748	Offset SWA	NE/NE+	Right					

PG Drives does not include Remote Plus Joysticks

Item	Part No.	Name	Qty
A1	ACC142525	JOYSTICK MOUNT,ASSY,SWING AWAY,INLINE,RIGHT,Q-LOGIC 2	1
B1	ACC142524	JOYSTICK MOUNTING BRACKET,ASSY,SWING AWAY,INLINE,LEFT,Q-LOGIC 2	1
C1	ACC142527	JOYSTICK MOUNT,ASSY,SWING AWAY,INLINE,RIGHT,NE/NE PLUS	1
D1	ACC142526	JOYSTICK MOUNT,ASSY,SWING AWAY,INLINE,LEFT,NE/NE PLUS	1
E1	ACC142530	JOYSTICK MOUNT,ASSY,SWING AWAY,INLINE,RIGHT,PG DRIVES	1
F1	ACC142529	JOYSTICK MOUNT,ASSY,SWING AWAY,INLINE,LEFT,PG DRIVES	1
G1	ACC142533	JOYSTICK MOUNT,ASSY,SWING AWAY,INLINE,RIGHT,SHARK	1
H1	ACC142532	JOYSTICK MOUNT,ASSY,SWING AWAY,INLINE,LEFT,SHARK	1
I1	ACC142739	JOYSTICK MOUNT,ASSY,SWING AWAY,INLINE,RIGHT,STANDALONE	1
J1	ACC142738	JOYSTICK MOUNT,ASSY,SWING AWAY,INLINE,LEFT,STANDALONE	1
K1	ACC142743	JOYSTICK MOUNT,ASSY,SWING AWAY,OFFSET,RIGHT,Q-LOGIC	1
L1	ACC142742	JOYSTICK MOUNT,ASSY,SWING AWAY,OFFSET,LEFT,Q-LOGIC	1
M1	ACC142748	JOYSTICK MOUNT,ASSY,SWING AWAY,OFFSET,RIGHT,NE/NE PLUS	1
N1	ACC142747	JOYSTICK MOUNT,ASSY,SWING AWAY,OFFSET,LEFT,NE/NE PLUS	1
O1	ACC142750	JOYSTICK MOUNT,ASSY,SWING AWAY,OFFSET,RIGHT,PG DRIVES	1
P1	ACC142749	JOYSTICK MOUNT,ASSY,SWING AWAY,OFFSET,LEFT,PG DRIVES	1
Q1	ACC142752	JOYSTICK MOUNT,ASSY,SWING AWAY,OFFSET,RIGHT,SHARK	1
R1	ACC142751	JOYSTICK MOUNT,ASSY,SWING AWAY,OFFSET,LEFT,SHARK	1
S1	ACC142746	JOYSTICK MOUNT,ASSY,SWING AWAY,OFFSET,RIGHT,STANDALONE	1
T1	ACC142745	JOYSTICK MOUNT,ASSY,SWING AWAY,OFFSET,LEFT,STANDALONE	1
U1	ACC131216	JOYSTICK MOUNT,ASSY,MULTI-AXIS,Q-LOGIC	1
V1	ACC142528	JOYSTICK MOUNT,ASSY,MULTI-AXIS,NE/NE PLUS	1
W1	ACC142531	JOYSTICK MOUNT,ASSY,MULTI-AXIS,PG DRIVES	1
X1	ACC142534	JOYSTICK MOUNT,ASSY,MULTI-AXIS,SHARK	1
Y1	ACC142740	JOYSTICK MOUNT,ASSY,MULTI-AXIS,STANDALONE	1

13.2. Version 2. Swing-away/Multi-axis Joystick Brackets

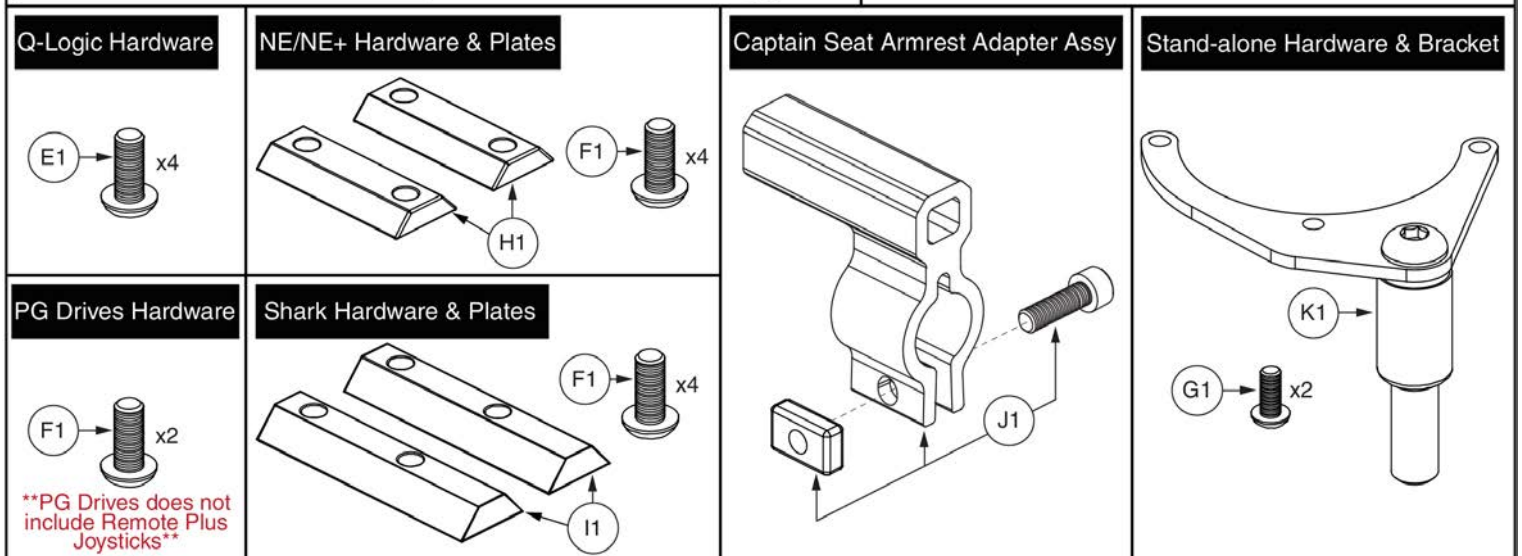
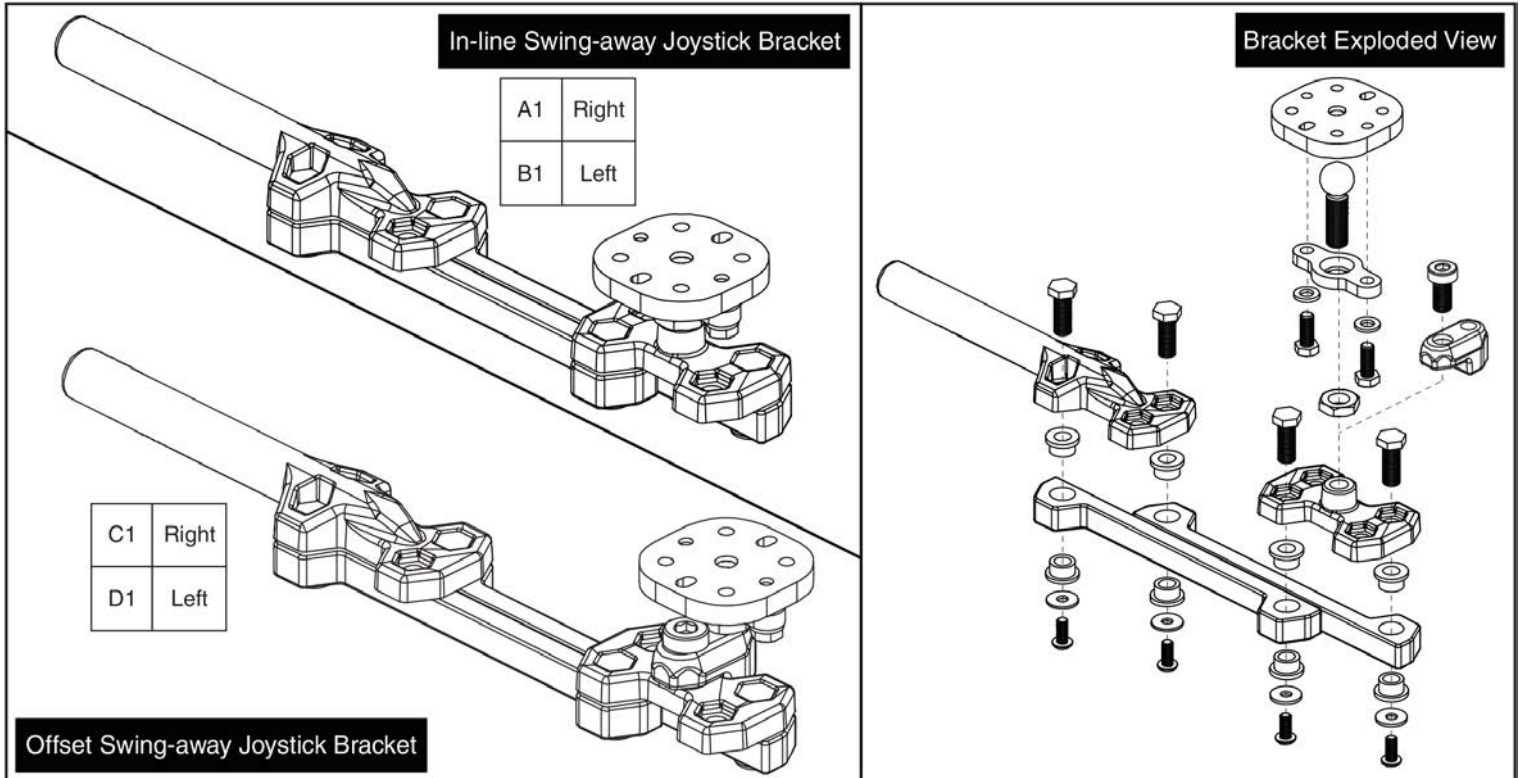
Captain Seating

Ref	Part Number	Bracket Type	Joystick Type	Side	Ref	Part Number	Bracket Type	Joystick Type	Side
A1	ACC148357	In-line SWA	Q-Logic	Right	I1	ACC148359	Offset SWA	Q-Logic	Right
B1	ACC148356	In-line SWA	Q-Logic	Left	J1	ACC148358	Offset SWA	Q-Logic	Left
C1	ACC148361	In-line SWA	NE/NE+	Right	K1	ACC148363	Offset SWA	NE/NE+	Right
D1	ACC148360	In-line SWA	NE/NE+	Left	L1	ACC148362	Offset SWA	NE/NE+	Left
E1	ACC148365	In-line SWA	PG Drives	Right	M1	ACC148367	Offset SWA	PG Drives	Right
F1	ACC148364	In-line SWA	PG Drives	Left	N1	ACC148366	Offset SWA	PG Drives	Left
G1	ACC148369	In-line SWA	Shark	Right	O1	ACC148371	Offset SWA	Shark	Right
H1	ACC148368	In-line SWA	Shark	Left	P1	ACC148370	Offset SWA	Shark	Left

PG Drives does not include Remote Plus Joysticks

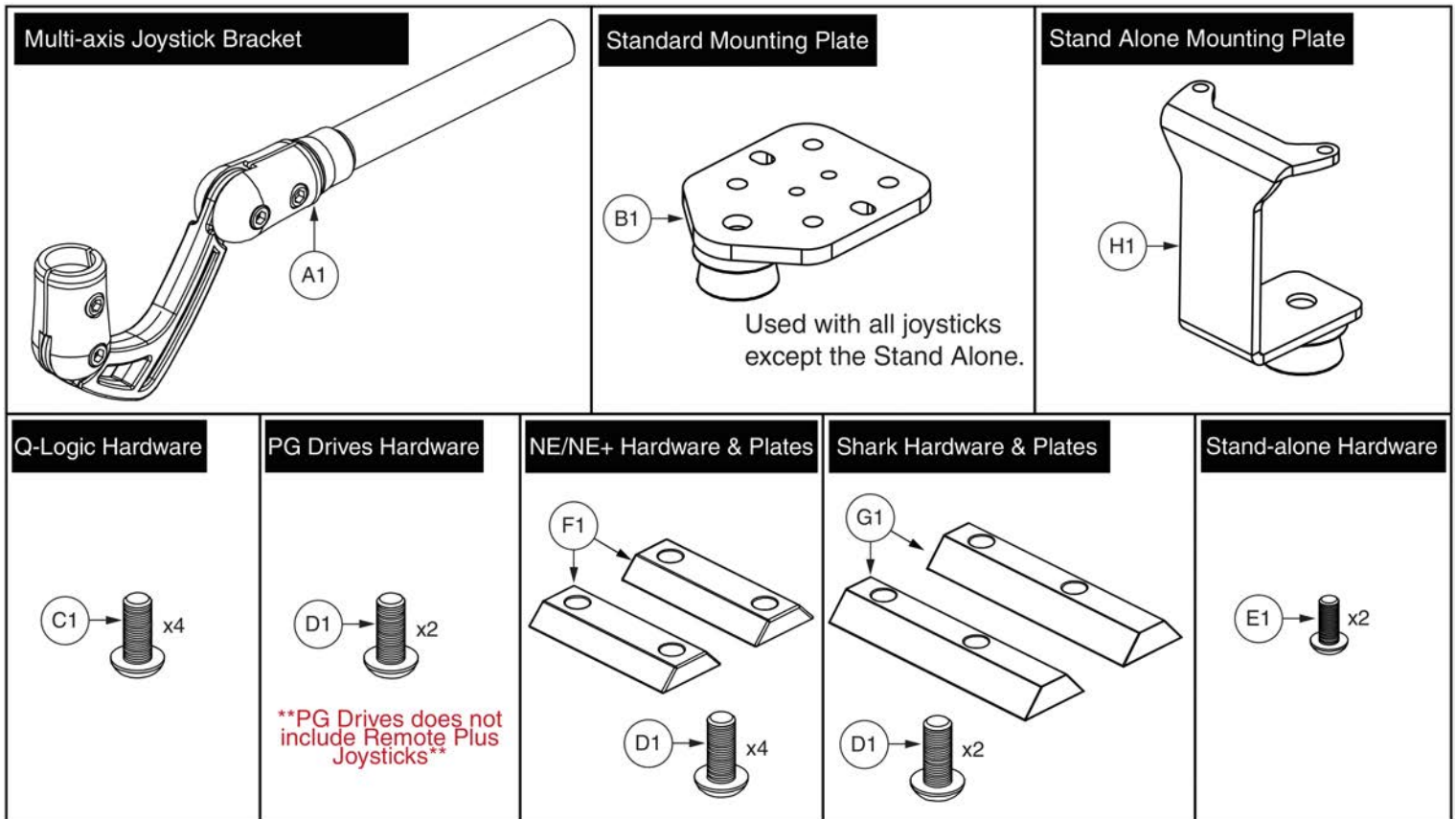
Item	Part No.	Name	Qty
A1	ACC148357	JOYSTICK MOUNTING BRACKET,ASSY,SWING AWAY,INLINE,RIGHT,Q-LOGIC,CAPTAINS SEAT	1
B1	ACC148356	JOYSTICK MOUNTING BRACKET,ASSY,SWING AWAY,INLINE,LEFT,Q-LOGIC,CAPTAINS SEAT	1
C1	ACC148361	JOYSTICK MOUNTING BRACKET,ASSY,SWING AWAY,INLINE,RIGHT,NE/NE PLUS,CAPTAINS SEAT	1
D1	ACC148360	JOYSTICK MOUNTING BRACKET,ASSY,SWING AWAY,INLINE,LEFT,NE/NE PLUS,CAPTAINS SEAT	1
E1	ACC148365	JOYSTICK MOUNTING BRACKET,ASSY,SWING AWAY,INLINE,RIGHT,VSI/VR2/GC3/R-NET,CAPTAINS SEAT	1
F1	ACC148364	JOYSTICK MOUNTING BRACKET,ASSY,SWING AWAY,INLINE,LEFT,VSI/VR2/GC3/R-NET,CAPTAINS SEAT	1
G1	ACC148369	JOYSTICK MOUNTING BRACKET,ASSY,SWING AWAY,INLINE,RIGHT,SHARK,CAPTAINS SEAT	1
H1	ACC148368	JOYSTICK MOUNTING BRACKET,ASSY,SWING AWAY,INLINE,LEFT,SHARK,CAPTAINS SEAT	1
I1	ACC148359	JOYSTICK MOUNTING BRACKET,ASSY,SWING AWAY,OFFSET,RIGHT,Q-LOGIC,CAPTAINS SEAT	1
J1	ACC148358	JOYSTICK MOUNTING BRACKET,ASSY,SWING AWAY,OFFSET,LEFT,Q-LOGIC,CAPTAINS SEAT	1
K1	ACC148363	JOYSTICK MOUNTING BRACKET,ASSY,SWING AWAY,OFFSET,RIGHT,NE/NE PLUS,CAPTAINS SEAT	1
L1	ACC148362	JOYSTICK MOUNTING BRACKET,ASSY,SWING AWAY,OFFSET,LEFT,NE/NE PLUS,CAPTAINS SEAT	1
M1	ACC148367	JOYSTICK MOUNTING BRACKET,ASSY,SWING AWAY,OFFSET,RIGHT,VSI/VR2/GC3/R-NET,CAPTAINS SEAT	1
N1	ACC148366	JOYSTICK MOUNTING BRACKET,ASSY,SWING AWAY,OFFSET,LEFT,VSI/VR2/GC3/R-NET,CAPTAINS SEAT	1
O1	ACC148371	JOYSTICK MOUNTING BRACKET,ASSY,SWING AWAY,OFFSET,RIGHT,SHARK,CAPTAINS SEAT	1
P1	ACC148370	JOYSTICK MOUNTING BRACKET,ASSY,SWING AWAY,OFFSET,LEFT,SHARK,CAPTAINS SEAT	1

13.2. Version 2. Swing-away/Multi-axis Joystick Brackets



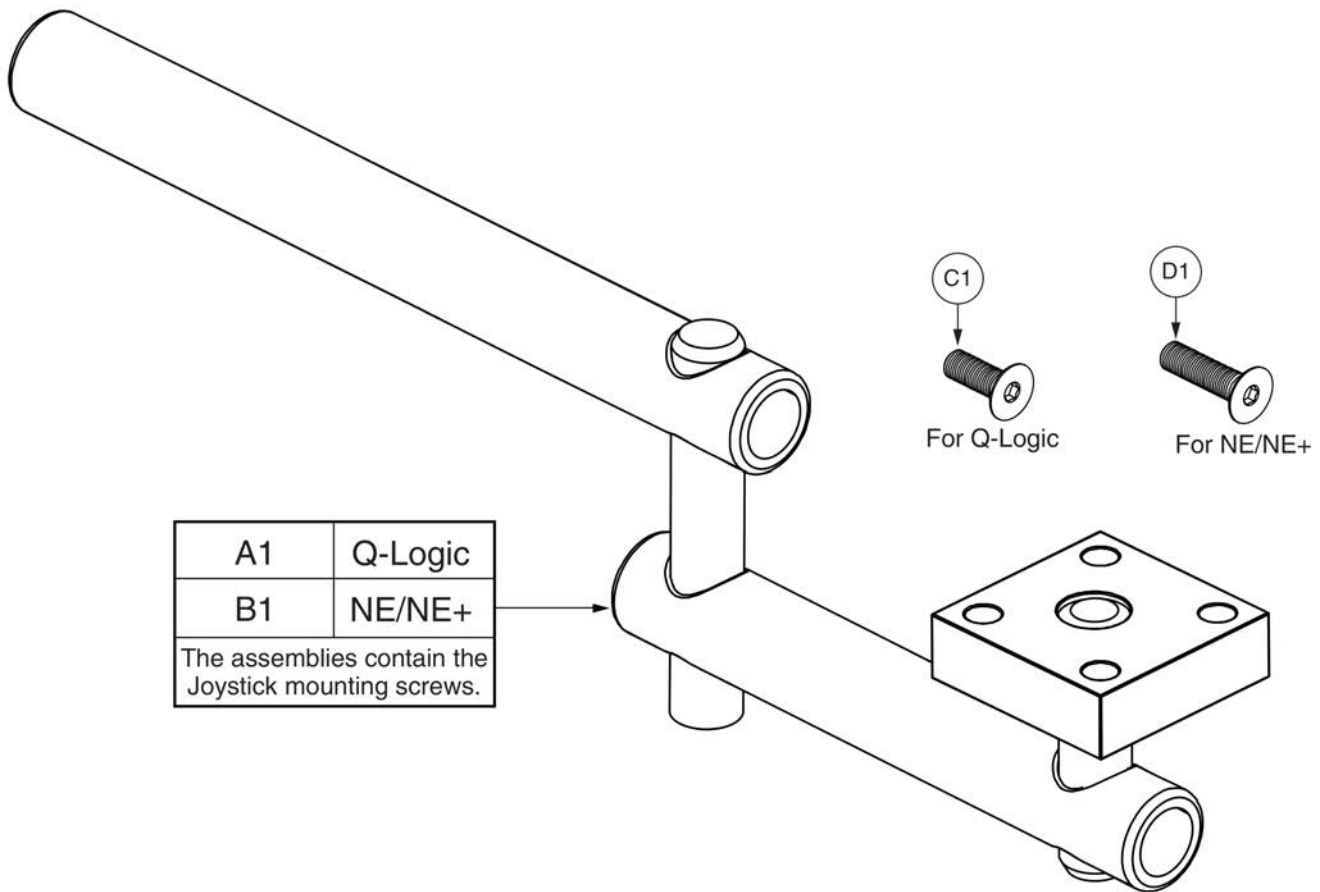
Item	Part No.	Name	Qty
A1	ACC131586	SWING AWAY JOYSTICK MOUNT,ASSY,INLINE,RIGHT	1
B1	ACC124921	SWING AWAY JOYSTICK MOUNT,ASSY,INLINE,LEFT	1
C1	MEC1712220	SWING-AWAY ASSEMBLY, EXTENDED OFFSET, RIGHT	1
D1	MEC1712217	SWING-AWAY ASSEMBLY, EXTENDED OFFSET, LEFT	1
E1	SCRPPH1279	SCREW,PPH,BLACK ZINC CHROMATE,M5-.8 X 16MM	1
F1	SCRPPH1384	SCREW,PPH,BLACK ZINC,M5-.8 X 20MM	1
G1	SCRPPH1036	SCREW, PAN HEAD, TYPE H, M4X0.7 X 8, FT, ISO 7045, CL 4.8, BZ	1
H1	DWR1111C002	SPACER,CURTIS NE/NE PLUS MOUNT BRACKET,C-1111-002	2
I1	DWR1010B089	SPACER,FLIGHT MOUNT BRACKET,B-1010-089	2
J1	MEC146133	ARMREST ADAPTER ASSEMBLY	1
K1	MEC142426	MOUNTING BRACKET,ASSY,STAND ALONE JOYSTICK	1

13.2. Version 2. Swing-away/Multi-axis Joystick Brackets



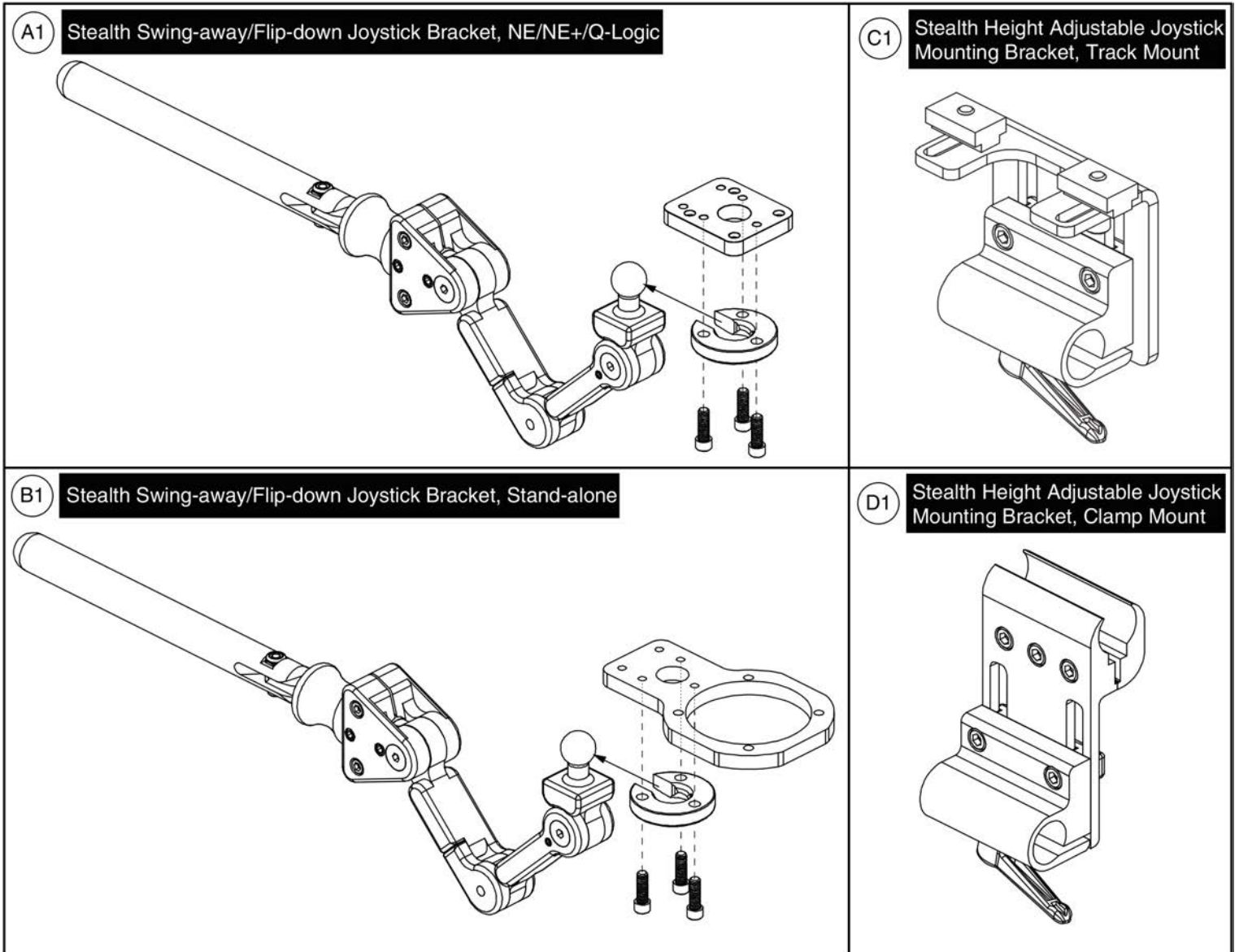
Item	Part No.	Name	Qty
A1	ACC124132	MULTI-AXIS JOYSTICK ASSEMBLY	1
B1	MEC124133	MULTI-AXIS JOYSTICK PLATE WELDMENT	1
C1	SCRPPH1097	SCREW,PPH,BLACK ZINC,M5-.8 X 12MM	1
D1	SCRPPH1384	SCREW,PPH,BLACK ZINC,M5-.8 X 20MM	1
E1	SCRPPH1036	SCREW, PAN HEAD, TYPE H, M4X0.7 X 8, FT, ISO 7045, CL 4.8, BZ	1
F1	DWR1111C002	SPACER,CURTIS NE/NE PLUS MOUNT BRACKET,C-1111-002	2
G1	DWR1010B089	SPACER,FLIGHT MOUNT BRACKET,B-1010-089	2
H1	MEC138180	STAND ALONE WELDMENT	1

13.3. Retract 4 Swing-away Joystick Bracket



Item	Part No.	Name	Qty
A1	MEC138860	SWING AWAY JOYSTICK MOUNT,ASSY,RETRACT 4,Q-LOGIC	1
B1	MEC138876	SWING AWAY JOYSTICK MOUNT,ASSY,RETRACT 4,NE/NE PLUS	1
C1	SCRSFH1005	SCREW,SHFH,BLACK ZINC,M5-.8 X 14MM	4
D1	SCRSHFH1053	SCREW,SHFH,BLACK ZINC,M5-.8 X 20MM	4

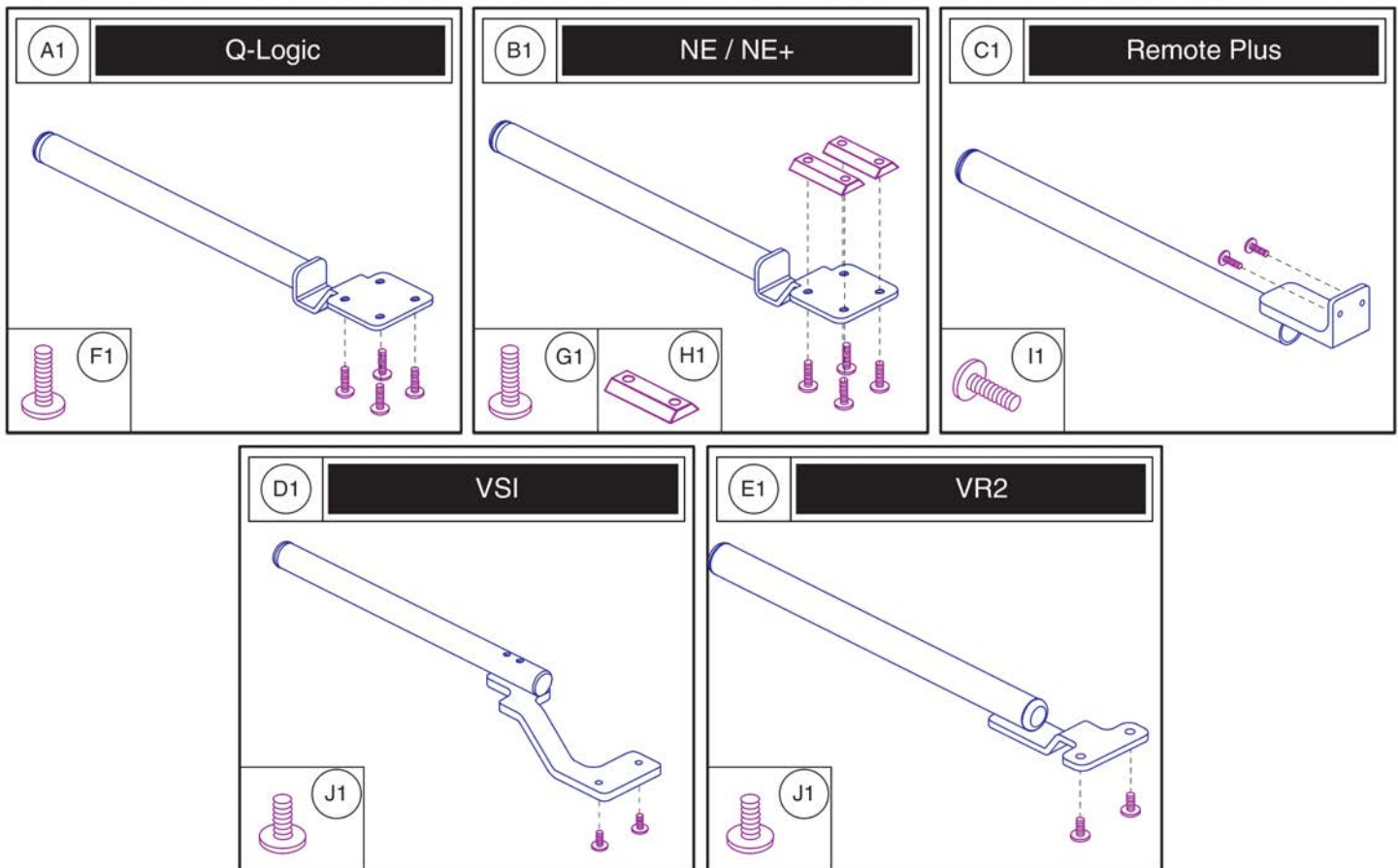
13.4. Stealth Swing-away / Flip-down Joystick Bracket



Item	Part No.	Name	Qty
A1	ST-TWBM480QL-Q	JOYSTICK MOUNTING BRACKET,ASSY,SWING AWAY/FLIP DOWN,NE/NE PLUS/Q-LOGIC,W/MOUNTING HARDWARE	1
B1	ST-TWBM480CJ-Q	JOYSTICK MOUNTING BRACKET,ASSY,SWING AWAY/FLIP DOWN,STANDALONE,W/MOUNTING HARDWARE	1
C1	ST-ARM250T-Q	JOYSTICK MOUNT,ASSY,HEIGHT ADJUSTABLE,W/TRACK HARDWARE	1
D1	ST-ARM250C-Q	JOYSTICK MOUNT,ASSY,HEIGHT ADJUSTABLE,W/CLAMP HARDWARE	1

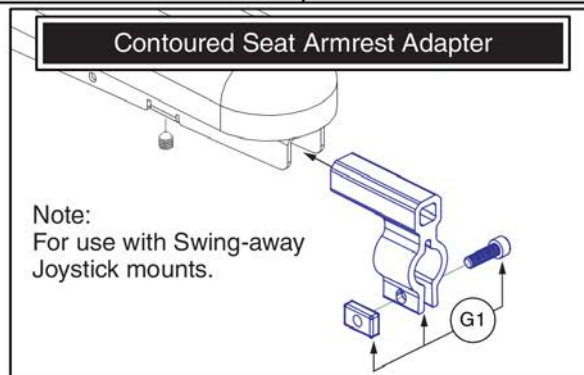
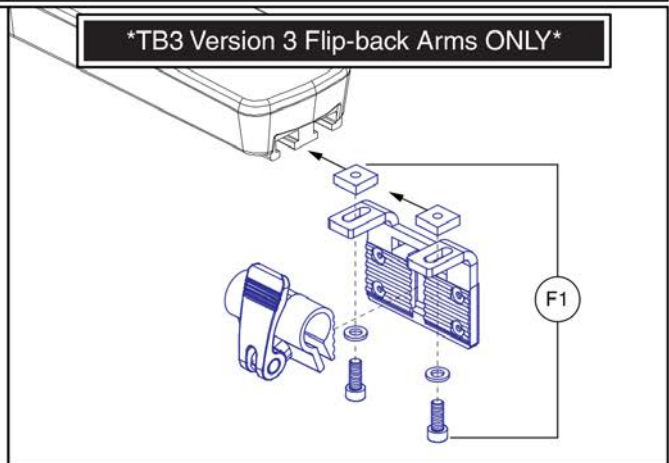
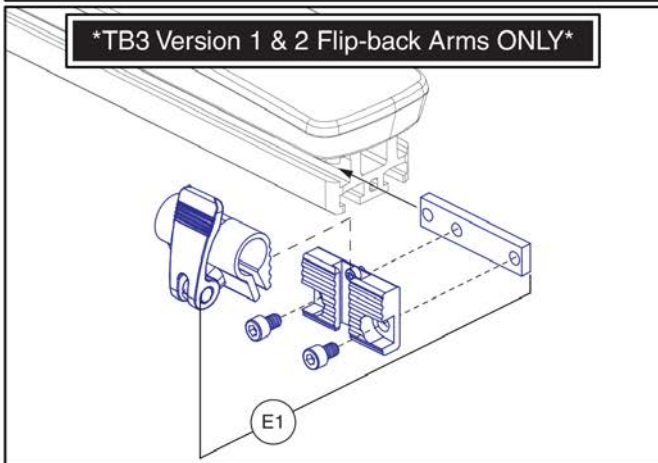
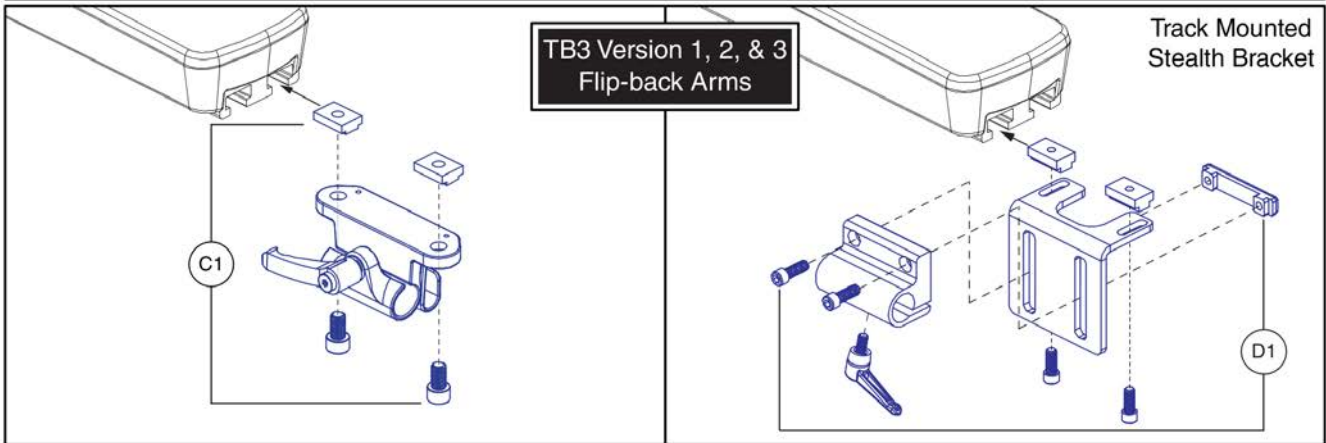
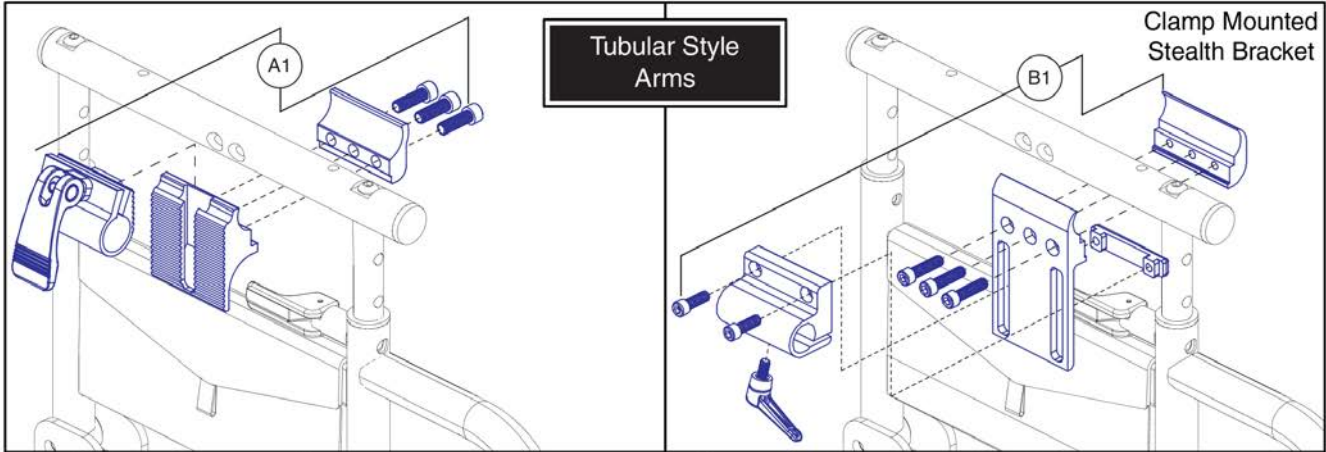
13.5. Fixed Inline Joystick Brackets

Please note: The mounting hardware shown is included with the top level assy's A1 - E1.



Item	Part No.	Name	Qty
A1	FRMASMB10617	JOYSTICK MOUNTING BRACKET,ASSY,CURTIS,INLINE	1
B1	FRMASMB12744	JOYSTICK MOUNTING BRACKET,ASSY,NE/NE PLUS CONTROLLER,INLINE	1
C1	FRMASMB2066	FIXED INLINE JOYSTICK MOUNT,ASSY,REMOTE PLUS	1
D1	FRMASMB4767	JOYSTICK MOUNTING BRACKET,ASSY,VSI CONTROLLER,INLINERIGHT,C-1010-193	1
E1	FRMASMB9532	JOYSTICK MOUNTING BRACKET,ASSY,GC/VR2 CONTROLLER,INLINE	1
F1	SCRSHFH1015	SCREW,SHFH,BLACK ZINC,M5-.8 X 12MM,GRADE 10.9	4
G1	SCRSHFH1053	SCREW,SHFH,BLACK ZINC,M5-.8 X 20MM	4
H1	DWR1111C002	SPACER,CURTIS NE/NE PLUS MOUNT BRACKET,C-1111-002	2
I1	SCRPPH1006	SCREW,PPH,BLACK ZINC,8-32 X 0.500",GRADE 2	2
J1	SCRPPH1122	SCREW,PPH,BLACK ZINC,M5-.8 X 18MM	2

13.6. Joystick Bracket Receivers



Item	Part No.	Name	Qty
A1	FRMASMB16062	JOYSTICK RECEIVER MOUNT,ASSY,UNIVERSAL,ADJUSTABLE BLOCK,D-1000-313	1
B1	ST-ARM250C-Q	JOYSTICK MOUNT,ASSY,HEIGHT ADJUSTABLE,W/CLAMP HARDWARE	1
C1	MEC1809294	JOYSTICK RECEIVER MOUNT,ASSY,W/MOUNTING HARDWARE,ADJUSTABLE HANDLE	1
D1	ST-ARM250T-Q	JOYSTICK MOUNT,ASSY,HEIGHT ADJUSTABLE,W/TRACK HARDWARE	1
E1	ACC123525	JOYSTICK RECEIVER MOUNT,ASSY,W/ACCESSORY BLOCK,TRUBALANCE 3	1
F1	ACC1806853	JOYSTICK RECEIVER MOUNT,ASSY,W/MOUNTING HARDWARE,TRU-BALANCE 3 ARMREST	1
G1	MEC146133	ARMREST ADAPTER ASSEMBLY	1

14. Owner's & Decal Packages



Owner's Package

Item	Part No.	Name	Qty
N/A	INFMANU3992	MANUAL,CONSUMER SAFETY GUIDE,POWERCHAIR	1
N/A	INFMANU4342	MANUAL,OWNER'S,JAZZY/QUANTUM1450,US	1
N/A	INFINFB3028	MANUAL,PRODUCT SPECIFICATION SHEET,JAZZY/QUANTUM1450,US	1
N/A		MANUAL,PRODUCT INSERT SHEET,POWER CHAIR WARRANTY,AUSTRALIA	1
N/A		MANUAL,WARRANTY CARD,AUSTRALIAN	1
N/A	PLSTIE1004	TIE WRAP,BLACK,8"	6
N/A		HANG TAG,ROUND,EMI-RFI 20V,DEC8120002	1

14. Owner's & Decal Packages



Decal Package

Decal Package - Q1450 AU



Item	Part No.	Name	Qty
N/A	DWR1234L799	DECAL,ICON,1" X 2.5",WEATHER/MANUAL/LOOSE GARMENT,L-1234-799	1
N/A	DWR1234L811	DECAL,ICON,DO NOT ADJUST ANTI-TIP,1.25" X 0.75",JAZZYSELECT,L-1234-811	2
N/A	DWR1234L957	DECAL,WARNING,DEFLATE TIRE COMPLETELY,L-1234-957	2
N/A	DWR1235L515	DECAL,WARNING,BATTERY WARNINGS,L-1235-515	1
N/A	DWR1235L516	DECAL,WARNING,DEFLATE TIRE COMPLETELY,FRENCH,L-1235-516	2
N/A	DWR1235L520	DECAL,CAUTION,EXTENSION CORD/GROUNDING PRONG,L-1235-520	1
N/A	DWR1235L521	DECAL,WARNING,CONTROLLER CORD PLACEMENT,L-1235-521	1
N/A	DWR1235L863	DECAL,ICON,MAXIMUM WEIGHT CAPACITY,600LBS/272KG,L-1235-863	1
N/A	DEC8110028	DECAL,NAME,Q1450	2
N/A	DEC8120018	DECAL,NOT RATED FOR OCCUPIED TRANSPORT,POWER CHAIR	2
N/A	DEC8120009	DECAL,FREEWHEEL,RIGHT,QUANTUM/JAZZY1450,DEC8120009	1
N/A	DEC8120008	DECAL,FREEWHEEL,LEFT,QUANTUM/JAZZY1450,DEC8120008	1
N/A	DEC8120010	DECAL,BATTERY CONNECTION,QUANTUM/JAZZY 1450,DEC8120010	1
N/A		DECAL,DATA PLATE,QUANTUM 1450	1
N/A	DWR1235L225	DECAL,LIMITED STABILITY,LITESTREAMXF,L-1235-225	1

Appendix A:Pages Index		Universal, Group 24, Battery Assy	75
8 Amp UPG Charger Assy, AGM / GEL Selectable	79	VR2 Electronics - Hammer XL Motors, No Power Positioning, J/Q 1450	23
Aftermarket Joystick Knobs	41	VR2 Electronics - Hammer XL Motors, Tilt Thru Joystick, J/Q 1450	27
Angle Adjustable Seat Mounts, TRU-Balance Bariatric Tilt, J/Q 1450	71	VR2 Electronics - Hammer XL Motors, Tilt Thru Toggle/Future Actuator	
Caster Wheels, J/Q 1450	5	Expansion, J/Q 1450	25
Complete Shroud Assy Matrix, Q1450 - New Colors	59	VR2 and Q-Logic 1 Joystick Assy's	39
Decal Package - Q1450 AU	101		
Fender Shrouds, Q1450 - New Colors	65		
Fixed Joystick Mounts, Quantum Joysticks	95		
Flat-free Drive Wheel Assy, J/Q 1450	55		
Foot Platform Assy, J/Q 1450	57		
Front Door Shroud Assy, Q1450 - New Colors	61		
Group 24 Battery, Interceptor	77		
Group 24 Battery, MK	73		
Hammer II Curtis Motor Assy's and Motor & Wheel Mounting Hardware	7		
Hammer II VR2 Motor Assy's and Motor & Wheel Mounting Hardware	9		
Joystick Receiver Mounts, Quantum	97		
Main Frame, J/Q 1450	1		
Motor Mount, Anti-tip, Suspension Assy, J/Q1450	3		
Multi-Axis Joystick Bracket Components, Version 2	89		
Owner's Package - Q1450 AU	99		
PG Joystick Overlays	43		
Q-Logic 1 / Stand Alone / NE / NE+ Joystick Overlays	45		
Q-Logic 1 Joystick & Enhanced Display Bottom Housing w/Bus Cable	51		
Q-Logic 2 & 3 Joystick Shrouds	49		
Q-Logic 2 & 3 Joystick Bottom Housing w/Bus Cable	53		
Q-Logic 2 Joystick Assemblies	35		
Q-Logic 2 Stand Alone Joystick Assy	37		
Q-Logic 3 Base Electronics, Harnesses, and Modules, Q1450	11		
Q-Logic 3 Joystick Assy's	29		
Q-Logic 3 SD Cards for Q1450	13		
Q-Logic 3 Stand Alone Joystick Assy	33		
Q-Logic 3e Joystick Assy's - Q1450	31		
Q-Logic Electronics - Hammer II Motors, No Power Positioning, J/Q 1450	19		
Q-Logic Electronics - Hammer II Motors, Tilt Thru Toggle/Quantum Ready, J/Q 1450	21		
Q-Logic Electronics - Hammer XL Motors, No Power Positioning, J/Q 1450	15		
Q-Logic Electronics - Hammer XL Motors, Tilt Thru Toggle/Quantum Ready, J/Q 1450	17		
Q-Logic Joystick Knobs	47		
Rear Door Shroud, Q1450 - New Colors	63		
Retract 4 Swing-away Joystick Bracket for Curtis Joysticks	91		
Seat Mount Connectors, J/Q 1450	67		
Stealth Swing-away / Flip Down Joystick Brackets & Mounts	93		
Swing-away & Multi-axis Mount Matrix, Captain Seat, Version 2	85		
Swing-away & Multi-axis Mount Matrix, Rehab Seat, Version 2	83		
Swing-away Joystick Bracket & Components, Version 3	81		
Swing-away Joystick Bracket Components, Version 2	87		
Trapeze Bars, J/Q 1450	69		

Appendix B:Parts Index

ACC123525	98	ACC1908439	82
ACC124132	90	ACC1908440	82
ACC124921	88	ACCASMB1856	42
ACC131216	84	ACCASMB1857	42
ACC131586	88	ACCASMB1858	42
ACC142524	84	ACCASMB1859	42
ACC142525	84	ACCASMB1860	42
ACC142526	84	ACCASMB1861	42
ACC142527	84	ACCASMB1862	42
ACC142528	84	BAT1704614-P	78
ACC142529	84	BATASMB1011	76
ACC142530	84	BATASMB1095	74
ACC142531	84	BATGEL1004	76
ACC142532	84	BATGEL1009	74
ACC142533	84	BRK8110003	68
ACC142534	84	BRKASMB7110030	68
ACC142738	84	CASASMB7110021	6
ACC142739	84	CASASMB7110022	6
ACC142740	84	CTL123217	36
ACC142742	84	CTL124653	36
ACC142743	84	CTL132804	20, 22
ACC142745	84	CTL132805	22
ACC142746	84	CTL137635	38
ACC142747	84	CTL143976	30
ACC142748	84	CTL143977	30
ACC142749	84	CTL143978	12
ACC142750	84	CTL143980	34
ACC142751	84	CTLASMB7110090	16, 18
ACC142752	84	CTLASMB7110091	18
ACC148356	86	CTLASMB7110092	24, 26
ACC148357	86	CTLASMB7110093	26, 28
ACC148358	86	CTLDC1467	40
ACC148359	86	CTLDC1498	40
ACC148360	86	CTLDC1505	40
ACC148361	86	DEC8110028	102
ACC148362	86	DEC8120002	100
ACC148363	86	DEC8120008	102
ACC148364	86	DEC8120009	102
ACC148365	86	DEC8120010	102
ACC148366	86	DEC8120018	102
ACC148367	86	DGN124307	50, 50
ACC148368	86	DGN124308	36, 48
ACC148369	86	DGN124309	30, 36, 48
ACC148370	86	DGN124336-PBK1	50, 50
ACC148371	86	DGN124336-PBK3	50
ACC1806853	98	DGN124336-PBU1	50
ACC1908434	82	DGN124336-PBU10	50
ACC1908435	82	DGN124336-PBU11	50
ACC1908437	82	DGN124336-PBU9	50, 50
ACC1908438	82	DGN124336-PGN11	50
		DGN124336-PGN5	50

DGN124336-PGN7	50	DWR1234L811	102
DGN124336-PGN8	50	DWR1234L957	102
DGN124336-POR4	50	DWR1235L225	102
DGN124336-POR6	50	DWR1235L515	102
DGN124336-POR7	50	DWR1235L516	102
DGN124336-PPK1	50	DWR1235L520	102
DGN124336-PPK3	50	DWR1235L521	102
DGN124336-PPK4	50	DWR1235L817	74, 76
DGN124336-PPR4	50	DWR1235L863	102
DGN124336-PPR5	50	DWR1265H021	18, 22
DGN124336-PPR7	50	DWR1265H027	16, 20
DGN124336-PRD1	50, 50	DWR1265H030	26, 28
DGN124336-PRD4	50	DWR1361H038	18, 22, 26, 28
DGN124336-PSL1	50	DWR1361H075	28
DGN124336-PSL3	50	DWR1361H076	28
DGN124336-PSL7	50	DWR1361H091	28
DGN124336-PWH2	50	DWR1660C047	4
DGN124336-PYL3	50, 50	DWR1660E020A	66
DGN124336-PYL4	50	DWR1660E020C	66
DGN124336-WCB1	50	DWR1660E020U	66
DGN124336-WCM7	50	DWR1660E020V	66
DGN124336-WFL2	50	DWR1660E020W	66
DGN154742	30, 34, 48	DWR1660E021A	66
DGN1901203	12	DWR1660E021C	66
DGN1903817	60	DWR1660E021U	66
DGN1903818	60	DWR1660E021V	66
DGN1908206	62	DWR1660E021W	66
DGN1908209	62	ELE124312	36
DGN1908212	64	ELE124313	36, 54
DGN1908213	64	ELE132809	20
DRVASMB7110009	8	ELE132810	22
DRVASMB7110010	8	ELE132811	22
DRVASMB7120034	10	ELE144006	30, 54
DRVASMB7120035	10	ELE1803440	80
DWR1000H174	80	ELE2000743	14
DWR1005C071	56	ELE2000745	14
DWR1010B089	88, 90	ELE2001183	32
DWR1010H128	24, 26, 28	ELE2001184	32
DWR1059H001	12, 16, 18, 20, 22	ELEASMB2868	12, 16, 18, 20, 22, 24, 26, 28
DWR1065C008	6	ELEASMB7110485	16, 20
DWR1111C002	82, 88, 90, 96	ELEASMB7110486	18, 22
DWR1111H051	38	ELEASMB7110487	24
DWR1111H053	38	ELEASMB7110488	26
DWR1111H065	16, 18, 20, 22	ELEASMB7110489	28
DWR1111H066	52	ELEASMB7110490	16
DWR1111H067	52	ELEASMB7110491	18
DWR1111H199	44	ELEASMB7110492	18
DWR1116H054	24	ELEASMB7110493	24
DWR1160H001	24, 26, 28	ELEASMB7110494	26
DWR1203D080	56	ELEASMB7110495	28
DWR1234L799	102	ELEASMB7110496	26

ELECBRK1033	12, 16, 18, 20, 22, 24, 26, 28	MEC146133	82, 88, 98
ELEFUSE1016	18, 22, 26, 28	MEC1712217	88
FRMASMB10454	34, 38	MEC1712220	88
FRMASMB10617	30, 32, 36, 40, 96	MEC1809294	98
FRMASMB11156	34, 38	NUTNYLK1010	6
FRMASMB12744	96	NUTSTD1020	74, 76
FRMASMB16062	98	PLSINDV1252	48
FRMASMB17460	4	PLSKNCP1057	42
FRMASMB17461	4	PLSKNCP1058	42
FRMASMB17462	6	PLSKNCP1071	64
FRMASMB17478	72	PLSTIE1004	12, 16, 18, 20, 22, 24, 26, 28, 100
FRMASMB17479	72	PLSTIE1011	74, 76
FRMASMB17481	2	PROECAP1013	58
FRMASMB17827	58	RECPART1061	44
FRMASMB2066	96	RECPART1066	44
FRMASMB4767	96	RECPART1067	44
FRMASMB7943	58	RECPART1071	44
FRMASMB8691	8, 10	RECPART1085	44
FRMASMB9444	58	RECPART1129	44
FRMASMB9532	40, 96	RECPART1130	44
HAR144001	34	SCR8110003	68, 68
HAR144003	34	SCRHHCS1668	74, 76
HAR144005	12	SCRPPH1006	96
HARUSHD1065	80	SCRPPH1036	88, 90
HARUSHD2041	80	SCRPPH1097	90
HARUSHD2160	80	SCRPPH1122	96
HDW124834	74, 76	SCRPPH1163	62, 66
HDWASMB1187	6	SCRPPH1266	12, 16, 18, 20, 22, 24, 26, 28
HDWASMB1204	58	SCRPPH1279	82, 88
INFINFB1149	100	SCRPPH1318	12, 16, 18, 20, 22, 24, 26, 28
INFINFB3028	100	SCRPPH1384	82, 82, 88, 90
INFINFB3072	100	SCRPPH1390	12, 16, 18, 20, 22, 24, 26, 28
INFMANU3992	100	SCRSFH1005	92
INFMANU4342	100	SCRSHCS1172	8, 10
KIT150482	10	SCRSHFH1015	96
KIT150486	8	SCRSHFH1053	92, 96
KIT152913	46	SCRSHFH1203	72
KIT152914	46	SHDASMB6288	64
KIT152915	46	SHDASMB6290	64
KIT152919	36, 48	SHDASMB6307	62
KITASMB1728	46	SHDASMB6309	62
KITASMB1729	46	SHDASMB6684	60
KITASMB1730	46	SHDASMB6686	60
LAB120024	102	SHDASMB7110018	60
MEC124133	90	SHDASMB7110019	62
MEC131182	68	SHDASMB7110022	64
MEC133591	68	ST-ARM250C-Q	94, 98
MEC138180	90	ST-ARM250T-Q	94, 98
MEC138860	92	ST-TWBM480CJ-Q	94
MEC138876	92	ST-TWBM480QL-Q	94
MEC142426	88	TECSERV1064	44

TECSERV1065	44
TIR8110022	6
TIR8110023	56
TWRASMB7120002	70
TWRASMB7120003	70
WASLOCK1093	74, 76
WASLOCK1094	68, 68
WASMETR1031	68, 68
WASNEOP1006	64
WHLASMB1523	4
WHLASMB7110035	6
WHLASMB7110036	56

Illustrated Parts Breakdown

USA - Quantum Rehab

401 York Avenue
Duryea, Pa 18642
www.quantumrehab.com

USA - Pride Mobility Products Corp.

182 Susquehanna Avenue
Exeter, Pa 18643
www.pridemobility.com

Canada

5096 South Service Road
Beamsville, Ontario L0R 1B3
www.pridemobility.ca
www.quantumrehab.com

Australia

20-24 Apollo Drive
Hallam, Victoria 3803
www.pridemobility.com.au
www.quantumrehab.com.au

New Zealand

38 Lansford Crescent
Avondale, Auckland 0600
www.pridemobility.co.nz

UK

32 Wedgwood Road
Bicester, Oxfordshire OX26 4UL
www.pride-mobility.co.uk
www.quantumrehab.co.uk

Netherlands

(Authorised EU Representative)

De Zwaan 3
1601 MS Enkhuizen
www.pridemobility.eu
www.quantumrehab.eu

Italy

Via del Progresso, ang. Via del Lavoro
Loc. Prato della Corte
00065 Fiano Romano (RM)
www.pride-italia.it
www.quantumrehab-italia.it

France

26 Rue Monseigneur Ancel
69800 Saint-Priest
www.pridemobility.fr
www.quantumrehab.fr

Spain

Calle Las Minas Número 67
Polígono Industrial Urtinsa II, de Alcorcón
28923 Madrid

Germany

Hövelrieger Str. 28
33161 Hövelhof
www.pridemobility.de

China

Room 508, Building #4
TianNa Business Zone
No. 500 Jianyun Road
Pudong New Area
Shanghai 201318

