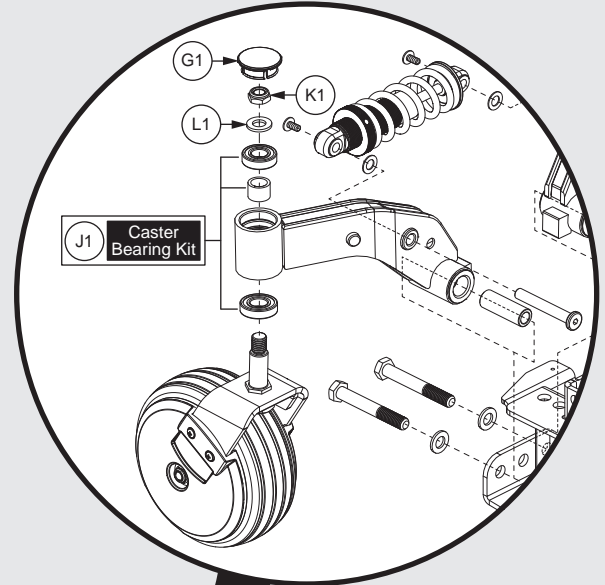


**PRIDE**<sup>®</sup>  
MOBILITY  
LIVE YOUR BEST<sup>®</sup>



# Illustrated Parts Breakdown



This Illustrated Parts Breakdown (IPB) Catalog has been compiled from the latest product information available at the time of publication. Quantum Rehab<sup>®</sup> / Pride Mobility Products<sup>®</sup> Corporation reserves the right to make changes and updates to this manual and to the product(s) it represents. Any changes, updates, or improvements to the product(s) may result in slight differences between this manual and the product that has been purchased.

An IPB is a graphically portrayed parts listing of product components which have been deemed to have serviceable, maintenance significance. When applicable, IPBs utilize “exploded” illustrations that detail serviceable components and a corresponding itemized parts list of reference numbers, part numbers, descriptions, quantities, and any applicable pricing. Most product components are incorporated into assemblies and may not be available for replacement.

Serviceable components will be noted by a callout in the illustration that will correspond to a alphanumeric reference number in the parts list. Items may also be listed in the parts list by parent assemblies. In most cases when a parent assembly is listed, there will be child parts or sub-assemblies listed under that parent.

For example: The parent assembly reference number is A1 — A5. That part contains all of the items listed as and contained within A1, A2, A3, A4, & A5. As long as these subcomponents have a callout associated with them, they can be selected for replacement or quote.

Updates to the contents of an IPB will be made on a regular basis based upon applicable product changes and enhancements. This PDF catalog has been export from the Provider based service site. The most up to date parts look up tool and ordering application is located at: [prideprovider.com](http://prideprovider.com). Please utilize this system to enhance your user experience. It is built with highly interactive materials that are set with relational properties that will facilitate easier part look-up, more accurate parts selection, notification of onhand part availability, and quick links to related documents and products.

We welcome all questions and comments regarding the Quantum Rehab<sup>®</sup> / Pride Mobility Products<sup>®</sup> Corporation IPB systems.

Any pricing that is included in Quantum Rehab<sup>®</sup> /Pride Mobility Products<sup>®</sup> Corporation IPBs is subject to change without prior notice.

Thank you for choosing products from Quantum Rehab<sup>®</sup> and Pride Mobility Products<sup>®</sup> Corporation.

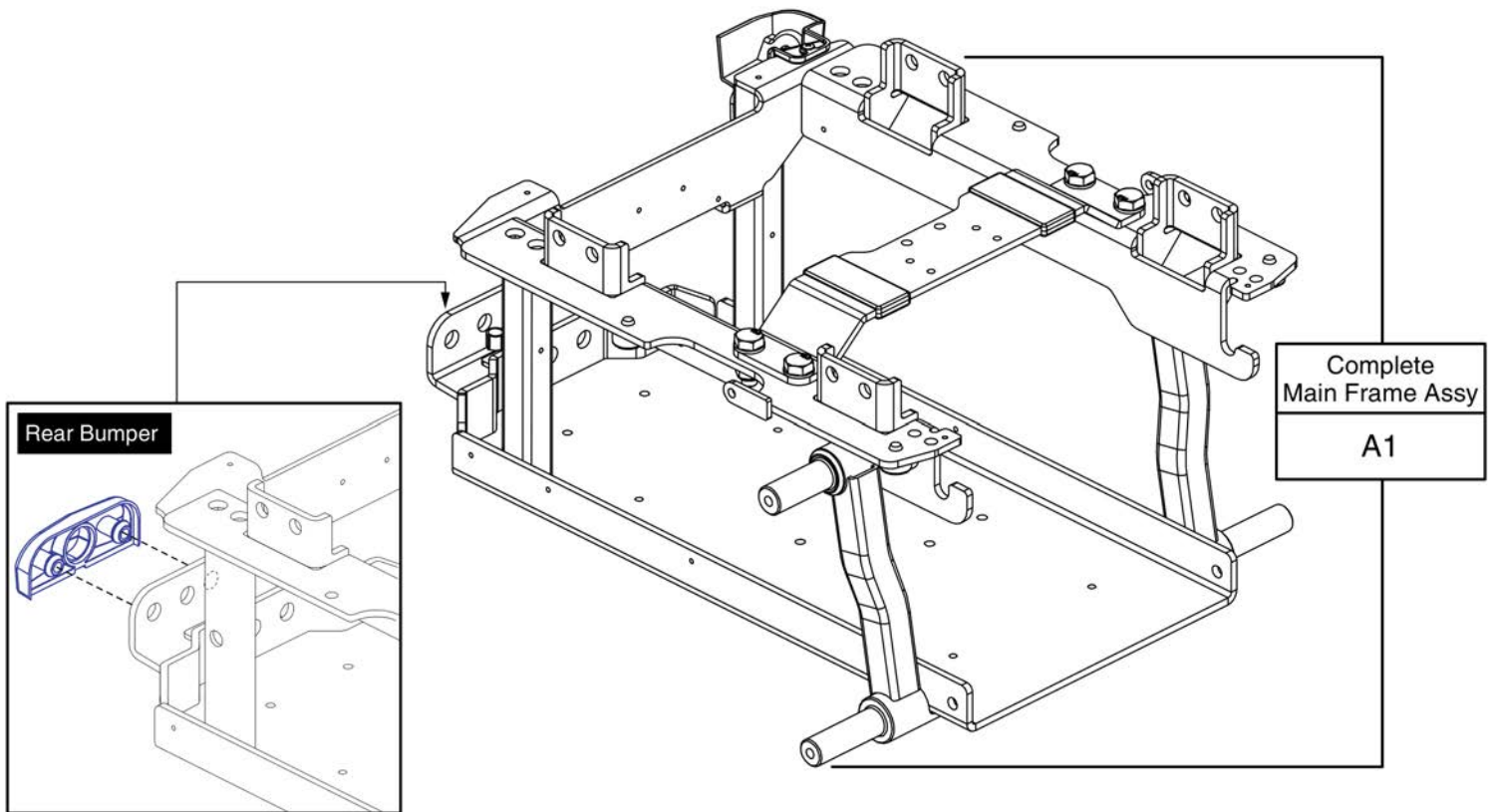


<b>1. Main Frame</b>	
Main Frame Assy	1
<b>2. Front Caster Arm Assy</b>	
Front Caster Arm Assy, Standard Suspension, Ver. 1, Q6 Edge	3
Front Caster Arm Assy, Standard Suspension, Ver. 2 Q6 Edge / Edge X	5
Front Caster Arm Assy - Vent Tray Suspension, Q6 Edge	7
<b>3. Articulating Beam Assy</b>	
Articulating Beam Assy - One Piece Beam, 6" Casters, Q6 Edge	9
Rear Caster Assy, Semi-Ind. Suspension, Ver. 1, 6" Caster, Q6 Edge	11
Rear Caster Assy, Semi-Ind. Suspension, Ver. 2, 6" Caster, Q6 Edge / Edge X	13
Articulating Beam Assy - Semi-Independent Beam for Vent Tray, 6" Casters, Q6 Edge	15
Articulating Beam Assy - Semi-Independent Beam, 8" Casters, Q6 Edge	17
<b>4. Drive Motor Assy's</b>	
I-Song Drive Motor Assy	19
Song ACCU-TRAC Motor Assy	21
5 & 6 MPH Song Motor - Motor & Wheel Mounting Hardware	23
<b>5. Freewheel Lever &amp; Motor Mount Assy</b>	
Freewheel, Motor Mount, & Hardware, Ver. 1, Q6 Edge / Edge X	25
Freewheel, Motor Mount, & Hardware, Ver. 2, Q6 Edge / Edge X	27
<b>6. Joystick Assy's</b>	
Q-Logic 2 Joystick Assemblies	29
Q-Logic 2 Stand Alone Joystick Assy	31
NE, NE+, & Q-Logic 1 Joystick Assy's	33
<b>Joystick Knobs &amp; Overlays</b>	
Aftermarket Joystick Knobs	35
Q-Logic 1 / Stand Alone / NE / NE+ Joystick Overlays	37
Q-Logic Joystick Knobs	39
<b>Q-Logic 2 &amp; 3 Joystick Shrouds</b>	
Q-Logic 2 & 3 Joystick Shrouds	41
<b>Joystick Bottom Housings</b>	
NE + Joystick Bottom Housing w/Bus Cable	43
Q-Logic 1 Joystick & Enhanced Display Bottom Housing w/Bus Cable	45
Q-Logic 2 & 3 Joystick Bottom Housing w/Bus Cable	47
<b>7. Electronics Assy's</b>	
<b>7.1. Electronics Assy's - NE</b>	
NE Electronics Assy, Q6 Edge	49
NE Electronics Assy, Tilt thru Toggle, Q6 Edge	51
NE Electronics Assy, Power Seat thru Toggle, Q6 Edge	53
<b>7.2. Electronics Assy's - NE+</b>	
NE+ Electronics Assy, Q6 Edge	55
NE+ Electronics Assy, Quantum Ready/Tilt thru Toggle, Q6 Edge	57
NE+ Electronics Assy, Power Seat thru Joystick, Q6 Edge	59
<b>7.3. Electronics Assy's - Q-Logic 1/Q-Logic 2</b>	
Q-Logic Electronics Assy, Q6 Edge	61
Q-Logic Electronics Assy, Quantum Ready/Tilt thru Toggle, Q6 Edge	63
Q-Logic Electronics Assy, Power Seat thru Joystick, Q6 Edge	65
Q-Logic Electronics Assy, ACCU-TRAC, Quantum Ready/Tilt thru Toggle, Q6 Edge	67

Q-Logic Electronics Assy, ACCU-TRAC, Power Seat thru Joystick, Q6 Edge	69
<b>8. Foot Platform &amp; Battery Access Bracket Assy's</b>	
Foot Platform Assy - Small	71
Foot Platform Assy - Large (Bell)	73
Battery Access Brackets	75
Battery Access Bracket, Power Seat (Pedestal Actuator), Q6 Edge	77
<b>9. Shroud Assy's</b>	
Shroud Assy - Standard Colors, Q6 Edge	79
Shroud Assy - Non-standard Colors, Extended Lead Time, Q6 Edge	81
Shroud Assy - SOF Colors, Q6 Edge	83
Center Panels, Fenders, AFP Cap, & Battery Spacer, Q6 Edge	85
<b>10. Power Seat Assy</b>	
Power Seat Assy w/ Universal Interface, Q6 Edge Series	87
<b>11. Seat Interface Assy's</b>	
Trapeze Bar Assy	89
Seat Mount Connector L-Bracket Assy's, Q6 Edge	91
<b>12. Transit Loop &amp; L-Bracket Assy's</b>	
Transit Loops & Seat Mount L-Bracket Assy's, Q6 Edge	93
<b>13. Drive Wheel Assy's</b>	
Pneumatic Drive Wheel Assy - 5 Spoke Silver Rim/Gray Tire w/ Color Insert	95
Flat-free Drive Wheel Assy - 5 Spoke Silver Rim/Gray Tire w/ Color Insert	97
Pneumatic Drive Wheel Assy - 4 Spoke Black Rim/Gray "Knobby" Tire	99
Flat-free Drive Wheel Assy - 4 Spoke Black Rim/Gray "Knobby" Tire	101
Painted Wheel Inserts	103
<b>14. Batteries</b>	
MK, NF-22, AGM, Battery Assy	105
MK, NF-22, GEL, Battery Assy	107
Universal, NF-22, AGM, Battery Assy	109
Universal, NF-22, GEL, Battery Assy	111
Interceptor, NF-22, GEL, Battery Assy	113
<b>15. Battery Charger Assy</b>	
8 amp CTE Charger, Australia	115
8 Amp UPG Charger Assy, AGM / GEL Selectable	117
<b>16. Joystick Mounts &amp; Receivers</b>	
<b>16.1. Swing-away, Version 3</b>	
Swing-away Joystick Bracket & Components, Version 3	119
<b>16.2. Version 2. Swing-away/Multi-axis Joystick Brackets</b>	
Swing-away & Multi-axis Mount Matrix, Rehab Seat, Version 2	121
Swing-away & Multi-axis Mount Matrix, Captain Seat, Version 2	123
Swing-away Joystick Bracket Components, Version 2	125
Multi-Axis Joystick Bracket Components, Version 2	127
<b>16.3. Retract 4 Swing-away Joystick Bracket</b>	
Retract 4 Swing-away Joystick Bracket for Curtis Joysticks	129
<b>16.4. Stealth Swing-away / Flip-down Joystick Bracket</b>	
Stealth Swing-away / Flip Down Joystick Brackets & Mounts	131
<b>16.5. Fixed Inline Joystick Brackets</b>	

Fixed Joystick Mounts, Quantum Joysticks .....	133
<b>16.6. Joystick Bracket Receivers</b>	
Joystick Receiver Mounts, Quantum .....	135
<b>17. Owner's &amp; Decal Packages</b>	
Owner's Package, AU, Q6 Edge .....	137
Decal Package, AU, Q6 Edge .....	139
<b>18. Quantum Color Reference Chart</b>	
Quantum Color Reference Chart .....	141
Appendix A:Pages Index .....	142
Appendix B:Parts Index .....	143

1. Main Frame



Main Frame Assy



---

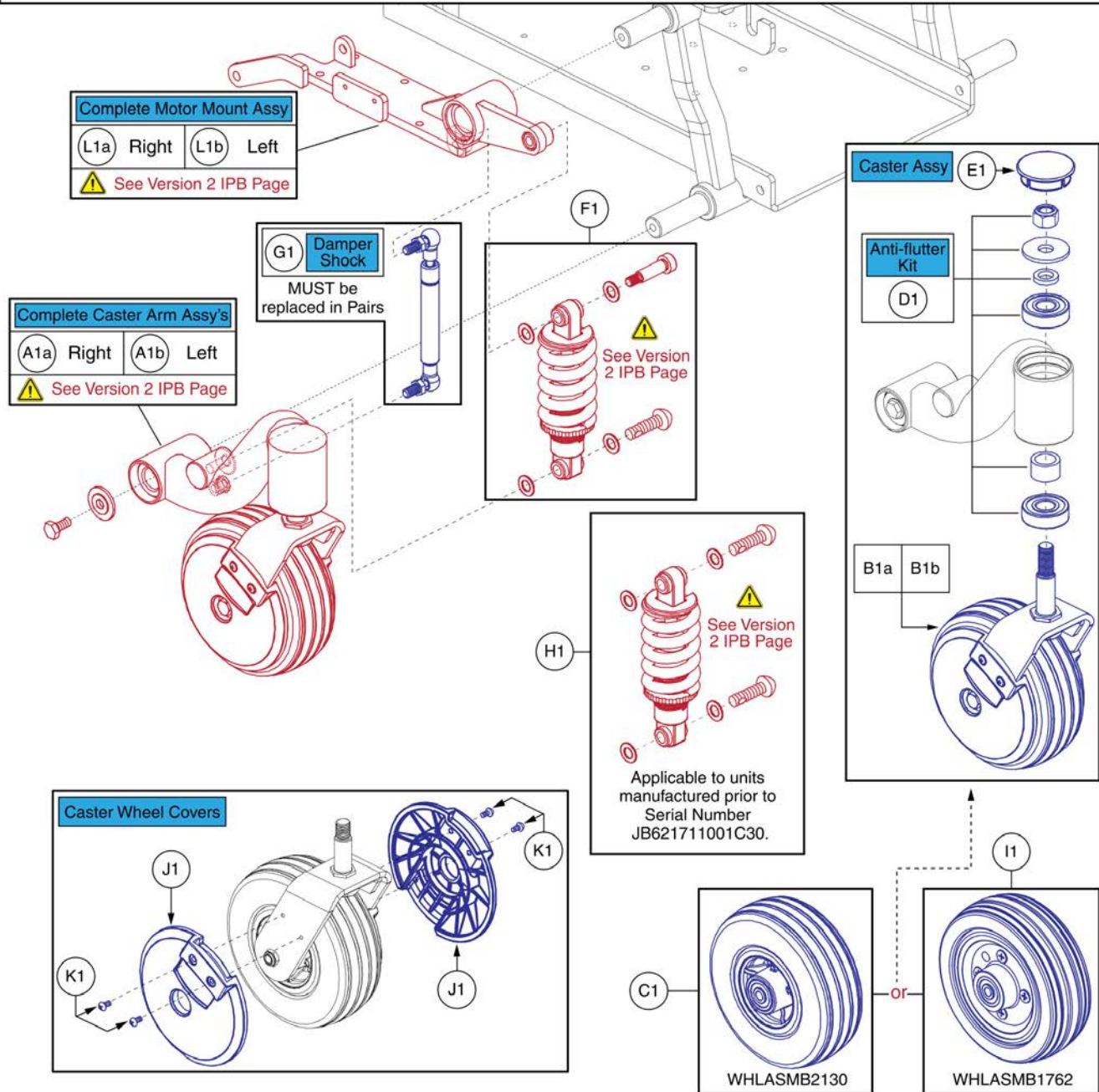
Item	Part No.	Name	Qty
A1	FRMASMB16061	FRAME,ASSY,MAIN,SUSPENSION BEAM,Q6 EDGE,E-1062-079	1

## 2. Front Caster Arm Assy

**IMPORTANT:**

- Due to a Product Enhancement, the Version 1 Caster Arms, Suspension, and Motor Mounts are no longer available.
- When replacing the Version 1 components, the Caster Arms, Suspension, and Motor Mounts on both sides **MUST** be replaced with Version 2 components.
- The Version 2 components are not backwards compatible with Version 1.

**Contact Technical Service for additional information.**



\*\*\*Please Note: Prior to 2011, approximately 140 units with the Serial Number prefix JB5 or JB6 were manufactured with Low Profile, Split Rim Caster Wheels, WHLASMB1762. When replacing a front or rear caster wheel on units serialized prior to 2011(see below), please visually inspect the wheel to ensure the proper replacement part is selected.\*\*\*

Ex. **JB5xxx10xxx020**

Model Code	Julian Day	Year	Unit # Produced	Production Location
------------	------------	------	-----------------	---------------------



Item	Part No.	Name	Qty
A1a	FRMASMB16050	CASTER ARM,ASSY,W/WHEEL,FOR 6" CASTERS,RIGHT,Q6EDGE,E- 1062-076 ***Replaced with Version 2***	1
A1b	FRMASMB16049	CASTER ARM,ASSY,W/WHEEL,FOR 6" CASTERS,LEFT,Q6EDGE,E- 1062-075 ***Replaced with Version 2***	1
B1a	FRMASMB16285	CASTER,ASSY,LOW IMPACT,BLACK RIM/GRAY TIRE,6" WHEEL,W/FORK & COVERS,RIGHT,W/RADIUS,D-1202-048	1
B1b	FRMASMB16284	CASTER,ASSY,LOW IMPACT,BLACK RIM/GRAY TIRE,6" WHEEL,W/FORK & COVERS,LEFT,W/RADIUS,D-1202-047	1
C1	WHLASMB2130	WHEEL,ASSY,LOW IMPACT,BLACK RIM/GRAY TIRE,6" X 2",W/BEARINGS & SPACER,E-1202-039	1
D1	HDWASMB1187	ANTI-FLUTTER KIT,REAR CASTER,JAZZY,B-1005-137	1
E1	DWR1065C008	SHROUD,COVER,CAP,CASTER,BLACK	1
F1	FRMASMB17516	SUSPENSION,ASSY,STRUT,FRONT,Q6EDGE,D-1062-099 ***Replaced with Version 2***	1
G1	DWR1062C058	SUSPENSION,DAMPER SHOCK,W/10MM BALL ENDS,60MM STROKE,COMPRESSION,C-1062-058 ***Must Be Replaced In Pairs***	1
H1	FRMASMB16043	SUSPENSION,ASSY,STRUT,FRONT,Q6EDGE,D-1062-070 ***Replaced with Version 2***	1
I1	WHLASMB1762	WHEEL,ASSY,CASTER,FLAT FREE,BLACK RIM/GRAY TIRE,6"X 2",W/BEARINGS & SPACER,E-1202-019	1
J1	DWR1202D044	COVER,CASTER SPHERE,BLACK,6" WHEEL,THIN,LOW PROFILE,D- 1202-044	2
K1	SCRPPH1036	SCREW, PAN HEAD, TYPE H, M4X0.7 X 8, FT, ISO 7045, CL 4.8, BZ	4
L1a	FRMASMB17954	MOTOR MOUNT,ASSY,RIGHT,W/MOUNTING HARDWARE,Q6EDGE,D- 1062-113 ***Replaced with Version 2***	1
L1b	FRMASMB17953	MOTOR MOUNT,ASSY,LEFT,W/MOUNTING HARDWARE,Q6EDGE,D- 1062-112 ***Replaced with Version 2***	1

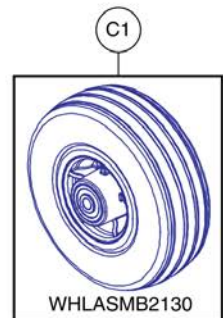
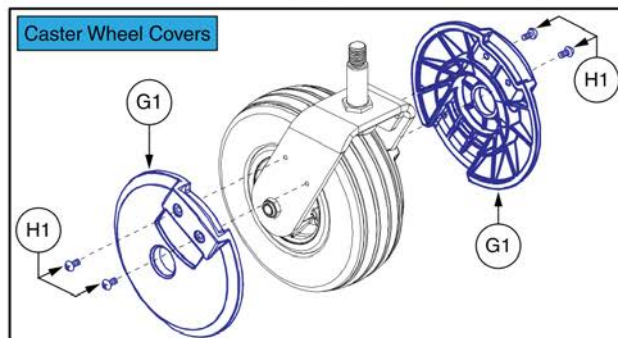
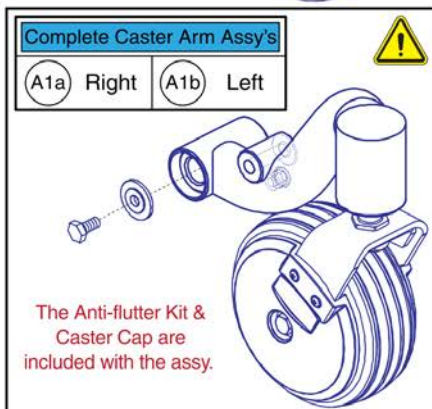
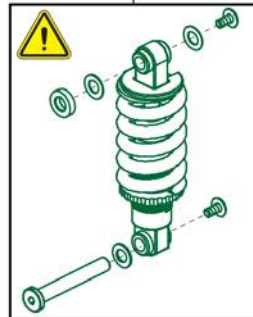
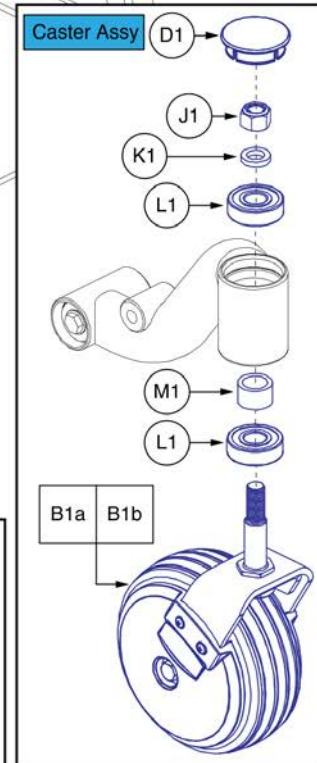
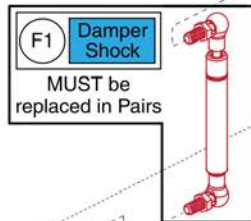
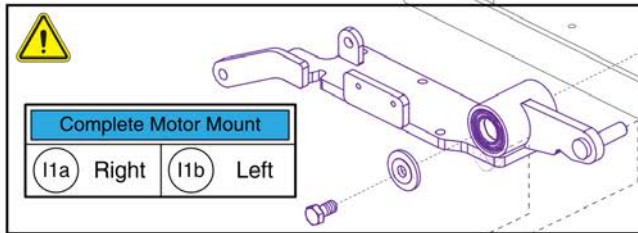
## 2. Front Caster Arm Assy

**IMPORTANT:**

- Due to a Product Enhancement, when replacing either the Caster Arms, Suspension, or Motor Mounts **ALL** components **MUST** be replaced together on both the right and left sides.
- The Version 2 components are **NOT** backwards compatible with the Version 1, therefore, **ALL** components **MUST** be replaced together.

Contact Technical Service for additional information.

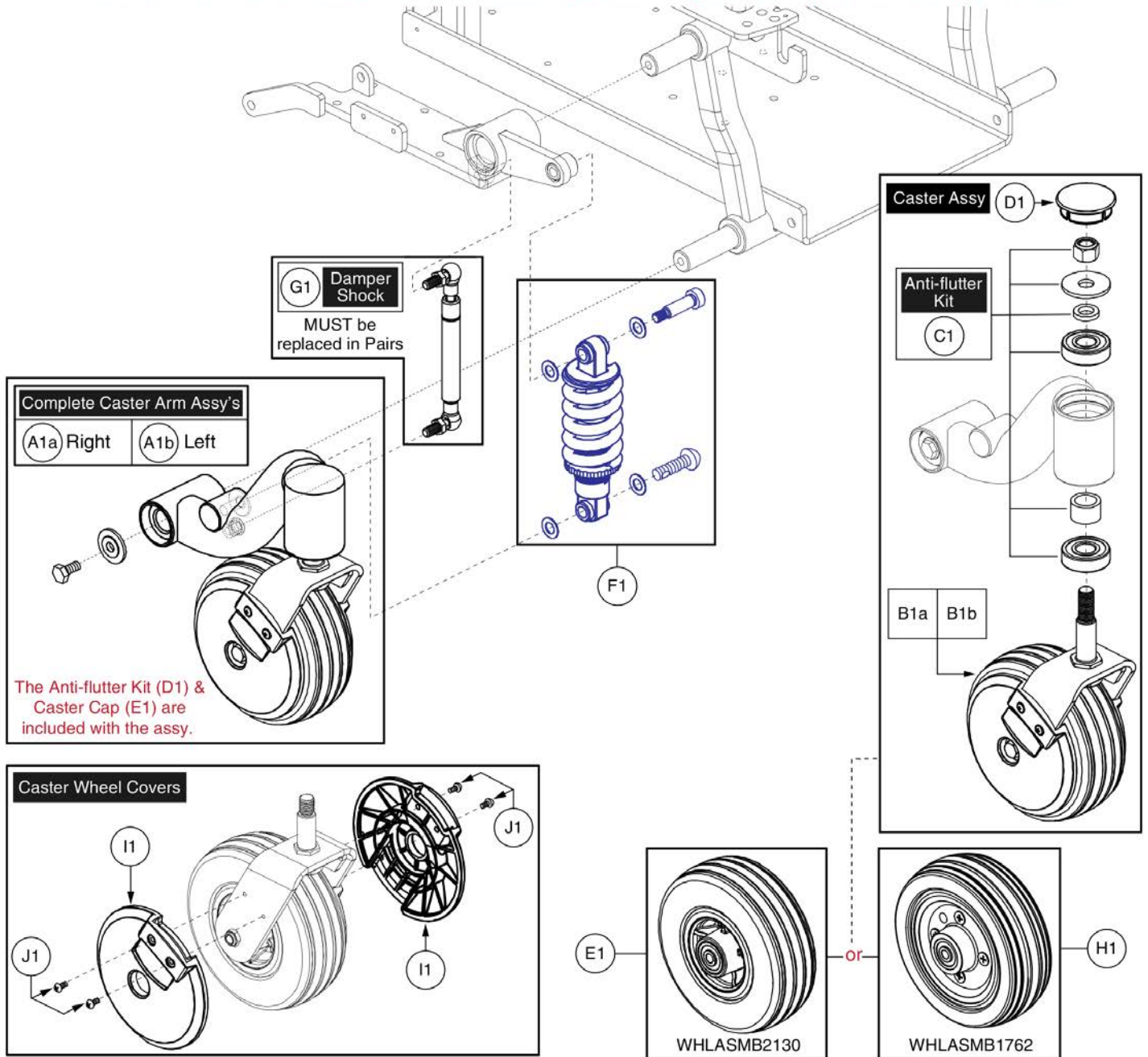
Ref #	Part #	Part Description	QTY
A1a	MEC154785	CASTER AND WHEEL ASSEMBLY, RIGHT FRONT	1
A1b	MEC154782	CASTER AND WHEEL ASSEMBLY, LEFT FRONT	1
E1	MEC1801937-1	FRONT SUSPENSION ASSEMBLY, Q6 EDGE, GRAY SPRING	2
I1a	MEC151497	MOTOR MOUNT ASSEMBLY, RIGHT	1
I1b	MEC151486	MOTOR MOUNT ASSEMBLY, LEFT	1



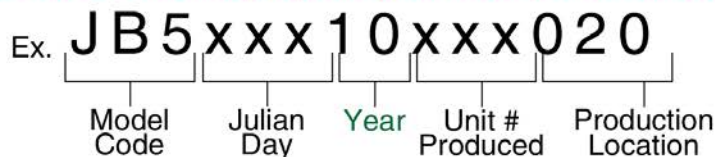
Item	Part No.	Name	Qty
A1a	MEC154785	CASTER AND WHEEL ASSEMBLY, RIGHT FRONT ***Replaces FRMASMB16050. Must Replace L/R In Pairs w/ Front Suspension and Motor Mounts***	1
A1b	MEC154782	CASTER AND WHEEL ASSEMBLY, LEFT FRONT ***Replaces FRMASMB16049. Must Replace L/R in Pairs w/ Front Suspension & Motor Mounts.***	1
B1a	FRMASMB16285	CASTER,ASSY,LOW IMPACT,BLACK RIM/GRAY TIRE,6" WHEEL,W/FORK & COVERS,RIGHT,W/RADIUS,D-1202-048	1
B1b	FRMASMB16284	CASTER,ASSY,LOW IMPACT,BLACK RIM/GRAY TIRE,6" WHEEL,W/FORK & COVERS,LEFT,W/RADIUS,D-1202-047	1
C1	WHLASMB2130	WHEEL,ASSY,LOW IMPACT,BLACK RIM/GRAY TIRE,6" X 2",W/BEARINGS & SPACER,E-1202-039	1
D1	DWR1065C008	SHROUD,COVER,CAP,CASTER,BLACK	1
E1	MEC1801937-1	FRONT SUSPENSION ASSEMBLY, Q6 EDGE, GRAY SPRING ***Must Be Replaced In Pairs w/ Front Caster Arms and Motor Mounts***	1
F1	DWR1062C058	SUSPENSION,DAMPER SHOCK,W/10MM BALL ENDS,60MM STROKE,COMPRESSION,C-1062-058 ***Must Be Replaced In Pairs***	1
G1	DWR1202D044	COVER,CASTER SPHERE,BLACK,6" WHEEL,THIN,LOW PROFILE,D- 1202-044	2
H1	SCRPPH1036	SCREW, PAN HEAD, TYPE H, M4X0.7 X 8, FT, ISO 7045, CL 4.8, BZ	4
I1a	MEC151497	MOTOR MOUNT ASSEMBLY, RIGHT ***Replaces FRMASMB17954. Must Replace L/R In Pairs w/ Front Caster Arms and Suspension.***	1
I1b	MEC151486	MOTOR MOUNT ASSEMBLY, LEFT ***Replaces FRMASMB17953. Must Replace L/R In Pairs w/ Front Caster Arms and Suspension.***	1
J1	NUTNYLK1010	NUT, HEX, LOCK, .50-20, ASME B18.16.6, BZ, PVTP	1
K1	DWR1133A003	SHIM,BLACK ZINC,STEEL,13MM ID X 21MM OD X 4.763MM TH	1
L1	DWR1005B133	BEARING,BALL,16.0MM ID X 40.0MM OD X 12.0MM TH	2
M1	DWR1005B134	SPACER,BRIGHT ZINC,STEEL,18MM ID X 25MM OD X 15.7MM TH,B1005-134	1

2. Front Caster Arm Assy

Please note: Only serviceable components are shown.  
Items with lower-case extensions represent right/left specific components.



\*\*\*Please Note: Prior to 2011, approximately 140 units with the Serial Number prefix JB5 or JB6 were manufactured with Low Profile, Split Rim Caster Wheels, WHLASMB1762. When replacing a front or rear caster wheel on units serialized prior to 2011(see below), please visually inspect the wheel to ensure the proper replacement part is selected.\*\*\*



Item	Part No.	Name	Qty
A1a	FRMASMB17514	CASTER ARM,ASSY,W/WHEEL,FOR 6" CASTERS,VENT TRAY,RIGHT,Q6EDGE,E-1062-113	1
A1b	FRMASMB17513	CASTER ARM,ASSY,W/WHEEL,FOR 6" CASTERS,VENT TRAY,LEFT,Q6EDGE,E-1062-112	1
B1a	FRMASMB16285	CASTER,ASSY,LOW IMPACT,BLACK RIM/GRAY TIRE,6" WHEEL,W/FORK & COVERS,RIGHT,W/RADIUS,D-1202-048	1
B1b	FRMASMB16284	CASTER,ASSY,LOW IMPACT,BLACK RIM/GRAY TIRE,6" WHEEL,W/FORK & COVERS,LEFT,W/RADIUS,D-1202-047	1
C1	HDWASMB1187	ANTI-FLUTTER KIT,REAR CASTER,JAZZY,B-1005-137	1
D1	DWR1065C008	SHROUD,COVER,CAP,CASTER,BLACK	1
E1	WHLASMB2130	WHEEL,ASSY,LOW IMPACT,BLACK RIM/GRAY TIRE,6" X 2",W/BEARINGS & SPACER,E-1202-039	1
F1	FRMASMB17518	SUSPENSION,ASSY,STRUT,FRONT,VENT TRAY,Q6EDGE,D-1062-100	1
G1	DWR1062C058	SUSPENSION,DAMPER SHOCK,W/10MM BALL ENDS,60MM STROKE,COMPRESSION,C-1062-058 ***Must Be Replaced In Pairs***	1
H1	WHLASMB1762	WHEEL,ASSY,CASTER,FLAT FREE,BLACK RIM/GRAY TIRE,6"X 2",W/BEARINGS & SPACER,E-1202-019	1
I1	DWR1202D044	COVER,CASTER SPHERE,BLACK,6" WHEEL,THIN,LOW PROFILE,D- 1202-044	2
J1	SCRPPH1036	SCREW, PAN HEAD, TYPE H, M4X0.7 X 8, FT, ISO 7045, CL 4.8, BZ	4

### 3. Articulating Beam Assy

Please note: Individual parts are not available for purchase.  
The assembly must be purchased.

**A1 Articulating Beam Assembly**  
The complete Articulating Beam Assembly includes: the Articulating Beam, Anti-flutter Kit, Caster Pivot Assembly, and Wheel Assembly WHLASMB2130.

**C1 Anti-flutter Kit Assembly**

**F1**  
WHLASMB2130  
or  
**G1**  
WHLASMB1762

**E1 Caster Pivot Hardware Assembly**

**D1**  
The Caster Cap (D1) is included with the complete Caster Assembly (B1a/B1b).

**B1a B1b**

**H1**  
**I1**

\*\*\*Please Note: Prior to 2011, approximately 140 units with the Serial Number prefix JB5 or JB6 were manufactured with Low Profile, Split Rim Caster Wheels, WHLASMB1762. When replacing a front or rear caster wheel on units serialized prior to 2011(see below), please visually inspect the wheel to ensure the proper replacement part is selected.\*\*\*

Ex. **JB5xxx10xxx020**

Model Code	Julian Day	Year	Unit # Produced	Production Location
------------	------------	------	-----------------	---------------------

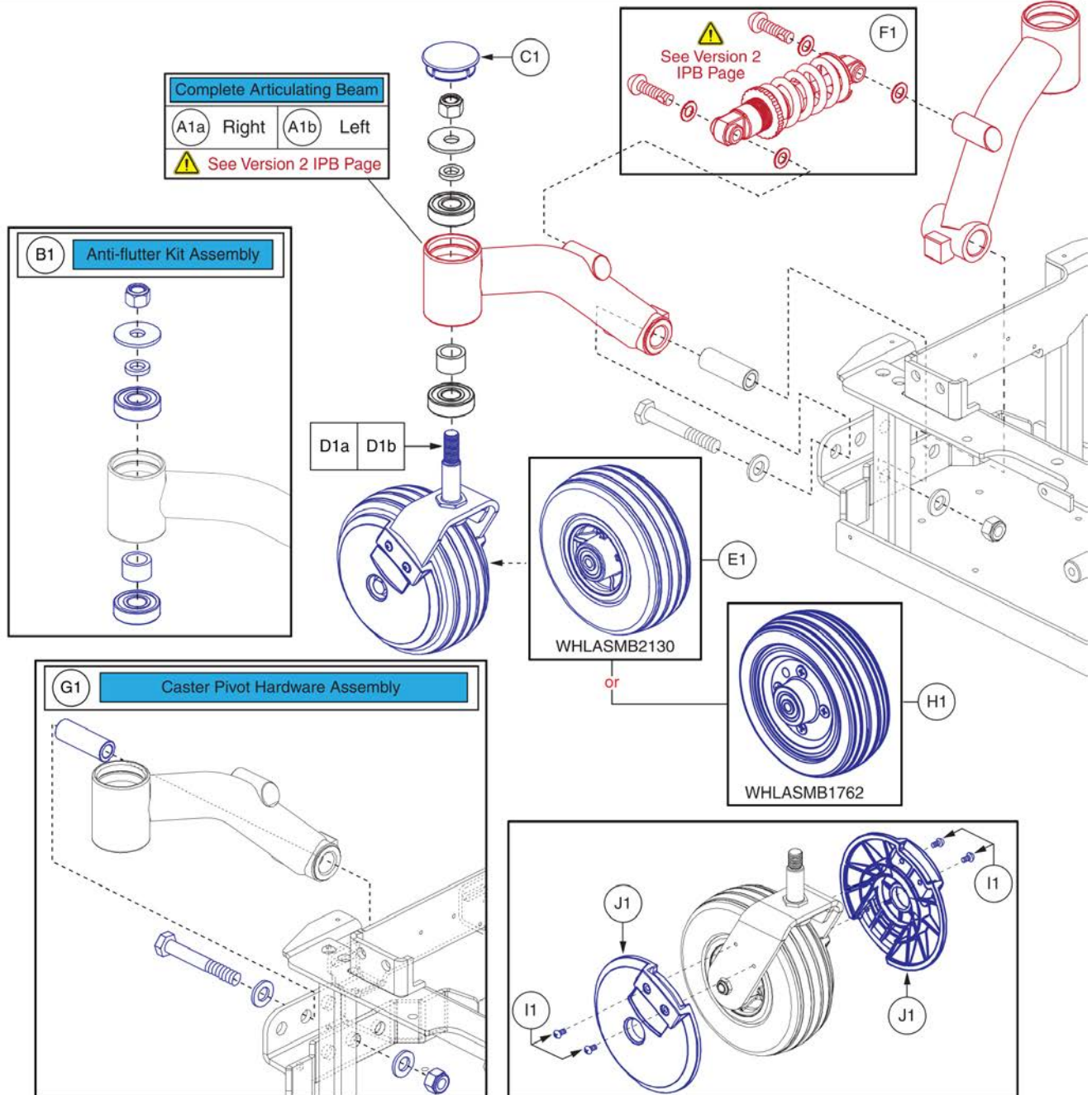
Item	Part No.	Name	Qty
A1	FRMASMB16051	ARTICULATING BEAM,ASSY,STANDARD,W/6" GRAY CASTER WHEELS,Q6 EDGE,D-1062-067	1
B1a	FRMASMB16284	CASTER,ASSY,LOW IMPACT,BLACK RIM/GRAY TIRE,6" WHEEL,W/FORK & COVERS,LEFT,W/RADIUS,D-1202-047	1
B1b	FRMASMB16285	CASTER,ASSY,LOW IMPACT,BLACK RIM/GRAY TIRE,6" WHEEL,W/FORK & COVERS,RIGHT,W/RADIUS,D-1202-048	1
C1	HDWASMB1187	ANTI-FLUTTER KIT,REAR CASTER,JAZZY,B-1005-137	1
D1	DWR1065C008	SHROUD,COVER,CAP,CASTER,BLACK	1
E1	HDWASMB1170	PIVOT HARDWARE SUB-ASSEMBLY	1
F1	WHLASMB2130	WHEEL,ASSY,LOW IMPACT,BLACK RIM/GRAY TIRE,6" X 2",W/BEARINGS & SPACER,E-1202-039	1
G1	WHLASMB1762	WHEEL,ASSY,CASTER,FLAT FREE,BLACK RIM/GRAY TIRE,6"X 2",W/BEARINGS & SPACER,E-1202-019	1
H1	DWR1202D044	COVER,CASTER SPHERE,BLACK,6" WHEEL,THIN,LOW PROFILE,D- 1202-044	2
I1	SCRPPH1036	SCREW, PAN HEAD, TYPE H, M4X0.7 X 8, FT, ISO 7045, CL 4.8, BZ	4

### 3. Articulating Beam Assy

**IMPORTANT:**

- Due to a Product Enhancement, the Version 1 Rear Caster Arms and Suspension are no longer available and **MUST** be replaced with **ALL** Version 2 components.
- The Version 2 components are **NOT** backwards compatible with Version 1.
- See the Version 2 Semi-Independent Rear Caster Arm page for a complete list of replacement parts.

**Contact Technical Service for additional information.**



\*\*\*Please Note: Prior to 2011, approximately 140 units with the Serial Number prefix JB5 or JB6 were manufactured with Low Profile, Split Rim Caster Wheels, WHLASMB1762. When replacing a front or rear caster wheel on units serialized prior to 2011 (see below), please visually inspect the wheel to ensure the proper replacement part is selected.\*\*\*

Ex. **JB5xxx10xxx020**

Model Code	Julian Day	Year	Unit # Produced	Production Location
------------	------------	------	-----------------	---------------------



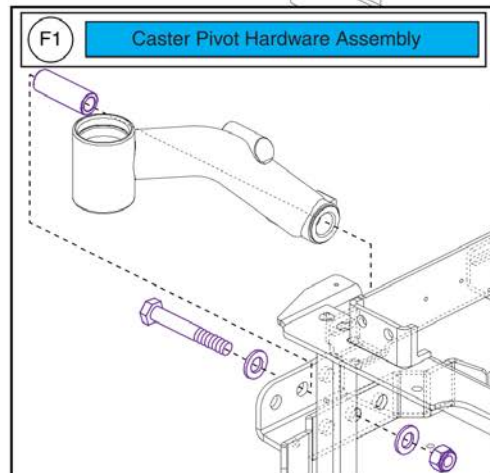
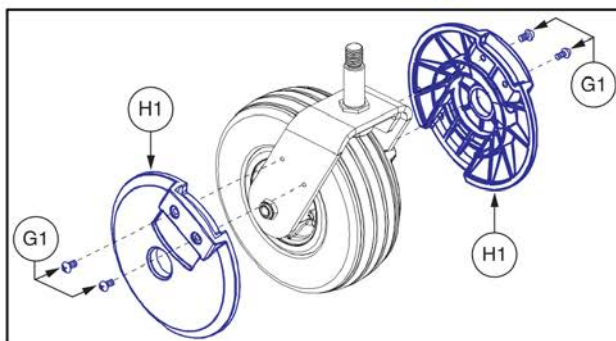
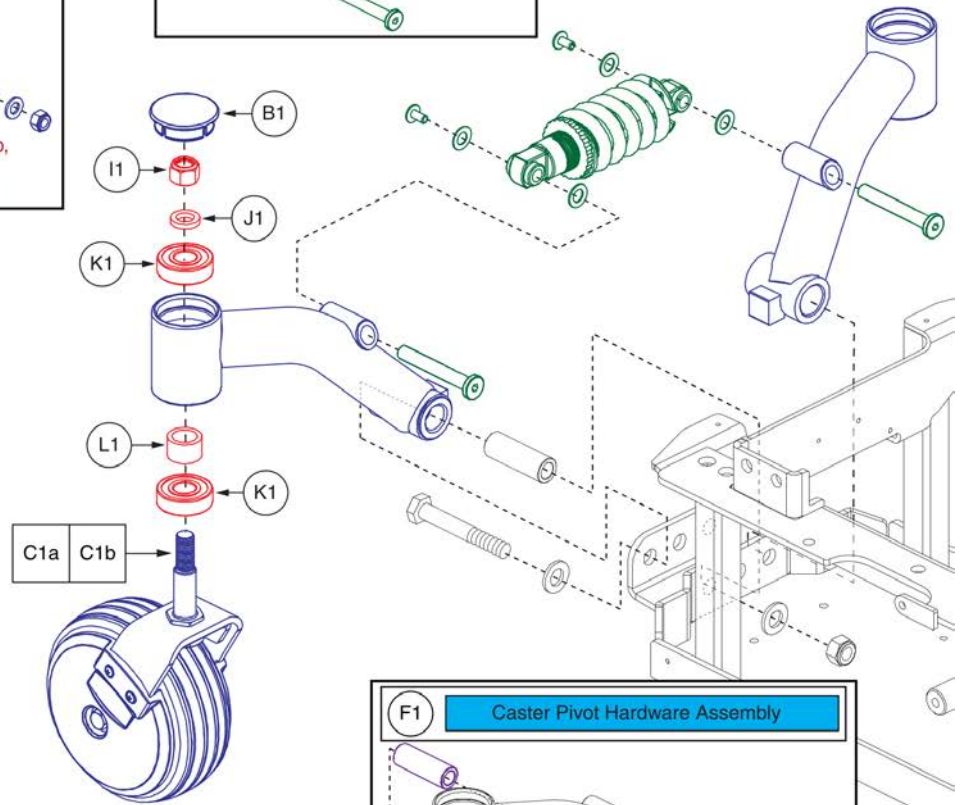
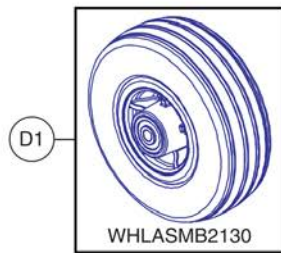
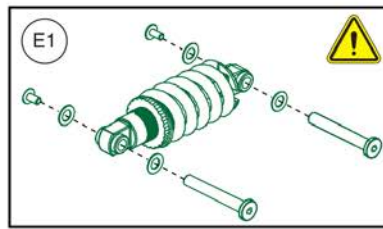
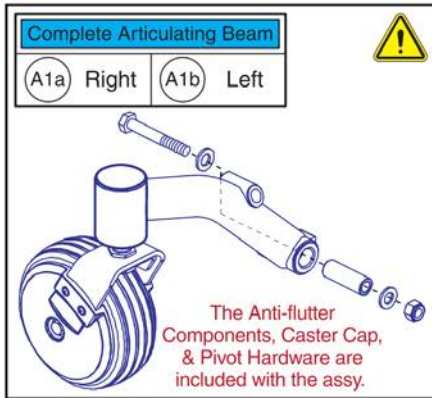
Item	Part No.	Name	Qty
A1a	FRMASMB16042	ARTICULATING BEAM,ASSY,SEMI-INDEPENDENT SUSPENSION,W/6" CASTER WHEELS,RIGHT,QUANTUM623,E-1062-072 ***Replaced with Version 2***	1
A1b	FRMASMB16041	ARTICULATING BEAM,ASSY,SEMI-INDEPENDENT SUSPENSION,W/6" CASTER WHEELS,LEFT,QUANTUM623,E-1062-069 ***Replaced with Version 2***	1
B1	HDWASMB1187	ANTI-FLUTTER KIT,REAR CASTER,JAZZY,B-1005-137	1
C1	DWR1065C008	SHROUD,COVER,CAP,CASTER,BLACK	1
D1a	FRMASMB16285	CASTER,ASSY,LOW IMPACT,BLACK RIM/GRAY TIRE,6" WHEEL,W/FORK & COVERS,RIGHT,W/RADIUS,D-1202-048	1
D1b	FRMASMB16284	CASTER,ASSY,LOW IMPACT,BLACK RIM/GRAY TIRE,6" WHEEL,W/FORK & COVERS,LEFT,W/RADIUS,D-1202-047	1
E1	WHLASMB2130	WHEEL,ASSY,LOW IMPACT,BLACK RIM/GRAY TIRE,6" X 2",W/BEARINGS & SPACER,E-1202-039	1
F1	FRMASMB16043	SUSPENSION,ASSY,STRUT,FRONT,Q6EDGE,D-1062-070 ***Replaced with Version 2***	1
G1	HDWASMB1170	PIVOT HARDWARE SUB-ASSEMBLY	1
H1	WHLASMB1762	WHEEL,ASSY,CASTER,FLAT FREE,BLACK RIM/GRAY TIRE,6"X 2",W/BEARINGS & SPACER,E-1202-019	1
I1	SCRPPH1036	SCREW, PAN HEAD, TYPE H, M4X0.7 X 8, FT, ISO 7045, CL 4.8, BZ	4
J1	DWR1202D044	COVER,CASTER SPHERE,BLACK,6" WHEEL,THIN,LOW PROFILE,D- 1202-044	2

### 3. Articulating Beam Assy

**IMPORTANT:**

- Due to a Product Enhancement, when replacing either the Semi-Independent Caster Arms or Suspension **ALL** components **MUST** be replaced together.
  - The Version 2 components are **NOT** backwards compatible with Version 1, therefore, **ALL** components **MUST** be replaced together.
- Contact Technical Service for additional information.**

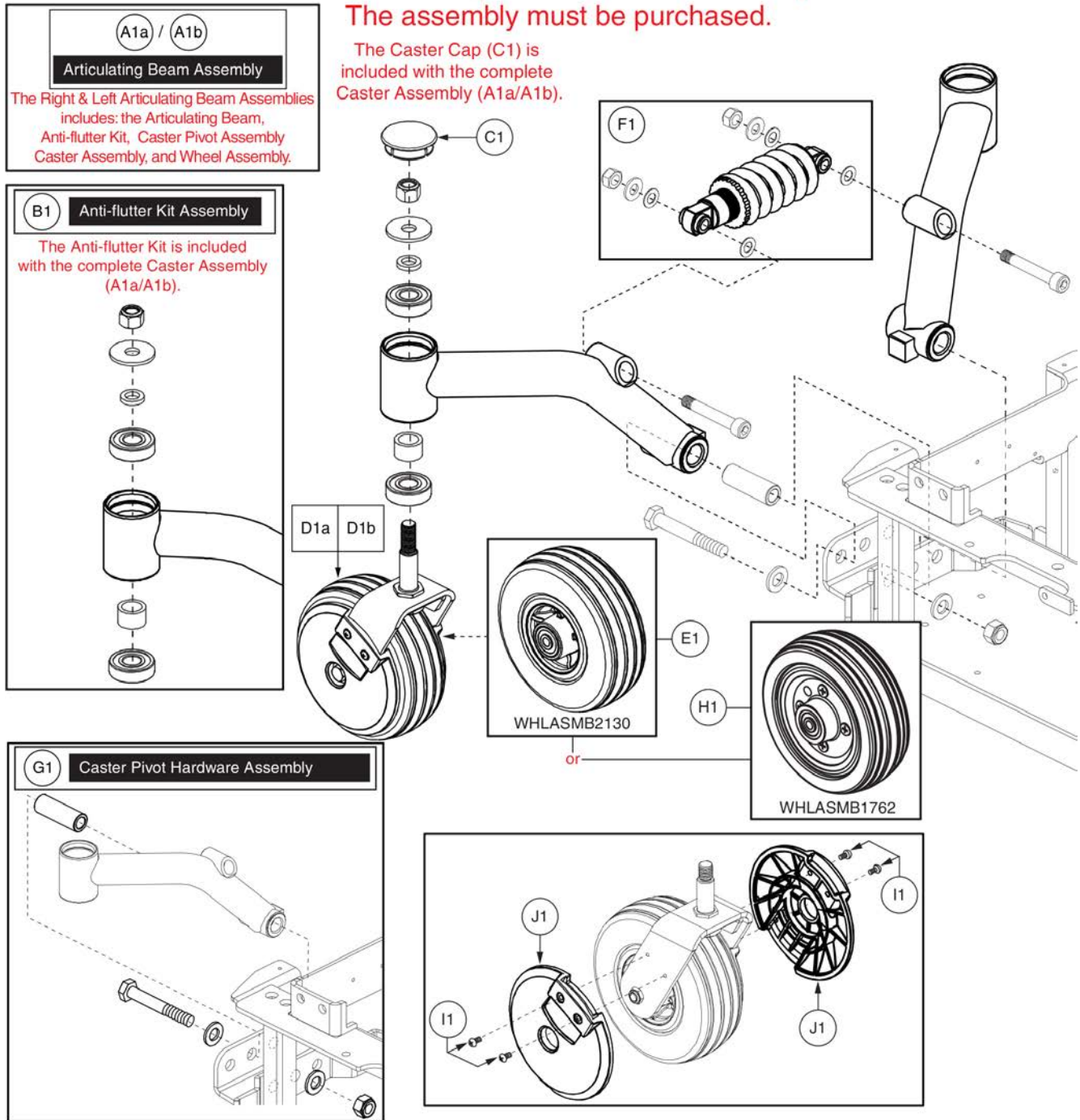
Ref #	Part #	Part Description	QTY
A1a	MEC154788	CASTER AND WHEEL ASSEMBLY, RIGHT REAR	1
A1b	MEC154787	CASTER AND WHEEL ASSEMBLY, LEFT REAR	1
E1	MEC1801942	REAR SUSPENSION ASSEMBLY, Q6 EDGE	1



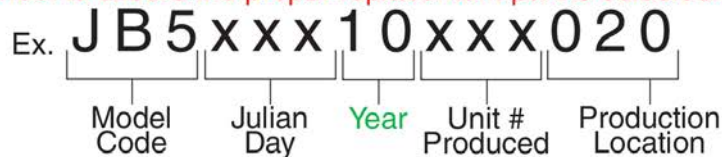
Item	Part No.	Name	Qty
A1a	MEC154788	CASTER AND WHEEL ASSEMBLY, RIGHT REAR ***Replaces FRMASMB16042. Must Replace L/R In Pairs w/ Rear Suspension***	1
A1b	MEC154787	CASTER AND WHEEL ASSEMBLY, LEFT REAR ***Replaces FRMASMB16041. Must Replace L/R In Pairs w/ Rear Suspension***	1
B1	DWR1065C008	SHROUD,COVER,CAP,CASTER,BLACK	1
C1a	FRMASMB16285	CASTER,ASSY,LOW IMPACT,BLACK RIM/GRAY TIRE,6" WHEEL,W/FORK & COVERS,RIGHT,W/RADIUS,D-1202-048	1
C1b	FRMASMB16284	CASTER,ASSY,LOW IMPACT,BLACK RIM/GRAY TIRE,6" WHEEL,W/FORK & COVERS,LEFT,W/RADIUS,D-1202-047	1
D1	WHLASMB2130	WHEEL,ASSY,LOW IMPACT,BLACK RIM/GRAY TIRE,6" X 2",W/BEARINGS & SPACER,E-1202-039	1
E1	MEC1801942	REAR SUSPENSION ASSEMBLY, Q6 EDGE ***Must Replace w/ Rear Caster Arms***	1
F1	HDWASMB1170	PIVOT HARDWARE SUB-ASSEMBLY	1
G1	SCRPPH1036	SCREW, PAN HEAD, TYPE H, M4X0.7 X 8, FT, ISO 7045, CL 4.8, BZ	4
H1	DWR1202D044	COVER,CASTER SPHERE,BLACK,6" WHEEL,THIN,LOW PROFILE,D- 1202-044	2
I1	NUTNYLK1010	NUT, HEX, LOCK, .50-20, ASME B18.16.6, BZ, PVTP	1
J1	DWR1133A003	SHIM,BLACK ZINC,STEEL,13MM ID X 21MM OD X 4.763MM TH	1
K1	DWR1005B133	BEARING,BALL,16.0MM ID X 40.0MM OD X 12.0MM TH	2
L1	DWR1005B134	SPACER,BRIGHT ZINC,STEEL,18MM ID X 25MM OD X 15.7MM TH,B1005-134	1

### 3. Articulating Beam Assy

Please note: Individual parts are not available for purchase.  
The assembly must be purchased.



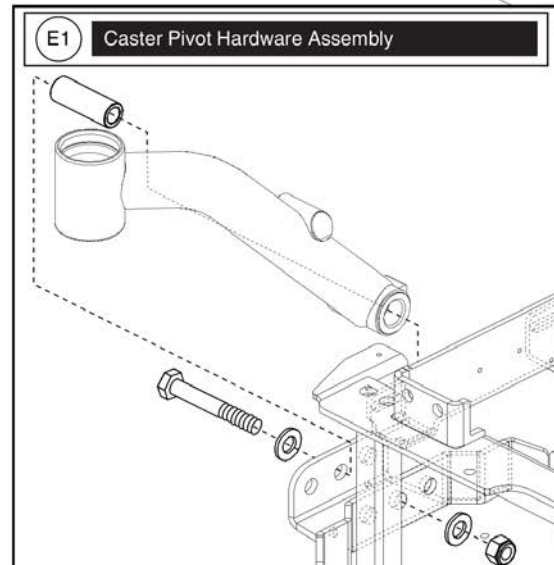
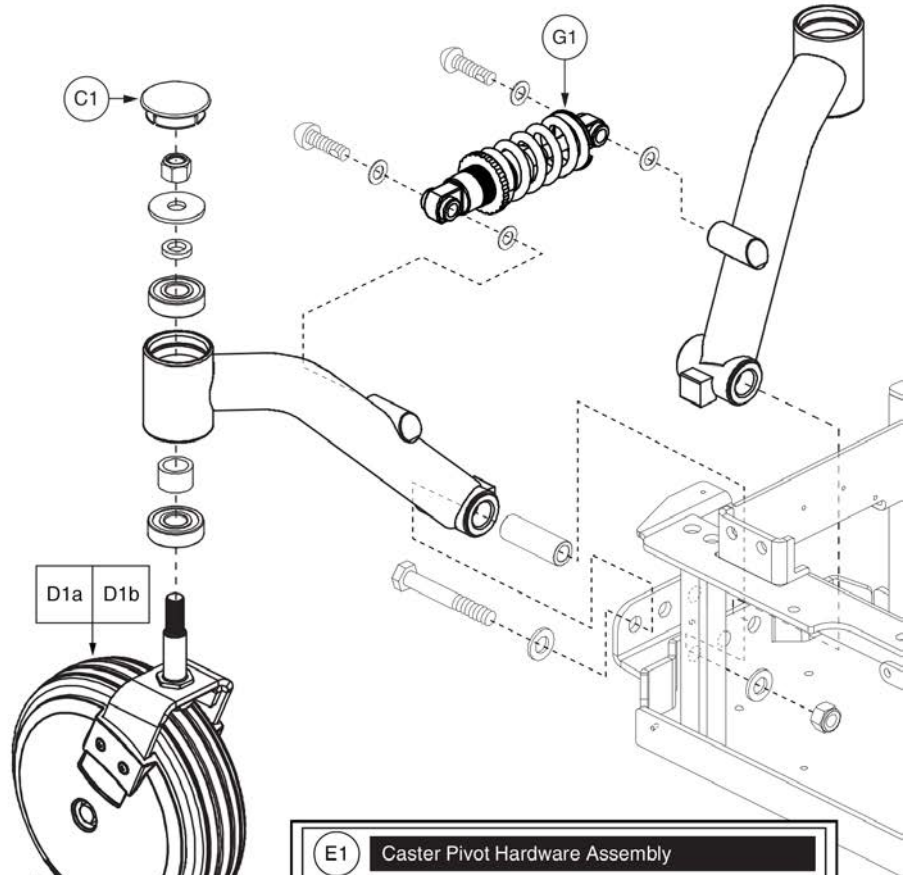
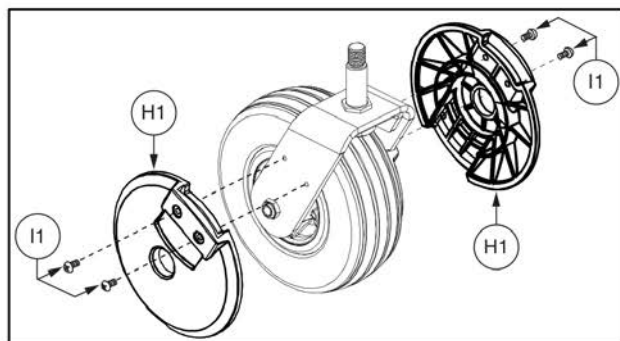
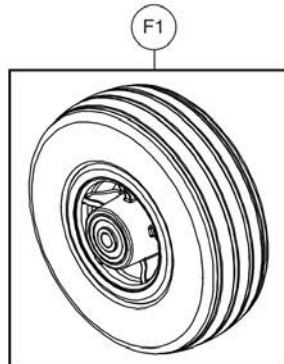
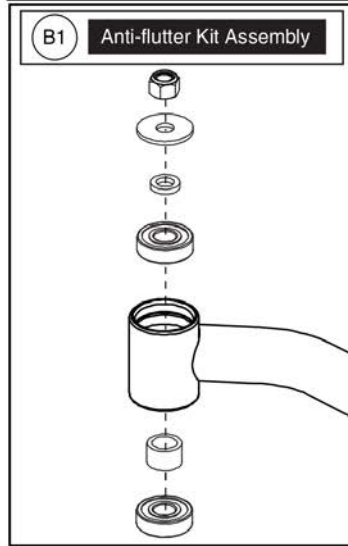
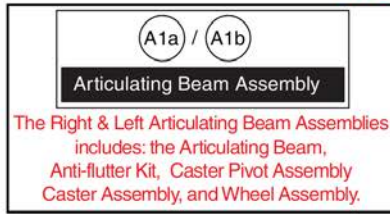
\*\*\*Please Note: Prior to 2011, approximately 140 units with the Serial Number prefix JB5 or JB6 were manufactured with Low Profile, Split Rim Caster Wheels, WHLASMB1762. When replacing a front or rear caster wheel on units serialized prior to 2011(see below), please visually inspect the wheel to ensure the proper replacement part is selected.\*\*\*



Item	Part No.	Name	Qty
A1a	FRMASMB16846	ARTICULATING BEAM,ASSY,SEMI-INDEPENDENT SUSPENSION,W/6" CASTER WHEELS,EXTENDED ARM,RIGHT,QUANTUM623,E-1062-097	1
A1b	FRMASMB16845	ARTICULATING BEAM,ASSY,SEMI-INDEPENDENT SUSPENSION,W/6" CASTER WHEELS,EXTENDED ARM,LEFT,QUANTUM623,E-1062-096	1
B1	HDWASMB1187	ANTI-FLUTTER KIT,REAR CASTER,JAZZY,B-1005-137	1
C1	DWR1065C008	SHROUD,COVER,CAP,CASTER,BLACK	1
D1a	FRMASMB16285	CASTER,ASSY,LOW IMPACT,BLACK RIM/GRAY TIRE,6" WHEEL,W/FORK & COVERS,RIGHT,W/RADIUS,D-1202-048	1
D1b	FRMASMB16284	CASTER,ASSY,LOW IMPACT,BLACK RIM/GRAY TIRE,6" WHEEL,W/FORK & COVERS,LEFT,W/RADIUS,D-1202-047	1
E1	WHLASMB2130	WHEEL,ASSY,LOW IMPACT,BLACK RIM/GRAY TIRE,6" X 2",W/BEARINGS & SPACER,E-1202-039	1
F1	FRMASMB17517	SUSPENSION,ASSY,STRUT,REAR,VENT TRAY,Q6EDGE,D-1062-101	1
G1	HDWASMB1170	PIVOT HARDWARE SUB-ASSEMBLY	1
H1	WHLASMB1762	WHEEL,ASSY,CASTER,FLAT FREE,BLACK RIM/GRAY TIRE,6"X 2",W/BEARINGS & SPACER,E-1202-019	1
I1	SCRPPH1036	SCREW, PAN HEAD, TYPE H, M4X0.7 X 8, FT, ISO 7045, CL 4.8, BZ	4
J1	DWR1202D044	COVER,CASTER SPHERE,BLACK,6" WHEEL,THIN,LOW PROFILE,D- 1202-044	2

### 3. Articulating Beam Assy

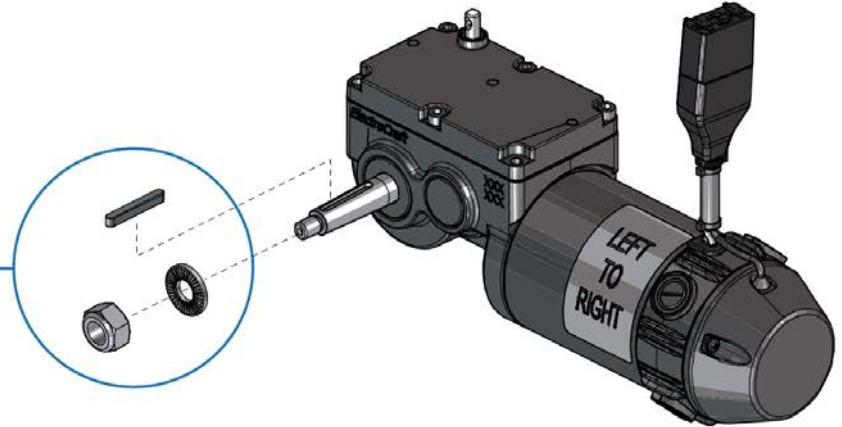
Please note: Only serviceable components are shown.  
Items with lower-case extensions represent right/left specific components.



Item	Part No.	Name	Qty
A1a	FRMASMB16291	ARTICULATING BEAM,ASSY,SEMI-INDEPENDENT SUSPENSION,W/8" CASTER WHEELS,RIGHT,QUANTUM623,E-1062-088	1
A1b	FRMASMB16290	ARTICULATING BEAM,ASSY,SEMI-INDEPENDENT SUSPENSION,W/8" CASTER WHEELS,LEFT,QUANTUM623,E-1062-087	1
B1	HDWASMB1187	ANTI-FLUTTER KIT,REAR CASTER,JAZZY,B-1005-137	1
C1	DWR1065C008	SHROUD,COVER,CAP,CASTER,BLACK	1
D1a	FRMASMB16283	CASTER,ASSY,LOW IMPACT,BLACK RIM/GRAY TIRE,8" WHEEL,W/FORK & COVERS,RIGHT,W/RADIUS,E-1202-041	1
D1b	FRMASMB16282	CASTER,ASSY,LOW IMPACT,BLACK RIM/GRAY TIRE,8" WHEEL,W/FORK & COVERS,LEFT,W/RADIUS,E-1202-040	1
E1	HDWASMB1170	PIVOT HARDWARE SUB-ASSEMBLY	1
F1	WHLASMB2127	WHEEL,ASSY,LOW IMPACT,BLACK RIM/GRAY TIRE,8" X 2",W/BEARINGS & SPACER,E-1202-038	1
G1	FRMASMB16043	SUSPENSION,ASSY,STRUT,FRONT,Q6EDGE,D-1062-070 ***Replaced with Version 2***	1
H1	DWR1202D046	COVER,CASTER SPHERE,BLACK,8" WHEEL,THIN,LOW PROFILE,D-1202-046	2
I1	SCRPPH1036	SCREW, PAN HEAD, TYPE H, M4X0.7 X 8, FT, ISO 7045, CL 4.8, BZ	4

4. Drive Motor Assy's

Please Note: The motors on the unit are affixed with a data plate that contains the motor part number (MOT1310xx-xx). This number may differ from the items in the parts list. To assure that the proper motor is selected, please utilize the information in the parts list and not from the motor data plate.

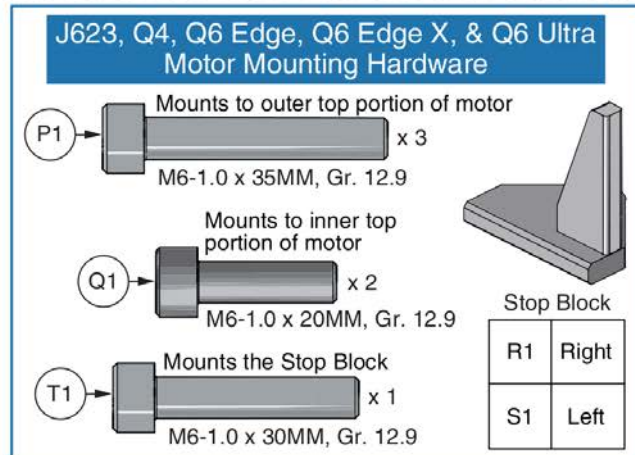
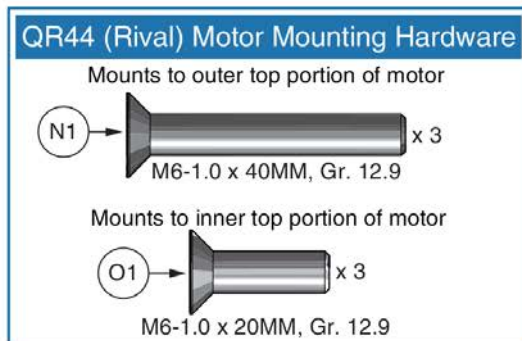


Curtis Connector Drive Motors					
5 MPH - Q6 Edge			6 MPH - Q4, Q6 Edge, Q6 Edge X, Q6 Ultra		
A1	Right	MOT131092-06	C1	Right	MOT131092-07
B1	Left	MOT131093-06	D1	Left	MOT131093-07
6 MPH - QR44 (Rival)			8 MPH - QR44 (Rival)		
D1	Right	MOT131093-07	G1	Right	MOT131093-08
C1	Left	MOT131092-07	H1	Left	MOT131092-08

Dynamic Connector Drive Motors					
5 MPH - J623			6 MPH - J623		
I1	Right	MOT132969	K1	Right	MOT132974
J1	Left	MOT132968	L1	Left	MOT132973

PG Drives Connector Drive Motors					
6 MPH - Q4					
E1	Right	MOT131092-11			
F1	Left	MOT131093-11			

The Complete Drive Motor includes the Wheel Mounting Hardware (M1). They DO NOT include the Motor Mounting Hardware. The model specific hardware MUST be selected separately.





# I-Song Drive Motor Assy



Item	Part No.	Name	Qty
A1	MOT131092-06	THIS IS THE RIGHT 5 MPH I-SONG MOTOR ASSY FOR THE Q6 EDGE,Q6 EDGE X, CURTIS CONNECTOR	1
B1	MOT131093-06	THIS IS THE LEFT 5 MPH I-SONG MOTOR ASSY FOR THE Q6 EDGE,Q6 EDGE X, CURTIS CONNECTOR	1
C1	MOT131092-07	THIS IS THE RIGHT 6 MPH I-SONG MOTOR ASSY FOR THE Q6 EDGE SERIES or THE LEFT 6 MPH I-SONG MOTOR ASSY FOR THE QR44, CURTIS CONNECTOR	1
D1	MOT131093-07	THIS IS THE LEFT 6 MPH I-SONG MOTOR ASSY FOR THE Q6 EDGE SERIES or THE RIGHT 6 MPH I-SONG MOTOR ASSY FOR THE QR44, CURTIS CONNECTOR	1
E1	MOT131092-11	MOTOR,ASSY,I-SONG,MTR-GRB-BRK,21.33:1,160 RPM,6 MPH,PG RNET	1
F1	MOT131093-11	MOTOR,ASSY,I-SONG,MTR-GRB-BRK,21.33:1,160 RPM,6 MPH,PG RNET	1
G1	MOT131093-08	THIS IS THE RIGHT 8 MPH I-SONG MOTOR ASSY FOR THE QR44,CURTIS CONNECTOR	1
H1	MOT131092-08	THIS IS THE LEFT 8 MPH I-SONG MOTOR ASSY FOR THE QR44,CURTIS CONNECTOR	1
I1	MOT132969	MOTOR,ASSY,I-SONG,5 MPH,125 RPM,INDIVIDUAL BRAKE LEVERS,RIGHT,Q6EDGE,DYNAMIC CONNECTOR	1
J1		MOTOR,ASSY,I-SONG,5 MPH,125 RPM,INDIVIDUAL BRAKE LEVERS,LEFT,Q6EDGE,DYNAMIC CONNECTOR	1
K1	MOT132974	MOTOR,ASSY,I-SONG,6 MPH,160 RPM,INDIVIDUAL BRAKE LEVERS,RIGHT,Q6EDGE,DYNAMIC CONNECTOR	1
L1	MOT132973	MOTOR,ASSY,I-SONG,6 MPH,160 RPM,INDIVIDUAL BRAKE LEVERS,LEFT,Q6EDGE,DYNAMIC CONNECTOR	1
M1	KIT150479	KIT,ASSY,WHEEL MOUNTING HARDWARE,SONG & I-SONG MOTORS	1
N1	HDW131753	SCREW,SHFH,BLACK ZINC,M6-1.0 X 40MM,GRADE 12.9,W/NYLON PATCH	3
O1	HDW131752	SCREW,SHFH,BLACK ZINC,M6-1.0 X 20MM,GRADE 12.9,W/NYLON PATCH	3
P1	SCRSHCS1084	SCREW,SHCS,BLACK ZINC,M6-1.0 X 35MM,GRADE 12.9	3
Q1	SCRSHCS1192	SCREW,SHCS,BLACK ZINC,M6-1.0 X 20MM,GRADE 12.9	2
R1	MEC124637	EDGE MOTOR MOUNT STOP WELDMENT, RIGHT	1
S1	MEC124636	EDGE MOTOR MOUNT STOP WELDMENT, LEFT	1
T1	SCRSHCS1015	SCREW,SHCS,BLACK ZINC,M6-1.0 X 30MM,GRADE 12.9	1

4. Drive Motor Assy's

Curtis Connector ACCU-Trac Drive Motors					
Q4, Q6 Edge, Q6 Edge X			QR44 (Rival)		
A1	Right	DRVASMB2232	B1	Right	DRVASMB2231
B1	Left	DRVASMB2231	A1	Left	DRVASMB2232



**C1 KIT150479 - Wheel Mounting Hardware**

M10 x 1.25, Gr. 8

M10.3 Serrated Washer

Axle Key

The Drive Motor includes the Wheel Mounting and Motor Mounting Hardware to mount to the Q4 / Q6 units. The Motor Mounting Hardware for the QR44 must be selected separately.

**Q4, Q6 Edge, & Q6 Edge X Motor Mounting Hardware**

**D1** → Mounts to outer top portion of motor  
M6-1.0 x 35MM, Gr. 12.9 x 3

**E1** → Mounts to inner top portion of motor  
M6-1.0 x 20MM, Gr. 12.9 x 2

**J1** → Mounts the Stop Block  
M6-1.0 x 30MM, Gr. 12.9 x 1

**Stop Block**

F1	Right
G1	Left

**QR44 (Rival) Motor Mounting Hardware**

Mounts to outer top portion of motor

**H1** → M6-1.0 x 40MM, Gr. 12.9 x 3

Mounts to inner top portion of motor

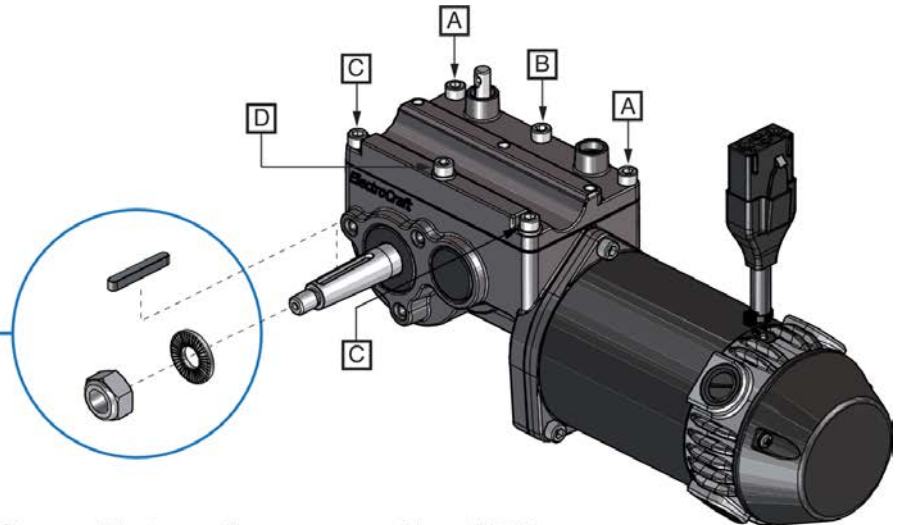
**I1** → M6-1.0 x 20MM, Gr. 12.9 x 3

# Song ACCU-TRAC Motor Assy

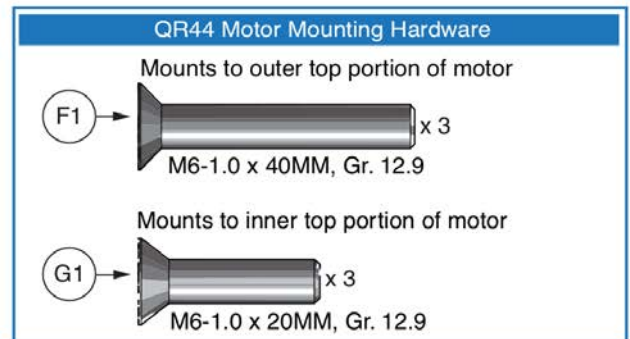
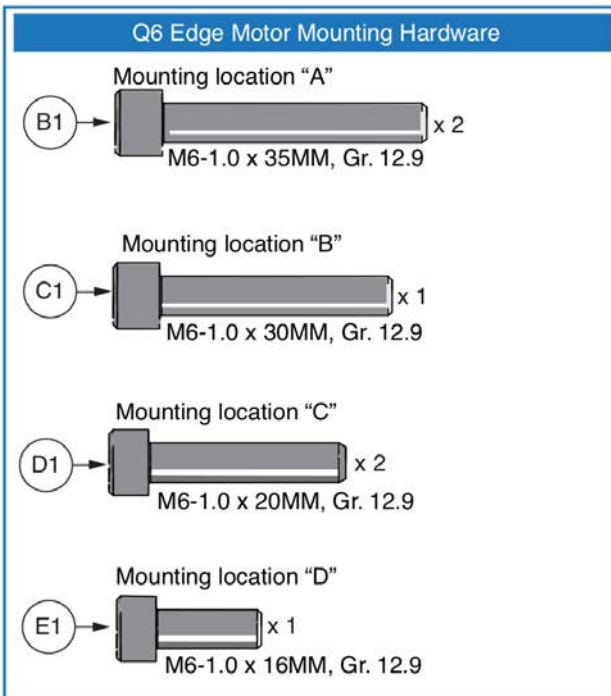


Item	Part No.	Name	Qty
A1	DRVASMB2232	MOTOR,ASSY,DRIVE,E868 G4,W/GEARBOX,6 MPH,160 RPM,21.3:1,RIGHT HAND MWD,LEFT HAND RWD,W/ENCODER,CURTIS CONNECTOR,E-1210-166,(ELECTROCRAFT: 868-006-006-02)	1
B1	DRVASMB2231	MOTOR,ASSY,DRIVE,E868 G4,W/GEARBOX,6 MPH,160 RPM,21.3:1,LEFT HAND MWD,RIGHT HAND RWD,W/ENCODER,CURTIS CONNECTOR,E-1210-163,(ELECTROCRAFT: 868-005-005-02)	1
C1	KIT150479	KIT,ASSY,WHEEL MOUNTING HARDWARE,SONG & I-SONG MOTORS	1
D1	SCRSHCS1084	SCREW,SHCS,BLACK ZINC,M6-1.0 X 35MM,GRADE 12.9	3
E1	SCRSHCS1192	SCREW,SHCS,BLACK ZINC,M6-1.0 X 20MM,GRADE 12.9	2
F1	MEC124637	EDGE MOTOR MOUNT STOP WELDMENT, RIGHT	1
G1	MEC124636	EDGE MOTOR MOUNT STOP WELDMENT, LEFT	1
H1	HDW131753	SCREW,SHFH,BLACK ZINC,M6-1.0 X 40MM,GRADE 12.9,W/NYLON PATCH	3
I1	HDW131752	SCREW,SHFH,BLACK ZINC,M6-1.0 X 20MM,GRADE 12.9,W/NYLON PATCH	3
J1	SCRSHCS1015	SCREW,SHCS,BLACK ZINC,M6-1.0 X 30MM,GRADE 12.9	1

4. Drive Motor Assy's



**\*\*\*The 5MPH and 6MPH Song Motors for use on the J623, Q6 Edge and QR44 - Rival are no longer available for replacement. Contact Technical Service for replacement options. Only items with callouts are available for replacement.\*\*\***



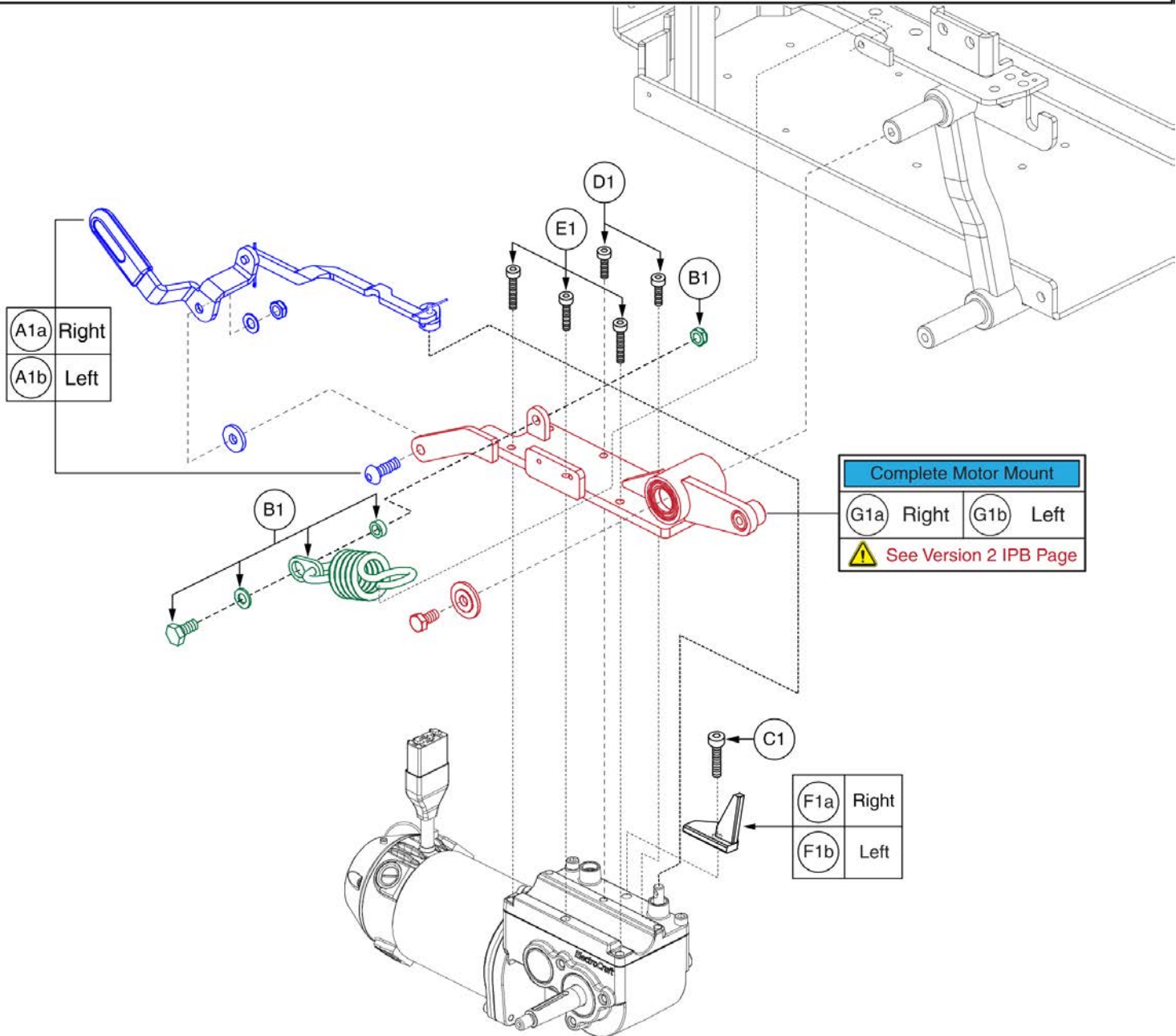
Item	Part No.	Name	Qty
A1	KIT150479	KIT,ASSY,WHEEL MOUNTING HARDWARE,SONG & I-SONG MOTORS	1
B1	SCRSHCS1154	SCREW, SHCS,M6-1.0 X 35MM,GRADE 12.9	2
C1	SCRSHCS1323	SCREW,SHCS,ZINC,M6-1.0 X 30MM,GRADE 12.9	1
D1	SCRSHCS1316	SCREW,SHCS,ZINC,M6-1.0 X 20MM,GRADE 12.9	2
E1	SCRSHCS1322	SCREW,SHCS,ZINC,M6-1.0 X 16MM,GRADE 12.9	1
F1	HDW131753	SCREW,SHFH,BLACK ZINC,M6-1.0 X 40MM,GRADE 12.9,W/NYLON PATCH	3
G1	HDW131752	SCREW,SHFH,BLACK ZINC,M6-1.0 X 20MM,GRADE 12.9,W/NYLON PATCH	3

### 5. Freewheel Lever & Motor Mount Assy

**IMPORTANT:**

- Due to a Product Enhancement, when replacing the Version 1 Motor Mounts with Version 2 you **MUST** also replace the Front Suspension and Caster Arms with the Version 2 components.
- The Version 2 components are **NOT** backwards compatible with Version 1, therefore, all components **MUST** be replaced together.

**Contact Technical Service for additional information.**



Item	Part No.	Name	Qty
A1a	FRMASMB16057	FREEWHEEL,ASSY,RELEASE,RIGHT,QUANTUM623,C-1062-053	1
A1b	FRMASMB16056	FREEWHEEL,ASSY,RELEASE,LEFT,QUANTUM623,C-1062-052	1
B1	FRMASMB16030	SUSPENSION,ASSY,PIVOTING SPRING MOUNT,QUANTUM623,C- 1062-044	1
C1	SCRSHCS1015	SCREW,SHCS,BLACK ZINC,M6-1.0 X 30MM,GRADE 12.9	1
D1	SCRSHCS1192	SCREW,SHCS,BLACK ZINC,M6-1.0 X 20MM,GRADE 12.9	2
E1	SCRSHCS1084	SCREW,SHCS,BLACK ZINC,M6-1.0 X 35MM,GRADE 12.9	3
F1a	MEC124637	EDGE MOTOR MOUNT STOP WELDMENT, RIGHT	1
F1b	MEC124636	EDGE MOTOR MOUNT STOP WELDMENT, LEFT	1
G1a	FRMASMB17954	MOTOR MOUNT,ASSY,RIGHT,W/MOUNTING HARDWARE,Q6EDGE,D- 1062-113 ***Replaced with Version 2***	1
G1b	FRMASMB17953	MOTOR MOUNT,ASSY,LEFT,W/MOUNTING HARDWARE,Q6EDGE,D- 1062-112 ***Replaced with Version 2***	1

### 5. Freewheel Lever & Motor Mount Assy

**IMPORTANT:**

- Due to a Product Enhancement, when replacing the Version 1 Motor Mounts with Version 2 you **MUST** also replace the Front Suspension and Caster Arms with the Version 2 components.
- The Version 2 components are **NOT** backwards compatible with Version 1, therefore, all components **MUST** be replaced together.

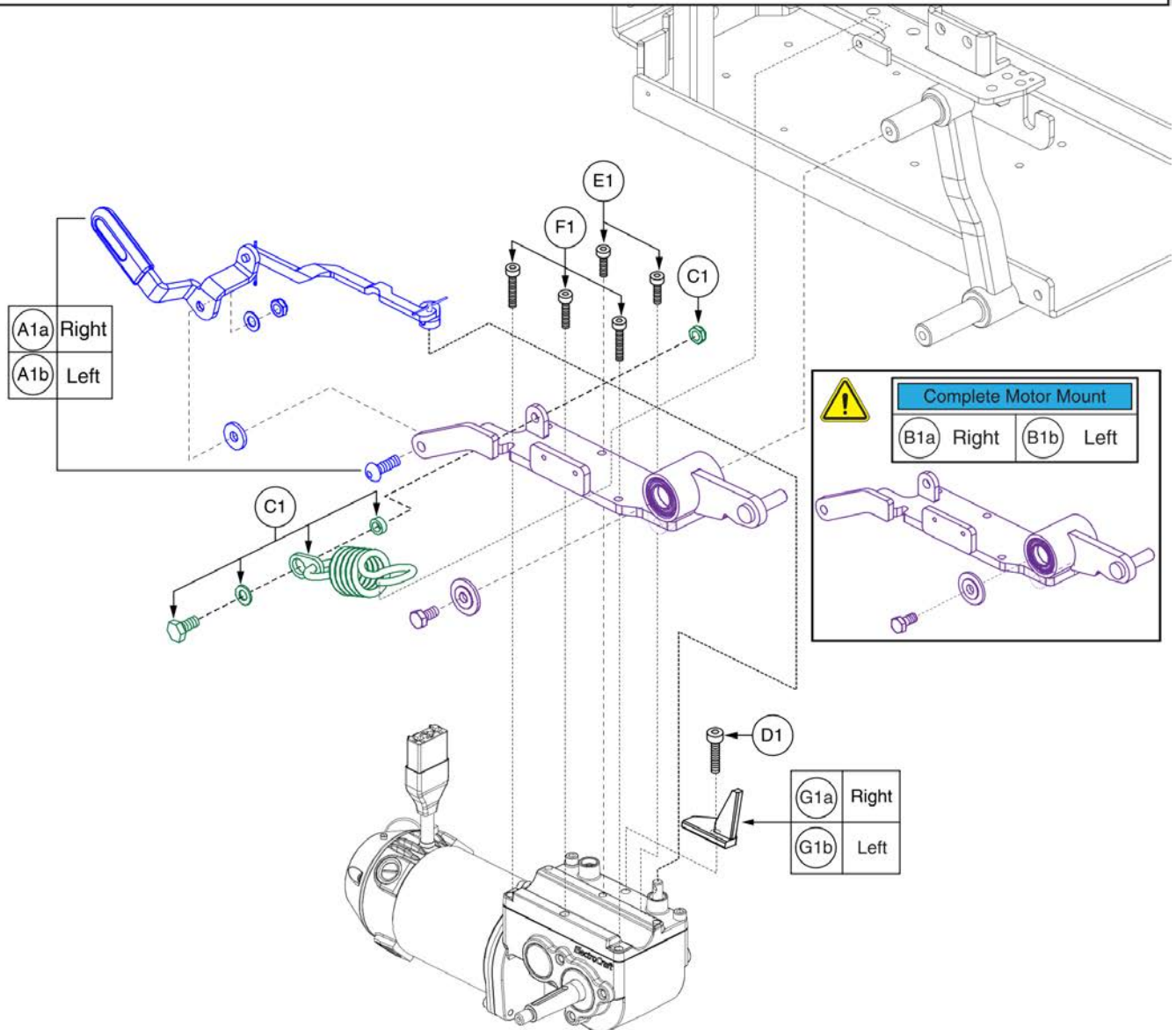
Contact Technical Service for additional information.



Ref #	Part #	Part Description	QTY
B1a	MEC151497	MOTOR MOUNT ASSEMBLY, RIGHT	1
B1b	MEC151486	MOTOR MOUNT ASSEMBLY, LEFT	1
H1	MEC1801937-1	FRONT SUSPENSION ASSEMBLY, Q6 EDGE, GRAY SPRING	2
I1a	MEC154785	CASTER AND WHEEL ASSEMBLY, RIGHT FRONT	1
I1b	MEC154782	CASTER AND WHEEL ASSEMBLY, LEFT FRONT	1



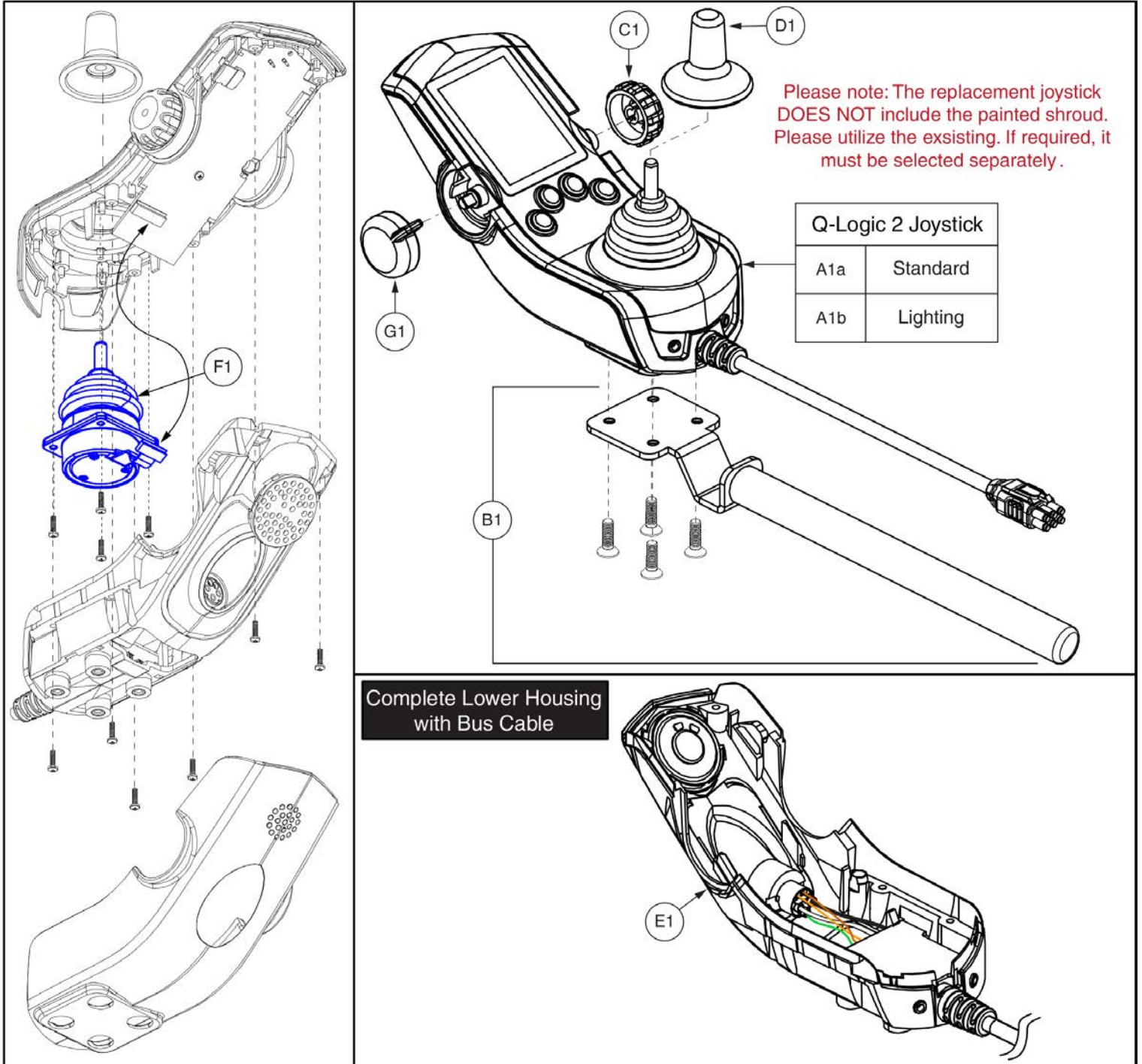
Parts Not Shown. See Caster Arm Pages.





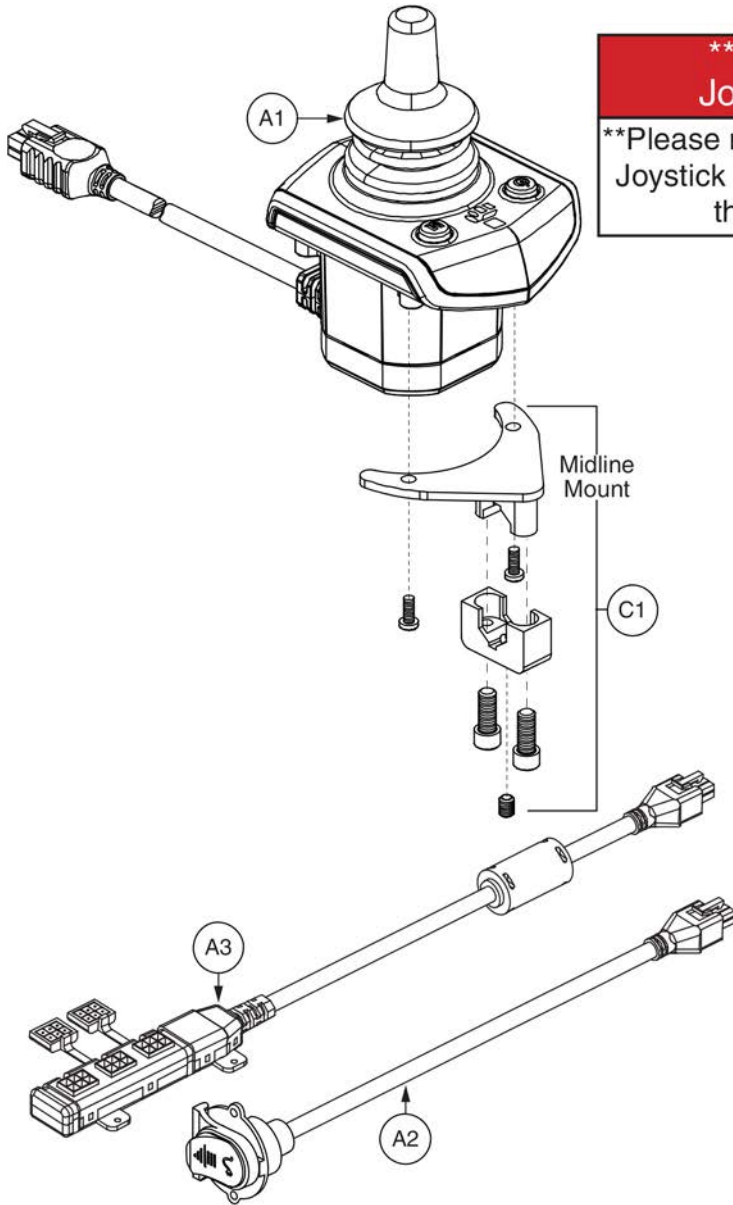
Item	Part No.	Name	Qty
A1a	FRMASMB16057	FREEWHEEL,ASSY,RELEASE,RIGHT,QUANTUM623,C-1062-053	1
A1b	FRMASMB16056	FREEWHEEL,ASSY,RELEASE,LEFT,QUANTUM623,C-1062-052	1
B1a	MEC151497	MOTOR MOUNT ASSEMBLY, RIGHT ***Replaces FRMASMB17954. Must Replace L/R In Pairs w/ Front Caster Arms and Suspension.***	1
B1b	MEC151486	MOTOR MOUNT ASSEMBLY, LEFT ***Replaces FRMASMB17953. Must Replace L/R In Pairs w/ Front Caster Arms and Suspension.***	1
C1	FRMASMB16030	SUSPENSION,ASSY,PIVOTING SPRING MOUNT,QUANTUM623,C- 1062-044	1
D1	SCRSHCS1015	SCREW,SHCS,BLACK ZINC,M6-1.0 X 30MM,GRADE 12.9	1
E1	SCRSHCS1192	SCREW,SHCS,BLACK ZINC,M6-1.0 X 20MM,GRADE 12.9	2
F1	SCRSHCS1084	SCREW,SHCS,BLACK ZINC,M6-1.0 X 35MM,GRADE 12.9	3
G1a	MEC124637	EDGE MOTOR MOUNT STOP WELDMENT, RIGHT	1
G1b	MEC124636	EDGE MOTOR MOUNT STOP WELDMENT, LEFT	1
H1	MEC1801937-1	FRONT SUSPENSION ASSEMBLY, Q6 EDGE, GRAY SPRING ***Must Be Replaced In Pairs w/ Front Caster Arms and Motor Mounts***	2
I1a	MEC154785	CASTER AND WHEEL ASSEMBLY, RIGHT FRONT ***Replaces FRMASMB16050. Must Replace L/R In Pairs w/ Front Suspension and Motor Mounts***	1
I1b	MEC154782	CASTER AND WHEEL ASSEMBLY, LEFT FRONT ***Replaces FRMASMB16049. Must Replace L/R in Pairs w/ Front Suspension & Motor Mounts.***	1

6. Joystick Assy's

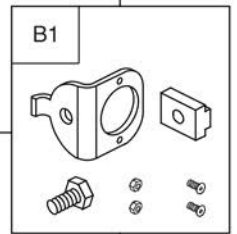
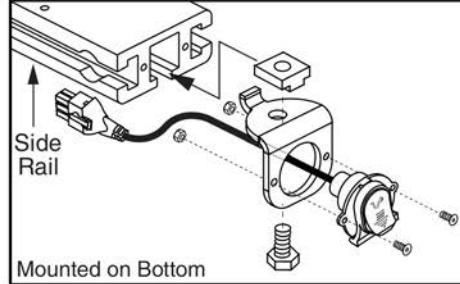
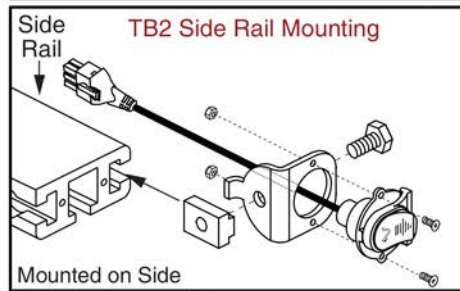
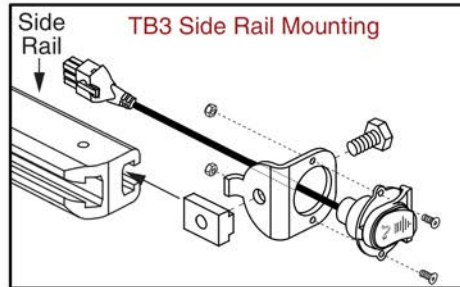
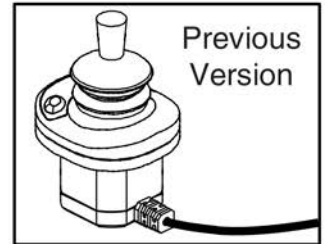


Item	Part No.	Name	Qty
A1a	CTL123217	CONTROLLER,JOYSTICK MODULE Q-LOGIC 2,4 KEY,W/LCD COLOR DISPLAY	1
A1b	CTL124653	CONTROLLER,JOYSTICK MODULE Q-LOGIC 2,4 KEY,LIGHTS,W/LCD COLOR DISPLAY	1
B1	FRMASMB10617	JOYSTICK MOUNTING BRACKET,ASSY,CURTIS,INLINE	1
C1	DGN124309	SPEED WHEEL,KNOB,CURTIS Q-LOGIC 2,BLACK,PLASTIC,DGN124309,(CURTIS: 17949367-01)	1
D1	DGN124308	JOYSTICK,KNOB,CURTIS,STANDARD,6.35MM-ID,DGN124308,(CURTIS: 37381)	1
E1	ELE124313	Q-LOGIC 2 BOTTOM HOUSING,JOYSTICK MODULE,W/BUS CABLE	1
F1	ELE124312	ELECTRONIC,JOYSTICK GIMBLE,DIGITAL,Q-LOGIC 2&3	1
G1	KIT152919	KIT,ASSY,Q-LOGIC 2 CONTROLLER,ON/OFF/MODE TOGGLE REPLACEMENT,W/INSTALLATION INSTRUCTIONS	1

6. Joystick Assy's



**\*\*\*Q-Logic Stand Alone Joystick Replacement\*\*\***  
**\*\*Please note: The Q-Logic 2 Stand Alone Joystick replaces all previous versions of the Stand Alone joystick.\*\***

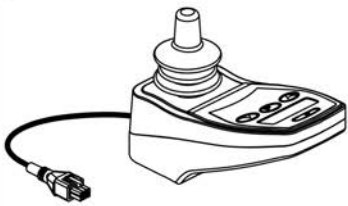
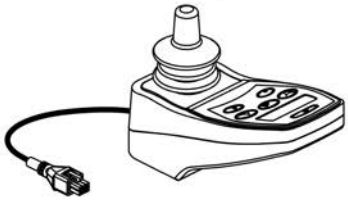
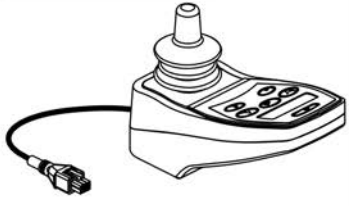
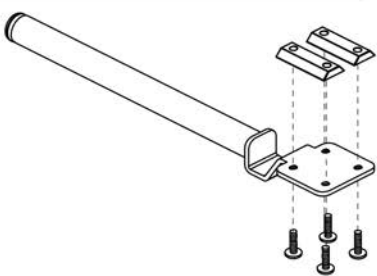

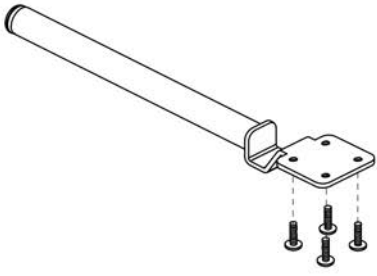


## Q-Logic 2 Stand Alone Joystick Assy



Item	Part No.	Name	Qty
A1	CTL137635	CONTROLLER,STAND ALONE JOYSTICK 2.0,Q-LOGIC 2 (CURTIS: 17960700-8109)	1
A2	DWR1111H051	HARNESS,CHARGER/PROGRAMMER,1.0 METER,H-1111-051,(CURTIS: 17880700)	1
A3	DWR1111H053	HARNESS,MULTIPLIER BOX,0.3 METER,H-1111-053,(CURTIS: 17869700)	1
B1	FRMASMB11156	MOUNTING BRACKET,ASSY,STAND ALONE JOYSTICK,SIDE RAIL MOUNT,C-1360-163	1
C1	FRMASMB10454	JOYSTICK MOUNTING BRACKET,ASSY,CURTIS STAND ALONE JOYSTICK,MIDLINE,C-1010-263	1

6. Joystick Assy's

<p><b>A1 NE 4-Key</b></p> 	<p><b>B1 NE+ 6-Key</b></p> 	<p><b>C1 NE+ 8-Key</b></p> 	<p><b>D1 NE/NE+ Mounting Bracket</b></p> 									
<p><b>Q-Logic 1 Joystick Assy's - No Longer Available</b></p>												
<table border="1" style="width: 100%; border-collapse: collapse;"> <thead> <tr> <th style="text-align: left;">Ref #</th> <th style="text-align: left;">Config</th> <th style="text-align: left;">Manufacture Date</th> </tr> </thead> <tbody> <tr> <td>N/A</td> <td>Standard</td> <td>*See Joystick Replacement Notes</td> </tr> <tr> <td>N/A</td> <td>Lighting</td> <td>*See Joystick Replacement Notes</td> </tr> </tbody> </table>	Ref #	Config	Manufacture Date	N/A	Standard	*See Joystick Replacement Notes	N/A	Lighting	*See Joystick Replacement Notes		<p><b>G1 Q-Logic Mounting Bracket</b></p> 	
Ref #	Config	Manufacture Date										
N/A	Standard	*See Joystick Replacement Notes										
N/A	Lighting	*See Joystick Replacement Notes										
<p><b>**Q-Logic 1 Joystick Replacement**</b></p>												
<p>The <b>Q-Logic 1 Standard &amp; Lighting Joysticks</b> have been replaced by the Q-Logic 2 Joysticks, CTL123217 &amp; CTL124653 respectively. Programming is required. Contact service for further information.</p>												

# NE, NE+, & Q-Logic 1 Joystick Assy's



Item	Part No.	Name	Qty
A1	CTLDC1554	CONTROLLER,JOYSTICK MODULE,CURTIS,NE,4 KEY,H-1111-263,(CURTIS: 378692019)	1
B1	CTLDC1560	CONTROLLER,JOYSTICK MODULE,CURTIS NE PLUS,6 KEY,SWITCH JACKS AND ACTUATORS,H-1111-268,(CURTIS: 17905700)	1
C1	CTLDC1561	CONTROLLER,JOYSTICK MODULE,CURTIS NE PLUS,8 KEY,SWITCH JACKS,ACTUATORS,AND LIGHTS,H-1111-269,(CURTIS: 17906700)	1
D1	FRMASMB12744	JOYSTICK MOUNTING BRACKET,ASSY,NE/NE PLUS CONTROLLER,INLINE	1
E1		CONTROLLER,JOYSTICK MODULE,Q-LOGIC,CURTIS,4 KEY,W/LCD COLOR DISPLAY,H-1111-022,(CURTIS: 17856700)	1
F1		CONTROLLER,JOYSTICK,Q-LOGIC (FW 1.38),CURTIS,4 KEY,W/LCD COLOR DISPLAY	1
G1	FRMASMB10617	JOYSTICK MOUNTING BRACKET,ASSY,CURTIS,INLINE	1

Joystick Knobs & Overlays

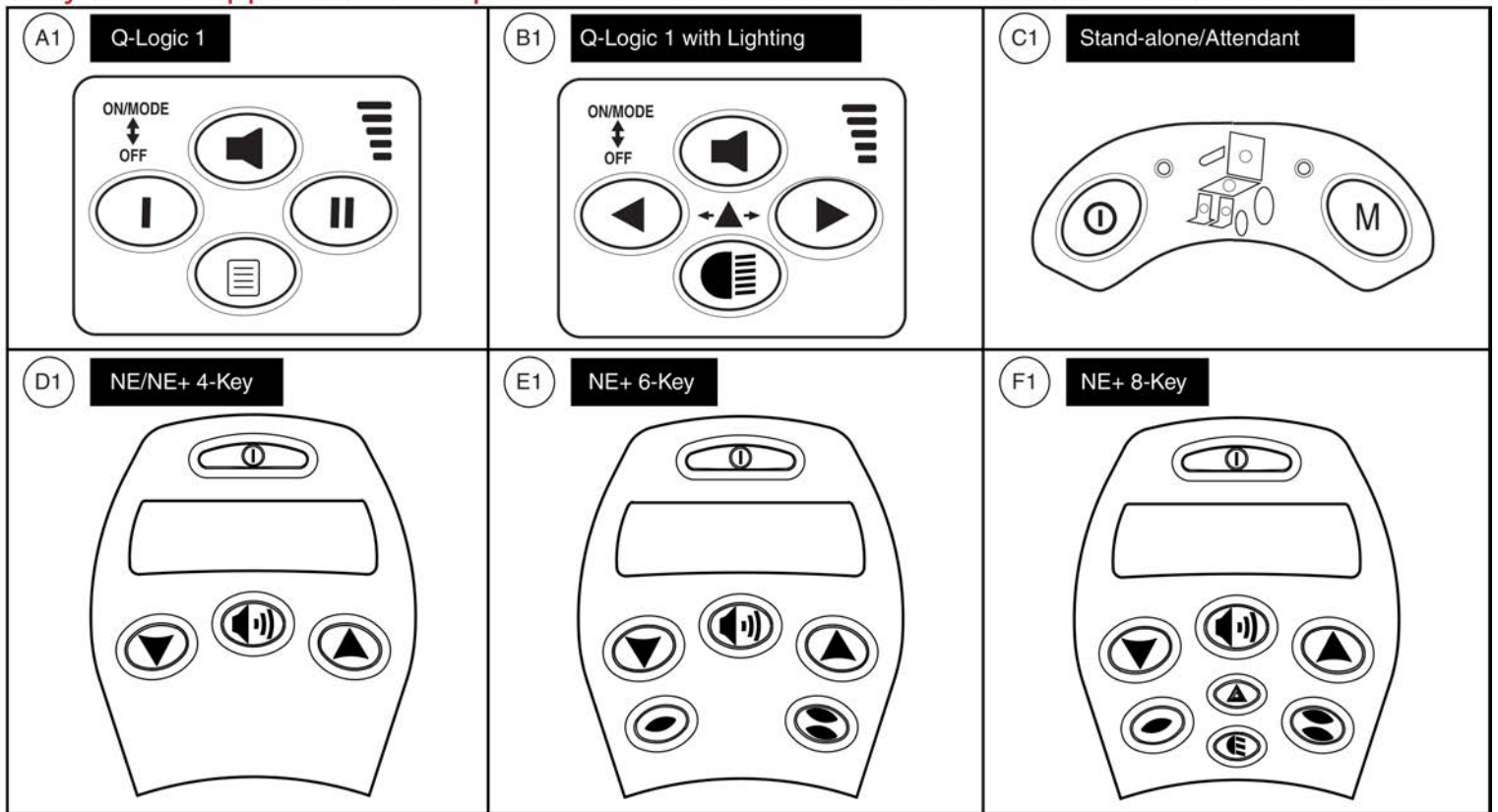
<p>A1 <b>Soft Ball</b></p> 	<p>B1 <b>I-Handle</b></p> 	<p>C1 <b>T-bar</b></p> 	<p>D1 <b>Ball</b></p> 				
<p>E1 <b>Mushroom</b></p> 	<p>F1 <b>Chin Cup</b></p> 	<p>G1 <b>Remote Plus (Carrot)</b></p> 	<p><b>Goal Posts</b></p> <table border="1" data-bbox="1425 1062 1539 1167"> <tr> <td>H1</td> <td>3"</td> </tr> <tr> <td>I1</td> <td>4"</td> </tr> </table> 	H1	3"	I1	4"
H1	3"						
I1	4"						



Item	Part No.	Name	Qty
A1	ACCASMB1856	P&G JOYSTICK KNOB,ASSY,JAZZY,SOFT BALL	1
B1	ACCASMB1857	P&G JOYSTICK KNOB,ASSY,JAZZY,EXTENDED I-HANDLE	1
C1	ACCASMB1858	P&G JOYSTICK KNOB,ASSY,JAZZY,T BAR	1
D1	ACCASMB1859	P&G JOYSTICK KNOB,ASSY,JAZZY,BALL	1
E1	ACCASMB1860	P&G JOYSTICK KNOB,ASSY,JAZZY,MUSHROOM	1
F1	ACCASMB1861	P&G JOYSTICK KNOB,ASSY,JAZZY,CHIN CUP	1
G1	ACCASMB1862	P&G JOYSTICK KNOB,ASSY,JAZZY,REMOTE STANDARD	1
H1	PLSKNCP1057	JOYSTICK KNOB,3",GOAL POST,W/FLEX SHAFT,FOR 1/4" STEM,(BP: PC101B)	1
I1	PLSKNCP1058	JOYSTICK KNOB,4",GOAL POST,W/FLEX SHAFT,FOR 1/4" STEM,(BP: PC102B)	1

Joystick Knobs & Overlays

Please note: Joystick selection varies by power base model. Replacement parts shown may not be applicable to all power bases. Contact Technical Service for more information.

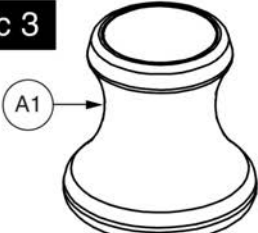
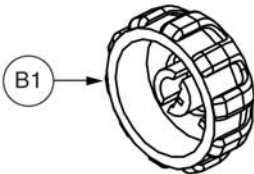
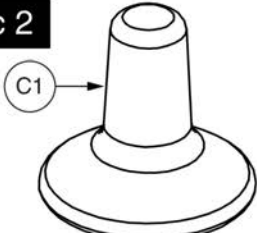
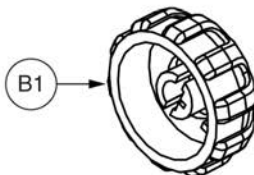
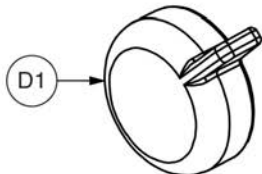
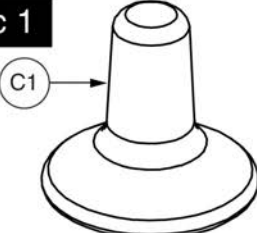
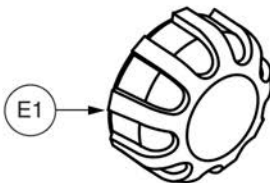


Item	Part No.	Name	Qty
A1	KITASMB1728	KIT,ASSY,Q-LOGIC CONTROLLER KEYPAD REPLACEMENT,W/INSTALLATION INSTRUCTIONS	1
B1	KITASMB1729	KIT,ASSY,Q-LOGIC CONTROLLER W/LIGHTS KEYPAD REPLACEMENT,W/INSTALLATION INSTRUCTIONS	1
C1	KITASMB1730	KIT,ASSY,Q-LOGIC STAND ALONE CONTROLLER KEYPAD REPLACEMENT,W/INSTALLATION INSTRUCTIONS	1
D1	KIT152913	KIT,ASSY,NE/NE PLUS CONTROLLER,4 KEY KEYPAD REPLACEMENT,W/INSTALLATION INSTRUCTIONS	1
E1	KIT152914	KIT,ASSY,NE/NE PLUS CONTROLLER,6 KEY KEYPAD REPLACEMENT,W/INSTALLATION INSTRUCTIONS	1
F1	KIT152915	KIT,ASSY,NE/NE PLUS CONTROLLER,8 KEY KEYPAD REPLACEMENT,W/INSTALLATION INSTRUCTIONS	1

Joystick Knobs & Overlays

**Please note:**

- Joystick selection varies by power base model. Replacement parts shown may not be applicable to all power bases.
- Serviceable components vary for each version of the Q-Logic Joystick and only the serviceable parts are shown for each.
- Contact Technical Service for more information.

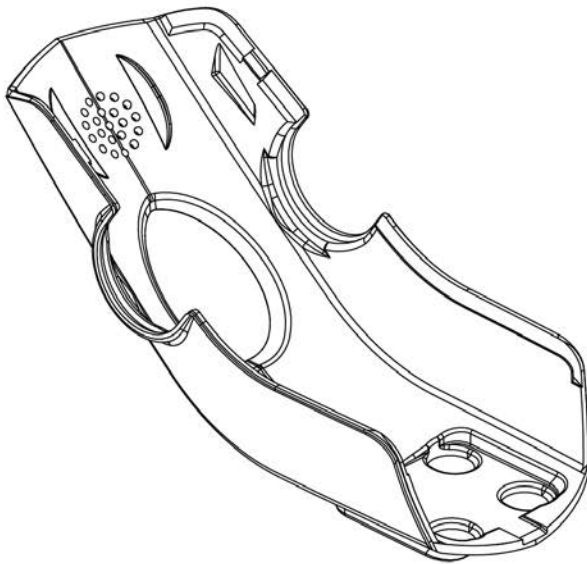
<p><b>Q-Logic 3</b></p>  <p>A1</p> <p>Joystick &amp; Stand-alone/Attendant Gimble Knob</p>	 <p>B1</p> <p>Speed Knob</p>	
<p><b>Q-Logic 2</b></p>  <p>C1</p> <p>Joystick &amp; Stand-alone/Attendant Gimble Knob</p>	 <p>B1</p> <p>Speed Knob</p>	 <p>D1</p> <p>On/Off/Mode Knob <i>(NOT compatible with Q-Logic 1 or 3)</i></p>
<p><b>Q-Logic 1</b></p>  <p>C1</p> <p>Joystick &amp; Stand-alone/Attendant Gimble Knob</p>	 <p>E1</p> <p>Speed Knob</p>	

<b>Item</b>	<b>Part No.</b>	<b>Name</b>	<b>Qty</b>
A1	DGN154742	JOYSTICK, KNOB, Q-LOGIC 3, 6.35MM-ID, (CURTIS: 17519114-01)	1
B1	DGN124309	SPEED WHEEL,KNOB,CURTIS Q-LOGIC 2,BLACK,PLASTIC,DGN124309,(CURTIS: 17949367-01)	1
C1	DGN124308	JOYSTICK,KNOB,CURTIS,STANDARD,6.35MM-ID,DGN124308,(CURTIS: 37381)	1
D1	KIT152919	KIT,ASSY,Q-LOGIC 2 CONTROLLER,ON/OFF/MODE TOGGLE REPLACEMENT,W/INSTALLATION INSTRUCTIONS	1
E1	PLSINDV1252	ELECTRONIC,KNOB,BLACK,PLASTIC,SPEED WHEEL,(CURTIS: 17856352-A)	1

Q-Logic 2 & 3 Joystick Shrouds

**\*Please Note:**

- The joystick shrouds are available in all the Quantum colors listed.
- Power base colors vary by model and some colors listed may not be available on all power bases. See the Quantum Color Reference Chart for color options.
- Some colors listed may have prolonged lead times.
- Contact Technical Service for more information.



Q-Logic 2 (Pre 2015)	
Ref#	Color Name
A1	Std., Soft Touch
A2	Black
A3	Silver
A4	Candy Apple Red
A5	Pearl Pink
A6	Sapphire Blue
A7	True Blue
A8	Viper Blue
A9	Emerald Green
A10	Orion Yellow
A11	Sunburst Orange

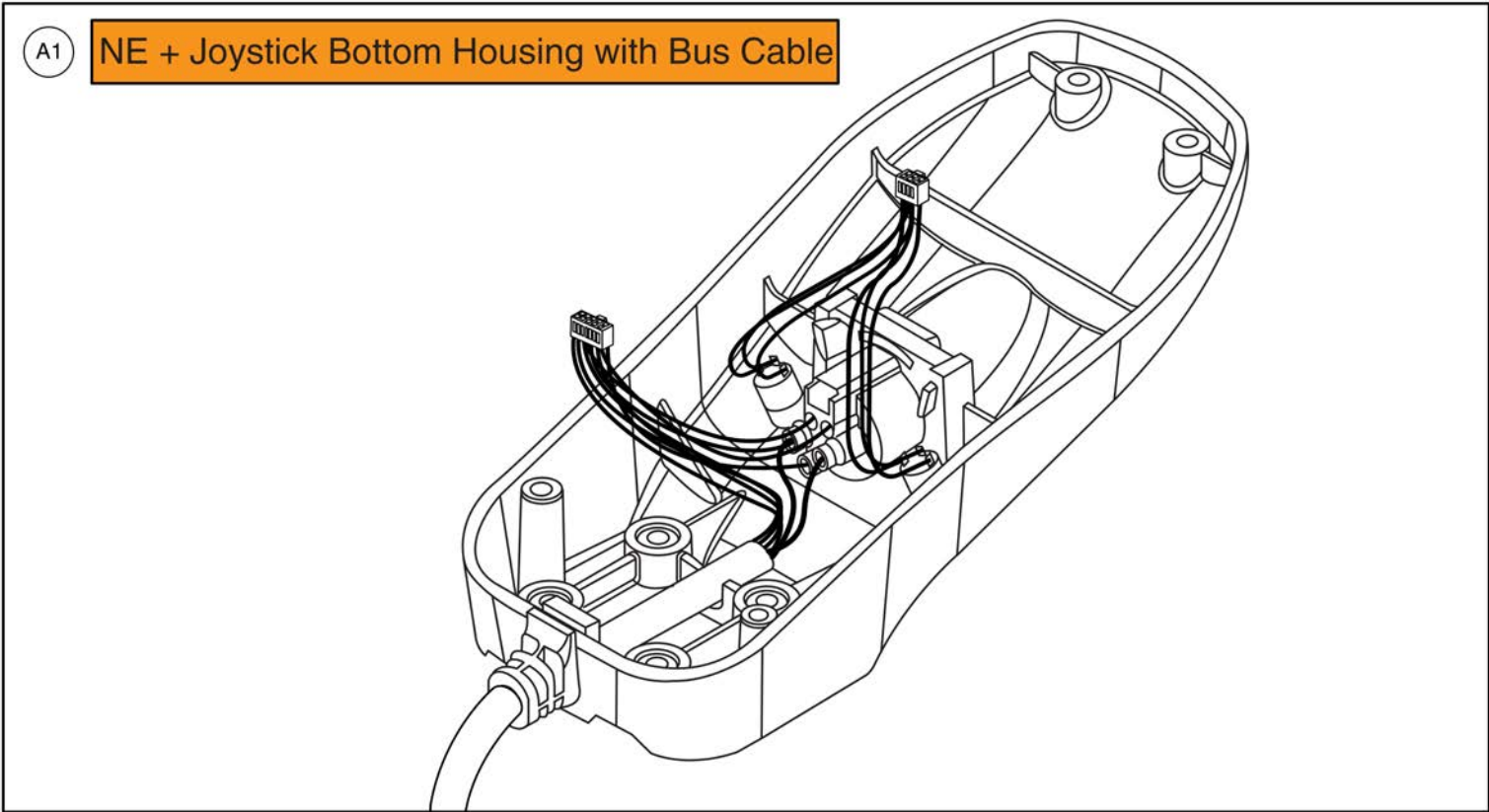
Q-Logic 2 (Post 2015) & Q-Logic 3	
Ref#	Color Name
B1	Std., Soft Touch
B2	Back in Black
B3	Night Train
B4	Grey Street
B5	Silver Bullet
B6	White Satin
B7	Red Corvette
B8	Cherry Bomb
B9	Pretty in Pink
B10	Raspberry Beret
B11	Sugar Plum
B12	Deep Purple
B13	Midnight Blue
B14	Electric Blue
B15	Blue Jean
B16	Green Machine
B17	Military Green
B18	Lime Light
B19	Yellow Blaze
B20	Lemon Crush
B21	Orange Crush
B22	Evolution Orange
B23	Carbon Fiber
B24	Digital Camo
B25	Faded Glory

# Q-Logic 2 & 3 Joystick Shrouds



Item	Part No.	Name	Qty
A1	DGN124307	Q-LOGIC 2/3 JOYSTICK SHROUD,BLACK SOFT-TOUCH PAINT,(CURTIS: 17949365-02)	1
A2	DGN124336-PBK1	Q-LOGIC 2/3 JOYSTICK SHROUD,PPW-BLK-01 (BACK IN BLACK/BLACK)	1
A3	DGN124336-PSL1	Q-LOGIC 2/3 JOYSTICK SHROUD,PPW-SIL-01 (SILVER)	1
A4	DGN124336-PRD1	Q-LOGIC 2/3 JOYSTICK SHROUD,PPW-RED-01 (RED CORVETTE/CANDY APPLE RED)	1
A5	DGN124336-PPK1	Q-LOGIC 2/3 JOYSTICK SHROUD,PPW-PNK-01 (PEARL PINK)	1
A6	DGN124336-PPR4	Q-LOGIC 2/3 JOYSTICK SHROUD,PPW-PRP-04 (SAPPHIRE BLUE)	1
A7	DGN124336-PBU9	Q-LOGIC 2/3 JOYSTICK SHROUD,PPW-BLU-09 (ELECTRIC BLUE/TRUE BLUE)	1
A8	DGN124336-PBU1	Q-LOGIC 2/3 JOYSTICK SHROUD,PPW-BLU-01 (VIPER BLUE)	1
A9	DGN124336-PGN5	Q-LOGIC 2/3 JOYSTICK SHROUD,PPW-GRN-05 (EMERALD GREEN)	1
A10	DGN124336-PYL3	Q-LOGIC 2/3 JOYSTICK SHROUD,PPW-YEL-03 (YELLOW BLAZE/ORION YELLOW)	1
A11	DGN124336-POR4	Q-LOGIC 2/3 JOYSTICK SHROUD,PPW-ORN-04 (SUNBURST ORANGE)	1
B1	DGN124307	Q-LOGIC 2/3 JOYSTICK SHROUD,BLACK SOFT-TOUCH PAINT,(CURTIS: 17949365-02)	1
B2	DGN124336-PBK1	Q-LOGIC 2/3 JOYSTICK SHROUD,PPW-BLK-01 (BACK IN BLACK/BLACK)	1
B3	DGN124336-PBK3	Q-LOGIC 2/3 JOYSTICK SHROUD,PPW-BLK-03 (NIGHT TRAIN)	1
B4	DGN124336-PSL3	Q-LOGIC 2/3 JOYSTICK SHROUD,PPW-SIL-03 (GREY STREET)	1
B5	DGN124336-PSL7	Q-LOGIC 2/3 JOYSTICK SHROUD,PPW-SIL-07 (SILVER BULLET)	1
B6	DGN124336-PWH2	Q-LOGIC 2/3 JOYSTICK SHROUD,PPW-WHT-02 (WHITE SATIN)	1
B7	DGN124336-PRD1	Q-LOGIC 2/3 JOYSTICK SHROUD,PPW-RED-01 (RED CORVETTE/CANDY APPLE RED)	1
B8	DGN124336-PRD4	Q-LOGIC 2/3 JOYSTICK SHROUD,PPW-RED-04 (CHERRY BOMB)	1
B9	DGN124336-PPK3	Q-LOGIC 2/3 JOYSTICK SHROUD,PPW-PNK-03 (PRETTY IN PINK)	1
B10	DGN124336-PPK4	Q-LOGIC 2/3 JOYSTICK SHROUD,PPW-PNK-04 (RASPBERRY BERET)	1
B11	DGN124336-PPR7	Q-LOGIC 2/3 JOYSTICK SHROUD,PPW-PRP-07 (SUGAR PLUM)	1
B12	DGN124336-PPR5	Q-LOGIC 2/3 JOYSTICK SHROUD,PPW-PRP-05 (DEEP PURPLE)	1
B13	DGN124336-PBU10	Q-LOGIC 2/3 JOYSTICK SHROUD,PPW-BLU-10 (MIDNIGHT BLUE)	1
B14	DGN124336-PBU9	Q-LOGIC 2/3 JOYSTICK SHROUD,PPW-BLU-09 (ELECTRIC BLUE/TRUE BLUE)	1
B15	DGN124336-PBU11	Q-LOGIC 2/3 JOYSTICK SHROUD,PPW-BLU-11 (BLUE JEAN)	1
B16	DGN124336-PGN11	Q-LOGIC 2/3 JOYSTICK SHROUD,PPW-GRN-11 (GREEN MACHINE)	1
B17	DGN124336-PGN8	Q-LOGIC 2/3 JOYSTICK SHROUD,PPW-GRN-08 (MILITARY GREEN)	1
B18	DGN124336-PGN7	Q-LOGIC 2/3 JOYSTICK SHROUD,PPW-GRN-07 (LIME LIGHT)	1
B19	DGN124336-PYL3	Q-LOGIC 2/3 JOYSTICK SHROUD,PPW-YEL-03 (YELLOW BLAZE/ORION YELLOW)	1
B20	DGN124336-PYL4	Q-LOGIC 2/3 JOYSTICK SHROUD,PPW-YEL-04 (LEMON CRUSH)	1
B21	DGN124336-POR6	Q-LOGIC 2/3 JOYSTICK SHROUD,PPW-ORN-06 (ORANGE CRUSH)	1
B22	DGN124336-POR7	Q-LOGIC 2/3 JOYSTICK SHROUD,PPW-ORN-07 (EVOLUTION ORANGE)	1
B23	DGN124336-WCB1	Q-LOGIC 2/3 JOYSTICK SHROUD,PWT-CBN-01 (CARBON FIBER)	1
B24	DGN124336-WCM7	Q-LOGIC 2/3 JOYSTICK SHROUD,PWT-CMO-07 (MILITARY DIGITAL CAMO)	1
B25	DGN124336-WFL2	Q-LOGIC 2/3 JOYSTICK SHROUD,PWT-FLG-02 (FADED GLORY)	1

Joystick Bottom Housings



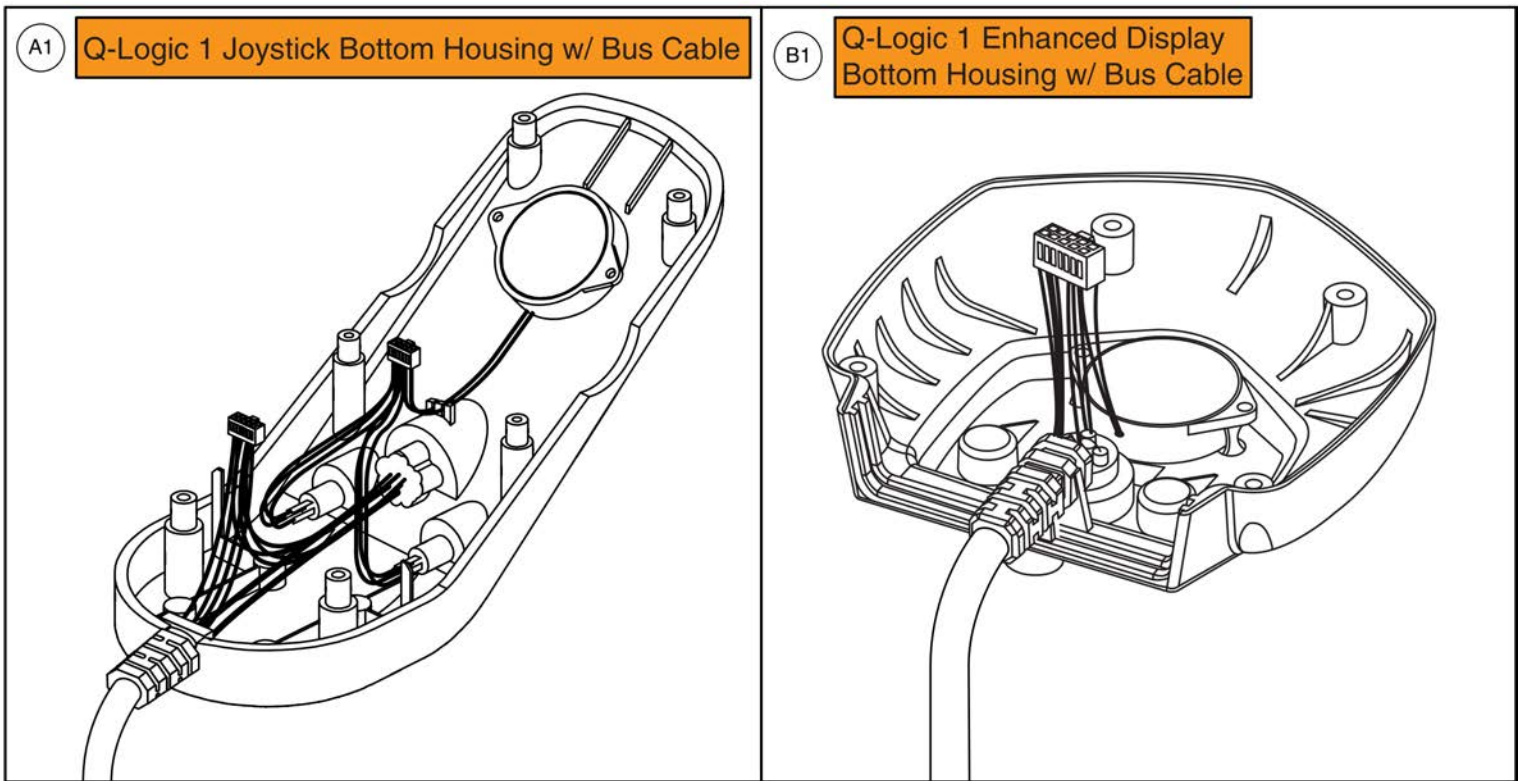


**NE + Joystick Bottom Housing w/Bus Cable**



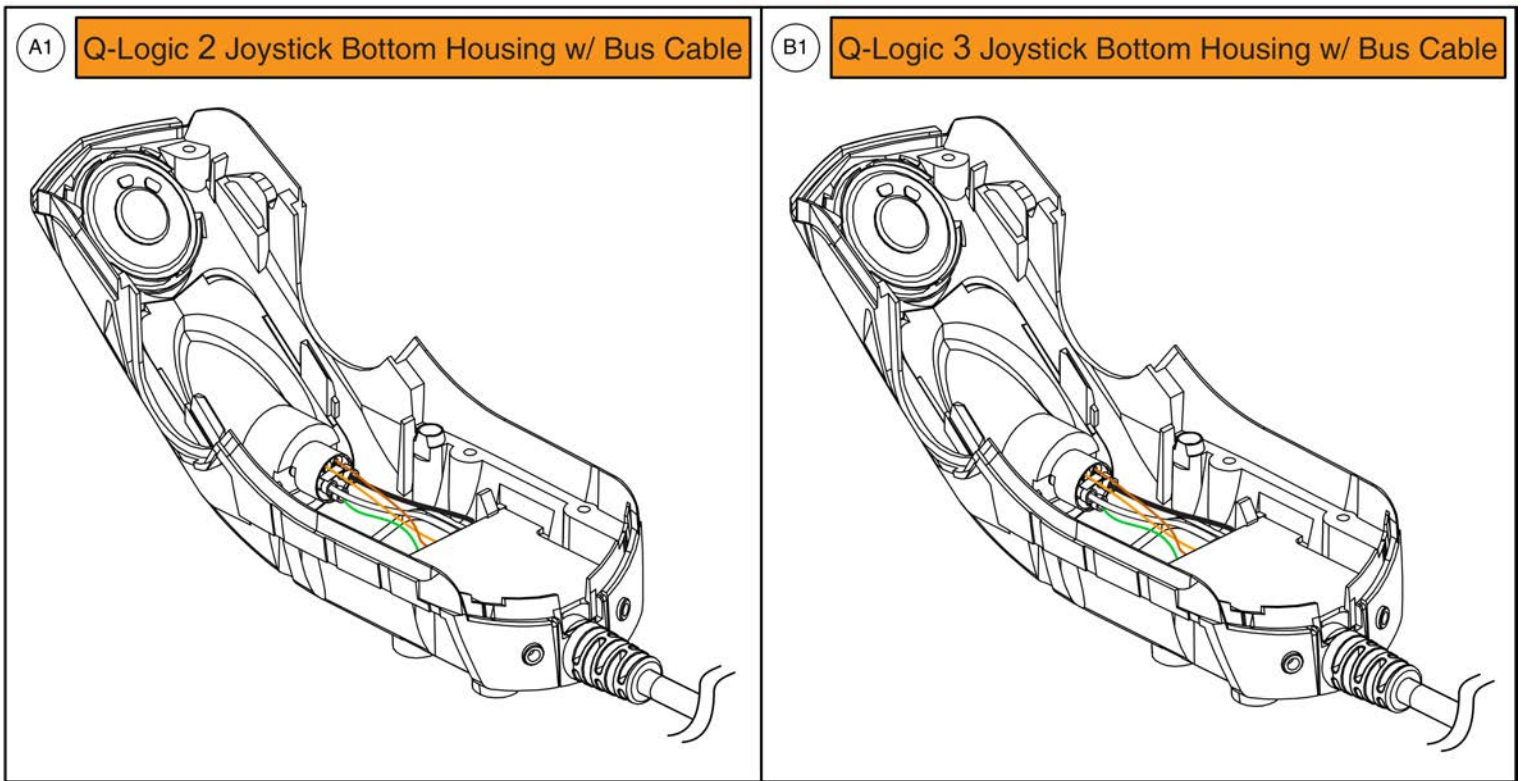
Item	Part No.	Name	Qty
A1	DWR1111C003	JOYSTICK REPLACEMENT BOTTOM,W/HARNESS,NE+ W/JACKS,C-1111-003,(CURTIS: 17906705)	1

**Joystick Bottom Housings**



Item	Part No.	Name	Qty
A1	DWR1111H066	ELECTRONIC,BOTTOM HOUSING,4 KEY JOYSTICK MODULE,W/BUS CABLE,CURTIS,H-1111-066,(CURTIS: 17856705)	1
B1	DWR1111H067	ELECTRONIC,BOTTOM HOUSING,ENHANCED DISPLAY CONTROLLER,W/BUS CABLE,CURTIS,H-1111-067,(CURTIS: 17861705)	1

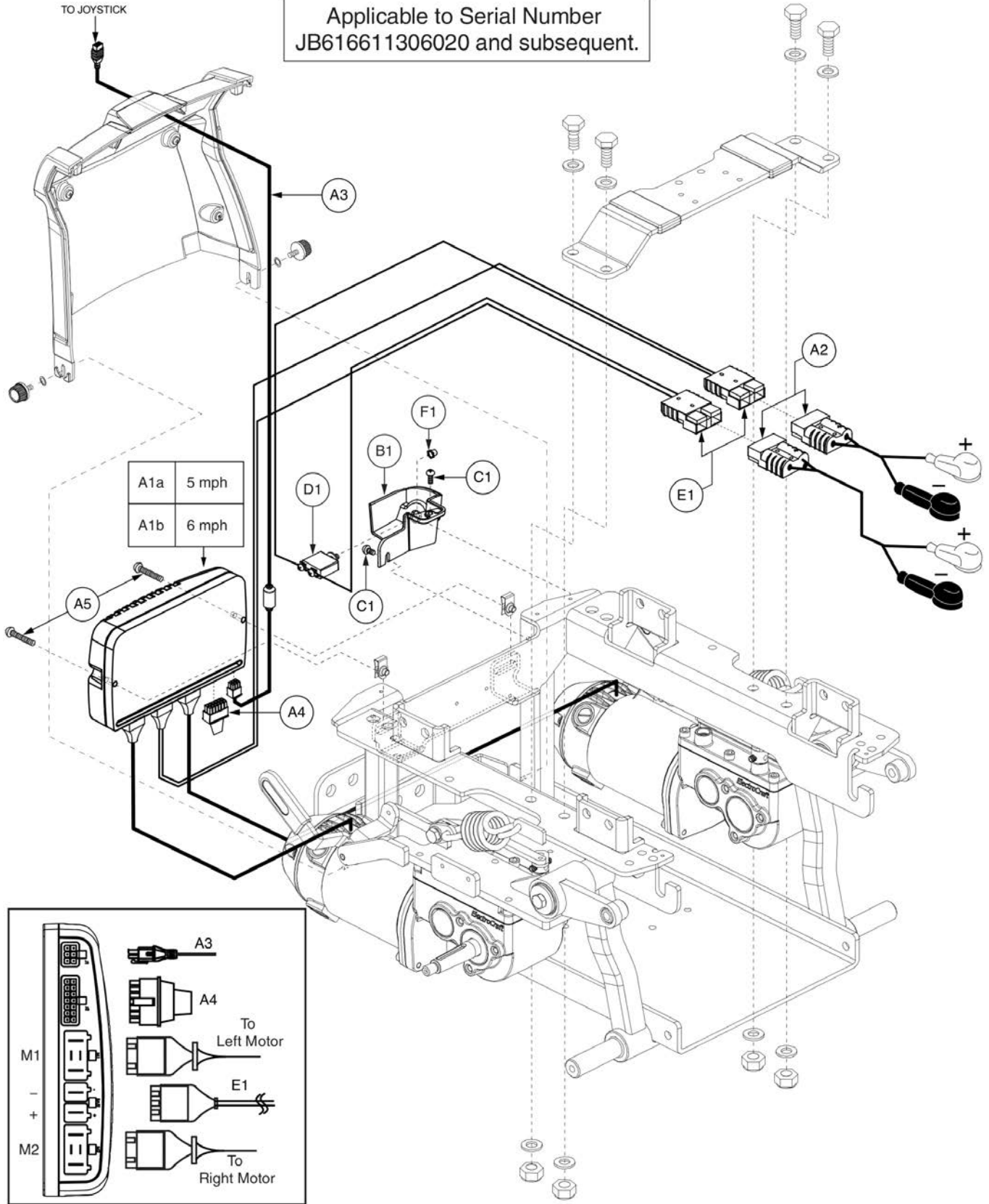
*Joystick Bottom Housings*



Item	Part No.	Name	Qty
A1	ELE124313	Q-LOGIC 2 BOTTOM HOUSING,JOYSTICK MODULE,W/BUS CABLE	1
B1	ELE144006	ELECTRONIC, BOTTOM HOUSING, JOYSTICK MODULE Q-LOGIC 3,W/ BUS CABLE Q-LOGIC 3, (CURTIS: 17949366-02)	1

7.1. Electronics Assy's - NE

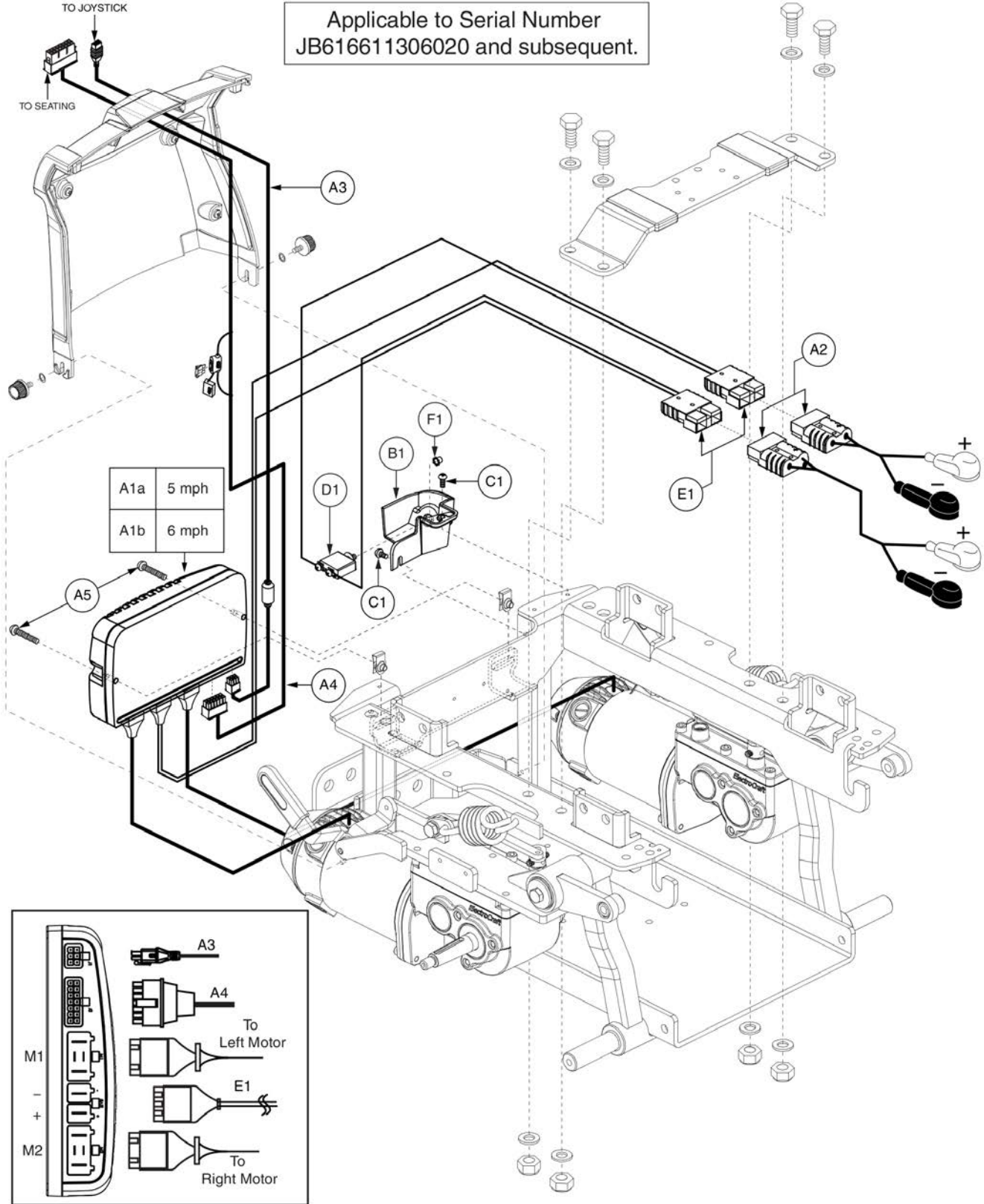
Applicable to Serial Number JB616611306020 and subsequent.



Item	Part No.	Name	Qty
A1a - A5	ELE133103	ELECTRONIC,ASSY,NE,CURTIS,G4,5 MPH,125 RPM MOTORS,Q6 EDGE	1
A1b - A5		ELECTRONIC,ASSY,NE,CURTIS,G4,6 MPH,160 RPM MOTORS,Q6 EDGE	1
A1a	ELEASMB7050	CONTROLLER,NE,CURTIS,ASSY,75 AMP,W/G4,5 MPH,125 RPM PROGRAM,Q6 EDGE	1
A1b	ELEASMB7080	CONTROLLER,NE,CURTIS,ASSY,75 AMP,W/G4,6 MPH,160 RPM PROGRAM,Q6 EDGE	1
A2	DWR1502H005	ELECTRONIC,ASSY,BATTERY CABLE,GRAY,W/125A/32V FUSEABLE LINK,QUICK DISCONNECT,H-1502-005	2
A3	DWR1111H065	ELECTRONIC,HARNESS,BUS EXTENSION CABLE,CURTIS,0.410 METER,MALE/FEMALE,H-1111-065,(CURTIS: 17881303)	1
A4	DWR1265H061	ELECTRONIC,HARNESS,RUN PLUG,NE,CURTIS,H-1265-061	1
A5	SCRPPH1390	SCREW,PPH,BLACK ZINC,M5-8 X 35MM	2
B1	DWR1062D078	SHROUD,BREAKER MOUNT,BLACK,MOLDED ABS,D-1062-078	1
C1	SCRPPH1036	SCREW, PAN HEAD, TYPE H, M4X0.7 X 8, FT, ISO 7045, CL 4.8, BZ	2
D1	ELE1802761	CIRCUIT BREAKER ASSY, 50 A, RIGHT ANGLE TERMINALS, PANEL MOUNT, MANUAL RESET, W/ ADDITIONAL HARDWARE	1
E1	DWR1062H003	ELECTRONIC,HARNESS,POWER CABLE,Q6EDGE,Q-LOGIC,H-1062-003	1
F1	HDW144517	WEATHER CAP,SILICA GEL	1

7.1. Electronics Assy's - NE

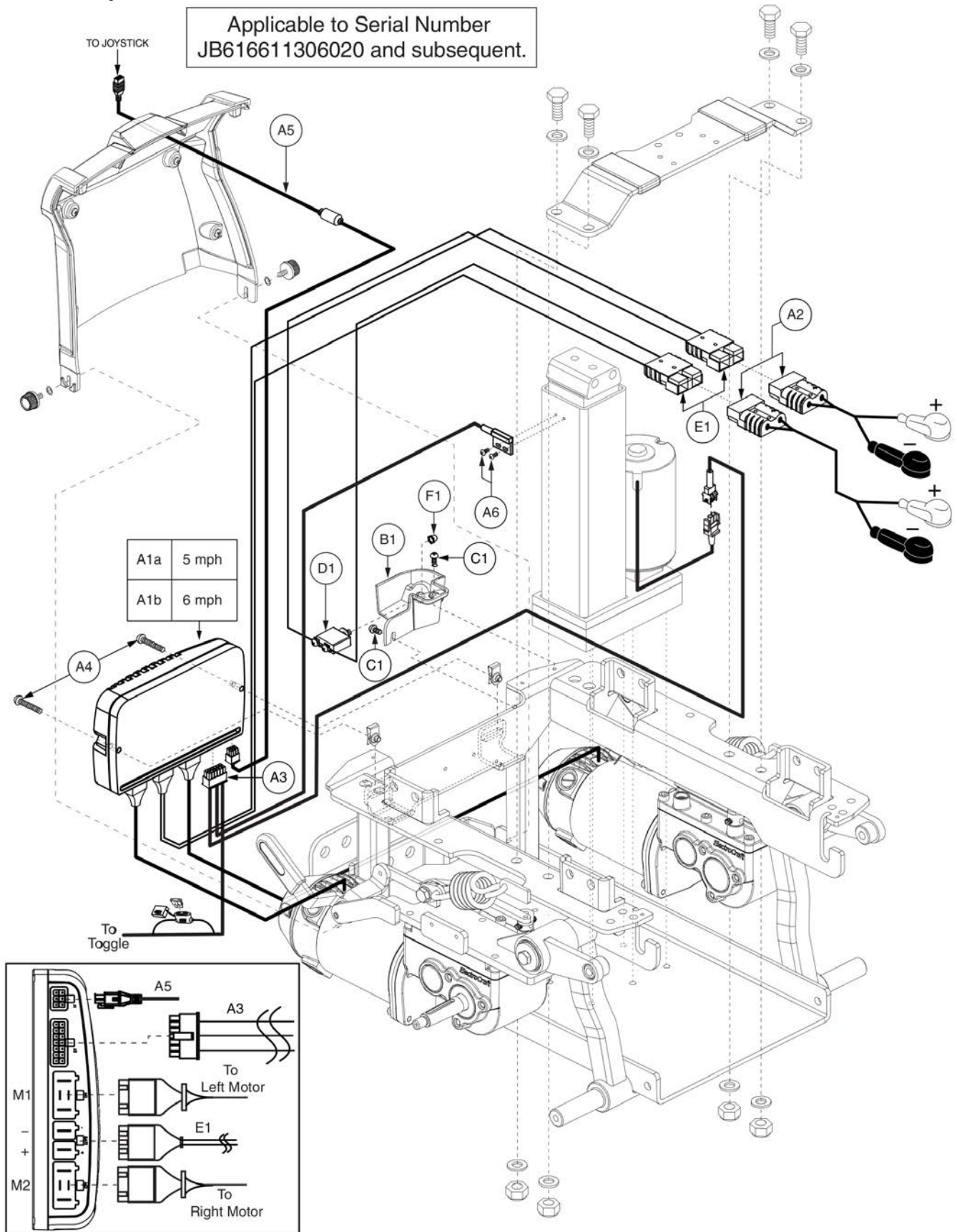
Applicable to Serial Number  
JB616611306020 and subsequent.





Item	Part No.	Name	Qty
A1a - A5	ELE133104	ELECTRONIC,ASSY,NE,CURTIS,G4,5 MPH,125 RPM MOTORS,Q6 EDGE,TILT THRU TOGGLE	1
A1b - A5		ELECTRONIC,ASSY,NE,CURTIS,G4,6 MPH,160 RPM MOTORS,Q6 EDGE,TILT THRU TOGGLE	1
A1a	ELEASMB7050	CONTROLLER,NE,CURTIS,ASSY,75 AMP,W/G4,5 MPH,125 RPM PROGRAM,Q6 EDGE	1
A1b	ELEASMB7080	CONTROLLER,NE,CURTIS,ASSY,75 AMP,W/G4,6 MPH,160 RPM PROGRAM,Q6 EDGE	1
A2	DWR1502H005	ELECTRONIC,ASSY,BATTERY CABLE,GRAY,W/125A/32V FUSEABLE LINK,QUICK DISCONNECT,H-1502-005	2
A3	DWR1111H065	ELECTRONIC,HARNESS,BUS EXTENSION CABLE,CURTIS,0.410 METER,MALE/FEMALE,H-1111-065,(CURTIS: 17881303)	1
A4	DWR1265H055	ELECTRONIC,HARNESS,INTERMEDIATE,OFFBOARD CHARGER,NE,H-1265-055	1
A5	SCRPPH1390	SCREW,PPH,BLACK ZINC,M5-8 X 35MM	2
B1	DWR1062D078	SHROUD,BREAKER MOUNT,BLACK,MOLDED ABS,D-1062-078	1
C1	SCRPPH1036	SCREW, PAN HEAD, TYPE H, M4X0.7 X 8, FT, ISO 7045, CL 4.8, BZ	2
D1	ELE1802761	CIRCUIT BREAKER ASSY, 50 A, RIGHT ANGLE TERMINALS, PANEL MOUNT, MANUAL RESET, W/ ADDITIONAL HARDWARE	1
E1	DWR1062H003	ELECTRONIC,HARNESS,POWER CABLE,Q6EDGE,Q-LOGIC,H-1062-003	1
F1	HDW144517	WEATHER CAP,SILICA GEL	1

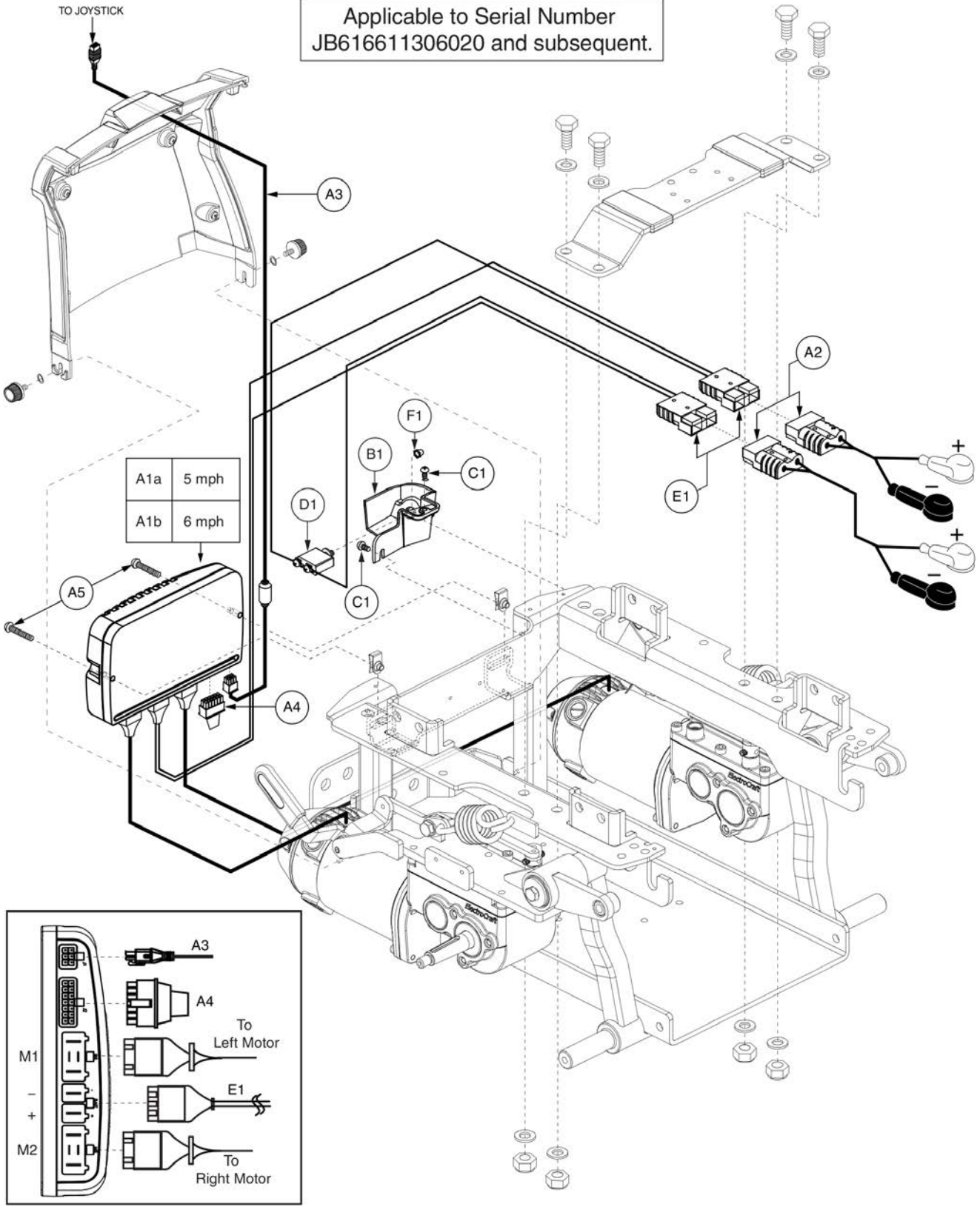
7.1. Electronics Assy's - NE



Item	Part No.	Name	Qty
A1a - A6		ELECTRONIC,ASSY,NE,CURTIS,G4,5 MPH,125 RPM MOTORS,Q6 EDGE,POWERSEAT THRU TOGGLE	1
A1b - A6		ELECTRONIC,ASSY,NE,CURTIS,G4,6 MPH,160 RPM MOTORS,Q6 EDGE,POWERSEAT THRU TOGGLE	1
A1a	ELEASMB7152	CONTROLLER,NE,CURTIS,ASSY,75 AMP,W/G4,5 MPH,125 RPM PROGRAM,Q6 EDGE,POWERSEAT THRU TOGGLE	1
A1b	ELEASMB7153	CONTROLLER,NE,CURTIS,ASSY,75 AMP,W/G4,6 MPH,160 RPM PROGRAM,Q6 EDGE,POWERSEAT THRU TOGGLE	1
A2	DWR1502H005	ELECTRONIC,ASSY,BATTERY CABLE,GRAY,W/125A/32V FUSEABLE LINK,QUICK DISCONNECT,H-1502-005	2
A3	DWR1265H079	ELECTRONIC,HARNESS,POWERSEAT THRU TOGGLE INHIBIT,NE,CURTIS,H-1265-079	1
A4	SCRPPH1390	SCREW,PPH,BLACK ZINC,M5-.8 X 35MM	2
A5	DWR1111H065	ELECTRONIC,HARNESS,BUS EXTENSION CABLE,CURTIS,0.410 METER,MALE/FEMALE,H-1111-065,(CURTIS: 17881303)	1
A6	SCRPPH1290	SCREW,PPH,BLACK ZINC,4-40 X 0.25"	2
B1	DWR1062D078	SHROUD,BREAKER MOUNT,BLACK,MOLDED ABS,D-1062-078	1
C1	SCRPPH1036	SCREW, PAN HEAD, TYPE H, M4X0.7 X 8, FT, ISO 7045, CL 4.8, BZ	2
D1	ELE1802761	CIRCUIT BREAKER ASSY, 50 A, RIGHT ANGLE TERMINALS, PANEL MOUNT, MANUAL RESET, W/ ADDITIONAL HARDWARE	1
E1	DWR1062H003	ELECTRONIC,HARNESS,POWER CABLE,Q6EDGE,Q-LOGIC,H-1062-003	1
F1	HDW144517	WEATHER CAP,SILICA GEL	1

7.2. Electronics Assy's - NE+

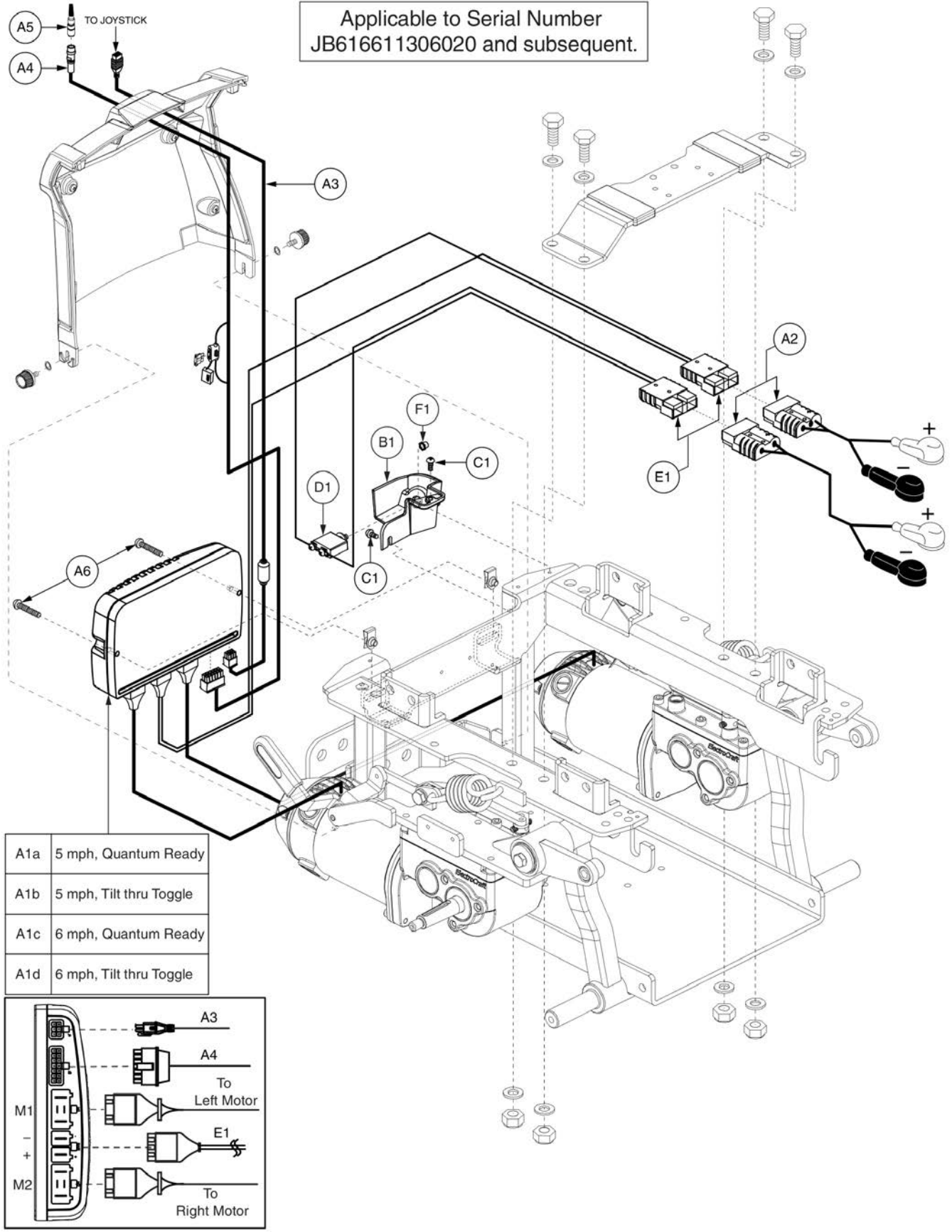
Applicable to Serial Number  
JB616611306020 and subsequent.



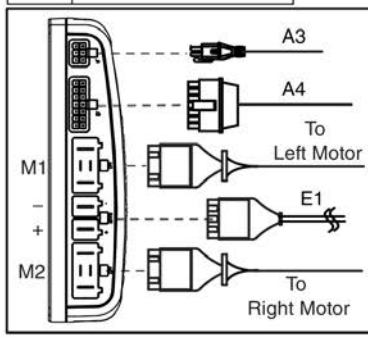
Item	Part No.	Name	Qty
A1a - A5	ELE133092	ELECTRONIC,ASSY,NE PLUS,CURTIS,G4,5 MPH,125 RPM MOTORS,Q6 EDGE	1
A1b - A5	ELE133096	ELECTRONIC,ASSY,NE PLUS,CURTIS,G4,6 MPH,160 RPM MOTORS,Q6 EDGE	1
A1a	ELEASMB7048	CONTROLLER,NE PLUS,CURTIS,ASSY,75 AMP,W/G4,5 MPH,125 RPM PROGRAM,QUANTUM623	1
A1b	ELEASMB7078	CONTROLLER,NE PLUS,CURTIS,ASSY,75 AMP,W/G4,6 MPH,160 RPM PROGRAM,QUANTUM623	1
A2	DWR1502H005	ELECTRONIC,ASSY,BATTERY CABLE,GRAY,W/125A/32V FUSEABLE LINK,QUICK DISCONNECT,H-1502-005	2
A3	DWR1111H065	ELECTRONIC,HARNESS,BUS EXTENSION CABLE,CURTIS,0.410 METER,MALE/FEMALE,H-1111-065,(CURTIS: 17881303)	1
A4	DWR1265H027	ELECTRONIC,HARNESS,RUN PLUG,Q-LOGIC	1
A5	SCRPPH1390	SCREW,PPH,BLACK ZINC,M5-8 X 35MM	2
B1	DWR1062D078	SHROUD,BREAKER MOUNT,BLACK,MOLDED ABS,D-1062-078	1
C1	SCRPPH1036	SCREW, PAN HEAD, TYPE H, M4X0.7 X 8, FT, ISO 7045, CL 4.8, BZ	2
D1	ELE1802761	CIRCUIT BREAKER ASSY, 50 A, RIGHT ANGLE TERMINALS, PANEL MOUNT, MANUAL RESET, W/ ADDITIONAL HARDWARE	1
E1	DWR1062H003	ELECTRONIC,HARNESS,POWER CABLE,Q6EDGE,Q-LOGIC,H-1062-003	1
F1	HDW144517	WEATHER CAP,SILICA GEL	1

7.2. Electronics Assy's - NE+

Applicable to Serial Number JB616611306020 and subsequent.

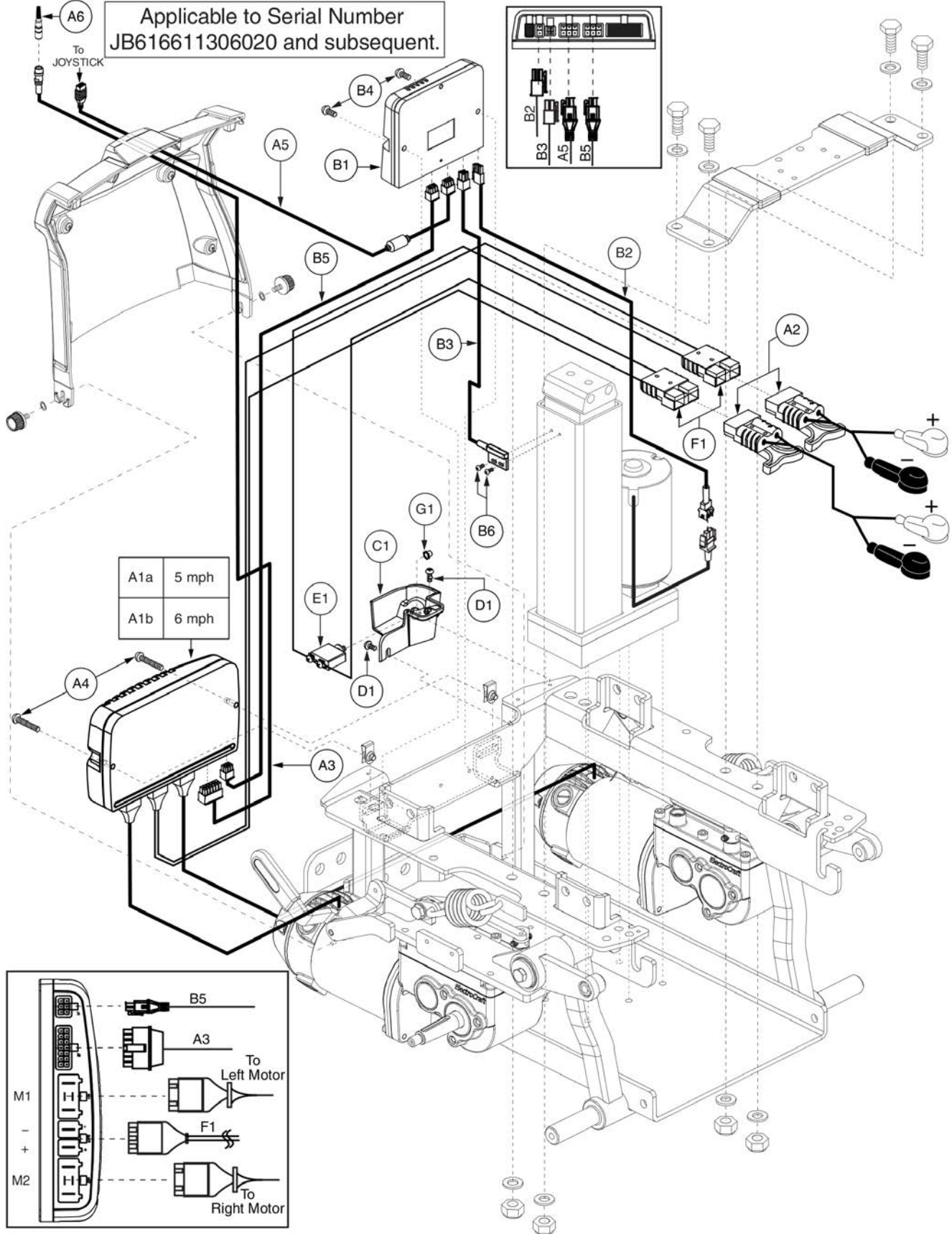


A1a	5 mph, Quantum Ready
A1b	5 mph, Tilt thru Toggle
A1c	6 mph, Quantum Ready
A1d	6 mph, Tilt thru Toggle



Item	Part No.	Name	Qty
A1a - A6	ELE133094	ELECTRONIC,ASSY,NE PLUS,CURTIS,G4,5 MPH,125 RPM MOTORS,Q6 EDGE,QUANTUM	1
A1b - A6	ELE133093	ELECTRONIC,ASSY,NE PLUS,CURTIS,G4,5 MPH,125 RPM MOTORS,Q6 EDGE,TILT THRU TOGGLE	1
A1c - A6	ELE133098	ELECTRONIC,ASSY,NE PLUS,CURTIS,G4,6 MPH,160 RPM MOTORS,Q6 EDGE,QUANTUM	1
A1d - A6	ELE133097	ELECTRONIC,ASSY,NE PLUS,CURTIS,G4,6 MPH,160 RPM MOTORS,Q6 EDGE,TILT THRU TOGGLE	1
A1a	ELEASMB7049	CONTROLLER,NE PLUS,CURTIS,ASSY,75 AMP,W/G4,5 MPH,125 RPM PROGRAM,QUANTUM623,QUANTUM	1
A1b	ELEASMB7048	CONTROLLER,NE PLUS,CURTIS,ASSY,75 AMP,W/G4,5 MPH,125 RPM PROGRAM,QUANTUM623	1
A1c	ELEASMB7079	CONTROLLER,NE PLUS,CURTIS,ASSY,75 AMP,W/G4,6 MPH,160 RPM PROGRAM,QUANTUM623,QUANTUM	1
A1d	ELEASMB7078	CONTROLLER,NE PLUS,CURTIS,ASSY,75 AMP,W/G4,6 MPH,160 RPM PROGRAM,QUANTUM623	1
A2	DWR1502H005	ELECTRONIC,ASSY,BATTERY CABLE,GRAY,W/125A/32V FUSEABLE LINK,QUICK DISCONNECT,H-1502-005	2
A3	DWR1111H065	ELECTRONIC,HARNESS,BUS EXTENSION CABLE,CURTIS,0.410 METER,MALE/FEMALE,H-1111-065,(CURTIS: 17881303)	1
A4	DWR1265H021	ELECTRONIC,HARNESS,POWER TAKE OFF(PTO)/INHIBIT,CURTIS,H-1265-021	1
A5	DWR1361H038	ELECTRONIC,HARNESS,RUN PLUG,SURE SEAL,SYNERGY TILT,H-1361-038	1
A6	SCRPPH1390	SCREW,PPH,BLACK ZINC,M5-8 X 35MM	2
B1	DWR1062D078	SHROUD,BREAKER MOUNT,BLACK,MOLDED ABS,D-1062-078	1
C1	SCRPPH1036	SCREW, PAN HEAD, TYPE H, M4X0.7 X 8, FT, ISO 7045, CL 4.8, BZ	2
D1	ELE1802761	CIRCUIT BREAKER ASSY, 50 A, RIGHT ANGLE TERMINALS, PANEL MOUNT, MANUAL RESET, W/ ADDITIONAL HARDWARE	1
E1	DWR1062H003	ELECTRONIC,HARNESS,POWER CABLE,Q6EDGE,Q-LOGIC,H-1062-003	1
F1	HDW144517	WEATHER CAP,SILICA GEL	1

7.2. Electronics Assy's - NE+

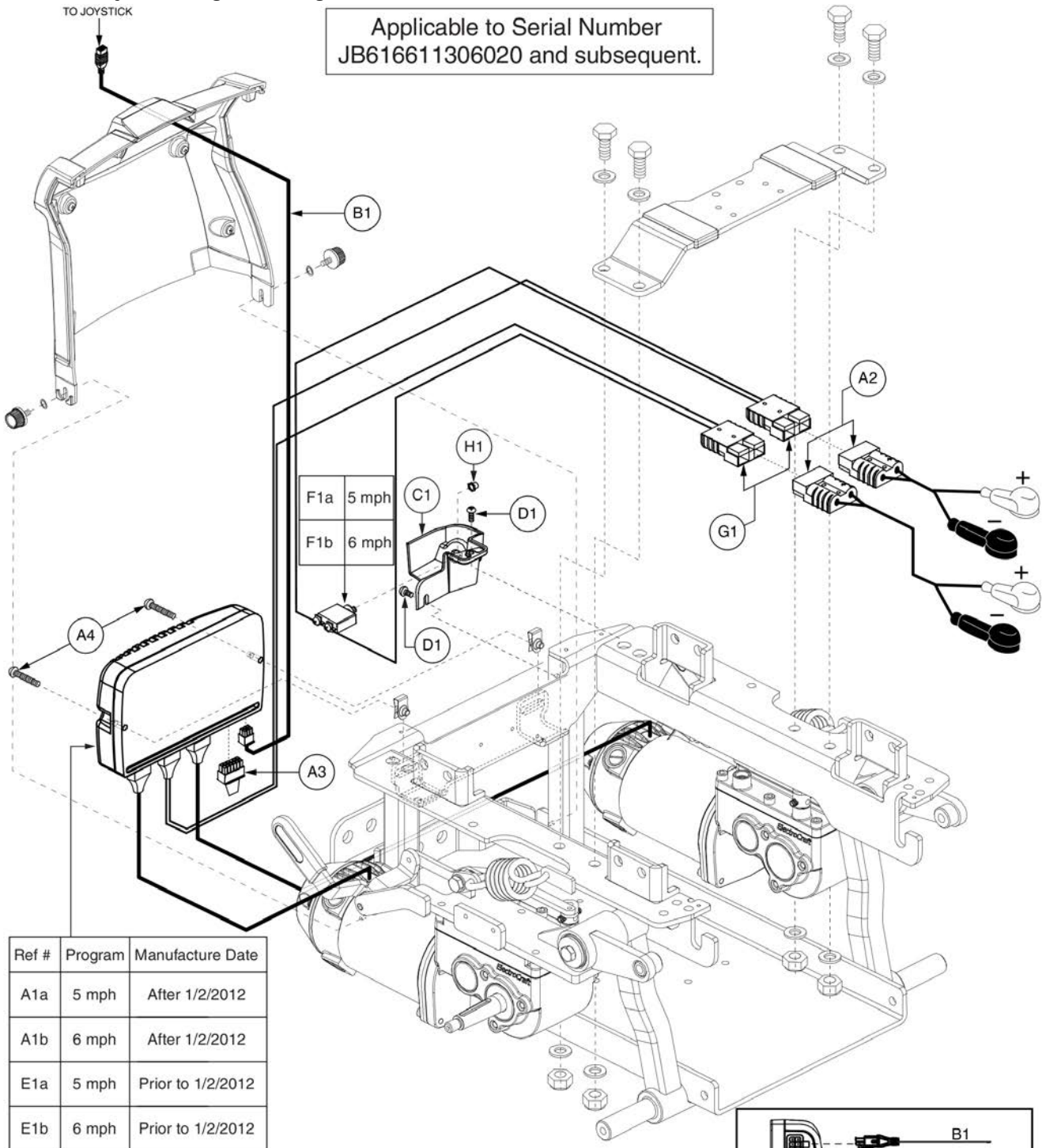




Item	Part No.	Name	Qty
A1a - B6	ELE133095	ELECTRONIC,ASSY,NE PLUS,CURTIS,G4,5 MPH,125 RPM,MOTORS,Q6 EDGE,POWERSEAT THRU JOYSTICK	1
A1b - B6	ELE133099	ELECTRONIC,ASSY,NE PLUS,CURTIS,G4,6 MPH,160 RPM,MOTORS,Q6 EDGE,POWERSEAT THRU JOYSTICK	1
A1a	ELEASMB7049	CONTROLLER,NE PLUS,CURTIS,ASSY,75 AMP,W/G4,5 MPH,125 RPM PROGRAM,QUANTUM623,QUANTUM	1
A1b	ELEASMB7079	CONTROLLER,NE PLUS,CURTIS,ASSY,75 AMP,W/G4,6 MPH,160 RPM PROGRAM,QUANTUM623,QUANTUM	1
A2	DWR1502H005	ELECTRONIC,ASSY,BATTERY CABLE,GRAY,W/125A/32V FUSEABLE LINK,QUICK DISCONNECT,H-1502-005	2
A3	DWR1265H021	ELECTRONIC,HARNESS,POWER TAKE OFF(PTO)/INHIBIT,CURTIS,H-1265-021	1
A4	SCRPPH1390	SCREW,PPH,BLACK ZINC,M5-8 X 35MM	2
A5	DWR1111H065	ELECTRONIC,HARNESS,BUS EXTENSION CABLE,CURTIS,0.410 METER,MALE/FEMALE,H-1111-065,(CURTIS: 17881303)	1
A6	DWR1361H038	ELECTRONIC,HARNESS,RUN PLUG,SURE SEAL,SYNERGY TILT,H-1361-038	1
B1 - B6	ELEASMB7092	ELECTRONIC,ASSY,ACTUATOR MODULE & MOUNTING HARDWARE,QUANTUM623,POWERSEAT THRU JOYSTICK	1
B1	ELEASMB6557	AM1,LIFT ONLY,(CONFIG.#04)	1
B2	DWR1265H017	ELECTRONIC,HARNESS,POWER SEAT,TRU-BALANCE TILT 2,H-1265-017	1
B3	DWR1265H016	ELECTRONIC,HARNESS,POWER SEAT INHIBIT,CURTIS,TRUBALANCE TILT 2,H-1265-016	1
B4	SCRPPH1153	SCREW, PAN HEAD, TYPE H, M4X0.7 X 20, FT, ISO 7045, CL 4.8, BZ	2
B5	DWR1111H311	ELECTRONIC,HARNESS,BUS EXTENSION CABLE,AAM/LM	1
B6	SCRPPH1290	SCREW,PPH,BLACK ZINC,4-40 X 0.25"	2
C1	DWR1062D078	SHROUD,BREAKER MOUNT,BLACK,MOLDED ABS,D-1062-078	1
D1	SCRPPH1036	SCREW, PAN HEAD, TYPE H, M4X0.7 X 8, FT, ISO 7045, CL 4.8, BZ	2
E1	ELE1802761	CIRCUIT BREAKER ASSY, 50 A, RIGHT ANGLE TERMINALS, PANEL MOUNT, MANUAL RESET, W/ ADDITIONAL HARDWARE	1
F1	DWR1062H003	ELECTRONIC,HARNESS,POWER CABLE,Q6EDGE,Q-LOGIC,H-1062-003	1
G1	HDW144517	WEATHER CAP,SILICA GEL	1

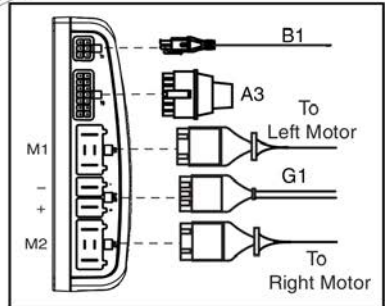
7.3. Electronics Assy's - Q-Logic 1/Q-Logic 2

Applicable to Serial Number  
JB616611306020 and subsequent.



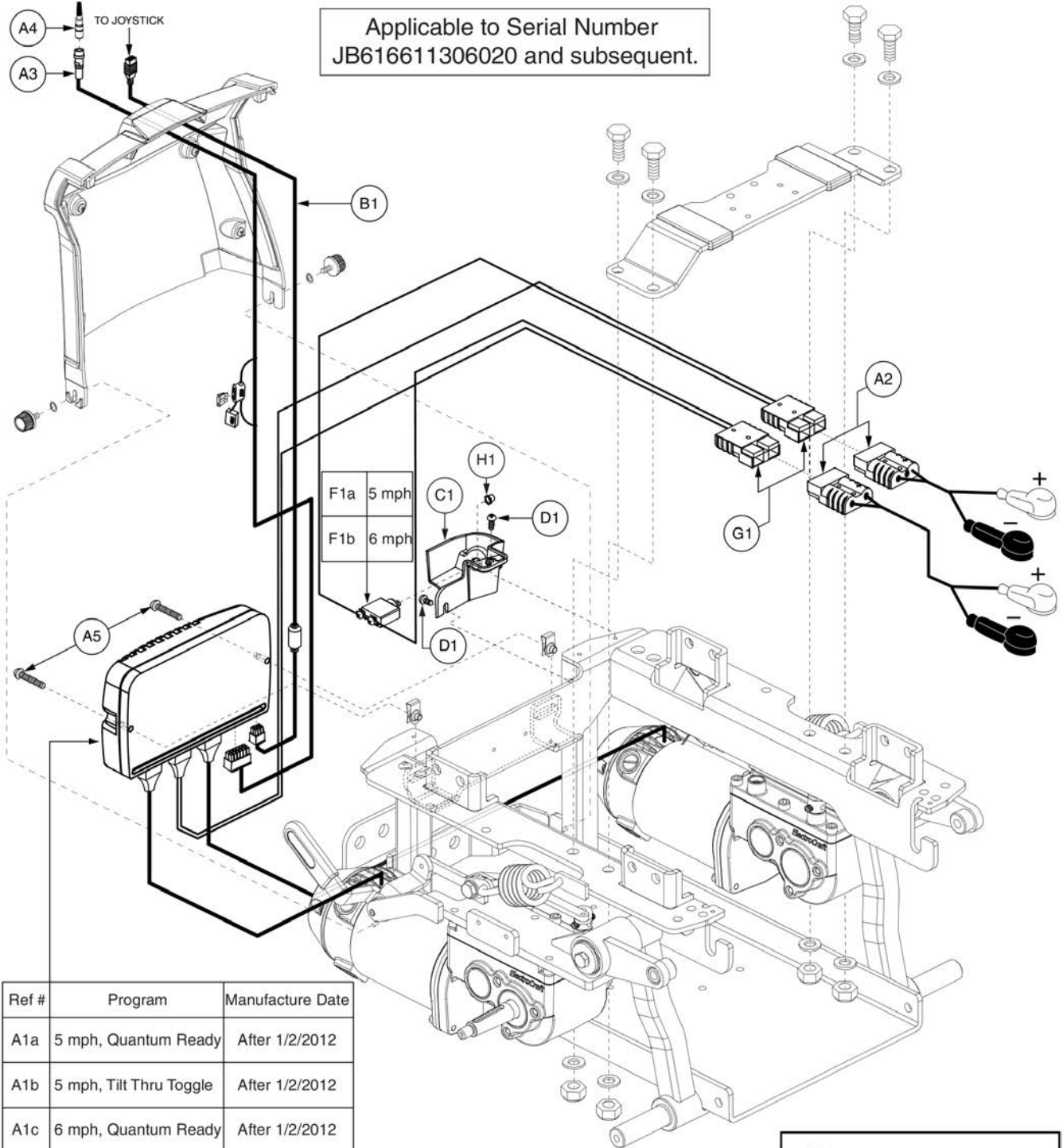
Ref #	Program	Manufacture Date
A1a	5 mph	After 1/2/2012
A1b	6 mph	After 1/2/2012
E1a	5 mph	Prior to 1/2/2012
E1b	6 mph	Prior to 1/2/2012

**\*\*\*Power Module Replacement\*\*\***  
 \*\*Please note: Units manufactured prior to January 2, 2012, **REQUIRE** the selection of CTLASMB7110055 (E1a) for 5 mph configurations or CTLASMB7110057 (E1b) for 6 mph configurations.\*\*



Item	Part No.	Name	Qty
A1a - A4		ELECTRONIC,ASSY,Q-LOGIC,CURTIS,G4,5 MPH,125 RPM MOTORS,Q6 EDGE	1
A1b - A4	ELE133081	ELECTRONIC,ASSY,Q-LOGIC,CURTIS,G4,6 MPH,160 RPM MOTORS,Q6 EDGE	1
A1a	ELEASMB7044	CONTROLLER,Q-LOGIC,CURTIS,ASSY,75 AMP,W/G4,5 MPH,125 RPM PROGRAM,Q6 EDGE	1
A1b	ELEASMB7076	CONTROLLER,Q-LOGIC,CURTIS,ASSY,90 AMP,W/G4,6 MPH,160 RPM PROGRAM,Q6 EDGE	1
A2	DWR1502H005	ELECTRONIC,ASSY,BATTERY CABLE,GRAY,W/125A/32V FUSEABLE LINK,QUICK DISCONNECT,H-1502-005	2
A3	DWR1265H027	ELECTRONIC,HARNESS,RUN PLUG,Q-LOGIC	1
A4	SCRPPH1390	SCREW,PPH,BLACK ZINC,M5- 8 X 35MM	2
B1	DWR1111H065	ELECTRONIC,HARNESS,BUS EXTENSION CABLE,CURTIS,0.410 METER,MALE/FEMALE,H-1111-065,(CURTIS: 17881303)	1
C1	DWR1062D078	SHROUD,BREAKER MOUNT,BLACK,MOLDED ABS,D-1062-078	1
D1	SCRPPH1036	SCREW, PAN HEAD, TYPE H, M4X0.7 X 8, FT, ISO 7045, CL 4.8, BZ	2
E1a	CTLASMB7110055	CONTROLLER,Q-LOGIC (FW 2.73),CURTIS,ASSY,75 AMP,W/G4,5 MPH,125 RPM PROGRAM,Q6 EDGE	1
E1b	CTLASMB7110057	CONTROLLER,Q-LOGIC (FW 2.73),CURTIS,ASSY,90 AMP,W/G4,6 MPH,160 RPM PROGRAM,Q6 EDGE	1
F1a	ELE1802761	CIRCUIT BREAKER ASSY, 50 A, RIGHT ANGLE TERMINALS, PANEL MOUNT, MANUAL RESET, W/ ADDITIONAL HARDWARE	1
F1b	ELE1705477	ELECTRONIC,ASSY,CIRCUIT BREAKER,70 AMP,COMPLETE,RIGHT ANGLE TERMINALS,PUSH TO RESET	1
G1	DWR1062H003	ELECTRONIC,HARNESS,POWER CABLE,Q6EDGE,Q-LOGIC,H-1062-003	1
H1	HDW144517	WEATHER CAP,SILICA GEL	1

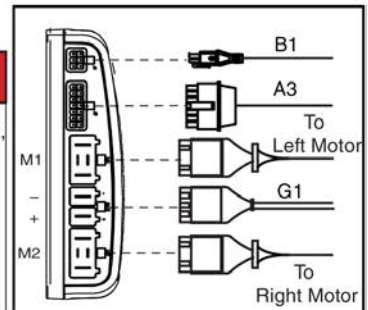
7.3. Electronics Assy's - Q-Logic 1/Q-Logic 2



Ref #	Program	Manufacture Date
A1a	5 mph, Quantum Ready	After 1/2/2012
A1b	5 mph, Tilt Thru Toggle	After 1/2/2012
A1c	6 mph, Quantum Ready	After 1/2/2012
A1d	6 mph, Tilt Thru Toggle	After 1/2/2012
E1a	5 mph, Quantum Ready	Prior to 1/2/2012
E1b	5 mph, Tilt Thru Toggle	Prior to 1/2/2012
E1c	6 mph, Quantum Ready	Prior to 1/2/2012
E1d	6 mph, Tilt Thru Toggle	Prior to 1/2/2012

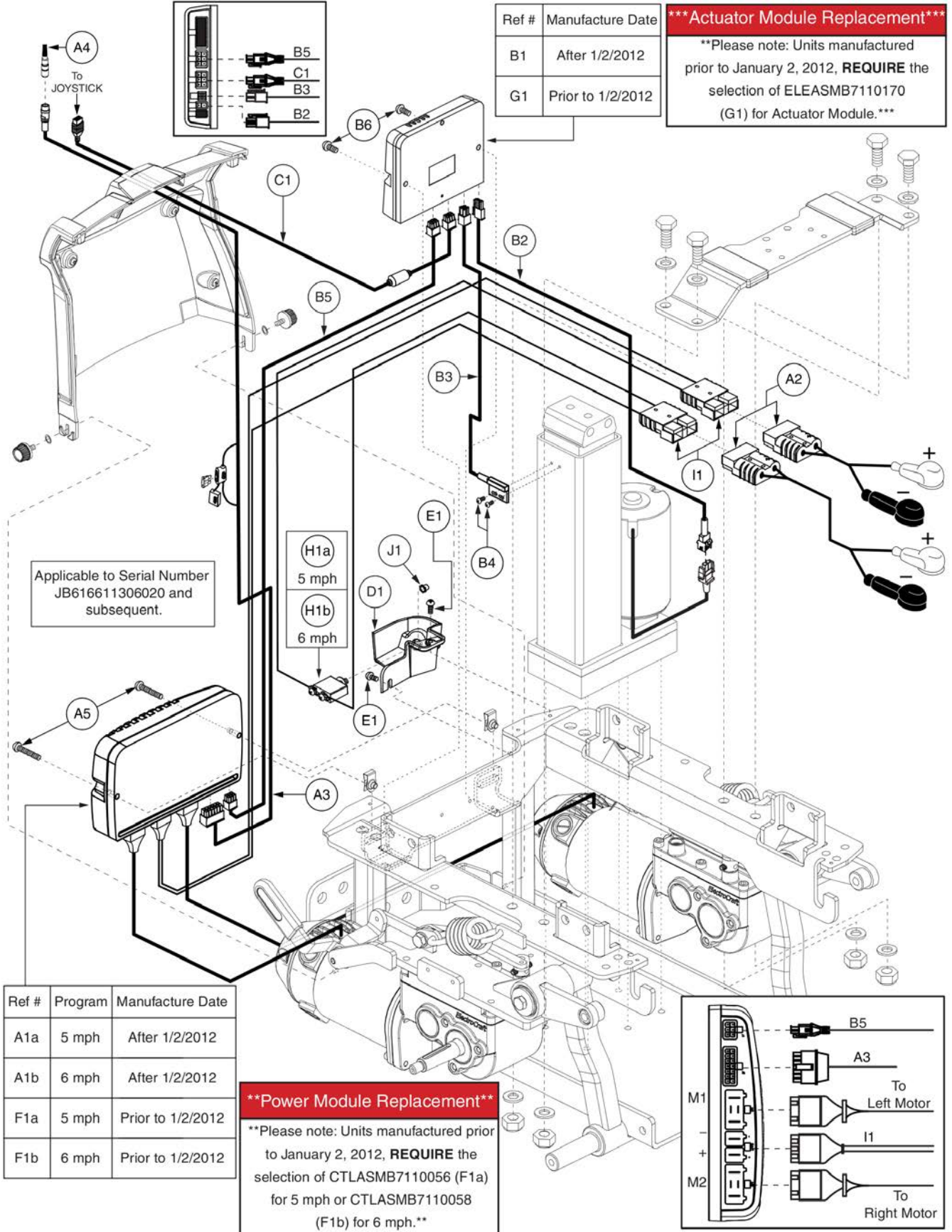
**\*\*\*Power Module Replacement\*\*\***

\*\*Please note: Units manufactured prior to January 2, 2012, **REQUIRE** the selection of CTLASMB7110056 (E1a) for 5 mph Quantum Ready, or CTLASMB7110055 (E1b) for 5 mph Tilt thru Toggle, or CTLASMB7110058 (E1c) for 6 mph Quantum Ready, or CTLASMB7110057 (E1d) for 6 mph Tilt thru Toggle.\*\*



Item	Part No.	Name	Qty
A1a - A5		ELECTRONIC,ASSY,Q-LOGIC,CURTIS,G4,5 MPH,125 RPM MOTORS,Q6 EDGE,QUANTUM	1
A1b - A5		ELECTRONIC,ASSY,Q-LOGIC,CURTIS,G4,5 MPH,125 RPM MOTORS,Q6 EDGE,TILT THRU TOGGLE	1
A1c - A5	ELE133083	ELECTRONIC,ASSY,Q-LOGIC,CURTIS,G4,6 MPH,160 RPM MOTORS,Q6 EDGE,QUANTUM	1
A1d - A5	ELE133082	ELECTRONIC,ASSY,Q-LOGIC,CURTIS,G4,6 MPH,160 RPM MOTORS,Q6 EDGE,TILT THRU TOGGLE	1
A1a	ELEASMB7045	CONTROLLER,Q-LOGIC,CURTIS,ASSY,75 AMP,W/G4,5 MPH,125 RPM PROGRAM,Q6 EDGE,QUANTUM	1
A1b	ELEASMB7044	CONTROLLER,Q-LOGIC,CURTIS,ASSY,75 AMP,W/G4,5 MPH,125 RPM PROGRAM,Q6 EDGE	1
A1c	ELEASMB7077	CONTROLLER,Q-LOGIC,CURTIS,ASSY,90 AMP,W/G4,6 MPH,160 RPM PROGRAM,Q6 EDGE,QUANTUM	1
A1d	ELEASMB7076	CONTROLLER,Q-LOGIC,CURTIS,ASSY,90 AMP,W/G4,6 MPH,160 RPM PROGRAM,Q6 EDGE	1
A2	DWR1502H005	ELECTRONIC,ASSY,BATTERY CABLE,GRAY,W/125A/32V FUSEABLE LINK,QUICK DISCONNECT,H-1502-005	2
A3	DWR1265H021	ELECTRONIC,HARNESS,POWER TAKE OFF(PTO)/INHIBIT,CURTIS,H-1265-021	1
A4	DWR1361H038	ELECTRONIC,HARNESS,RUN PLUG,SURE SEAL,SYNERGY TILT,H-1361-038	1
A5	SCRPPH1390	SCREW,PPH,BLACK ZINC,M5- 8 X 35MM	2
B1	DWR1111H065	ELECTRONIC,HARNESS,BUS EXTENSION CABLE,CURTIS,0.410 METER,MALE/FEMALE,H-1111-065,(CURTIS: 17881303)	1
C1	DWR1062D078	SHROUD,BREAKER MOUNT,BLACK,MOLDED ABS,D-1062-078	1
D1	SCRPPH1036	SCREW, PAN HEAD, TYPE H, M4X0.7 X 8, FT, ISO 7045, CL 4.8, BZ	2
E1a	CTLASMB7110056	CONTROLLER,Q-LOGIC (FW 2.73),CURTIS,ASSY,75 AMP,W/G4,5 MPH,125 RPM PROGRAM,Q6 EDGE,QUANTUM	1
E1b	CTLASMB7110055	CONTROLLER,Q-LOGIC (FW 2.73),CURTIS,ASSY,75 AMP,W/G4,5 MPH,125 RPM PROGRAM,Q6 EDGE	1
E1c	CTLASMB7110058	CONTROLLER,Q-LOGIC (FW 2.73),CURTIS,ASSY,90 AMP,W/G4,6 MPH,160 RPM PROGRAM,Q6 EDGE,QUANTUM	1
E1d	CTLASMB7110057	CONTROLLER,Q-LOGIC (FW 2.73),CURTIS,ASSY,90 AMP,W/G4,6 MPH,160 RPM PROGRAM,Q6 EDGE	1
F1a	ELE1802761	CIRCUIT BREAKER ASSY, 50 A, RIGHT ANGLE TERMINALS, PANEL MOUNT, MANUAL RESET, W/ ADDITIONAL HARDWARE	1
F1b	ELE1705477	ELECTRONIC,ASSY,CIRCUIT BREAKER,70 AMP,COMPLETE,RIGHT ANGLE TERMINALS,PUSH TO RESET	1
G1	DWR1062H003	ELECTRONIC,HARNESS,POWER CABLE,Q6EDGE,Q-LOGIC,H-1062-003	1
H1	HDW144517	WEATHER CAP,SILICA GEL	1

7.3. Electronics Assy's - Q-Logic 1/Q-Logic 2



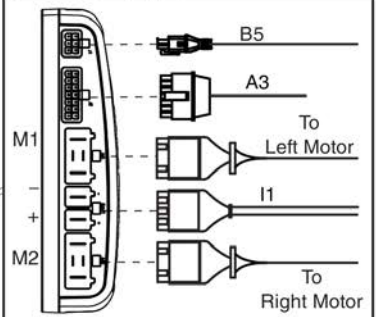
Ref #	Manufacture Date
B1	After 1/2/2012
G1	Prior to 1/2/2012

**\*\*\*Actuator Module Replacement\*\*\***  
 \*\*Please note: Units manufactured prior to January 2, 2012, **REQUIRE** the selection of ELEASMB7110170 (G1) for Actuator Module.\*\*

Applicable to Serial Number JB616611306020 and subsequent.

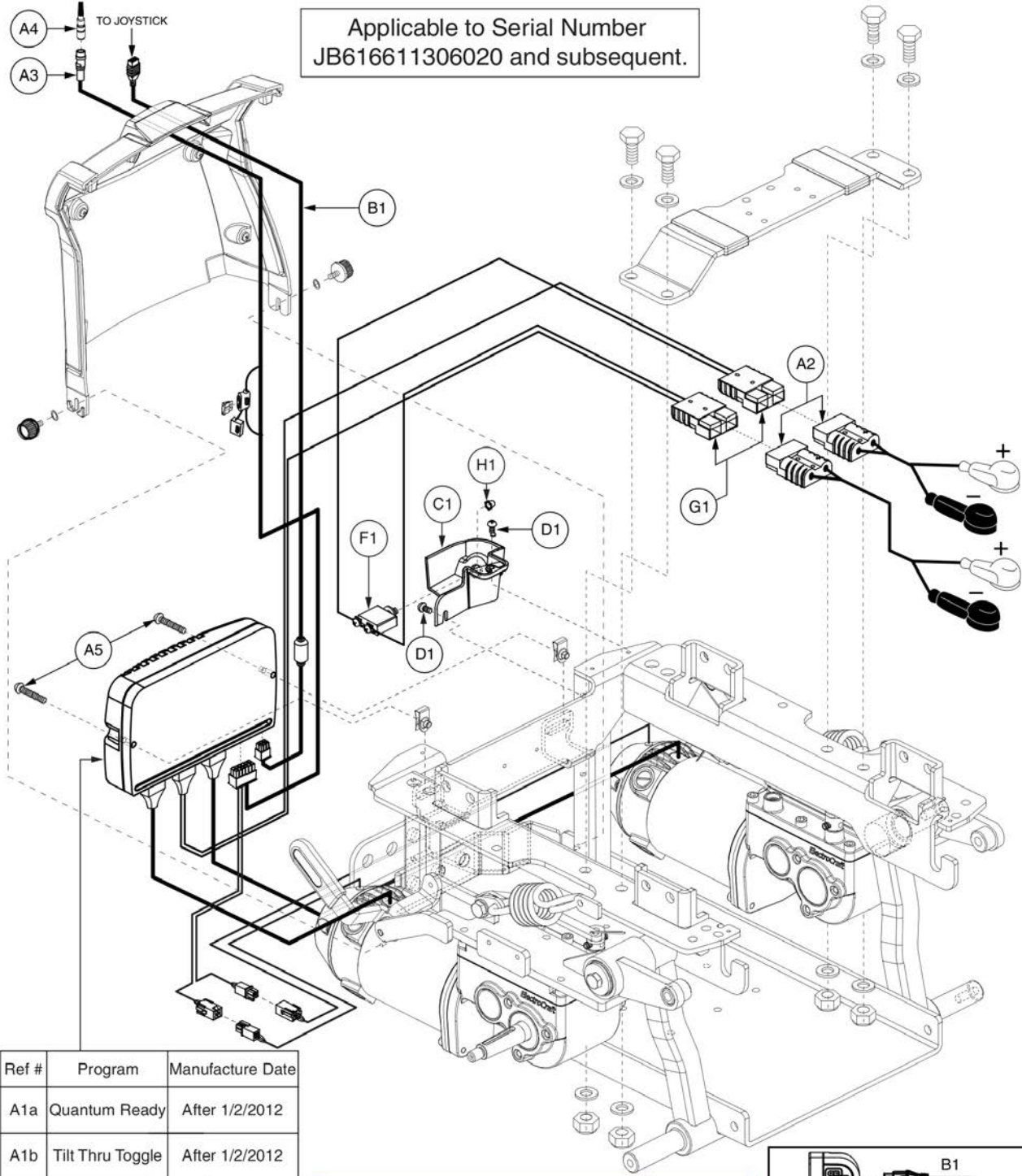
Ref #	Program	Manufacture Date
A1a	5 mph	After 1/2/2012
A1b	6 mph	After 1/2/2012
F1a	5 mph	Prior to 1/2/2012
F1b	6 mph	Prior to 1/2/2012

**\*\*Power Module Replacement\*\***  
 \*\*Please note: Units manufactured prior to January 2, 2012, **REQUIRE** the selection of CTLASMB7110056 (F1a) for 5 mph or CTLASMB7110058 (F1b) for 6 mph.\*\*



Item	Part No.	Name	Qty
A1a - B6		ELECTRONIC,ASSY,Q-LOGIC,CURTIS,G4,5 MPH,125 RPM MOTORS,Q6 EDGE,POWERSEAT THRU JOYSTICK	1
A1b - B6	ELE133084	ELECTRONIC,ASSY,Q-LOGIC,CURTIS,G4,6 MPH,160 RPM MOTORS,Q6 EDGE,POWERSEAT THRU JOYSTICK	1
A1a	ELEASMB7045	CONTROLLER,Q-LOGIC,CURTIS,ASSY,75 AMP,W/G4,5 MPH,125 RPM PROGRAM,Q6 EDGE,QUANTUM	1
A1b	ELEASMB7077	CONTROLLER,Q-LOGIC,CURTIS,ASSY,90 AMP,W/G4,6 MPH,160 RPM PROGRAM,Q6 EDGE,QUANTUM	1
A2	DWR1502H005	ELECTRONIC,ASSY,BATTERY CABLE,GRAY,W/125A/32V FUSEABLE LINK,QUICK DISCONNECT,H-1502-005	2
A3	DWR1265H021	ELECTRONIC,HARNESS,POWER TAKE OFF(PTO)/INHIBIT,CURTIS,H-1265-021	1
A4	DWR1361H038	ELECTRONIC,HARNESS,RUN PLUG,SURE SEAL,SYNERGY TILT,H-1361-038	1
A5	SCRPPH1390	SCREW,PPH,BLACK ZINC,M5-.8 X 35MM	2
B1 - B6	ELEASMB7092	ELECTRONIC,ASSY,ACTUATOR MODULE & MOUNTING HARDWARE,QUANTUM623,POWERSEAT THRU JOYSTICK	1
B1	ELEASMB6557	AM1,LIFT ONLY,(CONFIG.#04)	1
B2	DWR1265H017	ELECTRONIC,HARNESS,POWER SEAT,TRU-BALANCE TILT 2,H-1265-017	1
B3	DWR1265H016	ELECTRONIC,HARNESS,POWER SEAT INHIBIT,CURTIS,TRUBALANCE TILT 2,H-1265-016	1
B4	SCRPPH1290	SCREW,PPH,BLACK ZINC,4-40 X 0.25"	2
B5	DWR1111H311	ELECTRONIC,HARNESS,BUS EXTENSION CABLE,AAM/LM	1
B6	SCRPPH1153	SCREW, PAN HEAD, TYPE H, M4X0.7 X 20, FT, ISO 7045, CL 4.8, BZ	2
C1	DWR1111H065	ELECTRONIC,HARNESS,BUS EXTENSION CABLE,CURTIS,0.410 METER,MALE/FEMALE,H-1111-065,(CURTIS: 17881303)	1
D1	DWR1062D078	SHROUD,BREAKER MOUNT,BLACK,MOLDED ABS,D-1062-078	1
E1	SCRPPH1036	SCREW, PAN HEAD, TYPE H, M4X0.7 X 8, FT, ISO 7045, CL 4.8, BZ	2
F1a	CTLASMB7110056	CONTROLLER,Q-LOGIC (FW 2.73),CURTIS,ASSY,75 AMP,W/G4,5 MPH,125 RPM PROGRAM,Q6 EDGE,QUANTUM	1
F1b	CTLASMB7110058	CONTROLLER,Q-LOGIC (FW 2.73),CURTIS,ASSY,90 AMP,W/G4,6 MPH,160 RPM PROGRAM,Q6 EDGE,QUANTUM	1
G1	ELEASMB7110170	ELECTRONIC,ASSY,AM1 MODULE (FW 1.16),W/ PROGRAMMING,TRU-BALANCE,ELEVATE(CONFIGURATION # 04)	1
H1a	ELE1802761	CIRCUIT BREAKER ASSY, 50 A, RIGHT ANGLE TERMINALS, PANEL MOUNT, MANUAL RESET, W/ ADDITIONAL HARDWARE	1
H1b	ELE1705477	ELECTRONIC,ASSY,CIRCUIT BREAKER,70 AMP,COMPLETE,RIGHT ANGLE TERMINALS,PUSH TO RESET	1
I1	DWR1062H003	ELECTRONIC,HARNESS,POWER CABLE,Q6EDGE,Q-LOGIC,H-1062-003	1
J1	HDW144517	WEATHER CAP,SILICA GEL	1

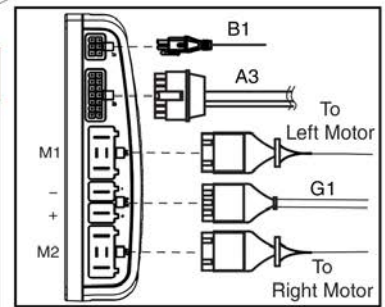
### 7.3. Electronics Assy's - Q-Logic 1/Q-Logic 2



Ref #	Program	Manufacture Date
A1a	Quantum Ready	After 1/2/2012
A1b	Tilt Thru Toggle	After 1/2/2012
E1a	Quantum Ready	Prior to 1/2/2012
E1b	Tilt Thru Toggle	Prior to 1/2/2012

**\*\*\*Power Module Replacement\*\*\***

**\*\*Please note: Units manufactured prior to January 2, 2012, REQUIRE the selection of CTLASMB7110060 (E1a) for Quantum Ready configurations or CTLASMB7110059 (E1b) for Tilt thru Toggle configurations.\*\***





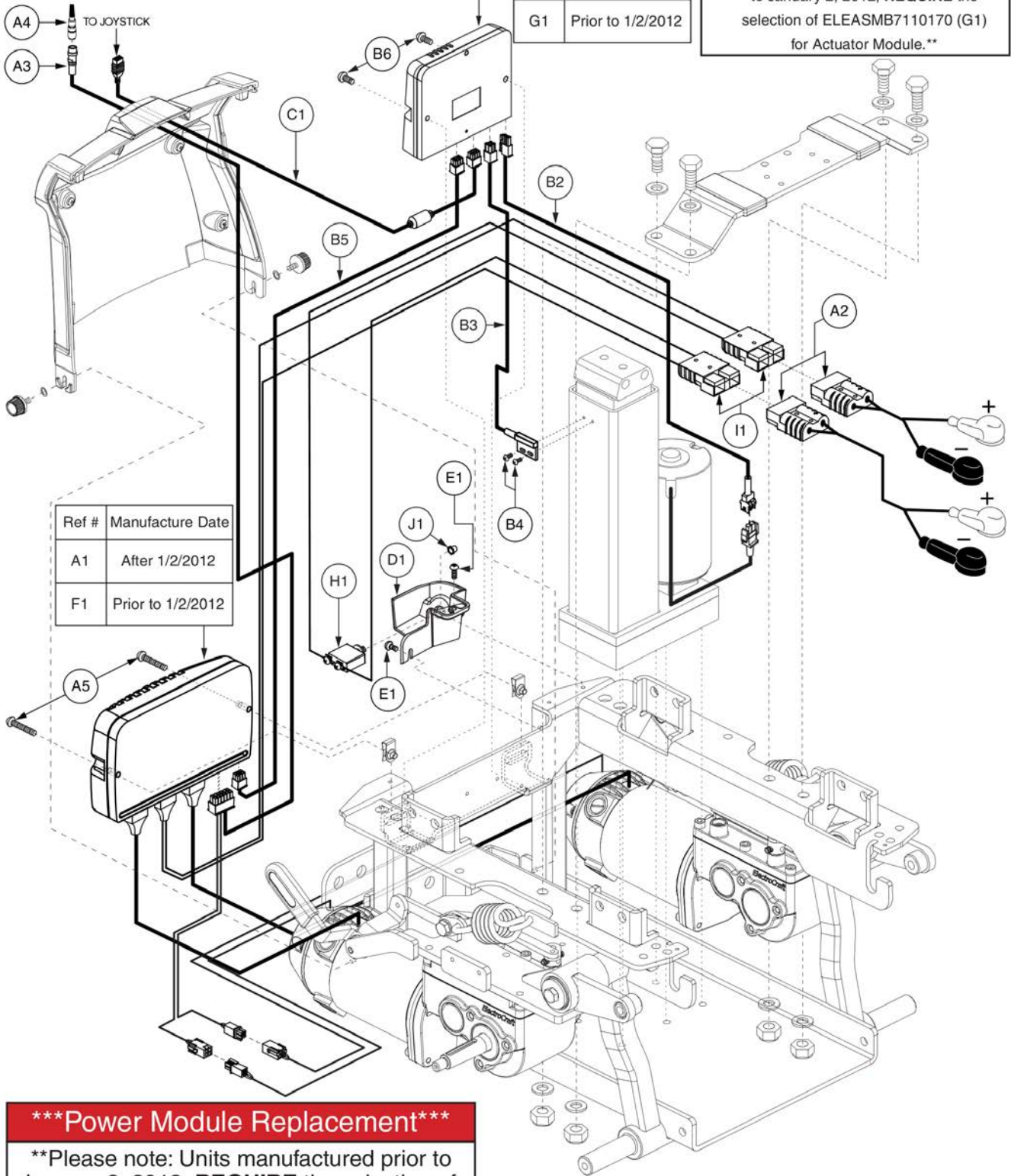
Item	Part No.	Name	Qty
A1a - A5	ELE133086	ELECTRONIC,ASSY,Q-LOGIC,CURTIS,G4,6 MPH,160 RPM ACCUTRAC MOTORS,Q6 EDGE,QUANTUM	1
A1b - A5	ELE133085	ELECTRONIC,ASSY,Q-LOGIC,CURTIS,G4,6 MPH,160 RPM ACCUTRAC MOTORS,Q6 EDGE,UNIVERSAL/TILT THRU TOGGLE	1
A1a	ELEASMB7047	CONTROLLER,Q-LOGIC,CURTIS,ASSY,90 AMP,W/G4,6 MPH,160 RPM ACCU-TRAC PROGRAM,Q6 EDGE,QUANTUM	1
A1b	ELEASMB7046	CONTROLLER,Q-LOGIC,CURTIS,ASSY,90 AMP,W/G4,6 MPH,160 RPM ACCU-TRAC PROGRAM,Q6 EDGE	1
A2	DWR1502H005	ELECTRONIC,ASSY,BATTERY CABLE,GRAY,W/125A/32V FUSEABLE LINK,QUICK DISCONNECT,H-1502-005	2
A3	DWR1265H050	ELECTRONIC,MOTOR DECODER/POWER TAKE OFF(PTO)/INHIBIT,QLOGIC,H-1265-050	1
A4	DWR1361H038	ELECTRONIC,HARNESS,RUN PLUG,SURE SEAL,SYNERGY TILT,H-1361-038	1
A5	SCRPPH1390	SCREW,PPH,BLACK ZINC,M5- 8 X 35MM	2
B1	DWR1111H065	ELECTRONIC,HARNESS,BUS EXTENSION CABLE,CURTIS,0.410 METER,MALE/FEMALE,H-1111-065,(CURTIS: 17881303)	1
C1	DWR1062D078	SHROUD,BREAKER MOUNT,BLACK,MOLDED ABS,D-1062-078	1
D1	SCRPPH1036	SCREW, PAN HEAD, TYPE H, M4X0.7 X 8, FT, ISO 7045, CL 4.8, BZ	2
E1a	CTLASMB7110060	CONTROLLER,Q-LOGIC (FW 2.73),CURTIS,ASSY,90 AMP,W/G4,6 MPH,160 RPM ACCU-TRAC PROGRAM,Q6 EDGE,QUANTUM	1
E1b	CTLASMB7110059	CONTROLLER,Q-LOGIC (FW 2.73),CURTIS,ASSY,90 AMP,W/G4,6 MPH,160 RPM ACCU-TRAC PROGRAM,Q6 EDGE	1
F1	ELE1705477	ELECTRONIC,ASSY,CIRCUIT BREAKER,70 AMP,COMPLETE,RIGHT ANGLE TERMINALS,PUSH TO RESET	1
G1	DWR1062H003	ELECTRONIC,HARNESS,POWER CABLE,Q6EDGE,Q-LOGIC,H-1062-003	1
H1	HDW144517	WEATHER CAP,SILICA GEL	1

### 7.3. Electronics Assy's - Q-Logic 1/Q-Logic 2

Applicable to Serial Number JB616611306020 and subsequent.

Ref #	Manufacture Date
B1	After 1/2/2012
G1	Prior to 1/2/2012

**\*\*\*Actuator Module Replacement\*\*\***  
 \*\*Please note: Units manufactured prior to January 2, 2012, **REQUIRE** the selection of ELEASMB7110170 (G1) for Actuator Module.\*\*

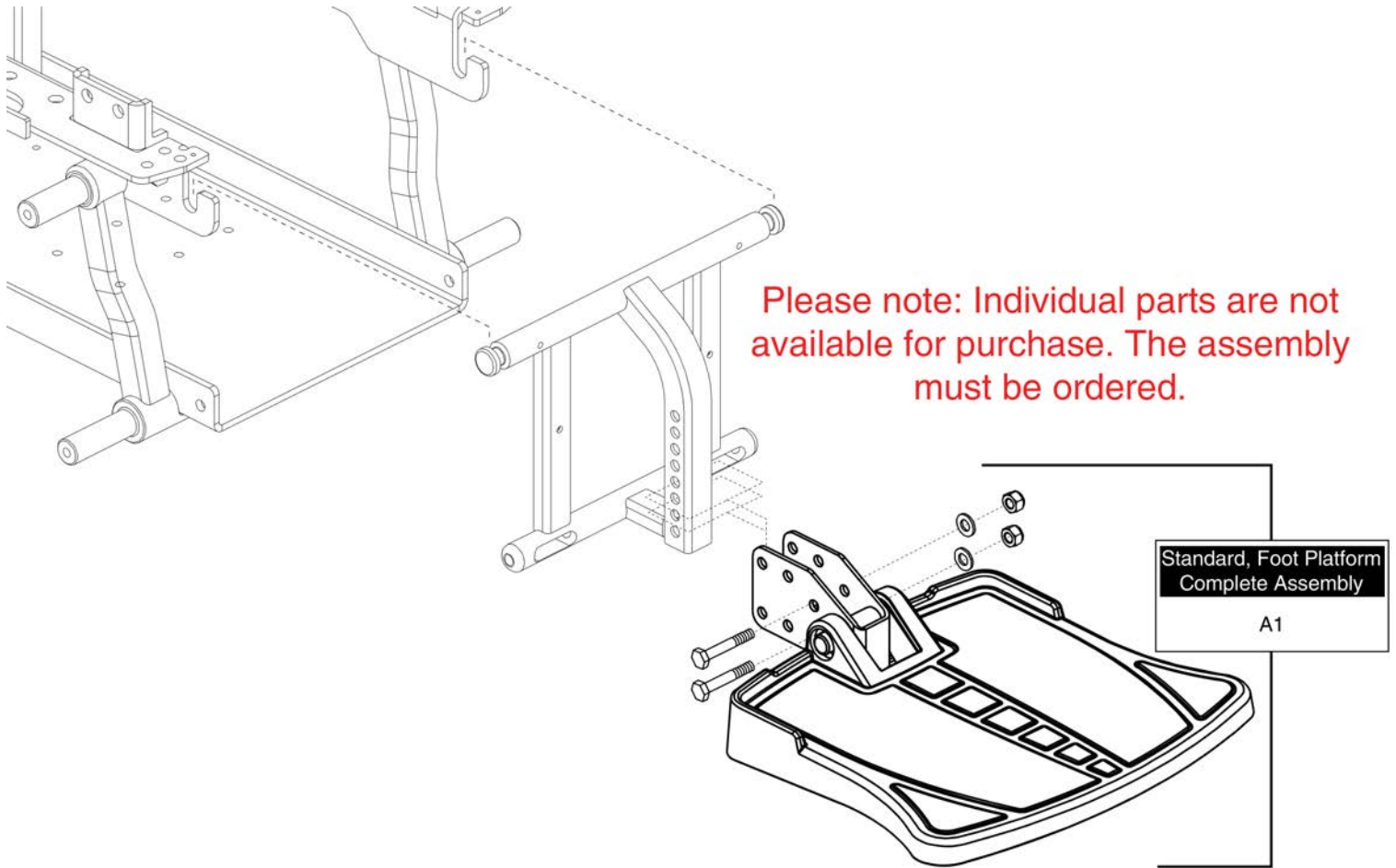


Ref #	Manufacture Date
A1	After 1/2/2012
F1	Prior to 1/2/2012

**\*\*\*Power Module Replacement\*\*\***  
 \*\*Please note: Units manufactured prior to January 2, 2012, **REQUIRE** the selection of CTLASMB7110060 (F1) for Power Module.\*\*

Item	Part No.	Name	Qty
A1 - B6	ELE133087	ELECTRONIC,ASSY,Q-LOGIC,CURTIS,G4,6 MPH,160 RPM ACCUTRAC MOTORS,Q6 EDGE,POWERSEAT THRU JOYSTICK	1
A1	ELEASMB7047	CONTROLLER,Q-LOGIC,CURTIS,ASSY,90 AMP,W/G4,6 MPH,160 RPM ACCU-TRAC PROGRAM,Q6 EDGE,QUANTUM	1
A2	DWR1502H005	ELECTRONIC,ASSY,BATTERY CABLE,GRAY,W/125A/32V FUSEABLE LINK,QUICK DISCONNECT,H-1502-005	2
A3	DWR1265H050	ELECTRONIC,MOTOR DECODER/POWER TAKE OFF(PTO)/INHIBIT,QLOGIC,H-1265-050	1
A4	DWR1361H038	ELECTRONIC,HARNESS,RUN PLUG,SURE SEAL,SYNERGY TILT,H-1361-038	1
A5	SCRPPH1390	SCREW,PPH,BLACK ZINC,M5-.8 X 35MM	2
B1 - B6	ELEASMB7092	ELECTRONIC,ASSY,ACTUATOR MODULE & MOUNTING HARDWARE,QUANTUM623,POWERSEAT THRU JOYSTICK	1
B1	ELEASMB6557	AM1,LIFT ONLY,(CONFIG.#04)	1
B2	DWR1265H017	ELECTRONIC,HARNESS,POWER SEAT,TRU-BALANCE TILT 2,H-1265-017	1
B3	DWR1265H016	ELECTRONIC,HARNESS,POWER SEAT INHIBIT,CURTIS,TRUBALANCE TILT 2,H-1265-016	1
B4	SCRPPH1290	SCREW,PPH,BLACK ZINC,4-40 X 0.25"	2
B5	DWR1111H311	ELECTRONIC,HARNESS,BUS EXTENSION CABLE,AAM/LM	1
B6	SCRPPH1153	SCREW, PAN HEAD, TYPE H, M4X0.7 X 20, FT, ISO 7045, CL 4.8, BZ	2
C1	DWR1111H065	ELECTRONIC,HARNESS,BUS EXTENSION CABLE,CURTIS,0.410 METER,MALE/FEMALE,H-1111-065,(CURTIS: 17881303)	1
D1	DWR1062D078	SHROUD,BREAKER MOUNT,BLACK,MOLDED ABS,D-1062-078	1
E1	SCRPPH1036	SCREW, PAN HEAD, TYPE H, M4X0.7 X 8, FT, ISO 7045, CL 4.8, BZ	2
F1	CTLASMB7110060	CONTROLLER,Q-LOGIC (FW 2.73),CURTIS,ASSY,90 AMP,W/G4,6 MPH,160 RPM ACCU-TRAC PROGRAM,Q6 EDGE,QUANTUM	1
G1	ELEASMB7110170	ELECTRONIC,ASSY,AM1 MODULE (FW 1.16),W/ PROGRAMMING,TRU-BALANCE,ELEVATE(CONFIGURATION # 04)	1
H1	ELE1705477	ELECTRONIC,ASSY,CIRCUIT BREAKER,70 AMP,COMPLETE,RIGHT ANGLE TERMINALS,PUSH TO RESET	1
I1	DWR1062H003	ELECTRONIC,HARNESS,POWER CABLE,Q6EDGE,Q-LOGIC,H-1062-003	1
J1	HDW144517	WEATHER CAP,SILICA GEL	1

8. Foot Platform & Battery Access Bracket Assy's

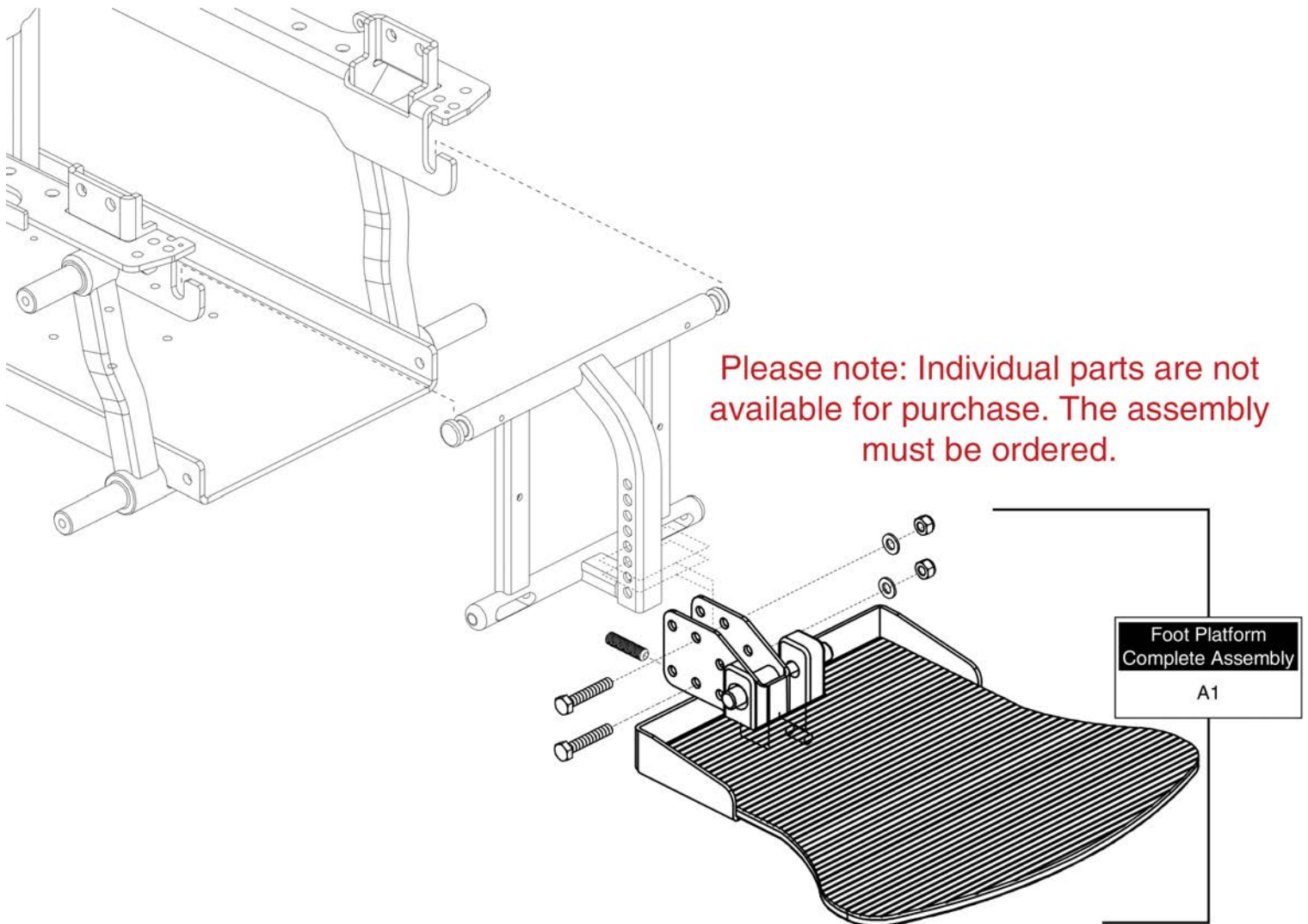


Foot Platform Assy - Small



Item	Part No.	Name	Qty
A1	FRMASMB16077	FOOT PLATFORM,ASSY,W/MOUNTING BRACKET,Q6 EDGE,D-1201-067	1

8. Foot Platform & Battery Access Bracket Assy's

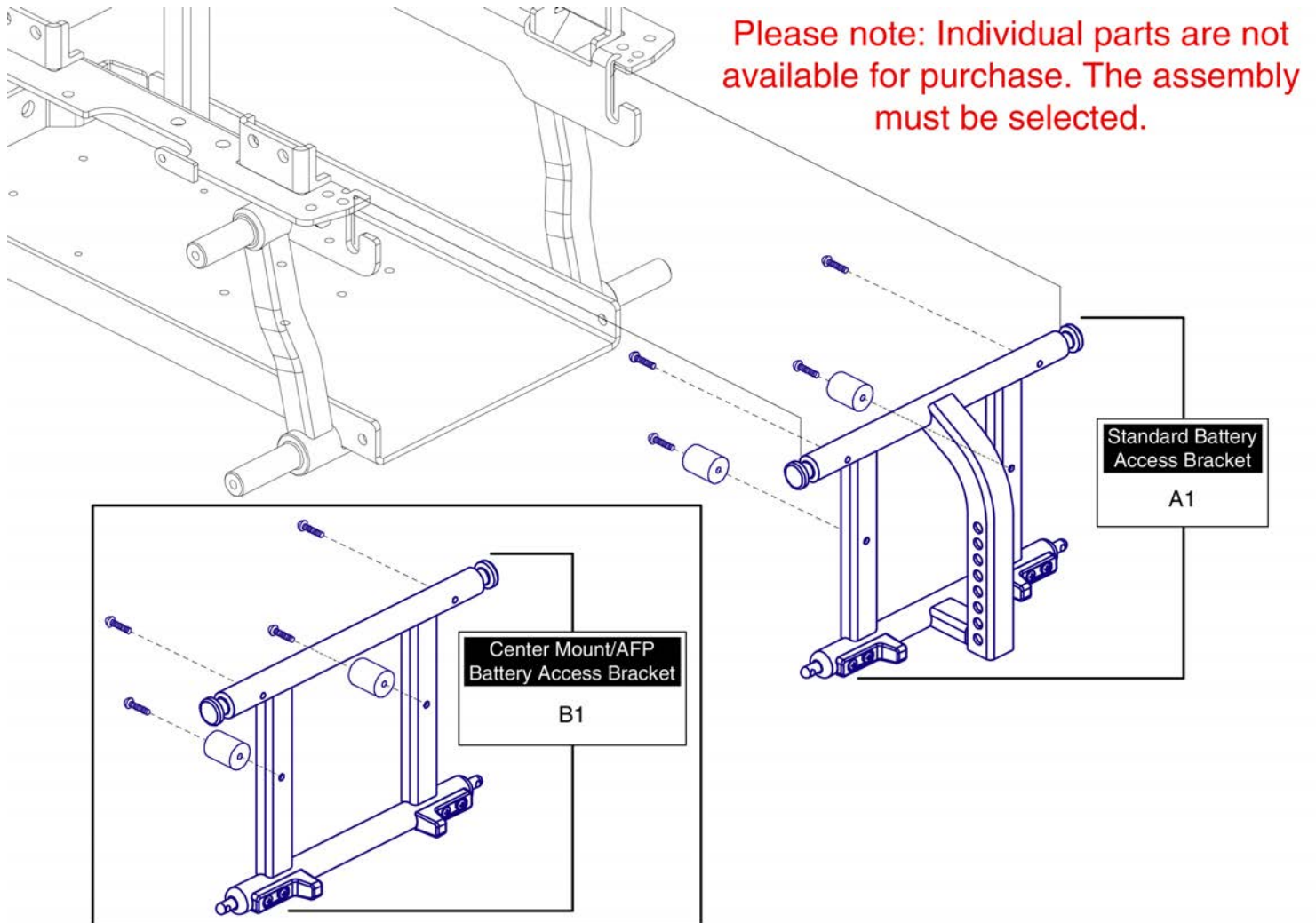


**Foot Platform Assy - Large (Bell)**



Item	Part No.	Name	Qty
A1	RIGASMB7120041	FOOT PLATFORM,ASSY,BELL,W/MOUNTING BRACKET,RIGASMB7120041	1

8. Foot Platform & Battery Access Bracket Assy's



Please note: Individual parts are not available for purchase. The assembly must be selected.



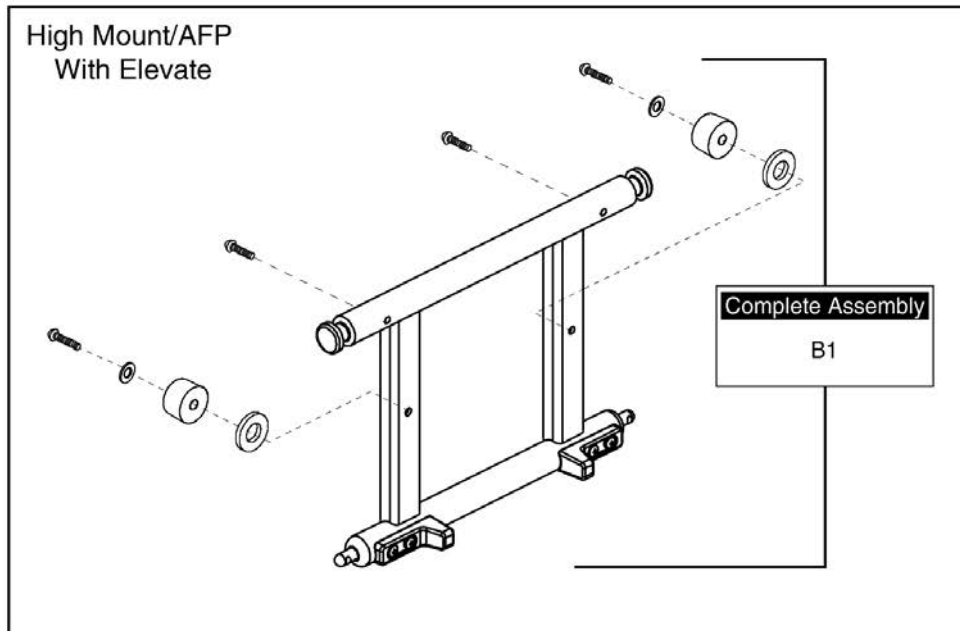
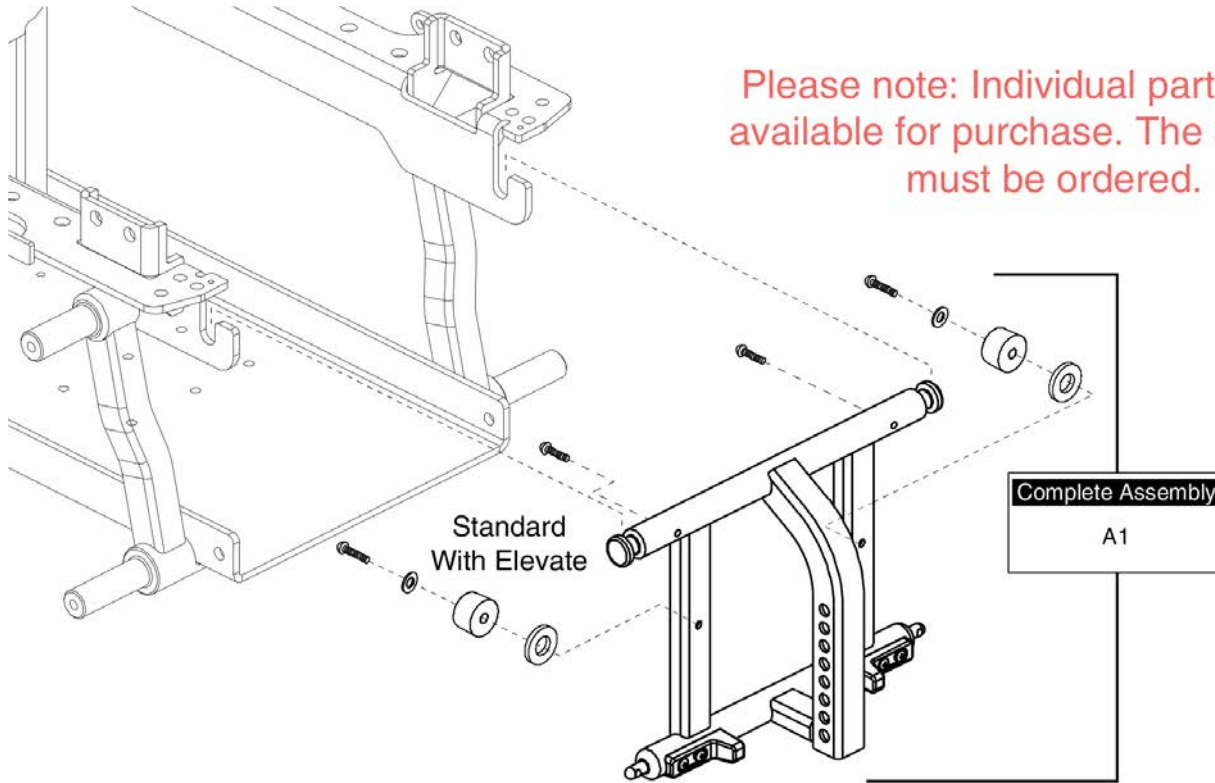
# Battery Access Brackets



Item	Part No.	Name	Qty
A1	FRMASMB16033	FRAME,ASSY,BATTERY ACCESS BRACKET,STANDARD,Q6 EDGE,C-1062-073	1
B1	FRMASMB16314	FRAME,ASSY,BATTERY ACCESS BRACKET,HIGH MOUNT/AFP,Q6 EDGE,C-1062-072	1

### 8. Foot Platform & Battery Access Bracket Assy's

Please note: Individual parts are not available for purchase. The assembly must be ordered.

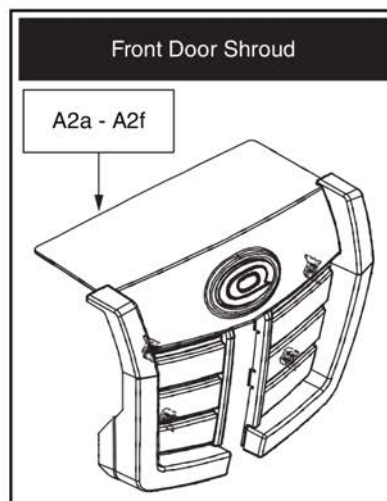
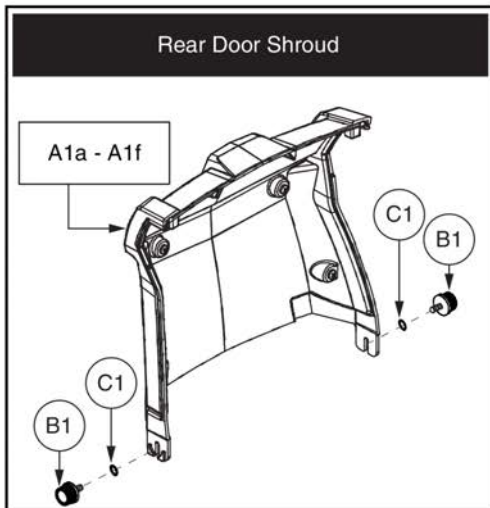
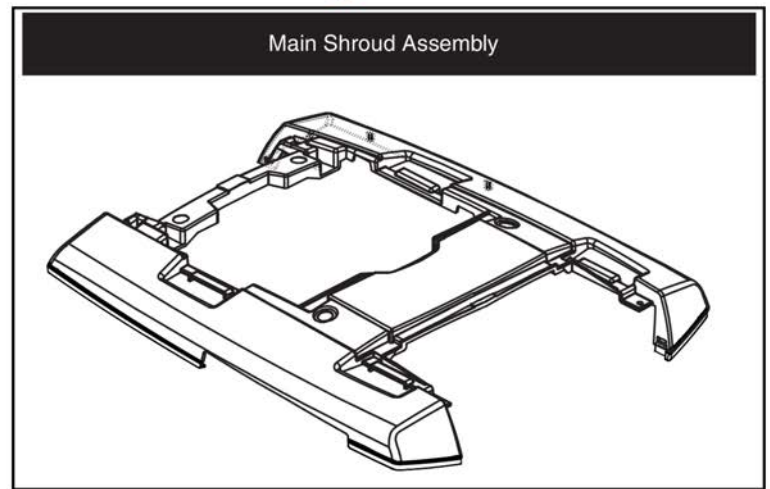


Item	Part No.	Name	Qty
A1	FRMASMB16559	FRAME,ASSY,BATTERY ACCESS BRACKET,STANDARD W/ELEVATE,Q6 EDGE,C-1062-075	1
B1	FRMASMB16560	FRAME,ASSY,BATTERY ACCESS BRACKET,HIGH MOUNT/AFP W/ELEVATE,Q6 EDGE,C-1062-074	1

9. Shroud Assy's

**\*\*Please note: The top-level assemblies for the color plastics must be purchased to include the mounting hardware.\*\***

Painted Shroud Colors	Part Number	Ref Number
Black	DGN133113	A1a - A7
Candy Apple Red	DGN133111	A1b - A7
Emerald Green	DGN133118	A1c - A7
Pearl Pink	DGN133117	A1d - A7
Sapphire Blue	DGN133119	A1e - A7
Viper Blue	DGN133112	A1f - A7



**The decals listed are included within the top-level assemblies.**

Painted Shroud Colors	Part Number	Ref Number
Max. Weight Capacity	DWR1234L004	A3
Read Owner's Manual	DWR1234L012	A4
Battery Warning	DWR1235L515	A5
Name Decal	DWR1235L639	A6
Battery Connection	DWR1235L678	A7

# Shroud Assy - Standard Colors, Q6 Edge

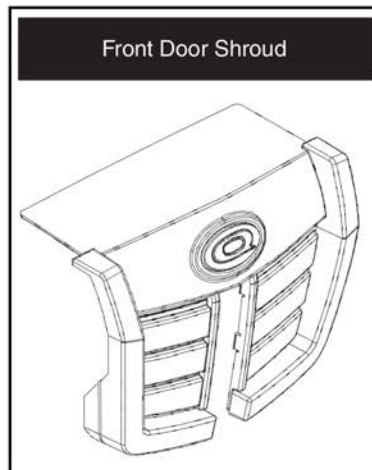
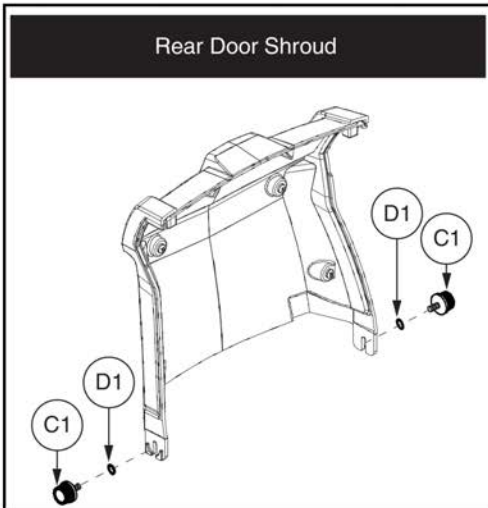
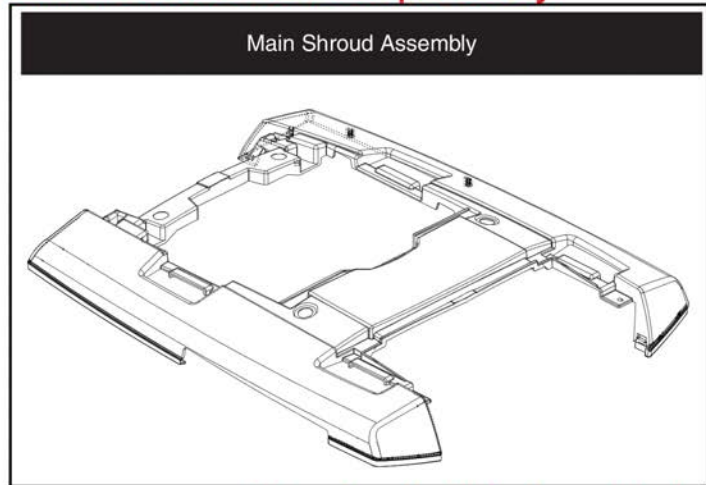


Item	Part No.	Name	Qty
A1a - A7	DGN133113	SHROUD,ASSY,BLACK,Q6 EDGE	1
A1b - A7	DGN133111	SHROUD,ASSY,CANDY APPLE RED,Q6 EDGE	1
A1c - A7	DGN133118	SHROUD,ASSY,EMERALD GREEN,Q6 EDGE	1
A1d - A7	DGN133117	SHROUD,ASSY,PEARL PINK,Q6 EDGE	1
A1e - A7	DGN133119	SHROUD,ASSY,SAPPHIRE BLUE,Q6 EDGE	1
A1f - A7	DGN133112	SHROUD,ASSY,VIPER BLUE,Q6 EDGE	1
A1a	SHDASMB5928	SHROUD,ASSY,REAR DOOR,BLACK	1
A1b	SHDASMB5906	SHROUD,ASSY,REAR DOOR,CANDY APPLE RED	1
A1c	SHDASMB5941	SHROUD,ASSY,REAR DOOR,EMERALD GREEN	1
A1d	SHDASMB5937	SHROUD,ASSY,REAR DOOR,PEARL PINK	1
A1e	SHDASMB5943	SHROUD,ASSY,REAR DOOR,SAPPHIRE BLUE	1
A1f	SHDASMB5907	SHROUD,ASSY,REAR DOOR,VIPER BLUE	1
A2a	SHDASMB5945	SHROUD,ASSY,FRONT DOOR,BLACK	1
A2b	SHDASMB5908	SHROUD,ASSY,FRONT DOOR,CANDY APPLE RED	1
A2c	SHDASMB5958	SHROUD,ASSY,FRONT DOOR,EMERALD GREEN	1
A2d	SHDASMB5954	SHROUD,ASSY,FRONT DOOR,PEARL PINK	1
A2e	SHDASMB5960	SHROUD,ASSY,FRONT DOOR,SAPPHIRE BLUE	1
A2f	SHDASMB5909	SHROUD,ASSY,FRONT DOOR,VIPER BLUE	1
A3	DWR1234L004	DECAL,ICON,300LBS/135 KG,MAXIMUM WEIGHT CAPACITY,L-1234-004	1
A4	DWR1234L012	DECAL,ICON,1.5",READ OWNERS MANUAL,L-1234-012	1
A5	DWR1235L515	DECAL,WARNING,BATTERY WARNINGS,L-1235-515	1
A6	DWR1235L639	DECAL,NAME,Q6EDGE,L-1235-639	2
A7	DWR1235L678	DECAL,BATTERY CONNECTION,1.6" X 2.3",QUANTUM623,L-1235-678	1
B1	PLSKNCP1056	KNOB,PLASTIC,M4-.7 X 12MM,KNURLED HEAD,TALL,C-1060-041	2
C1	WASNEOP1003	WASHER,BLACK,NEOPRENE,3.20MM ID X 7.00MM OD X 1.90MM TH,O-RING	2

9. Shroud Assy's

**\*\*Please note: Top-level assemblies must be purchased. Individual colored pastics are not available separately.\*\***

Painted Shroud Colors	Part Number	Ref Number
Orion Yellow	DGN133121	A1a
Silver	DGN133116	A1b
Sunburst Orange	DGN133115	A1c
True Blue	DGN133122	A1d



**The decals listed are included within the top-level assemblies.**

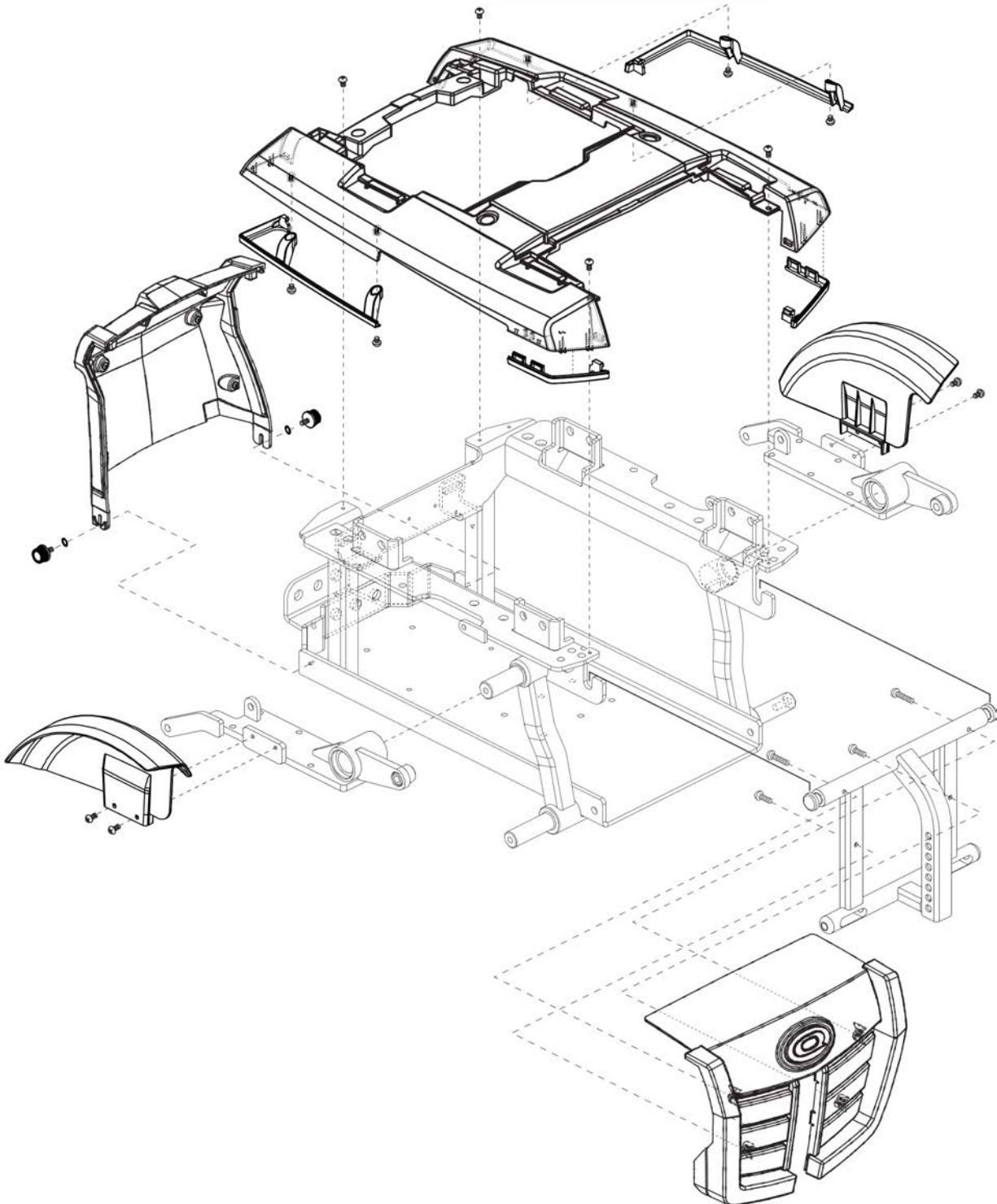
Painted Shroud Colors	Part Number	Ref Number
Max. Weight Capacity	DWR1234L004	B1
Read Owner's Manual	DWR1234L012	B2
Battery Warning	DWR1235L515	B3
Name Decal	DWR1235L639	B4
Battery Connection	DWR1235L678	B5

Item	Part No.	Name	Qty
A1a	DGN133121	SHROUD,ASSY,ORION YELLOW,Q6 EDGE	1
A1b	DGN133116	SHROUD,ASSY,SILVER,Q6 EDGE	1
A1c	DGN133115	SHROUD,ASSY,SUNBURST ORANGE,Q6 EDGE	1
A1d	DGN133122	SHROUD,ASSY,TRUE BLUE,Q6 EDGE	1
B1	DWR1234L004	DECAL,ICON,300LBS/135 KG,MAXIMUM WEIGHT CAPACITY,L-1234-004	1
B2	DWR1234L012	DECAL,ICON,1.5",READ OWNERS MANUAL,L-1234-012	1
B3	DWR1235L515	DECAL,WARNING,BATTERY WARNINGS,L-1235-515	1
B4	DWR1235L639	DECAL,NAME,Q6EDGE,L-1235-639	1
B5	DWR1235L678	DECAL,BATTERY CONNECTION,1.6" X 2.3",QUANTUM623,L-1235-678	1
C1	PLSKNCP1056	KNOB,PLASTIC,M4-.7 X 12MM,KNURLED HEAD,TALL,C-1060-041	2
D1	WASNEOP1003	WASHER,BLACK,NEOPRENE,3.20MM ID X 7.00MM OD X 1.90MM TH,O-RING	2

9. Shroud Assy's

All listed colors are ONLY available through SOF.  
Please contact technical service for more information.

SOF Painted Shroud Colors	
Champagne	Spring Green
Solar Yellow	Tangerine
Cardinal Red	Kelly Green
Violet	Pewter Gray
Mariner Blue	Graphite Blue
Mossy Oak	





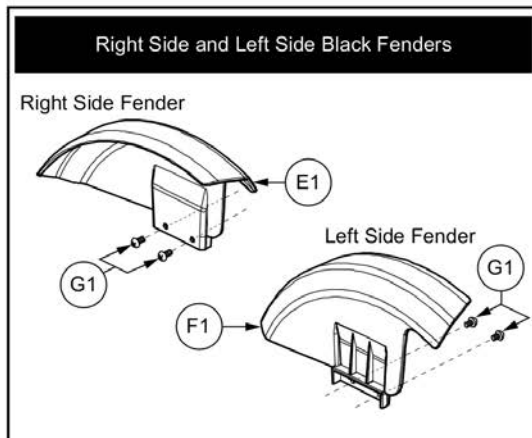
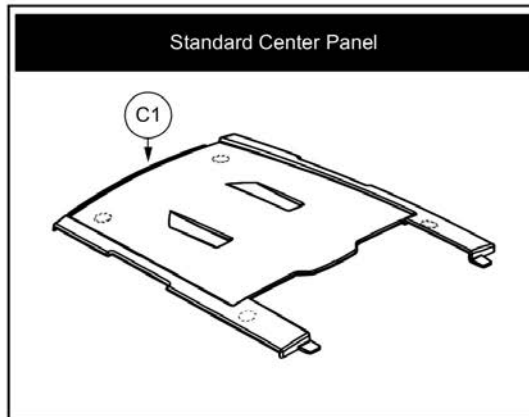
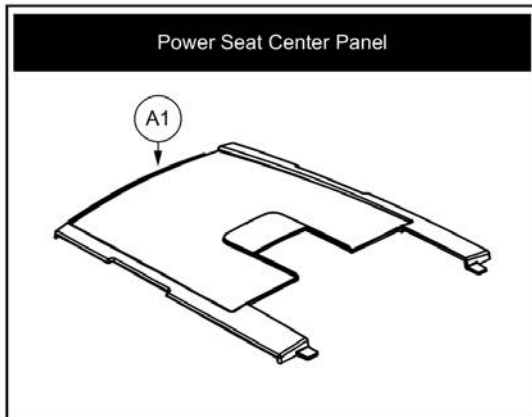
# Shroud Assy - SOF Colors, Q6 Edge



Item	Part No.	Name	Qty
N/A		SHROUD,ASSY,CHAMPAGNE,Q6 EDGE	1
N/A		SHROUD,ASSY,SOLAR YELLOW,Q6 EDGE	1
N/A		SHROUD,ASSY,CARDINAL RED,Q6 EDGE	1
N/A		SHROUD,ASSY,VIOLET,Q6 EDGE	1
N/A		SHROUD,ASSY,MARINER BLUE,Q6 EDGE	1
N/A		SHROUD,ASSY,SPRING GREEN,Q6 EDGE	1
N/A		SHROUD,ASSY,TANGERINE,Q6 EDGE	1
N/A		SHROUD,ASSY,KELLY GREEN,Q6 EDGE	1
N/A		SHROUD,ASSY,PEWTER GRAY,Q6 EDGE	1
N/A		SHROUD,ASSY,GRAPHITE BLUE,Q6 EDGE	1
N/A		SHROUD,ASSY,MOSSY OAK,Q6 EDGE	1

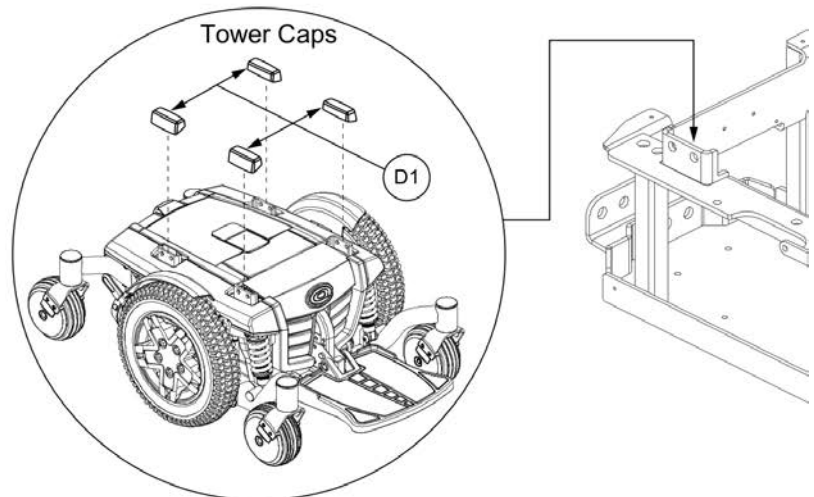
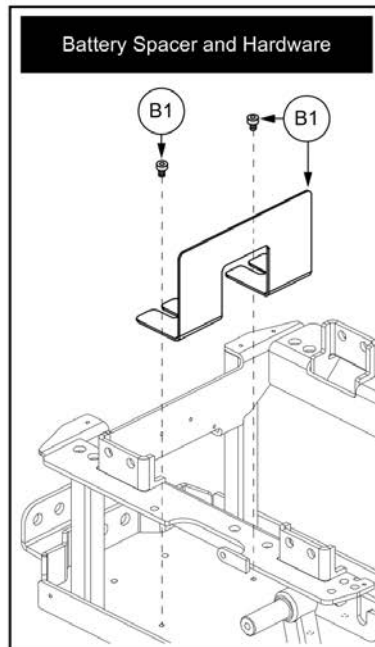
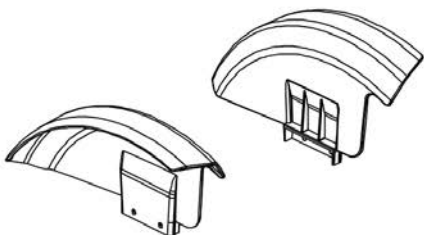
9. Shroud Assy's

Please note: Only serviceable components are shown.



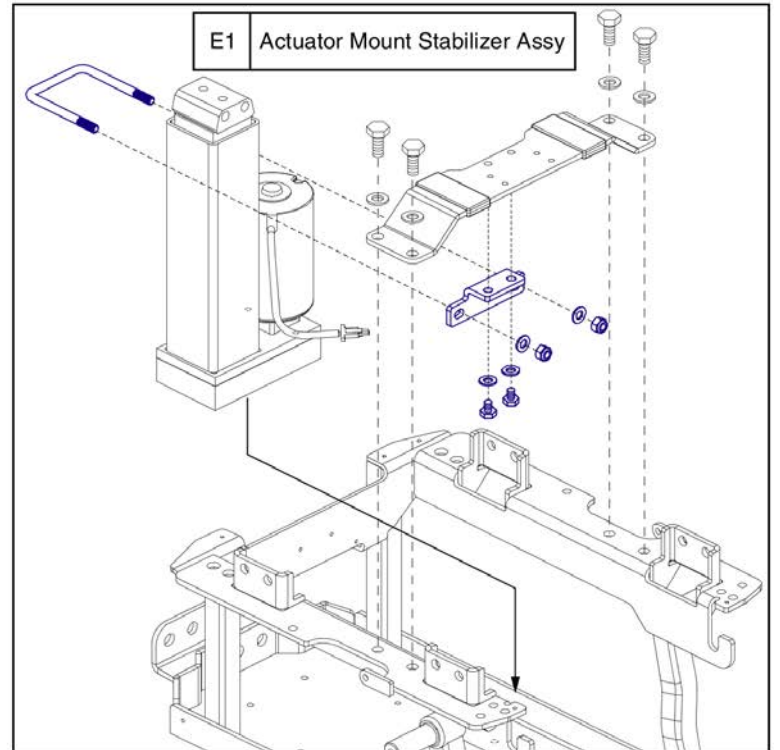
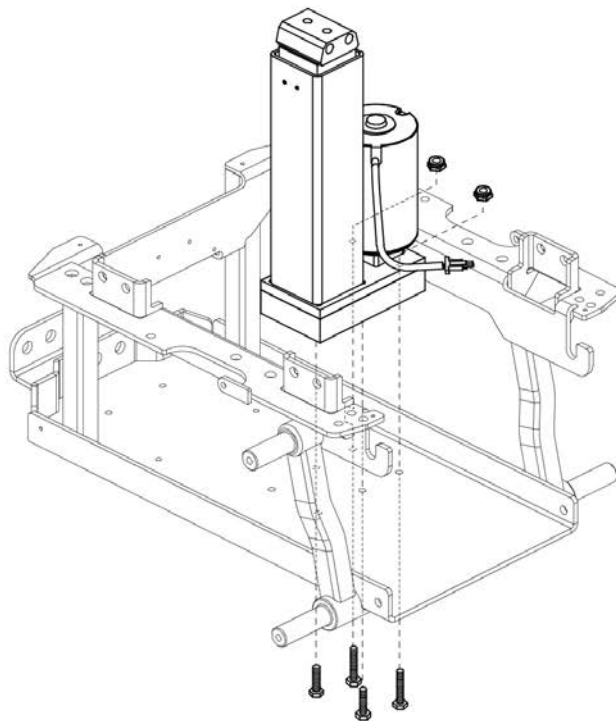
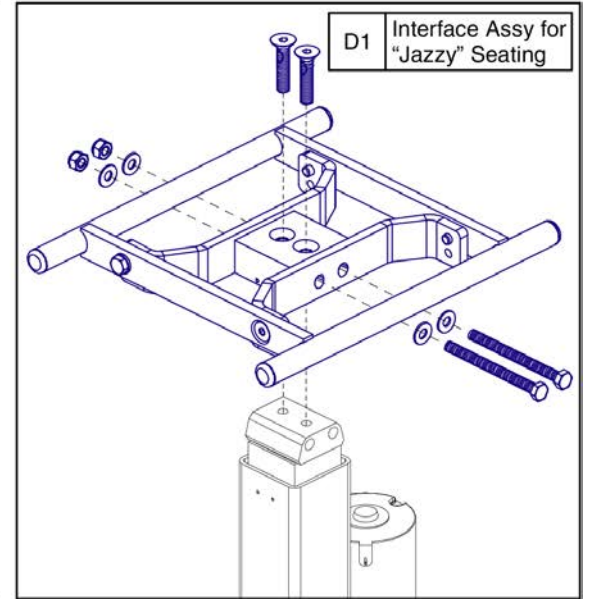
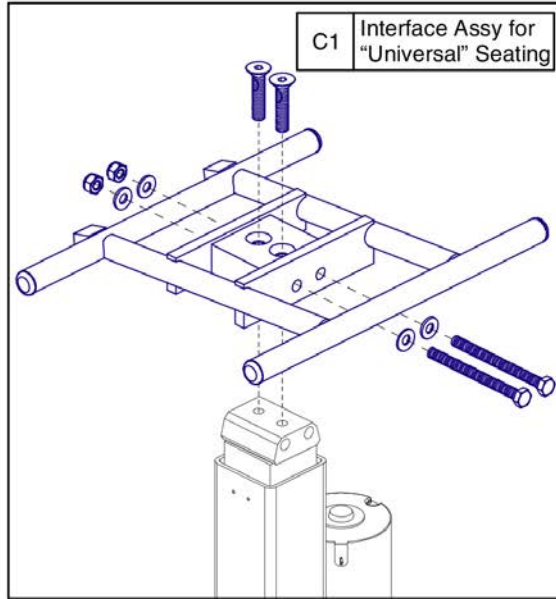
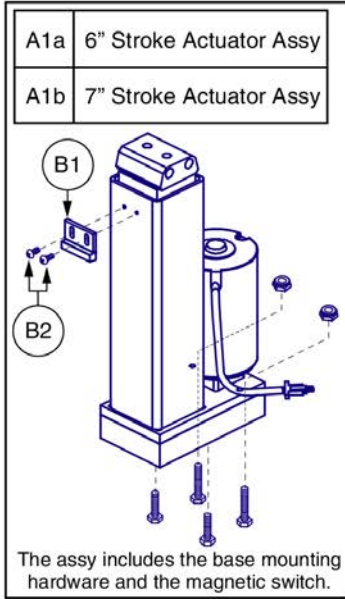
Previous generations of fenders are no longer available.

Do to physical difference, we recommend, but is not required, that both right and left sides are replaced. Please contact Quantum Technical Service.



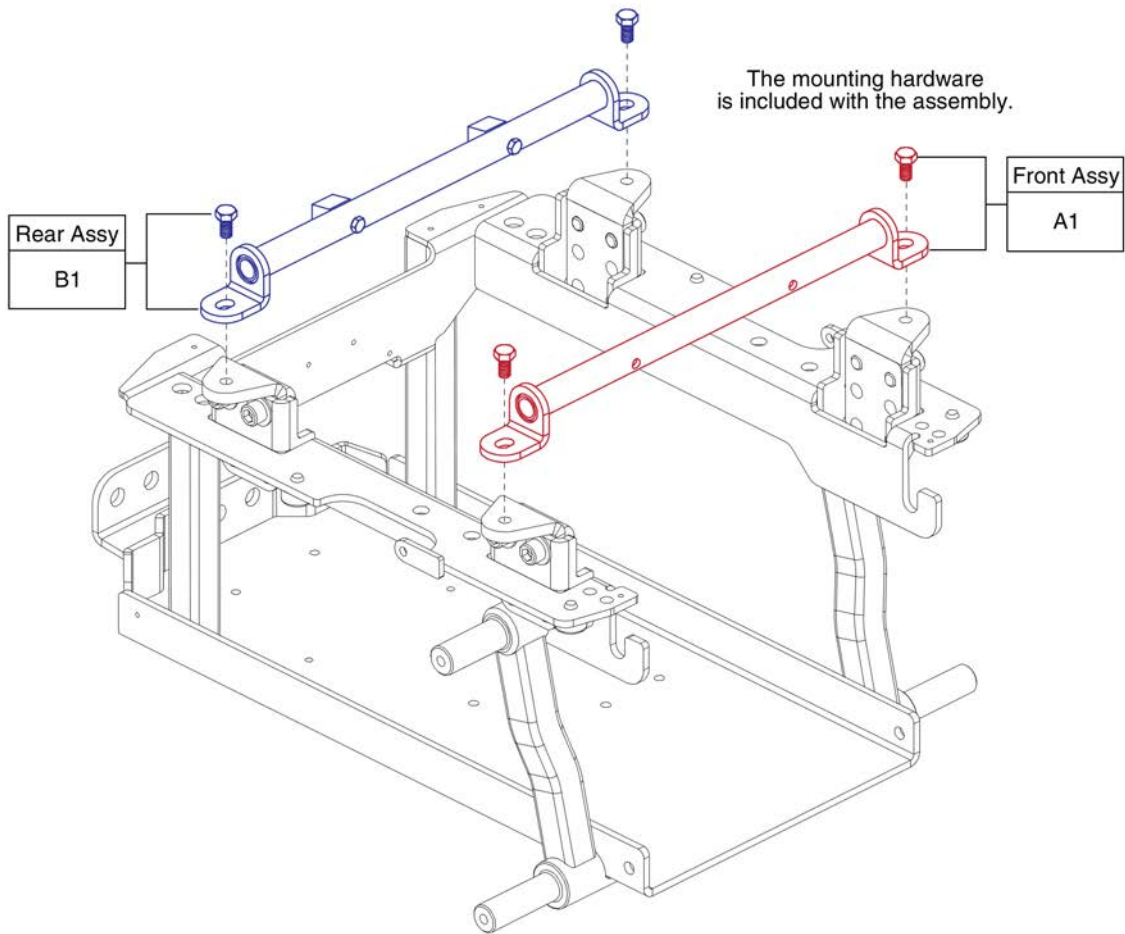
Item	Part No.	Name	Qty
A1	SHDASMB6044	SHROUD,ASSY,CENTER PANEL,POWER SEAT,Q6 EDGE	1
B1	MEC154025	SHROUD,ASSY,BATTERY SPACER,METAL,Q6 EDGE	1
C1	SHDASMB6043	SHROUD,ASSY,CENTER PANEL,STANDARD,Q6 EDGE	1
D1	DWR1062D096	COVER,TOWER CAP,Q6EDGE,D-1062-096	4
E1	DGN155719	RIGHT FENDER, ILEVEL	1
F1	DGN155720	LEFT FENDER, ILEVEL	1
G1	SCRPPH1036	SCREW, PAN HEAD, TYPE H, M4X0.7 X 8, FT, ISO 7045, CL 4.8, BZ	4
H1	DWR1062D072	SHROUD,FRONT DOOR CAP,BLACK,D-1062-072	1
I1	FRMASMB16314	FRAME,ASSY,BATTERY ACCESS BRACKET,HIGH MOUNT/AFP,Q6 EDGE,C-1062-072	1

10. Power Seat Assy



Item	Part No.	Name	Qty
A1a	FRMASMB16311	ACTUATOR,ASSY,POWER SEAT,6" STROKE,W/TAPERED HEAD,Q6 EDGE	1
A1b	FRMASMB16312	ACTUATOR,ASSY,POWER SEAT,7" STROKE,W/TAPERED HEAD,Q6 EDGE	1
B1	SWTMAGN1001	ELECTRONIC,SWITCH,HERMETIC,PRX +8100	1
B2	SCRPPH1290	SCREW,PPH,BLACK ZINC,4-40 X 0.25"	2
C1	FRMASMB9428	SEAT BASE,ASSY,POWER SEAT INTERFACE FOR UNIVERSAL SEATING,QUANTUM6000	1
D1	MEC133628	SEAT INTERFACE,ASSY,TAPERED HEAD ACTUATOR W/JAZZYINTERFACE	1
E1	FRMASMB15971	FRAME,ASSY,POWER SEAT ACTUATOR MOUNT,C-1062-049	1

11. Seat Interface Assy's



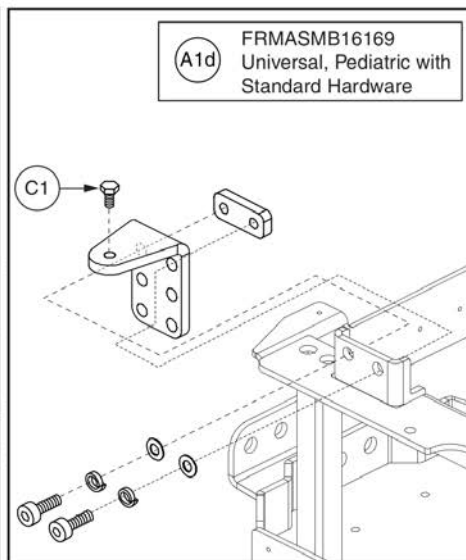
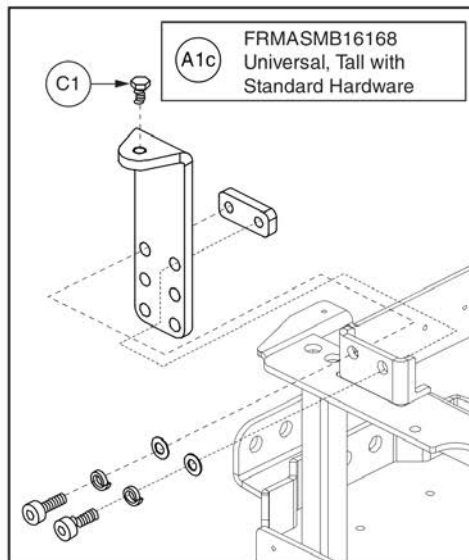
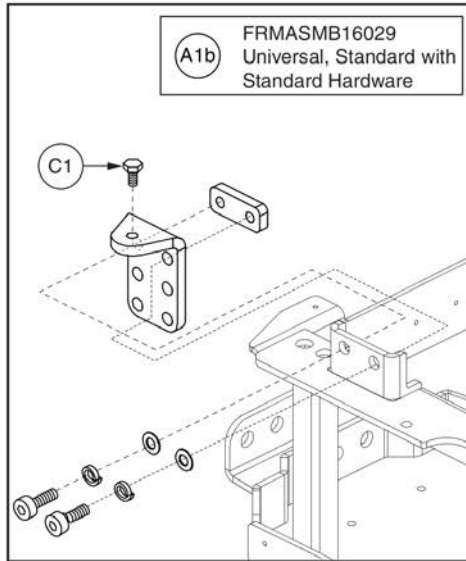
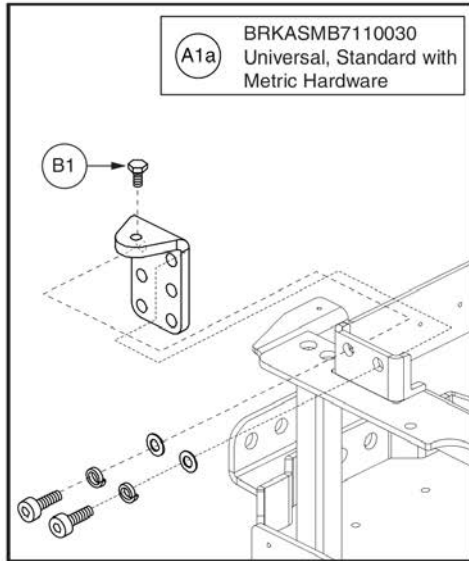
# Trapeze Bar Assy



Item	Part No.	Name	Qty
A1	TWRASMB7120002	SEAT TOWER,ASSY,14.00" CENTERS,FRONT TRAPEZE BAR,METRIC	1
B1	TWRASMB7120003	SEAT TOWER,ASSY,14.00" CENTERS,REAR TRAPEZE BAR,METRIC	1

11. Seat Interface Assy's

Seat Mount Connectors are **ONLY** available as an assembly.  
Assemblies include the seat mount bracket and mounting hardware .



**B1** This is the hardware used for the Metric Seat Towers.

**C1** This is the hardware used for the Standard Seat Towers.



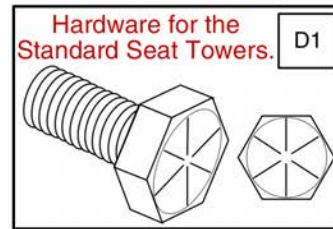
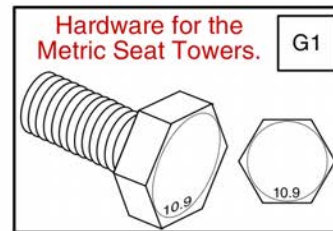
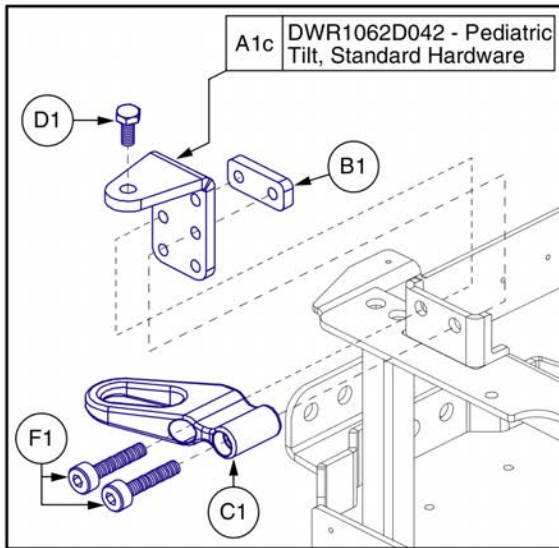
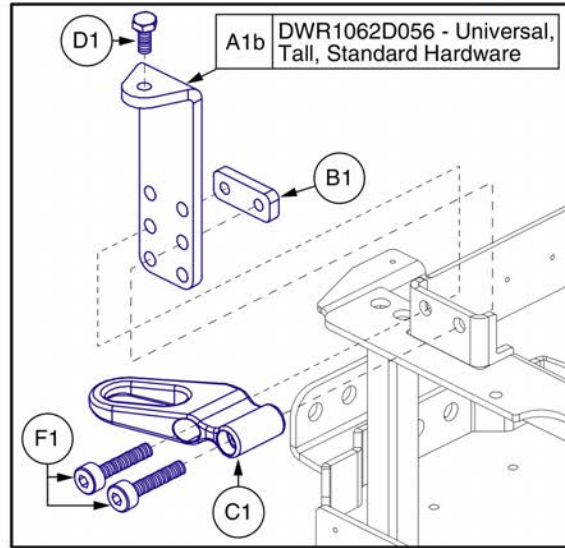
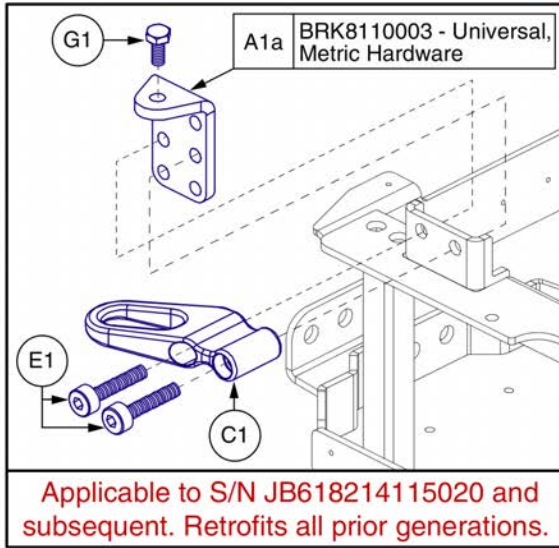
## Seat Mount Connector L-Bracket Assy's, Q6 Edge



Item	Part No.	Name	Qty
A1a	BRKASMB7110030	SEAT INTERFACE,ASSY,L-BRACKET,UNIVERSAL,METRIC,BRKASMB7110030	1
A1b	FRMASMB16029	SEAT MOUNT CONNECTOR,ASSY,L-BRACKET,UNIVERSAL,Q6EDGE,C-1062-041	1
A1c	FRMASMB16168	SEAT MOUNT CONNECTOR,ASSY,L-BRACKET,UNIVERSAL,TALL,Q6EDGE	1
A1d	FRMASMB16169	SEAT MOUNT CONNECTOR,ASSY,L-BRACKET,PEDIATRIC TILT,Q6EDGE	1
B1	SCR8120003	SCREW,HHCS,BLACK ZINC,M10-1.5 X 12MM,10.9,W/PATCH	1
C1	SCRHHCS1247	SCREW,HHCS,BLACK ZINC,3/8-16 X 0.50",GRADE 8	1

12. Transit Loop & L-Bracket Assy's

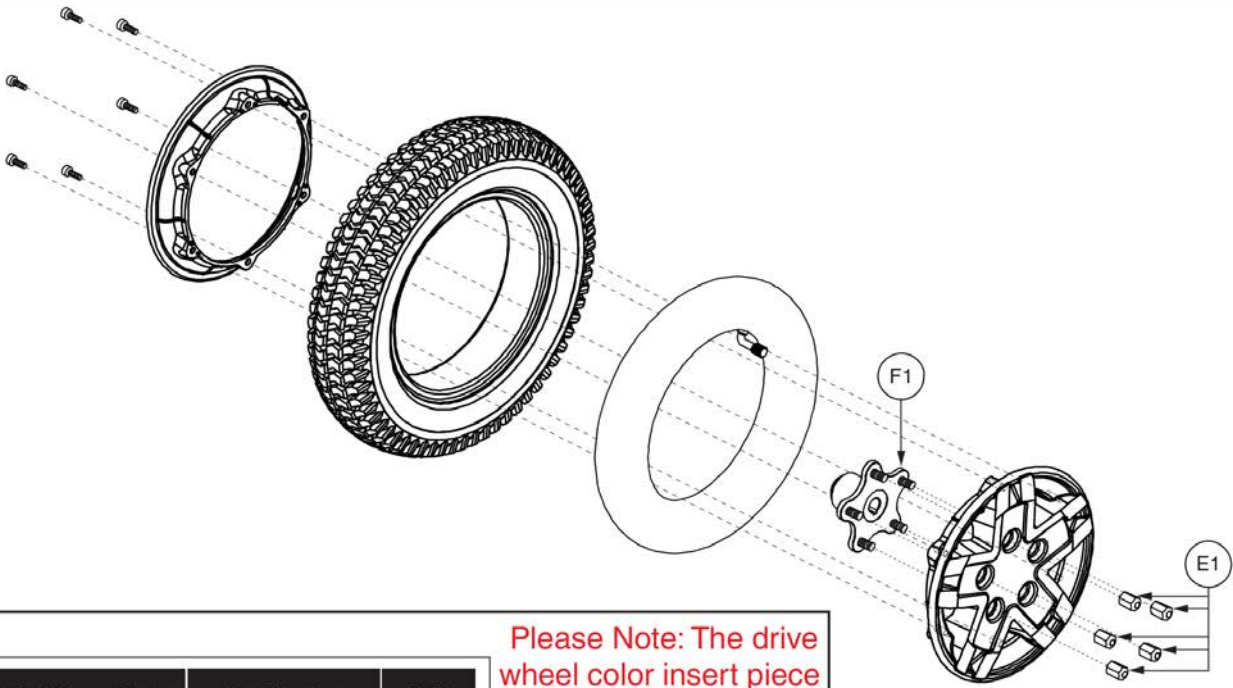
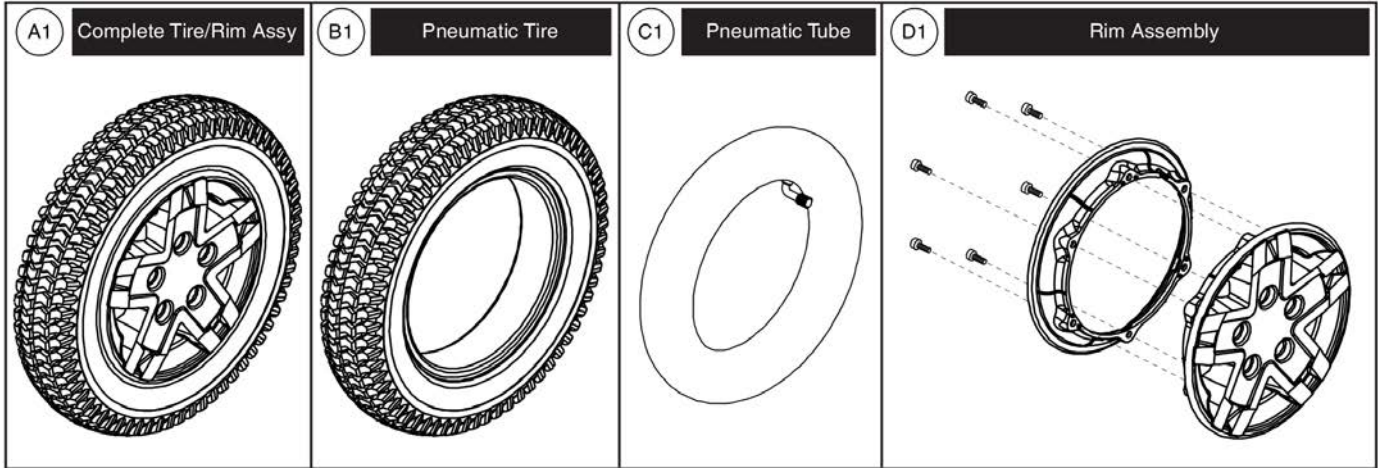
\*\*\* All items are listed individually and must be selected individually.\*\*\*



Item	Part No.	Name	Qty
A1a	BRK8110003	MOUNTING BRACKET,SEAT INTERFACE,UNIVERSAL,BRK8110003	1
A1b	DWR1062D056	MOUNTING BRACKET,SEAT INTERFACE,TALL,D-1062-056	1
A1c	DWR1062C042	MOUNTING BRACKET,SEAT INTERFACE,PEDIATRIC TILT,C-1062-042	1
B1	DWR1062C036	MOUNTING BRACKET,SEAT INTERFACE BACK PLATE,THREADED,C-1062-036	1
C1	MEC142133	MOUNTING BRACKET,ASSY,UNIVERSAL TRANSIT SECUREMENT LOOP W/DECALS	1
D1	SCRHHCS1247	SCREW,HHCS,BLACK ZINC,3/8-16 X 0.50",GRADE 8	1
E1	HDW142810	SCREW, SOCKET HEAD, M10 X 50, ISO 4762, CL 12.9, BZ, PVTP	1
F1	SCRSHCS1338	SCREW,SHCS,BLACK ZINC,3/8-16 X 2.25",GRADE 8,W/NYLON PATCH	1
G1	SCR8120003	SCREW,HHCS,BLACK ZINC,M10-1.5 X 12MM,10.9,W/PATCH	1

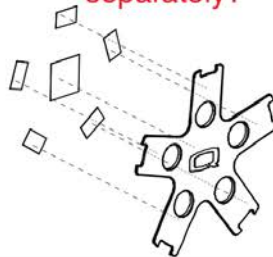
### 13. Drive Wheel Assy's

Please note: Hardware is included in the top-level assemblies and is not available individually.



Painted Shroud Colors	Part Number	Ref #
Candy Apple Red	DGN164245-PRD1	G1a
Black	DGN164245-PBK1	G1b
Orion Yellow	DGN164245-PYL3	G1c
True Blue	DGN164245-PBU9	G1d

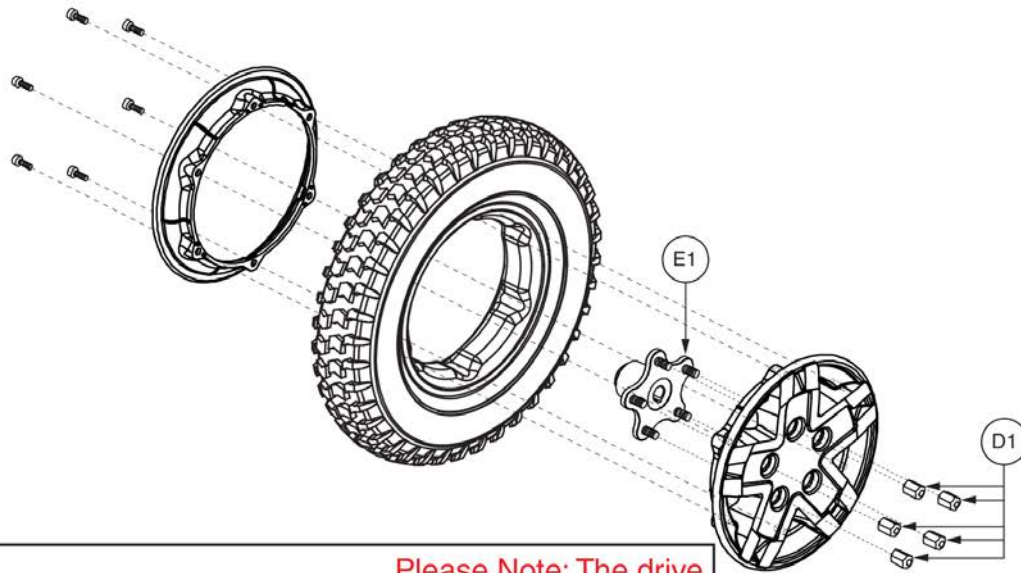
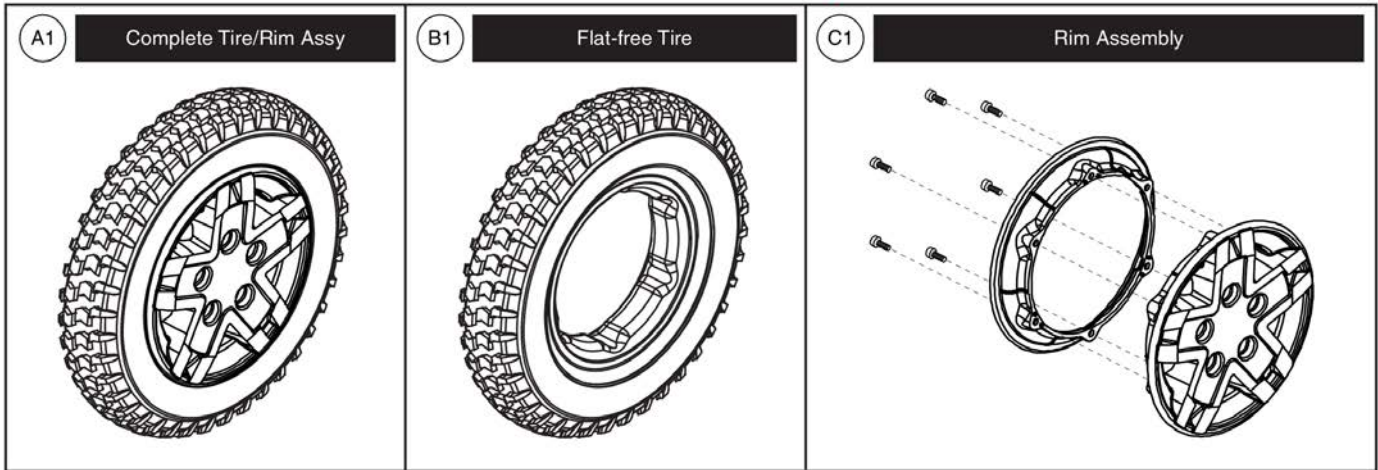
Please Note: The drive wheel color insert piece must be ordered separately.



Item	Part No.	Name	Qty
A1	WHLASMB2122	WHEEL,ASSY,PNEUMATIC,14" X 3" DRIVE,SILVER RIM/GRAY TIRE,E-1203-051	1
B1	TIRPNEU1004	TIRE,PNEUMATIC,300-8 X 14",C-248-5	1
C1	TUBSTND1002	TUBE,300-8,ANGLED VALVE W/CAP	1
D1	WHLASMB2095	WHEEL,ASSY,RIM,SILVER,ALUMINUM,8",5 SPOKE,MACHINED FACE	1
E1	DWR1005B049	NUT,LUG,ZINC,5/16-24,B-1005-049	5
F1	WHLASMB2081	WHEEL,ASSY,HUB,5 SPOKE,W/STUDS,G4 MOTORS,B-1203-010	1
G1a	DGN164245-PRD1	DRIVE WHEEL COLOR INSERT, WITH ADHESIVE TAPE, PPW-RED-01 (RED CORVETTE/CANDY APPLE RED)	1
G1b	DGN164245-PBK1	DRIVE WHEEL COLOR INSERT, WITH ADHESIVE TAPE, PPW-BLK-01 (BACK IN BLACK/BLACK)	1
G1c	DGN164245-PYL3	DRIVE WHEEL COLOR INSERT, WITH ADHESIVE TAPE, PPW-YEL-03 (YELLOW BLAZE/ORION YELLOW)	1
G1d	DGN164245-PBU9	DRIVE WHEEL COLOR INSERT, WITH ADHESIVE TAPE, PPW-BLU-09 (ELECTRIC BLUE/TRUE BLUE)	1

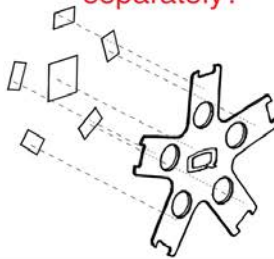
### 13. Drive Wheel Assy's

Please note: Hardware is included in the top-level assemblies and is not available individually.



Painted Shroud Colors	Part Number	Ref #
Candy Apple Red	DGN164245-PRD1	F1a
Black	DGN164245-PBK1	F1b
Orion Yellow	DGN164245-PYL3	F1c
True Blue	DGN164245-PBU9	F1d

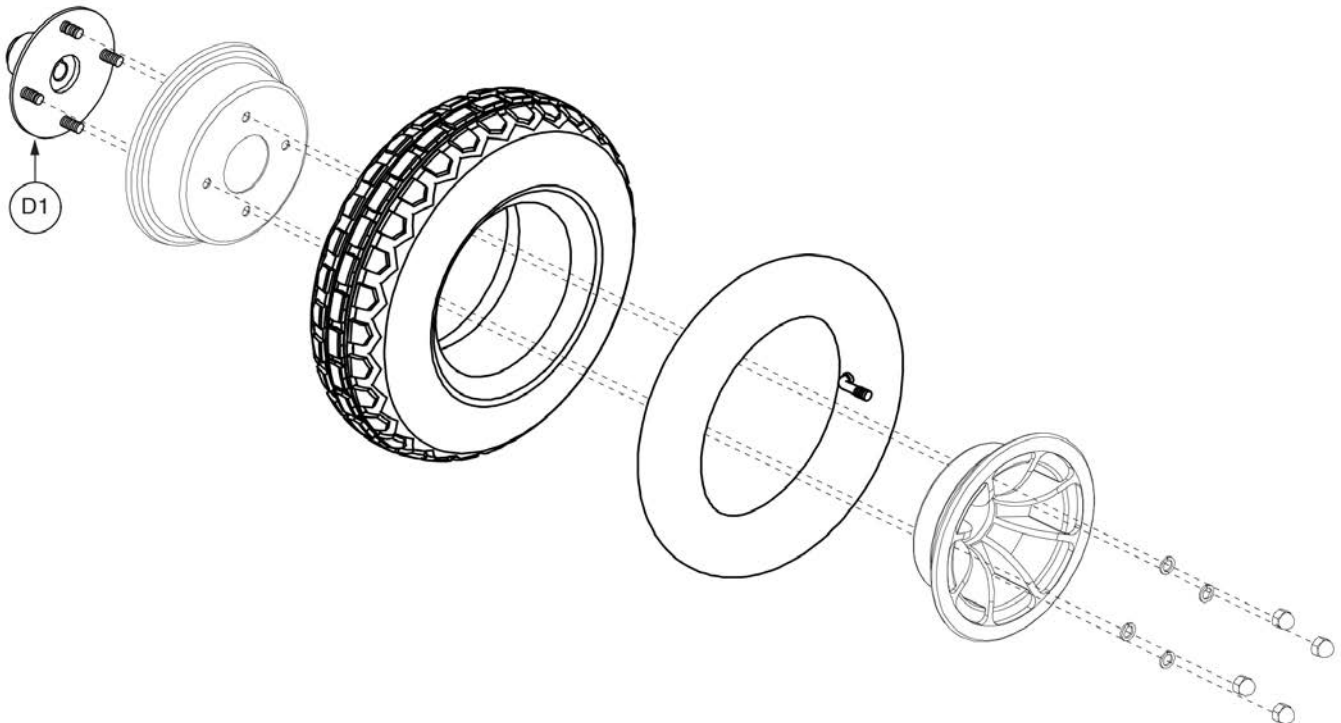
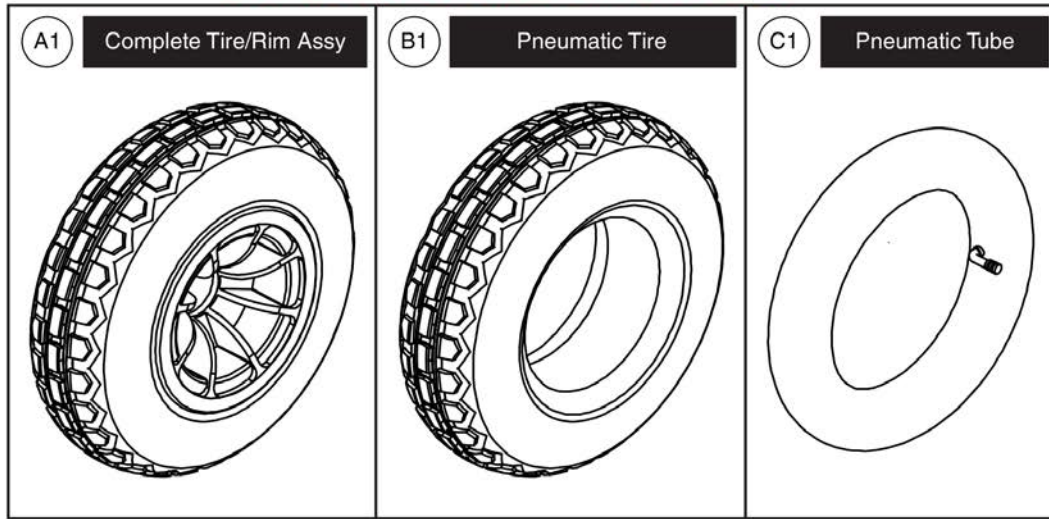
Please Note: The drive wheel color insert piece must be ordered separately.



Item	Part No.	Name	Qty
A1	WHLASMB2093	WHEEL,ASSY,FLAT FREE,14" X 3" DRIVE,SILVER RIM/GRAY TIRE,E-1203-043	1
B1	TIRSOLI1075	TIRE,FLAT FREE,GRAY,14" OD,3" W,C-248 POWERTRAX TREAD,(GALLOP: 5508018 YT57)	1
C1	WHLASMB2095	WHEEL,ASSY,RIM,SILVER,ALUMINUM,8",5 SPOKE,MACHINED FACE	1
D1	DWR1005B049	NUT,LUG,ZINC,5/16-24,B-1005-049	5
E1	WHLASMB2081	WHEEL,ASSY,HUB,5 SPOKE,W/STUDS,G4 MOTORS,B-1203-010	1
F1a	DGN164245-PRD1	DRIVE WHEEL COLOR INSERT, WITH ADHESIVE TAPE, PPW-RED-01 (RED CORVETTE/CANDY APPLE RED)	1
F1b	DGN164245-PBK1	DRIVE WHEEL COLOR INSERT, WITH ADHESIVE TAPE, PPW-BLK-01 (BACK IN BLACK/BLACK)	1
F1c	DGN164245-PYL3	DRIVE WHEEL COLOR INSERT, WITH ADHESIVE TAPE, PPW-YEL-03 (YELLOW BLAZE/ORION YELLOW)	1
F1d	DGN164245-PBU9	DRIVE WHEEL COLOR INSERT, WITH ADHESIVE TAPE, PPW-BLU-09 (ELECTRIC BLUE/TRUE BLUE)	1

### 13. Drive Wheel Assy's

Please note: Rims and hardware are included in the top-level assemblies and are not available individually.

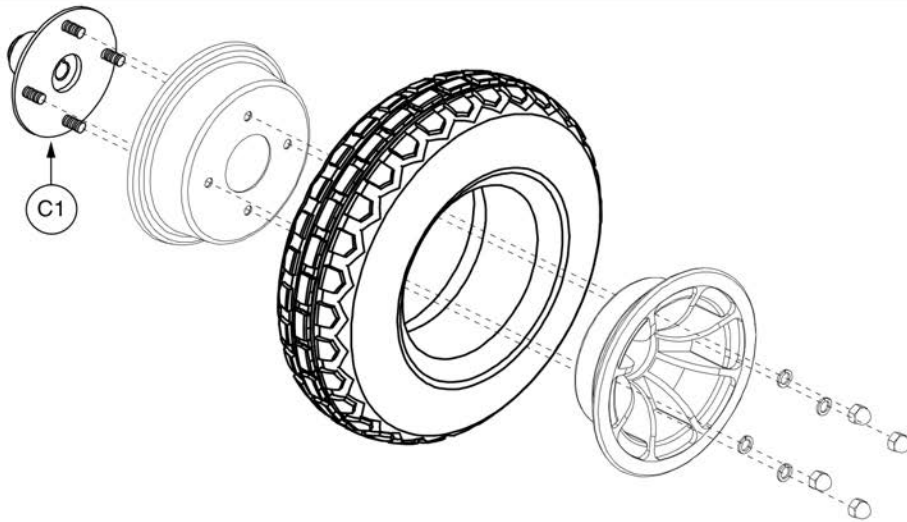
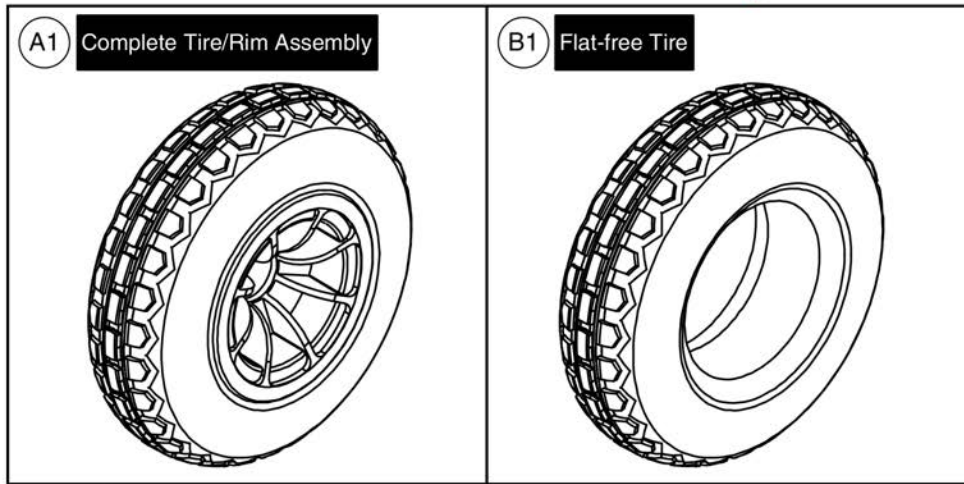




Item	Part No.	Name	Qty
A1	WHLASMB2136	WHEEL,ASSY,PNEUMATIC,BLACK RIM/GRAY TIRE,14" X 4",4 SPOKE,KNOBBY TREAD,W/G4 HUB & LUGNUTS,E-1203-057	1
B1	TIRPNEU1058	TIRE,PNEUMATIC,GRAY,14" OD,4" W,C166 KNOBBY TREAD,(GALLOP: RP265087)	1
C1	TUBSTND1043	TIRE,TUBE,4.00-6,90 DEGREE VALVE STEM,(TAG: 163265)	1
D1	WHLASMB2133	WHEEL,ASSY,HUB,4 SPOKE,W/STUDS,G4 MOTORS,D-1203-083	1

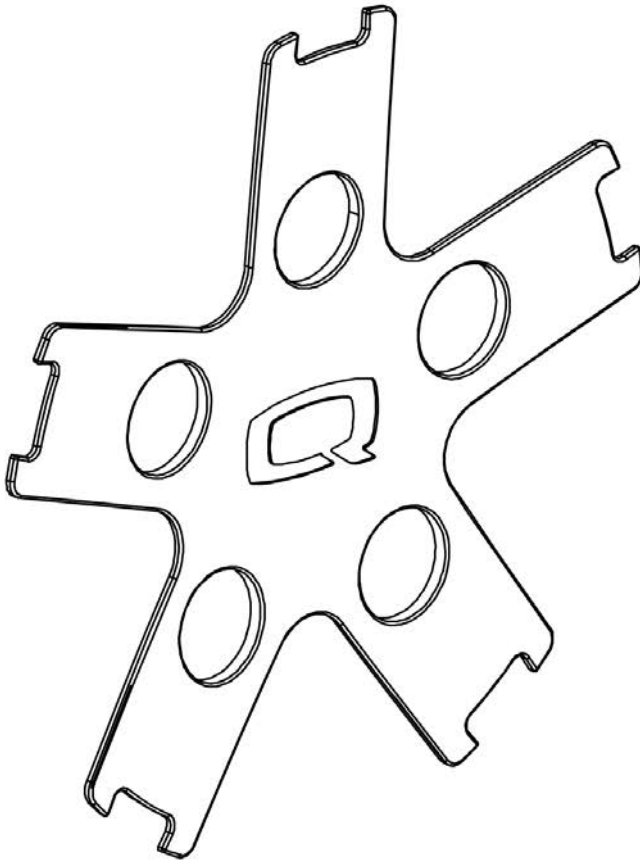
### 13. Drive Wheel Assy's

Please note: Rims and hardware are included in the top-level assemblies and are not available individually.



Item	Part No.	Name	Qty
A1	WHLASMB2087	WHEEL,ASSY,FLAT FREE,BLACK RIM/GRAY TIRE,14" X 4",4 SPOKE,KNOBBY TREAD,W/G4 HUB & LUGNUTS,E-1203-038	1
B1	TIRSOLI1092	TIRE,FLAT FREE,GRAY,14" OD,4" W,C166 KNOBBY TREAD,(GALLOP: 114292)	1
C1	WHLASMB2133	WHEEL,ASSY,HUB,4 SPOKE,W/STUDS,G4 MOTORS,D-1203-083	1

13. Drive Wheel Assy's



\*\*Note: The inserts contain all of the adhesive mounting fasteners.\*\*

Painted Wheel Inserts			
Ref#	Color Name	Part Suffix	Color Code
A1	Back in Black	PBK1	PPW-BLK-01
B1	Night Train	PBK3	PPW-BLK-03
C1	Grey Street	PSL3	PPW-SIL-03
D1	Silver Bullet	PSL7	PPW-SIL-07
E1	White Satin	PWT2	PPW-WHT-02
F1	Red Corvette	PRD1	PPW-RED-01
G1	Cherry Bomb	PRD4	PPW-RED-04
H1	Pretty in Pink	PPK3	PPW-PNK-03
I1	Raspberry Beret	PPK4	PPW-PNK-04
J1	Sugar Plum	PPR7	PPW-PRP-07
K1	Deep Purple	PPR5	PPW-PRP-05
L1	Midnight Blue	PBU10	PPW-BLU-10
M1	Electric Blue	PBU9	PPW-BLU-09
N1	Blue Jean	PBU11	PPW-BLU-11
O1	Green Machine	PGN11	PPW-GRN-11
P1	Military Green	PGN8	PPW-GRN-08
Q1	Lime Light	PGN7	PPW-GRN-07
R1	Yellow Blaze	PYL3	PPW-YEL-03
S1	Lemon Crush	PYL4	PPW-YEL-04
T1	Orange Crush	POR6	PPW-ORN-06
U1	Evolution Orange	POR7	PPW-ORN-07
V1	Carbon Fiber	WCB1	PWT-CBN-01
W1	Digital Camo	WCM7	PWT-CMO-07
X1	Faded Glory	WFL2	PWT-FLG-02

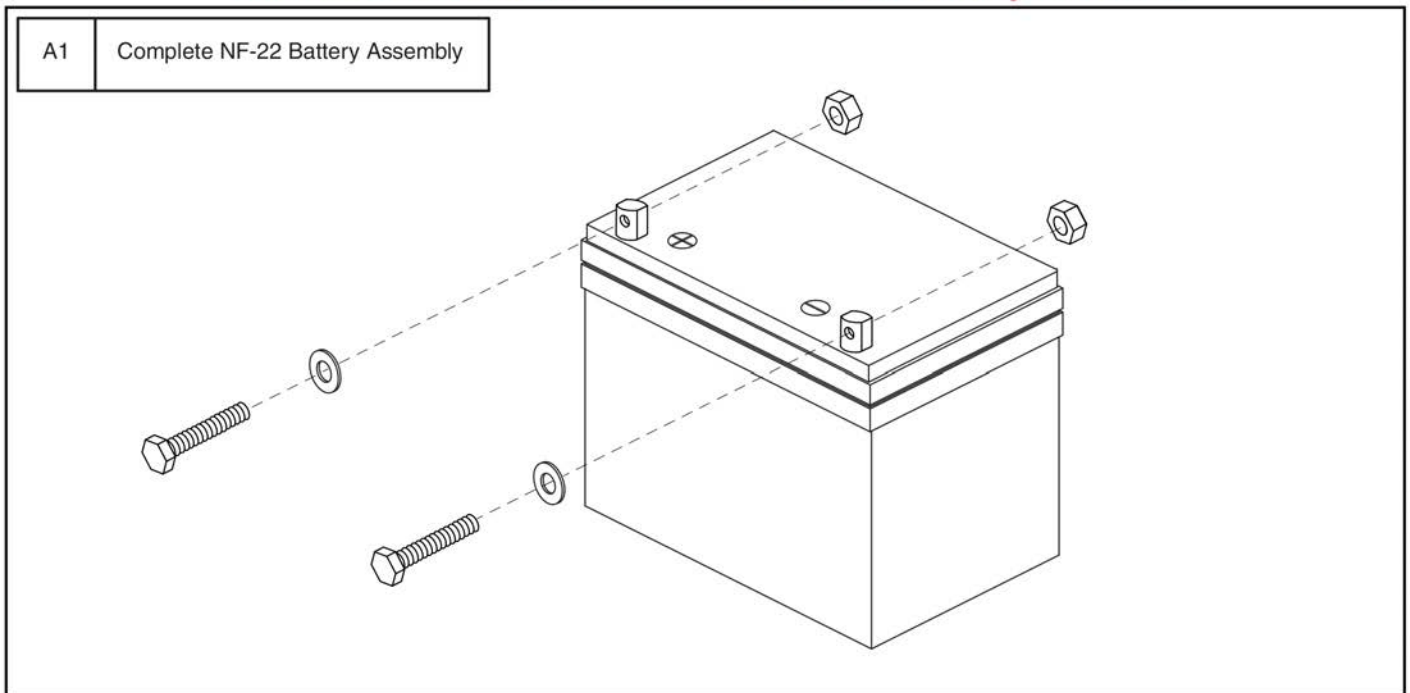
# Painted Wheel Inserts



Item	Part No.	Name	Qty
A1	DGN164245-PBK1	DRIVE WHEEL COLOR INSERT, WITH ADHESIVE TAPE, PPW-BLK-01 (BACK IN BLACK/BLACK)	1
B1	DGN164245-PBK3	DRIVE WHEEL COLOR INSERT, WITH ADHESIVE TAPE, PPW-BLK-03 (NIGHT TRAIN)	1
C1	DGN164245-PSL3	DRIVE WHEEL COLOR INSERT, WITH ADHESIVE TAPE, PPW-SIL-03 (GREY STREET)	1
D1	DGN164245-PSL7	DRIVE WHEEL COLOR INSERT, WITH ADHESIVE TAPE, PPW-SIL-07 (SILVER BULLET)	1
E1	DGN164245-PWH2	DRIVE WHEEL COLOR INSERT, WITH ADHESIVE TAPE, PPW-WHT-02 (WHITE SATIN)	1
F1	DGN164245-PRD1	DRIVE WHEEL COLOR INSERT, WITH ADHESIVE TAPE, PPW-RED-01 (RED CORVETTE/CANDY APPLE RED)	1
G1	DGN164245-PRD4	DRIVE WHEEL COLOR INSERT, WITH ADHESIVE TAPE, PPW-RED-04(CHERRY BOMB)	1
H1	DGN164245-PPK3	DRIVE WHEEL COLOR INSERT, WITH ADHESIVE TAPE, PPW-PNK-03 (PRETTY IN PINK)	1
I1	DGN164245-PPK4	DRIVE WHEEL COLOR INSERT, WITH ADHESIVE TAPE, PPW-PNK-04(RASPBERRY BERET)	1
J1	DGN164245-PPR7	DRIVE WHEEL COLOR INSERT, WITH ADHESIVE TAPE, PPW-PRP-07(SUGAR PLUM)	1
K1	DGN164245-PPR5	DRIVE WHEEL COLOR INSERT, WITH ADHESIVE TAPE, PPW-PRP-05 (DEEP PURPLE)	1
L1	DGN164245-PBU10	DRIVE WHEEL COLOR INSERT, WITH ADHESIVE TAPE, PPW-BLU-10 (MIDNIGHT BLUE)	1
M1	DGN164245-PBU9	DRIVE WHEEL COLOR INSERT, WITH ADHESIVE TAPE, PPW-BLU-09 (ELECTRIC BLUE/TRUE BLUE)	1
N1	DGN164245-PBU11	DRIVE WHEEL COLOR INSERT, WITH ADHESIVE TAPE, PPW-BLU-11(BLUE JEAN)	1
O1	DGN164245-PGN11	DRIVE WHEEL COLOR INSERT, WITH ADHESIVE TAPE, PPW-GRN-11(GREEN MACHINE)	1
P1	DGN164245-PGN8	DRIVE WHEEL COLOR INSERT, WITH ADHESIVE TAPE, PPW-GRN-08 (MILITARY GREEN)	1
Q1	DGN164245-PGN7	DRIVE WHEEL COLOR INSERT, WITH ADHESIVE TAPE, PPW-GRN-07 (LIME LIGHT)	1
R1	DGN164245-PYL3	DRIVE WHEEL COLOR INSERT, WITH ADHESIVE TAPE, PPW-YEL-03 (YELLOW BLAZE/ORION YELLOW)	1
S1	DGN164245-PYL4	DRIVE WHEEL COLOR INSERT, WITH ADHESIVE TAPE, PPW-YEL-04(LEMON CRUSH)	1
T1	DGN164245-POR6	DRIVE WHEEL COLOR INSERT, WITH ADHESIVE TAPE, PPW-ORN-06 (ORANGE CRUSH)	1
U1	DGN164245-POR7	DRIVE WHEEL COLOR INSERT, WITH ADHESIVE TAPE, PPW-ORN-07(EVOLUTION ORANGE)	1
V1	DGN164245-WCB1	DRIVE WHEEL COLOR INSERT, WITH ADHESIVE TAPE, PWT-CBN-01 (CARBON FIBER)	1
W1	DGN164245-WCM7	DRIVE WHEEL COLOR INSERT, WITH ADHESIVE TAPE, PWT-CMO-07 (MILITARY DIGITAL CAMO)	1
X1	DGN164245-WFL2	DRIVE WHEEL COLOR INSERT, WITH ADHESIVE TAPE, PWT-FLG-02 (FADED GLORY)	1

14. Batteries

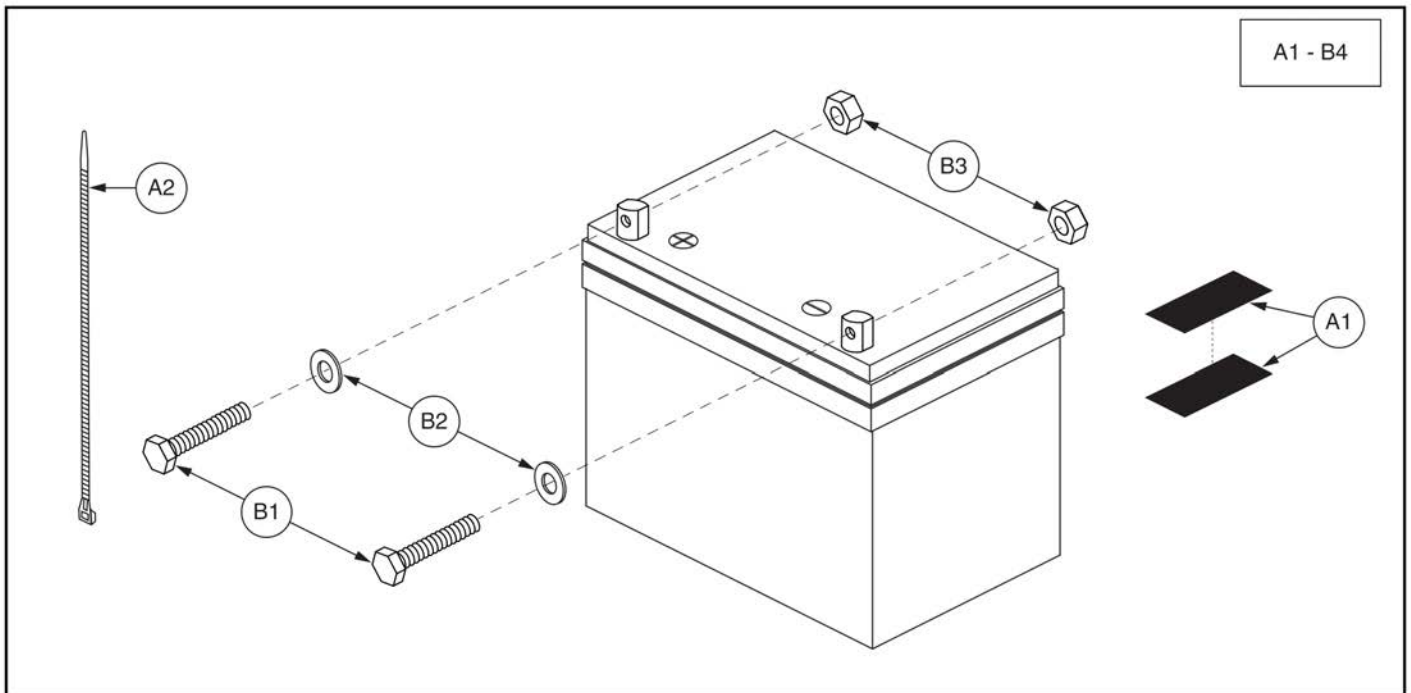
\*\*\* Please note that hardware is not available individually is needed.\*\*\*





Item	Part No.	Name	Qty
A1	BAT121346	BATTERY,AGM,NF-22,H1000-139,(MK: M22NF SLD A H)	1

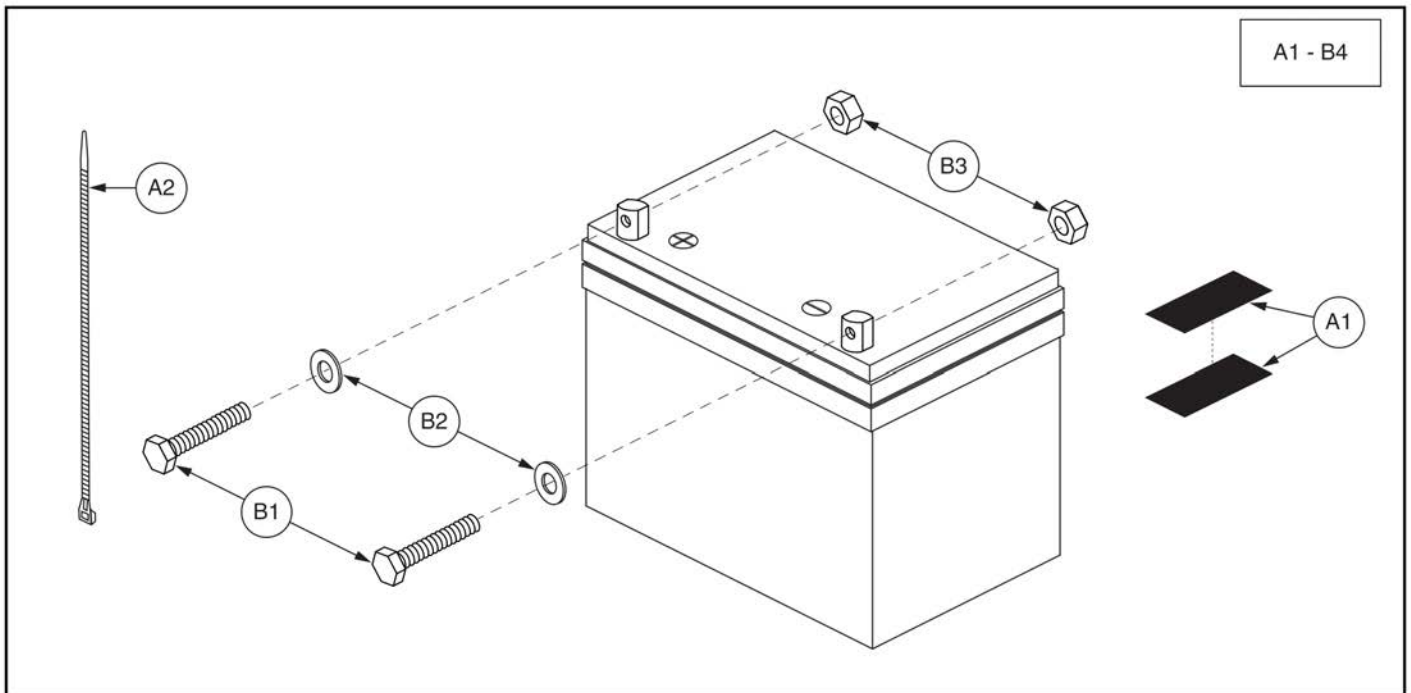
14. Batteries





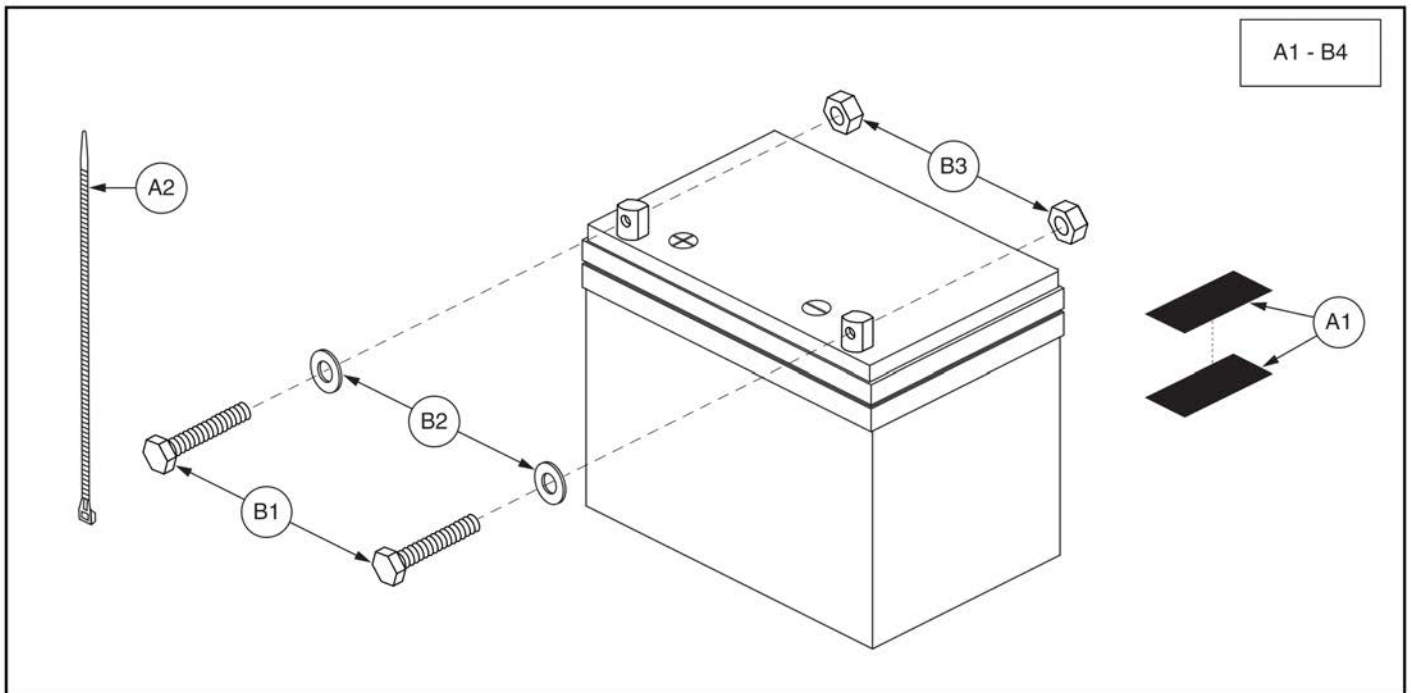
Item	Part No.	Name	Qty
A1 - B4	BATASMB1094	BATTERY,ASSY,GEL,NF-22,MK BATTERY,W/VELCRO & CABLE TIES	1
A1	HDW124834	REUSABLE FASTENER,HOOK & LOOP,BLACK,4" X 7",W/ADHESIVE BACK,#0115,B STOUT,SET	1
A2	PLSTIE1011	CABLE TIE,NYLON,48"L,HEAVY DUTY	1
B1 - B4	BATGEL1008	BATTERY,GEL,NF-22,H-1000-188,(MK BATTERY: M22NF SLDG)	1
B1	SCRHHCS1668	SCREW,HHCS,STAINLESS STEEL,5/16-18 X 1.00"	2
B2	WASLOCK1093	WASHER,LOCK,STAINLESS STEEL,0.3125" ID X 0.500" OD X 0.125"TH	2
B3	NUTSTD1020	NUT,HEX,STAINLESS STEEL,5/16-18	2
B4		DECAL,BATTERY & BATTERY CHARGER MANUFACTURER,L-1235-817	1

14. Batteries



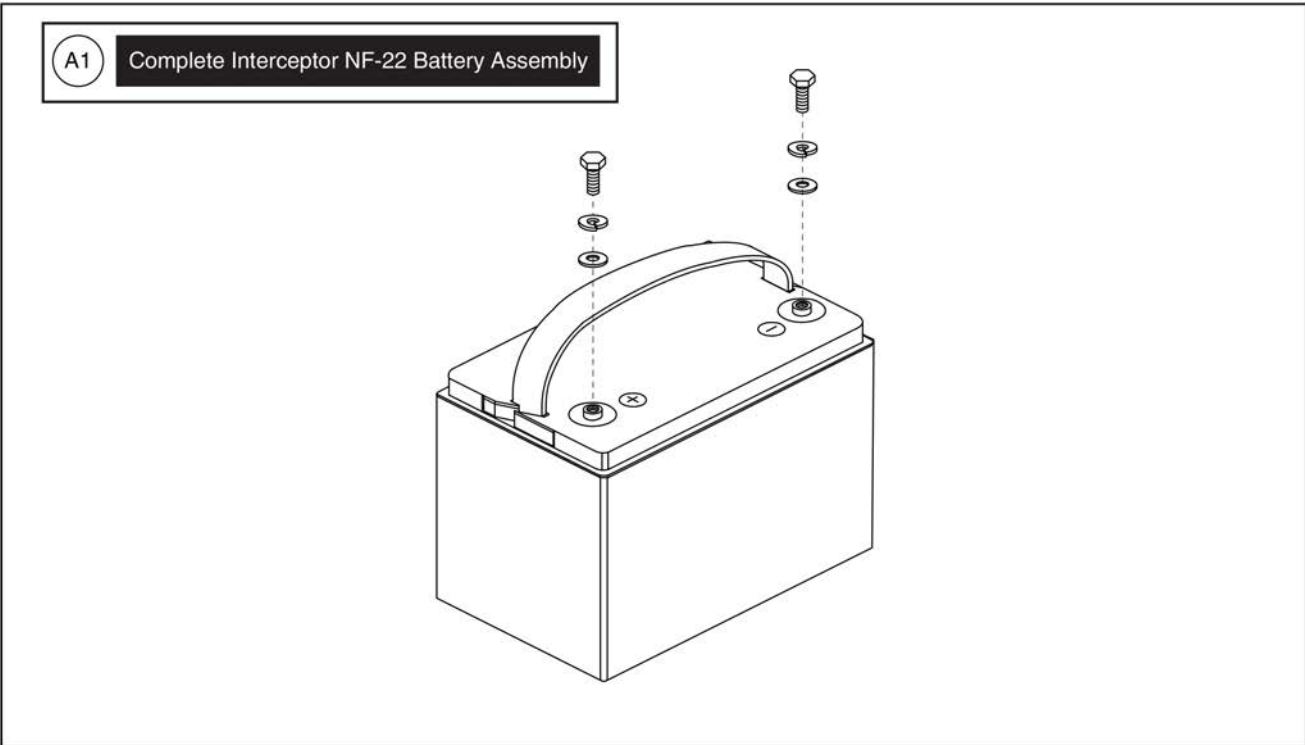
Item	Part No.	Name	Qty
A1 - B4		BATTERY,ASSY,SEALED,NF-22,W/VELCRO & CABLE TIES	1
A1	HDW124834	REUSABLE FASTENER,HOOK & LOOP,BLACK,4" X 7",W/ADHESIVE BACK,#0115,B STOUT,SET	1
A2	PLSTIE1011	CABLE TIE,NYLON,48"L,HEAVY DUTY	1
B1 - B4	BATLIQ1018	BATTERY,AGM,NF-22,H1000-139 - OBSOLETE	1
B1	SCRHHCS1668	SCREW,HHCS,STAINLESS STEEL,5/16-18 X 1.00"	2
B2	WASLOCK1093	WASHER,LOCK,STAINLESS STEEL,0.3125" ID X 0.500" OD X 0.125"TH	2
B3	NUTSTD1020	NUT,HEX,STAINLESS STEEL,5/16-18	2
B4		DECAL,BATTERY & BATTERY CHARGER MANUFACTURER,L-1235-817	1

14. Batteries



Item	Part No.	Name	Qty
A1 - B4	BATASMB1010	BATTERY,ASSY,GEL,NF-22,W/VELCRO & CABLE TIES	1
A1	HDW124834	REUSABLE FASTENER,HOOK & LOOP,BLACK,4" X 7",W/ADHESIVE BACK,#0115,B STOUT,SET	1
A2	PLSTIE1011	CABLE TIE,NYLON,48"L,HEAVY DUTY	1
B1 - B4	BATGEL1003	BATTERY,GEL,NF-22,H-1000-188	1
B1	SCRHHCS1668	SCREW,HHCS,STAINLESS STEEL,5/16-18 X 1.00"	2
B2	WASLOCK1093	WASHER,LOCK,STAINLESS STEEL,0.3125" ID X 0.500" OD X 0.125"TH	2
B3	NUTSTD1020	NUT,HEX,STAINLESS STEEL,5/16-18	2
B4		DECAL,BATTERY & BATTERY CHARGER MANUFACTURER,L-1235-817	1

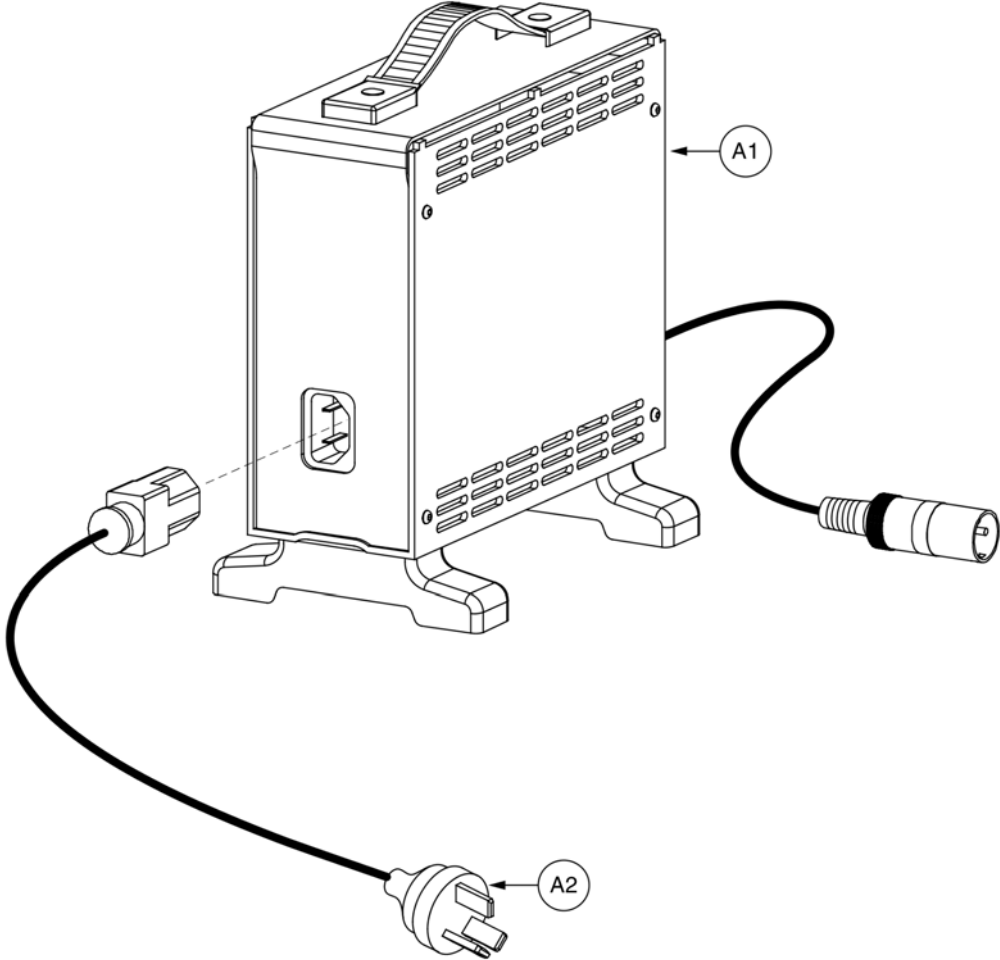
14. Batteries





Item	Part No.	Name	Qty
A1	BAT1704613-P	BATTERY,PACKAGED,INTERCEPTOR,GEL,55AH,NF-22,(YAHENG: 6-EVF-55)	1

15. Battery Charger Assy



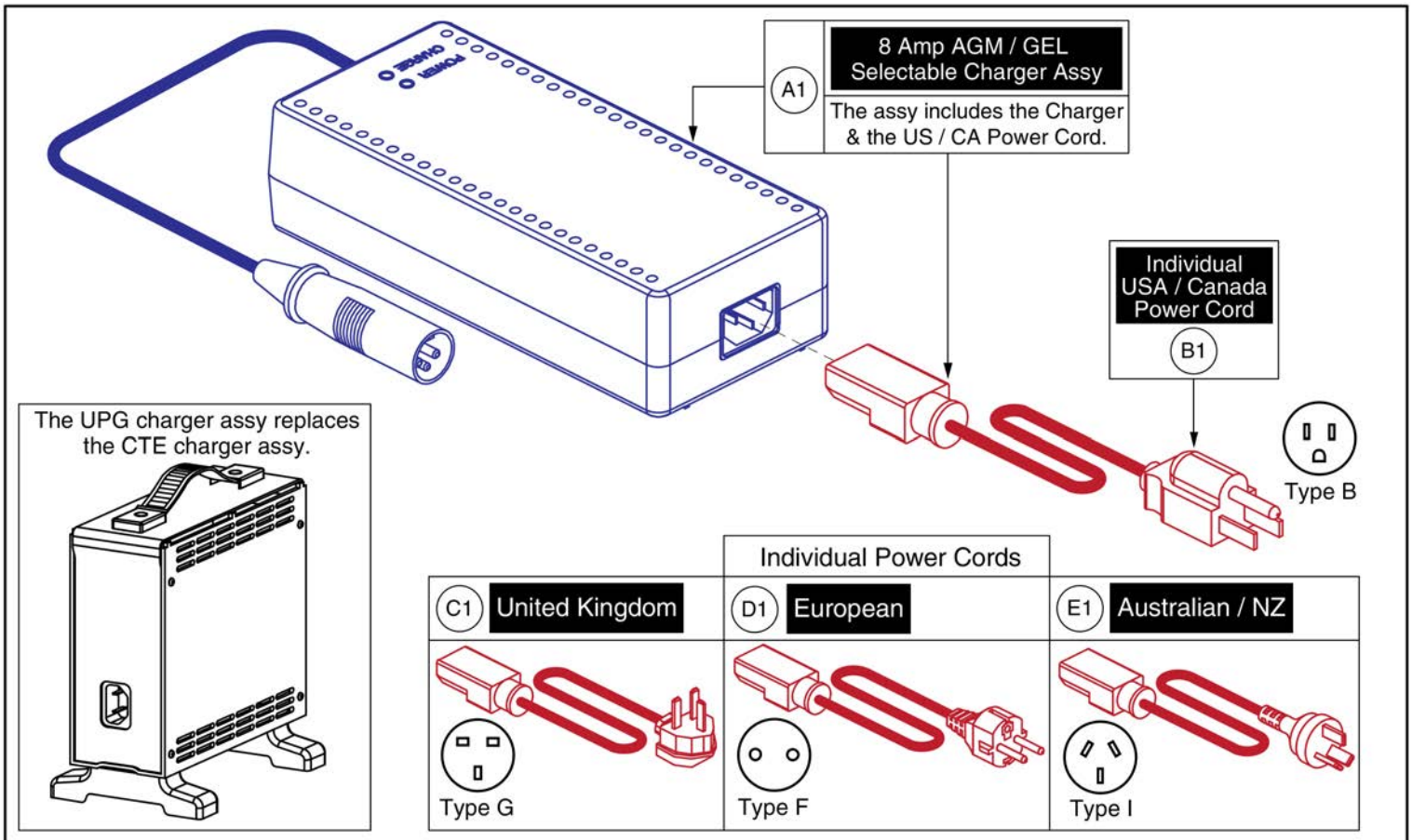


## 8 amp CTE Charger, Australia



Item	Part No.	Name	Qty
A1 - A3	ELEASMB5672	CHARGER,ASSY,OFFBOARD,LOW INHIBIT,110V-230V,8AMP,W/AUSTRALIA POWERCORD	1
A1		CHARGER,OFFBOARD,LOW INHIBIT,110V-230V,8AMP,H-1000-192,(CTE: CK84215000)	1
A2	DWR1000H174	ELECTRONIC,HARNES,AC POWER CORD,INSULATED BLADES,AUSTRALIA,H-1000-174	1
A3	DWR1235L520	DECAL,CAUTION,EXTENSION CORD/GROUNDING PRONG,L-1235-520	1

15. Battery Charger Assy



# 8 Amp UPG Charger Assy, AGM / GEL Selectable



Item	Part No.	Name	Qty
A1	ELE1803440	CHARGER, OFFBOARD, LOW INHIBIT, AC 100V-240V, DC 28.6-29.6V @8A, AGM/GEL SELECTABLE, WITH USA CORDSET	1
B1	HARUSHD1065	ELECTRONIC,HARNESS,POWER CORD,IEC - USA,H-1000-128	1
C1	HARUSHD2041	ELECTRONIC,HARNESS, POWER CORD,AC W/UK PLUG,H-1020-049	1
D1	HARUSHD2160	ELECTRONIC,HARNESS,POWER CORD,IEC - EUROPE PLUG	1
E1	DWR1000H174	ELECTRONIC,HARNESS,AC POWER CORD,INSULATED BLADES,AUSTRALIA,H-1000-174	1

16.1. Swing-away, Version 3

Complete Swing-away Mount w/ Hardware				Please Note:	
Ref	Part Number	Mounting Hardware	Seating Type	- The complete assemblies A1 thru F1 include the swing-away joystick mount and the applicable joystick mounting hardware. - The contoured seat assemblies also include the armrest adapter K1. * PG Drives does <b>NOT</b> include Remote Plus. Contact Technical Service for more information.	
A1	ACC1908434	Q-Logic	Rehab		
B1	ACC1908435	Q-Logic	Contoured		
C1	ACC1908437	NE/NE+	Rehab		
D1	ACC1908438	NE/NE+	Contoured		
E1	ACC1908439	PG Drives*	Rehab		
F1	ACC1908440	PG Drives*	Contoured		

Mounting Hardware		
<b>NE / NE+</b> 	<b>Q-Logic</b> 	<b>Contoured Seat Armrest Adapter</b> 
	<b>PG Drives</b> <p>*Does not include Remote Plus Joysticks</p>	

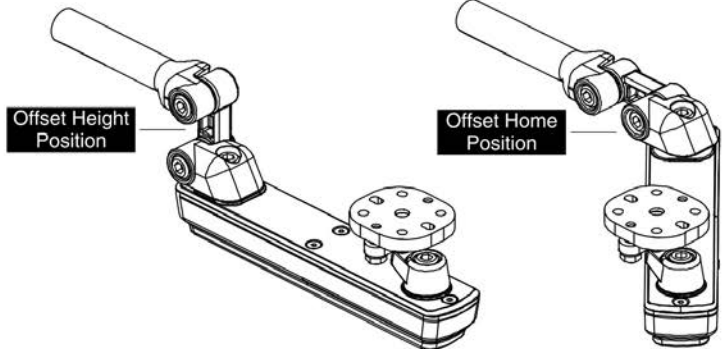
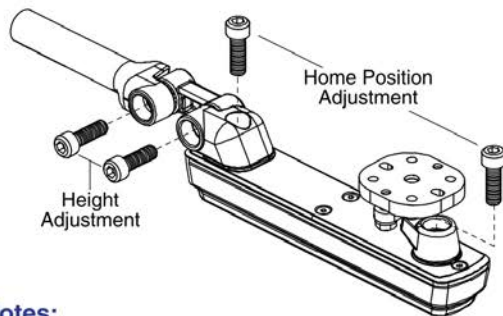
  

Swing-away Joystick Mount

Not available individually. The complete assembly with hardware must be selected.

Adjustments

Height and Home Position Adjustments



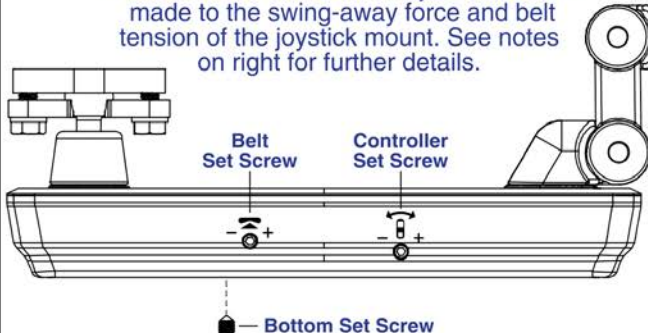
Notes:

- Loosen the appropriate screws to adjust the height or home position of the swing-away joystick mount.
- Each pivot can be adjusted independently in 15 Degree increments to allow for a wide range of positions and angles.

- The "Home" position refers to the orientation the joystick & mount rest while the chair is in use and the mount is not performing the swing-away action.

Swing-away Force Adjustment and Belt Tightening

Three set screws allow for adjustments to be made to the swing-away force and belt tension of the joystick mount. See notes on right for further details.



Set Screw:	Notes:
 Controller	- Used to adjust the force needed to swing the joystick mount away. Force range depends on where the <b>Bottom Set Screw</b> is positioned. - Used to set the force range of the <b>Controller Set Screw</b> . Removed sets the range from 3 to 6lbs. Inserted sets the range from 5 to 8lbs.
 Bottom	- Used to adjust the internal belt tension. Turn inward 1/4 turn if the controller does not maintain the set orientation when swinging away or if the controller spins. - <b>Note:</b> This <b>ONLY</b> needs to be adjusted if the belt is loose and should be performed rarely.
 Belt	

Item	Part No.	Name	Qty
A1	ACC1908434	JOYSTICK MOUNTING BRACKET,ASSY,SWING AWAY,Q-LOGIC	1
B1	ACC1908435	JOYSTICK MOUNTING BRACKET,ASSY,SWING AWAY,Q-LOGIC CONTOURED SEAT	1
C1	ACC1908437	JOYSTICK MOUNTING BRACKET,ASSY,SWING AWAY,NE / NE PLUS	1
D1	ACC1908438	JOYSTICK MOUNTING BRACKET,ASSY,SWING AWAY,NE / NE PLUS CONTOURED SEAT	1
E1	ACC1908439	JOYSTICK MOUNTING BRACKET,ASSY,SWING AWAY,VSI / VR2 / GC3 / R-NET	1
F1	ACC1908440	JOYSTICK MOUNTING BRACKET,ASSY,SWING AWAY,VSI / VR2 / GC3 / R-NET CONTOURED SEAT	1
G1	DWR1111C002	SPACER,CURTIS NE/NE PLUS MOUNT BRACKET,C-1111-002	2
H1	SCRPPH1384	SCREW,PPH,BLACK ZINC,M5-.8 X 20MM	4
I1	SCRPPH1279	SCREW,PPH,BLACK ZINC CHROMATE,M5-.8 X 16MM	4
J1	SCRPPH1384	SCREW,PPH,BLACK ZINC,M5-.8 X 20MM	2
K1	MEC146133	ARMREST ADAPTER ASSEMBLY	1

## 16.2. Version 2. Swing-away/Multi-axis Joystick Brackets

## Rehab Seating

Ref	Part Number	Bracket Type	Joystick Type	Side	Ref	Part Number	Bracket Type	Joystick Type	Side
A1	ACC142525	In-line SWA	Q-Logic	Right	N1	ACC142747	Offset SWA	NE/NE+	Left
B1	ACC142524	In-line SWA	Q-Logic	Left	O1	ACC142750	Offset SWA	PG Drives	Right
C1	ACC142527	In-line SWA	NE/NE+	Right	P1	ACC142749	Offset SWA	PG Drives	Left
D1	ACC142526	In-line SWA	NE/NE+	Left	Q1	ACC142752	Offset SWA	Shark	Right
E1	ACC142530	In-line SWA	PG Drives	Right	R1	ACC142751	Offset SWA	Shark	Left
F1	ACC142529	In-line SWA	PG Drives	Left	S1	ACC142746	Offset SWA	Standalone	Right
G1	ACC142533	In-line SWA	Shark	Right	T1	ACC142745	Offset SWA	Standalone	Left
H1	ACC142532	In-line SWA	Shark	Left	U1	ACC131216	Multi-Axis	Q-Logic	R/L
I1	ACC142739	In-line SWA	Standalone	Right	V1	ACC142528	Multi-Axis	NE/NE+	R/L
J1	ACC142738	In-line SWA	Standalone	Left	W1	ACC142531	Multi-Axis	PG Drives	R/L
K1	ACC142743	Offset SWA	Q-Logic	Right	X1	ACC142534	Multi-Axis	Shark	R/L
L1	ACC142742	Offset SWA	Q-Logic	Left	Y1	ACC142740	Multi-Axis	Standalone	R/L
M1	ACC142748	Offset SWA	NE/NE+	Right					

\*\*PG Drives does not include Remote Plus Joysticks\*\*

Item	Part No.	Name	Qty
A1	ACC142525	JOYSTICK MOUNT,ASSY,SWING AWAY,INLINE,RIGHT,Q-LOGIC 2	1
B1	ACC142524	JOYSTICK MOUNTING BRACKET,ASSY,SWING AWAY,INLINE,LEFT,Q-LOGIC 2	1
C1	ACC142527	JOYSTICK MOUNT,ASSY,SWING AWAY,INLINE,RIGHT,NE/NE PLUS	1
D1	ACC142526	JOYSTICK MOUNT,ASSY,SWING AWAY,INLINE,LEFT,NE/NE PLUS	1
E1	ACC142530	JOYSTICK MOUNT,ASSY,SWING AWAY,INLINE,RIGHT,PG DRIVES	1
F1	ACC142529	JOYSTICK MOUNT,ASSY,SWING AWAY,INLINE,LEFT,PG DRIVES	1
G1	ACC142533	JOYSTICK MOUNT,ASSY,SWING AWAY,INLINE,RIGHT,SHARK	1
H1	ACC142532	JOYSTICK MOUNT,ASSY,SWING AWAY,INLINE,LEFT,SHARK	1
I1	ACC142739	JOYSTICK MOUNT,ASSY,SWING AWAY,INLINE,RIGHT,STANDALONE	1
J1	ACC142738	JOYSTICK MOUNT,ASSY,SWING AWAY,INLINE,LEFT,STANDALONE	1
K1	ACC142743	JOYSTICK MOUNT,ASSY,SWING AWAY,OFFSET,RIGHT,Q-LOGIC	1
L1	ACC142742	JOYSTICK MOUNT,ASSY,SWING AWAY,OFFSET,LEFT,Q-LOGIC	1
M1	ACC142748	JOYSTICK MOUNT,ASSY,SWING AWAY,OFFSET,RIGHT,NE/NE PLUS	1
N1	ACC142747	JOYSTICK MOUNT,ASSY,SWING AWAY,OFFSET,LEFT,NE/NE PLUS	1
O1	ACC142750	JOYSTICK MOUNT,ASSY,SWING AWAY,OFFSET,RIGHT,PG DRIVES	1
P1	ACC142749	JOYSTICK MOUNT,ASSY,SWING AWAY,OFFSET,LEFT,PG DRIVES	1
Q1	ACC142752	JOYSTICK MOUNT,ASSY,SWING AWAY,OFFSET,RIGHT,SHARK	1
R1	ACC142751	JOYSTICK MOUNT,ASSY,SWING AWAY,OFFSET,LEFT,SHARK	1
S1	ACC142746	JOYSTICK MOUNT,ASSY,SWING AWAY,OFFSET,RIGHT,STANDALONE	1
T1	ACC142745	JOYSTICK MOUNT,ASSY,SWING AWAY,OFFSET,LEFT,STANDALONE	1
U1	ACC131216	JOYSTICK MOUNT,ASSY,MULTI-AXIS,Q-LOGIC	1
V1	ACC142528	JOYSTICK MOUNT,ASSY,MULTI-AXIS,NE/NE PLUS	1
W1	ACC142531	JOYSTICK MOUNT,ASSY,MULTI-AXIS,PG DRIVES	1
X1	ACC142534	JOYSTICK MOUNT,ASSY,MULTI-AXIS,SHARK	1
Y1	ACC142740	JOYSTICK MOUNT,ASSY,MULTI-AXIS,STANDALONE	1

## 16.2. Version 2. Swing-away/Multi-axis Joystick Brackets

## Captain Seating

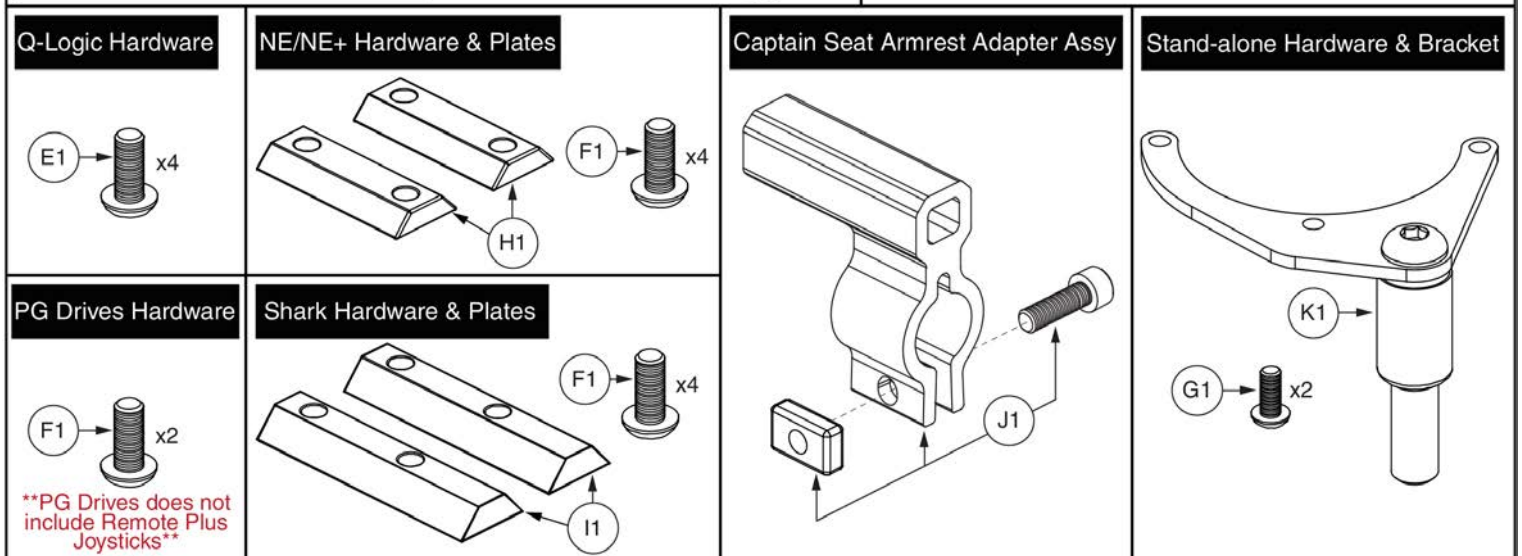
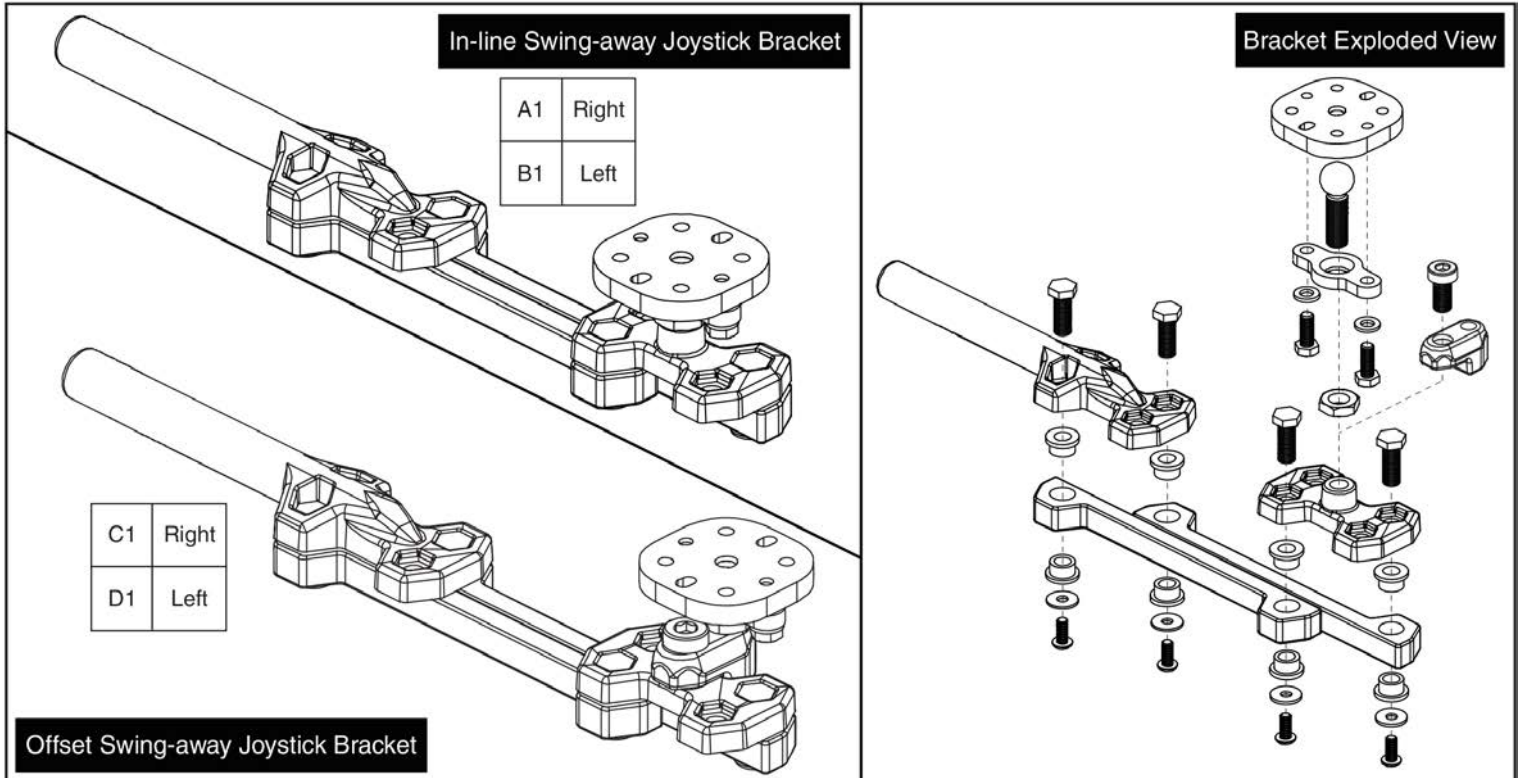
Ref	Part Number	Bracket Type	Joystick Type	Side	Ref	Part Number	Bracket Type	Joystick Type	Side
A1	ACC148357	In-line SWA	Q-Logic	Right	I1	ACC148359	Offset SWA	Q-Logic	Right
B1	ACC148356	In-line SWA	Q-Logic	Left	J1	ACC148358	Offset SWA	Q-Logic	Left
C1	ACC148361	In-line SWA	NE/NE+	Right	K1	ACC148363	Offset SWA	NE/NE+	Right
D1	ACC148360	In-line SWA	NE/NE+	Left	L1	ACC148362	Offset SWA	NE/NE+	Left
E1	ACC148365	In-line SWA	PG Drives	Right	M1	ACC148367	Offset SWA	PG Drives	Right
F1	ACC148364	In-line SWA	PG Drives	Left	N1	ACC148366	Offset SWA	PG Drives	Left
G1	ACC148369	In-line SWA	Shark	Right	O1	ACC148371	Offset SWA	Shark	Right
H1	ACC148368	In-line SWA	Shark	Left	P1	ACC148370	Offset SWA	Shark	Left

\*\*PG Drives does not include Remote Plus Joysticks\*\*



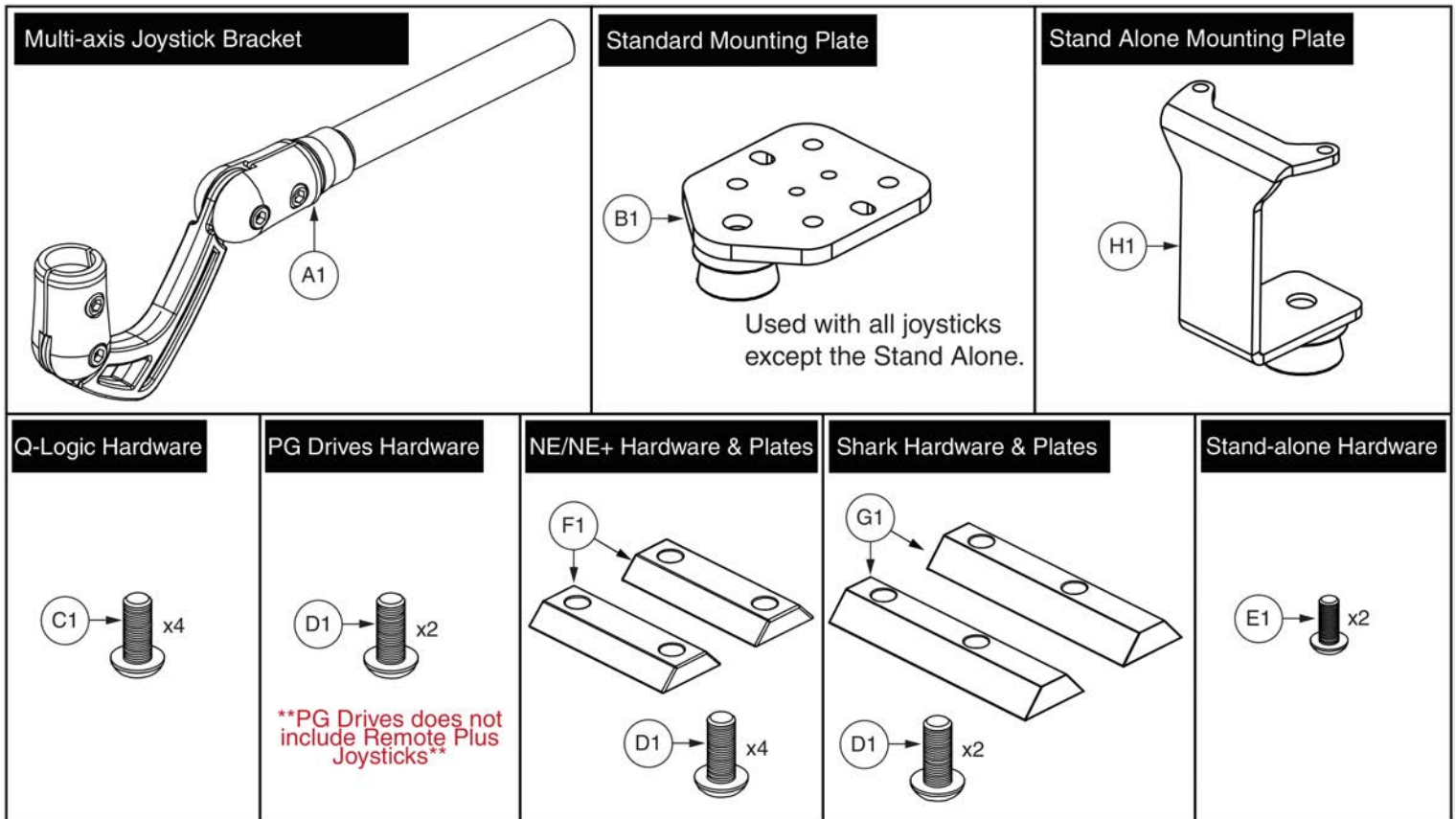
Item	Part No.	Name	Qty
A1	ACC148357	JOYSTICK MOUNTING BRACKET,ASSY,SWING AWAY,INLINE,RIGHT,Q-LOGIC,CAPTAINS SEAT	1
B1	ACC148356	JOYSTICK MOUNTING BRACKET,ASSY,SWING AWAY,INLINE,LEFT,Q-LOGIC,CAPTAINS SEAT	1
C1	ACC148361	JOYSTICK MOUNTING BRACKET,ASSY,SWING AWAY,INLINE,RIGHT,NE/NE PLUS,CAPTAINS SEAT	1
D1	ACC148360	JOYSTICK MOUNTING BRACKET,ASSY,SWING AWAY,INLINE,LEFT,NE/NE PLUS,CAPTAINS SEAT	1
E1	ACC148365	JOYSTICK MOUNTING BRACKET,ASSY,SWING AWAY,INLINE,RIGHT,VSI/VR2/GC3/R-NET,CAPTAINS SEAT	1
F1	ACC148364	JOYSTICK MOUNTING BRACKET,ASSY,SWING AWAY,INLINE,LEFT,VSI/VR2/GC3/R-NET,CAPTAINS SEAT	1
G1	ACC148369	JOYSTICK MOUNTING BRACKET,ASSY,SWING AWAY,INLINE,RIGHT,SHARK,CAPTAINS SEAT	1
H1	ACC148368	JOYSTICK MOUNTING BRACKET,ASSY,SWING AWAY,INLINE,LEFT,SHARK,CAPTAINS SEAT	1
I1	ACC148359	JOYSTICK MOUNTING BRACKET,ASSY,SWING AWAY,OFFSET,RIGHT,Q-LOGIC,CAPTAINS SEAT	1
J1	ACC148358	JOYSTICK MOUNTING BRACKET,ASSY,SWING AWAY,OFFSET,LEFT,Q-LOGIC,CAPTAINS SEAT	1
K1	ACC148363	JOYSTICK MOUNTING BRACKET,ASSY,SWING AWAY,OFFSET,RIGHT,NE/NE PLUS,CAPTAINS SEAT	1
L1	ACC148362	JOYSTICK MOUNTING BRACKET,ASSY,SWING AWAY,OFFSET,LEFT,NE/NE PLUS,CAPTAINS SEAT	1
M1	ACC148367	JOYSTICK MOUNTING BRACKET,ASSY,SWING AWAY,OFFSET,RIGHT,VSI/VR2/GC3/R-NET,CAPTAINS SEAT	1
N1	ACC148366	JOYSTICK MOUNTING BRACKET,ASSY,SWING AWAY,OFFSET,LEFT,VSI/VR2/GC3/R-NET,CAPTAINS SEAT	1
O1	ACC148371	JOYSTICK MOUNTING BRACKET,ASSY,SWING AWAY,OFFSET,RIGHT,SHARK,CAPTAINS SEAT	1
P1	ACC148370	JOYSTICK MOUNTING BRACKET,ASSY,SWING AWAY,OFFSET,LEFT,SHARK,CAPTAINS SEAT	1

16.2. Version 2. Swing-away/Multi-axis Joystick Brackets



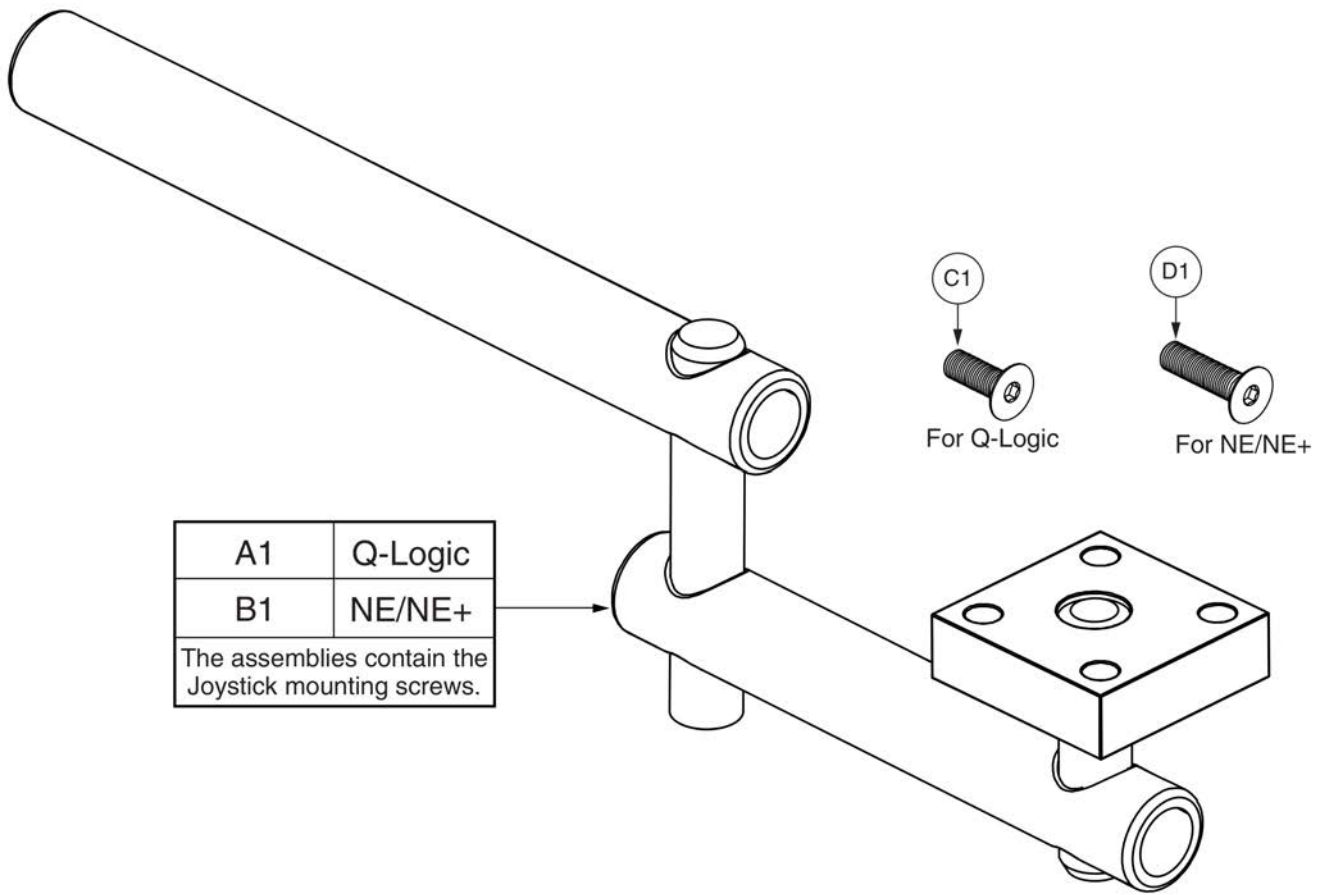
Item	Part No.	Name	Qty
A1	ACC131586	SWING AWAY JOYSTICK MOUNT,ASSY,INLINE,RIGHT	1
B1	ACC124921	SWING AWAY JOYSTICK MOUNT,ASSY,INLINE,LEFT	1
C1	MEC1712220	SWING-AWAY ASSEMBLY, EXTENDED OFFSET, RIGHT	1
D1	MEC1712217	SWING-AWAY ASSEMBLY, EXTENDED OFFSET, LEFT	1
E1	SCRPPH1279	SCREW,PPH,BLACK ZINC CHROMATE,M5-.8 X 16MM	1
F1	SCRPPH1384	SCREW,PPH,BLACK ZINC,M5-.8 X 20MM	1
G1	SCRPPH1036	SCREW, PAN HEAD, TYPE H, M4X0.7 X 8, FT, ISO 7045, CL 4.8, BZ	1
H1	DWR1111C002	SPACER,CURTIS NE/NE PLUS MOUNT BRACKET,C-1111-002	2
I1	DWR1010B089	SPACER,FLIGHT MOUNT BRACKET,B-1010-089	2
J1	MEC146133	ARMREST ADAPTER ASSEMBLY	1
K1	MEC142426	MOUNTING BRACKET,ASSY,STAND ALONE JOYSTICK	1

16.2. Version 2. Swing-away/Multi-axis Joystick Brackets



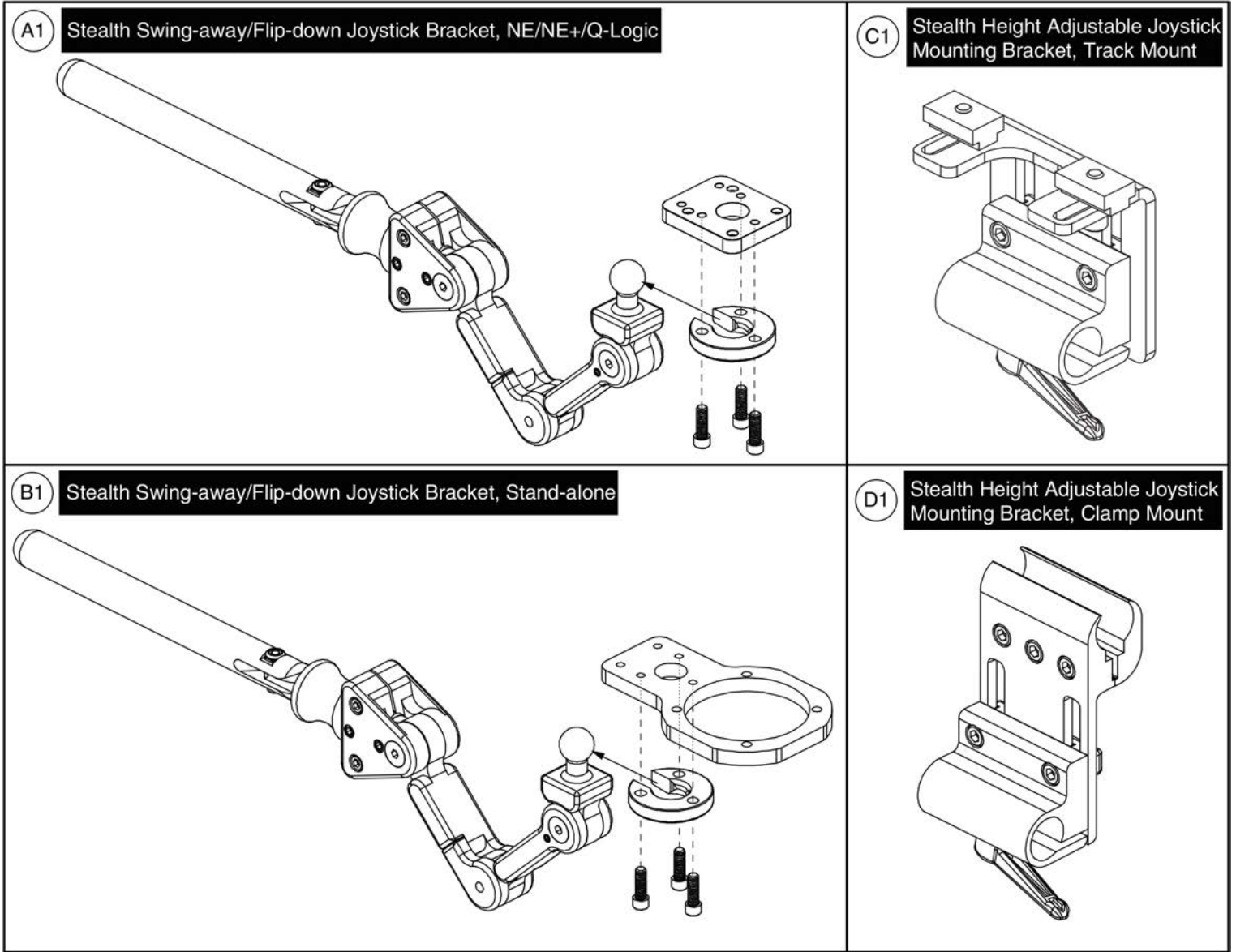
Item	Part No.	Name	Qty
A1	ACC124132	MULTI-AXIS JOYSTICK ASSEMBLY	1
B1	MEC124133	MULTI-AXIS JOYSTICK PLATE WELDMENT	1
C1	SCRPPH1097	SCREW,PPH,BLACK ZINC,M5-.8 X 12MM	1
D1	SCRPPH1384	SCREW,PPH,BLACK ZINC,M5-.8 X 20MM	1
E1	SCRPPH1036	SCREW, PAN HEAD, TYPE H, M4X0.7 X 8, FT, ISO 7045, CL 4.8, BZ	1
F1	DWR1111C002	SPACER,CURTIS NE/NE PLUS MOUNT BRACKET,C-1111-002	2
G1	DWR1010B089	SPACER,FLIGHT MOUNT BRACKET,B-1010-089	2
H1	MEC138180	STAND ALONE WELDMENT	1

16.3. Retract 4 Swing-away Joystick Bracket



Item	Part No.	Name	Qty
A1	MEC138860	SWING AWAY JOYSTICK MOUNT,ASSY,RETRACT 4,Q-LOGIC	1
B1	MEC138876	SWING AWAY JOYSTICK MOUNT,ASSY,RETRACT 4,NE/NE PLUS	1
C1	SCRSFH1005	SCREW,SHFH,BLACK ZINC,M5-.8 X 14MM	4
D1	SCRSHFH1053	SCREW,SHFH,BLACK ZINC,M5-.8 X 20MM	4

16.4. Stealth Swing-away / Flip-down Joystick Bracket

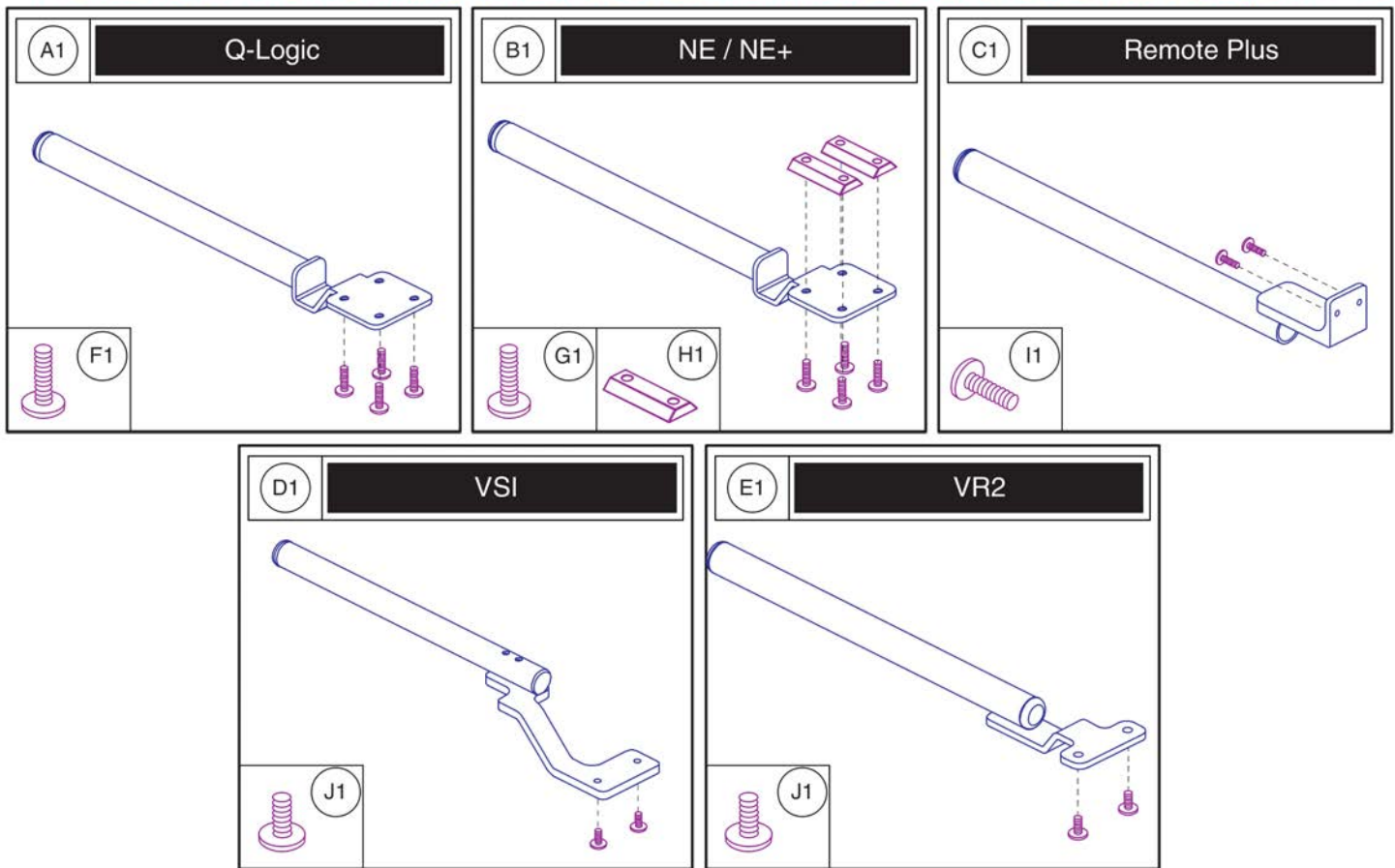




Item	Part No.	Name	Qty
A1	ST-TWBM480QL-Q	JOYSTICK MOUNTING BRACKET,ASSY,SWING AWAY/FLIP DOWN,NE/NE PLUS/Q-LOGIC,W/MOUNTING HARDWARE	1
B1	ST-TWBM480CJ-Q	JOYSTICK MOUNTING BRACKET,ASSY,SWING AWAY/FLIP DOWN,STANDALONE,W/MOUNTING HARDWARE	1
C1	ST-ARM250T-Q	JOYSTICK MOUNT,ASSY,HEIGHT ADJUSTABLE,W/TRACK HARDWARE	1
D1	ST-ARM250C-Q	JOYSTICK MOUNT,ASSY,HEIGHT ADJUSTABLE,W/CLAMP HARDWARE	1

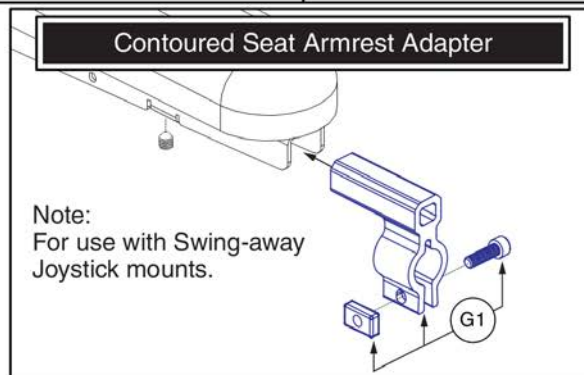
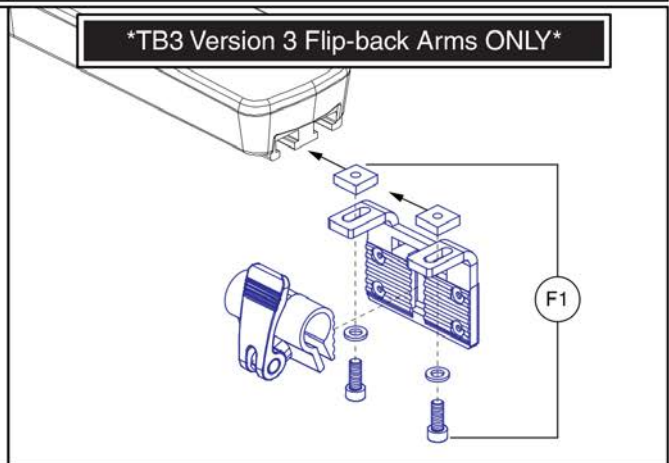
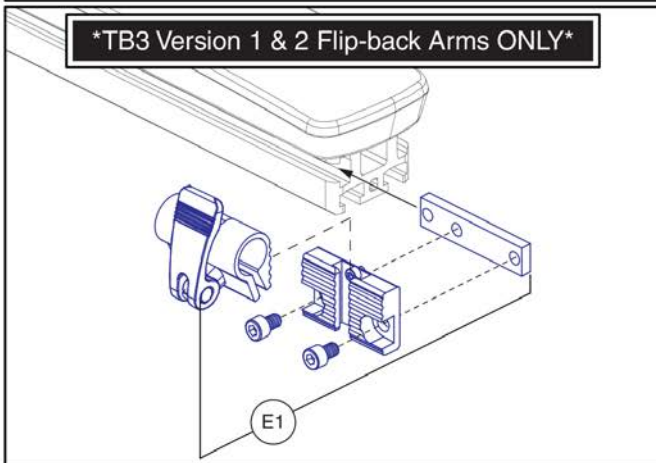
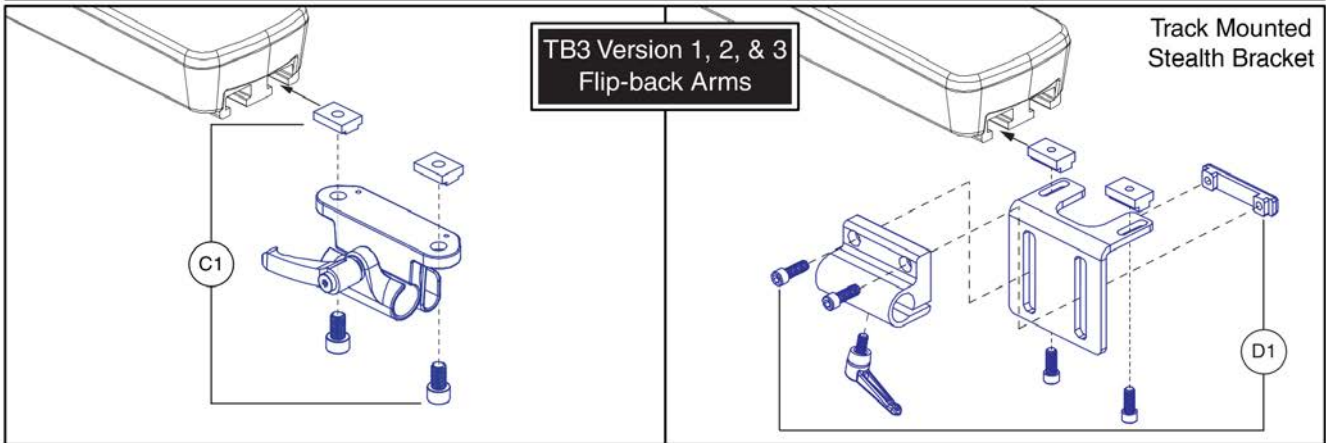
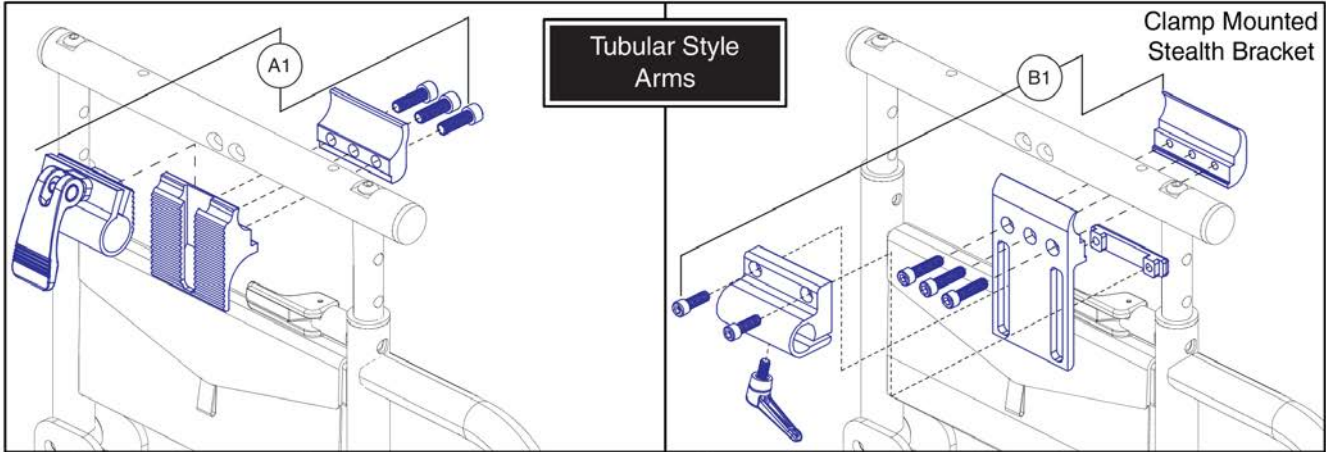
16.5. Fixed Inline Joystick Brackets

Please note: The mounting hardware shown is included with the top level assy's A1 - E1.



Item	Part No.	Name	Qty
A1	FRMASMB10617	JOYSTICK MOUNTING BRACKET,ASSY,CURTIS,INLINE	1
B1	FRMASMB12744	JOYSTICK MOUNTING BRACKET,ASSY,NE/NE PLUS CONTROLLER,INLINE	1
C1	FRMASMB2066	FIXED INLINE JOYSTICK MOUNT,ASSY,REMOTE PLUS	1
D1	FRMASMB4767	JOYSTICK MOUNTING BRACKET,ASSY,VSI CONTROLLER,INLINERIGHT,C-1010-193	1
E1	FRMASMB9532	JOYSTICK MOUNTING BRACKET,ASSY,GC/VR2 CONTROLLER,INLINE	1
F1	SCRSHFH1015	SCREW,SHFH,BLACK ZINC,M5-.8 X 12MM,GRADE 10.9	4
G1	SCRSHFH1053	SCREW,SHFH,BLACK ZINC,M5-.8 X 20MM	4
H1	DWR1111C002	SPACER,CURTIS NE/NE PLUS MOUNT BRACKET,C-1111-002	2
I1	SCRPPH1006	SCREW,PPH,BLACK ZINC,8-32 X 0.500",GRADE 2	2
J1	SCRPPH1122	SCREW,PPH,BLACK ZINC,M5-.8 X 18MM	2

16.6. Joystick Bracket Receivers



Item	Part No.	Name	Qty
A1	FRMASMB16062	JOYSTICK RECEIVER MOUNT,ASSY,UNIVERSAL,ADJUSTABLE BLOCK,D-1000-313	1
B1	ST-ARM250C-Q	JOYSTICK MOUNT,ASSY,HEIGHT ADJUSTABLE,W/CLAMP HARDWARE	1
C1	MEC1809294	JOYSTICK RECEIVER MOUNT,ASSY,W/MOUNTING HARDWARE,ADJUSTABLE HANDLE	1
D1	ST-ARM250T-Q	JOYSTICK MOUNT,ASSY,HEIGHT ADJUSTABLE,W/TRACK HARDWARE	1
E1	ACC123525	JOYSTICK RECEIVER MOUNT,ASSY,W/ACCESSORY BLOCK,TRUBALANCE 3	1
F1	ACC1806853	JOYSTICK RECEIVER MOUNT,ASSY,W/MOUNTING HARDWARE,TRU-BALANCE 3 ARMREST	1
G1	MEC146133	ARMREST ADAPTER ASSEMBLY	1

17. Owner's & Decal Packages



# Owner's Package

Item	Part No.	Name	Qty
N/A	INFMANU4037	MANUAL,OWNER'S,Q6EDGE	1
N/A		MANUAL,PRODUCT SPECIFICATION SHEET,Q6EDGE,AUSTRALIA	1
N/A		MANUAL,WARRANTY CARD,AUSTRALIAN	1
N/A		HANG TAG,ROUND,EMI-RFI 20V,DEC8120002	1
N/A	PLSTIE1015	CABLE TIE,BLACK,NYLON,7.5-8MM W X 200-220MM L,100 LBS MINIMUM TESILE STRENGTH	6
N/A	DWR1202C027	REFLECTOR,AMBER,CASTER SPHERE,C-1202-027	8
N/A	INFINFB2528	MANUAL,PRODUCT INSERT SHEET,Q6EDGE,REFLECTOR INSTALLATION	1
N/A		MANUAL,PRODUCT INSERT SHEET,Q6EDGE TRANSIT,ENGLISH/FRENCH	1
N/A	INFMANU3992	MANUAL,CONSUMER SAFETY GUIDE,POWERCHAIR	1
N/A		MANUAL,PRODUCT INSERT SHEET,POWER CHAIR WARRANTY,AUSTRALIA	1

17. Owner's & Decal Packages






# Decal Package



# Decal Package, AU, Q6 Edge



Item	Part No.	Name	Qty
N/A	DWR1234L799	DECAL,ICON,1" X 2.5",WEATHER/MANUAL/LOOSE GARMENT,L-1234-799	1
N/A	DWR1235L520	DECAL,CAUTION,EXTENSION CORD/GROUNDING PRONG,L-1235-520	1
N/A	DWR1235L521	DECAL,WARNING,CONTROLLER CORD PLACEMENT,L-1235-521	1
N/A	DWR1235L225	DECAL,LIMITED STABILITY,LITESTREAMXF,L-1235-225	1
N/A		DECAL,SERIAL NUMBER,4" X 6",BARCODE,W/PRIDE LOGO	1
N/A		DECAL,POWERCHAIR,US AND FOREIGN PATENTS PENDING,DOMESTIC,L-1000-025	1
N/A	DWR1234L957	DECAL,WARNING,DEFLATE TIRE COMPLETELY,L-1234-957	2
N/A	DWR1235L512	DECAL,WARNING,EMI-RFI,20V/M,L-1235-512	1
N/A	DWR1235L638	DECAL,ICON,JAZZY FREEWHEEL,UP-DRIVE/DOWN-NEUTRAL,L-1235-638	2
N/A	LAB123415	DECAL,DATA PLATE,Q6EDGE	1
N/A	DWR1234L012	DECAL,ICON,1.5",READ OWNERS MANUAL,L-1234-012	1
N/A	DWR1235L515	DECAL,WARNING,BATTERY WARNINGS,L-1235-515	1
N/A	DWR1235L639	DECAL,NAME,Q6EDGE,L-1235-639	2
N/A	DWR1235L678	DECAL,BATTERY CONNECTION,1.6" X 2.3",QUANTUM623,L-1235-678	1

Current Quantum Colors as of 9-1-2019																		
Color Name	Color Name Variant	Part Suffix	Color Code	Edge 3 Stretto	Edge 3	Edge 2.0	Edge 2.0X	Edge	Edge X	4Front	Edge Z	Edge HD	R44 Rival	J4 / Q4	J6	1450	Kozmo	
Back in Black	Black, Onyx Black Metallic Black	PBK1	PPW-BLK-01	X	X	X	X	X	X	X	X	X	X	X	X			
Night Train		PBK3	PPW-BLK-03	X	X	X	X			X	X	X	X					
Grey Street		PSL3	PPW-SIL-03	X	X	X	X			X	X	X	X					
Silver Bullet		PSL7	PPW-SIL-07			X	X			X	X	X	X					
White Satin	Pearl White	PWT2	PPW-WHT-02	X	X	X	X			X	X	X	X				X	
Red Corvette	Candy Apple Red, Ruby Red	PRD1	PPW-RED-01	X	X	X	X	X	X	X	X	X	X	X	X	X	X	
Cherry Bomb		PRD4	PPW-RED-04	X	X					X								
Pretty in Pink	Rose Quartz	PPK3	PPW-PNK-03	X	X	X	X			X	X	X	X	X	X	X	X	
Raspberry Beret		PPK4	PPW-PNK-04	X	X					X								
Sugar Plum		PPR7	PPW-PRP-07	X	X					X								
Deep Purple		PPR5	PPW-PRP-05	X	X	X	X			X	X	X	X					
Midnight Blue		PBU10	PPW-BLU-10	X	X	X	X			X	X	X	X					
Electric Blue	True Blue, Sapphire Blue	PBU9	PPW-BLU-09	X	X	X	X	X	X	X	X	X	X	X	X	X	X	
Blue Jean		PBU11	PPW-BLU-11	X	X					X								
Green Machine		PGN11	PPW-GRN-11	X	X	X	X			X	X	X	X					
Military Green		PGN8	PPW-GRN-08	X	X					X	X	X	X					
Lime Light		PGN7	PPW-GRN-07			X	X			X	X	X	X					
Yellow Blaze	Orion Yellow, Citrine Yellow	PYL3	PPW-YEL-03			X	X	X	X	X	X	X	X			X	X	
Lemon Crush		PYL4	PPW-YEL-04	X	X	X	X			X								
Orange Crush	Amber Orange	POR6	PPW-ORN-06			X	X			X	X	X	X				X	
Evolution Orange		POR7	PPW-ORN-07	X	X	X	X			X	X	X	X	X	X	X		
Carbon Fiber		WCB1	PWT-CBN-01		X	X				X								
Digital Camo		WCM7	PWT-CMO-07		X	X				X								
Faded Glory		WFL2	PWT-FLG-02		X	X				X								

Prior Generation Quantum Colors as of 9-1-2019																		
Color Name	Color Name Variant	Part Suffix	Color Code	Edge 3 Stretto	Edge 3	Edge 2.0	Edge 2.0X	Edge	Edge X	4Front	Edge Z	Edge HD	R44 Rival	J4 / Q4	J6	1450	Kozmo	
Pewter Grey		PGY1	PPW-GRY-01					X				X						
Silver		PSL1	PPW-SIL-01					X	X		X	X			X			
Cardinal Red	Rex Red	PRD2	PPW-RED-02					X				X						
Pearl Pink	Prehistoric Pink	PPK1	PPW-PNK-01					X	X		X	X		X	X			
Violet	Primitive Purple	PPR2	PPW-PRP-02					X				X						
Sapphire Blue		PPR4	PPW-PRP-04					X	X		X	X			X			
Mariner Blue	Bronto Blue	PBU2	PPW-BLU-02					X				X						
Graphite Blue		PBU3	PPW-BLU-03					X				X						
Viper Blue		PBU1	PPW-BLU-01					X	X		X	X		X	X			
Spring Green	Gator Green	PGN3	PPW-GRN-03					X				X						
Emerald Green		PGN5	PPW-GRN-05					X	X		X	X			X			
Kelly Green		PGN6	PPW-GRN-06					X				X		X				
Solar Yellow		PYL1	PPW-YEL-01					X				X						
Champagne	Saber Yellow	PCH1	PPW-CHA-01					X	X		X	X			X			
Tangerine		POR2	PPW-ORN-02					X				X						
Sunburst Orange		POR1	PPW-ORN-01					X	X		X	X		X	X			

Appendix A:Pages Index	
5 & 6 MPH Song Motor - Motor & Wheel Mounting Hardware	23
8 Amp UPG Charger Assy, AGM / GEL Selectable	117
8 amp CTE Charger, Australia	115
Aftermarket Joystick Knobs	35
Articulating Beam Assy - One Piece Beam, 6" Casters, Q6 Edge	9
Articulating Beam Assy - Semi-Independent Beam for Vent Tray, 6" Casters, Q6 Edge	15
Articulating Beam Assy - Semi-Independent Beam, 8" Casters, Q6 Edge	17
Battery Access Bracket, Power Seat (Pedestal Actuator), Q6 Edge	77
Battery Access Brackets	75
Center Panels, Fenders, AFP Cap, & Battery Spacer, Q6 Edge	85
Decal Package, AU, Q6 Edge	139
Fixed Joystick Mounts, Quantum Joysticks	133
Flat-free Drive Wheel Assy - 4 Spoke Black Rim/Gray "Knobby" Tire	101
Flat-free Drive Wheel Assy - 5 Spoke Silver Rim/Gray Tire w/ Color Insert	97
Foot Platform Assy - Large (Bell)	73
Foot Platform Assy - Small	71
Freewheel, Motor Mount, & Hardware, Ver. 1, Q6 Edge / Edge X	25
Freewheel, Motor Mount, & Hardware, Ver. 2, Q6 Edge / Edge X	27
Front Caster Arm Assy - Vent Tray Suspension, Q6 Edge	7
Front Caster Arm Assy, Standard Suspension, Ver. 1, Q6 Edge	3
Front Caster Arm Assy, Standard Suspension, Ver. 2 Q6 Edge / Edge X	5
I-Song Drive Motor Assy	19
Interceptor, NF-22, GEL, Battery Assy	113
Joystick Receiver Mounts, Quantum	135
MK, NF-22, AGM, Battery Assy	105
MK, NF-22, GEL, Battery Assy	107
Main Frame Assy	1
Multi-Axis Joystick Bracket Components, Version 2	127
NE + Joystick Bottom Housing w/Bus Cable	43
NE Electronics Assy, Power Seat thru Toggle, Q6 Edge	53
NE Electronics Assy, Q6 Edge	49
NE Electronics Assy, Tilt thru Toggle, Q6 Edge	51
NE+ Electronics Assy, Power Seat thru Joystick, Q6 Edge	59
NE+ Electronics Assy, Q6 Edge	55
NE+ Electronics Assy, Quantum Ready/Tilt thru Toggle, Q6 Edge	57
NE, NE+, & Q-Logic 1 Joystick Assy's	33
Owner's Package, AU, Q6 Edge	137
Painted Wheel Inserts	103
Pneumatic Drive Wheel Assy - 4 Spoke Black Rim/Gray "Knobby" Tire	99
Pneumatic Drive Wheel Assy - 5 Spoke Silver Rim/Gray Tire w/ Color Insert	95
Power Seat Assy w/ Universal Interface, Q6 Edge Series	87
Q-Logic 1 / Stand Alone / NE / NE+ Joystick Overlays	37
Q-Logic 1 Joystick & Enhanced Display Bottom Housing w/Bus Cable	45
Q-Logic 2 & 3 Joystick Shrouds	41
Q-Logic 2 & 3 Joystick Bottom Housing w/Bus Cable	47
Q-Logic 2 Joystick Assemblies	29
Q-Logic 2 Stand Alone Joystick Assy	31
Q-Logic Electronics Assy, ACCU-TRAC, Power Seat thru Joystick, Q6 Edge	69
Q-Logic Electronics Assy, ACCU-TRAC, Quantum Ready/Tilt thru Toggle, Q6 Edge	67
Q-Logic Electronics Assy, Power Seat thru Joystick, Q6 Edge	65
Q-Logic Electronics Assy, Q6 Edge	61
Q-Logic Electronics Assy, Quantum Ready/Tilt thru Toggle, Q6 Edge	63
Q-Logic Joystick Knobs	39
Quantum Color Reference Chart	141
Rear Caster Assy, Semi-Ind. Suspension, Ver. 1, 6" Caster, Q6 Edge	11
Rear Caster Assy, Semi-Ind. Suspension, Ver. 2, 6" Caster, Q6 Edge / Edge X	13
Retract 4 Swing-away Joystick Bracket for Curtis Joysticks	129
Seat Mount Connector L-Bracket Assy's, Q6 Edge	91
Shroud Assy - Non-standard Colors, Extended Lead Time, Q6 Edge	81
Shroud Assy - SOF Colors, Q6 Edge	83
Shroud Assy - Standard Colors, Q6 Edge	79
Song ACCU-TRAC Motor Assy	21
Stealth Swing-away / Flip Down Joystick Brackets & Mounts	131
Swing-away & Multi-axis Mount Matrix, Captain Seat, Version 2	123
Swing-away & Multi-axis Mount Matrix, Rehab Seat, Version 2	121
Swing-away Joystick Bracket & Components, Version 3	119
Swing-away Joystick Bracket Components, Version 2	125
Transit Loops & Seat Mount L-Bracket Assy's, Q6 Edge	93
Trapeze Bar Assy	89
Universal, NF-22, AGM, Battery Assy	109
Universal, NF-22, GEL, Battery Assy	111

Appendix B:Parts Index

ACC123525	136	ACC1908439	120
ACC124132	128	ACC1908440	120
ACC124921	126	ACCASMB1856	36
ACC131216	122	ACCASMB1857	36
ACC131586	126	ACCASMB1858	36
ACC142524	122	ACCASMB1859	36
ACC142525	122	ACCASMB1860	36
ACC142526	122	ACCASMB1861	36
ACC142527	122	ACCASMB1862	36
ACC142528	122	BAT121346	106
ACC142529	122	BAT1704613-P	114
ACC142530	122	BATASMB1010	112
ACC142531	122	BATASMB1094	108
ACC142532	122	BATGEL1003	112
ACC142533	122	BATGEL1008	108
ACC142534	122	BATLIQ1018	110
ACC142738	122	BRK8110003	94
ACC142739	122	BRKASMB7110030	92
ACC142740	122	CTL123217	30
ACC142742	122	CTL124653	30
ACC142743	122	CTL137635	32
ACC142745	122	CTLASMB7110020	34
ACC142746	122	CTLASMB7110055	62, 64
ACC142747	122	CTLASMB7110056	64, 66
ACC142748	122	CTLASMB7110057	62, 64
ACC142749	122	CTLASMB7110058	64, 66
ACC142750	122	CTLASMB7110059	68
ACC142751	122	CTLASMB7110060	68, 70
ACC142752	122	CTLDC1467	34
ACC148356	124	CTLDC1554	34
ACC148357	124	CTLDC1560	34
ACC148358	124	CTLDC1561	34
ACC148359	124	CUSTOMPARTSOF1	84
ACC148360	124	CUSTOMPARTSOF10	84
ACC148361	124	CUSTOMPARTSOF11	84
ACC148362	124	CUSTOMPARTSOF2	84
ACC148363	124	CUSTOMPARTSOF3	84
ACC148364	124	CUSTOMPARTSOF4	84
ACC148365	124	CUSTOMPARTSOF5	84
ACC148366	124	CUSTOMPARTSOF6	84
ACC148367	124	CUSTOMPARTSOF7	84
ACC148368	124	CUSTOMPARTSOF8	84
ACC148369	124	CUSTOMPARTSOF9	84
ACC148370	124	DEC8120002	138
ACC148371	124	DECSERN1032	140
ACC1806853	136	DGN124307	42, 42
ACC1908434	120	DGN124308	30, 40
ACC1908435	120	DGN124309	30, 40
ACC1908437	120	DGN124336-PBK1	42, 42
ACC1908438	120	DGN124336-PBK3	42
		DGN124336-PBU1	42

DGN124336-PBU10	42	DGN164245-PPK4	104
DGN124336-PBU11	42	DGN164245-PPR5	104
DGN124336-PBU9	42, 42	DGN164245-PPR7	104
DGN124336-PGN11	42	DGN164245-PRD1	96, 98, 104
DGN124336-PGN5	42	DGN164245-PRD4	104
DGN124336-PGN7	42	DGN164245-PSL3	104
DGN124336-PGN8	42	DGN164245-PSL7	104
DGN124336-POR4	42	DGN164245-PWH2	104
DGN124336-POR6	42	DGN164245-PYL3	96, 98, 104
DGN124336-POR7	42	DGN164245-PYL4	104
DGN124336-PPK1	42	DGN164245-WCB1	104
DGN124336-PPK3	42	DGN164245-WCM7	104
DGN124336-PPK4	42	DGN164245-WFL2	104
DGN124336-PPR4	42	DRVASMB2231	22
DGN124336-PPR5	42	DRVASMB2232	22
DGN124336-PPR7	42	DWR1000H174	116, 118
DGN124336-PRD1	42, 42	DWR1000L025	140
DGN124336-PRD4	42	DWR1005B049	96, 98
DGN124336-PSL1	42	DWR1005B133	6, 14
DGN124336-PSL3	42	DWR1005B134	6, 14
DGN124336-PSL7	42	DWR1010B089	126, 128
DGN124336-PWH2	42	DWR1062C036	94
DGN124336-PYL3	42, 42	DWR1062C042	94
DGN124336-PYL4	42	DWR1062C058	4, 6, 8
DGN124336-WCB1	42	DWR1062D056	94
DGN124336-WCM7	42	DWR1062D072	86
DGN124336-WFL2	42	DWR1062D078	50, 52, 54, 56, 58, 60, 62, 64, 66, 68, 70
DGN133111	80	DWR1062D096	86
DGN133112	80	DWR1062H003	50, 52, 54, 56, 58, 60, 62, 64, 66, 68, 70
DGN133113	80	DWR1065C008	4, 6, 8, 10, 12, 14, 16, 18
DGN133115	82	DWR1111C002	120, 126, 128, 134
DGN133116	82	DWR1111C003	44
DGN133117	80	DWR1111H051	32
DGN133118	80	DWR1111H053	32
DGN133119	80	DWR1111H065	50, 52, 54, 56, 58, 60, 62, 64, 66, 68, 70
DGN133121	82	DWR1111H066	46
DGN133122	82	DWR1111H067	46
DGN154742	40	DWR1111H311	60, 66, 70
DGN155719	86	DWR1133A003	6, 14
DGN155720	86	DWR1202C027	138
DGN164245-PBK1	96, 98, 104	DWR1202D044	4, 6, 8, 10, 12, 14, 16
DGN164245-PBK3	104	DWR1202D046	18
DGN164245-PBU10	104	DWR1234L004	80, 82
DGN164245-PBU11	104	DWR1234L012	80, 82, 140
DGN164245-PBU9	96, 98, 104	DWR1234L799	140
DGN164245-PGN11	104	DWR1234L957	140
DGN164245-PGN7	104	DWR1235L225	140
DGN164245-PGN8	104	DWR1235L512	140
DGN164245-POR6	104	DWR1235L515	80, 82, 140
DGN164245-POR7	104	DWR1235L520	116, 140
DGN164245-PPK3	104	DWR1235L521	140

DWR1235L638	140	ELEASMB7047	68, 70
DWR1235L639	80, 82, 140	ELEASMB7048	56, 58
DWR1235L678	80, 82, 140	ELEASMB7049	58, 60
DWR1235L817	108, 110, 112	ELEASMB7050	50, 52
DWR1265H016	60, 66, 70	ELEASMB7076	62, 64
DWR1265H017	60, 66, 70	ELEASMB7077	64, 66
DWR1265H021	58, 60, 64, 66	ELEASMB7078	56, 58
DWR1265H027	56, 62	ELEASMB7079	58, 60
DWR1265H050	68, 70	ELEASMB7080	50, 52
DWR1265H055	52	ELEASMB7092	60, 66, 70
DWR1265H061	50	ELEASMB7110170	66, 70
DWR1265H079	54	ELEASMB7152	54
DWR1361H038	58, 60, 64, 66, 68, 70	ELEASMB7153	54
DWR1502H005	50, 52, 54, 56, 58, 60, 62, 64, 66, 68, 70	ELECHG1017	116
ELE124312	30	FRMASMB10454	32
ELE124313	30, 48	FRMASMB10617	30, 34, 134
ELE133077	62	FRMASMB11156	32
ELE133078	64	FRMASMB12744	34, 134
ELE133079	64	FRMASMB15971	88
ELE133080	66	FRMASMB16029	92
ELE133081	62	FRMASMB16030	26, 28
ELE133082	64	FRMASMB16033	76
ELE133083	64	FRMASMB16041	12
ELE133084	66	FRMASMB16042	12
ELE133085	68	FRMASMB16043	4, 12, 18
ELE133086	68	FRMASMB16049	4
ELE133087	70	FRMASMB16050	4
ELE133092	56	FRMASMB16051	10
ELE133093	58	FRMASMB16056	26, 28
ELE133094	58	FRMASMB16057	26, 28
ELE133095	60	FRMASMB16061	2
ELE133096	56	FRMASMB16062	136
ELE133097	58	FRMASMB16077	72
ELE133098	58	FRMASMB16168	92
ELE133099	60	FRMASMB16169	92
ELE133103	50	FRMASMB16282	18
ELE133104	52	FRMASMB16283	18
ELE133105	54	FRMASMB16284	4, 6, 8, 10, 12, 14, 16
ELE133106	50	FRMASMB16285	4, 6, 8, 10, 12, 14, 16
ELE133107	52	FRMASMB16290	18
ELE133108	54	FRMASMB16291	18
ELE144006	48	FRMASMB16311	88
ELE1705477	62, 64, 66, 68, 70	FRMASMB16312	88
ELE1802761	50, 52, 54, 56, 58, 60, 62, 64, 66	FRMASMB16314	76, 86
ELE1803440	118	FRMASMB16559	78
ELEASMB1195	110	FRMASMB16560	78
ELEASMB5672	116	FRMASMB16845	16
ELEASMB6557	60, 66, 70	FRMASMB16846	16
ELEASMB7044	62, 64	FRMASMB17513	8
ELEASMB7045	64, 66	FRMASMB17514	8
ELEASMB7046	68	FRMASMB17516	4

FRMASMB17517	16	MEC1712217	126
FRMASMB17518	8	MEC1712220	126
FRMASMB17953	4, 26	MEC1801937-1	6, 28
FRMASMB17954	4, 26	MEC1801942	14
FRMASMB2066	134	MEC1809294	136
FRMASMB4767	134	MOT131092-06	20
FRMASMB9428	88	MOT131092-07	20
FRMASMB9532	134	MOT131092-08	20
HARUSHD1065	118	MOT131092-11	20
HARUSHD2041	118	MOT131093-06	20
HARUSHD2160	118	MOT131093-07	20
HDW124834	108, 110, 112	MOT131093-08	20
HDW131752	20, 22, 24	MOT131093-11	20
HDW131753	20, 22, 24	MOT132968	20
HDW142810	94	MOT132969	20
HDW144517	50, 52, 54, 56, 58, 60, 62, 64, 66, 68, 70	MOT132973	20
HDWASMB1170	10, 12, 14, 16, 18	MOT132974	20
HDWASMB1187	4, 8, 10, 12, 16, 18	NUTNYLK1010	6, 14
INFINFB1149	138	NUTSTD1020	108, 110, 112
INFINFB2528	138	PLSINDV1252	40
INFINFB2597	138	PLSKNCP1056	80, 82
INFINFB2668	138	PLSKNCP1057	36
INFINFB3072	138	PLSKNCP1058	36
INFMANU3992	138	PLSTIE1011	108, 110, 112
INFMANU4037	138	PLSTIE1015	138
KIT150479	20, 22, 24	RIGASMB7120041	74
KIT152913	38	SCR8120003	92, 94
KIT152914	38	SCRHHCS1247	92, 94
KIT152915	38	SCRHHCS1668	108, 110, 112
KIT152919	30, 40	SCRPPH1006	134
KITASMB1728	38	SCRPPH1036	4, 6, 8, 10, 12, 14, 16, 18, 50, 52, 54, 56, 58, 60, 62, 64, 66, 68, 70, 86, 126, 128
KITASMB1729	38	SCRPPH1097	128
KITASMB1730	38	SCRPPH1122	134
LAB123415	140	SCRPPH1153	60, 66, 70
MEC124133	128	SCRPPH1279	120, 126
MEC124636	20, 22, 26, 28	SCRPPH1290	54, 60, 66, 70, 88
MEC124637	20, 22, 26, 28	SCRPPH1384	120, 120, 126, 128
MEC133628	88	SCRPPH1390	50, 52, 54, 56, 58, 60, 62, 64, 66, 68, 70
MEC138180	128	SCRSFH1005	130
MEC138860	130	SCRSHCS1015	20, 22, 26, 28
MEC138876	130	SCRSHCS1084	20, 22, 26, 28
MEC142133	94	SCRSHCS1154	24
MEC142426	126	SCRSHCS1192	20, 22, 26, 28
MEC146133	120, 126, 136	SCRSHCS1316	24
MEC151486	6, 28	SCRSHCS1322	24
MEC151497	6, 28	SCRSHCS1323	24
MEC154025	86	SCRSHCS1338	94
MEC154782	6, 28	SCRSHFH1015	134
MEC154785	6, 28	SCRSHFH1053	130, 134
MEC154787	14	SHDASMB5906	80
MEC154788	14		

SHDASMB5907	80
SHDASMB5908	80
SHDASMB5909	80
SHDASMB5928	80
SHDASMB5937	80
SHDASMB5941	80
SHDASMB5943	80
SHDASMB5945	80
SHDASMB5954	80
SHDASMB5958	80
SHDASMB5960	80
SHDASMB6043	86
SHDASMB6044	86
ST-ARM250C-Q	132, 136
ST-ARM250T-Q	132, 136
ST-TWBM480CJ-Q	132
ST-TWBM480QL-Q	132
SWTMAGN1001	88
TIRPNEU1004	96
TIRPNEU1058	100
TIRSOLI1075	98
TIRSOLI1092	102
TUBSTND1002	96
TUBSTND1043	100
TWRASMB7120002	90
TWRASMB7120003	90
WASLOCK1093	108, 110, 112
WASNEOP1003	80, 82
WHLASMB1762	4, 8, 10, 12, 16
WHLASMB2081	96, 98
WHLASMB2087	102
WHLASMB2093	98
WHLASMB2095	96, 98
WHLASMB2122	96
WHLASMB2127	18
WHLASMB2130	4, 6, 8, 10, 12, 14, 16
WHLASMB2133	100, 102
WHLASMB2136	100



# Illustrated Parts Breakdown

## **USA - Quantum Rehab**

401 York Avenue  
Duryea, Pa 18642  
[www.quantumrehab.com](http://www.quantumrehab.com)

## **USA - Pride Mobility Products Corp.**

182 Susquehanna Avenue  
Exeter, Pa 18643  
[www.pridemobility.com](http://www.pridemobility.com)

## **Canada**

5096 South Service Road  
Beamsville, Ontario L0R 1B3  
[www.pridemobility.ca](http://www.pridemobility.ca)  
[www.quantumrehab.com](http://www.quantumrehab.com)

## **Australia**

20-24 Apollo Drive  
Hallam, Victoria 3803  
[www.pridemobility.com.au](http://www.pridemobility.com.au)  
[www.quantumrehab.com.au](http://www.quantumrehab.com.au)

## **New Zealand**

38 Lansford Crescent  
Avondale, Auckland 0600  
[www.pridemobility.co.nz](http://www.pridemobility.co.nz)

## **UK**

32 Wedgwood Road  
Bicester, Oxfordshire OX26 4UL  
[www.pride-mobility.co.uk](http://www.pride-mobility.co.uk)  
[www.quantumrehab.co.uk](http://www.quantumrehab.co.uk)

## **Netherlands**

**(Authorised EU Representative)**

De Zwaan 3  
1601 MS Enkhuizen  
[www.pridemobility.eu](http://www.pridemobility.eu)  
[www.quantumrehab.eu](http://www.quantumrehab.eu)

## **Italy**

Via del Progresso, ang. Via del Lavoro  
Loc. Prato della Corte  
00065 Fiano Romano (RM)  
[www.pride-italia.it](http://www.pride-italia.it)  
[www.quantumrehab-italia.it](http://www.quantumrehab-italia.it)

## **France**

26 Rue Monseigneur Ancel  
69800 Saint-Priest  
[www.pridemobility.fr](http://www.pridemobility.fr)  
[www.quantumrehab.fr](http://www.quantumrehab.fr)

## **Spain**

Calle Las Minas Número 67  
Polígono Industrial Urtinsa II, de Alcorcón  
28923 Madrid

## **Germany**

Hövelrieger Str. 28  
33161 Hövelhof  
[www.pridemobility.de](http://www.pridemobility.de)

## **China**

Room 508, Building #4  
TianNa Business Zone  
No. 500 Jianyun Road  
Pudong New Area  
Shanghai 201318

