



QUANTUM®

ILLUSTRATED PARTS BREAKDOWN



**QUANTUM
ELECTRONIC ACCESSORIES
AND
POSITIONING COMPONENTS**



Your new Pride Illustrated Parts Breakdown (IPB) Manual has been compiled from the latest product information available at the time of publication. Pride® Mobility Products Corporation reserves the right to make changes and updates to this manual and to the product(s) it represents. Any changes, updates, or improvements to the product(s) may result in slight differences between this manual and the product you purchased.

An IPB is an illustrated parts listing of all product components which have maintenance significance. IPB's utilize "exploded" drawings to detail the individual components for each assembly and an itemized list of reference numbers, part numbers, descriptions, and quantities per assembly. Some parts may be included in an assembly but may not be available for purchase separately. Refer to the parts list to locate the part numbers for assemblies and components for ordering what you need.

To achieve proper identification and relationship of detail parts and next higher assemblies, parts listings are presented in a convenient alphanumeric reference system. Reference numbers for parent assemblies identify one part number that can be used to order all of the components listed within it. Components of an assembly will have the same alpha character as its parent assembly.

- For example, the parent assembly part number using reference number of A1 — A4 is the only number you need to place an order for parts with references of A1, A2, A3, and A4. Instead of ordering 4 separate parts, use the parent assembly part number to get the complete assembly.

Master assembly part numbers have reference numbers that include several subassemblies. By ordering parts using master assembly part numbers, you can save a lot of time and reduce the chance for error.

- For example, A1 — G10, a master assembly reference number, includes all components of assemblies A, B, C, D, E, F, and G. Use caution when ordering assemblies. Check to see if a master assembly part number exists for the components that you need. If an entire master assembly is not needed, then the individual assembly part number (i.e. for reference number G1 — G10) will be sufficient to use for ordering.

Asterisks (*) and NOTES are used throughout this service manual to point out important information regarding assembly structure and contents.

- For example, in some illustrations, only the left OR right side is shown. In other drawings, only the front OR back is depicted. The part numbers for ALL components are listed. An asterisk will also be used to indicate which components are not illustrated. Illustrated Items without callouts are shown for assembly purposes.

Updates to the contents of this IPB will be made on a regular basis. Providers may retrieve updates immediately upon their release by going to the Pride Service Website. The web address is www.pridemobility.com. We welcome any questions or comments regarding the new Pride IPB Manual that you may have.

Please note that all pricing that is included with this manual is subject to change without any prior notice from Pride.

Thank you for choosing products from Pride® Mobility Products Corporation.



SECTION I.

Control Interface

- PG Drives Remote Plus Master Controls..... 6
- Dynamic Master Controls 7
- Chin Controls, PG Drives..... 8
- Specialty Controls, PG Drives Omni Plus 9

SECTION II.

Proportional Controls

- Misc. 10
- Stealth..... 11

SECTION III.

Head Arrays 12

SECTION IV.

Multi Switches 13

SECTION V.

Sip & Puff 14

SECTION VI.

Single Switches

- STEALTH 16
- SWITCH-IT 17
- Ablenet Buddy Button 18
- Ablenet Big Buddy Button 19
- Ablenet Trigger Switch 20
- Ablenet Misc. Switches 21

SECTION VII.

PowerTech Vent Power Module 22

SECTION VIII.

Electronic Accessories & Harnesses

- SWITCH-IT Environmental Controls 23
- Environmental Controls/Accessories 24
- ASL Electronics 25
- PG Drives Electronics 26
- Dynamic Electronics 27
- Q-Logic (Curtis) 28
- Q-Logic (Curtis) Version 1 Programmer..... 29
- Q-Logic (Curtis) Version 2 Programmer..... 30

SECTION IX.

Display Mounts..... 31

SECTION X.

Therafin Lap Trays..... 32



SECTION XI.

Controller Brackets

PG Drives/Dynamic	33
Version 1 In-line Swing-away, Q-Logic (Curtis)	34
Version 1 Offset Swing-away, Q-Logic (Curtis)	35
Version 1 Multi-axis, Q-Logic (Curtis)	36
Version 1 In-line Swing-away, NE/NE+ (Curtis)	37
Version 1 Offset Swing-away, NE/NE+ (Curtis)	38
Version 2 Swing-away and Multi-axis Matrix, Rehab Seating	39
Version 2 Swing-away and Multi-axis Matrix, Captain Seating	40
Version 2 In-line and Offset Swing-away Components	41
Version 2 Multi-axis Components	42
Retract 4 Swing-away	43
Stealth Swing-away/Flip-down	44

SECTION XII.

Positioning Components

Bariatric Calf Panels	46
AEL	47
Innovative Concepts	48
A.R.T. Group, Pads and Supports	49
A.R.T. Group, Mounting Components	50
Body Point	51
OTTO BOCK	52
Stealth Lateral Mounting Components, Pads, and Supports	54
Stealth Headrest Brackets and Pads	56
Stealth iFit Supports	58
THERAFIN	60

SECTION XIII.

Kit Assembly

Q-Logic Enhanced Display with Mounting Bracket	62
Midline Mount for Microdrive	63
Omni Plus w/HMC Mini Chin Control, Swing-away Headrest Mount & Joystick	64
Omni Plus w/RJM Chin Control & Midline Mount	65
Omni Plus w/HMC Mini Chin Control, Midline Mount & Joystick	66
Omni Plus w/3 Switch Head Array & Mounting Hardware	67

SECTION XIV.

Q-Logic Components

ECM	68
Attendant Control	69
Sip & Puff	70
ASL Remote Stop Switch, Q6000 Series	71

SECTION XV.

LED Lighting Assembly

Synergy Seat, Remote Plus	72
Synergy Seat, VR2	73

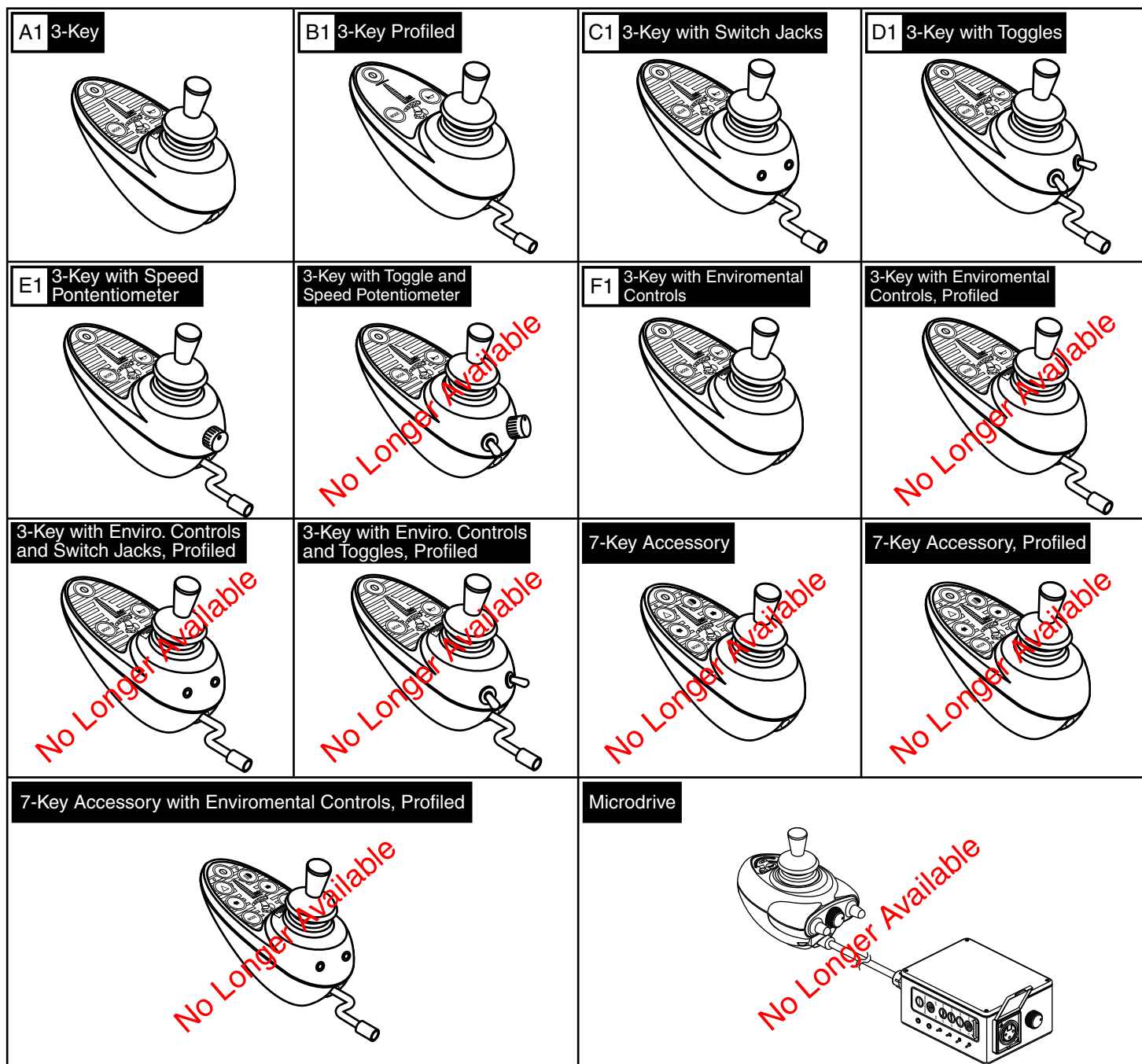


SECTION XVI.
Synergy and Specialty Seat Flag Assembly 74

SECTION XVII.
Compact Vent Tray Assembly
 Tray 75
 Mounting Kits 76

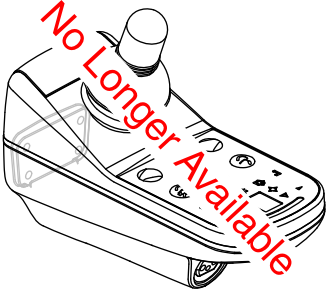
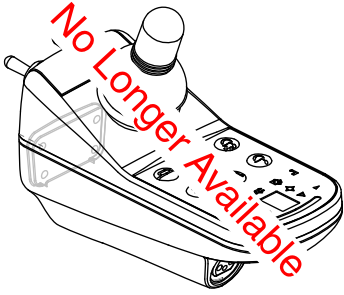
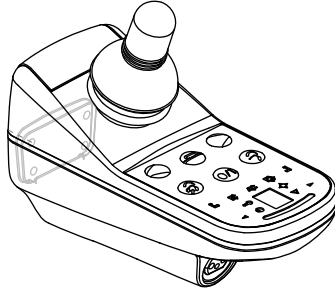

SECTION XVIII.
Articulating Vent Tray Assembly
 Trays and Articulating Arms 78
 Battery Trays 80
 Width Adjustment Brackets 82
 Complete Mounting Hardware Assembly Matrix 83
 Lower Mounting Hardware Assemblies 84
 Upper Mounting Hardware Assemblies 86

SECTION XIX.
Deluxe Cell Phone and Media Device(Ipad®) Holders 88



REF #	PART #	DESCRIPTION	QTY	MSRP (AU\$) ¹¹ⁱ
A1	CTLDC1112	CONTROLLER,REMOTE PLUS,3 KEY,SINGLE PROFILE,(PG:D49671)	1	1530
B1	CTLDC1368	CONTROLLER,REMOTE PLUS,3 KEY,W/PROFILES,FLYING LEAD,(PG D50524)	1	2238.4
C1	CTLDC1353	CONTROLLER,REMOTE PLUS,3 KEY,W/PROFILES & SWITCH JACKS,FLYING LEAD,(PG:D50486 JSM-SWT-PR-F)	1	2570.4
D1	CTLDC1351	CONTROLLER,REMOTE PLUS,3 KEY,W/PROFILES & TOGGLE SWITCHES,FLYING LEAD,(P&G:D50484 JSM-T-PR-F)	1	2570.4
E1	CTLDC1352	CONTROLLER,REMOTE PLUS,3 KEY,W/PROFILES & SPEED POTENTIOMETER,FLYING LEAD,(PG:D50485 JSM-P-PR-F)	1	2559.7
F1	CTLDC1290	CONTROLLER,JOYSTICK MODULE, REMOTE PLUS,3 KEY,ENVIRONMENTAL CONTROLS,SINGLE PROFILE,(P&G:D50196-ENV)	1	2404.4

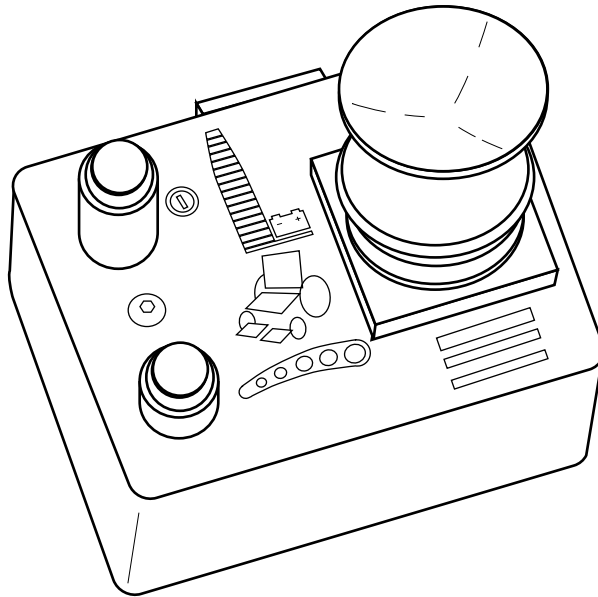


<p>G90A</p> 	<p>G90T</p> 	<p>A1 G90</p> 	<p>Magnetic Key</p> 
<p>***Please contact Technical Service with model information to ensure proper programming.***</p>			

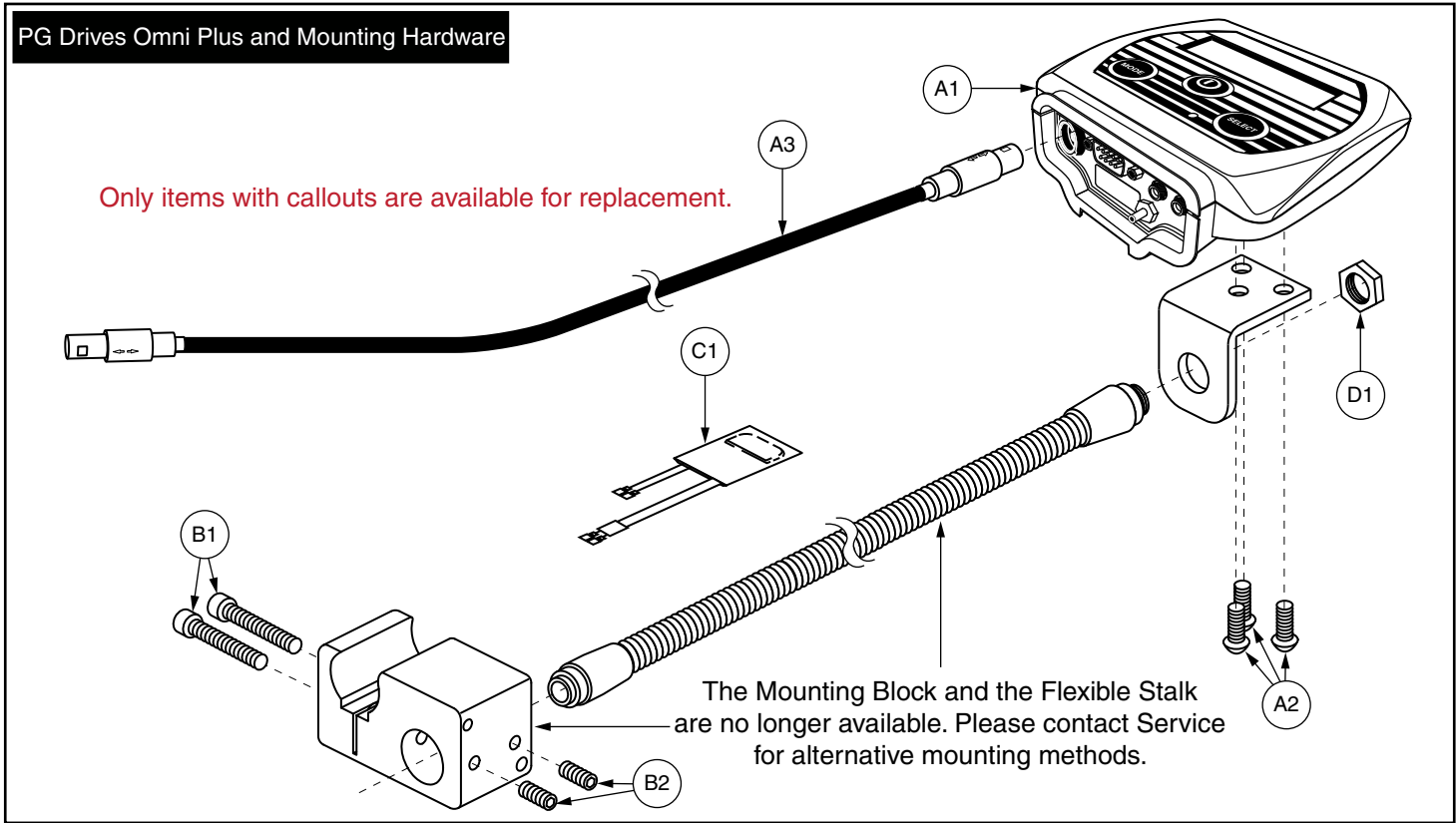
REF #	PART #	DESCRIPTION	QTY	MSRP (AU\$) ¹¹ⁱ
A1	CTLDC1476	CONTROLLER,DYNAMIC,JOYSTICK,G90,H-1111-031	1	2698.92



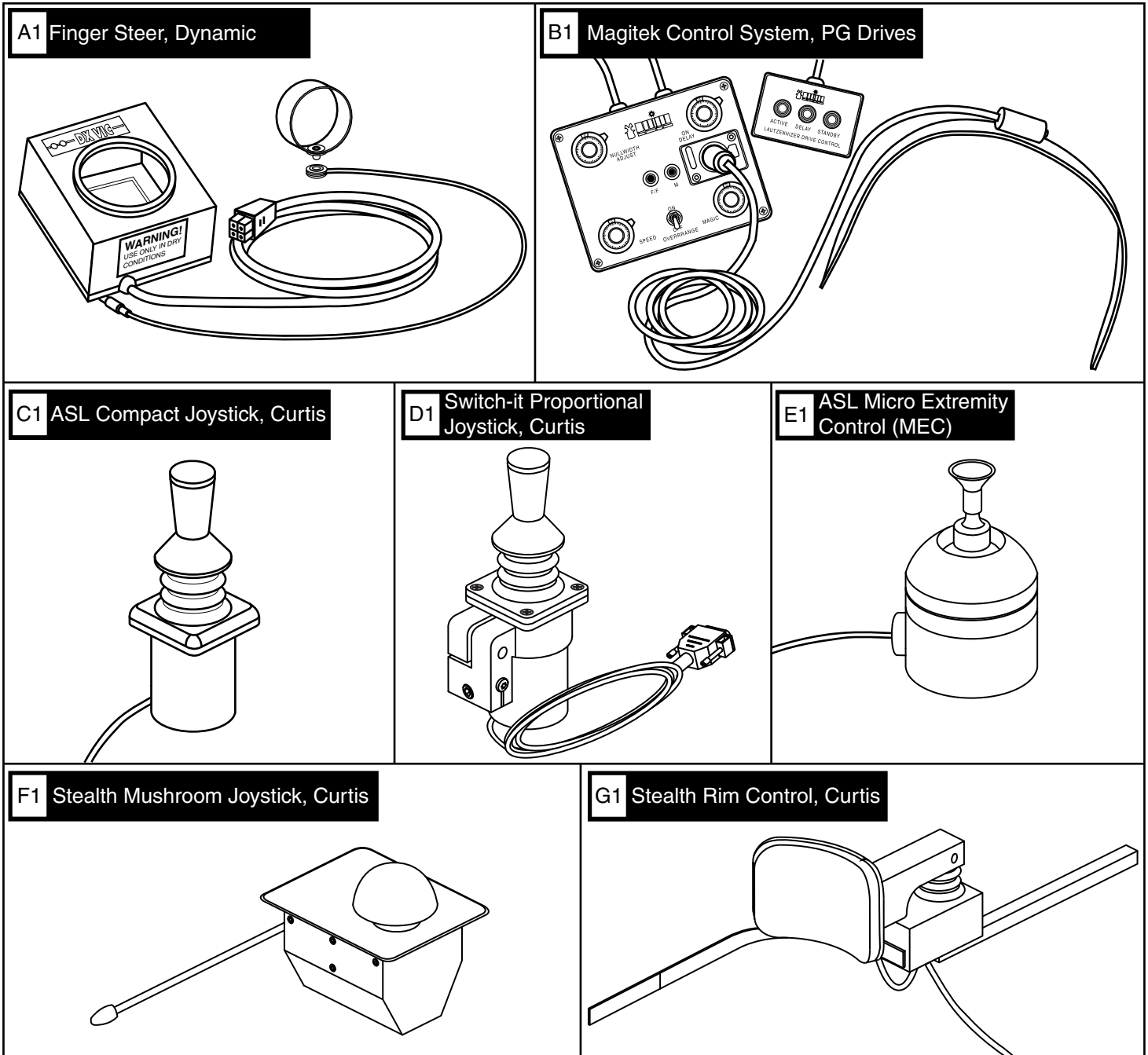
A1 PG Drives Chin Control



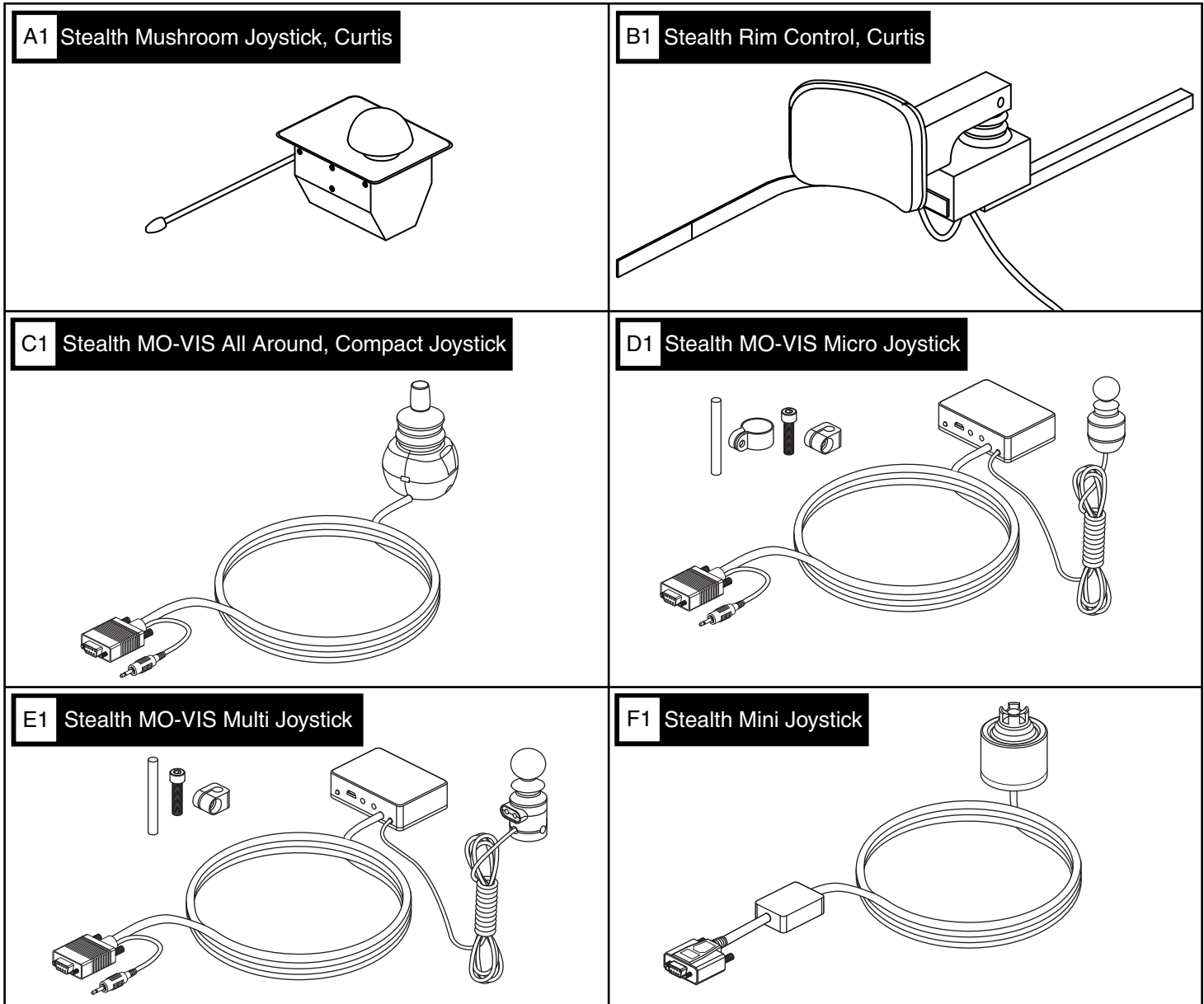
REF #	PART #	DESCRIPTION	QTY	MSRP (AU\$) ¹¹ⁱ
A1	CTLDC1117	CONTROLLER,JS CHIN CONTROL MODULE,(P&G: D49681-PRIDE)	1	2843.5



REF #	PART #	DESCRIPTION	QTY	MSRP (AU\$)
A1	CTLDC1384	OMNI PLUS UNIVERSAL SPECIALTY CONTROL MODULE	1	3720.54
A2	DWR1000A129	MOUNTING BRACKET,OMNI PLUS L BRACKET,A-1000-129	1	N/A
A3	SCRASBH1028	SCREW,BHSCS,BLACK ZINC,10-32 X .375",GRADE 8,W/PATCH	3	5.92
A4	HARUSHD2189	ELECTRONIC,HARNESS,1.16 LONG,REDEL CABLE, REMOTE PLUS, JOYSTICK TO TRAY,H-1010-049	1	410.96
B1	SCRALNH1013	SCREW,SHCS,BLACK ZINC,1/4-20 X 1.00"	2	6.02
B2	SCRSETS1088	SCREW,SET,BLACK ZINC,10-32 X 0.1875",W/NYLON PATCH	2	6.02
C1	ELEASMB4636	ELECTRONIC,ASSY,ARC PROTECTION CAPACITOR HARNESS	1	28.12
D1	NUTJAM1038	NUT,JAM,BRASS,5/8-27,B-1005-153	1	6.02



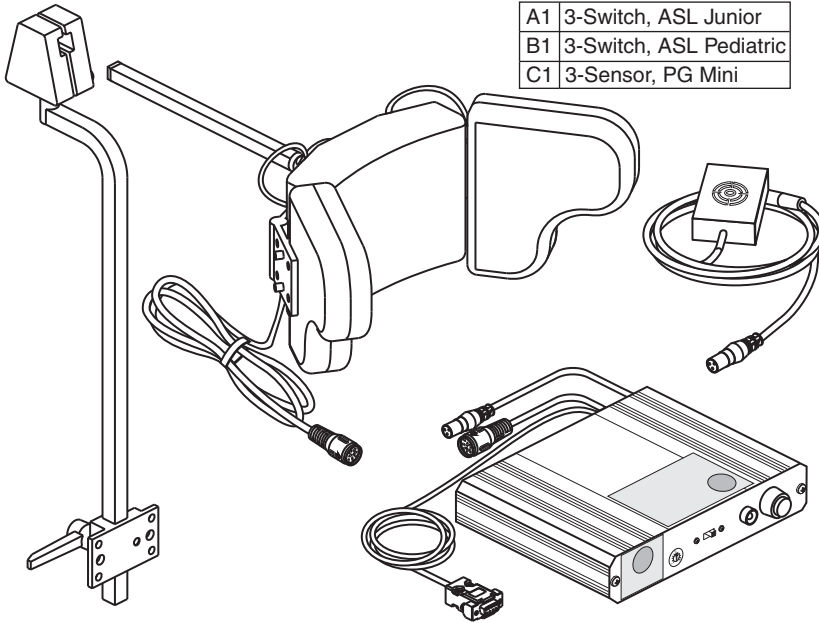
REF #	PART #	DESCRIPTION	QTY	MSRP (AU\$) ¹¹ⁱ
A1	CTLDC1076	CONTROLLER,DYNAMIC,FINGER STEERING CONTROL	1	8996.4
B1	CTLDC1181	ELECTRONIC,MAGITEK PROPORTIONAL CONTROL SYSTEM,P&G	1	11700
C1	CTLDC1620	CONTROLLER,JOYSTICK MODULE,ASL COMPACT JOYSTICK,2"H,(ASL:132)	1	2400
D1	CTLDC1598	CONTROLLER,PROPORTIONAL JOYSTICK MODULE,(SWITCH-IT:JSC-WOH)	1	1540
E1	CTLDC1516	CONTROLLER,MICRO PROPORTIONAL EXTREMITY CONTROL,(ASL:PASMMECPG)	1	6100
F1	ACCASMB2380	P&G MUSHROOM JOYSTICK W/KNOB,ASSY,JAZZY,W/MOUNTING HARDWARE,(STEALTH: MJM250Q)	1	3800
G1	CTLDC1380	ELECTRONIC,PROPORTIONAL HEADREST CONTROL SYSTEM,RIM CONTROL,(STEALTH: RC-P)	1	6100



REF #	PART #	DESCRIPTION	QTY	Dealer \$	11i MSRP
A1	ACCASMB2380	P&G MUSHROOM JOYSTICK W/KNOB, ASSY, JAZZY, W/MOUNTING HARDWARE, (STEALTH: MJM250Q)	1	\$1140	\$1900
B1	CTLDC1380	ELECTRONIC, PROPORTIONAL HEADREST CONTROL SYSTEM, RIM CONTROL, (STEALTH: RC-P)	1	\$1830	\$3050
C1	ST-IDMALLRND9-Q	MO-VIS ALL ROUND, COMPACT JOYSTICK	1	\$900	\$1500
D1	STIDM-MICRO-9Q	MO-VIS MICRO JOYSTICK	1	\$1845	\$3075
E1	STIDM-MULTI-9Q	MO-VIS MULTI JOYSTICK	1	\$1845	\$3075
F1	ST-IDPMP-9-Q	MINI PROPORTIONAL JOYSTICK, 9 PIN	1	\$1845	\$3075

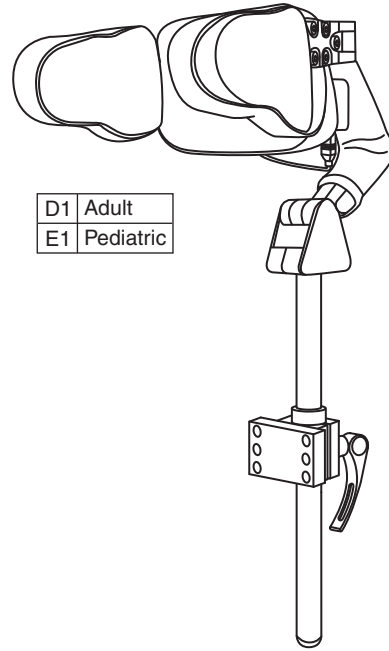


A1/B1/C1 3-Switch/3-Sensor Head Arrays



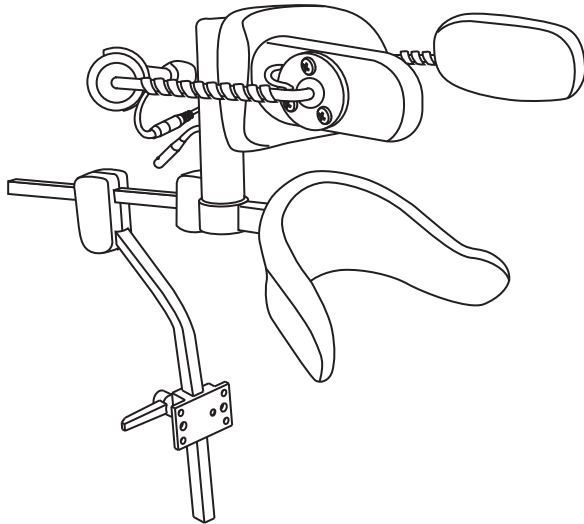
- A1 3-Switch, ASL Junior
- B1 3-Switch, ASL Pediatric
- C1 3-Sensor, PG Mini

D1/E1 3-Switch Stealth I-Drive TRI-Array

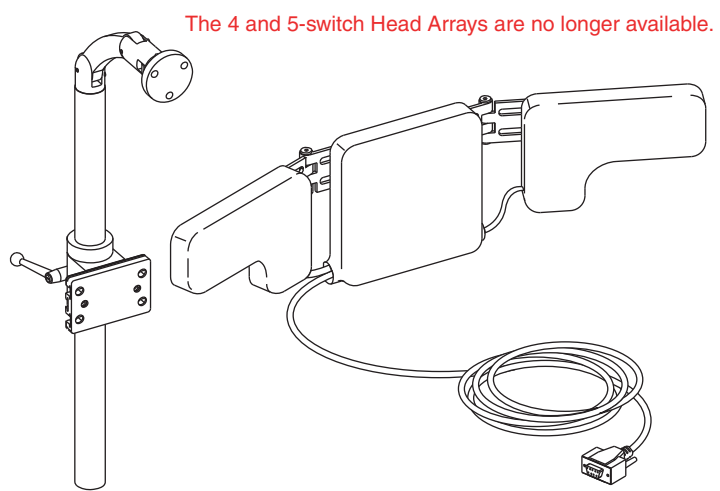


- D1 Adult
- E1 Pediatric

F1 3-Sensor Head Array with Stealth Ultra Headrest



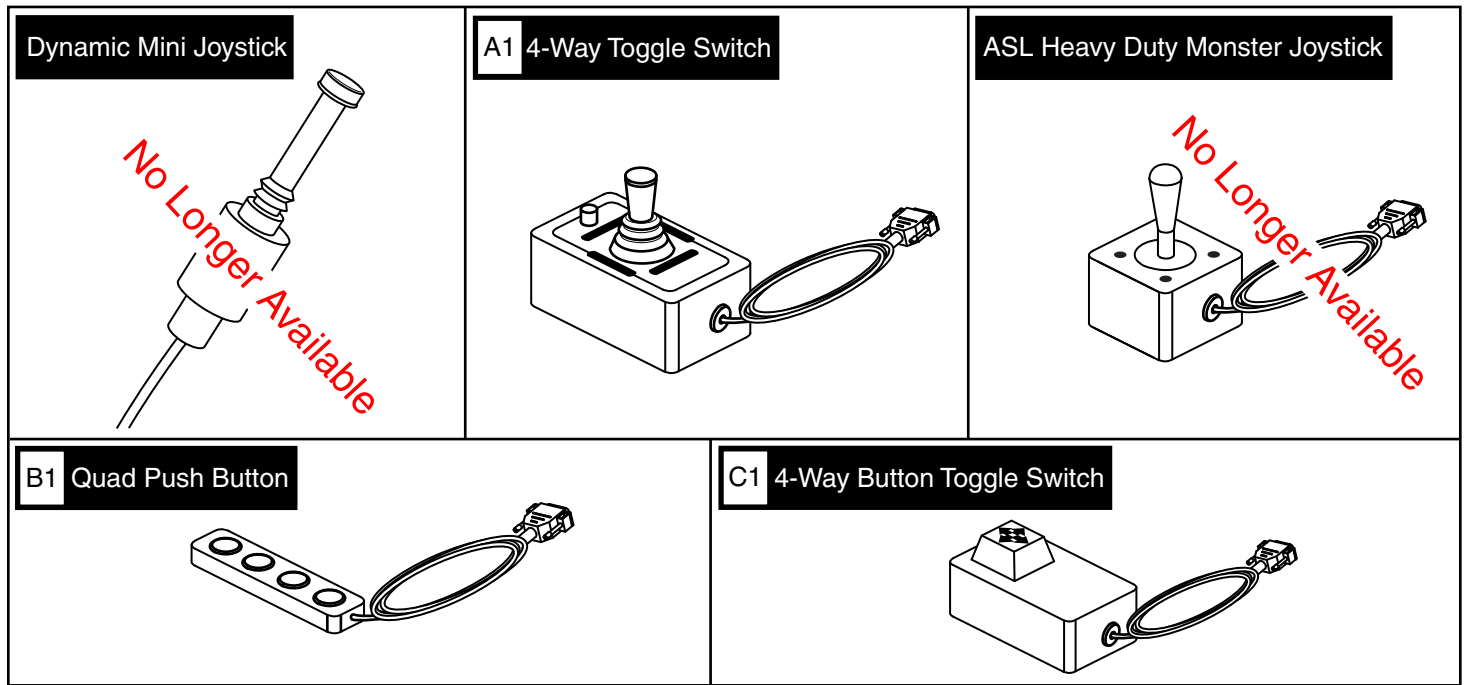
G1 3-Switch, Switch-it Head Arrays



The 4 and 5-switch Head Arrays are no longer available.

REF #	PART #	DESCRIPTION	QTY	MSRP (AU\$) ¹¹ⁱ
A1	ELEASMB4388	ELECTRONIC,ASSY,ASL 3 SWITCH HEAD ARRAY,JUNIOR,W/MOUNTING HARDWARE	1	9489.9
B1	ELEASMB4585	ELECTRONIC,ASSY,ASL 3 SWITCH HEAD ARRAY,PEDIATRIC,W/MOUNTING HARDWARE	1	N/A
C1	CTLDC1188	ELECTRONIC,HEAD ARRAY,(3 SENSOR W/ADJUSTABLE PROXIMITY RESET) MINI P&G,(ASL:PASL105PGM)	1	9038
D1	CTL135940	ELECTRONIC,HEAD ARRAY ADULT,I-DRIVE TRI-ARRAY SERIES,3-SWITCH WITH EGG SWITCH FOR MODE,(STEALTH:IDH200-1)	1	8350
E1	CTL135956	ELECTRONIC,HEAD ARRAY PEDIATRIC,I-DRIVE TRI-ARRAY SERIES,3-SWITCH WITH EGG SWITCH FOR MODE,(STEALTH:IDH250-1)	1	8350
F1	CTLDC1192	ELECTRONIC,HEAD ARRAY,(3 SENSOR W/ADJUSTABLE PROXIMITY RESET) P&G,(ASL:PASL105PGST)	1	11182
G1	SWTMCRO1032	ELECTRONIC,SWITCH,MICRO,SWITCH-IT,3 SWITCH HEAD ARRAY	1	7990

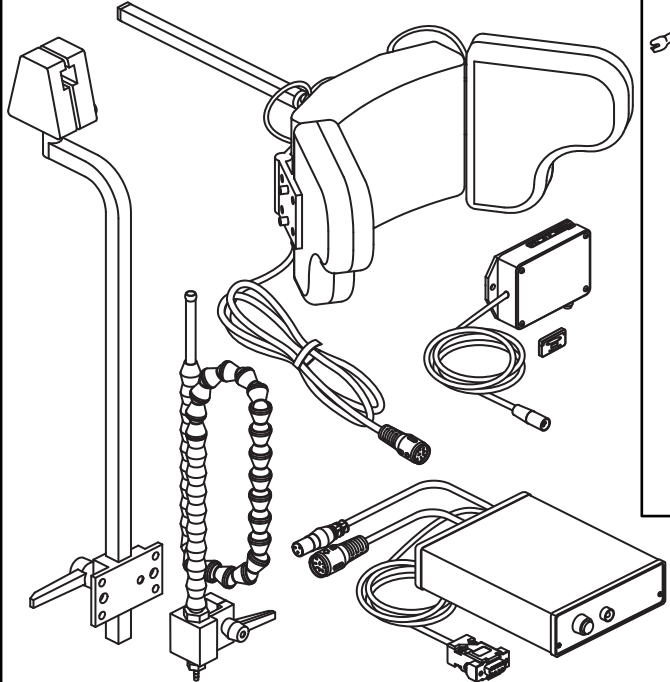
IV. Multi Switches



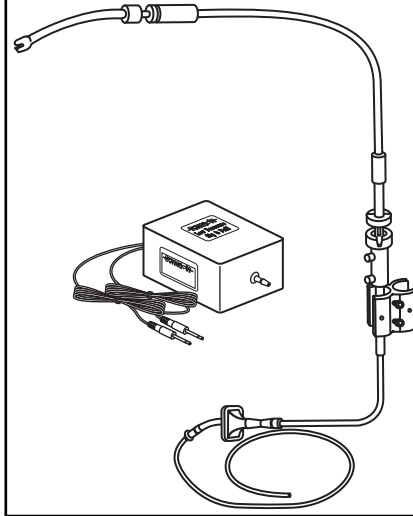
REF #	PART #	DESCRIPTION	QTY	MSRP (AU\$) ¹¹ⁱ
A1	SWTMCRO1099	ELECTRONIC,SWITCH,4-WAY TOGGLE,(PME:S26)	1	539.78
B1	SWTMCRO1098	ELECTRONIC,SWITCH,QUAD PUSH BUTTON,(PME: S24)	1	607.26
C1	SWTMCRO1100	ELECTRONIC,SWITCH,4-WAY BUTTON TOGGLE,(PME: S12)	1	472.32



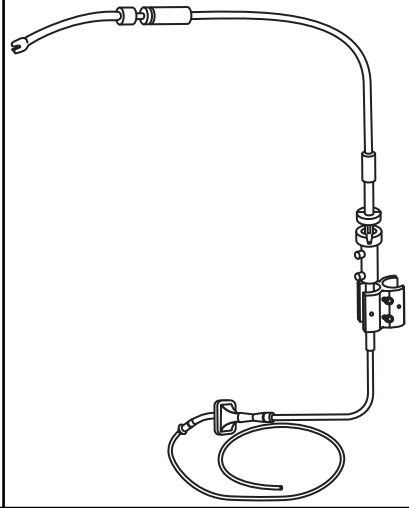
A1 PG Drives Sip & Puff with Fiber Optic Reset



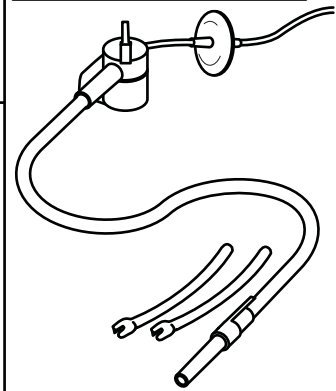
B1 SWITCH-IT Mini Puff



C1 Sip & Puff Therafin Whisper Lite System



D1 Dynamic Sip & Puff Mounting Kit



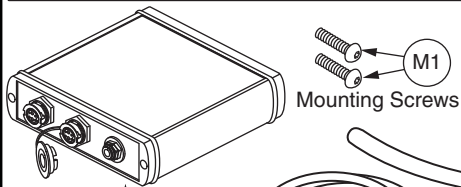
Q-Logic Sip N Puff Components

*****Sip & Puff Control Module Replacement*****

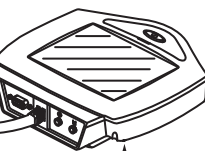
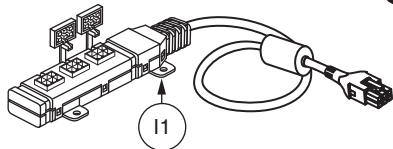
Please note: Units manufactured prior to January 2, 2012, **REQUIRE** the selection of KITASMB7110010(E1b - E1) or CTLASMB7110096(E1b).

*****Enhanced Display Replacement*****

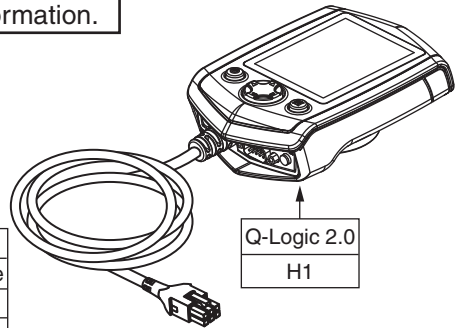
1. Units manufactured prior to January 2, 2012 with a Q-logic 1.0 Enhanced Display **REQUIRE** the selection of CTLASMB7110095(G1).
2. Units manufactured after January 2, 2012 with a Q-logic 1.0 Enhanced Display and prior to the Q-logic 2.0 **REQUIRE** the selection of CTLDC1471(F1).
3. The Q-logic 2.0 Enhanced Display is only compatible with software version 3.64 or greater. Contact Quantum Service for more information.



Ref #	Manufacture Date
E1a	After 1/2/2012
E1b	Prior to 1/2/2012



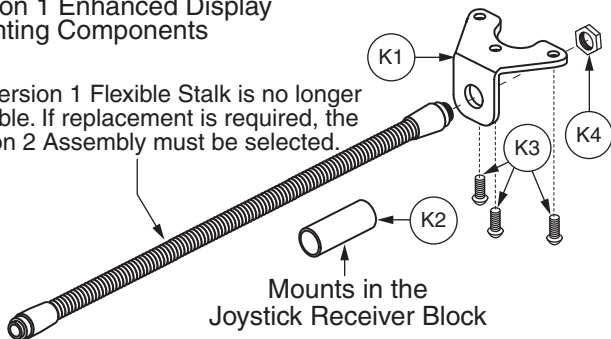
Q-Logic 1.0	
Ref #	Manufacture Date
F1	After 1/2/2012
G1	Prior to 1/2/2012



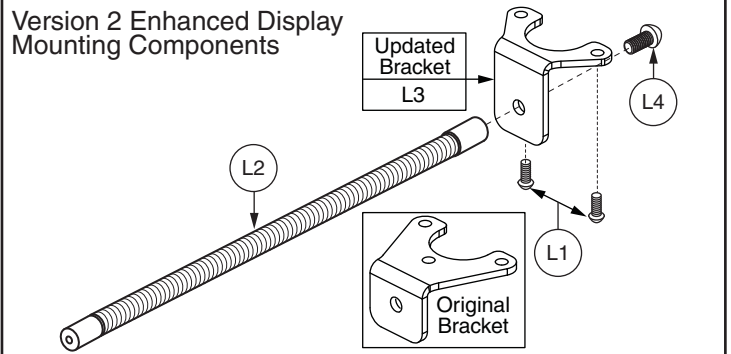
Q-Logic 2.0	
Ref #	Manufacture Date
H1	

Version 1 Enhanced Display Mounting Components

The Version 1 Flexible Stalk is no longer available. If replacement is required, the Version 2 Assembly must be selected.



Version 2 Enhanced Display Mounting Components

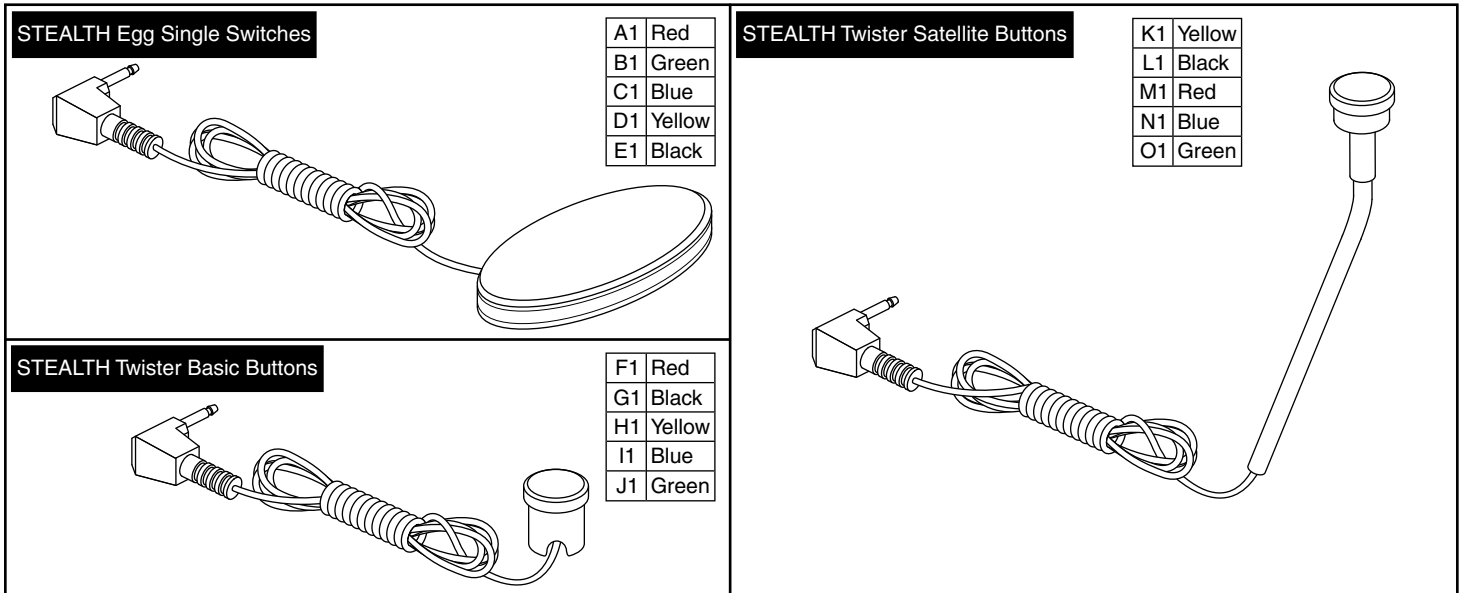


If mounting components require replacement, please visually inspect prior to order placement to ensure the proper items are selected.

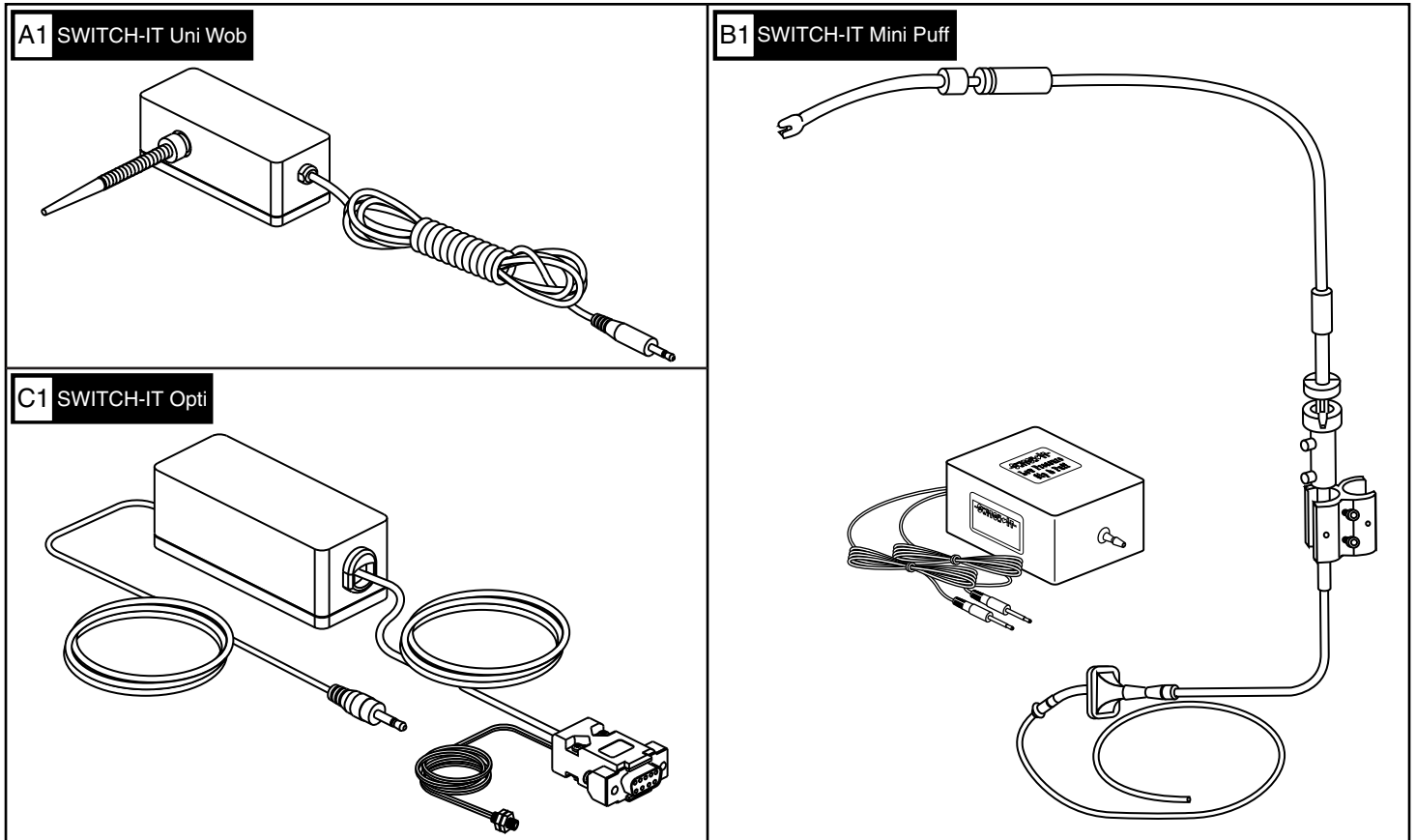
V. Sip & Puff



REF #	PART #	DESCRIPTION	QTY	MSRP (AU\$) ¹¹ⁱ
A1	CTLDC1159	P&G SIP & PUFF HEAD ARRAY,W/FIBER OPTIC RESET JUNIOR,(ASL:PASL109PG)	1	9460
B1	SWTMCRO1028	ELECTRONIC,SWITCH,MICRO,SWITCH-IT,MINI PUF	1	1650
C1	ACCASMB2080	SIP N PUFF,ASSY,THERAFIN WHISPER LITE SYSTEM,W/ 1.00" FIGURE EIGHT CLAMP,(THERAFIN: 32658)	1	710
D1	FRMASMB1660	MOUNTING BRACKET,ASSY,KIT,DYNAMIC,SIP N PUF	1	3289.3
E1a - E2	KITASMB1697	KIT,ASSY,SIP & PUFF CONTROL MODULE,W/HARNESS	1	3790
E1a	CTLDC1487	CONTROLLER,SIP & PUFF MODULE,H-1111-042,(CURTIS: 17885700)	1	2500
E1b - E2	KITASMB7110010	KIT,ASSY,SIP & PUFF CONTROL MODULE (FW 1.07),W/HARNESS	1	3200
E1b	CTLASMB7110096	CONTROLLER,SIP & PUFF CONTROL MODULE,(FW 1.07),Q-LOGIC	1	2500
E2	DWR1111H046	HARNESS,BUS CABLE,1.5M,E50 TO MC2(CURTIS:17881300)	1	728.28
F1	CTLDC1471	CONTROLLER,ENHANCED COLOR GRAPHICAL DISPLAY,W/BLEU TOOTH,H-1111-026,(CURTIS: 17868700)	1	3440
G1	CTLASMB7110095	CONTROLLER,ENHANCED COLOR GRAPHICAL DISPLAY,(FW 1.71),Q-LOGIC	1	3440
H1	CTL134180	CONTROLLER,ENHANCED COLOR GRAPHICAL DISPLAY 2.0,Q-LOGIC 2,W/BLEU TOOTH,(CURTIS: 17955700-8309)	1	3440
I1	DWR1111H053	HARNESS,MULTIPLIER BOX,0.19 METER,H-1111-053,(CURTIS: 17869700-02)	1	442.42
J1	INDPART2646	SIP N PUFF,THERAFIN AIR TUBE STRAW,10 PACK,(THERAFIN: 32698)	1	40
K1	DWR1010D313	MOUNTING BRACKET,ENHANCED DISPLAY CONTROLLER,CURTIS/Q-LOGIC,D-1010-313	1	71.1
K2	DWR1010C386	GOOSENECK SLEEVE,BLACK,2.00" L X 0.625" ID X 0.750" OD,C-1010-386	1	15.5
K3	SCRPPH1383	SCREW,PPH,BLACK ZINC,M5-.8 X 8MM	3	5.62
K4	NUTJAM1038	NUT,JAM,BRASS,5/8-27,B-1005-153	1	6.02
L1	SCRPPH1383	SCREW,PPH,BLACK ZINC,M5-.8 X 8MM	2	5.62
L2	DWR1010D446	MOUNTING BRACKET,FLEXIBLE,W/COPPER INSERT,DISPLAY MOUNT,D-1010-446	1	253.82
L3	MEC143421	MOUNTING BRACKET,ENHANCED DISPLAY CONTROLLER V2,Q-LOGIC	1	N/A
L4	SCRASBH1014	SCREW,BHSCS,BLACK ZINC,1/4-20 X 0.750"	1	5.92
M1	SCRASBH1152	SCREW,BHSCS,BLACK ZINC,10-32 X 0.625"	2	5.72



REF #	PART #	DESCRIPTION	QTY	MSRP (AU\$) ¹¹ⁱ
A1	SWTMCRO1077	ELECTRONIC,SWITCH,RED,EGG,(C900-210)	1	154
B1	SWTMCRO1078	ELECTRONIC,SWITCH,GREEN,EGG,(C900-211)	1	154
C1	SWTMCRO1079	ELECTRONIC,SWITCH,BLUE,EGG,(C900-212)	1	154
D1	SWTMCRO1080	ELECTRONIC,SWITCH,YELLOW,EGG,(C900-213)	1	154
E1	SWTMCRO1081	ELECTRONIC,SWITCH,BLACK,EGG,(C900-214)	1	154
F1	ST-IDM-17-Q	SATELLITE,TWISTER BUTTON,RED	1	790
G1	ST-IDM-18-Q	SATELLITE,TWISTER BUTTON,BLACK	1	790
H1	ST-IDM-19-Q	SATELLITE,TWISTER BUTTON,YELLOW	1	790
I1	ST-IDM-20-Q	SATELLITE,TWISTER BUTTON,BLUE	1	790
J1	ST-IDM-21-Q	SATELLITE,TWISTER BUTTON,GREEN	1	790
K1	ST-IDM-24-Q	TWISTER,BASIC BUTTON,YELLOW,LONG CABLE 5FT (150CM)	1	550
L1	ST-IDM-25-Q	TWISTER,BASIC BUTTON,BLACK,LONG CABLE 5FT (150CM)	1	550
M1	ST-IDM-26-Q	TWISTER,BASIC BUTTON,RED,LONG CABLE 5FT (150CM)	1	550
N1	ST-IDM-27-Q	TWISTER,BASIC BUTTON,BLUE,LONG CABLE 5FT (150CM)	1	550
O1	ST-IDM-28-Q	TWISTER,BASIC BUTTON,GREEN,LONG CABLE 5FT (150CM)	1	550

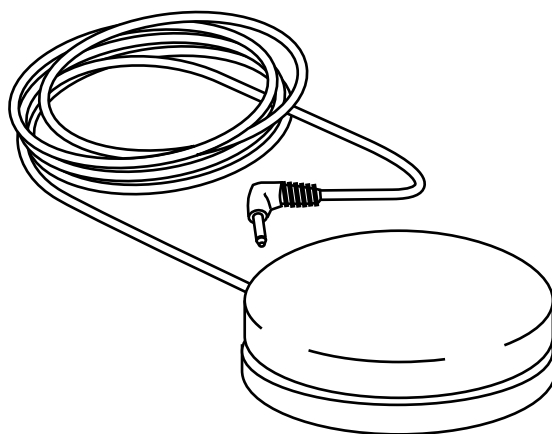


REF #	PART #	DESCRIPTION	QTY	MSRP (AU\$)
A1	SWTMCRO1027	ELECTRONIC,SWITCH,MICRO,SWITCH-IT,UNI WOB	1	390
B1	SWTMCRO1028	ELECTRONIC,SWITCH,MICRO,SWITCH-IT,MINI PUF	1	1650
C1	SWTMCRO1030	ELECTRONIC,SWITCH,MICRO,SWITCH-IT,OPTI	1	1590



A1/B1/C1/D1 Buddy Button

A1	Green
B1	Yellow
C1	Blue
D1	Black



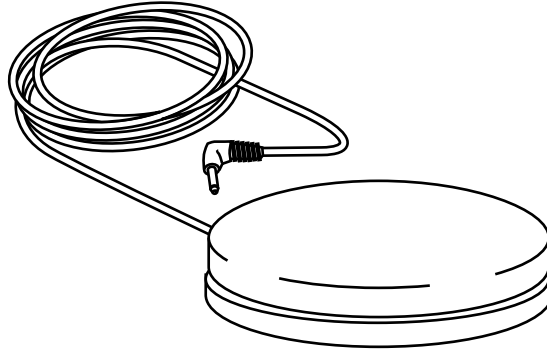
REF #	PART #	DESCRIPTION	QTY	MSRP (AU\$) ¹¹ⁱ
A1	SWTMCRO1008	ELECTRONIC, SWITCH, SPRING GREEN, MICRO, DYNAMIC, BUDDY BUTTON	1	118
B1	SWTMCRO1011	ELECTRONIC, SWITCH, YELLOW, MICRO, DYNAMIC, BUDDY BUTTON	1	118
C1	SWTMCRO1012	ELECTRONIC, SWITCH, BLUEJAY BLUE, MICRO, DYNAMIC, BUDDY BUTTON	1	118
D1	SWTMCRO1033	ELECTRONIC, SWITCH, BOLDY BLACK, SINGLE, BUDDY BUTTON	1	118

VI. Single Switches — Ablenet Big Buddy Button

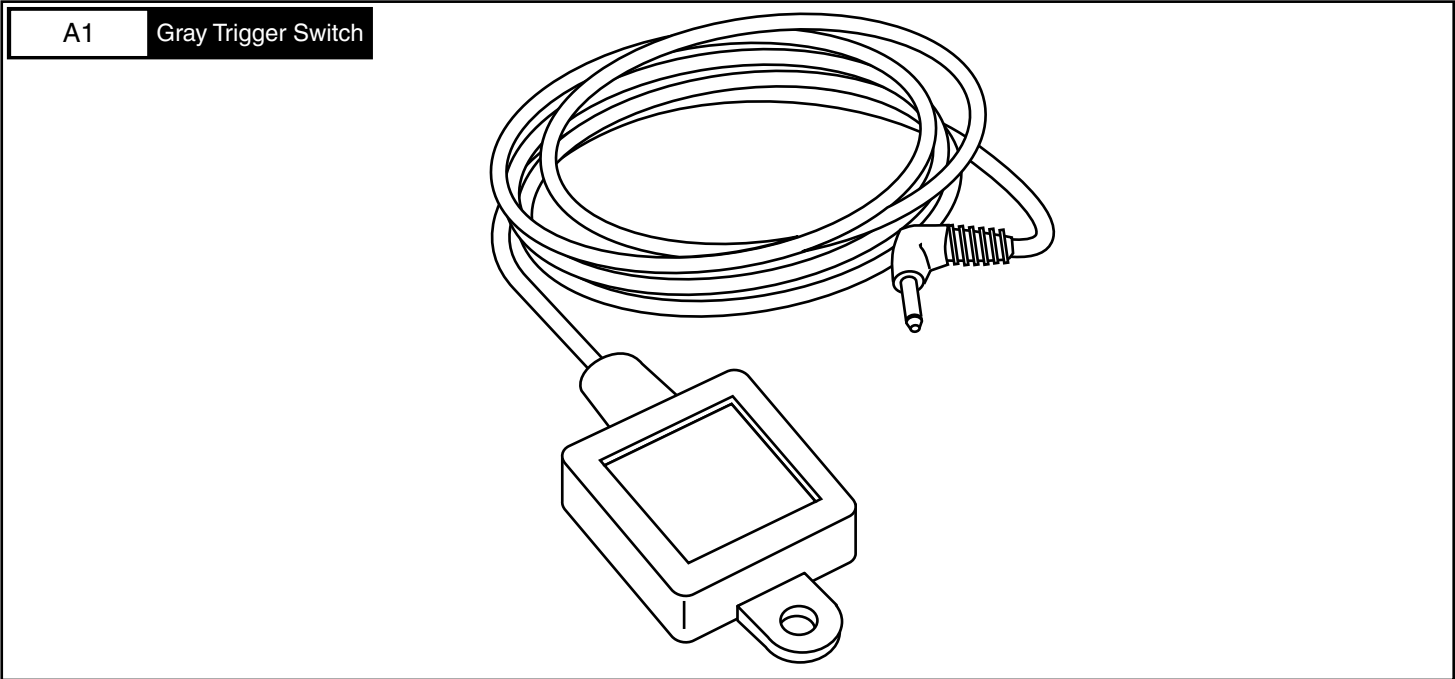


A1/B1 Big Buddy Button, Yahoo

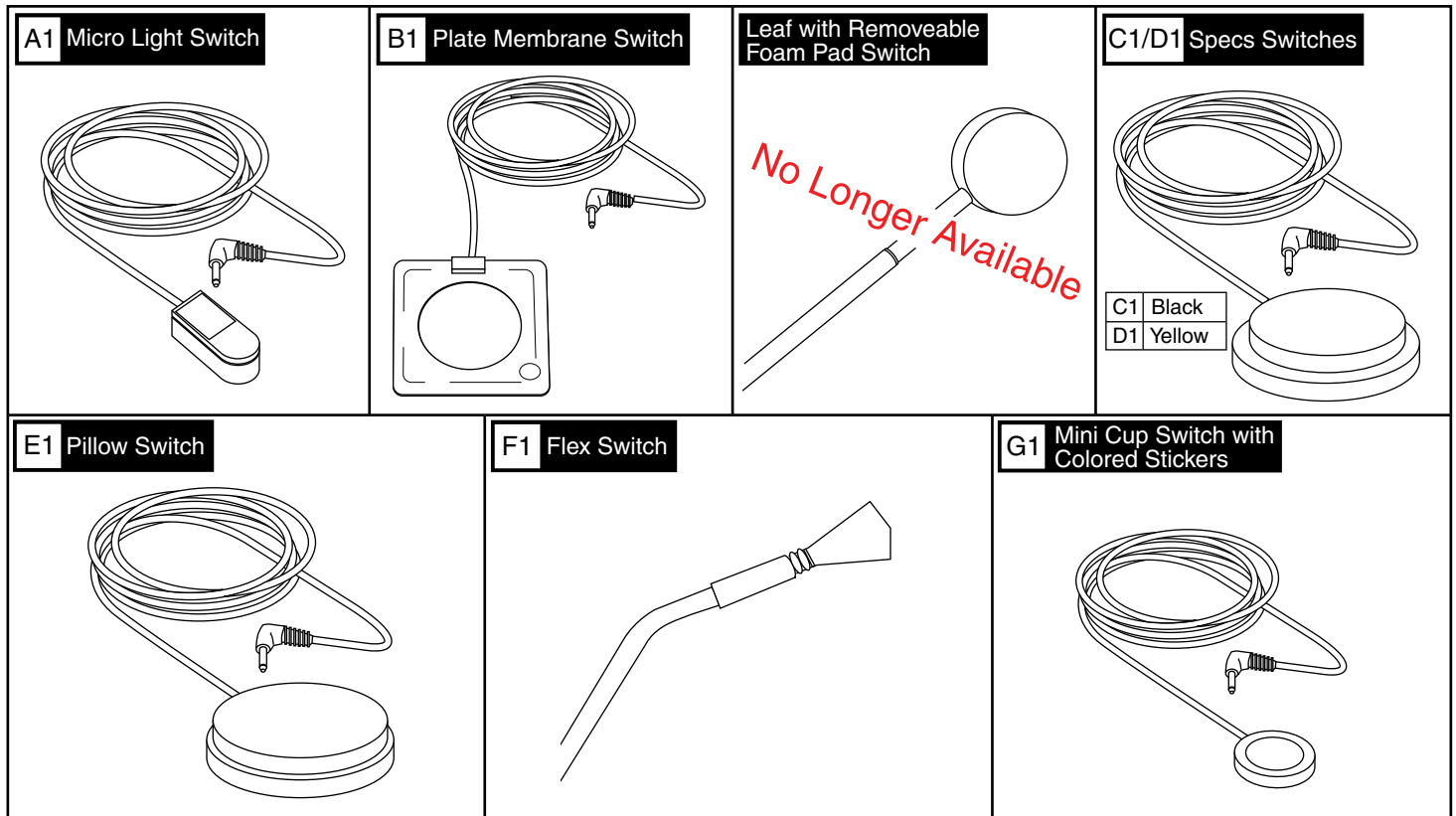
A1	Red
B1	Yellow



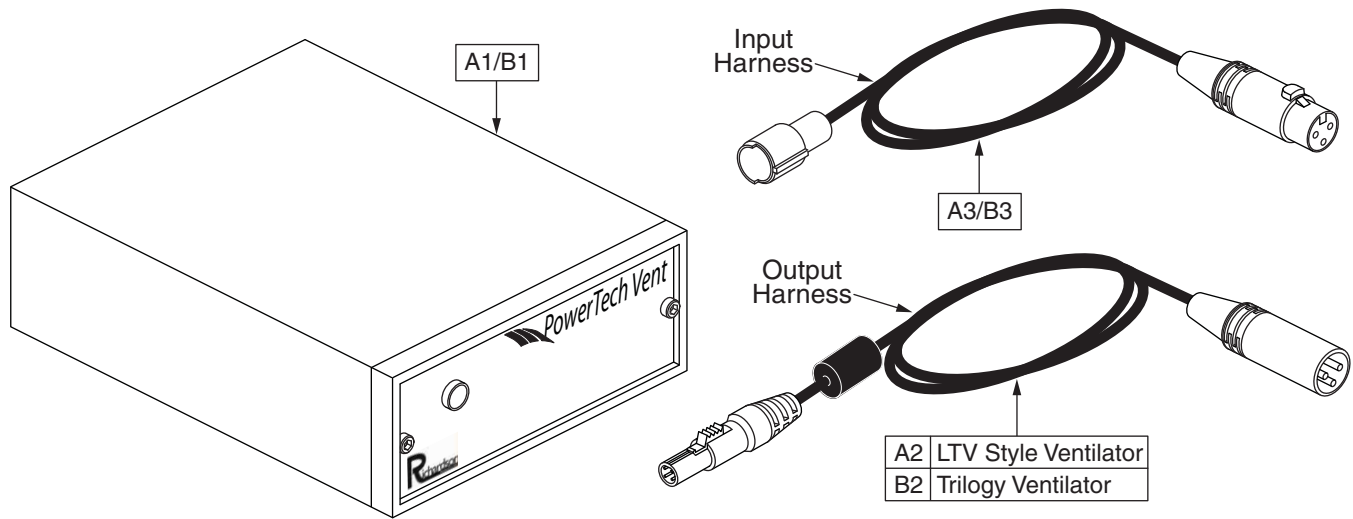
REF #	PART #	DESCRIPTION	QTY	MSRP (AU\$) ¹¹ⁱ
A1	SWTMCRO1040	ELECTRONIC,SWITCH,RAVING RED,SINGLE,BIG BUDDY,YAHOO	1	118
B1	SWTMCRO1041	ELECTRONIC,SWITCH,YELLOW,SINGLE,BIG BUDDY,YAHOO	1	118



REF #	PART #	DESCRIPTION	QTY	MSRP (AU\$) ¹¹ⁱ
A1	SWTMCRO1087	ELECTRONIC,SWITCH,GRAY,TRIGGER,TASH,-5500	1	158



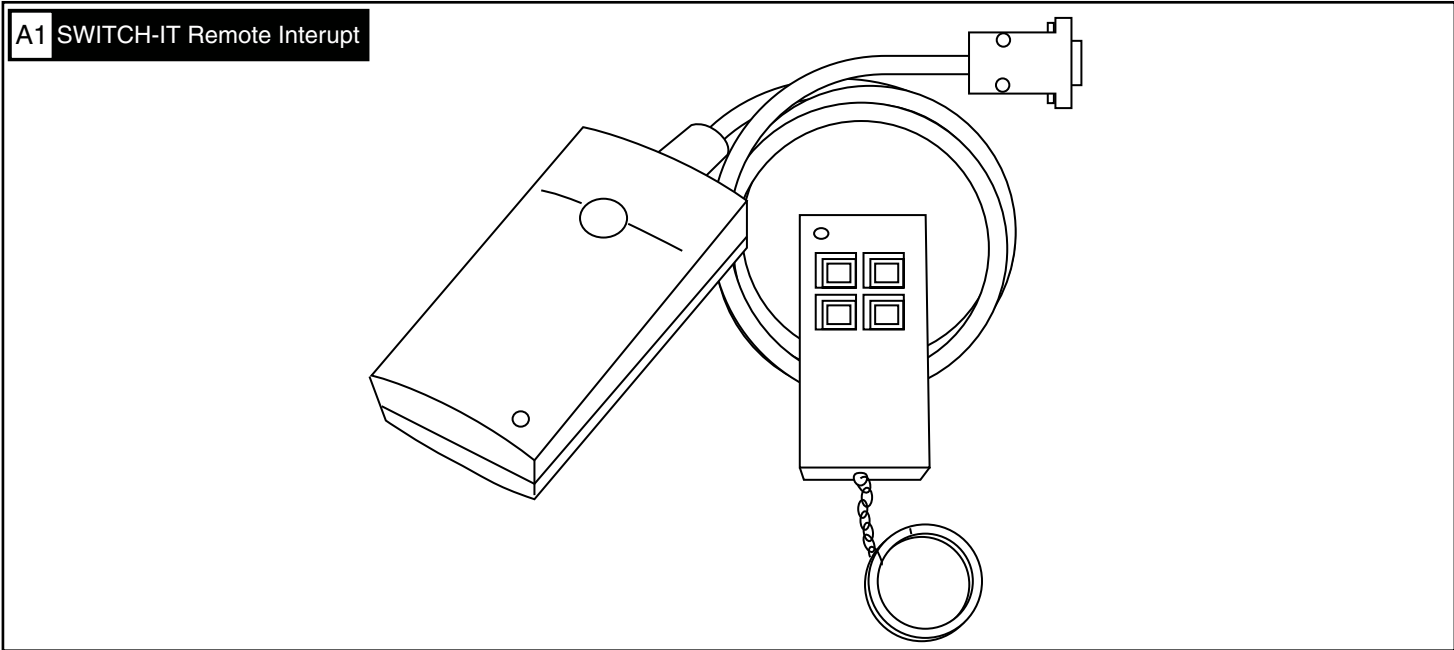
REF #	PART #	DESCRIPTION	QTY	MSRP (AU\$) ¹¹ⁱ
A1	SWTMCRO1044	ELECTRONIC, SWITCH, SINGLE, MICRO LIGHT	1	154
B1	SWTMCRO1047	ELECTRONIC, SWITCH, YELLOW, SINGLE, PLATE MEMBRANE	1	138
C1	SWTMCRO1116	ELECTRONIC, SWITCH, SINGLE, BUDDY BUTTON, BLACK, SPECS, W/MOUNTING PLATES, (ABLENET: 100-SPBK)	1	110
D1	SWTMCRO1115	ELECTRONIC, SWITCH, SINGLE, BUDDY BUTTON, YELLOW, SPECS, W/MOUNTING PLATES, (ABLENET: 100-SPY)	1	110
E1	SWTMCRO1052	ELECTRONIC, SWITCH, SINGLE, PILLOW	1	230
F1	SWTMCRO1061	ELECTRONIC, SWITCH, SINGLE, FLEX	1	N/A
G1	SWTMCRO1064	ELECTRONIC, SWITCH, SINGLE, MINI CUP W/COLORED STICKERS	1	138



REF #	PART #	DESCRIPTION	QTY	MSRP (AU\$) ¹¹ⁱ
A1 - A3	ELEASMB7110034	ELECTRONIC,ASSY,POWERTECH VENT POWER MODULE,W/HARNESSES	1	4440
A1	CTLDC8110005	POWERTECH VENT MODULE,(RICHARDSON:06076)	1	3900
A2	HAR8110009	POWERTECH VENT HARNESS,12V,OUTPUT,(RICHARDSON:060770)	1	300
A3	HAR8110008	POWERTECH VENT HARNESS,24V,INPUT,(RICHARDSON:060774)	1	240
B1 - B3	ELE143268	ELECTRONIC,ASSY,POWERTECH VENT POWER MODULE,RESPIRONICS TRILOGY,W/HARNESSES	1	N/A
B1	CTLDC8110005	POWERTECH VENT MODULE,(RICHARDSON:06076)	1	3900
B2	ELE143265	POWERTECH VENT HARNESS,12V,OUTPUT,RESPIRONICS TRILOGY,(RICHARDSON:060771)	1	N/A
B3	HAR8110008	POWERTECH VENT HARNESS,24V,INPUT,(RICHARDSON:060774)	1	240



A1 SWITCH-IT Remote Interrupt



REF #	PART #	DESCRIPTION	QTY	MSRP (AU\$) ¹¹ⁱ
A1	CTLDC1096	SWITCH-IT,REMOTE INTERRUPT	1	1390



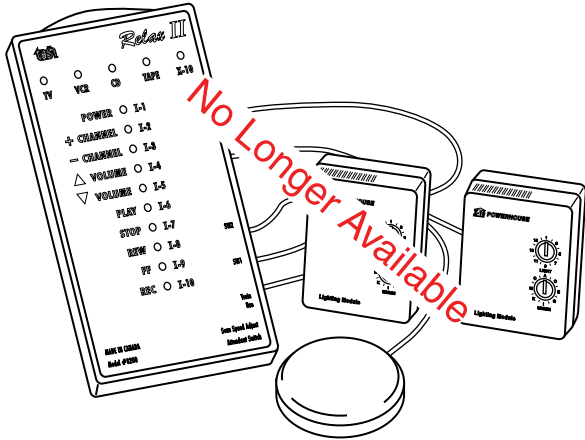
Dynamic ECU Module



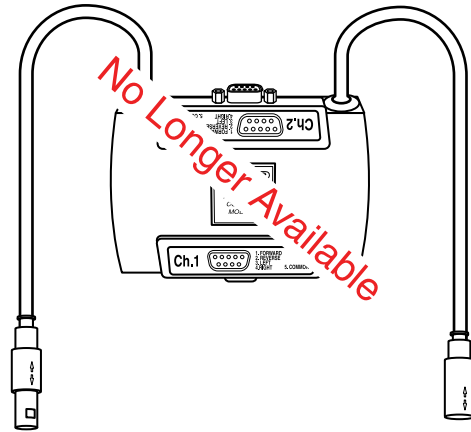
Dynamic PC Mouse Mover

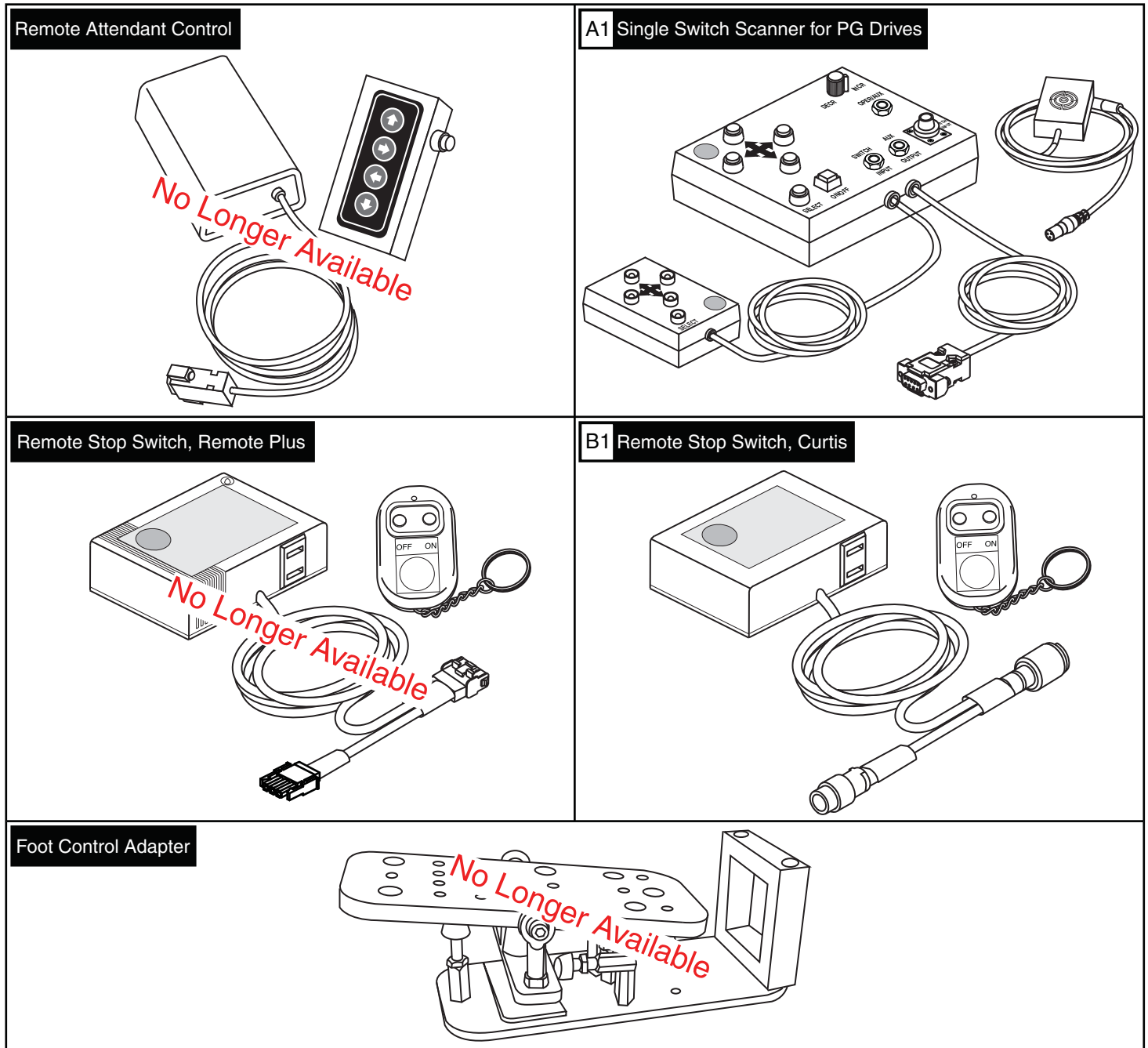


"Relax II" Infra-red Interface

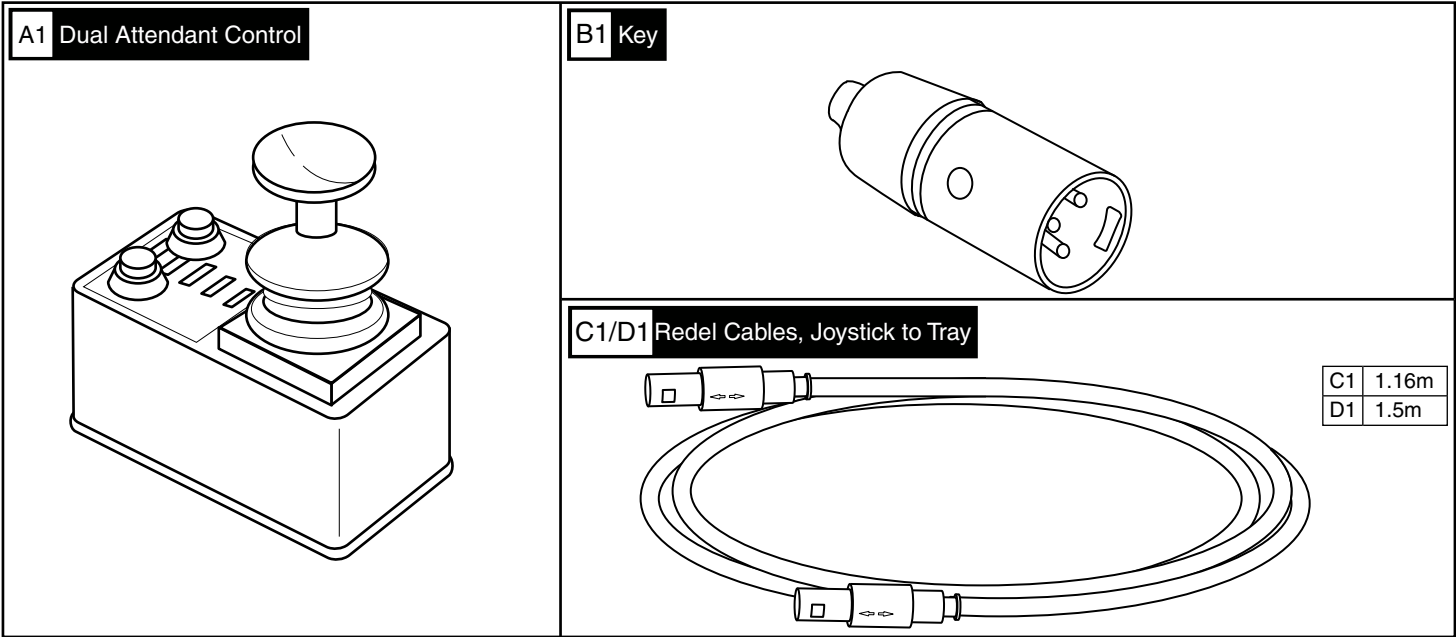


PG Drives ACM, Auxiliary Control Module

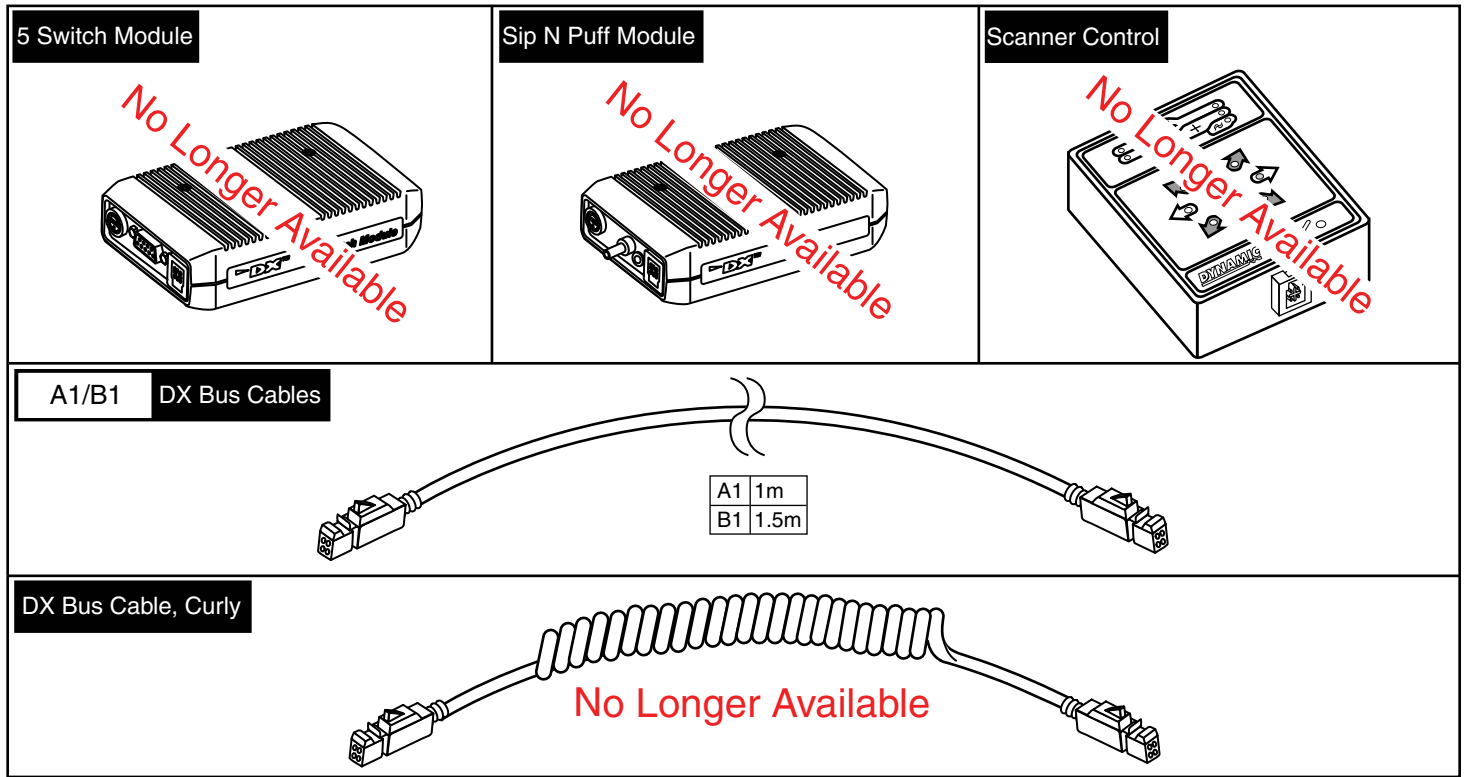




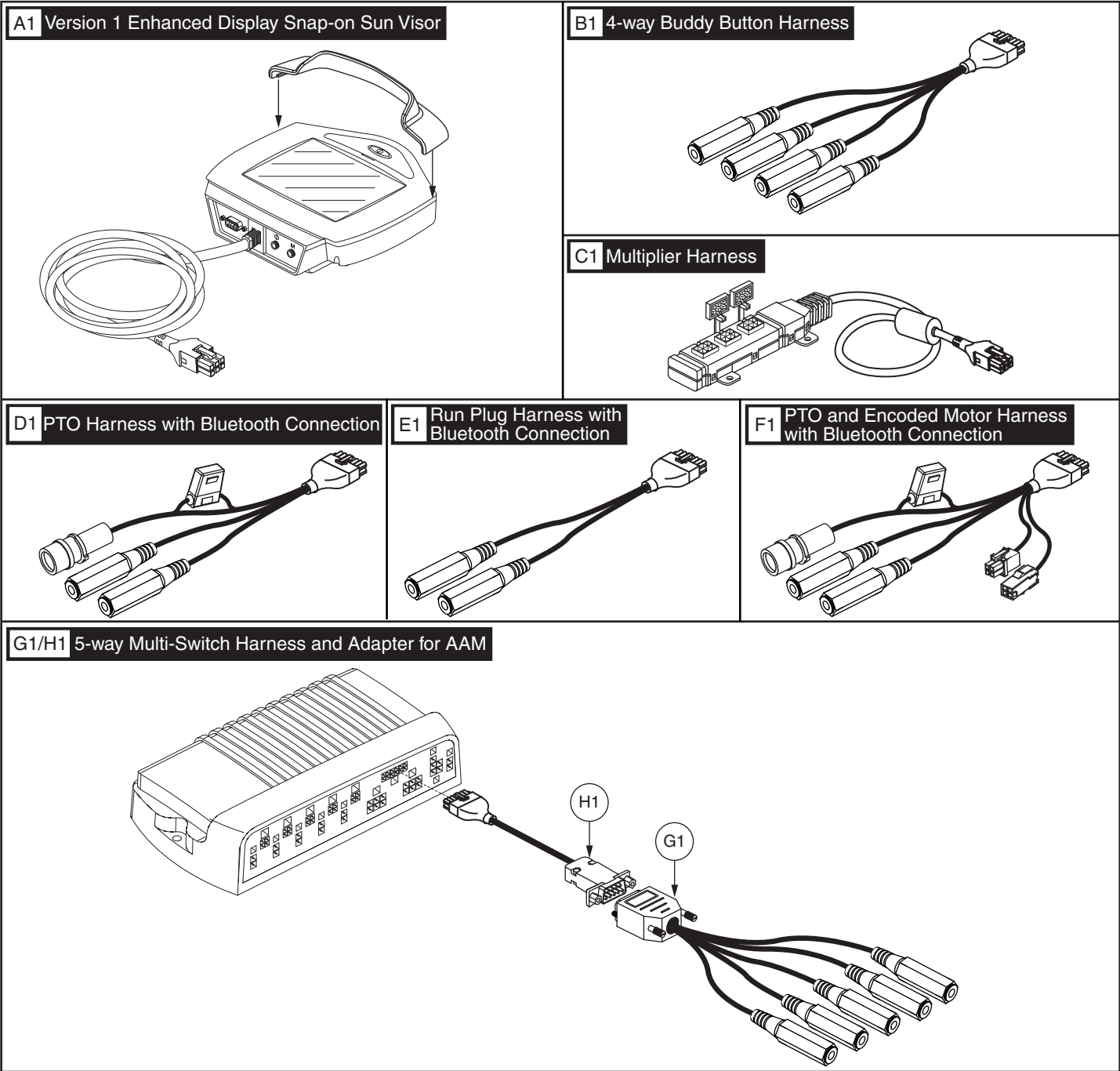
REF #	PART #	DESCRIPTION	QTY	MSRP (AU\$) ¹¹ⁱ
A1	CTLDC1157	ELECTRONIC,SINGLE SWITCH SCANNER,P&G,(ASL:PASL101PG)	1	7704
B1	CTLDC1527	ELECTRONIC,ASL REMOTE STOP SWITCH,CURTIS/Q-LOGIC,(ASL:ASL504CURTIS)	1	1470



REF #	PART #	DESCRIPTION	QTY	MSRP (AU\$)
A1	CTLDC1118	CONTROLLER,JS DUAL ATTENDENT CONTROL MODULE,(P&G: D49682)	1	3069.72
B1	KEYJAZ1001	KEY,M8,JAZZY,P&G,(P&G: SA74784)	1	72.26
C1	HARUSHD2189	ELECTRONIC,HARNESS,1.16 LONG,REDEL CABLE, REMOTE PLUS, JOYSTICK TO TRAY,H-1010-049	1	410.96
D1	HARUSHD2311	ELECTRONIC,HARNESS,REMOTE PLUS,JSTK TO TRAY,1.5 METER	1	409.5



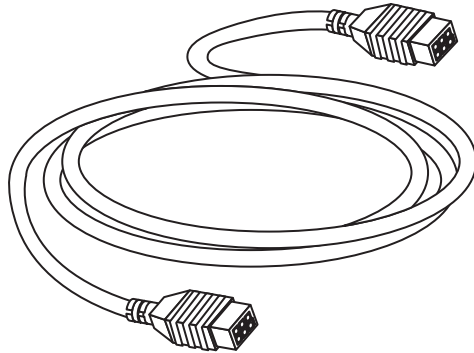
REF #	PART #	DESCRIPTION	QTY	MSRP (AU\$) ¹¹ⁱ
A1	HARUSHD2055	ELECTRONIC, HARNESS, 1M LONG, DX BUS, DYNAMIC	1	175.42
B1	HARUSHD1091	ELECTRONIC, HARNESS, 1.5M LONG, DX BUS, DYNAMIC	1	222.3



REF #	PART #	DESCRIPTION	QTY	MSRP (AU\$) ¹¹ⁱ
A1	DWR1010C269	SNAP-ON VISOR,BLACK,PLASTIC,CURTIS ENHANCED DISPLAY CONTROLLER,C-1010-269,(CURTIS: 17861700)	1	13.78
B1	DWR1265H064	ELECTRONIC,HARNESS,CURTIS/AAM,4 WAY SINGLE SWITCH	1	144.22
C1	DWR1111H053	HARNESS,MULTIPLIER BOX,0.3 METER,CURTIS: 17869700)	1	442.42
D1	DWR1265H032	ELECTRONIC,POWER TAKE OFF(PTO),CURTIS,W/BLUETOOTH	1	154.04
E1	DWR1265H033	ELECTRONIC,HARNESS,RUN PLUG,CURTIS,W/BLUETOOTH	1	98.28
F1	DWR1265H065	ELECTRONIC,MOTOR DECODER/POWER TAKE OFF(PTO)/INHIBIT,W/BLUETOOTH,Q-LOGIC,H-1265-065	1	267.6
G1	HARUSHD2101	ELECTRONIC,HARNESS,DYNAMIC,5 -1 SWITCH ADAPTOR	1	664.98
H1	DWR1265H038	ELECTRONIC,HARNESS,CURTIS/AAM,4 WAY TOGGLE,H-1265-038	1	207

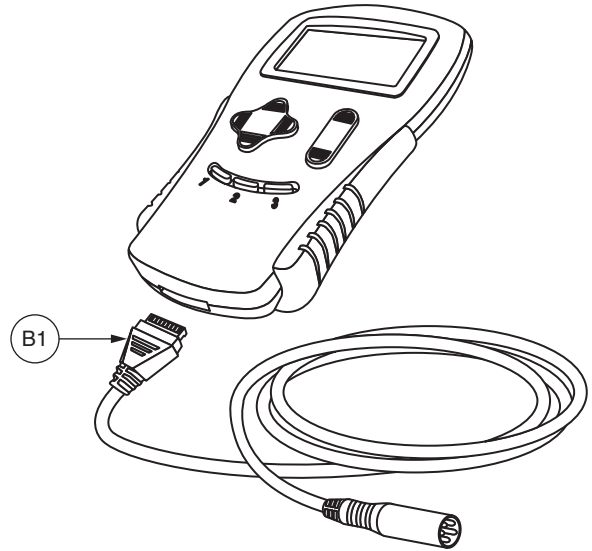


A1 Q-Logic (Curtis) Bus Extension Cable

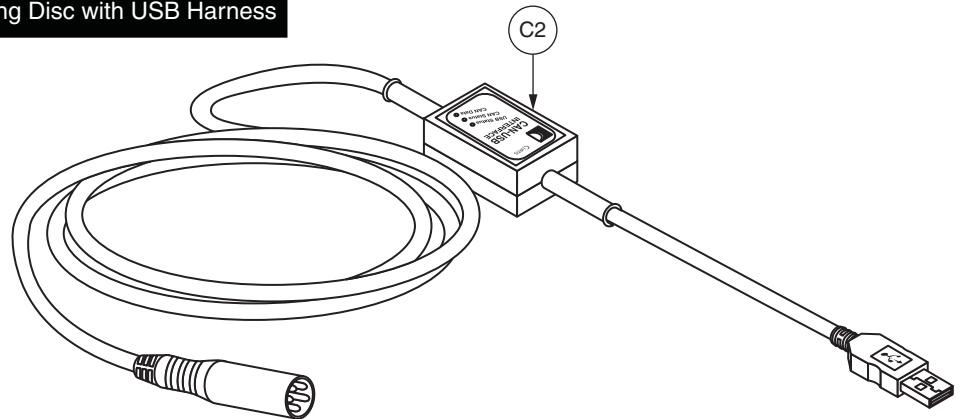
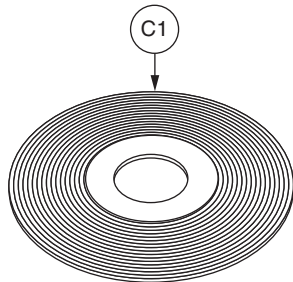


B1 Q-Logic (Curtis) Handheld Programmer Harness

The Version 1 Q-Logic Handheld Programmer is no longer available. It has been replaced by the Version 2 Programmer.



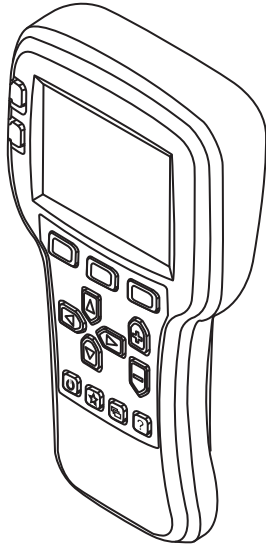
C1 - C2 Q-Logic (Curtis) PC Programming Disc with USB Harness



REF #	PART #	DESCRIPTION	QTY	MSRP (AU\$) ¹¹ⁱ
A1	DWR1111H065	ELECTRONIC,HARNESS,BUS EXTENSION CABLE,CURTIS,0.410 METER,MALE/FEMALE,H-1111-065,(CURTIS: 17881303)	1	700
B1	DWR1111H087	ELECTRONIC,HARNESS,CURTIS HANDHELD PROGRAMMER,H-1111-087,(CURTIS: 36378004)	1	317.96
C1 - C2	ELEASMB5216	ELECTRONIC,ASSY,PC PROGRAMMING DISC,Q-LOGIC,W/CABLE	1	2284.8
C1	INFDISC1001	COMPACT DISC,CURTIS/Q-LOGIC ELECTRONICS,DEALER LEVEL,(CURTIS: 17893701)	1	130.08
C2	DWR1111H068	ELECTRONIC,HARNESS,CAN/USB INTERFACE,ENABLE 50,CURTIS,H-1111-068,(CURTIS: 17876700)	1	1785

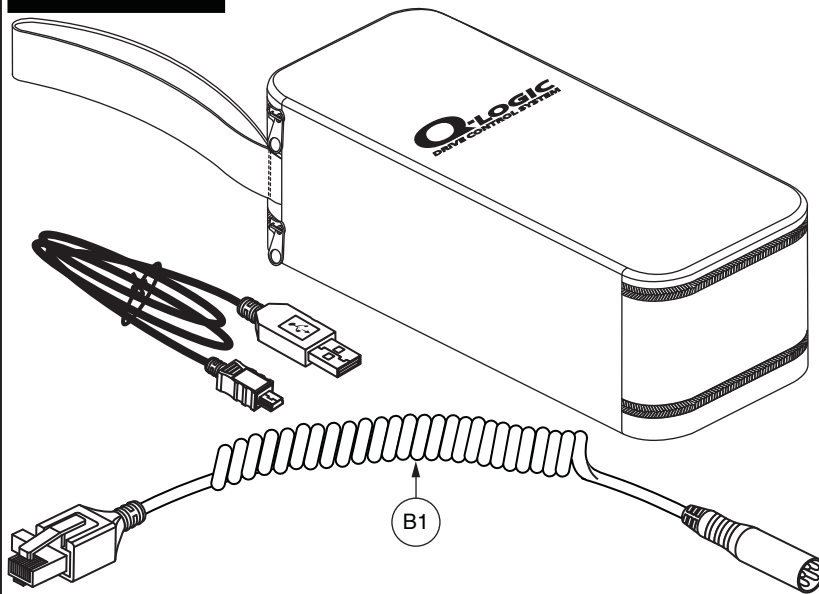


A1 Q-Logic (Curtis) Gen. 2 Handheld Programmer Assembly

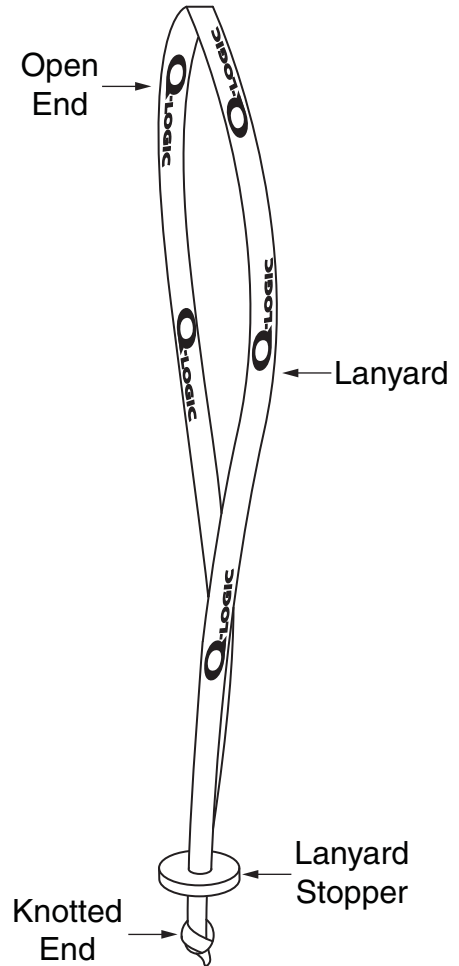


The Generation 2 Handheld Programmer assembly includes the programmer, bag, USB harness, programming harness, and the lanyard. Only the programming harness (B1) is available separately.

Assembly Contents



Lanyard Components



The lanyard components are included with the assembly. To attach the lanyard to the programmer:

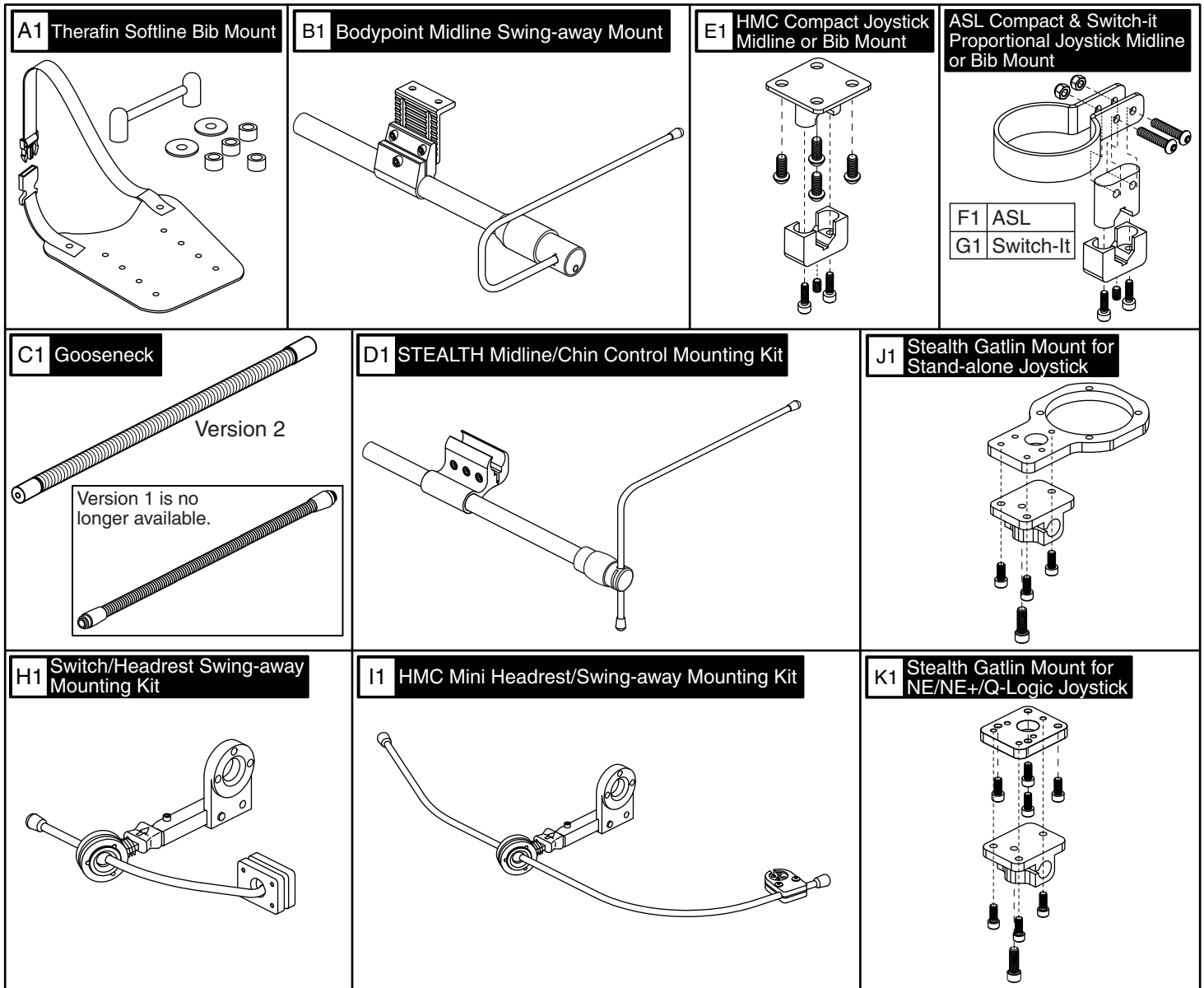
1. Feed the open end through the lanyard stopper and pull the stopper down to the knotted end.
2. Feed the open end of the lanyard under the rear protective cover of the programmer and pull the open end through the hole.
3. Seat the stopper in the recess under the protective cover.

REF #	PART #	DESCRIPTION	QTY	MSRP (AU\$) ¹¹ⁱ
A1	ELEASMB6976	ELECTRONIC, ASSY, PROGRAMMER, CURTIS GENERATION 2, W/CABLES & BAG	1	2361.56
B1	DWR1111H557	ELECTRONIC, HARNESS, HANDHELD PROGRAMMER, GENERATION 2, H-1111-557, (CURTIS: 17926304)	1	144.54

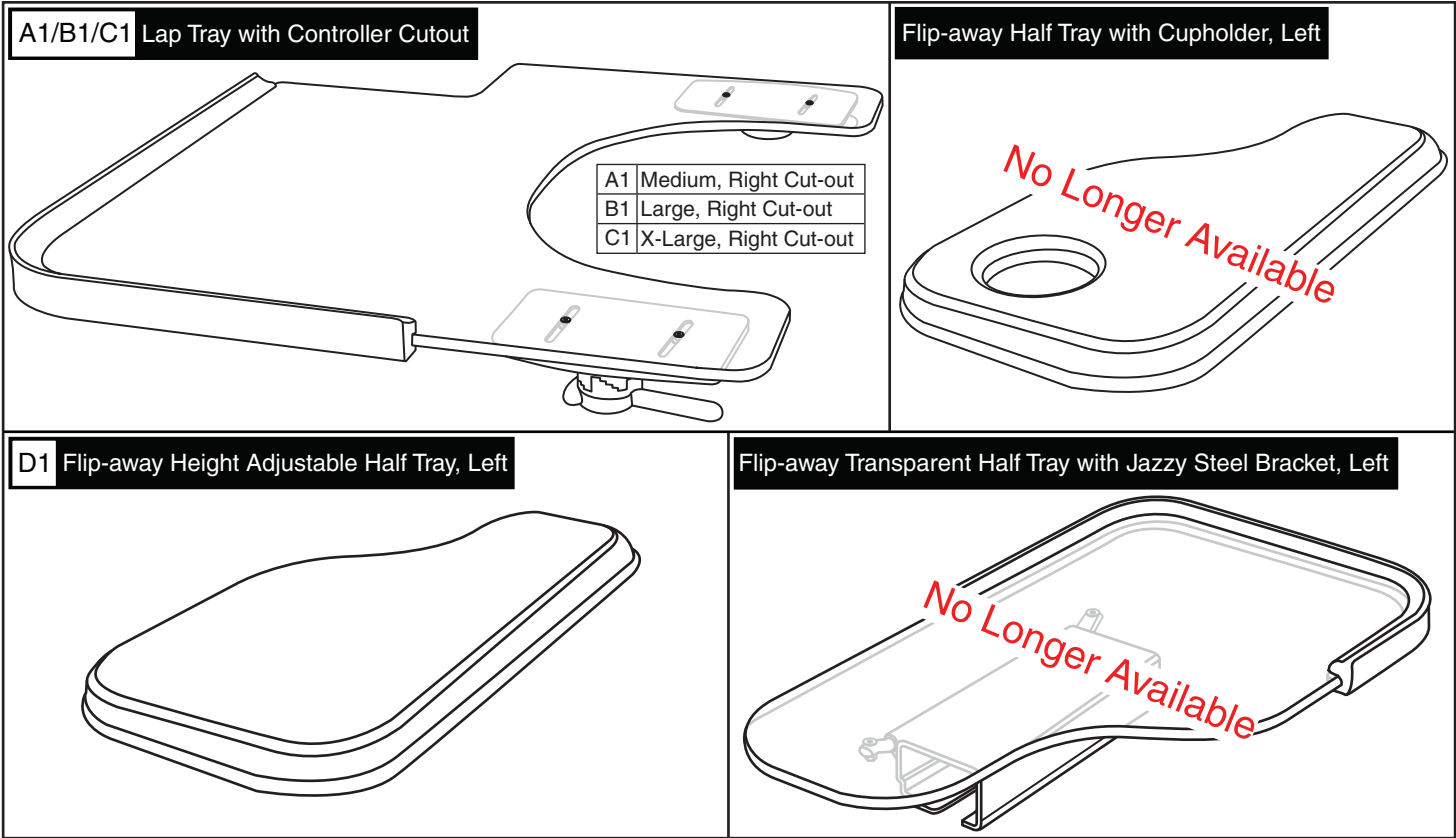
Notes :

Batteries and SD memory card not included.

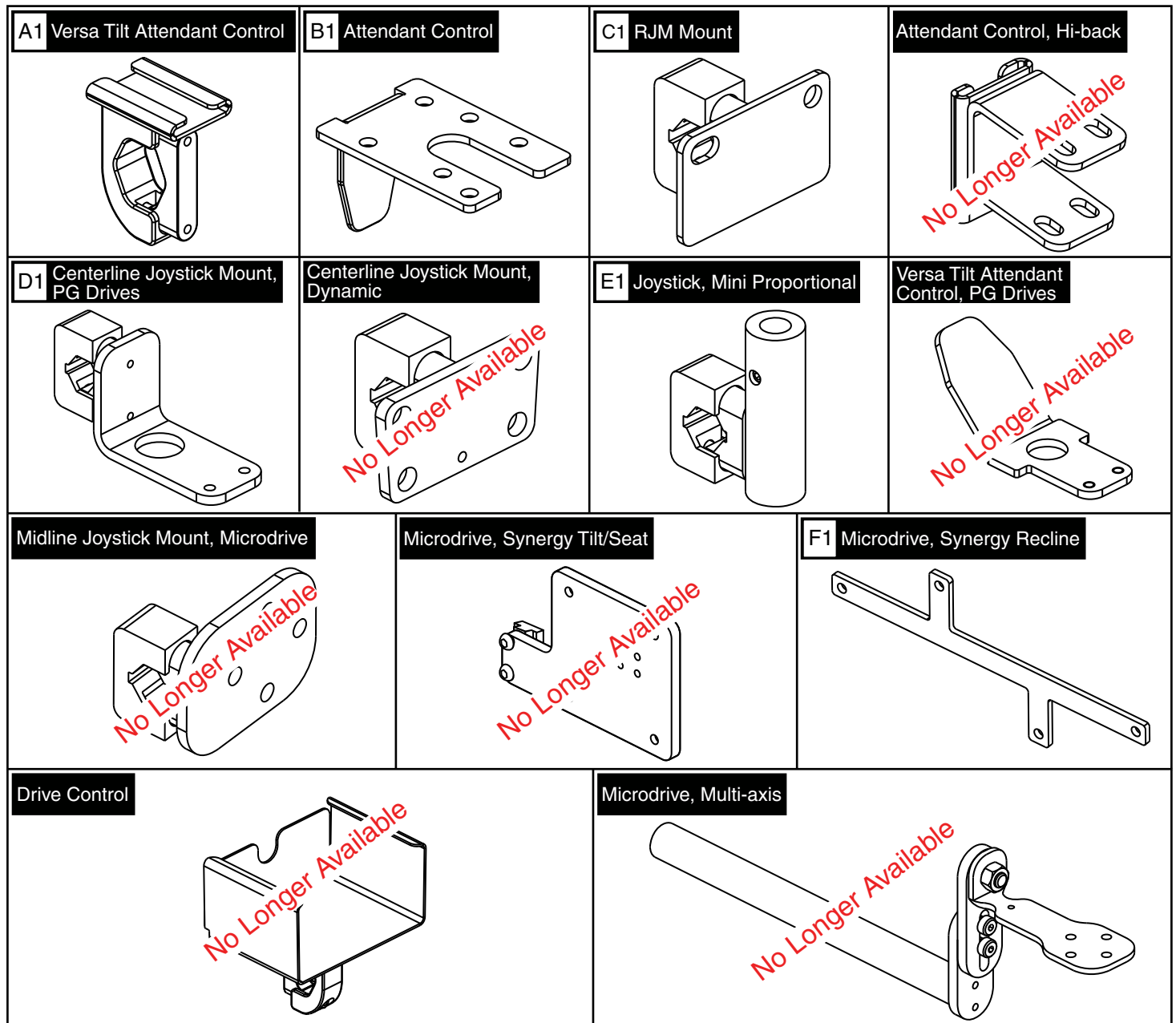
IX. Display Mounts



REF #	PART #	DESCRIPTION	QTY	MSRP (AU\$) ¹¹ⁱ
A1	INDPART2152	MOUNTING BRACKET, THERAFIN BIB MOUNT	1	598
B1	FRMASMB4126	JOYSTICK MOUNT, ASSY, MIDLINE SWING AWAY, 0°/90°/240°, (BP: PC201)	1	1072
C1	DWR1010D446	MOUNTING BRACKET, FLEXIBLE, DISPLAY MOUNT, D-1010-446	1	253.82
D1	FRMASMB8304	MOUNTING BRACKET, MIDLINE/CHIN CONTROL, (STEALTH: GAT410P)	1	1150
E1	FRMASMB15888	MOUNTING BRACKET, HMC MIDLINE MOUNT	1	344.12
F1	FRMASMB16141	MOUNTING BRACKET, ASSY, CJM MIDLINE MOUNT, D-1010-419	1	519.9
G1	FRMASMB16336	MOUNTING BRACKET, ASSY, JSC MIDLINE MOUNT, D-1010-419	1	385.4
H1	FRMASMB8307	MOUNTING BRACKET, SWITCH/HEADREST SWING AWAY MOUNT	1	1186.32
I1	FRMASMB8306	MOUNTING BRACKET, ASSY, HMC MINI HEADREST/SWING AWAY MOUNT, (STEALTH: OTTOS9-R-SM)	1	1050
J1	ST-GAT452CJ-Q	GATLIN MOUNT, BRACKET, COMPACT JOYSTICK	1	350
K1	ST-GAT456QL-Q	GATLIN MOUNT, BRACKET, NE/NE+/Q-LOGIC	1	350



REF #	PART #	DESCRIPTION	QTY	MSRP (AU\$) ¹¹ⁱ
A1	FRMASMB11233	TRAY,ASSY,MEDIUM,18"W-20.5"W,ARMPAD TO ARMPAD,W/PVC RIM & TOP DROP CLAMPS,RIGHT CUTOUT,(THERAFIN: 33028)	1	704
B1	FRMASMB11232	TRAY,ASSY,LARGE,20"W-22.5"W,ARMPAD TO ARMPAD,W/PVC RIM & TOP DROP CLAMPS,RIGHT CUTOUT,(THERAFIN: 33022)	1	756
C1	INDPART2644	LAP TRAY,CLEAR,W/ PVC RIM RIGHT SIDE CONTROL CUTOUT X-LARGE,(THERAFIN: 33030)	1	798
D1	INDPART2808	TRIMLINE SHAPE COMFORTLINE HALF TRAY,W/FLIP AWAY ADJUSTABLE HEIGHT BRACKET,LEFT,(THERAFIN:41351)	1	468

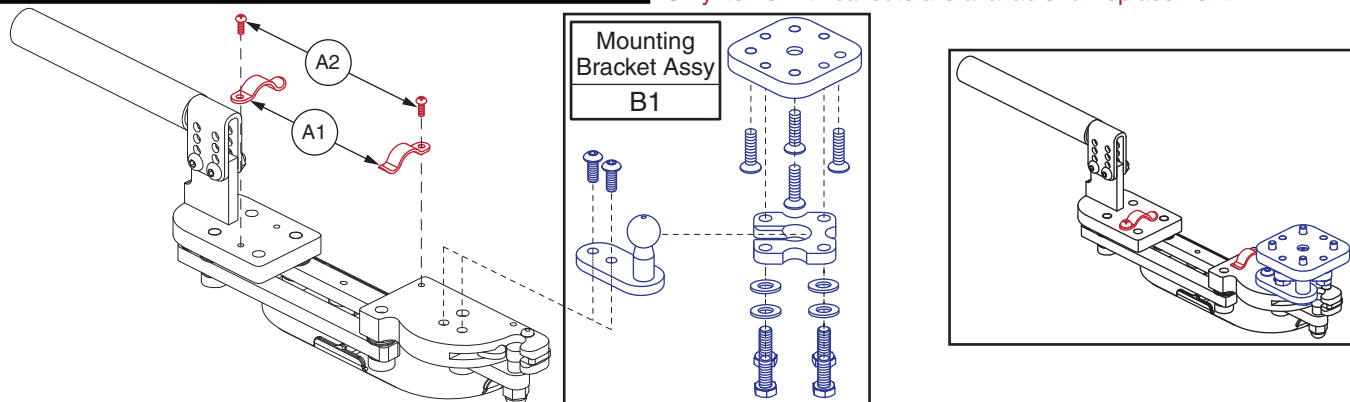


REF #	PART #	DESCRIPTION	QTY	MSRP (AU\$) ¹¹ⁱ
A1	FRMASMB4059	MOUNTING BRACKET,ASSY,ATTENDANT CONTROL,VERSA TILT	1	373.38
B1	DWR1000C257	MOUNTING BRACKET,ATTENDANT CONTROL,C-1000-257	1	81.9
C1	FRMASMB8041	MOUNTING BRACKET,ASSY,RJM MOUNT,W/MOUNTING HARDWARE	1	230.54
D1	FRMASMB5133	MOUNTING BRACKET,ASSY,JOYSTICK,CENTERLINE,REMOTE PLUS	1	257.04
E1	FRMASMB4897	MOUNTING BRACKET,ASSY,JOYSTICK,MINI PROPORTIONAL	1	273.1
F1	FRMASMB8366	MOUNTING BRACKET,ASSY,MICRODRIVE,RECLINE,W/HARDWARE	1	106.84



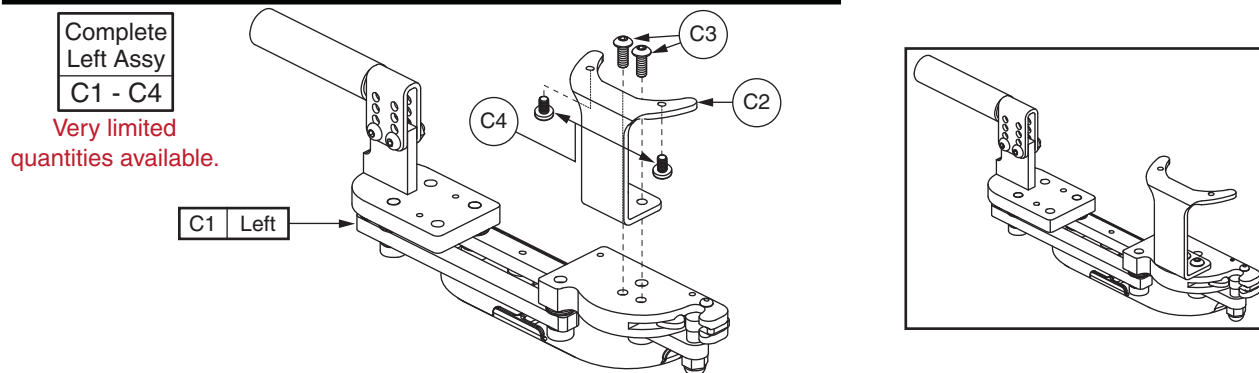
Q-Logic (Curtis) 7" In-line Swing-away Controller Bracket

The complete 7" Version 1 Swing-away Bracket is no longer available. Only items with callouts are available for replacement.



Q-Logic (Curtis) 4" Stand Alone In-line Swing-away Controller Bracket

Only items with callouts are available for replacement.

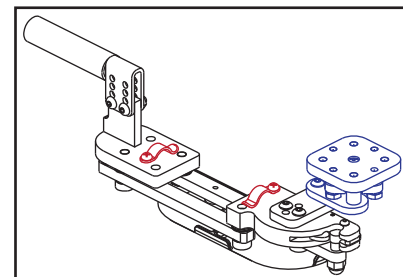
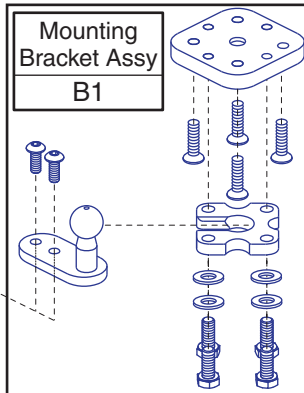
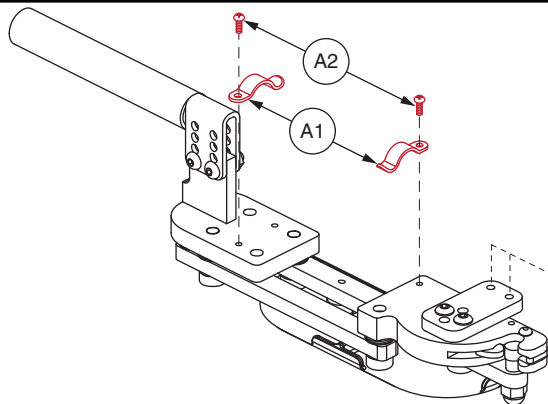


REF #	PART #	DESCRIPTION	QTY	MSRP (AU\$)
A1	CLPCBLC1026	CLAMP, CABLE, BLACK, NYLON, .38" DIAMETER, P-CLIP	2	5.62
A2	SCRPPH1001	SCREW, PPH, BLACK ZINC, 6-32 X 0.375"	2	5.62
B1	FRMASMB10540	SWING AWAY JOYSTICK MOUNT, CURTIS MOUNTING PLATES	1	205.8
C1 - C4	FRMASMB10447	SWING AWAY JOYSTICK MOUNT, INLINE, LEFT, STAND ALONE	1	N/A
C1	FRMASMB5281	SWING AWAY JOYSTICK MOUNT, 4" BRACKET, INLINE, LEFT	1	548.46
C2	DWR1010D306	MOUNTING BRACKET, SWING AWAY, CURTIS STAND ALONE	1	28.8
C3	SCRASBH1092	SCREW, BHSCS, BLACK ZINC, 10-32 X 0.50", W/NYLON PATCH	2	5.72
C4	SCRPPH1165	SCREW, PPH, BLACK ZINC, M4-.7 X 8MM, P-TYPE	2	5.92



Q-Logic (Curtis) 7" Offset Swing-away Controller Bracket

The complete 7" Version 1 Swing-away Bracket is no longer available. Only items with callouts are available for replacement.

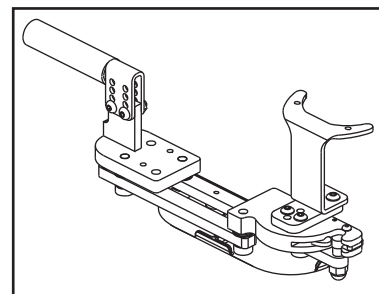
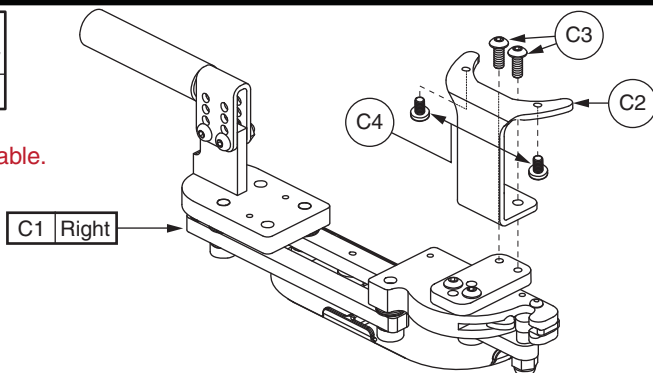


Q-Logic (Curtis) 4" Stand Alone Offset Swing-away Controller Bracket

Only items with callouts are available for replacement.

Complete Right Assy
C1 - C4

Limited quantities available.

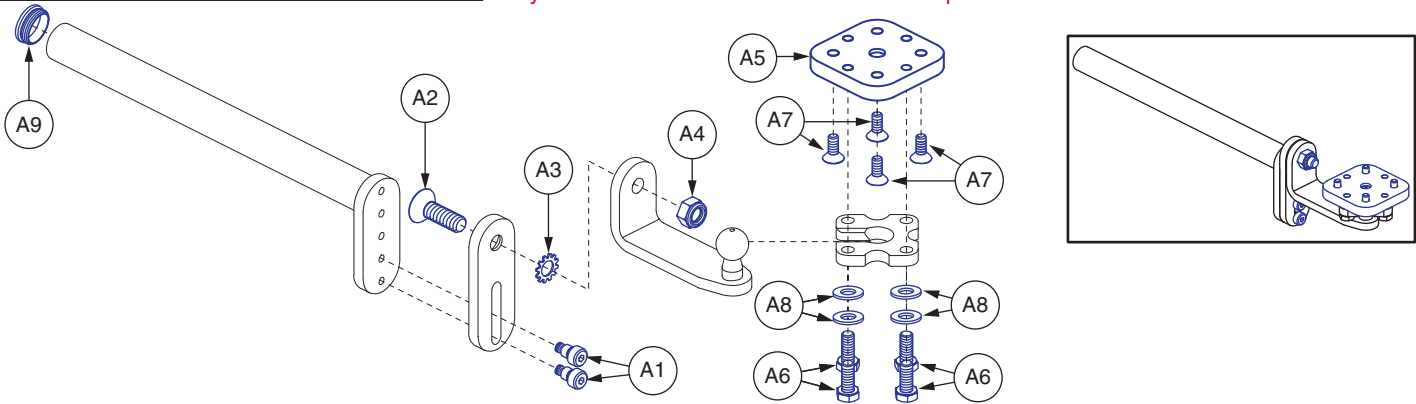


REF #	PART #	DESCRIPTION	QTY	MSRP (AU\$)
A1	CLPCBLC1026	CLAMP,CABLE,BLACK,NYLON,.38" DIAMETER,P-CLIP	2	5.62
A2	SCRPPH1001	SCREW,PPH,BLACK ZINC,6-32 X 0.375"	2	5.62
B1	FRMASMB10540	SWING AWAY JOYSTICK MOUNT,CURTIS MOUNTING PLATES	1	205.8
C1 - C4	FRMASMB11114	SWING AWAY JOYSTICK MOUNT,OFFSET,RIGHT,STAND ALONE	1	N/A
C1	FRMASMB5283	SWING AWAY JOYSTICK MOUNT,4" BRACKET,OFFSET,RIGHT	1	490.02
C2	DWR1010D306	MOUNTING BRACKET,SWING AWAY,CURTIS STAND ALONE	1	28.8
C3	SCRASBH1092	SCREW,BHSCS,BLACK ZINC,10-32 X 0.50",W/NYLON PATCH	2	5.72
C4	SCRPPH1165	SCREW,PPH,BLACK ZINC,M4-.7 X 8MM,P-TYPE	2	5.92



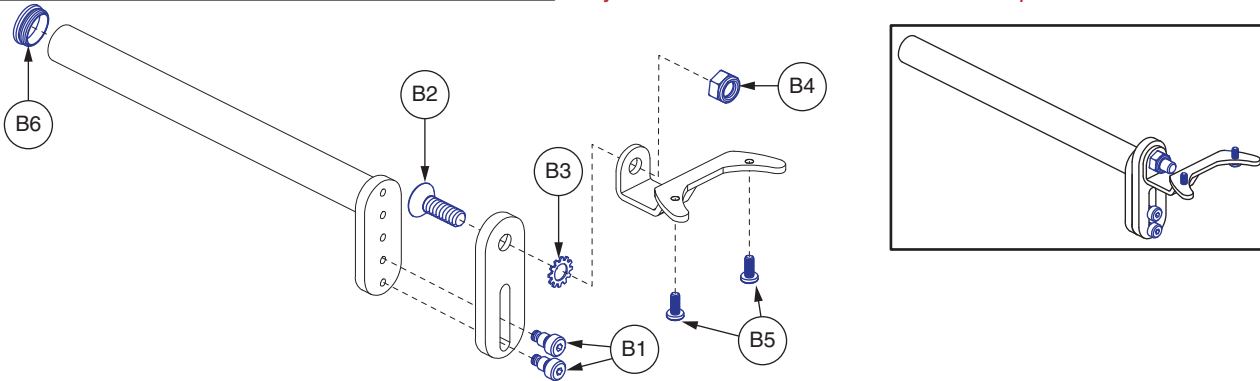
Q-Logic (Curtis) Multi-axis Controller Bracket

The complete Version 1 Multi-axis Bracket is no longer available. Only items with callouts are available for replacement.



Q-Logic (Curtis) Stand Alone Multi-axis Controller Bracket

The complete Version 1 Multi-axis Bracket is no longer available. Only items with callouts are available for replacement.

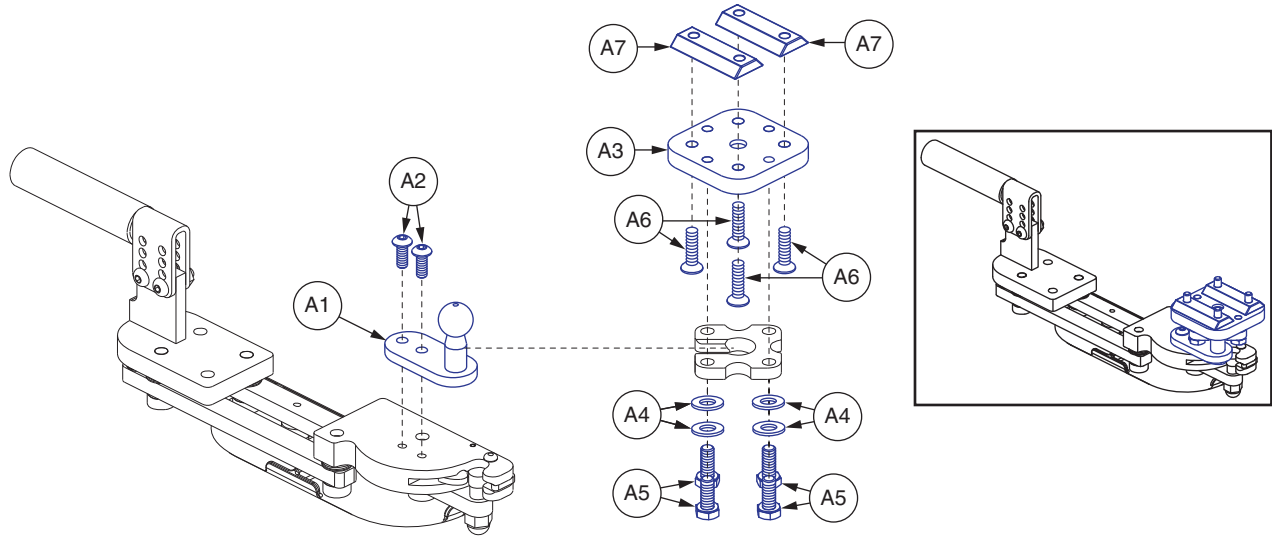


REF #	PART #	DESCRIPTION	QTY	MSRP (AU\$) ¹¹ⁱ
A1	BLTASHL1073	BOLT, SHOULDER, 1/4" X 0.25", 0.1875" THREAD LENGTH	2	5.62
A2	SCRSHFH1068	SCREW, SHFH, BLACK ZINC, 5/16-18 X 1.00", GR 8, W/NYLON PATCH	1	5.72
A3	WASETH1005	WASHER, EXTERNAL TOOTH, 5/16" ID, LOCK	1	N/A
A4	NUTNJAM1015	NUT, NYLOCK JAM, BLACK ZINC, 5/16-18	1	5.92
A5	DWR1010C253	MOUNTING BRACKET, CURTIS, SWING AWAY, BOTTOM PLATE	1	82.54
A6	SCRHHCS1332	SCREW, HHCS, BLACK ZINC, M6-1.0 X 15MM, GRADE 8.8	4	5.92
A7	SCRSHFH1031	SCREW, SHFH, BLACK ZINC, 10-32 X 0.50"	4	5.9
A8	WASSTND1097	WASHER, FLAT, BZ, M6 ID X 12MM OD	4	5.9
A9	PROECAP1014	CAP, END, BLACK, PLASTIC, 19MM OD, FITS 15MM ID TUBING, ROUND	1	5.92
B1	BLTASHL1073	BOLT, SHOULDER, 1/4" X 0.25", 0.1875" THREAD LENGTH	2	5.62
B2	SCRSHFH1068	SCREW, SHFH, BLACK ZINC, 5/16-18 X 1.00", GR 8, W/NYLON PATCH	1	5.72
B3	WASETH1005	WASHER, EXTERNAL TOOTH, 5/16" ID, LOCK	1	N/A
B4	NUTNJAM1015	NUT, NYLOCK JAM, BLACK ZINC, 5/16-18	1	5.92
B5	SCRPPH1165	SCREW, PPH, BLACK ZINC, M4-.7 X 8MM, P-TYPE	2	5.92
B6	PROECAP1014	CAP, END, BLACK, PLASTIC, 19MM OD, FITS 15MM ID TUBING, ROUND	1	5.92



NE/NE+ (Curtis) 7" In-line Swing-away Controller Bracket

The complete 7" Version 1 Swing-away Bracket is no longer available. Only items with callouts are available for replacement.

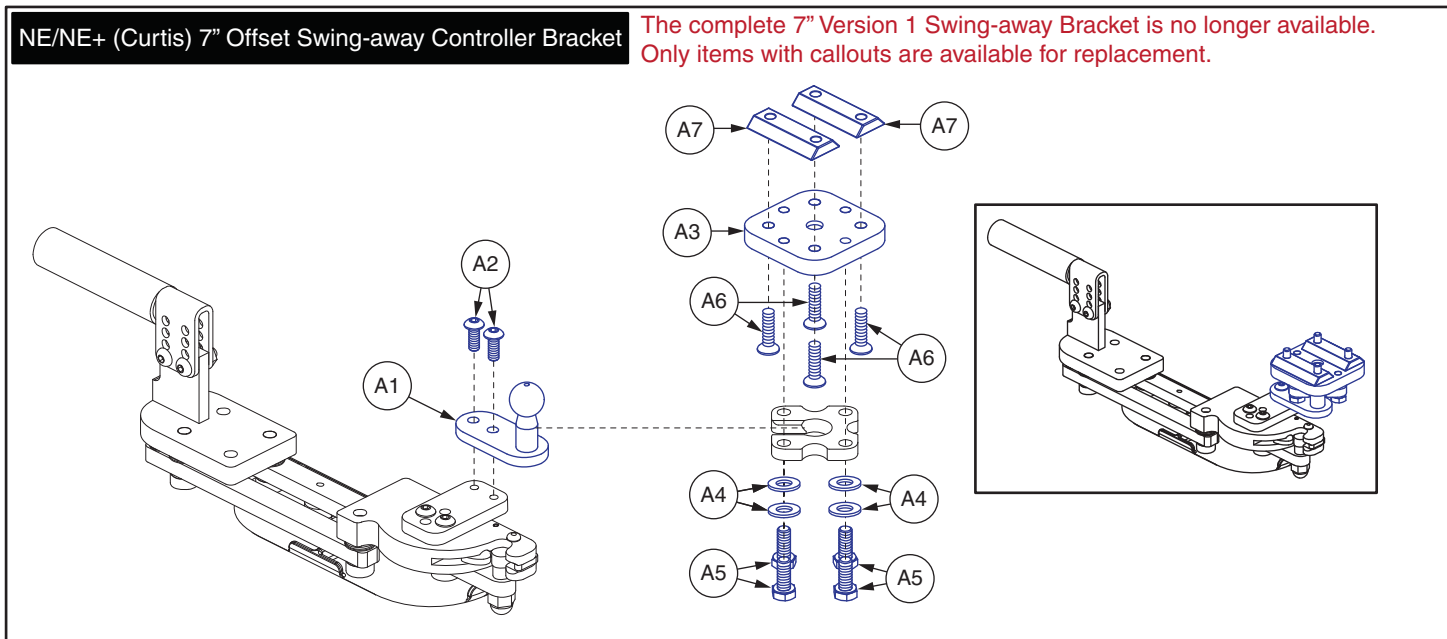


REF #	PART #	DESCRIPTION	QTY	MSRP (AU\$) ¹¹ⁱ
A1	DWR1010B136	MOUNTING BRACKET,CURTIS/R-NET,SWING AWAY WELDMENT	1	78.8
A2	SCRASBH1092	SCREW,BHSCS,BLACK ZINC,10-32 X 0.50",W/NYLON PATCH	2	5.72
A3	DWR1010C253	MOUNTING BRACKET,CURTIS,SWING AWAY,BOTTOM PLATE	1	82.54
A4	WASSTND1097	WASHER,FLAT,BLACK ZINC,M6 ID X 12MM OD	4	5.9
A5	SCRHHCS1332	SCREW,HHCS,BLACK ZINC,M6-1.0 X 15MM,GRADE 8.8	4	5.92
A6	SCRSHFH1053	SCREW,SHFH,BLACK ZINC,M5-.8 X 20MM	4	5.72
A7	DWR1111C002	SPACER,CURTIS NE/NE PLUS MOUNT BRACKET,C-1111-002	2	19



NE/NE+ (Curtis) 7" Offset Swing-away Controller Bracket

The complete 7" Version 1 Swing-away Bracket is no longer available. Only items with callouts are available for replacement.



REF #	PART #	DESCRIPTION	QTY	MSRP (AU\$) ¹¹ⁱ
A1	DWR1010B136	MOUNTING BRACKET,CURTIS/R-NET,SWING AWAY WELDMENT	1	78.8
A2	SCRASBH1092	SCREW,BHSCS,BLACK ZINC,10-32 X 0.50",W/NYLON PATCH	2	5.72
A3	DWR1010C253	MOUNTING BRACKET,CURTIS,SWING AWAY,BOTTOM PLATE	1	82.54
A4	WASSTND1097	WASHER,FLAT,BLACK ZINC,M6 ID X 12MM OD	4	5.9
A5	SCRHHCS1332	SCREW,HHCS,BLACK ZINC,M6-1.0 X 15MM,GRADE 8.8	4	5.92
A6	SCRSHFH1053	SCREW,SHFH,BLACK ZINC,M5-.8 X 20MM	4	5.72
A7	DWR1111C002	SPACER,CURTIS NE/NE PLUS MOUNT BRACKET,C-1111-002	2	19



Rehab Seating

Ref	Part Number	Bracket Type	Joystick Type	Side	Ref	Part Number	Bracket Type	Joystick Type	Side
A1	ACC142525	In-line SWA	Q-Logic	Right	N1	ACC142747	Offset SWA	NE/NE+	Left
B1	ACC142524	In-line SWA	Q-Logic	Left	O1	ACC142750	Offset SWA	PG Drives	Right
C1	ACC142527	In-line SWA	NE/NE+	Right	P1	ACC142749	Offset SWA	PG Drives	Left
D1	ACC142526	In-line SWA	NE/NE+	Left	Q1	ACC142752	Offset SWA	Shark	Right
E1	ACC142530	In-line SWA	PG Drives	Right	R1	ACC142751	Offset SWA	Shark	Left
F1	ACC142529	In-line SWA	PG Drives	Left	S1	ACC142746	Offset SWA	Standalone	Right
G1	ACC142533	In-line SWA	Shark	Right	T1	ACC142745	Offset SWA	Standalone	Left
H1	ACC142532	In-line SWA	Shark	Left	U1	ACC131216	Multi-Axis	Q-Logic	R/L
I1	ACC142739	In-line SWA	Standalone	Right	V1	ACC142528	Multi-Axis	NE/NE+	R/L
J1	ACC142738	In-line SWA	Standalone	Left	W1	ACC142531	Multi-Axis	PG Drives	R/L
K1	ACC142743	Offset SWA	Q-Logic	Right	X1	ACC142534	Multi-Axis	Shark	R/L
L1	ACC142742	Offset SWA	Q-Logic	Left	Y1	ACC142740	Multi-Axis	Standalone	R/L
M1	ACC142748	Offset SWA	NE/NE+	Right	**PG Drives does not include Remote Plus Joysticks**				

REF #	PART #	DESCRIPTION	QTY	MSRP (AU\$) ¹¹ⁱ
A1	ACC142525	JOYSTICK MOUNT,ASSY,SWING AWAY,INLINE,RIGHT,Q-LOGIC 2	1	392.34
B1	ACC142524	JOYSTICK MOUNTING BRACKET,ASSY,SWING AWAY,INLINE,LEFT,Q-LOGIC 2	1	392.34
C1	ACC142527	JOYSTICK MOUNT,ASSY,SWING AWAY,INLINE,RIGHT,NE/NE PLUS	1	429.98
D1	ACC142526	JOYSTICK MOUNT,ASSY,SWING AWAY,INLINE,LEFT,NE/NE PLUS	1	429.98
E1	ACC142530	JOYSTICK MOUNT,ASSY,SWING AWAY,INLINE,RIGHT,PG DRIVES	1	381.32
F1	ACC142529	JOYSTICK MOUNT,ASSY,SWING AWAY,INLINE,LEFT,PG DRIVES	1	381.32
G1	ACC142533	JOYSTICK MOUNT,ASSY,SWING AWAY,INLINE,RIGHT,SHARK	1	472.88
H1	ACC142532	JOYSTICK MOUNT,ASSY,SWING AWAY,INLINE,LEFT,SHARK	1	526.88
I1	ACC142739	JOYSTICK MOUNT,ASSY,SWING AWAY,INLINE,RIGHT,STANDALONE	1	518.52
J1	ACC142738	JOYSTICK MOUNT,ASSY,SWING AWAY,INLINE,LEFT,STANDALONE	1	518.52
K1	ACC142743	JOYSTICK MOUNT,ASSY,SWING AWAY,OFFSET,RIGHT,Q-LOGIC	1	404.22
L1	ACC142742	JOYSTICK MOUNT,ASSY,SWING AWAY,OFFSET,LEFT,Q-LOGIC	1	404.22
M1	ACC142748	JOYSTICK MOUNT,ASSY,SWING AWAY,OFFSET,RIGHT,NE/NE PLUS	1	441.86
N1	ACC142747	JOYSTICK MOUNT,ASSY,SWING AWAY,OFFSET,LEFT,NE/NE PLUS	1	441.86
O1	ACC142750	JOYSTICK MOUNT,ASSY,SWING AWAY,OFFSET,RIGHT,PG DRIVES	1	393.22
P1	ACC142749	JOYSTICK MOUNT,ASSY,SWING AWAY,OFFSET,LEFT,PG DRIVES	1	393.22
Q1	ACC142752	JOYSTICK MOUNT,ASSY,SWING AWAY,OFFSET,RIGHT,SHARK	1	527.34
R1	ACC142751	JOYSTICK MOUNT,ASSY,SWING AWAY,OFFSET,LEFT,SHARK	1	527.34
S1	ACC142746	JOYSTICK MOUNT,ASSY,SWING AWAY,OFFSET,RIGHT,STANDALONE	1	530.4
T1	ACC142745	JOYSTICK MOUNT,ASSY,SWING AWAY,OFFSET,LEFT,STANDALONE	1	530.4
U1	ACC131216	JOYSTICK MOUNT,ASSY,MULTI-AXIS,Q-LOGIC	1	285.14
V1	ACC142528	JOYSTICK MOUNT,ASSY,MULTI-AXIS,NE/NE PLUS	1	322.78
W1	ACC142531	JOYSTICK MOUNT,ASSY,MULTI-AXIS,PG DRIVES	1	274.12
X1	ACC142534	JOYSTICK MOUNT,ASSY,MULTI-AXIS,SHARK	1	419.68
Y1	ACC142740	JOYSTICK MOUNT,ASSY,MULTI-AXIS,STANDALONE	1	279.54

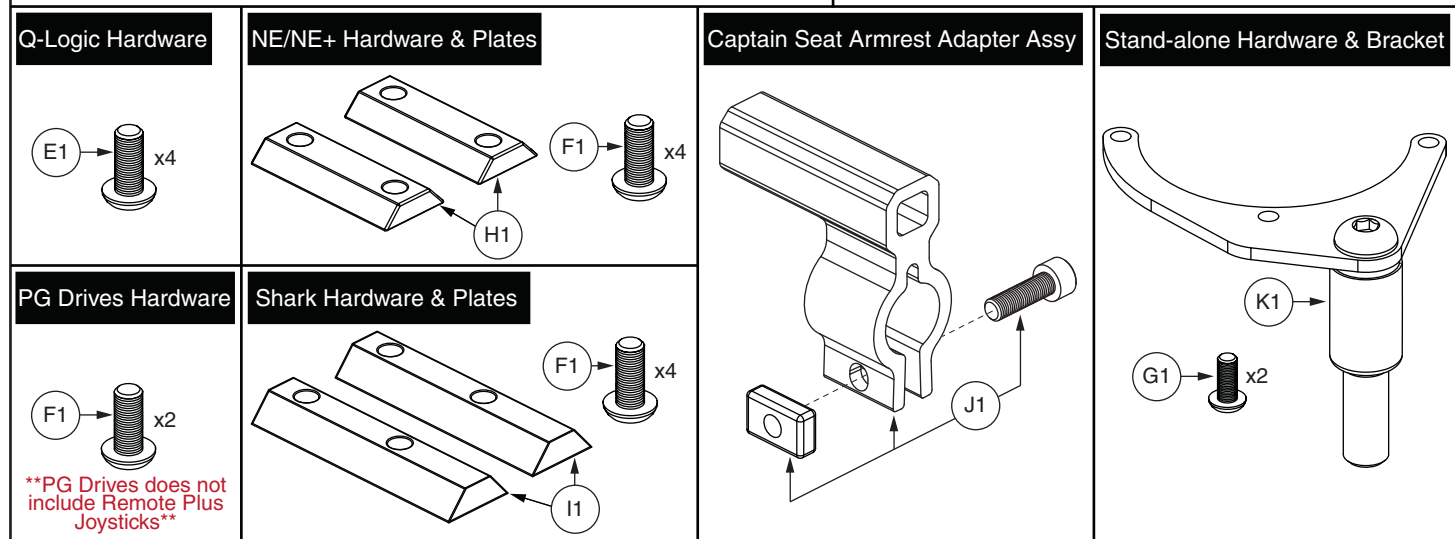
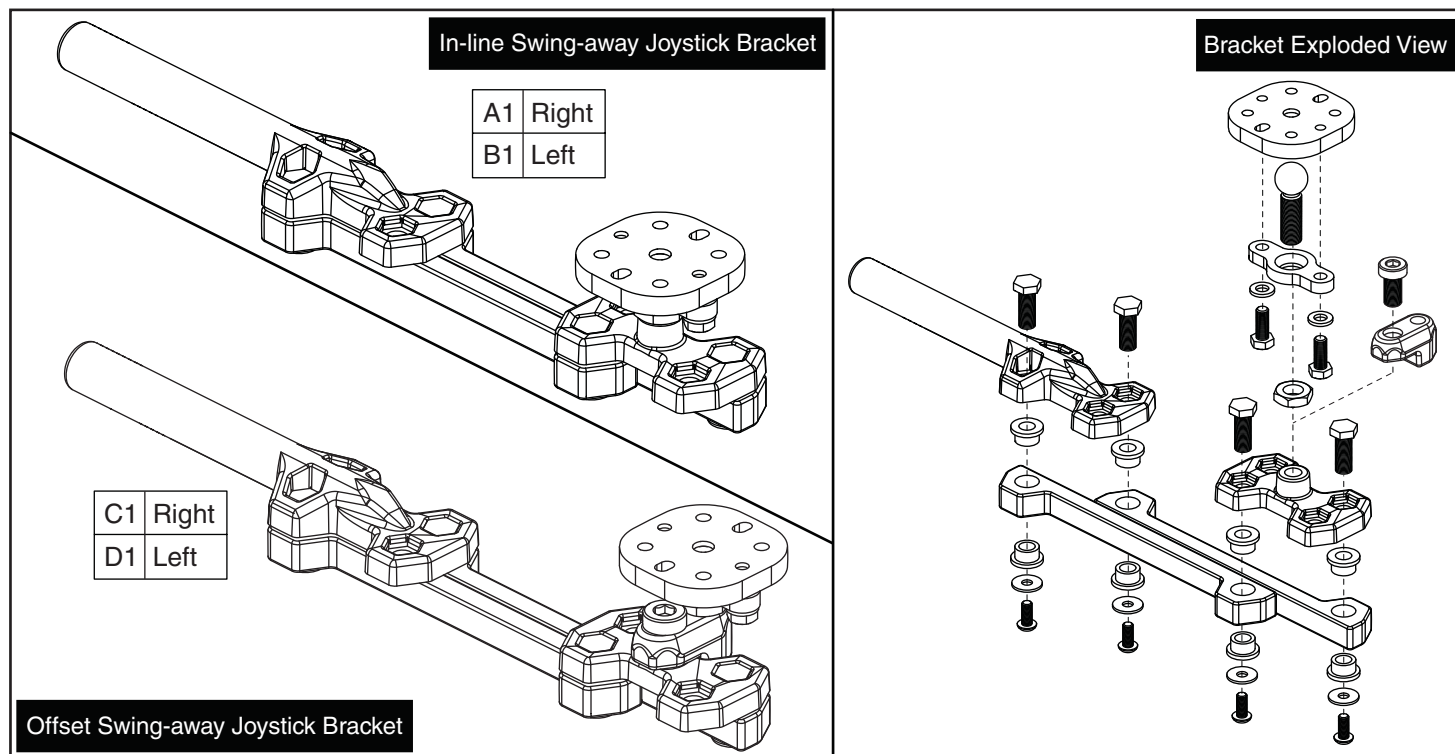


Captain Seating

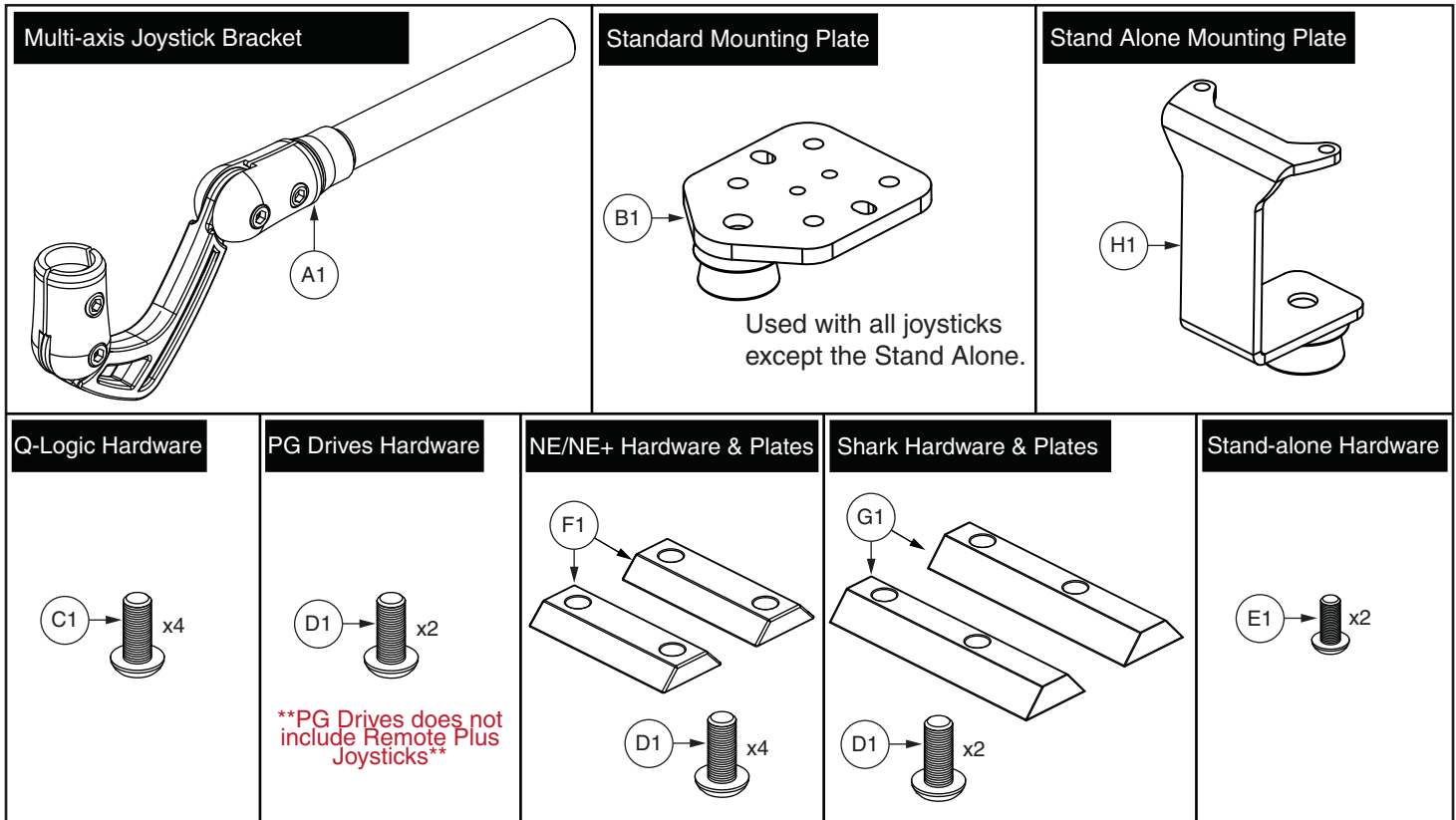
Ref	Part Number	Bracket Type	Joystick Type	Side	Ref	Part Number	Bracket Type	Joystick Type	Side
A1	ACC148357	In-line SWA	Q-Logic	Right	I1	ACC148359	Offset SWA	Q-Logic	Right
B1	ACC148356	In-line SWA	Q-Logic	Left	J1	ACC148358	Offset SWA	Q-Logic	Left
C1	ACC148361	In-line SWA	NE/NE+	Right	K1	ACC148363	Offset SWA	NE/NE+	Right
D1	ACC148360	In-line SWA	NE/NE+	Left	L1	ACC148362	Offset SWA	NE/NE+	Left
E1	ACC148365	In-line SWA	PG Drives	Right	M1	ACC148367	Offset SWA	PG Drives	Right
F1	ACC148364	In-line SWA	PG Drives	Left	N1	ACC148366	Offset SWA	PG Drives	Left
G1	ACC148369	In-line SWA	Shark	Right	O1	ACC148371	Offset SWA	Shark	Right
H1	ACC148368	In-line SWA	Shark	Left	P1	ACC148370	Offset SWA	Shark	Left

PG Drives does not include Remote Plus Joysticks

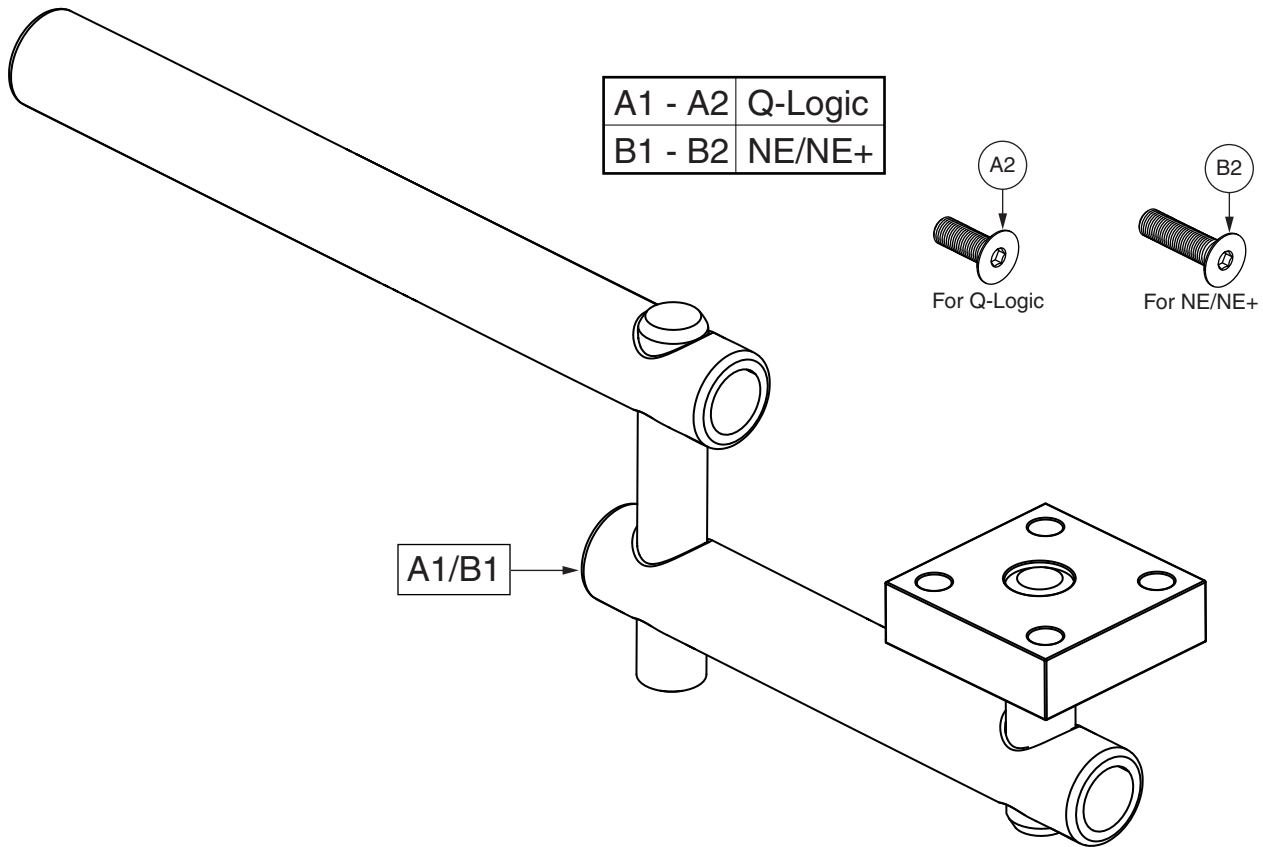
REF #	PART #	DESCRIPTION	QTY	MSRP (AU\$) ¹¹ⁱ
A1	ACC148357	JOYSTICK MOUNTING BRACKET,ASSY,SWING AWAY,INLINE,RIGHT,Q-LOGIC,CAPTAINS SEAT	1	434.16
B1	ACC148356	JOYSTICK MOUNTING BRACKET,ASSY,SWING AWAY,INLINE,LEFT,Q-LOGIC,CAPTAINS SEAT	1	434.16
C1	ACC148361	JOYSTICK MOUNTING BRACKET,ASSY,SWING AWAY ,INLINE,RIGHT,NE/NE PLUS,CAPTAINS SEAT	1	472.62
D1	ACC148360	JOYSTICK MOUNTING BRACKET,ASSY,SWING AWAY ,INLINE,LEFT,NE/NE PLUS,CAPTAINS SEAT	1	472.62
E1	ACC148365	JOYSTICK MOUNTING BRACKET,ASSY,SWING AWAY ,INLINE,RIGHT,VSI/VR2/GC3/R-NET,CAPTAINS SEAT	1	423.14
F1	ACC148364	JOYSTICK MOUNTING BRACKET,ASSY,SWING AWAY ,INLINE,LEFT,VSI/VR2/GC3/R-NET,CAPTAINS SEAT	1	423.14
G1	ACC148369	JOYSTICK MOUNTING BRACKET,ASSY,SWING AWAY ,INLINE,RIGHT,SHARK,CAPTAINS SEAT	1	568.7
H1	ACC148368	JOYSTICK MOUNTING BRACKET,ASSY,SWING AWAY ,INLINE,LEFT,SHARK,CAPTAINS SEAT	1	568.7
I1	ACC148359	JOYSTICK MOUNTING BRACKET,ASSY,SWING AWAY,OFFSET,RIGHT,Q-LOGIC,CAPTAINS SEAT	1	434.16
J1	ACC148358	JOYSTICK MOUNTING BRACKET,ASSY,SWING AWAY,OFFSET,LEFT,Q-LOGIC,CAPTAINS SEAT	1	434.16
K1	ACC148363	JOYSTICK MOUNTING BRACKET,ASSY,SWING AWAY,OFFSET,RIGHT,NE/NE PLUS,CAPTAINS SEAT	1	472.62
L1	ACC148362	JOYSTICK MOUNTING BRACKET,ASSY,SWING AWAY,OFFSET,LEFT,NE/NE PLUS,CAPTAINS SEAT	1	472.62
M1	ACC148367	JOYSTICK MOUNTING BRACKET,ASSY,SWING AWAY,OFFSET,RIGHT,VSI/VR2/GC3/R-NET,CAPTAINS SEAT	1	423.14
N1	ACC148366	JOYSTICK MOUNTING BRACKET,ASSY,SWING AWAY,OFFSET,LEFT,VSI/VR2/GC3/R-NET,CAPTAINS SEAT	1	423.14
O1	ACC148371	JOYSTICK MOUNTING BRACKET,ASSY,SWING AWAY,OFFSET,RIGHT,SHARK,CAPTAINS SEAT	1	568.7
P1	ACC148370	JOYSTICK MOUNTING BRACKET,ASSY,SWING AWAY,OFFSET,LEFT,SHARK,CAPTAINS SEAT	1	568.7



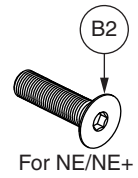
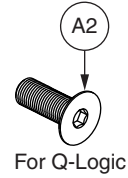
REF #	PART #	DESCRIPTION	QTY	MSRP (AU\$) ¹¹ⁱ
A1	ACC131586	SWING AWAY JOYSTICK MOUNT,ASSY,INLINE,RIGHT	1	369.88
B1	ACC124921	SWING AWAY JOYSTICK MOUNT,ASSY,INLINE,LEFT	1	369.88
C1	ACC142687	SWING AWAY JOYSTICK MOUNT,ASSY,OFFSET,RIGHT	1	369.88
D1	ACC142686	SWING AWAY JOYSTICK MOUNT,ASSY,OFFSET,LEFT	1	369.88
E1	SCRPPH1279	SCREW,PPH,BLACK ZINC CHROMATE,M5-.8 X 16MM	1	5.62
F1	SCRPPH1384	SCREW,PPH,BLACK ZINC,M5-.8 X 20MM	1	5.72
G1	SCRPPH1036	SCREW,PPH,BLACK ZINC,M4-.7 X 8MM	1	5.74
H1	DWR1111C002	SPACER,CURTIS NE/NE PLUS MOUNT BRACKET,C-1111-002	2	19
I1	DWR1010B089	SPACER,FLIGHT MOUNT BRACKET,B-1010-089	2	67.06
J1	MEC146133	ARMREST ADAPTER ASSEMBLY	1	41.84
K1	MEC142426	MOUNTING BRACKET,ASSY,STAND ALONE JOYSTICK	1	137.38



REF #	PART #	DESCRIPTION	QTY	MSRP (AU\$)
A1	ACC124132	MULTI-AXIS JOYSTICK ASSEMBLY	1	244.28
B1	MEC124133	MULTI-AXIS JOYSTICK PLATE WELDMENT	1	18.44
C1	SCRPPH1097	SCREW,PPH,BLACK ZINC,M5-.8 X 12MM	1	5.62
D1	SCRPPH1384	SCREW,PPH,BLACK ZINC,M5-.8 X 20MM	1	5.72
E1	SCRPPH1036	SCREW,PPH,BLACK ZINC,M4-.7 X 8MM	1	5.74
F1	DWR1111C002	SPACER,CURTIS NE/NE PLUS MOUNT BRACKET,C-1111-002	2	19
G1	DWR1010B089	SPACER,FLIGHT MOUNT BRACKET,B-1010-089	2	67.06
H1	MEC138180	STAND ALONE WELDMENT	1	19.6



A1 - A2	Q-Logic
B1 - B2	NE/NE+

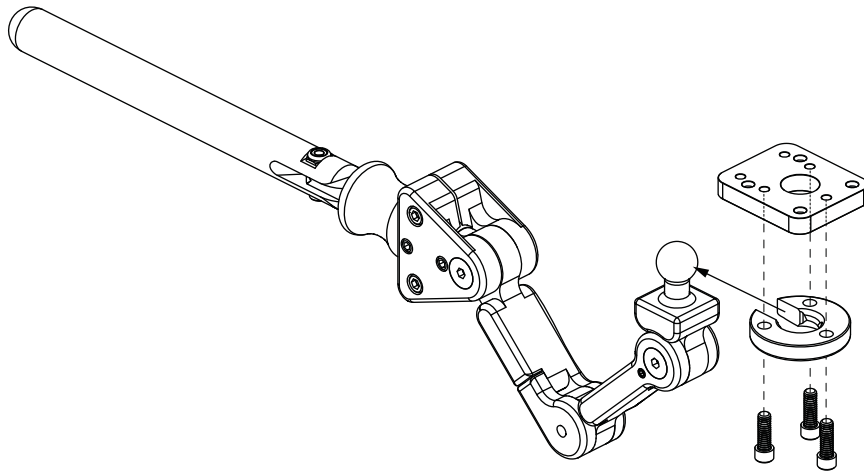


A1/B1

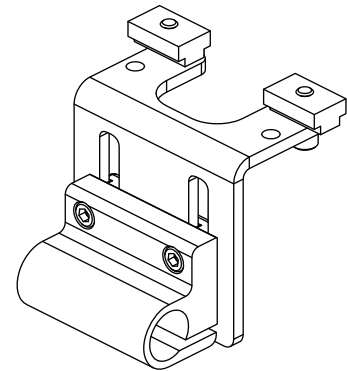
REF #	PART #	DESCRIPTION	QTY	MSRP (AU\$) ¹¹ⁱ
A1 - A2	MEC138860	SWING AWAY JOYSTICK MOUNT,ASSY,RETRACT 4,Q-LOGIC	1	500
A1	MEC138861	SWING AWAY JOYSTICK MOUNT,ASSY,RETRACT 4,ARM W/ADAPTER PLATE	1	500
A2	SCRSFH1005	SCREW,SHFH,BLACK ZINC,M5-.8 X 14MM	4	5.62
B1 - B2	MEC138876	SWING AWAY JOYSTICK MOUNT,ASSY,RETRACT 4,NE/NE PLUS	1	500
B1	MEC138861	SWING AWAY JOYSTICK MOUNT,ASSY,RETRACT 4,ARM W/ADAPTER PLATE	1	500
B2	SCRSHFH1053	SCREW,SHFH,BLACK ZINC,M5-.8 X 20MM	4	5.72



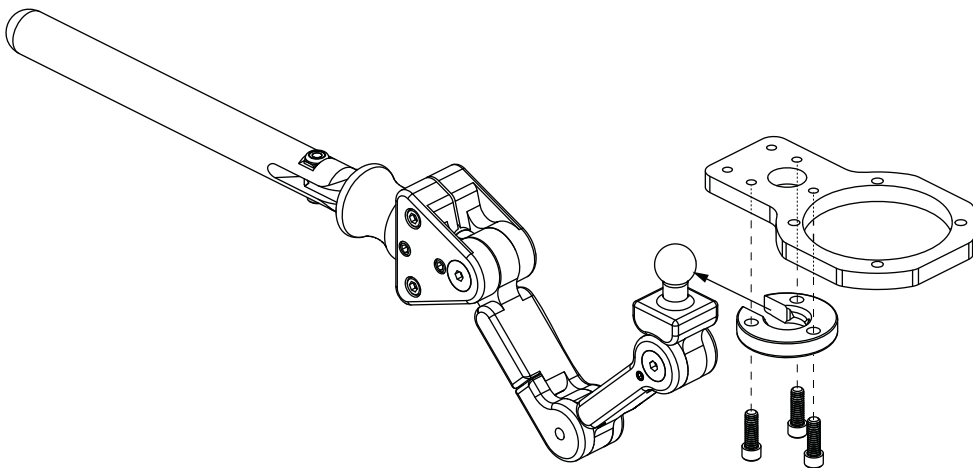
A1 Stealth Swing-away/Flip-down Joystick Bracket, NE/NE+/Q-Logic



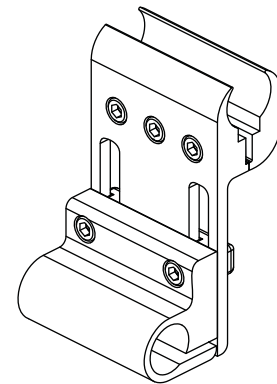
C1 Stealth Height Adjustable Joystick Mounting Bracket, Track Mount



B1 Stealth Swing-away/Flip-down Joystick Bracket, Stand-alone



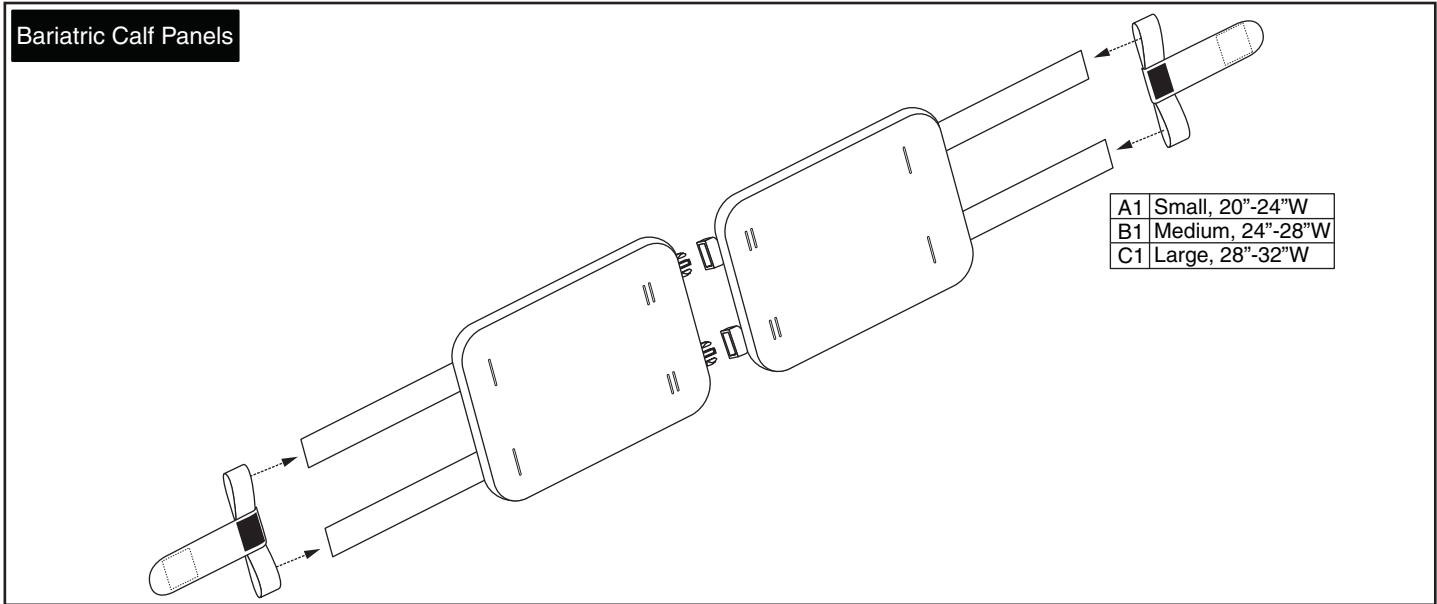
D1 Stealth Height Adjustable Joystick Mounting Bracket, Clamp Mount



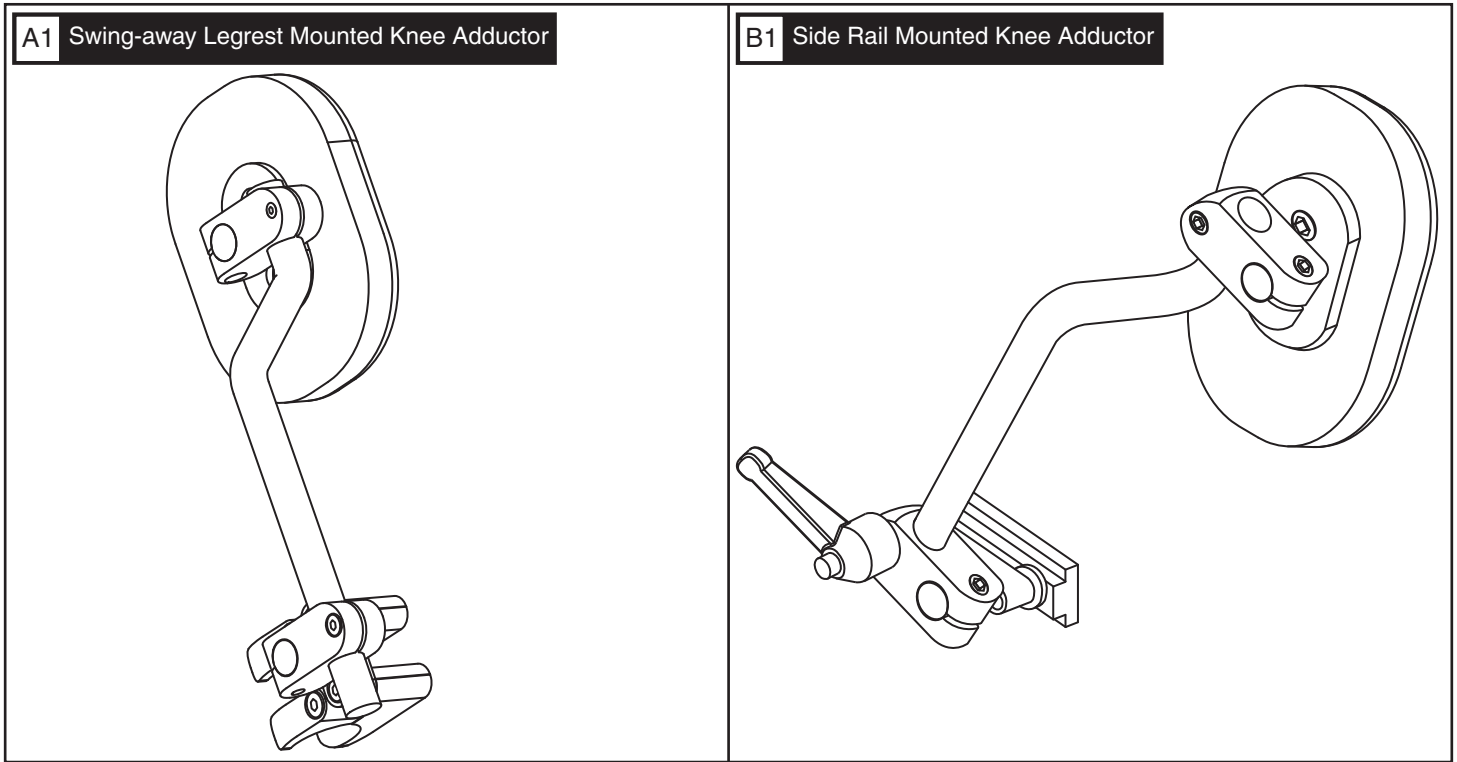
XI. Controller Brackets — Stealth Swing-away/Flip-down



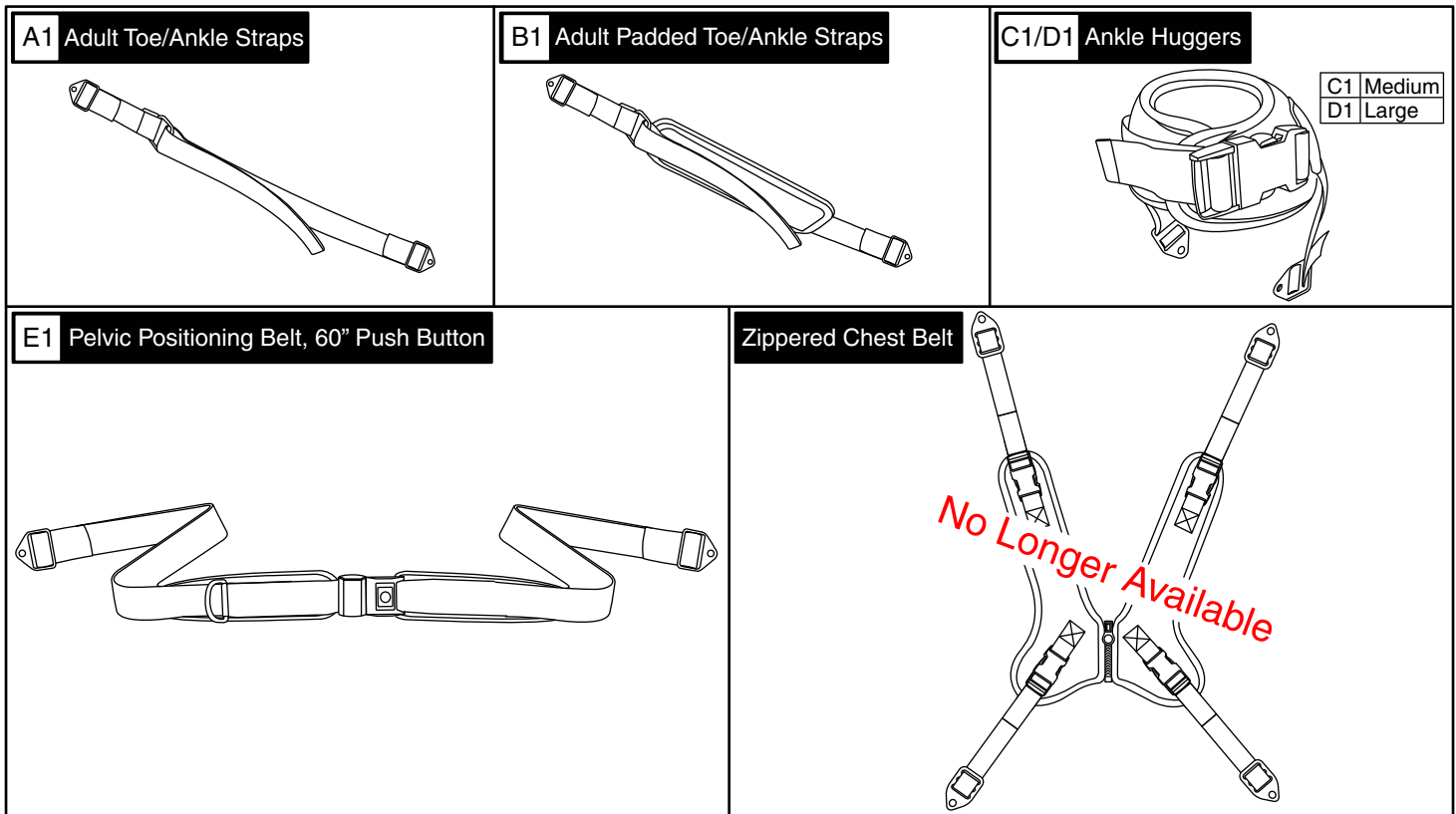
REF #	PART #	DESCRIPTION	QTY	MSRP (AU\$) ¹¹ⁱ
A1	ST-TWBM480QL-Q	JOYSTICK MOUNTING BRACKET,ASSY,SWING AWAY/FLIP DOWN,NE/NE PLUS/Q-LOGIC,W/MOUNTING HARDWARE	1	550
B1	ST-TWBM480CJ-Q	JOYSTICK MOUNTING BRACKET,ASSY,SWING AWAY/FLIP DOWN,STANDALONE,W/MOUNTING HARDWARE	1	550
C1	ST-ARM250T-Q	JOYSTICK MOUNT,ASSY,HEIGHT ADJUSTABLE,W/TRACK HARDWARE	1	400
D1	ST-ARM250C-Q	JOYSTICK MOUNT,ASSY,HEIGHT ADJUSTABLE,W/CLAMP HARDWARE	1	400



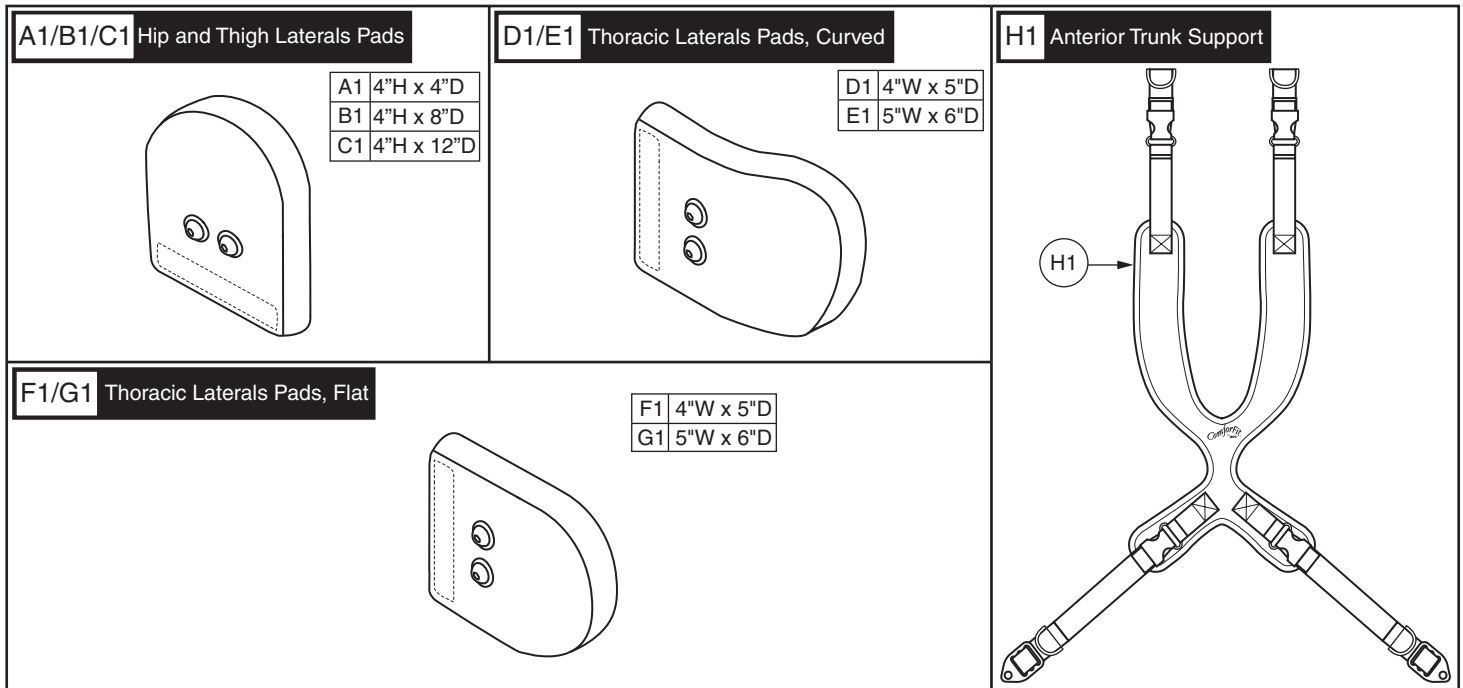
REF #	PART #	DESCRIPTION	QTY	MSRP (AU\$) ¹¹ⁱ
A1	FRMASMB17538	CALF PAD PANEL, ASSY, SMALL, CENTER OPENING, 22"W, FITS 20"W-24"W, W/INSTALLATION INSTRUCTIONS	1	270
B1	FRMASMB17539	CALF PAD PANEL, ASSY, MEDIUM, CENTER OPENING, 26"W, FITS 24"W-28"W, W/INSTALLATION INSTRUCTIONS	1	290
C1	FRMASMB17540	CALF PAD PANEL, ASSY, LARGE, CENTER OPENING, 28"W, FITS 28"W-32"W, W/INSTALLATION INSTRUCTIONS	1	310



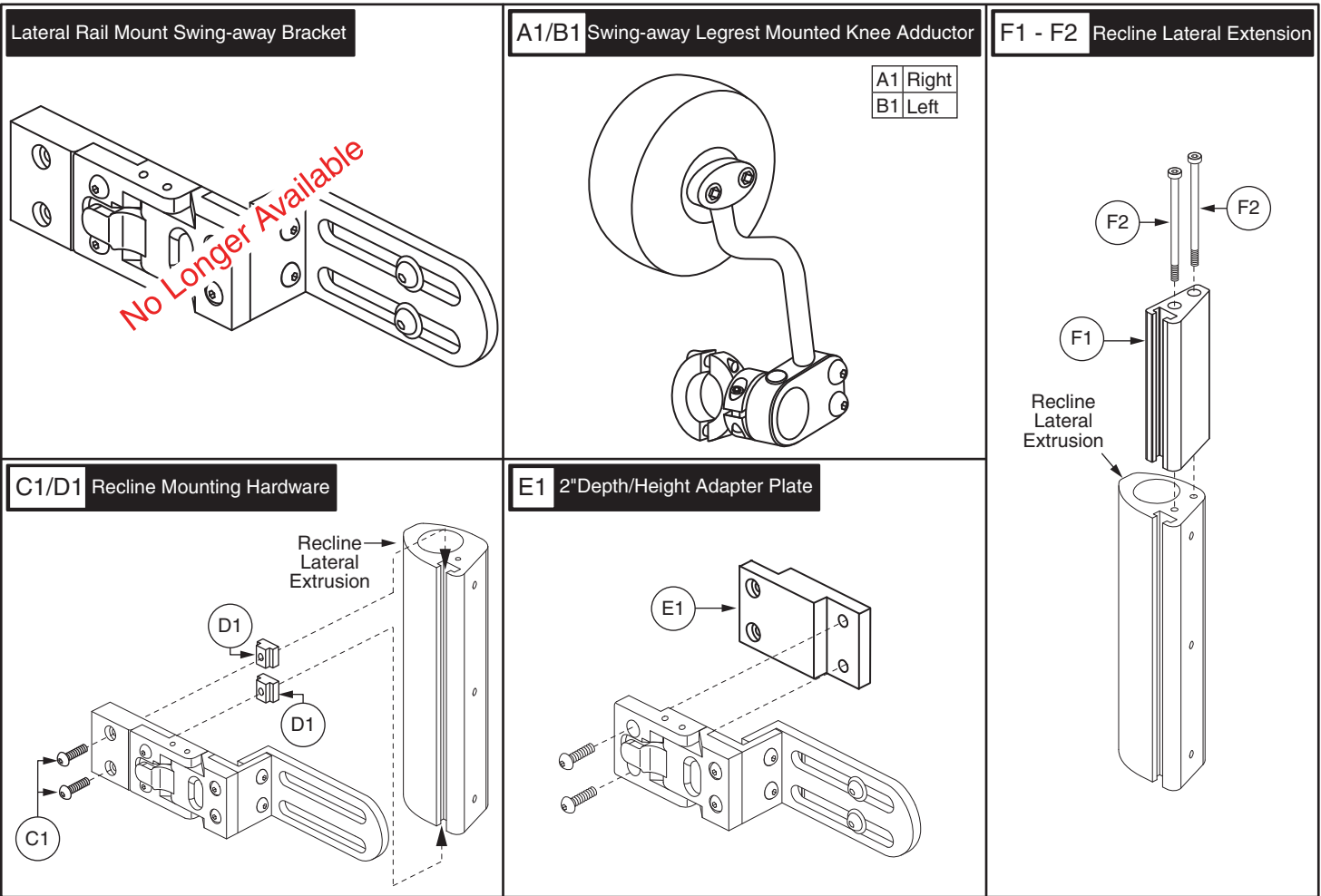
REF #	PART #	DESCRIPTION	QTY	MSRP (AU\$) ¹¹ⁱ
A1	INDPART2433	KNEE ADDUCTOR, SWINGAWAY LEGREST MOUNT, 3" X 4" OVAL PAD, FITS 1" DIA. TUBE, PAIR, (AEL:13515LX/13515RX)	1	1024
B1	INDPART2825	KNEE ADDUCTOR, POSALINC, W/KNOB RELEASE HARDWARE, PAIR, (AEL:13555LX/13555RX)	1	1148



REF #	PART #	DESCRIPTION	QTY	MSRP (AU\$) ¹¹ⁱ
A1	INDPART2942	STRAP,TOE/ANKLE,ADULT,PAIR	1	100
B1	INDPART2944	STRAP,TOE/ANKLE,ADULT,PADDED,PAIR	1	120
C1	INDPART2938	ANKLE HUGGER,MEDIUM,SIDE RELEASE STRAP,PAIR	1	310
D1	INDPART2939	ANKLE HUGGER,LARGE,SIDE RELEASE STRAP,PAIR	1	310
E1	ACCBELT1032	LAP BELT,STANDARD PULL,60",PADDED,PUSH BUTTON	1	230

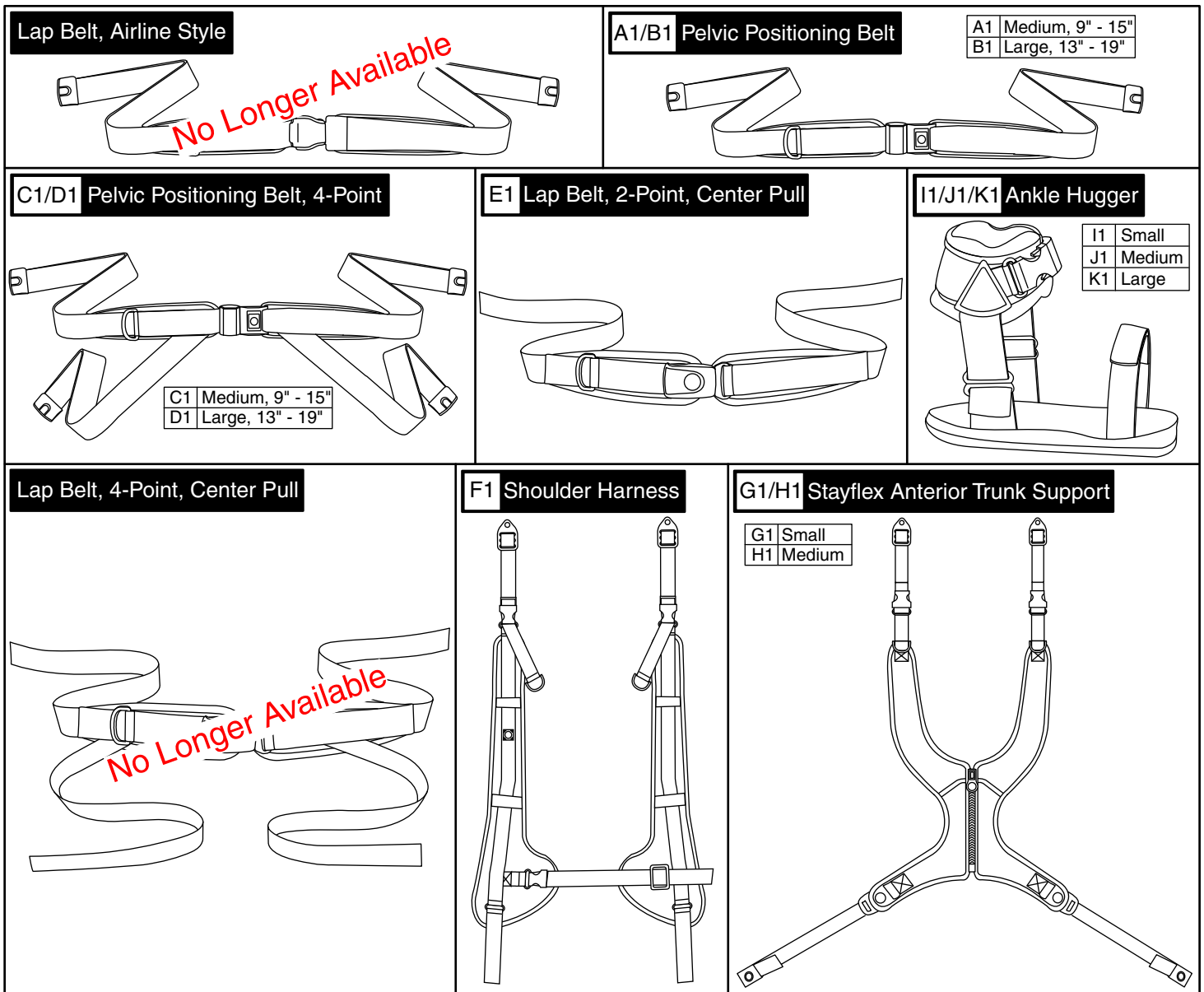


REF #	PART #	DESCRIPTION	QTY	MSRP (AU\$) ¹¹ⁱ
A1	INDPART2692	POSITIONING COMPONENT,LATERAL PELVIC/THIGH PAD,4"H X 4"D,SHORT,PAIR,(ART:LPK:05XX)	1	400
B1	INDPART2694	POSITIONING COMPONENT,LATERAL PELVIC/THIGH PAD,MEDIUM,PAIR,(ART:MTK:05XX)	1	400
C1	INDPART2693	POSITIONING COMPONENT,LATERAL PELVIC/THIGH PAD,4"H X 12"D,LONG,PAIR,(ART:LPK:05XX)	1	400
D1	INDPART2667	POSITIONING COMPONENT,THORACIC LATERAL PAD,CURVED,4"H X 5"D,PAIR,(ART:LTK:06XX)	1	N/A
E1	INDPART2668	POSITIONING COMPONENT,THORACIC LATERAL PAD,CURVED,5"H X 6"D,PAIR,(ART:LTK:06XX)	1	N/A
F1	INDPART2688	POSITIONING COMPONENT,THORACIC LATERAL PAD,TAPERED,4"H X 5"D,PAIR,(ART:LTK:05XX)	1	319.7
G1	INDPART2689	POSITIONING COMPONENT,THORACIC LATERAL PAD,TAPERED,5"H X 6"D,PAIR,(ART:LTK:05XX)	1	319.7
H1	INDPART2303	ANTERIOR TRUNK SUPPORT,X-LARGE,COMFORFIT CONTOUR STYLE, DYNAMIC PULL DOWN,AES: ATS9104	1	304



REF #	PART #	DESCRIPTION	QTY	MSRP (AU\$) ¹¹ⁱ
A1	INDPART2887	KNEE ADDUCTOR PACKAGE, LONG ARM, W/SWING AWAY BRACKET, RIGHT, (ART:KAK31XXR)	1	670
B1	INDPART2886	KNEE ADDUCTOR PACKAGE, LONG ARM, W/SWING AWAY BRACKET, LEFT, (ART:KAK31XXL)	1	670
C1	SCRASBH1000	SCREW, BHSCS, BLACK ZINC, 1/4-20 X 0.375"	2	5.9
D1	DWR1360A002	T-NUT, 1/4-20 X 0.5625", A-1360-002	2	7.02
E1	INDPART2530	ADAPTER PLATE, 2", LATERAL/ADDUCTOR DEPTH/HEIGHT ADJUSTMENT, (AES: HDW2522)	1	48
F1 - F2	FRMASMB11030	LATERAL EXTENSION, ASSY, 22"H-28"H BACK, TRU-BALANCE 2 POWER RECLINE	1	197.14
F1	DWR1367D044	LATERAL EXTENSION, TRU-BALANCE POWER RECLINE, LEFT/RIGHT, D-1367-044	2	92.06
F2	SCRSHCS1230	SCREW, SHCS, BLACK ZINC, 8-32 X 3.50", GRADE 8, ASTM A574, W/NYLON PATCH, B-1005-152	4	5.62

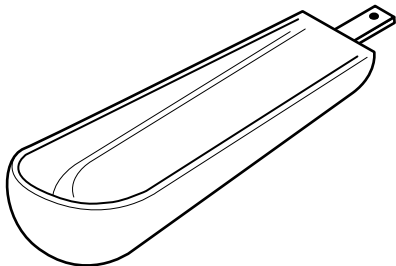
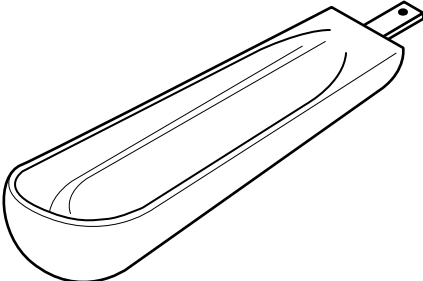
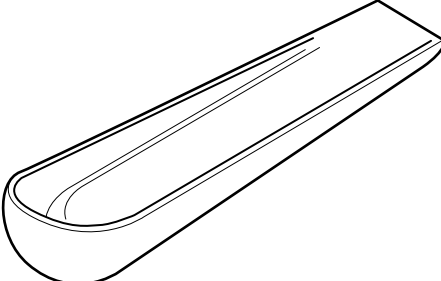
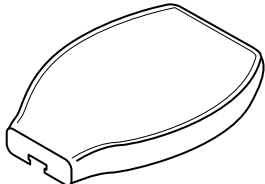
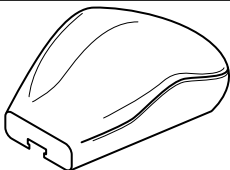
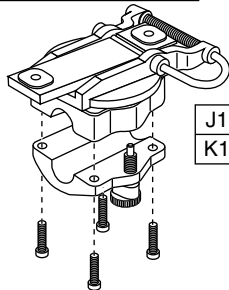
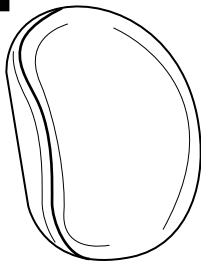
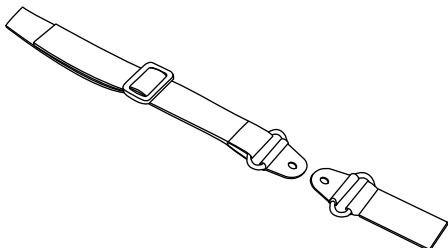
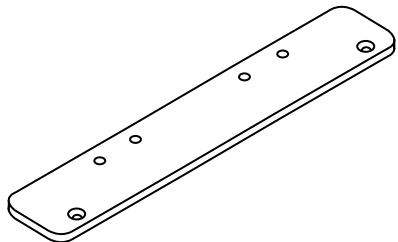
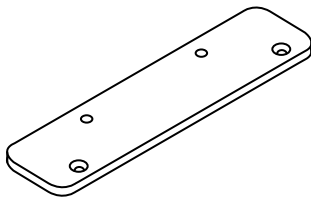
XII. Positioning Components — Bodypoint



REF #	PART #	DESCRIPTION	QTY	MSRP (AU\$)
A1	ACCBELT1009	PELVIC POSITIONING BELT,MEDIUM,9-15"W,(BP:HB205M-A1)	1	174
B1	ACCBELT1010	PELVIC POSITIONING BELT,LARGE,13-19"W,(BP:HB205L-A1)	1	184
C1	ACCBELT1011	PELVIC POSITIONING BELT,MEDIUM,9-15"W,4-POINT,(BP:HB405M-A1)	1	224
D1	ACCBELT1012	PELVIC POSITIONING BELT,LARGE,13-19"W,4-POINT,(BP:HB405L-A1)	1	232
E1	ACCBELT1023	LAP BELT,SMALL,2-POINT,CENTER PULL,FLAT MOUNT,(BP:HB205S-A1)	1	168
F1	INDPART2744	SHOULDER HARNESS,MEDIUM,13"-16"W,REAR PULL,(BP:SH220M)	1	248
G1	INDPART2745	STAYFLEX ANTERIOR TRUNK SUPPORT,SMALL,(BP:SH310S)	1	292
H1	INDPART2746	STAYFLEX ANTERIOR TRUNK SUPPORT,MEDIUM,(BP:SH310M)	1	300
I1	INDPART2415	ANKLE HUGGER,SMALL,SIDE RELEASE,PAIR,(BP:FT220S)	1	260
J1	INDPART2416	ANKLE HUGGER,MEDIUM,SIDE RELEASE,PAIR,(BP:FT220M)	1	268
K1	INDPART2748	ANKLE HUGGER,LARGE,SIDE RELEASE,PAIR,(BP:FT220L)	1	268

11i



<p>A1 Channel, Medium - 11.4375L x 4.75"W</p> 	<p>B1 Channel, Large - 14"L x 4.75"W</p> 	<p>C1 One Piece, Large - 18.125"L x 4.75"W</p> 																						
<p>D1/E1 Flat Hand Pad</p> <table border="1"> <tr> <td>D1</td> <td>Lg</td> <td>9.0625"L x 5.5"W</td> </tr> <tr> <td>E1</td> <td>Med</td> <td>7.0625"L x 4.5"W</td> </tr> </table> 	D1	Lg	9.0625"L x 5.5"W	E1	Med	7.0625"L x 4.5"W	<p>F1/G1/H1/I1 Palm Extender Pad</p> <table border="1"> <tr> <td>F1</td> <td>Left, Lg</td> <td>9.25"L x 6.5"W</td> </tr> <tr> <td>G1</td> <td>Right, Lg</td> <td>9.25"L x 6.5"W</td> </tr> <tr> <td>H1</td> <td>Left, Med</td> <td>8.0625"L x 5.6875"W</td> </tr> <tr> <td>I1</td> <td>Right, Med</td> <td>8.0625"L x 5.6875"W</td> </tr> </table> 	F1	Left, Lg	9.25"L x 6.5"W	G1	Right, Lg	9.25"L x 6.5"W	H1	Left, Med	8.0625"L x 5.6875"W	I1	Right, Med	8.0625"L x 5.6875"W	<p>J1/K1 Elevating Swivel Unit</p>  <table border="1"> <tr> <td>J1</td> <td>Silver</td> </tr> <tr> <td>K1</td> <td>Black</td> </tr> </table>	J1	Silver	K1	Black
D1	Lg	9.0625"L x 5.5"W																						
E1	Med	7.0625"L x 4.5"W																						
F1	Left, Lg	9.25"L x 6.5"W																						
G1	Right, Lg	9.25"L x 6.5"W																						
H1	Left, Med	8.0625"L x 5.6875"W																						
I1	Right, Med	8.0625"L x 5.6875"W																						
J1	Silver																							
K1	Black																							
<p>L1 Calf Pad</p> 	<p>M1 Armrest and Hand Pad Strap Kit</p> 	<p>N1 Full Length Adapter Plate for TRU-Balance Power Recline</p> 																						
<p>O1 Desk Length Adapter Plate for TRU-Balance Power Recline</p> 	<p>Arm Trough/Gel Armpad Mounting Hardware Assemblies</p> <table border="1"> <tr> <td>P1</td> <td>HDWASMB1188</td> <td>Desk Length</td> </tr> <tr> <td>Q1</td> <td>HDWASMB1189</td> <td>Full Length</td> </tr> <tr> <td>R1</td> <td>HDWASMB1190</td> <td>Desk Length, Recline/Single Post Arm</td> </tr> <tr> <td>S1</td> <td>HDWASMB1191</td> <td>Full Length, Recline/Single Post Arm</td> </tr> <tr> <td>T1</td> <td>HDW131075</td> <td>TB3 Flip-up Arm</td> </tr> </table>		P1	HDWASMB1188	Desk Length	Q1	HDWASMB1189	Full Length	R1	HDWASMB1190	Desk Length, Recline/Single Post Arm	S1	HDWASMB1191	Full Length, Recline/Single Post Arm	T1	HDW131075	TB3 Flip-up Arm							
P1	HDWASMB1188	Desk Length																						
Q1	HDWASMB1189	Full Length																						
R1	HDWASMB1190	Desk Length, Recline/Single Post Arm																						
S1	HDWASMB1191	Full Length, Recline/Single Post Arm																						
T1	HDW131075	TB3 Flip-up Arm																						

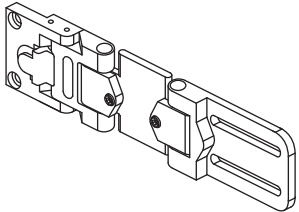
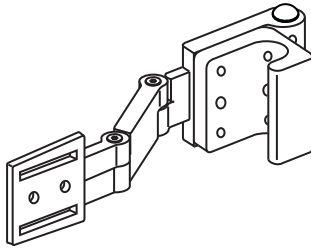
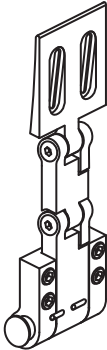
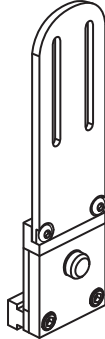
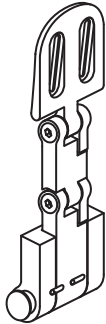
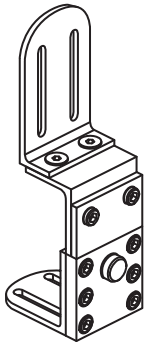
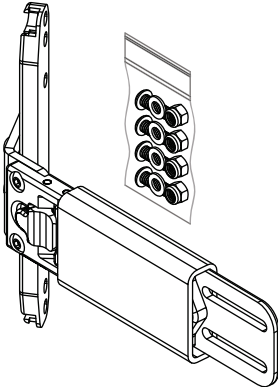
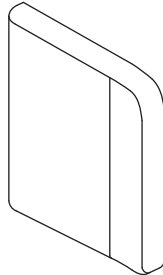
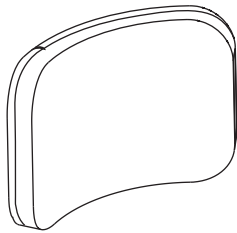
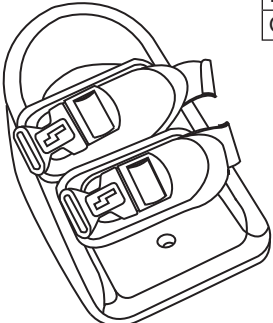
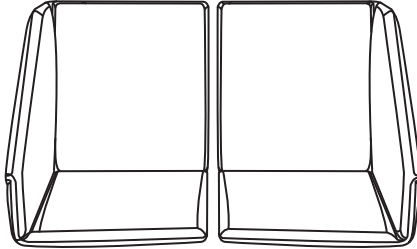
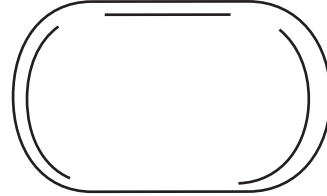
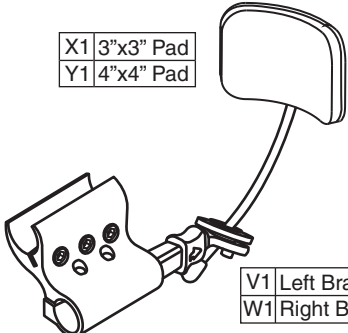
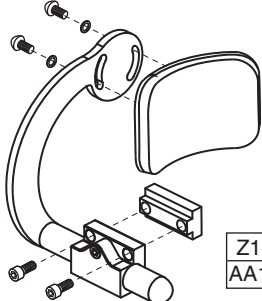
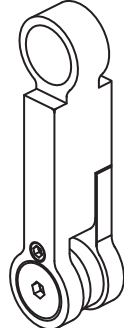


REF #	PART #	DESCRIPTION	QTY	MSRP (AU\$) ¹¹ⁱ
A1	INDPART2123	ARMREST,CHANNEL,MEDIUM,(OTTO BOCK:436A2=2-7)	1	208
B1	INDPART2124	ARMREST,CHANNEL,LARGE,(OTTO BOCK:436A2=1-7)	1	208
C1	INDPART2125	ARMREST,CHANNEL,ONE PIECE LARGE,(OTTO BOCK:436A3=2-7)	1	208
D1	INDPART2126	ARMREST,CHANNEL,LARGE,FLAT HAND PAD	1	104
E1	INDPART2127	ARMREST,CHANNEL,MEDIUM,FLAT HAND PAD	1	104
F1	INDPART2128	ARMREST,PALM EXTENSER PAD,LEFT,LARGE	1	104
G1	INDPART2129	ARMREST,PALM EXTENSER PAD,RIGHT,LARGE	1	104
H1	INDPART2130	ARMREST,PALM EXTENSER PAD,LEFT,MEDIUM	1	104
I1	INDPART2131	ARMREST,PALM EXTENSER PAD,RIGHT,MEDIUM	1	104
J1	INDPART2634	ELEVATING SWIVEL UNIT,UNIVERSAL,SILVER,(OTTOBOCK:476E52=SK030)	1	364
K1	INDPART2633	ELEVATING SWIVEL UNIT,UNIVERSAL,BLACK,(OTTOBOCK:476E52=SK035)	1	364
L1	INDPART2326	PAD,CALF/LEGREST,(OTTOBOCK:440P1=1-7)	1	142
M1	INDPART2816	ARMREST & HANDPAD PACKAGE,(OTTO BOCK:436S1=1-7)	1	60
*N1	DWR1358D008	PLATE,ARMREST ADAPTOR,FULL LENGTH,CONTOUR ARM TROUGH,D-1358-008	1	70.48
*O1	DWR1358D009	PLATE,ARMREST ADAPTOR,DESK LENGTH,CONTOUR ARM TROUGH,D-1358-009	1	64.94
P1	HDWASMB1188	MOUNTING HARDWARE,ASSY,ARM TROUGH/GEL ARMPAD,DESK LENGTH	1	112.4
Q1	HDWASMB1189	MOUNTING HARDWARE,ASSY,ARM TROUGH/GEL ARMPAD,FULL LENGTH	1	113.04
R1	HDWASMB1190	MOUNTING HARDWARE,ASSY,ARM TROUGH/GEL ARMPAD,DESK LENGTH,RECLINE/SINGLE POST	1	112.4
S1	HDWASMB1191	MOUNTING HARDWARE,ASSY,ARM TROUGH/GEL ARMPAD,FULL LENGTH,RECLINE/SINGLE POST	1	119.04
T1	HDW131075	MOUNTING HARDWARE,ASSY,HAND PAD/ARM CHANNEL,TRU- BALANCE 3	1	11.84

Notes :

- *N1 For use with the TRU-Balance Power Recline.
- *O1 For use with the TRU-Balance Power Recline.



<p>A1 Swing-away Rail Mounted Thoracic Lateral</p> 	<p>B1 Swing-away Flush to 1" Offset Back Cane Mounted Thoracic Lateral</p> 	<p>C1 Flip-down Pelvic/Thigh Lateral</p> 	<p>D1 Removable Pelvic/Thigh Lateral</p> 	<p>E1/F1 Flip-down Pelvic/Thigh Lateral, Full Surface Contact</p>  <p>E1 Right F1 Left</p>
<p>G1 Removable Pelvic/Thigh Lateral with 1" Offset</p> 	<p>H1 125° Swing-away Thoracic Lateral</p> 	<p>I1/J1 TRU-Comfort Thoracic Lateral Pads</p> <p>I1 3"H x 5"D J1 4"H x 6"D</p> 	<p>K1/L1 Curved Thoracic Lateral Pads</p> <p>K1 3"H x 5"D L1 4"H x 6"D</p> 	
<p>M1/N1/O1 Shoe Holder</p> <p>M1 Small N1 Medium O1 Large</p> 	<p>P1/Q1/R1 Footboxes</p> <p>P1 Small Q1 Medium R1 Large</p> 	<p>S1/T1/U1 Pelvic/Thigh Lateral Pads</p> <p>S1 4"H x 4"D T1 4"H x 8"D U1 4"H x 12"D</p> 		
<p>V1/W1/X1/Y1 Swing-away Elbow Support & Pads for Tubular Armrests</p> <p>X1 3"x3" Pad Y1 4"x4" Pad</p> <p>V1 Left Bracket W1 Right Bracket</p> 	<p>X1/Y1/Z1/AA1 Elbow Support & Pads for TB3 Armrests</p> <p>X1 3"x3" Pad Y1 4"x4" Pad</p> <p>Z1 Left Bracket AA1 Right Bracket</p> 	<p>BB1 Flip-down Pelvic/Thigh Lateral 2.25" Adapter Plate</p> 		



REF #	PART #	DESCRIPTION	QTY	MSRP (AU\$) ¹¹ⁱ
A1	INDPART2896	MOUNTING BRACKET, THORACIC LATERAL RAIL MOUNT SWING AWAY, PAIR, SYNERGY/TRU-COMFORT BACK, (STEALTH: TWBSTL)	1	900
B1	INDPART2665	MOUNTING BRACKET, THORACIC LATERAL SWING AWAY, FLUSH TO 1" OFFSET, BACK CANE MOUNT, PAIR, (STEALTH: TWBLSS)	1	900
C1	INDPART2804	POSITIONING COMPONENT, LATERAL PELVIC/THIGH FLIP DOWN, (STEALTH: TWBTLADD-HW)	1	450
D1	INDPART2805	POSITIONING COMPONENT, LATERAL PELVIC/THIGH REMOVABLE, FLUSH, (STEALTH: LP411-OEM-P)	1	500
E1	POS140429	POSITIONING COMPONENT, LATERAL PELVIC/THIGH ADJUSTABLE FLIP DOWN, RIGHT, W/FULL SURFACE CONTACT FEATURE, (STEALTH: TWBADD-R/LPHW407)	1	450
F1	POS140428	POSITIONING COMPONENT, LATERAL PELVIC/THIGH ADJUSTABLE FLIP DOWN, LEFT, W/FULL SURFACE CONTACT FEATURE, (STEALTH: TWBADD-L/LPHW407)	1	450
G1	INDPART2854	POSITIONING COMPONENT, LATERAL PELVIC/THIGH REMOVABLE, 1" OFFSET, (STEALTH: P-LP411-1)	1	740
H1	INDPART2677	MOUNTING BRACKET, THORACIC LATERAL 125° SWING AWAY BRACKET, TRU-COMFORT, PAIR, (STEALTH: TWBTLTC)	1	900
I1	INDPART2676	POSITIONING COMPONENT, THORACIC LATERAL PAD, FLAT, 3"H X 5"D, PAIR, (STEALTH: TWBLP3X5)	1	400
J1	INDPART2675	POSITIONING COMPONENT, THORACIC LATERAL PAD, FLAT, 4"H X 6"D, PAIR, (STEALTH: TWBLP4X6)	1	400
K1	INDPART2663	POSITIONING COMPONENT, THORACIC LATERAL PAD, CURVED, 3"H X 5"D, PAIR, (STEALTH: TWBLP3X5)	1	400
L1	INDPART2664	POSITIONING COMPONENT, THORACIC LATERAL PAD, CURVED, 4"H X 6"D, PAIR, (STEALTH: TWBLP4X6)	1	400
M1	INDPART2783	SHOE HOLDER, SMALL, 3.75" X 6.25", PAIR, (STEALTH: SPLE111)	1	532
N1	INDPART2784	SHOE HOLDER, MEDIUM, 4.00" X 8.25", PAIR, (STEALTH: SPLE112)	1	532
O1	INDPART2785	SHOE HOLDER, X-LARGE, 5.00" X 10.75", PAIR, (STEALTH: SPLE114)	1	532
P1	INDPART2786	FOOTBOX, SMALL, SINGLE LEG, 5"W X 8"D X 7"H, PAIR, (STEALTH: SPLE107)	1	950
Q1	INDPART2787	FOOTBOX, MEDIUM, SINGLE LEG, 6"W X 10"D X 9"H, PAIR, (STEALTH: SPLE108)	1	950
R1	INDPART2788	FOOTBOX, LARGE, SINGLE LEG, 7"W X 12"D X 11"H, PAIR, (STEALTH: SPLE109)	1	950
S1	INDPART2801	POSITIONING COMPONENT, 4"H X 4"D, LATERAL PELVIC/THIGH PAD, SHORT, (STEALTH: TWBADD-4X4)	1	100
T1	INDPART2802	POSITIONING COMPONENT, 4IN H X 8IN D, LATERAL PELVIC/THIGH PAD, MEDIUM, (STEALTH: TWBADD-4X8)	1	100
U1	INDPART2803	POSITIONING COMPONENT, 4"H X 12"D, LATERAL PELVIC/THIGH PAD, LONG, (STEALTH: TWBADD-4X12)	1	100
V1	POS124064	SWING AWAY ELBOW SUPPORT MOUNT, TUBE STYLE ARMREST, LEFT, (STEALTH: ARMS-ES-L)	1	350
W1	POS124066	SWING AWAY ELBOW SUPPORT MOUNT, TUBE STYLE ARMREST, RIGHT, (STEALTH: ARMS-ES-R)	1	350
X1	POS124065	ELBOW POSITIONING SUPPORT PAD, 3" X 3", (STEALTH: ARMS-ES-3X3)	1	100
Y1	POS124067	ELBOW POSITIONING SUPPORT PAD, 4" X 4", (STEALTH: ARMS-ES-4X4)	1	100
Z1	POS133465	ELBOW SUPPORT MOUNT, TRU-BALANCE 3 ARMREST, LEFT, (STEALTH: ARMS-ESFTB3-L)	1	350
AA1	POS133466	ELBOW SUPPORT MOUNT, TRU-BALANCE 3 ARMREST, RIGHT, (STEALTH: ARMS-ESFTB3-R)	1	350
BB1	POS140430	ADAPTER PLATE, 2 1/4", LATERAL/ADDUCTOR DEPTH/HEIGHT ADJUSTMENT, (STEALTH: LHW-129)	1	100



A1 Offset Mounting Kit 	B1 Pediatric Mounting Kit 	C1 Comfort Plus Mounting Kit 	D1 Adjustable Ultra Channel Headrest Mount 	E1 Facial Pad, Swing-away Mounting Bracket 	
			F1 Mounting Bracket, Synergy Seat/TB2 	G1 Mounting Bracket, TB3 	H1 Mounting Bracket, Q-Back
I1 Ultra Occipital Pad 	J1 Ultra Sub-Occipital Pad 	Ultra Facial Pad K1 4.5" x 2" L1 6" x 2" 	M1 Small Contoured Headrest 	N1 Large Contoured Headrest 	Comfort Plus Headrests O1 8" P1 10" Q1 14"
R1 Flip-down, Swing-away Headrest Mounting Bracket 	S1 Comfort Series Right Swing-away Facial Lateral 	T1 Comfort Series Left Swing-away Facial Lateral 	W1 Egg Switch Mount for Lateral Facial 		
U1 Comfort Series Right & Left Swing-away Facial Lateral 	V1 Ultra Right Swing-away Lateral 	X1 Ultra Left Swing-away Lateral 			
Y1 18" Rod Swing-away Joystick Mount 			Z1 Figure 8 w/13" Rod and Egg Switch Mount 		

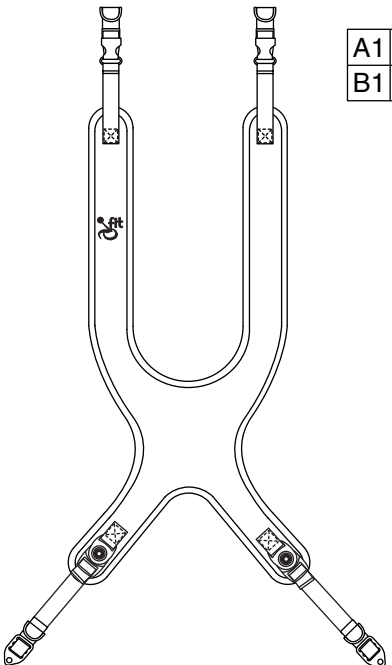
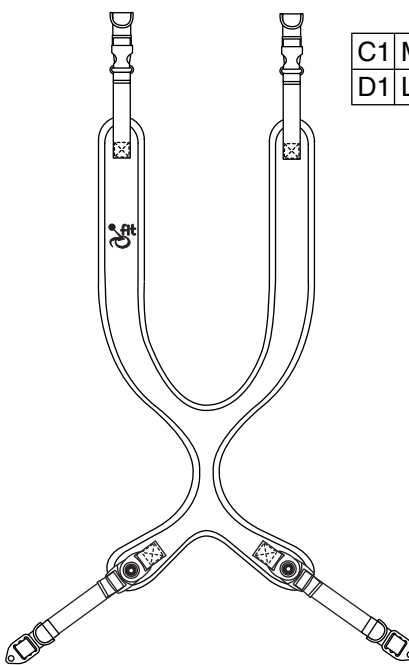
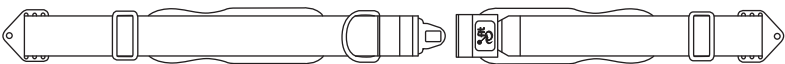

XII. Positioning Components — Stealth Headrest Bracket and Pads



REF #	PART #	DESCRIPTION	QTY	MSRP (AU\$)
A1	HDWASMB1084	KIT,QUANTUM REHAB, OFFSET HEADREST,(STEALTH: HMO475P)	1	300
B1	HDWASMB1166	KIT,QUANTUM REHAB,OFFSET HEADREST,PEDIATRIC,(STEALTH: HMO475P-17)	1	300
C1	FRMASMB15999	HARDWARE KIT,ASSY,HEADREST MOUNT,COMFORT PLUS,W/REMOVABLE MOUNTING HARDWARE,(STEALTH: TWB485)	1	420
D1	INDPART2919	HEADREST,MOUNT,ADJUSTABLE ULTRA CHANNEL,W/17MM HORIZONTAL BAR,(STEALTH: SU980)	1	550
E1	INDPART2715	HEADREST,MOUNT,SWING AWAY,STEALTH ULTRA & COMBO SERIES,(STEALTH:SUS9-B)	1	420
F1	SET150325	HEADREST BRACKET MOUNTING HARDWARE,ASSY,STEALTH,SYNERGY/TRU-BALANCE 2	1	100
G1	SET150326	HEADREST BRACKET MOUNTING HARDWARE,ASSY,STEALTH,TRU-BALANCE 3	1	100
H1	SET167884	HEADREST BRACKET MOUNTING HARDWARE,ASSY,STEALTH,Q-BACK	1	N/A
I1	SETHEAD1070	HEADREST,PAD,OCCIPITAL,6" X 3.75",STEALTH ULTRA,(STEALTH:500)	1	100
J1	SETHEAD1071	HEADREST,PAD,SUB-OCCIPITAL,8.5" X 2.75",STEALTH ULTRA,(STEALTH:600)	1	100
K1	ST-900-Q	FACIAL PAD,4.5" X 2"	1	100
L1	ST-920-Q	FACIAL PAD,6" X 2"	1	100
M1	SETHEAD1052	HEADREST,SMALL,CONTOURED,(STEALTH: STL-OTSM250)	1	120
N1	SETHEAD1053	HEADREST,LARGE,CONTOURED,(STEALTH: STL-OTLG150)	1	150
O1	POS148484	HEADREST,PAD,8",COMFORT PLUS,(STEALTH:CP450)	1	284
P1	SETHEAD1057	HEADREST,PAD,10",COMFORT PLUS,(STEALTH: CP250)	1	284
Q1	INDPART2327	HEADREST,PAD,14",COMFORT PLUS,(STEALTH:CP150)	1	284
R1	INDPART2219	HEADREST,MOUNT,SWING AWAY,(FLIP DOWN),STEALTH,(FDM350)	1	420
S1	INDPART2647	FACIAL PAD,SWING AWAY,4.5"L X 2"H,COMFORT PLUS SERIES,RIGHT,(STEALTH: CPS9-R)	1	650
T1	INDPART2648	FACIAL PAD,SWING AWAY,4.5"L X 2"H,COMFORT PLUS SERIES,LEFT,(STEALTH: CPS9-L)	1	650
U1	INDPART2649	FACIAL PAD,SWING AWAY,4.5"L X 2"H,COMFORT PLUS SERIES,LEFT & RIGHT,(STEALTH: CPS9-B)	1	850
V1	POS148480	HEADREST MOUNT,SWING AWAY,STEALTH ULTRA & COMBO SERIES,RIGHT,(STEALTH:SUS9-R-HW)	1	N/A
W1	INDPART2815	EGG SWITCH MOUNT FOR LATERAL FACIAL,(STEALTH:ESM)	1	100
X1	POS150617	HEADREST MOUNT,SWING AWAY,STEALTH ULTRA & COMBO SERIES,LEFT,(STEALTH:SUS9-L-HW)	1	N/A
Y1	ST-SUS18-Q	SWING AWAY JOYSTICK MOUNT,18" ROD,STEALTH HEADREST	1	220
Z1	ST-SUS18-Q	SWING AWAY JOYSTICK MOUNT,18" ROD,STEALTH HEADREST	1	220

11i



<p>Shoulder Harness, Dynamic Classic</p>  <table border="1" data-bbox="560 283 714 357"> <tr> <td>A1</td> <td>Medium</td> </tr> <tr> <td>B1</td> <td>Large</td> </tr> </table>	A1	Medium	B1	Large	<p>Shoulder Harness, Dynamic Contour</p>  <table border="1" data-bbox="1274 283 1429 357"> <tr> <td>C1</td> <td>Medium</td> </tr> <tr> <td>D1</td> <td>Large</td> </tr> </table>	C1	Medium	D1	Large		
A1	Medium										
B1	Large										
C1	Medium										
D1	Large										
<p>Push Button Lap Belt</p>  <table border="1" data-bbox="600 934 820 1039"> <tr> <td>E1</td> <td>Medium Pads</td> </tr> <tr> <td>F1</td> <td>Large Pads</td> </tr> <tr> <td>G1</td> <td>X-Large Pads</td> </tr> </table>	E1	Medium Pads	F1	Large Pads	G1	X-Large Pads	<p>Chest Strap</p>  <table border="1" data-bbox="1315 934 1469 1008"> <tr> <td>H1</td> <td>Medium</td> </tr> <tr> <td>I1</td> <td>Large</td> </tr> </table>	H1	Medium	I1	Large
E1	Medium Pads										
F1	Large Pads										
G1	X-Large Pads										
H1	Medium										
I1	Large										

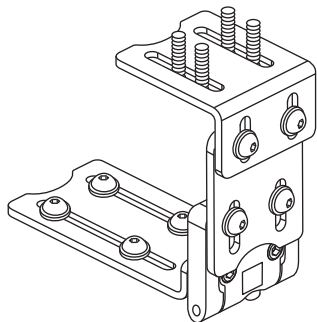
XII. Positioning Components — Stealth iFit Supports



REF #	PART #	DESCRIPTION	QTY	Dealer \$	MSRP	11i
A1	ST-IFPS1103-Q	UPPER CLASSIC,DYNAMIC,MEDIUM	1	\$85.2	\$142	
B1	ST-IFPS1104-Q	UPPER CLASSIC,DYNAMIC,LARGE	1	\$85.2	\$142	
C1	ST-IFPS2103-Q	UPPER CONTOUR,DYNAMIC,MEDIUM	1	\$85.2	\$142	
D1	ST-IFPS2104-Q	UPPER CONTOUR,DYNAMIC,LARGE	1	\$85.2	\$142	
E1	ST-IFPB5213-Q	PUSH BUTTON,SINGLE PULL,1.5",MEDIUM PADS,(7.5")	1	\$51.6	\$86	
F1	ST-IFPB5314-Q	PUSH BUTTON,SINGLE PULL,2",LARGE PADS,(9.5")	1	\$51.6	\$86	
G1	ST-IFPB5315-Q	PUSH BUTTON,SINGLE PULL,2",EXTRA LARGE PADS,(11.5")	1	\$51.6	\$86	
H1	ST-IFCS4113-Q	CHEST STRAP,DYNAMIC,MEDIUM,BELT ANCHOR	1	N/A	N/A	
I1	ST-IFCS4114-Q	CHEST STRAP,DYNAMIC,LARGE,BELT ANCHOR	1	N/A	N/A	

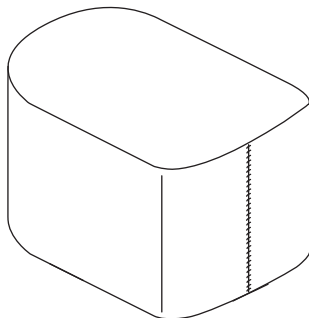


A1 Flip-down Abductor Bracket

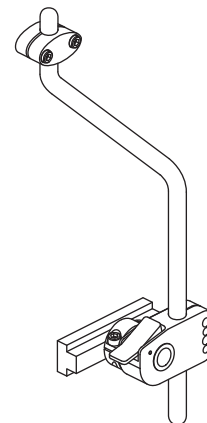


B1/C1/D1/E1 Abductor Pads

B1	Small (Gel), 2.25"W x 4.25"L x 3.25"H
C1	Small, 3.50"W x 4.00"L x 3.25"H
D1	Medium, 4.00"W x 6.00"L x 3.25"H
E1	Large, 4.50"W x 6.00"L x 2.75"H



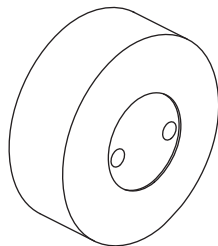
F1/G1 Flip-down Knee Adductor Bracket



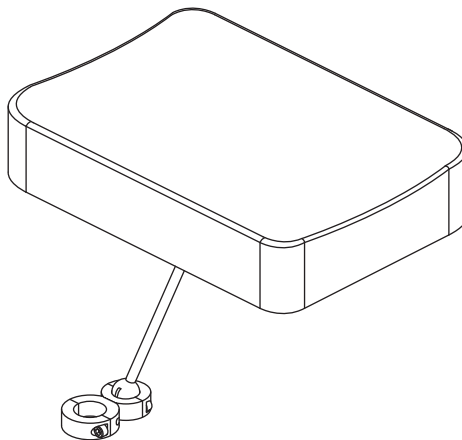
F1	Right
G1	Left

H1/I1 Knee Adductor Pads

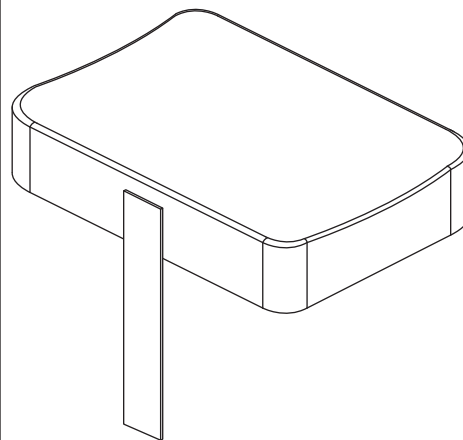
H1	Small
I1	Large



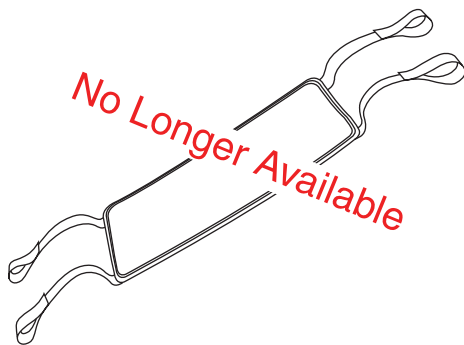
J1 Multi-axis Amputee Support



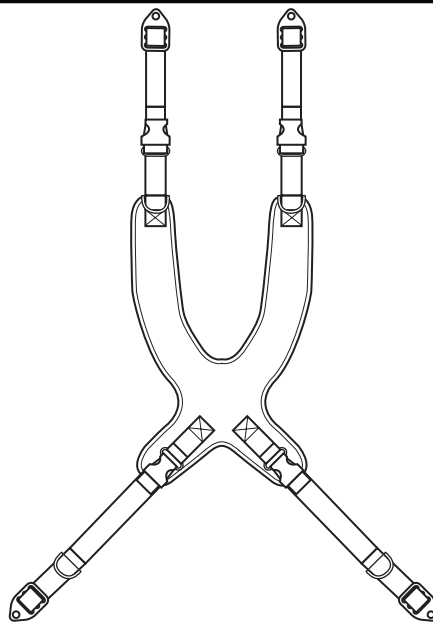
K1 Amputee Support Gel Cover



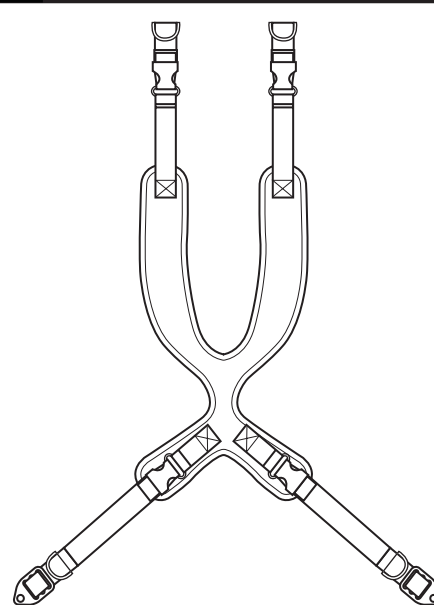
Calf Panel



L1 Anterior Trunk Support, Male, Small



M1 Anterior Trunk Support, Female, Small



XII. Positioning Components — Therafin



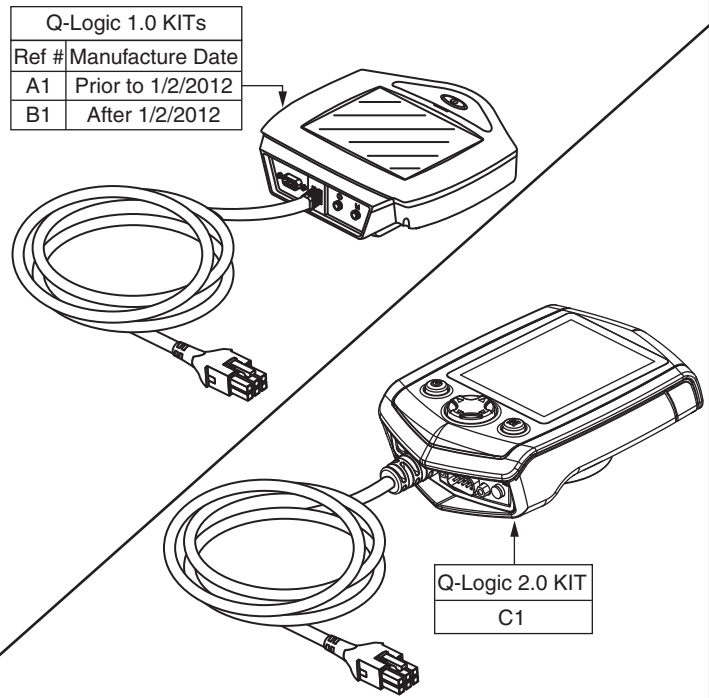
REF #	PART #	DESCRIPTION	QTY	MSRP (AU\$) ¹¹ⁱ
A1	INDPART2755	FLIP DOWN ABDUCTOR BRACKET,(THERAFIN:50267)	1	344
B1	INDPART2754	ABDUCTOR PAD,SMALL GEL,2 1/4"W X 4 1/4"L,(THERAFIN:50266)	1	290
C1	INDPART2751	ABDUCTOR PAD,SMALL,3.5"W X 4"L X 3 1/4"H,FLIP DOWN,(THERAFIN:50265)	1	270
D1	INDPART2752	ABDUCTOR PAD,MEDIUM,4"W X 6"L X 3 1/4"H,FLIP DOWN,(THERAFIN:50264)	1	270
E1	INDPART2753	ABDUCTOR PAD,LARGE,4.5"W X 6"L X 2 3/4"H,FLIP DOWN,(THERAFIN:50263)	1	270
F1	INDPART2913	FLIP DOWN KNEE ADDUCTOR BRACKET, LONG ARM,W/CLAMP & RAIL MOUNT, RIGHT,(THERAFIN:32945)	1	617.64
G1	INDPART2912	FLIP DOWN KNEE ADDUCTOR BRACKET, LONG ARM,W/CLAMP & RAIL MOUNT, LEFT,(THERAFIN:32944)	1	617.64
H1	INDPART2914	ADDUCTOR PAD,SMALL,3"W X 4"L,W/NEOPRENE COVER,(THERAFIN:50490)	1	210
I1	INDPART2915	ADDUCTOR PAD,LARGE,,4"W X 6"L,W/NEOPRENE COVER,(THERAFIN:50491)	1	210
J1	INDPART2822	MULTI-AXIS AMPUTEE SUPPORT,7"W X 10"D,(THERAFIN:31515)	1	460
K1	INDPART2823	MULTI-AXIS AMPUTEE SUPPORT COVER,NEOPRENE,7"W X 10"D,(THERAFIN:32391)	1	300
L1	INDPART2790	ANTERIOR TRUNK SUPPORT,SMALL,COMFORFIT CLASSIC STYLE, DYNAMIC PULL DOWN,(THERAFIN: 30402S)	1	260
M1	INDPART2794	ANTERIOR TRUNK SUPPORT,SMALL,COMFORFIT CONTOUR STYLE, DYNAMIC PULL DOWN,(THERAFIN: 31497S)	1	260



Q-Logic Enhanced Display with Mounting Bracket Kit Assembly

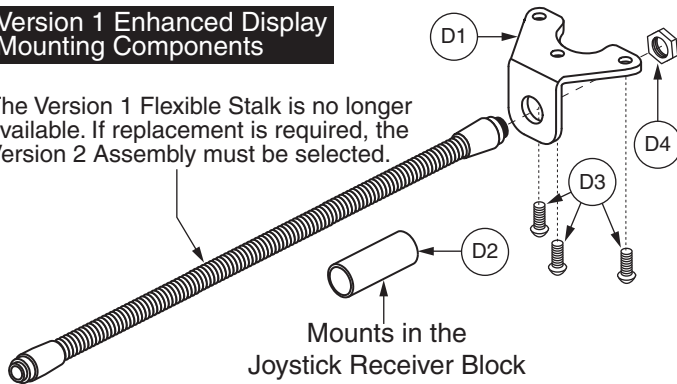
Enhanced Display Replacement

1. Units manufactured prior to January 2, 2012 with a Q-logic 1.0 Enhanced Display **REQUIRE** the selection of KITASMB7110009(A1). This includes the display and version 2 mounting components.
2. Units manufactured after January 2, 2012 with a Q-logic 1.0 Enhanced Display and prior to the Q-logic 2.0 **REQUIRE** the selection of KITASMB1678(B1). This includes the display and version 2 mounting components.
3. The Q-logic 2.0 Enhanced Display is only compatible with software version 3.64 or greater. Contact Quantum Service for more information.
4. The Q-logic 2.0 Enhanced Display KIT includes the display and version 2 mounting components.

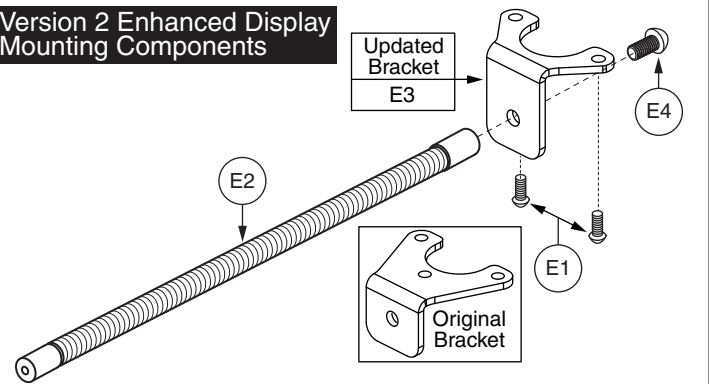


Version 1 Enhanced Display Mounting Components

The Version 1 Flexible Stalk is no longer available. If replacement is required, the Version 2 Assembly must be selected.



Version 2 Enhanced Display Mounting Components



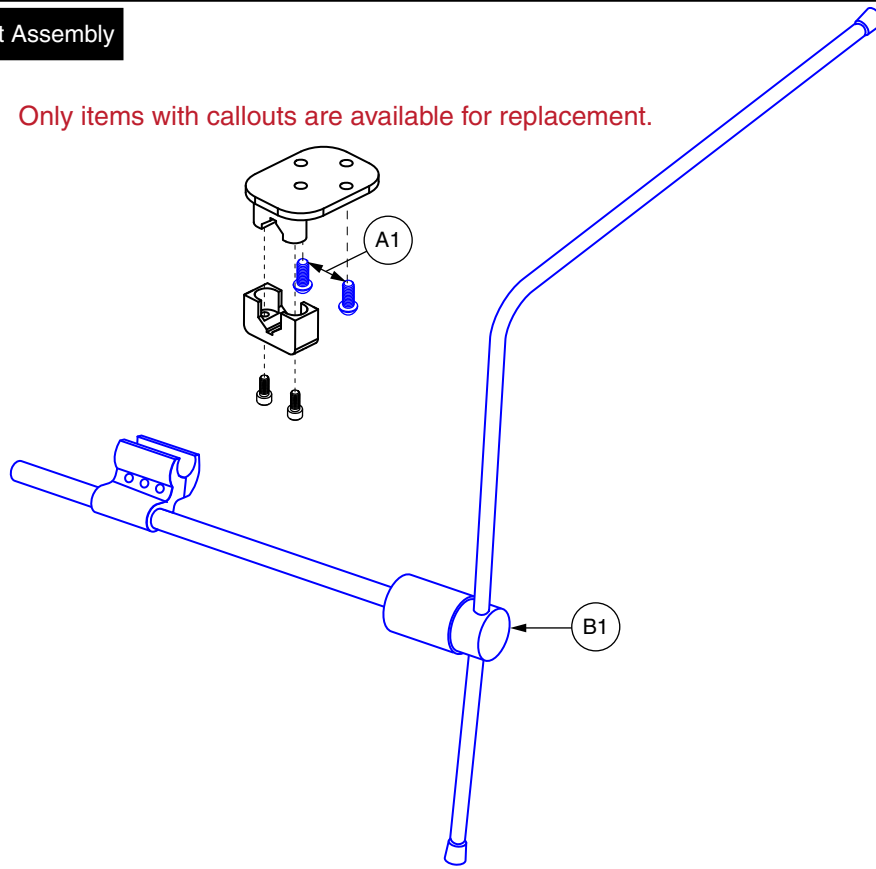
If mounting components require replacement, please visually inspect prior to order placement to ensure the proper items are selected.

REF #	PART #	DESCRIPTION	QTY	MSRP (AU\$) ¹¹ⁱ
A1	KITASMB7110009	KIT,ASSY,Q-LOGIC,ENHANCED COLOR GRAPHICAL DISPLAY CONTROLLER (FW 1.71),W/MOUNTING BRACKET	1	3769.86
B1	KITASMB1678	KIT,ASSY,Q-LOGIC,ENHANCED COLOR GRAPHICAL DISPLAY CONTROLLER,(FW 3.16),W/MOUNTING BRACKET	1	N/A
C1	KIT140039	KIT,ASSY,ENHANCED COLOR GRAPHICAL DISPLAY CONTROLLER 2.0,Q-LOGIC 2,W/MOUNTING BRACKET	1	3770
D1	DWR1010D313	MOUNTING BRACKET,ENHANCED DISPLAY CONTROLLER,CURTIS	1	71.1
D2	DWR1010C386	GOOSENECK SLEEVE,BLACK,2.00" L X .625"ID X .750"OD	1	15.5
D3	SCRPPH1383	SCREW,PPH,BLACK ZINC,M5-.8 X 8MM	3	5.62
D4	NUTJAM1038	NUT,JAM,BRASS,5/8-27,B-1005-153	1	6.02
E1	SCRPPH1383	SCREW,PPH,BLACK ZINC,M5-.8 X 8MM	2	5.62
E2	DWR1010D446	MOUNTING BRACKET,FLEXIBLE,W/INSERT,DISPLAY MOUNT	1	253.82
E3	MEC143421	MOUNTING BRACKET,ENHANCED DISPLAY CONTROLLER V2,Q-LOGIC	1	N/A
E4	SCRASBH1014	SCREW,BHSCS,BLACK ZINC,1/4-20 X 0.750"	1	5.92



Microdrive Midline Mount Kit Assembly

Only items with callouts are available for replacement.



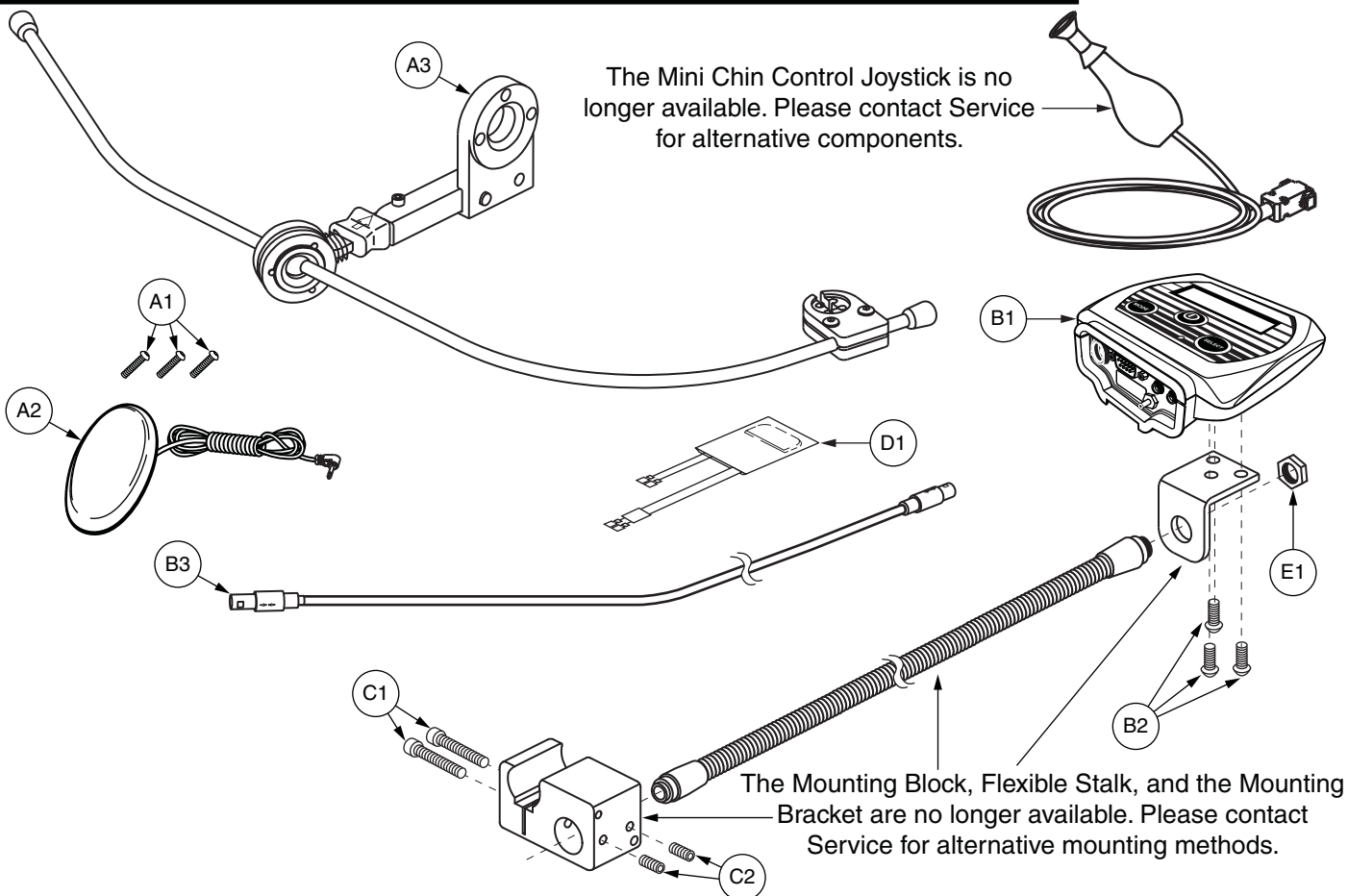
REF #	PART #	DESCRIPTION	QTY	MSRP (AU\$) ¹¹ⁱ
A1	SCRASBH1154	SCREW,BHSCS,BLACK ZINC,8-32 X 0.3125",W/NYLON PATCH	2	6.42
B1	FRMASMB8304	MOUNTING BRACKET,ASSY,MIDLINE/CHIN CONTROL,(STEALTH: GAT410P)	1	1150

XIII. Kit Assembly — Omni Plus w/HMC Mini Chin Control, Swing-away Headrest Mount & Joystick

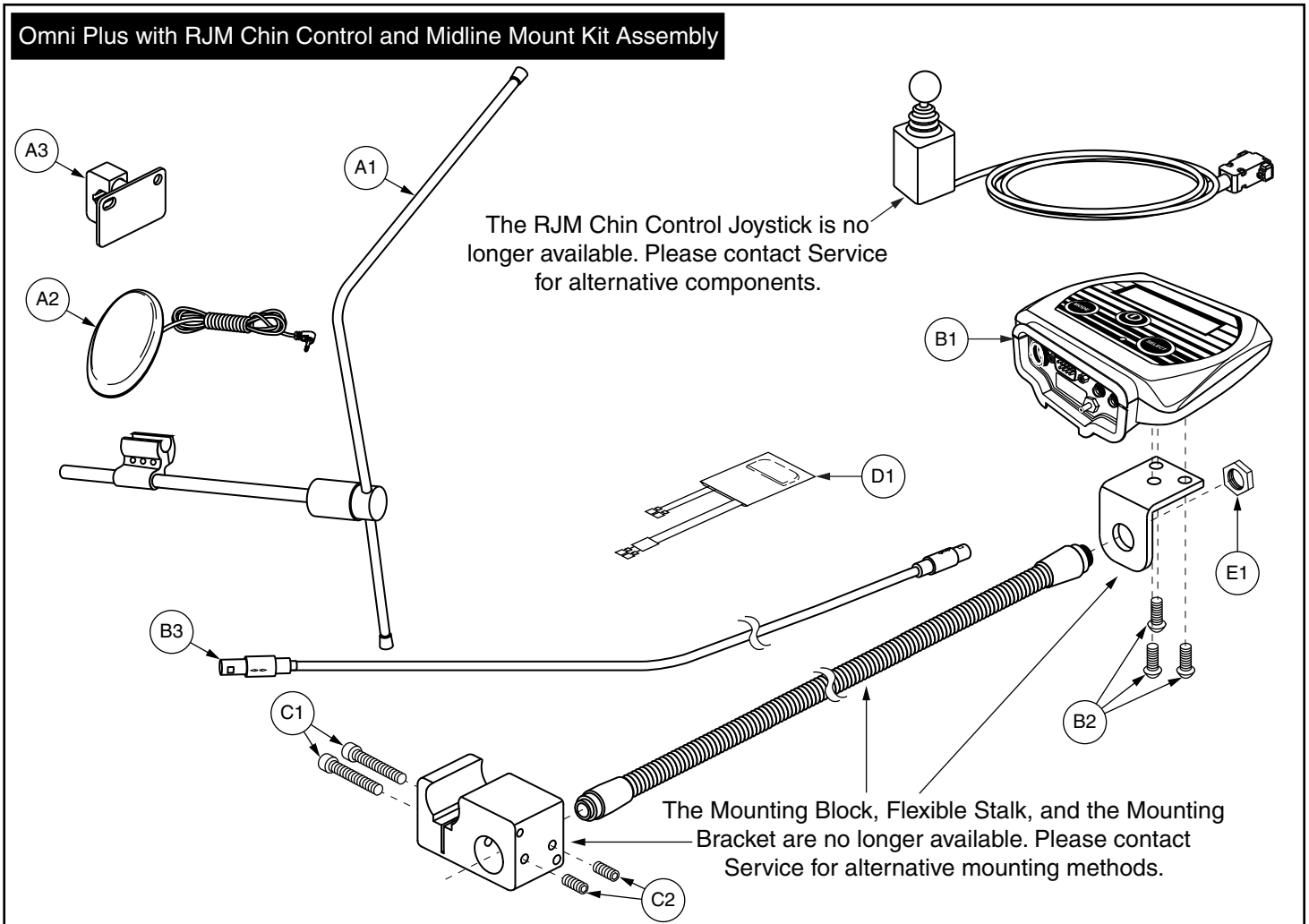


Omni Plus with HMC Mini Chin Control, Swing-away Headrest Mount and Joystick Kit Assembly

The Mini Chin Control Joystick is no longer available. Please contact Service for alternative components.



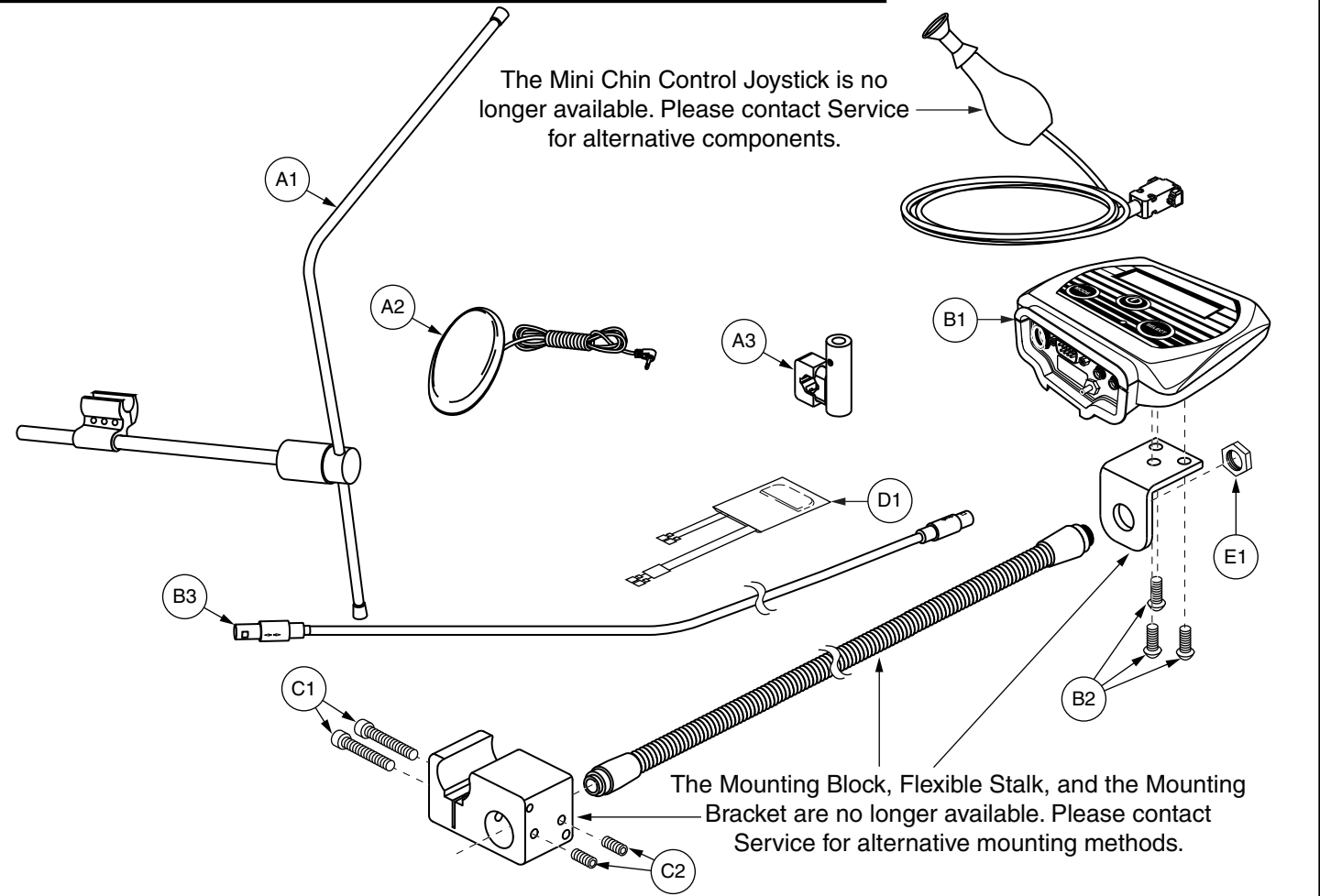
REF #	PART #	DESCRIPTION	QTY	MSRP (AU\$) ¹¹ⁱ
A1	SCRASBH1066	SCREW,BHSCS,BLACK ZINC,10-32 X 1.00"	3	5.62
A2	SWTMCRO1081	ELECTRONIC,SWITCH,BLACK,EGG,(C900-214)	1	154
A3	FRMASMB8306	MOUNTING BRACKET,HMC MINI HEADREST/SWING AWAY MOUNT	1	1050
B1	CTLDC1384	OMNI PLUS UNIVERSAL SPECIALTY CONTROL MODULE	1	3720.54
B2	SCRASBH1028	SCREW,BHSCS,BLACK ZINC,10-32 X 0.375",GR 8,W/PATCH	3	5.92
B3	HARUSHD2189	ELECTRONIC,HARNESS,1.16 LONG,REDEL CABLE, REMOTE PLUS, JOYSTICK TO TRAY,H-1010-049	1	410.96
C1	SCRALNH1013	SCREW,SHCS,BLACK ZINC,1/4-20 X 1.00"	2	6.02
C2	SCRSETS1088	SCREW,SET,BLACK ZINC,10-32 X 0.1875",W/NYLON PATCH	2	6.02
D1	ELEASMB4636	ARC PROTECTION CAPACITOR HARNESS	1	28.12
E1	NUTJAM1038	NUT,JAM,BRASS,5/8-27,B-1005-153	1	6.02



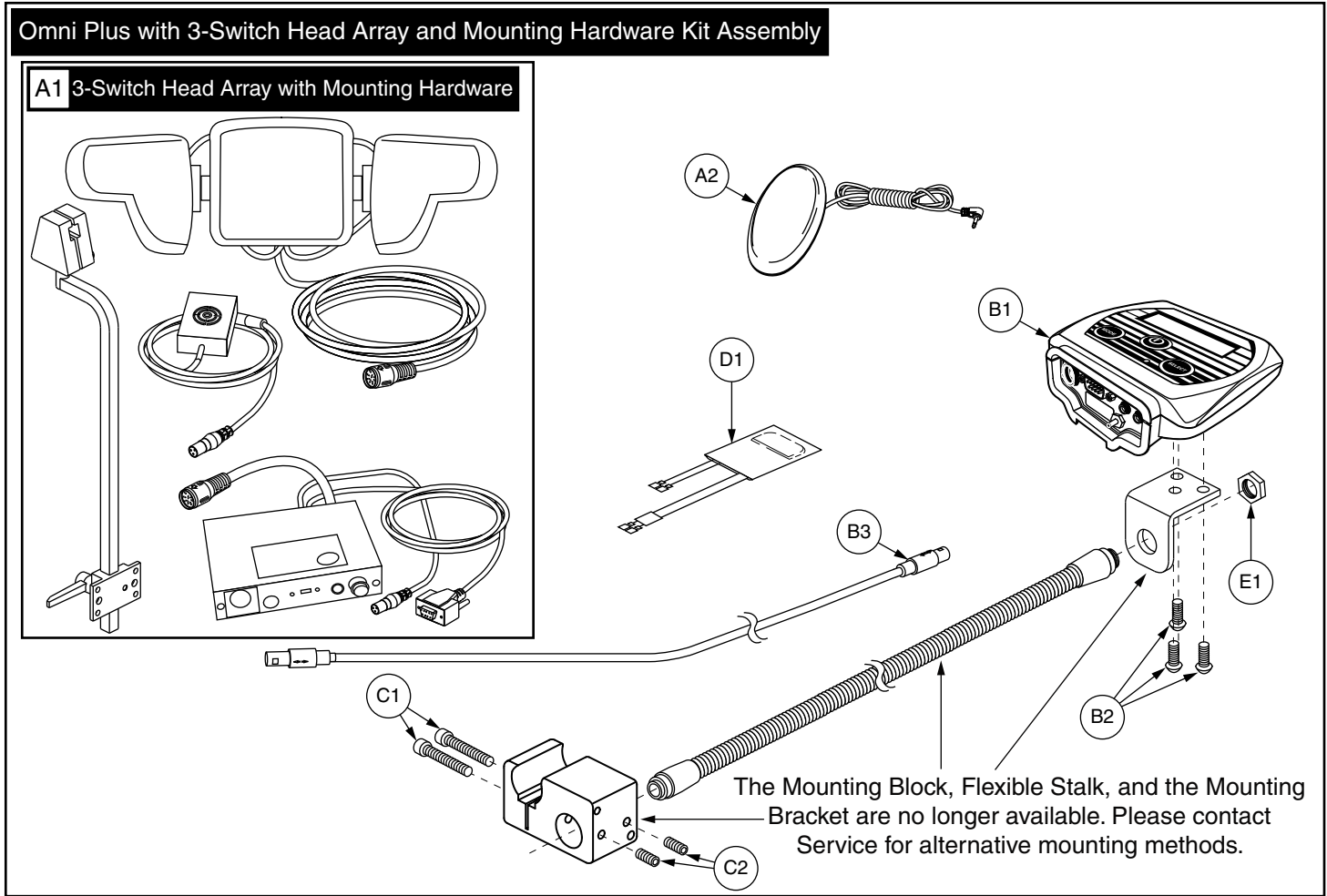
REF #	PART #	DESCRIPTION	QTY	MSRP (AU\$) ¹¹ⁱ
A1	FRMASMB8304	MOUNTING BRACKET,ASSY,MIDLINE/CHIN CONTROL,(STEALTH: GAT410P)	1	1150
A2	SWTMCRO1081	ELECTRONIC,SWITCH,BLACK,EGG,(C900-214)	1	154
A3	FRMASMB8041	MOUNTING BRACKET,ASSY,RJM MOUNT,W/MOUNTING HARDWARE	1	230.54
B1	CTLDC1384	OMNI PLUS UNIVERSAL SPECIALTY CONTROL MODULE	1	3720.54
B2	SCRASBH1028	SCREW,BHSCS,BLACK ZINC,10-32 X 0.375",GR 8,W/PATCH	3	5.92
B3	HARUSHD2189	ELECTRONIC,HARNESS,1.16 LONG,REDEL CABLE, REMOTE PLUS, JOYSTICK TO TRAY,H-1010-049	1	410.96
C1	SCRALNH1013	SCREW,SHCS,BLACK ZINC,1/4-20 X 1.00"	2	6.02
C2	SCRSETS1088	SCREW,SET,BLACK ZINC,10-32 X 0.1875",W/NYLON PATCH	2	6.02
D1	ELEASMB4636	ARC PROTECTION CAPACITOR HARNESS	1	28.12
E1	NUTJAM1038	NUT,JAM,BRASS,5/8-27,B-1005-153	1	6.02



Omni Plus with HMC Mini Chin Control, Midline Mount and Joystick Kit Assembly



REF #	PART #	DESCRIPTION	QTY	MSRP (AU\$) ¹¹ⁱ
A1	FRMASMB8304	MOUNTING BRACKET, ASSY, MIDLINE/CHIN CONTROL, (STEALTH: GAT410P)	1	1150
A2	SWTMCRO1081	ELECTRONIC, SWITCH, BLACK, EGG, (C900-214)	1	154
A3	FRMASMB4897	MOUNTING BRACKET, JOYSTICK, MINI PROPORTIONAL, B-1000-367	1	273.1
B1	CTLDC1384	OMNI PLUS UNIVERSAL SPECIALTY CONTROL MODULE	1	3720.54
B2	SCRASBH1028	SCREW, BHSCS, BLACK ZINC, 10-32 X 0.375", GR 8, W/PATCH	3	5.92
B3	HARUSHD2189	ELECTRONIC, HARNESS, 1.16 LONG, REDEL CABLE, REMOTE PLUS, JOYSTICK TO TRAY, H-1010-049	1	410.96
C1	SCRALNH1013	SCREW, SHCS, BLACK ZINC, 1/4-20 X 1.00"	2	6.02
C2	SCRSETS1088	SCREW, SET, BLACK ZINC, 10-32 X 0.1875", W/NYLON PATCH	2	6.02
D1	ELEASMB4636	ARC PROTECTION CAPACITOR HARNESS	1	28.12
E1	NUTJAM1038	NUT, JAM, BRASS, 5/8-27, B-1005-153	1	6.02



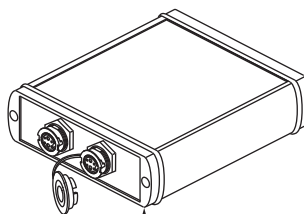
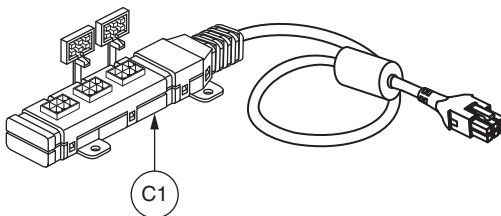
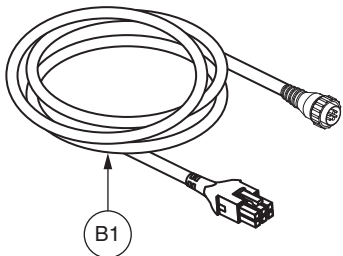
REF #	PART #	DESCRIPTION	QTY	MSRP (AU\$) ¹¹ⁱ
A1	ELEASMB4388	ELECTRONIC,ASSY,ASL 3 SWITCH HEAD ARRAY,JUNIOR,W/MOUNTING HARDWARE	1	9489.9
A2	SWTMCRO1081	ELECTRONIC,SWITCH,BLACK,EGG,(C900-214)	1	154
B1	CTLDC1384	OMNI PLUS UNIVERSAL SPECIALTY CONTROL MODULE	1	3720.54
B2	SCRASBH1028	SCREW,BHSCS,BLACK ZINC,10-32 X 0.375",GRADE 8,W/NYLON PATCH	3	5.92
B3	HARUSHD2189	ELECTRONIC,HARNESS,1.16 LONG,REDEL CABLE, REMOTE PLUS, JOYSTICK TO TRAY,H-1010-049	1	410.96
C1	SCRALNH1013	SCREW,SHCS,BLACK ZINC,1/4-20 X 1.00"	2	6.02
C2	SCRSETS1088	SCREW,SET,BLACK ZINC,10-32 X 0.1875",W/NYLON PATCH	2	6.02
D1	ELEASMB4636	ARC PROTECTION CAPACITOR HARNESS	1	28.12
E1	NUTJAM1038	NUT,JAM,BRASS,5/8-27,B-1005-153	1	6.02



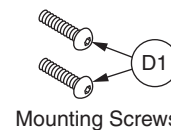
Q-Logic ECM Components

***** Enviromental Control Module Replacement*****

Please note: Units manufactured prior to January 2, 2012, **REQUIRE the selection of KITASMB7110011(A1b - B1) or CTLASMB7110097(A1b).



Ref #	Manufacture Date
A1a	After 1/2/2012
A1b	Prior to 1/2/2012



Mounting Screws

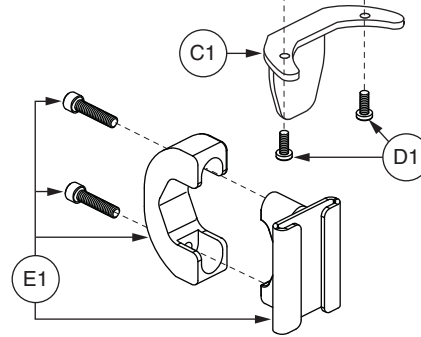
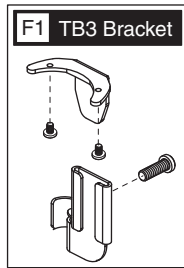
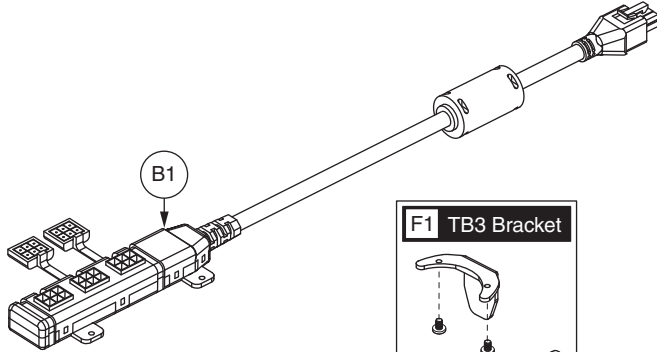
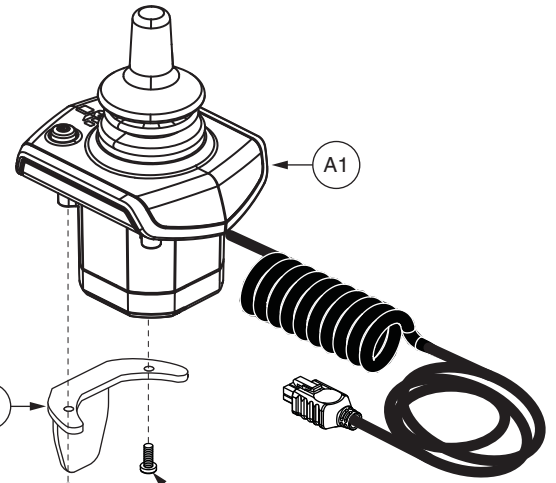
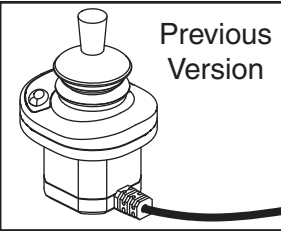
REF #	PART #	DESCRIPTION	QTY	MSRP (AU\$) ¹¹ⁱ
A1a - B1	KITASMB1696	KIT,ASSY,ENVIRONMENTAL CONTROL MODULE,W/HARNESS	1	4800
A1a	CTLDC1486	CONTROLLER,ENVIRONMENTAL CONTROL MODULE,H-1111-043,(CURTIS: 17884700)	1	4099.78
A1b - B1	KITASMB7110011	KIT,ASSY,ENVIRONMENTAL CONTROL MODULE (FW 1.04),W/HARNESS	1	5039.76
A1b	CTLASMB7110097	CONTROLLER,ENVIRONMENTAL CONTROL MODULE,(FW 1.04),Q-LOGIC	1	4099.78
B1	DWR1111H046	HARNESS,BUS CABLE,1.5 METER,SIP&PUFF/ECU,H-1111-046,(CURTIS: 17881300)	1	728.28
C1	DWR1111H053	HARNESS,MULTIPLIER BOX,0.3 METER,H-1111-053,(CURTIS: 17869700)	1	442.42
D1	SCRASBH1152	SCREW,BHSCS,BLACK ZINC,10-32 X 0.625"	2	5.72



Attendant Control Components

*****Q-Logic Stand Alone Joystick/
Attendant Control Replacement*****

****Please note: The Q-Logic 2 Stand Alone Joystick/Attendant Control replaces all previous versions of the Stand Alone Joystick/Attendant Control.****



REF #	PART #	DESCRIPTION	QTY	MSRP (AU\$) ¹¹ⁱ
A1	CTL137822	CONTROLLER,ATTENDANT CONTROL MODULE 2.0,Q-LOGIC 2,(CURTIS: 17964700-8209)	1	1670.76
B1	DWR1111H053	HARNESS,MULTIPLIER BOX,0.3 METER,H-1111-053,(CURTIS: 17869700)	1	442.42
C1	DWR1010D298	MOUNTING BRACKET,ATTENDANT BRACKET,CURTIS STAND ALONE JOYSTICK,D-1010-298	1	46.16
D1	SCRPPH1163	SCREW,PPH,BLACK ZINC,M4-.7 X 10MM	2	5.92
E1	FRMASMB10455	MOUNTING BRACKET,ASSY,ATTENDANT CONTROL,C-1010-285	1	268.48
F1	MEC125270	MOUNTING BRACKET,ASSY,ATTENDANT CONTROL,TRU-BALANCE 3	1	N/A



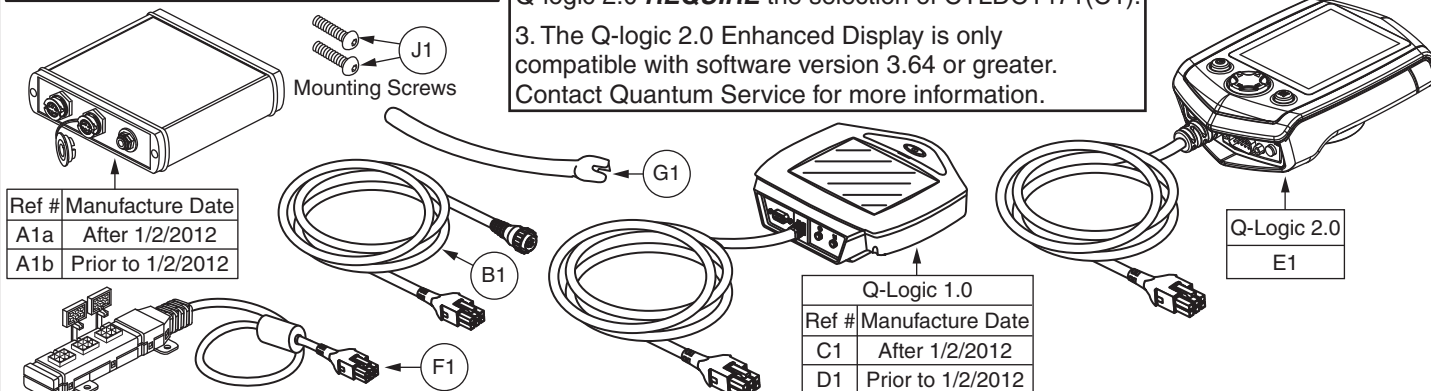
Q-Logic Sip N Puff Components

Sip & Puff Control Module Replacement

Please note: Units manufactured prior to January 2, 2012, **REQUIRE** the selection of KITASMB7110010(A1b - A1) or CTLASMB7110096(A1b).

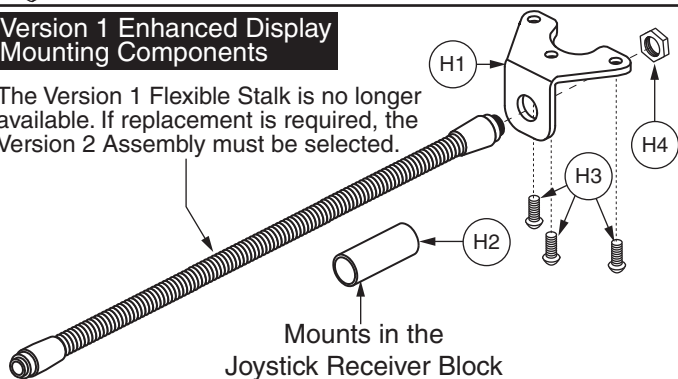
Enhanced Display Replacement

1. Units manufactured prior to January 2, 2012 with a Q-logic 1.0 Enhanced Display **REQUIRE** the selection of CTLASMB7110095(D1).
2. Units manufactured after January 2, 2012 with a Q-logic 1.0 Enhanced Display and prior to the Q-logic 2.0 **REQUIRE** the selection of CTLDC1471(C1).
3. The Q-logic 2.0 Enhanced Display is only compatible with software version 3.64 or greater. Contact Quantum Service for more information.

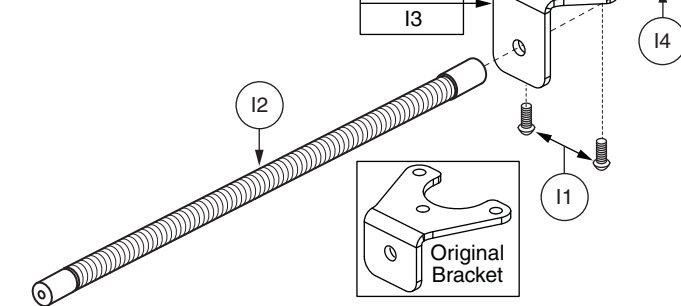


Version 1 Enhanced Display Mounting Components

The Version 1 Flexible Stalk is no longer available. If replacement is required, the Version 2 Assembly must be selected.

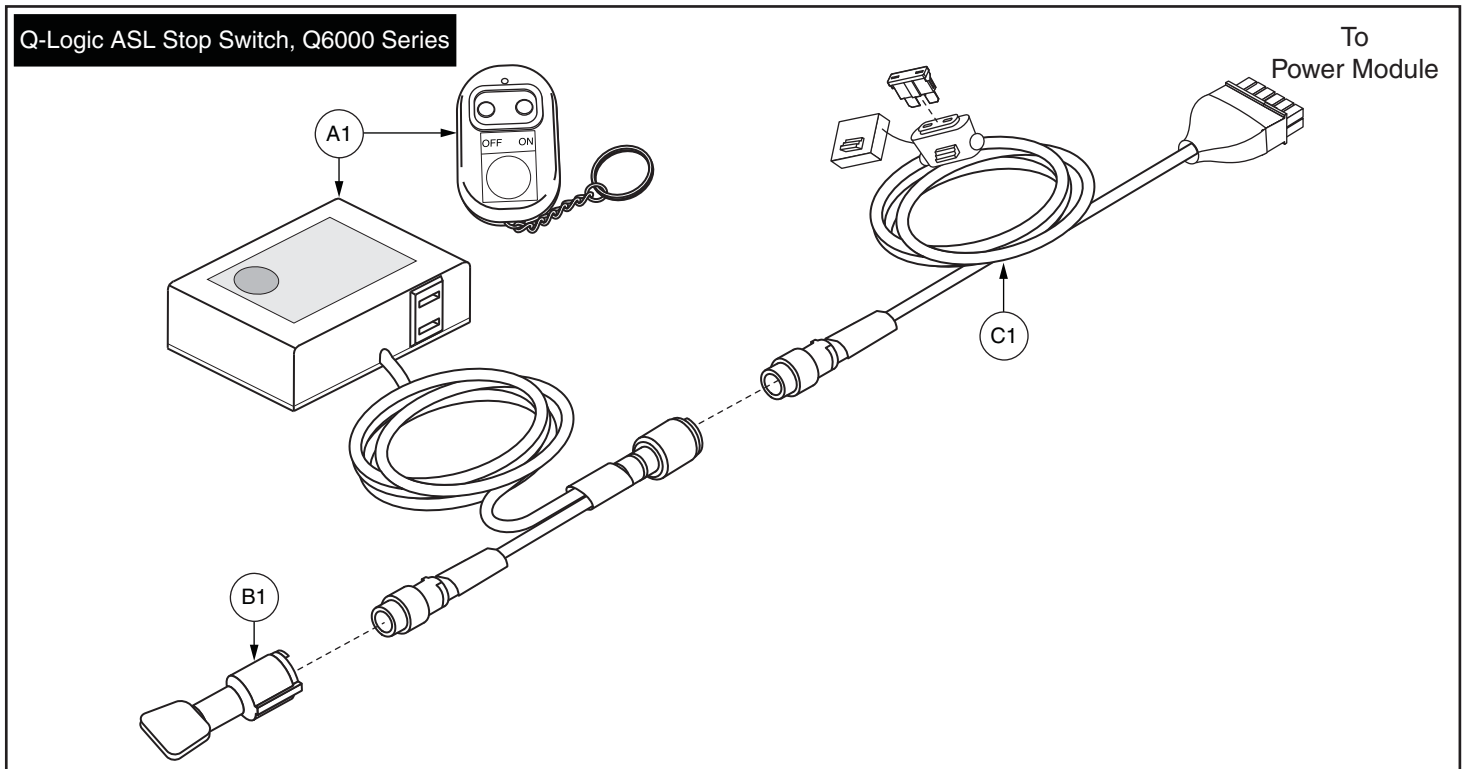


Version 2 Enhanced Display Mounting Components

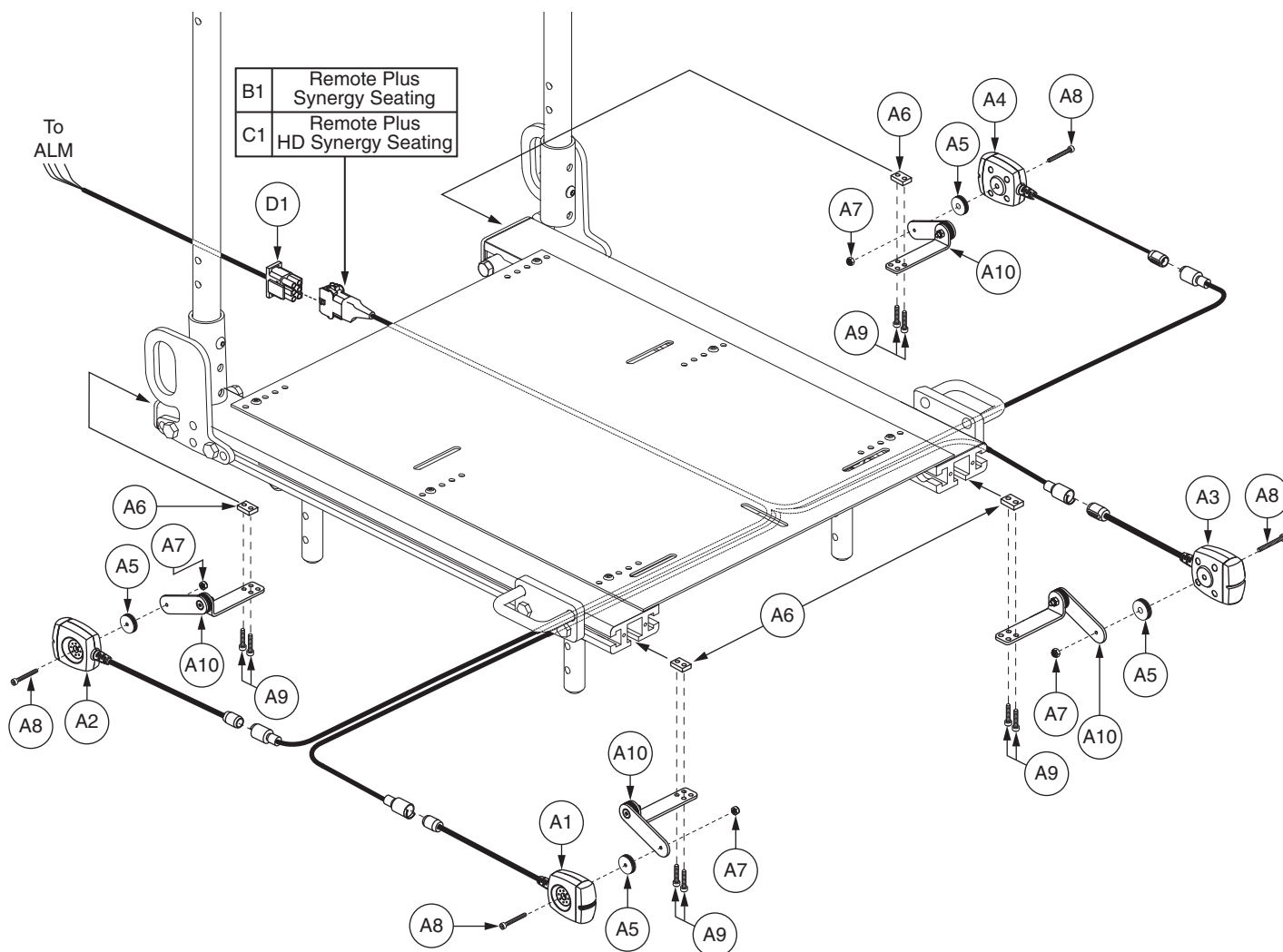


If mounting components require replacement, please visually inspect prior to order placement to ensure the proper items are selected.

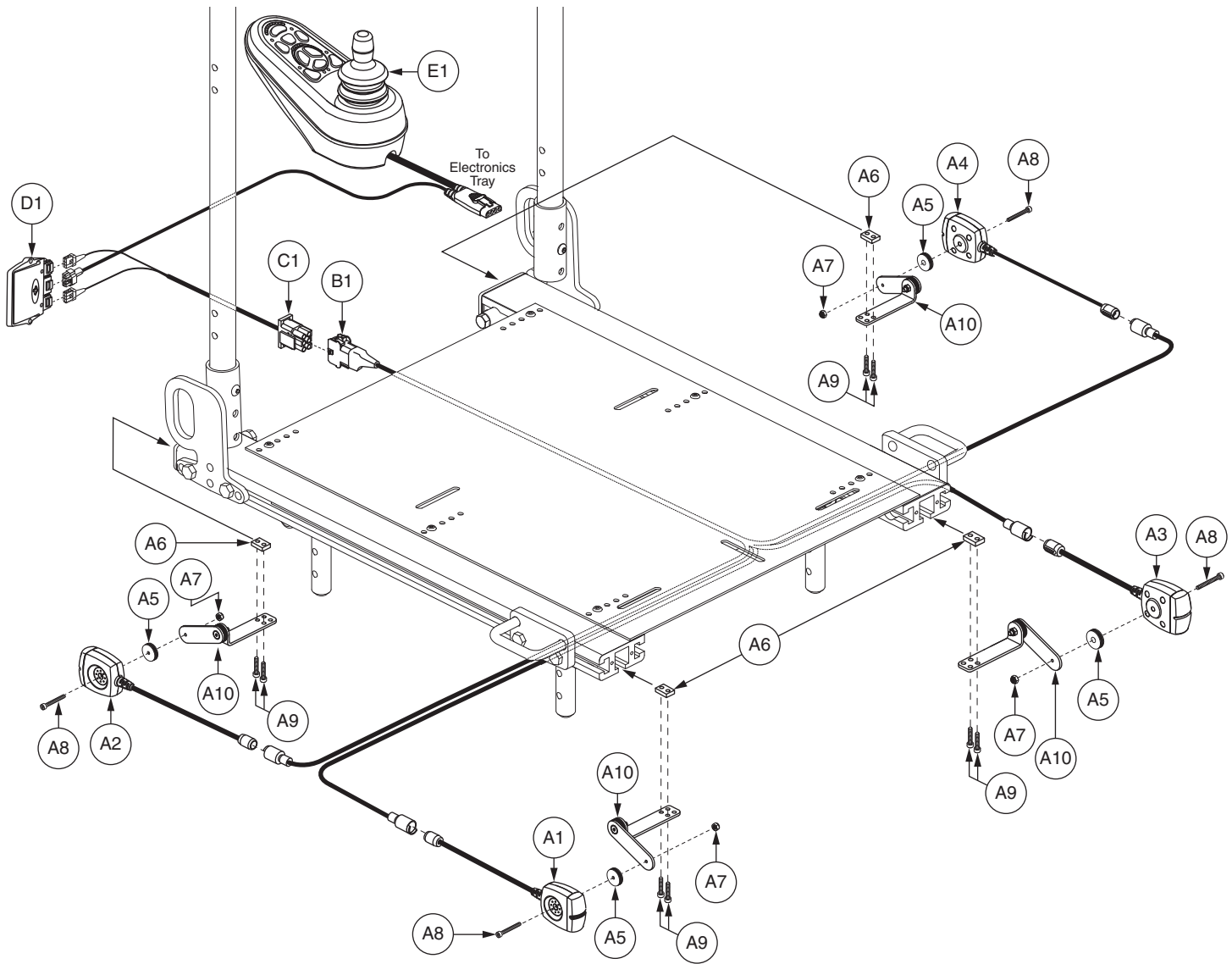
REF #	PART #	DESCRIPTION	QTY	MSRP (AU\$)
A1a - B1	KITASMB1697	KIT,ASSY,SIP & PUFF CONTROL MODULE,W/HARNESS	1	3790
A1a	CTLDC1487	CONTROLLER,SIP & PUFF MODULE,H-1111-042,(CURTIS: 17885700)	1	2500
A1b - B1	KITASMB7110010	KIT,ASSY,SIP & PUFF CONTROL MODULE (FW 1.07),W/HARNESS	1	3200
A1b	CTLASMB7110096	CONTROLLER,SIP & PUFF CONTROL MODULE,(FW 1.07),Q-LOGIC	1	2500
B1	DWR1111H046	HARNESS,BUS CABLE,1.5M,SIP&PUFF/ECU,(CURTIS:17881300)	1	728.28
C1	CTLDC1471	CONTROLLER,ENHANCED COLOR GRAPHICAL DISPLAY,W/BLOCK TOOTH,H-1111-026,(CURTIS: 17868700)	1	3440
D1	CTLASMB7110095	CONTROLLER,ENHANCED COLOR DISPLAY,(FW 1.71),Q-LOGIC	1	3440
E1	CTL134180	CONTROLLER,ENHANCED COLOR GRAPHICAL DISPLAY 2.0,Q-LOGIC 2,W/BLOCK TOOTH & SHROUD,(CURTIS:17955700-8309)	1	3440
F1	DWR1111H053	HARNESS,MULTIPLIER BOX,0.19 METER,(CURTIS:17869700-02)	1	442.42
G1	INDPART2646	SIP N PUFF,AIR TUBE STRAW,10 PACK,(THERAFIN: 32698)	1	40
H1	DWR1010D313	MOUNTING BRACKET,ENHANCED DISPLAY CONTROLLER,Q-LOGIC	1	71.1
H2	DWR1010C386	GOOSENECK SLEEVE,BLACK,2.00" L X .625" ID X .750" OD	1	15.5
H3	SCRPPH1383	SCREW,PPH,BLACK ZINC,M5-.8 X 8MM	3	5.62
H4	NUTJAM1038	NUT,JAM,BRASS,5/8-27,B-1005-153	1	6.02
I1	SCRPPH1383	SCREW,PPH,BLACK ZINC,M5-.8 X 8MM	2	5.62
I2	DWR1010D446	MOUNTING BRACKET,FLEXIBLE,DISPLAY MOUNT	1	253.82
I3	MEC143421	MOUNTING BRACKET,ENHANCED DISPLAY CONTROLLER V2,Q-LOGIC	1	N/A
I4	SCRASBH1014	SCREW,BHSCS,BLACK ZINC,1/4-20 X 0.750"	1	5.92
J1	SCRASBH1152	SCREW,BHSCS,BLACK ZINC,10-32 X 0.625"	2	5.72



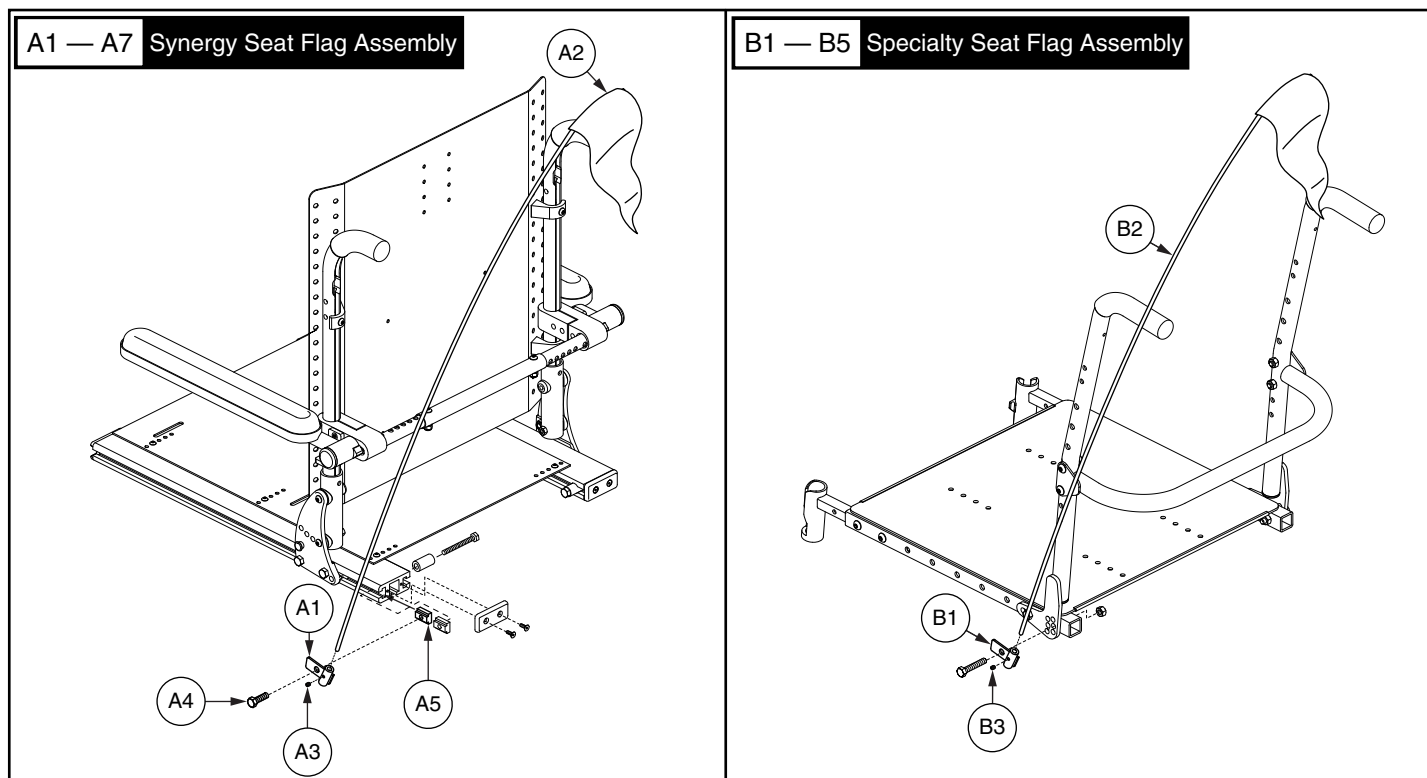
REF #	PART #	DESCRIPTION	QTY	MSRP (AU\$) ¹¹ⁱ
A1	CTLDC1527	ELECTRONIC,ASL REMOTE STOP SWITCH,CURTIS/Q-LOGIC,(ASL: ASL504CURTIS)	1	1470
B1	DWR1361H038	ELECTRONIC,HARNESS,RUN PLUG,SURE SEAL,SYNERGY TILT,H-1361-038	1	46.16
C1	DWR1265H021	ELECTRONIC,HARNESS,POWER TAKE OFF(PTO)/INHIBIT,CURTIS,H-1265-021	1	84.86



REF #	PART #	DESCRIPTION	QTY	MSRP (AU\$)	11i
A1 - A10	ELEASMB5719	FULL LIGHT,ASSY,12V,LED LIGHTS,SYNERGY SEAT,E-1010-754	1	790.86	
A1	ELEASMB7120024	FULL LIGHT,ASSY,WHITE/AMBER,LED LIGHTS,FRONT/RIGHT	1	188.92	
A2	ELEASMB7120026	LIGHT,ASSY,RED/AMBER,LED E-MARKED LIGHTS,REAR/RIGHT	1	168.68	
A3	ELEASMB7120023	FULL LIGHT,ASSY,WHITE/AMBER,LED E-MARKED LIGHTS,FRONT/LEFT	1	188.92	
A4	ELEASMB7120025	LIGHT,ASSY,RED/AMBER,LED E-MARKED LIGHTS,REAR/LEFT	1	168.68	
A5	DWR1010B161	SPACER,BLACK,PLASTIC,0.157" ID X 0.866" OD X 0.22" TH,B-1010-161	4	5.62	
A6	DWR1010B173	SLOT NUT,SYNERGY/EURO LED LIGHTS,B-1010-173	4	24.28	
A7	NUTNYLK1065	NUT,NYLOCK,BLACK ZINC,M4-.7	4	5.92	
A8	SCRSHCS1237	SCREW,SHCS,BLACK ZINC,M4-.7 X 35MM	4	5.72	
A9	SCRSHCS1096	SCREW,SHCS,BLACK ZINC,M4-.7 X 20MM	8	5.72	
A10	FRMASMB10938	MOUNTING BRACKET,ASSY,LED LIGHTS,SYNERGY,B-1010-172	4	15.02	
B1	DWR1010H135	ELECTRONIC,HARNESS,FULL LIGHT,LED,EURO/SYNERGY	1	677.68	
C1	DWR1505H056	ELECTRONIC,HARNESS,FULL LIGHT,LED,H-1505-056	1	641	
D1	DWR1505H011	ELECTRONIC,HARNESS,FULL LIGHT,REMOTE PLUS,H-1505-011	1	N/A	



REF #	PART #	DESCRIPTION	QTY	MSRP (AU\$) ¹¹ⁱ
A1 - A10	ELEASMB5719	FULL LIGHT,ASSY,12V,LED LIGHTS,SYNERGY SEAT,E-1010-754	1	790.86
A1	ELEASMB7120024	FULL LIGHT,ASSY,WHITE/AMBER,LED LIGHTS,FRONT/RIGHT	1	188.92
A2	ELEASMB7120026	LIGHT,ASSY,RED/AMBER,LED E-MARKED LIGHTS,REAR/RIGHT	1	168.68
A3	ELEASMB7120023	FULL LIGHT,ASSY,WHITE/AMBER,LED E-MARKED LIGHTS,FRONT/LEFT	1	188.92
A4	ELEASMB7120025	LIGHT,ASSY,RED/AMBER,LED E-MARKED LIGHTS,REAR/LEFT	1	168.68
A5	DWR1010B161	SPACER,BLACK,PLASTIC,0.157" ID X 0.866" OD X 0.22" TH,B-1010-161	4	5.62
A6	DWR1010B173	SLOT NUT,SYNERGY/EURO LED LIGHTS,B-1010-173	4	24.28
A7	NUTNYLK1065	NUT,NYLOCK,BLACK ZINC,M4-.7	4	5.92
A8	SCRSHCS1237	SCREW,SHCS,BLACK ZINC,M4-.7 X 35MM	4	5.72
A9	SCRSHCS1096	SCREW,SHCS,BLACK ZINC,M4-.7 X 20MM	8	5.72
A10	FRMASMB10938	MOUNTING BRACKET,ASSY,LED LIGHTS,SYNERGY,B-1010-172	4	15.02
B1	DWR1505H056	ELECTRONIC,HARNESS,FULL LIGHT,LED,H-1505-056	1	641
C1	DWR1505H010	ELECTRONIC,HARNESS,FULL LIGHT, VSI,H-1505-010	1	N/A
D1	CTLDC1300	ELECTRONIC,LIGHT MODULE,VSI,H-1010-056,(P&G:D50242)	1	376.72
E1	CTLDC1505	CONTROLLER,JOYSTICK MODULE,9 KEY,ACTUATORS & LIGHTS,VR2,H-1010-130,(P&G: D50871)	1	938.2

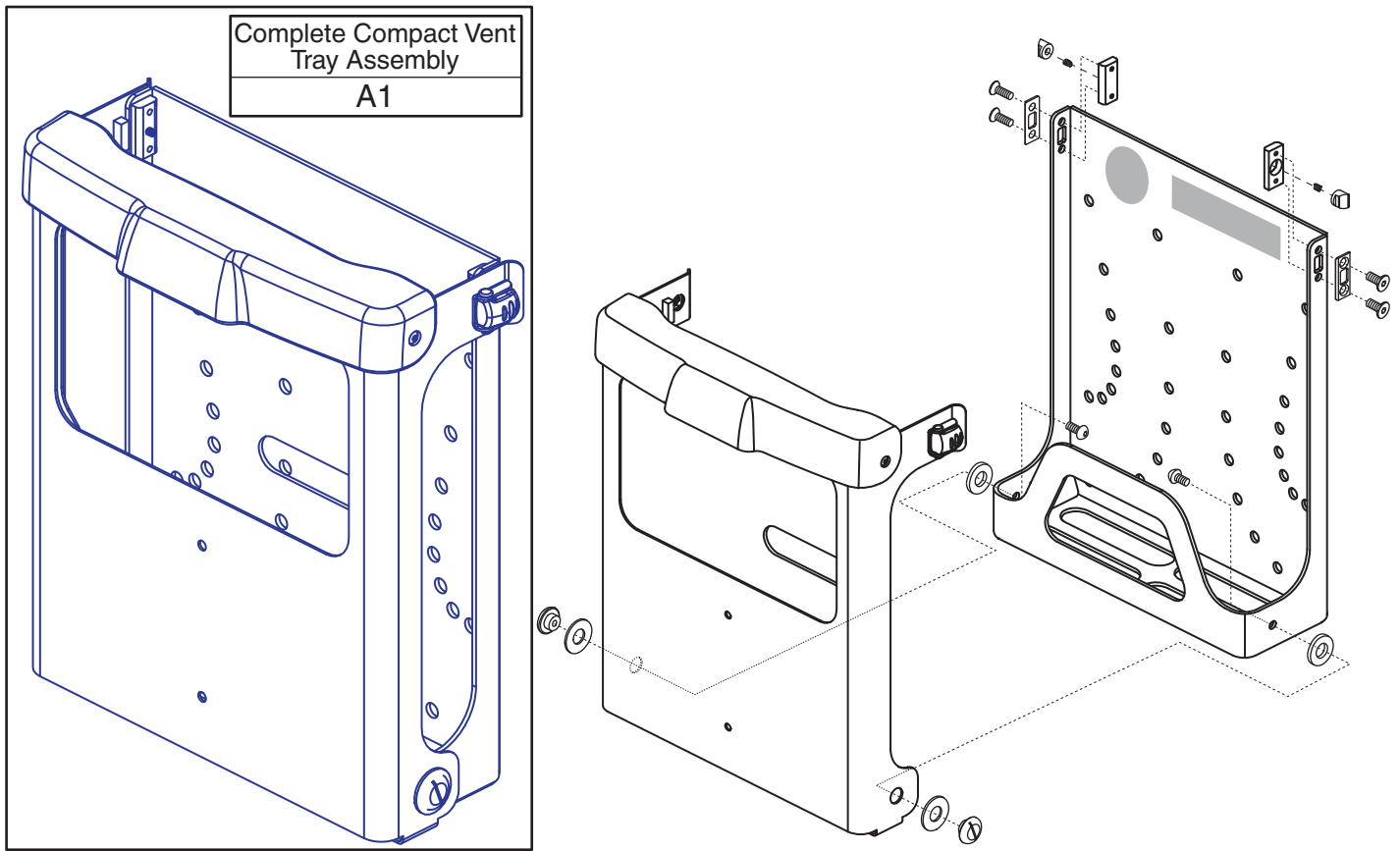


REF #	PART #	DESCRIPTION	QTY	MSRP (AU\$) ¹¹ⁱ
A1 - A7	ACCASMB2415	FLAG KIT,ASSY,SYNERGY SEAT	1	170.04
A1	DWR1010D366	MOUNTING BRACKET,FLAG HOLDER WELDMENT,SYNERGY SEAT	1	71.4
A2	ACCFLAG1000	FLAG,ORANGE	1	67.62
A3	SCRSETS1027	SCREW,SET,BLACK ZINC,10-32 X 0.25"	1	5.62
A4	SCRHHCS1301	SCREW,HHCS,BLACK ZINC,5/16-18 X .50",GR 8,W/PATCH	1	5.9
A5	DWR1360A004	T-NUT,5/16-18 X 0.875",A-1360-004	1	12.06
*A6	PROZBAG1002	BAG,4" X 6" WITH HOLE,ZIPLOCK	1	N/A
*A7	INFINFB2241	MANUAL,INSTALLATION INSTRUCTIONS,MOUNTING A FLAG KIT ON A SYNERGY SEAT OR SPECIALTY SEAT	1	11.24
B1 - B5	ACCASMB2416	FLAG KIT,ASSY,SPECIALTY SEAT	1	N/A
B1	DWR1010D366	MOUNTING BRACKET,FLAG HOLDER WELDMENT,SYNERGY SEAT	1	71.4
B2	ACCFLAG1000	FLAG,ORANGE	1	67.62
B3	SCRSETS1027	SCREW,SET,BLACK ZINC,10-32 X 0.25"	1	5.62
*B4	PROZBAG1002	BAG,4" X 6" WITH HOLE,ZIPLOCK	1	N/A
*B5	INFINFB2241	MANUAL,INSTALLATION INSTRUCTIONS,MOUNTING A FLAG KIT ON A SYNERGY SEAT OR SPECIALTY SEAT	1	11.24

Notes :

- *A6 Not shown.
- *A7 Not shown.
- *B4 Not shown.
- *B5 Not shown.

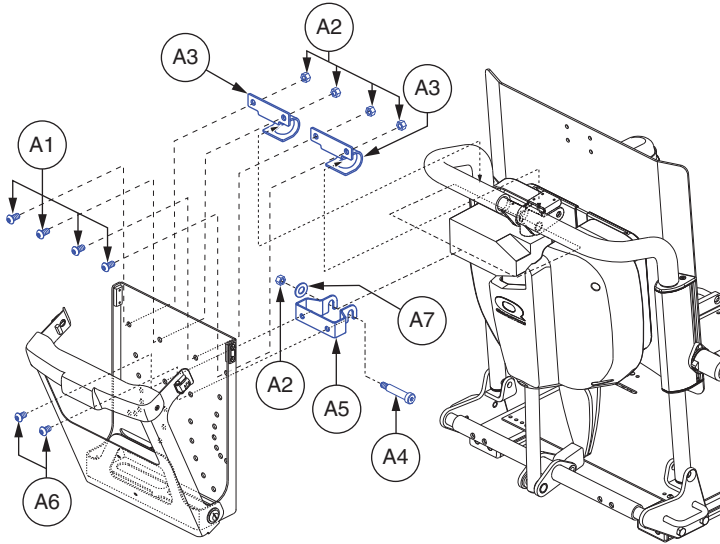
XVII. Compact Vent Tray Assembly — Tray



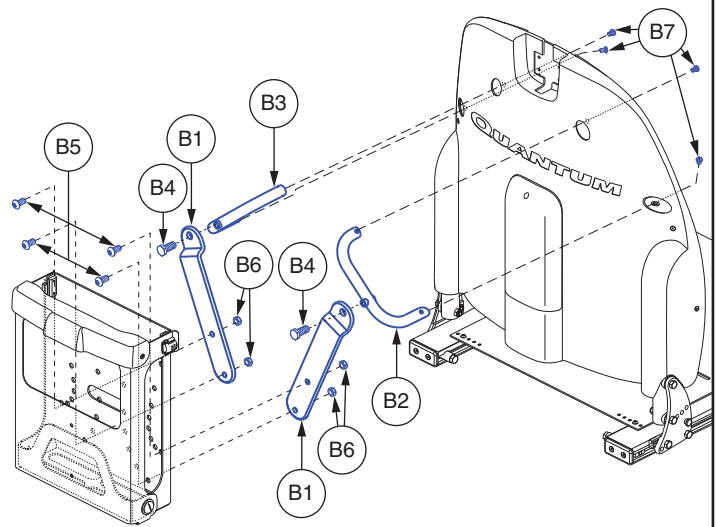
REF #	PART #	DESCRIPTION	QTY	MSRP (AU\$) ¹¹ⁱ
A1	FRMASMB13753	COMPACT VENT TRAY,ASSY,W/DECAL & QUICK START GUIDE	1	1429.28



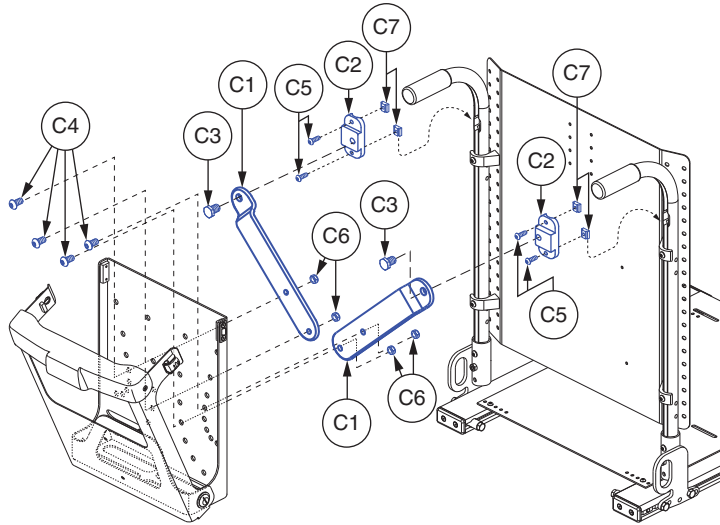
A1 - A7 TB2 Recline Mounting Kit - FRMASMB11925



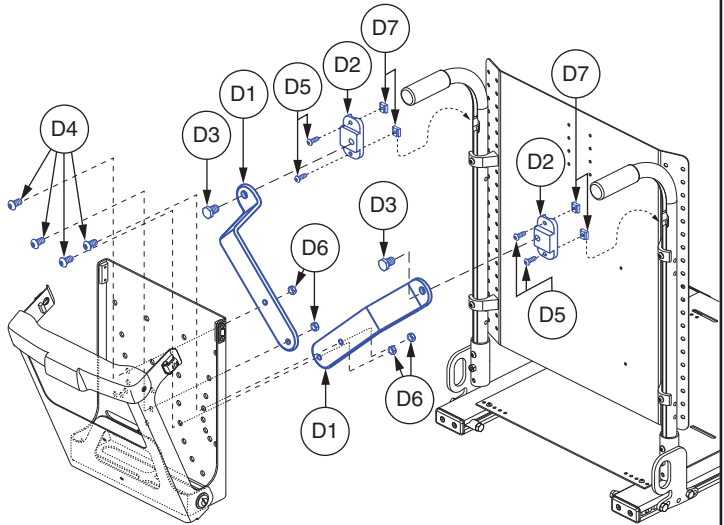
B1 - B7 TRU-Comfort Mounting Kit - FRMASMB11926



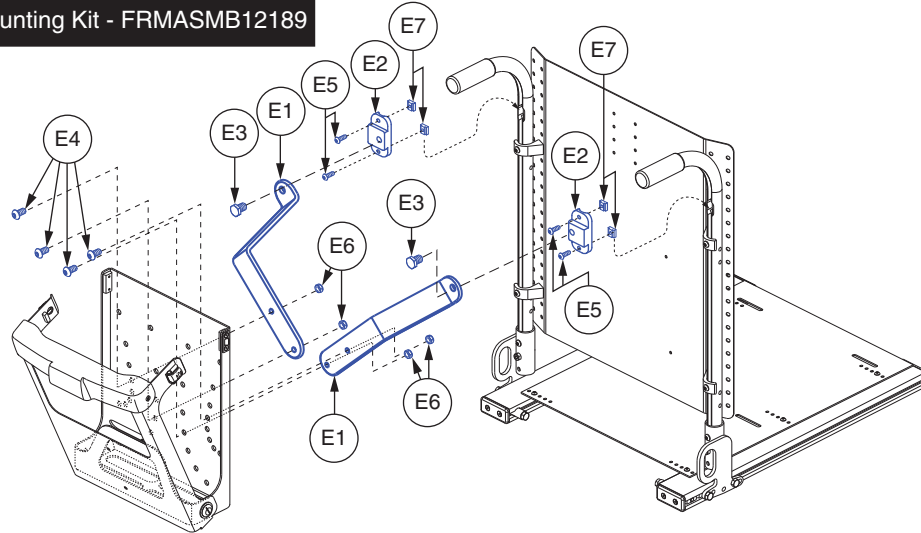
C1 - C7 Synergy No Offset Mounting Kit - FRMASMB12187



D1 - D7 Synergy 3" Offset Mounting Kit - FRMASMB12188



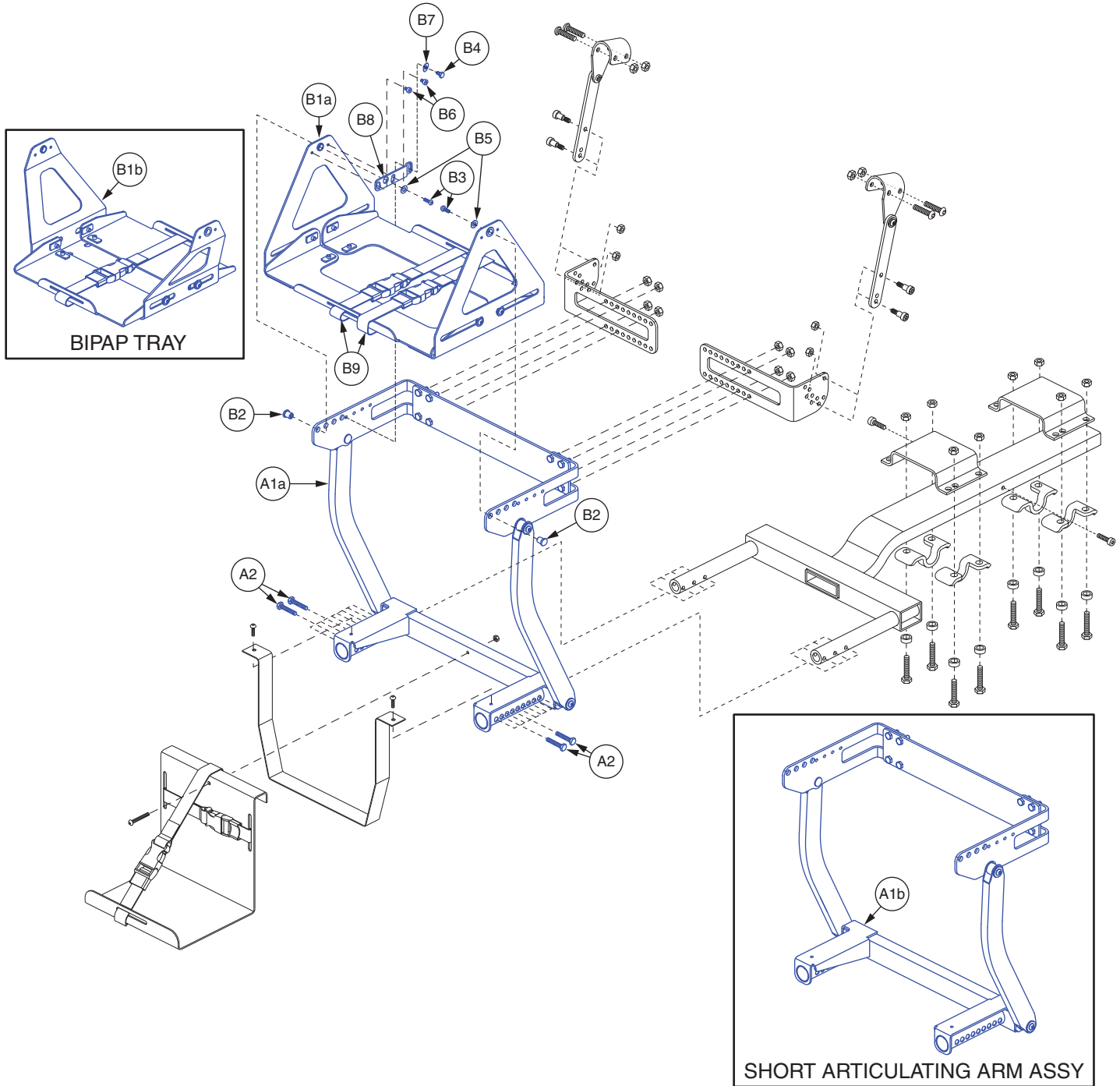
E1 - E7 Synergy 6" Offset Mounting Kit - FRMASMB12189



XVII. Compact Vent Tray Assembly — Mounting Kits



REF #	PART #	DESCRIPTION	QTY	MSRP (AU\$) ¹¹ⁱ
A1 - A7	FRMASMB11925	MOUNTING KIT,TB2 POWER RECLINE FOR COMPACT VENT TRAY	1	270.86
A1	SCRASBH1143	SCREW,BHSCS,BLACK ZINC,3/8-16 X 0.750",GRADE 8	4	5.62
A2	NUTNYLK1006	NUT,NYLOCK,BLACK ZINC,3/8-16	5	5.92
A3	DWR2100D022	MOUNTING CLAMP BRACKET,TRU-BALANCE POWER 2 RECLINE	2	89.32
A4	BLTASHL1190	BOLT,SHOULDER,1/2" X 2.00"	1	13.5
A5	DWR2100C054	MOUNTING SPACER WELDMENT,TRU-BALANCE 2 POWER RECLINE	1	5.62
A6	SCRASBH1244	SCREW,BHSCS,BLACK ZINC,3/8-16 X 0.50",W/NYLON PATCH	2	5.62
A7	WASSTND1034	WASHER,FLAT,BLACK ZINC,0.504"ID X 1.062"OD X 0.062"TH	1	5.9
B1 - B7	FRMASMB11926	MOUNTING KIT,TRU-COMFORT FOR COMPACT VENT TRAY	1	1054.4
B1	DWR2100E005	COMPACT VENT TRAY ARM,E-2100-005	2	92.16
B2	DWR2100E020	FRAME,ADAPTER WELDMENT,TRU-COMFORT,CVT,RIGHT HAND	1	414.96
B3	DWR2100E019	FRAME,ADAPTER WELDMENT,TRU-COMFORT,CVT,LEFT HAND	1	414.96
B4	SCRHHCS1432	SCREW,HHCS,BLACK ZINC,3/8-16 X 1.00",GR 8,W/PATCH	2	5.62
B5	SCRASBH1143	SCREW,BHSCS,BLACK ZINC,3/8-16 X 0.750",GRADE 8	4	5.62
B6	NUTNJAM1023	NUT,NYLOCK JAM,BLACK ZINC,3/8-16	4	5.62
B7	SCRASBH1157	SCREW,BHSCS,BLACK ZINC,1/4-20 X 0.375",W/NYLON PATCH	4	N/A
C1 - C7	FRMASMB12187	MOUNTING KIT,SYNERGY SEAT,COMPACT VENT TRAY,NO OFFSET	1	699.26
C1	DWR2100E005	COMPACT VENT TRAY ARM,E-2100-005	2	92.16
C2	DWR2100C021	FRAME,T-SLOT BRACKET,C-2100-021	2	212.7
C3	SCRHHCS1520	SCREW,HHCS,BLACK ZINC,1/2-13 X 0.750",GR 8,W/PATCH	2	5.62
C4	SCRASBH1143	SCREW,BHSCS,BLACK ZINC,3/8-16 X 0.750",GRADE 8	4	5.62
C5	SCRASBH1210	SCREW,BHSCS,BLACK ZINC,1/4-20 X .750",GR 8,W/PATCH	4	6.56
C6	NUTNJAM1023	NUT,NYLOCK JAM,BLACK ZINC,3/8-16	4	5.62
C7	DWR1360A002	T-NUT,1/4-20 X 0.5625",A-1360-002	4	7.02
D1 - D7	FRMASMB12188	MOUNTING KIT,SYNERGY SEAT,COMPACT VENT TRAY,3" OFFSET	1	709.32
D1	DWR2100D006	COMPACT VENT TRAY ARM,3" OFFSET,SYNERGY SEAT,D-2100-006	2	75.46
D2	DWR2100C021	FRAME,T-SLOT BRACKET,C-2100-021	2	212.7
D3	SCRHHCS1520	SCREW,HHCS,BLACK ZINC,1/2-13 X .750",GR 8,W/PATCH	2	5.62
D4	SCRASBH1143	SCREW,BHSCS,BLACK ZINC,3/8-16 X 0.750",GRADE 8	4	5.62
D5	SCRASBH1210	SCREW,BHSCS,BLACK ZINC,1/4-20 X .750",GR 8,W/PATCH	4	6.56
D6	NUTNJAM1023	NUT,NYLOCK JAM,BLACK ZINC,3/8-16	4	5.62
D7	DWR1360A002	T-NUT,1/4-20 X 0.5625",A-1360-002	4	7.02
E1 - E7	FRMASMB12189	MOUNTING KIT,SYNERGY SEAT,COMPACT VENT TRAY,6" OFFSET	1	772.64
E1	DWR2100D007	COMPACT VENT TRAY ARM,6" OFFSET,SYNERGY SEAT,D-2100-007	2	85.84
E2	DWR2100C021	FRAME,T-SLOT BRACKET,C-2100-021	2	212.7
E3	SCRHHCS1520	SCREW,HHCS,BLACK ZINC,1/2-13 X .750",GR 8,W/PATCH	2	5.62
E4	SCRASBH1143	SCREW,BHSCS,BLACK ZINC,3/8-16 X 0.750",GRADE 8	4	5.62
E5	SCRASBH1210	SCREW,BHSCS,BLACK ZINC,1/4-20 X .750",GR 8,W/PATCH	4	6.56
E6	NUTNJAM1023	NUT,NYLOCK JAM,BLACK ZINC,3/8-16	4	5.62
E7	DWR1360A002	T-NUT,1/4-20 X 0.5625",A-1360-002	4	7.02





REF #	PART #	DESCRIPTION	QTY	MSRP (AU\$) ¹¹ⁱ
**A1a - A2	FRMASMB12514	LONG ARMS,ARTICULATING VENT TRAY,W/MOUNTING HARDWARE	1	1914.92
**A1b - A2	FRMASMB12513	SHORT ARMS,ARTICULATING VENT TRAY,W/MOUNTING HARDWARE	1	1787.98
A1a	FRMASMB12260	LONG ARMS,ASSY,ARTICULATING VENT TRAY,E-2100-043	1	1765.48
A1b	FRMASMB12262	SHORT ARMS,ASSY,ARTICULATING VENT TRAY,E-2100-044	1	2275.44
A2	SCRHHCS1365	SCREW,HHCS,BLACK ZINC,5/16-18 X 1.00",GR 8,W/PATCH	4	5.72
B1a - B12	FRMASMB12511	VENT TRAY,ARTICULATING VENT TRAY,W/MOUNTING HARDWARE	1	1399.74
B1b - B12	FRMASMB12512	BIPAP TRAY,ARTICULATING VENT TRAY,W/MOUNTING HARDWARE	1	1179.6
B1a	FRMASMB12259	VENT TRAY,ASSY,ARTICULATING VENT TRAY,E-2100-041	1	883.2
B1b	FRMASMB12261	BIPAP TRAY,ASSY,ARTICULATING VENT TRAY,E-2100-042	1	755.86
B2	DWR2100B019	FRAME,MAIN TRAY,GIMBLE PIN,ARTICULATING VENT TRAY	2	85.14
B3	SCRASBH1147	SCREW,BHSCS,BLACK ZINC,10-32 X 0.250",W/NYLON PATCH	2	5.72
B4	SCRHHCS1627	SCREW,HHCS,BLACK ZINC,1/4-20 X 0.375",W/NYLON PATCH	1	5.9
B5	WASSAE1003	WASHER,FLAT,BLACK ZINC,1/4,,.281"ID X .625"OD X .0625"TH	2	6.46
B6	SCRSHCS1257	SCREW,SHCS,BLACK ZINC,10-32 X .1875",W/PATCH	2	5.62
B7	WASLOCK1000	WASHER,LOCK,BLACK ZINC,1/4"	1	14.48
B8	DWR2100C050	ADJUSTMENT PLATE,GIMBLE PIN,ARTICULATING VENT TRAY	1	59.76
***B9	ACCSTRP1054	STRAP,NYLON WEBBING,0.98" W X 60"L,W/BUCKLE,D-2100-035	2	51.3
*B10	DWR1234L072	DECAL,ICON,1.375" X 0.6875",OWNERS MANUAL/SCISSOR PINCH POINT,L-1234-072	1	5.92
*B11	DWR1235L265	DECAL,VENT TRAY WARNINGS,L-1235-265	1	26.82
*B12	DWR1235L269	DECAL,ICON,MAXIMUM WEIGHT CAPACITY,40LBS/18KG,L-1235-269	1	N/A

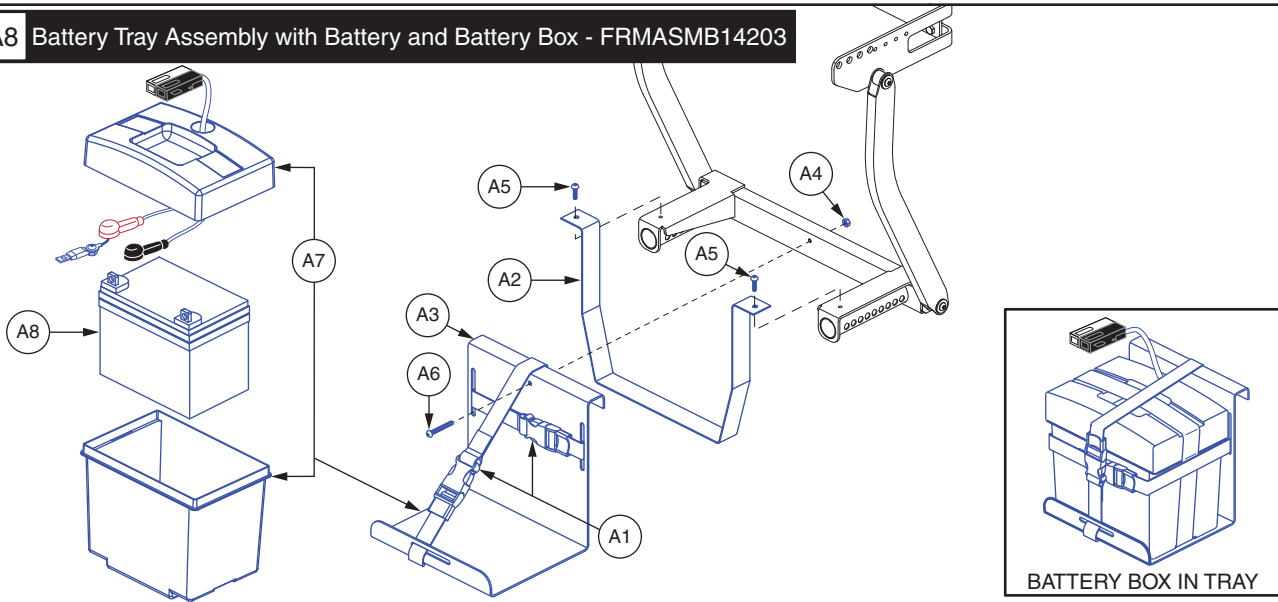
Notes :

Top-level assemblies will include components designated with corresponding lower-case letters. Parts without lower-case extensions will be included in all top-level assemblies. All items designated with an "***" are not shown.

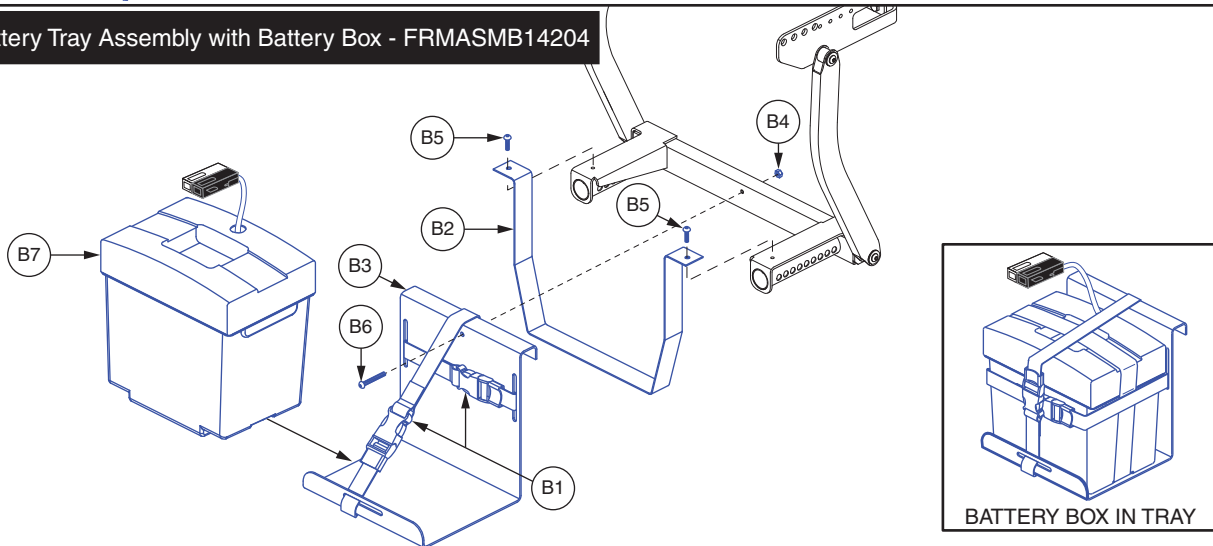
- **A1a - A2 This assembly is utilized with the selection of the TB2 Recline, TB2 Tilt and Recline, 20"-25" Back Cane Height, or 25"H Tru-Comfort back assemblies.
- **A1b - A2 This assembly is utilized with the selection of 14"-19" Back Cane Height or 22"H Tru-Comfort back assemblies.
- ***B9 This item is a quantity of one when it is utilized with the Bipap Tray.



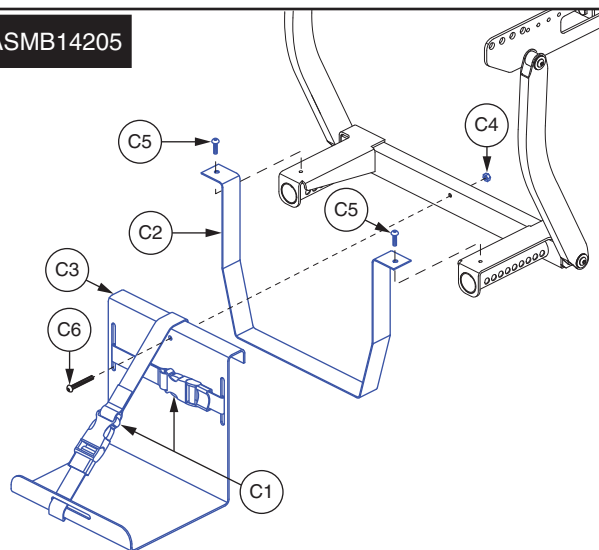
A1 - A8 Battery Tray Assembly with Battery and Battery Box - FRMASMB14203



B1 - B7 Battery Tray Assembly with Battery Box - FRMASMB14204



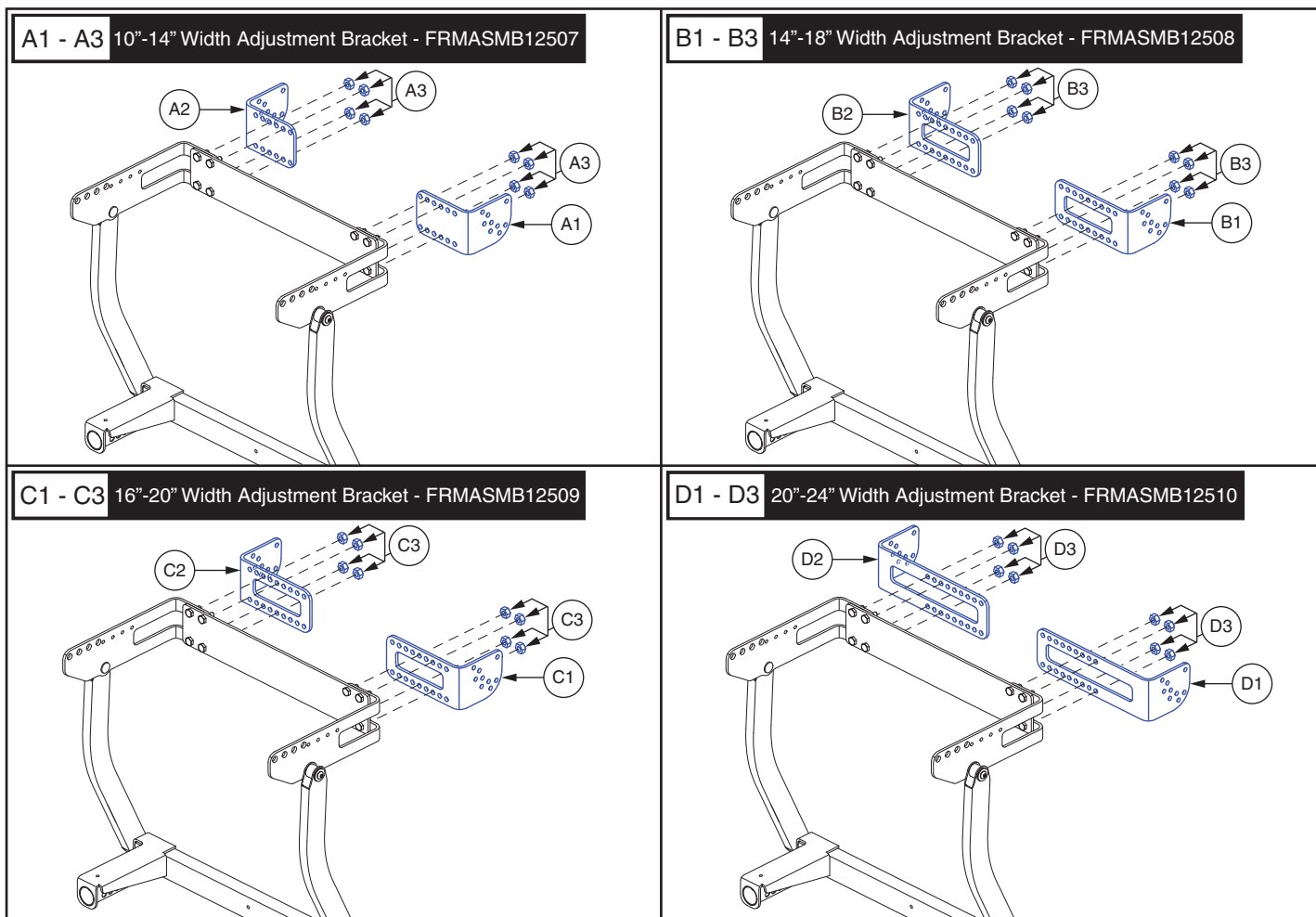
C1 - C6 Battery Tray Assembly - FRMASMB14205



XVIII. Articulating Vent Tray Assembly — Battery Trays



REF #	PART #	DESCRIPTION	QTY	MSRP (AU\$) ¹¹ⁱ
A1 - A8	FRMASMB14203	BATTERY TRAY,ASSY,W/BATTERY & MOUNTING HARDWARE,ARTICULATING VENT TRAY	1	1006.02
A1	ACCSTRP1054	STRAP,NYLON WEBBING,0.98" W X 60"L,W/BUCKLE,D-2100-035	2	51.3
A2	DWR2100E036	BATTERY,SUPPORT STRAP,BLACK,PVT,E-2100-036	1	115.04
A3	DWR2100E016	FRAME,BATTERY TRAY,LOWER,U1,E-2100-016	1	203.2
A4	NUTNJAM1014	NUT,NYLOCK JAM,BLACK ZINC,1/4-20	1	5.72
A5	SCRASBH1094	SCREW,BHSCS,BLACK ZINC,10-32 X 0.4375",W/NYLON PATCH	2	5.9
A6	SCRASBH1095	SCREW,BHSCS,BLACK ZINC,1/4-20 X 1.50"	1	5.62
A7	PLSASMB1546	ELECTRONIC,BATTERY BOX,W/FUSEABLE LINK, JAZZY1113/ATS	1	187.08
A8	BATLIQ1017	BATTERY,AGM,U1,H-1000-135	1	480.66
B1 - B7	FRMASMB14204	BATTERY TRAY,ASSY,NO BATTERY,W/BOX & MOUNTING HARDWARE,ARTICULATING VENT TRAY	1	633.22
B1	ACCSTRP1054	STRAP,NYLON WEBBING,0.98" W X 60"L,W/BUCKLE,D-2100-035	2	51.3
B2	DWR2100E036	BATTERY,SUPPORT STRAP,BLACK,PVT,E-2100-036	1	115.04
B3	DWR2100E016	FRAME,BATTERY TRAY,LOWER,U1,E-2100-016	1	203.2
B4	NUTNJAM1014	NUT,NYLOCK JAM,BLACK ZINC,1/4-20	1	5.72
B5	SCRASBH1094	SCREW,BHSCS,BLACK ZINC,10-32 X 0.4375",W/NYLON PATCH	2	5.9
B6	SCRASBH1095	SCREW,BHSCS,BLACK ZINC,1/4-20 X 1.50"	1	5.62
B7	PLSASMB1546	ELECTRONIC,BATTERY BOX,W/FUSEABLE LINK, JAZZY1113/ATS	1	187.08
C1 - C6	FRMASMB14205	BATTERY TRAY,ASSY,NO BATTERY,W/MOUNTING HARDWARE,ARTICULATING VENT TRAY	1	458.58
C1	ACCSTRP1054	STRAP,NYLON WEBBING,0.98" W X 60"L,W/BUCKLE,D-2100-035	2	51.3
C2	DWR2100E036	BATTERY,SUPPORT STRAP,BLACK,PVT,E-2100-036	1	115.04
C3	DWR2100E016	FRAME,BATTERY TRAY,LOWER,U1,E-2100-016	1	203.2
C4	NUTNJAM1014	NUT,NYLOCK JAM,BLACK ZINC,1/4-20	1	5.72
C5	SCRASBH1094	SCREW,BHSCS,BLACK ZINC,10-32 X 0.4375",W/NYLON PATCH	2	5.9
C6	SCRASBH1095	SCREW,BHSCS,BLACK ZINC,1/4-20 X 1.50"	1	5.62



REF #	PART #	DESCRIPTION	QTY	MSRP (AU\$)
A1 - A3	FRMASMB12507	WIDTH ADJUSTMENT ARM BRACKET,ASSY,10-14"W,ARTICULATING VENT TRAY	1	428.72
A1	DWR2100D030	UPPER LINK TO BACK,10-14"W,RIGHT HAND,PVT,D-2100-030	1	191.86
A2	DWR2100D029	UPPER LINK TO BACK,10-14"W,LEFT HAND,PVT,D-2100-029	1	191.86
A3	NUTNJAM1048	NUT,NYLOCK JAM,BLACK ZINC,1/4-28	8	5.62
B1 - B3	FRMASMB12508	WIDTH ADJUSTMENT ARM BRACKET,ASSY,14-18"W,ARTICULATING VENT TRAY	1	240.12
B1	DWR2100E026	UPPER LINK TO BACK,14-20"W,RIGHT HAND,PVT,E-2100-026	1	97.56
B2	DWR2100E025	UPPER LINK TO BACK,14-20"W,LEFT HAND,PVT,E-2100-025	1	97.56
B3	NUTNJAM1048	NUT,NYLOCK JAM,BLACK ZINC,1/4-28	8	5.62
C1 - C3	FRMASMB12509	WIDTH ADJUSTMENT ARM BRACKET,ASSY,16-20"W,ARTICULATING VENT TRAY	1	257.16
C1	DWR2100E026	UPPER LINK TO BACK,14-20"W,RIGHT HAND,PVT,E-2100-026	1	97.56
C2	DWR2100E025	UPPER LINK TO BACK,14-20"W,LEFT HAND,PVT,E-2100-025	1	97.56
C3	NUTNJAM1048	NUT,NYLOCK JAM,BLACK ZINC,1/4-28	8	5.62
D1 - D3	FRMASMB12510	WIDTH ADJUSTMENT ARM BRACKET,ASSY,20-24"W,ARTICULATING VENT TRAY	1	357.5
D1	DWR2100D028	UPPER LINK TO BACK,20-24"W,RIGHT HAND,PVT,D-2100-028	1	156.26
D2	DWR2100D027	UPPER LINK TO BACK,20-24"W,LEFT HAND,PVT,D-2100-027	1	156.26
D3	NUTNJAM1048	NUT,NYLOCK JAM,BLACK ZINC,1/4-28	8	5.62

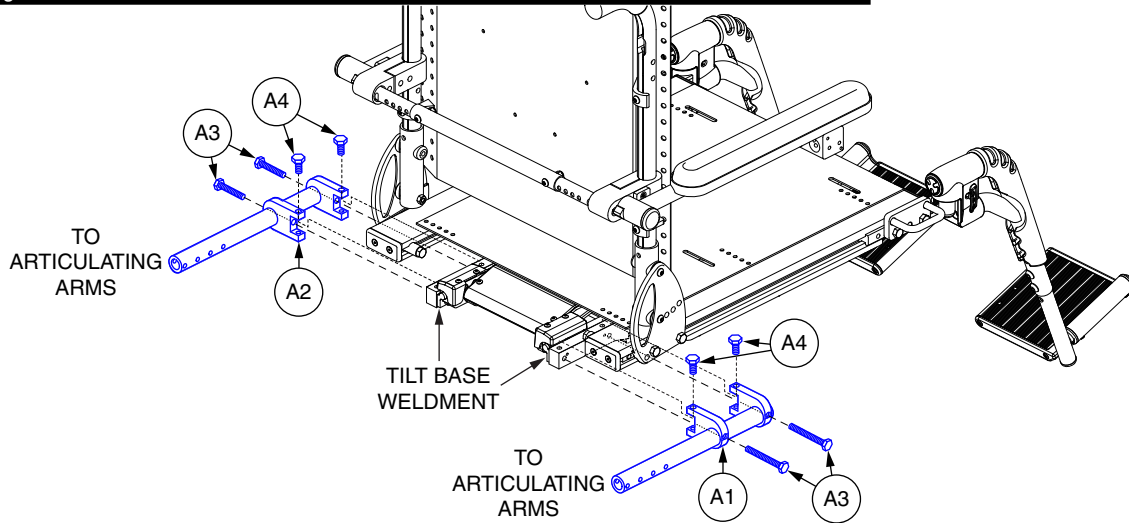


Seating System Where Used	Complete Upper and Lower Hardware Assy	Upper Hardware Assy	Lower Hardware Assy
TB2 Tilt	HDWASMB1122	HDWASMB1124	HDWASMB1123
TB2 Tilt & Recline also including when the Tru-Comfort Recline Back is selected	HDWASMB1125	HDWASMB1127	HDWASMB1123
TB2 Recline also including when the Tru-Comfort Recline Back is selected	HDWASMB1128	HDWASMB1127	HDWASMB1129
Synergy Seat	HDWASMB1131	HDWASMB1124	HDWASMB1129
Synergy Seat HD	HDWASMB1134	HDWASMB1124	HDWASMB1135
TB2 Tilt with a Tru-Comfort Back Only	HDWASMB1137	HDWASMB1138	HDWASMB1123
Synergy Seat with a Tru-Comfort Back Only	HDWASMB1141	HDWASMB1138	HDWASMB1129
Synergy Seat HD with a Tru-Comfort Back Only	HDWASMB1144	HDWASMB1138	HDWASMB1135

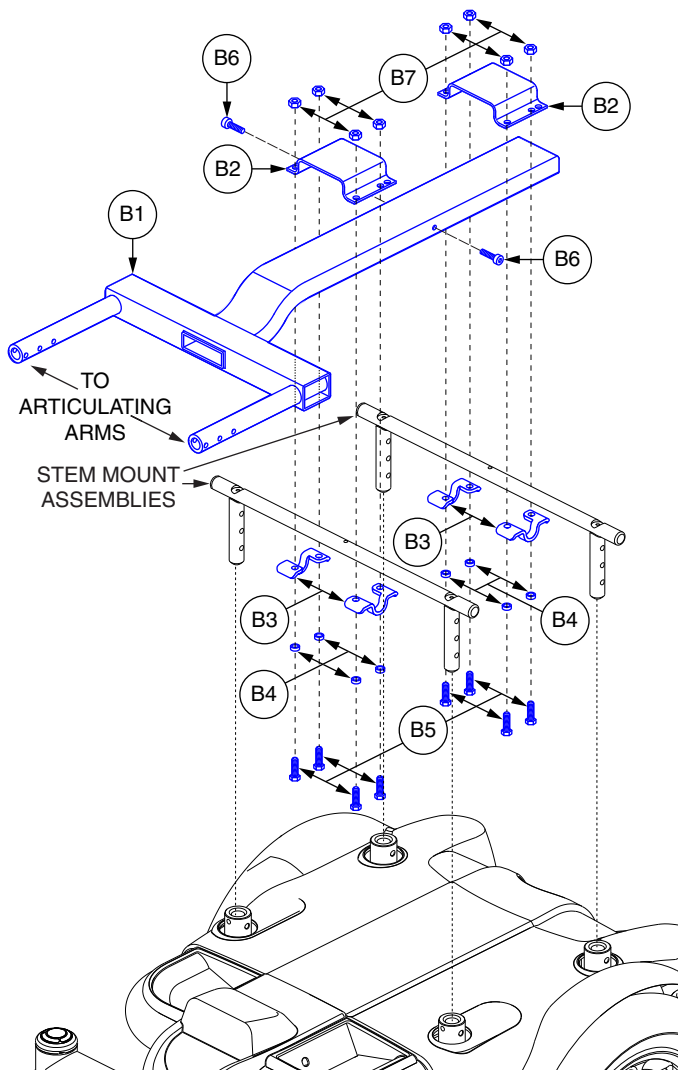
REF #	PART #	DESCRIPTION	QTY	MSRP (AU\$) ¹¹ⁱ
A1 - A2	HDWASMB1122	HARDWARE,TB2 TILT,ARTICULATING VENT TRAY	1	1892.14
A1	HDWASMB1124	HARDWARE,TB2 TILT,W/MOUNTING BRACKET,UPPER,ARTICULATING VENT TRAY	1	657.7
A2	HDWASMB1123	HARDWARE,TB2 TILT,W/MOUNTING BRACKET,LOWER,ARTICULATING VENT TRAY	1	1234.44
B1 - B2	HDWASMB1125	HARDWARE,TB2 TILT & RECLINE,ARTICULATING VENT TRAY	1	1929.98
B1	HDWASMB1127	HARDWARE,TB2 TILT & RECLINE,W/MOUNTING BRACKET,UPPER,ARTICULATING VENT TRAY	1	704.4
B2	HDWASMB1123	HARDWARE,TB2 TILT,W/MOUNTING BRACKET,LOWER,ARTICULATING VENT TRAY	1	1234.44
C1 - C2	HDWASMB1128	HARDWARE,TB2 RECLINE,ARTICULATING VENT TRAY	1	3446.26
C1	HDWASMB1127	HARDWARE,TB2 TILT & RECLINE,W/MOUNTING BRACKET,UPPER,ARTICULATING VENT TRAY	1	704.4
C2	HDWASMB1129	HARDWARE,SYNERGY & TB2 RECLINE,LOWER,ARTIC. VENT TRAY	1	2928
D1 - D2	HDWASMB1131	HARDWARE,SYNERGY,ARTICULATING VENT TRAY	1	3446.26
D1	HDWASMB1124	HARDWARE,TB2 TILT,W/MOUNTING BRACKET,UPPER,ARTICULATING VENT TRAY	1	657.7
D2	HDWASMB1129	HARDWARE,SYNERGY & TB2 RECLINE,LOWER,ARTIC. VENT TRAY	1	2928
E1 - E2	HDWASMB1134	HARDWARE,SYNERGY,1"BAR,ARTICULATING VENT TRAY	1	3485.04
E1	HDWASMB1124	HARDWARE,TB2 TILT,W/MOUNTING BRACKET,UPPER,ARTICULATING VENT TRAY	1	657.7
E2	HDWASMB1135	HARDWARE,SYNERGY HD,LOWER,ARTICULATING VENT TRAY	1	2827.34
F1 - F2	HDWASMB1137	HARDWARE,TRU-COMFORT,W/TB2 TILT,ARTICULATING VENT TRAY	1	N/A
F1	HDWASMB1138	HARDWARE,TRU-COMFORT,W/MOUNTING BRACKET,UPPER,ARTICULATING VENT TRAY	1	2256.16
F2	HDWASMB1123	HARDWARE,TB2 TILT,W/MOUNTING BRACKET,LOWER,ARTICULATING VENT TRAY	1	1234.44
G1 - G2	HDWASMB1141	HARDWARE,TRU-COMFORT,W/SYNERGY,ARTIC. VENT TRAY	1	5044.74
G1	HDWASMB1138	HARDWARE,TRU-COMFORT,W/MOUNTING BRACKET,UPPER,ARTICULATING VENT TRAY	1	2256.16
G2	HDWASMB1129	HARDWARE,SYNERGY & TB2 RECLINE,LOWER,ARTIC. VENT TRAY	1	2928
H1 - H2	HDWASMB1144	HARDWARE,TRU-COMFORT,SYNERGY,1" BAR,PORTABLE VENT TRAY	1	5083.5
H1	HDWASMB1138	HARDWARE,TRU-COMFORT,W/MOUNTING BRACKET,UPPER,ARTICULATING VENT TRAY	1	2256.16
H2	HDWASMB1135	HARDWARE,SYNERGY HD,LOWER,ARTICULATING VENT TRAY	1	2827.34



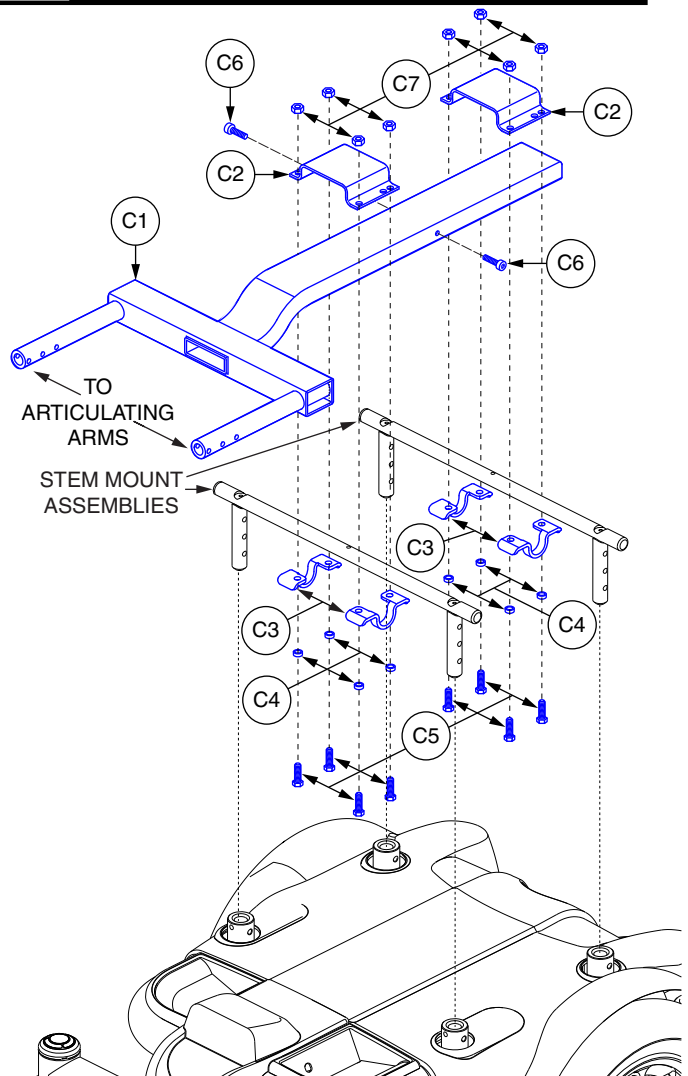
A1 - A4 Lower Mounting Hardware for the TB2 Tilt, TB2 Tilt with Tru-Comfort Back, and TB2 Tilt and Recline including when the Tru-Comfort Recline Back is selected — HDWASMB1123



B1 - B7 Lower Mounting Hardware for the Synergy Seat with Tru-Comfort Back, and the TB2 Recline including when the Tru-Comfort Recline Back is selected — HDWASMB1129



C1 - C7 Lower Mounting Hardware for the Synergy Seat HD and Synergy Seat HD with Tru-Comfort Back — HDWASMB1135

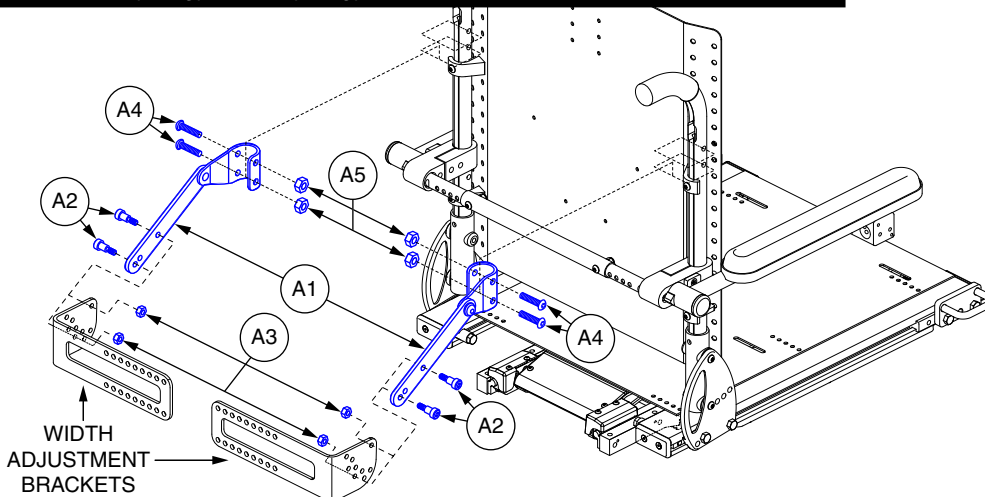




REF #	PART #	DESCRIPTION	QTY	MSRP (AU\$) ¹¹ⁱ
A1 - A4	HDWASMB1123	HARDWARE,ASSY,TRU-BALANCE 2 POWER TILT,W/MOUNTING BRACKET,LOWER,ARTICULATING VENT TRAY	1	1234.44
A1	DWR2100C030	FRAME,BASE SUPPORT FOR TILT,RIGHT/REAR,AVT,C-2100-030	1	594.72
A2	DWR2100C029	FRAME,BASE SUPPORT FOR TILT,LEFT/REAR,AVT,C-2100-029	1	594.72
A3	SCRHHCS1549	SCREW,HHCS,BLACK ZINC,.3125-24 X 2.50",GR 8,W/PATCH	4	5.62
A4	SCRHHCS1241	SCREW,HHCS,BLACK ZINC,5/16-18 X .75",G 8,W/PATCH	4	5.72
B1 - B7	HDWASMB1129	HARDWARE,ASSY,SYNERGY SEAT & TRU-BALANCE 2 POWER RECLINE,LOWER,ARTICULATING VENT TRAY	1	2928
B1	DWR2100E017	FRAME,SEAT BASE INTERFACE WELDMENT,SYNERGY & RECLINE,AVT,E-2100-017	1	2362.52
B2	DWR2100C036	FRAME,CLAMP PLATE,SYNERGY,AVT,C-2100-036	2	101.38
B3	DWR1360B009	MOUNTING BRACKET,STEM MOUNT PLATE,SYNERGY SEAT	4	11.24
B4	DWR1600A052	SPACER,BLACK ZINC,STEEL,.328"ID X .50"OD X .20"TH	8	5.84
B5	SCRHHCS1365	SCREW,HHCS,BLACK ZINC,5/16-18 X 1.00",GR 8,W/PATCH	8	5.72
B6	SCRSHCS1135	SCREW,SHCS,BLACK ZINC CHROMATE,5/16-18 X 0.75",ASTM A574	2	5.62
B7	NUTNYLK1026	NUT,NYLOCK,BLACK ZINC,5/16-18	8	6.56
C1 - C7	HDWASMB1135	HARDWARE,ASSY,SYNERGY SEAT HD,LOWER,ARTICULATING VENT TRAY	1	2827.34
C1	DWR2100E017	FRAME,SEAT BASE INTERFACE WELDMENT,SYNERGY & RECLINE,AVT,E-2100-017	1	2362.52
C2	DWR2100C036	FRAME,CLAMP PLATE,SYNERGY,AVT,C-2100-036	2	101.38
C3	DWR1360C159	MOUNTING BRACKET,STEM MOUNT PLATE,1" BAR,SYNERGY SEAT	4	20.92
C4	DWR1600A052	SPACER,BLACK ZINC,STEEL,.328"ID X .50"OD X .20"TH	8	5.84
C5	SCRHHCS1365	SCREW,HHCS,BLACK ZINC,5/16-18 X 1.00",GR 8,W/PATCH	8	5.72
C6	SCRSHCS1135	SCREW,SHCS,BLACK ZINC CHROMATE,5/16-18 X 0.75",ASTM A574	2	5.62
C7	NUTNYLK1026	NUT,NYLOCK,BLACK ZINC,5/16-18	8	6.56

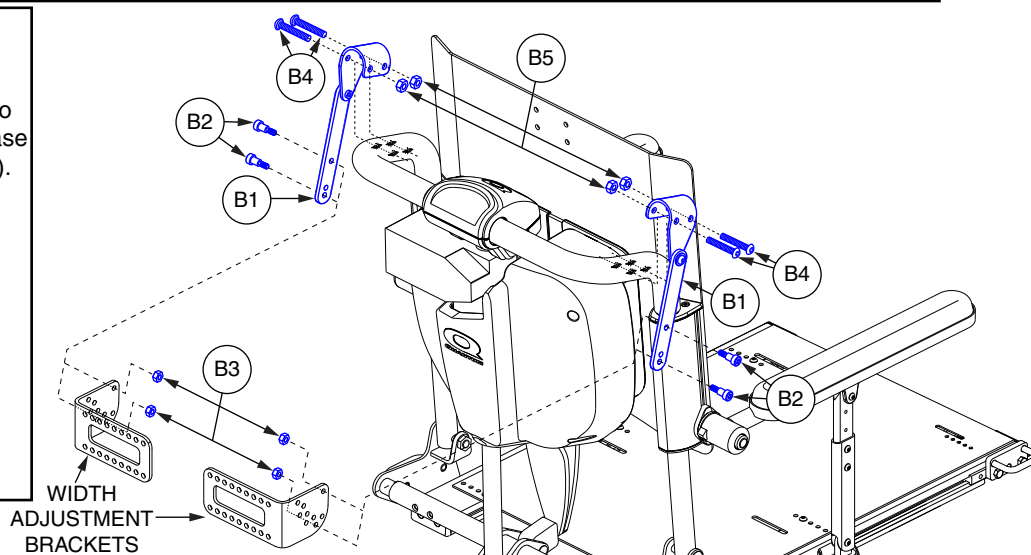
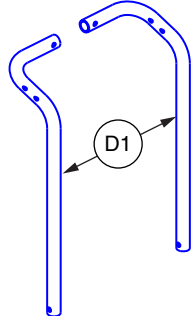


A1 - A5 Upper Mounting Hardware for the Synergy Seat, Synergy Seat HD, and the TB2 Tilt - HDWASMB124

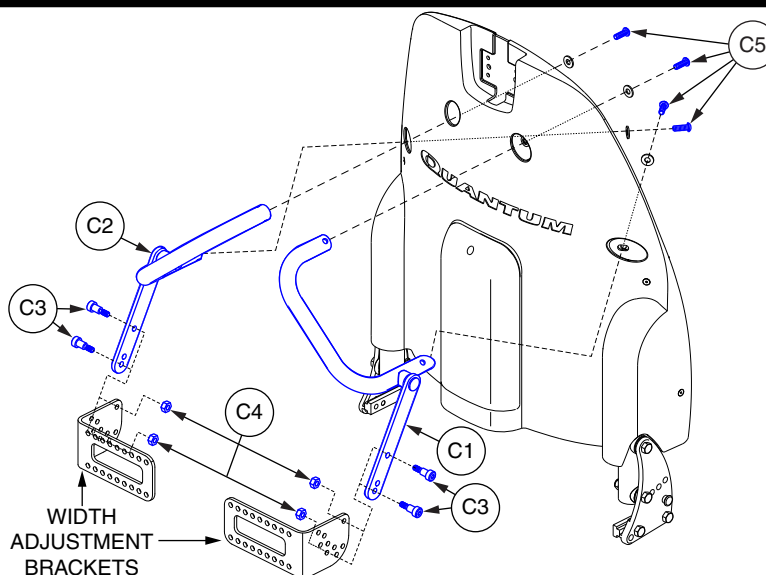


B1 - B5 Upper Mounting Hardware for the TB2 Recline including when the Tru-Comfort Recline Back is Selected and the TB2 Tilt and Recline including when the Tru-Comfort Recline Back is selected - HDWASMB1127

***Please Note: Upgraded backcanes must be selected when applying the vent tray to the Seating System prior to S/N# Y0104009031060. Please select FRMASMB12756 (D1).

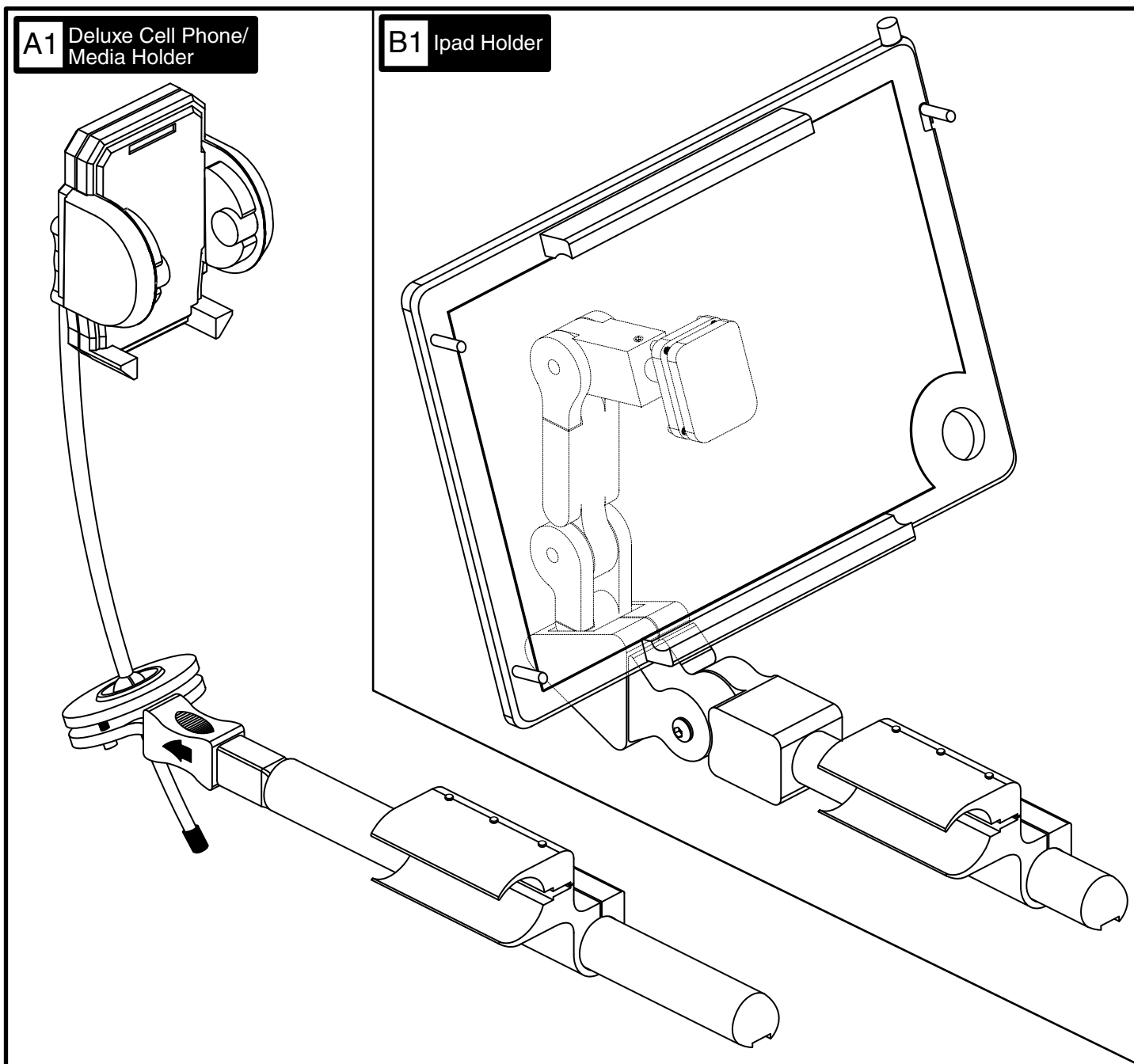


C1 - C5 Upper Mounting Hardware for the Synergy Seat with Tru-Comfort Back, Synergy Seat HD with Tru-Comfort Back, and the TB2 Tilt with Tru-Comfort Back is - HDWASMB1138





REF #	PART #	DESCRIPTION	QTY	MSRP (AU\$) ¹¹ⁱ
A1 - A5	HDWASMB1124	HARDWARE,ASSY,TRU-BALANCE 2 POWER TILT,W/MOUNTING BRACKET,LOWER,ARTICULATING VENT TRAY	1	657.7
A1	FRMASMB12336	MOUNTING BRACKET,ASSY,UPPER PIVOT,SYNERGY BACK,ARTICULATING VENT TRAY,B-2100-047	2	275.3
A2	BLTASHL1016	BOLT,SHOULDER,1/4" X 0.25",3/8" THREAD LENGTH	4	5.62
A3	NUTNJAM1011	NUT,NYLOCK JAM,BLACK ZINC,10-24	4	5.62
A4	SCRASBH1065	SCREW,BHSCS,BLACK ZINC,1/4-20 X 1.75"	4	5.84
A5	NUTNJAM1014	NUT,NYLOCK JAM,BLACK ZINC,1/4-20	4	5.72
B1 - B5	HDWASMB1127	HARDWARE,ASSY,TB2 TILT & RECLINE,W/MOUNTING BRACKET,UPPER,ARTICULATING VENT TRAY	1	704.4
B1	FRMASMB12337	MOUNTING BRACKET,ASSY,UPPER PIVOT,RECLINE BACK,ARTICULATING VENT TRAY,B-2100-048	2	275.84
B2	BLTASHL1016	BOLT,SHOULDER,1/4" X 0.25",3/8" THREAD LENGTH	4	5.62
B3	NUTNJAM1011	NUT,NYLOCK JAM,BLACK ZINC,10-24	4	5.62
B4	SCRASBH1009	SCREW,BHSCS,BLACK ZINC,1/4-20 X 2.00"	4	5.9
B5	NUTNYLK1014	NUT,NYLOCK,BLACK ZINC,1/4-20	4	N/A
C1 - C5	HDWASMB1138	HARDWARE,ASSY,TRU-COMFORT,W/MOUNTING BRACKET,UPPER,ARTICULATING VENT TRAY	1	2256.16
C1	FRMASMB12339	MOUNTING BRACKET,ASSY,UPPER ATTACHMENT,TRU-COMFORT,RIGHT,D-2100-034	1	1086.32
C2	FRMASMB12338	MOUNTING BRACKET,ASSY,UPPER ATTACHMENT,TRU-COMFORT,LEFT,D-2100-033	1	1086.32
C3	BLTASHL1016	BOLT,SHOULDER,1/4" X 0.25",3/8" THREAD LENGTH	4	5.62
C4	NUTNJAM1011	NUT,NYLOCK JAM,BLACK ZINC,10-24	4	5.62
C5	SCRASBH1148	SCREW,BHSCS,BLACK ZINC,1/4-20 X 0.500",W/NYLON PATCH	4	6.42
D1	FRMASMB12756	BACK CANE,ASSY,TRU-BALANCE POWER RECLINE,PAIR	1	465.7



REF #	PART #	DESCRIPTION	QTY	MSRP (AU\$) ¹¹ⁱ
A1	ACC7120006	ADJUSTABLE ARM MOUNT,CELL PHONE/MEDIA DEVICE,(STEALTH:ARMS260-UNI)	1	280
B1	ACC7120005	ADJUSTABLE ARM MOUNT,IPAD,(STEALTH:TWBM260-IPAD-2)	1	630





USA

401 York Avenue
Duryea, PA 18641

Canada

5096 South Service Road
Beamsville, Ontario L0R 1 B3
Canada

UK

32 Wedgwood Road
Bicester, Oxfordshire OX26 4UL

Australia

20-24 Apollo Drive
Hallam, Victoria 3803

Italy

Via del Progresso, ang. Via del Lavoro
Loc. Prato della Corte
00065 Fiano Romano (RM)

B.V.

Castricummer Werf 26
1901 RW Castricum
The Netherlands

www.quantumrehab.com

**QUANTUM
ELECTRONIC ACCESSORIES
AND
POSITIONING COMPONENTS**