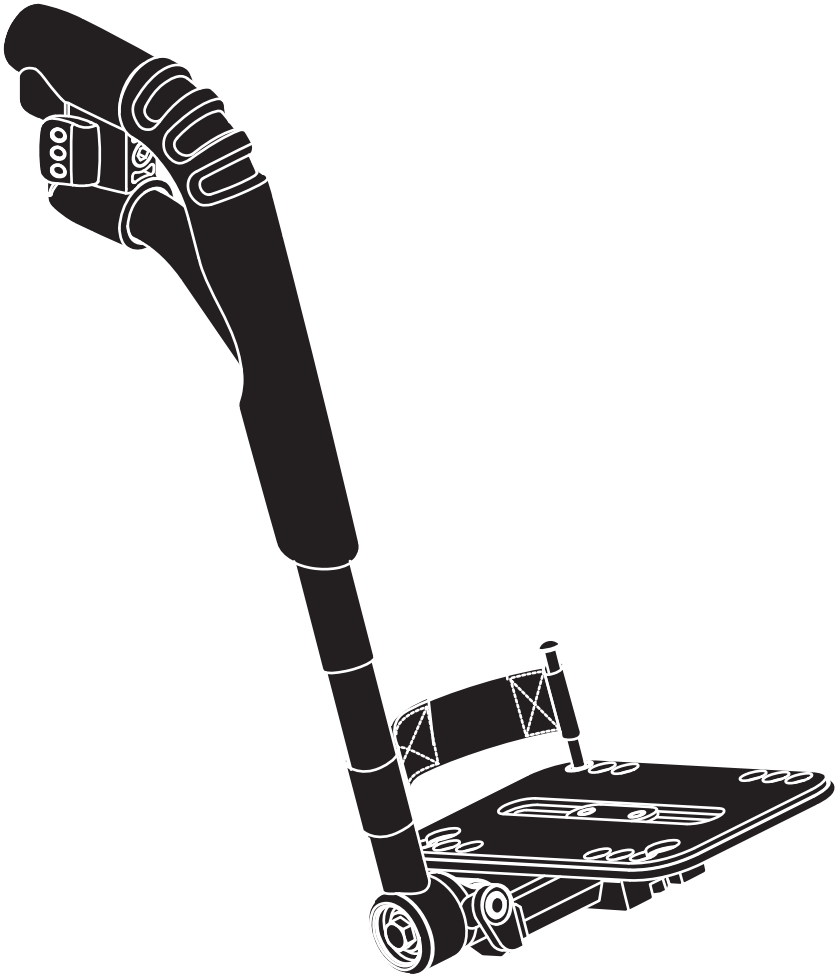




**QUANTUM®**

*Basic Operation Instructions*



*Front Riggings*

# SAFETY GUIDELINES



**WARNING!** An authorized Pride Provider or a qualified technician must perform the initial setup of this product and must perform all of the instructions in this manual.

The symbols below are used throughout this owner's manual and on the power chair to identify warnings and important information. It is very important for you to read them and understand them completely.



**WARNING!** Indicates a potentially hazardous condition/situation. Failure to follow designated procedures can cause either personal injury, component damage, or malfunction. On the product, this icon is represented as a black symbol on a yellow triangle with a black border.



**MANDATORY!** These actions should be performed as specified. Failure to perform mandatory actions can cause personal injury and/or equipment damage. On the product, this icon is represented as a white symbol on a blue dot with a white border.



**PROHIBITED!** These actions are prohibited. These actions should not be performed at any time or in any circumstances. Performing a prohibited action can cause personal injury and/or equipment damage. On the product, this icon is represented as a black symbol with a red circle and a red slash.

*NOTE: These instructions are compiled from the latest specifications and product information available at the time of publication. We reserve the right to make changes as they become necessary. Any changes to our products may cause slight variations between the illustrations and explanations in this manual and the product you have purchased. The latest/current version of this manual is available on our website.*

*NOTE: This product is compliant with WEEE, RoHS, and REACH directives and requirements.*

*NOTE: This product meets IPX4 classification (IEC 60529).*

*NOTE: This product and its components are not made with natural rubber latex. Consult with the manufacturer regarding any after-market accessories.*



# TABLE OF CONTENTS

<b>LABEL INFORMATION .....</b>	<b>4</b>
<b>INTRODUCTION .....</b>	<b>5</b>
<b>FRONT RIGGINGS .....</b>	<b>7</b>
<b>SWING-AWAY FOOTRESTS .....</b>	<b>8</b>
<b>DROP-IN LEG RESTS.....</b>	<b>9</b>
<b>ELEVATING LEG RESTS .....</b>	<b>10</b>
<b>MULTI-AXIS FOOT PLATES.....</b>	<b>12</b>
<b>ADJUSTABLE CENTER-MOUNT FOOT PLATFORM.....</b>	<b>14</b>
<b>POWER ELEVATING LEG RESTS .....</b>	<b>15</b>
<b>POWER ARTICULATING LEG RESTS.....</b>	<b>16</b>
<b>SWING-AWAY POWER ARTICULATING LEG RESTS.....</b>	<b>17</b>
<b>CENTER-MOUNT ARTICULATING FOOT PLATFORM.....</b>	<b>18</b>
<b>SWING-AWAY CALF PADS.....</b>	<b>19</b>

# LABEL INFORMATION

## PRODUCT SAFETY SYMBOLS

The symbols below are used on the product to identify warnings, mandatory actions, and prohibited actions. It is very important for you to read and understand them completely.



**Read and follow the information in the owner's manual.**



**Avoid exposure to rain, snow, ice, salt, or standing water whenever possible. Maintain and store in a clean and dry condition.**



**EMI/RFI - This product has been tested and passed at an immunity level of 20 V/m.**

## INTRODUCTION

WELCOME to Pride Mobility Products (Pride). The product you have purchased combines state-of-the-art components with **safety**, comfort, and styling in mind. We are confident that the design features will provide you with the conveniences you expect during your daily activities. Understanding how to **safely** operate and care for this product should bring you years of trouble-free operations and service.

**Read and follow** all instructions, warnings, and notes in this manual before attempting to operate your product for the first time. You must also read all instructions, warnings, and notes contained in any supplemental instructional booklets for the controller, front riggings, and/or seating system that accompanied your power chair before initial operation. Your **safety** depends upon you, as well as your provider, caretaker, or healthcare professional, in using good judgment.

This manual is to be used in addition to the power base owner's manual that came with your power chair. If there is any information in this manual which you do not understand, or if you require additional assistance for setup or operation, please contact your authorized Pride Provider. **Failure to follow the instructions, warnings, and notes in this manual and those located on your Pride product can result in personal injury and/or product damage and will void Pride's product warranty.**

## PURCHASER'S AGREEMENT

By accepting delivery of this product, you promise that you will not change, alter, or modify this product or remove or render inoperable or unsafe any guards, shields, or other safety features of this product; fail, refuse, or neglect to install any retrofit kits from time to time provided by Pride to enhance or preserve the safe use of this product.

## Electromagnetic and Radio Frequency Interference (EMI/RFI)



**WARNING!** Laboratory tests have shown that electromagnetic and radio frequency waves can have an adverse effect on the performance of electrically-powered mobility vehicles.

Electromagnetic and Radio Frequency Interference can come from sources such as cellular phones, mobile two-way radios (such as walkie-talkies), radio stations, TV stations, amateur radio (HAM) transmitters, wireless computer links, microwave signals, paging transmitters, and medium-range mobile transceivers used by emergency vehicles. In some cases, these waves can cause unintended movement or damage to the control system. Every electrically-powered mobility vehicle has an immunity (or resistance) to EMI. The higher the immunity level, the greater the protection against EMI. This product has been tested and has passed at an immunity level of 20 V/m.



**WARNING!** Be aware that cell phones, two-way radios, laptops, electricity generators or high power sources and other types of radio transmitters may cause unintended movement of your electrically-powered mobility vehicle due to EMI. Do not turn ON hand-held personal communication devices, such as citizens band (CB) radios and cellular phones, while the powered wheelchair is turned on. Be aware of nearby transmitters, such as radio or TV stations, and avoid coming into close proximity to them.



**WARNING!** The addition of accessories or components to the electrically-powered mobility vehicle can increase the susceptibility of the vehicle to EMI. Do not modify your power chair in any way not authorized by Pride.

**WARNING!** The electrically-powered mobility vehicle itself can disturb the performance of other electrical devices located nearby, such as alarm systems.

**NOTE:** For further information on EMI/RFI, go to the Resource Center on [www.pridemobility.com](http://www.pridemobility.com). If unintended motion or brake release occurs, turn your power chair off as soon as it is safe to do so. Call Pride or contact your authorized Pride Provider to report the incident.

## FRONT RIGGINGS

**Figure 1** provides information on available front riggings' components. Use this diagram to familiarize yourself with the function of each component before using the front riggings.

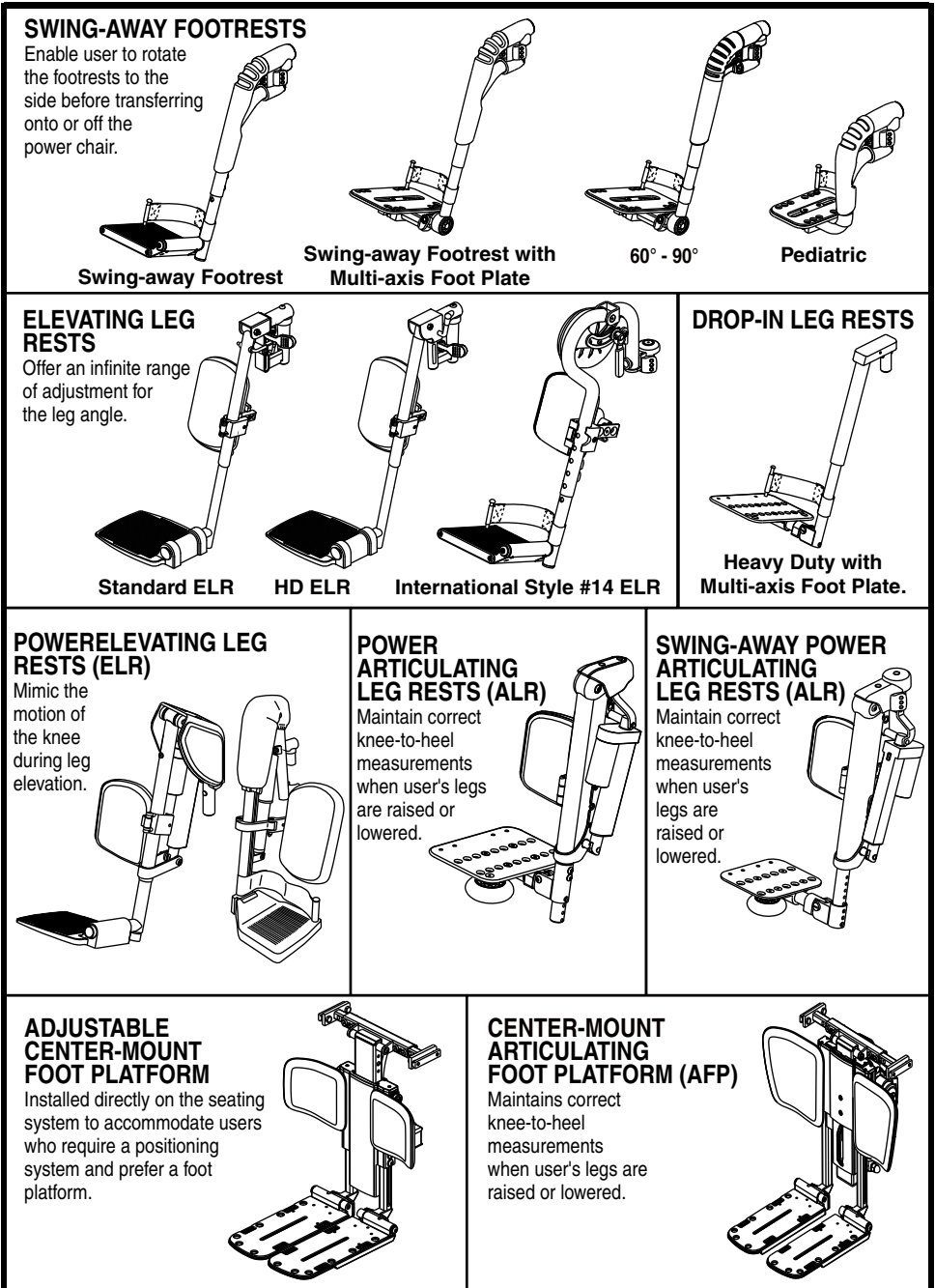


Figure 1. Front Riggings

## SWING-AWAY FOOTRESTS

Swing-away Footrests (SFRs) enable you to rotate the footrests to the side before you transfer onto or off of your power chair.

### To rotate the SFRs:

1. Push in the release lever.
2. Rotate the SFRs.

### To adjust the SFR length:

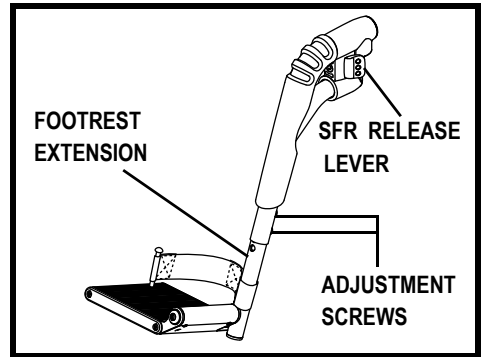
1. Remove the adjustment screw(s) from the footrest extension. See **figure 2 or 3**.
2. Slide the footrest up or down to the desired length.
3. Reinstall the adjustment screw(s).

### To change foot plate angle:

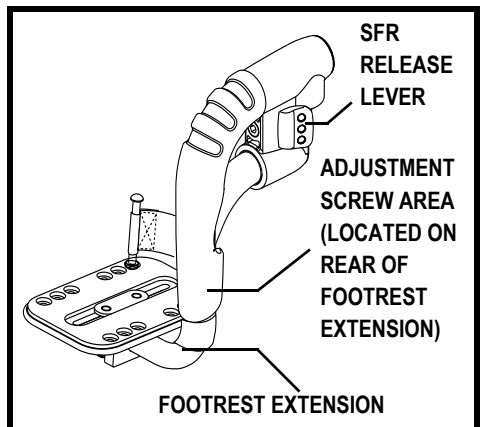
1. Loosen the hardware on the bottom of the foot plate. See **figure 4**.
2. Adjust the foot plate to the desired position. See **figure 4**.
3. Tighten the hardware on the bottom of the foot plate.

### To adjust the SFR angle when equipped with 60° - 90° SFRs:

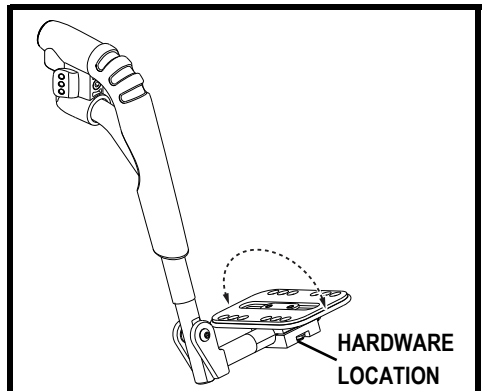
1. Remove protective foam cover. See **figure 5**.
2. Remove shoulder bolt. See **figure 5**.
3. Adjust the SFR to the desired angle.
4. Reinstall the shoulder bolt. See **figure 5**.
5. Reinstall the protective foam cover.



**Figure 2. Swing-away Footrest Adjustment**



**Figure 3. Pediatric Footrest Adjustment**



**Figure 4. Foot Plate Angle Adjustment**



## DROP-IN LEG RESTS

Drop-in Leg Rests are easily installed into leg rest hangers. You can adjust the forward/back position, as well as the length of the drop-in leg rests. See figure 6.

### To adjust the forward/back position:

1. Remove the adjustment bolt from each side rail.
2. Move the leg rest hanger in or out to the desired position.
3. Align the adjustment holes in the leg rest hanger with those in the side rail.
4. Reinstall the adjustment bolts to secure the leg rest hangers.

### To adjust the leg rest length:

1. Remove the adjustment screws from the leg rest extension.
2. Slide the leg rest up or down to the desired length.
3. Align the adjustment holes in the leg rest extension and reinstall the adjustment screws.

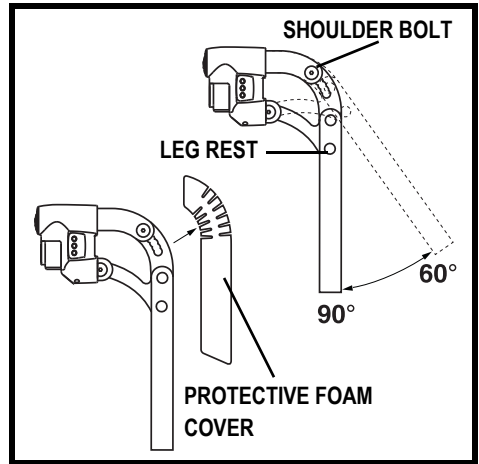


Figure 5. Swing-away 60° - 90° Leg Rests

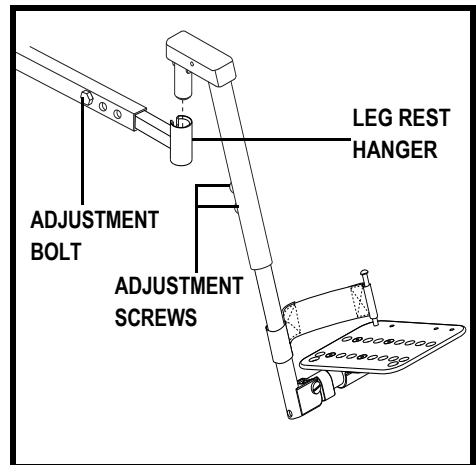


Figure 6. Heavy Duty Drop-In Leg Rests

## **ELEVATING LEG RESTS**

Elevating Leg Rests (ELRs) offer an infinite range of adjustment for the leg angle.

### **To rotate the ELRs:**

1. Push in release lever A.
2. Rotate the ELRs.

### **To adjust the angle on standard or heavy duty ELRs:**

1. Push down release lever B. **See figure 7.**
2. Move the leg rest to the desired angle.

### **To adjust the angle on international style #14 ELRs:**

1. Pull up on release lever B. **See figure 8.**
2. Move the leg rest to the desired angle.
3. Push down on release lever B.

### **To adjust the ELR length:**

1. Remove the two adjustment screws from the side of each leg rest extension. **See figure 7 or 8.**
2. Slide the leg rest up or down to the desired length.
3. Reinstall the two adjustment screws.

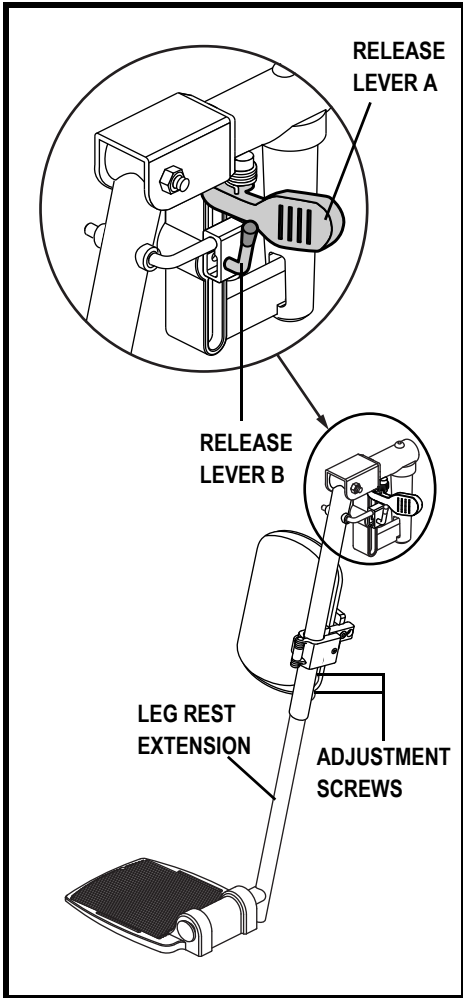


Figure 7. Standard Elevating Leg Rests

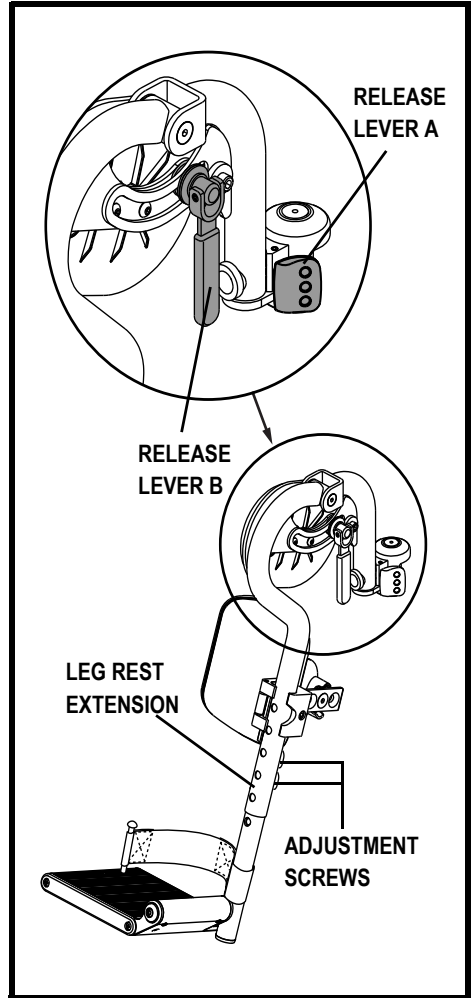


Figure 8. International Style #14 Elevating Leg Rests

## **MULTI-AXIS FOOT PLATES**

Multi-axis foot plates can be installed on a standard elevating leg rest (ELR) or a swing-away footrest. The multi-axis foot plates have four adjustments: leg rest length (A), position (B), tilt (C), and angle (D). See figures 9 and 10.

### **To change leg rest length (A):**

1. Remove (loosen on swing-aways) the hardware.
2. Move the leg rest to the desired position.
3. Reinstall (tighten on swing-aways) the hardware.

### **To change foot plate position (B):**

1. Remove (loosen on swing-aways) the hardware.
2. Move the foot plate to the desired position.
3. Reinstall (tighten on swing-aways) the hardware.

### **To change foot plate tilt and angle on swing-aways (C):**

1. Loosen the hardware.
2. Tilt (rotate on swing-aways) the foot plate to the desired position.
3. Tighten the hardware.

### **To change foot plate angle on ELRs (D):**

1. Turn the setscrew(s) clockwise to decrease the angle.
2. Turn the setscrew(s) counterclockwise to increase the angle.

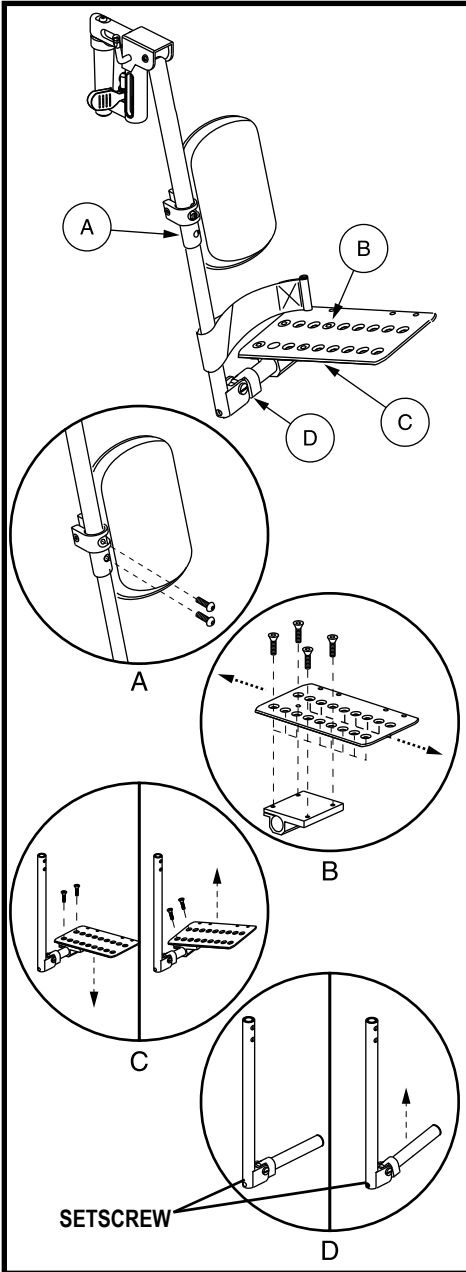


Figure 9. Multi-axis Foot Plate for ELR

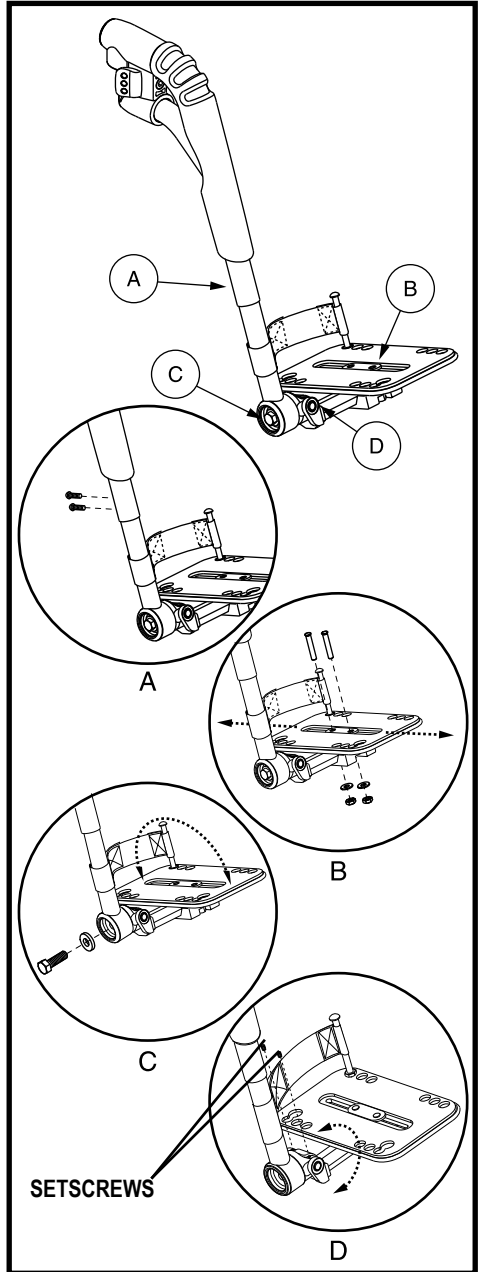


Figure 10. Multi-axis Foot Plate for Swing-away Footrest

## ADJUSTABLE CENTER-MOUNT FOOT PLATFORM

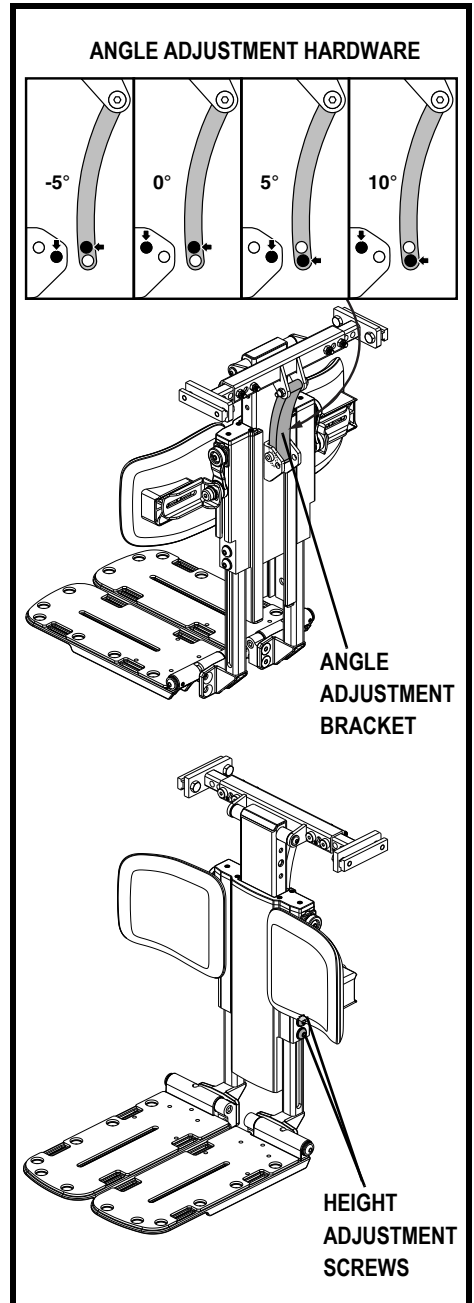
The adjustable center-mount foot platform is installed directly on the seating system to accommodate users who require a positioning system but prefer a foot platform. The adjustable center-mount foot platform is height and angle adjustable.

### To adjust the foot platform angle:

1. Remove the angle adjustment hardware from the angle adjustment bracket. **See figure 11.**
2. Adjust the foot platform to the desired angle. **See figure 11.**
3. Reinstall the angle adjustment hardware into the angle adjustment bracket and tighten.

### To adjust the foot platform height:

1. Loosen the height adjustment screws. **See figure 11.**
2. Slide the foot platform up or down to the desired height.
3. Tighten the height adjustment screws.
4. Repeat on the other side if necessary.



**Figure 11. Adjustable Center-mount Foot Platform**

## POWER ELEVATING LEG RESTS

The high-pivot power elevating leg rests utilize a high pivot point to more closely mimic the motion of the knee during leg rest elevation. They can be adjusted either as a pair or individually. **See figure 12.** The high-pivot power elevating leg rests provide 70° of movement, have standard calf pads, accept all foot plates, and have a maximum weight capacity of 300 lbs. (136 kg). They are available with all power bases that support upgraded electronics and with the Synergy Seating System. The high-pivot power elevating leg rests operate through the power chair controller or toggle switch.

**NOTE:** *Operation instructions using the joystick 4-way toggles are discussed below. If you are using a different toggle, the Attendant Control Module, or a different operating device, please refer to the operation manual supplied with that device and/or your power chair owner's manual.*

### To operate the combined leg rests:

1. Push the toggle switch to the right to elevate both leg rests.
2. Push the toggle switch to the right, release, then push to the right again to lower both leg rests.

**NOTE:** *For information on operating individual power elevating leg rests, please refer to the operation manual that refers to the operating device you are using, or contact your authorized Pride Provider.*

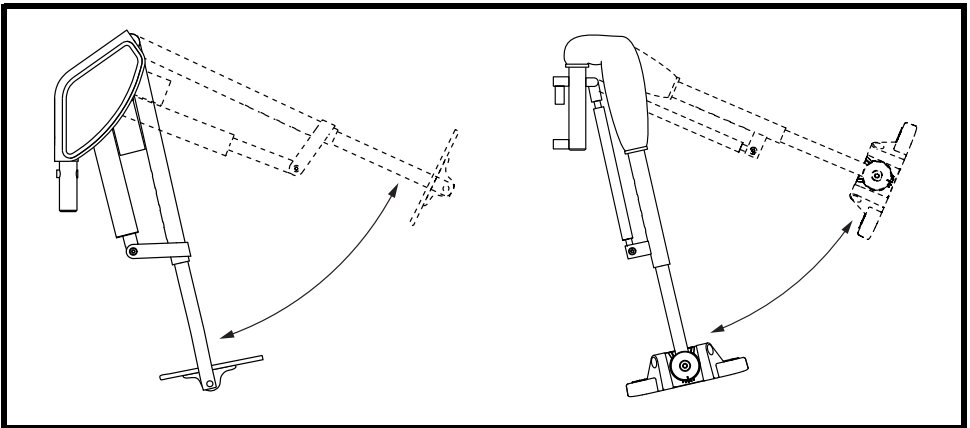


Figure 12. Power Elevating Leg Rests

## POWER ARTICULATING LEG RESTS

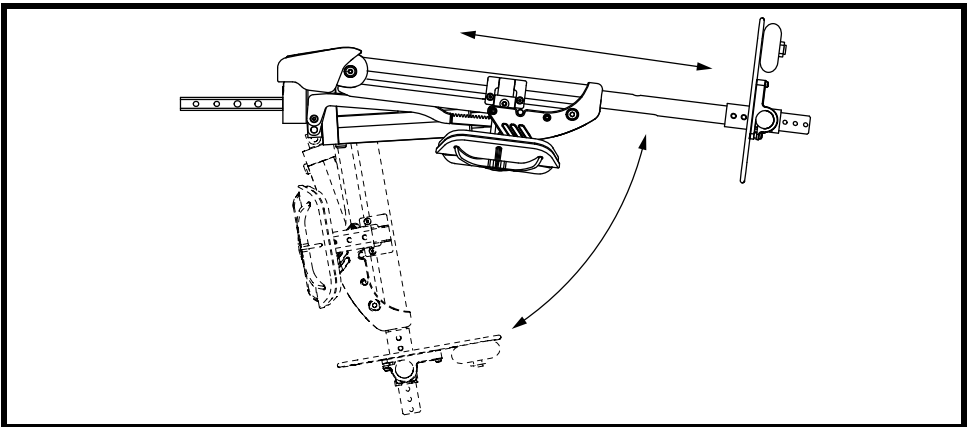
The power articulating leg rests maintain the correct knee-to-heel measurements when the user's legs are being elevated and can be adjusted either as a pair or individually. **See figure 13.** The power articulating leg rests provide 70° or 80° of movement, have standard swing-away/height and depth adjustable calf pads (**see figure 16**), accept all foot plates, and have a maximum weight capacity of 300 lbs. (136 kg). They are available with all power bases that support upgraded electronics and with the Synergy Seating System. The power articulating leg rests operate through the power chair controller or toggle switch.

**NOTE:** *Operation instructions using the joystick 4-way toggles are discussed below. If you are using a different toggle, the Attendant Control Module, or a different operating device, please refer to the operation manual supplied with that device and/or your power chair owner's manual.*

### To operate the combined leg rests:

1. Push the toggle switch to the right to elevate both leg rests.
2. Push the toggle switch to the right, release, then push to the right again to lower both leg rests.

**NOTE:** *For information on operating individual power articulating leg rests, please refer to the operation manual that refers to the operating device you are using, or contact your authorized Pride Provider.*



**Figure 13. Power Articulating Leg Rests**

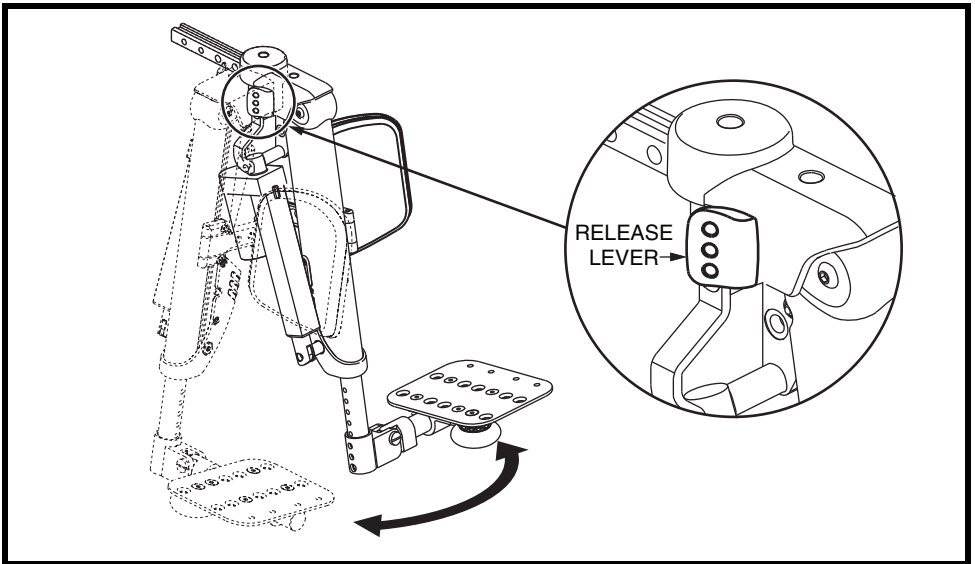


## SWING-AWAY POWER ARTICULATING LEG RESTS

The swing-away power articulating leg rests are operated the same way and have the same features as the power articulating leg rests but have an added swing-away feature which enables you to rotate the leg rests to the side before you transfer onto or off of your power chair.

**To rotate the swing-away power articulating leg rests:**

1. Push in the release lever. **See figure 14.**
2. Rotate the leg rest.



**Figure 14. Swing-away Power Articulating Leg Rests**

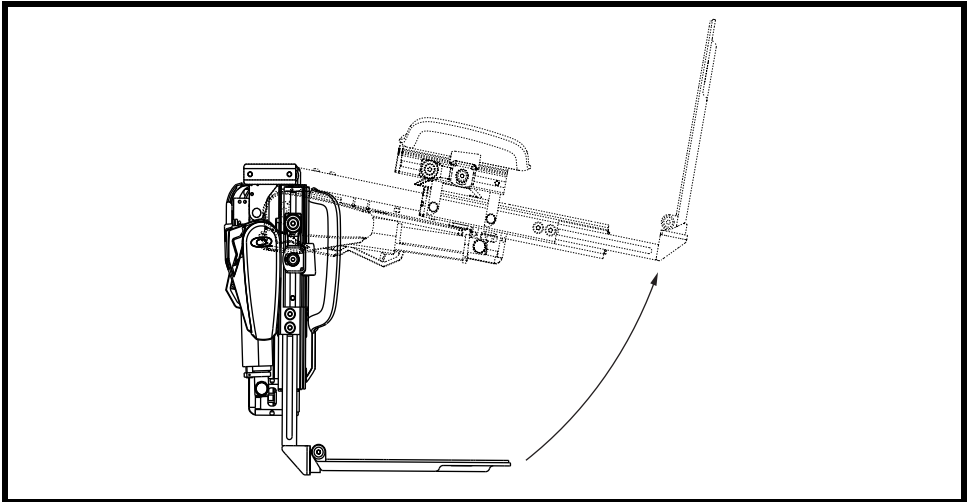
## CENTER-MOUNT ARTICULATING FOOT PLATFORM

The center-mount articulating foot platform maintains the correct knee-to-heel measurements when the user's legs are being elevated. **See figure 15.** The center-mount articulating foot platform elevates to 170°, has standard calf pads that are depth and height adjustable (see figure 16), has a maximum weight capacity of 450 lbs. (204 kg) and has an operating temperature of 40°F (4°C) to 105°F (40°C). It is available with all TRU-Balance Power Positioning Systems and with the Synergy Seating System. The articulating foot platform operates through the power chair controller or toggle switch.

**NOTE:** *Operation instructions using the joystick 4-way toggles are discussed below. If you are using a different toggle, the Attendant Control Module, or a different operating device, please refer to the operation manual supplied with that device and/or your power chair owner's manual.*

### To operate the center-mount articulating foot platform:

1. Push the toggle switch to the right to elevate the center-mount articulating foot platform.
2. Push the toggle switch to the right, release, then push to the right again to lower the center-mount articulating foot platform.



**Figure 15. Center-mount Articulating Foot Platform**

## SWING-AWAY CALF PADS

Several of the front riggings are equipped with swing-away calf pads that are height and depth adjustable.

### To adjust the swing-away calf pad height:

1. Remove the height adjustment screws. See figure 16.
2. Adjust the calf pad up or down to the desired height.
3. Reinstall the height adjustment screws and tighten.

### To adjust the swing-away calf pad depth:

1. Remove the depth adjustment screw. See figure 16.
2. Adjust the calf pad in or out to the desired depth.
3. Reinstall the depth adjustment screw and tighten.

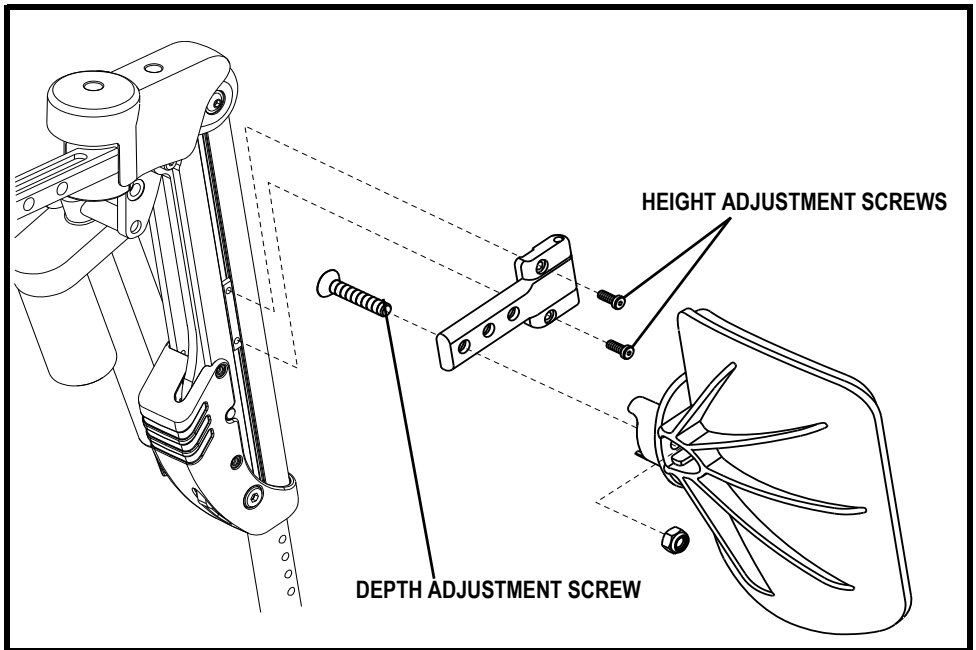


Figure 16. Swing-away Calf Pad Adjustment (ALR Shown)

# NOTES

# NOTES

# NOTES



**USA**

401 York Avenue  
Duryea, PA 18642

**Canada**

5096 South Service Road  
Beamsville, Ontario L0R 1B3

**UK**

32 Wedgwood Road  
Bicester, Oxfordshire OX26 4UL

**Australia**

20-24 Apollo Drive  
Hallam, Victoria 3803

**Italy**

Via del Progresso, ang. Via del Lavoro  
Loc. Prato della Corte  
00065 Fiano Romano (RM)

**B.V.**

Castricummer Werf 26  
1901 RW Castricum  
The Netherlands

***[www.quantumrehab.com](http://www.quantumrehab.com)***



I N F M A N U 3 6 1 3