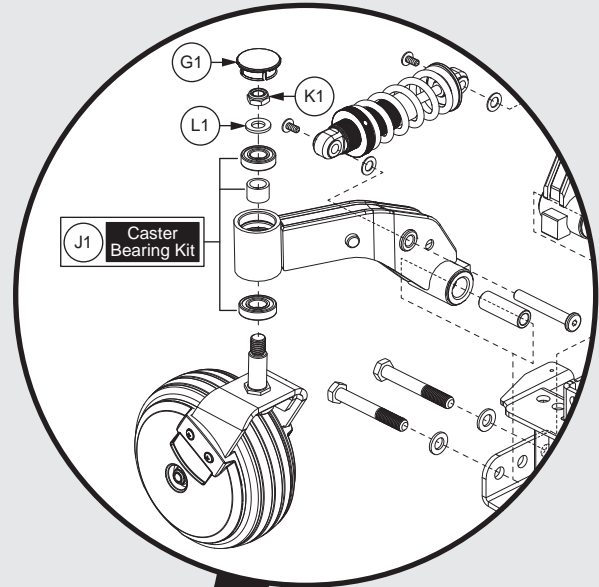


EDGE 3

PRIDE
MOBILITY
LIVE YOUR BEST®



Illustrated Parts Breakdown



This Illustrated Parts Breakdown (IPB) Catalog has been compiled from the latest product information available at the time of publication. Quantum Rehab[®] / Pride Mobility Products[®] Corporation reserves the right to make changes and updates to this manual and to the product(s) it represents. Any changes, updates, or improvements to the product(s) may result in slight differences between this manual and the product that has been purchased.

An IPB is a graphically portrayed parts listing of product components which have been deemed to have serviceable, maintenance significance. When applicable, IPBs utilize “exploded” illustrations that detail serviceable components and a corresponding itemized parts list of reference numbers, part numbers, descriptions, quantities, and any applicable pricing. Most product components are incorporated into assemblies and may not be available for replacement.

Serviceable components will be noted by a callout in the illustration that will correspond to a alphanumeric reference number in the parts list. Items may also be listed in the parts list by parent assemblies. In most cases when a parent assembly is listed, there will be child parts or sub-assemblies listed under that parent.

For example: The parent assembly reference number is A1 — A5. That part contains all of the items listed as and contained within A1, A2, A3, A4, & A5. As long as these subcomponents have a callout associated with them, they can be selected for replacement or quote.

Updates to the contents of an IPB will be made on a regular basis based upon applicable product changes and enhancements. This PDF catalog has been export from the Provider based service site. The most up to date parts look up tool and ordering application is located at: prideprovider.com. Please utilize this system to enhance your user experience. It is built with highly interactive materials that are set with relational properties that will facilitate easier part look-up, more accurate parts selection, notification of onhand part availability, and quick links to related documents and products.

We welcome all questions and comments regarding the Quantum Rehab[®] / Pride Mobility Products[®] Corporation IPB systems.

Any pricing that is included in Quantum Rehab[®] /Pride Mobility Products[®] Corporation IPBs is subject to change without prior notice.

Thank you for choosing products from Quantum Rehab[®] and Pride Mobility Products[®] Corporation.

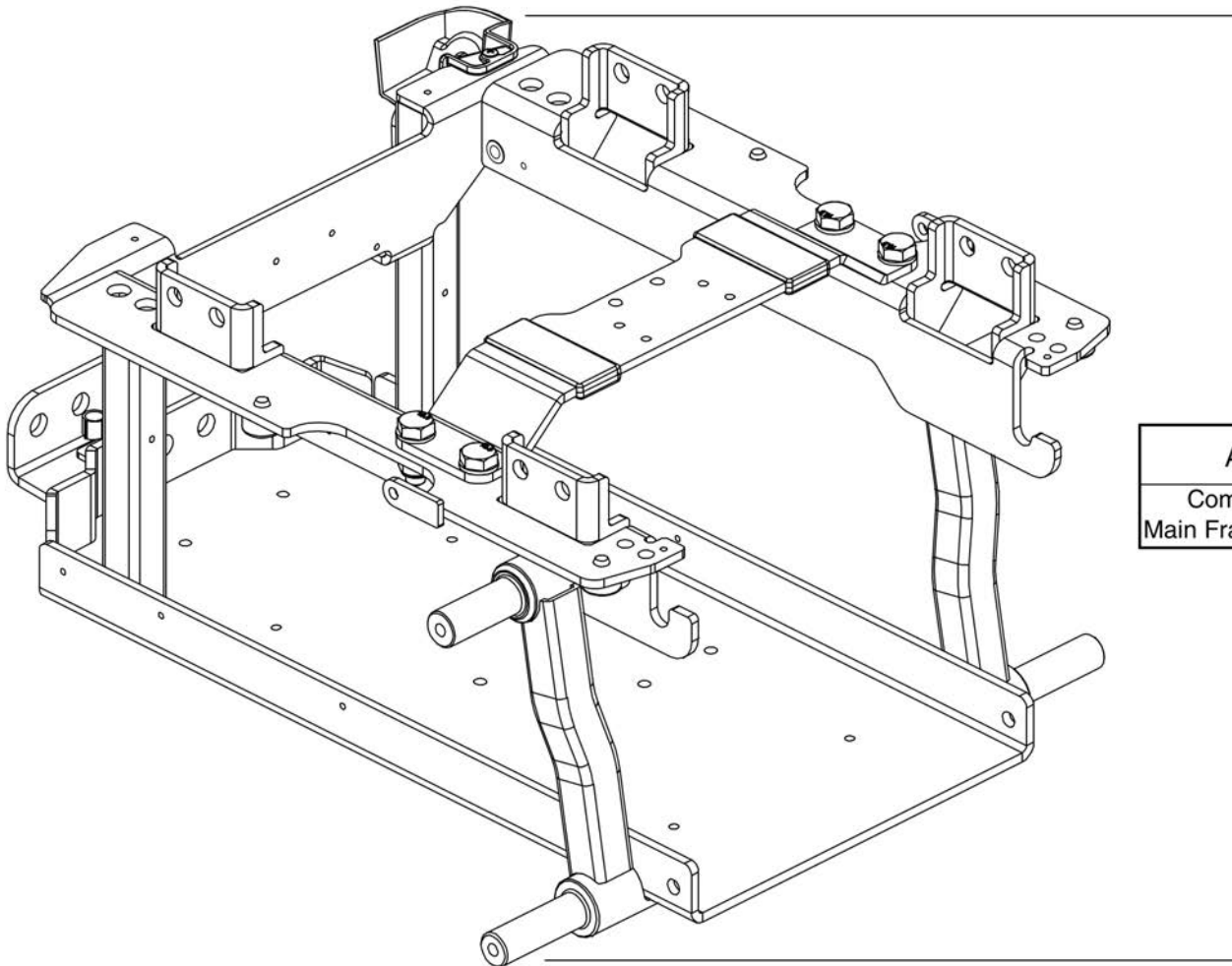


1. Main Frame Assy	
Main Frame Assy, Edge 3	1
2. Front Caster & Suspension Assy	
Front Caster Arm & Suspension Assy, Edge 3	3
3. Rear Caster & Suspension Assy	
Rear Caster Arm & Suspension Assy, Edge 3	5
4. Drive Motor Assy	
Drive Motor Assy - 5-Spoke Hub, Curtis Connector, Edge 3	7
Drive Motor Assy - ACCU-TRAC, 5-Spoke Hub, Curtis Connector, Edge 3	9
5. Joystick Assy	
NE/NE+ Joystick Assy's	11
Q-Logic 3 Joystick Assy's	13
Q-Logic 3e Joystick Assy's - Q6 Edge 3	15
Q-Logic 3 Stand Alone Joystick Assy	17
Q-Logic 3 SD Cards for Edge 3	19
Joystick Knobs & Overlays	
Aftermarket Joystick Knobs	21
Q-Logic 1 / Stand Alone / NE / NE+ Joystick Overlays	23
Q-Logic Joystick Knobs	25
Q-Logic 2 & 3 Joystick Shrouds	
Q-Logic 2 & 3 Joystick Shrouds	27
Joystick Bottom Housings	
NE + Joystick Bottom Housing w/Bus Cable	29
Q-Logic 2 & 3 Joystick Bottom Housing w/Bus Cable	31
6. Electronics Assy's	
6.1. Q-Logic 3 Electronics Assy's	
Q-Logic 3 Base Electronics Matrix, 6 MPH Motors, Edge 3	33
Q-Logic 3 Electronics, Power Seat Thru Joystick, Edge 3	35
Q-Logic 3 Electronics, Power Positioning & Static Seating, Edge 3	37
Q-Logic 3 SD Cards for Edge 3	39
6.2. NE Electronics Assy's	
NE Electronics, Non-Power Positioning, Edge 3	41
NE Electronics, Tilt Thru Toggle, Edge 3	43
NE Electronics, Power Seat Thru Toggle, Edge 3	45
6.3. NE+ Electronics Assy's	
NE+ Electronics, Non-Power Positioning, Edge 3	47
NE+ Electronics, Quantum Ready/Tilt Thru Toggle, Edge 3	49
NE+ Electronics, Power Seat Thru Joystick, Edge 3	51
NE+ Electronics, Fender Lights, Non-Power Positioning/Quantum Ready, Edge 3	53
NE+ Electronics, Fender Lights, Power Seat Thru Joystick, Edge 3	55
7. Foot Platform Assy	
Foot Platform Assy's, Edge Series	57
8. Battery Access Brackets	
Recessed Battery Access Bracket Assy	59
Standard Battery Access Bracket Assy's	61
Power Seat (Pedestal Actuator) Battery Access Brackets, Edge Series	63

9. Main Shroud & Rear Door Assy's	
Main Carrier & Rear Door Shroud Assy's, Edge 3	65
10. Center Panel Shroud Assy	
Center Panel Shrouds and Battery Spacer	67
11. Front Door Shroud Assy's	
Standard & Recessed Front Battery Door Assy's, Edge 3	69
12. Fender / Fender Light Assy's	
Fender Shroud Assy, Without Lights, Edge 2.0 / Edge 3	73
Fender Shroud Assy with Lights, Edge Series	75
13. Power Seat Assy	
Power Seat Assy w/ Universal Interface, Q6 Edge Series	77
14. Trapeze Bar Assy	
Trapeze Bar Assy	79
15. Seat Mount L-Bracket & Transit Loop Assy's	
L-Bracket Towers and Transit Loops	81
16. Drive Wheel Assy's	
5-Spoke, 14" x 3" Drive Wheels	
Flat-free Drive Wheel, 5-Spoke, Black Rim / Black Tire w/Painted Inserts	85
Pneumatic Drive Wheel, 5-Spoke, Black Rim / Black Tire w/Painted Inserts	87
Painted Wheel Inserts	89
4-Spoke, 14" x 4" Drive Wheels (Knobby Tire)	
Flat-free Drive Wheel, 4 Spoke Black Rim/Black "Knobby" Tire	91
Pneumatic Drive Wheel, 4 Spoke Black Rim/Black "Knobby" Tire	93
5-Spoke, 14" x 4" Drive Wheels (Knobby Tire)	
Flat-free Drive Wheel, 5 Spoke, Black Rim / Black "Knobby" Tire, 14" x 4"	95
17. Off-board Charger Assy	
8 amp CTE Charger, Australia	97
8 Amp UPG Charger Assy, AGM / GEL Selectable	99
18. Owner's & Decal Packages	
Owner's Package - Edge 3, Domestic	101
Decal Package - Edge 3	103
19. Batteries	
MK, NF-22, AGM, Battery Assy	105
MK, NF-22, GEL, Battery Assy	107
Interceptor, NF-22, GEL, Battery Assy	109
20. Joystick Mounts & Receivers	
20.1. Swing-away, Version 3	
Swing-away Joystick Bracket & Components, Version 3	111
20.2. Version 2. Swing-away/Multi-axis Joystick Brackets	
Swing-away & Multi-axis Mount Matrix, Rehab Seat, Version 2	113
Swing-away & Multi-axis Mount Matrix, Captain Seat, Version 2	115
Swing-away Joystick Bracket Components, Version 2	117
Multi-Axis Joystick Bracket Components, Version 2	119

20.3. Retract 4 Swing-away Joystick Bracket	
Retract 4 Swing-away Joystick Bracket for Curtis Joysticks	121
20.4. Stealth Swing-away / Flip-down Joystick Bracket	
Stealth Swing-away / Flip Down Joystick Brackets & Mounts	123
20.5. Fixed Inline Joystick Brackets	
Fixed Joystick Mounts, Quantum Joysticks	125
20.6. Joystick Bracket Receivers	
Joystick Receiver Mounts, Quantum	127
21. Base Mounted LED Lights	
Edge 3 Base Mounted LED Lights	129
22. I-Level Base Components	
I-Level Power Base Components, Curtis, Edge 2.0 / Edge 3	131
I-Level Power Base Components, Edge 2.0 / Edge 3 w/Base Mounted Lights	133
I-Level Power Base Cable & Mounting Block Assy	135
23. Quantum Color Reference Chart	
Quantum Color Reference Chart	137
Appendix A:Pages Index	138
Appendix B:Parts Index	139

1. Main Frame Assy



A1
Complete Main Frame Assy

Main Frame Assy, Edge 3



Item	Part No.	Name	Qty
A1	MEC1714451	MAIN FRAME ASSEMBLY	1

2. Front Caster & Suspension Assy

NOTE: Only serviceable components contain callouts. Items with lower-case extensions represent left/right specific sides.

Complete Caster Arm Assy's

A1a Right A1b Left

Does not include the mounting hardware, J1 & K1.

C1 6" Caster Wheel

Complete Caster Fork & Wheel Assy's

B1a Right
B1b Left

Caster Wheel Covers

L1, M1

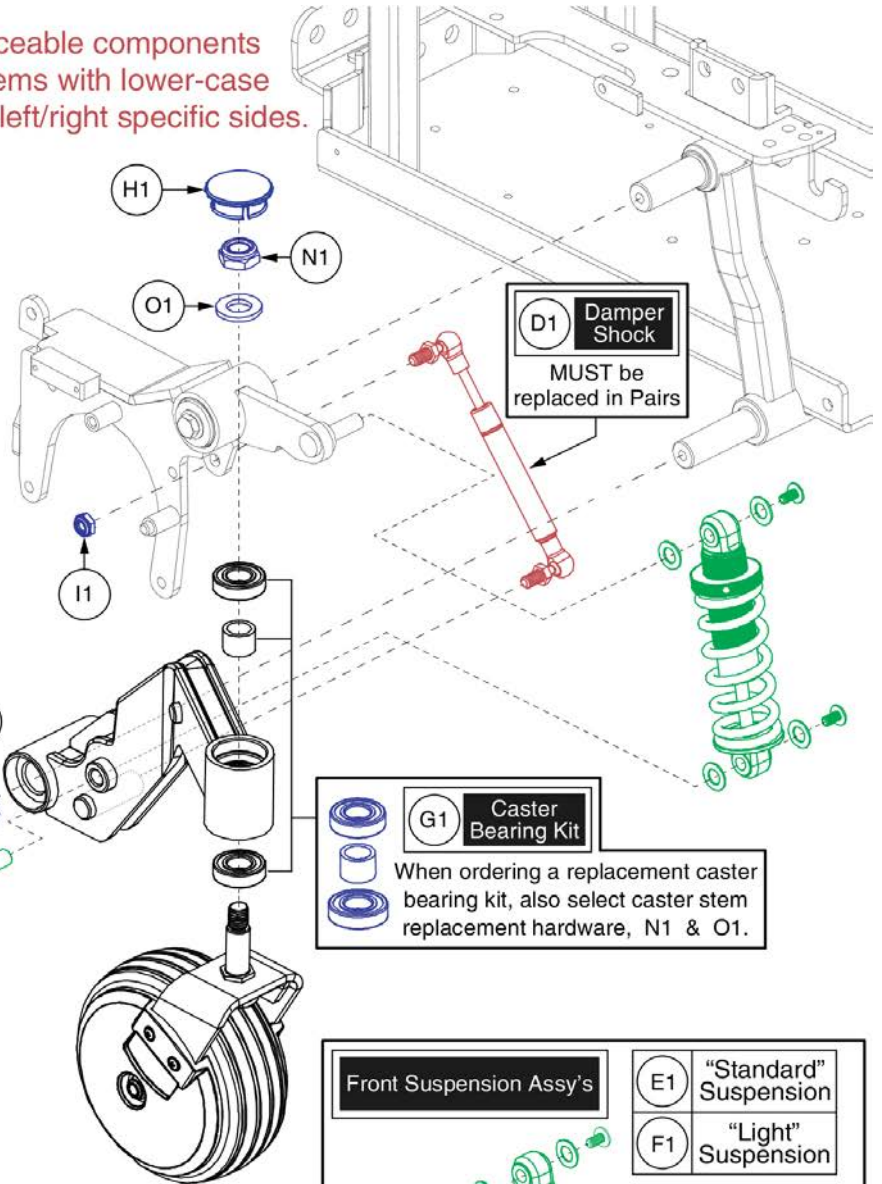
Suspension Spring Package Rules

"Light" Spring Package:

- Seating system is a Hi-Back / Contoured Seat, Static TB3, Flex Seat, Power Recline, or Synergy Seat regardless of the consumer's weight.
- Equipped with iLevel or Power Positioning and the consumer's weight is less than 200 lbs.

"Standard" Spring Package:

- Equipped with iLevel or Power Positioning and the consumer's weight is more than 200 lbs.



D1 Damper Shock
MUST be replaced in Pairs

G1 Caster Bearing Kit
When ordering a replacement caster bearing kit, also select caster stem replacement hardware, N1 & O1.

Front Suspension Assy's

E1 "Standard" Suspension
F1 "Light" Suspension

The upper pivot pin is part of the motor mount assy.

NOTE: For units prior to the S/N cut-ins listed, both the left and right sides must be replaced.

"Standard" Suspension	Prior to S/N JE733018001020
"Light" Suspension	Prior to S/N JE733318097020

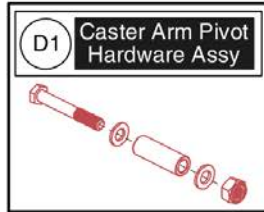
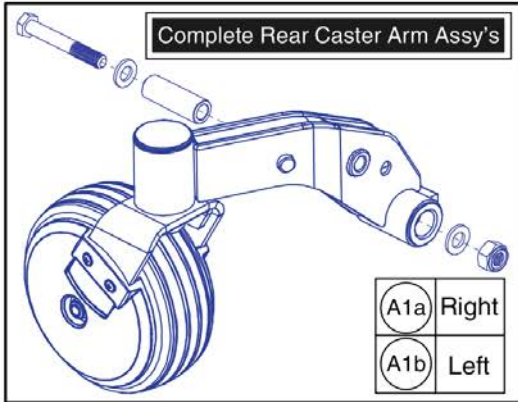
Front Caster Arm & Suspension Assy, Edge 3



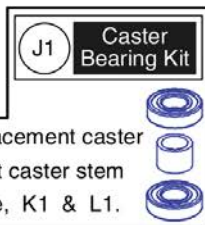
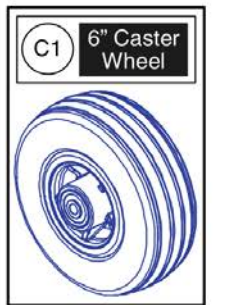
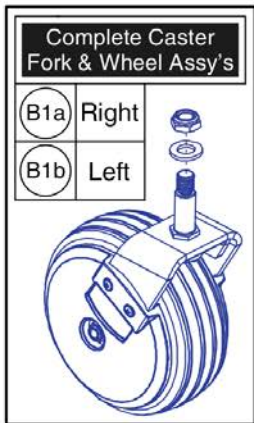
Item	Part No.	Name	Qty
A1a	MEC1708405-B	CASTER ARM ASSEMBLY, 6", FRONT RIGHT, BLACK RIM/BLACK TIRE, BLACK CASTER ARM	1
A1b	MEC1708402-B	CASTER ARM ASSEMBLY, 6", FRONT LEFT, BLACK RIM/BLACK TIRE, BLACK CASTER ARM	1
B1a	MEC151501-B	CASTER ASSEMBLY, 6", BLACK RIM / BLACK TIRE, RIGHT	1
B1b	MEC151499-B	CASTER ASSEMBLY, 6", BLACK RIM / BLACK TIRE, LEFT	1
C1	WHLASMB7110039	WHEEL, ASSY, LOW IMPACT, BLACK RIM/BLACK TIRE, 6" X 2", W/BEARINGS & SPACER, E-1202-039	1
D1	DWR1062C058	SUSPENSION, DAMPER SHOCK, W/10MM BALL ENDS, 60MM STROKE, COMPRESSION, C-1062-058 ***Must Be Replaced In Pairs***	1
E1	MEC1810489	FRONT SUSPENSION, Q6EDGE3, TECH REPLACEMENT, (STANDARD)	1
F1	MEC1810493	FRONT SUSPENSION, Q6EDGE3, TECH REPLACEMENT, (LIGHT)	1
G1	MEC122534	CASTER BEARING KIT	1
H1	DGN140932	CASTER CAP, 42MM BARREL	1
I1	NUTNJAM1020	NUT, NYLOCK JAM, BLACK ZINC, M8-1.25	1
J1	SCRHHCS1412	SCREW, HEX HEAD, M8X1.25 X 16, ISO 4014, CL 10.9, BZ, PVTP	1
K1	WASMETR1096	WASHER, CUSTOM, BLACK ZINC, 8.4MM ID X 30MM OD X 2.5MM TH	1
L1	DWR1202D044	COVER, CASTER SPHERE, BLACK, 6" WHEEL, THIN, LOW PROFILE, D- 1202-044	2
M1	SCRPPH1036	SCREW, PAN HEAD, TYPE H, M4X0.7 X 8, FT, ISO 7045, CL 4.8, BZ	4
N1	NUTNYLK1013	NUT, LOCK, M12X1.75, 12 HIGH, 19 WIDE, CL 8, BZ, PVTP	1
O1	WASMETR1032	WASHER, FLAT, 13ID X 24OD X 2.5TH, ISO 7089-12-200 HV, BZ	1

3. Rear Caster & Suspension Assy

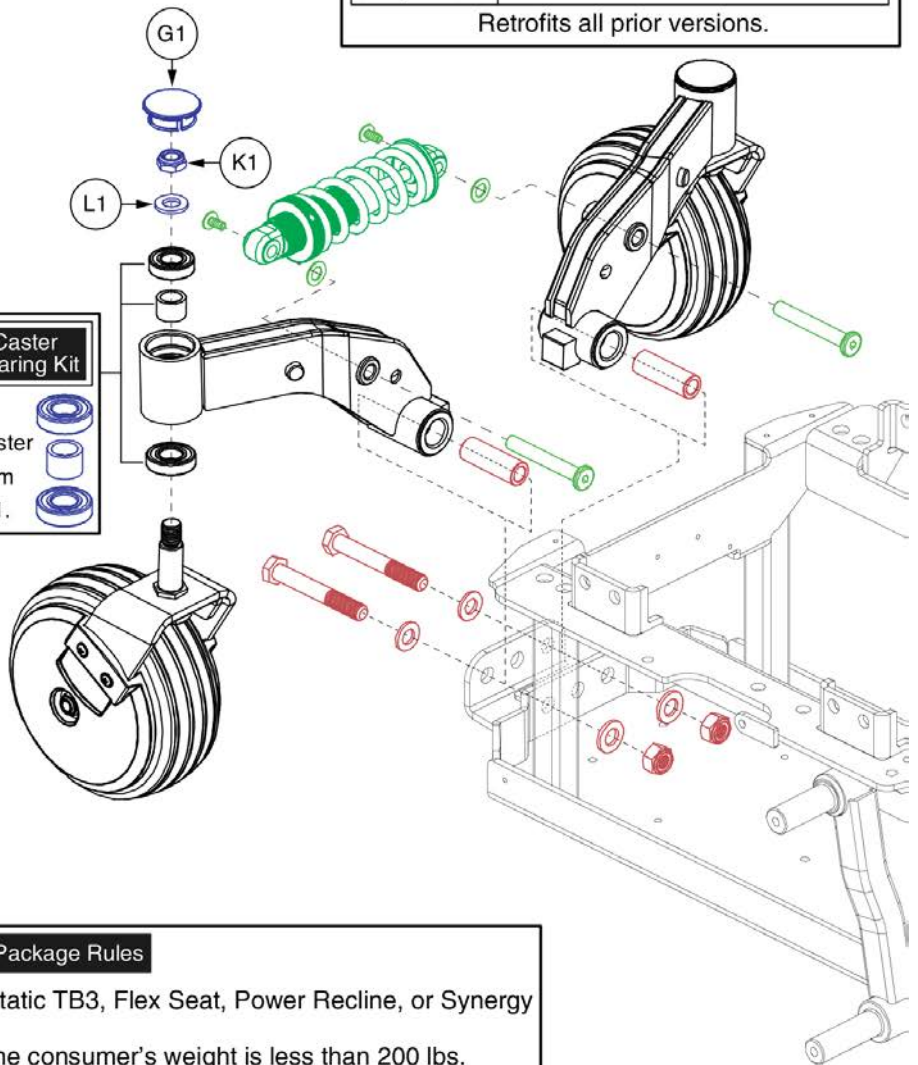
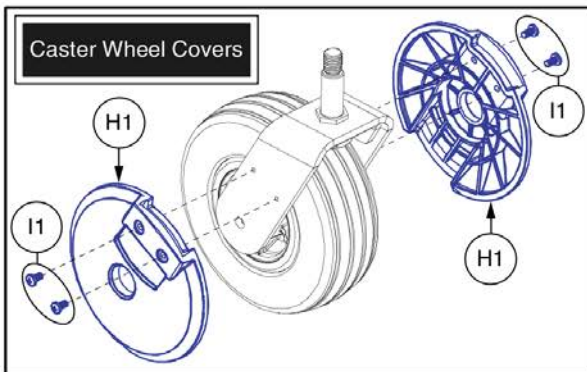
NOTE: Only serviceable components contain callouts. Items with lower-case extensions represent left/right specific sides.



Rear Suspension Assy		E1	"Standard" Suspension
		F1	"Light" Suspension
"Standard" Suspension	On or after S/N JE733018001020		
"Light" Suspension	On or after S/N JE733318097020		
Retrofits all prior versions.			



When ordering a replacement caster bearing kit, also select caster stem replacement hardware, K1 & L1.



<p>"Light" Spring Package:</p> <ul style="list-style-type: none"> - Seating system is a Hi-Back / Contoured Seat, Static TB3, Flex Seat, Power Recline, or Synergy Seat regardless of the consumer's weight. - Equipped with iLevel or Power Positioning and the consumer's weight is less than 200 lbs. 	<p>Suspension Spring Package Rules</p>
<p>"Standard" Spring Package:</p> <ul style="list-style-type: none"> - Equipped with iLevel or Power Positioning and the consumer's weight is more than 200 lbs. 	

Rear Caster Arm & Suspension Assy, Edge 3



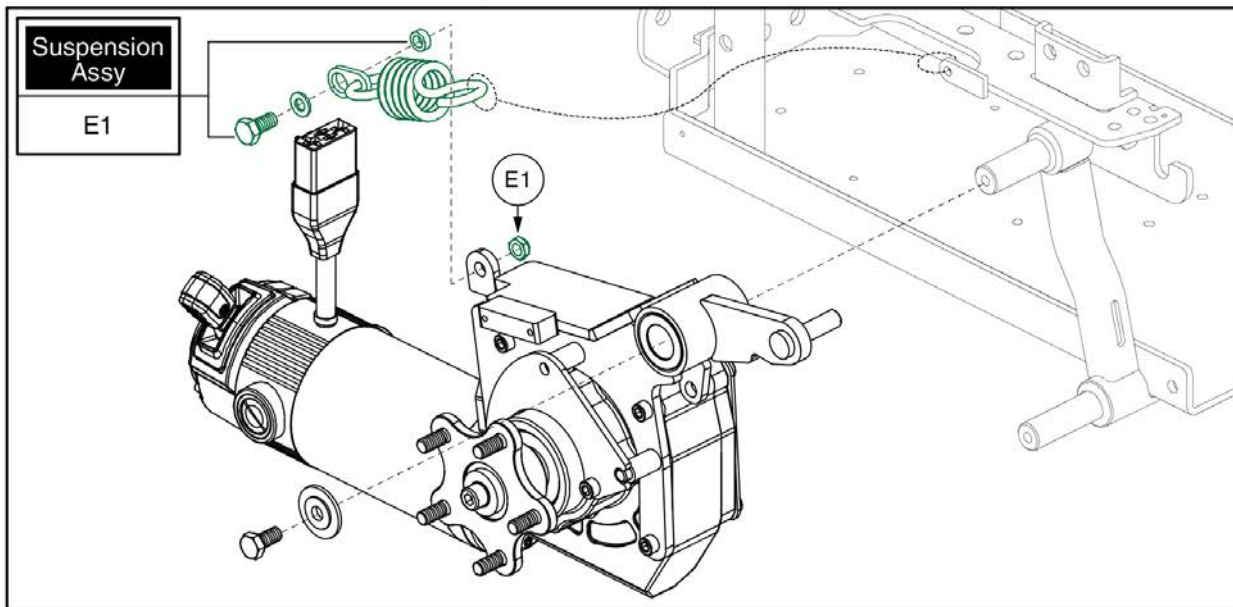
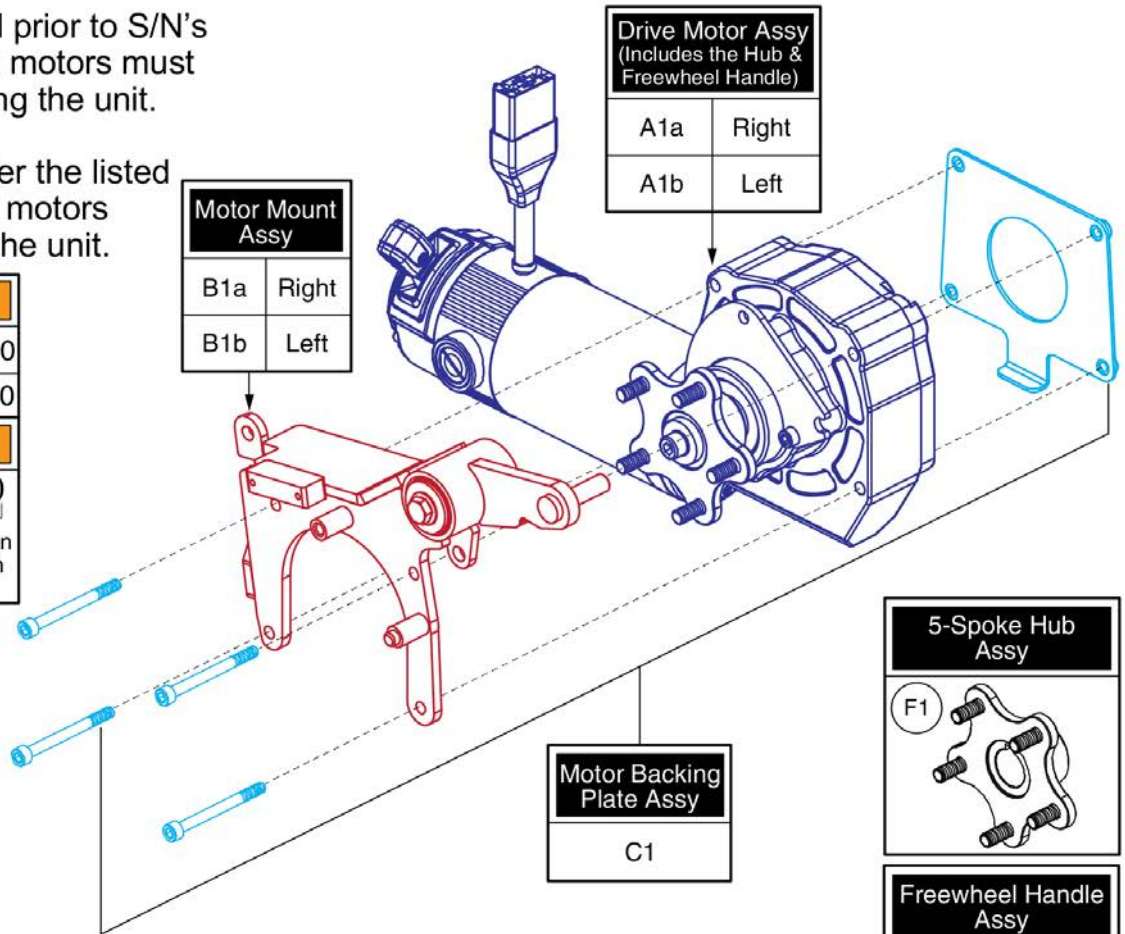
Item	Part No.	Name	Qty
A1a	MEC1708422-B	CASTER ARM ASSEMBLY, 6", REAR RIGHT, BLACK RIM/BLACK TIRE, BLACK CASTER ARM	1
A1b	MEC1708419-B	CASTER ARM ASSEMBLY, 6", REAR LEFT, BLACK RIM/BLACK TIRE, BLACK CASTER ARM	1
B1a	MEC151501-B	CASTER ASSEMBLY, 6", BLACK RIM / BLACK TIRE, RIGHT	1
B1b	MEC151499-B	CASTER ASSEMBLY, 6", BLACK RIM / BLACK TIRE, LEFT	1
C1	WHLASMB7110039	WHEEL, ASSY, LOW IMPACT, BLACK RIM/BLACK TIRE, 6" X 2", W/BEARINGS & SPACER, E-1202-039	1
D1	MEC1709568	PIVOT HARDWARE SUB-ASSEMBLY	1
E1	MEC1810490	REAR SUSPENSION, Q6EDGE3, TECH REPLACEMENT, (STANDARD)	1
F1	MEC1810494	REAR SUSPENSION, Q6EDGE3, TECH REPLACEMENT, (LIGHT)	1
G1	DGN140932	CASTER CAP, 42MM BARREL	1
H1	DWR1202D044	COVER, CASTER SPHERE, BLACK, 6" WHEEL, THIN, LOW PROFILE, D- 1202-044	2
I1	SCRPPH1036	SCREW, PAN HEAD, TYPE H, M4X0.7 X 8, FT, ISO 7045, CL 4.8, BZ	4
J1	MEC122534	CASTER BEARING KIT	1
K1	NUTNYLK1013	NUT, LOCK, M12X1.75, 12 HIGH, 19 WIDE, CL 8, BZ, PVTP	1
L1	WASMETR1032	WASHER, FLAT, 13ID X 24OD X 2.5TH, ISO 7089-12-200 HV, BZ	1

4. Drive Motor Assy

1. For units manufactured prior to S/N's listed, both the left & right motors must be replaced when servicing the unit.

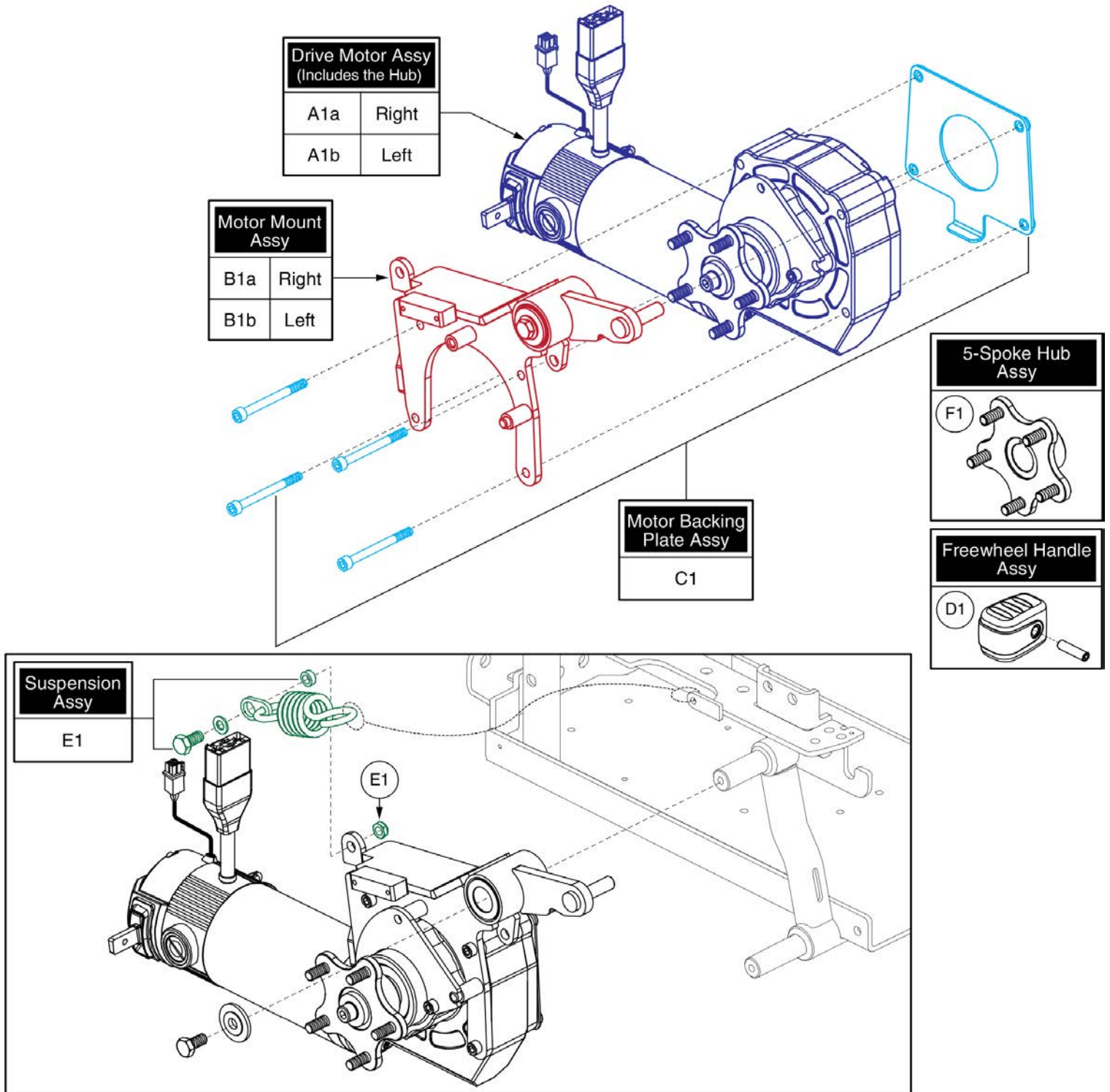
2. Units manufactured after the listed S/N's can have individual motors replaced when servicing the unit.

Model	S/N Cut-in			
Q6 Edge 2.0	JD827619018020			
Q6 Edge 3	JE727619022020			
S/N Explanation				
JD827619018020				
Model Code	Julian Day	Year	Unit # Produced	Production Location



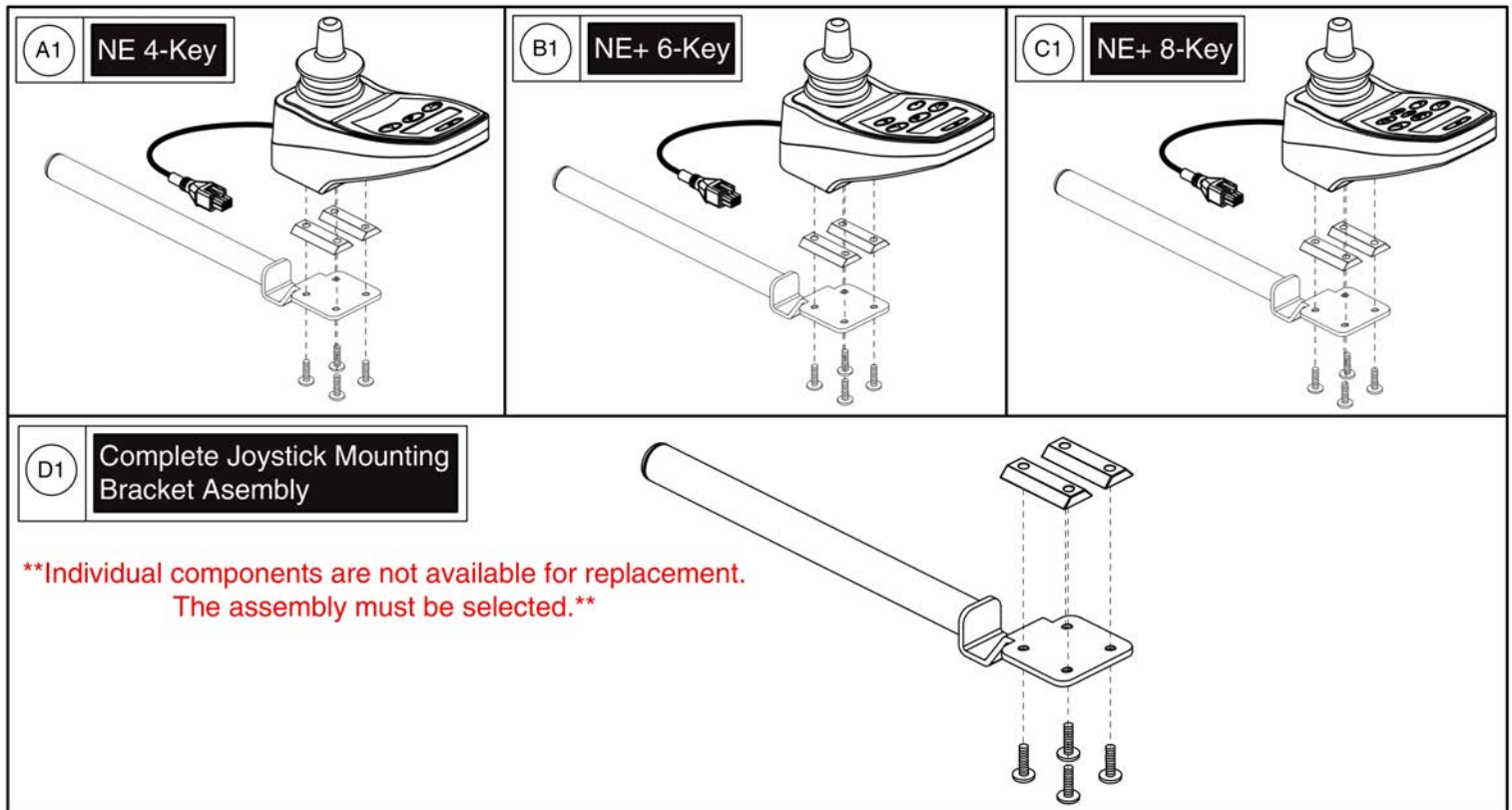
Item	Part No.	Name	Qty
A1a	MOT1810170-01	RIGHT MOTOR ASSY,EDGE 2/3,700MM CURTIS CONNECTOR	1
A1b	MOT1810171-01	LEFT MOTOR ASSY,EDGE 2/3,700MM CURTIS CONNECTOR	1
B1a	MEC1711842	MOTOR MOUNT ASSEMBLY, RIGHT	1
B1b	MEC1711841	MOTOR MOUNT ASSEMBLY, LEFT	1
C1	MEC145634	MOTOR MOUNT,ASSY,LINIX TO EDGE 2.0	1
D1	FRMASMB8691	FREEWHEEL,ASSY,RELEASE HANDLE GRIP,YELLOW,B-1160-051	1
E1	MEC1714454	MOTOR SUSPENSION ASSEMBLY, EDGE 2.0	1
F1	MEC145417	HUB ASSEMBLY	1

4. Drive Motor Assy



Item	Part No.	Name	Qty
A1a	MOT155716-01	RIGHT HAND, LINIX ENCODER MOTOR, FACEPLATE, HUB, MIR,CURTIS,700MM LEADS	1
A1b	MOT155715-01	LEFT HAND, LINIX ENCODER MOTOR, FACEPLATE, HUB, CURTIS,700MM LEADS	1
B1a	MEC1711842	MOTOR MOUNT ASSEMBLY, RIGHT	1
B1b	MEC1711841	MOTOR MOUNT ASSEMBLY, LEFT	1
C1	MEC145634	MOTOR MOUNT,ASSY,LINIX TO EDGE 2.0	1
D1	FRMASMB8691	FREEWHEEL,ASSY,RELEASE HANDLE GRIP,YELLOW,B-1160-051	1
E1	MEC1714454	MOTOR SUSPENSION ASSEMBLY, EDGE 2.0	1
F1	MEC145417	HUB ASSEMBLY	1

5. Joystick Assy



NE/NE+ Joystick Assy's



Item	Part No.	Name	Qty
A1	CTLDC1554	CONTROLLER,JOYSTICK MODULE,CURTIS,NE,4 KEY,H-1111-263,(CURTIS: 378692019)	1
B1	CTLDC1560	CONTROLLER,JOYSTICK MODULE,CURTIS NE PLUS,6 KEY,SWITCH JACKS AND ACTUATORS,H-1111-268,(CURTIS: 17905700)	1
C1	CTLDC1561	CONTROLLER,JOYSTICK MODULE,CURTIS NE PLUS,8 KEY,SWITCH JACKS,ACTUATORS,AND LIGHTS,H-1111-269,(CURTIS: 17906700)	1
D1	FRMASMB12744	JOYSTICK MOUNTING BRACKET,ASSY,NE/NE PLUS CONTROLLER,INLINE	1

5. Joystick Assy

Q-Logic 3 Joysticks

* Q-Logic 3 Joystick replacement requires the selection of a Pre-programmed SD Card. SD Cards are not shown. Refer to the model specific SD Card pages for selection. *

Q-Logic 3 Joysticks
(Shroud NOT Included)
Select Separately

A1	Standard
B1	Lighting

Standard Inline Joystick Mounting Bracket Assy

C1

- Refer to the Joystick Mounts & Receivers Sections for more Joystick mounting options.

Joystick Replacement notes:

- The replacement joystick DOES NOT include the painted shroud. Please utilize the existing. If required, it must be selected separately.
- The replacement joystick DOES NOT include the SD card. Refer to the model specific SD Card pages for selection.
- A Pre-programmed, Joystick mounted SD Card is required when:
 - Replacing a Joystick, Power Base Module, Seating Module, or Display.
 - Any circumstance where all of the electronics modules require replacement.
 - When retrofitting a unit in the field to Q-Logic 3 Electronics.
- The Q-Logic 3 system will reprogram the unit based upon the information loaded onto the SD card. A new SD card ensures the unit is loaded with the latest software.
- Contact Technical Service for more information.

D1 Speed Knob

E1 Joystick Knob

Lower Housing w/ Bus Cable

F1

Q-Logic 3 Joystick Assy's



Item	Part No.	Name	Qty
A1	CTL143976	EXPANDABLE CONTROLLER W/ JOYSTICK AND LCD COLOR DISPLAY, Q-LOGIC 3, 4-KEY, (CURTIS: 17949700-02-0009)	1
B1	CTL143977	EXPANDABLE CONTROLLER W/ JOYSTICK AND LCD COLOR DISPLAY AND LIGHTS, Q-LOGIC 3, 4-KEY, (CURTIS: 17949700-02-0109)	1
C1	FRMASMB10617	JOYSTICK MOUNTING BRACKET,ASSY,CURTIS,INLINE	1
D1	DGN124309	SPEED WHEEL,KNOB,CURTIS Q-LOGIC 2,BLACK,PLASTIC,DGN124309,(CURTIS: 17949367-01)	1
E1	DGN154742	JOYSTICK, KNOB, Q-LOGIC 3, 6.35MM-ID, (CURTIS: 17519114-01)	1
F1	ELE144006	ELECTRONIC, BOTTOM HOUSING, JOYSTICK MODULE Q-LOGIC 3,W/ BUS CABLE Q-LOGIC 3, (CURTIS: 17949366-02)	1

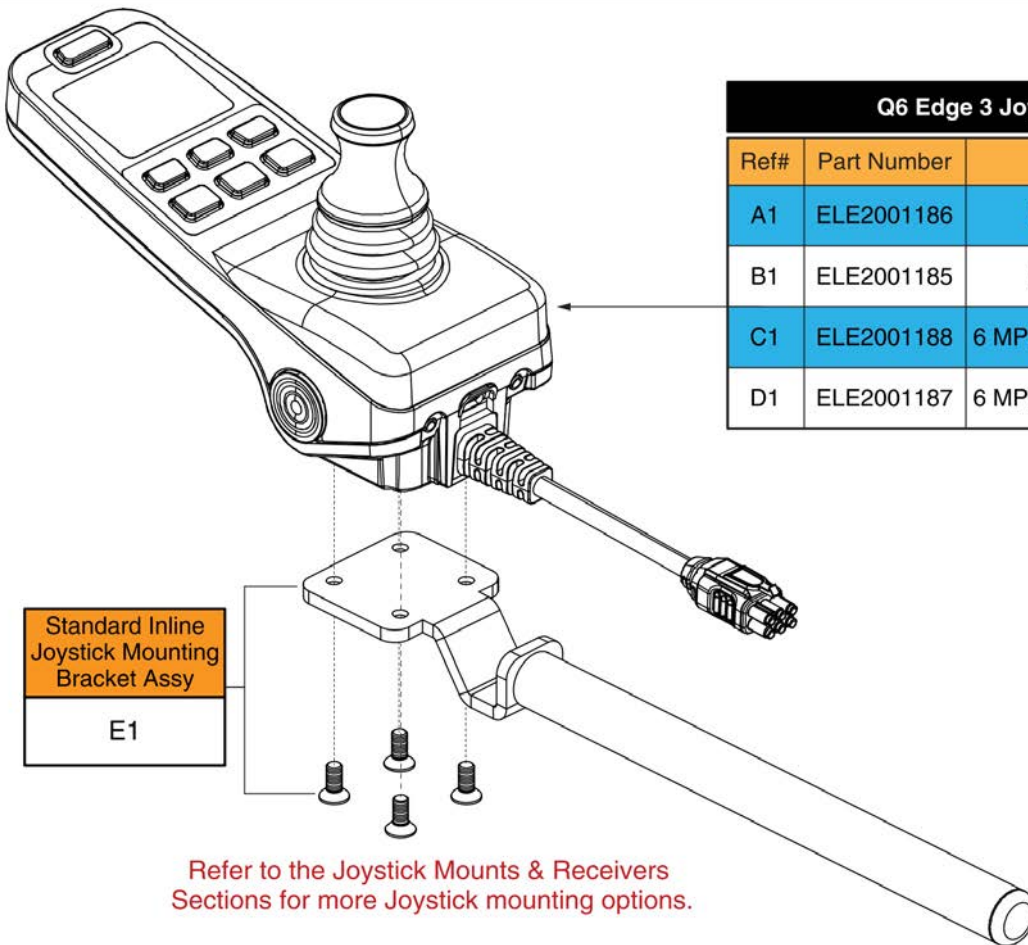
5. Joystick Assy

Q-Logic 3e Joysticks

Joystick Replacement Notes:

- The proper joystick assembly with programming must be selected to ensure the unit functions as intended.
- A pre-programmed SD card is **NOT** needed when replacing or retrofitting a Q-Logic 3e joystick on a unit. The latest firmware and program file are stored internally on the new joystick.
- The Q-Logic 3e joystick is compatible with all previous and current units equipped with Q-Logic 3 electronics and can be used in place of the full-featured joystick.

Contact Technical Service for more information.



Q6 Edge 3 Joysticks w/ Programming			
Ref#	Part Number	Motors	Seating Config.
A1	ELE2001186	6 MPH Linix	Static Seat
B1	ELE2001185	6 MPH Linix	Power Positioning
C1	ELE2001188	6 MPH Linix, Accu Trac	Static Seat
D1	ELE2001187	6 MPH Linix, Accu Trac	Power Positioning

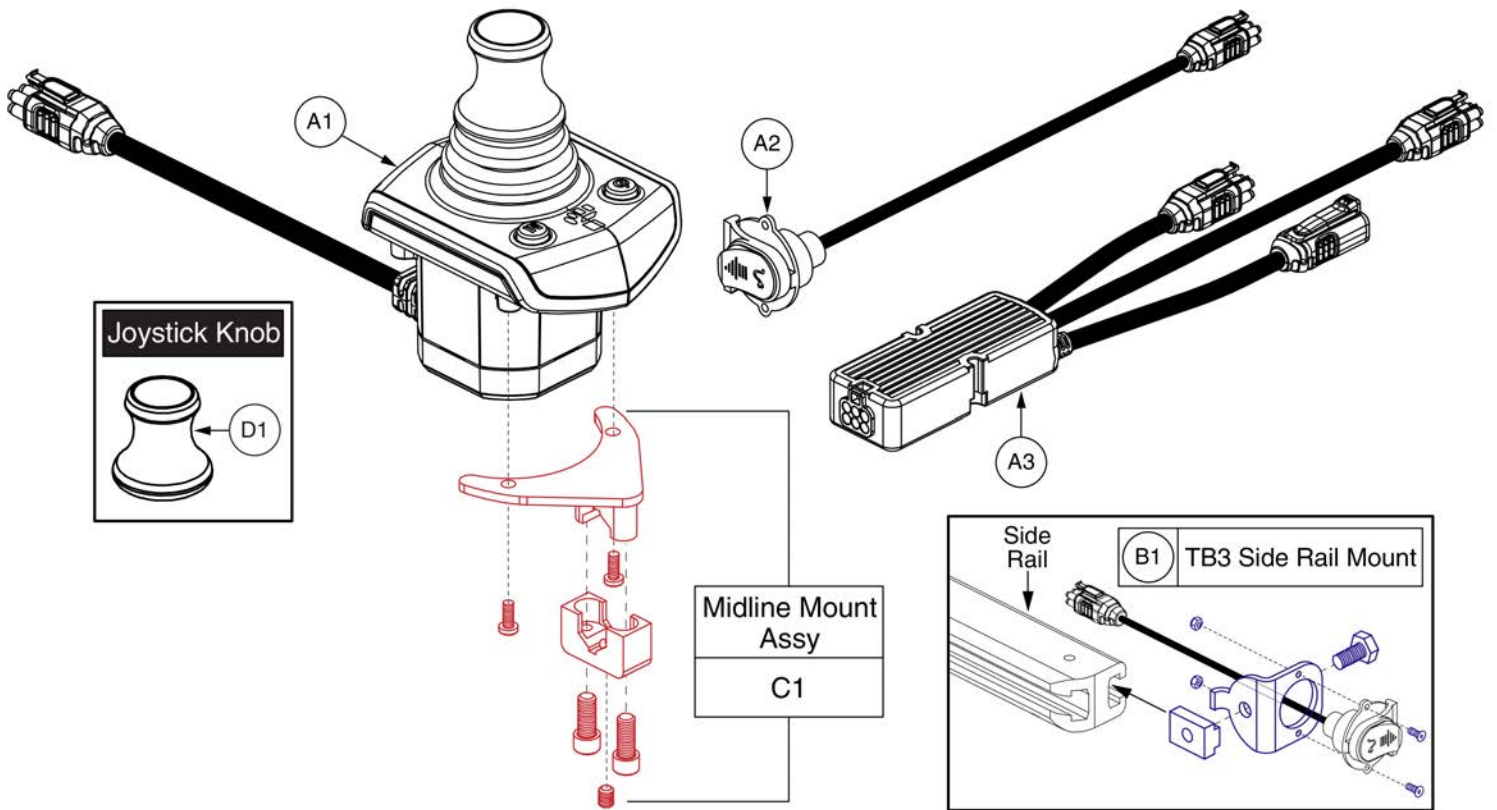
Refer to the Joystick Mounts & Receivers Sections for more Joystick mounting options.

Q-Logic 3e Joystick Assy's - Q6 Edge 3



Item	Part No.	Name	Qty
A1	ELE2001186	SERVICEABLE ASSEMBLY, Q-LOGIC 3E, Q6EDGE 3, 6MPH LINIX MOTORS, STATIC SEATING	1
B1	ELE2001185	SERVICEABLE ASSEMBLY, Q-LOGIC 3E, Q6EDGE 3, 6MPH LINIX MOTORS, POWER POSTIONING	1
C1	ELE2001188	SERVICEABLE ASSEMBLY, Q-LOGIC 3E, Q6EDGE 3, 6MPH LINIX MOTORS ACCU TRAC, STATIC SEATING	1
D1	ELE2001187	SERVICEABLE ASSEMBLY, Q-LOGIC 3E, Q6EDGE 3, 6MPH LINIX MOTORS ACCU TRAC, POWER POSITIONING	1
E1	FRMASMB10617	JOYSTICK MOUNTING BRACKET,ASSY,CURTIS,INLINE	1

5. Joystick Assy

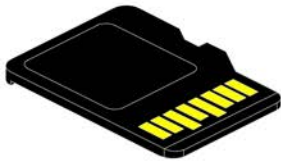


Q-Logic 3 Stand Alone Joystick Assy



Item	Part No.	Name	Qty
A1	CTL143980	STANDALONE JOYSTICK, Q-LOGIC 3, (CURTIS: 17953700-1109)	1
A2	HAR144001	HARNESS, CHARGER/PROGRAMMER, Q-LOGIC 3, 0.9 METER,(CURTIS: 17880701)	1
A3	HAR144003	HARNESS, SEAT MULTIPLIER Q-LOGIC 3, (CURTIS: 17881360-02-01)	1
B1	FRMASMB11156	MOUNTING BRACKET,ASSY,STAND ALONE JOYSTICK,SIDE RAIL MOUNT,C-1360-163	1
C1	FRMASMB10454	JOYSTICK MOUNTING BRACKET,ASSY,CURTIS STAND ALONE JOYSTICK,MIDLINE,C-1010-263	1
D1	DGN154742	JOYSTICK, KNOB, Q-LOGIC 3, 6.35MM-ID, (CURTIS: 17519114-01)	1

5. Joystick Assy



Pre-programmed
Micro SD Card

Q-Logic 3 SD Card Master List - Q6 Edge 3			
Ref#	Part Number	Motor Type	Options
A1	ELE1805110	6 mph Linix	Power Positioning
B1	ELE1805112	6 mph Linix	Static
C1	ELE1805113	6 mph Linix, Accu Trac	Power Positioning
D1	ELE1805111	6 mph Linix, Accu Trac	Static

Please note:

- Pre-programmed SD Cards are required when:
 - Replacing a Joystick, Power Base Module, or Seating Module. A firmware upgrade occurred requiring a system update to enable all of the enhanced features.
 - Any circumstance where all of the electronics modules require replacement.
- The Q-Logic 3 system will reprogram the unit based upon the information loaded onto the SD card.
- The proper, programmed SD card must be selected to ensure the unit functions as intended.

Q-Logic 3 SD Cards for Edge 3



Item	Part No.	Name	Qty
A1	ELE1805110	SERVICEABLE ASSEMBLY,SD CARD,Q6EDGE3 PROGRAM,6MPH LINIX MOTORS,Q-LOGIC 3,POWER POSITIONING	1
B1	ELE1805112	SERVICEABLE ASSEMBLY,SD CARD,Q6EDGE 3 PROGRAM,6MPH LINIX MOTORS,Q-LOGIC 3,STATIC SEATING	1
C1	ELE1805113	SERVICEABLE ASSEMBLY,SD CARD,Q6EDGE3 PROGRAM,6MPH LINIX MOTORS ACCU TRAC,Q-LOGIC3,POWER POSITIONING	1
D1	ELE1805111	SERVICEABLE ASSEMBLY,SD CARD,Q6EDGE 3 PROGRAM,6MPH LINIX MOTORS,Q-LOGIC 3,ACCU TRAC,STATIC SEATING	1

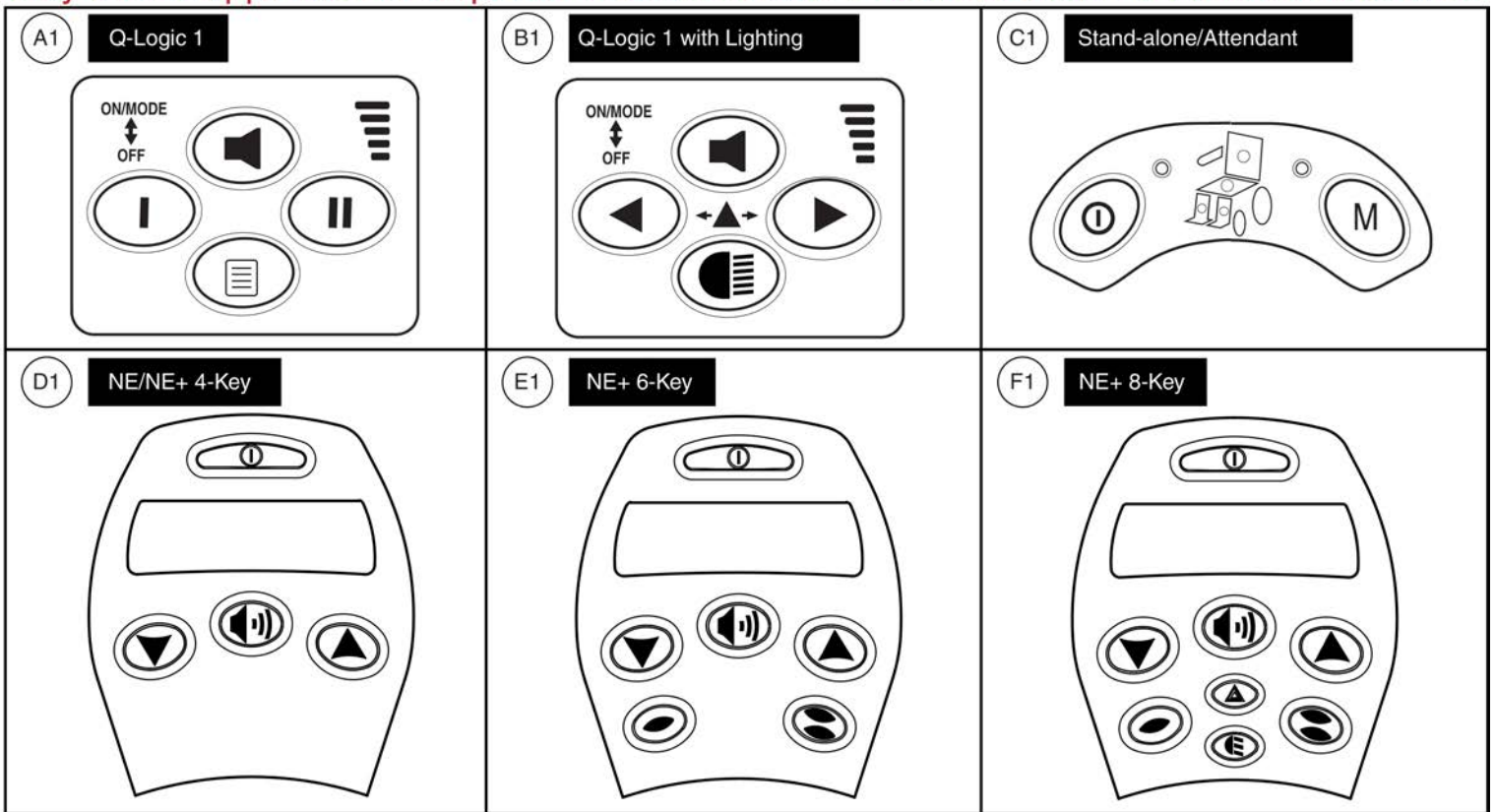
Joystick Knobs & Overlays

<p>A1 Soft Ball</p> 	<p>B1 I-Handle</p> 	<p>C1 T-bar</p> 	<p>D1 Ball</p> 				
<p>E1 Mushroom</p> 	<p>F1 Chin Cup</p> 	<p>G1 Remote Plus (Carrot)</p> 	<p>Goal Posts</p> <table border="1" data-bbox="1425 1066 1546 1171"> <tr> <td>H1</td> <td>3"</td> </tr> <tr> <td>I1</td> <td>4"</td> </tr> </table> 	H1	3"	I1	4"
H1	3"						
I1	4"						

Item	Part No.	Name	Qty
A1	ACCASMB1856	P&G JOYSTICK KNOB,ASSY,JAZZY,SOFT BALL	1
B1	ACCASMB1857	P&G JOYSTICK KNOB,ASSY,JAZZY,EXTENDED I-HANDLE	1
C1	ACCASMB1858	P&G JOYSTICK KNOB,ASSY,JAZZY,T BAR	1
D1	ACCASMB1859	P&G JOYSTICK KNOB,ASSY,JAZZY,BALL	1
E1	ACCASMB1860	P&G JOYSTICK KNOB,ASSY,JAZZY,MUSHROOM	1
F1	ACCASMB1861	P&G JOYSTICK KNOB,ASSY,JAZZY,CHIN CUP	1
G1	ACCASMB1862	P&G JOYSTICK KNOB,ASSY,JAZZY,REMOTE STANDARD	1
H1	PLSKNCP1057	JOYSTICK KNOB,3",GOAL POST,W/FLEX SHAFT,FOR 1/4" STEM,(BP: PC101B)	1
I1	PLSKNCP1058	JOYSTICK KNOB,4",GOAL POST,W/FLEX SHAFT,FOR 1/4" STEM,(BP: PC102B)	1

Joystick Knobs & Overlays

Please note: Joystick selection varies by power base model. Replacement parts shown may not be applicable to all power bases. Contact Technical Service for more information.

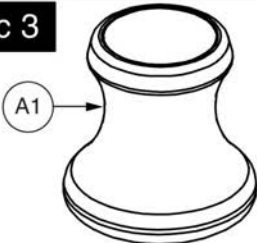
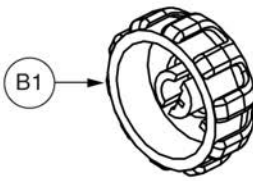
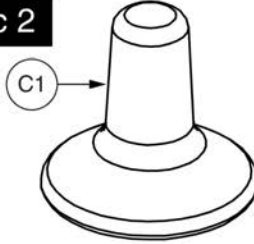
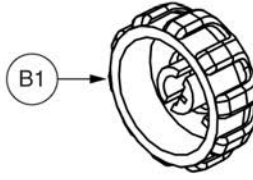
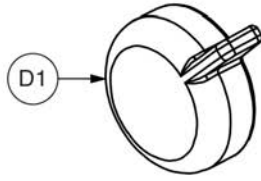
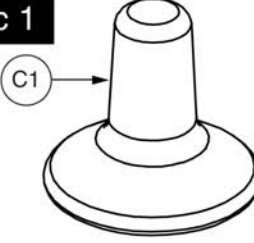
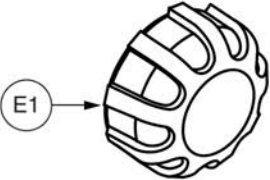


Item	Part No.	Name	Qty
A1	KITASMB1728	KIT,ASSY,Q-LOGIC CONTROLLER KEYPAD REPLACEMENT,W/INSTALLATION INSTRUCTIONS	1
B1	KITASMB1729	KIT,ASSY,Q-LOGIC CONTROLLER W/LIGHTS KEYPAD REPLACEMENT,W/INSTALLATION INSTRUCTIONS	1
C1	KITASMB1730	KIT,ASSY,Q-LOGIC STAND ALONE CONTROLLER KEYPAD REPLACEMENT,W/INSTALLATION INSTRUCTIONS	1
D1	KIT152913	KIT,ASSY,NE/NE PLUS CONTROLLER,4 KEY KEYPAD REPLACEMENT,W/INSTALLATION INSTRUCTIONS	1
E1	KIT152914	KIT,ASSY,NE/NE PLUS CONTROLLER,6 KEY KEYPAD REPLACEMENT,W/INSTALLATION INSTRUCTIONS	1
F1	KIT152915	KIT,ASSY,NE/NE PLUS CONTROLLER,8 KEY KEYPAD REPLACEMENT,W/INSTALLATION INSTRUCTIONS	1

Joystick Knobs & Overlays

Please note:

- Joystick selection varies by power base model. Replacement parts shown may not be applicable to all power bases.
- Serviceable components vary for each version of the Q-Logic Joystick and only the serviceable parts are shown for each.
- Contact Technical Service for more information.

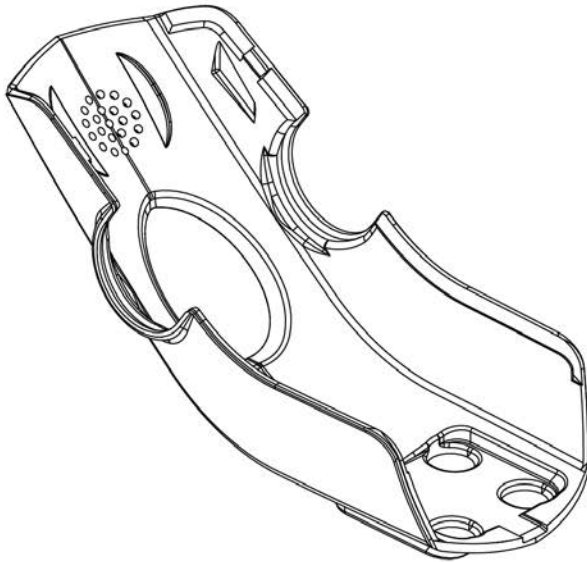
<p>Q-Logic 3</p>  <p>A1</p> <p>Joystick & Stand-alone/Attendant Gimble Knob</p>	 <p>B1</p> <p>Speed Knob</p>	
<p>Q-Logic 2</p>  <p>C1</p> <p>Joystick & Stand-alone/Attendant Gimble Knob</p>	 <p>B1</p> <p>Speed Knob</p>	 <p>D1</p> <p>On/Off/Mode Knob <i>(NOT compatible with Q-Logic 1 or 3)</i></p>
<p>Q-Logic 1</p>  <p>C1</p> <p>Joystick & Stand-alone/Attendant Gimble Knob</p>	 <p>E1</p> <p>Speed Knob</p>	

Item	Part No.	Name	Qty
A1	DGN154742	JOYSTICK, KNOB, Q-LOGIC 3, 6.35MM-ID, (CURTIS: 17519114-01)	1
B1	DGN124309	SPEED WHEEL,KNOB,CURTIS Q-LOGIC 2,BLACK,PLASTIC,DGN124309,(CURTIS: 17949367-01)	1
C1	DGN124308	JOYSTICK,KNOB,CURTIS,STANDARD,6.35MM-ID,DGN124308,(CURTIS: 37381)	1
D1	KIT152919	KIT,ASSY,Q-LOGIC 2 CONTROLLER,ON/OFF/MODE TOGGLE REPLACEMENT,W/INSTALLATION INSTRUCTIONS	1
E1	PLSINDV1252	ELECTRONIC,KNOB,BLACK,PLASTIC,SPEED WHEEL,(CURTIS: 17856352-A)	1

Q-Logic 2 & 3 Joystick Shrouds

***Please Note:**

- The joystick shrouds are available in all the Quantum colors listed.
- Power base colors vary by model and some colors listed may not be available on all power bases. See the Quantum Color Reference Chart for color options.
- Some colors listed may have prolonged lead times.
- Contact Technical Service for more information.



Q-Logic 2 (Pre 2015)	
Ref#	Color Name
A1	Std., Soft Touch
A2	Black
A3	Silver
A4	Candy Apple Red
A5	Pearl Pink
A6	Sapphire Blue
A7	True Blue
A8	Viper Blue
A9	Emerald Green
A10	Orion Yellow
A11	Sunburst Orange

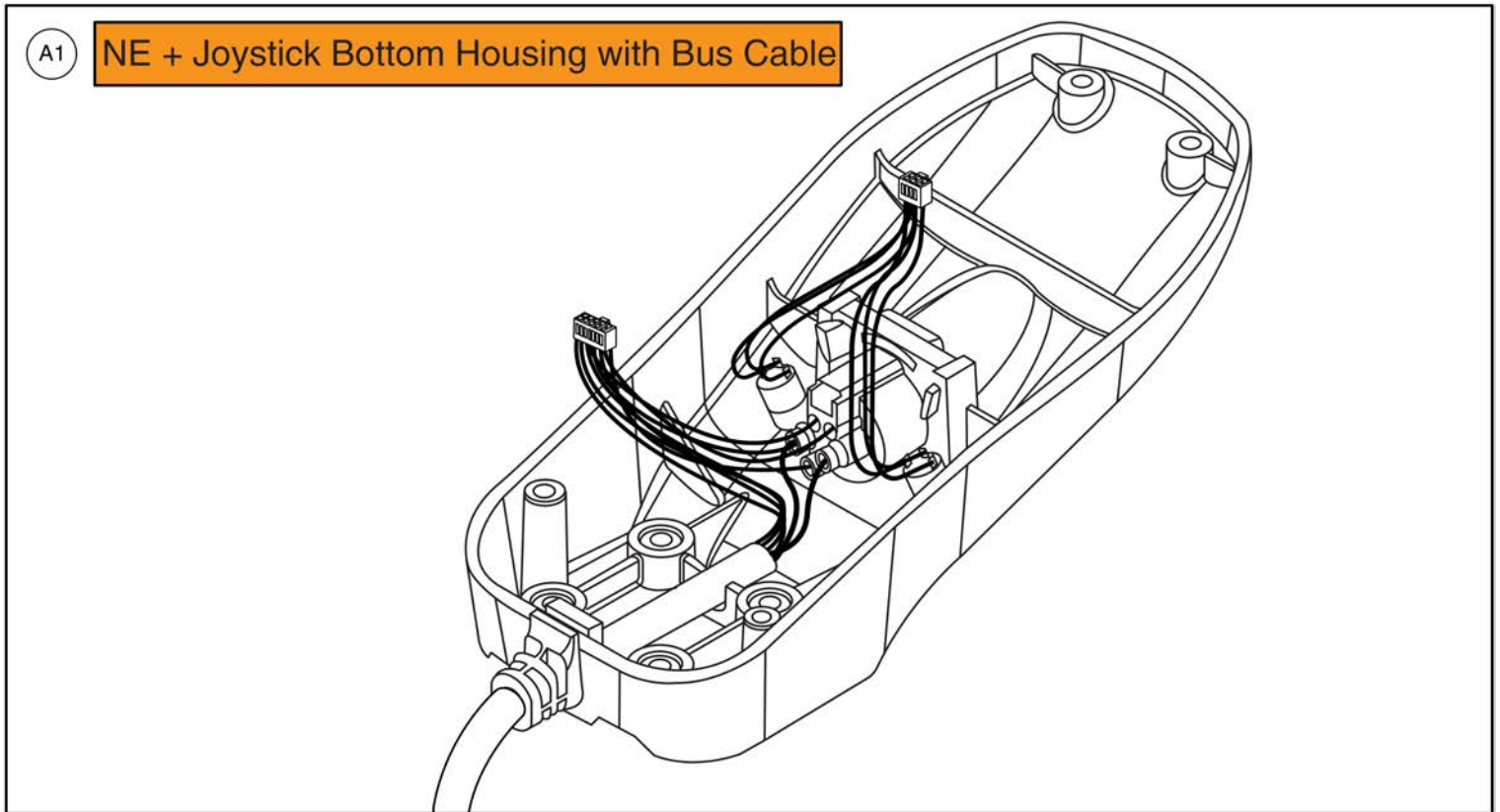
Q-Logic 2 (Post 2015) & Q-Logic 3	
Ref#	Color Name
B1	Std., Soft Touch
B2	Back in Black
B3	Night Train
B4	Grey Street
B5	Silver Bullet
B6	White Satin
B7	Red Corvette
B8	Cherry Bomb
B9	Pretty in Pink
B10	Raspberry Beret
B11	Sugar Plum
B12	Deep Purple
B13	Midnight Blue
B14	Electric Blue
B15	Blue Jean
B16	Green Machine
B17	Military Green
B18	Lime Light
B19	Yellow Blaze
B20	Lemon Crush
B21	Orange Crush
B22	Evolution Orange
B23	Carbon Fiber
B24	Digital Camo
B25	Faded Glory

Q-Logic 2 & 3 Joystick Shrouds



Item	Part No.	Name	Qty
A1	DGN124307	Q-LOGIC 2/3 JOYSTICK SHROUD,BLACK SOFT-TOUCH PAINT,(CURTIS: 17949365-02)	1
A2	DGN124336-PBK1	Q-LOGIC 2/3 JOYSTICK SHROUD,PPW-BLK-01 (BACK IN BLACK/BLACK)	1
A3	DGN124336-PSL1	Q-LOGIC 2/3 JOYSTICK SHROUD,PPW-SIL-01 (SILVER)	1
A4	DGN124336-PRD1	Q-LOGIC 2/3 JOYSTICK SHROUD,PPW-RED-01 (RED CORVETTE/CANDY APPLE RED)	1
A5	DGN124336-PPK1	Q-LOGIC 2/3 JOYSTICK SHROUD,PPW-PNK-01 (PEARL PINK)	1
A6	DGN124336-PPR4	Q-LOGIC 2/3 JOYSTICK SHROUD,PPW-PRP-04 (SAPPHIRE BLUE)	1
A7	DGN124336-PBU9	Q-LOGIC 2/3 JOYSTICK SHROUD,PPW-BLU-09 (ELECTRIC BLUE/TRUE BLUE)	1
A8	DGN124336-PBU1	Q-LOGIC 2/3 JOYSTICK SHROUD,PPW-BLU-01 (VIPER BLUE)	1
A9	DGN124336-PGN5	Q-LOGIC 2/3 JOYSTICK SHROUD,PPW-GRN-05 (EMERALD GREEN)	1
A10	DGN124336-PYL3	Q-LOGIC 2/3 JOYSTICK SHROUD,PPW-YEL-03 (YELLOW BLAZE/ORION YELLOW)	1
A11	DGN124336-POR4	Q-LOGIC 2/3 JOYSTICK SHROUD,PPW-ORN-04 (SUNBURST ORANGE)	1
B1	DGN124307	Q-LOGIC 2/3 JOYSTICK SHROUD,BLACK SOFT-TOUCH PAINT,(CURTIS: 17949365-02)	1
B2	DGN124336-PBK1	Q-LOGIC 2/3 JOYSTICK SHROUD,PPW-BLK-01 (BACK IN BLACK/BLACK)	1
B3	DGN124336-PBK3	Q-LOGIC 2/3 JOYSTICK SHROUD,PPW-BLK-03 (NIGHT TRAIN)	1
B4	DGN124336-PSL3	Q-LOGIC 2/3 JOYSTICK SHROUD,PPW-SIL-03 (GREY STREET)	1
B5	DGN124336-PSL7	Q-LOGIC 2/3 JOYSTICK SHROUD,PPW-SIL-07 (SILVER BULLET)	1
B6	DGN124336-PWH2	Q-LOGIC 2/3 JOYSTICK SHROUD,PPW-WHT-02 (WHITE SATIN)	1
B7	DGN124336-PRD1	Q-LOGIC 2/3 JOYSTICK SHROUD,PPW-RED-01 (RED CORVETTE/CANDY APPLE RED)	1
B8	DGN124336-PRD4	Q-LOGIC 2/3 JOYSTICK SHROUD,PPW-RED-04 (CHERRY BOMB)	1
B9	DGN124336-PPK3	Q-LOGIC 2/3 JOYSTICK SHROUD,PPW-PNK-03 (PRETTY IN PINK)	1
B10	DGN124336-PPK4	Q-LOGIC 2/3 JOYSTICK SHROUD,PPW-PNK-04 (RASPBERRY BERET)	1
B11	DGN124336-PPR7	Q-LOGIC 2/3 JOYSTICK SHROUD,PPW-PRP-07 (SUGAR PLUM)	1
B12	DGN124336-PPR5	Q-LOGIC 2/3 JOYSTICK SHROUD,PPW-PRP-05 (DEEP PURPLE)	1
B13	DGN124336-PBU10	Q-LOGIC 2/3 JOYSTICK SHROUD,PPW-BLU-10 (MIDNIGHT BLUE)	1
B14	DGN124336-PBU9	Q-LOGIC 2/3 JOYSTICK SHROUD,PPW-BLU-09 (ELECTRIC BLUE/TRUE BLUE)	1
B15	DGN124336-PBU11	Q-LOGIC 2/3 JOYSTICK SHROUD,PPW-BLU-11 (BLUE JEAN)	1
B16	DGN124336-PGN11	Q-LOGIC 2/3 JOYSTICK SHROUD,PPW-GRN-11 (GREEN MACHINE)	1
B17	DGN124336-PGN8	Q-LOGIC 2/3 JOYSTICK SHROUD,PPW-GRN-08 (MILITARY GREEN)	1
B18	DGN124336-PGN7	Q-LOGIC 2/3 JOYSTICK SHROUD,PPW-GRN-07 (LIME LIGHT)	1
B19	DGN124336-PYL3	Q-LOGIC 2/3 JOYSTICK SHROUD,PPW-YEL-03 (YELLOW BLAZE/ORION YELLOW)	1
B20	DGN124336-PYL4	Q-LOGIC 2/3 JOYSTICK SHROUD,PPW-YEL-04 (LEMON CRUSH)	1
B21	DGN124336-POR6	Q-LOGIC 2/3 JOYSTICK SHROUD,PPW-ORN-06 (ORANGE CRUSH)	1
B22	DGN124336-POR7	Q-LOGIC 2/3 JOYSTICK SHROUD,PPW-ORN-07 (EVOLUTION ORANGE)	1
B23	DGN124336-WCB1	Q-LOGIC 2/3 JOYSTICK SHROUD,PWT-CBN-01 (CARBON FIBER)	1
B24	DGN124336-WCM7	Q-LOGIC 2/3 JOYSTICK SHROUD,PWT-CMO-07 (MILITARY DIGITAL CAMO)	1
B25	DGN124336-WFL2	Q-LOGIC 2/3 JOYSTICK SHROUD,PWT-FLG-02 (FADED GLORY)	1

Joystick Bottom Housings

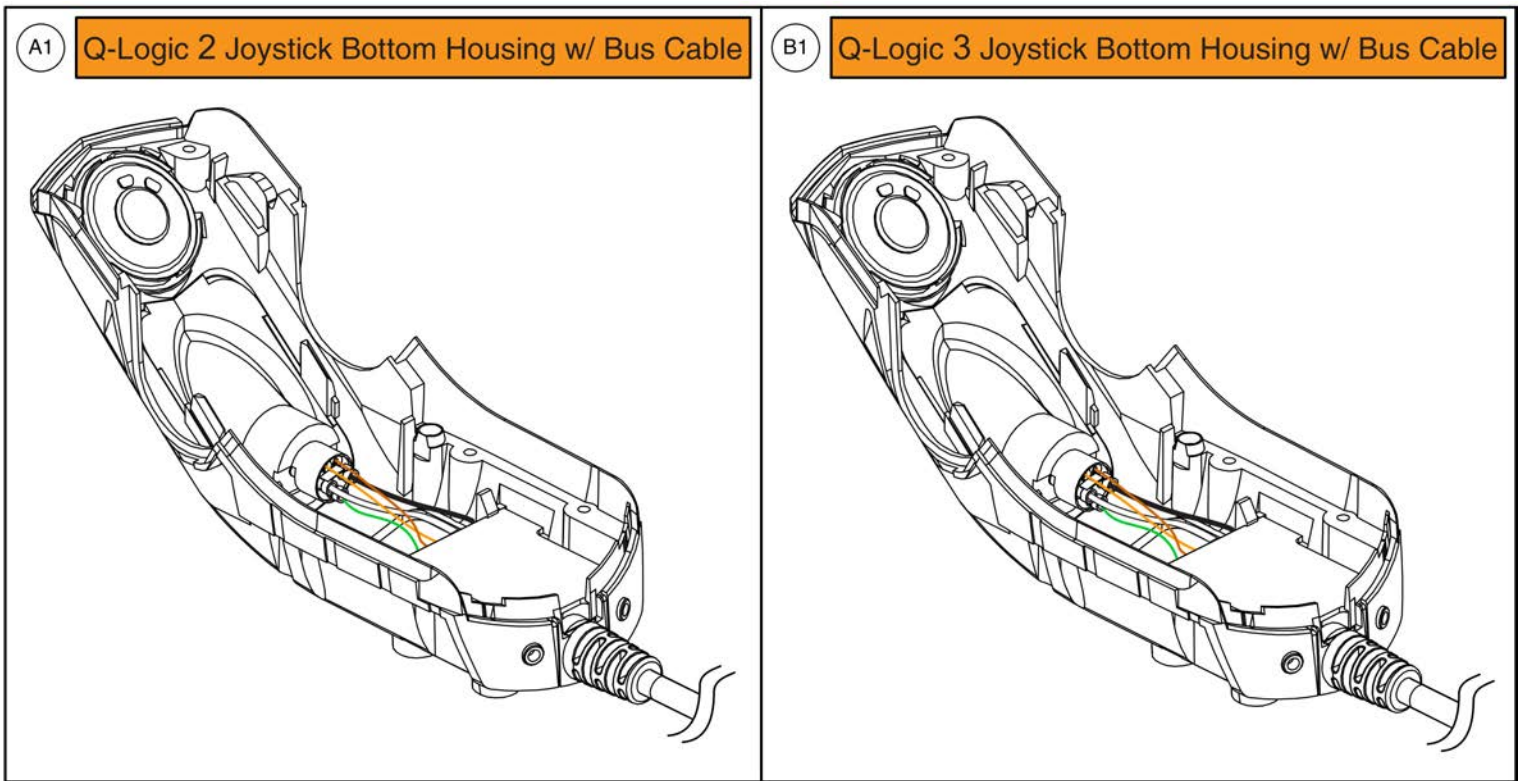


NE + Joystick Bottom Housing w/Bus Cable



Item	Part No.	Name	Qty
A1	DWR1111C003	JOYSTICK REPLACEMENT BOTTOM,W/HARNESS,NE+ W/JACKS,C-1111-003,(CURTIS: 17906705)	1

Joystick Bottom Housings



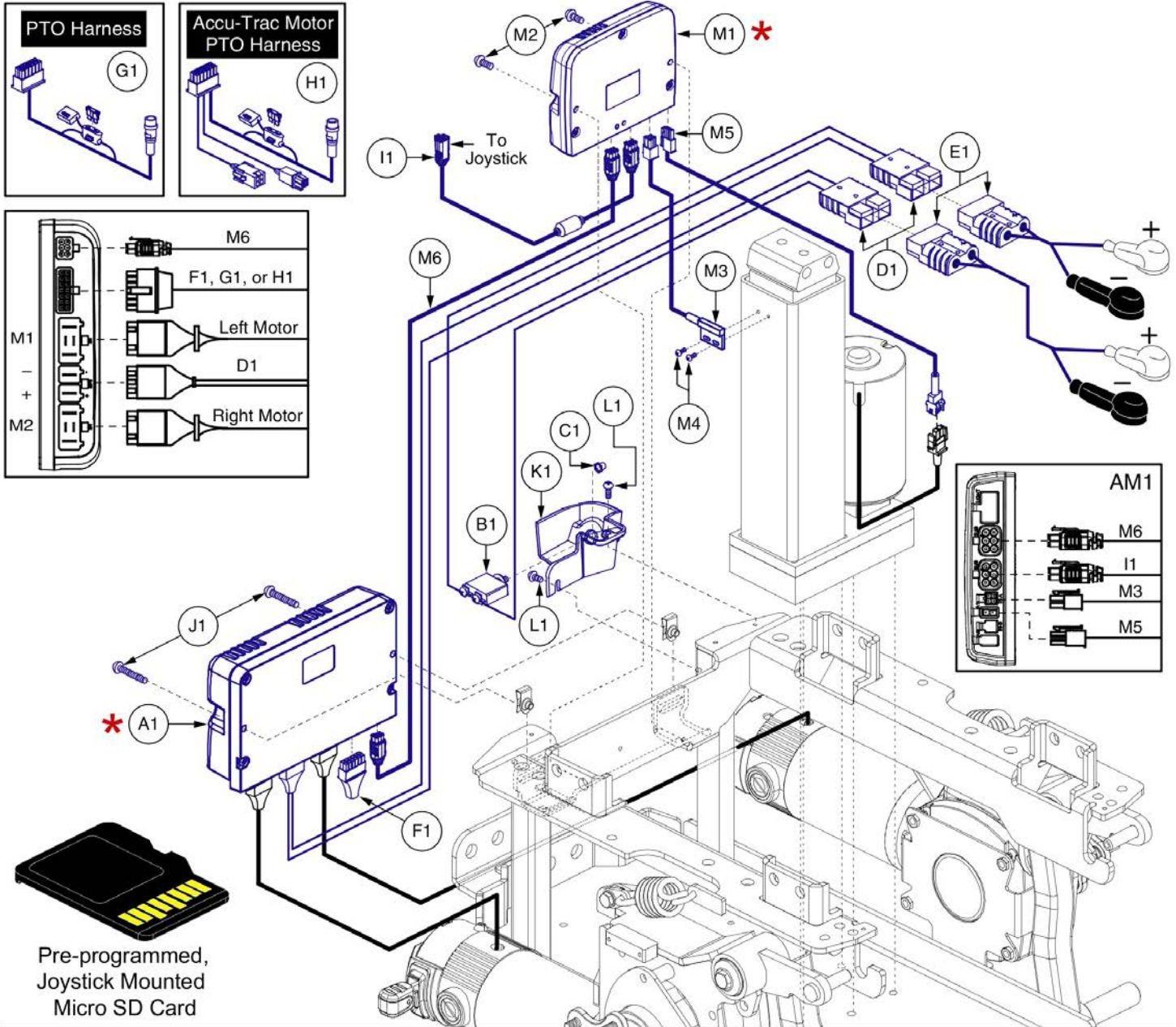
Item	Part No.	Name	Qty
A1	ELE124313	Q-LOGIC 2 BOTTOM HOUSING,JOYSTICK MODULE,W/BUS CABLE	1
B1	ELE144006	ELECTRONIC, BOTTOM HOUSING, JOYSTICK MODULE Q-LOGIC 3,W/ BUS CABLE Q-LOGIC 3, (CURTIS: 17949366-02)	1

6.1. Q-Logic 3 Electronics Assy's

Q-Logic 3 Base Electronics Matrix - 6 MPH Motors			
Ref#	Part Number	Seating Type	Lighting Type
A1	ELE1802029	Power Positioning	Base Mounted
B1	ELE1802030	Static/Captain's Seating w/Power Legs	Base Mounted
C1	ELE1802031	Static Seating	Base Mounted
D1	ELE1802032	Power Elevating Seat	Base Mounted
E1	ELE1802033	Power Positioning w/PTO	Fender
F1	ELE1802034	Tilt thru Toggle w/PTO	Fender
G1	ELE1802035	Static/Captain's Seating w/Power Legs, w/PTO	Fender
H1	ELE1802036	Static Seating w/PTO	Fender
I1	ELE1802037	Power Elevating Seat w/PTO	Fender
Q-Logic 3 Base Electronics Matrix - 6 MPH ACCU-TRAC Motors			
Ref#	Part Number	Seating Type	Lighting Type
J1	ELE1802038	Power Positioning	Base Mounted or Fender
K1	ELE1802039	Tilt thru Toggle	Base Mounted or Fender
L1	ELE1802040	Static/Captain's Seating w/Power Legs	Base Mounted or Fender
M1	ELE1802041	Static Seating	Base Mounted or Fender
N1	ELE1802042	Power Elevating Seat	Base Mounted or Fender
O1	ELE1808700	Power Positioning w/PTO & Run Plug	No Lights
P1	ELE1808701	Static/Captain's Seating w/Power Legs, w/PTO & Run Plug	No Lights
Q1	ELE1808702	Static Seating w/PTO & Run Plug	No Lights
R1	ELE1808703	Power Elevating Seat w/PTO & Run Plug	No Lights

Item	Part No.	Name	Qty
A1	ELE1802029	ELECTRONIC,ASSY,Q-LOGIC 3,6 MPH MOTORS,Q6 EDGE 3,POWER POSITIONING	1
B1	ELE1802030	ELECTRONIC,ASSY,Q-LOGIC 3,6 MPH MOTORS,Q6 EDGE 3,STATIC SEATING,W/POWER	1
C1	ELE1802031	ELECTRONIC,ASSY,Q-LOGIC 3,6 MPH MOTORS,Q6 EDGE 3,STATIC SEATING	1
D1	ELE1802032	ELECTRONIC,ASSY,Q-LOGIC 3,6 MPH MOTORS,Q6 EDGE 3,POWER ELEVATING SEAT	1
E1	ELE1802033	ELECTRONIC,ASSY,Q-LOGIC 3,6 MPH MOTORS,Q6 EDGE 3,POWER POSITIONING,W/PTO	1
F1	ELE1802034	ELECTRONIC,ASSY,Q-LOGIC 3,6 MPH MOTORS,Q6 EDGE 3,TILT THRU TOGGLE,W/PTO	1
G1	ELE1802035	ELECTRONIC,ASSY,Q-LOGIC 3,6 MPH MOTORS,Q6 EDGE 3,STATIC SEATING,W/POWER,W/PTO	1
H1	ELE1802036	ELECTRONIC,ASSY,Q-LOGIC 3,6 MPH MOTORS,Q6 EDGE 3,STATIC SEATING,W/PTO	1
I1	ELE1802037	ELECTRONIC,ASSY,Q-LOGIC 3,6 MPH MOTORS,Q6 EDGE 3,POWER ELEVATING SEAT,W/PTO	1
J1	ELE1802038	ELECTRONIC,ASSY,Q-LOGIC 3,6 MPH ACCU-TRAC MOTORS,Q6 EDGE 3,POWER POSITIONING	1
K1	ELE1802039	ELECTRONIC,ASSY,Q-LOGIC 3,6 MPH ACCU-TRAC MOTORS,Q6 EDGE 3,TILT THRU TOGGLE	1
L1	ELE1802040	ELECTRONIC,ASSY,Q-LOGIC 3,6 MPH ACCU-TRAC MOTORS,Q6 EDGE 3,STATIC SEATING,W/POWER	1
M1	ELE1802041	ELECTRONIC,ASSY,Q-LOGIC 3,6 MPH ACCU-TRAC MOTORS,Q6 EDGE 3,STATIC SEATING	1
N1	ELE1802042	ELECTRONIC,ASSY,Q-LOGIC 3,6 MPH ACCU-TRAC MOTORS,Q6 EDGE 3,POWER ELEVATING SEAT	1
O1	ELE1808700	ELECTRONIC,ASSY,Q-LOGIC 3,6 MPH ACCU-TRAC MOTORS,Q6 EDGE 3,POWER POSITIONING,W/PTO & SURE SEAL	1
P1	ELE1808701	ELECTRONIC,ASSY,Q-LOGIC 3,6 MPH ACCU-TRAC MOTORS,Q6 EDGE 3,STATIC SEATING,W/POWER,W/PTO & SURE SEAL	1
Q1	ELE1808702	ELECTRONIC,ASSY,Q-LOGIC 3,6 MPH ACCU-TRAC MOTORS,Q6 EDGE 3,STATIC SEATING,W/PTO & SURE SEAL	1
R1	ELE1808703	ELECTRONIC,ASSY,Q-LOGIC 3,6 MPH ACCU-TRAC MOTORS,Q6 EDGE 3,POWER ELEVATING SEAT,W/PTO & SURE SEAL	1

6.1. Q-Logic 3 Electronics Assy's



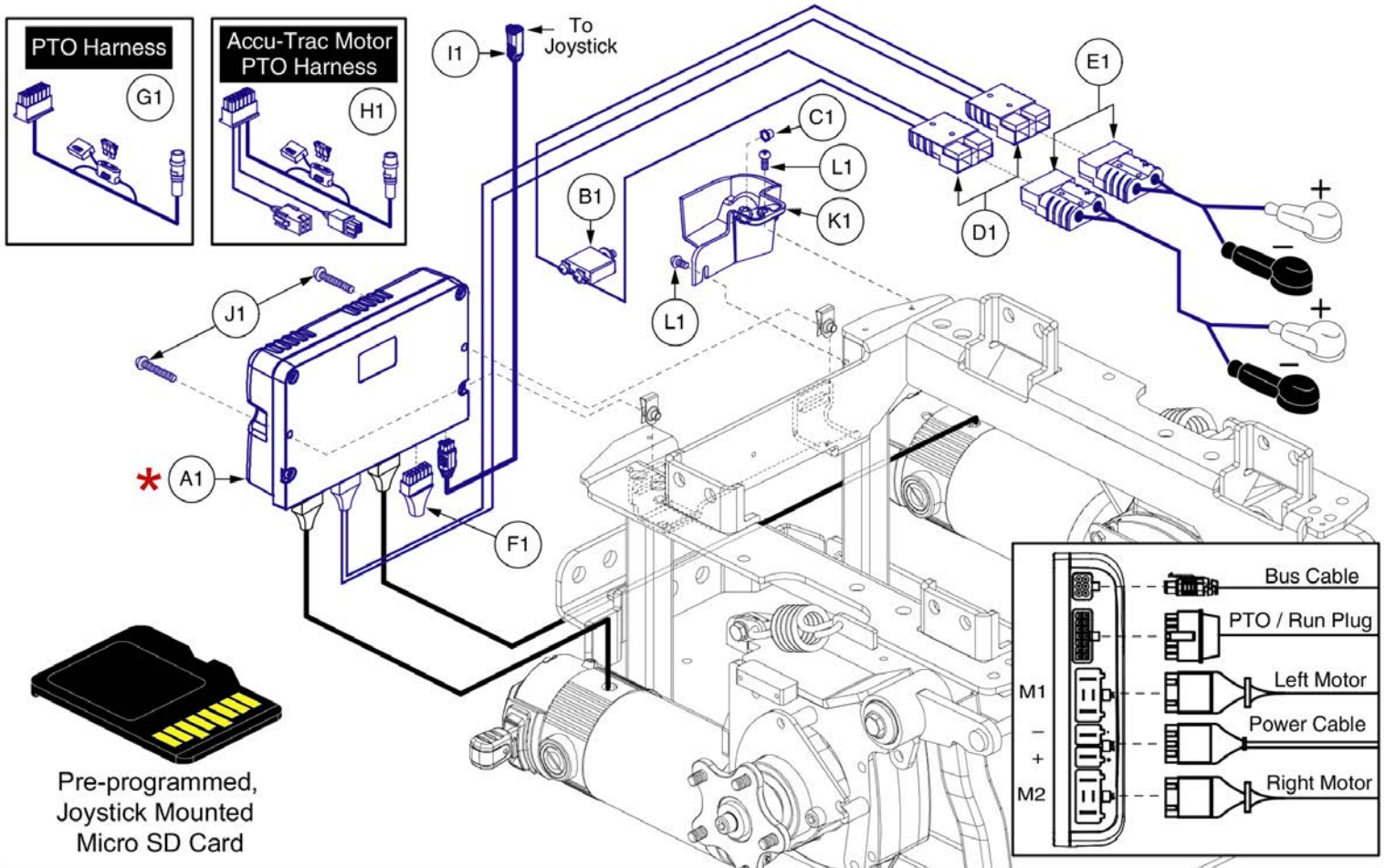
*** Power Module (A1) or Seating Module (M1) replacement may require the selection of a Pre-programmed SD Card. See notes. ***

Q-Logic 3 SD Card Master List - Q6 Edge 3			
Ref#	Part Number	Motor	Options
N1	ELE1805110	6 mph	Power Positioning
O1	ELE1805113	6 mph, Accu Trac	Power Positioning

- Please note:
- Pre-programmed, joystick mounted SD Cards are required when:
 - Retrofitting a unit in the field to Q-Logic 3 Electronics.
 - Replacing a Joystick, Power Base Module, or Seating Module prior to S/N JE715918001020 (6/8/18). A firmware upgrade occurred requiring a system update to enable the enhanced features.
 - Any circumstance where all of the electronics modules require replacement.
 - The Q-Logic 3 system will reprogram the unit based upon the information loaded onto the SD card.
 - The proper, programmed SD card must be selected to ensure the unit functions as intended.

Item	Part No.	Name	Qty
A1	CTL143978	POWER MODULE, Q-LOGIC 3,120 AMP, (CURTIS: 17930700-3509)	1
B1	ELE1705477	ELECTRONIC,ASSY,CIRCUIT BREAKER,70 AMP,COMPLETE,RIGHT ANGLE TERMINALS,PUSH TO RESET	1
C1	INDPART2420	BREAKER WEATHER CAP, SILICA GEL, W/ M11-1.0 NUT	1
D1	DWR1062H003	ELECTRONIC,HARNESS,POWER CABLE,Q6EDGE,Q-LOGIC,H-1062-003	1
E1	DWR1502H005	ELECTRONIC,ASSY,BATTERY CABLE,GRAY,W/125A/32V FUSEABLE LINK,QUICK DISCONNECT,H-1502-005	2
F1	DWR1265H027	ELECTRONIC,HARNESS,RUN PLUG,Q-LOGIC	1
G1	DWR1265H021	ELECTRONIC,HARNESS,POWER TAKE OFF(PTO)/INHIBIT,CURTIS,H-1265-021	1
H1	DWR1265H050	ELECTRONIC,MOTOR DECODER/POWER TAKE OFF(PTO)/INHIBIT,QLOGIC,H-1265-050	1
I1	HAR144005	HARNESS, BUS EXTENSION CABLE, Q-LOGIC 3, 0.410 METER,MALE/FEMALE, (CURTIS: 17881362-01-01)	1
J1	SCRPPH1390	SCREW,PPH,BLACK ZINC,M5-.8 X 35MM	2
K1	DWR1062D078	SHROUD,BREAKER MOUNT,BLACK,MOLDED ABS,D-1062-078	1
L1	SCRPPH1036	SCREW, PAN HEAD, TYPE H, M4X0.7 X 8, FT, ISO 7045, CL 4.8, BZ	2
M1 - M6	ELE167720	ELECTRONIC,ASSY,CURTIS ACTUATOR MODULE & MOUNTING HARDWARE,Q6EDGE,POWERSEAT THRU JOYSTICK	1
M1	CTL143983	ACTUATOR MODULE, Q-LOGIC 3, AM1, 1 ACTUATOR, (CURTIS: 17963700-1009)	1
M2	SCRPPH1153	SCREW, PAN HEAD, TYPE H, M4X0.7 X 20, FT, ISO 7045, CL 4.8, BZ	2
M3	DWR1265H016	ELECTRONIC,HARNESS,POWER SEAT INHIBIT,CURTIS,TRUBALANCE TILT 2,H-1265-016	1
M4	SCRPPH1290	SCREW,PPH,BLACK ZINC,4-40 X 0.25"	2
M5	DWR1265H017	ELECTRONIC,HARNESS,POWER SEAT,TRU-BALANCE TILT 2,H-1265-017	1
M6	HAR143994	HARNESS, BUS EXTENSION CABLE, Q-LOGIC 3, 0.3 METER, FEMALE/FEMALE, (CURTIS: 17881361-01-02)	1
N1	ELE1805110	SERVICEABLE ASSEMBLY,SD CARD,Q6EDGE3 PROGRAM,6MPH LINIX MOTORS,Q-LOGIC 3,POWER POSITIONING	1
O1	ELE1805113	SERVICEABLE ASSEMBLY,SD CARD,Q6EDGE3 PROGRAM,6MPH LINIX MOTORS ACCU TRAC,Q-LOGIC3,POWER POSITIONING	1

6.1. Q-Logic 3 Electronics Assy's



Pre-programmed, Joystick Mounted Micro SD Card

* Power Module (A1) replacement may require the selection of a Pre-programmed SD Card. See notes. *

Q-Logic 3 SD Card Master List - Q6 Edge 3

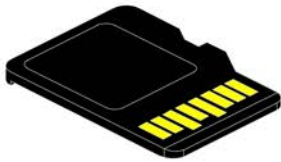
Ref#	Part Number	Motor	Options
M1	ELE1805110	6 mph	Power Positioning
N1	ELE1805112	6 mph	Static
O1	ELE1805113	6 mph, Accu Trac	Power Positioning
P1	ELE1805111	6 mph, Accu Trac	Static

Please note:

- Pre-programmed, joystick mounted SD Cards are required when:
 - Retrofitting a unit in the field to Q-Logic 3 Electronics.
 - Replacing a Joystick, Power Base Module, or Seating Module prior to S/N JE715918001020 (6/8/18). A firmware upgrade occurred requiring a system update to enable the enhanced features.
 - Any circumstance where all of the electronics modules require replacement.
- The Q-Logic 3 system will reprogram the unit based upon the information loaded onto the SD card.
- The proper, programmed SD card must be selected to ensure the unit functions as intended.

Item	Part No.	Name	Qty
A1	CTL143978	POWER MODULE, Q-LOGIC 3,120 AMP, (CURTIS: 17930700-3509)	1
B1	ELE1705477	ELECTRONIC,ASSY,CIRCUIT BREAKER,70 AMP,COMPLETE,RIGHT ANGLE TERMINALS,PUSH TO RESET	1
C1	INDPART2420	BREAKER WEATHER CAP, SILICA GEL, W/ M11-1.0 NUT	1
D1	DWR1062H003	ELECTRONIC,HARNESS,POWER CABLE,Q6EDGE,Q-LOGIC,H-1062-003	1
E1	DWR1502H005	ELECTRONIC,ASSY,BATTERY CABLE,GRAY,W/125A/32V FUSEABLE LINK,QUICK DISCONNECT,H-1502-005	2
F1	DWR1265H027	ELECTRONIC,HARNESS,RUN PLUG,Q-LOGIC	1
G1	DWR1265H021	ELECTRONIC,HARNESS,POWER TAKE OFF(PTO)/INHIBIT,CURTIS,H-1265-021	1
H1	DWR1265H050	ELECTRONIC,MOTOR DECODER/POWER TAKE OFF(PTO)/INHIBIT,QLOGIC,H-1265-050	1
I1	HAR144005	HARNESS, BUS EXTENSION CABLE, Q-LOGIC 3, 0.410 METER,MALE/FEMALE, (CURTIS: 17881362-01-01)	1
J1	SCRPPH1390	SCREW,PPH,BLACK ZINC,M5-.8 X 35MM	2
K1	DWR1062D078	SHROUD,BREAKER MOUNT,BLACK,MOLDED ABS,D-1062-078	1
L1	SCRPPH1036	SCREW, PAN HEAD, TYPE H, M4X0.7 X 8, FT, ISO 7045, CL 4.8, BZ	2
M1	ELE1805110	SERVICEABLE ASSEMBLY,SD CARD,Q6EDGE3 PROGRAM,6MPH LINIX MOTORS,Q-LOGIC 3,POWER POSITIONING	1
N1	ELE1805112	SERVICEABLE ASSEMBLY,SD CARD,Q6EDGE 3 PROGRAM,6MPH LINIX MOTORS,Q-LOGIC 3,STATIC SEATING	1
O1	ELE1805113	SERVICEABLE ASSEMBLY,SD CARD,Q6EDGE3 PROGRAM,6MPH LINIX MOTORS ACCU TRAC,Q-LOGIC3,POWER POSITIONING	1
P1	ELE1805111	SERVICEABLE ASSEMBLY,SD CARD,Q6EDGE 3 PROGRAM,6MPH LINIX MOTORS,Q-LOGIC 3,ACCU TRAC,STATIC SEATING	1

6.1. Q-Logic 3 Electronics Assy's



Pre-programmed
Micro SD Card

Q-Logic 3 SD Card Master List - Q6 Edge 3			
Ref#	Part Number	Motor Type	Options
A1	ELE1805110	6 mph Linix	Power Positioning
B1	ELE1805112	6 mph Linix	Static
C1	ELE1805113	6 mph Linix, Accu Trac	Power Positioning
D1	ELE1805111	6 mph Linix, Accu Trac	Static

Please note:

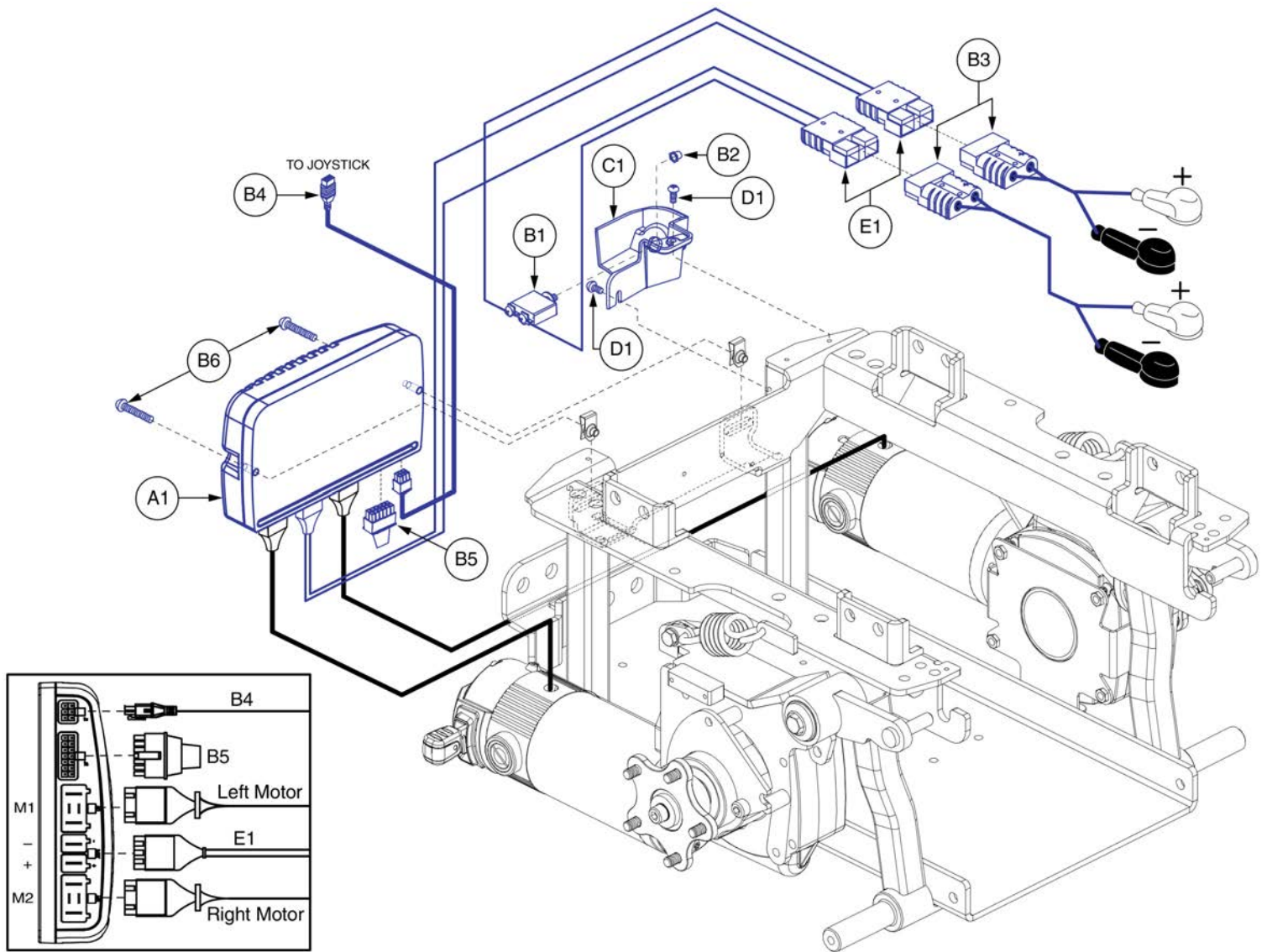
- Pre-programmed SD Cards are required when:
 - Replacing a Joystick, Power Base Module, or Seating Module. A firmware upgrade occurred requiring a system update to enable all of the enhanced features.
 - Any circumstance where all of the electronics modules require replacement.
- The Q-Logic 3 system will reprogram the unit based upon the information loaded onto the SD card.
- The proper, programmed SD card must be selected to ensure the unit functions as intended.

Q-Logic 3 SD Cards for Edge 3



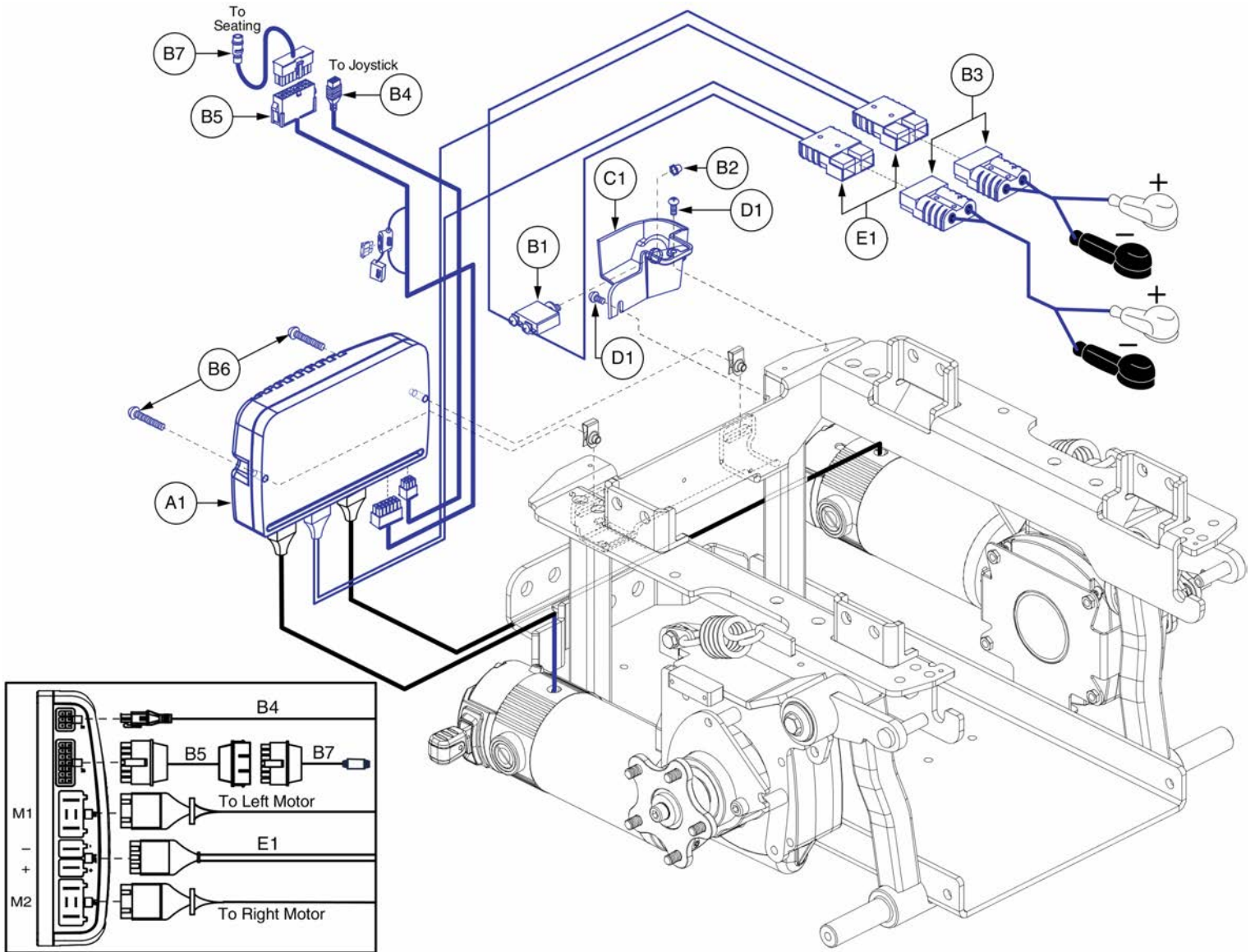
Item	Part No.	Name	Qty
A1	ELE1805110	SERVICEABLE ASSEMBLY,SD CARD,Q6EDGE3 PROGRAM,6MPH LINIX MOTORS,Q-LOGIC 3,POWER POSITIONING	1
B1	ELE1805112	SERVICEABLE ASSEMBLY,SD CARD,Q6EDGE 3 PROGRAM,6MPH LINIX MOTORS,Q-LOGIC 3,STATIC SEATING	1
C1	ELE1805113	SERVICEABLE ASSEMBLY,SD CARD,Q6EDGE3 PROGRAM,6MPH LINIX MOTORS ACCU TRAC,Q-LOGIC3,POWER POSITIONING	1
D1	ELE1805111	SERVICEABLE ASSEMBLY,SD CARD,Q6EDGE 3 PROGRAM,6MPH LINIX MOTORS,Q-LOGIC 3,ACCU TRAC,STATIC SEATING	1

6.2. NE Electronics Assy's



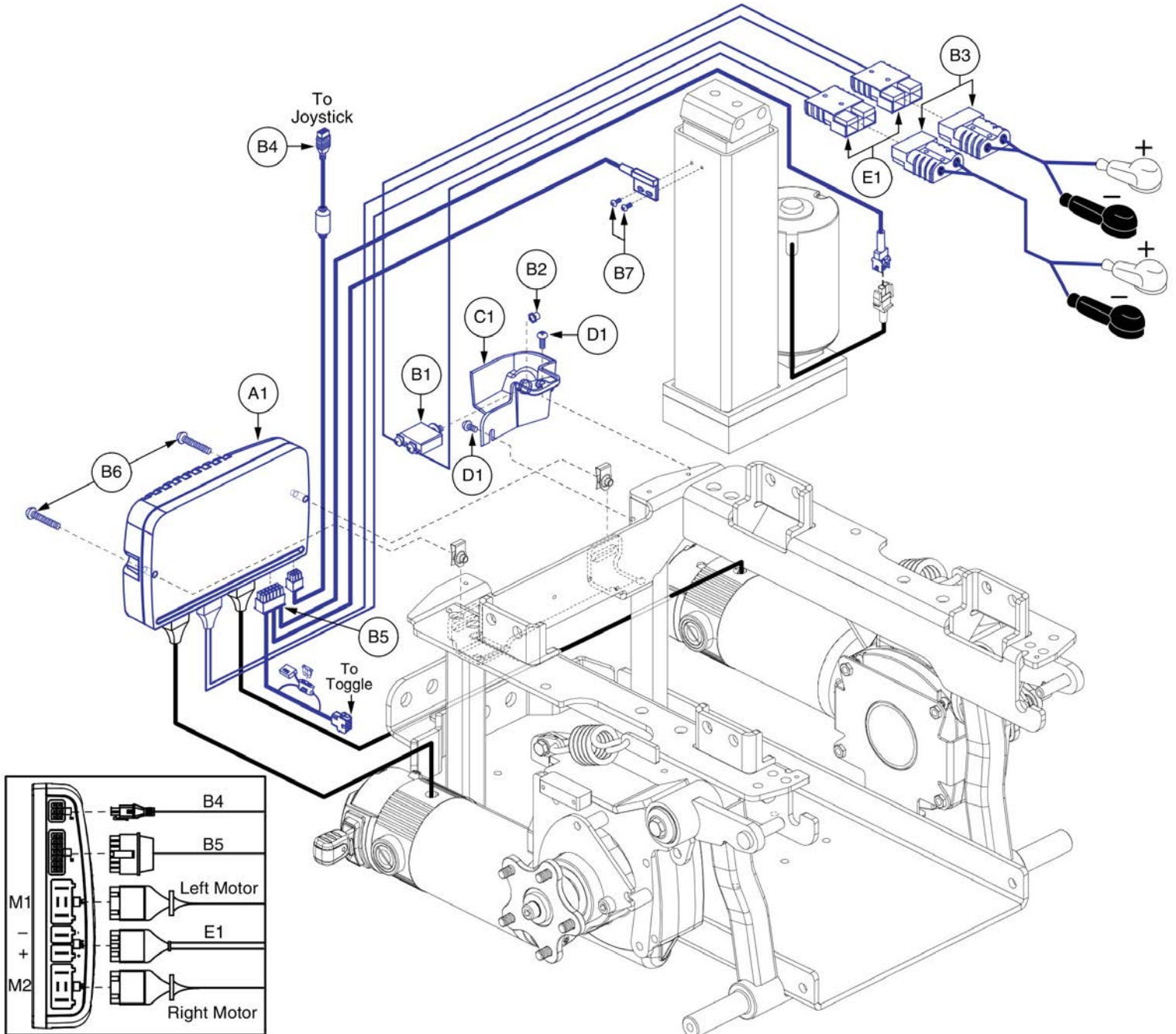
Item	Part No.	Name	Qty
A1 - B6	ELE1802059	ELECTRONIC,ASSY,NE,LINIX,6 MPH,Q6 EDGE 3	1
A1	CTL1802024	CONTROLLER,NE,ASSY,75 AMP,W/LINIX,6 MPH PROGRAM,Q6 EDGE 3	1
B1	ELE1802761	CIRCUIT BREAKER ASSY, 50 A, RIGHT ANGLE TERMINALS, PANEL MOUNT, MANUAL RESET, W/ ADDITIONAL HARDWARE	1
B2	INDPART2420	BREAKER WEATHER CAP, SILICA GEL, W/ M11-1.0 NUT	1
B3	DWR1502H005	ELECTRONIC,ASSY,BATTERY CABLE,GRAY,W/125A/32V FUSEABLE LINK,QUICK DISCONNECT,H-1502-005	2
B4	DWR1111H065	ELECTRONIC,HARNESS,BUS EXTENSION CABLE,CURTIS,0.410 METER,MALE/FEMALE,H-1111-065,(CURTIS: 17881303)	1
B5	DWR1265H061	ELECTRONIC,HARNESS,RUN PLUG,NE,CURTIS,H-1265-061	1
B6	SCRPPH1390	SCREW,PPH,BLACK ZINC,M5-.8 X 35MM	2
C1	DWR1062D078	SHROUD,BREAKER MOUNT,BLACK,MOLDED ABS,D-1062-078	1
D1	SCRPPH1036	SCREW, PAN HEAD, TYPE H, M4X0.7 X 8, FT, ISO 7045, CL 4.8, BZ	2
E1	ELE164224	ELECTRONIC,HARNESS,POWER CABLE,Q6EDGE,Q-LOGIC,H-1062-003,W/CABLE TIES	1

6.2. NE Electronics Assy's



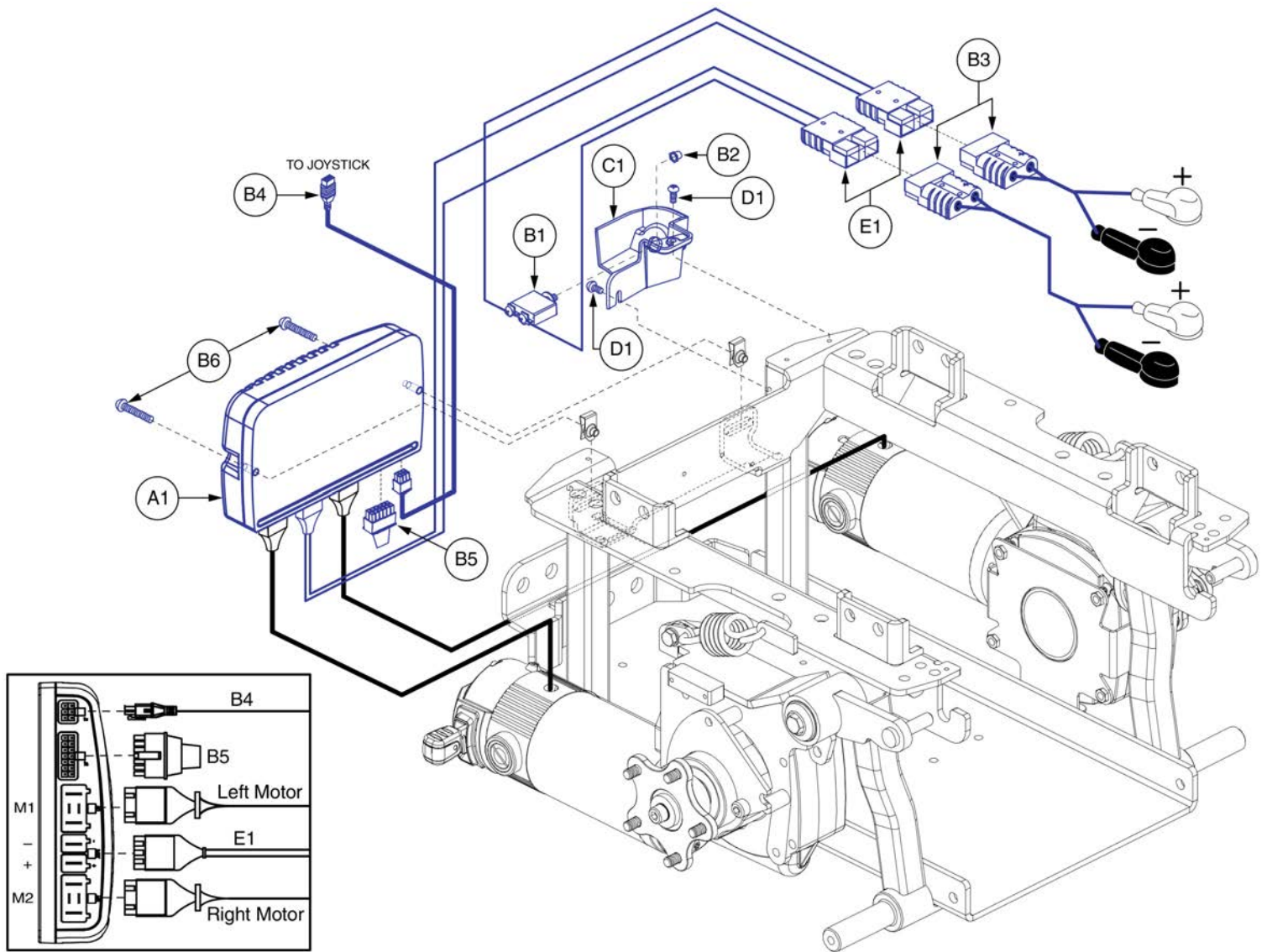
Item	Part No.	Name	Qty
A1 - B7	ELE1802060	ELECTRONIC,ASSY,NE,LINIX,6 MPH,Q6 EDGE 3,TILT THRU TOGGLE	1
A1	CTL1802024	CONTROLLER,NE,ASSY,75 AMP,W/LINIX,6 MPH PROGRAM,Q6 EDGE 3	1
B1	ELE1802761	CIRCUIT BREAKER ASSY, 50 A, RIGHT ANGLE TERMINALS, PANEL MOUNT, MANUAL RESET, W/ ADDITIONAL HARDWARE	1
B2	INDPART2420	BREAKER WEATHER CAP, SILICA GEL, W/ M11-1.0 NUT	1
B3	DWR1502H005	ELECTRONIC,ASSY,BATTERY CABLE,GRAY,W/125A/32V FUSEABLE LINK,QUICK DISCONNECT,H-1502-005	2
B4	DWR1111H065	ELECTRONIC,HARNESS,BUS EXTENSION CABLE,CURTIS,0.410 METER,MALE/FEMALE,H-1111-065,(CURTIS: 17881303)	1
B5	DWR1265H055	ELECTRONIC,HARNESS,INTERMEDIATE,OFFBOARD CHARGER,NE,H-1265-055	1
B6	SCRPPH1390	SCREW,PPH,BLACK ZINC,M5-.8 X 35MM	2
B7	DWR1265H057	ELECTRONIC,HARNESS,PTO ONLY,NE,H-1265-057	1
C1	DWR1062D078	SHROUD,BREAKER MOUNT,BLACK,MOLDED ABS,D-1062-078	1
D1	SCRPPH1036	SCREW, PAN HEAD, TYPE H, M4X0.7 X 8, FT, ISO 7045, CL 4.8, BZ	2
E1	ELE164224	ELECTRONIC,HARNESS,POWER CABLE,Q6EDGE,Q-LOGIC,H-1062-003,W/CABLE TIES	1

6.2. NE Electronics Assy's



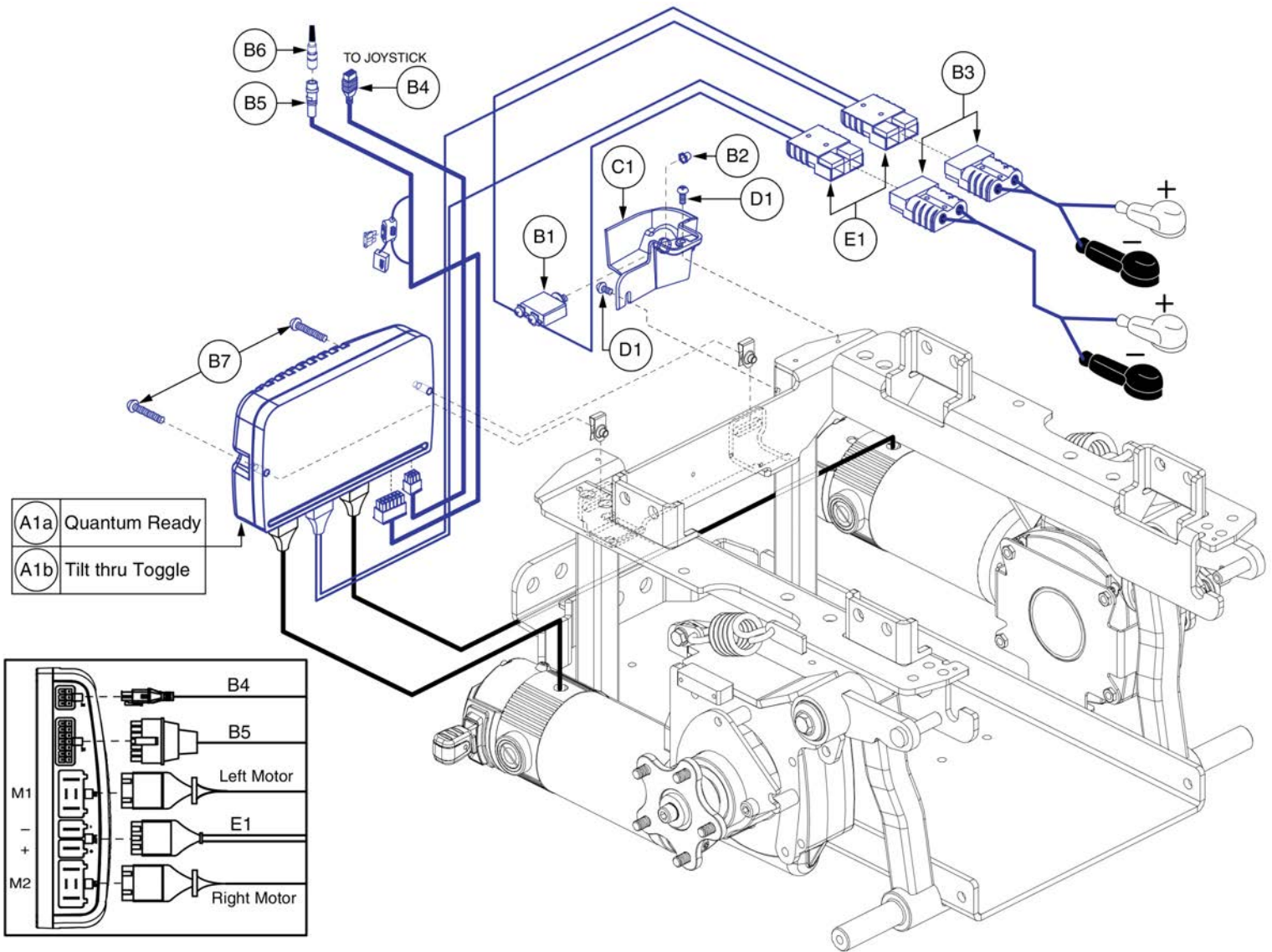
Item	Part No.	Name	Qty
A1 - B7	ELE1802061	ELECTRONIC,ASSY,NE,LINIX,6 MPH,Q6 EDGE 3,POWERSEAT THRU TOGGLE	1
A1	CTL1802025	CONTROLLER,NE,ASSY,75 AMP,W/LINIX,6 MPH PROGRAM,Q6 EDGE 3,POWERSEAT THRU TOGGLE	1
B1	ELE1802761	CIRCUIT BREAKER ASSY, 50 A, RIGHT ANGLE TERMINALS, PANEL MOUNT, MANUAL RESET, W/ ADDITIONAL HARDWARE	1
B2	INDPART2420	BREAKER WEATHER CAP, SILICA GEL, W/ M11-1.0 NUT	1
B3	DWR1502H005	ELECTRONIC,ASSY,BATTERY CABLE,GRAY,W/125A/32V FUSEABLE LINK,QUICK DISCONNECT,H-1502-005	2
B4	DWR1111H065	ELECTRONIC,HARNESS,BUS EXTENSION CABLE,CURTIS,0.410 METER,MALE/FEMALE,H-1111-065,(CURTIS: 17881303)	1
B5	DWR1265H079	ELECTRONIC,HARNESS,POWERSEAT THRU TOGGLE INHIBIT,NE,CURTIS,H-1265-079	1
B6	SCRPPH1390	SCREW,PPH,BLACK ZINC,M5-.8 X 35MM	2
B7	SCRPPH1290	SCREW,PPH,BLACK ZINC,4-40 X 0.25"	2
C1	DWR1062D078	SHROUD,BREAKER MOUNT,BLACK,MOLDED ABS,D-1062-078	1
D1	SCRPPH1036	SCREW, PAN HEAD, TYPE H, M4X0.7 X 8, FT, ISO 7045, CL 4.8, BZ	2
E1	ELE164224	ELECTRONIC,HARNESS,POWER CABLE,Q6EDGE,Q-LOGIC,H-1062-003,W/CABLE TIES	1

6.3. NE+ Electronics Assy's



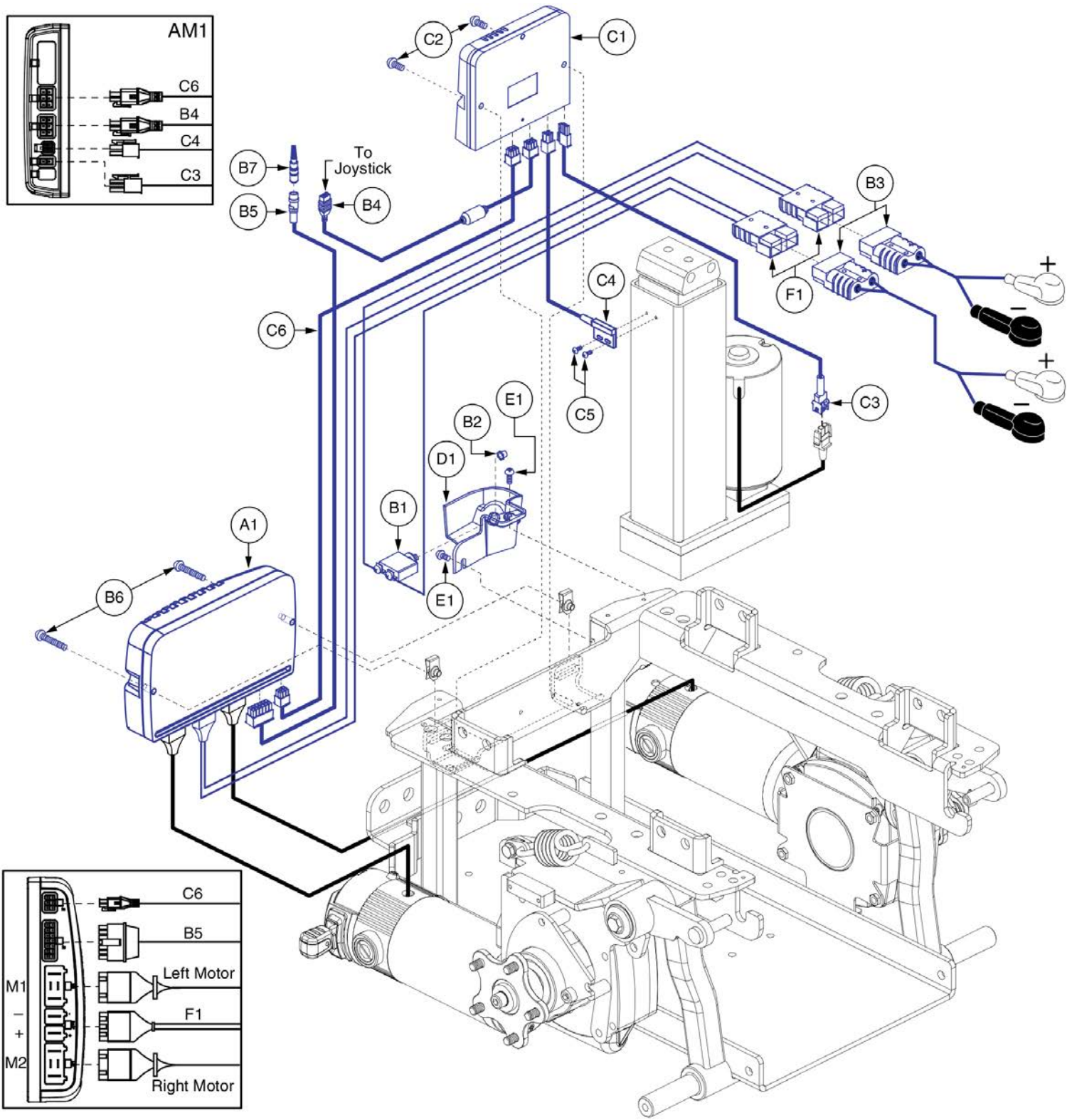
Item	Part No.	Name	Qty
A1 - B6	ELE1802052	ELECTRONIC,ASSY,NE PLUS,LINIX,6 MPH,Q6 EDGE 3	1
A1	CTL1802022	CONTROLLER,NE PLUS,ASSY,75 AMP,W/LINIX,6 MPH PROGRAM,Q6EDGE 3	1
B1	ELE1802761	CIRCUIT BREAKER ASSY, 50 A, RIGHT ANGLE TERMINALS, PANEL MOUNT, MANUAL RESET, W/ ADDITIONAL HARDWARE	1
B2	INDPART2420	BREAKER WEATHER CAP, SILICA GEL, W/ M11-1.0 NUT	1
B3	DWR1502H005	ELECTRONIC,ASSY,BATTERY CABLE,GRAY,W/125A/32V FUSEABLE LINK,QUICK DISCONNECT,H-1502-005	2
B4	DWR1111H065	ELECTRONIC,HARNESS,BUS EXTENSION CABLE,CURTIS,0.410 METER,MALE/FEMALE,H-1111-065,(CURTIS: 17881303)	1
B5	DWR1265H027	ELECTRONIC,HARNESS,RUN PLUG,Q-LOGIC	1
B6	SCRPPH1390	SCREW,PPH,BLACK ZINC,M5-.8 X 35MM	2
C1	DWR1062D078	SHROUD,BREAKER MOUNT,BLACK,MOLDED ABS,D-1062-078	1
D1	SCRPPH1036	SCREW, PAN HEAD, TYPE H, M4X0.7 X 8, FT, ISO 7045, CL 4.8, BZ	2
E1	ELE164224	ELECTRONIC,HARNESS,POWER CABLE,Q6EDGE,Q-LOGIC,H-1062-003,W/CABLE TIES	1

6.3. NE+ Electronics Assy's



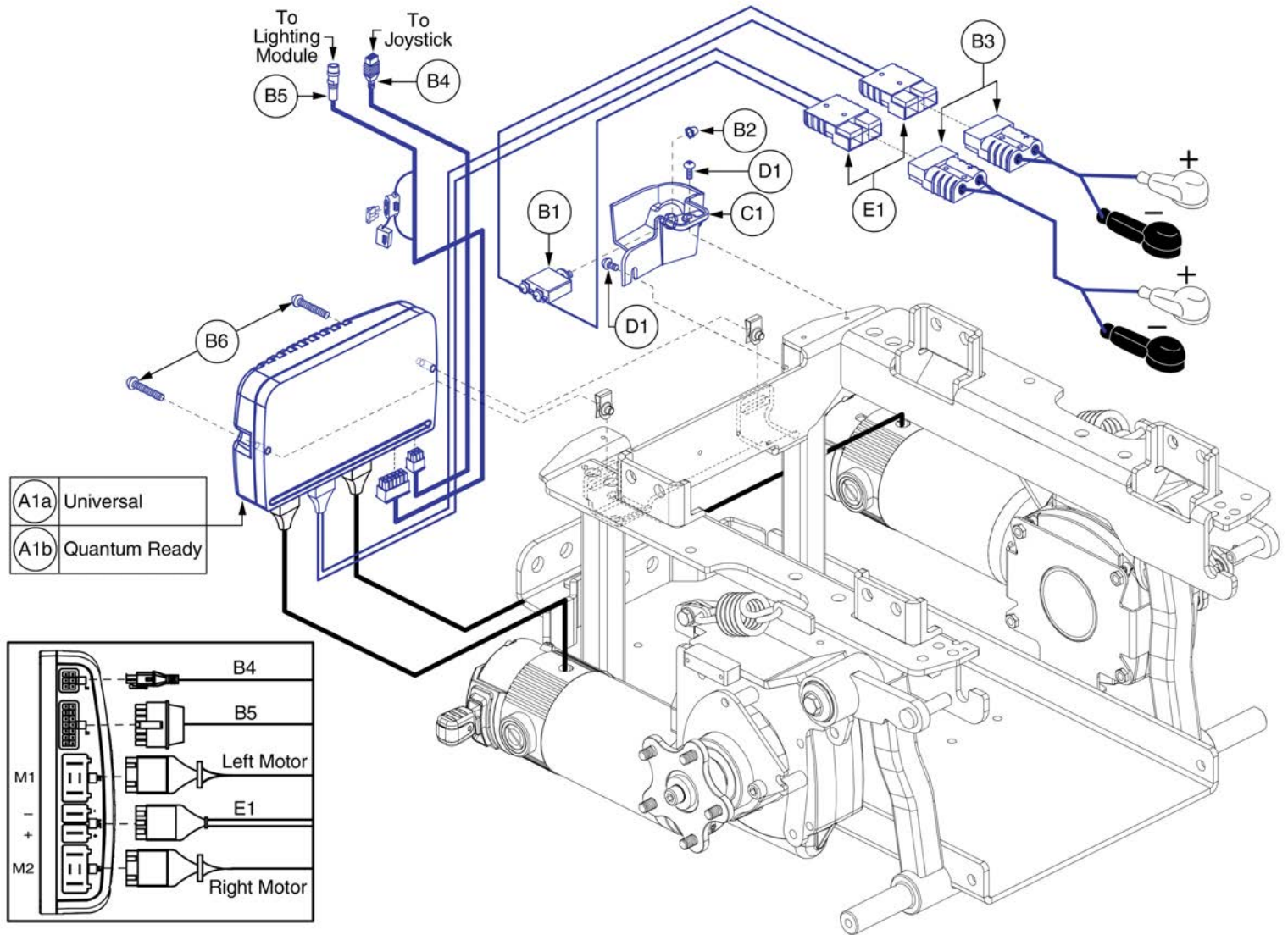
Item	Part No.	Name	Qty
A1a - B7	ELE1802054	ELECTRONIC,ASSY,NE PLUS,LINIX,6 MPH,Q6 EDGE 3,ACTUATORS	1
A1b - B7	ELE1802053	ELECTRONIC,ASSY,NE PLUS,LINIX,6 MPH,Q6 EDGE 3,TILT THRU TOGGLE	1
A1a	CTL1802023	CONTROLLER,NE PLUS,ASSY,75 AMP,W/LINIX,6 MPH PROGRAM,Q6 EDGE 2,ACTUATORS	1
A1b	CTL1802022	CONTROLLER,NE PLUS,ASSY,75 AMP,W/LINIX,6 MPH PROGRAM,Q6EDGE 3	1
B1	ELE1802761	CIRCUIT BREAKER ASSY, 50 A, RIGHT ANGLE TERMINALS, PANEL MOUNT, MANUAL RESET, W/ ADDITIONAL HARDWARE	1
B2	INDPART2420	BREAKER WEATHER CAP, SILICA GEL, W/ M11-1.0 NUT	1
B3	DWR1502H005	ELECTRONIC,ASSY,BATTERY CABLE,GRAY,W/125A/32V FUSEABLE LINK,QUICK DISCONNECT,H-1502-005	2
B4	DWR1111H065	ELECTRONIC,HARNESS,BUS EXTENSION CABLE,CURTIS,0.410 METER,MALE/FEMALE,H-1111-065,(CURTIS: 17881303)	1
B5	DWR1265H021	ELECTRONIC,HARNESS,POWER TAKE OFF(PTO)/INHIBIT,CURTIS,H-1265-021	1
B6	DWR1361H038	ELECTRONIC,HARNESS,RUN PLUG,SURE SEAL,SYNERGY TILT,H-1361-038	1
B7	SCRPPH1390	SCREW,PPH,BLACK ZINC,M5-.8 X 35MM	2
C1	DWR1062D078	SHROUD,BREAKER MOUNT,BLACK,MOLDED ABS,D-1062-078	1
D1	SCRPPH1036	SCREW, PAN HEAD, TYPE H, M4X0.7 X 8, FT, ISO 7045, CL 4.8, BZ	2
E1	ELE164224	ELECTRONIC,HARNESS,POWER CABLE,Q6EDGE,Q-LOGIC,H-1062-003,W/CABLE TIES	1

6.3. NE+ Electronics Assy's



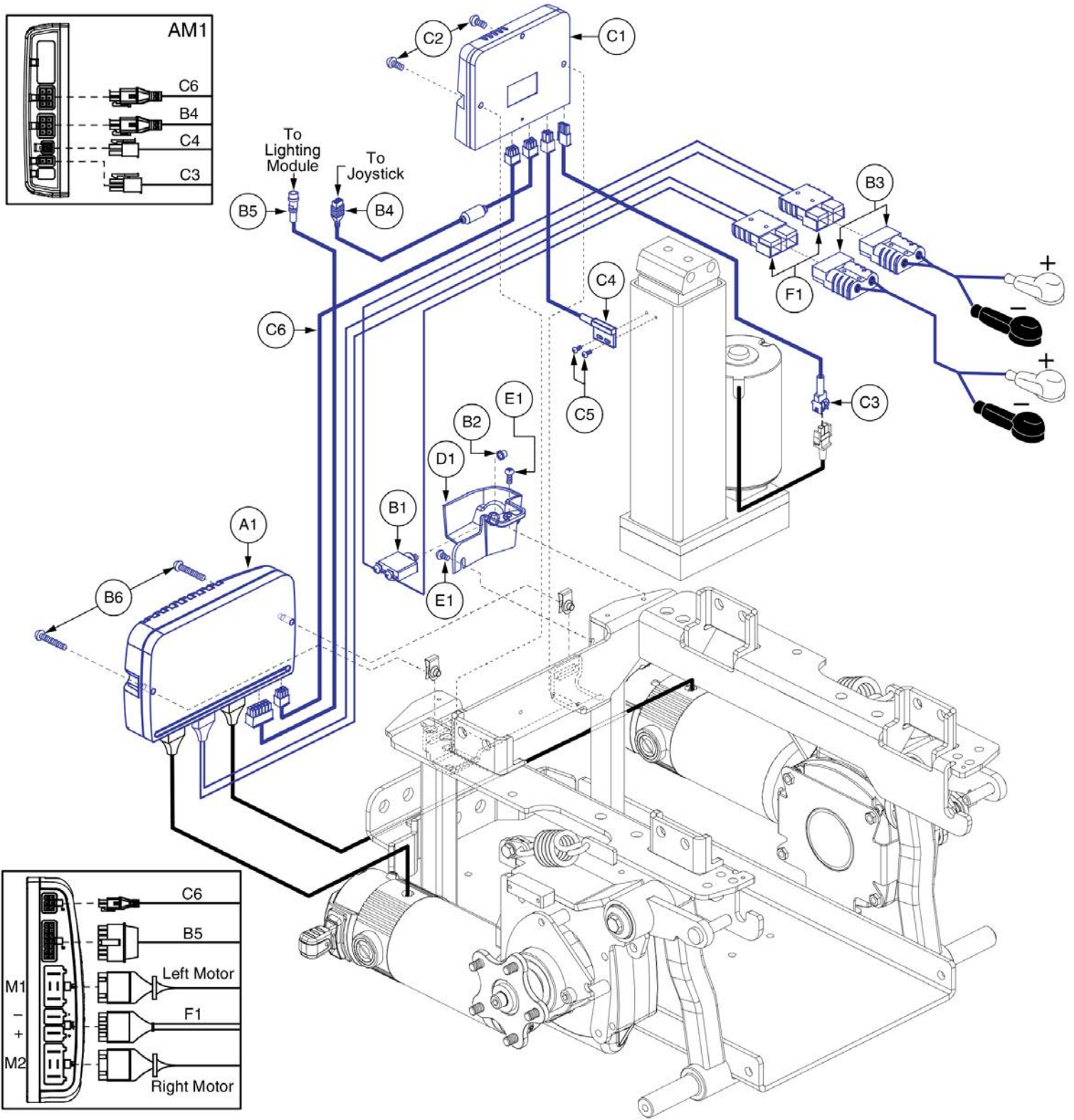
Item	Part No.	Name	Qty
A1 - C6	ELE1802055	ELECTRONIC,ASSY,NE PLUS,LINIX,6 MPH,Q6 EDGE 3,POWERSEAT THRU JOYSTICK	1
A1	CTL1802023	CONTROLLER,NE PLUS,ASSY,75 AMP,W/LINIX,6 MPH PROGRAM,Q6 EDGE 2,ACTUATORS	1
B1	ELE1802761	CIRCUIT BREAKER ASSY, 50 A, RIGHT ANGLE TERMINALS, PANEL MOUNT, MANUAL RESET, W/ ADDITIONAL HARDWARE	1
B2	INDPART2420	BREAKER WEATHER CAP, SILICA GEL, W/ M11-1.0 NUT	1
B3	DWR1502H005	ELECTRONIC,ASSY,BATTERY CABLE,GRAY,W/125A/32V FUSEABLE LINK,QUICK DISCONNECT,H-1502-005	2
B4	DWR1111H065	ELECTRONIC,HARNESS,BUS EXTENSION CABLE,CURTIS,0.410 METER,MALE/FEMALE,H-1111-065,(CURTIS: 17881303)	1
B5	DWR1265H021	ELECTRONIC,HARNESS,POWER TAKE OFF(PTO)/INHIBIT,CURTIS,H-1265-021	1
B6	SCRPPH1390	SCREW,PPH,BLACK ZINC,M5-.8 X 35MM	2
B7	DWR1361H038	ELECTRONIC,HARNESS,RUN PLUG,SURE SEAL,SYNERGY TILT,H-1361-038	1
C1 - C6	ELEASMB7092	ELECTRONIC,ASSY,ACTUATOR MODULE & MOUNTING HARDWARE,QUANTUM623,POWERSEAT THRU JOYSTICK	1
C1	ELEASMB6557	AM1,LIFT ONLY,(CONFIG.#04)	1
C2	SCRPPH1153	SCREW, PAN HEAD, TYPE H, M4X0.7 X 20, FT, ISO 7045, CL 4.8, BZ	2
C3	DWR1265H017	ELECTRONIC,HARNESS,POWER SEAT,TRU-BALANCE TILT 2,H-1265-017	1
C4	DWR1265H016	ELECTRONIC,HARNESS,POWER SEAT INHIBIT,CURTIS,TRUBALANCE TILT 2,H-1265-016	1
C5	SCRPPH1290	SCREW,PPH,BLACK ZINC,4-40 X 0.25"	2
C6	DWR1111H311	ELECTRONIC,HARNESS,BUS EXTENSION CABLE,AAM/LM	1
D1	DWR1062D078	SHROUD,BREAKER MOUNT,BLACK,MOLDED ABS,D-1062-078	1
E1	SCRPPH1036	SCREW, PAN HEAD, TYPE H, M4X0.7 X 8, FT, ISO 7045, CL 4.8, BZ	2
F1	ELE164224	ELECTRONIC,HARNESS,POWER CABLE,Q6EDGE,Q-LOGIC,H-1062-003,W/CABLE TIES	1

6.3. NE+ Electronics Assy's



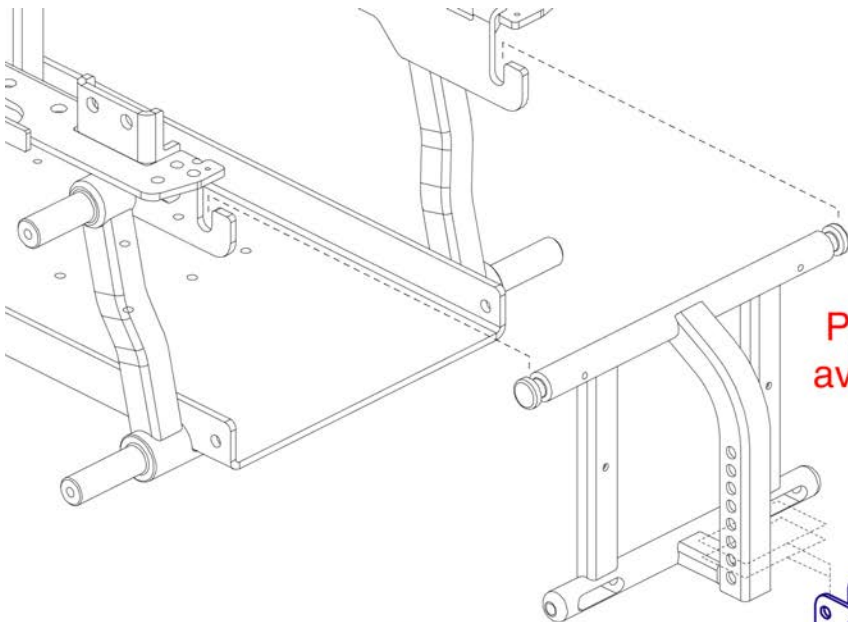
Item	Part No.	Name	Qty
A1a - B6	ELE1802056	ELECTRONIC,ASSY,NE PLUS,LINIX,6 MPH,Q6 EDGE 3,BASE MOUNTED,SWITCH OPERATED LIGHTS,UNIVERSAL	1
A1b - B6	ELE1802057	ELECTRONIC,ASSY,NE PLUS,LINIX,6 MPH,Q6 EDGE 3,BASE MOUNTED,SWITCH OPERATED LIGHTS,ACTUATORS	1
A1a	CTL1802022	CONTROLLER,NE PLUS,ASSY,75 AMP,W/LINIX,6 MPH PROGRAM,Q6EDGE 3	1
A1b	CTL1802023	CONTROLLER,NE PLUS,ASSY,75 AMP,W/LINIX,6 MPH PROGRAM,Q6 EDGE 2,ACTUATORS	1
B1	ELE1802761	CIRCUIT BREAKER ASSY, 50 A, RIGHT ANGLE TERMINALS, PANEL MOUNT, MANUAL RESET, W/ ADDITIONAL HARDWARE	1
B2	INDPART2420	BREAKER WEATHER CAP, SILICA GEL, W/ M11-1.0 NUT	1
B3	DWR1502H005	ELECTRONIC,ASSY,BATTERY CABLE,GRAY,W/125A/32V FUSEABLE LINK,QUICK DISCONNECT,H-1502-005	2
B4	DWR1111H065	ELECTRONIC,HARNESS,BUS EXTENSION CABLE,CURTIS,0.410 METER,MALE/FEMALE,H-1111-065,(CURTIS: 17881303)	1
B5	DWR1265H021	ELECTRONIC,HARNESS,POWER TAKE OFF(PTO)/INHIBIT,CURTIS,H-1265-021	1
B6	SCRPPH1390	SCREW,PPH,BLACK ZINC,M5-8 X 35MM	2
C1	DWR1062D078	SHROUD,BREAKER MOUNT,BLACK,MOLDED ABS,D-1062-078	1
D1	SCRPPH1036	SCREW, PAN HEAD, TYPE H, M4X0.7 X 8, FT, ISO 7045, CL 4.8, BZ	2
E1	ELE164224	ELECTRONIC,HARNESS,POWER CABLE,Q6EDGE,Q-LOGIC,H-1062-003,W/CABLE TIES	1

6.3. NE+ Electronics Assy's

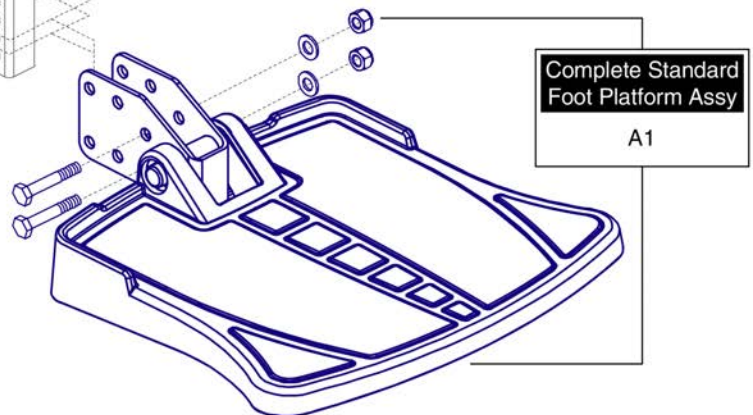
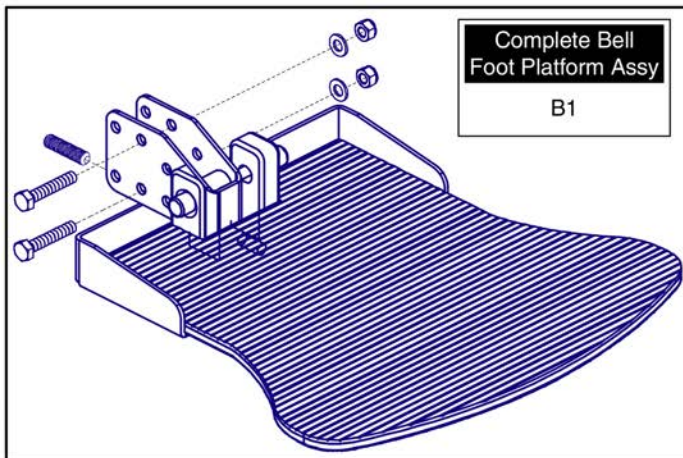


Item	Part No.	Name	Qty
A1 - C6	ELE1802058	ELECTRONIC,ASSY,NE PLUS,LINIX,6 MPH,Q6 EDGE 3,BASE MOUNTED,SWITCH OPERATED LIGHTS,POWERSEAT THRU JOYSTICK	1
A1	CTL1802023	CONTROLLER,NE PLUS,ASSY,75 AMP,W/LINIX,6 MPH PROGRAM,Q6 EDGE 2,ACTUATORS	1
B1	ELE1802761	CIRCUIT BREAKER ASSY, 50 A, RIGHT ANGLE TERMINALS, PANEL MOUNT, MANUAL RESET, W/ ADDITIONAL HARDWARE	1
B2	INDPART2420	BREAKER WEATHER CAP, SILICA GEL, W/ M11-1.0 NUT	1
B3	DWR1502H005	ELECTRONIC,ASSY,BATTERY CABLE,GRAY,W/125A/32V FUSEABLE LINK,QUICK DISCONNECT,H-1502-005	2
B4	DWR1111H065	ELECTRONIC,HARNESS,BUS EXTENSION CABLE,CURTIS,0.410 METER,MALE/FEMALE,H-1111-065,(CURTIS: 17881303)	1
B5	DWR1265H021	ELECTRONIC,HARNESS,POWER TAKE OFF(PTO)/INHIBIT,CURTIS,H-1265-021	1
B6	SCRPPH1390	SCREW,PPH,BLACK ZINC,M5- 8 X 35MM	2
C1 - C6	ELEASMB7092	ELECTRONIC,ASSY,ACTUATOR MODULE & MOUNTING HARDWARE,QUANTUM623,POWERSEAT THRU JOYSTICK	1
C1	ELEASMB6557	AM1,LIFT ONLY,(CONFIG.#04)	1
C2	SCRPPH1153	SCREW, PAN HEAD, TYPE H, M4X0.7 X 20, FT, ISO 7045, CL 4.8, BZ	2
C3	DWR1265H017	ELECTRONIC,HARNESS,POWER SEAT,TRU-BALANCE TILT 2,H-1265-017	1
C4	DWR1265H016	ELECTRONIC,HARNESS,POWER SEAT INHIBIT,CURTIS,TRUBALANCE TILT 2,H-1265-016	1
C5	SCRPPH1290	SCREW,PPH,BLACK ZINC,4-40 X 0.25"	2
C6	DWR1111H311	ELECTRONIC,HARNESS,BUS EXTENSION CABLE,AAM/LM	1
D1	DWR1062D078	SHROUD,BREAKER MOUNT,BLACK,MOLDED ABS,D-1062-078	1
E1	SCRPPH1036	SCREW, PAN HEAD, TYPE H, M4X0.7 X 8, FT, ISO 7045, CL 4.8, BZ	2
F1	ELE164224	ELECTRONIC,HARNESS,POWER CABLE,Q6EDGE,Q-LOGIC,H-1062-003,W/CABLE TIES	1

7. Foot Platform Assy



Please note: Individual parts are not available for purchase. The assembly must be selected.

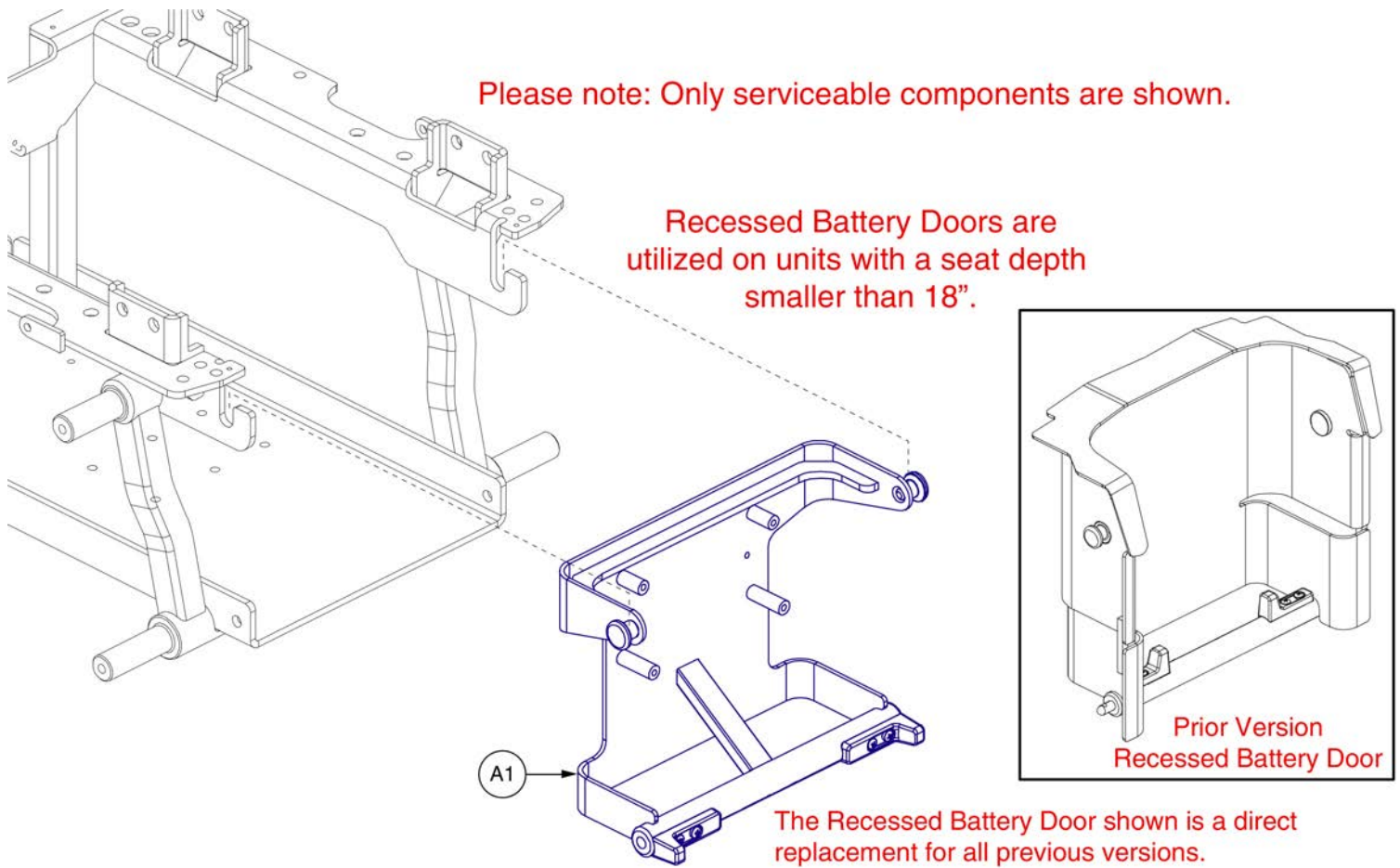


Foot Platform Assy's, Edge Series



Item	Part No.	Name	Qty
A1	FRMASMB16077	FOOT PLATFORM,ASSY,W/MOUNTING BRACKET,Q6 EDGE,D-1201-067	1
B1	RIGASMB7120041	FOOT PLATFORM,ASSY,BELL,W/MOUNTING BRACKET,RIGASMB7120041	1

8. Battery Access Brackets

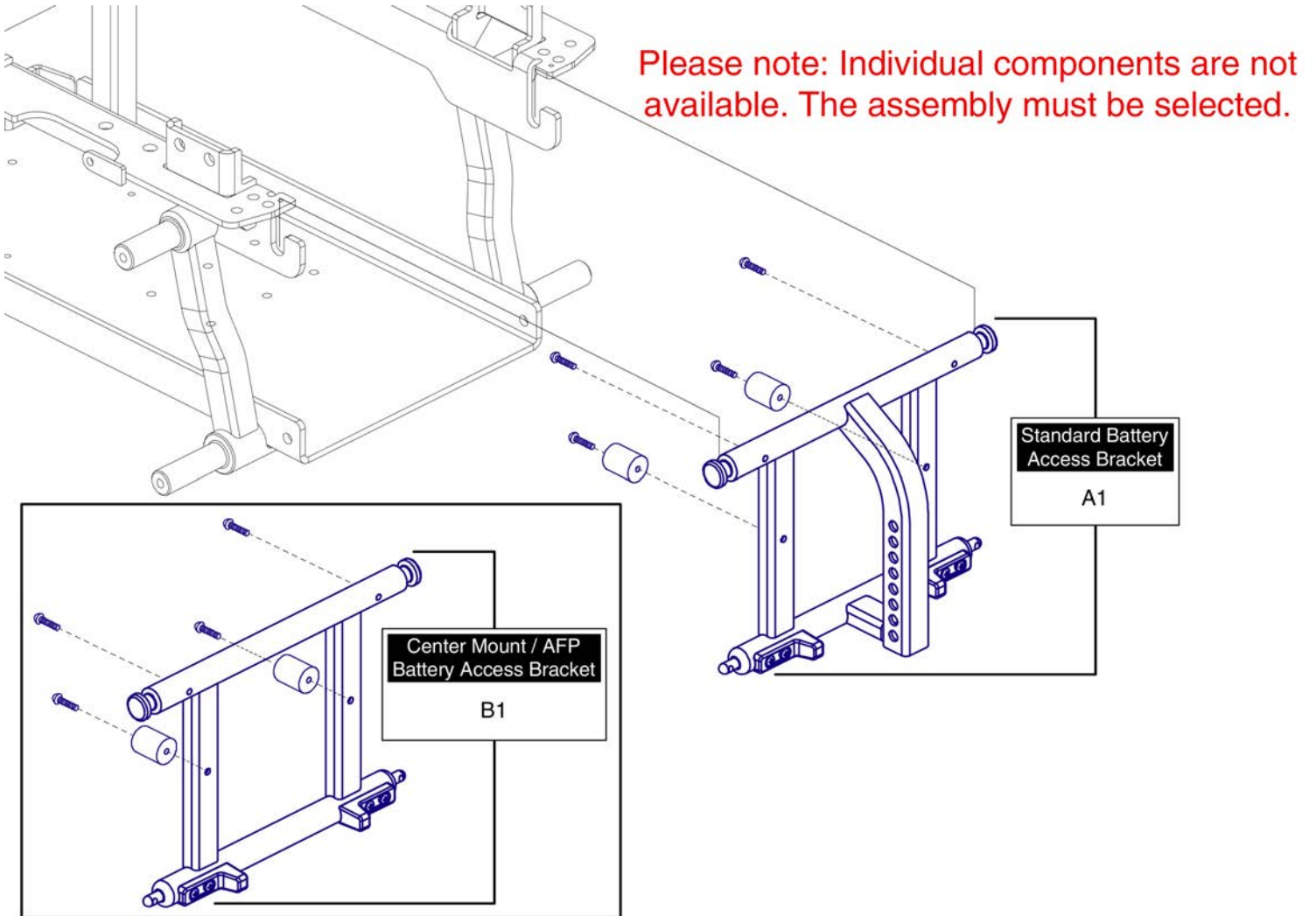


Recessed Battery Access Bracket Assy



Item	Part No.	Name	Qty
A1	MEC152612	FRAME,ASSY,RECESSED BATTERY DOOR	1

8. Battery Access Brackets



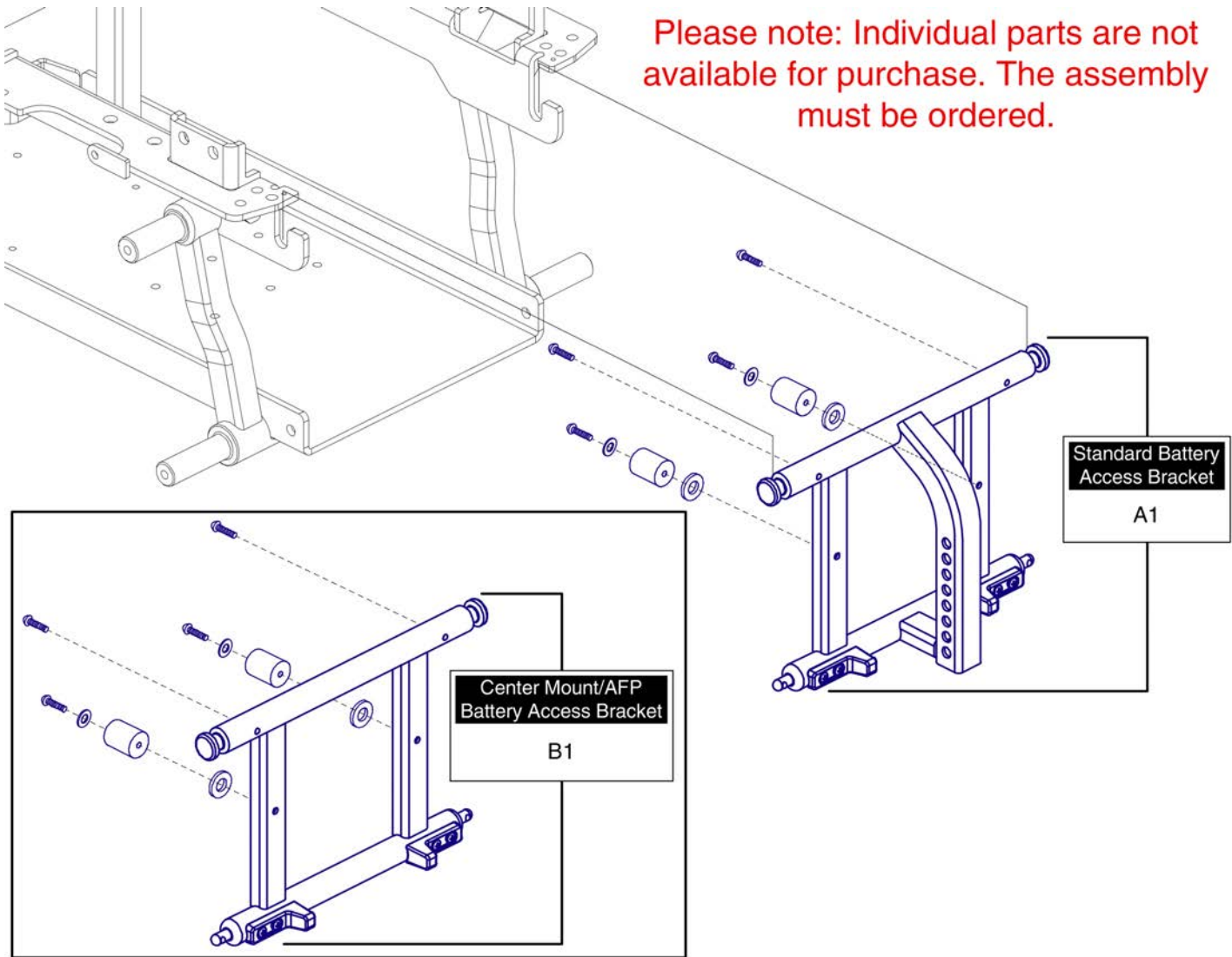
Standard Battery Access Bracket Assy's



Item	Part No.	Name	Qty
A1	FRMASMB16033	FRAME,ASSY,BATTERY ACCESS BRACKET,STANDARD,Q6 EDGE,C-1062-073	1
B1	MEC141305	FRAME,ASSY,BATTERY ACCESS BRACKET,HIGH MOUNT/AFP,Q6 EDGE 2.0	1

8. Battery Access Brackets

Please note: Individual parts are not available for purchase. The assembly must be ordered.



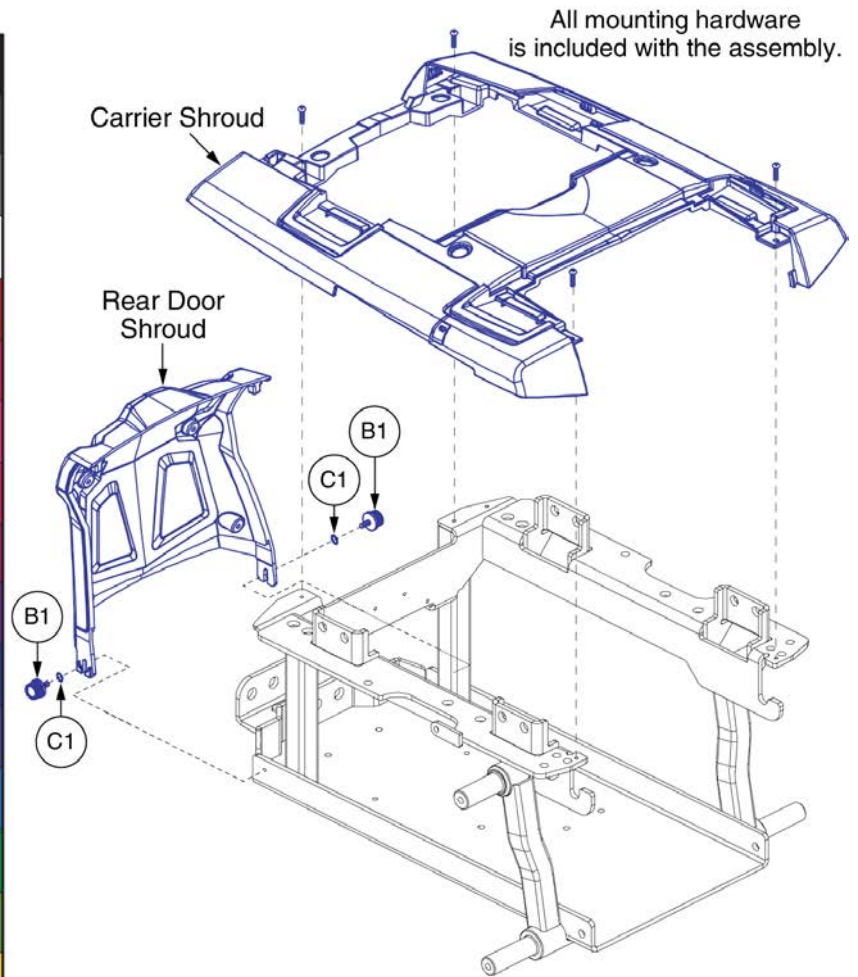
Item	Part No.	Name	Qty
A1	FRMASMB16559	FRAME,ASSY,BATTERY ACCESS BRACKET,STANDARD W/ELEVATE,Q6 EDGE,C-1062-075	1
B1	MEC141306	FRAME,ASSY,BATTERY ACCESS BRACKET,HIGH MOUNT/AFP W/ELEVATE,Q6 EDGE 2.0	1

9. Main Shroud & Rear Door Assy's

Rear Door & Carrier Shroud Assy's

Please note: The Rear Door & Carrier Shrouds are only available as an assembly. The components are not available individually.

Ref#	Color Name	Part Suffix	Color Code
A1a	Back in Black	PBK1	PPW-BLK-01
A1b	Night Train	PBK3	PPW-BLK-03
A1c	Grey Street	PSL3	PPW-SIL-03
A1d	White Satin	PWT2	PPW-WHT-02
A1e	Red Corvette	PRD1	PPW-RED-01
A1f	Cherry Bomb	PRD4	PPW-RED-04
A1g	Pretty in Pink	PPK3	PPW-PNK-03
A1h	Raspberry Beret	PPK4	PPW-PNK-04
A1i	Sugar Plum	PPR7	PPW-PRP-07
A1j	Deep Purple	PPR5	PPW-PRP-05
A1k	Midnight Blue	PBU10	PPW-BLU-10
A1l	Electric Blue	PBU9	PPW-BLU-09
A1m	Blue Jean	PBU11	PPW-BLU-11
A1n	Green Machine	PGN11	PPW-GRN-11
A1o	Military Green	PGN8	PPW-GRN-08
A1p	Lemon Crush	PYL4	PPW-YEL-04
A1q	Evolution Orange	POR7	PPW-ORN-07
A1r	Carbon Fiber	WCB1	PWT-CBN-01
A1s	Digital Camo	WCM7	PWT-CMO-07
A1t	Faded Glory	WFL2	PWT-FLG-02



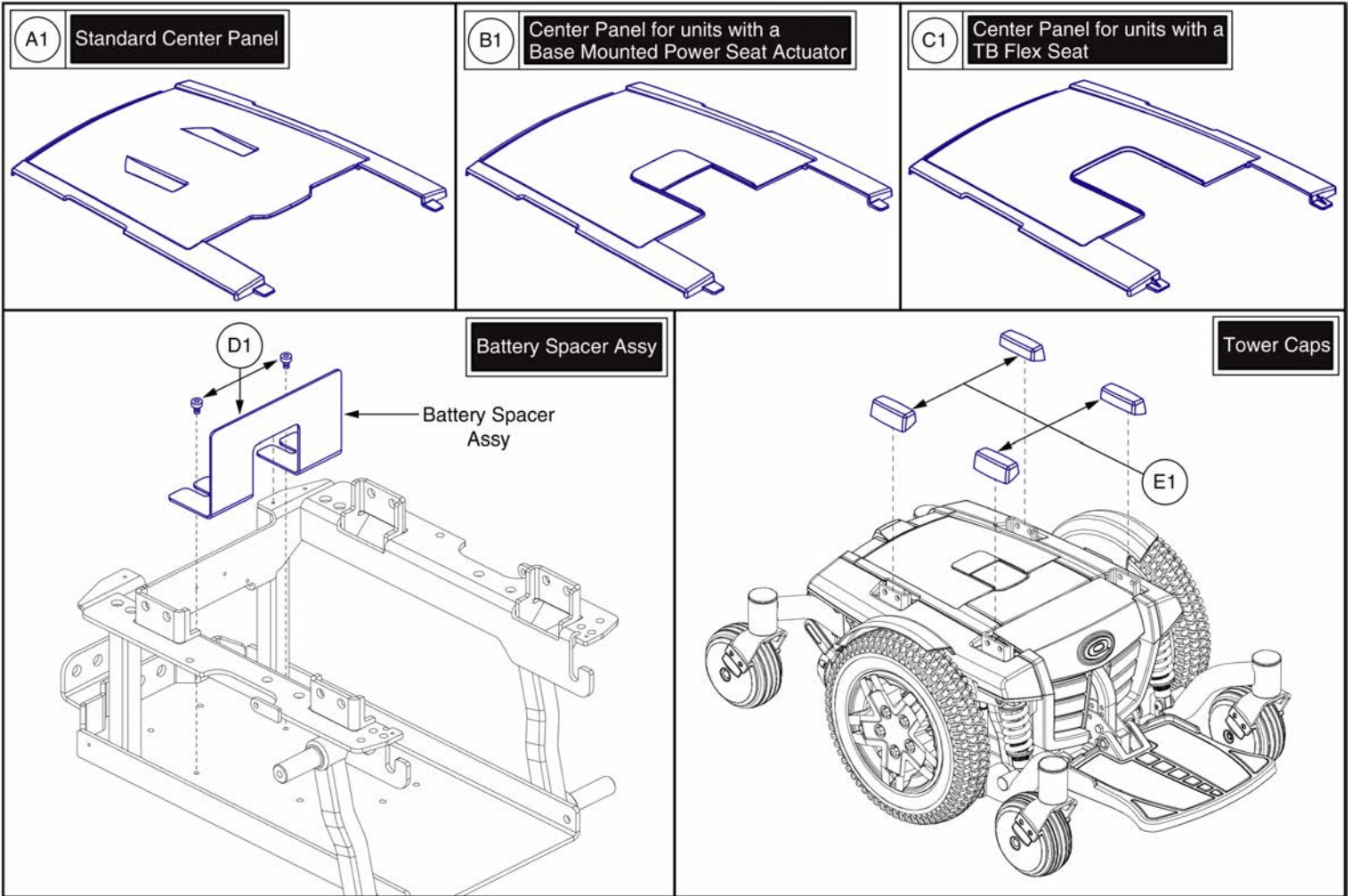
Main Carrier & Rear Door Shroud Assy's, Edge 3



Item	Part No.	Name	Qty
A1a	DGN1801101-PBK1	SHROUD,ASSY,BACK IN BLACK,Q6 EDGE 3	1
A1b	DGN1801101-PBK3	SHROUD,ASSY,NIGHT TRAIN,Q6 EDGE 3	1
A1c	DGN1801101-PSL3	SHROUD,ASSY,GREY STREET,Q6 EDGE 3	1
A1d	DGN1801101-PWT2	SHROUD,ASSY,WHITE SATIN,Q6 EDGE 3	1
A1e	DGN1801101-PRD1	SHROUD,ASSY,RED CORVETTE,Q6 EDGE 3	1
A1f	DGN1801101-PRD4	SHROUD,ASSY,CHERRY BOMB,Q6 EDGE 3	1
A1g	DGN1801101-PPK3	SHROUD,ASSY,PRETTY IN PINK,Q6 EDGE 3	1
A1h	DGN1801101-PPK4	SHROUD,ASSY,RASPBERRY BERET,Q6 EDGE 3	1
A1i	DGN1801101-PPR7	SHROUD,ASSY,SUGAR PLUM,Q6 EDGE 3	1
A1j	DGN1801101-PPR5	SHROUD,ASSY,DEEP PURPLE,Q6 EDGE 3	1
A1k	DGN1801101-PBU10	SHROUD,ASSY,MIDNIGHT BLUE,Q6 EDGE 3	1
A1l	DGN1801101-PBU9	SHROUD,ASSY,ELECTRIC BLUE,Q6 EDGE 3	1
A1m	DGN1801101-PBU11	SHROUD,ASSY,BLUE JEAN,Q6 EDGE 3	1
A1n	DGN1801101-PGN11	SHROUD,ASSY,GREEN MACHINE,Q6 EDGE 3	1
A1o	DGN1801101-PGN8	SHROUD,ASSY,MILITARY GREEN,Q6 EDGE 3	1
A1p	DGN1801101-PYL4	SHROUD,ASSY,LEMON CRUSH,Q6 EDGE 3	1
A1q	DGN1801101-POR7	SHROUD,ASSY,EVOLUTION ORANGE,Q6 EDGE 3	1
A1r	DGN1801101-WCB1	SHROUD,ASSY,CARBON FIBER,Q6 EDGE 3	1
A1s	DGN1801101-WCM7	SHROUD,ASSY,MILITARY DIGITAL CAMO,Q6 EDGE 3	1
A1t	DGN1801101-WFL2	SHROUD,ASSY,FADED GLORY,Q6 EDGE 3	1
B1	PLSKNCP1056	KNOB,PLASTIC,M4-.7 X 12MM,KNURLED HEAD,TALL,C-1060-041	2
C1	WASNEOP1003	WASHER,BLACK,NEOPRENE,3.20MM ID X 7.00MM OD X 1.90MM TH,O-RING	2
D1	LAB1712260	DECAL,EDGE 3 AESTHETIC	2

10. Center Panel Shroud Assy

Please note: Only serviceable components are shown.



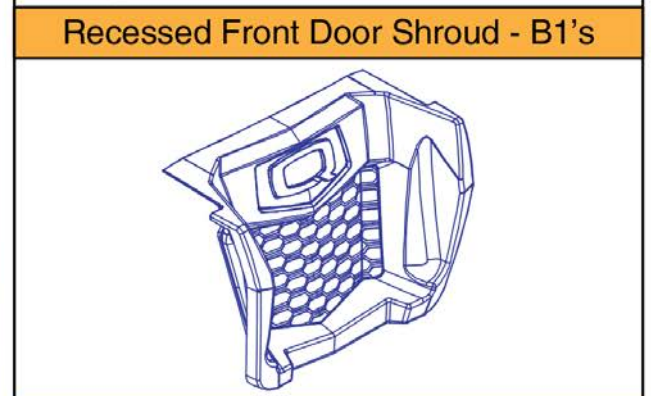
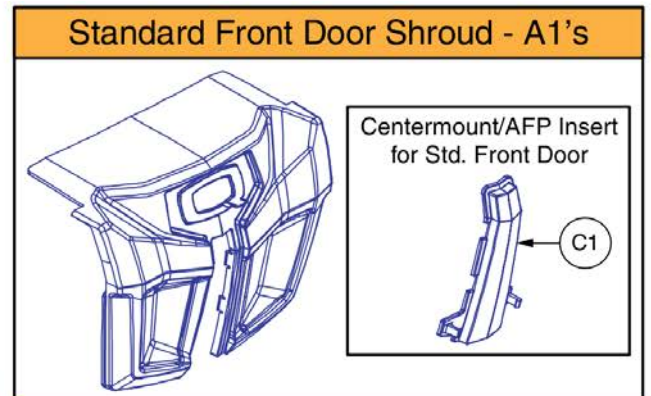
Center Panel Shrouds and Battery Spacer



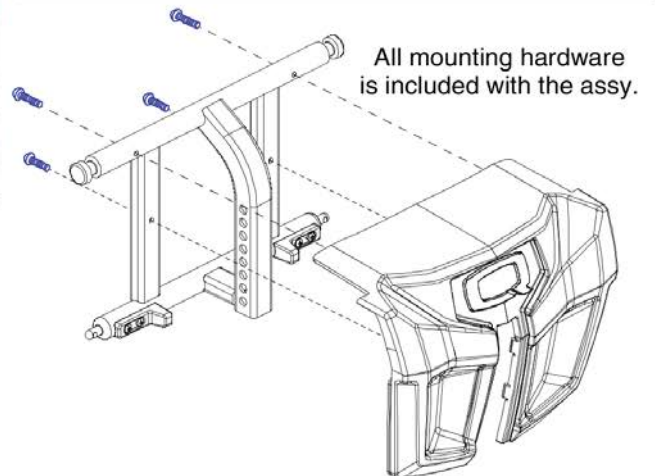
Item	Part No.	Name	Qty
A1	SHDASMB6043	SHROUD,ASSY,CENTER PANEL,STANDARD,Q6 EDGE	1
B1	SHDASMB6044	SHROUD,ASSY,CENTER PANEL,POWER SEAT,Q6 EDGE	1
C1	SHDASMB6045	SHROUD,ASSY,CENTER PANEL,EUROSEAT2,Q6 EDGE	1
D1	MEC154025	SHROUD,ASSY,BATTERY SPACER,METAL,Q6 EDGE	1
E1	DWR1062D096	COVER,TOWER CAP,Q6EDGE,D-1062-096	4

11. Front Door Shroud Assy's

Front Door Shroud Assy's				
Standard	Recessed	Color Name	Part Suffix	Color Code
A1a	B1a	Back in Black	PBK1	PPW-BLK-01
A1b	B1b	Night Train	PBK3	PPW-BLK-03
A1c	B1c	Grey Street	PSL3	PPW-SIL-03
A1d	B1d	White Satin	PWT2	PPW-WHT-02
A1e	B1e	Red Corvette	PRD1	PPW-RED-01
A1f	B1f	Cherry Bomb	PRD4	PPW-RED-04
A1g	B1g	Pretty in Pink	PPK3	PPW-PNK-03
A1h	B1h	Raspberry Beret	PPK4	PPW-PNK-04
A1i	B1i	Sugar Plum	PPR7	PPW-PRP-07
A1j	B1j	Deep Purple	PPR5	PPW-PRP-05
A1k	B1k	Midnight Blue	PBU10	PPW-BLU-10
A1l	B1l	Electric Blue	PBU9	PPW-BLU-09
A1m	B1m	Blue Jean	PBU11	PPW-BLU-11
A1n	B1n	Green Machine	PGN11	PPW-GRN-11
A1o	B1o	Military Green	PGN8	PPW-GRN-08
A1p	B1p	Lemon Crush	PYL4	PPW-YEL-04
A1q	B1q	Evolution Orange	POR7	PPW-ORN-07
A1r	B1r	Carbon Fiber	WCB1	PWT-CBN-01
A1s	B1s	Digital Camo	WCM7	PWT-CMO-07
A1t	B1t	Faded Glory	WFL2	PWT-FLG-02



Decals		
Decal	Part #	Ref #
Max. Weight Capacity	DWR1234L004	D1
Read Owner's Manual	LAB148325	D2
Battery Warning	DWR1235L515	D3
Battery Connection	DWR1235L678	D4

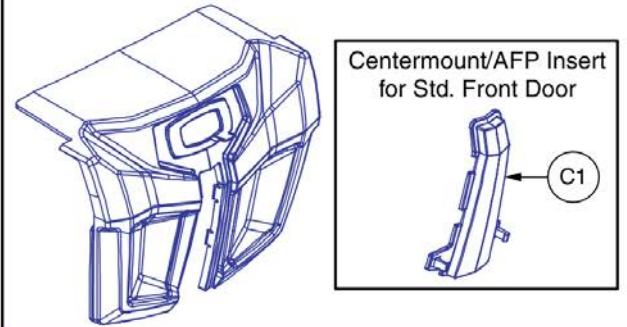


Item	Part No.	Name	Qty
A1a	DGN152585-PBK1	SHROUD,ASSY,STANDARD FRONT DOOR,BACK IN BLACK	1
A1b	DGN152585-PBK3	SHROUD,ASSY,STANDARD FRONT DOOR,NIGHT TRAIN	1
A1c	DGN152585-PSL3	SHROUD,ASSY,STANDARD FRONT DOOR,GREY STREET	1
A1d	DGN152585-PWT2	SHROUD,ASSY,STANDARD FRONT DOOR,WHITE SATIN	1
A1e	DGN152585-PRD1	SHROUD,ASSY,STANDARD FRONT DOOR,RED CORVETTE	1
A1f	DGN152585-PRD4	SHROUD,ASSY,STANDARD FRONT DOOR,CHERRY BOMB	1
A1g	DGN152585-PPK3	SHROUD,ASSY,STANDARD FRONT DOOR,PRETTY IN PINK	1
A1h	DGN152585-PPK4	SHROUD,ASSY,STANDARD FRONT DOOR,RASPBERRY BERET	1
A1i	DGN152585-PPR7	SHROUD,ASSY,STANDARD FRONT DOOR,SUGAR PLUM	1
A1j	DGN152585-PPR5	SHROUD,ASSY,STANDARD FRONT DOOR,DEEP PURPLE	1
A1k	DGN152585-PBU10	SHROUD,ASSY,STANDARD FRONT DOOR,MIDNIGHT BLUE	1
A1l	DGN152585-PBU9	SHROUD,ASSY,STANDARD FRONT DOOR,ELECTRIC BLUE	1
A1m	DGN152585-PBU11	SHROUD,ASSY,STANDARD FRONT DOOR,BLUE JEAN	1
A1n	DGN152585-PGN11	SHROUD,ASSY,STANDARD FRONT DOOR,GREEN MACHINE	1
A1o	DGN152585-PGN8	SHROUD,ASSY,STANDARD FRONT DOOR,MILITARY GREEN	1
A1p	DGN152585-PYL4	SHROUD,ASSY,STANDARD FRONT DOOR,LEMON CRUSH	1
A1q	DGN152585-POR7	SHROUD,ASSY,STANDARD FRONT DOOR,EVOLUTION ORANGE	1
A1r	DGN152585-WCB1	SHROUD,ASSY,STANDARD FRONT DOOR,CARBON FIBER	1
A1s	DGN152585-WCM7	SHROUD,ASSY,STANDARD FRONT DOOR,MILITARY DIGITAL CAMO	1
A1t	DGN152585-WFL2	SHROUD,ASSY,STANDARD FRONT DOOR,FADED GLORY	1
B1a	DGN152613-PBK1	SHROUD,ASSY,RECESSED FRONT DOOR,BACK IN BLACK	1
B1b	DGN152613-PBK3	SHROUD,ASSY,RECESSED FRONT DOOR,NIGHT TRAIN	1
B1c	DGN152613-PSL3	SHROUD,ASSY,RECESSED FRONT DOOR,GREY STREET	1
B1d	DGN152613-PWT2	SHROUD,ASSY,RECESSED FRONT DOOR,WHITE SATIN	1
B1e	DGN152613-PRD1	SHROUD,ASSY,RECESSED FRONT DOOR,RED CORVETTE	1
B1f	DGN152613-PRD4	SHROUD,ASSY,RECESSED FRONT DOOR,CHERRY BOMB	1
B1g	DGN152613-PPK3	SHROUD,ASSY,RECESSED FRONT DOOR,PRETTY IN PINK	1
B1h	DGN152613-PPK4	SHROUD,ASSY,RECESSED FRONT DOOR,RASPBERRY BERET	1
B1i	DGN152613-PPR7	SHROUD,ASSY,RECESSED FRONT DOOR,SUGAR PLUM	1
B1j	DGN152613-PPR5	SHROUD,ASSY,RECESSED FRONT DOOR,DEEP PURPLE	1
B1k	DGN152613-PBU10	SHROUD,ASSY,RECESSED FRONT DOOR,MIDNIGHT BLUE	1
B1l	DGN152613-PBU9	SHROUD,ASSY,RECESSED FRONT DOOR,ELECTRIC BLUE	1
B1m	DGN152613-PBU11	SHROUD,ASSY,RECESSED FRONT DOOR,BLUE JEAN	1
B1n	DGN152613-PGN11	SHROUD,ASSY,RECESSED FRONT DOOR,GREEN MACHINE	1
B1o	DGN152613-PGN8	SHROUD,ASSY,RECESSED FRONT DOOR,MILITARY GREEN	1
B1p	DGN152613-PYL4	SHROUD,ASSY,RECESSED FRONT DOOR,LEMON CRUSH	1

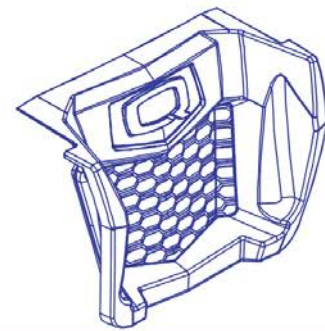
Front Door Shroud Assy's

Standard	Recessed	Color Name	Part Suffix	Color Code
A1a	B1a	Back in Black	PBK1	PPW-BLK-01
A1b	B1b	Night Train	PBK3	PPW-BLK-03
A1c	B1c	Grey Street	PSL3	PPW-SIL-03
A1d	B1d	White Satin	PWT2	PPW-WHT-02
A1e	B1e	Red Corvette	PRD1	PPW-RED-01
A1f	B1f	Cherry Bomb	PRD4	PPW-RED-04
A1g	B1g	Pretty in Pink	PPK3	PPW-PNK-03
A1h	B1h	Raspberry Beret	PPK4	PPW-PNK-04
A1i	B1i	Sugar Plum	PPR7	PPW-PRP-07
A1j	B1j	Deep Purple	PPR5	PPW-PRP-05
A1k	B1k	Midnight Blue	PBU10	PPW-BLU-10
A1l	B1l	Electric Blue	PBU9	PPW-BLU-09
A1m	B1m	Blue Jean	PBU11	PPW-BLU-11
A1n	B1n	Green Machine	PGN11	PPW-GRN-11
A1o	B1o	Military Green	PGN8	PPW-GRN-08
A1p	B1p	Lemon Crush	PYL4	PPW-YEL-04
A1q	B1q	Evolution Orange	POR7	PPW-ORN-07
A1r	B1r	Carbon Fiber	WCB1	PWT-CBN-01
A1s	B1s	Digital Camo	WCM7	PWT-CMO-07
A1t	B1t	Faded Glory	WFL2	PWT-FLG-02

Standard Front Door Shroud - A1's

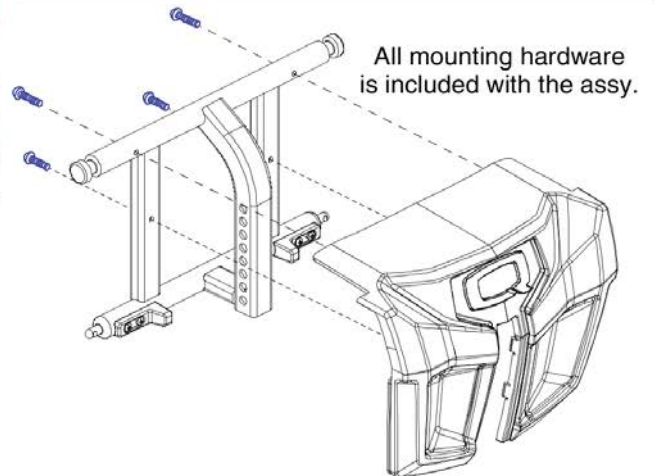


Recessed Front Door Shroud - B1's



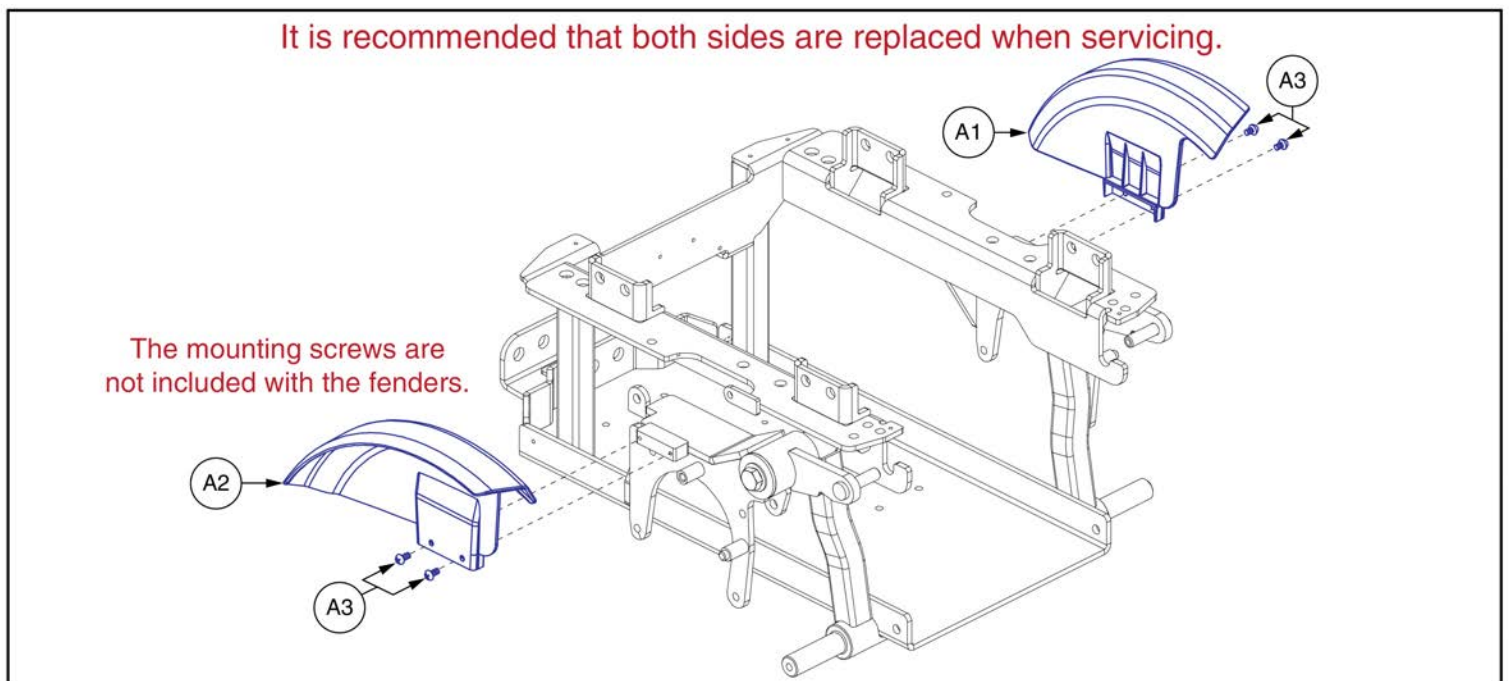
Decals

Decal	Part #	Ref #
Max. Weight Capacity	DWR1234L004	D1
Read Owner's Manual	LAB148325	D2
Battery Warning	DWR1235L515	D3
Battery Connection	DWR1235L678	D4



Item	Part No.	Name	Qty
B1q	DGN152613-POR7	SHROUD,ASSY,RECESSED FRONT DOOR,EVOLUTION ORANGE	1
B1r	DGN152613-WCB1	SHROUD,ASSY,RECESSED FRONT DOOR,CARBON FIBER	1
B1s	DGN152613-WCM7	SHROUD,ASSY,RECESSED FRONT DOOR,MILITARY DIGITAL CAMO	1
B1t	DGN152613-WFL2	SHROUD,ASSY,RECESSED FRONT DOOR,FADED GLORY	1
C1	DGN135824	FRONT DOOR CAP	1
D1	DWR1234L004	DECAL,ICON,300LBS/135 KG,MAXIMUM WEIGHT CAPACITY,L-1234-004	1
D2	LAB148325	DECAL,READ OWNERS MANUAL, 19.1 DIAMETER	1
D3	DWR1235L515	DECAL,WARNING,BATTERY WARNINGS,L-1235-515	1
D4	DWR1235L678	DECAL,BATTERY CONNECTION,1.6" X 2.3",QUANTUM623,L-1235-678	1

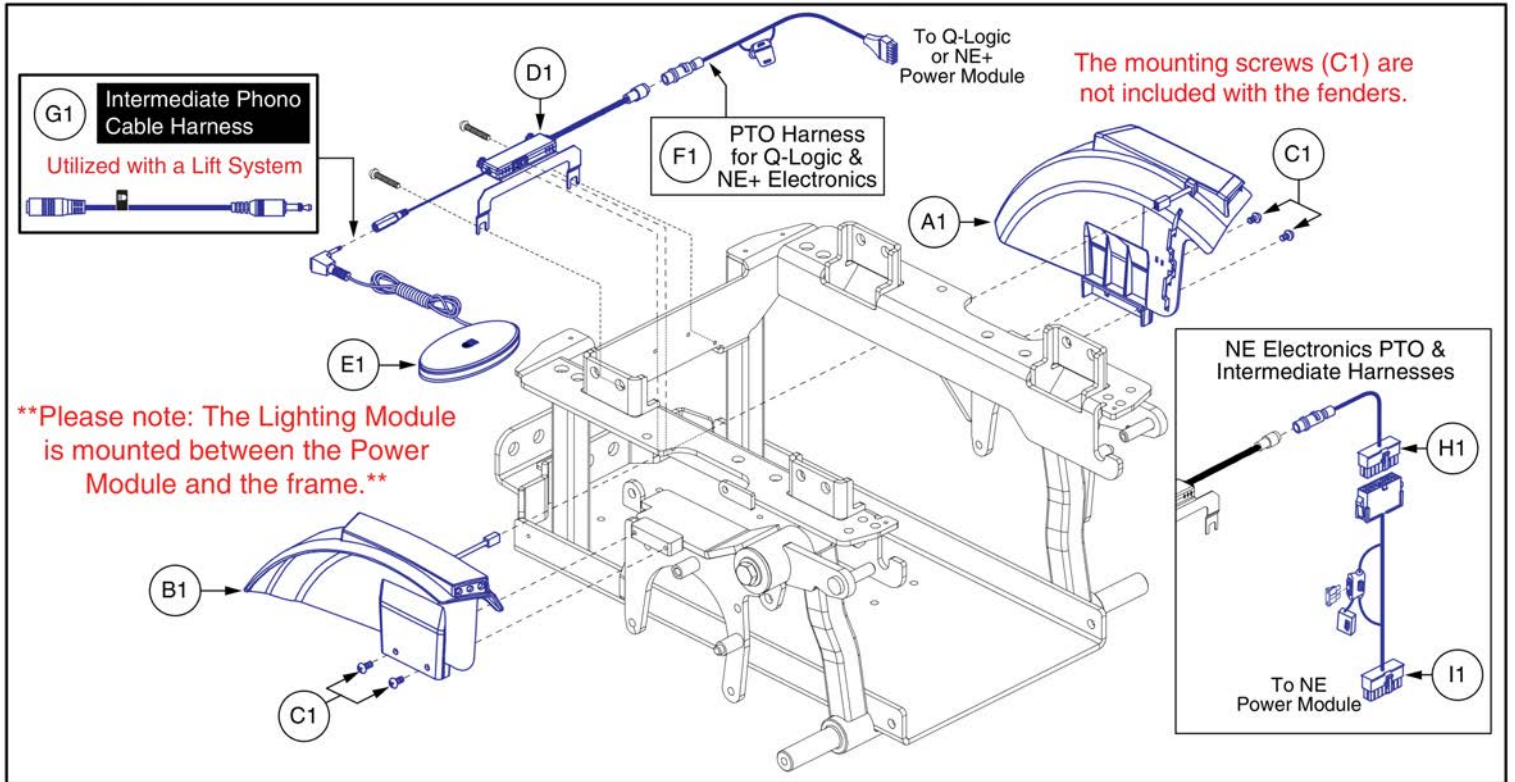
12. Fender / Fender Light Assy's





Item	Part No.	Name	Qty
A1	DGN155720	LEFT FENDER, ILEVEL	1
A2	DGN155719	RIGHT FENDER, ILEVEL	1
A3	SCRPPH1036	SCREW, PAN HEAD, TYPE H, M4X0.7 X 8, FT, ISO 7045, CL 4.8, BZ	2

12. Fender / Fender Light Assy's

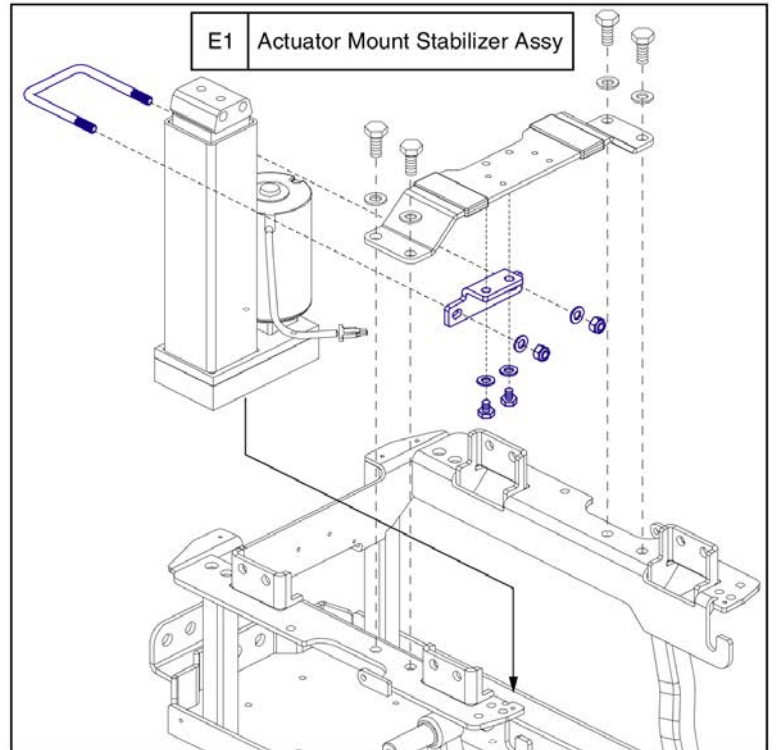
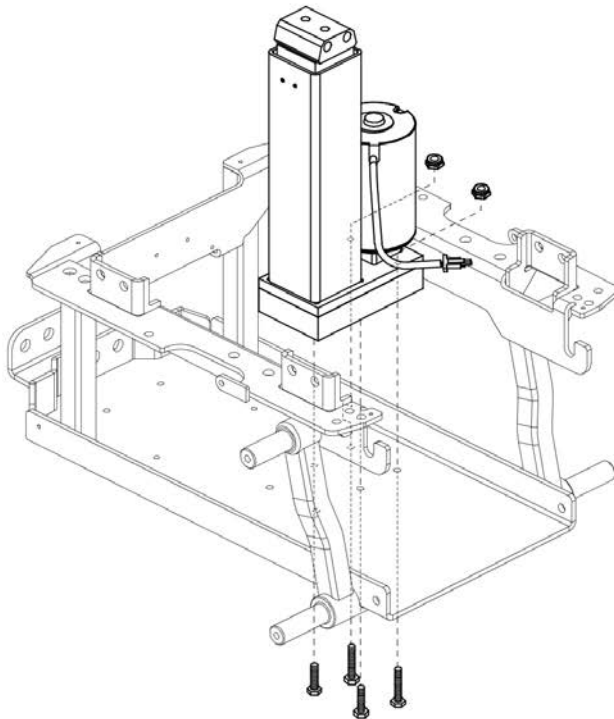
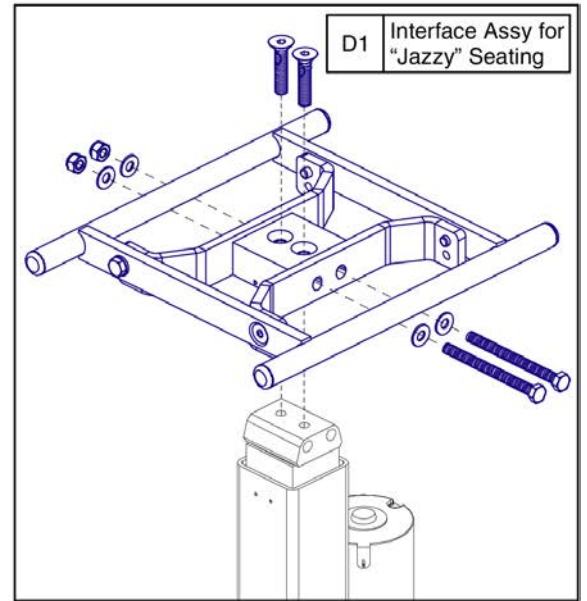
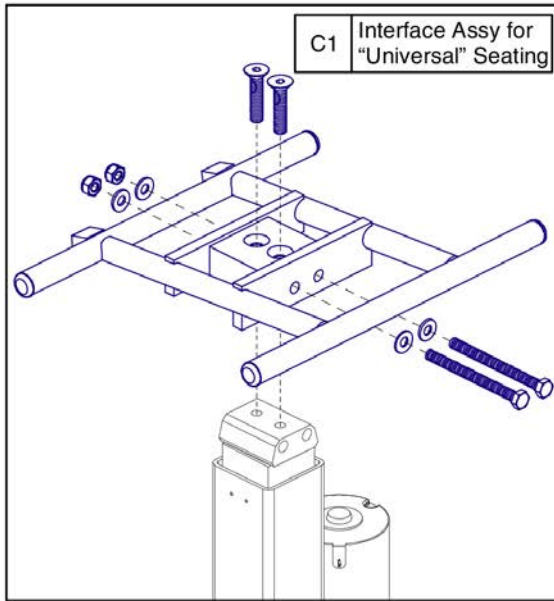
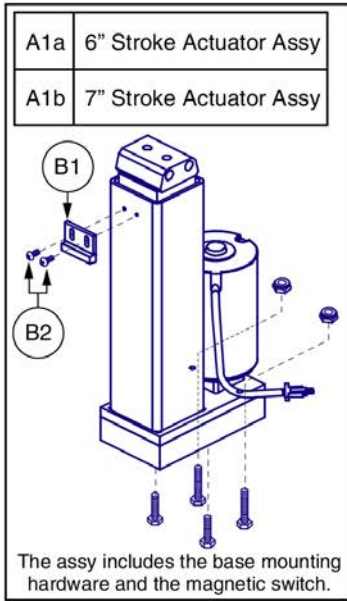


Fender Shroud Assy with Lights, Edge Series



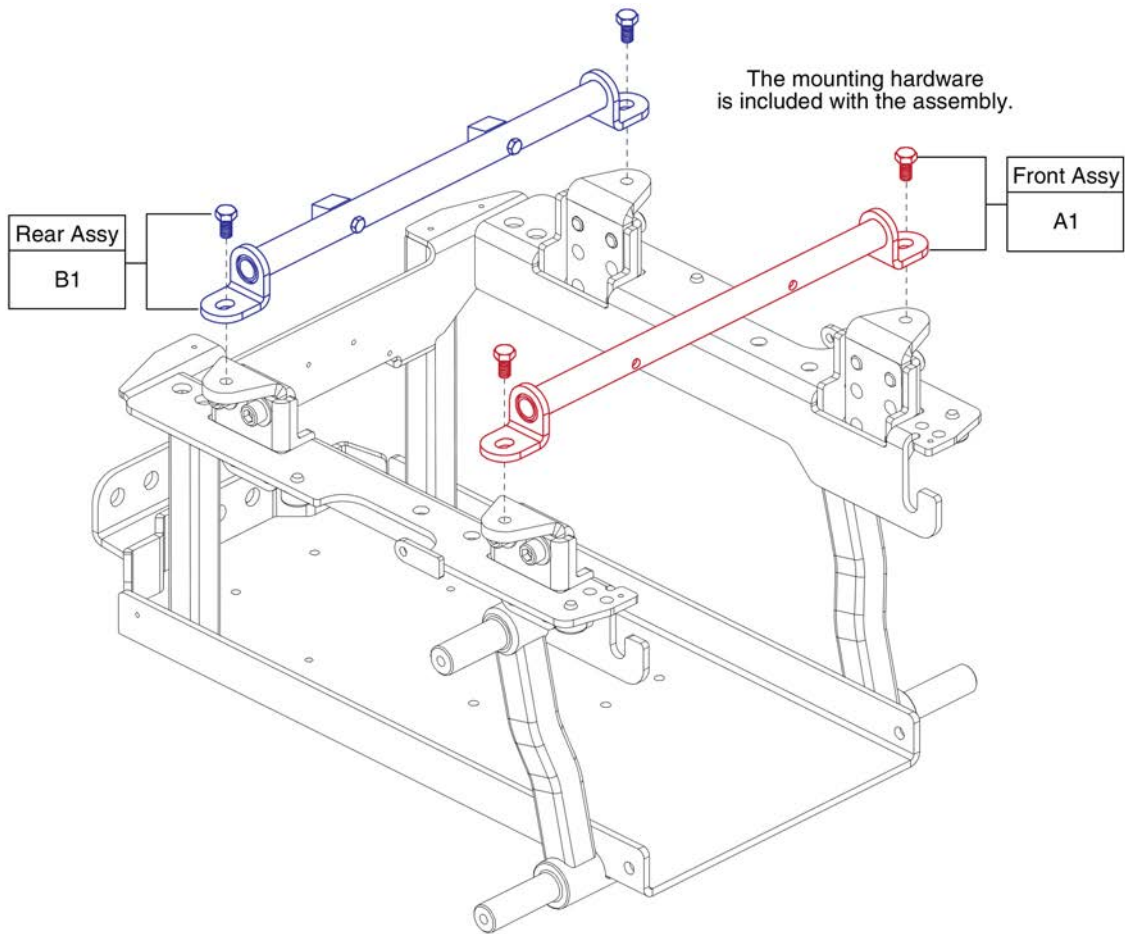
Item	Part No.	Name	Qty
A1	DGN153020	DUAL MARKER LIGHT FENDER ASSEM, LEFT	1
B1	DGN152223	DUAL MARKER LIGHT FENDER ASSEM, RIGHT	1
C1	SCRPPH1036	SCREW, PAN HEAD, TYPE H, M4X0.7 X 8, FT, ISO 7045, CL 4.8, BZ	2
D1	MEC154280	FENDER LIGHT MODULE BRACKET ASSEMBLY	1
E1	ELE160183	ELECTRONIC,ASSY,SWITCH,BLACK,EGG,W/LIGHT SYMBOL,W/DUAL LOCK	1
F1	DWR1265H021	ELECTRONIC,HARNESS,POWER TAKE OFF(PTO)/INHIBIT,CURTIS,H-1265-021	1
G1	ELE155901	HARNESS,CABLE,PHONO,MALE TO FEMALE,UL2464 22AWG	1
H1	DWR1265H057	ELECTRONIC,HARNESS,PTO ONLY,NE,H-1265-057	1
I1	DWR1265H055	ELECTRONIC,HARNESS,INTERMEDIATE,OFFBOARD CHARGER,NE,H-1265-055	1

13. Power Seat Assy



Item	Part No.	Name	Qty
A1a	FRMASMB16311	ACTUATOR,ASSY,POWER SEAT,6" STROKE,W/TAPERED HEAD,Q6 EDGE	1
A1b	FRMASMB16312	ACTUATOR,ASSY,POWER SEAT,7" STROKE,W/TAPERED HEAD,Q6 EDGE	1
B1	SWTMAGN1001	ELECTRONIC,SWITCH,HERMETIC,PRX +8100	1
B2	SCRPPH1290	SCREW,PPH,BLACK ZINC,4-40 X 0.25"	2
C1	FRMASMB9428	SEAT BASE,ASSY,POWER SEAT INTERFACE FOR UNIVERSAL SEATING,QUANTUM6000	1
D1	MEC133628	SEAT INTERFACE,ASSY,TAPERED HEAD ACTUATOR W/JAZZYINTERFACE	1
E1	FRMASMB15971	FRAME,ASSY,POWER SEAT ACTUATOR MOUNT,C-1062-049	1

14. Trapeze Bar Assy

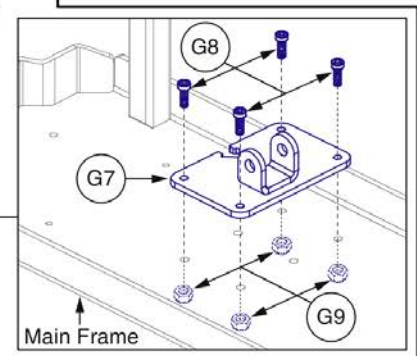
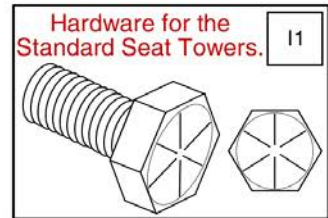
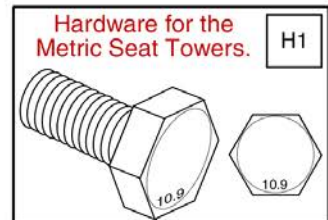
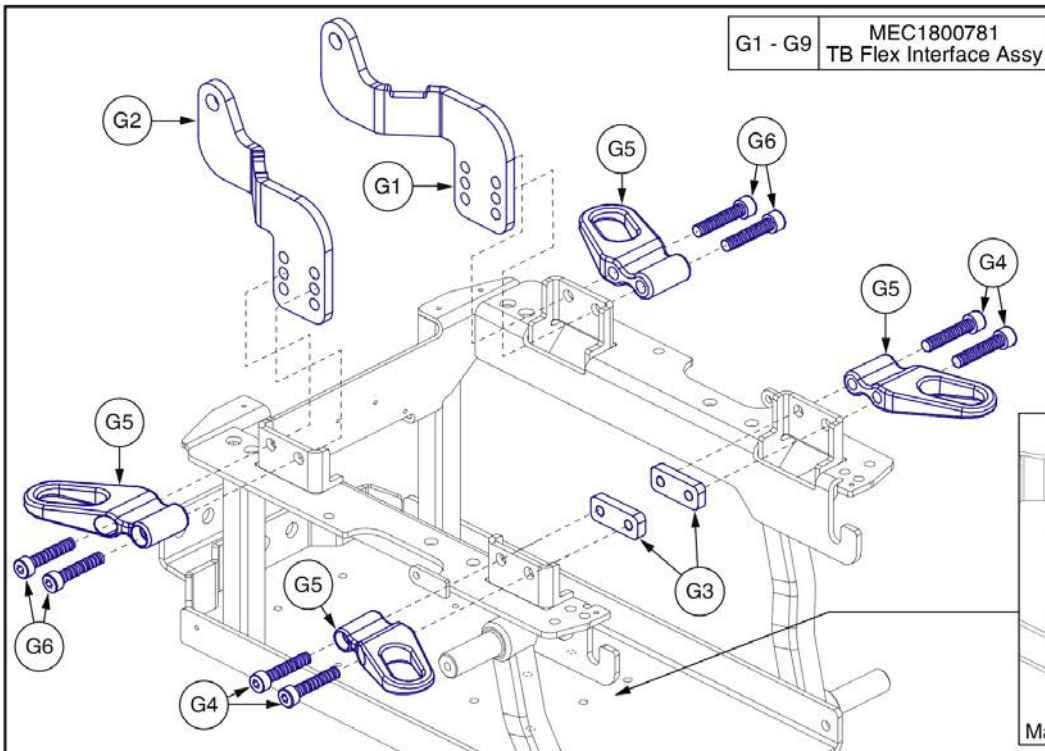
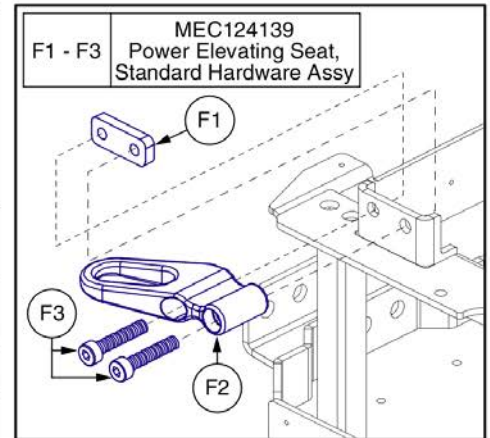
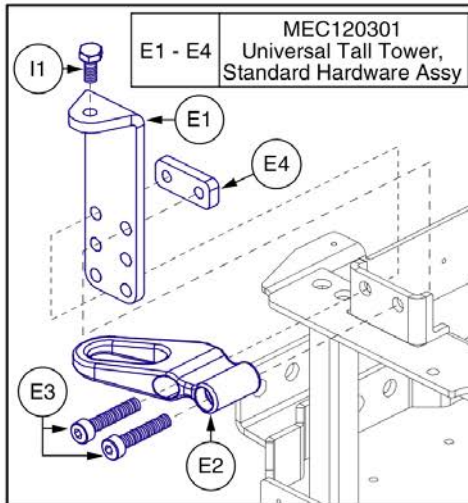
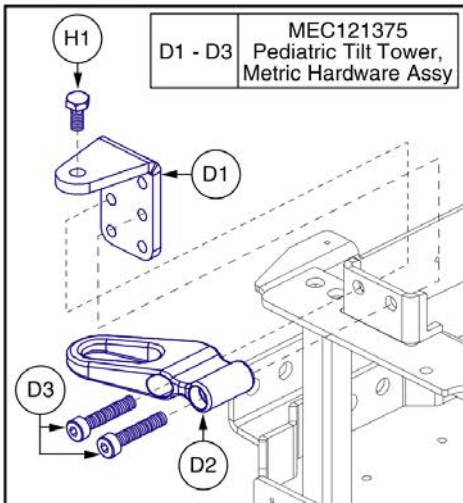
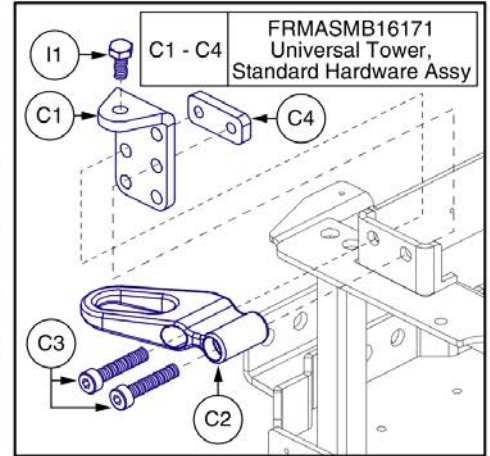
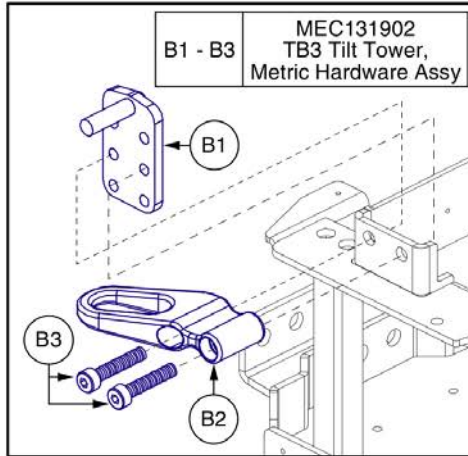
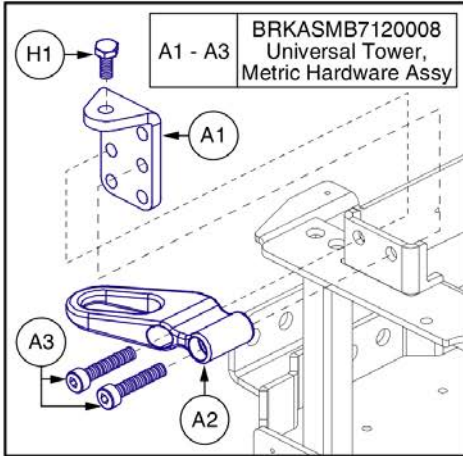


Trapeze Bar Assy



Item	Part No.	Name	Qty
A1	TWRASMB7120002	SEAT TOWER,ASSY,14.00" CENTERS,FRONT TRAPEZE BAR,METRIC	1
B1	TWRASMB7120003	SEAT TOWER,ASSY,14.00" CENTERS,REAR TRAPEZE BAR,METRIC	1

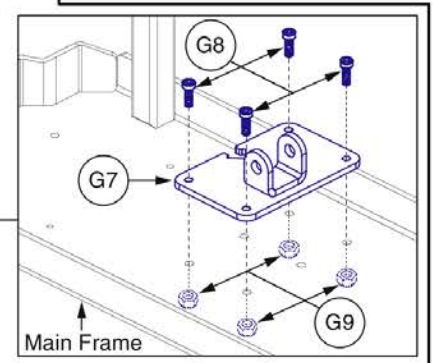
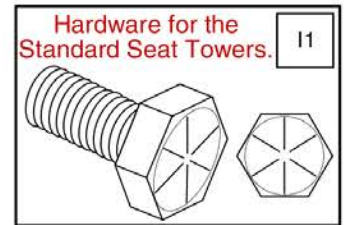
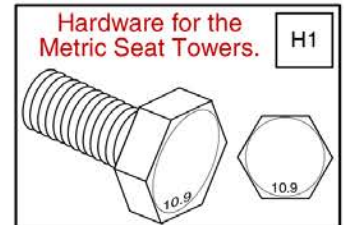
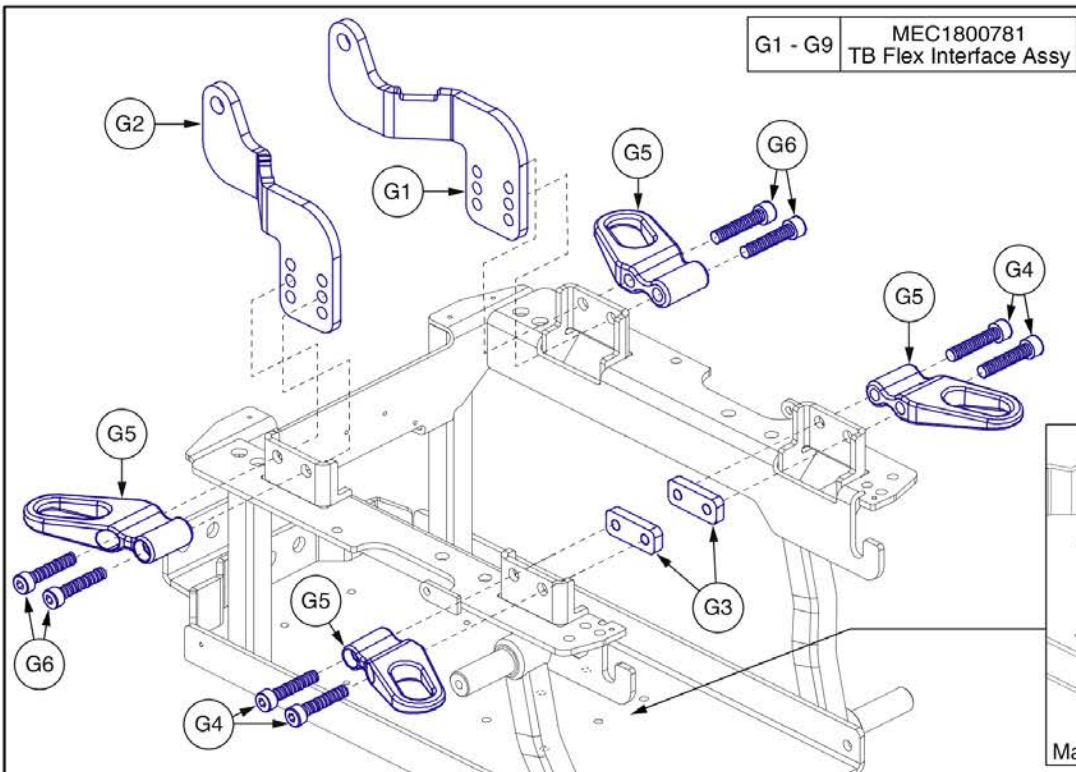
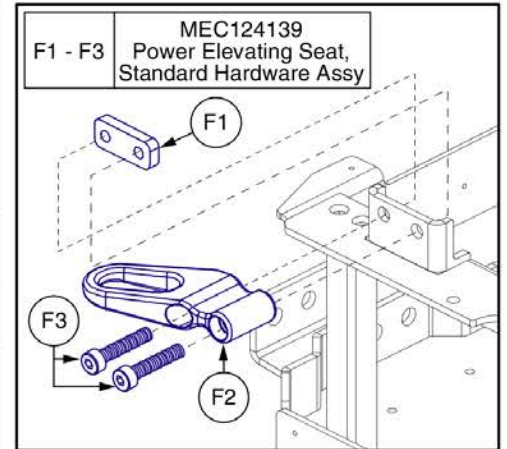
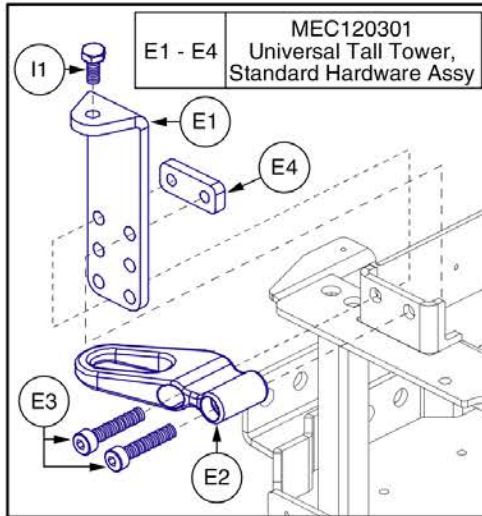
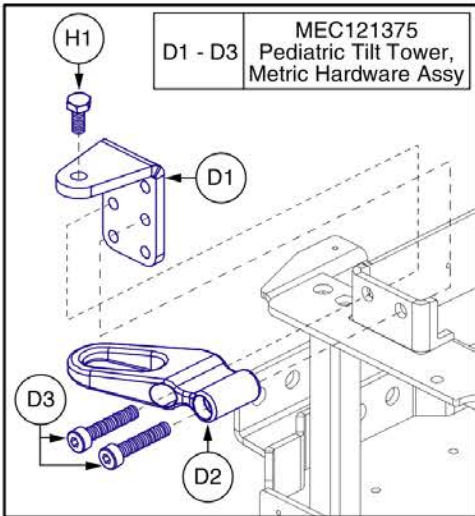
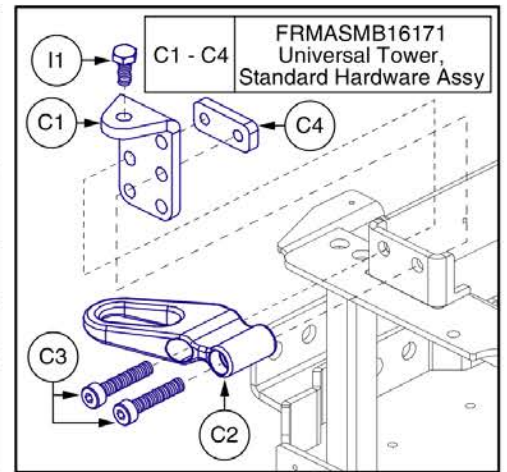
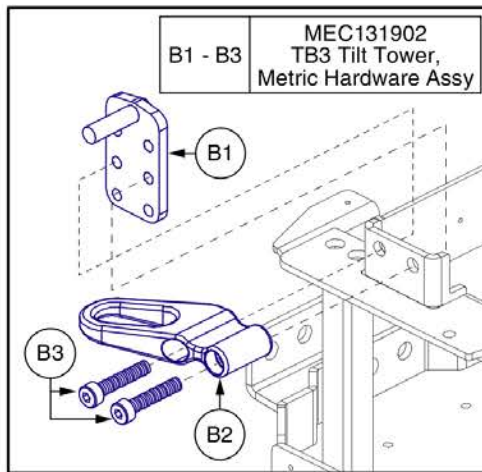
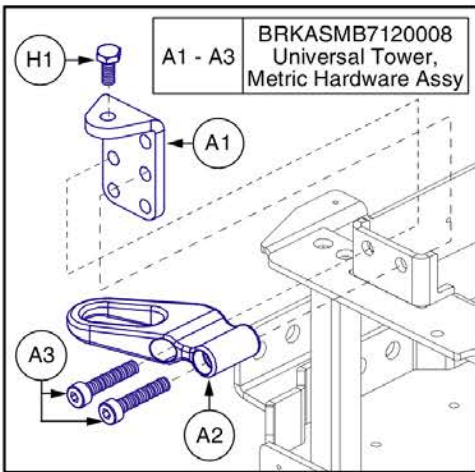
15. Seat Mount L-Bracket & Transit Loop Assy's



L-Bracket Towers and Transit Loops



Item	Part No.	Name	Qty
A1 - A3	BRKASMB7120008	SEAT MOUNT CONNECTOR,ASSY,UNIVERSAL,TRANSIT PACKAGE,METRIC	1
A1	BRK8110003	MOUNTING BRACKET,SEAT INTERFACE,UNIVERSAL,BRK8110003	4
A2	MEC142133	MOUNTING BRACKET,ASSY,UNIVERSAL TRANSIT SECUREMENT LOOP W/DECALS	4
A3	HDW142810	SCREW, SOCKET HEAD, M10 X 50, ISO 4762, CL 12.9, BZ, PVTP	8
B1 - B3	MEC131902	SEAT MOUNT CONNECTOR,ASSY,TB3 TILT,TRANSIT PACKAGE,METRIC	1
B1	MEC131182	MOUNTING BRACKET,SEAT INTERFACE,TRU-BALANCE 3	4
B2	MEC142133	MOUNTING BRACKET,ASSY,UNIVERSAL TRANSIT SECUREMENT LOOP W/DECALS	4
B3	HDW142810	SCREW, SOCKET HEAD, M10 X 50, ISO 4762, CL 12.9, BZ, PVTP	8
C1 - C4	FRMASMB16171	SEAT MOUNT CONNECTOR,ASSY,UNIVERSAL,TRANSIT PACKAGE,Q6EDGE	1
C1	DWR1062D045	MOUNTING BRACKET,SEAT INTERFACE,UNIVERSAL,D-1062-045	4
C2	MEC142133	MOUNTING BRACKET,ASSY,UNIVERSAL TRANSIT SECUREMENT LOOP W/DECALS	4
C3	SCRSHCS1338	SCREW,SHCS,BLACK ZINC,3/8-16 X 2.25",GRADE 8,W/NYLON PATCH	8
C4	DWR1062C036	MOUNTING BRACKET,SEAT INTERFACE BACK PLATE,THREADED,C-1062-036	4
D1 - D3	MEC121375	SEAT MOUNT CONNECTOR,ASSY,PEDIATRIC TILT,TRANSIT PACKAGE,METRIC	1
D1	SET8110003	MOUNTING BRACKET,SEAT INTERFACE,PEDIATRIC TILT,METRIC,SET8110003	4
D2	MEC142133	MOUNTING BRACKET,ASSY,UNIVERSAL TRANSIT SECUREMENT LOOP W/DECALS	4
D3	HDW142810	SCREW, SOCKET HEAD, M10 X 50, ISO 4762, CL 12.9, BZ, PVTP	8
E1 - E4	MEC120301	SEAT MOUNT CONNECTOR,ASSY,TALL,TRANSIT PACKAGE,Q6EDGE	1
E1	DWR1062D056	MOUNTING BRACKET,SEAT INTERFACE,TALL,D-1062-056	4
E2	MEC142133	MOUNTING BRACKET,ASSY,UNIVERSAL TRANSIT SECUREMENT LOOP W/DECALS	4
E3	SCRSHCS1338	SCREW,SHCS,BLACK ZINC,3/8-16 X 2.25",GRADE 8,W/NYLON PATCH	8
E4	DWR1062C036	MOUNTING BRACKET,SEAT INTERFACE BACK PLATE,THREADED,C-1062-036	4
F1 - F3	MEC124139	SEAT MOUNT CONNECTOR,ASSY,POWER ELEVATING SEAT,TRANSIT PACKAGE,Q6EDGE	1
F1	DWR1062C036	MOUNTING BRACKET,SEAT INTERFACE BACK PLATE,THREADED,C-1062-036	4
F2	MEC142133	MOUNTING BRACKET,ASSY,UNIVERSAL TRANSIT SECUREMENT LOOP W/DECALS	4
F3	SCRSHCS1338	SCREW,SHCS,BLACK ZINC,3/8-16 X 2.25",GRADE 8,W/NYLON PATCH	8
G1 - G9	MEC1800781	SEAT INTERFACE,ASSY,TBFLEX,Q4 / Q6EDGE2.0,W/MOUNTING HARDWARE	1
G1	MEC146836	SEAT INTERFACE BRACKET,LEFT,EU SEAT	1
G2	MEC146837	SEAT INTERFACE BRACKET,RIGHT,EU SEAT	1
G3	DWR1062C036	MOUNTING BRACKET,SEAT INTERFACE BACK PLATE,THREADED,C-1062-036	2
G4	HDW142830	SCREW,SHCS,BLACK ZINC,3/8-16 X 2.00",GRADE 8,W/NYLON PATCH	4
G5	MEC142133	MOUNTING BRACKET,ASSY,UNIVERSAL TRANSIT SECUREMENT LOOP W/DECALS	4
G6	HDW142810	SCREW, SOCKET HEAD, M10 X 50, ISO 4762, CL 12.9, BZ, PVTP	4
G7	MEC120671	SEAT INTERFACE,WELDMENT	1
G8	SCRSHCS1153	SCREW,SHCS,BLACK ZINC,M6-1.0 X 16MM,GRADE 12.9	4
G9	NUTNYLK1019	NUT,NYLOCK,BLACK ZINC,M6-1.0	4



L-Bracket Towers and Transit Loops



Item	Part No.	Name	Qty
H1	SCRHHCS1402	SCREW,HHCS,BLACK ZINC,M10-1.5 X 25MM,10.9,	1
I1	SCRHHCS1247	SCREW,HHCS,BLACK ZINC,3/8-16 X 0.50",GRADE 8	1

5-Spoke, 14" x 3" Drive Wheels

A1 Complete Tire/Rim Assy

B1 Flat-free Tire

C1 Rim Assy

Hub & Lug Nuts

D1

Lug Nuts
F1 x5

E1a	Red Corvette	E1h	Electric Blue	E1o	Grey Street
E1b	Cherry Bomb	E1i	Midnight Blue	E1p	White Satin
E1c	Raspberry Beret	E1j	Blue Jean	E1q	Carbon Fiber
E1d	Evolution Orange	E1k	Deep Purple	E1r	Digital Camo
E1e	Lemon Crush	E1l	Sugar Plum	E1s	Faded Glory
E1f	Military Green	E1m	Back in Black		
E1g	Green Machine	E1n	Night Train		

Painted Rim Inserts

Please Note: The Complete Wheel Assemblies do not contain the Hub, Lug Nuts, or the Painted Inserts.

Item	Part No.	Name	Qty
A1	WHL1703588	WHEEL,ASSY,FLAT FREE,14" X 3" DRIVE,BLACK RIM/BLACK TIRE,E-1203-043	1
B1	TIR8110024	TIRE,FLAT FREE,BLACK,14" OD,3" W,C-248 POWERTRAX TREAD,(GALLOP: 5508018 YT57)	1
C1	WHL1703586	WHEEL,ASSY,RIM,BLACK,ALUMINUM,8",5 SPOKE,D-1203-071	1
D1	MEC145417	HUB ASSEMBLY	1
E1a	DGN164245-PRD1	DRIVE WHEEL COLOR INSERT, WITH ADHESIVE TAPE, PPW-RED-01 (RED CORVETTE/CANDY APPLE RED)	1
E1b	DGN164245-PRD4	DRIVE WHEEL COLOR INSERT, WITH ADHESIVE TAPE, PPW-RED-04(CHERRY BOMB)	1
E1c	DGN164245-PPK4	DRIVE WHEEL COLOR INSERT, WITH ADHESIVE TAPE, PPW-PNK-04(RASPBERRY BERET)	1
E1d	DGN164245-POR7	DRIVE WHEEL COLOR INSERT, WITH ADHESIVE TAPE, PPW-ORN-07(EVOLUTION ORANGE)	1
E1e	DGN164245-PYL4	DRIVE WHEEL COLOR INSERT, WITH ADHESIVE TAPE, PPW-YEL-04(LEMON CRUSH)	1
E1f	DGN164245-PGN8	DRIVE WHEEL COLOR INSERT, WITH ADHESIVE TAPE, PPW-GRN-08 (MILITARY GREEN)	1
E1g	DGN164245-PGN11	DRIVE WHEEL COLOR INSERT, WITH ADHESIVE TAPE, PPW-GRN-11(GREEN MACHINE)	1
E1h	DGN164245-PBU9	DRIVE WHEEL COLOR INSERT, WITH ADHESIVE TAPE, PPW-BLU-09 (ELECTRIC BLUE/TRUE BLUE)	1
E1i	DGN164245-PBU10	DRIVE WHEEL COLOR INSERT, WITH ADHESIVE TAPE, PPW-BLU-10 (MIDNIGHT BLUE)	1
E1j	DGN164245-PBU11	DRIVE WHEEL COLOR INSERT, WITH ADHESIVE TAPE, PPW-BLU-11(BLUE JEAN)	1
E1k	DGN164245-PPR5	DRIVE WHEEL COLOR INSERT, WITH ADHESIVE TAPE, PPW-PRP-05 (DEEP PURPLE)	1
E1l	DGN164245-PPR7	DRIVE WHEEL COLOR INSERT, WITH ADHESIVE TAPE, PPW-PRP-07(SUGAR PLUM)	1
E1m	DGN164245-PBK1	DRIVE WHEEL COLOR INSERT, WITH ADHESIVE TAPE, PPW-BLK-01 (BACK IN BLACK/BLACK)	1
E1n	DGN164245-PBK3	DRIVE WHEEL COLOR INSERT, WITH ADHESIVE TAPE, PPW-BLK-03 (NIGHT TRAIN)	1
E1o	DGN164245-PSL3	DRIVE WHEEL COLOR INSERT, WITH ADHESIVE TAPE, PPW-SIL-03 (GREY STREET)	1
E1p	DGN164245-PWH2	DRIVE WHEEL COLOR INSERT, WITH ADHESIVE TAPE, PPW-WHT-02 (WHITE SATIN)	1
E1q	DGN164245-WCB1	DRIVE WHEEL COLOR INSERT, WITH ADHESIVE TAPE, PWT-CBN-01 (CARBON FIBER)	1
E1r	DGN164245-WCM7	DRIVE WHEEL COLOR INSERT, WITH ADHESIVE TAPE, PWT-CMO-07 (MILITARY DIGITAL CAMO)	1
E1s	DGN164245-WFL2	DRIVE WHEEL COLOR INSERT, WITH ADHESIVE TAPE, PWT-FLG-02 (FADED GLORY)	1
F1	DWR1005B049	NUT,LUG,ZINC,5/16-24,B-1005-049	5

5-Spoke, 14" x 3" Drive Wheels

A1 Complete Tire/Rim Assy

B1 Pneumatic Tire

C1 Pneumatic Tube

D1 Rim Assy

Hub & Lug Nuts

E1

Lug Nuts

G1 x5

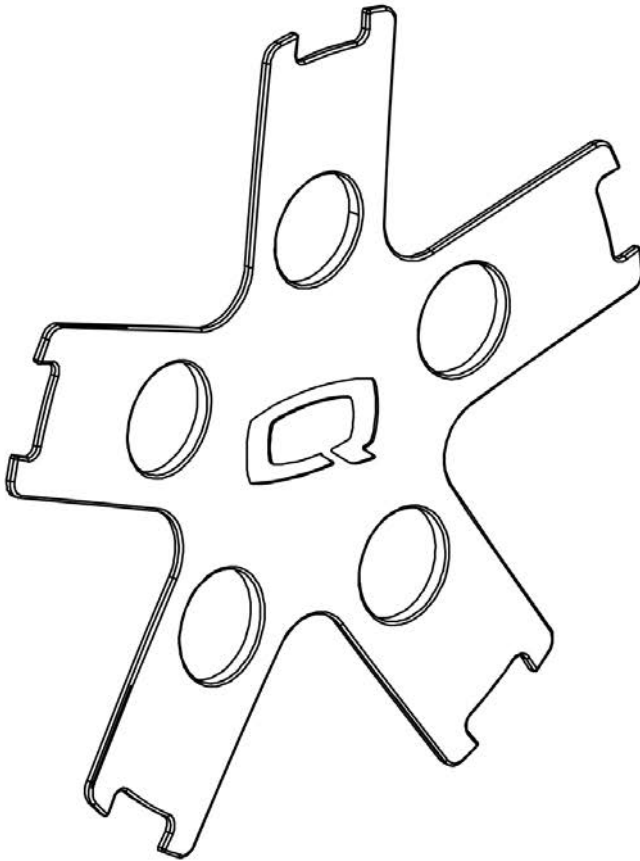
F1a	Red Corvette	F1h	Electric Blue	F1o	Grey Street
F1b	Cherry Bomb	F1i	Midnight Blue	F1p	White Satin
F1c	Raspberry Beret	F1j	Blue Jean	F1q	Carbon Fiber
F1d	Evolution Orange	F1k	Deep Purple	F1r	Digital Camo
F1e	Lemon Crush	F1l	Sugar Plum	F1s	Faded Glory
F1f	Military Green	F1m	Back in Black		
F1g	Green Machine	F1n	Night Train		

Painted Rim Inserts

Please Note: The Complete Wheel Assemblies do not contain the Hub, Lug Nuts, or the Painted Inserts.

Item	Part No.	Name	Qty
A1	WHL1704507	WHEEL,ASSY,PNEUMATIC,14" X 3" DRIVE,BLACK RIM/BLACK TIRE,E-1203-051	1
B1	TIR8110026	TIRE,PNEUMATIC,BLACK,14" OD,3" W,C-248-5 TREAD	1
C1	TUBSTND1002	TUBE,300-8,ANGLED VALVE W/CAP	1
D1	WHL1703586	WHEEL,ASSY,RIM,BLACK,ALUMINUM,8",5 SPOKE,D-1203-071	1
E1	MEC145417	HUB ASSEMBLY	1
F1a	DGN164245-PRD1	DRIVE WHEEL COLOR INSERT, WITH ADHESIVE TAPE, PPW-RED-01 (RED CORVETTE/CANDY APPLE RED)	1
F1b	DGN164245-PRD4	DRIVE WHEEL COLOR INSERT, WITH ADHESIVE TAPE, PPW-RED-04(CHERRY BOMB)	1
F1c	DGN164245-PPK4	DRIVE WHEEL COLOR INSERT, WITH ADHESIVE TAPE, PPW-PNK-04(RASPBERRY BERET)	1
F1d	DGN164245-POR7	DRIVE WHEEL COLOR INSERT, WITH ADHESIVE TAPE, PPW-ORN-07(EVOLUTION ORANGE)	1
F1e	DGN164245-PYL4	DRIVE WHEEL COLOR INSERT, WITH ADHESIVE TAPE, PPW-YEL-04(LEMON CRUSH)	1
F1f	DGN164245-PGN8	DRIVE WHEEL COLOR INSERT, WITH ADHESIVE TAPE, PPW-GRN-08 (MILITARY GREEN)	1
F1g	DGN164245-PGN11	DRIVE WHEEL COLOR INSERT, WITH ADHESIVE TAPE, PPW-GRN-11(GREEN MACHINE)	1
F1h	DGN164245-PBU9	DRIVE WHEEL COLOR INSERT, WITH ADHESIVE TAPE, PPW-BLU-09 (ELECTRIC BLUE/TRUE BLUE)	1
F1i	DGN164245-PBU10	DRIVE WHEEL COLOR INSERT, WITH ADHESIVE TAPE, PPW-BLU-10 (MIDNIGHT BLUE)	1
F1j	DGN164245-PBU11	DRIVE WHEEL COLOR INSERT, WITH ADHESIVE TAPE, PPW-BLU-11(BLUE JEAN)	1
F1k	DGN164245-PPR5	DRIVE WHEEL COLOR INSERT, WITH ADHESIVE TAPE, PPW-PRP-05 (DEEP PURPLE)	1
F1l	DGN164245-PPR7	DRIVE WHEEL COLOR INSERT, WITH ADHESIVE TAPE, PPW-PRP-07(SUGAR PLUM)	1
F1m	DGN164245-PBK1	DRIVE WHEEL COLOR INSERT, WITH ADHESIVE TAPE, PPW-BLK-01 (BACK IN BLACK/BLACK)	1
F1n	DGN164245-PBK3	DRIVE WHEEL COLOR INSERT, WITH ADHESIVE TAPE, PPW-BLK-03 (NIGHT TRAIN)	1
F1o	DGN164245-PSL3	DRIVE WHEEL COLOR INSERT, WITH ADHESIVE TAPE, PPW-SIL-03 (GREY STREET)	1
F1p	DGN164245-PWH2	DRIVE WHEEL COLOR INSERT, WITH ADHESIVE TAPE, PPW-WHT-02 (WHITE SATIN)	1
F1q	DGN164245-WCB1	DRIVE WHEEL COLOR INSERT, WITH ADHESIVE TAPE, PWT-CBN-01 (CARBON FIBER)	1
F1r	DGN164245-WCM7	DRIVE WHEEL COLOR INSERT, WITH ADHESIVE TAPE, PWT-CMO-07 (MILITARY DIGITAL CAMO)	1
F1s	DGN164245-WFL2	DRIVE WHEEL COLOR INSERT, WITH ADHESIVE TAPE, PWT-FLG-02 (FADED GLORY)	1
G1	DWR1005B049	NUT,LUG,ZINC,5/16-24,B-1005-049	5

5-Spoke, 14" x 3" Drive Wheels



Note: The inserts contain all of the adhesive mounting fasteners.

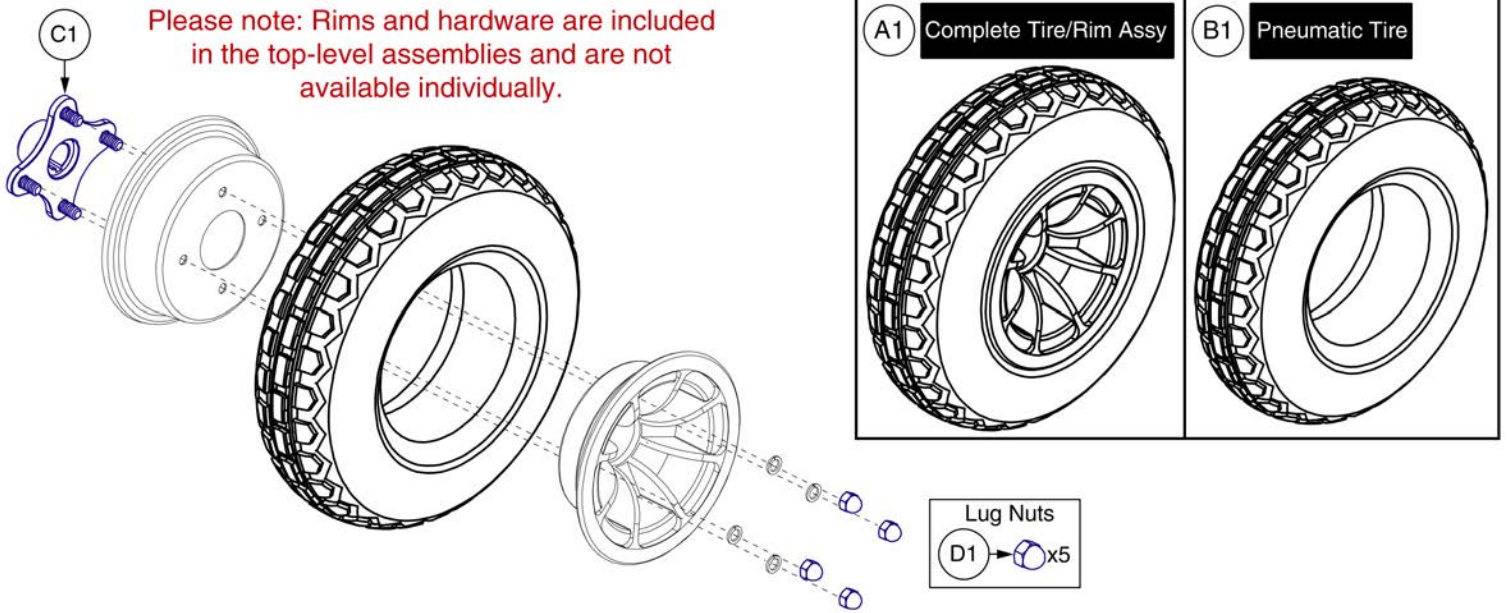
Painted Wheel Inserts			
Ref#	Color Name	Part Suffix	Color Code
A1	Back in Black	PBK1	PPW-BLK-01
B1	Night Train	PBK3	PPW-BLK-03
C1	Grey Street	PSL3	PPW-SIL-03
D1	Silver Bullet	PSL7	PPW-SIL-07
E1	White Satin	PWT2	PPW-WHT-02
F1	Red Corvette	PRD1	PPW-RED-01
G1	Cherry Bomb	PRD4	PPW-RED-04
H1	Pretty in Pink	PPK3	PPW-PNK-03
I1	Raspberry Beret	PPK4	PPW-PNK-04
J1	Sugar Plum	PPR7	PPW-PRP-07
K1	Deep Purple	PPR5	PPW-PRP-05
L1	Midnight Blue	PBU10	PPW-BLU-10
M1	Electric Blue	PBU9	PPW-BLU-09
N1	Blue Jean	PBU11	PPW-BLU-11
O1	Green Machine	PGN11	PPW-GRN-11
P1	Military Green	PGN8	PPW-GRN-08
Q1	Lime Light	PGN7	PPW-GRN-07
R1	Yellow Blaze	PYL3	PPW-YEL-03
S1	Lemon Crush	PYL4	PPW-YEL-04
T1	Orange Crush	POR6	PPW-ORN-06
U1	Evolution Orange	POR7	PPW-ORN-07
V1	Carbon Fiber	WCB1	PWT-CBN-01
W1	Digital Camo	WCM7	PWT-CMO-07
X1	Faded Glory	WFL2	PWT-FLG-02

Painted Wheel Inserts



Item	Part No.	Name	Qty
A1	DGN164245-PBK1	DRIVE WHEEL COLOR INSERT, WITH ADHESIVE TAPE, PPW-BLK-01 (BACK IN BLACK/BLACK)	1
B1	DGN164245-PBK3	DRIVE WHEEL COLOR INSERT, WITH ADHESIVE TAPE, PPW-BLK-03 (NIGHT TRAIN)	1
C1	DGN164245-PSL3	DRIVE WHEEL COLOR INSERT, WITH ADHESIVE TAPE, PPW-SIL-03 (GREY STREET)	1
D1	DGN164245-PSL7	DRIVE WHEEL COLOR INSERT, WITH ADHESIVE TAPE, PPW-SIL-07 (SILVER BULLET)	1
E1	DGN164245-PWH2	DRIVE WHEEL COLOR INSERT, WITH ADHESIVE TAPE, PPW-WHT-02 (WHITE SATIN)	1
F1	DGN164245-PRD1	DRIVE WHEEL COLOR INSERT, WITH ADHESIVE TAPE, PPW-RED-01 (RED CORVETTE/CANDY APPLE RED)	1
G1	DGN164245-PRD4	DRIVE WHEEL COLOR INSERT, WITH ADHESIVE TAPE, PPW-RED-04(CHERRY BOMB)	1
H1	DGN164245-PPK3	DRIVE WHEEL COLOR INSERT, WITH ADHESIVE TAPE, PPW-PNK-03 (PRETTY IN PINK)	1
I1	DGN164245-PPK4	DRIVE WHEEL COLOR INSERT, WITH ADHESIVE TAPE, PPW-PNK-04(RASPBERRY BERET)	1
J1	DGN164245-PPR7	DRIVE WHEEL COLOR INSERT, WITH ADHESIVE TAPE, PPW-PRP-07(SUGAR PLUM)	1
K1	DGN164245-PPR5	DRIVE WHEEL COLOR INSERT, WITH ADHESIVE TAPE, PPW-PRP-05 (DEEP PURPLE)	1
L1	DGN164245-PBU10	DRIVE WHEEL COLOR INSERT, WITH ADHESIVE TAPE, PPW-BLU-10 (MIDNIGHT BLUE)	1
M1	DGN164245-PBU9	DRIVE WHEEL COLOR INSERT, WITH ADHESIVE TAPE, PPW-BLU-09 (ELECTRIC BLUE/TRUE BLUE)	1
N1	DGN164245-PBU11	DRIVE WHEEL COLOR INSERT, WITH ADHESIVE TAPE, PPW-BLU-11(BLUE JEAN)	1
O1	DGN164245-PGN11	DRIVE WHEEL COLOR INSERT, WITH ADHESIVE TAPE, PPW-GRN-11(GREEN MACHINE)	1
P1	DGN164245-PGN8	DRIVE WHEEL COLOR INSERT, WITH ADHESIVE TAPE, PPW-GRN-08 (MILITARY GREEN)	1
Q1	DGN164245-PGN7	DRIVE WHEEL COLOR INSERT, WITH ADHESIVE TAPE, PPW-GRN-07 (LIME LIGHT)	1
R1	DGN164245-PYL3	DRIVE WHEEL COLOR INSERT, WITH ADHESIVE TAPE, PPW-YEL-03 (YELLOW BLAZE/ORION YELLOW)	1
S1	DGN164245-PYL4	DRIVE WHEEL COLOR INSERT, WITH ADHESIVE TAPE, PPW-YEL-04(LEMON CRUSH)	1
T1	DGN164245-POR6	DRIVE WHEEL COLOR INSERT, WITH ADHESIVE TAPE, PPW-ORN-06 (ORANGE CRUSH)	1
U1	DGN164245-POR7	DRIVE WHEEL COLOR INSERT, WITH ADHESIVE TAPE, PPW-ORN-07(EVOLUTION ORANGE)	1
V1	DGN164245-WCB1	DRIVE WHEEL COLOR INSERT, WITH ADHESIVE TAPE, PWT-CBN-01 (CARBON FIBER)	1
W1	DGN164245-WCM7	DRIVE WHEEL COLOR INSERT, WITH ADHESIVE TAPE, PWT-CMO-07 (MILITARY DIGITAL CAMO)	1
X1	DGN164245-WFL2	DRIVE WHEEL COLOR INSERT, WITH ADHESIVE TAPE, PWT-FLG-02 (FADED GLORY)	1

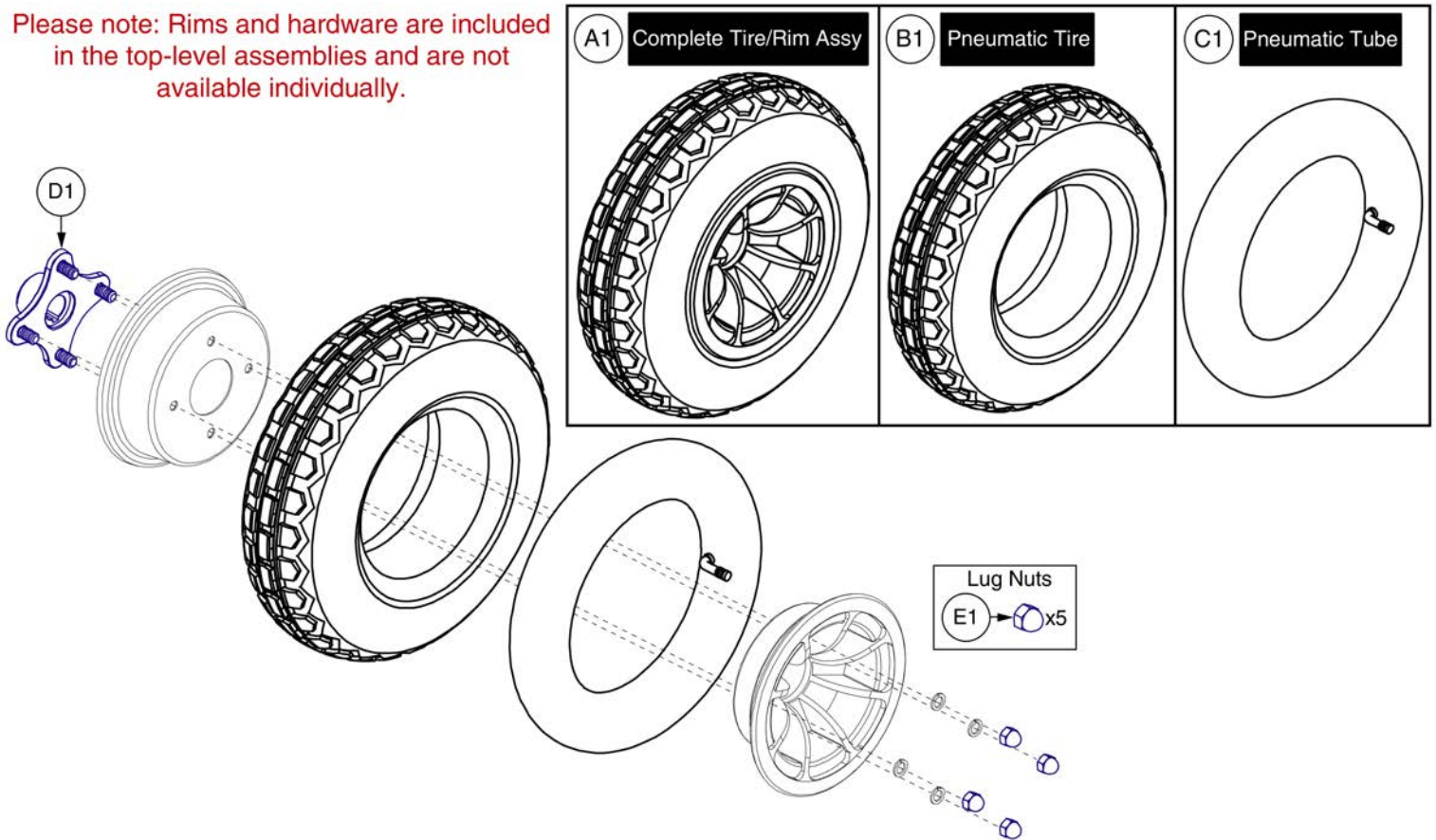
4-Spoke, 14" x 4" Drive Wheels (Knobby Tire)



Item	Part No.	Name	Qty
A1	WHL147601	WHEEL,ASSY,FLAT FREE,14" X 4" DRIVE,BLACK RIM/BLACK TIRE	1
B1	TIR8110019	TIRE,FLAT FREE,BLACK,14" OD,4" W,C166 KNOBBY TREAD,(GALLOP: 114292)	1
C1	MEC145470	HUB, W/STUDS, KNOBBY TIRE, LINIX SHAFT	1
D1	NUTACRN1005	NUT, HEX, ACORN, .375-24, GR 2, ZN	4

4-Spoke, 14" x 4" Drive Wheels (Knobby Tire)

Please note: Rims and hardware are included in the top-level assemblies and are not available individually.

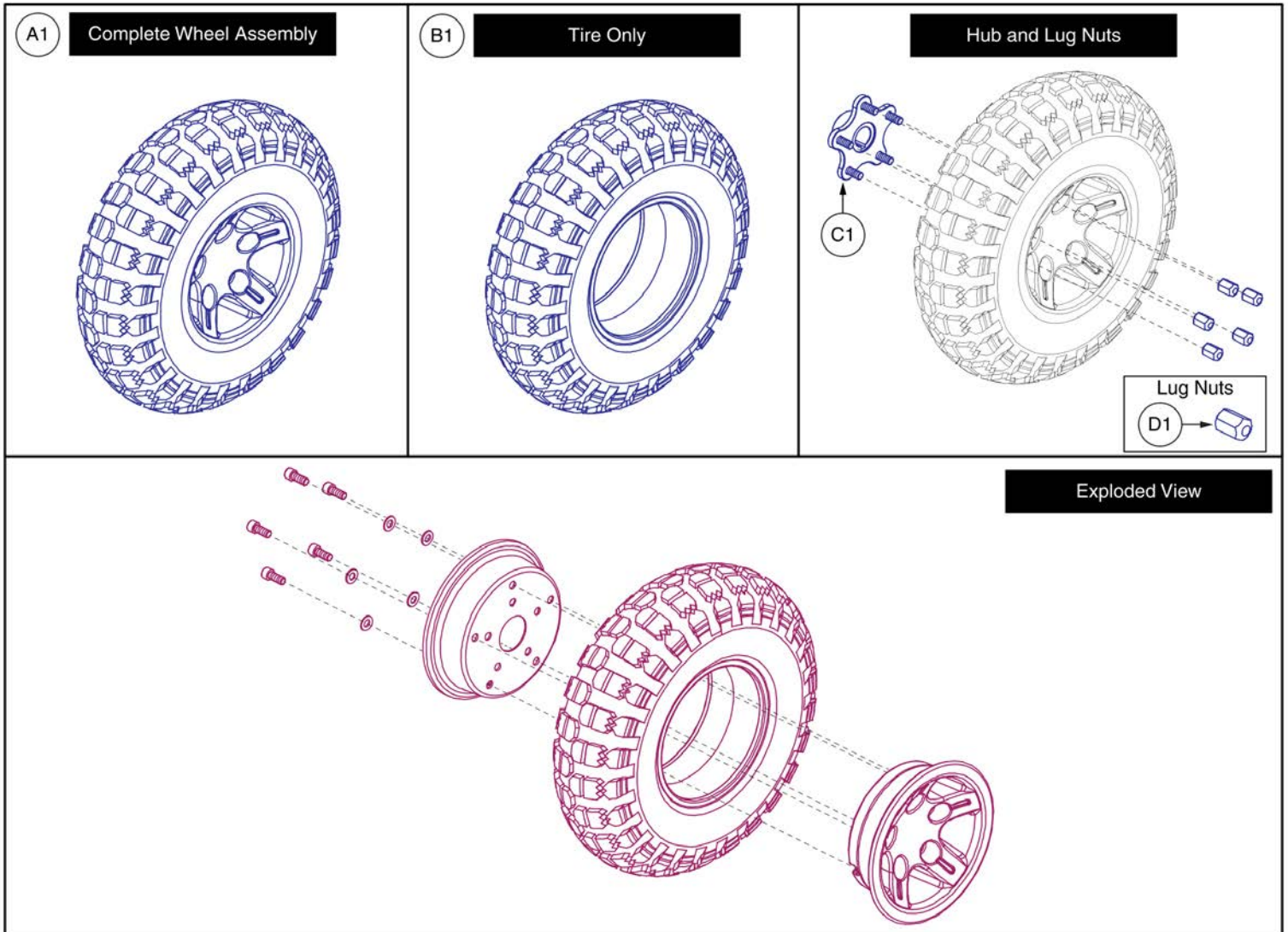


Item	Part No.	Name	Qty
A1	WHL147599	WHEEL,ASSY,PNEUMATIC,14" X 4" DRIVE,BLACK RIM/BLACK TIRE	1
B1	TIR8110017	TIRE,PNEUMATIC,BLACK,14" OD, 4" W,C166 KNOBBY TREAD,(GALLOP: RP265087)	1
C1	TUBSTND1043	TIRE,TUBE,4.00-6,90 DEGREE VALVE STEM,(TAG: 163265)	1
D1	MEC145470	HUB, W/STUDS, KNOBBY TIRE, LINIX SHAFT	1
E1	NUTACRN1005	NUT, HEX, ACORN, .375-24, GR 2, ZN	4

5-Spoke, 14" x 4" Drive Wheels (Knobby Tire)

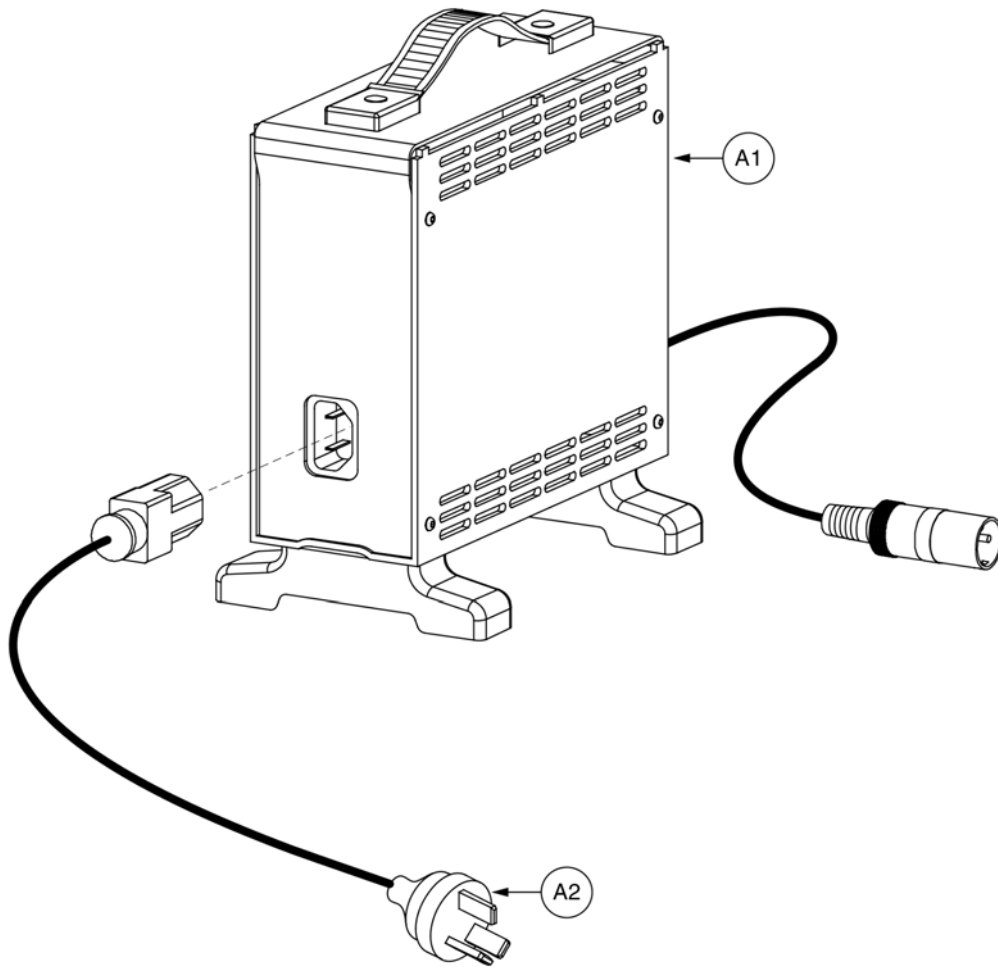
Please note:

- The 14" x 4" drive wheel with 5 spoke hub is used on the following models manufactured on or after 08/17/20: 4Front, Q6 Edge 3, Q6 Edge 2.0, Q6 Edge 2.0X
- Only serviceable parts contain callouts. The parts without callouts require the complete assembly to be selected.
- Contact Technical Service for more information.



Item	Part No.	Name	Qty
A1	WHL1903913	WHEEL ASSY, FLAT FREE BLACK 14 X 4 DRIVE BLACK RIM/BLACK TIRE, COMMUNITY USE	1
B1	TIR8110019	TIRE,FLAT FREE,BLACK,14" OD,4" W,C166 KNOBBY TREAD,(GALLOP: 114292)	1
C1	MEC145417	HUB ASSEMBLY	1
D1	DWR1005B049	NUT,LUG,ZINC,5/16-24,B-1005-049	5

17. Off-board Charger Assy

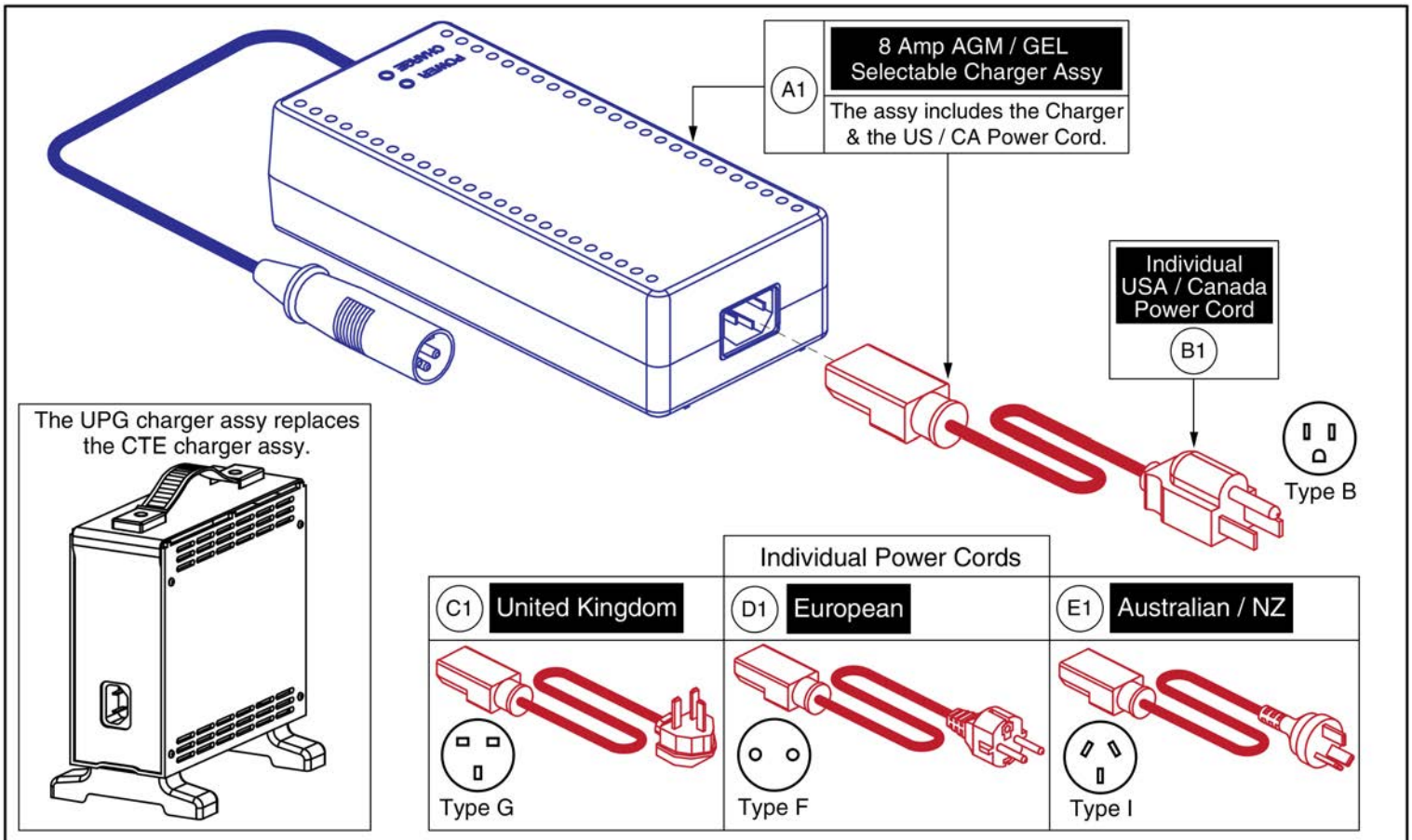


8 amp CTE Charger, Australia



Item	Part No.	Name	Qty
A1 - A3	ELEASMB5672	CHARGER,ASSY,OFFBOARD,LOW INHIBIT,110V-230V,8AMP,W/AUSTRALIA POWERCORD	1
A1		CHARGER,OFFBOARD,LOW INHIBIT,110V-230V,8AMP,H-1000-192,(CTE: CK84215000)	1
A2	DWR1000H174	ELECTRONIC,HARNES,AC POWER CORD,INSULATED BLADES,AUSTRALIA,H-1000-174	1
A3	DWR1235L520	DECAL,CAUTION,EXTENSION CORD/GROUNDING PRONG,L-1235-520	1

17. Off-board Charger Assy



8 Amp UPG Charger Assy, AGM / GEL Selectable



Item	Part No.	Name	Qty
A1	ELE1803440	CHARGER, OFFBOARD, LOW INHIBIT, AC 100V-240V, DC 28.6-29.6V @8A, AGM/GEL SELECTABLE, WITH USA CORDSET	1
B1	HARUSHD1065	ELECTRONIC,HARNESS,POWER CORD,IEC - USA,H-1000-128	1
C1	HARUSHD2041	ELECTRONIC,HARNESS, POWER CORD,AC W/UK PLUG,H-1020-049	1
D1	HARUSHD2160	ELECTRONIC,HARNESS,POWER CORD,IEC - EUROPE PLUG	1
E1	DWR1000H174	ELECTRONIC,HARNESS,AC POWER CORD,INSULATED BLADES,AUSTRALIA,H-1000-174	1

18. Owner's & Decal Packages



Owner's Package

Item	Part No.	Name	Qty
*N/A	INFMANU3992	MANUAL,CONSUMER SAFETY GUIDE,POWERCHAIR	1
*N/A	INFMANU4620	MANUAL,OWNER'S,Q6 EDGE(GEN 2),ENGLISH	1
*N/A	INFINFB3925	MANUAL,PRODUCT INSERT SHEET,SPECIFICATION,Q6 EGDE 3,ENGLISH	1
*N/A	INFINFB2779	MANUAL,PRODUCT INSERT SHEET,WARRANTY,DOMESTIC QUANTUM POWER CHAIRS,ENGLISH	1
*N/A	INFMANU3658	MANUAL,TRANSIT SECUREMENT SYSTEM,POWERCHAIR	1
*N/A	DWR1202C027	REFLECTOR,AMBER,CASTER SPHERE,C-1202-027	8
*N/A	INFINFB2528	MANUAL,PRODUCT INSERT SHEET,Q6EDGE,REFLECTOR INSTALLATION	1

18. Owner's & Decal Packages



Decal Package

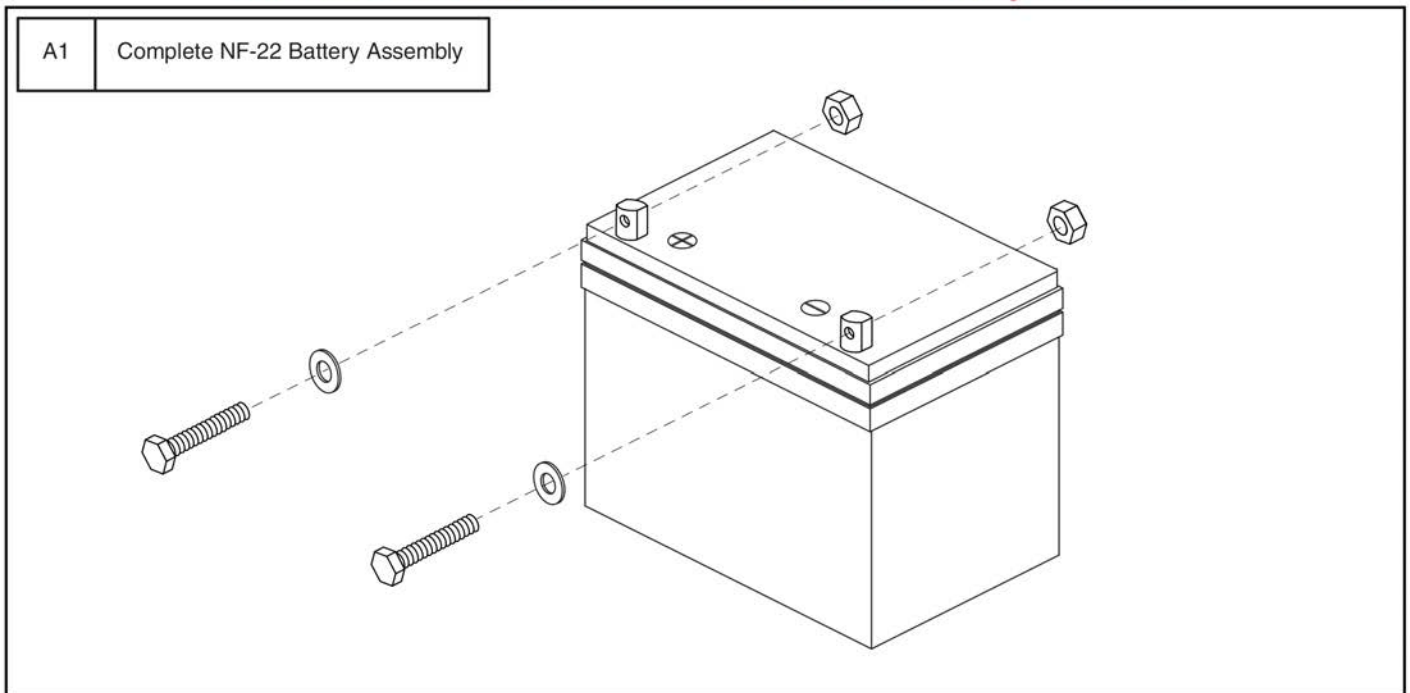
Decal Package - Edge 3



Item	Part No.	Name	Qty
*N/A	DWR1235L638	DECAL,ICON,JAZZY FREEWHEEL,UP-DRIVE/DOWN-NEUTRAL,L-1235-638	2
*N/A	DWR1234L799	DECAL,ICON,1" X 2.5",WEATHER/MANUAL/LOOSE GARMENT,L-1234-799	1
*N/A	DWR1235L521	DECAL,WARNING,CONTROLLER CORD PLACEMENT,L-1235-521	1
*N/A	DEC8120018	DECAL,NOT RATED FOR OCCUPIED TRANSPORT,POWER CHAIR	2
*N/A	DWR1234L957	DECAL,WARNING,DEFLATE TIRE COMPLETELY,L-1234-957	2
*N/A	DWR1235L116	DECAL,ICON,TIE DOWN HOOK,L-1235-116	4
*N/A	DWR1235L225	DECAL,LIMITED STABILITY,LITESTREAMXF,L-1235-225	1
*N/A	DWR1235L512	DECAL,WARNING,EMI-RFI,20V/M,L-1235-512	1
*N/A	DWR1235L520	DECAL,CAUTION,EXTENSION CORD/GROUNDING PRONG,L-1235-520	1

19. Batteries

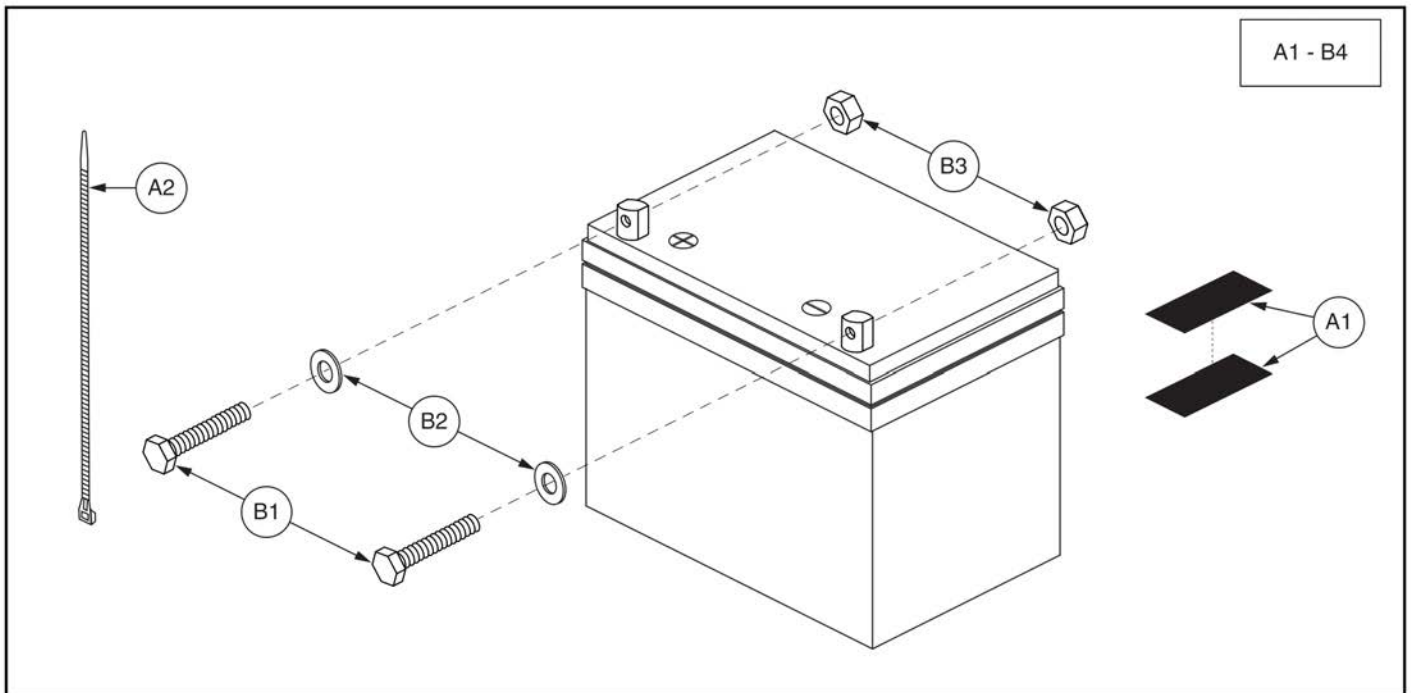
*** Please note that hardware is not available individually is needed.***





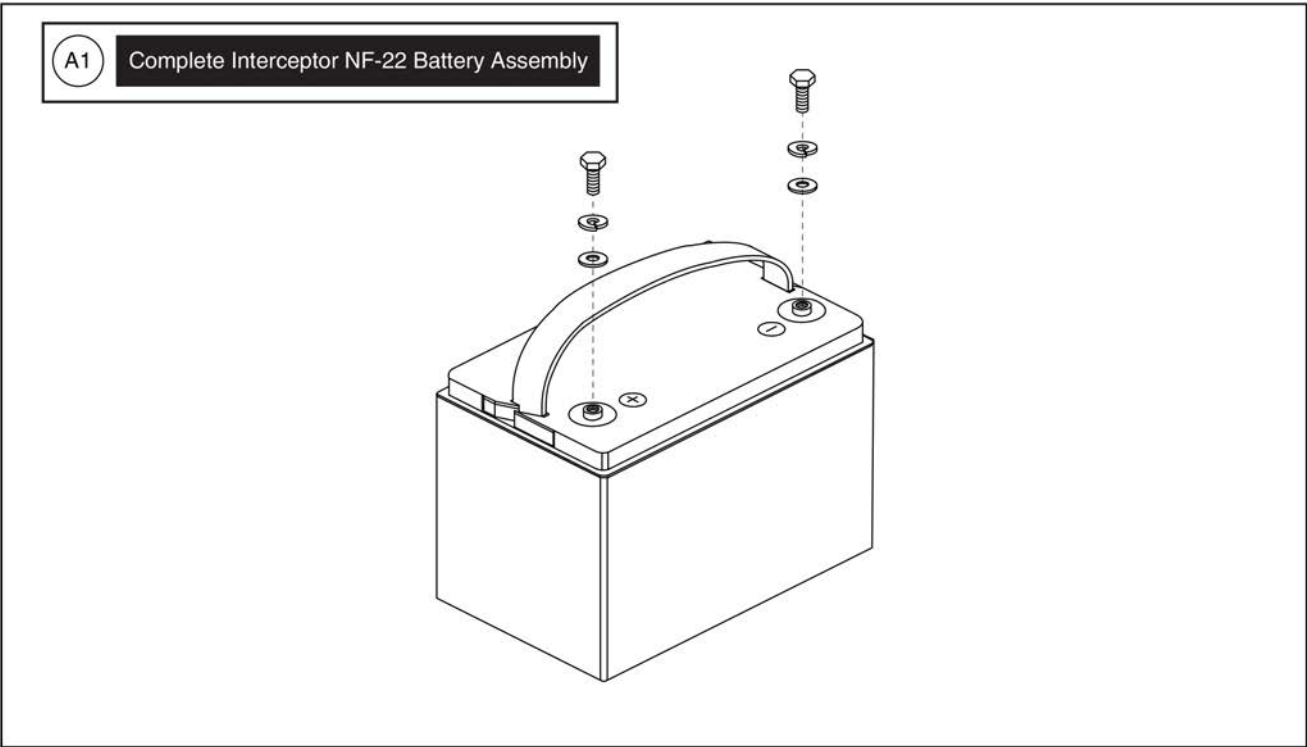
Item	Part No.	Name	Qty
A1	BAT121346	BATTERY,AGM,NF-22,H1000-139,(MK: M22NF SLD A H)	1

19. Batteries



Item	Part No.	Name	Qty
A1 - B4	BATASMB1094	BATTERY,ASSY,GEL,NF-22,MK BATTERY,W/VELCRO & CABLE TIES	1
A1	HDW124834	REUSABLE FASTENER,HOOK & LOOP,BLACK,4" X 7",W/ADHESIVE BACK,#0115,B STOUT,SET	1
A2	PLSTIE1011	CABLE TIE,NYLON,48"L,HEAVY DUTY	1
B1 - B4	BATGEL1008	BATTERY,GEL,NF-22,H-1000-188,(MK BATTERY: M22NF SLDG)	1
B1	SCRHHCS1668	SCREW,HHCS,STAINLESS STEEL,5/16-18 X 1.00"	2
B2	WASLOCK1093	WASHER,LOCK,STAINLESS STEEL,0.3125" ID X 0.500" OD X 0.125"TH	2
B3	NUTSTD1020	NUT,HEX,STAINLESS STEEL,5/16-18	2
B4		DECAL,BATTERY & BATTERY CHARGER MANUFACTURER,L-1235-817	1

19. Batteries





Item	Part No.	Name	Qty
A1	BAT1704613-P	BATTERY,PACKAGED,INTERCEPTOR,GEL,55AH,NF-22,(YAHENG: 6-EVF-55)	1

20.1. Swing-away, Version 3

Complete Swing-away Mount w/ Hardware			
Ref	Part Number	Mounting Hardware	Seating Type
A1	ACC1908434	Q-Logic	Rehab
B1	ACC1908435	Q-Logic	Contoured
C1	ACC1908437	NE/NE+	Rehab
D1	ACC1908438	NE/NE+	Contoured
E1	ACC1908439	PG Drives*	Rehab
F1	ACC1908440	PG Drives*	Contoured

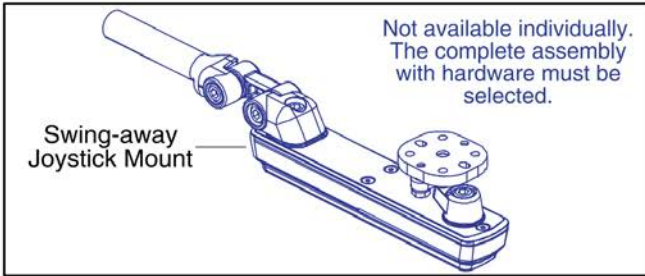
Please Note:

- The complete assemblies A1 thru F1 include the swing-away joystick mount and the applicable joystick mounting hardware.
- The contoured seat assemblies also include the armrest adapter K1.
- * **PG Drives does NOT include Remote Plus.**

Contact Technical Service for more information.

Mounting Hardware

<p>NE / NE+</p> <p>G1 H1 x4</p>	<p>Q-Logic</p> <p>I1 x4</p>	<p>Contoured Seat Armrest Adapter</p> <p>K1</p>
<p>PG Drives</p> <p>J1 x2</p> <p>*Does not include Remote Plus Joysticks</p>		



Adjustments

Height and Home Position Adjustments

Notes:

- Loosen the appropriate screws to adjust the height or home position of the swing-away joystick mount.
- Each pivot can be adjusted independently in 15 Degree increments to allow for a wide range of positions and angles.
- The "Home" position refers to the orientation the joystick & mount rest while the chair is in use and the mount is not performing the swing-away action.

Swing-away Force Adjustment and Belt Tightening

Three set screws allow for adjustments to be made to the swing-away force and belt tension of the joystick mount. See notes on right for further details.

Set Screw:	Notes:
<p>Controller</p>	<ul style="list-style-type: none"> - Used to adjust the force needed to swing the joystick mount away. Force range depends on where the Bottom Set Screw is positioned. - Used to set the force range of the Controller Set Screw. Removed sets the range from 3 to 6lbs. Inserted sets the range from 5 to 8lbs.
<p>Bottom</p>	<ul style="list-style-type: none"> - Used to adjust the internal belt tension. Turn inward 1/4 turn if the controller does not maintain the set orientation when swinging away or if the controller spins. - Note: This ONLY needs to be adjusted if the belt is loose and should be performed rarely.
<p>Belt</p>	

Item	Part No.	Name	Qty
A1	ACC1908434	JOYSTICK MOUNTING BRACKET,ASSY,SWING AWAY,Q-LOGIC	1
B1	ACC1908435	JOYSTICK MOUNTING BRACKET,ASSY,SWING AWAY,Q-LOGIC CONTOURED SEAT	1
C1	ACC1908437	JOYSTICK MOUNTING BRACKET,ASSY,SWING AWAY,NE / NE PLUS	1
D1	ACC1908438	JOYSTICK MOUNTING BRACKET,ASSY,SWING AWAY,NE / NE PLUS CONTOURED SEAT	1
E1	ACC1908439	JOYSTICK MOUNTING BRACKET,ASSY,SWING AWAY,VSI / VR2 / GC3 / R-NET	1
F1	ACC1908440	JOYSTICK MOUNTING BRACKET,ASSY,SWING AWAY,VSI / VR2 / GC3 / R-NET CONTOURED SEAT	1
G1	DWR1111C002	SPACER,CURTIS NE/NE PLUS MOUNT BRACKET,C-1111-002	2
H1	SCRPPH1384	SCREW,PPH,BLACK ZINC,M5-.8 X 20MM	4
I1	SCRPPH1279	SCREW,PPH,BLACK ZINC CHROMATE,M5-.8 X 16MM	4
J1	SCRPPH1384	SCREW,PPH,BLACK ZINC,M5-.8 X 20MM	2
K1	MEC146133	ARMREST ADAPTER ASSEMBLY	1

20.2. Version 2. Swing-away/Multi-axis Joystick Brackets

Rehab Seating

Ref	Part Number	Bracket Type	Joystick Type	Side	Ref	Part Number	Bracket Type	Joystick Type	Side
A1	ACC142525	In-line SWA	Q-Logic	Right	N1	ACC142747	Offset SWA	NE/NE+	Left
B1	ACC142524	In-line SWA	Q-Logic	Left	O1	ACC142750	Offset SWA	PG Drives	Right
C1	ACC142527	In-line SWA	NE/NE+	Right	P1	ACC142749	Offset SWA	PG Drives	Left
D1	ACC142526	In-line SWA	NE/NE+	Left	Q1	ACC142752	Offset SWA	Shark	Right
E1	ACC142530	In-line SWA	PG Drives	Right	R1	ACC142751	Offset SWA	Shark	Left
F1	ACC142529	In-line SWA	PG Drives	Left	S1	ACC142746	Offset SWA	Standalone	Right
G1	ACC142533	In-line SWA	Shark	Right	T1	ACC142745	Offset SWA	Standalone	Left
H1	ACC142532	In-line SWA	Shark	Left	U1	ACC131216	Multi-Axis	Q-Logic	R/L
I1	ACC142739	In-line SWA	Standalone	Right	V1	ACC142528	Multi-Axis	NE/NE+	R/L
J1	ACC142738	In-line SWA	Standalone	Left	W1	ACC142531	Multi-Axis	PG Drives	R/L
K1	ACC142743	Offset SWA	Q-Logic	Right	X1	ACC142534	Multi-Axis	Shark	R/L
L1	ACC142742	Offset SWA	Q-Logic	Left	Y1	ACC142740	Multi-Axis	Standalone	R/L
M1	ACC142748	Offset SWA	NE/NE+	Right					

PG Drives does not include Remote Plus Joysticks

Item	Part No.	Name	Qty
A1	ACC142525	JOYSTICK MOUNT,ASSY,SWING AWAY,INLINE,RIGHT,Q-LOGIC 2	1
B1	ACC142524	JOYSTICK MOUNTING BRACKET,ASSY,SWING AWAY,INLINE,LEFT,Q-LOGIC 2	1
C1	ACC142527	JOYSTICK MOUNT,ASSY,SWING AWAY,INLINE,RIGHT,NE/NE PLUS	1
D1	ACC142526	JOYSTICK MOUNT,ASSY,SWING AWAY,INLINE,LEFT,NE/NE PLUS	1
E1	ACC142530	JOYSTICK MOUNT,ASSY,SWING AWAY,INLINE,RIGHT,PG DRIVES	1
F1	ACC142529	JOYSTICK MOUNT,ASSY,SWING AWAY,INLINE,LEFT,PG DRIVES	1
G1	ACC142533	JOYSTICK MOUNT,ASSY,SWING AWAY,INLINE,RIGHT,SHARK	1
H1	ACC142532	JOYSTICK MOUNT,ASSY,SWING AWAY,INLINE,LEFT,SHARK	1
I1	ACC142739	JOYSTICK MOUNT,ASSY,SWING AWAY,INLINE,RIGHT,STANDALONE	1
J1	ACC142738	JOYSTICK MOUNT,ASSY,SWING AWAY,INLINE,LEFT,STANDALONE	1
K1	ACC142743	JOYSTICK MOUNT,ASSY,SWING AWAY,OFFSET,RIGHT,Q-LOGIC	1
L1	ACC142742	JOYSTICK MOUNT,ASSY,SWING AWAY,OFFSET,LEFT,Q-LOGIC	1
M1	ACC142748	JOYSTICK MOUNT,ASSY,SWING AWAY,OFFSET,RIGHT,NE/NE PLUS	1
N1	ACC142747	JOYSTICK MOUNT,ASSY,SWING AWAY,OFFSET,LEFT,NE/NE PLUS	1
O1	ACC142750	JOYSTICK MOUNT,ASSY,SWING AWAY,OFFSET,RIGHT,PG DRIVES	1
P1	ACC142749	JOYSTICK MOUNT,ASSY,SWING AWAY,OFFSET,LEFT,PG DRIVES	1
Q1	ACC142752	JOYSTICK MOUNT,ASSY,SWING AWAY,OFFSET,RIGHT,SHARK	1
R1	ACC142751	JOYSTICK MOUNT,ASSY,SWING AWAY,OFFSET,LEFT,SHARK	1
S1	ACC142746	JOYSTICK MOUNT,ASSY,SWING AWAY,OFFSET,RIGHT,STANDALONE	1
T1	ACC142745	JOYSTICK MOUNT,ASSY,SWING AWAY,OFFSET,LEFT,STANDALONE	1
U1	ACC131216	JOYSTICK MOUNT,ASSY,MULTI-AXIS,Q-LOGIC	1
V1	ACC142528	JOYSTICK MOUNT,ASSY,MULTI-AXIS,NE/NE PLUS	1
W1	ACC142531	JOYSTICK MOUNT,ASSY,MULTI-AXIS,PG DRIVES	1
X1	ACC142534	JOYSTICK MOUNT,ASSY,MULTI-AXIS,SHARK	1
Y1	ACC142740	JOYSTICK MOUNT,ASSY,MULTI-AXIS,STANDALONE	1

20.2. Version 2. Swing-away/Multi-axis Joystick Brackets

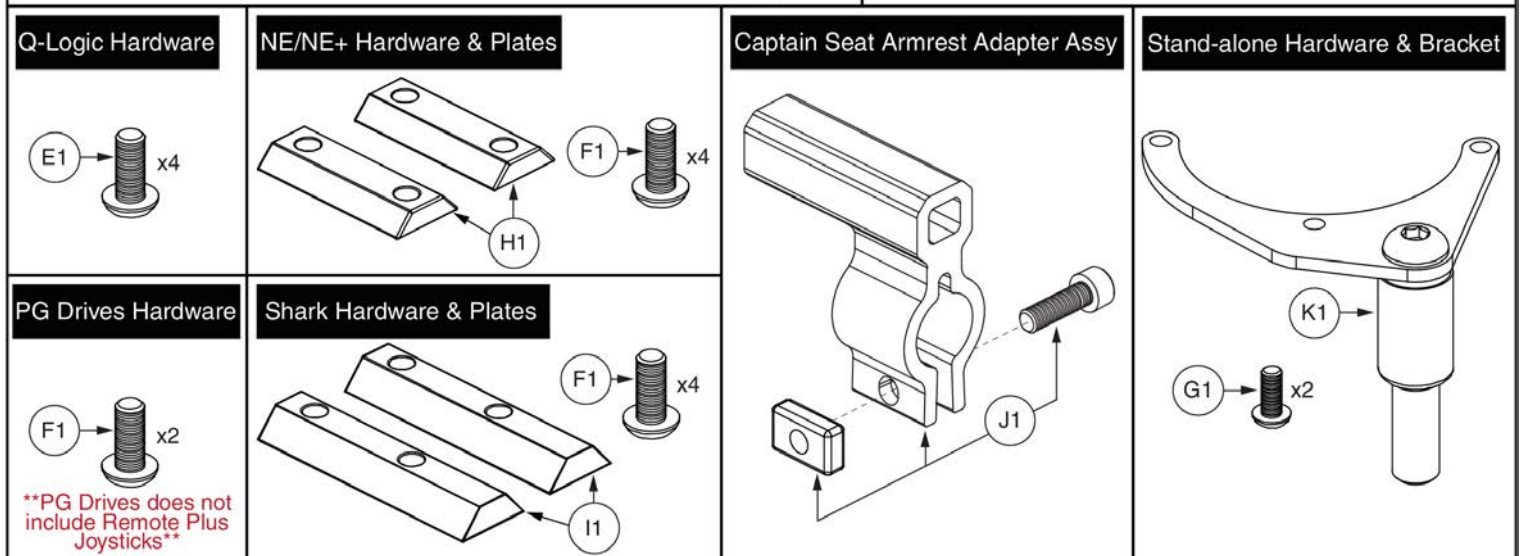
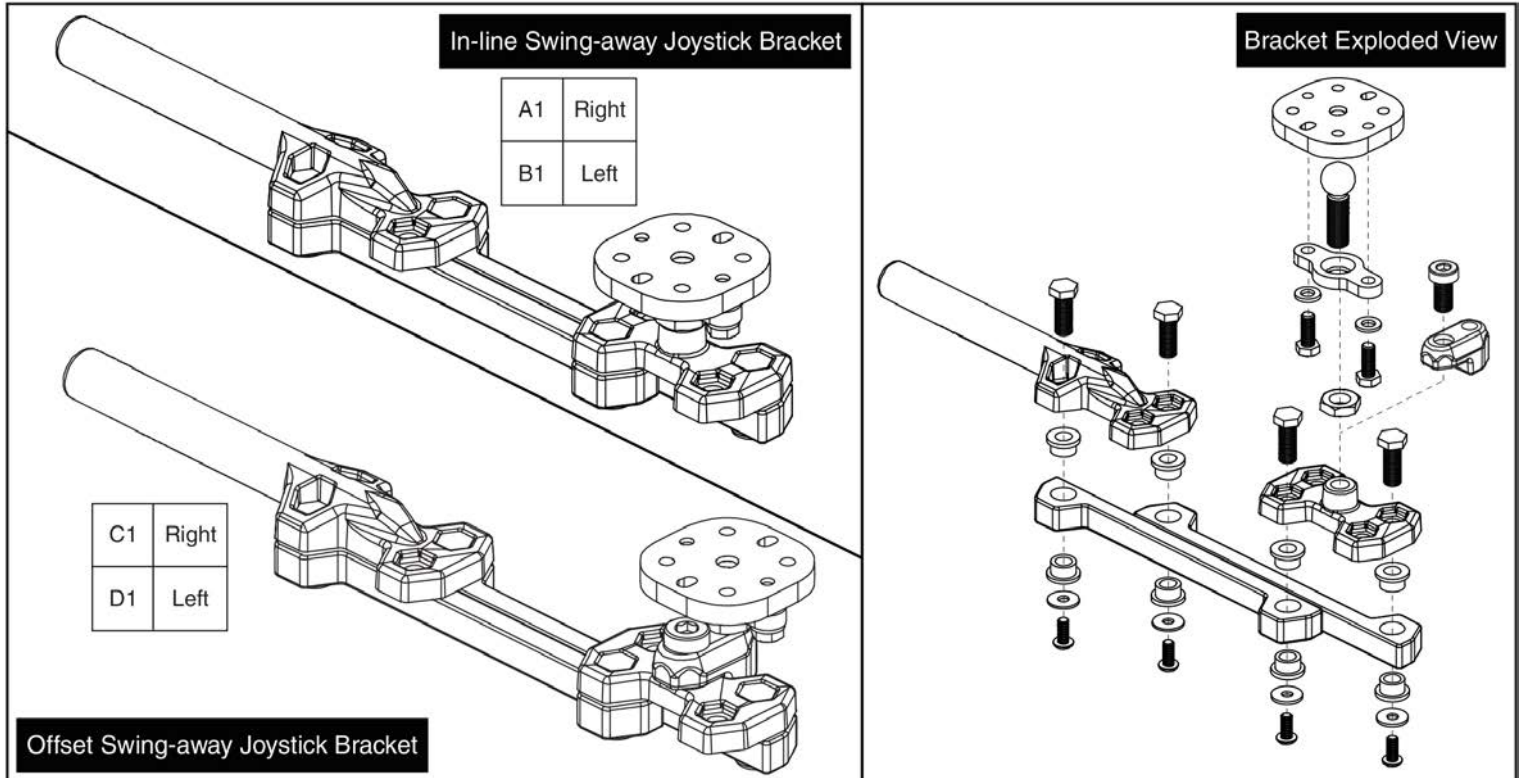
Captain Seating

Ref	Part Number	Bracket Type	Joystick Type	Side	Ref	Part Number	Bracket Type	Joystick Type	Side
A1	ACC148357	In-line SWA	Q-Logic	Right	I1	ACC148359	Offset SWA	Q-Logic	Right
B1	ACC148356	In-line SWA	Q-Logic	Left	J1	ACC148358	Offset SWA	Q-Logic	Left
C1	ACC148361	In-line SWA	NE/NE+	Right	K1	ACC148363	Offset SWA	NE/NE+	Right
D1	ACC148360	In-line SWA	NE/NE+	Left	L1	ACC148362	Offset SWA	NE/NE+	Left
E1	ACC148365	In-line SWA	PG Drives	Right	M1	ACC148367	Offset SWA	PG Drives	Right
F1	ACC148364	In-line SWA	PG Drives	Left	N1	ACC148366	Offset SWA	PG Drives	Left
G1	ACC148369	In-line SWA	Shark	Right	O1	ACC148371	Offset SWA	Shark	Right
H1	ACC148368	In-line SWA	Shark	Left	P1	ACC148370	Offset SWA	Shark	Left

PG Drives does not include Remote Plus Joysticks

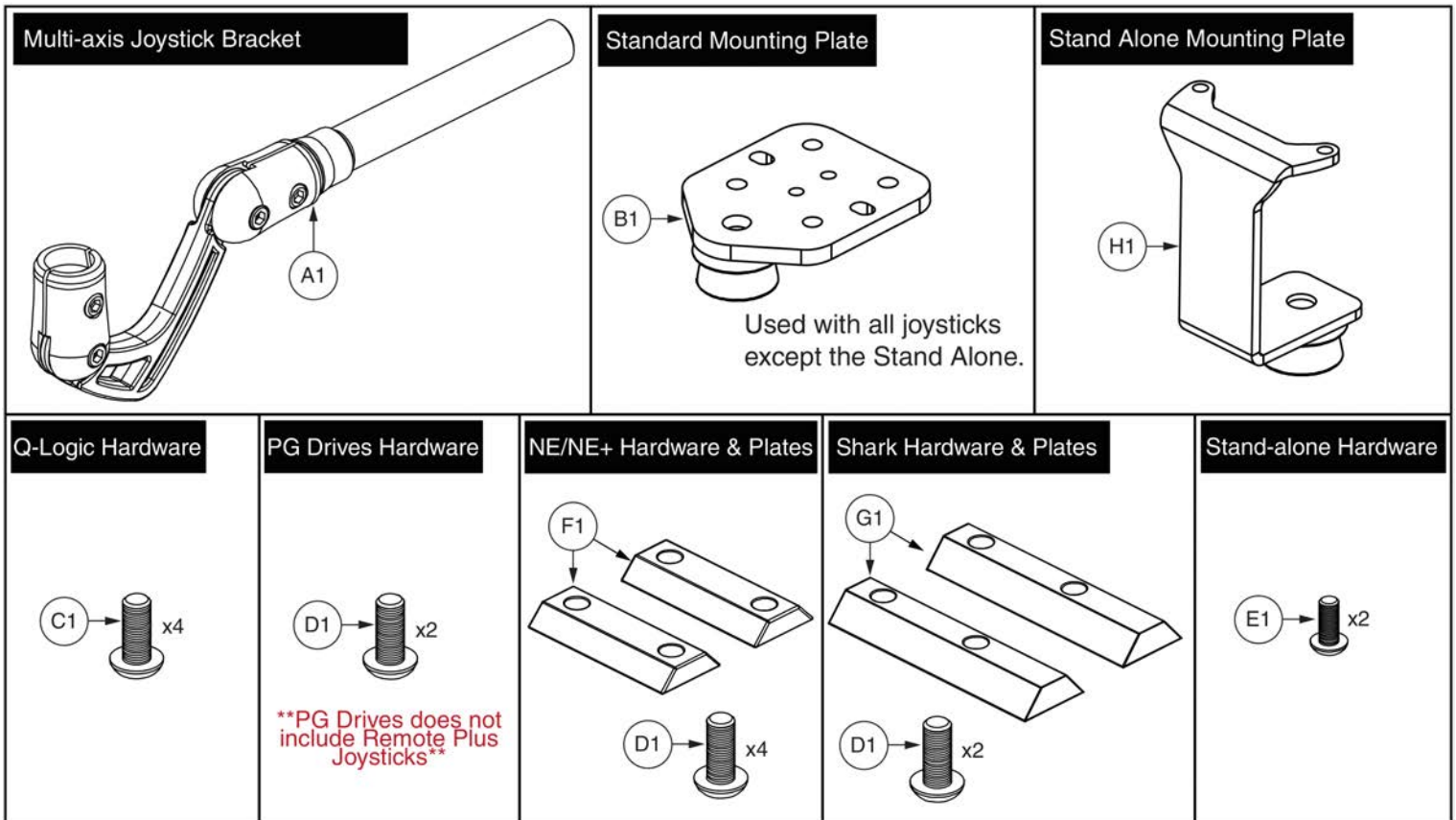
Item	Part No.	Name	Qty
A1	ACC148357	JOYSTICK MOUNTING BRACKET,ASSY,SWING AWAY,INLINE,RIGHT,Q-LOGIC,CAPTAINS SEAT	1
B1	ACC148356	JOYSTICK MOUNTING BRACKET,ASSY,SWING AWAY,INLINE,LEFT,Q-LOGIC,CAPTAINS SEAT	1
C1	ACC148361	JOYSTICK MOUNTING BRACKET,ASSY,SWING AWAY,INLINE,RIGHT,NE/NE PLUS,CAPTAINS SEAT	1
D1	ACC148360	JOYSTICK MOUNTING BRACKET,ASSY,SWING AWAY,INLINE,LEFT,NE/NE PLUS,CAPTAINS SEAT	1
E1	ACC148365	JOYSTICK MOUNTING BRACKET,ASSY,SWING AWAY,INLINE,RIGHT,VSI/VR2/GC3/R-NET,CAPTAINS SEAT	1
F1	ACC148364	JOYSTICK MOUNTING BRACKET,ASSY,SWING AWAY,INLINE,LEFT,VSI/VR2/GC3/R-NET,CAPTAINS SEAT	1
G1	ACC148369	JOYSTICK MOUNTING BRACKET,ASSY,SWING AWAY,INLINE,RIGHT,SHARK,CAPTAINS SEAT	1
H1	ACC148368	JOYSTICK MOUNTING BRACKET,ASSY,SWING AWAY,INLINE,LEFT,SHARK,CAPTAINS SEAT	1
I1	ACC148359	JOYSTICK MOUNTING BRACKET,ASSY,SWING AWAY,OFFSET,RIGHT,Q-LOGIC,CAPTAINS SEAT	1
J1	ACC148358	JOYSTICK MOUNTING BRACKET,ASSY,SWING AWAY,OFFSET,LEFT,Q-LOGIC,CAPTAINS SEAT	1
K1	ACC148363	JOYSTICK MOUNTING BRACKET,ASSY,SWING AWAY,OFFSET,RIGHT,NE/NE PLUS,CAPTAINS SEAT	1
L1	ACC148362	JOYSTICK MOUNTING BRACKET,ASSY,SWING AWAY,OFFSET,LEFT,NE/NE PLUS,CAPTAINS SEAT	1
M1	ACC148367	JOYSTICK MOUNTING BRACKET,ASSY,SWING AWAY,OFFSET,RIGHT,VSI/VR2/GC3/R-NET,CAPTAINS SEAT	1
N1	ACC148366	JOYSTICK MOUNTING BRACKET,ASSY,SWING AWAY,OFFSET,LEFT,VSI/VR2/GC3/R-NET,CAPTAINS SEAT	1
O1	ACC148371	JOYSTICK MOUNTING BRACKET,ASSY,SWING AWAY,OFFSET,RIGHT,SHARK,CAPTAINS SEAT	1
P1	ACC148370	JOYSTICK MOUNTING BRACKET,ASSY,SWING AWAY,OFFSET,LEFT,SHARK,CAPTAINS SEAT	1

20.2. Version 2. Swing-away/Multi-axis Joystick Brackets



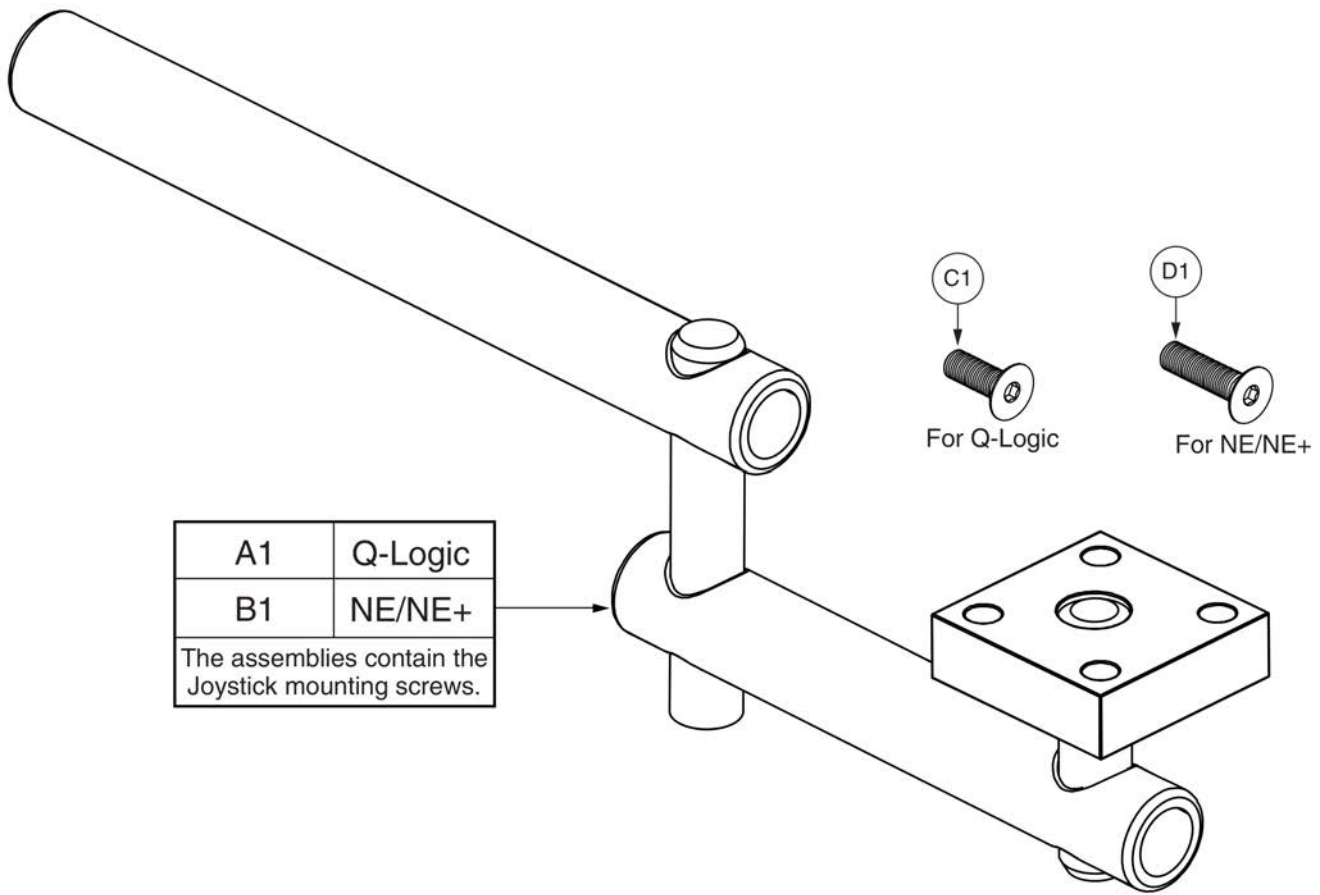
Item	Part No.	Name	Qty
A1	ACC131586	SWING AWAY JOYSTICK MOUNT,ASSY,INLINE,RIGHT	1
B1	ACC124921	SWING AWAY JOYSTICK MOUNT,ASSY,INLINE,LEFT	1
C1	MEC1712220	SWING-AWAY ASSEMBLY, EXTENDED OFFSET, RIGHT	1
D1	MEC1712217	SWING-AWAY ASSEMBLY, EXTENDED OFFSET, LEFT	1
E1	SCRPPH1279	SCREW,PPH,BLACK ZINC CHROMATE,M5-.8 X 16MM	1
F1	SCRPPH1384	SCREW,PPH,BLACK ZINC,M5-.8 X 20MM	1
G1	SCRPPH1036	SCREW, PAN HEAD, TYPE H, M4X0.7 X 8, FT, ISO 7045, CL 4.8, BZ	1
H1	DWR1111C002	SPACER,CURTIS NE/NE PLUS MOUNT BRACKET,C-1111-002	2
I1	DWR1010B089	SPACER,FLIGHT MOUNT BRACKET,B-1010-089	2
J1	MEC146133	ARMREST ADAPTER ASSEMBLY	1
K1	MEC142426	MOUNTING BRACKET,ASSY,STAND ALONE JOYSTICK	1

20.2. Version 2. Swing-away/Multi-axis Joystick Brackets



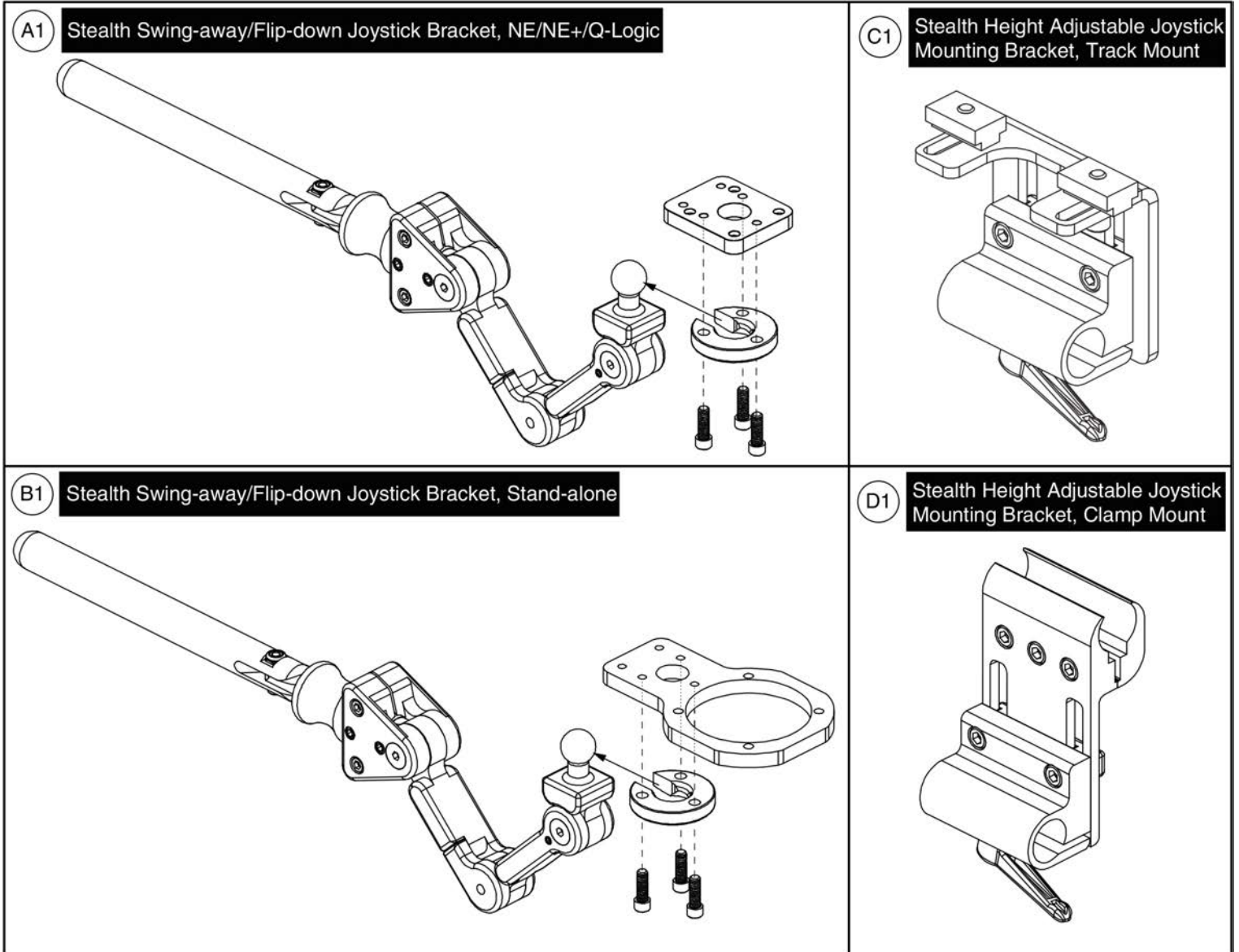
Item	Part No.	Name	Qty
A1	ACC124132	MULTI-AXIS JOYSTICK ASSEMBLY	1
B1	MEC124133	MULTI-AXIS JOYSTICK PLATE WELDMENT	1
C1	SCRPPH1097	SCREW,PPH,BLACK ZINC,M5-.8 X 12MM	1
D1	SCRPPH1384	SCREW,PPH,BLACK ZINC,M5-.8 X 20MM	1
E1	SCRPPH1036	SCREW, PAN HEAD, TYPE H, M4X0.7 X 8, FT, ISO 7045, CL 4.8, BZ	1
F1	DWR1111C002	SPACER,CURTIS NE/NE PLUS MOUNT BRACKET,C-1111-002	2
G1	DWR1010B089	SPACER,FLIGHT MOUNT BRACKET,B-1010-089	2
H1	MEC138180	STAND ALONE WELDMENT	1

20.3. Retract 4 Swing-away Joystick Bracket



Item	Part No.	Name	Qty
A1	MEC138860	SWING AWAY JOYSTICK MOUNT,ASSY,RETRACT 4,Q-LOGIC	1
B1	MEC138876	SWING AWAY JOYSTICK MOUNT,ASSY,RETRACT 4,NE/NE PLUS	1
C1	SCRSFH1005	SCREW,SHFH,BLACK ZINC,M5-.8 X 14MM	4
D1	SCRSHFH1053	SCREW,SHFH,BLACK ZINC,M5-.8 X 20MM	4

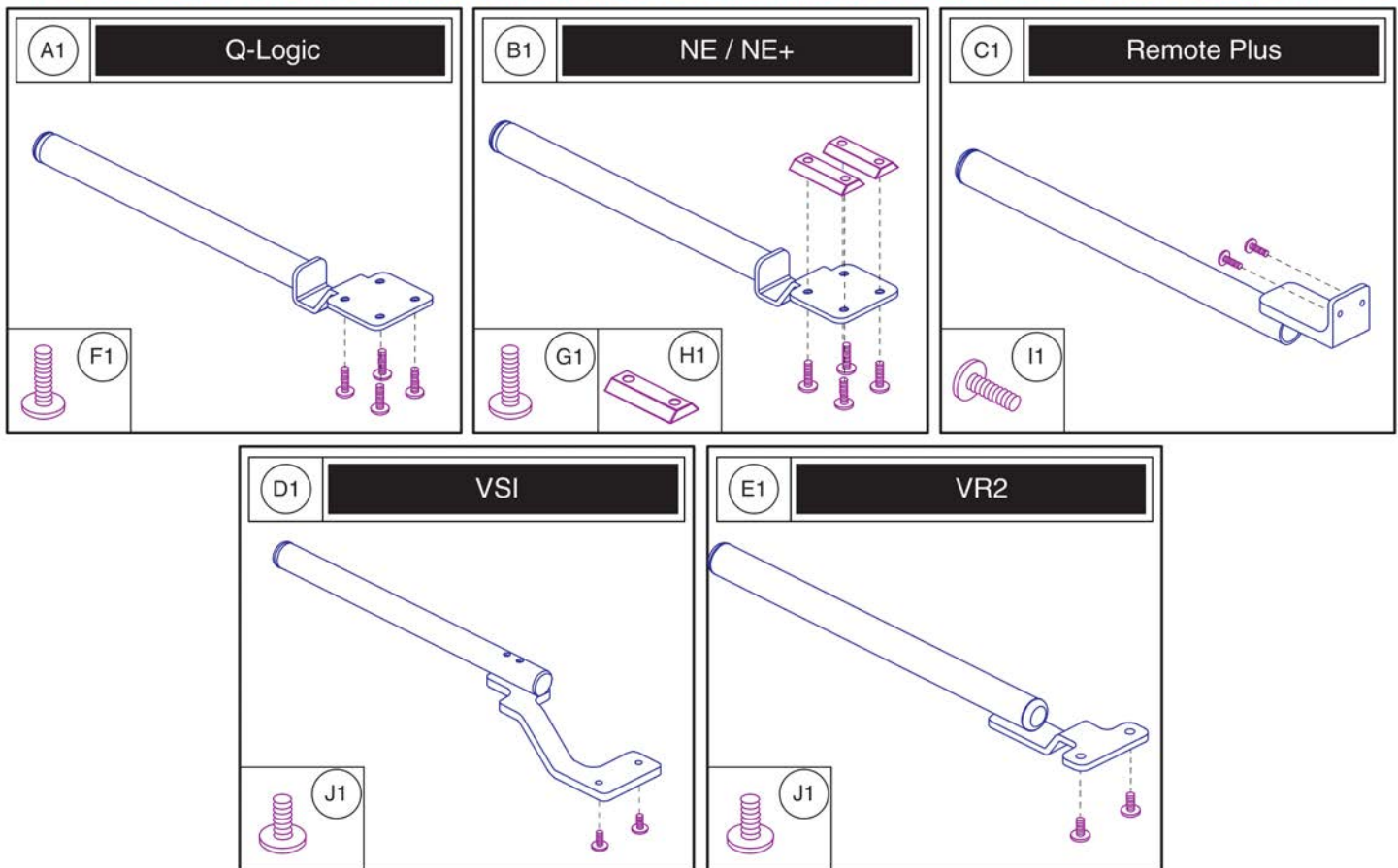
20.4. Stealth Swing-away / Flip-down Joystick Bracket



Item	Part No.	Name	Qty
A1	ST-TWBM480QL-Q	JOYSTICK MOUNTING BRACKET,ASSY,SWING AWAY/FLIP DOWN,NE/NE PLUS/Q-LOGIC,W/MOUNTING HARDWARE	1
B1	ST-TWBM480CJ-Q	JOYSTICK MOUNTING BRACKET,ASSY,SWING AWAY/FLIP DOWN,STANDALONE,W/MOUNTING HARDWARE	1
C1	ST-ARM250T-Q	JOYSTICK MOUNT,ASSY,HEIGHT ADJUSTABLE,W/TRACK HARDWARE	1
D1	ST-ARM250C-Q	JOYSTICK MOUNT,ASSY,HEIGHT ADJUSTABLE,W/CLAMP HARDWARE	1

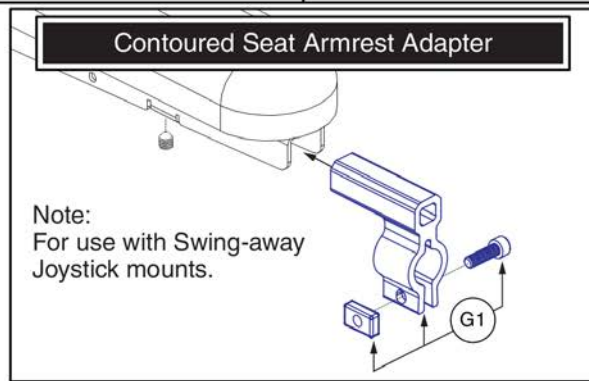
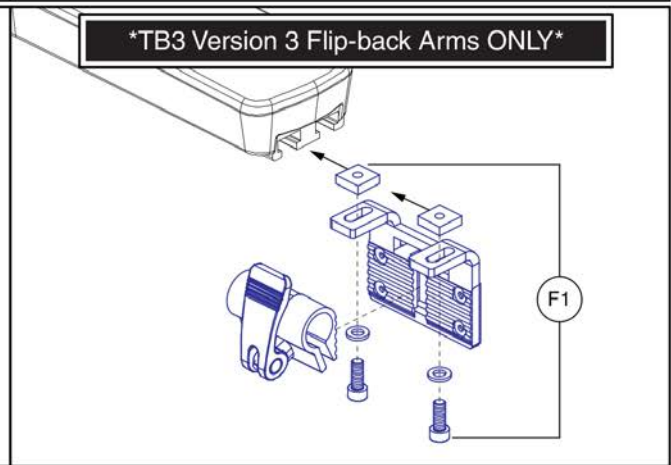
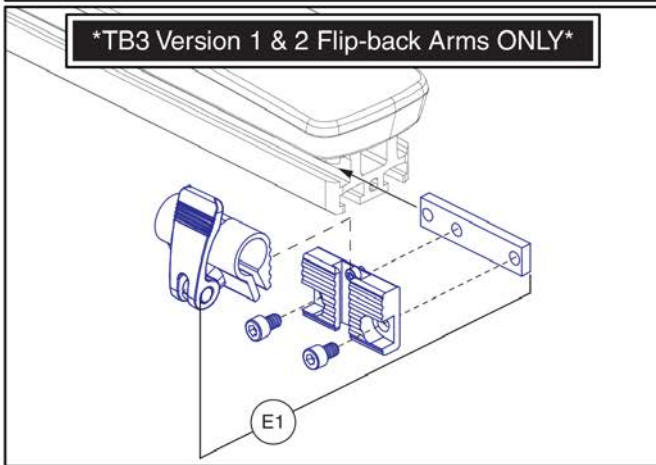
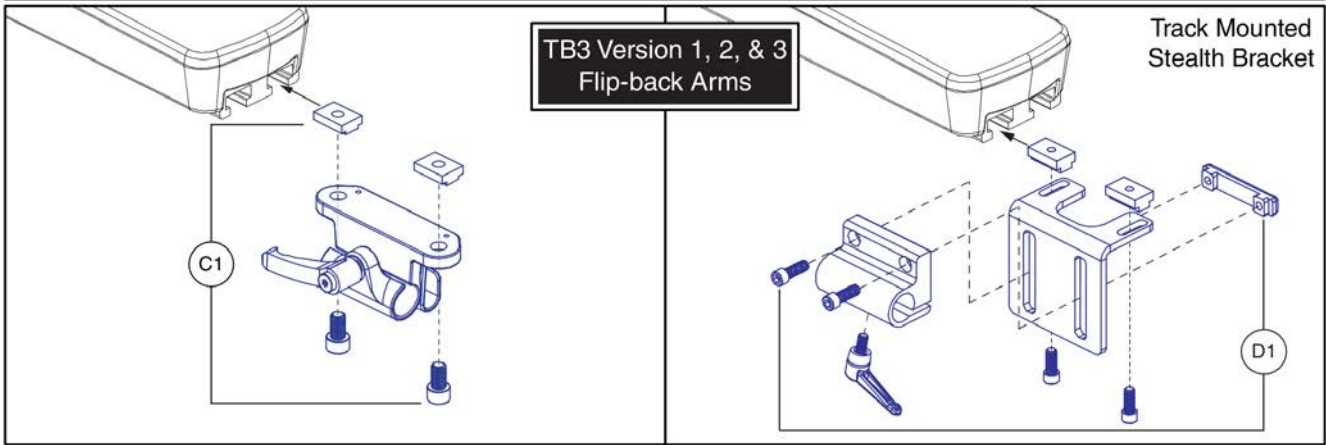
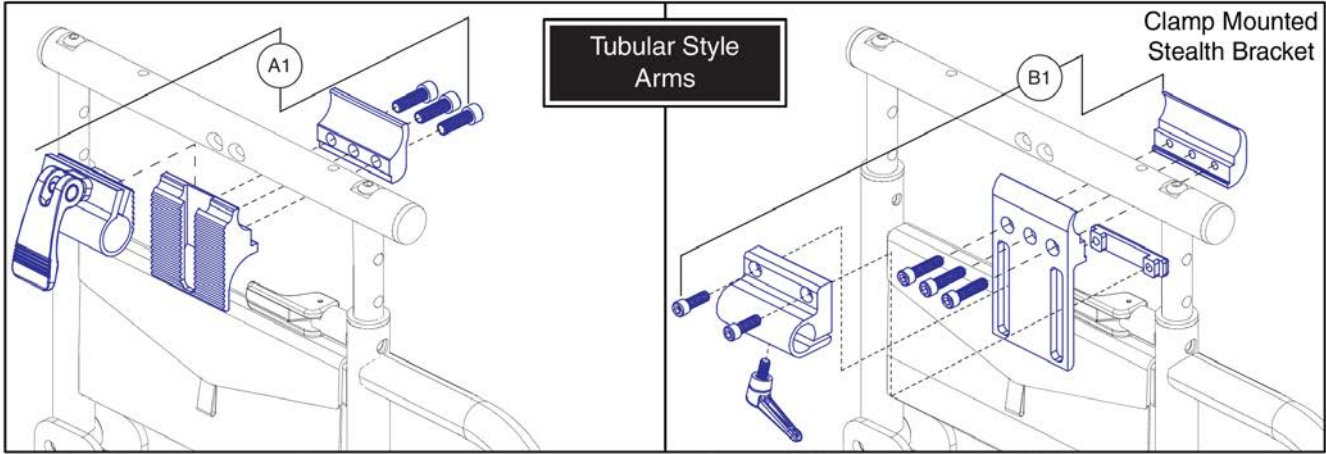
20.5. Fixed Inline Joystick Brackets

Please note: The mounting hardware shown is included with the top level assy's A1 - E1.



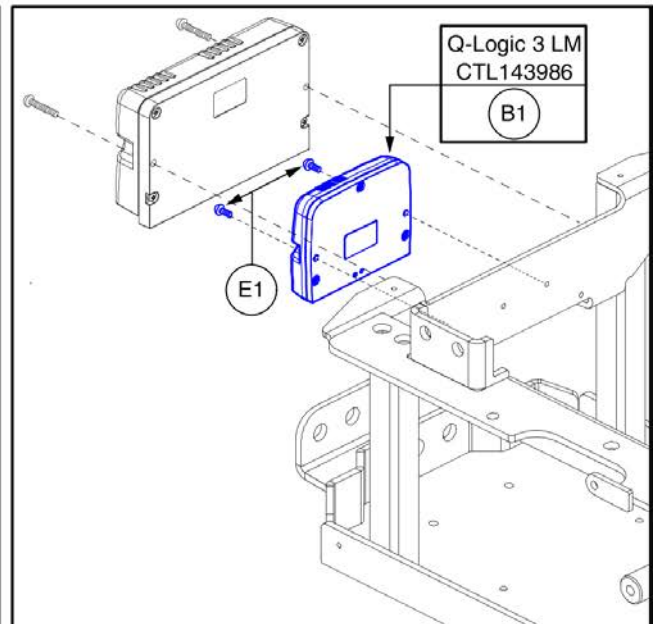
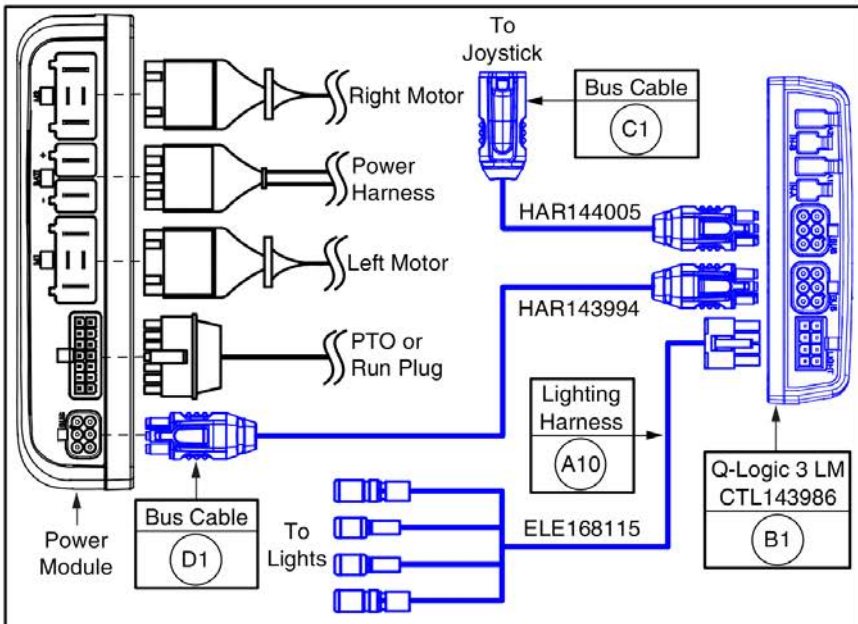
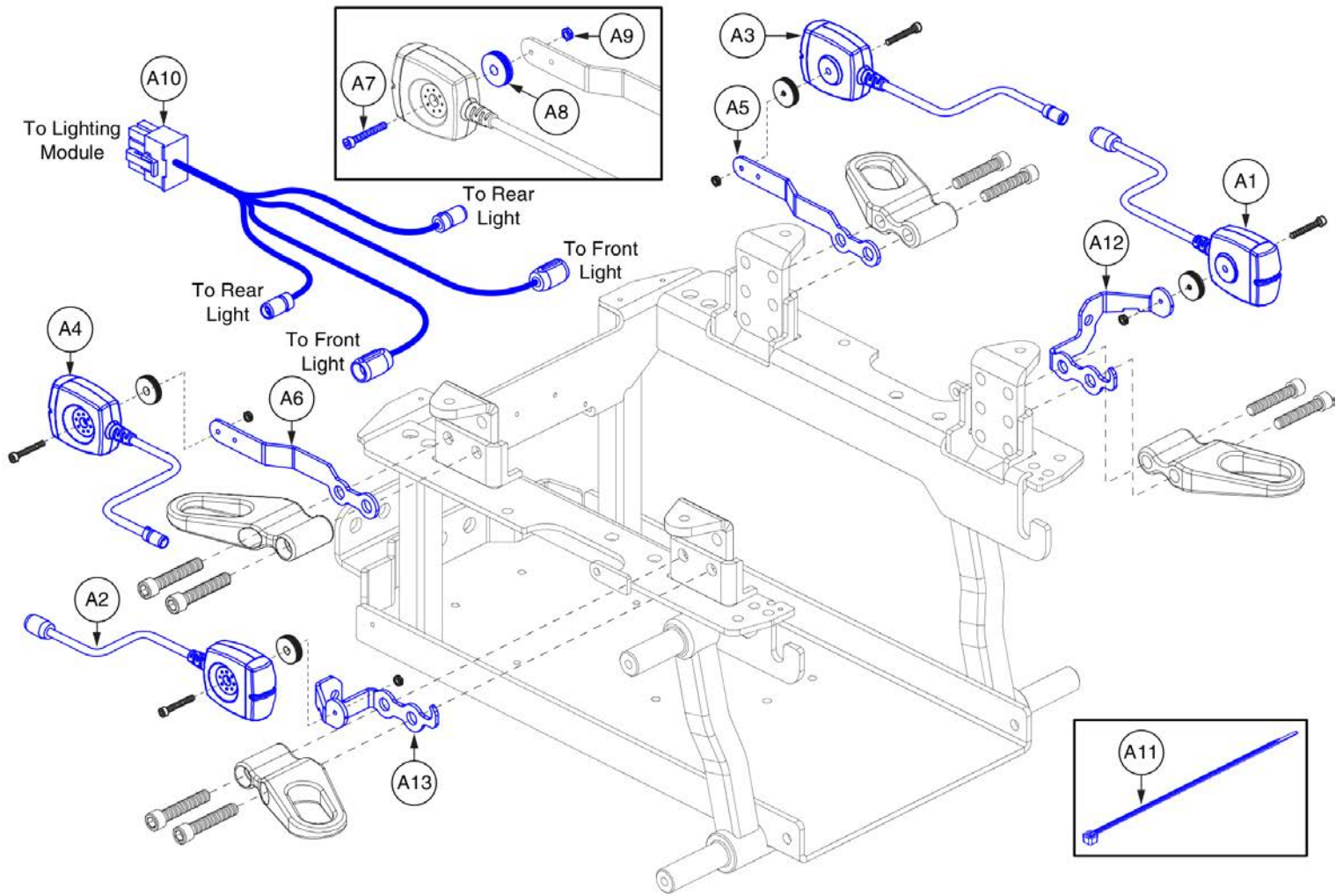
Item	Part No.	Name	Qty
A1	FRMASMB10617	JOYSTICK MOUNTING BRACKET,ASSY,CURTIS,INLINE	1
B1	FRMASMB12744	JOYSTICK MOUNTING BRACKET,ASSY,NE/NE PLUS CONTROLLER,INLINE	1
C1	FRMASMB2066	FIXED INLINE JOYSTICK MOUNT,ASSY,REMOTE PLUS	1
D1	FRMASMB4767	JOYSTICK MOUNTING BRACKET,ASSY,VSI CONTROLLER,INLINERIGHT,C-1010-193	1
E1	FRMASMB9532	JOYSTICK MOUNTING BRACKET,ASSY,GC/VR2 CONTROLLER,INLINE	1
F1	SCRSHFH1015	SCREW,SHFH,BLACK ZINC,M5-.8 X 12MM,GRADE 10.9	4
G1	SCRSHFH1053	SCREW,SHFH,BLACK ZINC,M5-.8 X 20MM	4
H1	DWR1111C002	SPACER,CURTIS NE/NE PLUS MOUNT BRACKET,C-1111-002	2
I1	SCRPPH1006	SCREW,PPH,BLACK ZINC,8-32 X 0.500",GRADE 2	2
J1	SCRPPH1122	SCREW,PPH,BLACK ZINC,M5-.8 X 18MM	2

20.6. Joystick Bracket Receivers



Item	Part No.	Name	Qty
A1	FRMASMB16062	JOYSTICK RECEIVER MOUNT,ASSY,UNIVERSAL,ADJUSTABLE BLOCK,D-1000-313	1
B1	ST-ARM250C-Q	JOYSTICK MOUNT,ASSY,HEIGHT ADJUSTABLE,W/CLAMP HARDWARE	1
C1	MEC1809294	JOYSTICK RECEIVER MOUNT,ASSY,W/MOUNTING HARDWARE,ADJUSTABLE HANDLE	1
D1	ST-ARM250T-Q	JOYSTICK MOUNT,ASSY,HEIGHT ADJUSTABLE,W/TRACK HARDWARE	1
E1	ACC123525	JOYSTICK RECEIVER MOUNT,ASSY,W/ACCESSORY BLOCK,TRUBALANCE 3	1
F1	ACC1806853	JOYSTICK RECEIVER MOUNT,ASSY,W/MOUNTING HARDWARE,TRU-BALANCE 3 ARMREST	1
G1	MEC146133	ARMREST ADAPTER ASSEMBLY	1

21. Base Mounted LED Lights

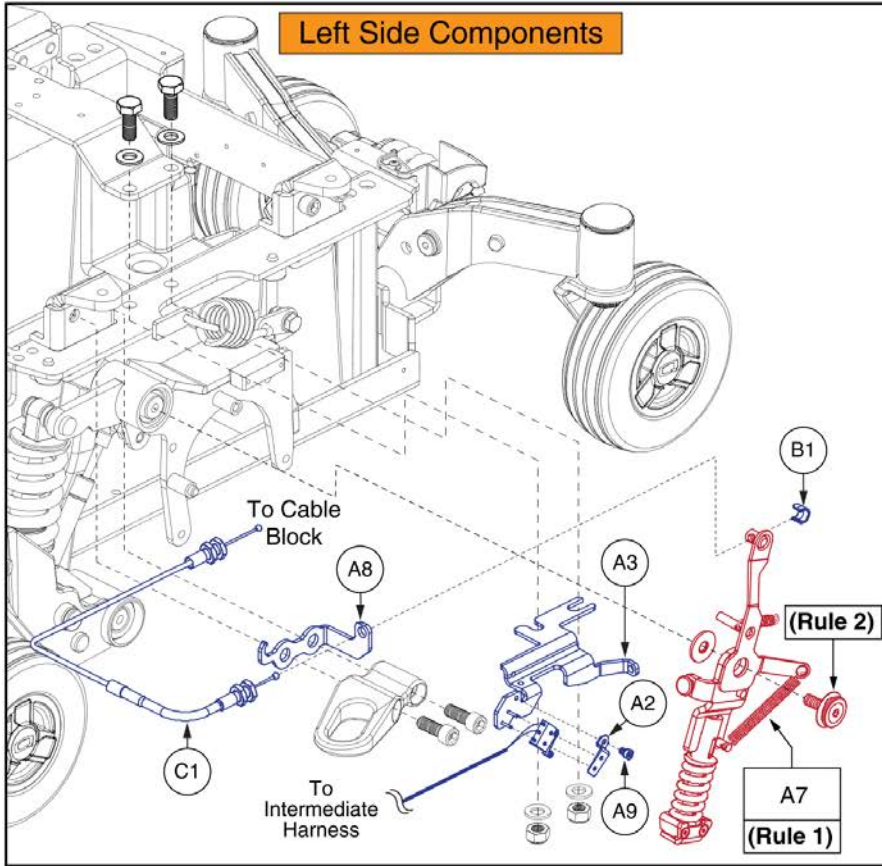


Edge 3 Base Mounted LED Lights



Item	Part No.	Name	Qty
A1 - A13	ELE1705999	LIGHTING,ASSY,FULL BASE MOUNTED LED LIGHTS	1
A1	ELEASMB7120023	FULL LIGHT,ASSY,WHITE/AMBER,LED E-MARKED LIGHTS,SYNERGY,FRONT/LEFT,ELEASMB7120023	1
A2	ELEASMB7120024	FULL LIGHT,ASSY,WHITE/AMBER,LED LIGHTS,SYNERGY,FRONT/RIGHT,ELEASMB7120024	1
A3	ELEASMB7120025	LIGHT,ASSY,RED/AMBER,LED E-MARKED LIGHTS,SYNERGY,REAR/LEFT,ELEASMB7120025	1
A4	ELEASMB7120026	LIGHT,ASSY,RED/AMBER,LED E-MARKED LIGHTS,SYNERGY,REAR/RIGHT,ELEASMB7120026	1
A5	MEC153026	LEFT SEAT TOWER REAR LIGHT MOUNT	1
A6	MEC153160	RIGHT SEAT TOWER REAR LIGHT MOUNT	1
A7	SCRSHCS1117	SCREW,SHCS,BLACK ZINC,M4-.7 X 30MM,AGNO3,GRADE 10.9	4
A8	DWR1010B161	SPACER,BLACK,PLASTIC,0.157" ID X 0.866" OD X 0.22" TH,B-1010-161	4
A9	NUTJAM1062	NUT,JAM,BLACK ZINC,M4-.7	4
A10	ELE168115	HARNESS, FULL LIGHT, LED, BASE MOUNTED, QL3	1
A11	PLSTIE1004	TIE WRAP,BLACK,8"	8
A12	MEC152998	LEFT CABLE BRACKET WITH LIGHT EXTENSION	1
A13	MEC153159	RIGHT CABLE BRACKET WITH LIGHT EXTENSION	1
B1	CTL143986	LIGHT MODULE,Q-LOGIC 3,LM,(CURTIS:17963700-0109)	1
C1	HAR144005	HARNESS, BUS EXTENSION CABLE, Q-LOGIC 3, 0.410 METER,MALE/FEMALE, (CURTIS: 17881362-01-01)	1
D1	HAR143994	HARNESS, BUS EXTENSION CABLE, Q-LOGIC 3, 0.3 METER, FEMALE/FEMALE, (CURTIS: 17881361-01-02)	1
E1	SCRPPH1153	SCREW, PAN HEAD, TYPE H, M4X0.7 X 20, FT, ISO 7045, CL 4.8, BZ	2

22. I-Level Base Components

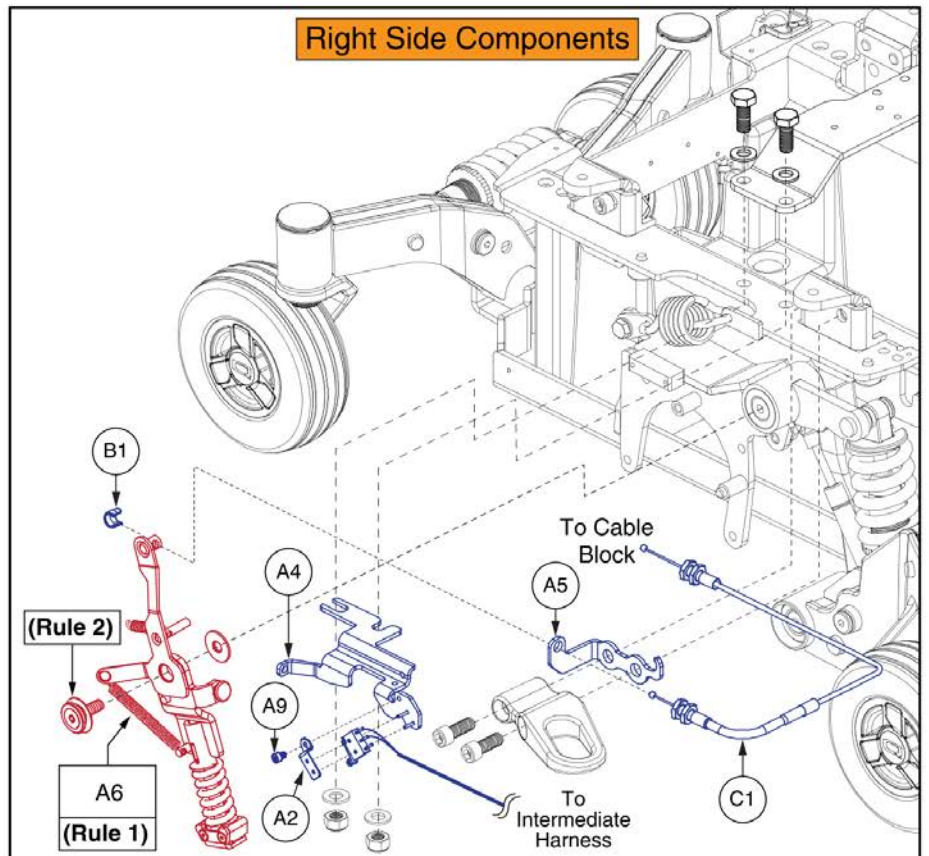
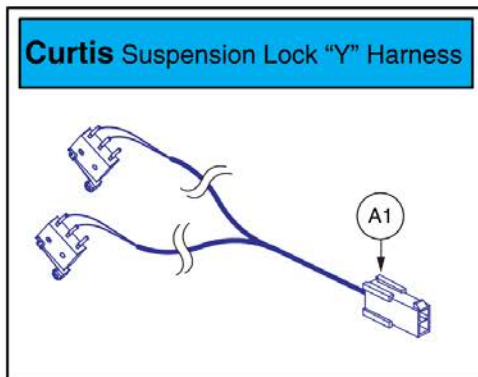


Complete I-Level Base Assy's,
Q6 Edge 2 Series / Q6 Edge 3

A1 - A9	Curtis Electronics
---------	--------------------

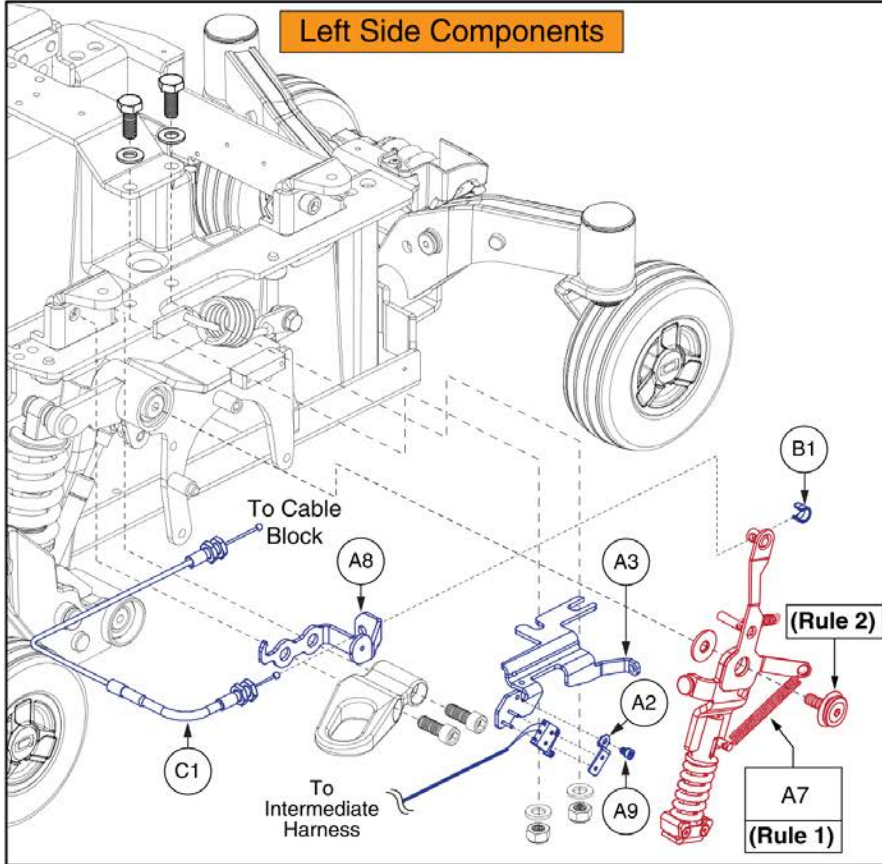
Rules:

1. If a Suspension Limiter Assy (A6 or A7) requires replacement, both the left and right sides must be selected.
2. Torque the suspension Limiter Assy fasteners to 25 - 30 N • m (18.4 - 22.1 ft • lb).



Item	Part No.	Name	Qty
A1 - A9	MEC147096	ILEVEL,ASSY,Q6 EDGE 2.0	1
A1	ELE145674	HARNESS,ILEVEL BASE SUSPENSION LOCK SIGNAL CURTIS,Q6EDGE	1
A2	MEC146558	MICROSWITCH MOUNT TAB	2
A3	MEC146551	ILEVEL LEFT ANCHOR BRACKET WELDMENT	1
A4	MEC146557	ILEVEL RIGHT ANCHOR BRACKET WELDMENT	1
A5	MEC146630	RIGHT CABLE CONDUIT STOP BRACKET	1
A6	MEC150224	SUSPENSION LIMITER ASSEMBLY, RIGHT	1
A7	MEC150194	SUSPENSION LIMITER ASSEMBLY, LEFT	1
A8	MEC146616	LEFT CABLE CONDUIT STOP BRACKET	1
A9	HDW147454	SCREW,SHCS,M4-0.7 X 6MM LG,CLASS 10.9,BLACK ZINC,NYLON PATCH	2
B1	DGN146907	ILEVEL CABLE END RETAINER	2
C1	MEC148172	ILEVEL CABLE,ASSY,TRU-BALANCE 3 POWER ADJUSTABLE SEAT LIFT W/ILEVEL	1

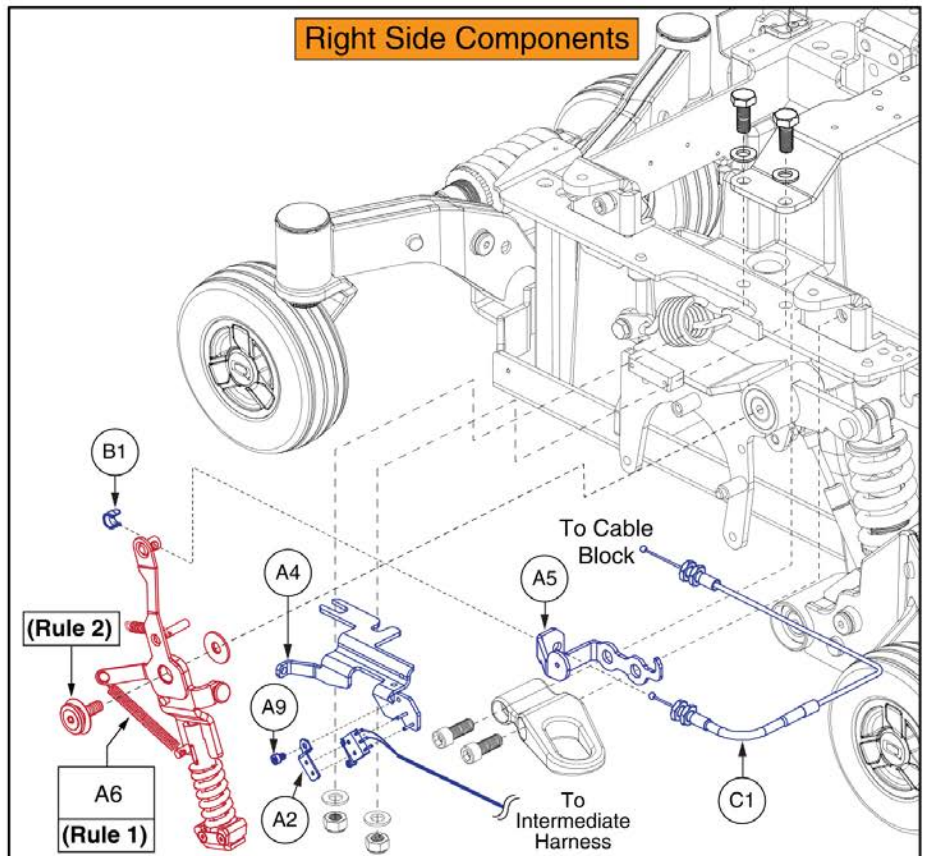
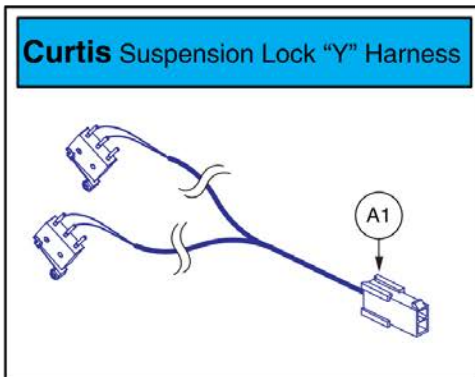
22. I-Level Base Components



Complete I-Level Base Assy's, Q6 Edge 2 Series / Q6 Edge 3 w/ Base Mounted Lights	
A1-A9	Curtis Electronics

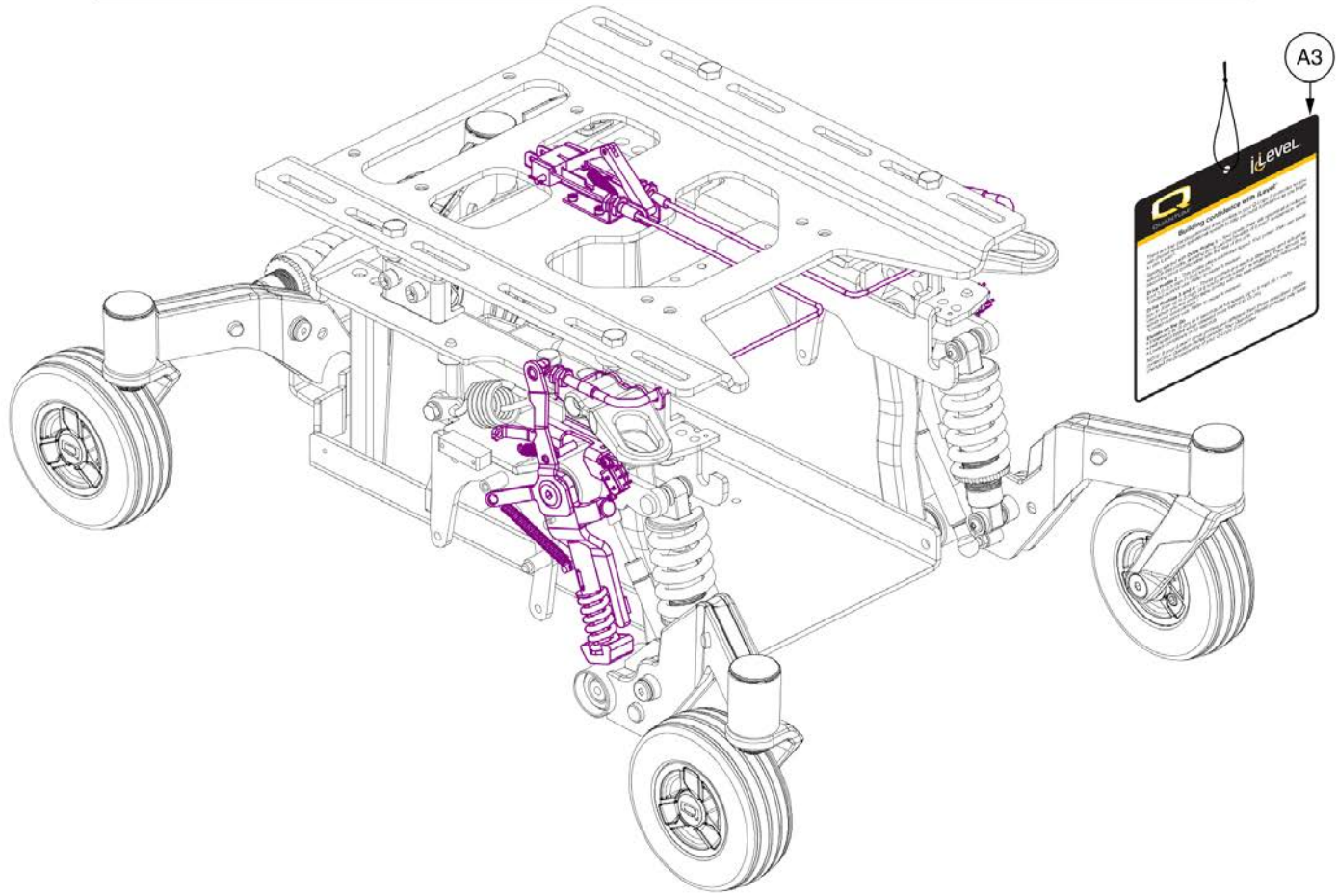
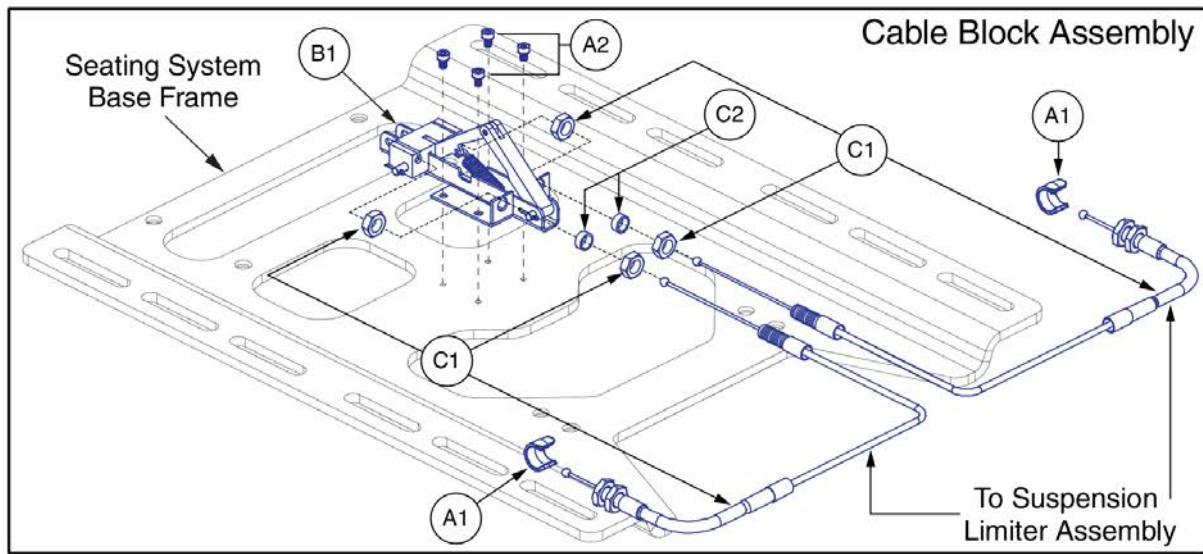
Rules:

1. If a Suspension Limiter Assy (A6 or A7) requires replacement, both the left and right sides must be selected.
2. Torque the suspension Limiter Assy fasteners to **25 - 30 N • m (18.4 - 22.1 ft • lb)**



Item	Part No.	Name	Qty
A1 - A9	MEC169545	ILEVEL,ASSY,CURTIS,Q6 EDGE 2.0,BASE MOUNTED LIGHTS	1
A1	ELE145674	HARNESS,ILEVEL BASE SUSPENSION LOCK SIGNAL CURTIS,Q6EDGE	1
A2	MEC146558	MICROSWITCH MOUNT TAB	2
A3	MEC146551	ILEVEL LEFT ANCHOR BRACKET WELDMENT	1
A4	MEC146557	ILEVEL RIGHT ANCHOR BRACKET WELDMENT	1
A5	MEC153159	RIGHT CABLE BRACKET WITH LIGHT EXTENSION	1
A6	MEC150224	SUSPENSION LIMITER ASSEMBLY, RIGHT	1
A7	MEC150194	SUSPENSION LIMITER ASSEMBLY, LEFT	1
A8	MEC152998	LEFT CABLE BRACKET WITH LIGHT EXTENSION	1
A9	HDW147454	SCREW,SHCS,M4-0.7 X 6MM LG,CLASS 10.9,BLACK ZINC,NYLON PATCH	2
B1	DGN146907	ILEVEL CABLE END RETAINER	2
C1	MEC148172	ILEVEL CABLE,ASSY,TRU-BALANCE 3 POWER ADJUSTABLE SEAT LIFT W/ILEVEL	1


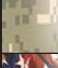

22. I-Level Base Components



I-Level Power Base Cable & Mounting Block Assy



Item	Part No.	Name	Qty
A1 - C2	MEC148170	ILEVEL,ASSY,TB3 POWER ADJUSTABLE SEAT LIFT W/ILEVEL	1
A1	DGN146907	ILEVEL CABLE END RETAINER	2
A2	HDW147454	SCREW,SHCS,M4-0.7 X 6MM LG,CLASS 10.9,BLACK ZINC,NYLON PATCH	4
A3	LAB150425	HANG TAG,TRU-BALANCE 3 LIFT W/ILEVEL	1
B1 - C2	MEC148171	ILEVEL CABLE,ASSY,W/MOUNTING BLOCK,TRU-BALANCE 3 POWER ADJUSTABLE SEAT LIFT W/ILEVEL	1
B1	MEC146025	CABLE PUSH BLOCK ASSEMBLY	1
C1 - C2	MEC148172	ILEVEL CABLE,ASSY,TRU-BALANCE 3 POWER ADJUSTABLE SEAT LIFT W/ILEVEL	1
C1	MEC145589	CABLE,ASSY,ILEVEL SUSPENSION LOCKOUT	2
C2	MEC147688	ILEVEL CABLE FITTING SPACER	2

Current Quantum Colors as of 9-1-2019																		
Color Name	Color Name Variant	Part Suffix	Color Code	Edge 3 Stretto	Edge 3	Edge 2.0	Edge 2.0X	Edge	Edge X	4Front	Edge Z	Edge HD	R44 Rival	J4 / Q4	J6	1450	Kozmo	
Back in Black	Black, Onyx Black Metallic Black	PBK1	PPW-BLK-01	X	X	X	X	X	X	X	X	X	X	X	X			
Night Train		PBK3	PPW-BLK-03	X	X	X	X			X	X	X	X					
Grey Street		PSL3	PPW-SIL-03	X	X	X	X			X	X	X	X					
Silver Bullet		PSL7	PPW-SIL-07			X	X			X	X	X	X					
White Satin	Pearl White	PWT2	PPW-WHT-02	X	X	X	X			X	X	X	X				X	
Red Corvette	Candy Apple Red, Ruby Red	PRD1	PPW-RED-01	X	X	X	X	X	X	X	X	X	X	X	X	X	X	
Cherry Bomb		PRD4	PPW-RED-04	X	X					X								
Pretty in Pink	Rose Quartz	PPK3	PPW-PNK-03	X	X	X	X			X	X	X	X	X	X	X	X	
Raspberry Beret		PPK4	PPW-PNK-04	X	X					X								
Sugar Plum		PPR7	PPW-PRP-07	X	X					X								
Deep Purple		PPR5	PPW-PRP-05	X	X	X	X			X	X	X	X					
Midnight Blue		PBU10	PPW-BLU-10	X	X	X	X			X	X	X	X					
Electric Blue	True Blue, Sapphire Blue	PBU9	PPW-BLU-09	X	X	X	X	X	X	X	X	X	X	X	X	X	X	
Blue Jean		PBU11	PPW-BLU-11	X	X					X								
Green Machine		PGN11	PPW-GRN-11	X	X	X	X			X	X	X	X					
Military Green		PGN8	PPW-GRN-08	X	X					X	X	X	X					
Lime Light		PGN7	PPW-GRN-07			X	X			X	X	X	X					
Yellow Blaze	Orion Yellow, Citrine Yellow	PYL3	PPW-YEL-03			X	X	X	X	X	X	X	X			X	X	
Lemon Crush		PYL4	PPW-YEL-04	X	X	X	X			X								
Orange Crush	Amber Orange	POR6	PPW-ORN-06			X	X			X	X	X	X				X	
Evolution Orange		POR7	PPW-ORN-07	X	X	X	X			X	X	X	X	X	X	X		
Carbon Fiber		WCB1	PWT-CBN-01		X	X				X								
Digital Camo		WCM7	PWT-CMO-07		X	X				X								
Faded Glory		WFL2	PWT-FLG-02		X	X				X								

Prior Generation Quantum Colors as of 9-1-2019																		
Color Name	Color Name Variant	Part Suffix	Color Code	Edge 3 Stretto	Edge 3	Edge 2.0	Edge 2.0X	Edge	Edge X	4Front	Edge Z	Edge HD	R44 Rival	J4 / Q4	J6	1450	Kozmo	
Pewter Grey		PGY1	PPW-GRY-01					X				X						
Silver		PSL1	PPW-SIL-01					X	X		X	X			X			
Cardinal Red	Rex Red	PRD2	PPW-RED-02					X				X						
Pearl Pink	Prehistoric Pink	PPK1	PPW-PNK-01					X	X		X	X		X	X			
Violet	Primitive Purple	PPR2	PPW-PRP-02					X				X						
Sapphire Blue		PPR4	PPW-PRP-04					X	X		X	X			X			
Mariner Blue	Bronto Blue	PBU2	PPW-BLU-02					X				X						
Graphite Blue		PBU3	PPW-BLU-03					X				X						
Viper Blue		PBU1	PPW-BLU-01					X	X		X	X		X	X			
Spring Green	Gator Green	PGN3	PPW-GRN-03					X				X						
Emerald Green		PGN5	PPW-GRN-05					X	X		X	X			X			
Kelly Green		PGN6	PPW-GRN-06					X				X		X				
Solar Yellow		PYL1	PPW-YEL-01					X				X						
Champagne	Saber Yellow	PCH1	PPW-CHA-01					X	X		X	X			X			
Tangerine		POR2	PPW-ORN-02					X				X						
Sunburst Orange		POR1	PPW-ORN-01					X	X		X	X		X	X			

Appendix A:Pages Index	
8 Amp UPG Charger Assy, AGM / GEL Selectable	99
8 amp CTE Charger, Australia	97
Aftermarket Joystick Knobs	21
Center Panel Shrouds and Battery Spacer	67
Decal Package - Edge 3	103
Drive Motor Assy - 5-Spoke Hub, Curtis Connector, Edge 3	7
Drive Motor Assy - ACCU-TRAC, 5-Spoke Hub, Curtis Connector, Edge 3	9
Edge 3 Base Mounted LED Lights	129
Fender Shroud Assy with Lights, Edge Series	75
Fender Shroud Assy, Without Lights, Edge 2.0 / Edge 3	73
Fixed Joystick Mounts, Quantum Joysticks	125
Flat-free Drive Wheel, 4 Spoke Black Rim/Black "Knobby" Tire	91
Flat-free Drive Wheel, 5 Spoke, Black Rim / Black "Knobby" Tire, 14" x 4"	95
Flat-free Drive Wheel, 5-Spoke, Black Rim / Black Tire w/Painted Inserts	85
Foot Platform Assy's, Edge Series	57
Front Caster Arm & Suspension Assy, Edge 3	3
I-Level Power Base Cable & Mounting Block Assy	135
I-Level Power Base Components, Curtis, Edge 2.0 / Edge 3	131
I-Level Power Base Components, Edge 2.0 / Edge 3 w/Base Mounted Lights	133
Interceptor, NF-22, GEL, Battery Assy	109
Joystick Receiver Mounts, Quantum	127
L-Bracket Towers and Transit Loops	81
MK, NF-22, AGM, Battery Assy	105
MK, NF-22, GEL, Battery Assy	107
Main Carrier & Rear Door Shroud Assy's, Edge 3	65
Main Frame Assy, Edge 3	1
Multi-Axis Joystick Bracket Components, Version 2	119
NE + Joystick Bottom Housing w/Bus Cable	29
NE Electronics, Non-Power Positioning, Edge 3	41
NE Electronics, Power Seat Thru Toggle, Edge 3	45
NE Electronics, Tilt Thru Toggle, Edge 3	43
NE+ Electronics, Fender Lights, Non-Power Positioning/Quantum Ready, Edge 3	53
NE+ Electronics, Fender Lights, Power Seat Thru Joystick, Edge 3	55
NE+ Electronics, Non-Power Positioning, Edge 3	47
NE+ Electronics, Power Seat Thru Joystick, Edge 3	51
NE+ Electronics, Quantum Ready/Tilt Thru Toggle, Edge 3	49
NE/NE+ Joystick Assy's	11
Owner's Package - Edge 3, Domestic	101
Painted Wheel Inserts	89
Pneumatic Drive Wheel, 4 Spoke Black Rim/Black "Knobby" Tire	93
Pneumatic Drive Wheel, 5-Spoke, Black Rim / Black Tire w/Painted Inserts	87
Power Seat (Pedestal Actuator) Battery Access Brackets, Edge Series	63
Power Seat Assy w/ Universal Interface, Q6 Edge Series	77
Q-Logic 1 / Stand Alone / NE / NE+ Joystick Overlays	23
Q-Logic 2 & 3 Joystick Shrouds	27
Q-Logic 2 &3 Joystick Bottom Housing w/Bus Cable	31
Q-Logic 3 Base Electronics Matrix, 6 MPH Motors, Edge 3	33
Q-Logic 3 Electronics, Power Positioning & Static Seating, Edge 3	37
Q-Logic 3 Electronics, Power Seat Thru Joystick, Edge 3	35
Q-Logic 3 Joystick Assy's	13
Q-Logic 3 SD Cards for Edge 3	19, 39
Q-Logic 3 Stand Alone Joystick Assy	17
Q-Logic 3e Joystick Assy's - Q6 Edge 3	15
Q-Logic Joystick Knobs	25
Quantum Color Reference Chart	137
Rear Caster Arm & Suspension Assy, Edge 3	5
Recessed Battery Access Bracket Assy	59
Retract 4 Swing-away Joystick Bracket for Curtis Joysticks	121
Standard & Recessed Front Battery Door Assy's, Edge 3	69
Standard Battery Access Bracket Assy's	61
Stealth Swing-away / Flip Down Joystick Brackets & Mounts	123
Swing-away & Multi-axis Mount Matrix, Captain Seat, Version 2	115
Swing-away & Multi-axis Mount Matrix, Rehab Seat, Version 2	113
Swing-away Joystick Bracket & Components, Version 3	111
Swing-away Joystick Bracket Components, Version 2	117
Trapeze Bar Assy	79

Appendix B:Parts Index

ACC123525	128	ACC1908439	112
ACC124132	120	ACC1908440	112
ACC124921	118	ACCASMB1856	22
ACC131216	114	ACCASMB1857	22
ACC131586	118	ACCASMB1858	22
ACC142524	114	ACCASMB1859	22
ACC142525	114	ACCASMB1860	22
ACC142526	114	ACCASMB1861	22
ACC142527	114	ACCASMB1862	22
ACC142528	114	BAT121346	106
ACC142529	114	BAT1704613-P	110
ACC142530	114	BATASMB1094	108
ACC142531	114	BATGEL1008	108
ACC142532	114	BRK8110003	82
ACC142533	114	BRKASMB7120008	82
ACC142534	114	CTL143976	14
ACC142738	114	CTL143977	14
ACC142739	114	CTL143978	36, 38
ACC142740	114	CTL143980	18
ACC142742	114	CTL143983	36
ACC142743	114	CTL143986	130
ACC142745	114	CTL1802022	48, 50, 54
ACC142746	114	CTL1802023	50, 52, 54, 56
ACC142747	114	CTL1802024	42, 44
ACC142748	114	CTL1802025	46
ACC142749	114	CTLDC1554	12
ACC142750	114	CTLDC1560	12
ACC142751	114	CTLDC1561	12
ACC142752	114	DEC8120018	104
ACC148356	116	DGN124307	28, 28
ACC148357	116	DGN124308	26
ACC148358	116	DGN124309	14, 26
ACC148359	116	DGN124336-PBK1	28, 28
ACC148360	116	DGN124336-PBK3	28
ACC148361	116	DGN124336-PBU1	28
ACC148362	116	DGN124336-PBU10	28
ACC148363	116	DGN124336-PBU11	28
ACC148364	116	DGN124336-PBU9	28, 28
ACC148365	116	DGN124336-PGN11	28
ACC148366	116	DGN124336-PGN5	28
ACC148367	116	DGN124336-PGN7	28
ACC148368	116	DGN124336-PGN8	28
ACC148369	116	DGN124336-POR4	28
ACC148370	116	DGN124336-POR6	28
ACC148371	116	DGN124336-POR7	28
ACC1806853	128	DGN124336-PPK1	28
ACC1908434	112	DGN124336-PPK3	28
ACC1908435	112	DGN124336-PPK4	28
ACC1908437	112	DGN124336-PPR4	28
ACC1908438	112	DGN124336-PPR5	28
		DGN124336-PPR7	28

DGN124336-PRD1	28, 28	DGN152613-PYL4	70
DGN124336-PRD4	28	DGN152613-WCB1	72
DGN124336-PSL1	28	DGN152613-WCM7	72
DGN124336-PSL3	28	DGN152613-WFL2	72
DGN124336-PSL7	28	DGN153020	76
DGN124336-PWH2	28	DGN154742	14, 18, 26
DGN124336-PYL3	28, 28	DGN155719	74
DGN124336-PYL4	28	DGN155720	74
DGN124336-WCB1	28	DGN164245-PBK1	86, 88, 90
DGN124336-WCM7	28	DGN164245-PBK3	86, 88, 90
DGN124336-WFL2	28	DGN164245-PBU10	86, 88, 90
DGN135824	72	DGN164245-PBU11	86, 88, 90
DGN140932	4, 6	DGN164245-PBU9	86, 88, 90
DGN146907	132, 134, 136	DGN164245-PGN11	86, 88, 90
DGN152223	76	DGN164245-PGN7	90
DGN152585-PBK1	70	DGN164245-PGN8	86, 88, 90
DGN152585-PBK3	70	DGN164245-POR6	90
DGN152585-PBU10	70	DGN164245-POR7	86, 88, 90
DGN152585-PBU11	70	DGN164245-PPK3	90
DGN152585-PBU9	70	DGN164245-PPK4	86, 88, 90
DGN152585-PGN11	70	DGN164245-PPR5	86, 88, 90
DGN152585-PGN8	70	DGN164245-PPR7	86, 88, 90
DGN152585-POR7	70	DGN164245-PRD1	86, 88, 90
DGN152585-PPK3	70	DGN164245-PRD4	86, 88, 90
DGN152585-PPK4	70	DGN164245-PSL3	86, 88, 90
DGN152585-PPR5	70	DGN164245-PSL7	90
DGN152585-PPR7	70	DGN164245-PWH2	86, 88, 90
DGN152585-PRD1	70	DGN164245-PYL3	90
DGN152585-PRD4	70	DGN164245-PYL4	86, 88, 90
DGN152585-PSL3	70	DGN164245-WCB1	86, 88, 90
DGN152585-PWT2	70	DGN164245-WCM7	86, 88, 90
DGN152585-PYL4	70	DGN164245-WFL2	86, 88, 90
DGN152585-WCB1	70	DGN1801101-PBK1	66
DGN152585-WCM7	70	DGN1801101-PBK3	66
DGN152585-WFL2	70	DGN1801101-PBU10	66
DGN152613-PBK1	70	DGN1801101-PBU11	66
DGN152613-PBK3	70	DGN1801101-PBU9	66
DGN152613-PBU10	70	DGN1801101-PGN11	66
DGN152613-PBU11	70	DGN1801101-PGN8	66
DGN152613-PBU9	70	DGN1801101-POR7	66
DGN152613-PGN11	70	DGN1801101-PPK3	66
DGN152613-PGN8	70	DGN1801101-PPK4	66
DGN152613-POR7	72	DGN1801101-PPR5	66
DGN152613-PPK3	70	DGN1801101-PPR7	66
DGN152613-PPK4	70	DGN1801101-PRD1	66
DGN152613-PPR5	70	DGN1801101-PRD4	66
DGN152613-PPR7	70	DGN1801101-PSL3	66
DGN152613-PRD1	70	DGN1801101-PWT2	66
DGN152613-PRD4	70	DGN1801101-PYL4	66
DGN152613-PSL3	70	DGN1801101-WCB1	66
DGN152613-PWT2	70	DGN1801101-WCM7	66

DGN1801101-WFL2	66	ELE1802029	34
DWR1000H174	98, 100	ELE1802030	34
DWR1005B049	86, 88, 96	ELE1802031	34
DWR1010B089	118, 120	ELE1802032	34
DWR1010B161	130	ELE1802033	34
DWR1062C036	82, 82, 82, 82	ELE1802034	34
DWR1062C058	4	ELE1802035	34
DWR1062D045	82	ELE1802036	34
DWR1062D056	82	ELE1802037	34
DWR1062D078	36, 38, 42, 44, 46, 48, 50, 52, 54, 56	ELE1802038	34
DWR1062D096	68	ELE1802039	34
DWR1062H003	36, 38	ELE1802040	34
DWR1111C002	112, 118, 120, 126	ELE1802041	34
DWR1111C003	30	ELE1802042	34
DWR1111H065	42, 44, 46, 48, 50, 52, 54, 56	ELE1802052	48
DWR1111H311	52, 56	ELE1802053	50
DWR1202C027	102	ELE1802054	50
DWR1202D044	4, 6	ELE1802055	52
DWR1234L004	72	ELE1802056	54
DWR1234L799	104	ELE1802057	54
DWR1234L957	104	ELE1802058	56
DWR1235L116	104	ELE1802059	42
DWR1235L225	104	ELE1802060	44
DWR1235L512	104	ELE1802061	46
DWR1235L515	72	ELE1802761	42, 44, 46, 48, 50, 52, 54, 56
DWR1235L520	98, 104	ELE1803440	100
DWR1235L521	104	ELE1805110	20, 36, 38, 40
DWR1235L638	104	ELE1805111	20, 38, 40
DWR1235L678	72	ELE1805112	20, 38, 40
DWR1235L817	108	ELE1805113	20, 36, 38, 40
DWR1265H016	36, 52, 56	ELE1808700	34
DWR1265H017	36, 52, 56	ELE1808701	34
DWR1265H021	36, 38, 50, 52, 54, 56, 76	ELE1808702	34
DWR1265H027	36, 38, 48	ELE1808703	34
DWR1265H050	36, 38	ELE2001185	16
DWR1265H055	44, 76	ELE2001186	16
DWR1265H057	44, 76	ELE2001187	16
DWR1265H061	42	ELE2001188	16
DWR1265H079	46	ELEASMB5672	98
DWR1361H038	50, 52	ELEASMB6557	52, 56
DWR1502H005	36, 38, 42, 44, 46, 48, 50, 52, 54, 56	ELEASMB7092	52, 56
ELE124313	32	ELEASMB7120023	130
ELE144006	14, 32	ELEASMB7120024	130
ELE145674	132, 134	ELEASMB7120025	130
ELE155901	76	ELEASMB7120026	130
ELE160183	76	ELECHG1017	98
ELE164224	42, 44, 46, 48, 50, 52, 54, 56	FRMASMB10454	18
ELE167720	36	FRMASMB10617	14, 16, 126
ELE168115	130	FRMASMB11156	18
ELE1705477	36, 38	FRMASMB12744	12, 126
ELE1705999	130	FRMASMB15971	78

FRMASMB16033	62	MEC138876	122
FRMASMB16062	128	MEC141305	62
FRMASMB16077	58	MEC141306	64
FRMASMB16171	82	MEC142133	82, 82, 82, 82, 82, 82, 82
FRMASMB16311	78	MEC142426	118
FRMASMB16312	78	MEC145417	8, 10, 86, 88, 96
FRMASMB16559	64	MEC145470	92, 94
FRMASMB2066	126	MEC145589	136
FRMASMB4767	126	MEC145634	8, 10
FRMASMB8691	8, 10	MEC146025	136
FRMASMB9428	78	MEC146133	112, 118, 128
FRMASMB9532	126	MEC146551	132, 134
HAR143994	36, 130	MEC146557	132, 134
HAR144001	18	MEC146558	132, 134
HAR144003	18	MEC146616	132
HAR144005	36, 38, 130	MEC146630	132
HARUSHD1065	100	MEC146836	82
HARUSHD2041	100	MEC146837	82
HARUSHD2160	100	MEC147096	132
HDW124834	108	MEC147688	136
HDW142810	82, 82, 82, 82	MEC148170	136
HDW142830	82	MEC148171	136
HDW147454	132, 134, 136	MEC148172	132, 134, 136
INDPART2420	36, 38, 42, 44, 46, 48, 50, 52, 54, 56	MEC150194	132, 134
INFINFB2528	102	MEC150224	132, 134
INFINFB2779	102	MEC151499-B	4, 6
INFINFB3925	102	MEC151501-B	4, 6
INFMANU3658	102	MEC152612	60
INFMANU3992	102	MEC152998	130, 134
INFMANU4620	102	MEC153026	130
KIT152913	24	MEC153159	130, 134
KIT152914	24	MEC153160	130
KIT152915	24	MEC154025	68
KIT152919	26	MEC154280	76
KITASMB1728	24	MEC169545	134
KITASMB1729	24	MEC1708402-B	4
KITASMB1730	24	MEC1708405-B	4
LAB148325	72	MEC1708419-B	6
LAB150425	136	MEC1708422-B	6
LAB1712260	66	MEC1709568	6
MEC120301	82	MEC1711841	8, 10
MEC120671	82	MEC1711842	8, 10
MEC121375	82	MEC1712217	118
MEC122534	4, 6	MEC1712220	118
MEC124133	120	MEC1714451	2
MEC124139	82	MEC1714454	8, 10
MEC131182	82	MEC1800781	82
MEC131902	82	MEC1809294	128
MEC133628	78	MEC1810489	4
MEC138180	120	MEC1810490	6
MEC138860	122	MEC1810493	4

MEC1810494	6	TUBSTND1043	94
MOT155715-01	10	TWRASMB7120002	80
MOT155716-01	10	TWRASMB7120003	80
MOT1810170-01	8	WASLOCK1093	108
MOT1810171-01	8	WASMETR1032	4, 6
NUTACRN1005	92, 94	WASMETR1096	4
NUTJAM1062	130	WASNEOP1003	66
NUTNJAM1020	4	WHL147599	94
NUTNYLK1013	4, 6	WHL147601	92
NUTNYLK1019	82	WHL1703586	86, 88
NUTSTD1020	108	WHL1703588	86
PLSINDV1252	26	WHL1704507	88
PLSKNCP1056	66	WHL1903913	96
PLSKNCP1057	22	WHLASMB7110039	4, 6
PLSKNCP1058	22		
PLSTIE1004	130		
PLSTIE1011	108		
RIGASMB7120041	58		
SCRHHCS1247	84		
SCRHHCS1402	84		
SCRHHCS1412	4		
SCRHHCS1668	108		
SCRPPH1006	126		
SCRPPH1036	4, 6, 36, 38, 42, 44, 46, 48, 50, 52, 54, 56, 74, 76, 118, 120		
SCRPPH1097	120		
SCRPPH1122	126		
SCRPPH1153	36, 52, 56, 130		
SCRPPH1279	112, 118		
SCRPPH1290	36, 46, 52, 56, 78		
SCRPPH1384	112, 112, 118, 120		
SCRPPH1390	36, 38, 42, 44, 46, 48, 50, 52, 54, 56		
SCRSFH1005	122		
SCRSHCS1117	130		
SCRSHCS1153	82		
SCRSHCS1338	82, 82, 82		
SCRSHFH1015	126		
SCRSHFH1053	122, 126		
SET8110003	82		
SHDASMB6043	68		
SHDASMB6044	68		
SHDASMB6045	68		
ST-ARM250C-Q	124, 128		
ST-ARM250T-Q	124, 128		
ST-TWBM480CJ-Q	124		
ST-TWBM480QL-Q	124		
SWTMAGN1001	78		
TIR8110017	94		
TIR8110019	92, 96		
TIR8110024	86		
TIR8110026	88		
TUBSTND1002	88		

Illustrated Parts Breakdown

USA - Quantum Rehab

401 York Avenue
Duryea, Pa 18642
www.quantumrehab.com

USA - Pride Mobility Products Corp.

182 Susquehanna Avenue
Exeter, Pa 18643
www.pridemobility.com

Canada

5096 South Service Road
Beamsville, Ontario L0R 1B3
www.pridemobility.ca
www.quantumrehab.com

Australia

20-24 Apollo Drive
Hallam, Victoria 3803
www.pridemobility.com.au
www.quantumrehab.com.au

New Zealand

38 Lansford Crescent
Avondale, Auckland 0600
www.pridemobility.co.nz

UK

32 Wedgwood Road
Bicester, Oxfordshire OX26 4UL
www.pride-mobility.co.uk
www.quantumrehab.co.uk

Netherlands

(Authorised EU Representative)

De Zwaan 3
1601 MS Enkhuizen
www.pridemobility.eu
www.quantumrehab.eu

Italy

Via del Progresso, ang. Via del Lavoro
Loc. Prato della Corte
00065 Fiano Romano (RM)
www.pride-italia.it
www.quantumrehab-italia.it

France

26 Rue Monseigneur Ancel
69800 Saint-Priest
www.pridemobility.fr
www.quantumrehab.fr

Spain

Calle Las Minas Número 67
Polígono Industrial Urtinsa II, de Alcorcón
28923 Madrid

Germany

Hövelrieger Str. 28
33161 Hövelhof
www.pridemobility.de

China

Room 508, Building #4
TianNa Business Zone
No. 500 Jianyun Road
Pudong New Area
Shanghai 201318

