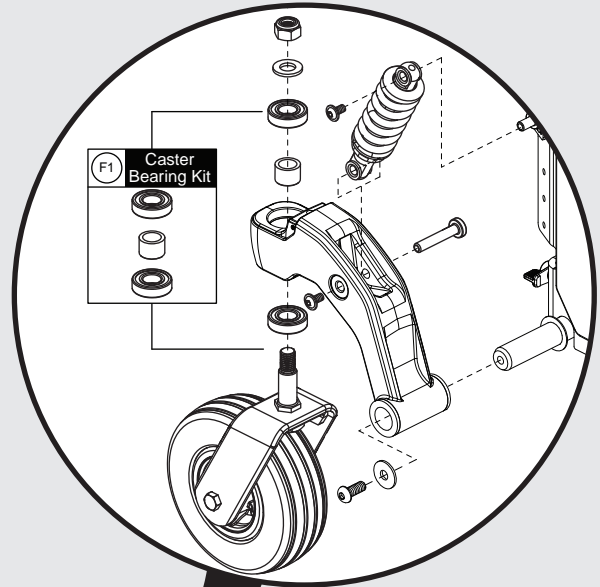


EDGE 3 *Stretto*

PRIDE[®]
MOBILITY
LIVE YOUR BEST[®]



Illustrated Parts Breakdown



1. Main Frame Assembly

Main Frame, Rear Door, and Wire Guide Shrouds, Q6 Edge 3 Stretto	1
--	---

2. Front Caster Assy's

Front Caster Assembly, 5" Wheels, Q6 Edge 3 Stretto	3
Front Caster Assembly, 6" Wheels, Q6 Edge 3 Stretto	5

3. Rear Caster Assy's

Rear Caster Assy, Q6 Edge 3 Stretto	7
-------------------------------------	---

4. Drive Motor Assy's

Drive Motor, 3 Spoke Hub, Curtis, Q6 Edge 3 Stretto	9
Drive Motor, 5 Spoke Hub, Curtis, Q6 Edge 3 Stretto	11
Drive Motor, 3 Spoke Hub, P&G, Q6 Edge 3 Stretto	13
Drive Motor, 5 Spoke Hub, P&G, Q6 Edge 3 Stretto	15

5. Joystick Assy's

Q-Logic 3 Joystick Assy's	17
NE/NE+ Joystick Assy's	19
VR2 Joystick Assemblies	21

Joystick Knobs & Overlays

Aftermarket Joystick Knobs	23
Q-Logic 1 / Stand Alone / NE / NE+ Joystick Overlays	25
Q-Logic Joystick Knobs	27
PG Joystick Overlays	29

Q-Logic 2 & 3 Joystick Shrouds

Q-Logic 2 & 3 Joystick Shrouds	31
--------------------------------	----

Joystick Bottom Housings

NE + Joystick Bottom Housing w/Bus Cable	33
Q-Logic 2 & 3 Joystick Bottom Housing w/Bus Cable	35

6. Electronics

6.1. Q-Logic 3

Q-Logic 3 Base Electronics Harnesses and Modules, Q6 Edge 3 Stretto	37
Q-Logic 3 SD Cards for Q6 Edge 3 Stretto, 6.25MPH Program	39

6.2. NE Plus

4MPH Motors

NE+, 4MPH Motor Program, Electronic Master Assemblies, Q6 Edge 3 Stretto	41
NE+, 4MPH Motor Program, Power Modules, Q6 Edge 3 Stretto	43
NE+, Harnesses and Hardware, 4MPH Motor Program, Q6 Edge 3 Stretto	45

6MPH Motors

NE+, 6.25MPH Motor Program, Electronic Master Assemblies, Q6 Edge 3 Stretto	47
NE+, 6.25MPH Motor Program, Power Modules, Q6 Edge 3 Stretto	49
NE+, Harnesses & Hardware, 6.25MPH Motor Program, Q6 Edge 3 Stretto	51

6.3. NE

4MPH Motors

NE, 4MPH Motor Program, Electronic Master Asemblies, Q6 Edge 3 Stretto	53
NE, 4MPH Motor Program, Power Modules, Q6 Edge 3 Stretto	55
NE, Harnesses and Hardware, 4MPH Motor Program, Q6 Edge 3 Stretto	57

6MPH Motors

NE, 6.25MPH Motor Program, Electronic Master Assemblies, Q6 Edge 3 Stretto 59
NE, 6.25MPH Motor Program, Power Modules, Q6 Edge 3 Stretto 61
NE, Harnesses and Hardware, 6.25MPH Motor Program, Q6 Edge 3 Stretto 63

6.4. VR2

4MPH Motor Programs

VR2 Electronics, 4MPH Motor Program, Static Seating, Q6 Edge 3 Stretto 65
VR2 Electronics, 4MPH Motor Program, 1 Actuator, Q6 Edge 3 Stretto 67
VR2 Electronics, 4MPH Motor Program, 2 Actuator, Q6 Edge 3 Stretto 69

6MPH Motor Programs

VR2 Electronics, 6MPH Motor Program, Static Seating, Q6 Edge 3 Stretto 71
VR2 Electronics, 6MPH Motor Program, 1 Actuator, Q6 Edge 3 Stretto 73
VR2 Electronics, 6MPH Motor Program, 2 Actuator, Q6 Edge 3 Stretto 75

7. Shrouds and Battery Access Bracket

Center Shroud w/ Painted Inserts , Q6 Edge 3 Stretto 77
Front Battery Door, Q6 Edge 3 Stretto 79
Front Battery Door Shrouds, Q6 Edge 3 Stretto 81
Rear Door Shroud, Q6 Edge 3 Stretto 83
Rear Door Inserts, Q6 Edge 3 Stretto 85

8. Seat Interfaces

Seat Interfaces, Q6 Edge 3 Stretto 87

9. Fenders

Fenders, No Lights, Q6 Edge 3 Stretto 89
Fenders w/ Lights, Q6 Edge 3 Stretto 91

10. Drive Wheels

10.1. 5-Spoke Hub, 14" Wheel

Flat-free Drive Wheel, 5-Spoke, Black Rim/Black Tire, Q6 Edge 3 Stretto 93
Pneumatic Drive Wheel, 5-Spoke, Black Rim/Black Tire, Q6 Edge 3 Stretto 95
Painted Wheel Inserts, All Quantum Colors 97

10.2. 3-Spoke Hub, 12.5" Wheel

Flat-free Drive Wheel, 3-Spoke Hub w/ Lug Cap 99
Pneumatic Drive Wheel, 3-Spoke Hub w/ Lug Cap 101

11. I-Level Base Components

I-Level Power Base Components, Edge 3 Stretto 103
I-Level Base Cable & Push Block Assy - Edge 3 Stretto 105

12. Off-board Charger

8 Amp UPG Charger Assy, AGM / GEL Selectable 107
5 Amp UPG Charger Assy, AGM / GEL Selectable, AU Cord 109

13. Batteries

Interceptor, NF-22, GEL, Battery Assy 111
Interceptor 40AH Gel Battery 113

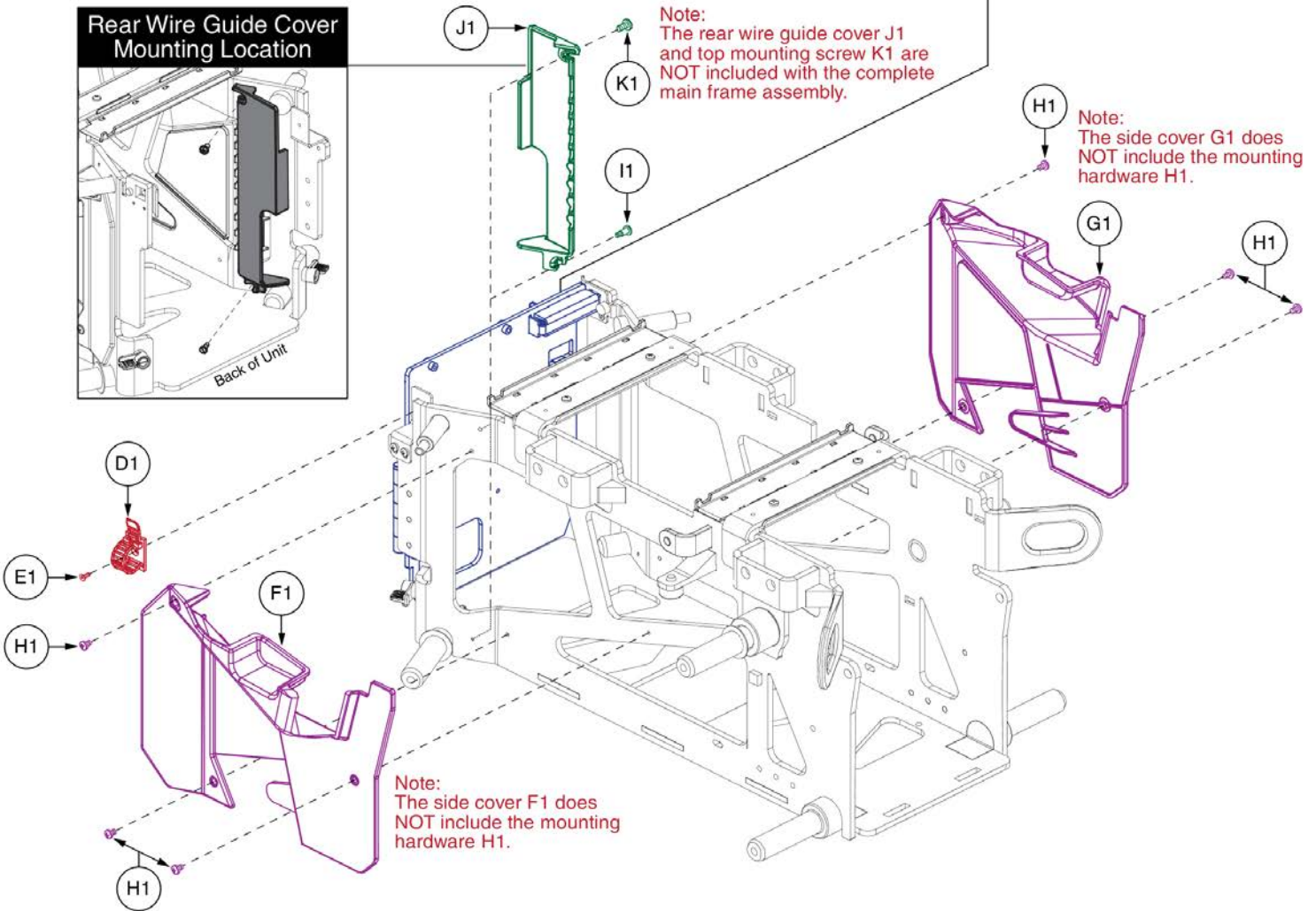
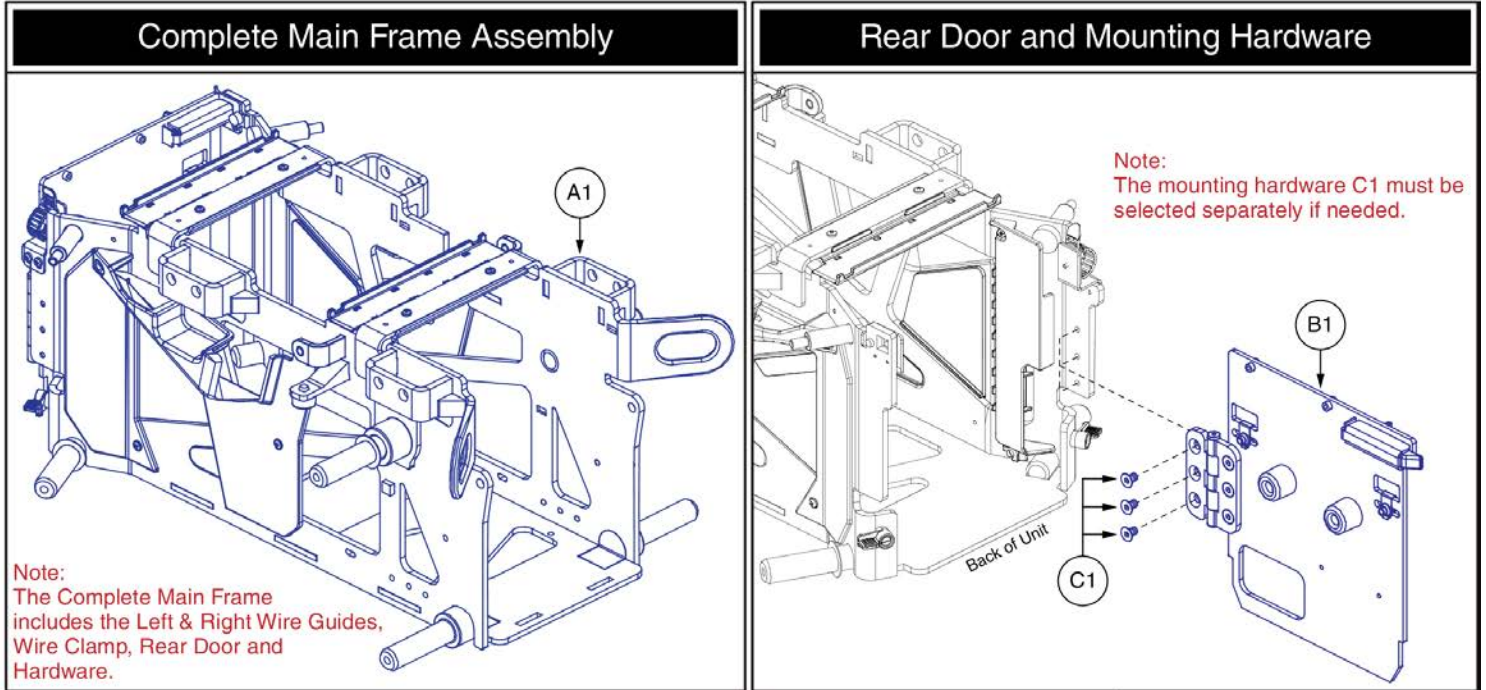
14. Battery Stops

40AH Battery Stop - Q6 Edge 3 Stretto 115
55AH Batter Stop - Q6 Edge 3 Stretto 117

15. Joystick Mounts & Receivers

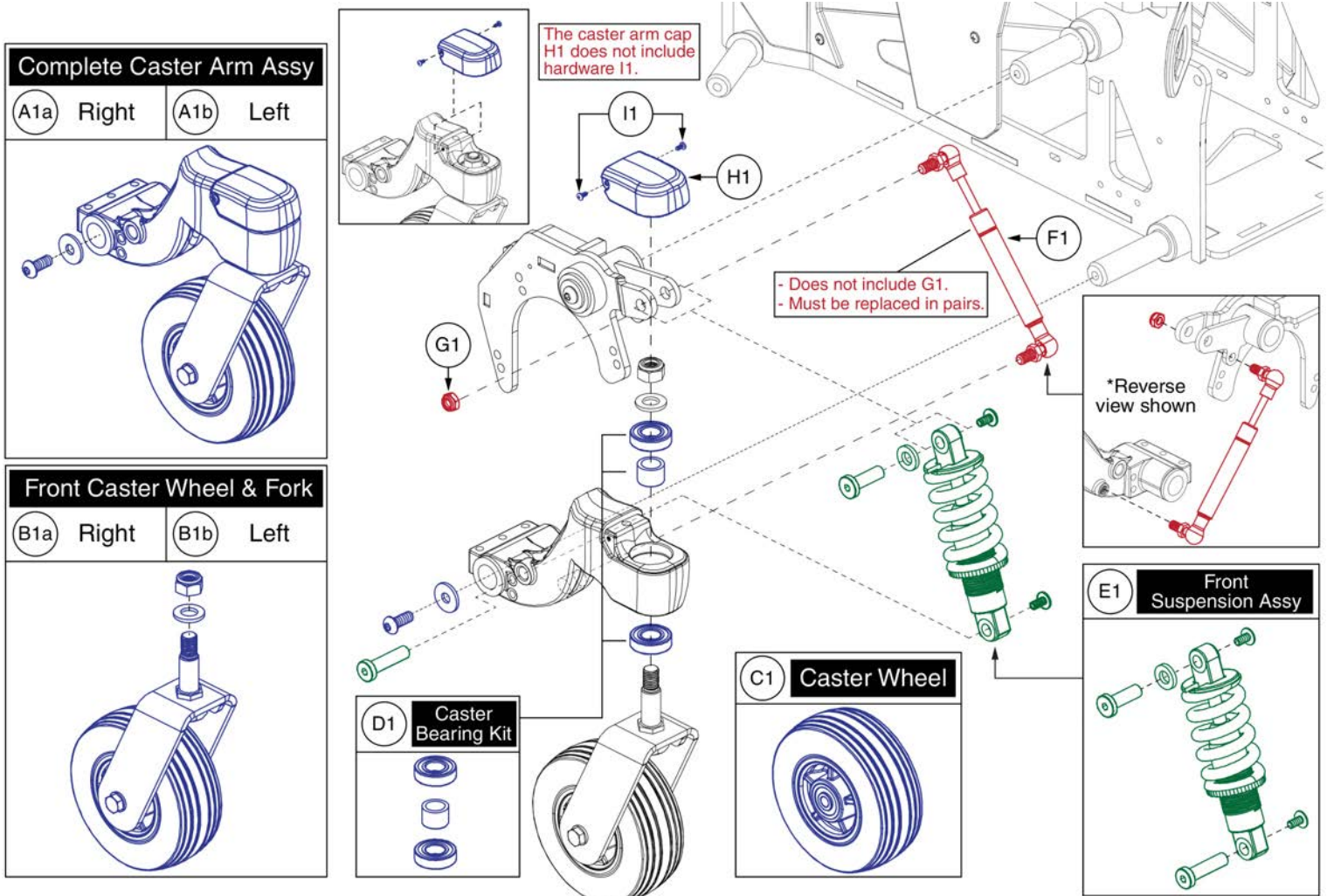
15.1. Version 3, Swing-away	
Swing-away Joystick Bracket & Components, Version 3	119
15.2. Version 2. Swing-away/Multi-axis Joystick Brackets	
Swing-away & Multi-axis Mount Matrix, Rehab Seat, Version 2	121
Swing-away & Multi-axis Mount Matrix, Captain Seat, Version 2	123
Swing-away Joystick Bracket Components, Version 2	125
Multi-Axis Joystick Bracket Components, Version 2	127
15.3. Retract 4 Swing-away Joystick Bracket	
Retract 4 Swing-away Joystick Bracket for Curtis Joysticks	129
15.4. Stealth Swing-away / Flip-down Joystick Bracket	
Stealth Swing-away / Flip Down Joystick Brackets & Mounts	131
15.5. Fixed Inline Joystick Brackets	
Fixed Joystick Mounts, Quantum Joysticks	133
15.6. Joystick Bracket Receivers	
Joystick Receiver Mounts, Quantum	135
16. Owner's and Decal Packages	
Owner's Package, Australia, Q6 Edge 3 Stretto	137
Decal Package, Q6 Edge 3 Stretto	139
Appendix A:Pages Index	141
Appendix B:Parts Index	142

1. Main Frame Assembly



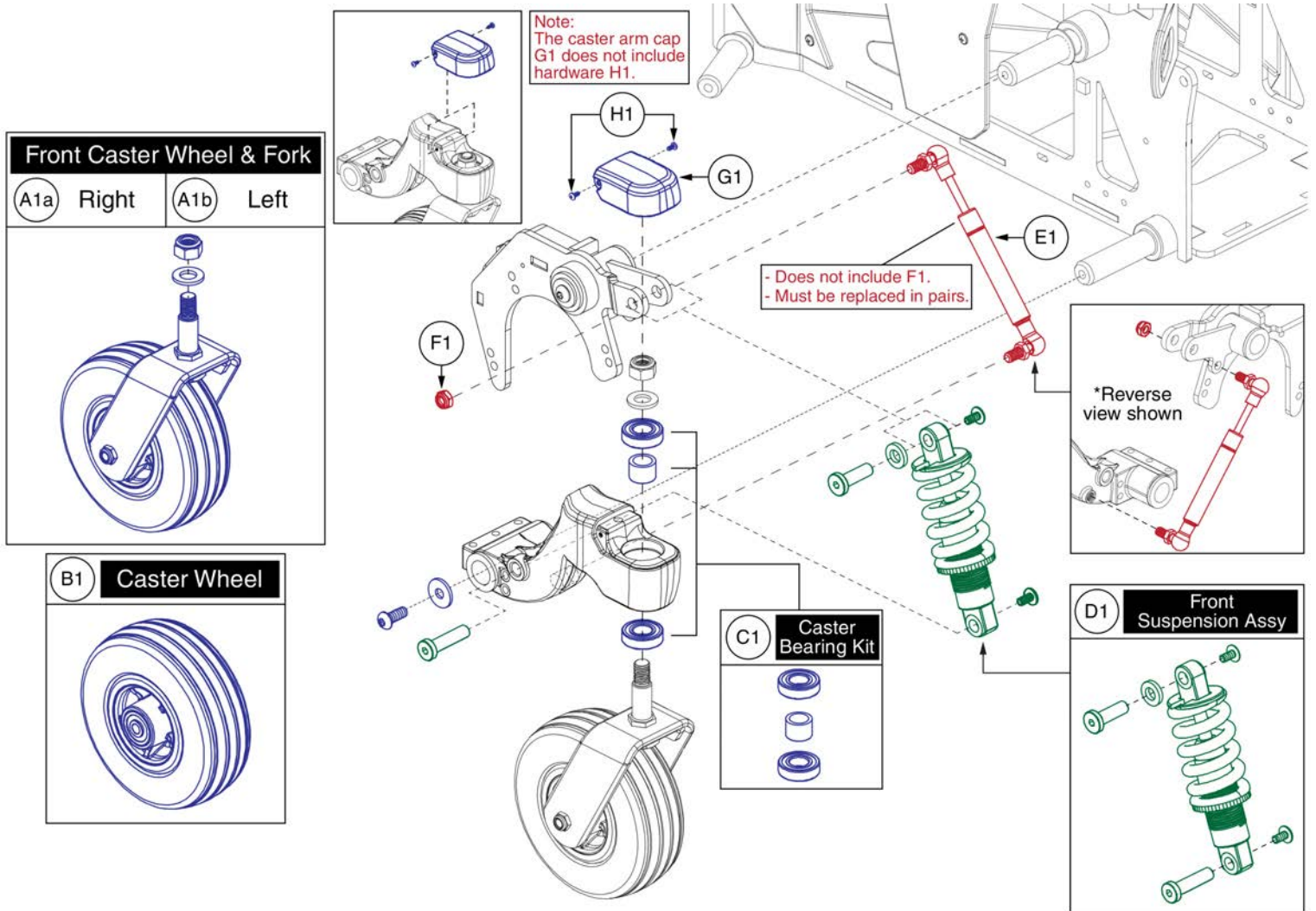
Item	Part No.	Name	Qty
A1	MEC1807747	MAIN FRAME ASSEMBLY,Q6EDGE 3 STRETTO	1
B1	MEC1804708	EDGE MINI BATTERY DOOR SIDE HINGE ASSEMBLY	1
C1	SCRSHFH1190	SCREW,SHFH,BLACK ZINC,M6-1.0 X 10MM,W/NYLON PATCH	3
D1	HDW135288	WIRE CLIP,REUSABLE,BLACK,PLASTIC,(MICRO PLASTICS:NM22LCC1000B)	1
E1	HDW156648	SCREW,SFHCS,M3 X 0.5 X 8MM,BLACK ZINC,CLASS 10.9	1
F1	DGN1809721	SIDE WIRE GUIDE, RIGHT, WITH REFLECTOR	1
G1	DGN1809719	SIDE WIRE GUIDE, LEFT, WITH REFLECTOR	1
H1	SCRPPH1304	SCREW,PPH,BLACK ZINC,M4-.7 X 6MM	6
I1	HDW132884	SCREW,SHOULDER,SLOTTED,M3X0.5,4 OD X 6 LG	1
J1	DGN1807737	REAR WIRE GUIDE COVER, STRETTO	1
K1	SCRPPH1036	SCREW, PAN HEAD, TYPE H, M4X0.7 X 8, FT, ISO 7045, CL 4.8, BZ	1

2. Front Caster Assy's



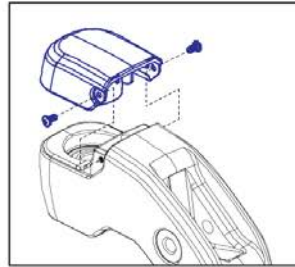
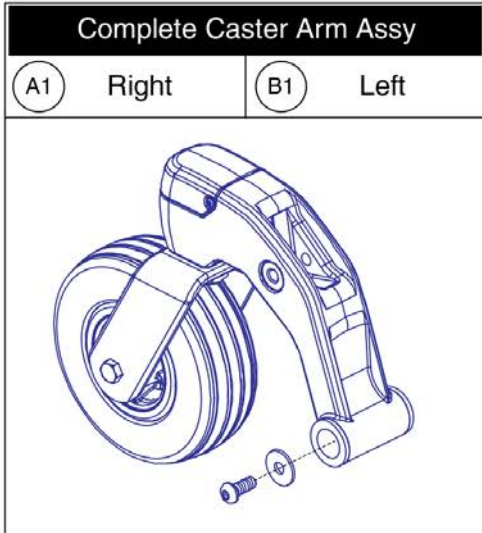
Item	Part No.	Name	Qty
A1a	MEC1808962	CASTER ARM ASSEMBLY, 5", FRONT RIGHT, BLACK RIM/BLACK TIRE	1
A1b	MEC1808960	CASTER ARM ASSEMBLY, 5", FRONT LEFT, BLACK RIM/BLACK TIRE	1
B1a	MEC1810800	CASTER ASSEMBLY, 5", BLACK RIM / BLACK TIRE, RIGHT	1
B1b	MEC1810801	CASTER ASSEMBLY, 5", BLACK RIM / BLACK TIRE, LEFT	1
C1	WHL140383	WHEEL,ASSY,CASTER,FLAT FREE,BLACK RIM/BLACK TIRE,5" X 1.75",W/BEARINGS & SPACER,E-1202-008	1
D1	MEC122534	CASTER BEARING KIT	1
E1	MEC1802830-01	EDGE MINI FRONT SUSPENSION ASSEMBLY, BLACK AND GOLD	1
F1	DWR1062C058	SUSPENSION,DAMPER SHOCK,W/10MM BALL ENDS,60MM STROKE,COMPRESSION,C-1062-058 ***Must Be Replaced In Pairs***	1
G1	NUTNJAM1020	NUT,NYLOCK JAM,BLACK ZINC,M8-1.25	1
H1	DGN1808787	PLASTIC CAP, CASTER ARM	1
I1	HDW1803914	SCREW, PAN HEAD, TYPE H, M3X0.5 X 6, ISO 7045, CL 4.8, BZ	2

2. Front Caster Assy's

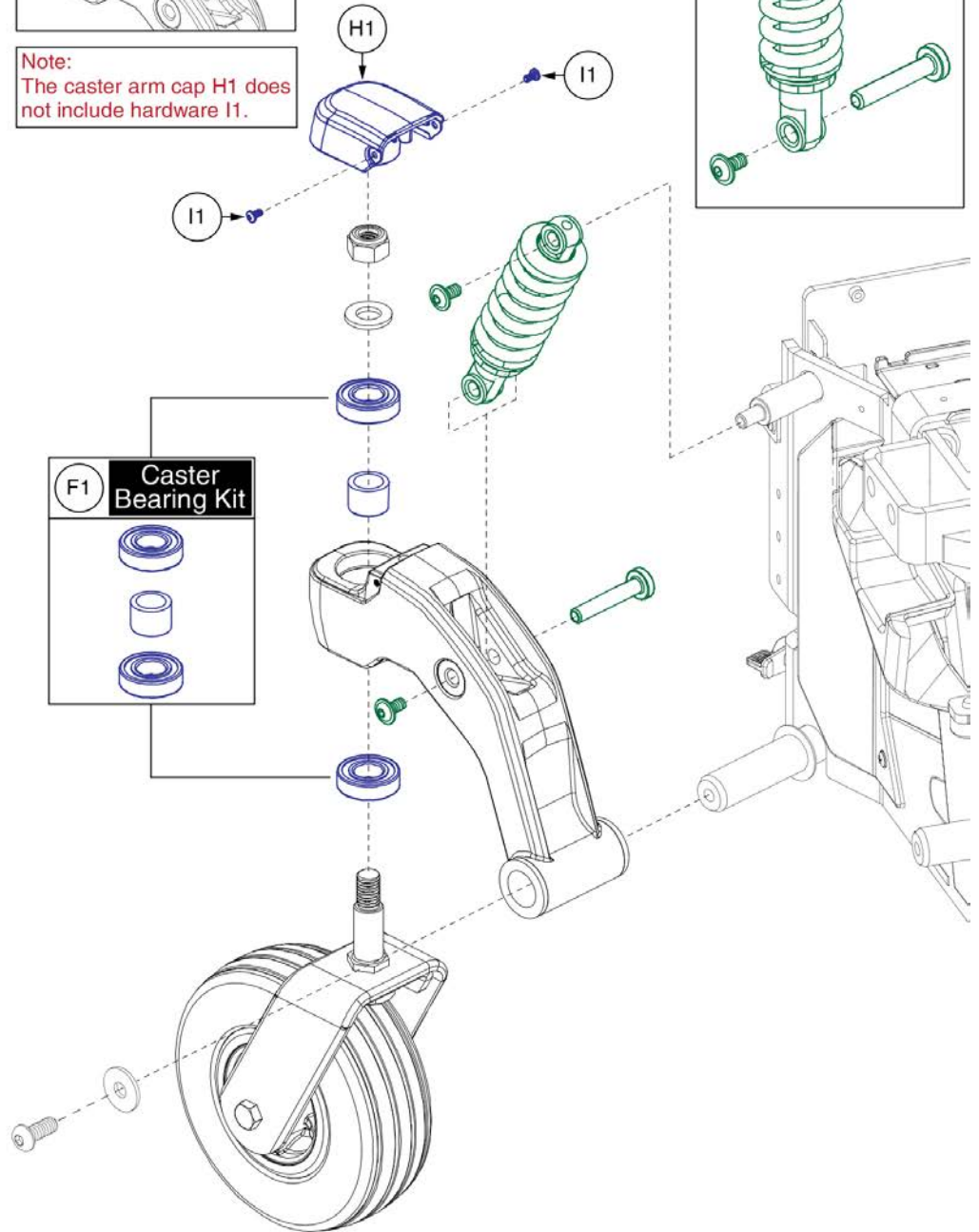
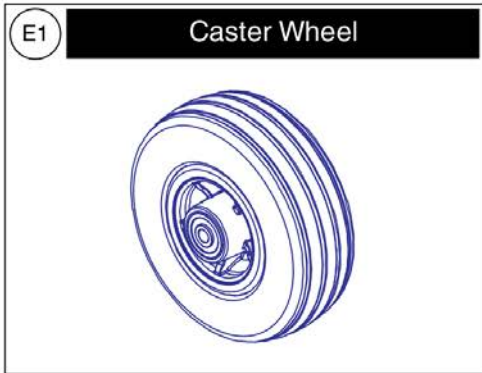
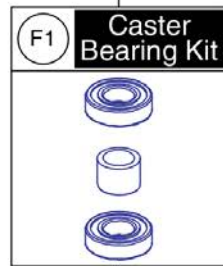
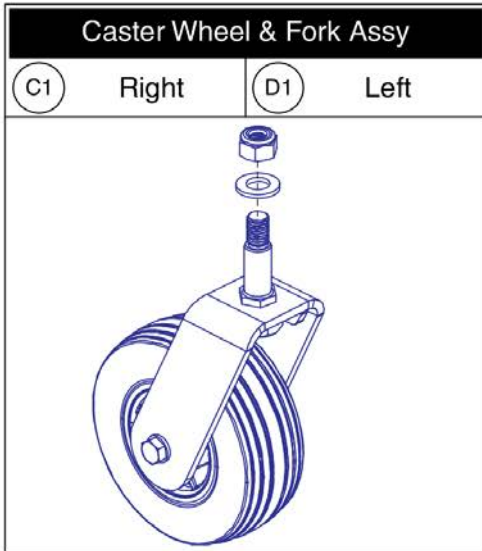
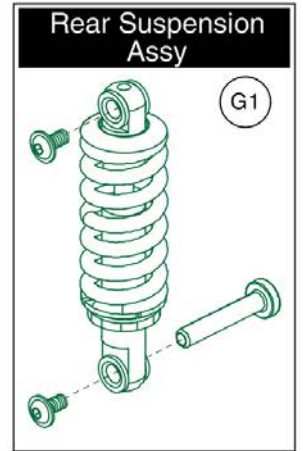


Item	Part No.	Name	Qty
A1a	MEC1901932-A	CASTER ASSEMBLY, 6", BLACK RIM / BLACK TIRE, RIGHT	1
A1b	MEC1901930-A	CASTER ASSEMBLY, 6", BLACK RIM / BLACK TIRE, LEFT	1
B1	WHLASMB7110039	WHEEL,ASSY,LOW IMPACT,BLACK RIM/BLACK TIRE,6" X 2",W/BEARINGS & SPACER,E-1202-039	1
C1	MEC122534	CASTER BEARING KIT	1
D1	MEC1802830-01	EDGE MINI FRONT SUSPENSION ASSEMBLY, BLACK AND GOLD	1
E1	DWR1062C058	SUSPENSION,DAMPER SHOCK,W/10MM BALL ENDS,60MM STROKE,COMPRESSION,C-1062-058 ***Must Be Replaced In Pairs***	1
F1	NUTNJAM1020	NUT,NYLOCK JAM,BLACK ZINC,M8-1.25	1
G1	DGN1808787	PLASTIC CAP, CASTER ARM	1
H1	HDW1803914	SCREW, PAN HEAD, TYPE H, M3X0.5 X 6, ISO 7045, CL 4.8, BZ	2

3. Rear Caster Assy's



Note:
The caster arm cap H1 does not include hardware I1.



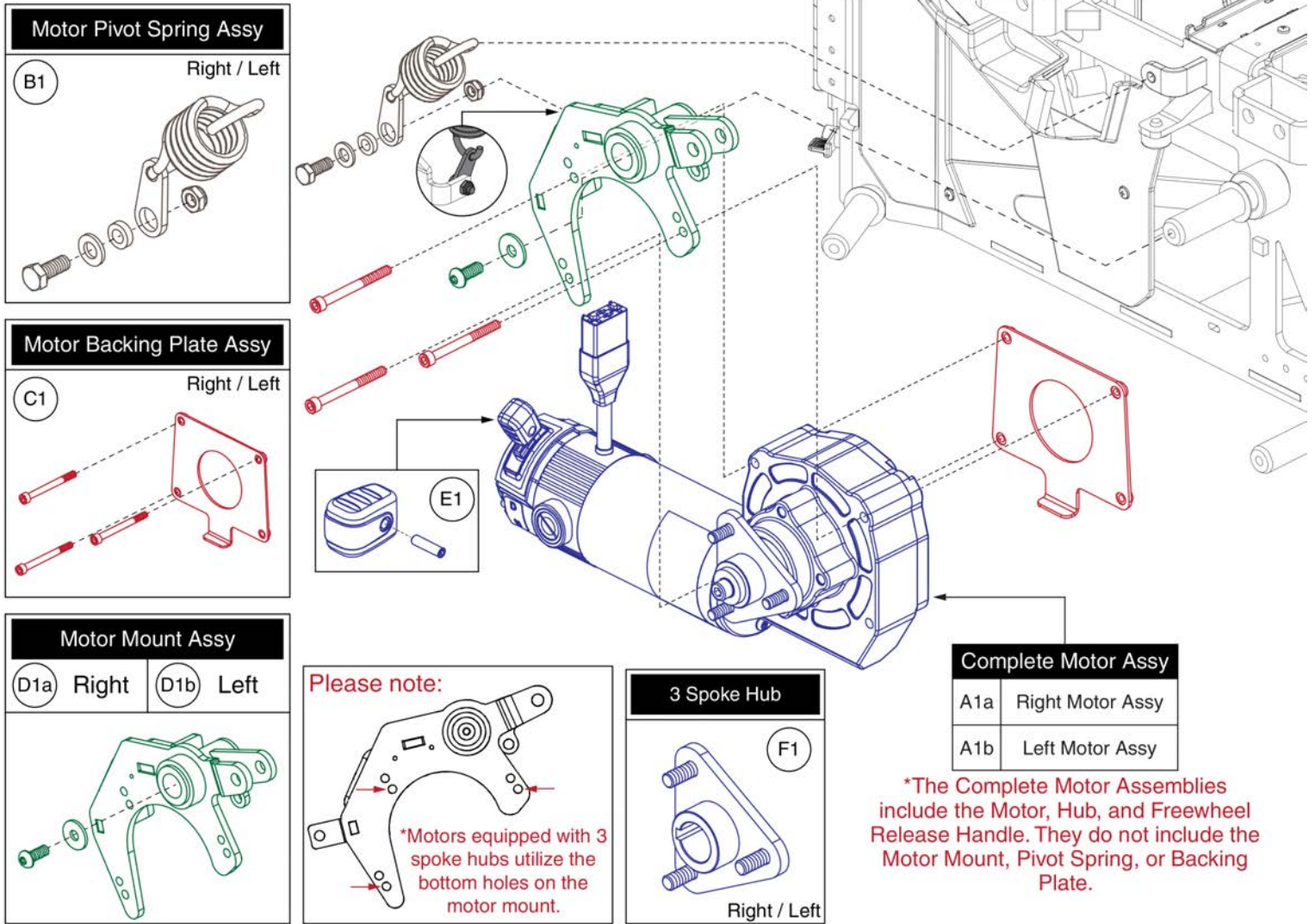
Rear Caster Assy, Q6 Edge 3 Stretto



Item	Part No.	Name	Qty
A1	MEC1808955-A	CASTER ARM ASSEMBLY, 6", REAR RIGHT, BLACK RIM/BLACK TIRE, BLACK CASTER ARM	1
B1	MEC1808958-A	CASTER ARM ASSEMBLY, 6", REAR LEFT, BLACK RIM/BLACK TIRE, BLACK CASTER ARM	1
C1	MEC1901932-A	CASTER ASSEMBLY, 6", BLACK RIM / BLACK TIRE, RIGHT	1
D1	MEC1901930-A	CASTER ASSEMBLY, 6", BLACK RIM / BLACK TIRE, LEFT	1
E1	WHLASMB7110039	WHEEL,ASSY,LOW IMPACT,BLACK RIM/BLACK TIRE,6" X 2",W/BEARINGS & SPACER,E-1202-039	1
F1	MEC122534	CASTER BEARING KIT	1
G1	MEC1809761-01	EDGE MINI BACK SUSPENSION ASSEMBLY, BLACK AND GOLD	1
H1	DGN1808787	PLASTIC CAP, CASTER ARM	1
I1	HDW1803914	SCREW, PAN HEAD, TYPE H, M3X0.5 X 6, ISO 7045, CL 4.8, BZ	2

4. Drive Motor Assy's

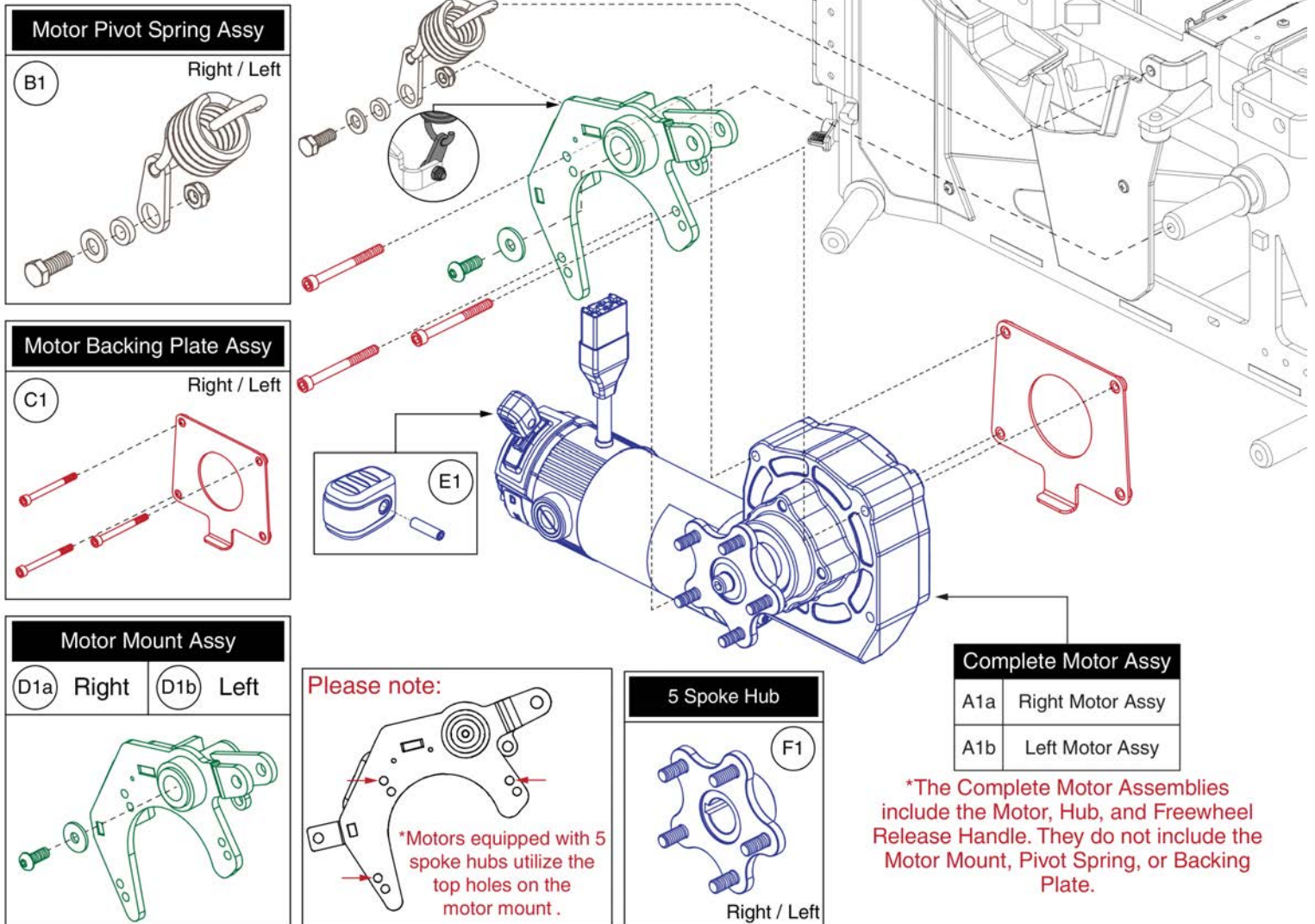
Please note: For use with 4MPH and 6.25MPH motor programs.



Item	Part No.	Name	Qty
A1a	MOT1809962-05	MOTOR ASM,EDGE MINI,LINIX,HUB AND LEVER,26:1,3-POST,CURTIS,RIGHT	1
A1b	MOT1809963-05	MOTOR ASM,EDGE MINI,LINIX,HUB AND LEVER,26:1,3-POST,CURTIS,LEFT	1
B1	MEC1711547	MOTOR SUSPENSION ASSEMBLY	1
C1	MEC1909081	MOTOR MOUNT,ASSY,LINIX TO STRETTO	1
D1a	MEC1710112	EDGE MINI MOTOR MOUNT ASSEMBLY, RIGHT	1
D1b	MEC1710119	EDGE MINI MOTOR MOUNT ASSEMBLY, LEFT	1
E1	FRMASMB8691	FREEWHEEL,ASSY,RELEASE HANDLE GRIP,YELLOW,B-1160-051	1
F1	MEC1807297	12.5" 3 SPOKE WHEEL HUB ASSEMBLY	1

4. Drive Motor Assy's

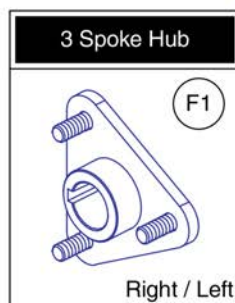
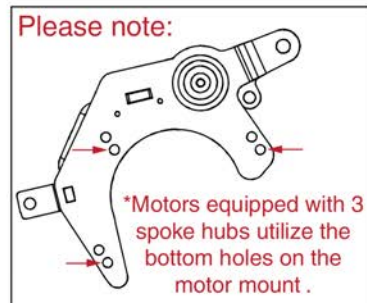
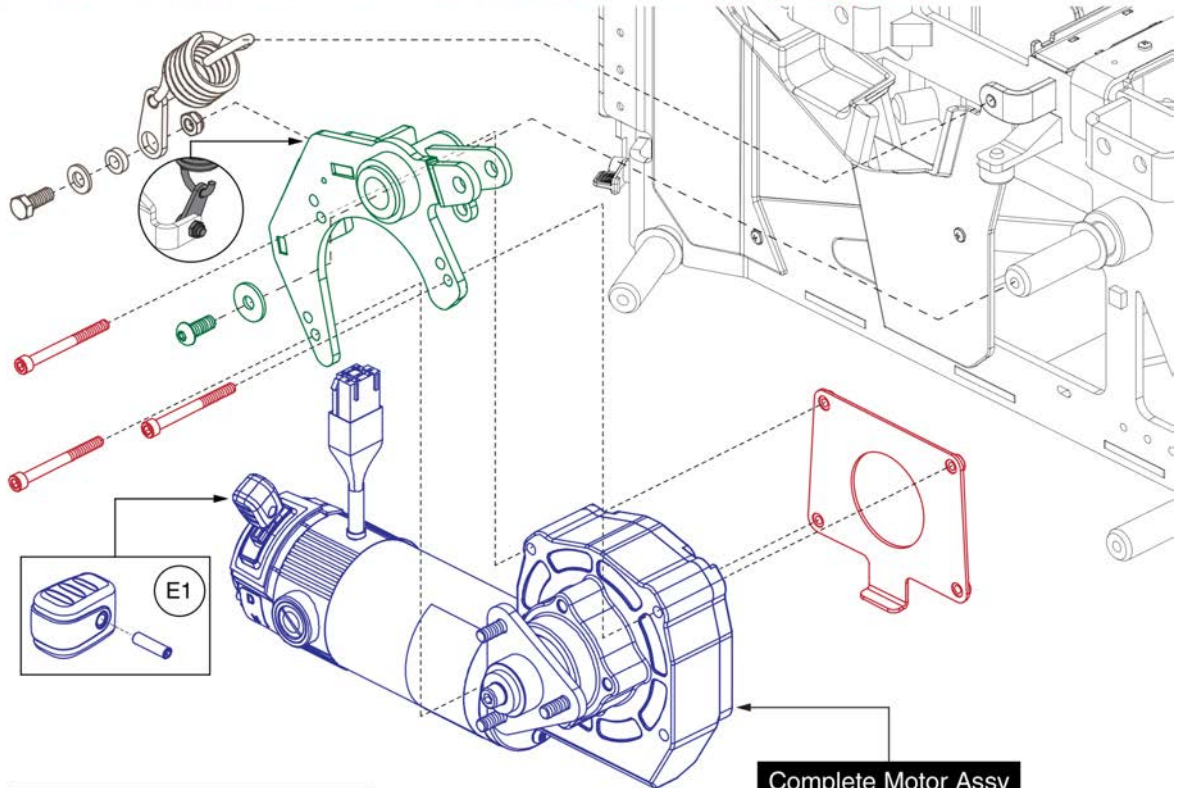
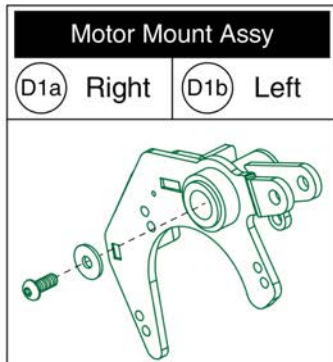
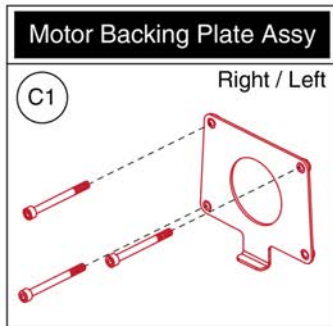
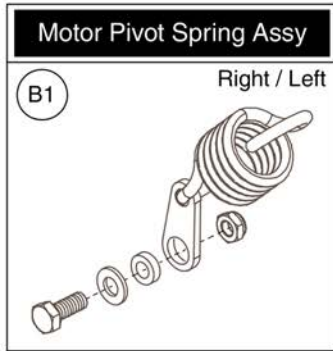
Please note: For use with 4MPH and 6.25MPH motor programs.



Item	Part No.	Name	Qty
A1a	MOT1809962-01	MOTOR ASM,EDGE MINI,LINIX,HUB AND LEVER,29:1,5-POST,CURTIS,RIGHT	1
A1b	MOT1809963-01	MOTOR ASM,EDGE MINI,LINIX,HUB AND LEVER,29:1,5-POST,CURTIS,LEFT	1
B1	MEC1711547	MOTOR SUSPENSION ASSEMBLY	1
C1	MEC1909081	MOTOR MOUNT,ASSY,LINIX TO STRETTO	1
D1a	MEC1710112	EDGE MINI MOTOR MOUNT ASSEMBLY, RIGHT	1
D1b	MEC1710119	EDGE MINI MOTOR MOUNT ASSEMBLY, LEFT	1
E1	FRMASMB8691	FREEWHEEL,ASSY,RELEASE HANDLE GRIP,YELLOW,B-1160-051	1
F1	MEC145417	HUB ASSEMBLY	1

4. Drive Motor Assy's

Please note: For use with 4MPH and 6.25MPH motor programs.



Complete Motor Assy

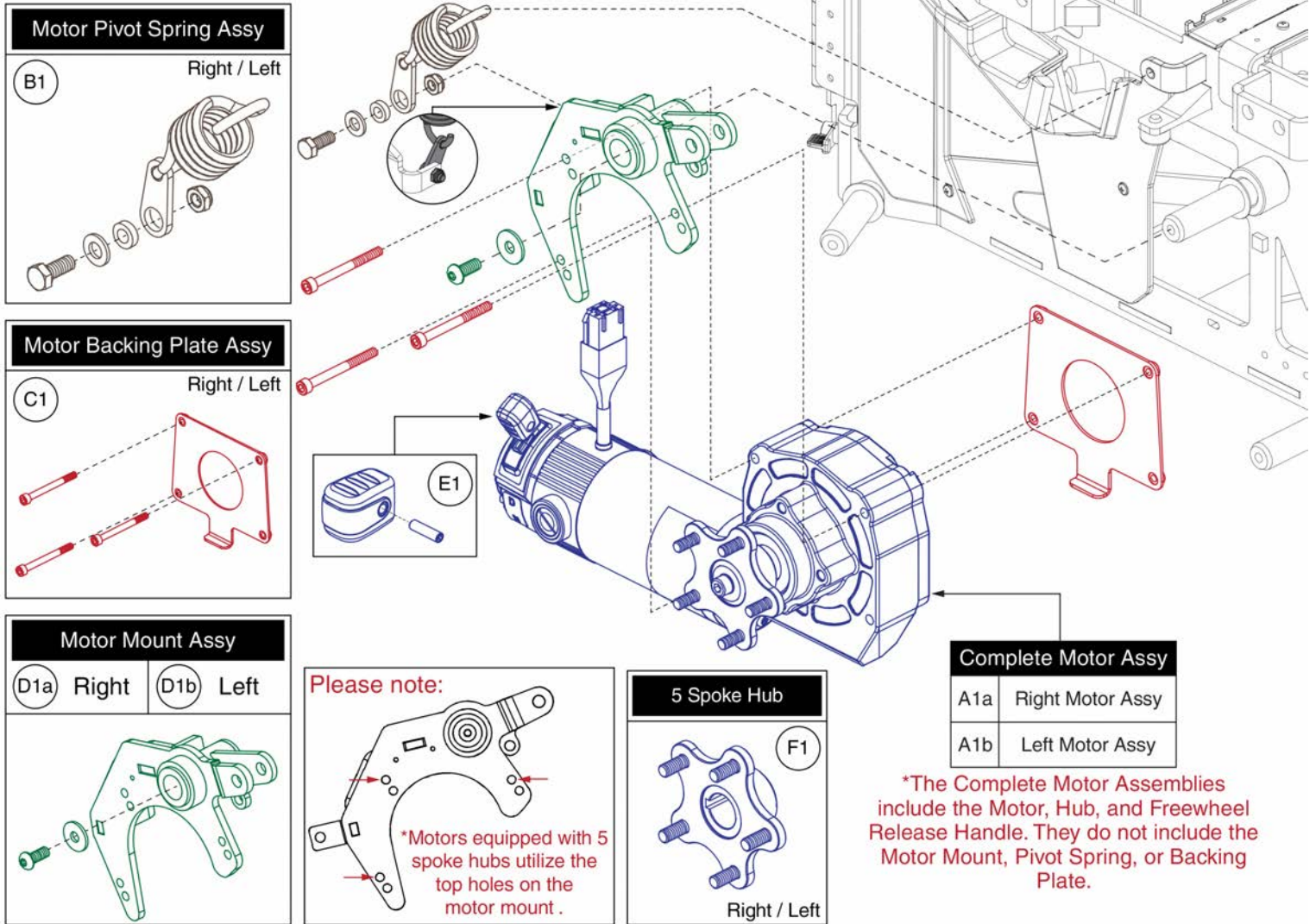
A1a	Right Motor Assy
A1b	Left Motor Assy

*The Complete Motor Assemblies include the Motor, Hub, and Freewheel Release Handle. They do not include the Motor Mount, Pivot Spring, or Backing Plate.

Item	Part No.	Name	Qty
A1a	MOT1809962-06	MOTOR ASM,EDGE MINI,LINIX,HUB AND LEVER,26:1,3-POST,R-NET,RIGHT	1
A1b	MOT1809963-06	MOTOR ASM,EDGE MINI,LINIX,HUB AND LEVER,26:1,3-POST,R-NET,LEFT	1
B1	MEC1711547	MOTOR SUSPENSION ASSEMBLY	1
C1	MEC1909081	MOTOR MOUNT,ASSY,LINIX TO STRETTO	1
D1a	MEC1710112	EDGE MINI MOTOR MOUNT ASSEMBLY, RIGHT	1
D1b	MEC1710119	EDGE MINI MOTOR MOUNT ASSEMBLY, LEFT	1
E1	FRMASMB8691	FREEWHEEL,ASSY,RELEASE HANDLE GRIP,YELLOW,B-1160-051	1
F1	MEC1807297	12.5" 3 SPOKE WHEEL HUB ASSEMBLY	1

4. Drive Motor Assy's

Please note: For use with 4MPH and 6.25MPH motor programs.



*The Complete Motor Assemblies include the Motor, Hub, and Freewheel Release Handle. They do not include the Motor Mount, Pivot Spring, or Backing Plate.

Item	Part No.	Name	Qty
A1a	MOT1809962-02	MOTOR ASM,EDGE MINI,LINIX,HUB AND LEVER,29:1,5-POST, R-NET,RIGHT	1
A1b	MOT1809963-02	MOTOR ASM,EDGE MINI,LINIX,HUB AND LEVER,29:1, 5-POST,R-NET, LEFT	1
B1	MEC1711547	MOTOR SUSPENSION ASSEMBLY	1
C1	MEC1909081	MOTOR MOUNT,ASSY,LINIX TO STRETTO	1
D1a	MEC1710112	EDGE MINI MOTOR MOUNT ASSEMBLY, RIGHT	1
D1b	MEC1710119	EDGE MINI MOTOR MOUNT ASSEMBLY, LEFT	1
E1	FRMASMB8691	FREEWHEEL,ASSY,RELEASE HANDLE GRIP,YELLOW,B-1160-051	1
F1	MEC145417	HUB ASSEMBLY	1

5. Joystick Assy's

Q-Logic 3 Joysticks

* Q-Logic 3 Joystick replacement requires the selection of a Pre-programmed SD Card. SD Cards are not shown. Refer to the model specific SD Card pages for selection. *

Q-Logic 3 Joysticks (Shroud NOT Included) Select Separately	
A1	Standard
B1	Lighting

Standard Inline Joystick Mounting Bracket Assy	
C1	

D1	Speed Knob
E1	Joystick Knob

Lower Housing w/ Bus Cable	
F1	

Joystick Replacement notes:

- The replacement joystick DOES NOT include the painted shroud. Please utilize the existing. If required, it must be selected separately.
- The replacement joystick DOES NOT include the SD card. Refer to the model specific SD Card pages for selection.
- A Pre-programmed, Joystick mounted SD Card is required when:
 - Replacing a Joystick, Power Base Module, Seating Module, or Display.
 - Any circumstance where all of the electronics modules require replacement.
 - When retrofitting a unit in the field to Q-Logic 3 Electronics.
- The Q-Logic 3 system will reprogram the unit based upon the information loaded onto the SD card. A new SD card ensures the unit is loaded with the latest software.
- Contact Technical Service for more information.

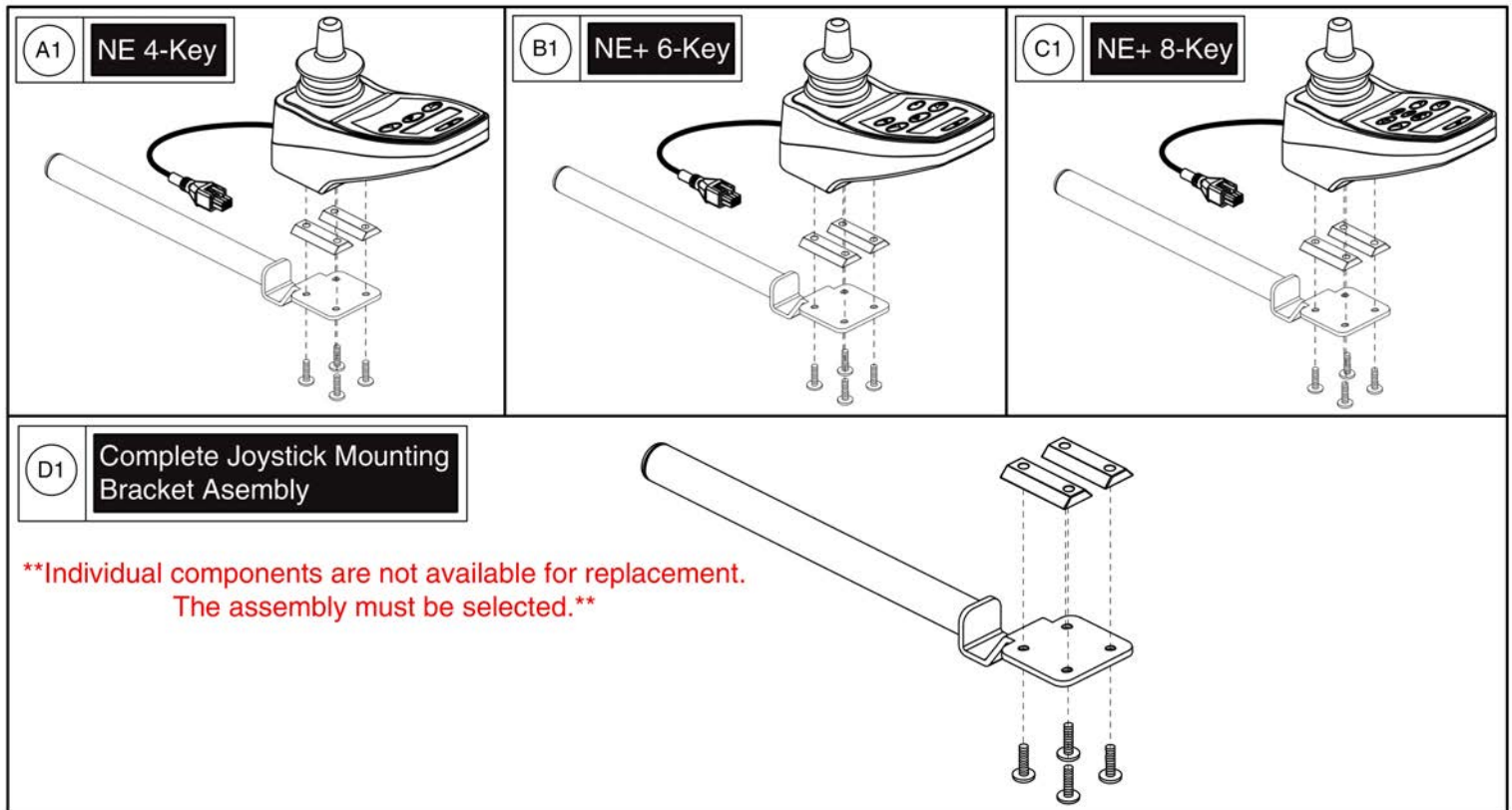
- Refer to the Joystick Mounts & Receivers Sections for more Joystick mounting options.

Q-Logic 3 Joystick Assy's



Item	Part No.	Name	Qty
A1	CTL143976	EXPANDABLE CONTROLLER W/ JOYSTICK AND LCD COLOR DISPLAY, Q-LOGIC 3, 4-KEY, (CURTIS: 17949700-02-0009)	1
B1	CTL143977	EXPANDABLE CONTROLLER W/ JOYSTICK AND LCD COLOR DISPLAY AND LIGHTS, Q-LOGIC 3, 4-KEY, (CURTIS: 17949700-02-0109)	1
C1	FRMASMB10617	JOYSTICK MOUNTING BRACKET,ASSY,CURTIS,INLINE	1
D1	DGN124309	SPEED WHEEL,KNOB,CURTIS Q-LOGIC 2,BLACK,PLASTIC,DGN124309,(CURTIS: 17949367-01)	1
E1	DGN154742	JOYSTICK, KNOB, Q-LOGIC 3, 6.35MM-ID, (CURTIS: 17519114-01)	1
F1	ELE144006	ELECTRONIC, BOTTOM HOUSING, JOYSTICK MODULE Q-LOGIC 3,W/ BUS CABLE Q-LOGIC 3, (CURTIS: 17949366-02)	1

5. Joystick Assy's

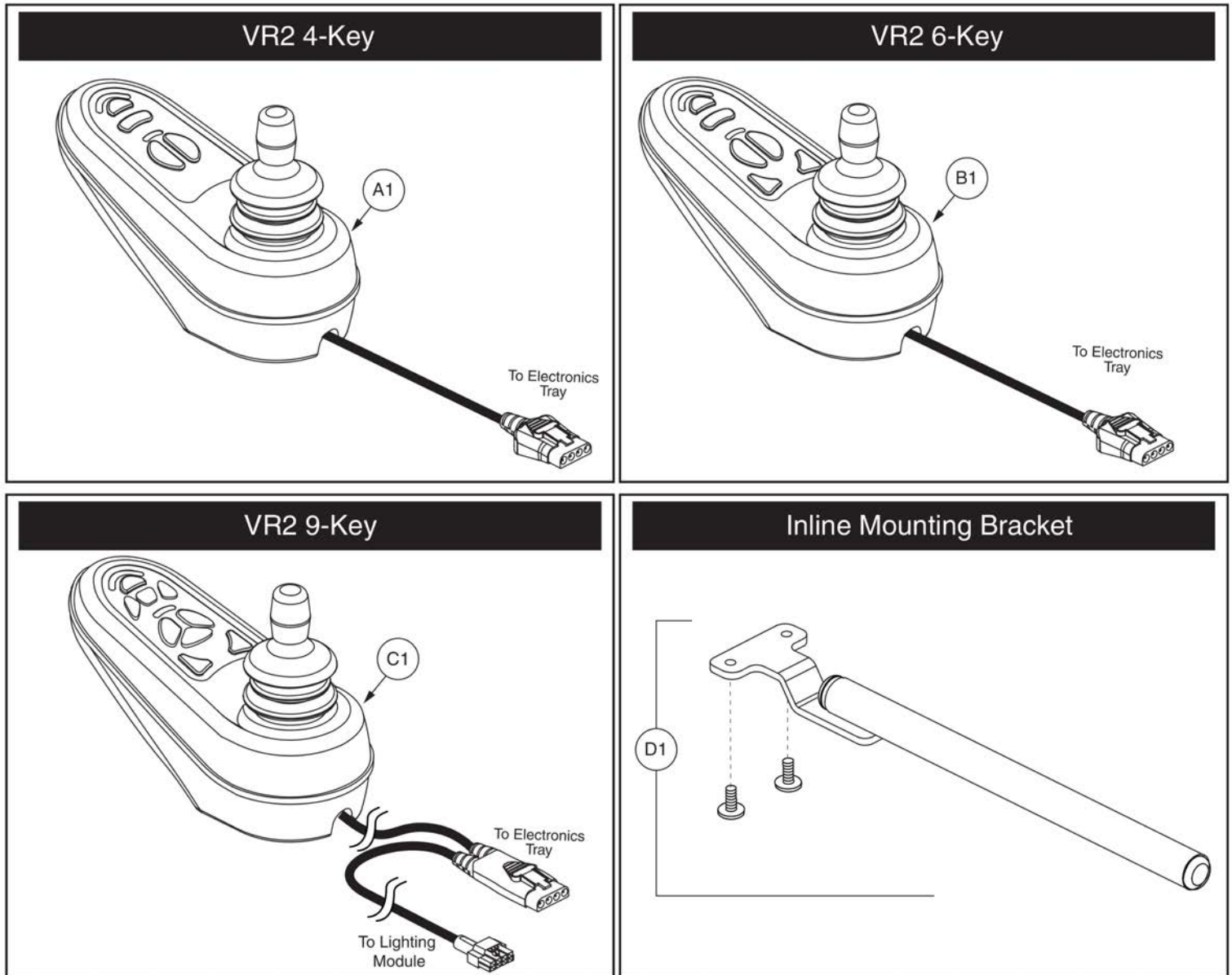


NE/NE+ Joystick Assy's



Item	Part No.	Name	Qty
A1	CTLDC1554	CONTROLLER,JOYSTICK MODULE,CURTIS,NE,4 KEY,H-1111-263,(CURTIS: 378692019)	1
B1	CTLDC1560	CONTROLLER,JOYSTICK MODULE,CURTIS NE PLUS,6 KEY,SWITCH JACKS AND ACTUATORS,H-1111-268,(CURTIS: 17905700)	1
C1	CTLDC1561	CONTROLLER,JOYSTICK MODULE,CURTIS NE PLUS,8 KEY,SWITCH JACKS,ACTUATORS,AND LIGHTS,H-1111-269,(CURTIS: 17906700)	1
D1	FRMASMB12744	JOYSTICK MOUNTING BRACKET,ASSY,NE/NE PLUS CONTROLLER,INLINE	1

5. Joystick Assy's



Item	Part No.	Name	Qty
A1	CTLDC1463	CONTROLLER,JOYSTICK MODULE,4 KEY,VR2,H-1111-015,(P&G: D50677)	1
B1	CTLDC1498	CONTROLLER,JOYSTICK MODULE,6 KEY,VR2,H-1111-063,(P&G: D50680)	1
C1	CTLDC1505	CONTROLLER,JOYSTICK MODULE,9 KEY,ACTUATORS & LIGHTS,VR2,H-1010-130,(P&G: D50871)	1
D1	FRMASMB9532	JOYSTICK MOUNTING BRACKET,ASSY,GC/VR2 CONTROLLER,INLINE	1

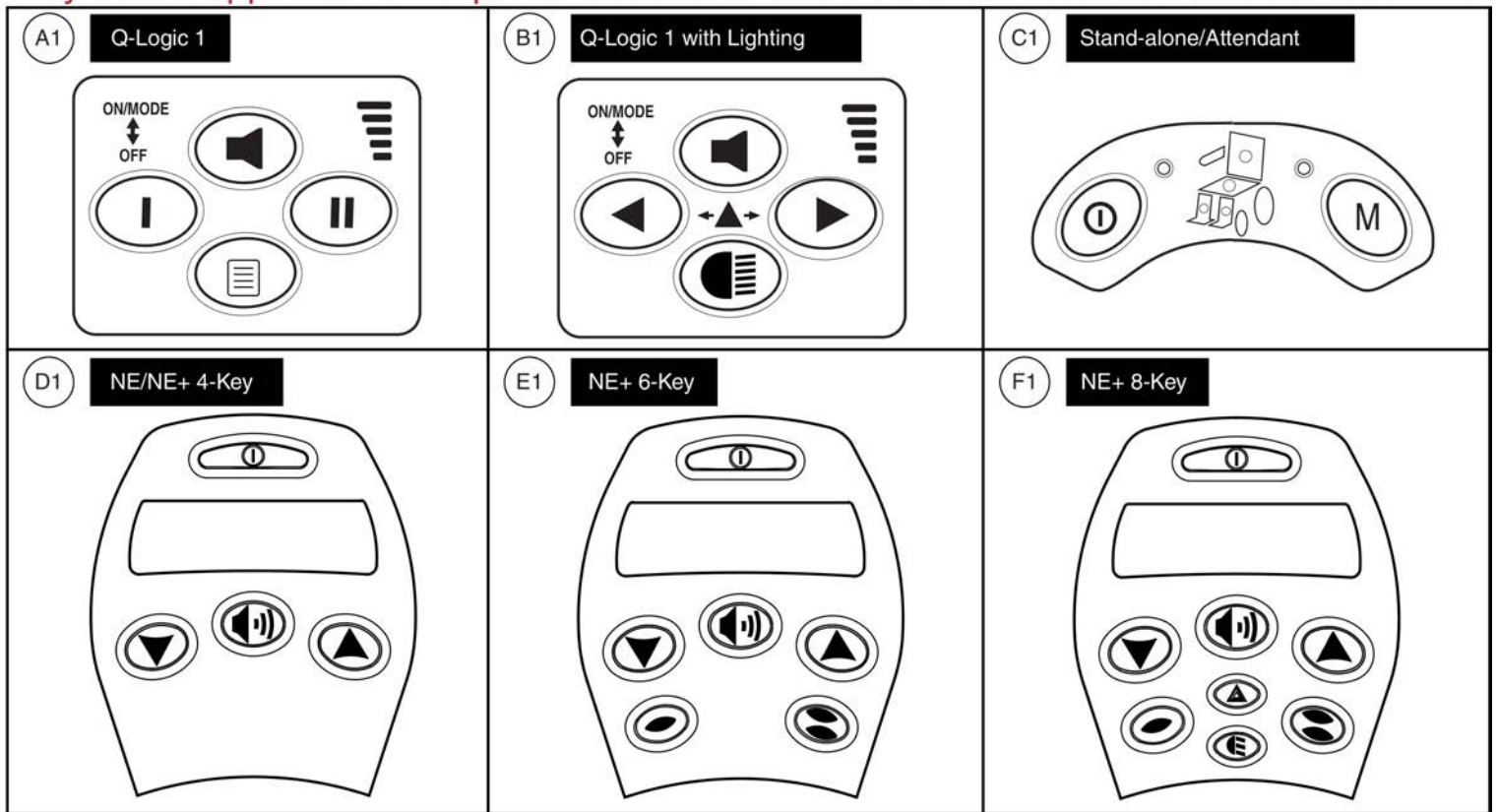
Joystick Knobs & Overlays

<p>A1 Soft Ball</p> 	<p>B1 I-Handle</p> 	<p>C1 T-bar</p> 	<p>D1 Ball</p> 				
<p>E1 Mushroom</p> 	<p>F1 Chin Cup</p> 	<p>G1 Remote Plus (Carrot)</p> 	<p>Goal Posts</p> <table border="1" data-bbox="1425 1066 1546 1171"> <tr> <td>H1</td> <td>3"</td> </tr> <tr> <td>I1</td> <td>4"</td> </tr> </table> 	H1	3"	I1	4"
H1	3"						
I1	4"						

Item	Part No.	Name	Qty
A1	ACCASMB1856	P&G JOYSTICK KNOB,ASSY,JAZZY,SOFT BALL	1
B1	ACCASMB1857	P&G JOYSTICK KNOB,ASSY,JAZZY,EXTENDED I-HANDLE	1
C1	ACCASMB1858	P&G JOYSTICK KNOB,ASSY,JAZZY,T BAR	1
D1	ACCASMB1859	P&G JOYSTICK KNOB,ASSY,JAZZY,BALL	1
E1	ACCASMB1860	P&G JOYSTICK KNOB,ASSY,JAZZY,MUSHROOM	1
F1	ACCASMB1861	P&G JOYSTICK KNOB,ASSY,JAZZY,CHIN CUP	1
G1	ACCASMB1862	P&G JOYSTICK KNOB,ASSY,JAZZY,REMOTE STANDARD	1
H1	PLSKNCP1057	JOYSTICK KNOB,3",GOAL POST,W/FLEX SHAFT,FOR 1/4" STEM,(BP: PC101B)	1
I1	PLSKNCP1058	JOYSTICK KNOB,4",GOAL POST,W/FLEX SHAFT,FOR 1/4" STEM,(BP: PC102B)	1

Joystick Knobs & Overlays

Please note: Joystick selection varies by power base model. Replacement parts shown may not be applicable to all power bases. Contact Technical Service for more information.



Item	Part No.	Name	Qty
A1	KITASMB1728	KIT,ASSY,Q-LOGIC CONTROLLER KEYPAD REPLACEMENT,W/INSTALLATION INSTRUCTIONS	1
B1	KITASMB1729	KIT,ASSY,Q-LOGIC CONTROLLER W/LIGHTS KEYPAD REPLACEMENT,W/INSTALLATION INSTRUCTIONS	1
C1	KITASMB1730	KIT,ASSY,Q-LOGIC STAND ALONE CONTROLLER KEYPAD REPLACEMENT,W/INSTALLATION INSTRUCTIONS	1
D1	KIT152913	KIT,ASSY,NE/NE PLUS CONTROLLER,4 KEY KEYPAD REPLACEMENT,W/INSTALLATION INSTRUCTIONS	1
E1	KIT152914	KIT,ASSY,NE/NE PLUS CONTROLLER,6 KEY KEYPAD REPLACEMENT,W/INSTALLATION INSTRUCTIONS	1
F1	KIT152915	KIT,ASSY,NE/NE PLUS CONTROLLER,8 KEY KEYPAD REPLACEMENT,W/INSTALLATION INSTRUCTIONS	1

Joystick Knobs & Overlays

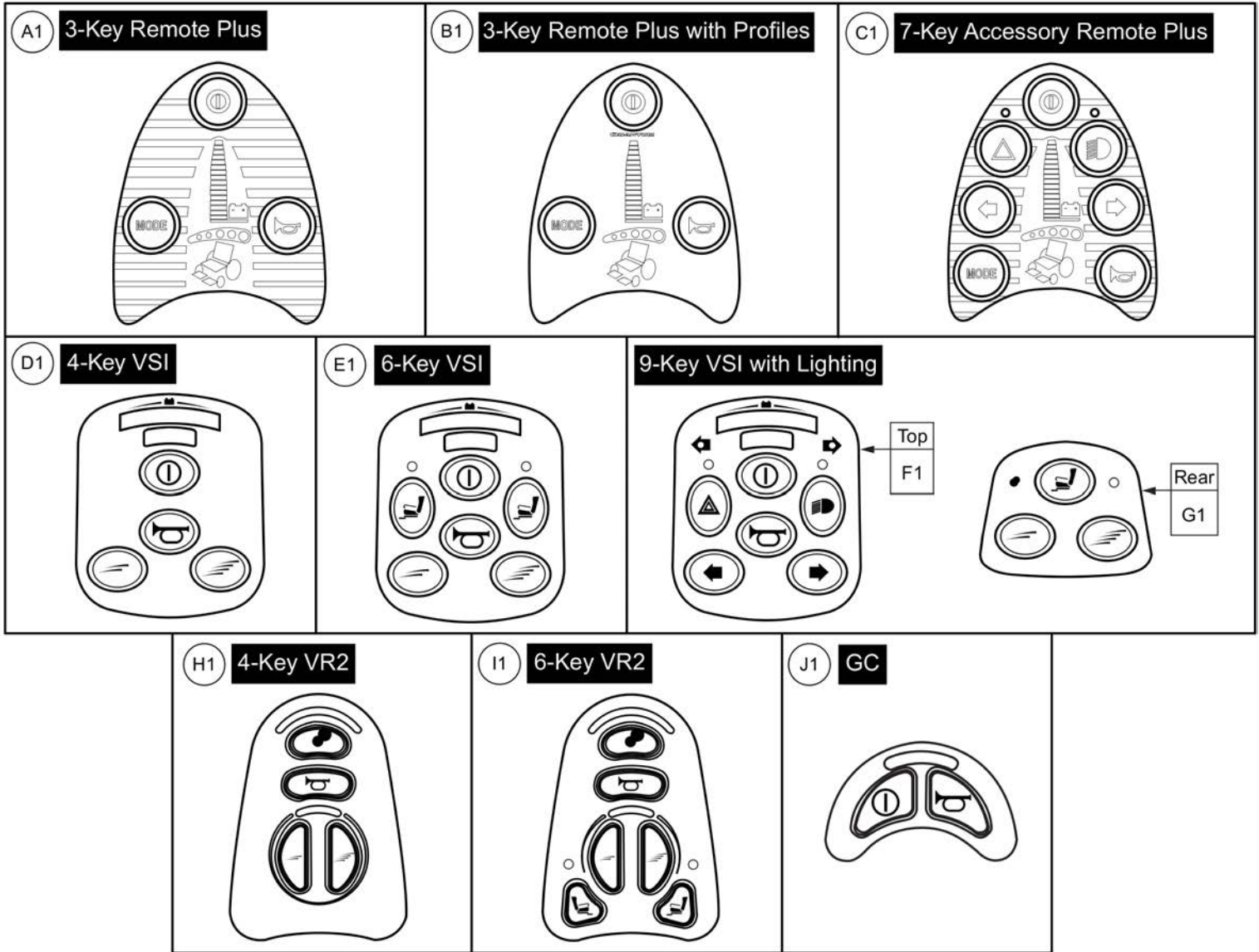
Please note:

- Joystick selection varies by power base model. Replacement parts shown may not be applicable to all power bases.
- Serviceable components vary for each version of the Q-Logic Joystick and only the serviceable parts are shown for each.
- Contact Technical Service for more information.

Q-Logic 3			
	Joystick & Stand-alone/Attendant Gimble Knob	Speed Knob	
Q-Logic 2			
	Joystick & Stand-alone/Attendant Gimble Knob	Speed Knob	On/Off/Mode Knob <i>(NOT compatible with Q-Logic 1 or 3)</i>
Q-Logic 1			
	Joystick & Stand-alone/Attendant Gimble Knob	Speed Knob	

Item	Part No.	Name	Qty
A1	DGN154742	JOYSTICK, KNOB, Q-LOGIC 3, 6.35MM-ID, (CURTIS: 17519114-01)	1
B1	DGN124309	SPEED WHEEL,KNOB,CURTIS Q-LOGIC 2,BLACK,PLASTIC,DGN124309,(CURTIS: 17949367-01)	1
C1	DGN124308	JOYSTICK,KNOB,CURTIS,STANDARD,6.35MM-ID,DGN124308,(CURTIS: 37381)	1
D1	KIT152919	KIT,ASSY,Q-LOGIC 2 CONTROLLER,ON/OFF/MODE TOGGLE REPLACEMENT,W/INSTALLATION INSTRUCTIONS	1
E1	PLSINDV1252	ELECTRONIC,KNOB,BLACK,PLASTIC,SPEED WHEEL,(CURTIS: 17856352-A)	1

Joystick Knobs & Overlays

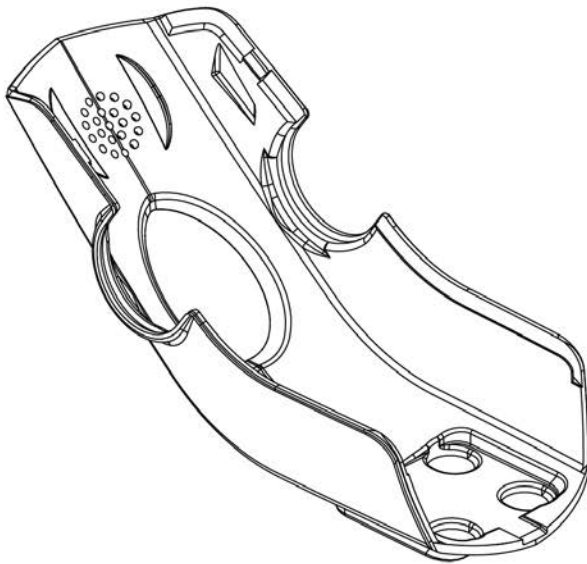


Item	Part No.	Name	Qty
A1	TECSERV1064	ELECTRONIC,REMOTE PLUS JOYSTICK,3 KEY TEMPLATE,(PGDT: 73903)	1
B1	RECPART1085	ELECTRONIC,KEYPAD,REMOTE PLUS,3 KEY,PROFILED,(PGDT: P76347)	1
C1	TECSERV1065	ELECTRONIC,REMOTE PLUS JOYSTICK,7 KEY TEMPLATE,(P&G: P73907)	1
D1	RECPART1071	ELECTRONIC,KEYPAD,VSI,4 KEY,(PGDT: 222-P75736)	1
E1	RECPART1061	ELECTRONIC,KEYPAD,VSI,6 KEY,(PGDT: 222-P75735)	1
F1	RECPART1066	ELECTRONIC,KEYPAD,VSI,6 KEY W/LIGHTS,(PGDT: 222-P76522)	1
G1	RECPART1067	ELECTRONIC,KEYPAD,VSI,3 KEY,REAR,(PGDT: 222-SA76710)	1
H1	RECPART1129	ELECTRONIC,KEYPAD,VR2 CONTROLLER,4 KEY,(PG: P77909)	1
I1	RECPART1130	ELECTRONIC,KEYPAD,VR2 CONTROLLER,6 KEY,(PG: P77910)	1
J1	DWR1111H199	ELECTRONIC,KEYPAD,GC CONTROLLER,2 KEY,H-1111-199,(PGDT: P78238)	1

Q-Logic 2 & 3 Joystick Shrouds

***Please Note:**

- The joystick shrouds are available in all the Quantum colors listed.
- Power base colors vary by model and some colors listed may not be available on all power bases. See the Quatum Color Reference Chart for color options.
- Some colors listed may have prolonged lead times.
- Contact Technical Service for more information.



Q-Logic 2 (Pre 2015)	
Ref#	Color Name
A1	Std., Soft Touch
A2	Black
A3	Silver
A4	Candy Apple Red
A5	Pearl Pink
A6	Sapphire Blue
A7	True Blue
A8	Viper Blue
A9	Emerald Green
A10	Orion Yellow
A11	Sunburst Orange

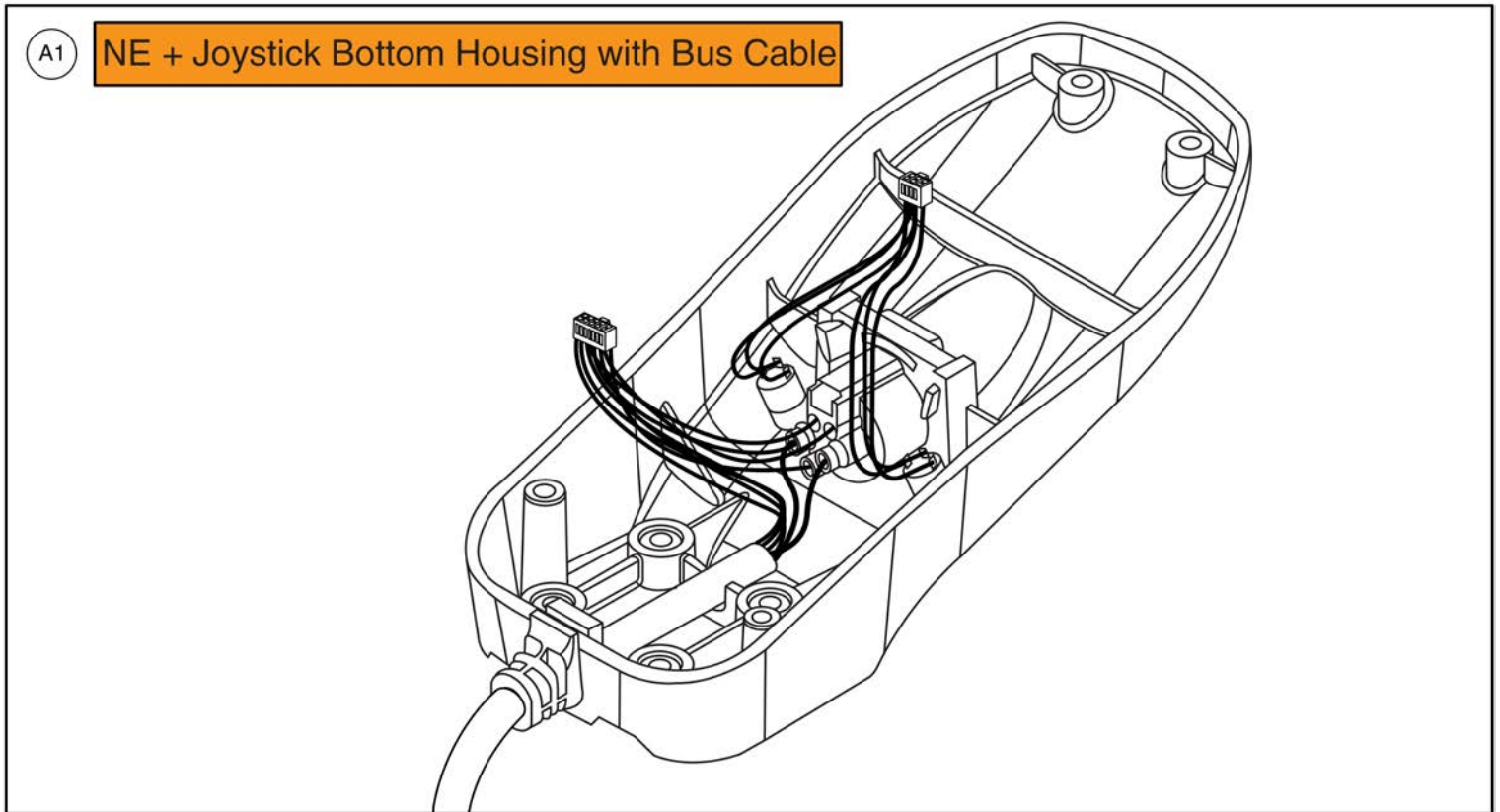
Q-Logic 2 (Post 2015) & Q-Logic 3	
Ref#	Color Name
B1	Std., Soft Touch
B2	Back in Black
B3	Night Train
B4	Grey Street
B5	Silver Bullet
B6	White Satin
B7	Red Corvette
B8	Cherry Bomb
B9	Pretty in Pink
B10	Raspberry Beret
B11	Sugar Plum
B12	Deep Purple
B13	Midnight Blue
B14	Electric Blue
B15	Blue Jean
B16	Green Machine
B17	Military Green
B18	Lime Light
B19	Yellow Blaze
B20	Lemon Crush
B21	Orange Crush
B22	Evolution Orange
B23	Carbon Fiber
B24	Digital Camo
B25	Faded Glory

Q-Logic 2 & 3 Joystick Shrouds



Item	Part No.	Name	Qty
A1	DGN124307	Q-LOGIC 2/3 JOYSTICK SHROUD,BLACK SOFT-TOUCH PAINT,(CURTIS: 17949365-02)	1
A2	DGN124336-PBK1	Q-LOGIC 2/3 JOYSTICK SHROUD,PPW-BLK-01 (BACK IN BLACK/BLACK)	1
A3	DGN124336-PSL1	Q-LOGIC 2/3 JOYSTICK SHROUD,PPW-SIL-01 (SILVER)	1
A4	DGN124336-PRD1	Q-LOGIC 2/3 JOYSTICK SHROUD,PPW-RED-01 (RED CORVETTE/CANDY APPLE RED)	1
A5	DGN124336-PPK1	Q-LOGIC 2/3 JOYSTICK SHROUD,PPW-PNK-01 (PEARL PINK)	1
A6	DGN124336-PPR4	Q-LOGIC 2/3 JOYSTICK SHROUD,PPW-PRP-04 (SAPPHIRE BLUE)	1
A7	DGN124336-PBU9	Q-LOGIC 2/3 JOYSTICK SHROUD,PPW-BLU-09 (ELECTRIC BLUE/TRUE BLUE)	1
A8	DGN124336-PBU1	Q-LOGIC 2/3 JOYSTICK SHROUD,PPW-BLU-01 (VIPER BLUE)	1
A9	DGN124336-PGN5	Q-LOGIC 2/3 JOYSTICK SHROUD,PPW-GRN-05 (EMERALD GREEN)	1
A10	DGN124336-PYL3	Q-LOGIC 2/3 JOYSTICK SHROUD,PPW-YEL-03 (YELLOW BLAZE/ORION YELLOW)	1
A11	DGN124336-POR4	Q-LOGIC 2/3 JOYSTICK SHROUD,PPW-ORN-04 (SUNBURST ORANGE)	1
B1	DGN124307	Q-LOGIC 2/3 JOYSTICK SHROUD,BLACK SOFT-TOUCH PAINT,(CURTIS: 17949365-02)	1
B2	DGN124336-PBK1	Q-LOGIC 2/3 JOYSTICK SHROUD,PPW-BLK-01 (BACK IN BLACK/BLACK)	1
B3	DGN124336-PBK3	Q-LOGIC 2/3 JOYSTICK SHROUD,PPW-BLK-03 (NIGHT TRAIN)	1
B4	DGN124336-PSL3	Q-LOGIC 2/3 JOYSTICK SHROUD,PPW-SIL-03 (GREY STREET)	1
B5	DGN124336-PSL7	Q-LOGIC 2/3 JOYSTICK SHROUD,PPW-SIL-07 (SILVER BULLET)	1
B6	DGN124336-PWH2	Q-LOGIC 2/3 JOYSTICK SHROUD,PPW-WHT-02 (WHITE SATIN)	1
B7	DGN124336-PRD1	Q-LOGIC 2/3 JOYSTICK SHROUD,PPW-RED-01 (RED CORVETTE/CANDY APPLE RED)	1
B8	DGN124336-PRD4	Q-LOGIC 2/3 JOYSTICK SHROUD,PPW-RED-04 (CHERRY BOMB)	1
B9	DGN124336-PPK3	Q-LOGIC 2/3 JOYSTICK SHROUD,PPW-PNK-03 (PRETTY IN PINK)	1
B10	DGN124336-PPK4	Q-LOGIC 2/3 JOYSTICK SHROUD,PPW-PNK-04 (RASPBERRY BERET)	1
B11	DGN124336-PPR7	Q-LOGIC 2/3 JOYSTICK SHROUD,PPW-PRP-07 (SUGAR PLUM)	1
B12	DGN124336-PPR5	Q-LOGIC 2/3 JOYSTICK SHROUD,PPW-PRP-05 (DEEP PURPLE)	1
B13	DGN124336-PBU10	Q-LOGIC 2/3 JOYSTICK SHROUD,PPW-BLU-10 (MIDNIGHT BLUE)	1
B14	DGN124336-PBU9	Q-LOGIC 2/3 JOYSTICK SHROUD,PPW-BLU-09 (ELECTRIC BLUE/TRUE BLUE)	1
B15	DGN124336-PBU11	Q-LOGIC 2/3 JOYSTICK SHROUD,PPW-BLU-11 (BLUE JEAN)	1
B16	DGN124336-PGN11	Q-LOGIC 2/3 JOYSTICK SHROUD,PPW-GRN-11 (GREEN MACHINE)	1
B17	DGN124336-PGN8	Q-LOGIC 2/3 JOYSTICK SHROUD,PPW-GRN-08 (MILITARY GREEN)	1
B18	DGN124336-PGN7	Q-LOGIC 2/3 JOYSTICK SHROUD,PPW-GRN-07 (LIME LIGHT)	1
B19	DGN124336-PYL3	Q-LOGIC 2/3 JOYSTICK SHROUD,PPW-YEL-03 (YELLOW BLAZE/ORION YELLOW)	1
B20	DGN124336-PYL4	Q-LOGIC 2/3 JOYSTICK SHROUD,PPW-YEL-04 (LEMON CRUSH)	1
B21	DGN124336-POR6	Q-LOGIC 2/3 JOYSTICK SHROUD,PPW-ORN-06 (ORANGE CRUSH)	1
B22	DGN124336-POR7	Q-LOGIC 2/3 JOYSTICK SHROUD,PPW-ORN-07 (EVOLUTION ORANGE)	1
B23	DGN124336-WCB1	Q-LOGIC 2/3 JOYSTICK SHROUD,PWT-CBN-01 (CARBON FIBER)	1
B24	DGN124336-WCM7	Q-LOGIC 2/3 JOYSTICK SHROUD,PWT-CMO-07 (MILITARY DIGITAL CAMO)	1
B25	DGN124336-WFL2	Q-LOGIC 2/3 JOYSTICK SHROUD,PWT-FLG-02 (FADED GLORY)	1

Joystick Bottom Housings

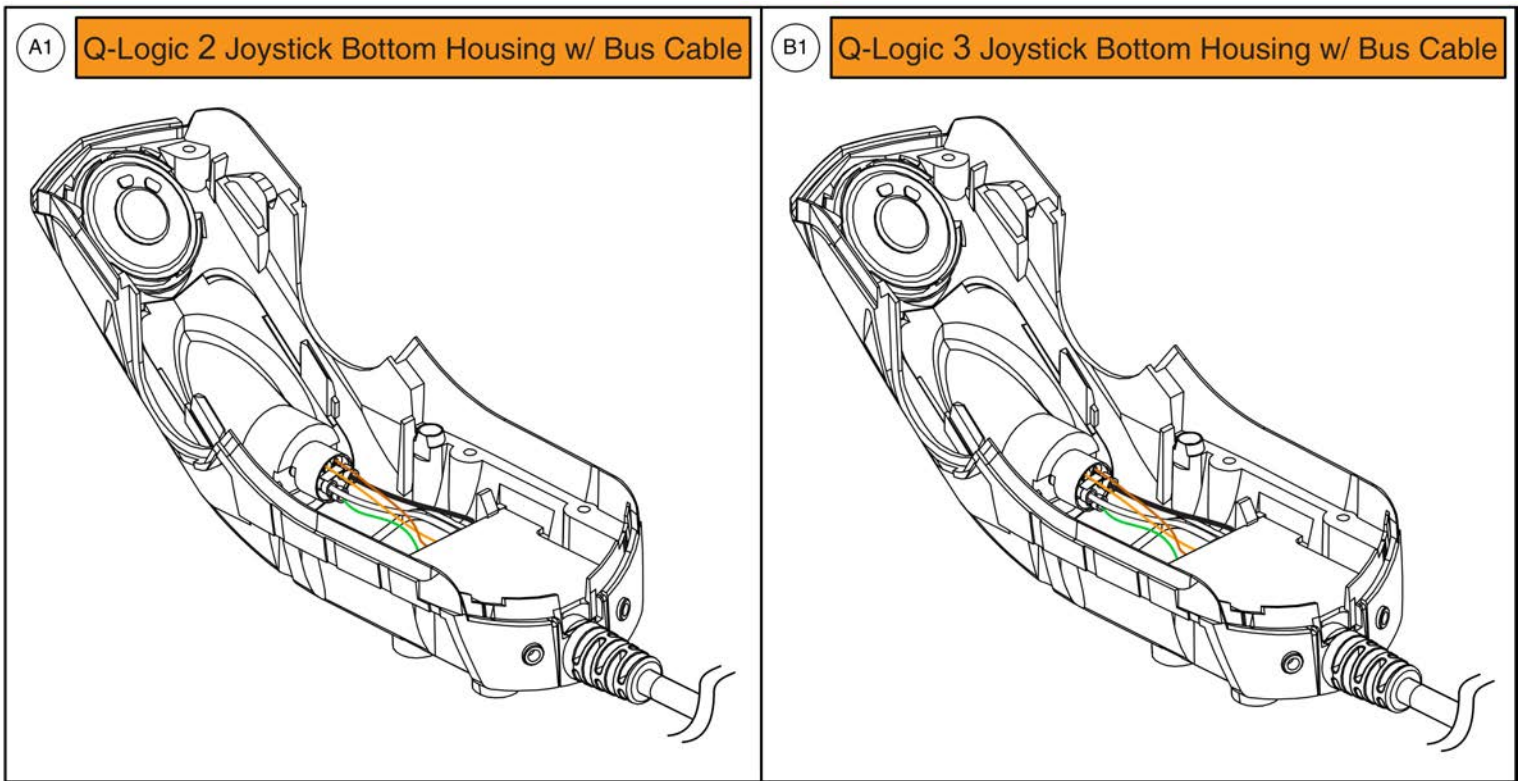


NE + Joystick Bottom Housing w/Bus Cable



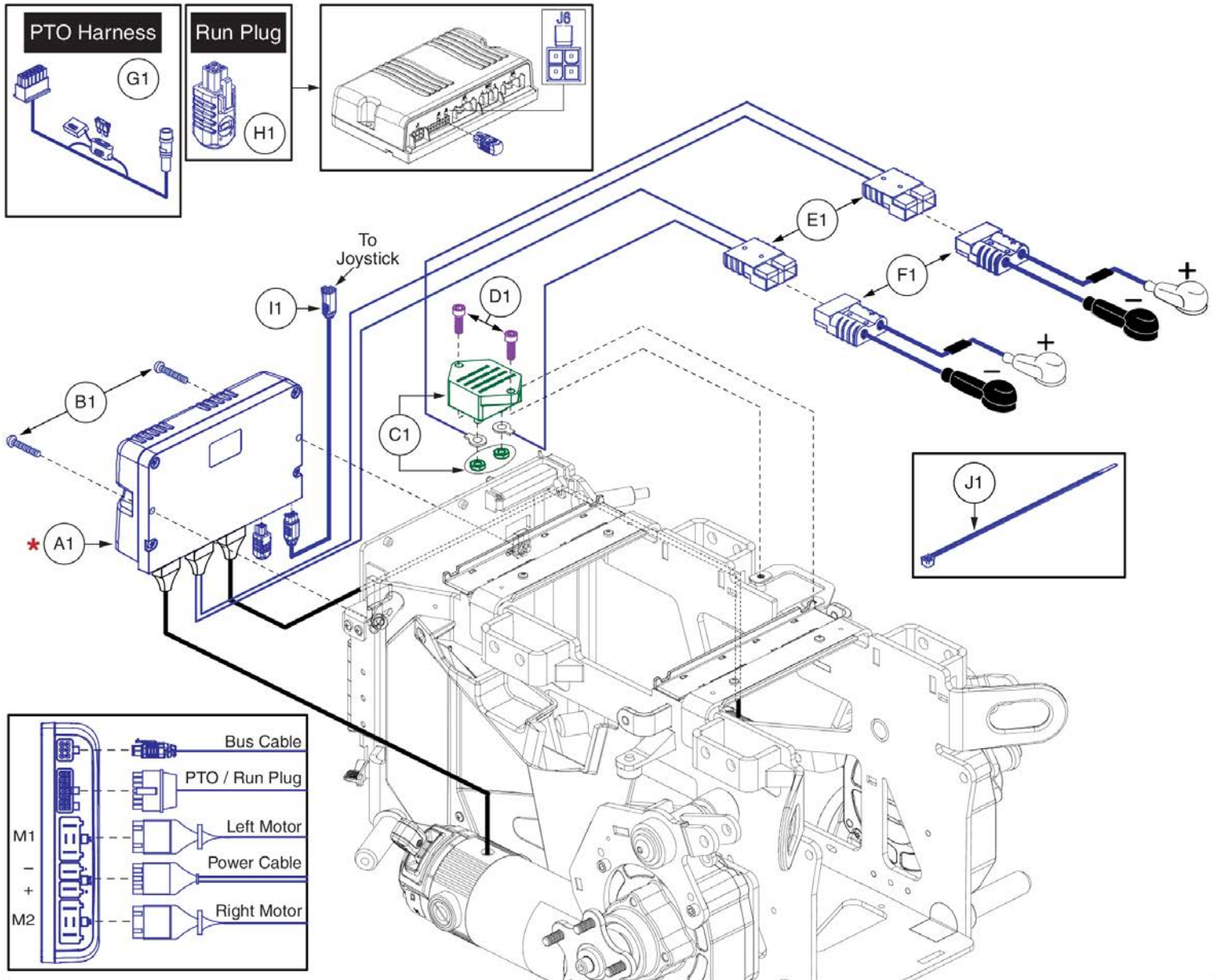
Item	Part No.	Name	Qty
A1	DWR1111C003	JOYSTICK REPLACEMENT BOTTOM,W/HARNESS,NE+ W/JACKS,C-1111-003,(CURTIS: 17906705)	1

Joystick Bottom Housings

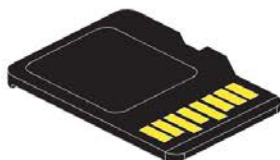


Item	Part No.	Name	Qty
A1	ELE124313	Q-LOGIC 2 BOTTOM HOUSING,JOYSTICK MODULE,W/BUS CABLE	1
B1	ELE144006	ELECTRONIC, BOTTOM HOUSING, JOYSTICK MODULE Q-LOGIC 3,W/ BUS CABLE Q-LOGIC 3, (CURTIS: 17949366-02)	1

6.1. Q-Logic 3



Power Module (A1) replacement may require the selection of a Pre-programmed SD Card. See notes.★



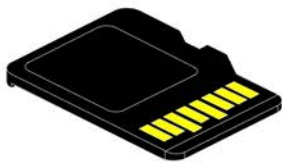
**Pre-programmed,
Joystick Mounted
Micro SD Card**

Please note:

- It's recommended to replace the SD Card when replacing the power module.
- Pre-programmed, joystick mounted SD Cards are required when:
 - Retrofitting a unit in the field to Q-Logic 3 Electronics.
 - Any circumstance where all of the electronics modules require replacement.
- The Q-Logic 3 system will reprogram the unit based upon the information loaded onto the SD card. A new SD card ensures the unit is loaded with the latest software.
- The proper, programmed SD card must be selected to ensure the unit functions as intended.
- SD cards not shown. See the power base SD card page for options.
- Contact Technical Service for more information.

Item	Part No.	Name	Qty
A1	CTL143978	POWER MODULE, Q-LOGIC 3,120 AMP, (CURTIS: 17930700-3509)	1
B1	SCRPPH1390	SCREW,PPH,BLACK ZINC,M5-.8 X 35MM	2
C1	ELECBRK1020	ELECTRONIC,CIRCUIT BREAKER,70 AMP,AUTO-RESET	1
D1	HDW142473	SCREW,SHCS,BLACK ZINC,M6-1.0 X 18MM,ISO 4762 CLASS 12.9,W/NYLON PATCH	2
E1	ELE1810039	ELECTRONIC,HARNESS,POWER CABLE,Q6EDGE 3 STRETTO,W/CABLE TIES	1
F1	ELE1709864	HARNESS, BATTERY, FWD, FLEX CABLE	2
G1	DWR1265H021	ELECTRONIC,HARNESS,POWER TAKE OFF(PTO)/INHIBIT,CURTIS,H-1265-021	1
H1	DGN1901203	OVER-MOLD RUN RECEPTACLE, 4-CIRCUIT	1
I1	HAR144005	HARNESS, BUS EXTENSION CABLE, Q-LOGIC 3, 0.410 METER,MALE/FEMALE, (CURTIS: 17881362-01-01)	1
J1	PLSTIE1004	TIE WRAP,BLACK,8"	5

6.1. Q-Logic 3



Pre-programmed
Micro SD Card

Q-Logic 3 SD Card Master List - Q6 Edge 3 Stretto				
Ref#	Part Number	Motor Program	Drive Wheels	Options
A1	ELE1908264	6.25 mph	12 Inch	Static
B1	ELE1908260	6.25 mph	12 Inch	Power Positioning
C1	ELE1908263	6.25 mph	14 Inch	Static
D1	ELE1908262	6.25 mph	14 Inch	Power Positioning

Please note:

- Pre-programmed SD Cards are required when:
 - Replacing a Joystick, Power Base Module, or Seating Module. A firmware upgrade occurred requiring a system update to enable all of the enhanced features.
 - Any circumstance where all of the electronics modules require replacement.
- The Q-Logic 3 system will reprogram the unit based upon the information loaded onto the SD card.
- The proper, programmed SD card must be selected to ensure the unit functions as intended.

Item	Part No.	Name	Qty
A1	ELE1908264	SERVICEABLE ASSEMBLY, SD CARD, Q6EDGE 3 STRETTO 12 INCH TIRES, PROGRAM,6.25MPH LINIX MOTORS,Q-LOGIC 3, STATIC SEATING	1
B1	ELE1908260	SERVICEABLE ASSEMBLY, SD CARD, Q6EDGE 3 STRETTO 12 INCH TIRES, PROGRAM,6.25MPH LINIX MOTORS,Q-LOGIC 3, POWER POSITIONING.	1
C1	ELE1908263	SERVICEABLE ASSEMBLY, SD CARD, Q6EDGE 3 STRETTO 14 INCH TIRES, PROGRAM,6.25MPH LINIX MOTORS,Q-LOGIC 3, STATIC SEATING	1
D1	ELE1908262	SERVICEABLE ASSEMBLY, SD CARD, Q6EDGE 3 STRETTO 14 INCH TIRES, PROGRAM,6.25MPH LINIX MOTORS,Q-LOGIC 3, POWER POSITIONING.	1

4MPH Motors

NE+ Electronics Matrix w/ 4 MPH Motor Program				
Ref#	Part Number	Drive Wheels	Seating Config.	PTO Config.
A1	ELE1904854	12 Inch	Static Seat	Run Plug
B1	ELE1904844	12 Inch	Static Seat	PTO
C1	ELE1907980	12 Inch	Static Seat	Fender Light PTO
D1	ELE1904859	12 Inch	Power Positioning	Run Plug
E1	ELE1904847	12 Inch	Power Positioning	PTO
F1	ELE1907981	12 Inch	Power Positioning	Fender Light PTO
G1	ELE1904860	14 Inch	Static Seat	Run Plug
H1	ELE1904852	14 Inch	Static Seat	PTO
I1	ELE1907982	14 Inch	Static Seat	Fender Light PTO
J1	ELE1904862	14 Inch	Power Positioning	Run Plug
K1	ELE1904853	14 Inch	Power Positioning	PTO
L1	ELE1907983	14 Inch	Power Positioning	Fender Light PTO

Please note:

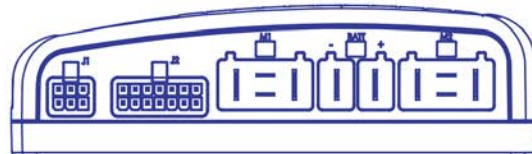
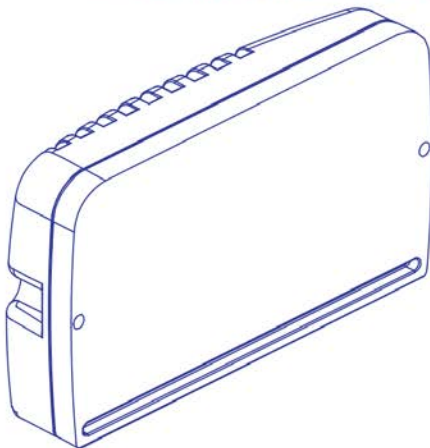
- The complete assemblies include the power module w/ hardware, battery cables, bus cable, and cable ties.
- Depending on the PTO Configuration it will also include the Run Plug, PTO Harness, or Fender Light Module PTO Interface Harness.
- They do NOT include the power cable (which connects into the power module) or circuit breaker.

Item	Part No.	Name	Qty
A1	ELE1904854	ELECTRONIC,ASSY,NE PLUS,12" TIRES,4 MPH MOTORS,Q6EDGE 3 STRETTO,STATIC,RUN PLUG	1
B1	ELE1904844	ELECTRONIC,ASSY,NE PLUS,12" TIRES,4 MPH MOTORS,Q6EDGE 3 STRETTO,STATIC / PTO	1
C1	ELE1907980	ELECTRONIC,ASSY,NE PLUS,12" TIRES,4 MPH MOTORS,Q6EDGE 3 STRETTO,STATIC (w/ fender light pto)	1
D1	ELE1904859	ELECTRONIC,ASSY,NE PLUS,12" TIRES,4 MPH MOTORS,Q6EDGE 3 STRETTO,POWER POSITIONING,RUN PLUG	1
E1	ELE1904847	ELECTRONIC,ASSY,NE PLUS,12" TIRES,4 MPH MOTORS,Q6EDGE 3 STRETTO,POWER POSITIONING / PTO	1
F1	ELE1907981	ELECTRONIC,ASSY,NE PLUS,12" TIRES,4 MPH MOTORS,Q6EDGE 3 STRETTO,POWER POSITIONING (w/ fender light pto)	1
G1	ELE1904860	ELECTRONIC,ASSY,NE PLUS,14" TIRES,4 MPH MOTORS,Q6EDGE 3 STRETTO,STATIC,RUN PLUG	1
H1	ELE1904852	ELECTRONIC,ASSY,NE PLUS,14" TIRES,4 MPH MOTORS,Q6EDGE 3 STRETTO,STATIC / PTO	1
I1	ELE1907982	ELECTRONIC,ASSY,NE PLUS,14" TIRES,4 MPH MOTORS,Q6EDGE 3 STRETTO,STATIC (w/ fender light pto)	1
J1	ELE1904862	ELECTRONIC,ASSY,NE PLUS,14" TIRES,4 MPH MOTORS,Q6EDGE 3 STRETTO,POWER POSITIONING,RUN PLUG	1
K1	ELE1904853	ELECTRONIC,ASSY,NE PLUS,14" TIRES,4 MPH MOTORS,Q6EDGE 3 STRETTO,POWER POSITIONING / PTO	1
L1	ELE1907983	ELECTRONIC,ASSY,NE PLUS,14" TIRES,4 MPH MOTORS,Q6EDGE 3 STRETTO,POWER POSITIONING (w/ fender light pto)	1

4MPH Motors

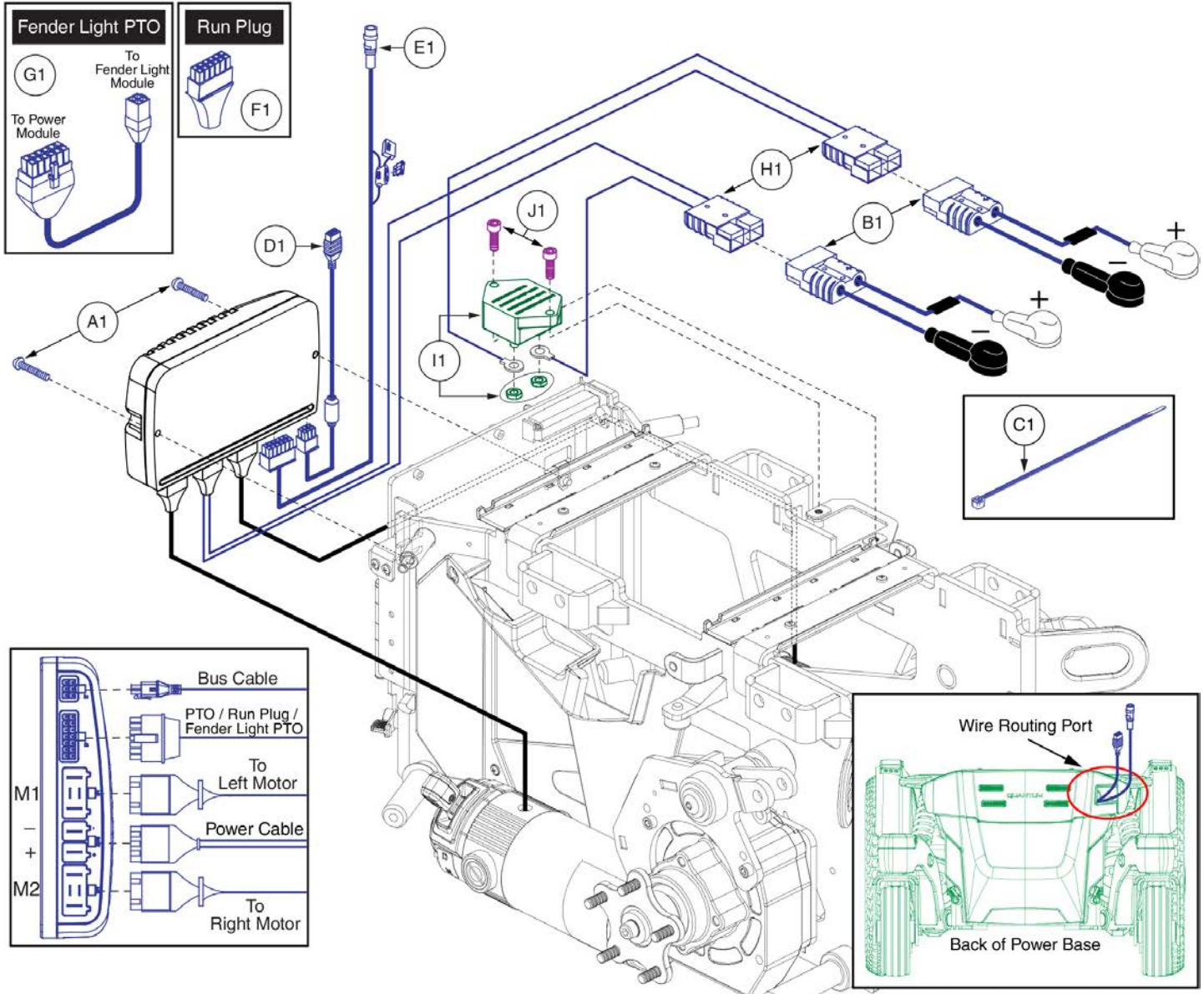
NE+ Power Modules w/ 4 MPH Motor Program				
Ref#	Part Number	Drive Wheels	Seating Config.	Master Assy's
A1	CTL1906829	12 Inch	Static Seat	ELE1904854 ELE1904844 ELE1907980
B1	CTL1906830	12 Inch	Power Positioning	ELE1904859 ELE1904847 ELE1907981
C1	CTL1906831	14 Inch	Static Seat	ELE1904860 ELE1904852 ELE1907982
D1	CTL1906832	14 Inch	Power Positioning	ELE1904862 ELE1904853 ELE1907983

Please note: Power module selection is independent of Run Plug, PTO, or Fender Light PTO usage. Program parameters are based upon motor speed, drive wheel size, and seating configuration.



Item	Part No.	Name	Qty
A1	CTL1906829	CONTROLLER,NE PLUS,ASSY,75 AMP,12" TIRES, 4 MPH PROGRAM,Q6EDGE 3 STRETTO	1
B1	CTL1906830	CONTROLLER,NE PLUS,ASSY,75 AMP,12" TIRES, 4 MPH PROGRAM,Q6EDGE 3 STRETTO,POWER POSITIONING	1
C1	CTL1906831	CONTROLLER,NE PLUS,ASSY,75 AMP,14" TIRES, 4 MPH PROGRAM,Q6EDGE 3 STRETTO	1
D1	CTL1906832	CONTROLLER,NE PLUS,ASSY,75 AMP,14" TIRES, 4 MPH PROGRAM,Q6EDGE 3 STRETTO,POWER POSITIONING	1

4MPH Motors



12" Drive Wheels, 4MPH Motor Program	Master Assy	A1	B1	C1	D1	E1	F1	G1	H1	I1	J1
Static Seat, Run Plug	ELE1904854	2	2	5	1		1				
Static Seat, PTO	ELE1904844	2	2	5	1	1					
Static Seat, Fender Light PTO	ELE1907980	2	2	5	1			1			
Power Positioning, Run Plug	ELE1904859	2	2	5	1		1				
Power Positioning, PTO	ELE1904847	2	2	5	1	1					
Power Positioning, Fender Light PTO	ELE1907981	2	2	5	1			1			
14" Drive Wheels, 4MPH Motor Program	Master Assy	A1	B1	C1	D1	E1	F1	G1	H1	I1	J1
Static Seat, Run Plug	ELE1904860	2	2	5	1		1				
Static Seat, PTO	ELE1904852	2	2	5	1	1					
Static Seat, Fender Light PTO	ELE1907982	2	2	5	1			1			
Power Positioning, Run Plug	ELE1904862	2	2	5	1		1				
Power Positioning, PTO	ELE1904853	2	2	5	1	1					
Power Positioning, Fender Light PTO	ELE1907983	2	2	5	1			1			

Note: H1, I1, & J1 are not included with the master assemblies.

Item	Part No.	Name	Qty
A1	SCRPPH1390	SCREW,PPH,BLACK ZINC,M5-.8 X 35MM	2
B1	ELE1709864	HARNESS, BATTERY, FWD, FLEX CABLE	2
C1	PLSTIE1004	TIE WRAP,BLACK,8"	5
D1	DWR1111H065	ELECTRONIC,HARNESS,BUS EXTENSION CABLE,CURTIS,0.410 METER,MALE/FEMALE,H-1111-065,(CURTIS: 17881303)	1
E1	DWR1265H021	ELECTRONIC,HARNESS,POWER TAKE OFF(PTO)/INHIBIT,CURTIS,H-1265-021	1
F1	DWR1265H027	ELECTRONIC,HARNESS,RUN PLUG,Q-LOGIC	1
G1	ELE1907903	HARNESS, PTO INTERFACE, QL2/NE+ TO 4 PIN MOLEX	1
H1	ELE1810039	ELECTRONIC,HARNESS,POWER CABLE,Q6EDGE 3 STRETTO,W/CABLE TIES	1
I1	ELECBRK1020	ELECTRONIC,CIRCUIT BREAKER,70 AMP,AUTO-RESET	1
J1	HDW142473	SCREW,SHCS,BLACK ZINC,M6-1.0 X 18MM,ISO 4762 CLASS 12.9,W/NYLON PATCH	2

6MPH Motors

NE+ Electronics Matrix w/ 6.25 MPH Motor Program				
Ref#	Part Number	Drive Wheels	Seating Config.	PTO Config.
A1	ELE1902878	12 Inch	Static Seat	Run Plug
B1	ELE1902880	12 Inch	Static Seat	PTO
C1	ELE1907976	12 Inch	Static Seat	Fender Light PTO
D1	ELE1902879	12 Inch	Power Positioning	Run Plug
E1	ELE1902881	12 Inch	Power Positioning	PTO
F1	ELE1907977	12 Inch	Power Positioning	Fender Light PTO
G1	ELE1904838	14 Inch	Static Seat	Run Plug
H1	ELE1904840	14 Inch	Static Seat	PTO
I1	ELE1907978	14 Inch	Static Seat	Fender Light PTO
J1	ELE1904839	14 Inch	Power Positioning	Run Plug
K1	ELE1904841	14 Inch	Power Positioning	PTO
L1	ELE1907979	14 Inch	Power Positioning	Fender Light PTO

Please note:

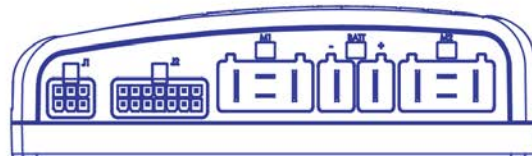
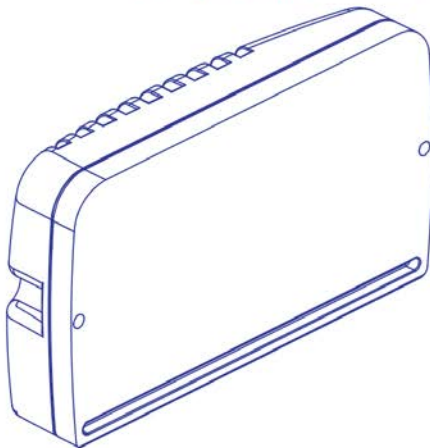
- The complete assemblies include the power module w/ hardware, battery cables, bus cable, and cable ties.
- Depending on the PTO Configuration it will also include the Run Plug, PTO Harness, or Fender Light Module PTO Interface Harness.
- They do NOT include the power cable (which connects into the power module) or circuit breaker.

Item	Part No.	Name	Qty
A1	ELE1902878	ELECTRONIC,ASSY,NE PLUS,12" TIRES,6.25 MPH MOTORS,Q6EDGE 3 STRETTO,STATIC,RUN PLUG	1
B1	ELE1902880	ELECTRONIC,ASSY,NE PLUS,12" TIRES,6.25 MPH MOTORS,Q6EDGE 3 STRETTO,STATIC,PTO	1
C1	ELE1907976	ELECTRONIC,ASSY,NE PLUS,12" TIRES,6.25 MPH MOTORS,Q6EDGE 3 STRETTO,STATIC (w/ fender light pto)	1
D1	ELE1902879	ELECTRONIC,ASSY,NE PLUS,12" TIRES,6.25 MPH MOTORS,Q6EDGE 3 STRETTO,POWER POSITIONING,RUN PLUG	1
E1	ELE1902881	ELECTRONIC,ASSY,NE PLUS,12" TIRES,6.25 MPH MOTORS,Q6EDGE 3 STRETTO,POWER POSITIONING,PTO	1
F1	ELE1907977	ELECTRONIC,ASSY,NE PLUS,12" TIRES,6.25 MPH MOTORS,Q6EDGE 3 STRETTO,POWER POSITIONING (w/ fender light pto)	1
G1	ELE1904838	ELECTRONIC,ASSY,NE PLUS,14" TIRES,6.25 MPH MOTORS,Q6EDGE 3 STRETTO,STATIC,RUN PLUG	1
H1	ELE1904840	ELECTRONIC,ASSY,NE PLUS,14" TIRES,6.25 MPH MOTORS,Q6EDGE 3 STRETTO,STATIC,PTO	1
I1	ELE1907978	ELECTRONIC,ASSY,NE PLUS,14" TIRES,6.25 MPH MOTORS,Q6EDGE 3 STRETTO,STATIC (w/ fender light pto)	1
J1	ELE1904839	ELECTRONIC,ASSY,NE PLUS,14" TIRES,6.25 MPH MOTORS,Q6EDGE 3 STRETTO,POWER POSITIONING,RUN PLUG	1
K1	ELE1904841	ELECTRONIC,ASSY,NE PLUS,14" TIRES,6.25 MPH MOTORS,Q6EDGE 3 STRETTO,POWER POSITIONING,PTO	1
L1	ELE1907979	ELECTRONIC,ASSY,NE PLUS,14" TIRES,6.25 MPH MOTORS,Q6EDGE 3 STRETTO,POWER POSITIONING (w/ fender light pto)	1

6MPH Motors

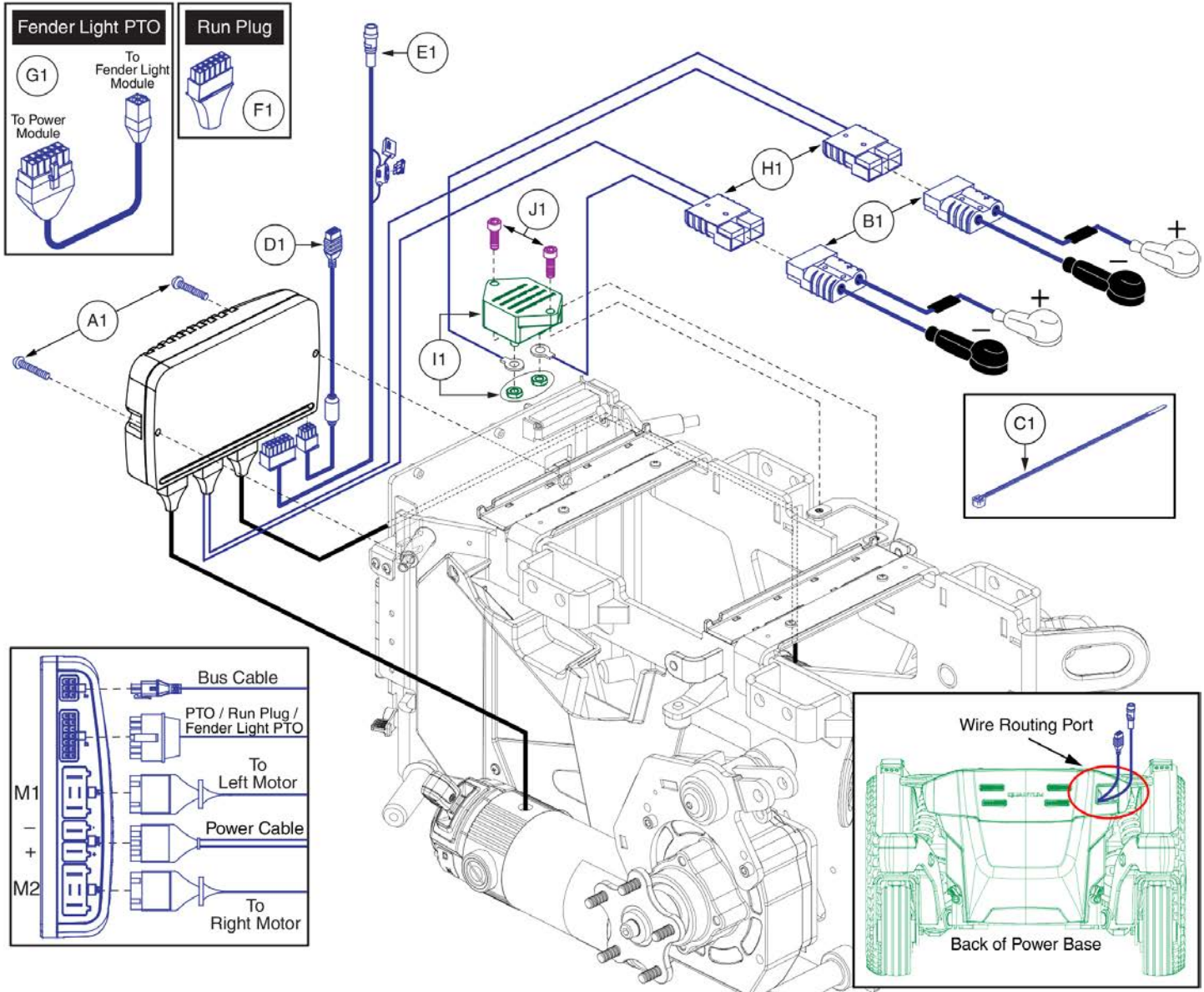
NE+ Power Modules w/ 6.25 MPH Motor Program				
Ref#	Part Number	Drive Wheels	Seating Config.	Master Assy's
A1	CTL1906825	12 Inch	Static Seat	ELE1902878 ELE1902880 ELE1907976
B1	CTL1906826	12 Inch	Power Positioning	ELE1902879 ELE1902881 ELE1907977
C1	CTL1906827	14 Inch	Static Seat	ELE1904838 ELE1904840 ELE1907978
D1	CTL1906828	14 Inch	Power Positioning	ELE1904839 ELE1904841 ELE1907979

Please note: Power module selection is independent of Run Plug, PTO, or Fender Light PTO usage. Program parameters are based upon motor speed, drive wheel size, and seating configuration.



Item	Part No.	Name	Qty
A1	CTL1906825	CONTROLLER,NE PLUS,ASSY,75 AMP,12" TIRES, 6.25 MPH PROGRAM,Q6EDGE 3 STRETTO	1
B1	CTL1906826	CONTROLLER,NE PLUS,ASSY,75 AMP,12" TIRES, 6.25 MPH PROGRAM,Q6EDGE 3 STRETTO,POWER POSITIONING	1
C1	CTL1906827	CONTROLLER,NE PLUS,ASSY,75 AMP,14" TIRES, 6.25 MPH PROGRAM,Q6EDGE 3 STRETTO	1
D1	CTL1906828	CONTROLLER,NE PLUS,ASSY,75 AMP,14" TIRES, 6.25 MPH PROGRAM,Q6EDGE 3 STRETTO,POWER POSITIONING	1

6MPH Motors



12" Drive Wheels, 6.25 MPH Motor Program	Master Assy	A1	B1	C1	D1	E1	F1	G1	H1	I1	J1
Static Seat, Run Plug	ELE1902878	2	2	5	1		1				
Static Seat, PTO	ELE1902880	2	2	5	1	1					
Static Seat, Fender Light PTO	ELE1907976	2	2	5	1			1			
Power Positioning, Run Plug	ELE1902879	2	2	5	1		1				
Power Positioning, PTO	ELE1902881	2	2	5	1	1					
Power Positioning, Fender Light PTO	ELE1907977	2	2	5	1			1			
14" Drive Wheels, 6.25 MPH Motor Program	Master Assy	A1	B1	C1	D1	E1	F1	G1	H1	I1	J1
Static Seat, Run Plug	ELE1904838	2	2	5	1		1				
Static Seat, PTO	ELE1904840	2	2	5	1	1					
Static Seat, Fender Light PTO	ELE1907978	2	2	5	1			1			
Power Positioning, Run Plug	ELE1904839	2	2	5	1		1				
Power Positioning, PTO	ELE1904841	2	2	5	1	1					
Power Positioning, Fender Light PTO	ELE1907979	2	2	5	1			1			

Note: H1, I1, & J1 are not included with the master assemblies.

Item	Part No.	Name	Qty
A1	SCRPPH1390	SCREW,PPH,BLACK ZINC,M5-.8 X 35MM	2
B1	ELE1709864	HARNESS, BATTERY, FWD, FLEX CABLE	2
C1	PLSTIE1004	TIE WRAP,BLACK,8"	5
D1	DWR1111H065	ELECTRONIC,HARNESS,BUS EXTENSION CABLE,CURTIS,0.410 METER,MALE/FEMALE,H-1111-065,(CURTIS: 17881303)	1
E1	DWR1265H021	ELECTRONIC,HARNESS,POWER TAKE OFF(PTO)/INHIBIT,CURTIS,H-1265-021	1
F1	DWR1265H027	ELECTRONIC,HARNESS,RUN PLUG,Q-LOGIC	1
G1	ELE1907903	HARNESS, PTO INTERFACE, QL2/NE+ TO 4 PIN MOLEX	1
H1	ELE1810039	ELECTRONIC,HARNESS,POWER CABLE,Q6EDGE 3 STRETTO,W/CABLE TIES	1
I1	ELECBRK1020	ELECTRONIC,CIRCUIT BREAKER,70 AMP,AUTO-RESET	1
J1	HDW142473	SCREW,SHCS,BLACK ZINC,M6-1.0 X 18MM,ISO 4762 CLASS 12.9,W/NYLON PATCH	2

4MPH Motors

NE Electronics Matrix w/ 4 MPH Motor Program				
Ref#	Part Number	Drive Wheels	Seating Config.	PTO Config.
A1	ELE1904903	12 Inch	Static Seat	Run Plug
B1	ELE1907986	12 Inch	Static Seat	Fender Light PTO
C1	ELE1904905	12 Inch	Tilt thru Toggle / Manual Recline	PTO w/ Intermediate Harness
D1	ELE1904904	14 Inch	Static Seat	Run Plug
E1	ELE1907987	14 Inch	Static Seat	Fender Light PTO
F1	ELE1904906	14 Inch	Tilt thru Toggle / Manual Recline	PTO w/ Intermediate Harness

Please note:

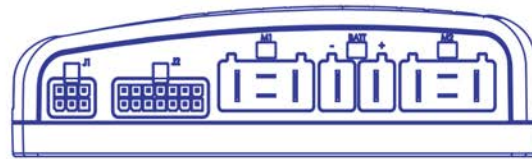
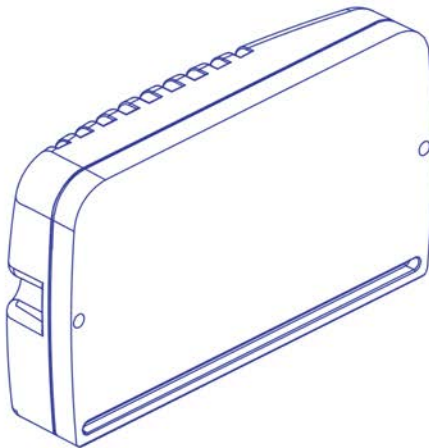
- The complete assemblies include the power module w/ hardware, battery cables, bus cable, and cable ties.
- Depending on the PTO Configuration it will also include the Run Plug, PTO w/ Intermediate Harness, or Fender Light Module PTO Interface Harness.
- They do NOT include the power cable (which connects into the power module) or circuit breaker.

Item	Part No.	Name	Qty
A1	ELE1904903	ELECTRONIC,ASSY,NE,12" TIRES,4 MPH MOTORS,Q6EDGE 3 STRETTO,RUN PLUG	1
B1	ELE1907986	ELECTRONIC,ASSY,NE,12" TIRES,4 MPH MOTORS,Q6EDGE 3 STRETTO (w/ fender light pto)	1
C1	ELE1904905	ELECTRONIC,ASSY,NE,12" TIRES,4 MPH MOTORS,Q6EDGE 3 STRETTO,PTO	1
D1	ELE1904904	ELECTRONIC,ASSY,NE,14" TIRES,4 MPH MOTORS,Q6EDGE 3 STRETTO,RUN PLUG	1
E1	ELE1907987	ELECTRONIC,ASSY,NE,14" TIRES,4 MPH MOTORS,Q6EDGE 3 STRETTO (w/ fender light pto)	1
F1	ELE1904906	ELECTRONIC,ASSY,NE,14" TIRES,4 MPH MOTORS,Q6EDGE 3 STRETTO,PTO	1

4MPH Motors

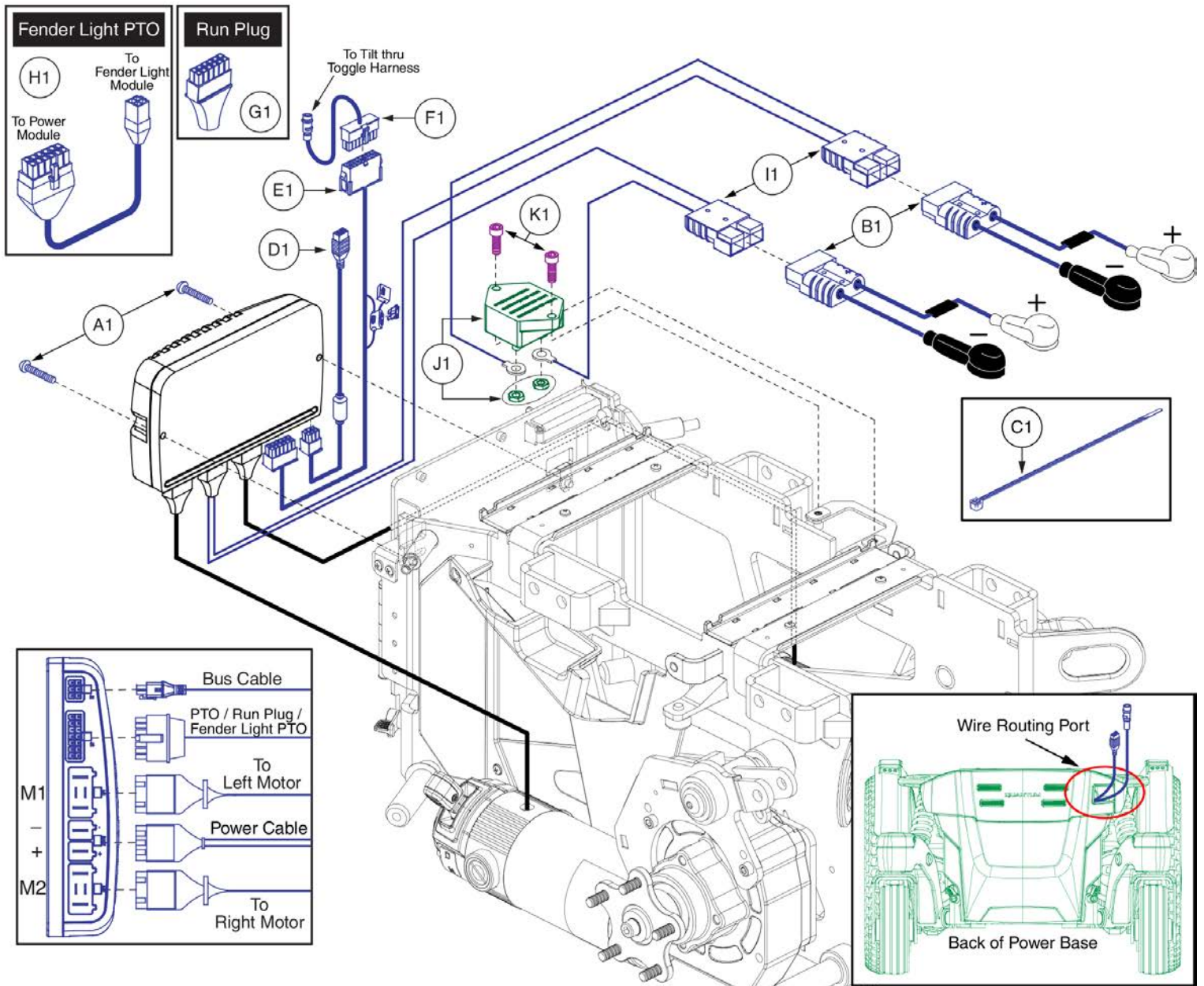
NE Power Modules w/ 4 MPH Motor Program				
Ref#	Part Number	Drive Wheels	Seating Config.	Master Assy's
A1	CTL1906835	12 Inch	Static Seat Tilt thru Toggle Manual Recline	ELE1904903 ELE1907986 ELE1904905
B1	CTL1906836	14 Inch	Static Seat Tilt thru Toggle Manual Recline	ELE1904904 ELE1907987 ELE1904906

Please note: Power module selection is independent of Run Plug, PTO, or Fender Light PTO usage. Program parameters are based upon motor speed and drive wheel size.



Item	Part No.	Name	Qty
A1	CTL1906835	CONTROLLER,NE,ASSY,75 AMP,12" TIRES, 4 MPH PROGRAM,Q6EDGE 3 STRETTO	1
B1	CTL1906836	CONTROLLER,NE,ASSY,75 AMP,14" TIRES, 4 MPH PROGRAM,Q6EDGE 3 STRETTO	1

4MPH Motors



12" Drive Wheels, 4MPH Motor Program	Master Assy	A1	B1	C1	D1	E1	F1	G1	H1	I1	J1	K1
Static Seat, Run Plug	ELE1904903	2	2	5	1			1				
Static Seat, Fender Light PTO	ELE1907986	2	2	5	1				1			
Tilt thru Toggle / Manual Recline	ELE1904905	2	2	5	1	1	1					
14" Drive Wheels, 4MPH Motor Program	Master Assy	A1	B1	C1	D1	E1	F1	G1	H1	I1	J1	K1
Static Seat, Run Plug	ELE1904904	2	2	5	1			1				
Static Seat, Fender Light PTO	ELE1907987	2	2	5	1				1			
Tilt thru Toggle / Manual Recline	ELE1904906	2	2	5	1	1	1					

Note: I1, J1, & K1 are not included with the master assemblies.

Item	Part No.	Name	Qty
A1	SCRPPH1390	SCREW,PPH,BLACK ZINC,M5-.8 X 35MM	2
B1	ELE1709864	HARNESS, BATTERY, FWD, FLEX CABLE	2
C1	PLSTIE1004	TIE WRAP,BLACK,8"	5
D1	DWR1111H065	ELECTRONIC,HARNESS,BUS EXTENSION CABLE,CURTIS,0.410 METER,MALE/FEMALE,H-1111-065,(CURTIS: 17881303)	1
E1	DWR1265H055	ELECTRONIC,HARNESS,INTERMEDIATE,OFFBOARD CHARGER,NE,H-1265-055	1
F1	DWR1265H057	ELECTRONIC,HARNESS,PTO ONLY,NE,H-1265-057	1
G1	DWR1265H061	ELECTRONIC,HARNESS,RUN PLUG,NE,CURTIS,H-1265-061	1
H1	ELE1907905	HARNESS, PTO INTERFACE, NE TO 4 PIN MOLEX	1
I1	ELE1810039	ELECTRONIC,HARNESS,POWER CABLE,Q6EDGE 3 STRETTO,W/CABLE TIES	1
J1	ELECBRK1020	ELECTRONIC,CIRCUIT BREAKER,70 AMP,AUTO-RESET	1
K1	HDW142473	SCREW,SHCS,BLACK ZINC,M6-1.0 X 18MM,ISO 4762 CLASS 12.9,W/NYLON PATCH	2

6MPH Motors

NE Electronics Matrix w/ 6.25 MPH Motor Program				
Ref#	Part Number	Drive Wheels	Seating Config.	PTO Config.
A1	ELE1902882	12 Inch	Static Seat	Run Plug
B1	ELE1907984	12 Inch	Static Seat	Fender Light PTO
C1	ELE1902883	12 Inch	Tilt thru Toggle / Manual Recline	PTO w/ Intermediate Harness
D1	ELE1904902	14 Inch	Static Seat	Run Plug
E1	ELE1907985	14 Inch	Static Seat	Fender Light PTO
F1	ELE1902884	14 Inch	Tilt thru Toggle / Manual Recline	PTO w/ Intermediate Harness

Please note:

- The complete assemblies include the power module w/ hardware, battery cables, bus cable, and cable ties.
- Depending on the PTO Configuration it will also include the Run Plug, PTO w/ Intermediate Harness, or Fender Light Module PTO Interface Harness.
- They do NOT include the power cable (which connects into the power module) or circuit breaker.

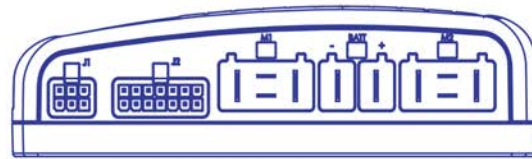
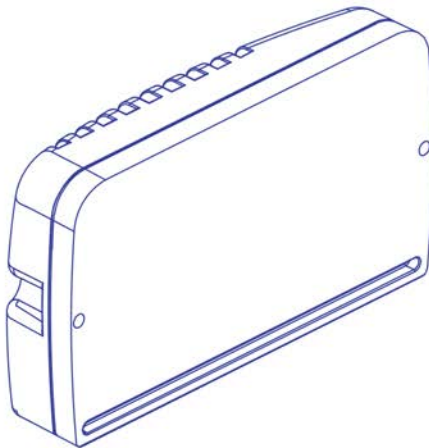
Item	Part No.	Name	Qty
A1	ELE1902882	ELECTRONIC,ASSY,NE,12" TIRES,6.25 MPH MOTORS,Q6EDGE 3 STRETTO,RUN PLUG	1
B1	ELE1907984	ELECTRONIC,ASSY,NE,12" TIRES,6.25 MPH MOTORS,Q6EDGE 3 STRETTO (w/ fender light pto)	1
C1	ELE1902883	ELECTRONIC,ASSY,NE,12" TIRES,6.25 MPH MOTORS,Q6EDGE 3 STRETTO,W/PTO	1
D1	ELE1904902	ELECTRONIC,ASSY,NE,14" TIRES,6.25 MPH MOTORS,Q6EDGE 3 STRETTO,RUN PLUG	1
E1	ELE1907985	ELECTRONIC,ASSY,NE,14" TIRES,6.25 MPH MOTORS,Q6EDGE 3 STRETTO (w/ fender light pto)	1
F1	ELE1902884	ELECTRONIC,ASSY,NE,14" TIRES,6.25 MPH MOTORS,Q6EDGE 3 STRETTO,PTO	1

6MPH Motors

NE Power Modules w/ 6.25 MPH Motor Program

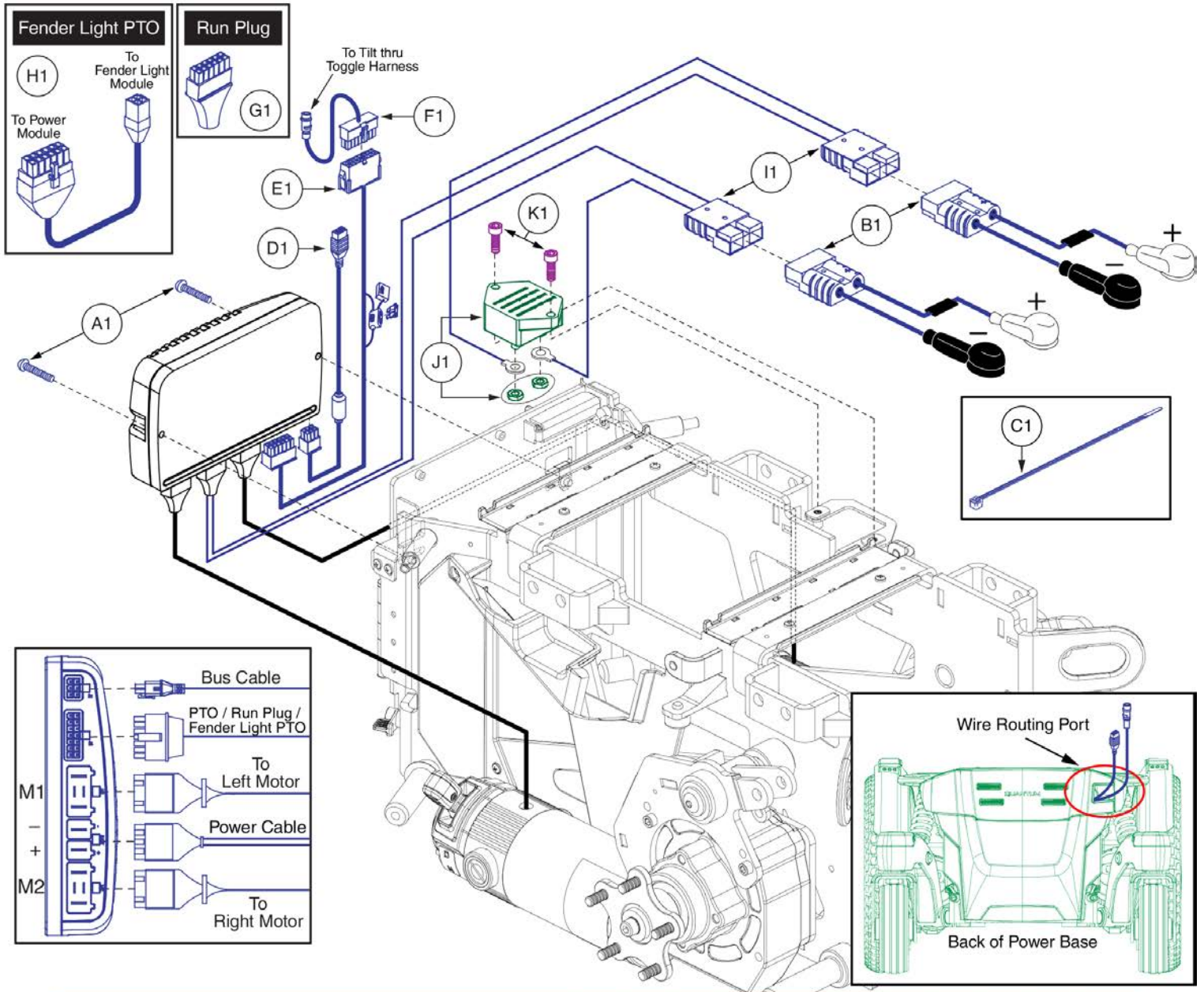
Ref#	Part Number	Drive Wheels	Seating Config.	Master Assy's
A1	CTL1906833	12 Inch	Static Seat Tilt thru Toggle Manual Recline	ELE1902822 ELE1907984 ELE1902833
B1	CTL1906834	14 Inch	Static Seat Tilt thru Toggle Manual Recline	ELE1904902 ELE1907985 ELE1902844

Please note: Power module selection is independent of Run Plug, PTO, or Fender Light PTO usage. Program parameters are based upon motor speed and drive wheel size.



Item	Part No.	Name	Qty
A1	CTL1906833	CONTROLLER,NE,ASSY,75 AMP,12" TIRES, 6.25 MPH PROGRAM,Q6EDGE 3 STRETTO	1
B1	CTL1906834	CONTROLLER,NE,ASSY,75 AMP,14" TIRES, 6.25 MPH PROGRAM,Q6EDGE 3 STRETTO	1

6MPH Motors



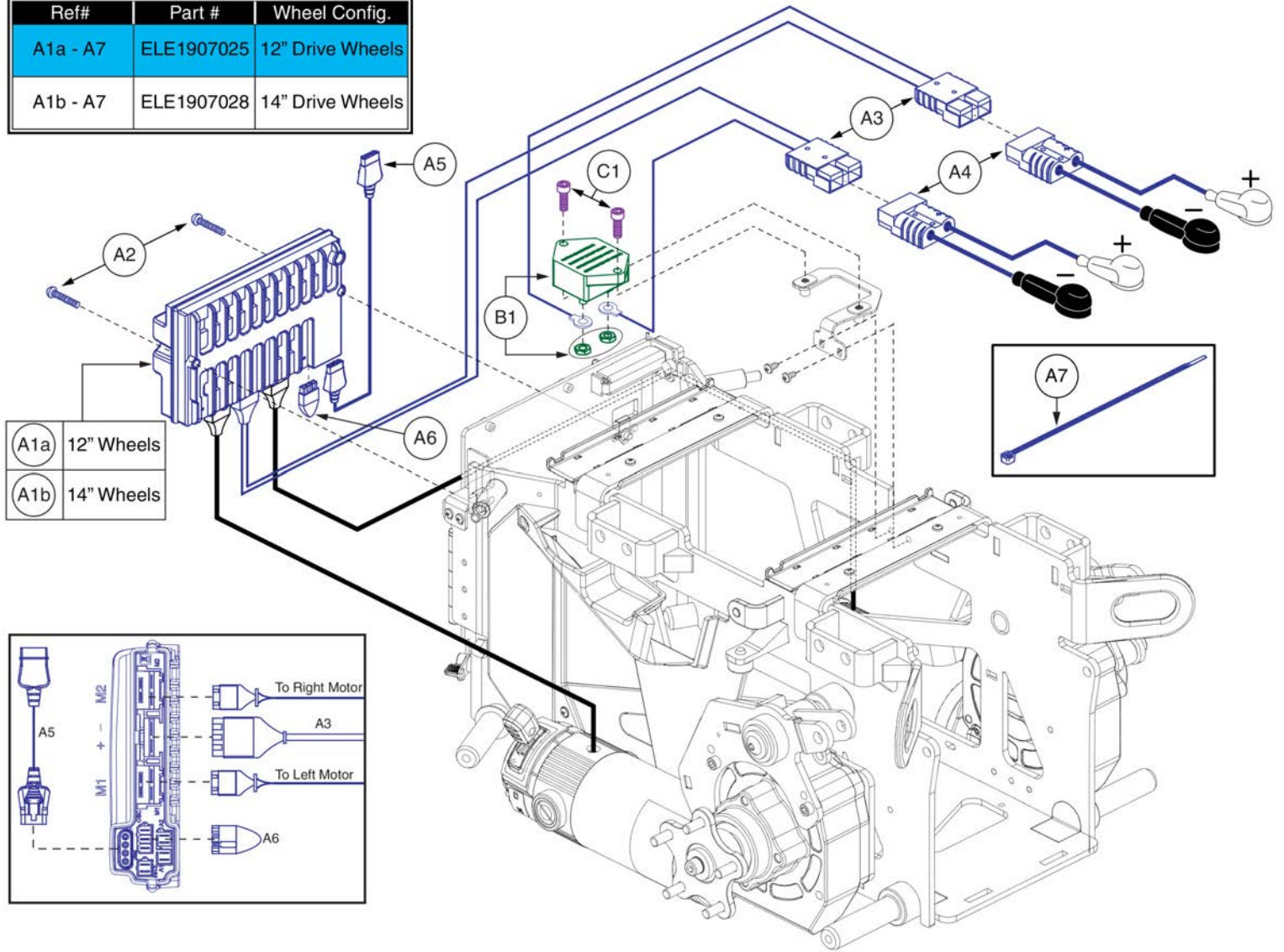
12" Drive Wheels, 6.25MPH Motor Program	Master Assy	A1	B1	C1	D1	E1	F1	G1	H1	I1	J1	K1
Static Seat, Run Plug	ELE1902822	2	2	5	1			1				
Static Seat, Fender Light PTO	ELE1907984	2	2	5	1				1			
Tilt thru Toggle / Manual Recline	ELE1902883	2	2	5	1	1	1					
14" Drive Wheels, 6.25MPH Motor Program	Master Assy	A1	B1	C1	D1	E1	F1	G1	H1	I1	J1	K1
Static Seat, Run Plug	ELE1904902	2	2	5	1			1				
Static Seat, Fender Light PTO	ELE1907985	2	2	5	1				1			
Tilt thru Toggle / Manual Recline	ELE1902884	2	2	5	1	1	1					

Note: I1, J1, & K1 are not included with the master assemblies.

Item	Part No.	Name	Qty
A1	SCRPPH1390	SCREW,PPH,BLACK ZINC,M5-.8 X 35MM	2
B1	ELE1709864	HARNESS, BATTERY, FWD, FLEX CABLE	2
C1	PLSTIE1004	TIE WRAP,BLACK,8"	5
D1	DWR1111H065	ELECTRONIC,HARNESS,BUS EXTENSION CABLE,CURTIS,0.410 METER,MALE/FEMALE,H-1111-065,(CURTIS: 17881303)	1
E1	DWR1265H055	ELECTRONIC,HARNESS,INTERMEDIATE,OFFBOARD CHARGER,NE,H-1265-055	1
F1	DWR1265H057	ELECTRONIC,HARNESS,PTO ONLY,NE,H-1265-057	1
G1	DWR1265H061	ELECTRONIC,HARNESS,RUN PLUG,NE,CURTIS,H-1265-061	1
H1	ELE1907905	HARNESS, PTO INTERFACE, NE TO 4 PIN MOLEX	1
I1	ELE1810039	ELECTRONIC,HARNESS,POWER CABLE,Q6EDGE 3 STRETTO,W/CABLE TIES	1
J1	ELECBRK1020	ELECTRONIC,CIRCUIT BREAKER,70 AMP,AUTO-RESET	1
K1	HDW142473	SCREW,SHCS,BLACK ZINC,M6-1.0 X 18MM,ISO 4762 CLASS 12.9,W/NYLON PATCH	2

4MPH Motor Programs

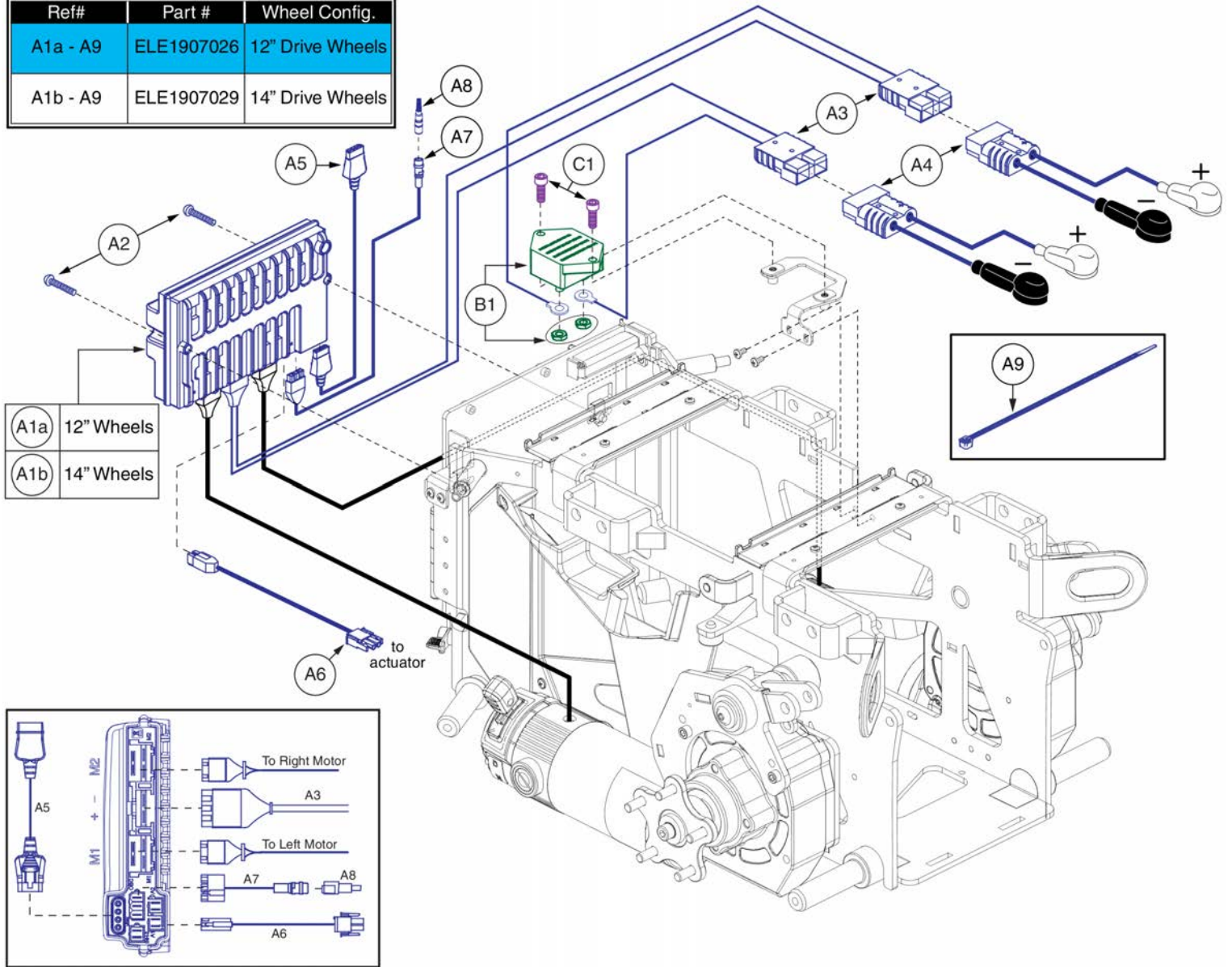
Complete Assemblies		
Ref#	Part #	Wheel Config.
A1a - A7	ELE1907025	12" Drive Wheels
A1b - A7	ELE1907028	14" Drive Wheels



Item	Part No.	Name	Qty
A1a - A7	ELE1907025	ELECTRONIC,ASSY,VR2,12" TIRES,4 MPH MOTORS,Q6EDGE 3 STRETTO	1
A1b - A7	ELE1907028	ELECTRONIC,ASSY,VR2,14" TIRES,4 MPH MOTORS,Q6EDGE 3 STRETTO	1
A1a	CTL1907015	CONTROLLER,VR2,ASSY,90 AMP,12" TIRES, 4 MPH,Q6EDGE 3 STRETTO	1
A1b	CTL1907017	CONTROLLER,VR2,ASSY,90 AMP,14" TIRES, 4 MPH,Q6EDGE 3 STRETTO	1
A2	SCRPPH1390	SCREW,PPH,BLACK ZINC,M5-.8 X 35MM	2
A3	ELE1808608	HARNESS, BATTERY INTERFACE, RNET, EDGE MINI	1
A4	ELE1709864	HARNESS, BATTERY, FWD, FLEX CABLE	2
A5	DWR1010H128	ELECTRONIC,HARNESS,VR2 EXTENSION CABLE,H-1010-128,(P&G: SA77974)	1
A6	DWR1116H054	ELECTRONIC,HARNESS,RUN PLUG,3 PIN,VR2,H-1116-054	1
A7	PLSTIE1004	TIE WRAP,BLACK,8"	5
B1	ELECBRK1020	ELECTRONIC,CIRCUIT BREAKER,70 AMP,AUTO-RESET	1
C1	HDW142473	SCREW,SHCS,BLACK ZINC,M6-1.0 X 18MM,ISO 4762 CLASS 12.9,W/NYLON PATCH	2

4MPH Motor Programs

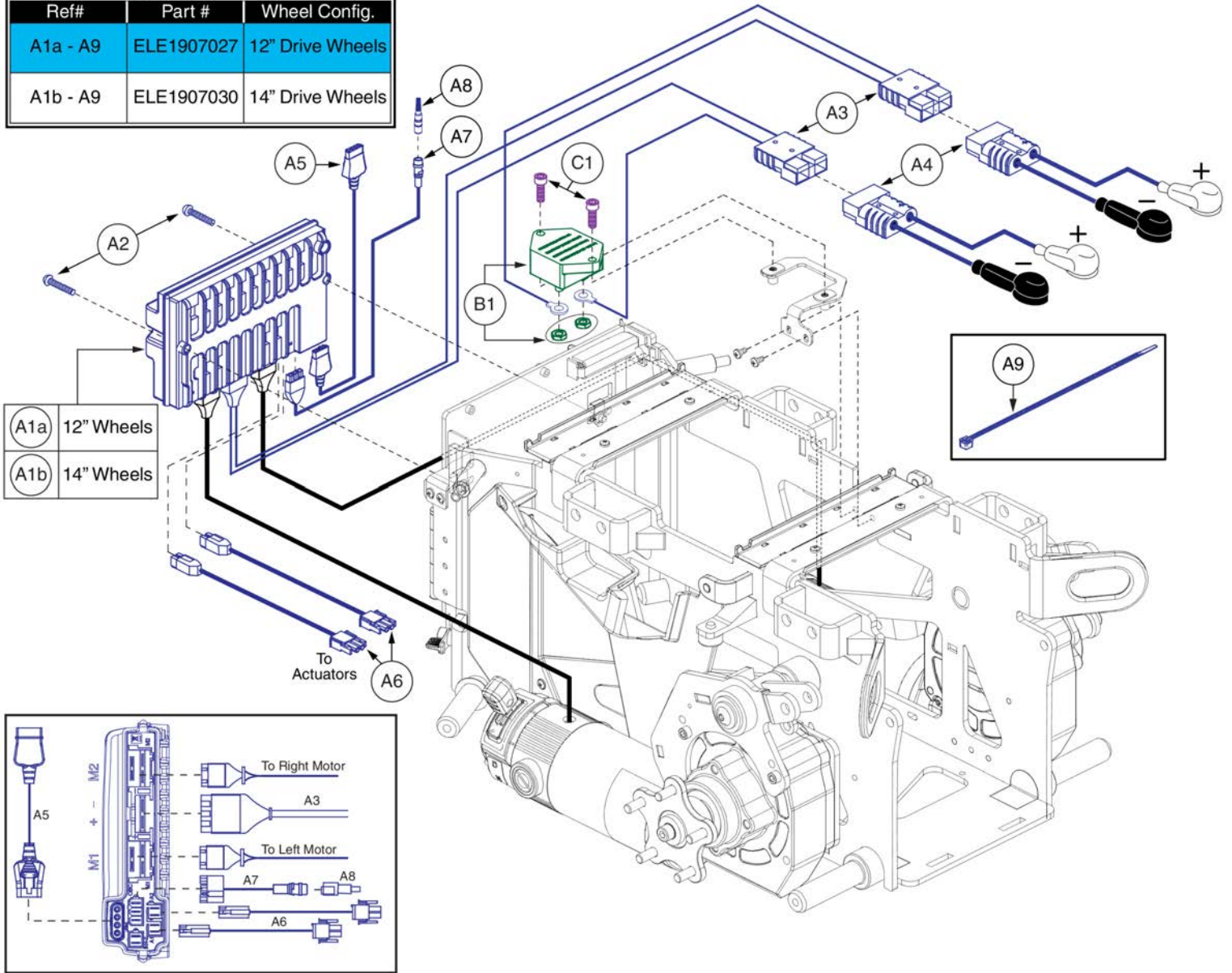
Complete Assemblies		
Ref#	Part #	Wheel Config.
A1a - A9	ELE1907026	12" Drive Wheels
A1b - A9	ELE1907029	14" Drive Wheels



Item	Part No.	Name	Qty
A1a - A9	ELE1907026	ELECTRONIC,ASSY,VR2,12" TIRES,4 MPH MOTORS,Q6EDGE 3 STRETTO,1 ACTUATOR	1
A1b - A9	ELE1907029	ELECTRONIC,ASSY,VR2,14" TIRES,4 MPH MOTORS,Q6EDGE 3 STRETTO,1 ACTUATOR	1
A1a	CTL1907016	CONTROLLER,VR2,ASSY,90 AMP,12" TIRES, 4 MPH,Q6EDGE 3 STRETTO,POWER POSITIONING	1
A1b	CTL1907018	CONTROLLER,VR2,ASSY,90 AMP,14" TIRES, 4 MPH,Q6EDGE 3 STRETTO,POWER POSITIONING	1
A2	SCRPPH1390	SCREW,PPH,BLACK ZINC,M5-.8 X 35MM	2
A3	ELE1808608	HARNESS, BATTERY INTERFACE, RNET, EDGE MINI	1
A4	ELE1709864	HARNESS, BATTERY, FWD, FLEX CABLE	2
A5	DWR1010H128	ELECTRONIC,HARNESS,VR2 EXTENSION CABLE,H-1010-128,(P&G: SA77974)	1
A6	DWR1361H078	ELECTRONIC,HARNESS,EURO SEAT TILT ACTUATOR,VR2,H-1361-078	1
A7	DWR1265H030	ELECTRONIC,HARNESS,POWER TAKE OFF(PTO)/INHIBIT,VR2,H-1265-030	1
A8	DWR1361H038	ELECTRONIC,HARNESS,RUN PLUG,SURE SEAL,SYNERGY TILT,H-1361-038	1
A9	PLSTIE1004	TIE WRAP,BLACK,8"	5
B1	ELECBRK1020	ELECTRONIC,CIRCUIT BREAKER,70 AMP,AUTO-RESET	1
C1	HDW142473	SCREW,SHCS,BLACK ZINC,M6-1.0 X 18MM,ISO 4762 CLASS 12.9,W/NYLON PATCH	2

4MPH Motor Programs

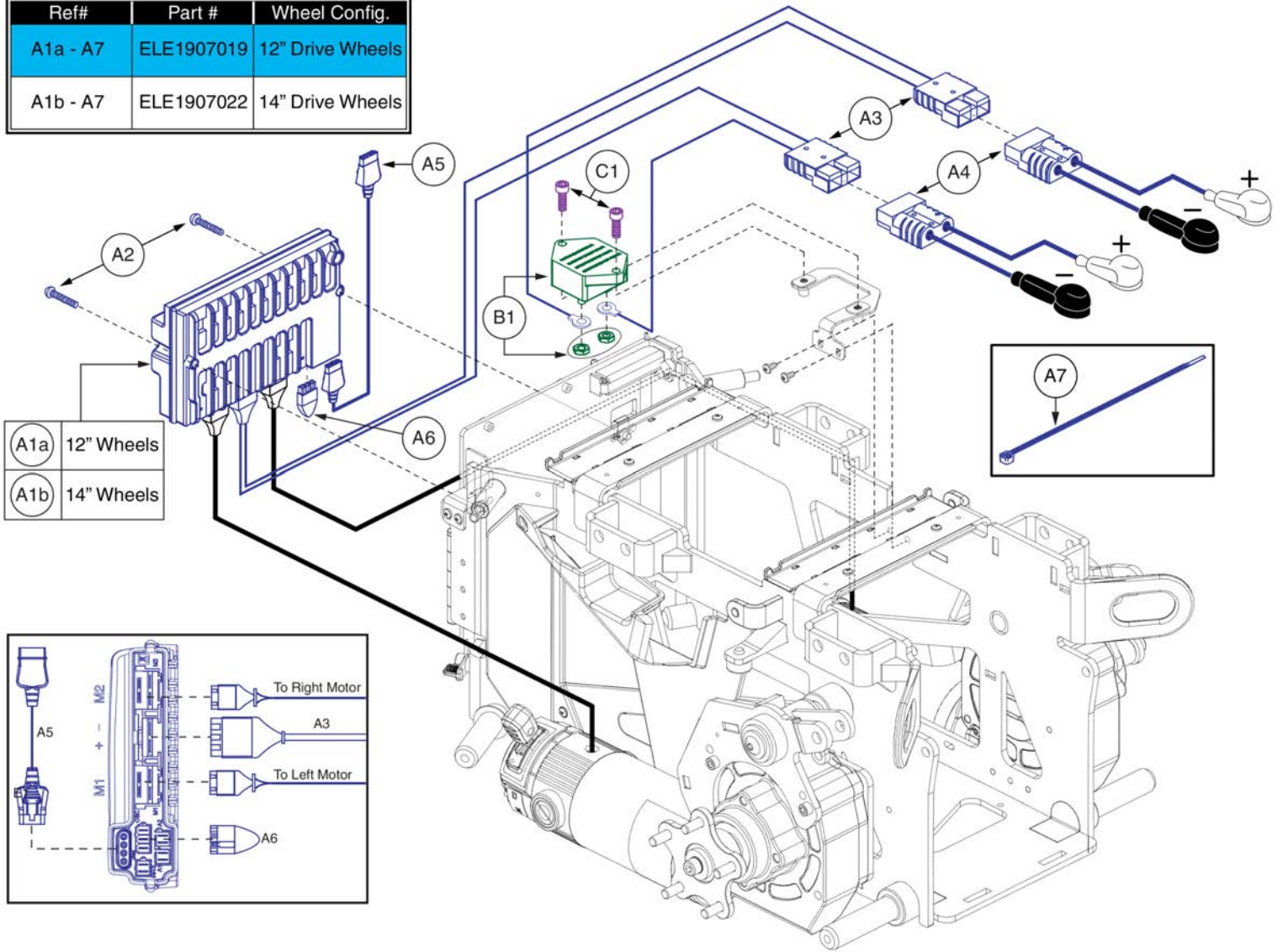
Complete Assemblies		
Ref#	Part #	Wheel Config.
A1a - A9	ELE1907027	12" Drive Wheels
A1b - A9	ELE1907030	14" Drive Wheels



Item	Part No.	Name	Qty
A1a - A9	ELE1907027	ELECTRONIC,ASSY,VR2,12" TIRES,4 MPH MOTORS,Q6EDGE 3 STRETTO,2 ACTUATOR	1
A1b - A9	ELE1907030	ELECTRONIC,ASSY,VR2,14" TIRES,4 MPH MOTORS,Q6EDGE 3 STRETTO,2 ACTUATOR	1
A1a	CTL1907016	CONTROLLER,VR2,ASSY,90 AMP,12" TIRES, 4 MPH,Q6EDGE 3 STRETTO,POWER POSITIONING	1
A1b	CTL1907018	CONTROLLER,VR2,ASSY,90 AMP,14" TIRES, 4 MPH,Q6EDGE 3 STRETTO,POWER POSITIONING	1
A2	SCRPPH1390	SCREW,PPH,BLACK ZINC,M5-.8 X 35MM	2
A3	ELE1808608	HARNESS, BATTERY INTERFACE, RNET, EDGE MINI	1
A4	ELE1709864	HARNESS, BATTERY, FWD, FLEX CABLE	2
A5	DWR1010H128	ELECTRONIC,HARNESS,VR2 EXTENSION CABLE,H-1010-128,(P&G: SA77974)	1
A6	DWR1361H078	ELECTRONIC,HARNESS,EURO SEAT TILT ACTUATOR,VR2,H-1361-078	2
A7	DWR1265H030	ELECTRONIC,HARNESS,POWER TAKE OFF(PTO)/INHIBIT,VR2,H-1265-030	1
A8	DWR1361H038	ELECTRONIC,HARNESS,RUN PLUG,SURE SEAL,SYNERGY TILT,H-1361-038	1
A9	PLSTIE1004	TIE WRAP,BLACK,8"	5
B1	ELECBRK1020	ELECTRONIC,CIRCUIT BREAKER,70 AMP,AUTO-RESET	1
C1	HDW142473	SCREW,SHCS,BLACK ZINC,M6-1.0 X 18MM,ISO 4762 CLASS 12.9,W/NYLON PATCH	2

6MPH Motor Programs

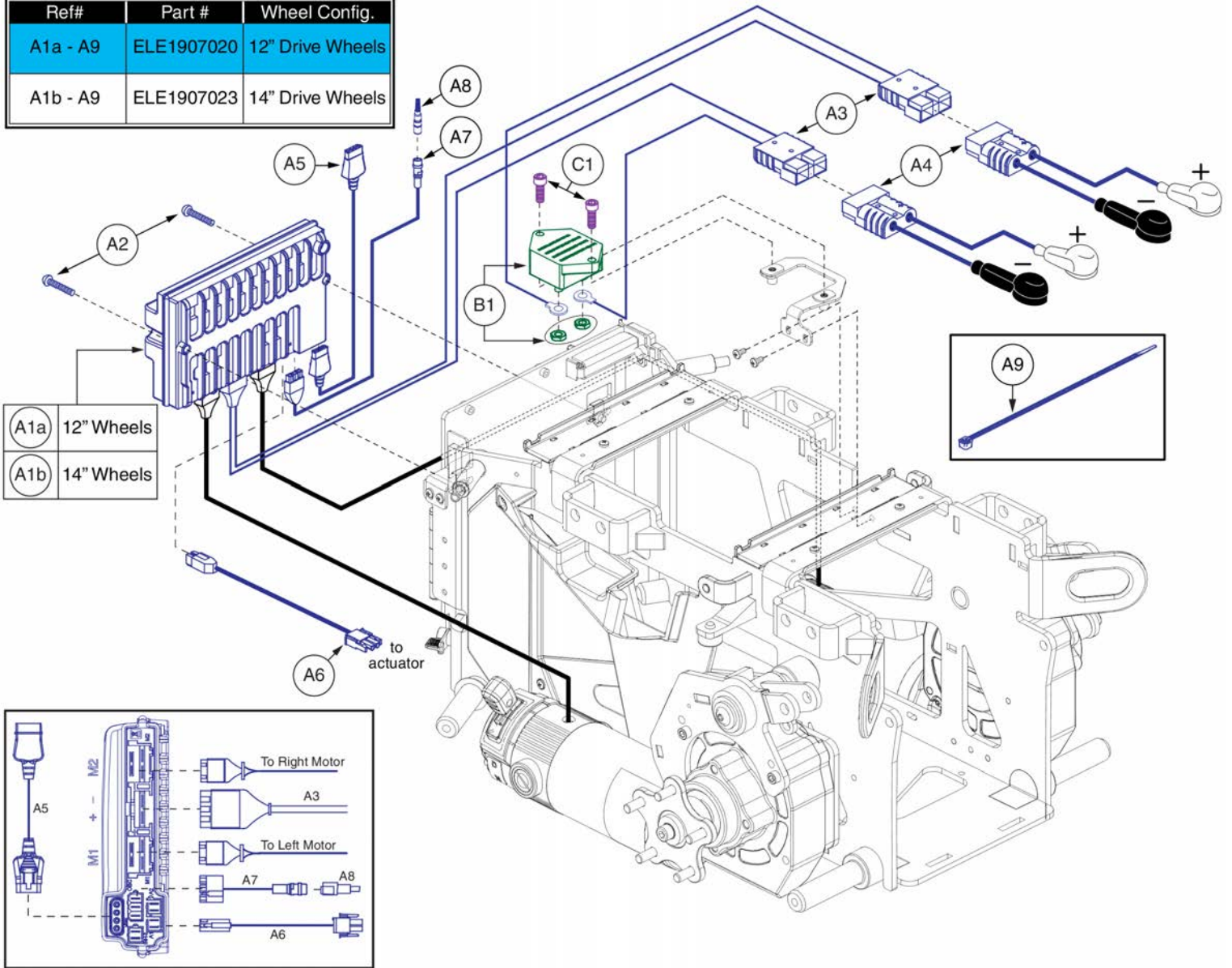
Complete Assemblies		
Ref#	Part #	Wheel Config.
A1a - A7	ELE1907019	12" Drive Wheels
A1b - A7	ELE1907022	14" Drive Wheels



Item	Part No.	Name	Qty
A1a - A7	ELE1907019	ELECTRONIC,ASSY,VR2,12" TIRES,6.25 MPH MOTORS,Q6EDGE 3 STRETTO	1
A1b - A7	ELE1907022	ELECTRONIC,ASSY,VR2,14" TIRES,6.25 MPH MOTORS,Q6EDGE 3 STRETTO	1
A1a	CTL1907011	CONTROLLER,VR2,ASSY,90 AMP,12" TIRES, 6.25 MPH,Q6EDGE 3 STRETTO	1
A1b	CTL1907013	CONTROLLER,VR2,ASSY,90 AMP,14" TIRES, 6.25 MPH,Q6EDGE 3 STRETTO	1
A2	SCRPPH1390	SCREW,PPH,BLACK ZINC,M5-.8 X 35MM	2
A3	ELE1808608	HARNESS, BATTERY INTERFACE, RNET, EDGE MINI	1
A4	ELE1709864	HARNESS, BATTERY, FWD, FLEX CABLE	2
A5	DWR1010H128	ELECTRONIC,HARNESS,VR2 EXTENSION CABLE,H-1010-128,(P&G: SA77974)	1
A6	DWR1116H054	ELECTRONIC,HARNESS,RUN PLUG,3 PIN,VR2,H-1116-054	1
A7	PLSTIE1004	TIE WRAP,BLACK,8"	5
B1	ELECBRK1020	ELECTRONIC,CIRCUIT BREAKER,70 AMP,AUTO-RESET	1
C1	HDW142473	SCREW,SHCS,BLACK ZINC,M6-1.0 X 18MM,ISO 4762 CLASS 12.9,W/NYLON PATCH	2

6MPH Motor Programs

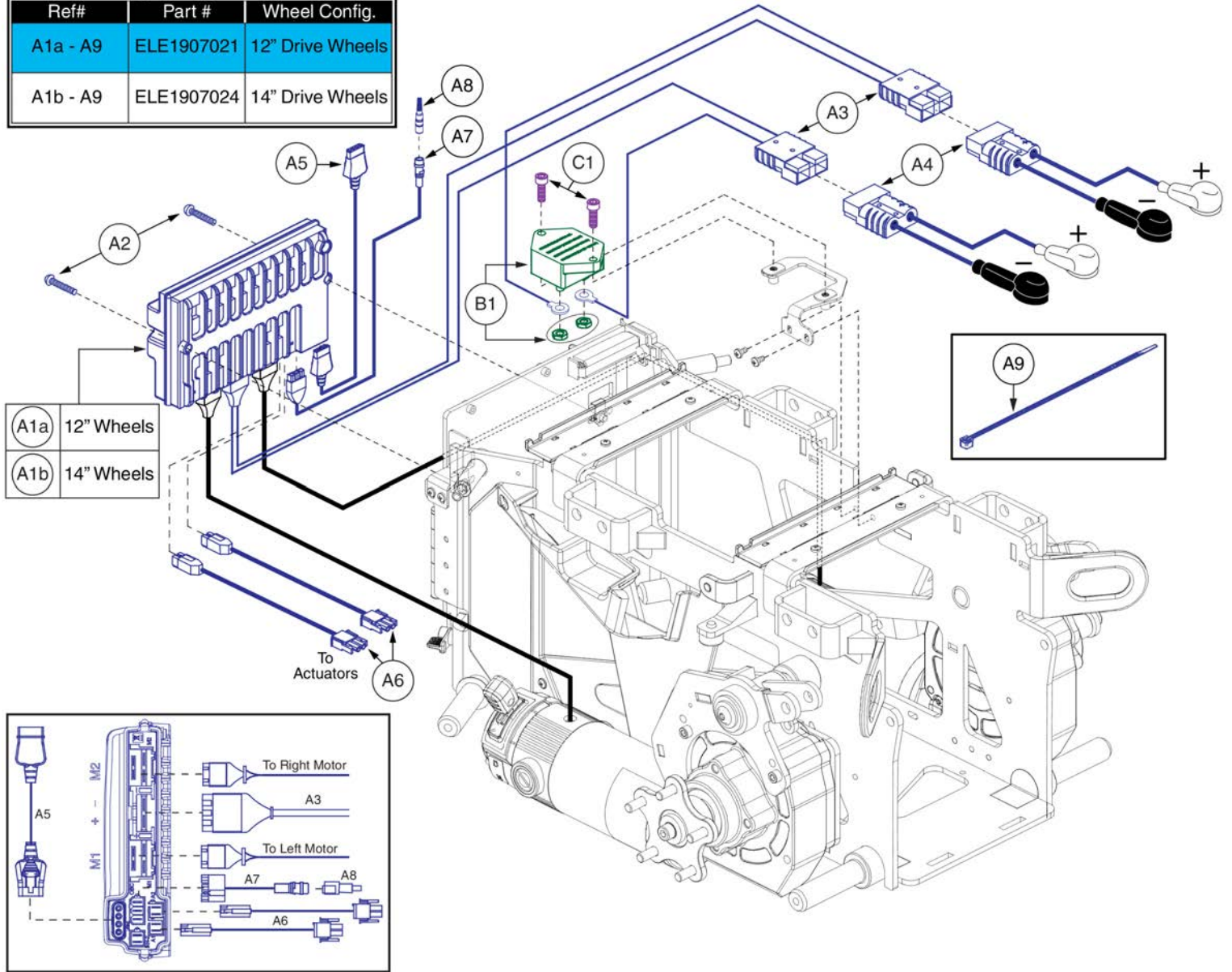
Complete Assemblies		
Ref#	Part #	Wheel Config.
A1a - A9	ELE1907020	12" Drive Wheels
A1b - A9	ELE1907023	14" Drive Wheels



Item	Part No.	Name	Qty
A1a - A9	ELE1907020	ELECTRONIC,ASSY,VR2,12" TIRES,6.25 MPH MOTORS,Q6EDGE 3 STRETTO,1 ACTUATOR	1
A1b - A9	ELE1907023	ELECTRONIC,ASSY,VR2,14" TIRES,6.25 MPH MOTORS,Q6EDGE 3 STRETTO,1 ACTUATOR	1
A1a	CTL1907012	CONTROLLER,VR2,ASSY,90 AMP,12" TIRES, 6.25 MPH,Q6EDGE 3 STRETTO,POWER POSITIONING	1
A1b	CTL1907014	CONTROLLER,VR2,ASSY,90 AMP,14" TIRES, 6.25 MPH,Q6EDGE 3 STRETTO,POWER POSITIONING	1
A2	SCRPPH1390	SCREW,PPH,BLACK ZINC,M5-.8 X 35MM	2
A3	ELE1808608	HARNESS, BATTERY INTERFACE, RNET, EDGE MINI	1
A4	ELE1709864	HARNESS, BATTERY, FWD, FLEX CABLE	2
A5	DWR1010H128	ELECTRONIC,HARNESS,VR2 EXTENSION CABLE,H-1010-128,(P&G: SA77974)	1
A6	DWR1361H078	ELECTRONIC,HARNESS,EURO SEAT TILT ACTUATOR,VR2,H-1361-078	1
A7	DWR1265H030	ELECTRONIC,HARNESS,POWER TAKE OFF(PTO)/INHIBIT,VR2,H-1265-030	1
A8	DWR1361H038	ELECTRONIC,HARNESS,RUN PLUG,SURE SEAL,SYNERGY TILT,H-1361-038	1
A9	PLSTIE1004	TIE WRAP,BLACK,8"	5
B1	ELECBRK1020	ELECTRONIC,CIRCUIT BREAKER,70 AMP,AUTO-RESET	1
C1	HDW142473	SCREW,SHCS,BLACK ZINC,M6-1.0 X 18MM,ISO 4762 CLASS 12.9,W/NYLON PATCH	2

6MPH Motor Programs

Complete Assemblies		
Ref#	Part #	Wheel Config.
A1a - A9	ELE1907021	12" Drive Wheels
A1b - A9	ELE1907024	14" Drive Wheels



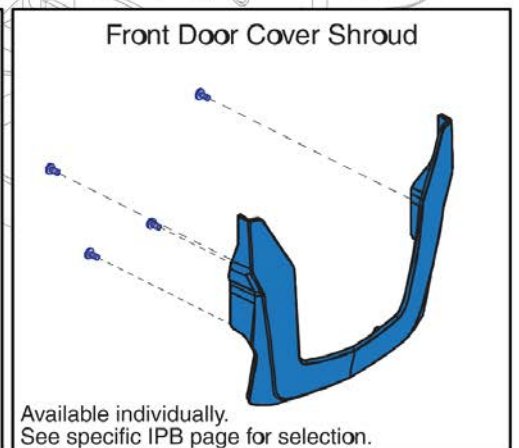
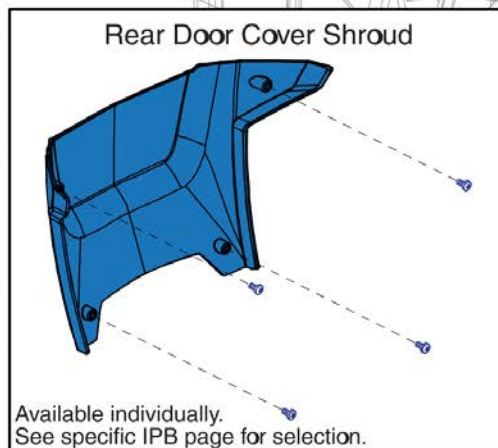
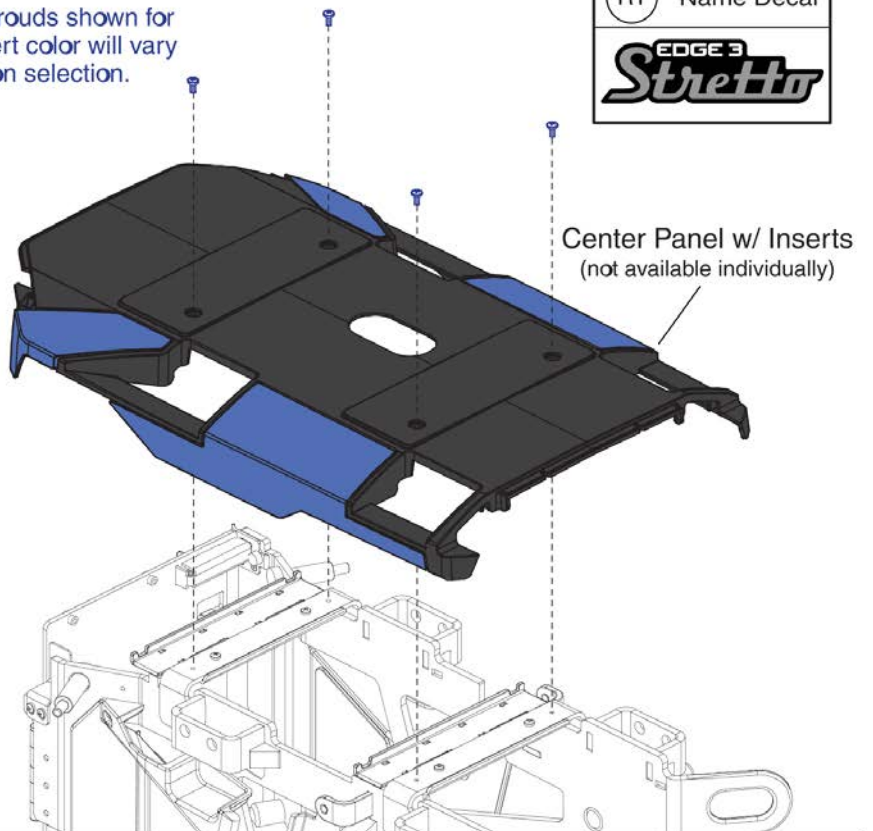
Item	Part No.	Name	Qty
A1a - A9	ELE1907021	ELECTRONIC,ASSY,VR2,12" TIRES,6.25 MPH MOTORS,Q6EDGE 3 STRETTO,2 ACTUATOR	1
A1b - A9	ELE1907024	ELECTRONIC,ASSY,VR2,14" TIRES,6.25 MPH MOTORS,Q6EDGE 3 STRETTO,2 ACTUATOR	1
A1a	CTL1907012	CONTROLLER,VR2,ASSY,90 AMP,12" TIRES, 6.25 MPH,Q6EDGE 3 STRETTO,POWER POSITIONING	1
A1b	CTL1907014	CONTROLLER,VR2,ASSY,90 AMP,14" TIRES, 6.25 MPH,Q6EDGE 3 STRETTO,POWER POSITIONING	1
A2	SCRPPH1390	SCREW,PPH,BLACK ZINC,M5-.8 X 35MM	2
A3	ELE1808608	HARNESS, BATTERY INTERFACE, RNET, EDGE MINI	1
A4	ELE1709864	HARNESS, BATTERY, FWD, FLEX CABLE	2
A5	DWR1010H128	ELECTRONIC,HARNESS,VR2 EXTENSION CABLE,H-1010-128,(P&G: SA77974)	1
A6	DWR1361H078	ELECTRONIC,HARNESS,EURO SEAT TILT ACTUATOR,VR2,H-1361-078	2
A7	DWR1265H030	ELECTRONIC,HARNESS,POWER TAKE OFF(PTO)/INHIBIT,VR2,H-1265-030	1
A8	DWR1361H038	ELECTRONIC,HARNESS,RUN PLUG,SURE SEAL,SYNERGY TILT,H-1361-038	1
A9	PLSTIE1004	TIE WRAP,BLACK,8"	5
B1	ELECBRK1020	ELECTRONIC,CIRCUIT BREAKER,70 AMP,AUTO-RESET	1
C1	HDW142473	SCREW,SHCS,BLACK ZINC,M6-1.0 X 18MM,ISO 4762 CLASS 12.9,W/NYLON PATCH	2

7. Shrouds and Battery Access Bracket

Please note: The Complete Shroud Assemblies include the Center Panel w/ Inserts, Rear Door Cover Shroud, Front Door Cover Shroud, two Name Decals, and all Hardware shown.

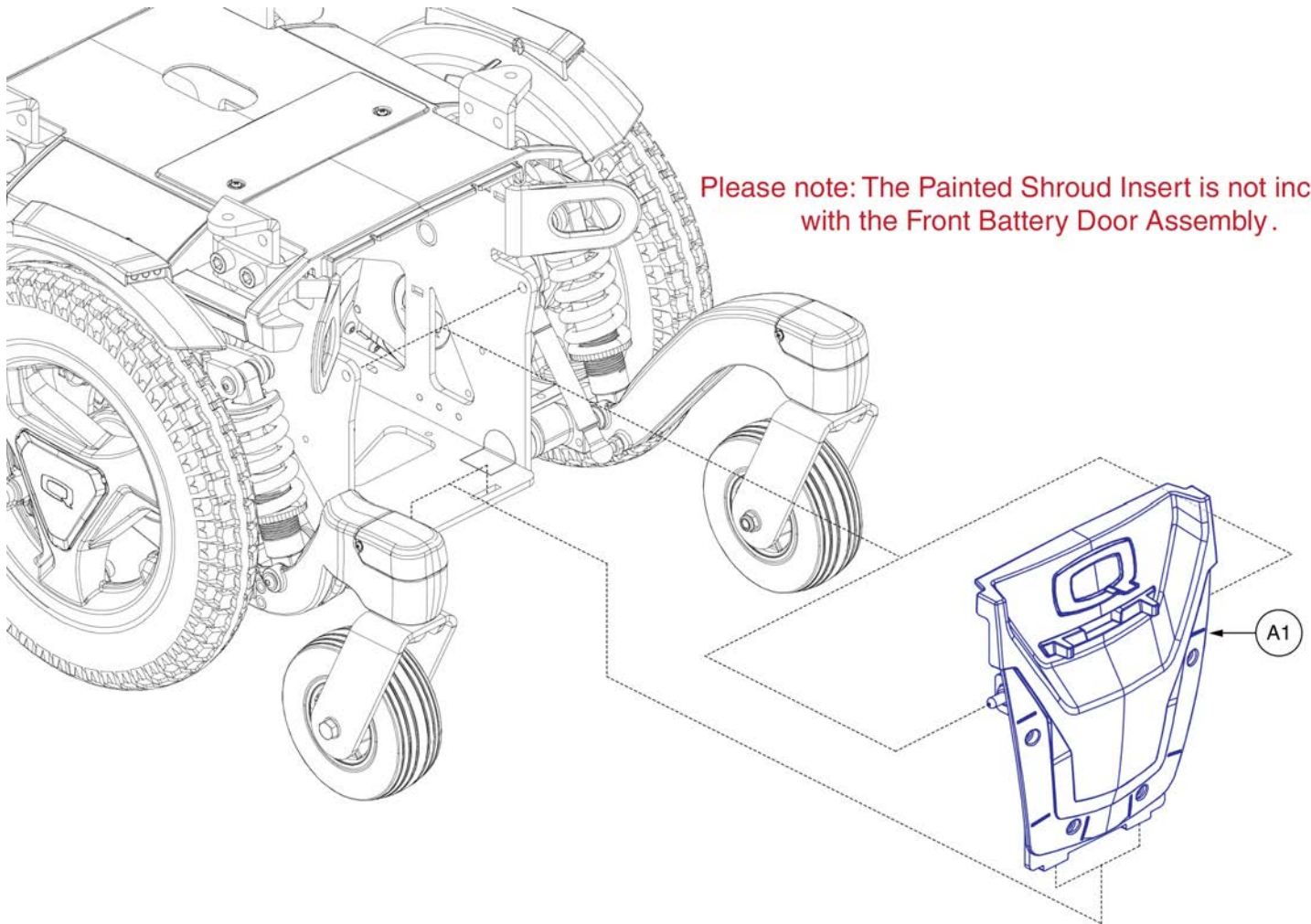
Complete Shroud Assembly	
Ref#	Color Name
A1	Back in Black
B1	Night Train
C1	Grey Street
D1	White Satin
E1	Red Corvette
F1	Cherry Bomb
G1	Pretty in Pink
H1	Raspberry Beret
I1	Sugar Plum
J1	Deep Purple
K1	Midnight Blue
L1	Electric Blue
M1	Blue Jean
N1	Green Machine
O1	Military Green
P1	Lemon Crush
Q1	Evolution Orange

*Blue Jean shrouds shown for reference. Insert color will vary based upon selection.



Item	Part No.	Name	Qty
A1	DGN1905007-PBK1	SHROUD,ASSY,BACK IN BLACK,Q6EDGE 3 STRETTO	1
B1	DGN1905007-PBK3	SHROUD,ASSY,NIGHT TRAIN,Q6EDGE 3 STRETTO	1
C1	DGN1905007-PSL3	SHROUD,ASSY,GREY STREET,Q6EDGE 3 STRETTO	1
D1	DGN1905007-PWT2	SHROUD,ASSY,WHITE SATIN,Q6EDGE 3 STRETTO	1
E1	DGN1905007-PRD1	SHROUD,ASSY,RED CORVETTE,Q6EDGE 3 STRETTO	1
F1	DGN1905007-PRD4	SHROUD,ASSY,CHERRY BOMB,Q6EDGE 3 STRETTO	1
G1	DGN1905007-PPK3	SHROUD,ASSY,PRETTY IN PINK,Q6EDGE 3 STRETTO	1
H1	DGN1905007-PPK4	SHROUD,ASSY,RASPBERRY BERET,Q6EDGE 3 STRETTO	1
I1	DGN1905007-PPR7	SHROUD,ASSY,SUGAR PLUM,Q6EDGE 3 STRETTO	1
J1	DGN1905007-PPR5	SHROUD,ASSY,DEEP PURPLE,Q6EDGE 3 STRETTO	1
K1	DGN1905007-PBU10	SHROUD,ASSY,MIDNIGHT BLUE,Q6EDGE 3 STRETTO	1
L1	DGN1905007-PBU9	SHROUD,ASSY,ELECTRIC BLUE,Q6EDGE 3 STRETTO	1
M1	DGN1905007-PBU11	SHROUD,ASSY,BLUE JEAN,Q6EDGE 3 STRETTO	1
N1	DGN1905007-PGN11	SHROUD,ASSY,GREEN MACHINE,Q6EDGE 3 STRETTO	1
O1	DGN1905007-PGN8	SHROUD,ASSY,MILITARY GREEN,Q6EDGE 3 STRETTO	1
P1	DGN1905007-PYL4	SHROUD,ASSY,LEMON CRUSH,Q6EDGE 3 STRETTO	1
Q1	DGN1905007-POR7	SHROUD,ASSY,EVOLUTION ORANGE,Q6EDGE 3 STRETTO	1
R1	LAB1906475	DECAL,NAME,EDGE 3 STRETTO	2

7. Shrouds and Battery Access Bracket



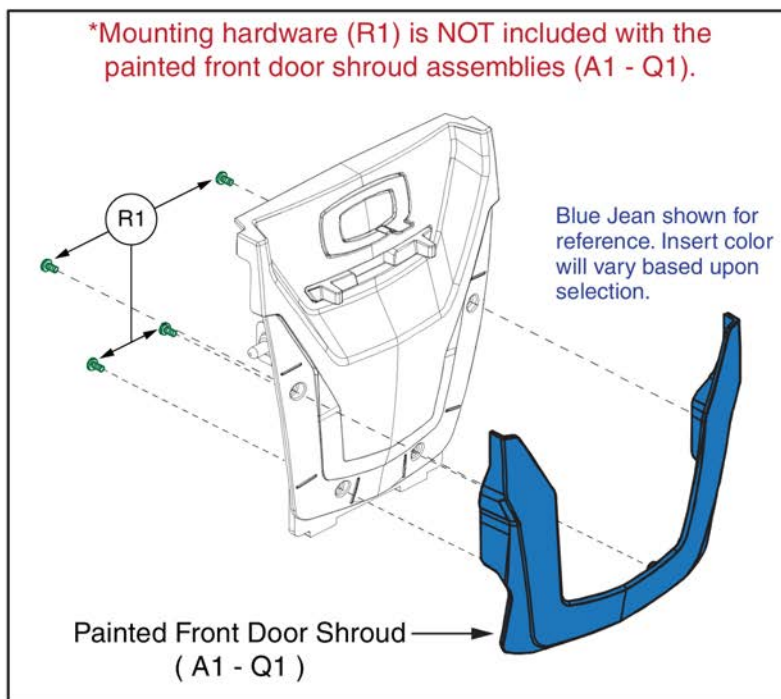
Front Battery Door, Q6 Edge 3 Stretto



Item	Part No.	Name	Qty
A1	MEC1809866	EDGE MINI FRONT BATTERY DOOR ASSEMBLY	1

7. Shrouds and Battery Access Bracket

Painted Front Door Shrouds	
Ref#	Color Name
A1	Back in Black
B1	Night Train
C1	Grey Street
D1	White Satin
E1	Red Corvette
F1	Cherry Bomb
G1	Pretty in Pink
H1	Raspberry Beret
I1	Sugar Plum
J1	Deep Purple
K1	Midnight Blue
L1	Electric Blue
M1	Blue Jean
N1	Green Machine
O1	Military Green
P1	Lemon Crush
Q1	Evolution Orange

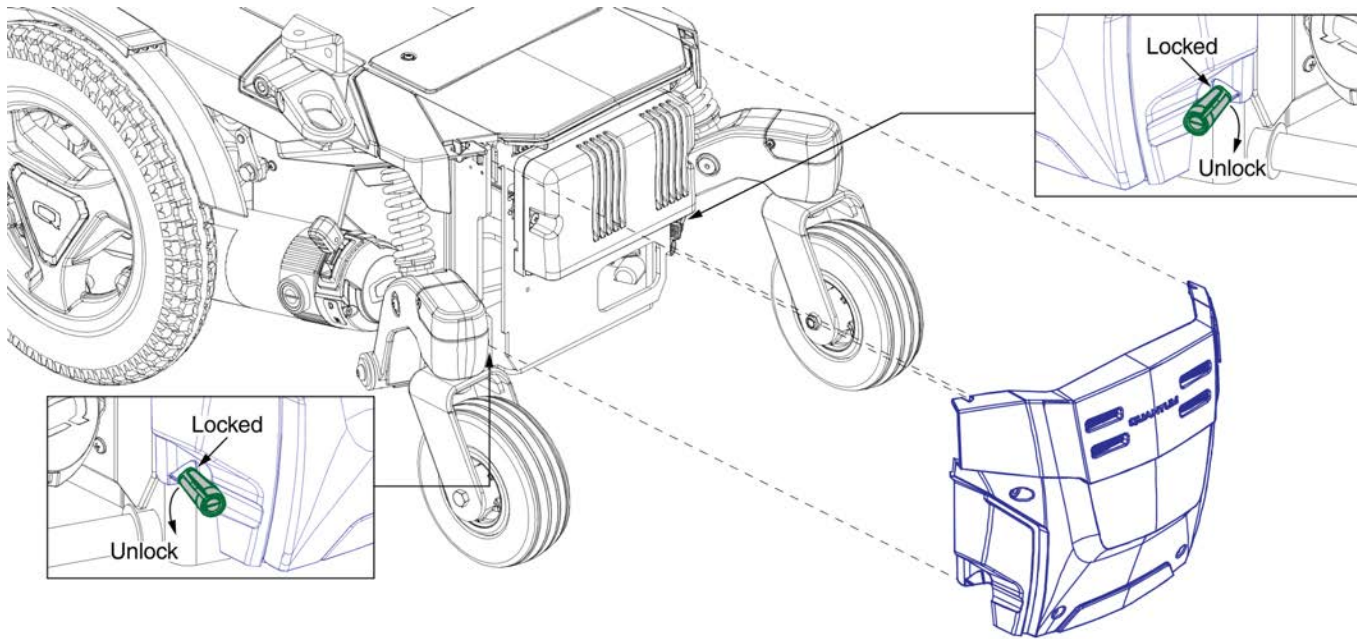


Front Battery Door Shrouds, Q6 Edge 3 Stretto

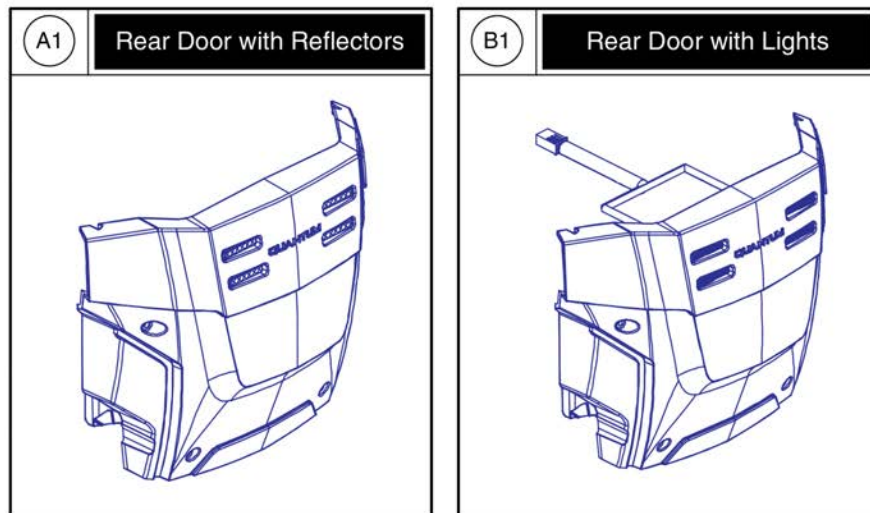


Item	Part No.	Name	Qty
A1	DGN1806326-PBK1	FRONT SHROUD WITH INSERTS,BACK IN BLACK,PPW-BLK-01,EDGE 3 STRETTO	1
B1	DGN1806326-PBK3	FRONT SHROUD WITH INSERTS,NIGHT TRAIN,PPW-BLK-03,EDGE 3 STRETTO	1
C1	DGN1806326-PSL3	FRONT SHROUD WITH INSERTS,GREY STREET,PPW-SIL-03,EDGE 3 STRETTO	1
D1	DGN1806326-PWT2	FRONT SHROUD WITH INSERTS,WHITE SATIN,PPW-WHT-02,EDGE 3 STRETTO	1
E1	DGN1806326-PRD1	FRONT SHROUD WITH INSERTS,RED CORVETTE,PPW-RED-01,EDGE 3 STRETTO	1
F1	DGN1806326-PRD4	FRONT SHROUD WITH INSERTS,CHERRY BOMB,PPW-RED-04,EDGE 3 STRETTO	1
G1	DGN1806326-PPK3	FRONT SHROUD WITH INSERTS,PRETTY IN PINK,PPW-PNK-03,EDGE 3 STRETTO	1
H1	DGN1806326-PPK4	FRONT SHROUD WITH INSERTS,RASPBERRY BERET,PPW-PNK-04,EDGE 3 STRETTO	1
I1	DGN1806326-PPR7	FRONT SHROUD WITH INSERTS,SUGAR PLUM,PPW-PRP-07,EDGE 3 STRETTO	1
J1	DGN1806326-PPR5	FRONT SHROUD WITH INSERTS,DEEP PURPLE,PPW-PRP-05,EDGE 3 STRETTO	1
K1	DGN1806326-PBU10	FRONT SHROUD WITH INSERTS,MIDNIGHT BLUE,PPW-BLU-10,EDGE 3 STRETTO	1
L1	DGN1806326-PBU9	FRONT SHROUD WITH INSERTS,ELECTRIC BLUE,PPW-BLU-09,EDGE 3 STRETTO	1
M1	DGN1806326-PBU11	FRONT SHROUD WITH INSERTS,BLUE JEAN,PPW-BLU-11,EDGE 320 STRETTO	1
N1	DGN1806326-PGN11	FRONT SHROUD WITH INSERTS,GREEN MACHINE,PPW-GRN-11,EDGE 3 STRETTO	1
O1	DGN1806326-PGN8	FRONT SHROUD WITH INSERTS,MILITARY GREEN,PPW-GRN-08,EDGE 3 STRETTO	1
P1	DGN1806326-PYL4	FRONT SHROUD WITH INSERTS,LEMON CRUSH,PPW-YEL-04,EDGE 3 STRETTO	1
Q1	DGN1806326-POR7	FRONT SHROUD WITH INSERTS,EVOLUTION ORANGE,PPW-ORN-07,EDGE 3 STRETTO	1
R1	SCRPPH1036	SCREW, PAN HEAD, TYPE H, M4X0.7 X 8, FT, ISO 7045, CL 4.8, BZ	4

7. Shrouds and Battery Access Bracket



Please note: The Painted Shroud Insert is not included with the Rear Door Assemblies .



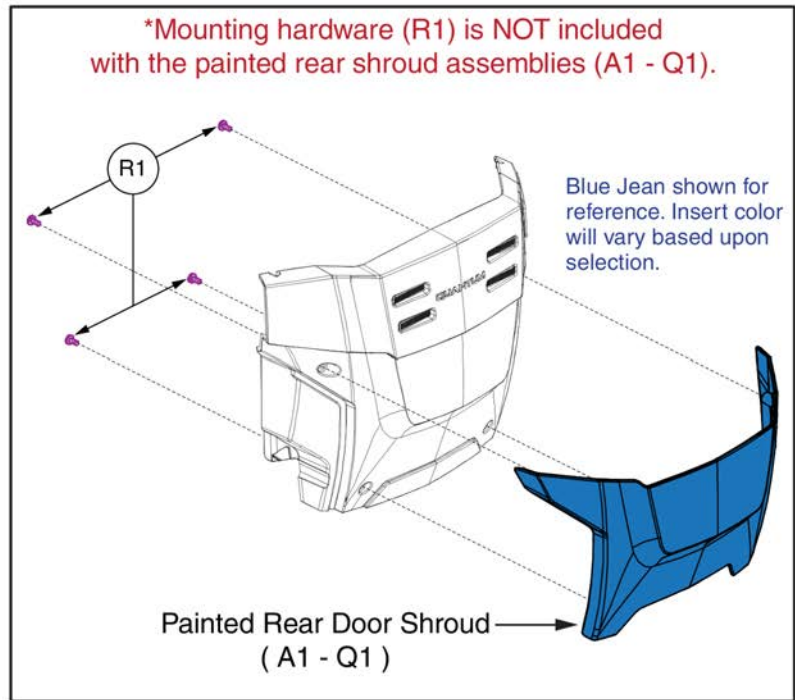
Rear Door Shroud, Q6 Edge 3 Stretto



Item	Part No.	Name	Qty
A1	DGN1810045	SHROUD,ASSY,REAR DOOR W/REFLECTORS,Q6 EDGE 3 STRETTO	1
B1	DGN1810046	SHROUD,ASSY,REAR DOOR W/LIGHTS,Q6 EDGE 3 STRETTO	1

7. Shrouds and Battery Access Bracket

Painted Rear Door Shrouds	
Ref#	Color Name
A1	Back in Black
B1	Night Train
C1	Grey Street
D1	White Satin
E1	Red Corvette
F1	Cherry Bomb
G1	Pretty in Pink
H1	Raspberry Beret
I1	Sugar Plum
J1	Deep Purple
K1	Midnight Blue
L1	Electric Blue
M1	Blue Jean
N1	Green Machine
O1	Military Green
P1	Lemon Crush
Q1	Evolution Orange



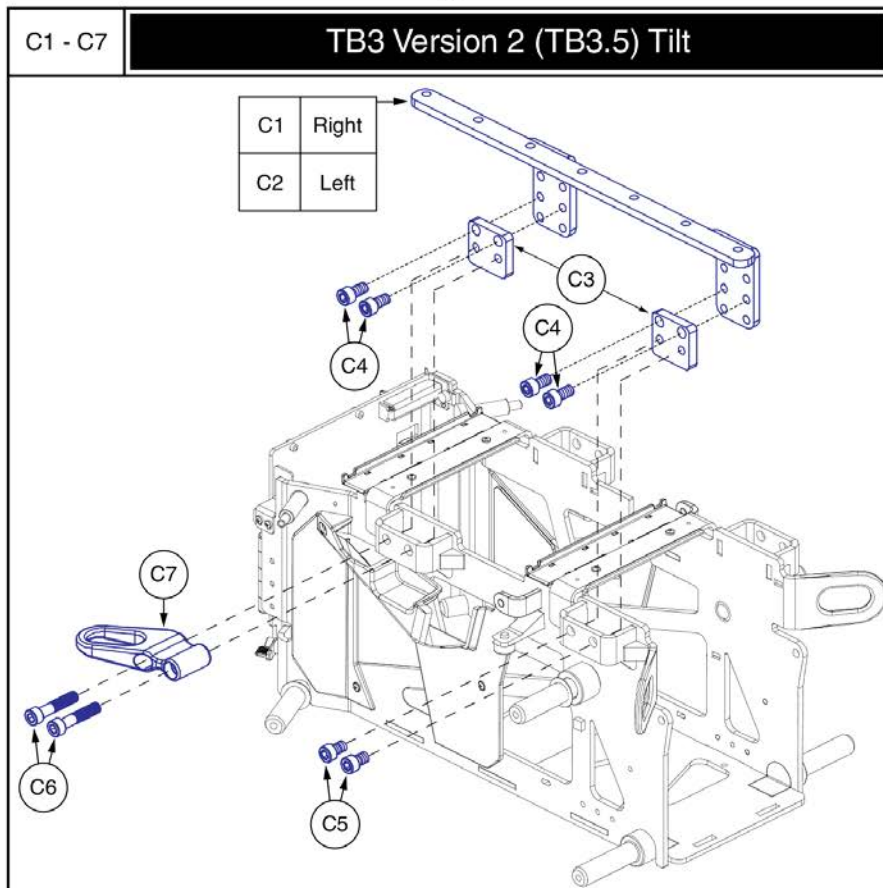
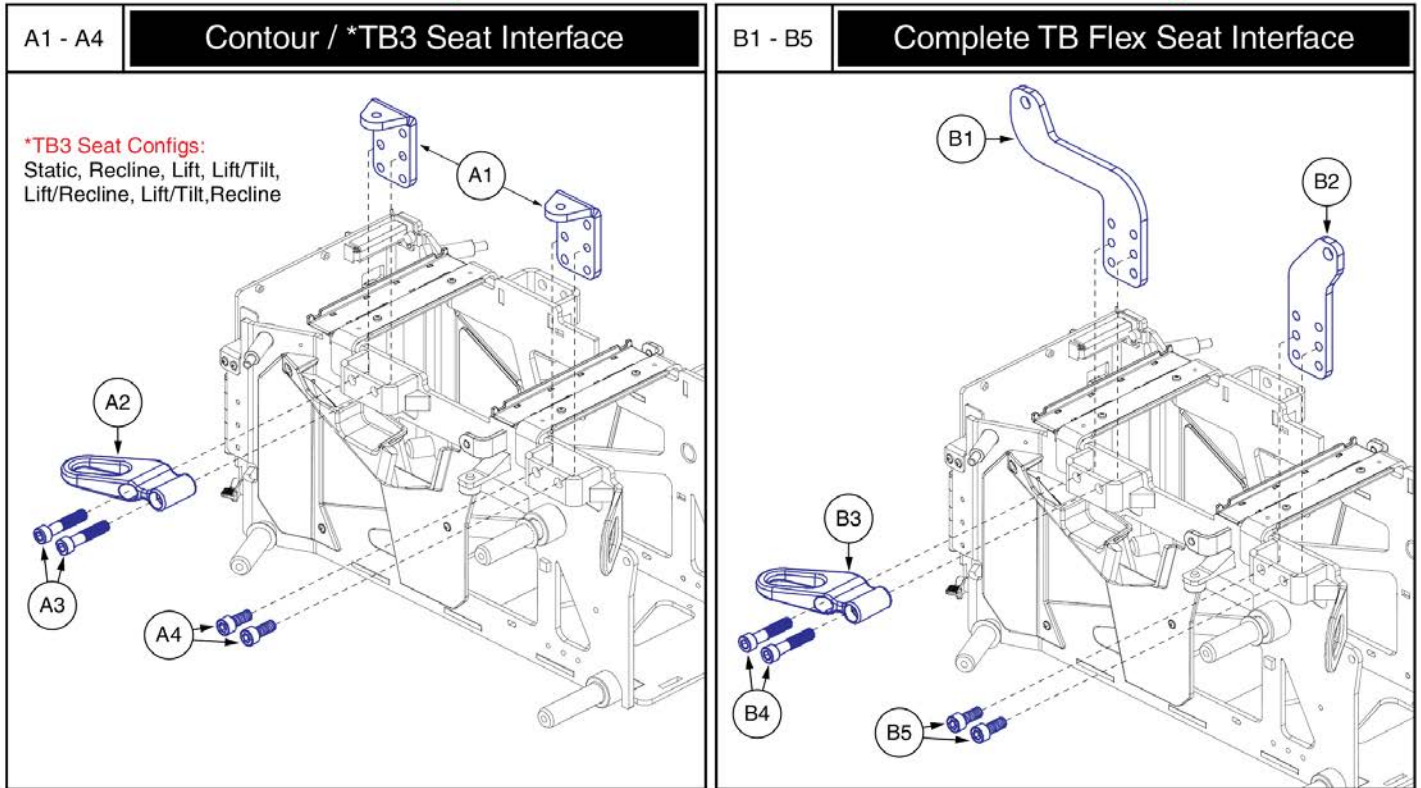
Rear Door Inserts, Q6 Edge 3 Stretto



Item	Part No.	Name	Qty
A1	DGN1806334-PBK1	REAR SHROUD WITH INSERTS,BACK IN BLACK,PPW-BLK-01,EDGE 320 STRETTO	1
B1	DGN1806334-PBK3	REAR SHROUD WITH INSERTS,NIGHT TRAIN,PPW-BLK-03,EDGE 320 STRETTO	1
C1	DGN1806334-PSL3	REAR SHROUD WITH INSERTS,GREY STREET,PPW-SIL-03,EDGE 320 STRETTO	1
D1	DGN1806334-PWT2	REAR SHROUD WITH INSERTS,WHITE SATIN,PPW-WHT-02,EDGE 320 STRETTO	1
E1	DGN1806334-PRD1	REAR SHROUD WITH INSERTS,RED CORVETTE,PPW-RED-01,EDGE 320 STRETTO	1
F1	DGN1806334-PRD4	REAR SHROUD WITH INSERTS,CHERRY BOMB,PPW-RED-04,EDGE 320 STRETTO	1
G1	DGN1806334-PPK3	REAR SHROUD WITH INSERTS,Pretty IN PINK,PPW-PNK-03,EDGE 320 STRETTO	1
H1	DGN1806334-PPK4	REAR SHROUD WITH INSERTS,RASPBERRY BERET,PPW-PNK-04,EDGE 320 STRETTO	1
I1	DGN1806334-PPR7	REAR SHROUD WITH INSERTS,SUGAR PLUM,PPW-PRP-07,EDGE 320 STRETTO	1
J1	DGN1806334-PPR5	REAR SHROUD WITH INSERTS,DEEP PURPLE,PPW-PRP-05,EDGE 320 STRETTO	1
K1	DGN1806334-PBU10	REAR SHROUD WITH INSERTS,MIDNIGHT BLUE,PPW-BLU-10,EDGE 320 STRETTO	1
L1	DGN1806334-PBU9	REAR SHROUD WITH INSERTS,ELECTRIC BLUE,PPW-BLU-09,EDGE 320 STRETTO	1
M1	DGN1806334-PBU11	REAR SHROUD WITH INSERTS,BLUE JEAN,PPW-BLU-11,EDGE 320 STRETTO	1
N1	DGN1806334-PGN11	REAR SHROUD WITH INSERTS,GREEN MACHINE,PPW-GRN-11,EDGE 320 STRETTO	1
O1	DGN1806334-PGN8	REAR SHROUD WITH INSERTS,MILITARY GREEN,PPW-GRN-08,EDGE 320 STRETTO	1
P1	DGN1806334-PYL4	REAR SHROUD WITH INSERTS,LEMON CRUSH,PPW-YEL-04,EDGE 320 STRETTO	1
Q1	DGN1806334-POR7	REAR SHROUD WITH INSERTS,EVOLUTION ORANGE,PPW-ORN-07,EDGE 320 STRETTO	1
R1	SCRPPH1036	SCREW, PAN HEAD, TYPE H, M4X0.7 X 8, FT, ISO 7045, CL 4.8, BZ	4

8. Seat Interfaces

Please note: The complete assemblies include both the left and right sides.



Seat Interfaces, Q6 Edge 3 Stretto

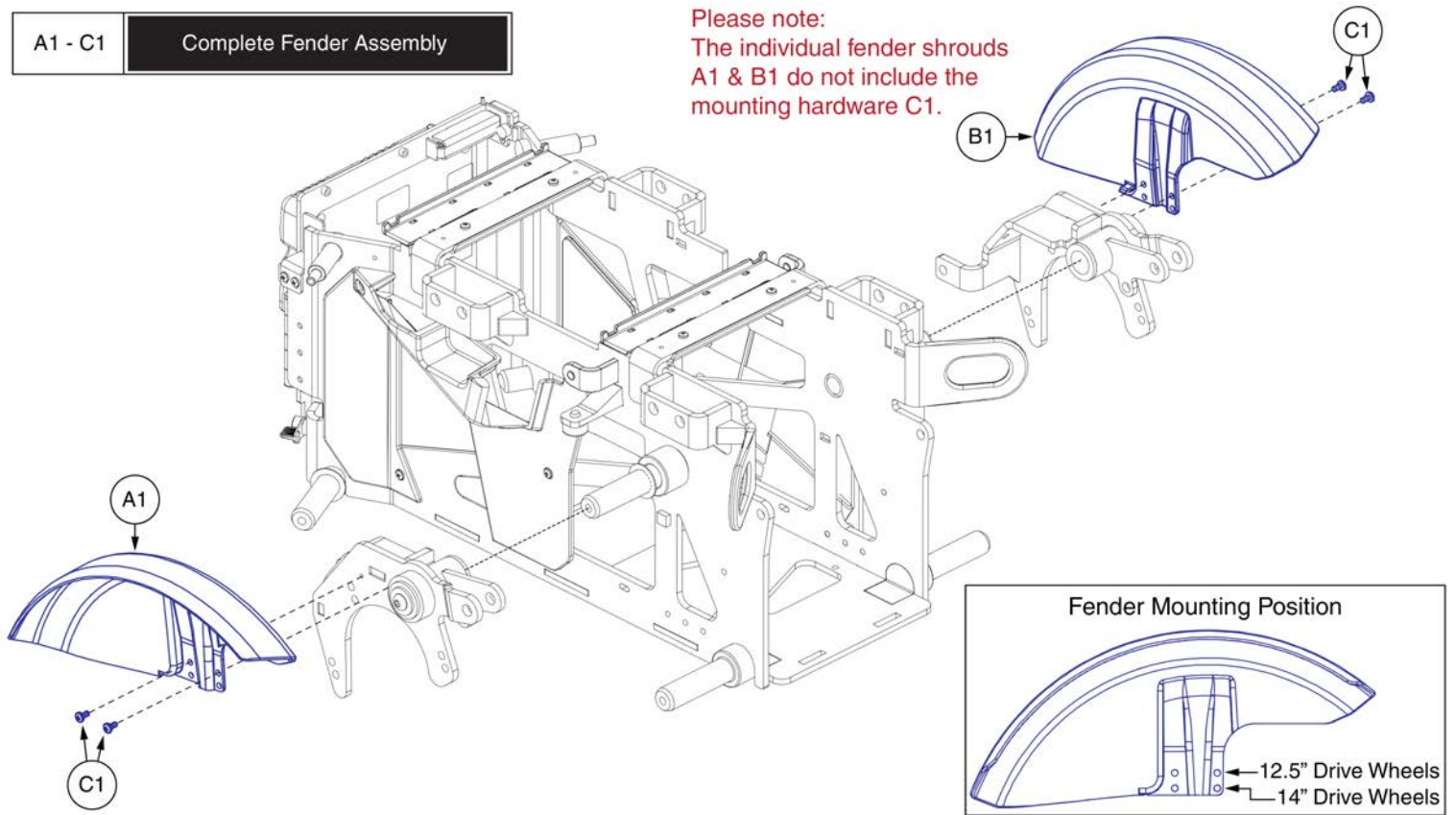


Item	Part No.	Name	Qty
A1 - A4	MEC1900194	SEAT INTERFACE,ASSY,CONTOUR / TB3 SEAT,EDGE MINI	1
A1	BRK8110003	MOUNTING BRACKET,SEAT INTERFACE,UNIVERSAL,BRK8110003	4
A2	MEC142133	MOUNTING BRACKET,ASSY,UNIVERSAL TRANSIT SECUREMENT LOOP W/DECALS	2
A3	HDW142810	SCREW, SOCKET HEAD, M10 X 50, ISO 4762, CL 12.9, BZ, PVTP	4
A4	SCR8110003	SCREW, SOCKET HEAD, M10X1.5 X 25, ISO 4762, CL 12.9, BZ, PVTP	4
B1 - B5	MEC1900196	SEAT INTERFACE,ASSY,TB FLEX SEAT,EDGE MINI	1
B1	MEC1804226	EDGE MINI, TB FLEX, SEATING INTERFACE, BACK	2
B2	MEC1808704	SEAT INTERFACE BRACKET, EDGE MINI	2
B3	MEC142133	MOUNTING BRACKET,ASSY,UNIVERSAL TRANSIT SECUREMENT LOOP W/DECALS	2
B4	HDW142810	SCREW, SOCKET HEAD, M10 X 50, ISO 4762, CL 12.9, BZ, PVTP	4
B5	SCR8110003	SCREW, SOCKET HEAD, M10X1.5 X 25, ISO 4762, CL 12.9, BZ, PVTP	4
C1 - C7	MEC1900195	SEAT INTERFACE,ASSY,TB3.5 TILT,EDGE MINI	1
C1	MEC1809730	EDGE MINI TB3.5 TILT BRACKET, RIGHT	1
C2	MEC1809731	EDGE MINI TB3.5 SEATING INTERFACE, LEFT	1
C3	MEC1808718	TB3 TILT SPACER, EDGE MINI	4
C4	SCRSHCS1340	SCREW,SHCS,BLACK ZINC,M10-1.5 X 20MM,GR 10.9,W/PATCH	8
C5	HDW133681	SCREW, SOCKET HEAD, M10X1.5 X 16, ISO 4762, CL 12.9, BZ, PVTP	4
C6	HDW142810	SCREW, SOCKET HEAD, M10 X 50, ISO 4762, CL 12.9, BZ, PVTP	4
C7	MEC142133	MOUNTING BRACKET,ASSY,UNIVERSAL TRANSIT SECUREMENT LOOP W/DECALS	2

9. Fenders

A1 - C1 Complete Fender Assembly

Please note:
The individual fender shrouds
A1 & B1 do not include the
mounting hardware C1.



Fenders, No Lights, Q6 Edge 3 Stretto

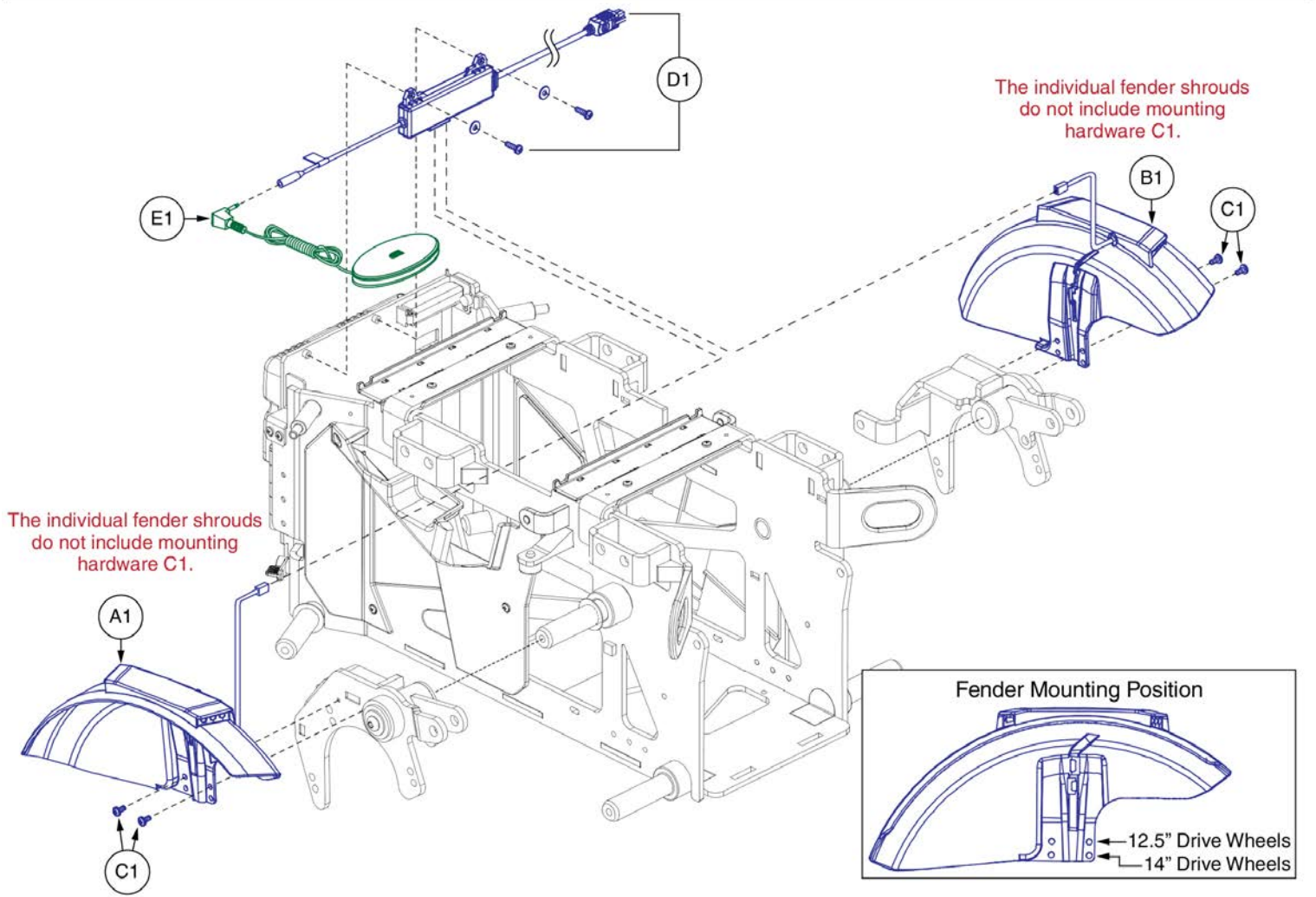
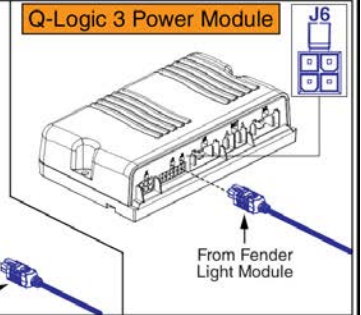
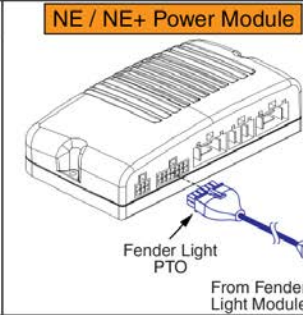
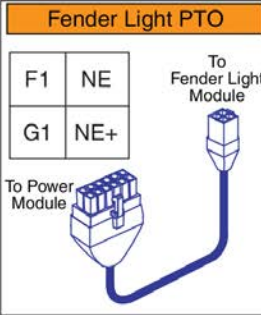


Item	Part No.	Name	Qty
A1 - C1	DGN1810047	FENDER,ASSY,STANDARD,Q6 EDGE MINI	1
A1	DGN1807521	FENDER, 12.5-14 INCH, RIGHT	1
B1	DGN1807053	FENDER, 12.5-14 INCH, LEFT	1
C1	SCRPPH1036	SCREW, PAN HEAD, TYPE H, M4X0.7 X 8, FT, ISO 7045, CL 4.8, BZ	4

9. Fenders

Please note:

- Power Bases equipped with **NE or NE+** electronics **MUST** utilize the applicable Fender Light PTO harness for proper operation. Part F1 or G1.
- Power Bases equipped with **Q-Logic 3** electronics do **NOT** require a Fender Light PTO harness. The Fender Light **Module** plugs directly into the Q-Logic 3 power module.



Fenders w/ Lights, Q6 Edge 3 Stretto

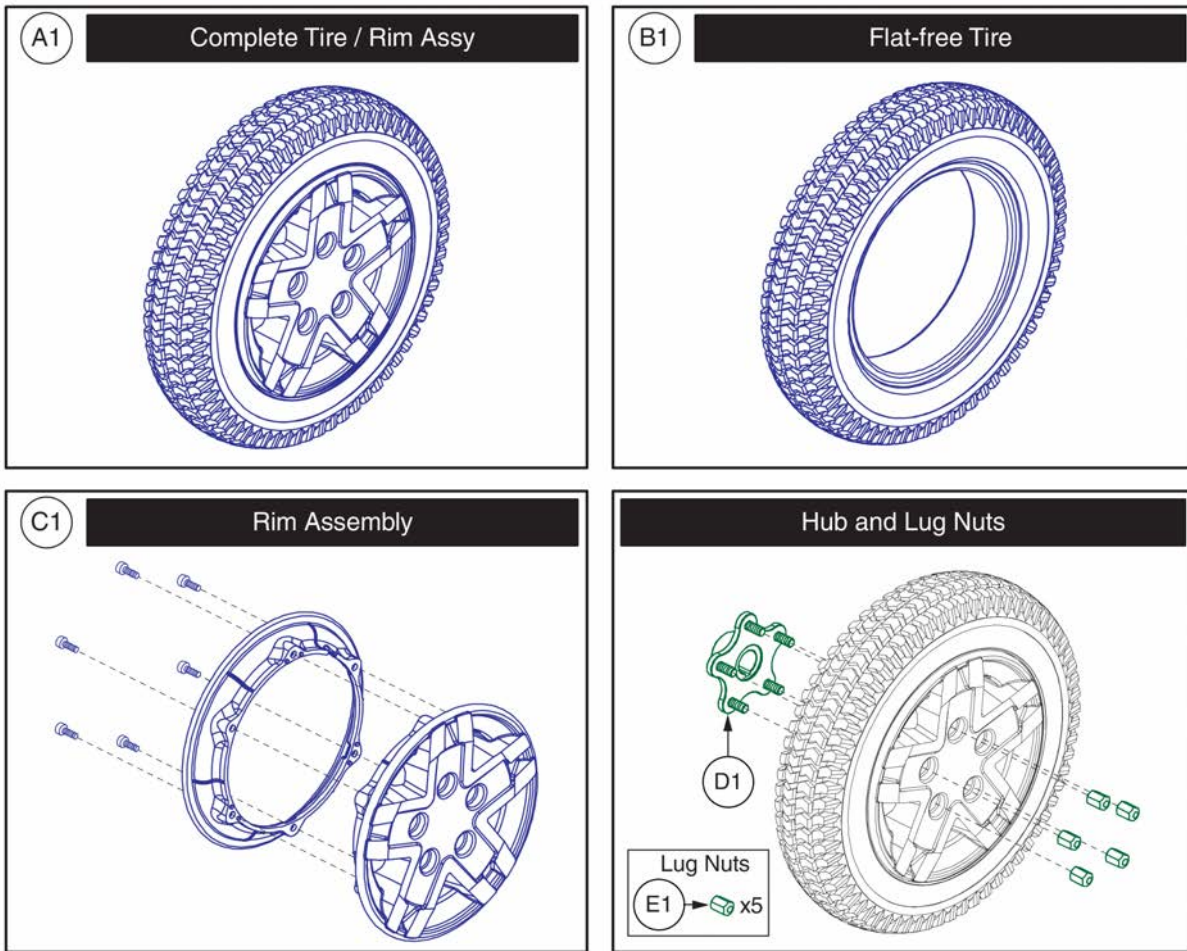


Item	Part No.	Name	Qty
A1 - D1	DGN1810041	FENDER,ASSY,SWITCH LIGHTS,Q6EDGE MINI	1
A1	DGN1807524	FENDER, 12.5-14 INCH, RIGHT, LIGHT MODULE ASSEMBLY	1
B1	DGN1807056	FENDER, 12.5-14 INCH, LEFT, LIGHT MODULE ASSEMBLY	1
C1	SCRPPH1036	SCREW, PAN HEAD, TYPE H, M4X0.7 X 8, FT, ISO 7045, CL 4.8, BZ	4
D1	MEC1808044	FENDER LIGHT MODULE ASSEMBLY, BACK DOOR	1
E1	ELE160183	ELECTRONIC,ASSY,SWITCH,BLACK,EGG,W/LIGHT SYMBOL,W/DUAL LOCK	1
F1	ELE1907905	HARNESS, PTO INTERFACE, NE TO 4 PIN MOLEX	1
G1	ELE1907903	HARNESS, PTO INTERFACE, QL2/NE+ TO 4 PIN MOLEX	1

10.1. 5-Spoke Hub, 14" Wheel

Please Note:

- The Complete Tire / Rim Assembly does not contain the Hub, Lug Nuts, or Painted Rim Insert.
- The Painted Rim Inserts are not shown. Please see the Rim Insert page for all Quantum color options.

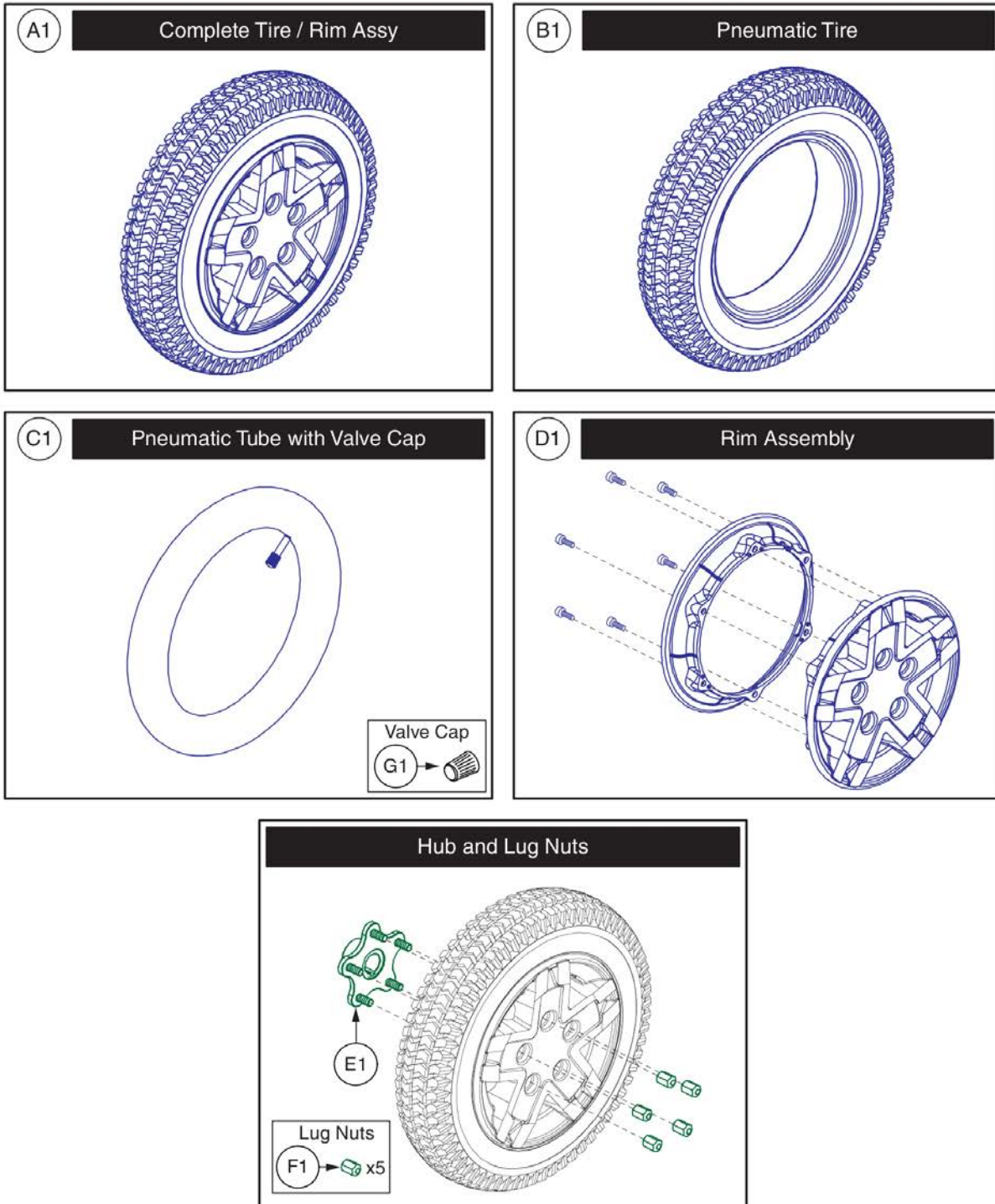


Item	Part No.	Name	Qty
A1	WHL1703588	WHEEL,ASSY,FLAT FREE,14" X 3" DRIVE,BLACK RIM/BLACK TIRE,E-1203-043	1
B1	TIR8110024	TIRE,FLAT FREE,BLACK,14" OD,3" W,C-248 POWERTRAX TREAD,(GALLOP: 5508018 YT57)	1
C1	WHL1703586	WHEEL,ASSY,RIM,BLACK,ALUMINUM,8",5 SPOKE,D-1203-071	1
D1	MEC145417	HUB ASSEMBLY	1
E1	DWR1005B049	NUT,LUG,ZINC,5/16-24,B-1005-049	5

10.1. 5-Spoke Hub, 14" Wheel

Please Note:

- The Complete Tire / Rim Assembly does not contain the Hub, Lug Nuts, or Painted Rim Insert.
- The Painted Rim Inserts are not shown. Please see the Rim Insert page for all Quantum color options.

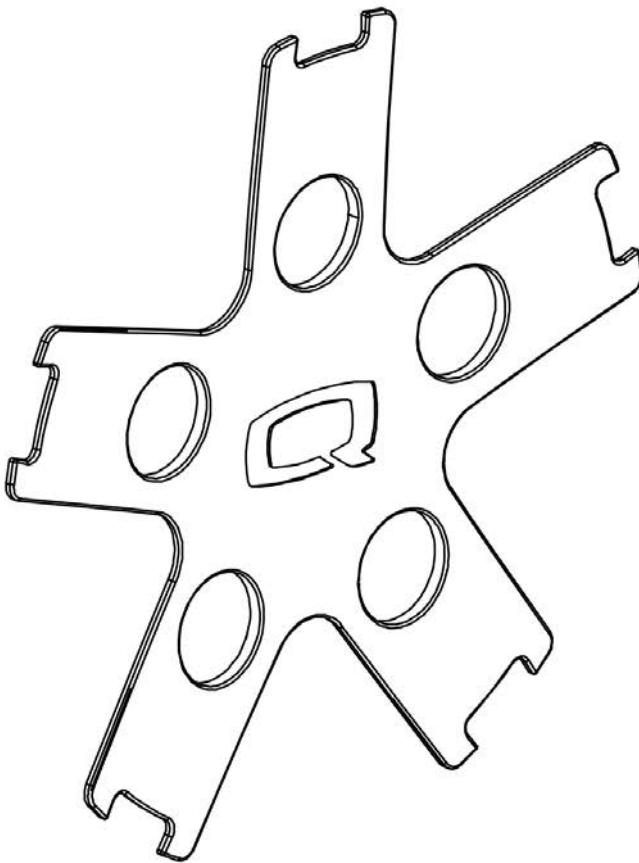


Item	Part No.	Name	Qty
A1	WHL1704507	WHEEL,ASSY,PNEUMATIC,14" X 3" DRIVE,BLACK RIM/BLACK TIRE,E-1203-051	1
B1	TIR8110026	TIRE,PNEUMATIC,BLACK,14" OD,3" W,C-248-5 TREAD	1
C1	TUBSTND1002	TUBE,300-8,ANGLED VALVE W/CAP	1
D1	WHL1703586	WHEEL,ASSY,RIM,BLACK,ALUMINUM,8",5 SPOKE,D-1203-071	1
E1	MEC145417	HUB ASSEMBLY	1
F1	DWR1005B049	NUT,LUG,ZINC,5/16-24,B-1005-049	5
G1	PLSINDV1003	CAP,BLACK,VALVE	1

10.1. 5-Spoke Hub, 14" Wheel

Please Note:

- The painted wheel inserts are available in all Quantum color options.
- Power base colors vary by model and some colors listed may not be available on all power bases.
- See the Quantum Color Reference Chart or contact Technical Service for more information.



The inserts contain all of the adhesive mounting fasteners.

Painted Wheel Inserts	
Ref#	Color Name
A1	Back in Black
B1	Night Train
C1	Grey Street
D1	Silver Bullet
E1	White Satin
F1	Red Corvette
G1	Cherry Bomb
H1	Pretty in Pink
I1	Raspberry Beret
J1	Sugar Plum
K1	Deep Purple
L1	Midnight Blue
M1	Electric Blue
N1	Blue Jean
O1	Green Machine
P1	Military Green
Q1	Lime Light
R1	Yellow Blaze
S1	Lemon Crush
T1	Orange Crush
U1	Evolution Orange
V1	Carbon Fiber
W1	Digital Camo
X1	Faded Glory

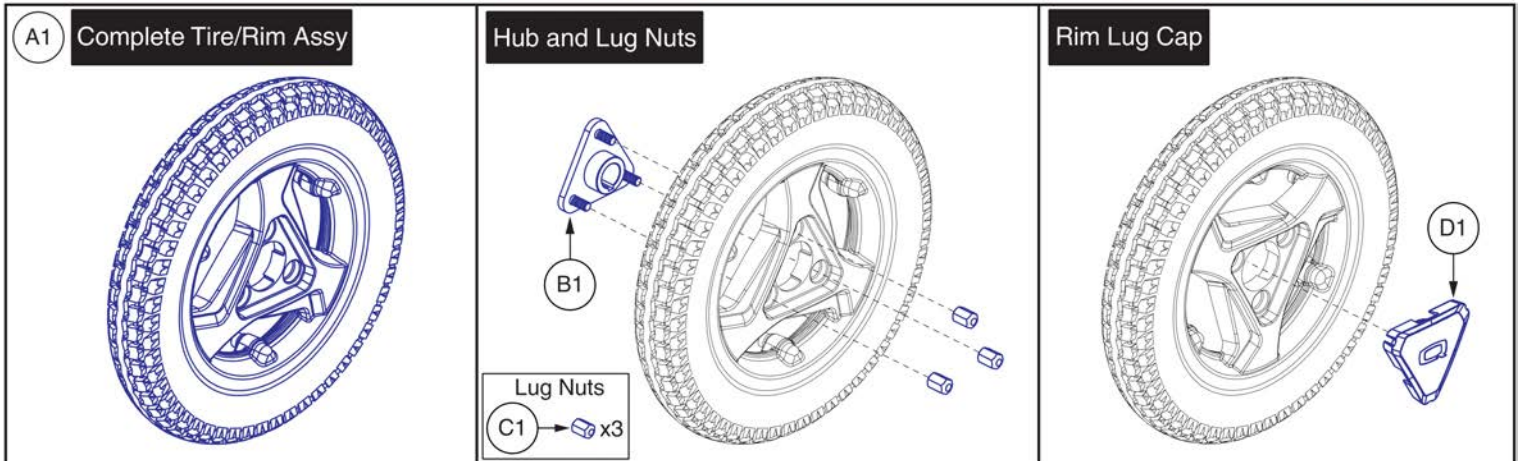
Painted Wheel Inserts, All Quantum Colors



Item	Part No.	Name	Qty
A1	DGN164245-PBK1	DRIVE WHEEL COLOR INSERT, WITH ADHESIVE TAPE, PPW-BLK-01 (BACK IN BLACK/BLACK)	1
B1	DGN164245-PBK3	DRIVE WHEEL COLOR INSERT, WITH ADHESIVE TAPE, PPW-BLK-03 (NIGHT TRAIN)	1
C1	DGN164245-PSL3	DRIVE WHEEL COLOR INSERT, WITH ADHESIVE TAPE, PPW-SIL-03 (GREY STREET)	1
D1	DGN164245-PSL7	DRIVE WHEEL COLOR INSERT, WITH ADHESIVE TAPE, PPW-SIL-07 (SILVER BULLET)	1
E1	DGN164245-PWH2	DRIVE WHEEL COLOR INSERT, WITH ADHESIVE TAPE, PPW-WHT-02 (WHITE SATIN)	1
F1	DGN164245-PRD1	DRIVE WHEEL COLOR INSERT, WITH ADHESIVE TAPE, PPW-RED-01 (RED CORVETTE/CANDY APPLE RED)	1
G1	DGN164245-PRD4	DRIVE WHEEL COLOR INSERT, WITH ADHESIVE TAPE, PPW-RED-04(CHERRY BOMB)	1
H1	DGN164245-PPK3	DRIVE WHEEL COLOR INSERT, WITH ADHESIVE TAPE, PPW-PNK-03 (PRETTY IN PINK)	1
I1	DGN164245-PPK4	DRIVE WHEEL COLOR INSERT, WITH ADHESIVE TAPE, PPW-PNK-04(RASPBERRY BERET)	1
J1	DGN164245-PPR7	DRIVE WHEEL COLOR INSERT, WITH ADHESIVE TAPE, PPW-PRP-07(SUGAR PLUM)	1
K1	DGN164245-PPR5	DRIVE WHEEL COLOR INSERT, WITH ADHESIVE TAPE, PPW-PRP-05 (DEEP PURPLE)	1
L1	DGN164245-PBU10	DRIVE WHEEL COLOR INSERT, WITH ADHESIVE TAPE, PPW-BLU-10 (MIDNIGHT BLUE)	1
M1	DGN164245-PBU9	DRIVE WHEEL COLOR INSERT, WITH ADHESIVE TAPE, PPW-BLU-09 (ELECTRIC BLUE/TRUE BLUE)	1
N1	DGN164245-PBU11	DRIVE WHEEL COLOR INSERT, WITH ADHESIVE TAPE, PPW-BLU-11(BLUE JEAN)	1
O1	DGN164245-PGN11	DRIVE WHEEL COLOR INSERT, WITH ADHESIVE TAPE, PPW-GRN-11(GREEN MACHINE)	1
P1	DGN164245-PGN8	DRIVE WHEEL COLOR INSERT, WITH ADHESIVE TAPE, PPW-GRN-08 (MILITARY GREEN)	1
Q1	DGN164245-PGN7	DRIVE WHEEL COLOR INSERT, WITH ADHESIVE TAPE, PPW-GRN-07 (LIME LIGHT)	1
R1	DGN164245-PYL3	DRIVE WHEEL COLOR INSERT, WITH ADHESIVE TAPE, PPW-YEL-03 (YELLOW BLAZE/ORION YELLOW)	1
S1	DGN164245-PYL4	DRIVE WHEEL COLOR INSERT, WITH ADHESIVE TAPE, PPW-YEL-04(LEMON CRUSH)	1
T1	DGN164245-POR6	DRIVE WHEEL COLOR INSERT, WITH ADHESIVE TAPE, PPW-ORN-06 (ORANGE CRUSH)	1
U1	DGN164245-POR7	DRIVE WHEEL COLOR INSERT, WITH ADHESIVE TAPE, PPW-ORN-07(EVOLUTION ORANGE)	1
V1	DGN164245-WCB1	DRIVE WHEEL COLOR INSERT, WITH ADHESIVE TAPE, PWT-CBN-01 (CARBON FIBER)	1
W1	DGN164245-WCM7	DRIVE WHEEL COLOR INSERT, WITH ADHESIVE TAPE, PWT-CMO-07 (MILITARY DIGITAL CAMO)	1
X1	DGN164245-WFL2	DRIVE WHEEL COLOR INSERT, WITH ADHESIVE TAPE, PWT-FLG-02 (FADED GLORY)	1

10.2. 3-Spoke Hub, 12.5" Wheel

Please Note: The Complete Tire/Rim Assembly does not contain the Hub, Lug Nuts, or Rim Lug Cap.



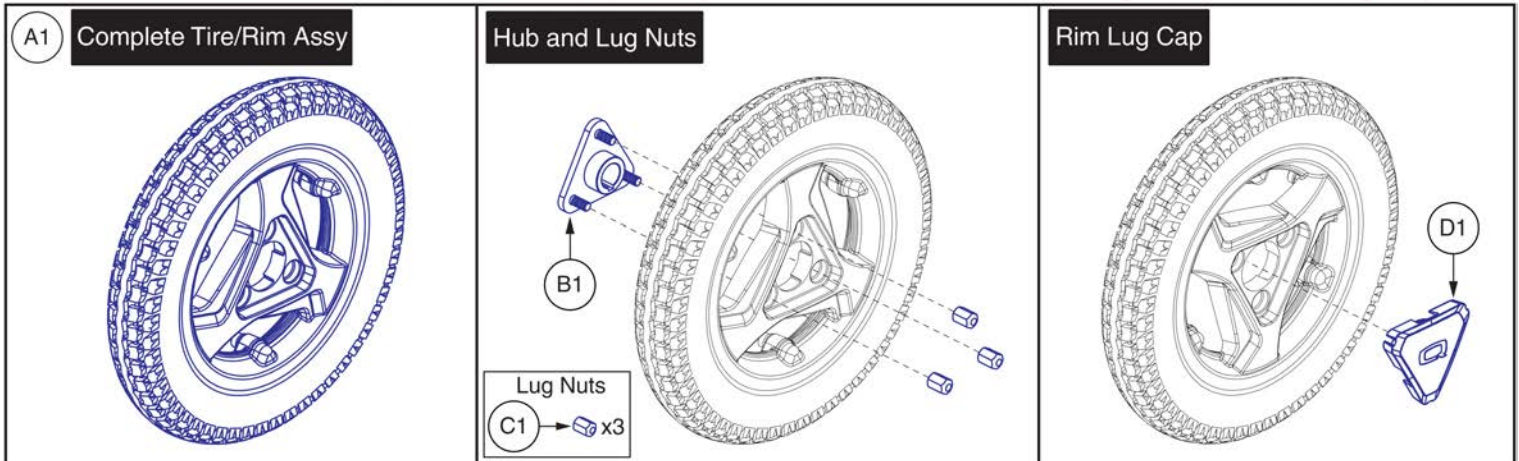
Flat-free Drive Wheel, 3-Spoke Hub w/ Lug Cap



Item	Part No.	Name	Qty
A1	WHL1807050	12.5" TIRE ASSEMBLY, FLAT FREE	1
B1	MEC1807297	12.5" 3 SPOKE WHEEL HUB ASSEMBLY	1
C1	DWR1005B049	NUT,LUG,ZINC,5/16-24,B-1005-049	3
D1	DGN1806985	RIM LUG CAP, EDGE MINI	1

10.2. 3-Spoke Hub, 12.5" Wheel

Please Note: The Complete Tire/Rim Assembly does not contain the Hub, Lug Nuts, or Rim Lug Cap.



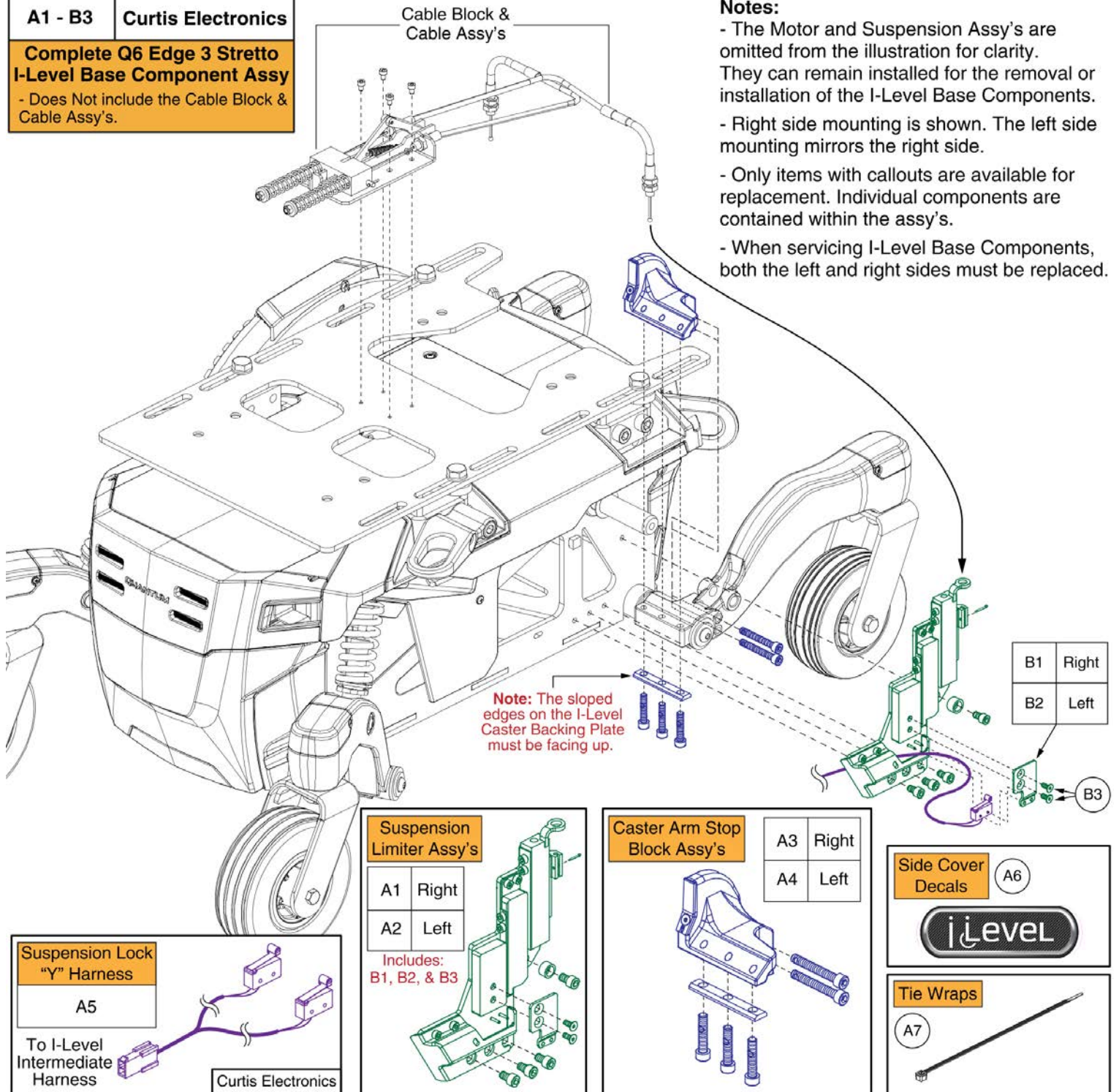
Pneumatic Drive Wheel, 3-Spoke Hub w/ Lug Cap



Item	Part No.	Name	Qty
A1	WHL1806954	12.5" TIRE ASSEMBLY, PNEUMATIC	1
B1	MEC1807297	12.5" 3 SPOKE WHEEL HUB ASSEMBLY	1
C1	DWR1005B049	NUT,LUG,ZINC,5/16-24,B-1005-049	3
D1	DGN1806985	RIM LUG CAP, EDGE MINI	1

11. I-Level Base Components

A1 - B3	Curtis Electronics
Complete Q6 Edge 3 Stretto I-Level Base Component Assy	
- Does Not include the Cable Block & Cable Assy's.	

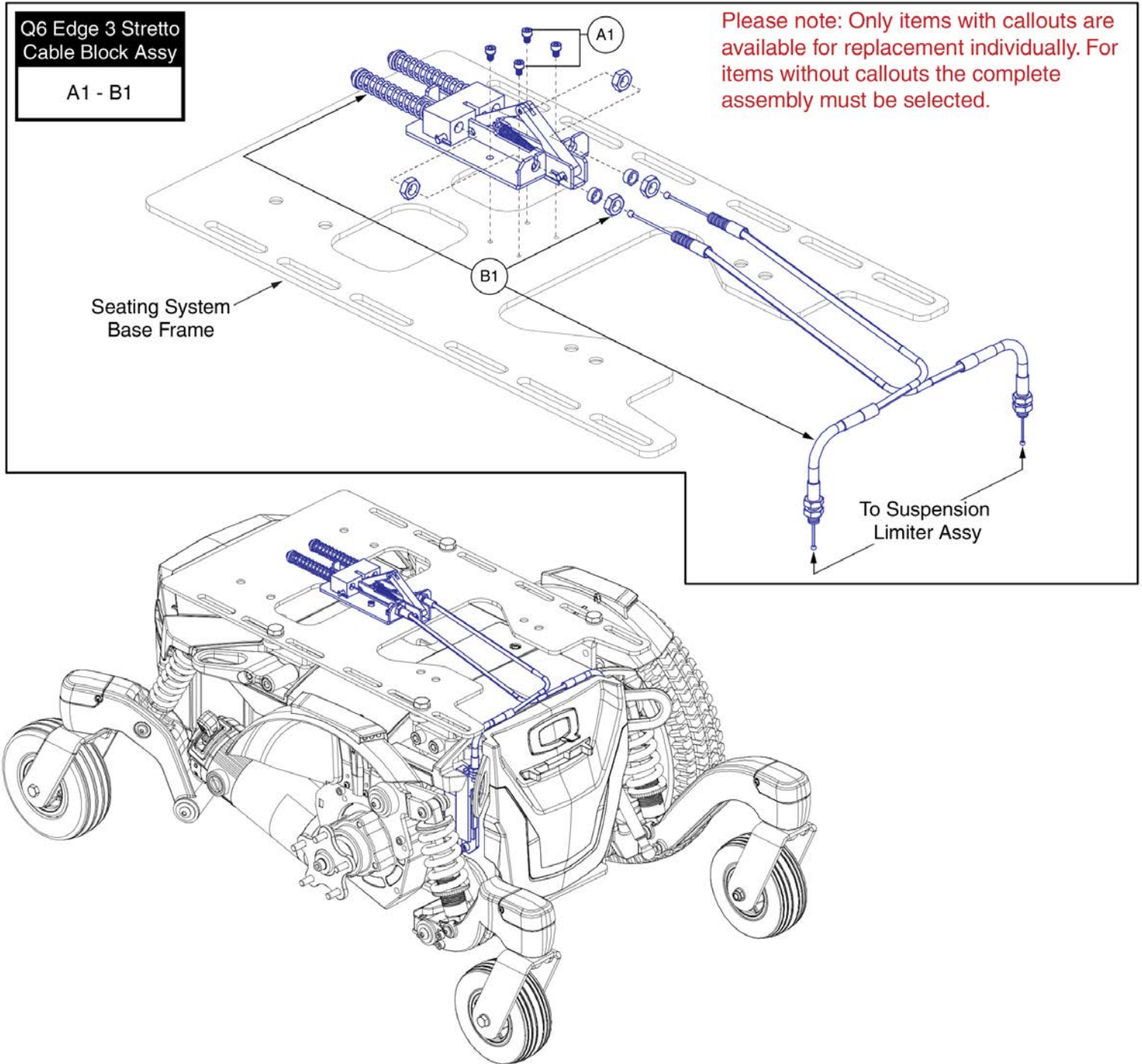


I-Level Power Base Components, Edge 3 Stretto



Item	Part No.	Name	Qty
A1 - B3	MEC1900823	ILEVEL,ASSY,Q6EDGE 3 STRETTO	1
A1	MEC1900337	ILEVEL ATTACHMENT ASSEMB, RIGHT	1
A2	MEC1900336	ILEVEL ATTACHMENT ASSEMB, LEFT	1
A3	MEC1900335	RIGHT CASTER ARM ILEVEL ASSM	1
A4	MEC1900333	LEFT CASTER ARM ILEVEL ASSM	1
A5	ELE145674	HARNES,ILEVEL BASE SUSPENSION LOCK SIGNAL CURTIS,Q6EDGE	1
A6	LAB1906474	DECAL, I-LEVEL SIDE RAIL LABEL	2
A7	PLSTIE1004	TIE WRAP,BLACK,8"	2
B1	MEC1900288	ILEVEL SWITCH PLATE, RIGHT	1
B2	MEC1810306	ILEVEL, SWITCH PLATE, LEFT	1
B3	HDW154800	SCREW, FLAT HEAD, M4X0.7 X 10, ISO 10642, CL 10.9, BZ, PVTP	2

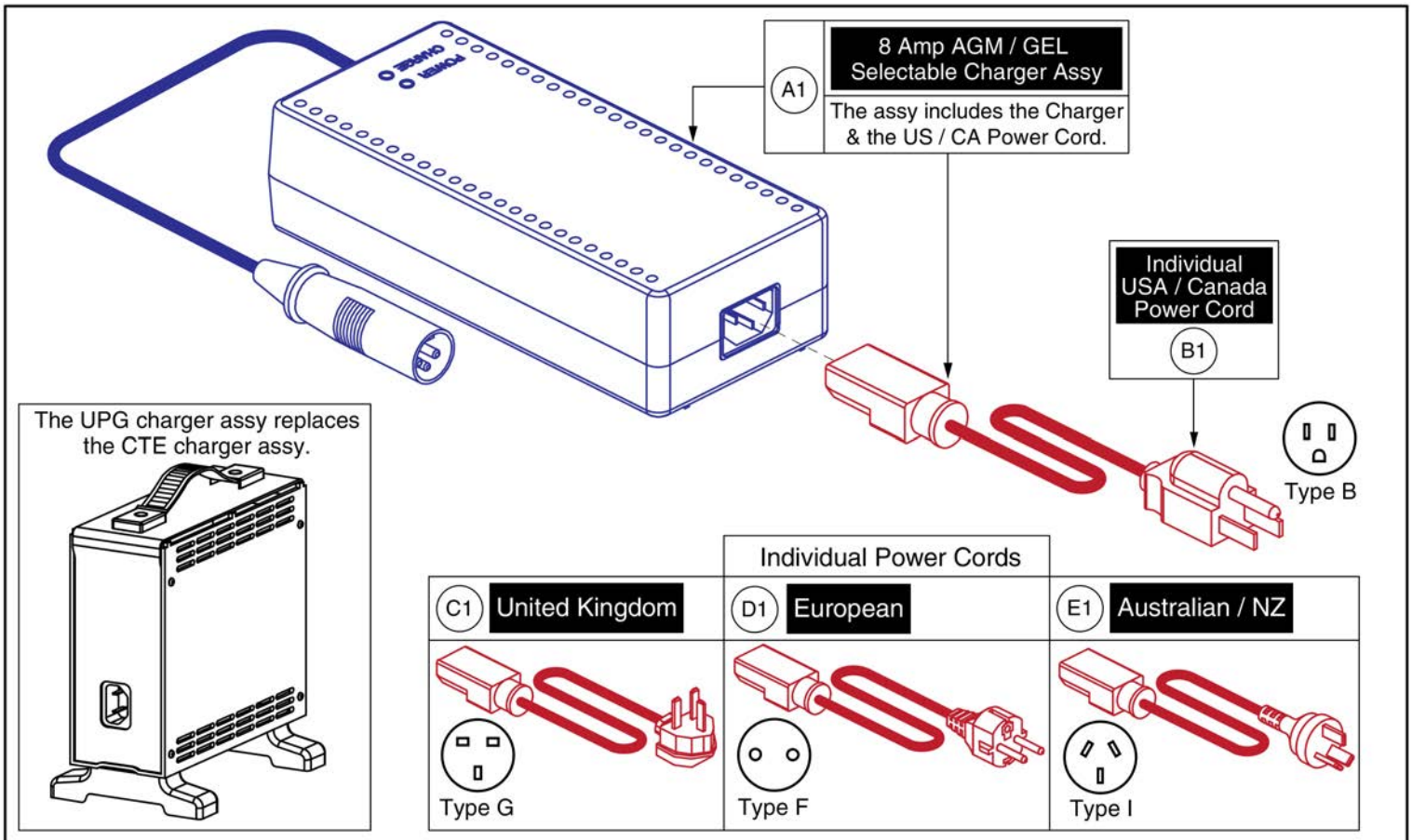
11. I-Level Base Components





Item	Part No.	Name	Qty
A1 - B1	MEC1906776	ILEVEL,ASSY,TRU-BALANCE 3 POWER ADJUSTABLE SEAT LIFT W/ILEVEL,STRETTO	1
A1	HDW147454	SCREW,SHCS,M4-0.7 X 6MM LG,CLASS 10.9,BLACK ZINC,NYLON PATCH	4
B1	MEC148171	ILEVEL CABLE,ASSY,W/MOUNTING BLOCK,TRU-BALANCE 3 POWER ADJUSTABLE SEAT LIFT W/ILEVEL	1

12. Off-board Charger

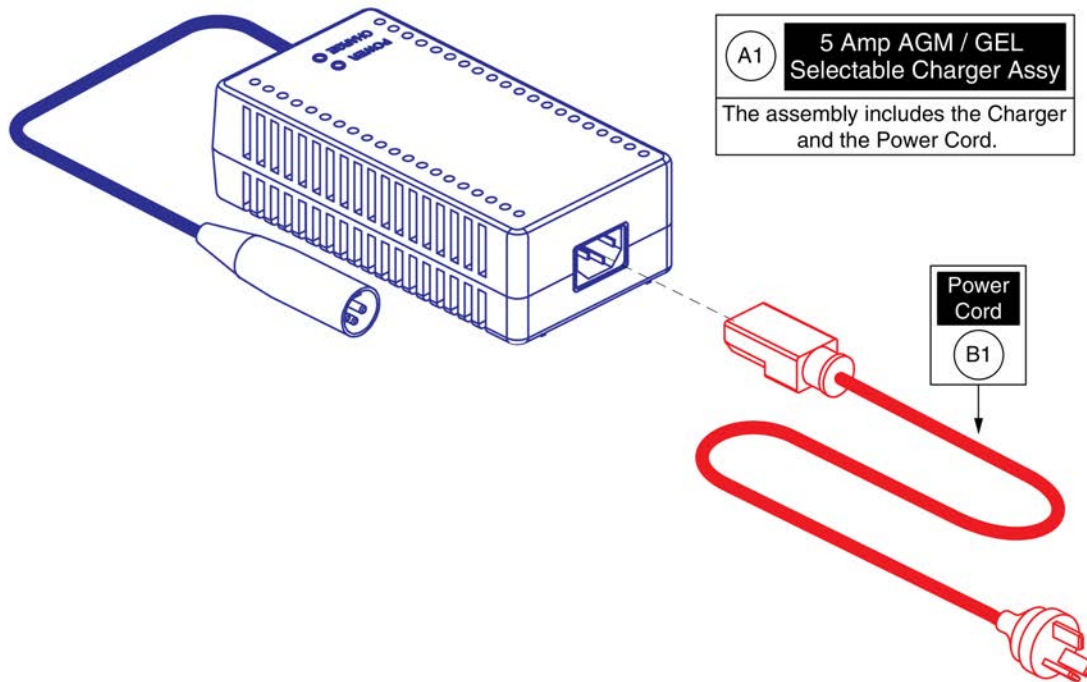


8 Amp UPG Charger Assy, AGM / GEL Selectable



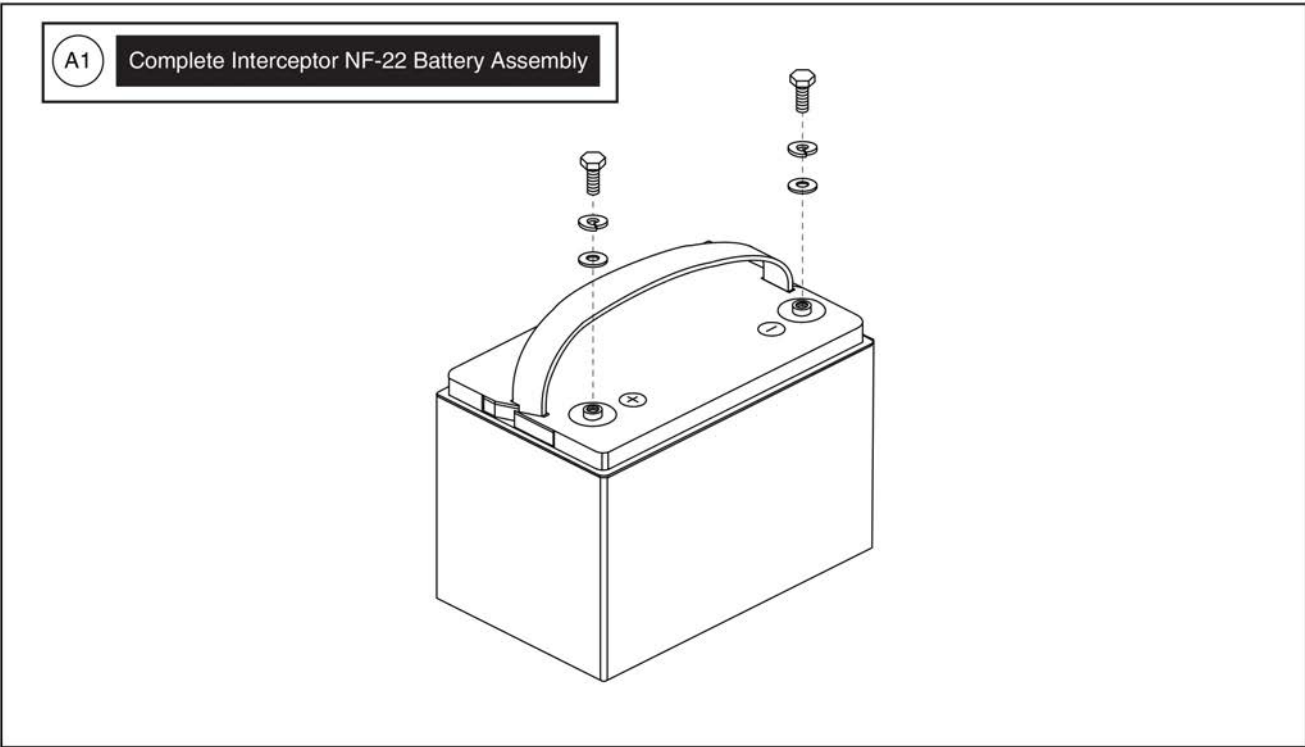
Item	Part No.	Name	Qty
A1	ELE1803440	CHARGER, OFFBOARD, LOW INHIBIT, AC 100V-240V, DC 28.6-29.6V @8A, AGM/GEL SELECTABLE, WITH USA CORDSET	1
B1	HARUSHD1065	ELECTRONIC,HARNESS,POWER CORD,IEC - USA,H-1000-128	1
C1	HARUSHD2041	ELECTRONIC,HARNESS, POWER CORD,AC W/UK PLUG,H-1020-049	1
D1	HARUSHD2160	ELECTRONIC,HARNESS,POWER CORD,IEC - EUROPE PLUG	1
E1	DWR1000H174	ELECTRONIC,HARNESS,AC POWER CORD,INSULATED BLADES,AUSTRALIA,H-1000-174	1

12. Off-board Charger



Item	Part No.	Name	Qty
A1	ELE1803473	CHARGER, OFFBOARD, LOW INHIBIT, AC 100V-240V, DC 28.6-29.6V @5A, AGM/GEL SELECTABLE. WITH AUSTRALIA CORDSET	1
B1	DWR1000H174	ELECTRONIC,HARNESS,AC POWER CORD,INSULATED BLADES,AUSTRALIA,H-1000-174	1

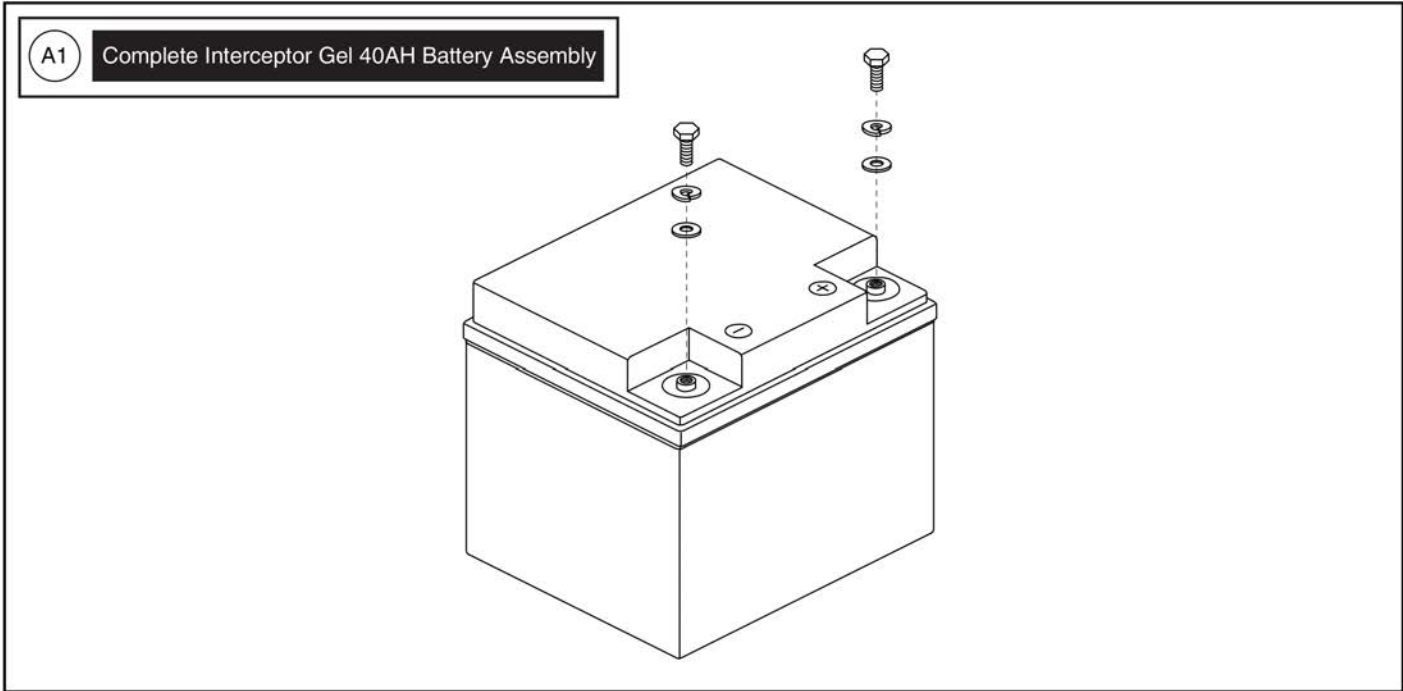
13. Batteries





Item	Part No.	Name	Qty
A1	BAT1704613-P	BATTERY,PACKAGED,INTERCEPTOR,GEL,55AH,NF-22,(YAHENG: 6-EVF-55)	1

13. Batteries

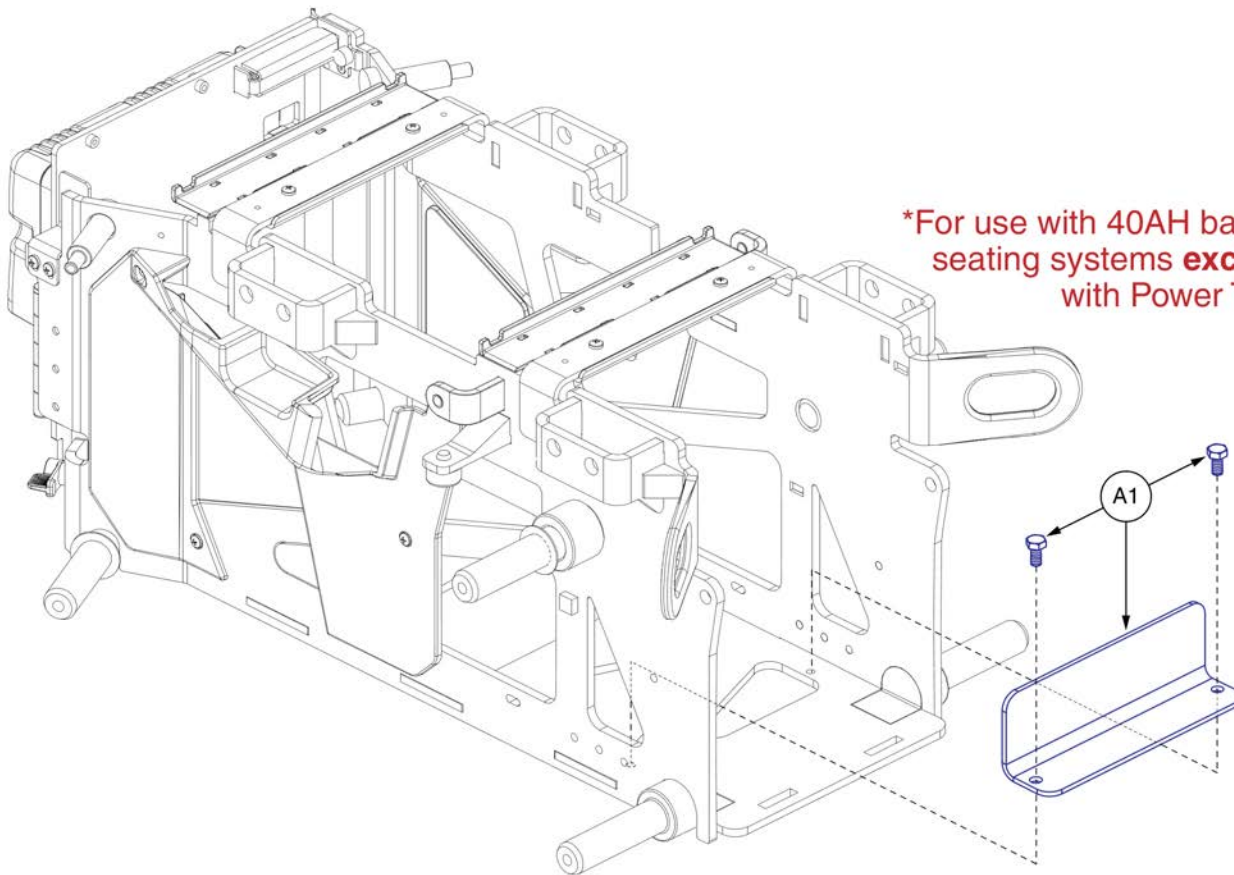


Interceptor 40AH Gel Battery



Item	Part No.	Name	Qty
A1	BAT1704612-P	BATTERY,PACKAGED,INTERCEPTOR,GEL,40AH/3HR,(YAHENG: 6-EVF-40)	1

14. Battery Stops

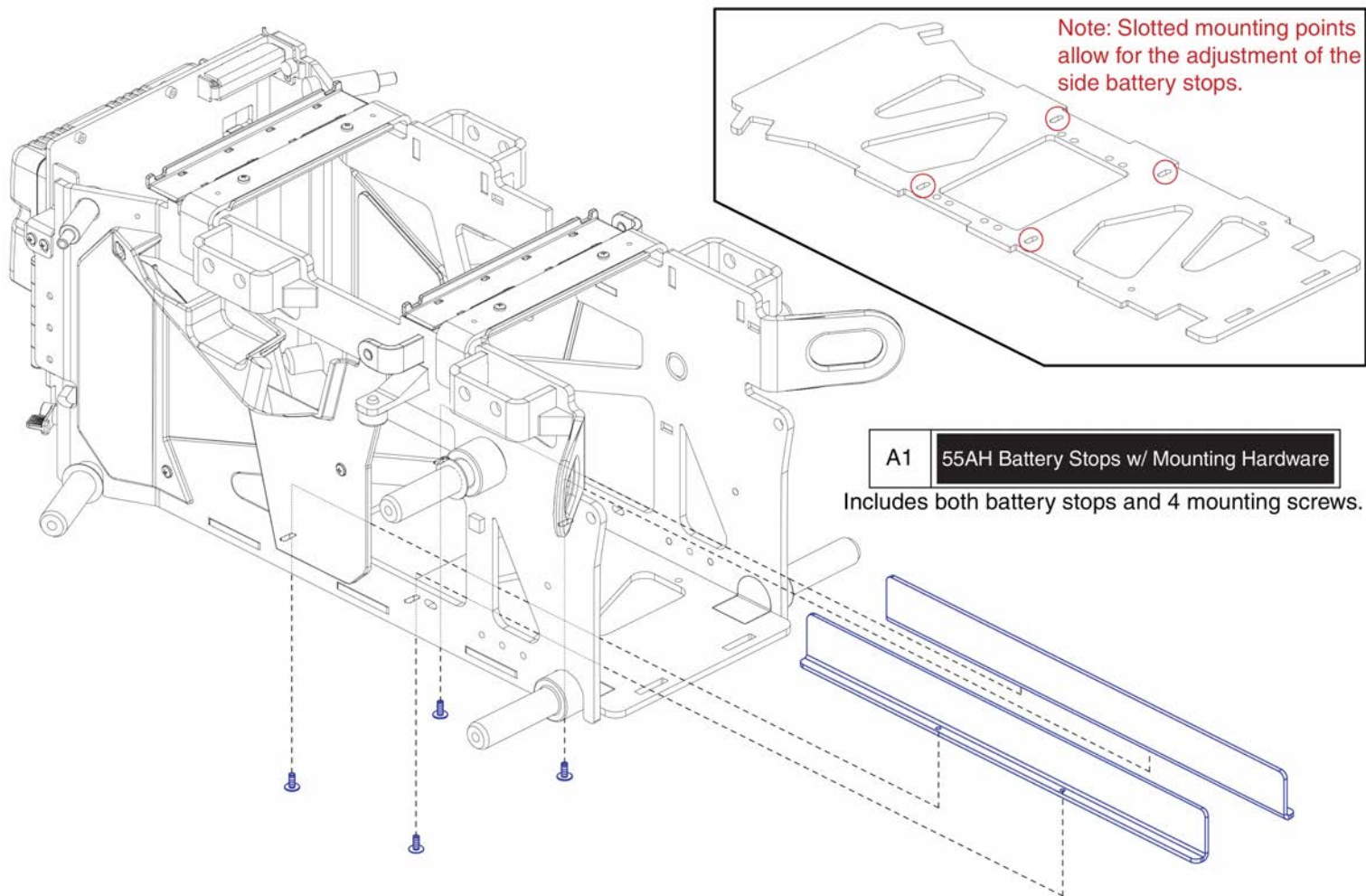


40AH Battery Stop - Q6 Edge 3 Stretto



Item	Part No.	Name	Qty
A1	MEC1907164	40AH BATTERY STOP ASSEMBLY	1

14. Battery Stops



Note: Slotted mounting points allow for the adjustment of the side battery stops.

A1 55AH Battery Stops w/ Mounting Hardware

Includes both battery stops and 4 mounting screws.

55AH Batter Stop - Q6 Edge 3 Stretto



Item	Part No.	Name	Qty
A1	MEC1907165	55AH BATTERY STOP ASSEMBLY	1

15.1. Version 3, Swing-away

Complete Swing-away Mount w/ Hardware				Please Note:	
Ref	Part Number	Mounting Hardware	Seating Type	<ul style="list-style-type: none"> - The complete assemblies A1 thru F1 include the swing-away joystick mount and the applicable joystick mounting hardware. - The contoured seat assemblies also include the armrest adapter K1. * PG Drives does NOT include Remote Plus. Contact Technical Service for more information. 	
A1	ACC1908434	Q-Logic	Rehab		
B1	ACC1908435	Q-Logic	Contoured		
C1	ACC1908437	NE/NE+	Rehab		
D1	ACC1908438	NE/NE+	Contoured		
E1	ACC1908439	PG Drives*	Rehab		
F1	ACC1908440	PG Drives*	Contoured		

Swing-away Joystick Mount

Not available individually. The complete assembly with hardware must be selected.

Mounting Hardware

<p>NE / NE+</p> <p>G1 H1 x4</p>	<p>Q-Logic</p> <p>I1 x4</p>	<p>Contoured Seat Armrest Adapter</p> <p>K1</p>
<p>PG Drives</p> <p>J1 x2</p> <p>*Does not include Remote Plus Joysticks</p>		

Adjustments

Height and Home Position Adjustments

Height Adjustment

Home Position Adjustment

Offset Height Position

Offset Home Position

Notes:

- Loosen the appropriate screws to adjust the height or home position of the swing-away joystick mount.
- Each pivot can be adjusted independently in 15 Degree increments to allow for a wide range of positions and angles.
- The "Home" position refers to the orientation the joystick & mount rest while the chair is in use and the mount is not performing the swing-away action.

Swing-away Force Adjustment and Belt Tightening

Three set screws allow for adjustments to be made to the swing-away force and belt tension of the joystick mount. See notes on right for further details.

Set Screw:	Notes:
<p>Controller</p>	<ul style="list-style-type: none"> - Used to adjust the force needed to swing the joystick mount away. Force range depends on where the Bottom Set Screw is positioned. - Used to set the force range of the Controller Set Screw. Removed sets the range from 3 to 6lbs. Inserted sets the range from 5 to 8lbs.
<p>Bottom</p>	<ul style="list-style-type: none"> - Used to adjust the internal belt tension. Turn inward 1/4 turn if the controller does not maintain the set orientation when swinging away or if the controller spins. - Note: This ONLY needs to be adjusted if the belt is loose and should be performed rarely.
<p>Belt</p>	

Item	Part No.	Name	Qty
A1	ACC1908434	JOYSTICK MOUNTING BRACKET,ASSY,SWING AWAY,Q-LOGIC	1
B1	ACC1908435	JOYSTICK MOUNTING BRACKET,ASSY,SWING AWAY,Q-LOGIC CONTOURED SEAT	1
C1	ACC1908437	JOYSTICK MOUNTING BRACKET,ASSY,SWING AWAY,NE / NE PLUS	1
D1	ACC1908438	JOYSTICK MOUNTING BRACKET,ASSY,SWING AWAY,NE / NE PLUS CONTOURED SEAT	1
E1	ACC1908439	JOYSTICK MOUNTING BRACKET,ASSY,SWING AWAY,VSI / VR2 / GC3 / R-NET	1
F1	ACC1908440	JOYSTICK MOUNTING BRACKET,ASSY,SWING AWAY,VSI / VR2 / GC3 / R-NET CONTOURED SEAT	1
G1	DWR1111C002	SPACER,CURTIS NE/NE PLUS MOUNT BRACKET,C-1111-002	2
H1	SCRPPH1384	SCREW,PPH,BLACK ZINC,M5-.8 X 20MM	4
I1	SCRPPH1279	SCREW,PPH,BLACK ZINC CHROMATE,M5-.8 X 16MM	4
J1	SCRPPH1384	SCREW,PPH,BLACK ZINC,M5-.8 X 20MM	2
K1	MEC146133	ARMREST ADAPTER ASSEMBLY	1

15.2. Version 2. Swing-away/Multi-axis Joystick Brackets

Rehab Seating

Ref	Part Number	Bracket Type	Joystick Type	Side	Ref	Part Number	Bracket Type	Joystick Type	Side
A1	ACC142525	In-line SWA	Q-Logic	Right	N1	ACC142747	Offset SWA	NE/NE+	Left
B1	ACC142524	In-line SWA	Q-Logic	Left	O1	ACC142750	Offset SWA	PG Drives	Right
C1	ACC142527	In-line SWA	NE/NE+	Right	P1	ACC142749	Offset SWA	PG Drives	Left
D1	ACC142526	In-line SWA	NE/NE+	Left	Q1	ACC142752	Offset SWA	Shark	Right
E1	ACC142530	In-line SWA	PG Drives	Right	R1	ACC142751	Offset SWA	Shark	Left
F1	ACC142529	In-line SWA	PG Drives	Left	S1	ACC142746	Offset SWA	Standalone	Right
G1	ACC142533	In-line SWA	Shark	Right	T1	ACC142745	Offset SWA	Standalone	Left
H1	ACC142532	In-line SWA	Shark	Left	U1	ACC131216	Multi-Axis	Q-Logic	R/L
I1	ACC142739	In-line SWA	Standalone	Right	V1	ACC142528	Multi-Axis	NE/NE+	R/L
J1	ACC142738	In-line SWA	Standalone	Left	W1	ACC142531	Multi-Axis	PG Drives	R/L
K1	ACC142743	Offset SWA	Q-Logic	Right	X1	ACC142534	Multi-Axis	Shark	R/L
L1	ACC142742	Offset SWA	Q-Logic	Left	Y1	ACC142740	Multi-Axis	Standalone	R/L
M1	ACC142748	Offset SWA	NE/NE+	Right					

PG Drives does not include Remote Plus Joysticks

Item	Part No.	Name	Qty
A1	ACC142525	JOYSTICK MOUNT,ASSY,SWING AWAY,INLINE,RIGHT,Q-LOGIC 2	1
B1	ACC142524	JOYSTICK MOUNTING BRACKET,ASSY,SWING AWAY,INLINE,LEFT,Q-LOGIC 2	1
C1	ACC142527	JOYSTICK MOUNT,ASSY,SWING AWAY,INLINE,RIGHT,NE/NE PLUS	1
D1	ACC142526	JOYSTICK MOUNT,ASSY,SWING AWAY,INLINE,LEFT,NE/NE PLUS	1
E1	ACC142530	JOYSTICK MOUNT,ASSY,SWING AWAY,INLINE,RIGHT,PG DRIVES	1
F1	ACC142529	JOYSTICK MOUNT,ASSY,SWING AWAY,INLINE,LEFT,PG DRIVES	1
G1	ACC142533	JOYSTICK MOUNT,ASSY,SWING AWAY,INLINE,RIGHT,SHARK	1
H1	ACC142532	JOYSTICK MOUNT,ASSY,SWING AWAY,INLINE,LEFT,SHARK	1
I1	ACC142739	JOYSTICK MOUNT,ASSY,SWING AWAY,INLINE,RIGHT,STANDALONE	1
J1	ACC142738	JOYSTICK MOUNT,ASSY,SWING AWAY,INLINE,LEFT,STANDALONE	1
K1	ACC142743	JOYSTICK MOUNT,ASSY,SWING AWAY,OFFSET,RIGHT,Q-LOGIC	1
L1	ACC142742	JOYSTICK MOUNT,ASSY,SWING AWAY,OFFSET,LEFT,Q-LOGIC	1
M1	ACC142748	JOYSTICK MOUNT,ASSY,SWING AWAY,OFFSET,RIGHT,NE/NE PLUS	1
N1	ACC142747	JOYSTICK MOUNT,ASSY,SWING AWAY,OFFSET,LEFT,NE/NE PLUS	1
O1	ACC142750	JOYSTICK MOUNT,ASSY,SWING AWAY,OFFSET,RIGHT,PG DRIVES	1
P1	ACC142749	JOYSTICK MOUNT,ASSY,SWING AWAY,OFFSET,LEFT,PG DRIVES	1
Q1	ACC142752	JOYSTICK MOUNT,ASSY,SWING AWAY,OFFSET,RIGHT,SHARK	1
R1	ACC142751	JOYSTICK MOUNT,ASSY,SWING AWAY,OFFSET,LEFT,SHARK	1
S1	ACC142746	JOYSTICK MOUNT,ASSY,SWING AWAY,OFFSET,RIGHT,STANDALONE	1
T1	ACC142745	JOYSTICK MOUNT,ASSY,SWING AWAY,OFFSET,LEFT,STANDALONE	1
U1	ACC131216	JOYSTICK MOUNT,ASSY,MULTI-AXIS,Q-LOGIC	1
V1	ACC142528	JOYSTICK MOUNT,ASSY,MULTI-AXIS,NE/NE PLUS	1
W1	ACC142531	JOYSTICK MOUNT,ASSY,MULTI-AXIS,PG DRIVES	1
X1	ACC142534	JOYSTICK MOUNT,ASSY,MULTI-AXIS,SHARK	1
Y1	ACC142740	JOYSTICK MOUNT,ASSY,MULTI-AXIS,STANDALONE	1

15.2. Version 2. Swing-away/Multi-axis Joystick Brackets

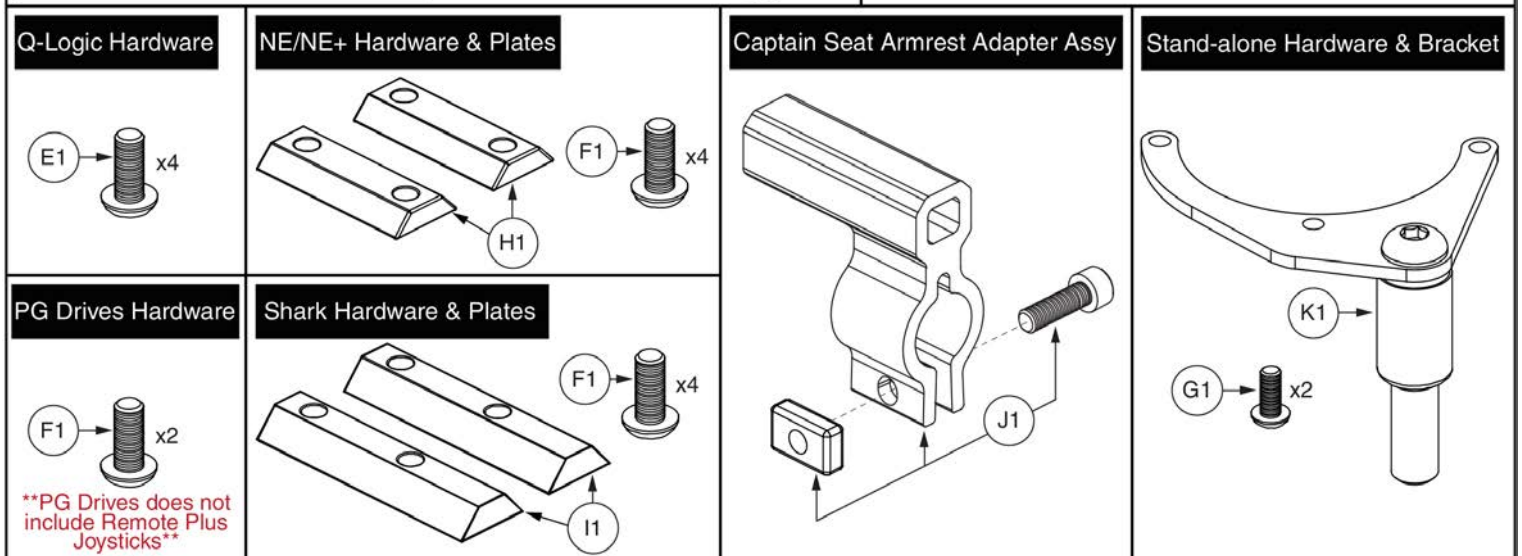
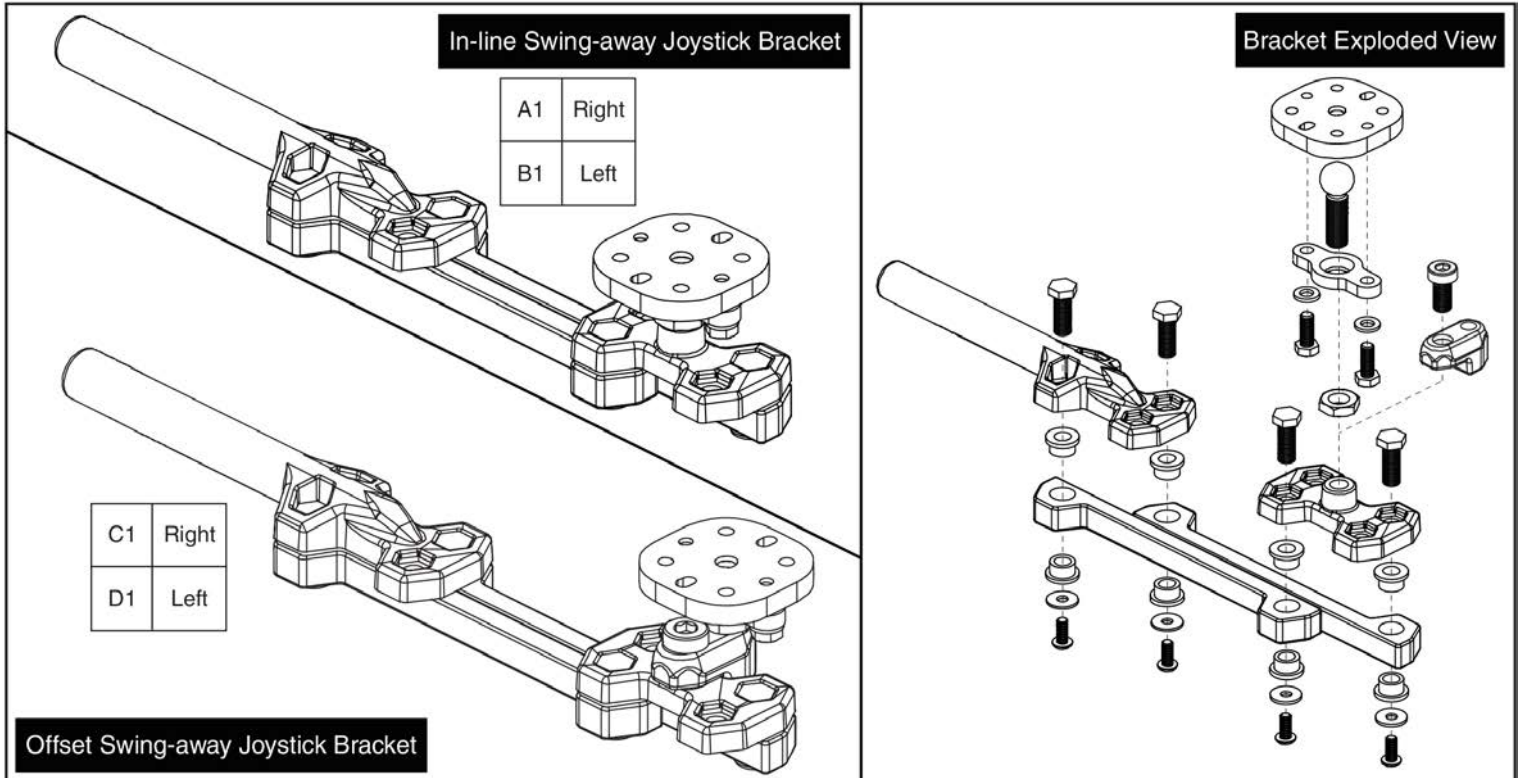
Captain Seating

Ref	Part Number	Bracket Type	Joystick Type	Side	Ref	Part Number	Bracket Type	Joystick Type	Side
A1	ACC148357	In-line SWA	Q-Logic	Right	I1	ACC148359	Offset SWA	Q-Logic	Right
B1	ACC148356	In-line SWA	Q-Logic	Left	J1	ACC148358	Offset SWA	Q-Logic	Left
C1	ACC148361	In-line SWA	NE/NE+	Right	K1	ACC148363	Offset SWA	NE/NE+	Right
D1	ACC148360	In-line SWA	NE/NE+	Left	L1	ACC148362	Offset SWA	NE/NE+	Left
E1	ACC148365	In-line SWA	PG Drives	Right	M1	ACC148367	Offset SWA	PG Drives	Right
F1	ACC148364	In-line SWA	PG Drives	Left	N1	ACC148366	Offset SWA	PG Drives	Left
G1	ACC148369	In-line SWA	Shark	Right	O1	ACC148371	Offset SWA	Shark	Right
H1	ACC148368	In-line SWA	Shark	Left	P1	ACC148370	Offset SWA	Shark	Left

PG Drives does not include Remote Plus Joysticks

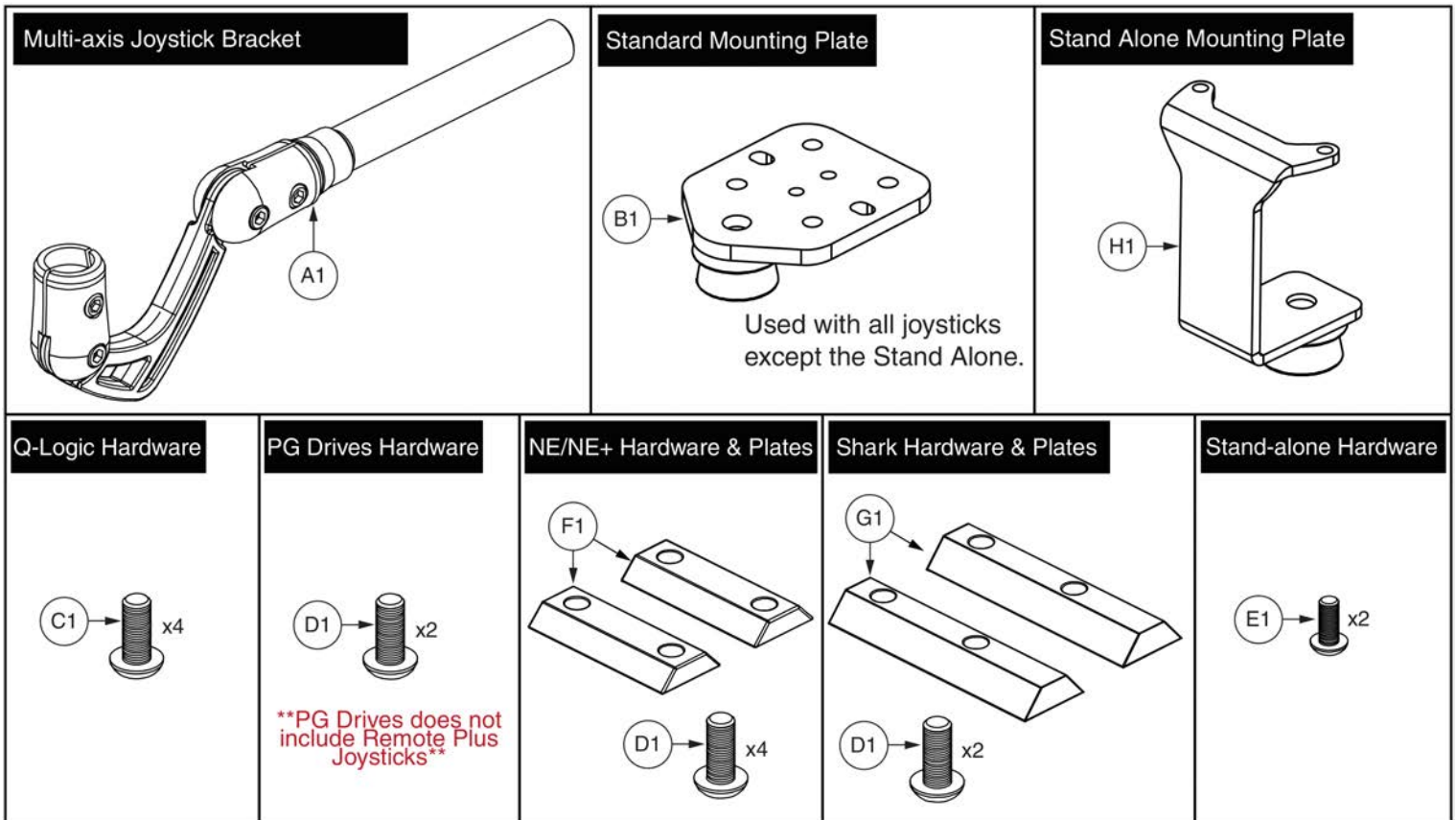
Item	Part No.	Name	Qty
A1	ACC148357	JOYSTICK MOUNTING BRACKET,ASSY,SWING AWAY,INLINE,RIGHT,Q-LOGIC,CAPTAINS SEAT	1
B1	ACC148356	JOYSTICK MOUNTING BRACKET,ASSY,SWING AWAY,INLINE,LEFT,Q-LOGIC,CAPTAINS SEAT	1
C1	ACC148361	JOYSTICK MOUNTING BRACKET,ASSY,SWING AWAY,INLINE,RIGHT,NE/NE PLUS,CAPTAINS SEAT	1
D1	ACC148360	JOYSTICK MOUNTING BRACKET,ASSY,SWING AWAY,INLINE,LEFT,NE/NE PLUS,CAPTAINS SEAT	1
E1	ACC148365	JOYSTICK MOUNTING BRACKET,ASSY,SWING AWAY,INLINE,RIGHT,VSI/VR2/GC3/R-NET,CAPTAINS SEAT	1
F1	ACC148364	JOYSTICK MOUNTING BRACKET,ASSY,SWING AWAY,INLINE,LEFT,VSI/VR2/GC3/R-NET,CAPTAINS SEAT	1
G1	ACC148369	JOYSTICK MOUNTING BRACKET,ASSY,SWING AWAY,INLINE,RIGHT,SHARK,CAPTAINS SEAT	1
H1	ACC148368	JOYSTICK MOUNTING BRACKET,ASSY,SWING AWAY,INLINE,LEFT,SHARK,CAPTAINS SEAT	1
I1	ACC148359	JOYSTICK MOUNTING BRACKET,ASSY,SWING AWAY,OFFSET,RIGHT,Q-LOGIC,CAPTAINS SEAT	1
J1	ACC148358	JOYSTICK MOUNTING BRACKET,ASSY,SWING AWAY,OFFSET,LEFT,Q-LOGIC,CAPTAINS SEAT	1
K1	ACC148363	JOYSTICK MOUNTING BRACKET,ASSY,SWING AWAY,OFFSET,RIGHT,NE/NE PLUS,CAPTAINS SEAT	1
L1	ACC148362	JOYSTICK MOUNTING BRACKET,ASSY,SWING AWAY,OFFSET,LEFT,NE/NE PLUS,CAPTAINS SEAT	1
M1	ACC148367	JOYSTICK MOUNTING BRACKET,ASSY,SWING AWAY,OFFSET,RIGHT,VSI/VR2/GC3/R-NET,CAPTAINS SEAT	1
N1	ACC148366	JOYSTICK MOUNTING BRACKET,ASSY,SWING AWAY,OFFSET,LEFT,VSI/VR2/GC3/R-NET,CAPTAINS SEAT	1
O1	ACC148371	JOYSTICK MOUNTING BRACKET,ASSY,SWING AWAY,OFFSET,RIGHT,SHARK,CAPTAINS SEAT	1
P1	ACC148370	JOYSTICK MOUNTING BRACKET,ASSY,SWING AWAY,OFFSET,LEFT,SHARK,CAPTAINS SEAT	1

15.2. Version 2. Swing-away/Multi-axis Joystick Brackets



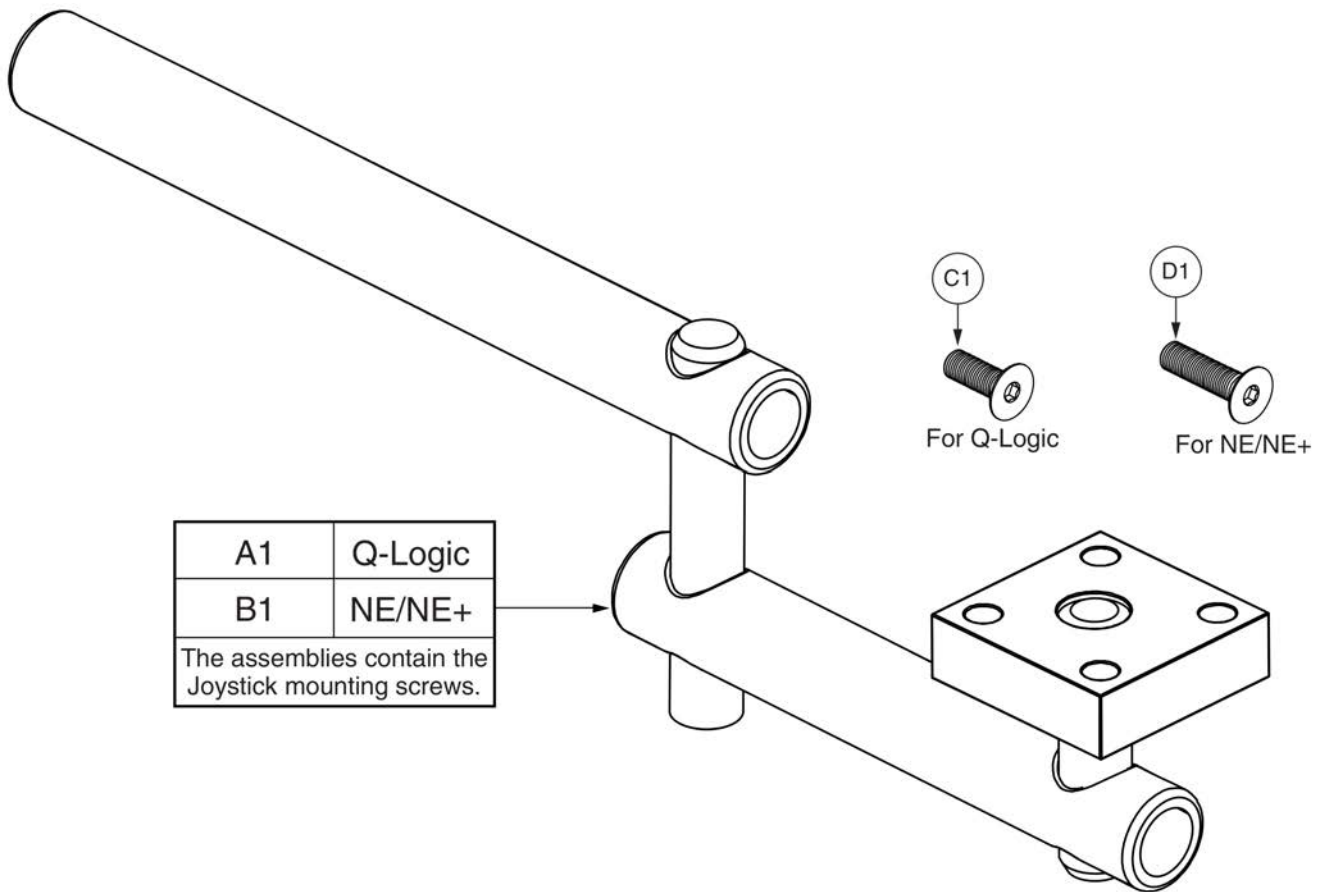
Item	Part No.	Name	Qty
A1	ACC131586	SWING AWAY JOYSTICK MOUNT,ASSY,INLINE,RIGHT	1
B1	ACC124921	SWING AWAY JOYSTICK MOUNT,ASSY,INLINE,LEFT	1
C1	MEC1712220	SWING-AWAY ASSEMBLY, EXTENDED OFFSET, RIGHT	1
D1	MEC1712217	SWING-AWAY ASSEMBLY, EXTENDED OFFSET, LEFT	1
E1	SCRPPH1279	SCREW,PPH,BLACK ZINC CHROMATE,M5-.8 X 16MM	1
F1	SCRPPH1384	SCREW,PPH,BLACK ZINC,M5-.8 X 20MM	1
G1	SCRPPH1036	SCREW, PAN HEAD, TYPE H, M4X0.7 X 8, FT, ISO 7045, CL 4.8, BZ	1
H1	DWR1111C002	SPACER,CURTIS NE/NE PLUS MOUNT BRACKET,C-1111-002	2
I1	DWR1010B089	SPACER,FLIGHT MOUNT BRACKET,B-1010-089	2
J1	MEC146133	ARMREST ADAPTER ASSEMBLY	1
K1	MEC142426	MOUNTING BRACKET,ASSY,STAND ALONE JOYSTICK	1

15.2. Version 2. Swing-away/Multi-axis Joystick Brackets



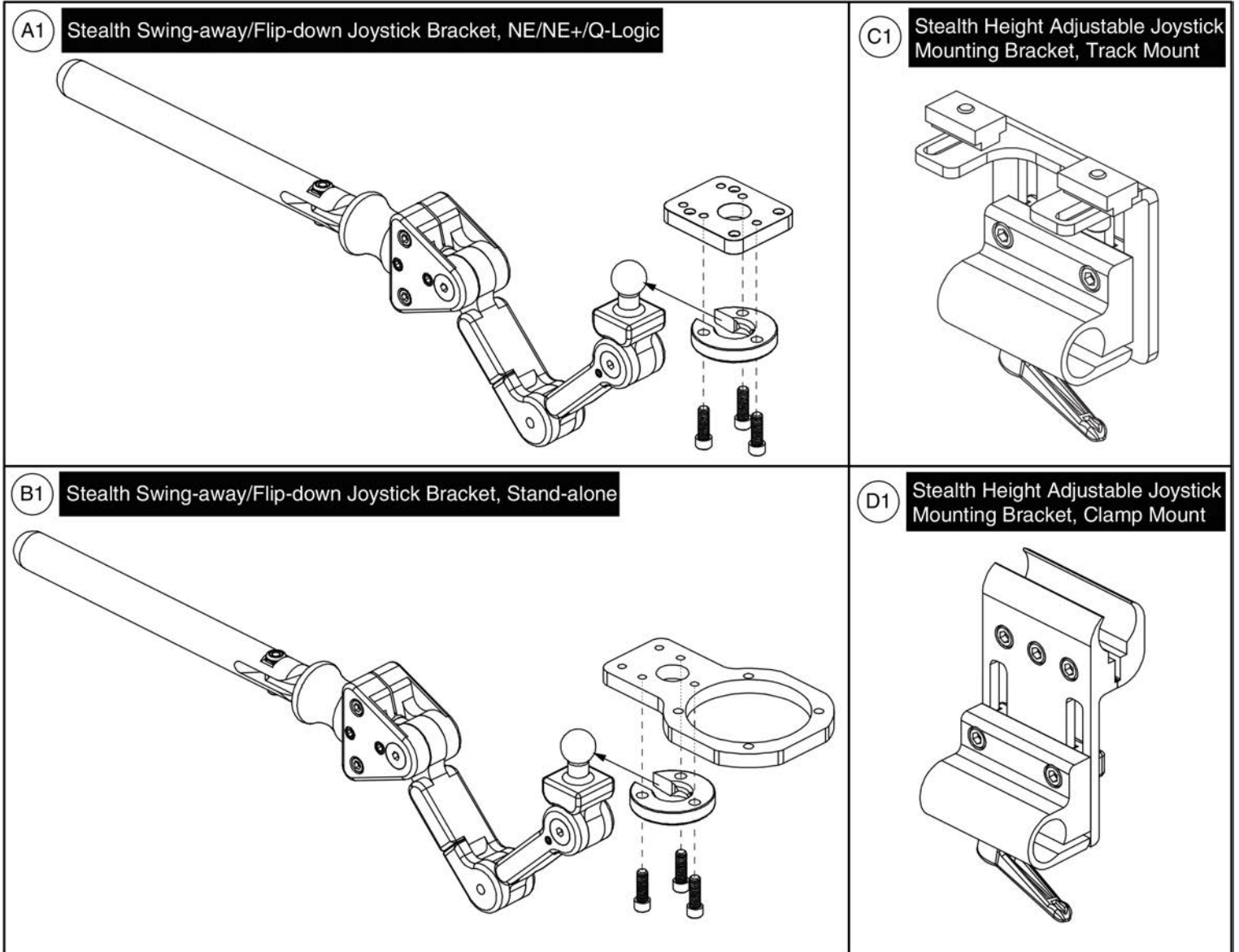
Item	Part No.	Name	Qty
A1	ACC124132	MULTI-AXIS JOYSTICK ASSEMBLY	1
B1	MEC124133	MULTI-AXIS JOYSTICK PLATE WELDMENT	1
C1	SCRPPH1097	SCREW,PPH,BLACK ZINC,M5-.8 X 12MM	1
D1	SCRPPH1384	SCREW,PPH,BLACK ZINC,M5-.8 X 20MM	1
E1	SCRPPH1036	SCREW, PAN HEAD, TYPE H, M4X0.7 X 8, FT, ISO 7045, CL 4.8, BZ	1
F1	DWR1111C002	SPACER,CURTIS NE/NE PLUS MOUNT BRACKET,C-1111-002	2
G1	DWR1010B089	SPACER,FLIGHT MOUNT BRACKET,B-1010-089	2
H1	MEC138180	STAND ALONE WELDMENT	1

15.3. Retract 4 Swing-away Joystick Bracket



Item	Part No.	Name	Qty
A1	MEC138860	SWING AWAY JOYSTICK MOUNT,ASSY,RETRACT 4,Q-LOGIC	1
B1	MEC138876	SWING AWAY JOYSTICK MOUNT,ASSY,RETRACT 4,NE/NE PLUS	1
C1	SCRSFH1005	SCREW,SHFH,BLACK ZINC,M5-.8 X 14MM	4
D1	SCRSHFH1053	SCREW,SHFH,BLACK ZINC,M5-.8 X 20MM	4

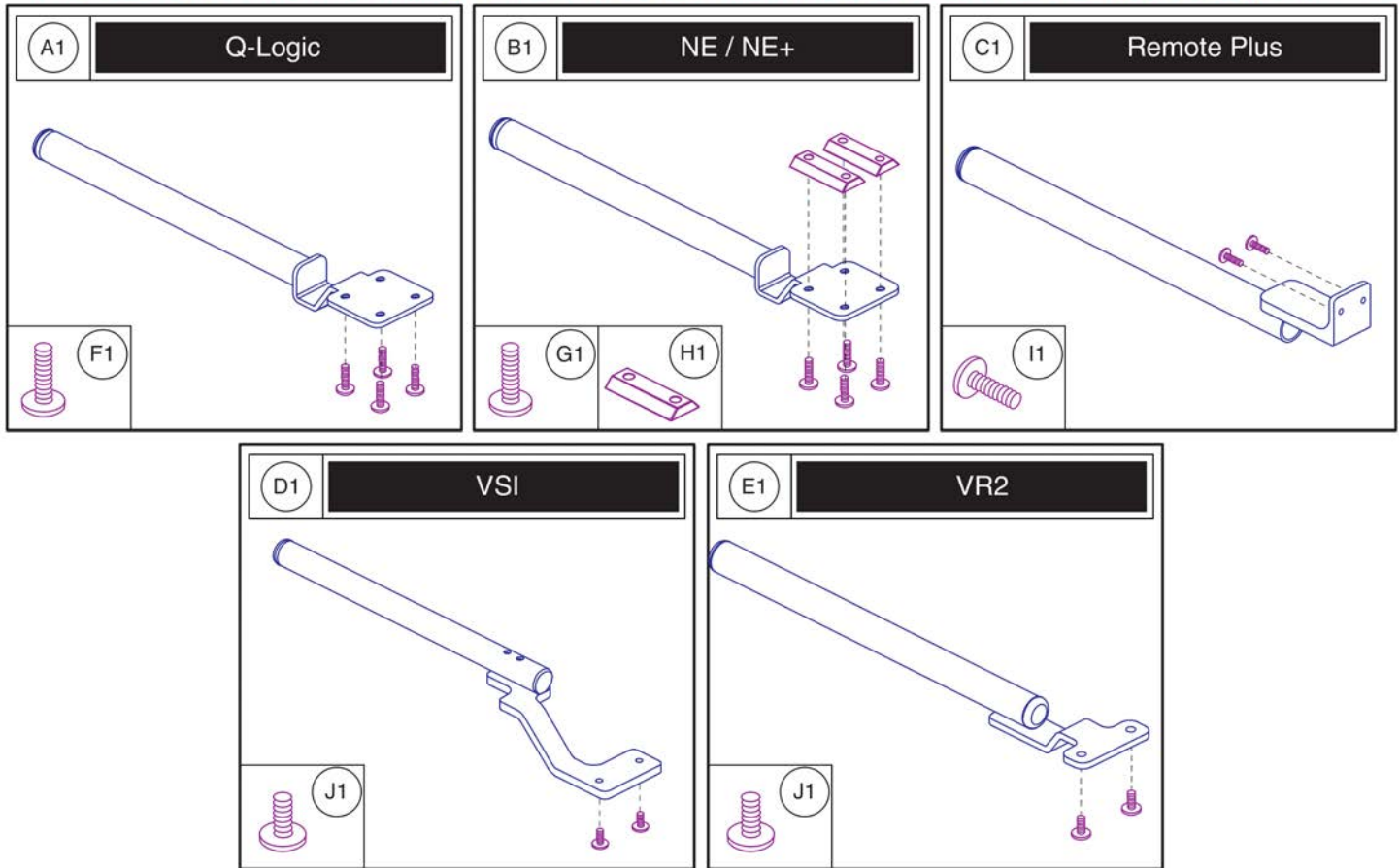
15.4. Stealth Swing-away / Flip-down Joystick Bracket



Item	Part No.	Name	Qty
A1	ST-TWBM480QL-Q	JOYSTICK MOUNTING BRACKET,ASSY,SWING AWAY/FLIP DOWN,NE/NE PLUS/Q-LOGIC,W/MOUNTING HARDWARE	1
B1	ST-TWBM480CJ-Q	JOYSTICK MOUNTING BRACKET,ASSY,SWING AWAY/FLIP DOWN,STANDALONE,W/MOUNTING HARDWARE	1
C1	ST-ARM250T-Q	JOYSTICK MOUNT,ASSY,HEIGHT ADJUSTABLE,W/TRACK HARDWARE	1
D1	ST-ARM250C-Q	JOYSTICK MOUNT,ASSY,HEIGHT ADJUSTABLE,W/CLAMP HARDWARE	1

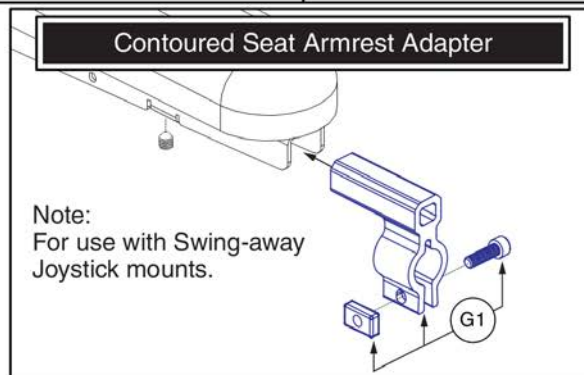
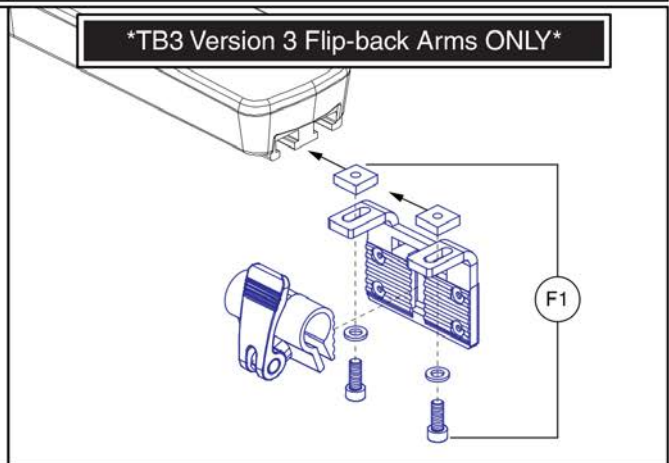
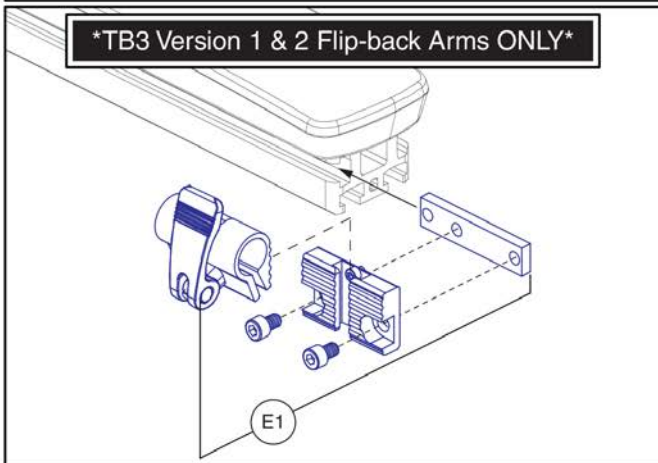
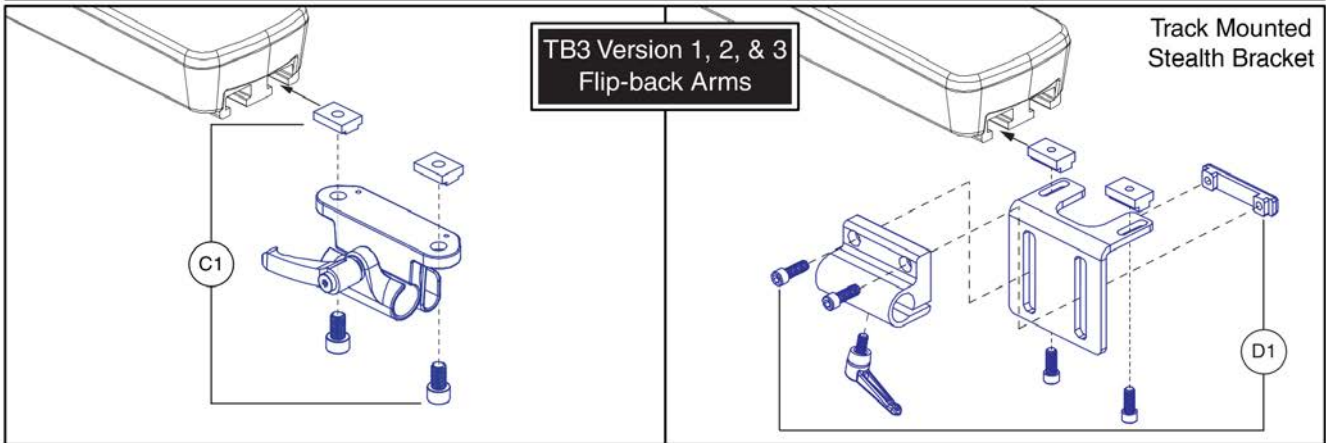
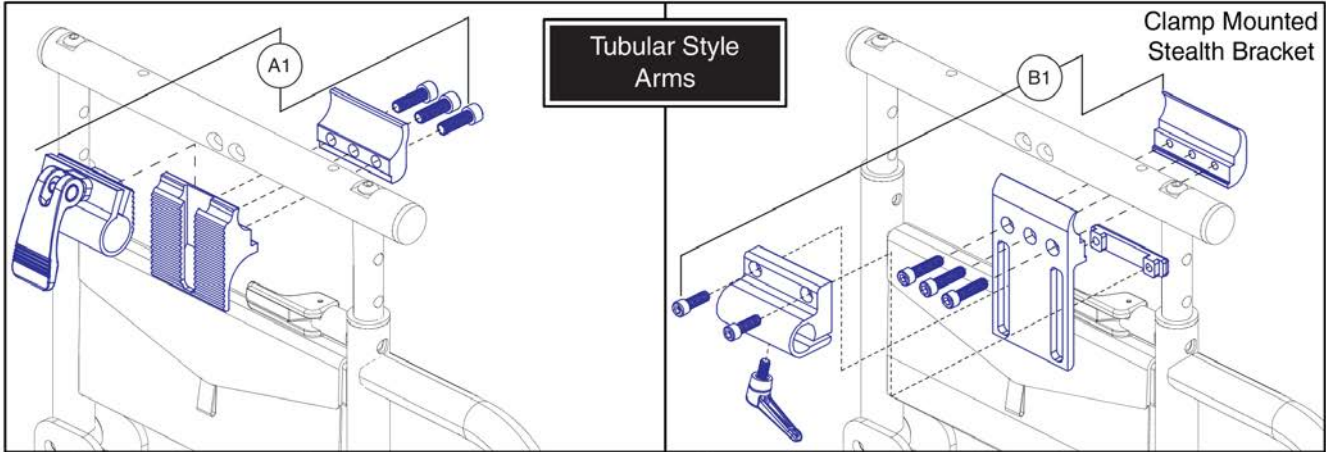
15.5. Fixed Inline Joystick Brackets

Please note: The mounting hardware shown is included with the top level assy's A1 - E1.



Item	Part No.	Name	Qty
A1	FRMASMB10617	JOYSTICK MOUNTING BRACKET,ASSY,CURTIS,INLINE	1
B1	FRMASMB12744	JOYSTICK MOUNTING BRACKET,ASSY,NE/NE PLUS CONTROLLER,INLINE	1
C1	FRMASMB2066	FIXED INLINE JOYSTICK MOUNT,ASSY,REMOTE PLUS	1
D1	FRMASMB4767	JOYSTICK MOUNTING BRACKET,ASSY,VSI CONTROLLER,INLINERIGHT,C-1010-193	1
E1	FRMASMB9532	JOYSTICK MOUNTING BRACKET,ASSY,GC/VR2 CONTROLLER,INLINE	1
F1	SCRSHFH1015	SCREW,SHFH,BLACK ZINC,M5-.8 X 12MM,GRADE 10.9	4
G1	SCRSHFH1053	SCREW,SHFH,BLACK ZINC,M5-.8 X 20MM	4
H1	DWR1111C002	SPACER,CURTIS NE/NE PLUS MOUNT BRACKET,C-1111-002	2
I1	SCRPPH1006	SCREW,PPH,BLACK ZINC,8-32 X 0.500",GRADE 2	2
J1	SCRPPH1122	SCREW,PPH,BLACK ZINC,M5-.8 X 18MM	2

15.6. Joystick Bracket Receivers



Item	Part No.	Name	Qty
A1	FRMASMB16062	JOYSTICK RECEIVER MOUNT,ASSY,UNIVERSAL,ADJUSTABLE BLOCK,D-1000-313	1
B1	ST-ARM250C-Q	JOYSTICK MOUNT,ASSY,HEIGHT ADJUSTABLE,W/CLAMP HARDWARE	1
C1	MEC1809294	JOYSTICK RECEIVER MOUNT,ASSY,W/MOUNTING HARDWARE,ADJUSTABLE HANDLE	1
D1	ST-ARM250T-Q	JOYSTICK MOUNT,ASSY,HEIGHT ADJUSTABLE,W/TRACK HARDWARE	1
E1	ACC123525	JOYSTICK RECEIVER MOUNT,ASSY,W/ACCESSORY BLOCK,TRUBALANCE 3	1
F1	ACC1806853	JOYSTICK RECEIVER MOUNT,ASSY,W/MOUNTING HARDWARE,TRU-BALANCE 3 ARMREST	1
G1	MEC146133	ARMREST ADAPTER ASSEMBLY	1

16. Owner's and Decal Packages



Owner's Package

Item	Part No.	Name	Qty
*N/A	INFMANU3992	MANUAL,CONSUMER SAFETY GUIDE,POWERCHAIR	1
*N/A		MANUAL,PRODUCT INSERT SHEET,POWER CHAIR WARRANTY,AUSTRALIA	1
*N/A	INFMANU3658	MANUAL,TRANSIT SECUREMENT SYSTEM,POWERCHAIR	1
*N/A	INFINFB4034	MANUAL,INTERACTIVE ASSIST,CUSTOMER INFORMATION PRODUCT INSERT SHEET,ENGLISH/FRENCH	1
*N/A	INFINFB4124	MANUAL,PRODUCT INSERT,SPECIFICATIONS,Q6 EDGE 3 STRETTO,ENGLISH	1
*N/A	INFMANU5113	MANUAL,OWNER'S,Q6 EDGE 3 STRETTO,ENGLISH	1

16. Owner's and Decal Packages



Decal Package

Decal Package, Q6 Edge 3 Stretto



Item	Part No.	Name	Qty
*N/A	DWR1234L957	DECAL,WARNING,DEFLATE TIRE COMPLETELY,L-1234-957	1
*N/A	DWR1234L799	DECAL,ICON,1" X 2.5",WEATHER/MANUAL/LOOSE GARMENT,L-1234-799	1
*N/A	DWR1235L521	DECAL,WARNING,CONTROLLER CORD PLACEMENT,L-1235-521	1
*N/A	DEC8120018	DECAL,NOT RATED FOR OCCUPIED TRANSPORT,POWER CHAIR	1
*N/A	LAB148325	DECAL,READ OWNERS MANUAL, 19.1 DIAMETER	1
*N/A	DWR1235L515	DECAL,WARNING,BATTERY WARNINGS,L-1235-515	1
*N/A	DWR1235L678	DECAL,BATTERY CONNECTION,1.6" X 2.3",QUANTUM623,L-1235-678	1
*N/A	DWR1235L512	DECAL,WARNING,EMI-RFI,20V/M,L-1235-512	1
*N/A	DWR1235L638	DECAL,ICON,JAZZY FREEWHEEL,UP-DRIVE/DOWN-NEUTRAL,L-1235-638	1
*N/A		DECAL,THERMAL TRANSFER POLYESTER,1" X 3",3M 7871	1
*N/A	LAB1906475	DECAL,NAME,EDGE 3 STRETTO	1

Appendix A:Pages Index	
40AH Battery Stop - Q6 Edge 3 Stretto	115
5 Amp UPG Charger Assy, AGM / GEL Selectable, AU Cord	109
55AH Batter Stop - Q6 Edge 3 Stretto	117
8 Amp UPG Charger Assy, AGM / GEL Selectable	107
Aftermarket Joystick Knobs	23
Center Shroud w/ Painted Inserts , Q6 Edge 3 Stretto	77
Decal Package, Q6 Edge 3 Stretto	139
Drive Motor, 3 Spoke Hub, Curtis, Q6 Edge 3 Stretto	9
Drive Motor, 3 Spoke Hub, P&G, Q6 Edge 3 Stretto	13
Drive Motor, 5 Spoke Hub, Curtis, Q6 Edge 3 Stretto	11
Drive Motor, 5 Spoke Hub, P&G, Q6 Edge 3 Stretto	15
Fenders w/ Lights, Q6 Edge 3 Stretto	91
Fenders, No Lights, Q6 Edge 3 Stretto	89
Fixed Joystick Mounts, Quantum Joysticks	133
Flat-free Drive Wheel, 3-Spoke Hub w/ Lug Cap	99
Flat-free Drive Wheel, 5-Spoke, Black Rim/Black Tire, Q6 Edge 3 Stretto	93
Front Battery Door Shrouds, Q6 Edge 3 Stretto	81
Front Battery Door, Q6 Edge 3 Stretto	79
Front Caster Assembly, 5" Wheels, Q6 Edge 3 Stretto	3
Front Caster Assembly, 6" Wheels, Q6 Edge 3 Stretto	5
I-Level Base Cable & Push Block Assy - Edge 3 Stretto	105
I-Level Power Base Components, Edge 3 Stretto	103
Interceptor 40AH Gel Battery	113
Interceptor, NF-22, GEL, Battery Assy	111
Joystick Receiver Mounts, Quantum	135
Main Frame, Rear Door, and Wire Guide Shrouds, Q6 Edge 3 Stretto	1
Multi-Axis Joystick Bracket Components, Version 2	127
NE + Joystick Bottom Housing w/Bus Cable	33
NE+, 4MPH Motor Program, Electronic Master Assemblies, Q6 Edge 3 Stretto	41
NE+, 4MPH Motor Program, Power Modules, Q6 Edge 3 Stretto	43
NE+, 6.25MPH Motor Program, Electronic Master Assemblies, Q6 Edge 3 Stretto	47
NE+, 6.25MPH Motor Program, Power Modules, Q6 Edge 3 Stretto	49
NE+, Harnesses & Hardware, 6.25MPH Motor Program, Q6 Edge 3 Stretto	51
NE+, Harnesses and Hardware, 4MPH Motor Program, Q6 Edge 3 Stretto	45
NE, 4MPH Motor Program, Electronic Master Asemblies, Q6 Edge 3 Stretto	53
NE, 4MPH Motor Program, Power Modules, Q6 Edge 3 Stretto	55
NE, 6.25MPH Motor Program, Electronic Master Assemblies, Q6 Edge 3 Stretto	59
NE, 6.25MPH Motor Program, Power Modules, Q6 Edge 3 Stretto	61
NE, Harnesses and Hardware, 4MPH Motor Program, Q6 Edge 3 Stretto	57
NE, Harnesses and Hardware, 6.25MPH Motor Program, Q6 Edge 3 Stretto	63
NE/NE+ Joystick Assy's	19
Owner's Package, Australia, Q6 Edge 3 Stretto	137
PG Joystick Overlays	29
Painted Wheel Inserts, All Quantum Colors	97
Pneumatic Drive Wheel, 3-Spoke Hub w/ Lug Cap	101
Pneumatic Drive Wheel, 5-Spoke, Black Rim/Black Tire, Q6 Edge 3 Stretto	95
Q-Logic 1 / Stand Alone / NE / NE+ Joystick Overlays	25
Q-Logic 2 & 3 Joystick Shrouds	31
Q-Logic 2 & 3 Joystick Bottom Housing w/Bus Cable	35
Q-Logic 3 Base Electronics Harnesses and Modules, Q6 Edge 3 Stretto	37
Q-Logic 3 Joystick Assy's	17
Q-Logic 3 SD Cards for Q6 Edge 3 Stretto, 6.25MPH Program	39
Q-Logic Joystick Knobs	27
Rear Caster Assy, Q6 Edge 3 Stretto	7
Rear Door Inserts, Q6 Edge 3 Stretto	85
Rear Door Shroud, Q6 Edge 3 Stretto	83
Retract 4 Swing-away Joystick Bracket for Curtis Joysticks	129
Seat Interfaces, Q6 Edge 3 Stretto	87
Stealth Swing-away / Flip Down Joystick Brackets & Mounts	131
Swing-away & Multi-axis Mount Matrix, Captain Seat, Version 2	123
Swing-away & Multi-axis Mount Matrix, Rehab Seat, Version 2	121
Swing-away Joystick Bracket & Components, Version 3	119
Swing-away Joystick Bracket Components, Version 2	125
VR2 Electronics, 4MPH Motor Program, 1 Actuator, Q6 Edge 3 Stretto	67
VR2 Electronics, 4MPH Motor Program, 2 Actuator, Q6 Edge 3 Stretto	69
VR2 Electronics, 4MPH Motor Program, Static Seating, Q6 Edge 3 Stretto	65
VR2 Electronics, 6MPH Motor Program, 1 Actuator, Q6 Edge 3 Stretto	73
VR2 Electronics, 6MPH Motor Program, 2 Actuator, Q6 Edge 3 Stretto	75
VR2 Electronics, 6MPH Motor Program, Static Seating, Q6 Edge 3 Stretto	71
VR2 Joystick Assemblies	21

Appendix B:Parts Index

ACC123525	136	ACC1908439	120
ACC124132	128	ACC1908440	120
ACC124921	126	ACCASMB1856	24
ACC131216	122	ACCASMB1857	24
ACC131586	126	ACCASMB1858	24
ACC142524	122	ACCASMB1859	24
ACC142525	122	ACCASMB1860	24
ACC142526	122	ACCASMB1861	24
ACC142527	122	ACCASMB1862	24
ACC142528	122	BAT1704612-P	114
ACC142529	122	BAT1704613-P	112
ACC142530	122	BRK8110003	88
ACC142531	122	CTL143976	18
ACC142532	122	CTL143977	18
ACC142533	122	CTL143978	38
ACC142534	122	CTL1906825	50
ACC142738	122	CTL1906826	50
ACC142739	122	CTL1906827	50
ACC142740	122	CTL1906828	50
ACC142742	122	CTL1906829	44
ACC142743	122	CTL1906830	44
ACC142745	122	CTL1906831	44
ACC142746	122	CTL1906832	44
ACC142747	122	CTL1906833	62
ACC142748	122	CTL1906834	62
ACC142749	122	CTL1906835	56
ACC142750	122	CTL1906836	56
ACC142751	122	CTL1907011	72
ACC142752	122	CTL1907012	74, 76
ACC148356	124	CTL1907013	72
ACC148357	124	CTL1907014	74, 76
ACC148358	124	CTL1907015	66
ACC148359	124	CTL1907016	68, 70
ACC148360	124	CTL1907017	66
ACC148361	124	CTL1907018	68, 70
ACC148362	124	CTLDC1463	22
ACC148363	124	CTLDC1498	22
ACC148364	124	CTLDC1505	22
ACC148365	124	CTLDC1554	20
ACC148366	124	CTLDC1560	20
ACC148367	124	CTLDC1561	20
ACC148368	124	DEC8120018	140
ACC148369	124	DECINDV1314	140
ACC148370	124	DGN124307	32, 32
ACC148371	124	DGN124308	28
ACC1806853	136	DGN124309	18, 28
ACC1908434	120	DGN124336-PBK1	32, 32
ACC1908435	120	DGN124336-PBK3	32
ACC1908437	120	DGN124336-PBU1	32
ACC1908438	120	DGN124336-PBU10	32
		DGN124336-PBU11	32

DGN124336-PBU9	32, 32	DGN1806326-PBK3	82
DGN124336-PGN11	32	DGN1806326-PBU10	82
DGN124336-PGN5	32	DGN1806326-PBU11	82
DGN124336-PGN7	32	DGN1806326-PBU9	82
DGN124336-PGN8	32	DGN1806326-PGN11	82
DGN124336-POR4	32	DGN1806326-PGN8	82
DGN124336-POR6	32	DGN1806326-POR7	82
DGN124336-POR7	32	DGN1806326-PPK3	82
DGN124336-PPK1	32	DGN1806326-PPK4	82
DGN124336-PPK3	32	DGN1806326-PPR5	82
DGN124336-PPK4	32	DGN1806326-PPR7	82
DGN124336-PPR4	32	DGN1806326-PRD1	82
DGN124336-PPR5	32	DGN1806326-PRD4	82
DGN124336-PPR7	32	DGN1806326-PSL3	82
DGN124336-PRD1	32, 32	DGN1806326-PWT2	82
DGN124336-PRD4	32	DGN1806326-PYL4	82
DGN124336-PSL1	32	DGN1806334-PBK1	86
DGN124336-PSL3	32	DGN1806334-PBK3	86
DGN124336-PSL7	32	DGN1806334-PBU10	86
DGN124336-PWH2	32	DGN1806334-PBU11	86
DGN124336-PYL3	32, 32	DGN1806334-PBU9	86
DGN124336-PYL4	32	DGN1806334-PGN11	86
DGN124336-WCB1	32	DGN1806334-PGN8	86
DGN124336-WCM7	32	DGN1806334-POR7	86
DGN124336-WFL2	32	DGN1806334-PPK3	86
DGN154742	18, 28	DGN1806334-PPK4	86
DGN164245-PBK1	98	DGN1806334-PPR5	86
DGN164245-PBK3	98	DGN1806334-PPR7	86
DGN164245-PBU10	98	DGN1806334-PRD1	86
DGN164245-PBU11	98	DGN1806334-PRD4	86
DGN164245-PBU9	98	DGN1806334-PSL3	86
DGN164245-PGN11	98	DGN1806334-PWT2	86
DGN164245-PGN7	98	DGN1806334-PYL4	86
DGN164245-PGN8	98	DGN1806985	100, 102
DGN164245-POR6	98	DGN1807053	90
DGN164245-POR7	98	DGN1807056	92
DGN164245-PPK3	98	DGN1807521	90
DGN164245-PPK4	98	DGN1807524	92
DGN164245-PPR5	98	DGN1807737	2
DGN164245-PPR7	98	DGN1808787	4, 6, 8
DGN164245-PRD1	98	DGN1809719	2
DGN164245-PRD4	98	DGN1809721	2
DGN164245-PSL3	98	DGN1810041	92
DGN164245-PSL7	98	DGN1810045	84
DGN164245-PWH2	98	DGN1810046	84
DGN164245-PYL3	98	DGN1810047	90
DGN164245-PYL4	98	DGN1901203	38
DGN164245-WCB1	98	DGN1905007-PBK1	78
DGN164245-WCM7	98	DGN1905007-PBK3	78
DGN164245-WFL2	98	DGN1905007-PBU10	78
DGN1806326-PBK1	82	DGN1905007-PBU11	78

DGN1905007-PBU9	78	ELE1902882	60
DGN1905007-PGN11	78	ELE1902883	60
DGN1905007-PGN8	78	ELE1902884	60
DGN1905007-POR7	78	ELE1904838	48
DGN1905007-PPK3	78	ELE1904839	48
DGN1905007-PPK4	78	ELE1904840	48
DGN1905007-PPR5	78	ELE1904841	48
DGN1905007-PPR7	78	ELE1904844	42
DGN1905007-PRD1	78	ELE1904847	42
DGN1905007-PRD4	78	ELE1904852	42
DGN1905007-PSL3	78	ELE1904853	42
DGN1905007-PWT2	78	ELE1904854	42
DGN1905007-PYL4	78	ELE1904859	42
DWR1000H174	108, 110	ELE1904860	42
DWR1005B049	94, 96, 100, 102	ELE1904862	42
DWR1010B089	126, 128	ELE1904902	60
DWR1010H128	66, 68, 70, 72, 74, 76	ELE1904903	54
DWR1062C058	4, 6	ELE1904904	54
DWR1111C002	120, 126, 128, 134	ELE1904905	54
DWR1111C003	34	ELE1904906	54
DWR1111H065	46, 52, 58, 64	ELE1907019	72
DWR1111H199	30	ELE1907020	74
DWR1116H054	66, 72	ELE1907021	76
DWR1234L799	140	ELE1907022	72
DWR1234L957	140	ELE1907023	74
DWR1235L512	140	ELE1907024	76
DWR1235L515	140	ELE1907025	66
DWR1235L521	140	ELE1907026	68
DWR1235L638	140	ELE1907027	70
DWR1235L678	140	ELE1907028	66
DWR1265H021	38, 46, 52	ELE1907029	68
DWR1265H027	46, 52	ELE1907030	70
DWR1265H030	68, 70, 74, 76	ELE1907903	46, 52, 92
DWR1265H055	58, 64	ELE1907905	58, 64, 92
DWR1265H057	58, 64	ELE1907976	48
DWR1265H061	58, 64	ELE1907977	48
DWR1361H038	68, 70, 74, 76	ELE1907978	48
DWR1361H078	68, 70, 74, 76	ELE1907979	48
ELE124313	36	ELE1907980	42
ELE144006	18, 36	ELE1907981	42
ELE145674	104	ELE1907982	42
ELE160183	92	ELE1907983	42
ELE1709864	38, 46, 52, 58, 64, 66, 68, 70, 72, 74, 76	ELE1907984	60
ELE1803440	108	ELE1907985	60
ELE1803473	110	ELE1907986	54
ELE1808608	66, 68, 70, 72, 74, 76	ELE1907987	54
ELE1810039	38, 46, 52, 58, 64	ELE1908260	40
ELE1902878	48	ELE1908262	40
ELE1902879	48	ELE1908263	40
ELE1902880	48	ELE1908264	40
ELE1902881	48	ELECBRK1020	38, 46, 52, 58, 64, 66, 68, 70, 72, 74, 76

FRMASMB10617	18, 134	MEC1802830-01	4, 6
FRMASMB12744	20, 134	MEC1804226	88
FRMASMB16062	136	MEC1804708	2
FRMASMB2066	134	MEC1807297	10, 14, 100, 102
FRMASMB4767	134	MEC1807747	2
FRMASMB8691	10, 12, 14, 16	MEC1808044	92
FRMASMB9532	22, 134	MEC1808704	88
HAR144005	38	MEC1808718	88
HARUSHD1065	108	MEC1808955-A	8
HARUSHD2041	108	MEC1808958-A	8
HARUSHD2160	108	MEC1808960	4
HDW132884	2	MEC1808962	4
HDW133681	88	MEC1809294	136
HDW135288	2	MEC1809730	88
HDW142473	38, 46, 52, 58, 64, 66, 68, 70, 72, 74, 76	MEC1809731	88
HDW142810	88, 88, 88	MEC1809761-01	8
HDW147454	106	MEC1809866	80
HDW154800	104	MEC1810306	104
HDW156648	2	MEC1810800	4
HDW1803914	4, 6, 8	MEC1810801	4
INFINFB3072	138	MEC1900194	88
INFINFB4034	138	MEC1900195	88
INFINFB4124	138	MEC1900196	88
INFMANU3658	138	MEC1900288	104
INFMANU3992	138	MEC1900333	104
INFMANU5113	138	MEC1900335	104
KIT152913	26	MEC1900336	104
KIT152914	26	MEC1900337	104
KIT152915	26	MEC1900823	104
KIT152919	28	MEC1901930-A	6, 8
KITASMB1728	26	MEC1901932-A	6, 8
KITASMB1729	26	MEC1906776	106
KITASMB1730	26	MEC1907164	116
LAB148325	140	MEC1907165	118
LAB1906474	104	MEC1909081	10, 12, 14, 16
LAB1906475	78, 140	MOT1809962-01	12
MEC122534	4, 6, 8	MOT1809962-02	16
MEC124133	128	MOT1809962-05	10
MEC138180	128	MOT1809962-06	14
MEC138860	130	MOT1809963-01	12
MEC138876	130	MOT1809963-02	16
MEC142133	88, 88, 88	MOT1809963-05	10
MEC142426	126	MOT1809963-06	14
MEC145417	12, 16, 94, 96	NUTNJAM1020	4, 6
MEC146133	120, 126, 136	PLSINDV1003	96
MEC148171	106	PLSINDV1252	28
MEC1710112	10, 12, 14, 16	PLSKNCP1057	24
MEC1710119	10, 12, 14, 16	PLSKNCP1058	24
MEC1711547	10, 12, 14, 16	PLSTIE1004	38, 46, 52, 58, 64, 66, 68, 70, 72, 74, 76, 104
MEC1712217	126	RECPART1061	30
MEC1712220	126	RECPART1066	30

RECPART1067	30
RECPART1071	30
RECPART1085	30
RECPART1129	30
RECPART1130	30
SCR8110003	88, 88
SCRPPH1006	134
SCRPPH1036	2, 82, 86, 90, 92, 126, 128
SCRPPH1097	128
SCRPPH1122	134
SCRPPH1279	120, 126
SCRPPH1304	2
SCRPPH1384	120, 120, 126, 128
SCRPPH1390	38, 46, 52, 58, 64, 66, 68, 70, 72, 74, 76
SCRSFH1005	130
SCRSHCS1340	88
SCRSHFH1015	134
SCRSHFH1053	130, 134
SCRSHFH1190	2
ST-ARM250C-Q	132, 136
ST-ARM250T-Q	132, 136
ST-TWBM480CJ-Q	132
ST-TWBM480QL-Q	132
TECSERV1064	30
TECSERV1065	30
TIR8110024	94
TIR8110026	96
TUBSTND1002	96
WHL140383	4
WHL1703586	94, 96
WHL1703588	94
WHL1704507	96
WHL1806954	102
WHL1807050	100
WHLASMB7110039	6, 8

Illustrated Parts Breakdown

USA - Pride Mobility Products, Corp.

401 York Avenue
Duryea, PA 18642
www.pridemobility.com

USA - Quantum Rehab

401 York Avenue
Duryea, PA 18642
www.quantumrehab.com

Canada

5096 South Service Road
Beamsville, Ontario L0R 1B3
www.pridemobility.ca
www.quantumrehab.com

Australia

20-24 Apollo Drive
Hallam, Victoria 3803
www.pridemobility.com.au
www.quantumrehab.com.au

New Zealand

38 Lansford Crescent
Avondale
Auckland, New Zealand 0600
www.pridemobility.co.nz

UK

32 Wedgwood Road
Bicester, Oxfordshire OX26 4UL
www.pride-mobility.co.uk
www.quantumrehab.co.uk

B.V.

(Authorised EU Representative)

De Zwaan 3
1601 MS Enkhuizen
The Netherlands
www.pridemobility.eu
www.quantumrehab.eu

Italy

Via del Progresso, ang. Via del Lavoro
Loc. Prato della Corte
00065 Fiano Romano (RM)
www.pride-italia.it
www.quantumrehab-italia.it

France

26 rue Monseigneur Ancel
69800 Saint-Priest
www.pridemobility.fr
www.quantumrehab.fr

Spain

Calle Las Minas Número 67
Polígono Industrial Urtinsa II, de Alcorcón
28923-Madrid

Pride GmbH

Hövelrieger Str. 28
33161 Hövelhof
Germany

China

Room 508, Building #4
Tianna Business Zone
No. 500 Jianyun Road
Pudong New Area
Shanghai China 201318

