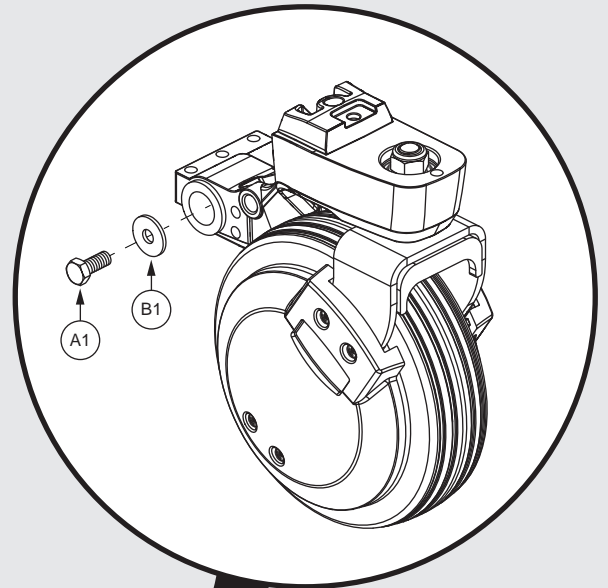


# QUANTUM® **EDGE® 4**

**PRIDE®**  
MOBILITY  
LIVE YOUR BEST®



## Illustrated Parts Breakdown



This Illustrated Parts Breakdown (IPB) Catalog has been compiled from the latest product information available at the time of publication. Quantum Rehab<sup>®</sup> / Pride Mobility Products<sup>®</sup> Corporation / Baja<sup>®</sup> Mobility reserves the right to make changes and updates to this manual and to the product(s) it represents. Any changes, updates, or improvements to the product(s) may result in slight differences between this manual and the product that has been purchased.

An IPB is a graphically portrayed parts listing of product components which have been deemed to have serviceable, maintenance significance. When applicable, IPBs utilize “exploded” illustrations that detail serviceable components and a corresponding itemized parts list of reference numbers, part numbers, descriptions, and quantities. Most product components are incorporated into assemblies and may not be available for replacement.

Serviceable components will be noted by a callout in the illustration that will correspond to an alphanumeric reference number in the parts list. Items may also be listed in the parts list by parent assemblies. In most cases when a parent assembly is listed, there will be child parts or sub-assemblies listed under that parent.

For example: The parent assembly reference number is A1 — A5. That part contains all of the items listed as and contained within A1, A2, A3, A4, & A5. As long as these subcomponents have a callout and a part number associated with them, they can be selected for replacement or quote.

Updates to the contents of an IPB will be made on a regular basis based upon applicable product changes and enhancements. This PDF catalog can be exported from the Provider based service site. The most up to date parts look up tool and ordering application is located at: [www.pridemobility365.com](http://www.pridemobility365.com). Please utilize this system to enhance your user experience. It is built with highly interactive materials that are set with relational properties that will facilitate easier part look-up, more accurate parts selection, and links to related documents and products.

Thank you for choosing products from Quantum Rehab<sup>®</sup> and Pride Mobility Products<sup>®</sup> Corporation.



<b>1. Main Frame Assembly</b>	
Partial Kit Assembly - Q6 Edge® 4	1
Rear Door Assembly and Latches - Q6 Edge® 4	3
<b>2. Front Caster Assembly</b>	
Front Caster Arm, Fork, and Wheel - Q6 Edge® 4	5
<b>3. Rear Caster Assembly</b>	
Rear Caster Arm, Fork, and Wheel - Q6 Edge® 4	7
<b>4. Suspension Assemblies</b>	
Suspension Assemblies, Excludes TRU Balance® 4 Anterior Tilt, Q6 Edge® 4	9
Suspension Assemblies, for TRU Balance® 4 Anterior Tilt, Q6 Edge® 4	11
Suspension Assemblies, for TRU Balance® 4 Anterior Tilt, Occupied Transit, Q6 Edge® 4	13
<b>4. Drive Motor Assembly</b>	
Standard Motor Assemblies, 7 MPH, 4 Pole, Q6 Edge® 4	15
Encoder Motor Assemblies, 7 MPH, 4 Pole, Q6 Edge® 4	17
Motor Mount and Motor Pivot Spring, Q6 Edge® 4	19
<b>5. Joystick Assembly</b>	
<b>5.1. Q-Logic 3 EX</b>	
Q-Logic 3 EX Joystick Assemblies, Q6 Edge® 4	21
Q-Logic 3 EX Joystick Component Replacement	23
Q-Logic 3 Joystick Shrouds, Q6 Edge® 4 Color Options	25
<b>5.2. Q-Logic 3e</b>	
Q-Logic 3e Joystick Assy's, 7 mph Motors, Q6 Edge® 4	27
<b>5.3. Q-Logic 3 Stand Alone</b>	
Q-Logic 3 Stand Alone Joystick Assy	29
<b>5.4. QLNES</b>	
QLNES Joysticks, 7 mph Motors, Q6 Edge® 4	31
Aftermarket Joystick Knobs - Curtis and P&G	33
<b>6. Electronics Assy's</b>	
<b>6.1. Q-Logic 3</b>	
<b>6.1.1. TRU Balance® 3</b>	
Q-Logic 3 Power Module and Run Plug for Standard Motors, Q6 Edge® 4	35
Q-Logic 3 Power Module and Run Plug for Accu-Trac Motors, Q6 Edge® 4	37
<b>6.1.2. TRU Balance® Flex</b>	
Q-Logic 3 Power Module and Run Plug for Standard Motors, Q6 Edge® 4	39
Q-Logic 3 Power Module and Run Plug for Accu-Trac Motors, Q6 Edge® 4	41
Q-Logic 3 Power Module and PTO Harness for Standard Motors and Manual Recline, Q6 Edge® 4	43
Q-Logic 3 Power Module and PTO Harness for Accu-Trac Motors and Manual Recline, Q6 Edge® 4	45
<b>6.1.3. Q-Captain Seat</b>	
Q-Logic 3 Power Module and Run Plug for Standard Motors, Q6 Edge® 4	47
Q-Logic 3 Power Module and Run Plug for Accu-Trac Motors, Q6 Edge® 4	49
<b>6.1.4. TRU Balance® 4 Lift and Posterior/Anterior Tilt</b>	
Q-Logic 3 Power Module and PTO Harness for TRU Balance 4 and Standard Motors, Q6 Edge® 4	51
Q-Logic 3 Power Module and PTO Harness for TRU Balance 4 and Accu-Trac Motors, Q6 Edge® 4	53

### 6.1.5. TRU Balance® 4 Posterior Tilt Only

Q-Logic 3 Power Module and Run Plug for Standard Motors, Q6 Edge® 4	55
Q-Logic 3 Power Module and Run Plug for Accu-Trac Motors, Q6 Edge® 4	57

## 6.2. QLNES

### 6.2.1. TRU Balance® 3 QLNES Electronics

Complete QLNES Electronics, TRU Balance® 3 Seat, Q6 Edge® 4	59
Serviceable QLNES Parts, TRU Balance® 3 Seat, Q6 Edge® 4	61

#### 6.2.1.1. QLNES Seat Components, TRU Balance® 3

Combined Legrest Harness with iLevel®, QLNES on TRU Balance® 3	63
AFP Harness with iLevel®, QLNES on TRU Balance® 3	65
iLevel® Intermediate Harness, QLNES Electronics on TRU Balance® 3	67
Tilt thru Toggle Harness and Switches, TRU Balance® 3	69

### 6.2.2. TRU Balance® Flex QLNES Electronics

Complete QLNES Electronics, TRU Balance® Flex Seat thru Power Module, Q6 Edge® 4	71
Serviceable QLNES Parts, TRU Balance® Flex Seat thru Power Module, Q6 Edge® 4	73

#### 6.2.2.1. QLNES Seat Components, TRU Balance® Flex

AFP Harness, QLNES on TRU Balance® Flex	75
Combined Legrest Harness and Hardware, QLNES on TRU Balance® Flex	77
Independent Legrest Harnesses and Hardware, QLNES on TRU Balance® Flex	79
Back Mounted Inhibit Assembly, TRU Balance® Flex Seating	81

### 6.2.3. Q-Captain QLNES Electronics

Complete QLNES Electronics, Q-Captain Seating, Q6 Edge® 4	83
Serviceable QLNES Parts, Q-Captain Seat, Q6 Edge® 4	85
QLNES, Actuators thru Power Module, Configuration Chart	87

## 6.3. Light Module and Harnesses for Accent Lights (Q-Logic 3 and QLNES)

Accent Light Module and Harnesses, Q6 Edge® 4	88
---	----

## 6.3. Light Module and Harness for Full Base Lights (Q-Logic 3 and QLNES)

Light Harness for Full Base Lights, Q6 Edge® 4	91
Light Module for Full Base Lights, Q6 Edge® 4	93

## 6.4. AM3 / AM3L for Q-Captain Seat (Q-Logic 3 Only)

AM3 for Q-Captain Seat, with and without AFP, Q6 Edge® 4	95
AM3L for Q-Captain w/ Full Base Lights, with or without AFP, Q6 Edge® 4	97

## 7. Shroud Assy's

### 7.1. With Lights

Complete Shroud Assembly with Lights, Q6 Edge® 4	99
Front Door Shroud, Q6 Edge® 4	101
Rear Door Assembly, Q6 Edge® 4	103
Caster Arm Shrouds with Lights, Q6 Edge® 4	105
Fender Shrouds with Lights, Q6 Edge® 4	109
Side Shroud Assemblies, Q6 Edge® 4	113
Center Shroud, Q6 Edge® 4	117
Rear Caster Caps, Q6 Edge® 4	119

### 7.2. No Lights

Complete Shroud Assemblies without Lights, Q6 Edge® 4	121
Front Door Shroud, Q6 Edge® 4	123
Rear Door Assembly, Q6 Edge® 4	125
Caster Arm Shrouds, No Lights, Q6 Edge® 4	127

Fender Shrouds, No Lights, Q6 Edge® 4	131
Side Shroud Assemblies, Q6 Edge® 4	135
Center Shroud, Q6 Edge® 4	139
Rear Caster Caps, Q6 Edge® 4	141
<b>8. Seat Mount Assy's</b>	
<b>8.1. TRU Balance® 3</b>	
TRU Balance® 3.5 Tilt Seat Interface, Q6 Edge® 4	143
TRU Balance® 3.5 Tilt Seat Interface, Occupied Transit, Q6 Edge® 4	145
REAC Lift Seat Towers and Hardware, Universal Lift, Q6 Edge® 4	147
REAC Lift Seat Towers and Hardware, Universal Lift, Occupied Transit, Q6 Edge® 4	149
<b>8.2. TRU Balance® 4</b>	
TRU Balance® 4 Lift and Tilt Seat Interface, Q6 Edge® 4	151
TRU Balance® 4 Lift and Tilt Seat Interface, Occupied Transit, Q6 Edge® 4	153
<b>8.3. TRU Balance® Flex</b>	
TRU Balance® Flex Static Seat Interface, Q6 Edge® 4	155
TRU Balance® Flex Pediatric Seat Interface, Q6 Edge® 4	157
<b>8.4. Q-Captain</b>	
TRU Balance® Flex Static Seat Interface, Q6 Edge® 4	159
REAC Lift Seat Towers and Hardware, Universal Lift, Q6 Edge® 4	161
REAC Lift Seat Towers and Hardware, Universal Lift, Occupied Transit, Q6 Edge® 4	163
<b>9. Drive Wheel Assy's</b>	
Flat-free Drive Wheel, 5-Spoke, Black Rim / Black Tire	165
Pneumatic Drive Wheel, 5-Spoke, Black Rim / Black Tire	167
Flat-free Drive Wheel, 5 Spoke, Black Rim / Black "Knobby" Tire, 14" x 4"	169
<b>10. Backup Camera</b>	
<b>10.1. PTO Version</b>	
PTO QBC Module and Harnesses, Q6 Edge® 4	171
PTO QBC Wiring Configurations, Q6 Edge® 4	173
Quantum® Backup Camera, Standard Mount, and Headrest Mount	176
Quantum® Backup Camera Display Mounts	179
Egg Switch / Buddy Button Mounting Brackets	181
Joystick Receiver Mounts, Quantum®	183
<b>10.2. BUS Version - TRU Balance® 3/4 Power thru AAM / AM3</b>	
Quantum® Backup Camera Kits	185
Quantum® Backup Camera Module, Harnesses, and Mounts	187
Quantum® Backup Camera, Standard Mount, and Headrest Mount	189
Quantum® Backup Camera Display Mounts	191
Egg Switch / Buddy Button Mounting Brackets	193
Joystick Receiver Mounts, Quantum®	195
<b>11. Off-board Charger Assy</b>	
8 Amp, CTE Charger, AU	197
8 Amp Phihong Charger, EU	199
8 Amp Phihong Charger, UK	201
8 Amp Phihong Charger, US / CA	203
<b>12. Batteries, Battery Trays, and Circuit Breaker</b>	
<b>Group 24</b>	
Group 24 AGM Batteries and Battery Cables, Q6 Edge® 4	205
Group 24 Lead Carbon Batteries and Battery Cables, Q6 Edge® 4	207

Group 24 NANO-SILICA Batteries and Battery Cables, Q6 Edge® 4	209
No Battery Option for Group 24 Batteries, Q6 Edge® 4	211
Battery Tray and Circuit Breaker, Group 24 Batteries, Standard Motors, Q6 Edge® 4	213
<b>13. Joystick Mounts &amp; Receivers</b>	
<b>13.1. Basic Swing-away Joystick Mount</b>	
Basic Swing-away Joystick Mount, Q-Logic	215
<b>13.2. Swing-away, Version 3</b>	
Chain Driven Swing-away Joystick Mount (Version 3 Swing-away Mount)	217
<b>13.3. Version 2. Swing-away/Multi-axis Joystick Brackets</b>	
Version 2 Swing-away Joystick Bracket & Components	219
<b>13.4. Retract 4 Swing-away Joystick Bracket</b>	
Retract 4 Swing-away Joystick Bracket for Curtis Joysticks	221
<b>13.5. Stealth Swing-away / Flip-down Joystick Bracket</b>	
Stealth Swing-away / Flip Down Joystick Brackets & Mounts	223
<b>13.6. Joystick Bracket Receivers</b>	
Joystick Receiver Mounts, Quantum®	225
<b>14. iLevel® Base Components</b>	
<b>14.1. TRU Balance® 3</b>	
iLevel® Base Components, TRU Balance® 3, Q6 Edge® 4	227
iLevel® Cable & Mounting Block Assy, Q6 Edge® 4, TRU Balance® 3	229
iLevel® Suspension Lock "Y" Harness Wiring Diagram, Q6 Edge® 4	231
<b>14.2. TRU Balance® 4</b>	
iLevel® Base Components, TRU Balance® 4, Q6 Edge® 4	232
iLevel® Seat Engagement Assy & Cable, Q6 Edge® 4, TRU Balance® 4	235
iLevel® Suspension Lock "Y" Harness Wiring Diagram, Q6 Edge® 4	237
<b>15. Owner's &amp; Decal Packages</b>	
Owner's Package, Q6 Edge® 4, AU	238
Decal Package, Q6 Edge® 4, AU	241
Appendix A:Pages Index	243
Appendix B:Parts Index	245

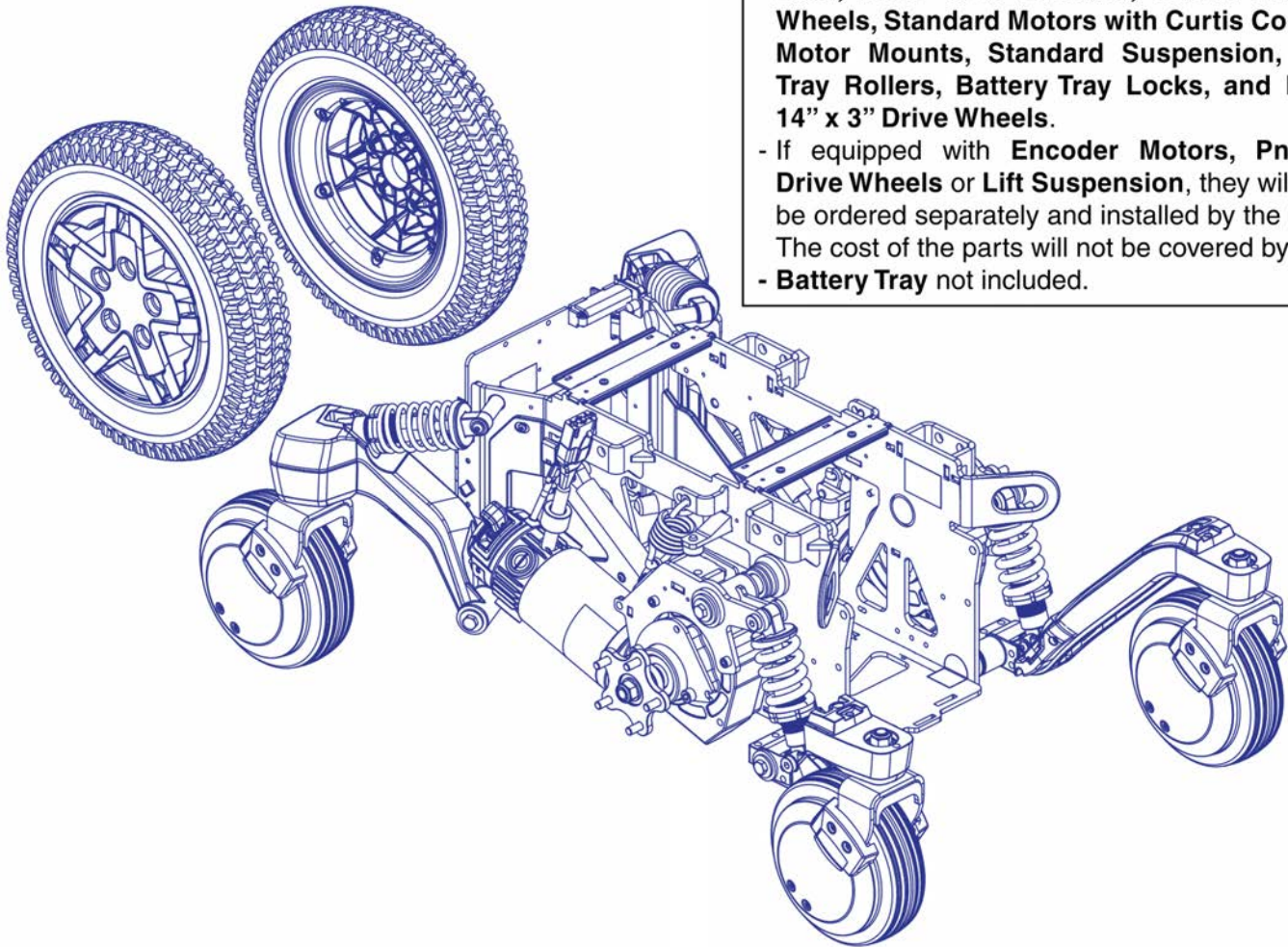
**IMPORTANT:**

- The **Partial Base Kit Assembly** can only be ordered through **Technical Service**.
- When contacting **Technical Service**, a **Serial Number** is required to order the **Partial Base Kit Assembly**.

Q6 Edge® 4 Partial  
Base Kit Assembly

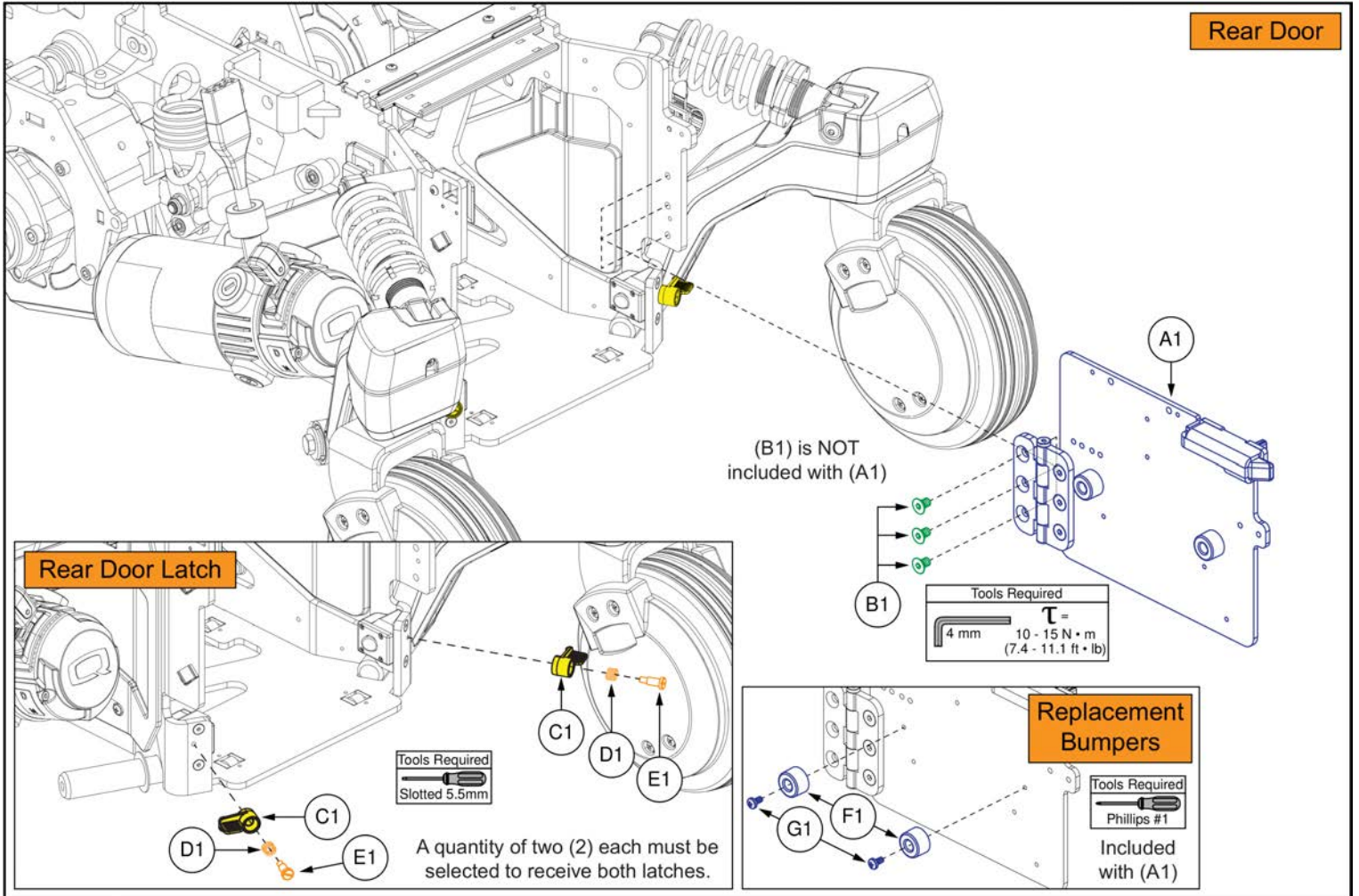
A1

- The **Kit Assembly** includes the **Main Frame, Rear Door, Inner Side Shrouds, Caster Arms and Wheels, Standard Motors with Curtis Connector, Motor Mounts, Standard Suspension, Battery Tray Rollers, Battery Tray Locks, and Flat-free 14" x 3" Drive Wheels**.
- If equipped with **Encoder Motors, Pneumatic Drive Wheels** or **Lift Suspension**, they will need to be ordered separately and installed by the provider. The cost of the parts will not be covered by Pride.
- **Battery Tray** not included.



**Partial Kit Assembly - Q6 Edge® 4**

Item	Part No.	Name	Qty
A1	KITASMB1966	KIT, ASSY, PARTIAL UNIT, Q6EDGE 4, 7IN CASTERS, BLACK & BLACK SUSPENSION, 7MPH MOTORS	1

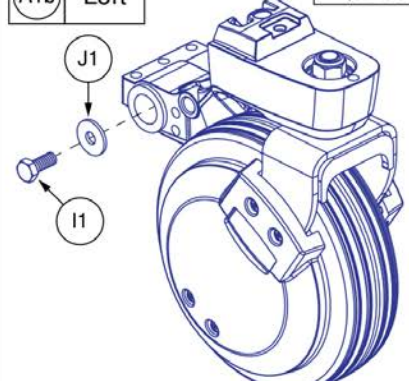


## Rear Door Assembly and Latches - Q6 Edge® 4

Item	Part No.	Name	Qty
A1	MEC2305323	HINGED REAR DOOR ASSEMBLY	1
B1	SCRSHFH1190	SCREW, FLAT HEAD, M6X1 X 10, ISO 10642, CL 10.9, BZ, PVTP	3
C1	DGN1810713	EDGE MINI CUSTOM LATCH, REAR DOOR	2
D1	MEC1810715	COMPRESSION SPRING, 9 OD X 13 FL, RATE 5.5 N/MM	2
E1	HDW1810714	SCREW, SHOULDER, SLOTTED, 5.5 X 10, M4X0.7, DIN 923	2
F1	MEC2400783	BUMPER, INTERNAL THREADED, ROUND, 10 OD X 10 LG, M4X0.7, 75A	1
G1	SCRPPH1036	SCREW, PAN HEAD, TYPE H, M4X0.7 X 8, FT, ISO 7045, CL 4.8, BZ	2

### Complete Caster Arm Assemblies

(A1a)	Right	(I1) and (J1) are included with (A1a) and (A1b)	Tools Required 13 mm
(A1b)	Left		$\tau = 30 - 40 \text{ N} \cdot \text{m}$ (22.1 - 29.5 ft · lb)



- The complete caster arm assemblies contain the caster arm, mounting hardware (I1, J1), fork and wheel (B1), wire guide with mounting hardware (K1a, K1b, L1), and bearing kit (E1).

### Caster Fork & Wheel, Bearings, Reflectors

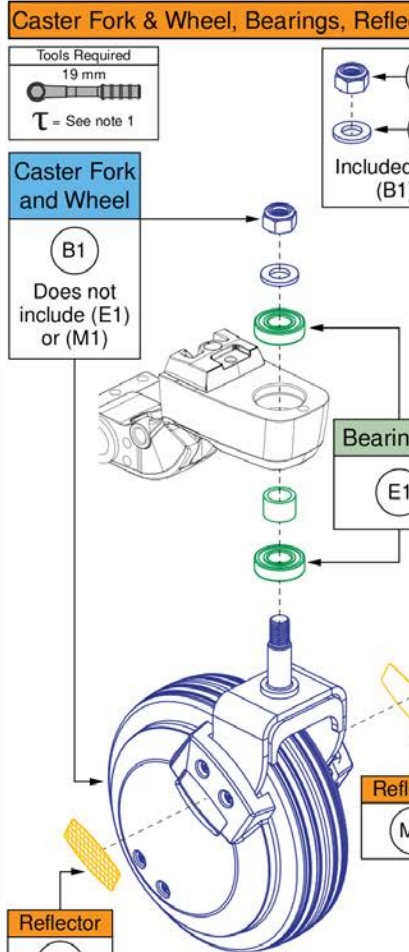
Tools Required 19 mm	$\tau$ - See note 1
-------------------------	---------------------

#### Caster Fork and Wheel

(B1)  
Does not include (E1) or (M1)

Included with (B1)

(C1) (D1)



Bearing Kit (E1)

Reflector (M1)

- The Reflectors (M1) are not included with the complete assemblies (A1a / A1b) and must be selected separately.

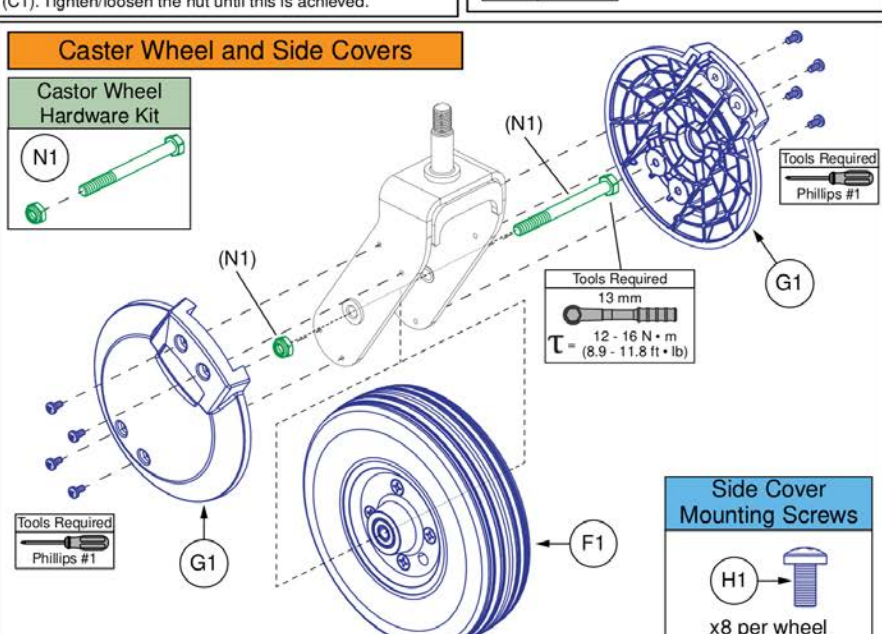
### Caster Wheel and Side Covers

#### Caster Wheel Hardware Kit

(N1)

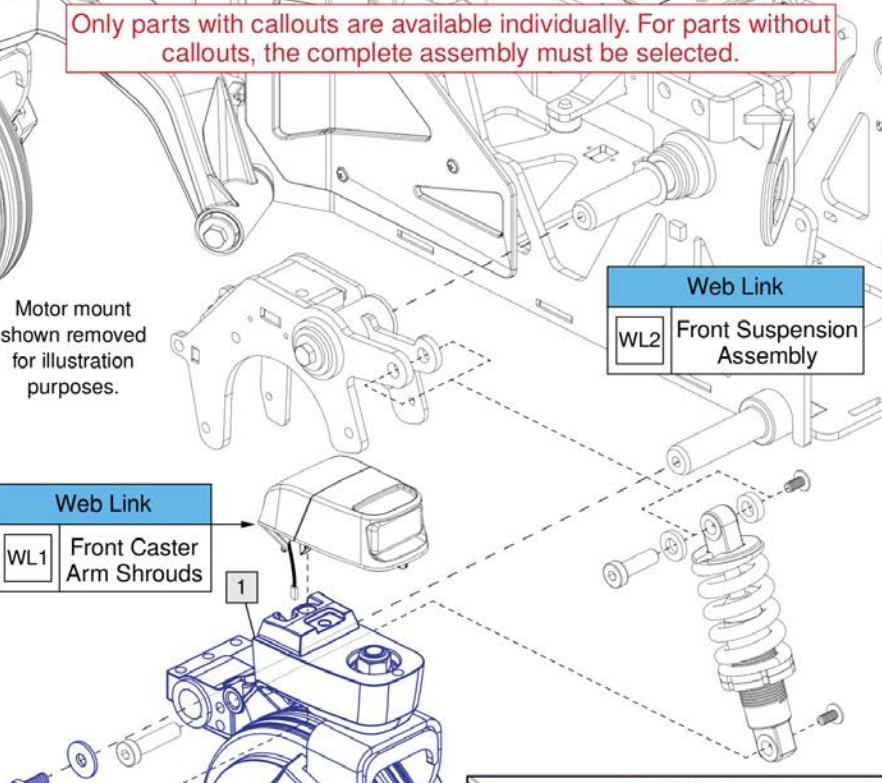
Tools Required  
13 mm

$\tau = 12 - 16 \text{ N} \cdot \text{m}$   
(8.9 - 11.8 ft · lb)



Side Cover Mounting Screws (H1) x8 per wheel

Only parts with callouts are available individually. For parts without callouts, the complete assembly must be selected.



Motor mount shown removed for illustration purposes.

Web Link  
WL1 Front Caster Arm Shrouds

Web Link  
WL2 Front Suspension Assembly

Note 1 - Caster Step Nut Torque:  
During assembly to the caster arm, while in a free state, caster assembly shall begin rotating when a torque of 0.20 to 0.45 N·m (0.15 - 0.33 ft·lb) is applied to the caster step nut (C1). Tighten/loosen the nut until this is achieved.

Web Link  
Wire Guide (K1a) & (K1b) do not include (L1)

Tools Required  
Phillips #1

(K1a) Right  
(K1b) Left

## Front Caster Arm, Fork, and Wheel - Q6 Edge® 4

Item	Part No.	Name	Qty
A1a	MEC2400040	CASTER ARM ASSEMBLY, RIGHT FRONT, 7"	1
A1b	MEC2400036	CASTER ARM ASSEMBLY, LEFT FRONT, 7"	1
B1	MEC2400023	CASTER ASSEMBLY, 7"	1
C1	NUTNYLK1013	NUT, LOCK, M12X1.75, 12 HIGH, 19 WIDE. ISO 898-2, CL 8, BZ, PVTP (SEE DRAWING)	1
D1	WASMETR1032	WASHER, FLAT, 13 ID X 24 OD X 2.5 THK, ISO 7089-12-200 HV, BLK	1
E1	MEC2501682	CASTER BEARING KIT, 13.8 MINUS SPACER	1
F1	DGN2400089	7IN X 2IN CASTER WHEEL	1
G1	DGN2305439	CASTER SPHERE 7 INCH	2
H1	SCRPPH1036	SCREW, PAN HEAD, TYPE H, M4X0.7 X 8, FT, ISO 7045, CL 4.8, BZ	8
I1	SCRHHCS1727	SCREW, HEX HEAD, M8x1.25 x 20, ISO 4014, CL 10.9, BZ,PVTP	1
J1	HDW1712654	WASHER, FLAT, 8.4 ID X 24 OD X 2.2 THK, ISO 7093-1-8-200HV, BZ	1
K1a	DGN2400346	CASTER ARM WIRE GUIDE, RIGHT	1
K1b	DGN2400345	CASTER ARM WIRE GUIDE, LEFT	1
L1	SCRPPH1036	SCREW, PAN HEAD, TYPE H, M4X0.7 X 8, FT, ISO 7045, CL 4.8, BZ	4
M1	DWR1202C027	REFLECTOR,AMBER,CASTER SPHERE,C-1202-027	2
N1	KIT2600828	CASTER WHEEL HARDWARE KIT, Q6EDGE 4	1
WL1		WEB LINK,IPB,CASTER SHROUDS (This is not an orderable part, see IPB)	0
WL2		WEB LINK,IPB,SUSPENSION (This is not an orderable part, see IPB)	0

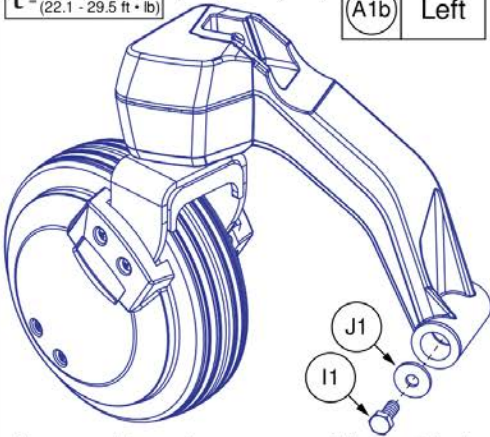
Only parts with callouts are available individually. For parts without callouts, the complete assembly must be selected.

**Complete Caster Arm Assemblies**

Tools Required  
13 mm  
30 - 40 N·m  
(22.1 - 29.5 ft·lb)

(I1) and (J1) are included with (A1a) and (A1b)

- (A1a) Right
- (A1b) Left



- The complete caster arm assemblies contain the caster arm, mounting hardware (I1, J1), fork and wheel (B1), bearing kit (E1), and the caster cap and screw (K1a, K1b, L1).

**Caster Fork & Wheel, Bearings, Reflectors**

Tools Required  
19 mm  
T = See note 1

- (C1)
  - (D1)
- Included with (B1)

**Caster Fork and Wheel**

(B1)  
Does not include (E1) or (M1)

Bearing Kit  
(E1)

Reflector  
(M1)

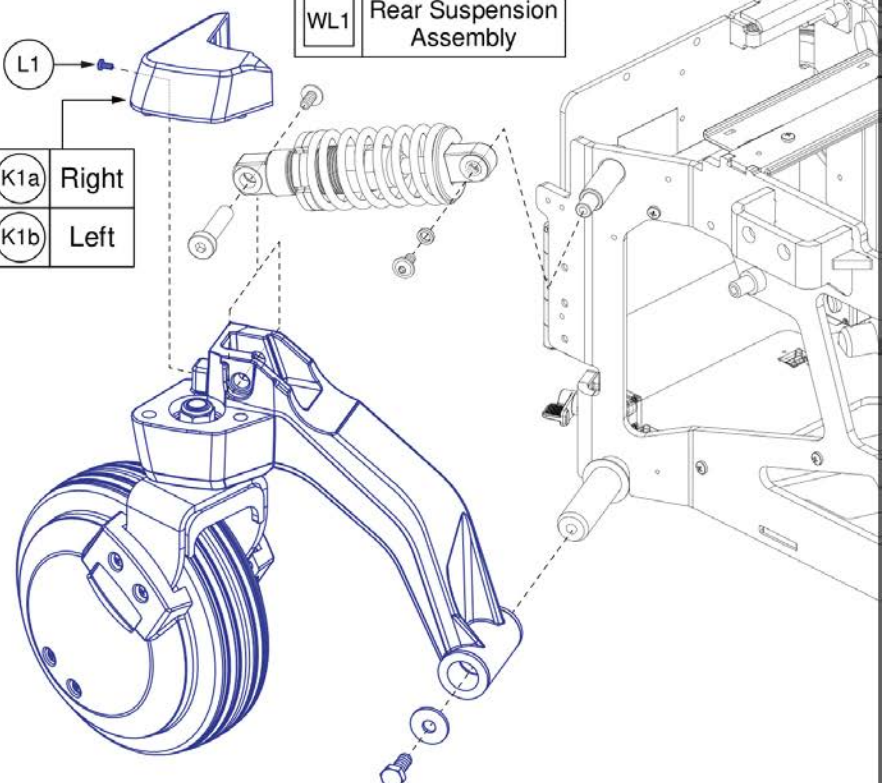
Reflector  
(M1)

- The Reflectors (M1) are not included with the complete assemblies (A1a / A1b) and must be selected separately.

**Web Link**

WL1 Rear Suspension Assembly

- (L1)
- (K1a) Right
- (K1b) Left



**Note 1 - Caster Step Nut Torque:**  
During assembly to the caster arm, while in a free state, caster assembly shall begin rotating when a torque of 0.20 to 0.45 N·m (0.15 - 0.33 ft·lb) is applied to the caster step nut (C1). Tighten/loosen the nut until this is achieved.

**Caster Wheel and Side Covers**

Caster Wheel Hardware Kit  
(N1)

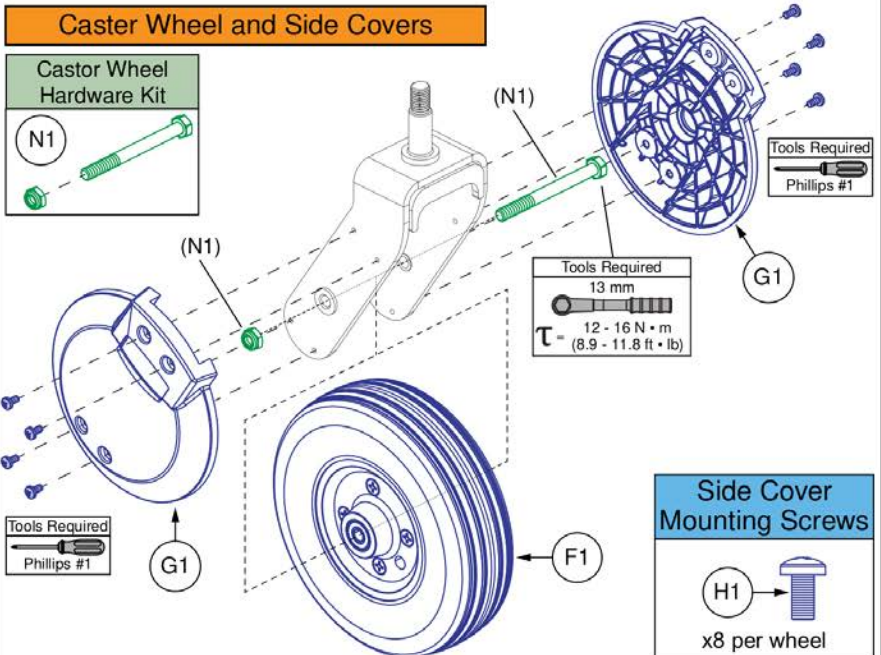
Tools Required  
Phillips #1

Tools Required  
13 mm  
12 - 16 N·m  
(8.9 - 11.8 ft·lb)

Tools Required  
Phillips #1

**Side Cover Mounting Screws**

(H1)  
x8 per wheel



## Rear Caster Arm, Fork, and Wheel - Q6 Edge® 4

Item	Part No.	Name	Qty
A1a	MEC2402878	CASTER ARM ASSEMBLY, RIGHT REAR, 7"	1
A1b	MEC2400034	CASTER ARM ASSEMBLY, LEFT REAR, 7"	1
B1	MEC2400023	CASTER ASSEMBLY, 7"	1
C1	NUTNYLK1013	NUT, LOCK, M12X1.75, 12 HIGH, 19 WIDE. ISO 898-2, CL 8, BZ, PVTP (SEE DRAWING)	1
D1	WASMETR1032	WASHER, FLAT, 13 ID X 24 OD X 2.5 THK, ISO 7089-12-200 HV, BLK	1
E1	MEC2502042	CASTER BEARING KIT, 14.15MM SPACER	1
F1	DGN2400089	7IN X 2IN CASTER WHEEL	1
G1	DGN2305439	CASTER SPHERE 7 INCH	2
H1	SCRPPH1036	SCREW, PAN HEAD, TYPE H, M4X0.7 X 8, FT, ISO 7045, CL 4.8, BZ	8
I1	SCRHHCS1727	SCREW, HEX HEAD, M8x1.25 x 20, ISO 4014, CL 10.9, BZ,PVTP	1
J1	HDW1712654	WASHER, FLAT, 8.4 ID X 24 OD X 2.2 THK, ISO 7093-1-8-200HV, BZ	1
K1a	DGN2402826	REAR CASTER ARM CAP RIGHT	1
K1b	DGN2305994	REAR CASTER ARM CAP LEFT	1
L1	SCRPPH1036	SCREW, PAN HEAD, TYPE H, M4X0.7 X 8, FT, ISO 7045, CL 4.8, BZ	1
M1	DWR1202C027	REFLECTOR,AMBER,CASTER SPHERE,C-1202-027	2
N1	KIT2600828	CASTER WHEEL HARDWARE KIT, Q6EDGE 4	1
WL1		WEB LINK,IPB,SUSPENSION (This is not an orderable part, see IPB)	0

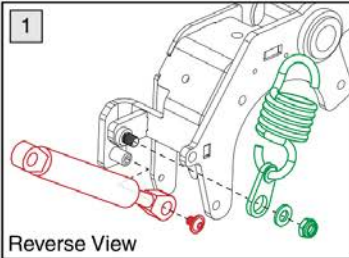
**Please note:**

- The suspension assemblies shown apply to all units except those equipped with TRU Balance® 4 Seating with Anterior Tilt.
- For units with TRU Balance® 4 Seating and Anterior Tilt, refer to the applicable suspension page for proper selection.

**Complete Front and Rear Suspension Assemblies**

(Contains only one side. A quantity of 2 must be selected for both the left and right sides.)

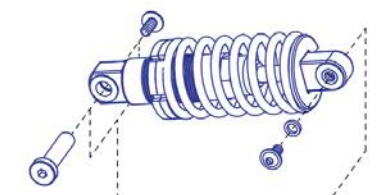
A1 - A4



**A2 Rear Suspension**

**Tools Required**

4 mm	$T = 6 - 12 \text{ N} \cdot \text{m}$
5 mm	$T = (4.4 - 8.9 \text{ ft} \cdot \text{lb})$



**B1**

Included with (A4)

**Tools Required**

13 mm	$T = 10 - 15 \text{ N} \cdot \text{m}$
	$T = (7.4 - 11.1 \text{ ft} \cdot \text{lb})$

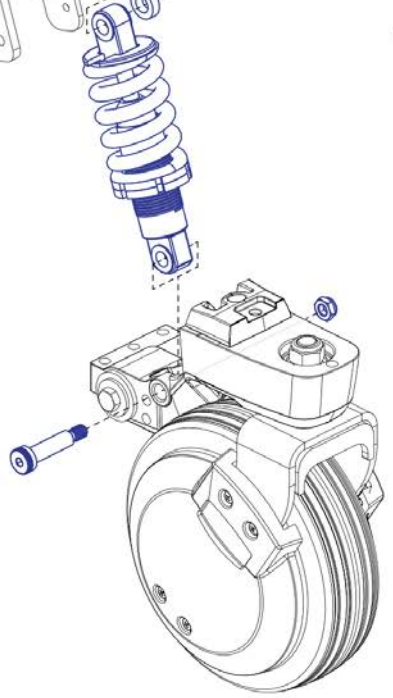
**Tools Required**

4 mm	$T = 6 - 12 \text{ N} \cdot \text{m}$
	$T = (4.4 - 8.9 \text{ ft} \cdot \text{lb})$

**A1 Front Suspension**

**Tools Required**

13 mm	$T = 10 - 15 \text{ N} \cdot \text{m}$
5 mm	$T = (7.4 - 11.9 \text{ ft} \cdot \text{lb})$



**Suspension Assemblies, Excludes TRU Balance® 4 Anterior Tilt, Q6 Edge® 4**

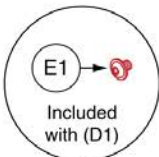
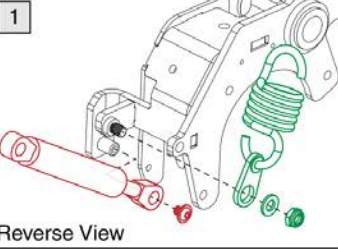
<b>Item</b>	<b>Part No.</b>	<b>Name</b>	<b>Qty</b>
A1 - A4	MEC2400538	SUSPENSION ASSY, BLACK AND BLACK	1
A1	MEC2502841-03	FRONT SUSPENSION ASSEMBLY, BLACK AND BLACK, EDGE 4	1
A2	MEC2400681	290 N PRELOAD COMPRESSION STRUT ASMB WITH HARDWARE	1
A3	MEC2305390	MOTOR SPRING ASSEMBLY	1
A4	MEC2400679	EXTENSION DAMPER WITH HARDWARE	1
B1	HDW121242	SCREW, BUTTON HEAD, FLANGED, M6X1.0 X 8, ISO 7380-2, CL 10.9, BZ, PVTP	2

**Please note:**

- The suspension assemblies shown apply only to units equipped with TRU Balance® 4 Seating with Anterior Tilt.
- For units not equipped with TRU Balance® 4 Seating with Anterior Tilt, refer to the applicable suspension page for proper selection.

**Complete Front and Rear Suspension Assemblies**

(Each assembly contains only one side. A quantity of 2 each must be selected for both the left and right sides.)



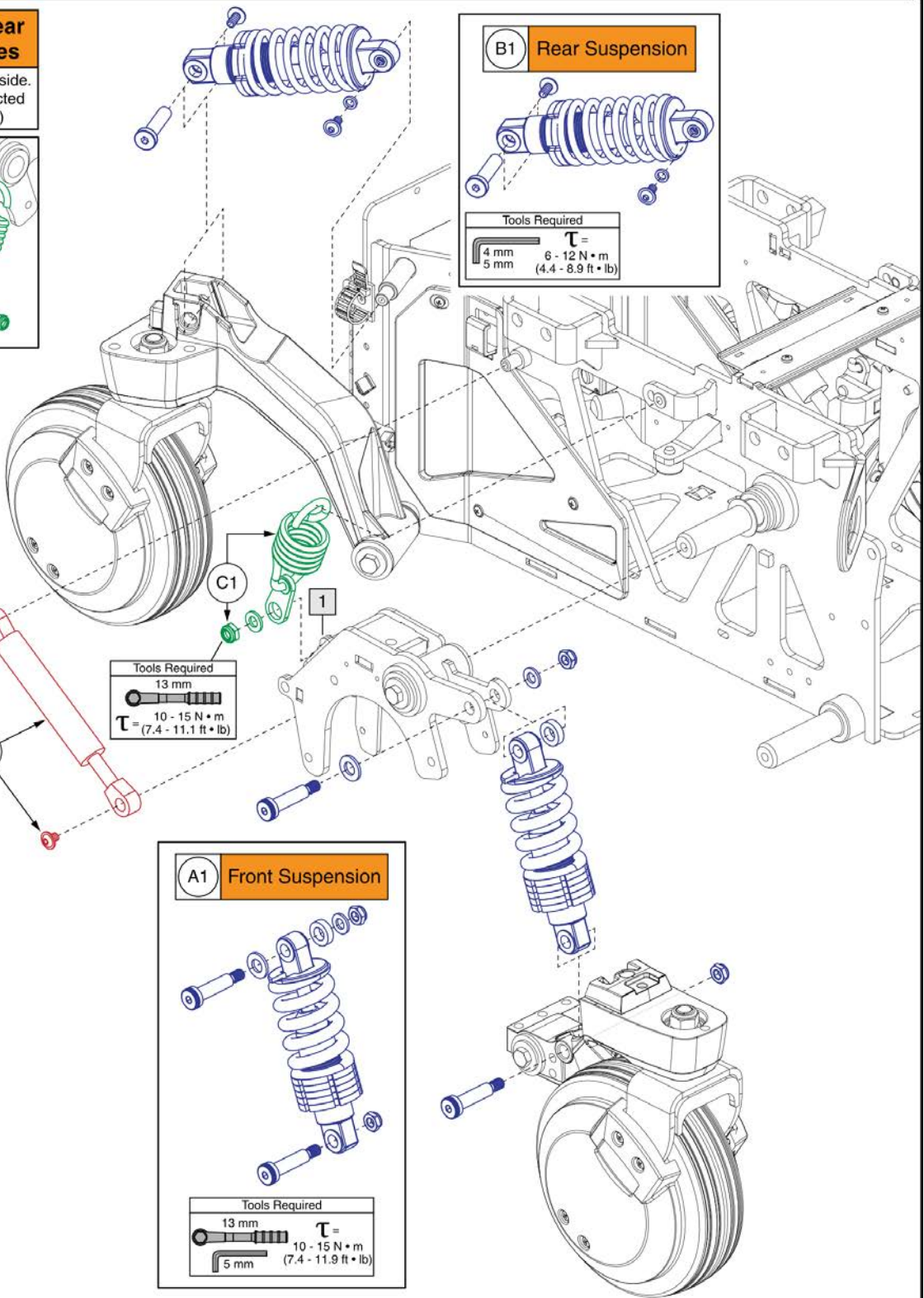
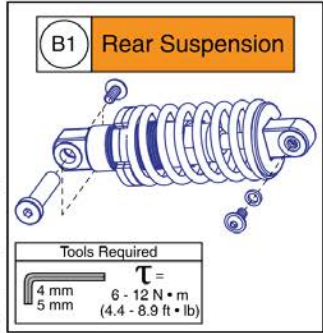
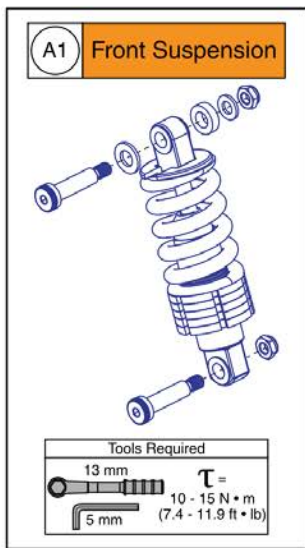
**Tools Required**

4 mm	$T = 6 - 12 \text{ N} \cdot \text{m}$ (4.4 - 8.9 ft • lb)
------	--



**Tools Required**

13 mm	$T = 10 - 15 \text{ N} \cdot \text{m}$ (7.4 - 11.1 ft • lb)
-------	--



## Suspension Assemblies, for TRU Balance® 4 Anterior Tilt, Q6 Edge® 4

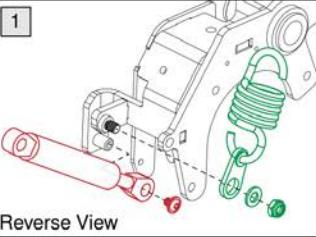
Item	Part No.	Name	Qty
A1	MEC2600808	FRONT SUSPENSION ASSEMBLY USED W/ TB4 ANTERIOR TILT	1
B1	MEC2400681	290 N PRELOAD COMPRESSION STRUT ASMB WITH HARDWARE	1
C1	MEC2305390	MOTOR SPRING ASSEMBLY	1
D1	MEC2400679	EXTENSION DAMPER WITH HARDWARE	1
E1	HDW121242	SCREW, BUTTON HEAD, FLANGED, M6X1.0 X 8, ISO 7380-2, CL 10.9, BZ, PVTP	2

**Please note:**

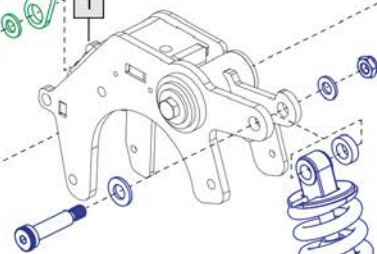
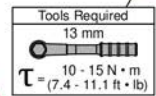
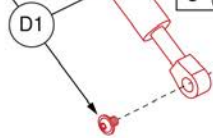
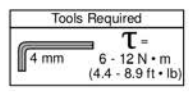
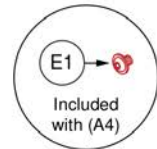
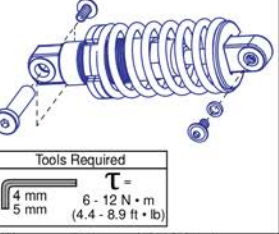
- The suspension assemblies shown apply to all units except those equipped with TRU Balance® 4 Seating with Anterior Tilt.
- For units not equipped with TRU Balance® 4 Seating and Anterior Tilt, refer to the applicable suspension page for proper selection.
- When applying the shock tape (F1) make sure to properly overlap the tape around the end of the shock, tape can fall off if not properly sealed.

**Complete Front and Rear Suspension Assemblies**

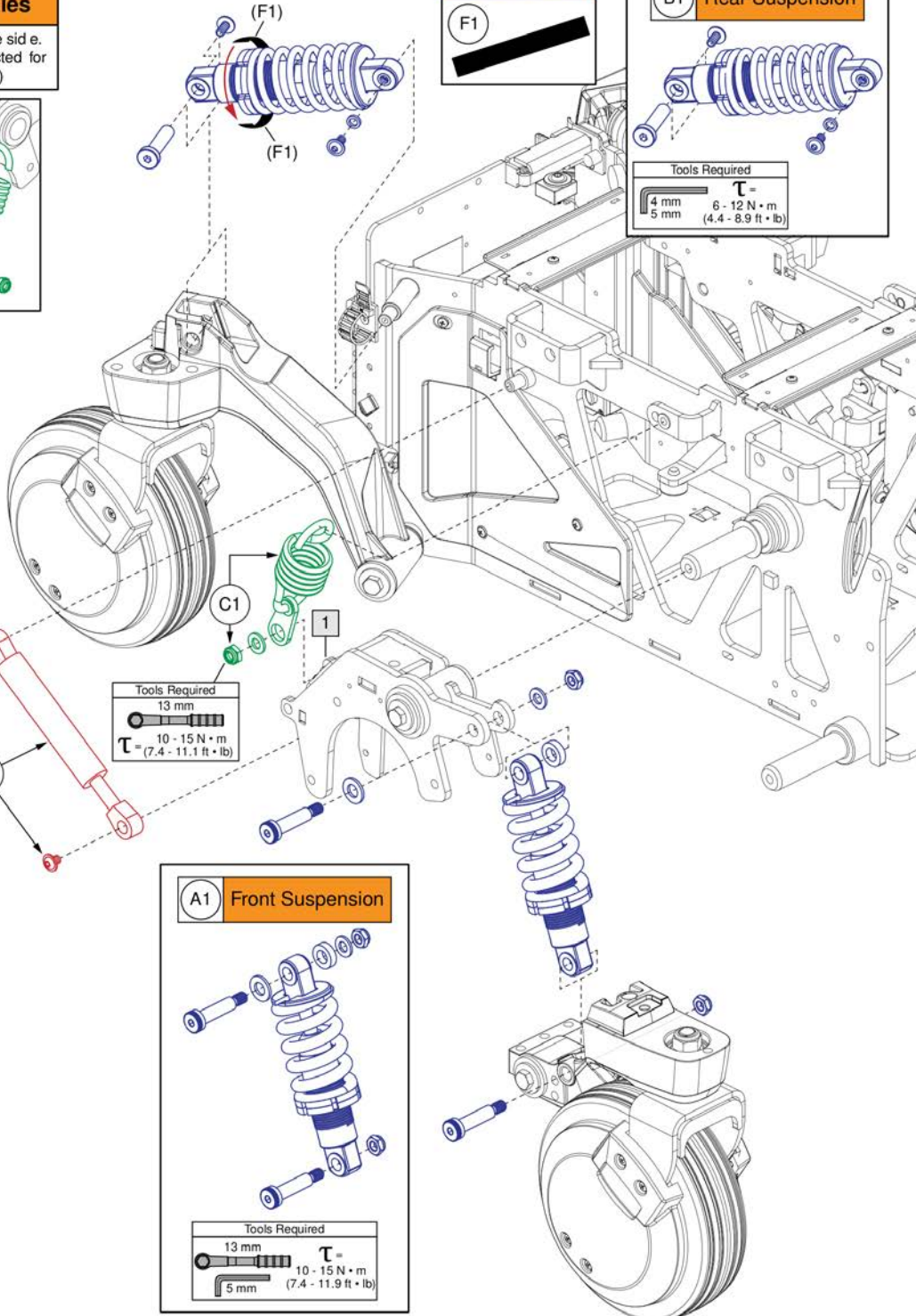
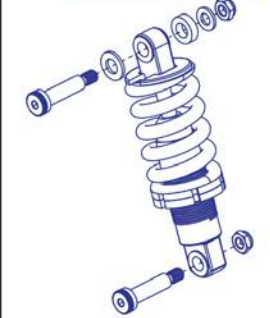
(Each assembly contains only one side e. A quantity of 2 each must be selected for both the left and right sides.)



**B1 Rear Suspension**

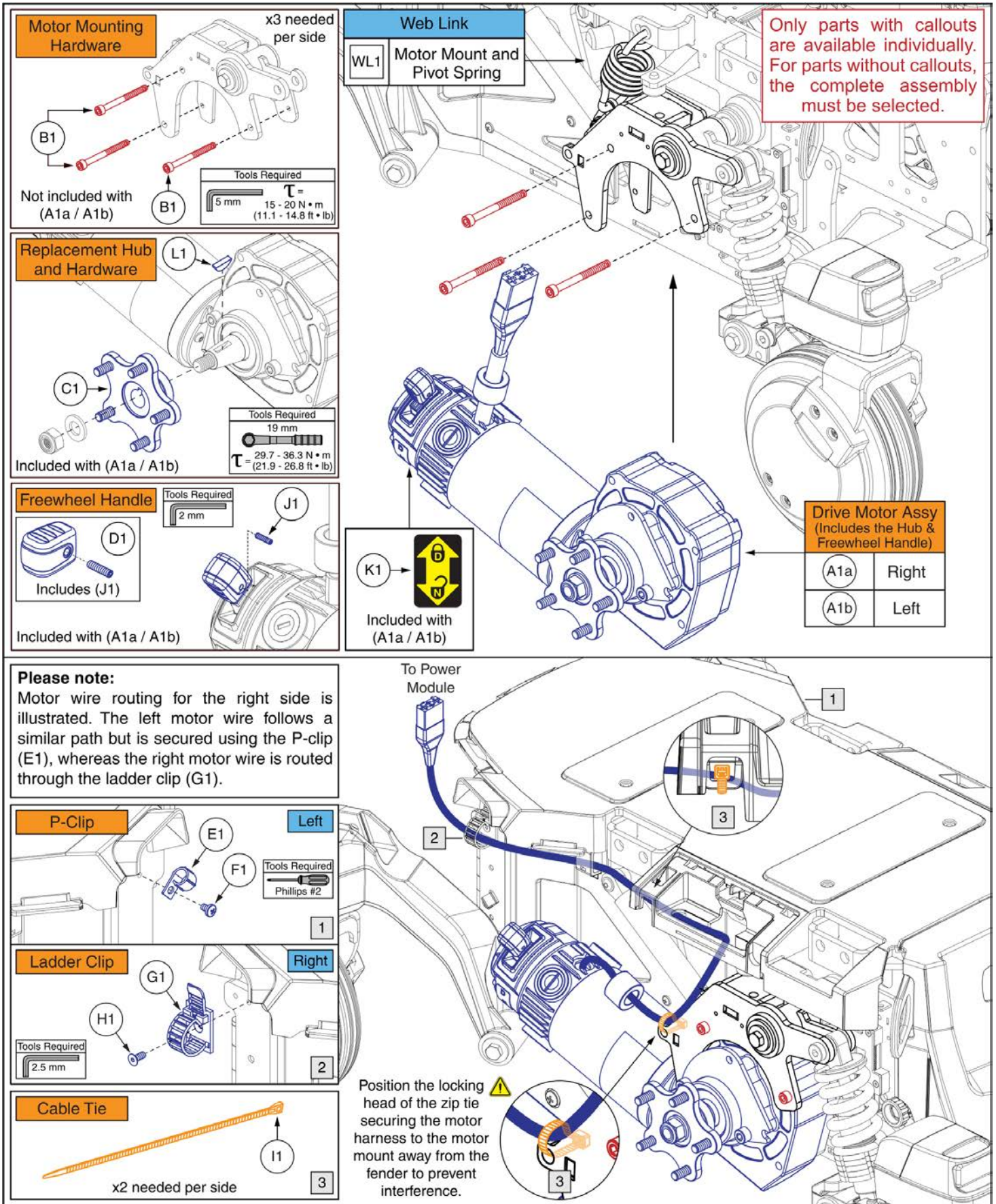


**A1 Front Suspension**



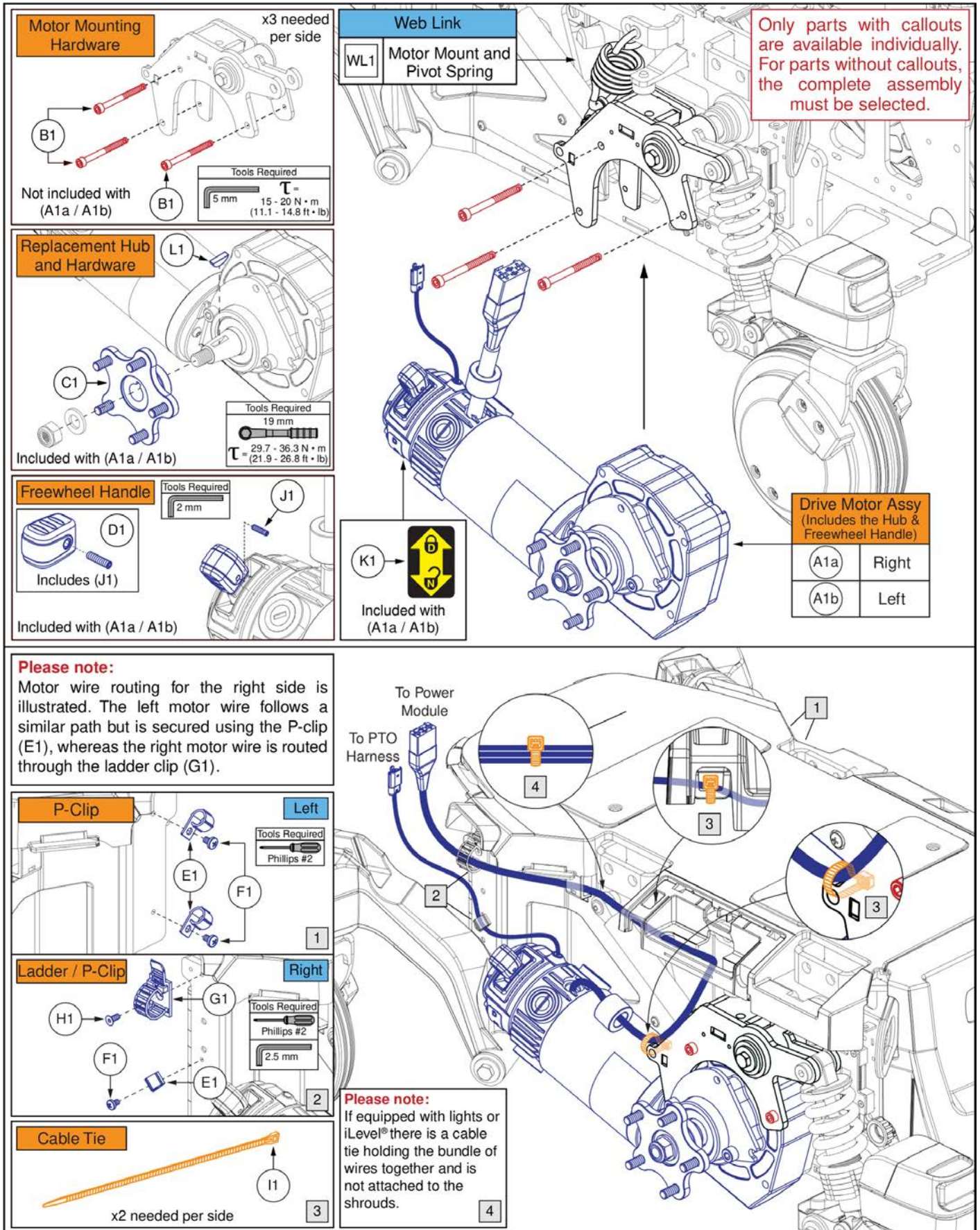
**Suspension Assemblies, for TRU Balance® 4 Anterior Tilt, Occupied Transit, Q6 Edge® 4**

<b>Item</b>	<b>Part No.</b>	<b>Name</b>	<b>Qty</b>
A1	MEC2600808	FRONT SUSPENSION ASSEMBLY USED W/ TB4 ANTERIOR TILT	1
B1		COMPRESSION STRUT ASSEMBLY, 2025N PRELOAD, BLACK AND BLACK (COMING SOON)	2
C1	MEC2305390	MOTOR SPRING ASSEMBLY	1
D1	MEC2400679	EXTENSION DAMPER WITH HARDWARE	1
E1	HDW121242	SCREW, BUTTON HEAD, FLANGED, M6X1.0 X 8, ISO 7380-2, CL 10.9, BZ, PVTP	2
F1	DGN2600641	SILICONE TAPE, BLACK	2



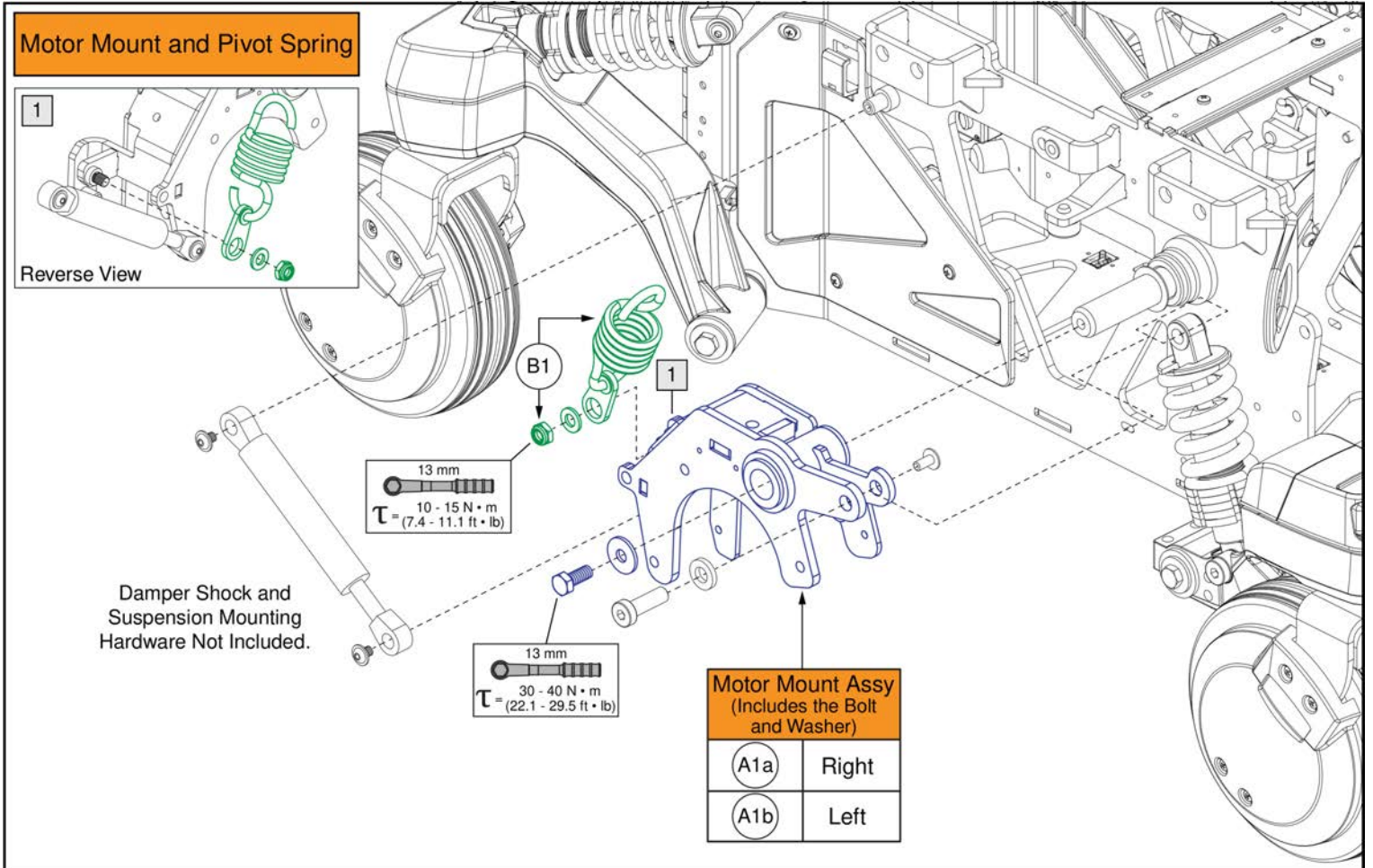
## Standard Motor Assemblies, 7 MPH, 4 Pole, Q6 Edge® 4

Item	Part No.	Name	Qty
A1a	MOT2405811-13	HD MTR HUB FACEPLATE ASMB 4NM BRAKE, MIR, 900MM CURTIS, 21.5:1	1
A1b	MOT2405810-13	HD MTR HUB FACEPLATE ASMB 4NM BRAKE, 900MM CURTIS, 21.5:1	1
B1	HDW145632	SCREW, SOCKET HEAD, M6X1.0 X 65, ISO 4762, CL 12.9, BZ, PVTP (DWG 145632)	3
C1	MEC1714220	LINUX HD HUB ASSEMBLY	1
D1	FRMASMB8691	FREEWHEEL, ASSY, RELEASE HANDLE GRIP, YELLOW, B-1160-051	1
E1	CLPCBLC1028	HARNESS CLIP	1
F1	SCRPPH1304	SCREW, PAN HEAD, TYPE H, M4X0.7 X 6, ISO 7045 CL 4.8, BZ	1
G1	HDW135288	WIRE CLAMP, LADDER STYLE, ADJUSTABLE, BLACK, PLASTIC	1
H1	HDW154800	SCREW, FLAT HEAD, M4X0.7 X 10, ISO 10642, CL 10.9, BZ, PVTP	1
I1	PLSTIE1015	CABLE TIE, BLACK PLASTIC, 210MM (8.3IN)	2
J1	SCRSETS1099	SCREW, SET, BLACK ZINC, M4-.7 X 16MM	1
K1	DWR1235L638	DECAL, ICON, JAZZY FREEWHEEL, UP-DRIVE/DOWN-NEUTRAL, L-1235-638	1
L1	INDPART2431	KEY, WOODRUFF, #606, 0.1875 X 0.740	1
WL1		WEB LINK, IPB, MOTOR MOUNT (This is not an orderable part, see IPB)	0



## Encoder Motor Assemblies, 7 MPH, 4 Pole, Q6 Edge® 4

Item	Part No.	Name	Qty
A1a	MOT2405821-03	HD MTR 4NM ENCODER HUB FACEPLATE ASMB, MIR, 900MM CURTIS, 21.5:1	1
A1b	MOT2405820-03	HD MTR 4NM ENCODER HUB FACEPLATE ASMB, 900MM CURTIS, 21.5:1	1
B1	HDW145632	SCREW, SOCKET HEAD, M6X1.0 X 65, ISO 4762, CL 12.9, BZ, PVTP (DWG 145632)	3
C1	MEC1714220	LINIX HD HUB ASSEMBLY	1
D1	FRMASMB8691	FREEWHEEL, ASSY, RELEASE HANDLE GRIP, YELLOW, B-1160-051	1
E1	CLPCBLC1028	HARNESS CLIP	3
F1	SCRPPH1304	SCREW, PAN HEAD, TYPE H, M4X0.7 X 6, ISO 7045 CL 4.8, BZ	3
G1	HDW135288	WIRE CLAMP, LADDER STYLE, ADJUSTABLE, BLACK, PLASTIC	1
H1	HDW154800	SCREW, FLAT HEAD, M4X0.7 X 10, ISO 10642, CL 10.9, BZ, PVTP	1
I1	PLSTIE1015	CABLE TIE, BLACK PLASTIC, 210MM (8.3IN)	2
J1	SCRSETS1099	SCREW, SET, BLACK ZINC, M4-.7 X 16MM	1
K1	DWR1235L638	DECAL, ICON, JAZZY FREEWHEEL, UP-DRIVE/DOWN-NEUTRAL, L-1235-638	1
L1	INDPART2431	KEY, WOODRUFF, #606, 0.1875 X 0.740	1
WL1		WEB LINK, IPB, MOTOR MOUNT (This is not an orderable part, see IPB)	0



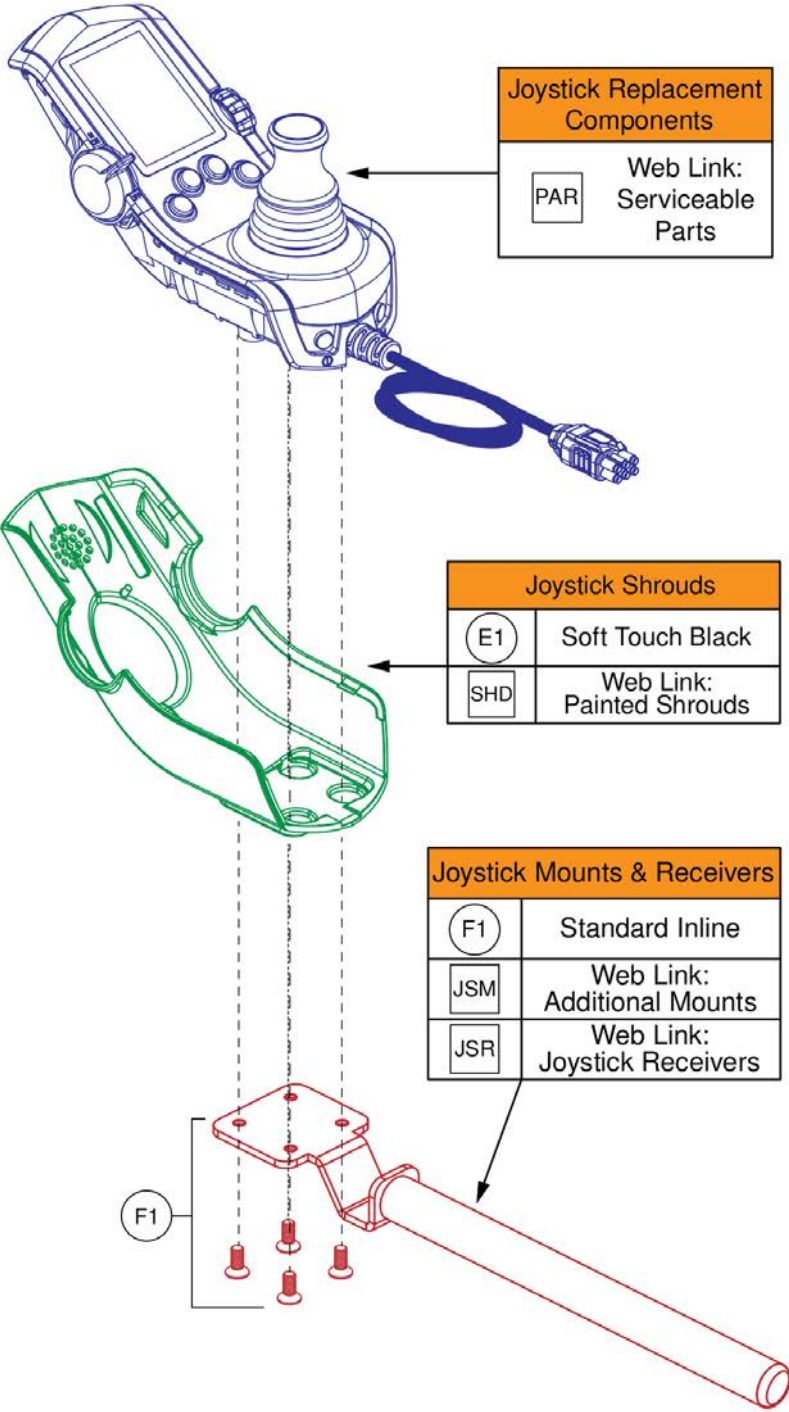
**Motor Mount and Motor Pivot Spring, Q6 Edge® 4**

<b>Item</b>	<b>Part No.</b>	<b>Name</b>	<b>Qty</b>
A1a	MEC2502748	MOTOR MOUNT 4 ASSEMBLY, RIGHT	1
A1b	MEC2502747	MOTOR MOUNT 4 ASSEMBLY, LEFT	1
B1	MEC2305390	MOTOR SPRING ASSEMBLY	2

### Q-Logic 3 EX Joysticks

**Notes:**

- **SD Programming cards** are now included in the joystick assembly and are no longer ordered separately.
- **Joystick shroud covers** are to be ordered separately and are not included with the Joystick Assembly.



#### Q6 Edge® 4 Joysticks w/ Programming

Ref#	Part Number	Motor Program	Seating Function
A1	ELE2503969	7 MPH Linix	Static
B1	ELE2503968	7 MPH Linix	Power Positioning

#### Q6 Edge® 4 Joysticks w/ Programming and Lighting

Ref#	Part Number	Motor Program	Seating Function
C1	ELE2503971	7 MPH Linix	Static
D1	ELE2503970	7 MPH Linix	Power Positioning

## Q-Logic 3 EX Joystick Assemblies, Q6 Edge® 4

Item	Part No.	Name	Qty
A1	ELE2503969	SERVICEABLE ASSEMBLY, Q-LOGIC 3, JOYSTICK MODULE 4-KEY AND SD CARD, EDGE 4, Q-LOGIC 3, 7 MPH LINIX 4 POLE MOTORS, STATIC SEATING	1
B1	ELE2503968	SERVICEABLE ASSEMBLY, Q-LOGIC 3, JOYSTICK MODULE 4-KEY AND SD CARD, EDGE 4, Q-LOGIC 3, 7 MPH LINIX 4 POLE MOTORS, POWER POSITIONING	1
C1	ELE2503971	SERVICEABLE ASSEMBLY, Q-LOGIC 3, JOYSTICK MODULE 4-KEY WITH LIGHTS AND SD CARD, FRONT EDGE 4, Q-LOGIC 3, 7 MPH LINIX 4 POLE MOTORS, STATIC SEATING	1
D1	ELE2503970	SERVICEABLE ASSEMBLY, Q-LOGIC 3, JOYSTICK MODULE 4-KEY WITH LIGHTS AND SD CARD, FRONT EDGE 4, Q-LOGIC 3, 7 MPH LINIX 4 POLE MOTORS, POWER POSITIONING	1
E1	DGN124307	Q-LOGIC 2/3 JOYSTICK SHROUD, BLACK SOFT-TOUCH PAINT, (CURTIS: 17949365-02)	1
F1	FRMASMB10617	JOYSTICK MOUNTING BRACKET, ASSY, CURTIS, INLINE	1
SHD		WEB LINK, IPB, QL3 JOYSTICK SHROUDS (This is not an orderable part, see IPB)	0
JSM		WEB LINK, IPB, QL3 JOYSTICK MOUNTS (This is not an orderable part, see IPB)	0
JSK		WEB LINK, IPB, QL3 AFTERMARKET JOYSTICK KNOBS (This is not an orderable part, see IPB)	0
JSR		WEB LINK, IPB, JOYSTICK RECEIVER MOUNTS (This is not an orderable part, see IPB)	0
PAR		WEB LINK, IPB, Q-Logic 3 Joystick Component Replacement ( This is not an orderable part, see IPB)	0

### Q-Logic 3 EX Replacement Components

**Gimble**  
A1

**Lower Housing w/ Bus Cable**  
B1

**Light Spring Kit with Installation Instructions**

C1

Used to reduce the standard spring tension of the QL3 joystick

D1

**Speed Knob**

E1

**Rubber Boot**

F1

**Joystick Knob**

JSK

Web Link:  
Aftermarket  
Knobs

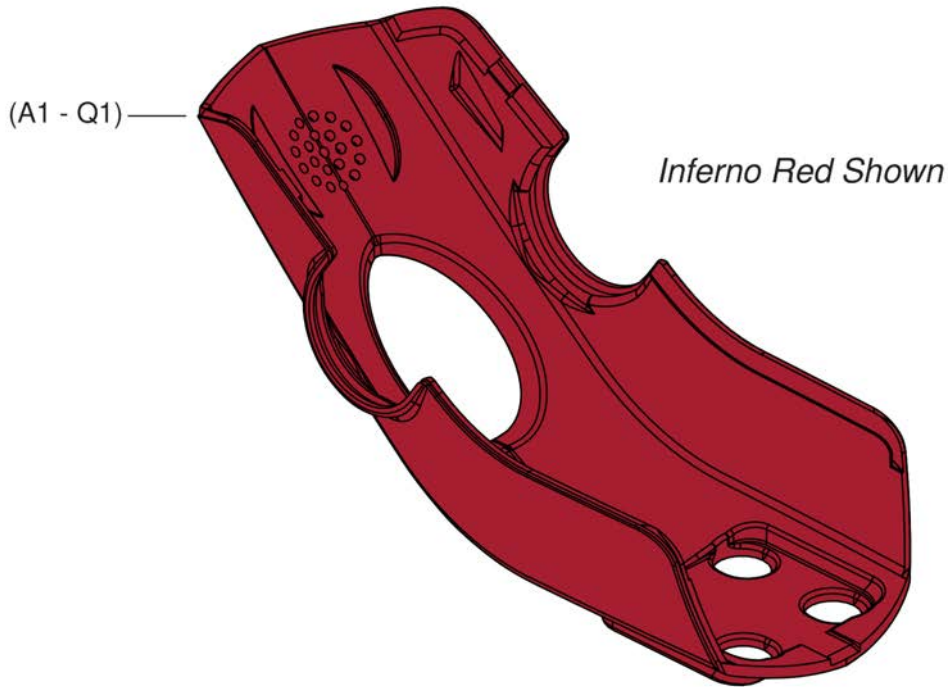
## Q-Logic 3 EX Joystick Component Replacement

Item	Part No.	Name	Qty
A1	ELE124312	ELECTRONIC,JOYSTICK GIMBLE,DIGITAL,Q-LOGIC 2&3	1
B1	ELE144006	ELECTRONIC, BOTTOM HOUSING, JOYSTICK MODULE Q-LOGIC 3,W/ BUS CABLE Q-LOGIC 3, (CURTIS: 17949366-02)	1
C1	KIT1902931	Q-LOGIC 3 HANDCONTROL LIGHT SPRING OPTION KIT WITH INSTALL INSTRUCTIONS	1
D1	DGN124309	SPEED WHEEL,KNOB,CURTIS Q-LOGIC 2,BLACK,PLASTIC,DGN124309,(CURTIS: 17949367-01)	1
E1	KIT2600759	REPLACEMENT GIMBLE BOOT FOR Q-LOGIC 3 JOYSTICK	1
F1	DGN154742	JOYSTICK, KNOB, Q-LOGIC 3, 6.35MM-ID, (CURTIS: 17519114-01)	1
JSK		WEB LINK,IPB,QL3 AFTERMARKET JOYSTICK KNOBS (This is not an orderable part, see IPB)	

**Q-Logic 3 Joystick Shrouds, Q6 Edge® 4 Color Options**

The colors shown are for representation purposes only and may vary in appearance from the actual shrouds received. For accurate color depictions, please refer to the Quantum Rehab® website.

Ref#	Color Name	Ref#	Color Name	Ref#	Color Name
(A1)	Back in Black	(G1)	Cosmic Purple	(M1)	Evolution Orange
(B1)	Night Train (Use Back in Black)	(H1)	Royale Blue	(N1)	Lemon Crush
(C1)	Ghost Gray	(I1)	Blue Jean	(O1)	Digital Camo
(D1)	Inferno Red	(J1)	Steel Blue	(P1)	Black Camo
(E1)	Pretty in Pink	(K1)	Bermuda Blue	(Q1)	Faded Glory
(F1)	Ice Pink	(L1)	Forest Green		



## Q-Logic 3 Joystick Shrouds, Q6 Edge® 4 Color Options





Item	Part No.	Name	Qty
A1	DGN124336-PBK1	CONTROLLER SHROUD,PLASTIC,PPW-BLK-01 (BACK IN BLACK/BLACK),STANDARD,JOYSTICK MODULE Q-LOGIC 2,DGN124336	1
B1	DGN124336-PBK1	CONTROLLER SHROUD,PLASTIC,PPW-BLK-01 (BACK IN BLACK/BLACK),STANDARD,JOYSTICK MODULE Q-LOGIC 2,DGN124336	1
C1	DGN124336-PGY6	CONTROLLER SHROUD,PLASTIC,PPW-GRY-06 (GHOST GRAY),STANDARD,JOYSTICK MODULE Q-LOGIC 2,DGN124336	1
D1	DGN124336-PRD5	CONTROLLER SHROUD,PLASTIC,PPW-RED-05 (INFERNO RED),STANDARD,JOYSTICK MODULE Q-LOGIC 2,DGN124336	1
E1	DGN124336-PPK3	CONTROLLER SHROUD,PLASTIC,PPW-PNK-03 (PRETTY IN PINK),STANDARD,JOYSTICK MODULE Q-LOGIC 2,DGN124336	1
F1	DGN124336-PPK5	CONTROLLER SHROUD,PLASTIC,PPW-PNK-05 (ICE PINK),STANDARD,JOYSTICK MODULE Q-LOGIC 2,DGN124336	1
G1	DGN124336-PPR8	CONTROLLER SHROUD,PLASTIC,PPW-PRP-08 (COSMIC PURPLE),STANDARD,JOYSTICK MODULE Q-LOGIC 2,DGN124336	1
H1	DGN124336-PBU14	CONTROLLER SHROUD,PLASTIC,PPW-BLU-14 (ROYALE BLUE),STANDARD,JOYSTICK MODULE Q-LOGIC 2,DGN124336	1
I1	DGN124336-PBU11	CONTROLLER SHROUD,PLASTIC,PPW-BLU-11 (BLUE JEAN),STANDARD,JOYSTICK MODULE Q-LOGIC 2,DGN124336	1
J1	DGN124336-PBU13	CONTROLLER SHROUD,PLASTIC,PPW-BLU-13 (STEEL BLUE),STANDARD,JOYSTICK MODULE Q-LOGIC 2,DGN124336	1
K1	DGN124336-PBU15	CONTROLLER SHROUD,PLASTIC,PPW-BLU-15 (BERMUDA BLUE),STANDARD,JOYSTICK MODULE Q-LOGIC 2,DGN124336	1
L1	DGN124336-PGN13	CONTROLLER SHROUD,PLASTIC,PPW-GRN-13 (FOREST GREEN),STANDARD,JOYSTICK MODULE Q-LOGIC 2,DGN124336	1
M1	DGN124336-POR7	CONTROLLER SHROUD,PLASTIC,PPW-ORN-07 (EVOLUTION ORANGE),STANDARD,JOYSTICK MODULE Q-LOGIC 2,DGN124336	1
N1	DGN124336-PYL4	CONTROLLER SHROUD,PLASTIC,PPW-YEL-04 (LEMON CRUSH),STANDARD,JOYSTICK MODULE Q-LOGIC 2,DGN124336	1
O1	DGN124336-WCM7	CONTROLLER SHROUD,PLASTIC,PWT-CMO-07 (MILITARY DIGITAL CAMO),STANDARD,JOYSTICK MODULE Q-LOGIC 2,DGN124336	1
P1	DGN124336-WCM9-PCL2	CONTROLLER SHROUD,PLASTIC,PWT-CMO-09 (BLACK CAMOUFLAGE),PPW-CLR-02 ( MATTE CLEARCOAT), STANDARD,JOYSTICK MODULE Q-LOGIC 2,DGN124336	1
Q1	DGN124336-WFL2	CONTROLLER SHROUD,PLASTIC,PWT-FLG-02 (FADED GLORY),STANDARD,JOYSTICK MODULE Q-LOGIC 2,DGN124336	1

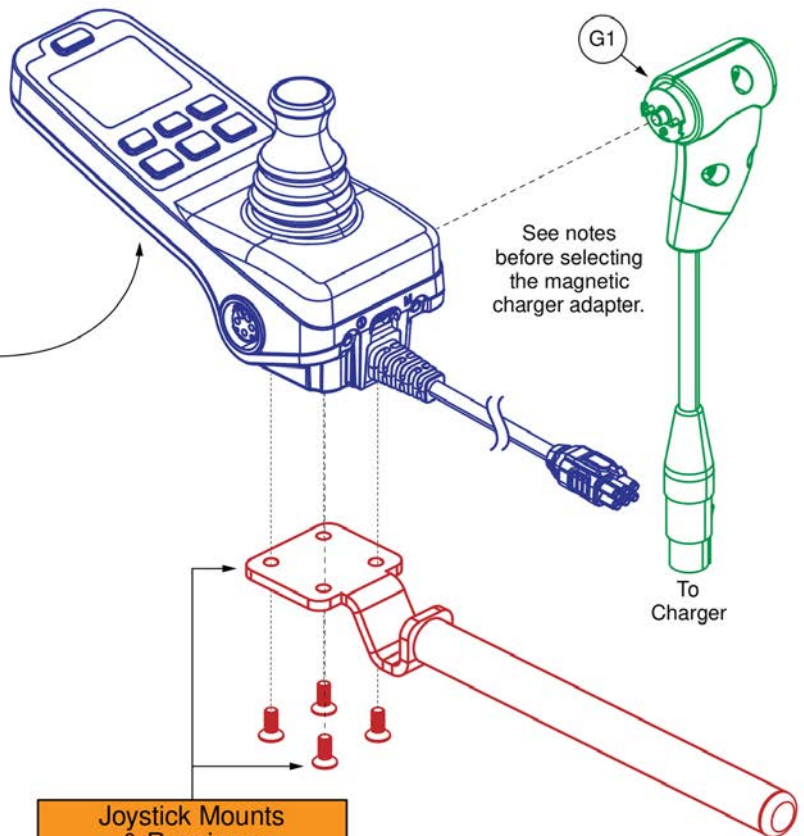
### Q-Logic 3e Joysticks

**Joystick Replacement Notes:**

- The proper joystick assembly with programming must be selected to ensure the unit functions as intended.
- The Q-Logic 3e joystick is compatible with all previous and current units equipped with Q-Logic 3 electronics and can be used in place of the Q-Logic 3 EX joystick.
- The magnetic charger adapter is only compatible with joysticks that have shipped on or after August 27th, 2022. A compatible joystick will have two charger ports, an XLR port on the left and magnetic charger port on the right.

Q6 Edge® 4 Joysticks w/ Programming			
Ref#	Part Number	Motor Program	Seating Function
(A1)	ELE2503964	7 MPH Linix	Static
(B1)	ELE2503963	7 MPH Linix	Power Positioning

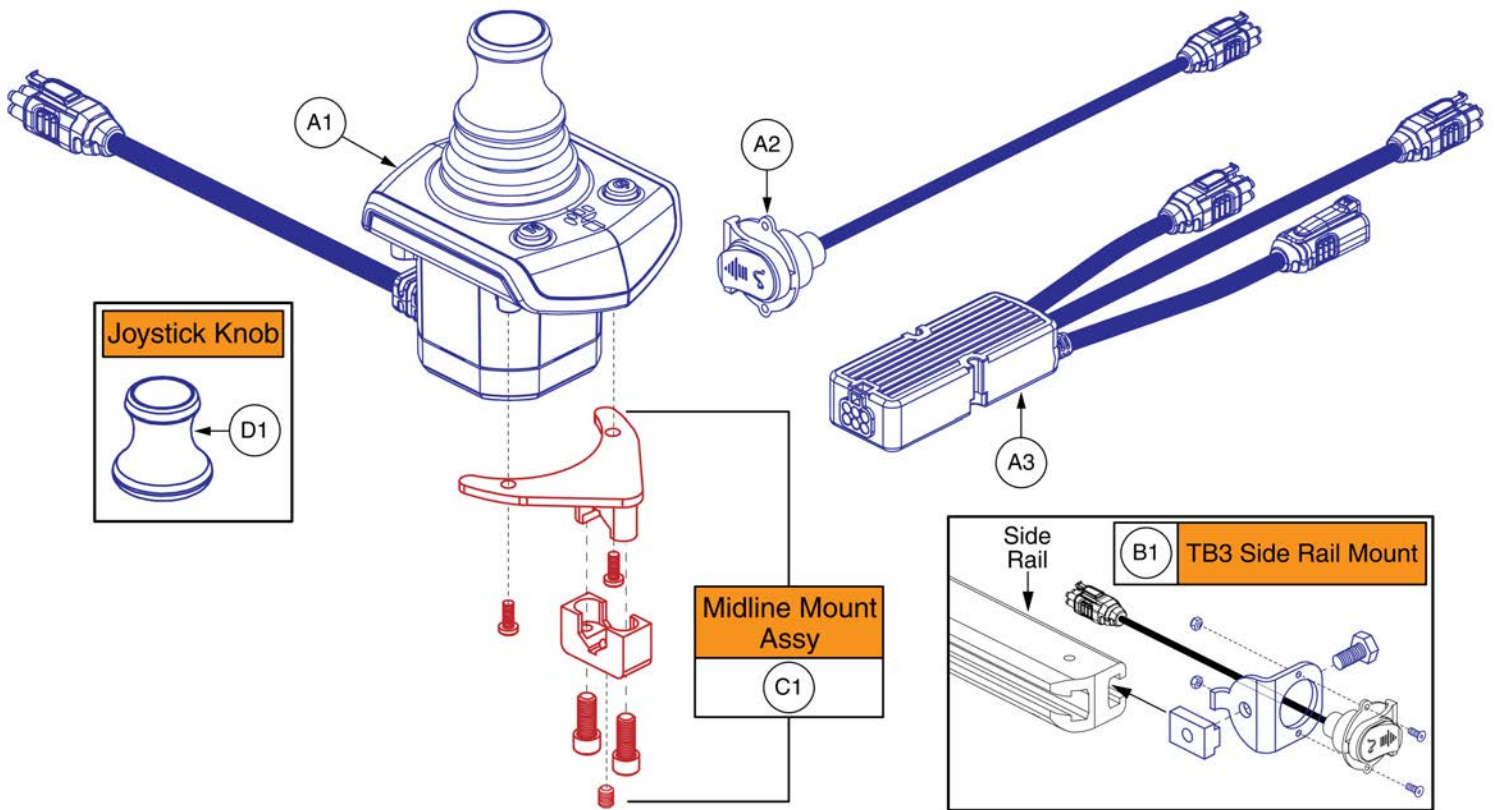
Replacement Components	
<p>(D1) Joystick Knob</p> 	<p>Overlay w/ Installation Instructions</p> <p>(E1)</p> 
<p>(JSK) Web Link: Aftermarket Knobs</p> 	<p>(F1) Rubber Boot</p> 



Joystick Mounts & Receivers	
(C1)	Standard Inline
(JSM)	Web Link: Additional Mounts
(JSR)	Web Link: Joystick Receivers

## Q-Logic 3e Joystick Assy's, 7 mph Motors, Q6 Edge® 4

Item	Part No.	Name	Qty
A1	ELE2503964	SERVICEABLE ASSEMBLY, Q-LOGIC 3E, EDGE 4 PROGRAM, Q-LOGIC 3, 7 MPH LINIX 4 POLE MOTORS, STATIC SEATING	1
B1	ELE2503963	SERVICEABLE ASSEMBLY, Q-LOGIC 3E, EDGE 4 PROGRAM, Q-LOGIC 3, 7 MPH LINIX 4 POLE MOTORS, POWER POSITIONING	1
C1	FRMASMB10617	JOYSTICK MOUNTING BRACKET,ASSY,CURTIS,INLINE	1
D1	DGN154742	JOYSTICK, KNOB, Q-LOGIC 3, 6.35MM-ID, (CURTIS: 17519114-01)	1
E1	KIT2008010	Q-LOGIC 3E KEYPAD REPLACEMENT KIT WITH INSTRUCTIONS	1
F1		RECON,JOYSTICK RUBBER BOOT,(P&G: 283-77.10.004) (NO LONGER AVAILABLE)	1
G1	ELE2103635	MAGNETIC TO XLR CHARGER ADAPTER W/ WALL HOLDER, CURTIS	1
JSM		WEB LINK,IPB,QL3 JOYSTICK MOUNTS (This is not an orderable part, see IPB)	0
JSK		WEB LINK,IPB,QL3 AFTERMARKET JOYSTICK KNOBS (This is not an orderable part, see IPB)	0
JSR		WEB LINK,IPB,JOYSTICK RECEIVER MOUNTS (This is not an orderable part, see IPB)	0



## Q-Logic 3 Stand Alone Joystick Assy

Item	Part No.	Name	Qty
A1	CTL143980	STANDALONE JOYSTICK, Q-LOGIC 3, (CURTIS: 17953700-1109)	1
A2	HAR144001	HARNESS, CHARGER/PROGRAMMER, Q-LOGIC 3, 0.9 METER,(CURTIS: 17880701)	1
A3	HAR144003	HARNESS, SEAT MULTIPLIER Q-LOGIC 3, (CURTIS: 17881360-02-01)	1
B1	FRMASMB11156	MOUNTING BRACKET,ASSY,STAND ALONE JOYSTICK,SIDE RAIL MOUNT,C-1360-163	1
C1	FRMASMB10454	JOYSTICK MOUNTING BRACKET,ASSY,CURTIS STAND ALONE JOYSTICK,MIDLINE,C-1010-263	1
D1	DGN154742	JOYSTICK, KNOB, Q-LOGIC 3, 6.35MM-ID, (CURTIS: 17519114-01)	1

QLNES Joysticks with Programming: Q6 Edge® 4

Q6 Edge® 4 Joysticks: 6-Key Standard

Ref#	Part Number	Motor Program	Seating Function
A1	ELE2503948	7 mph Linix	Static
B1	ELE2503947	7 mph Linix	Power Positioning

Q6 Edge® 4 Joysticks: 10-Key Lights

Ref#	Part Number	Motor Program	Seating Function
C1	ELE2503952	7 mph Linix	Static
D1	ELE2503951	7 mph Linix	Power Positioning

Replacement Knobs

F1



Web Link:  
Aftermarket Knobs  
WL3

Replacement Boot

H1



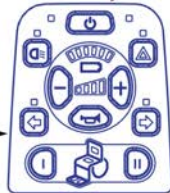
Replacement Keypads

6-Key

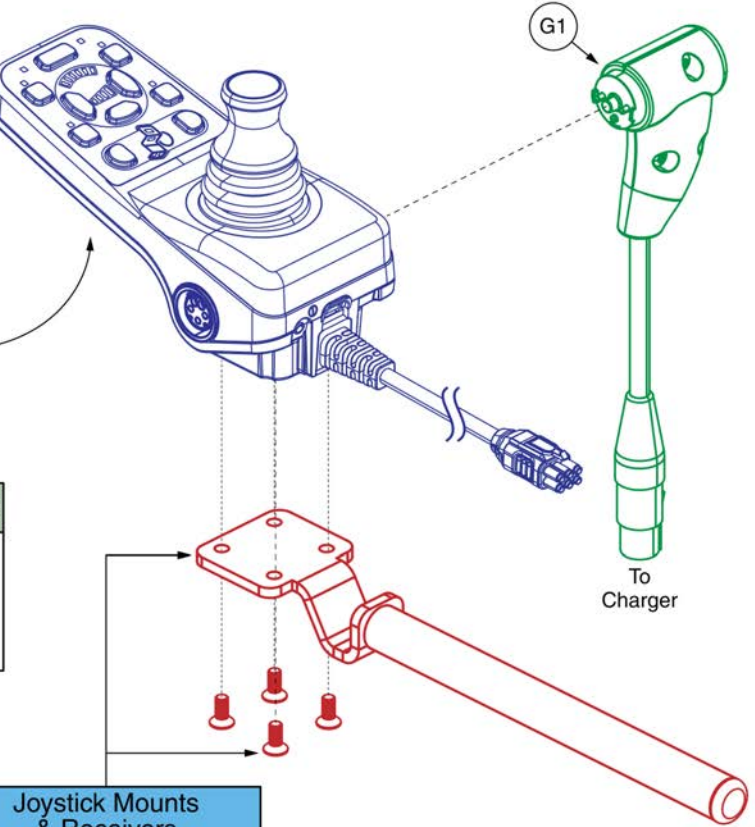
10-Key



I1



J1



Joystick Mounts & Receivers

E1	Standard Inline
WL1	Web Link: Additional Mounts
WL2	Web Link: Joystick Receivers

The QLNES joystick can use the same mounting brackets and hardware as the Q-Logic 3 joystick.

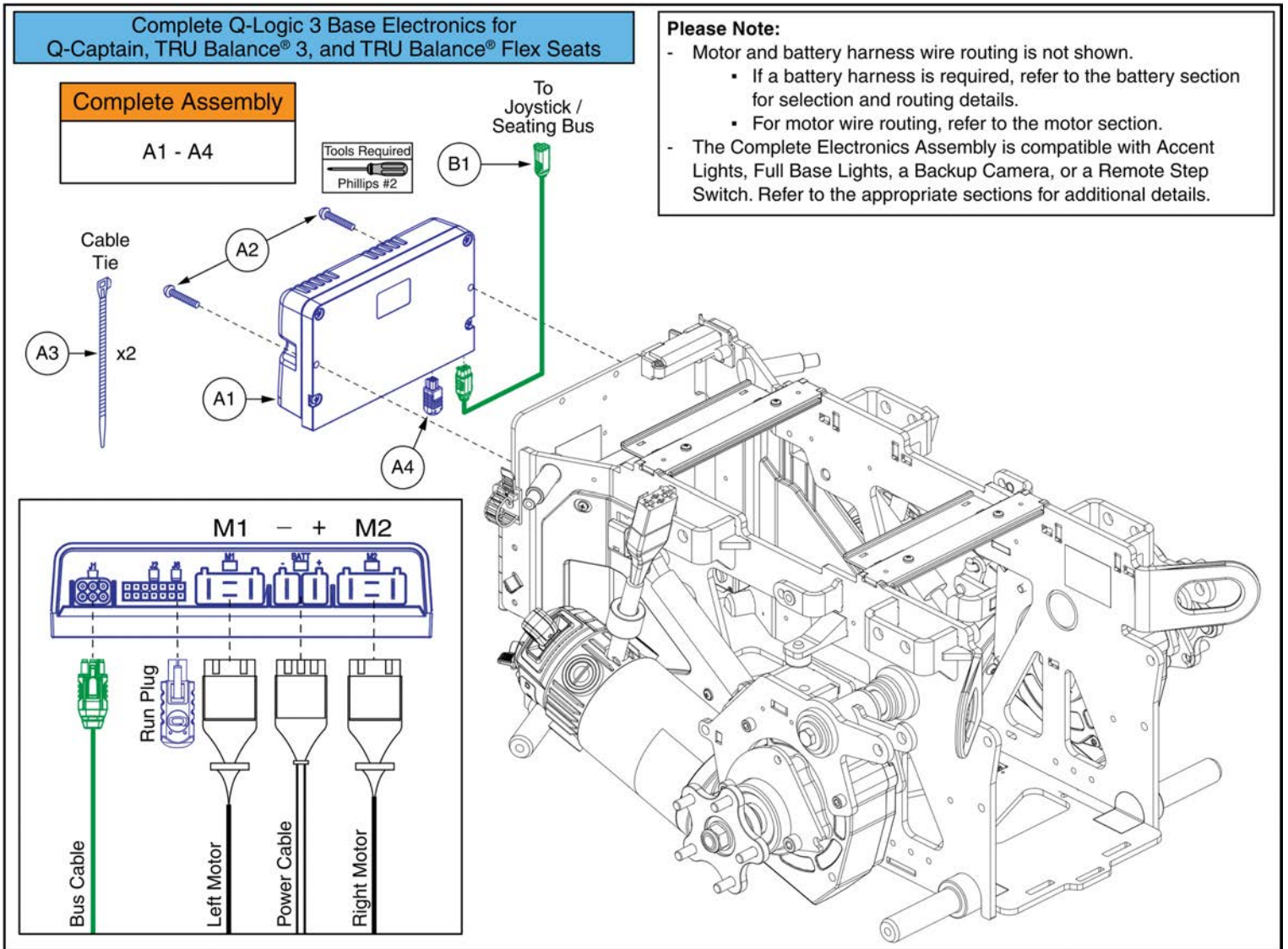
## QLNES Joysticks, 7 mph Motors, Q6 Edge® 4

Item	Part No.	Name	Qty
A1	ELE2503948	SERVICEABLE ASSEMBLY, QLNES 6-KEY LED, EDGE 4, 7 MPH LINIX 4 POLE MOTORS, STATIC SEATING	1
B1	ELE2503947	SERVICEABLE ASSEMBLY, QLNES 6-KEY LED, EDGE 4, 7 MPH LINIX 4 POLE MOTORS, POWER POSITIONING	1
C1	ELE2503952	SERVICEABLE ASSEMBLY, QLNES 10-KEY LED, EDGE 4, 7 MPH LINIX 4 POLE MOTORS, STATIC SEATING	1
D1	ELE2503951	SERVICEABLE ASSEMBLY, QLNES 10-KEY LED, EDGE 4, 7 MPH LINIX 4 POLE MOTORS, POWER POSITIONING	1
E1	FRMASMB10617	JOYSTICK MOUNTING BRACKET,ASSY,CURTIS,INLINE	1
F1	DGN154742	JOYSTICK, KNOB, Q-LOGIC 3, 6.35MM-ID, (CURTIS: 17519114-01)	1
G1	ELE2103635	MAGNETIC TO XLR CHARGER ADAPTER W/ WALL HOLDER, CURTIS	1
H1	KIT2600761	REPLACEMENT GIMBLE BOOT FOR QLNES JOYSTICK	1
I1	KIT2600764	QLNES, KEYPAD REPLACEMENT, 6-KEY W/ INSTRUCTIONS	1
J1	KIT2600765	QLNES, KEYPAD REPLACEMENT, 10-KEY W/ INSTRUCTIONS	1
WL1		WEB LINK,IPB,QL3 JOYSTICK MOUNTS (This is not an orderable part, see IPB)	0
WL2		WEB LINK,IPB,JOYSTICK RECEIVER MOUNTS (This is not an orderable part, see IPB)	0
WL3		WEB LINK,IPB,QL3 AFTERMARKET JOYSTICK KNOBS (This is not an orderable part, see IPB)	0

<p>(A1) Soft Ball</p> 	<p>(B1) I-Handle</p> 	<p>(C1) T-Bar</p> 	<p>(D1) Ball</p> 				
<p>(E1) Mushroom</p> 	<p>(F1) Chin Cup</p> 	<p>(G1) Remote Plus (Carrot)</p> 	<p>Goal Posts</p> <table border="1" data-bbox="1422 1041 1555 1157"> <tr> <td>(H1)</td> <td>3"</td> </tr> <tr> <td>(I1)</td> <td>4"</td> </tr> </table> 	(H1)	3"	(I1)	4"
(H1)	3"						
(I1)	4"						

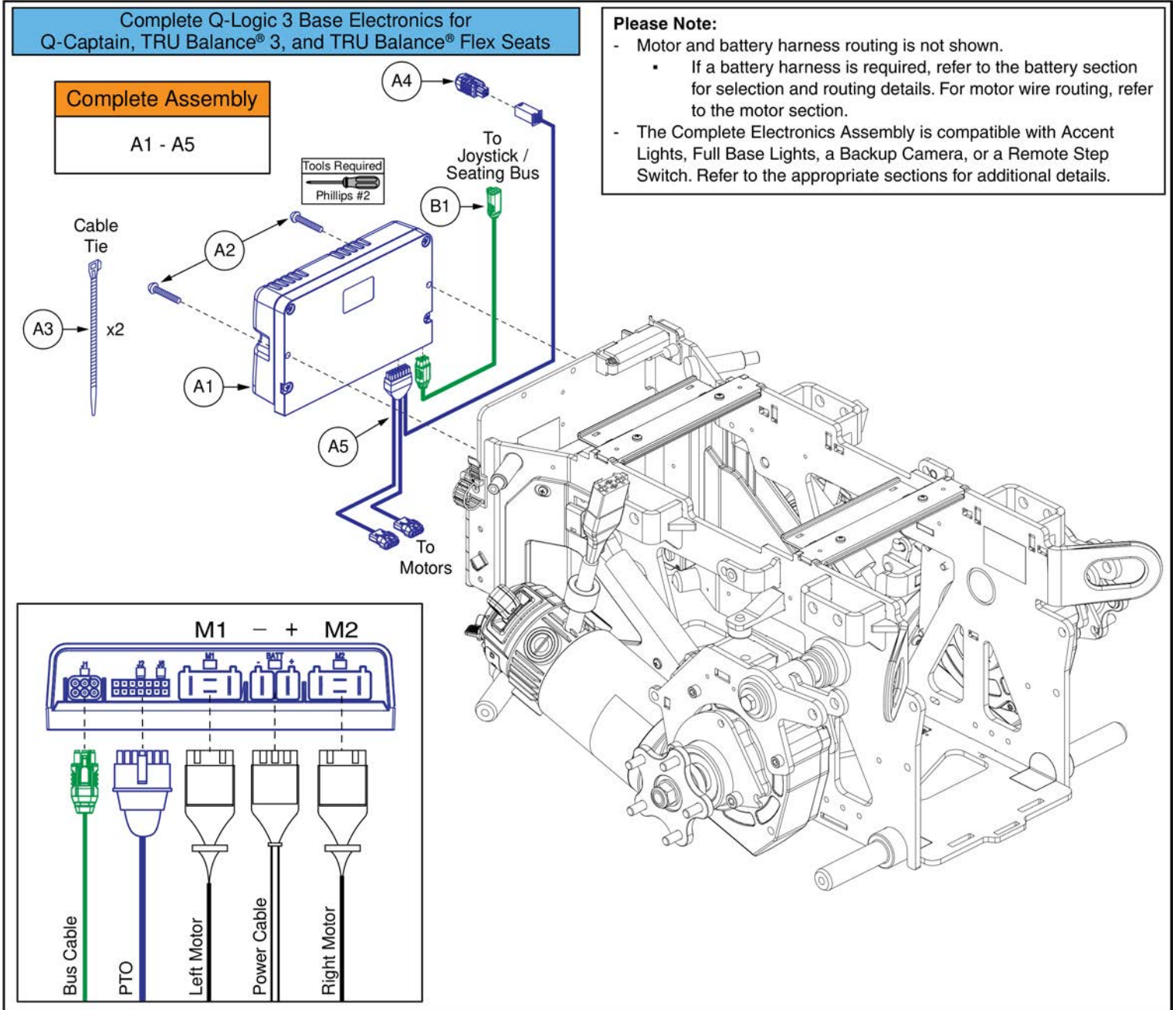
## Aftermarket Joystick Knobs - Curtis and P&G

Item	Part No.	Name	Qty
A1	ACCASMB1856	P&G JOYSTICK KNOB,ASSY,JAZZY,SOFT BALL	1
B1	ACCASMB1857	P&G JOYSTICK KNOB,ASSY,JAZZY,EXTENDED I-HANDLE	1
C1	ACCASMB1858	P&G JOYSTICK KNOB,ASSY,JAZZY,T BAR	1
D1	ACCASMB1859	P&G JOYSTICK KNOB,ASSY,JAZZY,BALL	1
E1	ACCASMB1860	P&G JOYSTICK KNOB,ASSY,JAZZY,MUSHROOM	1
F1	ACCASMB1861	P&G JOYSTICK KNOB,ASSY,JAZZY,CHIN CUP	1
G1	ACCASMB1862	P&G JOYSTICK KNOB,ASSY,JAZZY,REMOTE STANDARD	1
H1	PLSKNCP1057	JOYSTICK KNOB,3",GOAL POST,W/FLEX SHAFT,FOR 1/4" STEM,(BP: PC101B)	1
I1	PLSKNCP1058	JOYSTICK KNOB,4",GOAL POST,W/FLEX SHAFT,FOR 1/4" STEM,(BP: PC102B)	1



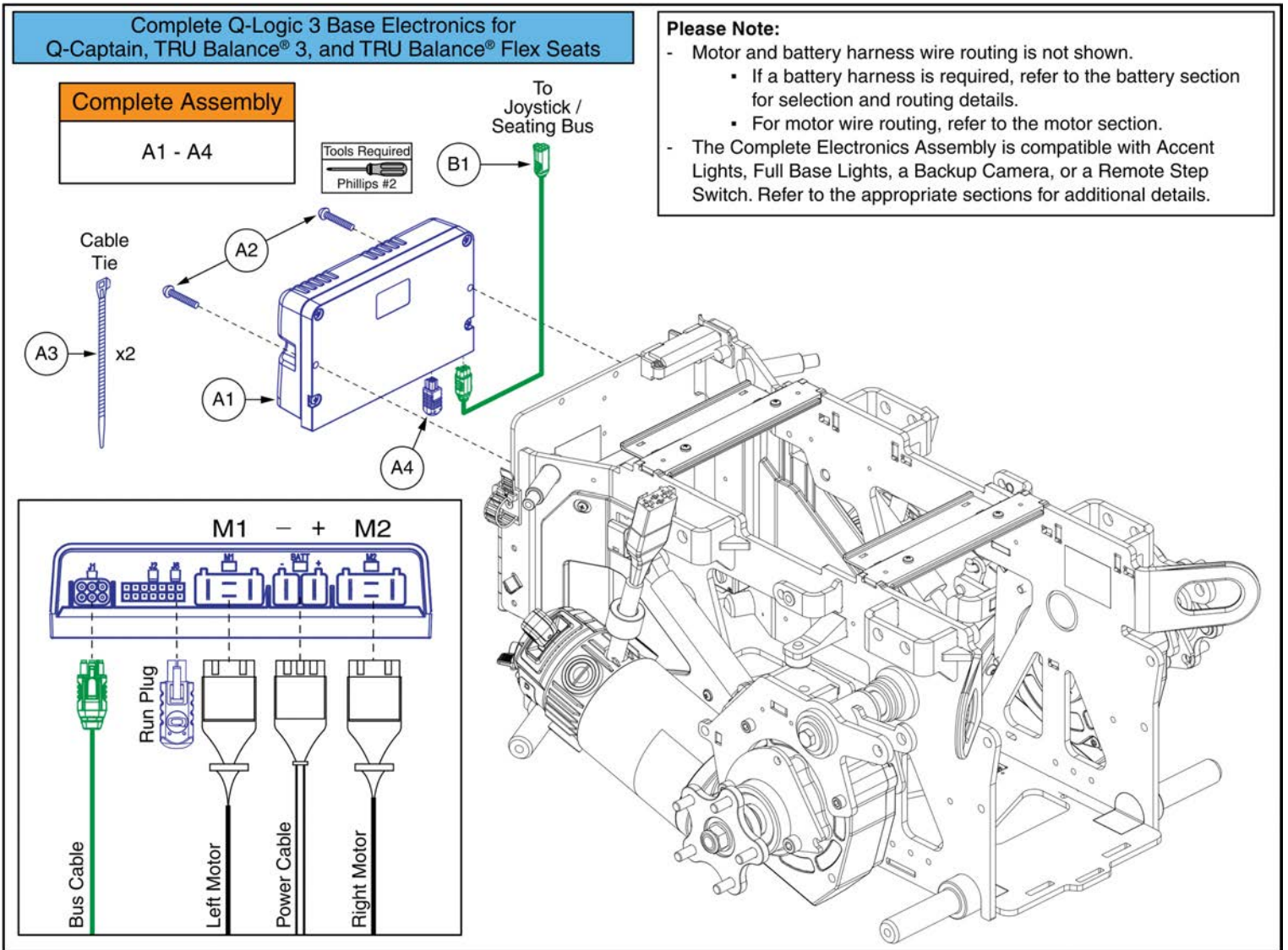
## Q-Logic 3 Power Module and Run Plug for Standard Motors, Q6 Edge® 4

Item	Part No.	Name	Qty
A1 - A4	ELE2404630	ELECTRONIC, ASSY, Q-LOGIC 3, Q6EDGE 4, RUN PLUG	1
A1	CTL143978	POWER MODULE, Q-LOGIC 3,120 AMP	1
A2	SCRPPH1382	SCREW, PAN HEAD, TYPE H, M5X0.8 X 25, ISO 7045, CL 4.8, BZ	2
A3	PLSTIE1004	TIEDOWN STRAP, 200 LG, PLASTIC, BLACK, SPEC NO. 2106329-2-50-175-V2	2
A4	DGN1901203	OVER-MOLD RUN RECEPTACLE, 4-CIRCUIT	1
B1	HAR144005	HARNESS, BUS EXTENSION CABLE, Q-LOGIC 3, 0.410 METER, MALE/FEMALE	1



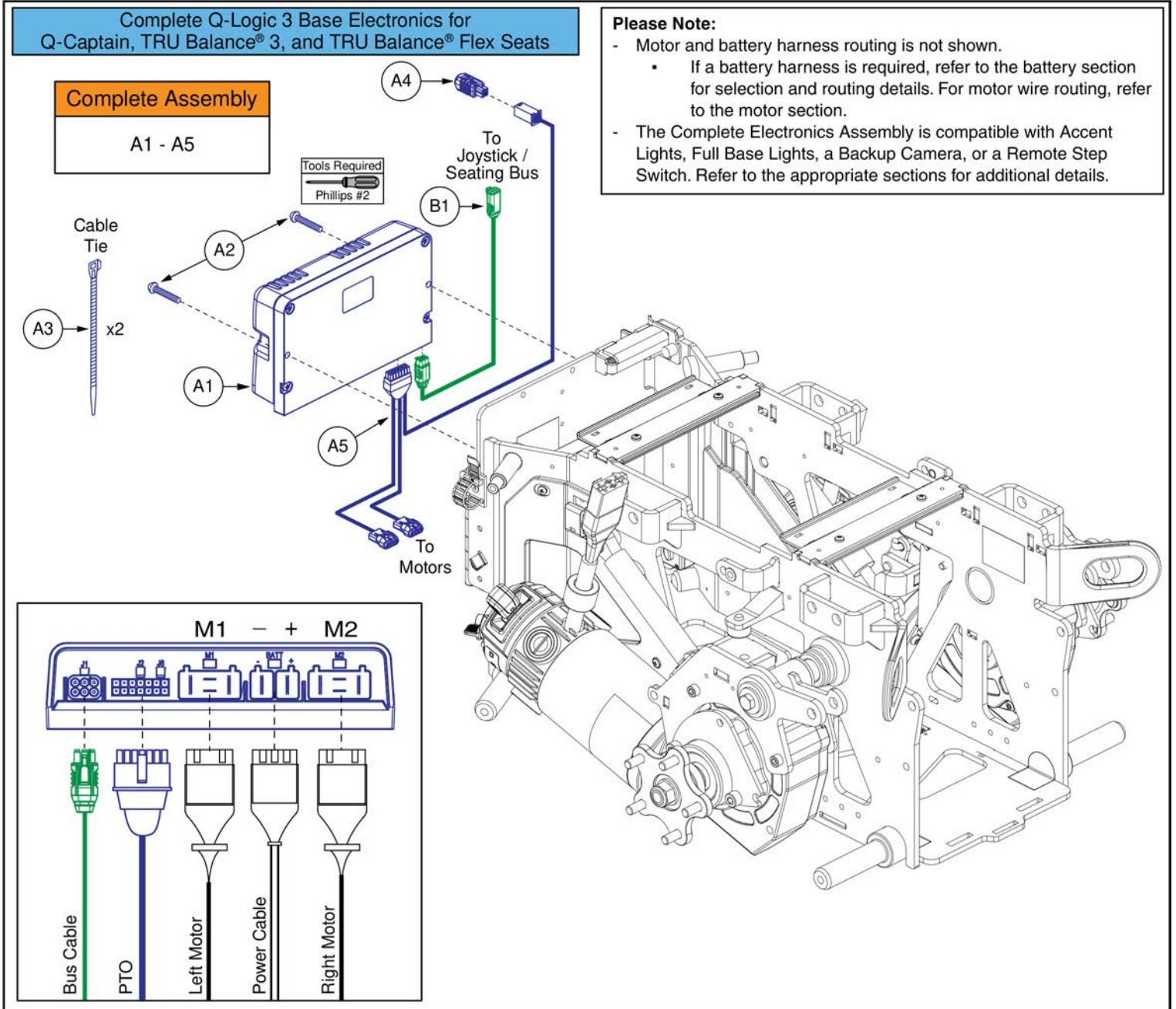
## Q-Logic 3 Power Module and Run Plug for Accu-Trac Motors, Q6 Edge® 4

Item	Part No.	Name	Qty
A1 - A5	ELE2404631	ELECTRONIC, ASSY, Q-LOGIC 3, Q6EDGE 4, RUN PLUG, ACCU-TRAC MOTORS	1
A1	CTL143978	POWER MODULE, Q-LOGIC 3,120 AMP	1
A2	SCRPPH1382	SCREW, PAN HEAD, TYPE H, M5X0.8 X 25, ISO 7045, CL 4.8, BZ	2
A3	PLSTIE1004	TIEDOWN STRAP, 200 LG, PLASTIC, BLACK, SPEC NO. 2106329-2-50-175-V2	2
A4	DGN1901203	OVER-MOLD RUN RECEPTACLE, 4-CIRCUIT	1
A5	ELE1611833	HARNESS, QUANTUM ENCODER/POWER TAKE OFF, Q-LOGIC 3	1
B1	HAR144005	HARNESS, BUS EXTENSION CABLE, Q-LOGIC 3, 0.410 METER, MALE/FEMALE	1



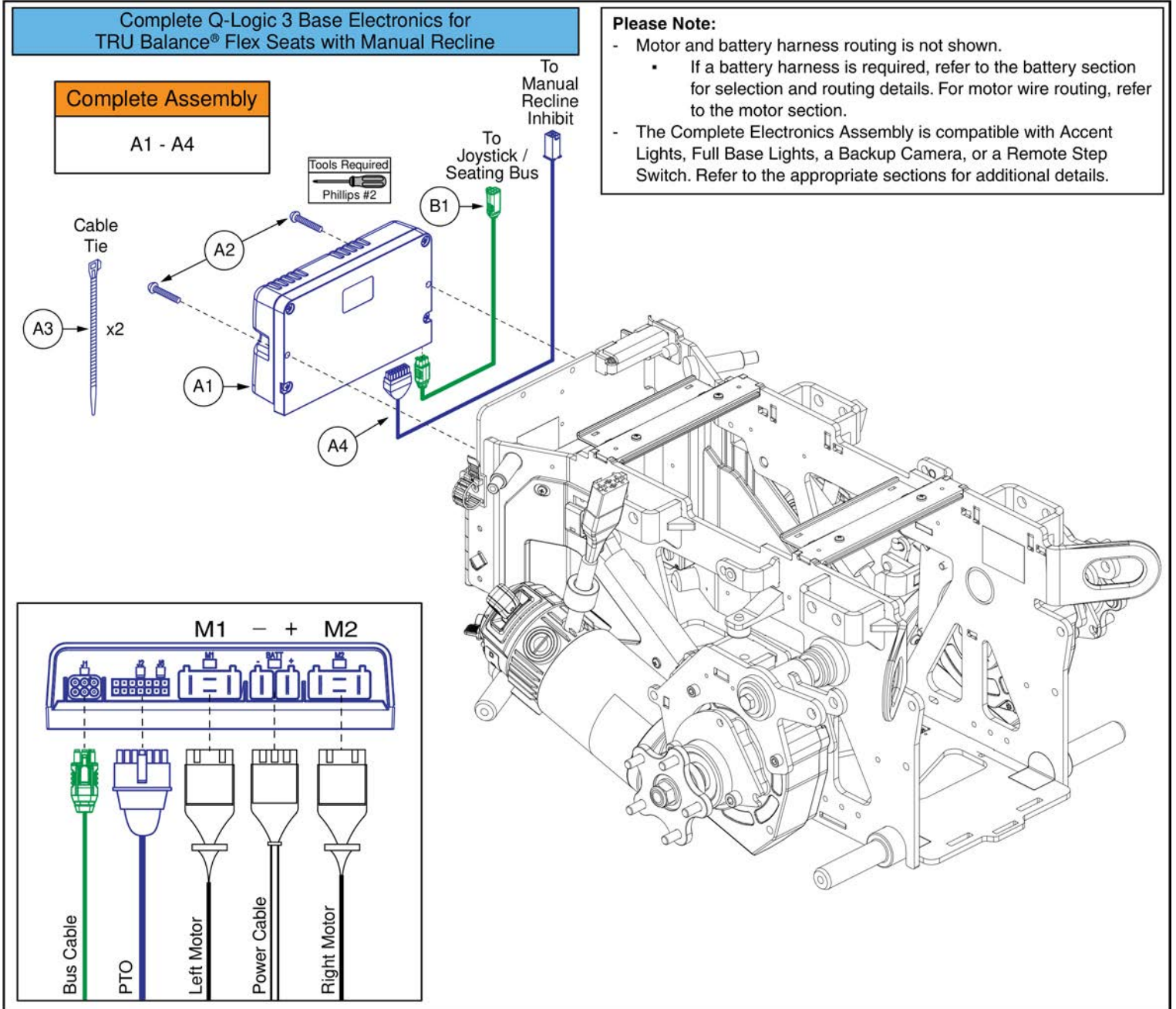
## Q-Logic 3 Power Module and Run Plug for Standard Motors, Q6 Edge® 4

Item	Part No.	Name	Qty
A1 - A4	ELE2404630	ELECTRONIC, ASSY, Q-LOGIC 3, Q6EDGE 4, RUN PLUG	1
A1	CTL143978	POWER MODULE, Q-LOGIC 3,120 AMP	1
A2	SCRPPH1382	SCREW, PAN HEAD, TYPE H, M5X0.8 X 25, ISO 7045, CL 4.8, BZ	2
A3	PLSTIE1004	TIEDOWN STRAP, 200 LG, PLASTIC, BLACK, SPEC NO. 2106329-2-50-175-V2	2
A4	DGN1901203	OVER-MOLD RUN RECEPTACLE, 4-CIRCUIT	1
B1	HAR144005	HARNESS, BUS EXTENSION CABLE, Q-LOGIC 3, 0.410 METER, MALE/FEMALE	1



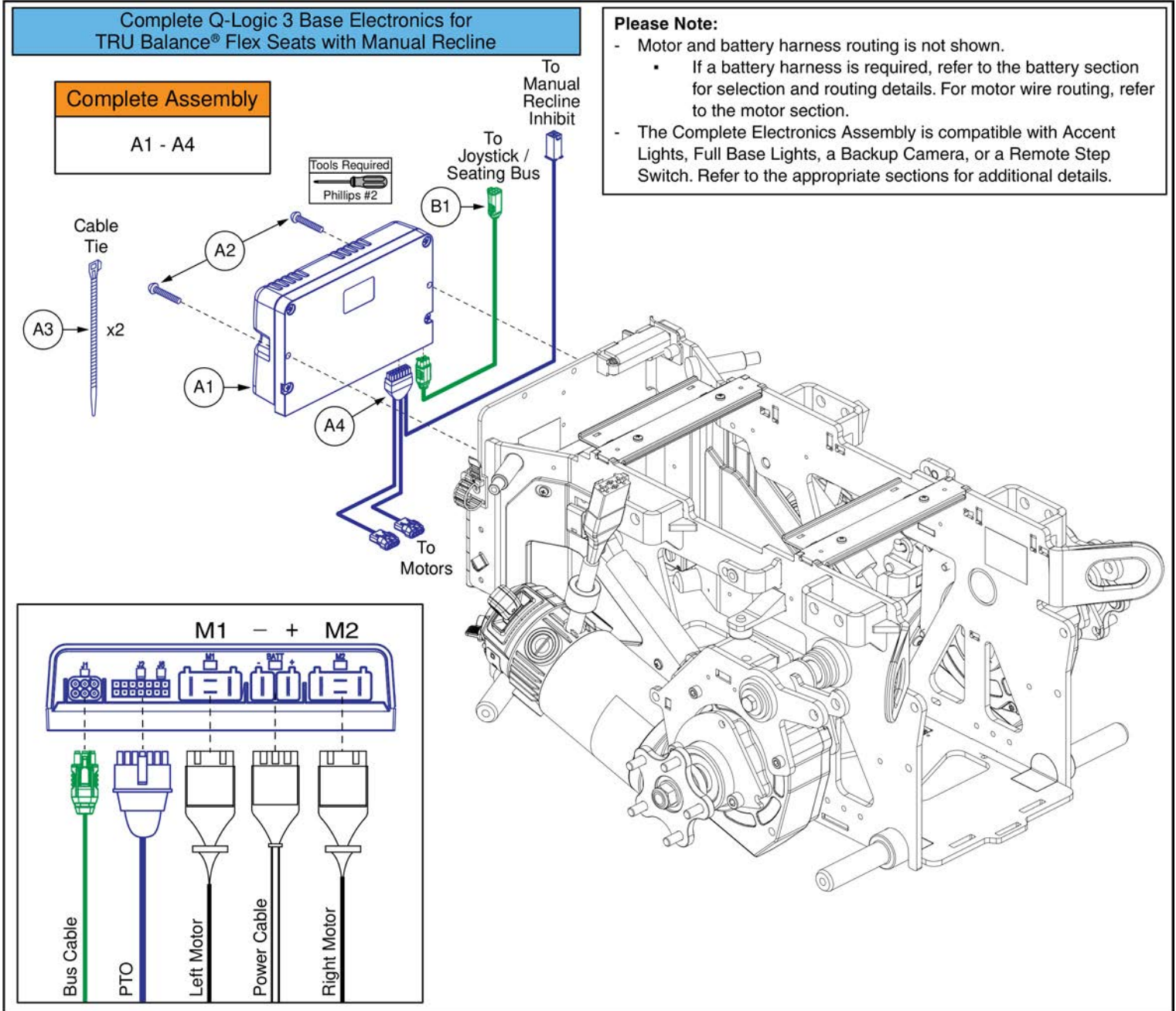
## Q-Logic 3 Power Module and Run Plug for Accu-Trac Motors, Q6 Edge® 4

Item	Part No.	Name	Qty
A1 - A5	ELE2404631	ELECTRONIC, ASSY, Q-LOGIC 3, Q6EDGE 4, RUN PLUG, ACCU-TRAC MOTORS	1
A1	CTL143978	POWER MODULE, Q-LOGIC 3,120 AMP	1
A2	SCRPPH1382	SCREW, PAN HEAD, TYPE H, M5X0.8 X 25, ISO 7045, CL 4.8, BZ	2
A3	PLSTIE1004	TIEDOWN STRAP, 200 LG, PLASTIC, BLACK, SPEC NO. 2106329-2-50-175-V2	2
A4	DGN1901203	OVER-MOLD RUN RECEPTACLE, 4-CIRCUIT	1
A5	ELE1611833	HARNESS, QUANTUM ENCODER/POWER TAKE OFF, Q-LOGIC 3	1
B1	HAR144005	HARNESS, BUS EXTENSION CABLE, Q-LOGIC 3, 0.410 METER, MALE/FEMALE	1



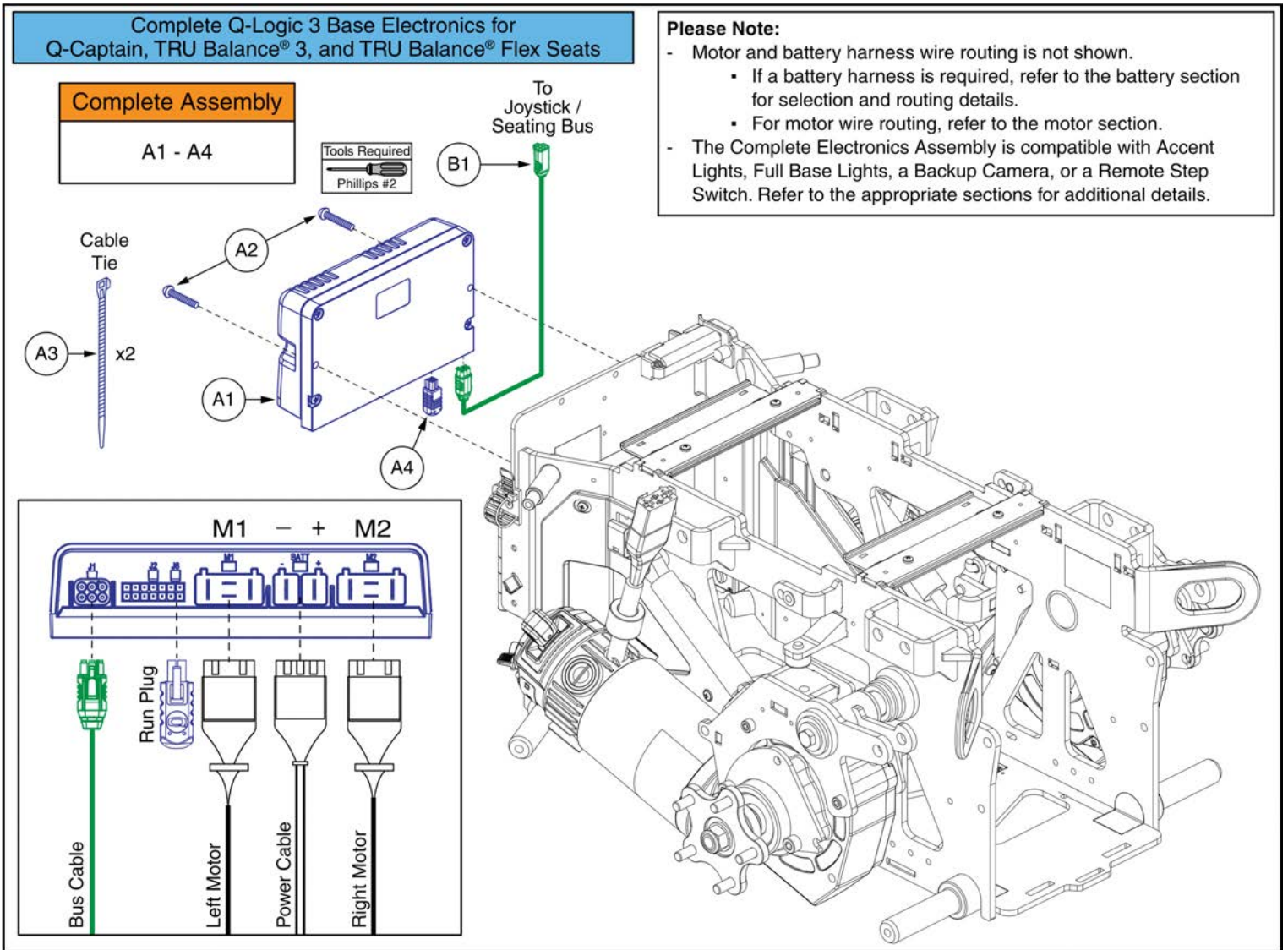
**Q-Logic 3 Power Module and PTO Harness for Standard Motors and Manual Recline, Q6 Edge® 4**

<b>Item</b>	<b>Part No.</b>	<b>Name</b>	<b>Qty</b>
A1 - A4	ELE2404634	ELECTRONIC, ASSY, Q-LOGIC 3, Q6EDGE 4, PTO	1
A1	CTL143978	POWER MODULE, Q-LOGIC 3,120 AMP	1
A2	SCRPPH1382	SCREW, PAN HEAD, TYPE H, M5X0.8 X 25, ISO 7045, CL 4.8, BZ	2
A3	PLSTIE1004	TIEDOWN STRAP, 200 LG, PLASTIC, BLACK, SPEC NO. 2106329-2-50-175-V2	2
A4	ELE2302311	HARNESS, PTO, EXTENSION, 4 CIRCUIT MINIFIT, 500	1
B1	HAR144005	HARNESS, BUS EXTENSION CABLE, Q-LOGIC 3, 0.410 METER, MALE/FEMALE	1



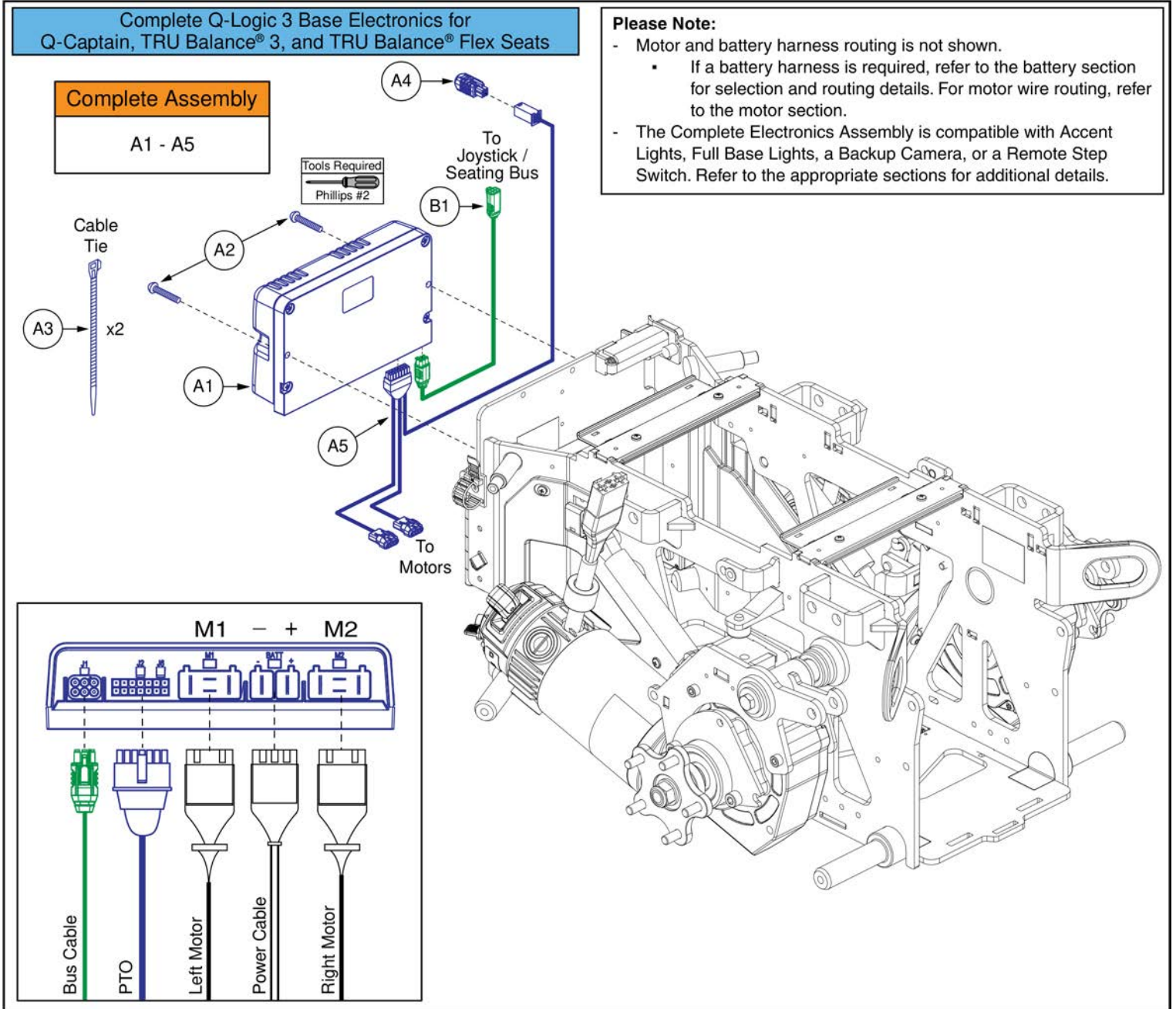
**Q-Logic 3 Power Module and PTO Harness for Accu-Trac Motors and Manual Recline, Q6 Edge® 4**

<b>Item</b>	<b>Part No.</b>	<b>Name</b>	<b>Qty</b>
A1 - A4	ELE2404635	ELECTRONIC, ASSY, Q-LOGIC 3, Q6EDGE 4, PTO, ACCU-TRAC MOTORS	1
A1	CTL143978	POWER MODULE, Q-LOGIC 3,120 AMP	1
A2	SCRPPH1382	SCREW, PAN HEAD, TYPE H, M5X0.8 X 25, ISO 7045, CL 4.8, BZ	2
A3	PLSTIE1004	TIEDOWN STRAP, 200 LG, PLASTIC, BLACK, SPEC NO. 2106329-2-50-175-V2	2
A4	ELE1611833	HARNESS, QUANTUM ENCODER/POWER TAKE OFF, Q-LOGIC 3	1
B1	HAR144005	HARNESS, BUS EXTENSION CABLE, Q-LOGIC 3, 0.410 METER, MALE/FEMALE	1



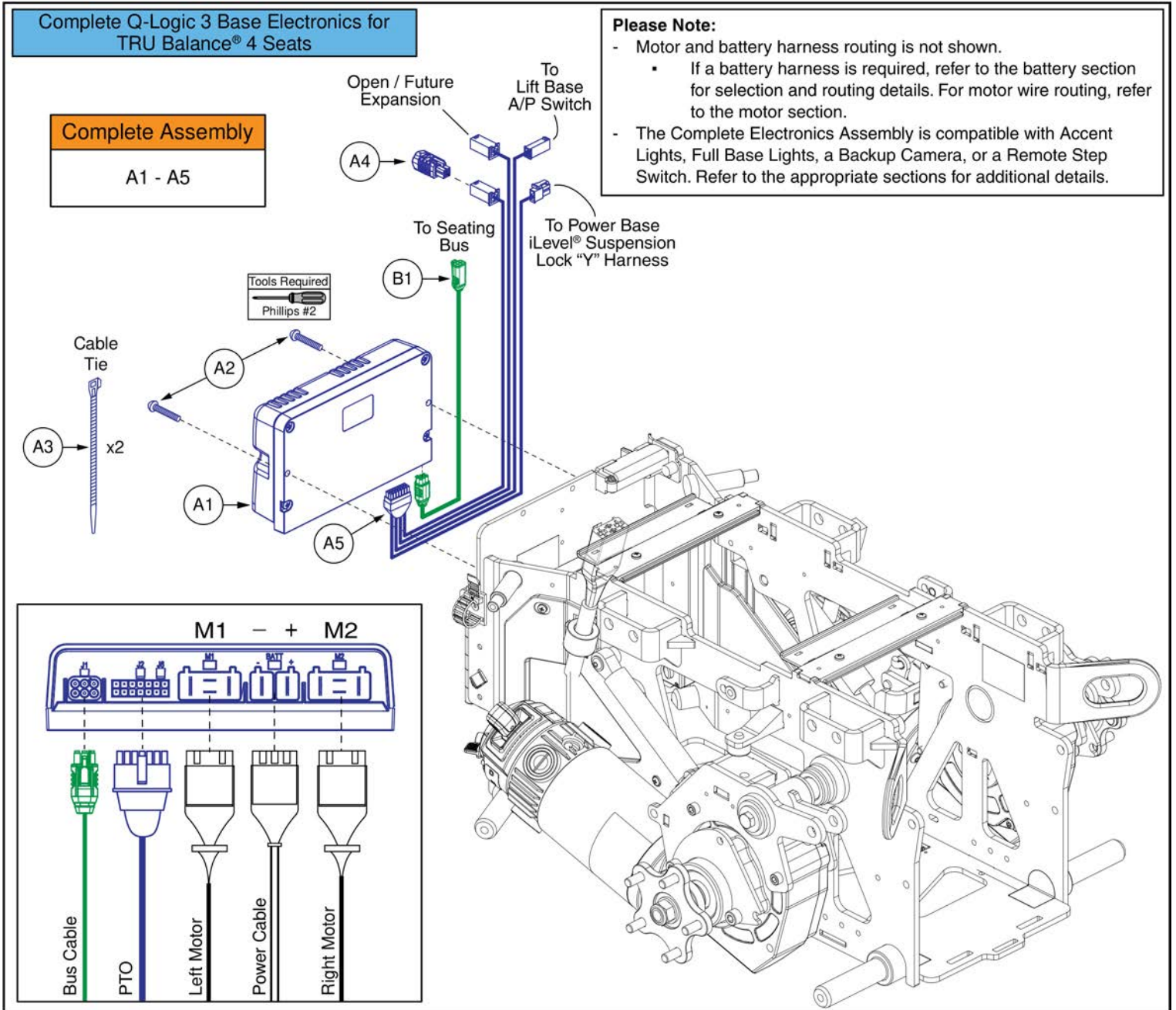
## Q-Logic 3 Power Module and Run Plug for Standard Motors, Q6 Edge® 4

Item	Part No.	Name	Qty
A1 - A4	ELE2404630	ELECTRONIC, ASSY, Q-LOGIC 3, Q6EDGE 4, RUN PLUG	1
A1	CTL143978	POWER MODULE, Q-LOGIC 3,120 AMP	1
A2	SCRPPH1382	SCREW, PAN HEAD, TYPE H, M5X0.8 X 25, ISO 7045, CL 4.8, BZ	2
A3	PLSTIE1004	TIEDOWN STRAP, 200 LG, PLASTIC, BLACK, SPEC NO. 2106329-2-50-175-V2	2
A4	DGN1901203	OVER-MOLD RUN RECEPTACLE, 4-CIRCUIT	1
B1	HAR144005	HARNESS, BUS EXTENSION CABLE, Q-LOGIC 3, 0.410 METER, MALE/FEMALE	1



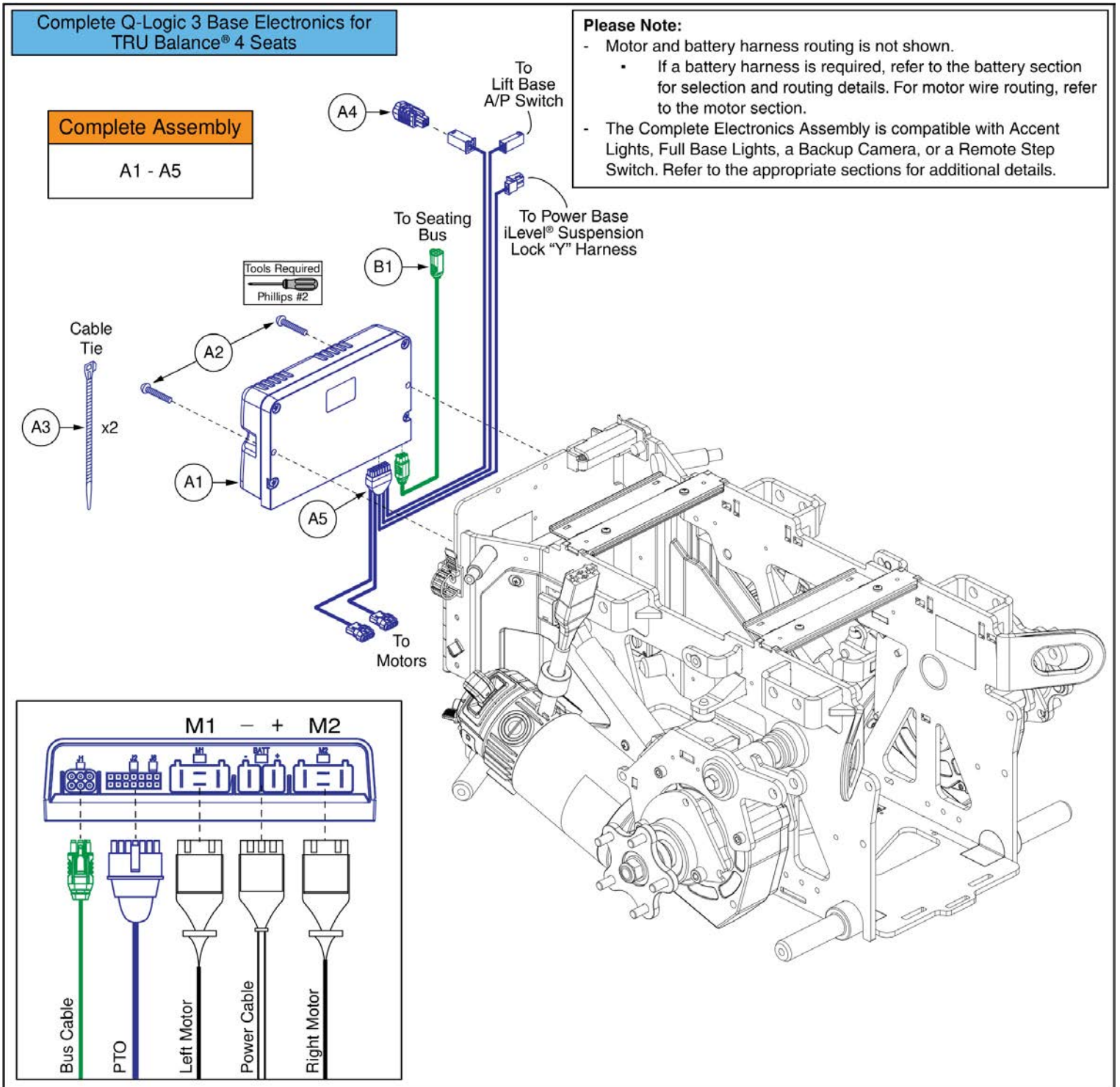
## Q-Logic 3 Power Module and Run Plug for Accu-Trac Motors, Q6 Edge® 4

Item	Part No.	Name	Qty
A1 - A5	ELE2404631	ELECTRONIC, ASSY, Q-LOGIC 3, Q6EDGE 4, RUN PLUG, ACCU-TRAC MOTORS	1
A1	CTL143978	POWER MODULE, Q-LOGIC 3,120 AMP	1
A2	SCRPPH1382	SCREW, PAN HEAD, TYPE H, M5X0.8 X 25, ISO 7045, CL 4.8, BZ	2
A3	PLSTIE1004	TIEDOWN STRAP, 200 LG, PLASTIC, BLACK, SPEC NO. 2106329-2-50-175-V2	2
A4	DGN1901203	OVER-MOLD RUN RECEPTACLE, 4-CIRCUIT	1
A5	ELE1611833	HARNESS, QUANTUM ENCODER/POWER TAKE OFF, Q-LOGIC 3	1
B1	HAR144005	HARNESS, BUS EXTENSION CABLE, Q-LOGIC 3, 0.410 METER, MALE/FEMALE	1



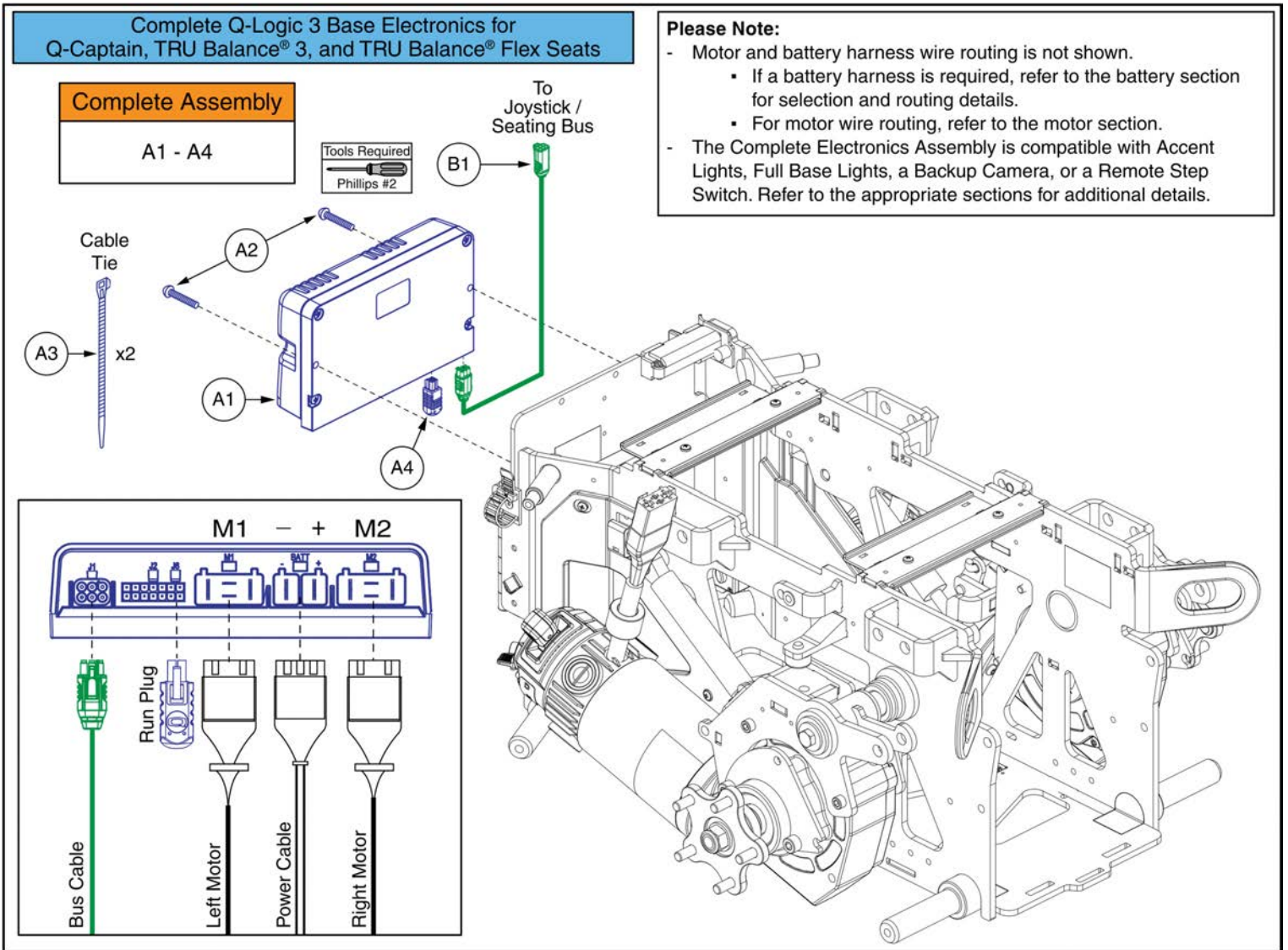
**Q-Logic 3 Power Module and PTO Harness for TRU Balance 4 and Standard Motors, Q6 Edge® 4**

<b>Item</b>	<b>Part No.</b>	<b>Name</b>	<b>Qty</b>
A1 - A5	ELE2404632	ELECTRONIC, ASSY, Q-LOGIC 3, Q6EDGE 4, RUN PLUG, TRU-BALANCE 4	1
A1	CTL143978	POWER MODULE, Q-LOGIC 3,120 AMP	1
A2	SCRPPH1382	SCREW, PAN HEAD, TYPE H, M5X0.8 X 25, ISO 7045, CL 4.8, BZ	2
A3	PLSTIE1004	TIEDOWN STRAP, 200 LG, PLASTIC, BLACK, SPEC NO. 2106329-2-50-175-V2	2
A4	DGN1901203	OVER-MOLD RUN RECEPTACLE, 4-CIRCUIT	1
A5	ELE2000942	HARNESS, QUANTUM PTO 4 CIRCUIT, TB4/Q-LOGIC 3	1
B1	HAR144005	HARNESS, BUS EXTENSION CABLE, Q-LOGIC 3, 0.410 METER, MALE/FEMALE	1



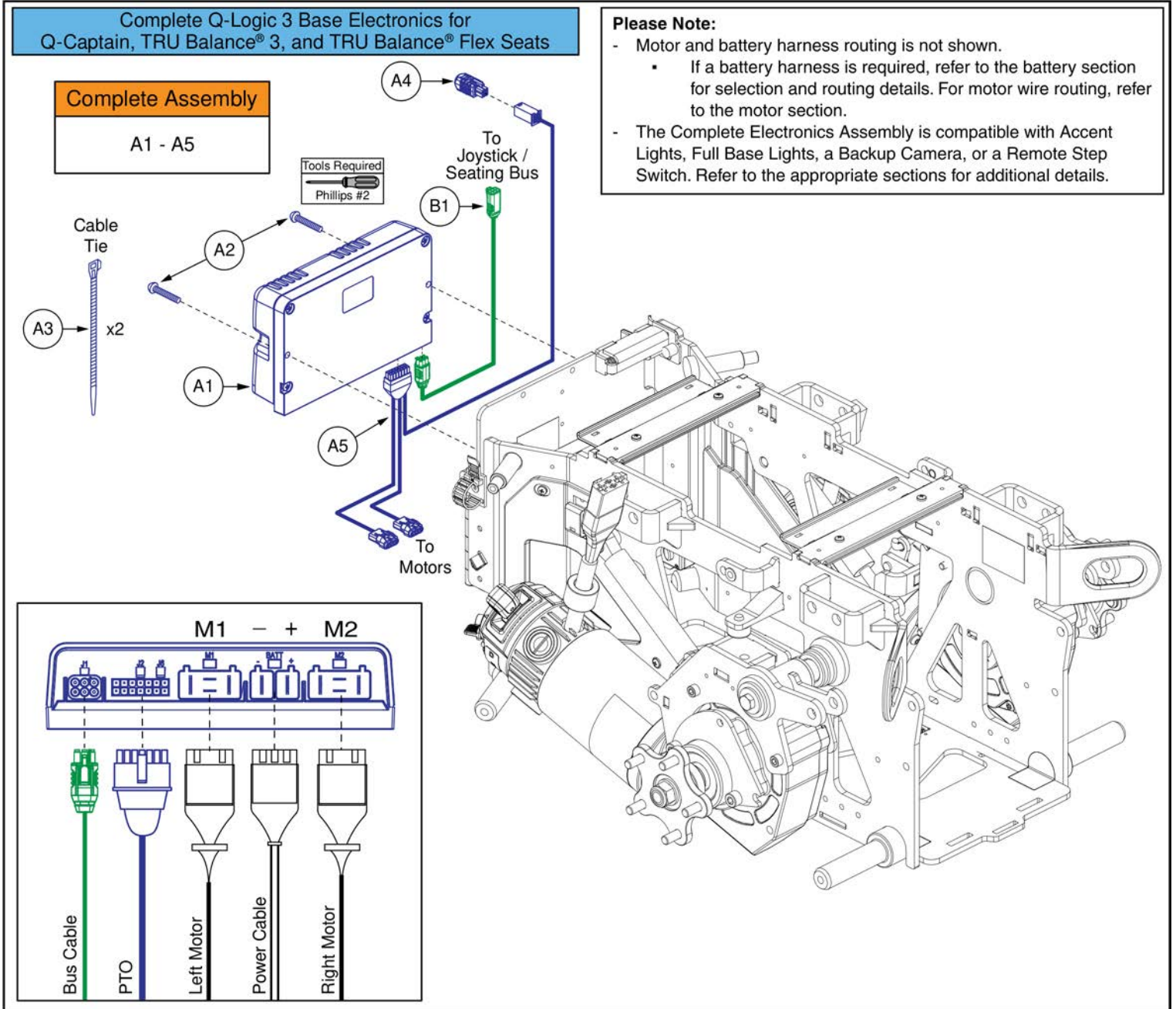
**Q-Logic 3 Power Module and PTO Harness for TRU Balance 4 and Accu-Trac Motors, Q6 Edge® 4**

<b>Item</b>	<b>Part No.</b>	<b>Name</b>	<b>Qty</b>
A1 - A5	ELE2404633	ELECTRONIC, ASSY, Q-LOGIC 3, Q6EDGE 4, RUN PLUG, ACCU-TRAC MOTORS, TRU-BALANCE 4	1
A1	CTL143978	POWER MODULE, Q-LOGIC 3,120 AMP	1
A2	SCRPPH1382	SCREW, PAN HEAD, TYPE H, M5X0.8 X 25, ISO 7045, CL 4.8, BZ	2
A3	PLSTIE1004	TIEDOWN STRAP, 200 LG, PLASTIC, BLACK, SPEC NO. 2106329-2-50-175-V2	2
A4	DGN1901203	OVER-MOLD RUN RECEPTACLE, 4-CIRCUIT	1
A5	ELE2009424	HARNESS, QUANTUM PTO 4 CIRCUIT, TB4/Q-LOGIC 3, GMR ENCODER	1
B1	HAR144005	HARNESS, BUS EXTENSION CABLE, Q-LOGIC 3, 0.410 METER, MALE/FEMALE	1



## Q-Logic 3 Power Module and Run Plug for Standard Motors, Q6 Edge® 4

Item	Part No.	Name	Qty
A1 - A4	ELE2404630	ELECTRONIC, ASSY, Q-LOGIC 3, Q6EDGE 4, RUN PLUG	1
A1	CTL143978	POWER MODULE, Q-LOGIC 3,120 AMP	1
A2	SCRPPH1382	SCREW, PAN HEAD, TYPE H, M5X0.8 X 25, ISO 7045, CL 4.8, BZ	2
A3	PLSTIE1004	TIEDOWN STRAP, 200 LG, PLASTIC, BLACK, SPEC NO. 2106329-2-50-175-V2	2
A4	DGN1901203	OVER-MOLD RUN RECEPTACLE, 4-CIRCUIT	1
B1	HAR144005	HARNESS, BUS EXTENSION CABLE, Q-LOGIC 3, 0.410 METER, MALE/FEMALE	1



## Q-Logic 3 Power Module and Run Plug for Accu-Trac Motors, Q6 Edge® 4

Item	Part No.	Name	Qty
A1 - A5	ELE2404631	ELECTRONIC, ASSY, Q-LOGIC 3, Q6EDGE 4, RUN PLUG, ACCU-TRAC MOTORS	1
A1	CTL143978	POWER MODULE, Q-LOGIC 3,120 AMP	1
A2	SCRPPH1382	SCREW, PAN HEAD, TYPE H, M5X0.8 X 25, ISO 7045, CL 4.8, BZ	2
A3	PLSTIE1004	TIEDOWN STRAP, 200 LG, PLASTIC, BLACK, SPEC NO. 2106329-2-50-175-V2	2
A4	DGN1901203	OVER-MOLD RUN RECEPTACLE, 4-CIRCUIT	1
A5	ELE1611833	HARNESS, QUANTUM ENCODER/POWER TAKE OFF, Q-LOGIC 3	1
B1	HAR144005	HARNESS, BUS EXTENSION CABLE, Q-LOGIC 3, 0.410 METER, MALE/FEMALE	1

**Please Note:**

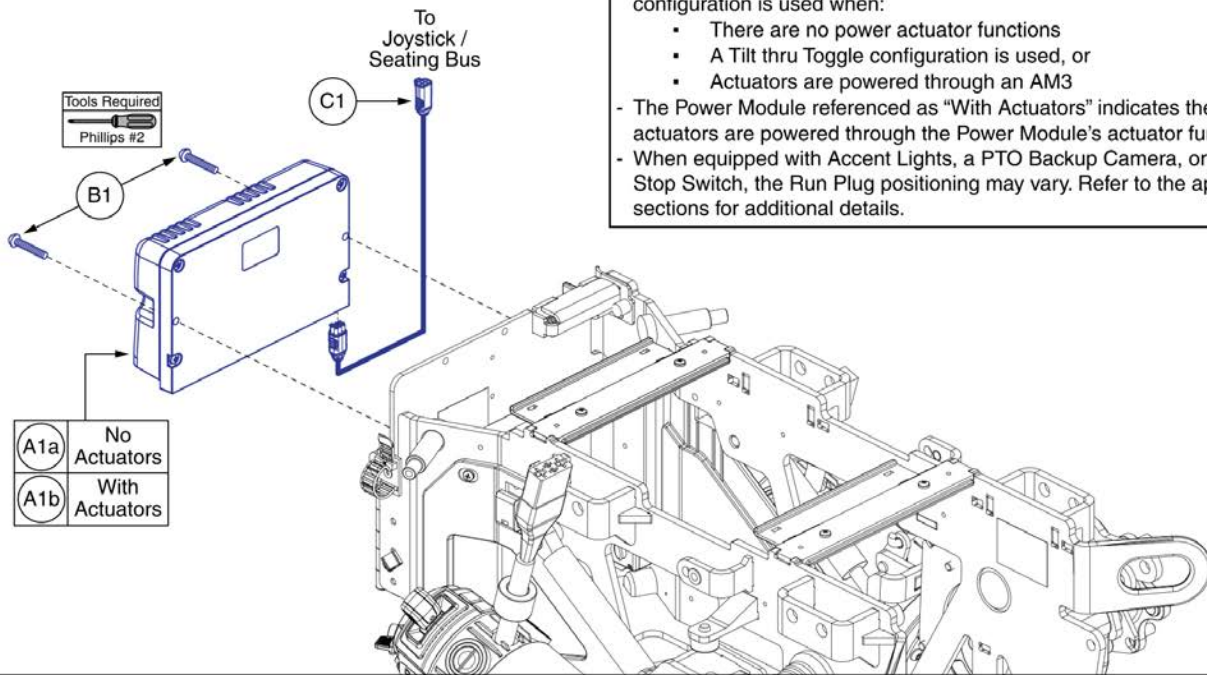
- Legrests are not included with the complete assemblies.
- When actuators are powered through the Power Module, the listed assemblies do not include the AFP or iLevel® Intermediate harnesses. These harnesses must be selected separately. Refer to the provided links for the necessary components.
- When actuators are powered through an AM3, the AM3 electronics and harnesses must also be selected separately. Part numbers vary by configuration. Refer to the Seating Electronics IPBs for proper part selection.
- The listed assemblies are compatible with Accent Lights, Full Base Lights, Backup Camera, and Remote Stop Switch. Refer to the appropriate sections for additional details.
- An AM3L is not used with Full Base Lights on TRU Balance® 3 seating systems. Instead, the lights are routed through a base mounted Light Module.

Actuators through Power Module QLNES with TRU Balance® 3 Seat, Q6 Edge® 4				Leg & iLevel® Harnesses	
Seat Config.	Legrest Config.	Part Number	Ref #	Web Links	
Lift	Manual	ELE2404645	(B1)	WL1	iLevel® Harness (Lift w/ Manual Legs)
	Combined Legs or AFP	ELE2404646	(C1)	WL2	iLevel® and AFP Harnesses
				WL3	Combined Leg Harness
				For use when the actuators are powered through the power module.	
Actuators through AM3 QLNES with TRU Balance® 3 Seat, Q6 Edge® 4				AM3 / AM3L Electronics	
Seat Config.	Legrest Config.	Part Number	Ref #	Web Links	
Tilt	Manual, Power Ind., Power Comb., or AFP	ELE2404644	(A1)	WL4	Tilt / Recline Electronics IPB
Lift	Power Independent	ELE2404644	(A1)	WL5	Lift Electronics IPB
Tilt and Recline Lift and Tilt Lift and Recline	Manual, Power Com- bined, or AFP	ELE2404644	(A1)	For use when the actuators are powered through an AM3.	
Tilt thru Toggle QLNES with TRU Balance® 3 Seat, Q6 Edge® 4				Tilt thru Toggle Seat Electronic	
Seat Config.	Legrest Config.	Part Number	Ref #	Web Links	
Tilt thru Toggle	Manual	ELE2404666	(D1)	WL6	Tilt thru Toggle Seat Parts

**Complete QLNES Electronics, TRU Balance® 3 Seat, Q6 Edge® 4**

<b>Item</b>	<b>Part No.</b>	<b>Name</b>	<b>Qty</b>
A1	ELE2404644	ELECTRONIC, ASSY, QLNES, Q6EDGE 4, 90 AMP, RUN PLUG	1
B1	ELE2404645	ELECTRONIC, ASSY, QLNES, Q6EDGE 4, 90 AMP, SINGLE EXTENSION, RUN PLUG	1
C1	ELE2404646	ELECTRONIC, ASSY, QLNES, Q6EDGE 4, 90 AMP, DUAL EXTENSION, RUN PLUG	1
D1	ELE2404666	ELECTRONIC, ASSY, QLNES, Q6EDGE 4, 90 AMP, PTO TILT THRU TOGGLE	1
WL1		WEB LINK,IPB,ILEVEL INTERMEDIATE HARNESS,QLNES (This is not an orderable part, see IPB)	0
WL2		WEB LINK,IPB,AFP AND ILEVEL HARNESES,QLNES (This is not an orderable part, see IPB)	0
WL3		WEB LINK,IPB,COMBINED LEG HARNESES,QLNES (This is not an orderable part, see IPB)	0
WL4		WEB LINK,IPB,TRU BALANCE 3 ELECTRONICS IPB (This is not an orderable part, see IPB)	0
WL5		WEB LINK,IPB,TRU BALANCE 3 REAC IPB (This is not an orderable part, see IPB)	0
WL6		WEB LINK,IPB,TRU BALANCE 3 TILT THRU TOGGLE SEAT COMPONENTS (This is not an orderable part, see IPB)	0

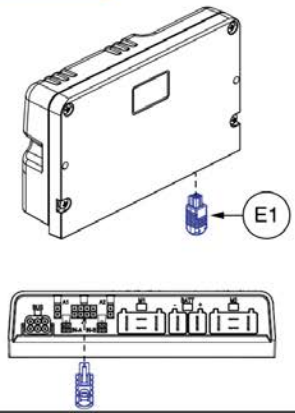
QLNES Serviceable Components for Q6 Edge® 4 with TRU Balance® 3 Seating



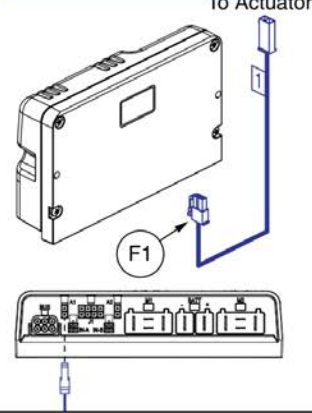
**Please Note**

- The Power Module referenced as "No Actuators" indicates no actuators are powered through the Power Module's actuator function. This configuration is used when:
  - There are no power actuator functions
  - A Tilt thru Toggle configuration is used, or
  - Actuators are powered through an AM3
- The Power Module referenced as "With Actuators" indicates the actuators are powered through the Power Module's actuator function.
- When equipped with Accent Lights, a PTO Backup Camera, or a Remote Stop Switch, the Run Plug positioning may vary. Refer to the appropriate sections for additional details.

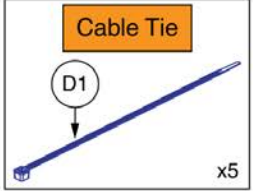
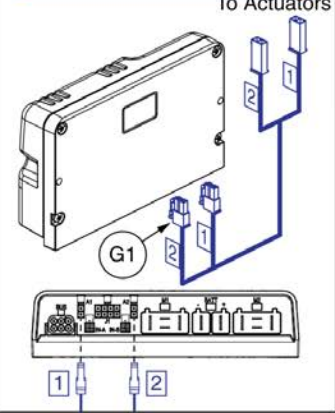
**Run Plug**



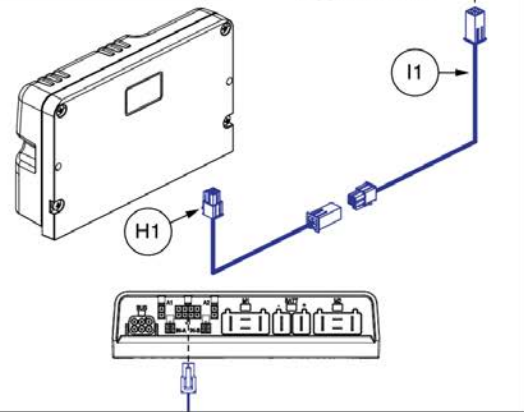
**Single Actuator Extension**



**Dual Actuator Extension**



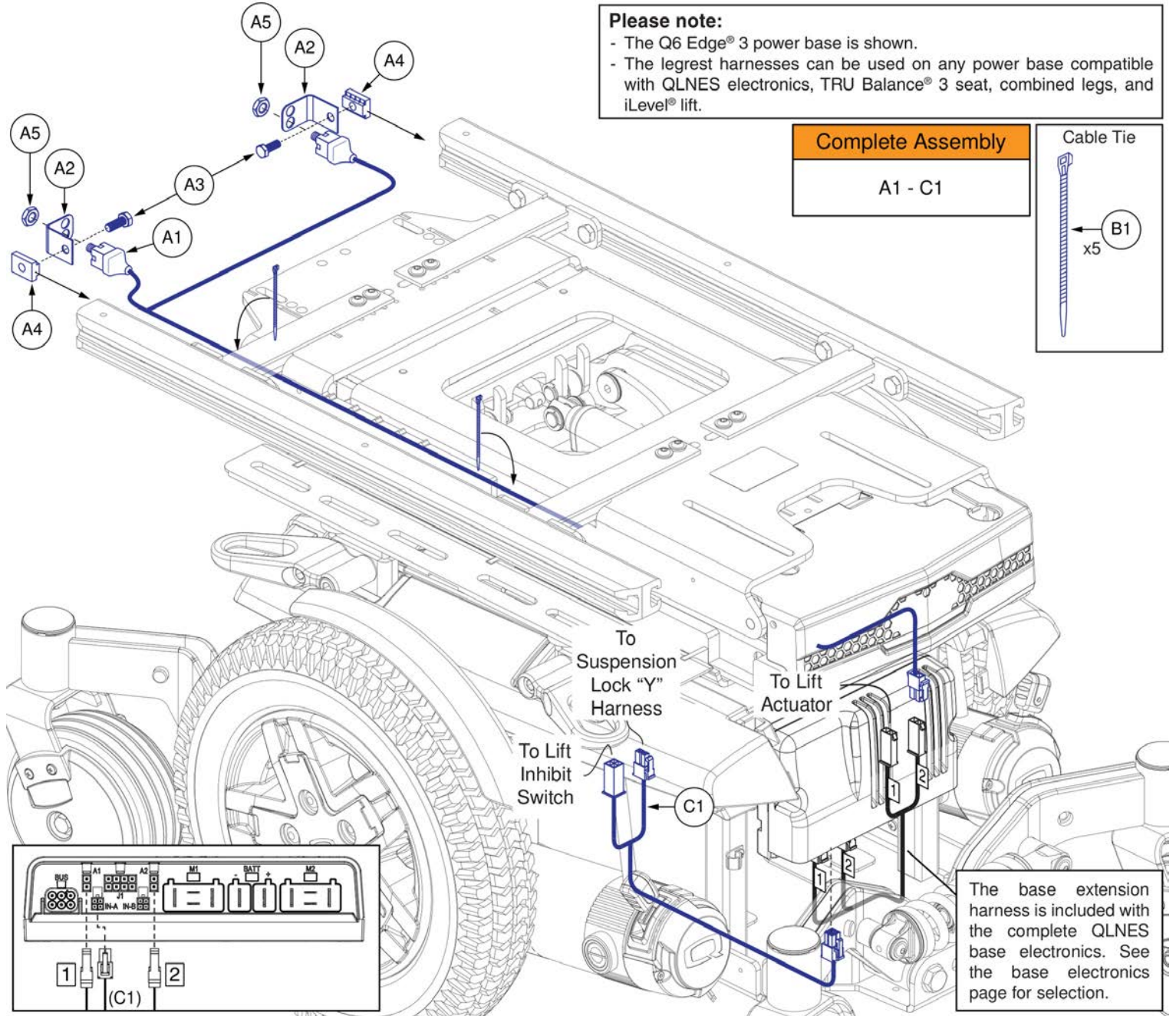
**PTO Harnesses**



	A1a	A1b	B1	C1	D1	E1	F1	G1	H1	I1
ELE2404644	1	0	2	1	5	1	0	0	0	0
ELE2404645	0	1	2	1	5	1	1	0	0	0
ELE2404646	1	1	2	1	5	1	0	1	0	0
ELE2404666	0	0	2	1	5	0	0	0	1	1

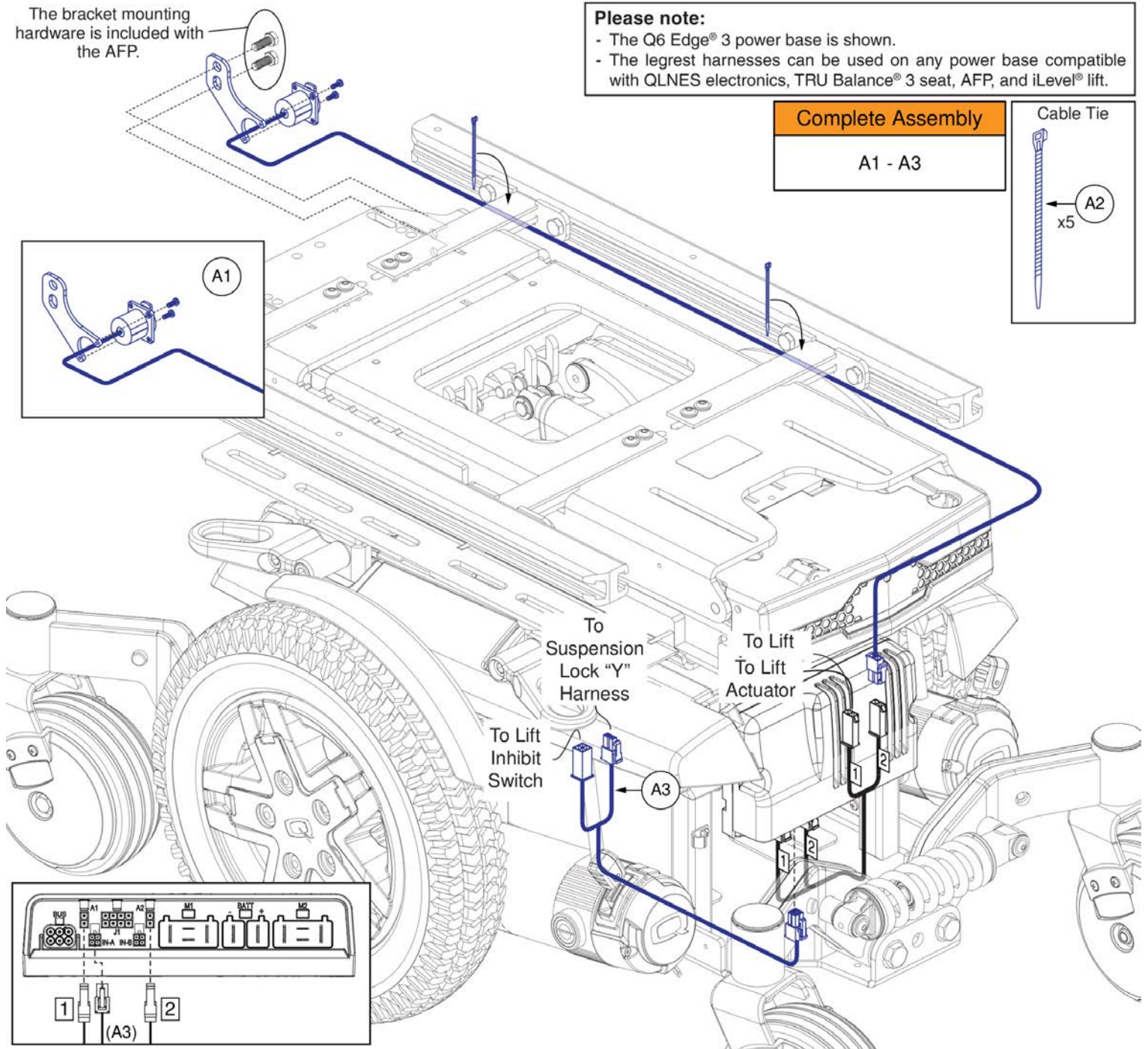
**Serviceable QLNES Parts, TRU Balance® 3 Seat, Q6 Edge® 4**

<b>Item</b>	<b>Part No.</b>	<b>Name</b>	<b>Qty</b>
A1a	CTL1810672	POWER MODULE, Q-LOGIC NON EXPANDABLE SERIES, 90 AMPS	1
A1b	CTL1810673	POWER MODULE, Q-LOGIC NON EXPANDABLE SERIES, 90 AMPS WITH ACTUATORS	1
B1	SCRPPH1382	SCREW, PAN HEAD, TYPE H, M5X0.8 X 25, ISO 7045, CL 4.8, BZ	2
C1	HAR144005	HARNESS, BUS EXTENSION CABLE, Q-LOGIC 3, 0.410 METER, MALE/FEMALE	1
D1	PLSTIE1004	TIEDOWN STRAP, 200 LG, PLASTIC, BLACK, SPEC NO. 2106329-2-50-175-V2	5
E1	DGN1901203	OVER-MOLD RUN RECEPTACLE, 4-CIRCUIT	1
F1	ELE2201255	HARNESS, Q-LOGIC SERIES, BASE EXTENSION, SINGLE ACTUATOR, 500MM	1
G1	ELE2201256	HARNESS, Q-LOGIC SERIES, BASE EXTENSION, DUAL ACTUATOR, 500MM	1
H1	ELE2302311	HARNESS, PTO, EXTENSION, 4 CIRCUIT MINIFIT, 500	1
I1	ELE1902612	HARNESS, PTO, EXTENSION, 4 CIRCUIT MINIFIT, 1000	1



**Combined Legrest Harness with iLevel®, QLNES on TRU Balance® 3**

<b>Item</b>	<b>Part No.</b>	<b>Name</b>	<b>Qty</b>
A1 - C1	ELE2203187	ELECTRONIC,ASSY,QLNES,TRU-BALANCE 3 SEAT,POWER ADJUSTABLE LIFT,COMBINED LEGS	1
A1 - A5	ELE166182	ELECTRONIC,ASSY,COMBINED LEGS W/MOUNTING BRACKET & HARDWARE,TB3	1
A1	DWR1265H005	ELECTRONIC,HARNESS,COMBINED ELR,CURTIS,TRU-BALANCE TILT 2,H-1265-005	1
A2	DWR1303B026	ELECTRICAL CONNECTION BRACKET,ARTICULATING LEGREST,B-1303-026	2
A3	SCRHHCS1382	SCREW, HEX HEAD, M8X1.25 X 12, ISO 4014, CL 10.9, BZ	2
A4	NUT8120005	NUT,T-SLOT,BLACK,M8-1.25	2
A5	NUTJAM1032	NUT,JAM,THIN,STAINLESS STEEL,3/8-32	2
B1	PLSTIE1004	TIEDOWN STRAP, 200 LG, PLASTIC, BLACK, SPEC NO. 2106329-2-50-175-V2	5
C1	ELE2203079	HARNESS,ILEVEL SEAT INTERMEDIATE HARNESS CURTIS, BASE MOUNTED PB W/ACTUATORS	1

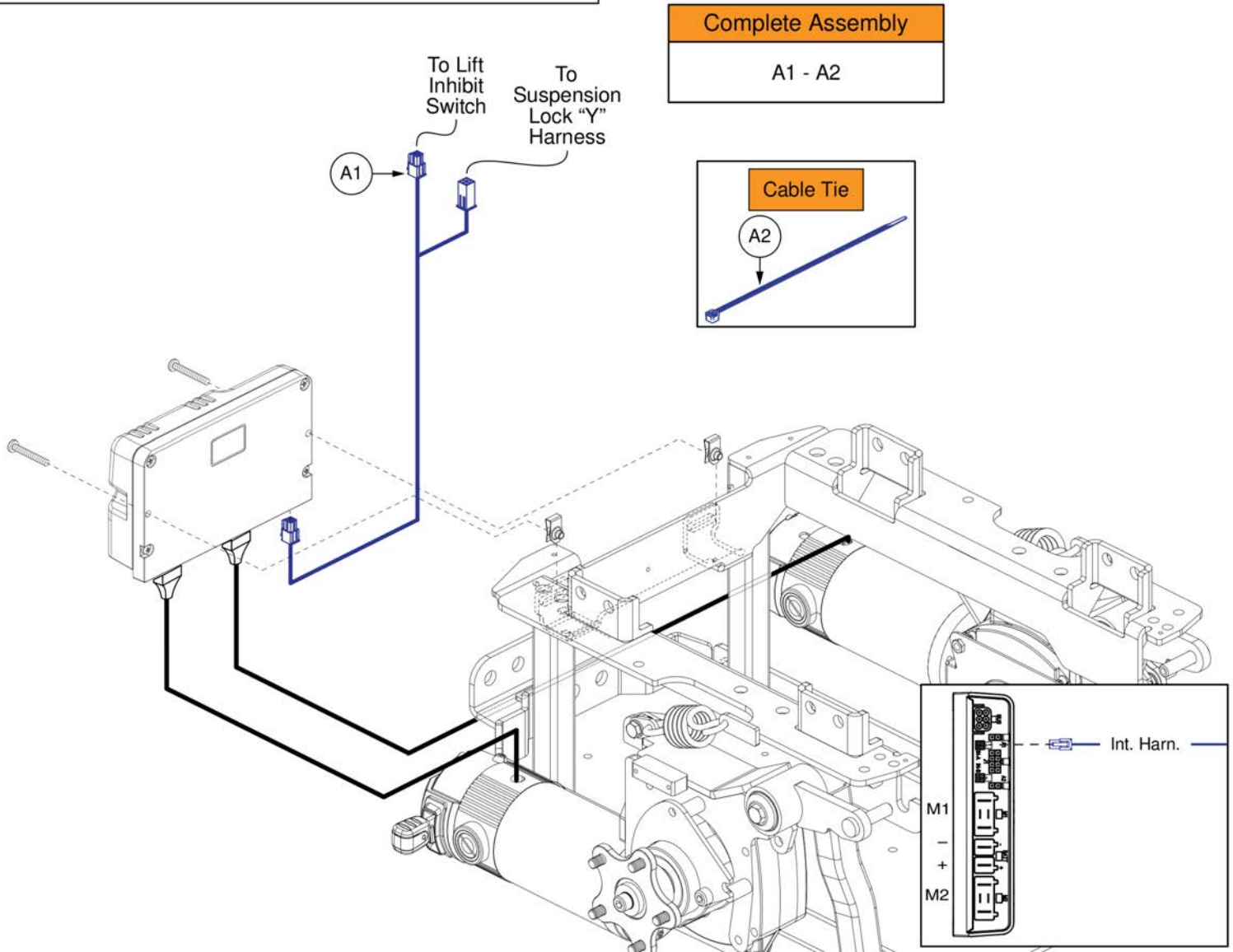


**AFP Harness with iLevel®, QLNES on TRU Balance® 3**

<b>Item</b>	<b>Part No.</b>	<b>Name</b>	<b>Qty</b>
A1 - A3	ELE2203188	ELECTRONIC,ASSY,QLNES,TRU-BALANCE 3 SEAT,POWER ADJUSTABLE LIFT,POWER ARTICULATING FOOT PLATFORM	1
A1	ELE2203456	ELECTRONIC,ASSY,AFP FOR LIFT W/MOUNTING BRACKET & HARDWARE,TB3	1
A2	PLSTIE1004	TIEDOWN STRAP, 200 LG, PLASTIC, BLACK, SPEC NO. 2106329-2-50-175-V2	5
A3	ELE2203079	HARNESS,ILEVEL SEAT INTERMEDIATE HARNESS CURTIS, BASE MOUNTED PB W/ACTUATORS	1

**Please note:**

- The Q6 Edge® 3 power base is shown.
- The intermediate harness can be used on any unit equipped with QLNES electronics and iLevel® lift.

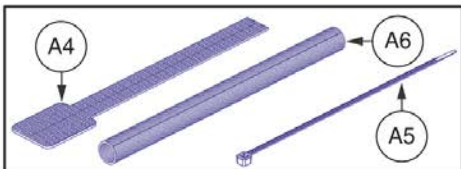
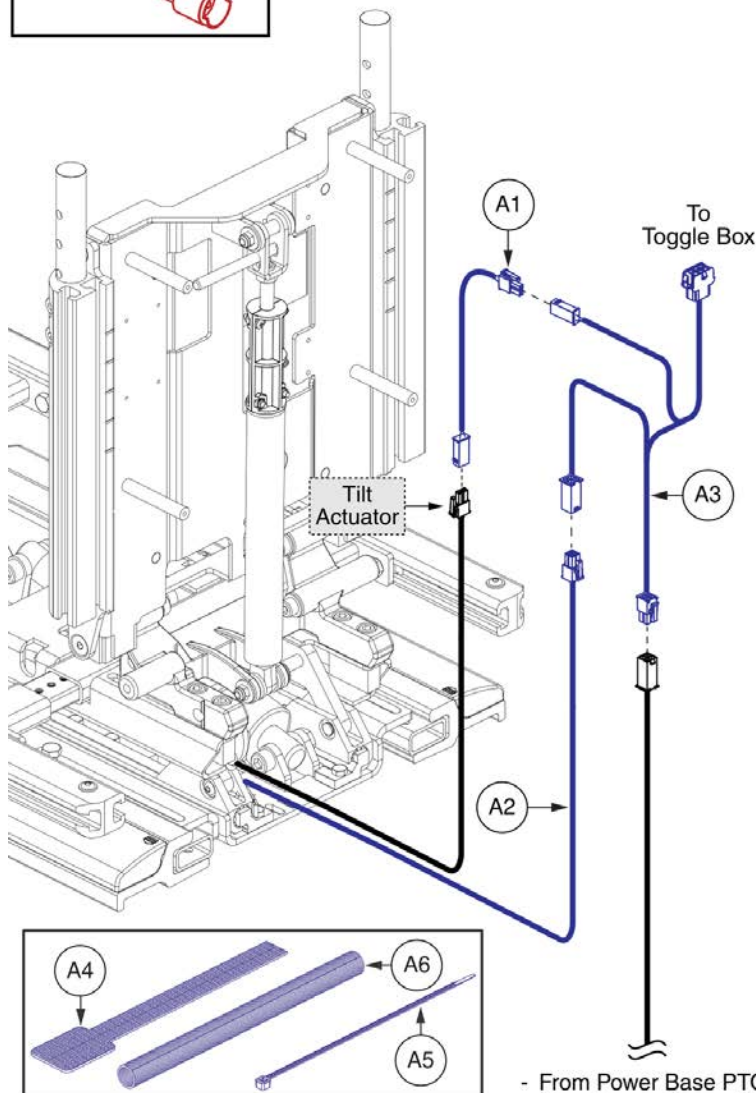


**iLevel® Intermediate Harness, QLNES Electronics on TRU Balance® 3**

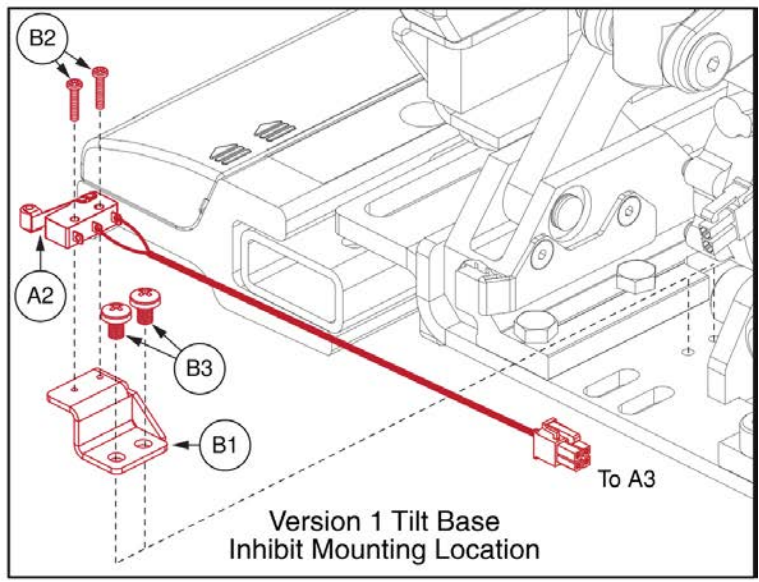
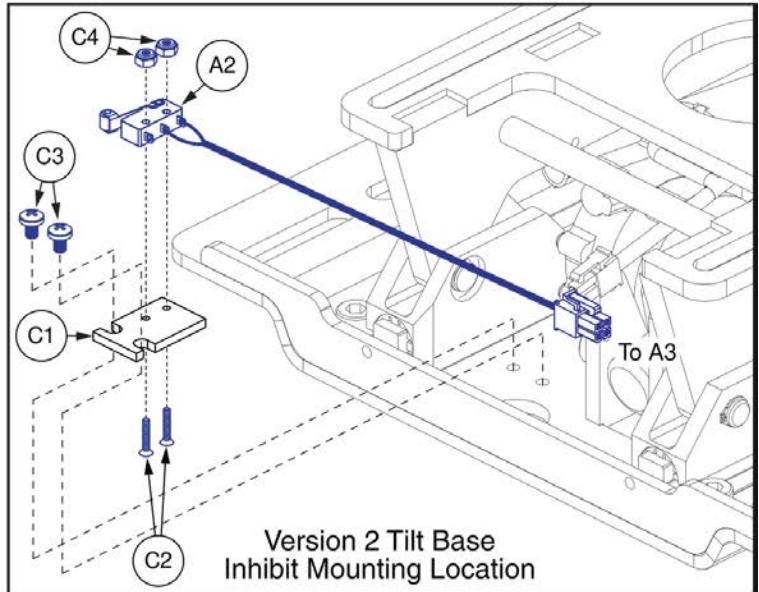
<b>Item</b>	<b>Part No.</b>	<b>Name</b>	<b>Qty</b>
A1 - A2	ELE2203185	ELECTRONIC,ASSY,QLNES,TRU-BALANCE 3 SEAT,POWER ADJUSTABLE LIFT	1
A1	ELE145770	HARNESS,ILEVEL SEAT INTERMEDIATE HARNESS CURTIS	1
A2	PLSTIE1004	TIEDOWN STRAP, 200 LG, PLASTIC, BLACK, SPEC NO. 2106329-2-50-175-V2	5

**Please Note:**

- Due to a product enhancement, the Tilt thru Toggle Harness (A3), Tilt Inhibit Switch (A2), and the Power Base PTO harnesses have changed from a SureSeal connector to a 4 pin connector.
- When replacing a SureSeal Toggle Harness, Inhibit Switch, or Power Base PTO harness with the 4 pin configuration, all components must be replaced together. A 4 pin harness cannot plug into a SureSeal Harness.
- The PTO harness from the Power Base can vary depending on the base and electronic configuration. See the Power Base IPB for selection.



- From Power Base PTO  
- See Power Base IPB  
for selection.



## Tilt thru Toggle Harness and Switches, TRU Balance® 3

Item	Part No.	Name	Qty
A1 - A6	ELE1905907	ELECTRONIC,ASSY,NE,HIGH POWER TOGGLE,TRU-BALANCE 3	1
A1	DWR1265H028	ELECTRONIC,HARNESS,TAPE SWITCH RELAY BY-PASS,TRU-BALANCE 2 POWER TILT,H-1265-028	1
A2	ELE2206440	HARNESS, MICRO SWITCH INHIBIT	1
A3	ELE2206441	HARNESS, SINGLE HIGH CURRENT TOGGLE	1
A4	VELDBLS1001	RESUABLE FASTENER, 1/2"w X 8"L, HOOK & LOOP	1
A5	PLSTIE1004	TIEDOWN STRAP, 200 LG, PLASTIC, BLACK, SPEC NO. 2106329-2-50-175-V2	5
A6	ELE146865	ELECTRONIC,SELF WRAPPING,5/8"D,10"L,SPLIT TUBULAR WOVEN SLEEVE,TECHFLEX(F6W0.63BK10)	1
B1 - B3	MEC125462	MOUNTING BRACKET,ASSY,INHIBIT MICROSWITCH,TB3	1
B1	MEC125246	SUPPORT PLATE,INHIBIT MICROSWITCH,TRU-BALANCE 3	1
B2	SCRPPH1454	SCREW, PAN HEAD, CROSS RECESSED, TYPE H, M2X0.4 X 10, ISO 7045, A2-50	2
B3	SCRPPH1304	SCREW, PAN HEAD, TYPE H, M4X0.7 X 6, ISO 7045 CL 4.8, BZ	2
C1 - C4	MEC160436	MOUNTING BRACKET, ASSY, INHIBIT MICROSWITCH, TB3.5	1
C1	MEC152404	TILT,INHIBIT SWITCH PLATE,TRU-BALANCE 3.5	1
C2	SCRPFH1076	SCREW, FLAT HEAD, TYPE I CROSS RECESSED, 2 (.086)-56 X .500, ASME B18.6.3, SST	2
C3	SCRPPH1036	SCREW, PAN HEAD, TYPE H, M4X0.7 X 8, FT, ISO 7045, CL 4.8, BZ	2
C4	NUTNYLK1106	NUT, LOCK, PVTP, 2(.086)-56, ASME B18.16.6, STL, BLK	2
D1	DWR1265H057	ELECTRONIC,HARNESS,PTO ONLY,NE,H-1265-057	1

**Please Note:**

- Legrests are not included with the complete assemblies.
- The listed assemblies do not include the Manual Recline Inhibit or Legrest Harnesses. They must be selected separately. Refer to the provided links for the necessary components.
- The listed assemblies are compatible with Accent Lights, Full Base Lights, PTO Backup Camera, and Remote Stop Switch. Refer to the appropriate sections for additional details.

Actuators through Power Module QLNES with TRU Balance® Flex Seat, Q6 Edge® 4					Inhibit and AFP Harnesses	
Seat Config.	Man. Rec.	Legrest Config.	Part Number	Ref #	Web Links	
Static	No	Manual	ELE2404644	(A1)	WL1	AFP Harness
		AFP or Power Comb.	ELE2404645	(B1)	WL2	Combined Leg Harness
		Power Independent	ELE2404646	(C1)	WL3	Independent Leg Harness
	Yes	Manual	ELE2404657	(D1)	WL4	Manual Recline Inhibit
		AFP or Power Comb.	ELE2404658	(E1)	For use when the actuators are powered through the power module.	
		Power Independent	ELE2404659	(F1)		

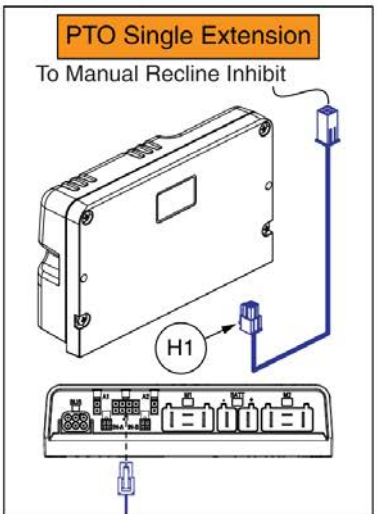
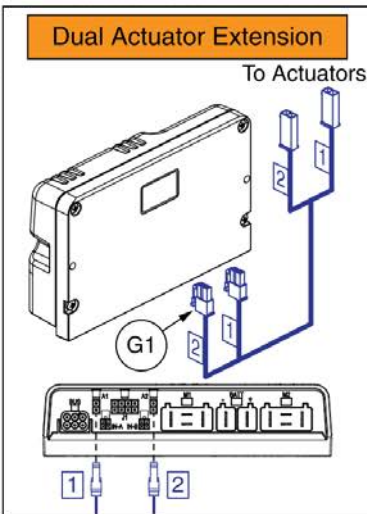
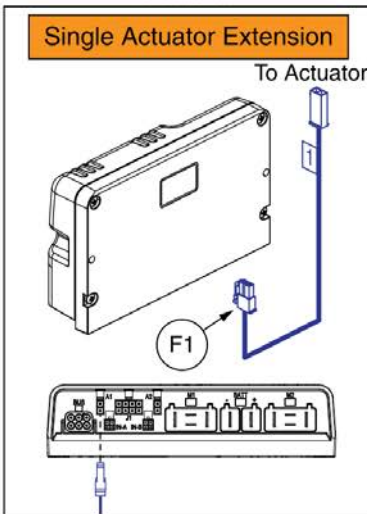
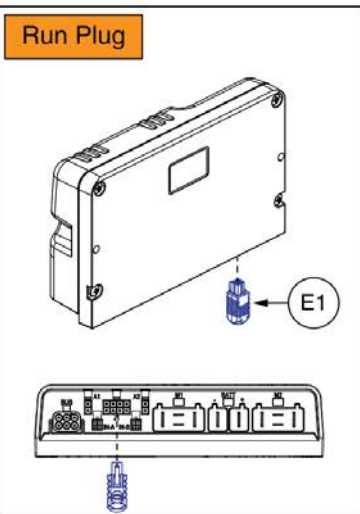
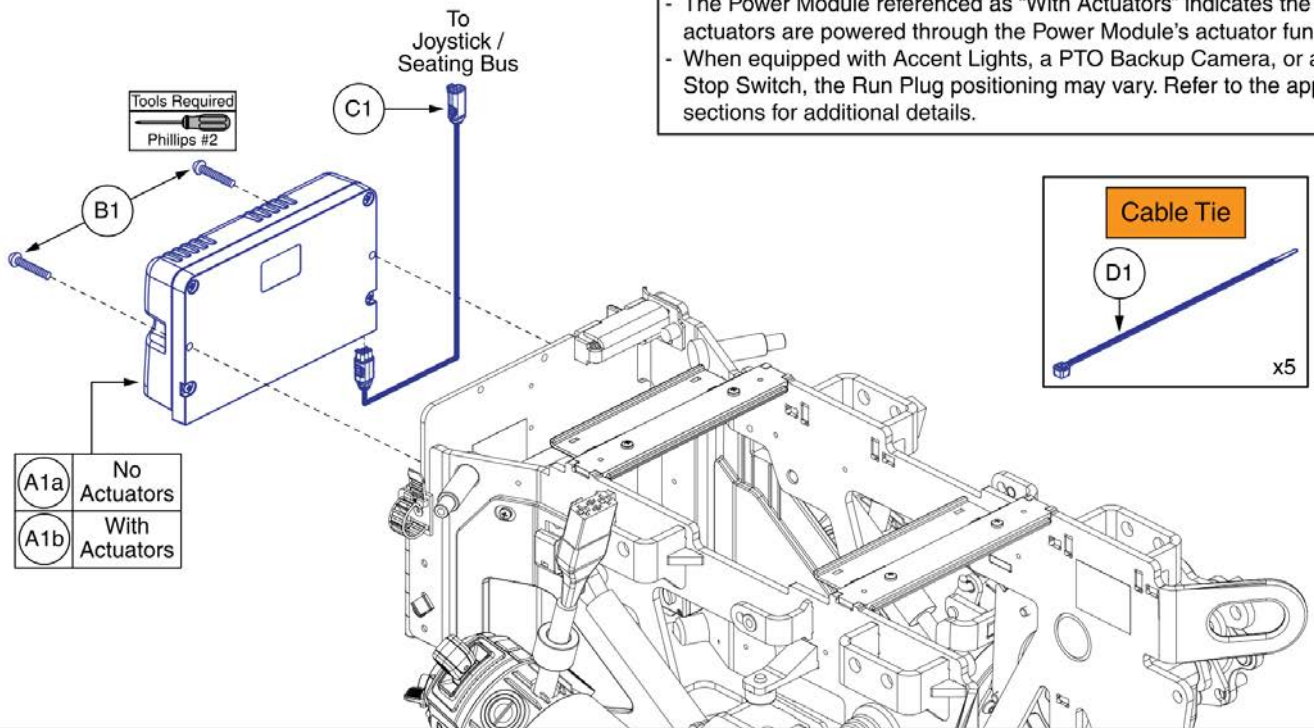
**Complete QLNES Electronics, TRU Balance® Flex Seat thru Power Module, Q6 Edge® 4**

<b>Item</b>	<b>Part No.</b>	<b>Name</b>	<b>Qty</b>
A1	ELE2404644	ELECTRONIC, ASSY, QLNES, Q6EDGE 4, 90 AMP, RUN PLUG	1
B1	ELE2404645	ELECTRONIC, ASSY, QLNES, Q6EDGE 4, 90 AMP, SINGLE EXTENSION, RUN PLUG	1
C1	ELE2404646	ELECTRONIC, ASSY, QLNES, Q6EDGE 4, 90 AMP, DUAL EXTENSION, RUN PLUG	1
D1	ELE2404657	ELECTRONIC, ASSY, QLNES, Q6EDGE 4, 90 AMP, PTO	1
E1	ELE2404658	ELECTRONIC, ASSY, QLNES, Q6EDGE 4, 90 AMP, SINGLE EXTENSION, PTO	1
F1	ELE2404659	ELECTRONIC, ASSY, QLNES, Q6EDGE 4, 90 AMP, DUAL EXTENSION, PTO	1
WL1		WEB LINK,IPB,AFP HARNESSSES,QLNES (This is not an orderable part, see IPB)	0
WL2		WEB LINK,IPB,COMBINED LEG HARNESSSES,QLNES (This is not an orderable part, see IPB)	0
WL3		WEB LINK,IPB,INDEPENDENT LEG HARNESSSES,QLNES (This is not an orderable part, see IPB)	0
WL4		WEB LINK,IPB,TILT INHIBIT ASSEMBLY,QLNES (This is not an orderable part, see IPB)	0

QLNES Serviceable Components for Q6 Edge® 4 with TRU Balance® Flex Seating

Please Note

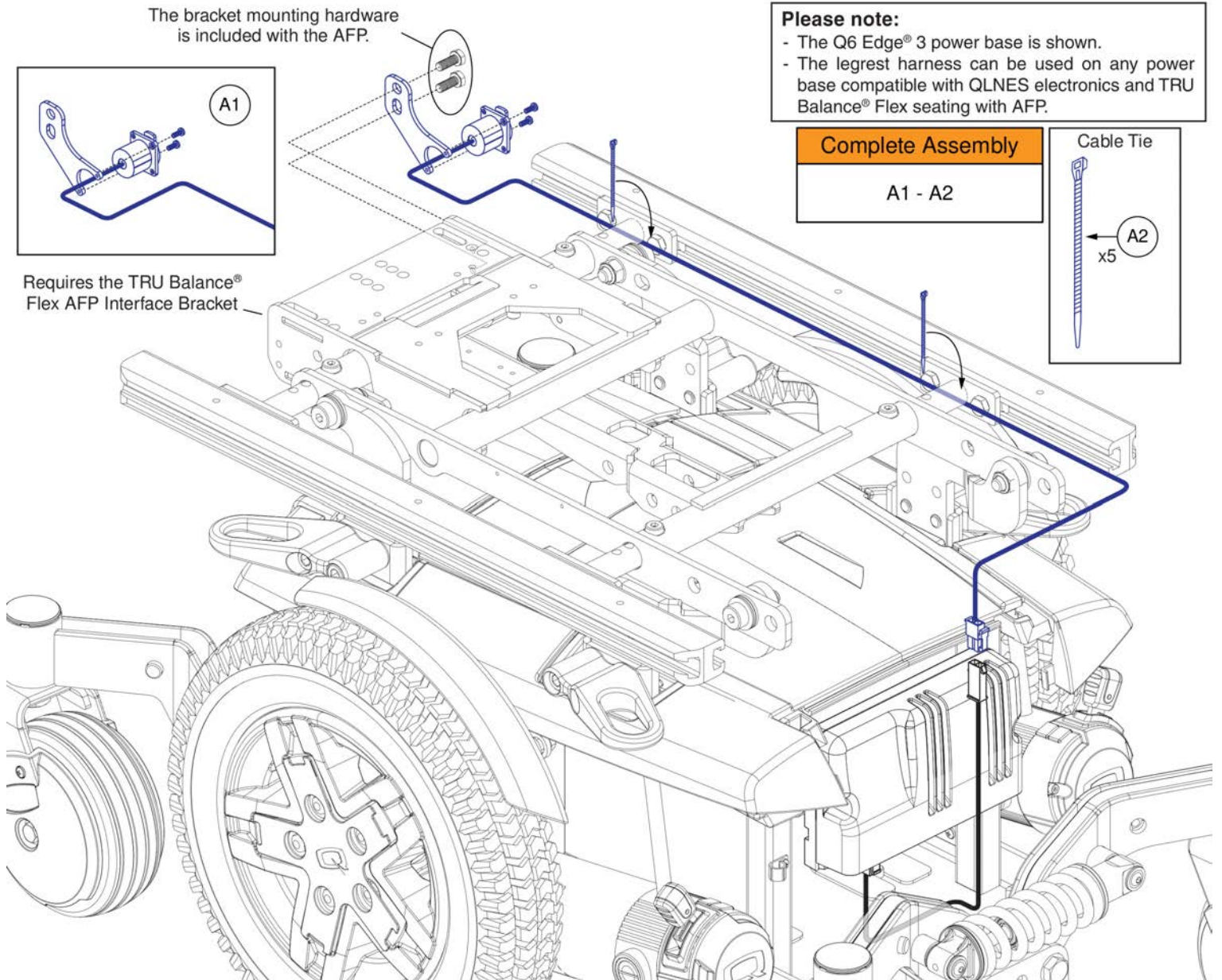
- The Power Module referenced as "No Actuators" indicates no actuators are powered through the Power Module's actuator function.
- The Power Module referenced as "With Actuators" indicates the actuators are powered through the Power Module's actuator function.
- When equipped with Accent Lights, a PTO Backup Camera, or a Remote Stop Switch, the Run Plug positioning may vary. Refer to the appropriate sections for additional details.



	A1a	A1b	B1	C1	D1	E1	F1	G1	H1
ELE2404644	1	0	2	1	5	1	0	0	0
ELE2404645	0	1	2	1	5	1	1	0	0
ELE2404646	1	1	2	1	5	1	0	1	0
ELE2404657	1	0	2	1	5	0	0	0	1
ELE2404658	0	1	2	1	5	0	1	0	1
ELE2404659	0	1	2	1	5	0	0	1	1

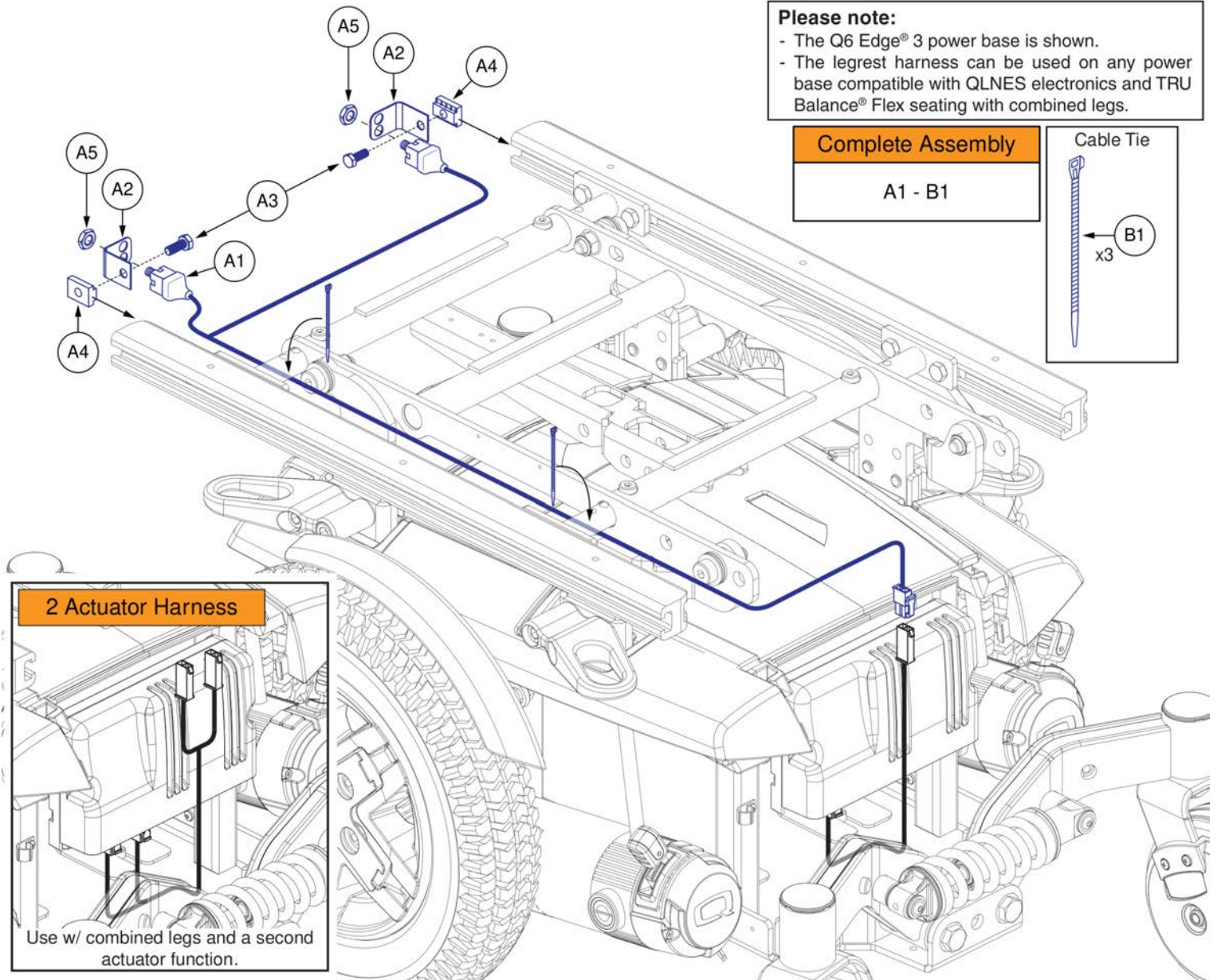
**Serviceable QLNES Parts, TRU Balance® Flex Seat thru Power Module, Q6 Edge® 4**

<b>Item</b>	<b>Part No.</b>	<b>Name</b>	<b>Qty</b>
A1a	CTL1810672	POWER MODULE, Q-LOGIC NON EXPANDABLE SERIES, 90 AMPS	1
A1b	CTL1810673	POWER MODULE, Q-LOGIC NON EXPANDABLE SERIES, 90 AMPS WITH ACTUATORS	1
B1	SCRPPH1382	SCREW, PAN HEAD, TYPE H, M5X0.8 X 25, ISO 7045, CL 4.8, BZ	2
C1	HAR144005	HARNESS, BUS EXTENSION CABLE, Q-LOGIC 3, 0.410 METER, MALE/FEMALE	1
D1	PLSTIE1004	TIEDOWN STRAP, 200 LG, PLASTIC, BLACK, SPEC NO. 2106329-2-50-175-V2	5
E1	DGN1901203	OVER-MOLD RUN RECEPTACLE, 4-CIRCUIT	1
F1	ELE2201255	HARNESS, Q-LOGIC SERIES, BASE EXTENSION, SINGLE ACTUATOR, 500MM	1
G1	ELE2201256	HARNESS, Q-LOGIC SERIES, BASE EXTENSION, DUAL ACTUATOR, 500MM	1
H1	ELE2302311	HARNESS, PTO, EXTENSION, 4 CIRCUIT MINIFIT, 500	1



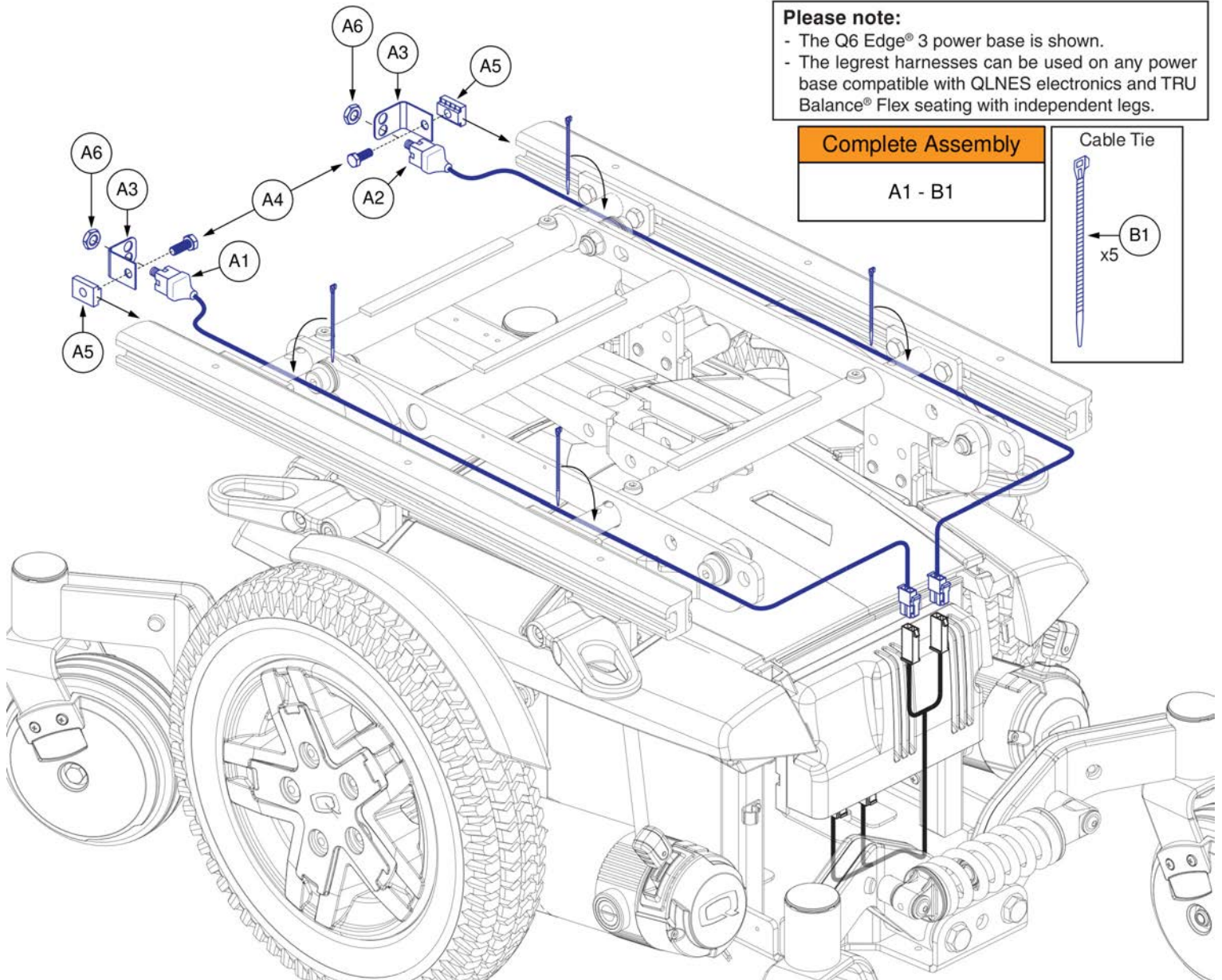
## AFP Harness, QLNES on TRU Balance® Flex

Item	Part No.	Name	Qty
A1 - A2	ELE2304640	ELECTRONIC, ASSY, QLNES, TRU-BALANCE FLEX, ARTICULATING FOOT PLATFORM	1
A1	ELE2203456	ELECTRONIC,ASSY,AFP FOR LIFT W/MOUNTING BRACKET & HARDWARE,TB3	1
A2	PLSTIE1004	TIEDOWN STRAP, 200 LG, PLASTIC, BLACK, SPEC NO. 2106329-2-50-175-V2	5



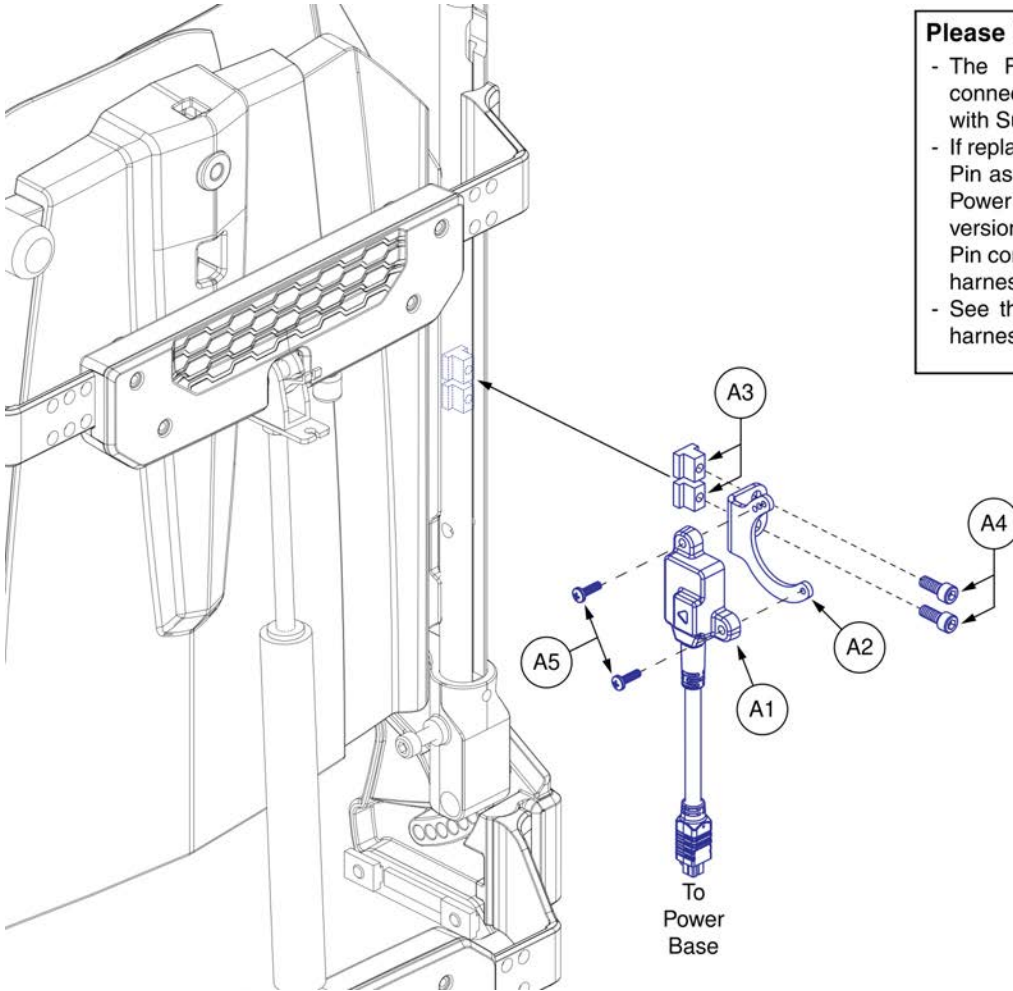
## Combined Legrest Harness and Hardware, QLNES on TRU Balance® Flex

Item	Part No.	Name	Qty
A1 - B1	ELE2203115	ELECTRONIC,ASSY,QLNES,TRU-BALANCE FLEX,COMBINED LEGS	1
A1 - A5	ELE166182	ELECTRONIC,ASSY,COMBINED LEGS W/MOUNTING BRACKET & HARDWARE,TB3	1
A1	DWR1265H005	ELECTRONIC,HARNESS,COMBINED ELR,CURTIS,TRU-BALANCE TILT 2,H-1265-005	1
A2	DWR1303B026	ELECTRICAL CONNECTION BRACKET,ARTICULATING LEGREST,B-1303-026	2
A3	SCRHHCS1382	SCREW, HEX HEAD, M8X1.25 X 12, ISO 4014, CL 10.9, BZ	2
A4	NUT8120005	NUT,T-SLOT,BLACK,M8-1.25	2
A5	NUTJAM1032	NUT,JAM,THIN,STAINLESS STEEL,3/8-32	2
B1	PLSTIE1004	TIEDOWN STRAP, 200 LG, PLASTIC, BLACK, SPEC NO. 2106329-2-50-175-V2	5



## Independent Legrest Harnesses and Hardware, QLNES on TRU Balance® Flex

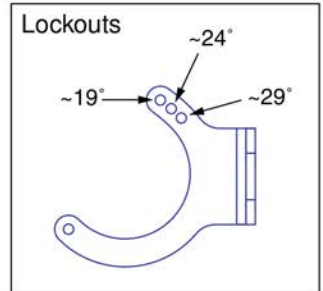
Item	Part No.	Name	Qty
A1 - B1	ELE2203114	ELECTRONIC,ASSY,QLNES,TRU-BALANCE FLEX,INDEPENDENT LEGS	1
A1 - A6	ELE166181	ELECTRONIC,ASSY,INDEPENDENT LEGS W/MOUNTING BRACKET & HARDWARE,TB3	1
A1	DWR1265H006	ELECTRONIC,HARNESS,INDEPENDENT ELR,CURTIS,TRU-BALANCE TILT 2,LEFT,H-1265-006	1
A2	DWR1265H007	ELECTRONIC,HARNESS,INDEPENDENT ELR,CURTIS,TRU-BALANCE TILT 2,RIGHT,H-1265-007	1
A3	DWR1303B026	ELECTRICAL CONNECTION BRACKET,ARTICULATING LEGREST,B-1303-026	2
A4	SCRHHCS1382	SCREW, HEX HEAD, M8X1.25 X 12, ISO 4014, CL 10.9, BZ	2
A5	NUT8120005	NUT,T-SLOT,BLACK,M8-1.25	2
A6	NUTJAM1032	NUT,JAM,THIN,STAINLESS STEEL,3/8-32	2
B1	PLSTIE1004	TIEDOWN STRAP, 200 LG, PLASTIC, BLACK, SPEC NO. 2106329-2-50-175-V2	5



**Please Note:**

- The Roller Ball Inhibit assembly with 4 Pin connector replaces all previous inhibit assembly with SureSeal connector.
- If replacing a SureSeal inhibit assembly with the 4 Pin assembly, the PTO harness coming from the Power Base must be replaced with the 4 Pin version. The Roller Ball Inhibit assembly with 4 Pin connector cannot connect to a SureSeal PTO harness.
- See the Power Base IPB for Power Base PTO harness selection.

SureSeal Connector



## Back Mounted Inhibit Assembly, TRU Balance® Flex Seating

Item	Part No.	Name	Qty
A1 - A5	ELE2304249	ELECTRONIC, ASSY, INHIBIT SWITCH, TBFLEX	1
A1	DGN2204598	ROLLER BALL, OVERMOLD ASSEMBLY	1
A2	MEC2205555	ROLLER BALL BRACKET	1
A3	SCRSHCS1153	SCREW, SOCKET HEAD, M6X1.0 X 16, ISO 4762, CL 12.9, BZ	2
A4	HDW146453	T-NUT, BLACK, M6-1.0 X 14.3MM, 12.7MM TH	2
A5	HDW125156	SCREW, PAN HEAD, TYPE H, M4X0.7 X 14, FT, ISO 7045 CL 4.8, BZ	2

**Please Note:**

- Legrests are not included with the complete assemblies.
- The listed assemblies include the AFP and / or iLevel® Intermediate Harnesses. For additional details, refer to the Serviceable Parts page.
- The listed assemblies are compatible with Accent Lights, Full Base Lights, PTO Backup Camera, and Remote Stop Switch. Refer to the appropriate sections for additional details.

Actuators through Power Module QLNES with Q-Captain Seat, Q6 Edge® 4			
Seat Config.	Legrest Config.	Part Number	Ref #
Static	Manual	ELE2404644	A1
Lift	Manual	ELE2404651	B1
	AFP	ELE2404652	C1

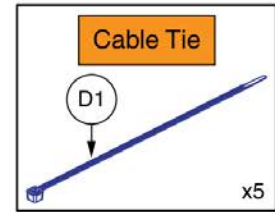
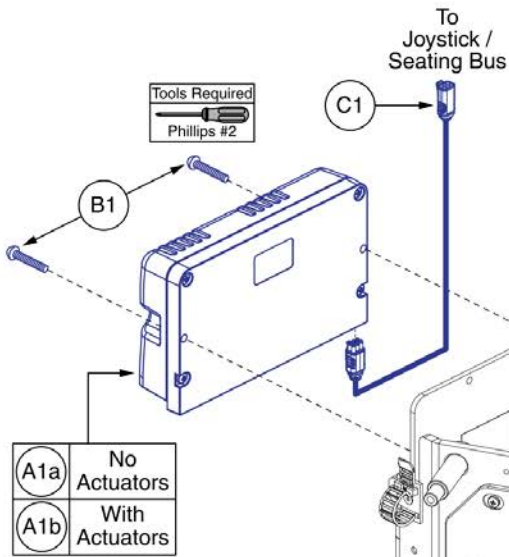
**Complete QLNES Electronics, Q-Captain Seating, Q6 Edge® 4**

<b>Item</b>	<b>Part No.</b>	<b>Name</b>	<b>Qty</b>
A1	ELE2404644	ELECTRONIC, ASSY, QLNES, Q6EDGE 4, 90 AMP, RUN PLUG	1
B1	ELE2404651	ELECTRONIC, ASSY, QLNES, Q6EDGE 4, 90 AMP, QCAPTAIN LIFT, RUN PLUG	1
C1	ELE2404652	ELECTRONIC, ASSY, QLNES, Q6EDGE 4, 90 AMP, QCAPTAIN LIFT, AFP, RUN PLUG	1

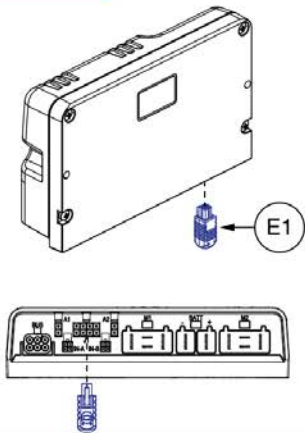
QLNES Serviceable Components for Q6 Edge® 4 with Q-Captain Seating

**Please Note**

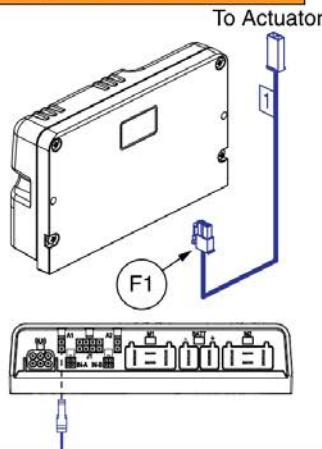
- The Power Module referenced as “No Actuators” indicates no actuators are powered through the Power Module’s actuator function.
- The Power Module referenced as “With Actuators” indicates the actuators are powered through the Power Module’s actuator function.
- When equipped with Accent Lights, a PTO Backup Camera, or a Remote Stop Switch, the Run Plug positioning may vary. Refer to the appropriate sections for additional details.



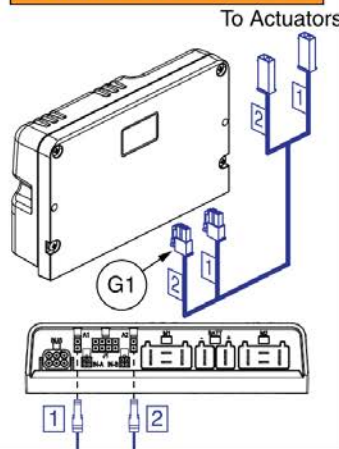
**Run Plug**



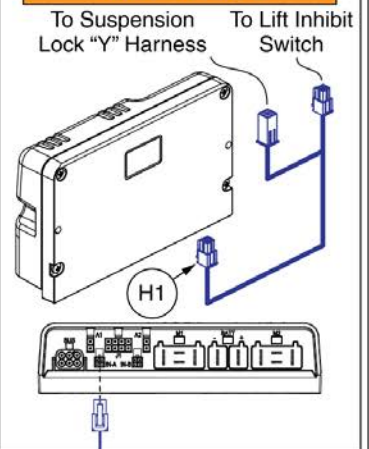
**Single Actuator Extension**



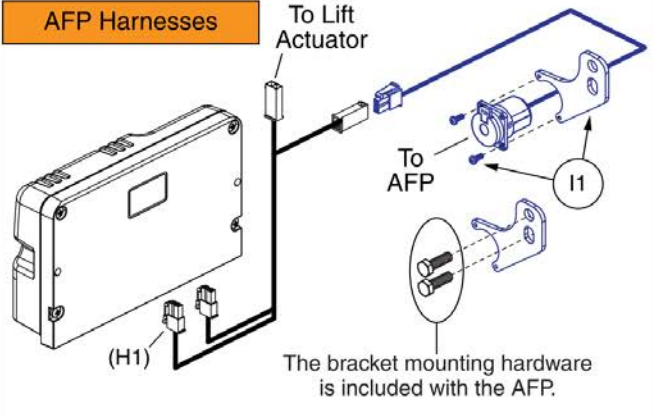
**Dual Actuator Extension**



**iLevel® Harness**



**AFP Harnesses**

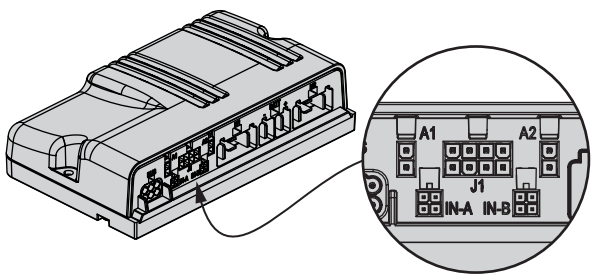


	A1a	A1b	B1	C1	D1	E1	F1	G1	H1	I1
ELE2404644	1	0	2	1	5	1	0	0	0	0
ELE2404651	0	1	2	1	5	1	1	0	1	0
ELE2404652	0	1	2	1	5	1	0	1	1	1

## Serviceable QLNES Parts, Q-Captain Seat, Q6 Edge® 4

Item	Part No.	Name	Qty
A1a	CTL1810672	POWER MODULE, Q-LOGIC NON EXPANDABLE SERIES, 90 AMPS	1
A1b	CTL1810673	POWER MODULE, Q-LOGIC NON EXPANDABLE SERIES, 90 AMPS WITH ACTUATORS	1
B1	SCRPPH1382	SCREW, PAN HEAD, TYPE H, M5X0.8 X 25, ISO 7045, CL 4.8, BZ	2
C1	HAR144005	HARNESS, BUS EXTENSION CABLE, Q-LOGIC 3, 0.410 METER, MALE/FEMALE	1
D1	PLSTIE1004	TIEDOWN STRAP, 200 LG, PLASTIC, BLACK, SPEC NO. 2106329-2-50-175-V2	5
E1	DGN1901203	OVER-MOLD RUN RECEPTACLE, 4-CIRCUIT	1
F1	ELE2201255	HARNESS, Q-LOGIC SERIES, BASE EXTENSION, SINGLE ACTUATOR, 500MM	1
G1	ELE2201256	HARNESS, Q-LOGIC SERIES, BASE EXTENSION, DUAL ACTUATOR, 500MM	1
H1	ELE2203079	HARNESS, ILEVEL SEAT INTERMEDIATE HARNESS CURTIS, BASE MOUNTED PB W/ACTUATORS	1
I1	ELE2203456	ELECTRONIC, ASSY, AFP FOR LIFT W/MOUNTING BRACKET & HARDWARE, TB3	1

## Configuration Chart

	Tilt	Recline	Lift	Left Leg	Right Leg	Combined Legs	AFP	Configuration #
Independent Legs				A1	A2			1
Combined Legs						A1		2
AFP							A1	3
Lift			A1					4
Lift - Combined Legs			A1			A2		6
Lift - AFP			A1				A2	7
Recline		A2						8
Recline - AFP		A2					A1	11
Tilt	A1							20
Tilt - AFP	A1						A2	23
Tilt - Recline	A1	A2						28

**Please note:**

- When equipped with Lift, the inhibit will plug into IN-A.
- When equipped with Tilt or Tilt and Recline, the inhibit will plug into IN-A.
- When equipped with Recline only, the inhibit will plug into IN-B.

This page intentionally left blank

# Accent Light Module and Harnesses, Q6 Edge® 4

**Tools Required**

- Phillips #1
- 5 mm

Complete Assemblies	
Ref#	Configuration
A1 - A9	Light Module
B1 - B2	Accessory Bracket

Web Link	
WL1	Light Assemblies

Secure the wire bundle (A1 - A4) with a cable tie

**⚠ Please note:**

- The complete assembly (A1-A9) includes two cable ties.
- When replacing or retrofitting the complete assembly or wire harness on a unit, three additional cable ties (A9) are needed, for a total of five.
- These additional cable ties appear elsewhere in the Q6 Edge® 4 bill of materials and must be ordered separately when placing a parts order for the accent lights.

A9  
Cable Tie x2

Detail Views

Light Harnesses

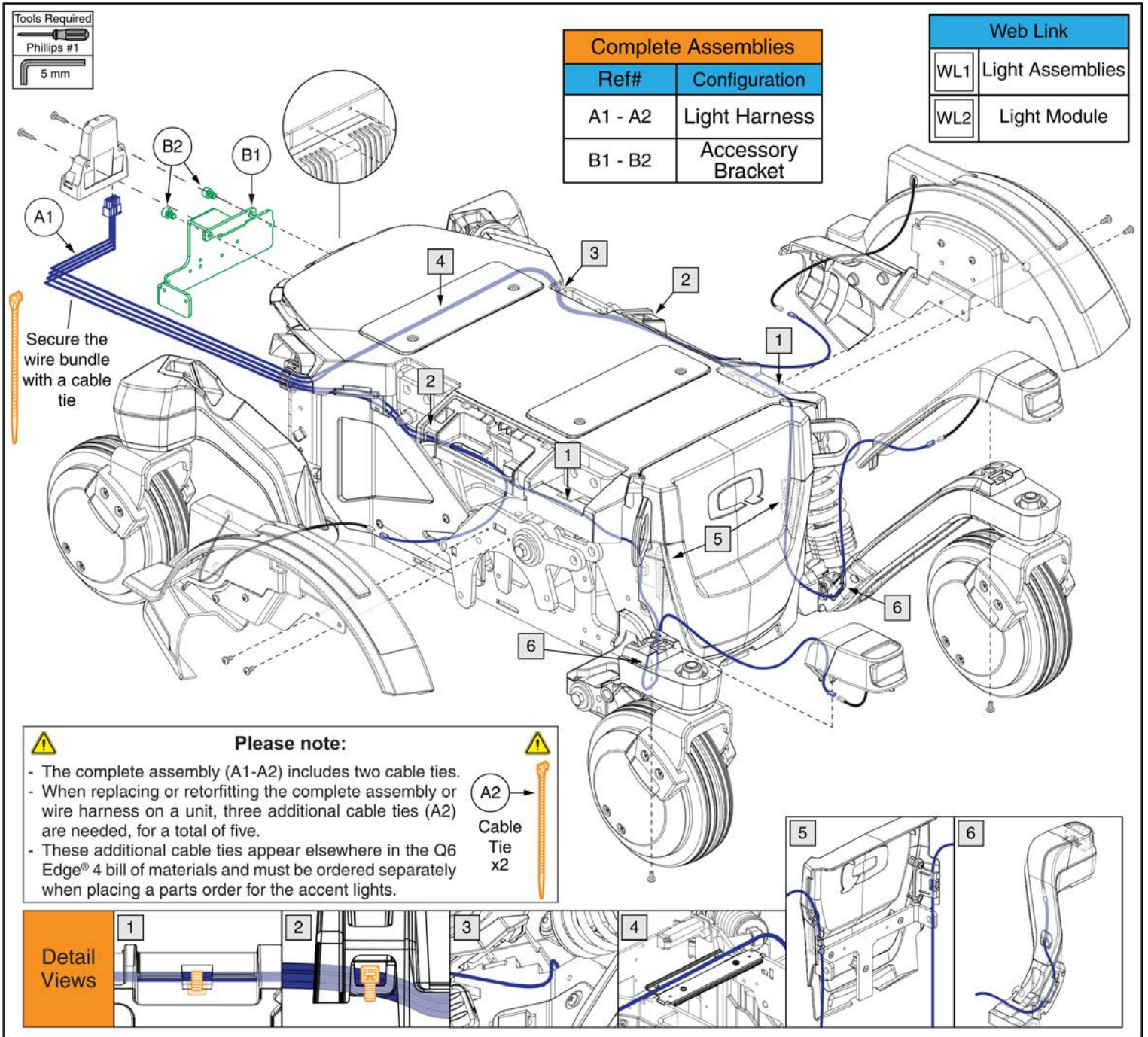
The harnesses are labeled according to their respective usage. Specific label details are not illustrated.

<p>A1 Left Front 1400 mm</p>	<p>A3 Right Front 1125 mm</p>
<p>A2 Left Rear 1125 mm</p>	<p>A4 Right Rear 925 mm</p>

## Accent Light Module and Harnesses, Q6 Edge® 4

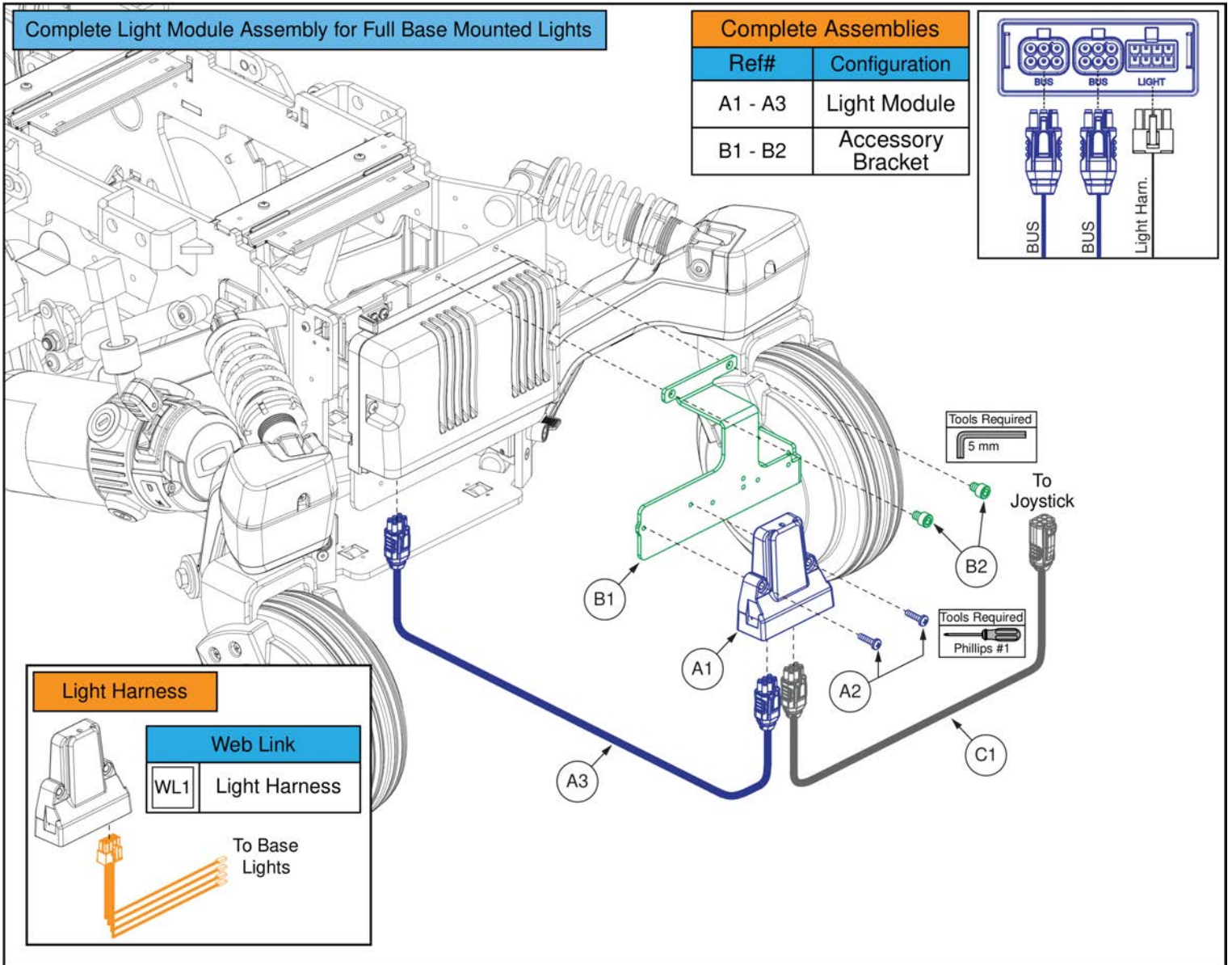
Item	Part No.	Name	Qty
A1 - A9	ELE2404196	ACCENT LIGHTS, BASE MOUNTED MODULE, CURTIS	
A1	ELE2502708	HARNESS, LIGHT, INTF, 3 PIN SEALED TO 2 PIN MICROFIT, LF, 1400	1
A2	ELE2502709	HARNESS, LIGHT, INTF, 3 PIN SEALED TO 2 PIN MICROFIT, LR, 1125	1
A3	ELE2502710	HARNESS, LIGHT, INTF, 3 PIN SEALED TO 2 PIN MICROFIT, RF, 1125	1
A4	ELE2502711	HARNESS, LIGHT, INTF, 3 PIN SEALED TO 2 PIN MICROFIT, RR, 925	1
A5	ELE1910343	MODULE ASSEMBLY, LIGHTS	1
A6	SCRPPH1318	SCREW, PAN HEAD, TYPE H, M4X0.7 X 16, FT, ISO 7045, CL 4.8, BZ	2
A7	ELE2107310	HARNESS, PTO, INTERCONNECT, 4 PIN MINIFIT, 225	1
A8	ELE2205930	ELECTRONIC,QUANTUM EGG SWITCH,W/FENDER LIGHT W/ DUAL LOCK	1
A9	PLSTIE1004	TIEDOWN STRAP, 200 LG, PLASTIC, BLACK, SPEC NO. 2106329-2-50-175-V2	2
B1 - B2	MEC2404208	ACCESSORY MODULE BRACKET, ASSY, CURTIS	1
B1	MEC2305381	BASE MOUNTED MODULES BRACKET	1
B2	HDW1611794	SCREW, SOCKET HEAD, M6X1 X 8, ISO 4762, CL 10.9, BLK, PVTP	2
WL1		WEB LINK,IPB,LIGHT ASSEMBLIES (This is not an orderable part, see IPB)	0

# Light Harness for Full Base Lights, Q6 Edge® 4



## Light Harness for Full Base Lights, Q6 Edge® 4

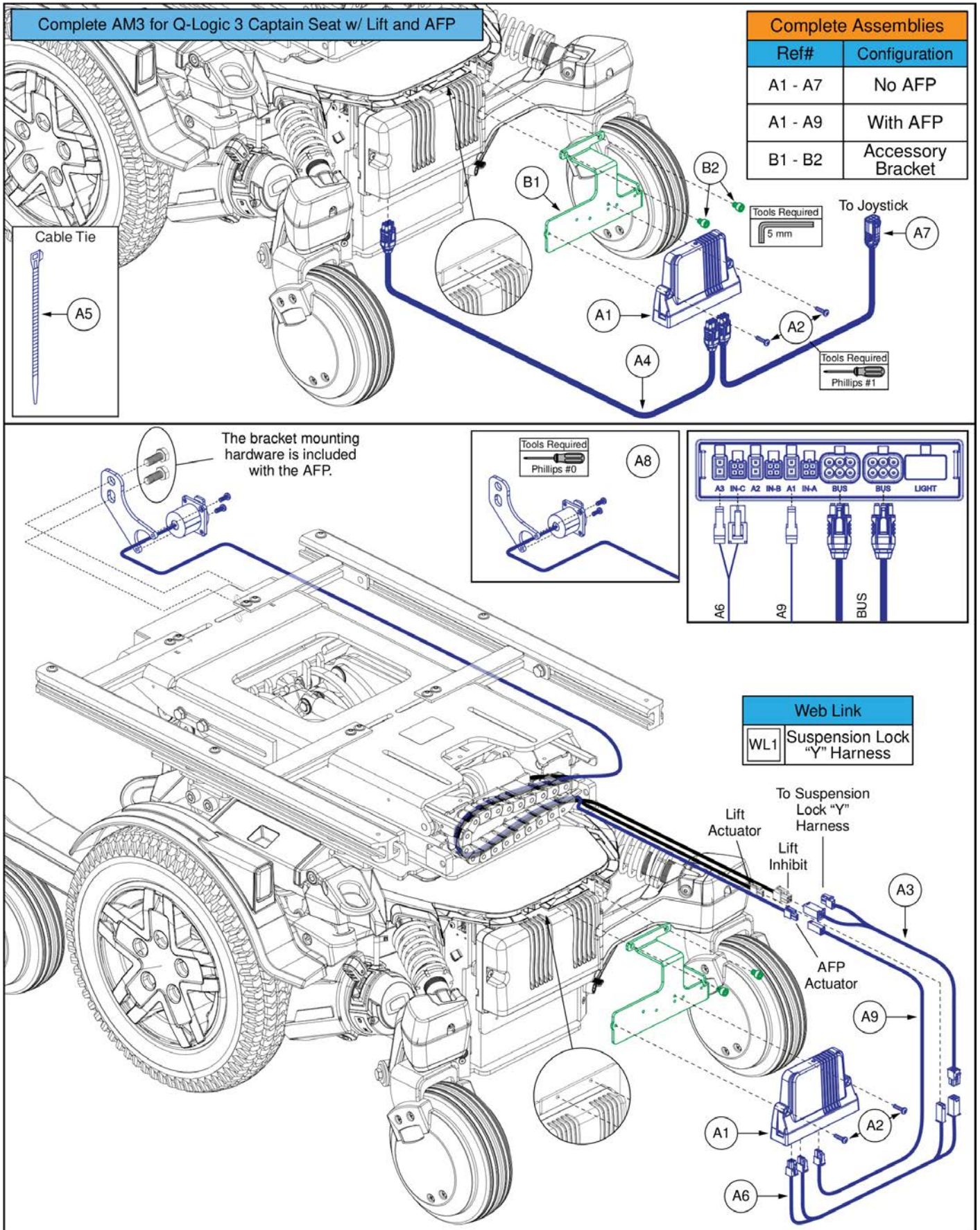
Item	Part No.	Name	Qty
A1 - A2	ELE2404199	FULL BASE LIGHTS, INTEGRATED, BASE MOUNTED MODULE, CURTIS	1
A1	ELE2502707	HARNESS, LIGHT, INTERFACE, 8 PIN MINIFIT TO 3 PIN SEALED, 1500	1
A2	PLSTIE1004	TIEDOWN STRAP, 200 LG, PLASTIC, BLACK, SPEC NO. 2106329-2-50-175-V2	2
B1 - B2	MEC2404208	ACCESSORY MODULE BRACKET, ASSY, CURTIS	1
B1	MEC2305381	BASE MOUNTED MODULES BRACKET	1
B2	HDW1611794	SCREW, SOCKET HEAD, M6X1 X 8, ISO 4762, CL 10.9, BLK, PVTP	2
WL1		WEB LINK,IPB,LIGHT ASSEMBLIES (This is not an orderable part, see IPB)	0
WL2		WEB LINK,IPB,LIGHT MODULE (This is not an orderable part, see IPB)	0



## Light Module for Full Base Lights, Q6 Edge® 4

Item	Part No.	Name	Qty
A1 - A3	ELE2500842	ELECTRONIC,ASSY,Q-LOGIC 3/QLNES LM, BASE LIGHTS	1
A1	CTL2005925	LIGHT MODULE, Q-LOGIC, SERIES	1
A2	SCRPPH1370	SCREW, PAN HEAD, TYPE H, M4X0.7 X 18, FT, ISO 7045, CL 4.8, BZ	2
A3	HAR143994	HARNESS, BUS EXTENSION CABLE, Q-LOGIC 3, 0.3 METER, FEMALE / FEMALE, (CURTIS: 17881361-01-02)	1
B1 - B2	MEC2404208	ACCESSORY MODULE BRACKET, ASSY, CURTIS	1
B1	MEC2305381	BASE MOUNTED MODULES BRACKET	1
B2	HDW1611794	SCREW, SOCKET HEAD, M6X1 X 8, ISO 4762, CL 10.9, BLK, PVTP	2
C1	HAR144005	HARNESS, BUS EXTENSION CABLE, Q-LOGIC 3, 0.410 METER, MALE/FEMALE	1
WL1		WEB LINK,IPB,LIGHT HARNESS (This is not an orderable part, see IPB)	0

# AM3 for Q-Captain Seat, with and without AFP, Q6 Edge® 4



## AM3 for Q-Captain Seat, with and without AFP, Q6 Edge® 4

Item	Part No.	Name	Qty
A1 - A7	ELE2500840	ELECTRONIC,ASSY,Q-LOGIC 3/AM3,ILEVEL LIFT,(CONFIGURATION # 04.1)	1
A1 - A9	ELE2500841	ELECTRONIC,ASSY,Q-LOGIC 3/AM3,ILEVEL LIFT,POWER ARTICULATING FOOT PLATFORM,(CONFIGURATION # 7.1)	1
A1	CTL2005926	ACTUATOR MODULE, Q-LOGIC SERIES, AM3	1
A2	SCRPPH1370	SCREW, PAN HEAD, TYPE H, M4X0.7 X 18, FT, ISO 7045, CL 4.8, BZ	2
A3	ELE145770	HARNESS,ILEVEL SEAT INTERMEDIATE HARNESS CURTIS	1
A4	HAR143994	HARNESS, BUS EXTENSION CABLE, Q-LOGIC 3, 0.3 METER, FEMALE / FEMALE, (CURTIS: 17881361-01-02)	1
A5	PLSTIE1004	TIEDOWN STRAP, 200 LG, PLASTIC, BLACK, SPEC NO. 2106329-2-50-175-V2	1
A6	ELE133304	ELECTRONIC,HARNESS,CURLY CABLE EXTENSION CABLE,FRONT MOUNTED,TRU-BALANCE 3 LIFT	1
A7	HAR144005	HARNESS, BUS EXTENSION CABLE, Q-LOGIC 3, 0.410 METER, MALE/FEMALE	1
A8	ELE2203456	ELECTRONIC,ASSY,AFP FOR LIFT W/MOUNTING BRACKET & HARDWARE,TB3	1
A9	ELE2201255	HARNESS, Q-LOGIC SERIES, BASE EXTENSION, SINGLE ACTUATOR, 500MM	1
B1 - B2	MEC2404208	ACCESSORY MODULE BRACKET, ASSY, CURTIS	1
B1	MEC2305381	BASE MOUNTED MODULES BRACKET	1
B2	HDW1611794	SCREW, SOCKET HEAD, M6X1 X 8, ISO 4762, CL 10.9, BLK, PVTP	2
WL1		WEB LINK,IPB,ILEVEL BASE COMPONENTS (This is not an orderable part, see IPB)	0



## AM3L for Q-Captain w/ Full Base Lights, with or without AFP, Q6 Edge® 4


Item	Part No.	Name	Qty
A1 - A7	ELE2500843	ELECTRONIC,ASSY,Q-LOGIC 3/AM3L,ILEVEL LIFT,(CONFIGURATION # 04.1)	1
A1 - A9	ELE2407115	ELECTRONIC,ASSY,Q-LOGIC 3/AM3L,ILEVEL LIFT,POWER ARTICULATING FOOT PLATFORM,(CONFIGURATION # 7.1)	1
A1	CTL2005927	ACTUATOR AND LIGHT MODULE, Q-LOGIC SERIES, AM3L	1
A2	SCRPPH1370	SCREW, PAN HEAD, TYPE H, M4X0.7 X 18, FT, ISO 7045, CL 4.8, BZ	2
A3	ELE145770	HARNESS,ILEVEL SEAT INTERMEDIATE HARNESS CURTIS	1
A4	HAR143994	HARNESS, BUS EXTENSION CABLE, Q-LOGIC 3, 0.3 METER, FEMALE / FEMALE, (CURTIS: 17881361-01-02)	1
A5	PLSTIE1004	TIEDOWN STRAP, 200 LG, PLASTIC, BLACK, SPEC NO. 2106329-2-50-175-V2	1
A6	ELE133304	ELECTRONIC,HARNESS,CURLY CABLE EXTENSION CABLE,FRONT MOUNTED,TRU-BALANCE 3 LIFT	1
A7	HAR144005	HARNESS, BUS EXTENSION CABLE, Q-LOGIC 3, 0.410 METER, MALE/FEMALE	1
A8	ELE2203456	ELECTRONIC,ASSY,AFP FOR LIFT W/MOUNTING BRACKET & HARDWARE,TB3	1
A9	ELE2201255	HARNESS, Q-LOGIC SERIES, BASE EXTENSION, SINGLE ACTUATOR, 500MM	1
B1 - B2	MEC2404208	ACCESSORY MODULE BRACKET, ASSY, CURTIS	1
B1	MEC2305381	BASE MOUNTED MODULES BRACKET	1
B2	HDW1611794	SCREW, SOCKET HEAD, M6X1 X 8, ISO 4762, CL 10.9, BLK, PVTP	2
WL1		WEB LINK,IPB,LIGHT HARNESS (This is not an orderable part, see IPB)	0
WL2		WEB LINK,IPB,ILEVEL BASE COMPONENTS (This is not an orderable part, see IPB)	0

# Complete Shroud Assembly with Lights, Q6 Edge® 4

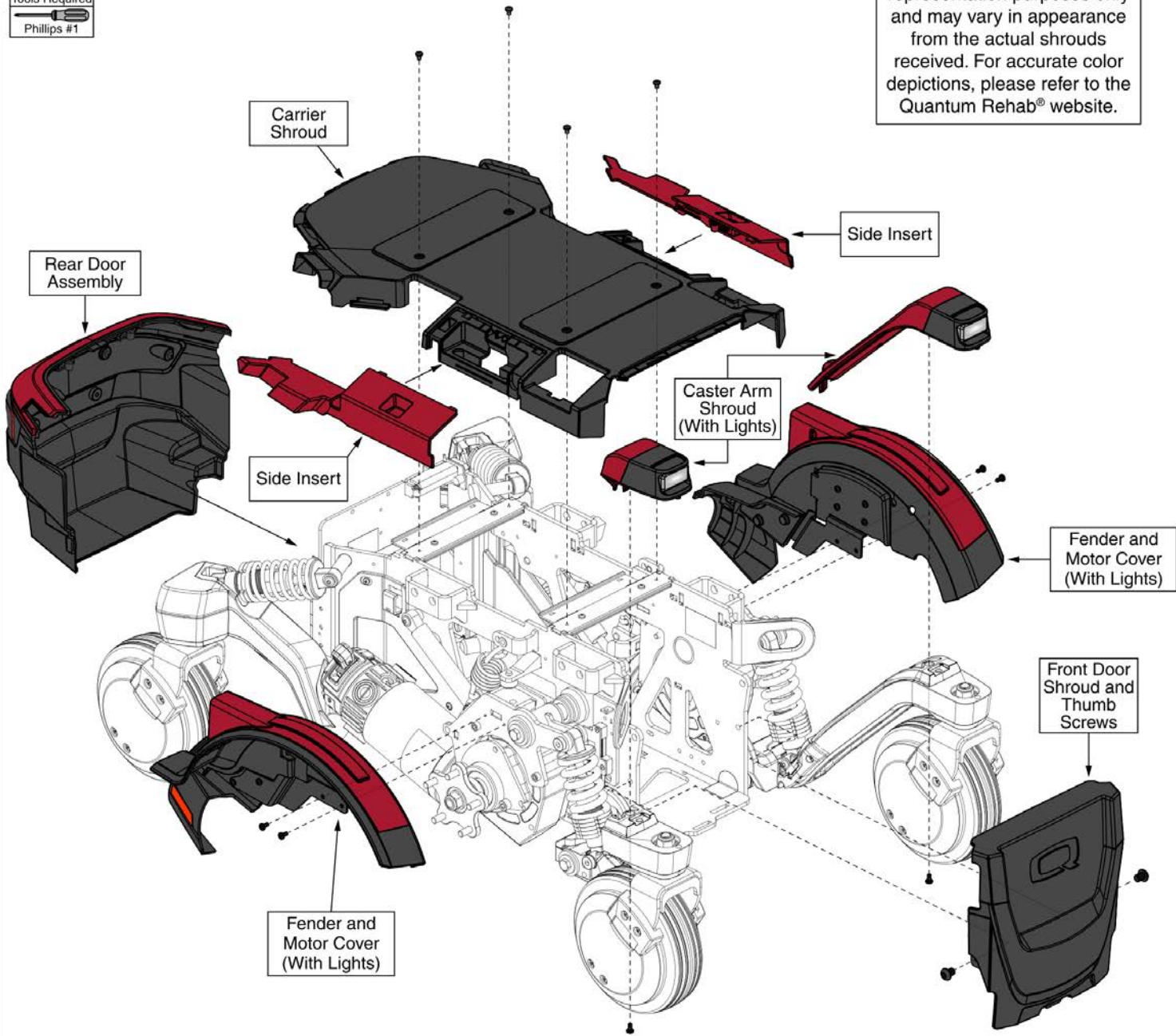
## Complete Shroud Assemblies (With Lights)

Complete shroud assemblies (A1) through (P1) include all the components shown. For individual part selection, refer to the corresponding component pages. Rear caster arm shrouds not included.

Ref#	Color Name	Ref#	Color Name	Ref#	Color Name
(A1)	Back in Black	(G1)	Cosmic Purple	(M1)	Evolution Orange
(B1)	Night Train	(H1)	Royale Blue	(N1)	Lemon Crush
(C1)	Ghost Gray	(I1)	Blue Jean	(O1)	Digital Camo
(D1)	Inferno Red	(J1)	Steel Blue	(P1)	Black Camo
(E1)	Pretty in Pink	(K1)	Bermuda Blue	(Q1)	Faded Glory
(F1)	Ice Pink	(L1)	Forest Green		

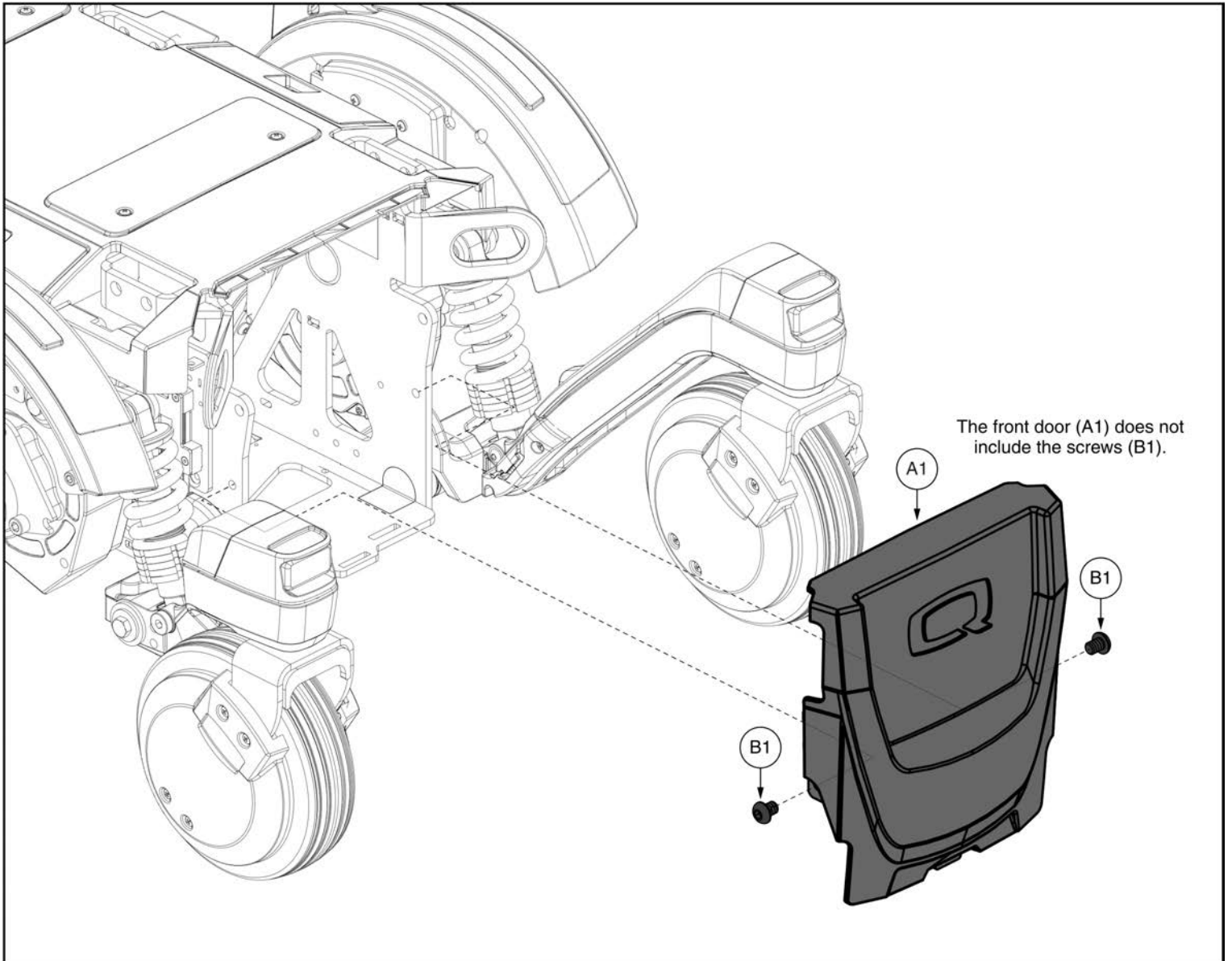
**Tools Required**  
  
 Phillips #1

The colors shown are for representation purposes only and may vary in appearance from the actual shrouds received. For accurate color depictions, please refer to the Quantum Rehab® website.



## Complete Shroud Assembly with Lights, Q6 Edge® 4

Item	Part No.	Name	Qty
A1	DGN2401066-PBK1	SHROUD, ASSY, BACK IN BLACK, LIGHTS	1
B1	DGN2401066-PBK3	SHROUD, ASSY, NIGHT TRAIN, LIGHTS	1
C1	DGN2401066-PGY6	SHROUD, ASSY, GHOST GRAY, LIGHTS	1
D1	DGN2401066-PRD5	SHROUD, ASSY, INFERNO RED, LIGHTS	1
E1	DGN2401066-PPK3	SHROUD, ASSY, PRETTY IN PINK, LIGHTS	1
F1	DGN2401066-PPK5	SHROUD, ASSY, ICE PINK, LIGHTS	1
G1	DGN2401066-PPR8	SHROUD, ASSY, COSMIC PURPLE, LIGHTS	1
H1	DGN2401066-PBU14	SHROUD, ASSY, ROYALE BLUE, LIGHTS	1
I1	DGN2401066-PBU11	SHROUD, ASSY, BLUE JEAN, LIGHTS	1
J1	DGN2401066-PBU13	SHROUD, ASSY, STEEL BLUE, LIGHTS	1
K1	DGN2401066-PBU15	SHROUD, ASSY, BERMUDA BLUE, LIGHTS	1
L1	DGN2401066-PGN13	SHROUD, ASSY, FOREST GREEN, LIGHTS	1
M1	DGN2401066-POR7	SHROUD, ASSY, EVOLUTION ORANGE, LIGHTS	1
N1	DGN2401066-PYL4	SHROUD, ASSY, LEMON CRUSH, LIGHTS	1
O1	DGN2401066-WCM7	SHROUD, ASSY, MILITARY DIGITAL CAMO, LIGHTS	1
P1	DGN2401066-WCM9-PCL2	SHROUD, ASSY, BLACK CAMOUFLAGE, LIGHTS	1
Q1	DGN2401066-WFL2	SHROUD, ASSY, FADED GLORY, LIGHTS	1



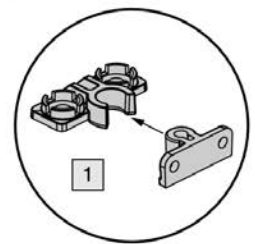
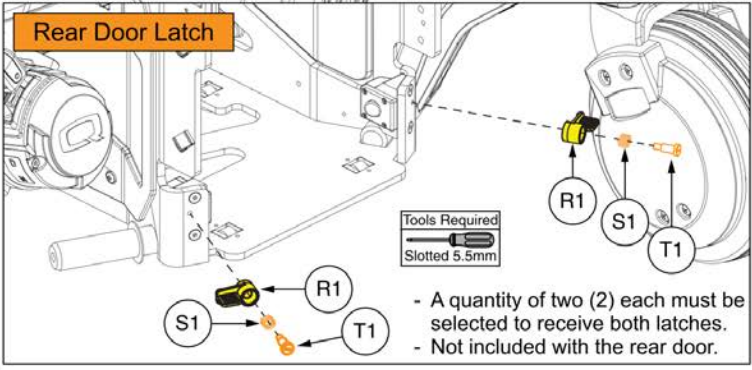
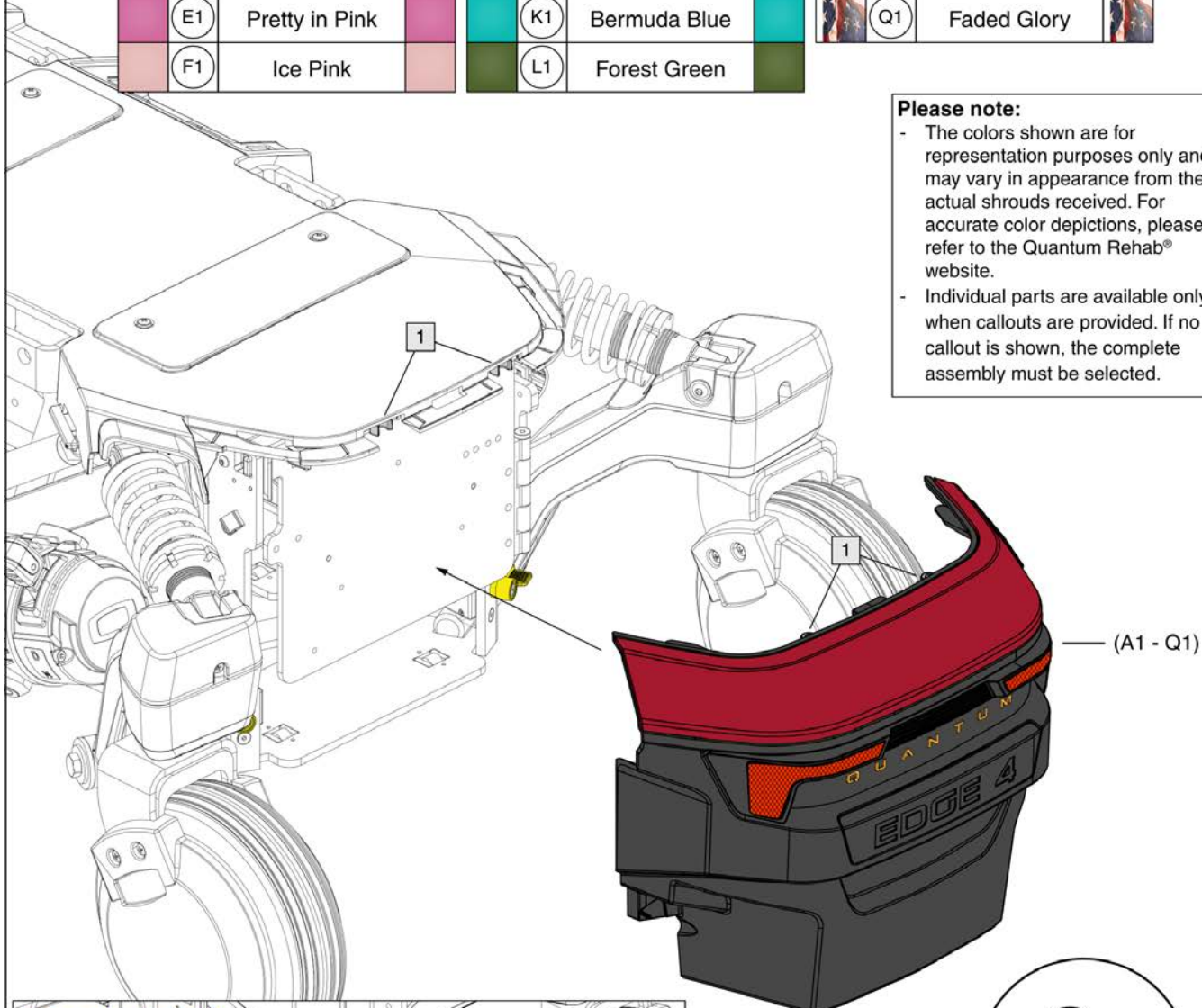
**Front Door Shroud, Q6 Edge® 4**

Item	Part No.	Name	Qty
A1	DGN2400229	FRONT DOOR WITH WIRE GUIDE	1
B1	HDW154279	SCREW, BUTTON HEAD, M8X1.25 X 10, ISO 7380-1, CL 10.9, BZ, PVTP	2

Ref#	Color Name	Ref#	Color Name	Ref#	Color Name
(A1)	Back in Black	(G1)	Cosmic Purple	(M1)	Evolution Orange
(B1)	Night Train	(H1)	Royale Blue	(N1)	Lemon Crush
(C1)	Ghost Gray	(I1)	Blue Jean	(O1)	Digital Camo
(D1)	Inferno Red	(J1)	Steel Blue	(P1)	Black Camo
(E1)	Pretty in Pink	(K1)	Bermuda Blue	(Q1)	Faded Glory
(F1)	Ice Pink	(L1)	Forest Green		

**Please note:**

- The colors shown are for representation purposes only and may vary in appearance from the actual shrouds received. For accurate color depictions, please refer to the Quantum Rehab® website.
- Individual parts are available only when callouts are provided. If no callout is shown, the complete assembly must be selected.



The male catch assembly is included with the rear door. The female catch assembly is included with the carrier shroud.

## Rear Door Assembly, Q6 Edge® 4

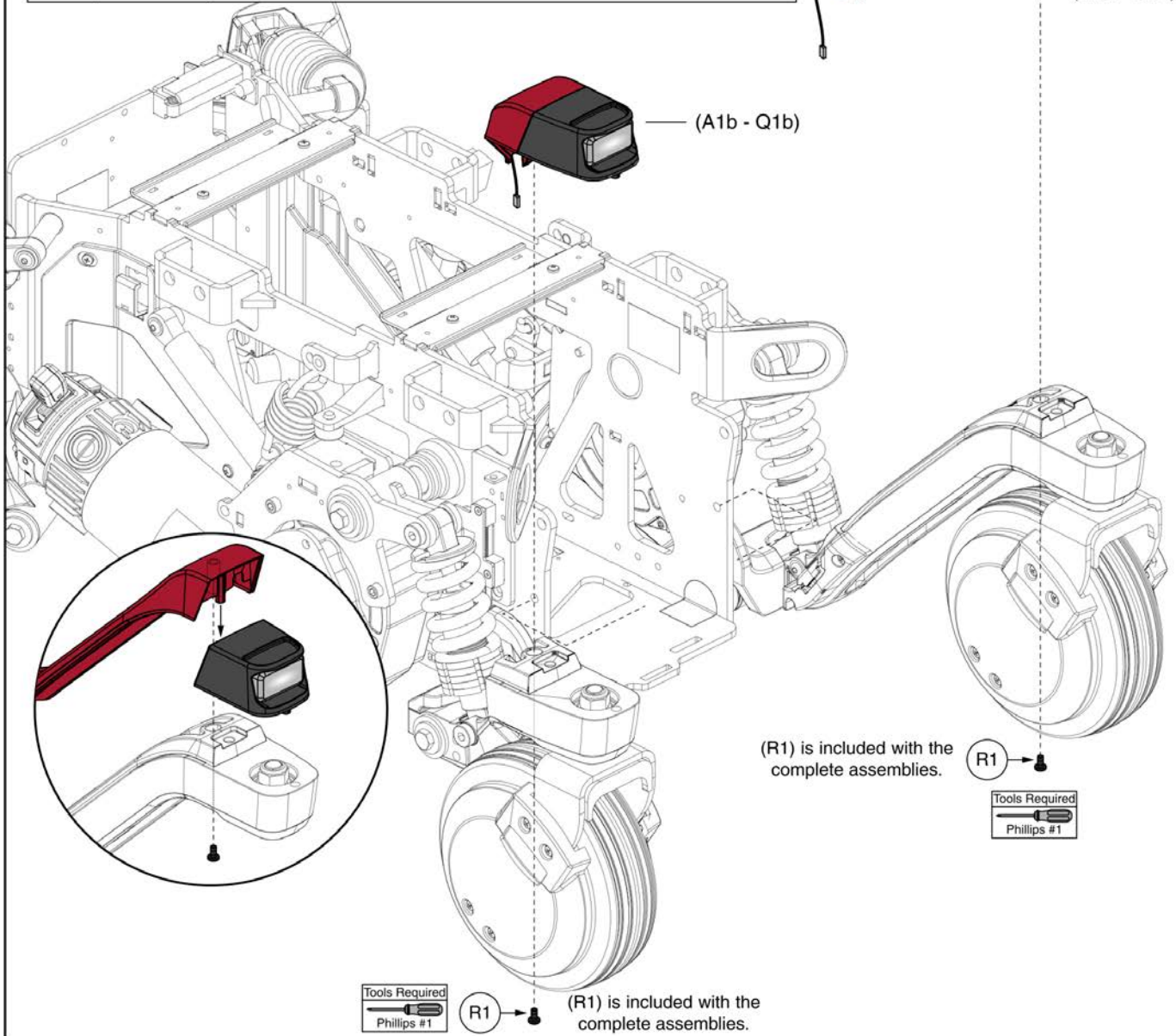
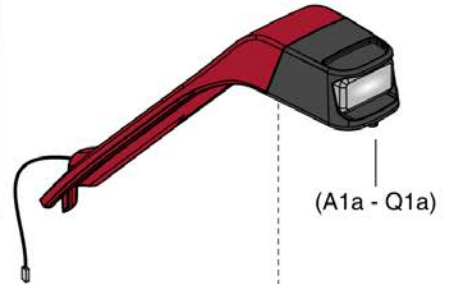
Item	Part No.	Name	Qty
A1	DGN2401049-PBK1	REAR DOOR ASSEMBLY, BACK IN BLACK	1
B1	DGN2401049-PBK3	REAR DOOR ASSEMBLY, NIGHT TRAIN	1
C1	DGN2401049-PGY6	REAR DOOR ASSEMBLY, GHOST GRAY	1
D1	DGN2401049-PRD5	REAR DOOR ASSEMBLY, INFERNO RED	1
E1	DGN2401049-PPK3	REAR DOOR ASSEMBLY, PRETTY IN PINK	1
F1	DGN2401049-PPK5	REAR DOOR ASSEMBLY, ICE PINK	1
G1	DGN2401049-PPR8	REAR DOOR ASSEMBLY, COSMIC PURPLE	1
H1	DGN2401049-PBU14	REAR DOOR ASSEMBLY, ROYALE BLUE	1
I1	DGN2401049-PBU11	REAR DOOR ASSEMBLY, BLUE JEAN	1
J1	DGN2401049-PBU13	REAR DOOR ASSEMBLY, STEEL BLUE	1
K1	DGN2401049-PBU15	REAR DOOR ASSEMBLY, BERMUDA BLUE	1
L1	DGN2401049-PGN13	REAR DOOR ASSEMBLY, FOREST GREEN	1
M1	DGN2401049-POR7	REAR DOOR ASSEMBLY, EVOLUTION ORANGE	1
N1	DGN2401049-PYL4	REAR DOOR ASSEMBLY, LEMON CRUSH	1
O1	DGN2401049-WCM7	REAR DOOR ASSEMBLY, MILITARY DIGITAL CAMO	1
P1	DGN2401049-WCM9-PCL2	REAR DOOR ASSEMBLY, BLACK CAMOUFLAGE	1
Q1	DGN2401049-WFL2	REAR DOOR ASSEMBLY, FADED GLORY	1
R1	DGN1810713	EDGE MINI CUSTOM LATCH, REAR DOOR	2
S1	MEC1810715	COMPRESSION SPRING, 9 OD X 13 FL, RATE 5.5 N/MM	2
T1	HDW1810714	SCREW, SHOULDER, SLOTTED, 5.5 X 10, M4X0.7, DIN 923	2

# Caster Arm Shrouds with Lights, Q6 Edge® 4

	Left	Right	Color Name		Left	Right	Color Name		Left	Right	Color Name
	(A1a)	(A1b)	Back in Black		(G1a)	(G1b)	Cosmic Purple		(M1a)	(M1b)	Evolution Orange
	(B1a)	(B1b)	Night Train		(H1a)	(H1b)	Royale Blue		(N1a)	(N1b)	Lemon Crush
	(C1a)	(C1b)	Ghost Gray		(I1a)	(I1b)	Blue Jean		(O1a)	(O1b)	Digital Camo
	(D1a)	(D1b)	Inferno Red		(J1a)	(J1b)	Steel Blue		(P1a)	(P1b)	Black Camo
	(E1a)	(E1b)	Pretty in Pink		(K1a)	(K1b)	Bermuda Blue		(Q1a)	(Q1b)	Faded Glory
	(F1a)	(F1b)	Ice Pink		(L1a)	(L1b)	Forest Green				

**Please note:**

- The colors shown are for representation purposes only and may vary in appearance from the actual shrouds received. For accurate color depictions, please refer to the Quantum Rehab® website.
- Individual parts are available only when callouts are provided. If no callout is shown, the complete assembly must be selected.



## Caster Arm Shrouds with Lights, Q6 Edge® 4

Item	Part No.	Name	Qty
A1a	DGN2401069-PBK1	CASTER SHROUD, ASSY, LEFT, LIGHTS, BACK IN BLACK	1
A1b	DGN2401070-PBK1	CASTER SHROUD, ASSY, RIGHT, LIGHTS, BACK IN BLACK	1
B1a	DGN2401069-PBK3	CASTER SHROUD, ASSY, LEFT, LIGHTS, NIGHT TRAIN	1
B1b	DGN2401070-PBK3	CASTER SHROUD, ASSY, RIGHT, LIGHTS, NIGHT TRAIN	1
C1a	DGN2401069-PGY6	CASTER SHROUD, ASSY, LEFT, LIGHTS, GHOST GRAY	1
C1b	DGN2401070-PGY6	CASTER SHROUD, ASSY, RIGHT, LIGHTS, GHOST GRAY	1
D1a	DGN2401069-PRD5	CASTER SHROUD, ASSY, LEFT, LIGHTS, INFERNO RED	1
D1b	DGN2401070-PRD5	CASTER SHROUD, ASSY, RIGHT, LIGHTS, INFERNO RED	1
E1a	DGN2401069-PPK3	CASTER SHROUD, ASSY, LEFT, LIGHTS, PRETTY IN PINK	1
E1b	DGN2401070-PPK3	CASTER SHROUD, ASSY, RIGHT, LIGHTS, PRETTY IN PINK	1
F1a	DGN2401069-PPK5	CASTER SHROUD, ASSY, LEFT, LIGHTS, ICE PINK	1
F1b	DGN2401070-PPK5	CASTER SHROUD, ASSY, RIGHT, LIGHTS, ICE PINK	1
G1a	DGN2401069-PPR8	CASTER SHROUD, ASSY, LEFT, LIGHTS, COSMIC PURPLE	1
G1b	DGN2401070-PPR8	CASTER SHROUD, ASSY, RIGHT, LIGHTS, COSMIC PURPLE	1
H1a	DGN2401069-PBU14	CASTER SHROUD, ASSY, LEFT, LIGHTS, ROYALE BLUE	1
H1b	DGN2401070-PBU14	CASTER SHROUD, ASSY, RIGHT, LIGHTS, ROYALE BLUE	1
I1a	DGN2401069-PBU11	CASTER SHROUD, ASSY, LEFT, LIGHTS, BLUE JEAN	1
I1b	DGN2401070-PBU11	CASTER SHROUD, ASSY, RIGHT, LIGHTS, BLUE JEAN	1
J1a	DGN2401069-PBU13	CASTER SHROUD, ASSY, LEFT, LIGHTS, STEEL BLUE	1
J1b	DGN2401070-PBU13	CASTER SHROUD, ASSY, RIGHT, LIGHTS, STEEL BLUE	1
K1a	DGN2401069-PBU15	CASTER SHROUD, ASSY, LEFT, LIGHTS, BERMUDA BLUE	1
K1b	DGN2401070-PBU15	CASTER SHROUD, ASSY, RIGHT, LIGHTS, BERMUDA BLUE	1
L1a	DGN2401069-PGN13	CASTER SHROUD, ASSY, LEFT, LIGHTS, FOREST GREEN	1
L1b	DGN2401070-PGN13	CASTER SHROUD, ASSY, RIGHT, LIGHTS, FOREST GREEN	1
M1a	DGN2401069-POR7	CASTER SHROUD, ASSY, LEFT, LIGHTS, EVOLUTION ORANGE	1
M1b	DGN2401070-POR7	CASTER SHROUD, ASSY, RIGHT, LIGHTS, EVOLUTION ORANGE	1
N1a	DGN2401069-PYL4	CASTER SHROUD, ASSY, LEFT, LIGHTS, LEMON CRUSH	1
N1b	DGN2401070-PYL4	CASTER SHROUD, ASSY, RIGHT, LIGHTS, LEMON CRUSH	1
O1a	DGN2401069-WCM7	CASTER SHROUD, ASSY, LEFT, LIGHTS, MILITARY DIGITAL CAMO	1
O1b	DGN2401070-WCM7	CASTER SHROUD, ASSY, RIGHT, LIGHTS, MILITARY DIGITAL CAMO	1
P1a	DGN2401069-WCM9-PCL2	CASTER SHROUD, ASSY, LEFT, LIGHTS, BLACK CAMOUFLAGE	1

This page intentionally left blank

**Caster Arm Shrouds with Lights, Q6 Edge® 4**

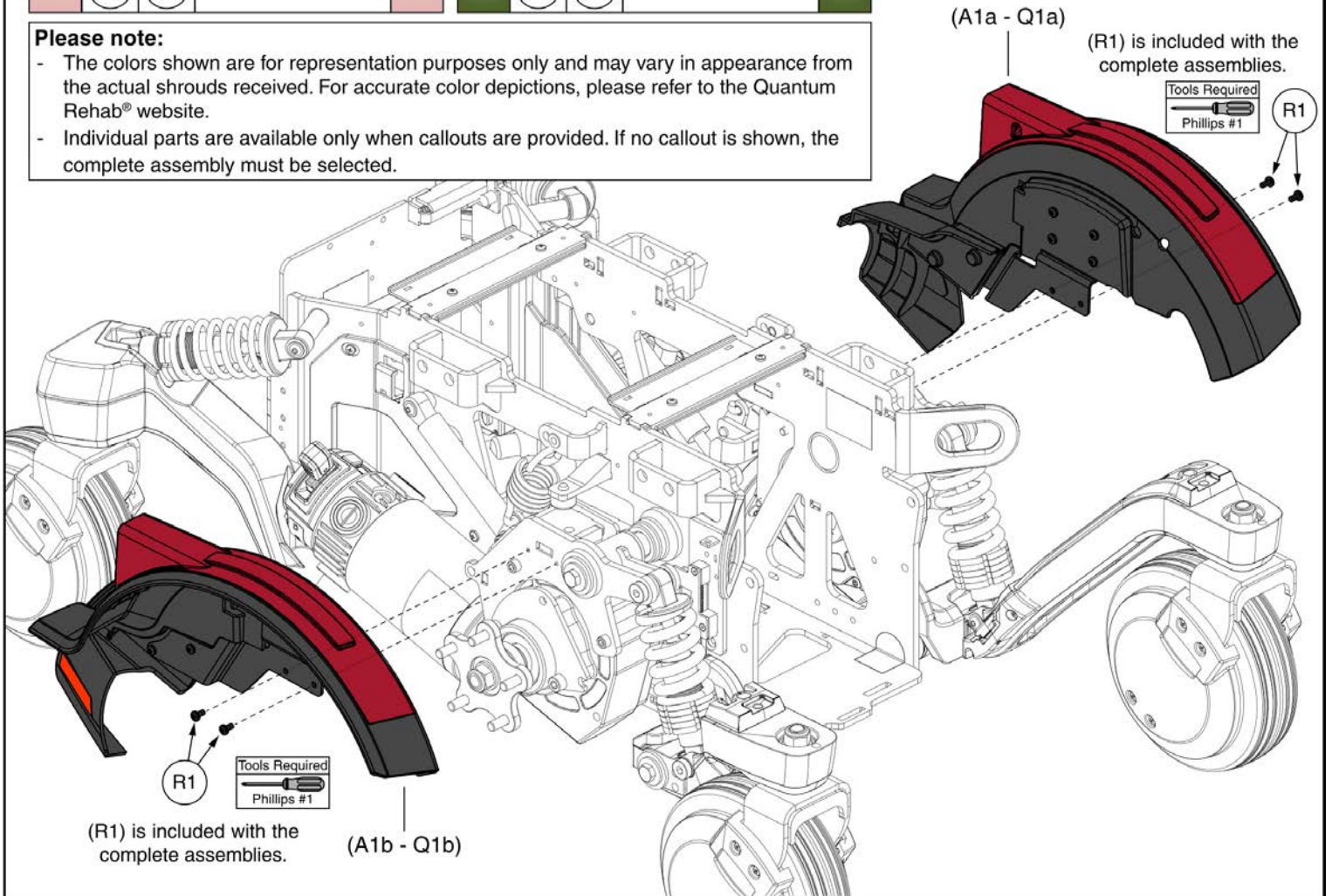
Item	Part No.	Name	Qty
P1b	DGN2401070-WCM9-PCL2	CASTER SHROUD, ASSY, RIGHT, LIGHTS, BLACK CAMOUFLAGE	1
Q1a	DGN2401069-WFL2	CASTER SHROUD, ASSY, LEFT, LIGHTS, FADED GLORY	1
Q1b	DGN2401070-WFL2	CASTER SHROUD, ASSY, RIGHT, LIGHTS, FADED GLORY	1
R1	SCRPPH1036	SCREW, PAN HEAD, TYPE H, M4X0.7 X 8, FT, ISO 7045, CL 4.8, BZ	2

# Fender Shrouds with Lights, Q6 Edge® 4

Left	Right	Color Name	Left	Right	Color Name	Left	Right	Color Name
(A1a)	(A1b)	Back in Black	(G1a)	(G1b)	Cosmic Purple	(M1a)	(M1b)	Evolution Orange
(B1a)	(B1b)	Night Train	(H1a)	(H1b)	Royale Blue	(N1a)	(N1b)	Lemon Crush
(C1a)	(C1b)	Ghost Gray	(I1a)	(I1b)	Blue Jean	(O1a)	(O1b)	Digital Camo
(D1a)	(D1b)	Inferno Red	(J1a)	(J1b)	Steel Blue	(P1a)	(P1b)	Black Camo
(E1a)	(E1b)	Pretty in Pink	(K1a)	(K1b)	Bermuda Blue	(Q1a)	(Q1b)	Faded Glory
(F1a)	(F1b)	Ice Pink	(L1a)	(L1b)	Forest Green			

**Please note:**

- The colors shown are for representation purposes only and may vary in appearance from the actual shrouds received. For accurate color depictions, please refer to the Quantum Rehab® website.
- Individual parts are available only when callouts are provided. If no callout is shown, the complete assembly must be selected.



## Fender Shrouds with Lights, Q6 Edge® 4

Item	Part No.	Name	Qty
A1a	DGN2401063-PBK1	FENDER, ASSY, LEFT, LIGHTS, BACK IN BLACK	1
A1b	DGN2401064-PBK1	FENDER, ASSY, RIGHT, LIGHTS, BACK IN BLACK	1
B1a	DGN2401063-PBK3	FENDER, ASSY, LEFT, LIGHTS, NIGHT TRAIN	1
B1b	DGN2401064-PBK3	FENDER, ASSY, RIGHT, LIGHTS, NIGHT TRAIN	1
C1a	DGN2401063-PGY6	FENDER, ASSY, LEFT, LIGHTS, GHOST GRAY	1
C1b	DGN2401064-PGY6	FENDER, ASSY, RIGHT, LIGHTS, GHOST GRAY	1
D1a	DGN2401063-PRD5	FENDER, ASSY, LEFT, LIGHTS, INFERNO RED	1
D1b	DGN2401064-PRD5	FENDER, ASSY, RIGHT, LIGHTS, INFERNO RED	1
E1a	DGN2401063-PPK3	FENDER, ASSY, LEFT, LIGHTS, PRETTY IN PINK	1
E1b	DGN2401064-PPK3	FENDER, ASSY, RIGHT, LIGHTS, PRETTY IN PINK	1
F1a	DGN2401063-PPK5	FENDER, ASSY, LEFT, LIGHTS, ICE PINK	1
F1b	DGN2401064-PPK5	FENDER, ASSY, RIGHT, LIGHTS, ICE PINK	1
G1a	DGN2401063-PPR8	FENDER, ASSY, LEFT, LIGHTS, COSMIC PURPLE	1
G1b	DGN2401064-PPR8	FENDER, ASSY, RIGHT, LIGHTS, COSMIC PURPLE	1
H1a	DGN2401063-PBU14	FENDER, ASSY, LEFT, LIGHTS, ROYALE BLUE	1
H1b	DGN2401064-PBU14	FENDER, ASSY, RIGHT, LIGHTS, ROYALE BLUE	1
I1a	DGN2401063-PBU11	FENDER, ASSY, LEFT, LIGHTS, BLUE JEAN	1
I1b	DGN2401064-PBU11	FENDER, ASSY, RIGHT, LIGHTS, BLUE JEAN	1
J1a	DGN2401063-PBU13	FENDER, ASSY, LEFT, LIGHTS, STEEL BLUE	1
J1b	DGN2401064-PBU13	FENDER, ASSY, RIGHT, LIGHTS, STEEL BLUE	1
K1a	DGN2401063-PBU15	FENDER, ASSY, LEFT, LIGHTS, BERMUDA BLUE	1
K1b	DGN2401064-PBU15	FENDER, ASSY, RIGHT, LIGHTS, BERMUDA BLUE	1
L1a	DGN2401063-PGN13	FENDER, ASSY, LEFT, LIGHTS, FOREST GREEN	1
L1b	DGN2401064-PGN13	FENDER, ASSY, RIGHT, LIGHTS, FOREST GREEN	1
M1a	DGN2401063-POR7	FENDER, ASSY, LEFT, LIGHTS, EVOLUTION ORANGE	1
M1b	DGN2401064-POR7	FENDER, ASSY, RIGHT, LIGHTS, EVOLUTION ORANGE	1
N1a	DGN2401063-PYL4	FENDER, ASSY, LEFT, LIGHTS, LEMON CRUSH	1
N1b	DGN2401064-PYL4	FENDER, ASSY, RIGHT, LIGHTS, LEMON CRUSH	1
O1a	DGN2401063-WCM7	FENDER, ASSY, LEFT, LIGHTS, MILITARY DIGITAL CAMO	1
O1b	DGN2401064-WCM7	FENDER, ASSY, RIGHT, LIGHTS, MILITARY DIGITAL CAMO	1
P1a	DGN2401063-WCM9-PCL2	FENDER, ASSY, LEFT, LIGHTS, BLACK CAMOUFLAGE	1

This page intentionally left blank

## Fender Shrouds with Lights, Q6 Edge® 4

Item	Part No.	Name	Qty
P1b	DGN2401064-WCM9-PCL2	FENDER, ASSY, RIGHT, LIGHTS, BLACK CAMOUFLAGE	1
Q1a	DGN2401063-WFL2	FENDER, ASSY, LEFT, LIGHTS, FADED GLORY	1
Q1b	DGN2401064-WFL2	FENDER, ASSY, RIGHT, LIGHTS, FADED GLORY	1
R1	SCRPPH1304	SCREW, PAN HEAD, TYPE H, M4X0.7 X 6, ISO 7045 CL 4.8, BZ	4



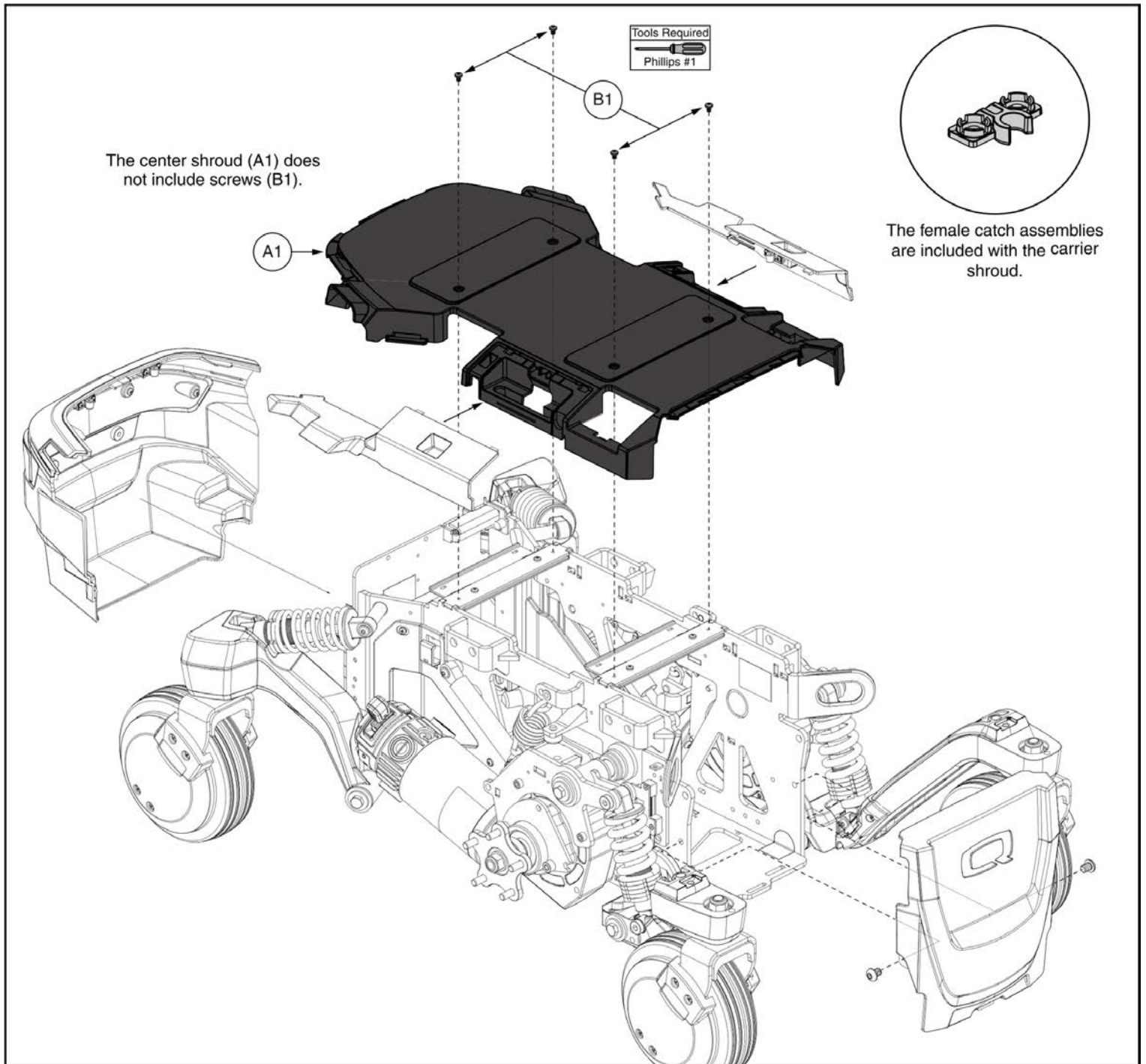
## Side Shroud Assemblies, Q6 Edge® 4

Item	Part No.	Name	Qty
A1a	DGN2400119-PBK1	SIDE INSERT WITH CATCH, LEFT, BACK IN BLACK, PPW-BLK-01	1
A1b	DGN2400120-PBK1	SIDE INSERT WITH CATCH, RIGHT, BACK IN BLACK, PPW-BLK-01	1
B1a	DGN2400119-PBK3	SIDE INSERT WITH CATCH, LEFT, NIGHT TRAIN, PPW-BLK-03	1
B1b	DGN2400120-PBK3	SIDE INSERT WITH CATCH, RIGHT, NIGHT TRAIN, PPW-BLK-03	1
C1a	DGN2400119-PGY6	SIDE INSERT WITH CATCH, LEFT, GHOST GRAY, PPW-GRY-06	1
C1b	DGN2400120-PGY6	SIDE INSERT WITH CATCH, RIGHT, GHOST GRAY, PPW-GRY-06	1
D1a	DGN2400119-PRD5	SIDE INSERT WITH CATCH, LEFT, INFERNO RED, PPW-RED-05	1
D1b	DGN2400120-PRD5	SIDE INSERT WITH CATCH, RIGHT, INFERNO RED, PPW-RED-05	1
E1a	DGN2400119-PPK3	SIDE INSERT WITH CATCH, LEFT, PRETTY IN PINK, PPW-PNK-03	1
E1b	DGN2400120-PPK3	SIDE INSERT WITH CATCH, RIGHT, PRETTY IN PINK, PPW-PNK-03	1
F1a	DGN2400119-PPK5	SIDE INSERT WITH CATCH, LEFT, ICE PINK, PPW-PNK-05	1
F1b	DGN2400120-PPK5	SIDE INSERT WITH CATCH, RIGHT, ICE PINK, PPW-PNK-05	1
G1a	DGN2400119-PPR8	SIDE INSERT WITH CATCH, LEFT, COSMIC PURPLE, PPW-PRP-08	1
G1b	DGN2400120-PPR8	SIDE INSERT WITH CATCH, RIGHT, COSMIC PURPLE, PPW-PRP-08	1
H1a	DGN2400119-PBU14	SIDE INSERT WITH CATCH, LEFT, ROYALE BLUE, PPW-BLU-14	1
H1b	DGN2400120-PBU14	SIDE INSERT WITH CATCH, RIGHT, ROYALE BLUE, PPW-BLU-14	1
I1a	DGN2400119-PBU11	SIDE INSERT WITH CATCH, LEFT, BLUE JEAN, PPW-BLU-11	1
I1b	DGN2400120-PBU11	SIDE INSERT WITH CATCH, RIGHT, BLUE JEAN, PPW-BLU-11	1
J1a	DGN2400119-PBU13	SIDE INSERT WITH CATCH, LEFT, STEEL BLUE, PPW-BLU-13	1
J1b	DGN2400120-PBU13	SIDE INSERT WITH CATCH, RIGHT, STEEL BLUE, PPW-BLU-13	1
K1a	DGN2400119-PBU15	SIDE INSERT WITH CATCH, LEFT, BERMUDA BLUE, PPW-BLU-15	1
K1b	DGN2400120-PBU15	SIDE INSERT WITH CATCH, RIGHT, BERMUDA BLUE, PPW-BLU-15	1
L1a	DGN2400119-PGN13	SIDE INSERT WITH CATCH, LEFT, FOREST GREEN, PPW-GRN-13	1
L1b	DGN2400120-PGN13	SIDE INSERT WITH CATCH, RIGHT, FOREST GREEN, PPW-GRN-13	1
M1a	DGN2400119-POR7	SIDE INSERT WITH CATCH, LEFT, EVOLUTION ORANGE, PPW-ORN-07	1
M1b	DGN2400120-POR7	SIDE INSERT WITH CATCH, RIGHT, EVOLUTION ORANGE, PPW-ORN-07	1
N1a	DGN2400119-PYL4	SIDE INSERT WITH CATCH, LEFT, LEMON CRUSH, PPW-YEL-04	1
N1b	DGN2400120-PYL4	SIDE INSERT WITH CATCH, RIGHT, LEMON CRUSH, PPW-YEL-04	1
O1a	DGN2400119-WCM7	SIDE INSERT WITH CATCH, LEFT, MILITARY DIGITAL CAMO, PWT-CMO-07	1
O1b	DGN2400120-WCM7	SIDE INSERT WITH CATCH, RIGHT, MILITARY DIGITAL CAMO, PWT-CMO-07	1
P1a	DGN2400119-WCM9-PCL2	SIDE INSERT WITH CATCH, LEFT, BLACK CAMOUFLAGE, PWT-CMO-09, MATTE CLEARCOAT, PPW-CLR-02	1

This page intentionally left blank

## Side Shroud Assemblies, Q6 Edge® 4

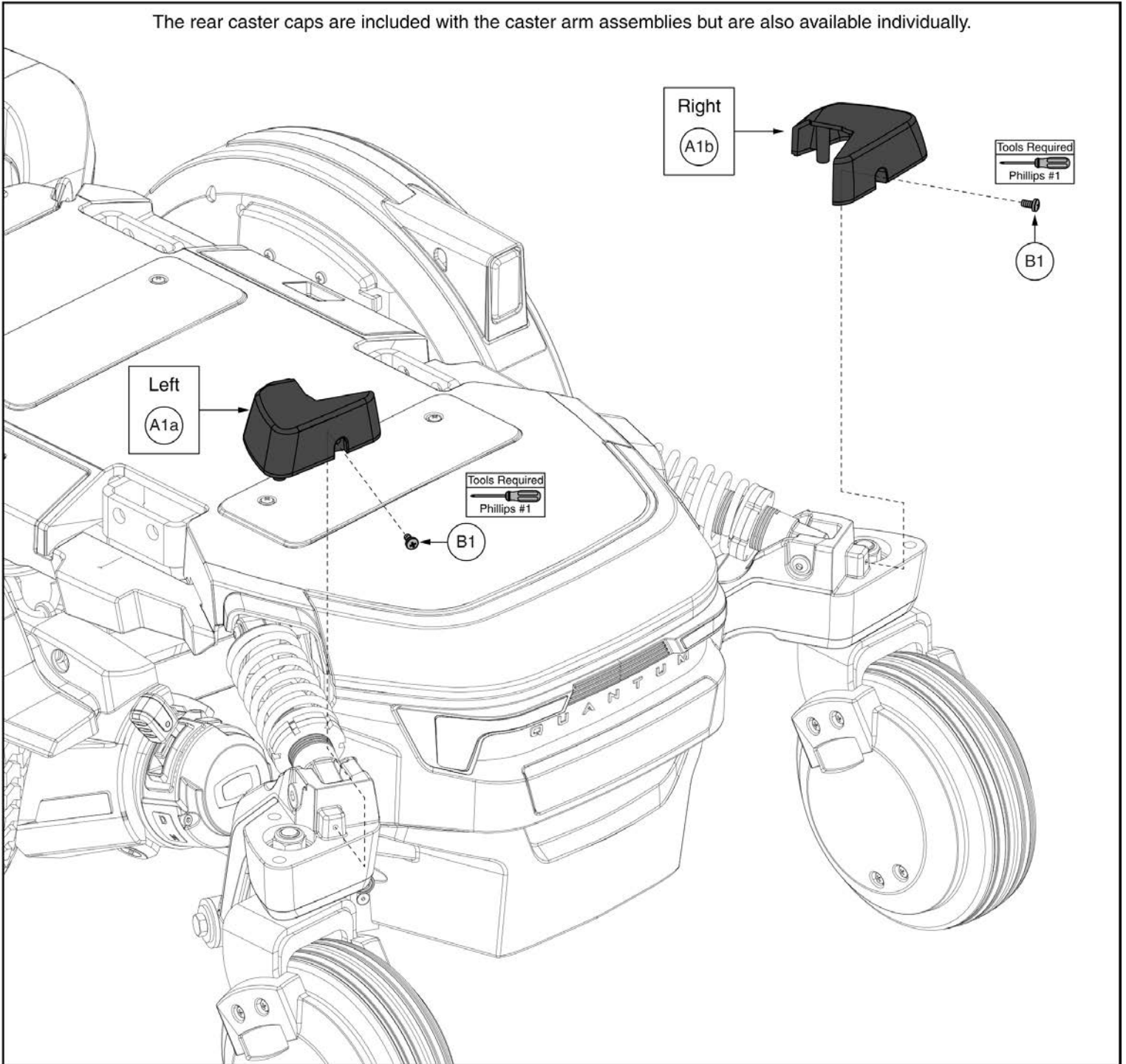
Item	Part No.	Name	Qty
P1b	DGN2400120-WCM9-PCL2	SIDE INSERT WITH CATCH, RIGHT, BLACK CAMOUFLAGE, PWT-CMO-09, MATTE CLEARCOAT, PPW-CLR-02	1
Q1a	DGN2400119-WFL2	SIDE INSERT WITH CATCH, LEFT, FADED GLORY, PWT-FLG-02	1
Q1b	DGN2400120-WFL2	SIDE INSERT WITH CATCH, RIGHT, FADED GLORY, PWT-FLG-02	1



**Center Shroud, Q6 Edge® 4**

<b>Item</b>	<b>Part No.</b>	<b>Name</b>	<b>Qty</b>
A1	DGN2400118	MAIN CARRIER SHROUD WITH CATCHES	1
B1	SCRPPH1036	SCREW, PAN HEAD, TYPE H, M4X0.7 X 8, FT, ISO 7045, CL 4.8, BZ	4

The rear caster caps are included with the caster arm assemblies but are also available individually.



**Rear Caster Caps, Q6 Edge® 4**

<b>Item</b>	<b>Part No.</b>	<b>Name</b>	<b>Qty</b>
A1a	DGN2305994	REAR CASTER ARM CAP LEFT	1
A1b	DGN2402826	REAR CASTER ARM CAP RIGHT	1
B1	SCRPPH1036	SCREW, PAN HEAD, TYPE H, M4X0.7 X 8, FT, ISO 7045, CL 4.8, BZ	2

# Complete Shroud Assemblies without Lights, Q6 Edge® 4

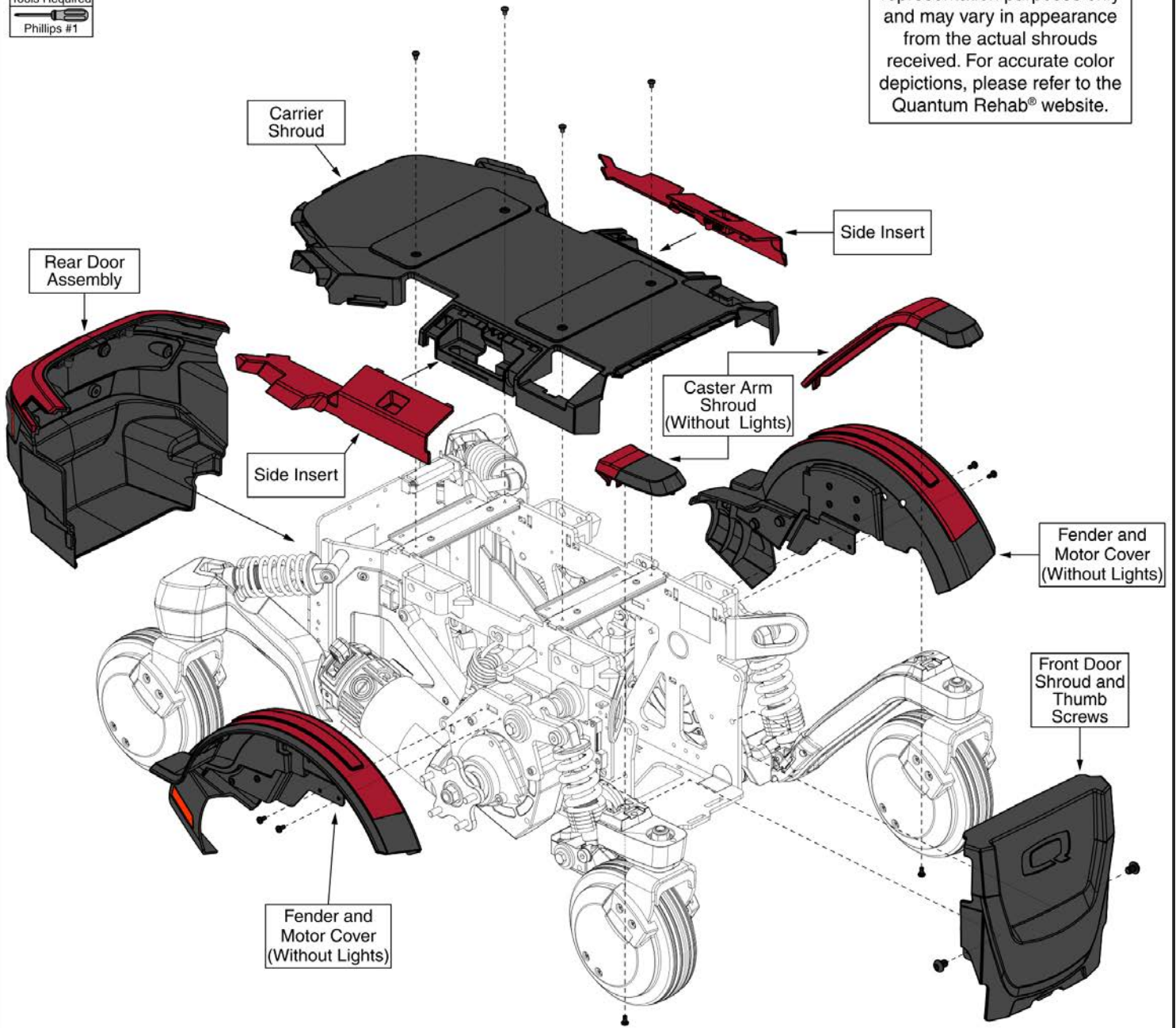
## Complete Shroud Assemblies (Without Lights)

Complete shroud assemblies (A1) through (P1) include all the components shown. For individual part selection, refer to the corresponding component pages. Rear caster arm shrouds not included.

Ref#	Color Name	Ref#	Color Name	Ref#	Color Name
(A1)	Back in Black	(G1)	Cosmic Purple	(M1)	Evolution Orange
(B1)	Night Train	(H1)	Royale Blue	(N1)	Lemon Crush
(C1)	Ghost Gray	(I1)	Blue Jean	(O1)	Digital Camo
(D1)	Inferno Red	(J1)	Steel Blue	(P1)	Black Camo
(E1)	Pretty in Pink	(K1)	Bermuda Blue	(Q1)	Faded Glory
(F1)	Ice Pink	(L1)	Forest Green		

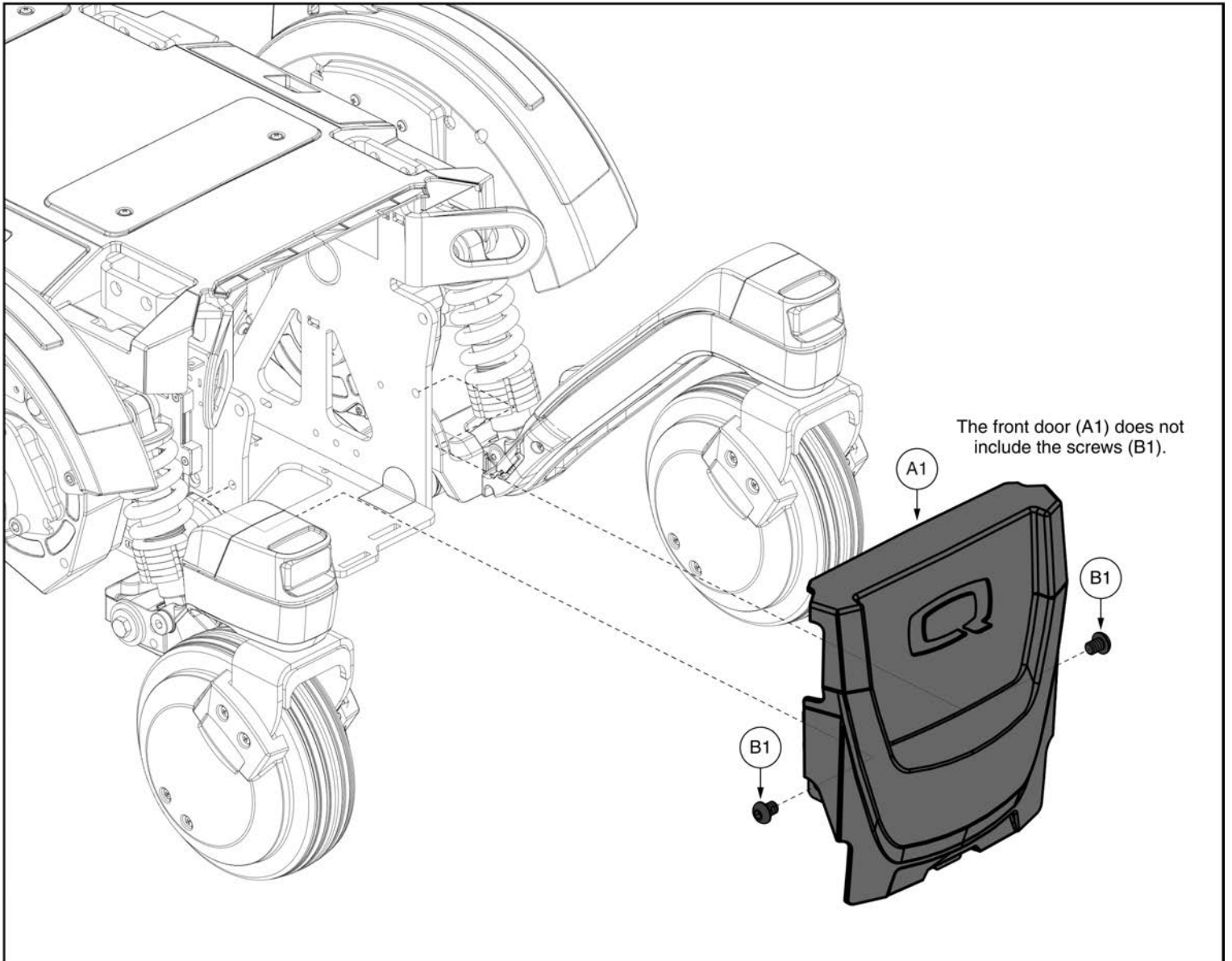
**Tools Required**  
Phillips #1

The colors shown are for representation purposes only and may vary in appearance from the actual shrouds received. For accurate color depictions, please refer to the Quantum Rehab® website.



## Complete Shroud Assemblies without Lights, Q6 Edge® 4

Item	Part No.	Name	Qty
A1	DGN2401065-PBK1	SHROUD, ASSY, BACK IN BLACK, REFLECTORS	1
B1	DGN2401065-PBK3	SHROUD, ASSY, NIGHT TRAIN, REFLECTORS	1
C1	DGN2401065-PGY6	SHROUD, ASSY, GHOST GRAY, REFLECTORS	1
D1	DGN2401065-PRD5	SHROUD, ASSY, INFERNO RED, REFLECTORS	1
E1	DGN2401065-PPK3	SHROUD, ASSY, PRETTY IN PINK, REFLECTORS	1
F1	DGN2401065-PPK5	SHROUD, ASSY, ICE PINK, REFLECTORS	1
G1	DGN2401065-PPR8	SHROUD, ASSY, COSMIC PURPLE, REFLECTORS	1
H1	DGN2401065-PBU14	SHROUD, ASSY, ROYALE BLUE, REFLECTORS	1
I1	DGN2401065-PBU11	SHROUD, ASSY, BLUE JEAN, REFLECTORS	1
J1	DGN2401065-PBU13	SHROUD, ASSY, STEEL BLUE, REFLECTORS	1
K1	DGN2401065-PBU15	SHROUD, ASSY, BERMUDA BLUE, REFLECTORS	1
L1	DGN2401065-PGN13	SHROUD, ASSY, FOREST GREEN, REFLECTORS	1
M1	DGN2401065-POR7	SHROUD, ASSY, EVOLUTION ORANGE, REFLECTORS	1
N1	DGN2401065-PYL4	SHROUD, ASSY, LEMON CRUSH, REFLECTORS	1
O1	DGN2401065-WCM7	SHROUD, ASSY, MILITARY DIGITAL CAMO, REFLECTORS	1
P1	DGN2401065-WCM9-PCL2	SHROUD, ASSY, BLACK CAMOUFLAGE, REFLECTORS	1
Q1	DGN2401065-WFL2	SHROUD, ASSY, FADED GLORY, REFLECTORS	1



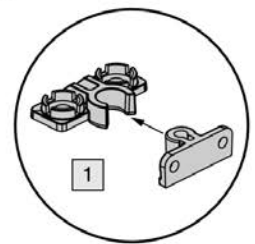
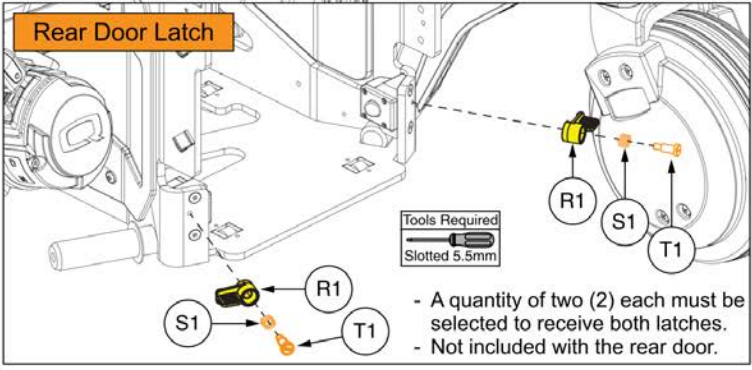
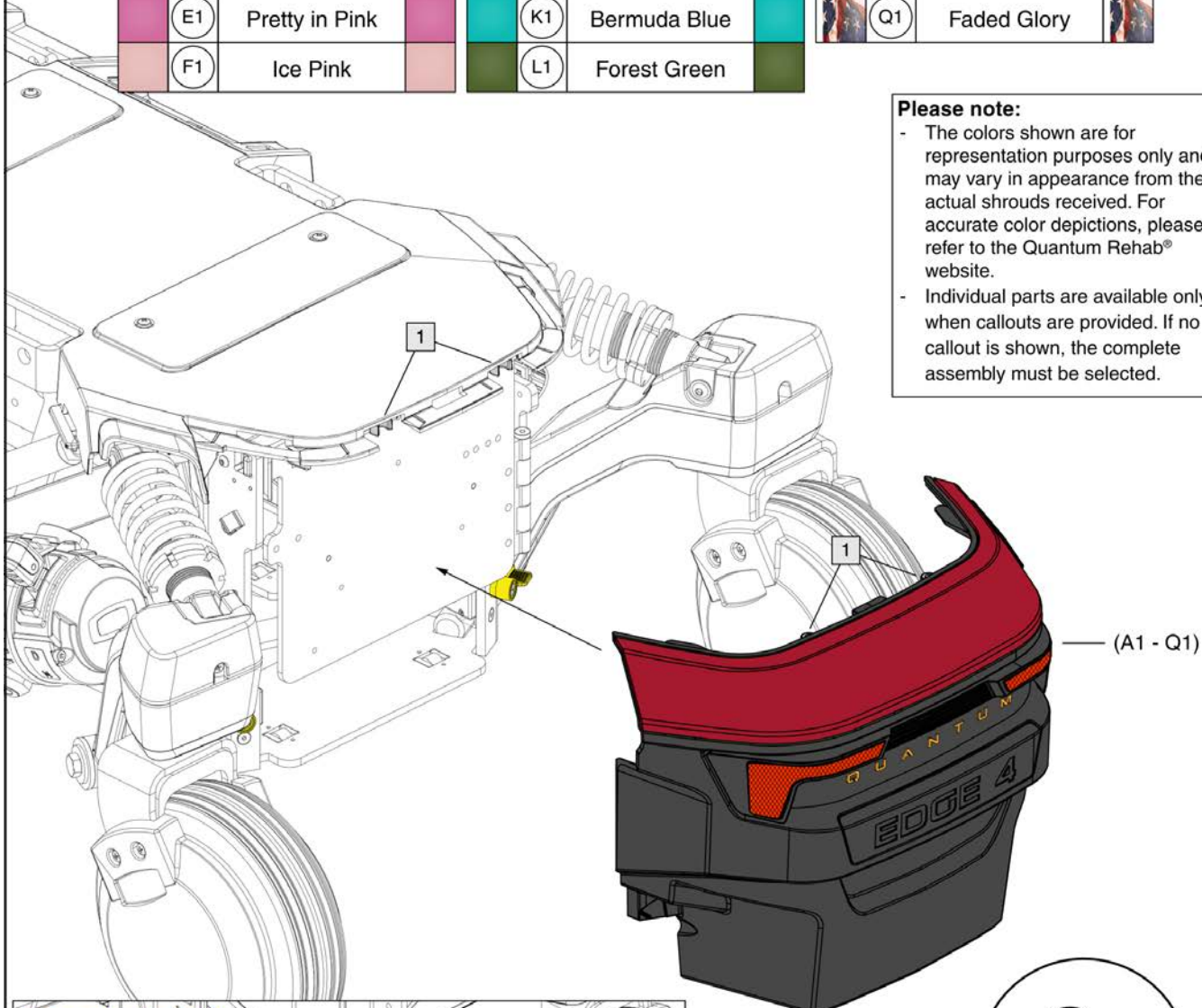
**Front Door Shroud, Q6 Edge® 4**

Item	Part No.	Name	Qty
A1	DGN2400229	FRONT DOOR WITH WIRE GUIDE	1
B1	HDW154279	SCREW, BUTTON HEAD, M8X1.25 X 10, ISO 7380-1, CL 10.9, BZ, PVTP	2

Ref#	Color Name	Ref#	Color Name	Ref#	Color Name
(A1)	Back in Black	(G1)	Cosmic Purple	(M1)	Evolution Orange
(B1)	Night Train	(H1)	Royale Blue	(N1)	Lemon Crush
(C1)	Ghost Gray	(I1)	Blue Jean	(O1)	Digital Camo
(D1)	Inferno Red	(J1)	Steel Blue	(P1)	Black Camo
(E1)	Pretty in Pink	(K1)	Bermuda Blue	(Q1)	Faded Glory
(F1)	Ice Pink	(L1)	Forest Green		

**Please note:**

- The colors shown are for representation purposes only and may vary in appearance from the actual shrouds received. For accurate color depictions, please refer to the Quantum Rehab® website.
- Individual parts are available only when callouts are provided. If no callout is shown, the complete assembly must be selected.



The male catch assembly is included with the rear door. The female catch assembly is included with the carrier shroud.

## Rear Door Assembly, Q6 Edge® 4

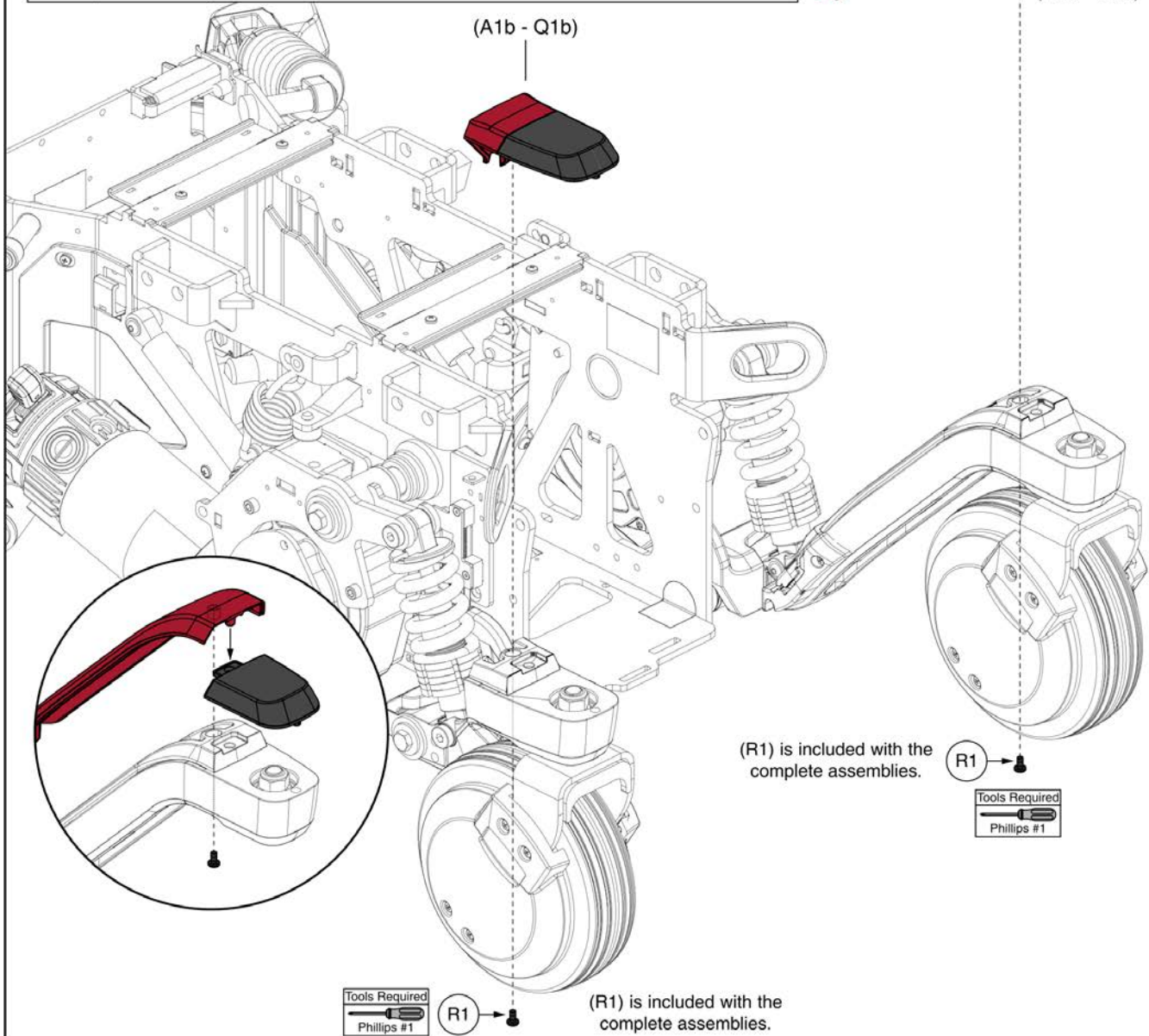
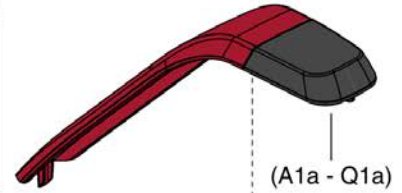
Item	Part No.	Name	Qty
A1	DGN2401049-PBK1	REAR DOOR ASSEMBLY, BACK IN BLACK	1
B1	DGN2401049-PBK3	REAR DOOR ASSEMBLY, NIGHT TRAIN	1
C1	DGN2401049-PGY6	REAR DOOR ASSEMBLY, GHOST GRAY	1
D1	DGN2401049-PRD5	REAR DOOR ASSEMBLY, INFERNO RED	1
E1	DGN2401049-PPK3	REAR DOOR ASSEMBLY, PRETTY IN PINK	1
F1	DGN2401049-PPK5	REAR DOOR ASSEMBLY, ICE PINK	1
G1	DGN2401049-PPR8	REAR DOOR ASSEMBLY, COSMIC PURPLE	1
H1	DGN2401049-PBU14	REAR DOOR ASSEMBLY, ROYALE BLUE	1
I1	DGN2401049-PBU11	REAR DOOR ASSEMBLY, BLUE JEAN	1
J1	DGN2401049-PBU13	REAR DOOR ASSEMBLY, STEEL BLUE	1
K1	DGN2401049-PBU15	REAR DOOR ASSEMBLY, BERMUDA BLUE	1
L1	DGN2401049-PGN13	REAR DOOR ASSEMBLY, FOREST GREEN	1
M1	DGN2401049-POR7	REAR DOOR ASSEMBLY, EVOLUTION ORANGE	1
N1	DGN2401049-PYL4	REAR DOOR ASSEMBLY, LEMON CRUSH	1
O1	DGN2401049-WCM7	REAR DOOR ASSEMBLY, MILITARY DIGITAL CAMO	1
P1	DGN2401049-WCM9-PCL2	REAR DOOR ASSEMBLY, BLACK CAMOUFLAGE	1
Q1	DGN2401049-WFL2	REAR DOOR ASSEMBLY, FADED GLORY	1
R1	DGN1810713	EDGE MINI CUSTOM LATCH, REAR DOOR	2
S1	MEC1810715	COMPRESSION SPRING, 9 OD X 13 FL, RATE 5.5 N/MM	2
T1	HDW1810714	SCREW, SHOULDER, SLOTTED, 5.5 X 10, M4X0.7, DIN 923	2

# Caster Arm Shrouds, No Lights, Q6 Edge® 4

	Left	Right	Color Name		Left	Right	Color Name		Left	Right	Color Name
	(A1a)	(A1b)	Back in Black		(G1a)	(G1b)	Cosmic Purple		(M1a)	(M1b)	Evolution Orange
	(B1a)	(B1b)	Night Train		(H1a)	(H1b)	Royale Blue		(N1a)	(N1b)	Lemon Crush
	(C1a)	(C1b)	Ghost Gray		(I1a)	(I1b)	Blue Jean		(O1a)	(O1b)	Digital Camo
	(D1a)	(D1b)	Inferno Red		(J1a)	(J1b)	Steel Blue		(P1a)	(P1b)	Black Camo
	(E1a)	(E1b)	Pretty in Pink		(K1a)	(K1b)	Bermuda Blue		(Q1a)	(Q1b)	Faded Glory
	(F1a)	(F1b)	Ice Pink		(L1a)	(L1b)	Forest Green				

**Please note:**

- The colors shown are for representation purposes only and may vary in appearance from the actual shrouds received. For accurate color depictions, please refer to the Quantum Rehab® website.
- Individual parts are available only when callouts are provided. If no callout is shown, the complete assembly must be selected.



## Caster Arm Shrouds, No Lights, Q6 Edge® 4

Item	Part No.	Name	Qty
A1a	DGN2401067-PBK1	CASTER SHROUD, ASSY, LEFT, NO LIGHTS, BACK IN BLACK	1
A1b	DGN2401068-PBK1	CASTER SHROUD, ASSY, RIGHT, NO LIGHTS, BACK IN BLACK	1
B1a	DGN2401067-PBK3	CASTER SHROUD, ASSY, LEFT, NO LIGHTS, NIGHT TRAIN	1
B1b	DGN2401068-PBK3	CASTER SHROUD, ASSY, RIGHT, NO LIGHTS, NIGHT TRAIN	1
C1a	DGN2401067-PGY6	CASTER SHROUD, ASSY, LEFT, NO LIGHTS, GHOST GRAY	1
C1b	DGN2401068-PGY6	CASTER SHROUD, ASSY, RIGHT, NO LIGHTS, GHOST GRAY	1
D1a	DGN2401067-PRD5	CASTER SHROUD, ASSY, LEFT, NO LIGHTS, INFERNO RED	1
D1b	DGN2401068-PRD5	CASTER SHROUD, ASSY, RIGHT, NO LIGHTS, INFERNO RED	1
E1a	DGN2401067-PPK3	CASTER SHROUD, ASSY, LEFT, NO LIGHTS, PRETTY IN PINK	1
E1b	DGN2401068-PPK3	CASTER SHROUD, ASSY, RIGHT, NO LIGHTS, PRETTY IN PINK	1
F1a	DGN2401067-PPK5	CASTER SHROUD, ASSY, LEFT, NO LIGHTS, ICE PINK	1
F1b	DGN2401068-PPK5	CASTER SHROUD, ASSY, RIGHT, NO LIGHTS, ICE PINK	1
G1a	DGN2401067-PPR8	CASTER SHROUD, ASSY, LEFT, NO LIGHTS, COSMIC PURPLE	1
G1b	DGN2401068-PPR8	CASTER SHROUD, ASSY, RIGHT, NO LIGHTS, COSMIC PURPLE	1
H1a	DGN2401067-PBU14	CASTER SHROUD, ASSY, LEFT, NO LIGHTS, ROYALE BLUE	1
H1b	DGN2401068-PBU14	CASTER SHROUD, ASSY, RIGHT, NO LIGHTS, ROYALE BLUE	1
I1a	DGN2401067-PBU11	CASTER SHROUD, ASSY, LEFT, NO LIGHTS, BLUE JEAN	1
I1b	DGN2401068-PBU11	CASTER SHROUD, ASSY, RIGHT, NO LIGHTS, BLUE JEAN	1
J1a	DGN2401067-PBU13	CASTER SHROUD, ASSY, LEFT, NO LIGHTS, STEEL BLUE	1
J1b	DGN2401068-PBU13	CASTER SHROUD, ASSY, RIGHT, NO LIGHTS, STEEL BLUE	1
K1a	DGN2401067-PBU15	CASTER SHROUD, ASSY, LEFT, NO LIGHTS, BERMUDA BLUE	1
K1b	DGN2401068-PBU15	CASTER SHROUD, ASSY, RIGHT, NO LIGHTS, BERMUDA BLUE	1
L1a	DGN2401067-PGN13	CASTER SHROUD, ASSY, LEFT, NO LIGHTS, FOREST GREEN	1
L1b	DGN2401068-PGN13	CASTER SHROUD, ASSY, RIGHT, NO LIGHTS, FOREST GREEN	1
M1a	DGN2401067-POR7	CASTER SHROUD, ASSY, LEFT, NO LIGHTS, EVOLUTION ORANGE	1
M1b	DGN2401068-POR7	CASTER SHROUD, ASSY, RIGHT, NO LIGHTS, EVOLUTION ORANGE	1
N1a	DGN2401067-PYL4	CASTER SHROUD, ASSY, LEFT, NO LIGHTS, LEMON CRUSH	1
N1b	DGN2401068-PYL4	CASTER SHROUD, ASSY, RIGHT, NO LIGHTS, LEMON CRUSH	1
O1a	DGN2401067-WCM7	CASTER SHROUD, ASSY, LEFT, NO LIGHTS, MILITARY DIGITAL CAMO	1
O1b	DGN2401068-WCM7	CASTER SHROUD, ASSY, RIGHT, NO LIGHTS, MILITARY DIGITAL CAMO	1
P1a	DGN2401067-WCM9-PCL2	CASTER SHROUD, ASSY, LEFT, NO LIGHTS, BLACK CAMOUFLAGE	1

This page intentionally left blank

## Caster Arm Shrouds, No Lights, Q6 Edge® 4

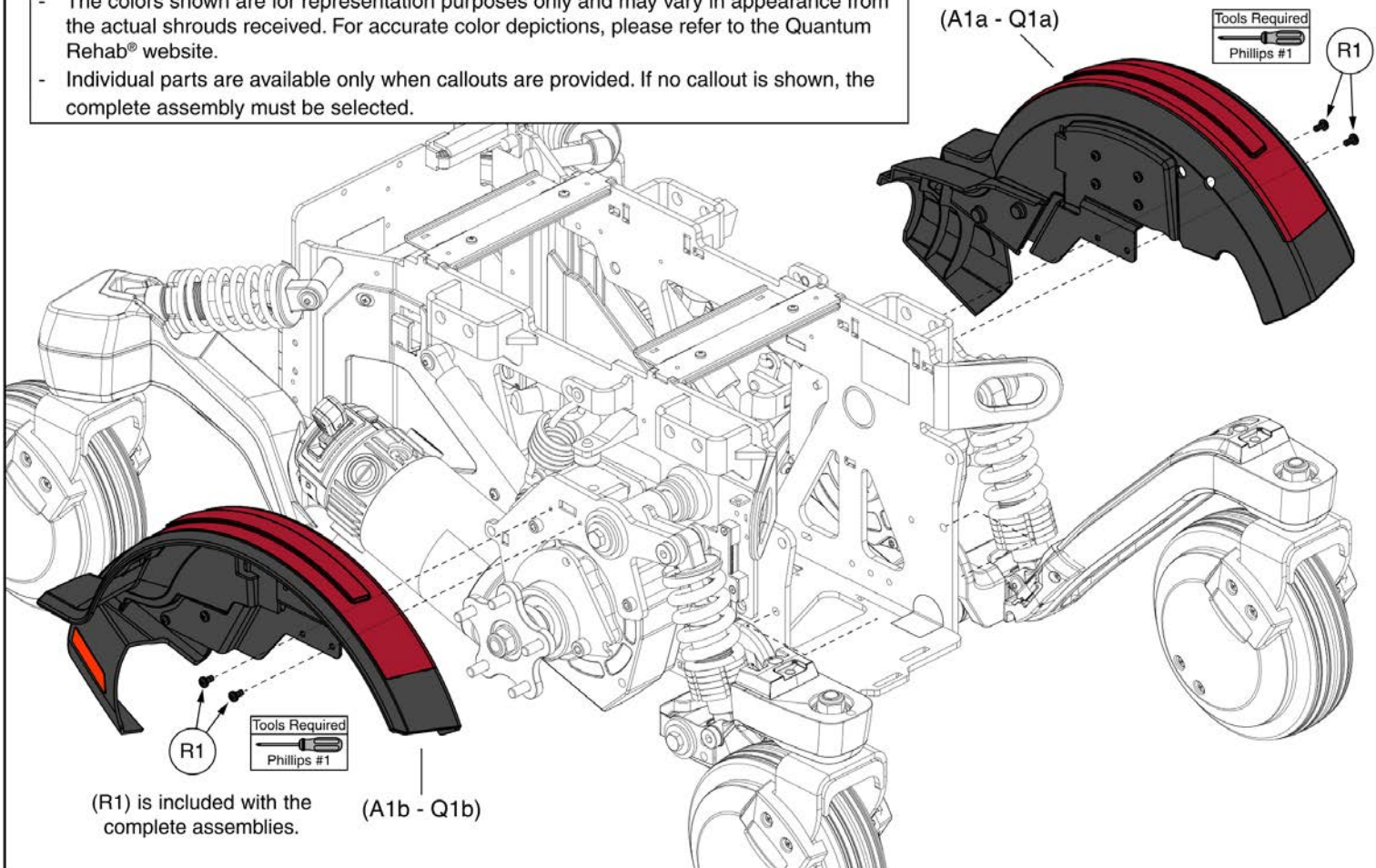
Item	Part No.	Name	Qty
P1b	DGN2401068-WCM9-PCL2	CASTER SHROUD, ASSY, RIGHT, NO LIGHTS, BLACK CAMOUFLAGE	1
Q1a	DGN2401067-WFL2	CASTER SHROUD, ASSY, LEFT, NO LIGHTS, FADED GLORY	1
Q1b	DGN2401068-WFL2	CASTER SHROUD, ASSY, RIGHT, NO LIGHTS, FADED GLORY	1
R1	SCRPPH1036	SCREW, PAN HEAD, TYPE H, M4X0.7 X 8, FT, ISO 7045, CL 4.8, BZ	2

	Left	Right	Color Name		Left	Right	Color Name		Left	Right	Color Name
	(A1a)	(A1b)	Back in Black		(G1a)	(G1b)	Cosmic Purple		(M1a)	(M1b)	Evolution Orange
	(B1a)	(B1b)	Night Train		(H1a)	(H1b)	Royale Blue		(N1a)	(N1b)	Lemon Crush
	(C1a)	(C1b)	Ghost Gray		(I1a)	(I1b)	Blue Jean		(O1a)	(O1b)	Digital Camo
	(D1a)	(D1b)	Inferno Red		(J1a)	(J1b)	Steel Blue		(P1a)	(P1b)	Black Camo
	(E1a)	(E1b)	Pretty in Pink		(K1a)	(K1b)	Bermuda Blue		(Q1a)	(Q1b)	Faded Glory
	(F1a)	(F1b)	Ice Pink		(L1a)	(L1b)	Forest Green				

**Please note:**

- The colors shown are for representation purposes only and may vary in appearance from the actual shrouds received. For accurate color depictions, please refer to the Quantum Rehab® website.
- Individual parts are available only when callouts are provided. If no callout is shown, the complete assembly must be selected.

(R1) is included with the complete assemblies.



## Fender Shrouds, No Lights, Q6 Edge® 4

Item	Part No.	Name	Qty
A1a	DGN2401061-PBK1	FENDER, ASSY, LEFT, NO LIGHTS, BACK IN BLACK	1
A1b	DGN2401062-PBK1	FENDER, ASSY, RIGHT, NO LIGHTS, BACK IN BLACK	1
B1a	DGN2401061-PBK3	FENDER, ASSY, LEFT, NO LIGHTS, NIGHT TRAIN	1
B1b	DGN2401062-PBK3	FENDER, ASSY, RIGHT, NO LIGHTS, NIGHT TRAIN	1
C1a	DGN2401061-PGY6	FENDER, ASSY, LEFT, NO LIGHTS, GHOST GRAY	1
C1b	DGN2401062-PGY6	FENDER, ASSY, RIGHT, NO LIGHTS, GHOST GRAY	1
D1a	DGN2401061-PRD5	FENDER, ASSY, LEFT, NO LIGHTS, INFERNO RED	1
D1b	DGN2401062-PRD5	FENDER, ASSY, RIGHT, NO LIGHTS, INFERNO RED	1
E1a	DGN2401061-PPK3	FENDER, ASSY, LEFT, NO LIGHTS, PRETTY IN PINK	1
E1b	DGN2401062-PPK3	FENDER, ASSY, RIGHT, NO LIGHTS, PRETTY IN PINK	1
F1a	DGN2401061-PPK5	FENDER, ASSY, LEFT, NO LIGHTS, ICE PINK	1
F1b	DGN2401062-PPK5	FENDER, ASSY, RIGHT, NO LIGHTS, ICE PINK	1
G1a	DGN2401061-PPR8	FENDER, ASSY, LEFT, NO LIGHTS, COSMIC PURPLE	1
G1b	DGN2401062-PPR8	FENDER, ASSY, RIGHT, NO LIGHTS, COSMIC PURPLE	1
H1a	DGN2401061-PBU14	FENDER, ASSY, LEFT, NO LIGHTS, ROYALE BLUE	1
H1b	DGN2401062-PBU14	FENDER, ASSY, RIGHT, NO LIGHTS, ROYALE BLUE	1
I1a	DGN2401061-PBU11	FENDER, ASSY, LEFT, NO LIGHTS, BLUE JEAN	1
I1b	DGN2401062-PBU11	FENDER, ASSY, RIGHT, NO LIGHTS, BLUE JEAN	1
J1a	DGN2401061-PBU13	FENDER, ASSY, LEFT, NO LIGHTS, STEEL BLUE	1
J1b	DGN2401062-PBU13	FENDER, ASSY, RIGHT, NO LIGHTS, STEEL BLUE	1
K1a	DGN2401061-PBU15	FENDER, ASSY, LEFT, NO LIGHTS, BERMUDA BLUE	1
K1b	DGN2401062-PBU15	FENDER, ASSY, RIGHT, NO LIGHTS, BERMUDA BLUE	1
L1a	DGN2401061-PGN13	FENDER, ASSY, LEFT, NO LIGHTS, FOREST GREEN	1
L1b	DGN2401062-PGN13	FENDER, ASSY, RIGHT, NO LIGHTS, FOREST GREEN	1
M1a	DGN2401061-POR7	FENDER, ASSY, LEFT, NO LIGHTS, EVOLUTION ORANGE	1
M1b	DGN2401062-POR7	FENDER, ASSY, RIGHT, NO LIGHTS, EVOLUTION ORANGE	1
N1a	DGN2401061-PYL4	FENDER, ASSY, LEFT, NO LIGHTS, LEMON CRUSH	1
N1b	DGN2401062-PYL4	FENDER, ASSY, RIGHT, NO LIGHTS, LEMON CRUSH	1
O1a	DGN2401061-WCM7	FENDER, ASSY, LEFT, NO LIGHTS, MILITARY DIGITAL CAMO	1
O1b	DGN2401062-WCM7	FENDER, ASSY, RIGHT, NO LIGHTS, MILITARY DIGITAL CAMO	1
P1a	DGN2401061-WCM9-PCL2	FENDER, ASSY, LEFT, NO LIGHTS, BLACK CAMOUFLAGE	1

This page intentionally left blank

**Fender Shrouds, No Lights, Q6 Edge® 4**

Item	Part No.	Name	Qty
P1b	DGN2401062-WCM9-PCL2	FENDER, ASSY, RIGHT, NO LIGHTS, BLACK CAMOUFLAGE	1
Q1a	DGN2401061-WFL2	FENDER, ASSY, LEFT, NO LIGHTS, FADED GLORY	1
Q1b	DGN2401062-WFL2	FENDER, ASSY, RIGHT, NO LIGHTS, FADED GLORY	1
R1	SCRPPH1304	SCREW, PAN HEAD, TYPE H, M4X0.7 X 6, ISO 7045 CL 4.8, BZ	4



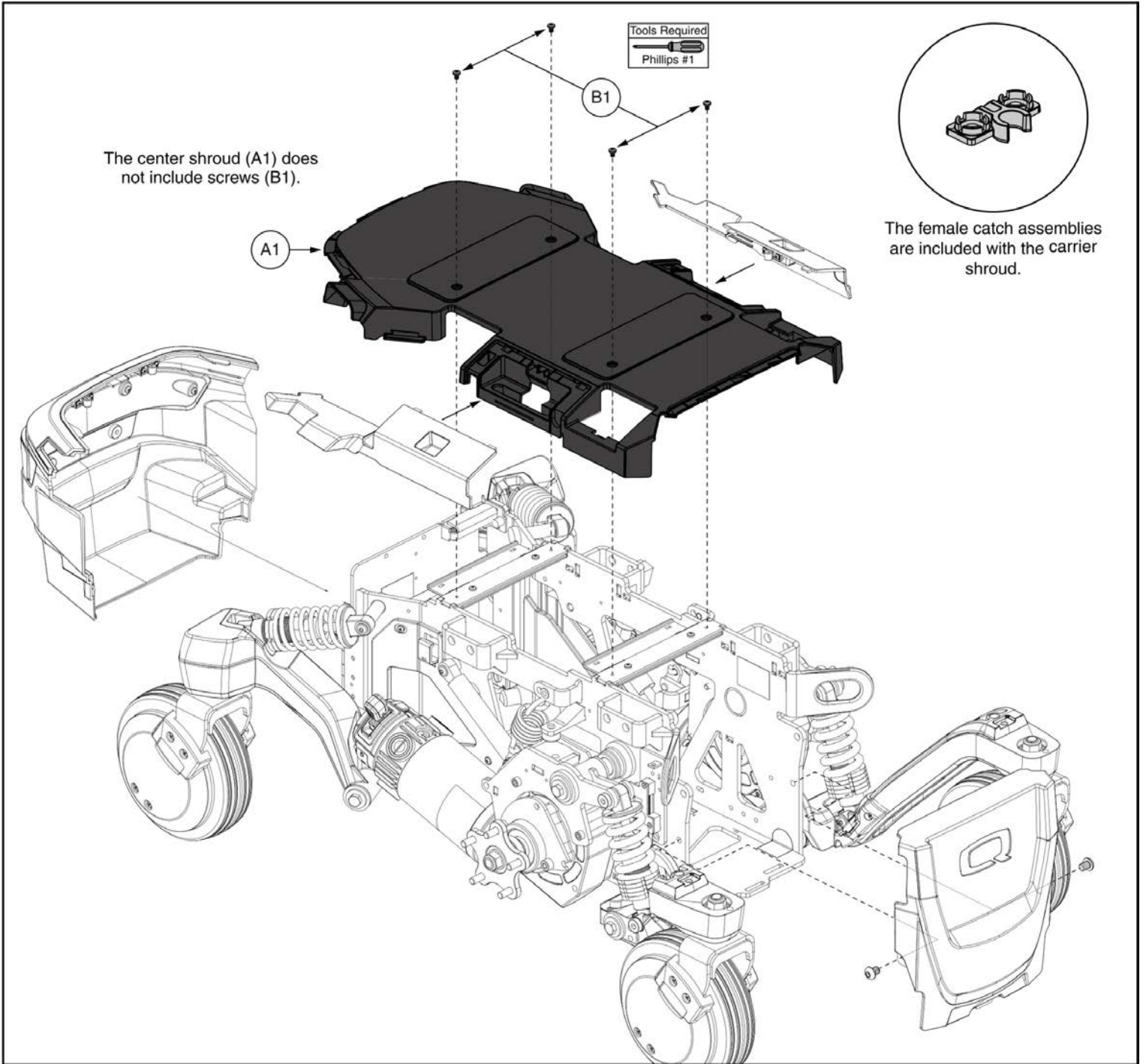
## Side Shroud Assemblies, Q6 Edge® 4

Item	Part No.	Name	Qty
A1a	DGN2400119-PBK1	SIDE INSERT WITH CATCH, LEFT, BACK IN BLACK, PPW-BLK-01	1
A1b	DGN2400120-PBK1	SIDE INSERT WITH CATCH, RIGHT, BACK IN BLACK, PPW-BLK-01	1
B1a	DGN2400119-PBK3	SIDE INSERT WITH CATCH, LEFT, NIGHT TRAIN, PPW-BLK-03	1
B1b	DGN2400120-PBK3	SIDE INSERT WITH CATCH, RIGHT, NIGHT TRAIN, PPW-BLK-03	1
C1a	DGN2400119-PGY6	SIDE INSERT WITH CATCH, LEFT, GHOST GRAY, PPW-GRY-06	1
C1b	DGN2400120-PGY6	SIDE INSERT WITH CATCH, RIGHT, GHOST GRAY, PPW-GRY-06	1
D1a	DGN2400119-PRD5	SIDE INSERT WITH CATCH, LEFT, INFERNO RED, PPW-RED-05	1
D1b	DGN2400120-PRD5	SIDE INSERT WITH CATCH, RIGHT, INFERNO RED, PPW-RED-05	1
E1a	DGN2400119-PPK3	SIDE INSERT WITH CATCH, LEFT, PRETTY IN PINK, PPW-PNK-03	1
E1b	DGN2400120-PPK3	SIDE INSERT WITH CATCH, RIGHT, PRETTY IN PINK, PPW-PNK-03	1
F1a	DGN2400119-PPK5	SIDE INSERT WITH CATCH, LEFT, ICE PINK, PPW-PNK-05	1
F1b	DGN2400120-PPK5	SIDE INSERT WITH CATCH, RIGHT, ICE PINK, PPW-PNK-05	1
G1a	DGN2400119-PPR8	SIDE INSERT WITH CATCH, LEFT, COSMIC PURPLE, PPW-PRP-08	1
G1b	DGN2400120-PPR8	SIDE INSERT WITH CATCH, RIGHT, COSMIC PURPLE, PPW-PRP-08	1
H1a	DGN2400119-PBU14	SIDE INSERT WITH CATCH, LEFT, ROYALE BLUE, PPW-BLU-14	1
H1b	DGN2400120-PBU14	SIDE INSERT WITH CATCH, RIGHT, ROYALE BLUE, PPW-BLU-14	1
I1a	DGN2400119-PBU11	SIDE INSERT WITH CATCH, LEFT, BLUE JEAN, PPW-BLU-11	1
I1b	DGN2400120-PBU11	SIDE INSERT WITH CATCH, RIGHT, BLUE JEAN, PPW-BLU-11	1
J1a	DGN2400119-PBU13	SIDE INSERT WITH CATCH, LEFT, STEEL BLUE, PPW-BLU-13	1
J1b	DGN2400120-PBU13	SIDE INSERT WITH CATCH, RIGHT, STEEL BLUE, PPW-BLU-13	1
K1a	DGN2400119-PBU15	SIDE INSERT WITH CATCH, LEFT, BERMUDA BLUE, PPW-BLU-15	1
K1b	DGN2400120-PBU15	SIDE INSERT WITH CATCH, RIGHT, BERMUDA BLUE, PPW-BLU-15	1
L1a	DGN2400119-PGN13	SIDE INSERT WITH CATCH, LEFT, FOREST GREEN, PPW-GRN-13	1
L1b	DGN2400120-PGN13	SIDE INSERT WITH CATCH, RIGHT, FOREST GREEN, PPW-GRN-13	1
M1a	DGN2400119-POR7	SIDE INSERT WITH CATCH, LEFT, EVOLUTION ORANGE, PPW-ORN-07	1
M1b	DGN2400120-POR7	SIDE INSERT WITH CATCH, RIGHT, EVOLUTION ORANGE, PPW-ORN-07	1
N1a	DGN2400119-PYL4	SIDE INSERT WITH CATCH, LEFT, LEMON CRUSH, PPW-YEL-04	1
N1b	DGN2400120-PYL4	SIDE INSERT WITH CATCH, RIGHT, LEMON CRUSH, PPW-YEL-04	1
O1a	DGN2400119-WCM7	SIDE INSERT WITH CATCH, LEFT, MILITARY DIGITAL CAMO, PWT-CMO-07	1
O1b	DGN2400120-WCM7	SIDE INSERT WITH CATCH, RIGHT, MILITARY DIGITAL CAMO, PWT-CMO-07	1
P1a	DGN2400119-WCM9-PCL2	SIDE INSERT WITH CATCH, LEFT, BLACK CAMOUFLAGE, PWT-CMO-09, MATTE CLEARCOAT, PPW-CLR-02	1

This page intentionally left blank

## Side Shroud Assemblies, Q6 Edge® 4

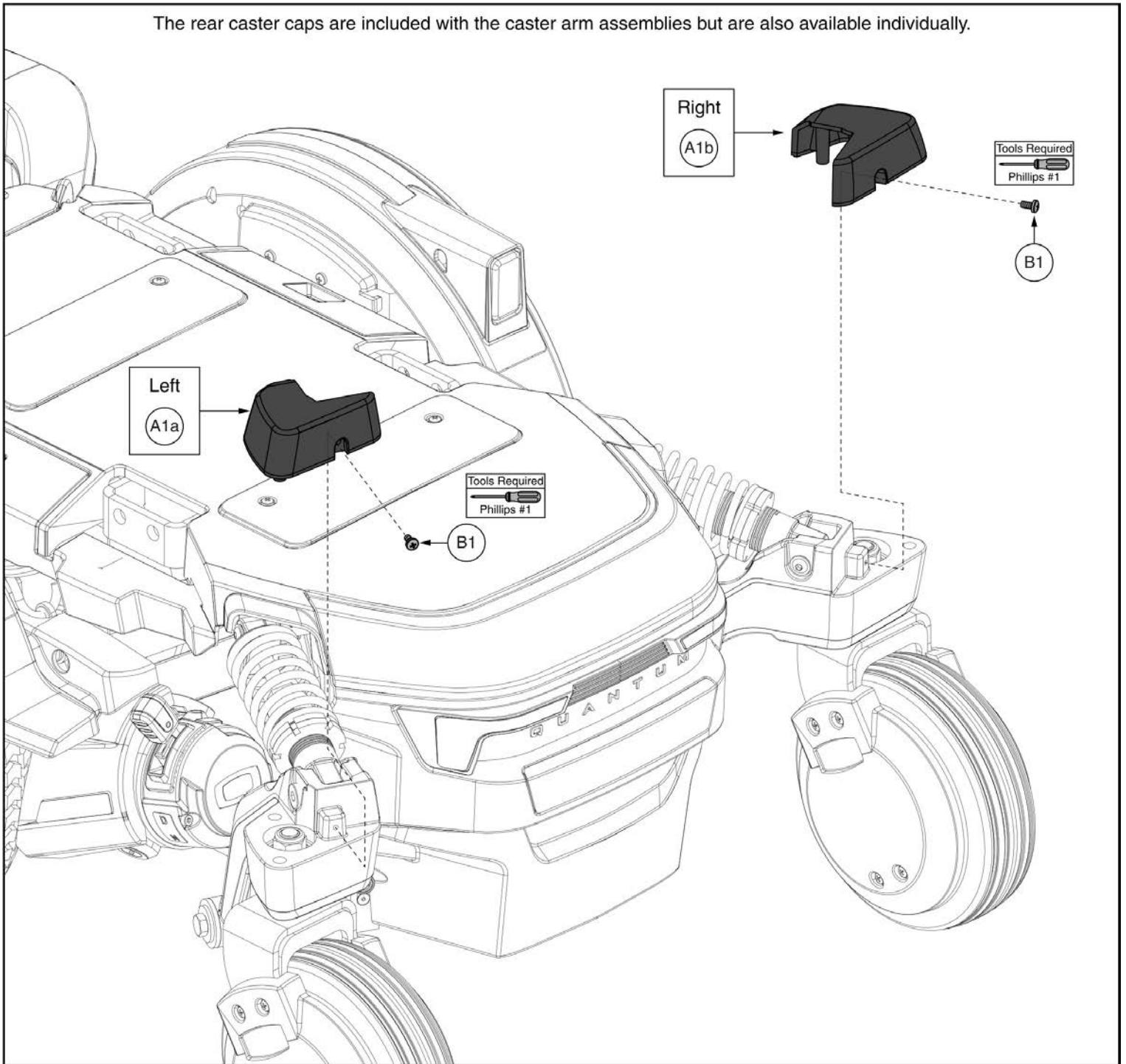
Item	Part No.	Name	Qty
P1b	DGN2400120-WCM9-PCL2	SIDE INSERT WITH CATCH, RIGHT, BLACK CAMOUFLAGE, PWT-CMO-09, MATTE CLEARCOAT, PPW-CLR-02	1
Q1a	DGN2400119-WFL2	SIDE INSERT WITH CATCH, LEFT, FADED GLORY, PWT-FLG-02	1
Q1b	DGN2400120-WFL2	SIDE INSERT WITH CATCH, RIGHT, FADED GLORY, PWT-FLG-02	1



**Center Shroud, Q6 Edge® 4**

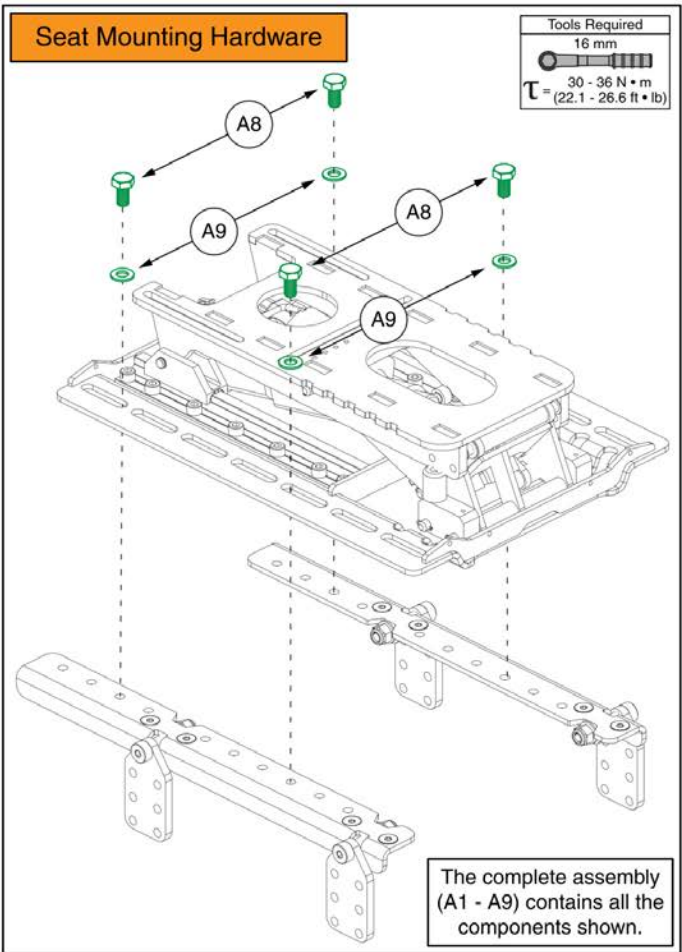
Item	Part No.	Name	Qty
A1	DGN2400118	MAIN CARRIER SHROUD WITH CATCHES	1
B1	SCRPPH1036	SCREW, PAN HEAD, TYPE H, M4X0.7 X 8, FT, ISO 7045, CL 4.8, BZ	4

The rear caster caps are included with the caster arm assemblies but are also available individually.



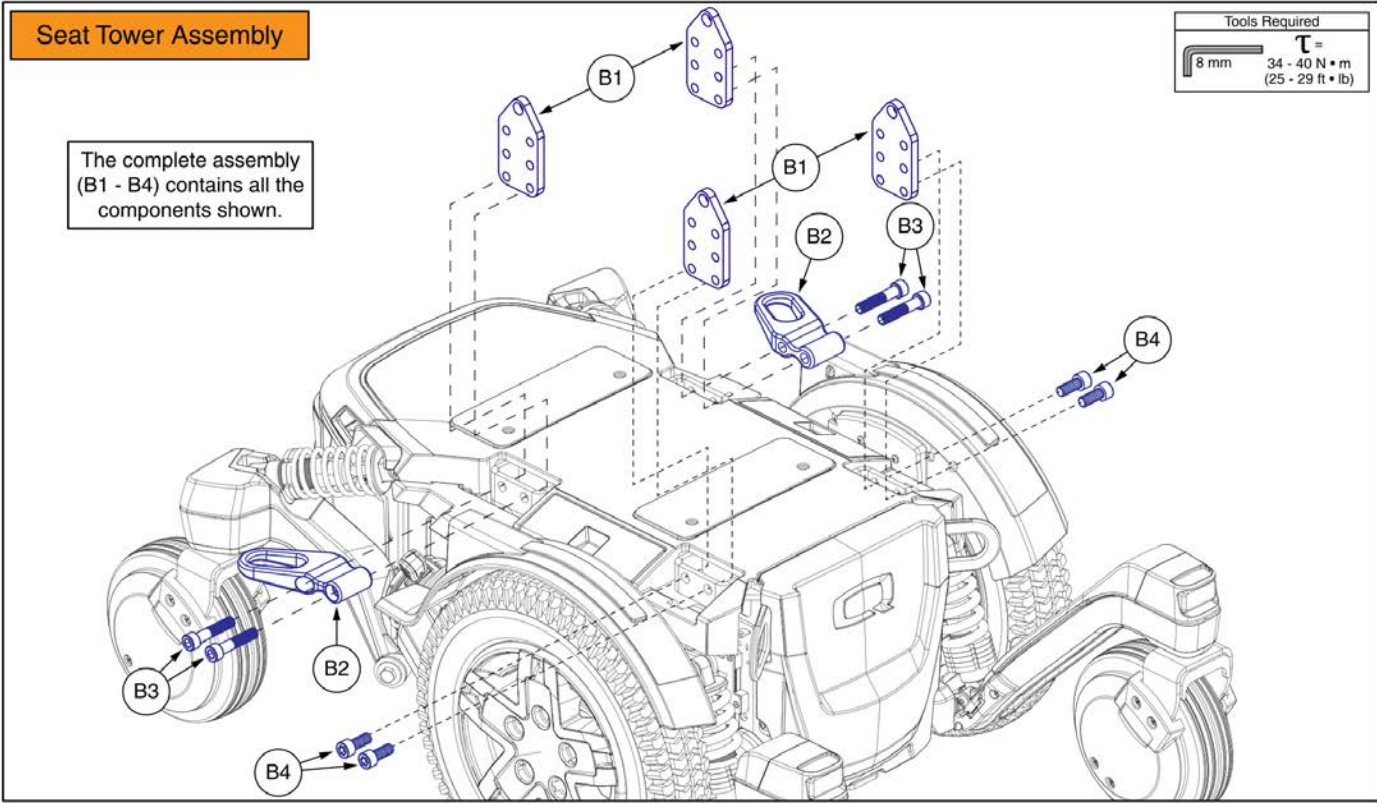
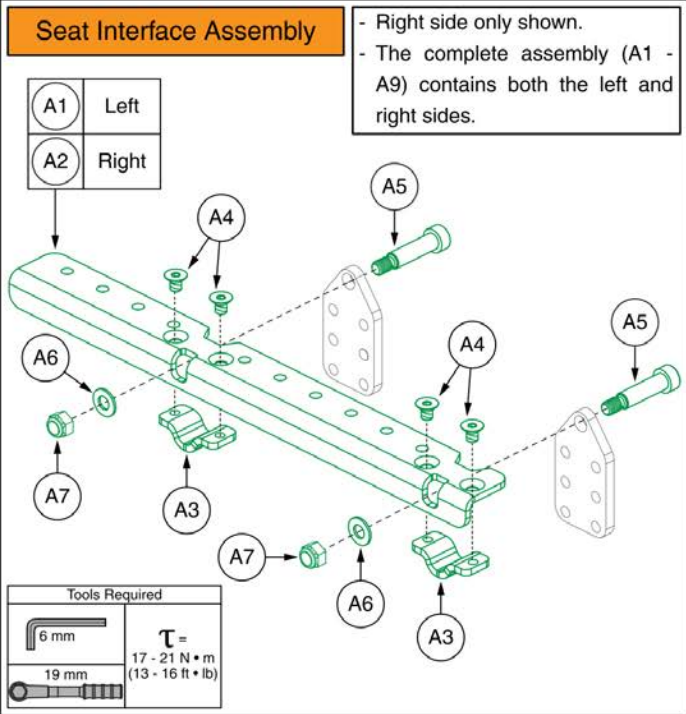
## Rear Caster Caps, Q6 Edge® 4

Item	Part No.	Name	Qty
A1a	DGN2305994	REAR CASTER ARM CAP LEFT	1
A1b	DGN2402826	REAR CASTER ARM CAP RIGHT	1
B1	SCRPPH1036	SCREW, PAN HEAD, TYPE H, M4X0.7 X 8, FT, ISO 7045, CL 4.8, BZ	2



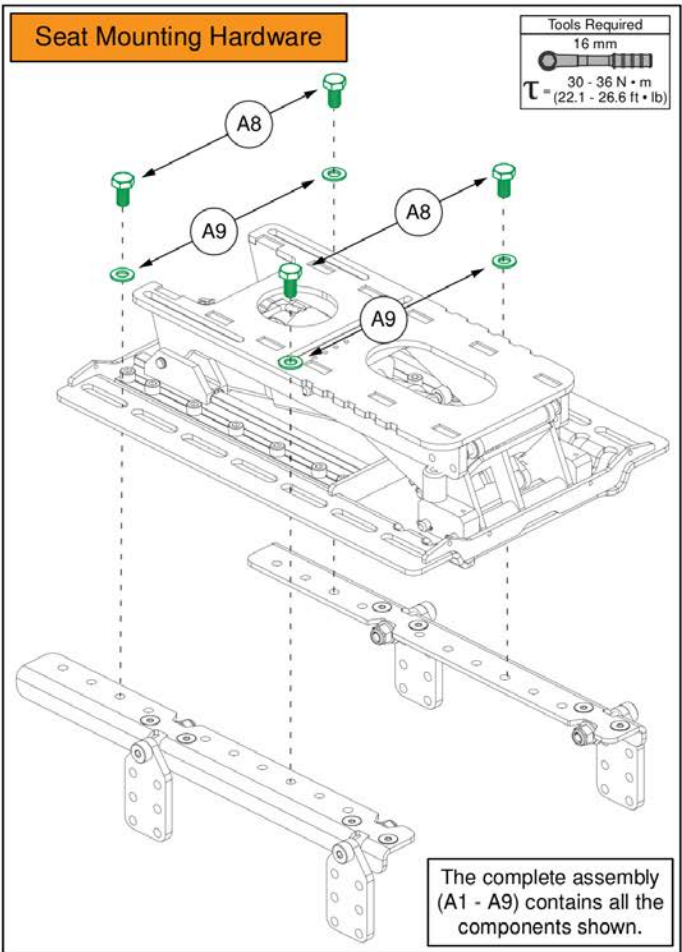
### Complete Assemblies

A1 - A9	Seat Interface Assembly
B1 - B4	Seat Mount Connector Assembly



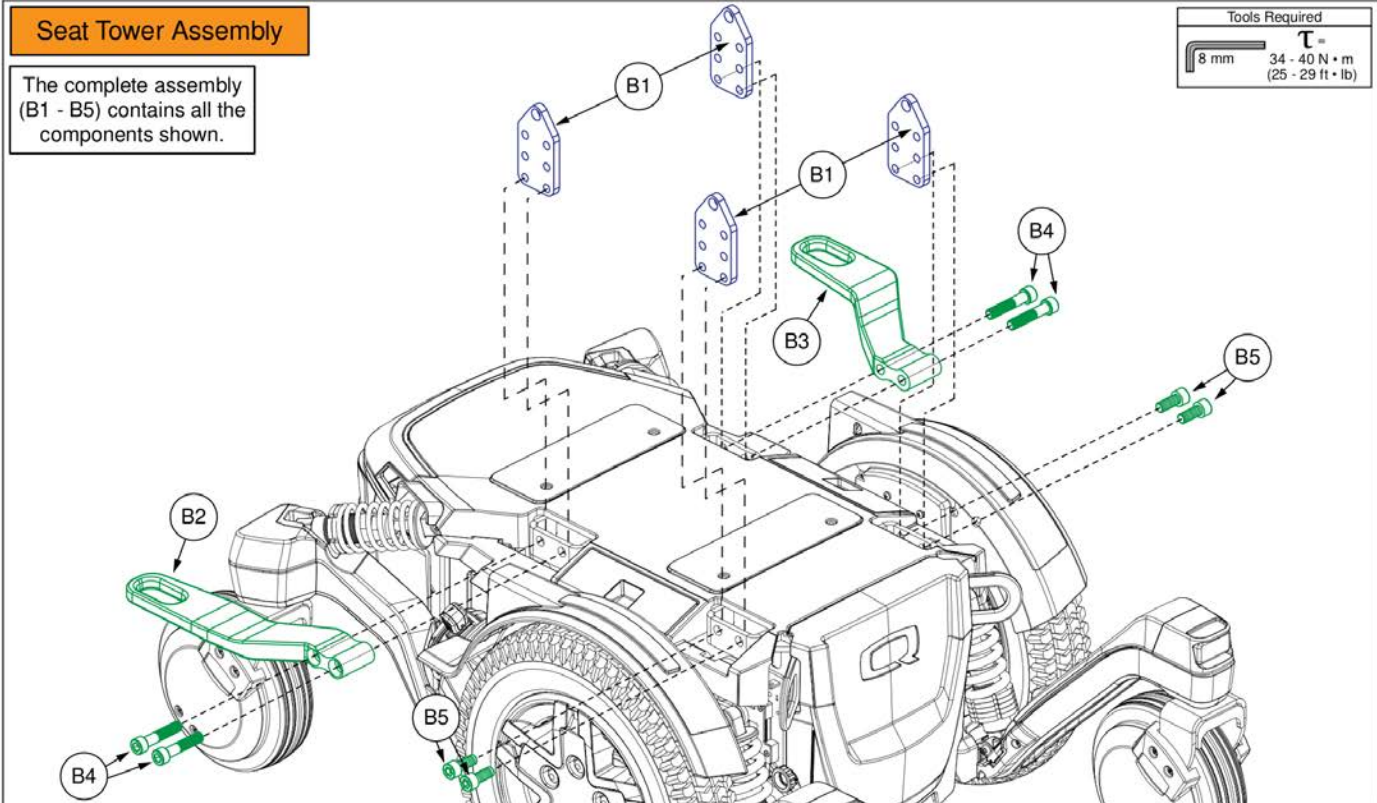
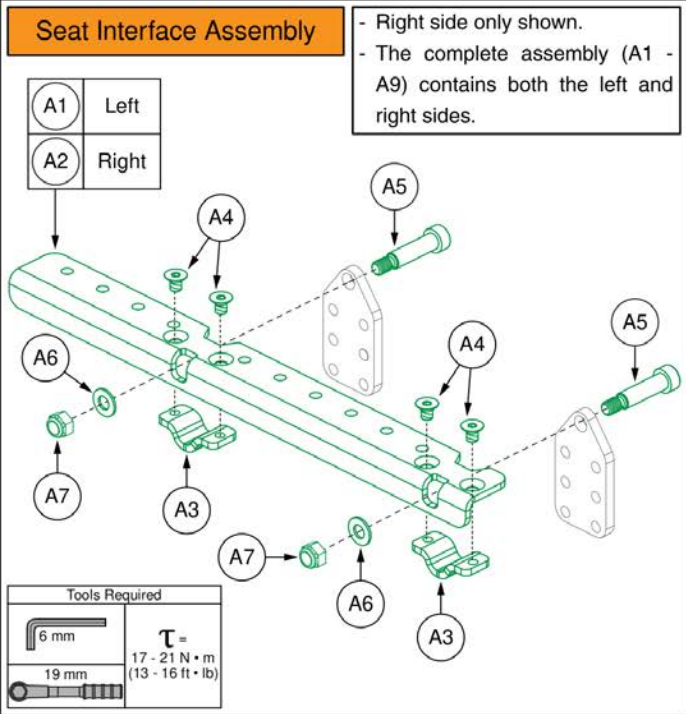
**TRU Balance® 3.5 Tilt Seat Interface, Q6 Edge® 4**

<b>Item</b>	<b>Part No.</b>	<b>Name</b>	<b>Qty</b>
A1 - A9	MEC2103996	HARDWARE,ASSY,ANGLE ADJUSTABLE,Q6EDGE3 STRETTO,TRU-BALANCE 3.5	1
A1	MEC2000429	TILT-STRETTO ANG ADJ INTERFACE A	1
A2	MEC2000551	3.5 TILT STRETTO ANG ADJ INTERFACE B	1
A3	MEC131180	SEATING INTERFACE CLAMP,TRU-BALANCE 3	4
A4	HDW145729	SCREW, FLAT HEAD, M8X1.25 X 12, ISO 10642, CL 10.9, BZ, PVTP	8
A5	HDW2000592	SCREW, SHOULDER, 12 X 40, M10X1.5, CL 12.9, BLACK (DWG: 2000592)	4
A6	WASSAE1006	WASHER, CIRCULAR, HARDENED, .375 ID X .813 OD X .06 THK, ASTM F436, BZ	4
A7	NUTNYLK1094	NUT, LOCK, PVTP, M10X1.5, ISO 7040, CL 5, BZ	4
A8	HDW120048	SCREW, HEX HEAD, M10X1.5 X 20, ISO 4017, CL 10.9, BLK, PVTP	4
A9	WASMETR1031	WASHER, FLAT, 10.5 ID X 20 OD X 2 THK, ISO 7089-10-200HV, BZ	4
B1 - B4	MEC2103990	SEAT INTERFACE,ASSY,TB3.5 TILT,Q6EDGE 3 STRETTO	1
B1	MEC2000428	SEATING INTERFACE BRACKET, ANG ADJ, 2020	4
B2	MEC2101893	TRANSIT LOOP SERVICE ASSEMBLY W/ UNOCCUPIED LABELS	2
B3	HDW142810	SCREW, SOCKET HEAD, M10 X 50, ISO 4762, CL 12.9, BZ, PVTP	4
B4	SCRSHCS1340	SCREW, SOCKET HEAD, M10X1.5 X 20, ISO 4762, CL 12.9, BZ, PVTP	4



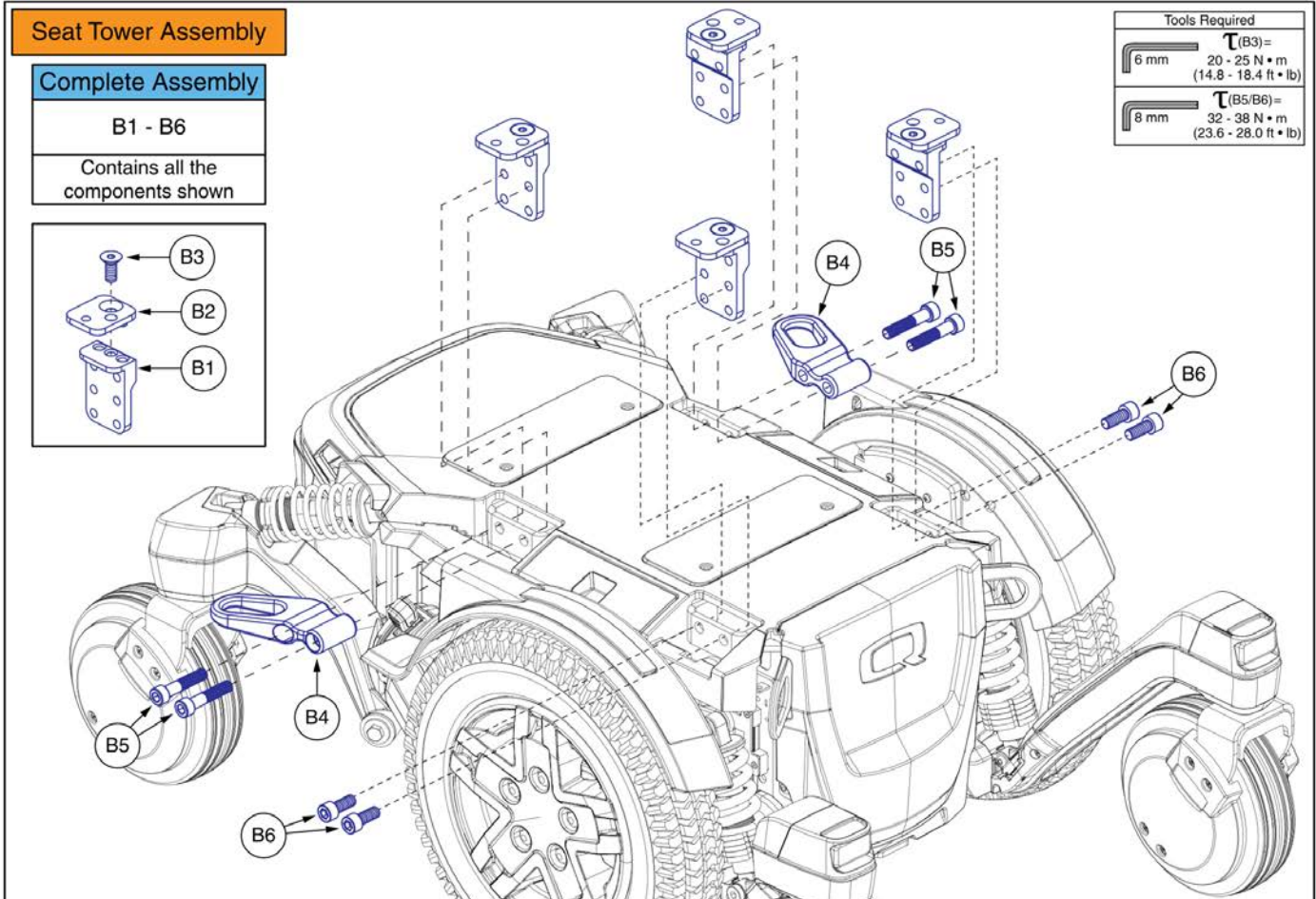
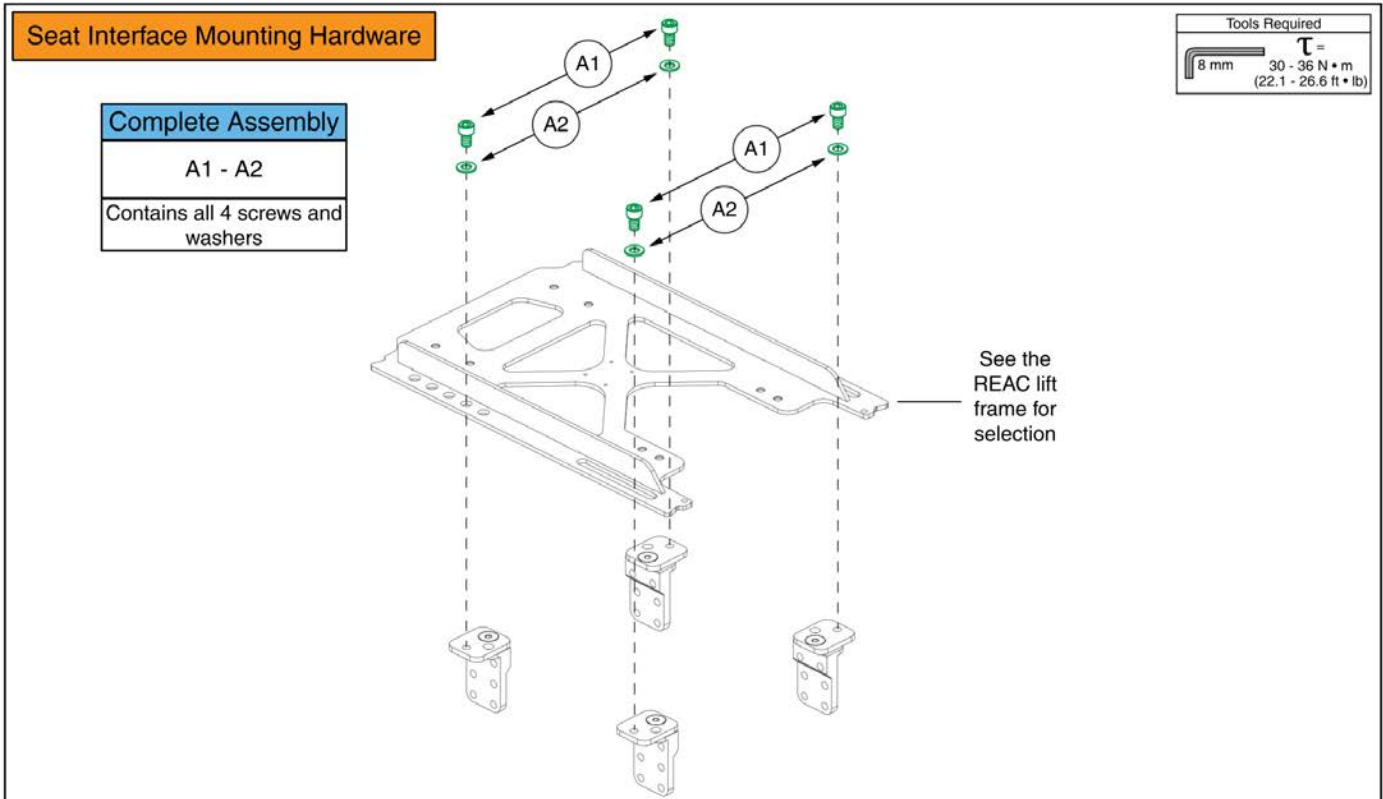
### Complete Assemblies

A1 - A9	Seat Interface Assembly
B1 - B5	Seat Mount Connector Assembly



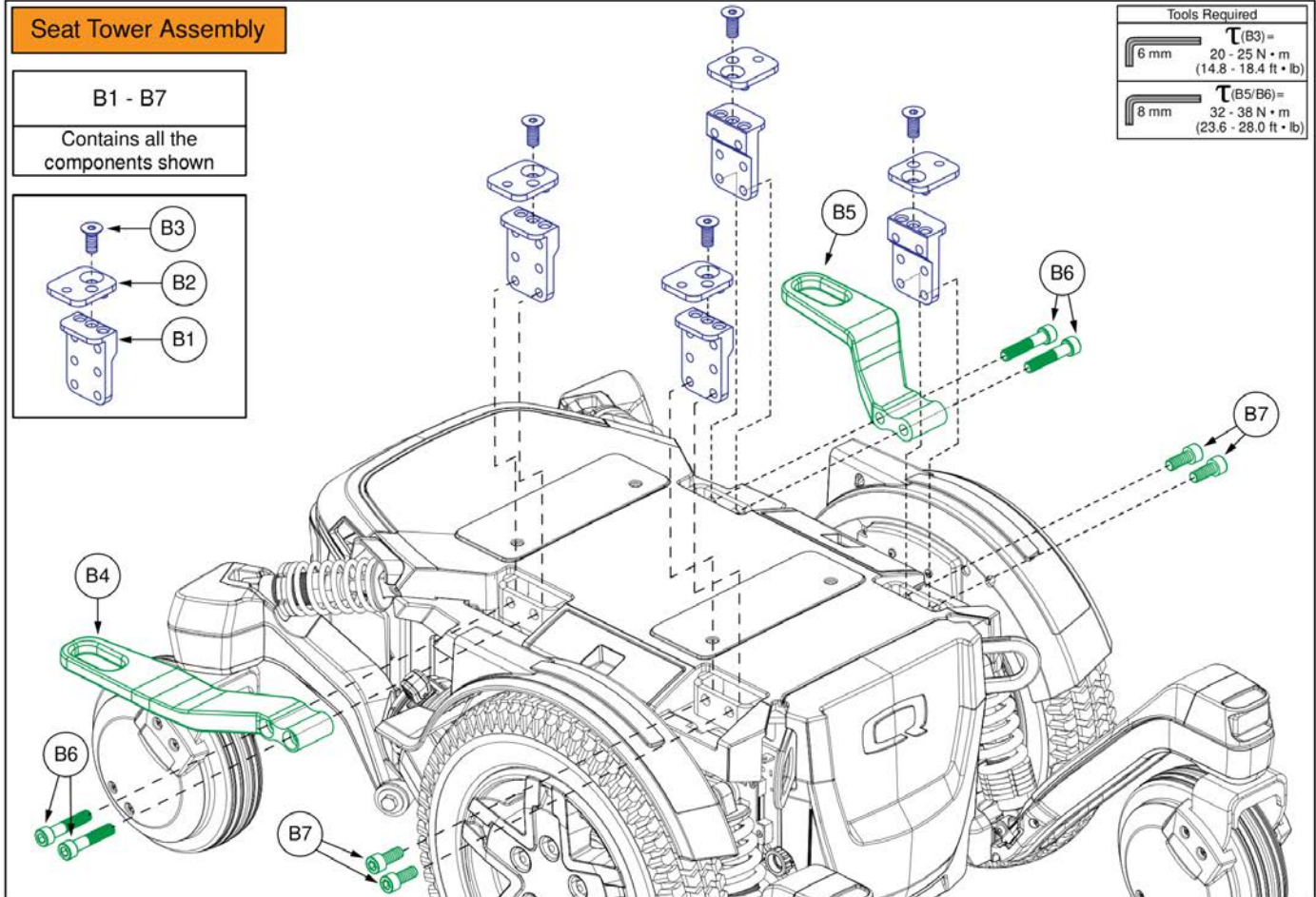
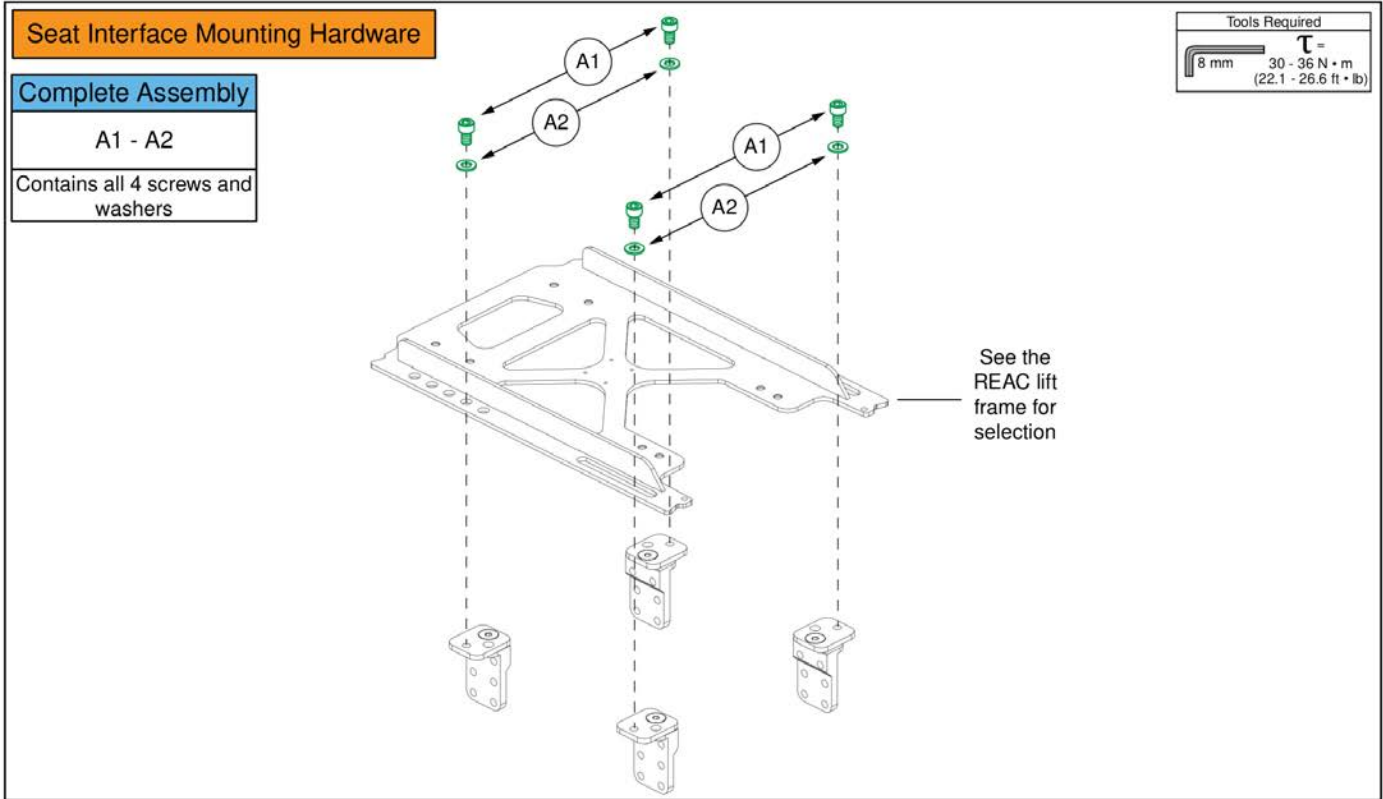
**TRU Balance® 3.5 Tilt Seat Interface, Occupied Transit, Q6 Edge® 4**

Item	Part No.	Name	Qty
A1 - A9	MEC2103996	HARDWARE,ASSY,ANGLE ADJUSTABLE,Q6EDGE3 STRETTO,TRU-BALANCE 3.5	1
A1	MEC2000429	TILT-STRETTO ANG ADJ INTERFACE A	1
A2	MEC2000551	3.5 TILT STRETTO ANG ADJ INTERFACE B	1
A3	MEC131180	SEATING INTERFACE CLAMP,TRU-BALANCE 3	4
A4	HDW145729	SCREW, FLAT HEAD, M8X1.25 X 12, ISO 10642, CL 10.9, BZ, PVTP	8
A5	HDW2000592	SCREW, SHOULDER, 12 X 40, M10X1.5, CL 12.9, BLACK (DWG: 2000592)	4
A6	WASSAE1006	WASHER, CIRCULAR, HARDENED, .375 ID X .813 OD X .06 THK, ASTM F436, BZ	4
A7	NUTNYLK1094	NUT, LOCK, PVTP, M10X1.5, ISO 7040, CL 5, BZ	4
A8	HDW120048	SCREW, HEX HEAD, M10X1.5 X 20, ISO 4017, CL 10.9, BLK, PVTP	4
A9	WASMETR1031	WASHER, FLAT, 10.5 ID X 20 OD X 2 THK, ISO 7089-10-200HV, BZ	4
B1 - B5	MEC2600732	SEAT INTERFACE, ASSY, TB3.5 TILT ANGLE ADJUSTABLE, Q6EDGE 4	1
B1	MEC2000428	SEATING INTERFACE BRACKET, ANG ADJ, 2020	4
B2	MEC2503686	TRANSIT LOOP, EXTENDED, RIGHT	1
B3	MEC2503687	TRANSIT LOOP, EXTENDED, LEFT	1
B4	HDW142810	SCREW, SOCKET HEAD, M10 X 50, ISO 4762, CL 12.9, BZ, PVTP	4
B5	SCRSHCS1340	SCREW, SOCKET HEAD, M10X1.5 X 20, ISO 4762, CL 12.9, BZ, PVTP	4



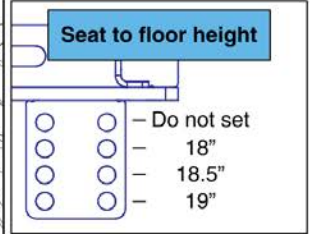
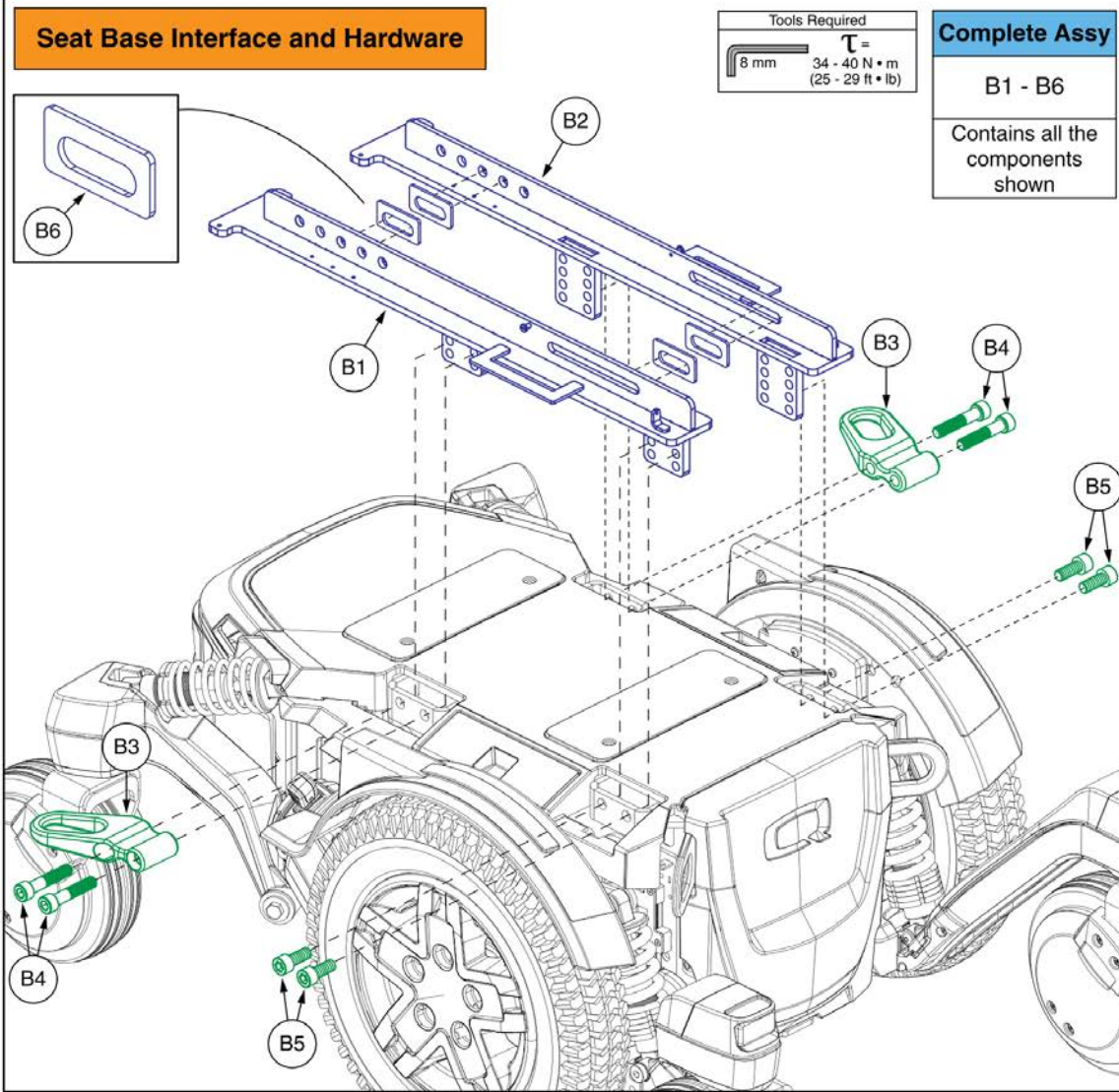
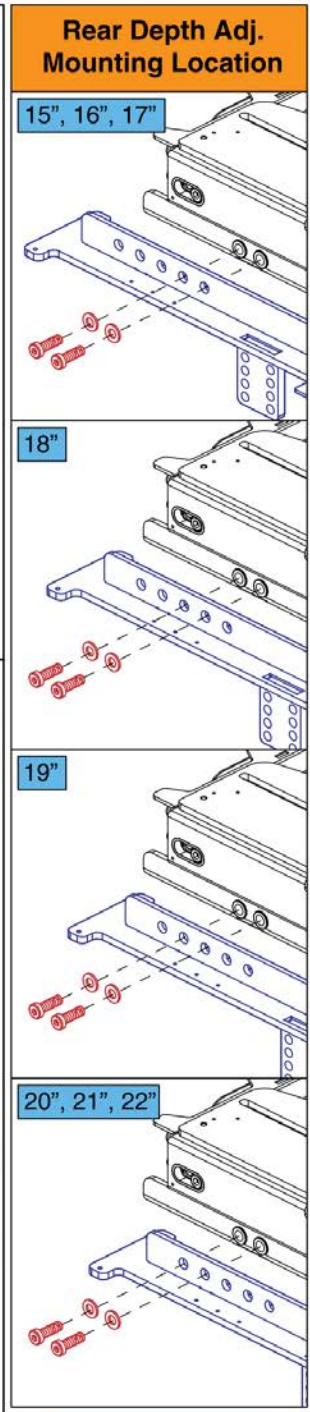
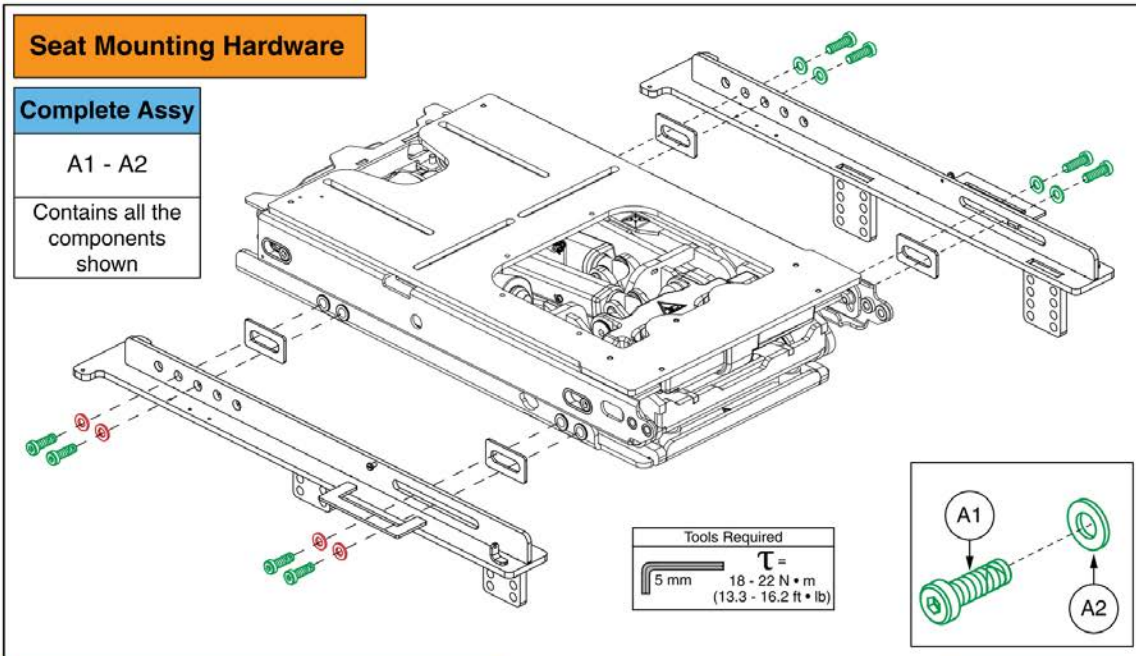
**REAC Lift Seat Towers and Hardware, Universal Lift, Q6 Edge® 4**

<b>Item</b>	<b>Part No.</b>	<b>Name</b>	<b>Qty</b>
A1 - A2	MEC2500381	HARDWARE,ASSY,TRU-BALANCE 3,UNIVERSAL LIFT,STRETTO	1
A1	HDW133681	SCREW, SOCKET HEAD, M10X1.5 X 16, ISO 4762, CL 12.9, BZ, PVTP	4
A2	WASMETR1031	WASHER, FLAT, 10.5 ID X 20 OD X 2 THK, ISO 7089-10-200HV, BZ	4
B1 - B6	MEC2500379	SEAT INTERFACE,ASSY,UNIVERSAL LIFT, TRANSIT PACKAGE,STRETTO	1
B1	MEC2002388	LOW PROFILE TOWER - UNIVERSAL TB3 LIFT INTERFACE	4
B2	MEC2002389	STRETTO AND 4FRONT SPACER - UNIVERSAL TB3 LIFT INTERFACE	4
B3	SCRSHFH1099	SCREW, FLAT HEAD, M10X1.5 X 25, ISO 10642, CL 10.9, BZ, PVTP	4
B4	MEC2101893	TRANSIT LOOP SERVICE ASSEMBLY W/ UNOCCUPIED LABELS	2
B5	HDW142810	SCREW, SOCKET HEAD, M10 X 50, ISO 4762, CL 12.9, BZ, PVTP	4
B6	SCR8110003	SCREW, SOCKET HEAD, M10X1.5 X 25, ISO 4762, CL 12.9, BZ, PVTP	4



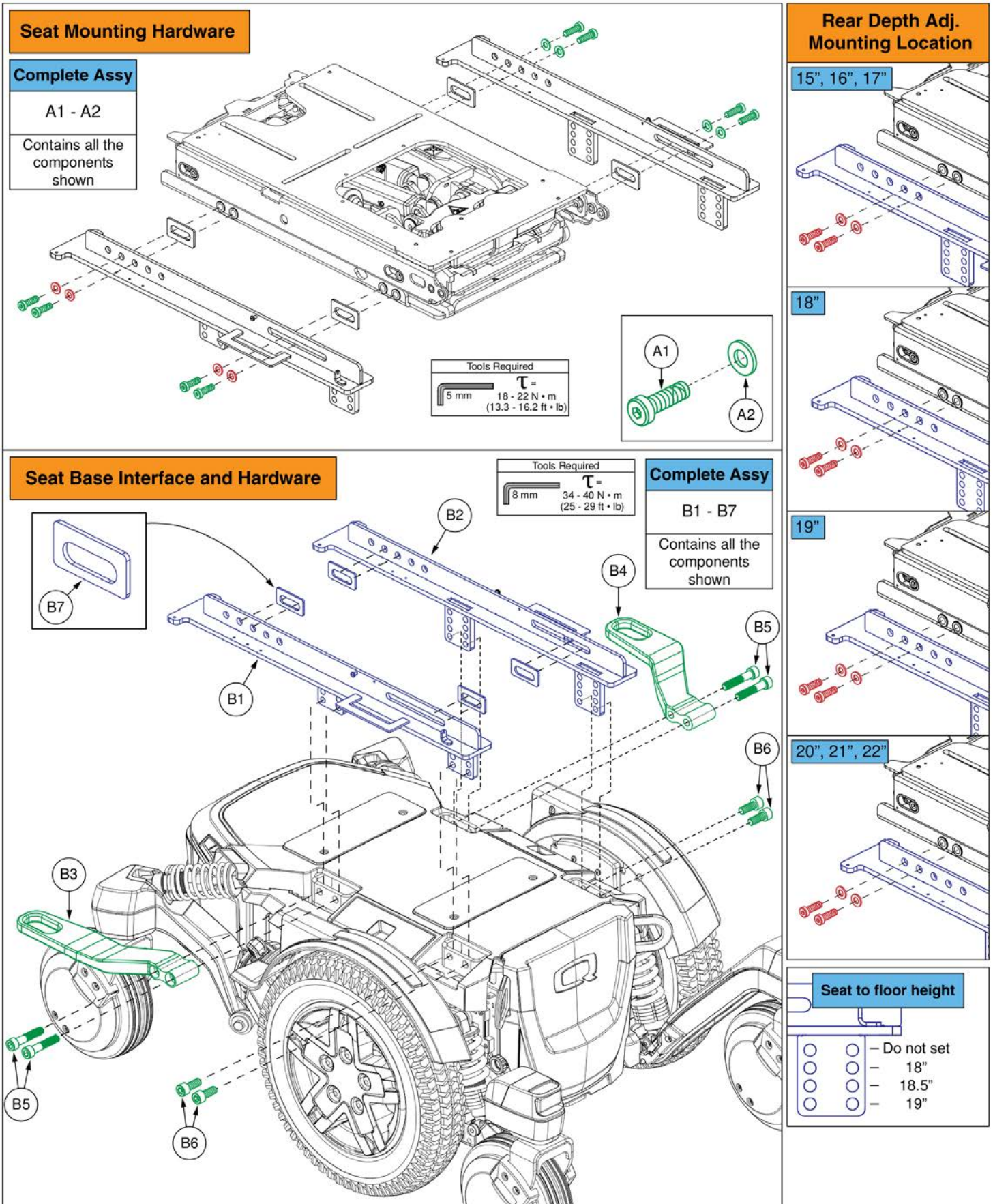
## REAC Lift Seat Towers and Hardware, Universal Lift, Occupied Transit, Q6 Edge® 4

Item	Part No.	Name	Qty
A1 - A2	MEC2500381	HARDWARE,ASSY,TRU-BALANCE 3,UNIVERSAL LIFT,STRETTO	1
A1	HDW133681	SCREW, SOCKET HEAD, M10X1.5 X 16, ISO 4762, CL 12.9, BZ, PVTP	4
A2	WASMETR1031	WASHER, FLAT, 10.5 ID X 20 OD X 2 THK, ISO 7089-10-200HV, BZ	4
B1 - B6	MEC2600733	SEAT INTERFACE, ASSY, UNIVERSAL LIFT, Q6EDGE 4	1
B1	MEC2002388	LOW PROFILE TOWER - UNIVERSAL TB3 LIFT INTERFACE	4
B2	MEC2002389	STRETTO AND 4FRONT SPACER - UNIVERSAL TB3 LIFT INTERFACE	4
B3	SCRSHFH1099	SCREW, FLAT HEAD, M10X1.5 X 25, ISO 10642, CL 10.9, BZ, PVTP	4
B4	MEC2503687	TRANSIT LOOP, EXTENDED, LEFT	1
B5	MEC2503686	TRANSIT LOOP, EXTENDED, RIGHT	1
B6	HDW142810	SCREW, SOCKET HEAD, M10 X 50, ISO 4762, CL 12.9, BZ, PVTP	4
B7	SCR8110003	SCREW, SOCKET HEAD, M10X1.5 X 25, ISO 4762, CL 12.9, BZ, PVTP	4



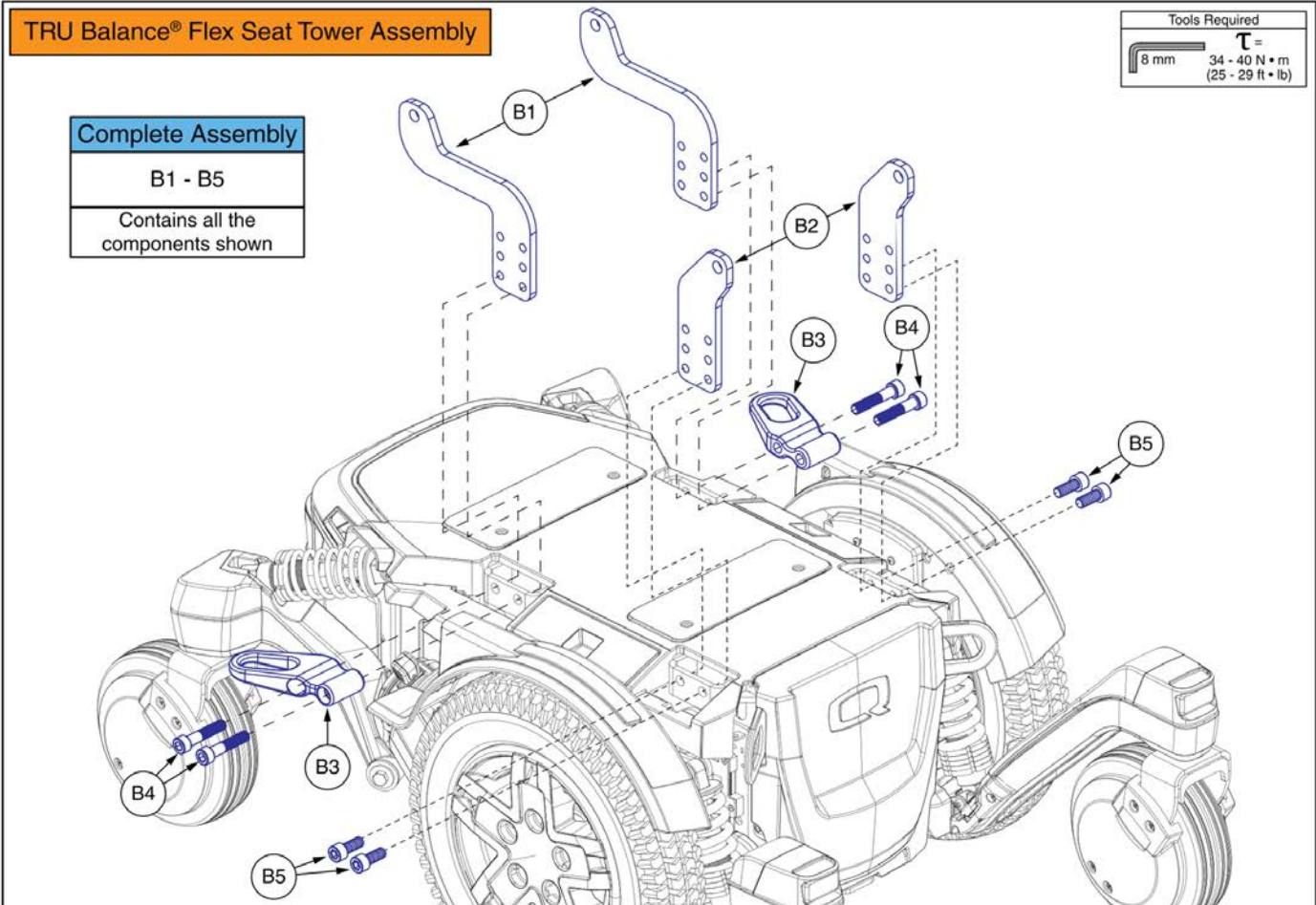
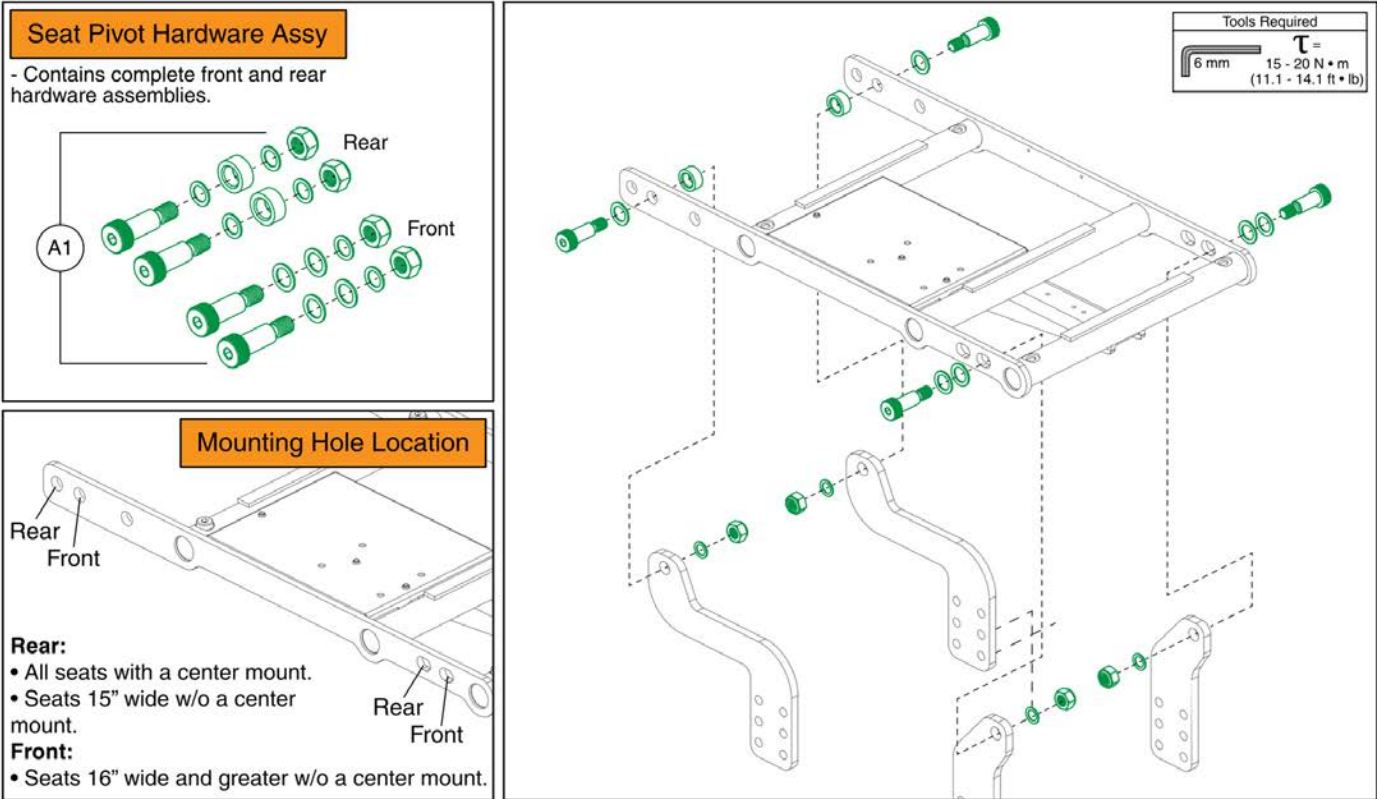
**TRU Balance® 4 Lift and Tilt Seat Interface, Q6 Edge® 4**

<b>Item</b>	<b>Part No.</b>	<b>Name</b>	<b>Qty</b>
A1 - A2	MEC2103319	HARDWARE,ASSY,ANGLE ADJUSTABLE,TRU-BALANCE 4	1
A1	HDW124866	SCREW, LOW SOCKET HEAD, M8X1.25 X 25, DIN 7984, CL 10.9, BZ, PVTP	8
A2	WASSTND1042	WASHER, CIRCULAR, HARDENED, .313 ID X .688 OD X .06 THK, ASTM F436, BZ	8
B1 - B6	MEC2009082	SEAT INTERFACE,ASSY,TRU-BALANCE 4,Q6EDGE 3 STRETTO	1
B1	MEC2000351	INTERFACE RAIL ASSEMBLY, RIGHT, STRETTO	1
B2	MEC2000350	INTERFACE RAIL ASSEMBLY, LEFT, STRETTO	1
B3	MEC2101893	TRANSIT LOOP SERVICE ASSEMBLY W/ UNOCCUPIED LABELS	2
B4	HDW142810	SCREW, SOCKET HEAD, M10 X 50, ISO 4762, CL 12.9, BZ, PVTP	4
B5	SCR8110003	SCREW, SOCKET HEAD, M10X1.5 X 25, ISO 4762, CL 12.9, BZ, PVTP	4
B6	MEC2202129	SPACER, SYSTEM TO INTERFACE RAIL, TRU BALANCE 4	4



**TRU Balance® 4 Lift and Tilt Seat Interface, Occupied Transit, Q6 Edge® 4**

<b>Item</b>	<b>Part No.</b>	<b>Name</b>	<b>Qty</b>
A1 - A2	MEC2103319	HARDWARE,ASSY,ANGLE ADJUSTABLE,TRU-BALANCE 4	1
A1	HDW124866	SCREW, LOW SOCKET HEAD, M8X1.25 X 25, DIN 7984, CL 10.9, BZ, PVTP	8
A2	WASSTND1042	WASHER, CIRCULAR, HARDENED, .313 ID X .688 OD X .06 THK, ASTM F436, BZ	8
B1 - B6	MEC2600734	SEAT INTERFACE, ASSY, TRU-BALANCE 4, Q6EDGE 4	1
B1	MEC2000351	INTERFACE RAIL ASSEMBLY, RIGHT, STRETTO	1
B2	MEC2000350	INTERFACE RAIL ASSEMBLY, LEFT, STRETTO	1
B3	MEC2503686	TRANSIT LOOP, EXTENDED, RIGHT	1
B4	MEC2503687	TRANSIT LOOP, EXTENDED, LEFT	1
B5	HDW142810	SCREW, SOCKET HEAD, M10 X 50, ISO 4762, CL 12.9, BZ, PVTP	4
B6	SCR8110003	SCREW, SOCKET HEAD, M10X1.5 X 25, ISO 4762, CL 12.9, BZ, PVTP	4
B7	MEC2202129	SPACER, SYSTEM TO INTERFACE RAIL, TRU BALANCE 4	4



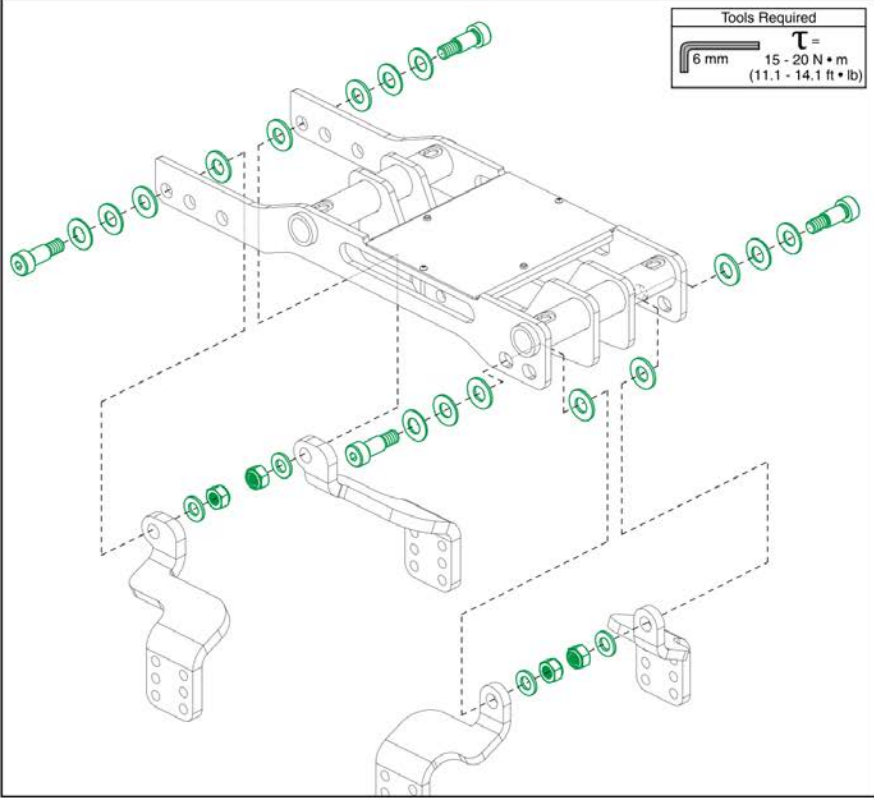
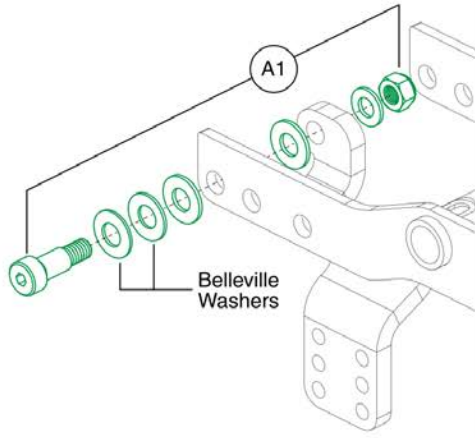
**TRU Balance® Flex Static Seat Interface, Q6 Edge® 4**

<b>Item</b>	<b>Part No.</b>	<b>Name</b>	<b>Qty</b>
A1	MEC1807820	HARDWARE,ASSY,SEAT PIVOT,TB FLEX,Q6EDGE 3 STRETTO	1
B1 - B5	MEC1900196	SEAT INTERFACE,ASSY,TB FLEX SEAT,Q6EDGE 3 STRETTO,TRANSIT PACKAGE	1
B1	MEC1804226	SEAT INTERFACE BRACKET, BACK, TB FLEX, Q6 EDGE 3 STRETTO	2
B2	MEC1808704	SEAT INTERFACE BRACKET, FRONT, TB FLEX, Q6 EDGE 3 STRETTO	2
B3	MEC2101893	TRANSIT LOOP SERVICE ASSEMBLY W/ UNOCCUPIED LABELS	2
B4	HDW142810	SCREW, SOCKET HEAD, M10 X 50, ISO 4762, CL 12.9, BZ, PVTP	4
B5	SCR8110003	SCREW, SOCKET HEAD, M10X1.5 X 25, ISO 4762, CL 12.9, BZ, PVTP	4

**Seat Pivot Hardware Assy**

**Please Note:**

- A quantity of 4 must be selected to mount the seat frame to all 4 towers.
- The 2 Belleville Washers (Spring Washers) must face each other in the assembly of the Pivot.



**TBFlex Seat Tower Assembly**

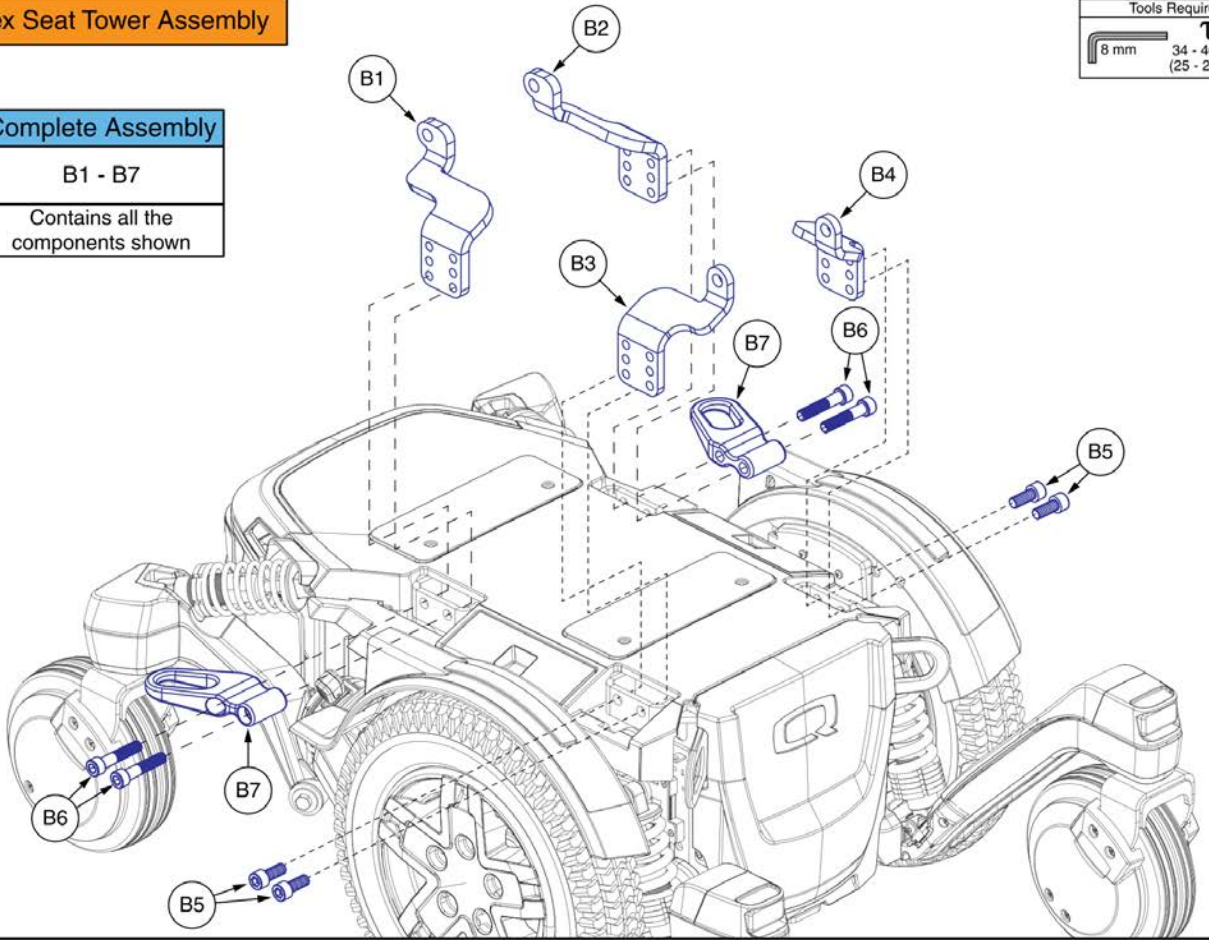
**Complete Assembly**

B1 - B7

Contains all the components shown

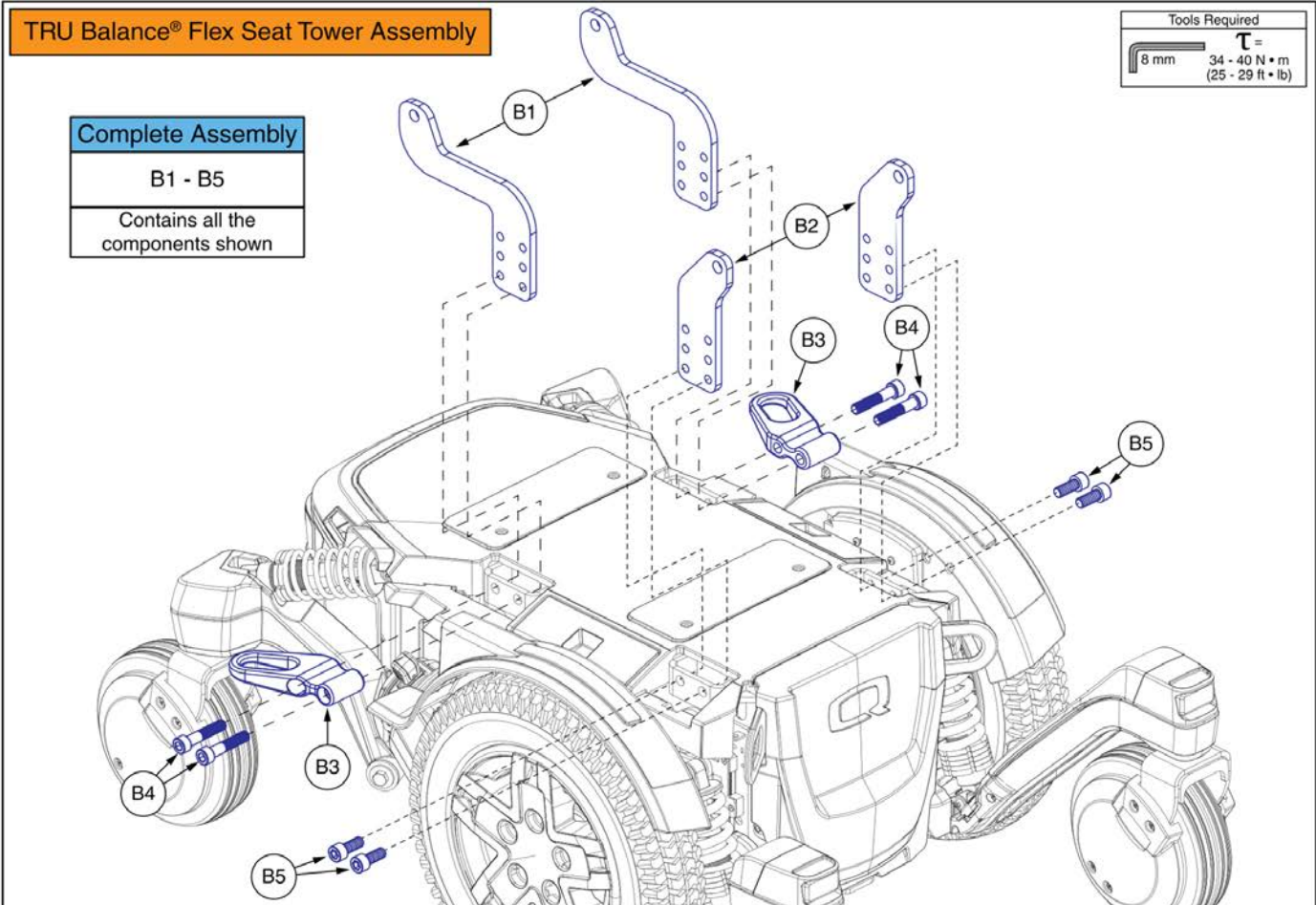
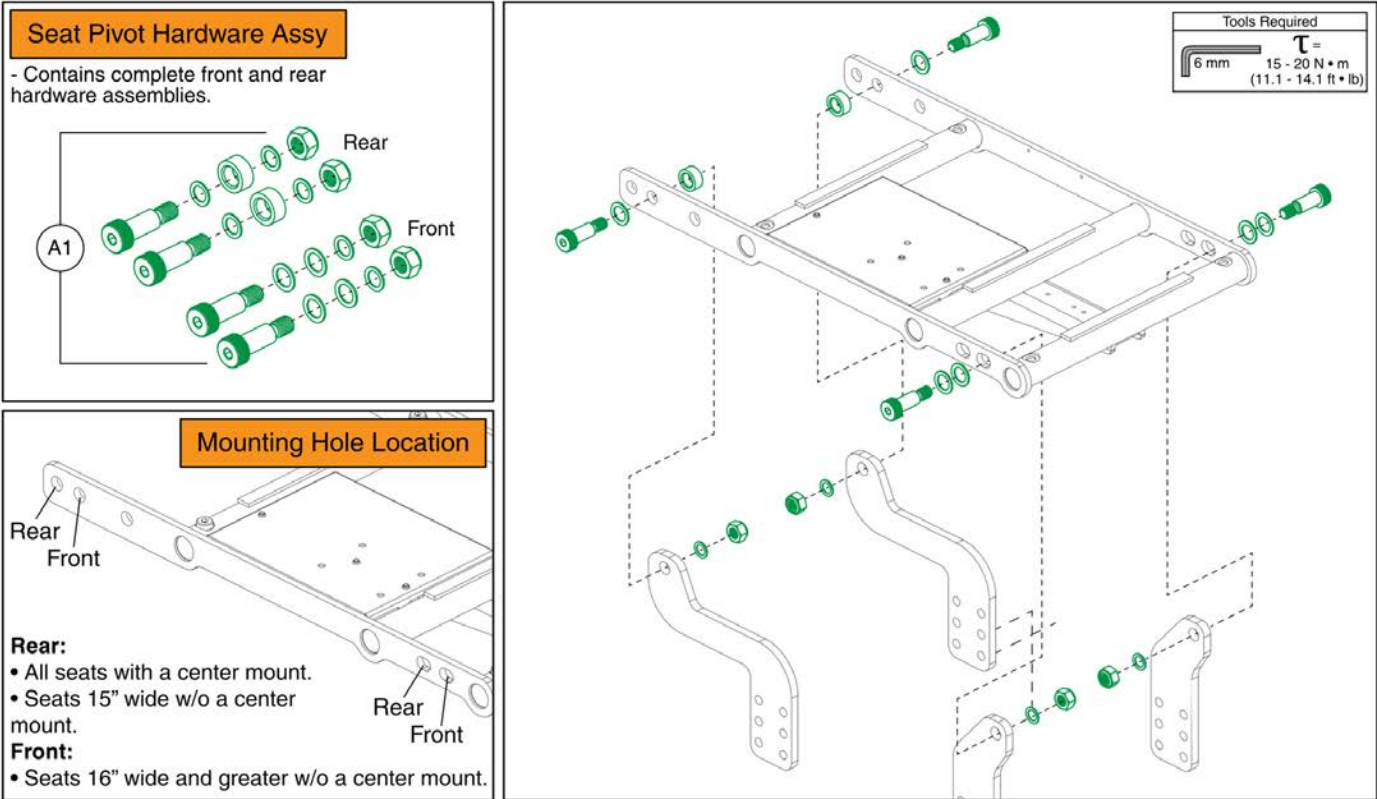
Tools Required

8 mm	T =
	34 - 40 N • m
	(25 - 29 ft • lb)



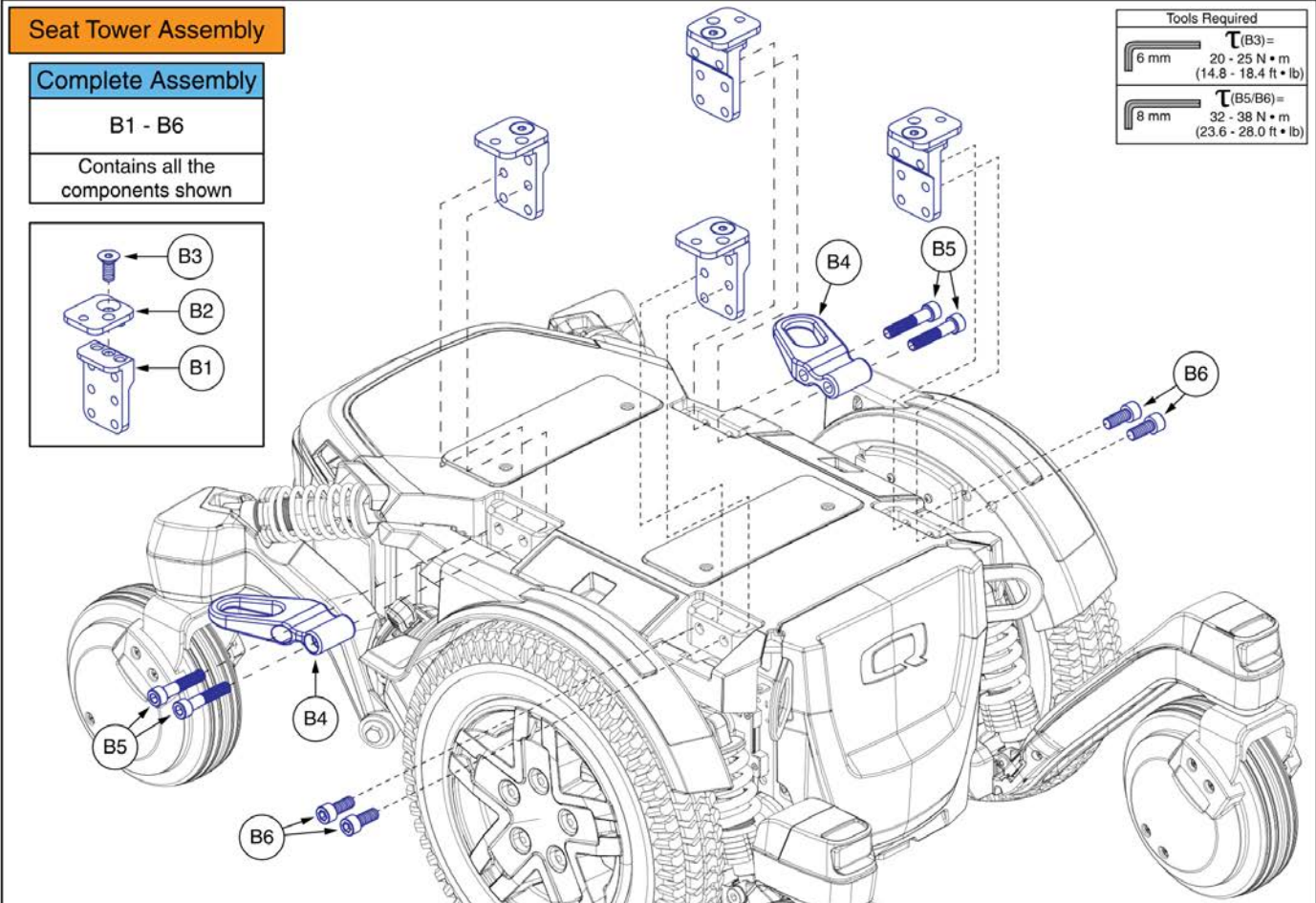
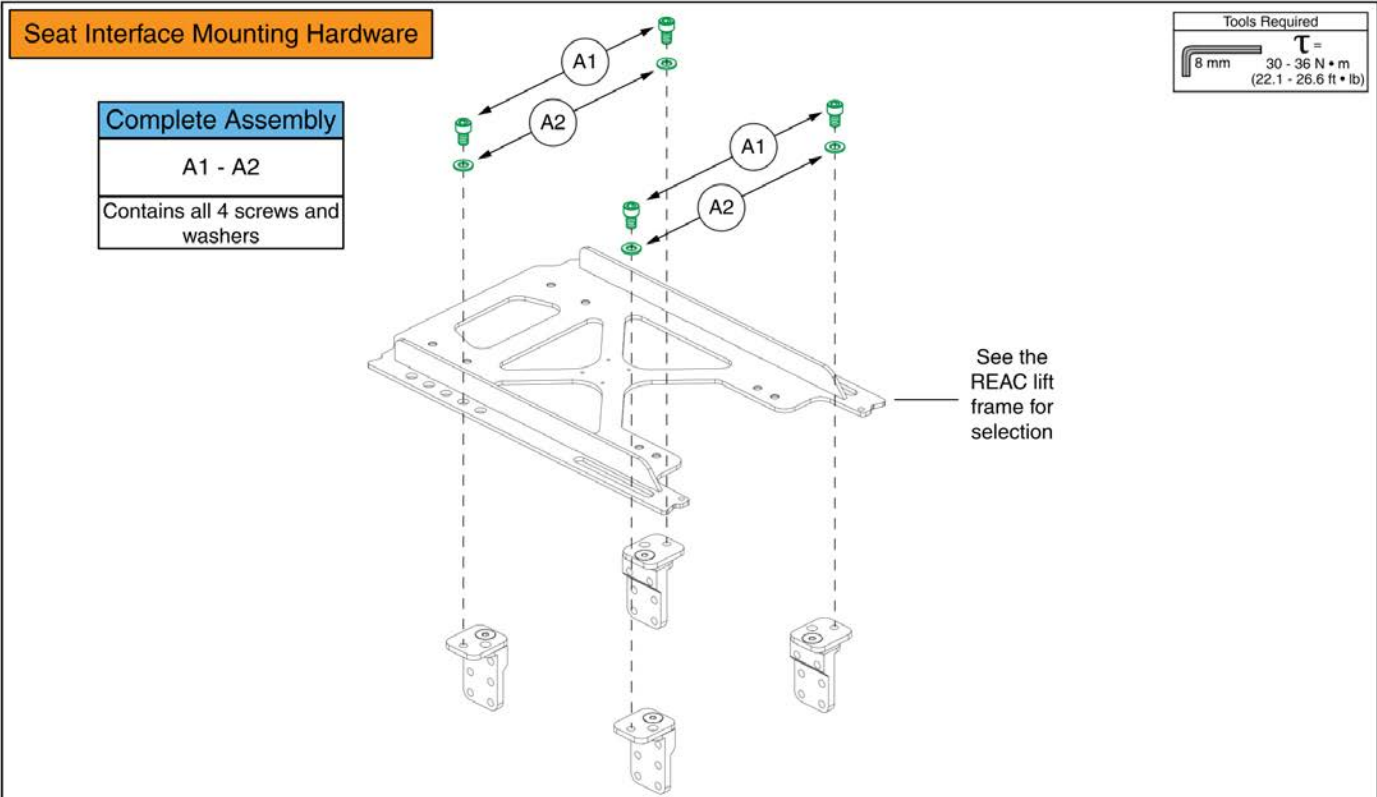
**TRU Balance® Flex Pediatric Seat Interface, Q6 Edge® 4**

<b>Item</b>	<b>Part No.</b>	<b>Name</b>	<b>Qty</b>
A1	HDWASMB1184	HARDWARE, ASSY, SEAT PIVOT, REAR (DWG: C1502-081)	4
B1 - B7	MEC2003993	SEAT INTERFACE,ASSY,PEDIATRIC TB FLEX SEAT,Q6EDGE 3 STRETTO,TRANSIT PACKAGE	1
B1	MEC1810029	SEAT INTERFACE BRACKET, REAR RIGHT, PED. FLEX, Q6 EDGE 3 STRETTO	1
B2	MEC1810023	SEAT INTERFACE BRACKET, REAR LEFT, PED. FLEX, Q6 EDGE 3 STRETTO	1
B3	MEC1810181	SEAT INTERFACE BRACKET, FRONT RIGHT, PED. FLEX, Q6 EDGE 3 STRETTO	1
B4	MEC1810178	SEAT INTERFACE BRACKET, FRONT LEFT, PED. FLEX, Q6 EDGE 3 STRETTO	1
B5	SCR8110003	SCREW, SOCKET HEAD, M10X1.5 X 25, ISO 4762, CL 12.9, BZ, PVTP	4
B6	HDW142810	SCREW, SOCKET HEAD, M10 X 50, ISO 4762, CL 12.9, BZ, PVTP	4
B7	MEC2101893	TRANSIT LOOP SERVICE ASSEMBLY W/ UNOCCUPIED LABELS	1



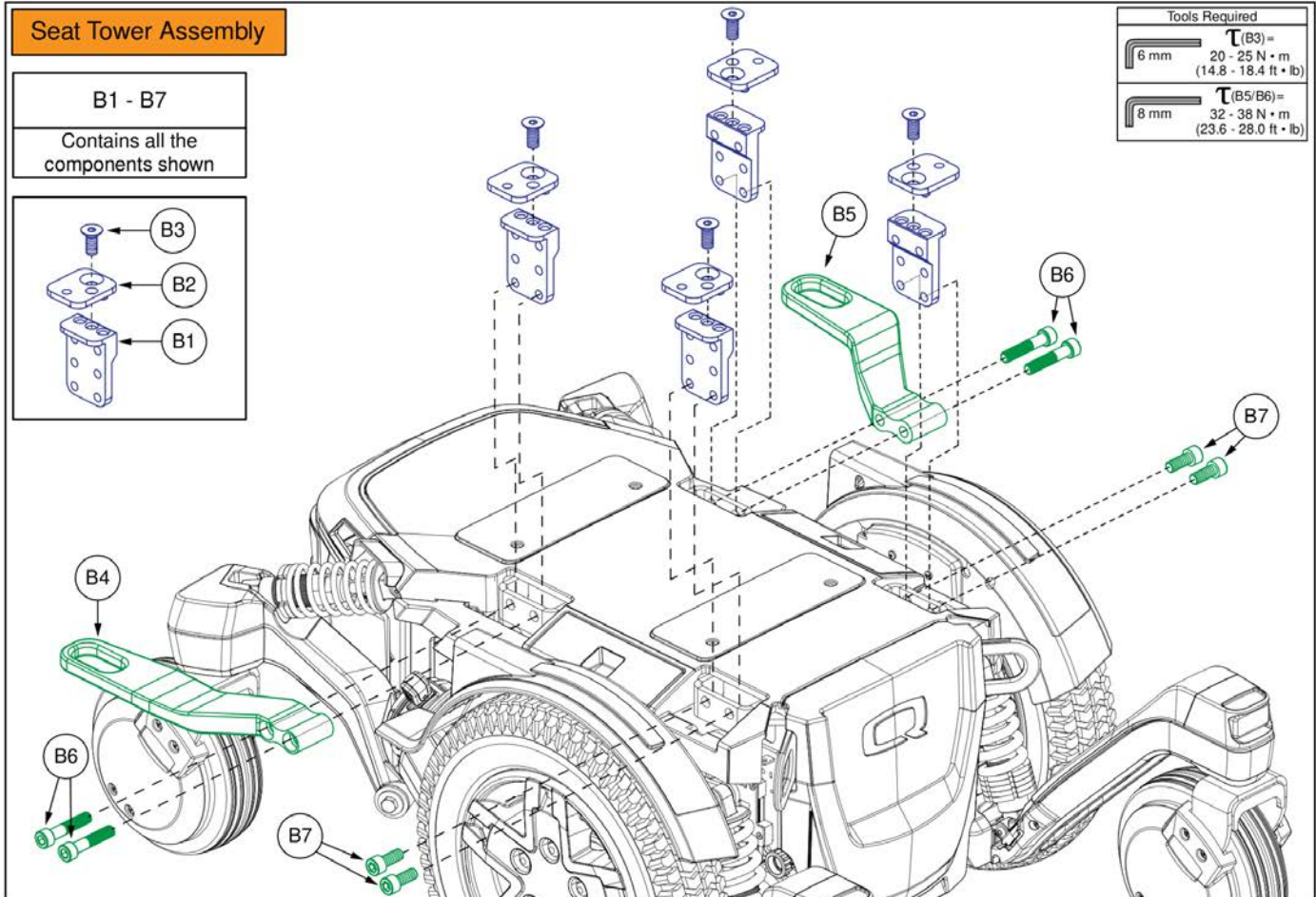
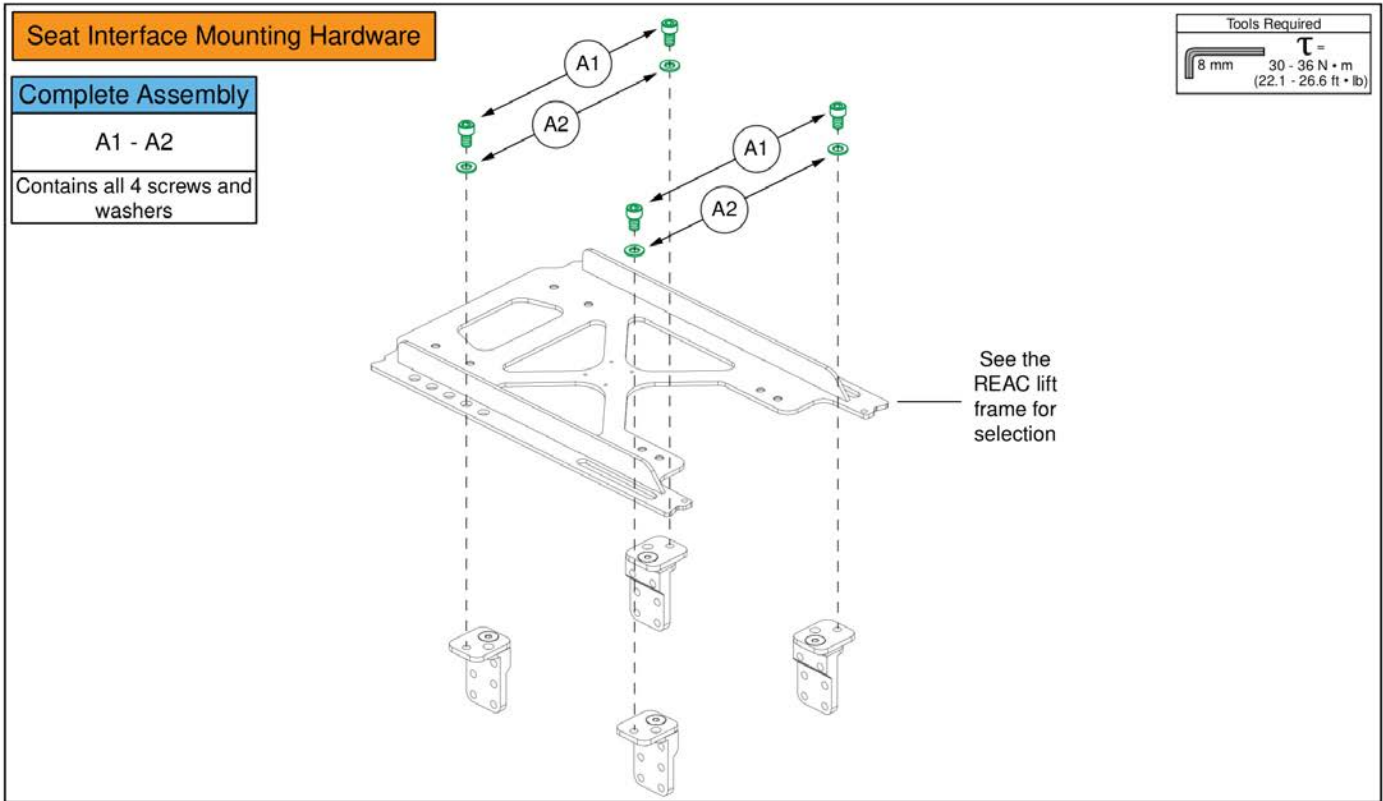
**TRU Balance® Flex Static Seat Interface, Q6 Edge® 4**

<b>Item</b>	<b>Part No.</b>	<b>Name</b>	<b>Qty</b>
A1	MEC1807820	HARDWARE,ASSY,SEAT PIVOT,TB FLEX,Q6EDGE 3 STRETTO	1
B1 - B5	MEC1900196	SEAT INTERFACE,ASSY,TB FLEX SEAT,Q6EDGE 3 STRETTO,TRANSIT PACKAGE	1
B1	MEC1804226	SEAT INTERFACE BRACKET, BACK, TB FLEX, Q6 EDGE 3 STRETTO	2
B2	MEC1808704	SEAT INTERFACE BRACKET, FRONT, TB FLEX, Q6 EDGE 3 STRETTO	2
B3	MEC2101893	TRANSIT LOOP SERVICE ASSEMBLY W/ UNOCCUPIED LABELS	2
B4	HDW142810	SCREW, SOCKET HEAD, M10 X 50, ISO 4762, CL 12.9, BZ, PVTP	4
B5	SCR8110003	SCREW, SOCKET HEAD, M10X1.5 X 25, ISO 4762, CL 12.9, BZ, PVTP	4



## REAC Lift Seat Towers and Hardware, Universal Lift, Q6 Edge® 4

Item	Part No.	Name	Qty
A1 - A2	MEC2500381	HARDWARE,ASSY,TRU-BALANCE 3,UNIVERSAL LIFT,STRETTO	1
A1	HDW133681	SCREW, SOCKET HEAD, M10X1.5 X 16, ISO 4762, CL 12.9, BZ, PVTP	4
A2	WASMETR1031	WASHER, FLAT, 10.5 ID X 20 OD X 2 THK, ISO 7089-10-200HV, BZ	4
B1 - B6	MEC2500379	SEAT INTERFACE,ASSY,UNIVERSAL LIFT, TRANSIT PACKAGE,STRETTO	1
B1	MEC2002388	LOW PROFILE TOWER - UNIVERSAL TB3 LIFT INTERFACE	4
B2	MEC2002389	STRETTO AND 4FRONT SPACER - UNIVERSAL TB3 LIFT INTERFACE	4
B3	SCRSHFH1099	SCREW, FLAT HEAD, M10X1.5 X 25, ISO 10642, CL 10.9, BZ, PVTP	4
B4	MEC2101893	TRANSIT LOOP SERVICE ASSEMBLY W/ UNOCCUPIED LABELS	2
B5	HDW142810	SCREW, SOCKET HEAD, M10 X 50, ISO 4762, CL 12.9, BZ, PVTP	4
B6	SCR8110003	SCREW, SOCKET HEAD, M10X1.5 X 25, ISO 4762, CL 12.9, BZ, PVTP	4


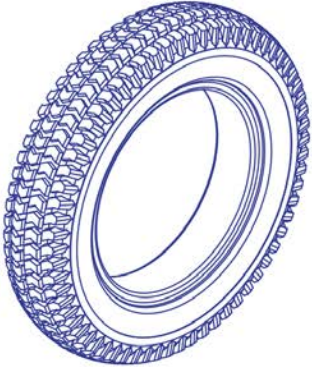
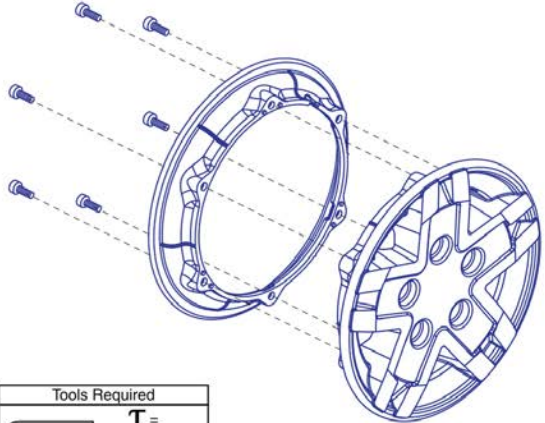


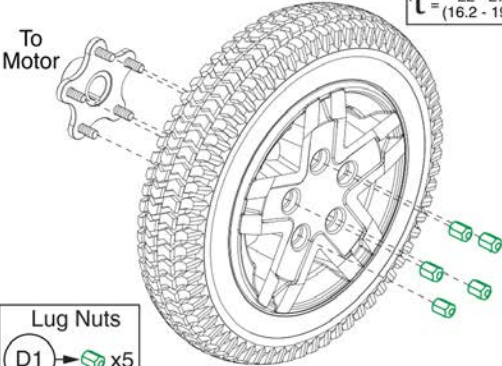
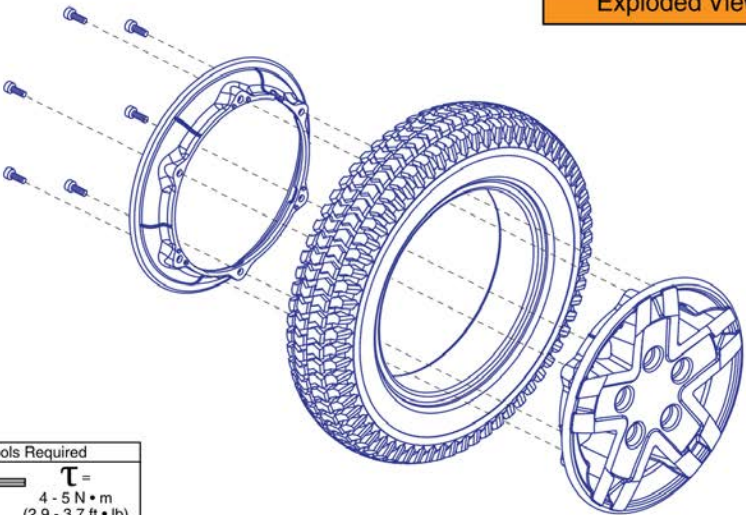
**REAC Lift Seat Towers and Hardware, Universal Lift, Occupied Transit, Q6 Edge® 4**

<b>Item</b>	<b>Part No.</b>	<b>Name</b>	<b>Qty</b>
A1 - A2	MEC2500381	HARDWARE,ASSY,TRU-BALANCE 3,UNIVERSAL LIFT,STRETTO	1
A1	HDW133681	SCREW, SOCKET HEAD, M10X1.5 X 16, ISO 4762, CL 12.9, BZ, PVTP	4
A2	WASMETR1031	WASHER, FLAT, 10.5 ID X 20 OD X 2 THK, ISO 7089-10-200HV, BZ	4
B1 - B6	MEC2600733	SEAT INTERFACE, ASSY, UNIVERSAL LIFT, Q6EDGE 4	1
B1	MEC2002388	LOW PROFILE TOWER - UNIVERSAL TB3 LIFT INTERFACE	4
B2	MEC2002389	STRETTO AND 4FRONT SPACER - UNIVERSAL TB3 LIFT INTERFACE	4
B3	SCRSHFH1099	SCREW, FLAT HEAD, M10X1.5 X 25, ISO 10642, CL 10.9, BZ, PVTP	4
B4	MEC2503687	TRANSIT LOOP, EXTENDED, LEFT	1
B5	MEC2503686	TRANSIT LOOP, EXTENDED, RIGHT	1
B6	HDW142810	SCREW, SOCKET HEAD, M10 X 50, ISO 4762, CL 12.9, BZ, PVTP	4
B7	SCR8110003	SCREW, SOCKET HEAD, M10X1.5 X 25, ISO 4762, CL 12.9, BZ, PVTP	4

**Please note:**

- The lug nuts, hub, and painted rim inserts are **not** included with the complete drive wheel assembly.
- The hub varies by motor. See the applicable motor page for hub selection.
- See the painted shroud insert page for color options and selection.

<p><b>A1 Complete Wheel Assy</b></p> 	<p><b>B1 Tire Only</b></p> 	<p><b>C1 Rim and Hardware</b></p>  <p><b>Tools Required</b></p> <p>5 mm <math>\tau = 4 - 5 \text{ N} \cdot \text{m}</math> (2.9 - 3.7 ft • lb)</p>
---	---	--


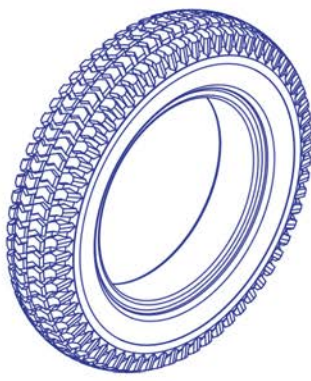
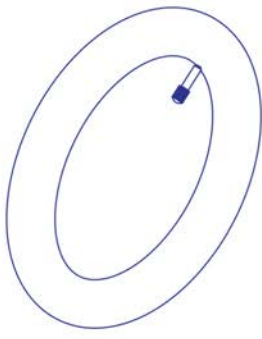
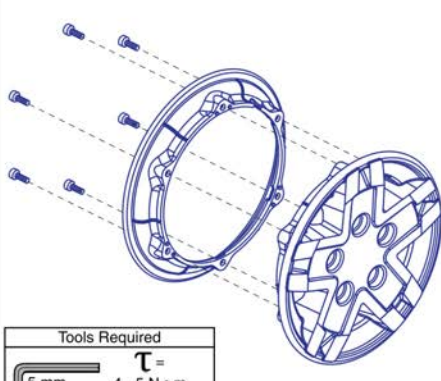
<p><b>Lug Nuts</b></p>  <p>To Motor</p> <p><b>Lug Nuts</b> D1 x5</p> <p><b>Tools Required</b> 13 mm <math>\tau = 22 - 27 \text{ N} \cdot \text{m}</math> (16.2 - 19.9 ft • lb)</p> <p>- The lug nuts and hub are <b>not</b> included with the complete drive wheel assembly. - Hub varies by motor. See motor page for hub selection.</p>	<p><b>Exploded View</b></p>  <p><b>Tools Required</b></p> <p>5 mm <math>\tau = 4 - 5 \text{ N} \cdot \text{m}</math> (2.9 - 3.7 ft • lb)</p>
---	--

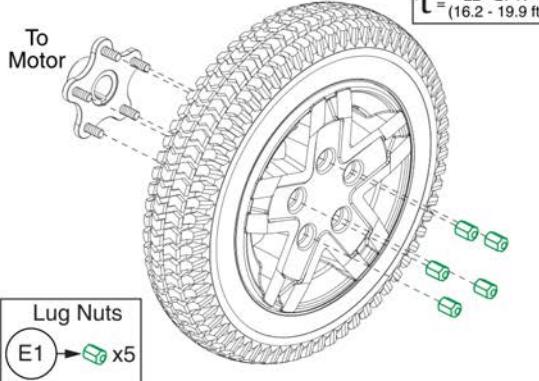
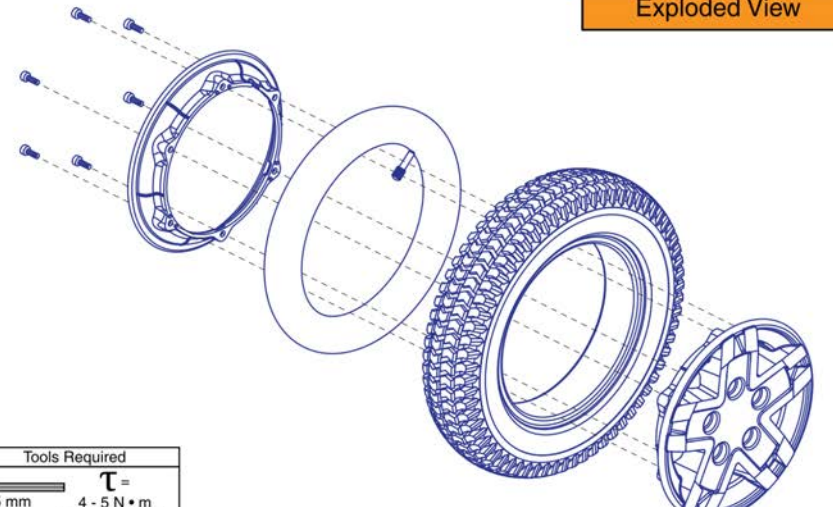
## Flat-free Drive Wheel, 5-Spoke, Black Rim / Black Tire

Item	Part No.	Name	Qty
A1	WHL1703588	WHEEL,ASSY,FLAT FREE,14" X 3" DRIVE,BLACK RIM/BLACK TIRE,E-1203-043	1
B1	TIR8110024	TIRE,FLAT FREE,BLACK,14" OD,3" W,C-248 POWERTRAX TREAD,(GALLOP: 5508018 YT57)	1
C1	WHL1703586	WHEEL,ASSY,RIM,BLACK,ALUMINUM,8",5 SPOKE,D-1203-071	1
D1	DWR1005B049	NUT, LUG, 5/16-24, ZINC	5

**Please note:**

- The lug nuts, hub, and painted rim inserts are **not** included with the complete drive wheel assembly.
- The hub varies by motor. See the applicable motor page for hub selection.
- See the painted shroud insert page for color options and selection.

<p><b>A1 Complete Wheel Assy</b></p> 	<p><b>B1 Tire Only</b></p> 	<p><b>C1 Pneu. Tube</b></p> 	<p><b>D1 Rim and Hardware</b></p>  <p><b>Tools Required</b></p> <p>5 mm <math>\tau = 4 - 5 \text{ N} \cdot \text{m}</math> (2.9 - 3.7 ft • lb)</p>
--	---	---	--

<p><b>Lug Nuts</b></p>  <p>To Motor</p> <p><b>Lug Nuts</b> E1 x5</p> <p><b>Tools Required</b></p> <p>13 mm <math>\tau = 22 - 27 \text{ N} \cdot \text{m}</math> (16.2 - 19.9 ft • lb)</p> <p>- The lug nuts and hub are <b>not</b> included with the complete drive wheel assembly. - Hub varies by motor. See motor page for hub selection.</p>	<p><b>Exploded View</b></p>  <p><b>Tools Required</b></p> <p>5 mm <math>\tau = 4 - 5 \text{ N} \cdot \text{m}</math> (2.9 - 3.7 ft • lb)</p>
--	--

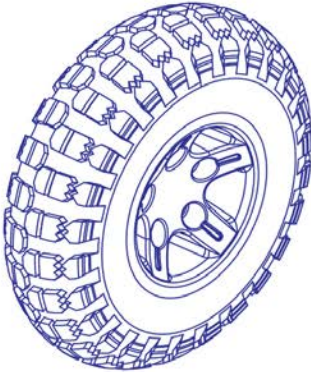
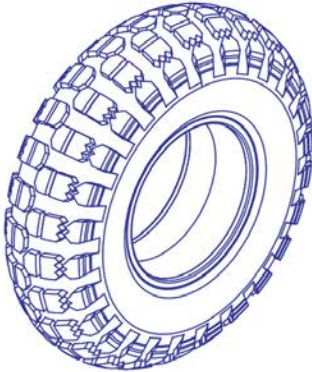
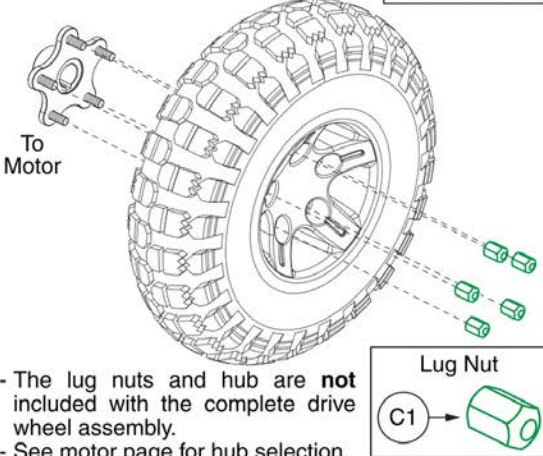
## Pneumatic Drive Wheel, 5-Spoke, Black Rim / Black Tire

Item	Part No.	Name	Qty
A1	WHL1704507	WHEEL,ASSY,PNEUMATIC,14" X 3" DRIVE,BLACK RIM/BLACK TIRE, E-1203-051	1
B1	TIR8110026	TIRE,PNEUMATIC,BLACK,14" OD,3" W,C-248-5 TREAD	1
C1	TUBSTND1002	TUBE,300-8,ANGLED VALVE W/CAP	1
D1	WHL1703586	WHEEL,ASSY,RIM,BLACK,ALUMINUM,8",5 SPOKE,D-1203-071	1
E1	DWR1005B049	NUT, LUG, 5/16-24, ZINC	5

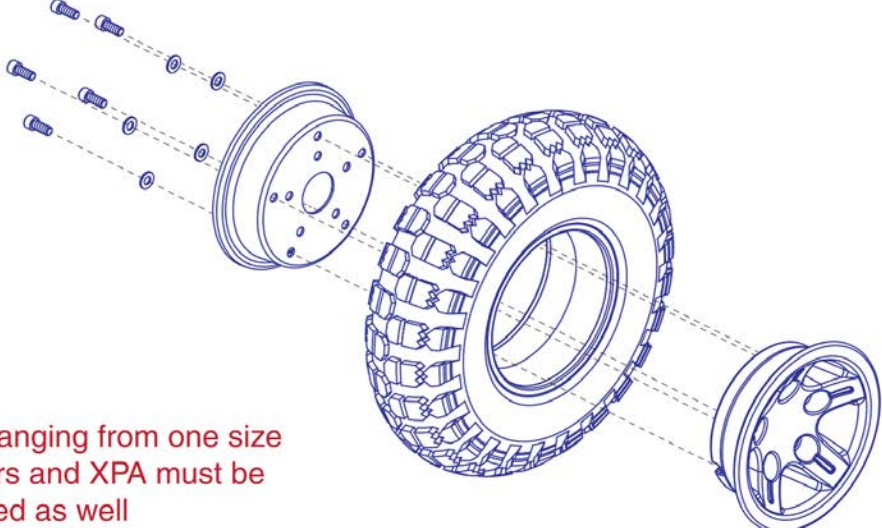
# Flat-free Drive Wheel, 5 Spoke, Black Rim / Black "Knobby" Tire, 14" x 4"

**Please note:**

- The 5 spoke, 14" x 4" drive wheel is used on the following models: 4Front, Q6 Edge 3, Q6 Edge 2.0, Q6 Edge 2.0X, and Q6 Edge 3 Stretto.
- Only serviceable parts contain callouts. For parts without callouts the complete assembly must be selected.
- Contact Technical Service for more information.

<p><b>A1 Complete Wheel Assy</b></p>  <p>- Does not include the hub or lug nuts.</p>	<p><b>B1 Tire Only</b></p> 	<p><b>Lug Nuts</b></p>  <p>To Motor</p> <p>Tools Required 13 mm <math>T = 22 - 27 \text{ N} \cdot \text{m}</math> (16.2 - 19.9 ft • lb)</p> <p>Lug Nut C1</p> <p>- The lug nuts and hub are <b>not</b> included with the complete drive wheel assembly. - See motor page for hub selection.</p>
--	---	---

**Exploded View**



Please Note: If changing from one size to another, motors and XPA must be changed as well

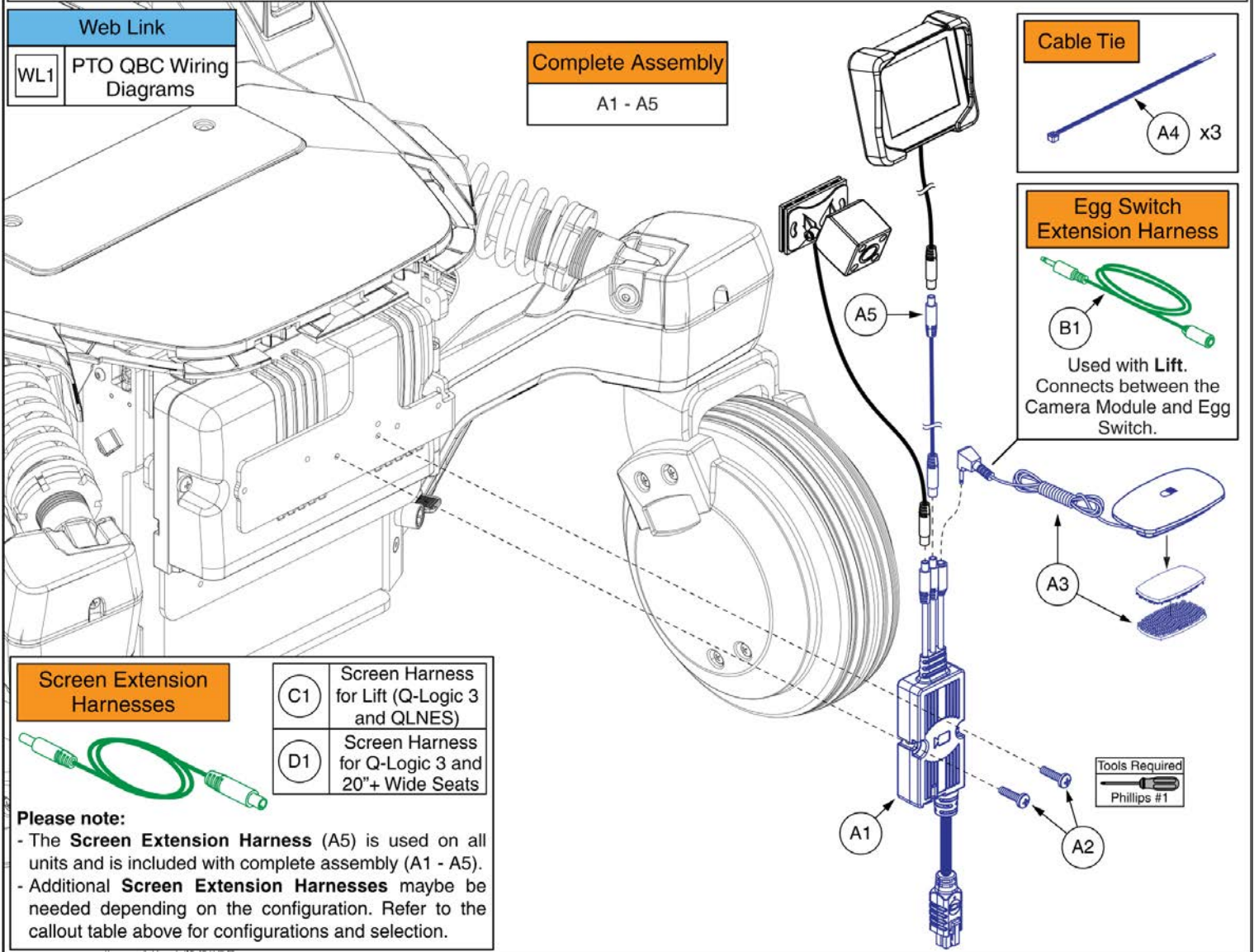
Tools Required  
5 mm  
 $T = 4 - 5 \text{ N} \cdot \text{m}$   
(2.9 - 3.7 ft • lb)

**Flat-free Drive Wheel, 5 Spoke, Black Rim / Black "Knobby" Tire, 14" x 4"**

<b>Item</b>	<b>Part No.</b>	<b>Name</b>	<b>Qty</b>
A1	WHL1903913	COMMUNITY USE WHEEL ASSY, FLAT FREE BLACK 14 X 4 DRIVE BLACK RIM/BLACK TIRE	1
B1	TIR8110019	TIRE,FLAT FREE,BLACK,14" OD,4" W,C166 KNOBBY TREAD,(GALLOP: 114292)	1
C1	DWR1005B049	NUT, LUG, 5/16-24, ZINC	1

**IMPORTANT:**

- When equipped with the **PTO Camera Module**, the **Display Screen** will **NOT** turn on automatically when a reverse command is given on the joystick. A switch must be used to activate the display (an egg switch is included with the complete assembly).
- Automatic screen activation with a reverse command is only available when using the **Q-Logic 3 BUS-powered Camera Module**. Refer to the **BUS-powered Camera Module** page for selection and additional details.
- The **Camera** and **Display** are not included and must be selected separately. Refer to their respective pages for selection.
- The **Complete Assembly (A1 - A5)** includes a **Screen Extension Harness (A5)** used with the display screen. Depending on the seating configuration, an additional extension harness may be needed. Refer to the table below for selection.
- The **PTO Backup Camera** is compatible with both **Q-Logic 3** and **QLNES**, and can be used in conjunction with **Accent Lights** or **Full Base Lights**. It cannot be used in conjunction with a **Remote Stop Switch**.
- Wiring Diagrams are provided. See the **Wiring Diagram** page for selection.

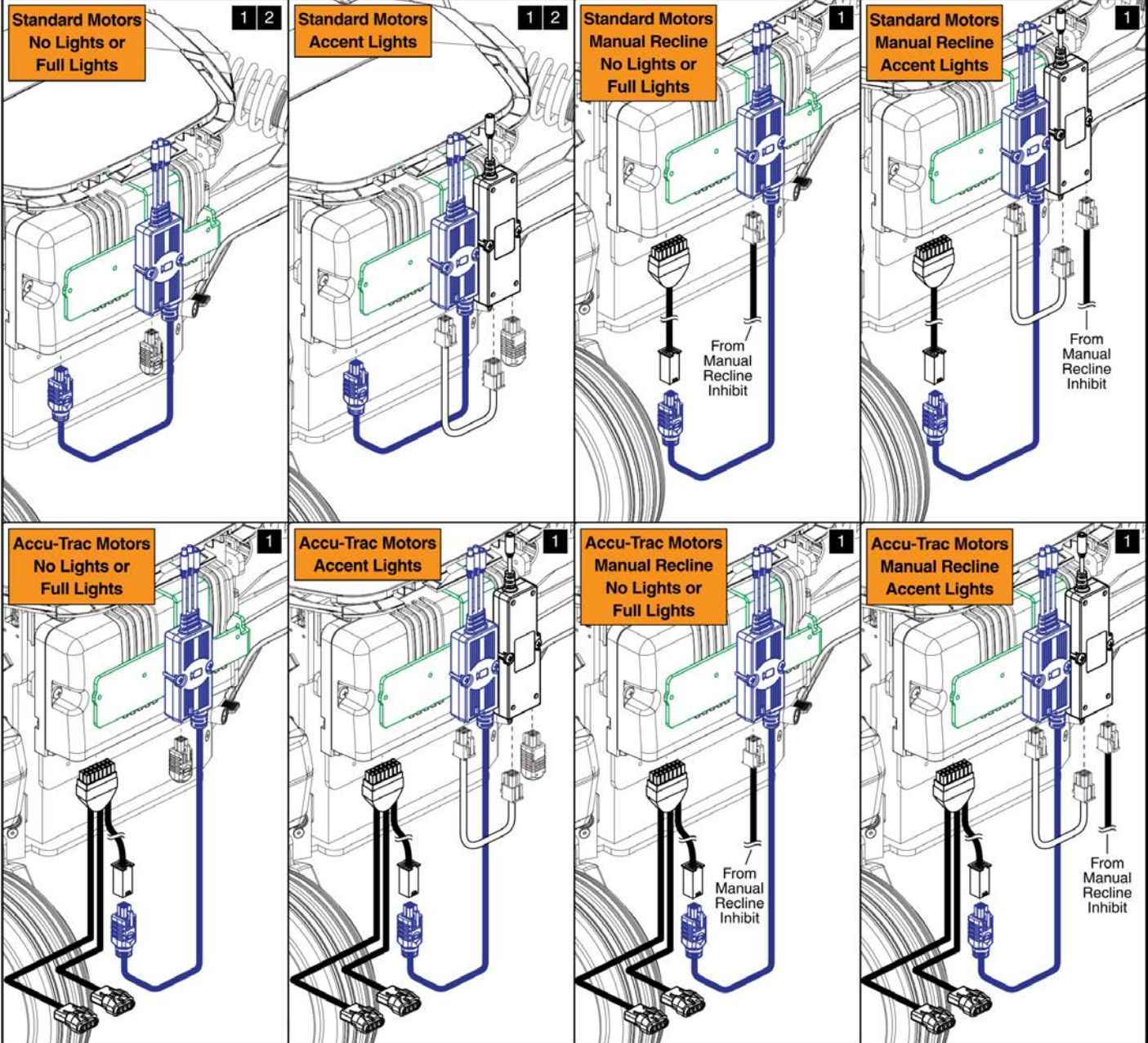
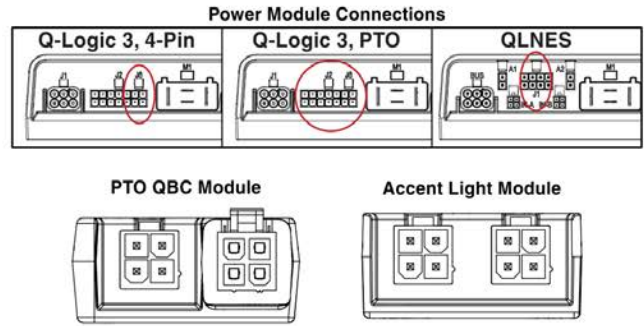


**PTO QBC Module and Harnesses, Q6 Edge® 4**

<b>Item</b>	<b>Part No.</b>	<b>Name</b>	<b>Qty</b>
A1 - A5	ACC2500454	QUANTUM BACKUP CAMERA SYSTEM, PTO VERSION,Q6EDGE 4	1
A1	ELE1908252	MODULE ASSEMBLY, QBC PTO	1
A2	SCRPPH1318	SCREW, PAN HEAD, TYPE H, M4X0.7 X 16, FT, ISO 7045, CL 4.8, BZ	2
A3	ELE2205931	ELECTRONIC,QUANTUM EGG SWITCH,W/QUANTUM BACK-UP CAMERA W/DUAL LOCK	1
A4	PLSTIE1001	TIEDOWN STRAP, 95 LG, PLASTIC, BLACK, SPEC NO. 2106329-1.5-22-130-V2	3
A5	ELE2101000	HARNESS, 4 PIN MINI-DIN EXTENSION CABLE, L = 1000	1
B1	ELE2000270	HARNESS, 3.5MM MONO EXTENSION CABLE, L = 660	1
C1	ELE2101001	HARNESS, 4 PIN MINI-DIN EXTENSION CABLE, L = 500	1
D1	ELE2000271	HARNESS, 4 PIN MINI-DIN EXTENSION CABLE, L = 1400	1
WL1		WEB LINK,IPB,WIRING DIAGRAMS (This is not an orderable part, see IPB)	0

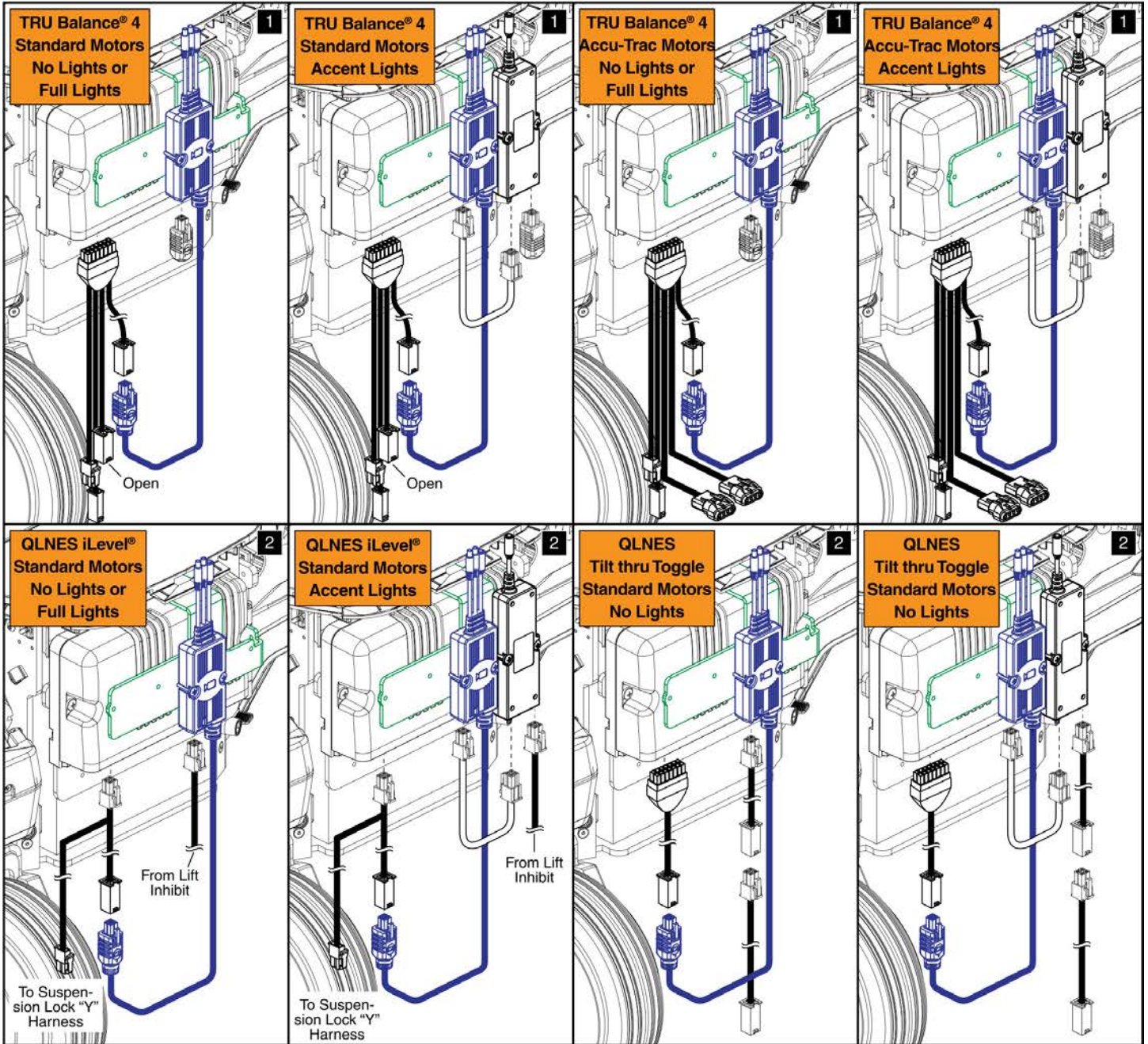
**Please Note:**

- Configurations marked with (1) are used with **Q-Logic 3**.
- Configurations marked with (2) are used with **QLNES**.
- The **Light Module** used with **Full Lights** is **NOT** shown. It does not affect the assembly or wiring of the **PTO Backup Camera**.
- The **Run Plug** and **PTO Harnesses** are included with the **Complete Base Electronic Assemblies**. The **Accent Light Interconnect Harness** is included with the **Accent Lights Module and Harness Assembly**.
- The **Backup Camera** cannot be used in conjunction with a **Remote Stop Switch**.

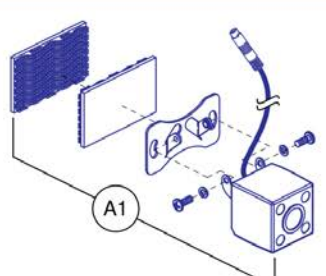
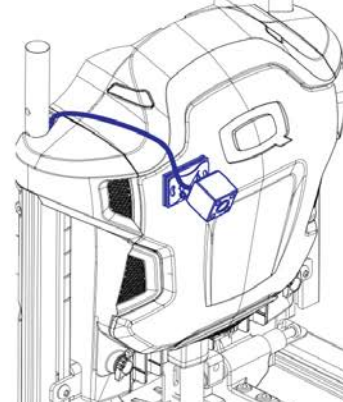
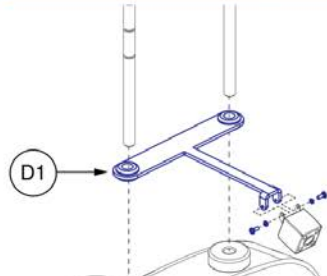
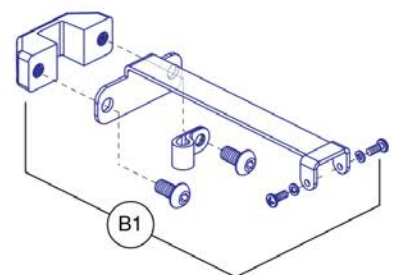
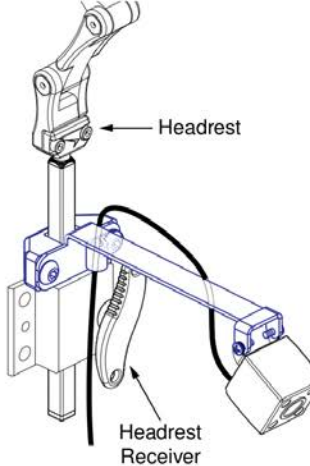
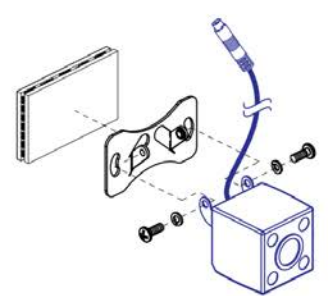
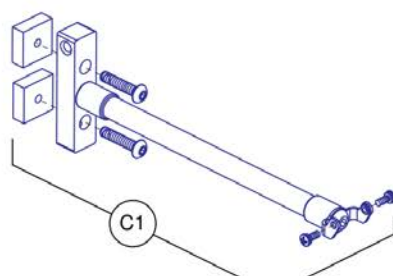
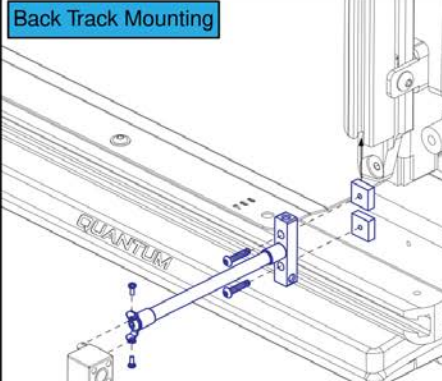
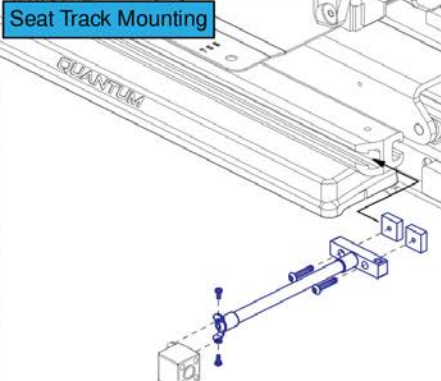
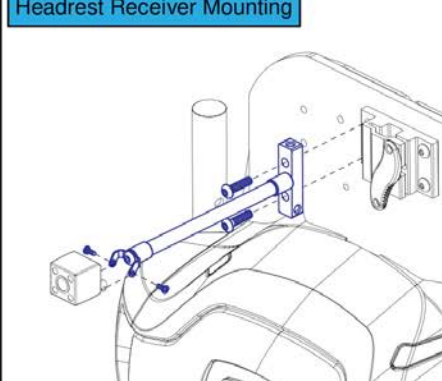
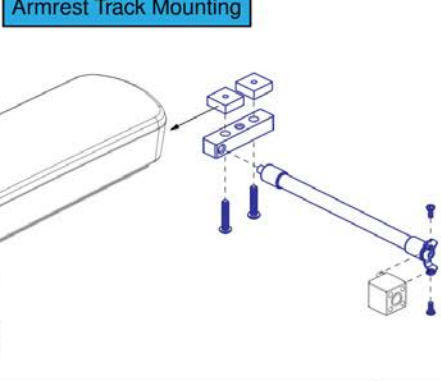


Additional configurations are detailed on the following page. →

This page intentionally left blank



This page intentionally left blank

<p><b>Backup Camera with Dual Lock Mount</b></p>  <p><b>Please note:</b> - The backup camera can be placed anywhere on the back.</p>		<p><b>Q-Captain Headrest Mounting Bracket for Backup Camera</b></p>  <p>The camera is NOT included and must be selected separately.</p>
<p><b>Rehab Headrest Mounting Bracket for Backup Camera</b></p>  <p>The camera is NOT included and must be selected separately.</p>	 <p>Headrest Headrest Receiver</p>	<p><b>Please note:</b> - Prior to installing the camera to the headrest mount or the track mount, the dual lock mount must be removed.</p> 
<p><b>Track Mount for Backup Camera</b></p>  <p>The camera is NOT included and must be selected separately.</p>	<p><b>Back Track Mounting</b></p> 	<p><b>Seat Track Mounting</b></p> 
<p><b>Headrest Receiver Mounting</b></p> 	<p><b>Armrest Track Mounting</b></p> 	

## Quantum® Backup Camera, Standard Mount, and Headrest Mount

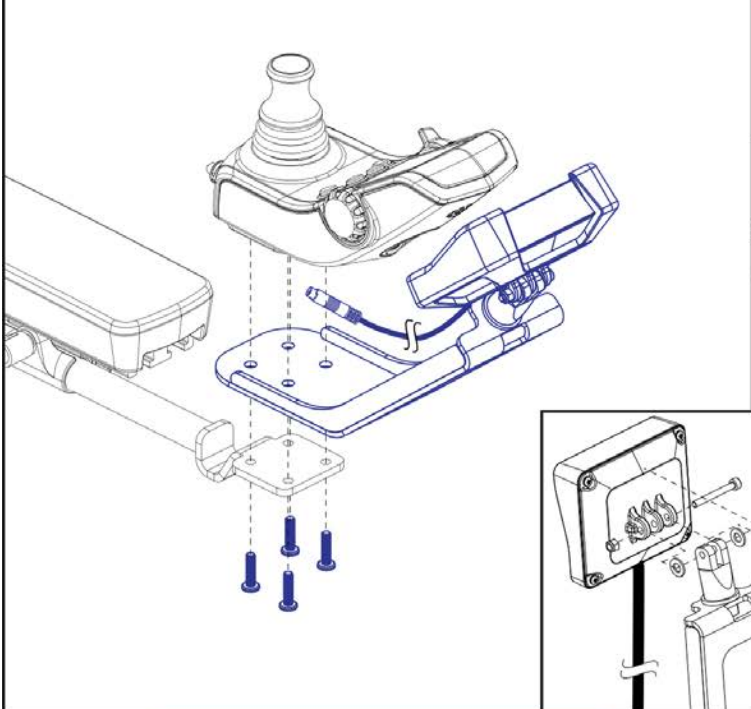
---

Item	Part No.	Name	Qty
A1	MEC1910365	QUANTUM BACKUP CAMERA, BRACKET DUAL LOCK ASSEMBLY	1
B1	MEC1910373	STANDARD CAMERA BRACKET, ASSEMBLY	1
C1	MEC2104227	QUANTUM BACKUP CAMERA, TRACK MOUNT, ASSEMBLY	1
D1	MEC1901231	CAPTAINS SEAT CAMERA BRACKET ASSEMBLY	1

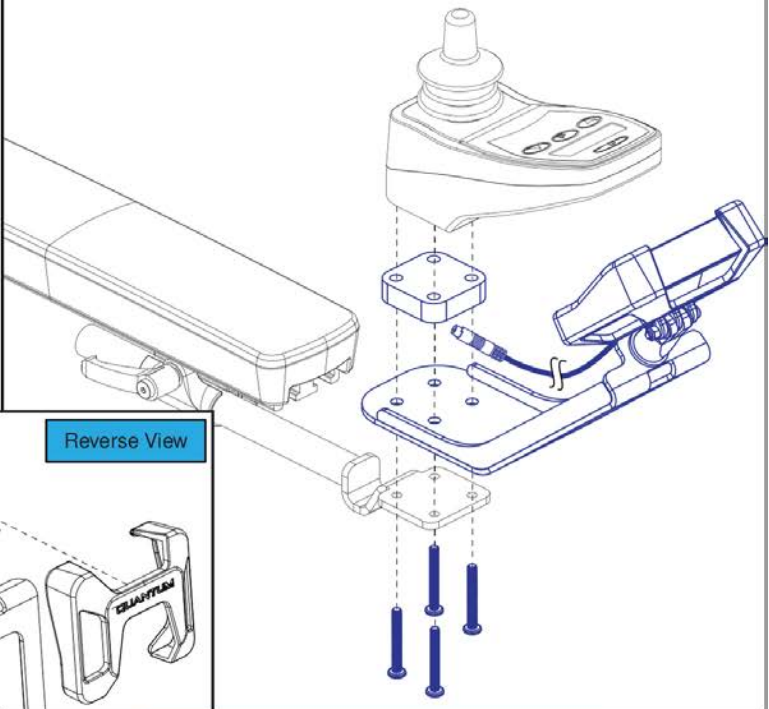
**Please note:**

- The joystick mount assemblies (A1) & (B1) contain hardware to mount the display to both the inline and swing-away joystick mounts.
- The gooseneck mount assembly (C1) needs an additional armrest mounted receiver (D1) or (E1), which must be selected separately.

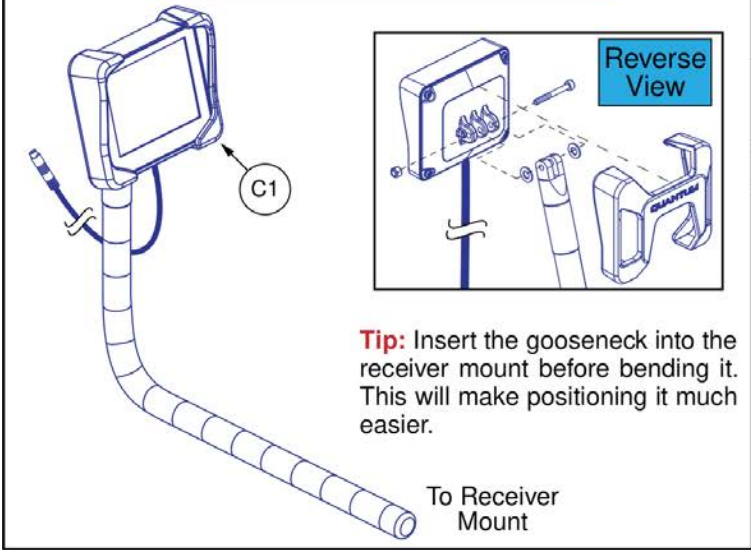
**A1** Q-Logic Quantum Backup Camera Display with Joystick Mount



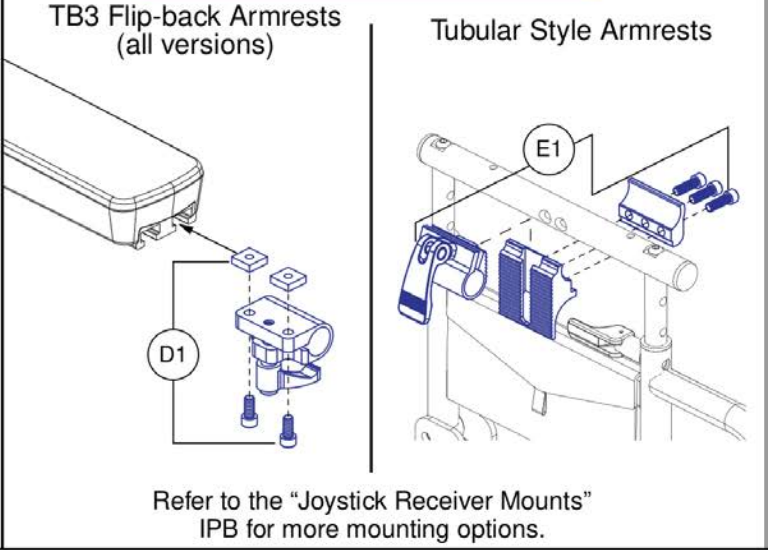
**B1** NE/NE+ Quantum Backup Camera Display with Joystick Mount



Display Screen with Flexible "Gooseneck" Mount



Receiver Mounts



## Quantum® Backup Camera Display Mounts

Item	Part No.	Name	Qty
A1	MEC2106123	QUANTUM BACKUP CAMERA,DISPLAY MOUNT,ASSEMBLY,Q-LOGIC 3	1
B1	MEC2106132	QUANTUM BACKUP CAMERA,DISPLAY MOUNT,ASSEMBLY,NE/NE+	1
C1	MEC1906270	QBC, SCREEN HINGE ASSEMBLY, W/GOOSENECK	1
D1	MEC1907331	JOYSTICK RECEIVER MOUNT,ASSY,W/MOUNTING HARDWARE,QBC GOOSENECK CLAMP	1
E1	FRMASMB16062	JOYSTICK RECEIVER MOUNT,ASSY,UNIVERSAL,ADJUSTABLE BLOCK,D-1000-313	1

# Egg Switch / Buddy Button Mounting Brackets

**3M Dual Lock Mount w/ Adhesive Backing**

A quantity of 2 **MUST** be selected to receive both pieces

A1

**Under Arm Buddy Button Bracket**

B1

**Please note:**

- The Bracket can be utilized in conjunction with any style Joystick Receiver.
- The Joystick Receiver is **NOT** included and must be selected separately. See the individual receiver page for options.

**Side Arm Egg Switch Bracket, Version 3 Flip-back Armrests**

Quantum Egg Switch Mounting Screws

E1

(E1) is included with (C1). It is also available individually.

Egg Switch Mounting

C1

**Side Arm Egg Switch Bracket, Version 1 & 2 Flip-back Armrests**

E1

(E1) is included with (D1). It is also available individually.

D1

Replaces the Previous Version

Egg Switch Mounting

**Please note:**

- (C1) contains the Quantum Egg Switch mounting hardware (E1), which is also available individually.
- (C1) does **NOT** contain the mounting hardware for any other Egg Switch. To receive the mounting hardware for a different Egg Switch, the Egg Switch must be selected. See the electronics section for selection.
- Due to a product enhancement, (C1) will now have a washer included for improved fitment of the assembly when attached to the armrest.

**Please note:**

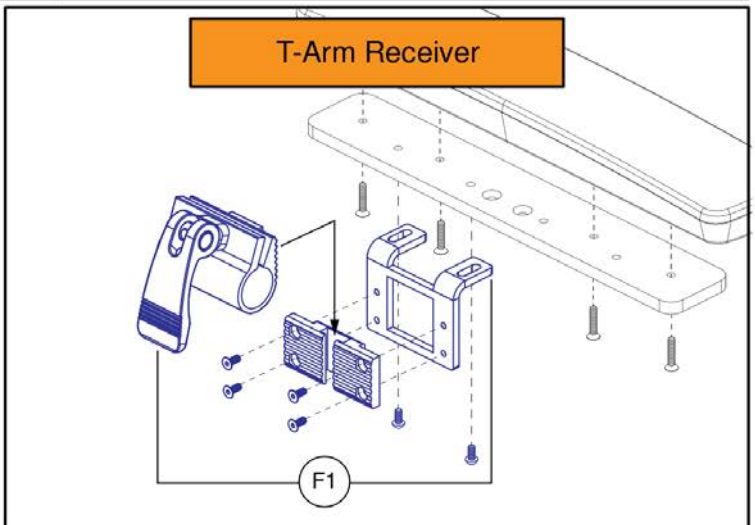
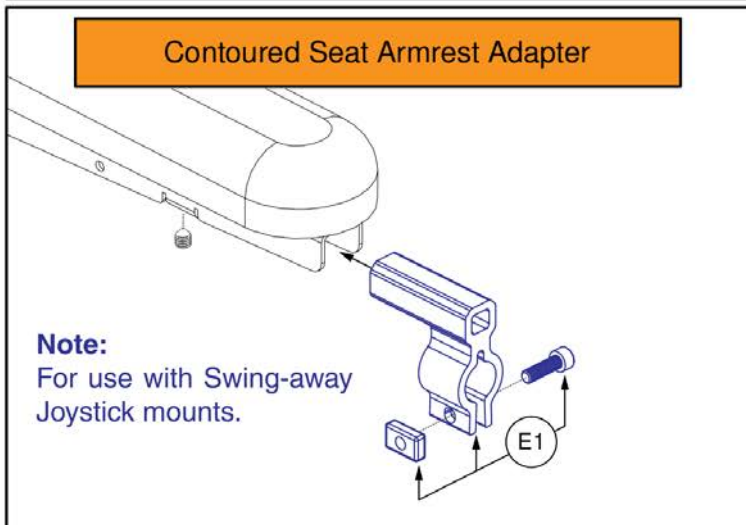
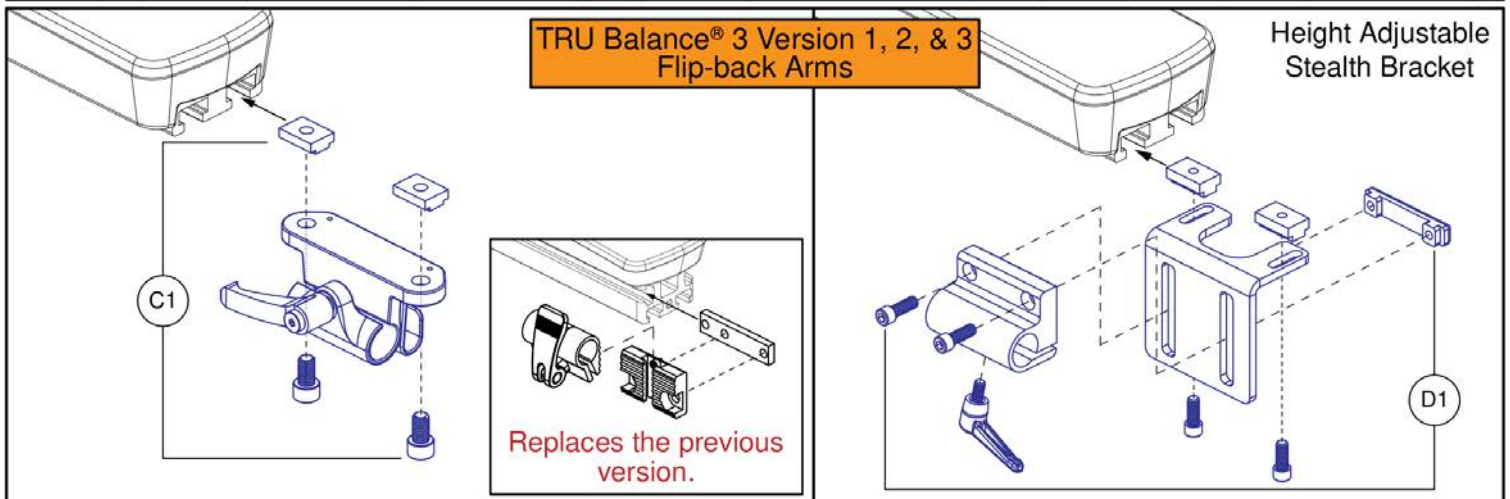
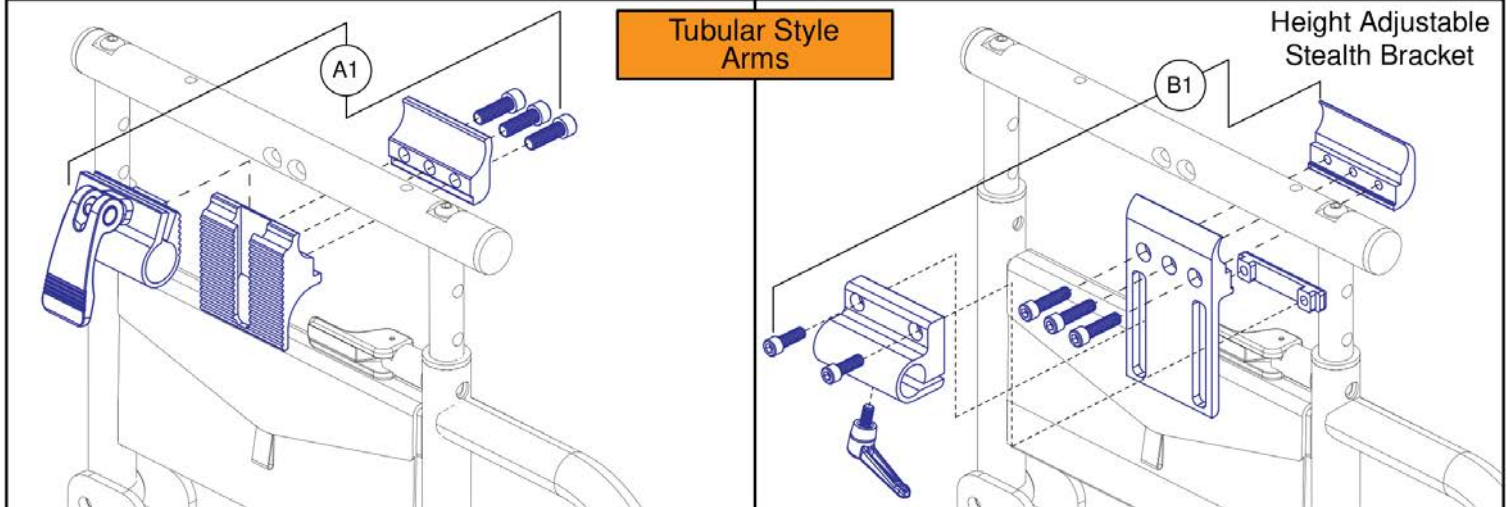
- The Egg Switch mounting hardware is included with the Egg Switch. See the electronics section for selection.
- Due to a product enhancement, (D1) will now have a washer included for improved fitment of the assembly when attached to the armrest.

## Egg Switch / Buddy Button Mounting Brackets

Item	Part No.	Name	Qty
A1	HDW155440	3M DUAL LOCK, BUDDY BUTTON	1
B1	MEC1802726	UNDER ARM BUDDY BUTTON MOUNTING BRACKET ASSY	1
C1	MEC1810667	SIDE ARM MOUNTING BRACKET FOR EGG SWITCH,FLIP-BACK ARM	1
D1	MEC1800866	SIDE ARM / SIDE RAIL MOUNTING BRACKET,EGG SWITCH,TB3 ARM	1
E1	SCRPPH1163	SCREW, PAN HEAD, TYPE H, M4X0.7 X 10, FT, ISO 7045, CL 4.8, BZ	2

**Please note:**

- Joystick receiver selection varies by armrest type.
- The replacement parts shown may not be applicable to all power bases / seating systems.
- Contact Technical Service for more information.



## Joystick Receiver Mounts, Quantum®

Item	Part No.	Name	Qty
A1	FRMASMB16062	JOYSTICK RECEIVER MOUNT,ASSY,UNIVERSAL,ADJUSTABLE BLOCK,D-1000-313	1
B1	ST-ARM250C-Q	JOYSTICK MOUNT,ASSY,HEIGHT ADJUSTABLE,W/CLAMP HARDWARE	1
C1	MEC1809294	JOYSTICK RECEIVER MOUNT,ASSY,W/MOUNTING HARDWARE,ADJUSTABLE HANDLE	1
D1	ST-ARM250T-Q	JOYSTICK MOUNT,ASSY,HEIGHT ADJUSTABLE,W/TRACK HARDWARE	1
E1	MEC146133	ARMREST ADAPTER ASSEMBLY	1
F1	ACC1800991	JOYSTICK RECEIVER MOUNT,ASSY,TBFLEX	1

**Please note:**

- The kits include the following:
  - Backup Camera w/ Dual Lock Mount.
  - Q-Logic 3 Camera Module.
  - Display Screen w/ Gooseneck Mount.
  - Egg Switch.
  - Tie Wraps.
  - Installation Instructions.
- The kits used on seats over 20"W also include the egg switch extension harness and display extension harness.
- The headrest mounted kits also include the headrest mounting bracket.
- The kits do **NOT** contain the **New Multiplier Stud Mounting Hardware** (used to mount the multiplier harness & camera module), the **Receiver Mount** (used to mount the display screen to the armrest), or the **Egg Switch Mount**. See the additional components below for selection.

Quantum Backup Camera Kits			
Ref #	Part #	Mount	Seat Size
A1	KIT2008636	Standard	20"W or less
B1	KIT2008637	Standard	Over 20"W
C1	KIT2008635	Headrest	20"W or less
D1	KIT2008638	Headrest	Over 20"W

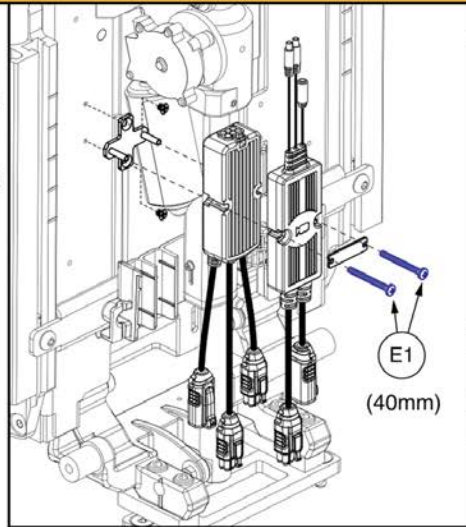
**Multiplier Stud Mounting Hardware**

**Note:**

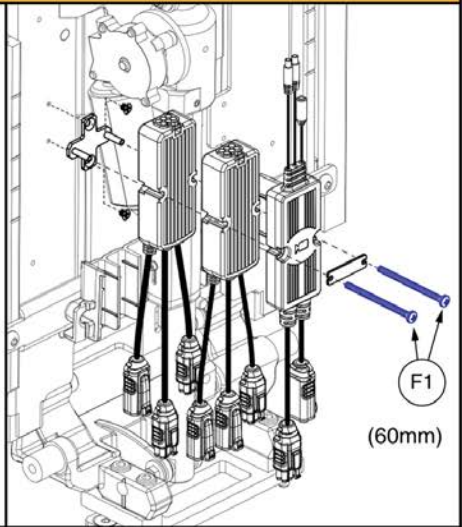
- If the unit is equipped with a multiplier harness, only hardware E1 or F1 needs to be replaced.
- If the unit is **NOT** equipped with a multiplier harness or the complete assembly is required, see the multiplier stud mounts IPB page for selection.

**Web Link: Complete Multiplier Stud Mounts (Catalog view only)**

**STUDS**



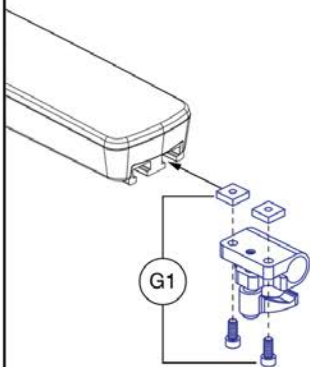
1 Multiplier + QL3 Camera Module



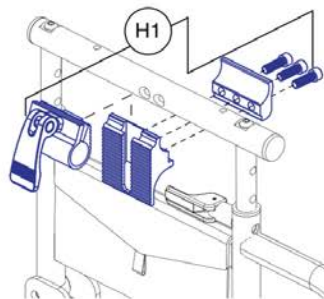
2 Multipliers + QL3 Camera Module

**Receiver Mounts**

TRU Balance® 3 Flip-back Armrests (all versions)



Tubular Style Armrests

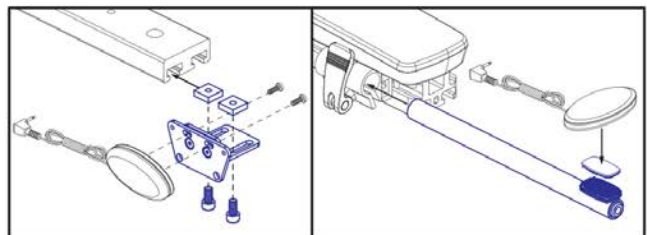


**Egg Switch Mounts**

See the Egg Switch Mounts IPB page for selection.

**Web Link: Quantum Egg Switch Mounts (Catalog view only)**

**SWCH**



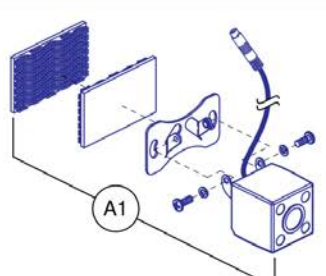
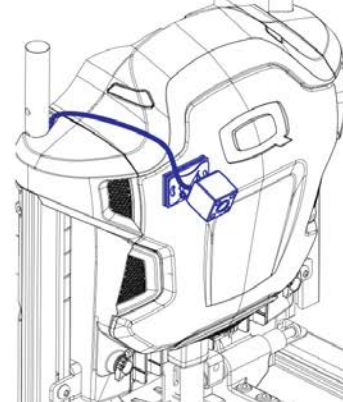
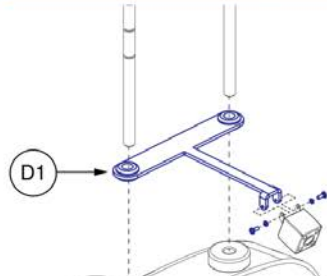
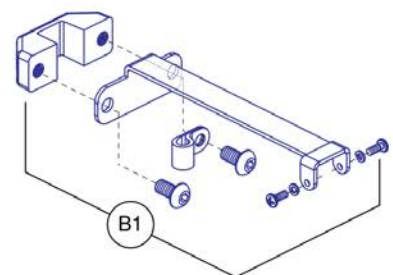
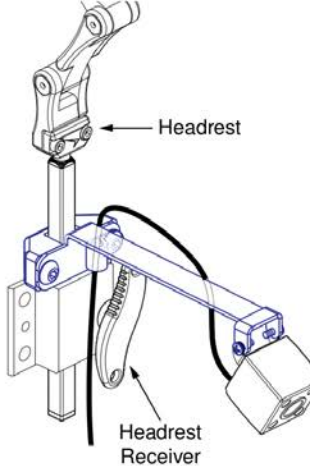
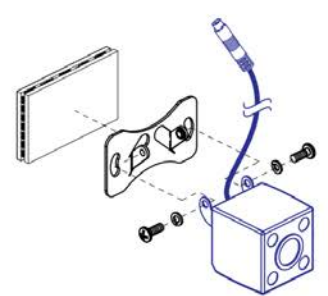
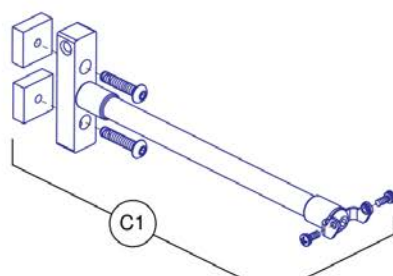
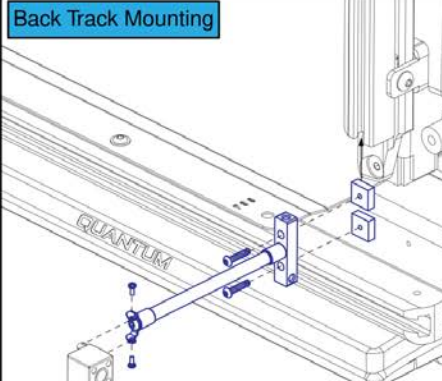
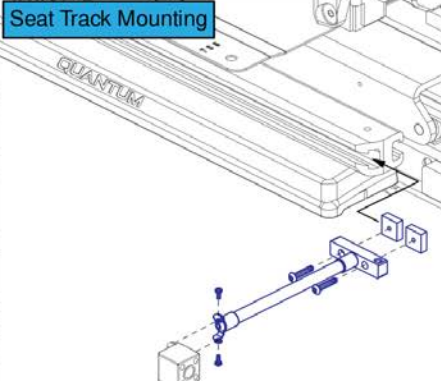
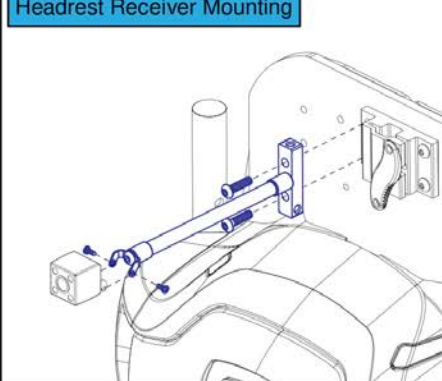
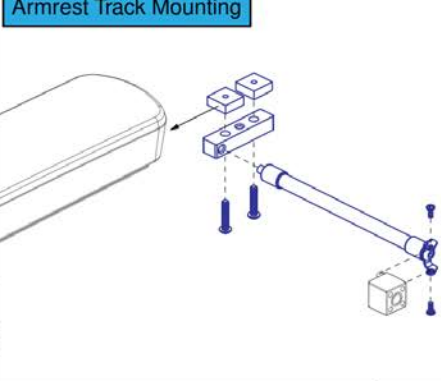
## Quantum® Backup Camera Kits

Item	Part No.	Name	Qty
A1	KIT2008636	KIT,RETROFIT,ASSY,Q-LOGIC 3,STANDARD MOUNTING BRACKET,QUANTUM BACKUP CAMERA	1
B1	KIT2008637	KIT,RETROFIT,ASSY,Q-LOGIC 3,STANDARD MOUNTING BRACKET,OVER 20" WIDE,QUANTUM BACKUP CAMERA	1
C1	KIT2008635	KIT,RETROFIT,ASSY,Q-LOGIC 3,HEADREST MOUNTING BRACKET,QUANTUM BACKUP CAMERA	1
D1	KIT2008638	KIT,RETROFIT,ASSY,Q-LOGIC 3,HEADREST MOUNTING BRACKET,OVER 20" WIDE,QUANTUM BACKUP CAMERA	1
E1	SCRPPH1167	SCREW, PAN HEAD, TYPE H, M3X0.5 X 40, ISO 7045, CL 4.8, BZ	1
F1	HDW1701465	SCREW, PAN HEAD, TYPE H, M3X0.5 X 60, ISO 7045, CL 4.8, BZ	1
G1	MEC1907331	JOYSTICK RECEIVER MOUNT,ASSY,W/MOUNTING HARDWARE,QBC GOOSENECK CLAMP	1
H1	FRMASMB16062	JOYSTICK RECEIVER MOUNT,ASSY,UNIVERSAL,ADJUSTABLE BLOCK,D-1000-313	1
STUDS		WEB LINK,IPB,QBC MULTIPLIER STUDS,ALL (This is not an orderable part, see IPB)	0
RCVR		WEB LINK,IPB,RECEIVER MOUNTS,ALL (This is not an orderable part, see IPB)	0
SWCH		WEB LINK,IPB,EGG SWITCH MOUNTS,ALL (This is not an orderable part, see IPB)	0

<p><b>Q-Logic 3 Camera Module</b></p> <p>To Camera, Display, or Extension Harness</p> <p>To Buddy Button</p> <p>A1</p>	<p><b>Display Extension Harness</b></p> <p>For use on units equipped with seats 20"W and greater.</p> <p>B1</p> <p>Connects between the display and camera module.</p> <p><b>Egg Switch and Extension Harness</b></p> <p>C1</p> <p>D1</p> <p>The extension harness (D1) is used on units equipped with seats 20"W and greater.</p>	<p><b>Camera Module Only All TRU Balance® 3 Backs</b></p> <p>E1</p> <p>TRU Balance® 3 (V1) and Redesigned Backs</p> <p>(20mm)</p> <p>Camera Module ONLY</p>
<p><b>Camera Module + 1 Multiplier All TRU Balance® 3 Backs</b></p>	<p><b>Camera Module + 2 Multipliers TRU Balance® 3 Redesigned Backs</b></p>	<p><b>Camera Module + 2 Multipliers TRU Balance® 3 (V1) Backs</b></p>
<p>F1</p> <p>TRU Balance® 3 (V1) and Redesigned Backs</p> <p>(40mm)</p> <p>Camera Module + 1 Multiplier Harness</p>	<p>G1</p> <p>TRU Balance® 3 Redesigned Backs Only</p> <p>(60mm)</p> <p>Camera Module + 2 Multiplier Harness</p>	<p>H1</p> <p>TRU Balance® 3 (V1) Backs Only</p> <p>(60mm)</p> <p>x4</p> <p>Camera Module + 2 Multiplier Harness</p>

## Quantum® Backup Camera Module, Harnesses, and Mounts

Item	Part No.	Name	Qty
A1	ELE1907290	MODULE ASSEMBLY, QBC QL3	1
B1	ELE2000271	HARNESS, 4 PIN MINI-DIN EXTENSION CABLE, L = 1400	1
C1	ELE2205931	ELECTRONIC,QUANTUM EGG SWITCH,W/QUANTUM BACK-UP CAMERA W/DUAL LOCK	1
D1	ELE2000270	HARNESS, 3.5MM MONO EXTENSION CABLE, L = 660	1
E1	MEC1611656	MULTIPLIER STUD MOUNT ASSEMBLY,PRIMARY	1
F1	MEC1611657	MULTIPLIER STUD MOUNT ASSEMBLY,PRIMARY & SECONDARY	1
G1	MEC2006143	MULTIPLIER STUD MOUNT ASSEMBLY,PRIMARY & SECONDARY,W/QBC,TB4 BACK	1
H1	MEC2000971	MULTIPLIER STUD MOUNT ASSEMBLY,PRIMARY & SECONDARY,W/QBC,TB3 BACK	1

<p><b>Backup Camera with Dual Lock Mount</b></p>  <p><b>Please note:</b> - The backup camera can be placed anywhere on the back.</p>		<p><b>Q-Captain Headrest Mounting Bracket for Backup Camera</b></p>  <p><b>Please note:</b> - The camera is NOT included and must be selected separately.</p>
<p><b>Rehab Headrest Mounting Bracket for Backup Camera</b></p>  <p><b>Please note:</b> - The camera is NOT included and must be selected separately.</p>	 <p>Headrest Headrest Receiver</p>	<p><b>Please note:</b> - Prior to installing the camera to the headrest mount or the track mount, the dual lock mount must be removed.</p> 
<p><b>Track Mount for Backup Camera</b></p>  <p><b>Please note:</b> - The camera is NOT included and must be selected separately.</p>	<p><b>Back Track Mounting</b></p> 	<p><b>Seat Track Mounting</b></p> 
<p><b>Headrest Receiver Mounting</b></p> 	<p><b>Armrest Track Mounting</b></p> 	

## Quantum® Backup Camera, Standard Mount, and Headrest Mount

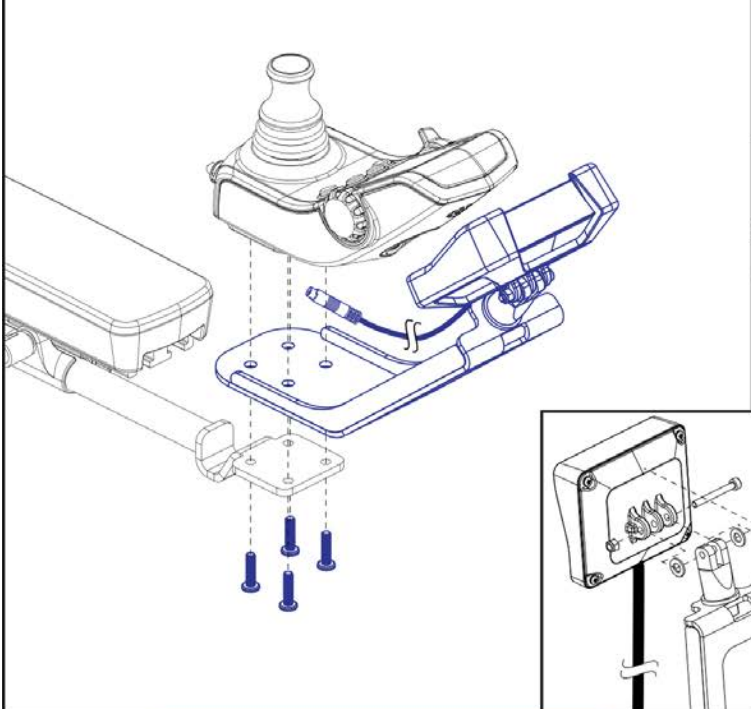
---

Item	Part No.	Name	Qty
A1	MEC1910365	QUANTUM BACKUP CAMERA, BRACKET DUAL LOCK ASSEMBLY	1
B1	MEC1910373	STANDARD CAMERA BRACKET, ASSEMBLY	1
C1	MEC2104227	QUANTUM BACKUP CAMERA, TRACK MOUNT, ASSEMBLY	1
D1	MEC1901231	CAPTAINS SEAT CAMERA BRACKET ASSEMBLY	1

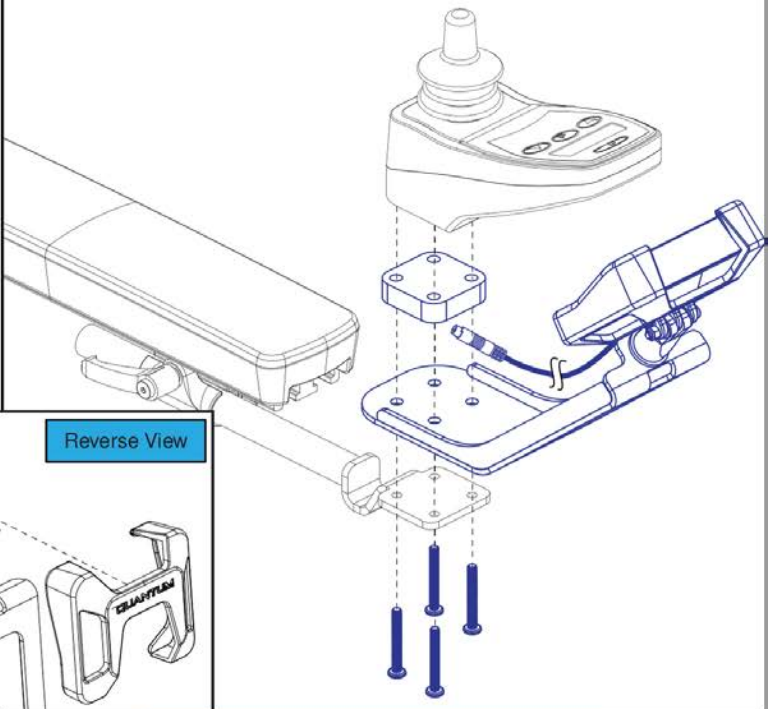
**Please note:**

- The joystick mount assemblies (A1) & (B1) contain hardware to mount the display to both the inline and swing-away joystick mounts.
- The gooseneck mount assembly (C1) needs an additional armrest mounted receiver (D1) or (E1), which must be selected separately.

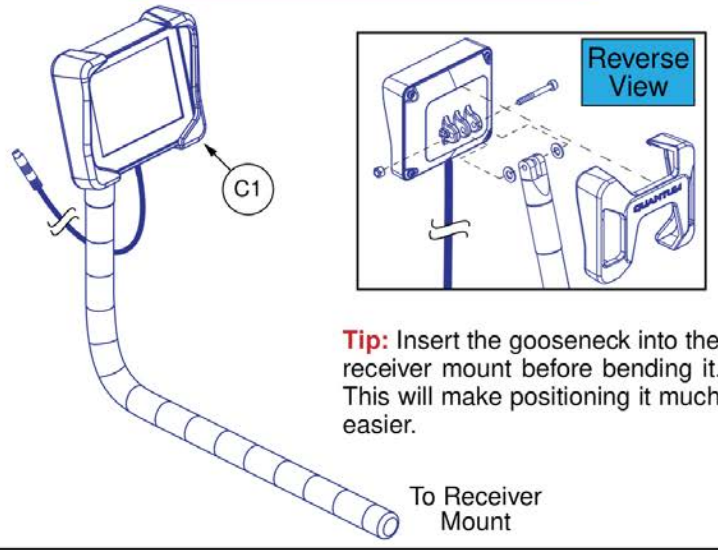
**A1** Q-Logic Quantum Backup Camera Display with Joystick Mount



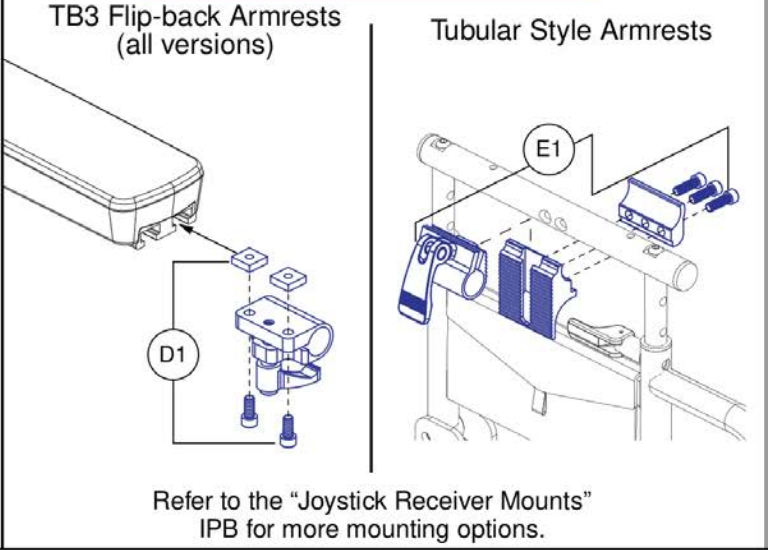
**B1** NE/NE+ Quantum Backup Camera Display with Joystick Mount



**Display Screen with Flexible "Gooseneck" Mount**



**Receiver Mounts**



## Quantum® Backup Camera Display Mounts

Item	Part No.	Name	Qty
A1	MEC2106123	QUANTUM BACKUP CAMERA,DISPLAY MOUNT,ASSEMBLY,Q-LOGIC 3	1
B1	MEC2106132	QUANTUM BACKUP CAMERA,DISPLAY MOUNT,ASSEMBLY,NE/NE+	1
C1	MEC1906270	QBC, SCREEN HINGE ASSEMBLY, W/GOOSENECK	1
D1	MEC1907331	JOYSTICK RECEIVER MOUNT,ASSY,W/MOUNTING HARDWARE,QBC GOOSENECK CLAMP	1
E1	FRMASMB16062	JOYSTICK RECEIVER MOUNT,ASSY,UNIVERSAL,ADJUSTABLE BLOCK,D-1000-313	1

# Egg Switch / Buddy Button Mounting Brackets

**3M Dual Lock Mount w/ Adhesive Backing**

A quantity of 2 **MUST** be selected to receive both pieces

A1

**Under Arm Buddy Button Bracket**

B1

**Please note:**

- The Bracket can be utilized in conjunction with any style Joystick Receiver.
- The Joystick Receiver is **NOT** included and must be selected separately. See the individual receiver page for options.

**Side Arm Egg Switch Bracket, Version 3 Flip-back Armrests**

**Quantum Egg Switch Mounting Screws**

E1

(E1) is included with (C1). It is also available individually.

**Egg Switch Mounting**

C1

**Side Arm Egg Switch Bracket, Version 1 & 2 Flip-back Armrests**

D1

**Replaces the Previous Version**

**Egg Switch Mounting**

**Please note:**

- (C1) contains the Quantum Egg Switch mounting hardware (E1), which is also available individually.
- (C1) does **NOT** contain the mounting hardware for any other Egg Switch. To receive the mounting hardware for a different Egg Switch, the Egg Switch must be selected. See the electronics section for selection.
- Due to a product enhancement, (C1) will now have a washer included for improved fitment of the assembly when attached to the armrest.

**Please note:**

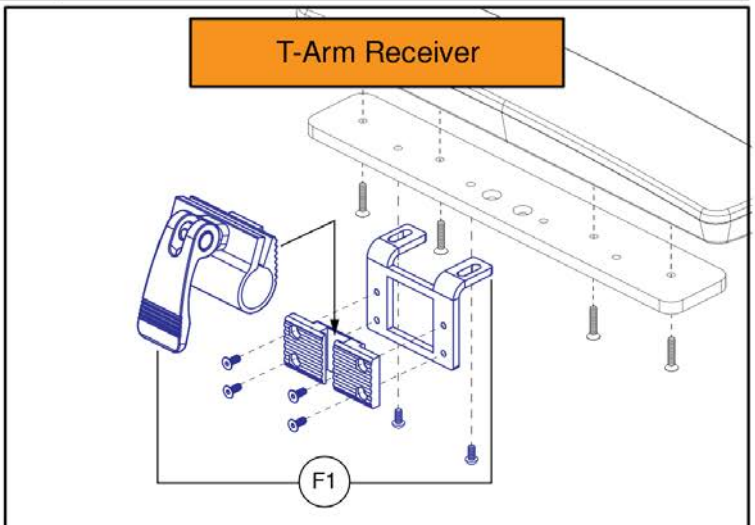
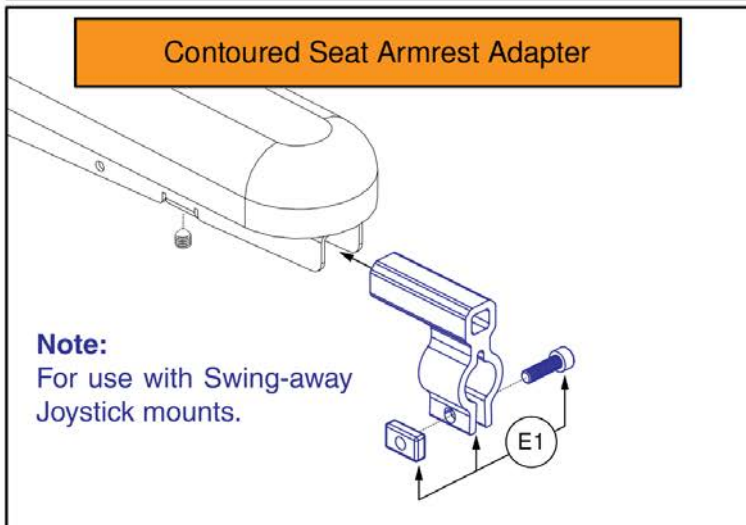
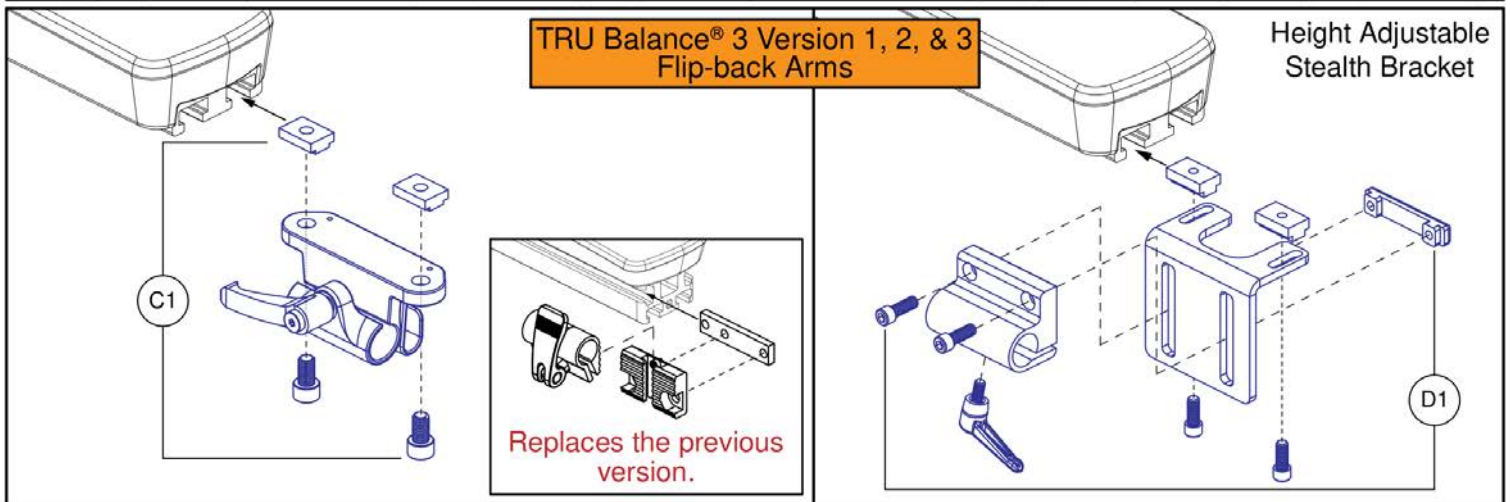
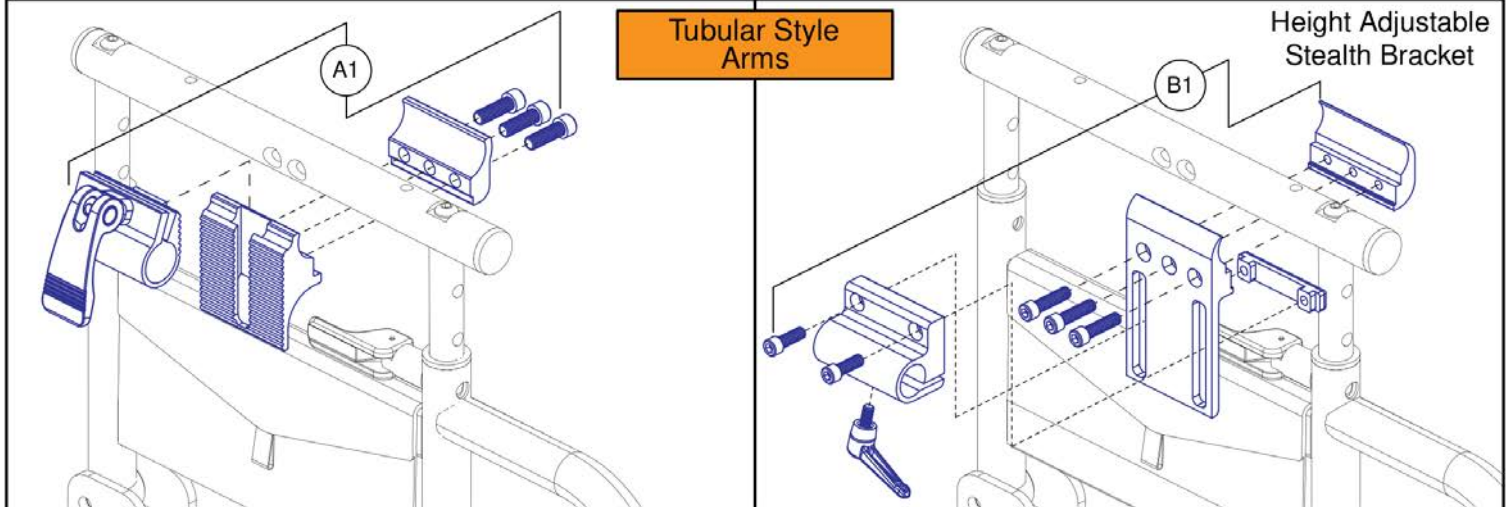
- The Egg Switch mounting hardware is included with the Egg Switch. See the electronics section for selection.
- Due to a product enhancement, (D1) will now have a washer included for improved fitment of the assembly when attached to the armrest.

## Egg Switch / Buddy Button Mounting Brackets

Item	Part No.	Name	Qty
A1	HDW155440	3M DUAL LOCK, BUDDY BUTTON	1
B1	MEC1802726	UNDER ARM BUDDY BUTTON MOUNTING BRACKET ASSY	1
C1	MEC1810667	SIDE ARM MOUNTING BRACKET FOR EGG SWITCH,FLIP-BACK ARM	1
D1	MEC1800866	SIDE ARM / SIDE RAIL MOUNTING BRACKET,EGG SWITCH,TB3 ARM	1
E1	SCRPPH1163	SCREW, PAN HEAD, TYPE H, M4X0.7 X 10, FT, ISO 7045, CL 4.8, BZ	2

**Please note:**

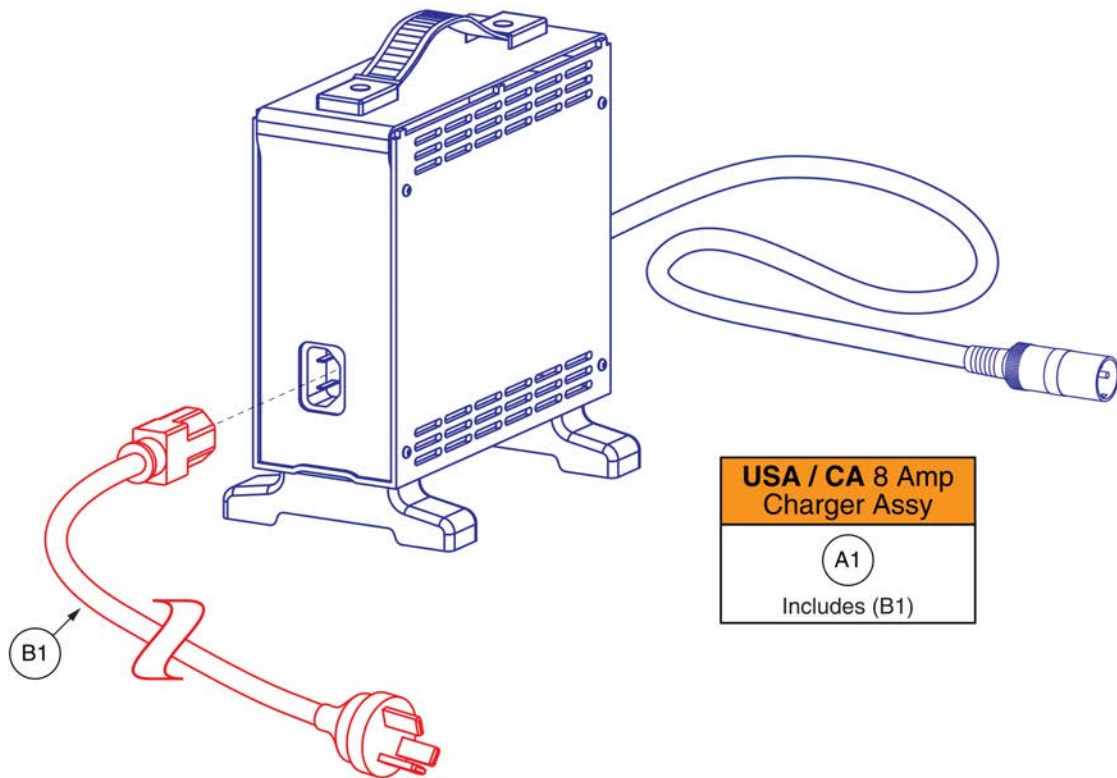
- Joystick receiver selection varies by armrest type.
- The replacement parts shown may not be applicable to all power bases / seating systems.
- Contact Technical Service for more information.



## Joystick Receiver Mounts, Quantum®

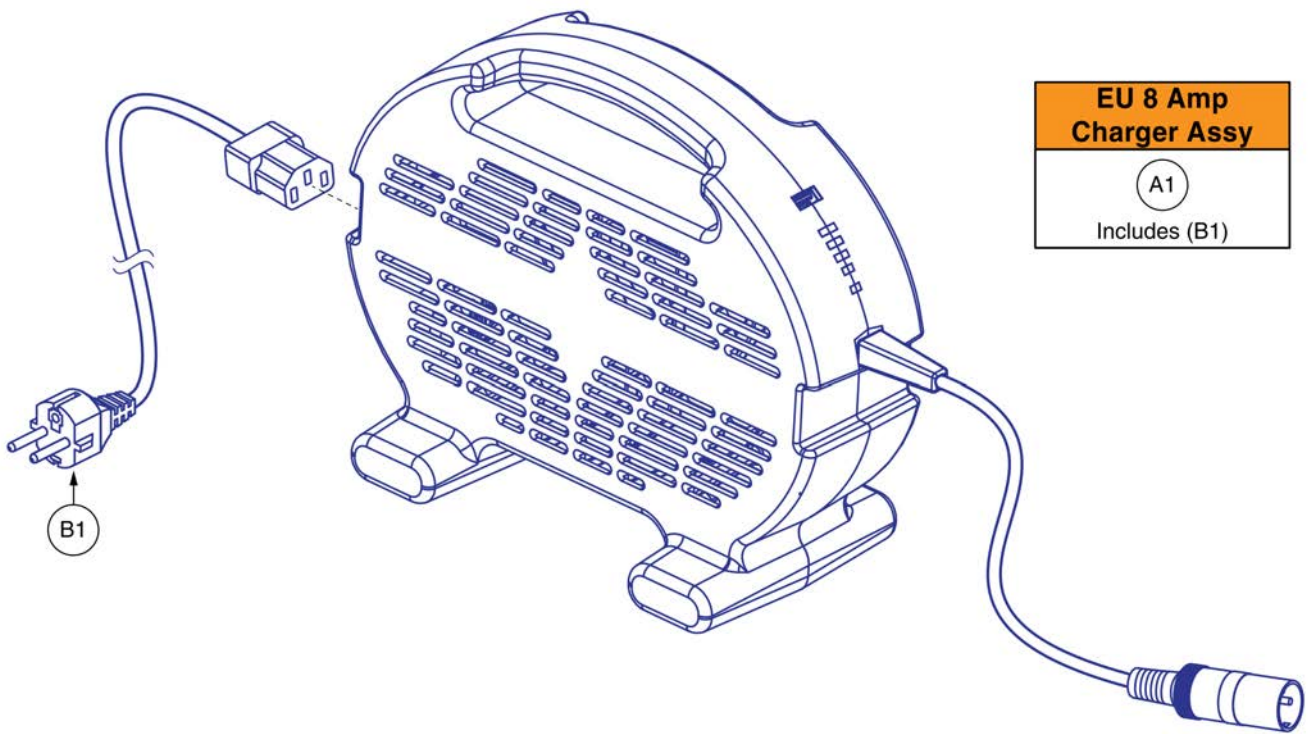
Item	Part No.	Name	Qty
A1	FRMASMB16062	JOYSTICK RECEIVER MOUNT,ASSY,UNIVERSAL,ADJUSTABLE BLOCK,D-1000-313	1
B1	ST-ARM250C-Q	JOYSTICK MOUNT,ASSY,HEIGHT ADJUSTABLE,W/CLAMP HARDWARE	1
C1	MEC1809294	JOYSTICK RECEIVER MOUNT,ASSY,W/MOUNTING HARDWARE,ADJUSTABLE HANDLE	1
D1	ST-ARM250T-Q	JOYSTICK MOUNT,ASSY,HEIGHT ADJUSTABLE,W/TRACK HARDWARE	1
E1	MEC146133	ARMREST ADAPTER ASSEMBLY	1
F1	ACC1800991	JOYSTICK RECEIVER MOUNT,ASSY,TBFLEX	1

**IMPORTANT:** The **CTE Charger** is region-specific, and its power cord cannot be replaced with a **non-Australian cord**. If a charger is needed for use in another country, the entire charger assembly must be selected for that region. For assistance, please contact **Technical Service**.



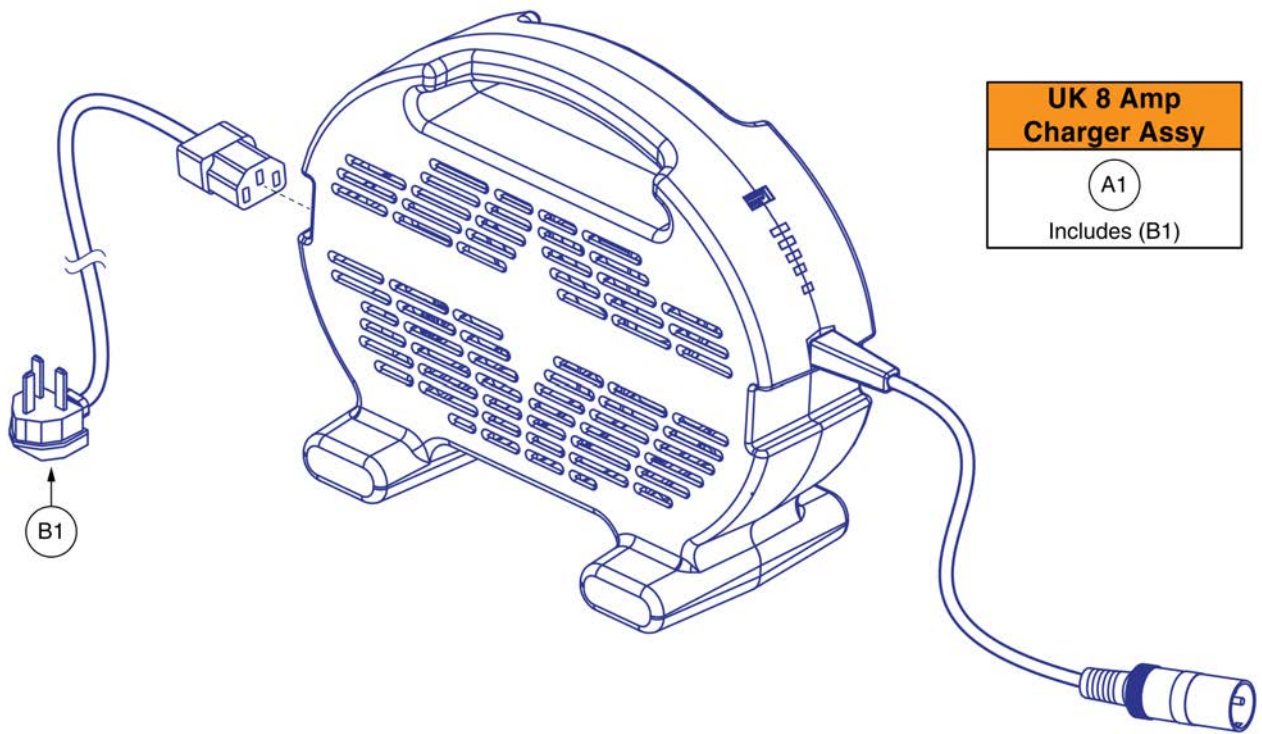
**8 Amp, CTE Charger, AU**

Item	Part No.	Name	Qty
A1	ELEASMB5672	CHARGER, OFFBOARD, LOW INHIBIT, 8A W/ AU POWERCORD	1
B1	DWR1000H174	ELECTRONIC,HARNESS,AC POWER CORD,INSULATED BLADES,AUSTRALIA	1



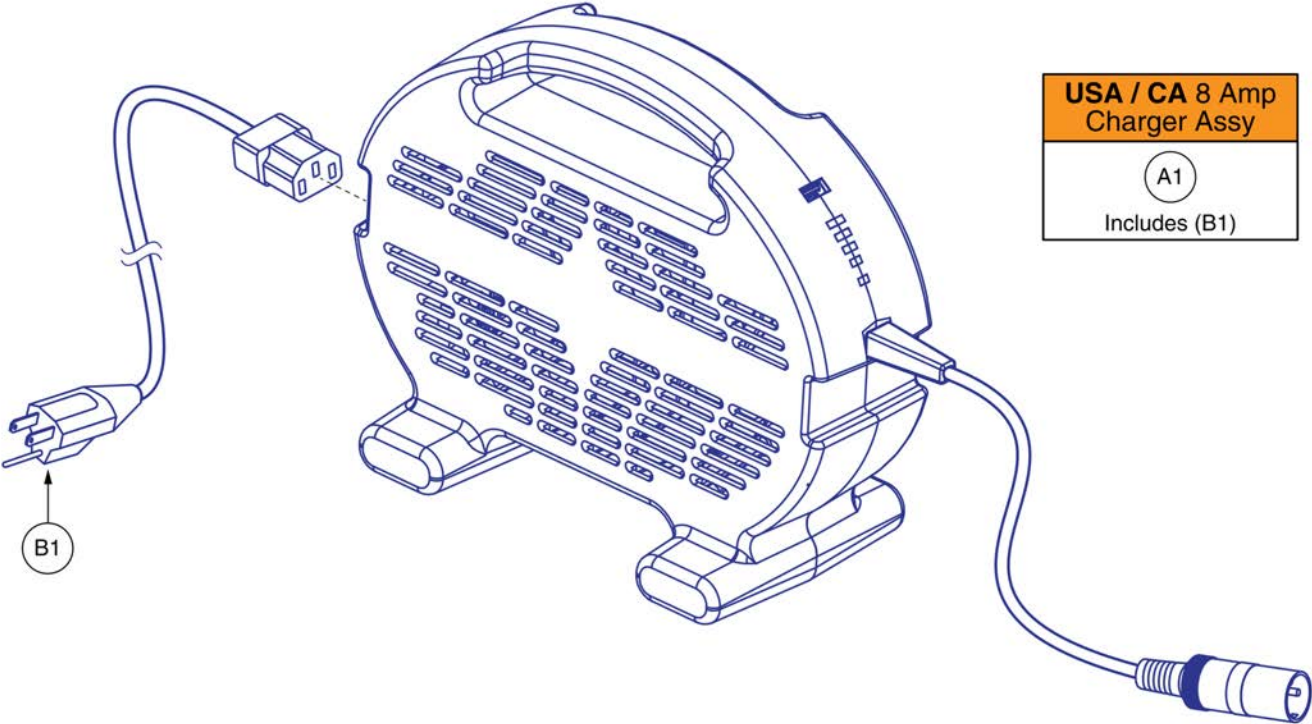
**8 Amp Pihong Charger, EU**

Item	Part No.	Name	Qty
A1	ELE2400090	CHARGER, OFFBOARD, LOW INHIBIT, AC 100V-240V, DC 28.6@8A, W/ EU CORDSET	1
B1	HARUSHD2160	ELECTRONIC,HARNESS,POWER CORD,IEC - EUROPE PLUG	1



**8 Amp Pihong Charger, UK**

Item	Part No.	Name	Qty
A1	ELE2402944	CHARGER, OFFBOARD, LOW INHIBIT, AC 100V-240V, DC 28.6@8A, W/UK CORDSET	1
B1	HARUSHD2041	ELECTRONIC,HARNESS, POWER CORD,AC W/UK PLUG,H-1020-049	

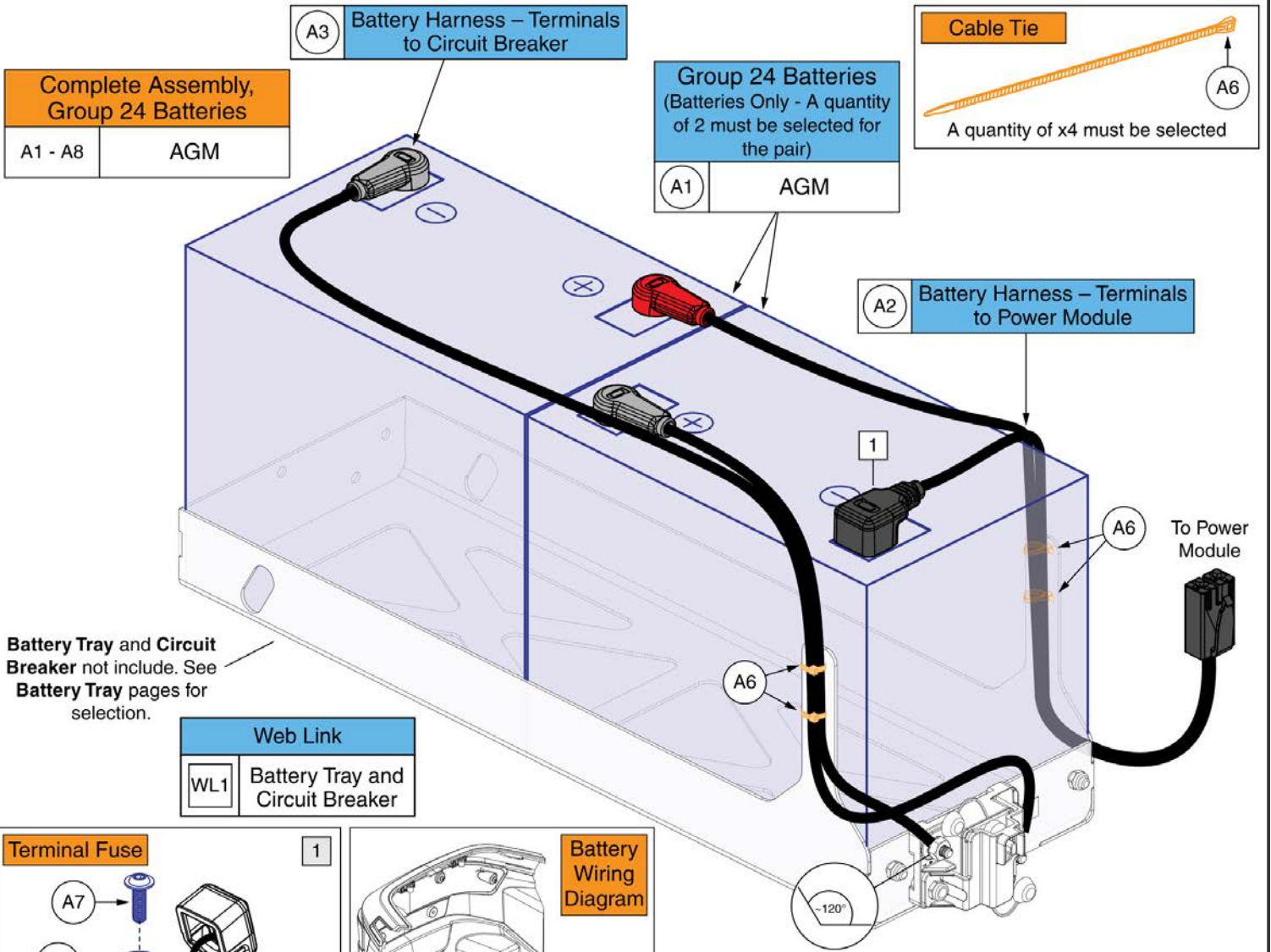


**8 Amp Pihong Charger, US / CA**

<b>Item</b>	<b>Part No.</b>	<b>Name</b>	<b>Qty</b>
A1	ELE2002993	CHARGER, OFFBOARD, LOW INHIBIT, AC 100V-240V, DC 28.6@8A, W/ USA CORDSET	1
B1	HARUSHD1065	ELECTRONIC,HARNESS,POWER CORD,IEC - USA	1

**Please note:**

- **Battery Tray** and **Circuit Breaker** not included. For selection, see the **Battery Tray** and **Circuit Breaker** page.
- When replacing the **Battery Harnesses (A2 / A3)**, the new harnesses must be secured with **Cables Ties** to the **Battery Tray** as shown.
- The **Batteries (A1)** include the **Battery Terminal** mounting hardware.



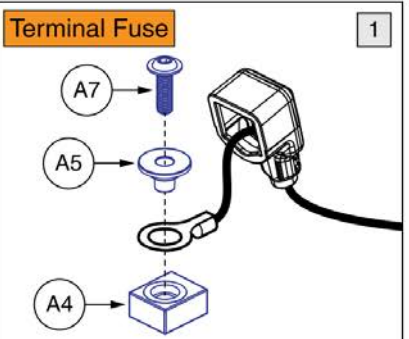
Complete Assembly, Group 24 Batteries	
A1 - A8	AGM

Group 24 Batteries (Batteries Only - A quantity of 2 must be selected for the pair)	
A1	AGM

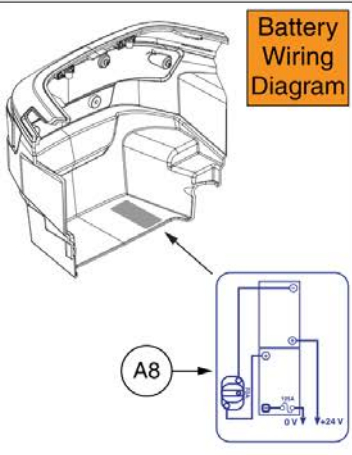
Cable Tie
A6
A quantity of x4 must be selected

Battery Tray and Circuit Breaker not included. See Battery Tray pages for selection.

Web Link	
WL1	Battery Tray and Circuit Breaker



- (A7) is included with the Batteries (A1).
- (A4) and (A5) are only included with the Complete Assembly (A1 - A7).



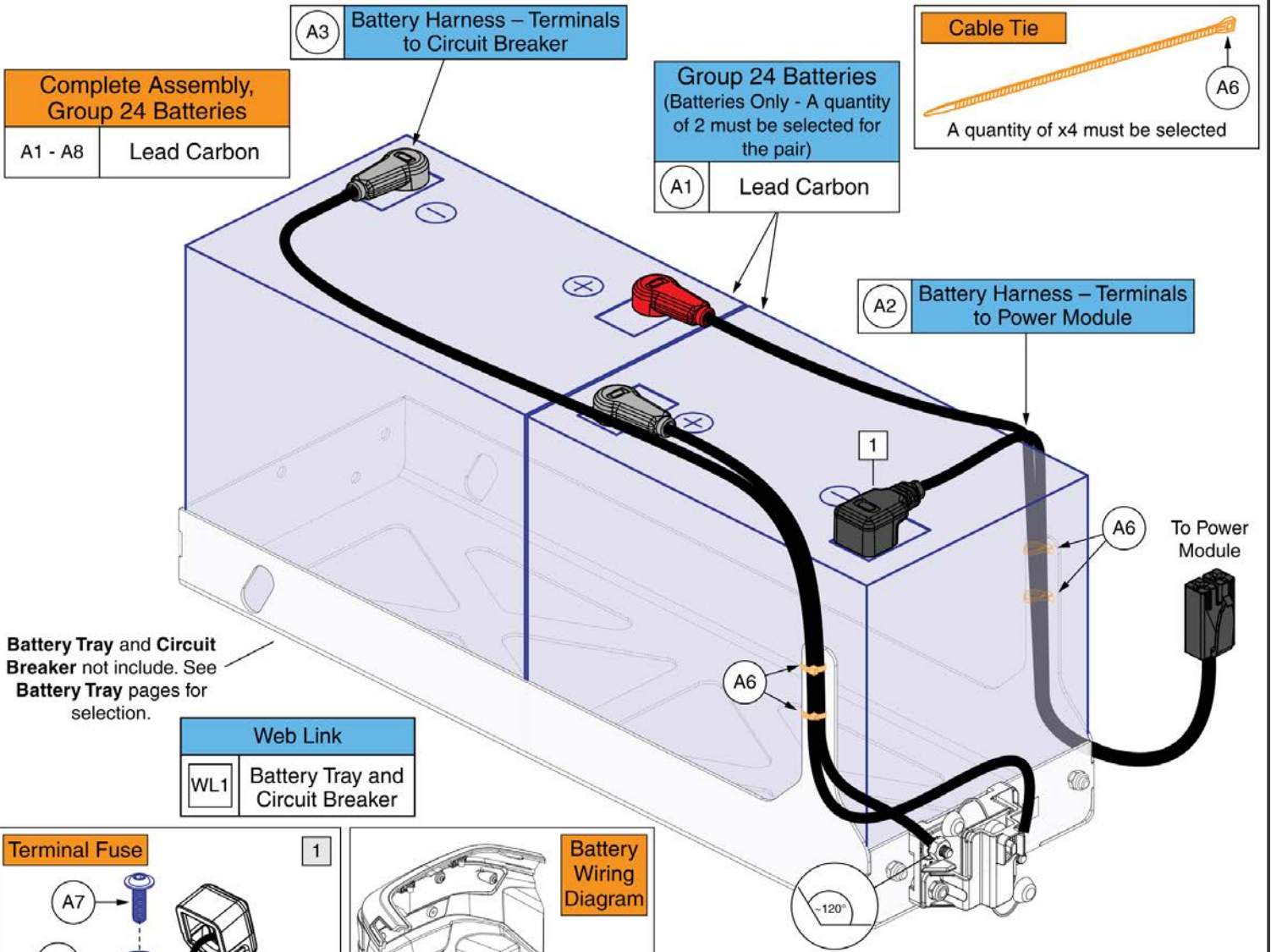
**IMPORTANT:**  
When connecting the battery harness (A3) to the circuit breaker, ensure the wires are positioned as shown: the short wire should be routed to the left at approximately a 120° angle, while the longer wire should come up from the right and loop over the top of the circuit breaker.

**Group 24 AGM Batteries and Battery Cables, Q6 Edge® 4**

<b>Item</b>	<b>Part No.</b>	<b>Name</b>	<b>Qty</b>
A1 - A8	BAT2404218	BATTERY, ASSY, GROUP 24, W/CURTIS INTERFACE	1
A1	BAT1707083	BATTERY,AGM, 79.6AH/C20, 67.5AH/C5	2
A2	ELE2305555	HARNESS, BATTERY, INTERFACE, CURTIS TO RINGS, 580 RED	1
A3	ELE2305113	HARNESS, BATTERY, INTERFACE, M6 TO M8, BREAKER, 685 GRAY	1
A4	ELE1809858	FUSE, BATTERY, CERAMIC, 125A, 58V	1
A5	MEC2106089	BATTERY FUSE, BUSHING, M6	1
A6	PLSTIE1004	TIEDOWN STRAP, 200 LG, PLASTIC, BLACK, SPEC NO. 2106329-2-50-175-V2	2
A7	HDW2203095	SCREW, BUTTON HEAD, FLANGED, M6X1 X 20, ISO 7380-2, SST, PSV.	1
A8	LAB2406084	BATTERY WIRING DIAGRAM GROUP 24	1
WL1		WEB LINK,IPB,BATTERY TRAYS (This is not an orderable part, see IPB)	0

**Please note:**

- **Battery Tray** and **Circuit Breaker** not included. For selection, see the **Battery Tray** and **Circuit Breaker** page.
- When replacing the **Battery Harnesses (A2 / A3)**, the new harnesses must be secured with **Cables Ties** to the **Battery Tray** as shown.
- The **Batteries (A1)** include the **Battery Terminal** mounting hardware.



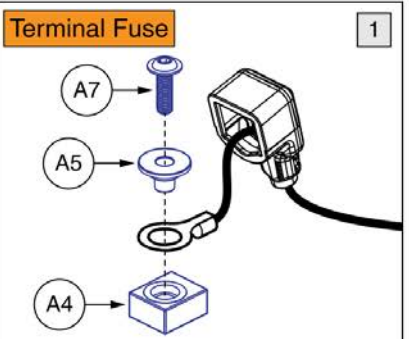
Complete Assembly, Group 24 Batteries	
A1 - A8	Lead Carbon

Group 24 Batteries (Batteries Only - A quantity of 2 must be selected for the pair)	
A1	Lead Carbon

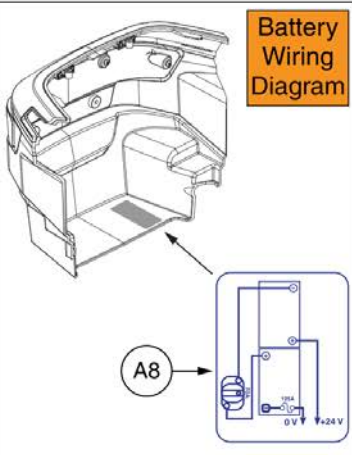
Cable Tie	
A6	A quantity of x4 must be selected

Battery Tray and Circuit Breaker not included. See Battery Tray pages for selection.

Web Link	
WL1	Battery Tray and Circuit Breaker



- (A7) is included with the Batteries (A1).
- (A4) and (A5) are only included with the Complete Assembly (A1 - A7).



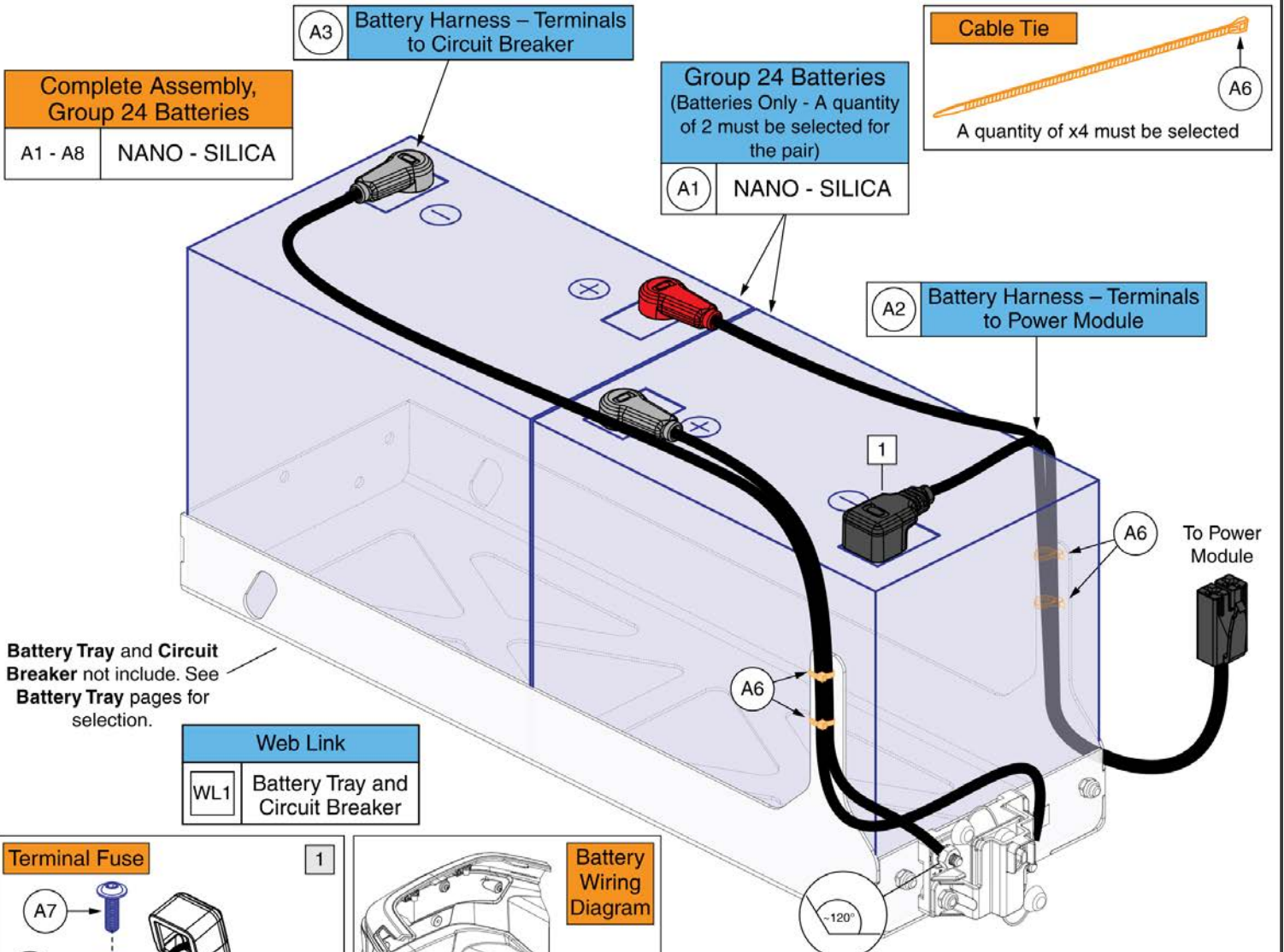
**IMPORTANT:**  
When connecting the battery harness (A3) to the circuit breaker, ensure the wires are positioned as shown: the short wire should be routed to the left at approximately a 120° angle, while the longer wire should come up from the right and loop over the top of the circuit breaker.

**Group 24 Lead Carbon Batteries and Battery Cables, Q6 Edge® 4**

<b>Item</b>	<b>Part No.</b>	<b>Name</b>	<b>Qty</b>
A1 - A8	BAT2501262	BATTERY, ASSY, GROUP 24 LEAD CARBON, W/CURTIS INTERFACE	1
A1	BAT2404063	BATTERY, LEAD CARBON, 12V, 87.2 AH (C/20), 74.5 AH (C/5), GROUP 24, THREADED BRASS INSERT - M6	2
A2	ELE2305555	HARNESS, BATTERY, INTERFACE, CURTIS TO RINGS, 580 RED	1
A3	ELE2305113	HARNESS, BATTERY, INTERFACE, M6 TO M8, BREAKER, 685 GRAY	1
A4	ELE1809858	FUSE, BATTERY, CERAMIC, 125A, 58V	1
A5	MEC2106089	BATTERY FUSE, BUSHING, M6	1
A6	PLSTIE1004	TIEDOWN STRAP, 200 LG, PLASTIC, BLACK, SPEC NO. 2106329-2-50-175-V2	2
A7	HDW2203095	SCREW, BUTTON HEAD, FLANGED, M6X1 X 20, ISO 7380-2, SST, PSV.	1
A8	LAB2406084	BATTERY WIRING DIAGRAM GROUP 24	1
WL1		WEB LINK,IPB,BATTERY TRAYS (This is not an orderable part, see IPB)	0

**Please note:**

- **Battery Tray** and **Circuit Breaker** not included. For selection, see the **Battery Tray** and **Circuit Breaker** page.
- When replacing the **Battery Harnesses (A2 / A3)**, the new harnesses must be secured with **Cables Ties** to the **Battery Tray** as shown.
- The **Batteries (A1)** include the **Battery Terminal** mounting hardware.



**Complete Assembly, Group 24 Batteries**

A1 - A8	NANO - SILICA
---------	---------------

**Group 24 Batteries (Batteries Only - A quantity of 2 must be selected for the pair)**

A1	NANO - SILICA
----	---------------

**Cable Tie**

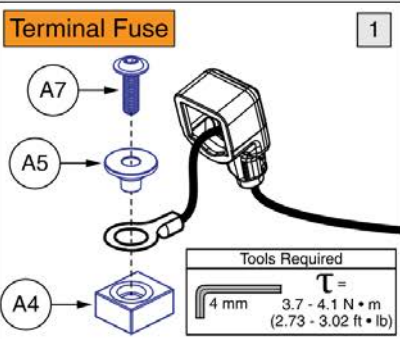
A6

A quantity of x4 must be selected

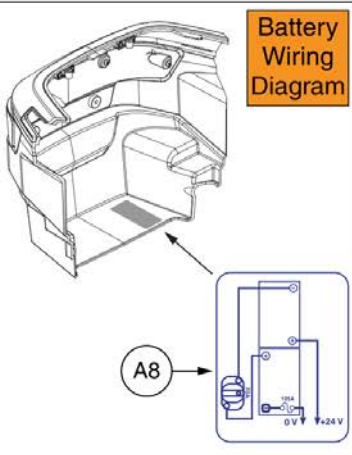
**Battery Tray and Circuit Breaker** not included. See **Battery Tray** pages for selection.

**Web Link**

WL1	Battery Tray and Circuit Breaker
-----	----------------------------------



- (A7) is included with the **Batteries (A1)**.
- (A4) and (A5) are only included with the **Complete Assembly (A1 - A7)**.



**IMPORTANT:**  
When connecting the battery harness (A3) to the circuit breaker, ensure the wires are positioned as shown: the short wire should be routed to the left at approximately a 120° angle, while the longer wire should come up from the right and loop over the top of the circuit breaker.

**Group 24 NANO-SILICA Batteries and Battery Cables, Q6 Edge® 4**

<b>Item</b>	<b>Part No.</b>	<b>Name</b>	<b>Qty</b>
A1 - A8	BAT2404214	GROUP 24 NANO-SILICA W/ INTERFACE, INTERCEPTOR 2, PAIR	1
A1	BAT2100315-P	BATTERY SERVICE ASSEMBLY, NANO-SILICA, 12V, 75 AH (C/20), 62 AH (C/5), GROUP 24	2
A2	ELE2305555	HARNESS, BATTERY, INTERFACE, CURTIS TO RINGS, 580 RED	1
A3	ELE2305113	HARNESS, BATTERY, INTERFACE, M6 TO M8, BREAKER, 685 GRAY	1
A4	ELE1809858	FUSE, BATTERY, CERAMIC, 125A, 58V	1
A5	MEC2106089	BATTERY FUSE, BUSHING, M6	1
A6	PLSTIE1004	TIEDOWN STRAP, 200 LG, PLASTIC, BLACK, SPEC NO. 2106329-2-50-175-V2	2
A7	HDW2203095	SCREW, BUTTON HEAD, FLANGED, M6X1 X 20, ISO 7380-2, SST, PSV.	1
A8	LAB2406084	BATTERY WIRING DIAGRAM GROUP 24	1
WL1		WEB LINK,IPB,BATTERY TRAYS (This is not an orderable part, see IPB)	0

# No Battery Option for Group 24 Batteries, Q6 Edge® 4

**Please note:**

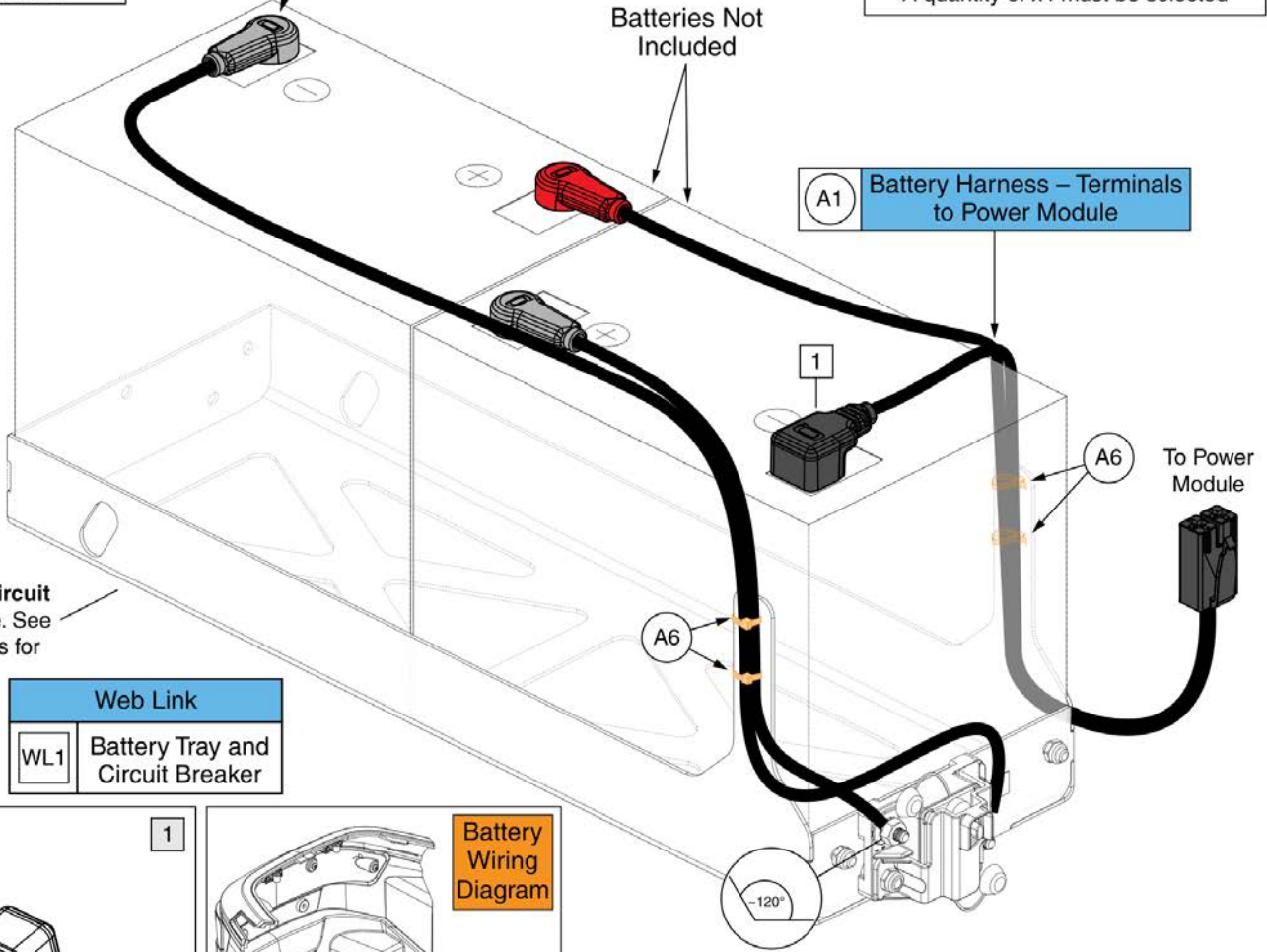
- **Battery Tray** and **Circuit Breaker** not included. For selection, see the **Battery Tray** and **Circuit Breaker** page.
- When replacing the **Battery Harnesses (A1 / A2)**, the new harnesses must be secured with **Cable Ties** to the **Battery Tray** as shown.

**Complete Battery Harness Assembly for Group 24 Batteries**

A1 - A6  
Batteries Not Included

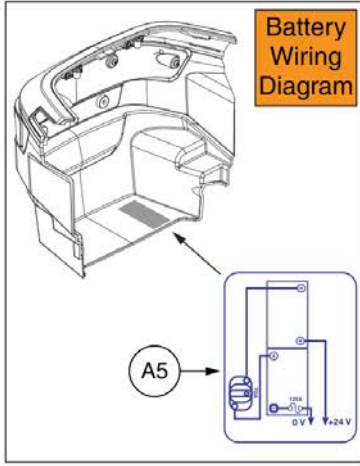
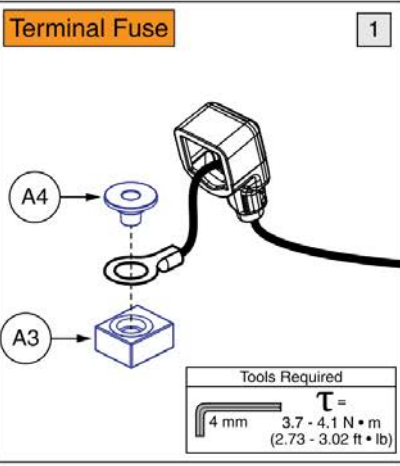
A2 **Battery Harness – Terminals to Circuit Breaker**

**Cable Tie**  
A quantity of x4 must be selected



Battery Tray and Circuit Breaker not include. See Battery Tray pages for selection.

**Web Link**  
WL1 Battery Tray and Circuit Breaker



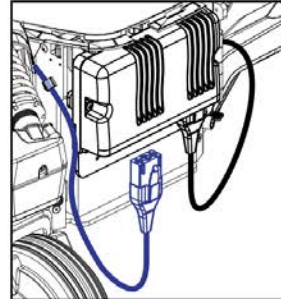
**IMPORTANT:**  
When connecting the battery harness (A2) to the circuit breaker, ensure the wires are positioned as shown: the short wire should be routed to the left at approximately a 120° angle, while the longer wire should come up from the right and loop over the top of the circuit breaker.

## No Battery Option for Group 24 Batteries, Q6 Edge® 4

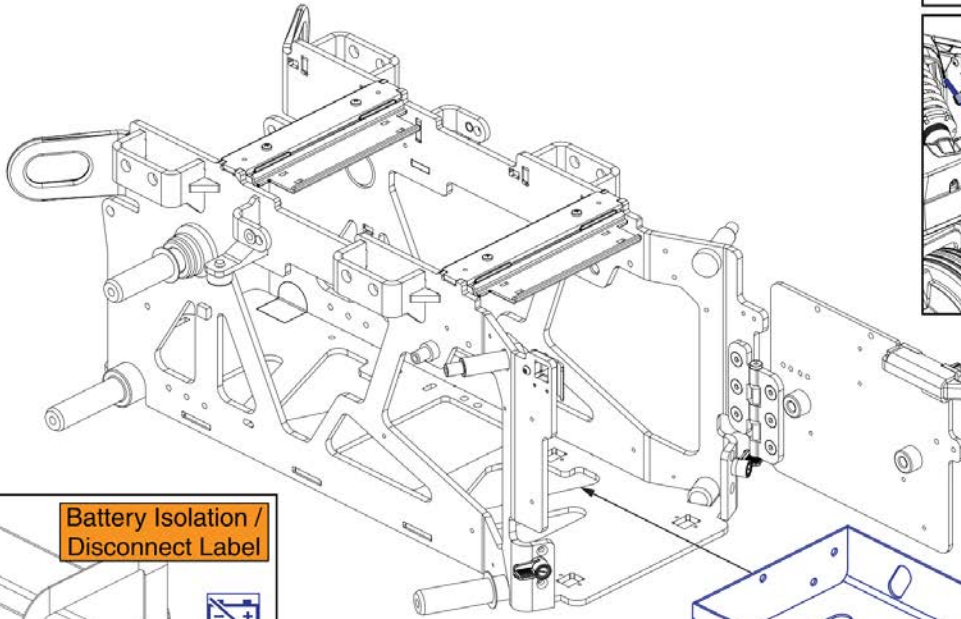
Item	Part No.	Name	Qty
A1 - A6	ELE2505925	BATTERY HARNESSING, ASSY, SET UP FOR GROUP 24 BATTERIES, W/CURTIS INTERFACE	1
A1	ELE2305555	HARNESS, BATTERY, INTERFACE, CURTIS TO RINGS, 580 RED	1
A2	ELE2305113	HARNESS, BATTERY, INTERFACE, M6 TO M8, BREAKER, 685 GRAY	1
A3	ELE1809858	FUSE, BATTERY, CERAMIC, 125A, 58V	1
A4	MEC2106089	BATTERY FUSE, BUSHING, M6	1
A5	LAB2406084	BATTERY WIRING DIAGRAM GROUP 24	1
A6	PLSTIE1004	TIEDOWN STRAP, 200 LG, PLASTIC, BLACK, SPEC NO. 2106329-2-50-175-V2	2
WL1		WEB LINK,IPB,BATTERY TRAYS (This is not an orderable part, see IPB)	0

**Complete Battery Tray**

**⚠ For use with Group 24 batteries.  
7mph Standard Motors  
Q-Logic 3 / QLNES**



**Please Note:**  
To open the rear door, disconnect the left motor harness from the power module.

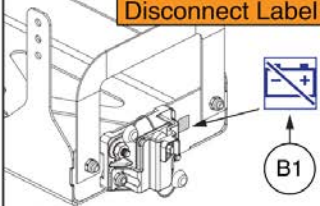


**Complete Battery Tray with Circuit Breaker**

(A1)

When ordering (A1), (B1) **MUST** always be ordered. The **Rollers (C1)** are available individually if needed.

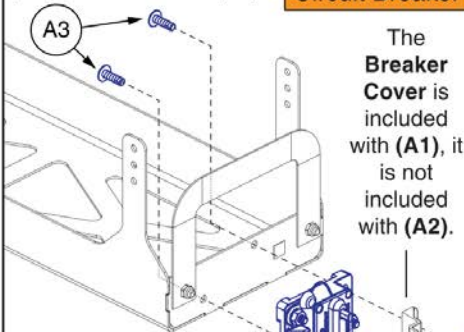
**Battery Isolation / Disconnect Label**



**MUST** be ordered separately when ordering (A1)

**Circuit Breaker**

(A3) is included with (A1)



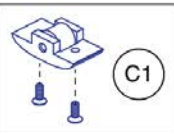
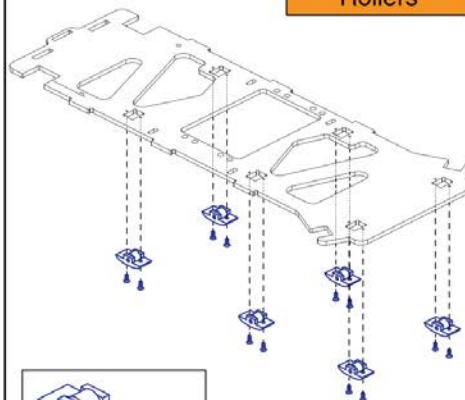
The **Breaker Cover** is included with (A1), it is not included with (A2).

**Tools Required**  
4 mm  
T=  
3 - 4 N•m  
(2.2 - 2.9 ft•lb)

**Circuit Breaker (Included with A1)**

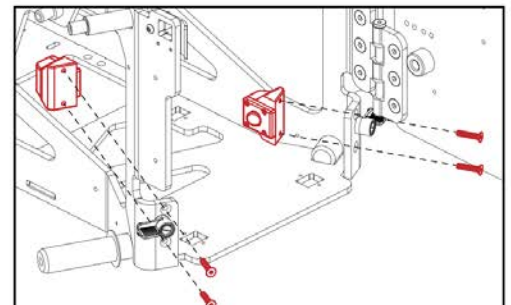
(A2)

**Rollers**



A quantity of 6 must be selected for all 6 Rollers.

Handle - Heavy Duty Webbing



The **Battery Tray Locks** are only available with the **Partial Base Kit Assembly**.

**Battery Tray and Circuit Breaker, Group 24 Batteries, Standard Motors, Q6 Edge® 4**

<b>Item</b>	<b>Part No.</b>	<b>Name</b>	<b>Qty</b>
A1	MEC2305553	BATTERY TRAY ASSEMBLY	1
A2	ELE1910369	CIRCUIT BREAKER, 70AMP 1/4"-28 SS STUDS, MANUAL RESET W/ SWITCH, SURFACE MOUNT	1
A3	HDW147703	SCREW, FLANGED BUTTON HEAD, M6x1.0 X 20, ISO 7380-2, CL 10.9, BZ, PVTP	2
B1	LAB2101449	DECAL,ISO SYMBOL,BATTERY ISOLATION/DISCONNECT	1
C1	MEC2306169	BATTERY TRAY ROLLER ASSEMBLY	6

# Basic Swing-away Joystick Mount, Q-Logic

**Q-Logic, Rehab Seating**

Ref	Left / Right
A1a	Left
A1b	Right

**Q-Logic, Contoured Seating**

Ref	Left / Right
B1a	Left
B1b	Right

Armrest Adapter

## Joystick Mounting

Joystick Only - No Spacers

Joystick Only - With Spacers

Joystick & QBC Display - No Spacers

Joystick & QBC Display - With Spacers

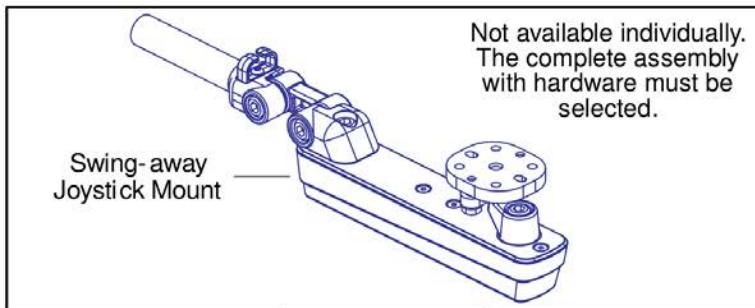
**Exploded View**

## Basic Swing-away Joystick Mount, Q-Logic

---

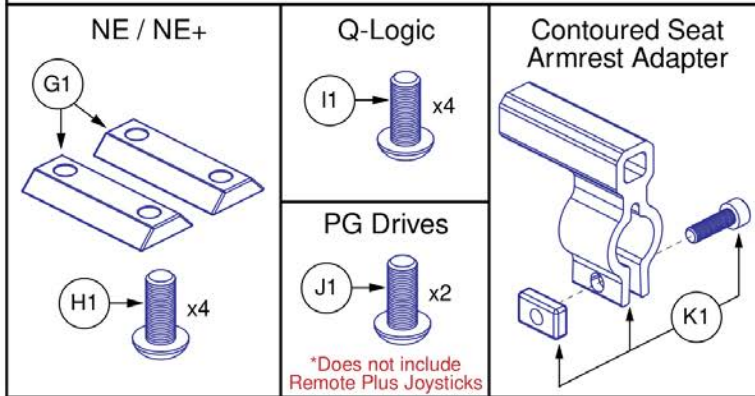
Item	Part No.	Name	Qty
A1a	ACC2201041	JOYSTICK MOUNTING BRACKET,ASSY,BASIC SWING AWAY,LEFT,Q-LOGIC	1
A1b	ACC2201042	JOYSTICK MOUNTING BRACKET,ASSY,BASIC SWING AWAY,RIGHT,Q-LOGIC	1
B1a	ACC2201043	JOYSTICK MOUNTING BRACKET,ASSY,BASIC SWING AWAY,LEFT,Q-LOGIC,CONTOURED SEAT	1
B1b	ACC2201044	JOYSTICK MOUNTING BRACKET,ASSY,BASIC SWING AWAY,RIGHT,Q-LOGIC,CONTOURED SEAT	1

# Chain Driven Swing-away Joystick Mount (Version 3 Swing-away Mount)



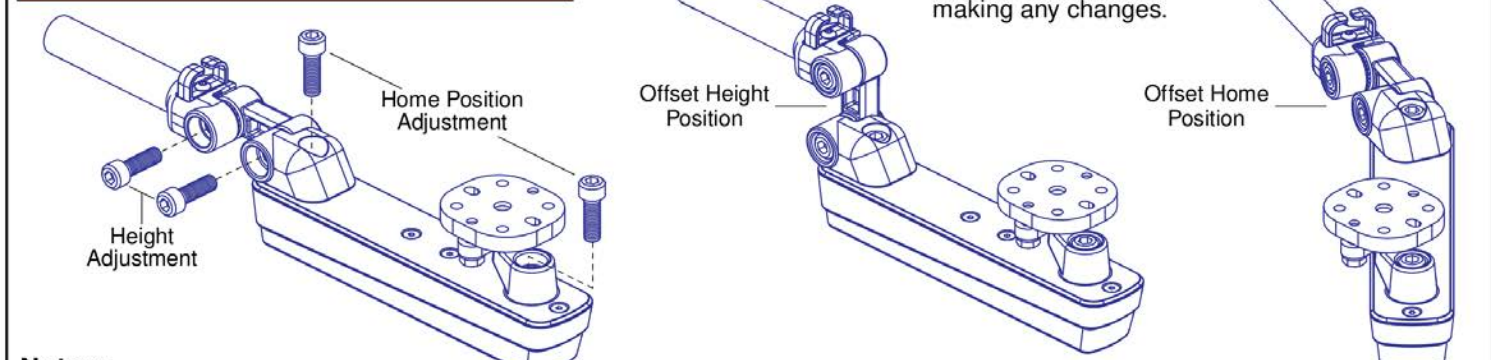
## Complete Swing-away Joystick Mount w/ Hardware

Ref	Part Number	Mounting Hardware	Seating Type
A1	ACC1908434	Q-Logic (I1)	Rehab
B1	ACC1908435	Q-Logic (I1)	Contoured (K1)
C1	ACC1908437	NE/NE+ (G1,H1)	Rehab
D1	ACC1908438	NE/NE+ (G1,H1)	Contoured (K1)
E1	ACC1908439	PG Drives (J1)*	Rehab
F1	ACC1908440	PG Drives (J1)*	Contoured (K1)



- The complete assemblies A1 thru F1 include the swing-away joystick mount and the applicable joystick mounting hardware.
- The contoured seat assemblies also include the armrest adapter K1.
- PG Drives does **NOT** include Remote Plus.

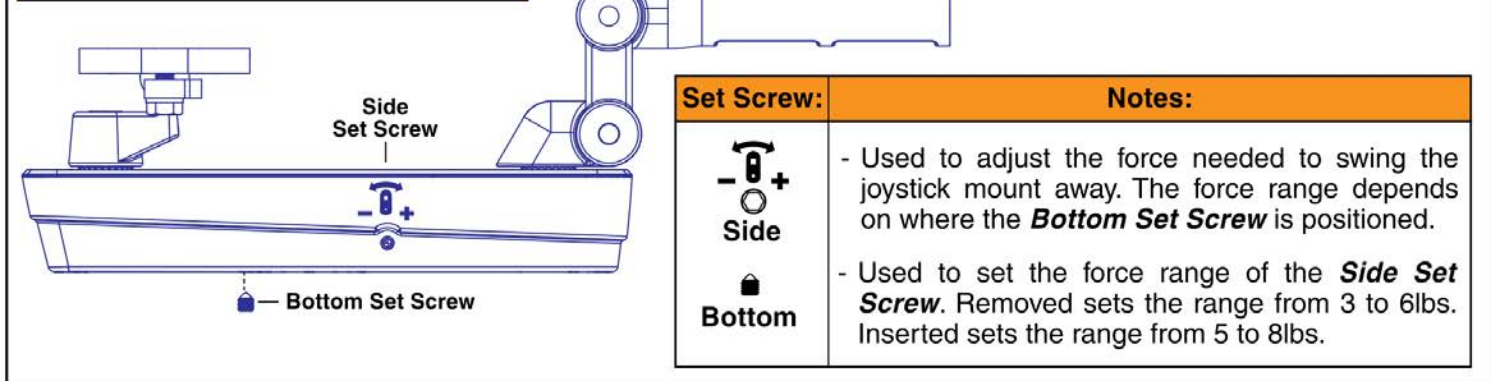
## Height and Home Position Adjustments



**Notes:**

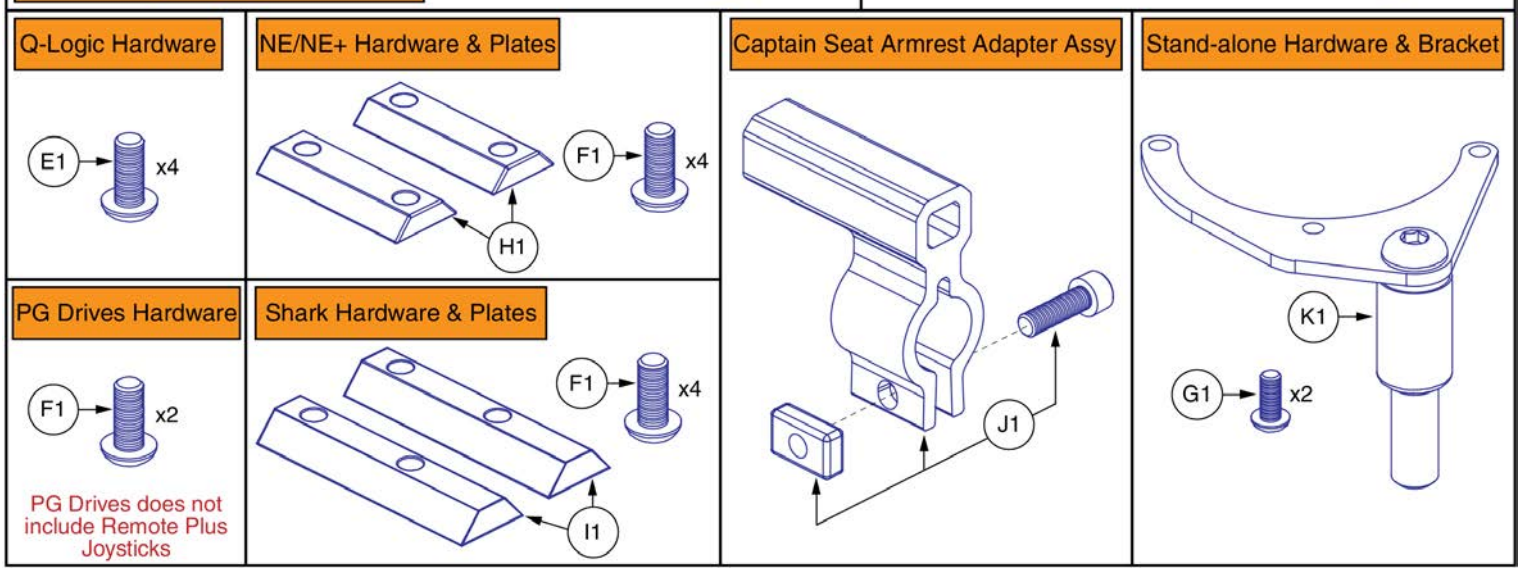
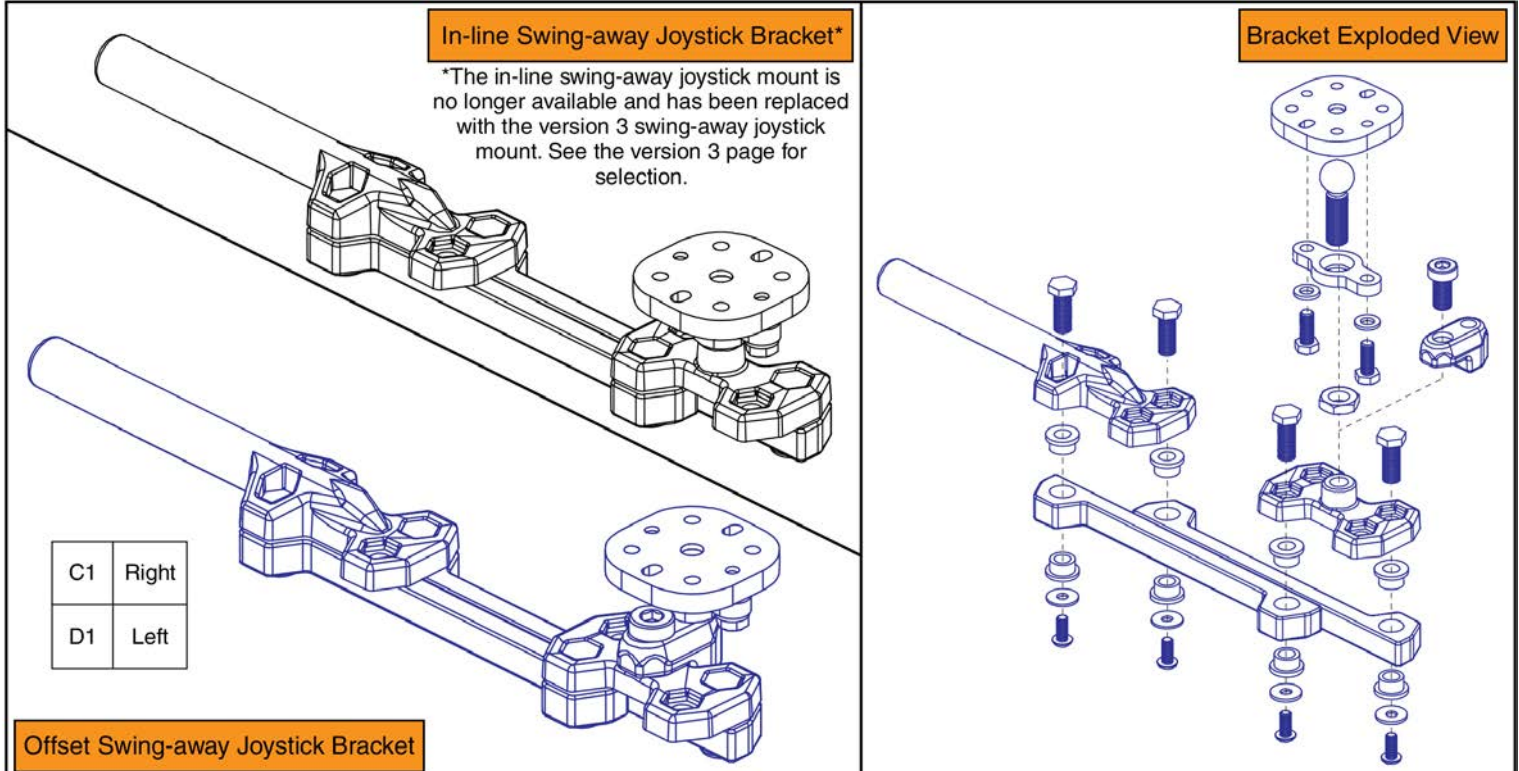
- Loosen the appropriate screws to adjust the height or home position of the swing-away joystick mount.
- Each pivot can be adjusted independently in 15 Degree increments to allow for a wide range of positions and angles.
- The "Home" position refers to the orientation the joystick & mount rest while the chair is in use and the mount is not performing the swing-away action.

## Swing-away Force Adjustments



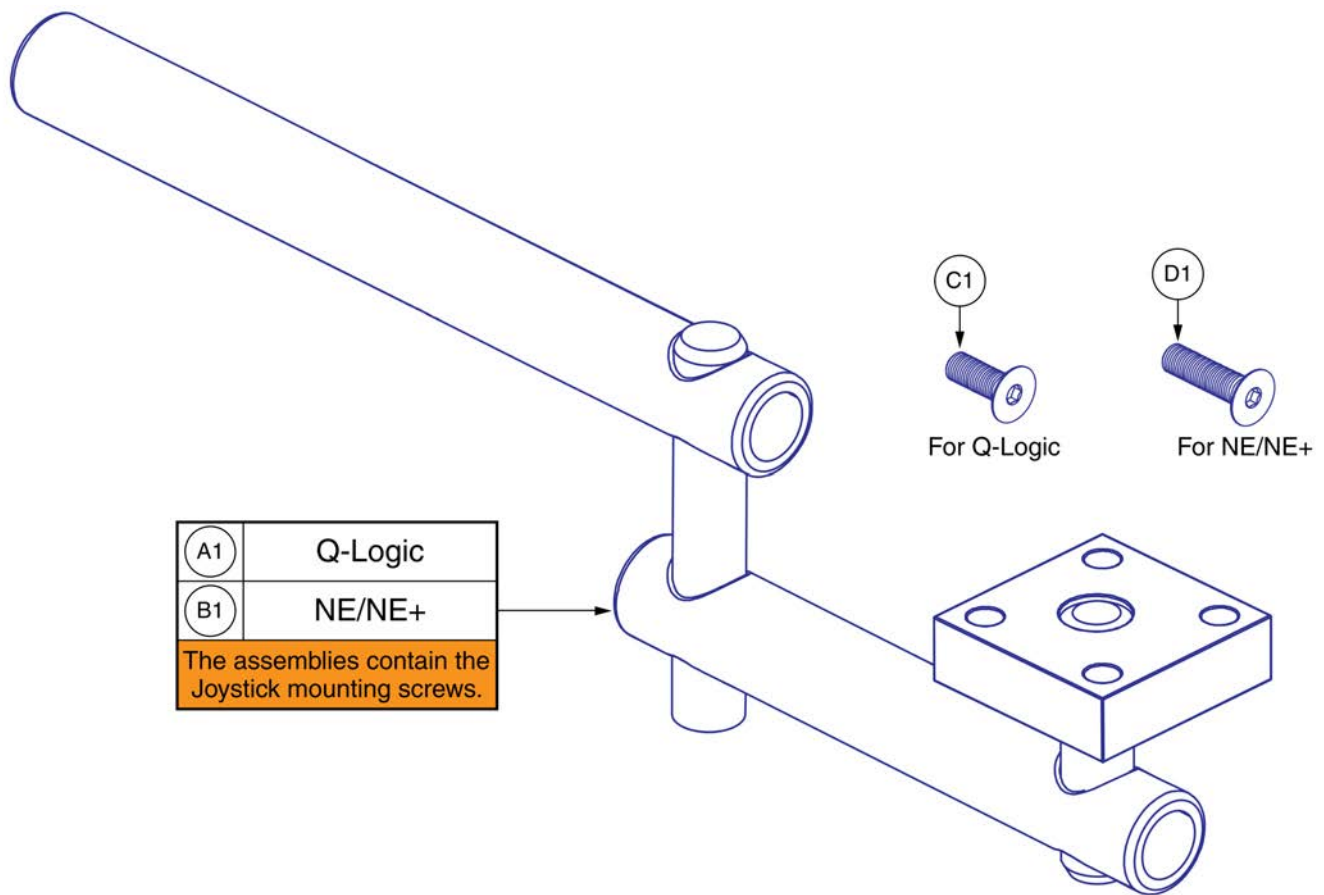
## Chain Driven Swing-away Joystick Mount (Version 3 Swing-away Mount)

Item	Part No.	Name	Qty
A1	ACC1908434	JOYSTICK MOUNTING BRACKET,ASSY,SWING AWAY,Q-LOGIC	1
B1	ACC1908435	JOYSTICK MOUNTING BRACKET,ASSY,SWING AWAY,Q-LOGIC CONTOURED SEAT	1
C1	ACC1908437	JOYSTICK MOUNTING BRACKET,ASSY,SWING AWAY,NE / NE PLUS	1
D1	ACC1908438	JOYSTICK MOUNTING BRACKET,ASSY,SWING AWAY,NE / NE PLUS CONTOURED SEAT	1
E1	ACC1908439	JOYSTICK MOUNTING BRACKET,ASSY,SWING AWAY,VSI / VR2 / GC3 / R-NET	1
F1	ACC1908440	JOYSTICK MOUNTING BRACKET,ASSY,SWING AWAY,VSI / VR2 / GC3 / R-NET CONTOURED SEAT	1
G1	DWR1111C002	SPACER,CURTIS NE/NE PLUS MOUNT BRACKET,C-1111-002	2
H1	SCRPPH1384	SCREW, PAN HEAD, TYPE H, M5X0.8 X 20, ISO 7045, CL 4.8, BZ	4
I1	SCRPPH1279	SCREW, PAN HEAD, TYPE H, M5X0.8 X 16, ISO 7045, CL 4.8, BZ	4
J1	SCRPPH1384	SCREW, PAN HEAD, TYPE H, M5X0.8 X 20, ISO 7045, CL 4.8, BZ	2
K1	MEC146133	ARMREST ADAPTER ASSEMBLY	1



## Version 2 Swing-away Joystick Bracket & Components

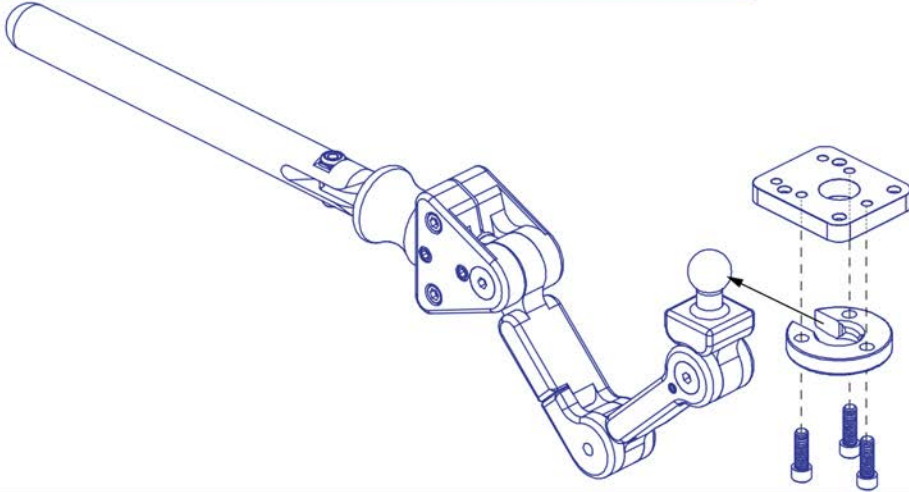
Item	Part No.	Name	Qty
A1		SWING AWAY JOYSTICK MOUNT,ASSY,INLINE,RIGHT (NO LONGER AVAILABLE)	1
B1		SWING AWAY JOYSTICK MOUNT,ASSY,INLINE,LEFT (NO LONGER AVAILABLE)	1
C1		SWING-AWAY ASSEMBLY, EXTENDED OFFSET, RIGHT (NO LONGER AVAILABLE)	1
D1	MEC1712217	SWING-AWAY ASSEMBLY, EXTENDED OFFSET, LEFT	1
E1	SCRPPH1279	SCREW, PAN HEAD, TYPE H, M5X0.8 X 16, ISO 7045, CL 4.8, BZ	1
F1	SCRPPH1384	SCREW, PAN HEAD, TYPE H, M5X0.8 X 20, ISO 7045, CL 4.8, BZ	1
G1	SCRPPH1036	SCREW, PAN HEAD, TYPE H, M4X0.7 X 8, FT, ISO 7045, CL 4.8, BZ	1
H1	DWR1111C002	SPACER,CURTIS NE/NE PLUS MOUNT BRACKET,C-1111-002	2
I1	DWR1010B089	SPACER,FLIGHT MOUNT BRACKET,B-1010-089	2
J1	MEC146133	ARMREST ADAPTER ASSEMBLY	1
K1	MEC142426	MOUNTING BRACKET,ASSY,STAND ALONE JOYSTICK	1



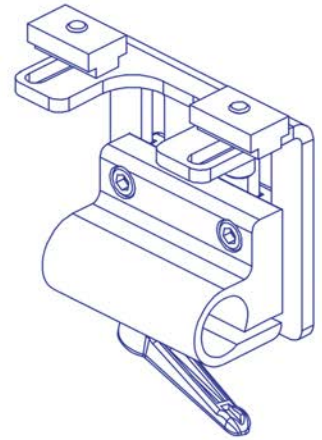
**Retract 4 Swing-away Joystick Bracket for Curtis Joysticks**

<b>Item</b>	<b>Part No.</b>	<b>Name</b>	<b>Qty</b>
A1	MEC138860	SWING AWAY JOYSTICK MOUNT,ASSY,RETRACT 4,Q-LOGIC	1
B1	MEC138876	SWING AWAY JOYSTICK MOUNT,ASSY,RETRACT 4,NE/NE PLUS	1
C1	SCRSFH1005	SCREW, FLAT HEAD, M5X0.8 X 14, ISO 10642, CL 10.9, BZ	4
D1	SCRSHFH1053	SCREW, FLAT HEAD, M5X0.8 X 20, ISO 10642, CL 10.9, BZ	4

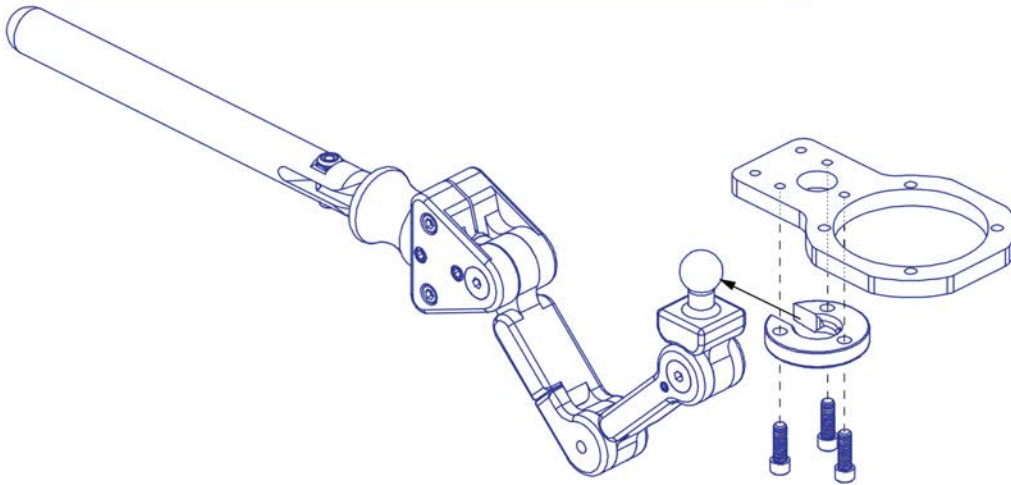
A1 Stealth Swing-away/Flip-down Joystick Bracket, NE/NE+/Q-Logic



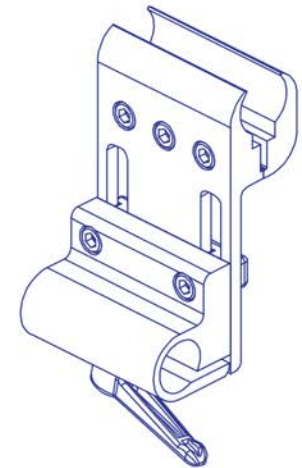
C1 Stealth Height Adjustable Joystick Mounting Bracket, Track Mount



B1 Stealth Swing-away/Flip-down Joystick Bracket, Stand-alone



D1 Stealth Height Adjustable Joystick Mounting Bracket, Clamp Mount

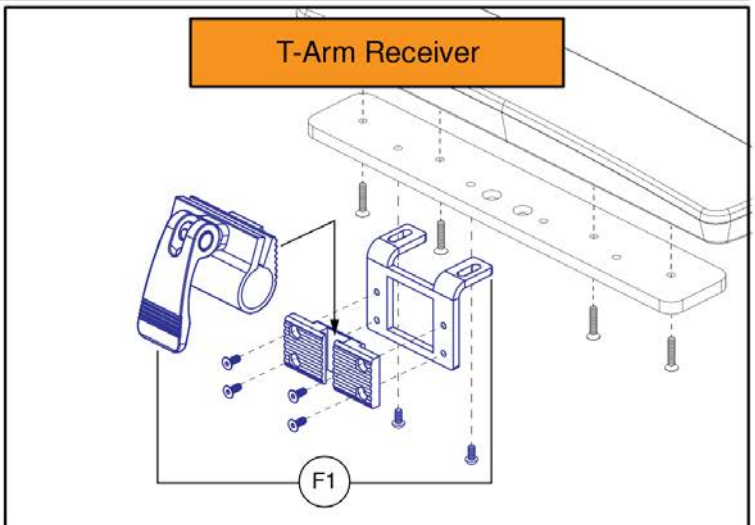
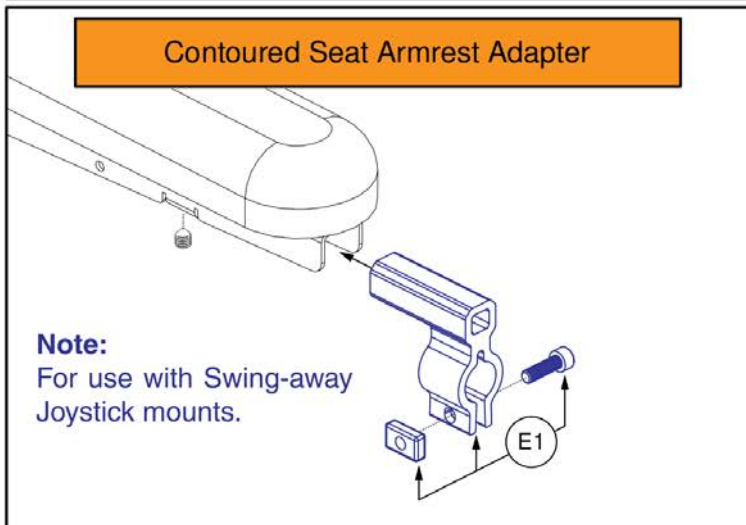
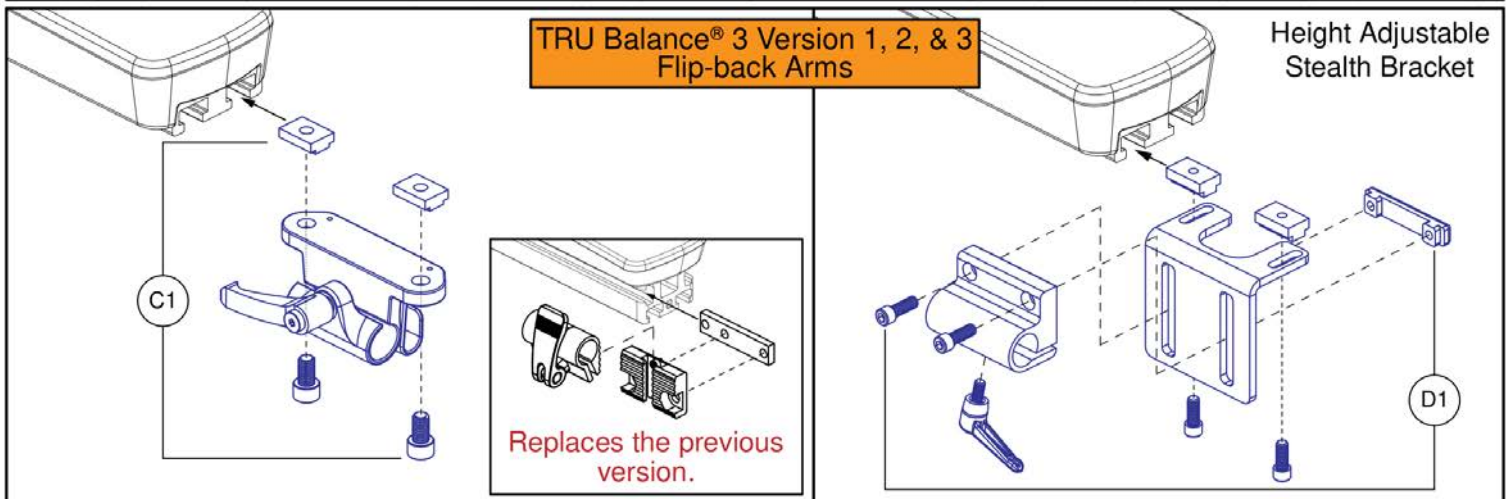
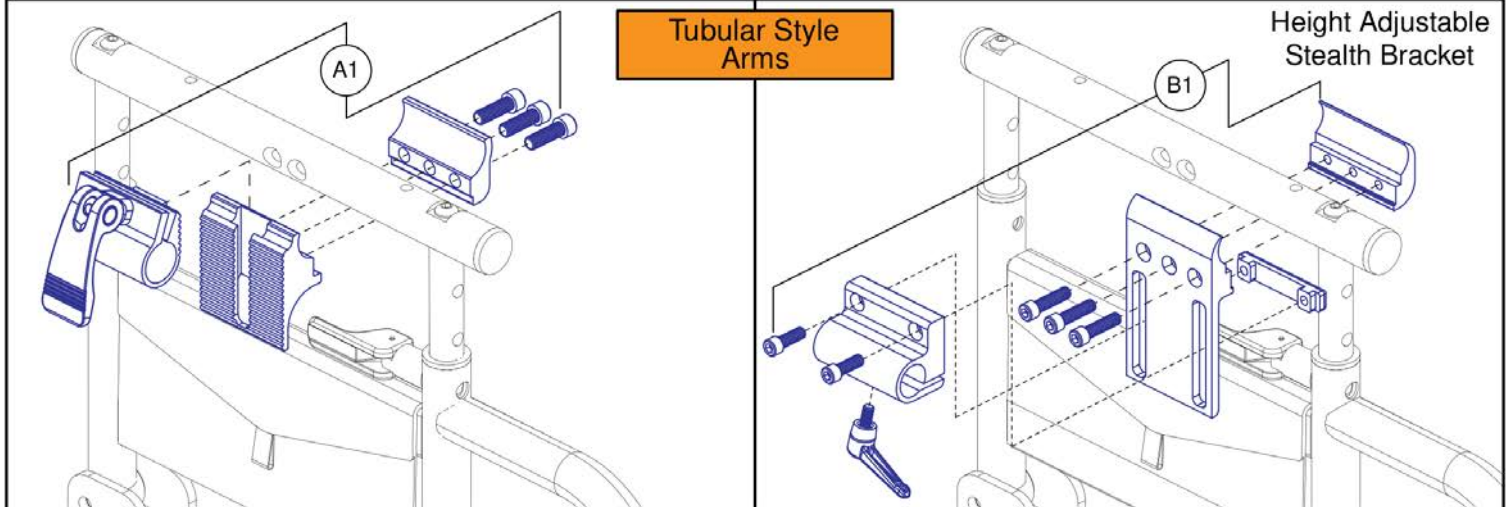


## Stealth Swing-away / Flip Down Joystick Brackets & Mounts

Item	Part No.	Name	Qty
A1	ST-TWBM480QL-Q	JOYSTICK MOUNTING BRACKET,ASSY,SWING AWAY/FLIP DOWN,NE/NE PLUS/Q-LOGIC,W/MOUNTING HARDWARE	1
B1	ST-TWBM480CJ-Q	JOYSTICK MOUNTING BRACKET,ASSY,SWING AWAY/FLIP DOWN,STANDALONE,W/MOUNTING HARDWARE	1
C1	ST-ARM250T-Q	JOYSTICK MOUNT,ASSY,HEIGHT ADJUSTABLE,W/TRACK HARDWARE	1
D1	ST-ARM250C-Q	JOYSTICK MOUNT,ASSY,HEIGHT ADJUSTABLE,W/CLAMP HARDWARE	1

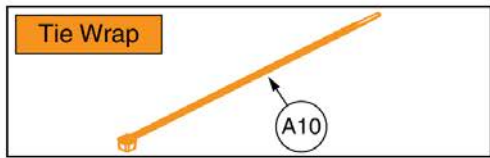
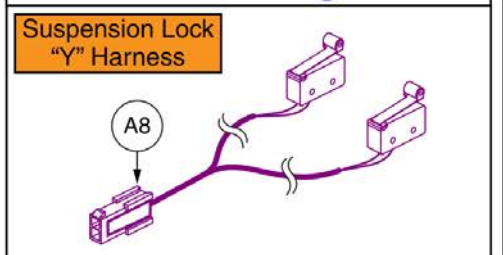
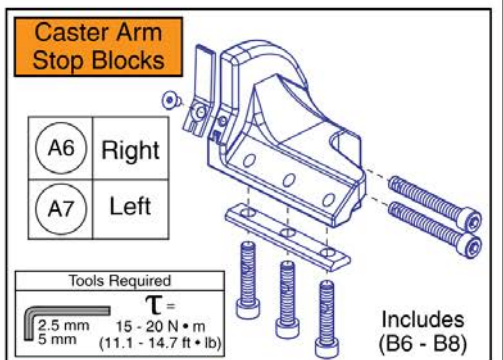
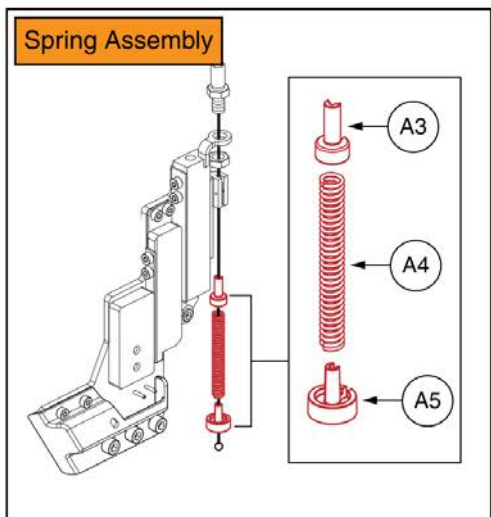
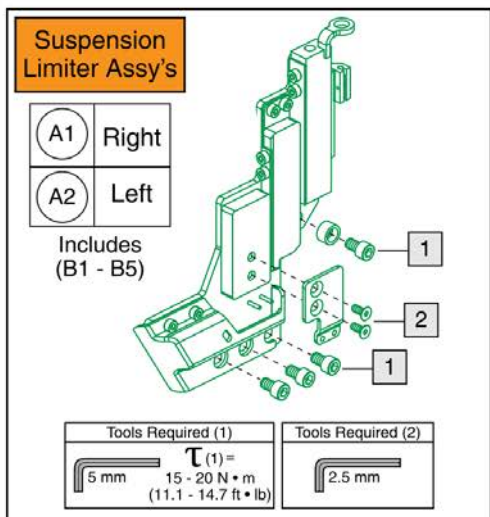
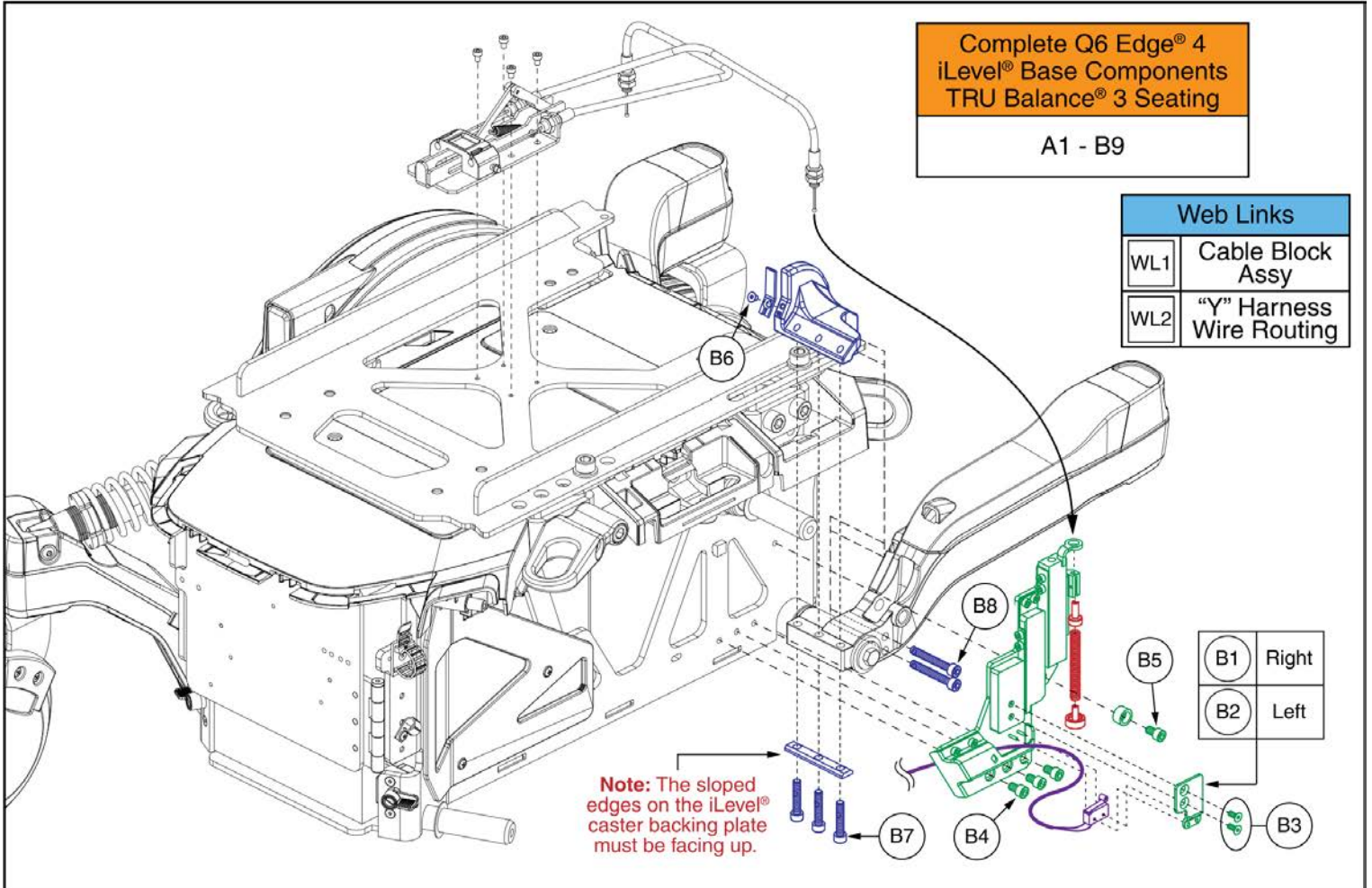
**Please note:**

- Joystick receiver selection varies by armrest type.
- The replacement parts shown may not be applicable to all power bases / seating systems.
- Contact Technical Service for more information.



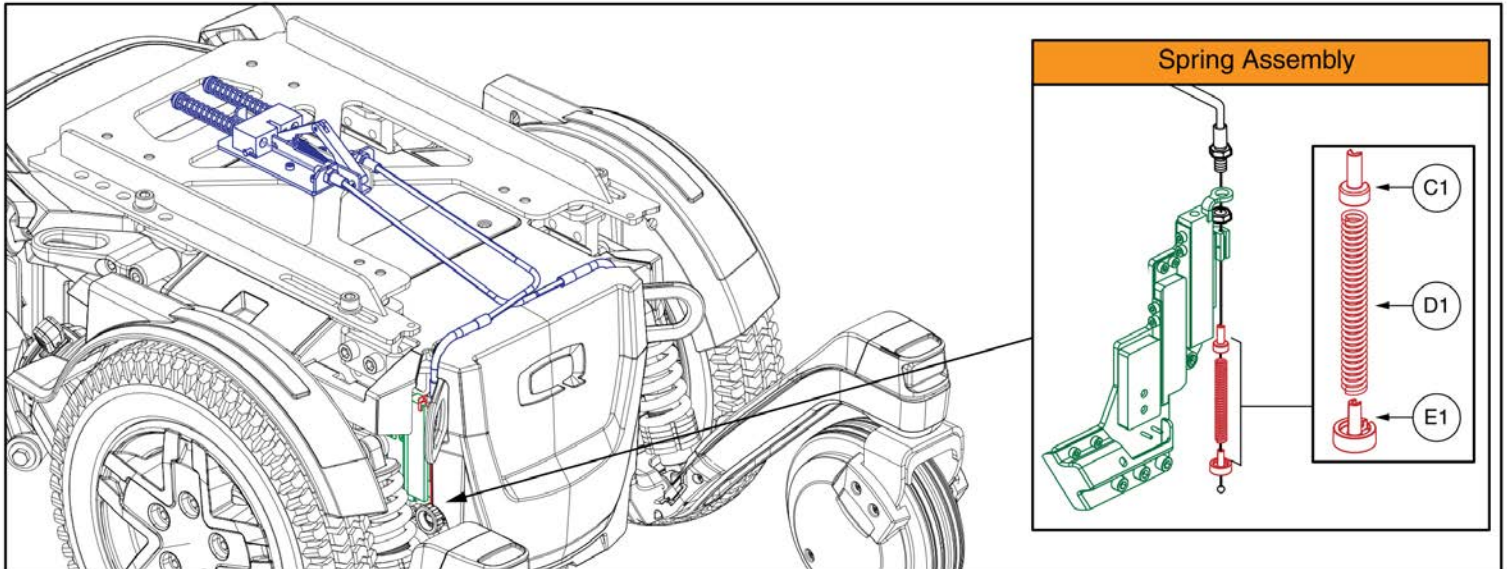
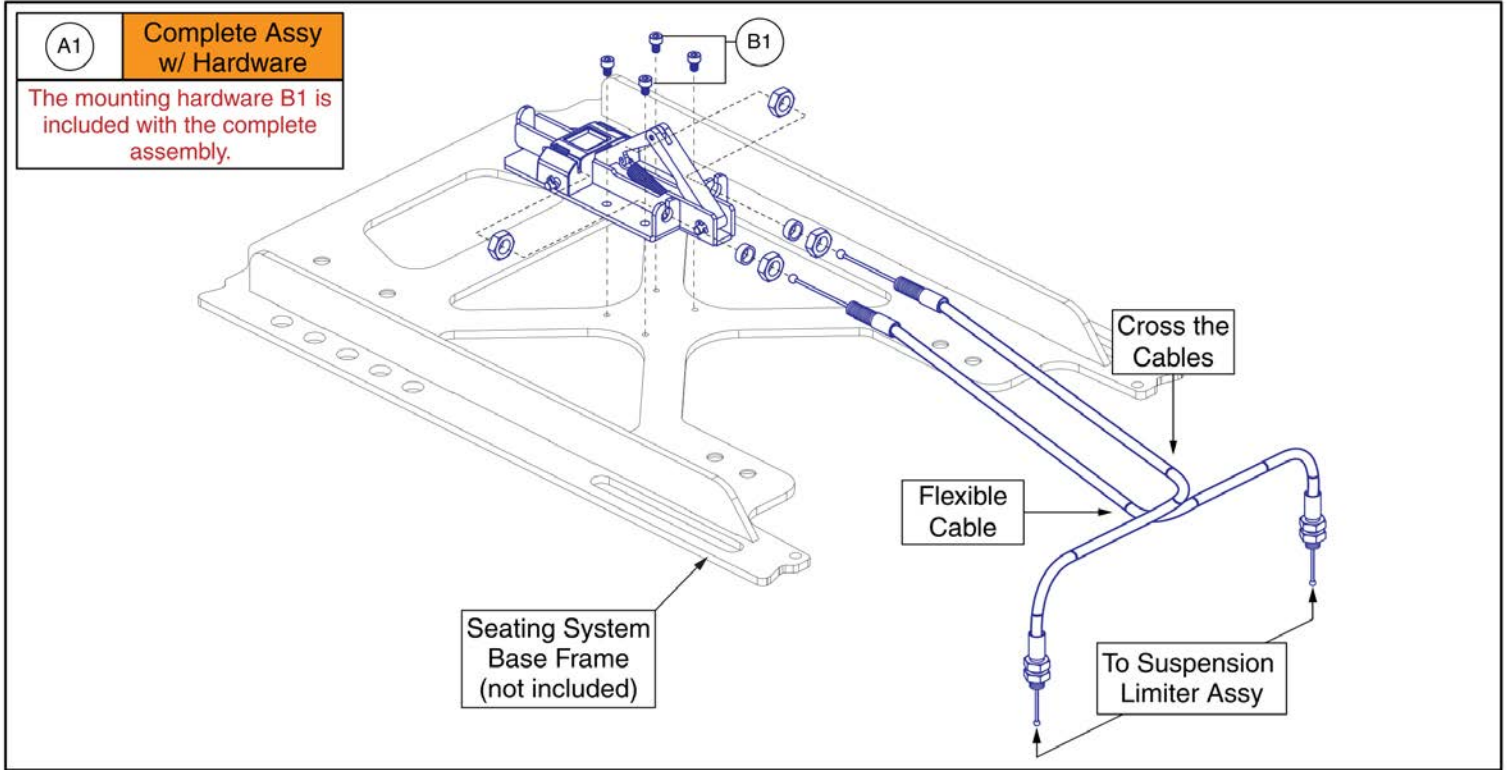
## Joystick Receiver Mounts, Quantum®

Item	Part No.	Name	Qty
A1	FRMASMB16062	JOYSTICK RECEIVER MOUNT,ASSY,UNIVERSAL,ADJUSTABLE BLOCK,D-1000-313	1
B1	ST-ARM250C-Q	JOYSTICK MOUNT,ASSY,HEIGHT ADJUSTABLE,W/CLAMP HARDWARE	1
C1	MEC1809294	JOYSTICK RECEIVER MOUNT,ASSY,W/MOUNTING HARDWARE,ADJUSTABLE HANDLE	1
D1	ST-ARM250T-Q	JOYSTICK MOUNT,ASSY,HEIGHT ADJUSTABLE,W/TRACK HARDWARE	1
E1	MEC146133	ARMREST ADAPTER ASSEMBLY	1
F1	ACC1800991	JOYSTICK RECEIVER MOUNT,ASSY,TBFLEX	1



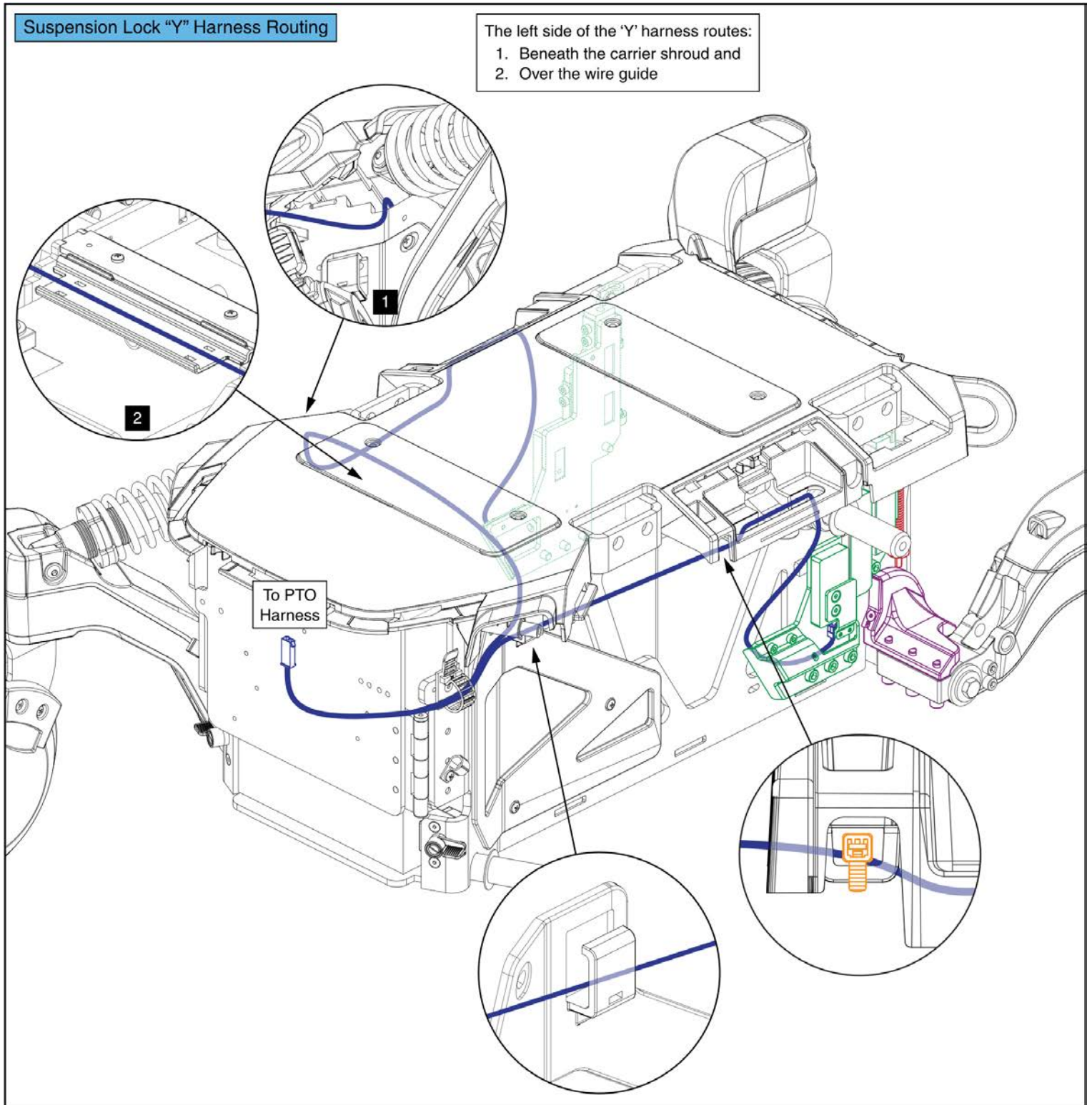
**iLevel® Base Components, TRU Balance® 3, Q6 Edge® 4**

Item	Part No.	Name	Qty
A1 - B9	MEC1900823	ILEVEL,ASSY,Q6EDGE 3 STRETTO	1
A1	MEC1900337	ILEVEL ATTACHMENT ASSEMB, RIGHT	1
A2	MEC1900336	ILEVEL ATTACHMENT ASSEMB, LEFT	1
A3	MEC2007481	SPRING RETAINER, ILEVEL STRESS RELIEF ASSEMBLY	2
A4	MEC2007598	SPRING, COMPRESSION, .217 ID X .3125 OD X 2.5 FLG, 15.7 LB/IN, BLACK, DRAWING 2007598	2
A5	MEC2007480	DIE CAST FITTING RETAINER, ILEVEL STRESS RELIEF ASSEMBLY	2
A6	MEC1900335	RIGHT CASTER ARM ILEVEL ASSM	1
A7	MEC1900333	LEFT CASTER ARM ILEVEL ASSM	1
A8	ELE145674	HARNESS,ILEVEL BASE SUSPENSION LOCK SIGNAL CURTIS,Q6EDGE	1
A9	LAB1906474	DECAL, I-LEVEL SIDE RAIL LABEL	2
A10	PLSTIE1004	TIEDOWN STRAP, 200 LG, PLASTIC, BLACK, SPEC NO. 2106329-2-50-175-V2	2
B1	MEC1900288	ILEVEL SWITCH PLATE, RIGHT	1
B2	MEC1810306	ILEVEL, SWITCH PLATE, LEFT	1
B3	HDW154800	SCREW, FLAT HEAD, M4X0.7 X 10, ISO 10642, CL 10.9,BZ, PVTP	2
B4	HDW166324	SCREW, SOCKET HEAD, M6X1 X 10, ISO 4762, CL 12.9, BZ, PVTP	6
B5	SCR8110001	SCREW, SOCKET HEAD, M6X1.0 X 14, ISO 4762, CL 12.9, BZ, PVTP	2
B6	SCRSHFH1115	SCREW, FLAT HEAD, M4X0.7 X 6, ISO 10642, CL 10.9, BZ, PVTP	2
B7	HDW1902231	SCREW, SOCKET HEAD, M6X1 X 30, ISO 4762, CL 12.9, BZ, PVTP	6
B8	HDW1902232	SCREW, SOCKET HEAD, M6X1 X 45, ISO 4762, CL 12.9, BZ, PVTP	4
WL1		WEB LINK,IPB,ILEVEL SEATING COMPONENTS (This is not an orderable part, see IPB)	0
WL2		WEB LINK,IPB,SUSPENSION LOCK Y HARNESS WIRING DIAGRAM (This is not an orderable part, see IPB)	0

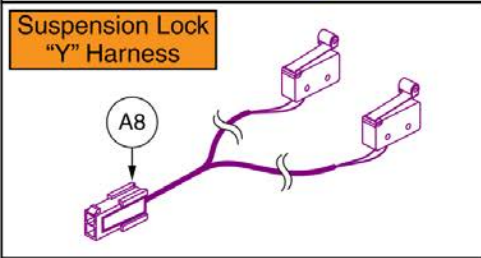
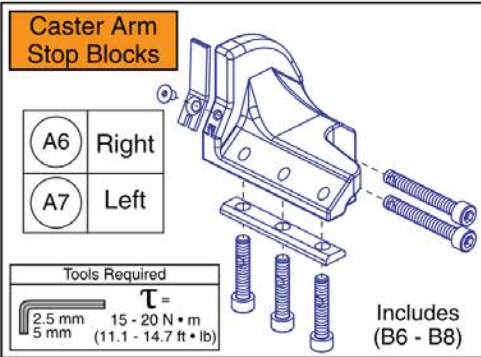
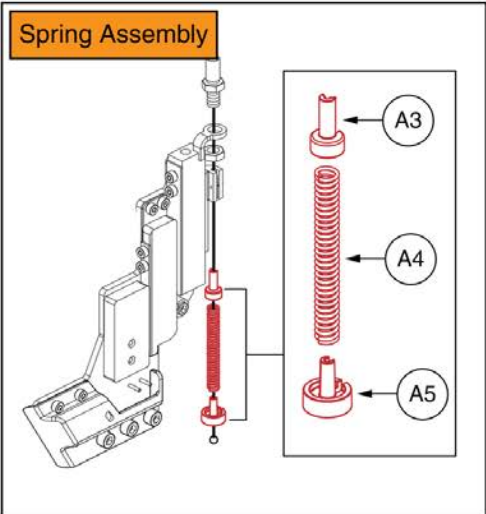
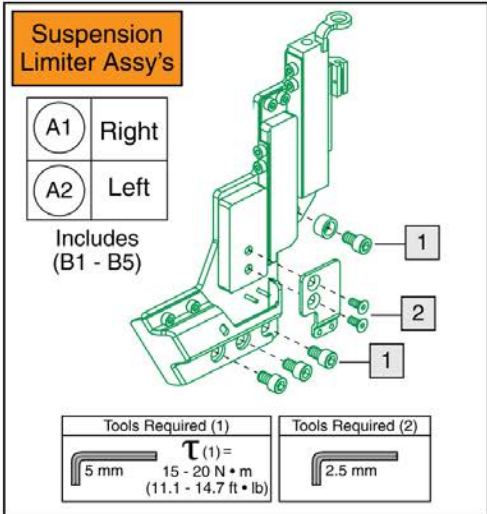
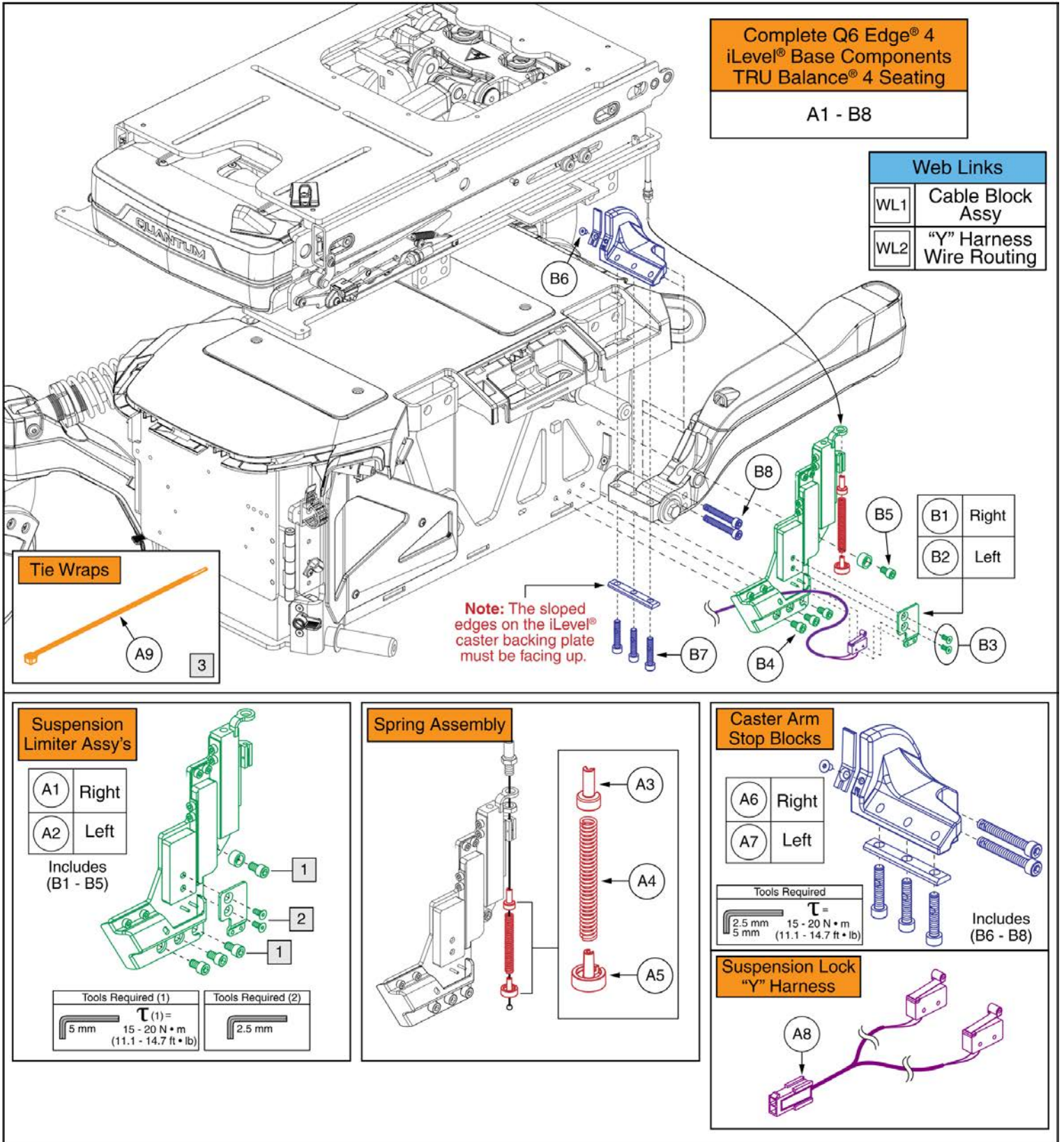


**iLevel® Cable & Mounting Block Assy, Q6 Edge® 4, TRU Balance® 3**

<b>Item</b>	<b>Part No.</b>	<b>Name</b>	<b>Qty</b>
A1	MEC1906776	ILEVEL,ASSY,TRU-BALANCE 3 POWER ADJUSTABLE SEAT LIFT W/ILEVEL,STRETTO	1
B1	HDW147454	SCREW, SOCKET HEAD, M4X0.7 X 6, ISO 4762, CL 10.9, BZ, PVTP	4
C1	MEC2007481	SPRING RETAINER, ILEVEL STRESS RELIEF ASSEMBLY	2
D1	MEC2007598	SPRING, COMPRESSION, .217 ID X .3125 OD X 2.5 FLG, 15.7 LB/IN, BLACK, DRAWING 2007598	2
E1	MEC2007480	DIE CAST FITTING RETAINER, ILEVEL STRESS RELIEF ASSEMBLY	2



This page intentionally left blank



**iLevel® Base Components, TRU Balance® 4, Q6 Edge® 4**

Item	Part No.	Name	Qty
A1 - B8	MEC2009402	ILEVEL,ASSY,Q6EDGE 3 STRETTO,TRU-BALANCE 4 SEAT	1
A1	MEC2203018	ILEVEL ATTACHMENT ASSEMB,RIGHT,Q6EDGE 3 STRETTO,TRU-BALANCE 4	1
A2	MEC2203017	ILEVEL ATTACHMENT ASSEMB,LEFT,Q6EDGE 3 STRETTO,TRU-BALANCE 4	1
A3	MEC2007481	SPRING RETAINER, ILEVEL STRESS RELIEF ASSEMBLY	2
A4	MEC2007598	SPRING, COMPRESSION, .217 ID X .3125 OD X 2.5 FLG, 15.7 LB/IN, BLACK, DRAWING 2007598	2
A5	MEC2007480	DIE CAST FITTING RETAINER, ILEVEL STRESS RELIEF ASSEMBLY	2
A6	MEC1900335	RIGHT CASTER ARM ILEVEL ASSM	1
A7	MEC1900333	LEFT CASTER ARM ILEVEL ASSM	1
A8	ELE145674	HARNES,ILEVEL BASE SUSPENSION LOCK SIGNAL CURTIS,Q6EDGE	1
A9	PLSTIE1004	TIEDOWN STRAP, 200 LG, PLASTIC, BLACK, SPEC NO. 2106329-2-50-175-V2	2
B1	MEC1900288	ILEVEL SWITCH PLATE, RIGHT	1
B2	MEC1810306	ILEVEL, SWITCH PLATE, LEFT	1
B3	HDW154800	SCREW, FLAT HEAD, M4X0.7 X 10, ISO 10642, CL 10.9,BZ, PVTP	2
B4	HDW166324	SCREW, SOCKET HEAD, M6X1 X 10, ISO 4762, CL 12.9, BZ, PVTP	6
B5	SCR8110001	SCREW, SOCKET HEAD, M6X1.0 X 14, ISO 4762, CL 12.9, BZ, PVTP	2
B6	SCRSHFH1115	SCREW, FLAT HEAD, M4X0.7 X 6, ISO 10642, CL 10.9, BZ, PVTP	2
B7	HDW1902231	SCREW, SOCKET HEAD, M6X1 X 30, ISO 4762, CL 12.9, BZ, PVTP	6
B8	HDW1902232	SCREW, SOCKET HEAD, M6X1 X 45, ISO 4762, CL 12.9, BZ, PVTP	4
WL1		WEB LINK,IPB,ILEVEL SEATING COMPONENTS (This is not an orderable part, see IPB)	0
WL2		WEB LINK,IPB,SUSPENSION LOCK Y HARNES WIRING DIAGRAM (This is not an orderable part, see IPB)	0

**Engagement Assembly**

**Tools Required**  
 2.5 mm  $\tau^{(1)} = 0.5 - 1.0 \text{ N} \cdot \text{m}$   
 (0.37 - 0.47 ft • lb)

A1	Left
A2	Right

\*Must order separately if the complete assembly is not ordered.

**Complete Assembly**

A1 - A8

**iLevel® Assembly, TRU Balance® 4**

A3	Left
A4	Right

**Tools Required**  
 2 mm

See the seat interface IPB page for mounting hardware and depth settings.

**Cable Assembly**

A8

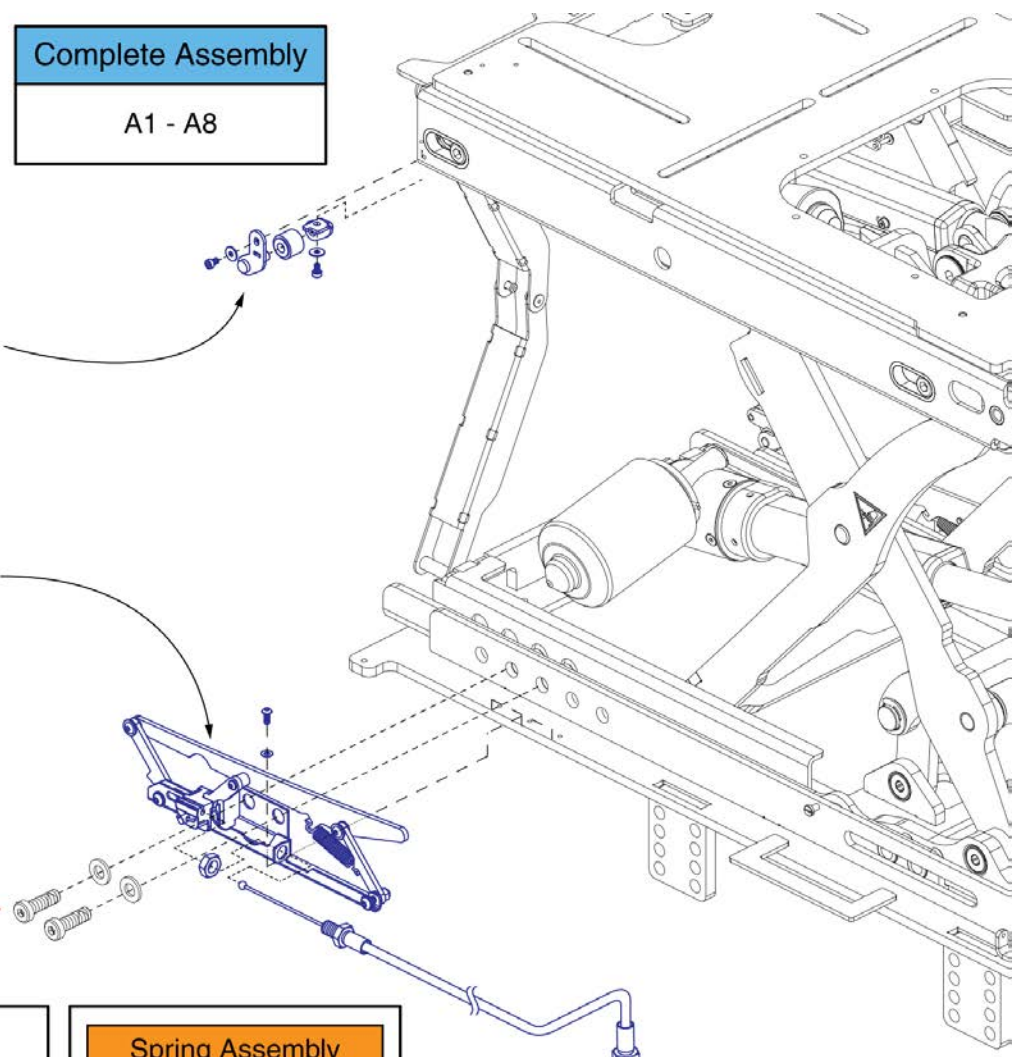
Please note: The cable will need to be conformed to shape during installation.

**Spring Assembly**

A5  
 A6  
 A7

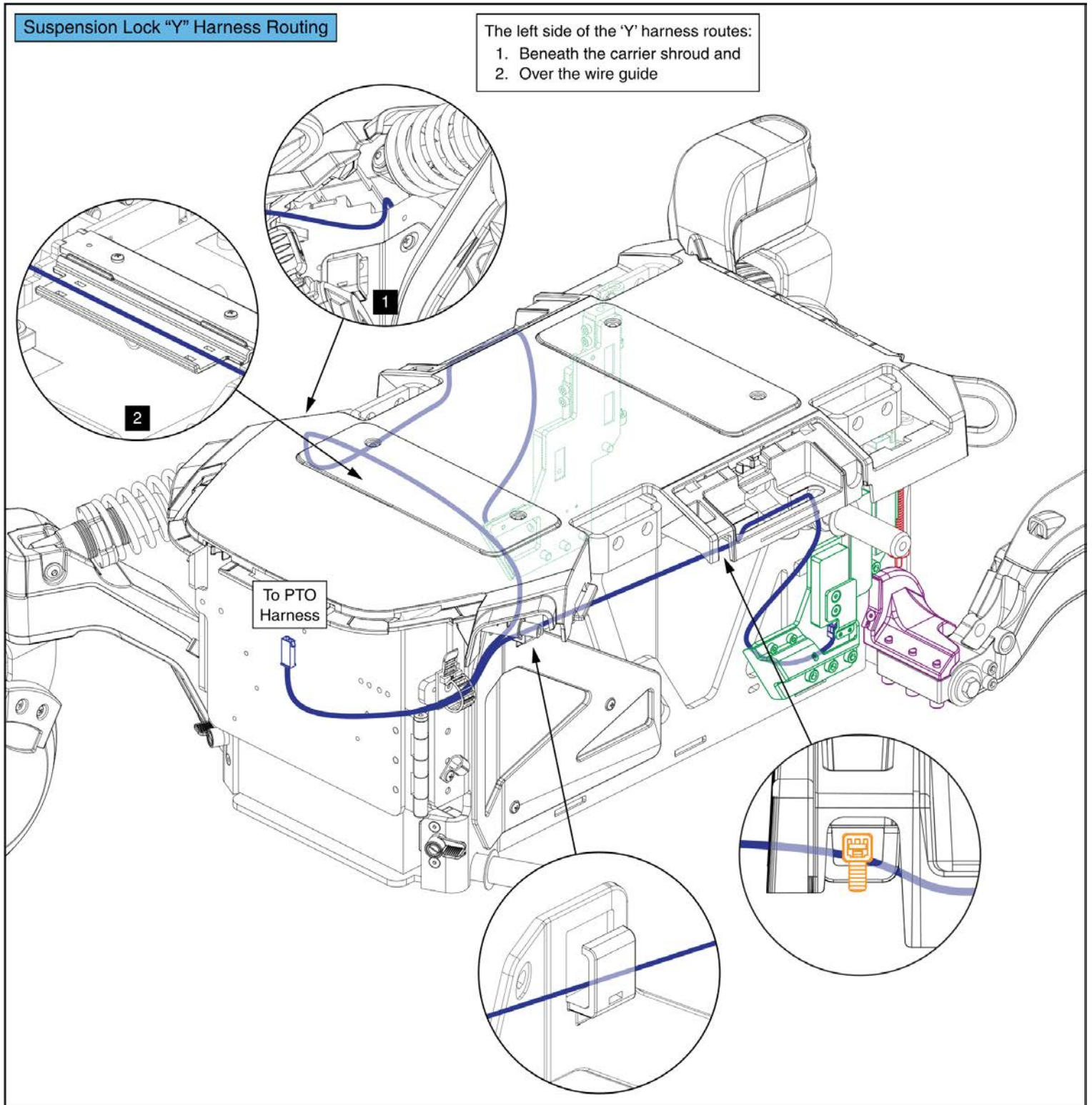
**Tools Required**  
 1/2"

See iLevel® Base Components for Suspension Limiter assembly and selection.



**iLevel® Seat Engagement Assy & Cable, Q6 Edge® 4, TRU Balance® 4**

<b>Item</b>	<b>Part No.</b>	<b>Name</b>	<b>Qty</b>
A1 - A8	MEC2009578	ILEVEL,ASSY,TRU-BALANCE 4 POWER ADJUSTABLE SEAT LIFT W/ILEVEL,STRETTO	1
A1	MEC1909903	ILEVEL ENGAGEMENT ASSEMBLY, LEFT	1
A2	MEC1909904	ILEVEL ENGAGEMENT ASSEMBLY, RIGHT	1
A3	MEC2009408	ILEVEL ASSEMBLY,ANTERIOR SYSTEM,LEFT,W/HARDWARE	1
A4	MEC2009409	ILEVEL ASSEMBLY,ANTERIOR SYSTEM,RIGHT,W/HARDWARE	1
A5	MEC2007481	SPRING RETAINER, ILEVEL STRESS RELIEF ASSEMBLY	2
A6	MEC2007598	SPRING, COMPRESSION, .217 ID X .3125 OD X 2.5 FLG, 15.7 LB/IN, BLACK, DRAWING 2007598	2
A7	MEC2007480	DIE CAST FITTING RETAINER, ILEVEL STRESS RELIEF ASSEMBLY	2
A8	MEC2006617	ILEVEL SUSPENSION LOCKOUT CABLE ASSEMBLY, STRAIGHT, 782 CABLE LENGTH, 185 STROKE	2



This page intentionally left blank



# Owner's Package

**Owner's Package, Q6 Edge® 4, AU**

<b>Item</b>	<b>Part No.</b>	<b>Name</b>	<b>Qty</b>
N/A	INFMANU5075	MANUAL,CONSUMER SAFETY GUIDE,QUANTUM	1
N/A	INFMANU5508	MANUAL,OWNER'S,Q6EDGE4	1
N/A	INFINFB4695	MANUAL,PRODUCT INSERT,SPECIFICATIONS,Q6EDGE4	1
N/A	INFINFB3072	MANUAL,PRODUCT INSERT SHEET,POWER CHAIR WARRANTY,AUSTRALIA	1
N/A	PLSTIE1004	TIEDOWN STRAP, 200 LG, PLASTIC, BLACK, SPEC NO. 2106329-2-50-175-V2	6
N/A	DWR1202C027	REFLECTOR,AMBER,CASTER SPHERE,C-1202-027	8
N/A	INFINFB2528	MANUAL,PRODUCT INSERT SHEET,Q6EDGE,REFLECTOR INSTALLATION	1
N/A	ACC2500290	SILVER TONE DRAWSTRING BAG (# 48635)	1



# Decal Package

**Decal Package, Q6 Edge® 4, AU**

<b>Item</b>	<b>Part No.</b>	<b>Name</b>	<b>Qty</b>
N/A	LAB148325	DECAL,READ OWNERS MANUAL, 19.1 DIAMETER	1
N/A	DWR1235L515	DECAL,WARNING,BATTERY WARNINGS,L-1235-515	1
N/A	DWR1235L551	DECAL,ISO,"AGM/GEL CELL/DOT CERTIFIED",L-1235-551	1
N/A	DWR1235L521	DECAL,WARNING,CONTROLLER CORD PLACEMENT,L-1235-521	1
N/A	DWR1235L225	DECAL,ISO,"AGM/GEL CELL/DOT CERTIFIED",L-1235-551	1
N/A	DWR1234L799	DECAL,ICON,1" X 2.5",WEATHER/MANUAL/LOOSE GARMENT,L-1234-799	1
N/A	LAB2101449	DECAL,ISO SYMBOL,BATTERY ISOLATION/DISCONNECT	1
N/A	LAB2502911	ISOLATION ON/OFF POWER LABEL	1

Appendix A:Pages Index	
8 Amp Pihong Charger, EU	199
8 Amp Pihong Charger, UK	201
8 Amp Pihong Charger, US / CA	203
8 Amp, CTE Charger, AU	197
AFP Harness with iLevel®, QLNES on TRU Balance® 3	65
AFP Harness, QLNES on TRU Balance® Flex	75
AM3 for Q-Captain Seat, with and without AFP, Q6 Edge® 4	95
AM3L for Q-Captain w/ Full Base Lights, with or without AFP, Q6 Edge® 4	97
Accent Light Module and Harnesses, Q6 Edge® 4	88
Aftermarket Joystick Knobs - Curtis and P&G	33
Back Mounted Inhibit Assembly, TRU Balance® Flex Seating	81
Basic Swing-away Joystick Mount, Q-Logic	215
Battery Tray and Circuit Breaker, Group 24 Batteries, Standard Motors, Q6 Edge® 4	213
Caster Arm Shrouds with Lights, Q6 Edge® 4	105
Caster Arm Shrouds, No Lights, Q6 Edge® 4	127
Center Shroud, Q6 Edge® 4	117, 139
Chain Driven Swing-away Joystick Mount (Version 3 Swing-away Mount)	217
Combined Legrest Harness and Hardware, QLNES on TRU Balance® Flex	77
Combined Legrest Harness with iLevel®, QLNES on TRU Balance® 3	63
Complete QLNES Electronics, Q-Captain Seating, Q6 Edge® 4	83
Complete QLNES Electronics, TRU Balance® 3 Seat, Q6 Edge® 4	59
Complete QLNES Electronics, TRU Balance® Flex Seat thru Power Module, Q6 Edge® 4	71
Complete Shroud Assemblies without Lights, Q6 Edge® 4	121
Complete Shroud Assembly with Lights, Q6 Edge® 4	99
Decal Package, Q6 Edge® 4, AU	241
Egg Switch / Buddy Button Mounting Brackets	181, 193
Encoder Motor Assemblies, 7 MPH, 4 Pole, Q6 Edge® 4	17
Fender Shrouds with Lights, Q6 Edge® 4	109
Fender Shrouds, No Lights, Q6 Edge® 4	131
Flat-free Drive Wheel, 5 Spoke, Black Rim / Black "Knobby" Tire, 14" x 4"	169
Flat-free Drive Wheel, 5-Spoke, Black Rim / Black Tire	165
Front Caster Arm, Fork, and Wheel - Q6 Edge® 4	5
Front Door Shroud, Q6 Edge® 4	101, 123
Group 24 AGM Batteries and Battery Cables, Q6 Edge® 4	205
Group 24 Lead Carbon Batteries and Battery Cables, Q6 Edge® 4	207
Group 24 NANO-SILICA Batteries and Battery Cables, Q6 Edge® 4	209
Independent Legrest Harnesses and Hardware, QLNES on TRU Balance® Flex	79
Joystick Receiver Mounts, Quantum®	183, 195, 225
Light Harness for Full Base Lights, Q6 Edge® 4	91
Light Module for Full Base Lights, Q6 Edge® 4	93
Motor Mount and Motor Pivot Spring, Q6 Edge® 4	19
No Battery Option for Group 24 Batteries, Q6 Edge® 4	211
Owner's Package, Q6 Edge® 4, AU	238
PTO QBC Module and Harnesses, Q6 Edge® 4	171
PTO QBC Wiring Configurations, Q6 Edge® 4	173
Partial Kit Assembly - Q6 Edge® 4	1
Pneumatic Drive Wheel, 5-Spoke, Black Rim / Black Tire	167
Q-Logic 3 EX Joystick Assemblies, Q6 Edge® 4	21
Q-Logic 3 EX Joystick Component Replacement	23
Q-Logic 3 Joystick Shrouds, Q6 Edge® 4 Color Options	25
Q-Logic 3 Power Module and PTO Harness for Accu-Trac Motors and Manual Recline, Q6 Edge® 4	45
Q-Logic 3 Power Module and PTO Harness for Standard Motors and Manual Recline, Q6 Edge® 4	43
Q-Logic 3 Power Module and PTO Harness for TRU Balance 4 and Accu-Trac Motors, Q6 Edge® 4	53
Q-Logic 3 Power Module and PTO Harness for TRU Balance 4 and Standard Motors, Q6 Edge® 4	51
Q-Logic 3 Power Module and Run Plug for Accu-Trac Motors, Q6 Edge® 4	37, 41, 49, 57
Q-Logic 3 Power Module and Run Plug for Standard Motors, Q6 Edge® 4	35, 39, 47, 55
Q-Logic 3 Stand Alone Joystick Assy	29
Q-Logic 3e Joystick Assy's, 7 mph Motors, Q6 Edge® 4	27
QLNES Joysticks, 7 mph Motors, Q6 Edge® 4	31
QLNES, Actuators thru Power Module, Configuration Chart	87
Quantum® Backup Camera Display Mounts	179, 191
Quantum® Backup Camera Kits	185
Quantum® Backup Camera Module, Harnesses, and Mounts	187
Quantum® Backup Camera, Standard Mount, and Headrest Mount	176, 189
REAC Lift Seat Towers and Hardware, Universal Lift, Occupied Transit, Q6 Edge® 4	149, 163
REAC Lift Seat Towers and Hardware, Universal Lift, Q6 Edge® 4	147, 161
Rear Caster Arm, Fork, and Wheel - Q6 Edge® 4	7
Rear Caster Caps, Q6 Edge® 4	119, 141
Rear Door Assembly and Latches - Q6 Edge® 4	3
Rear Door Assembly, Q6 Edge® 4	103, 125
Retract 4 Swing-away Joystick Bracket for Curtis Joysticks	221
Serviceable QLNES Parts, Q-Captain Seat, Q6 Edge® 4	85
Serviceable QLNES Parts, TRU Balance® 3 Seat, Q6 Edge® 4	61
Serviceable QLNES Parts, TRU Balance® Flex Seat thru Power Module, Q6 Edge® 4	73
Side Shroud Assemblies, Q6 Edge® 4	113, 135
Standard Motor Assemblies, 7 MPH, 4 Pole, Q6 Edge® 4	15
Stealth Swing-away / Flip Down Joystick Brackets & Mounts	223
Suspension Assemblies, Excludes TRU Balance® 4 Anterior Tilt, Q6 Edge® 4	9
Suspension Assemblies, for TRU Balance® 4 Anterior Tilt, Occupied Transit, Q6 Edge® 4	13
Suspension Assemblies, for TRU Balance® 4 Anterior Tilt, Q6 Edge® 4	11
TRU Balance® 3.5 Tilt Seat Interface, Occupied Transit, Q6 Edge® 4	145
TRU Balance® 3.5 Tilt Seat Interface, Q6 Edge® 4	143
TRU Balance® 4 Lift and Tilt Seat Interface, Occupied Transit, Q6 Edge® 4	153
TRU Balance® 4 Lift and Tilt Seat Interface, Q6 Edge® 4	151
TRU Balance® Flex Pediatric Seat Interface, Q6 Edge® 4	157
TRU Balance® Flex Static Seat Interface, Q6 Edge® 4	155, 159
Tilt thru Toggle Harness and Switches, TRU Balance® 3	69

---

Version 2 Swing-away Joystick Bracket & Components . . . . .	219
iLevel® Suspension Lock "Y" Harness Wiring Diagram, Q6 Edge® 4 . . . . .	231, 237
iLevel® Base Components, TRU Balance® 3, Q6 Edge® 4 . . . . .	227
iLevel® Base Components, TRU Balance® 4, Q6 Edge® 4 . . . . .	232
iLevel® Cable & Mounting Block Assy, Q6 Edge® 4, TRU Balance® 3 . . . . .	229
iLevel® Intermediate Harness, QLNES Electronics on TRU Balance® 3 . . . . .	67
iLevel® Seat Engagement Assy & Cable, Q6 Edge® 4, TRU Balance® 4 . . . . .	235

Appendix B:Parts Index

ACC124921	220	DGN124336-WCM7	26
ACC131586	220	DGN124336-WCM9-PCL2	26
ACC1800991	184, 196, 226	DGN124336-WFL2	26
ACC1908434	218	DGN154742	24, 28, 30, 32
ACC1908435	218	DGN1810713	4, 104, 126
ACC1908437	218	DGN1901203	36, 38, 40, 42, 48, 50, 52, 54, 56, 58, 62, 74, 86
ACC1908438	218	DGN2204598	82
ACC1908439	218	DGN2305439	6, 8
ACC1908440	218	DGN2305994	8, 120, 142
ACC2201041	216	DGN2400089	6, 8
ACC2201042	216	DGN2400118	118, 140
ACC2201043	216	DGN2400119-PBK1	114, 136
ACC2201044	216	DGN2400119-PBK3	114, 136
ACC2500290	240	DGN2400119-PBU11	114, 136
ACC2500454	172	DGN2400119-PBU13	114, 136
ACCASMB1856	34	DGN2400119-PBU14	114, 136
ACCASMB1857	34	DGN2400119-PBU15	114, 136
ACCASMB1858	34	DGN2400119-PGN13	114, 136
ACCASMB1859	34	DGN2400119-PGY6	114, 136
ACCASMB1860	34	DGN2400119-POR7	114, 136
ACCASMB1861	34	DGN2400119-PPK3	114, 136
ACCASMB1862	34	DGN2400119-PPK5	114, 136
BAT1707083	206	DGN2400119-PPR8	114, 136
BAT2100315-P	210	DGN2400119-PRD5	114, 136
BAT2404063	208	DGN2400119-PYL4	114, 136
BAT2404214	210	DGN2400119-WCM7	114, 136
BAT2404218	206	DGN2400119-WCM9-PCL2	114, 136
BAT2501262	208	DGN2400119-WFL2	116, 138
CLPCBLC1028	16, 18	DGN2400120-PBK1	114, 136
CTL143978	36, 38, 40, 42, 44, 46, 48, 50, 52, 54, 56, 58	DGN2400120-PBK3	114, 136
CTL143980	30	DGN2400120-PBU11	114, 136
CTL1810672	62, 74, 86	DGN2400120-PBU13	114, 136
CTL1810673	62, 74, 86	DGN2400120-PBU14	114, 136
CTL2005925	94	DGN2400120-PBU15	114, 136
CTL2005926	96	DGN2400120-PGN13	114, 136
CTL2005927	98	DGN2400120-PGY6	114, 136
DGN124307	22	DGN2400120-POR7	114, 136
DGN124309	24	DGN2400120-PPK3	114, 136
DGN124336-PBK1	26, 26	DGN2400120-PPK5	114, 136
DGN124336-PBU11	26	DGN2400120-PPR8	114, 136
DGN124336-PBU13	26	DGN2400120-PRD5	114, 136
DGN124336-PBU14	26	DGN2400120-PYL4	114, 136
DGN124336-PBU15	26	DGN2400120-WCM7	114, 136
DGN124336-PGN13	26	DGN2400120-WCM9-PCL2	116, 138
DGN124336-PGY6	26	DGN2400120-WFL2	116, 138
DGN124336-POR7	26	DGN2400229	102, 124
DGN124336-PPK3	26	DGN2400345	6
DGN124336-PPK5	26	DGN2400346	6
DGN124336-PPR8	26	DGN2401049-PBK1	104, 126
DGN124336-PRD5	26	DGN2401049-PBK3	104, 126
DGN124336-PYL4	26	DGN2401049-PBU11	104, 126
		DGN2401049-PBU13	104, 126

DGN2401049-PBU14	104, 126	DGN2401063-PBU15	110
DGN2401049-PBU15	104, 126	DGN2401063-PGN13	110
DGN2401049-PGN13	104, 126	DGN2401063-PGY6	110
DGN2401049-PGY6	104, 126	DGN2401063-POR7	110
DGN2401049-POR7	104, 126	DGN2401063-PPK3	110
DGN2401049-PPK3	104, 126	DGN2401063-PPK5	110
DGN2401049-PPK5	104, 126	DGN2401063-PPR8	110
DGN2401049-PPR8	104, 126	DGN2401063-PRD5	110
DGN2401049-PRD5	104, 126	DGN2401063-PYL4	110
DGN2401049-PYL4	104, 126	DGN2401063-WCM7	110
DGN2401049-WCM7	104, 126	DGN2401063-WCM9-PCL2	110
DGN2401049-WCM9-PCL2	104, 126	DGN2401063-WFL2	112
DGN2401049-WFL2	104, 126	DGN2401064-PBK1	110
DGN2401061-PBK1	132	DGN2401064-PBK3	110
DGN2401061-PBK3	132	DGN2401064-PBU11	110
DGN2401061-PBU11	132	DGN2401064-PBU13	110
DGN2401061-PBU13	132	DGN2401064-PBU14	110
DGN2401061-PBU14	132	DGN2401064-PBU15	110
DGN2401061-PBU15	132	DGN2401064-PGN13	110
DGN2401061-PGN13	132	DGN2401064-PGY6	110
DGN2401061-PGY6	132	DGN2401064-POR7	110
DGN2401061-POR7	132	DGN2401064-PPK3	110
DGN2401061-PPK3	132	DGN2401064-PPK5	110
DGN2401061-PPK5	132	DGN2401064-PPR8	110
DGN2401061-PPR8	132	DGN2401064-PRD5	110
DGN2401061-PRD5	132	DGN2401064-PYL4	110
DGN2401061-PYL4	132	DGN2401064-WCM7	110
DGN2401061-WCM7	132	DGN2401064-WCM9-PCL2	112
DGN2401061-WCM9-PCL2	132	DGN2401064-WFL2	112
DGN2401061-WFL2	134	DGN2401065-PBK1	122
DGN2401062-PBK1	132	DGN2401065-PBK3	122
DGN2401062-PBK3	132	DGN2401065-PBU11	122
DGN2401062-PBU11	132	DGN2401065-PBU13	122
DGN2401062-PBU13	132	DGN2401065-PBU14	122
DGN2401062-PBU14	132	DGN2401065-PBU15	122
DGN2401062-PBU15	132	DGN2401065-PGN13	122
DGN2401062-PGN13	132	DGN2401065-PGY6	122
DGN2401062-PGY6	132	DGN2401065-POR7	122
DGN2401062-POR7	132	DGN2401065-PPK3	122
DGN2401062-PPK3	132	DGN2401065-PPK5	122
DGN2401062-PPK5	132	DGN2401065-PPR8	122
DGN2401062-PPR8	132	DGN2401065-PRD5	122
DGN2401062-PRD5	132	DGN2401065-PYL4	122
DGN2401062-PYL4	132	DGN2401065-WCM7	122
DGN2401062-WCM7	132	DGN2401065-WCM9-PCL2	122
DGN2401062-WCM9-PCL2	134	DGN2401065-WFL2	122
DGN2401062-WFL2	134	DGN2401066-PBK1	100
DGN2401063-PBK1	110	DGN2401066-PBK3	100
DGN2401063-PBK3	110	DGN2401066-PBU11	100
DGN2401063-PBU11	110	DGN2401066-PBU13	100
DGN2401063-PBU13	110	DGN2401066-PBU14	100
DGN2401063-PBU14	110	DGN2401066-PBU15	100
DGN2401063-PBU15	110		

DGN2401066-PGN13	100	DGN2401069-PGY6	106
DGN2401066-PGY6	100	DGN2401069-POR7	106
DGN2401066-POR7	100	DGN2401069-PPK3	106
DGN2401066-PPK3	100	DGN2401069-PPK5	106
DGN2401066-PPK5	100	DGN2401069-PPR8	106
DGN2401066-PPR8	100	DGN2401069-PRD5	106
DGN2401066-PRD5	100	DGN2401069-PYL4	106
DGN2401066-PYL4	100	DGN2401069-WCM7	106
DGN2401066-WCM7	100	DGN2401069-WCM9-PCL2	106
DGN2401066-WCM9-PCL2	100	DGN2401069-WFL2	108
DGN2401066-WFL2	100	DGN2401070-PBK1	106
DGN2401067-PBK1	128	DGN2401070-PBK3	106
DGN2401067-PBK3	128	DGN2401070-PBU11	106
DGN2401067-PBU11	128	DGN2401070-PBU13	106
DGN2401067-PBU13	128	DGN2401070-PBU14	106
DGN2401067-PBU14	128	DGN2401070-PBU15	106
DGN2401067-PBU15	128	DGN2401070-PGN13	106
DGN2401067-PGN13	128	DGN2401070-PGY6	106
DGN2401067-PGY6	128	DGN2401070-POR7	106
DGN2401067-POR7	128	DGN2401070-PPK3	106
DGN2401067-PPK3	128	DGN2401070-PPK5	106
DGN2401067-PPK5	128	DGN2401070-PPR8	106
DGN2401067-PPR8	128	DGN2401070-PRD5	106
DGN2401067-PRD5	128	DGN2401070-PYL4	106
DGN2401067-PYL4	128	DGN2401070-WCM7	106
DGN2401067-WCM7	128	DGN2401070-WCM9-PCL2	108
DGN2401067-WCM9-PCL2	128	DGN2401070-WFL2	108
DGN2401067-WFL2	130	DGN2402826	8, 120, 142
DGN2401068-PBK1	128	DGN2600641	14
DGN2401068-PBK3	128	DWR1000H174	198
DGN2401068-PBU11	128	DWR1005B049	166, 168, 170
DGN2401068-PBU13	128	DWR1010B089	220
DGN2401068-PBU14	128	DWR1111C002	218, 220
DGN2401068-PBU15	128	DWR1202C027	6, 8, 240
DGN2401068-PGN13	128	DWR1234L799	242
DGN2401068-PGY6	128	DWR1235L225	242
DGN2401068-POR7	128	DWR1235L515	242
DGN2401068-PPK3	128	DWR1235L521	242
DGN2401068-PPK5	128	DWR1235L551	242
DGN2401068-PPR8	128	DWR1235L638	16, 18
DGN2401068-PRD5	128	DWR1265H005	64, 78
DGN2401068-PYL4	128	DWR1265H006	80
DGN2401068-WCM7	128	DWR1265H007	80
DGN2401068-WCM9-PCL2	130	DWR1265H028	70
DGN2401068-WFL2	130	DWR1265H057	70
DGN2401069-PBK1	106	DWR1303B026	64, 78, 80
DGN2401069-PBK3	106	ELE124312	24
DGN2401069-PBU11	106	ELE133304	96, 98
DGN2401069-PBU13	106	ELE144006	24
DGN2401069-PBU14	106	ELE145674	228, 234
DGN2401069-PBU15	106	ELE145770	68, 96, 98
DGN2401069-PGN13	106	ELE146865	70

ELE1611833	.38, 42, 46, 50, 58	ELE2404657	.72
ELE166181	.80	ELE2404658	.72
ELE166182	.64, 78	ELE2404659	.72
ELE1809858	.206, 208, 210, 212	ELE2404666	.60
ELE1902612	.62	ELE2407115	.98
ELE1905907	.70	ELE2500840	.96
ELE1907290	.188	ELE2500841	.96
ELE1908252	.172	ELE2500842	.94
ELE1910343	.90	ELE2500843	.98
ELE1910369	.214	ELE2502707	.92
ELE2000270	.172, 188	ELE2502708	.90
ELE2000271	.172, 188	ELE2502709	.90
ELE2000942	.52	ELE2502710	.90
ELE2002993	.204	ELE2502711	.90
ELE2009424	.54	ELE2503947	.32
ELE2101000	.172	ELE2503948	.32
ELE2101001	.172	ELE2503951	.32
ELE2103635	.28, 32	ELE2503952	.32
ELE2107310	.90	ELE2503963	.28
ELE2201255	.62, 74, 86, 96, 98	ELE2503964	.28
ELE2201256	.62, 74, 86	ELE2503968	.22
ELE2203079	.64, 66, 86	ELE2503969	.22
ELE2203114	.80	ELE2503970	.22
ELE2203115	.78	ELE2503971	.22
ELE2203185	.68	ELE2505925	.212
ELE2203187	.64	ELEASMB5672	.198
ELE2203188	.66	FRMASMB10454	.30
ELE2203456	.66, 76, 86, 96, 98	FRMASMB10617	.22, 28, 32
ELE2205930	.90	FRMASMB11156	.30
ELE2205931	.172, 188	FRMASMB16062	.180, 184, 186, 192, 196, 226
ELE2206440	.70	FRMASMB8691	.16, 18
ELE2206441	.70	HAR143994	.94, 96, 98
ELE2302311	.44, 62, 74	HAR144001	.30
ELE2304249	.82	HAR144003	.30
ELE2304640	.76	HAR144005	.36, 38, 40, 42, 44, 46, 48, 50, 52, 54, 56, 58, 62, 74, 86, 94, 96, 98
ELE2305113	.206, 208, 210, 212	HARUSHD1065	.204
ELE2305555	.206, 208, 210, 212	HARUSHD2041	.202
ELE2400090	.200	HARUSHD2160	.200
ELE2402944	.202	HDW120048	.144, 146
ELE2404196	.90	HDW121242	.10, 12, 14
ELE2404199	.92	HDW124866	.152, 154
ELE2404630	.36, 40, 48, 56	HDW125156	.82
ELE2404631	.38, 42, 50, 58	HDW133681	.148, 150, 162, 164
ELE2404632	.52	HDW135288	.16, 18
ELE2404633	.54	HDW142810	.144, 146, 148, 150, 152, 154, 156, 158, 160, 162, 164
ELE2404634	.44	HDW145632	.16, 18
ELE2404635	.46	HDW145729	.144, 146
ELE2404644	.60, 72, 84	HDW146453	.82
ELE2404645	.60, 72	HDW147454	.230
ELE2404646	.60, 72	HDW147703	.214
ELE2404651	.84	HDW154279	.102, 124
ELE2404652	.84	HDW154800	.16, 18, 228, 234

HDW155440	182, 194	KIT2600764	32
HDW1611794	90, 92, 94, 96, 98	KIT2600765	32
HDW166324	228, 234	KIT2600828	6, 8
HDW1701465	186	KITASMB1966	2
HDW1712654	6, 8	LAB148325	242
HDW1810714	4, 104, 126	LAB1906474	228
HDW1902231	228, 234	LAB2101449	214, 242
HDW1902232	228, 234	LAB2406084	206, 208, 210, 212
HDW2000592	144, 146	LAB2502911	242
HDW2203095	206, 208, 210	MEC125246	70
HDWASMB1184	158	MEC125462	70
HPL_QL3_JOY_RECEIVER	22, 28, 32	MEC131180	144, 146
HPL_AFP_HARN_QLNES	72	MEC138860	222
HPL_AFP_ILEVEL_HARN_QLNES	60	MEC138876	222
HPL_BATTERY_TRAYS	206, 208, 210, 212	MEC142426	220
HPL_CASTER_SHROUDS	6	MEC146133	184, 196, 218, 220, 226
HPL_COMB_LEG_HARN_QLNES	60, 72	MEC152404	70
HPL_ILEVEL_BASE	96, 98	MEC160436	70
HPL_ILEVEL_CABLES	228, 234	MEC1611656	188
HPL_ILEVEL_HARN_QLNES	60	MEC1611657	188
HPL_ILEVEL_WIRING	228, 234	MEC1712217	220
HPL_IND_LEG_HARN_QLNES	72	MEC1712220	220
HPL_LIGHT_ASSEMBLIES	90, 92	MEC1714220	16, 18
HPL_LIGHT_HARNESS	94, 98	MEC1800866	182, 194
HPL_LIGHT_MODULE	92	MEC1802726	182, 194
HPL_MOTOR_MOUNT	16, 18	MEC1804226	156, 160
HPL_QBC_EGG_SWT_MNT	186	MEC1807820	156, 160
HPL_QBC_MULT_STUDS	186	MEC1808704	156, 160
HPL_QBC_RCVR_MNT	186	MEC1809294	184, 196, 226
HPL_QL3_JOY_AFTER_KNOBS	22, 24, 28, 32	MEC1810023	158
HPL_QL3_JOY_MOUNT	22, 28, 32	MEC1810029	158
HPL_QL3_JOY_SHRD	22	MEC1810178	158
HPL_SUSPENSION	6, 8	MEC1810181	158
HPL_TB3_ELECTRONICS_IPB	60	MEC1810306	228, 234
HPL_TB3_REAC_IPB	60	MEC1810667	182, 194
HPL_TILT_INHIBIT_ROLLERBALL	72	MEC1810715	4, 104, 126
HPL_TILT_TOGGLE_SEAT	60	MEC1900196	156, 160
HPL_WIRING_DIAGRAM	172	MEC1900288	228, 234
INDPART2431	16, 18	MEC1900333	228, 234
INFINFB2528	240	MEC1900335	228, 234
INFINFB3072	240	MEC1900336	228
INFINFB4695	240	MEC1900337	228
INFMANU5075	240	MEC1900823	228
INFMANU5508	240	MEC1901231	178, 190
KIT1902931	24	MEC1906270	180, 192
KIT2008010	28	MEC1906776	230
KIT2008635	186	MEC1907331	180, 186, 192
KIT2008636	186	MEC1909903	236
KIT2008637	186	MEC1909904	236
KIT2008638	186	MEC1910365	178, 190
KIT2600759	24	MEC1910373	178, 190
KIT2600761	32	MEC2000350	152, 154

MEC2000351	152, 154	MEC2502841-03	10
MEC2000428	144, 146	MEC2503686	146, 150, 154, 164
MEC2000429	144, 146	MEC2503687	146, 150, 154, 164
MEC2000551	144, 146	MEC2600732	146
MEC2000971	188	MEC2600733	150, 164
MEC2002388	148, 150, 162, 164	MEC2600734	154
MEC2002389	148, 150, 162, 164	MEC2600808	12, 14
MEC2003993	158	MOT2405810-13	16
MEC2006143	188	MOT2405811-13	16
MEC2006617	236	MOT2405820-03	18
MEC2007480	228, 230, 234, 236	MOT2405821-03	18
MEC2007481	228, 230, 234, 236	NUT8120005	64, 78, 80
MEC2007598	228, 230, 234, 236	NUTJAM1032	64, 78, 80
MEC2009082	152	NUTNYLK1013	6, 8
MEC2009402	234	NUTNYLK1094	144, 146
MEC2009408	236	NUTNYLK1106	70
MEC2009409	236	PLSKNCP1057	34
MEC2009578	236	PLSKNCP1058	34
MEC2101893	144, 148, 152, 156, 158, 160, 162	PLSTIE1001	172
MEC2103319	152, 154	PLSTIE1004	36, 38, 40, 42, 44, 46, 48, 50, 52, 54, 56, 58, 62, 64, 66, 68, 70, 74, 76, 78, 80, 86, 90, 92, 96, 98, 206, 208, 210, 212, 228, 234, 240
MEC2103990	144	PLSTIE1015	16, 18
MEC2103996	144, 146	QL3_JOYSTICK_REPCOMP	22
MEC2104227	178, 190	RECPART1006	28
MEC2106089	206, 208, 210, 212	SCR8110001	228, 234
MEC2106123	180, 192	SCR8110003	148, 150, 152, 154, 156, 158, 160, 162, 164
MEC2106132	180, 192	SCRHHCS1382	64, 78, 80
MEC2202129	152, 154	SCRHHCS1727	6, 8
MEC2203017	234	SCRPFH1076	70
MEC2203018	234	SCRPPH1036	4, 6, 6, 8, 8, 70, 108, 118, 120, 130, 140, 142, 220
MEC2205555	82	SCRPPH1163	182, 194
MEC2305323	4	SCRPPH1167	186
MEC2305381	90, 92, 94, 96, 98	SCRPPH1279	218, 220
MEC2305390	10, 12, 14, 20	SCRPPH1304	16, 18, 70, 112, 134
MEC2305553	214	SCRPPH1318	90, 172
MEC2306169	214	SCRPPH1370	94, 96, 98
MEC2400023	6, 8	SCRPPH1382	36, 38, 40, 42, 44, 46, 48, 50, 52, 54, 56, 58, 62, 74, 86
MEC2400034	8	SCRPPH1384	218, 218, 220
MEC2400036	6	SCRPPH1454	70
MEC2400040	6	SCRSETS1099	16, 18
MEC2400538	10	SCRSHFH1005	222
MEC2400679	10, 12, 14	SCRSHCS1153	82
MEC2400681	10, 12	SCRSHCS1340	144, 146
MEC2400783	4	SCRSHFH1053	222
MEC2402878	8	SCRSHFH1099	148, 150, 162, 164
MEC2404208	90, 92, 94, 96, 98	SCRSHFH1115	228, 234
MEC2500379	148, 162	SCRSHFH1190	4
MEC2500381	148, 150, 162, 164	ST-ARM250C-Q	184, 196, 224, 226
MEC2501682	6	ST-ARM250T-Q	184, 196, 224, 226
MEC2502042	8	ST-TWBM480CJ-Q	224
MEC2502449-03	14	ST-TWBM480QL-Q	224
MEC2502747	20	TIR8110019	170
MEC2502748	20		

---

TIR8110024	166
TIR8110026	168
TUBSTND1002	168
VELDBLS1001	70
WASMETR1031	144, 146, 148, 150, 162, 164
WASMETR1032	6, 8
WASSAE1006	144, 146
WASSTND1042	152, 154
WHL1703586	166, 168
WHL1703588	166
WHL1704507	168
WHL1903913	170

# Illustrated Parts Breakdown

## **USA - Quantum Rehab**

401 York Avenue  
Duryea, PA 18642  
[www.quantumrehab.com](http://www.quantumrehab.com)

## **USA - Pride Mobility Products, Corp.**

401 York Avenue  
Duryea, PA 18642  
[www.pridemobility.com](http://www.pridemobility.com)

## **Canada**

5096 South Service Road  
Beamsville, Ontario L3J 1V4  
[www.pridemobility.ca](http://www.pridemobility.ca)  
[www.quantumrehab.ca](http://www.quantumrehab.ca)

## **Australia**

20-24 Apollo Drive  
Hallam, Victoria 3803  
[www.pridemobility.com.au](http://www.pridemobility.com.au)  
[www.quantumrehab.com.au](http://www.quantumrehab.com.au)

## **New Zealand**

391 Neilson Street  
Penrose, Auckland 1061  
[www.pridemobility.co.nz](http://www.pridemobility.co.nz)

## **UK**

### **(Authorised UK Representative)**

32 Wedgwood Road  
Bicester, Oxfordshire OX26 4UL  
[www.pride-mobility.co.uk](http://www.pride-mobility.co.uk)  
[www.quantumrehab.co.uk](http://www.quantumrehab.co.uk)

## **Switzerland**

### **(Authorised CH Representative)**

SODIMED SA  
Chemin Praz Devant 12  
1032 Romanel-sur-Lausanne

## **Netherlands**

### **(Authorised EU Representative)**

De Zwaan 3  
1601 MS Enkhuizen  
[www.pridemobility.eu](http://www.pridemobility.eu)  
[www.quantumrehab.eu](http://www.quantumrehab.eu)

## **Italy**

Via della Tecnica, 3  
00065 - Fiano Romano (RM)  
[www.pride-italia.it](http://www.pride-italia.it)  
[www.quantumrehab-italia.it](http://www.quantumrehab-italia.it)

## **France**

26 Rue Monseigneur Ancel  
69800 Saint-Priest  
[www.pridemobility.fr](http://www.pridemobility.fr)  
[www.quantumrehab.fr](http://www.quantumrehab.fr)

## **Spain**

Calle Las Minas Número 67  
Polígono Industrial Urtinsa II, de Alcorcón  
28923 Madrid  
[www.pridemobility.es](http://www.pridemobility.es)

## **Germany**

Josef-Förster-Straße 6-8  
33161 Hövelhof  
[www.pridemobility.de](http://www.pridemobility.de)  
[www.quantumrehab.de](http://www.quantumrehab.de)

## **China**

Room 508, Building #4  
TianNa Business Zone  
No. 500 Jianyun Road  
Pudong New Area  
Shanghai 201318  
[www.pridechina.cn](http://www.pridechina.cn)

