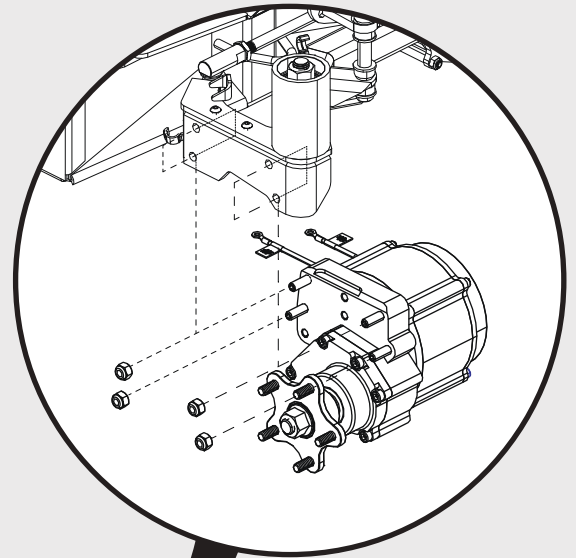




Illustrated Parts Breakdown



This Illustrated Parts Breakdown (IPB) Catalog has been compiled from the latest product information available at the time of publication. Quantum Rehab[®] / Pride Mobility Products[®] Corporation / Baja[®] Mobility reserves the right to make changes and updates to this manual and to the product(s) it represents. Any changes, updates, or improvements to the product(s) may result in slight differences between this manual and the product that has been purchased.

An IPB is a graphically portrayed parts listing of product components which have been deemed to have serviceable, maintenance significance. When applicable, IPBs utilize “exploded” illustrations that detail serviceable components and a corresponding itemized parts list of reference numbers, part numbers, descriptions, and quantities. Most product components are incorporated into assemblies and may not be available for replacement.

Serviceable components will be noted by a callout in the illustration that will correspond to an alphanumeric reference number in the parts list. Items may also be listed in the parts list by parent assemblies. In most cases when a parent assembly is listed, there will be child parts or sub-assemblies listed under that parent.

For example: The parent assembly reference number is A1 — A5. That part contains all of the items listed as and contained within A1, A2, A3, A4, & A5. As long as these subcomponents have a callout and a part number associated with them, they can be selected for replacement or quote.

Updates to the contents of an IPB will be made on a regular basis based upon applicable product changes and enhancements. This PDF catalog can be exported from the Provider based service site. The most up to date parts look up tool and ordering application is located at: www.pridemobility365.com. Please utilize this system to enhance your user experience. It is built with highly interactive materials that are set with relational properties that will facilitate easier part look-up, more accurate parts selection, and links to related documents and products.

Thank you for choosing products from Quantum Rehab[®] and Pride Mobility Products[®] Corporation.



1. Partial Base Kit Assembly	
Partial Base Kit Assembly, Quantum® Outback	1
2. Front Frame Assembly	
Front Frame Assembly, Complete, Quantum® Outback	3
Front Sway Bar Assembly, Quantum® Outback	5
Front Axle, Tie-Rod, and Hardware, Quantum® Outback	7
Articulation Limiter (Lift Seats), Quantum® Outback	9
3. Rear Frame Assembly	
Rear Frame Assembly Complete, Quantum® Outback	11
Rear Sway Bar Assembly, Quantum® Outback	13
Rear Control Arms and Hardware, Quantum® Outback	15
Rear Hitch Receiver, Quantum® Outback	17
4. Suspension Assy's	
Suspension Assembly, Quantum® Outback	19
5. Drive Motor Assy	
6 MPH Drive Motor Assemblies, Quantum® Outback	21
5 MPH Drive Motor Assemblies, Quantum® Outback	23
Left Motor Harness, Quantum® Outback	25
Right Motor Harness, Quantum® Outback	27
Terminal Block Assembly, Quantum® Outback	29
Motor Wiring Diagram, Quantum® Outback	31
6. Drive Wheel Assy's	
Drive Wheels, Quantum® Outback	32
7. Joystick Assy	
7.1. Q-Logic 3	
Q-Logic 3 EX Joystick Assemblies	35
Q-Logic 3e Joystick Assy's - Outback	37
Q-Logic 3 Stand Alone Joystick Assy	39
Q-Logic 3 SD Cards, Quantum® Outback	41
7.2. Aftermarket Joystick Knobs	
Aftermarket Joystick Knobs - Curtis and P&G	43
8. Electronic Assy's	
8.1. Circuit Breaker and Power Harnesses	
Circuit Break and Power Harnesses, Quantum® Outback	45
8.2. Terminal Block	
Terminal Block Assembly, Quantum® Outback	47
8.3. Q-Logic 3 Electronics	
QL3 Complete Electronics w/ Run Plug, Quantum® Outback	49
Light Module (LM), Static Seat, Base Mounted Lights, Quantum® Outback	51
AM3L for REAC Lift, Base Mounted Lights, Quantum® Outback	53
AM3 for REAC Lift, No Base Lights, Quantum® Outback	55
Lights and Light Harnesses, Quantum® Outback	57
Q-Logic 3 SD Cards, Quantum® Outback	59
9. Shrouds, Lights, and Reflectors	
Complete Shroud Assembly, Quantum® Outback	61
Front Fenders and Caster Caps, Quantum® Outback	63
Side Shroud Assemblies, Quantum® Outback	65
Rear Shroud, Bracket, and Motor Liner, Quantum® Outback	67
Rear Reflectors and Side Shroud Caps, Quantum® Outback	69
Lights and Light Harnesses, Quantum® Outback	71

10. Backup Camera

10.1. BUS Version: TRU Balance® 3 Power Positioning

Quantum® Backup Camera Kits	73
Quantum® Backup Camera Module, Harnesses, and Mounts	75
Quantum® Backup Camera, Standard Mount, and Headrest Mount	77
Quantum® Backup Camera Display Mounts	79
Egg Switch / Buddy Button Mounting Brackets	81
Joystick Receiver Mounts, Quantum®	83

10.2. PTO Version: Q-Captain Static Seats

PTO QBC Module and Harnesses, Quantum® Outback	85
Quantum® Backup Camera, Standard Mount, and Headrest Mount	87
Quantum® Backup Camera Display Mounts	89
Egg Switch / Buddy Button Mounting Brackets	91
Joystick Receiver Mounts, Quantum®	93

11. Seat Mount Assy's

Seat Base Interface Assembly, Quantum® Outback	95
--	----

12. Batteries

Group 27 Battery Assembly, Quantum® Outback	97
Battery Spacer, Quantum® Outback	99

13. Battery Charger

8 Amp CTE Charger	101
-------------------	-----

14. Joystick Mounts & Receivers

14.1. Basic Swing-away Joystick Mount

Basic Swing-away Joystick Mount, Q-Logic	103
--	-----

14.2. Swing-away, Version 3

Chain Driven Swing-away Joystick Mount (Version 3 Swing-away Mount)	105
Belt Driven Swing-away Joystick Mount (Version 3 Swing-away Mount)	107

14.3. Retract 4 Swing-away Joystick Bracket

Retract 4 Swing-away Joystick Bracket for Curtis Joysticks	109
--	-----

14.4. Stealth Swing-away / Flip-down Joystick Bracket

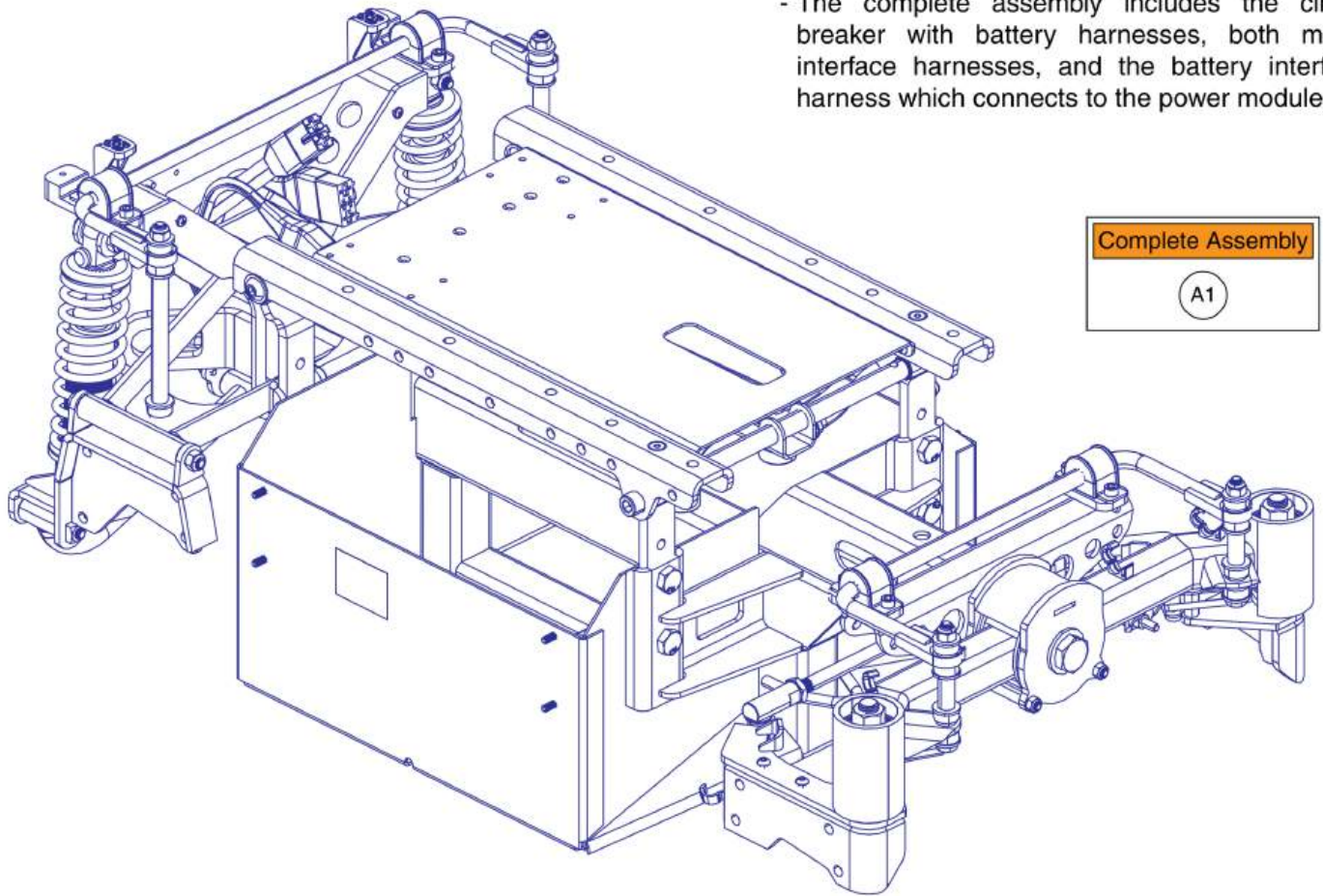
Stealth Swing-away / Flip Down Joystick Brackets & Mounts	111
---	-----

14.5. Joystick Bracket Receivers

Joystick Receiver Mounts, Quantum®	113
------------------------------------	-----

15. Owner's & Decal Packages

Owner's Package, Australia, Quantum® Outback	115
Decal Package, Australia, Quantum® Outback	117
Appendix A:Pages Index	119
Appendix B:Parts Index	120



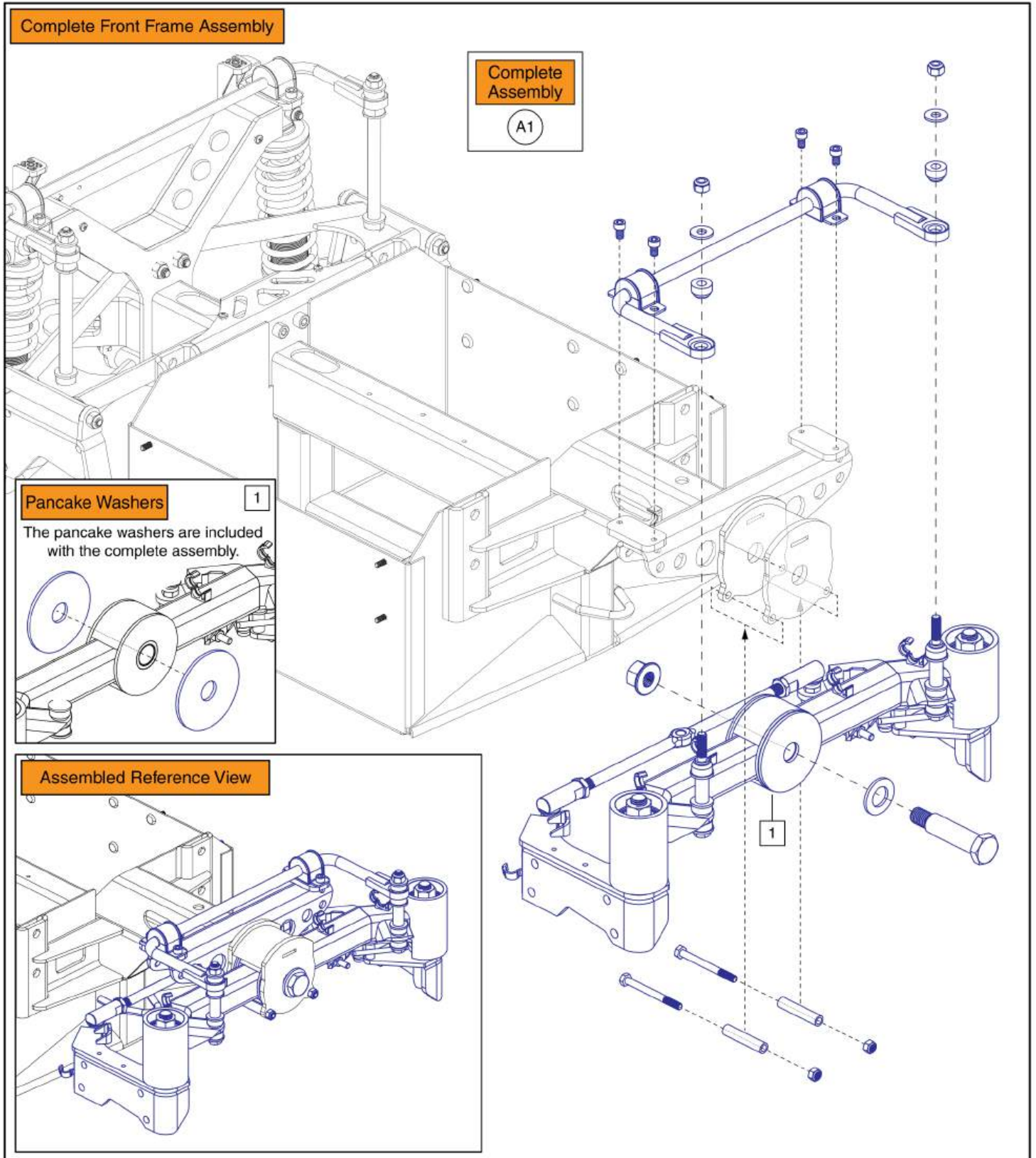
Please Note:

- The complete assembly includes the circuit breaker with battery harnesses, both motor interface harnesses, and the battery interface harness which connects to the power module.

Complete Assembly
A1

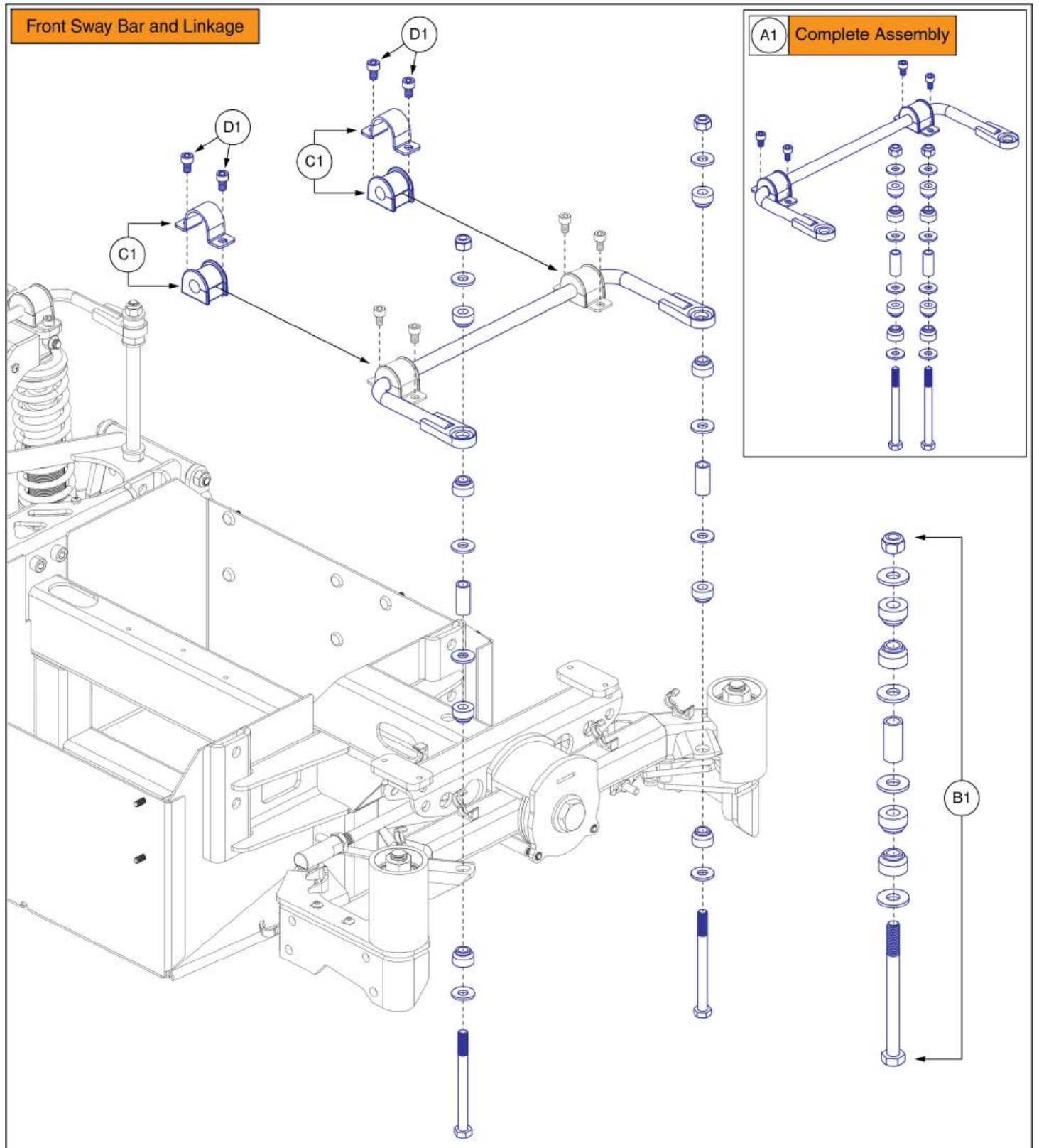
Partial Base Kit Assembly, Quantum® Outback

Item	Part No.	Name	Qty
A1	KITASMB1965	KIT, ASSEMBLY, PARTIAL UNIT, QUANTUM OUTBACK	1



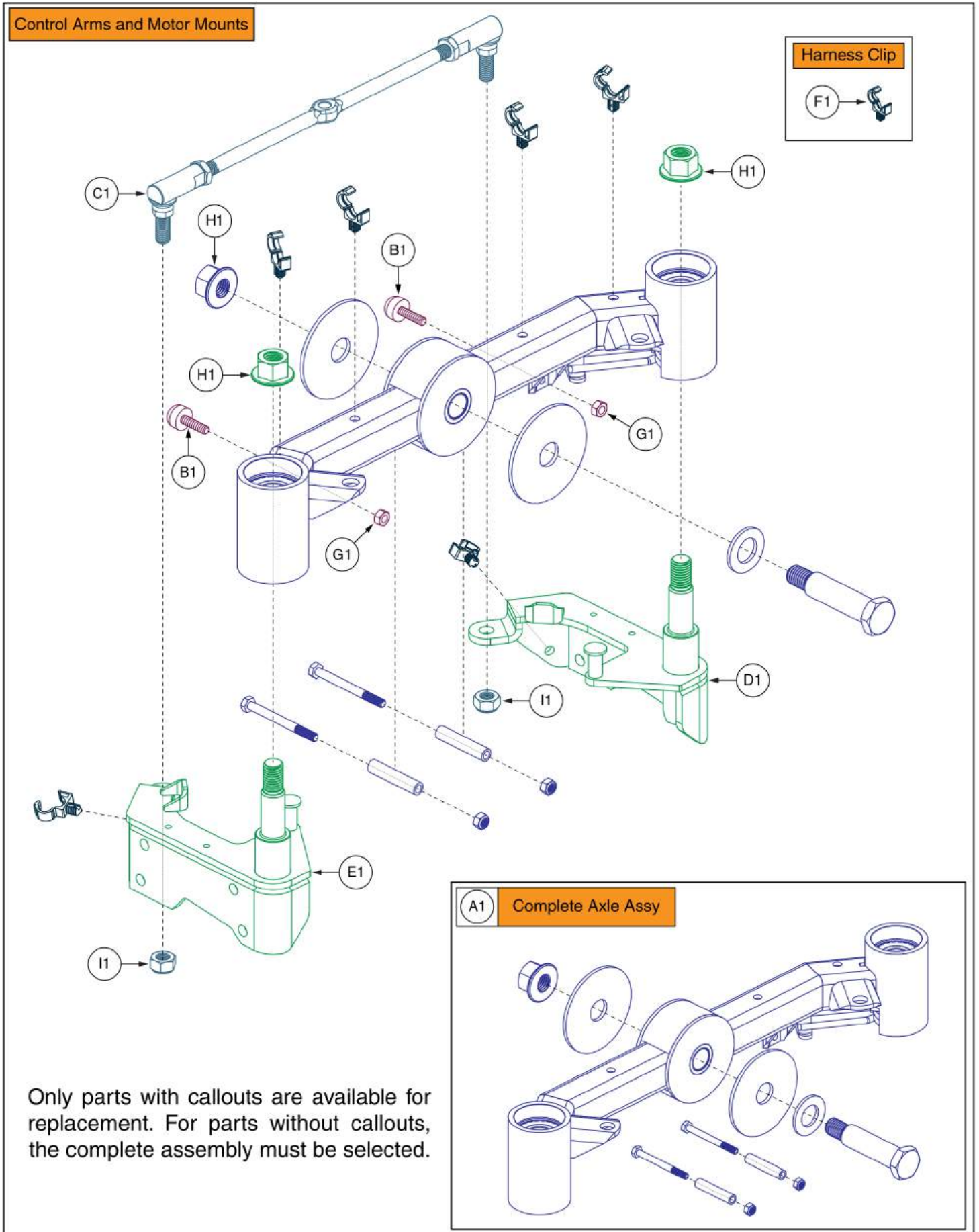
Front Frame Assembly, Complete, Quantum® Outback

Item	Part No.	Name	Qty
A1	MEC2205948	FRAME, FRONT ASSEMBLY, QUANTUM OUTBACK	1



Front Sway Bar Assembly, Quantum® Outback

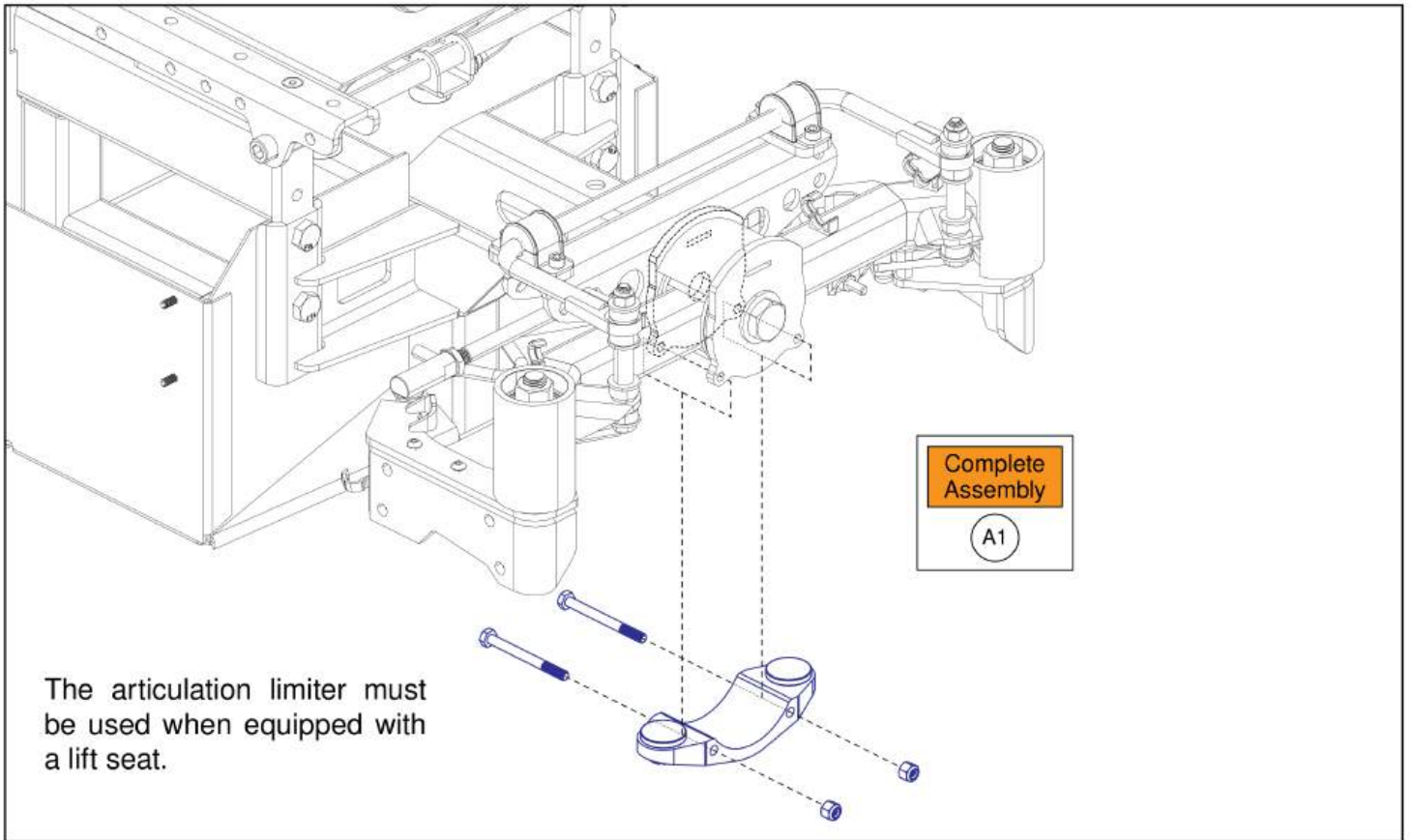
Item	Part No.	Name	Qty
A1	MEC2400269	FRONT SWAY BAR SERVICE ASSEMBLY, QUANTUM OUTBACK	1
B1	MEC2204475	FRONT SWAY BAR LINK ASSEMBLY	2
C1	MEC2204970	12MM SWAY BAR BUSHING ASSEMBLY	2
D1		SCREW, SOCKET HEAD, M6X1 X 10, ISO 4762, CL 10.9, BZ	4



Only parts with callouts are available for replacement. For parts without callouts, the complete assembly must be selected.

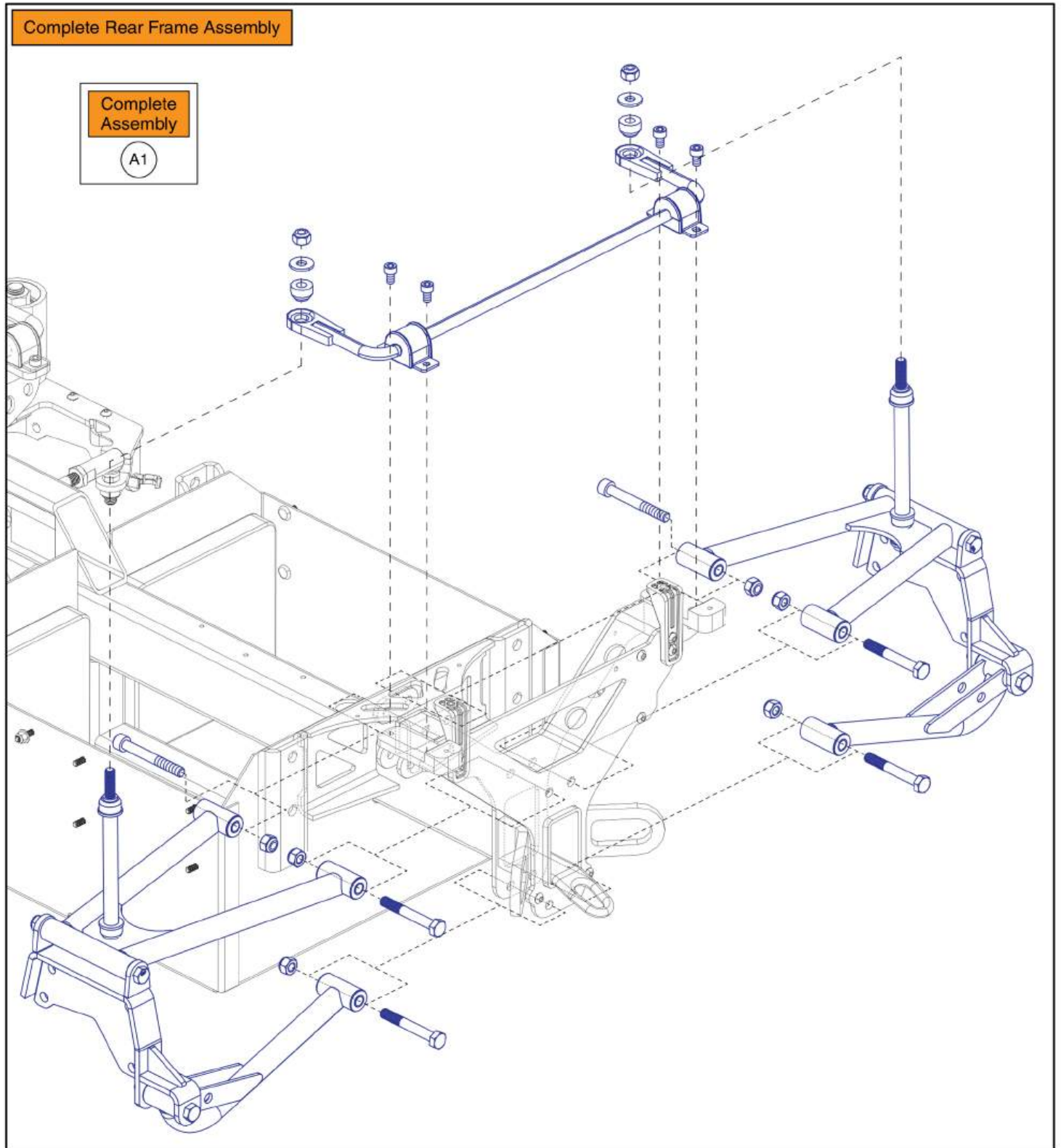
Front Axle, Tie-Rod, and Hardware, Quantum® Outback

Item	Part No.	Name	Qty
A1	MEC2400268	FRONT FRAME SERVICE ASSEMBLY, QUANTUM OUTBACK	1
B1	MEC2204481	STEERING BUMPER OVERMOLD ASSEMBLY	2
C1	MEC2200809	4X4 TIE-ROD ASSEMBLY, NARROW	1
D1	MEC2205014	FRONT MOTOR KNUCKLE WELDMENT-V2, LEFT	1
E1	MEC2205016	FRONT MOTOR KNUCKLE WELDMENT-V2, RIGHT	1
F1	DGN2300068	HARNESS CLIP	6
G1	HDW1807303	NUT, HEX, PVTP, M6X1, ISO 7040, CL 10, BLK	2
H1		NUT, HEX, FLANGE, PVTM, M14X2, ISO 7044, CL 10, ZN	3
I1	HDW1714476	NUT, PVTP, M10X1.5, ISO 7040, CL 10.9, ZN	2



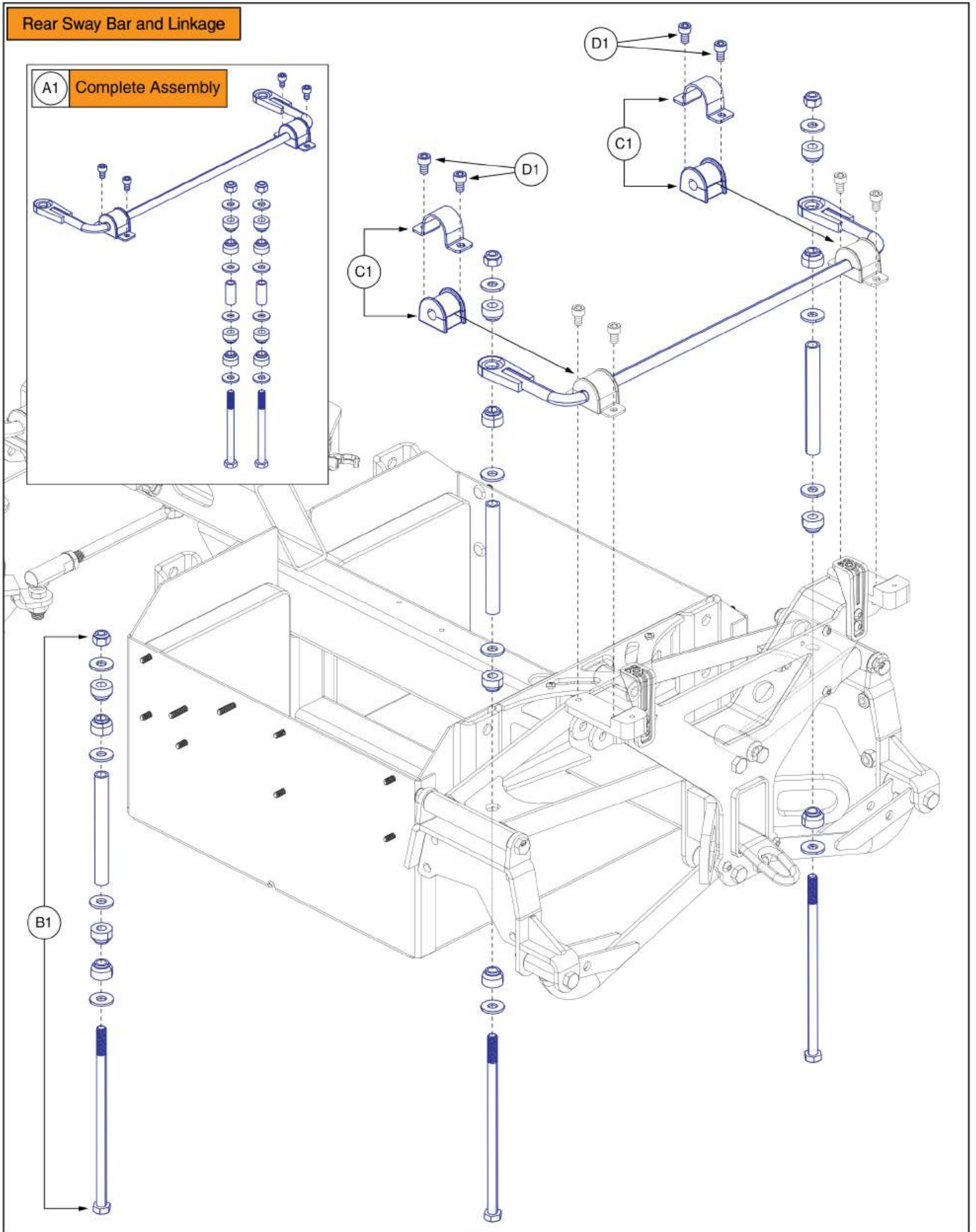
Articulation Limiter (Lift Seats), Quantum® Outback

Item	Part No.	Name	Qty
A1	MEC2400271	ARTICULATION LIMITER SERVICE ASSEMBLY, QUANTUM OUTBACK	1



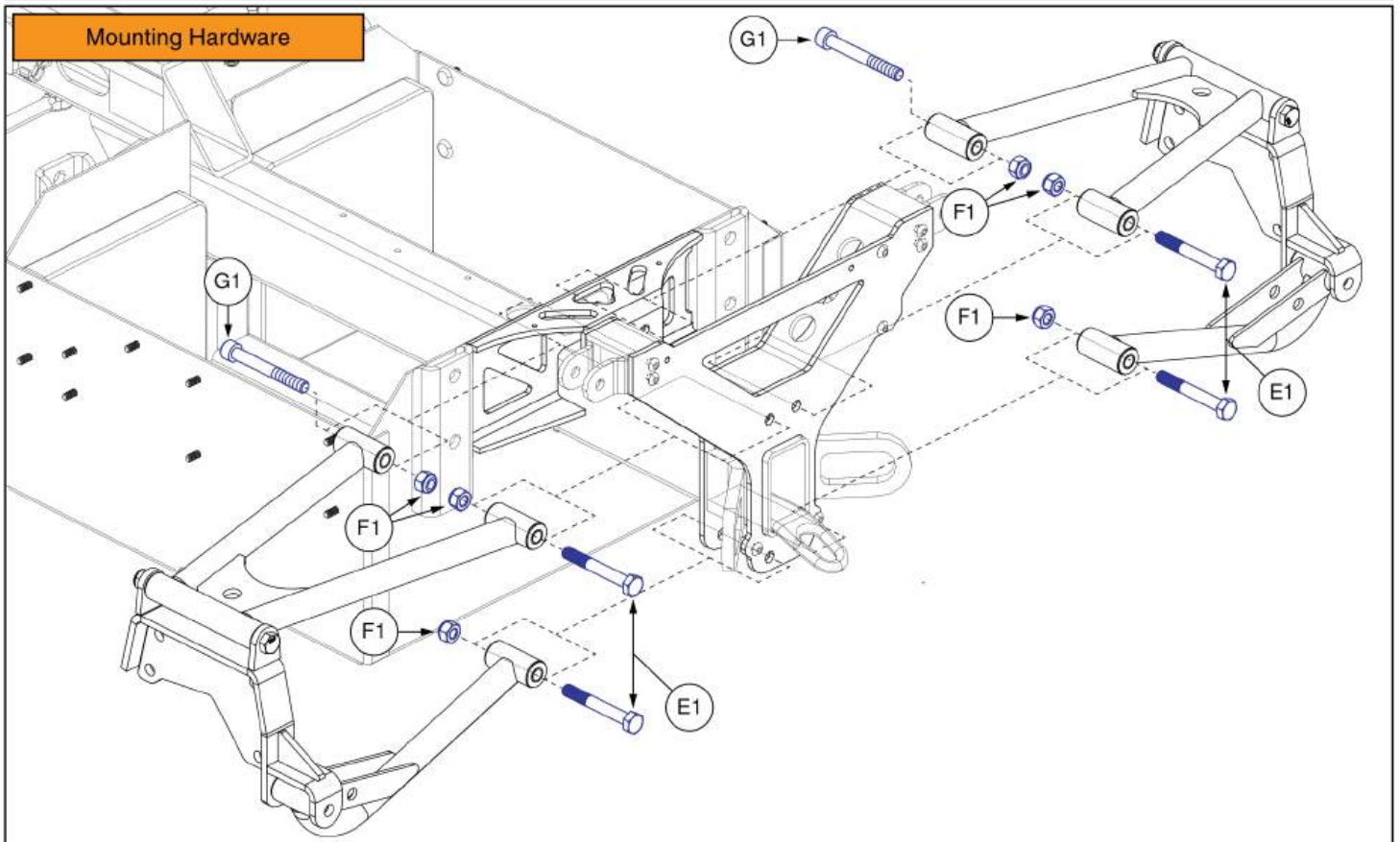
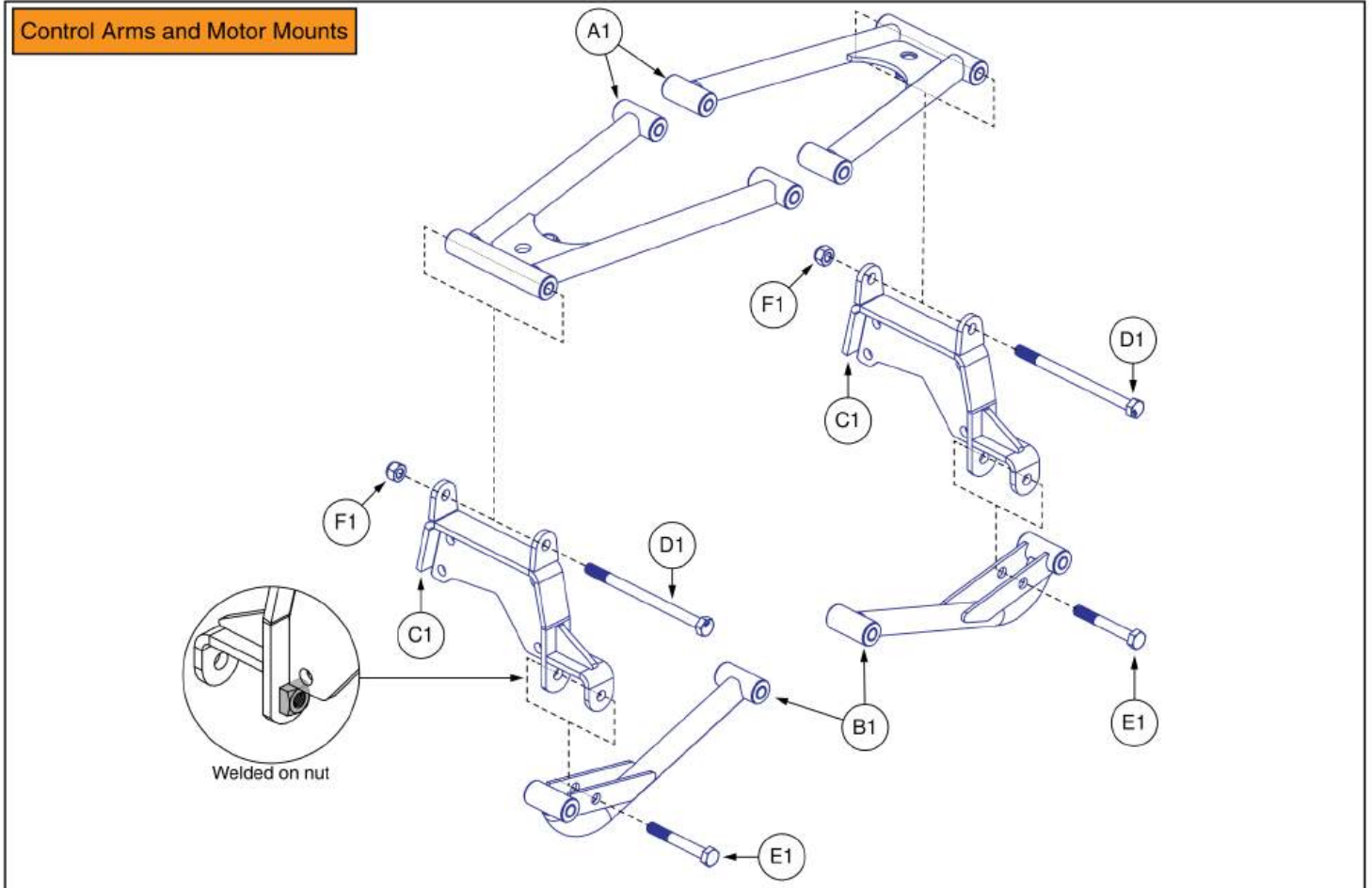
Rear Frame Assembly Complete, Quantum® Outback

Item	Part No.	Name	Qty
A1	MEC2205952	FRAME, REAR ASSEMBLY, QUANTUM OUTBACK	1



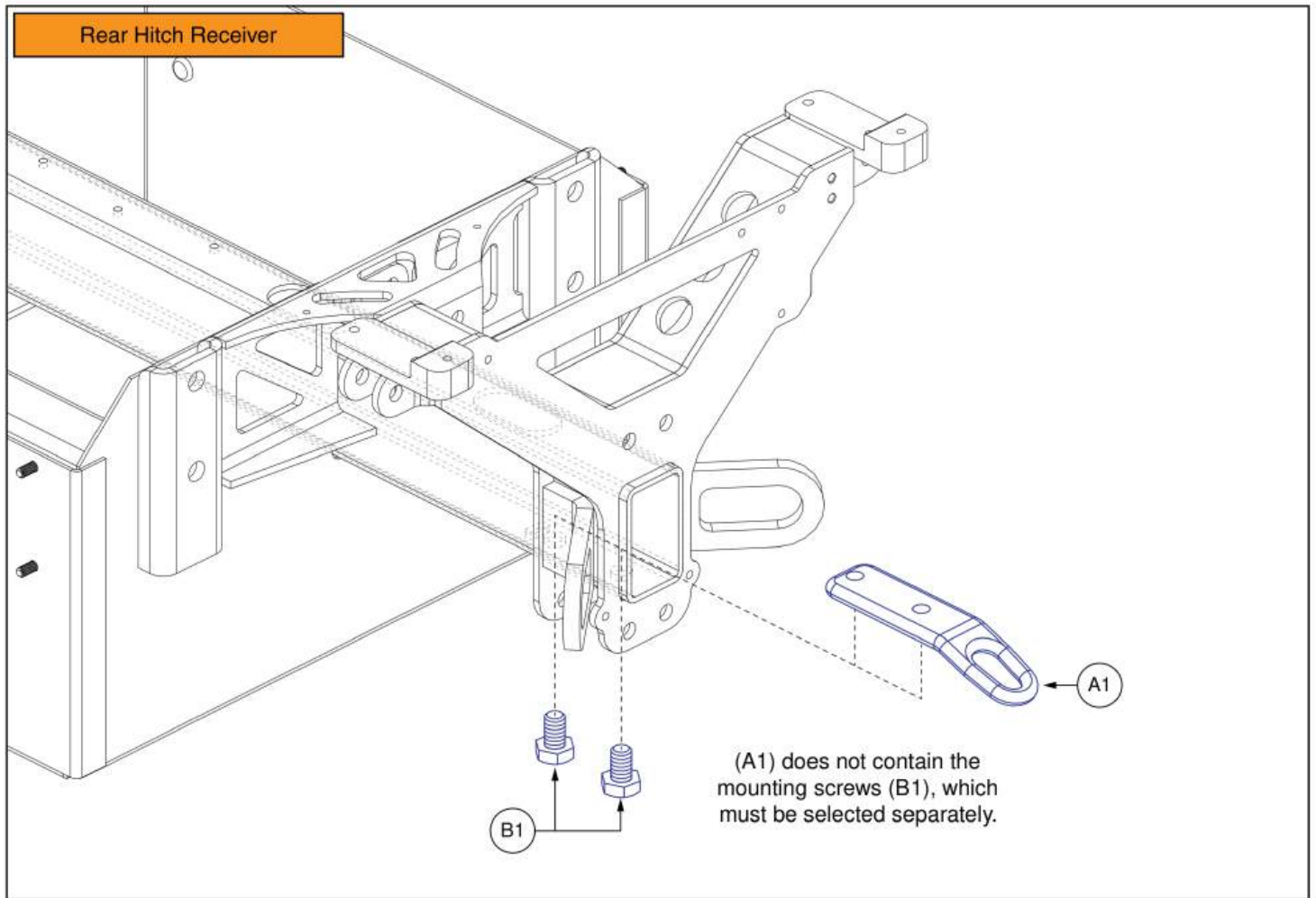
Rear Sway Bar Assembly, Quantum® Outback

Item	Part No.	Name	Qty
A1	MEC2400270	REAR SWAY BAR SERVICE ASSEMBLY, QUANTUM OUTBACK	1
B1	MEC2204478	REAR SWAY BAR LINK ASSEMBLY	2
C1	MEC2200811	.375 INCH SWAY BAR BUSHING ASSEMBLY	2
D1		SCREW, SOCKET HEAD, M6X1 X 10, ISO 4762, CL 10.9, BZ	4



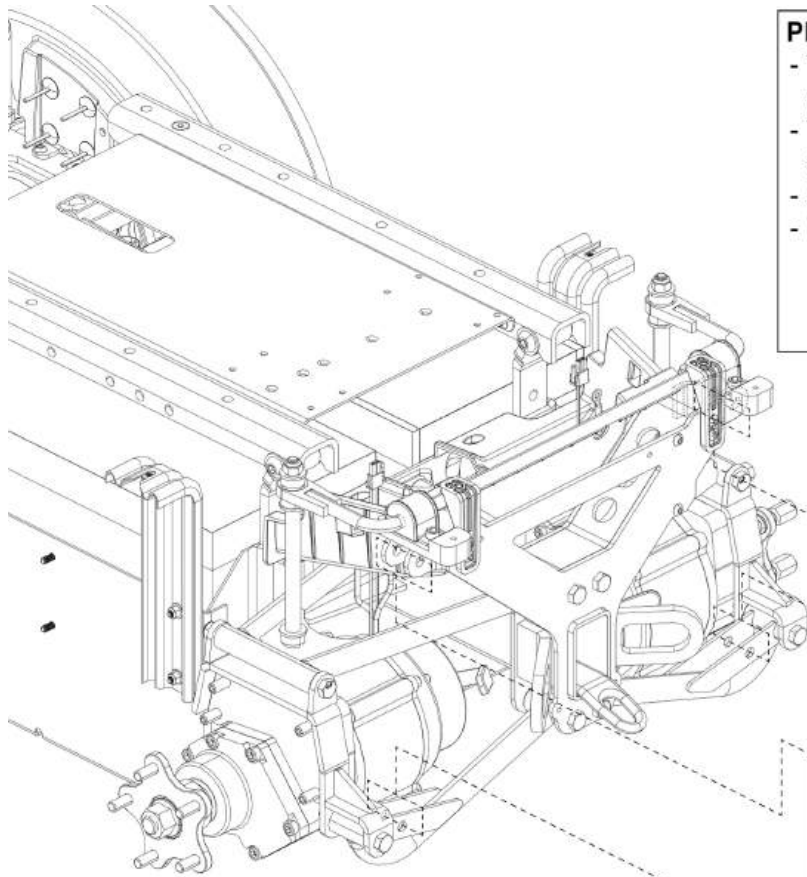
Rear Control Arms and Hardware, Quantum® Outback

Item	Part No.	Name	Qty
A1	MEC2201378	REAR UPPER CONTROL ARM ASSEMBLY	2
B1	MEC2201390	REAR LOWER CONTROL ARM ASSEMBLY	2
C1	MEC2206145	MOTOR MOUNT, VER 2 PATTERN	2
D1		SCREW, HEX HEAD, M8x1.25 x 120, PT, ISO 4014, CL 10.9, BL	2
E1	HDW2002907	SCREW, HEX HEAD, M8X1.25 X 60, ISO 4014, CL 10.9, BZ	6
F1		NUT, PVTP, M8x1.25, ISO 7040, CL 10, BZ	8
G1		SCREW, SOCKET HEAD, M8X1.25 X 65, ISO 4762, CL 10.9,BZ	2



Rear Hitch Receiver, Quantum® Outback

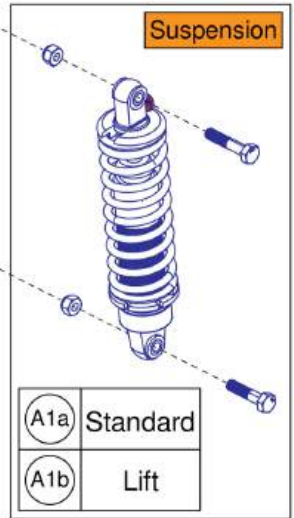
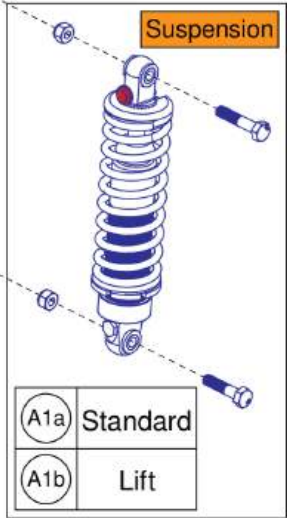
Item	Part No.	Name	Qty
A1	MEC2204065	REAR HITCH RECEIVER BASE PLATE	1
B1	HDW2204247	SCREW, HEX HEAD, M10X1.5 X 16, ISO 4017, CL 10.9, BLK, PVTP	2



Please Note:

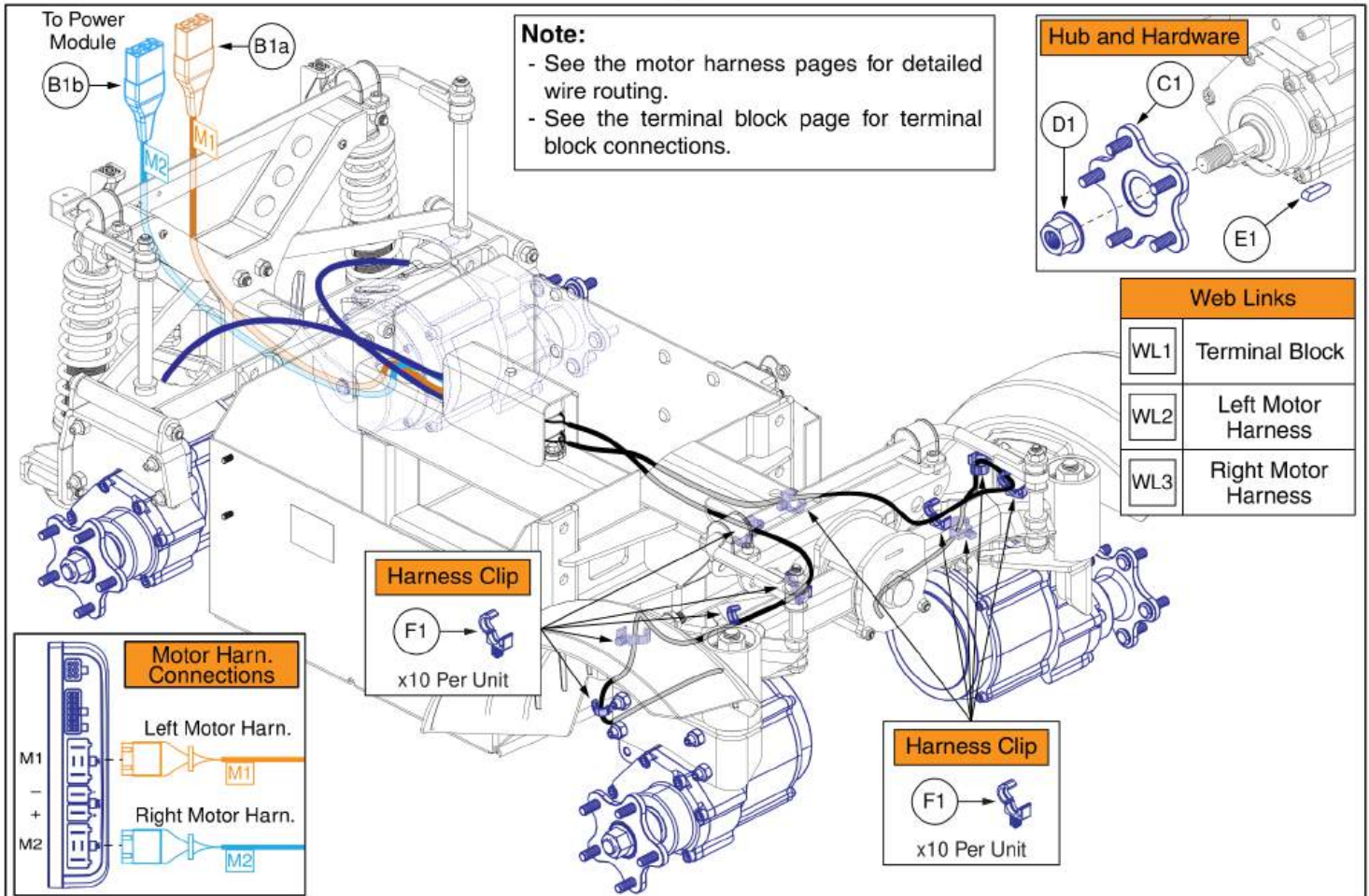
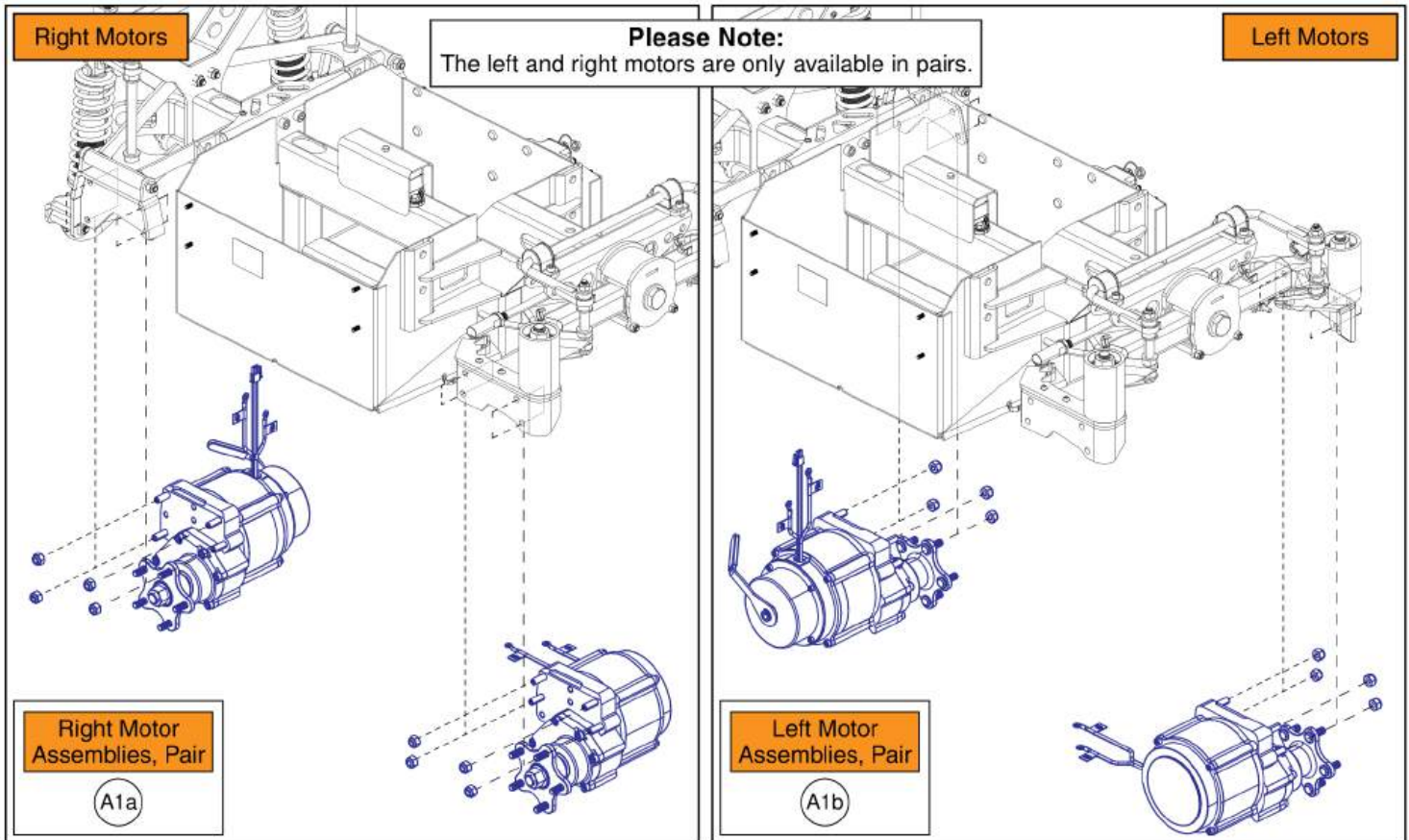
- The standard suspension is used on Q-Captain seats without lift.
- The lift suspension is used on all TRU Balance® 3 seats and on Q-Captain seats with lift.
- A quantity of 2 must be selected for the pair.
- When installing the suspension assemblies:
 - The red button must face towards the outside.
 - The 40mm screw goes on the top and the 35mm screw goes on the bottom.

The Drive Wheels and Shrouds are shown removed for illustration purposes only.



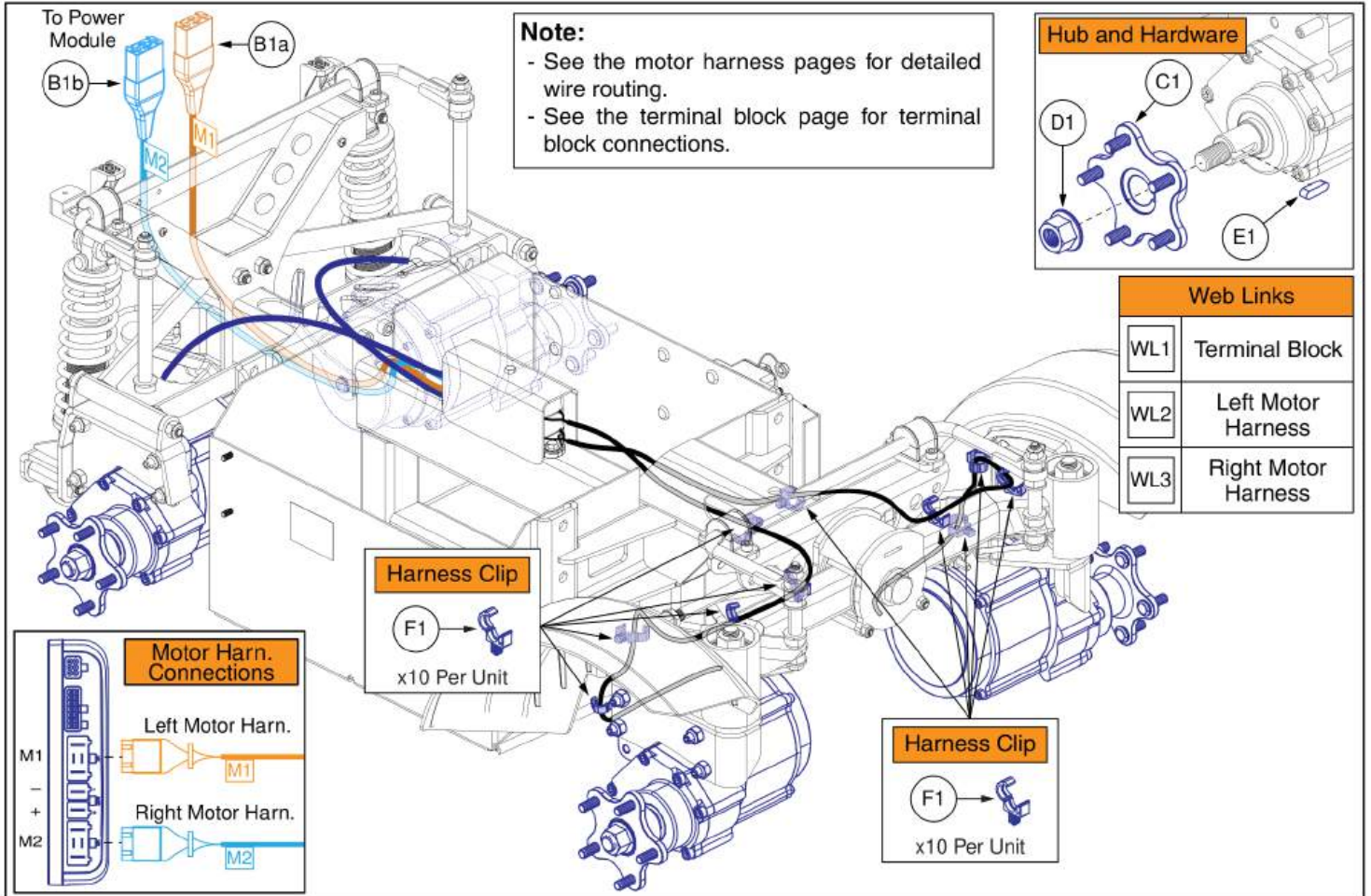
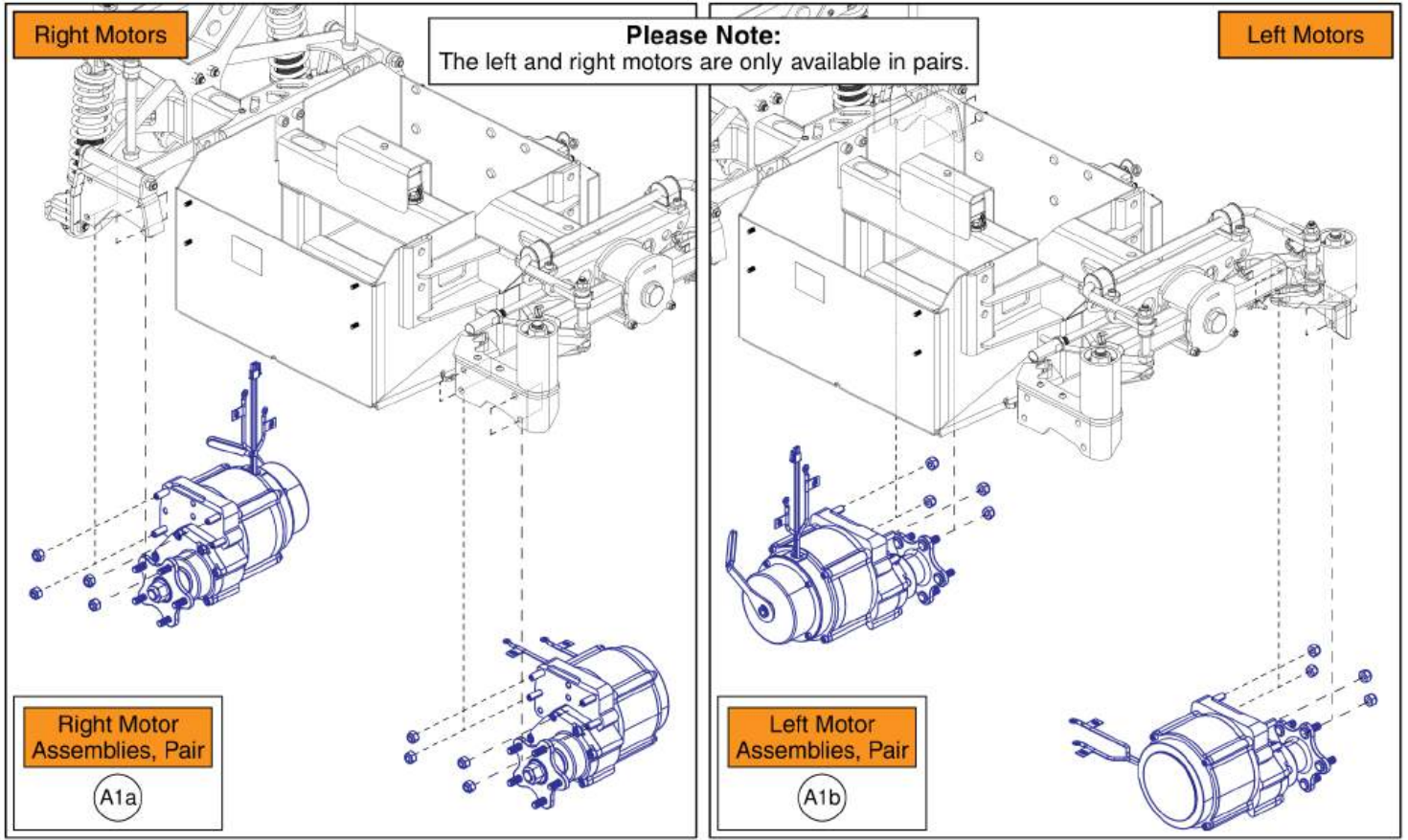
Suspension Assembly, Quantum® Outback

Item	Part No.	Name	Qty
A1a	MEC2205966	SUSPENSION ASSEMBLY, QUANTUM OUTBACK, STANDARD	1
A1b	MEC2302776	SUSPENSION ASSEMBLY, QUANTUM OUTBACK, LIFT	1



6 MPH Drive Motor Assemblies, Quantum® Outback

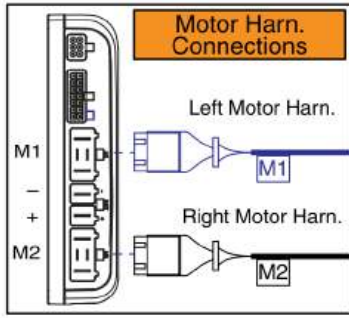
Item	Part No.	Name	Qty
A1a	MOT2400278	RIGHT SIDE MOTOR SERVICE ASSEMBLY, 6 MPH, QUANTUM OUTBACK	1
A1b	MOT2400277	LEFT SIDE MOTOR SERVICE ASSEMBLY, 6 MPH, QUANTUM OUTBACK	1
B1a	ELE2400272	MOTOR HARNESS SERVICE ASSEMBLY, M1, QUANTUM OUTBACK	1
B1b	ELE2400273	MOTOR HARNESS SERVICE ASSEMBLY, M2, QUANTUM OUTBACK	1
C1	MEC145417	HUB ASSEMBLY	1
D1		NUT, HEX, FLANGE, PVTM, M14X2, ISO 7044, CL 10, ZN	1
E1	HDW146546	KEY, 6MM X 6MM X 22MM, DIN 6885	1
F1	DGN2300068	HARNESS CLIP	8
WL1		WEB LINK,IPB,QUANTUM OUTBACK TERMINAL BLOCK (This is not an orderable part, see IPB)	0
WL2		WEB LINK,IPB,QUANTUM OUTBACK MOTOR HARNESS (This is not an orderable part, see IPB)	0
WL3		WEB LINK,IPB,QUANTUM OUTBACK MOTOR HARNESS (This is not an orderable part, see IPB)	0



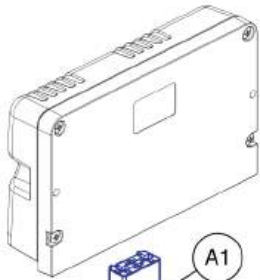
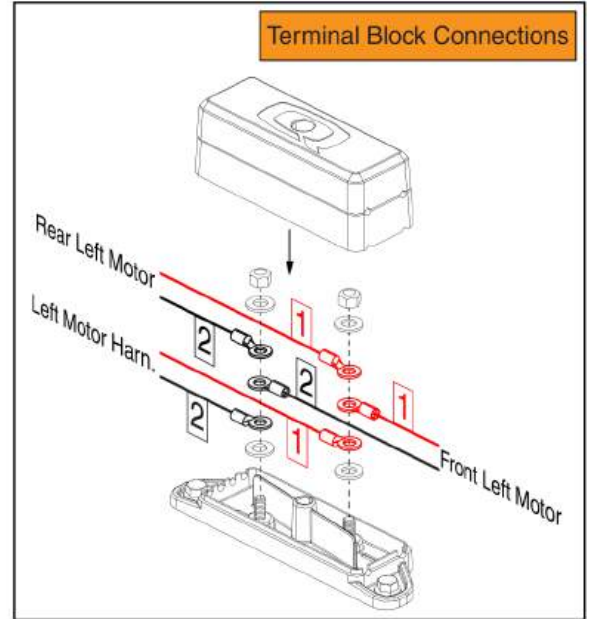
5 MPH Drive Motor Assemblies, Quantum® Outback

Item	Part No.	Name	Qty
A1a	MOT2400276	RIGHT SIDE MOTOR SERVICE ASSEMBLY, 5 MPH, QUANTUM OUTBACK	1
A1b	MOT2400275	LEFT SIDE MOTOR SERVICE ASSEMBLY, 5 MPH, QUANTUM OUTBACK	1
B1a	ELE2400272	MOTOR HARNESS SERVICE ASSEMBLY, M1, QUANTUM OUTBACK	1
B1b	ELE2400273	MOTOR HARNESS SERVICE ASSEMBLY, M2, QUANTUM OUTBACK	1
C1	MEC145417	HUB ASSEMBLY	1
D1		NUT, HEX, FLANGE, PVTM, M14X2, ISO 7044, CL 10, ZN	1
E1	HDW146546	KEY, 6MM X 6MM X 22MM, DIN 6885	1
F1	DGN2300068	HARNESS CLIP	8
WL1		WEB LINK,IPB,QUANTUM OUTBACK TERMINAL BLOCK (This is not an orderable part, see IPB)	0
WL2		WEB LINK,IPB,QUANTUM OUTBACK MOTOR HARNESS (This is not an orderable part, see IPB)	0
WL3		WEB LINK,IPB,QUANTUM OUTBACK MOTOR HARNESS (This is not an orderable part, see IPB)	0

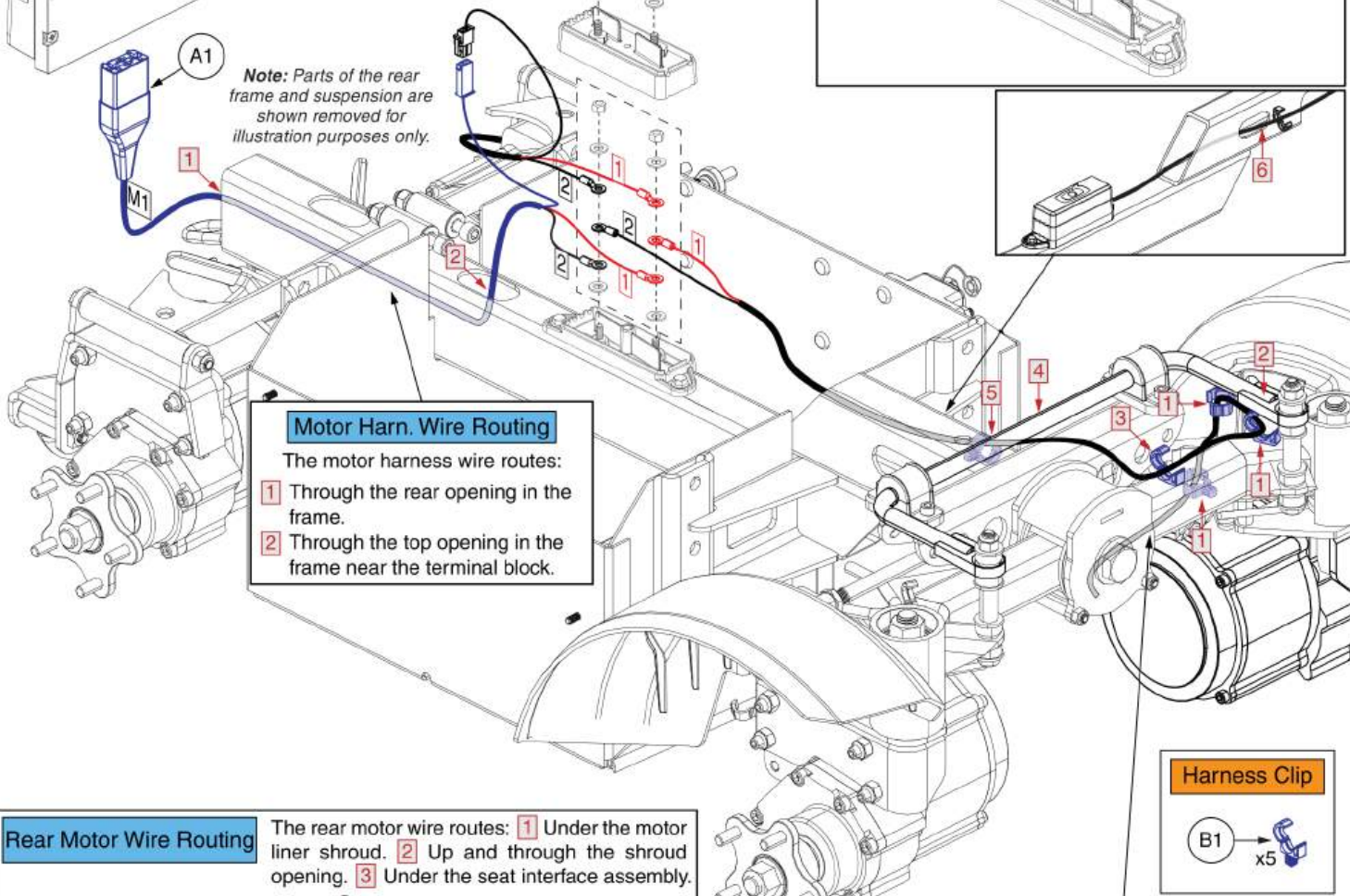
Left Motor Harness, Quantum® Outback



Web Links	
WL1	Terminal Block
WL2	Right Motor Harn.



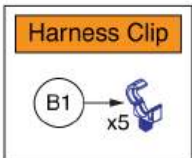
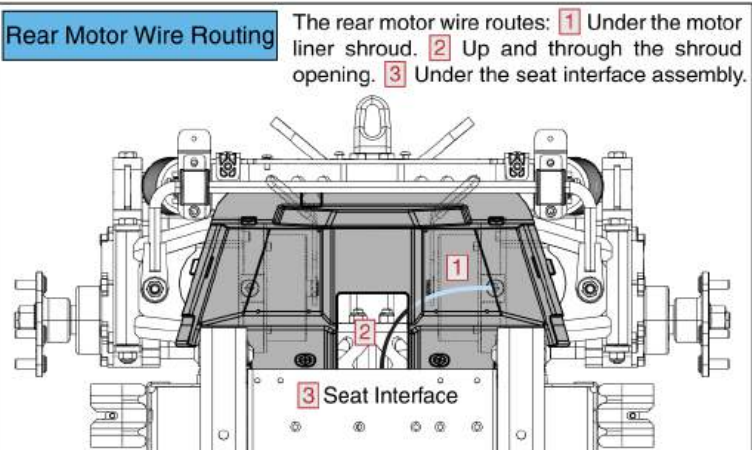
Note: Parts of the rear frame and suspension are shown removed for illustration purposes only.



Motor Harn. Wire Routing

The motor harness wire routes:

- 1 Through the rear opening in the frame.
- 2 Through the top opening in the frame near the terminal block.



Front Motor Wire Routing

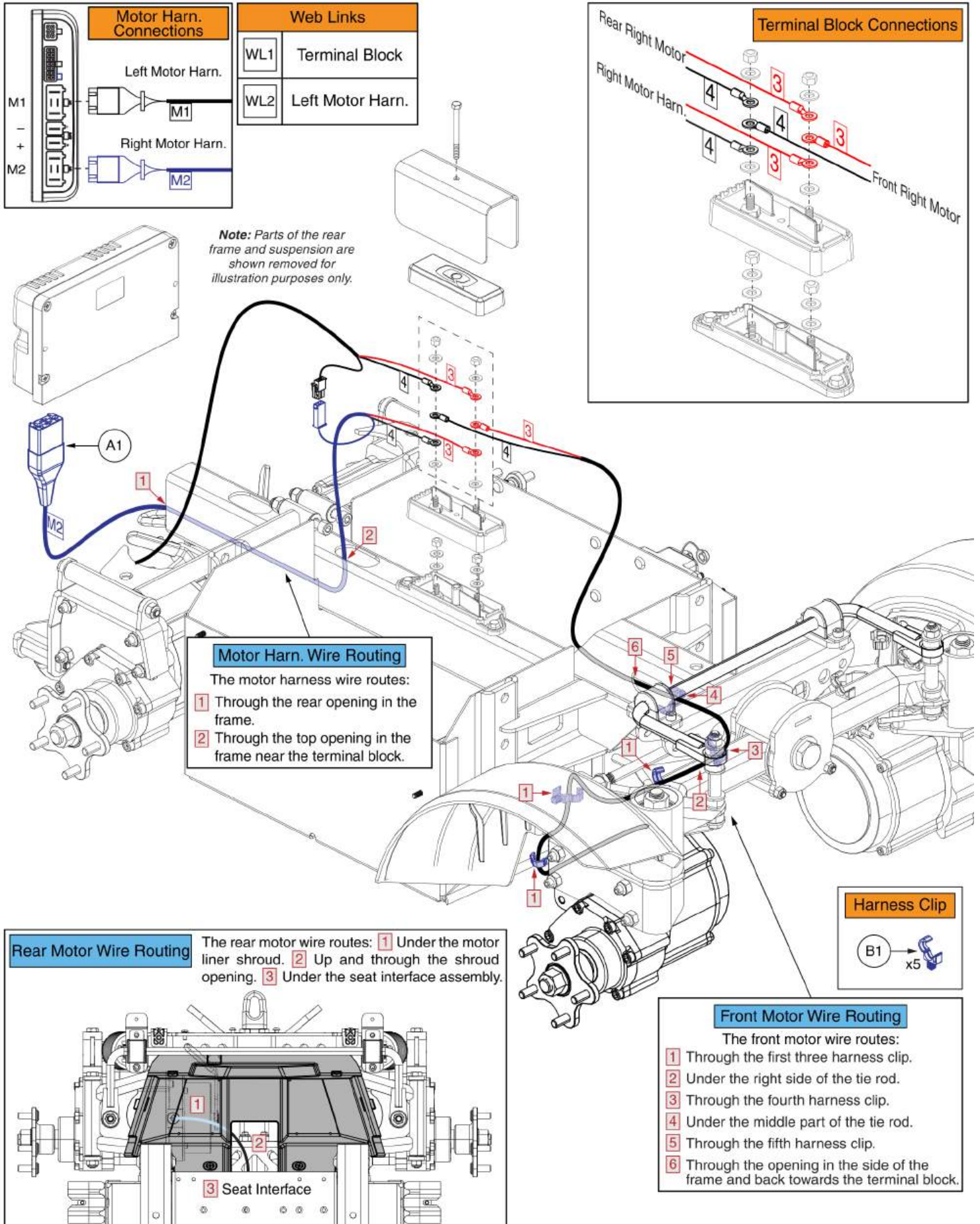
The front motor wire routes:

- 1 Through the first three harness clip.
- 2 Under the left side of the tie rod.
- 3 Through the fourth harness clip.
- 4 Under the middle part of the tie rod.
- 5 Through the fifth harness clip.
- 6 Through the opening in the side of the frame and back towards the terminal block.

Left Motor Harness, Quantum® Outback

Item	Part No.	Name	Qty
A1	ELE2400272	MOTOR HARNESS SERVICE ASSEMBLY, M1, QUANTUM OUTBACK	1
B1	DGN2300068	HARNESS CLIP	4
WL1		WEB LINK,IPB,QUANTUM OUTBACK TERMINAL BLOCK (This is not an orderable part, see IPB)	0
WL2		WEB LINK,IPB,QUANTUM OUTBACK MOTOR HARNESS (This is not an orderable part, see IPB)	0

Right Motor Harness, Quantum® Outback



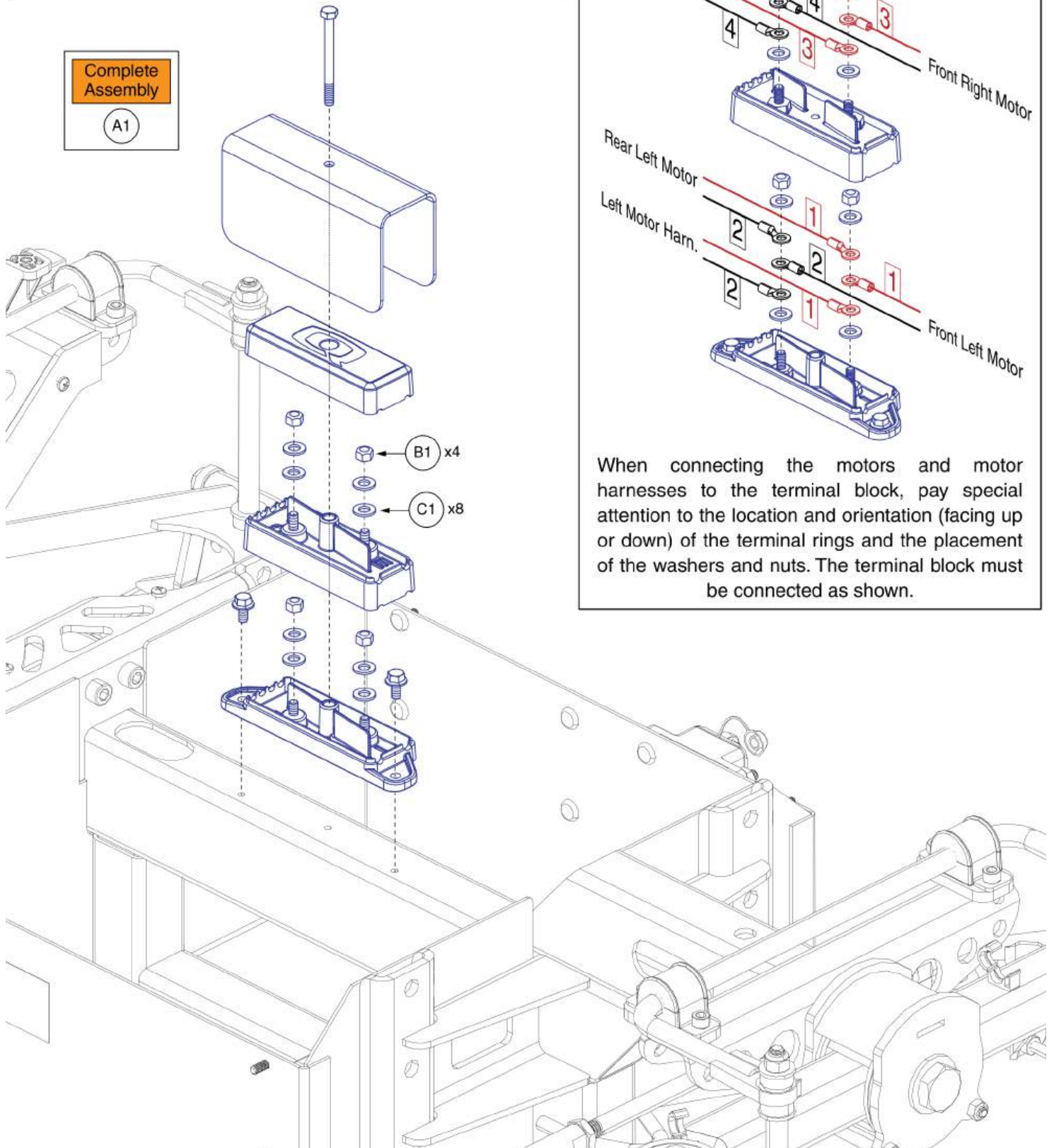
Right Motor Harness, Quantum® Outback

Item	Part No.	Name	Qty
A1	ELE2400273	MOTOR HARNESS SERVICE ASSEMBLY, M2, QUANTUM OUTBACK	1
B1	DGN2300068	HARNESS CLIP	4
WL1		WEB LINK,IPB,QUANTUM OUTBACK TERMINAL BLOCK (This is not an orderable part, see IPB)	0
WL2		WEB LINK,IPB,QUANTUM OUTBACK MOTOR HARNESS (This is not an orderable part, see IPB)	0

Terminal Block Assembly, Quantum® Outback

Please note:

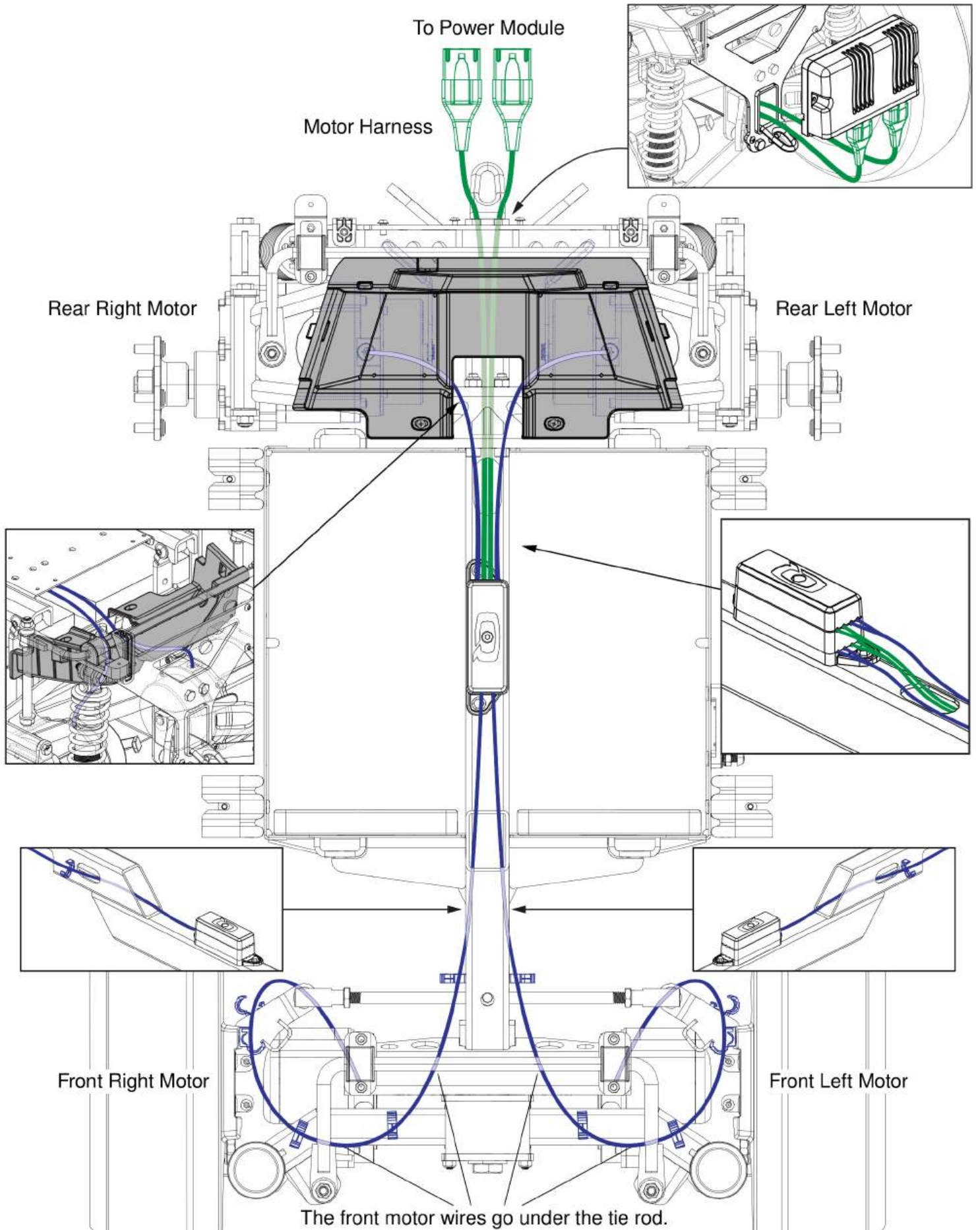
- (B1) and (C1) are included with the complete assembly (A1), they are also available individually. For all other parts, the complete assembly must be selected.
- The complete assembly (A1) also includes the terminal block wiring guide instruction.



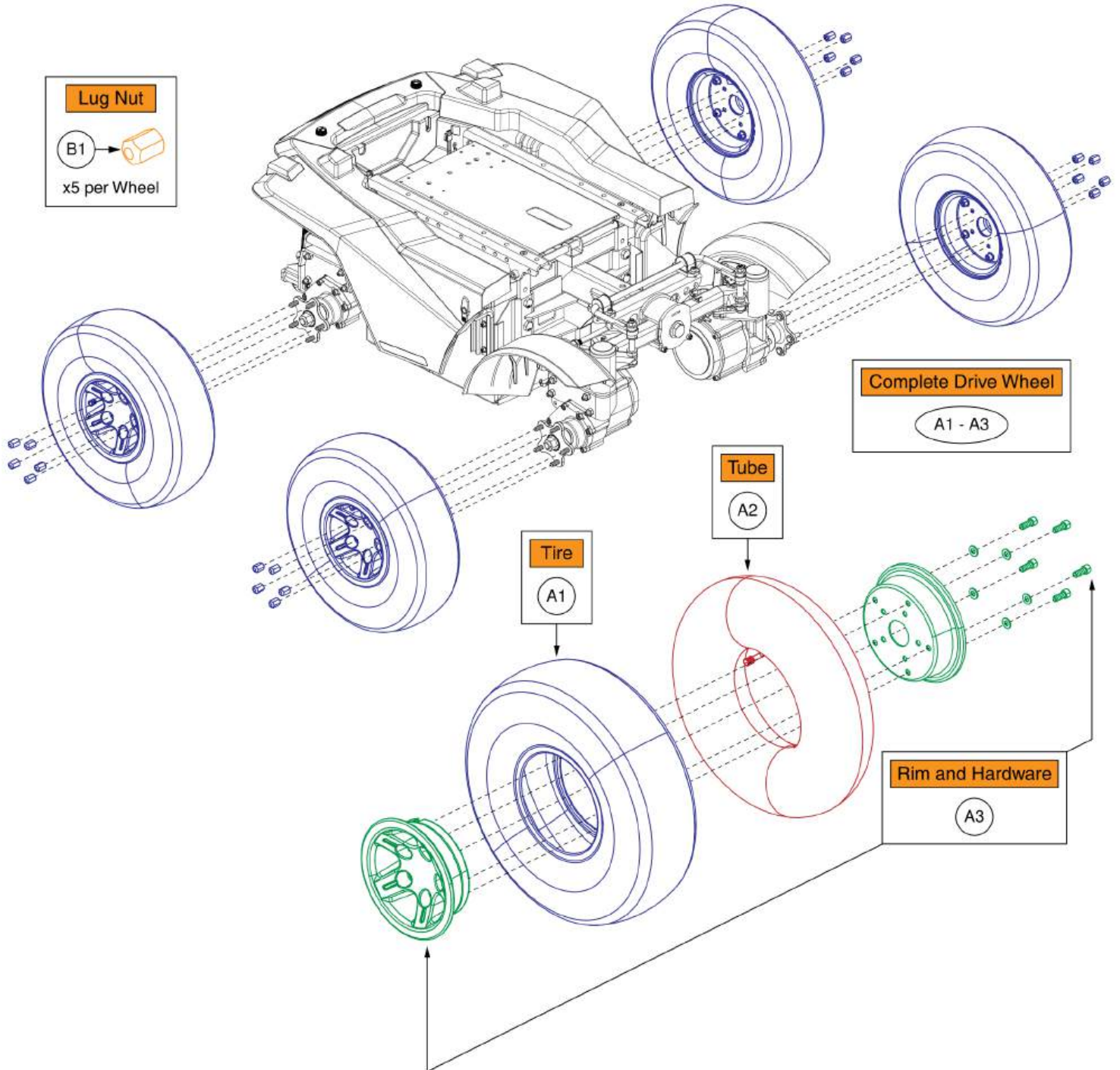
Terminal Block Assembly, Quantum® Outback

Item	Part No.	Name	Qty
A1	MEC2206861	TERMINAL BLOCK SERVICE ASSEMBLY	1
B1	HDW2206708	WASHER, M5, 5.3 ID X 10 OD X 1.0 THK, ISO 7089, HIGH CORROSION RESISTANCE (DWG: 2206708)	8
C1	HDW2303457	HEX NUT, PVTM, M5X0.8, DIN 980V, HIGH CORROSION RESISTANCE (DWG: 2303457)	4

Motor Wiring Diagram, Quantum® Outback



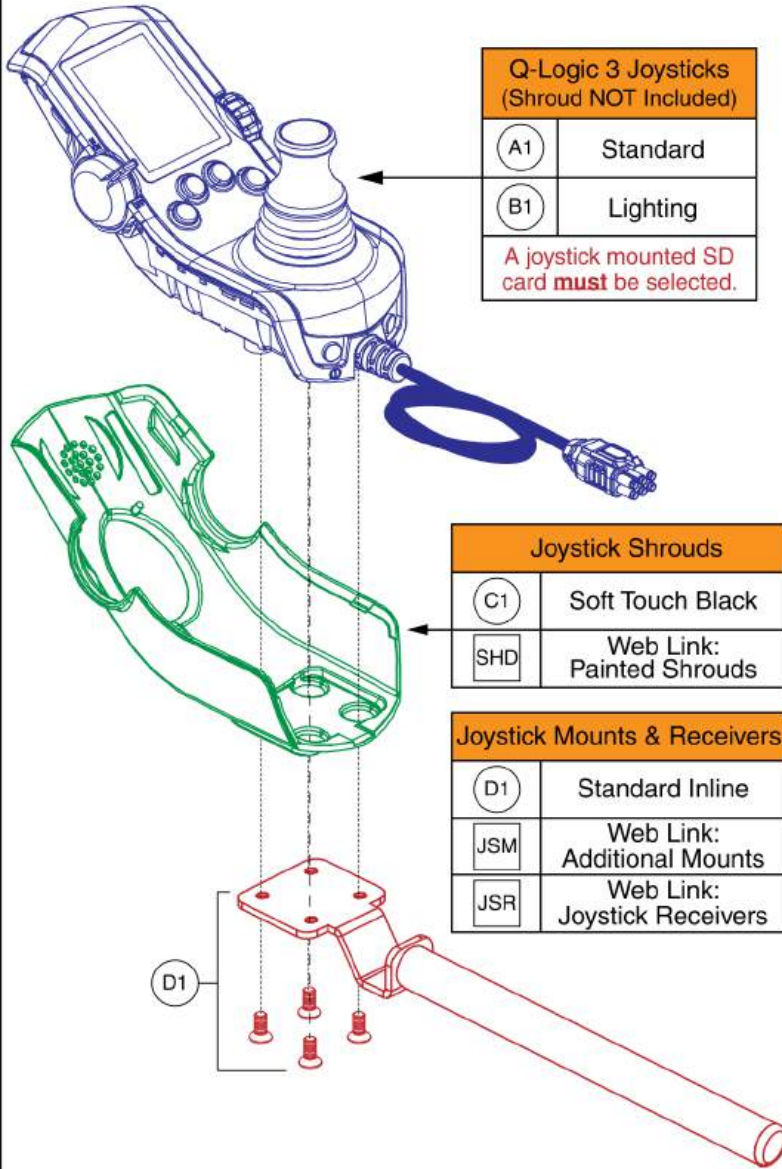
This page intentionally left blank



Drive Wheels, Quantum® Outback

Item	Part No.	Name	Qty
A1 - A3	WHL2201779	WHEEL ASSEMBLY, QUANTUM® OUTBACK	1
A1	WHL2201774	TIRE, KNOBBY, 145/70-6, 2 PLY RATING	1
A2	WHL2300843	INNER TUBE, 145/70-6, TR87 VALVE STEM	1
A3	WHL2201777	SPLIT-RIM, 5-STUD, COMMUNITY USE WHEEL ASSEMBLY	1
B1	DWR1005B049	NUT, LUG, 5/16-24, ZINC	5

Q-Logic 3 EX Joysticks



Q-Logic 3 Joysticks (Shroud NOT Included)	
(A1)	Standard
(B1)	Lighting
A joystick mounted SD card must be selected.	

Joystick Shrouds	
(C1)	Soft Touch Black
SHD	Web Link: Painted Shrouds

Joystick Mounts & Receivers	
(D1)	Standard Inline
JSM	Web Link: Additional Mounts
JSR	Web Link: Joystick Receivers

(D1)

Note: Web Links

- This page uses special callouts and parts to redirect users to additional IPB pages when viewed online via the interactive parts lookup system.
- A square callout and "Web Link" designation in the part description denotes their usage.
- To get back to this page after using the web link you **must** use the back button in your web browser.
- If viewing this page through a PDF document, please locate the subsequent pages through the table of contents as needed.
- Contact technical service for additional information.

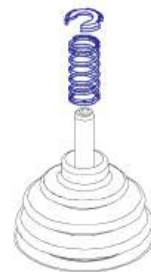
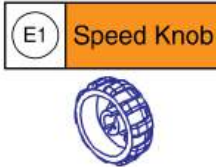
SD Cards

The Q-Logic 3 Joystick replacement requires the selection of a Pre-programmed SD Card. Refer to the SD Card pages for selection and additional information.



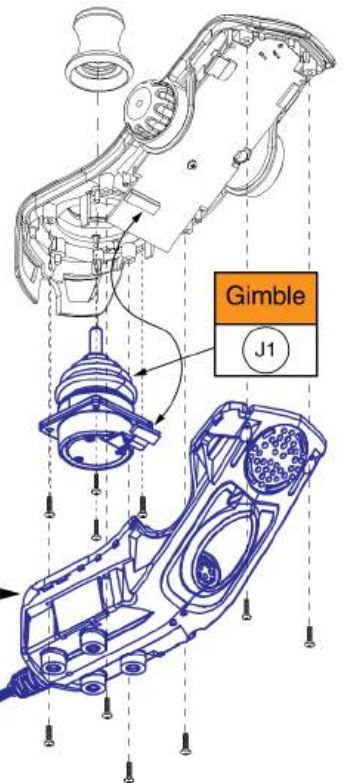
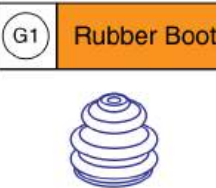
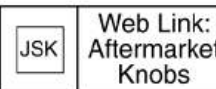
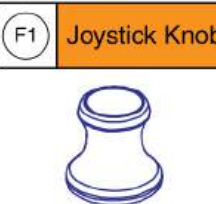
SD Cards	
SDC	Web Link: SD Cards

Replacement Components



Light Spring Kit with Installation Instructions	
(I1)	

Used to reduce the standard spring tension of the QL3 joystick



Gimble	
(J1)	

Lower Housing w/ Bus Cable	
(H1)	

Q-Logic 3 EX Joystick Assemblies




Item	Part No.	Name	Qty
A1	CTL143976	Q-LOGIC 3, JOYSTICK MODULE W/COLOR LCD DISPLAY, 4-KEY	1
B1	CTL143977	Q-LOGIC 3, JOYSTICK MODULE W/COLOR LCD DISPLAY, 4-KEY FOR LIGHTS	1
C1	DGN124307	Q-LOGIC 2/3 JOYSTICK SHROUD,BLACK SOFT-TOUCH PAINT,(CURTIS: 17949365-02)	1
D1	FRMASMB10617	JOYSTICK MOUNTING BRACKET,ASSY,CURTIS,INLINE	1
E1	DGN124309	SPEED WHEEL,KNOB,CURTIS Q-LOGIC 2,BLACK,PLASTIC,DGN124309,(CURTIS: 17949367-01)	1
F1	DGN154742	JOYSTICK, KNOB, Q-LOGIC 3, 6.35MM-ID, (CURTIS: 17519114-01)	1
G1	RECPART1006	RECON,JOYSTICK RUBBER BOOT,(P&G: 283-77.10.004)	1
H1	ELE144006	ELECTRONIC, BOTTOM HOUSING, JOYSTICK MODULE Q-LOGIC 3,W/ BUS CABLE Q-LOGIC 3, (CURTIS: 17949366-02)	1
I1	KIT1902931	Q-LOGIC 3 HANDCONTROL LIGHT SPRING OPTION KIT WITH INSTALL INSTRUCTIONS	1
J1	ELE124312	ELECTRONIC,JOYSTICK GIMBLE,DIGITAL,Q-LOGIC 2&3	1
SHD		WEB LINK,IPB,QL3 JOYSTICK SHROUDS (This is not an orderable part, see IPB)	0
JSM		WEB LINK,IPB,QL3 JOYSTICK MOUNTS & RECEIVERS (This is not an orderable part, see IPB)	0
SDC		WEB LINK,IPB,QL3 JOYSTICK SD CARDS (This is not an orderable part, see IPB)	0
JSK		WEB LINK,IPB,QL3 AFTERMARKET JOYSTICK KNOBS (This is not an orderable part, see IPB)	0
JSR		WEB LINK,IPB,JOYSTICK RECEIVER MOUNTS (This is not an orderable part, see IPB)	0

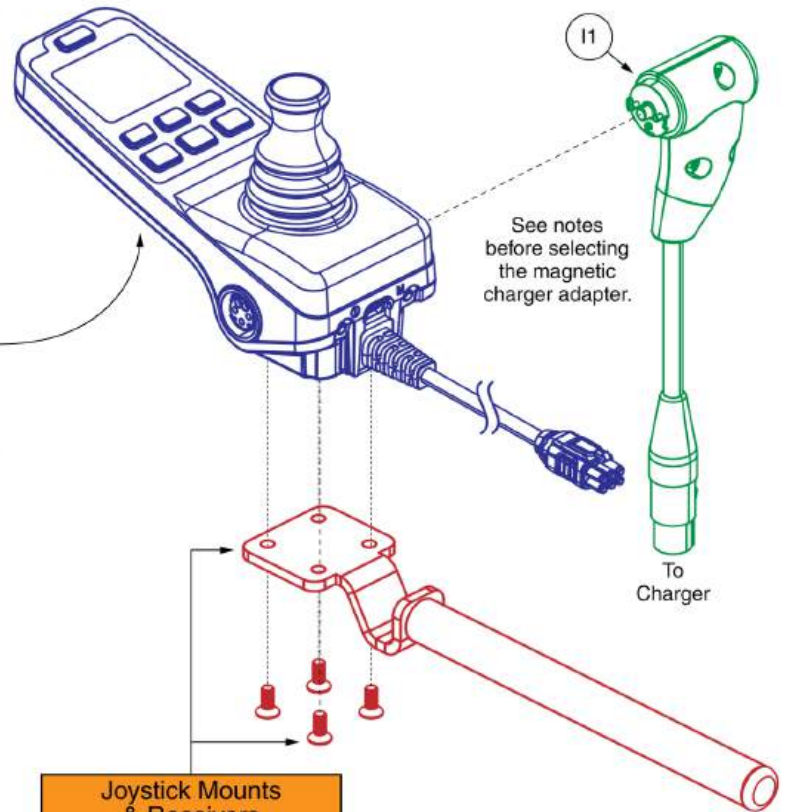
Q-Logic 3e Joysticks

Joystick Replacement Notes:

- The proper joystick assembly with programming must be selected to ensure the unit functions as intended.
- A pre-programmed SD card is NOT required when replacing or retrofitting a Q-Logic 3e joystick on a unit. The latest firmware and program file are stored internally on the new joystick.
- The Q-Logic 3e joystick is compatible with all previous and current units equipped with Q-Logic 3 electronics and can be used in place of the Q-Logic 3 EX joystick.
- The magnetic charger adapter is only compatible with joysticks that have shipped on or after August 27th, 2022. A compatible joystick will have two charger ports, an XLR port on the left and magnetic charger port on the right.

Quantum® Outback Joysticks w/ Programming			
Ref#	Part Number	Motor Program	Seating Function
A1	ELE2401890	5 mph	Static
B1	ELE2401891	5 mph	Power Positioning
C1	ELE2401892	6 mph	Static
D1	ELE2401893	6 mph	Power Positioning

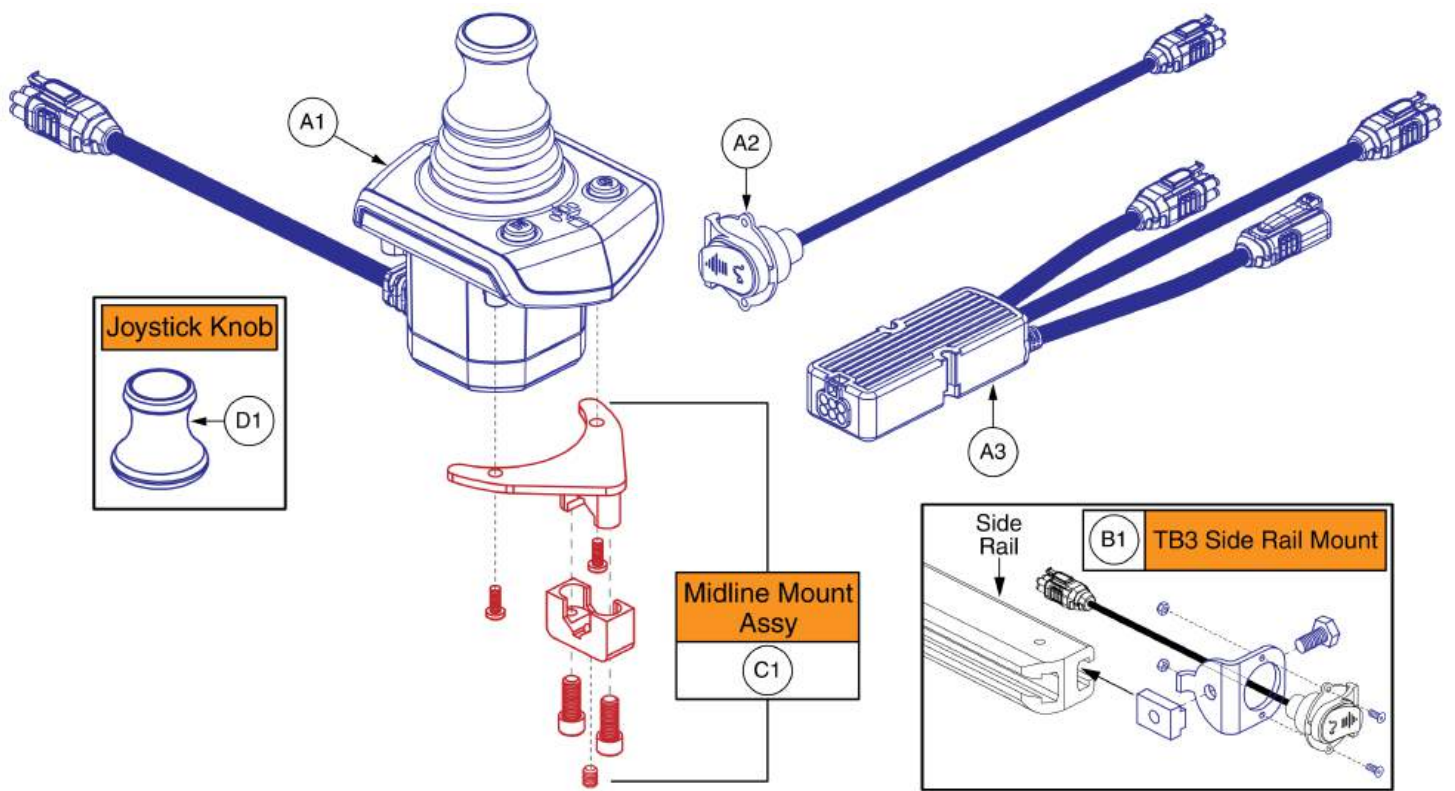
Replacement Components	
<p>F1 Joystick Knob</p> 	<p>Overlay w/ Installation Instructions</p> <p>G1</p> 
<p>JSK Web Link: Aftermarket Knobs</p> 	<p>H1 Rubber Boot</p>



Joystick Mounts & Receivers	
E1	Standard Inline
JSM	Web Link: Additional Mounts
JSR	Web Link: Joystick Receivers

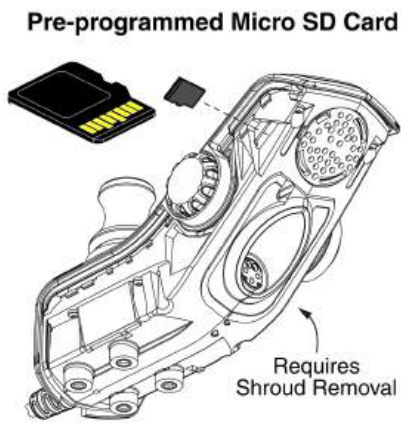
Q-Logic 3e Joystick Assy's - Outback

Item	Part No.	Name	Qty
A1	ELE2401890	SERVICEABLE ASSEMBLY, Q-LOGIC 3E, OUTBACK 4X4 PROGRAM, Q-LOGIC 3, 5 MPH LINIX INLINE MOTORS, POWER POSITIONING	1
B1	ELE2401891	SERVICEABLE ASSEMBLY, Q-LOGIC 3E, OUTBACK 4X4 PROGRAM, Q-LOGIC 3, 5 MPH LINIX INLINE MOTORS, STATIC SEATING	1
C1	ELE2401892	SERVICEABLE ASSEMBLY, Q-LOGIC 3E, OUTBACK 4X4 PROGRAM, Q-LOGIC 3, 6 MPH LINIX INLINE MOTORS, POWER POSITIONING	1
D1	ELE2401893	SERVICEABLE ASSEMBLY, Q-LOGIC 3E, OUTBACK 4X4 PROGRAM, Q-LOGIC 3, 6 MPH LINIX INLINE MOTORS, STATIC SEATING	1
E1	FRMASMB10617	JOYSTICK MOUNTING BRACKET,ASSY,CURTIS,INLINE	1
F1	DGN154742	JOYSTICK, KNOB, Q-LOGIC 3, 6.35MM-ID, (CURTIS: 17519114-01)	1
G1	KIT2008010	Q-LOGIC 3E KEYPAD REPLACEMENT KIT WITH INSTRUCTIONS	1
H1	RECPART1006	RECON,JOYSTICK RUBBER BOOT,(P&G: 283-77.10.004)	1
I1	ELE2103635	MAGNETIC TO XLR CHARGER ADAPTER W/ WALL HOLDER, CURTIS	1
JSM		WEB LINK,IPB,QL3 JOYSTICK MOUNTS & RECEIVERS (This is not an orderable part, see IPB)	1
JSK		WEB LINK,IPB,QL3 AFTERMARKET JOYSTICK KNOBS (This is not an orderable part, see IPB)	1
JSR		WEB LINK,IPB,JOYSTICK RECEIVER MOUNTS (This is not an orderable part, see IPB)	1



Q-Logic 3 Stand Alone Joystick Assy

Item	Part No.	Name	Qty
A1	CTL143980	STANDALONE JOYSTICK, Q-LOGIC 3, (CURTIS: 17953700-1109)	1
A2	HAR144001	HARNESS, CHARGER/PROGRAMMER, Q-LOGIC 3, 0.9 METER,(CURTIS: 17880701)	1
A3	HAR144003	HARNESS, SEAT MULTIPLIER Q-LOGIC 3, (CURTIS: 17881360-02-01)	1
B1	FRMASMB11156	MOUNTING BRACKET,ASSY,STAND ALONE JOYSTICK,SIDE RAIL MOUNT,C-1360-163	1
C1	FRMASMB10454	JOYSTICK MOUNTING BRACKET,ASSY,CURTIS STAND ALONE JOYSTICK,MIDLINE,C-1010-263	1
D1	DGN154742	JOYSTICK, KNOB, Q-LOGIC 3, 6.35MM-ID, (CURTIS: 17519114-01)	1



*Mounts to the Q-Logic 3 EX joystick.
An SD card is not required with the Q-Logic 3e joystick (not shown).

Q-Logic 3 SD Card Master List - Quantum® Outback			
Ref#	Part Number	Motor Type	Options
A1	ELE2401887	5 mph	Static
B1	ELE2401886	5 mph	Power Positioning
C1	ELE2401889	6 mph	Static
D1	ELE2401888	6 mph	Power Positioning

SD Cards:

- A Pre-programmed SD card is required when:
 - Replacing a joystick, display, power base module, or seating module.
 - Replacing or retrofitting Q-Logic 3 electronics in the field.
- A new SD card ensures the Q-Logic 3 system has the latest software.
- As of August 26th, 2022 the serviceable SD cards will allow access to the seating configuration library when used with the handheld programmer if internet access is not available.
- Contact Technical Service for more information.

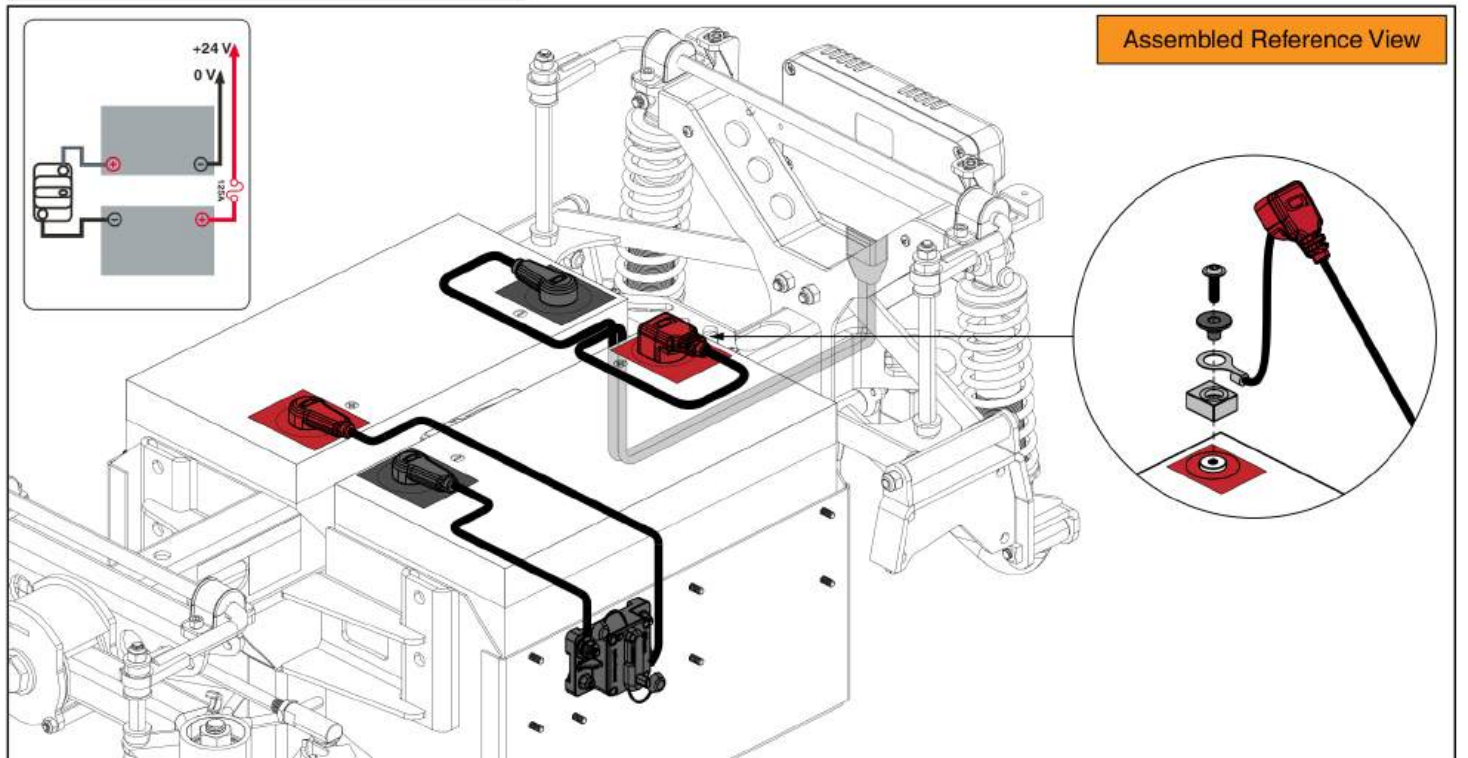
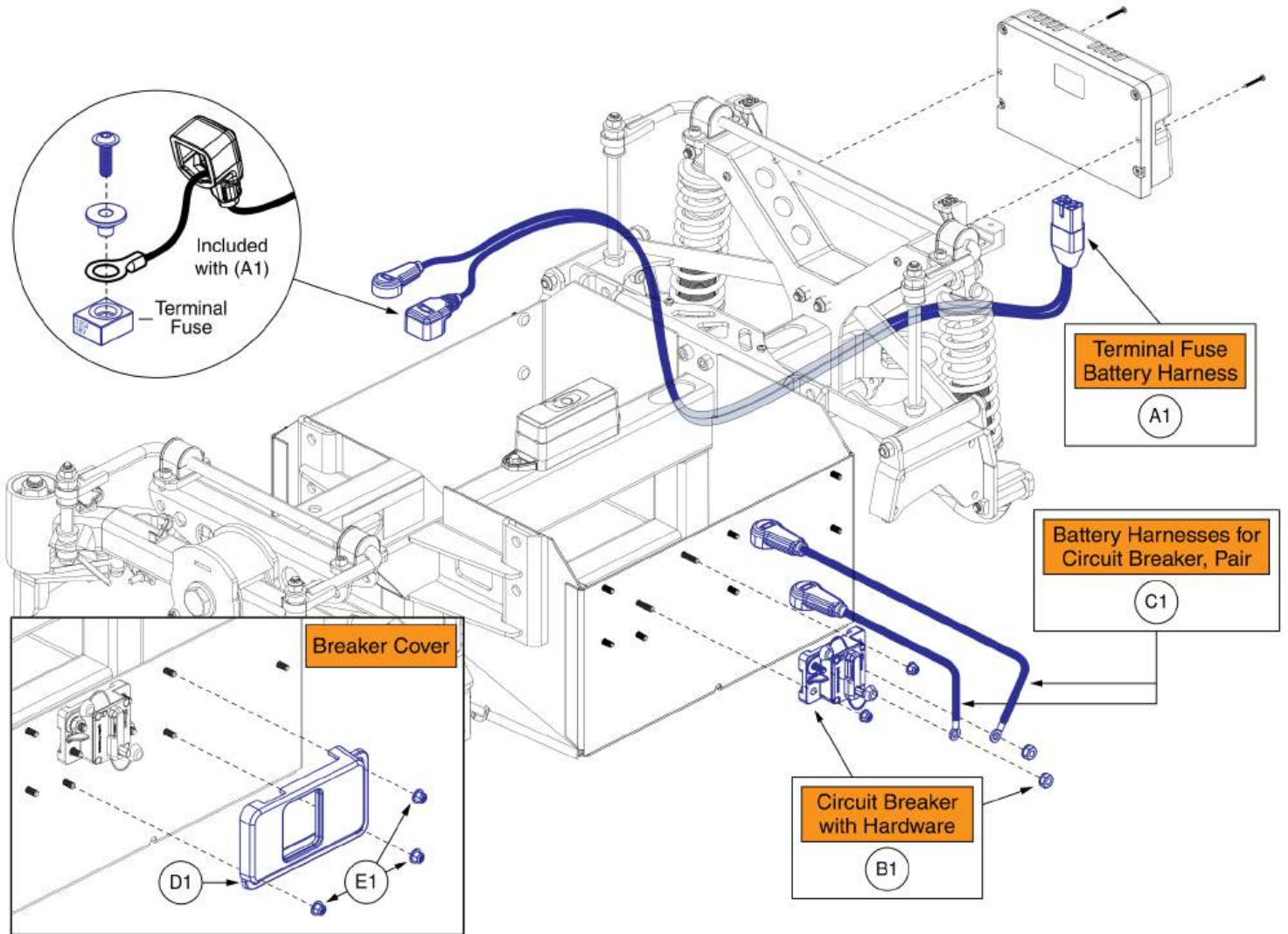
Q-Logic 3 SD Cards, Quantum® Outback

Item	Part No.	Name	Qty
A1	ELE2401887	SERVICEABLE ASSEMBLY, SD CARD, OUTBACK 4X4 PROGRAM, Q-LOGIC 3, 5 MPH LINIX INLINE MOTORS, STATIC SEATING	1
B1	ELE2401886	SERVICEABLE ASSEMBLY, SD CARD, OUTBACK 4X4 PROGRAM, Q-LOGIC 3, 5 MPH LINIX INLINE MOTORS, POWER POSITIONING	1
C1	ELE2401889	SERVICEABLE ASSEMBLY, SD CARD, OUTBACK 4X4 PROGRAM, Q-LOGIC 3, 6 MPH LINIX INLINE MOTORS, STATIC SEATING	1
D1	ELE2401888	SERVICEABLE ASSEMBLY, SD CARD, OUTBACK 4X4 PROGRAM, Q-LOGIC 3, 6 MPH LINIX INLINE MOTORS, POWER POSITIONING	1

<p>(A1) Soft Ball</p> 	<p>(B1) I-Handle</p> 	<p>(C1) T-Bar</p> 	<p>(D1) Ball</p> 				
<p>(E1) Mushroom</p> 	<p>(F1) Chin Cup</p> 	<p>(G1) Remote Plus (Carrot)</p> 	<p>Goal Posts</p> <table border="1" data-bbox="1398 1122 1525 1223"> <tr> <td>(H1)</td> <td>3"</td> </tr> <tr> <td>(I1)</td> <td>4"</td> </tr> </table> 	(H1)	3"	(I1)	4"
(H1)	3"						
(I1)	4"						

Aftermarket Joystick Knobs - Curtis and P&G

Item	Part No.	Name	Qty
A1	ACCASMB1856	P&G JOYSTICK KNOB,ASSY,JAZZY,SOFT BALL	1
B1	ACCASMB1857	P&G JOYSTICK KNOB,ASSY,JAZZY,EXTENDED I-HANDLE	1
C1	ACCASMB1858	P&G JOYSTICK KNOB,ASSY,JAZZY,T BAR	1
D1	ACCASMB1859	P&G JOYSTICK KNOB,ASSY,JAZZY,BALL	1
E1	ACCASMB1860	P&G JOYSTICK KNOB,ASSY,JAZZY,MUSHROOM	1
F1	ACCASMB1861	P&G JOYSTICK KNOB,ASSY,JAZZY,CHIN CUP	1
G1	ACCASMB1862	P&G JOYSTICK KNOB,ASSY,JAZZY,REMOTE STANDARD	1
H1	PLSKNCP1057	JOYSTICK KNOB,3",GOAL POST,W/FLEX SHAFT,FOR 1/4" STEM,(BP: PC101B)	1
I1	PLSKNCP1058	JOYSTICK KNOB,4",GOAL POST,W/FLEX SHAFT,FOR 1/4" STEM,(BP: PC102B)	1



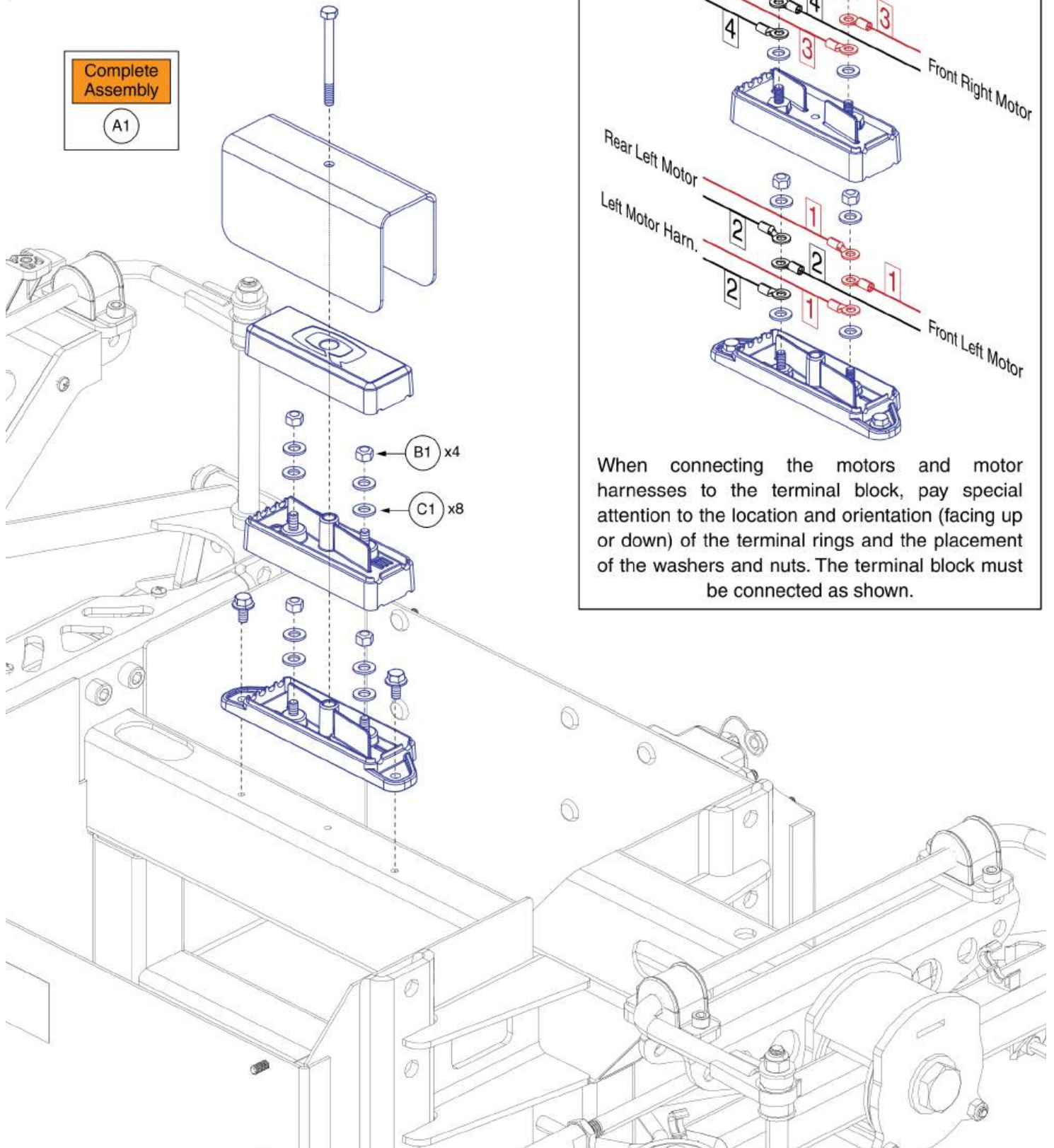
Circuit Break and Power Harnesses, Quantum® Outback

Item	Part No.	Name	Qty
A1	ELE2301573	BATTERY FUSE ASSEMBLY, QUANTUM® OUTBACK	1
B1	ELE2200923	CIRCUIT BREAKER, 150 AMP (E99-150A-99-9G)	1
C1	ELE2200951	HARNESS, BATTERY INTERFACE, RINGS, M6 TO M8, BREAKER, 360	1
D1	DGN2206693	4X4 BREAKER COVER	1
E1	HDW1909552	NUT, HEX, FLANGE, M5X0.8, ISO 7043, CL 8, BZ, PVTP	3

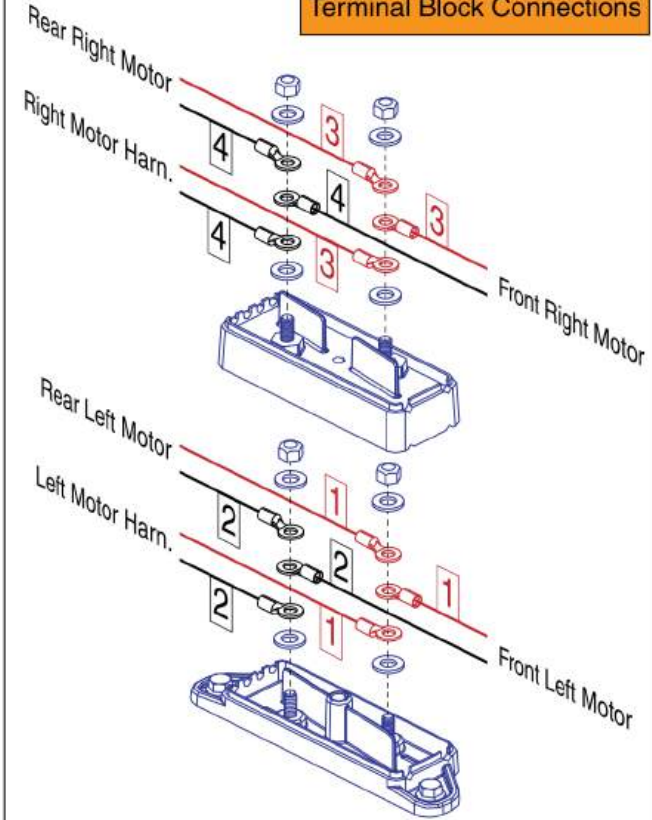
Terminal Block Assembly, Quantum® Outback

Please note:

- (B1) and (C1) are included with the complete assembly (A1), they are also available individually. For all other parts, the complete assembly must be selected.
- The complete assembly (A1) also includes the terminal block wiring guide instruction.



Terminal Block Connections



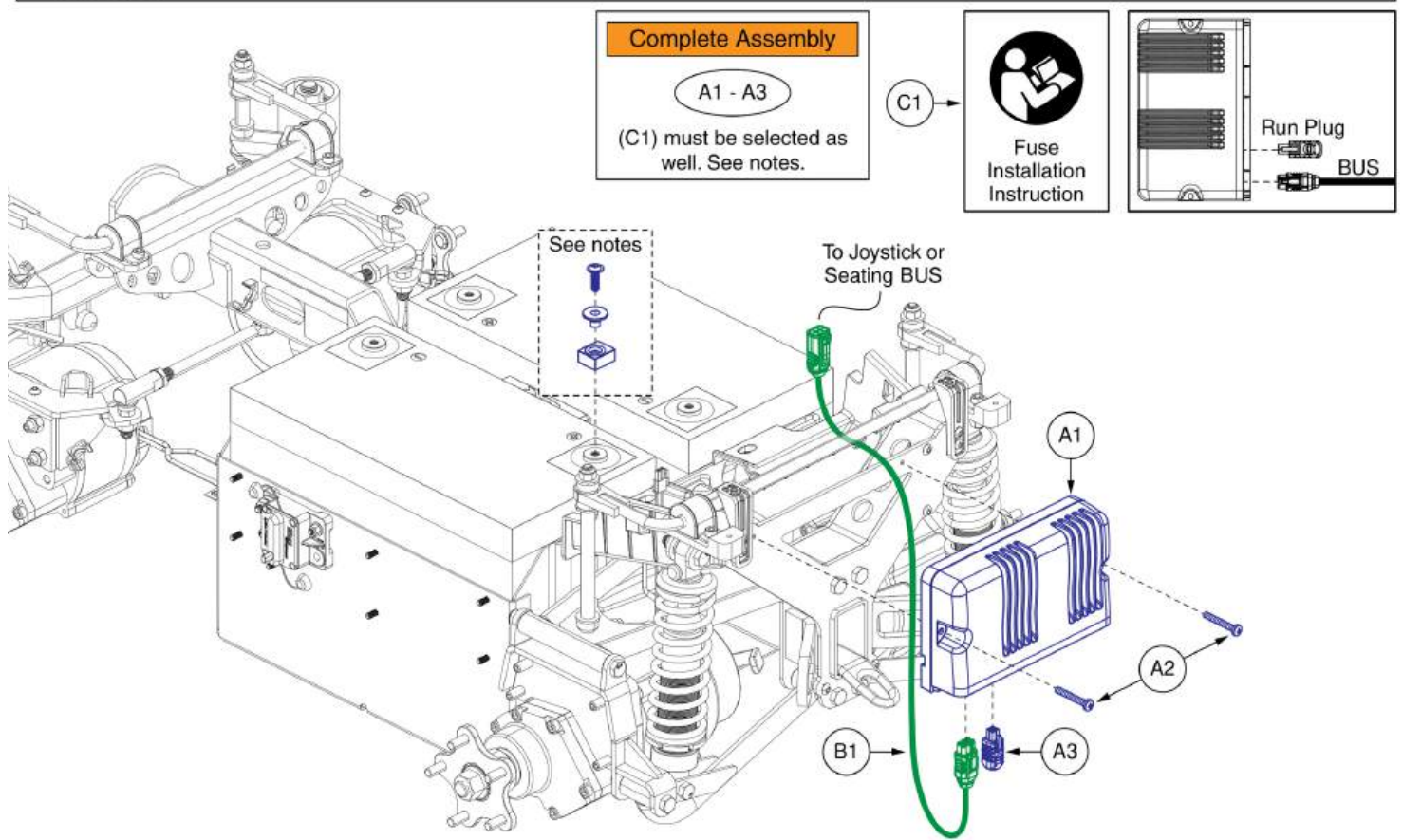
When connecting the motors and motor harnesses to the terminal block, pay special attention to the location and orientation (facing up or down) of the terminal rings and the placement of the washers and nuts. The terminal block must be connected as shown.

Terminal Block Assembly, Quantum® Outback

Item	Part No.	Name	Qty
A1	MEC2206861	TERMINAL BLOCK SERVICE ASSEMBLY	1
B1	HDW2206708	WASHER, M5, 5.3 ID X 10 OD X 1.0 THK, ISO 7089, HIGH CORROSION RESISTANCE (DWG: 2206708)	8
C1	HDW2303457	HEX NUT, PVTM, M5X0.8, DIN 980V, HIGH CORROSION RESISTANCE (DWG: 2303457)	4

Please note:

- The terminal fuse, spacer, and screw are included with the complete electronics assembly (A1 - A3). They are not available individually.
- When replacing the complete assembly (A1 - A3), the fuse installation instruction (C1) must be selected as well to ensure proper installation.

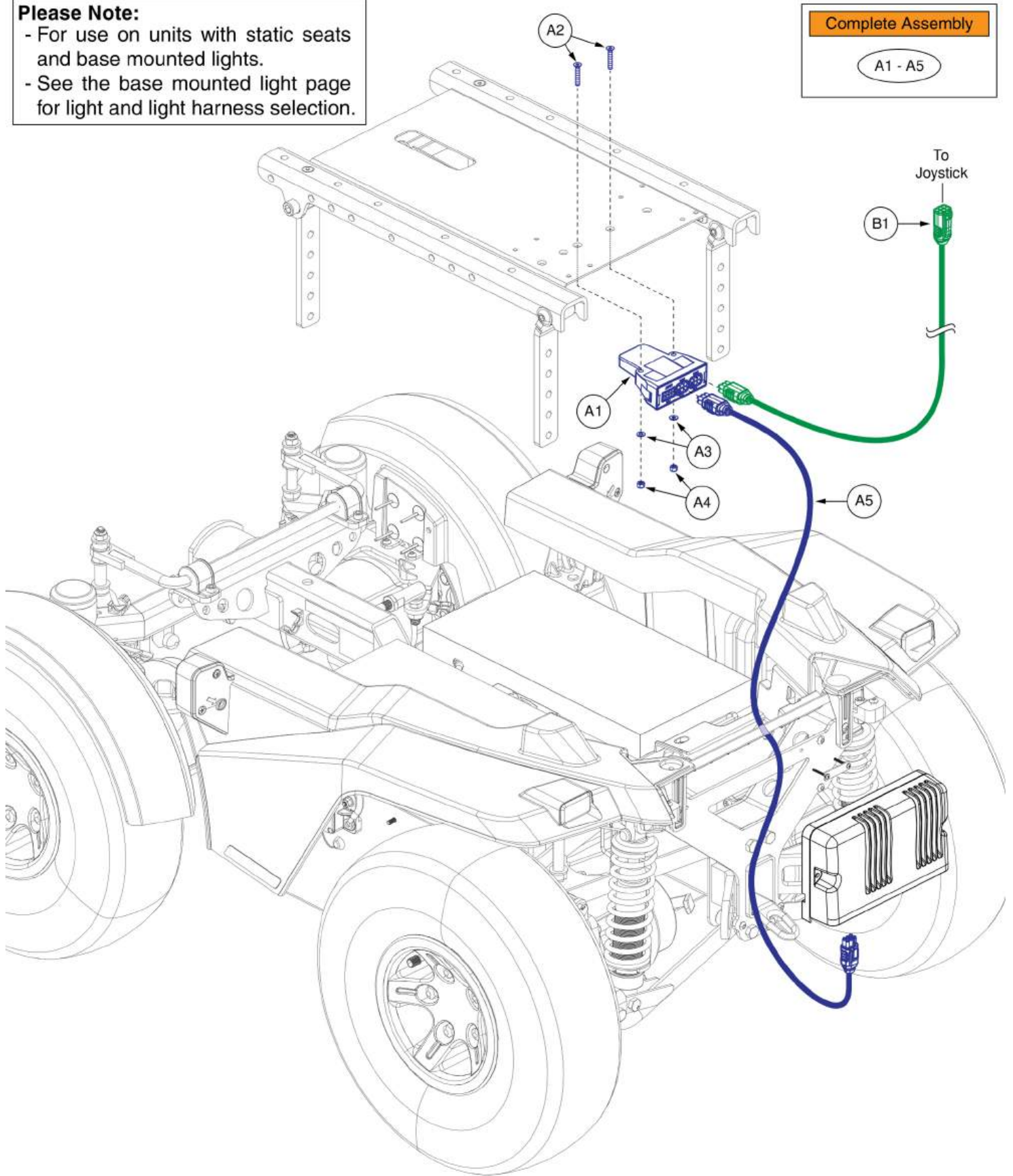


QL3 Complete Electronics w/ Run Plug, Quantum® Outback

Item	Part No.	Name	Qty
A1 - A3	ELE2303110	ELECTRONIC, ASSY, Q-LOGIC 3, QUANTUM OUTBACK, RUN PLUG	1
A1	CTL143978	POWER MODULE, Q-LOGIC 3,120 AMP	1
A2	SCRPPH1390	SCREW, PAN HEAD, TYPE H, M5X0.8 X 35, ISO 7045, CL 4.8, BZ	2
A3	DGN1901203	OVER-MOLD RUN RECEPTACLE, 4-CIRCUIT	1
B1	HAR144005	HARNESS, BUS EXTENSION CABLE, Q-LOGIC 3, 0.410 METER, MALE/FEMALE	1
C1	INFINFB4633	MANUAL,INSTALLATION INSTRUCTION,BATTERY TERMINAL FUSE,QUANTUM OUTBACK	1

Please Note:

- For use on units with static seats and base mounted lights.
- See the base mounted light page for light and light harness selection.

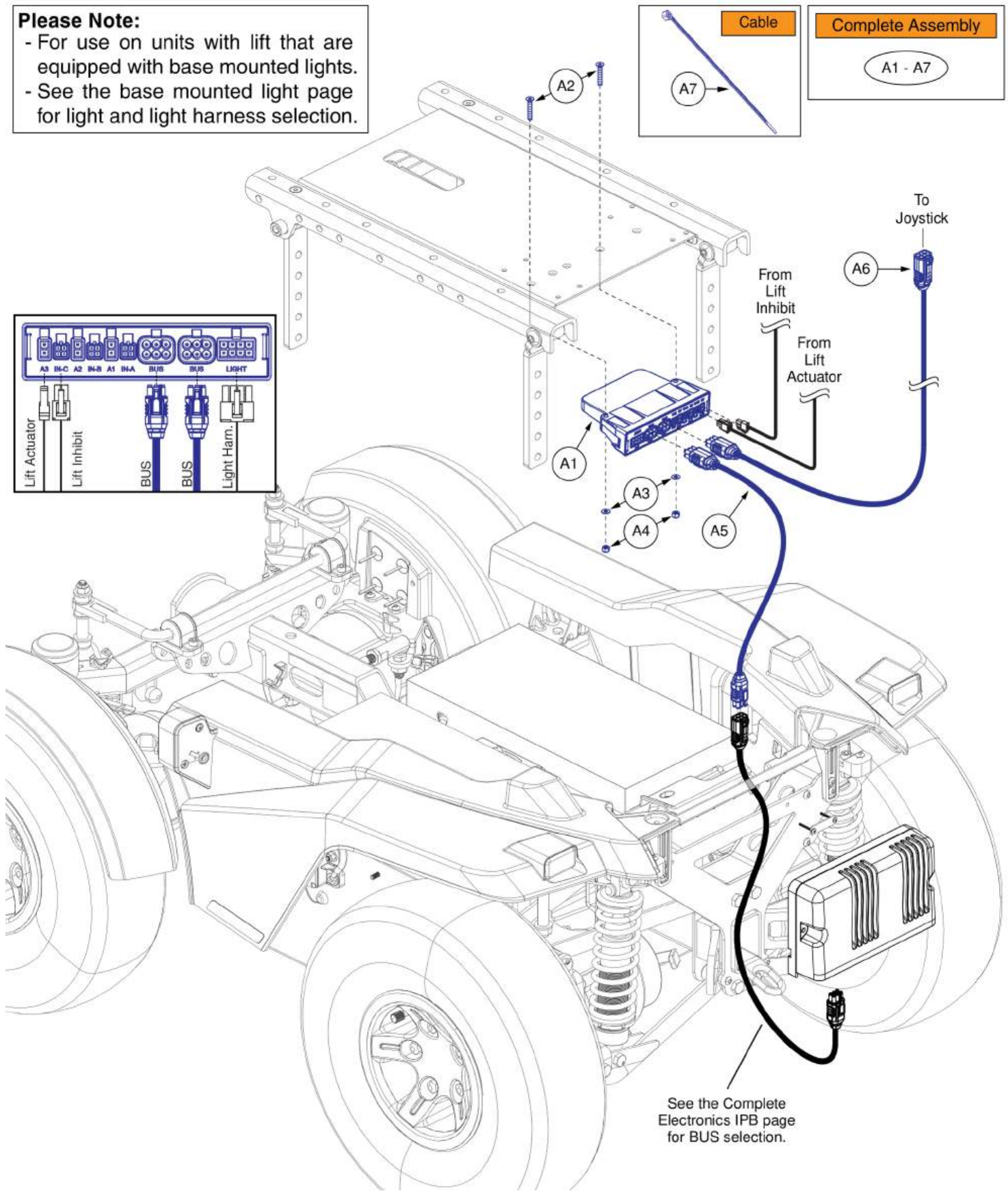


Light Module (LM), Static Seat, Base Mounted Lights, Quantum® Outback

Item	Part No.	Name	Qty
A1 - A5	ELE2303973	ELECTRONIC, ASSY, Q-LOGIC 3/LM, BASE LIGHTS, QUANTUM OUTBACK	1
A1	CTL143986	LIGHT MODULE, Q-LOGIC 3, LM, (CURTIS: 17963700-0109)	1
A2	HDW2304060	SCREW, FLAT HEAD, M4X0.7 X 25, ISO 10642, CL 10.9, BLK	2
A3	WASMETR1073	WASHER, FLAT, 4.3 ID X 9 OD X 0.8 THK, ISO 7089-4-200 HV, BZ	2
A4	HDW133851	NUT, HEX, PVTP, M4X0.7, ISO 7040, CL 8, ZN	2
A5	HAR143994	HARNESS, BUS EXTENSION CABLE, Q-LOGIC 3, 0.3 METER, FEMALE / FEMALE, (CURTIS: 17881361-01-02)	1
B1	HAR144005	HARNESS, BUS EXTENSION CABLE, Q-LOGIC 3, 0.410 METER, MALE/FEMALE	1

Please Note:

- For use on units with lift that are equipped with base mounted lights.
- See the base mounted light page for light and light harness selection.

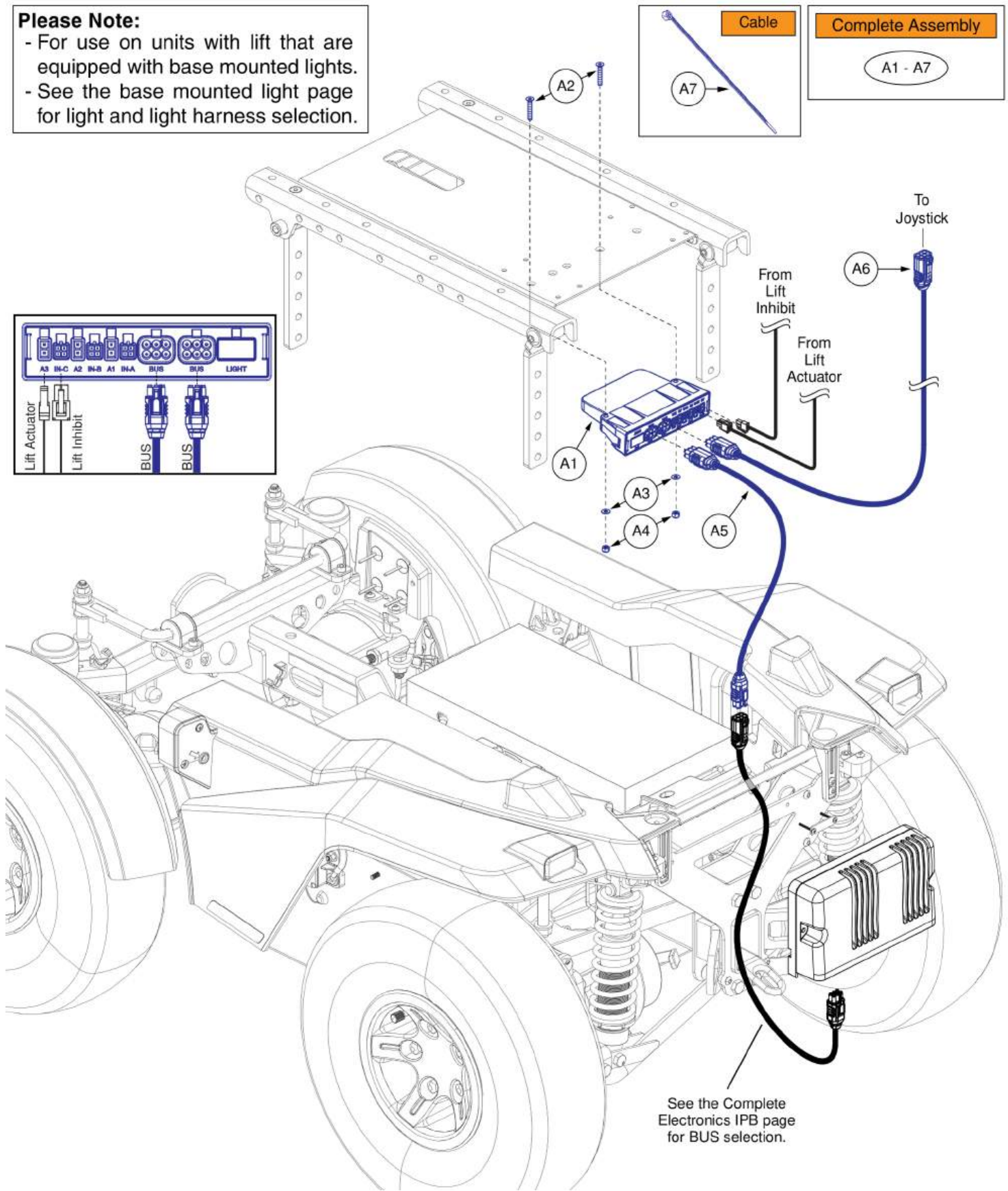


AM3L for REAC Lift, Base Mounted Lights, Quantum® Outback

Item	Part No.	Name	Qty
A1 - A7	ELE2303974	ELECTRONIC, ASSY, Q-LOGIC 3/AM3L, BASE LIGHTS & LIFT, (CONFIGURATION # 04), QUANTUM OUTBACK	1
A1	CTL2005927	ACTUATOR AND LIGHT MODULE, Q-LOGIC SERIES, AM3L	1
A2	HDW2304060	SCREW, FLAT HEAD, M4X0.7 X 25, ISO 10642, CL 10.9, BLK	2
A3	WASMETR1073	WASHER, FLAT, 4.3 ID X 9 OD X 0.8 THK, ISO 7089-4-200 HV, BZ	2
A4	HDW133851	NUT, HEX, PVTP, M4X0.7, ISO 7040, CL 8, ZN	2
A5	HAR143994	HARNESS, BUS EXTENSION CABLE, Q-LOGIC 3, 0.3 METER, FEMALE / FEMALE, (CURTIS: 17881361-01-02)	2
A6	HAR144005	HARNESS, BUS EXTENSION CABLE, Q-LOGIC 3, 0.410 METER, MALE/FEMALE	1
A7	PLSTIE1004	TIEDOWN STRAP, 200 LG, PLASTIC, BLACK, SPEC NO. 2106329-2-50-175-V2	1

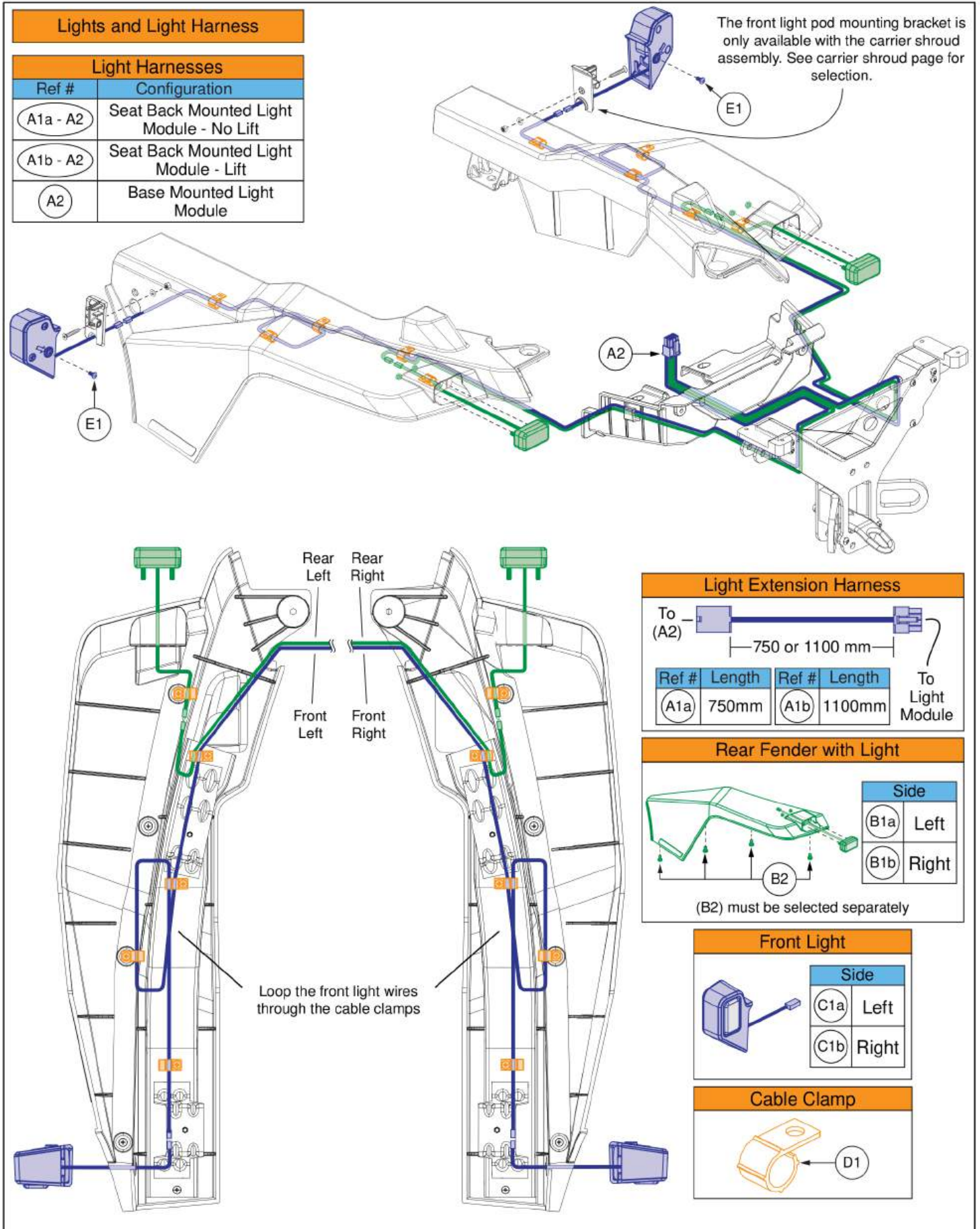
Please Note:

- For use on units with lift that are equipped with base mounted lights.
- See the base mounted light page for light and light harness selection.



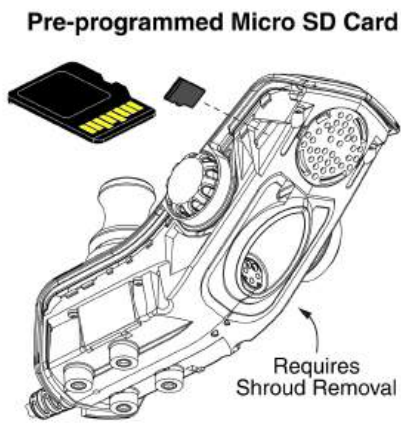
AM3 for REAC Lift, No Base Lights, Quantum® Outback

Item	Part No.	Name	Qty
A1 - A7	ELE2303972	ELECTRONIC, ASSY, Q-LOGIC 3/AM3, LIFT, (CONFIGURATION # 04), QUANTUM OUTBACK	1
A1	CTL2005926	ACTUATOR MODULE, Q-LOGIC SERIES, AM3	1
A2	HDW2304060	SCREW, FLAT HEAD, M4X0.7 X 25, ISO 10642, CL 10.9, BLK	2
A3	WASMETR1073	WASHER, FLAT, 4.3 ID X 9 OD X 0.8 THK, ISO 7089-4-200 HV, BZ	2
A4	HDW133851	NUT, HEX, PVTP, M4X0.7, ISO 7040, CL 8, ZN	2
A5	HAR143994	HARNESS, BUS EXTENSION CABLE, Q-LOGIC 3, 0.3 METER, FEMALE / FEMALE, (CURTIS: 17881361-01-02)	2
A6	HAR144005	HARNESS, BUS EXTENSION CABLE, Q-LOGIC 3, 0.410 METER, MALE/FEMALE	1
A7	PLSTIE1004	TIEDOWN STRAP, 200 LG, PLASTIC, BLACK, SPEC NO. 2106329-2-50-175-V2	1



Lights and Light Harnesses, Quantum® Outback

Item	Part No.	Name	Qty
A1a - A2	DGN2303967	FULL BASE LIGHTS, SEAT MOUNTED MODULE	1
A1a	ELE2301668	HARNESS, LIGHT, EXTENSION, 8 PIN MINIFIT, 750	1
A1b - A2	DGN2303968	FULL BASE LIGHTS, SEAT MOUNTED MODULE W/LIFT	1
A1b	ELE2300394	HARNESS, LIGHT, EXTENSION, 8 PIN MINIFIT, 1100	1
A2	ELE2301690	HARNESS, LIGHT, INTERFACE, 8 PIN MINIFIT TO 3 PIN, FULL LIGHT, 1030	1
B1a	DGN2206860	4X4 REAR FENDER, WITH LIGHT, LEFT	1
B1b	DGN2206862	4X4 REAR FENDER, WITH LIGHT, RIGH	1
B2	SCRPPH1036	SCREW, PAN HEAD, TYPE H, M4X0.7 X 8, FT, ISO 7045, CL 4.8, BZ	4
C1a	DGN2301711	4X4 LIGHT POD ASSEMBLY, LEFT	1
C1b	DGN2301720	4X4 LIGHT POD ASSEMBLY, RIGHT	1
D1		CLAMP,CABLE,BLACK,NYLON,.38" DIAMETER,P-CLIP,C-1059-042	10
E1	SCRPPH1036	SCREW, PAN HEAD, TYPE H, M4X0.7 X 8, FT, ISO 7045, CL 4.8, BZ	2



*Mounts to the Q-Logic 3 EX joystick. An SD card is not required with the Q-Logic 3e joystick (not shown).

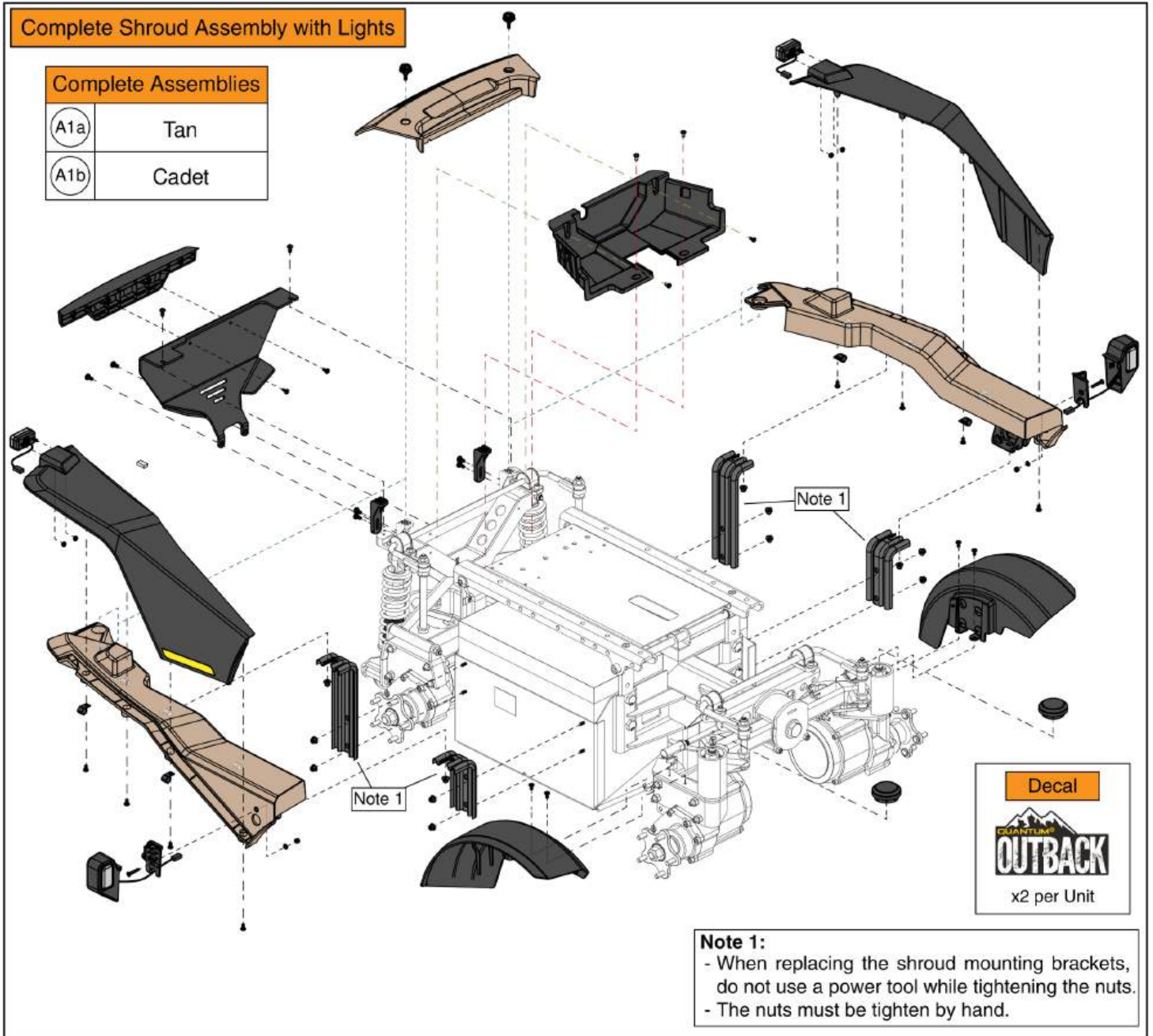
Q-Logic 3 SD Card Master List - Quantum® Outback			
Ref#	Part Number	Motor Type	Options
A1	ELE2401887	5 mph	Static
B1	ELE2401886	5 mph	Power Positioning
C1	ELE2401889	6 mph	Static
D1	ELE2401888	6 mph	Power Positioning

SD Cards:

- A Pre-programmed SD card is required when:
 - Replacing a joystick, display, power base module, or seating module.
 - Replacing or retrofitting Q-Logic 3 electronics in the field.
- A new SD card ensures the Q-Logic 3 system has the latest software.
- As of August 26th, 2022 the serviceable SD cards will allow access to the seating configuration library when used with the handheld programmer if internet access is not available.
- Contact Technical Service for more information.

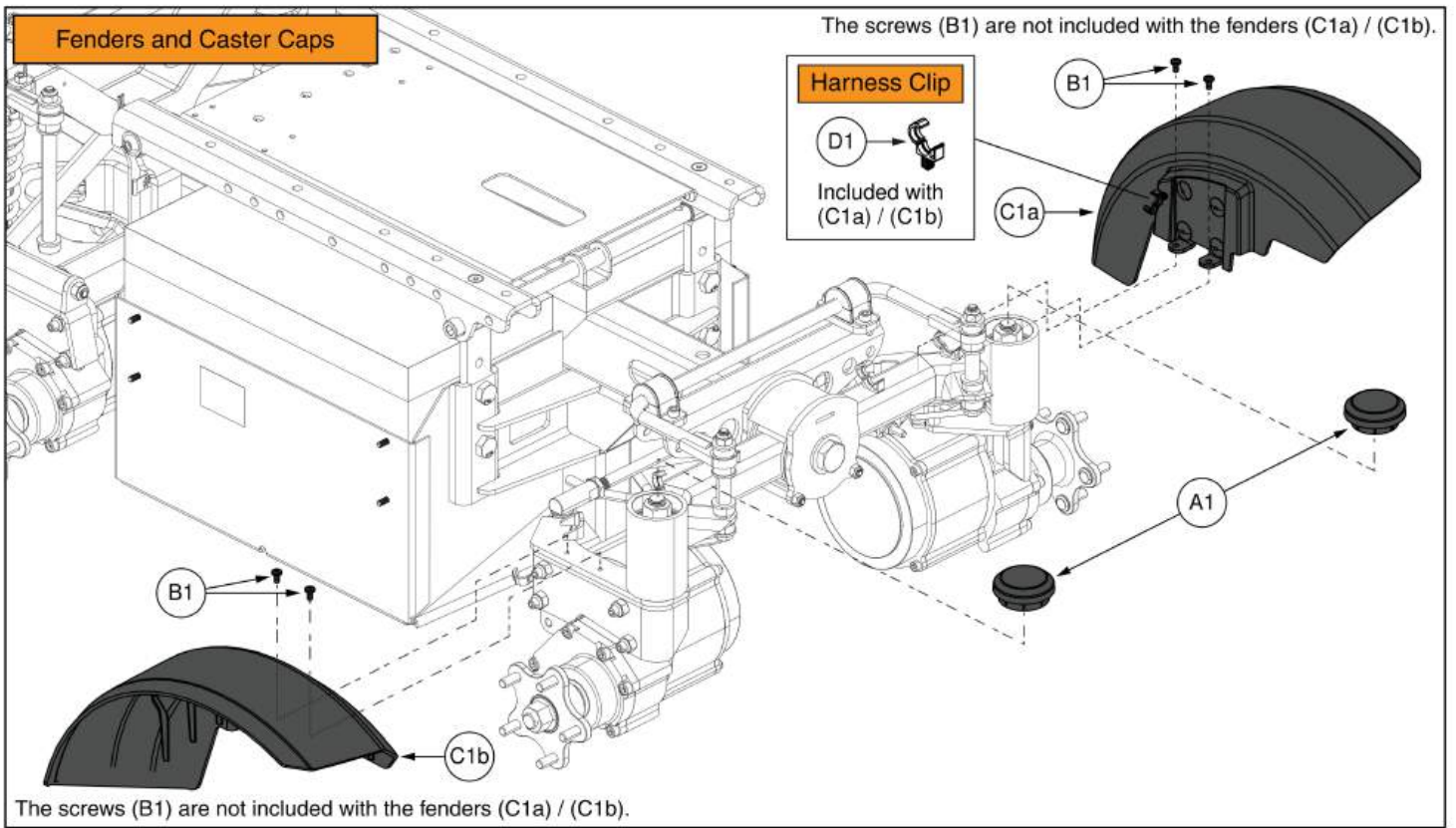
Q-Logic 3 SD Cards, Quantum® Outback

Item	Part No.	Name	Qty
A1	ELE2401887	SERVICEABLE ASSEMBLY, SD CARD, OUTBACK 4X4 PROGRAM, Q-LOGIC 3, 5 MPH LINIX INLINE MOTORS, STATIC SEATING	1
B1	ELE2401886	SERVICEABLE ASSEMBLY, SD CARD, OUTBACK 4X4 PROGRAM, Q-LOGIC 3, 5 MPH LINIX INLINE MOTORS, POWER POSITIONING	1
C1	ELE2401889	SERVICEABLE ASSEMBLY, SD CARD, OUTBACK 4X4 PROGRAM, Q-LOGIC 3, 6 MPH LINIX INLINE MOTORS, STATIC SEATING	1
D1	ELE2401888	SERVICEABLE ASSEMBLY, SD CARD, OUTBACK 4X4 PROGRAM, Q-LOGIC 3, 6 MPH LINIX INLINE MOTORS, POWER POSITIONING	1



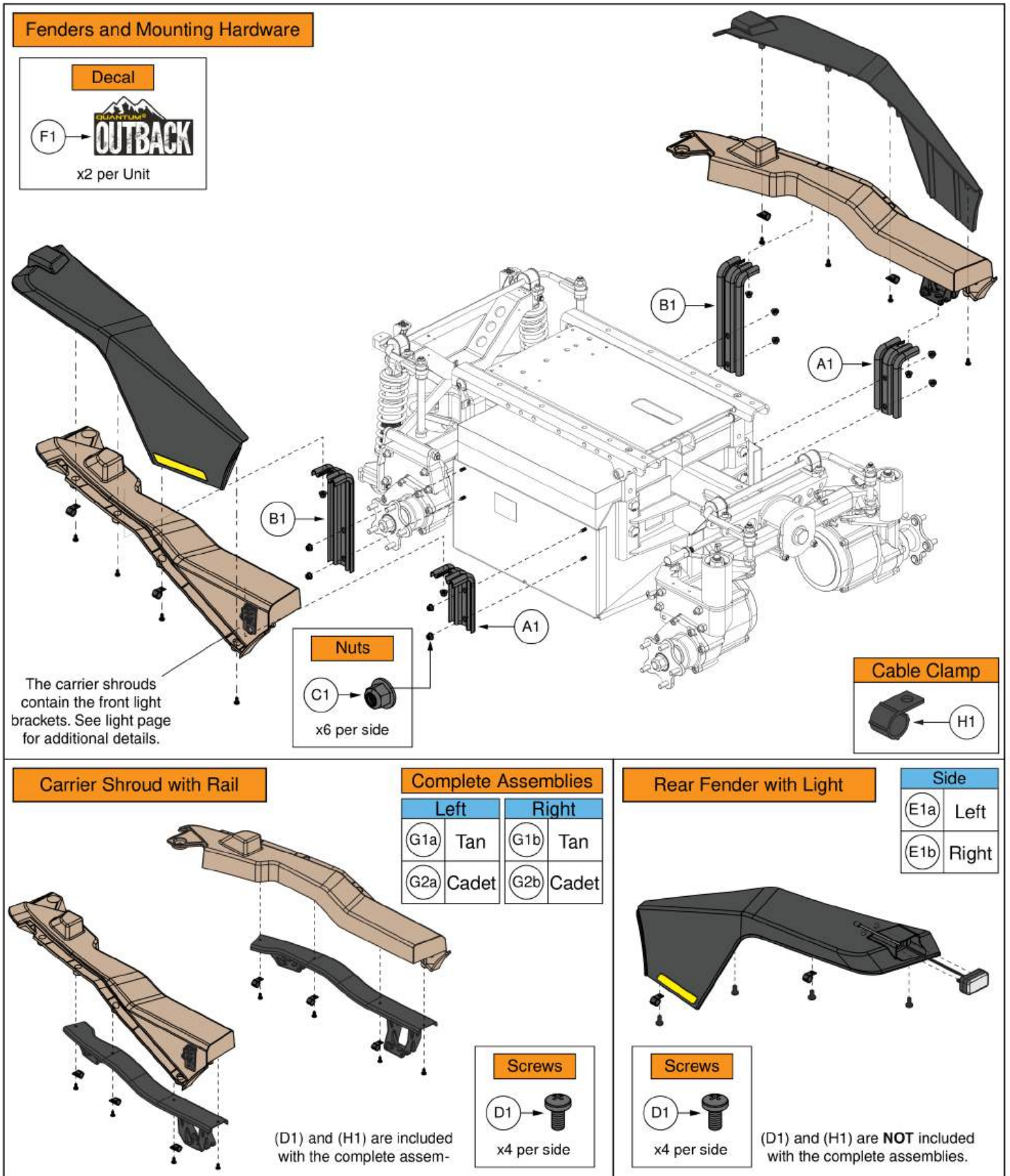
Complete Shroud Assembly, Quantum® Outback

Item	Part No.	Name	Qty
A1a	DGN2301319- TTN1-PCL2	SHROUD, ASSEMBLY, REFLECTORS, TAN (PCT-TAN-01), MATTE CLEARCOAT (PPW-CLR-02)	1
A1b	DGN2301319- TGY3-PCL2	SHROUD, ASSEMBLY, REFLECTORS, CADET (PCT-GRY-03), MATTE CLEARCOAT (PPW-CLR-02)	1



Front Fenders and Caster Caps, Quantum® Outback

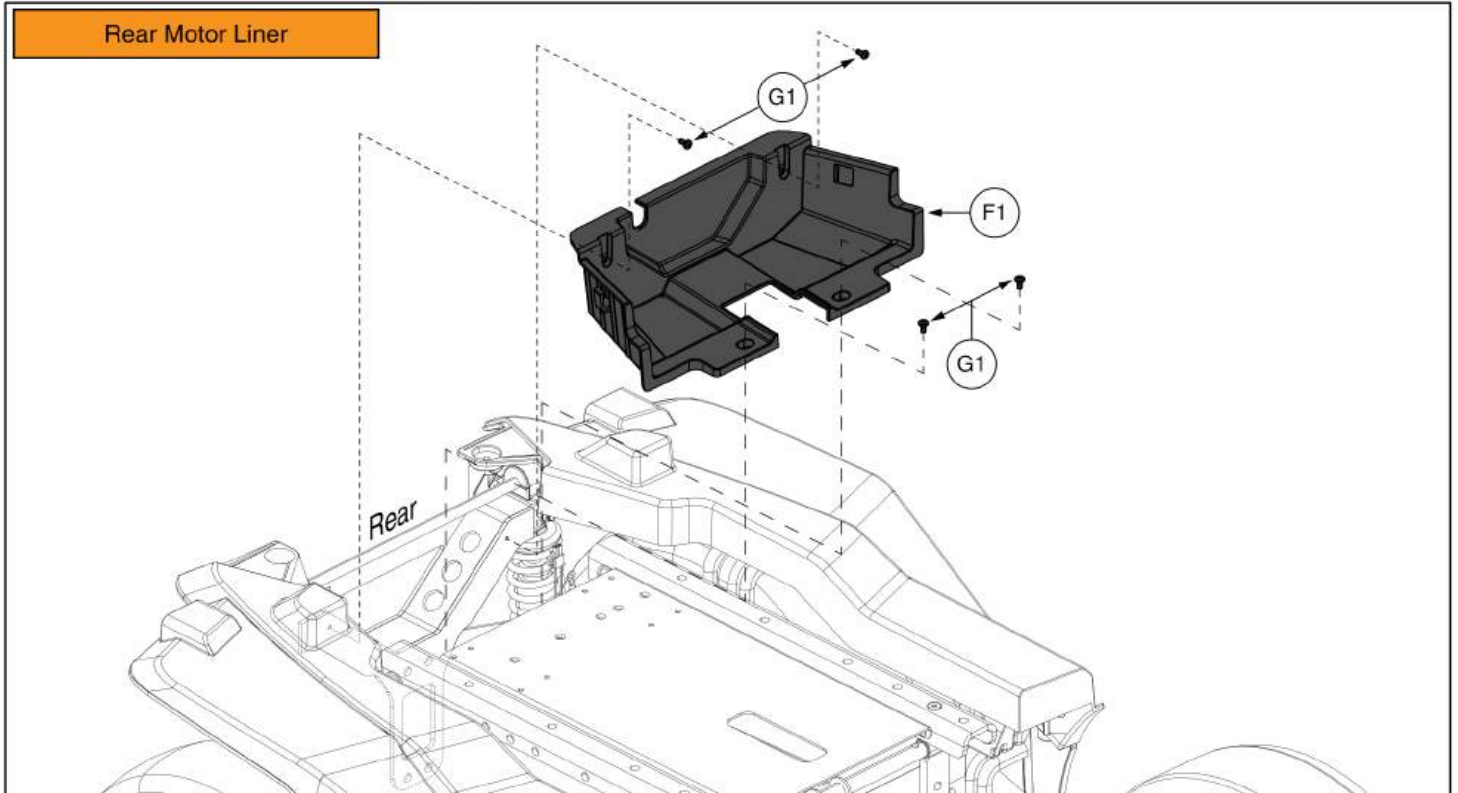
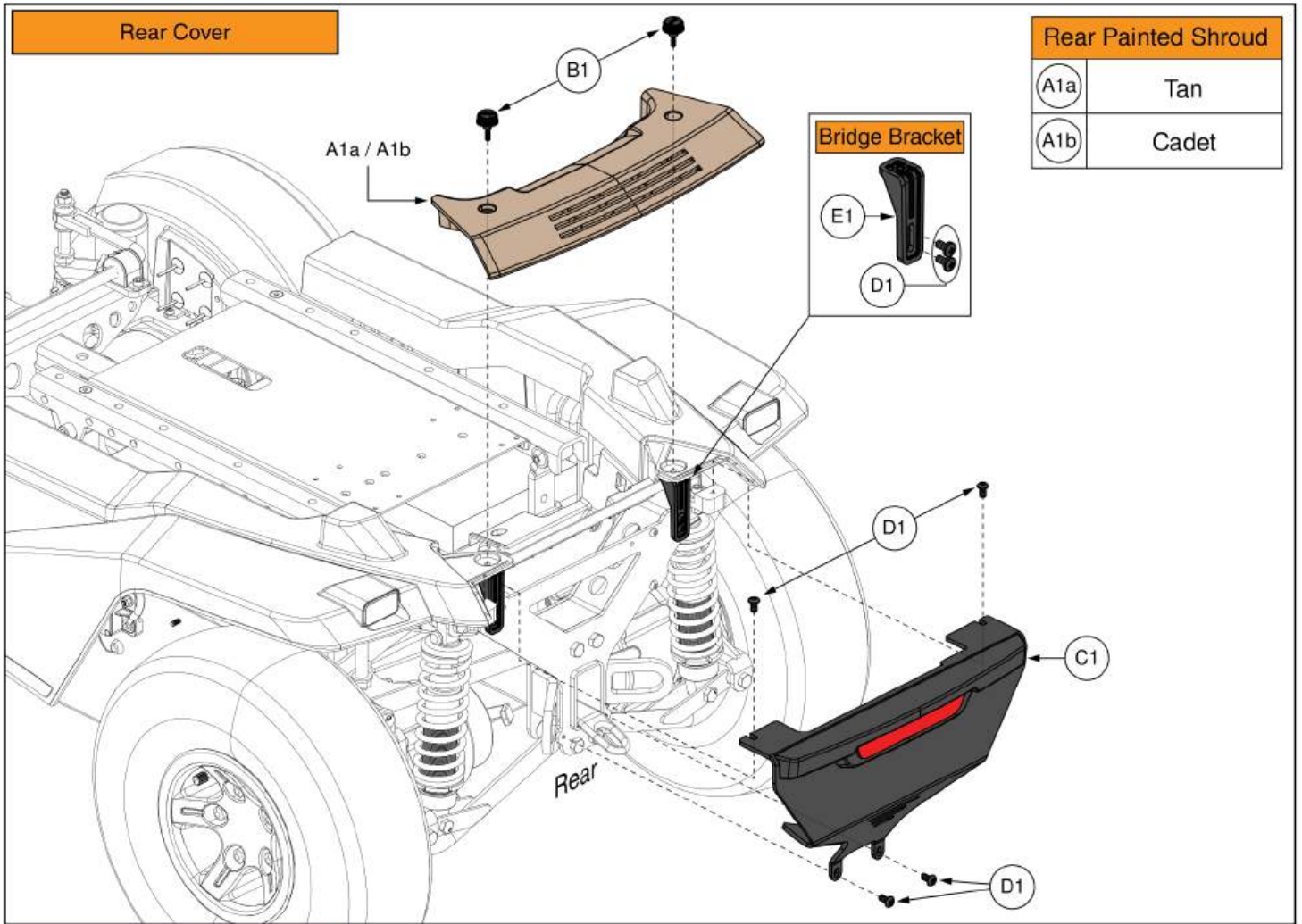
Item	Part No.	Name	Qty
A1	DGN2204982	4X4 CASTER CAP	2
B1		SCREW, BUTTON HEAD, M5X.8 X 10, ISO 7380-1, CL 10.9, BZ, PVTP	4
C1a	DGN2206180	4X4 FRONT FENDER ASSEMBLY, LEFT	1
C1b	DGN2206179	4X4 FRONT FENDER ASSEMBLY, RIGHT	1
D1	DGN2300068	HARNESS CLIP	2



Side Shroud Assemblies, Quantum® Outback

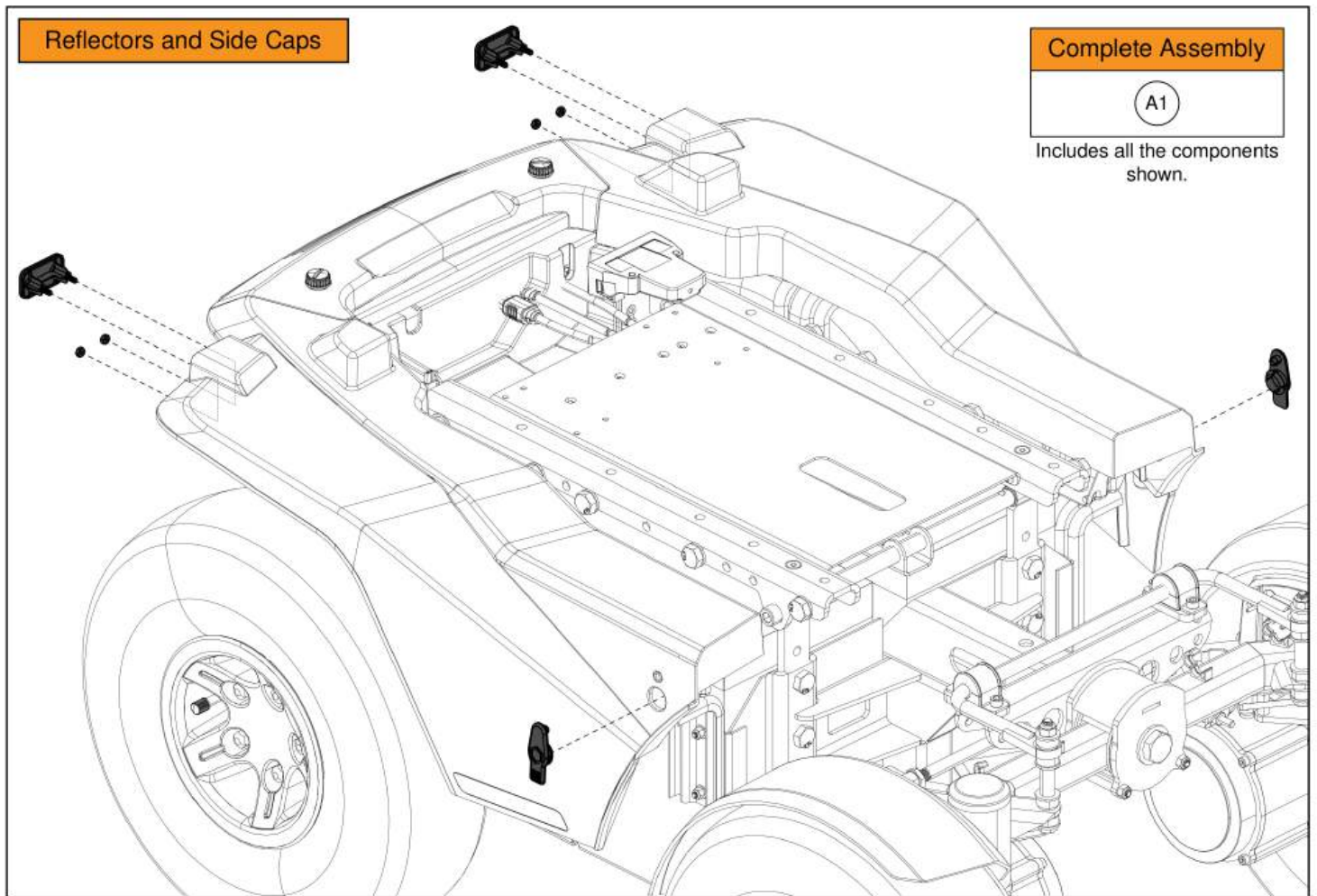
Item	Part No.	Name	Qty
A1	MEC2206001	FRONT BODY MOUNT	2
B1	MEC2206002	REAR BODY MOUNT	2
C1	HDW1909552	NUT, HEX, FLANGE, M5X0.8, ISO 7043, CL 8, BZ, PVTP	12
D1	SCRPPH1036	SCREW, PAN HEAD, TYPE H, M4X0.7 X 8, FT, ISO 7045, CL 4.8, BZ	8
E1a	DGN2206860	4X4 REAR FENDER, WITH LIGHT, LEFT	1
E1b	DGN2206862	4X4 REAR FENDER, WITH LIGHT, RIGH	1
F1	LAB2303333	DECAL,AESTHETIC,QUANTUM OUTBACK	2
G1a	DGN2206698- TTN1-PCL2	4X4 MAIN CARRIER SHROUD WITH RAIL, LEFT, TAN (PCT-TAN-01), MATTE CLEARCOAT (PPW- CLR-02)	1
G1b	DGN2206704- TTN1-PCL2	4X4 MAIN CARRIER SHROUD WITH RAIL, RIGHT, TAN (PCT-TAN-01), MATTE CLEARCOAT (PPW- CLR-02)	1
G2a	DGN2206698- TGY3-PCL2	4X4 MAIN CARRIER SHROUD WITH RAIL, LEFT, CADET (PCT-GRY-03), MATTE CLEARCOAT (PPW- CLR-02)	1
G2b	DGN2206704- TGY3-PCL2	4X4 MAIN CARRIER SHROUD WITH RAIL, RIGHT, CADET (PCT-GRY-03), MATTE CLEARCOAT (PPW-CLR-02)	1
H1		CLAMP,CABLE,BLACK,NYLON,.38" DIAMETER,P-CLIP,C-1059-042	10

Rear Shroud, Bracket, and Motor Liner, Quantum® Outback



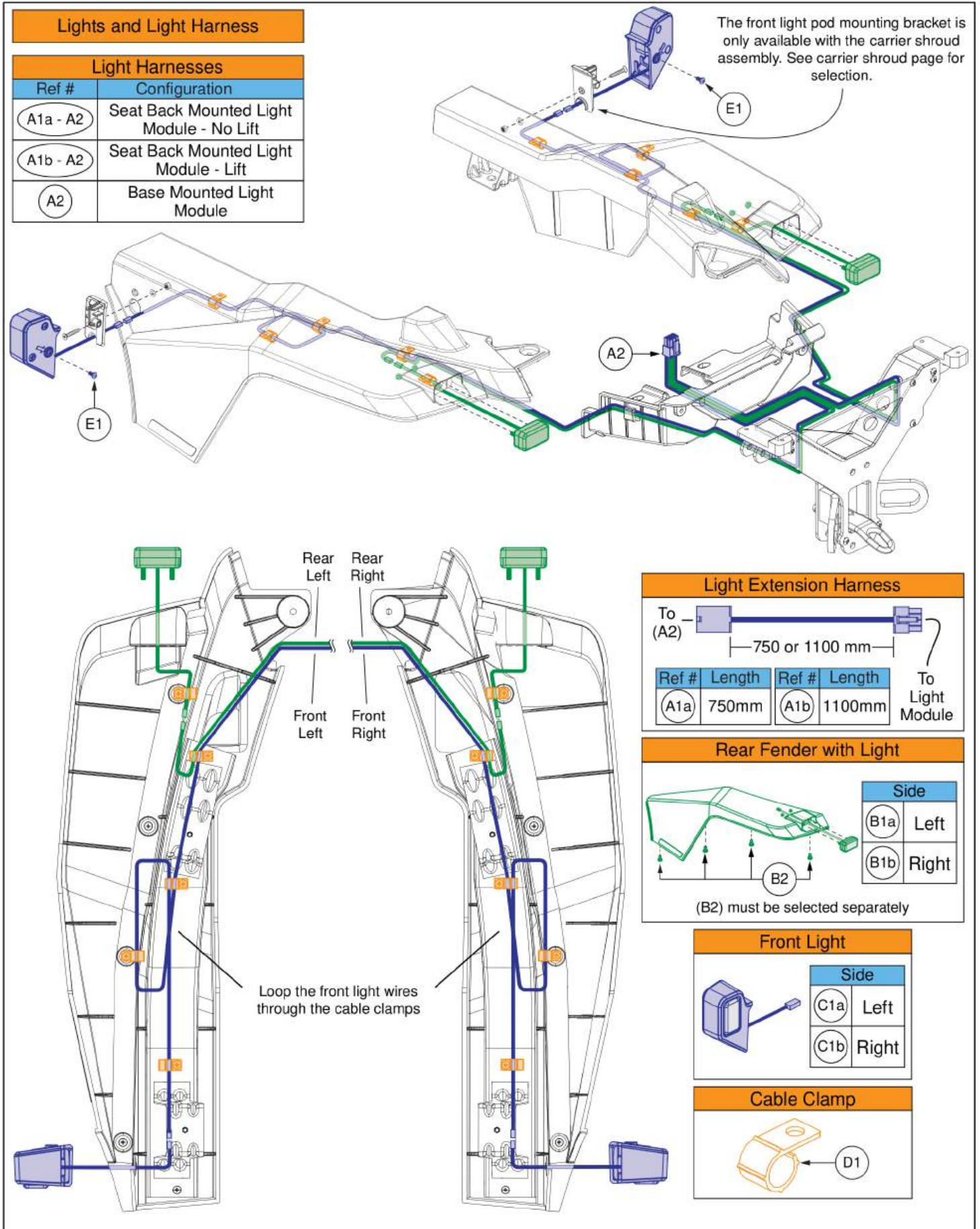
Rear Shroud, Bracket, and Motor Liner, Quantum® Outback

Item	Part No.	Name	Qty
A1a	DGN2205834- TTN1-PCL2	4X4 MAIN CARRIER SHROUD, REAR, TAN (PCT-TAN-01), MATTE CLEARCOAT (PPW-CLR-02)	1
A1b	DGN2205834- TGY3-PCL2	4X4 MAIN CARRIER SHROUD, REAR, CADET (PCT-GRY-03), MATTE CLEARCOAT (PPW-CLR-02)	1
B1	DGN2300044	THUMBSCREW M4, 12MM	2
C1	MEC2300479	4X4 REAR COVER	1
D1		SCREW, BUTTON HEAD, M5X.8 X 10, ISO 7380-1, CL 10.9, BZ, PVTP	8
E1	DGN2304858	BRIDGE BRACKET WITH INSERT	2
F1	DGN2300093	4X4 REAR MOTOR LINER	1
G1	SCRPPH1036	SCREW, PAN HEAD, TYPE H, M4X0.7 X 8, FT, ISO 7045, CL 4.8, BZ	4



Rear Reflectors and Side Shroud Caps, Quantum® Outback

Item	Part No.	Name	Qty
A1	DGN2400803	NO LIGHTS, QUANTUM OUTBACK	1



Lights and Light Harnesses, Quantum® Outback

Item	Part No.	Name	Qty
A1a - A2	DGN2303967	FULL BASE LIGHTS, SEAT MOUNTED MODULE	1
A1a	ELE2301668	HARNESS, LIGHT, EXTENSION, 8 PIN MINIFIT, 750	1
A1b - A2	DGN2303968	FULL BASE LIGHTS, SEAT MOUNTED MODULE W/LIFT	1
A1b	ELE2300394	HARNESS, LIGHT, EXTENSION, 8 PIN MINIFIT, 1100	1
A2	ELE2301690	HARNESS, LIGHT, INTERFACE, 8 PIN MINIFIT TO 3 PIN, FULL LIGHT, 1030	1
B1a	DGN2206860	4X4 REAR FENDER, WITH LIGHT, LEFT	1
B1b	DGN2206862	4X4 REAR FENDER, WITH LIGHT, RIGH	1
B2	SCRPPH1036	SCREW, PAN HEAD, TYPE H, M4X0.7 X 8, FT, ISO 7045, CL 4.8, BZ	4
C1a	DGN2301711	4X4 LIGHT POD ASSEMBLY, LEFT	1
C1b	DGN2301720	4X4 LIGHT POD ASSEMBLY, RIGHT	1
D1		CLAMP,CABLE,BLACK,NYLON,.38" DIAMETER,P-CLIP,C-1059-042	10
E1	SCRPPH1036	SCREW, PAN HEAD, TYPE H, M4X0.7 X 8, FT, ISO 7045, CL 4.8, BZ	2

Please note:

- The kits include the following:
 - Backup Camera w/ Dual Lock Mount.
 - Q-Logic 3 Camera Module.
 - Display Screen w/ Gooseneck Mount.
 - Egg Switch.
 - Tie Wraps.
 - Installation Instructions.
- The kits used on seats over 20"W also include the egg switch extension harness and display extension harness.
- The headrest mounted kits also include the headrest mounting bracket.
- The kits do **NOT** contain the **New Multiplier Stud Mounting Hardware** (used to mount the multiplier harness & camera module), the **Receiver Mount** (used to mount the display screen to the armrest), or the **Egg Switch Mount**. See the additional components below for selection.

Quantum Backup Camera Kits			
Ref #	Part #	Mount	Seat Size
A1	KIT2008636	Standard	20"W or less
B1	KIT2008637	Standard	Over 20"W
C1	KIT2008635	Headrest	20"W or less
D1	KIT2008638	Headrest	Over 20"W

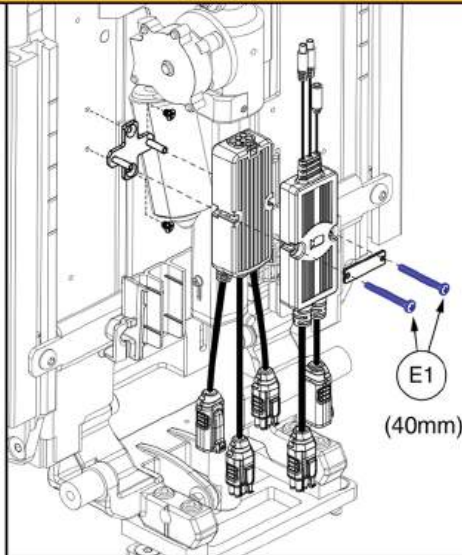
Multiplier Stud Mounting Hardware

Note:

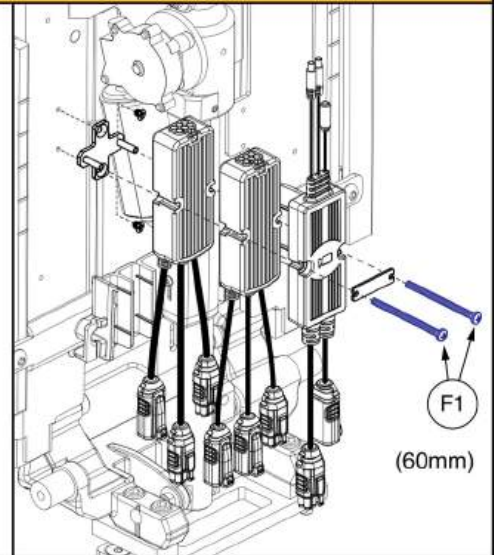
- If the unit is equipped with a multiplier harness, only hardware E1 or F1 needs to be replaced.
- If the unit is **NOT** equipped with a multiplier harness or the complete assembly is required, see the multiplier stud mounts IPB page for selection.

Web Link: Complete Multiplier Stud Mounts (Catalog view only)

STUDS



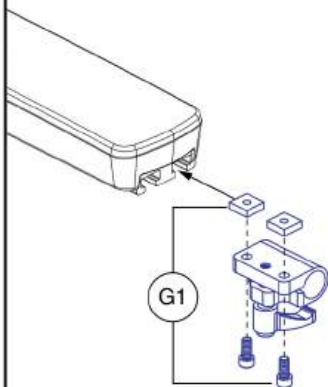
1 Multiplier + QL3 Camera Module



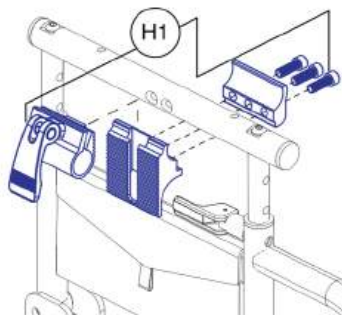
2 Multipliers + QL3 Camera Module

Receiver Mounts

TRU Balance® 3 Flip-back Armrests (all versions)



Tubular Style Armrests

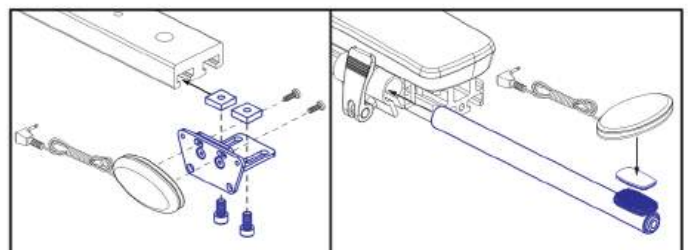


Egg Switch Mounts

See the Egg Switch Mounts IPB page for selection.

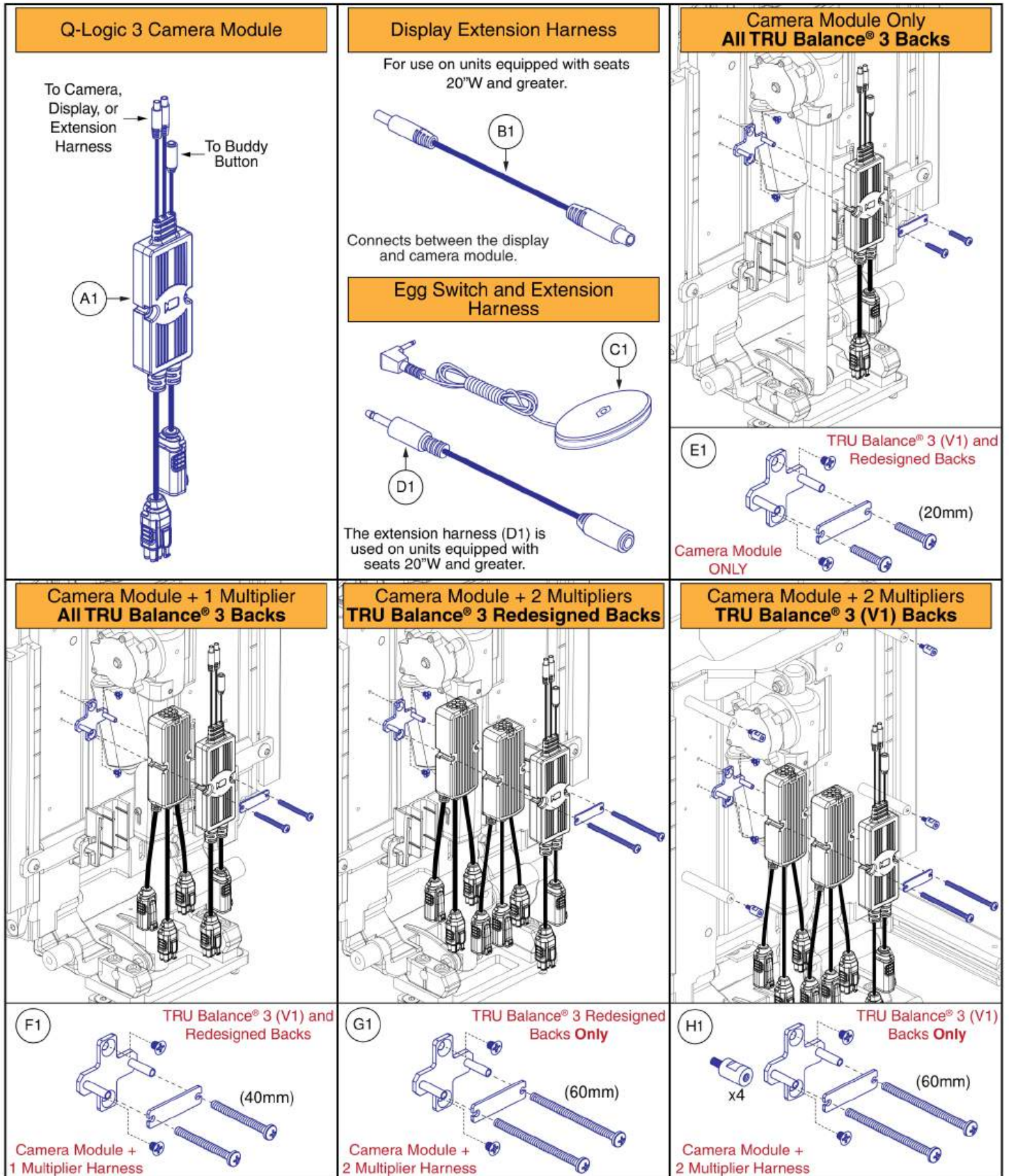
Web Link: Quantum Egg Switch Mounts (Catalog view only)

SWCH



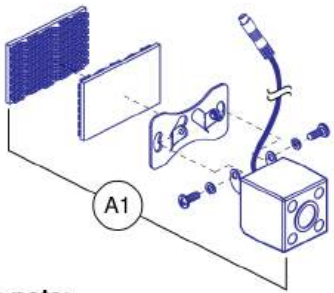
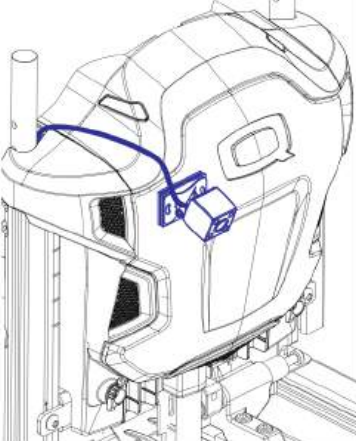
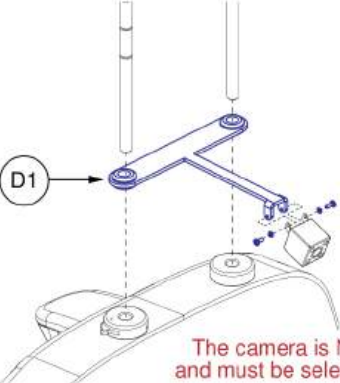
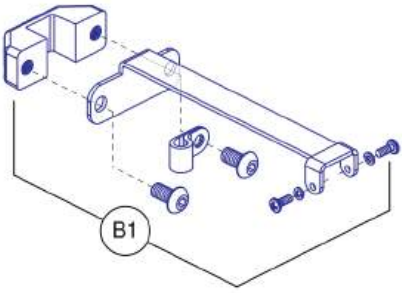
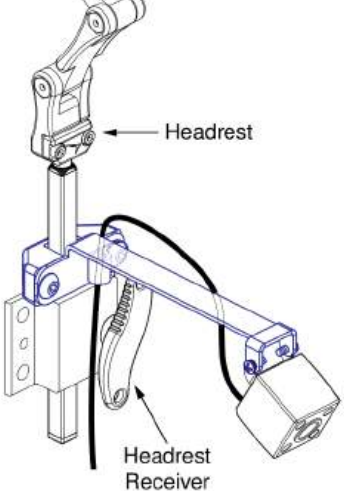
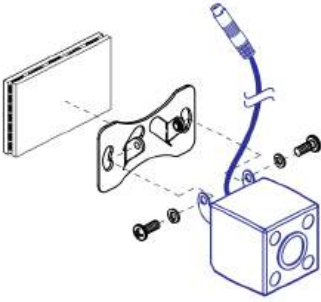
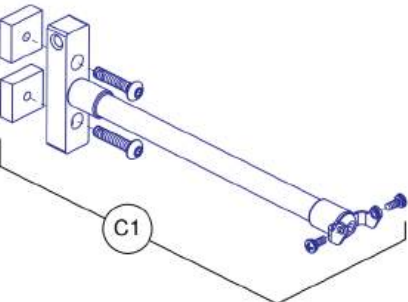
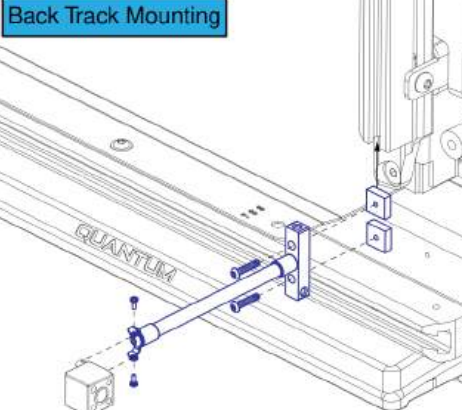
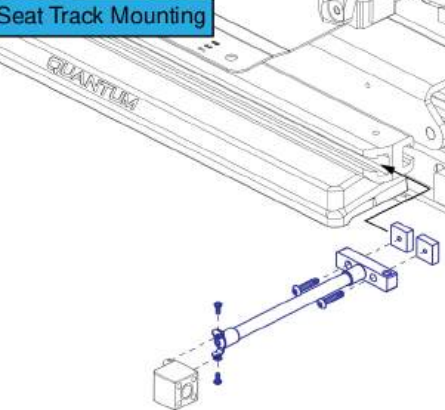
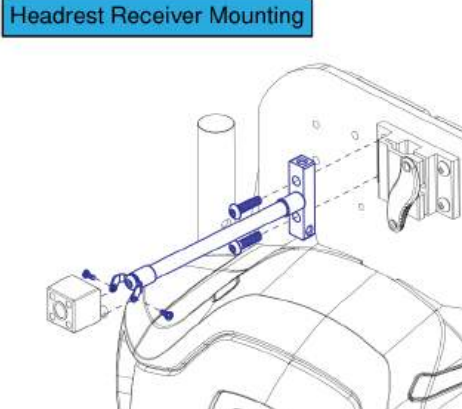
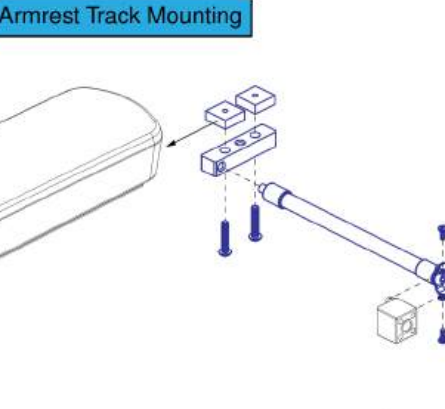
Quantum® Backup Camera Kits

Item	Part No.	Name	Qty
A1	KIT2008636	KIT,RETROFIT,ASSY,Q-LOGIC 3,STANDARD MOUNTING BRACKET,QUANTUM BACKUP CAMERA	1
B1	KIT2008637	KIT,RETROFIT,ASSY,Q-LOGIC 3,STANDARD MOUNTING BRACKET,OVER 20" WIDE,QUANTUM BACKUP CAMERA	1
C1	KIT2008635	KIT,RETROFIT,ASSY,Q-LOGIC 3,HEADREST MOUNTING BRACKET,QUANTUM BACKUP CAMERA	1
D1	KIT2008638	KIT,RETROFIT,ASSY,Q-LOGIC 3,HEADREST MOUNTING BRACKET,OVER 20" WIDE,QUANTUM BACKUP CAMERA	1
E1	SCRPPH1167	SCREW, PAN HEAD, TYPE H, M3X0.5 X 40, ISO 7045, CL 4.8, BZ	1
F1	HDW1701465	SCREW, PAN HEAD, TYPE H, M3X0.5 X 60, ISO 7045, CL 4.8, BZ	1
G1	MEC1907331	JOYSTICK RECEIVER MOUNT,ASSY,W/MOUNTING HARDWARE,QBC GOOSENECK CLAMP	1
H1	FRMASMB16062	JOYSTICK RECEIVER MOUNT,ASSY,UNIVERSAL,ADJUSTABLE BLOCK,D-1000-313	1
STUDS		WEB LINK,IPB,QBC MULTIPLIER STUDS,ALL (This is not an orderable part, see IPB)	0
RCVR		WEB LINK,IPB,RECEIVER MOUNTS,ALL (This is not an orderable part, see IPB)	0
SWCH		WEB LINK,IPB,EGG SWITCH MOUNTS,ALL (This is not an orderable part, see IPB)	0



Quantum® Backup Camera Module, Harnesses, and Mounts

Item	Part No.	Name	Qty
A1	ELE1907290	MODULE ASSEMBLY, QBC QL3	1
B1	ELE2000271	HARNESS, 4 PIN MINI-DIN EXTENSION CABLE, L = 1400	1
C1	ELE2004373	ELECTRONIC,ASSY,EGG SWITCH,BLACK,CAMERA SYMBOL,W/DUAL LOCK	1
D1	ELE2000270	HARNESS, 3.5MM MONO EXTENSION CABLE, L = 660	1
E1	MEC1611656	MULTIPLIER STUD MOUNT ASSEMBLY,PRIMARY	1
F1	MEC1611657	MULTIPLIER STUD MOUNT ASSEMBLY,PRIMARY & SECONDARY	1
G1	MEC2006143	MULTIPLIER STUD MOUNT ASSEMBLY,PRIMARY & SECONDARY,W/QBC,TB4 BACK	1
H1	MEC2000971	MULTIPLIER STUD MOUNT ASSEMBLY,PRIMARY & SECONDARY,W/QBC,TB3 BACK	1

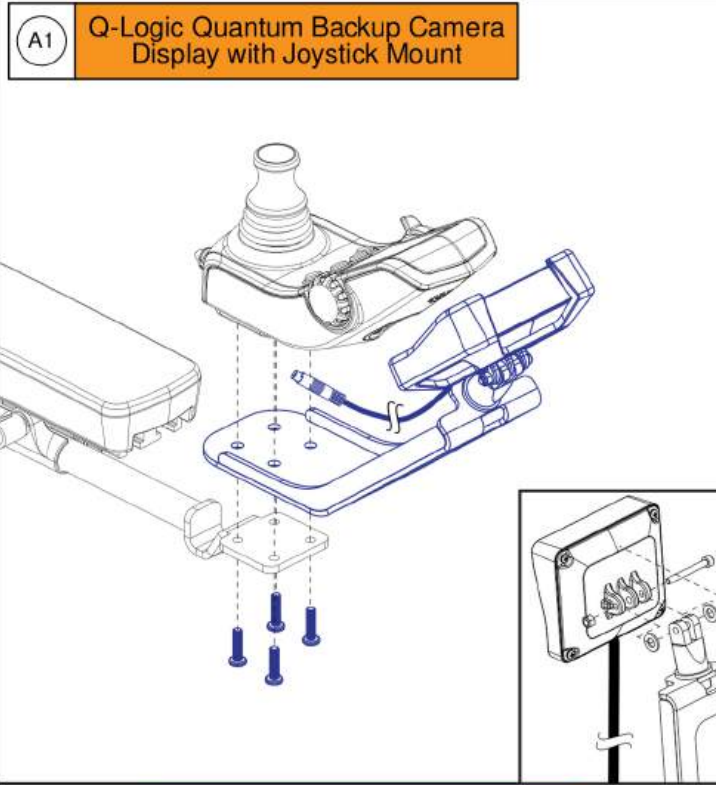
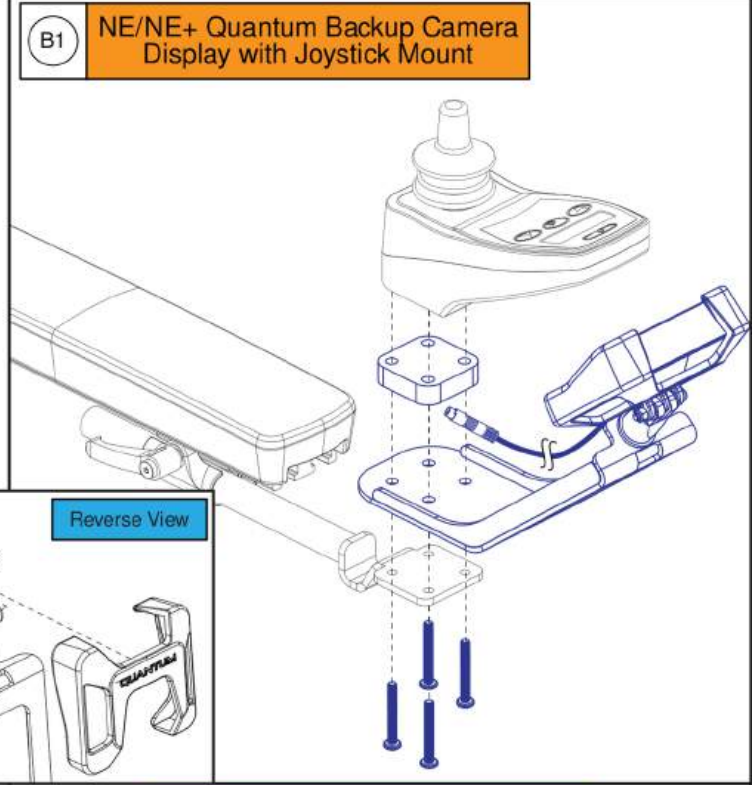
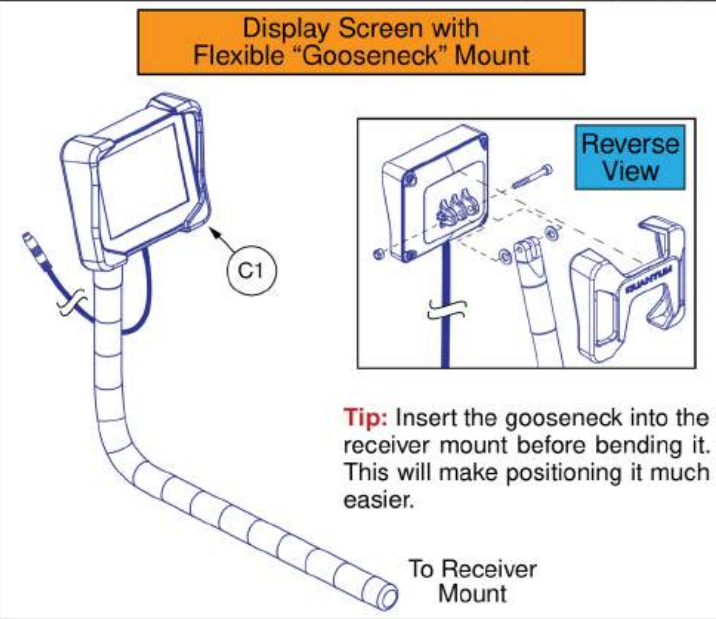
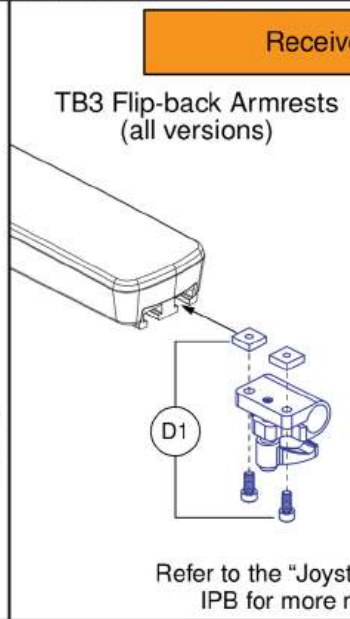
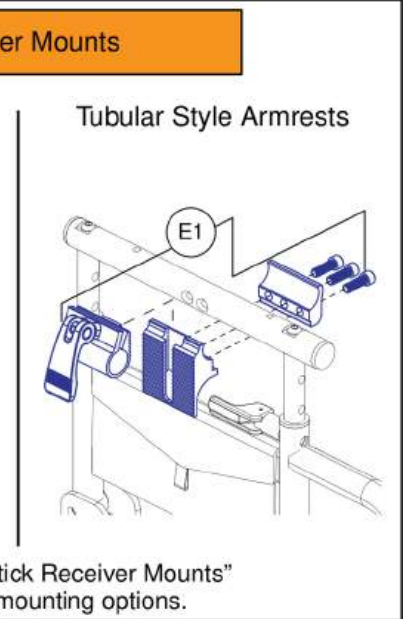
<p>Backup Camera with Dual Lock Mount</p>  <p>Please note: - The backup camera can be placed anywhere on the back.</p>		<p>Q-Captain Headrest Mounting Bracket for Backup Camera</p>  <p>The camera is NOT included and must be selected separately.</p>
<p>Rehab Headrest Mounting Bracket for Backup Camera</p>  <p>The camera is NOT included and must be selected separately.</p>	 <p>Headrest Headrest Receiver</p>	<p>Please note: - Prior to installing the camera to the headrest mount or the track mount, the dual lock mount must be removed.</p> 
<p>Track Mount for Backup Camera</p>  <p>The camera is NOT included and must be selected separately.</p>	<p>Back Track Mounting</p> 	<p>Seat Track Mounting</p> 
<p>Headrest Receiver Mounting</p> 	<p>Armrest Track Mounting</p> 	

Quantum® Backup Camera, Standard Mount, and Headrest Mount

Item	Part No.	Name	Qty
A1	MEC1910365	QUANTUM BACKUP CAMERA, BRACKET DUAL LOCK ASSEMBLY	1
B1	MEC1910373	STANDARD CAMERA BRACKET, ASSEMBLY	1
C1	MEC2104227	QUANTUM BACKUP CAMERA, TRACK MOUNT, ASSEMBLY	1
D1	MEC1901231	CAPTAINS SEAT CAMERA BRACKET ASSEMBLY	1

Please note:

- The joystick mount assemblies (A1) & (B1) contain hardware to mount the display to both the inline and swing-away joystick mounts.
- The gooseneck mount assembly (C1) needs an additional armrest mounted receiver (D1) or (E1), which must be selected separately.

<p>A1 Q-Logic Quantum Backup Camera Display with Joystick Mount</p> 	<p>B1 NE/NE+ Quantum Backup Camera Display with Joystick Mount</p> 
<p>C1 Display Screen with Flexible "Gooseneck" Mount</p>  <p>Tip: Insert the gooseneck into the receiver mount before bending it. This will make positioning it much easier.</p> <p>To Receiver Mount</p>	<p>Receiver Mounts</p> <p>TB3 Flip-back Armrests (all versions)</p>  <p>Tubular Style Armrests</p>  <p>Refer to the "Joystick Receiver Mounts" IPB for more mounting options.</p>

Quantum® Backup Camera Display Mounts

Item	Part No.	Name	Qty
A1	MEC2106123	QUANTUM BACKUP CAMERA,DISPLAY MOUNT,ASSEMBLY,Q-LOGIC 3	1
B1	MEC2106132	QUANTUM BACKUP CAMERA,DISPLAY MOUNT,ASSEMBLY,NE/NE+	1
C1	MEC1906270	QBC, SCREEN HINGE ASSEMBLY, W/GOOSENECK	1
D1	MEC1907331	JOYSTICK RECEIVER MOUNT,ASSY,W/MOUNTING HARDWARE,QBC GOOSENECK CLAMP	1
E1	FRMASMB16062	JOYSTICK RECEIVER MOUNT,ASSY,UNIVERSAL,ADJUSTABLE BLOCK,D-1000-313	1

Egg Switch / Buddy Button Mounting Brackets

3M Dual Lock Mount w/ Adhesive Backing

A quantity of 2 **MUST** be selected to receive both pieces

A1

Under Arm Buddy Button Bracket

B1

Please note:

- The Bracket can be utilized in conjunction with any style Joystick Receiver.
- The Joystick Receiver is **NOT** included and must be selected separately. See the individual receiver page for options.

Side Arm Egg Switch Bracket, Version 3 Flip-back Armrests

Quantum Egg Switch Mounting Screws

(E1) is included with (C1). It is also available individually.

Egg Switch Mounting

C1

Side Arm Egg Switch Bracket, Version 1 & 2 Flip-back Armrests

Quantum Egg Switch Mounting Screws

(E1) is included with (C1). It is also available individually.

Egg Switch Mounting

D1

Replaces the Previous Version

Egg Switch Mounting

Please note:

- (C1) contains the Quantum Egg Switch mounting hardware (E1), which is also available individually.
- (C1) does **NOT** contain the mounting hardware for any other Egg Switch. To receive the mounting hardware for a different Egg Switch, the Egg Switch must be selected. See the electronics section for selection.

Please note:

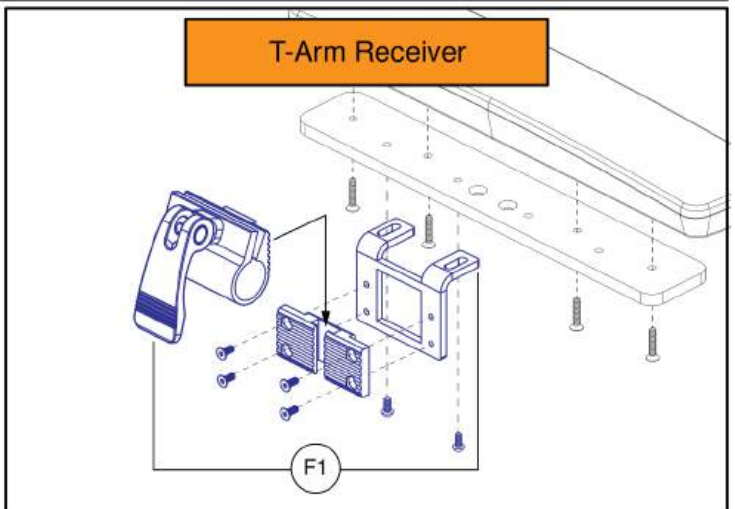
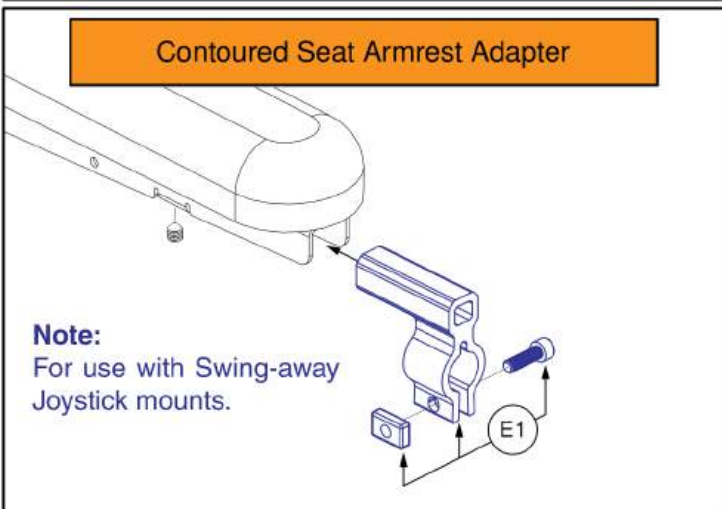
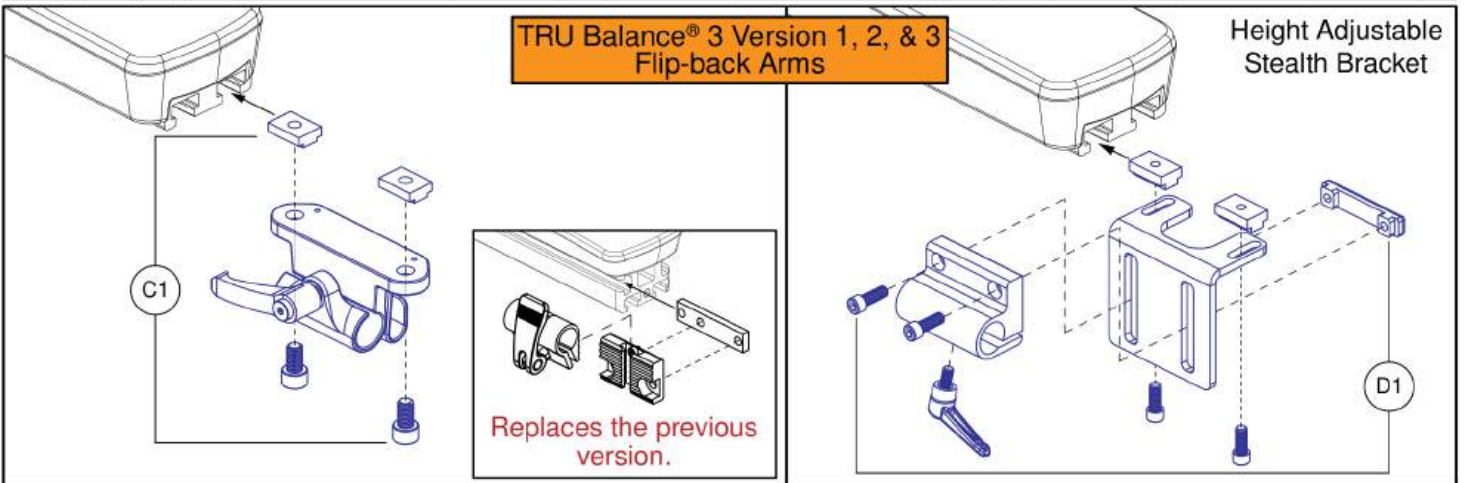
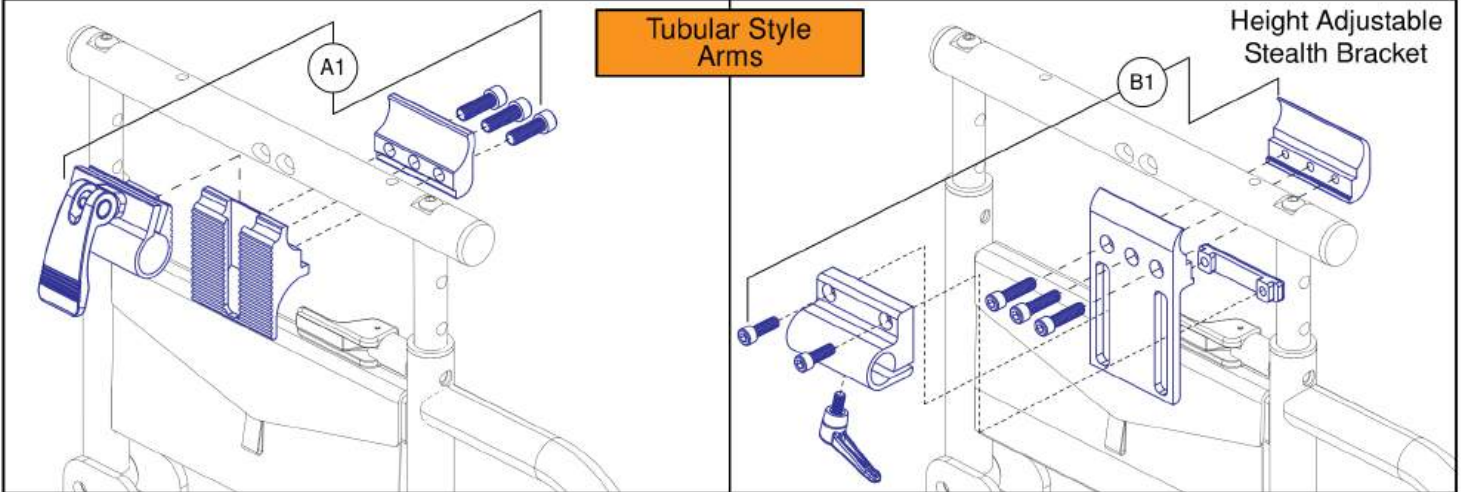
- The Egg Switch mounting hardware is included with the Egg Switch. See the electronics section for selection.

Egg Switch / Buddy Button Mounting Brackets

Item	Part No.	Name	Qty
A1	HDW155440	3M DUAL LOCK, BUDDY BUTTON	1
B1	MEC1802726	UNDER ARM BUDDY BUTTON MOUNTING BRACKET ASSY	1
C1	MEC1810667	SIDE ARM MOUNTING BRACKET FOR EGG SWITCH,FLIP-BACK ARM	1
D1	MEC1800866	SIDE ARM / SIDE RAIL MOUNTING BRACKET,EGG SWITCH,TB3 ARM	1
E1	SCRPPH1163	SCREW, PAN HEAD, TYPE H, M4X0.7 X 10, FT, ISO 7045, CL 4.8, BZ	2

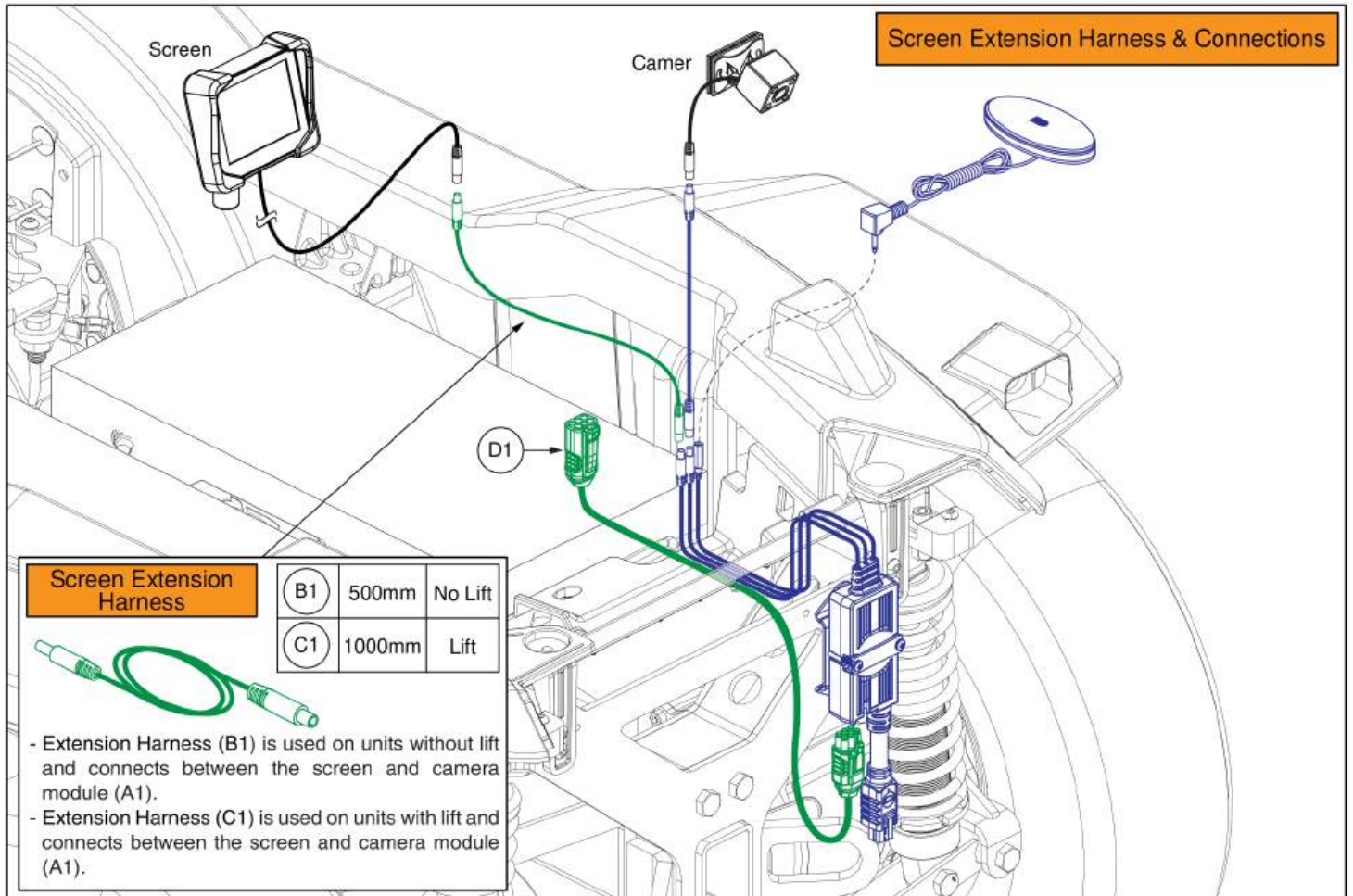
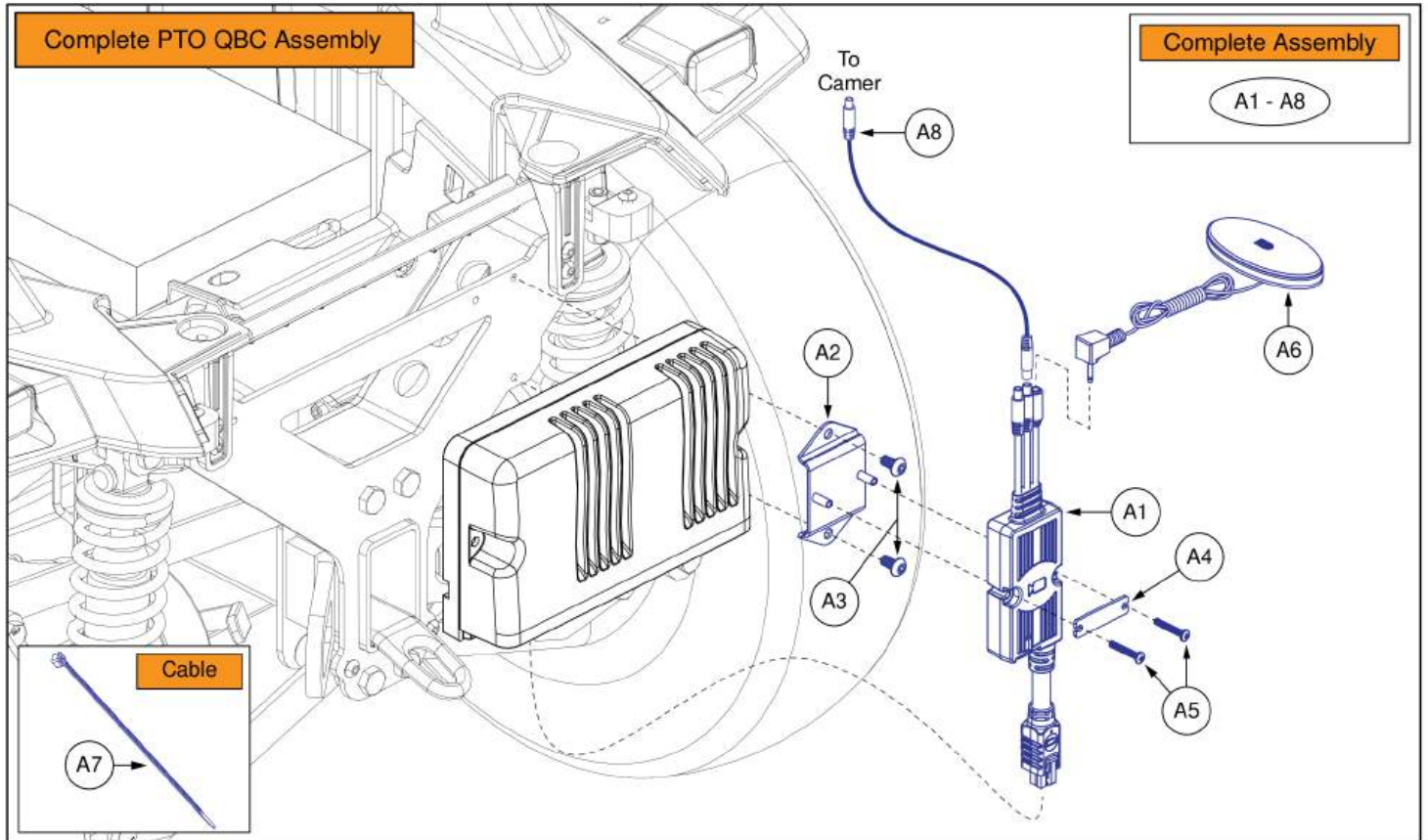
Please note:

- Joystick receiver selection varies by armrest type.
- The replacement parts shown may not be applicable to all power bases / seating systems.
- Contact Technical Service for more information.



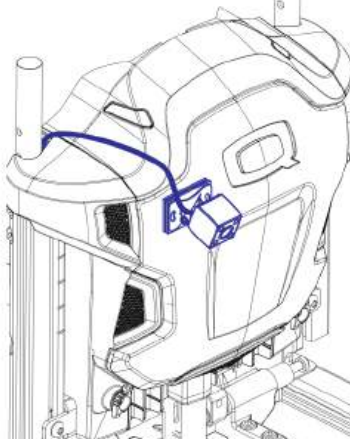
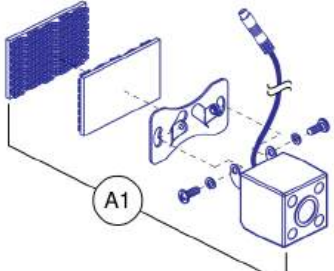
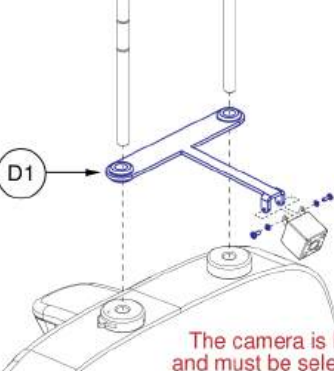
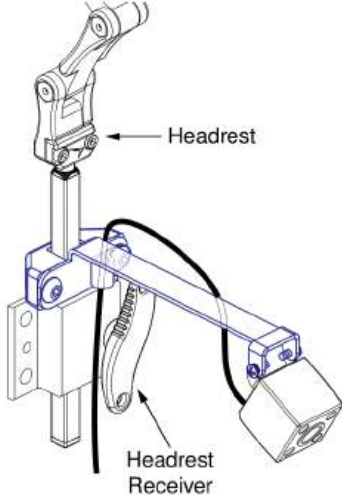
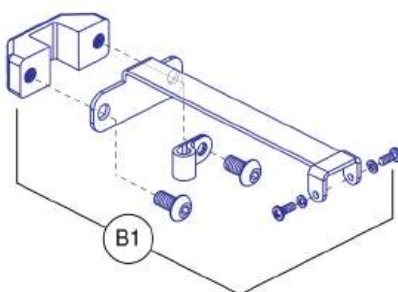
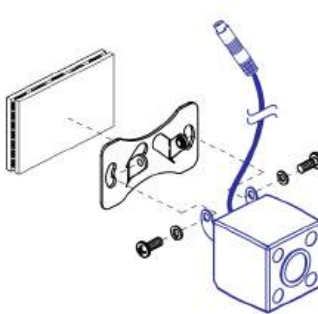
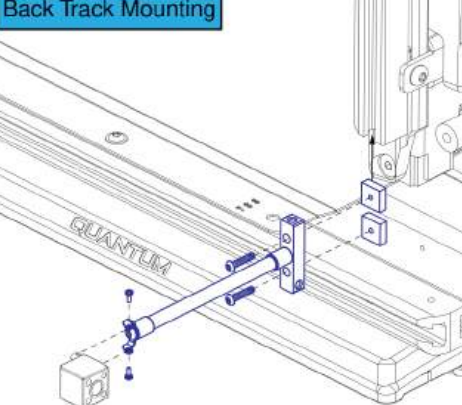
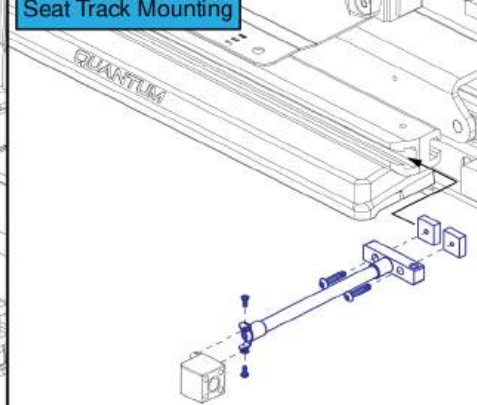
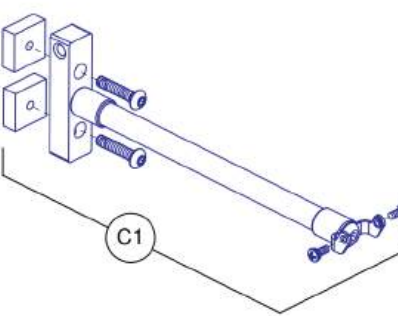
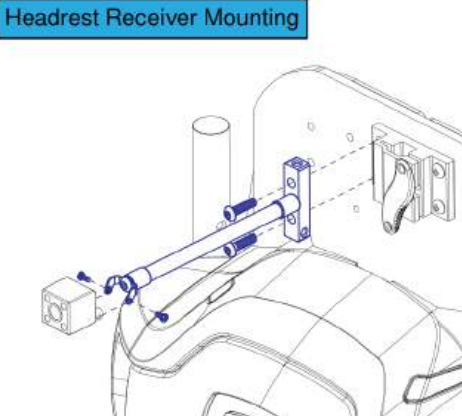
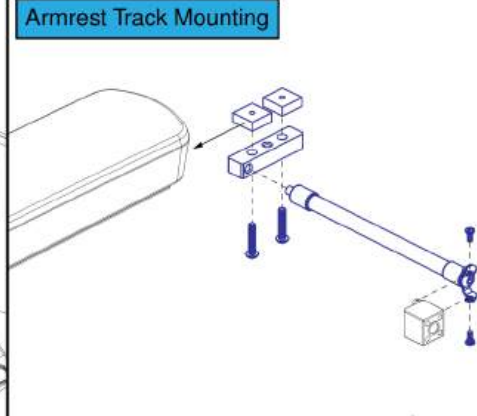
Joystick Receiver Mounts, Quantum®

Item	Part No.	Name	Qty
A1	FRMASMB16062	JOYSTICK RECEIVER MOUNT,ASSY,UNIVERSAL,ADJUSTABLE BLOCK,D-1000-313	1
B1	ST-ARM250C-Q	JOYSTICK MOUNT,ASSY,HEIGHT ADJUSTABLE,W/CLAMP HARDWARE	1
C1	MEC1809294	JOYSTICK RECEIVER MOUNT,ASSY,W/MOUNTING HARDWARE,ADJUSTABLE HANDLE	1
D1	ST-ARM250T-Q	JOYSTICK MOUNT,ASSY,HEIGHT ADJUSTABLE,W/TRACK HARDWARE	1
E1	MEC146133	ARMREST ADAPTER ASSEMBLY	1
F1	ACC1800991	JOYSTICK RECEIVER MOUNT,ASSY,TBFLEX	1



PTO QBC Module and Harnesses, Quantum® Outback

Item	Part No.	Name	Qty
A1 - A8	ACC2401738	QUANTUM BACKUP CAMERA SYSTEM, PTO VERSION, Q OUTBACK	1
A1	ELE1908252	MODULE ASSEMBLY, QBC PTO	1
A2	MEC2300463	MODULE BRACKET ASSEMBLY	1
A3		SCREW, BUTTON HEAD, M5X.8 X 10, ISO 7380-1, CL 10.9, BZ, PVTP	2
A4	MEC153354	MULTIPLIER HOLD DOWN STRAP	1
A5	SCRPPH1342	SCREW, PAN HEAD, TYPE H, M3X0.5 X 20, ISO 7045, CL 4.8, BZ	2
A6	ELE2004373	ELECTRONIC,ASSY,EGG SWITCH,BLACK,CAMERA SYMBOL,W/DUAL LOCK	1
A7	PLSTIE1001	TIEDOWN STRAP, 95 LG, PLASTIC, BLACK, SPEC NO. 2106329-1.5-22-130-V2	3
A8	ELE2000271	HARNESS, 4 PIN MINI-DIN EXTENSION CABLE, L = 1400	1
B1	ELE2101001	HARNESS, 4 PIN MINI-DIN EXTENSION CABLE, L = 500	1
C1	ELE2101000	HARNESS, 4 PIN MINI-DIN EXTENSION CABLE, L = 1000	1
D1	HAR144005	HARNESS, BUS EXTENSION CABLE, Q-LOGIC 3, 0.410 METER, MALE/FEMALE	1

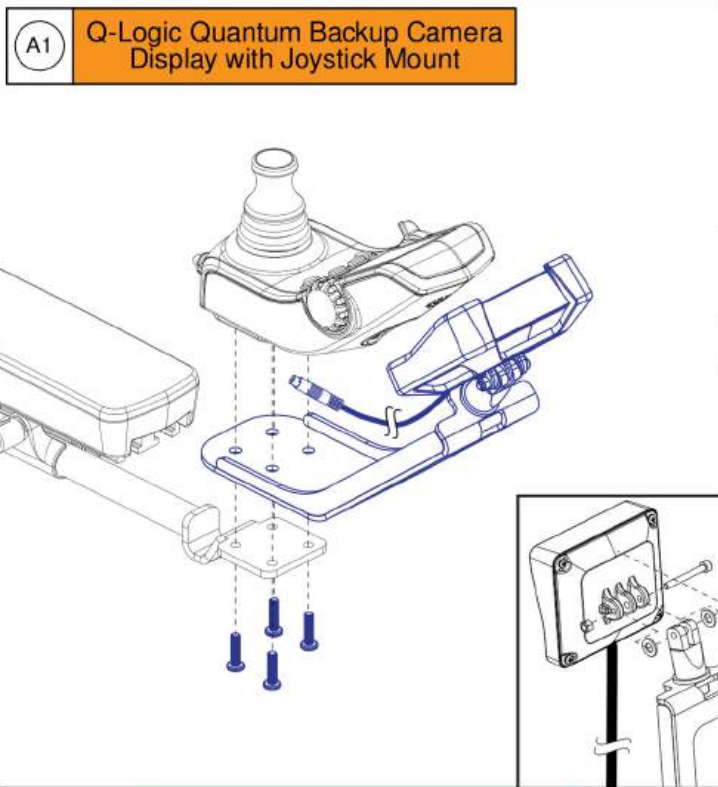
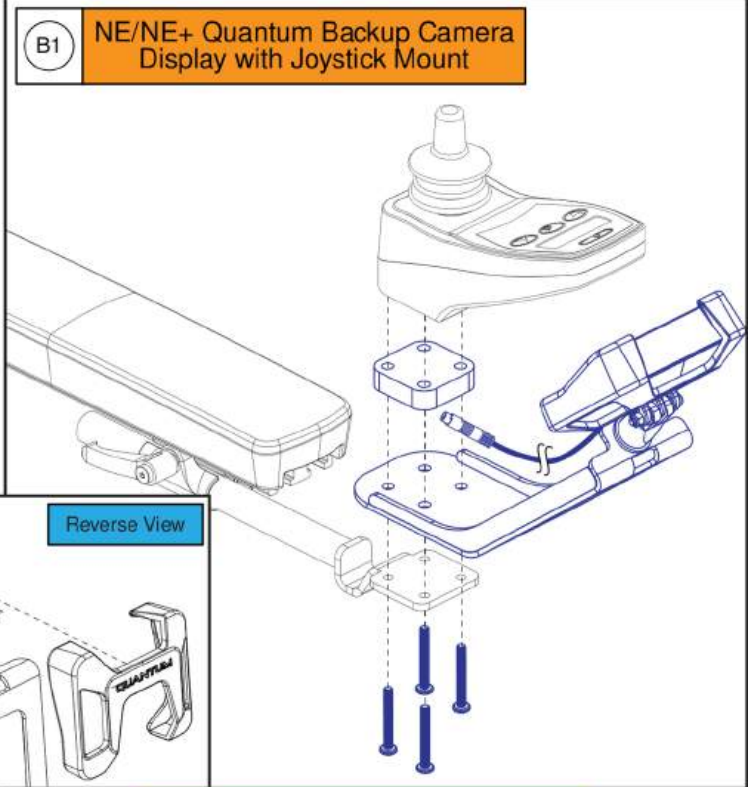
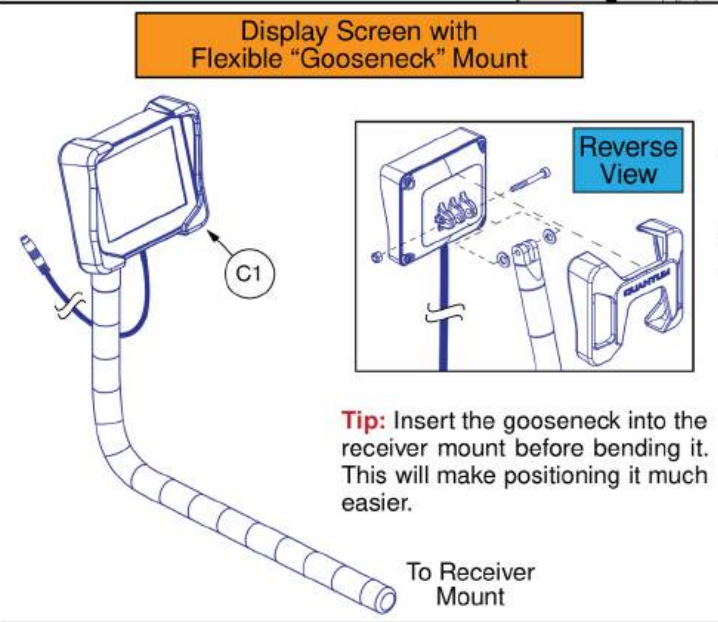
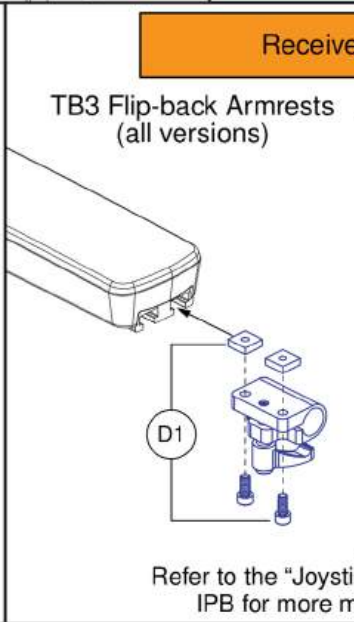
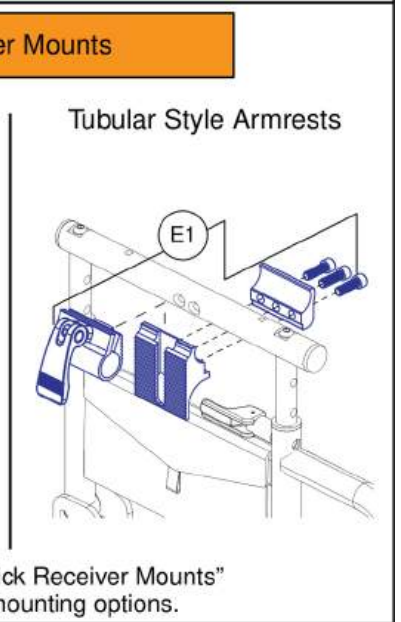
<p>Backup Camera with Dual Lock Mount</p>		<p>Q-Captain Headrest Mounting Bracket for Backup Camera</p>
 <p>A1</p>	<p><i>(This panel is shared with the adjacent diagram)</i></p>	 <p>D1</p> <p>The camera is NOT included and must be selected separately.</p>
<p>Please note:</p> <ul style="list-style-type: none"> - The backup camera can be placed anywhere on the back. 	 <p>Headrest</p> <p>Headrest Receiver</p>	<p>Please note:</p> <ul style="list-style-type: none"> - Prior to installing the camera to the headrest mount or the track mount, the dual lock mount must be removed.
<p>Rehab Headrest Mounting Bracket for Backup Camera</p>	 <p>B1</p> <p>The camera is NOT included and must be selected separately.</p>	
<p>Track Mount for Backup Camera</p>	<p>Back Track Mounting</p> 	<p>Seat Track Mounting</p> 
 <p>C1</p> <p>The camera is NOT included and must be selected separately.</p>	<p>Headrest Receiver Mounting</p> 	<p>Armrest Track Mounting</p> 

Quantum® Backup Camera, Standard Mount, and Headrest Mount

Item	Part No.	Name	Qty
A1	MEC1910365	QUANTUM BACKUP CAMERA, BRACKET DUAL LOCK ASSEMBLY	1
B1	MEC1910373	STANDARD CAMERA BRACKET, ASSEMBLY	1
C1	MEC2104227	QUANTUM BACKUP CAMERA, TRACK MOUNT, ASSEMBLY	1
D1	MEC1901231	CAPTAINS SEAT CAMERA BRACKET ASSEMBLY	1

Please note:

- The joystick mount assemblies (A1) & (B1) contain hardware to mount the display to both the inline and swing-away joystick mounts.
- The gooseneck mount assembly (C1) needs an additional armrest mounted receiver (D1) or (E1), which must be selected separately.

<p>A1 Q-Logic Quantum Backup Camera Display with Joystick Mount</p> 	<p>B1 NE/NE+ Quantum Backup Camera Display with Joystick Mount</p> 
<p>C1 Display Screen with Flexible "Gooseneck" Mount</p>  <p>Tip: Insert the gooseneck into the receiver mount before bending it. This will make positioning it much easier.</p> <p>To Receiver Mount</p>	<p>Receiver Mounts</p> <p>TB3 Flip-back Armrests (all versions)</p>  <p>Tubular Style Armrests</p>  <p>Refer to the "Joystick Receiver Mounts" IPB for more mounting options.</p>

Quantum® Backup Camera Display Mounts

Item	Part No.	Name	Qty
A1	MEC2106123	QUANTUM BACKUP CAMERA,DISPLAY MOUNT,ASSEMBLY,Q-LOGIC 3	1
B1	MEC2106132	QUANTUM BACKUP CAMERA,DISPLAY MOUNT,ASSEMBLY,NE/NE+	1
C1	MEC1906270	QBC, SCREEN HINGE ASSEMBLY, W/GOOSENECK	1
D1	MEC1907331	JOYSTICK RECEIVER MOUNT,ASSY,W/MOUNTING HARDWARE,QBC GOOSENECK CLAMP	1
E1	FRMASMB16062	JOYSTICK RECEIVER MOUNT,ASSY,UNIVERSAL,ADJUSTABLE BLOCK,D-1000-313	1

Egg Switch / Buddy Button Mounting Brackets

3M Dual Lock Mount w/ Adhesive Backing

A quantity of 2 **MUST** be selected to receive both pieces

A1

Under Arm Buddy Button Bracket

B1

Please note:

- The Bracket can be utilized in conjunction with any style Joystick Receiver.
- The Joystick Receiver is **NOT** included and must be selected separately. See the individual receiver page for options.

Side Arm Egg Switch Bracket, Version 3 Flip-back Armrests

Quantum Egg Switch Mounting Screws

(E1) is included with (C1). It is also available individually.

Egg Switch Mounting

C1

Side Arm Egg Switch Bracket, Version 1 & 2 Flip-back Armrests

D1

Replaces the Previous Version

Egg Switch Mounting

Please note:

- (C1) contains the Quantum Egg Switch mounting hardware (E1), which is also available individually.
- (C1) does **NOT** contain the mounting hardware for any other Egg Switch. To receive the mounting hardware for a different Egg Switch, the Egg Switch must be selected. See the electronics section for selection.

Please note:

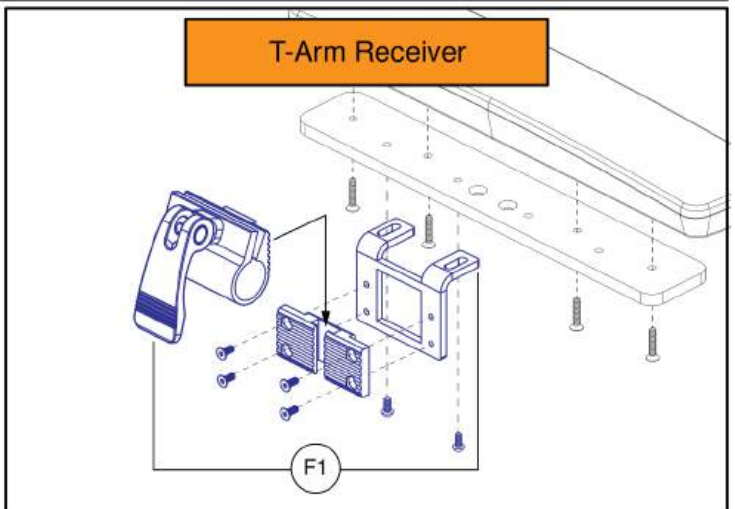
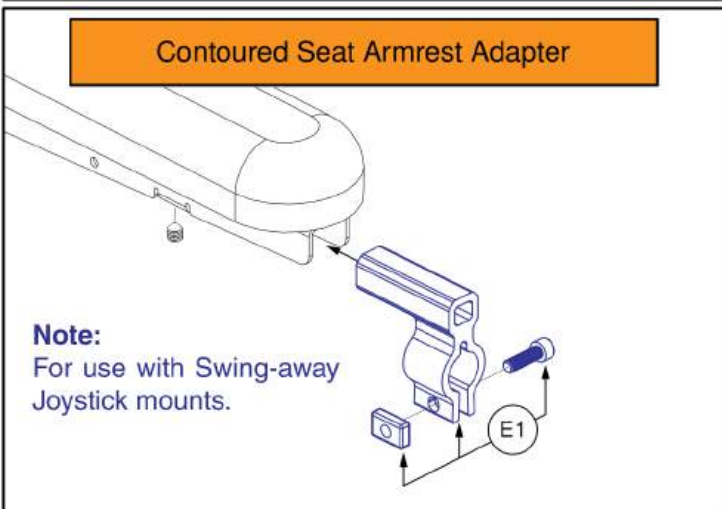
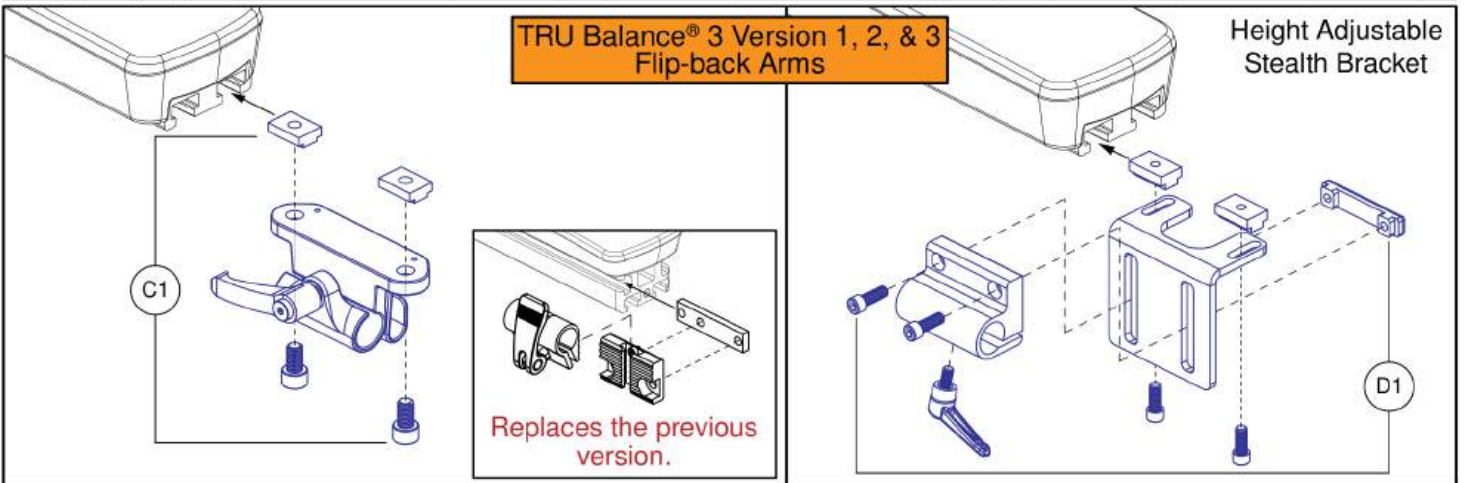
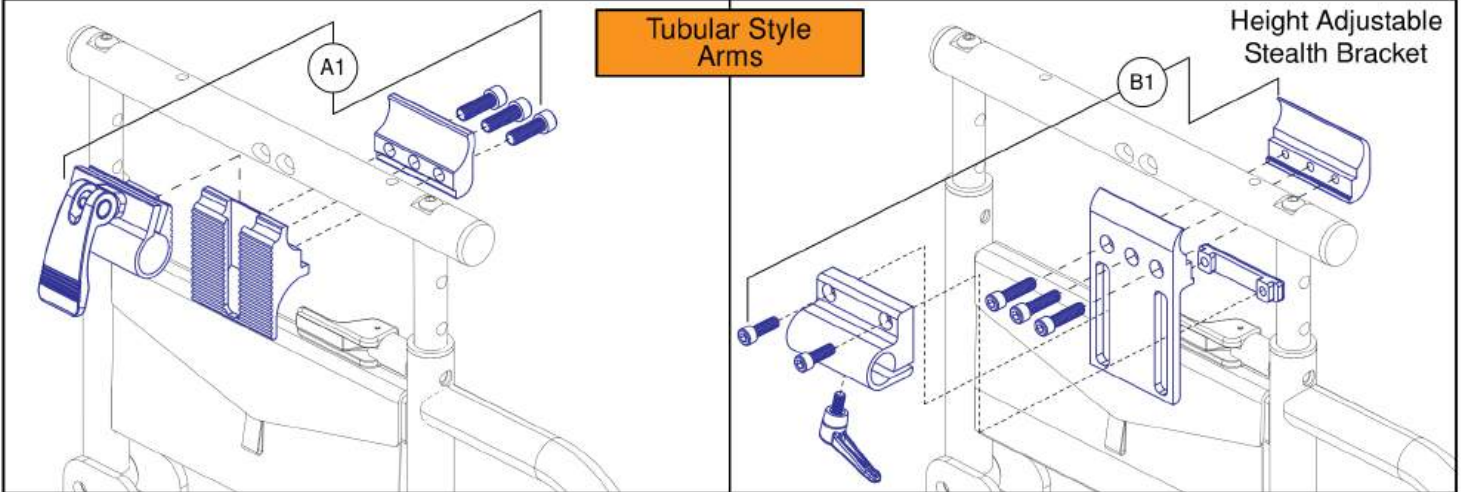
- The Egg Switch mounting hardware is included with the Egg Switch. See the electronics section for selection.

Egg Switch / Buddy Button Mounting Brackets

Item	Part No.	Name	Qty
A1	HDW155440	3M DUAL LOCK, BUDDY BUTTON	1
B1	MEC1802726	UNDER ARM BUDDY BUTTON MOUNTING BRACKET ASSY	1
C1	MEC1810667	SIDE ARM MOUNTING BRACKET FOR EGG SWITCH,FLIP-BACK ARM	1
D1	MEC1800866	SIDE ARM / SIDE RAIL MOUNTING BRACKET,EGG SWITCH,TB3 ARM	1
E1	SCRPPH1163	SCREW, PAN HEAD, TYPE H, M4X0.7 X 10, FT, ISO 7045, CL 4.8, BZ	2

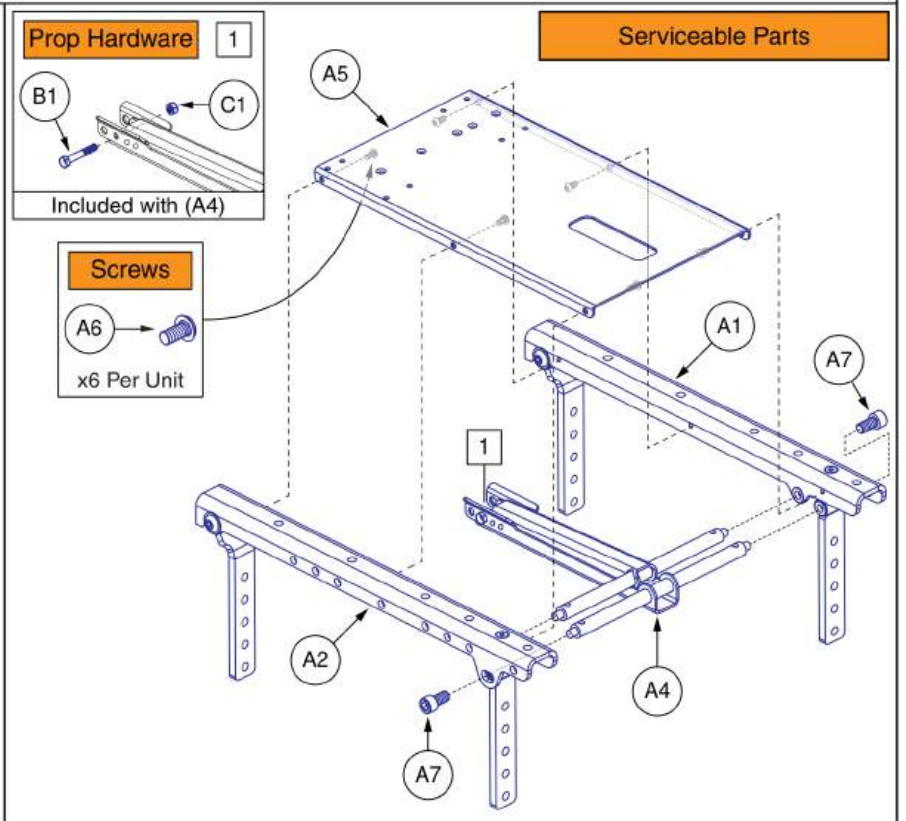
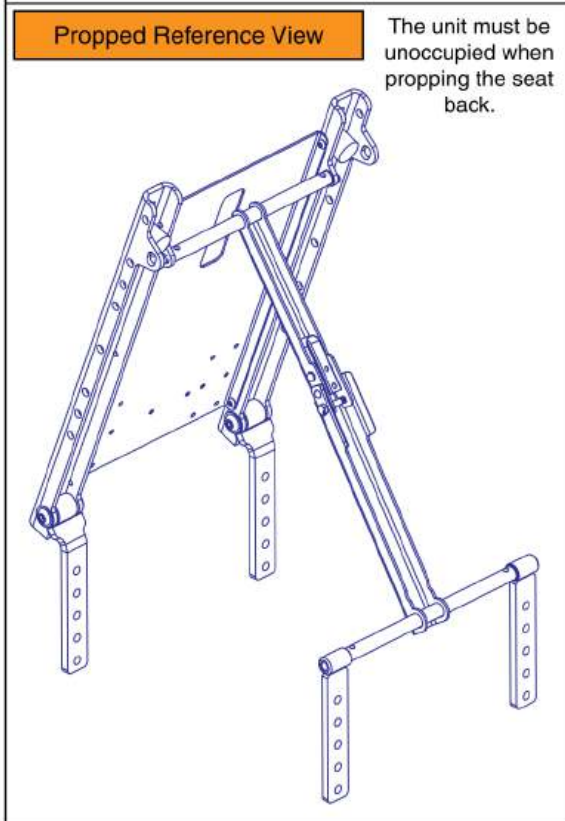
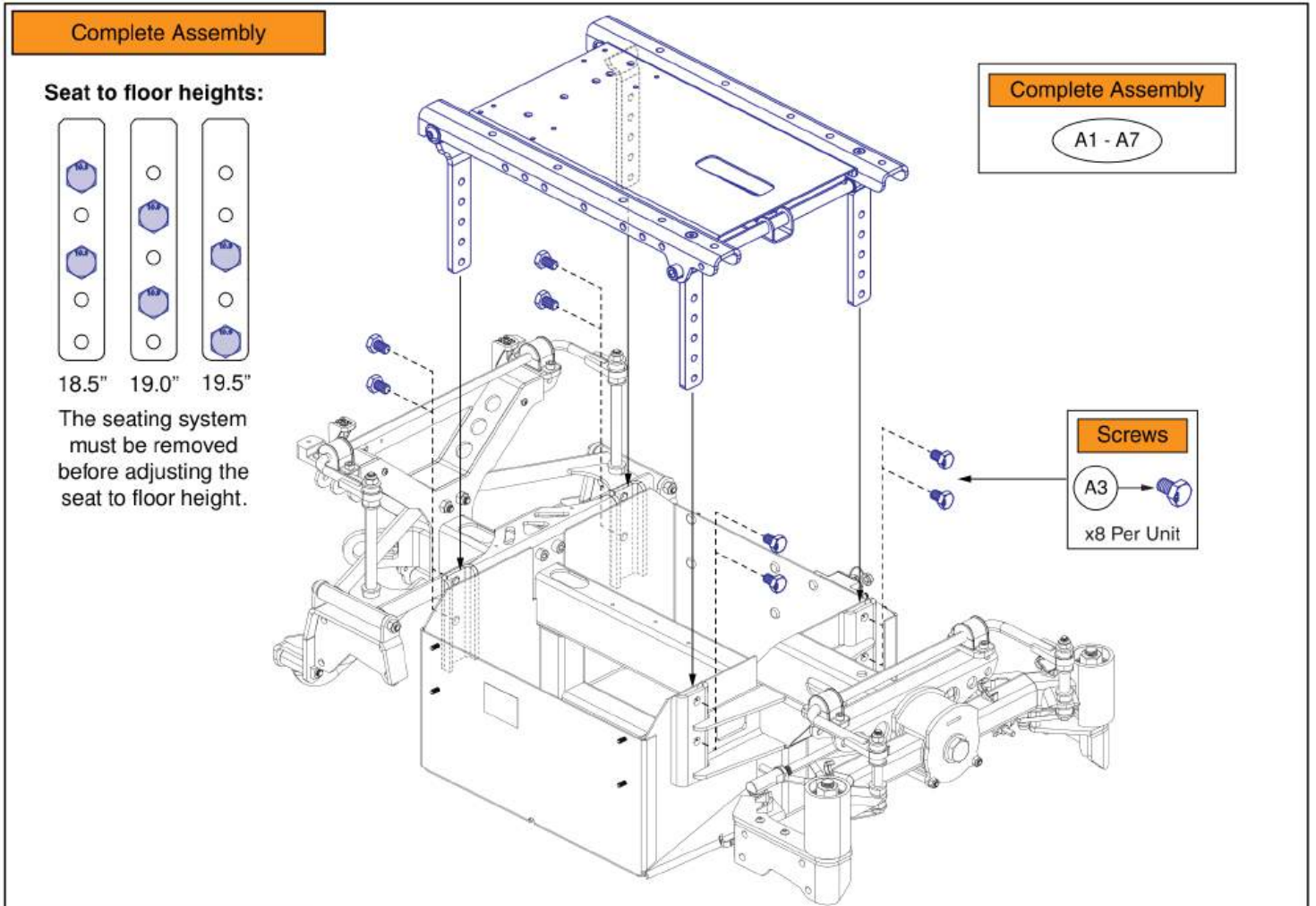
Please note:

- Joystick receiver selection varies by armrest type.
- The replacement parts shown may not be applicable to all power bases / seating systems.
- Contact Technical Service for more information.



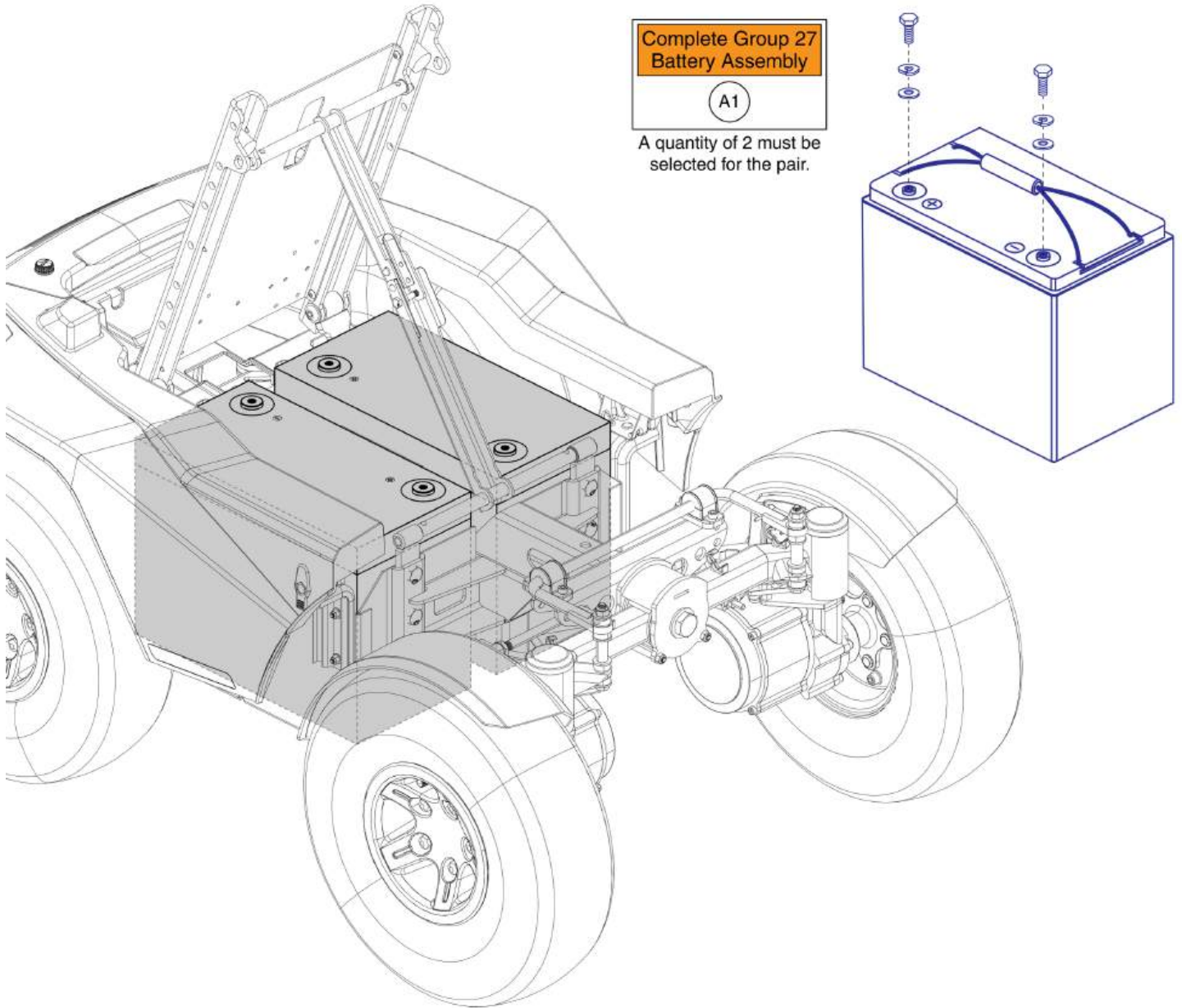
Joystick Receiver Mounts, Quantum®

Item	Part No.	Name	Qty
A1	FRMASMB16062	JOYSTICK RECEIVER MOUNT,ASSY,UNIVERSAL,ADJUSTABLE BLOCK,D-1000-313	1
B1	ST-ARM250C-Q	JOYSTICK MOUNT,ASSY,HEIGHT ADJUSTABLE,W/CLAMP HARDWARE	1
C1	MEC1809294	JOYSTICK RECEIVER MOUNT,ASSY,W/MOUNTING HARDWARE,ADJUSTABLE HANDLE	1
D1	ST-ARM250T-Q	JOYSTICK MOUNT,ASSY,HEIGHT ADJUSTABLE,W/TRACK HARDWARE	1
E1	MEC146133	ARMREST ADAPTER ASSEMBLY	1
F1	ACC1800991	JOYSTICK RECEIVER MOUNT,ASSY,TBFLEX	1



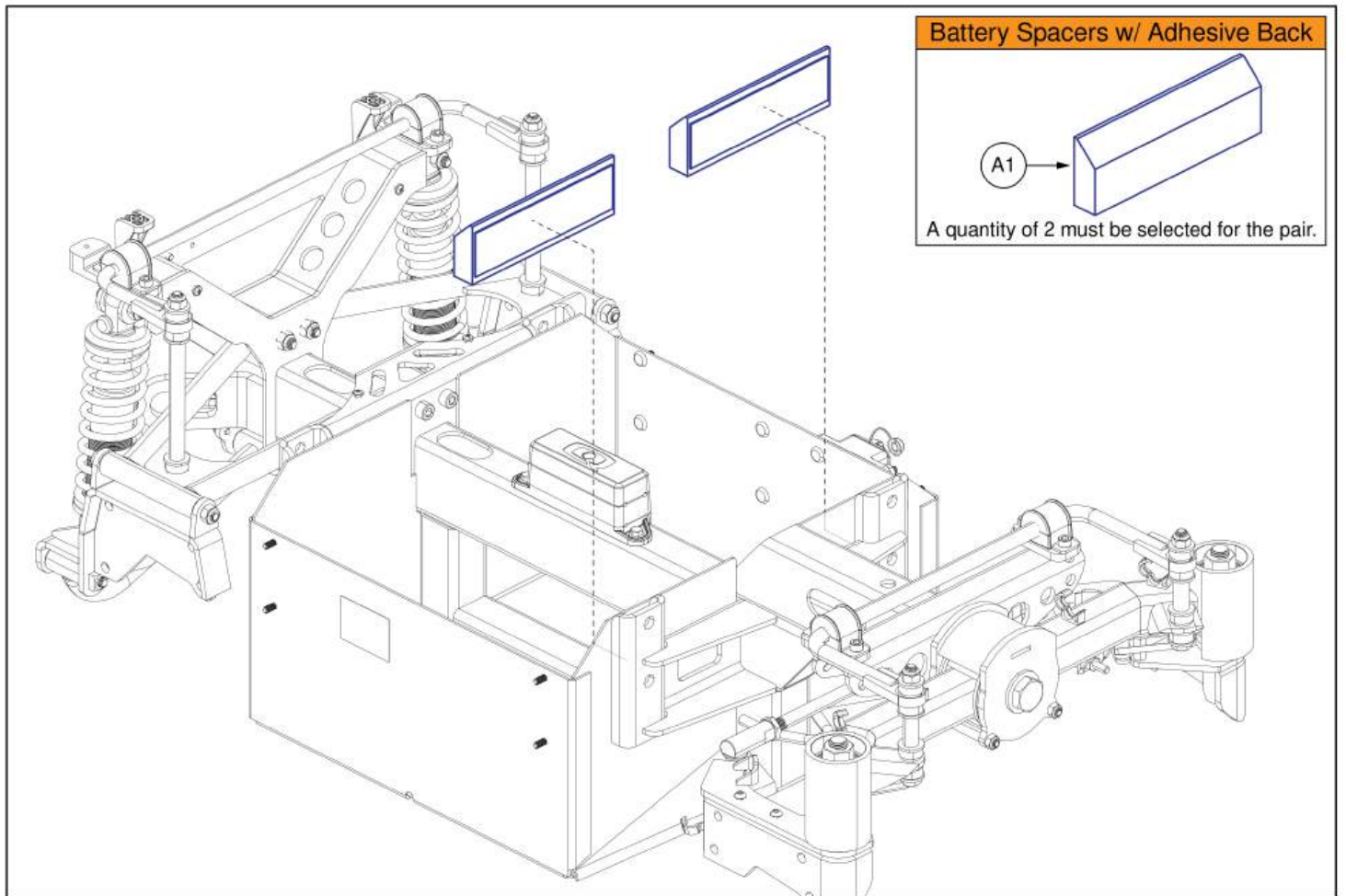
Seat Base Interface Assembly, Quantum® Outback

Item	Part No.	Name	Qty
A1 - A7	MEC2205953	SEAT INTERFACE ASSEMBLY, 4X4	1
A1	MEC2206274	SEAT RAIL ASSEMBLY, LEFT	1
A2	MEC2206275	SEAT RAIL ASSEMBLY, RIGHT	1
A3	HDW2204247	SCREW, HEX HEAD, M10X1.5 X 16, ISO 4017, CL 10.9, BLK, PVTP	8
A4	MEC2206278	4X4 PROP ASSEMBLY	1
A5	MEC2300474	4X4 LIGHT MODULE BRACKET, TB3	1
A6		SCREW, BUTTON HEAD, M5X.8 X 10, ISO 7380-1, CL 10.9, BZ, PVTP	6
A7	SCRSHCS1340	SCREW, SOCKET HEAD, M10X1.5 X 20, ISO 4762, CL 12.9, BZ, PVTP	2
B1		SCREW, HEX HEAD, M6X1 X 40, ISO 4014, CL 10.9, BLK	1
C1	HDW1807303	NUT, HEX, PVTP, M6X1, ISO 7040, CL 10, BLK	1



Group 27 Battery Assembly, Quantum® Outback

Item	Part No.	Name	Qty
A1	BAT2202335	BATTERY, NANO-SILICA, 12V, 95 AH (C/20), 76.5 AH (C/5), GROUP 27, THREADED BRASS INSERT, M6 HARDWARE PK	2

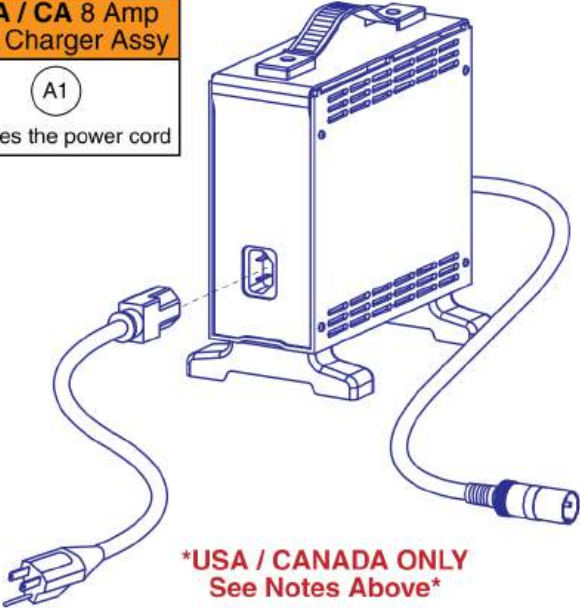
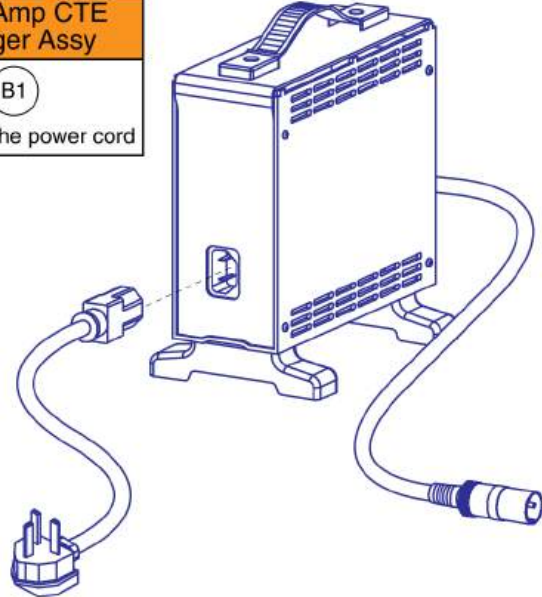
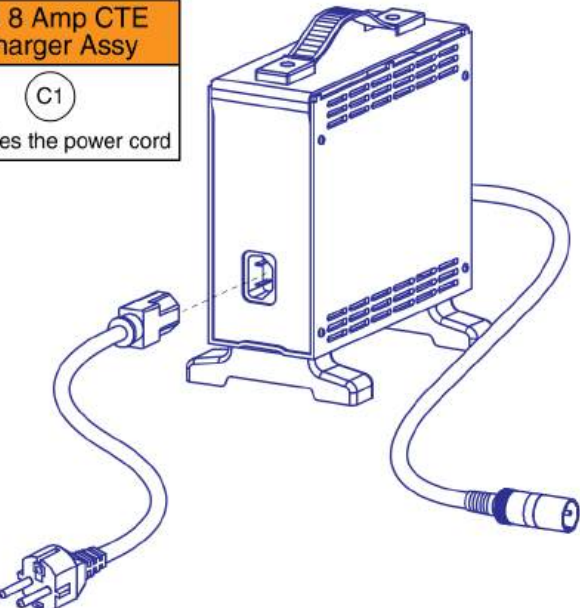
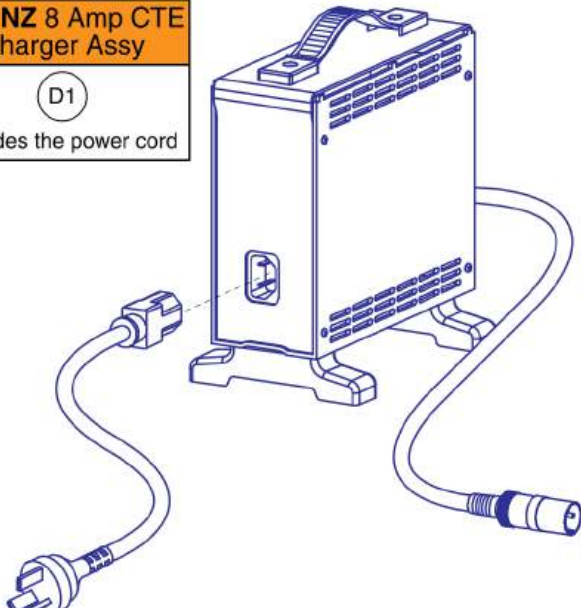






Battery Spacer, Quantum® Outback

Item	Part No.	Name	Qty
A1	DGN2401040	BATTERY SPACER ASSEMBLY	2

8 Amp CTE Charger

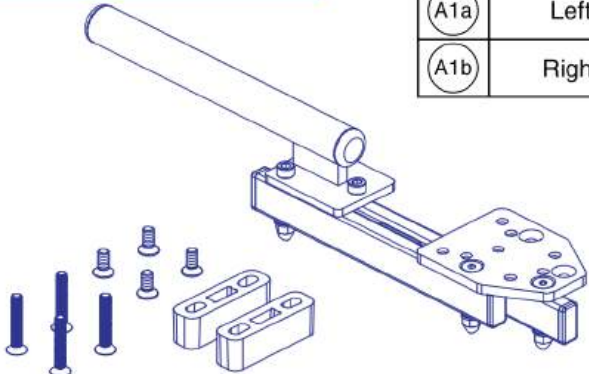
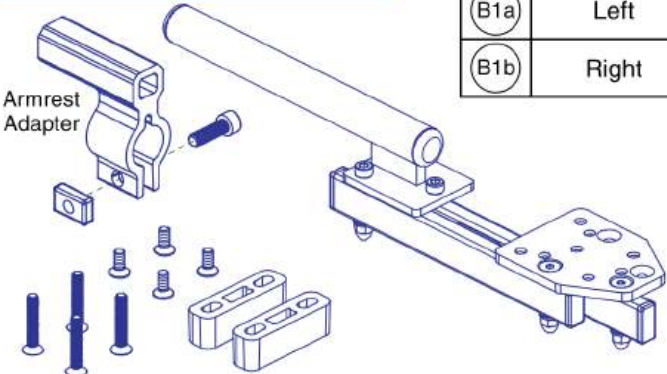
IMPORTANT: The USA / CA charger (A1) **CANNOT** be used internationally and the power cord **CANNOT** be swapped out for an international power cord. If an international charger is needed then the complete international charger assembly must be selected. Contact Technical Service for more information.

<p>USA / CA 8 Amp CTE Charger Assy</p> <p>(A1)</p> <p>Includes the power cord</p>  <p>*USA / CANADA ONLY See Notes Above*</p>	<p>UK 8 Amp CTE Charger Assy</p> <p>(B1)</p> <p>Includes the power cord</p> 
<p>EU 8 Amp CTE Charger Assy</p> <p>(C1)</p> <p>Includes the power cord</p> 	<p>AU / NZ 8 Amp CTE Charger Assy</p> <p>(D1)</p> <p>Includes the power cord</p> 

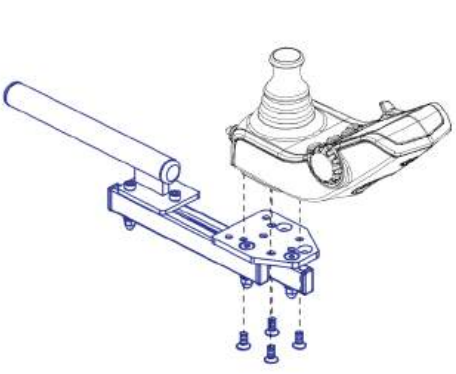
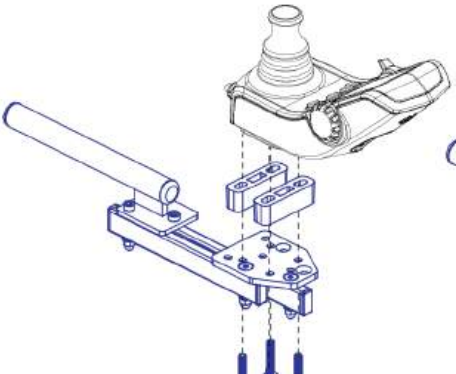
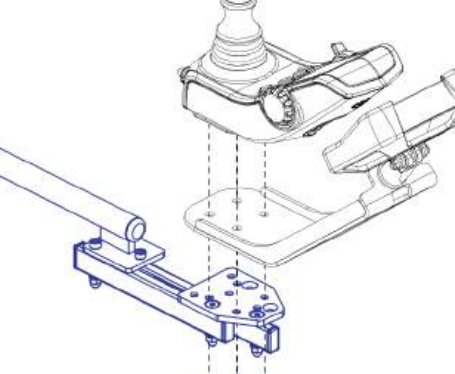
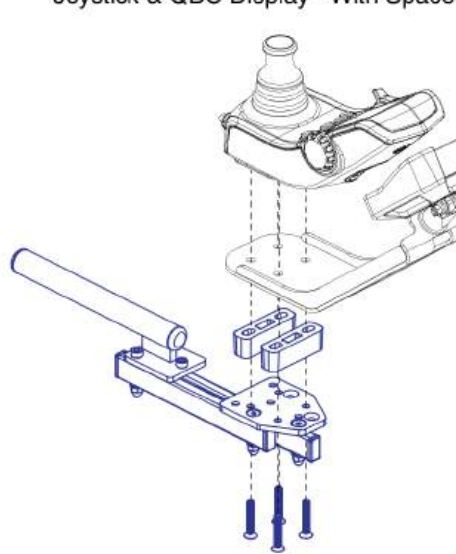
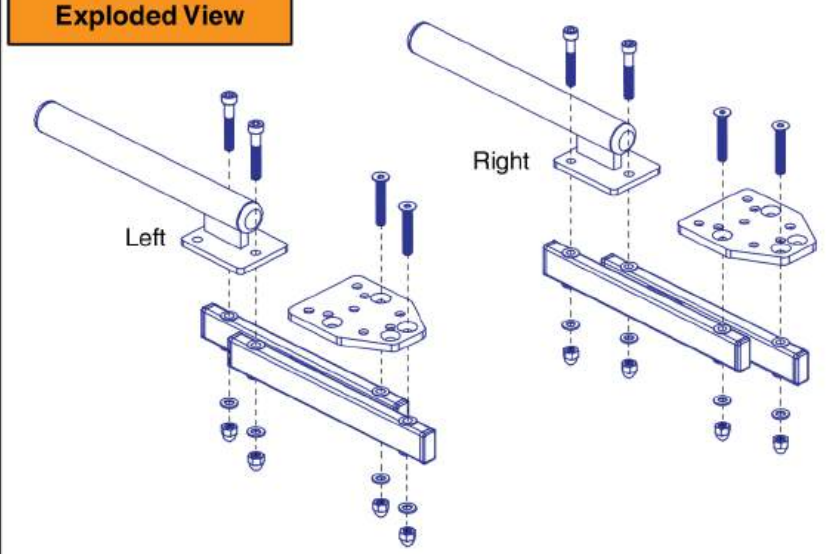
Replacement Power Cords			
<p>(E1) United States / CA</p>	<p>(F1) United Kingdom</p>	<p>(G1) European</p>	<p>(H1) Australian / NZ</p>
 <p>Type B</p>	 <p>Type G *Cannot be used with the USA / CA charger A1</p>	 <p>Type F *Cannot be used with the USA / CA charger A1</p>	 <p>Type I *Cannot be used with the USA / CA charger A1</p>

8 Amp CTE Charger

Item	Part No.	Name	Qty
A1	ELE2000091	CHARGER, OFFBOARD, LOW INHIBIT, 8A W/ USA POWERCORD	1
B1	ELEASMB5670	CHARGER, OFFBOARD, LOW INHIBIT, 8A W/ UK POWERCORD	1
C1	ELEASMB5671	CHARGER, OFFBOARD, LOW INHIBIT, AC 100V-240V@3.8A, DC 24V@8A, WITH EU POWERCORD	1
D1	ELEASMB5672	CHARGER, OFFBOARD, LOW INHIBIT, 8A W/ AU POWERCORD	1
E1	HARUSHD1065	ELECTRONIC,HARNESS,POWER CORD,IEC - USA	1
F1	HARUSHD2041	ELECTRONIC,HARNESS, POWER CORD,AC W/UK PLUG,H-1020-049	1
G1	HARUSHD2160	ELECTRONIC,HARNESS,POWER CORD,IEC - EUROPE PLUG	1
H1	DWR1000H174	ELECTRONIC,HARNESS,AC POWER CORD,INSULATED BLADES,AUSTRALIA	1

Q-Logic, Rehab Seating		Ref	Left / Right	Q-Logic, Contoured Seating		Ref	Left / Right
		A1a	Left			B1a	Left
		A1b	Right			B1b	Right

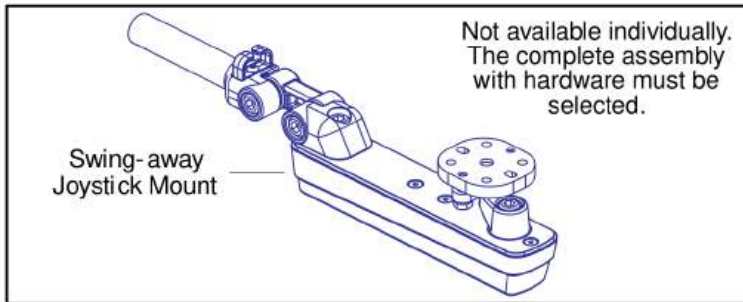
Joystick Mounting

Joystick Only - No Spacers	Joystick Only - With Spacers	Joystick & QBC Display - No Spacers
		
<p>Joystick & QBC Display - With Spacers</p> 	<div style="border: 1px solid black; padding: 5px;"> <p style="text-align: center;">Exploded View</p>  </div>	

Basic Swing-away Joystick Mount, Q-Logic

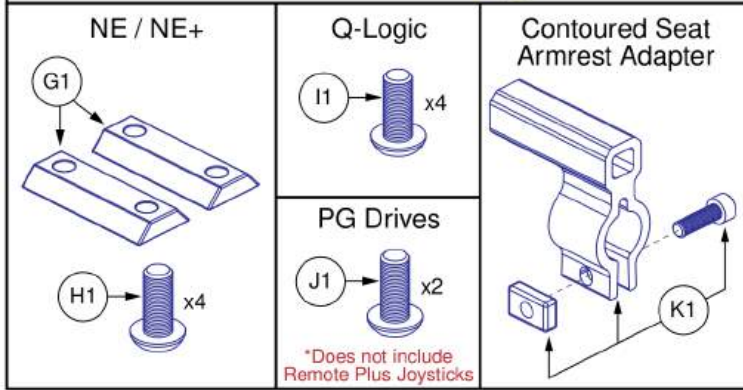
Item	Part No.	Name	Qty
A1a	ACC2201041	JOYSTICK MOUNTING BRACKET,ASSY,BASIC SWING AWAY,LEFT,Q-LOGIC	1
A1b	ACC2201042	JOYSTICK MOUNTING BRACKET,ASSY,BASIC SWING AWAY,RIGHT,Q-LOGIC	1
B1a	ACC2201043	JOYSTICK MOUNTING BRACKET,ASSY,BASIC SWING AWAY,LEFT,Q-LOGIC,CONTOURED SEAT	1
B1b	ACC2201044	JOYSTICK MOUNTING BRACKET,ASSY,BASIC SWING AWAY,RIGHT,Q-LOGIC,CONTOURED SEAT	1

Chain Driven Swing-away Joystick Mount (Version 3 Swing-away Mount)



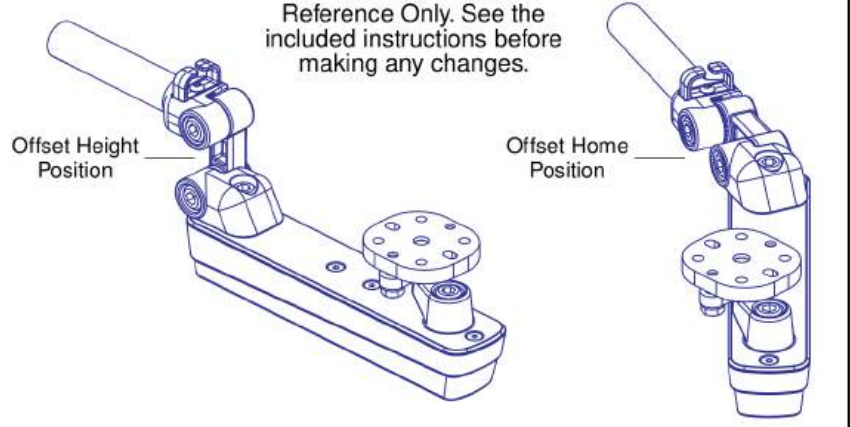
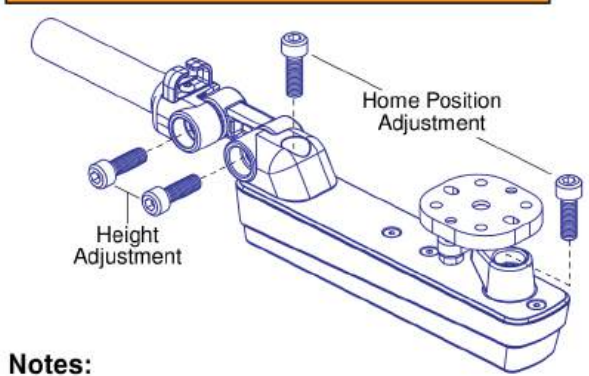
Complete Swing-away Joystick Mount w/ Hardware

Ref	Part Number	Mounting Hardware	Seating Type
(A1)	ACC1908434	Q-Logic (I1)	Rehab
(B1)	ACC1908435	Q-Logic (I1)	Contoured (K1)
(C1)	ACC1908437	NE/NE+ (G1,H1)	Rehab
(D1)	ACC1908438	NE/NE+ (G1,H1)	Contoured (K1)
(E1)	ACC1908439	PG Drives (J1)*	Rehab
(F1)	ACC1908440	PG Drives (J1)*	Contoured (K1)



- The complete assemblies A1 thru F1 include the swing-away joystick mount and the applicable joystick mounting hardware.
- The contoured seat assemblies also include the armrest adapter K1.
- PG Drives does **NOT** include Remote Plus.

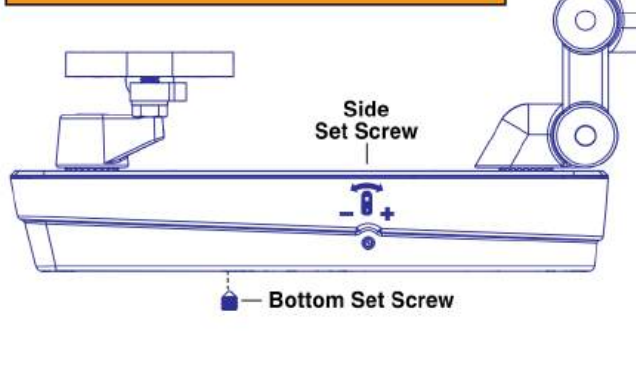
Height and Home Position Adjustments



Notes:

- Loosen the appropriate screws to adjust the height or home position of the swing-away joystick mount.
- Each pivot can be adjusted independently in 15 Degree increments to allow for a wide range of positions and angles.
- The "Home" position refers to the orientation the joystick & mount rest while the chair is in use and the mount is not performing the swing-away action.

Swing-away Force Adjustments



Set Screw:	Notes:
 Side	- Used to adjust the force needed to swing the joystick mount away. The force range depends on where the Bottom Set Screw is positioned.
 Bottom	- Used to set the force range of the Side Set Screw . Removed sets the range from 3 to 6lbs. Inserted sets the range from 5 to 8lbs.

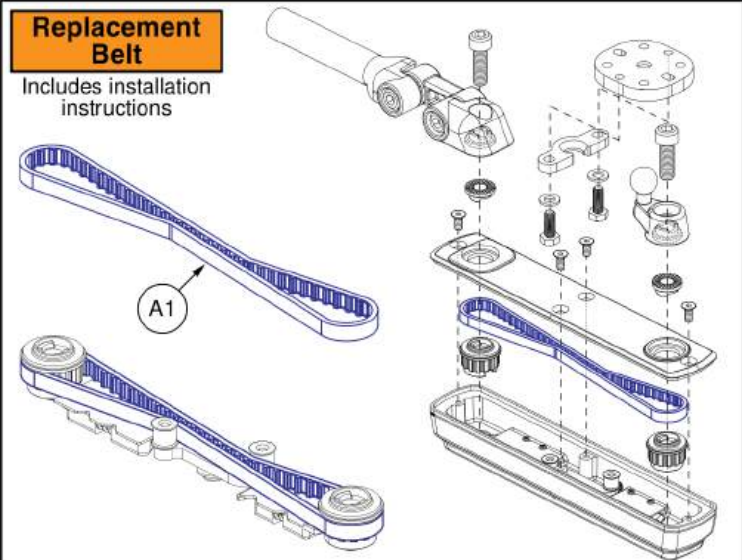
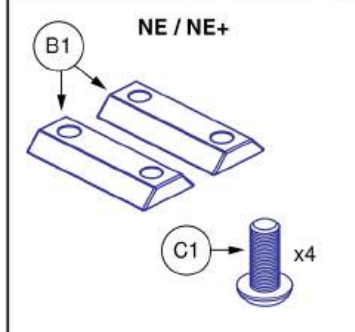
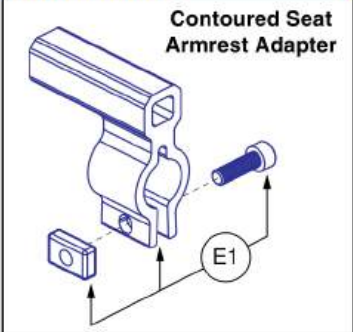
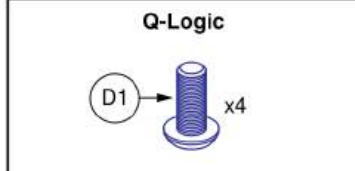
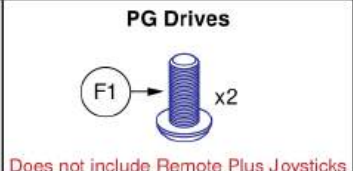
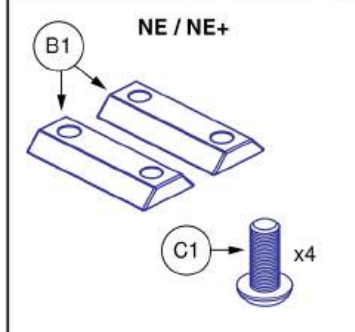
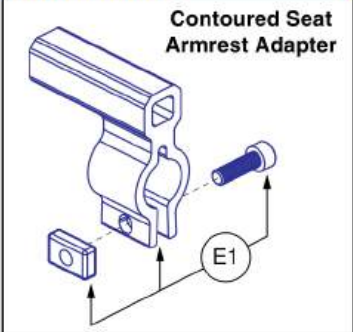
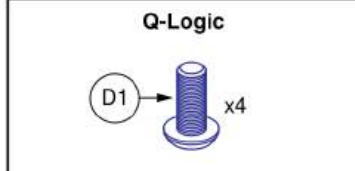
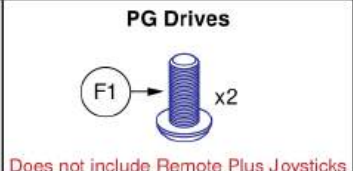
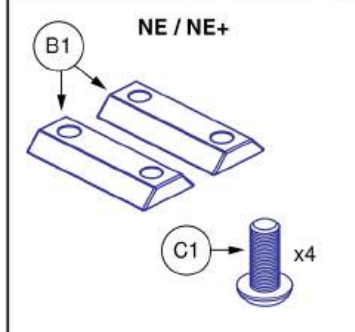
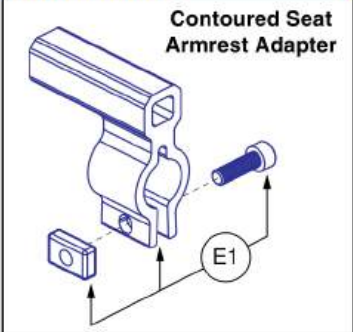
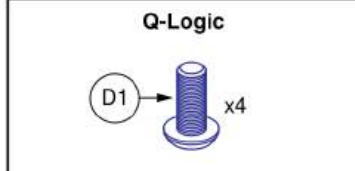
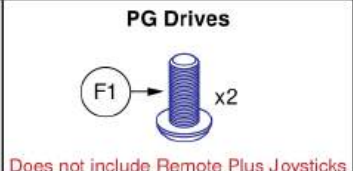
Chain Driven Swing-away Joystick Mount (Version 3 Swing-away Mount)

Item	Part No.	Name	Qty
A1	ACC1908434	JOYSTICK MOUNTING BRACKET,ASSY,SWING AWAY,Q-LOGIC	1
B1	ACC1908435	JOYSTICK MOUNTING BRACKET,ASSY,SWING AWAY,Q-LOGIC CONTOURED SEAT	1
C1	ACC1908437	JOYSTICK MOUNTING BRACKET,ASSY,SWING AWAY,NE / NE PLUS	1
D1	ACC1908438	JOYSTICK MOUNTING BRACKET,ASSY,SWING AWAY,NE / NE PLUS CONTOURED SEAT	1
E1	ACC1908439	JOYSTICK MOUNTING BRACKET,ASSY,SWING AWAY,VSI / VR2 / GC3 / R-NET	1
F1	ACC1908440	JOYSTICK MOUNTING BRACKET,ASSY,SWING AWAY,VSI / VR2 / GC3 / R-NET CONTOURED SEAT	1
G1	DWR1111C002	SPACER,CURTIS NE/NE PLUS MOUNT BRACKET,C-1111-002	2
H1	SCRPPH1384	SCREW, PAN HEAD, TYPE H, M5X0.8 X 20, ISO 7045, CL 4.8, BZ	4
I1	SCRPPH1279	SCREW, PAN HEAD, TYPE H, M5X0.8 X 16, ISO 7045, CL 4.8, BZ	4
J1	SCRPPH1384	SCREW, PAN HEAD, TYPE H, M5X0.8 X 20, ISO 7045, CL 4.8, BZ	2
K1	MEC146133	ARMREST ADAPTER ASSEMBLY	1

Belt Driven Swing-away Joystick Mount (Version 3 Swing-away Mount)

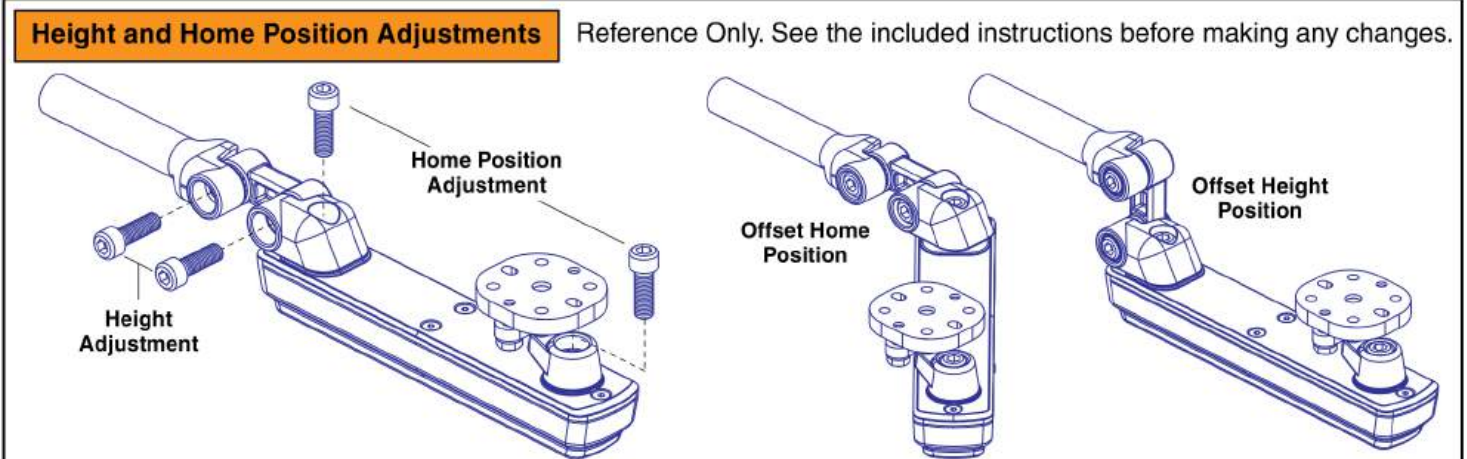
Please Note:

- Due to a product enhancement, as of S/N JC709023177020 the belt driven swing-away joystick mount is no longer available and has been replaced with the chain driven swing-away joystick mount.
- The replacement belt with installation instructions and joystick mounting hardware are still available if needed.
- Contact Quantum Technical Service for more information.

<h3>Replacement Belt</h3> <p>Includes installation instructions</p> 	<h3>Joystick Mounting Hardware</h3> <table border="1"> <tr> <td data-bbox="817 398 1173 728"> <h4>NE / NE+</h4>  <p>B1 C1 x4</p> </td> <td data-bbox="1176 398 1530 728"> <h4>Contoured Seat Armrest Adapter</h4>  <p>E1</p> </td> </tr> <tr> <td data-bbox="817 732 1173 902"> <h4>Q-Logic</h4>  <p>D1 x4</p> </td> <td data-bbox="1176 732 1530 902"> <h4>PG Drives</h4>  <p>F1 x2</p> <p>Does not include Remote Plus Joysticks</p> </td> </tr> </table>	<h4>NE / NE+</h4>  <p>B1 C1 x4</p>	<h4>Contoured Seat Armrest Adapter</h4>  <p>E1</p>	<h4>Q-Logic</h4>  <p>D1 x4</p>	<h4>PG Drives</h4>  <p>F1 x2</p> <p>Does not include Remote Plus Joysticks</p>
<h4>NE / NE+</h4>  <p>B1 C1 x4</p>	<h4>Contoured Seat Armrest Adapter</h4>  <p>E1</p>				
<h4>Q-Logic</h4>  <p>D1 x4</p>	<h4>PG Drives</h4>  <p>F1 x2</p> <p>Does not include Remote Plus Joysticks</p>				

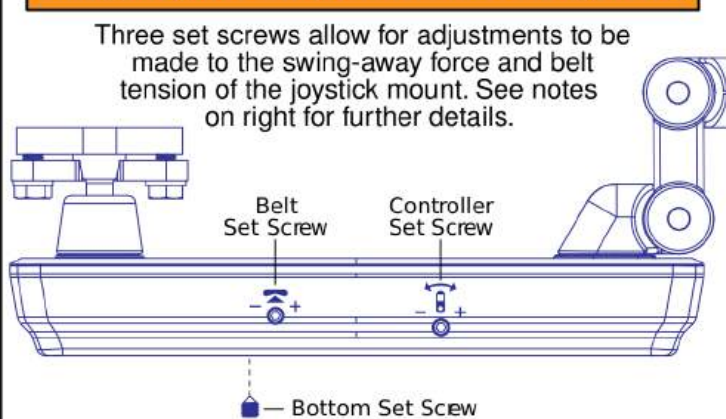



Height and Home Position Adjustments

Reference Only. See the included instructions before making any changes.



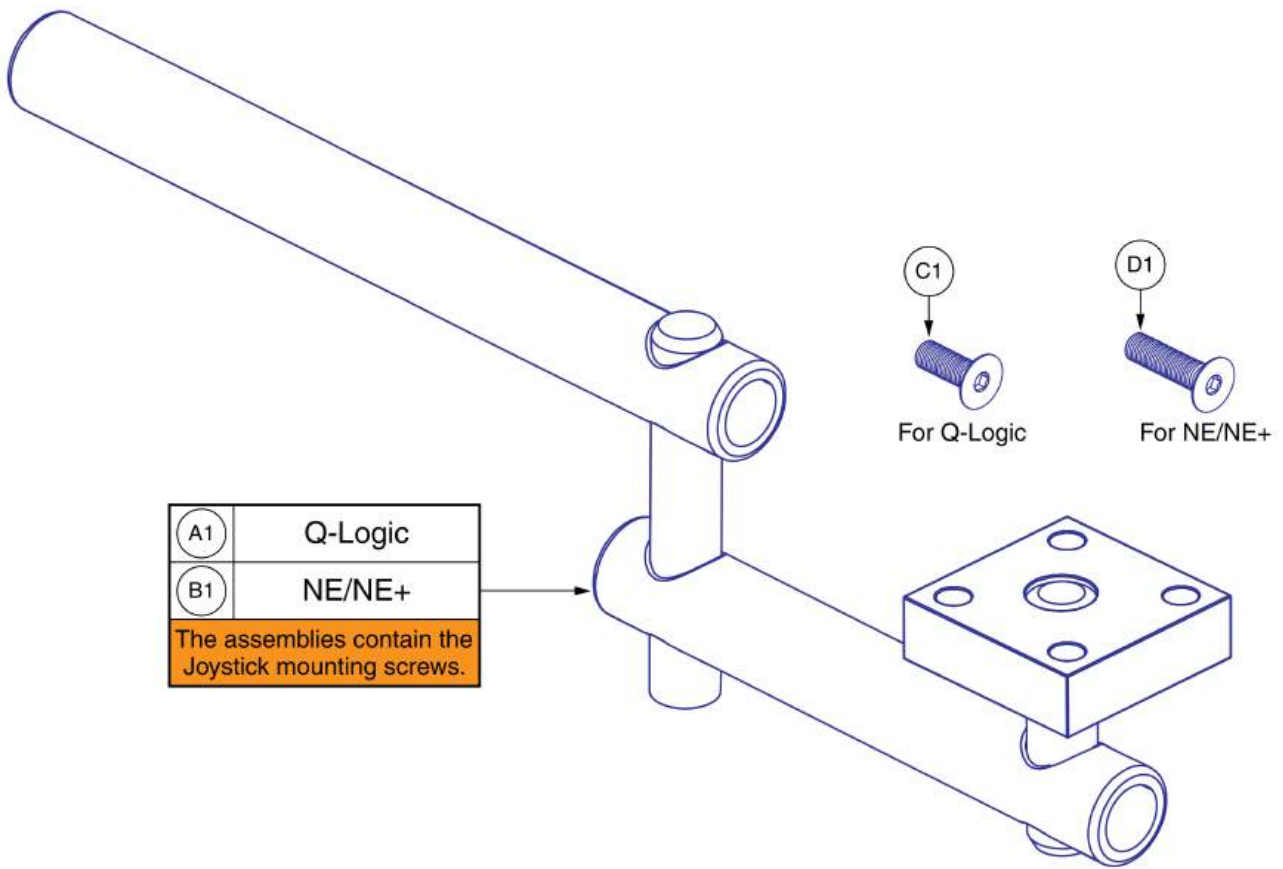
- Each pivot can be adjusted independently in 15 Degree increments to allow for a wide range of positions and angles.
- Two examples are shown. One for a possible home position and one for a possible height position.

- The "Home" position refers to the orientation the joystick & mount rest while the chair is in use and the mount is not performing the swing-away action.

Swing-away Force Adjustment and Belt Tightening	Set Screw	Notes
<p>Three set screws allow for adjustments to be made to the swing-away force and belt tension of the joystick mount. See notes on right for further details.</p> 	 <p>Controller</p>  <p>Bottom</p>	<ul style="list-style-type: none"> - Adjusts the force needed to swing the joystick mount away. Force range depends on where the Bottom Set Screw is positioned. - Sets the force range of the Controller Set Screw. Removed sets the range from 3 to 6lbs. Inserted sets the range from 5 to 8lbs.
	 <p>Belt</p>	<ul style="list-style-type: none"> - Adjusts the internal belt tension. Turn inward 1/4 turn if the controller does not maintain the set orientation when swinging away or if the controller spins. - Note: This ONLY needs to be adjusted if the belt is loose and should be performed rarely.

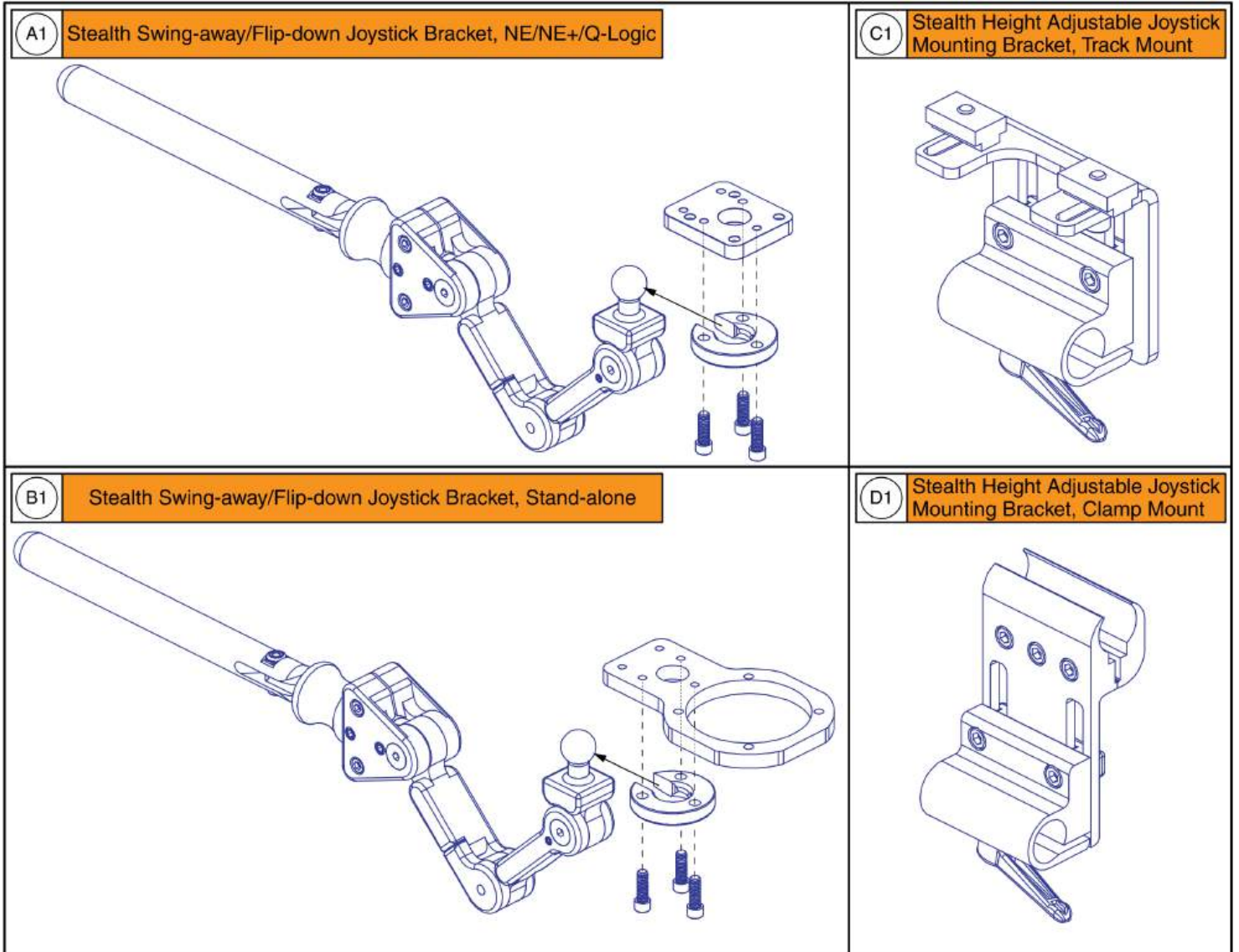
Belt Driven Swing-away Joystick Mount (Version 3 Swing-away Mount)

Item	Part No.	Name	Qty
A1	KIT2103246	TIMING BELT SERVICE ASSEMBLY, SWING AWAY JOYSTICK MOUNT	1
B1	DWR1111C002	SPACER,CURTIS NE/NE PLUS MOUNT BRACKET,C-1111-002	2
C1	SCRPPH1384	SCREW, PAN HEAD, TYPE H, M5X0.8 X 20, ISO 7045, CL 4.8, BZ	4
D1	SCRPPH1279	SCREW, PAN HEAD, TYPE H, M5X0.8 X 16, ISO 7045, CL 4.8, BZ	4
E1	MEC146133	ARMREST ADAPTER ASSEMBLY	1
F1	SCRPPH1384	SCREW, PAN HEAD, TYPE H, M5X0.8 X 20, ISO 7045, CL 4.8, BZ	2



Retract 4 Swing-away Joystick Bracket for Curtis Joysticks

Item	Part No.	Name	Qty
A1	MEC138860	SWING AWAY JOYSTICK MOUNT,ASSY,RETRACT 4,Q-LOGIC	1
B1	MEC138876	SWING AWAY JOYSTICK MOUNT,ASSY,RETRACT 4,NE/NE PLUS	1
C1	SCRSFH1005	SCREW, FLAT HEAD, M5X0.8 X 14, ISO 10642, CL 10.9, BZ	4
D1	SCRSHFH1053	SCREW, FLAT HEAD, M5X0.8 X 20, ISO 10642, CL 10.9, BZ	4

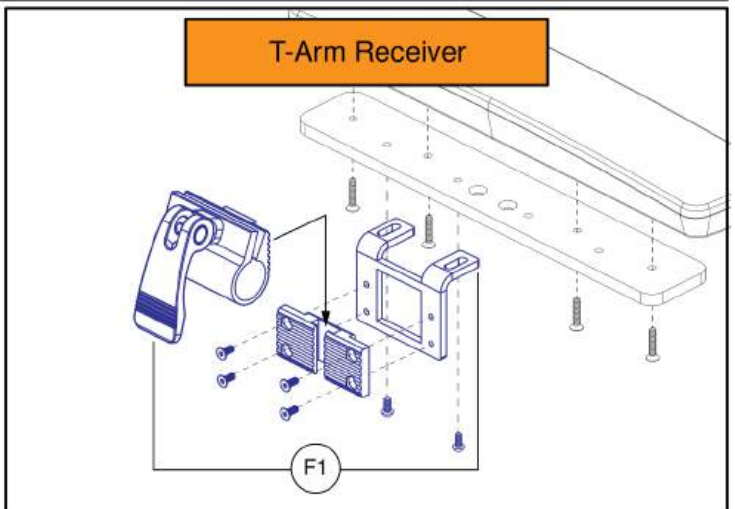
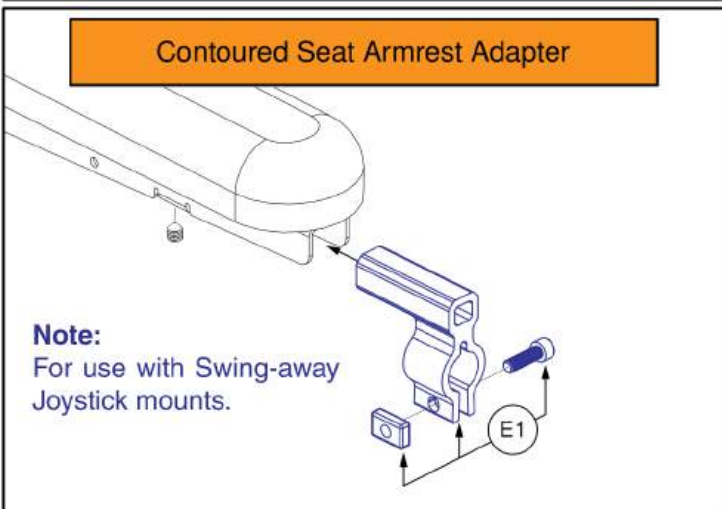
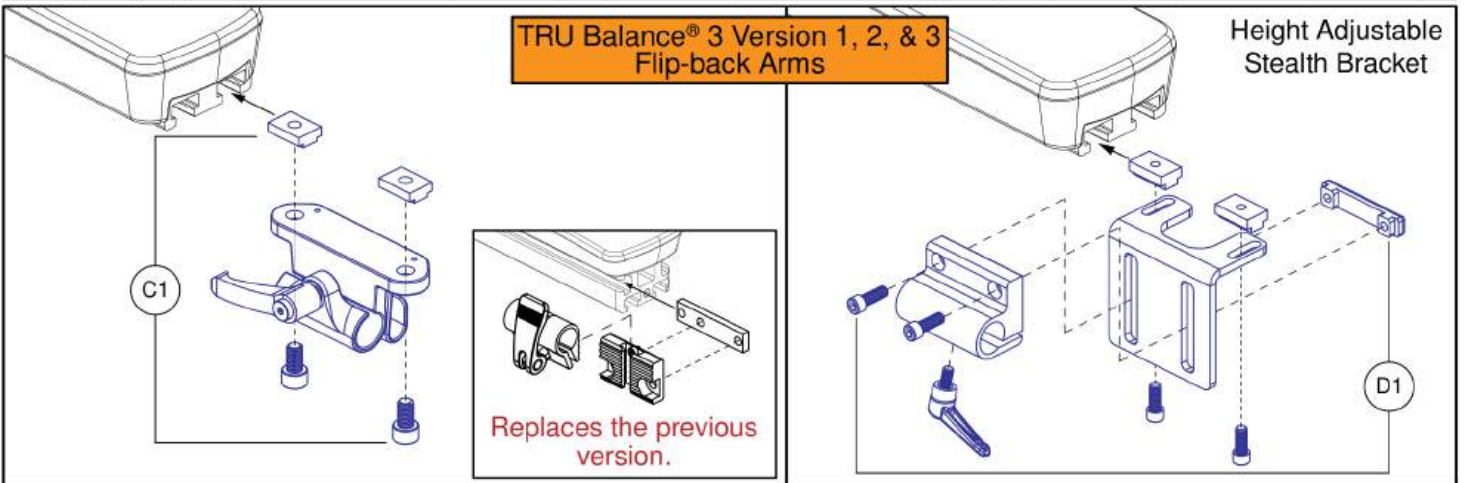
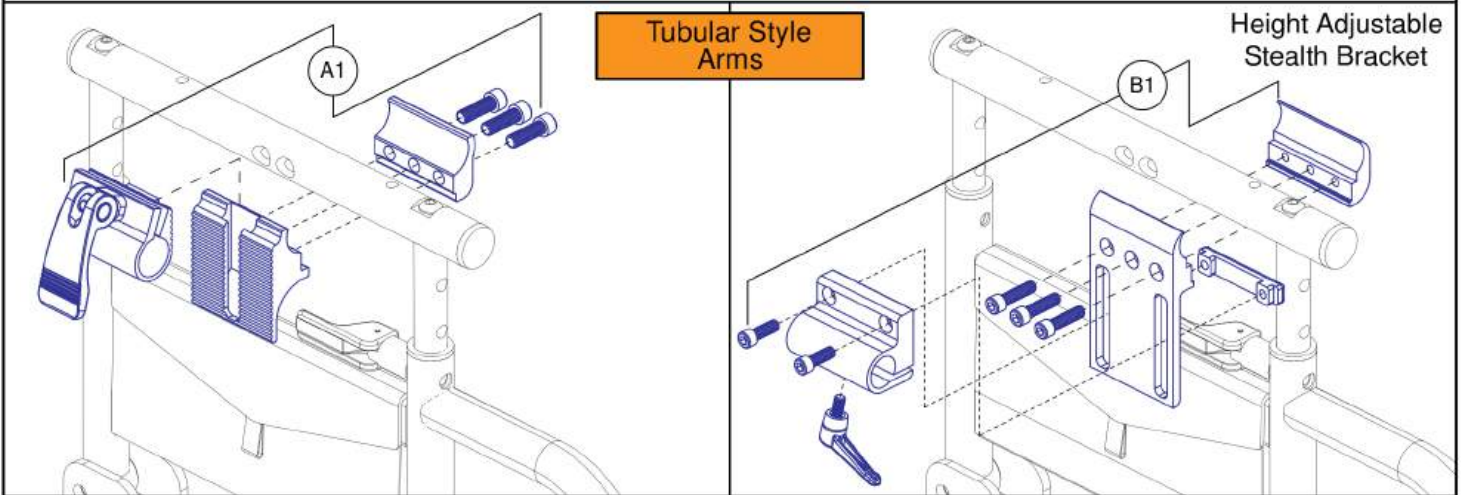


Stealth Swing-away / Flip Down Joystick Brackets & Mounts

Item	Part No.	Name	Qty
A1	ST-TWBM480QL-Q	JOYSTICK MOUNTING BRACKET,ASSY,SWING AWAY/FLIP DOWN,NE/NE PLUS/Q-LOGIC,W/MOUNTING HARDWARE	1
B1	ST-TWBM480CJ-Q	JOYSTICK MOUNTING BRACKET,ASSY,SWING AWAY/FLIP DOWN,STANDALONE,W/MOUNTING HARDWARE	1
C1	ST-ARM250T-Q	JOYSTICK MOUNT,ASSY,HEIGHT ADJUSTABLE,W/TRACK HARDWARE	1
D1	ST-ARM250C-Q	JOYSTICK MOUNT,ASSY,HEIGHT ADJUSTABLE,W/CLAMP HARDWARE	1

Please note:

- Joystick receiver selection varies by armrest type.
- The replacement parts shown may not be applicable to all power bases / seating systems.
- Contact Technical Service for more information.



Joystick Receiver Mounts, Quantum®

Item	Part No.	Name	Qty
A1	FRMASMB16062	JOYSTICK RECEIVER MOUNT,ASSY,UNIVERSAL,ADJUSTABLE BLOCK,D-1000-313	1
B1	ST-ARM250C-Q	JOYSTICK MOUNT,ASSY,HEIGHT ADJUSTABLE,W/CLAMP HARDWARE	1
C1	MEC1809294	JOYSTICK RECEIVER MOUNT,ASSY,W/MOUNTING HARDWARE,ADJUSTABLE HANDLE	1
D1	ST-ARM250T-Q	JOYSTICK MOUNT,ASSY,HEIGHT ADJUSTABLE,W/TRACK HARDWARE	1
E1	MEC146133	ARMREST ADAPTER ASSEMBLY	1
F1	ACC1800991	JOYSTICK RECEIVER MOUNT,ASSY,TBFLEX	1



Owner's Package

Owner's Package, Australia, Quantum® Outback

Item	Part No.	Name	Qty
N/A	INFMANU5075	MANUAL,CONSUMER SAFETY GUIDE,QUANTUM	1
N/A	INFMANU5430	MANUAL,OWNER'S,QUANTUM OUTBACK,ENGLISH	1
N/A	INFINFB4599	MANUAL,PRODUCT SPECIFICATION SHEET,QUANTUM OUTBACK,ENGLISH	1
N/A	INFINFB3072	MANUAL,PRODUCT INSERT SHEET,POWER CHAIR WARRANTY,AUSTRALIA	1
N/A	PLSTIE1004	TIEDOWN STRAP, 200 LG, PLASTIC, BLACK, SPEC NO. 2106329-2-50-175-V2	6



Decal Package

Decal Package, Australia, Quantum® Outback

Item	Part No.	Name	Qty
N/A	LAB2303772	DECAL,DATA PLATE,QUANTUM OUTBACK,ENGLISH INT	1
N/A	DWR1235L521	DECAL,WARNING,CONTROLLER CORD PLACEMENT,L-1235-521	1
N/A	DWR1235L551	DECAL,ISO,"AGM/GEL CELL/DOT CERTIFIED",L-1235-551	1
N/A	LAB2101449	DECAL,ISO SYMBOL,BATTERY ISOLATION/DISCONNECT	1
N/A	DWR1235L225	DECAL,LIMITED STABILITY,LITESTREAMXF,L-1235-225	1

Appendix A:Pages Index

5 MPH Drive Motor Assemblies, Quantum® Outback	23
6 MPH Drive Motor Assemblies, Quantum® Outback	21
8 Amp CTE Charger	101
AM3 for REAC Lift, No Base Lights, Quantum® Outback	55
AM3L for REAC Lift, Base Mounted Lights, Quantum® Outback	53
Aftermarket Joystick Knobs - Curtis and P&G	43
Articulation Limiter (Lift Seats), Quantum® Outback	9
Basic Swing-away Joystick Mount, Q-Logic	103
Battery Spacer, Quantum® Outback	99
Belt Driven Swing-away Joystick Mount (Version 3 Swing-away Mount)	107
Chain Driven Swing-away Joystick Mount (Version 3 Swing-away Mount)	105
Circuit Break and Power Harnesses, Quantum® Outback	45
Complete Shroud Assembly, Quantum® Outback	61
Decal Package, Australia, Quantum® Outback	117
Drive Wheels, Quantum® Outback	32
Egg Switch / Buddy Button Mounting Brackets	81, 91
Front Axle, Tie-Rod, and Hardware, Quantum® Outback	7
Front Fenders and Caster Caps, Quantum® Outback	63
Front Frame Assembly, Complete, Quantum® Outback	3
Front Sway Bar Assembly, Quantum® Outback	5
Group 27 Battery Assembly, Quantum® Outback	97
Joystick Receiver Mounts, Quantum®	83, 93, 113
Left Motor Harness, Quantum® Outback	25
Light Module (LM), Static Seat, Base Mounted Lights, Quantum® Outback	51
Lights and Light Harnesses, Quantum® Outback	57, 71
Motor Wiring Diagram, Quantum® Outback	31
Owner's Package, Australia, Quantum® Outback	115
PTO QBC Module and Harnesses, Quantum® Outback	85
Partial Base Kit Assembly, Quantum® Outback	1
Q-Logic 3 EX Joystick Assemblies	35
Q-Logic 3 SD Cards, Quantum® Outback	41, 59
Q-Logic 3 Stand Alone Joystick Assy	39
Q-Logic 3e Joystick Assy's - Outback	37
QL3 Complete Electronics w/ Run Plug, Quantum® Outback	49
Quantum® Backup Camera Display Mounts	79, 89
Quantum® Backup Camera Kits	73
Quantum® Backup Camera Module, Harnesses, and Mounts	75
Quantum® Backup Camera, Standard Mount, and Headrest Mount	77, 87
Rear Control Arms and Hardware, Quantum® Outback	15
Rear Frame Assembly Complete, Quantum® Outback	11
Rear Hitch Receiver, Quantum® Outback	17
Rear Reflectors and Side Shroud Caps, Quantum® Outback	69
Rear Shroud, Bracket, and Motor Liner, Quantum® Outback	67
Rear Sway Bar Assembly, Quantum® Outback	13
Retract 4 Swing-away Joystick Bracket for Curtis Joysticks	109
Right Motor Harness, Quantum® Outback	27
Seat Base Interface Assembly, Quantum® Outback	95
Side Shroud Assemblies, Quantum® Outback	65
Stealth Swing-away / Flip Down Joystick Brackets & Mounts	111
Suspension Assembly, Quantum® Outback	19
Terminal Block Assembly, Quantum® Outback	29, 47

Appendix B:Parts Index

ACC1800991	84, 94, 114	DGN2401040	100
ACC1908434	106	DWR1000H174	102
ACC1908435	106	DWR1005B049	34
ACC1908437	106	DWR1111C002	106, 108
ACC1908438	106	DWR1235L225	118
ACC1908439	106	DWR1235L521	118
ACC1908440	106	DWR1235L551	118
ACC2201041	104	ELE124312	36
ACC2201042	104	ELE144006	36
ACC2201043	104	ELE1907290	76
ACC2201044	104	ELE1908252	86
ACC2401738	86	ELE2000091	102
ACCASMB1856	44	ELE2000270	76
ACCASMB1857	44	ELE2000271	76, 86
ACCASMB1858	44	ELE2004373	76, 86
ACCASMB1859	44	ELE2101000	86
ACCASMB1860	44	ELE2101001	86
ACCASMB1861	44	ELE2103635	38
ACCASMB1862	44	ELE2200923	46
BAT2202335	98	ELE2200951	46
CLPCBLC1028	58, 66, 72	ELE2300394	58, 72
CTL143976	36	ELE2301573	46
CTL143977	36	ELE2301668	58, 72
CTL143978	50	ELE2301690	58, 72
CTL143980	40	ELE2303110	50
CTL143986	52	ELE2303972	56
CTL2005926	56	ELE2303973	52
CTL2005927	54	ELE2303974	54
DGN124307	36	ELE2400272	22, 24, 26
DGN124309	36	ELE2400273	22, 24, 28
DGN154742	36, 38, 40	ELE2401886	42, 60
DGN1901203	50	ELE2401887	42, 60
DGN2204982	64	ELE2401888	42, 60
DGN2205834-TGY3-PCL2	68	ELE2401889	42, 60
DGN2205834-TTN1-PCL2	68	ELE2401890	38
DGN2206179	64	ELE2401891	38
DGN2206180	64	ELE2401892	38
DGN2206693	46	ELE2401893	38
DGN2206698-TGY3-PCL2	66	ELEASMB5670	102
DGN2206698-TTN1-PCL2	66	ELEASMB5671	102
DGN2206704-TGY3-PCL2	66	ELEASMB5672	102
DGN2206704-TTN1-PCL2	66	FRMASMB10454	40
DGN2206860	58, 66, 72	FRMASMB10617	36, 38
DGN2206862	58, 66, 72	FRMASMB11156	40
DGN2300044	68	FRMASMB16062	74, 80, 84, 90, 94, 114
DGN2300068	8, 22, 24, 26, 28, 64	HAR143994	52, 54, 56
DGN2300093	68	HAR144001	40
DGN2301319-TGY3-PCL2	62	HAR144003	40
DGN2301319-TTN1-PCL2	62	HAR144005	50, 52, 54, 56, 86
DGN2301711	58, 72	HARUSHD1065	102
DGN2301720	58, 72	HARUSHD2041	102
DGN2303967	58, 72	HARUSHD2160	102
DGN2303968	58, 72	HDW133851	52, 54, 56
DGN2304858	68	HDW146546	22, 24
DGN2400803	70	HDW155440	82, 92
		HDW1700885	16

HDW1701465	74	MEC2006143	76
HDW1714476	8	MEC2104227	78, 88
HDW1807303	8, 96	MEC2106123	80, 90
HDW1909552	46, 66	MEC2106132	80, 90
HDW2002907	16	MEC2200809	8
HDW2004870	6, 14	MEC2200811	14
HDW2201420	16	MEC2201378	16
HDW2204247	18, 96	MEC2201390	16
HDW2204483	8, 22, 24	MEC2204065	18
HDW2206657	96	MEC2204475	6
HDW2206708	30, 48	MEC2204478	14
HDW2303457	30, 48	MEC2204481	8
HDW2304060	52, 54, 56	MEC2204970	6
HPL-QL3_JOY_RECEIVER	36, 38	MEC2205014	8
HPL_QBC_EGG_SWT_MNT	74	MEC2205016	8
HPL_QBC_MULT_STUDS	74	MEC2205948	4
HPL_QBC_RCVR_MNT	74	MEC2205952	12
HPL_QBO_MOTOR_HARN	22, 22, 24, 24, 26, 28	MEC2205953	96
HPL_QBO_TERMINAL_BLOCK	22, 24, 26, 28	MEC2205966	20
HPL_QL3_JOY_AFTER_KNOBS	36, 38	MEC2206001	66
HPL_QL3_JOY_MOUNT	36, 38	MEC2206002	66
HPL_QL3_JOY_SD_CARD	36	MEC2206145	16
HPL_QL3_JOY_SHRD	36	MEC2206274	96
INFINFB3072	116	MEC2206275	96
INFINFB4599	116	MEC2206278	96
INFINFB4633	50	MEC2206861	30, 48
INFMANU5075	116	MEC2300463	86
INFMANU5430	116	MEC2300474	96
KIT1902931	36	MEC2300479	68
KIT2008010	38	MEC2302776	20
KIT2008635	74	MEC2400268	8
KIT2008636	74	MEC2400269	6
KIT2008637	74	MEC2400270	14
KIT2008638	74	MEC2400271	10
KIT2103246	108	MOT2400275	24
KITASMB1965	2	MOT2400276	24
LAB2101449	118	MOT2400277	22
LAB2303333	66	MOT2400278	22
LAB2303772	118	PLSKNCP1057	44
MEC138860	110	PLSKNCP1058	44
MEC138876	110	PLSTIE1001	86
MEC145417	22, 24	PLSTIE1004	54, 56, 116
MEC146133	84, 94, 106, 108, 114	RECPART1006	36, 38
MEC153354	86	SCRASBH1246	64, 68, 86, 96
MEC1611656	76	SCRPPH1036	58, 58, 66, 68, 72, 72
MEC1611657	76	SCRPPH1163	82, 92
MEC1800866	82, 92	SCRPPH1167	74
MEC1802726	82, 92	SCRPPH1279	106, 108
MEC1809294	84, 94, 114	SCRPPH1342	86
MEC1810667	82, 92	SCRPPH1384	106, 106, 108, 108
MEC1901231	78, 88	SCRPPH1390	50
MEC1906270	80, 90	SCRSFH1005	110
MEC1907331	74, 80, 90	SCRSHCS1271	16
MEC1910365	78, 88	SCRSHCS1340	96
MEC1910373	78, 88	SCRSHFH1053	110
MEC2000971	76	ST-ARM250C-Q	84, 94, 112, 114

ST-ARM250T-Q	84, 94, 112, 114
ST-TWBM480CJ-Q	112
ST-TWBM480QL-Q	112
WASMETR1073	52, 54, 56
WHL2201774	34
WHL2201777	34
WHL2201779	34
WHL2300843	34

Illustrated Parts Breakdown

USA - Quantum Rehab

401 York Avenue
Duryea, PA 18642
www.quantumrehab.com

USA - Pride Mobility Products, Corp.

401 York Avenue
Duryea, PA 18642
www.pridemobility.com

Canada

5096 South Service Road
Beamsville, Ontario L3J 1V4
www.pridemobility.ca
www.quantumrehab.ca

Australia

20-24 Apollo Drive
Hallam, Victoria 3803
www.pridemobility.com.au
www.quantumrehab.com.au

New Zealand

391 Neilson Street
Penrose, Auckland 1061
www.pridemobility.co.nz

UK

(Authorised UK Representative)

32 Wedgwood Road
Bicester, Oxfordshire OX26 4UL
www.pride-mobility.co.uk
www.quantumrehab.co.uk

Switzerland

(Authorised CH Representative)

SODIMED SA
Chermin Praz Devant 12
1032 Romanel-sur-Lausanne

Netherlands

(Authorised EU Representative)

De Zwaan 3
1601 MS Enkhuizen
www.pridemobility.eu
www.quantumrehab.eu

Italy

Via del Progresso, ang. Via del Lavoro
Loc. Prato della Corte
00065 Fiano Romano (RM)
www.pride-italia.it
www.quantumrehab-italia.it

France

26 Rue Monseigneur Ancel
69800 Saint-Priest
www.pridemobility.fr
www.quantumrehab.fr

Spain

Calle Las Minas Número 67
Polígono Industrial Urtinsa II, de Alcorcón
28923 Madrid
www.pridemobility.es

Germany

Josef-Förster-Straße 6-8
33161 Hövelhof
www.pridemobility.de
www.quantumrehab.de

China

Room #08, Building #4
TianNa Business Zone
No. 500 Jianyun Road
Pudong New Area
Shanghai 201318
www.pridechina.cn

