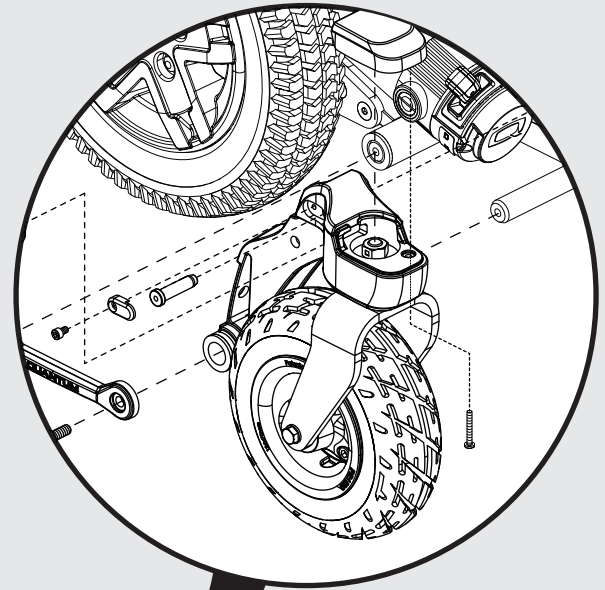


QUANTUM[®] R-TRAK

PRIDE[®]
MOBILITY
LIVE YOUR BEST[®]



Illustrated Parts Breakdown



This Illustrated Parts Breakdown (IPB) Catalog has been compiled from the latest product information available at the time of publication. Quantum Rehab® / Pride Mobility Products® Corporation reserves the right to make changes and updates to this manual and to the product(s) it represents. Any changes, updates, or improvements to the product(s) may result in slight differences between this manual and the product that has been purchased.

An IPB is a graphically portrayed parts listing of product components which have been deemed to have serviceable, maintenance significance. When applicable, IPBs utilize “exploded” illustrations that detail serviceable components and a corresponding itemized parts list of reference numbers, part numbers, descriptions, quantities, and any applicable pricing. Most product components are incorporated into assemblies and may not be available for replacement.

Serviceable components will be noted by a callout in the illustration that will correspond to a alphanumeric reference number in the parts list. Items may also be listed in the parts list by parent assemblies. In most cases when a parent assembly is listed, there will be child parts or sub-assemblies listed under that parent.

For example: The parent assembly reference number is A1 — A5. That part contains all of the items listed as and contained within A1, A2, A3, A4, & A5. As long as these subcomponents have a callout associated with them, they can be selected for replacement or quote.

Updates to the contents of an IPB will be made on a regular basis based upon applicable product changes and enhancements. This PDF catalog has been export from the Provider based service site. The most up to date parts look up tool and ordering application is located at: prideprovider.com. Please utilize this system to enhance your user experience. It is built with highly interactive materials that are set with relational properties that will facilitate easier part look-up, more accurate parts selection, notification of onhand part availability, and quick links to related documents and products.

We welcome all questions and comments regarding the Quantum Rehab® / Pride Mobility Products® Corporation IPB systems.

Any pricing that is included in Quantum Rehab® /Pride Mobility Products® Corporation IPBs is subject to change without prior notice.

Thank you for choosing products from Quantum Rehab® and Pride Mobility Products® Corporation.



1. Partial Base Kit Assembly	
Partial Base Kit Assembly, R-TRAK	1
2. Anti-tip Wheels	
Anti-Tip Wheels and Hardware, R-TRAK	3
3. Suspension Assy's	
Suspension Assembly, R-TRAK	5
4. Front Caster Assy	
Caster Arm, Fork, and Wheel, Flat-free, R-TRAK	7
5. Drive Motor Assy	
Drive Motor and Mount Assemblies, QL3/NE+ Electronics, R-TRAK	9
6. Joystick Assy	
6.1. Q-Logic 3	
Q-Logic 3 EX Joystick Assemblies	11
Q-Logic 3e Joystick Assy's - R-TRAK	13
Q-Logic 3 Stand Alone Joystick Assy	15
Q-Logic 3 SD Cards, R-TRAK	17
Q-Logic 3 Joystick Shrouds, R-TRAK Colors	19
6.2. NE+	
NE+ 6-Key Joystick Assembly	21
NE+ 8-Key Joystick Assembly (Lights)	23
6.3. Aftermarket Joystick Knobs	
Aftermarket Joystick Knobs - Curtis and P&G	25
7. Electronic Assy's	
7.1. Circuit Breaker and Power Harnesses	
Circuit Breaker and Power Harnesses, R-TRAK	27
7.2. Q-Logic 3 Electronics	
QL3 Base Electronics, Std. Fenders / No PTO QBC, R-TRAK	29
QL3 Base Electronics, Light Fenders / PTO QBC, R-TRAK	31
QL3 Base Electronics, Manual Recline, R-TRAK	33
QL3 AM3 for REAC Lift, Base Mounted, R-TRAK	35
Q-Logic 3 SD Cards, R-TRAK	37
7.3. NE+ Electronics	
NE+ Base Electronics, Std. Fenders / No PTO QBC, 6.25 mph, R-TRAK	39
NE+ Base Electronics, Light Fenders / PTO QBC, 6.25 mph, R-TRAK	41
NE+ Base Electronics, Manual Recline, 6.25 mph, R-TRAK	43
NE+ Base Electronics, Tilt thru Toggle, 6.25 mph, R-TRAK	45
NE+ AM1 for REAC Lift, Base Mounted, R-TRAK	47
8. Shroud Assy's	
Complete Shroud Assembly, R-TRAK	49
Top Shroud, R-TRAK	51
Front Shroud Complete, R-TRAK	53
Front Shroud Components, R-TRAK	55
Rear Door Shroud, R-TRAK	59
Caster Arm Shroud Assemblies, R-TRAK	63
Side Frame Shrouds, R-TRAK	65

9. Fender & Caster Cap Assemblies, Standard & Lighting

Standard Fenders & Caster Caps, R-TRAK	67
Lighted Fenders & Caster Caps, R-TRAK	69
Egg Switch / Buddy Button Mounting Brackets	71

10. Backup Camera

10.1. NE+ Electronics

PTO Backup Camera, NE+, R-TRAK	73
Quantum Backup Camera, Standard Mount, and Headrest Mount	75
Quantum Backup Camera Display Mounts	77
Egg Switch / Buddy Button Mounting Brackets	79
Joystick Receiver Mounts, Quantum	81

10.2. QL3 Electronics

10.2.1. BUS Version - TB3 w/ Power thru AAM / AM3

Quantum Backup Camera Kits	83
Quantum Backup Camera Module, Harnesses, and Mounts	85
Quantum Backup Camera, Standard Mount, and Headrest Mount	87
Quantum Backup Camera Display Mounts	89
Egg Switch / Buddy Button Mounting Brackets	91
Joystick Receiver Mounts, Quantum	93

10.2.2. PTO Version - Q-Captain, TB Flex, & TB3 Static Seat

PTO Backup Camera, QL3, R-TRAK	95
Quantum Backup Camera, Standard Mount, and Headrest Mount	97
Quantum Backup Camera Display Mounts	99
Egg Switch / Buddy Button Mounting Brackets	101
Joystick Receiver Mounts, Quantum	103

11. Seat Mount Assy's

TB3 Static Seat Interface, R-TRAK	105
TB3.5 Tilt Seat Interface, R-TRAK	107
TB3 REAC Seat Interface, R-TRAK	109
TB Flex Static Seat Interface, R-TRAK	111
TB Flex w/ Power Tilt Seat Interface & Actuator, R-TRAK	113

12. Drive Wheel Assy's

12.1. 14" x 3" Drive Wheels

14x3 Flat-free Drive Wheel, Black Rim/Black Tire, R-TRAK	115
14x3 Pneumatic Drive Wheel, Black Rim/Black Tire, R-TRAK	117
Painted Wheel Inserts, 14"x3" Drive Wheels, R-TRAK Colors	119

12.2. 14" x 4" Drive Wheels

14x4 Flat-free Drive Wheel, Black Rim/Black Tire, R-TRAK	121
14x4 Pneumatic Drive Wheel, Black Rim/Black Tire, R-TRAK	123

13. Batteries

Group 24 Battery Assembly, Interceptor 2	125
--	-----

14. Battery Charger

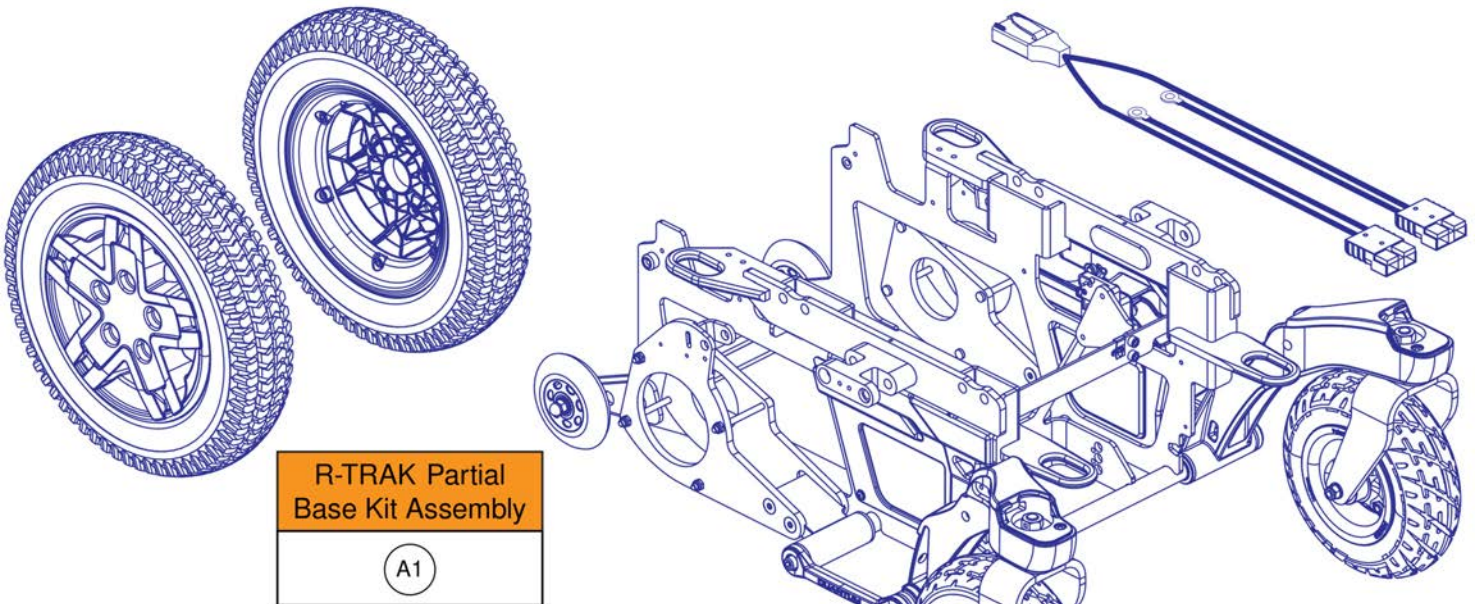
8 Amp CTE Charger	127
-------------------	-----

15. Joystick Mounts & Receivers

15.1. Basic Swing-away Joystick Mount

Basic Swing-away Joystick Mount, Q-Logic	129
--	-----

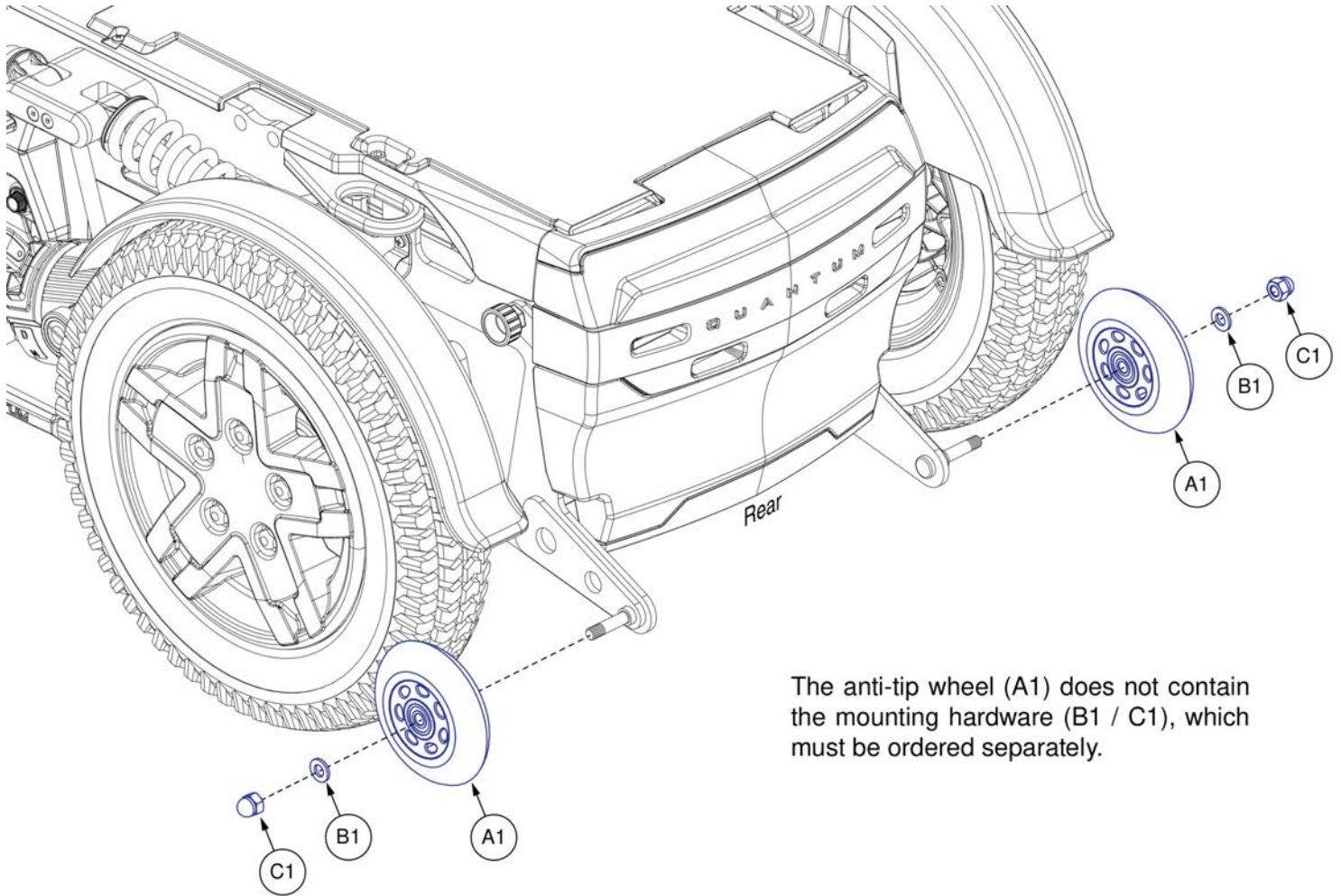
Basic Swing-away Joystick Mount - NE & NE+	131
15.2. Swing-away, Version 3	
Chain Driven Swing-away Joystick Mount (Version 3 Swing-away Mount)	133
Belt Driven Swing-away Joystick Mount (Version 3 Swing-away Mount)	135
15.3. Retract 4 Swing-away Joystick Bracket	
Retract 4 Swing-away Joystick Bracket for Curtis Joysticks	137
15.4. Stealth Swing-away / Flip-down Joystick Bracket	
Stealth Swing-away / Flip Down Joystick Brackets & Mounts	139
15.5. Joystick Bracket Receivers	
Joystick Receiver Mounts, Quantum	141
16. Owner's & Decal Packages	
Owner's Package, Australia, R-TRAK	143
Decal Package, Australia, R-TRAK	145
Appendix A:Pages Index	147
Appendix B:Parts Index	148



- The kit assembly includes the main frame with side shrouds, caster arms with flat-free wheels, anti-tip wheels, motor mounts, axle brace, pneumatic 14" x 3" drive wheels, circuit breaker with mounting bracket, and the power harness used with Q-Logic 3 / NE+ electronics.
- If equipped with flat-free drive wheels or 14" x 4" drive wheels, the wheels will need to be ordered separately and installed by the provider. The cost of the wheels will not be covered by Pride.

Partial Base Kit Assembly, R-TRAK

Item	Part No.	Name	Qty
A1	KITASMB1954	KIT,ASSY,PARTIAL UNIT,R-TRAK,PNEUMATIC TIRES,9" CASTERS	1



The anti-tip wheel (A1) does not contain the mounting hardware (B1 / C1), which must be ordered separately.

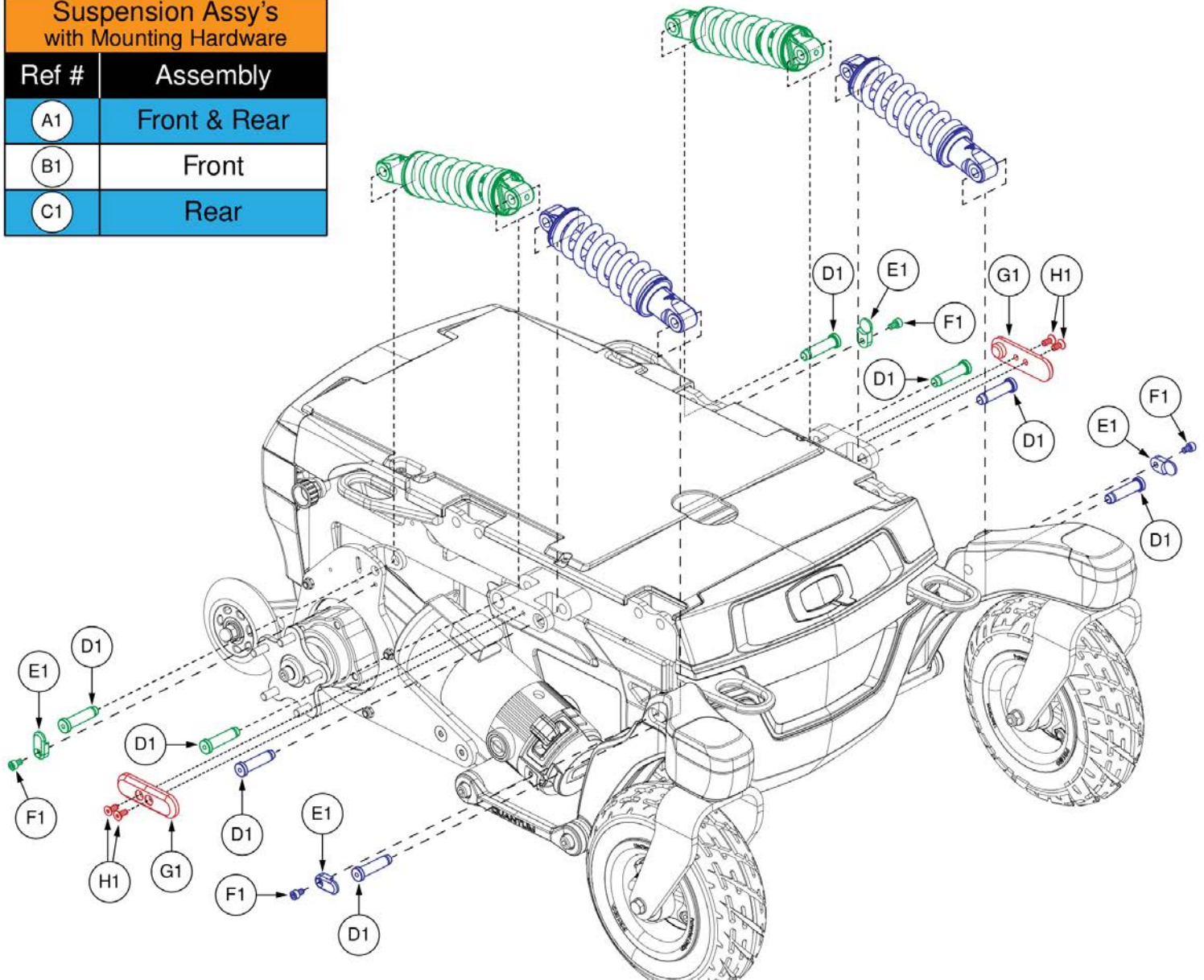
Anti-Tip Wheels and Hardware, R-TRAK

Item	Part No.	Name	Qty
A1	WHLASMB1523	WHEEL,ASSY,ANTI-TIP,100MM OD X 23.76MM TH,W/BEARINGS & SPACER,C-1505-032	2
B1	HDW138262	WASHER,FLAT,8.4 ID X 16 OD X 1.6 THK,ISO 7089-8-200 HV,BZ	2
C1	NUTACRN1012	NUT, ACORN, M8X1.25, DIN 1587, CL 6, BZ	2

Please Note:

- The front & rear assembly (A1) includes all 4 springs and all the mounting hardware shown for both sides.
- The front assembly (B1) includes 1 spring and the following mounting hardware: D1 x2, E1 x1, F1 x1, and H1 x2. A quantity of 2 must be selected for the pair.
- The rear assembly (C1) includes 1 spring and the following mounting hardware: D1 x2, E1 x1, F1 x1, and H1 x2. A quantity of 2 must be selected for the pair.
- The hardware is available individually if needed. The quantities in the parts list represent the amount included with the front & rear assembly (A1).

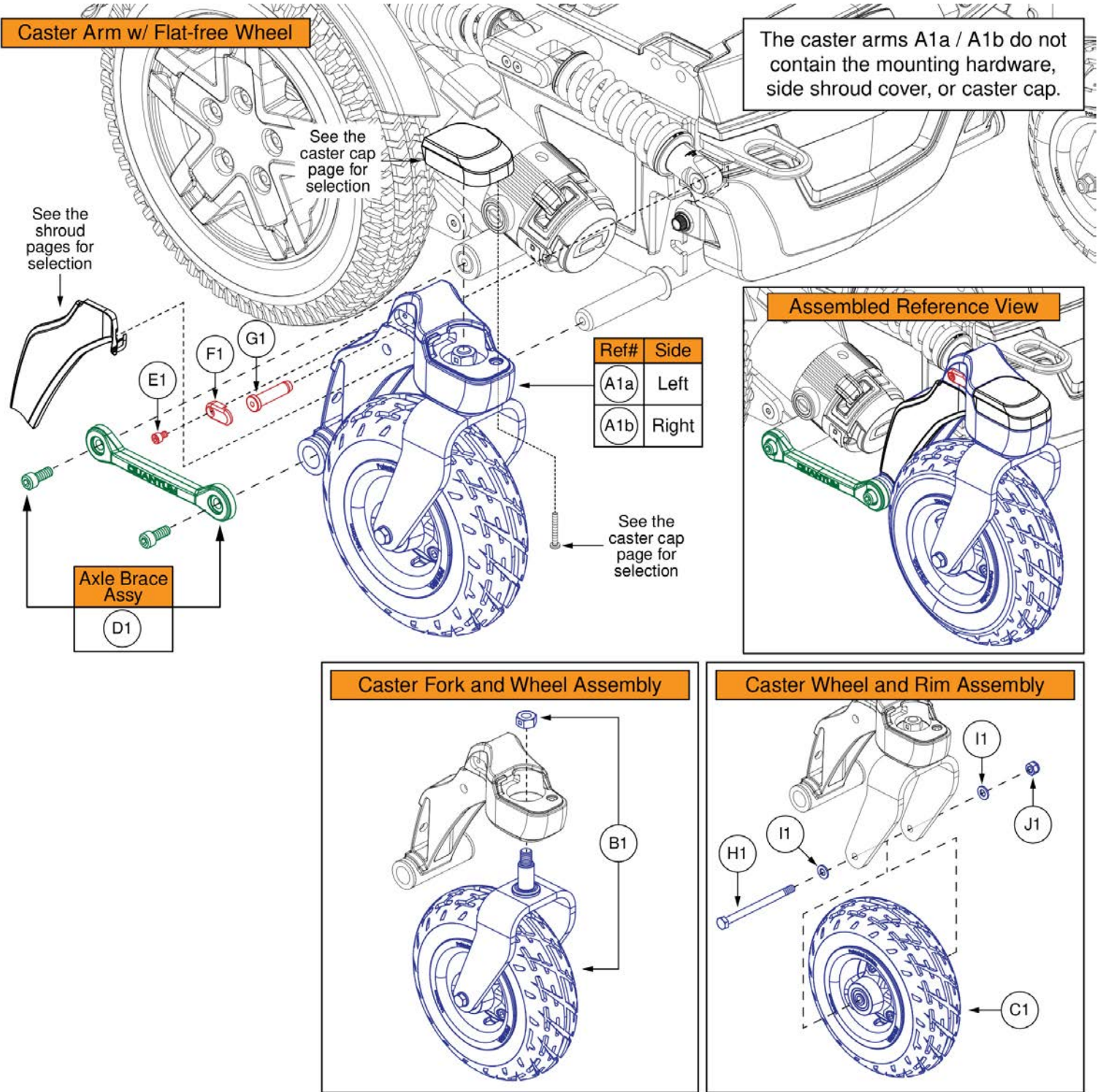
Suspension Assy's with Mounting Hardware	
Ref #	Assembly
A1	Front & Rear
B1	Front
C1	Rear



Suspension Assembly, R-TRAK

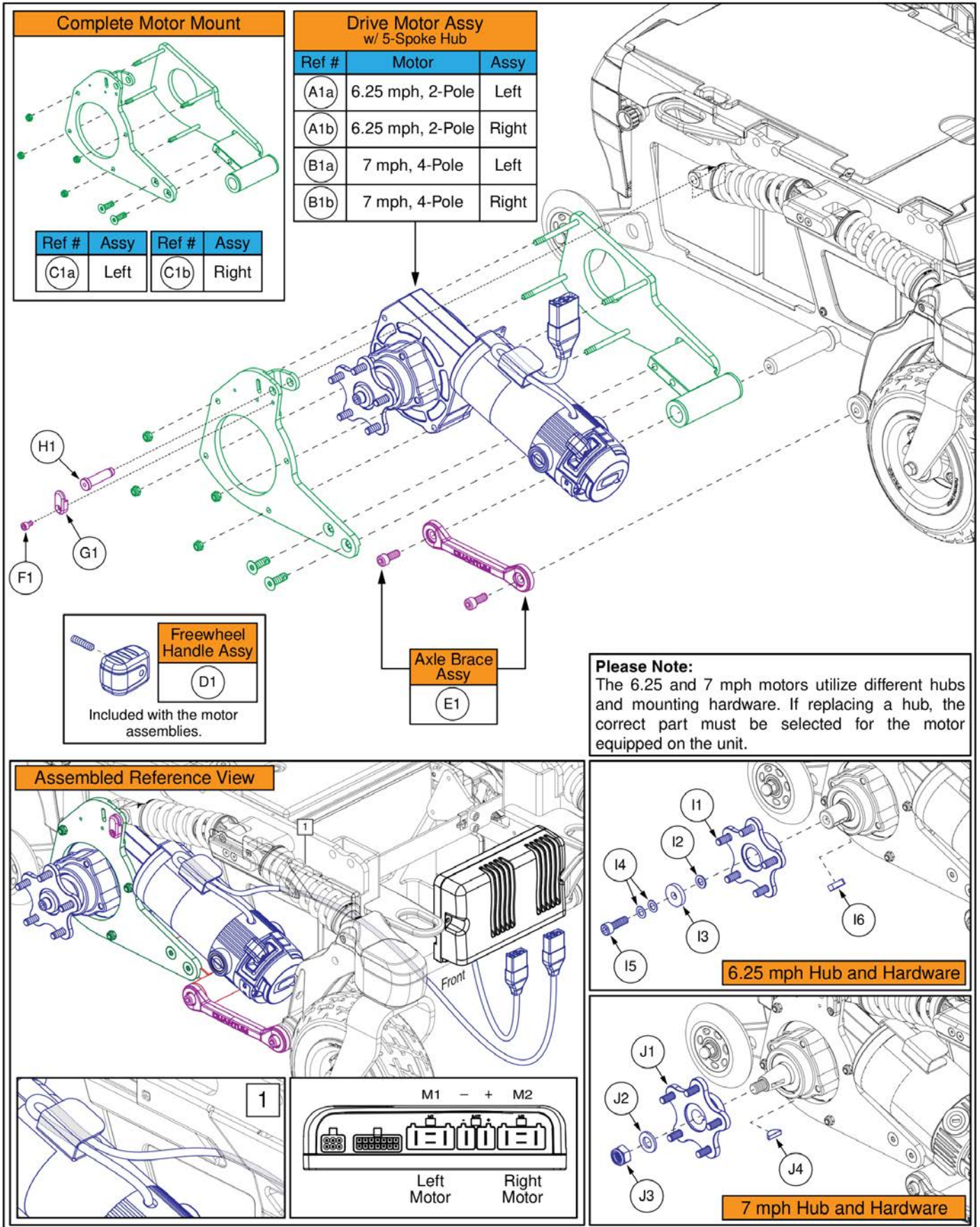
Item	Part No.	Name	Qty
A1	MEC2106062	SUSPENSION,ASSY,R-MAX,STANDARD	1
B1	MEC2202936	SUSPENSION SERVICE ASSEMBLY,FRONT,STANDARD PACKAGE,R-TRAK	2
C1	MEC2202937	SUSPENSION SERVICE ASSEMBLY,REAR,STANDARD PACKAGE,R-TRAK	2
D1	MEC1810323	PIVOT PIN	8
E1	MEC2105409	SUSPENSION PIN COVER	4
F1	SCR8110014	SCREW, SOCKET HEAD, M5X0.8 X 8, ISO 4762, CL 12.9, BZ, PVTP	4
G1	MEC1703423	PIVOT PIN COVER	2
H1	HDW120030	SCREW, FLAT HEAD, M5X0.8 X 12, ISO 10642, CL 10.9, BZ, PVTP	4

Caster Arm, Fork, and Wheel, Flat-free, R-TRAK



Caster Arm, Fork, and Wheel, Flat-free, R-TRAK

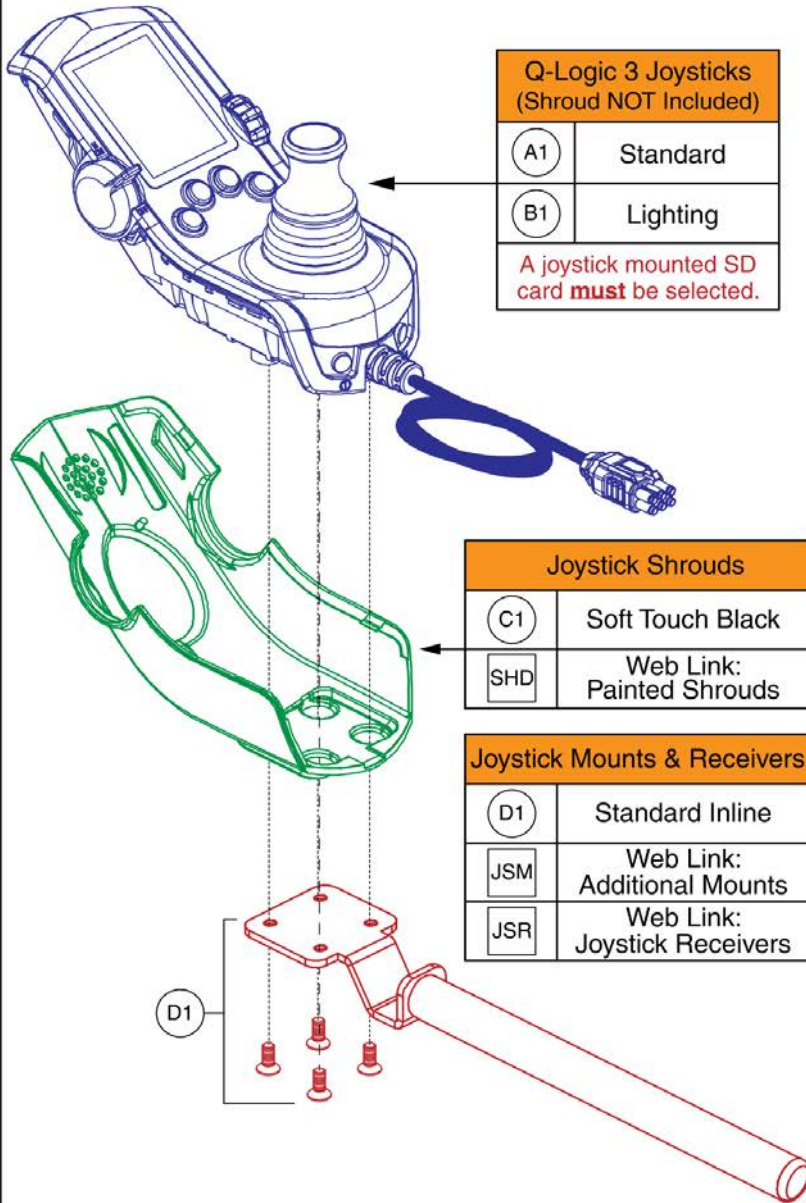
Item	Part No.	Name	Qty
A1a	MEC1909669	CASTER ARM ASSEMBLY, LEFT, RWD	1
A1b	MEC1909894	CASTER ARM ASSEMBLY, RIGHT, RWD	1
B1	MEC2202931	CASTER FORK AND WHEEL SERVICE ASSEMBLY,R-TRAK,FLAT-FREE	1
C1	WHL1703592	WHEEL,ASSY,FLAT FREE,9" CASTER,BLACK RIM/BLACK TIRE,D-1202-030	1
D1	MEC1908272	AXLE BRACE ASSEMBLY, INTERNATIONAL 4FRONT	1
E1	SCR8110014	SCREW, SOCKET HEAD, M5X0.8 X 8, ISO 4762, CL 12.9, BZ, PVTP	1
F1	MEC2105409	SUSPENSION PIN COVER	1
G1	MEC1810323	PIVOT PIN	1
H1	HDW1703195	SCREW, HEX HEAD, M8X1.25 X 110, ISO 4014, CL 12.9, BZ	1
I1	HDW138262	WASHER,FLAT,8.4 ID X 16 OD X 1.6 THK,ISO 7089-8-200 HV,BZ	2
J1	NUTNYLK1011	NUT, HEX, PVTP, M8X1.25, CL 5, BZ	1



Drive Motor and Mount Assemblies, QL3/NE+ Electronics, R-TRAK

Item	Part No.	Name	Qty
A1a	MOT2104232-01	FWD MTR HUB ROT BRK ASMB, 29:1, CURTIS (L)	1
A1b	MOT2104233-01	FWD MTR HUB ROT BRK ASMB, MIR, 29:1, CURTIS (R)	1
B1a	MOT2101599-05	FWD HD RIGHT MTR HUB ASMB STD BRAKE MIR, CURTIS, 5 POST, 21.5:1 (L)	1
B1b	MOT2101598-05	FWD HD RIGHT MTR HUB ASMB STD BRAKE, CURTIS, 5 POST, 21.5:1 (R)	1
C1a	MEC2104851	MOTOR MOUNT ASSEMBLY, LEFT FULL	1
C1b	MEC2104847	MOTOR MOUNT ASSEMBLY, RIGHT FULL	1
D1	FRMASMB8691	FREEWHEEL,ASSY,RELEASE HANDLE GRIP,YELLOW,B-1160-051	1
E1	MEC1908272	AXLE BRACE ASSEMBLY, INTERNATIONAL 4FRONT	1
F1	SCR8110014	SCREW, SOCKET HEAD, M5X0.8 X 8, ISO 4762, CL 12.9, BZ, PVTP	1
G1	MEC2105409	SUSPENSION PIN COVER	1
H1	MEC1810323	PIVOT PIN	1
I1	MEC145417	HUB ASSEMBLY	1
I2	HDW147827	WASHER, FLAT, NYLON, M8, 15mm OD x 1.5mm THK	1
I3	HDW147826	WASHER, FLAT, ZINC, M8, 25mm OD x 5mm THK	1
I4	HDW147829	WASHER, SHIM, M8, DIN 988	2
I5	HDW147828	SCREW, ZINC, SHCS, M8 x 1.25, 25mm L	1
I6	HDW146546	KEY, 6x6x22, DIN 6885	1
J1	MEC1714220	LINIX HD HUB ASSEMBLY	1
J2	MOT1901490	WASHER,FLAT,ZINC,13MM ID X 24MM OD X 2.5MM TH	1
J3	MOT1901488	NUT, LOCK, M12X1.75, DIN 985, CL 8, ZN, PVTP	1
J4	INDPART2431	KEY,WOODRUFF,#606,0.1875 X 0.740	1

Q-Logic 3 EX Joysticks



Q-Logic 3 Joysticks (Shroud NOT Included)	
A1	Standard
B1	Lighting
A joystick mounted SD card must be selected.	

Joystick Shrouds	
C1	Soft Touch Black
SHD	Web Link: Painted Shrouds

Joystick Mounts & Receivers	
D1	Standard Inline
JSM	Web Link: Additional Mounts
JSR	Web Link: Joystick Receivers

D1

Note: Web Links

- This page uses special callouts and parts to redirect users to additional IPB pages when viewed online via the interactive parts lookup system.
- A square callout and "Web Link" designation in the part description denotes their usage.
- To get back to this page after using the web link you **must** use the back button in your web browser.
- If viewing this page through a PDF document, please locate the subsequent pages through the table of contents as needed.
- Contact technical service for additional information.

SD Cards


The Q-Logic 3 Joystick replacement requires the selection of a Pre-programmed SD Card. Refer to the SD Card pages for selection and additional information.




Pre-programmed Micro SD Card


SD Cards	
SDC	Web Link: SD Cards


Replacement Components

E1	Speed Knob
	

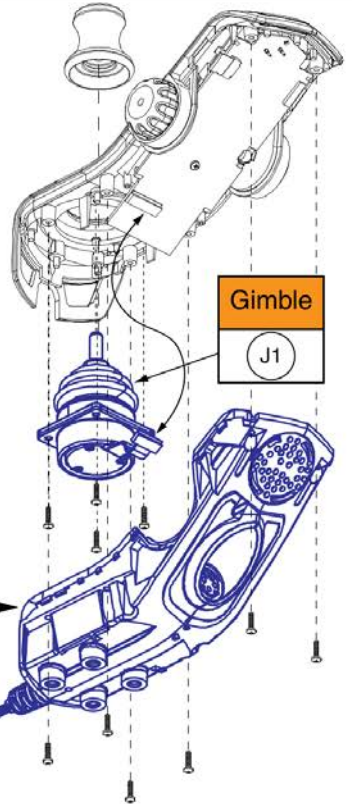
F1	Joystick Knob
	

JSK	Web Link: Aftermarket Knobs
-----	--------------------------------

G1	Rubber Boot
	

	Light Spring Kit with Installation Instructions
I1	Used to reduce the standard spring tension of the QL3 joystick

H1	Lower Housing w/ Bus Cable
----	-------------------------------



J1	Gimble
----	--------

Q-Logic 3 EX Joystick Assemblies





Item	Part No.	Name	Qty
A1	CTL143976	Q-LOGIC 3, JOYSTICK MODULE W/COLOR LCD DISPLAY, 4-KEY	1
B1	CTL143977	Q-LOGIC 3, JOYSTICK MODULE W/COLOR LCD DISPLAY, 4-KEY FOR LIGHTS	1
C1	DGN124307	Q-LOGIC 2/3 JOYSTICK SHROUD,BLACK SOFT-TOUCH PAINT,(CURTIS: 17949365-02)	1
D1	FRMASMB10617	JOYSTICK MOUNTING BRACKET,ASSY,CURTIS,INLINE	1
E1	DGN124309	SPEED WHEEL,KNOB,CURTIS Q-LOGIC 2,BLACK,PLASTIC,DGN124309,(CURTIS: 17949367-01)	1
F1	DGN154742	JOYSTICK, KNOB, Q-LOGIC 3, 6.35MM-ID, (CURTIS: 17519114-01)	1
G1	RECPART1006	RECON,JOYSTICK RUBBER BOOT,(P&G: 283-77.10.004)	1
H1	ELE144006	ELECTRONIC, BOTTOM HOUSING, JOYSTICK MODULE Q-LOGIC 3,W/ BUS CABLE Q-LOGIC 3, (CURTIS: 17949366-02)	1
I1	KIT1902931	Q-LOGIC 3 HANDCONTROL LIGHT SPRING OPTION KIT WITH INSTALL INSTRUCTIONS	1
J1	ELE124312	ELECTRONIC,JOYSTICK GIMBLE,DIGITAL,Q-LOGIC 2&3	1
SHD		WEB LINK,IPB,QL3 JOYSTICK SHROUDS (This is not an orderable part, see IPB)	0
JSM		WEB LINK,IPB,JOYSTICK MOUNTING BRACKETS (This is not an orderable part, see IPB)	0
SDC		WEB LINK,IPB,QL3 JOYSTICK SD CARDS (This is not an orderable part, see IPB)	0
JSK		WEB LINK,IPB,AFTERMARKET JOYSTICK KNOBS (This is not an orderable part, see IPB)	0
JSR		WEB LINK,IPB,JOYSTICK RECEIVER MOUNTS (This is not an orderable part, see IPB)	0

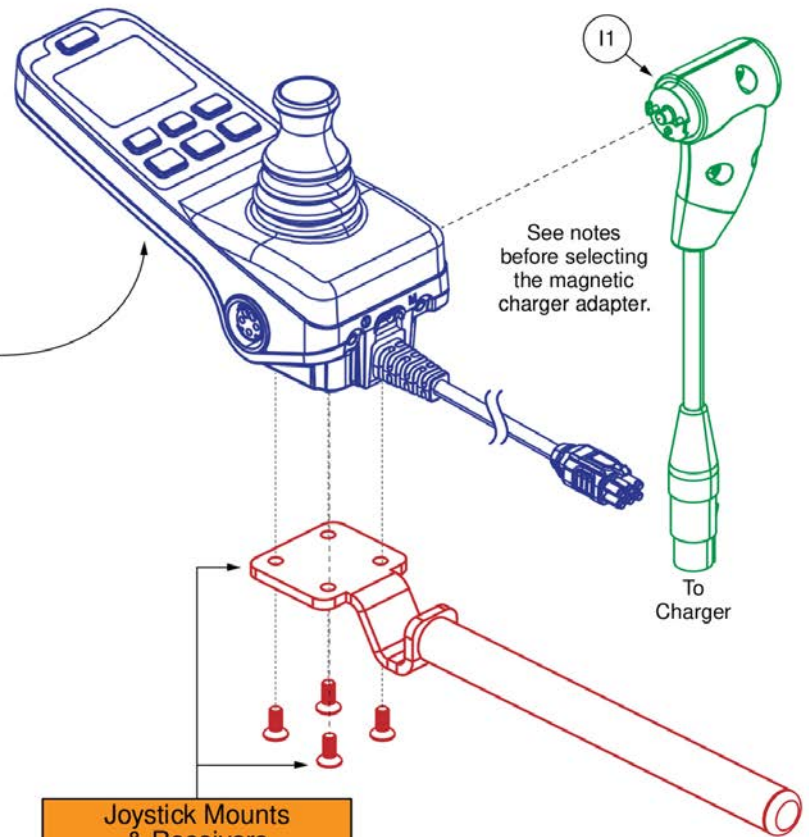
Q-Logic 3e Joysticks

Joystick Replacement Notes:

- The proper joystick assembly with programming must be selected to ensure the unit functions as intended.
- A pre-programmed SD card is NOT required when replacing or retrofitting a Q-Logic 3e joystick on a unit. The latest firmware and program file are stored internally on the new joystick.
- The Q-Logic 3e joystick is compatible with all previous and current units equipped with Q-Logic 3 electronics and can be used in place of the Q-Logic 3 EX joystick.
- The magnetic charger adapter is only compatible with joysticks that have shipped on or after August 27th, 2022. A compatible joystick will have two charger ports, an XLR port on the left and magnetic charger port on the right.

R-TRAK Joysticks w/ Programming			
Ref#	Part Number	Motor Program	Seating Function
(A1)	ELE2300627	6.25 mph, 2-Pole	Static
(B1)	ELE2300626	6.25 mph, 2-Pole	Power Positioning
(C1)	ELE2300625	7 mph, 4-Pole	Static
(D1)	ELE2300624	7 mph, 4-Pole	Power Positioning

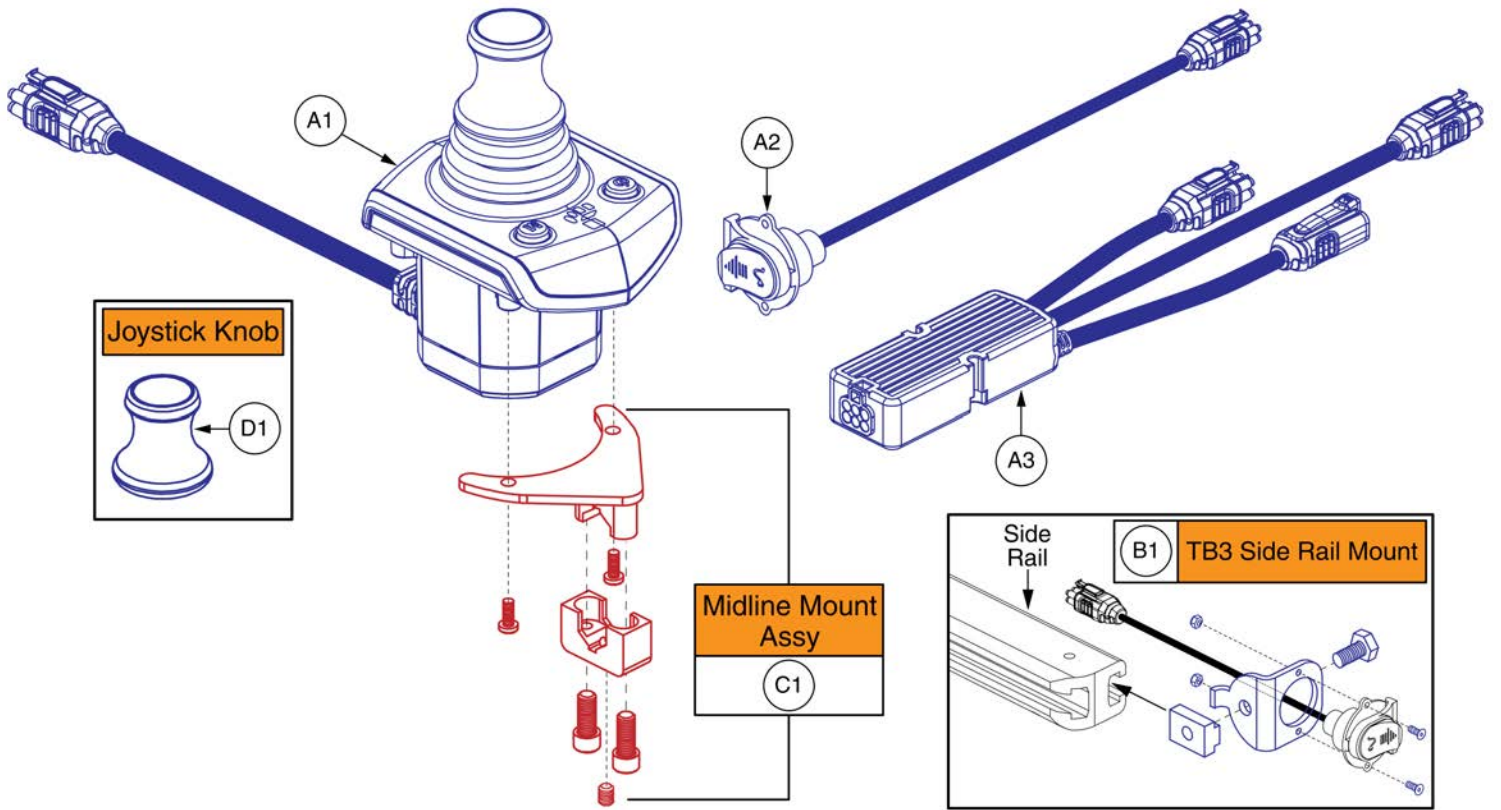
Replacement Components	
(F1) Joystick Knob 	Overlay w/ Installation Instructions (G1) 
JSK Web Link: Aftermarket Knobs 	(H1) Rubber Boot 



Joystick Mounts & Receivers	
(E1)	Standard Inline
JSM	Web Link: Additional Mounts
JSR	Web Link: Joystick Receivers

Q-Logic 3e Joystick Assy's - R-TRAK

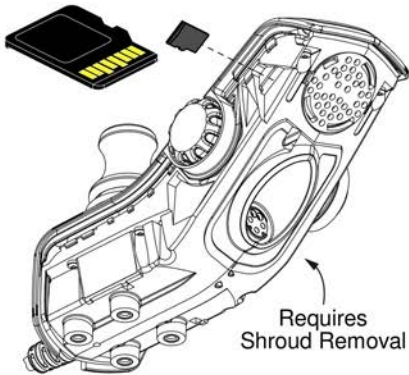
Item	Part No.	Name	Qty
A1	ELE2300627	SERVICEABLE ASSEMBLY, Q-LOGIC 3E, R-TRAK PROGRAM, Q-LOGIC 3, 6.25 MPH LINIX 2 POLE MOTORS, STATIC SEATING	1
B1	ELE2300626	SERVICEABLE ASSEMBLY, Q-LOGIC 3E, R-TRAK PROGRAM, Q-LOGIC 3, 6.25 MPH LINIX 2 POLE MOTORS, POWER POSITIONING	1
C1	ELE2300625	SERVICEABLE ASSEMBLY, Q-LOGIC 3E, R-TRAK PROGRAM, Q-LOGIC 3, 7 MPH LINIX 4 POLE MOTORS, STATIC SEATING	1
D1	ELE2300624	SERVICEABLE ASSEMBLY, Q-LOGIC 3E, R-TRAK PROGRAM, Q-LOGIC 3, 7 MPH LINIX 4 POLE MOTORS, POWER POSITIONING	1
E1	FRMASMB10617	JOYSTICK MOUNTING BRACKET,ASSY,CURTIS,INLINE	1
F1	DGN154742	JOYSTICK, KNOB, Q-LOGIC 3, 6.35MM-ID, (CURTIS: 17519114-01)	1
G1	KIT2008010	Q-LOGIC 3E KEYPAD REPLACEMENT KIT WITH INSTRUCTIONS	1
H1	RECPART1006	RECON,JOYSTICK RUBBER BOOT,(P&G: 283-77.10.004)	1
I1	ELE2103635	MAGNETIC TO XLR CHARGER ADAPTER W/ WALL HOLDER, CURTIS	1
JSM		WEB LINK,IPB,JOYSTICK MOUNTING BRACKETS (This is not an orderable part, see IPB)	0
JSK		WEB LINK,IPB,AFTERMARKET JOYSTICK KNOBS (This is not an orderable part, see IPB)	0
JSR		WEB LINK,IPB,JOYSTICK RECEIVER MOUNTS (This is not an orderable part, see IPB)	0



Q-Logic 3 Stand Alone Joystick Assy

Item	Part No.	Name	Qty
A1	CTL143980	STANDALONE JOYSTICK, Q-LOGIC 3, (CURTIS: 17953700-1109)	1
A2	HAR144001	HARNESS, CHARGER/PROGRAMMER, Q-LOGIC 3, 0.9 METER,(CURTIS: 17880701)	1
A3	HAR144003	HARNESS, SEAT MULTIPLIER Q-LOGIC 3, (CURTIS: 17881360-02-01)	1
B1	FRMASMB11156	MOUNTING BRACKET,ASSY,STAND ALONE JOYSTICK,SIDE RAIL MOUNT,C-1360-163	1
C1	FRMASMB10454	JOYSTICK MOUNTING BRACKET,ASSY,CURTIS STAND ALONE JOYSTICK,MIDLINE,C-1010-263	1
D1	DGN154742	JOYSTICK, KNOB, Q-LOGIC 3, 6.35MM-ID, (CURTIS: 17519114-01)	1

Pre-programmed Micro SD Card



*Mounts to the Q-Logic 3 EX joystick.
An SD card is not required with the Q-Logic 3e joystick (not shown).

Q-Logic 3 SD Card Master List, R-TRAK

Ref#	Part Number	Motor Type	Options
A1	ELE2300621	6.25 mph, 2-Pole	Static
B1	ELE2300620	6.25 mph, 2-Pole	Power Positioning
C1	ELE2300619	7 mph, 4-Pole	Static
D1	ELE2300618	7 mph, 4-Pole	Power Positioning

SD Cards:

- A Pre-programmed SD card is required when:
 - Replacing a joystick, display, power base module, or seating module.
 - Replacing or retrofitting Q-Logic 3 electronics in the field.
- A new SD card ensures the Q-Logic 3 system has the latest software.
- As of August 26th, 2022 the serviceable SD cards will allow access to the seating configuration library when used with the handheld programmer if internet access is not available.
- Contact Technical Service for more information.



Q-Logic 3 SD Cards, R-TRAK

Item	Part No.	Name	Qty
A1	ELE2300621	SERVICEABLE ASSEMBLY, SD CARD, Q-LOGIC 3, R-TRAK PROGRAM, Q-LOGIC 3, 6.25 MPH LINIX 2 POLE MOTORS, STATIC SEATING	1
B1	ELE2300620	SERVICEABLE ASSEMBLY, SD CARD, Q-LOGIC 3, R-TRAK PROGRAM, Q-LOGIC 3, 6.25 MPH LINIX 2 POLE MOTORS, POWER POSITIONING	1
C1	ELE2300619	SERVICEABLE ASSEMBLY, SD CARD, Q-LOGIC 3, R-TRAK PROGRAM, Q-LOGIC 3, 7 MPH LINIX 4 POLE MOTORS, STATIC SEATING	1
D1	ELE2300618	SERVICEABLE ASSEMBLY, SD CARD, Q-LOGIC 3, R-TRAK PROGRAM, Q-LOGIC 3, 7 MPH LINIX 4 POLE MOTORS, POWER POSITIONING	1

Units equipped with Night Train shrouds use the Soft-touch Black joystick shroud (A1).

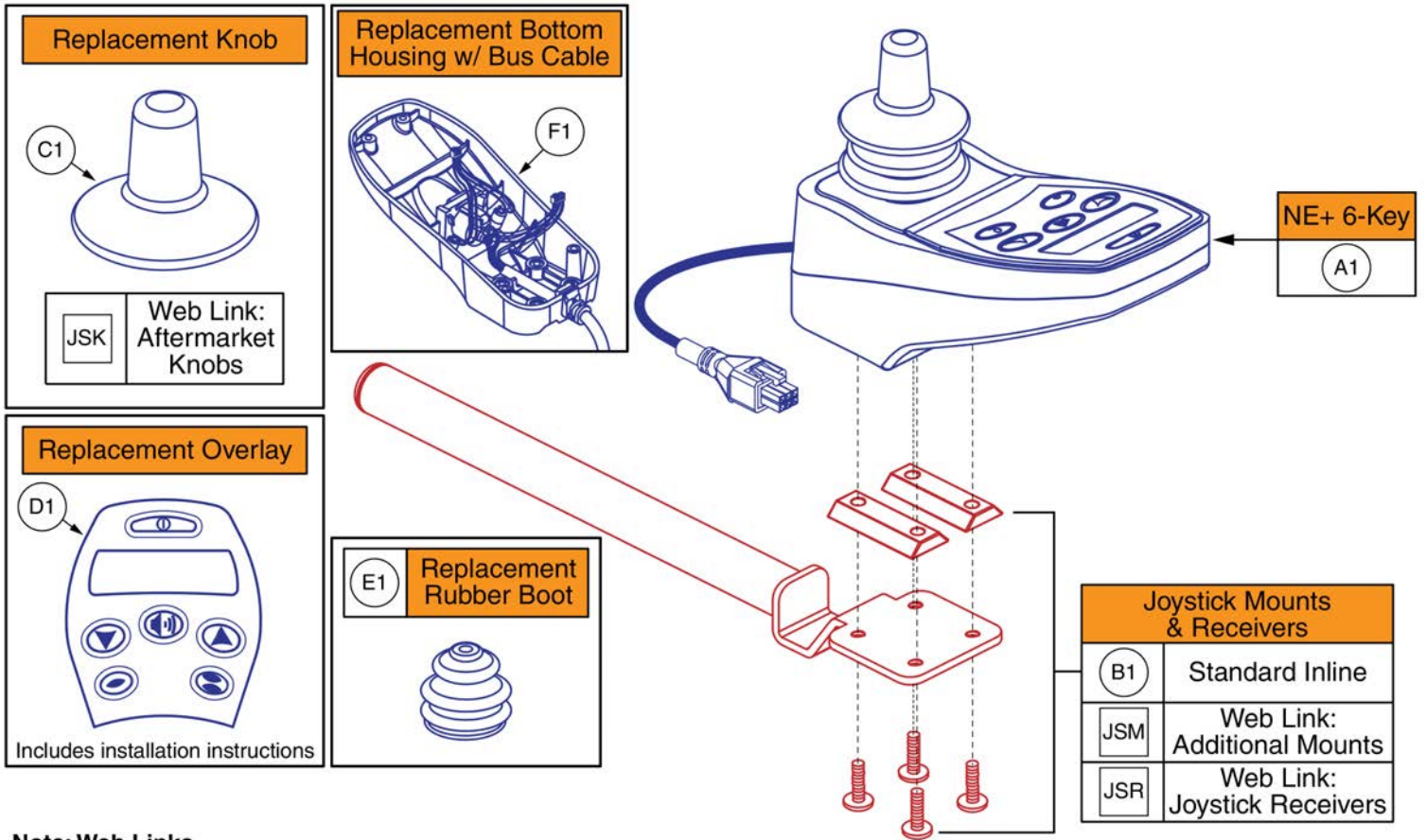


Red Corvette shown

Q-Logic 3 Joystick Shrouds, R-TRAK		
Ref#	Color Name	
(A1)	Soft-touch Black	
(B1)	Back in Black	
(C1)	Grey Street	
(D1)	Red Corvette	
(E1)	Pretty in Pink	
(F1)	Raspberry Beret	
(G1)	Deep Purple	
(H1)	Midnight Blue	
(I1)	Electric Blue	
(J1)	Blue Jean	
(K1)	Green Machine	
(L1)	Military Green	
(M1)	Lemon Crush	
(N1)	Evolution Orange	
(O1)	Digital Camo	
(P1)	Faded Glory	

Q-Logic 3 Joystick Shrouds, R-TRAK Colors

Item	Part No.	Name	Qty
A1	DGN124307	Q-LOGIC 2/3 JOYSTICK SHROUD,BLACK SOFT-TOUCH PAINT,(CURTIS: 17949365-02)	1
B1	DGN124336-PBK1	Q-LOGIC 2/3 JOYSTICK SHROUD,PPW-BLK-01 (BACK IN BLACK/BLACK)	1
C1	DGN124336-PSL3	Q-LOGIC 2/3 JOYSTICK SHROUD,PPW-SIL-03 (GREY STREET)	1
D1	DGN124336-PRD1	Q-LOGIC 2/3 JOYSTICK SHROUD,PPW-RED-01 (RED CORVETTE/CANDY APPLE RED)	1
E1	DGN124336-PPK3	Q-LOGIC 2/3 JOYSTICK SHROUD,PPW-PNK-03 (PRETTY IN PINK)	1
F1	DGN124336-PPK4	Q-LOGIC 2/3 JOYSTICK SHROUD,PPW-PNK-04 (RASPBERRY BERET)	1
G1	DGN124336-PPR5	Q-LOGIC 2/3 JOYSTICK SHROUD,PPW-PRP-05 (DEEP PURPLE)	1
H1	DGN124336-PBU10	Q-LOGIC 2/3 JOYSTICK SHROUD,PPW-BLU-10 (MIDNIGHT BLUE)	1
I1	DGN124336-PBU9	Q-LOGIC 2/3 JOYSTICK SHROUD,PPW-BLU-09 (ELECTRIC BLUE/TRUE BLUE)	1
J1	DGN124336-PBU11	Q-LOGIC 2/3 JOYSTICK SHROUD,PPW-BLU-11 (BLUE JEAN)	1
K1	DGN124336-PGN11	Q-LOGIC 2/3 JOYSTICK SHROUD,PPW-GRN-11 (GREEN MACHINE)	1
L1	DGN124336-PGN8	Q-LOGIC 2/3 JOYSTICK SHROUD,PPW-GRN-08 (MILITARY GREEN)	1
M1	DGN124336-PYL4	Q-LOGIC 2/3 JOYSTICK SHROUD,PPW-YEL-04 (LEMON CRUSH)	1
N1	DGN124336-POR7	Q-LOGIC 2/3 JOYSTICK SHROUD,PPW-ORN-07 (EVOLUTION ORANGE)	1
O1	DGN124336-WCM7	Q-LOGIC 2/3 JOYSTICK SHROUD,PWT-CMO-07 (MILITARY DIGITAL CAMO)	1
P1	DGN124336-WFL2	Q-LOGIC 2/3 JOYSTICK SHROUD,PWT-FLG-02 (FADED GLORY)	1

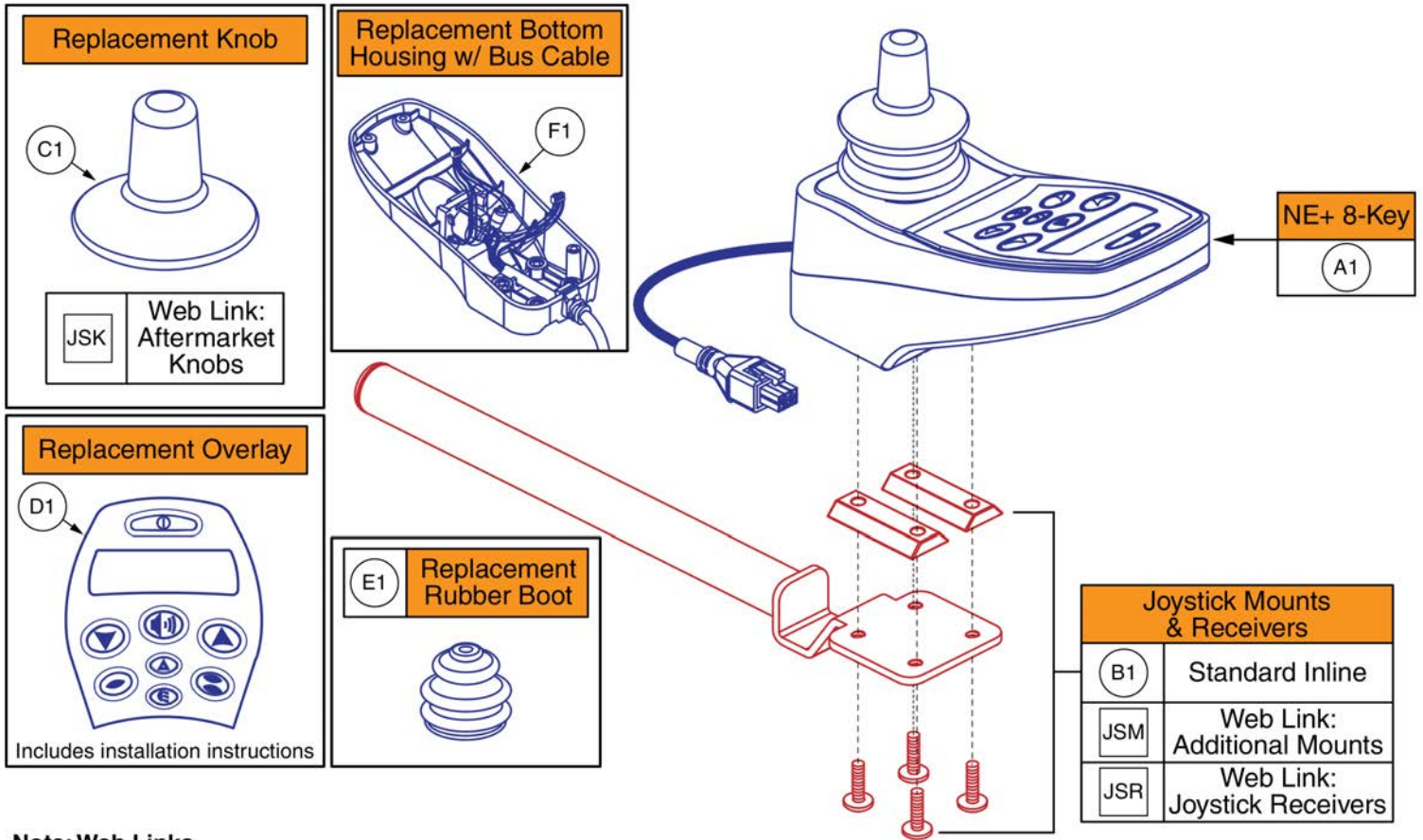


Note: Web Links

- This page uses special callouts and parts to redirect users to additional IPB pages when viewed online via the interactive parts lookup system.
- A square callout and "Web Link" designation in the part description denotes their usage.
- To get back to this page after using the web link you **must** use the back button in your web browser.
- If viewing this page through a PDF document, please locate the subsequent pages through the table of contents as needed.
- Contact Technical Service for additional information.

NE+ 6-Key Joystick Assembly

Item	Part No.	Name	Qty
A1	CTLDC1560	CONTROLLER,JOYSTICK MODULE,CURTIS NE PLUS,6 KEY,SWITCH JACKS AND ACTUATORS,H-1111-268,(CURTIS: 17905700)	1
B1	FRMASMB12744	JOYSTICK MOUNTING BRACKET,ASSY,NE/NE PLUS CONTROLLER,INLINE	1
C1	DGN124308	JOYSTICK,KNOB,CURTIS,STANDARD,6.35MM-ID,DGN124308,(CURTIS: 37381)	1
D1	KIT152914	KIT,ASSY,NE/NE PLUS CONTROLLER,6 KEY KEYPAD REPLACEMENT,W/INSTALLATION INSTRUCTIONS	1
E1	RECPART1006	RECON,JOYSTICK RUBBER BOOT,(P&G: 283-77.10.004)	1
F1	DWR1111C003	JOYSTICK REPLACEMENT BOTTOM,W/HARNESS,NE+ W/JACKS,C-1111-003,(CURTIS: 17906705)	1
JSM		WEB LINK,IPB,JOYSTICK MOUNTING BRACKETS (This is not an orderable part, see IPB)	0
JSK		WEB LINK,IPB,AFTERMARKET JOYSTICK KNOBS (This is not an orderable part, see IPB)	0
JSR		WEB LINK,IPB,JOYSTICK RECEIVER MOUNTS (This is not an orderable part, see IPB)	0



Note: Web Links

- This page uses special callouts and parts to redirect users to additional IPB pages when viewed online via the interactive parts lookup system.
- A square callout and “Web Link” designation in the part description denotes their usage.
- To get back to this page after using the web link you **must** use the back button in your web browser.
- If viewing this page through a PDF document, please locate the subsequent pages through the table of contents as needed.
- Contact Technical Service for additional information.

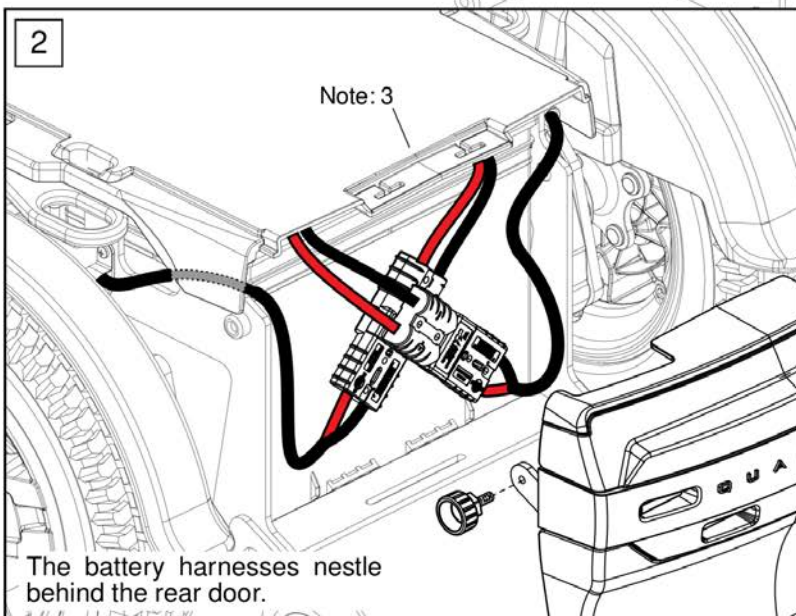
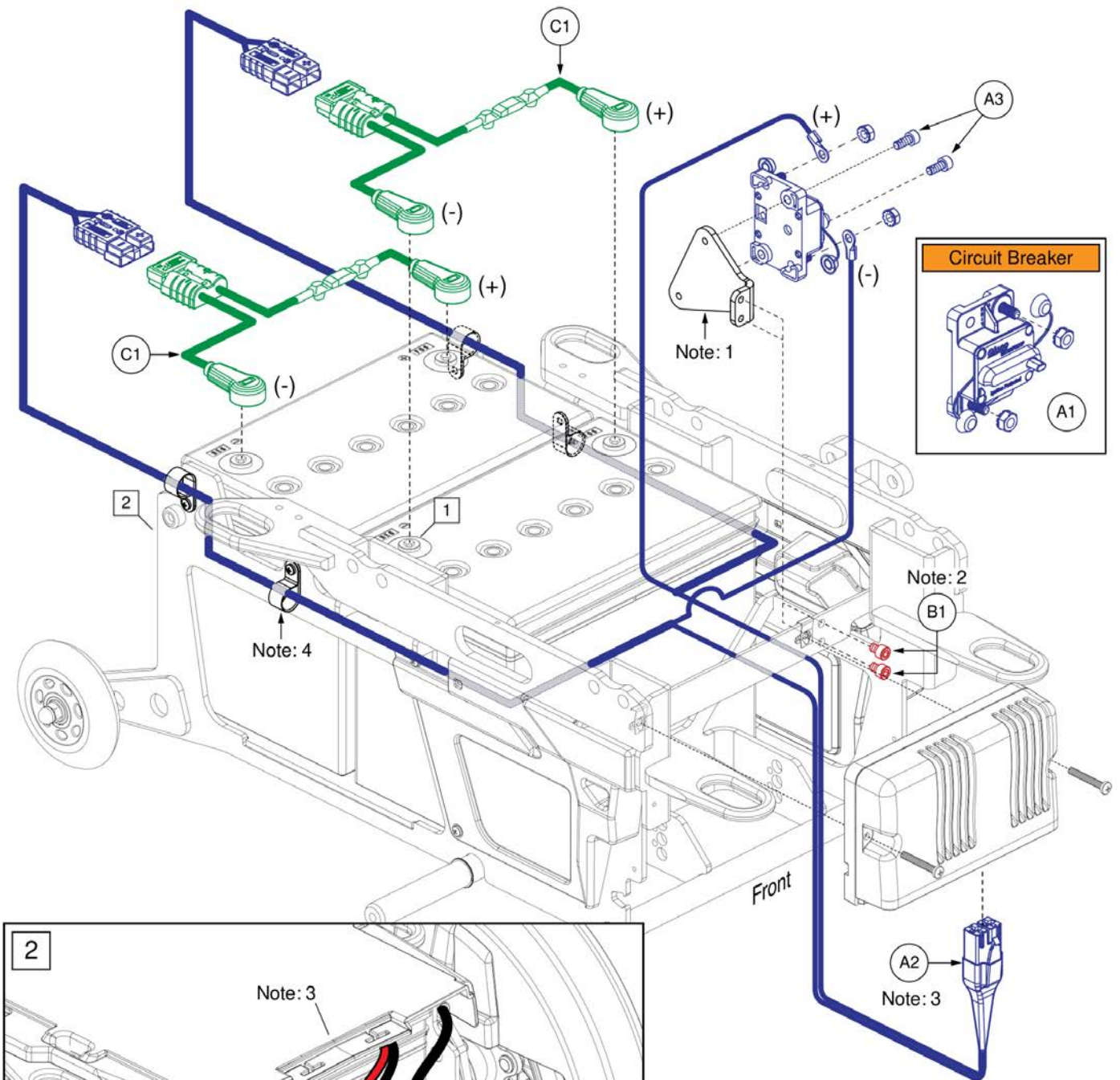
NE+ 8-Key Joystick Assembly (Lights)

Item	Part No.	Name	Qty
A1	CTLDC1561	CONTROLLER,JOYSTICK MODULE,CURTIS NE PLUS,8 KEY,SWITCH JACKS,ACTUATORS,AND LIGHTS,H-1111-269,(CURTIS: 17906700)	1
B1	FRMASMB12744	JOYSTICK MOUNTING BRACKET,ASSY,NE/NE PLUS CONTROLLER,INLINE	1
C1	DGN124308	JOYSTICK,KNOB,CURTIS,STANDARD,6.35MM-ID,DGN124308,(CURTIS: 37381)	1
D1	KIT152915	KIT,ASSY,NE/NE PLUS CONTROLLER,8 KEY KEYPAD REPLACEMENT,W/INSTALLATION INSTRUCTIONS	1
E1	RECPART1006	RECON,JOYSTICK RUBBER BOOT,(P&G: 283-77.10.004)	1
F1	DWR1111C003	JOYSTICK REPLACEMENT BOTTOM,W/HARNESS,NE+ W/JACKS,C-1111-003,(CURTIS: 17906705)	1
JSM		WEB LINK,IPB,JOYSTICK MOUNTING BRACKETS (This is not an orderable part, see IPB)	0
JSK		WEB LINK,IPB,AFTERMARKET JOYSTICK KNOBS (This is not an orderable part, see IPB)	0
JSR		WEB LINK,IPB,JOYSTICK RECEIVER MOUNTS (This is not an orderable part, see IPB)	0

<p>A1 Soft Ball</p> 	<p>B1 I-Handle</p> 	<p>C1 T-Bar</p> 	<p>D1 Ball</p> 				
<p>E1 Mushroom</p> 	<p>F1 Chin Cup</p> 	<p>G1 Remote Plus (Carrot)</p> 	<p>Goal Posts</p> <table border="1" data-bbox="1422 1045 1555 1157"> <tr> <td>H1</td> <td>3"</td> </tr> <tr> <td>I1</td> <td>4"</td> </tr> </table> 	H1	3"	I1	4"
H1	3"						
I1	4"						

Aftermarket Joystick Knobs - Curtis and P&G

Item	Part No.	Name	Qty
A1	ACCASMB1856	P&G JOYSTICK KNOB,ASSY,JAZZY,SOFT BALL	1
B1	ACCASMB1857	P&G JOYSTICK KNOB,ASSY,JAZZY,EXTENDED I-HANDLE	1
C1	ACCASMB1858	P&G JOYSTICK KNOB,ASSY,JAZZY,T BAR	1
D1	ACCASMB1859	P&G JOYSTICK KNOB,ASSY,JAZZY,BALL	1
E1	ACCASMB1860	P&G JOYSTICK KNOB,ASSY,JAZZY,MUSHROOM	1
F1	ACCASMB1861	P&G JOYSTICK KNOB,ASSY,JAZZY,CHIN CUP	1
G1	ACCASMB1862	P&G JOYSTICK KNOB,ASSY,JAZZY,REMOTE STANDARD	1
H1	PLSKNCP1057	JOYSTICK KNOB,3",GOAL POST,W/FLEX SHAFT,FOR 1/4" STEM,(BP: PC101B)	1
I1	PLSKNCP1058	JOYSTICK KNOB,4",GOAL POST,W/FLEX SHAFT,FOR 1/4" STEM,(BP: PC102B)	1

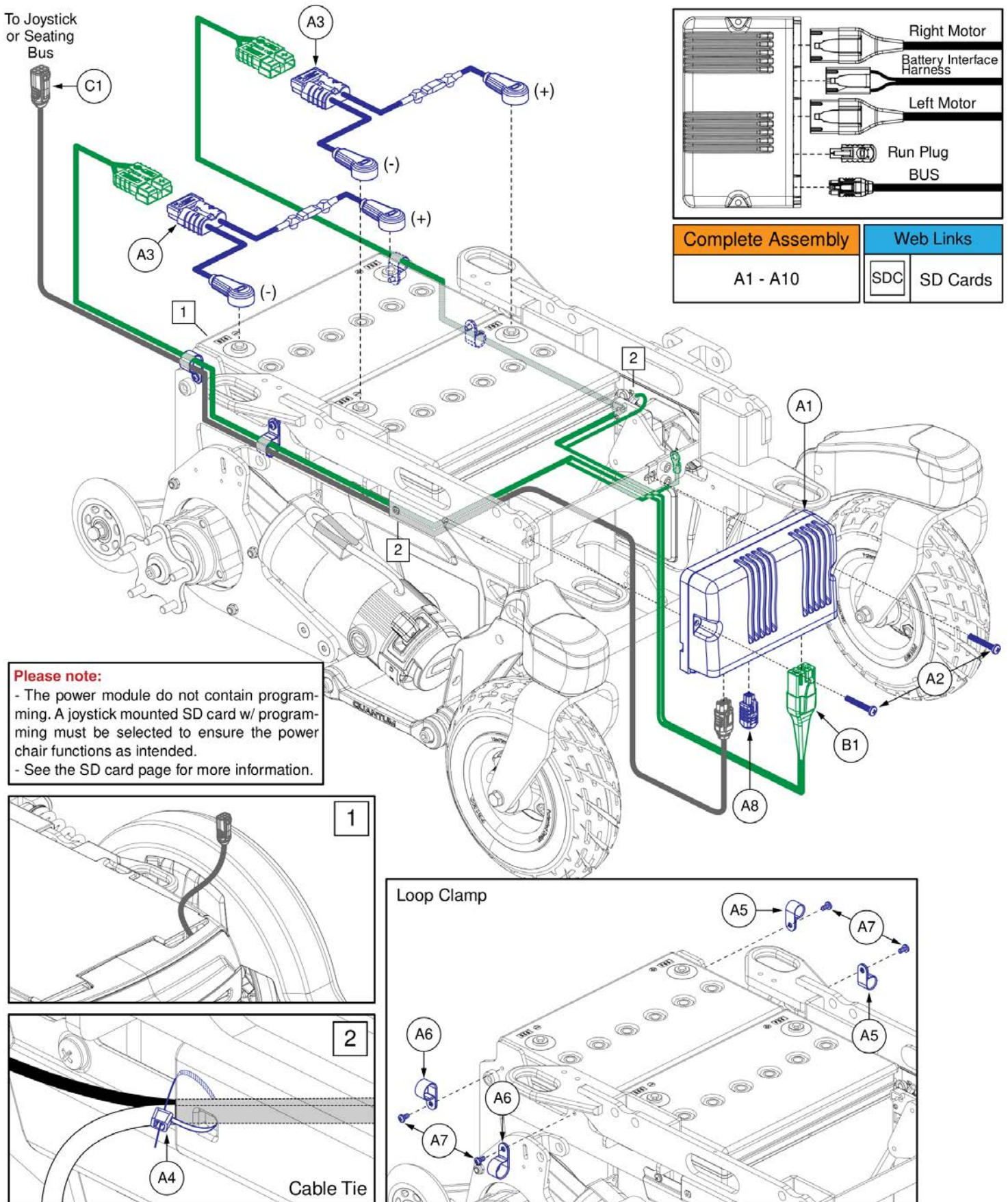


Please Note:

1. The mounting bracket is included with the complete assembly (A1 - A3). It cannot be selected separately.
2. The mounting bracket screws (B1) are **NOT** included with the complete assembly (A1 - A3) and **MUST** be selected separately if needed.
3. The power harness (A2) is used with QL3 and NE+ electronics.
4. The loop clamps are included with the complete electronics assemblies. See the electronic pages for selection.

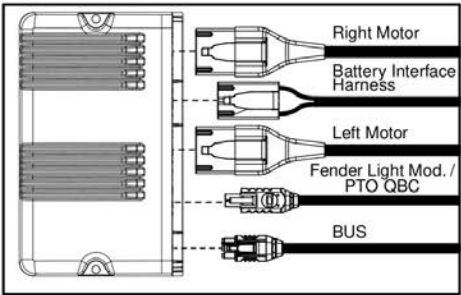
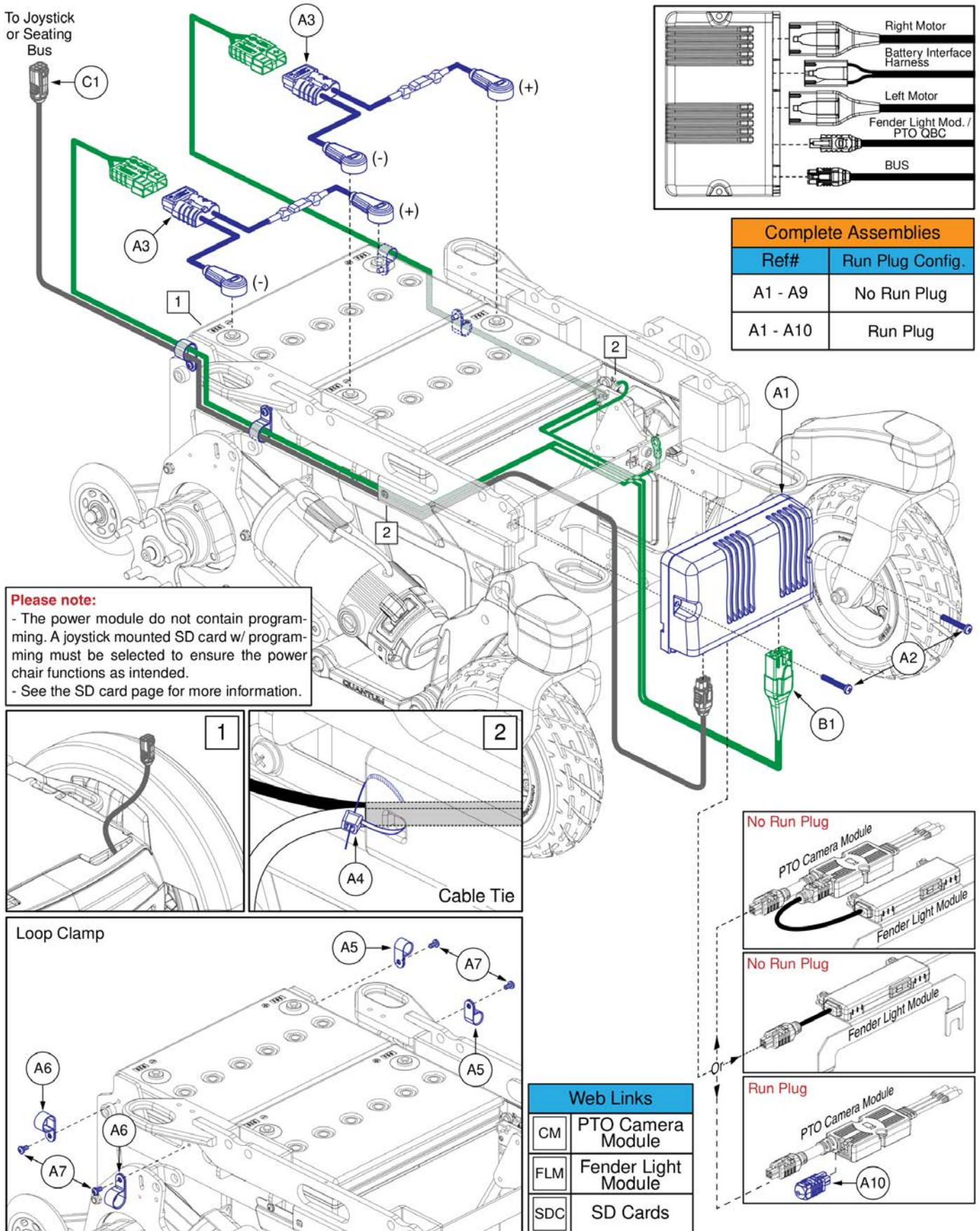
Circuit Breaker and Power Harnesses, R-TRAK

Item	Part No.	Name	Qty
A1 - A3	MEC2003668	POWER SWITCH ASSEMBLY, RWD	1
A1	ELE1910369	CIRCUIT BREAKER, 70AMP 1/4"-28 SS STUDS, MANUAL RESET W/ SWITCH, SURFACE MOUNT	1
A2	ELE2104761	HARNESS, BATTERY INTERFACE, POWER SWITCH, Q-LOGIC	1
A3	SCR8110001	SCREW, SOCKET HEAD, M6X1.0 X 14, ISO 4762, CL 12.9, BZ, PVTP	2
B1	HDW1611794	SCREW, SOCKET HEAD, M6X1 X 8, ISO 4762, CL 10.9, BLK, PVTP	2
C1	ELE1709864	HARNESS, BATTERY, FWD, FLEX CABLE	2



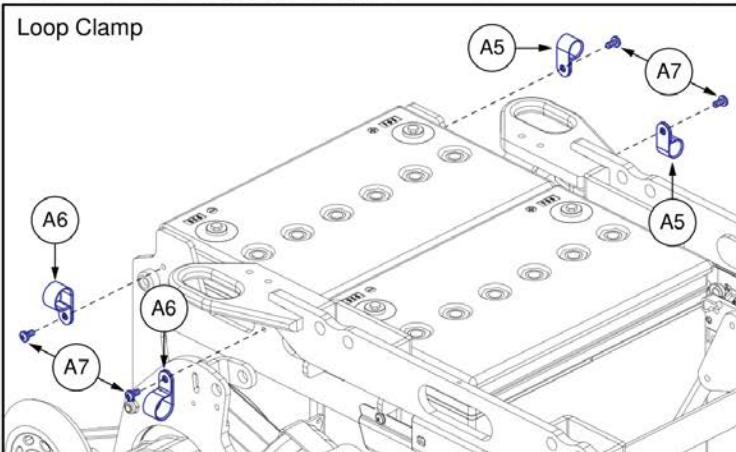
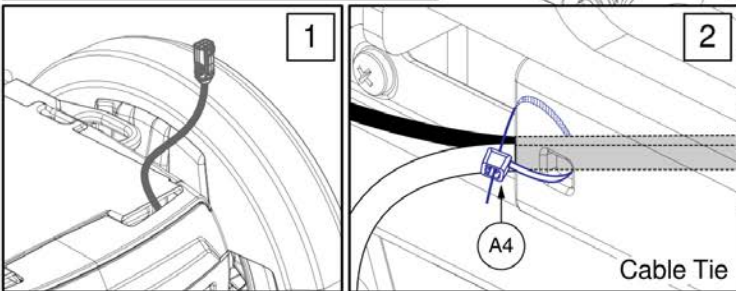
QL3 Base Electronics, Std. Fenders / No PTO QBC, R-TRAK

Item	Part No.	Name	Qty
A1 - A10	ELE2107304	ELECTRONIC, ASSY, Q-LOGIC ,R-TRAK, RUN PLUG	1
A1	CTL143978	POWER MODULE, Q-LOGIC 3,120 AMP	1
A2	SCRPPH1390	SCREW, PAN HEAD, TYPE H, M5X0.8 X 35, ISO 7045, CL 4.8, BZ	2
A3	ELE1709864	HARNESS, BATTERY, FWD, FLEX CABLE	2
A4	PLSTIE1004	TIEDOWN STRAP, 200 LG, PLASTIC, BLACK, SPEC NO. 2106329-2-50-175-V2	2
A5	MEC2107122	LOOP CLAMP, CABLE OR WIRE, 13MM	2
A6	MEC2107123	LOOP CLAMP, CABLE OR WIRE, 17MM	2
A7	SCRPPH1383	SCREW, PAN HEAD, TYPE H, M5x0.8 x 8, ISO 7045, CL 4.8, BZ	4
A8	DGN1901203	OVER-MOLD RUN RECEPTACLE, 4-CIRCUIT	1
A9	INFINF4034	MANUAL,INTERACTIVE ASSIST,CUSTOMER INFORMATION PRODUCT INSERT SHEET,ENGLISH/FRENCH	1
A10	LAB1809139	HANG TAG,ENGLISH/FRENCH INTERACTIVE ASSIST	1
B1	ELE2104761	HARNESS, BATTERY INTERFACE, POWER SWITCH, Q-LOGIC	1
C1	HAR144002	HARNESS, BUS EXTENSION CABLE, Q-LOGIC 3, 1.1 METER, MALE/FEMALE, (CURTIS: 17881362-01-02)	1
SDC		WEB LINK,IPB,R-TRAK SD CARDS (This is not an orderable part, see IPB)	0

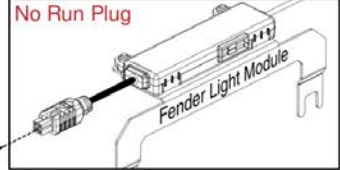
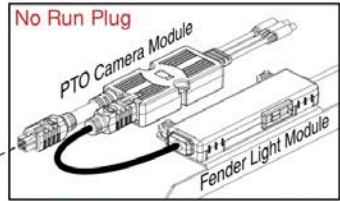


Complete Assemblies	
Ref#	Run Plug Config.
A1 - A9	No Run Plug
A1 - A10	Run Plug

Please note:
 - The power module do not contain programming. A joystick mounted SD card w/ programming must be selected to ensure the power chair functions as intended.
 - See the SD card page for more information.

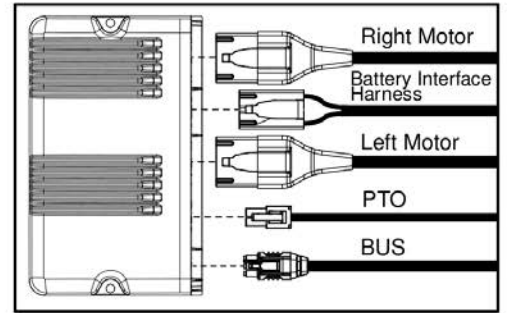
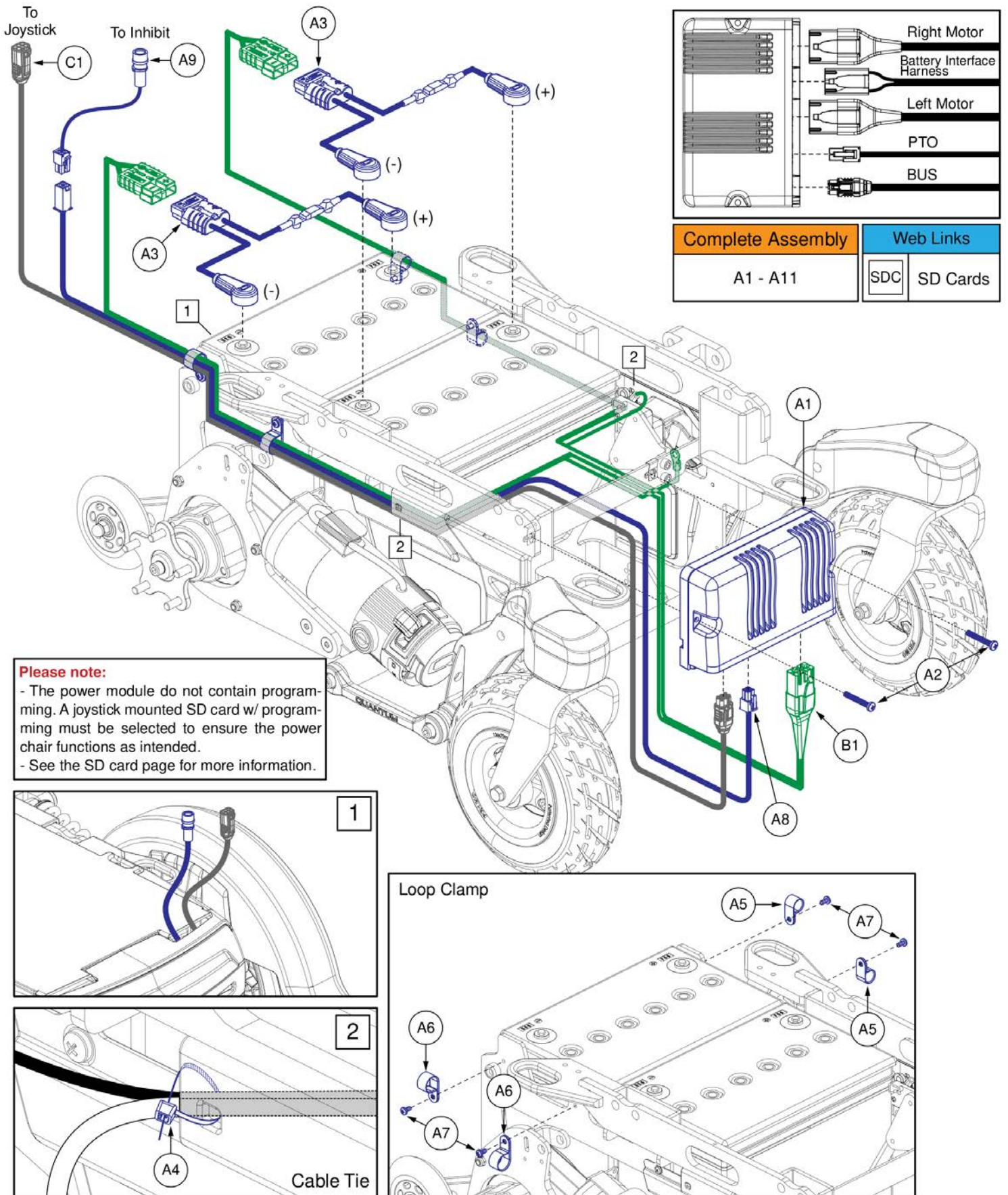


Web Links	
CM	PTO Camera Module
FLM	Fender Light Module
SDC	SD Cards



QL3 Base Electronics, Light Fenders / PTO QBC, R-TRAK

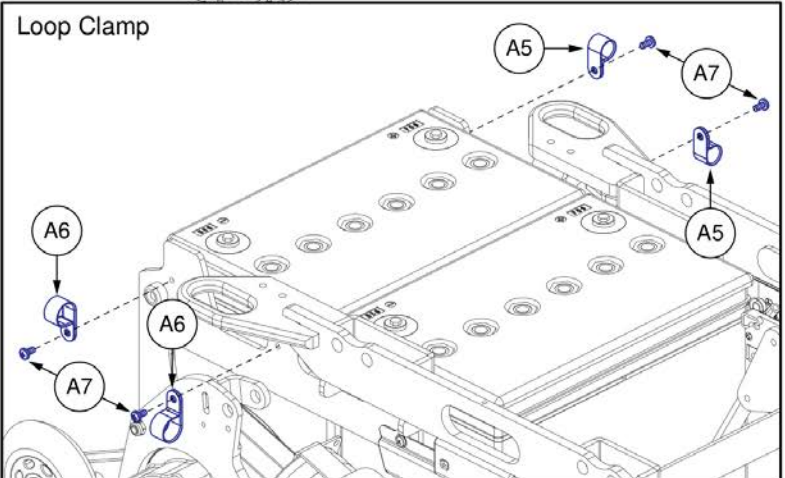
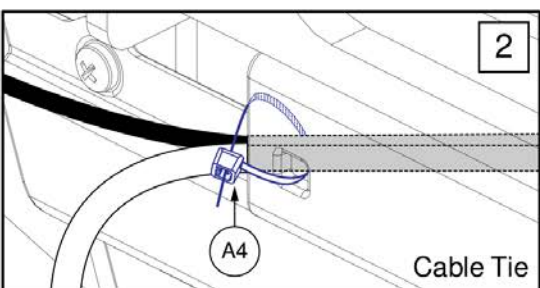
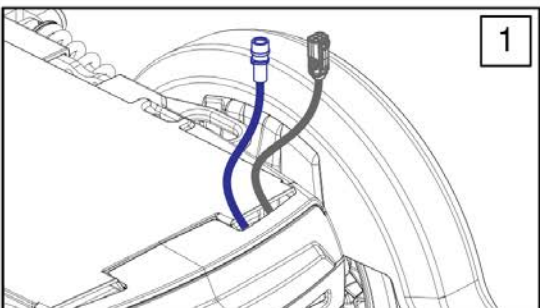
Item	Part No.	Name	Qty
A1 - A9	ELE2107306	ELECTRONIC, ASSY, Q-LOGIC, R-TRAK	1
A1 - A10	ELE2107304	ELECTRONIC, ASSY, Q-LOGIC ,R-TRAK, RUN PLUG	1
A1	CTL143978	POWER MODULE, Q-LOGIC 3,120 AMP	1
A2	SCRPPH1390	SCREW, PAN HEAD, TYPE H, M5X0.8 X 35, ISO 7045, CL 4.8, BZ	2
A3	ELE1709864	HARNESS, BATTERY, FWD, FLEX CABLE	2
A4	PLSTIE1004	TIEDOWN STRAP, 200 LG, PLASTIC, BLACK, SPEC NO. 2106329-2-50-175-V2	2
A5	MEC2107122	LOOP CLAMP, CABLE OR WIRE, 13MM	2
A6	MEC2107123	LOOP CLAMP, CABLE OR WIRE, 17MM	2
A7	SCRPPH1383	SCREW, PAN HEAD, TYPE H, M5x0.8 x 8, ISO 7045, CL 4.8, BZ	4
A8	INFINF4034	MANUAL,INTERACTIVE ASSIST,CUSTOMER INFORMATION PRODUCT INSERT SHEET,ENGLISH/FRENCH	1
A9	LAB1809139	HANG TAG,ENGLISH/FRENCH INTERACTIVE ASSIST	1
A10	DGN1901203	OVER-MOLD RUN RECEPTACLE, 4-CIRCUIT	1
B1	ELE2104761	HARNESS, BATTERY INTERFACE, POWER SWITCH, Q-LOGIC	1
C1	HAR144002	HARNESS, BUS EXTENSION CABLE, Q-LOGIC 3, 1.1 METER, MALE/FEMALE, (CURTIS: 17881362-01-02)	1
CM		WEB LINK,IPB,R-TRAK BACKUP CAMERA MODULE (This is not an orderable part, see IPB)	0
FLM		WEB LINK,IPB,R-TRAK FENDER LIGHTS (This is not an orderable part, see IPB)	0
SDC		WEB LINK,IPB,R-TRAK SD CARDS (This is not an orderable part, see IPB)	0



Complete Assembly	Web Links		
A1 - A11	<table border="1" style="display: inline-table;"> <tr> <td style="background-color: #D3D3D3;">SDC</td> <td>SD Cards</td> </tr> </table>	SDC	SD Cards
SDC	SD Cards		

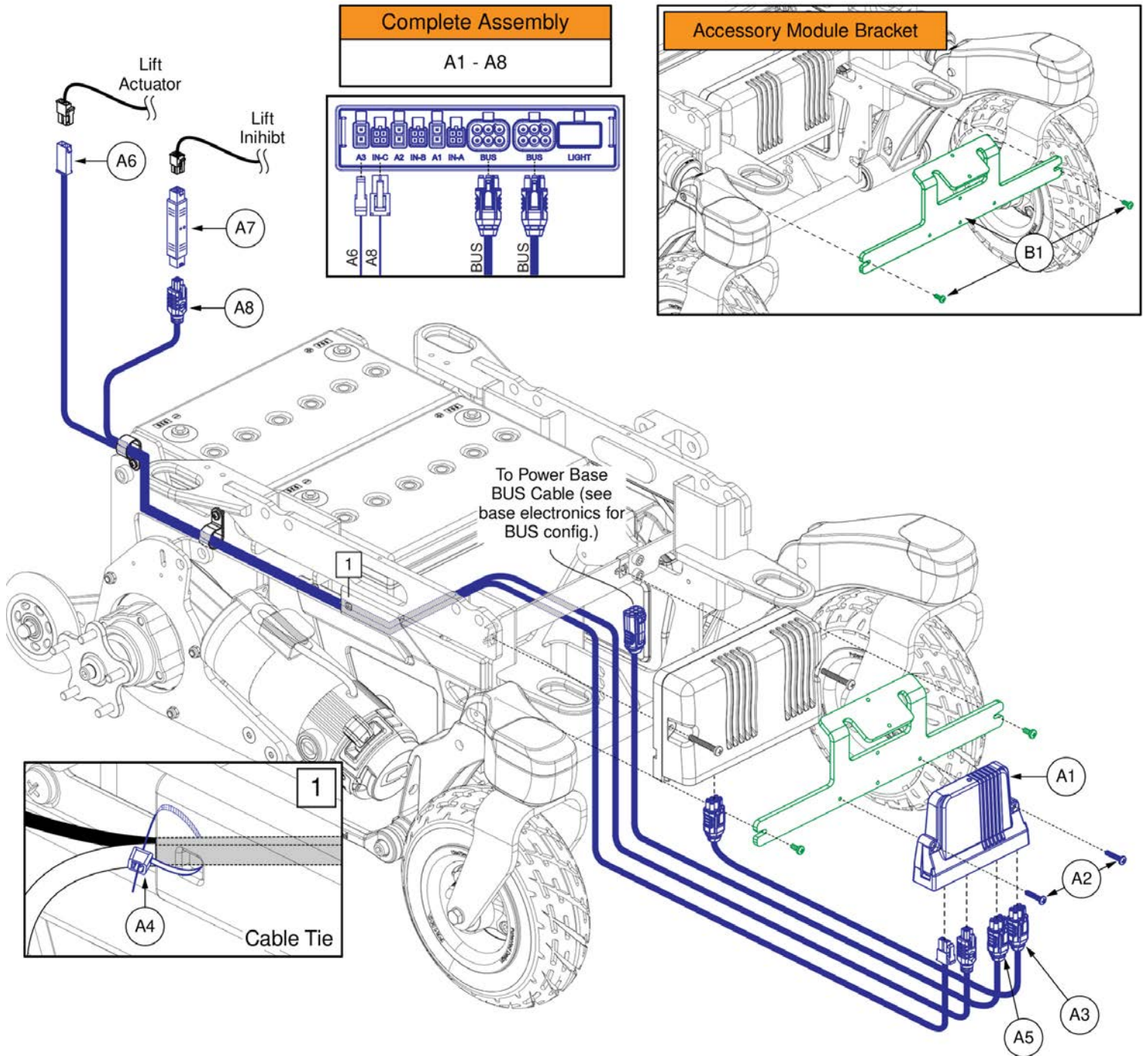
Please note:

- The power module do not contain programming. A joystick mounted SD card w/ programming must be selected to ensure the power chair functions as intended.
- See the SD card page for more information.



QL3 Base Electronics, Manual Recline, R-TRAK

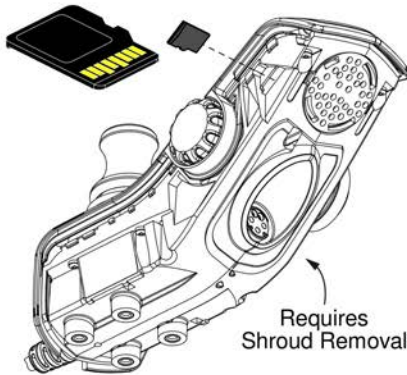
Item	Part No.	Name	Qty
A1 - A11	ELE2107305	ELECTRONIC, ASSY, Q-LOGIC, R-TRAK, PTO	1
A1	CTL143978	POWER MODULE, Q-LOGIC 3,120 AMP	1
A2	SCRPPH1390	SCREW, PAN HEAD, TYPE H, M5X0.8 X 35, ISO 7045, CL 4.8, BZ	2
A3	ELE1709864	HARNESS, BATTERY, FWD, FLEX CABLE	2
A4	PLSTIE1004	TIEDOWN STRAP, 200 LG, PLASTIC, BLACK, SPEC NO. 2106329-2-50-175-V2	2
A5	MEC2107122	LOOP CLAMP, CABLE OR WIRE, 13MM	2
A6	MEC2107123	LOOP CLAMP, CABLE OR WIRE, 17MM	2
A7	SCRPPH1383	SCREW, PAN HEAD, TYPE H, M5x0.8 x 8, ISO 7045, CL 4.8, BZ	4
A8	ELE1902612	HARNESS, PTO, EXTENSION, 4 CIRCUIT MINIFIT, 1000	1
A9	ELE2101147	HARNESS, INTERMEDIATE, PTO, 4 PIN MOLEX TO SURESEAL	1
A10	INFINFB4034	MANUAL,INTERACTIVE ASSIST,CUSTOMER INFORMATION PRODUCT INSERT SHEET,ENGLISH/FRENCH	1
A11	LAB1809139	HANG TAG,ENGLISH/FRENCH INTERACTIVE ASSIST	1
B1	ELE2104761	HARNESS, BATTERY INTERFACE, POWER SWITCH, Q-LOGIC	1
C1	HAR144002	HARNESS, BUS EXTENSION CABLE, Q-LOGIC 3, 1.1 METER, MALE/FEMALE, (CURTIS: 17881362-01-02)	1
SDC		WEB LINK,IPB,R-TRAK SD CARDS (This is not an orderable part, see IPB)	0



QL3 AM3 for REAC Lift, Base Mounted, R-TRAK

Item	Part No.	Name	Qty
A1 - A8	ELE2204778	ELECTRONIC,ASSY,Q-LOGIC 3/AM3,LIFT,(CONFIGURATION # 04)	1
A1	CTL2005926	ACTUATOR MODULE, Q-LOGIC SERIES, AM3	1
A2	SCRPPH1153	SCREW, PAN HEAD, TYPE H, M4X0.7 X 20, FT, ISO 7045, CL 4.8, BZ	2
A3	HAR143994	HARNESS, BUS EXTENSION CABLE, Q-LOGIC 3, 0.3 METER, FEMALE / FEMALE, (CURTIS: 17881361-01-02)	1
A4	PLSTIE1004	TIEDOWN STRAP, 200 LG, PLASTIC, BLACK, SPEC NO. 2106329-2-50-175-V2	1
A5	HAR144005	HARNESS, BUS EXTENSION CABLE, Q-LOGIC 3, 0.410 METER, MALE/FEMALE	1
A6	ELE2201372	HARNESS, Q-LOGIC SERIES, BASE EXTENSION, SINGLE ACTUATOR, 1016MM	1
A7	ELE2301172	HARNESS, FEEDBACK, INTERCONNECT, 2X2 MICROFIT, RIGID, 50	1
A8	ELE2301173	HARNESS, FEEDBACK, INTERCONNECT, 2X2 MICROFIT, OVERMOLDED, 1000	1
B1	MEC2107292	ACCESSORY MODULE BRACKET ASSEMBLY,R-TRAK	1

Pre-programmed Micro SD Card



*Mounts to the Q-Logic 3 EX joystick.
An SD card is not required with the Q-Logic 3e joystick (not shown).

Q-Logic 3 SD Card Master List, R-TRAK

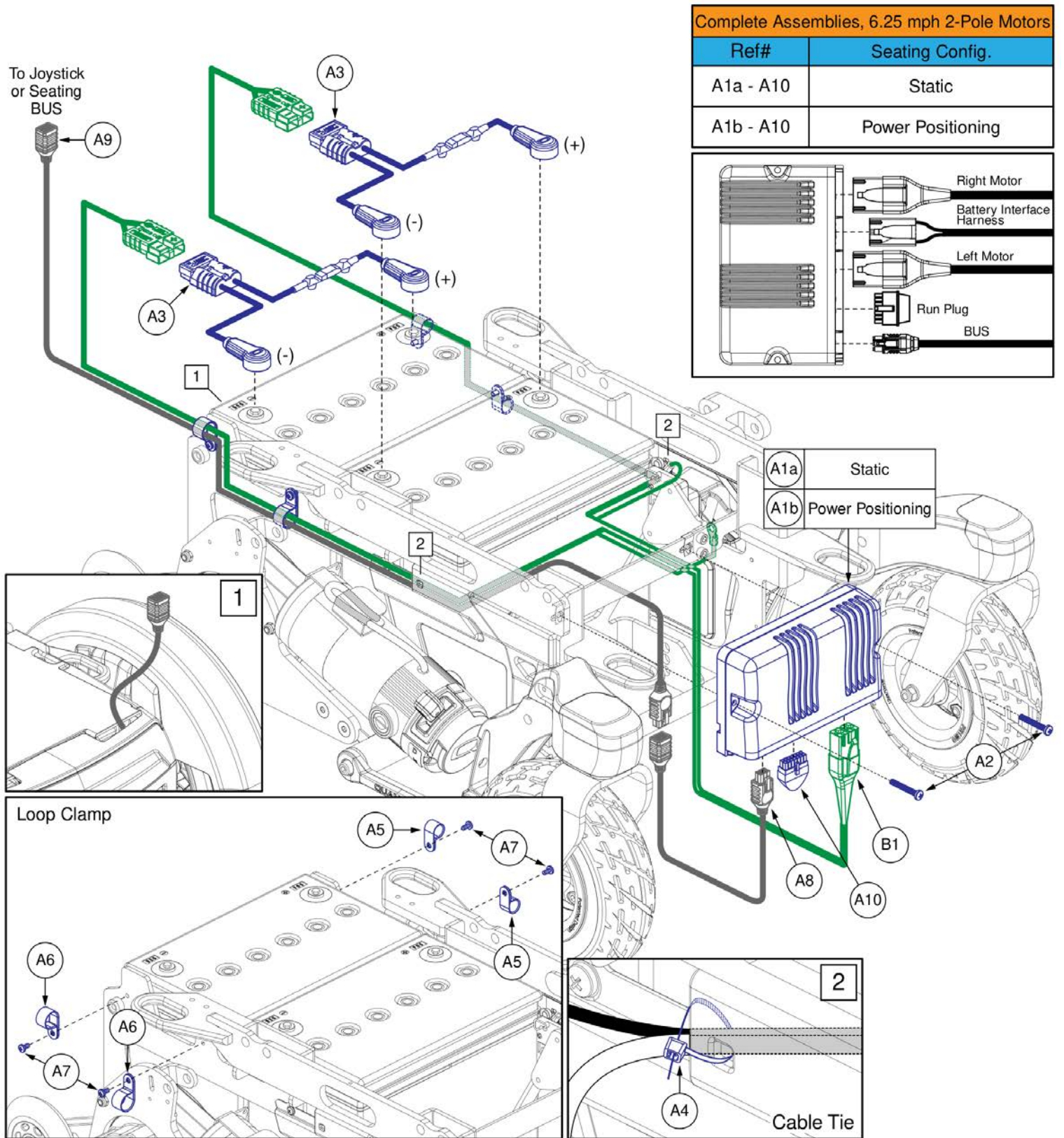
Ref#	Part Number	Motor Type	Options
A1	ELE2300621	6.25 mph, 2-Pole	Static
B1	ELE2300620	6.25 mph, 2-Pole	Power Positioning
C1	ELE2300619	7 mph, 4-Pole	Static
D1	ELE2300618	7 mph, 4-Pole	Power Positioning

SD Cards:

- A Pre-programmed SD card is required when:
 - Replacing a joystick, display, power base module, or seating module.
 - Replacing or retrofitting Q-Logic 3 electronics in the field.
- A new SD card ensures the Q-Logic 3 system has the latest software.
- As of August 26th, 2022 the serviceable SD cards will allow access to the seating configuration library when used with the handheld programmer if internet access is not available.
- Contact Technical Service for more information.

Q-Logic 3 SD Cards, R-TRAK

Item	Part No.	Name	Qty
A1	ELE2300621	SERVICEABLE ASSEMBLY, SD CARD, Q-LOGIC 3, R-TRAK PROGRAM, Q-LOGIC 3, 6.25 MPH LINIX 2 POLE MOTORS, STATIC SEATING	1
B1	ELE2300620	SERVICEABLE ASSEMBLY, SD CARD, Q-LOGIC 3, R-TRAK PROGRAM, Q-LOGIC 3, 6.25 MPH LINIX 2 POLE MOTORS, POWER POSITIONING	1
C1	ELE2300619	SERVICEABLE ASSEMBLY, SD CARD, Q-LOGIC 3, R-TRAK PROGRAM, Q-LOGIC 3, 7 MPH LINIX 4 POLE MOTORS, STATIC SEATING	1
D1	ELE2300618	SERVICEABLE ASSEMBLY, SD CARD, Q-LOGIC 3, R-TRAK PROGRAM, Q-LOGIC 3, 7 MPH LINIX 4 POLE MOTORS, POWER POSITIONING	1

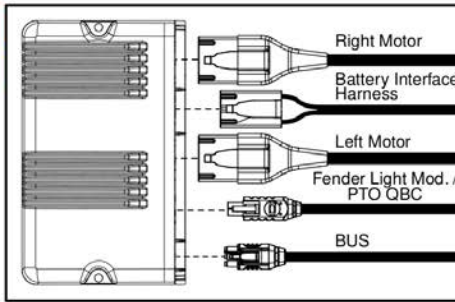


NE+ Base Electronics, Std. Fenders / No PTO QBC, 6.25 mph, R-TRAK

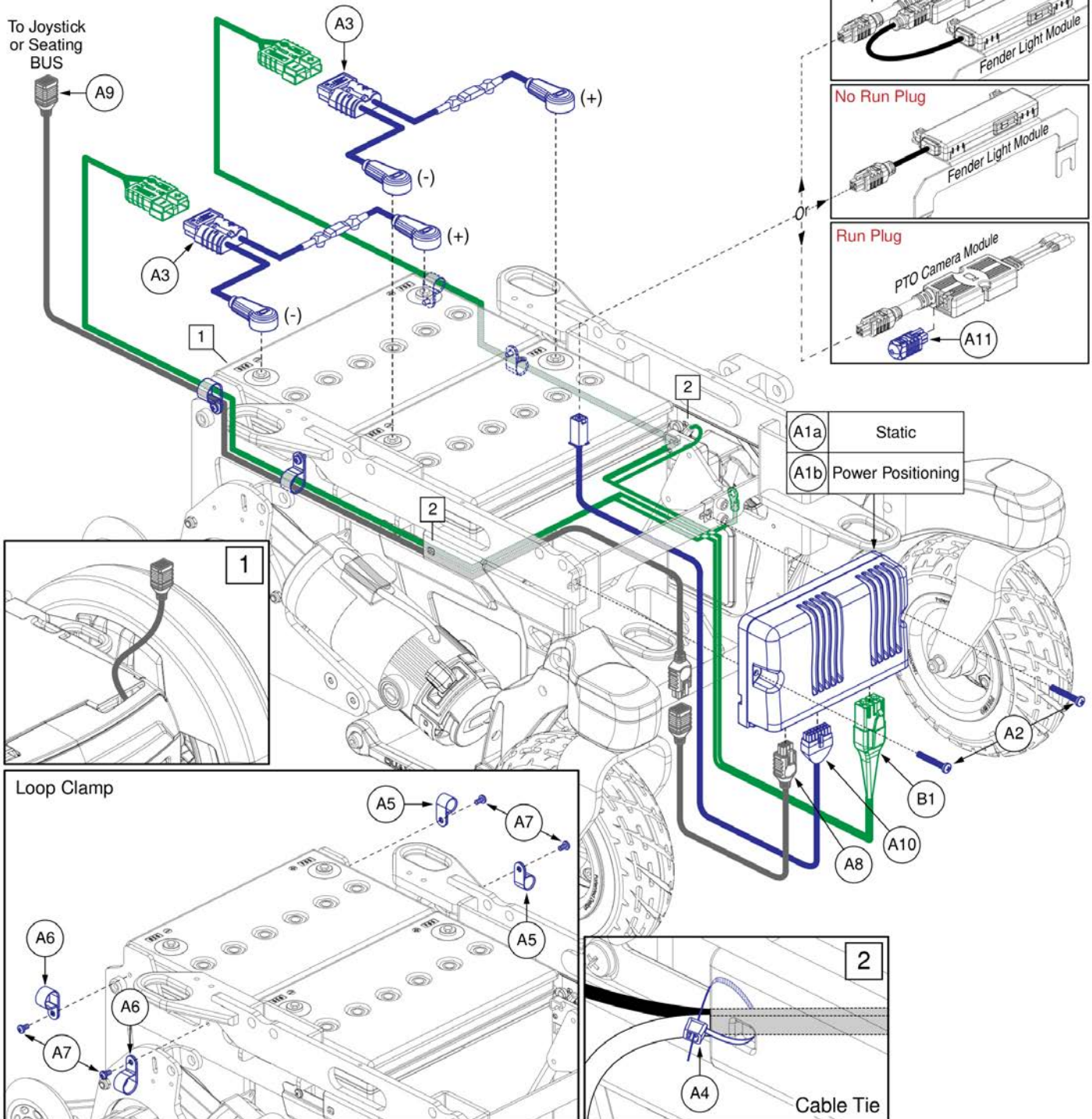
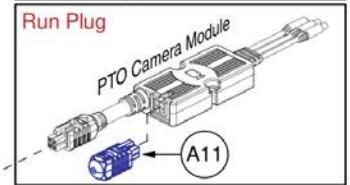
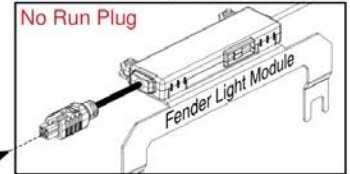
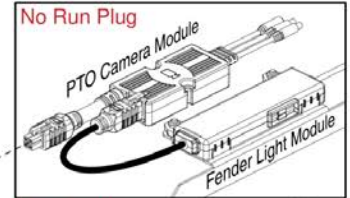
Item	Part No.	Name	Qty
A1a - A10	ELE2206789	ELECTRONIC, ASSY, NE PLUS, 6.25 MPH, R-TRAK, STATIC, RUN PLUG	1
A1a	CTL2206785	CONTROLLER, NE PLUS, ASSY, 75 AMP, W/6.25 MPH PROGRAM, R-TRAK, STATIC	1
A1b - A10	ELE2206790	ELECTRONIC, ASSY, NE PLUS, 6.25 MPH, R-TRAK, POWER POSITIONING, RUN PLUG	1
A1b	CTL2206786	CONTROLLER, NE PLUS, ASSY, 75 AMP, W/6.25 MPH PROGRAM, R-TRAK, POWER POSITIONING	1
A2	SCRPPH1390	SCREW, PAN HEAD, TYPE H, M5X0.8 X 35, ISO 7045, CL 4.8, BZ	2
A3	ELE1709864	HARNESS, BATTERY, FWD, FLEX CABLE	2
A4	PLSTIE1004	TIEDOWN STRAP, 200 LG, PLASTIC, BLACK, SPEC NO. 2106329-2-50-175-V2	2
A5	MEC2107122	LOOP CLAMP, CABLE OR WIRE, 13MM	2
A6	MEC2107123	LOOP CLAMP, CABLE OR WIRE, 17MM	2
A7	SCRPPH1383	SCREW, PAN HEAD, TYPE H, M5x0.8 x 8, ISO 7045, CL 4.8, BZ	4
A8	DWR1111H065	ELECTRONIC,HARNESS,BUS EXTENSION CABLE,CURTIS,0.410 METER,MALE/FEMALE,H-1111-065,(CURTIS: 17881303)	1
A9	DWR1111H052	ELECTRONIC,HARNESS,BUS EXTENSION CABLE,1.0 METER,MALE/FEMALE,H-1111-052,(CURTIS: 37393-001)	1
A10	DWR1265H027	ELECTRONIC,HARNESS,RUN PLUG,Q-LOGIC	1
B1	ELE2104761	HARNESS, BATTERY INTERFACE, POWER SWITCH, Q-LOGIC	1

Complete Assemblies, 6.25 mph 2-Pole Motors

Ref#	Seating Config.	Run Plug Config.
A1a - A10	Static	No Run Plug
A1a - A11	Static	Run Plug
A1b - A10	Power Positioning	No Run Plug
A1b - A11	Power Positioning	Run Plug



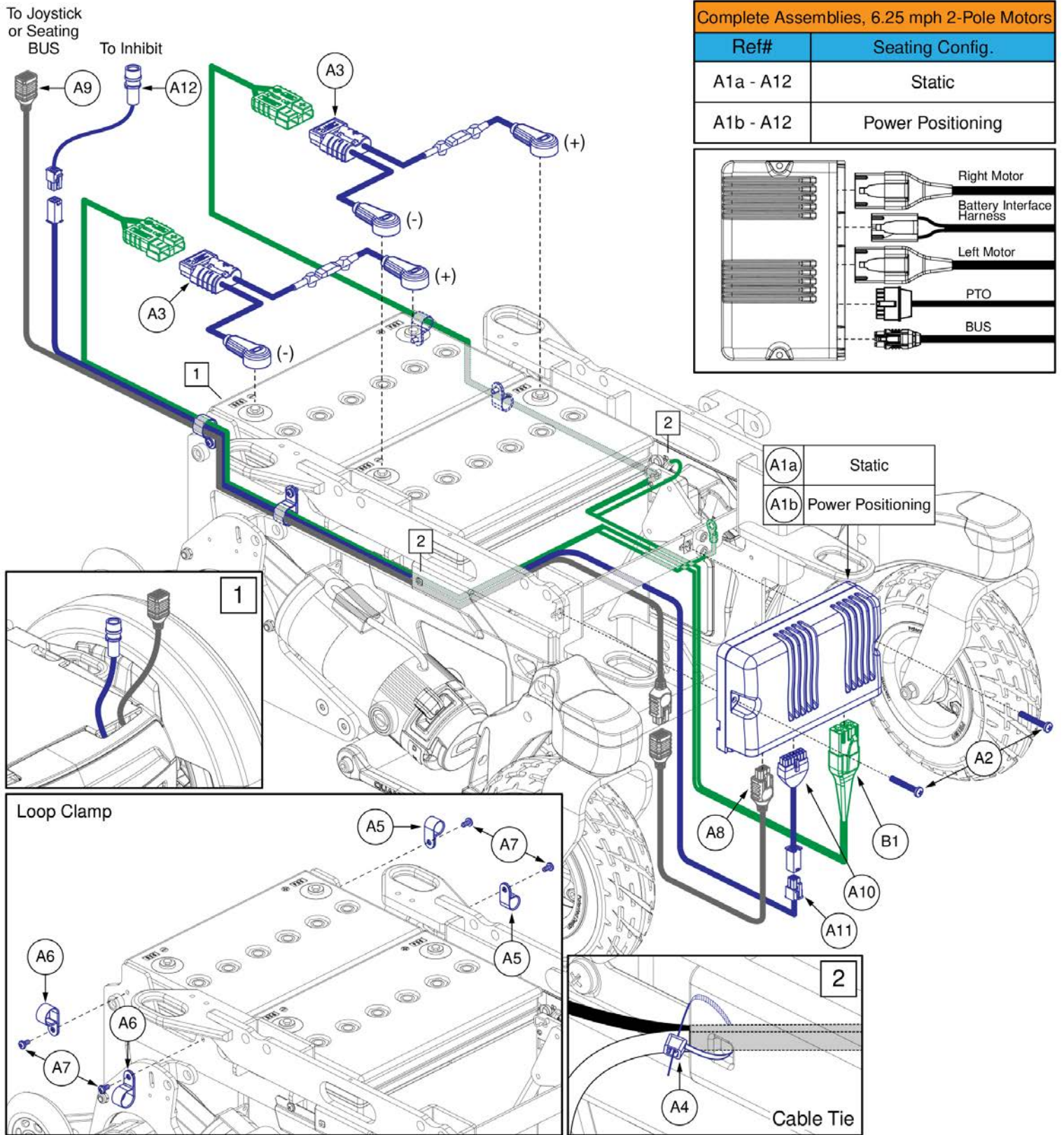
Web Links	
CM	PTO Camera Module
FLM	Fender Light Module



A1a	Static
A1b	Power Positioning

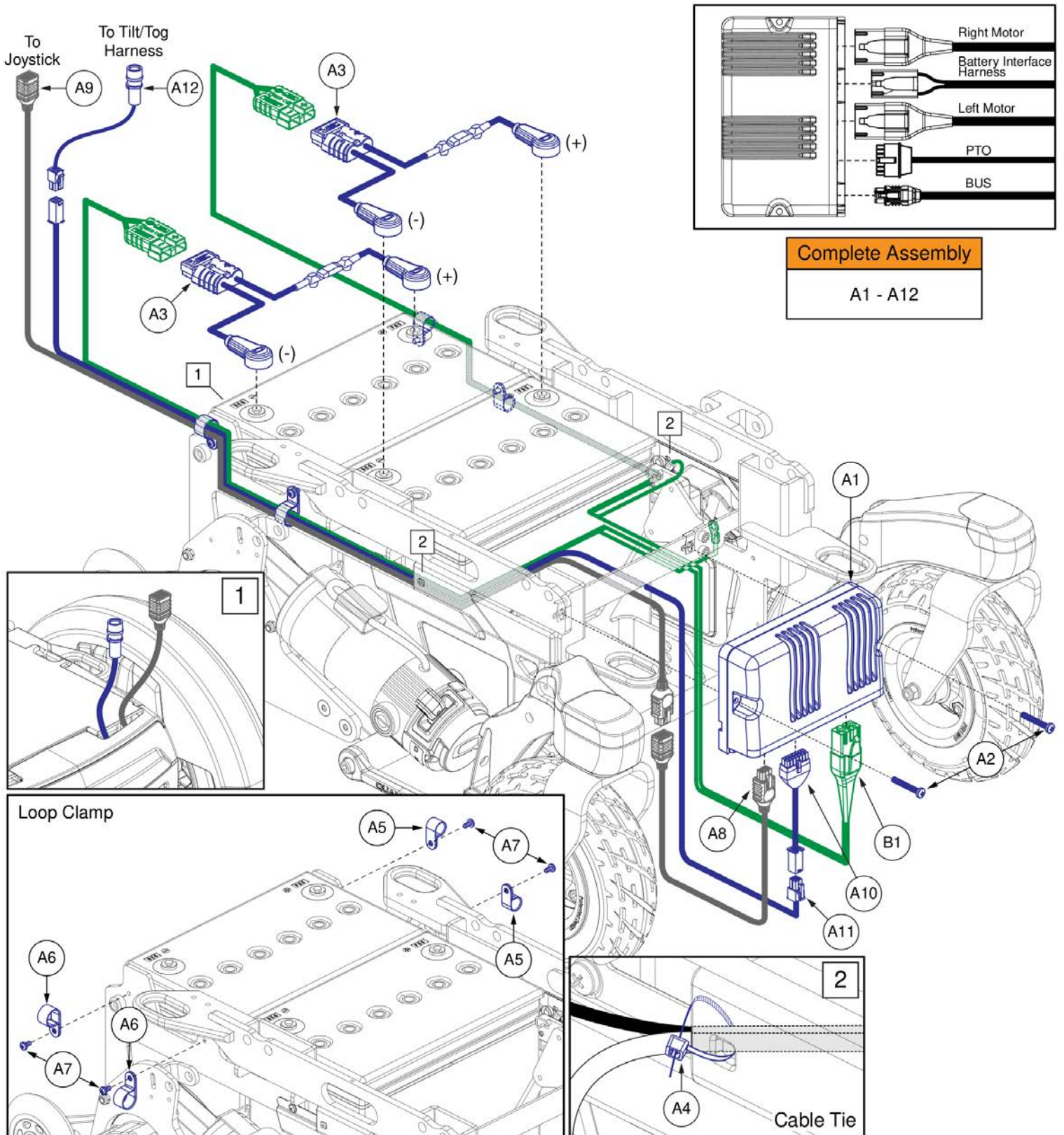
NE+ Base Electronics, Light Fenders / PTO QBC, 6.25 mph, R-TRAK

Item	Part No.	Name	Qty
A1a - A10	ELE2206793	ELECTRONIC, ASSY, NE PLUS, 6.25 MPH, R-TRAK, STATIC, INTERMEDIATE	1
A1a - A11	ELE2206795	ELECTRONIC, ASSY, NE PLUS, 6.25 MPH, R-TRAK, STATIC, INTERMEDIATE & RUN PLUG	1
A1a	CTL2206785	CONTROLLER, NE PLUS, ASSY, 75 AMP, W/6.25 MPH PROGRAM, R-TRAK, STATIC	1
A1b - A10	ELE2206794	ELECTRONIC, ASSY, NE PLUS, 6.25 MPH, R-TRAK, POWER POSITIONING, INTERMEDIATE	1
A1b - A11	ELE2206796	ELECTRONIC, ASSY, NE PLUS, 6.25 MPH, R-TRAK, POWER POSITIONING, INTERMEDIATE & RUN PLUG	1
A1b	CTL2206786	CONTROLLER, NE PLUS, ASSY, 75 AMP, W/6.25 MPH PROGRAM, R-TRAK, POWER POSITIONING	1
A2	SCRPPH1390	SCREW, PAN HEAD, TYPE H, M5X0.8 X 35, ISO 7045, CL 4.8, BZ	2
A3	ELE1709864	HARNESS, BATTERY, FWD, FLEX CABLE	2
A4	PLSTIE1004	TIEDOWN STRAP, 200 LG, PLASTIC, BLACK, SPEC NO. 2106329-2-50-175-V2	2
A5	MEC2107122	LOOP CLAMP, CABLE OR WIRE, 13MM	2
A6	MEC2107123	LOOP CLAMP, CABLE OR WIRE, 17MM	2
A7	SCRPPH1383	SCREW, PAN HEAD, TYPE H, M5x0.8 x 8, ISO 7045, CL 4.8, BZ	4
A8	DWR1111H065	ELECTRONIC,HARNESS,BUS EXTENSION CABLE,CURTIS,0.410 METER,MALE/FEMALE,H-1111-065,(CURTIS: 17881303)	1
A9	DWR1111H052	ELECTRONIC,HARNESS,BUS EXTENSION CABLE,1.0 METER,MALE/FEMALE,H-1111-052,(CURTIS: 37393-001)	1
A10	ELE1907903	HARNESS, PTO INTERFACE, QL2/NE+ TO 4 PIN MOLEX	1
A11	DGN1901203	OVER-MOLD RUN RECEPTACLE, 4-CIRCUIT	1
B1	ELE2104761	HARNESS, BATTERY INTERFACE, POWER SWITCH, Q-LOGIC	1
CM		WEB LINK,IPB,R-TRAK BACKUP CAMERA MODULE (This is not an orderable part, see IPB)	0
FLM		WEB LINK,IPB,R-TRAK FENDER LIGHTS (This is not an oderable part, see IPB)	0



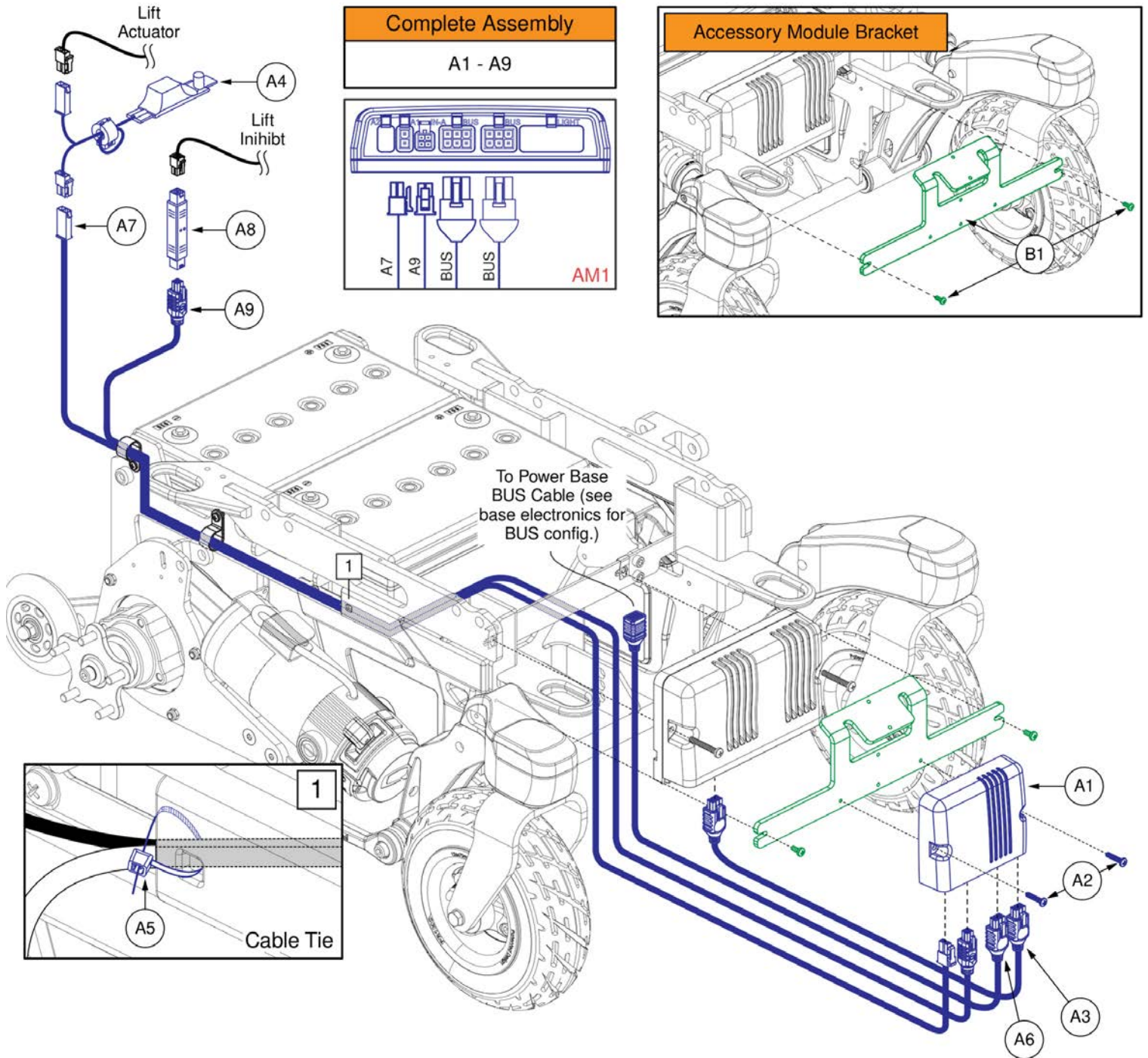
NE+ Base Electronics, Manual Recline, 6.25 mph, R-TRAK

Item	Part No.	Name	Qty
A1a - A12	ELE2206791	ELECTRONIC, ASSY, NE PLUS, 6.25 MPH, R-TRAK, STATIC, PTO	1
A1a	CTL2206785	CONTROLLER, NE PLUS, ASSY, 75 AMP, W/6.25 MPH PROGRAM, R-TRAK, STATIC	1
A1b - A12	ELE2206792	ELECTRONIC, ASSY, NE PLUS, 6.25 MPH, R-TRAK, POWER POSITIONING, PTO	1
A1b	CTL2206786	CONTROLLER, NE PLUS, ASSY, 75 AMP, W/6.25 MPH PROGRAM, R-TRAK, POWER POSITIONING	1
A2	SCRPPH1390	SCREW, PAN HEAD, TYPE H, M5X0.8 X 35, ISO 7045, CL 4.8, BZ	2
A3	ELE1709864	HARNESS, BATTERY, FWD, FLEX CABLE	2
A4	PLSTIE1004	TIEDOWN STRAP, 200 LG, PLASTIC, BLACK, SPEC NO. 2106329-2-50-175-V2	2
A5	MEC2107122	LOOP CLAMP, CABLE OR WIRE, 13MM	2
A6	MEC2107123	LOOP CLAMP, CABLE OR WIRE, 17MM	2
A7	SCRPPH1383	SCREW, PAN HEAD, TYPE H, M5x0.8 x 8, ISO 7045, CL 4.8, BZ	4
A8	DWR1111H065	ELECTRONIC,HARNESS,BUS EXTENSION CABLE,CURTIS,0.410 METER,MALE/FEMALE,H-1111-065,(CURTIS: 17881303)	1
A9	DWR1111H052	ELECTRONIC,HARNESS,BUS EXTENSION CABLE,1.0 METER,MALE/FEMALE,H-1111-052,(CURTIS: 37393-001)	1
A10	ELE1907903	HARNESS, PTO INTERFACE, QL2/NE+ TO 4 PIN MOLEX	1
A11	ELE1902612	HARNESS, PTO, EXTENSION, 4 CIRCUIT MINIFIT, 1000	1
A12	ELE2101147	HARNESS, INTERMEDIATE, PTO, 4 PIN MOLEX TO SURESEAL	1
B1	ELE2104761	HARNESS, BATTERY INTERFACE, POWER SWITCH, Q-LOGIC	1



NE+ Base Electronics, Tilt thru Toggle, 6.25 mph, R-TRAK

Item	Part No.	Name	Qty
A1 - A12	ELE2300157	ELECTRONIC, ASSY, NE PLUS, 6.25 MPH, R-TRAK, TILT THRU TOGGLE	1
A1	CTL2206785	CONTROLLER, NE PLUS, ASSY, 75 AMP, W/6.25 MPH PROGRAM, R-TRAK, STATIC	1
A2	SCRPPH1390	SCREW, PAN HEAD, TYPE H, M5X0.8 X 35, ISO 7045, CL 4.8, BZ	2
A3	ELE1709864	HARNESS, BATTERY, FWD, FLEX CABLE	2
A4	PLSTIE1004	TIEDOWN STRAP, 200 LG, PLASTIC, BLACK, SPEC NO. 2106329-2-50-175-V2	2
A5	MEC2107122	LOOP CLAMP, CABLE OR WIRE, 13MM	2
A6	MEC2107123	LOOP CLAMP, CABLE OR WIRE, 17MM	2
A7	SCRPPH1383	SCREW, PAN HEAD, TYPE H, M5x0.8 x 8, ISO 7045, CL 4.8, BZ	4
A8	DWR1111H065	ELECTRONIC,HARNESS,BUS EXTENSION CABLE,CURTIS,0.410 METER,MALE/FEMALE,H-1111-065,(CURTIS: 17881303)	1
A9	DWR1111H052	ELECTRONIC,HARNESS,BUS EXTENSION CABLE,1.0 METER,MALE/FEMALE,H-1111-052,(CURTIS: 37393-001)	1
A10	ELE1907903	HARNESS, PTO INTERFACE, QL2/NE+ TO 4 PIN MOLEX	1
A11	ELE1902612	HARNESS, PTO, EXTENSION, 4 CIRCUIT MINIFIT, 1000	1
A12	ELE2101147	HARNESS, INTERMEDIATE, PTO, 4 PIN MOLEX TO SURESEAL	1
B1	ELE2104761	HARNESS, BATTERY INTERFACE, POWER SWITCH, Q-LOGIC	1



NE+ AM1 for REAC Lift, Base Mounted, R-TRAK

Item	Part No.	Name	Qty
A1 - A9	ELE2300917	ELECTRONIC,ASSY,NE PLUS/AM1,LIFT,(CONFIGURATION # 04)	1
A1	ELEASMB6557	ELECTRONIC,ASSY,AM1 MODULE,W/ PROGRAMMING,TRU-BALANCE,ELEVATE(CONFIGURATION # 04)	1
A2	SCRPPH1153	SCREW, PAN HEAD, TYPE H, M4X0.7 X 20, FT, ISO 7045, CL 4.8, BZ	2
A3	DWR1111H311	ELECTRONIC,HARNESS,BUS EXTENSION CABLE,AAM/LM,H-1111-311,(CURTIS: 17881302-02)	1
A4	ELE153301	ELECTRICAL,ASSEMBLY,REAC LIFT BACK DRIVE PCBA & INPUT/OUTPUT HARNESS	1
A5	PLSTIE1004	TIEDOWN STRAP, 200 LG, PLASTIC, BLACK, SPEC NO. 2106329-2-50-175-V2	1
A6	DWR1111H065	ELECTRONIC,HARNESS,BUS EXTENSION CABLE,CURTIS,0.410 METER,MALE/FEMALE,H-1111-065,(CURTIS: 17881303)	1
A7	ELE2201372	HARNESS, Q-LOGIC SERIES, BASE EXTENSION, SINGLE ACTUATOR, 1016MM	1
A8	ELE2301172	HARNESS, FEEDBACK, INTERCONNECT, 2X2 MICROFIT, RIGID, 50	1
A9	ELE2301173	HARNESS, FEEDBACK, INTERCONNECT, 2X2 MICROFIT, OVERMOLDED, 1000	1
B1	MEC2107292	ACCESSORY MODULE BRACKET ASSEMBLY,R-TRAK	1

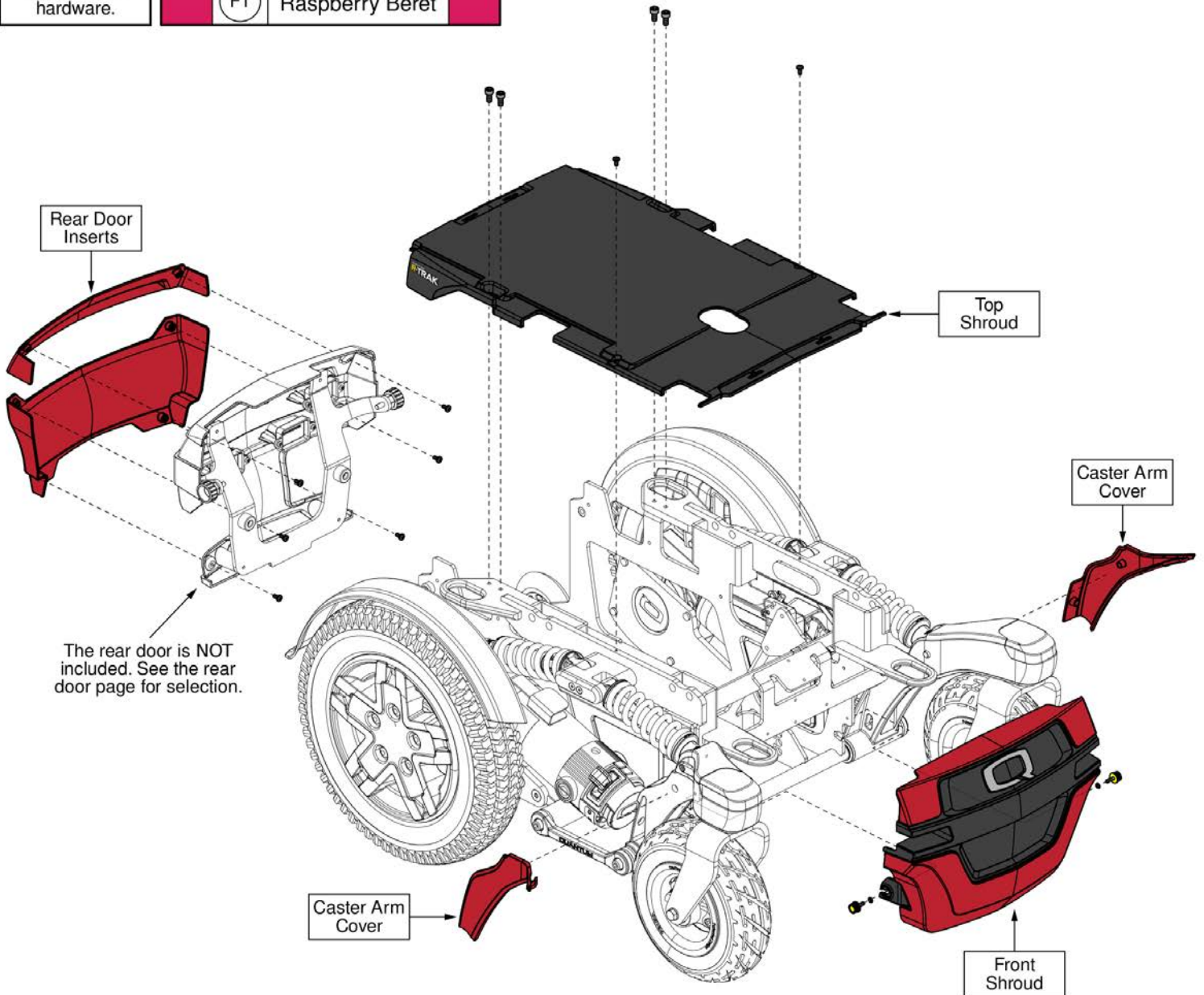
Complete Shroud Assembly, R-TRAK

Complete Shroud Assemblies
Includes the Top Shroud w/ Decal, Painted Caster Arm Covers, Complete Painted Front Shroud w/ Thumb Screws, Painted Rear Door inserts, and all mounting hardware.

Ref#	Color Name
A1	Back in Black
B1	Night Train
C1	Grey Street
D1	Red Corvette
E1	Pretty in Pink
F1	Raspberry Beret

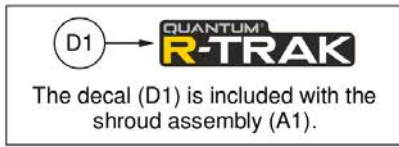
Ref#	Color Name
G1	Deep Purple
H1	Midnight Blue
I1	Electric Blue
J1	Blue Jean
K1	Green Machine

Ref#	Color Name
L1	Military Green
M1	Lemon Crush
N1	Evolution Orange
O1	Digital Camo
P1	Faded Glory

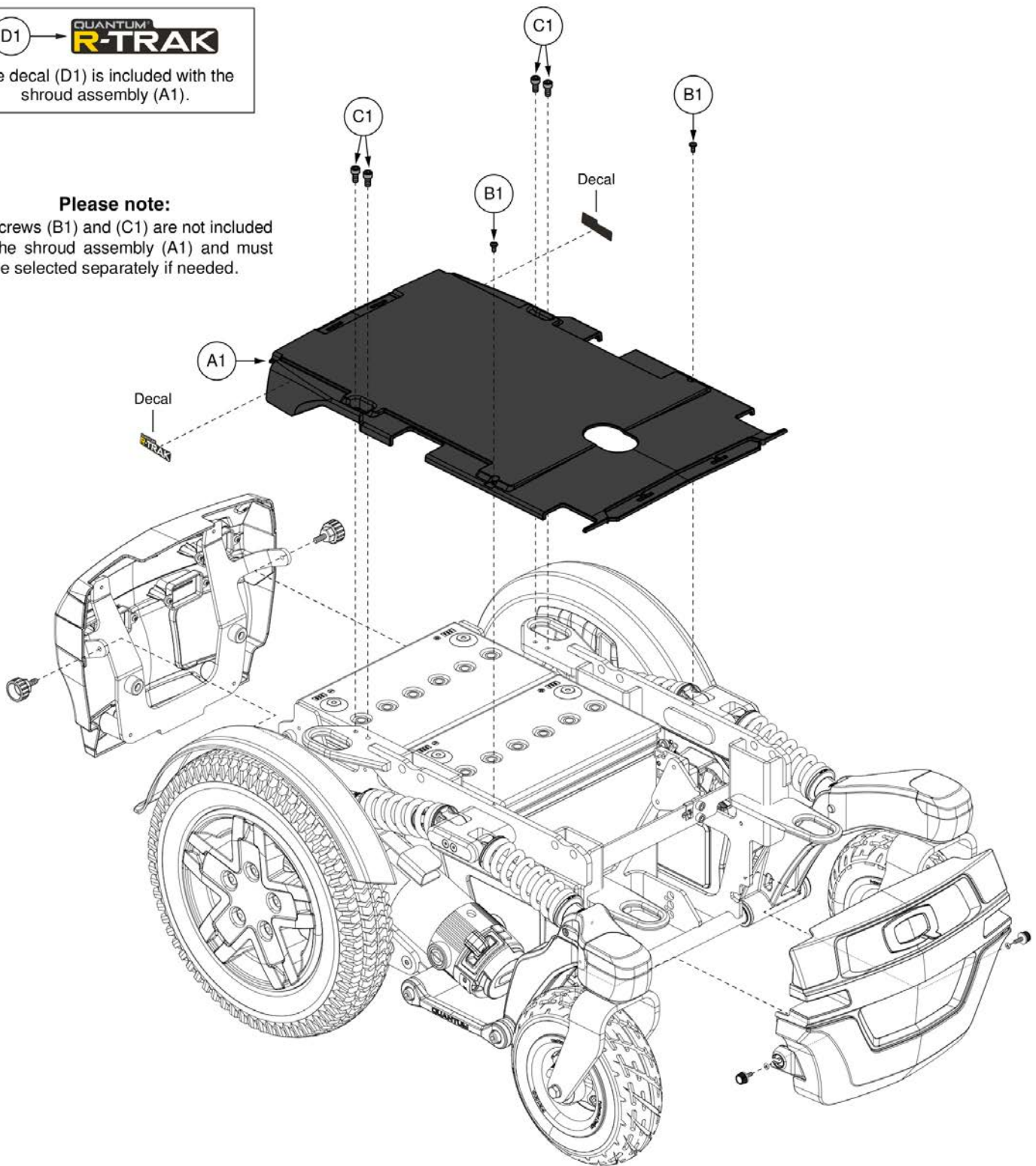


Complete Shroud Assembly, R-TRAK

Item	Part No.	Name	Qty
A1	DGN2106050-PBK1	SHROUD,ASSY,BACK IN BLACK,R-TRAK	1
B1	DGN2106050-PBK3	SHROUD,ASSY,NIGHT TRAIN,R-TRAK	1
C1	DGN2106050-PSL3	SHROUD,ASSY,GREY STREET,R-TRAK	1
D1	DGN2106050-PRD1	SHROUD,ASSY,RED CORVETTE,R-TRAK	1
E1	DGN2106050-PPK3	SHROUD,ASSY,PRETTY IN PINK,R-TRAK	1
F1	DGN2106050-PPK4	SHROUD,ASSY,RASPBERRY BERET,R-TRAK	1
G1	DGN2106050-PPR5	SHROUD,ASSY,DEEP PURPLE,R-TRAK	1
H1	DGN2106050-PBU10	SHROUD,ASSY,MIDNIGHT BLUE,R-TRAK	1
I1	DGN2106050-PBU9	SHROUD,ASSY,ELECTRIC BLUE,R-TRAK	1
J1	DGN2106050-PBU11	SHROUD,ASSY,BLUE JEAN,R-TRAK	1
K1	DGN2106050-PGN11	SHROUD,ASSY,GREEN MACHINE,R-TRAK	1
L1	DGN2106050-PGN8	SHROUD,ASSY,MILITARY GREEN,R-TRAK	1
M1	DGN2106050-PYL4	SHROUD,ASSY,LEMON CRUSH,R-TRAK	1
N1	DGN2106050-POR7	SHROUD,ASSY,EVOLUTION ORANGE,R-TRAK	1
O1	DGN2106050-WCM7	SHROUD,ASSY,MILITARY DIGITAL CAMO,R-TRAK	1
P1	DGN2106050-WFL2	SHROUD,ASSY,FADED GLORY,R-TRAK	1

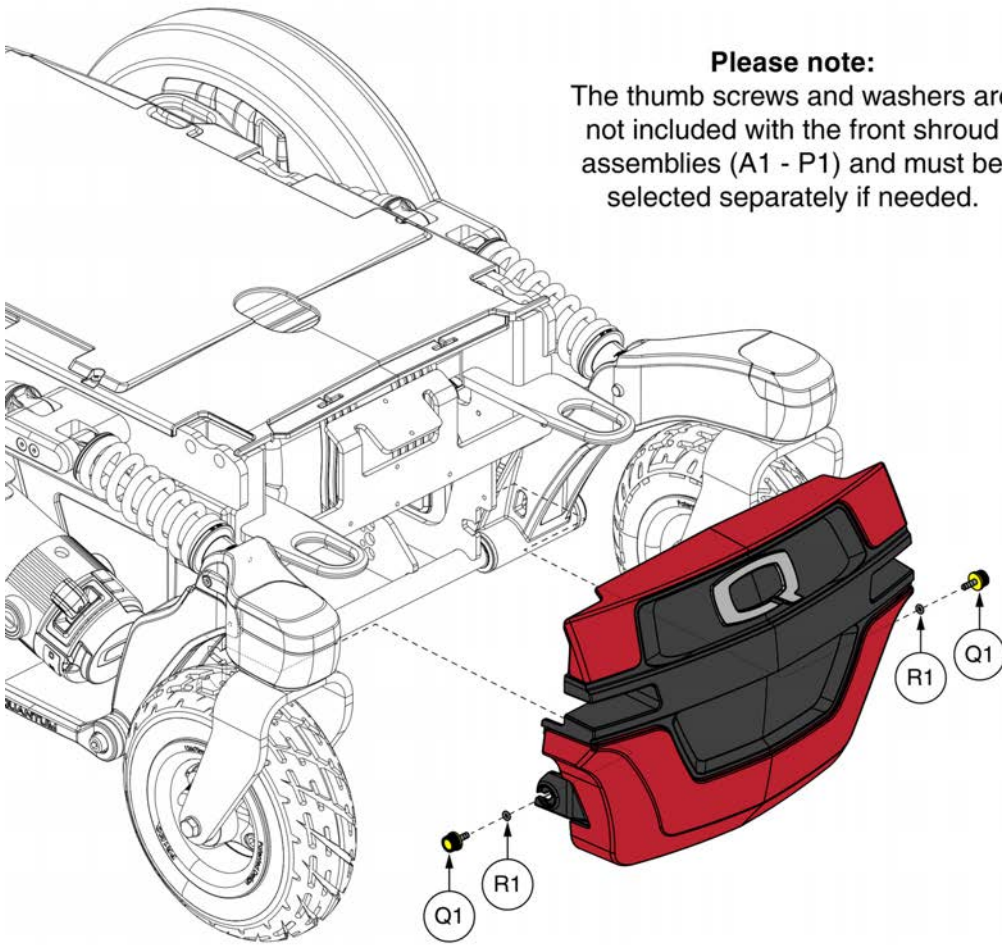


Please note:
The screws (B1) and (C1) are not included with the shroud assembly (A1) and must be selected separately if needed.



Top Shroud, R-TRAK

Item	Part No.	Name	Qty
A1	DGN2206451	TOP SHROUD, MAIN, W/NAME DECAL	1
B1	SCRPPH1036	SCREW, PAN HEAD, TYPE H, M4X0.7 X 8, FT, ISO 7045, CL 4.8, BZ	2
C1	SCRSHCS1095	SCREW, SOCKET HEAD, M6X1.0 X 12, ISO 4762, CL 12.9, BZ, PVTP	4
D1	LAB2201320	DECAL,AESTHETIC,R-TRAK	2



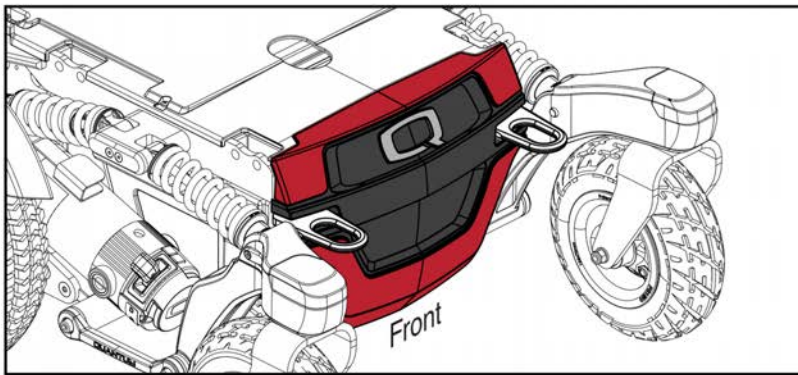
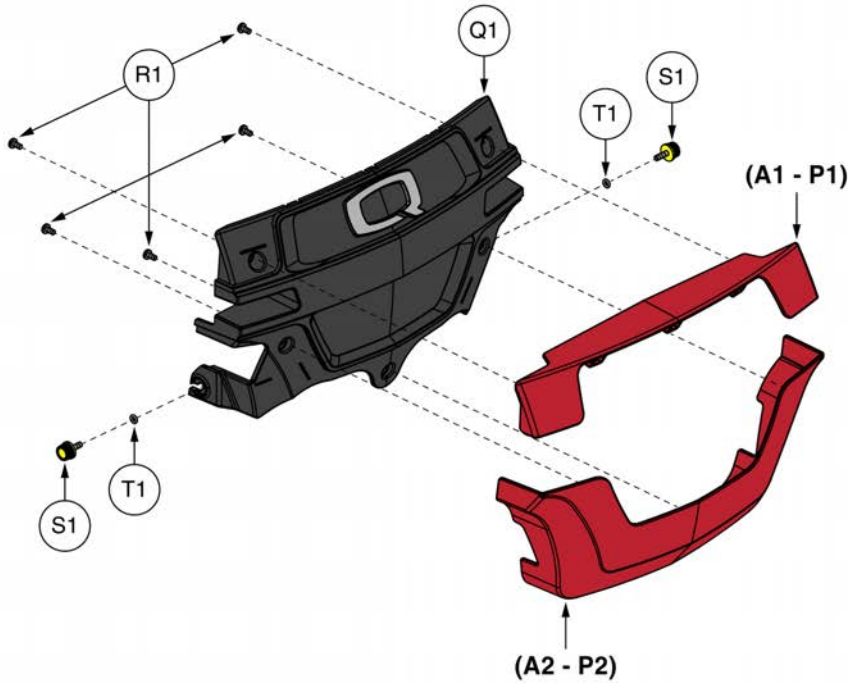
Please note:
The thumb screws and washers are not included with the front shroud assemblies (A1 - P1) and must be selected separately if needed.

Front Shroud Assy w/ Painted Inserts		
Ref#	Color Name	
A1	Back in Black	
B1	Night Train	
C1	Grey Street	
D1	Red Corvette	
E1	Pretty in Pink	
F1	Raspberry Beret	
G1	Deep Purple	
H1	Midnight Blue	
I1	Electric Blue	
J1	Blue Jean	
K1	Green Machine	
L1	Military Green	
M1	Lemon Crush	
N1	Evolution Orange	
O1	Digital Camo	
P1	Faded Glory	

Front Shroud Complete, R-TRAK

Item	Part No.	Name	Qty
A1	DGN1908237-PBK1	FRONT SHROUD,ASSEMBLY,BACK IN BLACK (PPW-BLK-01)	1
B1	DGN1908237-PBK3	FRONT SHROUD,ASSEMBLY,NIGHT TRAIN (PPW-BLK-03)	1
C1	DGN1908237-PSL3	FRONT SHROUD,ASSEMBLY,GREY STREET (PPW-SIL-03)	1
D1	DGN1908237-PRD1	FRONT SHROUD,ASSEMBLY,RED CORVETTE (PPW-RED-01)	1
E1	DGN1908237-PPK3	FRONT SHROUD,ASSEMBLY,PRETTY IN PINK (PPW-PNK-03)	1
F1	DGN1908237-PPK4	FRONT SHROUD,ASSEMBLY,RASPBERRY BERET (PPW-PNK-04)	1
G1	DGN1908237-PPR5	FRONT SHROUD,ASSEMBLY,DEEP PURPLE (PPW-PRP-05)	1
H1	DGN1908237-PBU10	FRONT SHROUD,ASSEMBLY,MIDNIGHT BLUE (PPW-BLU-10)	1
I1	DGN1908237-PBU9	FRONT SHROUD,ASSEMBLY,ELECTRIC BLUE (PPW-BLU-09)	1
J1	DGN1908237-PBU11	FRONT SHROUD,ASSEMBLY,BLUE JEAN (PPW-BLU-11)	1
K1	DGN1908237-PGN11	FRONT SHROUD,ASSEMBLY,GREEN MACHINE (PPW-GRN-11)	1
L1	DGN1908237-PGN8	FRONT SHROUD,ASSEMBLY,MILITARY GREEN (PPW-GRN-08)	1
M1	DGN1908237-PYL4	FRONT SHROUD,ASSEMBLY,LEMON CRUSH (PPW-YEL-04)	1
N1	DGN1908237-POR7	FRONT SHROUD,ASSEMBLY,EVOLUTION ORANGE (PPW-ORN-07)	1
O1	DGN1908237-WCM7	FRONT SHROUD,ASSEMBLY,MILITARY DIGITAL CAMO (PWT-CMO-07)	1
P1	DGN1908237-WFL2	FRONT SHROUD,ASSEMBLY,FADED GLORY (PWT-FLG-02)	1
Q1	PLSKNCP1056	KNOB,PLASTIC,M4-.7 X 12MM,KNURLED HEAD,TALL,C-1060-041	1
R1	WASNEOP1003	WASHER,BLACK,NEOPRENE,3.20MM ID X 7.00MM OD X 1.90MM TH,O-RING	1

Front Shroud Components, R-TRAK



Front Shroud Painted Inserts		
Top	Bottom	Color Name
(A1)	(A2)	Back in Black
(B1)	(B2)	Night Train
(C1)	(C2)	Grey Street
(D1)	(D2)	Red Corvette
(E1)	(E2)	Pretty in Pink
(F1)	(F2)	Raspberry Beret
(G1)	(G2)	Deep Purple
(H1)	(H2)	Midnight Blue
(I1)	(I2)	Electric Blue
(J1)	(J2)	Blue Jean
(K1)	(K2)	Green Machine
(L1)	(L2)	Military Green
(M1)	(M2)	Lemon Crush
(N1)	(N2)	Evolution Orange
(O1)	(O2)	Digital Camo
(P1)	(P2)	Faded Glory

Front Shroud Components, R-TRAK

Item	Part No.	Name	Qty
A1	DGN1908233-PBK1	UPPER FRONT SHROUD WITH INSERTS,BACK IN BLACK (PPW-BLK-01)	1
A2	DGN1908232-PBK1	LOWER FRONT SHROUD WITH INSERTS,BACK IN BLACK (PPW-BLK-01)	1
B1	DGN1908233-PBK3	UPPER FRONT SHROUD WITH INSERTS,NIGHT TRAIN (PPW-BLK-03)	1
B2	DGN1908232-PBK3	LOWER FRONT SHROUD WITH INSERTS,NIGHT TRAIN (PPW-BLK-03)	1
C1	DGN1908233-PSL3	UPPER FRONT SHROUD WITH INSERTS,GREY STREET (PPW-SIL-03)	1
C2	DGN1908232-PSL3	LOWER FRONT SHROUD WITH INSERTS,GREY STREET (PPW-SIL-03)	1
D1	DGN1908233-PRD1	UPPER FRONT SHROUD WITH INSERTS,RED CORVETTE (PPW-RED-01)	1
D2	DGN1908232-PRD1	LOWER FRONT SHROUD WITH INSERTS,RED CORVETTE (PPW-RED-01)	1
E1	DGN1908233-PPK3	UPPER FRONT SHROUD WITH INSERTS,Pretty in Pink (PPW-PNK-03)	1
E2	DGN1908232-PPK3	LOWER FRONT SHROUD WITH INSERTS,Pretty in Pink (PPW-PNK-03)	1
F1	DGN1908233-PPK4	UPPER FRONT SHROUD WITH INSERTS,RASPBERRY BERET (PPW-PNK-04)	1
F2	DGN1908232-PPK4	LOWER FRONT SHROUD WITH INSERTS,RASPBERRY BERET (PPW-PNK-04)	1
G1	DGN1908233-PPR5	UPPER FRONT SHROUD WITH INSERTS,DEEP PURPLE (PPW-PRP-05)	1
G2	DGN1908232-PPR5	LOWER FRONT SHROUD WITH INSERTS,DEEP PURPLE (PPW-PRP-05)	1
H1	DGN1908233-PBU10	UPPER FRONT SHROUD WITH INSERTS,MIDNIGHT BLUE (PPW-BLU-10)	1
H2	DGN1908232-PBU10	LOWER FRONT SHROUD WITH INSERTS,MIDNIGHT BLUE (PPW-BLU-10)	1
I1	DGN1908233-PBU9	UPPER FRONT SHROUD WITH INSERTS,ELECTRIC BLUE (PPW-BLU-09)	1
I2	DGN1908232-PBU9	LOWER FRONT SHROUD WITH INSERTS,ELECTRIC BLUE (PPW-BLU-09)	1
J1	DGN1908233-PBU11	UPPER FRONT SHROUD WITH INSERTS,BLUE JEAN (PPW-BLU-11)	1
J2	DGN1908232-PBU11	LOWER FRONT SHROUD WITH INSERTS,BLUE JEAN (PPW-BLU-11)	1
K1	DGN1908233-PGN11	UPPER FRONT SHROUD WITH INSERTS,GREEN MACHINE (PPW-GRN-11)	1
K2	DGN1908232-PGN11	LOWER FRONT SHROUD WITH INSERTS,GREEN MACHINE (PPW-GRN-11)	1
L1	DGN1908233-PGN8	UPPER FRONT SHROUD WITH INSERTS,MILITARY GREEN (PPW-GRN-08)	1
L2	DGN1908232-PGN8	LOWER FRONT SHROUD WITH INSERTS,MILITARY GREEN (PPW-GRN-08)	1
M1	DGN1908233-PYL4	UPPER FRONT SHROUD WITH INSERTS,LEMON CRUSH (PPW-YEL-04)	1
M2	DGN1908232-PYL4	LOWER FRONT SHROUD WITH INSERTS,LEMON CRUSH (PPW-YEL-04)	1
N1	DGN1908233-POR7	UPPER FRONT SHROUD WITH INSERTS,EVOLUTION ORANGE (PPW-ORN-07)	1
N2	DGN1908232-POR7	LOWER FRONT SHROUD WITH INSERTS,EVOLUTION ORANGE (PPW-ORN-07)	1
O1	DGN1908233-WCM7	UPPER FRONT SHROUD WITH INSERTS,MILITARY DIGITAL CAMO (PWT-CMO-07)	1
O2	DGN1908232-WCM7	LOWER FRONT SHROUD WITH INSERTS,MILITARY DIGITAL CAMO (PWT-CMO-07)	1
P1	DGN1908233-WFL2	UPPER FRONT SHROUD WITH INSERTS,FADED GLORY (PWT-FLG-02)	1
P2	DGN1908232-WFL2	LOWER FRONT SHROUD WITH INSERTS,FADED GLORY (PWT-FLG-02)	1
Q1	DGN1908236	FRONT SHROUD WITH EMBLEM, ASSEMBLY, RWD	1

This page intentionally left blank

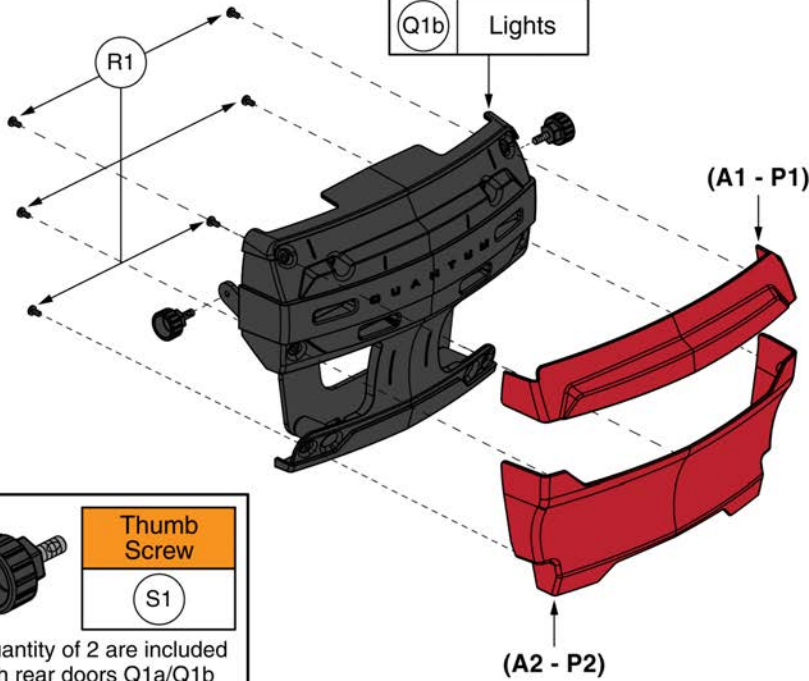
Front Shroud Components, R-TRAK

Item	Part No.	Name	Qty
R1	SCRPPH1036	SCREW, PAN HEAD, TYPE H, M4X0.7 X 8, FT, ISO 7045, CL 4.8, BZ	5
S1	PLSKNCP1056	KNOB,PLASTIC,M4-.7 X 12MM,KNURLED HEAD,TALL,C-1060-041	1
T1	WASNEOP1003	WASHER,BLACK,NEOPRENE,3.20MM ID X 7.00MM OD X 1.90MM TH,O-RING	1

Rear Door Shroud, R-TRAK

The screws (R1) must be selected separately if needed. They are **NOT** included with the painted shrouds or rear door.

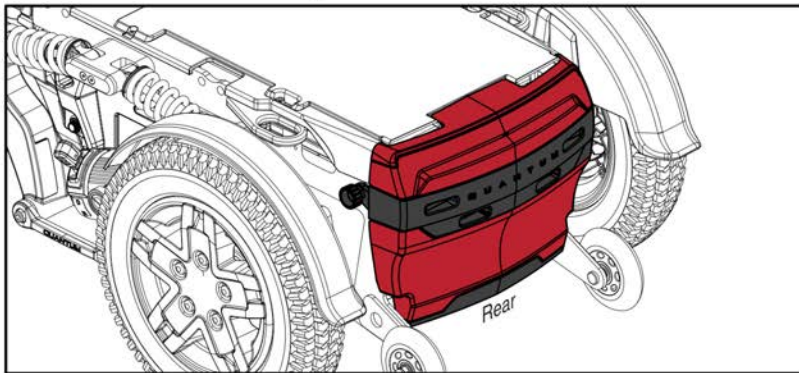
Rear Door w/ Thumb Screws	
Ref#	Config.
Q1a	Reflectors
Q1b	Lights





Thumb Screw
S1

A quantity of 2 are included with rear doors Q1a/Q1b



Rear Shroud Painted Inserts		
Top	Bottom	Color Name
A1	A2	Back in Black
B1	B2	Night Train
C1	C2	Grey Street
D1	D2	Red Corvette
E1	E2	Pretty in Pink
F1	F2	Raspberry Beret
G1	G2	Deep Purple
H1	H2	Midnight Blue
I1	I2	Electric Blue
J1	J2	Blue Jean
K1	K2	Green Machine
L1	L2	Military Green
M1	M2	Lemon Crush
N1	N2	Evolution Orange
O1	O2	Digital Camo
P1	P2	Faded Glory

Rear Door Shroud, R-TRAK

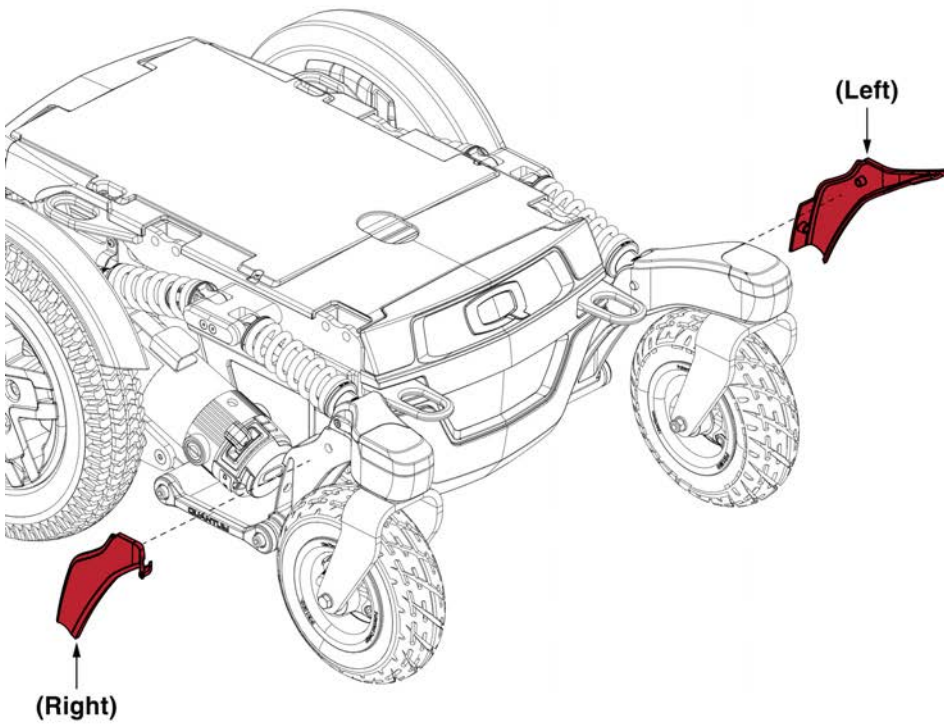
Item	Part No.	Name	Qty
A1	DGN1908240-PBK1	UPPER REAR SHROUD WITH INSERTS,BACK IN BLACK (PPW-BLK-01)	1
A2	DGN1908239-PBK1	LOWER REAR SHROUD WITH INSERTS,BACK IN BLACK (PPW-BLK-01)	1
B1	DGN1908240-PBK3	UPPER REAR SHROUD WITH INSERTS,NIGHT TRAIN (PPW-BLK-03)	1
B2	DGN1908239-PBK3	LOWER REAR SHROUD WITH INSERTS,NIGHT TRAIN (PPW-BLK-03)	1
C1	DGN1908240-PSL3	UPPER REAR SHROUD WITH INSERTS,GREY STREET (PPW-SIL-03)	1
C2	DGN1908239-PSL3	LOWER REAR SHROUD WITH INSERTS,GREY STREET (PPW-SIL-03)	1
D1	DGN1908240-PRD1	UPPER REAR SHROUD WITH INSERTS,RED CORVETTE (PPW-RED-01)	1
D2	DGN1908239-PRD1	LOWER REAR SHROUD WITH INSERTS,RED CORVETTE (PPW-RED-01)	1
E1	DGN1908240-PPK3	UPPER REAR SHROUD WITH INSERTS,PRETTY IN PINK (PPW-PNK-03)	1
E2	DGN1908239-PPK3	LOWER REAR SHROUD WITH INSERTS,PRETTY IN PINK (PPW-PNK-03)	1
F1	DGN1908240-PPK4	UPPER REAR SHROUD WITH INSERTS,RASPBERRY BERET (PPW-PNK-04)	1
F2	DGN1908239-PPK4	LOWER REAR SHROUD WITH INSERTS,RASPBERRY BERET (PPW-PNK-04)	1
G1	DGN1908240-PPR5	UPPER REAR SHROUD WITH INSERTS,DEEP PURPLE (PPW-PRP-05)	1
G2	DGN1908239-PPR5	LOWER REAR SHROUD WITH INSERTS,DEEP PURPLE (PPW-PRP-05)	1
H1	DGN1908240-PBU10	UPPER REAR SHROUD WITH INSERTS,MIDNIGHT BLUE (PPW-BLU-10)	1
H2	DGN1908239-PBU10	LOWER REAR SHROUD WITH INSERTS,MIDNIGHT BLUE (PPW-BLU-10)	1
I1	DGN1908240-PBU9	UPPER REAR SHROUD WITH INSERTS,ELECTRIC BLUE (PPW-BLU-09)	1
I2	DGN1908239-PBU9	LOWER REAR SHROUD WITH INSERTS,ELECTRIC BLUE (PPW-BLU-09)	1
J1	DGN1908240-PBU11	UPPER REAR SHROUD WITH INSERTS,BLUE JEAN (PPW-BLU-11)	1
J2	DGN1908239-PBU11	LOWER REAR SHROUD WITH INSERTS,BLUE JEAN (PPW-BLU-11)	1
K1	DGN1908240-PGN11	UPPER REAR SHROUD WITH INSERTS,GREEN MACHINE (PPW-GRN-11)	1
K2	DGN1908239-PGN11	LOWER REAR SHROUD WITH INSERTS,GREEN MACHINE (PPW-GRN-11)	1
L1	DGN1908240-PGN8	UPPER REAR SHROUD WITH INSERTS,MILITARY GREEN (PPW-GRN-08)	1
L2	DGN1908239-PGN8	LOWER REAR SHROUD WITH INSERTS,MILITARY GREEN (PPW-GRN-08)	1
M1	DGN1908240-PYL4	UPPER REAR SHROUD WITH INSERTS,LEMON CRUSH (PPW-YEL-04)	1
M2	DGN1908239-PYL4	LOWER REAR SHROUD WITH INSERTS,LEMON CRUSH (PPW-YEL-04)	1
N1	DGN1908240-POR7	UPPER REAR SHROUD WITH INSERTS,EVOLUTION ORANGE (PPW-ORN-07)	1
N2	DGN1908239-POR7	LOWER REAR SHROUD WITH INSERTS,EVOLUTION ORANGE (PPW-ORN-07)	1
O1	DGN1908240-WCM7	UPPER REAR SHROUD WITH INSERTS,MILITARY DIGITAL CAMO (PWT-CMO-07)	1
O2	DGN1908239-WCM7	LOWER REAR SHROUD WITH INSERTS,MILITARY DIGITAL CAMO (PWT-CMO-07)	1
P1	DGN1908240-WFL2	UPPER REAR SHROUD WITH INSERTS,FADED GLORY (PWT-FLG-02)	1
P2	DGN1908239-WFL2	LOWER REAR SHROUD WITH INSERTS,FADED GLORY (PWT-FLG-02)	1
Q1a	DGN2106068	SHROUD,ASSY,REAR BATTERY DOOR W/REFLECTORS,R-TRAK	1

This page intentionally left blank

Rear Door Shroud, R-TRAK

Item	Part No.	Name	Qty
Q1b	DGN2106069	SHROUD,ASSY,REAR BATTERY DOOR W/LIGHTS,R-TRAK	1
R1	SCRPPH1036	SCREW, PAN HEAD, TYPE H, M4X0.7 X 8, FT, ISO 7045, CL 4.8, BZ	6
S1	MEC2104782	THUMB SCREW, M6X1.0, 16MM, PVTP	2

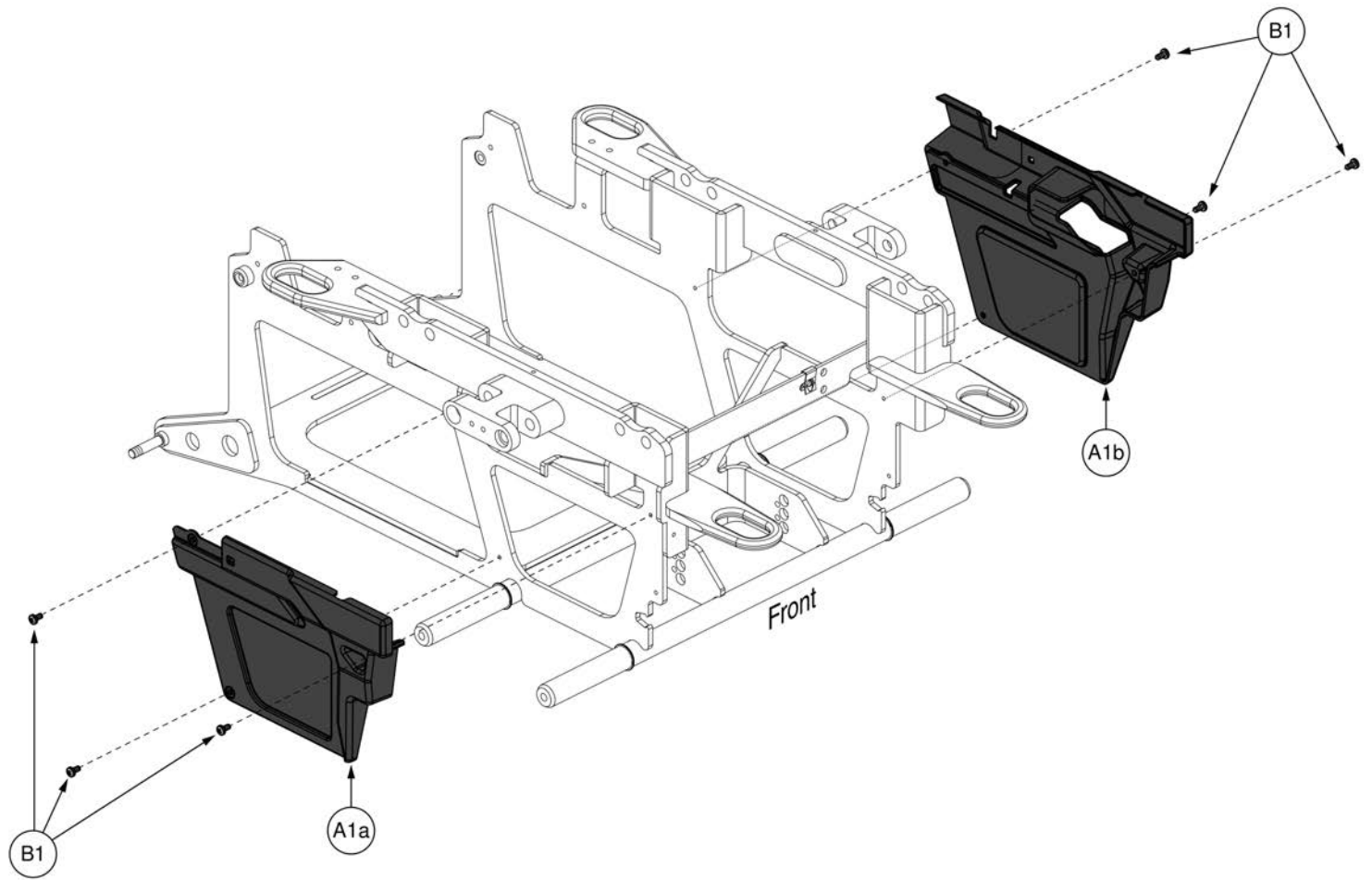
Caster Arm Shroud Assemblies, R-TRAK



Caster Arm Painted Shroud Inserts		
Left	Right	Color Name
(A1)	(A2)	Back in Black
(B1)	(B2)	Night Train
(C1)	(C2)	Grey Street
(D1)	(D2)	Red Corvette
(E1)	(E2)	Pretty in Pink
(F1)	(F2)	Raspberry Beret
(G1)	(G2)	Deep Purple
(H1)	(H2)	Midnight Blue
(I1)	(I2)	Electric Blue
(J1)	(J2)	Blue Jean
(K1)	(K2)	Green Machine
(L1)	(L2)	Military Green
(M1)	(M2)	Lemon Crush
(N1)	(N2)	Evolution Orange
(O1)	(O2)	Digital Camo
(P1)	(P2)	Faded Glory

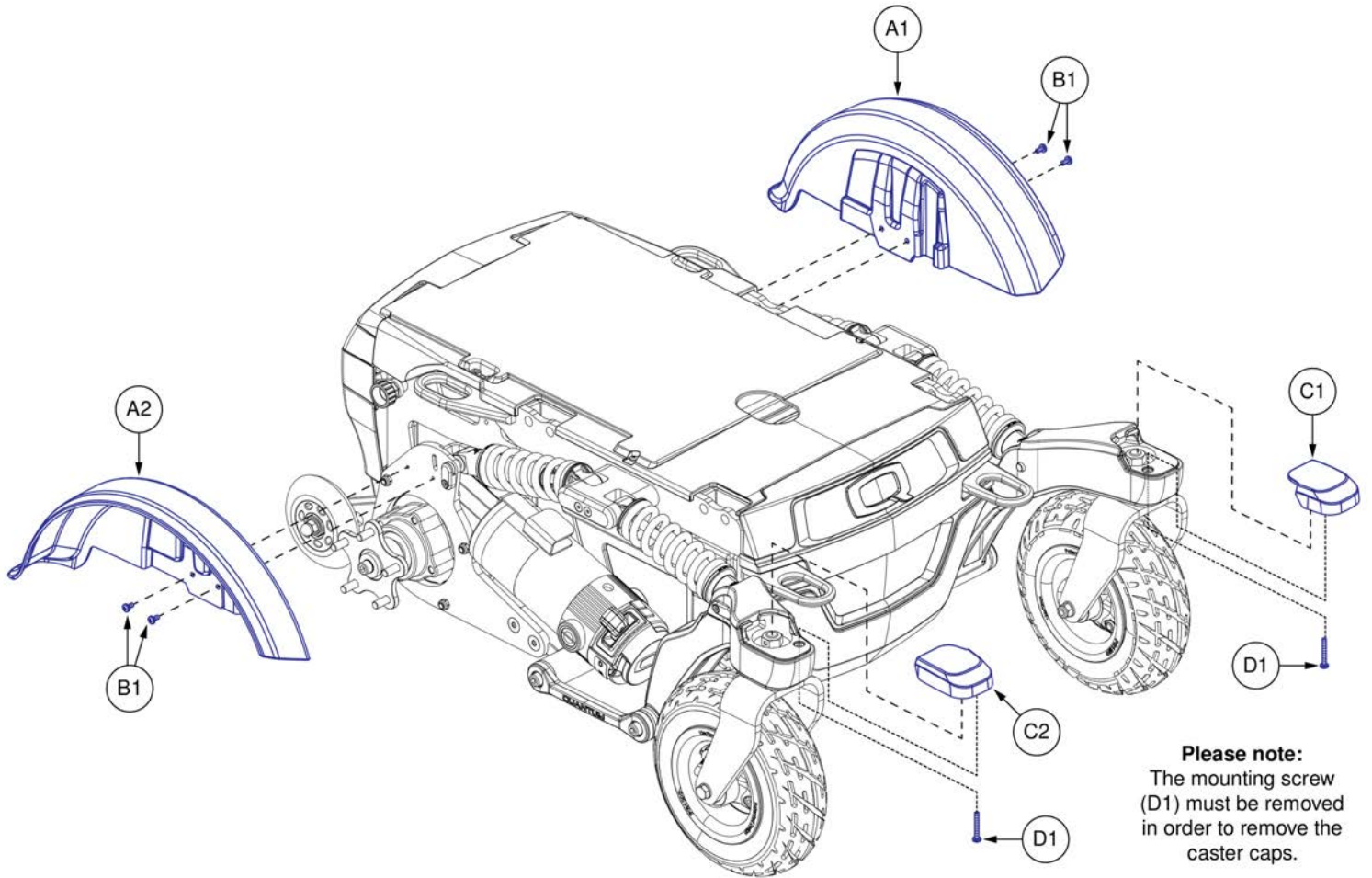
Caster Arm Shroud Assemblies, R-TRAK

Item	Part No.	Name	Qty
A1	DGN1906450-PBK1	CASTER SHROUD,LEFT,BACK IN BLACK (PPW-BLK-01)	1
A2	DGN1908961-PBK1	CASTER SHROUD,RIGHT,BACK IN BLACK (PPW-BLK-01)	1
B1	DGN1906450-PBK3	CASTER SHROUD,LEFT,NIGHT TRAIN (PPW-BLK-03)	1
B2	DGN1908961-PBK3	CASTER SHROUD,RIGHT,NIGHT TRAIN (PPW-BLK-03)	1
C1	DGN1906450-PSL3	CASTER SHROUD,LEFT,GREY STREET (PPW-SIL-03)	1
C2	DGN1908961-PSL3	CASTER SHROUD,RIGHT,GREY STREET (PPW-SIL-03)	1
D1	DGN1906450-PRD1	CASTER SHROUD,LEFT,RED CORVETTE (PPW-RED-01)	1
D2	DGN1908961-PRD1	CASTER SHROUD,RIGHT,RED CORVETTE (PPW-RED-01)	1
E1	DGN1906450-PPK3	CASTER SHROUD,LEFT,PRETTY IN PINK (PPW-PNK-03)	1
E2	DGN1908961-PPK3	CASTER SHROUD,RIGHT,PRETTY IN PINK (PPW-PNK-03)	1
F1	DGN1906450-PPK4	CASTER SHROUD,LEFT,RASPBERRY BERET (PPW-PNK-04)	1
F2	DGN1908961-PPK4	CASTER SHROUD,RIGHT,RASPBERRY BERET (PPW-PNK-04)	1
G1	DGN1906450-PPR5	CASTER SHROUD,LEFT,DEEP PURPLE (PPW-PRP-05)	1
G2	DGN1908961-PPR5	CASTER SHROUD,RIGHT,DEEP PURPLE (PPW-PRP-05)	1
H1	DGN1906450-PBU10	CASTER SHROUD,LEFT,MIDNIGHT BLUE (PPW-BLU-10)	1
H2	DGN1908961-PBU10	CASTER SHROUD,RIGHT,MIDNIGHT BLUE (PPW-BLU-10)	1
I1	DGN1906450-PBU9	CASTER SHROUD,LEFT,ELECTRIC BLUE (PPW-BLU-09)	1
I2	DGN1908961-PBU9	CASTER SHROUD,RIGHT,ELECTRIC BLUE (PPW-BLU-09)	1
J1	DGN1906450-PBU11	CASTER SHROUD,LEFT,BLUE JEAN (PPW-BLU-11)	1
J2	DGN1908961-PBU11	CASTER SHROUD,RIGHT,BLUE JEAN (PPW-BLU-11)	1
K1	DGN1906450-PGN11	CASTER SHROUD,LEFT,GREEN MACHINE (PPW-GRN-11)	1
K2	DGN1908961-PGN11	CASTER SHROUD,RIGHT,GREEN MACHINE (PPW-GRN-11)	1
L1	DGN1906450-PGN8	CASTER SHROUD,LEFT,MILITARY GREEN (PPW-GRN-08)	1
L2	DGN1908961-PGN8	CASTER SHROUD,RIGHT,MILITARY GREEN (PPW-GRN-08)	1
M1	DGN1906450-PYL4	CASTER SHROUD,LEFT,LEMON CRUSH (PPW-YEL-04)	1
M2	DGN1908961-PYL4	CASTER SHROUD,RIGHT,LEMON CRUSH (PPW-YEL-04)	1
N1	DGN1906450-POR7	CASTER SHROUD,LEFT,EVOLUTION ORANGE (PPW-ORN-07)	1
N2	DGN1908961-POR7	CASTER SHROUD,RIGHT,EVOLUTION ORANGE (PPW-ORN-07)	1
O1	DGN1906450-WCM7	CASTER SHROUD,LEFT,MILITARY DIGITAL CAMO (PWT-CMO-07)	1
O2	DGN1908961-WCM7	CASTER SHROUD,RIGHT,MILITARY DIGITAL CAMO (PWT-CMO-07)	1
P1	DGN1906450-WFL2	CASTER SHROUD,LEFT,FADED GLORY (PWT-FLG-02)	1
P2	DGN1908961-WFL2	CASTER SHROUD,RIGHT,FADED GLORY (PWT-FLG-02)	1



Side Frame Shrouds, R-TRAK

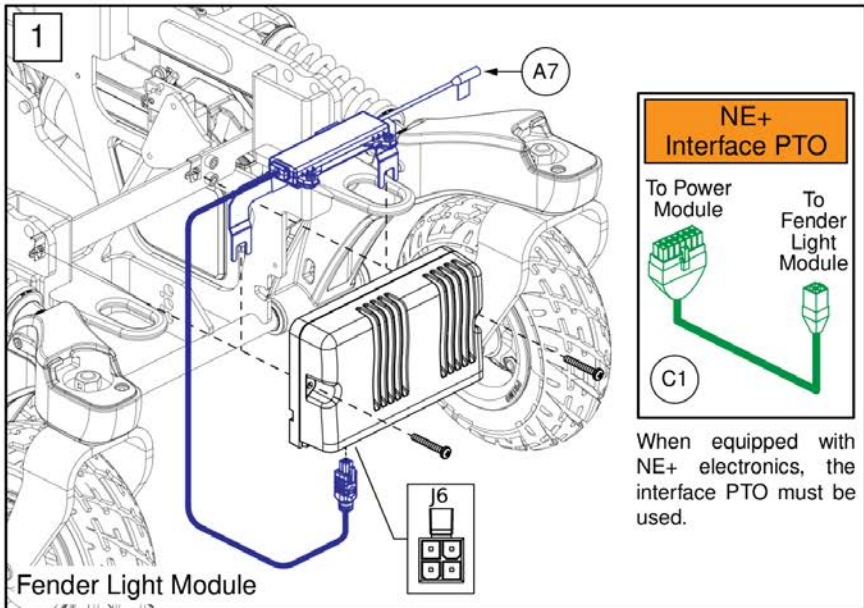
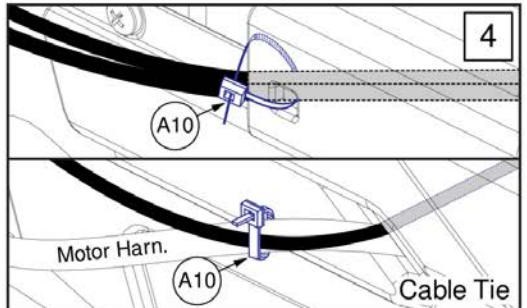
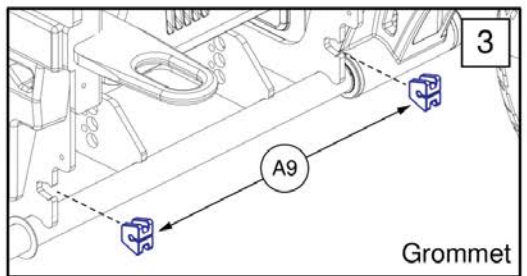
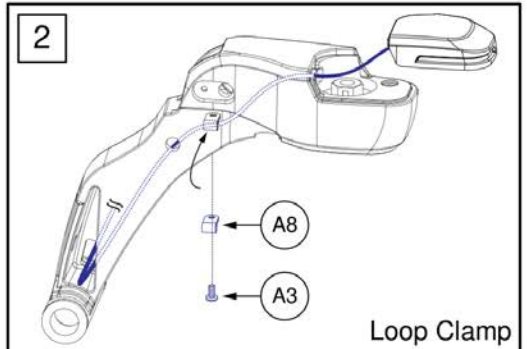
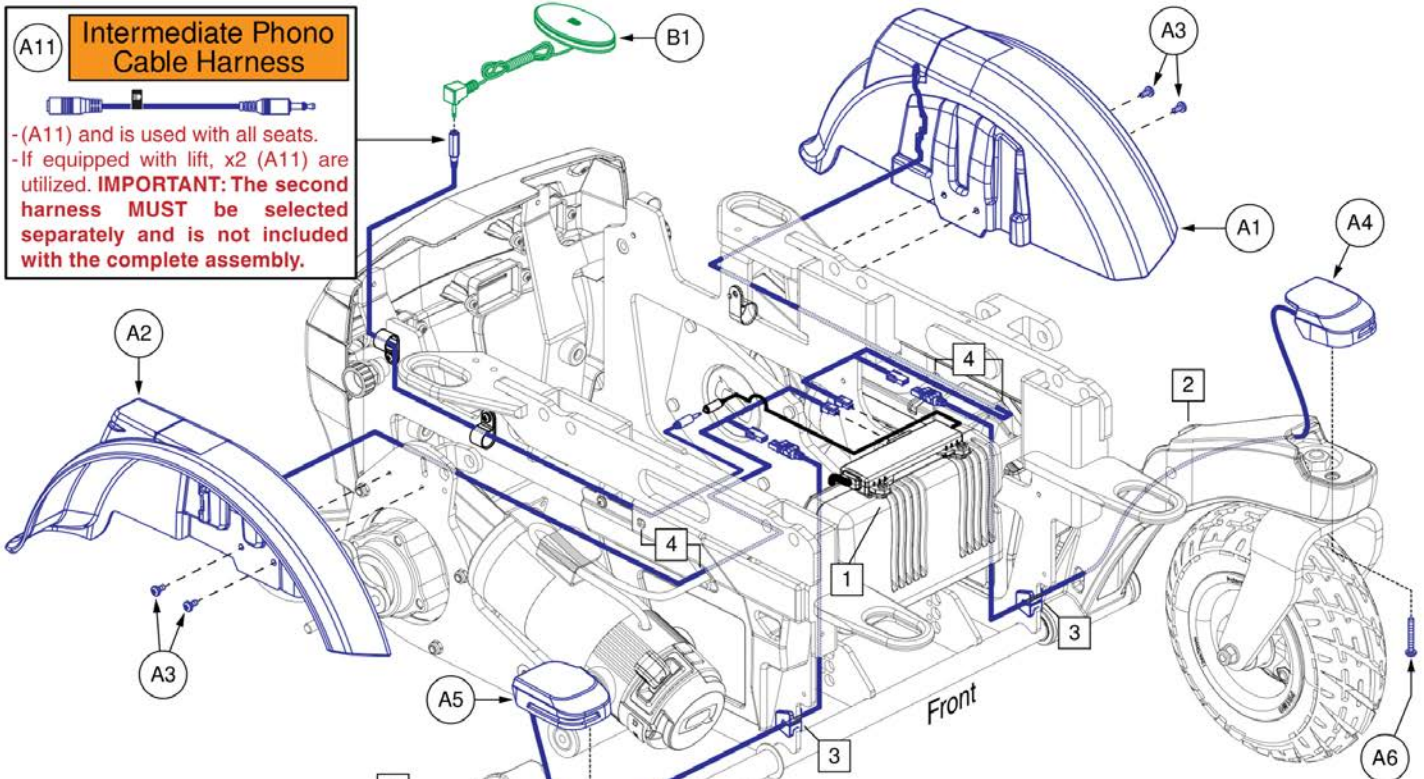
Item	Part No.	Name	Qty
A1a	DGN1908235	SIDE SHROUD, RIGHT	1
A1b	DGN1908234	SIDE SHROUD, LEFT	1
B1	SCRPPH1036	SCREW, PAN HEAD, TYPE H, M4X0.7 X 8, FT, ISO 7045, CL 4.8, BZ	6



Standard Fenders & Caster Caps, R-TRAK

Item	Part No.	Name	Qty
A1 - D1	DGN2106043	FENDER,ASSY,STANDARD,R-TRAK	1
A1	DGN1910477	FENDER, LEFT, CLOSED	1
A2	DGN1910480	FENDER, RIGHT, CLOSED	1
B1	SCRPPH1036	SCREW, PAN HEAD, TYPE H, M4X0.7 X 8, FT, ISO 7045, CL 4.8, BZ	4
C1	DGN2000304	CASTER CAP, CLOSED, LEFT	1
C2	DGN2000303	CASTER CAP, CLOSED, RIGHT	1
D1	SCRPPH1143	SCREW, PAN HEAD, TYPE H, M4X0.7 X 30, FT, ISO 7045, CL 4.8, BZ	2

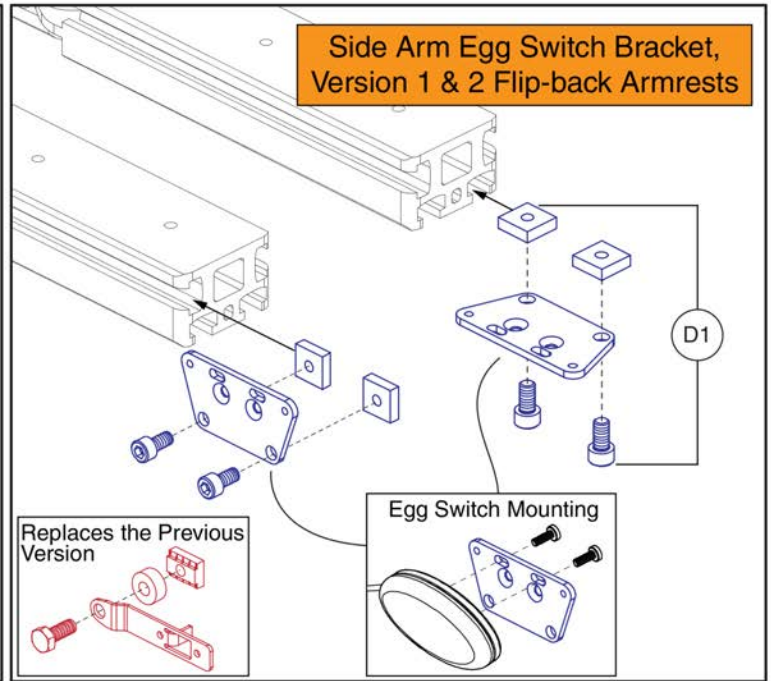
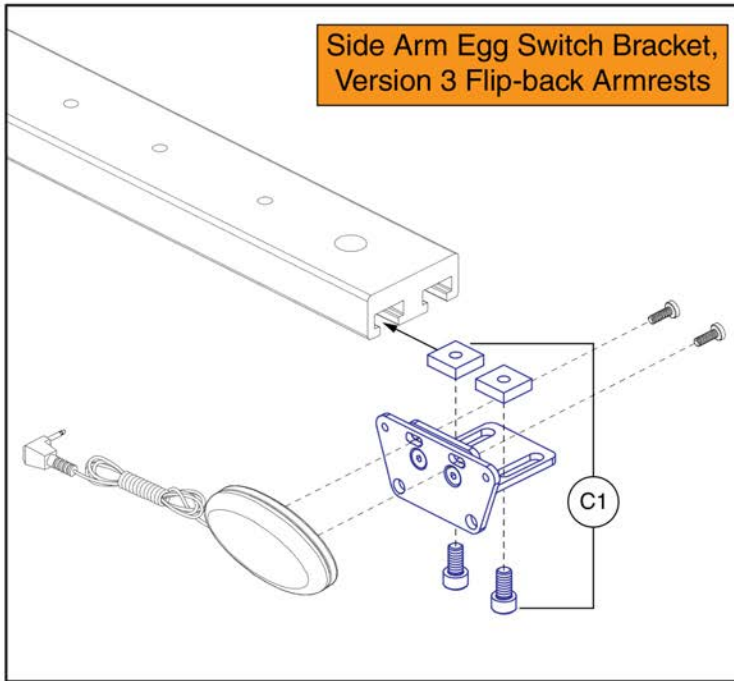
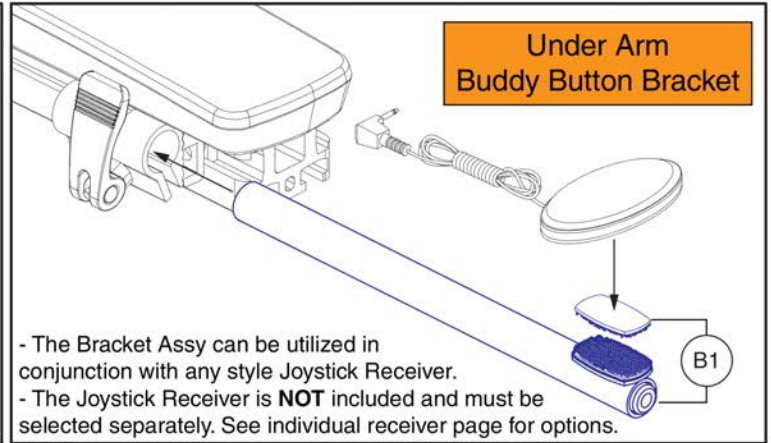
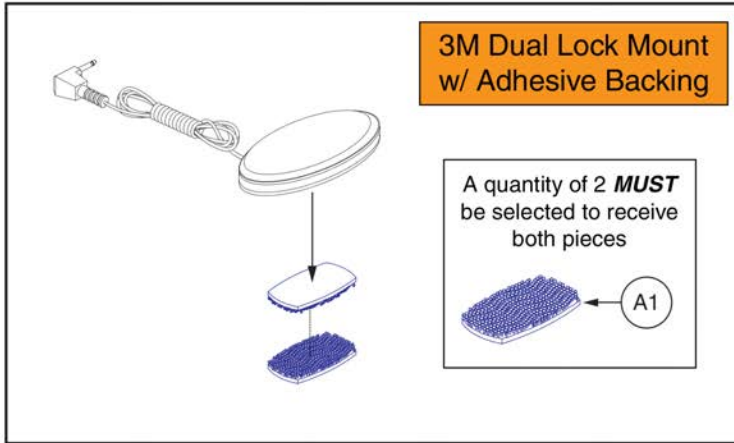
Lighted Fenders & Caster Caps, R-TRAK



Lighted Fenders & Caster Caps, R-TRAK

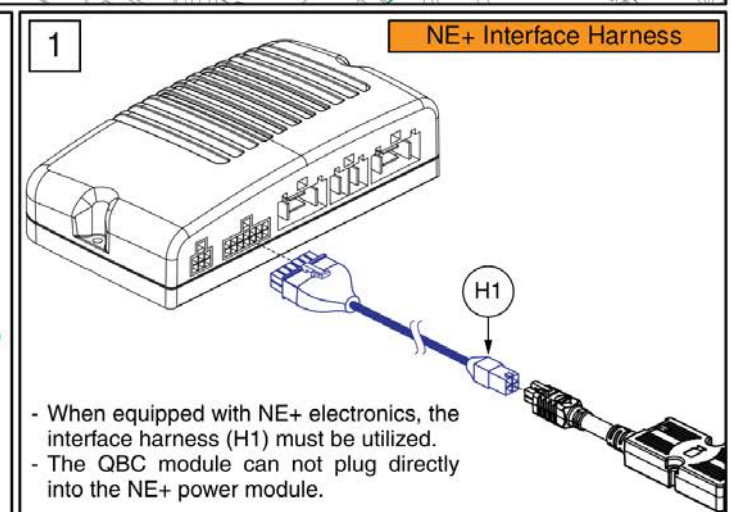
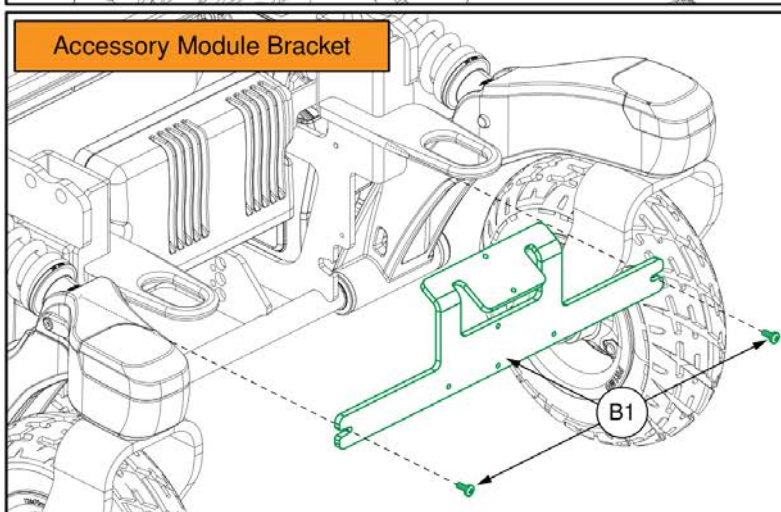
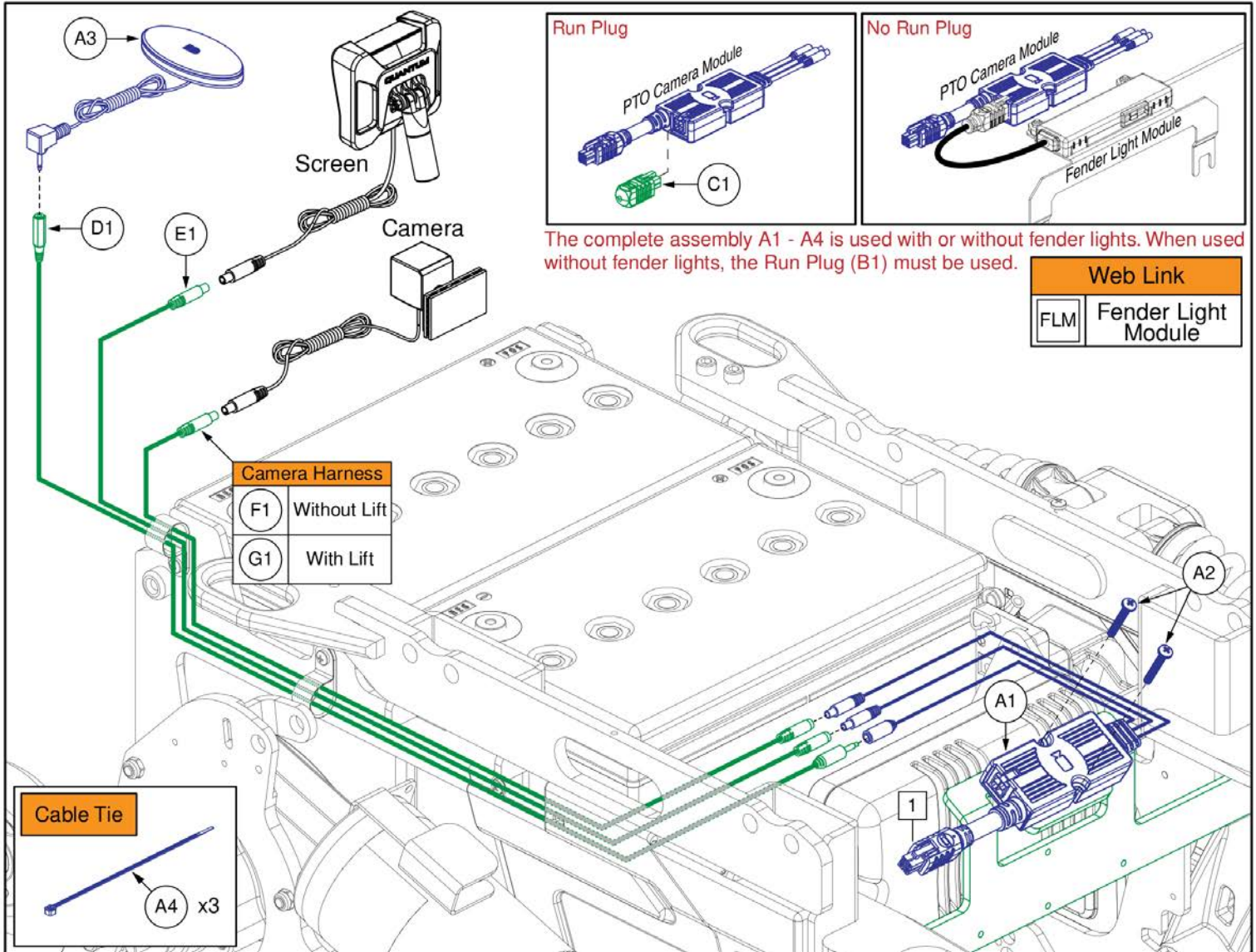
Item	Part No.	Name	Qty
A1 - A11	DGN2106044	FENDER,ASSY,ACCENT LIGHTS,R-TRAK	1
A1	DGN1908761	FENDER WITH LIGHT ASSEMBLY, LEFT	1
A2	DGN1908948	FENDER WITH LIGHT ASSEMBLY, RIGHT	1
A3	SCRPPH1036	SCREW, PAN HEAD, TYPE H, M4X0.7 X 8, FT, ISO 7045, CL 4.8, BZ	4
A4	DGN1906451	CASTER CAP LIGHT ASSEMBLY, LEFT	1
A5	DGN1910345	CASTER CAP LIGHT ASSEMBLY, RIGHT	1
A6	SCRPPH1143	SCREW, PAN HEAD, TYPE H, M4X0.7 X 30, FT, ISO 7045, CL 4.8, BZ	2
A7	MEC2004535	LIGHT MODULE, LED, EDGE, BRACKET ASSEMBLY	1
A8	MEC2107118	LOOP CLAMP, CABLE OR WIRE, 5MM	2
A9	DGN2106642	GROMMET, 3.5MM WIRE DIAMETER	2
A10	PLSTIE1001	TIEDOWN STRAP, 95 LG, PLASTIC, BLACK, SPEC NO. 2106329-1.5-22-130-V2	4
A11	ELE155901	HARNESS,CABLE,PHONO,MALE TO FEMALE,UL2464 22AWG	1
B1	ELE160183	ELECTRONIC,ASSY,SWITCH,BLACK,EGG,W/LIGHT SYMBOL,W/DUAL LOCK	1
C1	ELE1907903	HARNESS, PTO INTERFACE, QL2/NE+ TO 4 PIN MOLEX	1

Egg Switch / Buddy Button Mounting Brackets



Egg Switch / Buddy Button Mounting Brackets

Item	Part No.	Name	Qty
A1	HDW155440	3M DUAL LOCK, BUDDY BUTTON	1
B1	MEC1802726	UNDER ARM BUDDY BUTTON MOUNTING BRACKET ASSY	1
C1	MEC1810667	SIDE ARM MOUNTING BRACKET FOR EGG SWITCH,FLIP-BACK ARM	1
D1	MEC1800866	SIDE ARM / SIDE RAIL MOUNTING BRACKET,EGG SWITCH,TB3 ARM	1



PTO Backup Camera, NE+, R-TRAK

Item	Part No.	Name	Qty
A1 - A4	ACC2202018	QUANTUM BACKUP CAMERA SYSTEM, PTO VERSION,EDGEHD / Z	1
A1	ELE1908252	MODULE ASSEMBLY, QBC PTO	1
A2	SCRPPH1318	SCREW, PAN HEAD, TYPE H, M4X0.7 X 16, FT, ISO 7045, CL 4.8, BZ	2
A3	ELE2004373	ELECTRONIC,ASSY,EGG SWITCH,BLACK,CAMERA SYMBOL,W/DUAL LOCK	1
A4	PLSTIE1001	TIEDOWN STRAP, 95 LG, PLASTIC, BLACK, SPEC NO. 2106329-1.5-22-130-V2	3
B1	MEC2107292	ACCESSORY MODULE BRACKET ASSEMBLY,R-TRAK	1
C1	DGN1901203	OVER-MOLD RUN RECEPTACLE, 4-CIRCUIT	1
D1	ELE2000270	HARNESS, 3.5MM MONO EXTENSION CABLE, L = 660	1
E1	ELE2302065	HARNESS ASSEMBLY, 4 PIN MINI-DIN EXTENSION CABLE, L = 500, R-TRAK	1
F1	ELE2101000	HARNESS, 4 PIN MINI-DIN EXTENSION CABLE, L = 1000	1
G1	ELE2302054	HARNESS ASSEMBLY, 4 PIN MINI-DIN EXTENSION CABLE, L = 1400, R-TRAK	1
H1	ELE1907903	HARNESS, PTO INTERFACE, QL2/NE+ TO 4 PIN MOLEX	1
FLM		WEB LINK,IPB,R-TRAK FENDER LIGHTS (This is not an oderable part, see IPB)	0

Backup Camera with Dual Lock Mount

Please note:
The backup camera can be placed anywhere on the back. Positioning shown is not mandatory.

Headrest Mount for Backup Camera

Please note:
The back up camera is not included and must be ordered separately.
Prior to installing the camera to the headrest mount, the dual lock mount must be removed.

Track Mount for Backup Camera

Please note:
The camera is **NOT** included with the trackmount mounting bracket and must be ordered separately. Hardware is included with assembly.

Extension Harness

Back Track Mounting

Seat Track Mounting

Headrest Receiver Mounting

Armrest Track Mounting

D1 PTO Lift Camera Harness

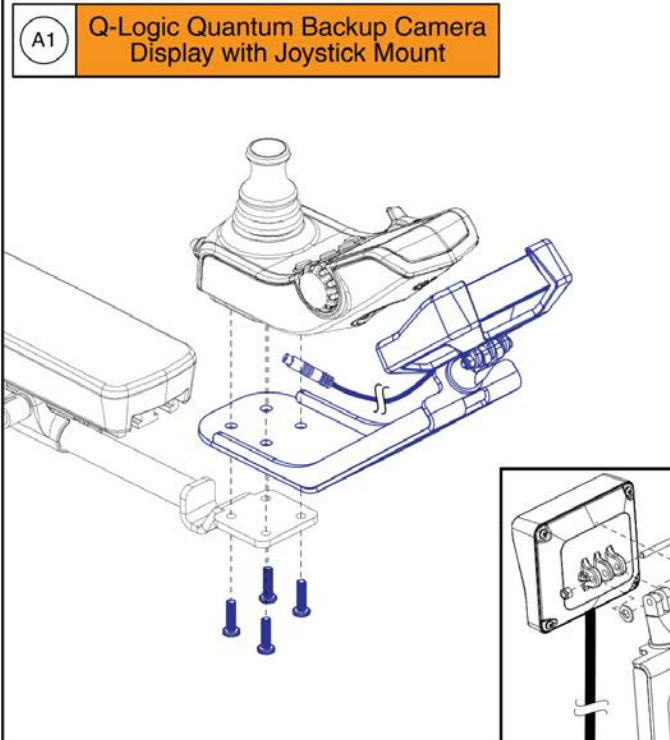
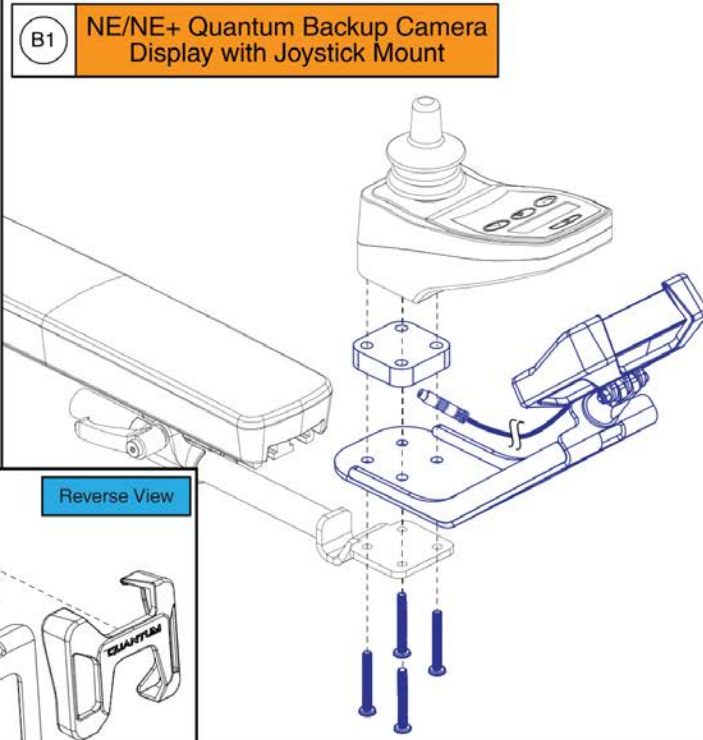
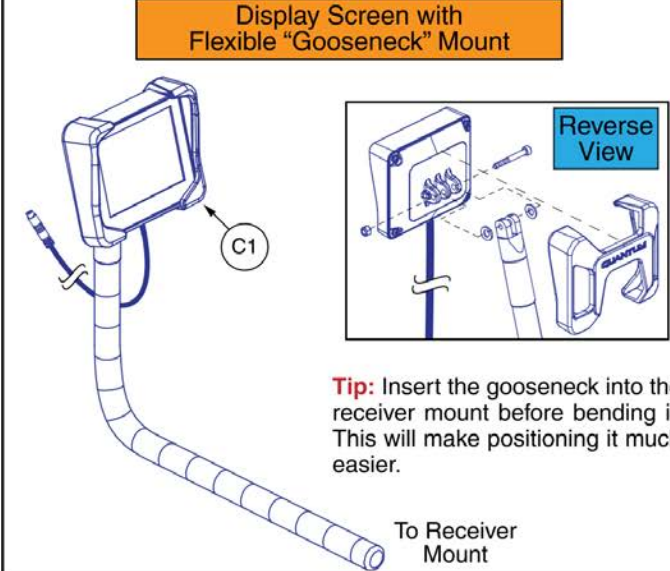
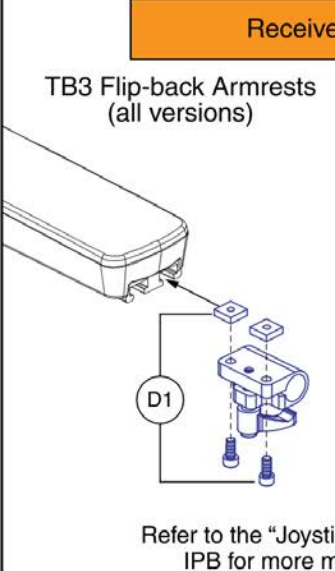
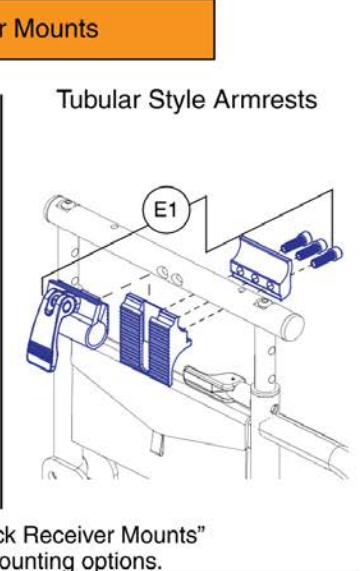

Please note:
- When equipped with a PTO camera module, the PTO lift camera harness is used on all units equipped with lift and connects between the module and the camera.
- Some configurations use 2 lift camera harnesses, refer to the specific power base IPB to verify quantity.

Quantum Backup Camera, Standard Mount, and Headrest Mount

Item	Part No.	Name	Qty
A1	MEC1910365	QUANTUM BACKUP CAMERA, BRACKET DUAL LOCK ASSEMBLY	1
B1	MEC1910373	STANDARD CAMERA BRACKET, ASSEMBLY	1
C1	MEC2104227	QUANTUM BACKUP CAMERA, TRACK MOUNT, ASSEMBLY	1
D1	ELE2101001	HARNESS, 4 PIN MINI-DIN EXTENSION CABLE, L = 500	1

Quantum Backup Camera Display Mounts

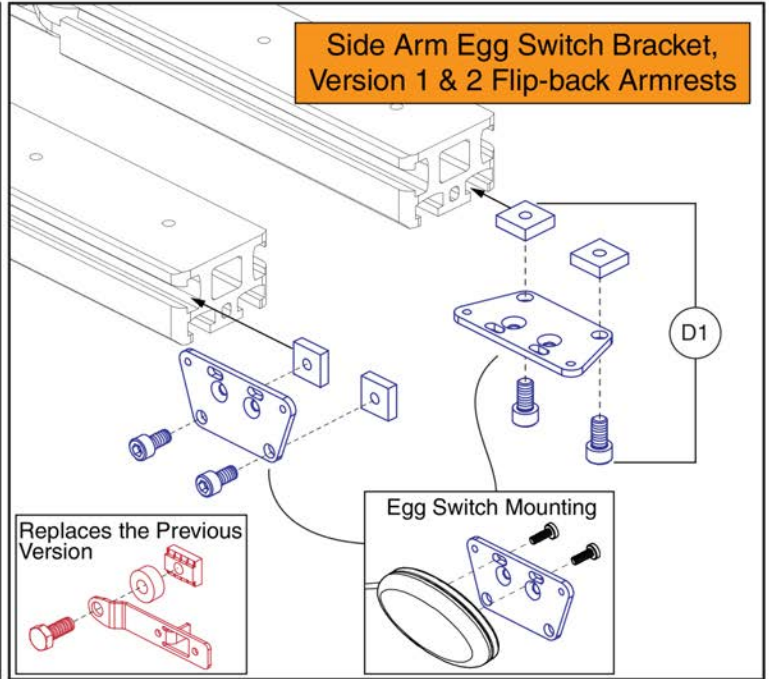
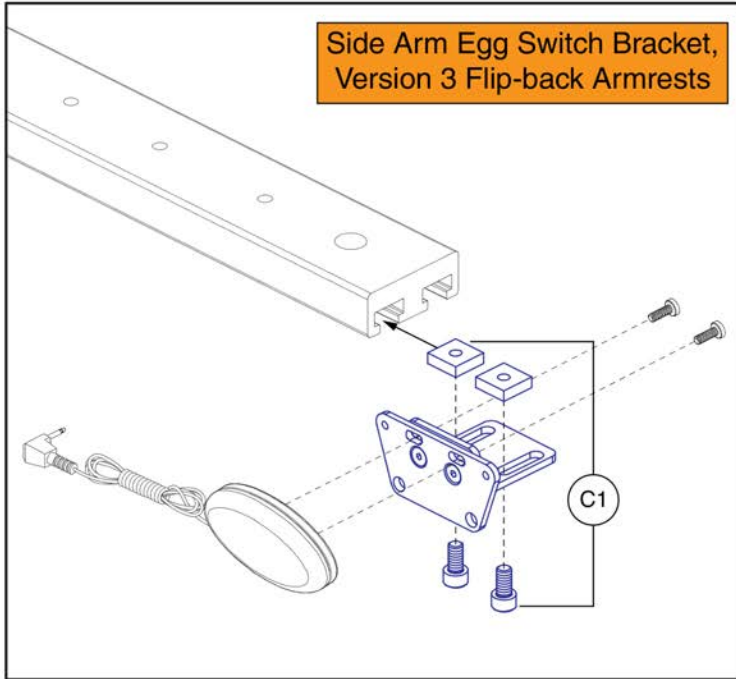
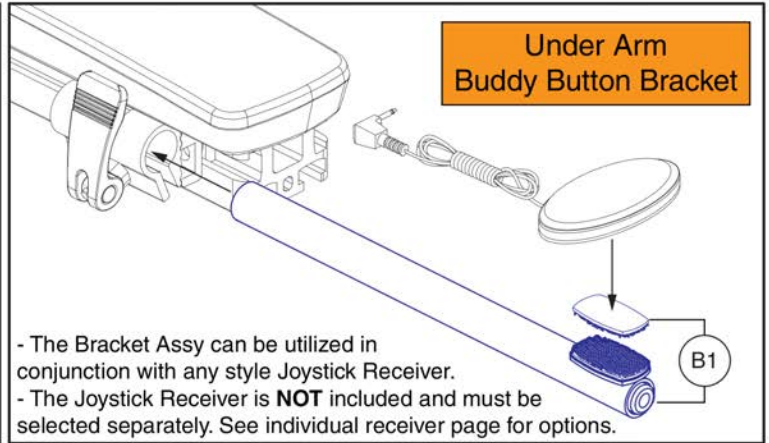
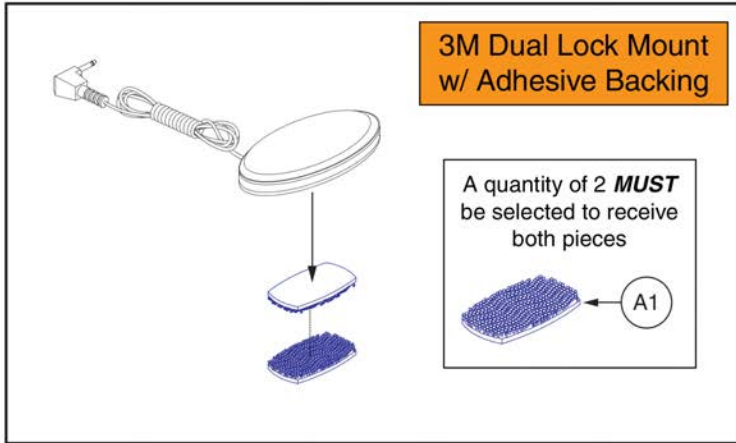
The complete assemblies A1 & B1 contain hardware to mount the display to both the inline and swing-away joystick mounts.

<div style="border: 1px solid black; padding: 5px; margin-bottom: 5px;"> A1 Q-Logic Quantum Backup Camera Display with Joystick Mount </div> 	<div style="border: 1px solid black; padding: 5px; margin-bottom: 5px;"> B1 NE/NE+ Quantum Backup Camera Display with Joystick Mount </div> 				
<div style="border: 1px solid black; padding: 5px; margin-bottom: 5px; text-align: center;"> Display Screen with Flexible "Gooseneck" Mount </div>  <p style="margin-top: 10px;">Tip: Insert the gooseneck into the receiver mount before bending it. This will make positioning it much easier.</p> <p style="text-align: right; margin-right: 50px;">To Receiver Mount</p>	<div style="border: 1px solid black; padding: 5px; margin-bottom: 5px; text-align: center;"> Receiver Mounts </div> <div style="display: flex; justify-content: space-between;"> <div style="width: 45%;"> <p>TB3 Flip-back Armrests (all versions)</p>  <p style="text-align: center;">D1</p> </div> <div style="width: 45%;"> <p>Tubular Style Armrests</p>  <p style="text-align: center;">E1</p> </div> </div> <p style="text-align: center; margin-top: 10px;">Refer to the "Joystick Receiver Mounts" IPB for more mounting options.</p>				
<div style="border: 1px solid black; padding: 5px; margin-bottom: 5px; text-align: center;"> Extension Harness </div>  <table border="1" style="width: 100%; border-collapse: collapse; margin-top: 10px;"> <tr> <td style="width: 30px; text-align: center; border: 1px solid black;">F1</td> <td style="border: 1px solid black;">PTO Screen Harness</td> </tr> <tr> <td style="width: 30px; text-align: center; border: 1px solid black;">G1</td> <td style="border: 1px solid black;">QL3 Screen Harness (Back Mounted QL3 Modules)</td> </tr> </table>		F1	PTO Screen Harness	G1	QL3 Screen Harness (Back Mounted QL3 Modules)
F1	PTO Screen Harness				
G1	QL3 Screen Harness (Back Mounted QL3 Modules)				
<p>Please note:</p> <ul style="list-style-type: none"> - When equipped with a PTO camera module, the PTO screen harness is used on all units and connects between the module and the display screen. Some configurations use 2 screen harnesses, refer to the the specific power base IPB to verify quantity. - When equipped with a QL3 back mounted camera module, the QL3 Screen Harness is used on units with seats 20"W and greater and connects between the module and the display screen. 					

Quantum Backup Camera Display Mounts

Item	Part No.	Name	Qty
A1	MEC2106123	QUANTUM BACKUP CAMERA,DISPLAY MOUNT,ASSEMBLY,Q-LOGIC 3	1
B1	MEC2106132	QUANTUM BACKUP CAMERA,DISPLAY MOUNT,ASSEMBLY,NE/NE+	1
C1	MEC1906270	QBC, SCREEN HINGE ASSEMBLY, W/GOOSENECK	1
D1	MEC1907331	JOYSTICK RECEIVER MOUNT,ASSY,W/MOUNTING HARDWARE,QBC GOOSENECK CLAMP	1
E1	FRMASMB16062	JOYSTICK RECEIVER MOUNT,ASSY,UNIVERSAL,ADJUSTABLE BLOCK,D-1000-313	1
F1	ELE2101000	HARNESS, 4 PIN MINI-DIN EXTENSION CABLE, L = 1000	1
G1	ELE2000271	HARNESS, 4 PIN MINI-DIN EXTENSION CABLE, L = 1400mm	1

Egg Switch / Buddy Button Mounting Brackets

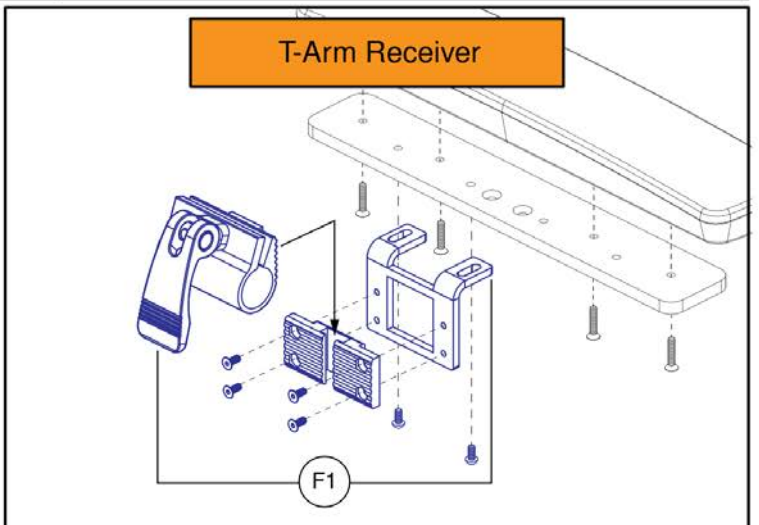
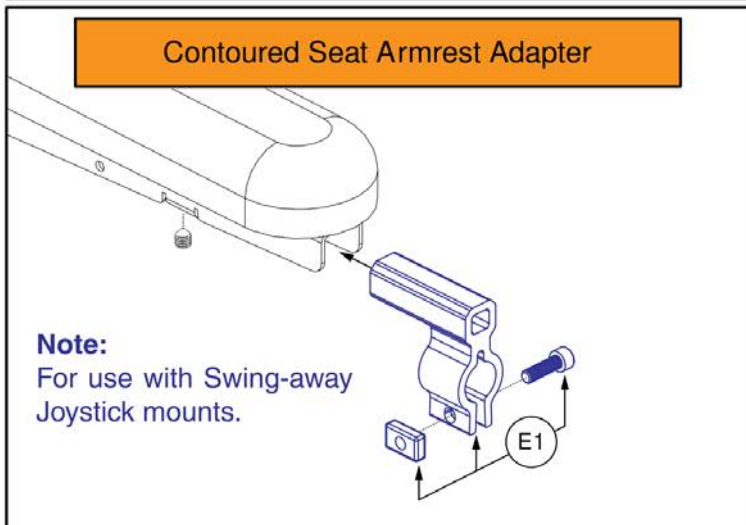
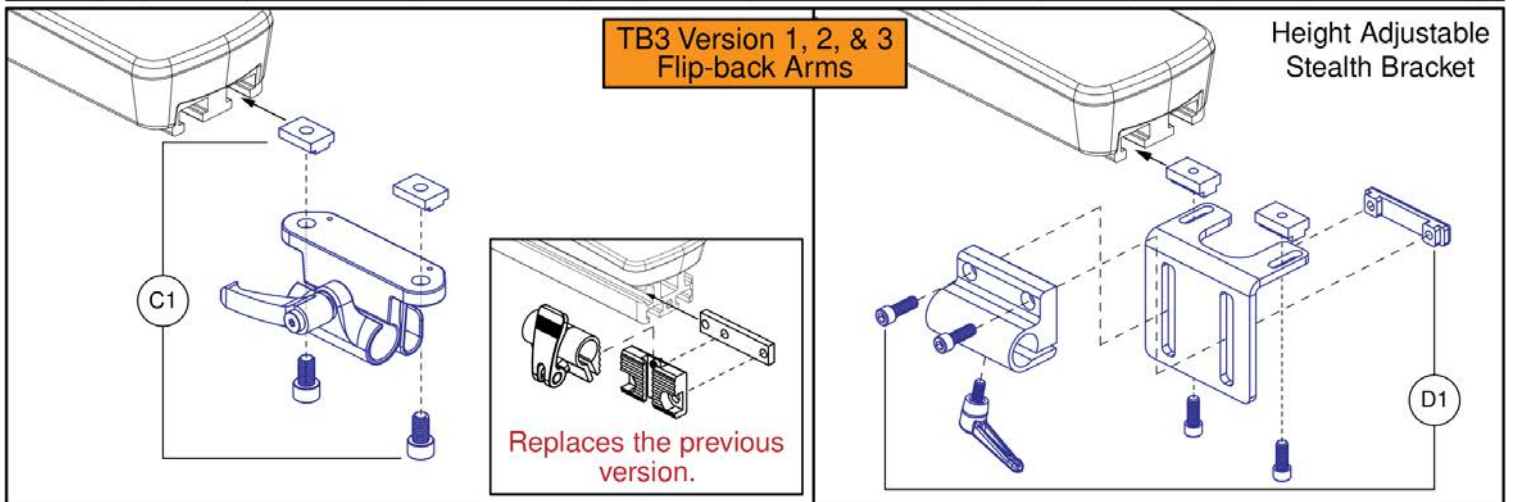
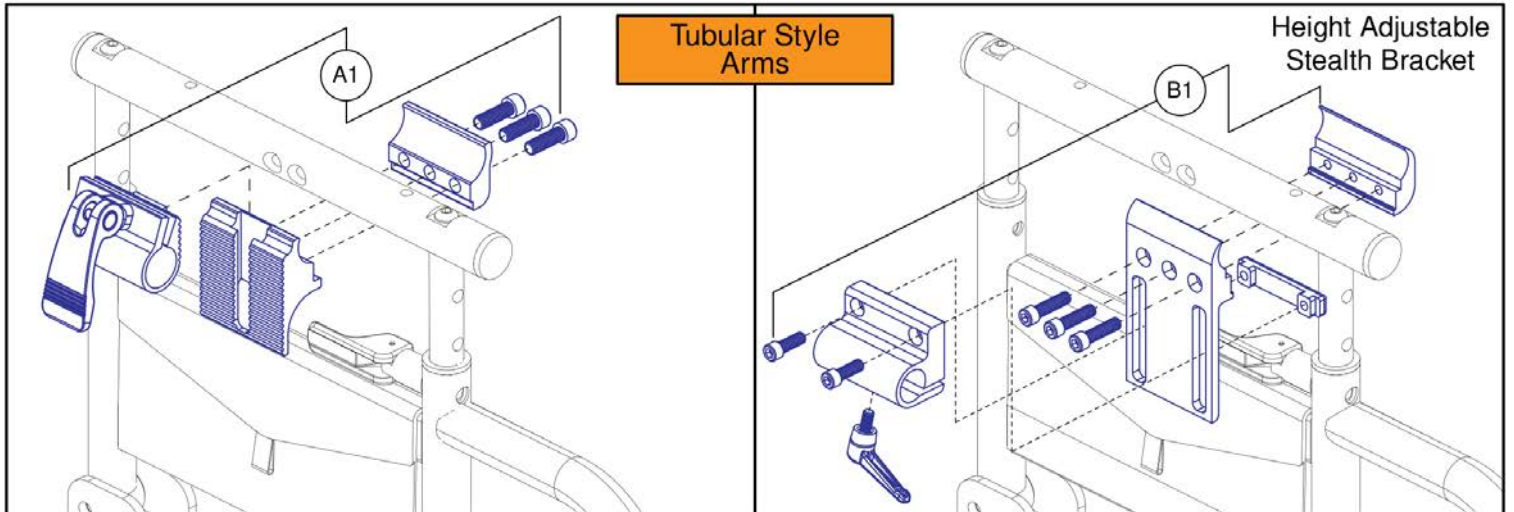


Egg Switch / Buddy Button Mounting Brackets

Item	Part No.	Name	Qty
A1	HDW155440	3M DUAL LOCK, BUDDY BUTTON	1
B1	MEC1802726	UNDER ARM BUDDY BUTTON MOUNTING BRACKET ASSY	1
C1	MEC1810667	SIDE ARM MOUNTING BRACKET FOR EGG SWITCH,FLIP-BACK ARM	1
D1	MEC1800866	SIDE ARM / SIDE RAIL MOUNTING BRACKET,EGG SWITCH,TB3 ARM	1

Please note

- Joystick receiver selection varies by armrest type.
- The replacement parts shown may not be applicable to all power bases / seating systems.
- Contact Technical Service for more information.



Joystick Receiver Mounts, Quantum

Item	Part No.	Name	Qty
A1	FRMASMB16062	JOYSTICK RECEIVER MOUNT,ASSY,UNIVERSAL,ADJUSTABLE BLOCK,D-1000-313	1
B1	ST-ARM250C-Q	JOYSTICK MOUNT,ASSY,HEIGHT ADJUSTABLE,W/CLAMP HARDWARE	1
C1	MEC1809294	JOYSTICK RECEIVER MOUNT,ASSY,W/MOUNTING HARDWARE,ADJUSTABLE HANDLE	1
D1	ST-ARM250T-Q	JOYSTICK MOUNT,ASSY,HEIGHT ADJUSTABLE,W/TRACK HARDWARE	1
E1	MEC146133	ARMREST ADAPTER ASSEMBLY	1
F1	ACC1800991	JOYSTICK RECEIVER MOUNT,ASSY,TBFLEX	1

Please note:

- The kits include the following:
 - Backup Camera w/ Dual Lock Mount.
 - Q-Logic 3 Camera Module.
 - Display Screen w/ Gooseneck Mount.
 - Egg Switch.
 - Tie Wraps.
 - Installation Instructions.
- The kits used on seats over 20"W also include the egg switch extension harness and display extension harness.
- The headrest mounted kits also include the headrest mounting bracket.
- The kits do **NOT** contain the **New Multiplier Stud Mounting Hardware** (used to mount the multiplier harness & camera module), the **Receiver Mount** (used to mount the display screen to the armrest), or the **Egg Switch Mount**. See the additional components below for selection.

Quantum Backup Camera Kits			
Ref #	Part #	Mount	Seat Size
A1	KIT2008636	Standard	20"W or less
B1	KIT2008637	Standard	Over 20"W
C1	KIT2008635	Headrest	20"W or less
D1	KIT2008638	Headrest	Over 20"W

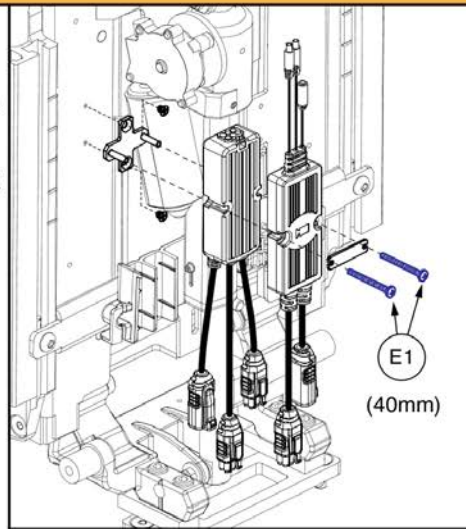
Multiplier Stud Mounting Hardware

Note:

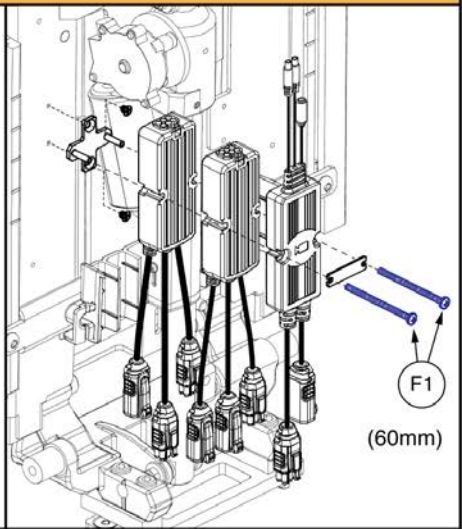
- If the unit is equipped with a multiplier harness, only hardware E1 or F1 needs to be replaced.
- If the unit is **NOT** equipped with a multiplier harness or the complete assembly is required, see the multiplier stud mounts IPB page for selection.

Web Link: Complete Multiplier Stud Mounts (Catalog view only)

STUDS



1 Multiplier + QL3 Camera Module



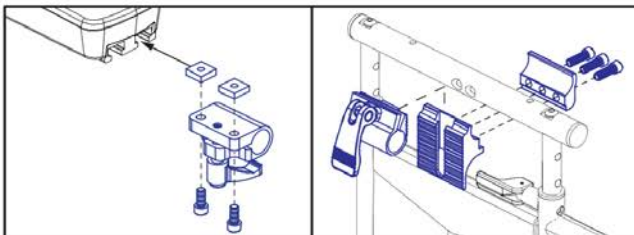
2 Multipliers + QL3 Camera Module

Receiver Mounts

See the Receiver Mounts IPB page for selection.

Web Link: Quantum Receiver Mounts (Catalog view only)

RCVR

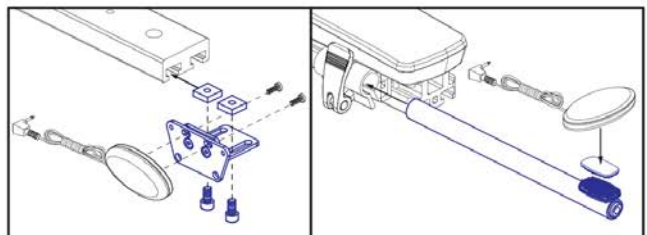


Egg Switch Mounts

See the Egg Switch Mounts IPB page for selection.

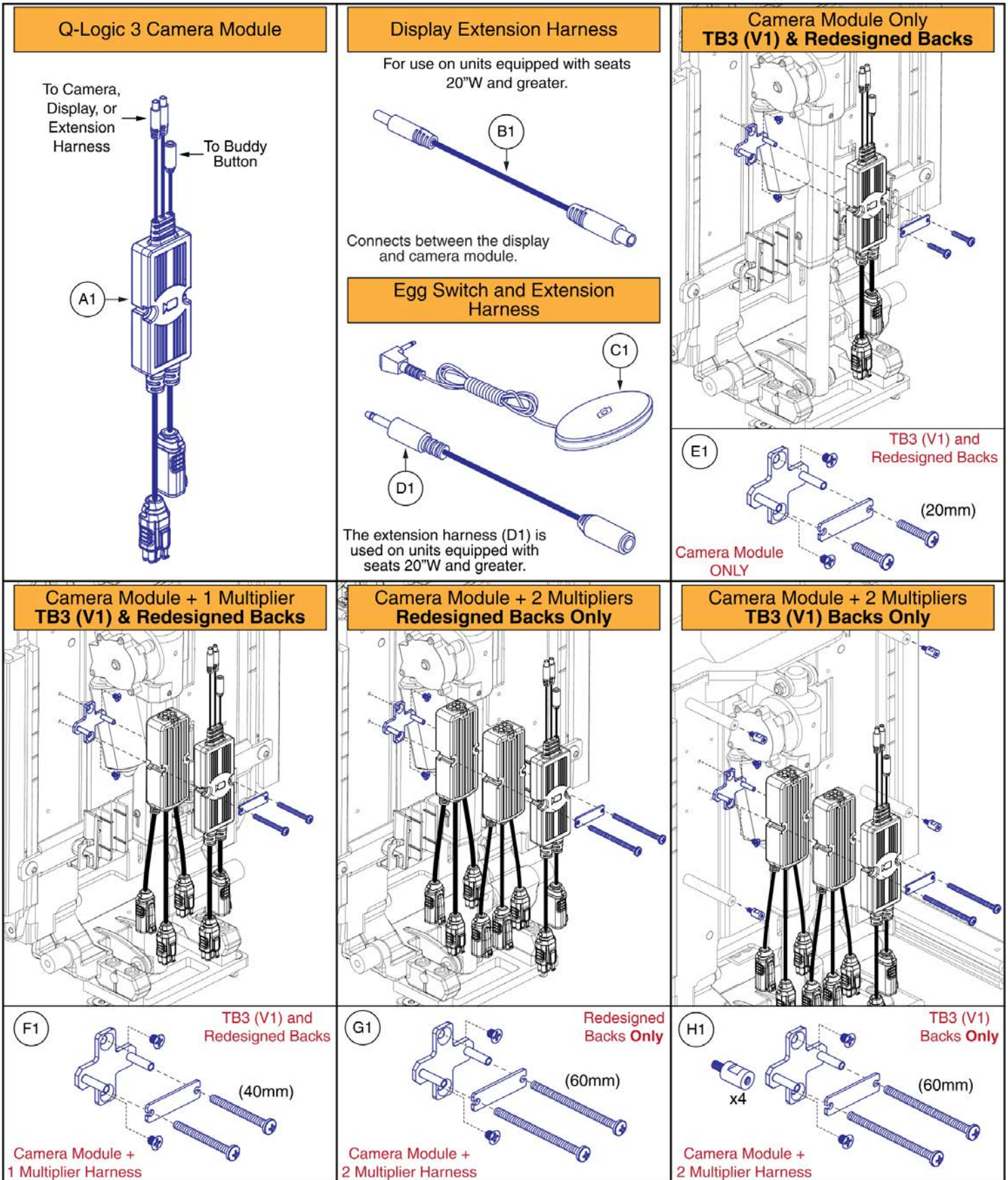
Web Link: Quantum Egg Switch Mounts (Catalog view only)

SWCH



Quantum Backup Camera Kits

Item	Part No.	Name	Qty
A1	KIT2008636	KIT,RETROFIT,ASSY,Q-LOGIC 3,STANDARD MOUNTING BRACKET,QUANTUM BACKUP CAMERA	1
B1	KIT2008637	KIT,RETROFIT,ASSY,Q-LOGIC 3,STANDARD MOUNTING BRACKET,OVER 20" WIDE,QUANTUM BACKUP CAMERA	1
C1	KIT2008635	KIT,RETROFIT,ASSY,Q-LOGIC 3,HEADREST MOUNTING BRACKET,QUANTUM BACKUP CAMERA	1
D1	KIT2008638	KIT,RETROFIT,ASSY,Q-LOGIC 3,HEADREST MOUNTING BRACKET,OVER 20" WIDE,QUANTUM BACKUP CAMERA	1
E1	SCRPPH1167	SCREW,PPH,BLACK ZINC,M3-.5 X 40MM	1
F1	HDW1701465	SCREW, PAN HEAD, TYPE H, M3X0.5 X 60, ISO 7045, CL 4.8, BZ	1
STUDS		WEB LINK,IPB,QBC MULTIPLIER STUDS,ALL (This is not an orderable part, see IPB)	0
RCVR		WEB LINK,IPB,RECEIVER MOUNTS,ALL (This is not an orderable part, see IPB)	0
SWCH		WEB LINK,IPB,EGG SWITCH MOUNTS,ALL (This is not an orderable part, see IPB)	0



Quantum Backup Camera Module, Harnesses, and Mounts

Item	Part No.	Name	Qty
A1	ELE1907290	MODULE ASSEMBLY, QBC QL3	1
B1	ELE2000271	HARNESS, 4 PIN MINI-DIN EXTENSION CABLE, L = 1400mm	1
C1	ELE2004373	ELECTRONIC,ASSY,EGG SWITCH,BLACK,CAMERA SYMBOL,W/DUAL LOCK	1
D1	ELE2000270	HARNESS, 3.5MM MONO EXTENSION CABLE, L = 660	1
E1	MEC1611656	MULTIPLIER STUD MOUNT ASSEMBLY,PRIMARY	1
F1	MEC1611657	MULTIPLIER STUD MOUNT ASSEMBLY,PRIMARY & SECONDARY	1
G1	MEC2006143	MULTIPLIER STUD MOUNT ASSEMBLY,PRIMARY & SECONDARY,W/QBC,TB4 BACK	1
H1	MEC2000971	MULTIPLIER STUD MOUNT ASSEMBLY,PRIMARY & SECONDARY,W/QBC,TB3 BACK	1

Backup Camera with Dual Lock Mount

Please note:
The backup camera can be placed anywhere on the back. Positioning shown is not mandatory.

Headrest Mount for Backup Camera

Please note:
The back up camera is not included and must be ordered separately.
Prior to installing the camera to the headrest mount, the dual lock mount must be removed.

Track Mount for Backup Camera

Please note:
The camera is **NOT** included with the trackmount mounting bracket and must be ordered separately. Hardware is included with assembly.

Extension Harness

Back Track Mounting

Seat Track Mounting

D1 PTO Lift Camera Harness

Headrest Receiver Mounting

Armrest Track Mounting

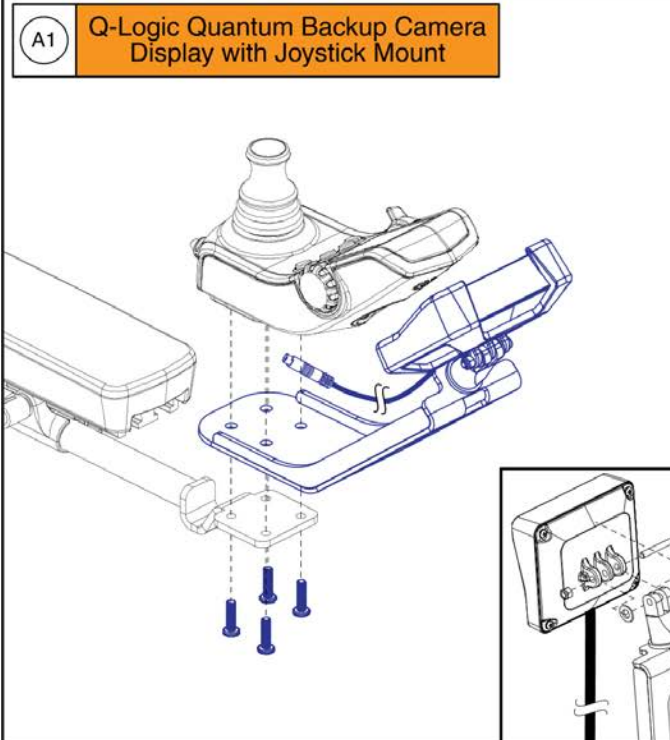
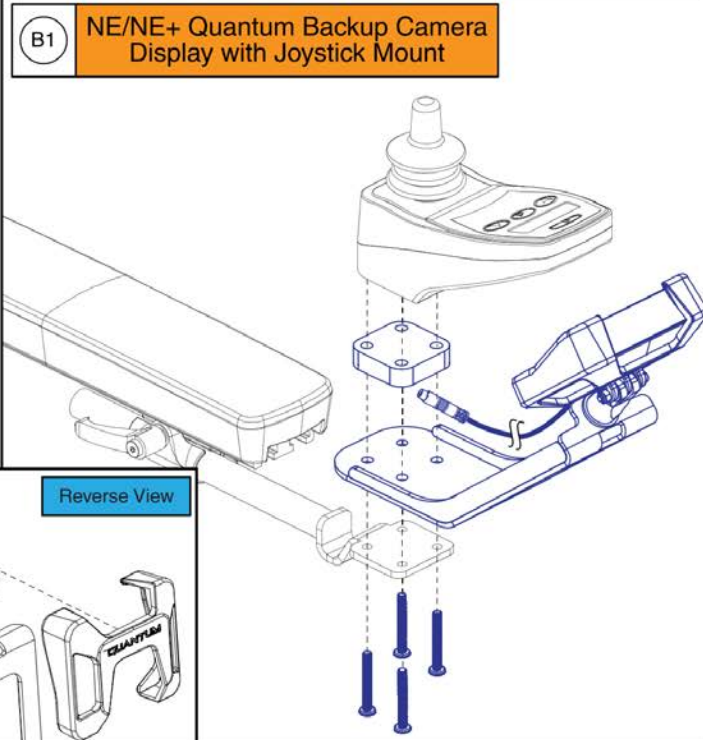
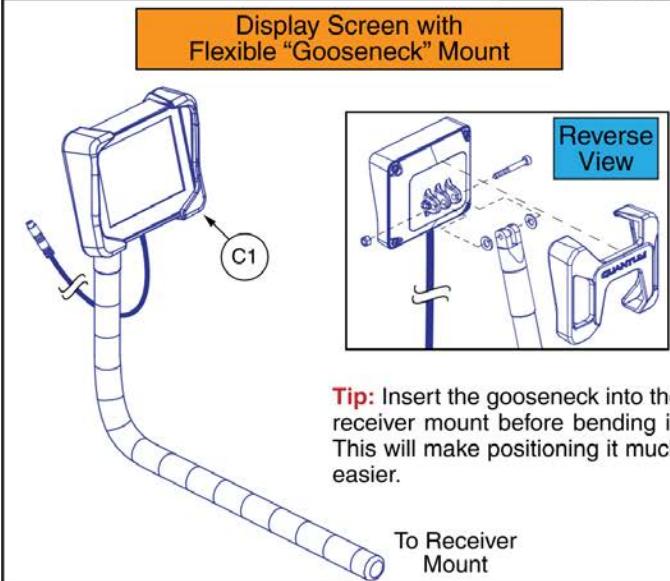
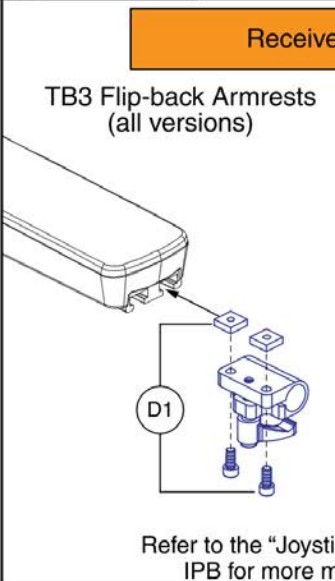
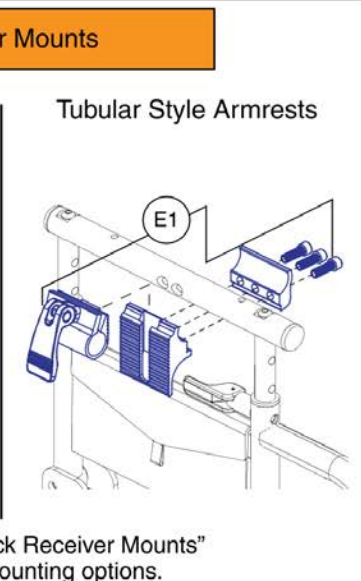

Please note:
- When equipped with a PTO camera module, the PTO lift camera harness is used on all units equipped with lift and connects between the module and the camera.
- Some configurations use 2 lift camera harnesses, refer to the specific power base IPB to verify quantity.

Quantum Backup Camera, Standard Mount, and Headrest Mount

Item	Part No.	Name	Qty
A1	MEC1910365	QUANTUM BACKUP CAMERA, BRACKET DUAL LOCK ASSEMBLY	1
B1	MEC1910373	STANDARD CAMERA BRACKET, ASSEMBLY	1
C1	MEC2104227	QUANTUM BACKUP CAMERA, TRACK MOUNT, ASSEMBLY	1
D1	ELE2101001	HARNESS, 4 PIN MINI-DIN EXTENSION CABLE, L = 500	1

Quantum Backup Camera Display Mounts

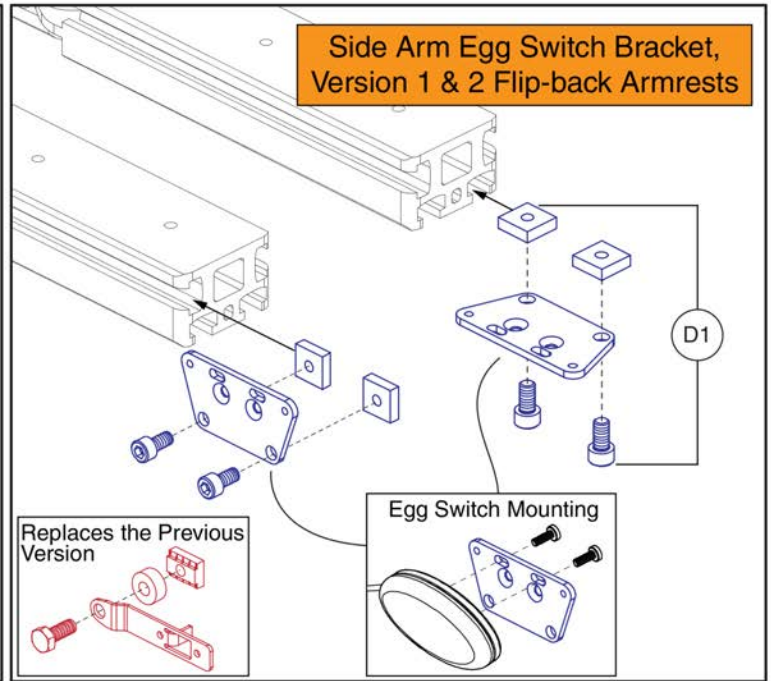
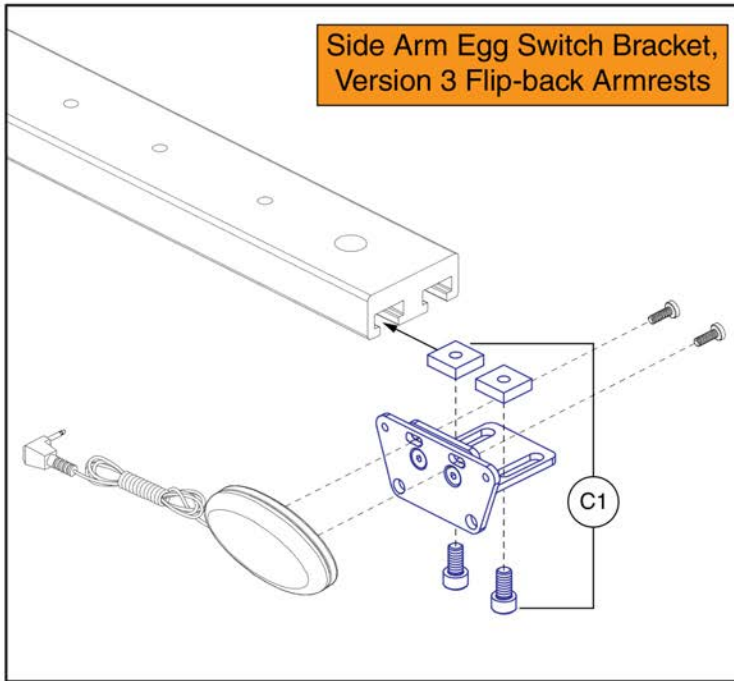
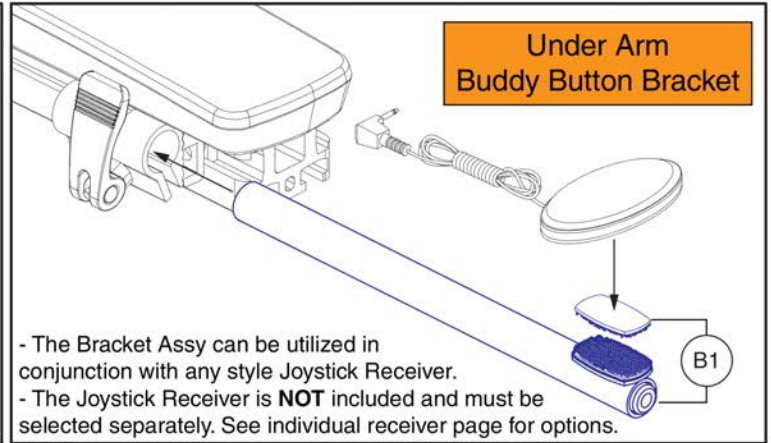
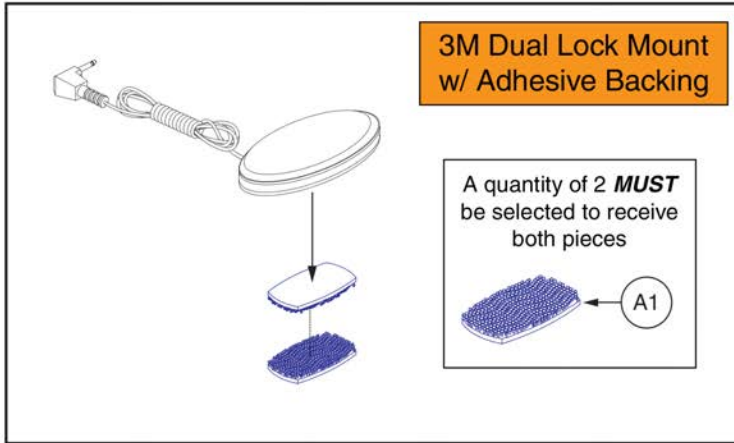
The complete assemblies A1 & B1 contain hardware to mount the display to both the inline and swing-away joystick mounts.

<div style="border: 1px solid black; padding: 5px; margin-bottom: 5px;"> A1 Q-Logic Quantum Backup Camera Display with Joystick Mount </div> 	<div style="border: 1px solid black; padding: 5px; margin-bottom: 5px;"> B1 NE/NE+ Quantum Backup Camera Display with Joystick Mount </div> 				
<div style="border: 1px solid black; padding: 5px; margin-bottom: 5px; text-align: center;"> Display Screen with Flexible "Gooseneck" Mount </div>  <div style="border: 1px solid black; padding: 5px; margin-top: 5px; text-align: center;"> Reverse View </div> <p style="margin-top: 10px;">Tip: Insert the gooseneck into the receiver mount before bending it. This will make positioning it much easier.</p> <p style="text-align: right; margin-top: 5px;">To Receiver Mount</p>	<div style="border: 1px solid black; padding: 5px; margin-bottom: 5px; text-align: center;"> Receiver Mounts </div> <div style="display: flex; justify-content: space-between;"> <div style="width: 45%;"> <p>TB3 Flip-back Armrests (all versions)</p>  <p style="text-align: center; margin-top: 5px;">D1</p> </div> <div style="width: 45%;"> <p>Tubular Style Armrests</p>  <p style="text-align: center; margin-top: 5px;">E1</p> </div> </div> <p style="text-align: center; margin-top: 10px;">Refer to the "Joystick Receiver Mounts" IPB for more mounting options.</p>				
<div style="border: 1px solid black; padding: 5px; margin-bottom: 5px; text-align: center;"> Extension Harness </div>  <table border="1" style="width: 100%; border-collapse: collapse; margin-top: 10px;"> <tr> <td style="width: 30px; text-align: center; border: 1px solid black;">F1</td> <td style="border: 1px solid black;">PTO Screen Harness</td> </tr> <tr> <td style="width: 30px; text-align: center; border: 1px solid black;">G1</td> <td style="border: 1px solid black;">QL3 Screen Harness (Back Mounted QL3 Modules)</td> </tr> </table>		F1	PTO Screen Harness	G1	QL3 Screen Harness (Back Mounted QL3 Modules)
F1	PTO Screen Harness				
G1	QL3 Screen Harness (Back Mounted QL3 Modules)				
<p>Please note:</p> <ul style="list-style-type: none"> - When equipped with a PTO camera module, the PTO screen harness is used on all units and connects between the module and the display screen. Some configurations use 2 screen harnesses, refer to the the specific power base IPB to verify quantity. - When equipped with a QL3 back mounted camera module, the QL3 Screen Harness is used on units with seats 20"W and greater and connects between the module and the display screen. 					

Quantum Backup Camera Display Mounts

Item	Part No.	Name	Qty
A1	MEC2106123	QUANTUM BACKUP CAMERA,DISPLAY MOUNT,ASSEMBLY,Q-LOGIC 3	1
B1	MEC2106132	QUANTUM BACKUP CAMERA,DISPLAY MOUNT,ASSEMBLY,NE/NE+	1
C1	MEC1906270	QBC, SCREEN HINGE ASSEMBLY, W/GOOSENECK	1
D1	MEC1907331	JOYSTICK RECEIVER MOUNT,ASSY,W/MOUNTING HARDWARE,QBC GOOSENECK CLAMP	1
E1	FRMASMB16062	JOYSTICK RECEIVER MOUNT,ASSY,UNIVERSAL,ADJUSTABLE BLOCK,D-1000-313	1
F1	ELE2101000	HARNESS, 4 PIN MINI-DIN EXTENSION CABLE, L = 1000	1
G1	ELE2000271	HARNESS, 4 PIN MINI-DIN EXTENSION CABLE, L = 1400mm	1

Egg Switch / Buddy Button Mounting Brackets

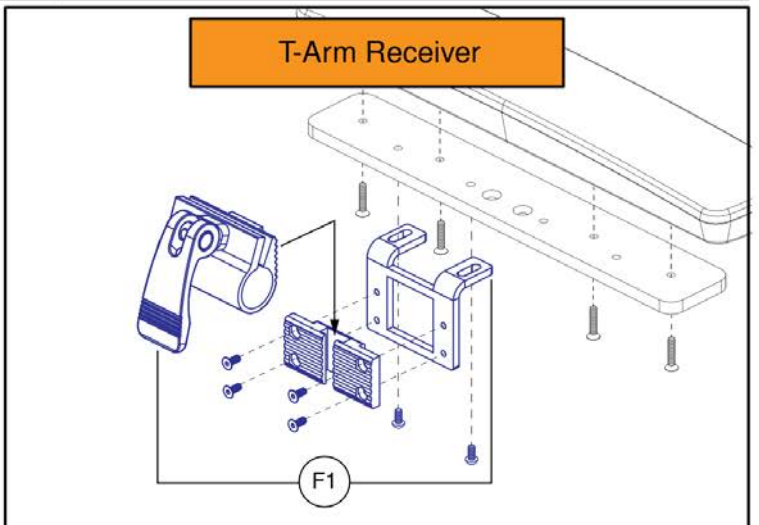
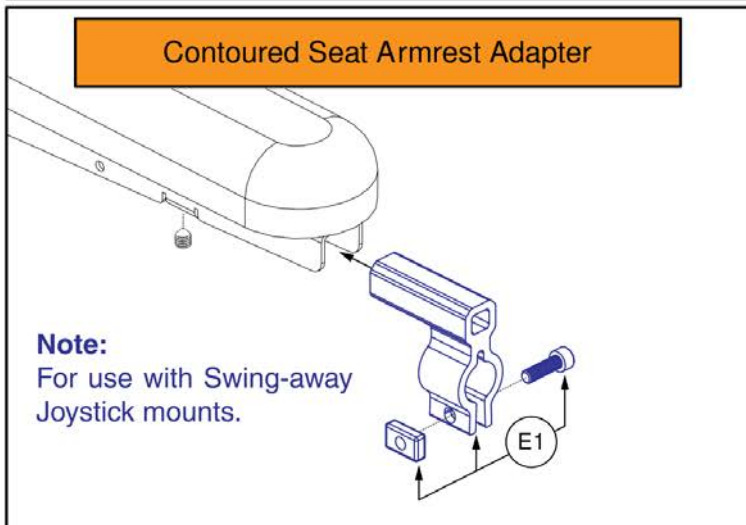
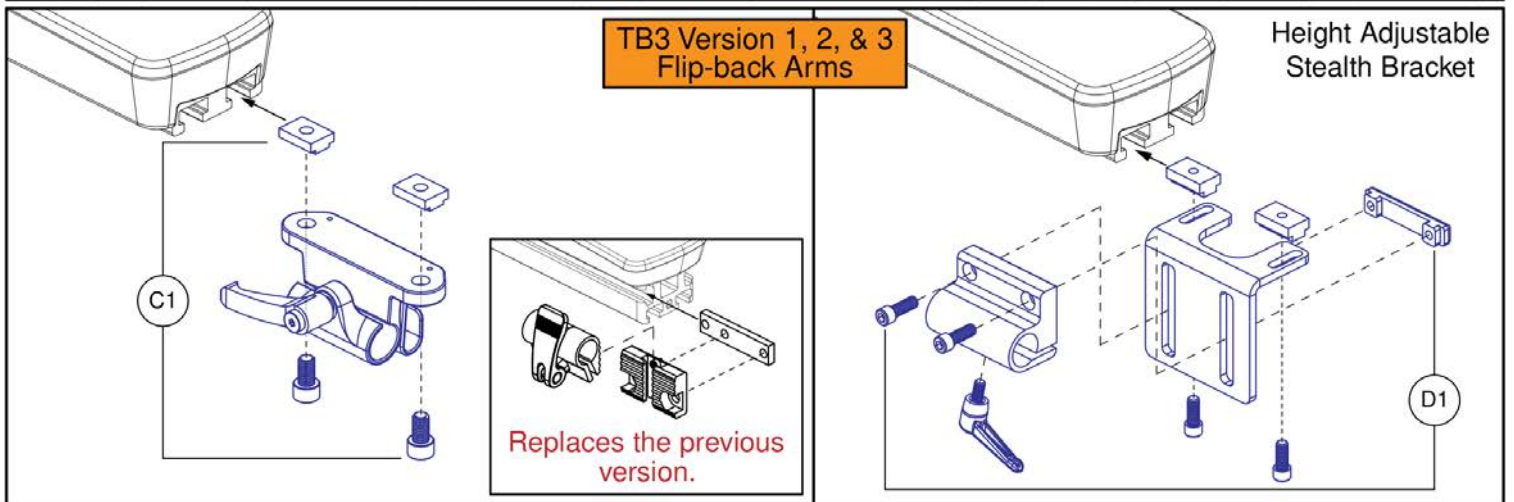
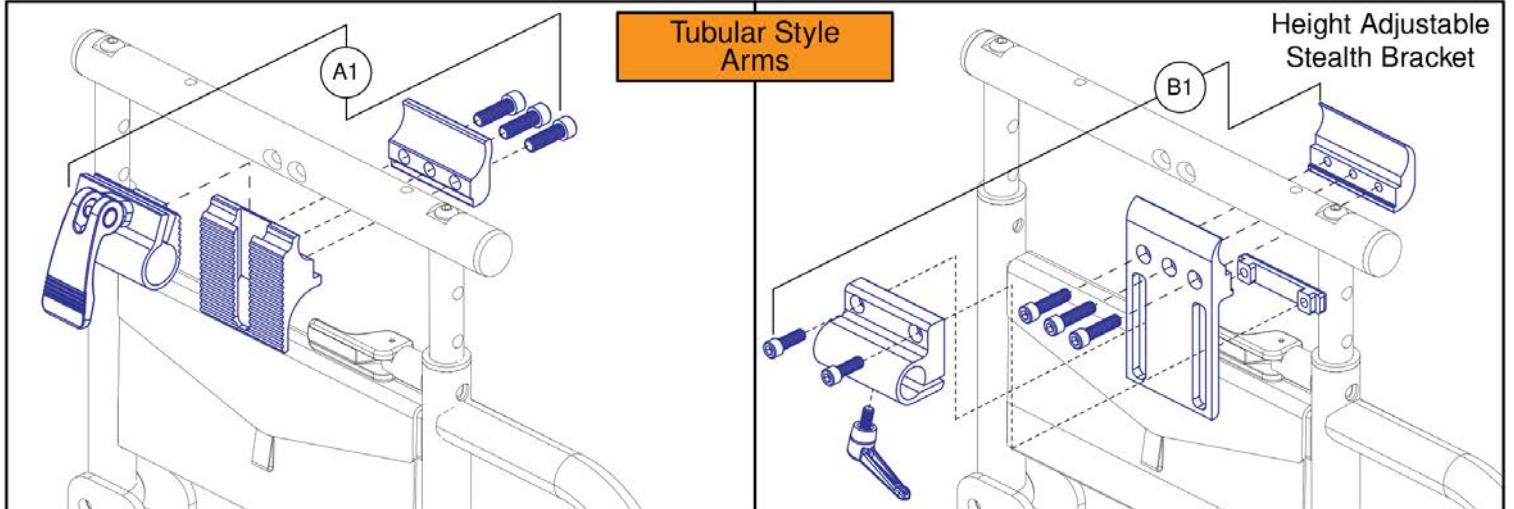


Egg Switch / Buddy Button Mounting Brackets

Item	Part No.	Name	Qty
A1	HDW155440	3M DUAL LOCK, BUDDY BUTTON	1
B1	MEC1802726	UNDER ARM BUDDY BUTTON MOUNTING BRACKET ASSY	1
C1	MEC1810667	SIDE ARM MOUNTING BRACKET FOR EGG SWITCH,FLIP-BACK ARM	1
D1	MEC1800866	SIDE ARM / SIDE RAIL MOUNTING BRACKET,EGG SWITCH,TB3 ARM	1

Please note

- Joystick receiver selection varies by armrest type.
- The replacement parts shown may not be applicable to all power bases / seating systems.
- Contact Technical Service for more information.

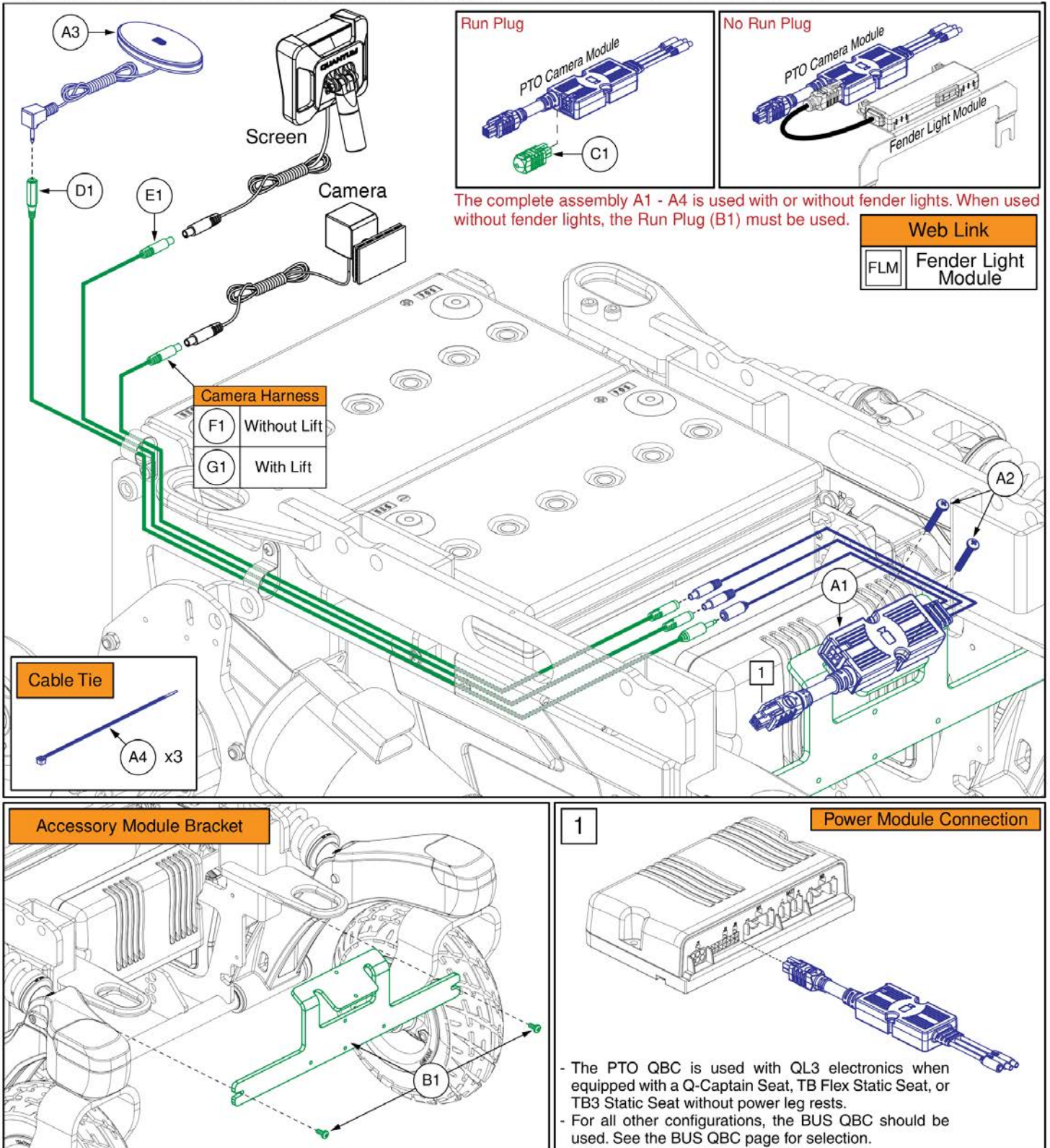


Joystick Receiver Mounts, Quantum

Item	Part No.	Name	Qty
A1	FRMASMB16062	JOYSTICK RECEIVER MOUNT,ASSY,UNIVERSAL,ADJUSTABLE BLOCK,D-1000-313	1
B1	ST-ARM250C-Q	JOYSTICK MOUNT,ASSY,HEIGHT ADJUSTABLE,W/CLAMP HARDWARE	1
C1	MEC1809294	JOYSTICK RECEIVER MOUNT,ASSY,W/MOUNTING HARDWARE,ADJUSTABLE HANDLE	1
D1	ST-ARM250T-Q	JOYSTICK MOUNT,ASSY,HEIGHT ADJUSTABLE,W/TRACK HARDWARE	1
E1	MEC146133	ARMREST ADAPTER ASSEMBLY	1
F1	ACC1800991	JOYSTICK RECEIVER MOUNT,ASSY,TBFLEX	1

IMPORTANT:

When equipped with the PTO camera module, the display screen will not turn on automatically when a reverse command is given on the joystick. A switch must be used to activate the display (an egg switch is included with the complete assembly). The screen will only turn on automatically with a reverse command when equipped with the **Q-Logic 3 BUS powered camera module**. See the BUS module page for selection and additional information.



PTO Backup Camera, QL3, R-TRAK

Item	Part No.	Name	Qty
A1 - A4	ACC2202018	QUANTUM BACKUP CAMERA SYSTEM, PTO VERSION,EDGEHD / Z	1
A1	ELE1908252	MODULE ASSEMBLY, QBC PTO	1
A2	SCRPPH1318	SCREW, PAN HEAD, TYPE H, M4X0.7 X 16, FT, ISO 7045, CL 4.8, BZ	2
A3	ELE2004373	ELECTRONIC,ASSY,EGG SWITCH,BLACK,CAMERA SYMBOL,W/DUAL LOCK	1
A4	PLSTIE1001	TIEDOWN STRAP, 95 LG, PLASTIC, BLACK, SPEC NO. 2106329-1.5-22-130-V2	3
B1	MEC2107292	ACCESSORY MODULE BRACKET ASSEMBLY,R-TRAK	1
C1	DGN1901203	OVER-MOLD RUN RECEPTACLE, 4-CIRCUIT	1
D1	ELE2000270	HARNESS, 3.5MM MONO EXTENSION CABLE, L = 660	1
E1	ELE2302065	HARNESS ASSEMBLY, 4 PIN MINI-DIN EXTENSION CABLE, L = 500, R-TRAK	1
F1	ELE2101000	HARNESS, 4 PIN MINI-DIN EXTENSION CABLE, L = 1000	1
G1	ELE2302054	HARNESS ASSEMBLY, 4 PIN MINI-DIN EXTENSION CABLE, L = 1400, R-TRAK	1
FLM		WEB LINK,IPB,R-TRAK FENDER LIGHTS (This is not an oderable part, see IPB)	0

Backup Camera with Dual Lock Mount

Please note:
The backup camera can be placed anywhere on the back. Positioning shown is not mandatory.

Headrest Mount for Backup Camera

Please note:
The back up camera is not included and must be ordered separately.
Prior to installing the camera to the headrest mount, the dual lock mount must be removed.

Track Mount for Backup Camera

Please note:
The camera is **NOT** included with the trackmount mounting bracket and must be ordered separately. Hardware is included with assembly.

Extension Harness

Back Track Mounting

Seat Track Mounting

Headrest Receiver Mounting

Armrest Track Mounting

D1 PTO Lift Camera Harness

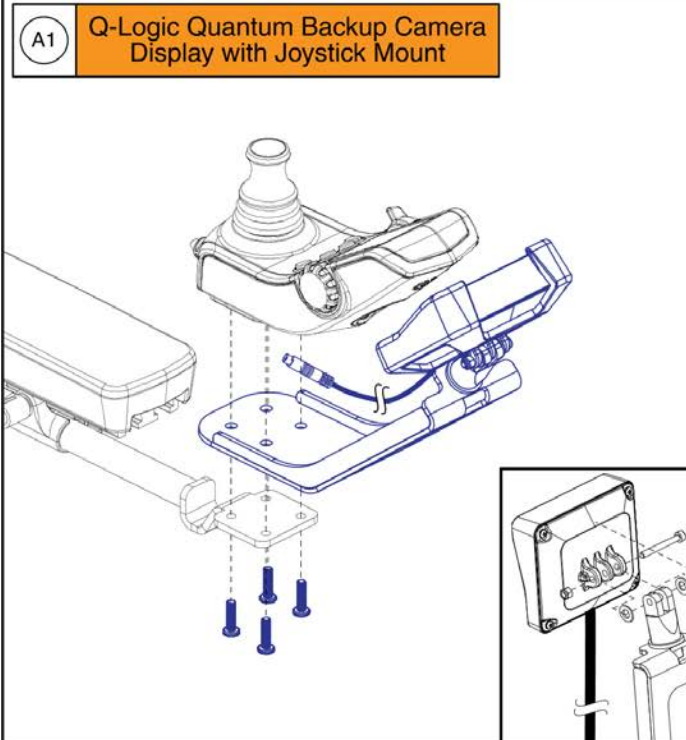
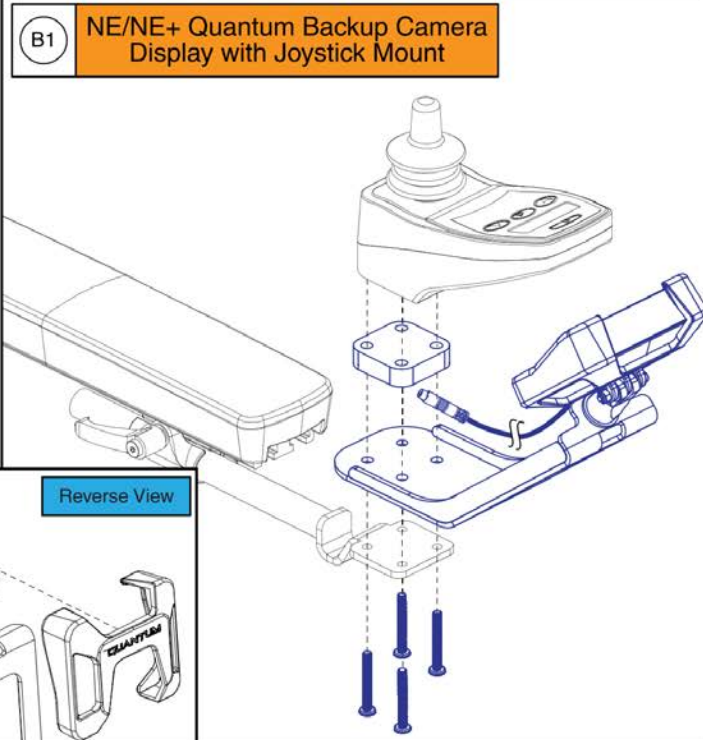
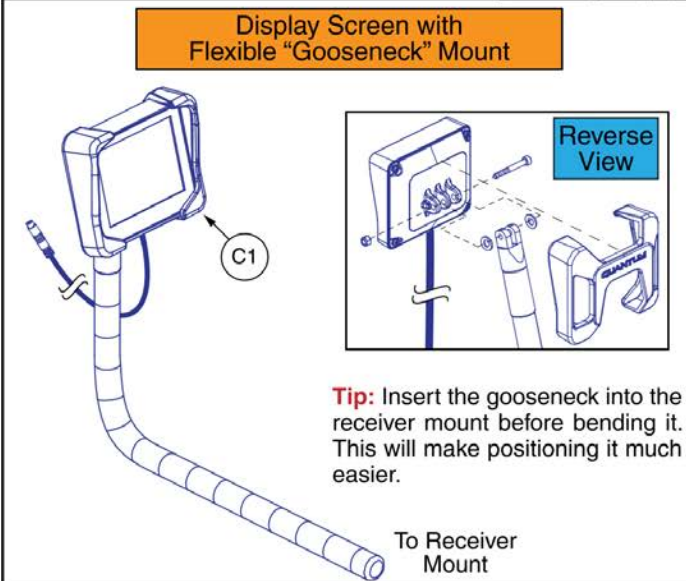
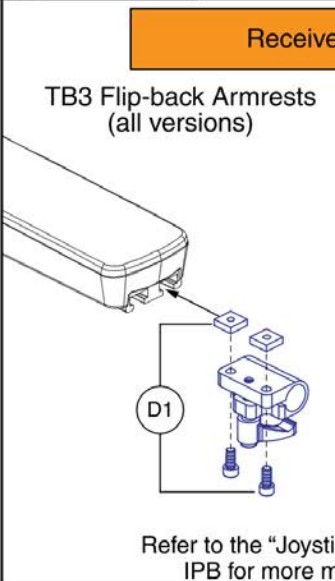
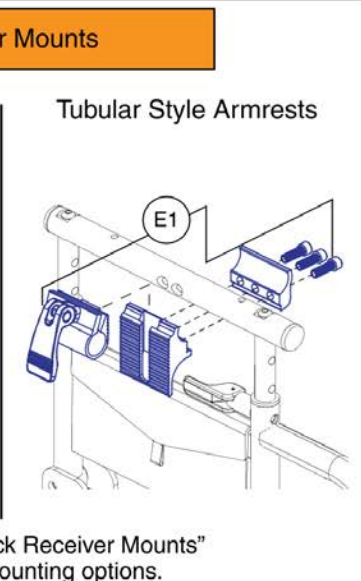

Please note:
- When equipped with a PTO camera module, the PTO lift camera harness is used on all units equipped with lift and connects between the module and the camera.
- Some configurations use 2 lift camera harnesses, refer to the specific power base IPB to verify quantity.

Quantum Backup Camera, Standard Mount, and Headrest Mount

Item	Part No.	Name	Qty
A1	MEC1910365	QUANTUM BACKUP CAMERA, BRACKET DUAL LOCK ASSEMBLY	1
B1	MEC1910373	STANDARD CAMERA BRACKET, ASSEMBLY	1
C1	MEC2104227	QUANTUM BACKUP CAMERA, TRACK MOUNT, ASSEMBLY	1
D1	ELE2101001	HARNESS, 4 PIN MINI-DIN EXTENSION CABLE, L = 500	1

Quantum Backup Camera Display Mounts

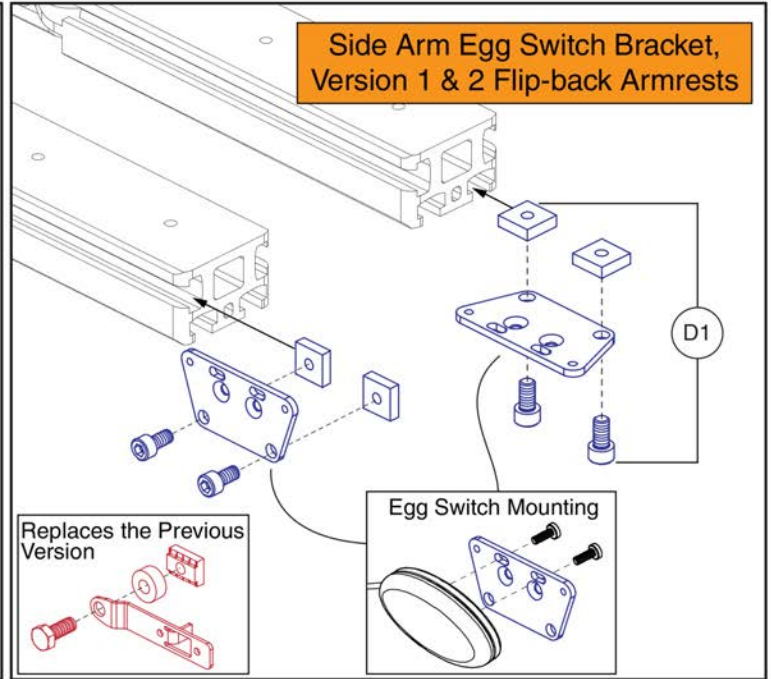
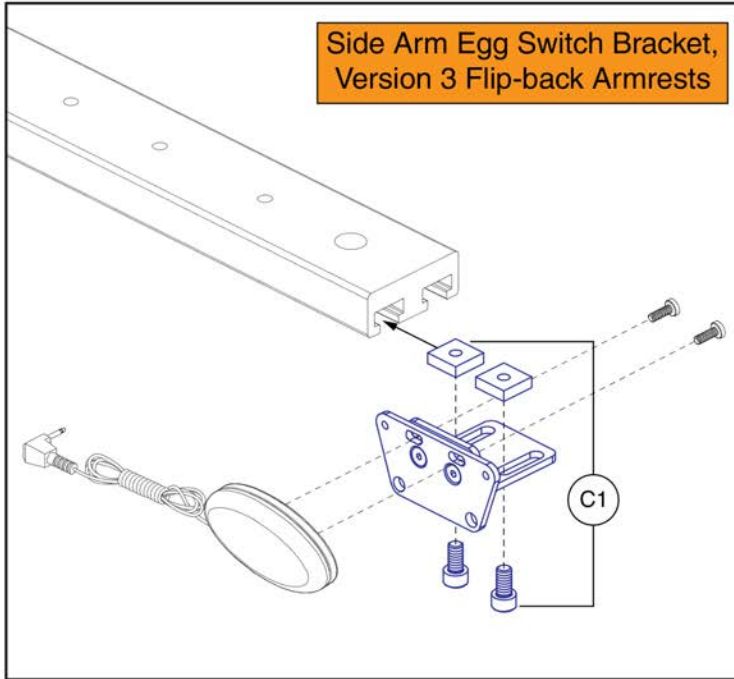
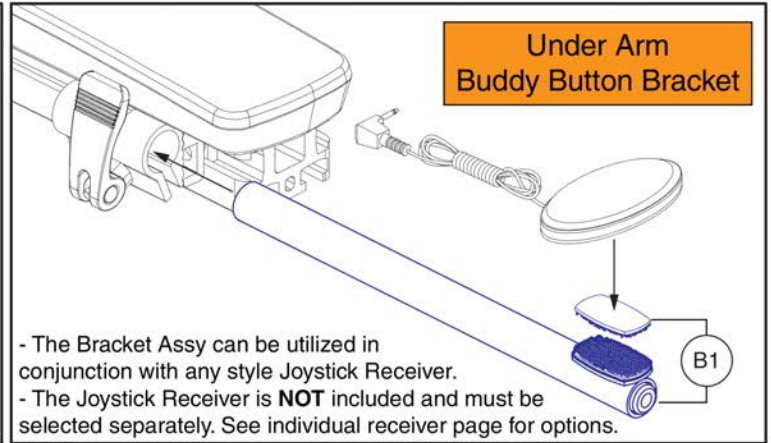
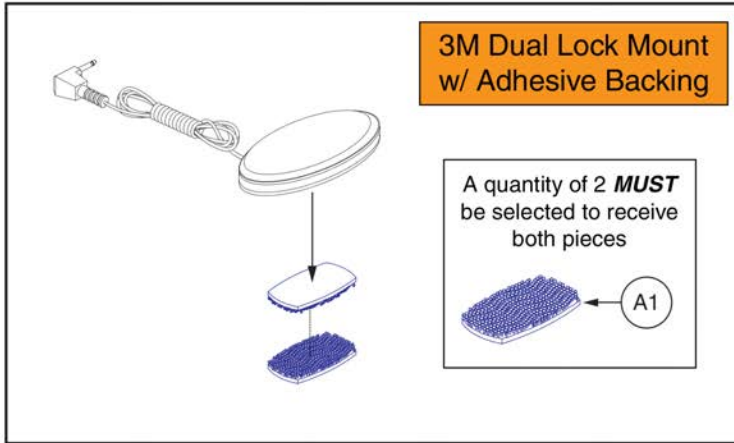
The complete assemblies A1 & B1 contain hardware to mount the display to both the inline and swing-away joystick mounts.

<div style="border: 1px solid black; padding: 5px; margin-bottom: 5px;"> A1 Q-Logic Quantum Backup Camera Display with Joystick Mount </div> 	<div style="border: 1px solid black; padding: 5px; margin-bottom: 5px;"> B1 NE/NE+ Quantum Backup Camera Display with Joystick Mount </div> 				
<div style="border: 1px solid black; padding: 5px; margin-bottom: 5px; text-align: center;"> Display Screen with Flexible "Gooseneck" Mount </div>  <p style="margin-top: 10px;">Tip: Insert the gooseneck into the receiver mount before bending it. This will make positioning it much easier.</p> <p style="text-align: right;">To Receiver Mount</p>	<div style="border: 1px solid black; padding: 5px; margin-bottom: 5px; text-align: center;"> Receiver Mounts </div> <div style="display: flex; justify-content: space-between;"> <div style="width: 45%;"> <p>TB3 Flip-back Armrests (all versions)</p>  <p style="text-align: center;">D1</p> </div> <div style="width: 45%;"> <p>Tubular Style Armrests</p>  <p style="text-align: center;">E1</p> </div> </div> <p style="text-align: center; margin-top: 10px;">Refer to the "Joystick Receiver Mounts" IPB for more mounting options.</p>				
<div style="border: 1px solid black; padding: 5px; margin-bottom: 5px; text-align: center;"> Extension Harness </div>  <table border="1" style="width: 100%; border-collapse: collapse; margin-top: 10px;"> <tr> <td style="width: 30px; text-align: center; border: 1px solid black;">F1</td> <td style="padding: 2px;">PTO Screen Harness</td> </tr> <tr> <td style="width: 30px; text-align: center; border: 1px solid black;">G1</td> <td style="padding: 2px;">QL3 Screen Harness (Back Mounted QL3 Modules)</td> </tr> </table>		F1	PTO Screen Harness	G1	QL3 Screen Harness (Back Mounted QL3 Modules)
F1	PTO Screen Harness				
G1	QL3 Screen Harness (Back Mounted QL3 Modules)				
<p>Please note:</p> <ul style="list-style-type: none"> - When equipped with a PTO camera module, the PTO screen harness is used on all units and connects between the module and the display screen. Some configurations use 2 screen harnesses, refer to the the specific power base IPB to verify quantity. - When equipped with a QL3 back mounted camera module, the QL3 Screen Harness is used on units with seats 20"W and greater and connects between the module and the display screen. 					

Quantum Backup Camera Display Mounts

Item	Part No.	Name	Qty
A1	MEC2106123	QUANTUM BACKUP CAMERA,DISPLAY MOUNT,ASSEMBLY,Q-LOGIC 3	1
B1	MEC2106132	QUANTUM BACKUP CAMERA,DISPLAY MOUNT,ASSEMBLY,NE/NE+	1
C1	MEC1906270	QBC, SCREEN HINGE ASSEMBLY, W/GOOSENECK	1
D1	MEC1907331	JOYSTICK RECEIVER MOUNT,ASSY,W/MOUNTING HARDWARE,QBC GOOSENECK CLAMP	1
E1	FRMASMB16062	JOYSTICK RECEIVER MOUNT,ASSY,UNIVERSAL,ADJUSTABLE BLOCK,D-1000-313	1
F1	ELE2101000	HARNESS, 4 PIN MINI-DIN EXTENSION CABLE, L = 1000	1
G1	ELE2000271	HARNESS, 4 PIN MINI-DIN EXTENSION CABLE, L = 1400mm	1

Egg Switch / Buddy Button Mounting Brackets

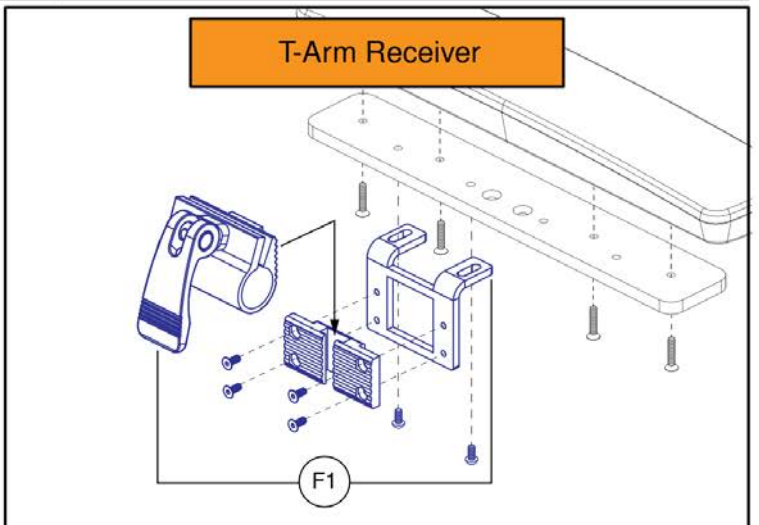
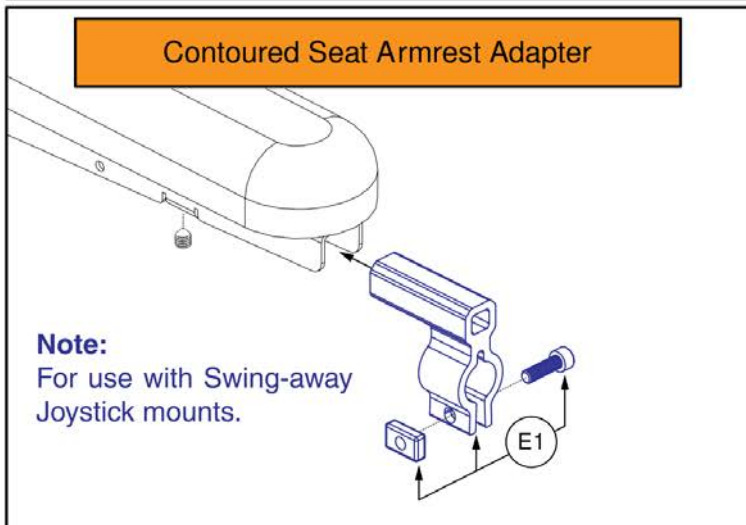
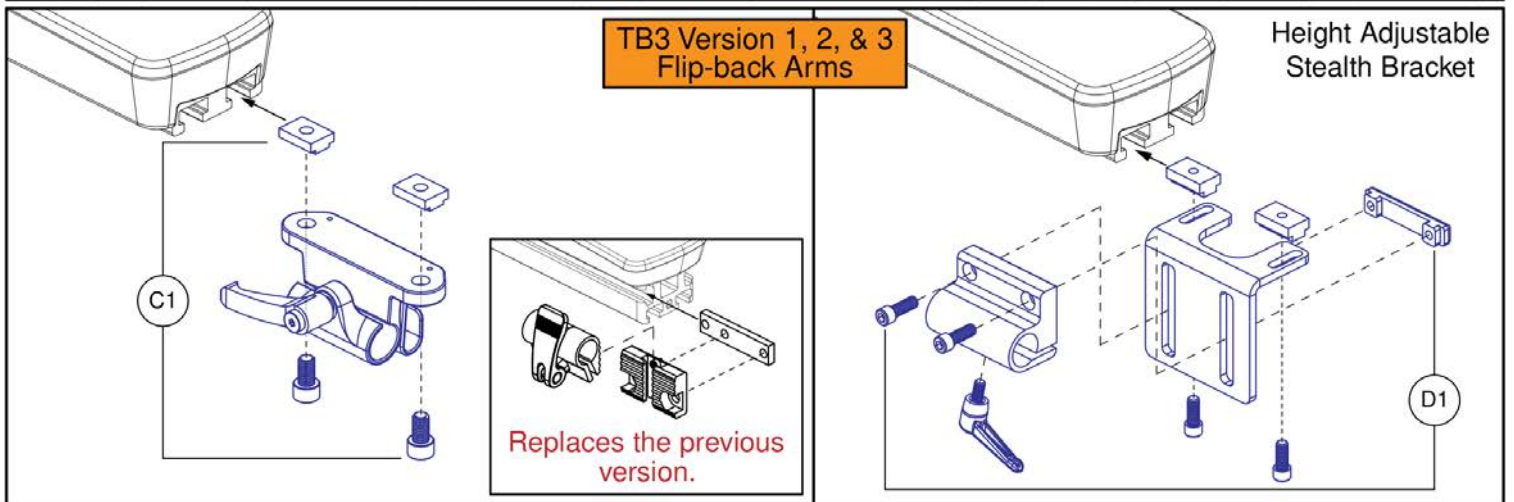
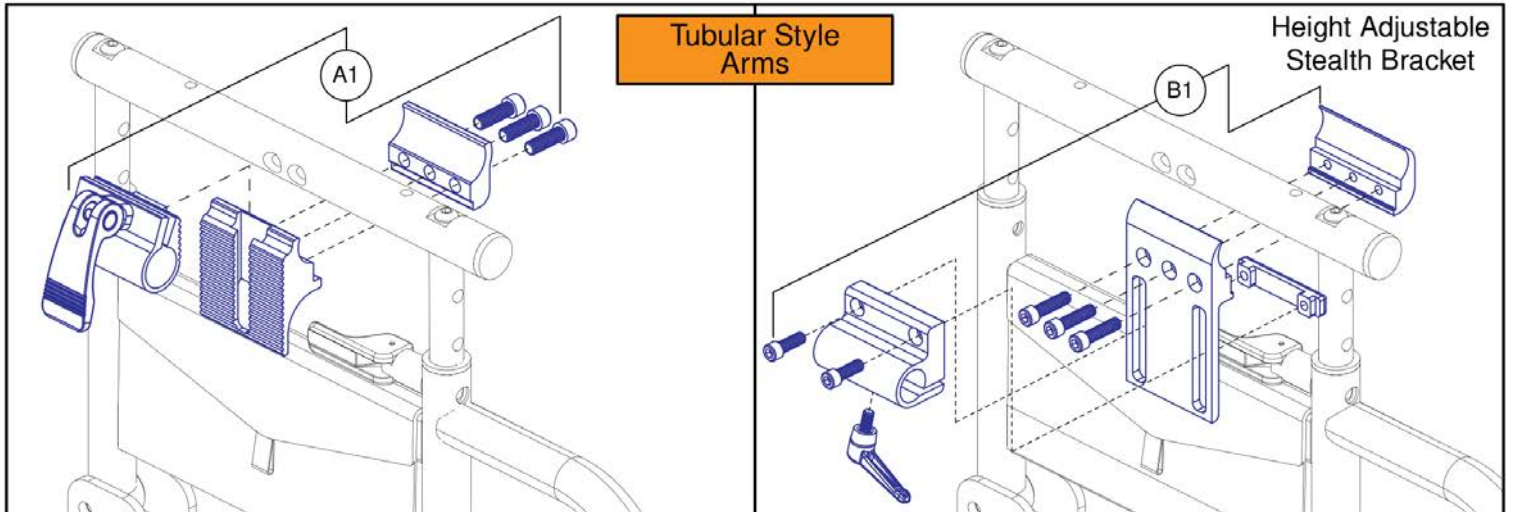


Egg Switch / Buddy Button Mounting Brackets

Item	Part No.	Name	Qty
A1	HDW155440	3M DUAL LOCK, BUDDY BUTTON	1
B1	MEC1802726	UNDER ARM BUDDY BUTTON MOUNTING BRACKET ASSY	1
C1	MEC1810667	SIDE ARM MOUNTING BRACKET FOR EGG SWITCH,FLIP-BACK ARM	1
D1	MEC1800866	SIDE ARM / SIDE RAIL MOUNTING BRACKET,EGG SWITCH,TB3 ARM	1

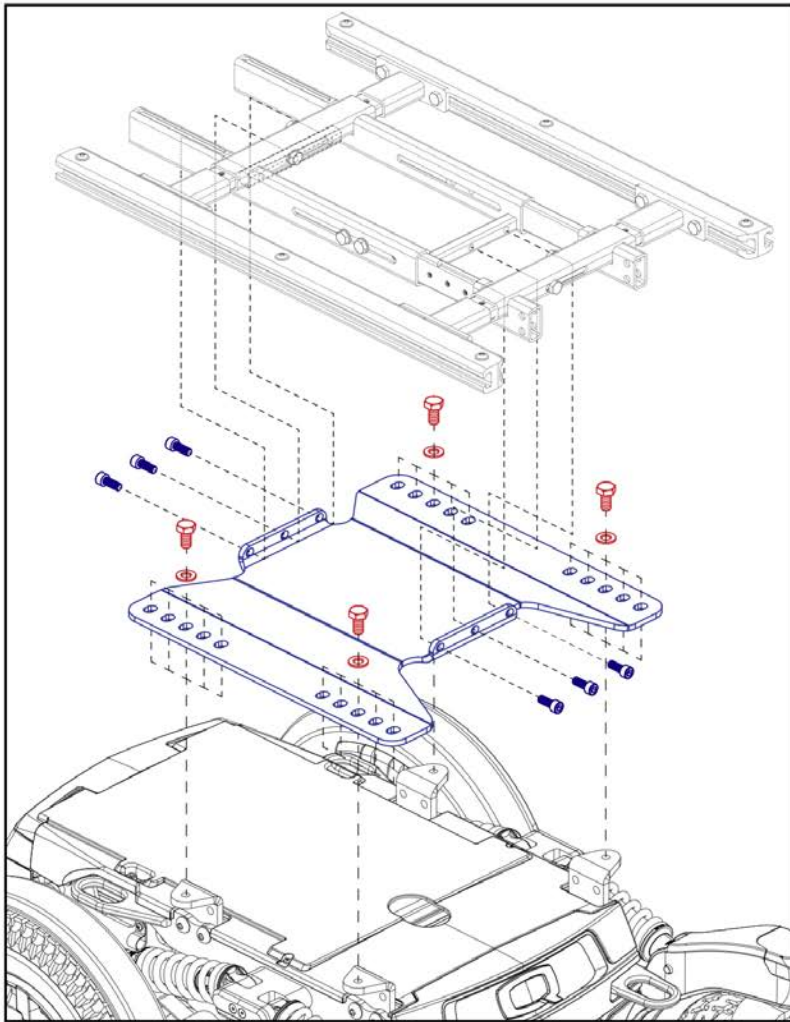
Please note

- Joystick receiver selection varies by armrest type.
- The replacement parts shown may not be applicable to all power bases / seating systems.
- Contact Technical Service for more information.

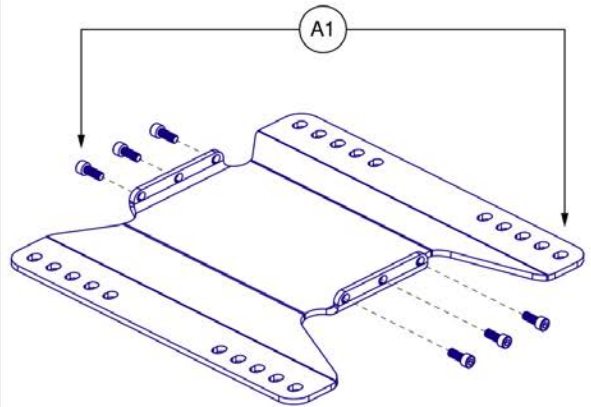


Joystick Receiver Mounts, Quantum

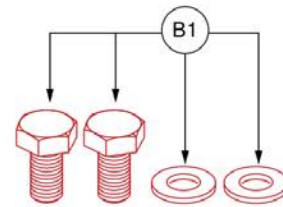
Item	Part No.	Name	Qty
A1	FRMASMB16062	JOYSTICK RECEIVER MOUNT,ASSY,UNIVERSAL,ADJUSTABLE BLOCK,D-1000-313	1
B1	ST-ARM250C-Q	JOYSTICK MOUNT,ASSY,HEIGHT ADJUSTABLE,W/CLAMP HARDWARE	1
C1	MEC1809294	JOYSTICK RECEIVER MOUNT,ASSY,W/MOUNTING HARDWARE,ADJUSTABLE HANDLE	1
D1	ST-ARM250T-Q	JOYSTICK MOUNT,ASSY,HEIGHT ADJUSTABLE,W/TRACK HARDWARE	1
E1	MEC146133	ARMREST ADAPTER ASSEMBLY	1
F1	ACC1800991	JOYSTICK RECEIVER MOUNT,ASSY,TBFLEX	1



Seat Only Interface Plate with Hardware



Seat Plate to Tower Mounting Hardware

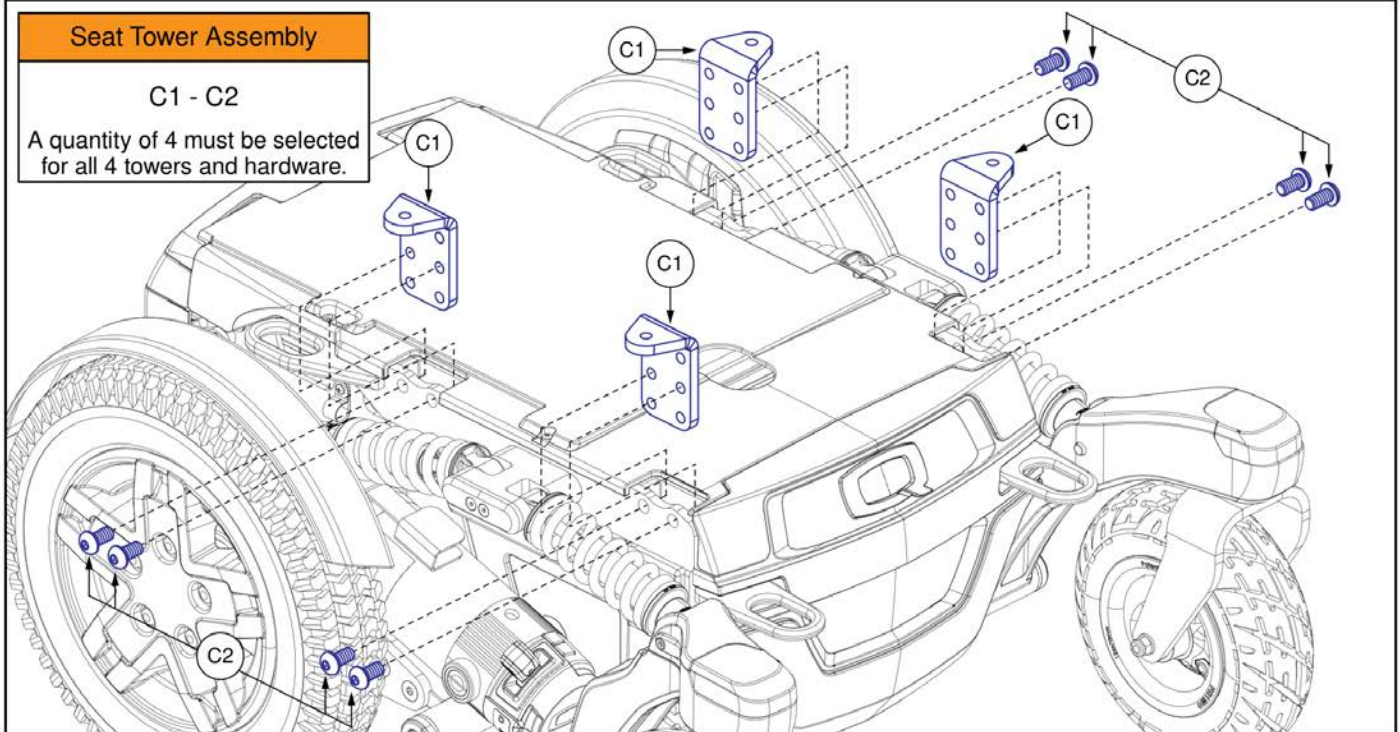


The assembly contains only 1 side. A quantity of 2 must be selected for both sides.

Seat Tower Assembly

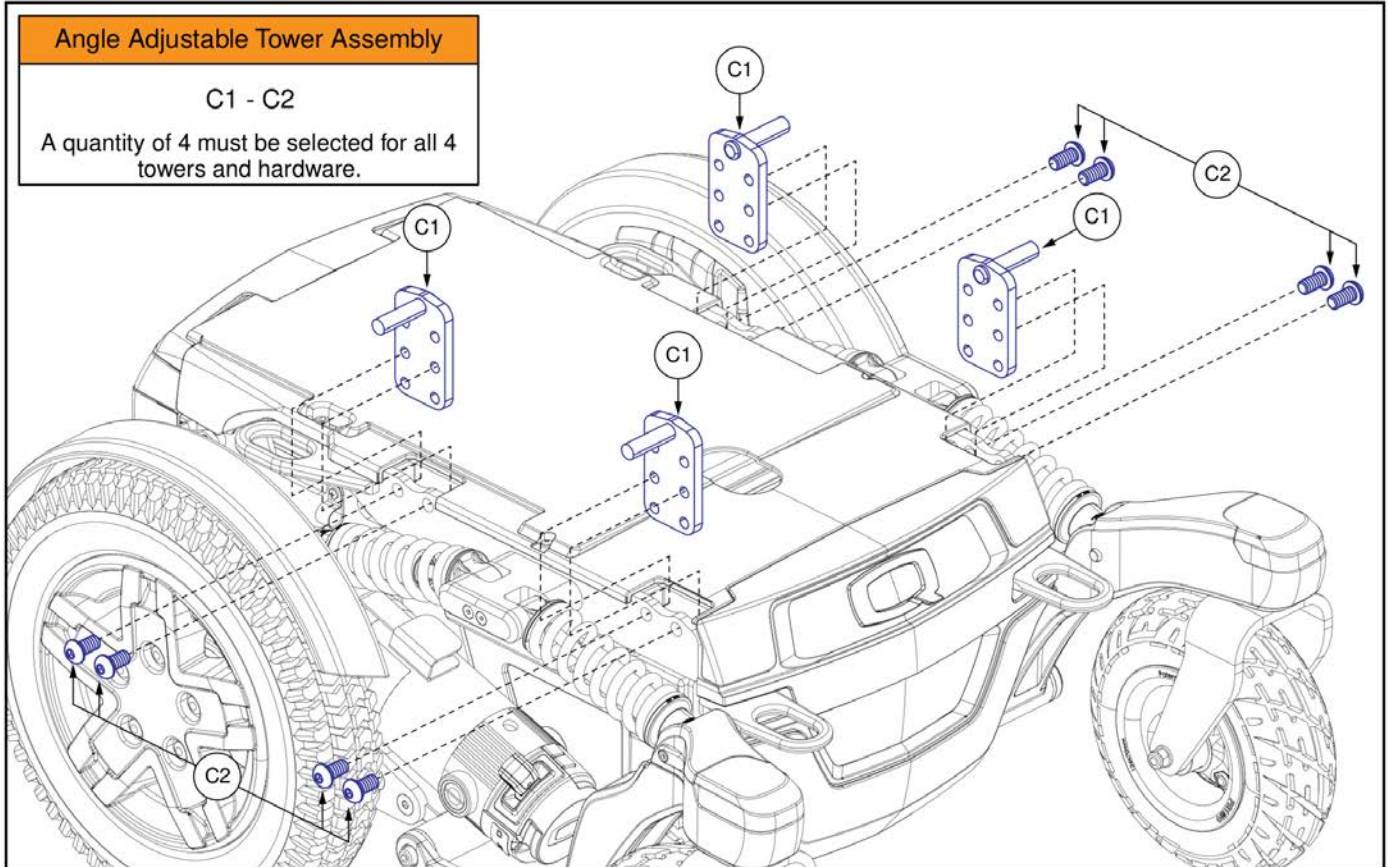
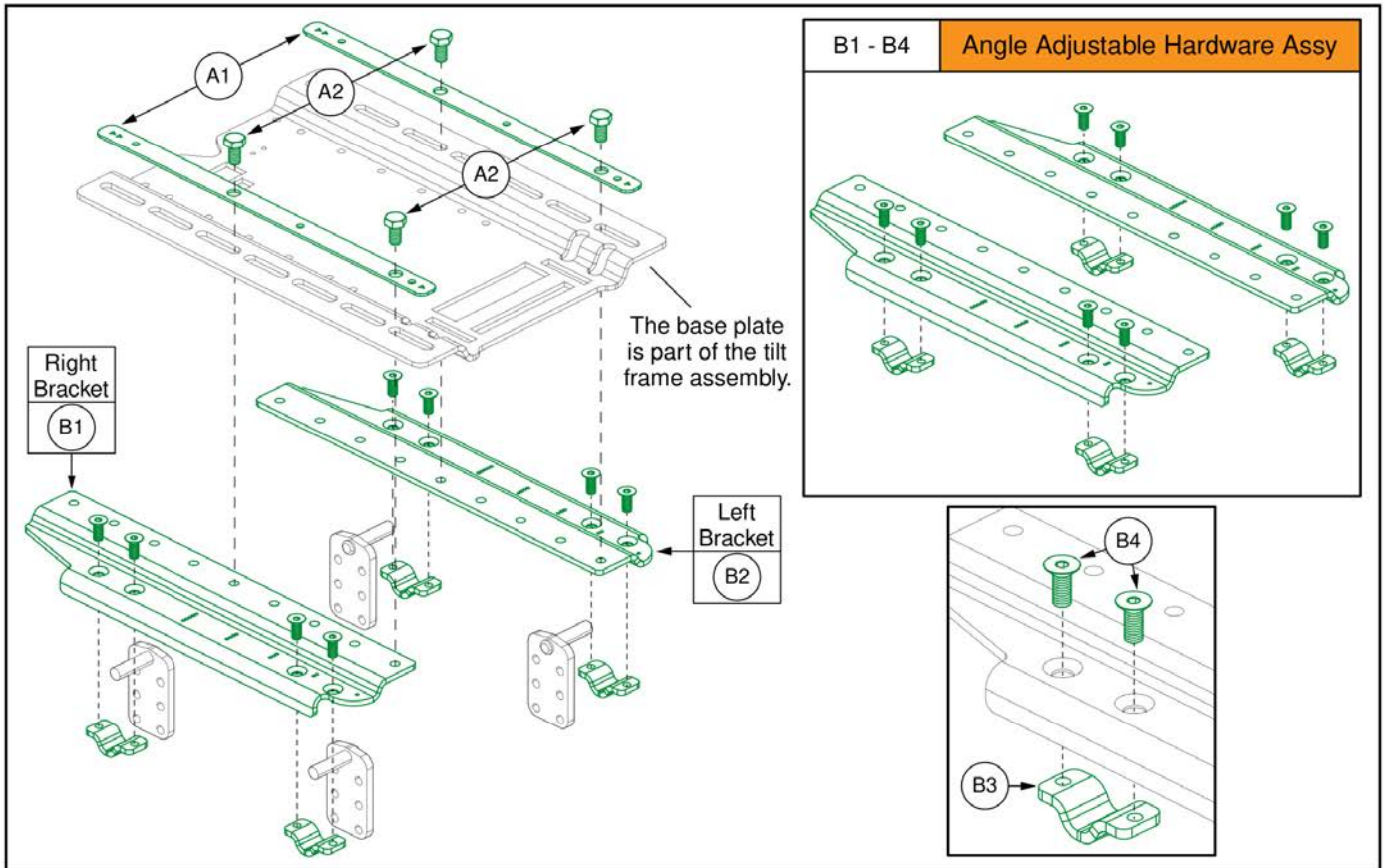
C1 - C2

A quantity of 4 must be selected for all 4 towers and hardware.



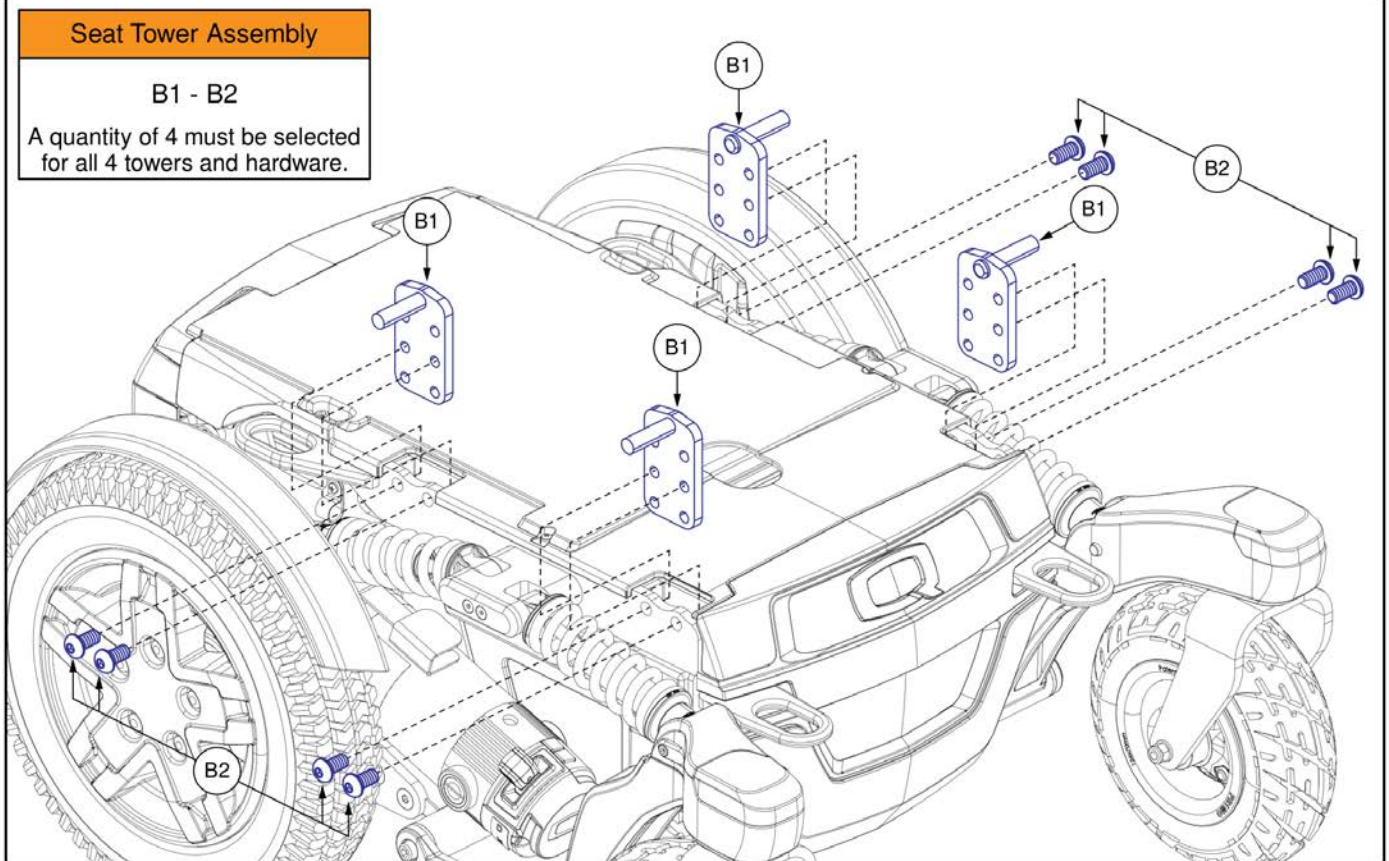
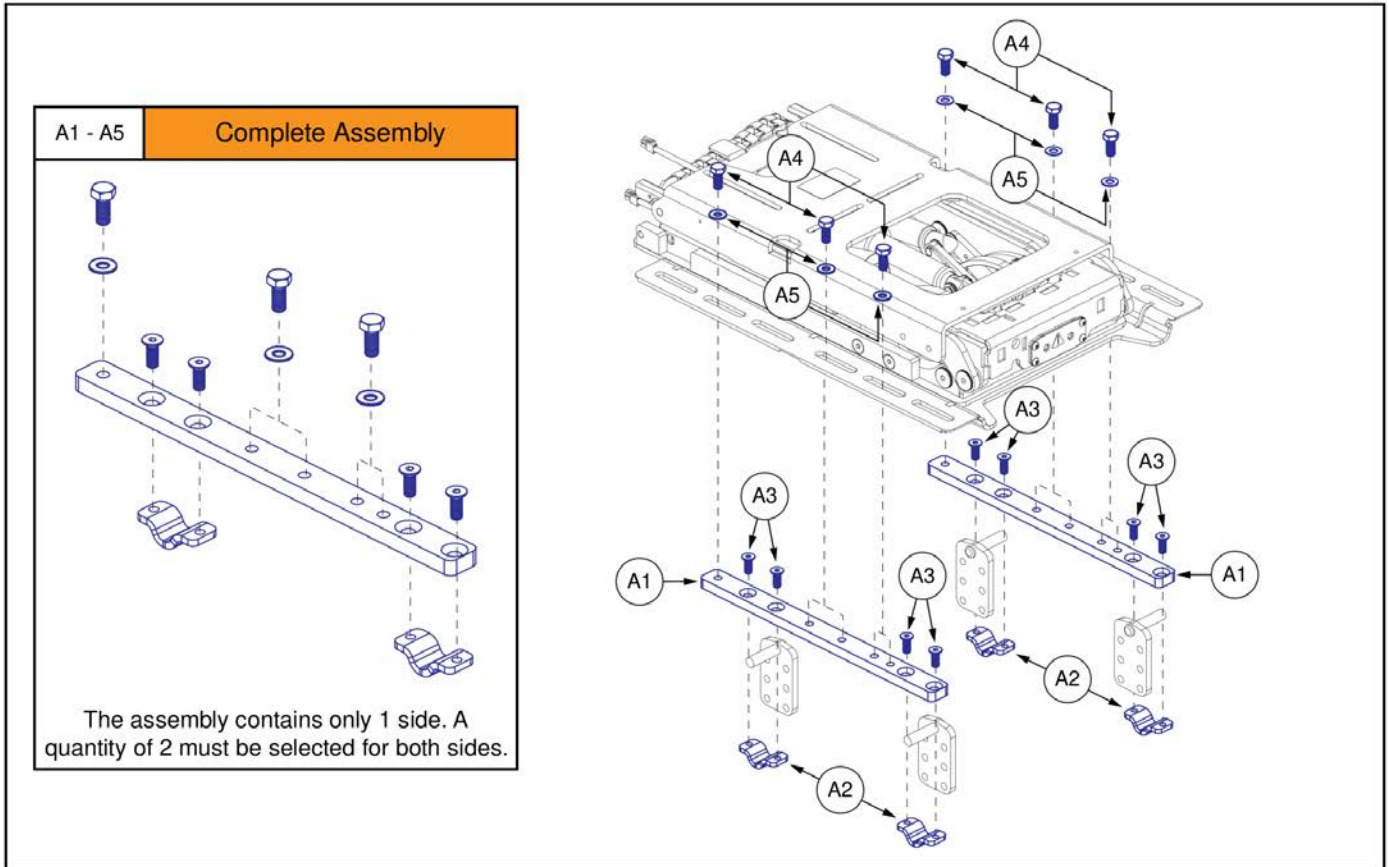
TB3 Static Seat Interface, R-TRAK

Item	Part No.	Name	Qty
A1	SET142535	SEAT PLATE,ASSY,SEAT ONLY,ISO,TRU-BALANCE 3	1
B1	HDW136696	HARDWARE,ASSY,FIXED,SEAT ONLY,TRU-BALANCE 3	1
C1 - C2	MEC1700465	SEAT INTERFACE,ASSY,TB3,QUANTUM 4FRONT,W/MOUNTING HARDWARE	1
C1	BRK8110003	MOUNTING BRACKET,SEAT INTERFACE,UNIVERSAL,BRK8110003	1
C2	HDW1700456	SCREW, BUTTON HEAD, M10X1.5 X 20, ISO 7380-1, CL 10.9, BZ, PVTP	2



TB3.5 Tilt Seat Interface, R-TRAK

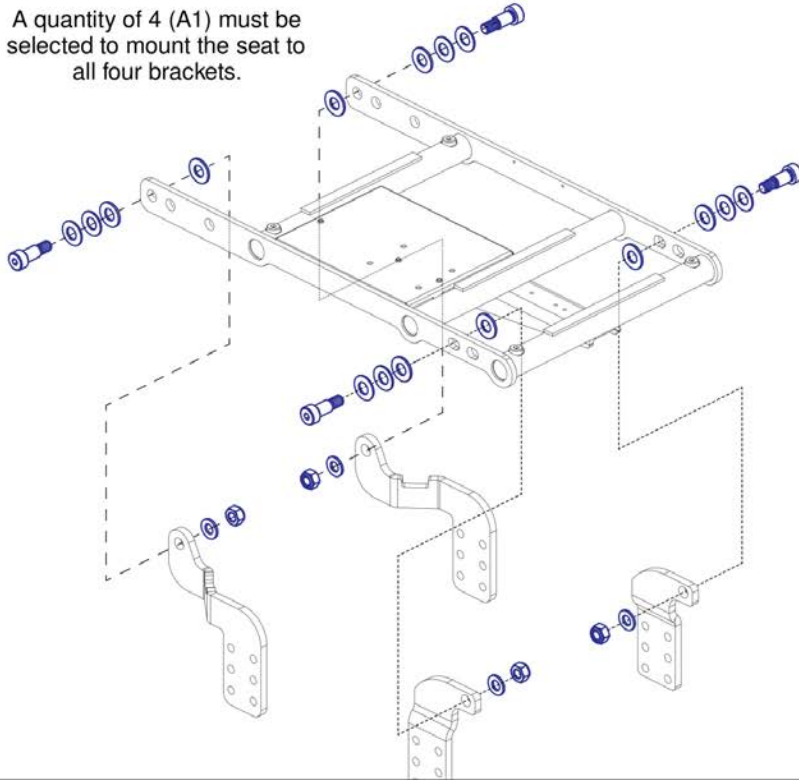
Item	Part No.	Name	Qty
A1 - B4	HDW1705238	HARDWARE,ASSY,ANGLE ADJUSTABLE,Q4FRONT,TRU-BALANCE 3.5	1
A1	MEC1705904	TB3.5 SPACER WELDMENT	2
A2	HDW120048	SCREW, HEX HEAD, M10X1.5 X 20, ISO 4017, CL 10.9, BZ, PVTP	4
B1 - B4	HDW1805748	HARDWARE,ASSY,ANGLE ADJUSTABLE,Q4FRONT	1
B1	MEC1705476	TB3.5 TILT INTERFACE PLATE, RIGHT	1
B2	MEC1704198	TB3.5 TILT INTERFACE PLATE, LEFT	1
B3	MEC131180	SEATING INTERFACE CLAMP,TRU-BALANCE 3	4
B4	HDW145729	SCREW, FLAT HEAD, M8X1.25 X 12, ISO 10642, CL 10.9, BZ, PVTP	8
C1 - C2	MEC1705730	SEAT INTERFACE,ASSY,TB3.5,QUANTUM 4FRONT,W/MOUNTING HARDWARE	1
C1	MEC131182	MOUNTING BRACKET,SEAT INTERFACE,TRU-BALANCE 3	1
C2	HDW1700456	SCREW, BUTTON HEAD, M10X1.5 X 20, ISO 7380-1, CL 10.9, BZ, PVTP	2



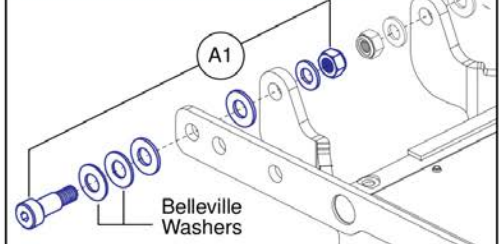
TB3 REAC Seat Interface, R-TRAK

Item	Part No.	Name	Qty
A1 - A5	HDW145339	HARDWARE,ASSY,ANGLE ADJUSTABLE,TRU-BALANCE 3	1
A1	MEC145322	INTERFACE SLIP PLATE,ISO	1
A2	MEC131180	SEATING INTERFACE CLAMP,TRU-BALANCE 3	2
A3	SCRSHFH1203	SCREW, FLAT HEAD, M8X1.25 X 20, ISO 10642, CL 10.9, BZ, PVTP	4
A4	HDW120048	SCREW, HEX HEAD, M10X1.5 X 20, ISO 4017, CL 10.9, BZ, PVTP	3
A5	WASMETR1031	WASHER, FLAT, 10.5 ID X 20 OD X 2 THK, ISO 7089-10-200HV, BZ	3
B1 - B2	MEC1700465	SEAT INTERFACE,ASSY,TB3,QUANTUM 4FRONT,W/MOUNTING HARDWARE	1
B1	BRK8110003	MOUNTING BRACKET,SEAT INTERFACE,UNIVERSAL,BRK8110003	1
B2	HDW1700456	SCREW, BUTTON HEAD, M10X1.5 X 20, ISO 7380-1, CL 10.9, BZ, PVTP	2

A quantity of 4 (A1) must be selected to mount the seat to all four brackets.

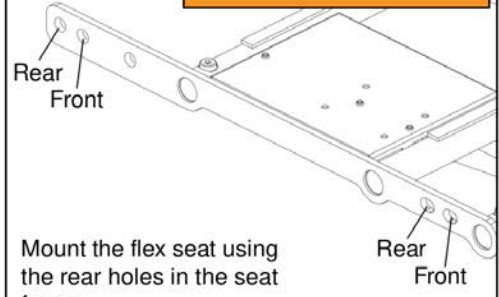


Seat Pivot Hardware Assy



Note: The 2 Belleville Washers (Spring Washer) must face each other in the assembly of the Pivot.

Mounting Hole Location

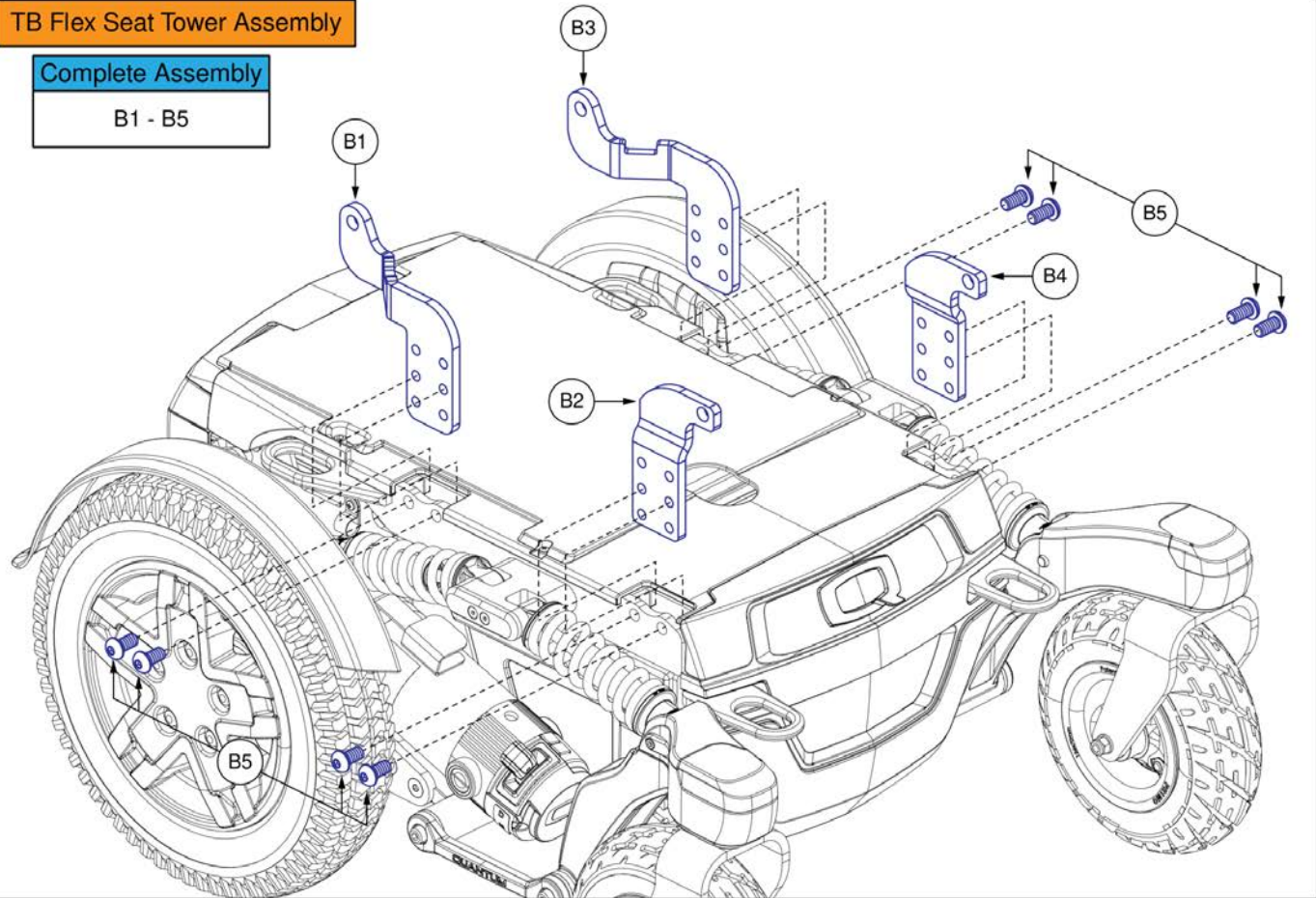


Mount the flex seat using the rear holes in the seat frame.

TB Flex Seat Tower Assembly

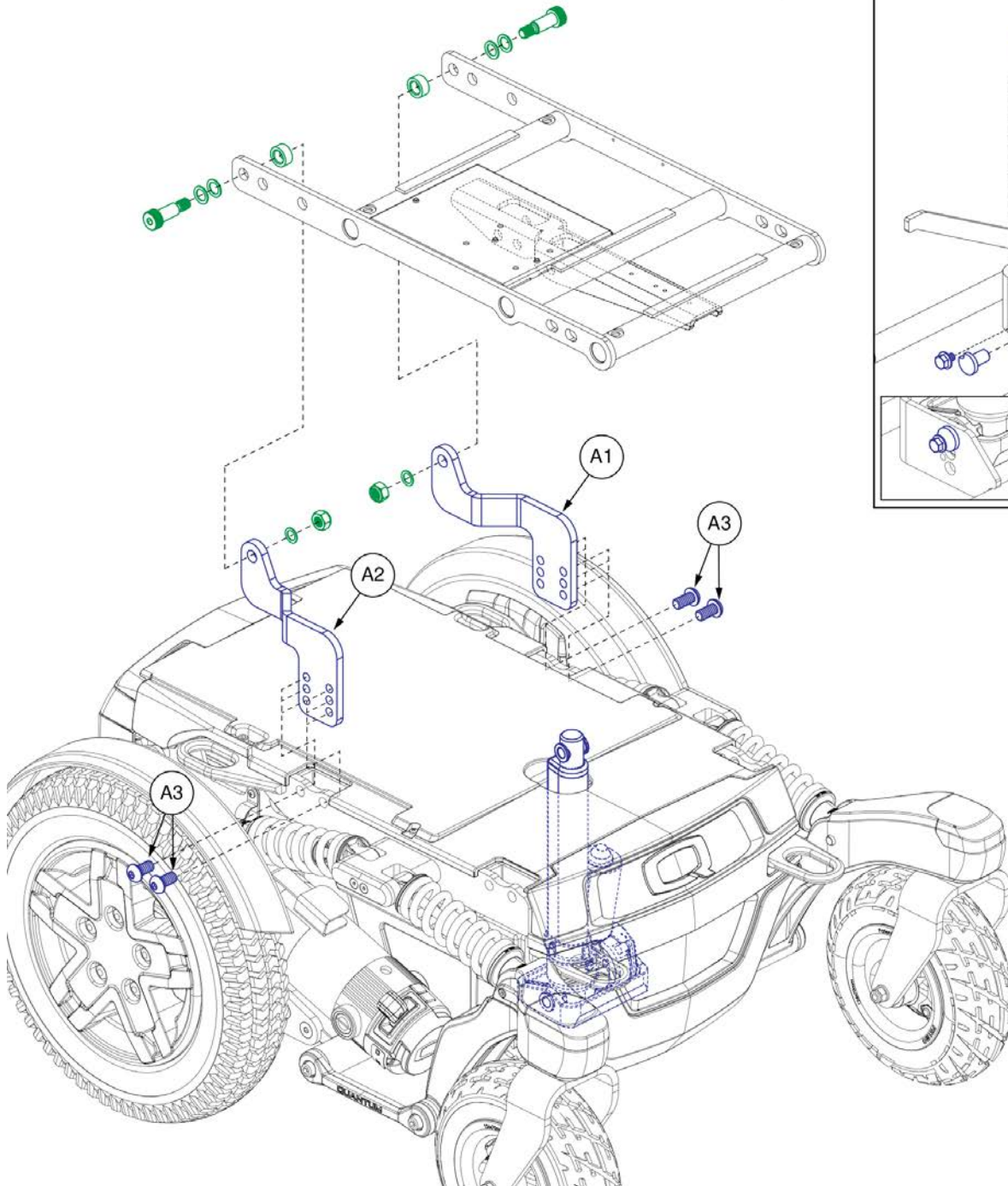
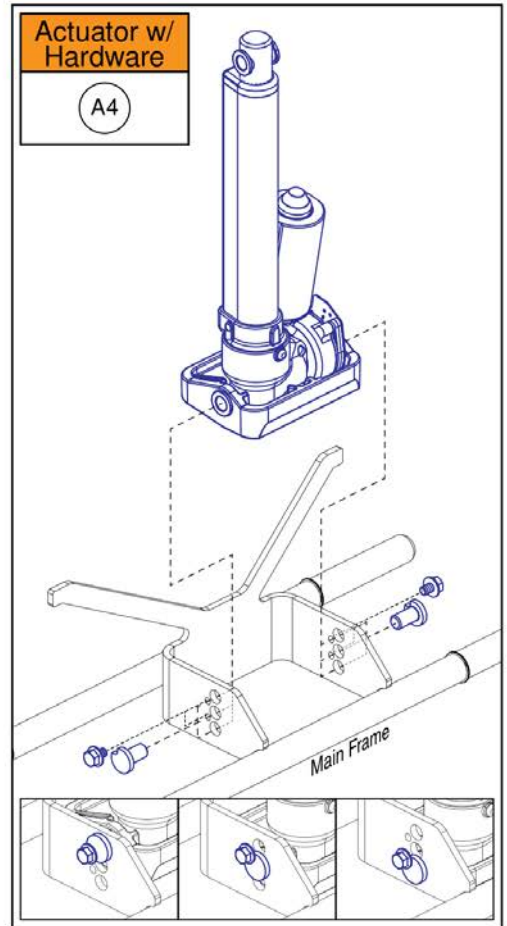
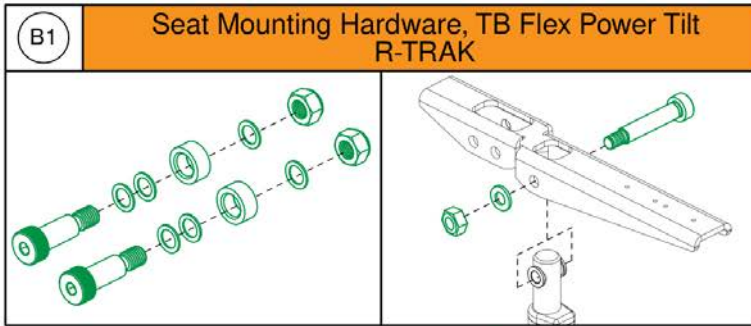
Complete Assembly

B1 - B5



TB Flex Static Seat Interface, R-TRAK

Item	Part No.	Name	Qty
A1	HDWASMB1184	HARDWARE, ASSY, SEAT PIVOT, REAR (DWG: C1502-081)	1
B1 - B5	MEC2009398	SEAT INTERFACE,ASSY,TB FLEX SEAT,4FRONT 2	1
B1	MEC2003053	SEAT INTERFACE BRACKET, REAR RIGHT	1
B2	MEC1800080	SEAT INTERFACE BRACKET, FRONT RIGHT	1
B3	MEC2003052	SEAT INTERFACE BRACKET, REAR LEFT	1
B4	MEC1800079	SEAT INTERFACE BRACKET, FRONT LEFT	1
B5	HDW1700456	SCREW, BUTTON HEAD, M10X1.5 X 20, ISO 7380-1, CL 10.9, BZ, PVTP	8



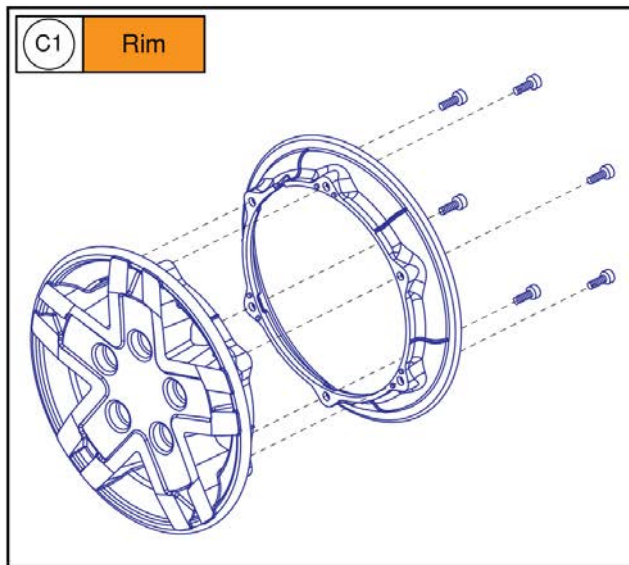
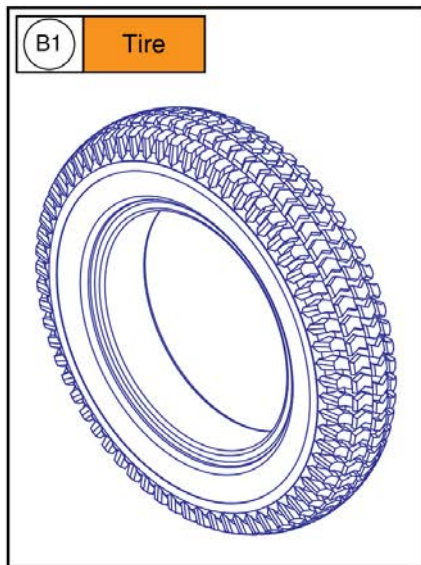
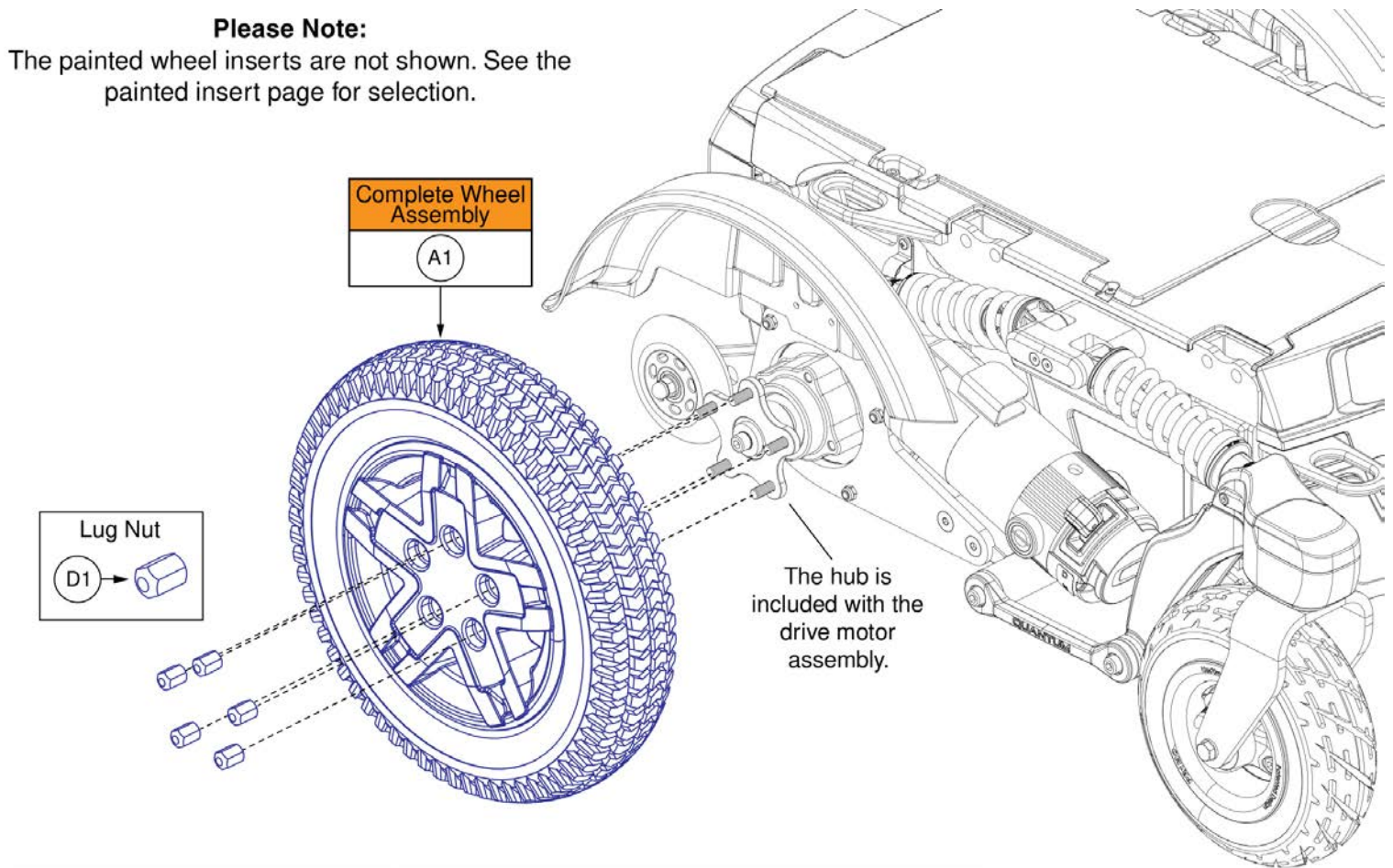
TB Flex w/ Power Tilt Seat Interface & Actuator, R-TRAK

Item	Part No.	Name	Qty
A1 - A4	MEC2206646	SEAT INTERFACE,ASSY,TB FLEX TILT,R-TRAK,155 STROKE LENGTH	1
A1	MEC2300075	FLEX SEAT BRACKET, RWD, REAR LEFT	1
A2	MEC2300076	FLEX SEAT BRACKET, RWD, REAR RIGHT	1
A3	HDW1700456	SCREW, BUTTON HEAD, M10X1.5 X 20, ISO 7380-1, CL 10.9, BZ, PVTP	4
A4	MEC2206645	TILT INTERFACE,ASSY,TB FLEX,R-TRAK,155 STROKE LENGTH	1
B1	MEC1903576	HARDWARE ASSY,POWER TILT,TB FLEX,Q6EDGE 3 STRETTO	1

14x3 Flat-free Drive Wheel, Black Rim/Black Tire, R-TRAK

Please Note:

The painted wheel inserts are not shown. See the painted insert page for selection.



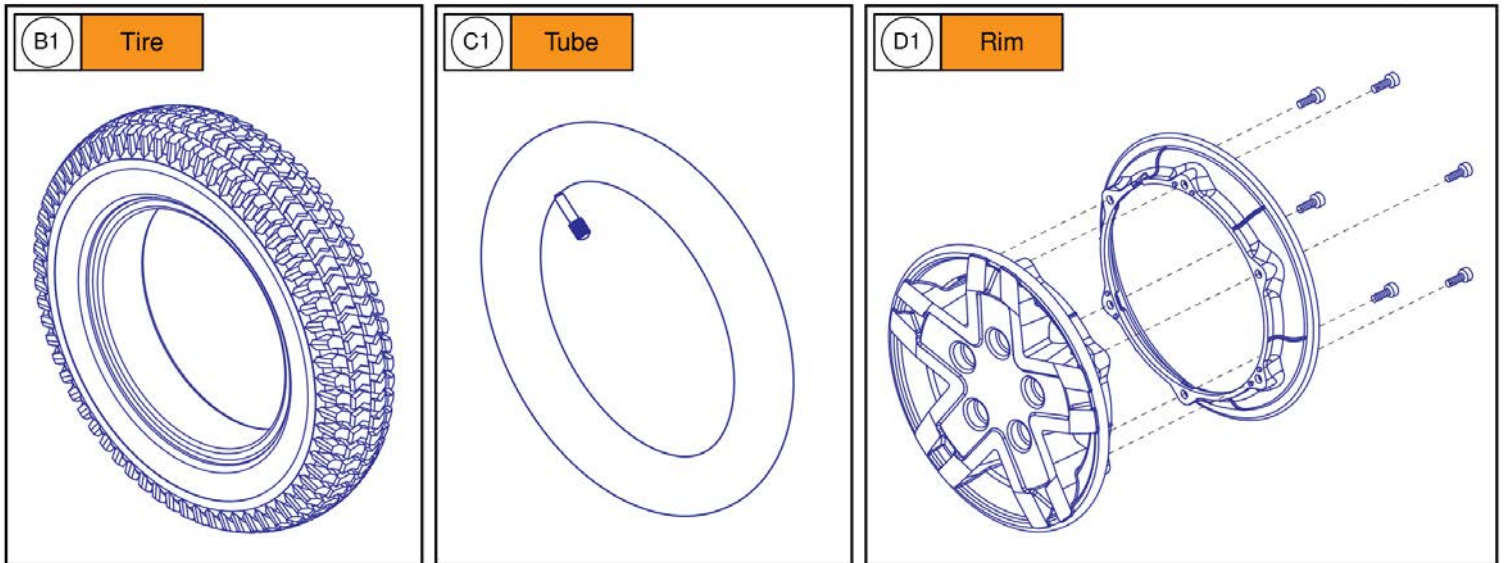
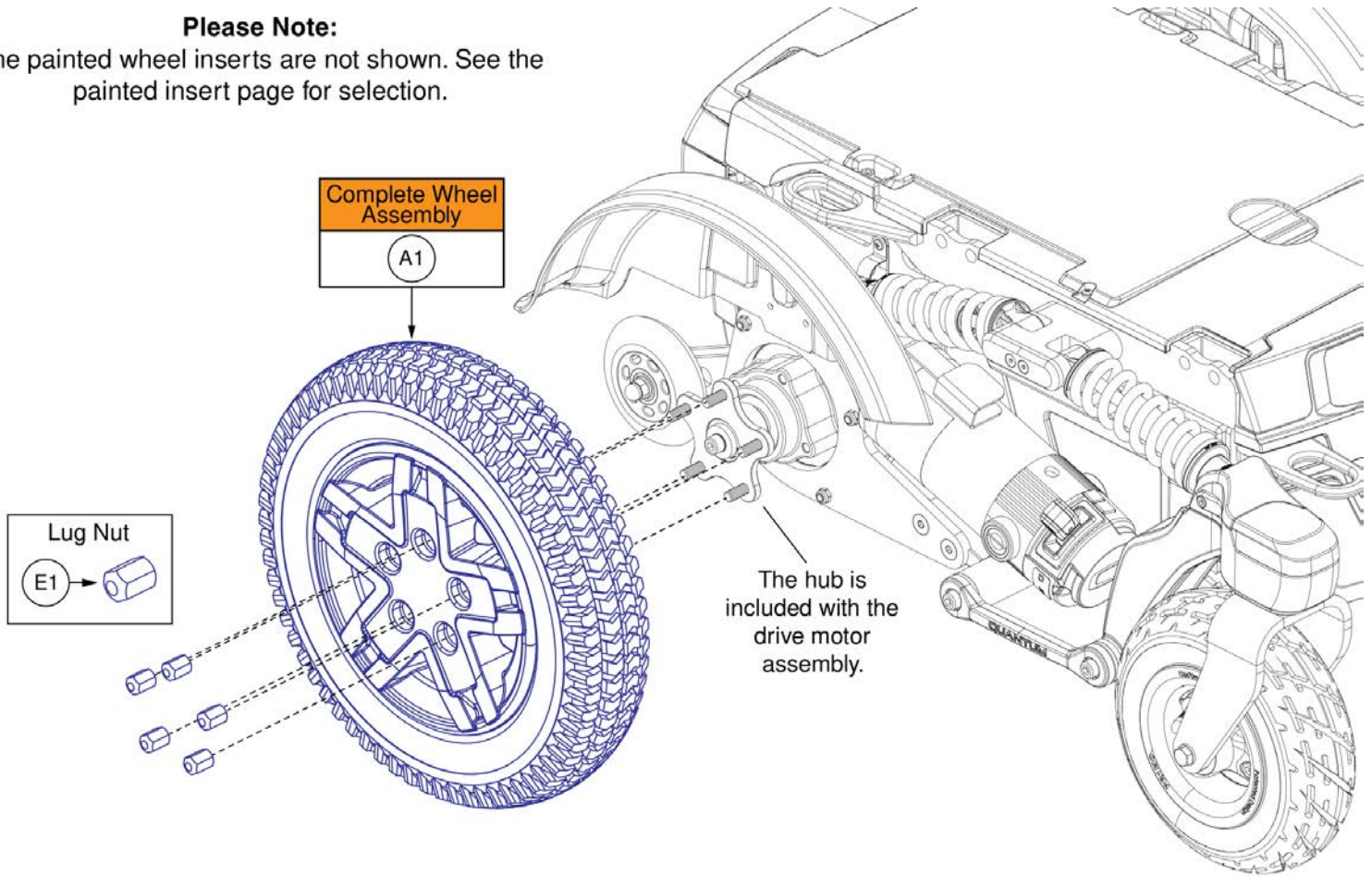
14x3 Flat-free Drive Wheel, Black Rim/Black Tire, R-TRAK

Item	Part No.	Name	Qty
A1	WHL1703588	WHEEL,ASSY,FLAT FREE,14" X 3" DRIVE,BLACK RIM/BLACK TIRE,E-1203-043	1
B1	TIR8110024	TIRE,FLAT FREE,BLACK,14" OD,3" W,C-248 POWERTRAX TREAD,(GALLOP: 5508018 YT57)	1
C1	WHL1703586	WHEEL,ASSY,RIM,BLACK,ALUMINUM,8",5 SPOKE,D-1203-071	1
D1	DWR1005B049	NUT, LUG, 5/16-24, ZINC	5

14x3 Pneumatic Drive Wheel, Black Rim/Black Tire, R-TRAK

Please Note:

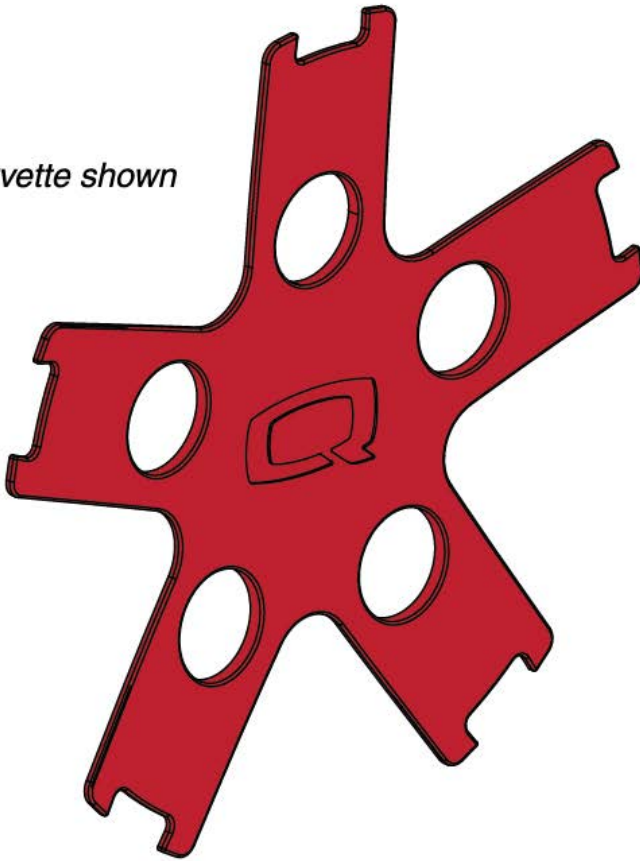
The painted wheel inserts are not shown. See the painted insert page for selection.



14x3 Pneumatic Drive Wheel, Black Rim/Black Tire, R-TRAK

Item	Part No.	Name	Qty
A1	WHL1704507	WHEEL,ASSY,PNEUMATIC,14" X 3" DRIVE,BLACK RIM/BLACK TIRE, E-1203-051	1
B1	TIR8110026	TIRE,PNEUMATIC,BLACK,14" OD,3" W,C-248-5 TREAD	1
C1	TUBSTND1002	TUBE,300-8,ANGLED VALVE W/CAP	1
D1	WHL1703586	WHEEL,ASSY,RIM,BLACK,ALUMINUM,8",5 SPOKE,D-1203-071	1
E1	DWR1005B049	NUT, LUG, 5/16-24, ZINC	5

Red Corvette shown



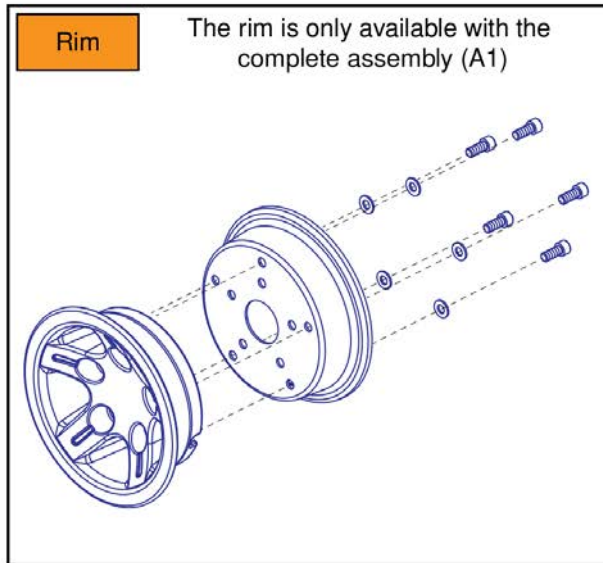
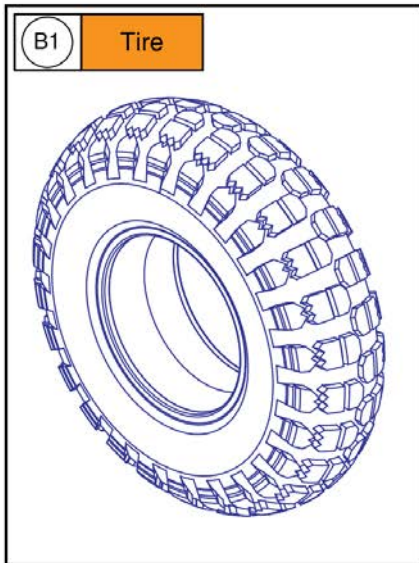
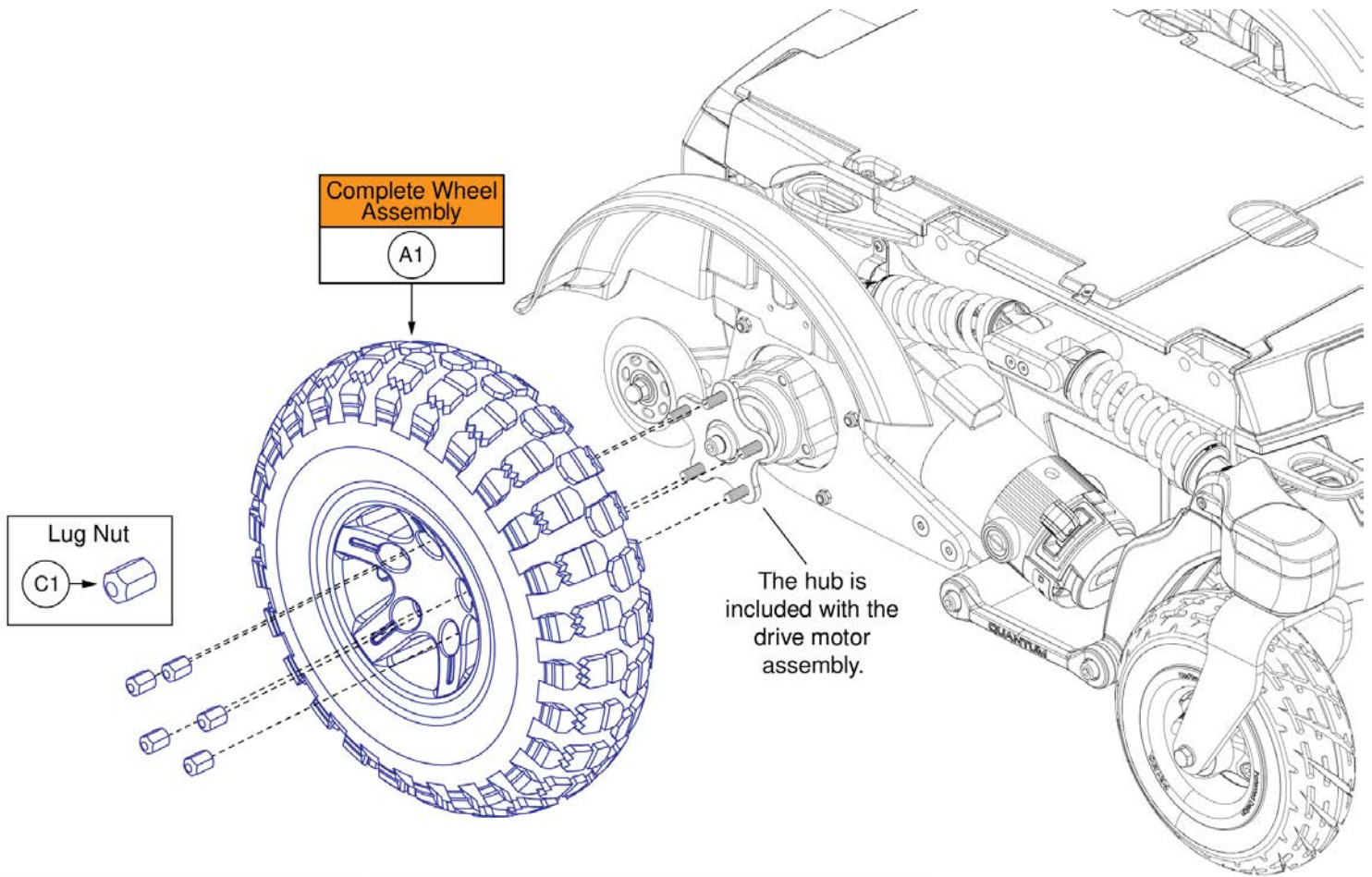
The inserts contain all of the adhesive mounting fasteners.

Painted Wheel Inserts, R-TRAK		
Ref#	Color Name	
A1	Back in Black	
B1	Night Train	
C1	Grey Street	
D1	Red Corvette	
E1	Pretty in Pink	
F1	Raspberry Beret	
G1	Deep Purple	
H1	Midnight Blue	
I1	Electric Blue	
J1	Blue Jean	
K1	Green Machine	
L1	Military Green	
M1	Lemon Crush	
N1	Evolution Orange	
O1	Digital Camo	
P1	Faded Glory	

Painted Wheel Inserts, 14"x3" Drive Wheels, R-TRAK Colors

Item	Part No.	Name	Qty
A1	DGN164245-PBK1	DRIVE WHEEL COLOR INSERT, WITH ADHESIVE TAPE, PPW-BLK-01 (BACK IN BLACK/BLACK)	1
B1	DGN164245-PBK3	DRIVE WHEEL COLOR INSERT, WITH ADHESIVE TAPE, PPW-BLK-03 (NIGHT TRAIN)	1
C1	DGN164245-PSL3	DRIVE WHEEL COLOR INSERT, WITH ADHESIVE TAPE, PPW-SIL-03 (GREY STREET)	1
D1	DGN164245-PRD1	DRIVE WHEEL COLOR INSERT, WITH ADHESIVE TAPE, PPW-RED-01 (RED CORVETTE/CANDY APPLE RED)	1
E1	DGN164245-PPK3	DRIVE WHEEL COLOR INSERT, WITH ADHESIVE TAPE, PPW-PNK-03 (PRETTY IN PINK)	1
F1	DGN164245-PPK4	DRIVE WHEEL COLOR INSERT, WITH ADHESIVE TAPE, PPW-PNK-04(RASPBERRY BERET)	1
G1	DGN164245-PPR5	DRIVE WHEEL COLOR INSERT, WITH ADHESIVE TAPE, PPW-PRP-05 (DEEP PURPLE)	1
H1	DGN164245-PBU10	DRIVE WHEEL COLOR INSERT, WITH ADHESIVE TAPE, PPW-BLU-10 (MIDNIGHT BLUE)	1
I1	DGN164245-PBU9	DRIVE WHEEL COLOR INSERT, WITH ADHESIVE TAPE, PPW-BLU-09 (ELECTRIC BLUE/TRUE BLUE)	1
J1	DGN164245-PBU11	DRIVE WHEEL COLOR INSERT, WITH ADHESIVE TAPE, PPW-BLU-11(BLUE JEAN)	1
K1	DGN164245-PGN11	DRIVE WHEEL COLOR INSERT, WITH ADHESIVE TAPE, PPW-GRN-11(GREEN MACHINE)	1
L1	DGN164245-PGN8	DRIVE WHEEL COLOR INSERT, WITH ADHESIVE TAPE, PPW-GRN-08 (MILITARY GREEN)	1
M1	DGN164245-PYL4	DRIVE WHEEL COLOR INSERT, WITH ADHESIVE TAPE, PPW-YEL-04(LEMON CRUSH)	1
N1	DGN164245-POR7	DRIVE WHEEL COLOR INSERT, WITH ADHESIVE TAPE, PPW-ORN-07(EVOLUTION ORANGE)	1
O1	DGN164245-WCM7	DRIVE WHEEL COLOR INSERT, WITH ADHESIVE TAPE, PWT-CMO-07 (MILITARY DIGITAL CAMO)	1
P1	DGN164245-WFL2	DRIVE WHEEL COLOR INSERT, WITH ADHESIVE TAPE, PWT-FLG-02 (FADED GLORY)	1

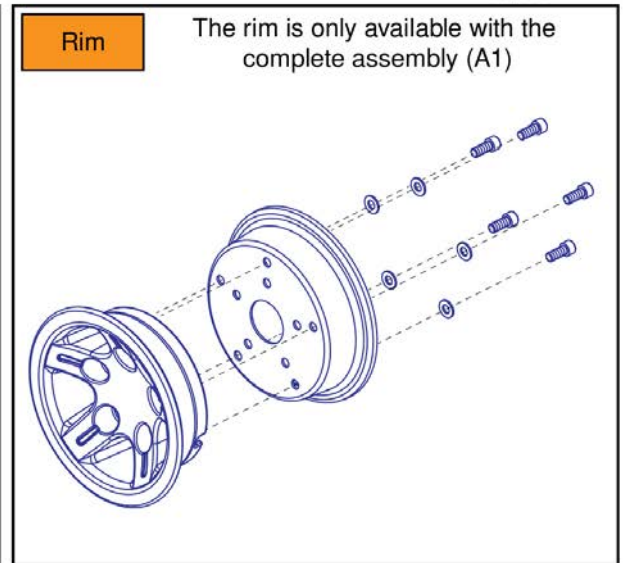
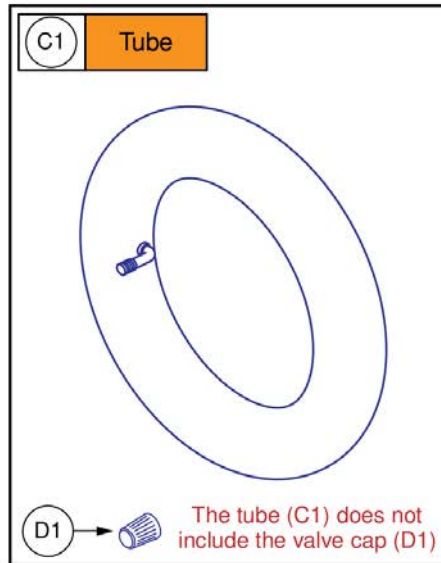
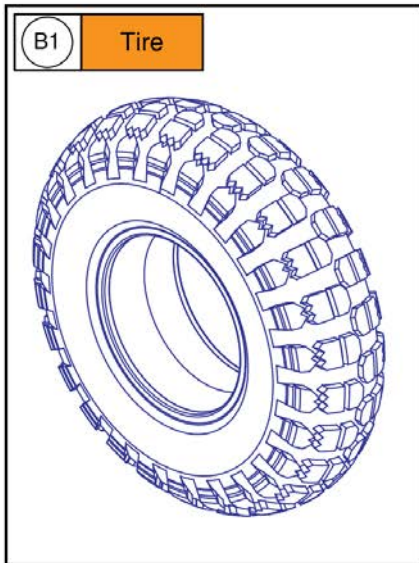
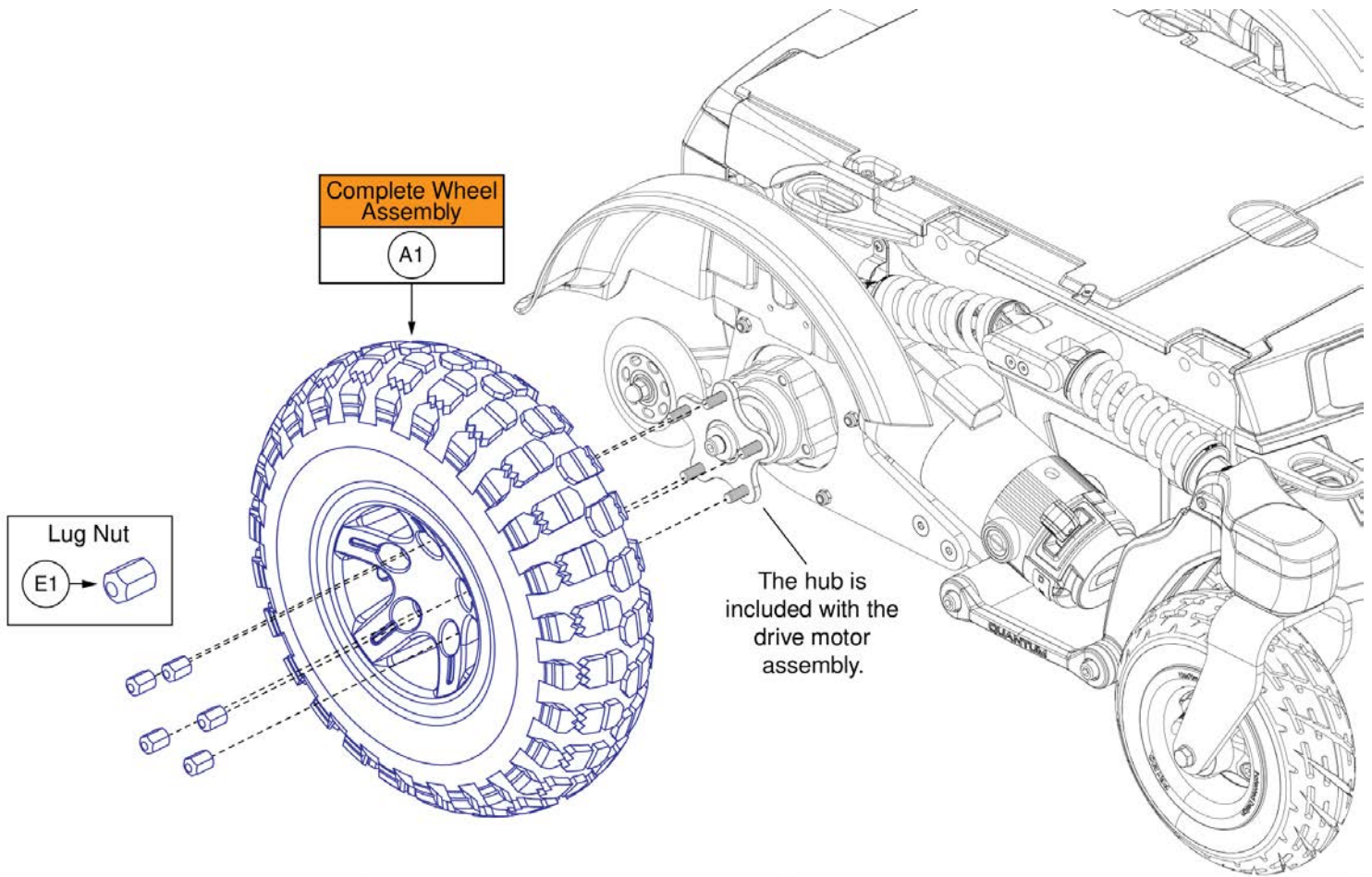
14x4 Flat-free Drive Wheel, Black Rim/Black Tire, R-TRAK



14x4 Flat-free Drive Wheel, Black Rim/Black Tire, R-TRAK

Item	Part No.	Name	Qty
A1	WHL1903913	WHEEL ASSY, FLAT FREE BLACK 14 X 4 DRIVE BLACK RIM/BLACK TIRE, COMMUNITY USE	1
B1	TIR8110019	TIRE,FLAT FREE,BLACK,14" OD,4" W,C166 KNOBBY TREAD,(GALLOP: 114292)	1
C1	DWR1005B049	NUT, LUG, 5/16-24, ZINC	5

14x4 Pneumatic Drive Wheel, Black Rim/Black Tire, R-TRAK



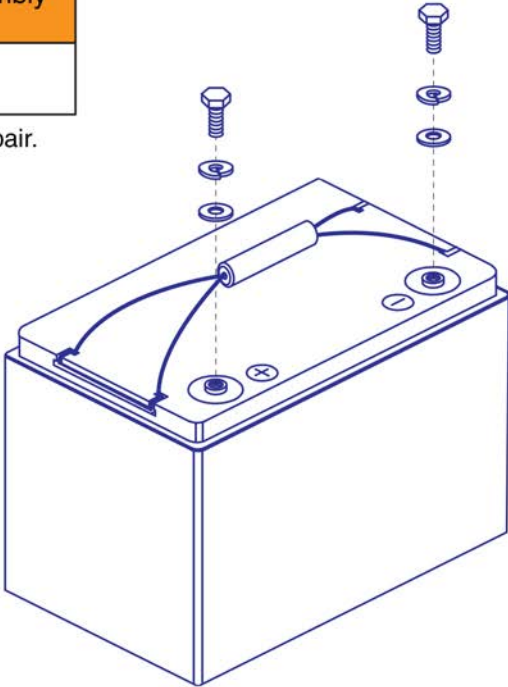
14x4 Pneumatic Drive Wheel, Black Rim/Black Tire, R-TRAK

Item	Part No.	Name	Qty
A1	WHL1903914	WHEEL ASSY, PNEUMATIC BLACK 14 X 4 DRIVE BLACK RIM/BLACK TIRE, COMMUNITY USE	1
B1	TIR8110017	TIRE,PNEUMATIC,BLACK,14" OD, 4" W,C166 KNOBBY TREAD,(GALLOP: RP265087)	1
C1	TUBSTND1043	TIRE,TUBE,4.00-6,90 DEGREE VALVE STEM,(TAG: 163265)	1
D1	PLSINDV1003	CAP,BLACK,VALVE	1
E1	DWR1005B049	NUT, LUG, 5/16-24, ZINC	5

Complete Interceptor 2 Battery Assembly
Group 24

A1

A quantity of 2 must be selected for the pair.

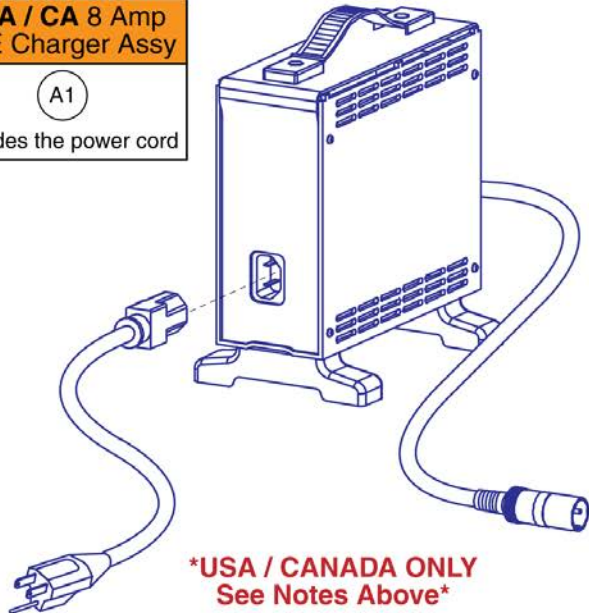
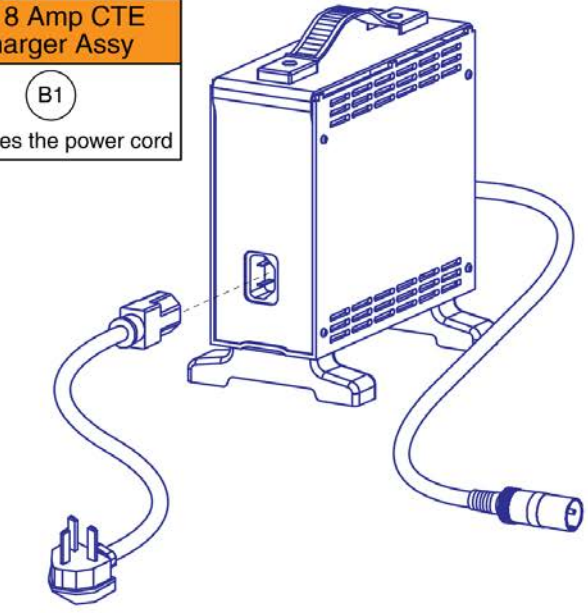
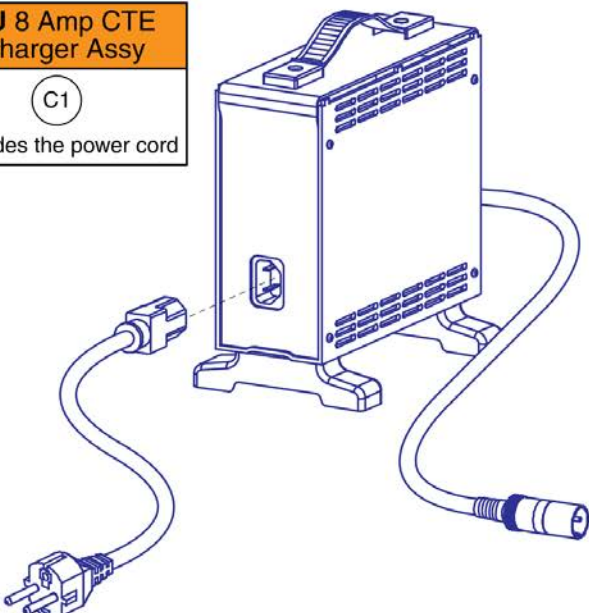
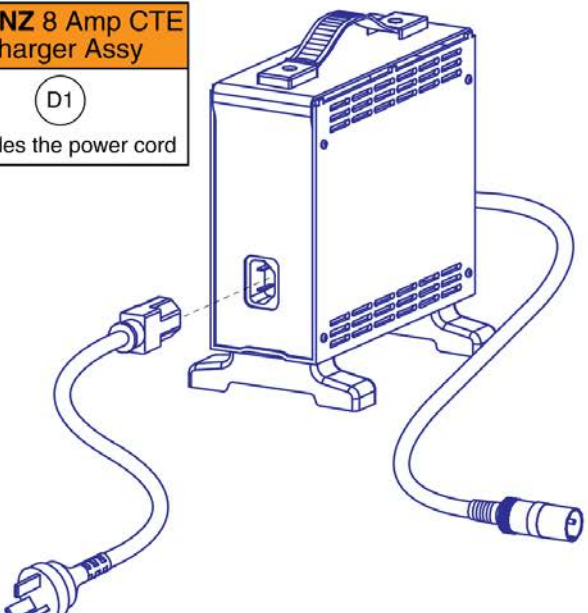








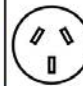

Group 24 Battery Assembly, Interceptor 2

Item	Part No.	Name	Qty
A1	BAT2100315-P	BATTERY SERVICE ASSEMBLY, NANO-SILICA, 12V, 75 AH (C/20), 62 AH (C/5), GROUP 24	2

8 Amp CTE Charger

IMPORTANT: The USA / CA charger (A1) **CANNOT** be used internationally and the power cord **CANNOT** be swapped out for an international power cord. If an international charger is needed then the complete international charger assembly must be selected. Contact Technical Service for more information.

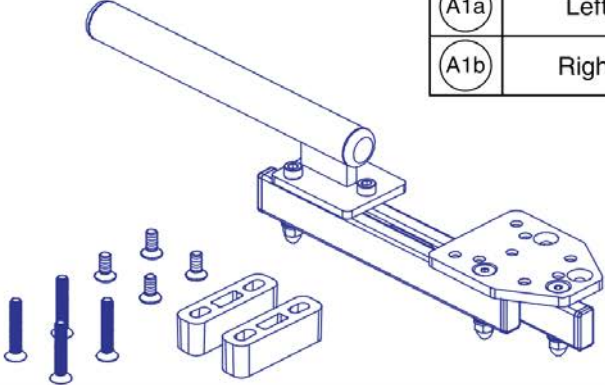
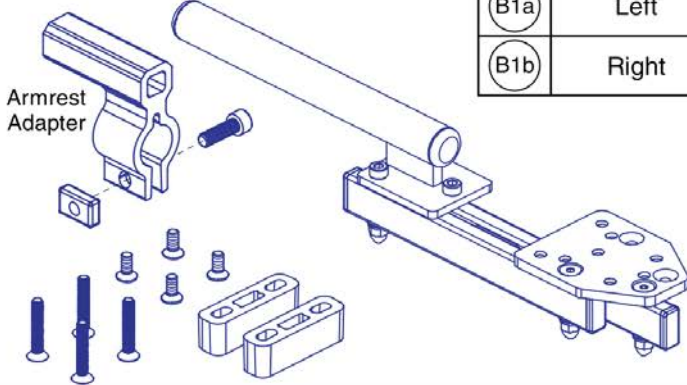
<p>USA / CA 8 Amp CTE Charger Assy</p> <p>(A1)</p> <p>Includes the power cord</p>  <p>*USA / CANADA ONLY See Notes Above*</p>	<p>UK 8 Amp CTE Charger Assy</p> <p>(B1)</p> <p>Includes the power cord</p> 
<p>EU 8 Amp CTE Charger Assy</p> <p>(C1)</p> <p>Includes the power cord</p> 	<p>AU / NZ 8 Amp CTE Charger Assy</p> <p>(D1)</p> <p>Includes the power cord</p> 

Replacement Power Cords							
(E1)	United States / CA	(F1)	United Kingdom	(G1)	European	(H1)	Australian / NZ
							
Type B		Type G	*Cannot be used with the USA / CA charger A1	Type F	*Cannot be used with the USA / CA charger A1	Type I	*Cannot be used with the USA / CA charger A1

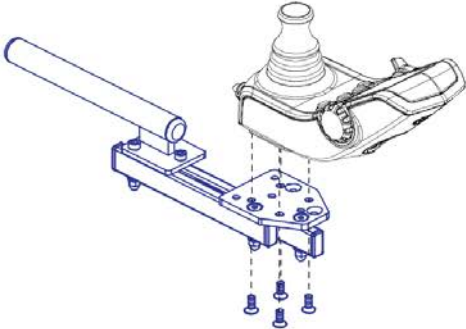
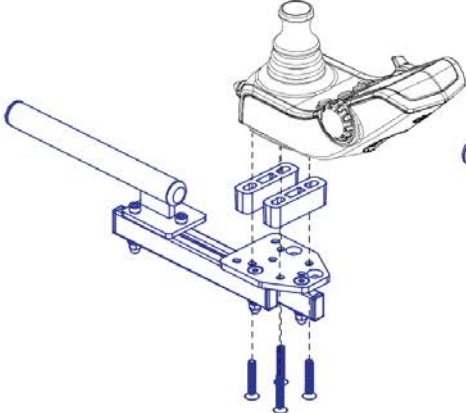
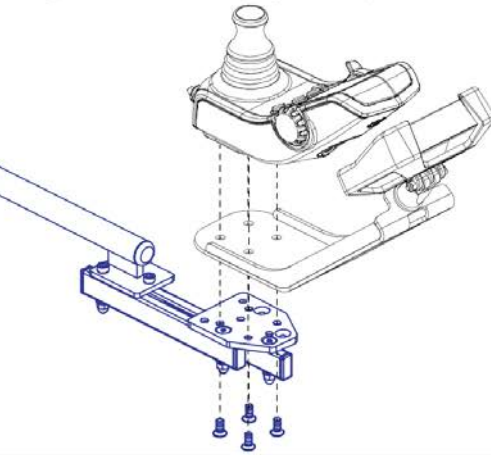
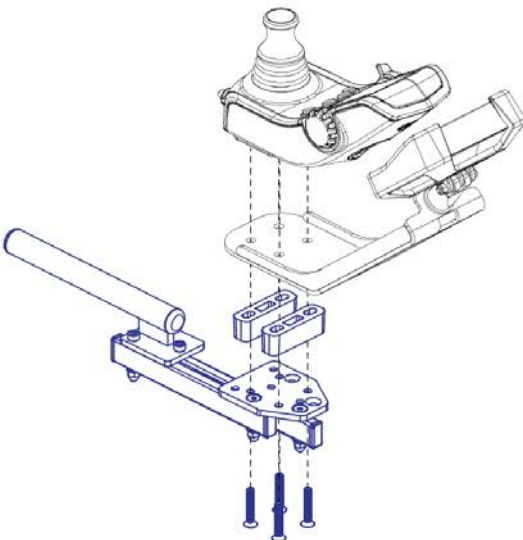
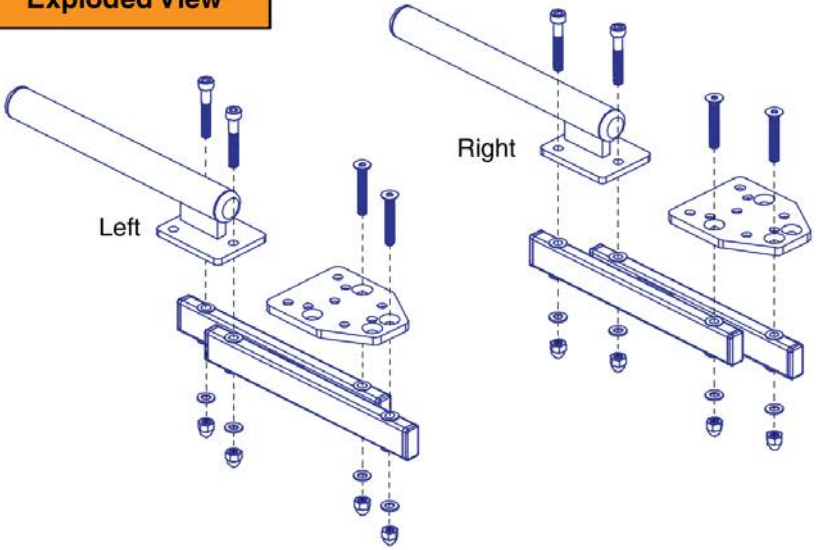
8 Amp CTE Charger

Item	Part No.	Name	Qty
A1	ELE2000091	CHARGER, OFFBOARD, LOW INHIBIT, 8A W/ USA POWERCORD	1
B1	ELEASMB5670	CHARGER, OFFBOARD, LOW INHIBIT, 8A W/ UK POWERCORD	1
C1	ELEASMB5671	CHARGER, OFFBOARD, LOW INHIBIT, AC 100V-240V@3.8A, DC 24V@8A, WITH EU POWERCORD	1
D1	ELEASMB5672	CHARGER, OFFBOARD, LOW INHIBIT, 8A W/ AU POWERCORD	1
E1	HARUSHD1065	ELECTRONIC,HARNESS,POWER CORD,IEC - USA	1
F1	HARUSHD2041	ELECTRONIC,HARNESS, POWER CORD,AC W/UK PLUG,H-1020-049	1
G1	HARUSHD2160	ELECTRONIC,HARNESS,POWER CORD,IEC - EUROPE PLUG	1
H1	DWR1000H174	ELECTRONIC,HARNESS,AC POWER CORD,INSULATED BLADES,AUSTRALIA	1

Basic Swing-away Joystick Mount, Q-Logic

Q-Logic, Rehab Seating		Ref	Left / Right	Q-Logic, Contoured Seating		Ref	Left / Right
		A1a	Left			B1a	Left
		A1b	Right			B1b	Right

Joystick Mounting

Joystick Only - No Spacers	Joystick Only - With Spacers	Joystick & QBC Display - No Spacers
		
	<div style="background-color: #f4a460; padding: 5px; display: inline-block; margin-bottom: 10px;">Exploded View</div> 	

Basic Swing-away Joystick Mount, Q-Logic

Item	Part No.	Name	Qty
A1a	ACC2201041	JOYSTICK MOUNTING BRACKET,ASSY,BASIC SWING AWAY,LEFT,Q-LOGIC	1
A1b	ACC2201042	JOYSTICK MOUNTING BRACKET,ASSY,BASIC SWING AWAY,RIGHT,Q-LOGIC	1
B1a	ACC2201043	JOYSTICK MOUNTING BRACKET,ASSY,BASIC SWING AWAY,LEFT,Q-LOGIC,CONTOURED SEAT	1
B1b	ACC2201044	JOYSTICK MOUNTING BRACKET,ASSY,BASIC SWING AWAY,RIGHT,Q-LOGIC,CONTOURED SEAT	1

Basic Swing-away Joystick Mount - NE & NE+

NE / NE+, Rehab Seating

Ref	Left / Right
A1a	Left
A1b	Right

NE / NE+, Contoured Seating

Ref	Left / Right
B1a	Left
B1b	Right

Armrest Adapter

Joystick Mounting

Joystick Only - No Spacers

Joystick Only - With Spacers

Joystick & QBC Display - No Spacers

Included w/ QBC Display

Exploded View

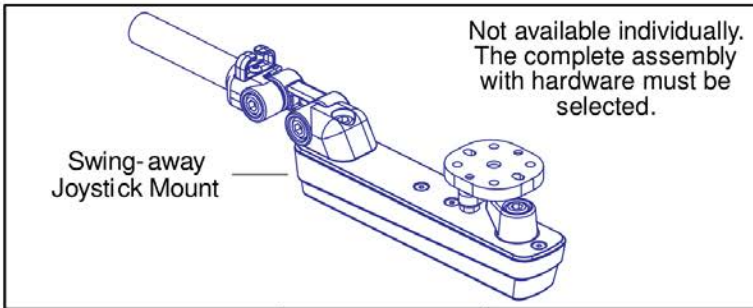
Left

Right

Basic Swing-away Joystick Mount - NE & NE+

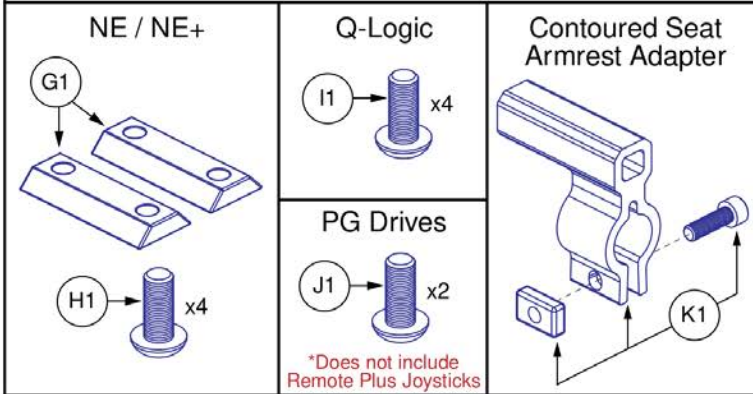
Item	Part No.	Name	Qty
A1a	ACC2201047	JOYSTICK MOUNTING BRACKET,ASSY,BASIC SWING AWAY,LEFT,NE / NE PLUS	1
A1b	ACC2201048	JOYSTICK MOUNTING BRACKET,ASSY,BASIC SWING AWAY,RIGHT,NE / NE PLUS	1
B1a	ACC2201049	JOYSTICK MOUNTING BRACKET,ASSY,BASIC SWING AWAY,LEFT,NE / NE PLUS,CONTOURED SEAT	1
B1b	ACC2201050	JOYSTICK MOUNTING BRACKET,ASSY,BASIC SWING AWAY,RIGHT,NE / NE PLUS,CONTOURED SEAT	1

Chain Driven Swing-away Joystick Mount (Version 3 Swing-away Mount)



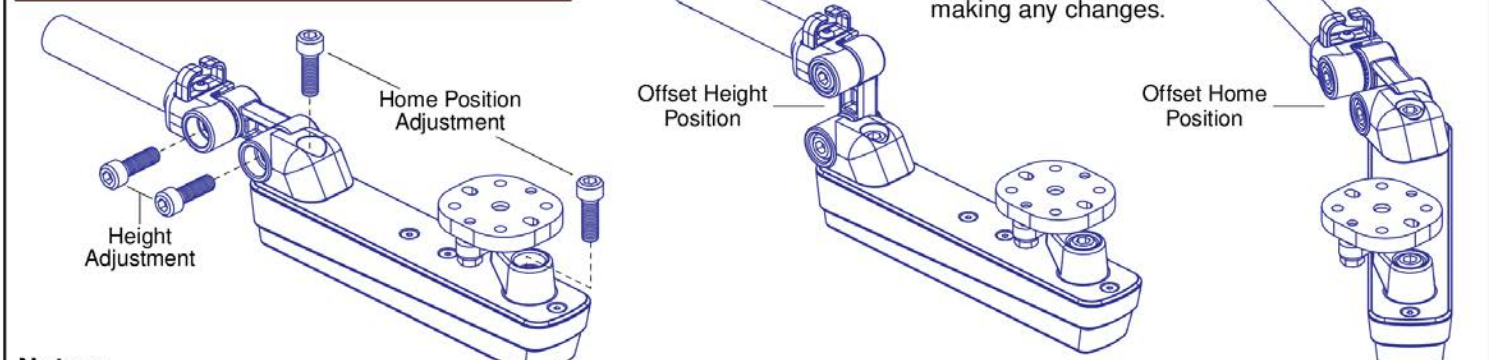
Complete Swing-away Joystick Mount w/ Hardware

Ref	Part Number	Mounting Hardware	Seating Type
A1	ACC1908434	Q-Logic (I1)	Rehab
B1	ACC1908435	Q-Logic (I1)	Contoured (K1)
C1	ACC1908437	NE/NE+ (G1,H1)	Rehab
D1	ACC1908438	NE/NE+ (G1,H1)	Contoured (K1)
E1	ACC1908439	PG Drives (J1)*	Rehab
F1	ACC1908440	PG Drives (J1)*	Contoured (K1)



- The complete assemblies A1 thru F1 include the swing-away joystick mount and the applicable joystick mounting hardware.
- The contoured seat assemblies also include the armrest adapter K1.
- PG Drives does **NOT** include Remote Plus.

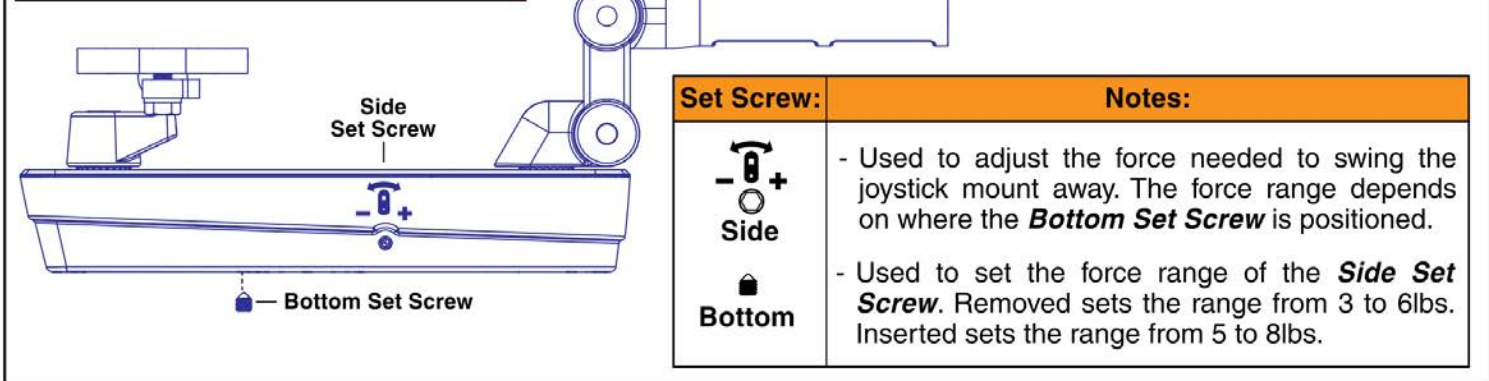
Height and Home Position Adjustments



Notes:

- Loosen the appropriate screws to adjust the height or home position of the swing-away joystick mount.
- Each pivot can be adjusted independently in 15 Degree increments to allow for a wide range of positions and angles.
- The "Home" position refers to the orientation the joystick & mount rest while the chair is in use and the mount is not performing the swing-away action.

Swing-away Force Adjustments



Chain Driven Swing-away Joystick Mount (Version 3 Swing-away Mount)

Item	Part No.	Name	Qty
A1	ACC1908434	JOYSTICK MOUNTING BRACKET,ASSY,SWING AWAY,Q-LOGIC	1
B1	ACC1908435	JOYSTICK MOUNTING BRACKET,ASSY,SWING AWAY,Q-LOGIC CONTOURED SEAT	1
C1	ACC1908437	JOYSTICK MOUNTING BRACKET,ASSY,SWING AWAY,NE / NE PLUS	1
D1	ACC1908438	JOYSTICK MOUNTING BRACKET,ASSY,SWING AWAY,NE / NE PLUS CONTOURED SEAT	1
E1	ACC1908439	JOYSTICK MOUNTING BRACKET,ASSY,SWING AWAY,VSI / VR2 / GC3 / R-NET	1
F1	ACC1908440	JOYSTICK MOUNTING BRACKET,ASSY,SWING AWAY,VSI / VR2 / GC3 / R-NET CONTOURED SEAT	1
G1	DWR1111C002	SPACER,CURTIS NE/NE PLUS MOUNT BRACKET,C-1111-002	2
H1	SCRPPH1384	SCREW, PAN HEAD, TYPE H, M5X0.8 X 20, ISO 7045, CL 4.8, BZ	4
I1	SCRPPH1279	SCREW, PAN HEAD, TYPE H, M5X0.8 X 16, ISO 7045, CL 4.8, BZ	4
J1	SCRPPH1384	SCREW, PAN HEAD, TYPE H, M5X0.8 X 20, ISO 7045, CL 4.8, BZ	2
K1	MEC146133	ARMREST ADAPTER ASSEMBLY	1

Belt Driven Swing-away Joystick Mount (Version 3 Swing-away Mount)

Please Note:

- Due to a product enhancement, as of S/N JC709023177020 the belt driven swing-away joystick mount is no longer available and has been replaced with the chain driven swing-away joystick mount.
- The replacement belt with installation instructions and joystick mounting hardware are still available if needed.
- Contact Quantum Technical Service for more information.

<h3>Replacement Belt</h3> <p>Includes installation instructions</p>	<h3>Joystick Mounting Hardware</h3> <table border="1"> <tr> <td data-bbox="824 329 1161 682"> <h4>NE / NE+</h4> </td> <td data-bbox="1161 329 1492 682"> <h4>Contoured Seat Armrest Adapter</h4> </td> </tr> <tr> <td data-bbox="824 682 1161 856"> <h4>Q-Logic</h4> </td> <td data-bbox="1161 682 1492 856"> <h4>PG Drives</h4> <p><small>Does not include Remote Plus Joysticks</small></p> </td> </tr> </table>	<h4>NE / NE+</h4>	<h4>Contoured Seat Armrest Adapter</h4>	<h4>Q-Logic</h4>	<h4>PG Drives</h4> <p><small>Does not include Remote Plus Joysticks</small></p>
<h4>NE / NE+</h4>	<h4>Contoured Seat Armrest Adapter</h4>				
<h4>Q-Logic</h4>	<h4>PG Drives</h4> <p><small>Does not include Remote Plus Joysticks</small></p>				

Height and Home Position Adjustments

Reference Only. See the included instructions before making any changes.

- Each pivot can be adjusted independently in 15 Degree increments to allow for a wide range of positions and angles.
- Two examples are shown. One for a possible home position and one for a possible height position.
- The "Home" position refers to the orientation the joystick & mount rest while the chair is in use and the mount is not performing the swing-away action.

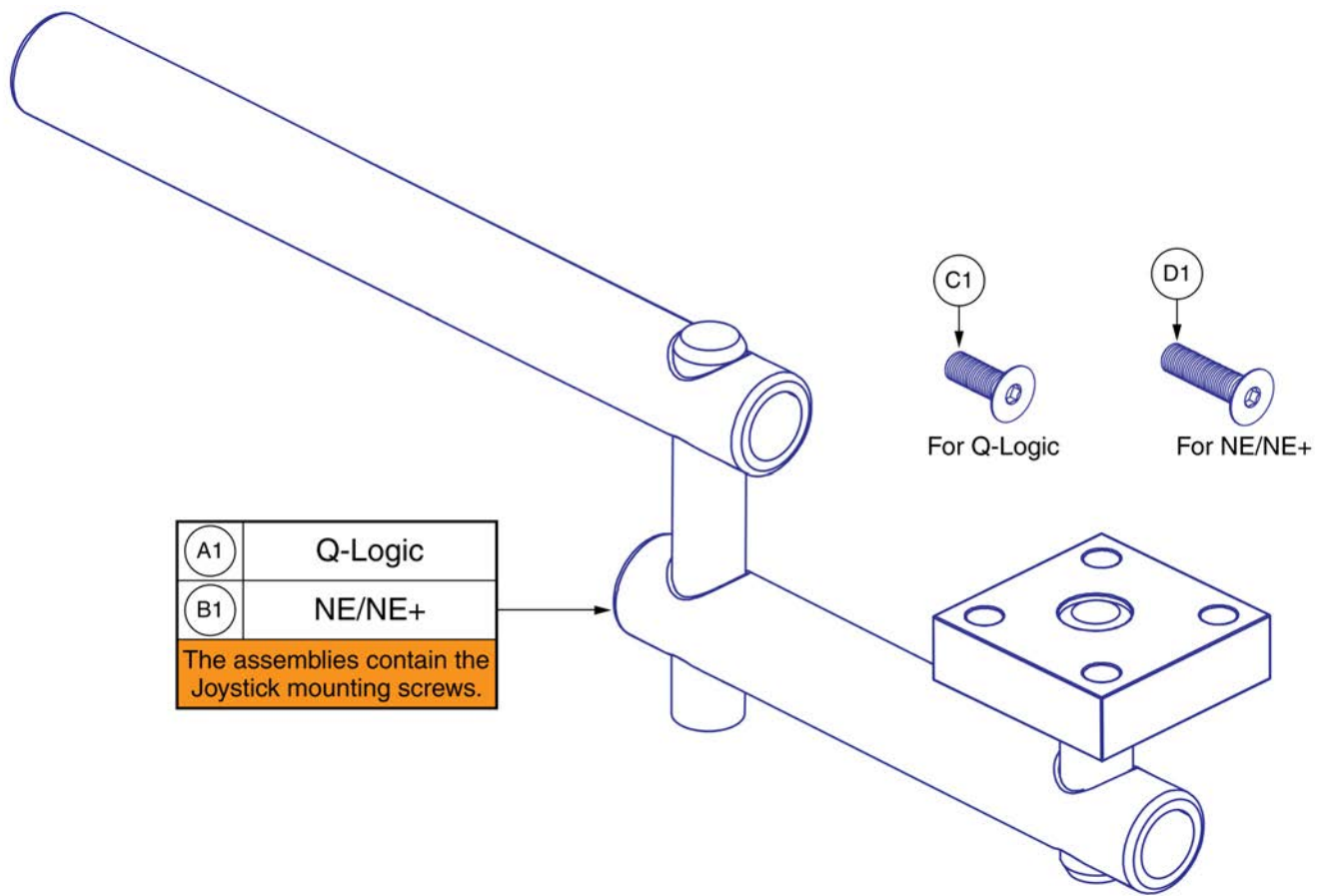
Swing-away Force Adjustment and Belt Tightening

Three set screws allow for adjustments to be made to the swing-away force and belt tension of the joystick mount. See notes on right for further details.

Set Screw	Notes
 Controller	- Adjusts the force needed to swing the joystick mount away. Force range depends on where the Bottom Set Screw is positioned.
 Bottom	- Sets the force range of the Controller Set Screw. Removed sets the range from 3 to 6lbs. Inserted sets the range from 5 to 8lbs.
 Belt	- Adjusts the internal belt tension. Turn inward 1/4 turn if the controller does not maintain the set orientation when swinging away or if the controller spins. - Note: This ONLY needs to be adjusted if the belt is loose and should be performed rarely.

Belt Driven Swing-away Joystick Mount (Version 3 Swing-away Mount)

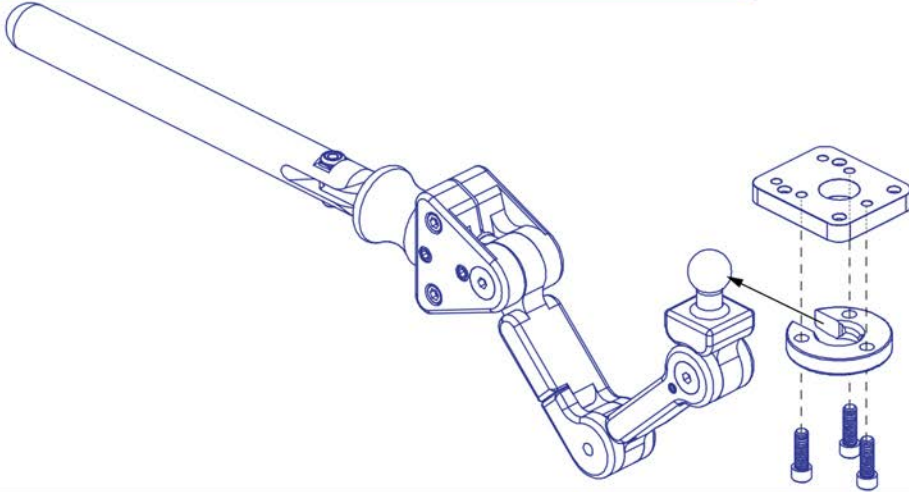
Item	Part No.	Name	Qty
A1	KIT2103246	TIMING BELT SERVICE ASSEMBLY, SWING AWAY JOYSTICK MOUNT	1
B1	DWR1111C002	SPACER,CURTIS NE/NE PLUS MOUNT BRACKET,C-1111-002	2
C1	SCRPPH1384	SCREW, PAN HEAD, TYPE H, M5X0.8 X 20, ISO 7045, CL 4.8, BZ	4
D1	SCRPPH1279	SCREW, PAN HEAD, TYPE H, M5X0.8 X 16, ISO 7045, CL 4.8, BZ	4
E1	MEC146133	ARMREST ADAPTER ASSEMBLY	1
F1	SCRPPH1384	SCREW, PAN HEAD, TYPE H, M5X0.8 X 20, ISO 7045, CL 4.8, BZ	2



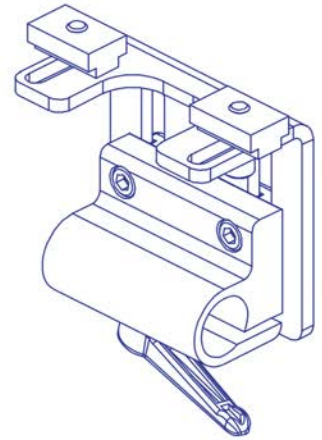
Retract 4 Swing-away Joystick Bracket for Curtis Joysticks

Item	Part No.	Name	Qty
A1	MEC138860	SWING AWAY JOYSTICK MOUNT,ASSY,RETRACT 4,Q-LOGIC	1
B1	MEC138876	SWING AWAY JOYSTICK MOUNT,ASSY,RETRACT 4,NE/NE PLUS	1
C1	SCRSFH1005	SCREW, FLAT HEAD, M5X0.8 X 14, ISO 10642, CL 10.9, BZ	4
D1	SCRSHFH1053	SCREW, FLAT HEAD, M5X0.8 X 20, ISO 10642, CL 10.9, BZ	4

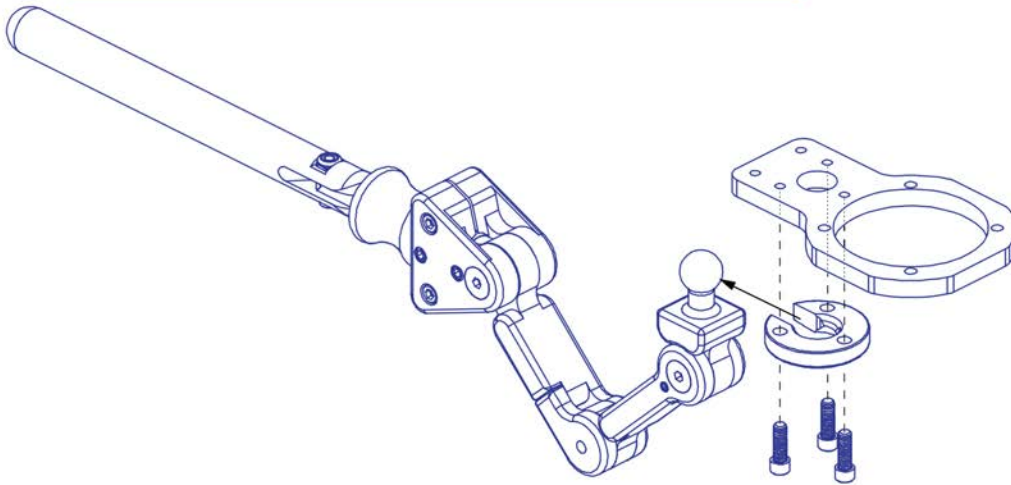
A1 Stealth Swing-away/Flip-down Joystick Bracket, NE/NE+/Q-Logic



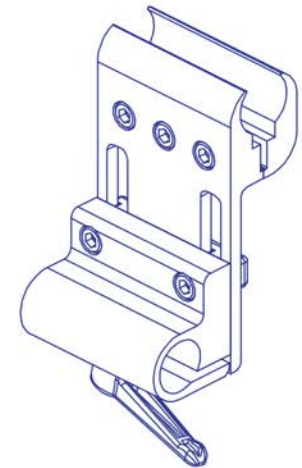
C1 Stealth Height Adjustable Joystick Mounting Bracket, Track Mount



B1 Stealth Swing-away/Flip-down Joystick Bracket, Stand-alone



D1 Stealth Height Adjustable Joystick Mounting Bracket, Clamp Mount

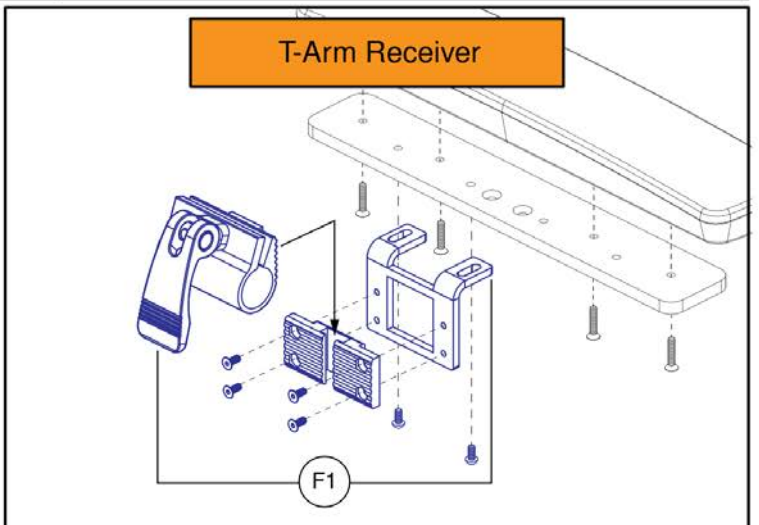
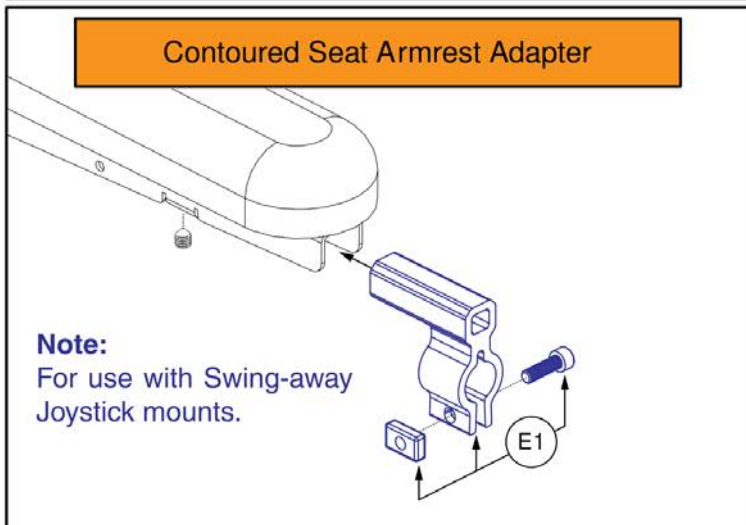
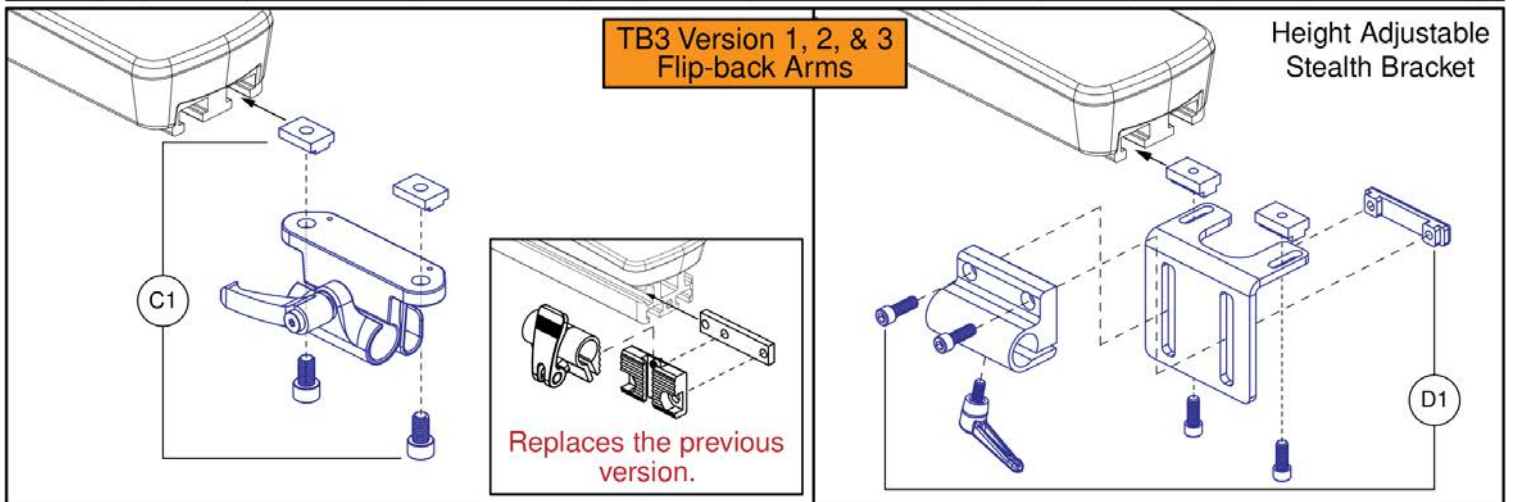
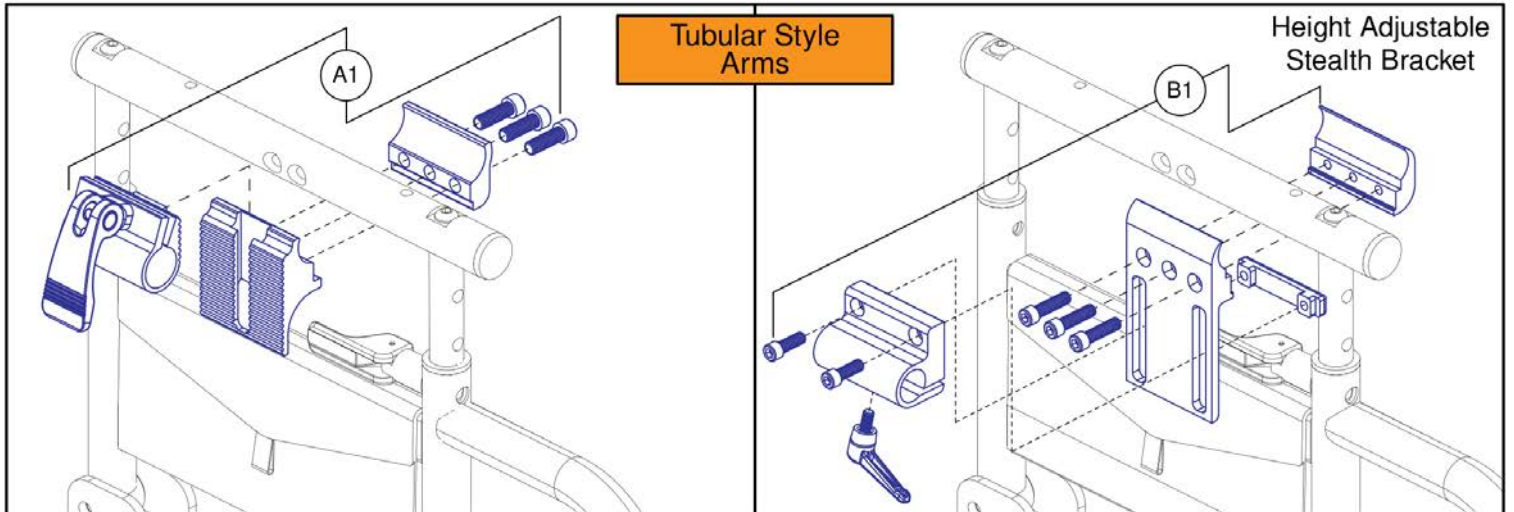


Stealth Swing-away / Flip Down Joystick Brackets & Mounts

Item	Part No.	Name	Qty
A1	ST-TWBM480QL-Q	JOYSTICK MOUNTING BRACKET,ASSY,SWING AWAY/FLIP DOWN,NE/NE PLUS/Q-LOGIC,W/MOUNTING HARDWARE	1
B1	ST-TWBM480CJ-Q	JOYSTICK MOUNTING BRACKET,ASSY,SWING AWAY/FLIP DOWN,STANDALONE,W/MOUNTING HARDWARE	1
C1	ST-ARM250T-Q	JOYSTICK MOUNT,ASSY,HEIGHT ADJUSTABLE,W/TRACK HARDWARE	1
D1	ST-ARM250C-Q	JOYSTICK MOUNT,ASSY,HEIGHT ADJUSTABLE,W/CLAMP HARDWARE	1

Please note

- Joystick receiver selection varies by armrest type.
- The replacement parts shown may not be applicable to all power bases / seating systems.
- Contact Technical Service for more information.



Joystick Receiver Mounts, Quantum

Item	Part No.	Name	Qty
A1	FRMASMB16062	JOYSTICK RECEIVER MOUNT,ASSY,UNIVERSAL,ADJUSTABLE BLOCK,D-1000-313	1
B1	ST-ARM250C-Q	JOYSTICK MOUNT,ASSY,HEIGHT ADJUSTABLE,W/CLAMP HARDWARE	1
C1	MEC1809294	JOYSTICK RECEIVER MOUNT,ASSY,W/MOUNTING HARDWARE,ADJUSTABLE HANDLE	1
D1	ST-ARM250T-Q	JOYSTICK MOUNT,ASSY,HEIGHT ADJUSTABLE,W/TRACK HARDWARE	1
E1	MEC146133	ARMREST ADAPTER ASSEMBLY	1
F1	ACC1800991	JOYSTICK RECEIVER MOUNT,ASSY,TBFLEX	1



Owner's Package

Owner's Package, Australia, R-TRAK

Item	Part No.	Name	Qty
N/A	INFMANU5075	MANUAL,CONSUMER SAFETY GUIDE,QUANTUM	1
N/A	INFMANU5323	MANUAL,OWNER'S,R-MAX	1
N/A	INFINFB4461	MANUAL,PRODUCT SPECIFICATION SHEET,R-TREK,EURO ENGLISH	1
N/A	INFINFB3072	MANUAL,PRODUCT INSERT SHEET,POWER CHAIR WARRANTY,AUSTRALIA	1
N/A	PLSTIE1004	TIEDOWN STRAP, 200 LG, PLASTIC, BLACK, SPEC NO. 2106329-2-50-175-V2	6



Decal Package

Decal Package, Australia, R-TRAK

Item	Part No.	Name	Qty
N/A	DWR1234L957	DECAL,WARNING,DEFLATE TIRE COMPLETELY,L-1234-957	1
N/A	DWR1235L516	DECAL,WARNING,DEFLATE TIRE COMPLETELY,FRENCH,L-1235-516	1
N/A	DWR1235L638	DECAL,ICON,JAZZY FREEWHEEL,UP-DRIVE/DOWN-NEUTRAL,L-1235-638	1
N/A	LAB2201320	DECAL,AESTHETIC,R-TRAK	1
N/A	DWR1235L520	DECAL,CAUTION,EXTENSION CORD/GROUNDING PRONG,L-1235-520	1
N/A	DWR1234L135	DECAL,ICON,DO NOT ADJUST ANTI-TIP,0.75" DIAMETER,L-1234-135	1
N/A	LAB148325	DECAL,READ OWNERS MANUAL, 19.1 DIAMETER	1
N/A	LAB2005393	DECAL,4FRONT REAR CASTER NUT WARNING LABEL	1
N/A	LAB2101449	DECAL,ISO SYMBOL,BATTERY ISOLATION/DISCONNECT	1
N/A	DWR1235L521	DECAL,WARNING,CONTROLLER CORD PLACEMENT,L-1235-521	1
N/A		DECAL,THERMAL TRANSFER POLYESTER,1" X 3",3M 7871	1
N/A	DWR1235L551	DECAL,ISO,"AGM/GEL CELL/DOT CERTIFIED",L-1235-551	1
N/A	DWR1235L225	DECAL,LIMITED STABILITY,LITESTREAMXF,L-1235-225	1

Appendix A:Pages Index	
14x3 Flat-free Drive Wheel, Black Rim/Black Tire, R-TRAK	115
14x3 Pneumatic Drive Wheel, Black Rim/Black Tire, R-TRAK	117
14x4 Flat-free Drive Wheel, Black Rim/Black Tire, R-TRAK	121
14x4 Pneumatic Drive Wheel, Black Rim/Black Tire, R-TRAK	123
8 Amp CTE Charger	127
Aftermarket Joystick Knobs - Curtis and P&G	25
Anti-Tip Wheels and Hardware, R-TRAK	3
Basic Swing-away Joystick Mount - NE & NE+	131
Basic Swing-away Joystick Mount, Q-Logic	129
Belt Driven Swing-away Joystick Mount (Version 3 Swing-away Mount)	135
Caster Arm Shroud Assemblies, R-TRAK	63
Caster Arm, Fork, and Wheel, Flat-free, R-TRAK	7
Chain Driven Swing-away Joystick Mount (Version 3 Swing-away Mount)	133
Circuit Breaker and Power Harnesses, R-TRAK	27
Complete Shroud Assembly, R-TRAK	49
Decal Package, Australia, R-TRAK	145
Drive Motor and Mount Assemblies, QL3/NE+ Electronics, R-TRAK	9
Egg Switch / Buddy Button Mounting Brackets	71, 79, 91, 101
Front Shroud Complete, R-TRAK	53
Front Shroud Components, R-TRAK	55
Group 24 Battery Assembly, Interceptor 2	125
Joystick Receiver Mounts, Quantum	81, 93, 103, 141
Lighted Fenders & Caster Caps, R-TRAK	69
NE+ 6-Key Joystick Assembly	21
NE+ 8-Key Joystick Assembly (Lights)	23
NE+ AM1 for REAC Lift, Base Mounted, R-TRAK	47
NE+ Base Electronics, Light Fenders / PTO QBC, 6.25 mph, R-TRAK	41
NE+ Base Electronics, Manual Recline, 6.25 mph, R-TRAK	43
NE+ Base Electronics, Std. Fenders / No PTO QBC, 6.25 mph, R-TRAK	39
NE+ Base Electronics, Tilt thru Toggle, 6.25 mph, R-TRAK	45
Owner's Package, Australia, R-TRAK	143
PTO Backup Camera, NE+, R-TRAK	73
PTO Backup Camera, QL3, R-TRAK	95
Painted Wheel Inserts, 14"x3" Drive Wheels, R-TRAK Colors	119
Partial Base Kit Assembly, R-TRAK	1
Q-Logic 3 EX Joystick Assemblies	11
Q-Logic 3 Joystick Shrouds, R-TRAK Colors	19
Q-Logic 3 SD Cards, R-TRAK	17, 37
Q-Logic 3 Stand Alone Joystick Assy	15
Q-Logic 3e Joystick Assy's - R-TRAK	13
QL3 AM3 for REAC Lift, Base Mounted, R-TRAK	35
QL3 Base Electronics, Light Fenders / PTO QBC, R-TRAK	31
QL3 Base Electronics, Manual Recline, R-TRAK	33
QL3 Base Electronics, Std. Fenders / No PTO QBC, R-TRAK	29
Quantum Backup Camera Display Mounts	77, 89, 99
Quantum Backup Camera Kits	83
Quantum Backup Camera Module, Harnesses, and Mounts	85
Quantum Backup Camera, Standard Mount, and Headrest Mount	75, 87, 97
Rear Door Shroud, R-TRAK	59
Retract 4 Swing-away Joystick Bracket for Curtis Joysticks	137
Side Frame Shrouds, R-TRAK	65
Standard Fenders & Caster Caps, R-TRAK	67
Stealth Swing-away / Flip Down Joystick Brackets & Mounts	139
Suspension Assembly, R-TRAK	5
TB Flex Static Seat Interface, R-TRAK	111
TB Flex w/ Power Tilt Seat Interface & Actuator, R-TRAK	113
TB3 REAC Seat Interface, R-TRAK	109
TB3 Static Seat Interface, R-TRAK	105
TB3.5 Tilt Seat Interface, R-TRAK	107
Top Shroud, R-TRAK	51

Appendix B:Parts Index

ACC1800991	82, 94, 104, 142	DGN124336-WCM7	20
ACC1908434	134	DGN124336-WFL2	20
ACC1908435	134	DGN154742	12, 14, 16
ACC1908437	134	DGN164245-PBK1	120
ACC1908438	134	DGN164245-PBK3	120
ACC1908439	134	DGN164245-PBU10	120
ACC1908440	134	DGN164245-PBU11	120
ACC2201041	130	DGN164245-PBU9	120
ACC2201042	130	DGN164245-PGN11	120
ACC2201043	130	DGN164245-PGN8	120
ACC2201044	130	DGN164245-POR7	120
ACC2201047	132	DGN164245-PPK3	120
ACC2201048	132	DGN164245-PPK4	120
ACC2201049	132	DGN164245-PPR5	120
ACC2201050	132	DGN164245-PRD1	120
ACC2202018	74, 96	DGN164245-PSL3	120
ACCASMB1856	26	DGN164245-PYL4	120
ACCASMB1857	26	DGN164245-WCM7	120
ACCASMB1858	26	DGN164245-WFL2	120
ACCASMB1859	26	DGN1901203	30, 32, 42, 74, 96
ACCASMB1860	26	DGN1906450-PBK1	64
ACCASMB1861	26	DGN1906450-PBK3	64
ACCASMB1862	26	DGN1906450-PBU10	64
BAT2100315-P	126	DGN1906450-PBU11	64
BRK8110003	106, 110	DGN1906450-PBU9	64
CTL143976	12	DGN1906450-PGN11	64
CTL143977	12	DGN1906450-PGN8	64
CTL143978	30, 32, 34	DGN1906450-POR7	64
CTL143980	16	DGN1906450-PPK3	64
CTL2005926	36	DGN1906450-PPK4	64
CTL2206785	40, 42, 44, 46	DGN1906450-PPR5	64
CTL2206786	40, 42, 44	DGN1906450-PRD1	64
CTLDC1560	22	DGN1906450-PSL3	64
CTLDC1561	24	DGN1906450-PSL4	64
DECINDV1314	146	DGN1906450-PYL4	64
DGN124307	12, 20	DGN1906450-WCM7	64
DGN124308	22, 24	DGN1906450-WFL2	64
DGN124309	12	DGN1906451	70
DGN124336-PBK1	20	DGN1908232-PBK1	56
DGN124336-PBU10	20	DGN1908232-PBK3	56
DGN124336-PBU11	20	DGN1908232-PBU10	56
DGN124336-PBU9	20	DGN1908232-PBU11	56
DGN124336-PGN11	20	DGN1908232-PBU9	56
DGN124336-PGN8	20	DGN1908232-PGN11	56
DGN124336-POR7	20	DGN1908232-PGN8	56
DGN124336-PPK3	20	DGN1908232-POR7	56
DGN124336-PPK4	20	DGN1908232-PPK3	56
DGN124336-PPR5	20	DGN1908232-PPK4	56
DGN124336-PRD1	20	DGN1908232-PPR5	56
DGN124336-PSL3	20	DGN1908232-PRD1	56
DGN124336-PYL4	20	DGN1908232-PSL3	56
		DGN1908232-PYL4	56
		DGN1908232-WCM7	56

DGN1908232-WFL2	56	DGN1908240-PBK1	60
DGN1908233-PBK1	56	DGN1908240-PBK3	60
DGN1908233-PBK3	56	DGN1908240-PBU10	60
DGN1908233-PBU10	56	DGN1908240-PBU11	60
DGN1908233-PBU11	56	DGN1908240-PBU9	60
DGN1908233-PBU9	56	DGN1908240-PGN11	60
DGN1908233-PGN11	56	DGN1908240-PGN8	60
DGN1908233-PGN8	56	DGN1908240-POR7	60
DGN1908233-POR7	56	DGN1908240-PPK3	60
DGN1908233-PPK3	56	DGN1908240-PPK4	60
DGN1908233-PPK4	56	DGN1908240-PPR5	60
DGN1908233-PPR5	56	DGN1908240-PRD1	60
DGN1908233-PRD1	56	DGN1908240-PSL3	60
DGN1908233-PSL3	56	DGN1908240-PYL4	60
DGN1908233-PYL4	56	DGN1908240-WCM7	60
DGN1908233-WCM7	56	DGN1908240-WFL2	60
DGN1908233-WFL2	56	DGN1908761	70
DGN1908234	66	DGN1908948	70
DGN1908235	66	DGN1908961-PBK1	64
DGN1908236	56	DGN1908961-PBK3	64
DGN1908237-PBK1	54	DGN1908961-PBU10	64
DGN1908237-PBK3	54	DGN1908961-PBU11	64
DGN1908237-PBU10	54	DGN1908961-PBU9	64
DGN1908237-PBU11	54	DGN1908961-PGN11	64
DGN1908237-PBU9	54	DGN1908961-PGN8	64
DGN1908237-PGN11	54	DGN1908961-POR7	64
DGN1908237-PGN8	54	DGN1908961-PPK3	64
DGN1908237-POR7	54	DGN1908961-PPK4	64
DGN1908237-PPK3	54	DGN1908961-PPR5	64
DGN1908237-PPK4	54	DGN1908961-PRD1	64
DGN1908237-PPR5	54	DGN1908961-PSL3	64
DGN1908237-PRD1	54	DGN1908961-PYL4	64
DGN1908237-PSL3	54	DGN1908961-WCM7	64
DGN1908237-PYL4	54	DGN1908961-WFL2	64
DGN1908237-WCM7	54	DGN1910345	70
DGN1908237-WFL2	54	DGN1910477	68
DGN1908239-PBK1	60	DGN1910480	68
DGN1908239-PBK3	60	DGN2000303	68
DGN1908239-PBU10	60	DGN2000304	68
DGN1908239-PBU11	60	DGN2106043	68
DGN1908239-PBU9	60	DGN2106044	70
DGN1908239-PGN11	60	DGN2106050-PBK1	50
DGN1908239-PGN8	60	DGN2106050-PBK3	50
DGN1908239-POR7	60	DGN2106050-PBU10	50
DGN1908239-PPK3	60	DGN2106050-PBU11	50
DGN1908239-PPK4	60	DGN2106050-PBU9	50
DGN1908239-PPR5	60	DGN2106050-PGN11	50
DGN1908239-PRD1	60	DGN2106050-PGN8	50
DGN1908239-PSL3	60	DGN2106050-POR7	50
DGN1908239-PYL4	60	DGN2106050-PPK3	50
DGN1908239-WCM7	60	DGN2106050-PPK4	50
DGN1908239-WFL2	60	DGN2106050-PPR5	50

DGN2106050-PRD1	50	ELE2206791	44
DGN2106050-PSL3	50	ELE2206792	44
DGN2106050-PYL4	50	ELE2206793	42
DGN2106050-WCM7	50	ELE2206794	42
DGN2106050-WFL2	50	ELE2206795	42
DGN2106068	60	ELE2206796	42
DGN2106069	62	ELE2300157	46
DGN2106642	70	ELE2300618	18, 38
DGN2206451	52	ELE2300619	18, 38
DWR1000H174	128	ELE2300620	18, 38
DWR1005B049	116, 118, 122, 124	ELE2300621	18, 38
DWR1111C002	134, 136	ELE2300624	14
DWR1111C003	22, 24	ELE2300625	14
DWR1111H052	40, 42, 44, 46	ELE2300626	14
DWR1111H065	40, 42, 44, 46, 48	ELE2300627	14
DWR1111H311	48	ELE2300917	48
DWR1234L135	146	ELE2301172	36, 48
DWR1234L957	146	ELE2301173	36, 48
DWR1235L225	146	ELE2302054	74, 96
DWR1235L516	146	ELE2302065	74, 96
DWR1235L520	146	ELEASMB5670	128
DWR1235L521	146	ELEASMB5671	128
DWR1235L551	146	ELEASMB5672	128
DWR1235L638	146	ELEASMB6557	48
DWR1265H027	40	FRMASMB10454	16
ELE124312	12	FRMASMB10617	12, 14
ELE144006	12	FRMASMB11156	16
ELE153301	48	FRMASMB12744	22, 24
ELE155901	70	FRMASMB16062	78, 82, 90, 94, 100, 104, 142
ELE160183	70	FRMASMB8691	10
ELE1709864	28, 30, 32, 34, 40, 42, 44, 46	HAR143994	36
ELE1902612	34, 44, 46	HAR144001	16
ELE1907290	86	HAR144002	30, 32, 34
ELE1907903	42, 44, 46, 70, 74	HAR144003	16
ELE1908252	74, 96	HAR144005	36
ELE1910369	28	HARUSHD1065	128
ELE2000091	128	HARUSHD2041	128
ELE2000270	74, 86, 96	HARUSHD2160	128
ELE2000271	78, 86, 90, 100	HDW120030	6
ELE2004373	74, 86, 96	HDW120048	108, 110
ELE2101000	74, 78, 90, 96, 100	HDW136696	106
ELE2101001	76, 88, 98	HDW138262	4, 8
ELE2101147	34, 44, 46	HDW145339	110
ELE2103635	14	HDW145729	108
ELE2104761	28, 30, 32, 34, 40, 42, 44, 46	HDW146546	10
ELE2107304	30, 32	HDW147826	10
ELE2107305	34	HDW147827	10
ELE2107306	32	HDW147828	10
ELE2201372	36, 48	HDW147829	10
ELE2204778	36	HDW155440	72, 80, 92, 102
ELE2206789	40	HDW1611794	28
ELE2206790	40	HDW1700456	106, 108, 110, 112, 114

HDW1701465	84	MEC1714220	10
HDW1703195	8	MEC1800079	112
HDW1705238	108	MEC1800080	112
HDW1805748	108	MEC1800866	72, 80, 92, 102
HDWASMB1184	112	MEC1802726	72, 80, 92, 102
HPL-QL3_JOY_RECEIVER	12, 14, 22, 24	MEC1809294	82, 94, 104, 142
HPL_CAMERA_MOD_RTRAK	32, 42	MEC1810323	6, 8, 10
HPL_FENDER_LIGHTS_RTRAK	32, 42, 74, 96	MEC1810667	72, 80, 92, 102
HPL_QBC_EGG_SWT_MNT	84	MEC1903576	114
HPL_QBC_MULT_STUDS	84	MEC1906270	78, 90, 100
HPL_QBC_RCVR_MNT	84	MEC1907331	78, 90, 100
HPL_QL3_JOY_AFTER_KNOBS	12, 14, 22, 24	MEC1908272	8, 10
HPL_QL3_JOY_MOUNT	12, 14, 22, 24	MEC1909669	8
HPL_QL3_JOY_SD_CARD	12	MEC1909894	8
HPL_QL3_JOY_SHRD	12	MEC1910365	76, 88, 98
HPL_SD_CARDS_RTRAK	30, 32, 34	MEC1910373	76, 88, 98
INDPART2431	10	MEC2000971	86
INFINFB3072	144	MEC2003052	112
INFINFB4034	30, 32, 34	MEC2003053	112
INFINFB4461	144	MEC2003668	28
INFMANU5075	144	MEC2004535	70
INFMANU5323	144	MEC2006143	86
KIT152914	22	MEC2009398	112
KIT152915	24	MEC2104227	76, 88, 98
KIT1902931	12	MEC2104782	62
KIT2008010	14	MEC2104847	10
KIT2008635	84	MEC2104851	10
KIT2008636	84	MEC2105409	6, 8, 10
KIT2008637	84	MEC2106062	6
KIT2008638	84	MEC2106123	78, 90, 100
KIT2103246	136	MEC2106132	78, 90, 100
KITASMB1954	2	MEC2107118	70
LAB148325	146	MEC2107122	30, 32, 34, 40, 42, 44, 46
LAB1809139	30, 32, 34	MEC2107123	30, 32, 34, 40, 42, 44, 46
LAB2005393	146	MEC2107292	36, 48, 74, 96
LAB2101449	146	MEC2202931	8
LAB2201320	52, 146	MEC2202936	6
MEC131180	108, 110	MEC2202937	6
MEC131182	108	MEC2206645	114
MEC138860	138	MEC2206646	114
MEC138876	138	MEC2300075	114
MEC145322	110	MEC2300076	114
MEC145417	10	MOT1901488	10
MEC146133	82, 94, 104, 134, 136, 142	MOT1901490	10
MEC1611656	86	MOT2101598-05	10
MEC1611657	86	MOT2101599-05	10
MEC1700465	106, 110	MOT2104232-01	10
MEC1703423	6	MOT2104233-01	10
MEC1704198	108	NUTACRN1012	4
MEC1705476	108	NUTNYLK1011	8
MEC1705730	108	PLSINDV1003	124
MEC1705904	108	PLSKNCP1056	54, 58

PLSKNCP1057	26
PLSKNCP1058	26
PLSTIE1001	70, 74, 96
PLSTIE1004	30, 32, 34, 36, 40, 42, 44, 46, 48, 144
RECPART1006	12, 14, 22, 24
SCR8110001	28
SCR8110014	6, 8, 10
SCRPPH1036	52, 58, 62, 66, 68, 70
SCRPPH1143	68, 70
SCRPPH1153	36, 48
SCRPPH1167	84
SCRPPH1279	134, 136
SCRPPH1318	74, 96
SCRPPH1383	30, 32, 34, 40, 42, 44, 46
SCRPPH1384	134, 134, 136, 136
SCRPPH1390	30, 32, 34, 40, 42, 44, 46
SCRSFH1005	138
SCRSHCS1095	52
SCRSHFH1053	138
SCRSHFH1203	110
SET142535	106
ST-ARM250C-Q	82, 94, 104, 140, 142
ST-ARM250T-Q	82, 94, 104, 140, 142
ST-TWBM480CJ-Q	140
ST-TWBM480QL-Q	140
TIR8110017	124
TIR8110019	122
TIR8110024	116
TIR8110026	118
TUBSTND1002	118
TUBSTND1043	124
WASMETR1031	110
WASNEOP1003	54, 58
WHL1703586	116, 118
WHL1703588	116
WHL1703592	8
WHL1704507	118
WHL1903913	122
WHL1903914	124
WHLASMB1523	4

Illustrated Parts Breakdown

USA - Quantum Rehab

401 York Avenue
Duryea, PA 18642
www.quantumrehab.com

USA - Pride Mobility Products, Corp.

401 York Avenue
Duryea, PA 18642
www.pridemobility.com

Canada

5096 South Service Road
Beamsville, Ontario L3J 1V4
www.pridemobility.ca
www.quantumrehab.ca

Australia

20-24 Apollo Drive
Hallam, Victoria 3803
www.pridemobility.com.au
www.quantumrehab.com.au

New Zealand

3-5/208 Swanson Road
Henderson, Auckland 0610
www.pridemobility.co.nz

UK

(Authorised UK Representative)

32 Wedgwood Road
Bicester, Oxfordshire OX26 4UL
www.pride-mobility.co.uk
www.quantumrehab.co.uk

Switzerland

(Authorised CH Representative)

SODIMED SA
Chermin Praz Devant 12
1032 Romanel-sur-Lausanne

Netherlands

(Authorised EU Representative)

De Zwaan 3
1601 MS Enkhuizen
www.pridemobility.eu
www.quantumrehab.eu

Italy

Via del Progresso, ang. Via del Lavoro
Loc. Prato della Corte
00065 Fiano Romano (RM)
www.pride-italia.it
www.quantumrehab-italia.it

France

26 Rue Monseigneur Ancel
69800 Saint-Priest
www.pridemobility.fr
www.quantumrehab.fr

Spain

Calle Las Minas Número 67
Polígono Industrial Urtinsa II, de Alcorcón
28923 Madrid
www.pridemobility.es

Germany

Hövelrieger Str. 28
33161 Hövelhof
www.pridemobility.de
www.quantumrehab.de

China

Room 508, Building #4
TianNa Business Zone
No. 500 Jianyun Road
Pudong New Area
Shanghai 201318
www.pridechina.cn

