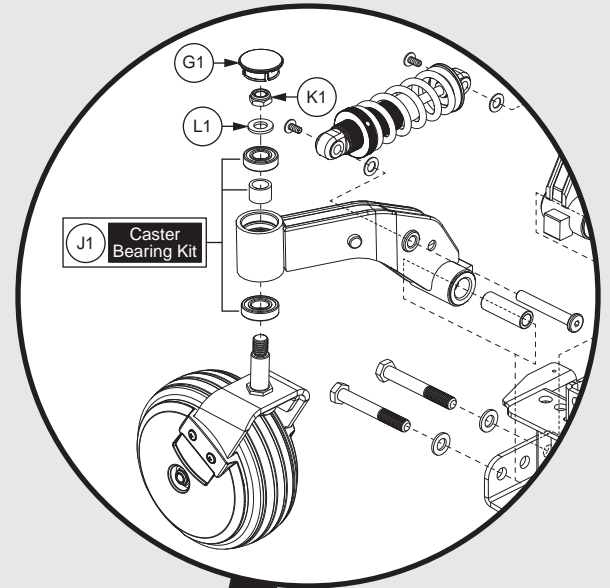




PRIDE[®]
MOBILITY
LIVE YOUR BEST[®]



Illustrated Parts Breakdown



Illustrated Parts Breakdown

USA - Quantum Rehab

401 York Avenue
Duryea, Pa 18642
www.quantumrehab.com

USA - Pride Mobility Products Corp.

182 Susquehanna Avenue
Exeter, Pa 18643
www.pridemobility.com

Canada

5096 South Service Road
Beamsville, Ontario L0R 1B3
www.pridemobility.ca
www.quantumrehab.com

Australia

20-24 Apollo Drive
Hallam, Victoria 3803
www.pridemobility.com.au
www.quantumrehab.com.au

New Zealand

38 Lansford Crescent
Avondale, Auckland 0600
www.pridemobility.co.nz

UK

32 Wedgwood Road
Bicester, Oxfordshire OX26 4UL
www.pride-mobility.co.uk
www.quantumrehab.co.uk

Netherlands

(Authorised EU Representative)

De Zwaan 3
1601 MS Enkhuizen
www.pridemobility.eu
www.quantumrehab.eu

Italy

Via del Progresso, ang. Via del Lavoro
Loc. Prato della Corte
00065 Fiano Romano (RM)
www.pride-italia.it
www.quantumrehab-italia.it

France

26 Rue Monseigneur Ancel
69800 Saint-Priest
www.pridemobility.fr
www.quantumrehab.fr

Spain

Calle Las Minas Número 67
Polígono Industrial Urtinsa II, de Alcorcón
28923 Madrid

Germany

Hövelrieger Str. 28
33161 Hövelhof

China

Room 508, Building #4
TianNa Business Zone
No. 500 Jianyun Road
Pudong New Area
Shanghai 201318



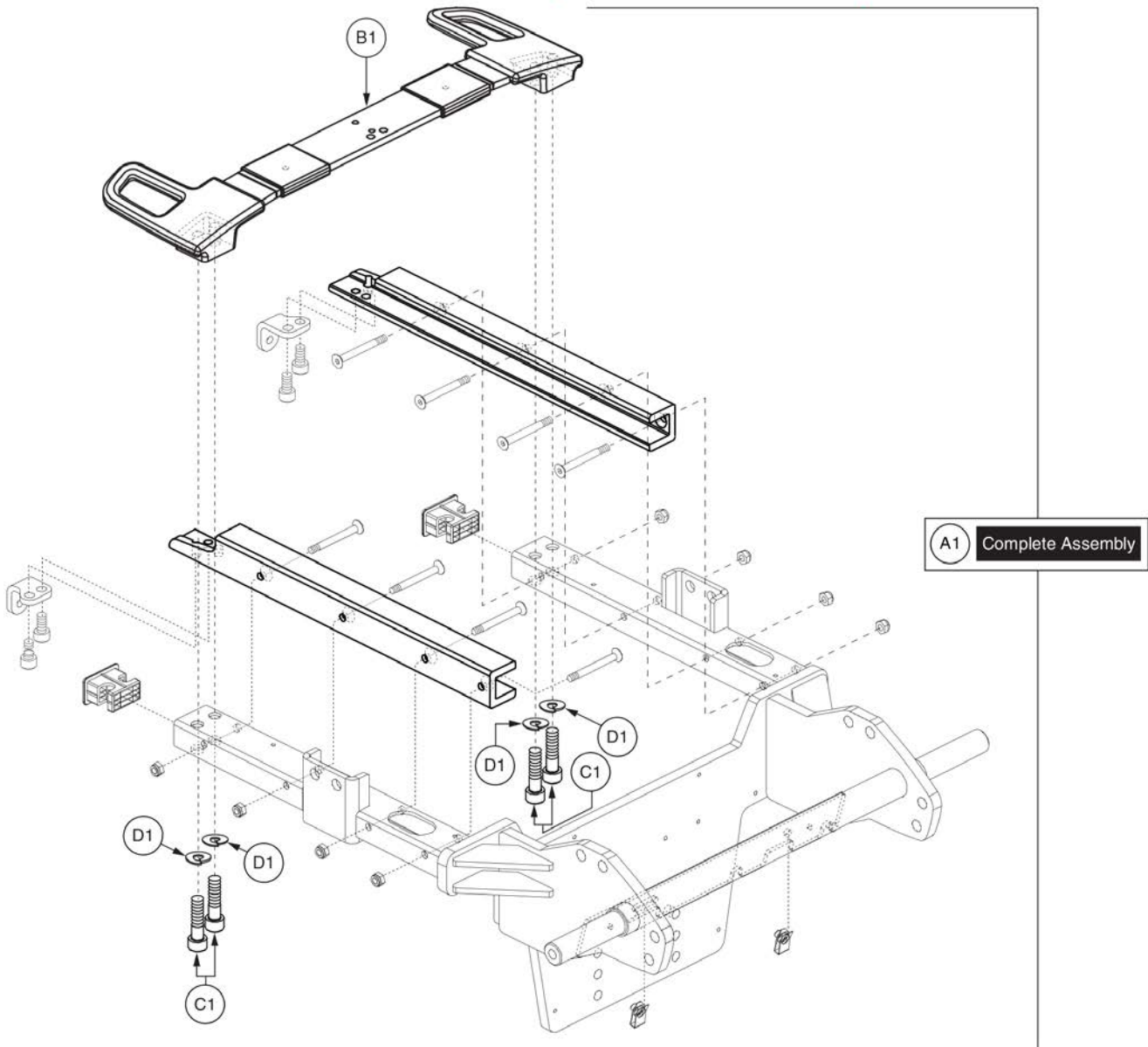
1. Main Frame Assy	
Main Frame Assy, Rival (R44)	1
2. Caster Arm Assy's	
Caster Arm, Adjustable, Rival (R44)	3
Caster Arm, Non-Adjustable, Rival (R44)	5
Caster Assy, 8" Flat-free, Gray, Rival (R44)	7
Caster Assy, 9" Pneumatic, Rival (R44)	9
Caster Assy, 9" Flat-free, Rival (R44)	11
Caster Assy, 10" Pneumatic, Gray, Rival (R44)	13
3. Anti-tip Assy	
Anti-tip Assy, Rival (R44)	15
4. Freewheel Lever & Suspension Assy	
Freewheel Lever & Suspension Assy, Rival (R44)	17
5. Drive Motor Assy's	
I-Song Drive Motor Assy	19
I-Song Motor Freewheel Lever Assy's	21
Song ACCU-TRAC Motor Freewheel Lever Assy's	23
Song ACCU-TRAC Motor Assy	25
SONG 8 MPH Motor Assy	27
5 & 6 MPH Song Motor - Motor & Wheel Mounting Hardware	29
Song Motor Freewheel Lever Assy's	31
6. Joystick Assy's	
NE, NE+, & Q-Logic 1 Joystick Assy's	33
Q-Logic 2 Joystick Assemblies	35
Q-Logic 2 Stand Alone Joystick Assy	37
Joystick Knobs & Overlays	
Aftermarket Joystick Knobs	39
PG Joystick Overlays	41
Q-Logic 1 / Stand Alone / NE / NE+ Joystick Overlays	43
Q-Logic Joystick Knobs	45
Q-Logic 2 & 3 Joystick Shrouds	
Q-Logic 2 & 3 Joystick Shrouds	47
Joystick Bottom Housings	
NE + Joystick Bottom Housing w/Bus Cable	49
Q-Logic 1 Joystick & Enhanced Display Bottom Housing w/Bus Cable	51
Q-Logic 2 & 3 Joystick Bottom Housing w/Bus Cable	53
7. Electronics Assy's	
7.1. NE Electronics	
NE Electronics - 6 MPH, Non-Power Positioning, Rival (R44)	55
NE Electronics - 6 MPH, Tilt Thru Toggle, Rival (R44)	57
7.2. NE+ Electronics	
NE+ Electronics - 5MPH, Non-Power Positioning, R44	59
NE+ Electronics - 5 MPH, Quantum Ready/Tilt Thru Toggle, R44	61
NE+ Electronics - 6 MPH, Non-Power Positioning, Rival (R44)	63
NE+ Electronics - 6 MPH, Quantum Ready/Tilt Thru Toggle, Rival (R44)	65
NE+ Electronics - 8 MPH, Non-Power Positioning, Rival (R44)	67
NE+ Electronics - 8 MPH, Quantum Ready/Tilt Thru Toggle, Rival (R44)	69

7.3. Q-Logic Electronics	
Q-Logic Electronics - 6 MPH, Non-Power Positioning, Rival (R44)	71
Q-Logic Electronics - 6 MPH, Quantum Ready/Tilt Thru Toggle, Rival (R44)	73
Q-Logic Electronics - 6 MPH, ACCU-TRAC, Quantum Ready/Tilt Thru Toggle, Rival (R44)	75
Q-Logic Electronics - 8 MPH, Non-Power Positioning, Rival (R44)	77
Q-Logic Electronics - 8 MPH, Quantum Ready/Tilt Thru Toggle, Rival (R44)	79
8. LED Lighting Assy	
Lighting Assy, Curtis Electronics, Rival (R44)	81
9. Battery Tray & Reflector Assy's	
Battery Tray Assy, Rival (R44)	83
Reflector Assy, Rival (R44)	85
10. Shroud Assy's	
Side Panels and Top Shrouds, Standard Color, Rival (R44)	87
Side Panels and Top Shrouds, Quantum Colors, Rival (R44)	89
Front & Rear Door and Fender Shrouds, Rival (R44)	91
11. Trapeze Bar Assy's	
Seat Tower/Trapeze Bars Assy, Rival (R44)	93
12. Seating System Interfaces	
R44 Seat Interface - Power Tilt, Euro Seat 2	95
ION Seat Interface, Power Tilt, R44	97
TB Flex Seat Interface, R44	99
Seat Interface - TB2 Tilt/Tilt & Recline, Rival (R44)	101
Seat Interface - Synergy, Rival (R44)	103
Seat Interface - TB3, Rival (R44)	105
13. Drive Wheel Assy's	
5-Spoke Drive Wheels	
14" Pneumatic Drive Wheel Assy - 5 Spoke Hub, Silver Rim/Gray Tire, w/Color Inserts	107
14" Flat-free Drive Wheel Assy - 5 Spoke Hub, Silver Rim/Gray Tire, w/Color Inserts	109
Painted Wheel Inserts	111
4-Spoke Drive Wheels ("Knobby" Tires)	
14" Pneumatic Drive Wheel Assy - 4 Spoke Hub, Black Rim/Gray "Knobby" Tire	113
14" Flat-free Drive Wheel Assy - 4 Spoke Hub, Black Rim/Gray "Knobby" Tire	115
14. Batteries	
Group 24 Battery, MK	117
Universal, Group 24, Battery Assy	119
Group 24 Battery, Interceptor	121
15. Off-board Charger Assy	
8 amp CTE Charger, Australia	123
8 Amp UPG Charger Assy, AGM / GEL Selectable	125
16. Joystick Mounts & Receivers	
16.1. Swing-away, Version 3	
Swing-away Joystick Bracket & Components, Version 3	127
16.2. Version 2. Swing-away/Multi-axis Joystick Brackets	
Swing-away & Multi-axis Mount Matrix, Rehab Seat, Version 2	129
Swing-away & Multi-axis Mount Matrix, Captain Seat, Version 2	131
Swing-away Joystick Bracket Components, Version 2	133

Multi-Axis Joystick Bracket Components, Version 2	135
16.3. Retract 4 Swing-away Joystick Bracket	
Retract 4 Swing-away Joystick Bracket for Curtis Joysticks	137
16.4. Stealth Swing-away / Flip-down Joystick Bracket	
Stealth Swing-away / Flip Down Joystick Brackets & Mounts	139
16.5. Fixed Inline Joystick Brackets	
Fixed Joystick Mounts, Quantum Joysticks	141
16.6. Joystick Bracket Receivers	
Joystick Receiver Mounts, Quantum	143
17. Owner's & Decal Packages	
Q-Logic Decal Package AU, R44	145
Decal Package AU, R44	147
Owner's Package AU, R44	149
18. Quantum Color Reference Chart	
Quantum Color Reference Chart	151
Appendix A:Pages Index	152
Appendix B:Parts Index	153

1. Main Frame Assy

Please note: Only serviceable components are called out. Individual parts are not available for purchase. The assembly must be ordered .



Main Frame Assy, Rival (R44)



Item	Part No.	Name	Qty
A1	FRMASMB17132	FRAME,ASSY,MAIN,R44,E-1502-024	1
B1	DWR1502C092	FRAME,CASTING,REAR BRIDGE W/TRANSIT SECUREMENT LOOPS & OVERMOLDED SPAN COVERS,C-1502-092	1
C1	SCRSHCS1337	SCREW,SHCS,BLACK ZINC,M10-1.5 X 40MM,GRADE 10.9	4
D1	WASLOCK1094	WASHER, LOCK, 10.7 ID X 18.1 OD X 2.0 THK, DIN 127B, BZ	4

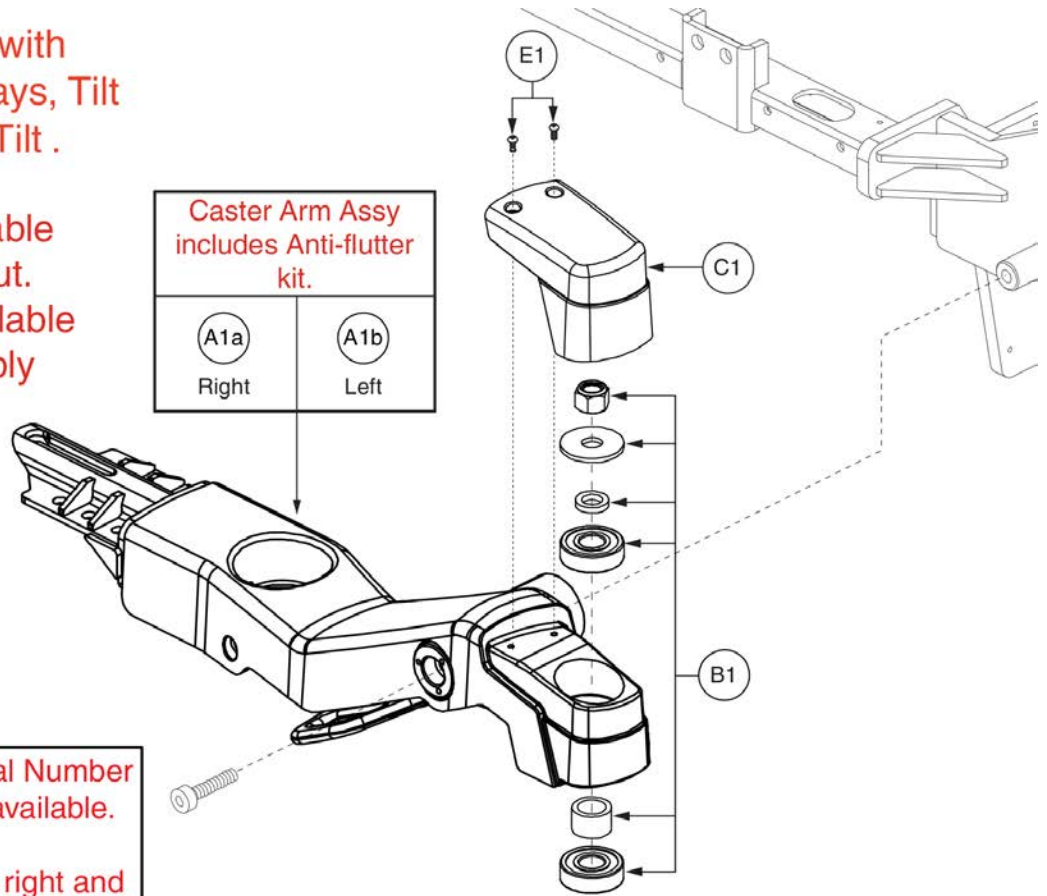
2. Caster Arm Assy's

For use on units set-up with Compact & Trilogy Vent Trays, Tilt thru Toggle, and Lift & Tilt .

Please note: Only serviceable components are called out. Individual parts are not available for purchase. The assembly must be ordered .

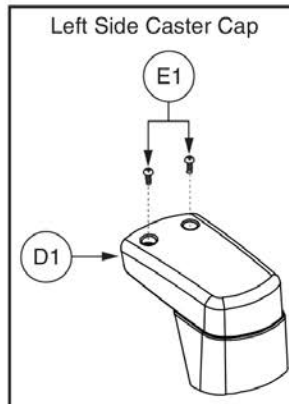
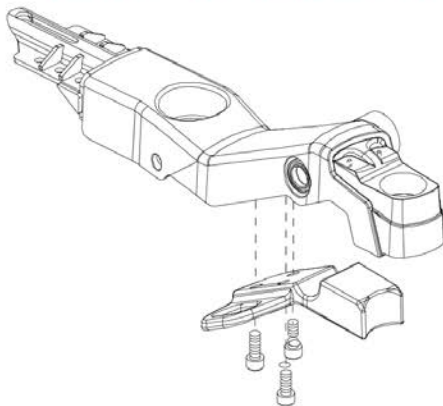
Caster Arm Assy includes Anti-flutter kit.

A1a	A1b
Right	Left

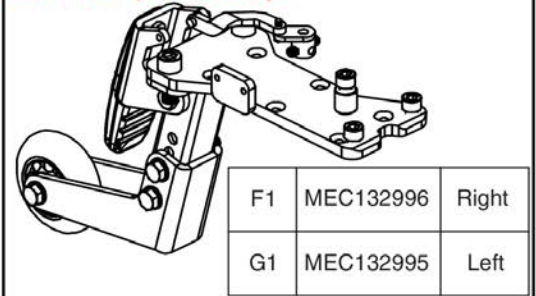


Previous generation, prior to Serial Number JC303417079020, is no longer available.

When replacing caster arm, both right and left sides need to be ordered.



The right and left assemblies include the Adjustable Motor Mount Weldment, Freewheel Lever Assembly, and Anti-tip Assembly.



Caster Arm, Adjustable, Rival (R44)

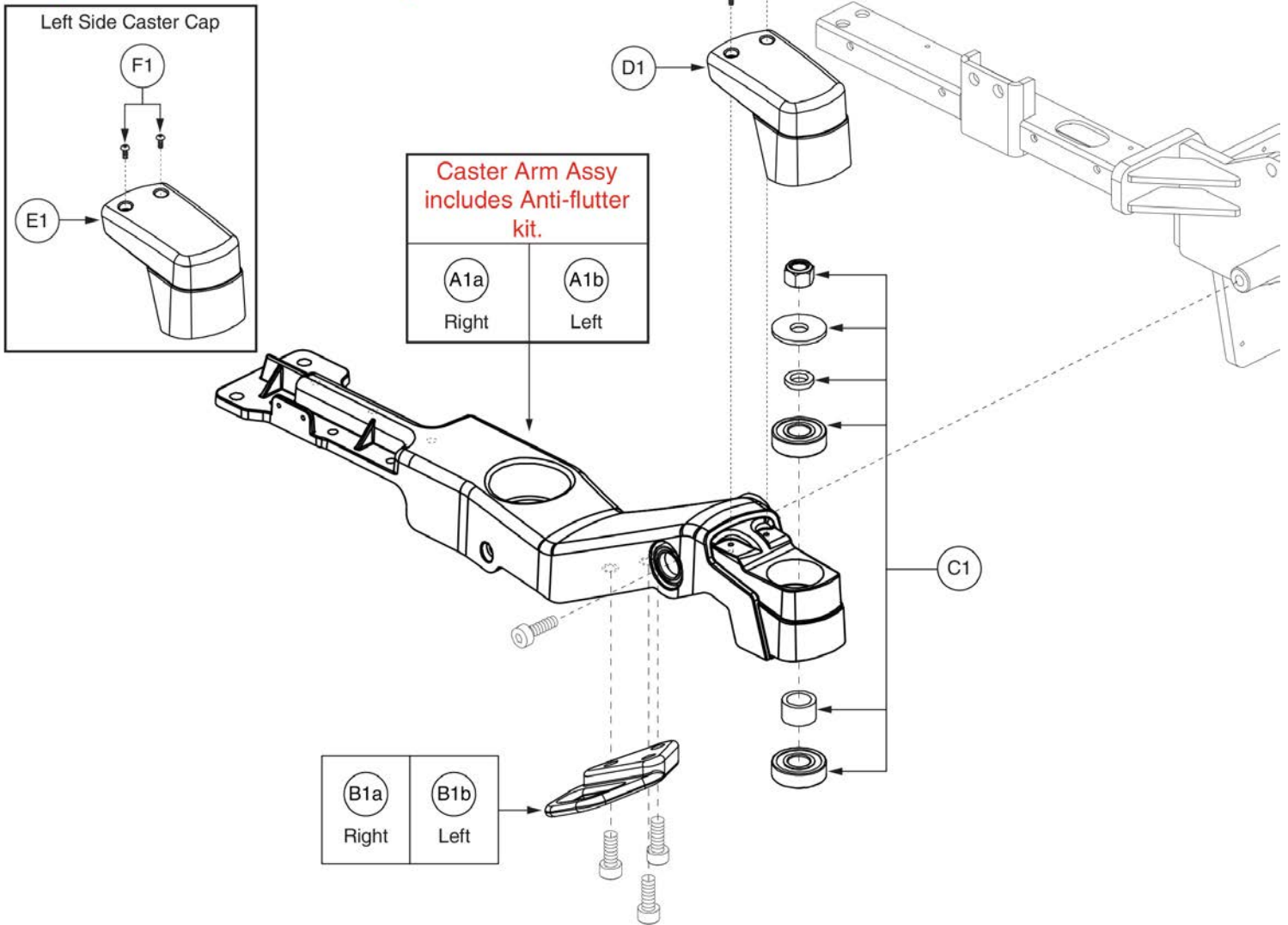


Item	Part No.	Name	Qty
A1a	MEC1610063-CSL3	CASTER ARM,ASSY,WIDE,W/BEARINGS & ANTIFLUTTER,RIGHT,W/ADJUSTABLE CARRIER - SILVER	1
A1b	MEC1610061-CSL3	CASTER ARM,ASSY,WIDE,W/BEARINGS & ANTIFLUTTER,LEFT,W/ADJUSTABLE CARRIER - SILVER	1
B1	HDWASMB1187	ANTI-FLUTTER KIT,REAR CASTER,JAZZY,B-1005-137	1
C1	DWR1502C073	COVER,CASTER CAP,BLACK,RIGHT,C-1502-073	1
D1	DWR1502C072	COVER,CASTER CAP,BLACK,LEFT,C-1502-072	1
E1	SCRPPH1036	SCREW, PAN HEAD, TYPE H, M4X0.7 X 8, FT, ISO 7045, CL 4.8, BZ	2
F1	MEC132996	RIGHT FRAME,ASSY,MOTOR MOUNT	1
G1	MEC132995	LEFT FRAME,ASSY,MOTOR MOUNT	1

2. Caster Arm Assy's

Applicable to unit manufactured prior to Serial Number JC324013001C30.

Please note: Only serviceable components are called out. Individual parts are not available for purchase. The assembly must be ordered.

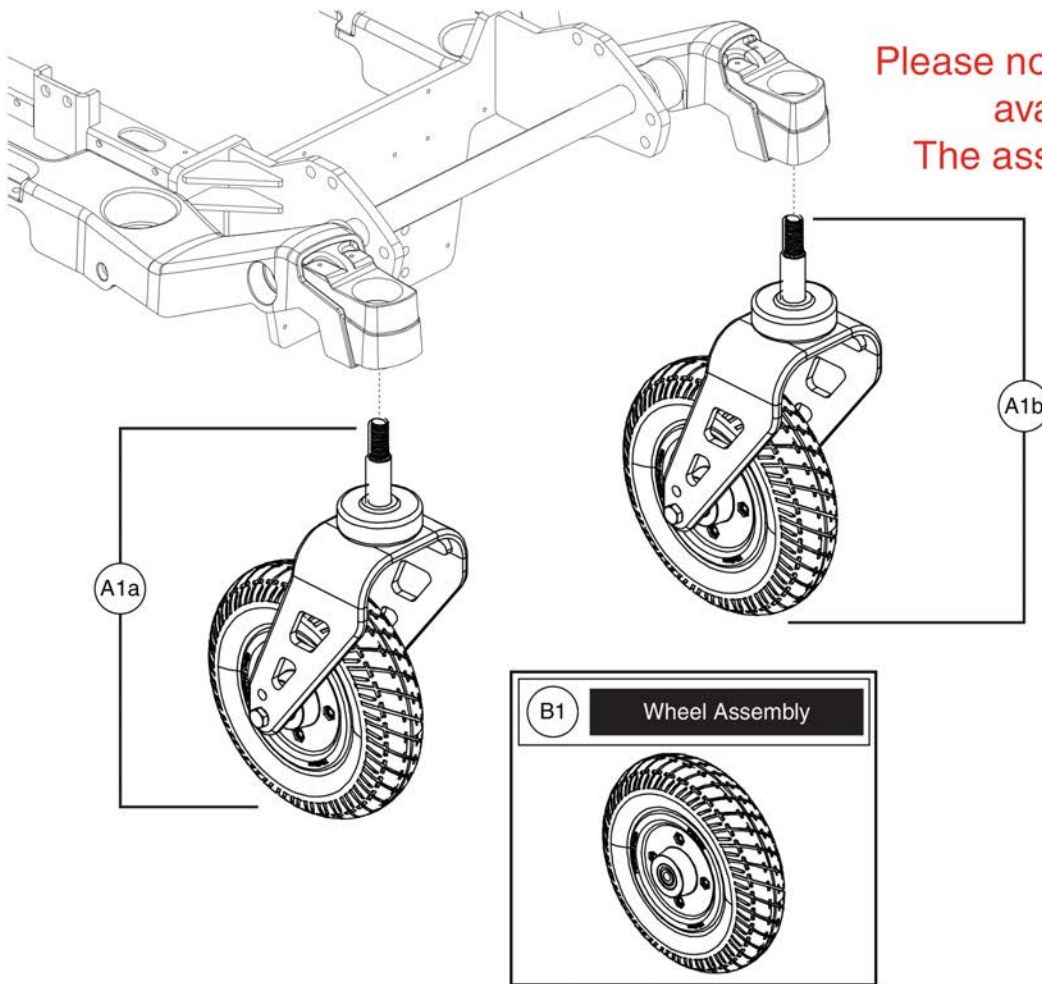


Caster Arm, Non-Adjustable, Rival (R44)



Item	Part No.	Name	Qty
A1a	FRMASMB17137	CASTER ARM,ASSY,W/BEARINGS & ANTI-FLUTTER,RIGHT,C-1502-067	1
A1b	FRMASMB17136	CASTER ARM,ASSY,W/BEARINGS & ANTI-FLUTTER,LEFT,C-1502-066	1
B1a		MOUNTING BRACKET,CASTING,BLACK,W/TRANSIT SECUREMENT LOOP,RIGHT,D-1502-066	1
B1b		MOUNTING BRACKET,CASTING,BLACK,W/TRANSIT SECUREMENT LOOP,LEFT,D-1502-065	1
C1	HDWASMB1187	ANTI-FLUTTER KIT,REAR CASTER,JAZZY,B-1005-137	1
D1	DWR1502C073	COVER,CASTER CAP,BLACK,RIGHT,C-1502-073	1
E1	DWR1502C072	COVER,CASTER CAP,BLACK,LEFT,C-1502-072	1
F1	SCRPPH1036	SCREW, PAN HEAD, TYPE H, M4X0.7 X 8, FT, ISO 7045, CL 4.8, BZ	4

2. Caster Arm Assy's



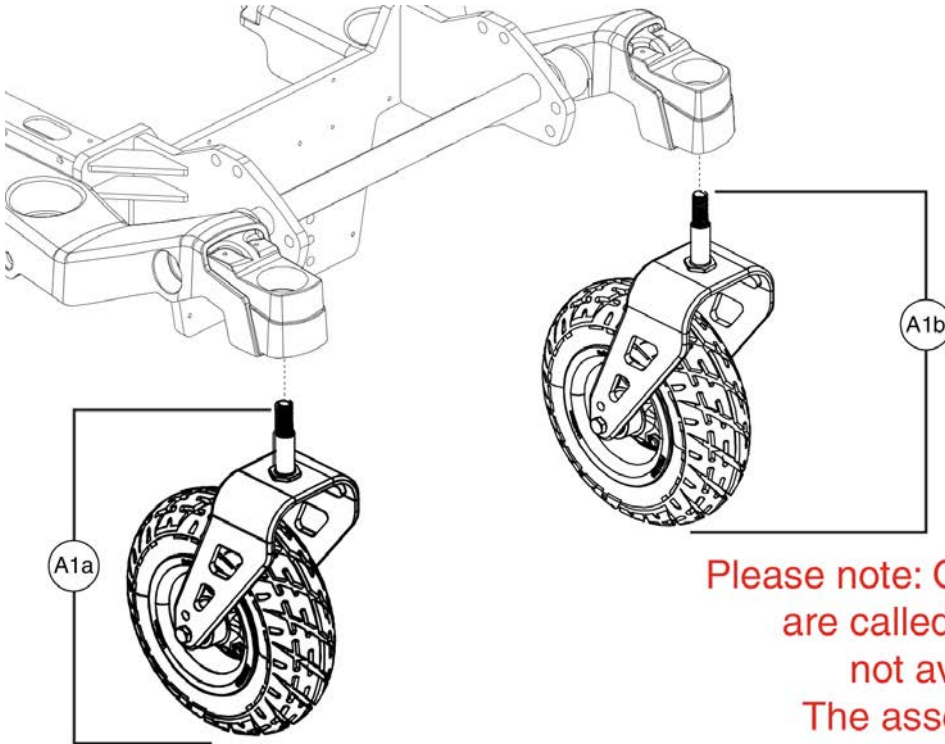
Please note: Individual parts are not available for purchase. The assembly must be ordered .

Caster Assy, 8" Flat-free, Gray, Rival (R44)

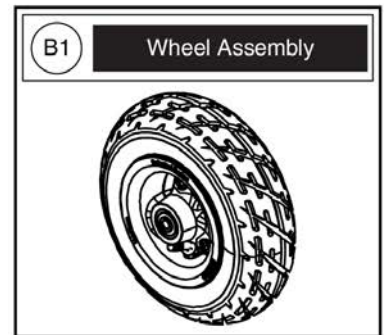
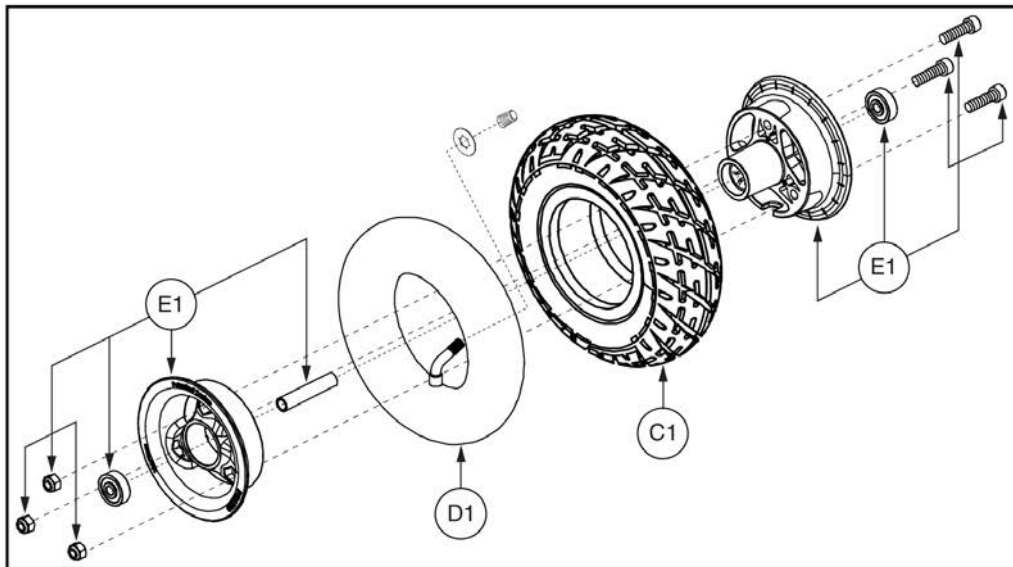


Item	Part No.	Name	Qty
A1a	WHL121864	CASTER,ASSY,FLAT-FREE,SILVER RIM/GRAY TIRE,8" CASTER WHEEL,14" DRIVE WHEEL,RIGHT,WHL121864	1
A1b	WHL121863	CASTER,ASSY,FLAT-FREE,SILVER RIM/GRAY TIRE,8" CASTER WHEEL,14" DRIVE WHEEL,LEFT,WHL121863	1
B1	WHL145677	WHEEL,ASSY,FLAT FREE,8" DIA X 2" CASTER,BLACK RIMS/GRAY TIRE	1

2. Caster Arm Assy's



Please note: Only serviceable components are called out. Individual parts are not available for purchase. The assembly must be ordered .

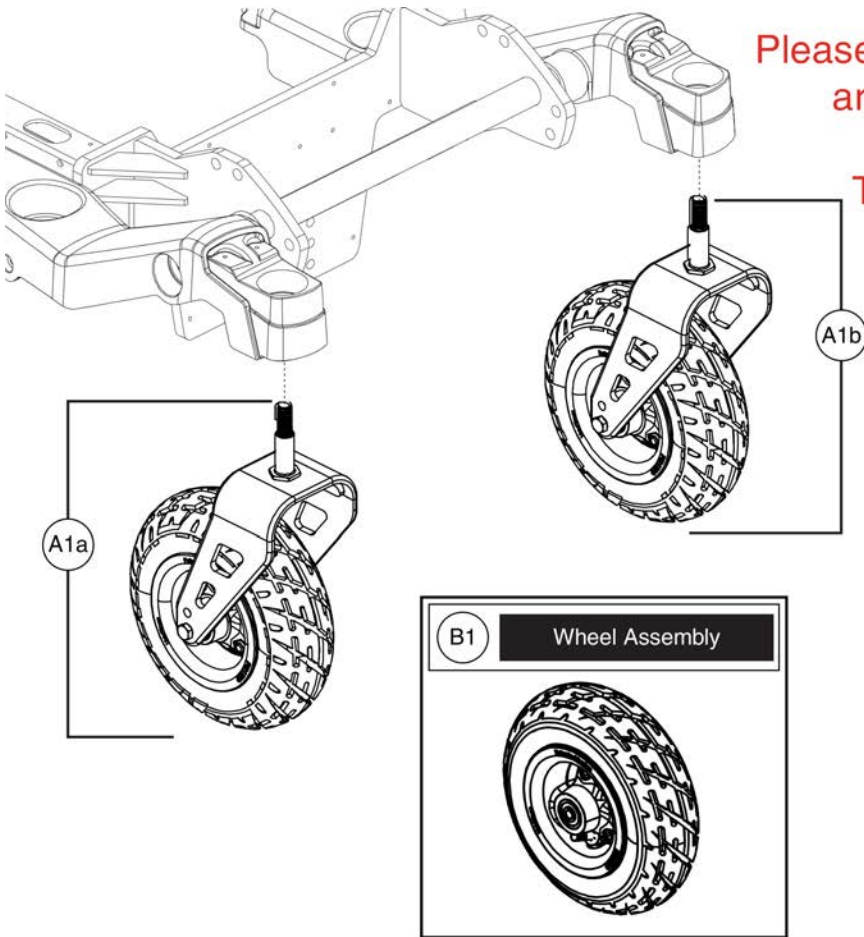


Caster Assy, 9" Pneumatic, Rival (R44)



Item	Part No.	Name	Qty
A1a	FRMASMB17145	CASTER,ASSY,PNEUMATIC,SILVER RIM/GRAY TIRE,9" CASTER WHEEL,14" DRIVE WHEEL,RIGHT,E-1202-043	1
A1b	FRMASMB17144	CASTER,ASSY,PNEUMATIC,SILVER RIM/GRAY TIRE,9" CASTER WHEEL,14" DRIVE WHEEL,LEFT,E-1202-044	1
B1	WHLASMB1824	WHEEL,ASSY,PNEUMATIC,9",SILVER RIM/GRAY TIRE,215 X 70,C9210,D-1202-029,(GALLOP: D-10302)	1
C1	TIRPNEU1051	TIRE,PNEUMATIC,215MM X 70MM,C9210,(GALLOP: Z429216)	1
D1	TUBSTND1011	TUBE,2.80/2.50-4,ITM2504-11 W/VALVE CAP,(GALLOP: Z421785)	1
E1	WHLASMB1826	WHEEL,ASSY,RIM,127MM,TRI-SPOKE,C-1202-023,(GALLOP: W204680-8)	1

2. Caster Arm Assy's



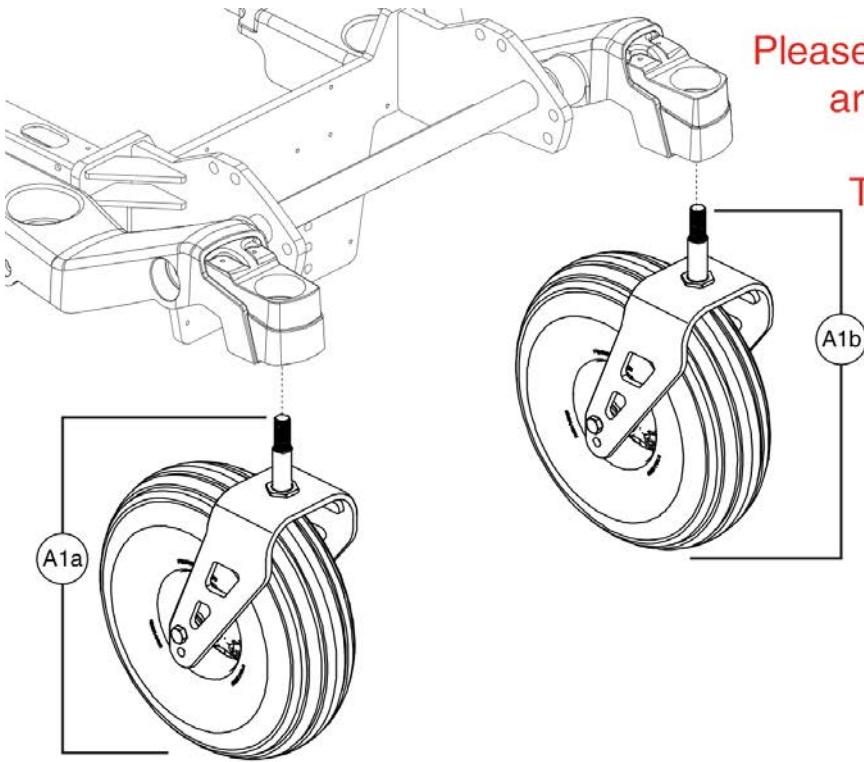
Please note: Only serviceable components are called out. Individual parts are not available for purchase. The assembly must be ordered.

Caster Assy, 9" Flat-free, Rival (R44)

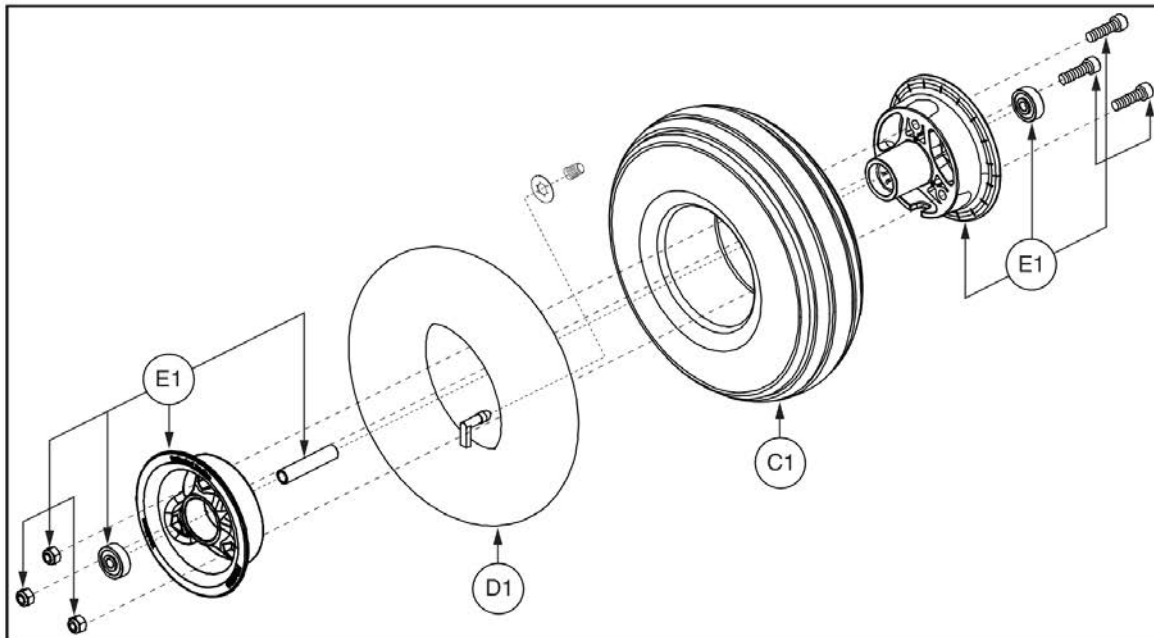
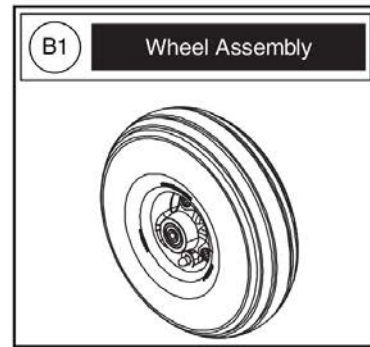


Item	Part No.	Name	Qty
A1a	FRMASMB17147	CASTER,ASSY,FLAT-FREE,SILVER RIM/GRAY TIRE,9" CASTER WHEEL,14" DRIVE WHEEL,RIGHT,E-1202-046	1
A1b	FRMASMB17146	CASTER,ASSY,FLAT-FREE,SILVER RIM/GRAY TIRE,9" CASTER WHEEL,14" DRIVE WHEEL,LEFT,E-1202-045	1
B1	WHLASMB1823	WHEEL,ASSY,FLAT FREE,9",SILVER RIM/GRAY TIRE,215 X 70,C9210,D-1202-030,(GALLOP: D-10302FF)	1

2. Caster Arm Assy's



Please note: Only serviceable components are called out. Individual parts are not available for purchase. The assembly must be ordered .

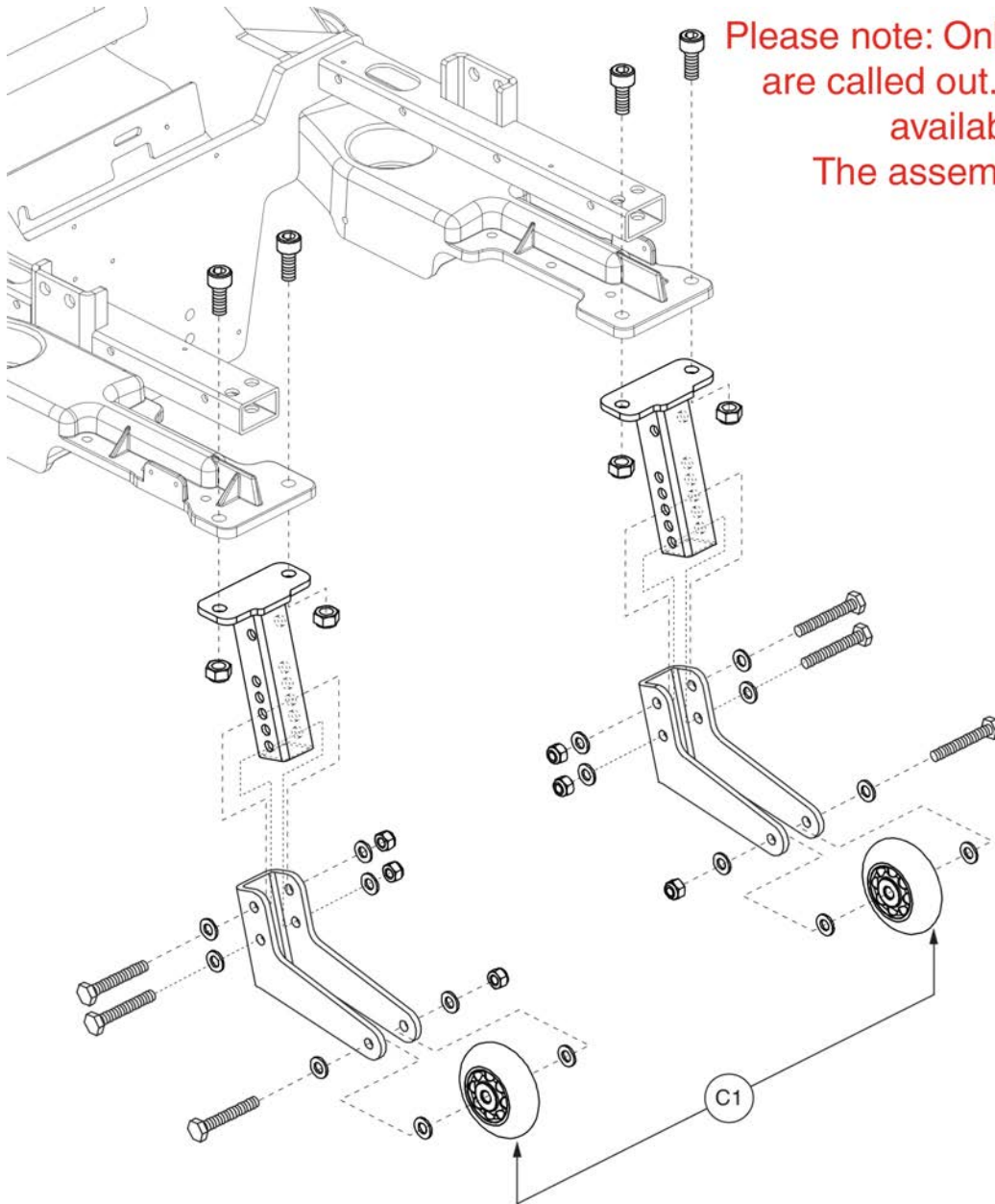


Caster Assy, 10" Pneumatic, Gray, Rival (R44)

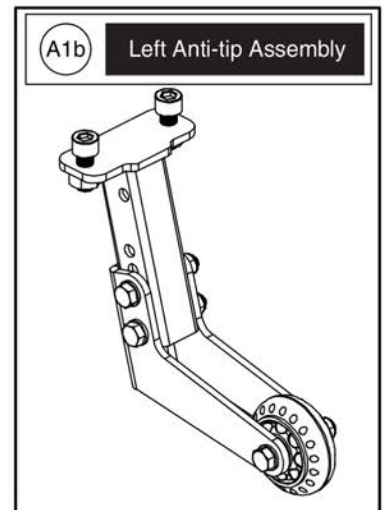
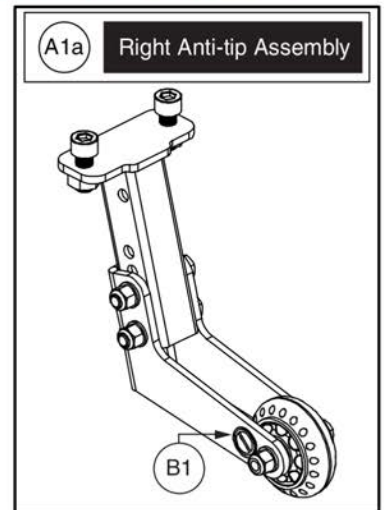


Item	Part No.	Name	Qty
A1a	FRMASMB17149	CASTER,ASSY,PNEUMATIC,SILVER RIM/GRAY TIRE,10" CASTER WHEEL,14" DRIVE WHEEL,RIGHT,E-1202-048	1
A1b	FRMASMB17148	CASTER,ASSY,PNEUMATIC,SILVER RIM/GRAY TIRE,10" CASTER WHEEL,14" DRIVE WHEEL,LEFT,E-1202-047	1
B1	WHLASMB2244	WHEEL,ASSY,PNEUMATIC,SILVER RIM/GRAY TIRE,10",3.00-4,10X3,TRI-SPOKE,D-1202-062	1
C1		TIRE,PNEUMATIC,3.00-4, 10 X 3, C-179N-4,(GALLOP: Z135793)	1
D1	TUBSTND1009	TUBE,260 X 85	1
E1	WHLASMB1826	WHEEL,ASSY,RIM,127MM,TRI-SPOKE,C-1202-023,(GALLOP: W204680-8)	1

3. Anti-tip Assy



Please note: Only serviceable components are called out. Individual parts are not available for purchase. The assembly must be ordered .



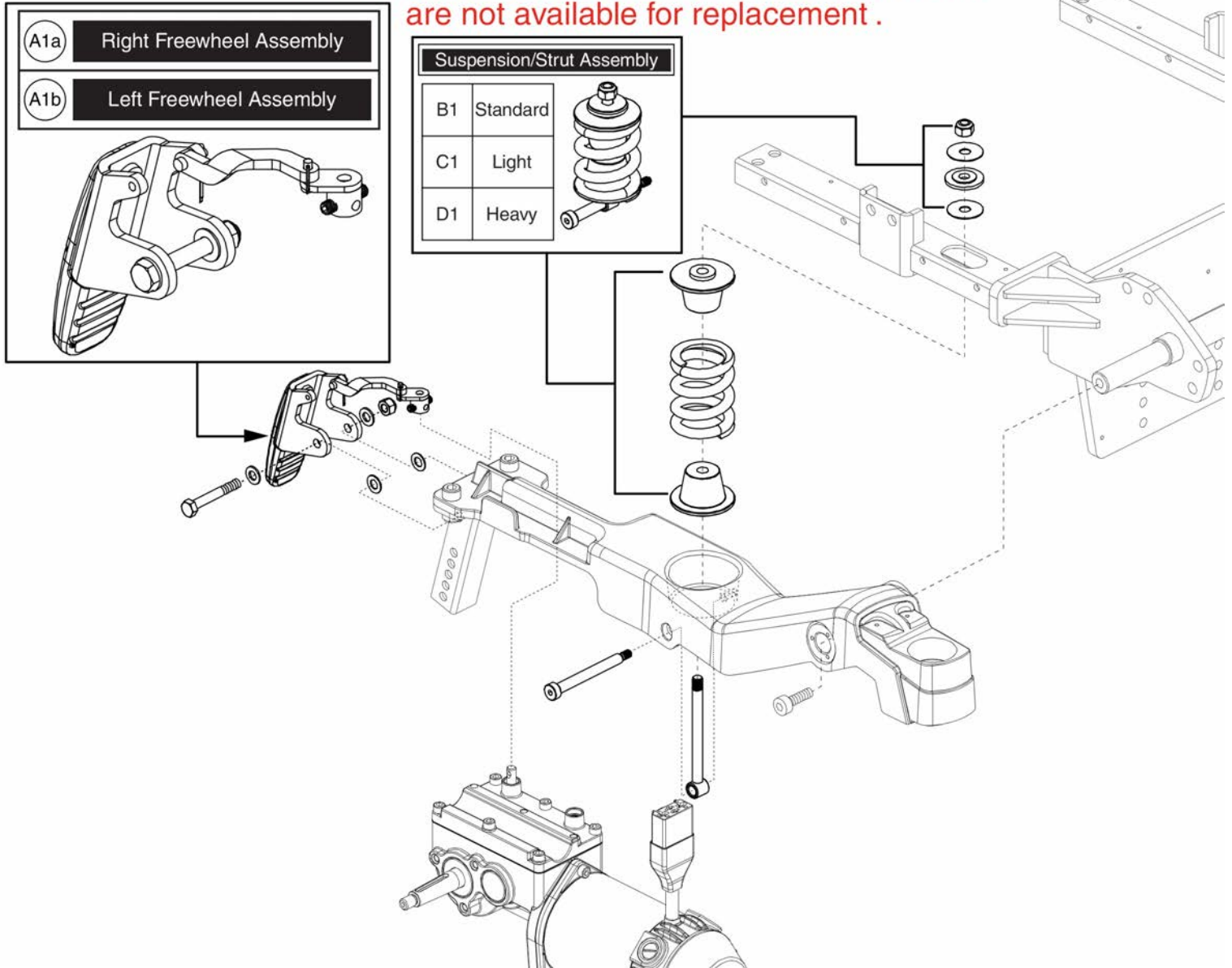
Anti-tip Assy, Rival (R44)



Item	Part No.	Name	Qty
A1a	FRMASMB17152	RIGHT ANTI-TIP,ASSY,R44,D-1502-042	1
A1b	FRMASMB17151	LEFT ANTI-TIP,ASSY,R44,D-1502-041	1
B1	DWR1234L135	DECAL,ICON,DO NOT ADJUST ANTI-TIP,0.75" DIAMETER,L-1234-135	1
C1	WHLATIP1005	WHEEL,ANTI-TIP, 3" X 1",W/PLASTIC BUSHING	1

4. Freewheel Lever & Suspension Assy

Please note: Hardware is included within the complete assemblies. Individual components are not available for replacement.



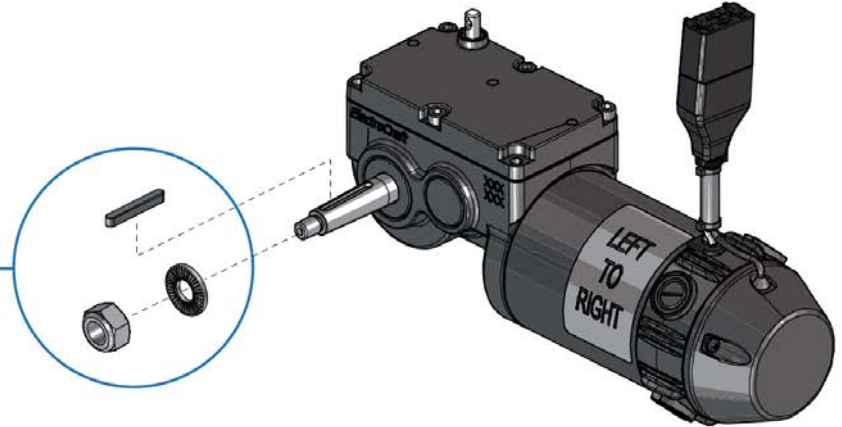
Freewheel Lever & Suspension Assy, Rival (R44)



Item	Part No.	Name	Qty
A1a	FRMASMB17154	R44 FREEWHEEL,ASSY,RELEASE HANDLE,RIGHT,D-1502-063	1
A1b	FRMASMB17153	R44 FREEWHEEL,ASSY,RELEASE HANDLE,LEFT,D-1502-064	1
B1	FRMASMB17150	SUSPENSION,ASSY,STRUT,STANDARD,R44,D-1502-045	2
C1	FRMASMB18033	SUSPENSION,ASSY,STRUT,LIGHT,R44,D-1502-045	2
D1	MEC120220	SUSPENSION,ASSY,STRUT,HEAVY,R44,D1502-045	2

5. Drive Motor Assy's

Please Note: The motors on the unit are affixed with a data plate that contains the motor part number (MOT1310xx-xx). This number may differ from the items in the parts list. To assure that the proper motor is selected, please utilize the information in the parts list and not from the motor data plate.

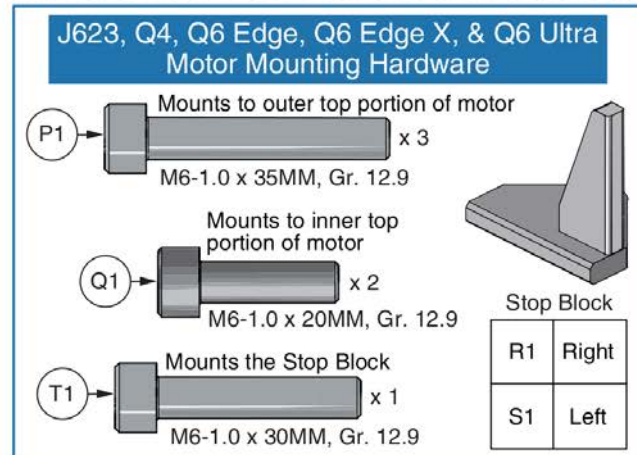
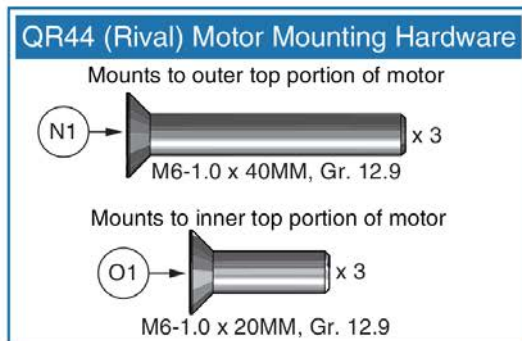


Curtis Connector Drive Motors					
5 MPH - Q6 Edge			6 MPH - Q4, Q6 Edge, Q6 Edge X, Q6 Ultra		
A1	Right	MOT131092-06	C1	Right	MOT131092-07
B1	Left	MOT131093-06	D1	Left	MOT131093-07
6 MPH - QR44 (Rival)			8 MPH - QR44 (Rival)		
D1	Right	MOT131093-07	G1	Right	MOT131093-08
C1	Left	MOT131092-07	H1	Left	MOT131092-08

Dynamic Connector Drive Motors					
5 MPH - J623			6 MPH - J623		
I1	Right	MOT132969	K1	Right	MOT132974
J1	Left	MOT132968	L1	Left	MOT132973

PG Drives Connector Drive Motors					
6 MPH - Q4					
E1	Right	MOT131092-11			
F1	Left	MOT131093-11			

The Complete Drive Motor includes the Wheel Mounting Hardware (M1). They DO NOT include the Motor Mounting Hardware. The model specific hardware MUST be selected separately.



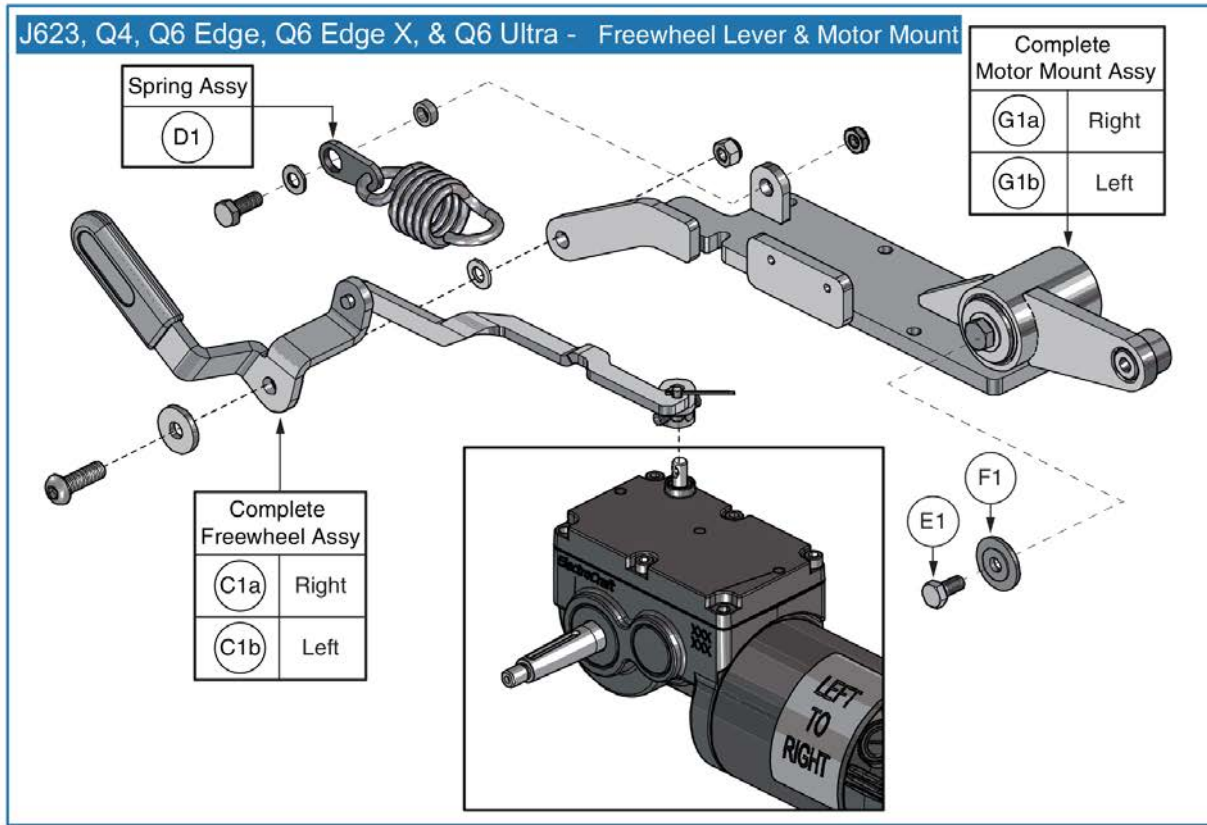
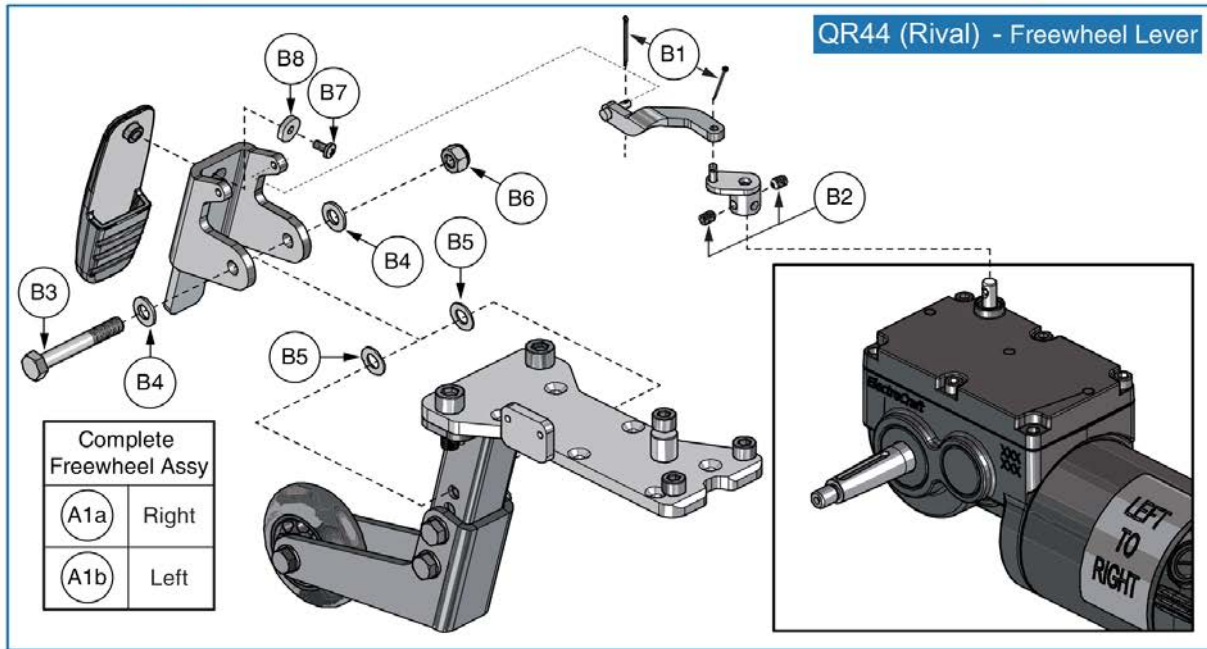
I-Song Drive Motor Assy



Item	Part No.	Name	Qty
A1	MOT131092-06	THIS IS THE RIGHT 5 MPH I-SONG MOTOR ASSY FOR THE Q6 EDGE,Q6 EDGE X, CURTIS CONNECTOR	1
B1	MOT131093-06	THIS IS THE LEFT 5 MPH I-SONG MOTOR ASSY FOR THE Q6 EDGE,Q6 EDGE X, CURTIS CONNECTOR	1
C1	MOT131092-07	THIS IS THE RIGHT 6 MPH I-SONG MOTOR ASSY FOR THE Q6 EDGE SERIES or THE LEFT 6 MPH I-SONG MOTOR ASSY FOR THE QR44, CURTIS CONNECTOR	1
D1	MOT131093-07	THIS IS THE LEFT 6 MPH I-SONG MOTOR ASSY FOR THE Q6 EDGE SERIES or THE RIGHT 6 MPH I-SONG MOTOR ASSY FOR THE QR44, CURTIS CONNECTOR	1
E1	MOT131092-11	MOTOR,ASSY,I-SONG,MTR-GRB-BRK,21.33:1,160 RPM,6 MPH,PG RNET	1
F1	MOT131093-11	MOTOR,ASSY,I-SONG,MTR-GRB-BRK,21.33:1,160 RPM,6 MPH,PG RNET	1
G1	MOT131093-08	THIS IS THE RIGHT 8 MPH I-SONG MOTOR ASSY FOR THE QR44,CURTIS CONNECTOR	1
H1	MOT131092-08	THIS IS THE LEFT 8 MPH I-SONG MOTOR ASSY FOR THE QR44,CURTIS CONNECTOR	1
I1	MOT132969	MOTOR,ASSY,I-SONG,5 MPH,125 RPM,INDIVIDUAL BRAKE LEVERS,RIGHT,Q6EDGE,DYNAMIC CONNECTOR	1
J1		MOTOR,ASSY,I-SONG,5 MPH,125 RPM,INDIVIDUAL BRAKE LEVERS,LEFT,Q6EDGE,DYNAMIC CONNECTOR	1
K1	MOT132974	MOTOR,ASSY,I-SONG,6 MPH,160 RPM,INDIVIDUAL BRAKE LEVERS,RIGHT,Q6EDGE,DYNAMIC CONNECTOR	1
L1	MOT132973	MOTOR,ASSY,I-SONG,6 MPH,160 RPM,INDIVIDUAL BRAKE LEVERS,LEFT,Q6EDGE,DYNAMIC CONNECTOR	1
M1	KIT150479	KIT,ASSY,WHEEL MOUNTING HARDWARE,SONG & I-SONG MOTORS	1
N1	HDW131753	SCREW,SHFH,BLACK ZINC,M6-1.0 X 40MM,GRADE 12.9,W/NYLON PATCH	3
O1	HDW131752	SCREW,SHFH,BLACK ZINC,M6-1.0 X 20MM,GRADE 12.9,W/NYLON PATCH	3
P1	SCRSHCS1084	SCREW,SHCS,BLACK ZINC,M6-1.0 X 35MM,GRADE 12.9	3
Q1	SCRSHCS1192	SCREW,SHCS,BLACK ZINC,M6-1.0 X 20MM,GRADE 12.9	2
R1	MEC124637	EDGE MOTOR MOUNT STOP WELDMENT, RIGHT	1
S1	MEC124636	EDGE MOTOR MOUNT STOP WELDMENT, LEFT	1
T1	SCRSHCS1015	SCREW,SHCS,BLACK ZINC,M6-1.0 X 30MM,GRADE 12.9	1

5. Drive Motor Assy's

Only items with callouts are available for replacement.



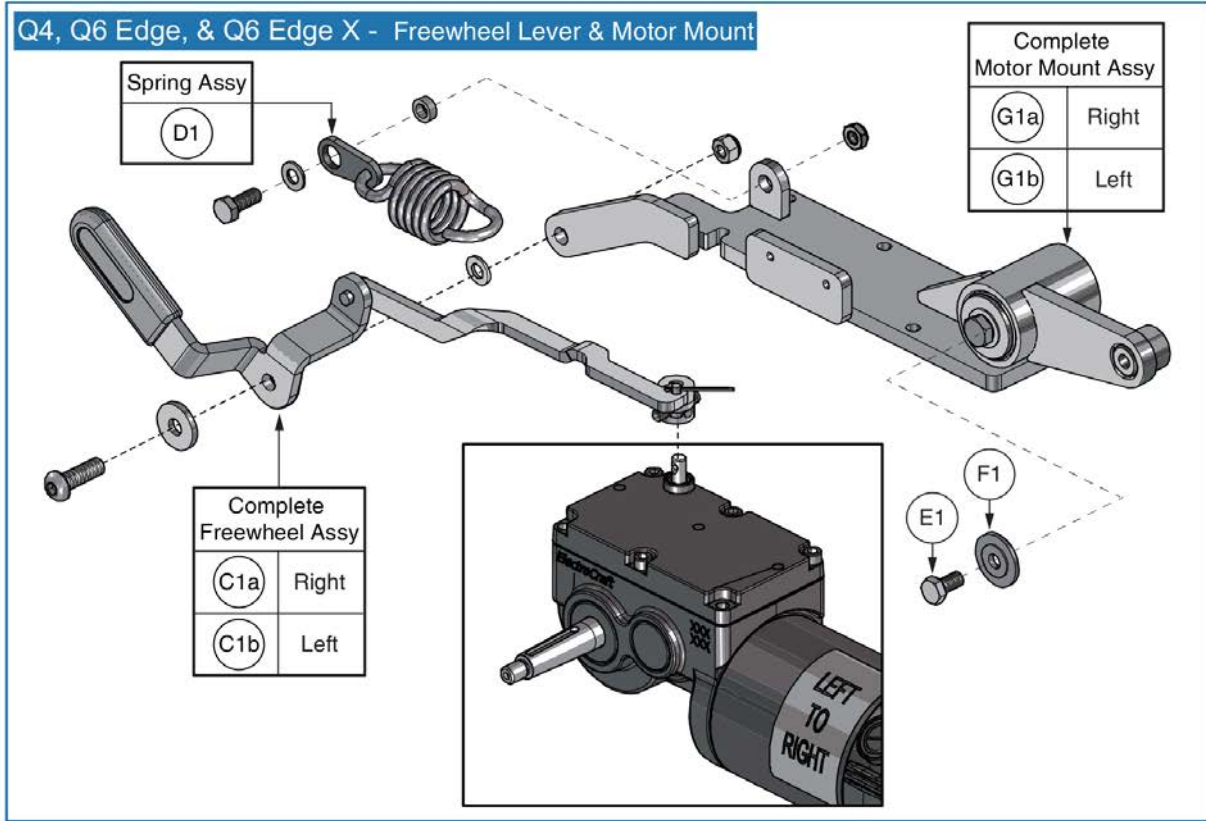
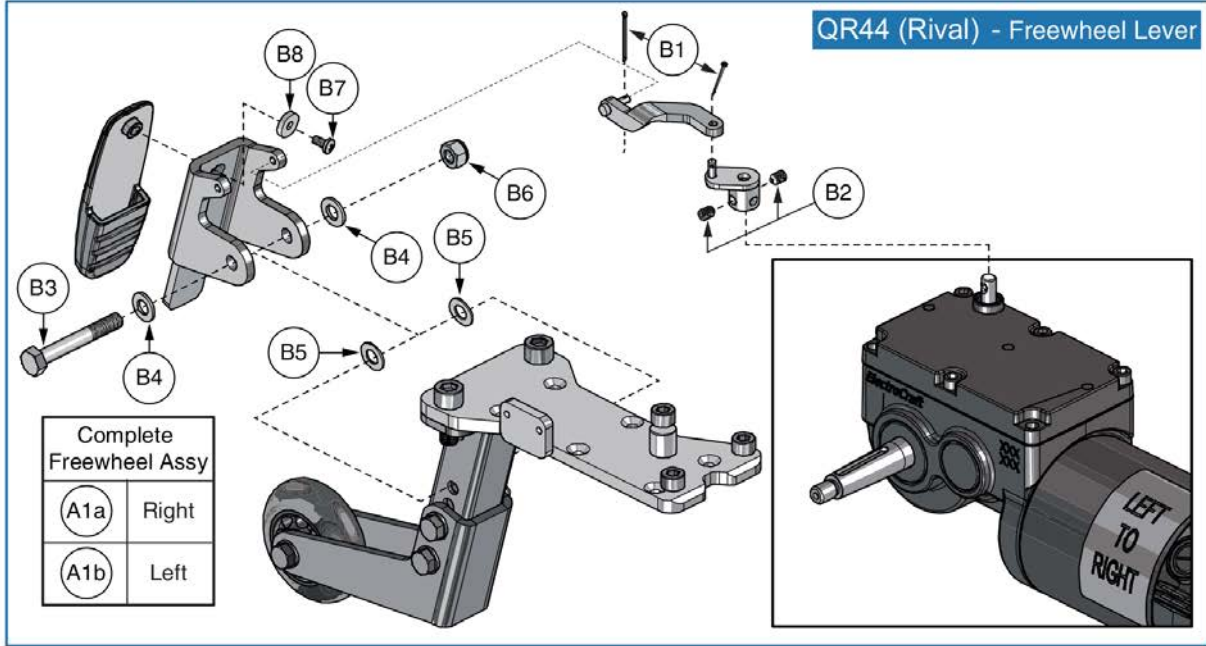
I-Song Motor Freewheel Lever Assy's



Item	Part No.	Name	Qty
A1a	FRMASMB17154	R44 FREEWHEEL,ASSY,RELEASE HANDLE,RIGHT,D-1502-063	1
A1b	FRMASMB17153	R44 FREEWHEEL,ASSY,RELEASE HANDLE,LEFT,D-1502-064	1
B1	PINSOTR1000	PIN, COTTER,ZINC PLATED,1/16" X 1"	2
B2	SCRSETS1102	SCREW,SET,M6-1.0 X 6MM,CUP POINT,W/NYLON PATCH	2
B3	SCRHHCS1377	SCREW,HHCS,BLACK ZINC,M8-1.25 X 55MM,GRADE 10.9	1
B4	HDW138262	WASHER, FLAT, 8.4 ID X 16 OD X 1.6 THK, ISO 7089-8-200 HV, BZ	2
B5	WASNYLN1084	WASHER,BLACK,NYLON,8.5MM ID X 16MM OD X 1MM TH	2
B6	NUTNYLK1011	NUT,NYLOCK,BLACK ZINC,M8-1.25	1
B7	SCRPPH1036	SCREW, PAN HEAD, TYPE H, M4X0.7 X 8, FT, ISO 7045, CL 4.8, BZ	1
B8		WASHER,FLAT,BLACK ZINC,4.3MM ID X 14MM OD X 3MM TH	1
C1a	FRMASMB16057	FREEWHEEL,ASSY,RELEASE,RIGHT,QUANTUM623,C-1062-053	1
C1b	FRMASMB16056	FREEWHEEL,ASSY,RELEASE,LEFT,QUANTUM623,C-1062-052	1
D1	FRMASMB16030	SUSPENSION,ASSY,PIVOTING SPRING MOUNT,QUANTUM623,C- 1062-044	1
E1	SCRHHCS1412	SCREW, HEX HEAD, M8X1.25 X 16, ISO 4014, CL 10.9, BZ, PVTP	1
F1	WASMETR1096	WASHER,CUSTOM,BLACK ZINC,8.4MM ID X 30MM OD X 2.5MM TH	1
G1a	FRMASMB17954	MOTOR MOUNT,ASSY,RIGHT,W/MOUNTING HARDWARE,Q6EDGE,D- 1062-113 ***Replaced with Version 2***	1
G1b	FRMASMB17953	MOTOR MOUNT,ASSY,LEFT,W/MOUNTING HARDWARE,Q6EDGE,D- 1062-112 ***Replaced with Version 2***	1

5. Drive Motor Assy's

Only items with callouts are available for replacement.



Song ACCU-TRAC Motor Freewheel Lever Assy's



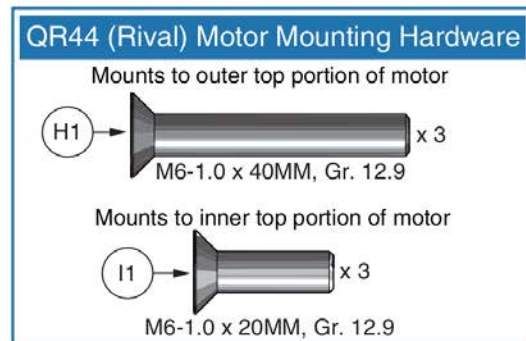
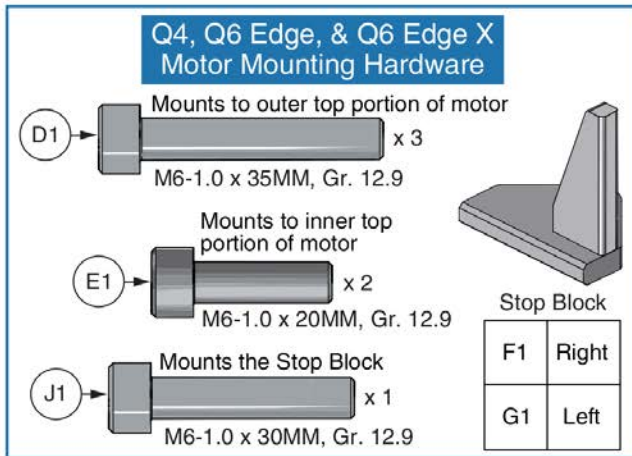
Item	Part No.	Name	Qty
A1a	FRMASMB17154	R44 FREEWHEEL,ASSY,RELEASE HANDLE,RIGHT,D-1502-063	1
A1b	FRMASMB17153	R44 FREEWHEEL,ASSY,RELEASE HANDLE,LEFT,D-1502-064	1
B1	PINSOTR1000	PIN, COTTER,ZINC PLATED,1/16" X 1"	2
B2	SCRSETS1102	SCREW,SET,M6-1.0 X 6MM,CUP POINT,W/NYLON PATCH	2
B3	SCRHHCS1377	SCREW,HHCS,BLACK ZINC,M8-1.25 X 55MM,GRADE 10.9	2
B4	HDW138262	WASHER, FLAT, 8.4 ID X 16 OD X 1.6 THK, ISO 7089-8-200 HV, BZ	2
B5	WASNYLN1084	WASHER,BLACK,NYLON,8.5MM ID X 16MM OD X 1MM TH	2
B6	NUTNYLK1011	NUT,NYLOCK,BLACK ZINC,M8-1.25	1
B7	SCRPPH1036	SCREW, PAN HEAD, TYPE H, M4X0.7 X 8, FT, ISO 7045, CL 4.8, BZ	1
B8	NUTNYLK1011	NUT,NYLOCK,BLACK ZINC,M8-1.25	1
C1a	FRMASMB16057	FREEWHEEL,ASSY,RELEASE,RIGHT,QUANTUM623,C-1062-053	1
C1b	FRMASMB16056	FREEWHEEL,ASSY,RELEASE,LEFT,QUANTUM623,C-1062-052	1
D1	FRMASMB16030	SUSPENSION,ASSY,PIVOTING SPRING MOUNT,QUANTUM623,C- 1062-044	1
E1	SCRHHCS1412	SCREW, HEX HEAD, M8X1.25 X 16, ISO 4014, CL 10.9, BZ, PVTP	1
F1	WASMETR1096	WASHER,CUSTOM,BLACK ZINC,8.4MM ID X 30MM OD X 2.5MM TH	1
G1a	FRMASMB17954	MOTOR MOUNT,ASSY,RIGHT,W/MOUNTING HARDWARE,Q6EDGE,D- 1062-113 ***Replaced with Version 2***	1
G1b	FRMASMB17953	MOTOR MOUNT,ASSY,LEFT,W/MOUNTING HARDWARE,Q6EDGE,D- 1062-112 ***Replaced with Version 2***	1

5. Drive Motor Assy's

Curtis Connector ACCU-Trac Drive Motors					
Q4, Q6 Edge, Q6 Edge X			QR44 (Rival)		
A1	Right	DRVASMB2232	B1	Right	DRVASMB2231
B1	Left	DRVASMB2231	A1	Left	DRVASMB2232



The Drive Motor includes the Wheel Mounting and Motor Mounting Hardware to mount to the Q4 / Q6 units. The Motor Mounting Hardware for the QR44 must be selected separately.



Song ACCU-TRAC Motor Assy

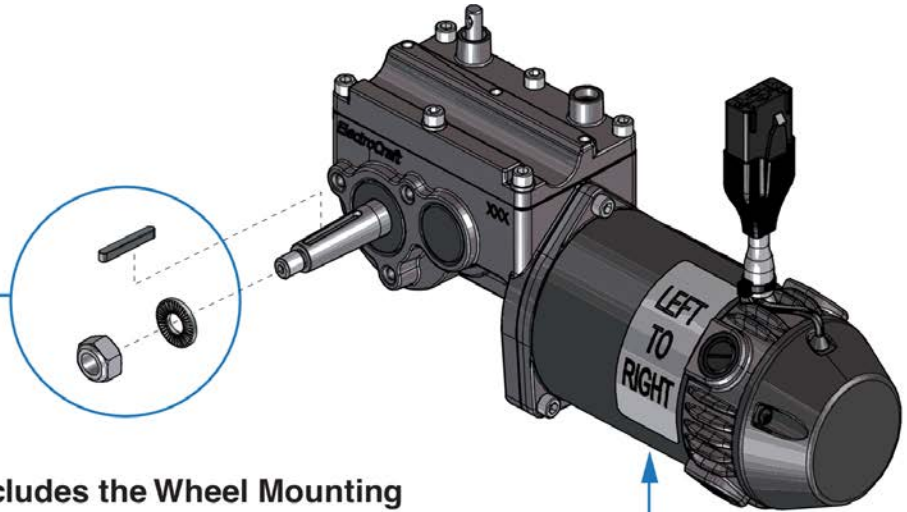


Item	Part No.	Name	Qty
A1	DRVASMB2232	MOTOR,ASSY,DRIVE,E868 G4,W/GEARBOX,6 MPH,160 RPM,21.3:1,RIGHT HAND MWD,LEFT HAND RWD,W/ENCODER,CURTIS CONNECTOR,E-1210-166,(ELECTROCRAFT: 868-006-006-02)	1
B1	DRVASMB2231	MOTOR,ASSY,DRIVE,E868 G4,W/GEARBOX,6 MPH,160 RPM,21.3:1,LEFT HAND MWD,RIGHT HAND RWD,W/ENCODER,CURTIS CONNECTOR,E-1210-163,(ELECTROCRAFT: 868-005-005-02)	1
C1	KIT150479	KIT,ASSY,WHEEL MOUNTING HARDWARE,SONG & I-SONG MOTORS	1
D1	SCRSHCS1084	SCREW,SHCS,BLACK ZINC,M6-1.0 X 35MM,GRADE 12.9	3
E1	SCRSHCS1192	SCREW,SHCS,BLACK ZINC,M6-1.0 X 20MM,GRADE 12.9	2
F1	MEC124637	EDGE MOTOR MOUNT STOP WELDMENT, RIGHT	1
G1	MEC124636	EDGE MOTOR MOUNT STOP WELDMENT, LEFT	1
H1	HDW131753	SCREW,SHFH,BLACK ZINC,M6-1.0 X 40MM,GRADE 12.9,W/NYLON PATCH	3
I1	HDW131752	SCREW,SHFH,BLACK ZINC,M6-1.0 X 20MM,GRADE 12.9,W/NYLON PATCH	3
J1	SCRSHCS1015	SCREW,SHCS,BLACK ZINC,M6-1.0 X 30MM,GRADE 12.9	1

5. Drive Motor Assy's

C1 KIT150479 - Wheel Mounting Hardware

M10 x 1.25, Gr. 8
M10.3 Serrated Washer
Axle Key



*****The Complete Drive Motor includes the Wheel Mounting Hardware (C1). It DOES NOT include the motor mounting hardware. The model specific hardware MUST be selected separately.*****

Motor Mounting Hardware

Mounts to outer top portion of motor
 (D1) x 3
 M6-1.0 x 40MM, Gr. 12.9

Mounts to inner top portion of motor
 (E1) x 3
 M6-1.0 x 20MM, Gr. 12.9

8MPH Drive Motors	A1 Right	MOT122444
	B1 Left	MOT122443
QR44		

There is very limited quantity available of these motors. Contact Technical Service for assistance.

QR44 - Freewheel Lever

Complete Assy

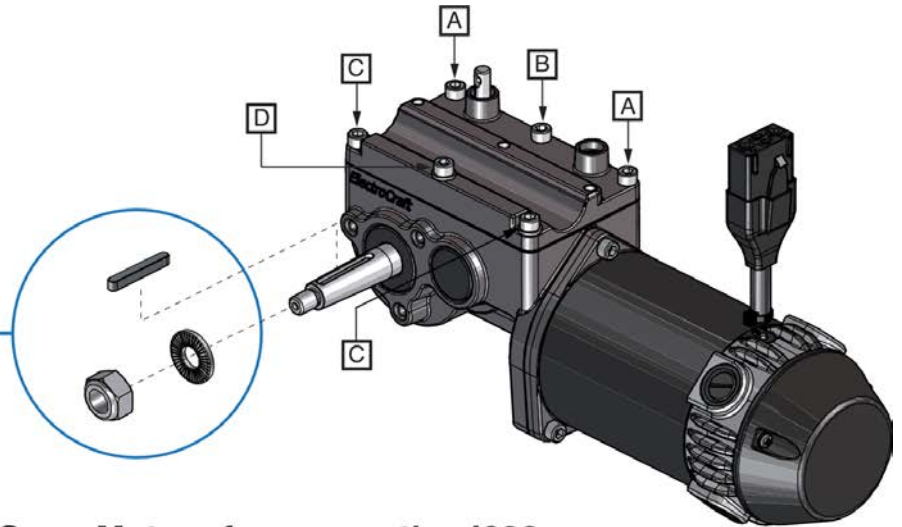
F1a	Right
F1b	Left

SONG 8 MPH Motor Assy

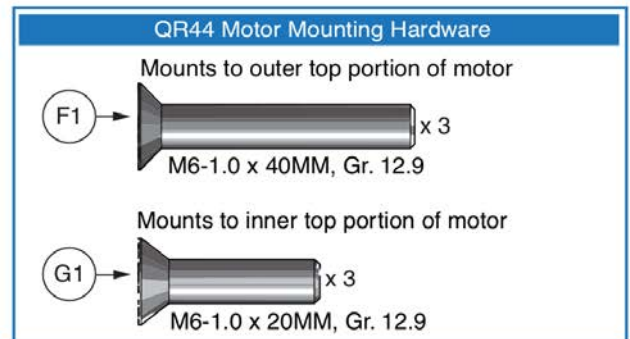
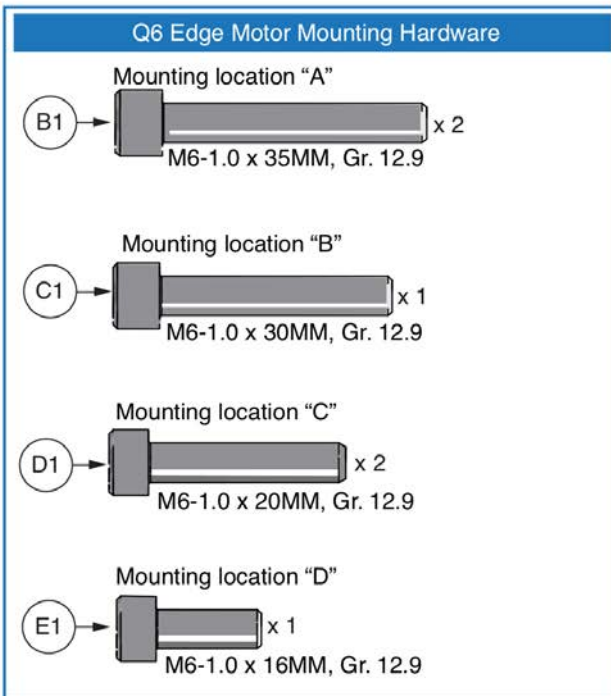


Item	Part No.	Name	Qty
A1	MOT122444	MOTOR,ASSY,DRIVE,868 SONG,W/GEARBOX,3600RPM MOTOR,17.9:1 GEAR RATIO,TAPERED SHAFT GEARBOX,GEARBOX NEUTRAL,190RPM SHAFT OUTPUT,RIGHT HAND MWD/FWD,LEFT HAND RWD,18.5" LEAD LENGTH,CURTIS CONNECTOR	1
B1	MOT122443	MOTOR,ASSY,DRIVE,868 SONG,W/GEARBOX,3600RPM MOTOR,17.9:1 GEAR RATIO,TAPERED SHAFT GEARBOX,GEARBOX NEUTRAL,190RPM SHAFT OUTPUT,LEFT HAND MWD/FWD,RIGHT HAND RWD,18.5" LEAD LENGTH,CURTIS CONNECTOR	1
C1	KIT150479	KIT,ASSY,WHEEL MOUNTING HARDWARE,SONG & I-SONG MOTORS	1
D1	HDW131753	SCREW,SHFH,BLACK ZINC,M6-1.0 X 40MM,GRADE 12.9,W/NYLON PATCH	3
E1	HDW131752	SCREW,SHFH,BLACK ZINC,M6-1.0 X 20MM,GRADE 12.9,W/NYLON PATCH	3
F1a	FRMASMB17154	R44 FREEWHEEL,ASSY,RELEASE HANDLE,RIGHT,D-1502-063	1
F1b	FRMASMB17153	R44 FREEWHEEL,ASSY,RELEASE HANDLE,LEFT,D-1502-064	1
G1	PINSOTR1000	PIN, COTTER,ZINC PLATED,1/16" X 1"	2
G2	SCRSETS1102	SCREW,SET,M6-1.0 X 6MM,CUP POINT,W/NYLON PATCH	2
G3	SCRHHCS1377	SCREW,HHCS,BLACK ZINC,M8-1.25 X 55MM,GRADE 10.9	1
G4	HDW138262	WASHER, FLAT, 8.4 ID X 16 OD X 1.6 THK, ISO 7089-8-200 HV, BZ	2
G5	WASNLYN1084	WASHER,BLACK,NYLON,8.5MM ID X 16MM OD X 1MM TH	2
G6	NUTNYLK1011	NUT,NYLOCK,BLACK ZINC,M8-1.25	1
G7	SCRPPH1036	SCREW, PAN HEAD, TYPE H, M4X0.7 X 8, FT, ISO 7045, CL 4.8, BZ	2
G8		WASHER,FLAT,BLACK ZINC,4.3MM ID X 14MM OD X 3MM TH	1

5. Drive Motor Assy's



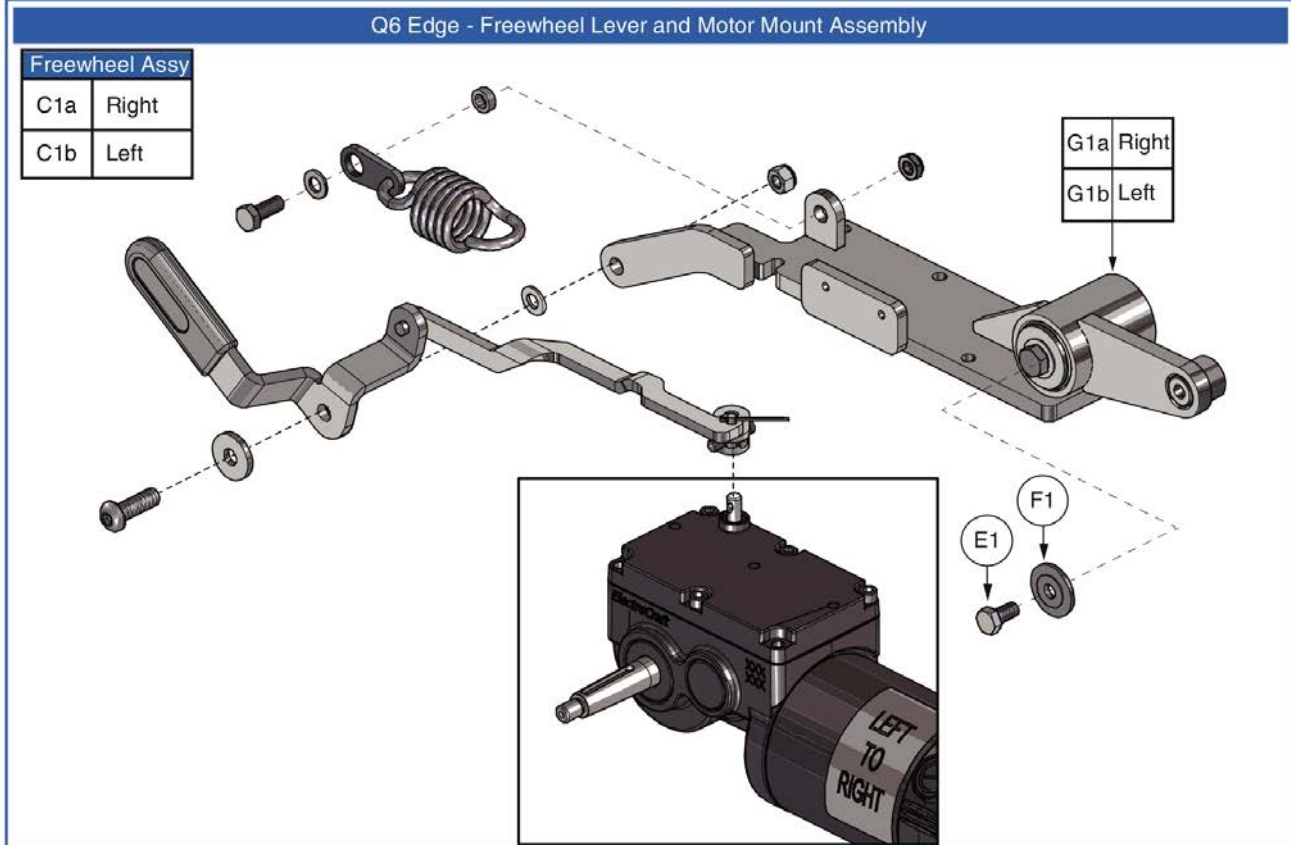
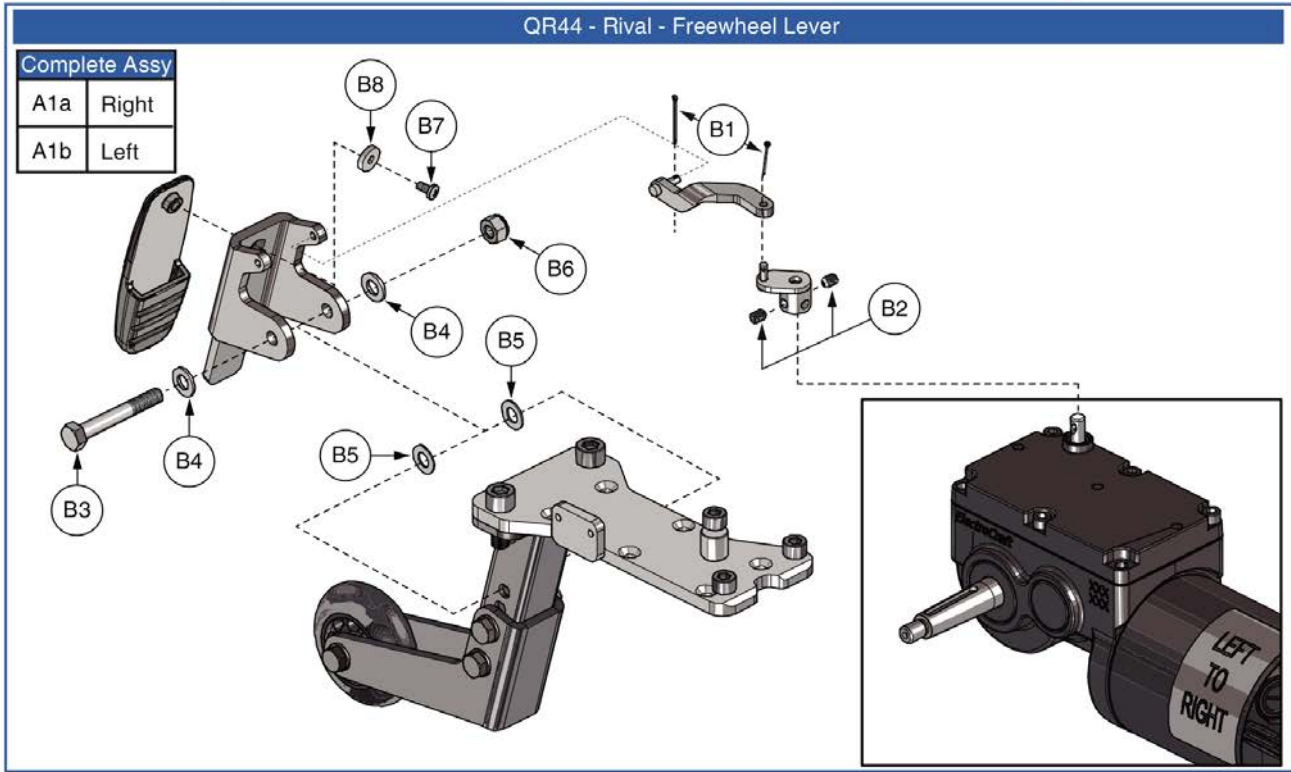
*****The 5MPH and 6MPH Song Motors for use on the J623, Q6 Edge and QR44 - Rival are no longer available for replacement. Contact Technical Service for replacement options. Only items with callouts are available for replacement.*****



Item	Part No.	Name	Qty
A1	KIT150479	KIT,ASSY,WHEEL MOUNTING HARDWARE,SONG & I-SONG MOTORS	1
B1	SCRSHCS1154	SCREW, SHCS,M6-1.0 X 35MM,GRADE 12.9	2
C1	SCRSHCS1323	SCREW,SHCS,ZINC,M6-1.0 X 30MM,GRADE 12.9	1
D1	SCRSHCS1316	SCREW,SHCS,ZINC,M6-1.0 X 20MM,GRADE 12.9	2
E1	SCRSHCS1322	SCREW,SHCS,ZINC,M6-1.0 X 16MM,GRADE 12.9	1
F1	HDW131753	SCREW,SHFH,BLACK ZINC,M6-1.0 X 40MM,GRADE 12.9,W/NYLON PATCH	3
G1	HDW131752	SCREW,SHFH,BLACK ZINC,M6-1.0 X 20MM,GRADE 12.9,W/NYLON PATCH	3

5. Drive Motor Assy's

Only items with callouts are available for replacement.

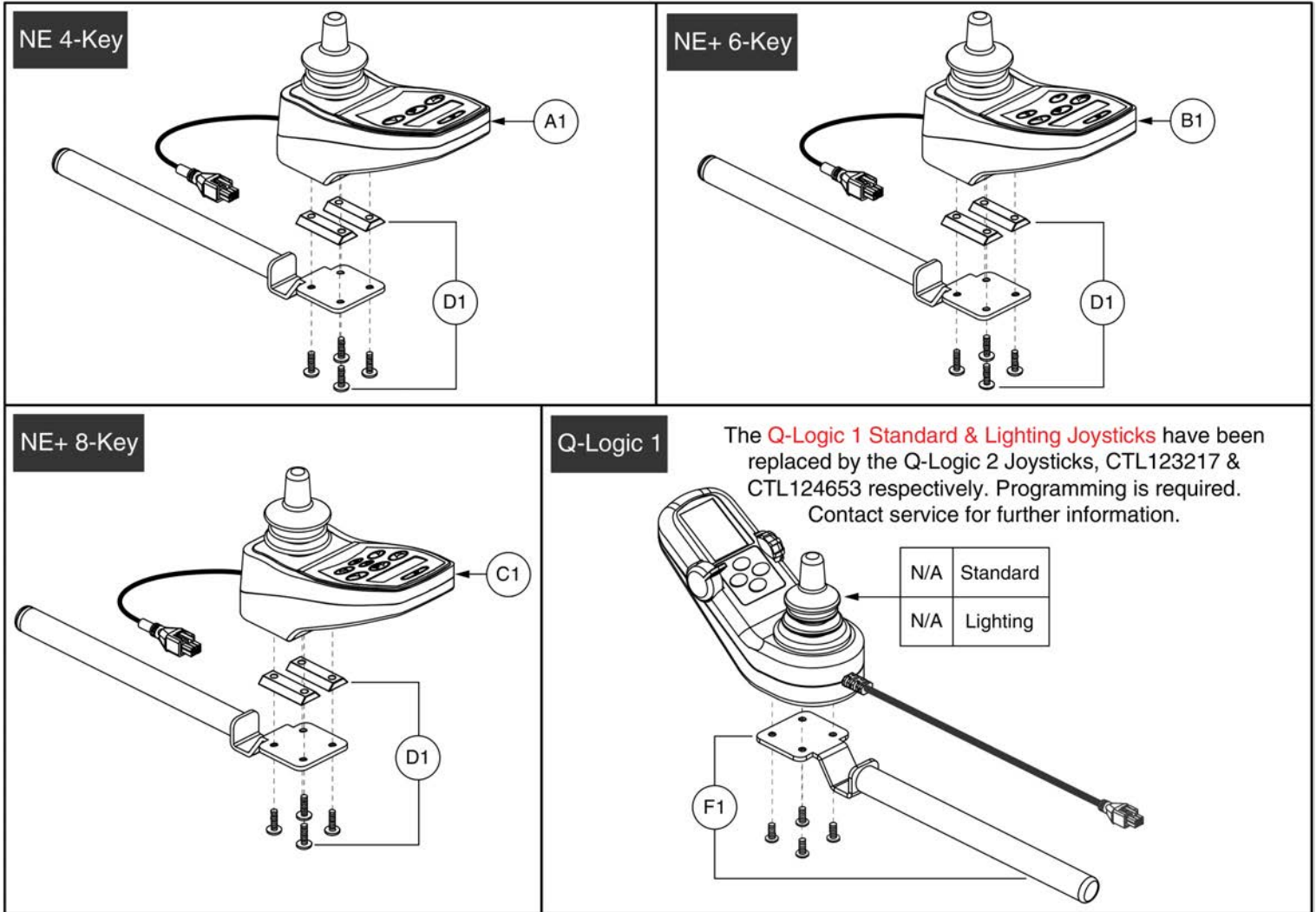


Song Motor Freewheel Lever Assy's



Item	Part No.	Name	Qty
A1a	FRMASMB17154	R44 FREEWHEEL,ASSY,RELEASE HANDLE,RIGHT,D-1502-063	1
A1b	FRMASMB17153	R44 FREEWHEEL,ASSY,RELEASE HANDLE,LEFT,D-1502-064	1
B1	PINSOTR1000	PIN, COTTER,ZINC PLATED,1/16" X 1"	2
B2	SCRSETS1102	SCREW,SET,M6-1.0 X 6MM,CUP POINT,W/NYLON PATCH	2
B3	SCRHHCS1377	SCREW,HHCS,BLACK ZINC,M8-1.25 X 55MM,GRADE 10.9	1
B4	HDW138262	WASHER, FLAT, 8.4 ID X 16 OD X 1.6 THK, ISO 7089-8-200 HV, BZ	2
B5	WASNYLN1084	WASHER,BLACK,NYLON,8.5MM ID X 16MM OD X 1MM TH	2
B6	NUTNYLK1011	NUT,NYLOCK,BLACK ZINC,M8-1.25	1
B7	SCRPPH1036	SCREW, PAN HEAD, TYPE H, M4X0.7 X 8, FT, ISO 7045, CL 4.8, BZ	1
B8	NUTNYLK1011	NUT,NYLOCK,BLACK ZINC,M8-1.25	1
C1a	FRMASMB16057	FREEWHEEL,ASSY,RELEASE,RIGHT,QUANTUM623,C-1062-053	1
C1b	FRMASMB16056	FREEWHEEL,ASSY,RELEASE,LEFT,QUANTUM623,C-1062-052	1
D1	FRMASMB16030	SUSPENSION,ASSY,PIVOTING SPRING MOUNT,QUANTUM623,C- 1062-044	1
E1	SCRHHCS1412	SCREW, HEX HEAD, M8X1.25 X 16, ISO 4014, CL 10.9, BZ, PVTP	1
F1	WASMETR1096	WASHER,CUSTOM,BLACK ZINC,8.4MM ID X 30MM OD X 2.5MM TH	1
G1a	FRMASMB17954	MOTOR MOUNT,ASSY,RIGHT,W/MOUNTING HARDWARE,Q6EDGE,D- 1062-113 ***Replaced with Version 2***	1
G1b	FRMASMB17953	MOTOR MOUNT,ASSY,LEFT,W/MOUNTING HARDWARE,Q6EDGE,D- 1062-112 ***Replaced with Version 2***	1

6. Joystick Assy's

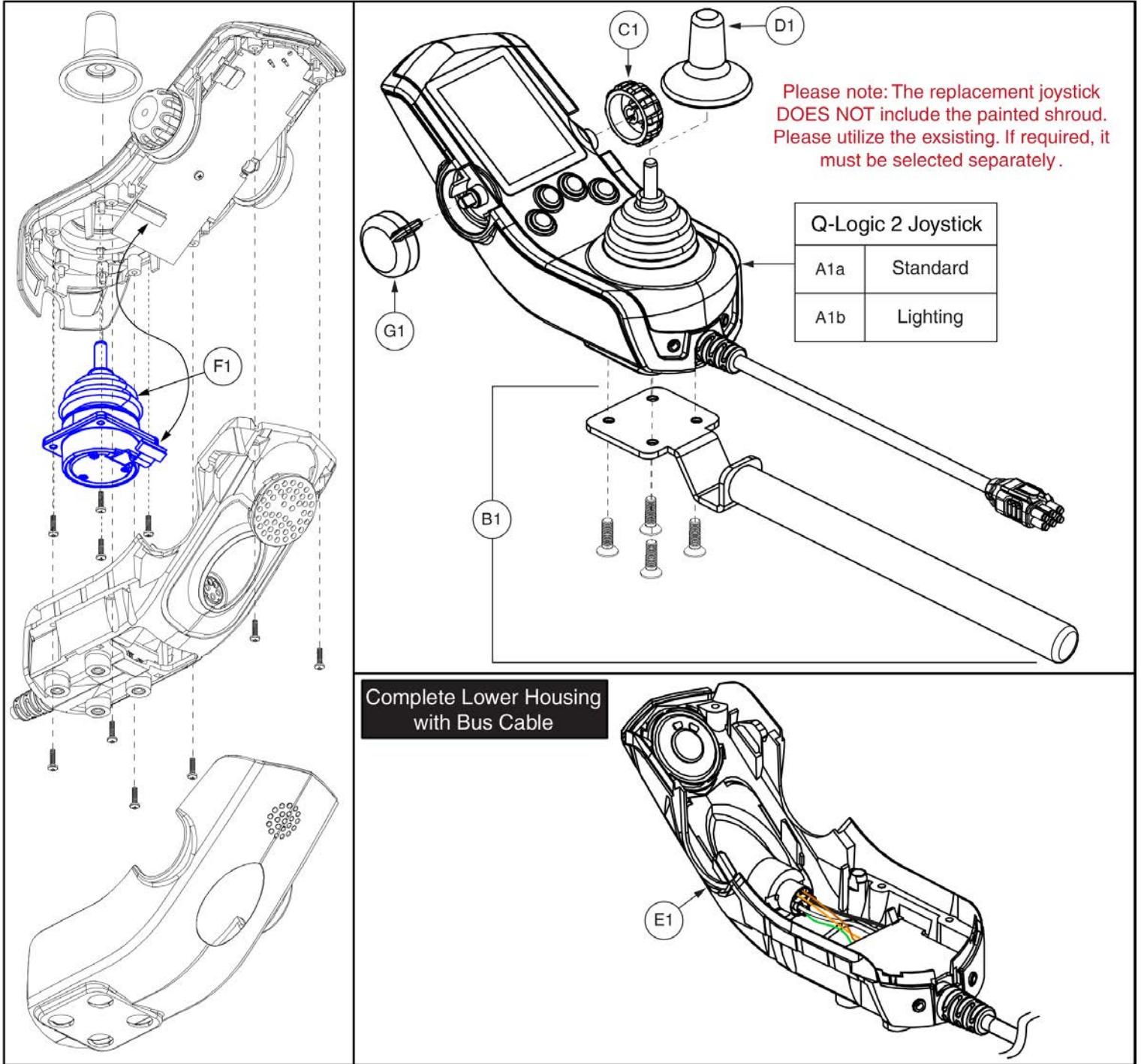


NE, NE+, & Q-Logic 1 Joystick Assy's



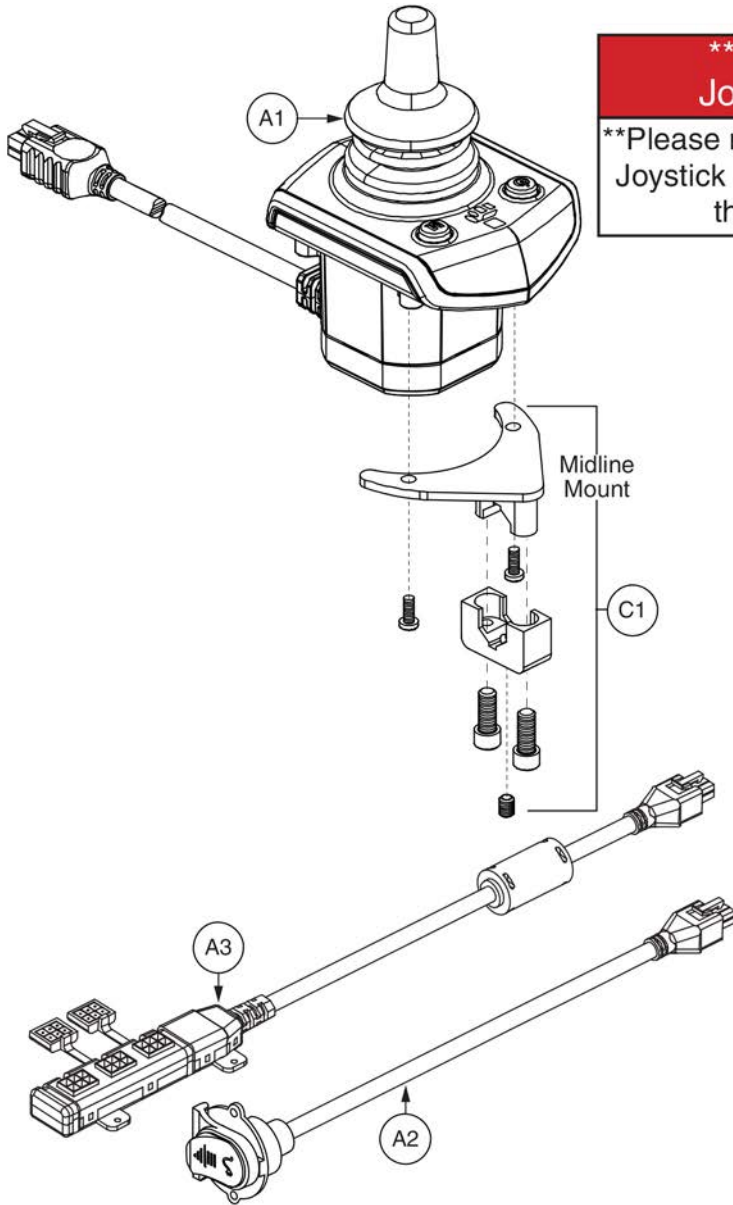
Item	Part No.	Name	Qty
A1	CTLDC1554	CONTROLLER,JOYSTICK MODULE,CURTIS,NE,4 KEY,H-1111-263,(CURTIS: 378692019)	1
B1	CTLDC1560	CONTROLLER,JOYSTICK MODULE,CURTIS NE PLUS,6 KEY,SWITCH JACKS AND ACTUATORS,H-1111-268,(CURTIS: 17905700)	1
C1	CTLDC1561	CONTROLLER,JOYSTICK MODULE,CURTIS NE PLUS,8 KEY,SWITCH JACKS,ACTUATORS,AND LIGHTS,H-1111-269,(CURTIS: 17906700)	1
D1	FRMASMB12744	JOYSTICK MOUNTING BRACKET,ASSY,NE/NE PLUS CONTROLLER,INLINE	1
E1		CONTROLLER,JOYSTICK MODULE,Q-LOGIC,CURTIS,4 KEY,W/LCD COLOR DISPLAY,H-1111-022,(CURTIS: 17856700)	1
F1	FRMASMB10617	JOYSTICK MOUNTING BRACKET,ASSY,CURTIS,INLINE	1

6. Joystick Assy's

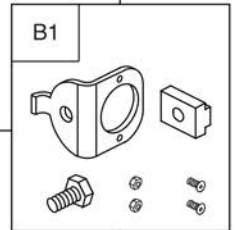
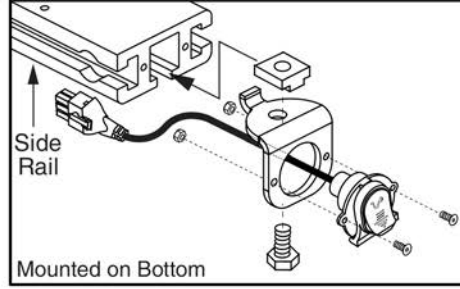
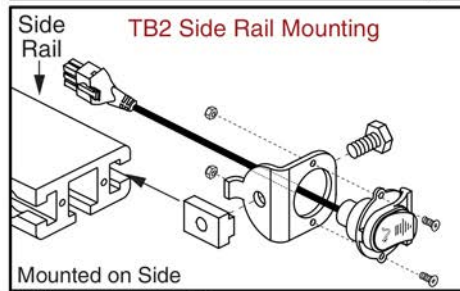
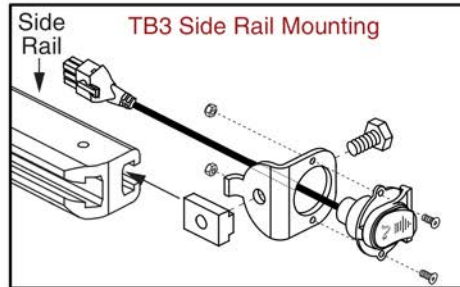
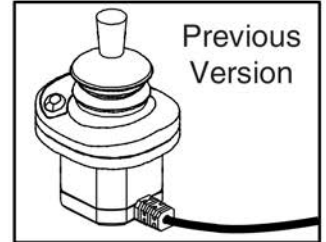


Item	Part No.	Name	Qty
A1a	CTL123217	CONTROLLER,JOYSTICK MODULE Q-LOGIC 2,4 KEY,W/LCD COLOR DISPLAY	1
A1b	CTL124653	CONTROLLER,JOYSTICK MODULE Q-LOGIC 2,4 KEY,LIGHTS,W/LCD COLOR DISPLAY	1
B1	FRMASMB10617	JOYSTICK MOUNTING BRACKET,ASSY,CURTIS,INLINE	1
C1	DGN124309	SPEED WHEEL,KNOB,CURTIS Q-LOGIC 2,BLACK,PLASTIC,DGN124309,(CURTIS: 17949367-01)	1
D1	DGN124308	JOYSTICK,KNOB,CURTIS,STANDARD,6.35MM-ID,DGN124308,(CURTIS: 37381)	1
E1	ELE124313	Q-LOGIC 2 BOTTOM HOUSING,JOYSTICK MODULE,W/BUS CABLE	1
F1	ELE124312	ELECTRONIC,JOYSTICK GIMBLE,DIGITAL,Q-LOGIC 2&3	1
G1	KIT152919	KIT,ASSY,Q-LOGIC 2 CONTROLLER,ON/OFF/MODE TOGGLE REPLACEMENT,W/INSTALLATION INSTRUCTIONS	1

6. Joystick Assy's



*****Q-Logic Stand Alone Joystick Replacement*****
 Please note: The Q-Logic 2 Stand Alone Joystick replaces all previous versions of the Stand Alone joystick.



Q-Logic 2 Stand Alone Joystick Assy



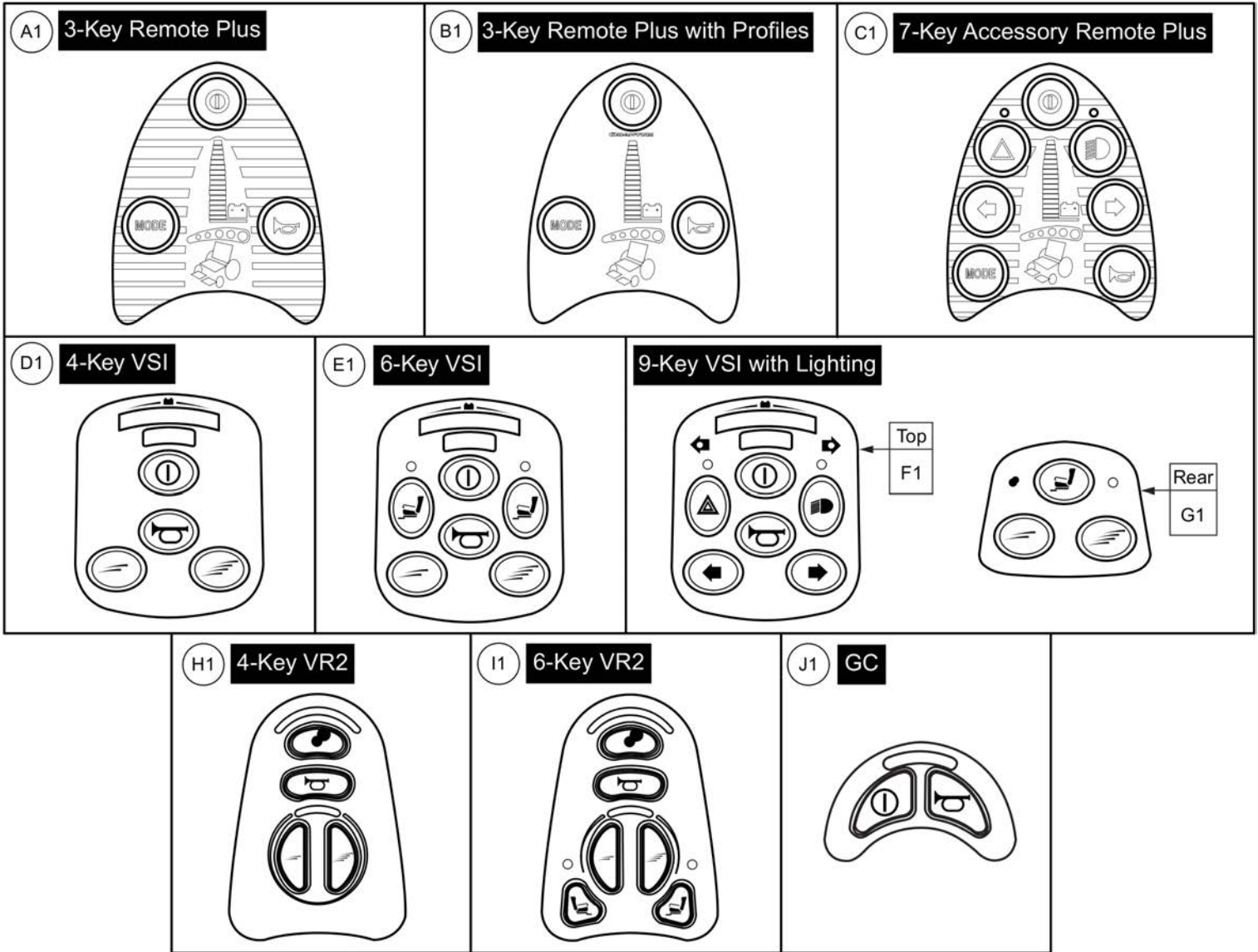
Item	Part No.	Name	Qty
A1	CTL137635	CONTROLLER,STAND ALONE JOYSTICK 2.0,Q-LOGIC 2 (CURTIS: 17960700-8109)	1
A2	DWR1111H051	HARNESS,CHARGER/PROGRAMMER,1.0 METER,H-1111-051,(CURTIS: 17880700)	1
A3	DWR1111H053	HARNESS,MULTIPLIER BOX,0.3 METER,H-1111-053,(CURTIS: 17869700)	1
B1	FRMASMB11156	MOUNTING BRACKET,ASSY,STAND ALONE JOYSTICK,SIDE RAIL MOUNT,C-1360-163	1
C1	FRMASMB10454	JOYSTICK MOUNTING BRACKET,ASSY,CURTIS STAND ALONE JOYSTICK,MIDLINE,C-1010-263	1

Joystick Knobs & Overlays

<p>A1 Soft Ball</p> 	<p>B1 I-Handle</p> 	<p>C1 T-bar</p> 	<p>D1 Ball</p> 				
<p>E1 Mushroom</p> 	<p>F1 Chin Cup</p> 	<p>G1 Remote Plus (Carrot)</p> 	<p>Goal Posts</p> <table border="1" data-bbox="1425 1066 1546 1171"><tr><td>H1</td><td>3"</td></tr><tr><td>I1</td><td>4"</td></tr></table> 	H1	3"	I1	4"
H1	3"						
I1	4"						

Item	Part No.	Name	Qty
A1	ACCASMB1856	P&G JOYSTICK KNOB,ASSY,JAZZY,SOFT BALL	1
B1	ACCASMB1857	P&G JOYSTICK KNOB,ASSY,JAZZY,EXTENDED I-HANDLE	1
C1	ACCASMB1858	P&G JOYSTICK KNOB,ASSY,JAZZY,T BAR	1
D1	ACCASMB1859	P&G JOYSTICK KNOB,ASSY,JAZZY,BALL	1
E1	ACCASMB1860	P&G JOYSTICK KNOB,ASSY,JAZZY,MUSHROOM	1
F1	ACCASMB1861	P&G JOYSTICK KNOB,ASSY,JAZZY,CHIN CUP	1
G1	ACCASMB1862	P&G JOYSTICK KNOB,ASSY,JAZZY,REMOTE STANDARD	1
H1	PLSKNCP1057	JOYSTICK KNOB,3",GOAL POST,W/FLEX SHAFT,FOR 1/4" STEM,(BP: PC101B)	1
I1	PLSKNCP1058	JOYSTICK KNOB,4",GOAL POST,W/FLEX SHAFT,FOR 1/4" STEM,(BP: PC102B)	1

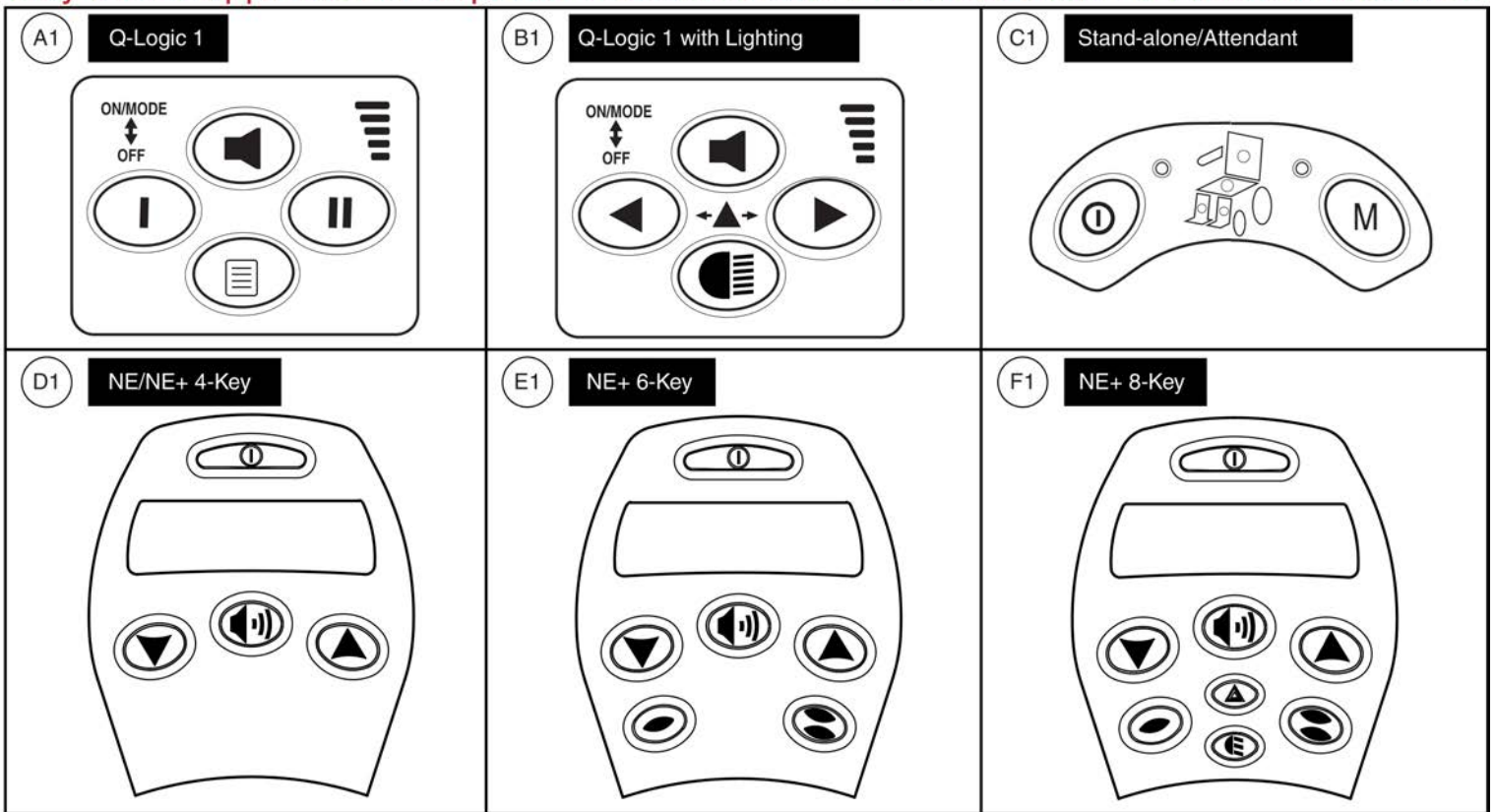
Joystick Knobs & Overlays



Item	Part No.	Name	Qty
A1	TECSERV1064	ELECTRONIC,REMOTE PLUS JOYSTICK,3 KEY TEMPLATE,(PGDT: 73903)	1
B1	RECPART1085	ELECTRONIC,KEYPAD,REMOTE PLUS,3 KEY,PROFILED,(PGDT: P76347)	1
C1	TECSERV1065	ELECTRONIC,REMOTE PLUS JOYSTICK,7 KEY TEMPLATE,(P&G: P73907)	1
D1	RECPART1071	ELECTRONIC,KEYPAD,VSI,4 KEY,(PGDT: 222-P75736)	1
E1	RECPART1061	ELECTRONIC,KEYPAD,VSI,6 KEY,(PGDT: 222-P75735)	1
F1	RECPART1066	ELECTRONIC,KEYPAD,VSI,6 KEY W/LIGHTS,(PGDT: 222-P76522)	1
G1	RECPART1067	ELECTRONIC,KEYPAD,VSI,3 KEY,REAR,(PGDT: 222-SA76710)	1
H1	RECPART1129	ELECTRONIC,KEYPAD,VR2 CONTROLLER,4 KEY,(PG: P77909)	1
I1	RECPART1130	ELECTRONIC,KEYPAD,VR2 CONTROLLER,6 KEY,(PG: P77910)	1
J1	DWR1111H199	ELECTRONIC,KEYPAD,GC CONTROLLER,2 KEY,H-1111-199,(PGDT: P78238)	1

Joystick Knobs & Overlays

Please note: Joystick selection varies by power base model. Replacement parts shown may not be applicable to all power bases. Contact Technical Service for more information.

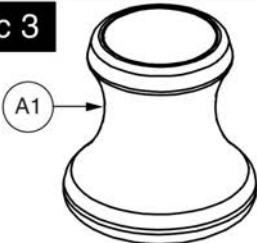
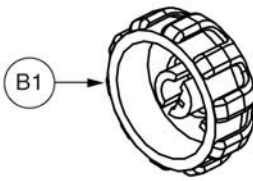
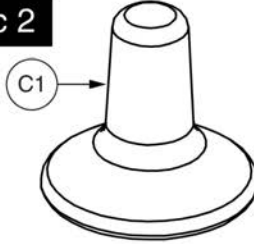
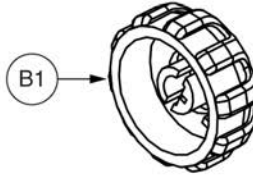
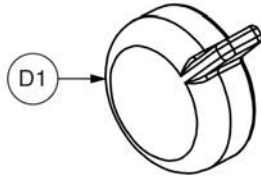
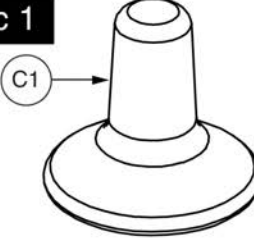
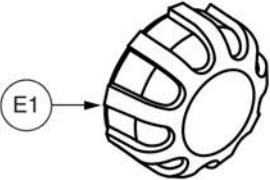


Item	Part No.	Name	Qty
A1	KITASMB1728	KIT,ASSY,Q-LOGIC CONTROLLER KEYPAD REPLACEMENT,W/INSTALLATION INSTRUCTIONS	1
B1	KITASMB1729	KIT,ASSY,Q-LOGIC CONTROLLER W/LIGHTS KEYPAD REPLACEMENT,W/INSTALLATION INSTRUCTIONS	1
C1	KITASMB1730	KIT,ASSY,Q-LOGIC STAND ALONE CONTROLLER KEYPAD REPLACEMENT,W/INSTALLATION INSTRUCTIONS	1
D1	KIT152913	KIT,ASSY,NE/NE PLUS CONTROLLER,4 KEY KEYPAD REPLACEMENT,W/INSTALLATION INSTRUCTIONS	1
E1	KIT152914	KIT,ASSY,NE/NE PLUS CONTROLLER,6 KEY KEYPAD REPLACEMENT,W/INSTALLATION INSTRUCTIONS	1
F1	KIT152915	KIT,ASSY,NE/NE PLUS CONTROLLER,8 KEY KEYPAD REPLACEMENT,W/INSTALLATION INSTRUCTIONS	1

Joystick Knobs & Overlays

Please note:

- Joystick selection varies by power base model. Replacement parts shown may not be applicable to all power bases.
- Serviceable components vary for each version of the Q-Logic Joystick and only the serviceable parts are shown for each.
- Contact Technical Service for more information.

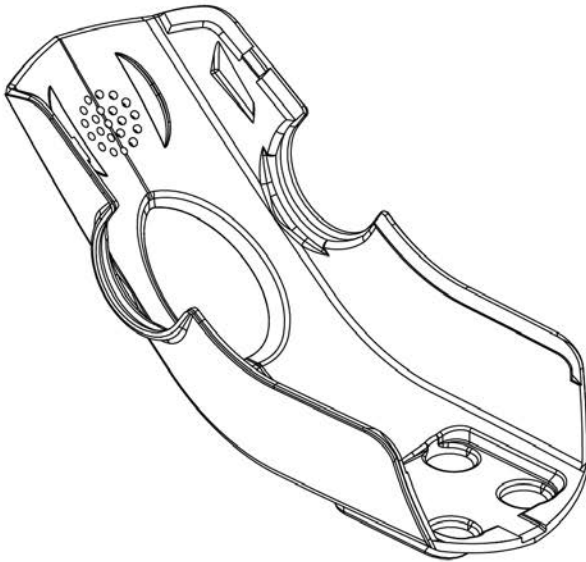
<p>Q-Logic 3</p>  <p>Joystick & Stand-alone/Attendant Gimble Knob</p>	 <p>Speed Knob</p>	
<p>Q-Logic 2</p>  <p>Joystick & Stand-alone/Attendant Gimble Knob</p>	 <p>Speed Knob</p>	 <p>On/Off/Mode Knob <i>(NOT compatible with Q-Logic 1 or 3)</i></p>
<p>Q-Logic 1</p>  <p>Joystick & Stand-alone/Attendant Gimble Knob</p>	 <p>Speed Knob</p>	

Item	Part No.	Name	Qty
A1	DGN154742	JOYSTICK, KNOB, Q-LOGIC 3, 6.35MM-ID, (CURTIS: 17519114-01)	1
B1	DGN124309	SPEED WHEEL,KNOB,CURTIS Q-LOGIC 2,BLACK,PLASTIC,DGN124309,(CURTIS: 17949367-01)	1
C1	DGN124308	JOYSTICK,KNOB,CURTIS,STANDARD,6.35MM-ID,DGN124308,(CURTIS: 37381)	1
D1	KIT152919	KIT,ASSY,Q-LOGIC 2 CONTROLLER,ON/OFF/MODE TOGGLE REPLACEMENT,W/INSTALLATION INSTRUCTIONS	1
E1	PLSINDV1252	ELECTRONIC,KNOB,BLACK,PLASTIC,SPEED WHEEL,(CURTIS: 17856352-A)	1

Q-Logic 2 & 3 Joystick Shrouds

***Please Note:**

- The joystick shrouds are available in all the Quantum colors listed.
- Power base colors vary by model and some colors listed may not be available on all power bases. See the Quantum Color Reference Chart for color options.
- Some colors listed may have prolonged lead times.
- Contact Technical Service for more information.



Q-Logic 2 (Pre 2015)	
Ref#	Color Name
A1	Std., Soft Touch
A2	Black
A3	Silver
A4	Candy Apple Red
A5	Pearl Pink
A6	Sapphire Blue
A7	True Blue
A8	Viper Blue
A9	Emerald Green
A10	Orion Yellow
A11	Sunburst Orange

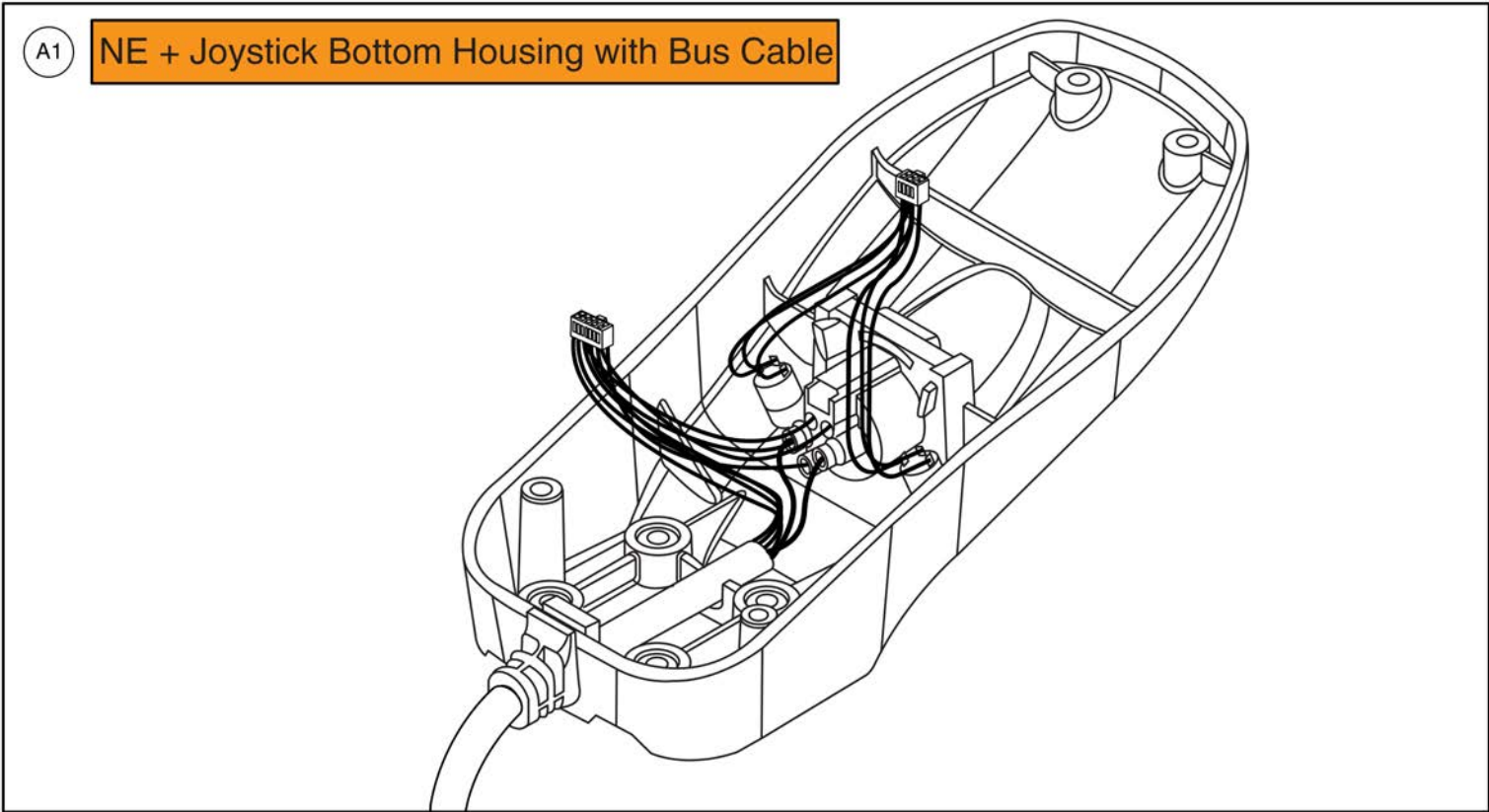
Q-Logic 2 (Post 2015) & Q-Logic 3	
Ref#	Color Name
B1	Std., Soft Touch
B2	Back in Black
B3	Night Train
B4	Grey Street
B5	Silver Bullet
B6	White Satin
B7	Red Corvette
B8	Cherry Bomb
B9	Pretty in Pink
B10	Raspberry Beret
B11	Sugar Plum
B12	Deep Purple
B13	Midnight Blue
B14	Electric Blue
B15	Blue Jean
B16	Green Machine
B17	Military Green
B18	Lime Light
B19	Yellow Blaze
B20	Lemon Crush
B21	Orange Crush
B22	Evolution Orange
B23	Carbon Fiber
B24	Digital Camo
B25	Faded Glory

Q-Logic 2 & 3 Joystick Shrouds



Item	Part No.	Name	Qty
A1	DGN124307	Q-LOGIC 2/3 JOYSTICK SHROUD,BLACK SOFT-TOUCH PAINT,(CURTIS: 17949365-02)	1
A2	DGN124336-PBK1	Q-LOGIC 2/3 JOYSTICK SHROUD,PPW-BLK-01 (BACK IN BLACK/BLACK)	1
A3	DGN124336-PSL1	Q-LOGIC 2/3 JOYSTICK SHROUD,PPW-SIL-01 (SILVER)	1
A4	DGN124336-PRD1	Q-LOGIC 2/3 JOYSTICK SHROUD,PPW-RED-01 (RED CORVETTE/CANDY APPLE RED)	1
A5	DGN124336-PPK1	Q-LOGIC 2/3 JOYSTICK SHROUD,PPW-PNK-01 (PEARL PINK)	1
A6	DGN124336-PPR4	Q-LOGIC 2/3 JOYSTICK SHROUD,PPW-PRP-04 (SAPPHIRE BLUE)	1
A7	DGN124336-PBU9	Q-LOGIC 2/3 JOYSTICK SHROUD,PPW-BLU-09 (ELECTRIC BLUE/TRUE BLUE)	1
A8	DGN124336-PBU1	Q-LOGIC 2/3 JOYSTICK SHROUD,PPW-BLU-01 (VIPER BLUE)	1
A9	DGN124336-PGN5	Q-LOGIC 2/3 JOYSTICK SHROUD,PPW-GRN-05 (EMERALD GREEN)	1
A10	DGN124336-PYL3	Q-LOGIC 2/3 JOYSTICK SHROUD,PPW-YEL-03 (YELLOW BLAZE/ORION YELLOW)	1
A11	DGN124336-POR4	Q-LOGIC 2/3 JOYSTICK SHROUD,PPW-ORN-04 (SUNBURST ORANGE)	1
B1	DGN124307	Q-LOGIC 2/3 JOYSTICK SHROUD,BLACK SOFT-TOUCH PAINT,(CURTIS: 17949365-02)	1
B2	DGN124336-PBK1	Q-LOGIC 2/3 JOYSTICK SHROUD,PPW-BLK-01 (BACK IN BLACK/BLACK)	1
B3	DGN124336-PBK3	Q-LOGIC 2/3 JOYSTICK SHROUD,PPW-BLK-03 (NIGHT TRAIN)	1
B4	DGN124336-PSL3	Q-LOGIC 2/3 JOYSTICK SHROUD,PPW-SIL-03 (GREY STREET)	1
B5	DGN124336-PSL7	Q-LOGIC 2/3 JOYSTICK SHROUD,PPW-SIL-07 (SILVER BULLET)	1
B6	DGN124336-PWH2	Q-LOGIC 2/3 JOYSTICK SHROUD,PPW-WHT-02 (WHITE SATIN)	1
B7	DGN124336-PRD1	Q-LOGIC 2/3 JOYSTICK SHROUD,PPW-RED-01 (RED CORVETTE/CANDY APPLE RED)	1
B8	DGN124336-PRD4	Q-LOGIC 2/3 JOYSTICK SHROUD,PPW-RED-04 (CHERRY BOMB)	1
B9	DGN124336-PPK3	Q-LOGIC 2/3 JOYSTICK SHROUD,PPW-PNK-03 (PRETTY IN PINK)	1
B10	DGN124336-PPK4	Q-LOGIC 2/3 JOYSTICK SHROUD,PPW-PNK-04 (RASPBERRY BERET)	1
B11	DGN124336-PPR7	Q-LOGIC 2/3 JOYSTICK SHROUD,PPW-PRP-07 (SUGAR PLUM)	1
B12	DGN124336-PPR5	Q-LOGIC 2/3 JOYSTICK SHROUD,PPW-PRP-05 (DEEP PURPLE)	1
B13	DGN124336-PBU10	Q-LOGIC 2/3 JOYSTICK SHROUD,PPW-BLU-10 (MIDNIGHT BLUE)	1
B14	DGN124336-PBU9	Q-LOGIC 2/3 JOYSTICK SHROUD,PPW-BLU-09 (ELECTRIC BLUE/TRUE BLUE)	1
B15	DGN124336-PBU11	Q-LOGIC 2/3 JOYSTICK SHROUD,PPW-BLU-11 (BLUE JEAN)	1
B16	DGN124336-PGN11	Q-LOGIC 2/3 JOYSTICK SHROUD,PPW-GRN-11 (GREEN MACHINE)	1
B17	DGN124336-PGN8	Q-LOGIC 2/3 JOYSTICK SHROUD,PPW-GRN-08 (MILITARY GREEN)	1
B18	DGN124336-PGN7	Q-LOGIC 2/3 JOYSTICK SHROUD,PPW-GRN-07 (LIME LIGHT)	1
B19	DGN124336-PYL3	Q-LOGIC 2/3 JOYSTICK SHROUD,PPW-YEL-03 (YELLOW BLAZE/ORION YELLOW)	1
B20	DGN124336-PYL4	Q-LOGIC 2/3 JOYSTICK SHROUD,PPW-YEL-04 (LEMON CRUSH)	1
B21	DGN124336-POR6	Q-LOGIC 2/3 JOYSTICK SHROUD,PPW-ORN-06 (ORANGE CRUSH)	1
B22	DGN124336-POR7	Q-LOGIC 2/3 JOYSTICK SHROUD,PPW-ORN-07 (EVOLUTION ORANGE)	1
B23	DGN124336-WCB1	Q-LOGIC 2/3 JOYSTICK SHROUD,PWT-CBN-01 (CARBON FIBER)	1
B24	DGN124336-WCM7	Q-LOGIC 2/3 JOYSTICK SHROUD,PWT-CMO-07 (MILITARY DIGITAL CAMO)	1
B25	DGN124336-WFL2	Q-LOGIC 2/3 JOYSTICK SHROUD,PWT-FLG-02 (FADED GLORY)	1

Joystick Bottom Housings

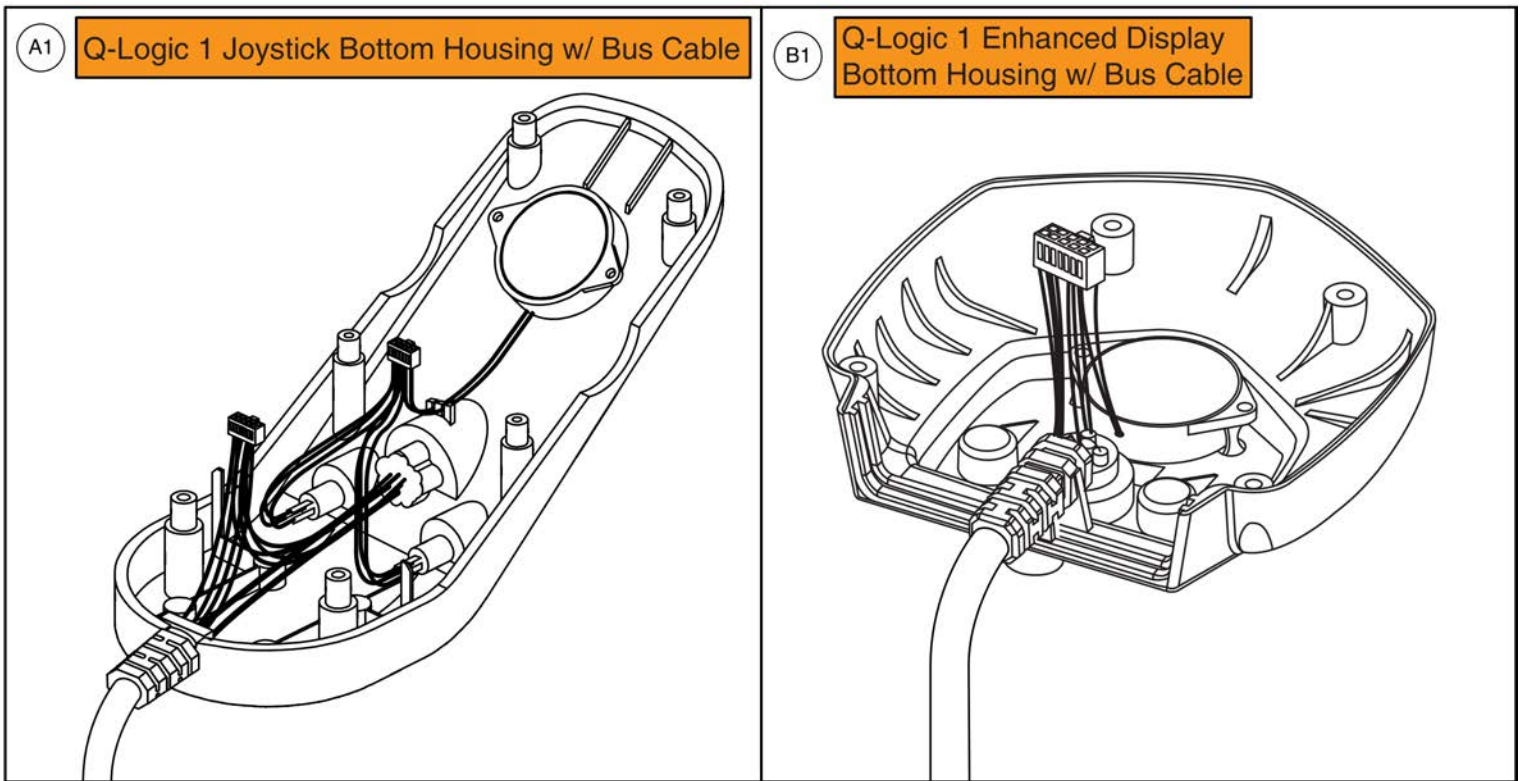


NE + Joystick Bottom Housing w/Bus Cable



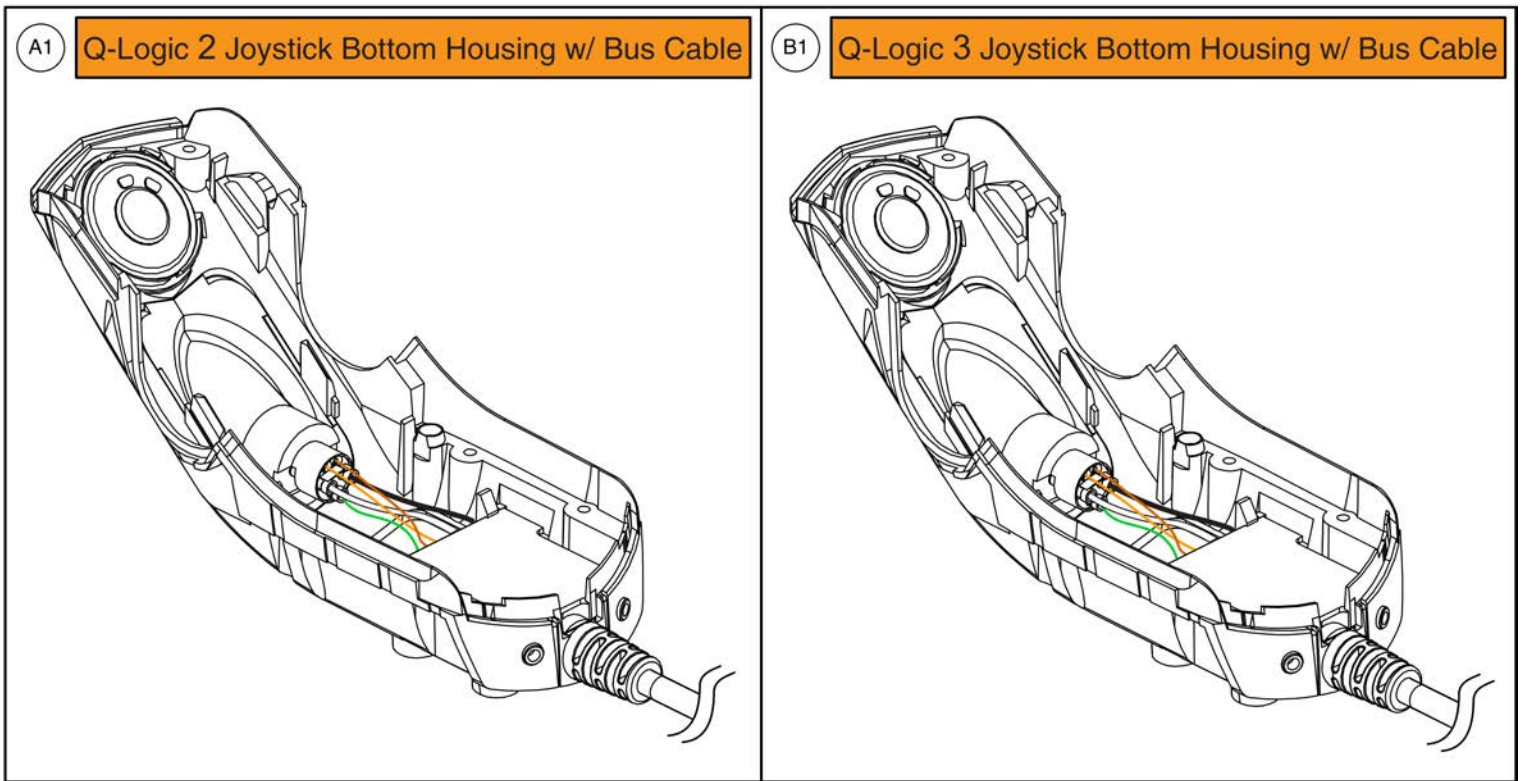
Item	Part No.	Name	Qty
A1	DWR1111C003	JOYSTICK REPLACEMENT BOTTOM,W/HARNESS,NE+ W/JACKS,C-1111-003,(CURTIS: 17906705)	1

Joystick Bottom Housings



Item	Part No.	Name	Qty
A1	DWR1111H066	ELECTRONIC,BOTTOM HOUSING,4 KEY JOYSTICK MODULE,W/BUS CABLE,CURTIS,H-1111-066,(CURTIS: 17856705)	1
B1	DWR1111H067	ELECTRONIC,BOTTOM HOUSING,ENHANCED DISPLAY CONTROLLER,W/BUS CABLE,CURTIS,H-1111-067,(CURTIS: 17861705)	1

Joystick Bottom Housings

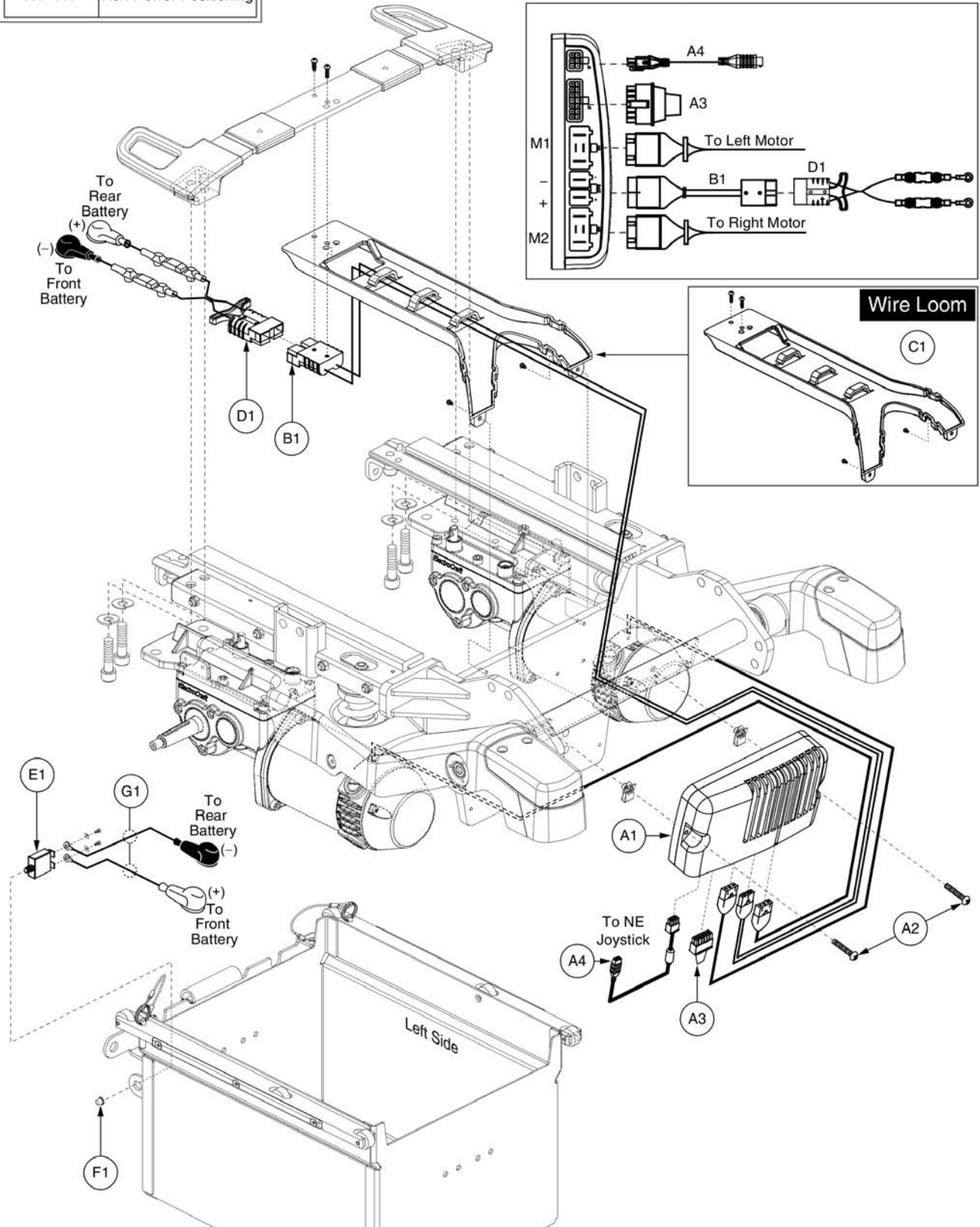


Item	Part No.	Name	Qty
A1	ELE124313	Q-LOGIC 2 BOTTOM HOUSING,JOYSTICK MODULE,W/BUS CABLE	1
B1	ELE144006	ELECTRONIC, BOTTOM HOUSING, JOYSTICK MODULE Q-LOGIC 3,W/ BUS CABLE Q-LOGIC 3, (CURTIS: 17949366-02)	1

7.1. NE Electronics

Electronic Assemblies	
Ref #	Controller
A1 - A4	Non-Power Positioning

Please note: The electronic assemblies listed replace all previous versions manufactured prior to Serial Number JC324013001C30. DWR1502H001 (B1) must be selected separately if needed.

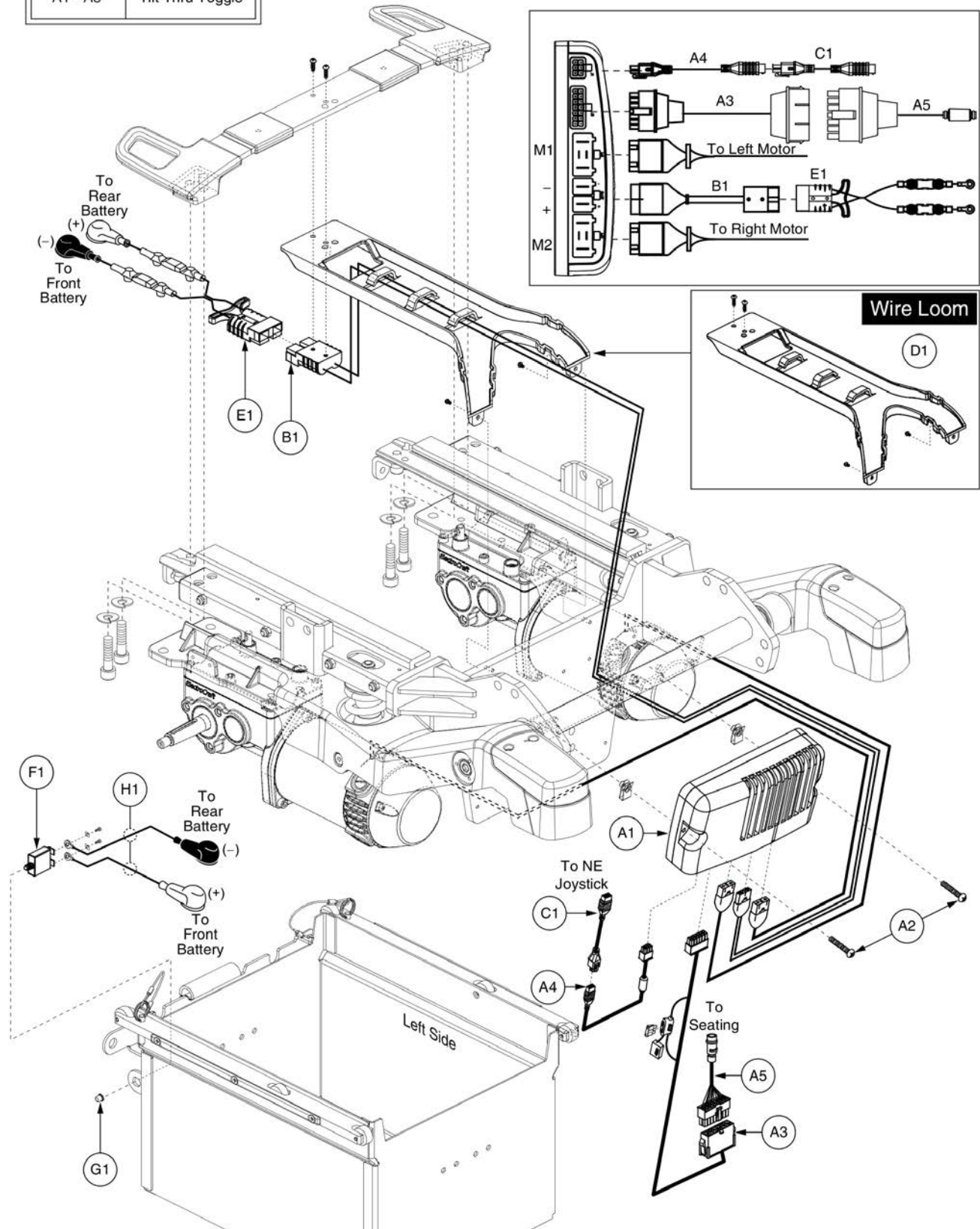


Item	Part No.	Name	Qty
A1 - A4	ELE132506	ELECTRONIC,ASSY,NE,G4,6 MPH,160 RPM MOTORS,R44	1
A1	CTL120034	CONTROLLER,NE,ASSY,75 AMP,W/G4,6 MPH,160 RPM PROGRAM,R44	1
A2	SCRPPH1390	SCREW,PPH,BLACK ZINC,M5-.8 X 35MM	2
A3	DWR1265H061	ELECTRONIC,HARNESS,RUN PLUG,NE,CURTIS,H-1265-061	1
A4	DWR1111H065	ELECTRONIC,HARNESS,BUS EXTENSION CABLE,CURTIS,0.410 METER,MALE/FEMALE,H-1111-065,(CURTIS: 17881303)	1
B1	DWR1502H001	ELECTRONIC,HARNESS,POWER CABLE,CURTIS,H-1502-001	1
C1	FRMASMB7110015	FRAME,ASSY,WIRE LOOM,R44	1
D1	DWR1502H002	ELECTRONIC,HARNESS,BATTERY CABLE,W/125A/32V FUSEABLE LINKS,H-1502-002	1
E1	ELEASMB1000	ELECTRONIC,ASSY,CIRCUIT BREAKER,50 AMP,COMPLETE,RIGHT ANGLE TERMINALS,PUSH TO RESET	1
F1	INDPART2148	COVER,12 X 1.25T,BREAKER BUTTON, W/NUT	1
G1	DWR1502H003	ELECTRONIC,HARNESS,POSITIVE BATTERY TERMINAL TO CIRCUIT BREAKER JUMPER,H-1502-003	1

7.1. NE Electronics

Electronic Assemblies	
Ref #	Controller
A1 - A5	Tilt Thru Toggle

Please note: The electronic assemblies listed replace all previous versions manufactured prior to Serial Number JC324013001C30. DWR1502H001 (B1) must be selected separately if needed.

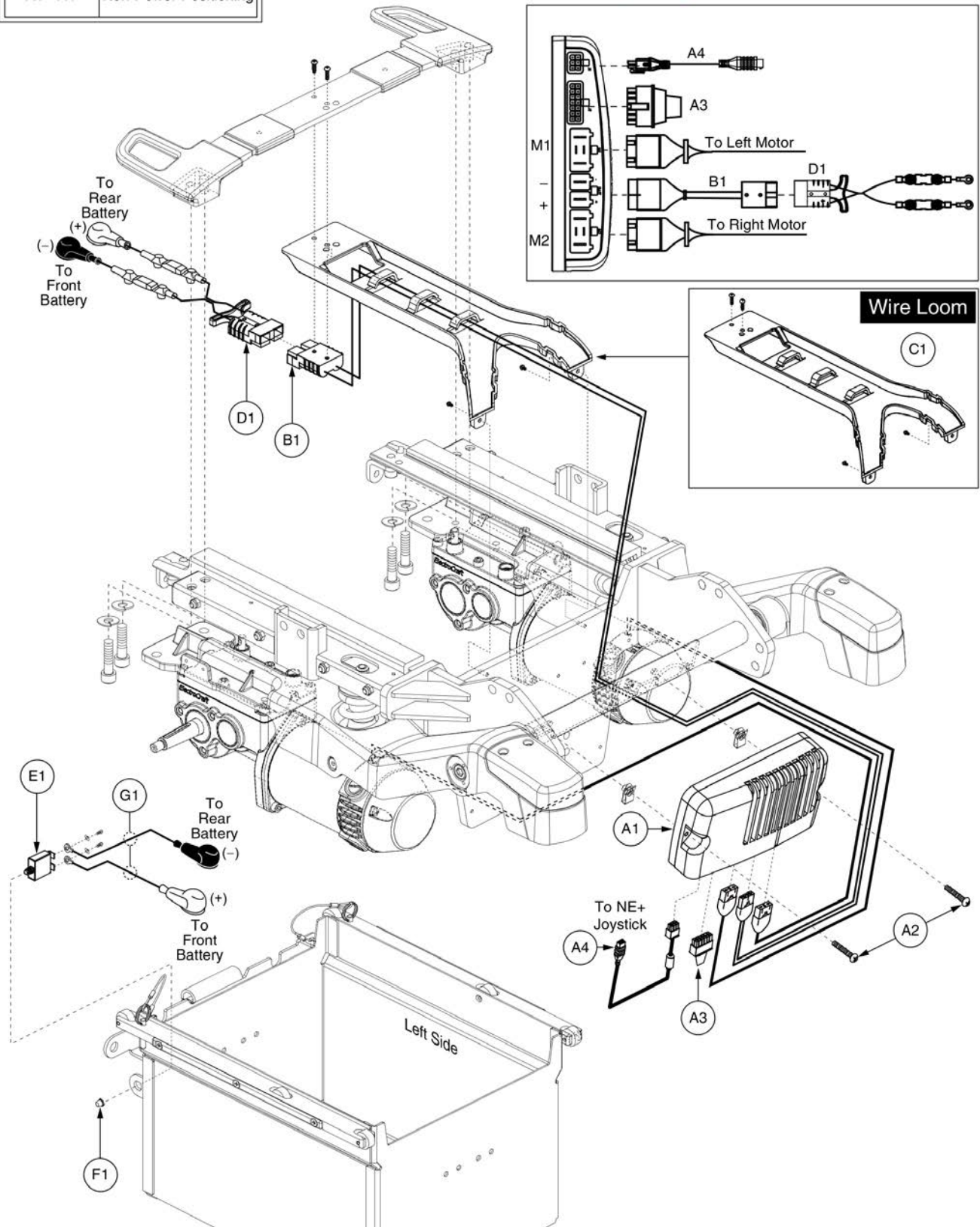


Item	Part No.	Name	Qty
A1 - A5	ELE132507	ELECTRONIC,ASSY,NE,G4,6 MPH,160 RPM MOTORS,R44,TILT THRU TOGGLE	1
A1	CTL120034	CONTROLLER,NE,ASSY,75 AMP,W/G4,6 MPH,160 RPM PROGRAM,R44	1
A2	SCRPPH1390	SCREW,PPH,BLACK ZINC,M5-.8 X 35MM	2
A3	DWR1265H055	ELECTRONIC,HARNESS,INTERMEDIATE,OFFBOARD CHARGER,NE,H-1265-055	1
A4	DWR1111H065	ELECTRONIC,HARNESS,BUS EXTENSION CABLE,CURTIS,0.410 METER,MALE/FEMALE,H-1111-065,(CURTIS: 17881303)	1
A5	DWR1265H057	ELECTRONIC,HARNESS,PTO ONLY,NE,H-1265-057	1
B1	DWR1502H001	ELECTRONIC,HARNESS,POWER CABLE,CURTIS,H-1502-001	1
C1	DWR1111H052	ELECTRONIC,HARNESS,BUS EXTENSION CABLE,1.0 METER,MALE/FEMALE,H-1111-052,(CURTIS: 37393-001)	1
D1	FRMASMB7110015	FRAME,ASSY,WIRE LOOM,R44	1
E1	DWR1502H002	ELECTRONIC,HARNESS,BATTERY CABLE,W/125A/32V FUSEABLE LINKS,H-1502-002	1
F1	ELEASMB1000	ELECTRONIC,ASSY,CIRCUIT BREAKER,50 AMP,COMPLETE,RIGHT ANGLE TERMINALS,PUSH TO RESET	1
G1	INDPART2148	COVER,12 X 1.25T,BREAKER BUTTON, W/NUT	1
H1	DWR1502H003	ELECTRONIC,HARNESS,POSITIVE BATTERY TERMINAL TO CIRCUIT BREAKER JUMPER,H-1502-003	1

7.2. NE+ Electronics

Electronic Assemblies	
Ref #	Controller
A1 - A4	Non-Power Positioning

Please note: The electronic assemblies listed replace all previous versions manufactured prior to Serial Number JC324013001C30. DWR1502H001 (B1) must be selected separately if needed.

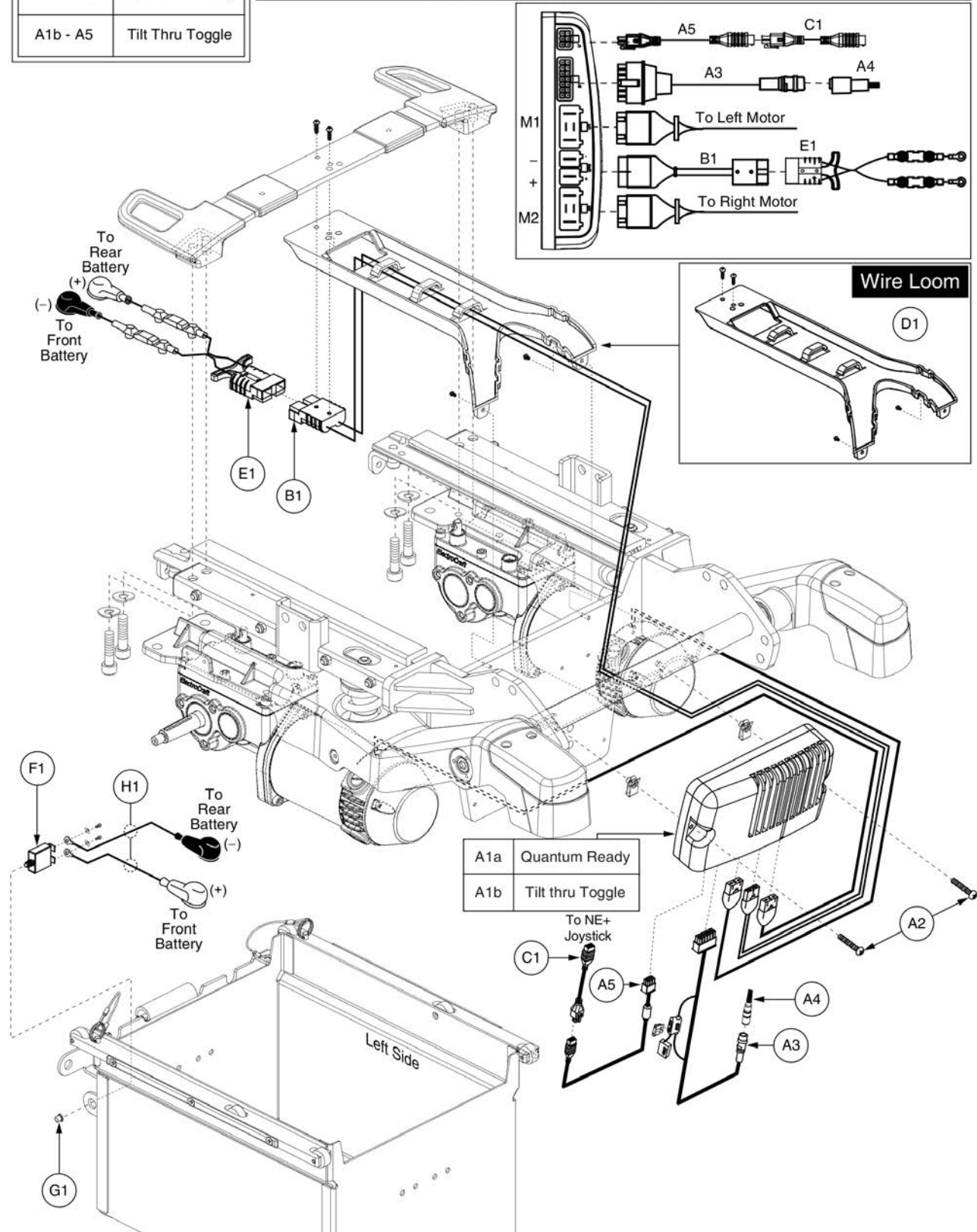


Item	Part No.	Name	Qty
A1 - A4		ELECTRONIC,ASSY,NE PLUS,G4,5 MPH,125 RPM MOTORS,R44	1
A1	CTLASMB7120001	CONTROLLER,NE PLUS,ASSY,75 AMP,W/G4,5 MPH,125 RPM PROGRAM,R44	1
A2	SCRPPH1390	SCREW,PPH,BLACK ZINC,M5-.8 X 35MM	2
A3	DWR1265H027	ELECTRONIC,HARNESS,RUN PLUG,Q-LOGIC	1
A4	DWR1111H065	ELECTRONIC,HARNESS,BUS EXTENSION CABLE,CURTIS,0.410 METER,MALE/FEMALE,H-1111-065,(CURTIS: 17881303)	1
B1	DWR1502H001	ELECTRONIC,HARNESS,POWER CABLE,CURTIS,H-1502-001	1
C1	FRMASMB7110015	FRAME,ASSY,WIRE LOOM,R44	1
D1	DWR1502H002	ELECTRONIC,HARNESS,BATTERY CABLE,W/125A/32V FUSEABLE LINKS,H-1502-002	1
E1	ELEASMB1000	ELECTRONIC,ASSY,CIRCUIT BREAKER,50 AMP,COMPLETE,RIGHT ANGLE TERMINALS,PUSH TO RESET	1
F1	INDPART2148	COVER,12 X 1.25T,BREAKER BUTTON, W/NUT	1
G1	DWR1502H003	ELECTRONIC,HARNESS,POSITIVE BATTERY TERMINAL TO CIRCUIT BREAKER JUMPER,H-1502-003	1

7.2. NE+ Electronics

Electronic Assemblies	
Ref #	Controller
A1a - A5	Quantum Ready
A1b - A5	Tilt Thru Toggle

Please note: The electronic assemblies listed replace all previous versions manufactured prior to Serial Number JC324013001C30. DWR1502H001 (B1) must be selected separately if needed.

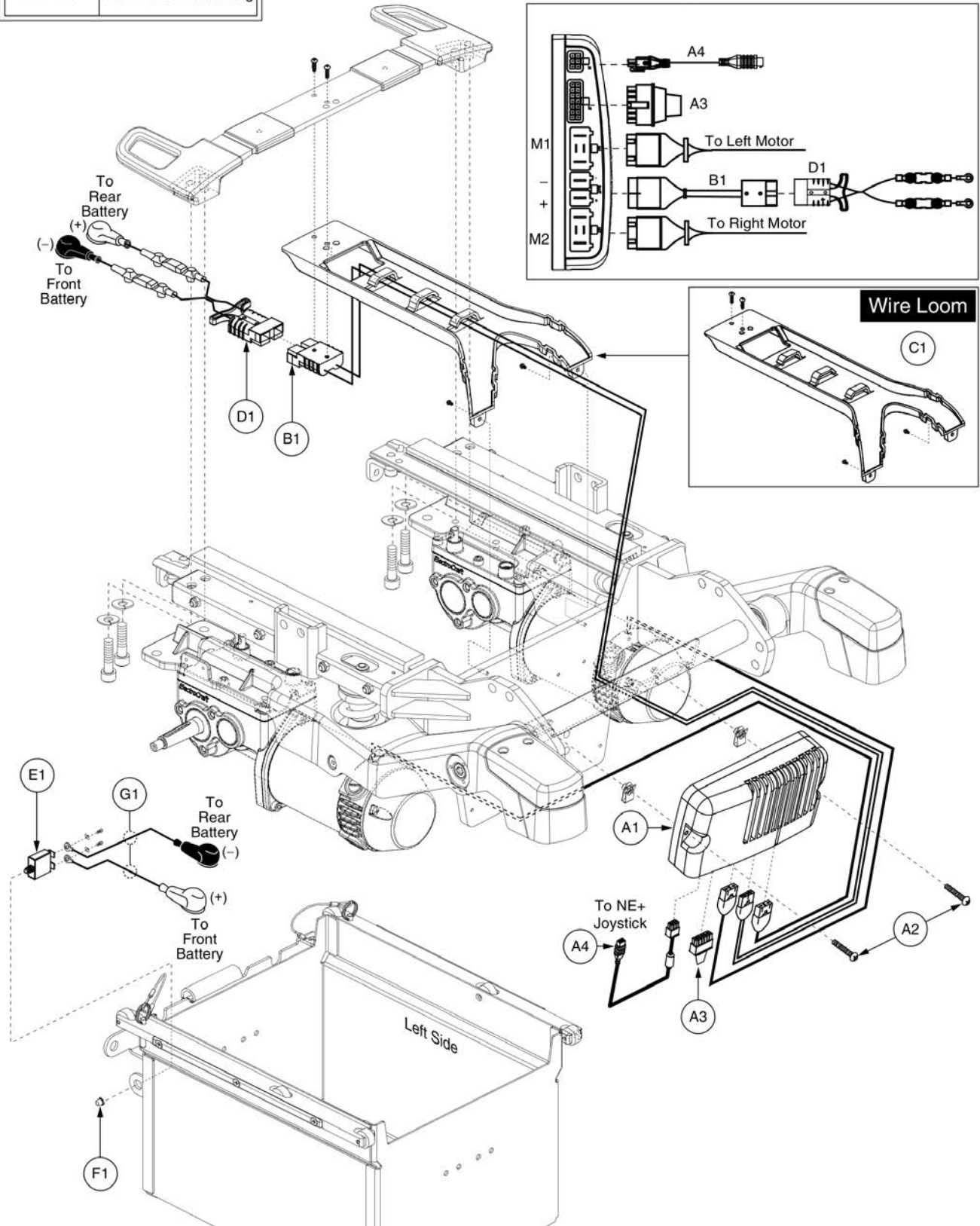


Item	Part No.	Name	Qty
A1a - A5	ELE132497	ELECTRONIC,ASSY,NE PLUS,G4,5 MPH,125 RPM MOTORS,R44,QUANTUM	1
A1b - A5	ELE132496	ELECTRONIC,ASSY,NE PLUS,G4,5 MPH,125 RPM MOTORS,R44,TILT THRU TOGGLE	1
A1a	CTLASMB7120002	CONTROLLER,NE PLUS,ASSY,75 AMP,W/G4,5 MPH,125 RPM PROGRAM,R44,QUANTUM	1
A1b	CTLASMB7120001	CONTROLLER,NE PLUS,ASSY,75 AMP,W/G4,5 MPH,125 RPM PROGRAM,R44	1
A2	SCRPPH1390	SCREW,PPH,BLACK ZINC,M5-.8 X 35MM	2
A3	DWR1265H021	ELECTRONIC,HARNESS,POWER TAKE OFF(PTO)/INHIBIT,CURTIS,H-1265-021	1
A4	DWR1361H038	ELECTRONIC,HARNESS,RUN PLUG,SURE SEAL,SYNERGY TILT,H-1361-038	1
A5	DWR1111H065	ELECTRONIC,HARNESS,BUS EXTENSION CABLE,CURTIS,0.410 METER,MALE/FEMALE,H-1111-065,(CURTIS: 17881303)	1
B1	DWR1502H001	ELECTRONIC,HARNESS,POWER CABLE,CURTIS,H-1502-001	1
C1	DWR1111H052	ELECTRONIC,HARNESS,BUS EXTENSION CABLE,1.0 METER,MALE/FEMALE,H-1111-052,(CURTIS: 37393-001)	1
D1	FRMASMB7110015	FRAME,ASSY,WIRE LOOM,R44	1
E1	DWR1502H002	ELECTRONIC,HARNESS,BATTERY CABLE,W/125A/32V FUSEABLE LINKS,H-1502-002	1
F1	ELEASMB1000	ELECTRONIC,ASSY,CIRCUIT BREAKER,50 AMP,COMPLETE,RIGHT ANGLE TERMINALS,PUSH TO RESET	1
G1	INDPART2148	COVER,12 X 1.25T,BREAKER BUTTON, W/NUT	1
H1	DWR1502H003	ELECTRONIC,HARNESS,POSITIVE BATTERY TERMINAL TO CIRCUIT BREAKER JUMPER,H-1502-003	1

7.2. NE+ Electronics

Electronic Assemblies	
Ref #	Controller
A1 - A4	Non-Power Positioning

Please note: The electronic assemblies listed replace all previous versions manufactured prior to Serial Number JC324013001C30. DWR1502H001 (B1) must be selected separately if needed.

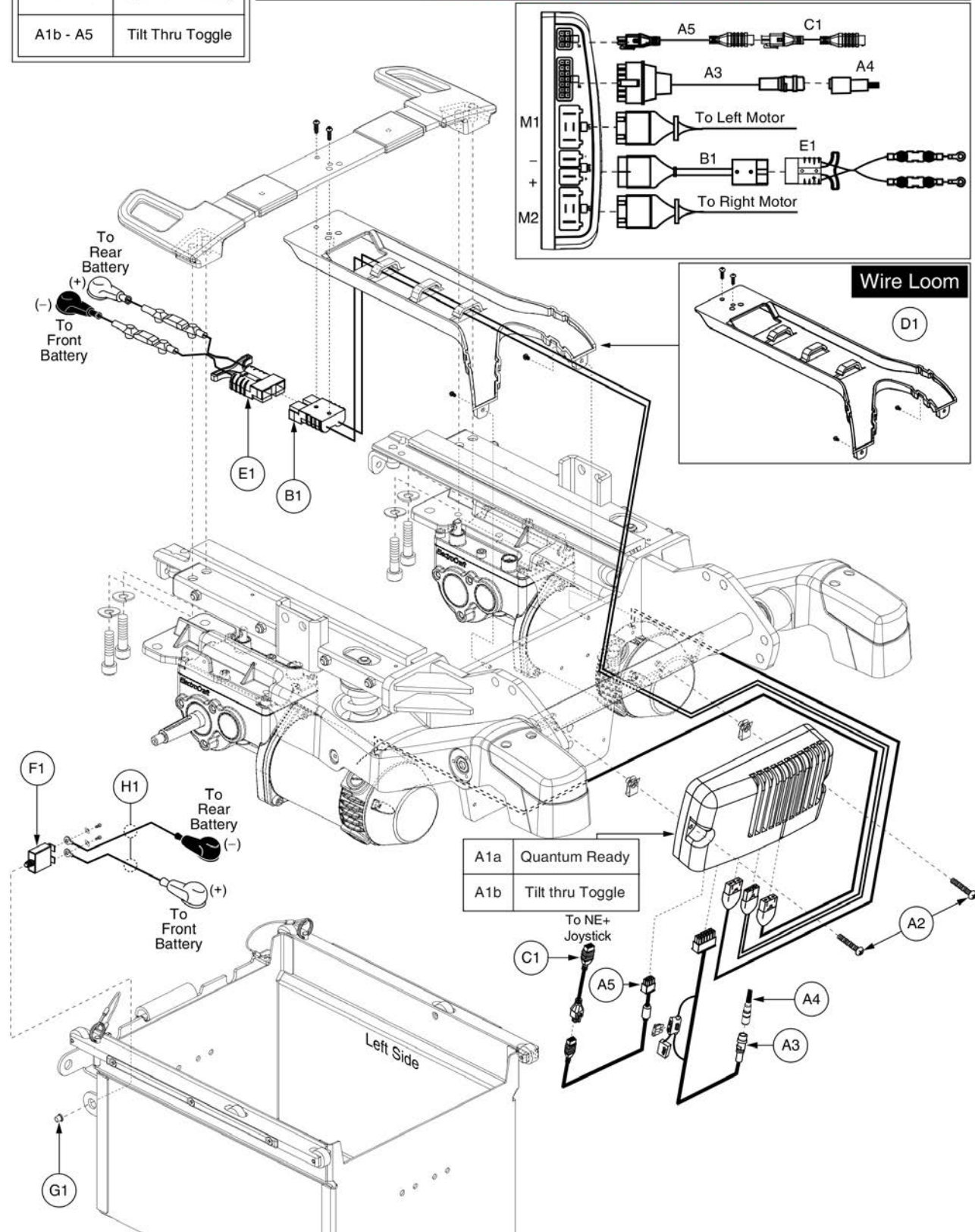


Item	Part No.	Name	Qty
A1 - A4	ELE132498	ELECTRONIC,ASSY,NE PLUS,G4,6 MPH,160 RPM MOTORS,R44	1
A1	CTL120035	CONTROLLER,NE PLUS,ASSY,75 AMP,W/G4,6 MPH,160 RPM PROGRAM,R44	1
A2	SCRPPH1390	SCREW,PPH,BLACK ZINC,M5-.8 X 35MM	2
A3	DWR1265H027	ELECTRONIC,HARNESS,RUN PLUG,Q-LOGIC	1
A4	DWR1111H065	ELECTRONIC,HARNESS,BUS EXTENSION CABLE,CURTIS,0.410 METER,MALE/FEMALE,H-1111-065,(CURTIS: 17881303)	1
B1	DWR1502H001	ELECTRONIC,HARNESS,POWER CABLE,CURTIS,H-1502-001	1
C1	FRMASMB7110015	FRAME,ASSY,WIRE LOOM,R44	1
D1	DWR1502H002	ELECTRONIC,HARNESS,BATTERY CABLE,W/125A/32V FUSEABLE LINKS,H-1502-002	1
E1	ELEASMB1000	ELECTRONIC,ASSY,CIRCUIT BREAKER,50 AMP,COMPLETE,RIGHT ANGLE TERMINALS,PUSH TO RESET	1
F1	INDPART2148	COVER,12 X 1.25T,BREAKER BUTTON, W/NUT	1
G1	DWR1502H003	ELECTRONIC,HARNESS,POSITIVE BATTERY TERMINAL TO CIRCUIT BREAKER JUMPER,H-1502-003	1

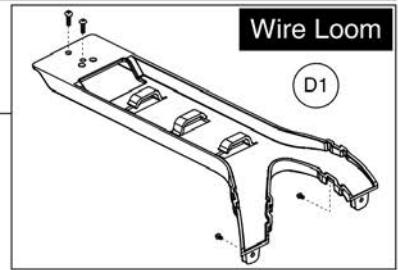
7.2. NE+ Electronics

Electronic Assemblies	
Ref #	Controller
A1a - A5	Quantum Ready
A1b - A5	Tilt Thru Toggle

Please note: The electronic assemblies listed replace all previous versions manufactured prior to Serial Number JC324013001C30. DWR1502H001 (B1) must be selected separately if needed.



A1a	Quantum Ready
A1b	Tilt thru Toggle

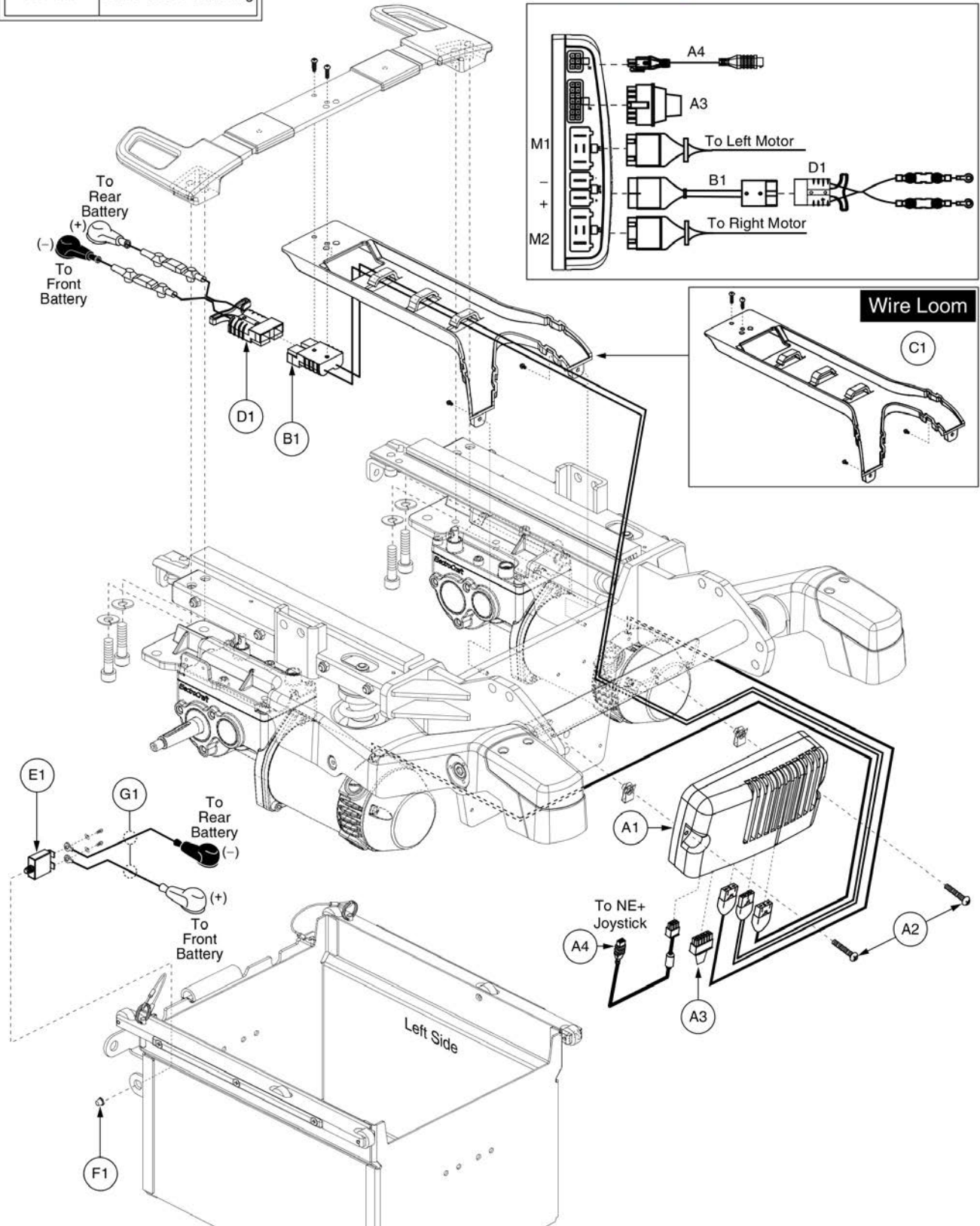


Item	Part No.	Name	Qty
A1a - A5	ELE132500	ELECTRONIC,ASSY,NE PLUS,G4,6 MPH,160 RPM MOTORS,R44,QUANTUM	1
A1b - A5	ELE132499	ELECTRONIC,ASSY,NE PLUS,G4,6 MPH,160 RPM MOTORS,R44,TILT THRU TOGGLE	1
A1a	CTL120036	CONTROLLER,NE PLUS,ASSY,75 AMP,W/G4,6 MPH,160 RPM PROGRAM,R44,QUANTUM	1
A1b	CTL120035	CONTROLLER,NE PLUS,ASSY,75 AMP,W/G4,6 MPH,160 RPM PROGRAM,R44	1
A2	SCRPPH1390	SCREW,PPH,BLACK ZINC,M5-.8 X 35MM	2
A3	DWR1265H021	ELECTRONIC,HARNESS,POWER TAKE OFF(PTO)/INHIBIT,CURTIS,H-1265-021	1
A4	DWR1361H038	ELECTRONIC,HARNESS,RUN PLUG,SURE SEAL,SYNERGY TILT,H-1361-038	1
A5	DWR1111H065	ELECTRONIC,HARNESS,BUS EXTENSION CABLE,CURTIS,0.410 METER,MALE/FEMALE,H-1111-065,(CURTIS: 17881303)	1
B1	DWR1502H001	ELECTRONIC,HARNESS,POWER CABLE,CURTIS,H-1502-001	1
C1	DWR1111H052	ELECTRONIC,HARNESS,BUS EXTENSION CABLE,1.0 METER,MALE/FEMALE,H-1111-052,(CURTIS: 37393-001)	1
D1	FRMASMB7110015	FRAME,ASSY,WIRE LOOM,R44	1
E1	DWR1502H002	ELECTRONIC,HARNESS,BATTERY CABLE,W/125A/32V FUSEABLE LINKS,H-1502-002	1
F1	ELEASMB1000	ELECTRONIC,ASSY,CIRCUIT BREAKER,50 AMP,COMPLETE,RIGHT ANGLE TERMINALS,PUSH TO RESET	1
G1	INDPART2148	COVER,12 X 1.25T,BREAKER BUTTON, W/NUT	1
H1	DWR1502H003	ELECTRONIC,HARNESS,POSITIVE BATTERY TERMINAL TO CIRCUIT BREAKER JUMPER,H-1502-003	1

7.2. NE+ Electronics

Electronic Assemblies	
Ref #	Controller
A1 - A4	Non-Power Positioning

Please note: The electronic assemblies listed replace all previous versions manufactured prior to Serial Number JC324013001C30. DWR1502H001 (B1) must be selected separately if needed.

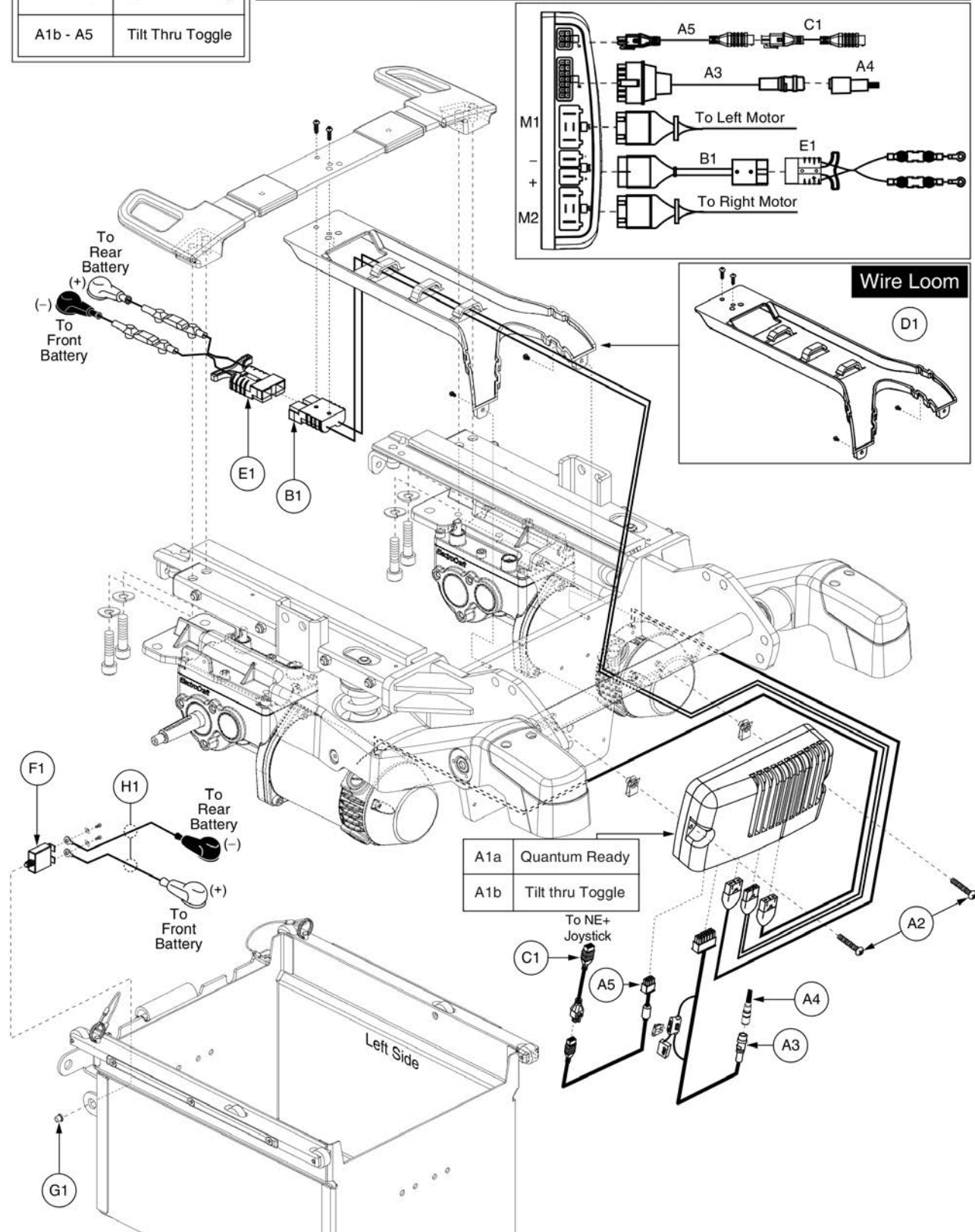


Item	Part No.	Name	Qty
A1 - A4	ELE132501	ELECTRONIC,ASSY,NE PLUS,G4,8 MPH,190 RPM MOTORS,R44	1
A1	CTL123883	CONTROLLER,NE PLUS,ASSY,75 AMP,W/G4,8 MPH,190 RPM PROGRAM,R44	1
A2	SCRPPH1390	SCREW,PPH,BLACK ZINC,M5-.8 X 35MM	2
A3	DWR1265H027	ELECTRONIC,HARNESS,RUN PLUG,Q-LOGIC	1
A4	DWR1111H065	ELECTRONIC,HARNESS,BUS EXTENSION CABLE,CURTIS,0.410 METER,MALE/FEMALE,H-1111-065,(CURTIS: 17881303)	1
B1	DWR1502H001	ELECTRONIC,HARNESS,POWER CABLE,CURTIS,H-1502-001	1
C1	FRMASMB7110015	FRAME,ASSY,WIRE LOOM,R44	1
D1	DWR1502H002	ELECTRONIC,HARNESS,BATTERY CABLE,W/125A/32V FUSEABLE LINKS,H-1502-002	1
E1	ELEASMB1000	ELECTRONIC,ASSY,CIRCUIT BREAKER,50 AMP,COMPLETE,RIGHT ANGLE TERMINALS,PUSH TO RESET	1
F1	INDPART2148	COVER,12 X 1.25T,BREAKER BUTTON, W/NUT	1
G1	DWR1502H003	ELECTRONIC,HARNESS,POSITIVE BATTERY TERMINAL TO CIRCUIT BREAKER JUMPER,H-1502-003	1

7.2. NE+ Electronics

Electronic Assemblies	
Ref #	Controller
A1a - A5	Quantum Ready
A1b - A5	Tilt Thru Toggle

Please note: The electronic assemblies listed replace all previous versions manufactured prior to Serial Number JC324013001C30. DWR1502H001 (B1) must be selected separately if needed.

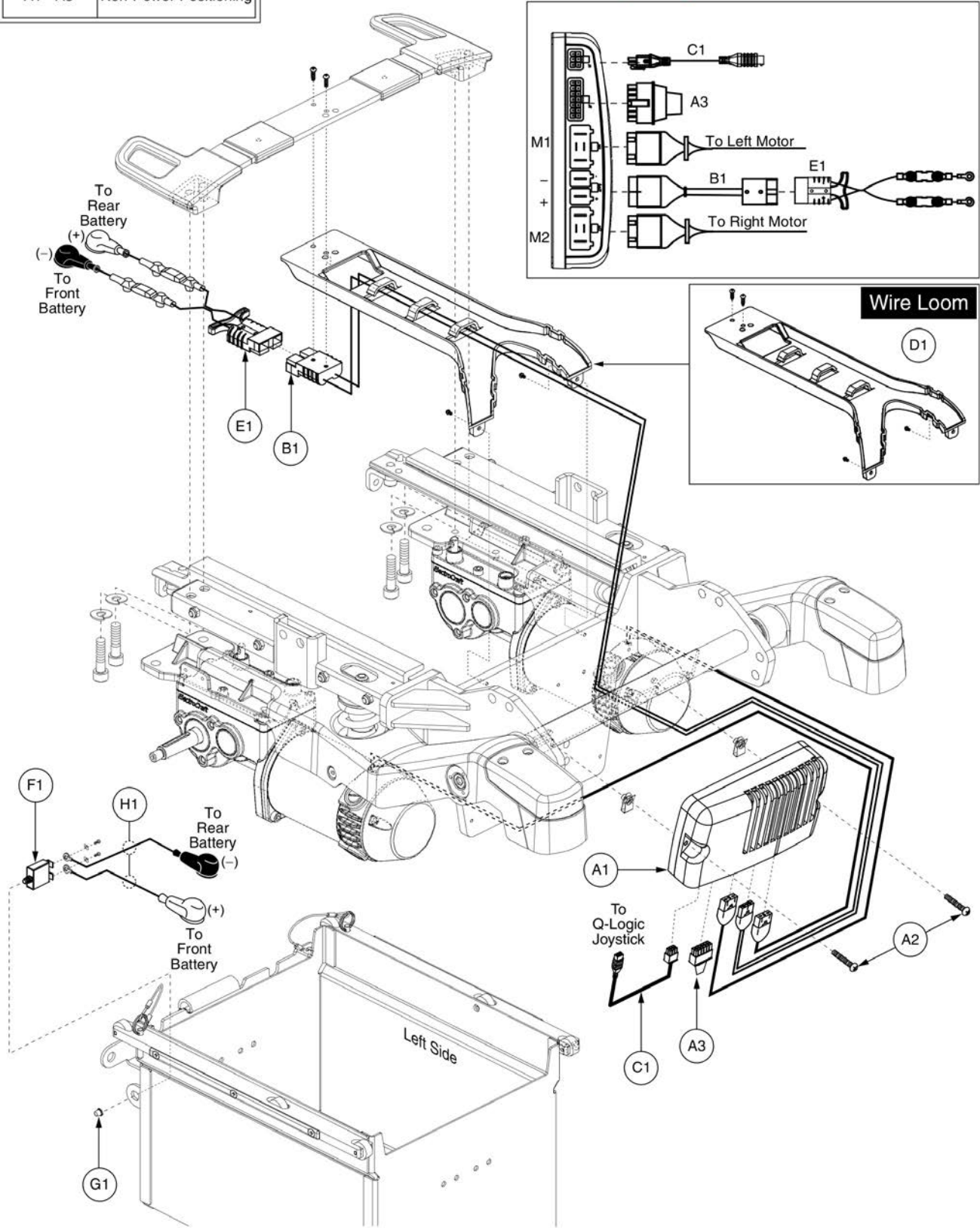


Item	Part No.	Name	Qty
A1a - A5	ELE132503	ELECTRONIC,ASSY,NE PLUS,G4,8 MPH,190 RPM MOTORS,R44,QUANTUM	1
A1b - A5	ELE132502	ELECTRONIC,ASSY,NE PLUS,G4,8 MPH,190 RPM MOTORS,R44,TILT THRU TOGGLE	1
A1a	CTL123884	CONTROLLER,NE PLUS,ASSY,75 AMP,W/G4,8 MPH,190RPM PROGRAM,R44,QUANTUM	1
A1b	CTL123883	CONTROLLER,NE PLUS,ASSY,75 AMP,W/G4,8 MPH,190 RPM PROGRAM,R44	1
A2	SCRPPH1390	SCREW,PPH,BLACK ZINC,M5-.8 X 35MM	2
A3	DWR1265H021	ELECTRONIC,HARNESS,POWER TAKE OFF(PTO)/INHIBIT,CURTIS,H-1265-021	1
A4	DWR1361H038	ELECTRONIC,HARNESS,RUN PLUG,SURE SEAL,SYNERGY TILT,H-1361-038	1
A5	DWR1111H065	ELECTRONIC,HARNESS,BUS EXTENSION CABLE,CURTIS,0.410 METER,MALE/FEMALE,H-1111-065,(CURTIS: 17881303)	1
B1	DWR1502H001	ELECTRONIC,HARNESS,POWER CABLE,CURTIS,H-1502-001	1
C1	DWR1111H052	ELECTRONIC,HARNESS,BUS EXTENSION CABLE,1.0 METER,MALE/FEMALE,H-1111-052,(CURTIS: 37393-001)	1
D1	FRMASMB7110015	FRAME,ASSY,WIRE LOOM,R44	1
E1	DWR1502H002	ELECTRONIC,HARNESS,BATTERY CABLE,W/125A/32V FUSEABLE LINKS,H-1502-002	1
F1	ELEASMB1000	ELECTRONIC,ASSY,CIRCUIT BREAKER,50 AMP,COMPLETE,RIGHT ANGLE TERMINALS,PUSH TO RESET	1
G1	INDPART2148	COVER,12 X 1.25T,BREAKER BUTTON, W/NUT	1
H1	DWR1502H003	ELECTRONIC,HARNESS,POSITIVE BATTERY TERMINAL TO CIRCUIT BREAKER JUMPER,H-1502-003	1

7.3. Q-Logic Electronics

Electronic Assemblies	
Ref #	Controller
A1 - A3	Non-Power Positioning

Please note: The electronic assemblies listed replace all previous versions manufactured prior to Serial Number JC324013001C30. DWR1502H001 (B1) must be selected separately if needed.

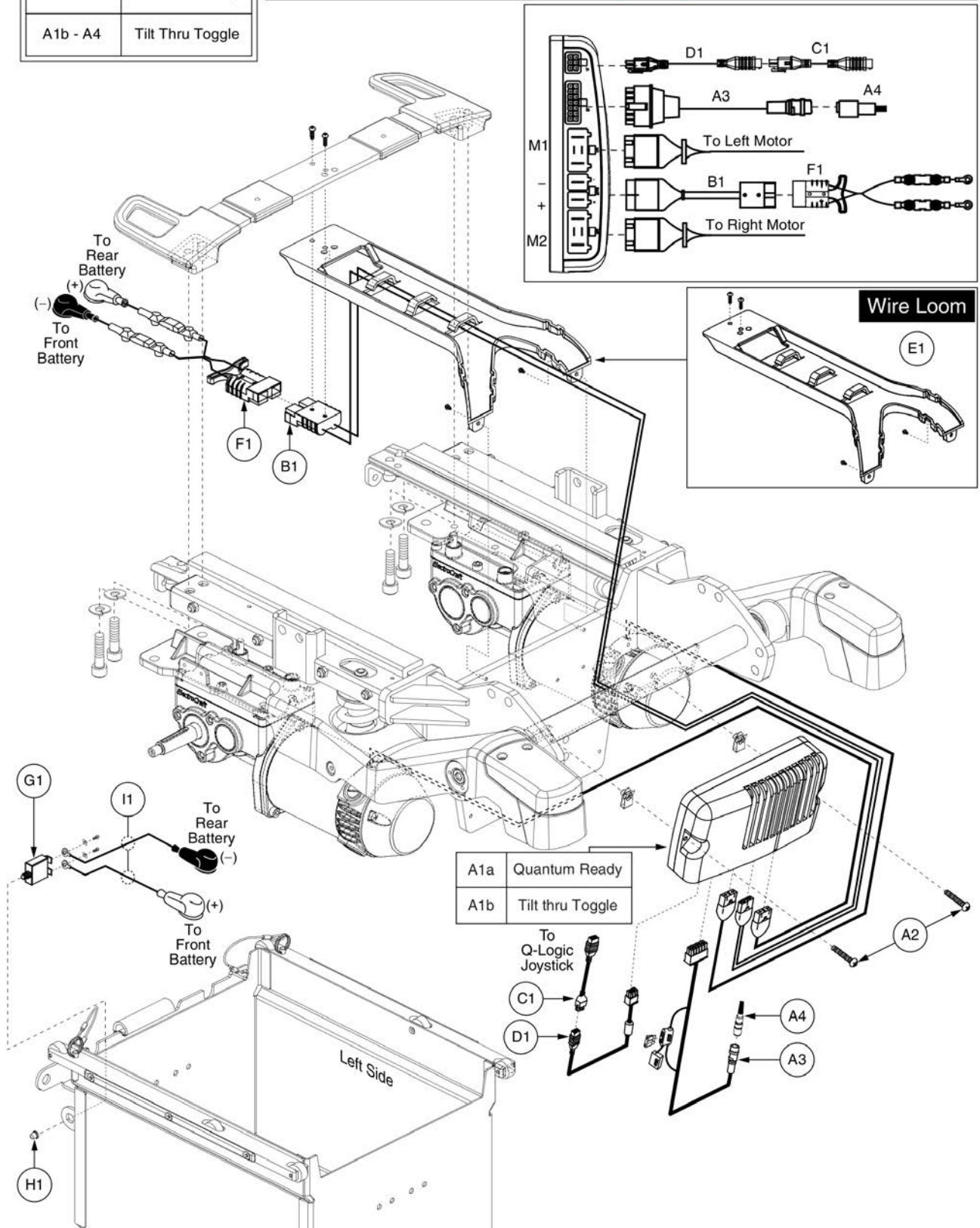


Item	Part No.	Name	Qty
A1 - A3	ELE132487	ELECTRONIC,ASSY,Q-LOGIC,G4,6 MPH,160 RPM MOTORS,R44	1
A1	CTLASMB7110009	CONTROLLER,Q-LOGIC,ASSY,90 AMP,W/G4,6 MPH,160 RPM PROGRAM,R44	1
A2	SCRPPH1390	SCREW,PPH,BLACK ZINC,M5-.8 X 35MM	2
A3	DWR1265H027	ELECTRONIC,HARNESS,RUN PLUG,Q-LOGIC	1
B1	DWR1502H001	ELECTRONIC,HARNESS,POWER CABLE,CURTIS,H-1502-001	1
C1	DWR1111H065	ELECTRONIC,HARNESS,BUS EXTENSION CABLE,CURTIS,0.410 METER,MALE/FEMALE,H-1111-065,(CURTIS: 17881303)	1
D1	FRMASMB7110015	FRAME,ASSY,WIRE LOOM,R44	1
E1	DWR1502H002	ELECTRONIC,HARNESS,BATTERY CABLE,W/125A/32V FUSEABLE LINKS,H-1502-002	1
F1	ELE1705477	ELECTRONIC,ASSY,CIRCUIT BREAKER,70 AMP,COMPLETE,RIGHT ANGLE TERMINALS,PUSH TO RESET	1
G1	INDPART2420	BREAKER WEATHER CAP, SILICA GEL, W/ M11-1.0 NUT	1
H1	DWR1502H003	ELECTRONIC,HARNESS,POSITIVE BATTERY TERMINAL TO CIRCUIT BREAKER JUMPER,H-1502-003	1

7.3. Q-Logic Electronics

Electronic Assemblies	
Ref #	Controller
A1a - A4	Quantum Ready
A1b - A4	Tilt Thru Toggle

Please note: The electronic assemblies listed replace all previous versions manufactured prior to Serial Number JC324013001C30. DWR1502H001 (B1) must be selected separately if needed.

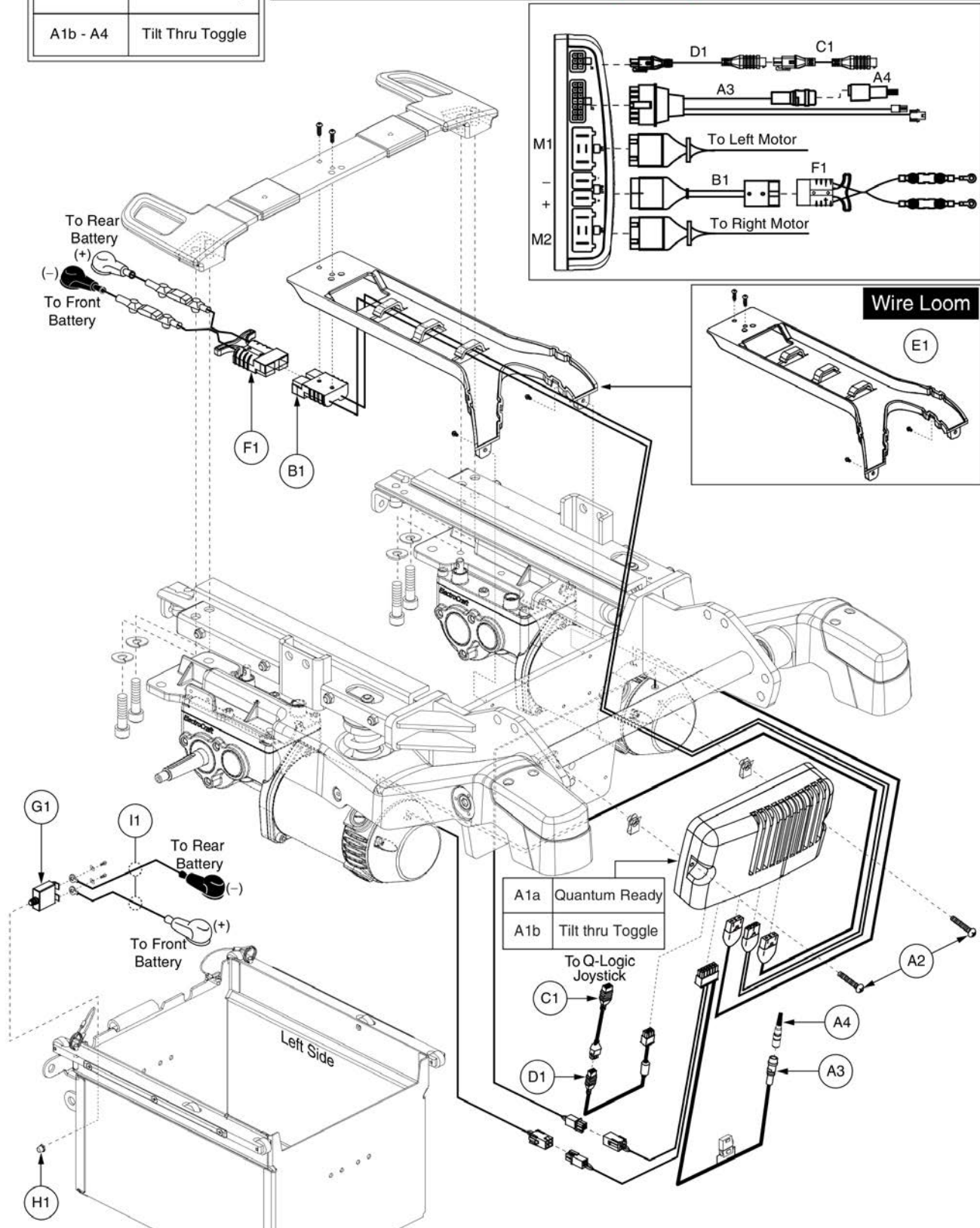


Item	Part No.	Name	Qty
A1a - A4	ELE132489	ELECTRONIC,ASSY,Q-LOGIC,G4,6 MPH,160 RPM MOTORS,R44,QUANTUM	1
A1b - A4	ELE132488	ELECTRONIC,ASSY,Q-LOGIC,G4,6 MPH,160 RPM MOTORS,R44,TILT THRU TOGGLE	1
A1a	CTLASMB7110010	CONTROLLER,Q-LOGIC,ASSY,100 AMP,W/G4,6 MPH,160 RPM PROGRAM,R44,QUANTUM	1
A1b	CTLASMB7110009	CONTROLLER,Q-LOGIC,ASSY,90 AMP,W/G4,6 MPH,160 RPM PROGRAM,R44	1
A2	SCRPPH1390	SCREW,PPH,BLACK ZINC,M5-.8 X 35MM	2
A3	DWR1265H021	ELECTRONIC,HARNESS,POWER TAKE OFF(PTO)/INHIBIT,CURTIS,H-1265-021	1
A4	DWR1361H038	ELECTRONIC,HARNESS,RUN PLUG,SURE SEAL,SYNERGY TILT,H-1361-038	1
B1	DWR1502H001	ELECTRONIC,HARNESS,POWER CABLE,CURTIS,H-1502-001	1
C1	DWR1111H052	ELECTRONIC,HARNESS,BUS EXTENSION CABLE,1.0 METER,MALE/FEMALE,H-1111-052,(CURTIS: 37393-001)	1
D1	DWR1111H065	ELECTRONIC,HARNESS,BUS EXTENSION CABLE,CURTIS,0.410 METER,MALE/FEMALE,H-1111-065,(CURTIS: 17881303)	1
E1	FRMASMB7110015	FRAME,ASSY,WIRE LOOM,R44	1
F1	DWR1502H002	ELECTRONIC,HARNESS,BATTERY CABLE,W/125A/32V FUSEABLE LINKS,H-1502-002	1
G1	ELE1705477	ELECTRONIC,ASSY,CIRCUIT BREAKER,70 AMP,COMPLETE,RIGHT ANGLE TERMINALS,PUSH TO RESET	1
H1	INDPART2420	BREAKER WEATHER CAP, SILICA GEL, W/ M11-1.0 NUT	1
I1	DWR1502H003	ELECTRONIC,HARNESS,POSITIVE BATTERY TERMINAL TO CIRCUIT BREAKER JUMPER,H-1502-003	1

7.3. Q-Logic Electronics

Electronic Assemblies	
Ref #	Controller
A1a - A4	Quantum Ready
A1b - A4	Tilt Thru Toggle

Please note: The electronic assemblies listed replace all previous versions manufactured prior to Serial Number JC324013001C30. DWR1502H001 (B1) must be selected separately if needed.

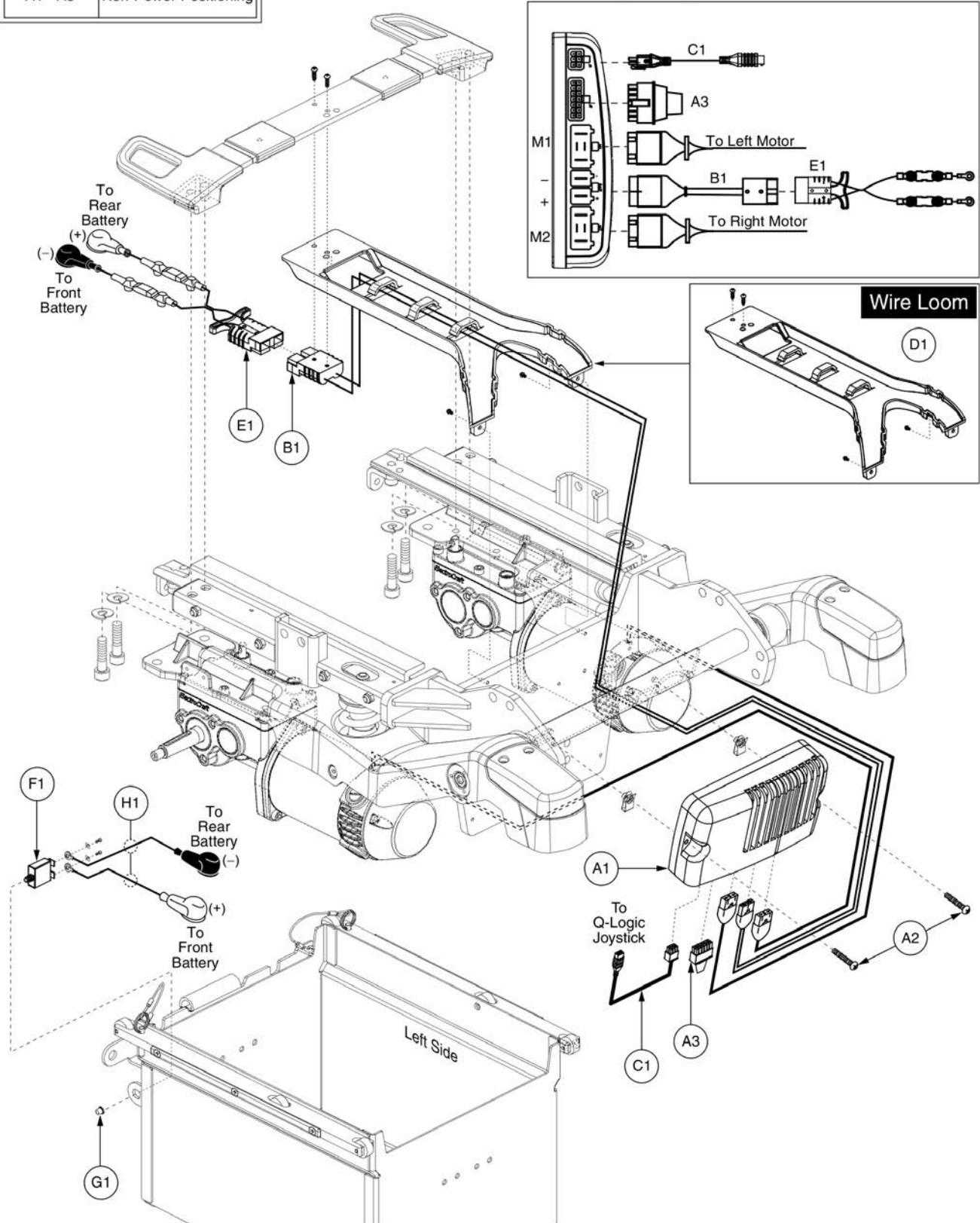


Item	Part No.	Name	Qty
A1a - A4	ELE132491	ELECTRONIC,ASSY,Q-LOGIC,G4,6 MPH,160 RPM ACCU-TRAC MOTORS,R44,QUANTUM	1
A1b - A4	ELE132490	ELECTRONIC,ASSY,Q-LOGIC,G4,6 MPH,160 RPM ACCU-TRAC MOTORS,R44,UNIVERSAL/TILT THRU TOGGLE	1
A1a	CTL120005	CONTROLLER,Q-LOGIC,ASSY,90 AMP,W/G4,6 MPH,160 RPM ACCUTRAC PROGRAM,R44,QUANTUM	1
A1b	CTL120004	CONTROLLER,Q-LOGIC,ASSY,90 AMP,W/G4,6 MPH,160 RPM ACCUTRAC PROGRAM,R44	1
A2	SCRPPH1390	SCREW,PPH,BLACK ZINC,M5- 8 X 35MM	2
A3	HAR8120007	ELECTRONIC,HARNESS,MOTOR DECODER/POWER TAKE OFF(PTO)/INHIBIT,REAR WHEEL DRIVE,Q-LOGIC	1
A4	DWR1361H038	ELECTRONIC,HARNESS,RUN PLUG,SURE SEAL,SYNERGY TILT,H-1361-038	1
B1	DWR1502H001	ELECTRONIC,HARNESS,POWER CABLE,CURTIS,H-1502-001	1
C1	DWR1111H052	ELECTRONIC,HARNESS,BUS EXTENSION CABLE,1.0 METER,MALE/FEMALE,H-1111-052,(CURTIS: 37393-001)	1
D1	DWR1111H065	ELECTRONIC,HARNESS,BUS EXTENSION CABLE,CURTIS,0.410 METER,MALE/FEMALE,H-1111-065,(CURTIS: 17881303)	1
E1	FRMASMB7110015	FRAME,ASSY,WIRE LOOM,R44	1
F1	DWR1502H002	ELECTRONIC,HARNESS,BATTERY CABLE,W/125A/32V FUSEABLE LINKS,H-1502-002	1
G1	ELE1705477	ELECTRONIC,ASSY,CIRCUIT BREAKER,70 AMP,COMPLETE,RIGHT ANGLE TERMINALS,PUSH TO RESET	1
H1	INDPART2420	BREAKER WEATHER CAP, SILICA GEL, W/ M11-1.0 NUT	1
I1	DWR1502H003	ELECTRONIC,HARNESS,POSITIVE BATTERY TERMINAL TO CIRCUIT BREAKER JUMPER,H-1502-003	1

7.3. Q-Logic Electronics

Electronic Assemblies	
Ref #	Controller
A1 - A3	Non-Power Positioning

Please note: The electronic assemblies listed replace all previous versions manufactured prior to Serial Number JC324013001C30. DWR1502H001 (B1) must be selected separately if needed.

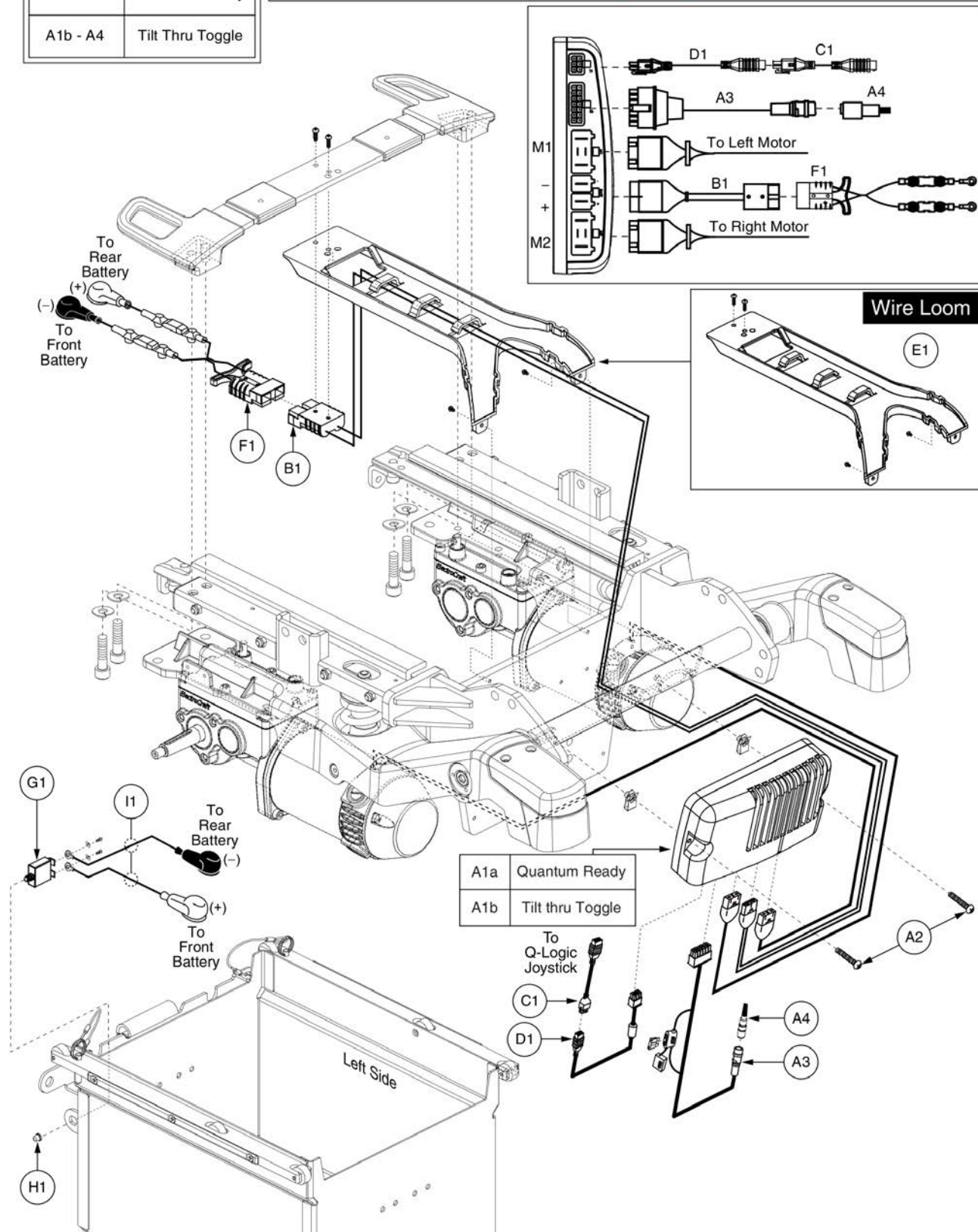


Item	Part No.	Name	Qty
A1 - A3	ELE132492	ELECTRONIC,ASSY,Q-LOGIC,G4,8 MPH,190 RPM MOTORS,R44	1
A1	CTL123880	CONTROLLER,Q-LOGIC,ASSY,90 AMP,W/G4,8 MPH,190 RPM PROGRAM,R44	1
A2	SCRPPH1390	SCREW,PPH,BLACK ZINC,M5-.8 X 35MM	2
A3	DWR1265H027	ELECTRONIC,HARNESS,RUN PLUG,Q-LOGIC	1
B1	DWR1502H001	ELECTRONIC,HARNESS,POWER CABLE,CURTIS,H-1502-001	1
C1	DWR1111H065	ELECTRONIC,HARNESS,BUS EXTENSION CABLE,CURTIS,0.410 METER,MALE/FEMALE,H-1111-065,(CURTIS: 17881303)	1
D1	FRMASMB7110015	FRAME,ASSY,WIRE LOOM,R44	1
E1	DWR1502H002	ELECTRONIC,HARNESS,BATTERY CABLE,W/125A/32V FUSEABLE LINKS,H-1502-002	1
F1	ELE1705477	ELECTRONIC,ASSY,CIRCUIT BREAKER,70 AMP,COMPLETE,RIGHT ANGLE TERMINALS,PUSH TO RESET	1
G1	INDPART2420	BREAKER WEATHER CAP, SILICA GEL, W/ M11-1.0 NUT	1
H1	DWR1502H003	ELECTRONIC,HARNESS,POSITIVE BATTERY TERMINAL TO CIRCUIT BREAKER JUMPER,H-1502-003	1

7.3. Q-Logic Electronics

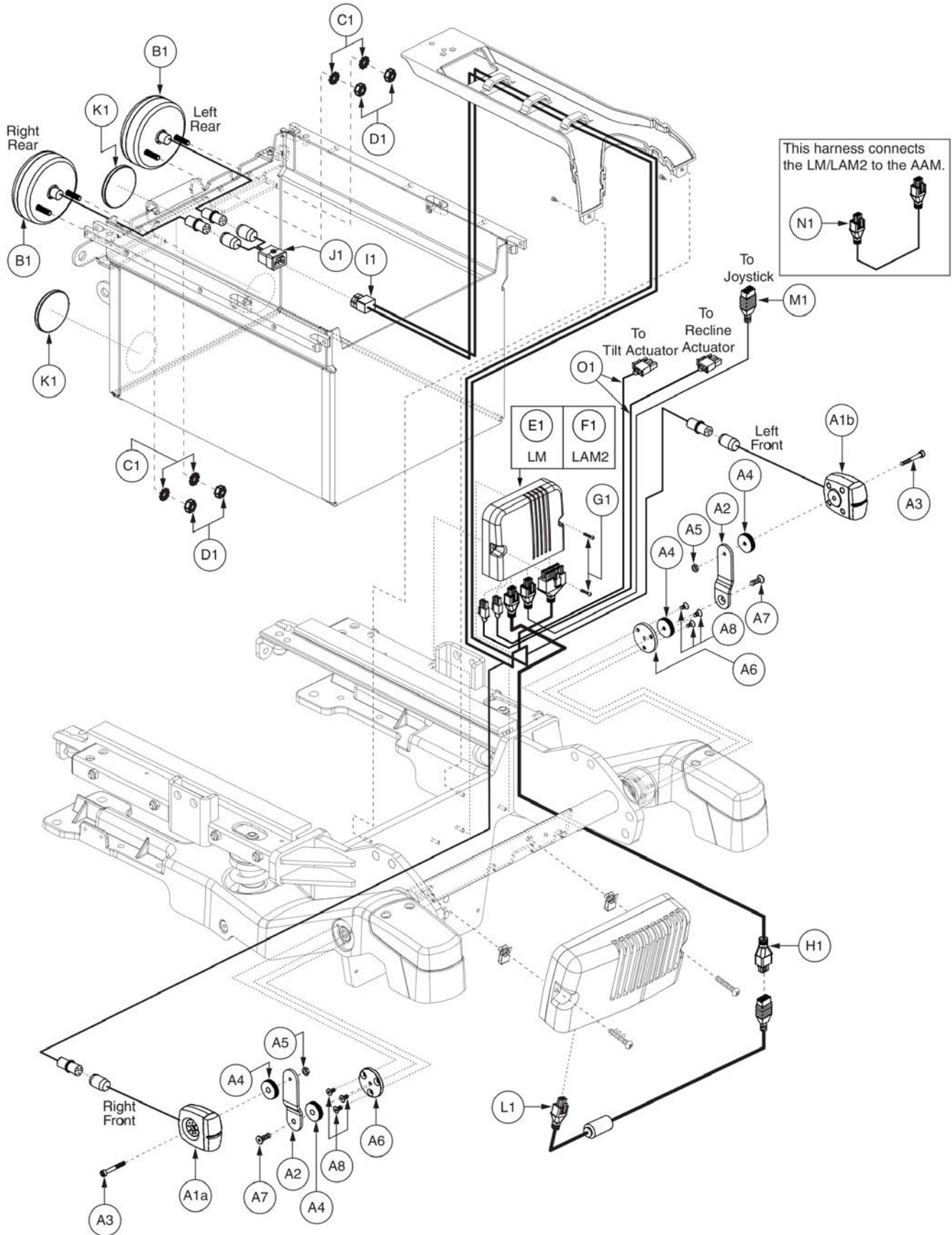
Electronic Assemblies	
Ref #	Controller
A1a - A4	Quantum Ready
A1b - A4	Tilt Thru Toggle

Please note: The electronic assemblies listed replace all previous versions manufactured prior to Serial Number JC324013001C30. DWR1502H001 (B1) must be selected separately if needed.



Item	Part No.	Name	Qty
A1a - A4	ELE132494	ELECTRONIC,ASSY,Q-LOGIC,G4,8 MPH,190 RPM MOTORS,R44,QUANTUM	1
A1b - A4	ELE132493	ELECTRONIC,ASSY,Q-LOGIC,G4,8 MPH,190 RPM MOTORS,R44,TILT THRU TOGGLE	1
A1a	CTL123882	CONTROLLER,Q-LOGIC,ASSY,90 AMP,W/G4,8 MPH,190 RPM PROGRAM,R44,QUANTUM	1
A1b	CTL123880	CONTROLLER,Q-LOGIC,ASSY,90 AMP,W/G4,8 MPH,190 RPM PROGRAM,R44	1
A2	SCRPPH1390	SCREW,PPH,BLACK ZINC,M5-.8 X 35MM	2
A3	DWR1265H021	ELECTRONIC,HARNESS,POWER TAKE OFF(PTO)/INHIBIT,CURTIS,H-1265-021	1
A4	DWR1361H038	ELECTRONIC,HARNESS,RUN PLUG,SURE SEAL,SYNERGY TILT,H-1361-038	1
B1	DWR1502H001	ELECTRONIC,HARNESS,POWER CABLE,CURTIS,H-1502-001	1
C1	DWR1111H052	ELECTRONIC,HARNESS,BUS EXTENSION CABLE,1.0 METER,MALE/FEMALE,H-1111-052,(CURTIS: 37393-001)	1
D1	DWR1111H065	ELECTRONIC,HARNESS,BUS EXTENSION CABLE,CURTIS,0.410 METER,MALE/FEMALE,H-1111-065,(CURTIS: 17881303)	1
E1	FRMASMB7110015	FRAME,ASSY,WIRE LOOM,R44	1
F1	DWR1502H002	ELECTRONIC,HARNESS,BATTERY CABLE,W/125A/32V FUSEABLE LINKS,H-1502-002	1
G1	ELE1705477	ELECTRONIC,ASSY,CIRCUIT BREAKER,70 AMP,COMPLETE,RIGHT ANGLE TERMINALS,PUSH TO RESET	1
H1	INDPART2420	BREAKER WEATHER CAP, SILICA GEL, W/ M11-1.0 NUT	1
I1	DWR1502H003	ELECTRONIC,HARNESS,POSITIVE BATTERY TERMINAL TO CIRCUIT BREAKER JUMPER,H-1502-003	1

8. LED Lighting Assy

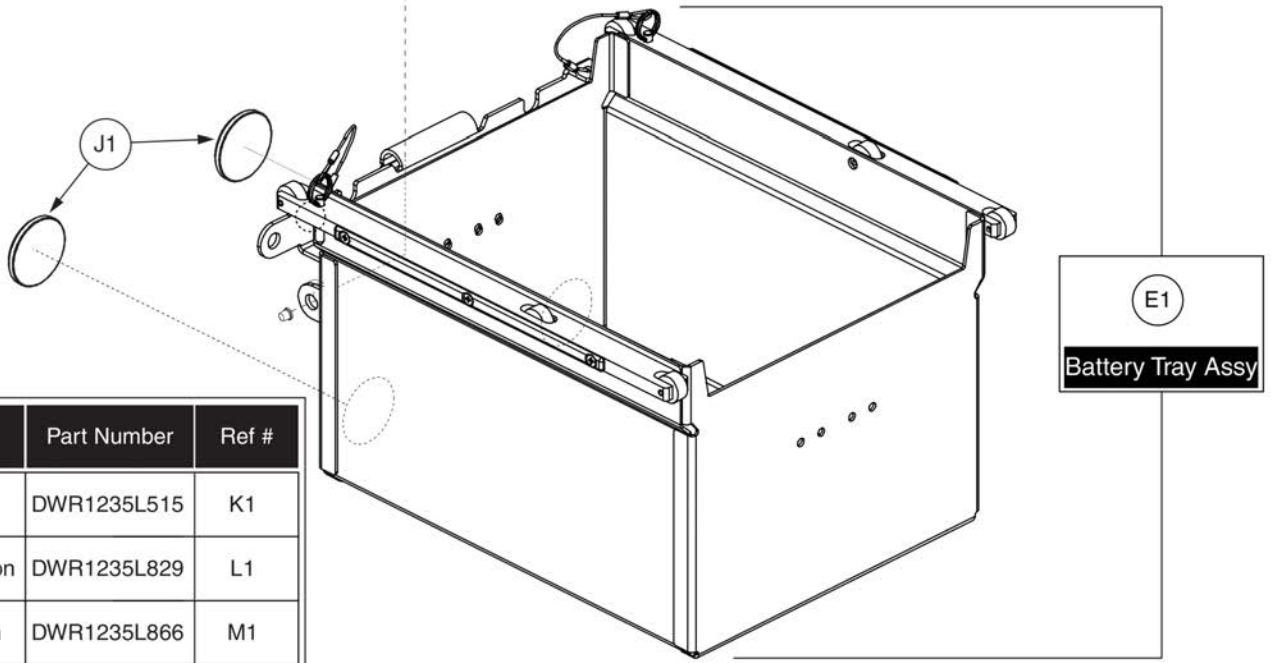
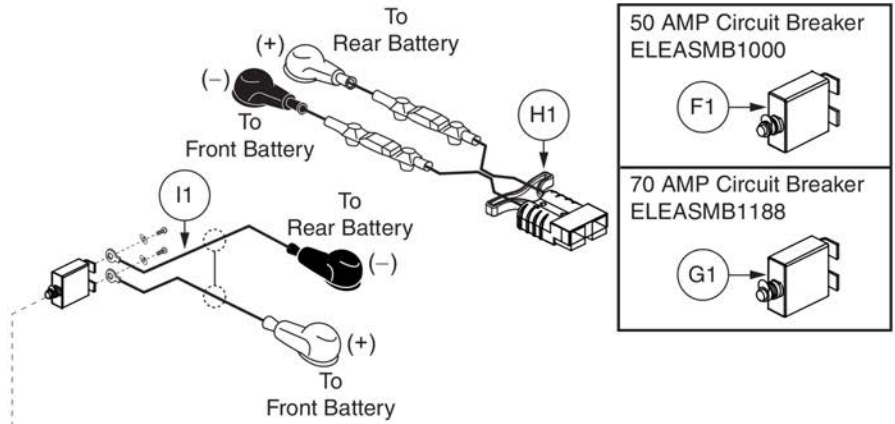


Item	Part No.	Name	Qty
A1a - A8	ELE120274	LIGHTING,ASSY,WHITE/AMBER,LED E-MARKED LIGHTS,SYNERGY,FRONT/RIGHT,W/MOUNTING BRACKET,R44	1
A1b - A8	ELE120273	LIGHTING,ASSY,WHITE/AMBER,LED E-MARKED LIGHTS,SYNERGY,FRONT/LEFT,W/MOUNTING BRACKET,R44	1
A1a	ELEASMB7120024	FULL LIGHT,ASSY,WHITE/AMBER,LED LIGHTS,SYNERGY,FRONT/RIGHT,ELEASMB7120024	1
A1b	ELEASMB7120023	FULL LIGHT,ASSY,WHITE/AMBER,LED E-MARKED LIGHTS,SYNERGY,FRONT/LEFT,ELEASMB7120023	1
A2	DWR1010C462	MOUNTING BRACKET,ROTATING ARM,LIGHTS,C-1010-462	1
A3	SCRSHCS1117	SCREW,SHCS,BLACK ZINC,M4-.7 X 30MM,AGNO3,GRADE 10.9	1
A4	DWR1010B161	SPACER,BLACK,PLASTIC,0.157" ID X 0.866" OD X 0.22" TH,B-1010-161	2
A5	NUTJAM1062	NUT,JAM,BLACK ZINC,M4-.7	1
A6	DWR1502C093	MOUNTING BRACKET,LIGHTS,C-1502-093	1
A7	SCRSHFH1204	SCREW,SHFH,BLACK ZINC,M5-.8 X 15MM,GR 10.9,W/PATCH	1
A8	SCRSHFH1080	SCREW, SHFH,BLACK ZINC,M4-.7 X 8MM	3
B1	DWR1010D453	TAIL LIGHT,LED,78MM,W/SURE SEAL CONNECTOR,E-MARKED	2
C1	WASETH1011	WASHER,EXTERNAL TOOTH,ZINC,M5,LOCK	4
D1	NUTJAM1018	NUT,JAM,M5-.8	4
E1	ELEASMB6213	ELECTRONIC,ASSY,Q-LOGIC LM MODULE,W/PROGRAMMING,LED LIGHTS,QUANTUM	1
F1	ELE120931	ELECTRONIC,ASSY,LAM2 MODULE,W/PROGRAMMING,ION SEAT	1
G1	SCRPPH1153	SCREW, PAN HEAD, TYPE H, M4X0.7 X 20, FT, ISO 7045, CL 4.8, BZ	2
H1	DWR1111H311	ELECTRONIC,HARNESS,BUS EXTENSION CABLE,AAM/LM	1
I1	DWR1502H008	ELECTRONIC,HARNESS,LIGHTING,R44,FRONT,CURTIS,H-1502-008	1
J1	DWR1502H006	ELECTRONIC,HARNESS,LIGHTING,R44,REAR INTERMEDIATE	1
K1	REFRED1012	REFLECTOR,RED,39MM DIA,BLACK BEZEL,SELF ADHESIVE,(K-LITE: KM-106)	2
L1	DWR1111H065	ELECTRONIC,HARNESS,BUS EXTENSION CABLE,CURTIS,0.410 METER,MALE/FEMALE,H-1111-065,(CURTIS: 17881303)	1
M1	DWR1111H052	ELECTRONIC,HARNESS,BUS EXTENSION CABLE,1.0 METER,MALE/FEMALE,H-1111-052,(CURTIS: 37393-001)	1
N1	DWR1111H047	HARNESS,BUS CABLE,1.0 METER,FEMALE/FEMALE,H-1111-047,(CURTIS:17881302)	1
O1	DWR1265H045	HARNESS,ACTUATOR INTERFACE,2 CONDUCTOR,MOLEX TO TE	2

9. Battery Tray & Reflector Assy's

A1	Complete Battery Tray, 50 AMP, Lights
B1	Complete Battery Tray, 70 AMP, Lights
C1	Complete Battery Tray, 50 AMP
D1	Complete Battery Tray, 70 AMP

Note: Complete assemblies include the battery tray, circuit breaker, harnesses, a battery strap, decals, and reflectors (when applicable).



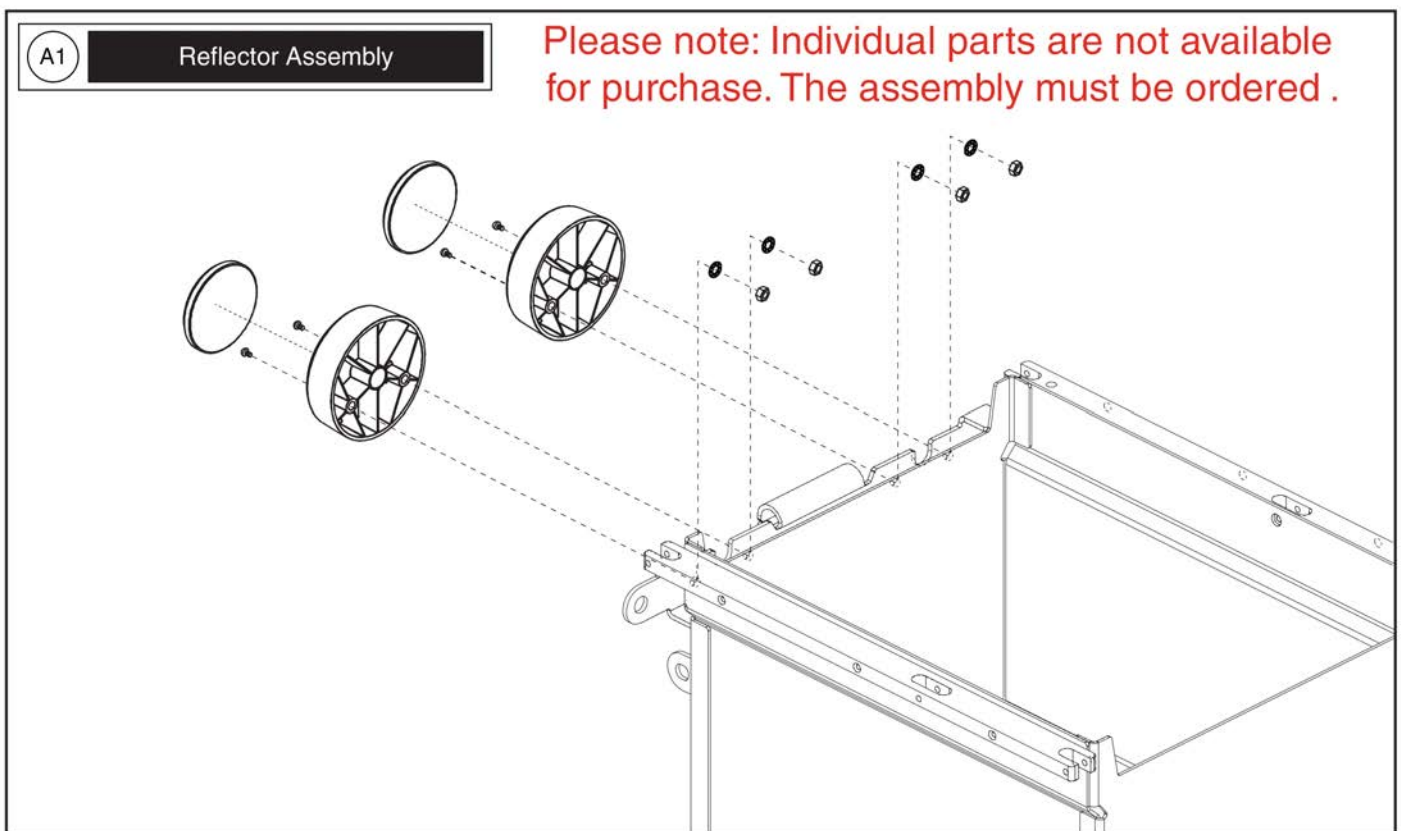
Decal	Part Number	Ref #
Battery Warning	DWR1235L515	K1
Connector Orientation	DWR1235L829	L1
Battery Connection	DWR1235L866	M1

Battery Tray Assy, Rival (R44)



Item	Part No.	Name	Qty
A1	FRMASMB7110128	FRAME,ASSY,BATTERY TRAY,W/50 AMP CIRCUIT BREAKER,LIGHTS,R44	1
B1	FRMASMB7110129	FRAME,ASSY,BATTERY TRAY,W/70 AMP CIRCUIT BREAKER,LIGHTS,R44	1
C1	FRMASMB7110130	FRAME,ASSY,BATTERY TRAY,W/50 AMP CIRCUIT BREAKER,NO LIGHTS,R44	1
D1	FRMASMB7110131	FRAME,ASSY,BATTERY TRAY,W/70 AMP CIRCUIT BREAKER,NO LIGHTS,R44	1
E1	FRMASMB17133	FRAME,ASSY,BATTERY TRAY,R44,D-1502-053	1
F1	ELE1802761	CIRCUIT BREAKER ASSY, 50 A, RIGHT ANGLE TERMINALS, PANEL MOUNT, MANUAL RESET, W/ ADDITIONAL HARDWARE	1
G1	ELE1705477	ELECTRONIC,ASSY,CIRCUIT BREAKER,70 AMP,COMPLETE,RIGHT ANGLE TERMINALS,PUSH TO RESET	1
H1	DWR1502H002	ELECTRONIC,HARNESS,BATTERY CABLE,W/125A/32V FUSEABLE LINKS,H-1502-002	1
I1	DWR1502H003	ELECTRONIC,HARNESS,POSITIVE BATTERY TERMINAL TO CIRCUIT BREAKER JUMPER,H-1502-003	1
J1	REFRED1012	REFLECTOR,RED,39MM DIA,BLACK BEZEL,SELF ADHESIVE,(K-LITE: KM-106)	2
K1	DWR1235L515	DECAL,WARNING,BATTERY WARNINGS,L-1235-515	1
L1	DWR1235L829	DECAL,CONNECTOR ORIENTATION,L-1235-829	1
M1	DWR1235L866	DECAL,BATTERY CONNECTION,QUANTUM R44,L-1235-866	1

9. Battery Tray & Reflector Assy's



Reflector Assy, Rival (R44)



Item	Part No.	Name	Qty
A1	FRMASMB17888	REFLECTOR,ASSY,R44	2

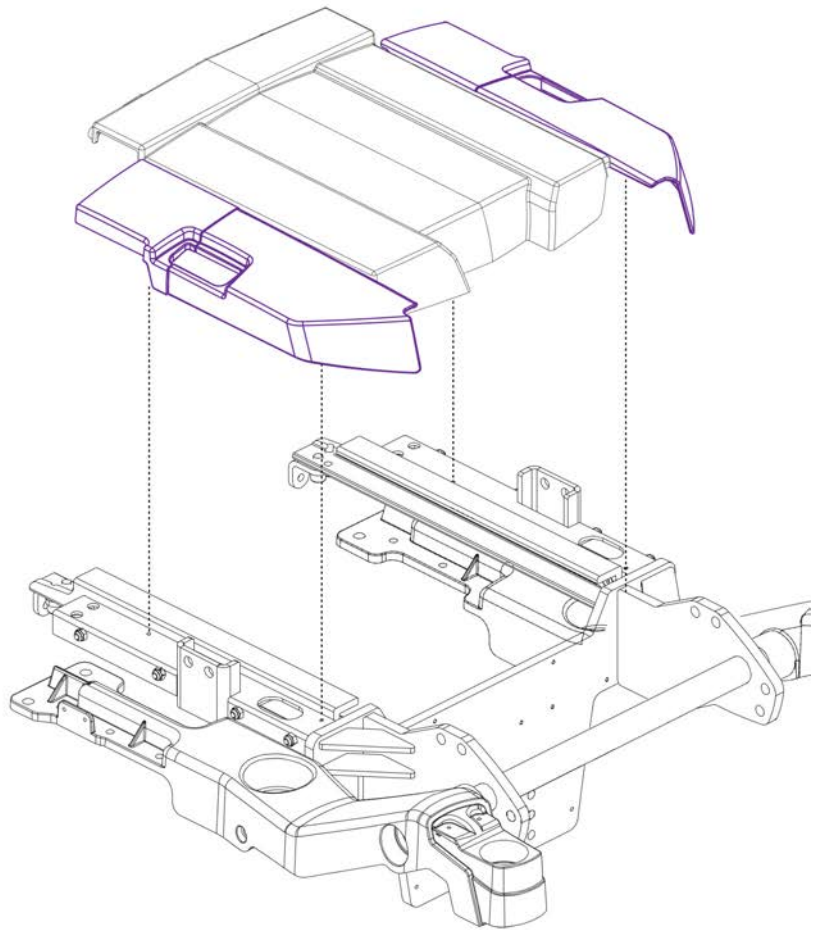
10. Shroud Assy's

Please Note: The painted shroud assemblies include the front and rear left and right painted shrouds. Individual pieces are not available. The complete assembly must be selected.

Painted Side Panel Assemblies			
Ref#	Color Name	Part Suffix	Color Code
A1a	Silver	PSL1	PPW-SIL-01
A1b	Candy Apple Red	PRD1	PPW-RED-01
A1c	Viper Blue	PBU1	PPW-BLU-01
A1d	Sunburst Orange	POR1	PPW-ORN-01

Discontinued Painted Side Panels			
Ref#	Color Name	Part Suffix	Color Code
N/A	Metalic Black	BLK1	PPW-BLK-01
N/A	Champagne	PCH1	PPW-CHA-01

*Metalic Black has been replaced by Back in Black. Champagne has no direct replacement.



Item	Part No.	Name	Qty
A1a	SHDASMB6376	SHROUD,ASSY,SILVER,SIDE PANEL,R44	1
A1b	SHDASMB6372	SHROUD,ASSY,CANDY APPLE RED,SIDE PANEL,R44	1
A1c	SHDASMB6374	SHROUD,ASSY,VIPER BLUE,SIDE PANEL,R44	1
A1d	SHDASMB6378	SHROUD,ASSY,SUNBURST ORANGE,SIDE PANEL,R44	1

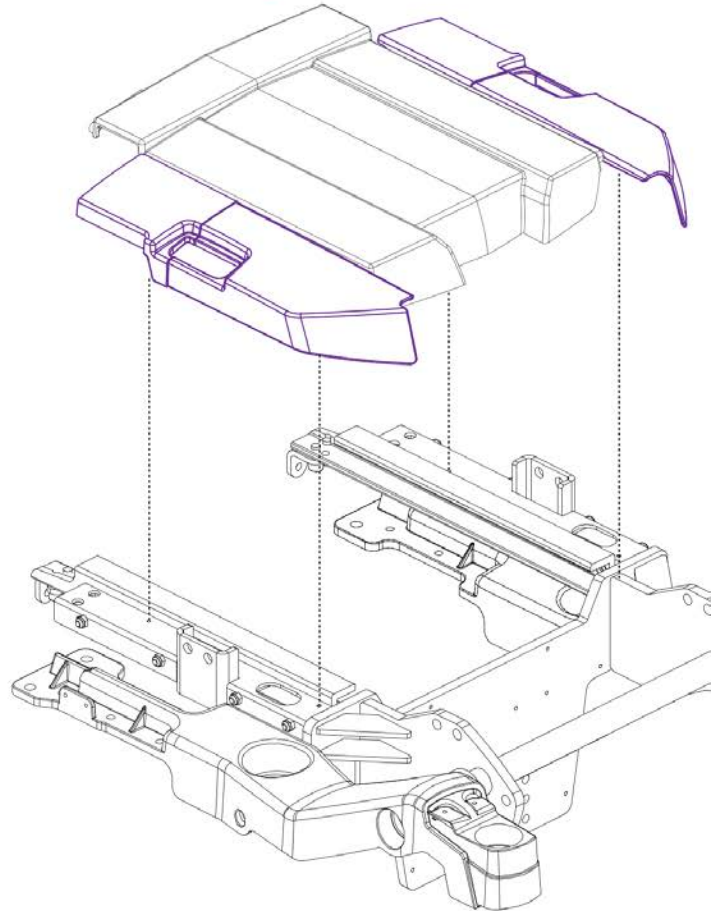
10. Shroud Assy's

The listed colors below are applicable to Serial Number **JC306816093020** and subsequent.

Painted Side Panel Assemblies

Ref#	Color Name	Part Suffix	Color Code
A1	Back in Black	PBK1	PPW-BLK-01
B1	Night Train	PBK3	PPW-BLK-03
C1	Grey Street	PSL3	PPW-SIL-03
D1	Silver Bullet	PSL7	PPW-SIL-07
E1	White Satin	PWT2	PPW-WHT-02
F1	Red Corvette	PRD1	PPW-RED-01
G1	Pretty in Pink	PPK3	PPW-PNK-03
H1	Deep Purple	PPR5	PPW-PRP-05
I1	Midnight Blue	PBU10	PPW-BLU-10
J1	Electric Blue	PBU9	PPW-BLU-09
K1	Green Machine	PGN11	PPW-GRN-11
L1	Military Green	PGN8	PPW-GRN-08
M1	Lime Light	PGN7	PPW-GRN-07
N1	Yellow Blaze	PYL3	PPW-YEL-03
O1	Orange Crush	POR6	PPW-ORN-06
P1	Evolution Orange	POR7	PPW-ORN-07

Please Note: The painted shroud assemblies include the front and rear left and right painted shrouds. Individual pieces are not available. The complete assembly must be selected.



The listed colors below are limited in quantities.

Painted Side Panel Assemblies

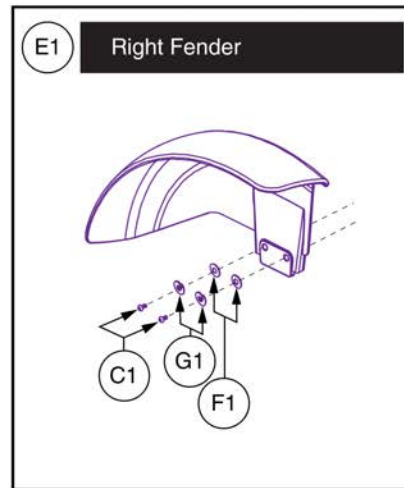
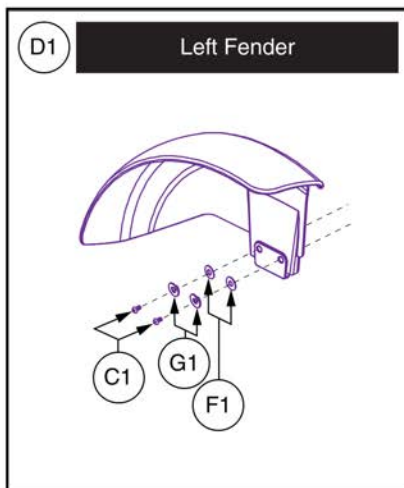
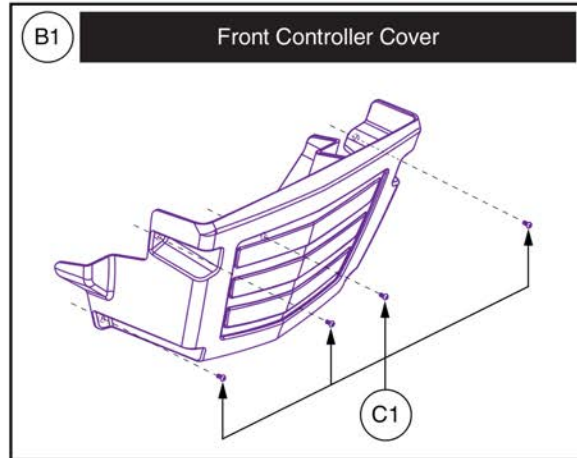
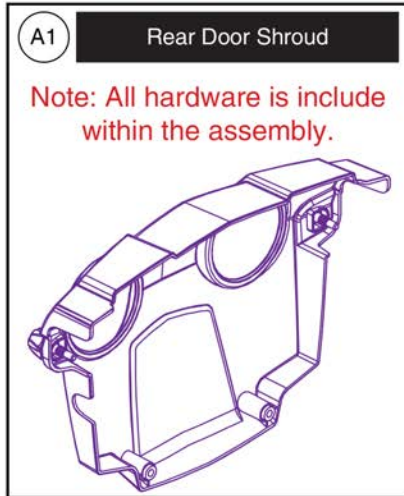
Ref#	Color Name	Part Suffix	Color Code
Q1	Pearl Pink	PPK1	PPW-PNK-01
R1	Sapphire Blue	PPR4	PPW-PRP-04
S1	Emerald Green	PGN5	PPW-GRN-05

The listed colors below have been discontinued prior to Serial Number **JC306816093020** and can longer be selected.

Discontinued Color	Replacement Color
Metalic Black	Back in Black
Pewter Gray	N/A
Cardinal Red	N/A
Violet	N/A
Mariner Blue	N/A
Graphite Blue	N/A
True Blue	Electric Blue
Kelly Green	N/A
Solar Yellow	N/A
Orion Yellow	Yellow Blaze
Tangerine	N/A

Item	Part No.	Name	Qty
A1	DGN150381-PBK1	SHROUD,ASSY,BACK IN BLACK,SIDE PANEL,R44	1
B1	DGN150381-PBK3	SHROUD,ASSY,NIGHT TRAIN,SIDE PANEL,R44	1
C1	DGN150381-PSL3	SHROUD,ASSY,GREY STREET,SIDE PANEL,R44	1
D1	DGN150381-PSL7	SHROUD,ASSY,SILVER BULLET,SIDE PANEL,R44	1
E1	DGN150381-PWT2	SHROUD,ASSY,WHITE SATIN,SIDE PANEL,R44	1
F1	DGN150381-PRD1	SHROUD,ASSY,CORVETTE RED,SIDE PANEL,R44	1
G1	DGN150381-PPK3	SHROUD,ASSY,PRETTY IN PINK,SIDE PANEL,R44	1
H1	DGN150381-PPR5	SHROUD,ASSY,DEEP PURPLE,SIDE PANEL,R44	1
I1	DGN150381-PBU10	SHROUD,ASSY,MIDNIGHT BLUE,SIDE PANEL,R44	1
J1	DGN150381-PBU9	SHROUD,ASSY,ELECTRIC BLUE,SIDE PANEL,R44	1
K1	DGN150381-PGN11	SHROUD,ASSY,GREEN MACHINE,SIDE PANEL,R44	1
L1	DGN150381-PGN8	SHROUD,ASSY,MILITARY GREEN,SIDE PANEL,R44	1
M1	DGN150381-PGN7	SHROUD,ASSY,LIME LIGHT,SIDE PANEL,R44	1
N1	DGN150381-PYL3	SHROUD,ASSY,YELLOW BLAZE,SIDE PANEL,R44	1
O1	DGN150381-POR6	SHROUD,ASSY,ORANGE CRUSH,SIDE PANEL,R44	1
P1	DGN150381-POR7	SHROUD,ASSY,EVOLUTION ORANGE,SIDE PANEL,R44	1
Q1	DGN120012	SHROUD,ASSY,PEARL PINK,SIDE PANEL,R44	1
R1	DGN120018	SHROUD,ASSY,SAPPHIRE BLUE,SIDE PANEL,R44	1
S1	DGN120016	SHROUD,ASSY,EMERALD GREEN,SIDE PANEL,R44	1

10. Shroud Assy's

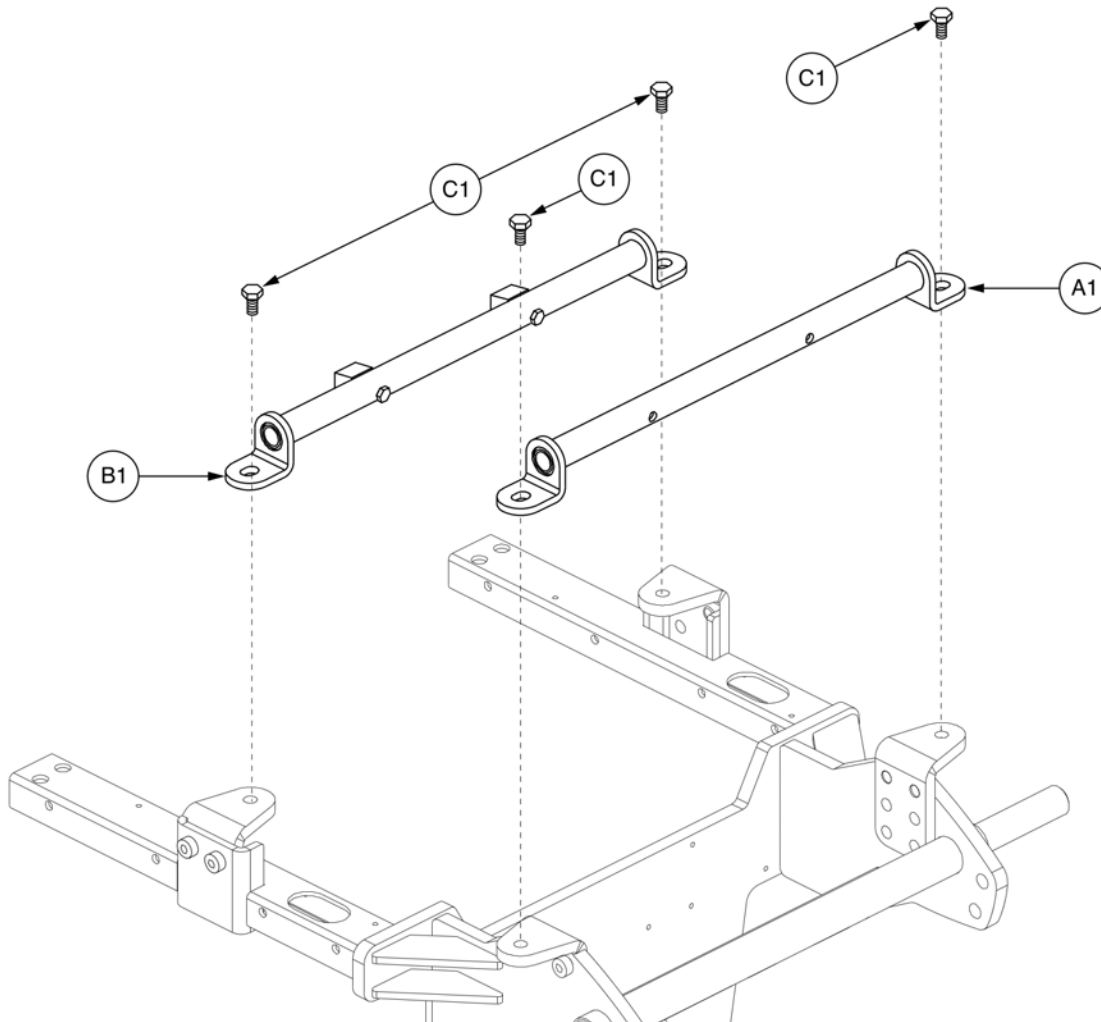


Front & Rear Door and Fender Shrouds, Rival (R44)



Item	Part No.	Name	Qty
A1	SHDASMB6260	SHROUD,ASSY,REAR DOOR,BLACK,C-1502-076	1
B1	DWR1502D074	SHROUD,FRONT,CONTROLLER COVER,BLACK,D-1502-074	1
C1	SCRPPH1044	SCREW,PPH,BLACK ZINC,M4-.7 X 12MM	8
D1	DWR1502D083	SHROUD,FENDER,BLACK,14" WHEEL,LEFT,D-1502-083	1
E1	DWR1502D082	SHROUD,FENDER,BLACK,14" WHEEL,RIGHT,D-1502-082	1
F1	WASMETR1042	WASHER,FLAT,BLACK ZINC,4.3MM ID X 12MM OD X 1MM TH	4
G1	WASLOCK1045	WASHER,LOCK,BLACK ZINC,M4,SPLIT	4

11. Trapeze Bar Assy's

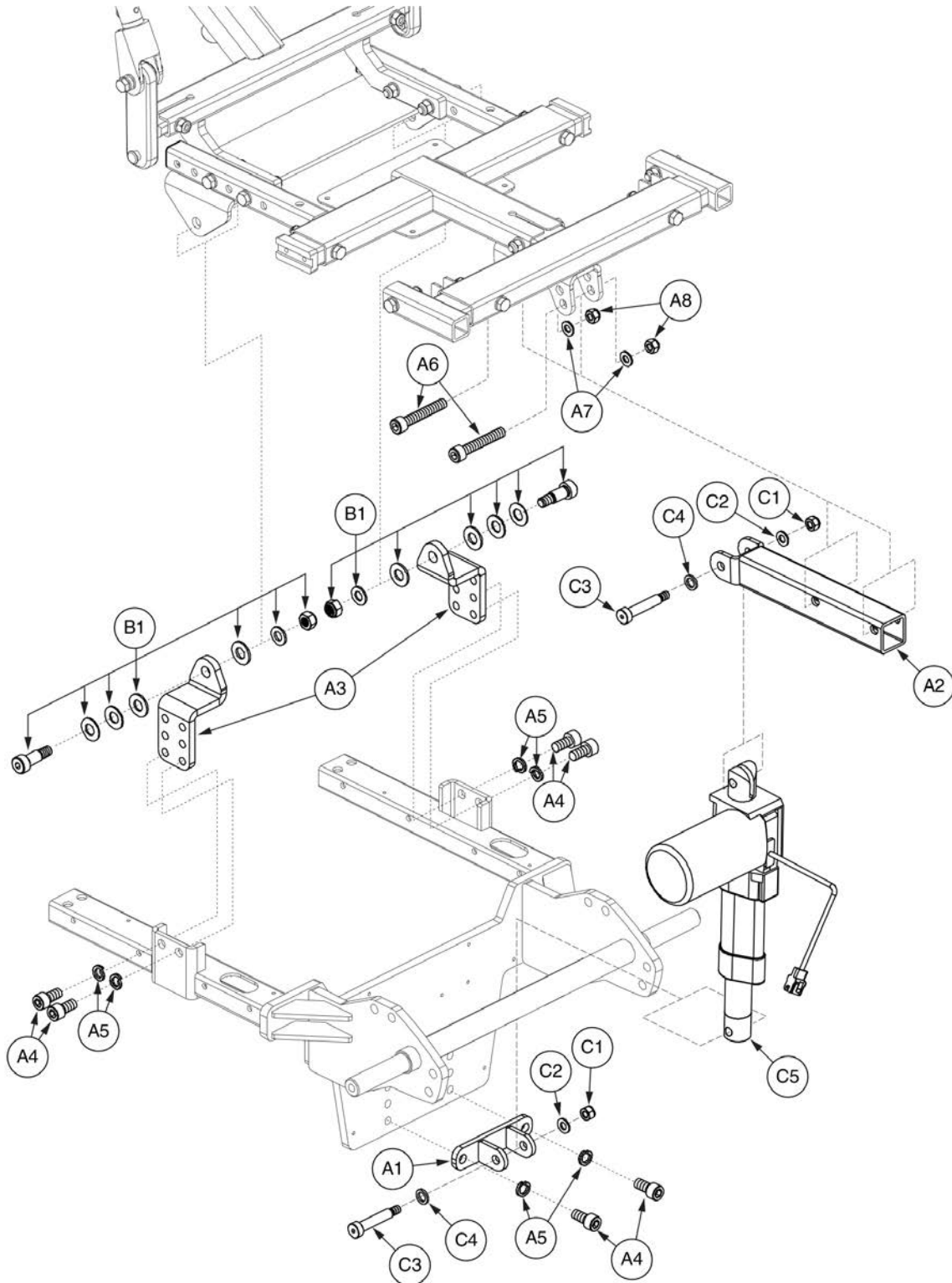


Seat Tower/Trapeze Bars Assy, Rival (R44)



Item	Part No.	Name	Qty
A1	TWRASMB7120002	SEAT TOWER,ASSY,14.00" CENTERS,FRONT TRAPEZE BAR,METRIC	1
B1	TWRASMB7120003	SEAT TOWER,ASSY,14.00" CENTERS,REAR TRAPEZE BAR,METRIC	1
C1	SCR8120003	SCREW,HHCS,BLACK ZINC,M10-1.5 X 12MM,10.9,W/PATCH	1

12. Seating System Interfaces

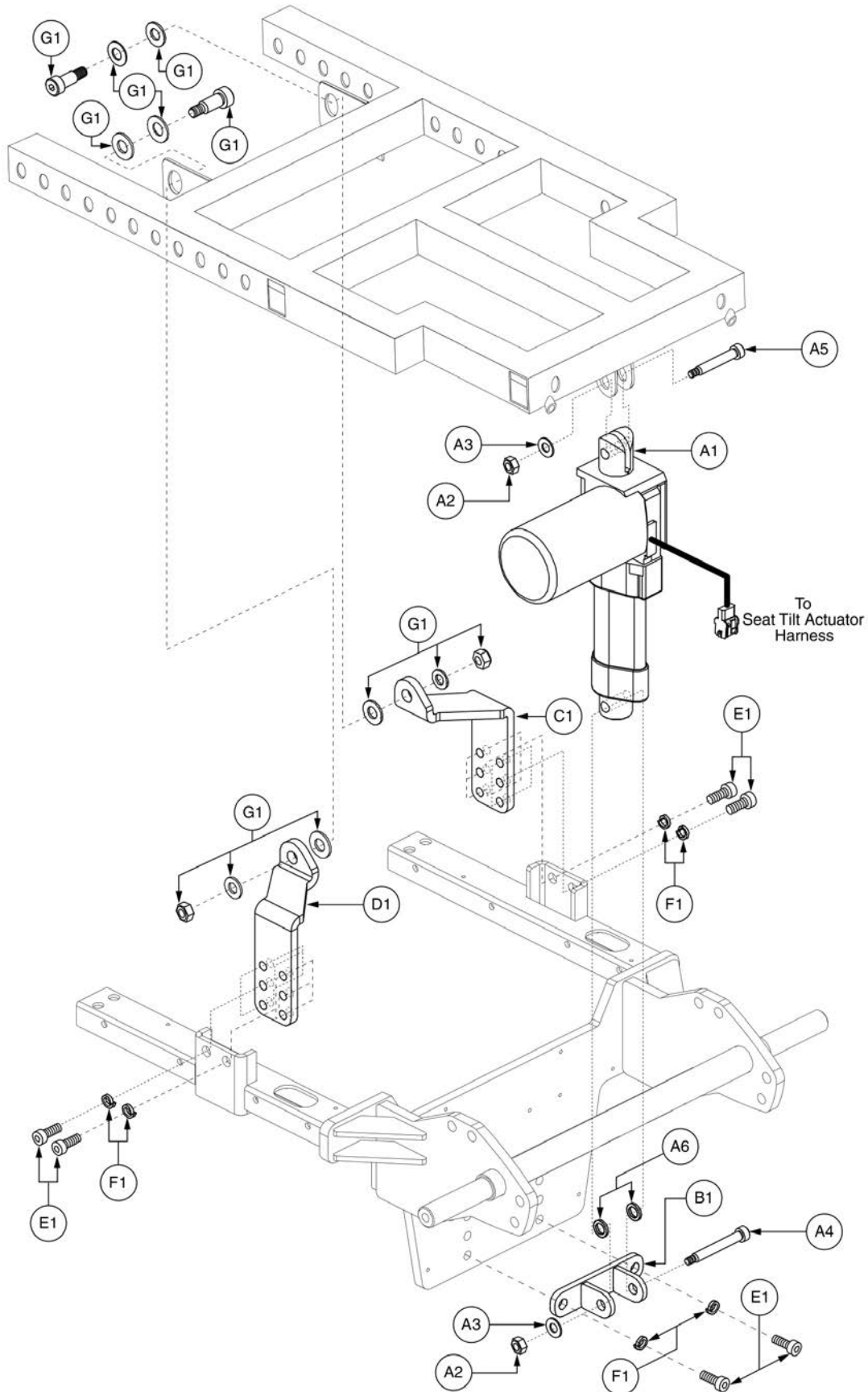


R44 Seat Interface - Power Tilt, Euro Seat 2



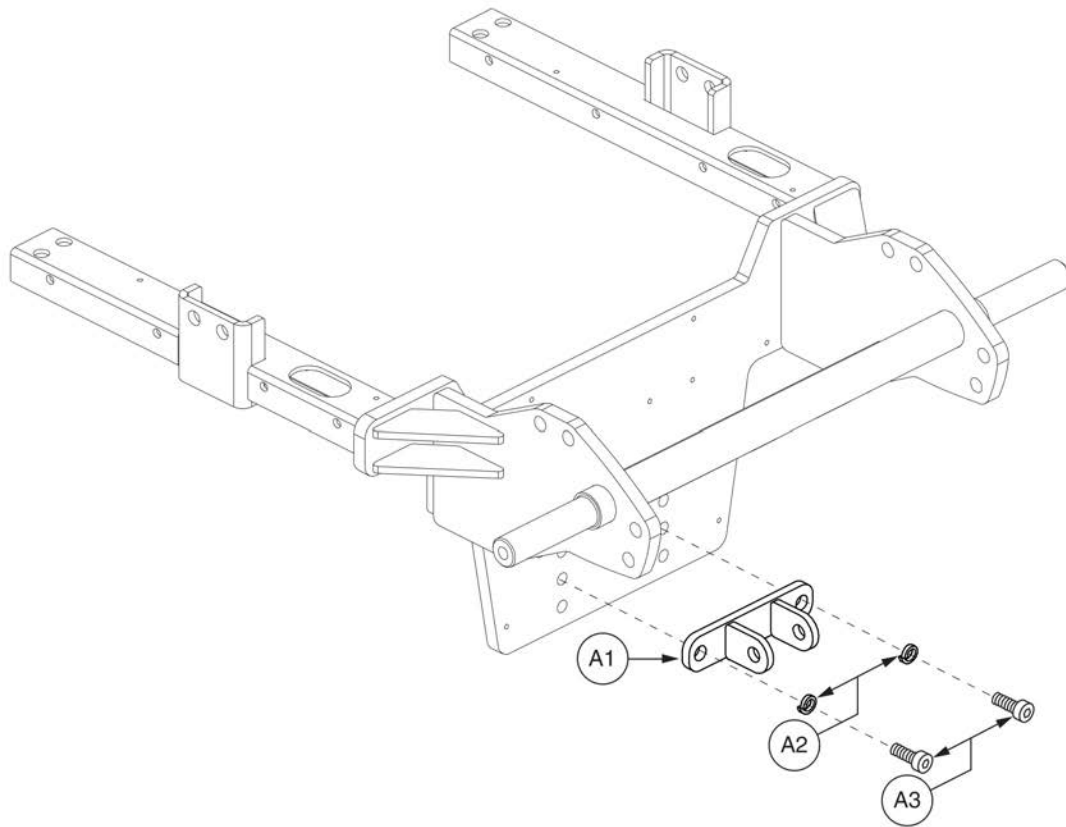
Item	Part No.	Name	Qty
A1 - C5		FRAME,ASSY,SEAT INTERFACE,POWER TILT,EUROSEAT 2,QUANTUMR44,W/MOUNTING HARDWARE	1
A1	DWR1502C047	MOUNTING BRACKET,SEAT INTERFACE,EUROSEAT2/ION,FRONT	1
A2	BRK7110004	MOUNTING BRACKET,SEAT INTERFACE,EUROSEAT 2,FRONT	1
A3	BRK8110030	MOUNTING BRACKET,SEATING INTERFACE,EUROSEAT 2,REAR	2
A4	SCRSHCS1340	SCREW,SHCS,BLACK ZINC,M10-1.5 X 20MM,GR 10.9,W/PATCH	6
A5	WASLOCK1094	WASHER, LOCK, 10.7 ID X 18.1 OD X 2.0 THK, DIN 127B, BZ	6
A6	SCR8110006	SCREW,SHCS,BLACK ZINC,M10-1.5 X 60MM,GRADE 10.9	2
A7	WASMETR1031	WASHER,FLAT,10.5 ID X 20 OD X 2 THK,BZ	2
A8	NUTNYLK1090	NUT,NYLOCK,BLACK ZINC,M10-1.5,GRADE 12.9	2
B1	HDWASMB1184	HARDWARE,ASSY,SEAT PIVOT,REAR,C-1502-081	2
C1 - C5	FRMASMB17904	FRAME,ASSY,POWER TILT,EUROSEAT 2,QUANTUMR44	1
C1	NUTNYLK1011	NUT,NYLOCK,BLACK ZINC,M8-1.25	2
C2	HDW138262	WASHER, FLAT, 8.4 ID X 16 OD X 1.6 THK, ISO 7089-8-200 HV, BZ	2
C3	BLTASHL1192	BOLT,SHOULDER,10MM X 45MM,GRADE 10.9	2
C4	DWR1005B028	WASHER,BLACK NYLON,10.5MM ID X 16MM OD X 2.2MM TH	4
C5	DWR1501D044	ACTUATOR,VENTURE,8" WIRE LENGTH,BLACK,D-1501-044	1

12. Seating System Interfaces



Item	Part No.	Name	Qty
A1 - A6	FRMASMB17905	FRAME,ASSY,POWER TILT,ION SEAT,QUANTUMR44	1
A1	DWR1501D044	ACTUATOR,VENTURE,8" WIRE LENGTH,BLACK,D-1501-044	1
A2	NUTNYLK1011	NUT,NYLOCK,BLACK ZINC,M8-1.25	2
A3	HDW138262	WASHER, FLAT, 8.4 ID X 16 OD X 1.6 THK, ISO 7089-8-200 HV, BZ	2
A4	BLTASHL1192	BOLT,SHOULDER,10MM X 45MM,GRADE 10.9	1
A5	BLTASHL1120	BOLT,SHOULDER,10MM X 40MM	1
A6	DWR1005B028	WASHER,BLACK NYLON,10.5MM ID X 16MM OD X 2.2MM TH	2
B1	DWR1502C047	MOUNTING BRACKET,SEAT INTERFACE,EUROSEAT2/ION,FRONT	1
C1	DWR1502D046	MOUNTING BRACKET,SEAT INTERFACE,ION,POWER,REAR,LEFT	1
D1	DWR1502D047	MOUNTING BRACKET,SEAT INTERFACE,ION,STATIC,REAR,RIGHT	1
E1	SCRSHCS1340	SCREW,SHCS,BLACK ZINC,M10-1.5 X 20MM,GR 10.9,W/PATCH	6
F1	WASLOCK1094	WASHER, LOCK, 10.7 ID X 18.1 OD X 2.0 THK, DIN 127B, BZ	6
G1	HDWASMB1184	HARDWARE,ASSY,SEAT PIVOT,REAR,C-1502-081	2

12. Seating System Interfaces



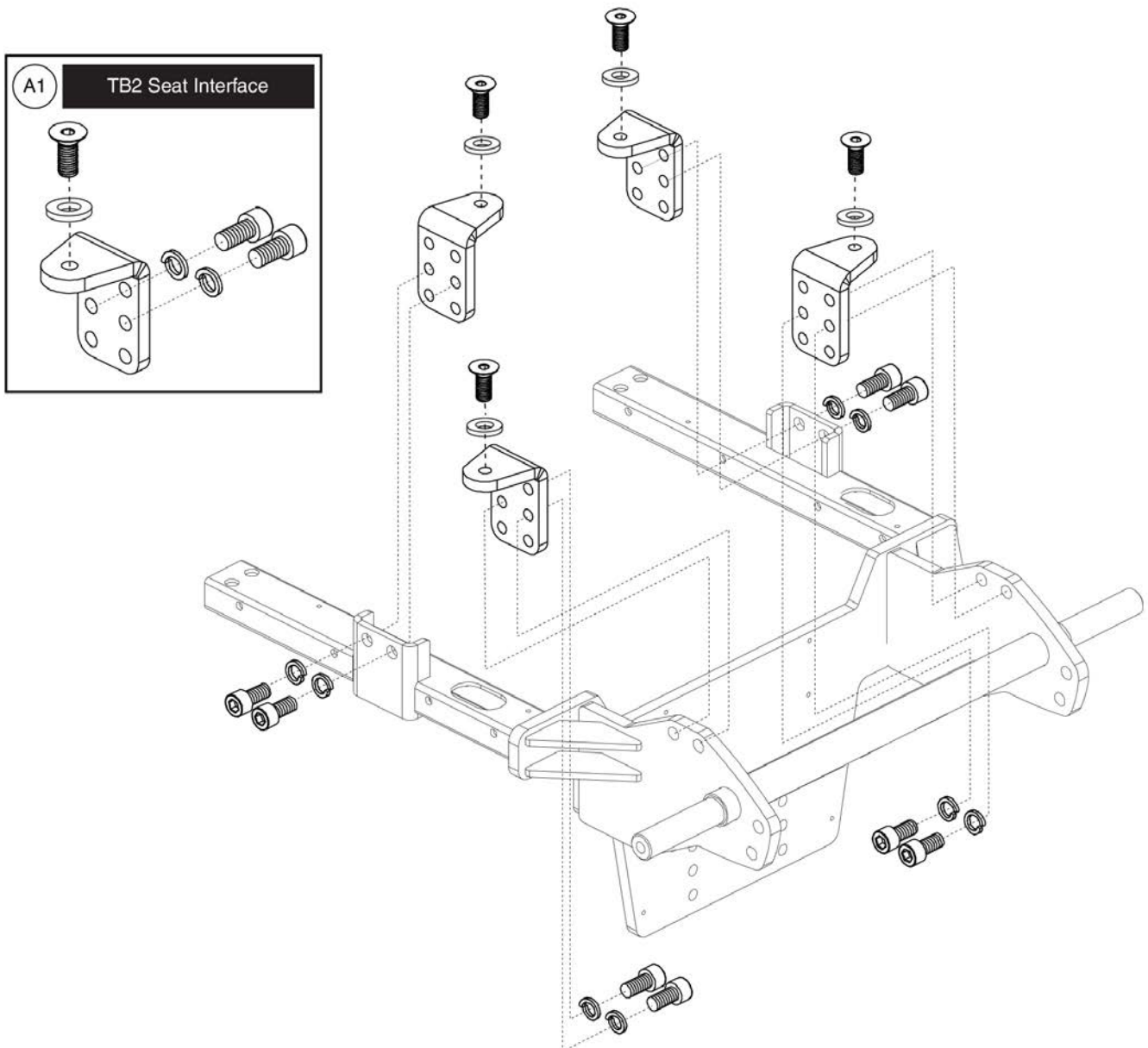
TB Flex Seat Interface, R44



Item	Part No.	Name	Qty
A1 - A3	MEC156782	SEAT INTERFACE,ASSY,TBFLEX SEAT,QUANTUMR44,W/MOUNTING HARDWARE	1
A1	DWR1502C047	MOUNTING BRACKET,SEAT INTERFACE,EUROSEAT2/ION,FRONT	1
A2	WASLOCK1094	WASHER, LOCK, 10.7 ID X 18.1 OD X 2.0 THK, DIN 127B, BZ	2
A3	SCRSHCS1340	SCREW,SHCS,BLACK ZINC,M10-1.5 X 20MM,GR 10.9,W/PATCH	2

12. Seating System Interfaces

Please note: Individual parts are not available for purchase.
The assembly must be ordered .



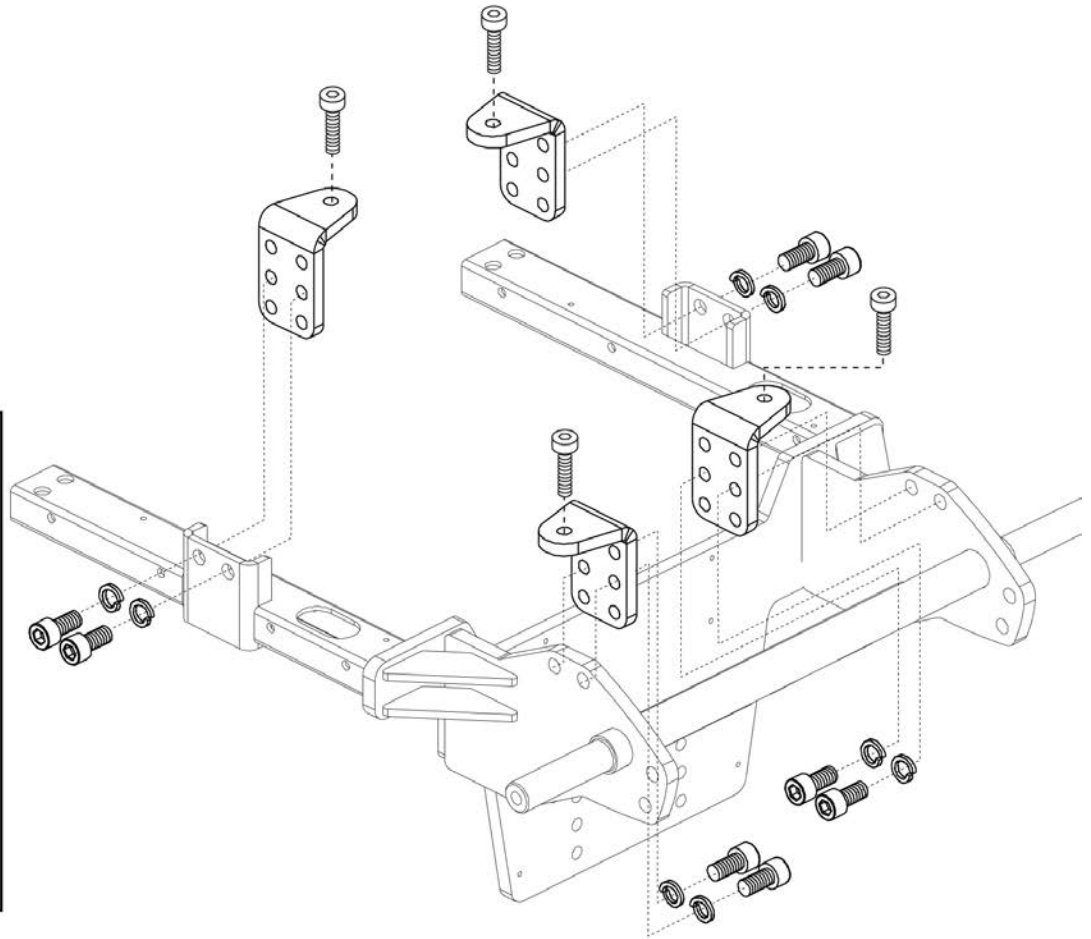
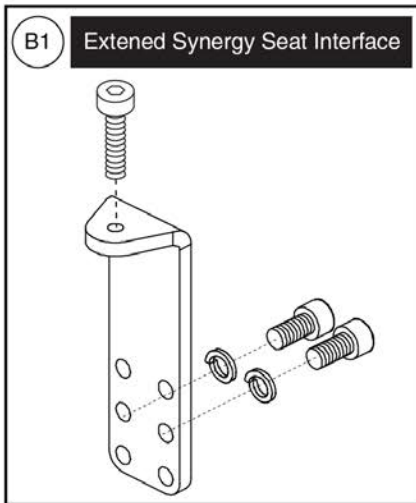
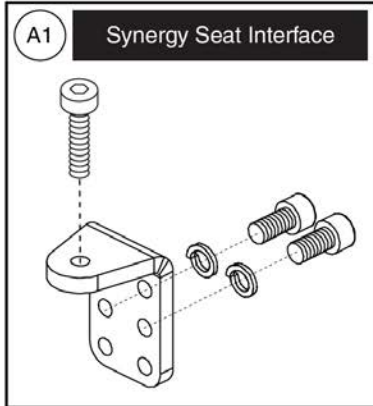
Seat Interface - TB2 Tilt/Tilt & Recline, Rival (R44)



Item	Part No.	Name	Qty
A1	FRMASMB17910	FRAME,ASSY,SEAT INTERFACE,TRU-BALANCE 2 POWER TILT,QUANTUMR44,W/MOUNTING HARDWARE	1

12. Seating System Interfaces

Please note: Individual parts are not available for purchase.
The assembly must be ordered .



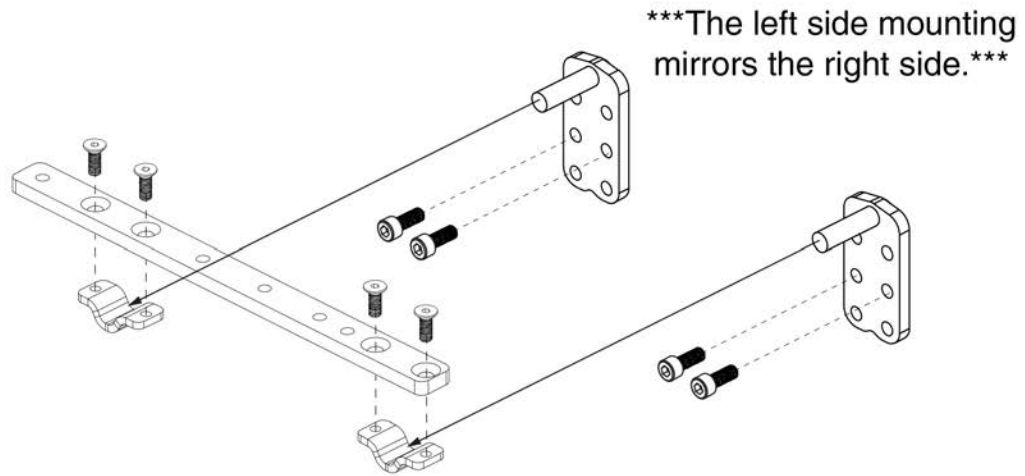
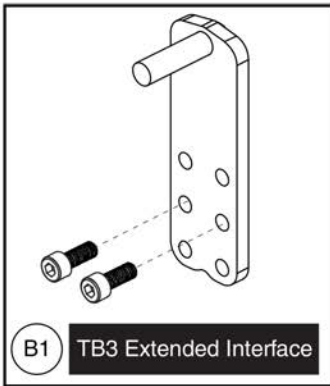
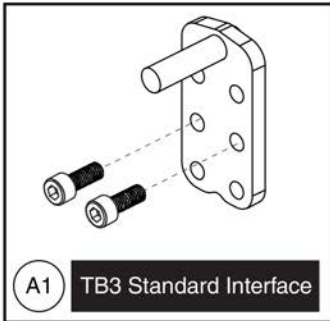
Seat Interface - Synergy, Rival (R44)



Item	Part No.	Name	Qty
A1	FRMASMB17911	FRAME,ASSY,SEAT INTERFACE,SYNERGY SEAT,QUANTUMR44,W/MOUNTING HARDWARE	1
B1	MEC163554	FRAME,ASSY,SEAT INTERFACE,UNIVERSAL EXTENDED,QUANTUMR44,W/MOUNTING HARDWARE	1

12. Seating System Interfaces

Please note: Individual parts are not available for purchase.
The assembly must be ordered .



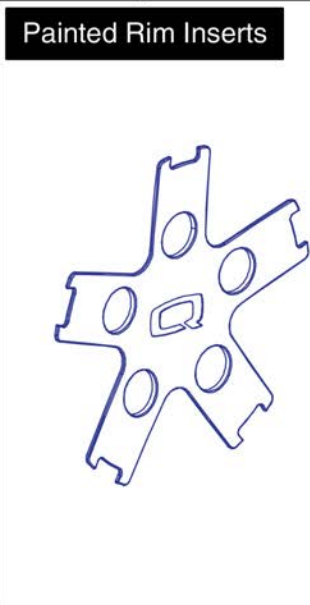
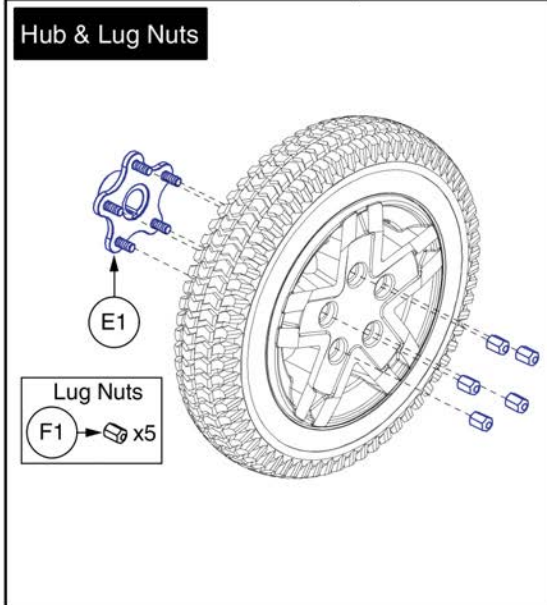
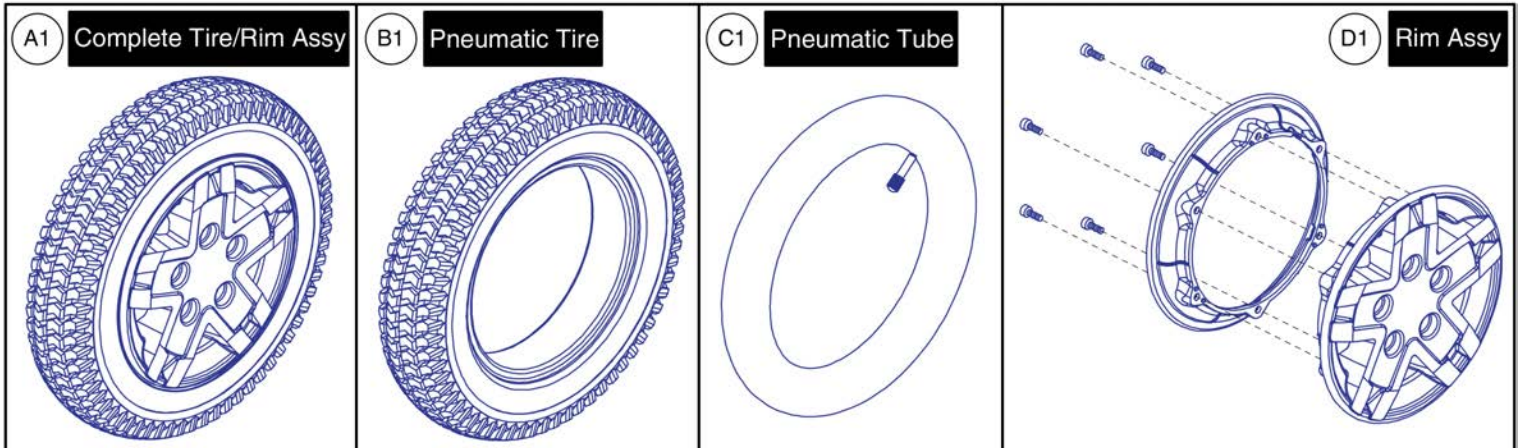
Seat Interface - TB3, Rival (R44)



Item	Part No.	Name	Qty
A1	MEC132769	FRAME,ASSY,SEAT INTERFACE,QUANTUMR44,TRU-BALANCE 3,W/MOUNTING HARDWARE	1
B1	MEC154716	FRAME,ASSY,SEAT INTERFACE,TB3 EXTENDED,QUANTUMR44,W/MOUNTING HARDWARE	1

5-Spoke Drive Wheels

Please Note: The Complete Wheel Assemblies do not contain the Hub, Lug Nuts, or the Painted Inserts.

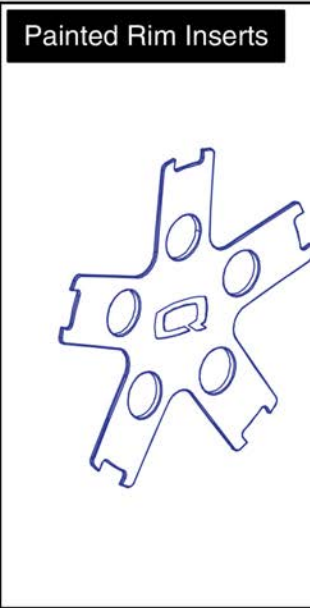
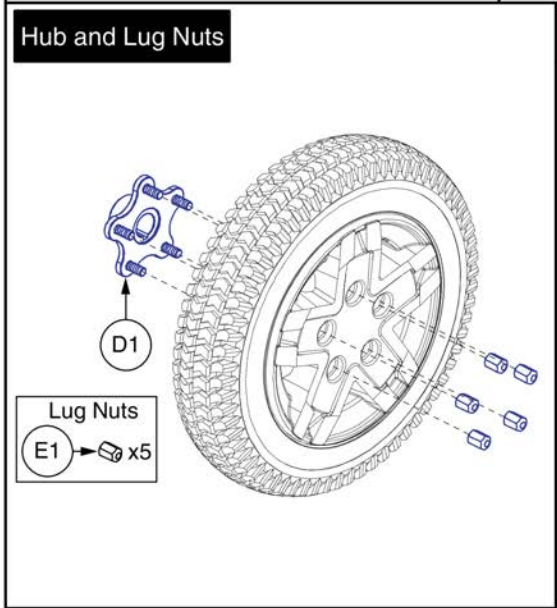
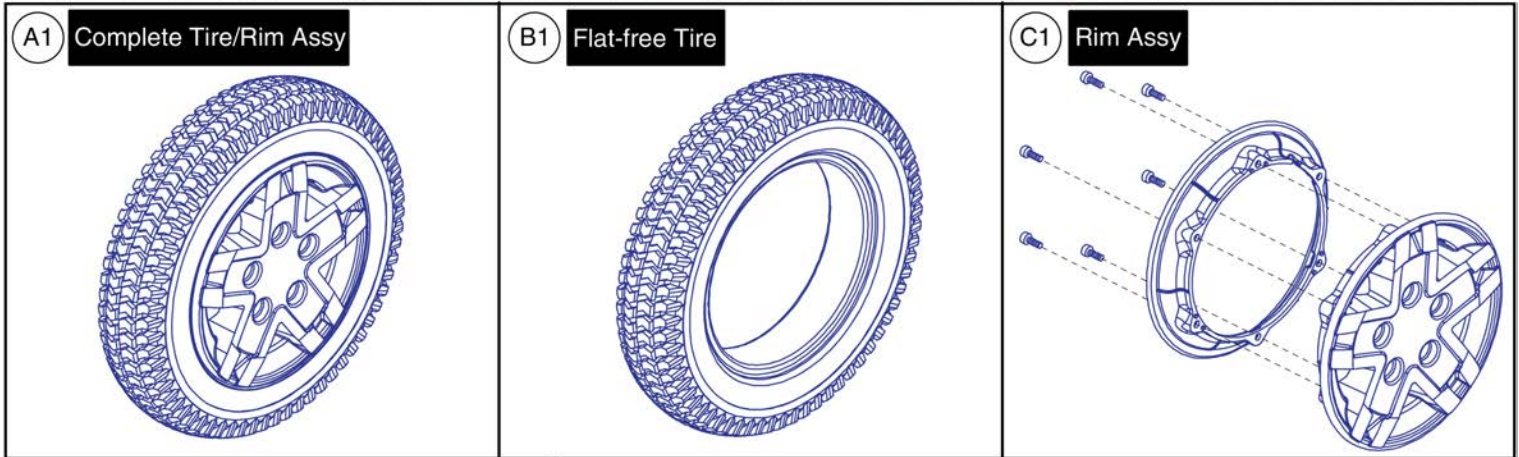


Painted Colors	Ref #	Painted Colors	Ref #
Back in Black	G1a	Midnight Blue	G1i
Night Train	G1b	Electric Blue	G1j
Grey Street	G1c	Green Machine	G1k
Silver Bullet	G1d	Military Green	G1l
White Satin	G1e	Lime Light	G1m
Red Corvette	G1f	Yellow Blaze	G1n
Pretty in Pink	G1g	Orange Crush	G1o
Deep Purple	G1h	Evolution Orange	G1p

Item	Part No.	Name	Qty
A1	WHLASMB2122	WHEEL,ASSY,PNEUMATIC,14" X 3" DRIVE,SILVER RIM/GRAY TIRE,E-1203-051	1
B1	TIRPNEU1004	TIRE,PNEUMATIC,300-8 X 14",C-248-5	1
C1	TUBSTND1002	TUBE,300-8,ANGLED VALVE W/CAP	1
D1	WHLASMB2095	WHEEL,ASSY,RIM,SILVER,ALUMINUM,8",5 SPOKE,MACHINED FACE	1
E1	WHLASMB2081	WHEEL,ASSY,HUB,5 SPOKE,W/STUDS,G4 MOTORS,B-1203-010	1
F1	DWR1005B049	NUT,LUG,ZINC,5/16-24,B-1005-049	5
G1a	DGN164245-PBK1	DRIVE WHEEL COLOR INSERT, WITH ADHESIVE TAPE, PPW-BLK-01 (BACK IN BLACK/BLACK)	1
G1b	DGN164245-PBK3	DRIVE WHEEL COLOR INSERT, WITH ADHESIVE TAPE, PPW-BLK-03 (NIGHT TRAIN)	1
G1c	DGN164245-PSL3	DRIVE WHEEL COLOR INSERT, WITH ADHESIVE TAPE, PPW-SIL-03 (GREY STREET)	1
G1d	DGN164245-PSL7	DRIVE WHEEL COLOR INSERT, WITH ADHESIVE TAPE, PPW-SIL-07 (SILVER BULLET)	1
G1e	DGN164245-PWH2	DRIVE WHEEL COLOR INSERT, WITH ADHESIVE TAPE, PPW-WHT-02 (WHITE SATIN)	1
G1f	DGN164245-PRD1	DRIVE WHEEL COLOR INSERT, WITH ADHESIVE TAPE, PPW-RED-01 (RED CORVETTE/CANDY APPLE RED)	1
G1g	DGN164245-PPK3	DRIVE WHEEL COLOR INSERT, WITH ADHESIVE TAPE, PPW-PNK-03 (PRETTY IN PINK)	1
G1h	DGN164245-PPR5	DRIVE WHEEL COLOR INSERT, WITH ADHESIVE TAPE, PPW-PRP-05 (DEEP PURPLE)	1
G1i	DGN164245-PBU10	DRIVE WHEEL COLOR INSERT, WITH ADHESIVE TAPE, PPW-BLU-10 (MIDNIGHT BLUE)	1
G1j	DGN164245-PBU9	DRIVE WHEEL COLOR INSERT, WITH ADHESIVE TAPE, PPW-BLU-09 (ELECTRIC BLUE/TRUE BLUE)	1
G1k	DGN164245-PGN11	DRIVE WHEEL COLOR INSERT, WITH ADHESIVE TAPE, PPW-GRN-11(GREEN MACHINE)	1
G1l	DGN164245-PGN8	DRIVE WHEEL COLOR INSERT, WITH ADHESIVE TAPE, PPW-GRN-08 (MILITARY GREEN)	1
G1m	DGN164245-PGN7	DRIVE WHEEL COLOR INSERT, WITH ADHESIVE TAPE, PPW-GRN-07 (LIME LIGHT)	1
G1n	DGN164245-PYL3	DRIVE WHEEL COLOR INSERT, WITH ADHESIVE TAPE, PPW-YEL-03 (YELLOW BLAZE/ORION YELLOW)	1
G1o	DGN164245-POR6	DRIVE WHEEL COLOR INSERT, WITH ADHESIVE TAPE, PPW-ORN-06 (ORANGE CRUSH)	1
G1p	DGN164245-POR7	DRIVE WHEEL COLOR INSERT, WITH ADHESIVE TAPE, PPW-ORN-07(EVOLUTION ORANGE)	1

5-Spoke Drive Wheels

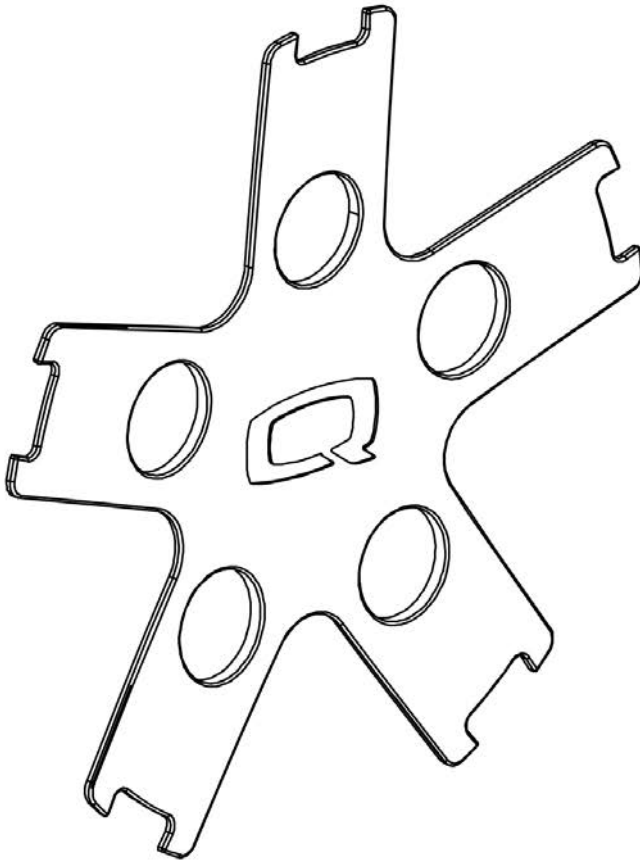
Please Note: The Complete Wheel Assemblies do not contain the Hub, Lug Nuts, or the Painted Inserts.



Painted Colors	Ref #	Painted Colors	Ref #
Back in Black	F1a	Midnight Blue	F1i
Night Train	F1b	Electric Blue	F1j
Grey Street	F1c	Green Machine	F1k
Silver Bullet	F1d	Military Green	F1l
White Satin	F1e	Lime Light	F1m
Red Corvette	F1f	Yellow Blaze	F1n
Pretty in Pink	F1g	Orange Crush	F1o
Deep Purple	F1h	Evolution Orange	F1p

Item	Part No.	Name	Qty
A1	WHLASMB2093	WHEEL,ASSY,FLAT FREE,14" X 3" DRIVE,SILVER RIM/GRAY TIRE,E-1203-043	1
B1	TIRSOLI1075	TIRE,FLAT FREE,GRAY,14" OD,3" W,C-248 POWERTRAX TREAD,(GALLOP: 5508018 YT57)	1
C1	WHLASMB2095	WHEEL,ASSY,RIM,SILVER,ALUMINUM,8",5 SPOKE,MACHINED FACE	1
D1	WHLASMB2081	WHEEL,ASSY,HUB,5 SPOKE,W/STUDS,G4 MOTORS,B-1203-010	1
E1	DWR1005B049	NUT,LUG,ZINC,5/16-24,B-1005-049	5
F1a	DGN164245-PBK1	DRIVE WHEEL COLOR INSERT, WITH ADHESIVE TAPE, PPW-BLK-01 (BACK IN BLACK/BLACK)	1
F1b	DGN164245-PBK3	DRIVE WHEEL COLOR INSERT, WITH ADHESIVE TAPE, PPW-BLK-03 (NIGHT TRAIN)	1
F1c	DGN164245-PSL3	DRIVE WHEEL COLOR INSERT, WITH ADHESIVE TAPE, PPW-SIL-03 (GREY STREET)	1
F1d	DGN164245-PSL7	DRIVE WHEEL COLOR INSERT, WITH ADHESIVE TAPE, PPW-SIL-07 (SILVER BULLET)	1
F1e	DGN164245-PWH2	DRIVE WHEEL COLOR INSERT, WITH ADHESIVE TAPE, PPW-WHT-02 (WHITE SATIN)	1
F1f	DGN164245-PRD1	DRIVE WHEEL COLOR INSERT, WITH ADHESIVE TAPE, PPW-RED-01 (RED CORVETTE/CANDY APPLE RED)	1
F1g	DGN164245-PPK3	DRIVE WHEEL COLOR INSERT, WITH ADHESIVE TAPE, PPW-PNK-03 (PRETTY IN PINK)	1
F1h	DGN164245-PPR5	DRIVE WHEEL COLOR INSERT, WITH ADHESIVE TAPE, PPW-PRP-05 (DEEP PURPLE)	1
F1i	DGN164245-PBU10	DRIVE WHEEL COLOR INSERT, WITH ADHESIVE TAPE, PPW-BLU-10 (MIDNIGHT BLUE)	1
F1j	DGN164245-PBU9	DRIVE WHEEL COLOR INSERT, WITH ADHESIVE TAPE, PPW-BLU-09 (ELECTRIC BLUE/TRUE BLUE)	1
F1k	DGN164245-PGN11	DRIVE WHEEL COLOR INSERT, WITH ADHESIVE TAPE, PPW-GRN-11(GREEN MACHINE)	1
F1l	DGN164245-PGN8	DRIVE WHEEL COLOR INSERT, WITH ADHESIVE TAPE, PPW-GRN-08 (MILITARY GREEN)	1
F1m	DGN164245-PGN7	DRIVE WHEEL COLOR INSERT, WITH ADHESIVE TAPE, PPW-GRN-07 (LIME LIGHT)	1
F1n	DGN164245-PYL3	DRIVE WHEEL COLOR INSERT, WITH ADHESIVE TAPE, PPW-YEL-03 (YELLOW BLAZE/ORION YELLOW)	1
F1o	DGN164245-POR6	DRIVE WHEEL COLOR INSERT, WITH ADHESIVE TAPE, PPW-ORN-06 (ORANGE CRUSH)	1
F1p	DGN164245-POR7	DRIVE WHEEL COLOR INSERT, WITH ADHESIVE TAPE, PPW-ORN-07(EVOLUTION ORANGE)	1

5-Spoke Drive Wheels



****Note:** The inserts contain all of the adhesive mounting fasteners.**

Painted Wheel Inserts			
Ref#	Color Name	Part Suffix	Color Code
A1	Back in Black	PBK1	PPW-BLK-01
B1	Night Train	PBK3	PPW-BLK-03
C1	Grey Street	PSL3	PPW-SIL-03
D1	Silver Bullet	PSL7	PPW-SIL-07
E1	White Satin	PWT2	PPW-WHT-02
F1	Red Corvette	PRD1	PPW-RED-01
G1	Cherry Bomb	PRD4	PPW-RED-04
H1	Pretty in Pink	PPK3	PPW-PNK-03
I1	Raspberry Beret	PPK4	PPW-PNK-04
J1	Sugar Plum	PPR7	PPW-PRP-07
K1	Deep Purple	PPR5	PPW-PRP-05
L1	Midnight Blue	PBU10	PPW-BLU-10
M1	Electric Blue	PBU9	PPW-BLU-09
N1	Blue Jean	PBU11	PPW-BLU-11
O1	Green Machine	PGN11	PPW-GRN-11
P1	Military Green	PGN8	PPW-GRN-08
Q1	Lime Light	PGN7	PPW-GRN-07
R1	Yellow Blaze	PYL3	PPW-YEL-03
S1	Lemon Crush	PYL4	PPW-YEL-04
T1	Orange Crush	POR6	PPW-ORN-06
U1	Evolution Orange	POR7	PPW-ORN-07
V1	Carbon Fiber	WCB1	PWT-CBN-01
W1	Digital Camo	WCM7	PWT-CMO-07
X1	Faded Glory	WFL2	PWT-FLG-02

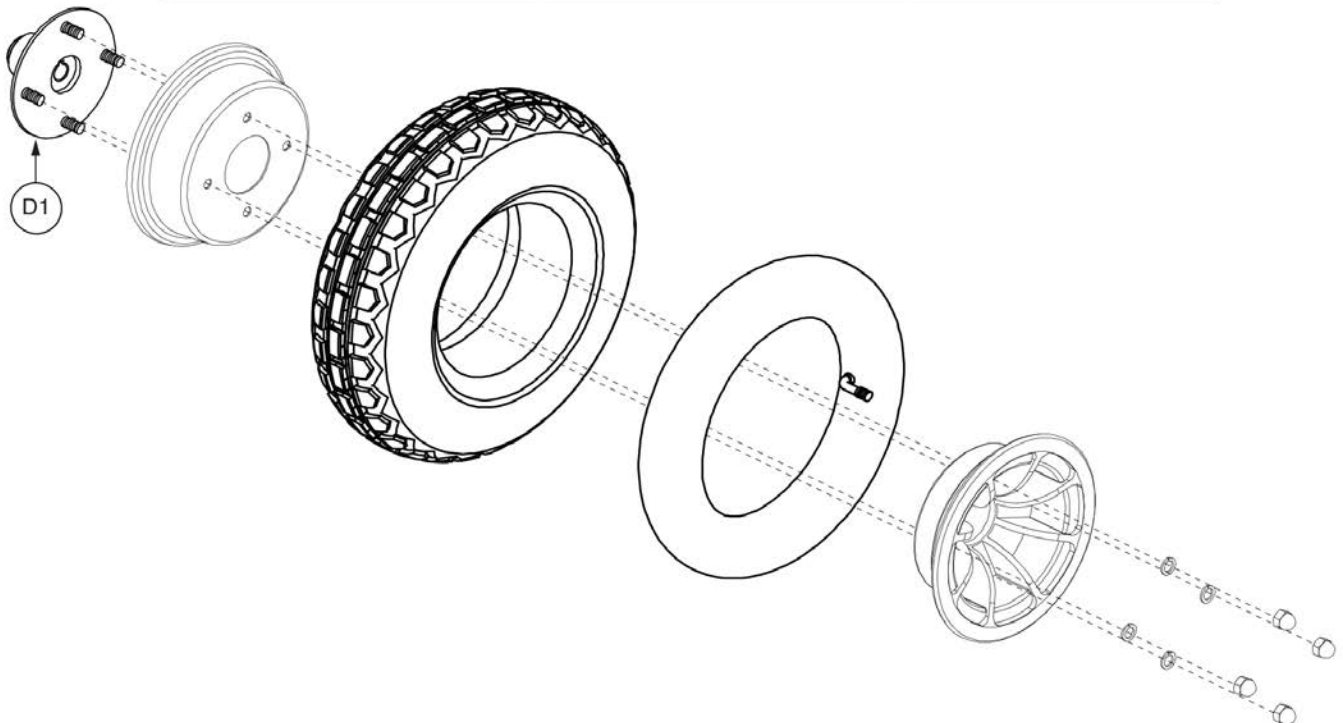
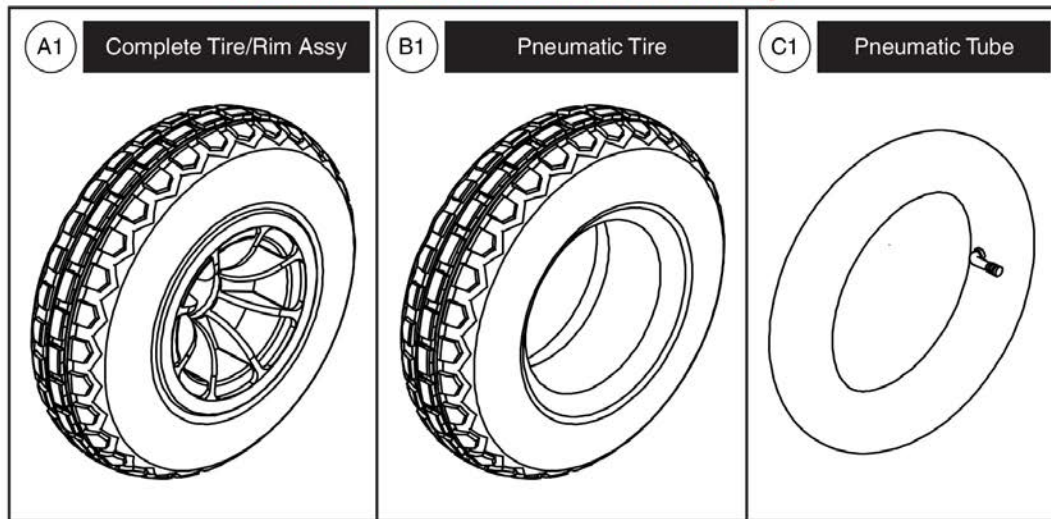
Painted Wheel Inserts



Item	Part No.	Name	Qty
A1	DGN164245-PBK1	DRIVE WHEEL COLOR INSERT, WITH ADHESIVE TAPE, PPW-BLK-01 (BACK IN BLACK/BLACK)	1
B1	DGN164245-PBK3	DRIVE WHEEL COLOR INSERT, WITH ADHESIVE TAPE, PPW-BLK-03 (NIGHT TRAIN)	1
C1	DGN164245-PSL3	DRIVE WHEEL COLOR INSERT, WITH ADHESIVE TAPE, PPW-SIL-03 (GREY STREET)	1
D1	DGN164245-PSL7	DRIVE WHEEL COLOR INSERT, WITH ADHESIVE TAPE, PPW-SIL-07 (SILVER BULLET)	1
E1	DGN164245-PWH2	DRIVE WHEEL COLOR INSERT, WITH ADHESIVE TAPE, PPW-WHT-02 (WHITE SATIN)	1
F1	DGN164245-PRD1	DRIVE WHEEL COLOR INSERT, WITH ADHESIVE TAPE, PPW-RED-01 (RED CORVETTE/CANDY APPLE RED)	1
G1	DGN164245-PRD4	DRIVE WHEEL COLOR INSERT, WITH ADHESIVE TAPE, PPW-RED-04(CHERRY BOMB)	1
H1	DGN164245-PPK3	DRIVE WHEEL COLOR INSERT, WITH ADHESIVE TAPE, PPW-PNK-03 (PRETTY IN PINK)	1
I1	DGN164245-PPK4	DRIVE WHEEL COLOR INSERT, WITH ADHESIVE TAPE, PPW-PNK-04(RASPBERRY BERET)	1
J1	DGN164245-PPR7	DRIVE WHEEL COLOR INSERT, WITH ADHESIVE TAPE, PPW-PRP-07(SUGAR PLUM)	1
K1	DGN164245-PPR5	DRIVE WHEEL COLOR INSERT, WITH ADHESIVE TAPE, PPW-PRP-05 (DEEP PURPLE)	1
L1	DGN164245-PBU10	DRIVE WHEEL COLOR INSERT, WITH ADHESIVE TAPE, PPW-BLU-10 (MIDNIGHT BLUE)	1
M1	DGN164245-PBU9	DRIVE WHEEL COLOR INSERT, WITH ADHESIVE TAPE, PPW-BLU-09 (ELECTRIC BLUE/TRUE BLUE)	1
N1	DGN164245-PBU11	DRIVE WHEEL COLOR INSERT, WITH ADHESIVE TAPE, PPW-BLU-11(BLUE JEAN)	1
O1	DGN164245-PGN11	DRIVE WHEEL COLOR INSERT, WITH ADHESIVE TAPE, PPW-GRN-11(GREEN MACHINE)	1
P1	DGN164245-PGN8	DRIVE WHEEL COLOR INSERT, WITH ADHESIVE TAPE, PPW-GRN-08 (MILITARY GREEN)	1
Q1	DGN164245-PGN7	DRIVE WHEEL COLOR INSERT, WITH ADHESIVE TAPE, PPW-GRN-07 (LIME LIGHT)	1
R1	DGN164245-PYL3	DRIVE WHEEL COLOR INSERT, WITH ADHESIVE TAPE, PPW-YEL-03 (YELLOW BLAZE/ORION YELLOW)	1
S1	DGN164245-PYL4	DRIVE WHEEL COLOR INSERT, WITH ADHESIVE TAPE, PPW-YEL-04(LEMON CRUSH)	1
T1	DGN164245-POR6	DRIVE WHEEL COLOR INSERT, WITH ADHESIVE TAPE, PPW-ORN-06 (ORANGE CRUSH)	1
U1	DGN164245-POR7	DRIVE WHEEL COLOR INSERT, WITH ADHESIVE TAPE, PPW-ORN-07(EVOLUTION ORANGE)	1
V1	DGN164245-WCB1	DRIVE WHEEL COLOR INSERT, WITH ADHESIVE TAPE, PWT-CBN-01 (CARBON FIBER)	1
W1	DGN164245-WCM7	DRIVE WHEEL COLOR INSERT, WITH ADHESIVE TAPE, PWT-CMO-07 (MILITARY DIGITAL CAMO)	1
X1	DGN164245-WFL2	DRIVE WHEEL COLOR INSERT, WITH ADHESIVE TAPE, PWT-FLG-02 (FADED GLORY)	1

4-Spoke Drive Wheels ("Knobby" Tires)

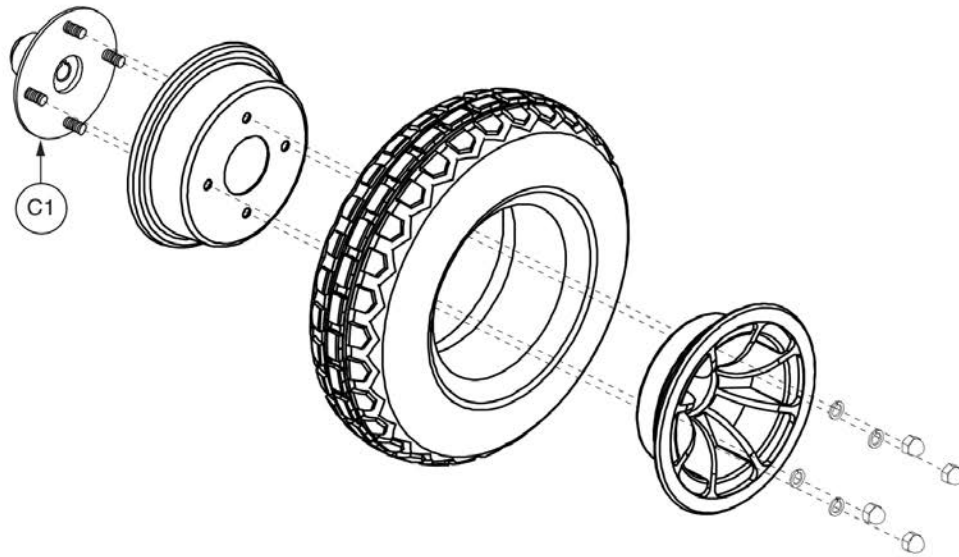
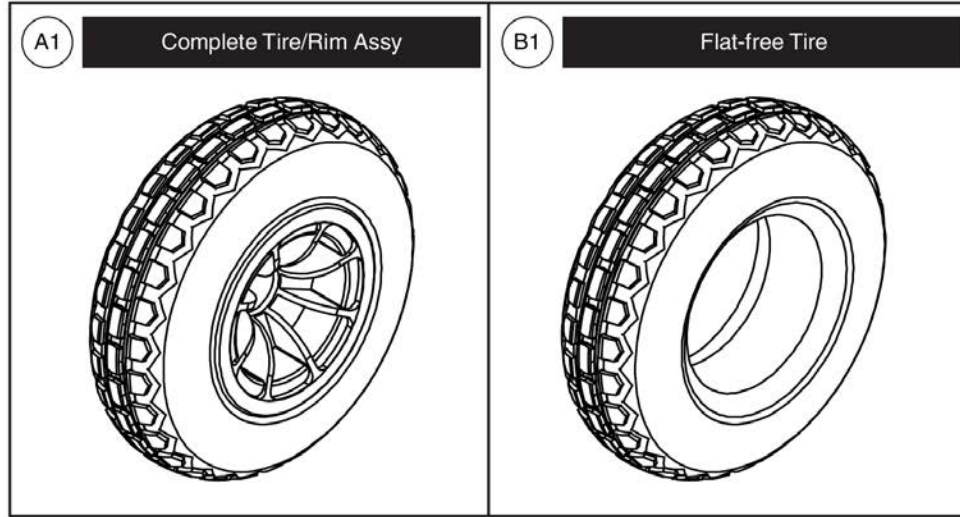
Please note: Rims and hardware are included in the top-level assemblies and are not available individually.



Item	Part No.	Name	Qty
A1	WHL122175	WHEEL,ASSY,PNEUMATIC,BLACK RIM/GRAY TIRE,14" X 4",W/G4 EXTENDED HUB	1
B1	TIRPNEU1058	TIRE,PNEUMATIC,GRAY,14" OD,4" W,C166 KNOBBY TREAD,(GALLOP: RP265087)	1
C1	TUBSTND1043	TIRE,TUBE,4.00-6,90 DEGREE VALVE STEM,(TAG: 163265)	1
D1	WHL122176	WHEEL,ASSY,EXTENDED HUB,4 SPOKE,W/STUDS,G4 MOTORS	1

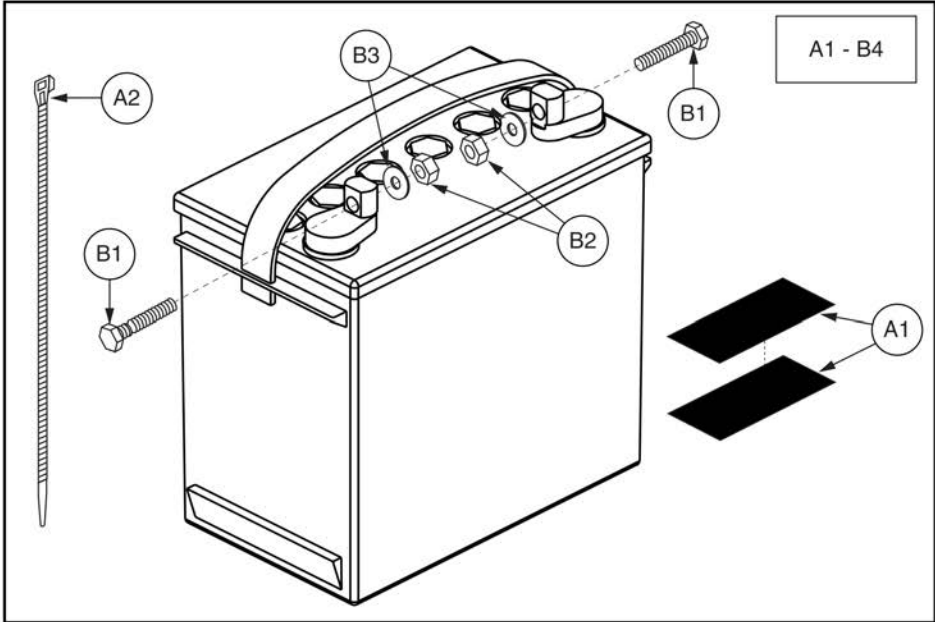
4-Spoke Drive Wheels ("Knobby" Tires)

Please note: Rims and hardware are included in the top-level assemblies and are not available individually.



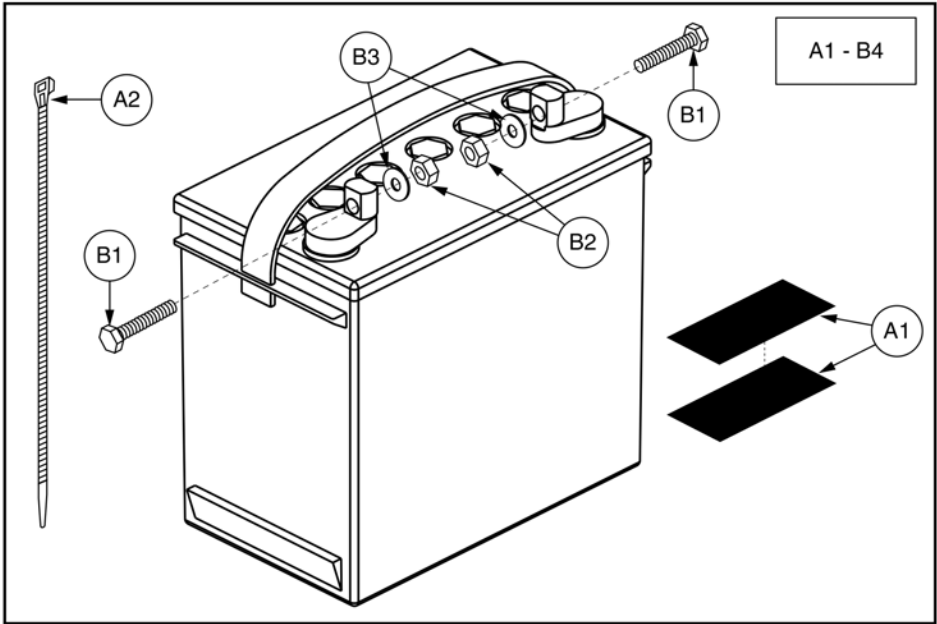
Item	Part No.	Name	Qty
A1	WHL122174	WHEEL,ASSY,FLAT-FREE,BLACK RIM/GRAY TIRE,14" X 4",W/G4 EXTENDED HUB	1
B1	TIRSOLI1092	TIRE,FLAT FREE,GRAY,14" OD,4" W,C166 KNOBBY TREAD,(GALLOP: 114292)	1
C1	WHL122176	WHEEL,ASSY,EXTENDED HUB,4 SPOKE,W/STUDS,G4 MOTORS	1

14. Batteries



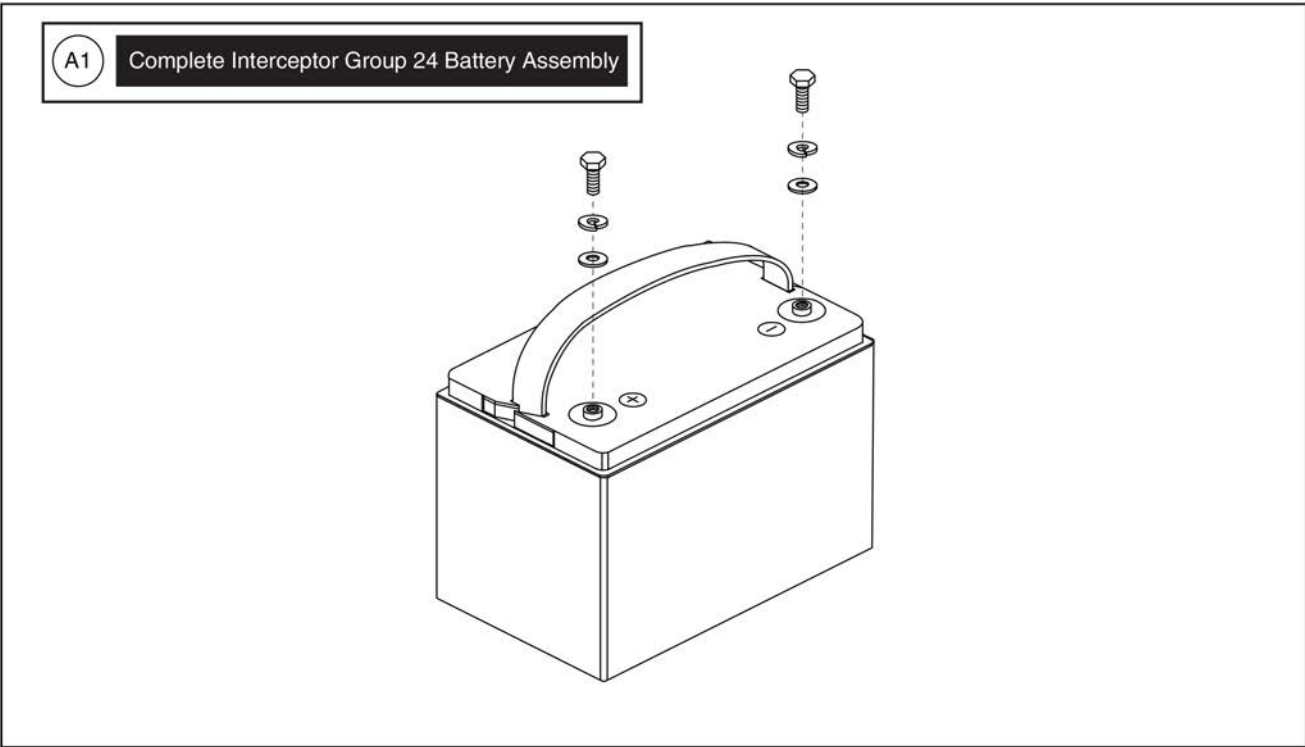
Item	Part No.	Name	Qty
A1 - B4		BATTERY,ASSY,GEL,GROUP 24,MK BATTERY,W/VELCRO & CABLE TIES	1
A1	HDW124834	REUSABLE FASTENER,HOOK & LOOP,BLACK,4" X 7",W/ADHESIVE BACK,#0115,B STOUT,SET	1
A2	PLSTIE1011	CABLE TIE,NYLON,48"L,HEAVY DUTY	1
B1 - B4	BATGEL1009	BATTERY,GEL,GROUP 24,H-1000-138,(MK BATTERY: M24 SLDG)	1
B1	SCRHHCS1668	SCREW,HHCS,STAINLESS STEEL,5/16-18 X 1.00"	2
B2	NUTSTD1020	NUT,HEX,STAINLESS STEEL,5/16-18	2
B3	WASLOCK1093	WASHER,LOCK,STAINLESS STEEL,0.3125" ID X 0.500" OD X 0.125"TH	2
B4		DECAL,BATTERY & BATTERY CHARGER MANUFACTURER,L-1235-817	1

14. Batteries



Item	Part No.	Name	Qty
A1 - B4		BATTERY,ASSY,GEL,GROUP 24,W/VELCRO & CABLE TIES	1
A1	HDW124834	REUSABLE FASTENER,HOOK & LOOP,BLACK,4" X 7",W/ADHESIVE BACK,#0115,B STOUT,SET	1
A2	PLSTIE1011	CABLE TIE,NYLON,48"L,HEAVY DUTY	1
B1 - B4	BATGEL1004	BATTERY,GEL,GROUP 24,H-1000-138	1
B1	SCRHHCS1668	SCREW,HHCS,STAINLESS STEEL,5/16-18 X 1.00"	2
B2	NUTSTD1020	NUT,HEX,STAINLESS STEEL,5/16-18	2
B3	WASLOCK1093	WASHER,LOCK,STAINLESS STEEL,0.3125" ID X 0.500" OD X 0.125"TH	2
B4		DECAL,BATTERY & BATTERY CHARGER MANUFACTURER,L-1235-817	1

14. Batteries

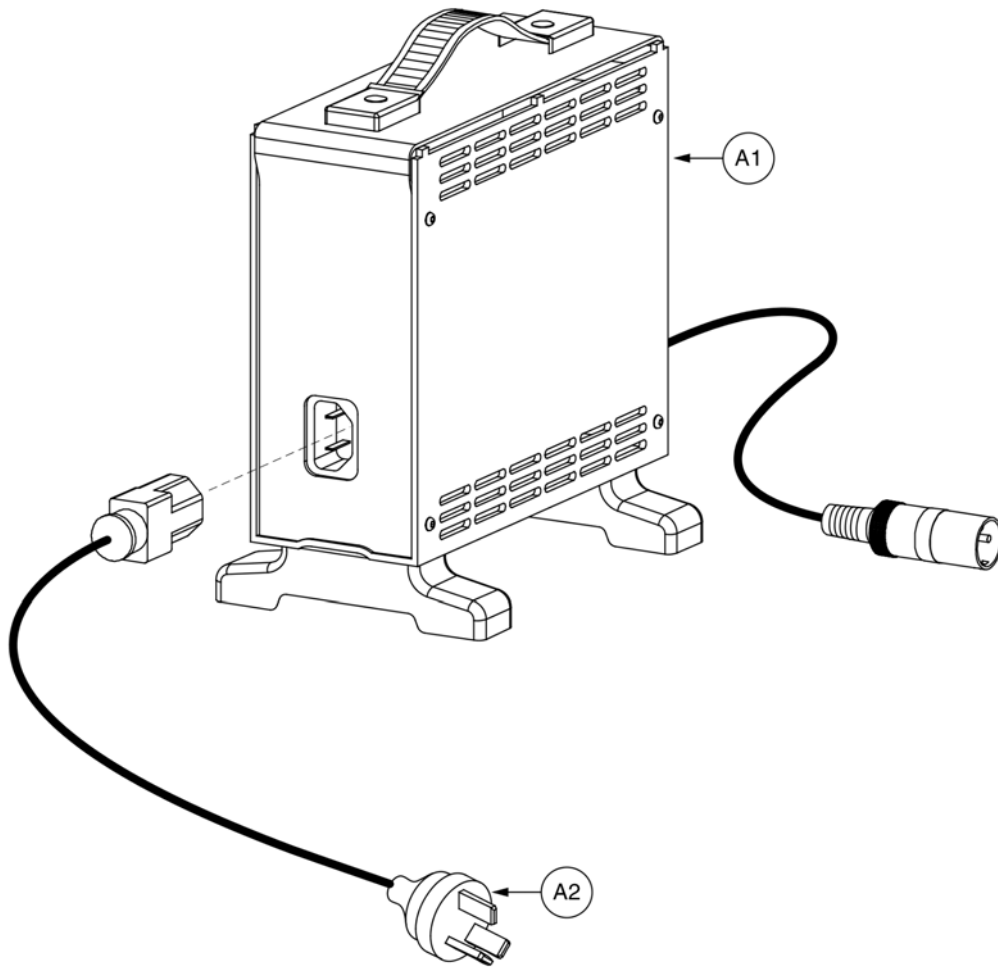


Group 24 Battery, Interceptor



Item	Part No.	Name	Qty
A1	BAT1704614-P	BATTERY,PACKAGED,INTERCEPTOR,GEL,70AH/3HR,GROUP 24,(YAHENG: 6-EVF-70)	1

15. Off-board Charger Assy

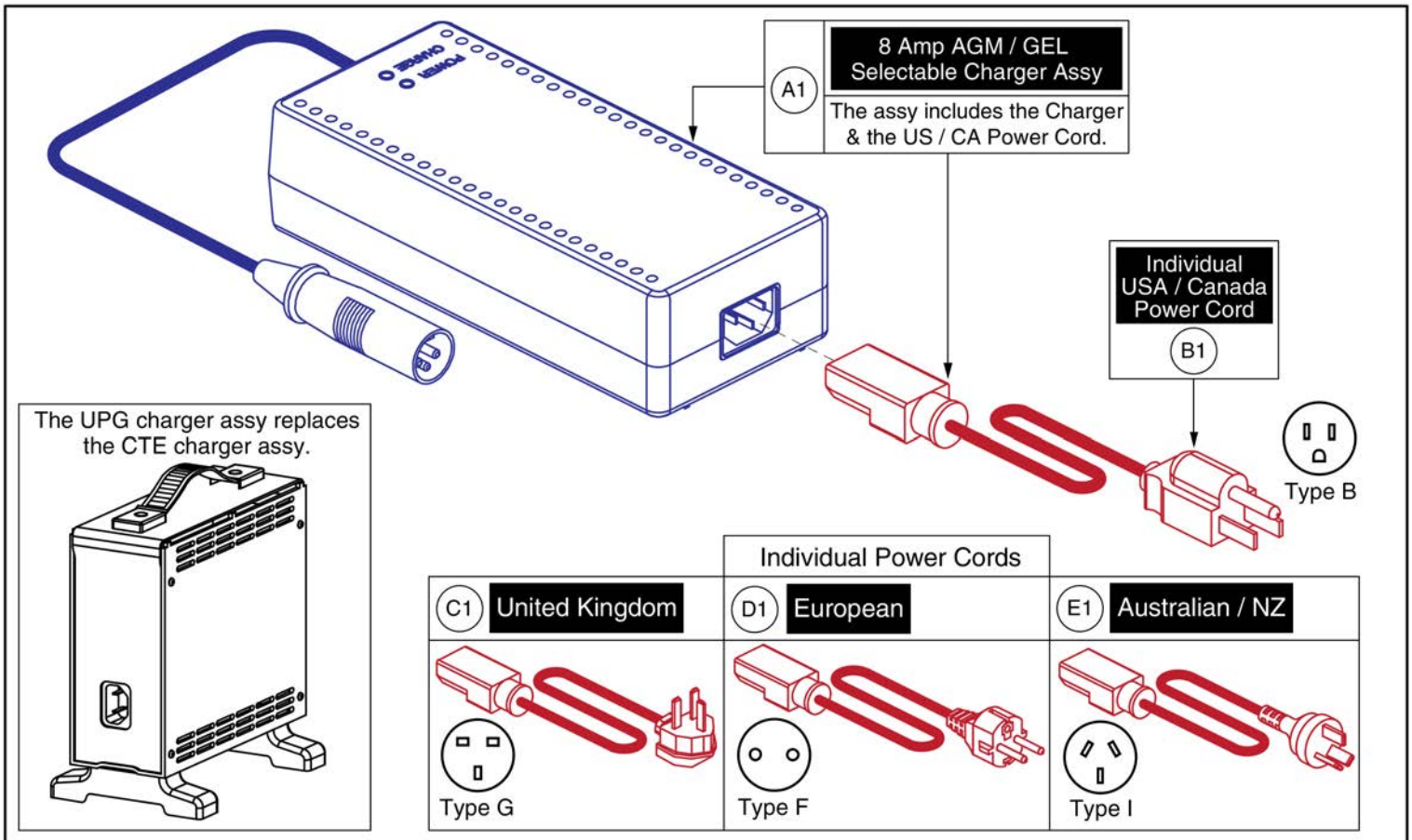


8 amp CTE Charger, Australia



Item	Part No.	Name	Qty
A1 - A3	ELEASMB5672	CHARGER,ASSY,OFFBOARD,LOW INHIBIT,110V-230V,8AMP,W/AUSTRALIA POWERCORD	1
A1		CHARGER,OFFBOARD,LOW INHIBIT,110V-230V,8AMP,H-1000-192,(CTE: CK84215000)	1
A2	DWR1000H174	ELECTRONIC,HARNES,AC POWER CORD,INSULATED BLADES,AUSTRALIA,H-1000-174	1
A3	DWR1235L520	DECAL,CAUTION,EXTENSION CORD/GROUNDING PRONG,L-1235-520	1

15. Off-board Charger Assy



8 Amp UPG Charger Assy, AGM / GEL Selectable



Item	Part No.	Name	Qty
A1	ELE1803440	CHARGER, OFFBOARD, LOW INHIBIT, AC 100V-240V, DC 28.6-29.6V @8A, AGM/GEL SELECTABLE, WITH USA CORDSET	1
B1	HARUSHD1065	ELECTRONIC,HARNESS,POWER CORD,IEC - USA,H-1000-128	1
C1	HARUSHD2041	ELECTRONIC,HARNESS, POWER CORD,AC W/UK PLUG,H-1020-049	1
D1	HARUSHD2160	ELECTRONIC,HARNESS,POWER CORD,IEC - EUROPE PLUG	1
E1	DWR1000H174	ELECTRONIC,HARNESS,AC POWER CORD,INSULATED BLADES,AUSTRALIA,H-1000-174	1

16.1. Swing-away, Version 3

Complete Swing-away Mount w/ Hardware				Please Note:	
Ref	Part Number	Mounting Hardware	Seating Type	<p>- The complete assemblies A1 thru F1 include the swing-away joystick mount and the applicable joystick mounting hardware.</p> <p>- The contoured seat assemblies also include the armrest adapter K1.</p> <p>* PG Drives does NOT include Remote Plus.</p> <p>Contact Technical Service for more information.</p>	
A1	ACC1908434	Q-Logic	Rehab		
B1	ACC1908435	Q-Logic	Contoured		
C1	ACC1908437	NE/NE+	Rehab		
D1	ACC1908438	NE/NE+	Contoured		
E1	ACC1908439	PG Drives*	Rehab		
F1	ACC1908440	PG Drives*	Contoured		

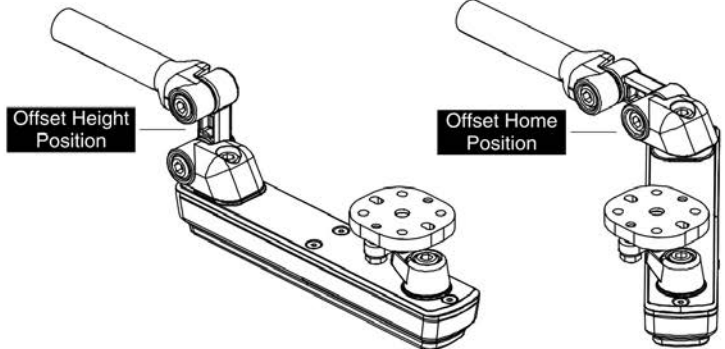
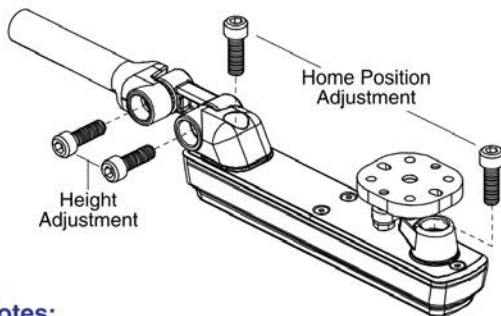
Mounting Hardware		
<p>NE / NE+</p> <p>G1 H1 x4</p>	<p>Q-Logic</p> <p>I1 x4</p>	<p>Contoured Seat Armrest Adapter</p> <p>K1</p>
<p>PG Drives</p> <p>J1 x2</p> <p>*Does not include Remote Plus Joysticks</p>		

Swing-away Joystick Mount

Not available individually. The complete assembly with hardware must be selected.

Adjustments

Height and Home Position Adjustments

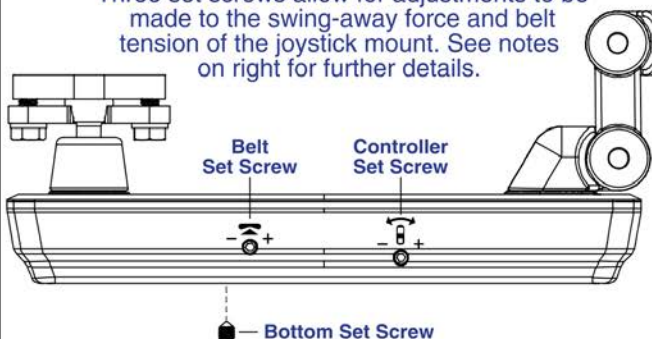


Notes:

- Loosen the appropriate screws to adjust the height or home position of the swing-away joystick mount.
- Each pivot can be adjusted independently in 15 Degree increments to allow for a wide range of positions and angles.
- The "Home" position refers to the orientation the joystick & mount rest while the chair is in use and the mount is not performing the swing-away action.

Swing-away Force Adjustment and Belt Tightening

Three set screws allow for adjustments to be made to the swing-away force and belt tension of the joystick mount. See notes on right for further details.



Set Screw:



Notes:

- Used to adjust the force needed to swing the joystick mount away. Force range depends on where the **Bottom Set Screw** is positioned.
- Used to set the force range of the **Controller Set Screw**. Removed sets the range from 3 to 6lbs. Inserted sets the range from 5 to 8lbs.
- Used to adjust the internal belt tension. Turn inward 1/4 turn if the controller does not maintain the set orientation when swinging away or if the controller spins.
- **Note:** This **ONLY** needs to be adjusted if the belt is loose and should be performed rarely.

Item	Part No.	Name	Qty
A1	ACC1908434	JOYSTICK MOUNTING BRACKET,ASSY,SWING AWAY,Q-LOGIC	1
B1	ACC1908435	JOYSTICK MOUNTING BRACKET,ASSY,SWING AWAY,Q-LOGIC CONTOURED SEAT	1
C1	ACC1908437	JOYSTICK MOUNTING BRACKET,ASSY,SWING AWAY,NE / NE PLUS	1
D1	ACC1908438	JOYSTICK MOUNTING BRACKET,ASSY,SWING AWAY,NE / NE PLUS CONTOURED SEAT	1
E1	ACC1908439	JOYSTICK MOUNTING BRACKET,ASSY,SWING AWAY,VSI / VR2 / GC3 / R-NET	1
F1	ACC1908440	JOYSTICK MOUNTING BRACKET,ASSY,SWING AWAY,VSI / VR2 / GC3 / R-NET CONTOURED SEAT	1
G1	DWR1111C002	SPACER,CURTIS NE/NE PLUS MOUNT BRACKET,C-1111-002	2
H1	SCRPPH1384	SCREW,PPH,BLACK ZINC,M5-.8 X 20MM	4
I1	SCRPPH1279	SCREW,PPH,BLACK ZINC CHROMATE,M5-.8 X 16MM	4
J1	SCRPPH1384	SCREW,PPH,BLACK ZINC,M5-.8 X 20MM	2
K1	MEC146133	ARMREST ADAPTER ASSEMBLY	1

16.2. Version 2. Swing-away/Multi-axis Joystick Brackets

Rehab Seating

Ref	Part Number	Bracket Type	Joystick Type	Side	Ref	Part Number	Bracket Type	Joystick Type	Side
A1	ACC142525	In-line SWA	Q-Logic	Right	N1	ACC142747	Offset SWA	NE/NE+	Left
B1	ACC142524	In-line SWA	Q-Logic	Left	O1	ACC142750	Offset SWA	PG Drives	Right
C1	ACC142527	In-line SWA	NE/NE+	Right	P1	ACC142749	Offset SWA	PG Drives	Left
D1	ACC142526	In-line SWA	NE/NE+	Left	Q1	ACC142752	Offset SWA	Shark	Right
E1	ACC142530	In-line SWA	PG Drives	Right	R1	ACC142751	Offset SWA	Shark	Left
F1	ACC142529	In-line SWA	PG Drives	Left	S1	ACC142746	Offset SWA	Standalone	Right
G1	ACC142533	In-line SWA	Shark	Right	T1	ACC142745	Offset SWA	Standalone	Left
H1	ACC142532	In-line SWA	Shark	Left	U1	ACC131216	Multi-Axis	Q-Logic	R/L
I1	ACC142739	In-line SWA	Standalone	Right	V1	ACC142528	Multi-Axis	NE/NE+	R/L
J1	ACC142738	In-line SWA	Standalone	Left	W1	ACC142531	Multi-Axis	PG Drives	R/L
K1	ACC142743	Offset SWA	Q-Logic	Right	X1	ACC142534	Multi-Axis	Shark	R/L
L1	ACC142742	Offset SWA	Q-Logic	Left	Y1	ACC142740	Multi-Axis	Standalone	R/L
M1	ACC142748	Offset SWA	NE/NE+	Right					

PG Drives does not include Remote Plus Joysticks

Item	Part No.	Name	Qty
A1	ACC142525	JOYSTICK MOUNT,ASSY,SWING AWAY,INLINE,RIGHT,Q-LOGIC 2	1
B1	ACC142524	JOYSTICK MOUNTING BRACKET,ASSY,SWING AWAY,INLINE,LEFT,Q-LOGIC 2	1
C1	ACC142527	JOYSTICK MOUNT,ASSY,SWING AWAY,INLINE,RIGHT,NE/NE PLUS	1
D1	ACC142526	JOYSTICK MOUNT,ASSY,SWING AWAY,INLINE,LEFT,NE/NE PLUS	1
E1	ACC142530	JOYSTICK MOUNT,ASSY,SWING AWAY,INLINE,RIGHT,PG DRIVES	1
F1	ACC142529	JOYSTICK MOUNT,ASSY,SWING AWAY,INLINE,LEFT,PG DRIVES	1
G1	ACC142533	JOYSTICK MOUNT,ASSY,SWING AWAY,INLINE,RIGHT,SHARK	1
H1	ACC142532	JOYSTICK MOUNT,ASSY,SWING AWAY,INLINE,LEFT,SHARK	1
I1	ACC142739	JOYSTICK MOUNT,ASSY,SWING AWAY,INLINE,RIGHT,STANDALONE	1
J1	ACC142738	JOYSTICK MOUNT,ASSY,SWING AWAY,INLINE,LEFT,STANDALONE	1
K1	ACC142743	JOYSTICK MOUNT,ASSY,SWING AWAY,OFFSET,RIGHT,Q-LOGIC	1
L1	ACC142742	JOYSTICK MOUNT,ASSY,SWING AWAY,OFFSET,LEFT,Q-LOGIC	1
M1	ACC142748	JOYSTICK MOUNT,ASSY,SWING AWAY,OFFSET,RIGHT,NE/NE PLUS	1
N1	ACC142747	JOYSTICK MOUNT,ASSY,SWING AWAY,OFFSET,LEFT,NE/NE PLUS	1
O1	ACC142750	JOYSTICK MOUNT,ASSY,SWING AWAY,OFFSET,RIGHT,PG DRIVES	1
P1	ACC142749	JOYSTICK MOUNT,ASSY,SWING AWAY,OFFSET,LEFT,PG DRIVES	1
Q1	ACC142752	JOYSTICK MOUNT,ASSY,SWING AWAY,OFFSET,RIGHT,SHARK	1
R1	ACC142751	JOYSTICK MOUNT,ASSY,SWING AWAY,OFFSET,LEFT,SHARK	1
S1	ACC142746	JOYSTICK MOUNT,ASSY,SWING AWAY,OFFSET,RIGHT,STANDALONE	1
T1	ACC142745	JOYSTICK MOUNT,ASSY,SWING AWAY,OFFSET,LEFT,STANDALONE	1
U1	ACC131216	JOYSTICK MOUNT,ASSY,MULTI-AXIS,Q-LOGIC	1
V1	ACC142528	JOYSTICK MOUNT,ASSY,MULTI-AXIS,NE/NE PLUS	1
W1	ACC142531	JOYSTICK MOUNT,ASSY,MULTI-AXIS,PG DRIVES	1
X1	ACC142534	JOYSTICK MOUNT,ASSY,MULTI-AXIS,SHARK	1
Y1	ACC142740	JOYSTICK MOUNT,ASSY,MULTI-AXIS,STANDALONE	1

16.2. Version 2. Swing-away/Multi-axis Joystick Brackets

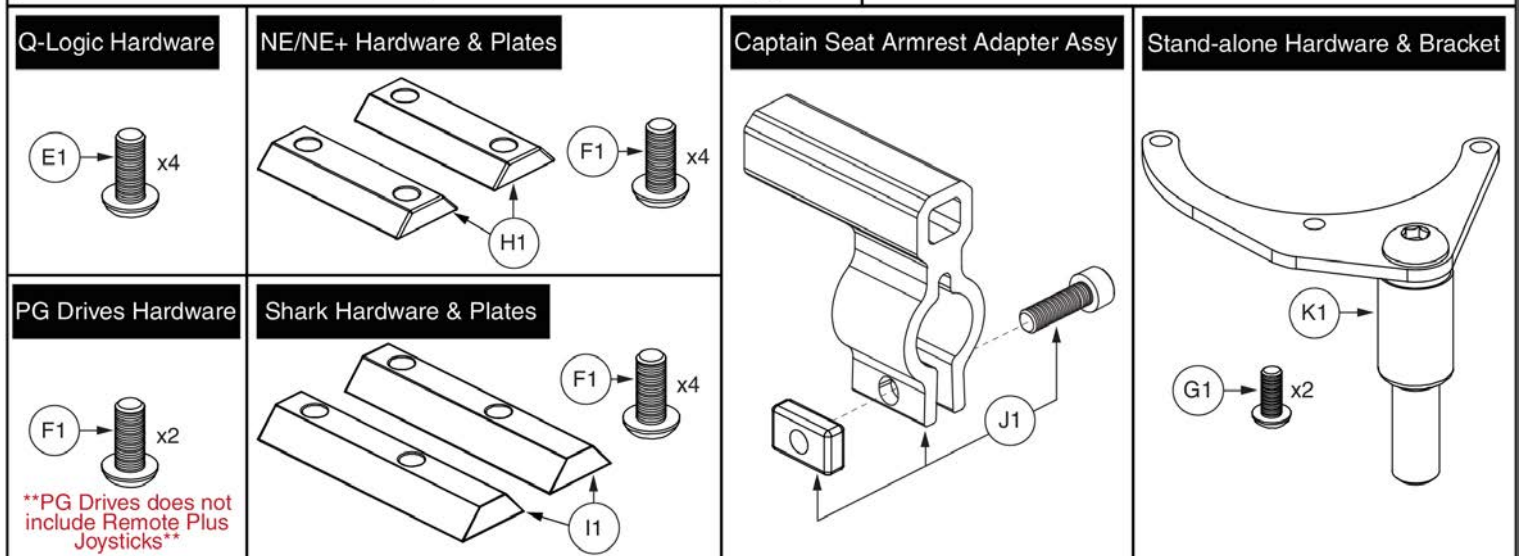
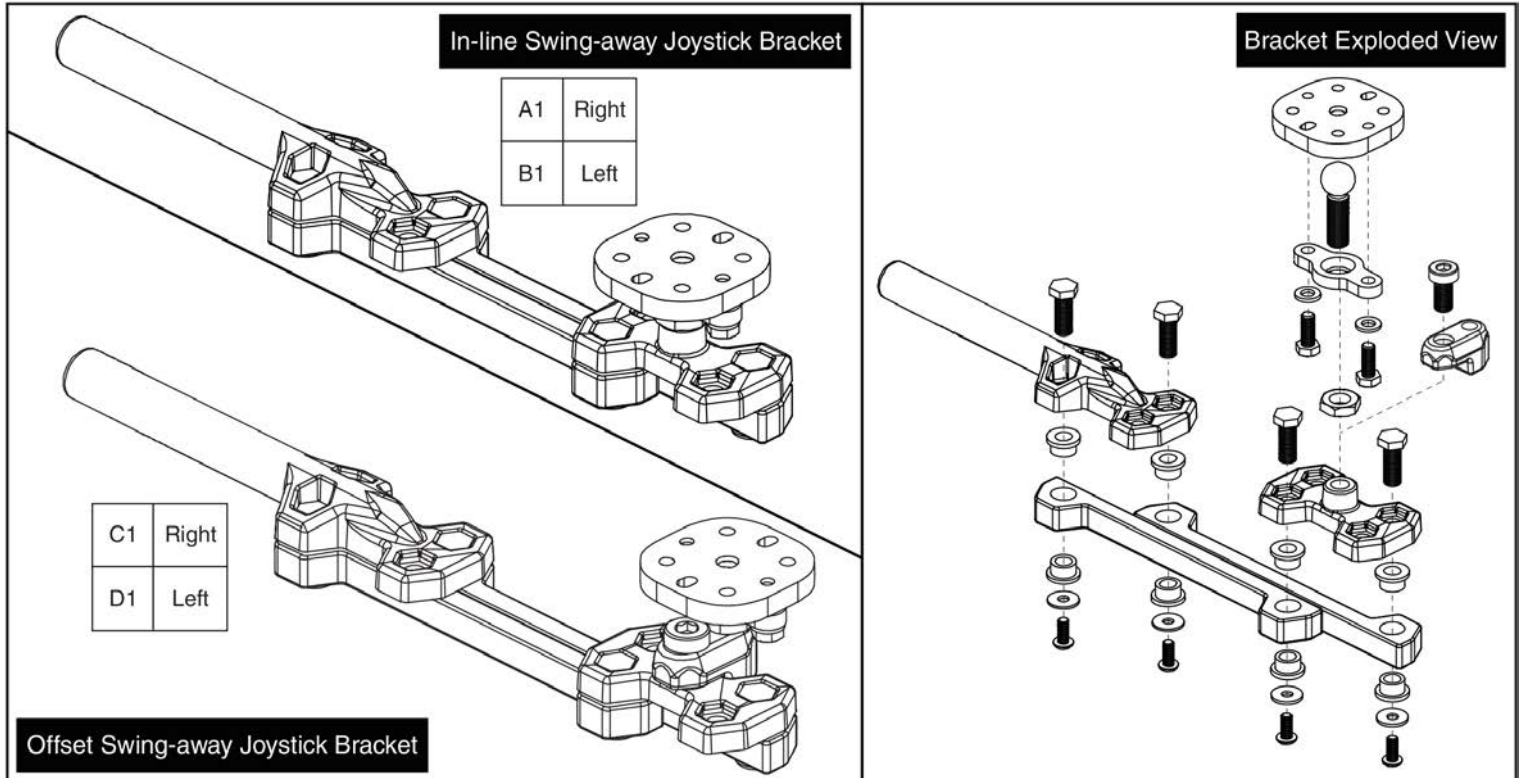
Captain Seating

Ref	Part Number	Bracket Type	Joystick Type	Side	Ref	Part Number	Bracket Type	Joystick Type	Side
A1	ACC148357	In-line SWA	Q-Logic	Right	I1	ACC148359	Offset SWA	Q-Logic	Right
B1	ACC148356	In-line SWA	Q-Logic	Left	J1	ACC148358	Offset SWA	Q-Logic	Left
C1	ACC148361	In-line SWA	NE/NE+	Right	K1	ACC148363	Offset SWA	NE/NE+	Right
D1	ACC148360	In-line SWA	NE/NE+	Left	L1	ACC148362	Offset SWA	NE/NE+	Left
E1	ACC148365	In-line SWA	PG Drives	Right	M1	ACC148367	Offset SWA	PG Drives	Right
F1	ACC148364	In-line SWA	PG Drives	Left	N1	ACC148366	Offset SWA	PG Drives	Left
G1	ACC148369	In-line SWA	Shark	Right	O1	ACC148371	Offset SWA	Shark	Right
H1	ACC148368	In-line SWA	Shark	Left	P1	ACC148370	Offset SWA	Shark	Left

PG Drives does not include Remote Plus Joysticks

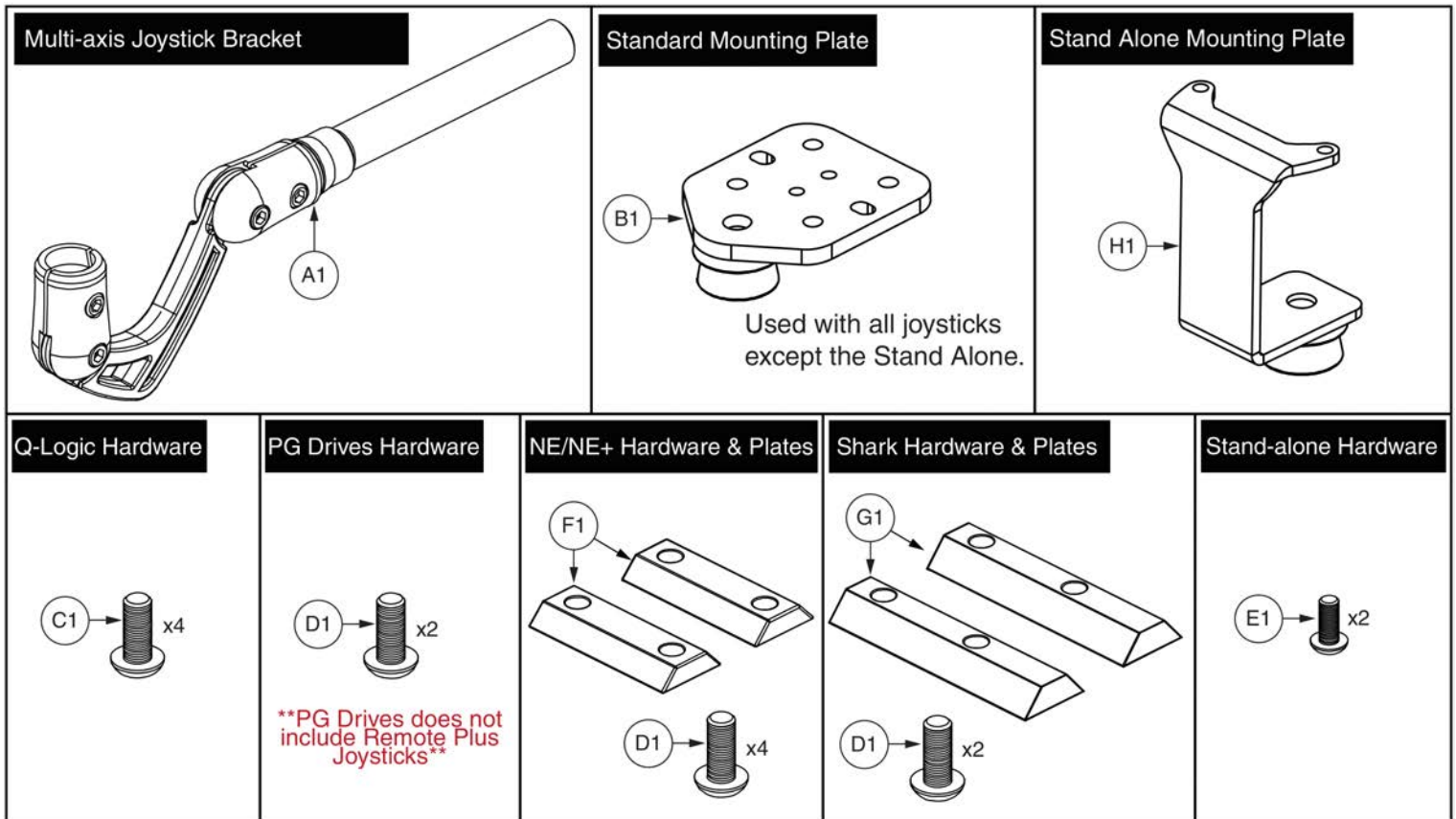
Item	Part No.	Name	Qty
A1	ACC148357	JOYSTICK MOUNTING BRACKET,ASSY,SWING AWAY,INLINE,RIGHT,Q-LOGIC,CAPTAINS SEAT	1
B1	ACC148356	JOYSTICK MOUNTING BRACKET,ASSY,SWING AWAY,INLINE,LEFT,Q-LOGIC,CAPTAINS SEAT	1
C1	ACC148361	JOYSTICK MOUNTING BRACKET,ASSY,SWING AWAY,INLINE,RIGHT,NE/NE PLUS,CAPTAINS SEAT	1
D1	ACC148360	JOYSTICK MOUNTING BRACKET,ASSY,SWING AWAY,INLINE,LEFT,NE/NE PLUS,CAPTAINS SEAT	1
E1	ACC148365	JOYSTICK MOUNTING BRACKET,ASSY,SWING AWAY,INLINE,RIGHT,VSI/VR2/GC3/R-NET,CAPTAINS SEAT	1
F1	ACC148364	JOYSTICK MOUNTING BRACKET,ASSY,SWING AWAY,INLINE,LEFT,VSI/VR2/GC3/R-NET,CAPTAINS SEAT	1
G1	ACC148369	JOYSTICK MOUNTING BRACKET,ASSY,SWING AWAY,INLINE,RIGHT,SHARK,CAPTAINS SEAT	1
H1	ACC148368	JOYSTICK MOUNTING BRACKET,ASSY,SWING AWAY,INLINE,LEFT,SHARK,CAPTAINS SEAT	1
I1	ACC148359	JOYSTICK MOUNTING BRACKET,ASSY,SWING AWAY,OFFSET,RIGHT,Q-LOGIC,CAPTAINS SEAT	1
J1	ACC148358	JOYSTICK MOUNTING BRACKET,ASSY,SWING AWAY,OFFSET,LEFT,Q-LOGIC,CAPTAINS SEAT	1
K1	ACC148363	JOYSTICK MOUNTING BRACKET,ASSY,SWING AWAY,OFFSET,RIGHT,NE/NE PLUS,CAPTAINS SEAT	1
L1	ACC148362	JOYSTICK MOUNTING BRACKET,ASSY,SWING AWAY,OFFSET,LEFT,NE/NE PLUS,CAPTAINS SEAT	1
M1	ACC148367	JOYSTICK MOUNTING BRACKET,ASSY,SWING AWAY,OFFSET,RIGHT,VSI/VR2/GC3/R-NET,CAPTAINS SEAT	1
N1	ACC148366	JOYSTICK MOUNTING BRACKET,ASSY,SWING AWAY,OFFSET,LEFT,VSI/VR2/GC3/R-NET,CAPTAINS SEAT	1
O1	ACC148371	JOYSTICK MOUNTING BRACKET,ASSY,SWING AWAY,OFFSET,RIGHT,SHARK,CAPTAINS SEAT	1
P1	ACC148370	JOYSTICK MOUNTING BRACKET,ASSY,SWING AWAY,OFFSET,LEFT,SHARK,CAPTAINS SEAT	1

16.2. Version 2. Swing-away/Multi-axis Joystick Brackets



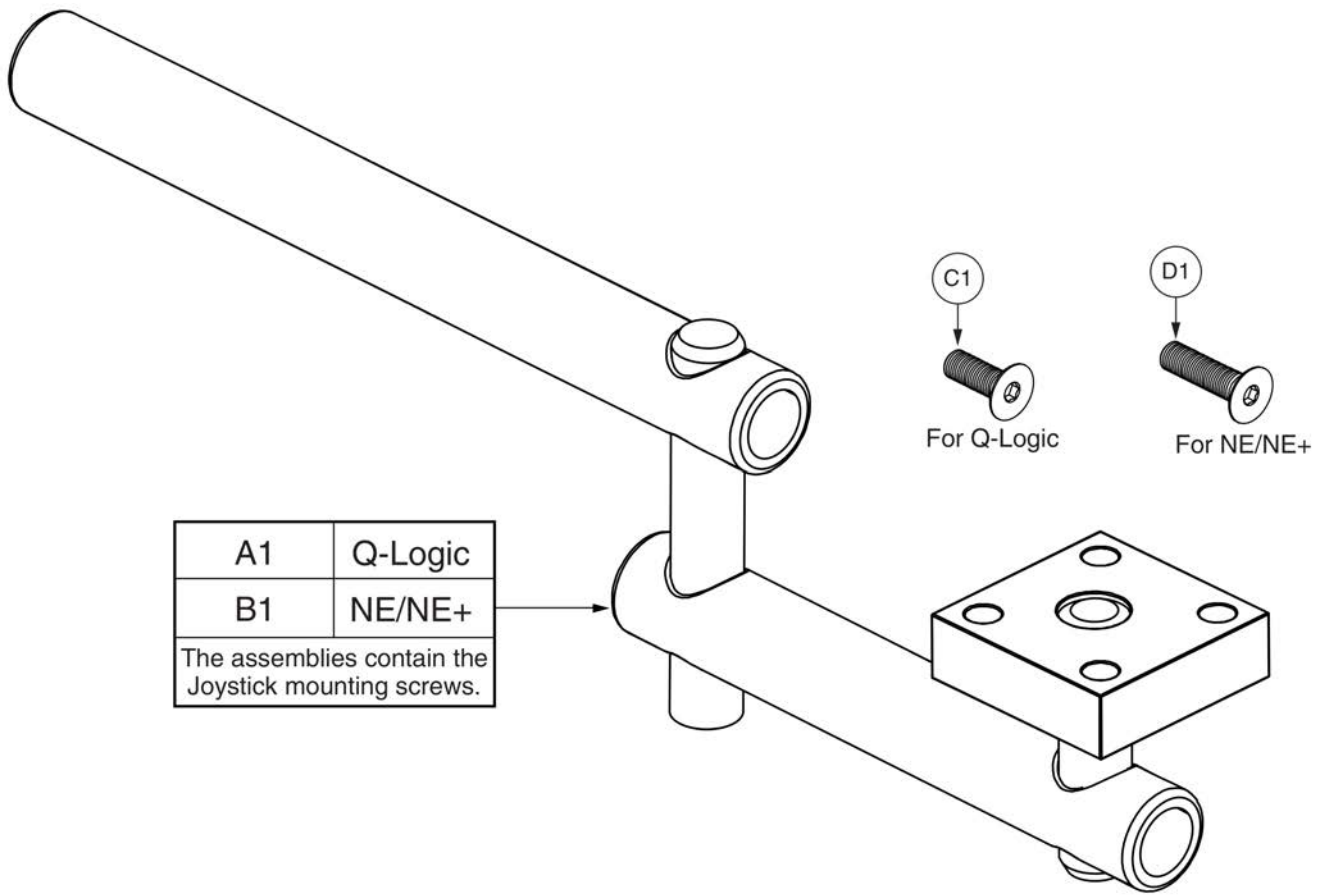
Item	Part No.	Name	Qty
A1	ACC131586	SWING AWAY JOYSTICK MOUNT,ASSY,INLINE,RIGHT	1
B1	ACC124921	SWING AWAY JOYSTICK MOUNT,ASSY,INLINE,LEFT	1
C1	MEC1712220	SWING-AWAY ASSEMBLY, EXTENDED OFFSET, RIGHT	1
D1	MEC1712217	SWING-AWAY ASSEMBLY, EXTENDED OFFSET, LEFT	1
E1	SCRPPH1279	SCREW,PPH,BLACK ZINC CHROMATE,M5-.8 X 16MM	1
F1	SCRPPH1384	SCREW,PPH,BLACK ZINC,M5-.8 X 20MM	1
G1	SCRPPH1036	SCREW, PAN HEAD, TYPE H, M4X0.7 X 8, FT, ISO 7045, CL 4.8, BZ	1
H1	DWR1111C002	SPACER,CURTIS NE/NE PLUS MOUNT BRACKET,C-1111-002	2
I1	DWR1010B089	SPACER,FLIGHT MOUNT BRACKET,B-1010-089	2
J1	MEC146133	ARMREST ADAPTER ASSEMBLY	1
K1	MEC142426	MOUNTING BRACKET,ASSY,STAND ALONE JOYSTICK	1

16.2. Version 2. Swing-away/Multi-axis Joystick Brackets



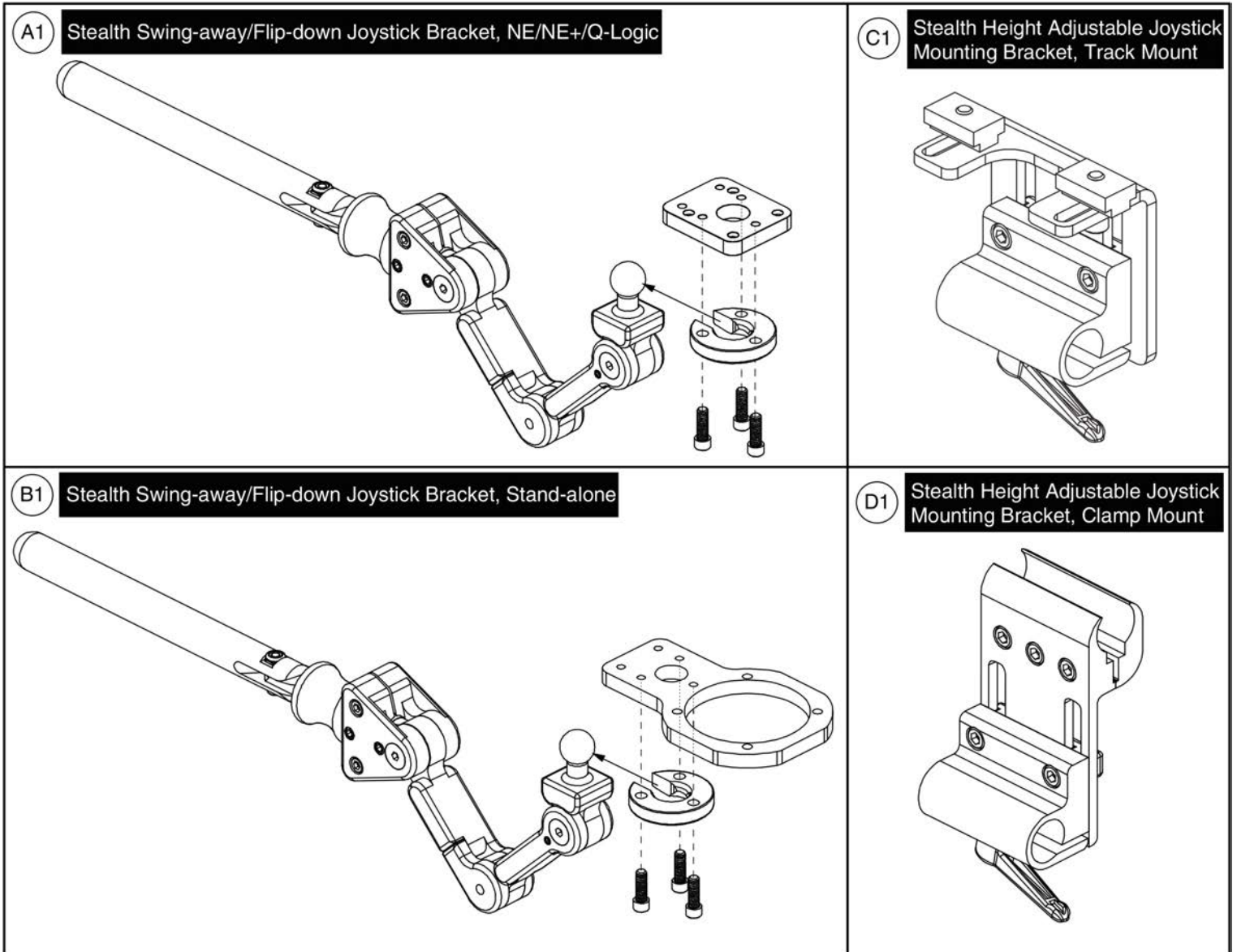
Item	Part No.	Name	Qty
A1	ACC124132	MULTI-AXIS JOYSTICK ASSEMBLY	1
B1	MEC124133	MULTI-AXIS JOYSTICK PLATE WELDMENT	1
C1	SCRPPH1097	SCREW,PPH,BLACK ZINC,M5-.8 X 12MM	1
D1	SCRPPH1384	SCREW,PPH,BLACK ZINC,M5-.8 X 20MM	1
E1	SCRPPH1036	SCREW, PAN HEAD, TYPE H, M4X0.7 X 8, FT, ISO 7045, CL 4.8, BZ	1
F1	DWR1111C002	SPACER,CURTIS NE/NE PLUS MOUNT BRACKET,C-1111-002	2
G1	DWR1010B089	SPACER,FLIGHT MOUNT BRACKET,B-1010-089	2
H1	MEC138180	STAND ALONE WELDMENT	1

16.3. Retract 4 Swing-away Joystick Bracket



Item	Part No.	Name	Qty
A1	MEC138860	SWING AWAY JOYSTICK MOUNT,ASSY,RETRACT 4,Q-LOGIC	1
B1	MEC138876	SWING AWAY JOYSTICK MOUNT,ASSY,RETRACT 4,NE/NE PLUS	1
C1	SCRSFH1005	SCREW,SHFH,BLACK ZINC,M5-.8 X 14MM	4
D1	SCRSHFH1053	SCREW,SHFH,BLACK ZINC,M5-.8 X 20MM	4

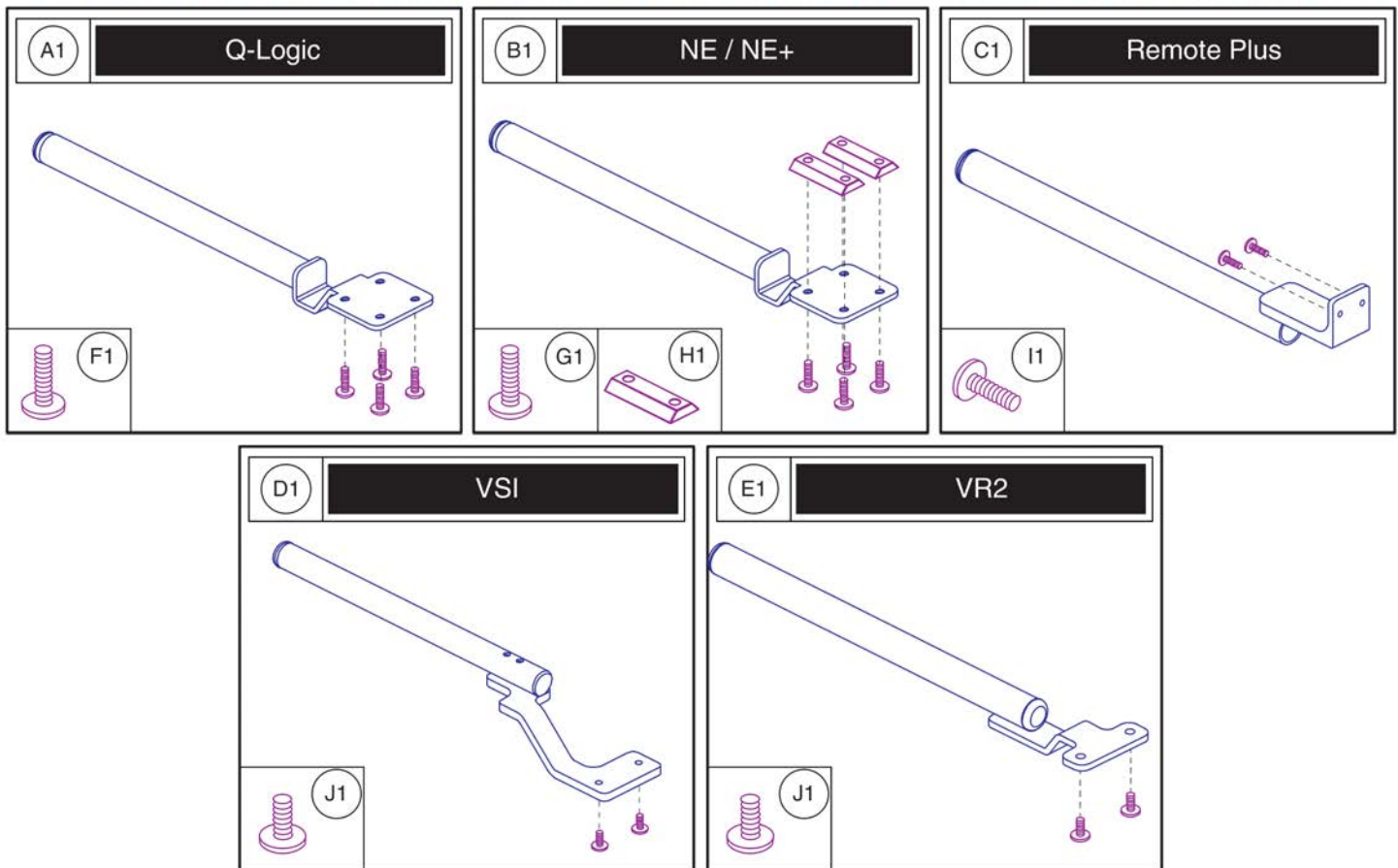
16.4. Stealth Swing-away / Flip-down Joystick Bracket



Item	Part No.	Name	Qty
A1	ST-TWBM480QL-Q	JOYSTICK MOUNTING BRACKET,ASSY,SWING AWAY/FLIP DOWN,NE/NE PLUS/Q-LOGIC,W/MOUNTING HARDWARE	1
B1	ST-TWBM480CJ-Q	JOYSTICK MOUNTING BRACKET,ASSY,SWING AWAY/FLIP DOWN,STANDALONE,W/MOUNTING HARDWARE	1
C1	ST-ARM250T-Q	JOYSTICK MOUNT,ASSY,HEIGHT ADJUSTABLE,W/TRACK HARDWARE	1
D1	ST-ARM250C-Q	JOYSTICK MOUNT,ASSY,HEIGHT ADJUSTABLE,W/CLAMP HARDWARE	1

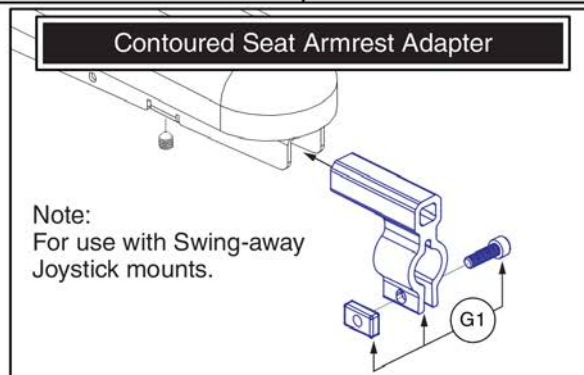
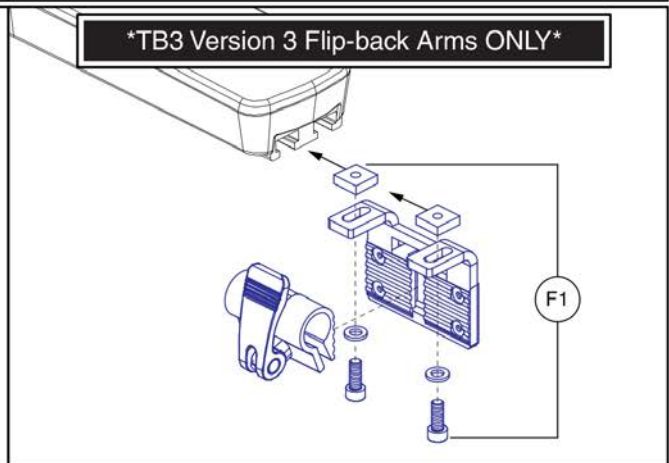
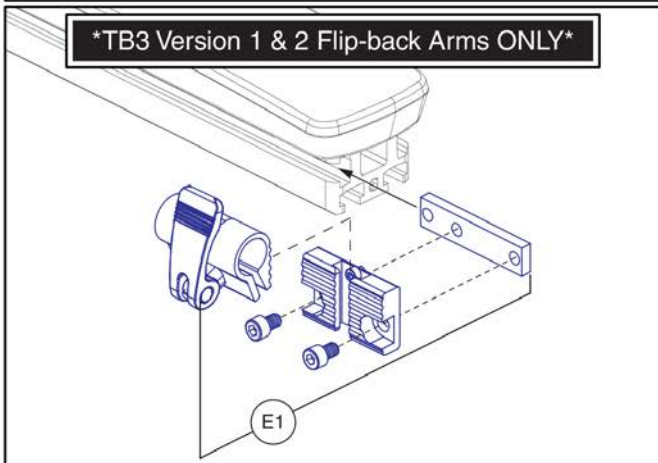
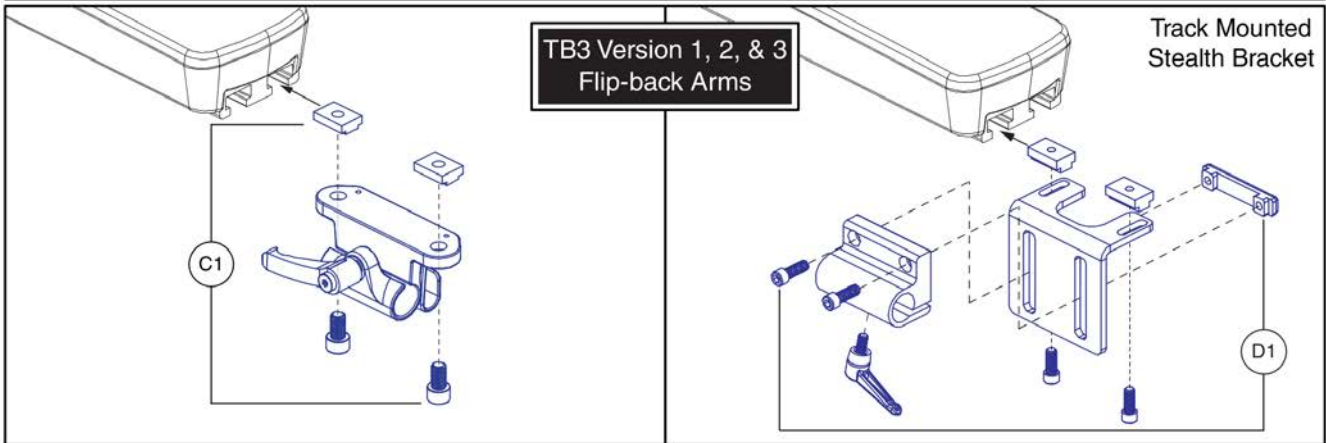
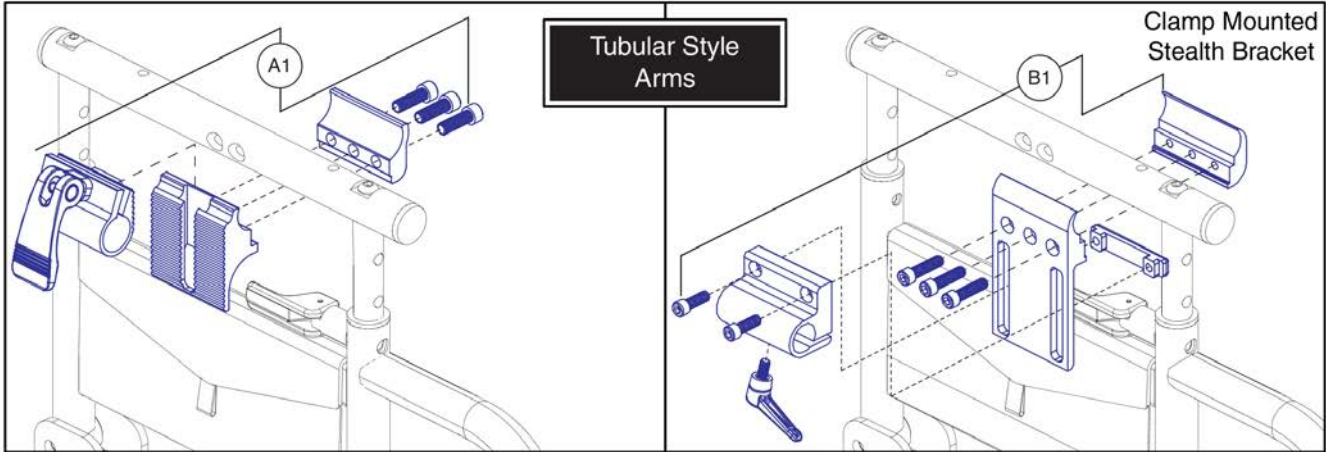
16.5. Fixed Inline Joystick Brackets

Please note: The mounting hardware shown is included with the top level assy's A1 - E1.



Item	Part No.	Name	Qty
A1	FRMASMB10617	JOYSTICK MOUNTING BRACKET,ASSY,CURTIS,INLINE	1
B1	FRMASMB12744	JOYSTICK MOUNTING BRACKET,ASSY,NE/NE PLUS CONTROLLER,INLINE	1
C1	FRMASMB2066	FIXED INLINE JOYSTICK MOUNT,ASSY,REMOTE PLUS	1
D1	FRMASMB4767	JOYSTICK MOUNTING BRACKET,ASSY,VSI CONTROLLER,INLINERIGHT,C-1010-193	1
E1	FRMASMB9532	JOYSTICK MOUNTING BRACKET,ASSY,GC/VR2 CONTROLLER,INLINE	1
F1	SCRSHFH1015	SCREW,SHFH,BLACK ZINC,M5-.8 X 12MM,GRADE 10.9	4
G1	SCRSHFH1053	SCREW,SHFH,BLACK ZINC,M5-.8 X 20MM	4
H1	DWR1111C002	SPACER,CURTIS NE/NE PLUS MOUNT BRACKET,C-1111-002	2
I1	SCRPPH1006	SCREW,PPH,BLACK ZINC,8-32 X 0.500",GRADE 2	2
J1	SCRPPH1122	SCREW,PPH,BLACK ZINC,M5-.8 X 18MM	2

16.6. Joystick Bracket Receivers



Item	Part No.	Name	Qty
A1	FRMASMB16062	JOYSTICK RECEIVER MOUNT,ASSY,UNIVERSAL,ADJUSTABLE BLOCK,D-1000-313	1
B1	ST-ARM250C-Q	JOYSTICK MOUNT,ASSY,HEIGHT ADJUSTABLE,W/CLAMP HARDWARE	1
C1	MEC1809294	JOYSTICK RECEIVER MOUNT,ASSY,W/MOUNTING HARDWARE,ADJUSTABLE HANDLE	1
D1	ST-ARM250T-Q	JOYSTICK MOUNT,ASSY,HEIGHT ADJUSTABLE,W/TRACK HARDWARE	1
E1	ACC123525	JOYSTICK RECEIVER MOUNT,ASSY,W/ACCESSORY BLOCK,TRUBALANCE 3	1
F1	ACC1806853	JOYSTICK RECEIVER MOUNT,ASSY,W/MOUNTING HARDWARE,TRU-BALANCE 3 ARMREST	1
G1	MEC146133	ARMREST ADAPTER ASSEMBLY	1

17. Owner's & Decal Packages



Decal Package

Item	Part No.	Name	Qty
N/A	LAB132115	DECAL,ASSY,R44,AUSTRALIA,Q-LOGIC 2	1
N/A		DECAL,SERIAL NUMBER,4" X 6",BARCODE,W/PRIDE LOGO	1
N/A		DECAL,POWERCHAIR,US AND FOREIGN PATENTS PENDING,DOMESTIC,L-1000-025	1
N/A	DWR1234L004	DECAL,ICON,300LBS/135 KG,MAXIMUM WEIGHT CAPACITY,L-1234-004	1
N/A	DWR1234L957	DECAL,WARNING,DEFLATE TIRE COMPLETELY,L-1234-957	2
N/A	DWR1235L116	DECAL,ICON,TIE DOWN HOOK,L-1235-116	4
N/A	DWR1235L521	DECAL,WARNING,CONTROLLER CORD PLACEMENT,L-1235-521	1
N/A		DECAL,NAME,R44,L-1235-908	2
N/A	DWR1502C084	DECAL,SIDE REFLECTOR,LEFT,C-1502-084	1
N/A	DWR1502C085	DECAL,SIDE REFLECTOR,RIGHT,C-1502-085	1
N/A		DECAL,DATA PLATE,R44	1

17. Owner's & Decal Packages



Decal Package




Item	Part No.	Name	Qty
N/A		DECAL,ASSY,R44,AUSTRALIA	1
N/A	DWR1234L799	DECAL,ICON,1" X 2.5",WEATHER/MANUAL/LOOSE GARMENT,L-1234-799	1
N/A	DWR1234L957	DECAL,WARNING,DEFLATE TIRE COMPLETELY,L-1234-957	2
N/A	DWR1235L116	DECAL,ICON,TIE DOWN HOOK,L-1235-116	4
N/A	DWR1235L521	DECAL,WARNING,CONTROLLER CORD PLACEMENT,L-1235-521	1
N/A		DECAL,NAME,R44,L-1235-908	2
N/A	DWR1502C084	DECAL,SIDE REFLECTOR,LEFT,C-1502-084	1
N/A	DWR1502C085	DECAL,SIDE REFLECTOR,RIGHT,C-1502-085	1
N/A		DECAL,SERIAL NUMBER,4" X 6",BARCODE,W/PRIDE LOGO	1
N/A		DECAL,POWERCHAIR,US AND FOREIGN PATENTS PENDING,DOMESTIC,L-1000-025	1
N/A	DWR1234L004	DECAL,ICON,300LBS/135 KG,MAXIMUM WEIGHT CAPACITY,L-1234-004	1
N/A		DECAL,DATA PLATE,R44	1

17. Owner's & Decal Packages



Owner's Package

Item	Part No.	Name	Qty
N/A	INDASMB7120003	OWNER'S PACKAGE,ASSY,R44,AUSTRALIA	1
N/A	DWR1235L517	HANG TAG,EMI-RFI,MADE IN CHINA	1
N/A		MANUAL,WARRANTY CARD,AUSTRALIAN	1
N/A	PLSTIE1015	CABLE TIE,BLACK,NYLON,7.5-8MM W X 200-220MM L,100 LBS MINIMUM TESILE STRENGTH	6
N/A		BAG,10"L X 12"W X 2MM,ZIPLOCK	1
N/A	INFMANU4344	MANUAL,OWNER'S,R44,LIGHTNING,AUSTRALIA	1
N/A		MANUAL,PRODUCT SPECIFICATION SHEET,LIGHTNING,AUSTRALIA	1
N/A	INFMANU3992	MANUAL,CONSUMER SAFETY GUIDE,POWERCHAIR	1
N/A		MANUAL,PRODUCT INSERT SHEET,POWER CHAIR WARRANTY,AUSTRALIA	1
N/A		KIT,ASSY,TRANSIT SECUREMENT PACKAGE,UNOCCUPIED,SPECIALTY SEAT/UNIVERSAL SEAT	1

Current Quantum Colors as of 9-1-2019																		
Color Name	Color Name Variant	Part Suffix	Color Code	Edge 3 Stretto	Edge 3	Edge 2.0	Edge 2.0X	Edge	Edge X	4Front	Edge Z	Edge HD	R44 Rival	J4 / Q4	J6	1450	Kozmo	
Back in Black	Black, Onyx Black Metallic Black	PBK1	PPW-BLK-01	X	X	X	X	X	X	X	X	X	X	X	X			
Night Train		PBK3	PPW-BLK-03	X	X	X	X			X	X	X	X					
Grey Street		PSL3	PPW-SIL-03	X	X	X	X			X	X	X	X					
Silver Bullet		PSL7	PPW-SIL-07			X	X			X	X	X	X					
White Satin	Pearl White	PWT2	PPW-WHT-02	X	X	X	X			X	X	X	X				X	
Red Corvette	Candy Apple Red, Ruby Red	PRD1	PPW-RED-01	X	X	X	X	X	X	X	X	X	X	X	X	X	X	
Cherry Bomb		PRD4	PPW-RED-04	X	X					X								
Pretty in Pink	Rose Quartz	PPK3	PPW-PNK-03	X	X	X	X			X	X	X	X	X	X	X	X	
Raspberry Beret		PPK4	PPW-PNK-04	X	X					X								
Sugar Plum		PPR7	PPW-PRP-07	X	X					X								
Deep Purple		PPR5	PPW-PRP-05	X	X	X	X			X	X	X	X					
Midnight Blue		PBU10	PPW-BLU-10	X	X	X	X			X	X	X	X					
Electric Blue	True Blue, Sapphire Blue	PBU9	PPW-BLU-09	X	X	X	X	X	X	X	X	X	X	X	X	X	X	
Blue Jean		PBU11	PPW-BLU-11	X	X					X								
Green Machine		PGN11	PPW-GRN-11	X	X	X	X			X	X	X	X					
Military Green		PGN8	PPW-GRN-08	X	X					X	X	X	X					
Lime Light		PGN7	PPW-GRN-07			X	X			X	X	X	X					
Yellow Blaze	Orion Yellow, Citrine Yellow	PYL3	PPW-YEL-03			X	X	X	X	X	X	X	X			X	X	
Lemon Crush		PYL4	PPW-YEL-04	X	X	X	X			X								
Orange Crush	Amber Orange	POR6	PPW-ORN-06			X	X			X	X	X	X				X	
Evolution Orange		POR7	PPW-ORN-07	X	X	X	X			X	X	X	X	X	X	X		
Carbon Fiber		WCB1	PWT-CBN-01		X	X				X								
Digital Camo		WCM7	PWT-CMO-07		X	X				X								
Faded Glory		WFL2	PWT-FLG-02		X	X				X								

Prior Generation Quantum Colors as of 9-1-2019																		
Color Name	Color Name Variant	Part Suffix	Color Code	Edge 3 Stretto	Edge 3	Edge 2.0	Edge 2.0X	Edge	Edge X	4Front	Edge Z	Edge HD	R44 Rival	J4 / Q4	J6	1450	Kozmo	
Pewter Grey		PGY1	PPW-GRY-01						X				X					
Silver		PSL1	PPW-SIL-01					X	X			X	X			X		
Cardinal Red	Rex Red	PRD2	PPW-RED-02					X					X					
Pearl Pink	Prehistoric Pink	PPK1	PPW-PNK-01					X	X			X	X		X	X		
Violet	Primitive Purple	PPR2	PPW-PRP-02					X					X					
Sapphire Blue		PPR4	PPW-PRP-04					X	X			X	X			X		
Mariner Blue	Bronto Blue	PBU2	PPW-BLU-02					X					X					
Graphite Blue		PBU3	PPW-BLU-03					X					X					
Viper Blue		PBU1	PPW-BLU-01					X	X			X	X		X	X		
Spring Green	Gator Green	PGN3	PPW-GRN-03					X					X					
Emerald Green		PGN5	PPW-GRN-05					X	X			X	X			X		
Kelly Green		PGN6	PPW-GRN-06					X					X		X			
Solar Yellow		PYL1	PPW-YEL-01					X					X					
Champagne	Saber Yellow	PCH1	PPW-CHA-01					X	X			X	X			X		
Tangerine		POR2	PPW-ORN-02					X					X					
Sunburst Orange		POR1	PPW-ORN-01					X	X			X	X		X	X		

Appendix A:Pages Index

14" Flat-free Drive Wheel Assy - 4 Spoke Hub, Black Rim/Gray "Knobby"
Tire 115

14" Flat-free Drive Wheel Assy - 5 Spoke Hub, Silver Rim/Gray Tire, w/Color
Inserts 109

14" Pneumatic Drive Wheel Assy - 4 Spoke Hub, Black Rim/Gray "Knobby"
Tire 113

14" Pneumatic Drive Wheel Assy - 5 Spoke Hub, Silver Rim/Gray Tire,
w/Color Inserts 107

5 & 6 MPH Song Motor - Motor & Wheel Mounting Hardware 29

8 Amp UPG Charger Assy, AGM / GEL Selectable 125

8 amp CTE Charger, Australia 123

Aftermarket Joystick Knobs 39

Anti-tip Assy, Rival (R44) 15

Battery Tray Assy, Rival (R44) 83

Caster Arm, Adjustable, Rival (R44) 3

Caster Arm, Non-Adjustable, Rival (R44) 5

Caster Assy, 10" Pneumatic, Gray, Rival (R44) 13

Caster Assy, 8" Flat-free, Gray, Rival (R44) 7

Caster Assy, 9" Flat-free, Rival (R44) 11

Caster Assy, 9" Pneumatic, Rival (R44) 9

Decal Package AU, R44 147

Fixed Joystick Mounts, Quantum Joysticks 141

Freewheel Lever & Suspension Assy, Rival (R44) 17

Front & Rear Door and Fender Shrouds, Rival (R44) 91

Group 24 Battery, Interceptor 121

Group 24 Battery, MK 117

I-Song Drive Motor Assy 19

I-Song Motor Freewheel Lever Assy's 21

ION Seat Interface, Power Tilt, R44 97

Joystick Receiver Mounts, Quantum 143

Lighting Assy, Curtis Electronics, Rival (R44) 81

Main Frame Assy, Rival (R44) 1

Multi-Axis Joystick Bracket Components, Version 2 135

NE + Joystick Bottom Housing w/Bus Cable 49

NE Electronics - 6 MPH, Non-Power Positioning, Rival (R44) 55

NE Electronics - 6 MPH, Tilt Thru Toggle, Rival (R44) 57

NE+ Electronics - 5 MPH, Quantum Ready/Tilt Thru Toggle, R44 61

NE+ Electronics - 5MPH, Non-Power Positioning, R44 59

NE+ Electronics - 6 MPH, Non-Power Positioning, Rival (R44) 63

NE+ Electronics - 6 MPH, Quantum Ready/Tilt Thru Toggle, Rival (R44) 65

NE+ Electronics - 8 MPH, Non-Power Positioning, Rival (R44) 67

NE+ Electronics - 8 MPH, Quantum Ready/Tilt Thru Toggle, Rival (R44) 69

NE, NE+, & Q-Logic 1 Joystick Assy's 33

Owner's Package AU, R44 149

PG Joystick Overlays 41

Painted Wheel Inserts 111

Q-Logic 1 / Stand Alone / NE / NE+ Joystick Overlays 43

Q-Logic 1 Joystick & Enhanced Display Bottom Housing w/Bus Cable 51

Q-Logic 2 & 3 Joystick Shrouds 47

Q-Logic 2 & 3 Joystick Bottom Housing w/Bus Cable 53

Q-Logic 2 Joystick Assemblies 35

Q-Logic 2 Stand Alone Joystick Assy 37

Q-Logic Decal Package AU, R44 145

Q-Logic Electronics - 6 MPH, ACCU-TRAC, Quantum Ready/Tilt Thru Toggle,
Rival (R44) 75

Q-Logic Electronics - 6 MPH, Non-Power Positioning, Rival (R44) 71

Q-Logic Electronics - 6 MPH, Quantum Ready/Tilt Thru Toggle, Rival (R44) 73

Q-Logic Electronics - 8 MPH, Non-Power Positioning, Rival (R44) 77

Q-Logic Electronics - 8 MPH, Quantum Ready/Tilt Thru Toggle, Rival (R44) 79

Q-Logic Joystick Knobs 45

Quantum Color Reference Chart 151

R44 Seat Interface - Power Tilt, Euro Seat 2 95

Reflector Assy, Rival (R44) 85

Retract 4 Swing-away Joystick Bracket for Curtis Joysticks 137

SONG 8 MPH Motor Assy 27

Seat Interface - Synergy, Rival (R44) 103

Seat Interface - TB2 Tilt/Tilt & Recline, Rival (R44) 101

Seat Interface - TB3, Rival (R44) 105

Seat Tower/Trapeze Bars Assy, Rival (R44) 93

Side Panels and Top Shrouds, Quantum Colors, Rival (R44) 89

Side Panels and Top Shrouds, Standard Color, Rival (R44) 87

Song ACCU-TRAC Motor Assy 25

Song ACCU-TRAC Motor Freewheel Lever Assy's 23

Song Motor Freewheel Lever Assy's 31

Stealth Swing-away / Flip Down Joystick Brackets & Mounts 139

Swing-away & Multi-axis Mount Matrix, Captain Seat, Version 2 131

Swing-away & Multi-axis Mount Matrix, Rehab Seat, Version 2 129

Swing-away Joystick Bracket & Components, Version 3 127

Swing-away Joystick Bracket Components, Version 2 133

TB Flex Seat Interface, R44 99

Universal, Group 24, Battery Assy 119

Appendix B:Parts Index

ACC123525	144	ACC1908439	128
ACC124132	136	ACC1908440	128
ACC124921	134	ACCASMB1856	40
ACC131216	130	ACCASMB1857	40
ACC131586	134	ACCASMB1858	40
ACC142524	130	ACCASMB1859	40
ACC142525	130	ACCASMB1860	40
ACC142526	130	ACCASMB1861	40
ACC142527	130	ACCASMB1862	40
ACC142528	130	BAT1704614-P	122
ACC142529	130	BATASMB1011	120
ACC142530	130	BATASMB1095	118
ACC142531	130	BATGEL1004	120
ACC142532	130	BATGEL1009	118
ACC142533	130	BLTASHL1120	98
ACC142534	130	BLTASHL1192	96, 98
ACC142738	130	BRK7110004	96
ACC142739	130	BRK8110030	96
ACC142740	130	CTL120004	76
ACC142742	130	CTL120005	76
ACC142743	130	CTL120034	56, 58
ACC142745	130	CTL120035	64, 66
ACC142746	130	CTL120036	66
ACC142747	130	CTL123217	36
ACC142748	130	CTL123880	78, 80
ACC142749	130	CTL123882	80
ACC142750	130	CTL123883	68, 70
ACC142751	130	CTL123884	70
ACC142752	130	CTL124653	36
ACC148356	132	CTL137635	38
ACC148357	132	CTLASMB7110009	72, 74
ACC148358	132	CTLASMB7110010	74
ACC148359	132	CTLASMB7120001	60, 62
ACC148360	132	CTLASMB7120002	62
ACC148361	132	CTLDC1467	34
ACC148362	132	CTLDC1554	34
ACC148363	132	CTLDC1560	34
ACC148364	132	CTLDC1561	34
ACC148365	132	DECASMB7120002	148
ACC148366	132	DECSERN1032	146, 148
ACC148367	132	DGN120012	90
ACC148368	132	DGN120016	90
ACC148369	132	DGN120018	90
ACC148370	132	DGN124307	48, 48
ACC148371	132	DGN124308	36, 46
ACC1806853	144	DGN124309	36, 46
ACC1908434	128	DGN124336-PBK1	48, 48
ACC1908435	128	DGN124336-PBK3	48
ACC1908437	128	DGN124336-PBU1	48
ACC1908438	128	DGN124336-PBU10	48
		DGN124336-PBU11	48

DGN124336-PBU9	48, 48	DGN164245-POR7	108, 110, 112
DGN124336-PGN11	48	DGN164245-PPK3	108, 110, 112
DGN124336-PGN5	48	DGN164245-PPK4	112
DGN124336-PGN7	48	DGN164245-PPR5	108, 110, 112
DGN124336-PGN8	48	DGN164245-PPR7	112
DGN124336-POR4	48	DGN164245-PRD1	108, 110, 112
DGN124336-POR6	48	DGN164245-PRD4	112
DGN124336-POR7	48	DGN164245-PSL3	108, 110, 112
DGN124336-PPK1	48	DGN164245-PSL7	108, 110, 112
DGN124336-PPK3	48	DGN164245-PWH2	108, 110, 112
DGN124336-PPK4	48	DGN164245-PYL3	108, 110, 112
DGN124336-PPR4	48	DGN164245-PYL4	112
DGN124336-PPR5	48	DGN164245-WCB1	112
DGN124336-PPR7	48	DGN164245-WCM7	112
DGN124336-PRD1	48, 48	DGN164245-WFL2	112
DGN124336-PRD4	48	DRVASMB2231	26
DGN124336-PSL1	48	DRVASMB2232	26
DGN124336-PSL3	48	DWR1000H174	124, 126
DGN124336-PSL7	48	DWR1000L025	146, 148
DGN124336-PWH2	48	DWR1005B028	96, 98
DGN124336-PYL3	48, 48	DWR1005B049	108, 110
DGN124336-PYL4	48	DWR1010B089	134, 136
DGN124336-WCB1	48	DWR1010B161	82
DGN124336-WCM7	48	DWR1010C462	82
DGN124336-WFL2	48	DWR1010D453	82
DGN150381-PBK1	90	DWR1111C002	128, 134, 136, 142
DGN150381-PBK3	90	DWR1111C003	50
DGN150381-PBU10	90	DWR1111H047	82
DGN150381-PBU9	90	DWR1111H051	38
DGN150381-PGN11	90	DWR1111H052	58, 62, 66, 70, 74, 76, 80, 82
DGN150381-PGN7	90	DWR1111H053	38
DGN150381-PGN8	90	DWR1111H065	56, 58, 60, 62, 64, 66, 68, 70, 72, 74, 76, 78, 80, 82
DGN150381-POR6	90	DWR1111H066	52
DGN150381-POR7	90	DWR1111H067	52
DGN150381-PPK3	90	DWR1111H199	42
DGN150381-PPR5	90	DWR1111H311	82
DGN150381-PRD1	90	DWR1234L004	146, 148
DGN150381-PSL3	90	DWR1234L135	16
DGN150381-PSL7	90	DWR1234L799	148
DGN150381-PWT2	90	DWR1234L957	146, 148
DGN150381-PYL3	90	DWR1235L116	146, 148
DGN154742	46	DWR1235L515	84
DGN164245-PBK1	108, 110, 112	DWR1235L517	150
DGN164245-PBK3	108, 110, 112	DWR1235L520	124
DGN164245-PBU10	108, 110, 112	DWR1235L521	146, 148
DGN164245-PBU11	112	DWR1235L817	118, 120
DGN164245-PBU9	108, 110, 112	DWR1235L829	84
DGN164245-PGN11	108, 110, 112	DWR1235L866	84
DGN164245-PGN7	108, 110, 112	DWR1235L908	146, 148
DGN164245-PGN8	108, 110, 112	DWR1265H021	62, 66, 70, 74, 80
DGN164245-POR6	108, 110, 112	DWR1265H027	60, 64, 68, 72, 78

DWR1265H045	82	ELE1802761	84
DWR1265H055	58	ELE1803440	126
DWR1265H057	58	ELEASMB1000	56, 58, 60, 62, 64, 66, 68, 70
DWR1265H061	56	ELEASMB5672	124
DWR1361H038	62, 66, 70, 74, 76, 80	ELEASMB6213	82
DWR1501D044	96, 98	ELEASMB7120023	82
DWR1502C047	96, 98, 100	ELEASMB7120024	82
DWR1502C072	4, 6	ELECHG1017	124
DWR1502C073	4, 6	FRMASMB10454	38
DWR1502C084	146, 148	FRMASMB10617	34, 36, 142
DWR1502C085	146, 148	FRMASMB11156	38
DWR1502C092	2	FRMASMB12744	34, 142
DWR1502C093	82	FRMASMB16030	22, 24, 32
DWR1502D046	98	FRMASMB16056	22, 24, 32
DWR1502D047	98	FRMASMB16057	22, 24, 32
DWR1502D065	6	FRMASMB16062	144
DWR1502D066	6	FRMASMB17132	2
DWR1502D074	92	FRMASMB17133	84
DWR1502D082	92	FRMASMB17136	6
DWR1502D083	92	FRMASMB17137	6
DWR1502H001	56, 58, 60, 62, 64, 66, 68, 70, 72, 74, 76, 78, 80	FRMASMB17144	10
DWR1502H002	56, 58, 60, 62, 64, 66, 68, 70, 72, 74, 76, 78, 80, 84	FRMASMB17145	10
DWR1502H003	56, 58, 60, 62, 64, 66, 68, 70, 72, 74, 76, 78, 80, 84	FRMASMB17146	12
DWR1502H006	82	FRMASMB17147	12
DWR1502H008	82	FRMASMB17148	14
ELE120273	82	FRMASMB17149	14
ELE120274	82	FRMASMB17150	18
ELE120931	82	FRMASMB17151	16
ELE124312	36	FRMASMB17152	16
ELE124313	36, 54	FRMASMB17153	18, 22, 24, 28, 32
ELE132487	72	FRMASMB17154	18, 22, 24, 28, 32
ELE132488	74	FRMASMB17888	86
ELE132489	74	FRMASMB17900	96
ELE132490	76	FRMASMB17904	96
ELE132491	76	FRMASMB17905	98
ELE132492	78	FRMASMB17910	102
ELE132493	80	FRMASMB17911	104
ELE132494	80	FRMASMB17953	22, 24, 32
ELE132495	60	FRMASMB17954	22, 24, 32
ELE132496	62	FRMASMB18033	18
ELE132497	62	FRMASMB2066	142
ELE132498	64	FRMASMB4767	142
ELE132499	66	FRMASMB7110015	56, 58, 60, 62, 64, 66, 68, 70, 72, 74, 76, 78, 80
ELE132500	66	FRMASMB7110128	84
ELE132501	68	FRMASMB7110129	84
ELE132502	70	FRMASMB7110130	84
ELE132503	70	FRMASMB7110131	84
ELE132506	56	FRMASMB9532	142
ELE132507	58	HAR8120007	76
ELE144006	54	HARUSHD1065	126
ELE1705477	72, 74, 76, 78, 80, 84	HARUSHD2041	126

HARUSHD2160	126	MOT131092-11	20
HDW124834	118, 120	MOT131093-06	20
HDW131752	20, 26, 28, 30	MOT131093-07	20
HDW131753	20, 26, 28, 30	MOT131093-08	20
HDW138262	22, 24, 28, 32, 96, 98	MOT131093-11	20
HDWASMB1184	96, 98	MOT132968	20
HDWASMB1187	4, 6	MOT132969	20
INDASMB7120003	150	MOT132973	20
INDPART2148	56, 58, 60, 62, 64, 66, 68, 70	MOT132974	20
INDPART2420	72, 74, 76, 78, 80	NUTJAM1018	82
INFINFB1149	150	NUTJAM1062	82
INFINFB3035	150	NUTNYLK1011	22, 24, 24, 28, 32, 32, 96, 98
INFINFB3072	150	NUTNYLK1090	96
INFMANU3992	150	NUTSTD1020	118, 120
INFMANU4344	150	PINSOTR1000	22, 24, 28, 32
KIT150479	20, 26, 28, 30	PLSINDV1252	46
KIT152913	44	PLSKNCP1057	40
KIT152914	44	PLSKNCP1058	40
KIT152915	44	PLSTIE1011	118, 120
KIT152919	36, 46	PLSTIE1015	150
KITASMB1591	150	PROZBAG1003	150
KITASMB1728	44	RECPART1061	42
KITASMB1729	44	RECPART1066	42
KITASMB1730	44	RECPART1067	42
LAB120047	146, 148	RECPART1071	42
LAB132115	146	RECPART1085	42
MEC120220	18	RECPART1129	42
MEC124133	136	RECPART1130	42
MEC124636	20, 26	REFRED1012	82, 84
MEC124637	20, 26	SCR8110006	96
MEC132769	106	SCR8120003	94
MEC132995	4	SCRHHCS1377	22, 24, 28, 32
MEC132996	4	SCRHHCS1412	22, 24, 32
MEC138180	136	SCRHHCS1668	118, 120
MEC138860	138	SCRPPH1006	142
MEC138876	138	SCRPPH1036	4, 6, 22, 24, 28, 32, 134, 136
MEC142426	134	SCRPPH1044	92
MEC146133	128, 134, 144	SCRPPH1097	136
MEC154716	106	SCRPPH1122	142
MEC156782	100	SCRPPH1153	82
MEC1610061-CSL3	4	SCRPPH1279	128, 134
MEC1610063-CSL3	4	SCRPPH1384	128, 128, 134, 136
MEC163554	104	SCRPPH1390	56, 58, 60, 62, 64, 66, 68, 70, 72, 74, 76, 78, 80
MEC1712217	134	SCRSETS1102	22, 24, 28, 32
MEC1712220	134	SCRSFH1005	138
MEC1809294	144	SCRSHCS1015	20, 26
MOT122443	28	SCRSHCS1084	20, 26
MOT122444	28	SCRSHCS1117	82
MOT131092-06	20	SCRSHCS1154	30
MOT131092-07	20	SCRSHCS1192	20, 26
MOT131092-08	20	SCRSHCS1316	30

SCRSHCS1322	30	WHLASMB2095	108, 110
SCRSHCS1323	30	WHLASMB2122	108
SCRSHCS1337	2	WHLASMB2244	14
SCRSHCS1340	96, 98, 100	WHLATIP1005	16
SCRSHFH1015	142		
SCRSHFH1053	138, 142		
SCRSHFH1080	82		
SCRSHFH1204	82		
SHDASMB6260	92		
SHDASMB6372	88		
SHDASMB6374	88		
SHDASMB6376	88		
SHDASMB6378	88		
ST-ARM250C-Q	140, 144		
ST-ARM250T-Q	140, 144		
ST-TWBM480CJ-Q	140		
ST-TWBM480QL-Q	140		
TECSERV1064	42		
TECSERV1065	42		
TIRPNEU1004	108		
TIRPNEU1026	14		
TIRPNEU1051	10		
TIRPNEU1058	114		
TIRSOLI1075	110		
TIRSOLI1092	116		
TUBSTND1002	108		
TUBSTND1009	14		
TUBSTND1011	10		
TUBSTND1043	114		
TWRASMB7120002	94		
TWRASMB7120003	94		
WASETH1011	82		
WASLOCK1045	92		
WASLOCK1093	118, 120		
WASLOCK1094	2, 96, 98, 100		
WASMETR1031	96		
WASMETR1042	92		
WASMETR1096	22, 24, 32		
WASMETR1159	22, 28		
WASNYLN1084	22, 24, 28, 32		
WHL121863	8		
WHL121864	8		
WHL122174	116		
WHL122175	114		
WHL122176	114, 116		
WHL145677	8		
WHLASMB1823	12		
WHLASMB1824	10		
WHLASMB1826	10, 14		
WHLASMB2081	108, 110		
WHLASMB2093	110		

Illustrated Parts Breakdown

USA - Quantum Rehab

401 York Avenue
Duryea, Pa 18642
www.quantumrehab.com

USA - Pride Mobility Products Corp.

182 Susquehanna Avenue
Exeter, Pa 18643
www.pridemobility.com

Canada

5096 South Service Road
Beamsville, Ontario L0R 1B3
www.pridemobility.ca
www.quantumrehab.com

Australia

20-24 Apollo Drive
Hallam, Victoria 3803
www.pridemobility.com.au
www.quantumrehab.com.au

New Zealand

38 Lansford Crescent
Avondale, Auckland 0600
www.pridemobility.co.nz

UK

32 Wedgwood Road
Bicester, Oxfordshire OX26 4UL
www.pride-mobility.co.uk
www.quantumrehab.co.uk

Netherlands

(Authorised EU Representative)

De Zwaan 3
1601 MS Enkhuizen
www.pridemobility.eu
www.quantumrehab.eu

Italy

Via del Progresso, ang. Via del Lavoro
Loc. Prato della Corte
00065 Fiano Romano (RM)
www.pride-italia.it
www.quantumrehab-italia.it

France

26 Rue Monseigneur Ancel
69800 Saint-Priest
www.pridemobility.fr
www.quantumrehab.fr

Spain

Calle Las Minas Número 67
Polígono Industrial Urtinsa II, de Alcorcón
28923 Madrid

Germany

Hövelrieger Str. 28
33161 Hövelhof
www.pridemobility.de

China

Room 508, Building #4
TianNa Business Zone
No. 500 Jianyun Road
Pudong New Area
Shanghai 201318

