

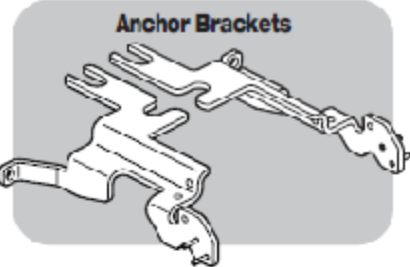
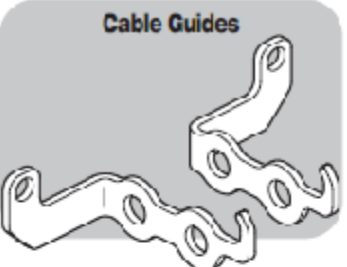
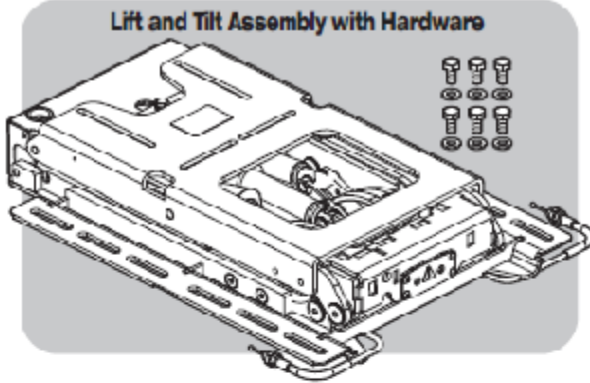

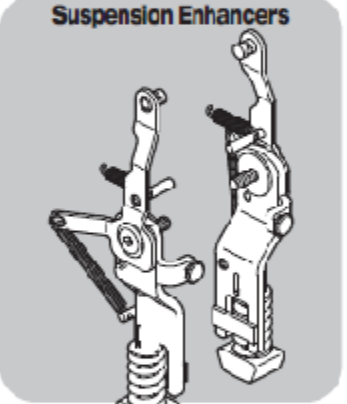
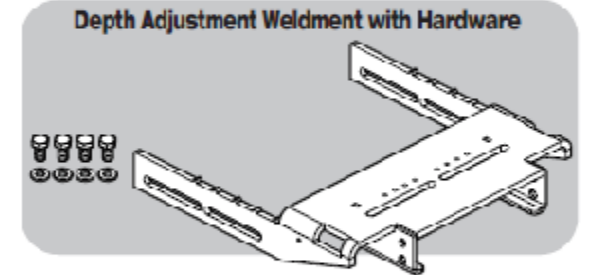
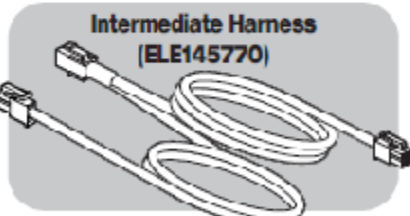

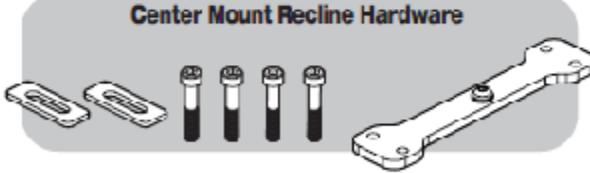
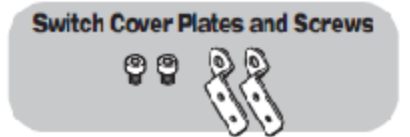
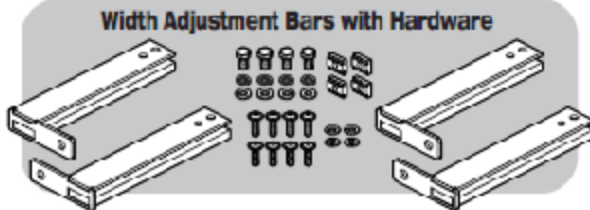
Retrofit iLevel to an Existing Q6 Edge 2



QUANTUM[®]
#1 FOR REHAB POWER

iLevel Retrofit Hardware

iLevel® Specific Components

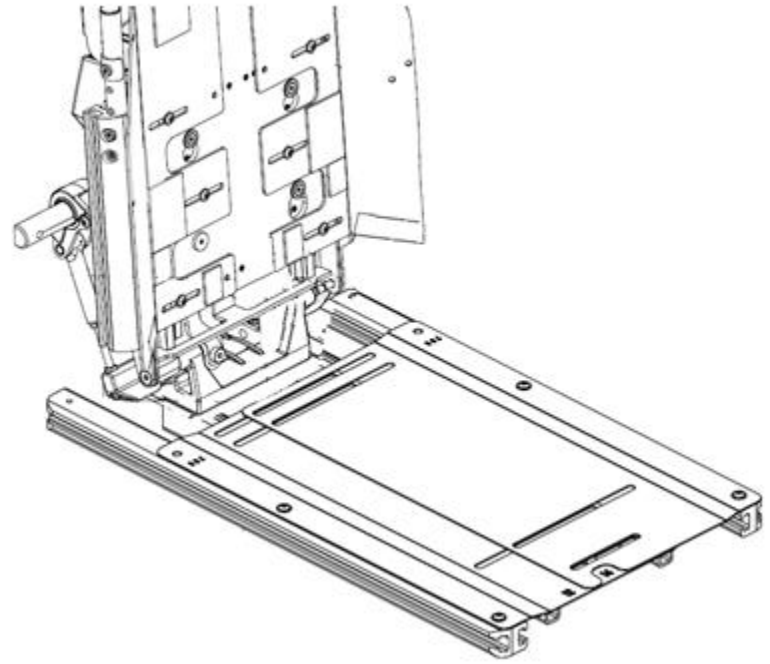
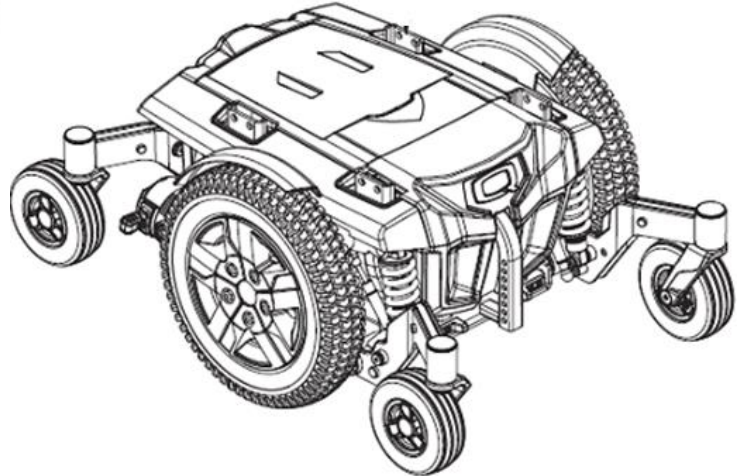
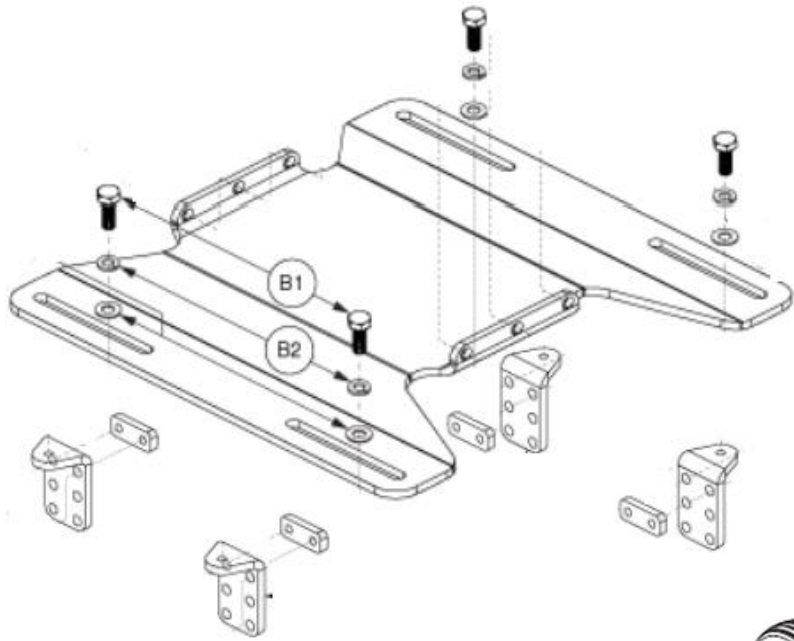
- Anchor Brackets**

- Cable Guides**

- Lift and Tilt Assembly with Hardware**

- iLevel® Base Harness (ELE145674)**

- Suspension Enhancers**

- Depth Adjustment Weldment with Hardware**

- Intermediate Harness (ELE145770)**

- Cable Retainers**

- Center Mount Recline Hardware**

- Switch Cover Plates and Screws**

- Width Adjustment Bars with Hardware**


iLevel Retrofit Hardware

PART #	QTY	L0	L1	L2	L3	L4	L5	L6	L7	L8	L9	L10	
KIT150963	1	1	KIT,RETROFIT,ASSY,ILEVEL,16"W-20"W,16"D-20"D,TILT,TILT/RECLINE UPGRADE,TRU-BALANCE 3										
MEC147824	1		2	LIFT & TILT FRAME,TRU-BALANCE 3,(REAC:LTS00XX)									
MEC144774	1		2	FRAME,DEPTH ADJUSTMENT WELDMENT,16"D-20"D,VERSION 2,TRU-BALANCE 3									
HDW151238	1		2	HARDWARE KIT,ASSY,ILEVEL RETROFIT									
SET148103	1		2	FRAME,ASSY,16"W-20"W,WIDTH ADJUSTMENT,TRU-BALANCE 3 REAC LIFT									
MEC148448	1		2	INTERFACE PLATE TO BASE,VERSION 2,TRU-BALANCE 3 REAC LIFT & TILT									
DGN146444	2		2	COVER,SIDE,BLACK,PLASTIC,TRU BALANCE 3 REAC LIFT									
MEC147096	1		2	ILEVEL,ASSY,Q6 EDGE 2									
MOT148120	1		2	ACTUATOR,ASSY,10",TRU-BALANCE 3 LIFT									
MOT148126	1		2	ACTUATOR,ASSY,TRU-BALANCE 3 TILT									
MEC148170	1		2	ILEVEL,ASSY,TRU-BALANCE 3 POWER ADJUSTABLE SEAT LIFT W/ILEVEL									
MEC145365	1		2	INTERFACE PLATE,TRU-BALANCE 3 REAC LIFT & TILT									
MEC140345	2		2	TILT TO BACK SPACER PLATE									
DGN148436	1		2	COVER,ASSY,REAR,PLASTIC,TRU-BALANCE 3 LIFT,W/MOUNTING HARDWARE									
KIT147834	1		2	INHIBIT SWITCH,ASSY,TRU-BALANCE 3 REAC LIFT,W/HARDWARE									
ELE145770	1		2	HARNES,ILEVEL SEAT INTERMEDIATE HARNES CURTIS									
KIT150964	1	1	KIT,RETROFIT,ASSY,ILEVEL,16"W-20"W,16"D-20"D,RECLINE ONLY UPGRADE,TRU-BALANCE 3										
MEC147824	1		2	LIFT & TILT FRAME,TRU-BALANCE 3,(REAC:LTS00XX)									
MEC144774	1		2	FRAME,DEPTH ADJUSTMENT WELDMENT,16"D-20"D,VERSION 2,TRU-BALANCE 3									
HDW151238	1		2	HARDWARE KIT,ASSY,ILEVEL RETROFIT									
SET148103	1		2	FRAME,ASSY,16"W-20"W,WIDTH ADJUSTMENT,TRU-BALANCE 3 REAC LIFT									
MEC148448	1		2	INTERFACE PLATE TO BASE,VERSION 2,TRU-BALANCE 3 REAC LIFT & TILT									
DGN146444	2		2	COVER,SIDE,BLACK,PLASTIC,TRU BALANCE 3 REAC LIFT									
MEC147096	1		2	ILEVEL,ASSY,Q6 EDGE 2									
MOT148120	1		2	ACTUATOR,ASSY,10",TRU-BALANCE 3 LIFT									
MOT148169	1		2	STATIC BAR,ASSY,TRU-BALANCE 3 TILT									
MEC148170	1		2	ILEVEL,ASSY,TRU-BALANCE 3 POWER ADJUSTABLE SEAT LIFT W/ILEVEL									
MEC145365	1		2	INTERFACE PLATE,TRU-BALANCE 3 REAC LIFT & TILT									
MEC140345	2		2	TILT TO BACK SPACER PLATE									
DGN148436	1		2	COVER,ASSY,REAR,PLASTIC,TRU-BALANCE 3 LIFT,W/MOUNTING HARDWARE									
KIT147834	1		2	INHIBIT SWITCH,ASSY,TRU-BALANCE 3 REAC LIFT,W/HARDWARE									
ELE145770	1		2	HARNES,ILEVEL SEAT INTERMEDIATE HARNES CURTIS									
KIT150965	1	1	KIT,RETROFIT,ASSY,ILEVEL,STATIC SEAT UPGRADE,TRU-BALANCE 3										
MEC147096	1		2	ILEVEL,ASSY,Q6 EDGE 2									

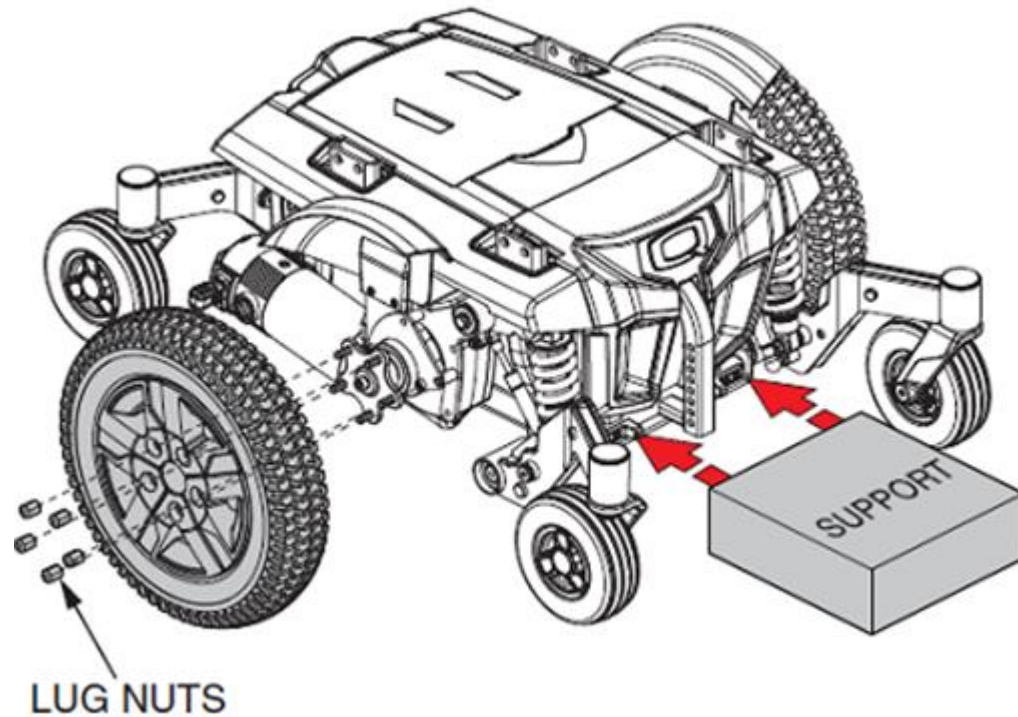
iLevel Retrofit Hardware

Remove static seating system and towers from Q6Edge 2 base.

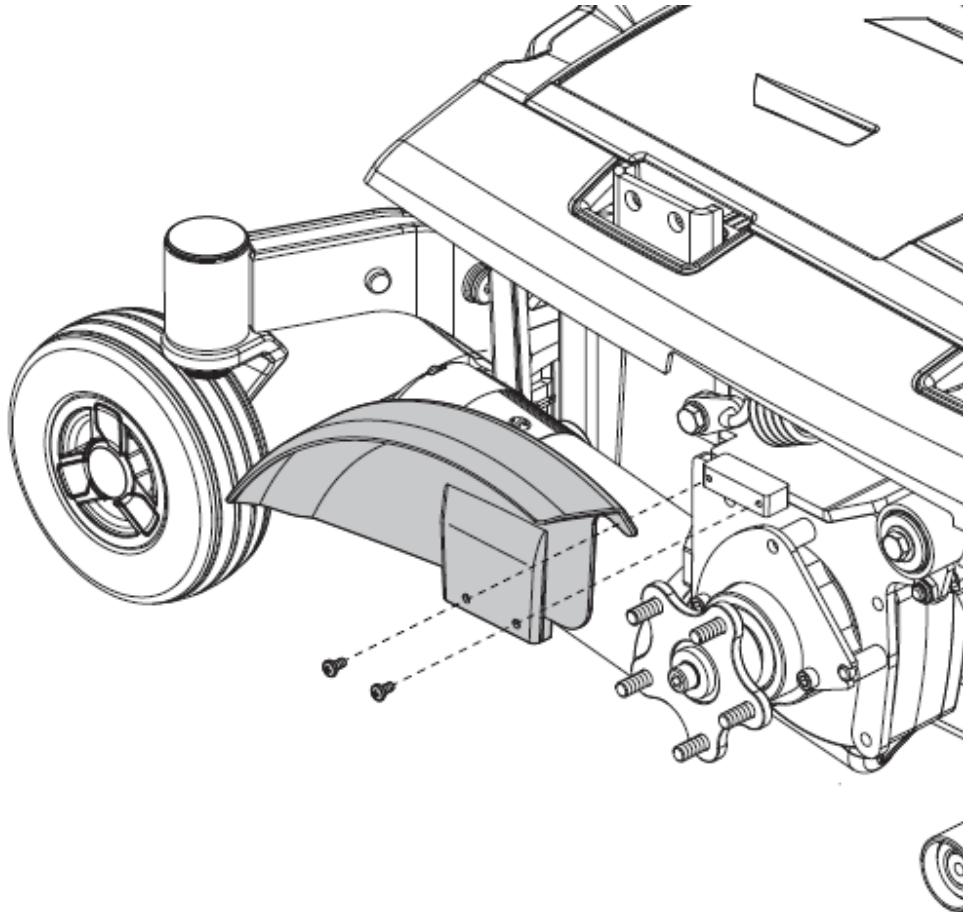


iLevel Retrofit Installation

Place supports under the power base frame to elevate the drive wheels and remove the left and right drive wheel.

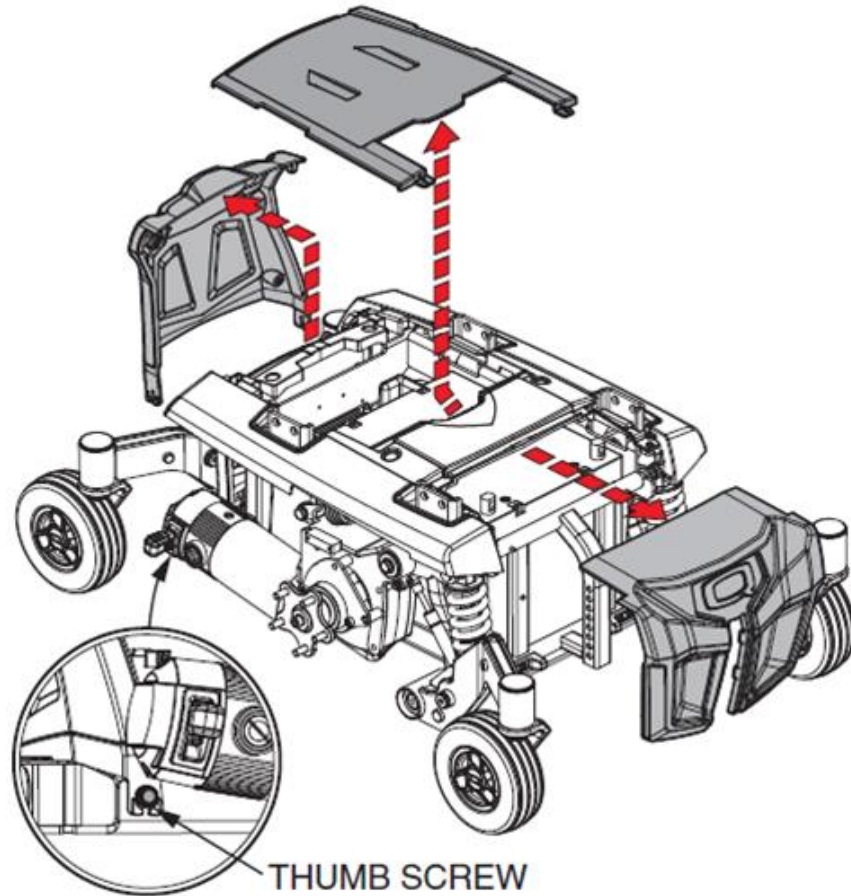


iLevel Retrofit Installation



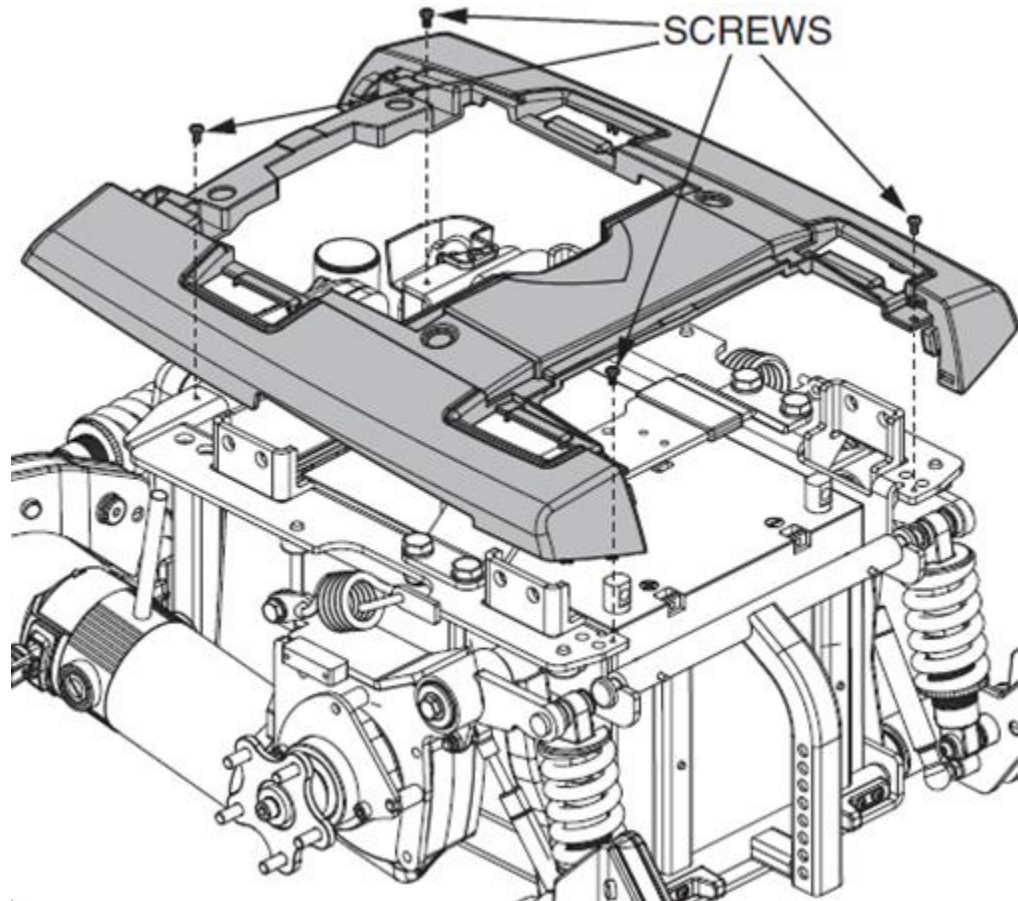
Remove the left and right fenders by removing the two screws.

iLevel Retrofit Installation



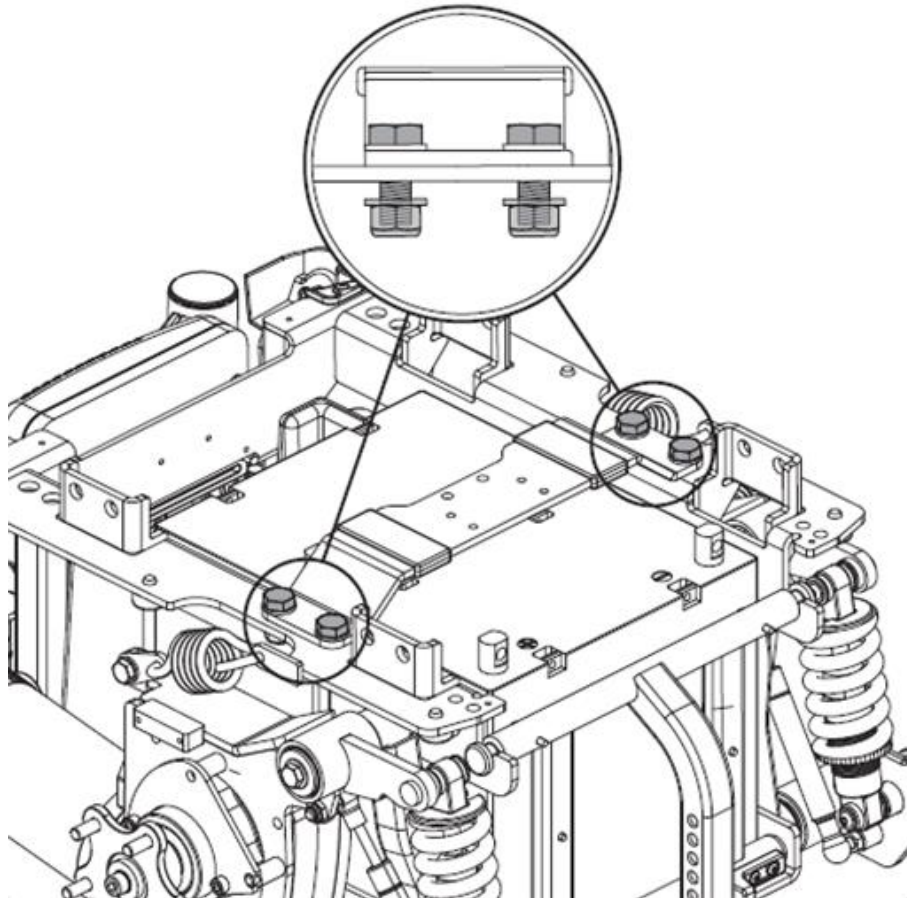
Remove the rear access door by loosening the thumb screws, then remove the top shroud and front access door.

iLevel Retrofit Installation



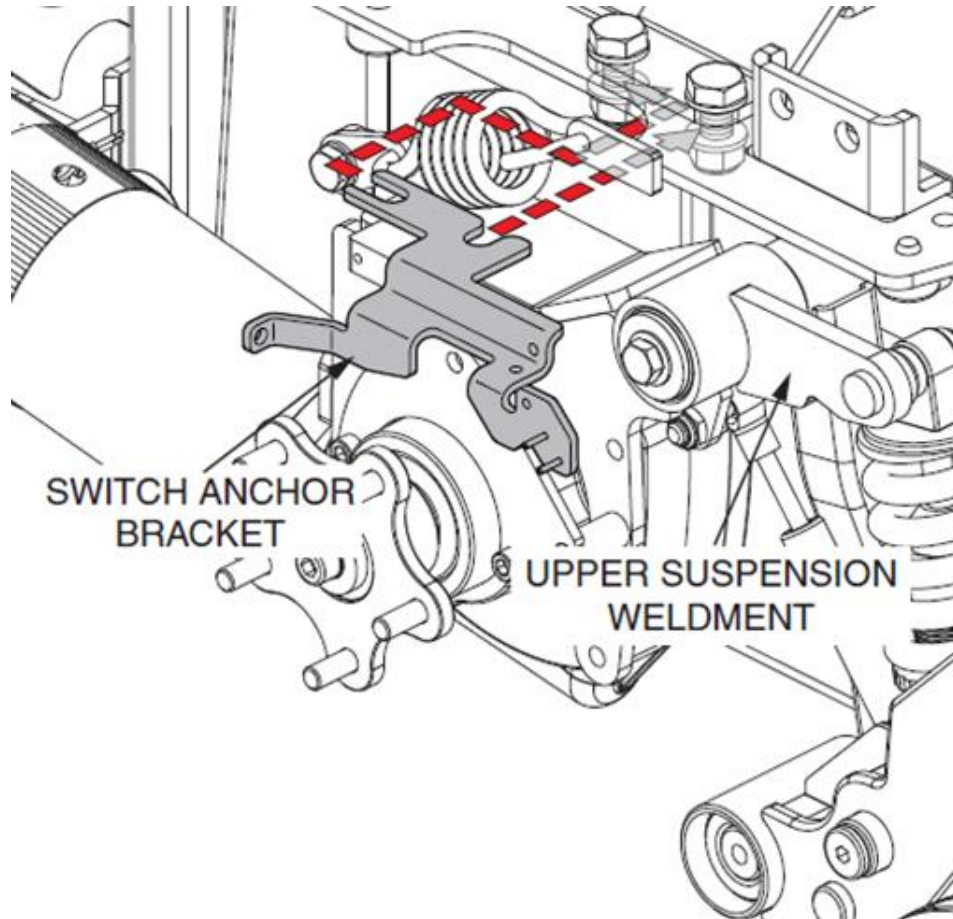
Remove the remaining shroud by removing the four (4) screws.

iLevel Retrofit Installation



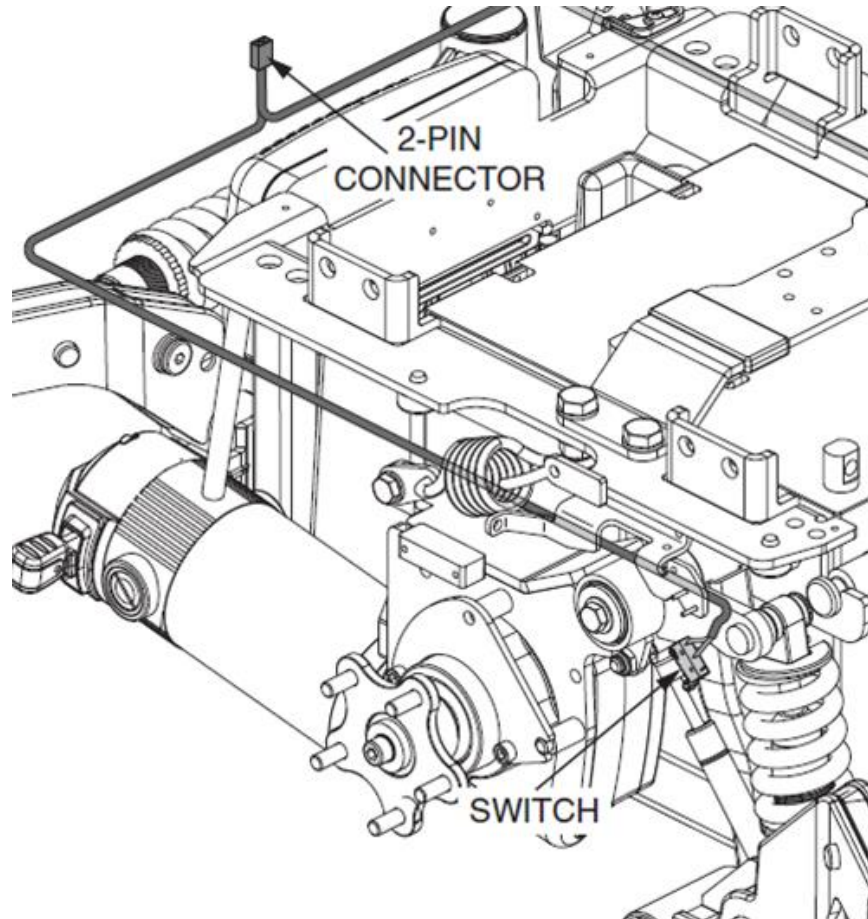
Loosen the four (4) cross bar bolts. Do not remove the nut at the bottom of the bolt.

iLevel Retrofit Installation



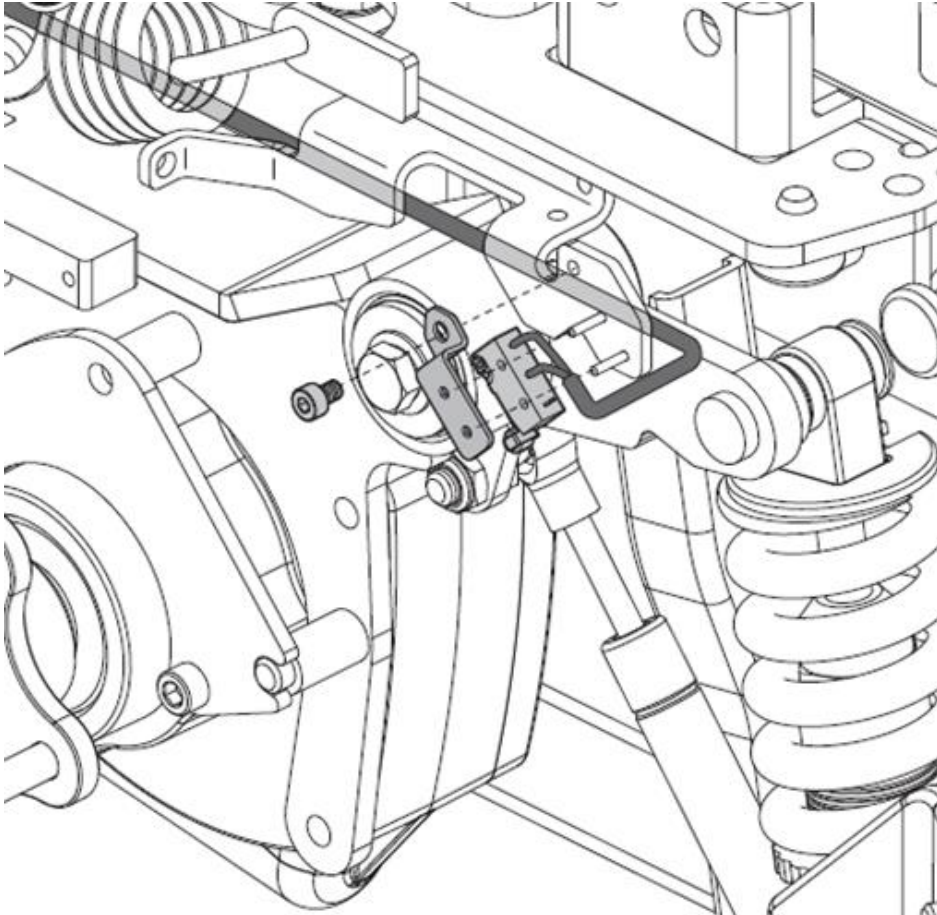
- Mount the left and right switch anchor brackets to the cross bar bolts under the frame.
- Ensure the bracket is parallel to and does not touch the upper suspension weldment.
- Tighten the cross bar bolts.

iLevel Retrofit Installation



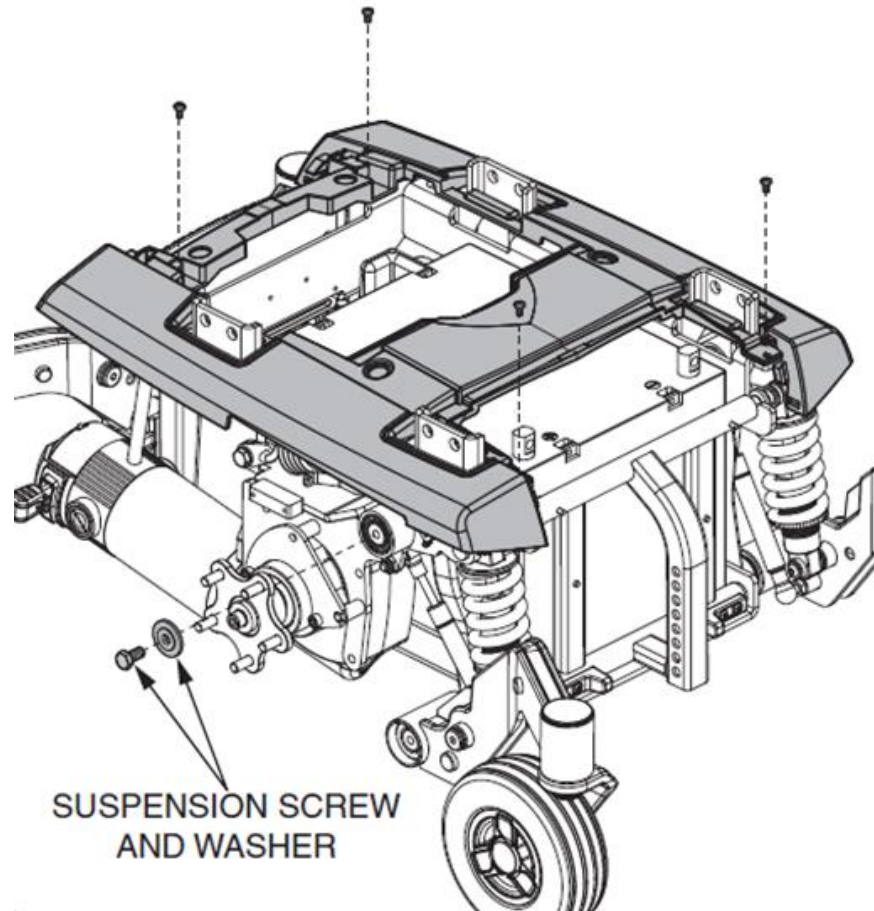
- While keeping the 2-pin connector at the rear of unit, route switches of the iLevel harness from rear of base, over and behind the motor suspension spring, under and to the front of the switch anchor brackets.
- One switch on left and one on right.

iLevel Retrofit Installation



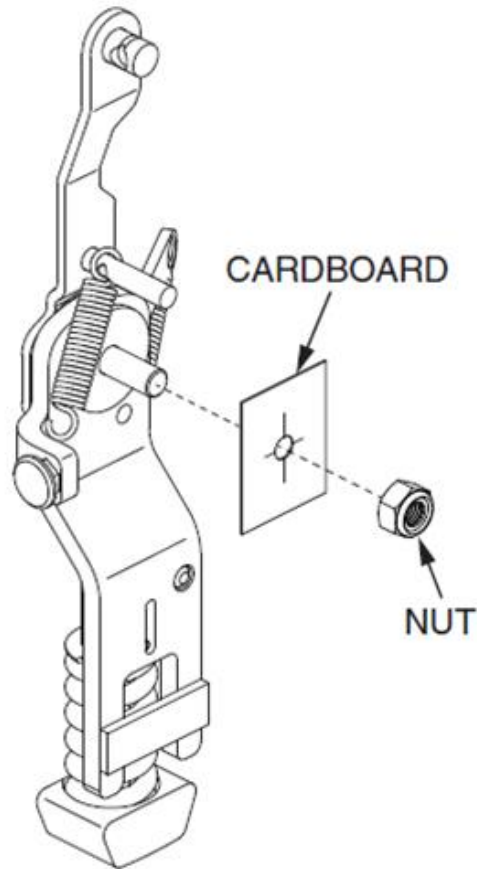
- Secure the switches with the switch cover plate and screw.
- Use wire ties to secure the loose wire of the iLevel harness to the motor harnesses.

iLevel Retrofit Installation



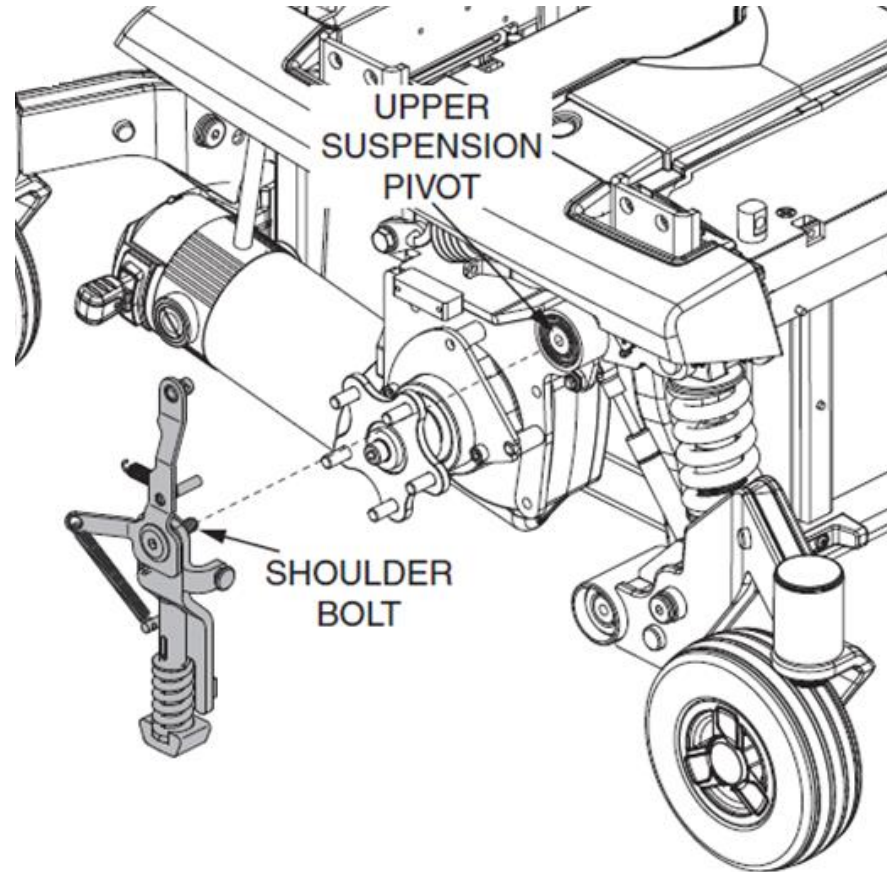
- Reassemble the top shroud with four (4) screws.
- Remove the hex head bolts and washers from the left and right upper suspension pivots.

iLevel Retrofit Installation



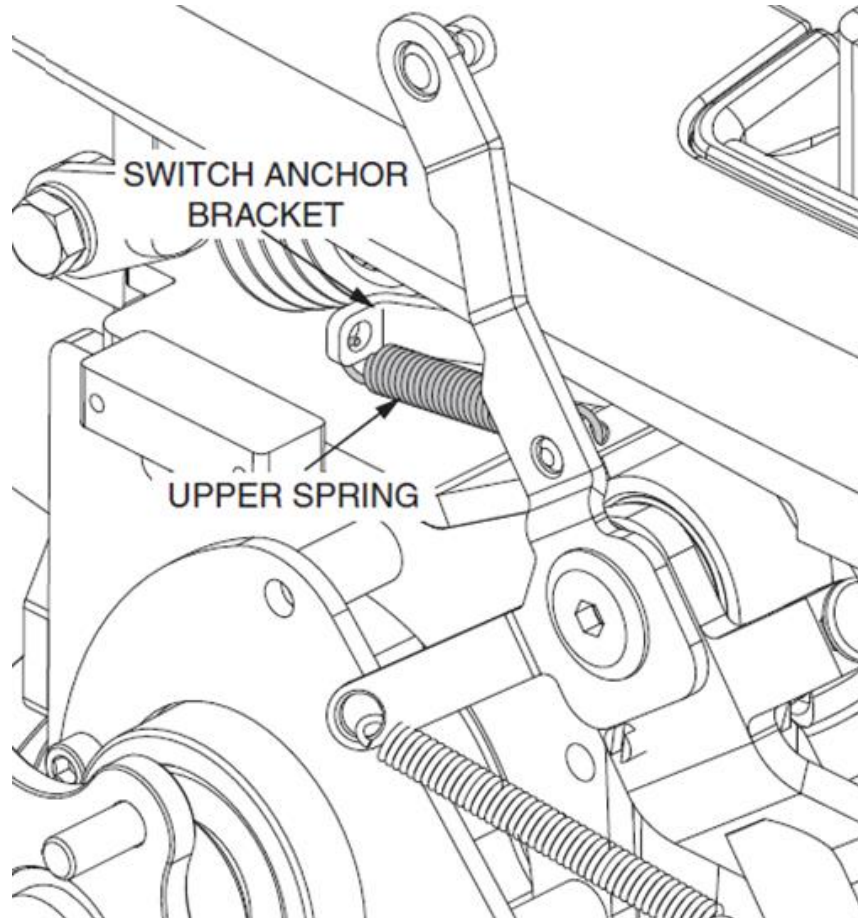
- The suspension enhancer assembly may be shipped with protective cardboard or a retaining nut.
- Remove the protective cardboard or retaining nut from the suspension enhancer assemblies.

iLevel Retrofit Installation



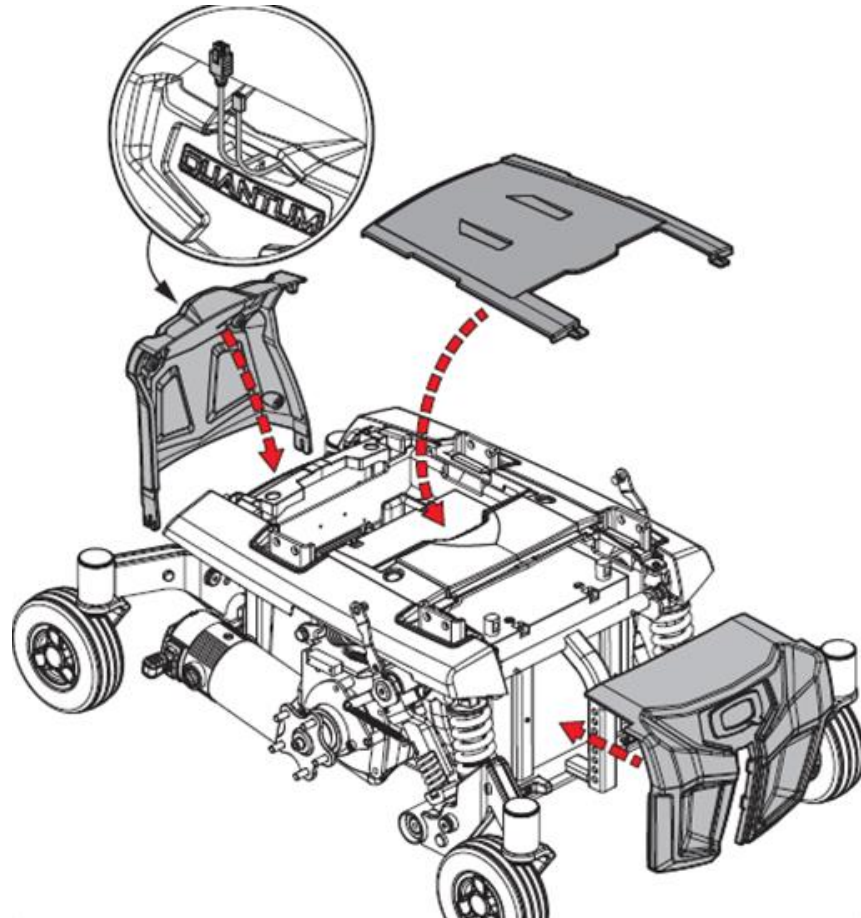
- Mount the left and right suspension enhancer assemblies to the upper suspension pivots.
- The parts should be snug against the head of the shoulder bolt, correctly aligned as shown, and should have free movement.

iLevel Retrofit Installation



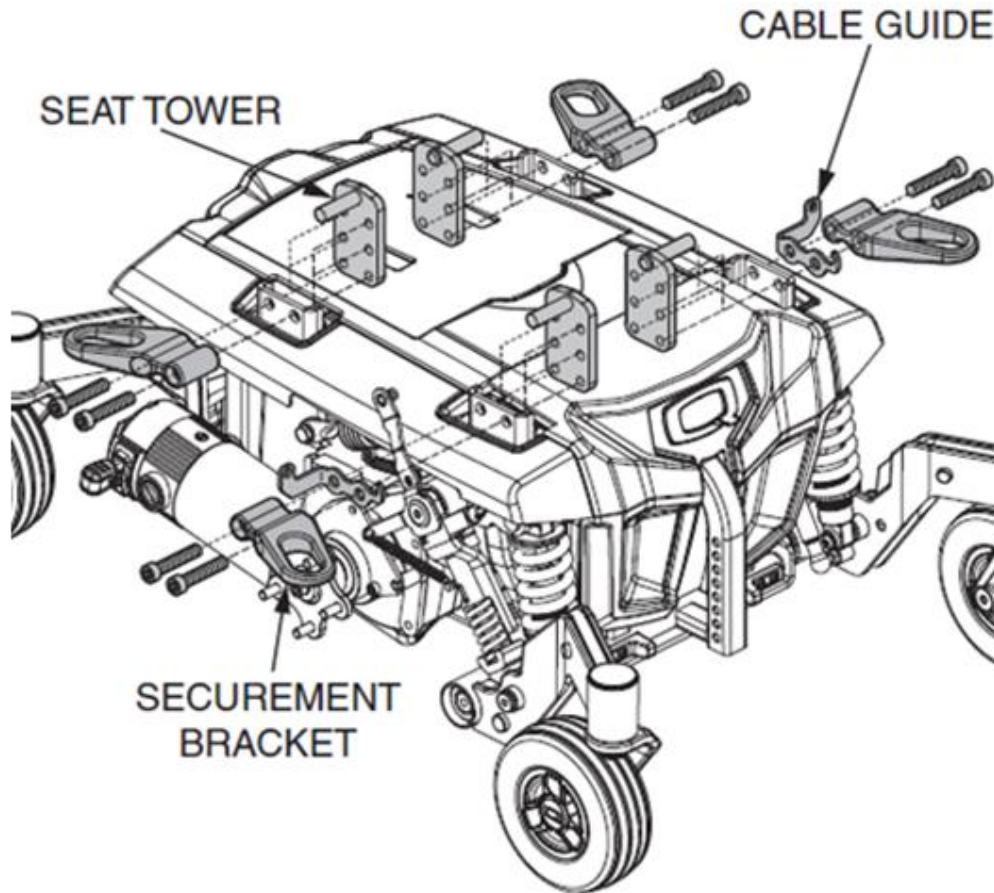
- Attach the left and right upper spring to the switch anchor brackets.

iLevel Retrofit Installation



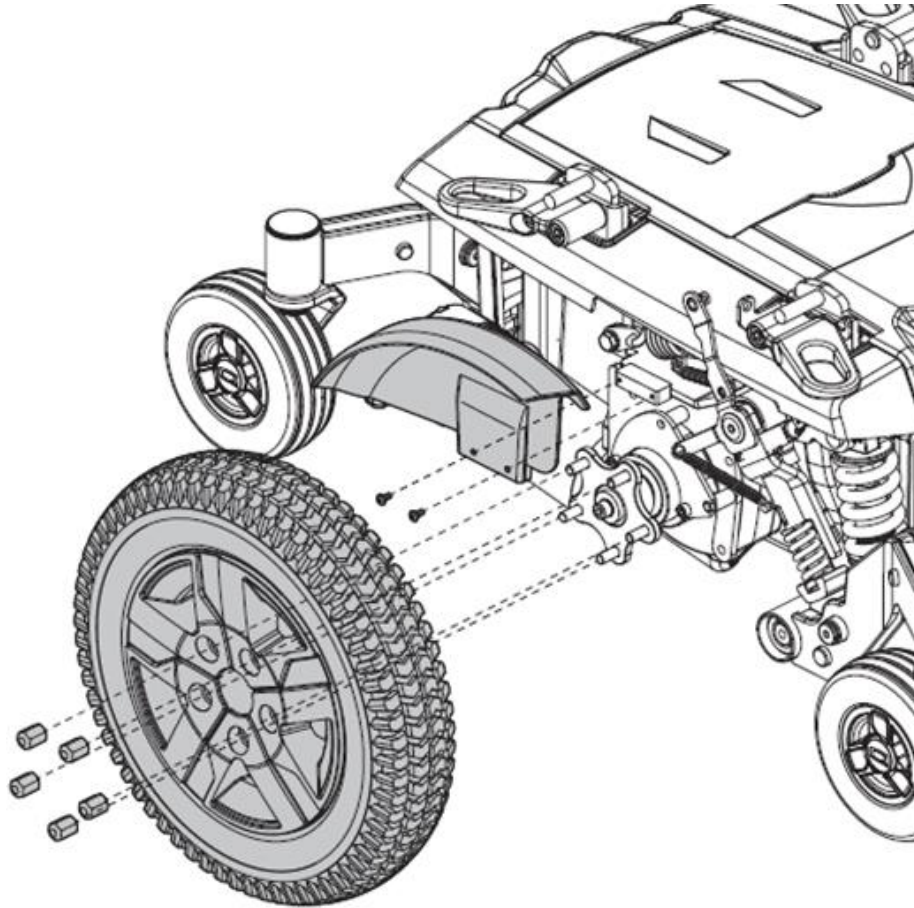
- Reassemble the front, rear, and top shrouds.
- Ensure that the bus cable and iLevel harness are routed through the opening of the rear shroud.

iLevel Retrofit Installation



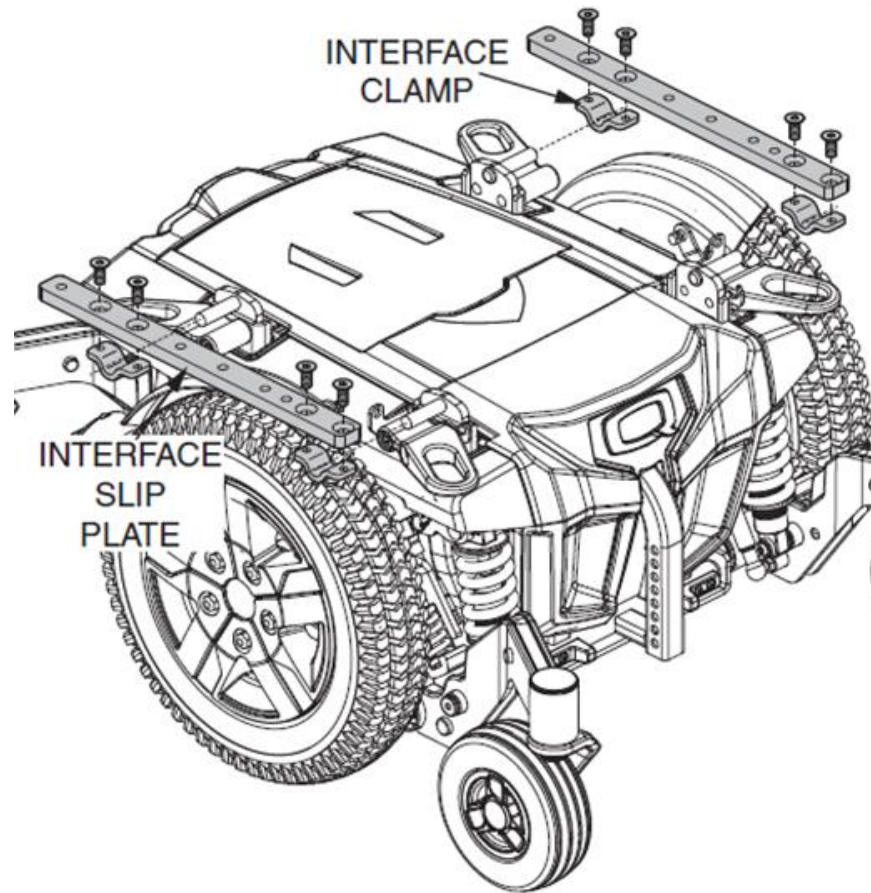
- Mount the seat towers, securement brackets, and the left and right cable guides to the power base.
- Please note their proper orientation.

iLevel Retrofit Installation



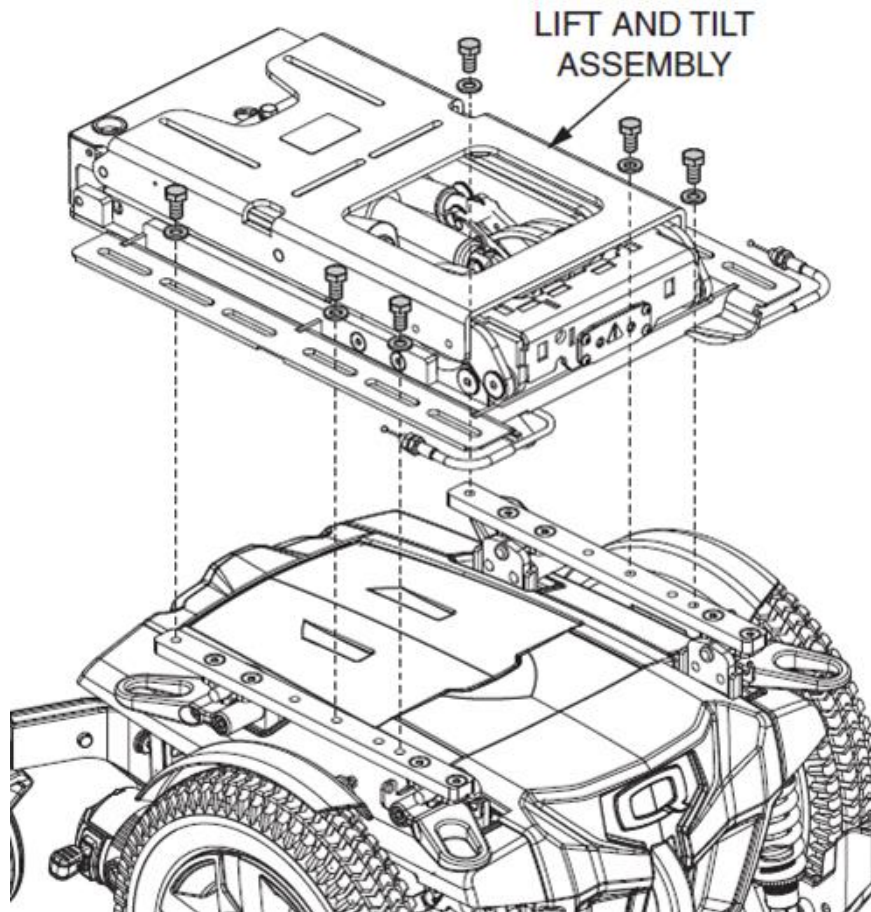
- Reassemble the left and right fenders and then the left and right wheels.

iLevel Retrofit Installation



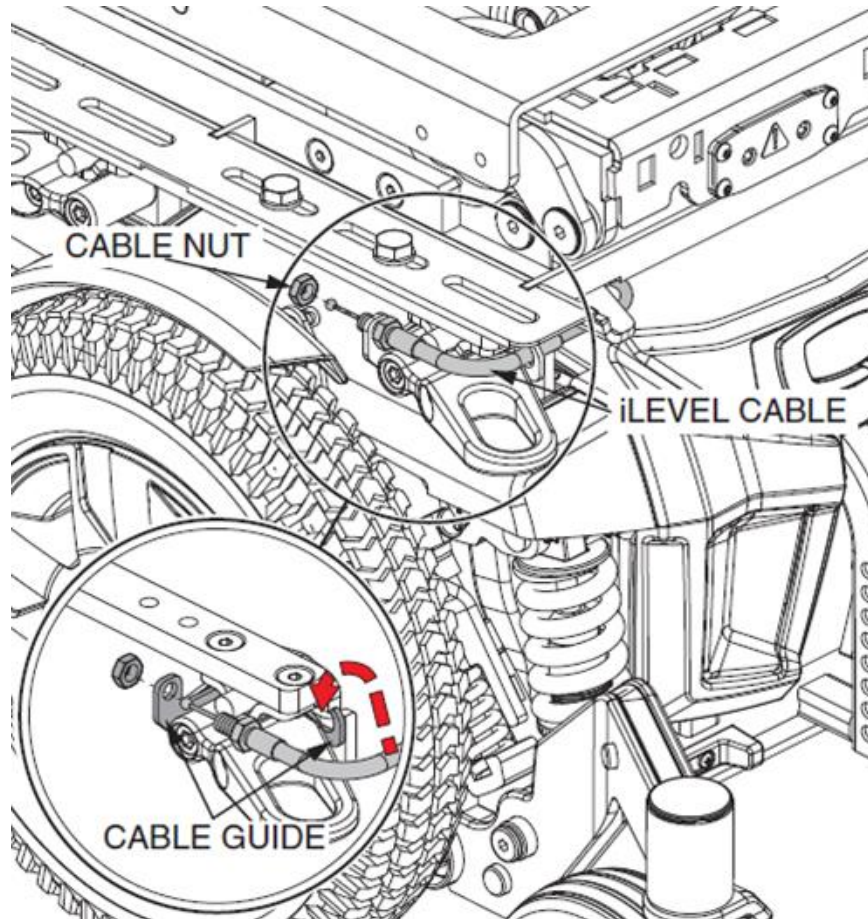
- Mount the slip plate interface to the seat towers.
- They should be slightly loose to allow the lift and tilt assembly to be lined up.

iLevel Retrofit Installation



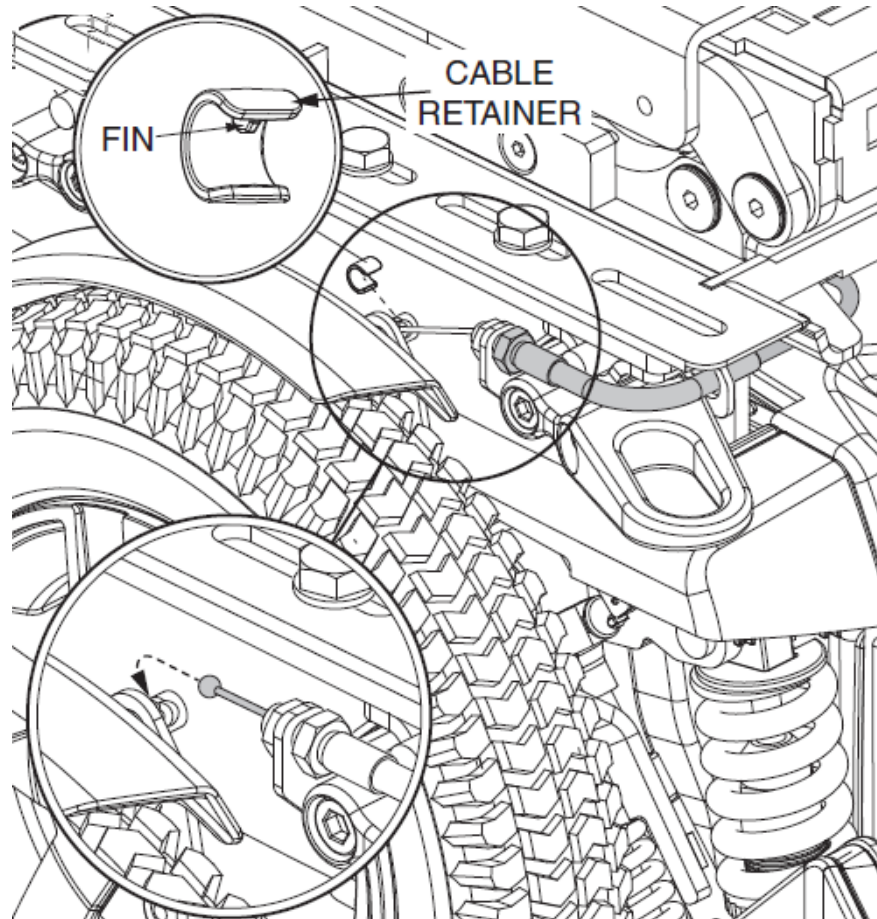
- Place the lift and tilt interface onto the slip plate interface.
- Hand thread hex head bolts and washers through the lift and tilt assembly and into the slip plate interface.
- Fully tighten the slip plate interface.

iLevel Retrofit Installation



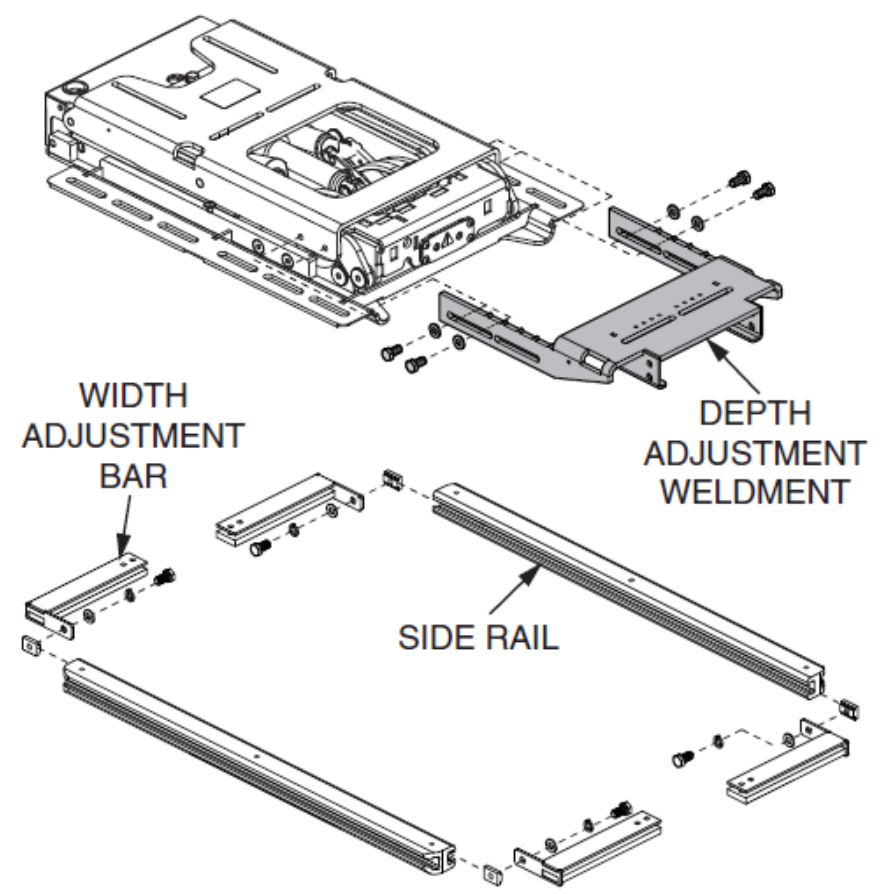
- Remove the nut from the end of the iLevel® cable. Remove any slack from the cable.
- Route the left and right cables through the front of the left and right cable guides and into the hole of the cable guide.
- Secure the cable with the initially removed nut.

iLevel Retrofit Installation



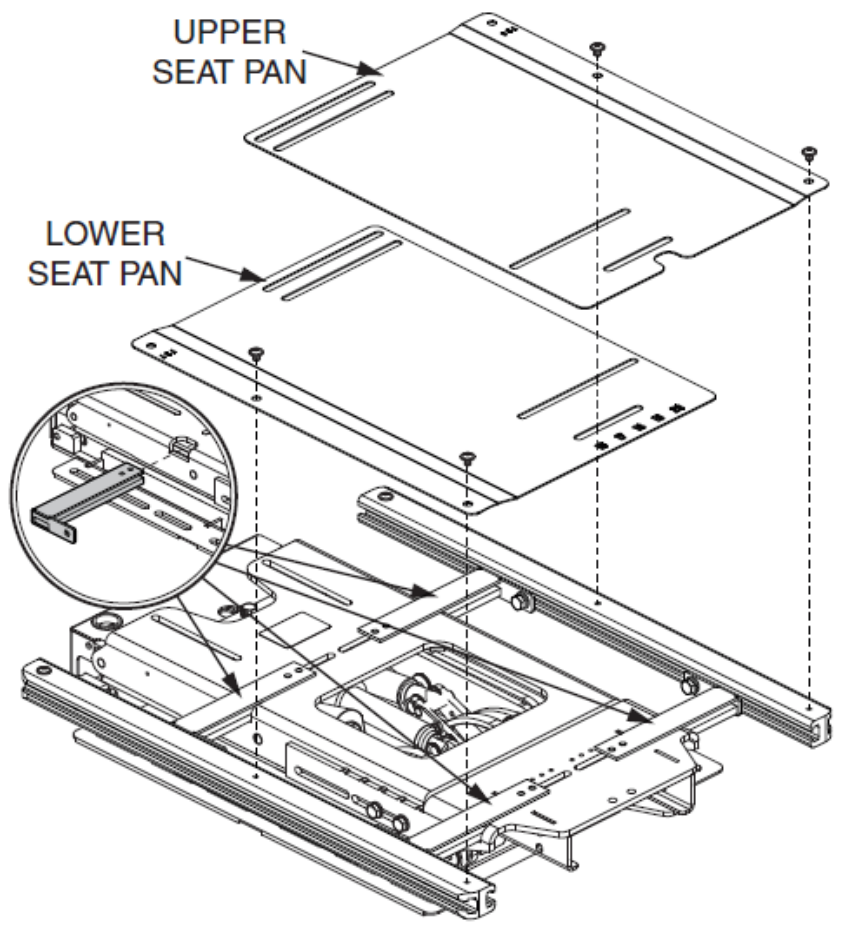
- Put the ball end of the iLevel® cable into the receiver of the suspension enhancer.
- Place the cable retainer over the cable. The fin of the retainer should fit into the slot of the suspension enhancer.

iLevel Retrofit Installation



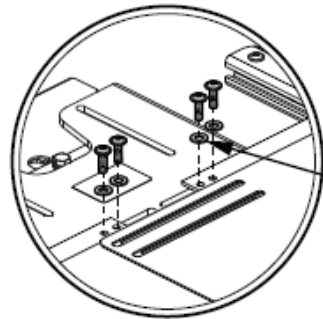
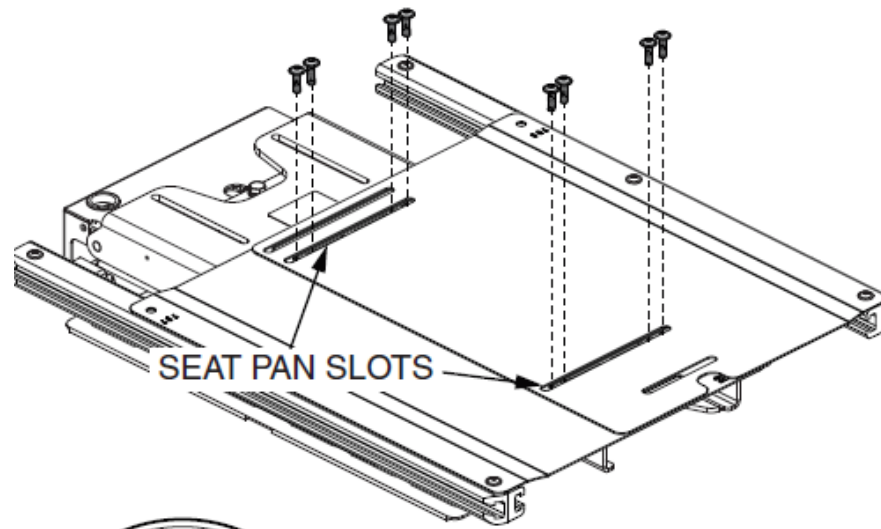
- Loosely fasten the side rails to the width adjustment bars.
- Attach the depth adjustment weldment if not already attached.

iLevel Retrofit Installation



- Align the width adjustment bars with the lift frame and depth adjustment bar weldment.
- Loosely fasten the seat pans to the side rails.

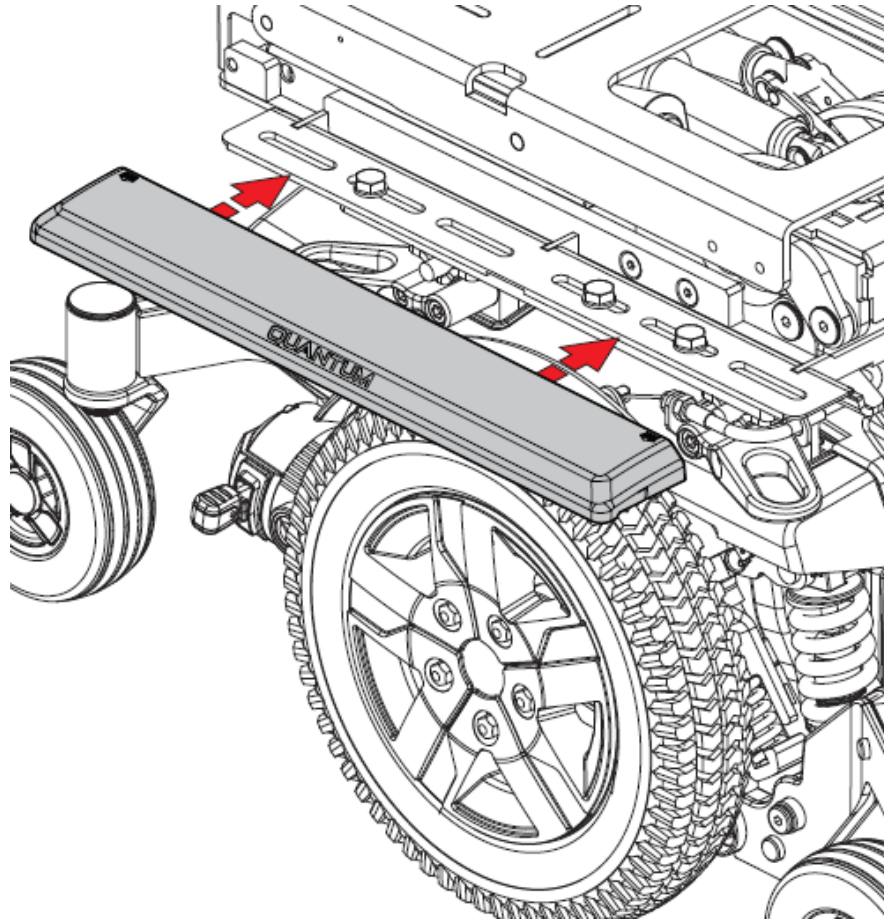
iLevel Retrofit Installation



WASHER FOR
OTHER DEPTHS

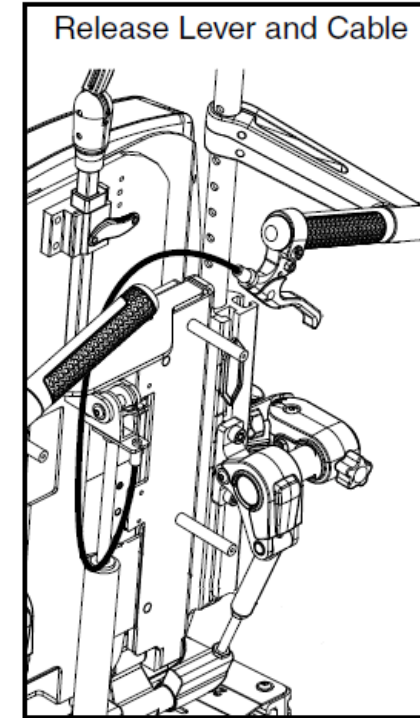
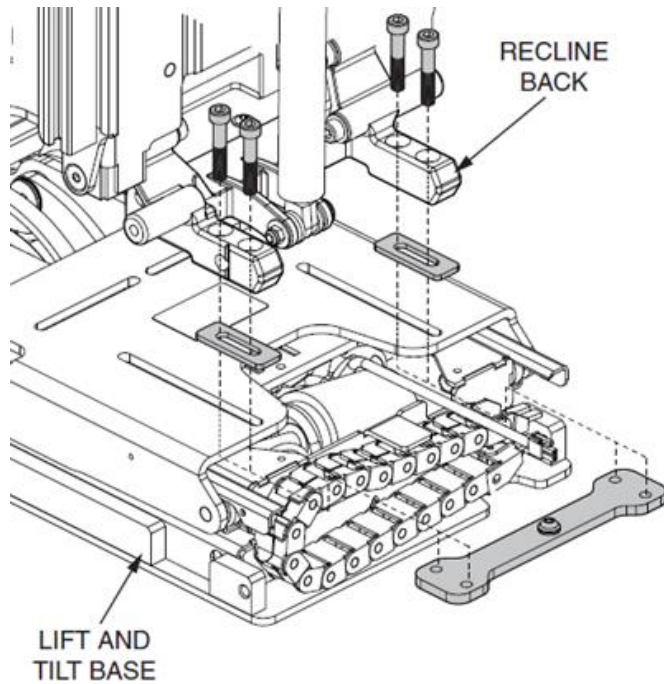
- Line up the slots and loosely fasten the screws through the seat pans into adjustment bars.
- The seat pans may not line up with the rear adjustment bars slots with certain depths.
- Use a washer with the screw if this occurs.

iLevel Retrofit Installation



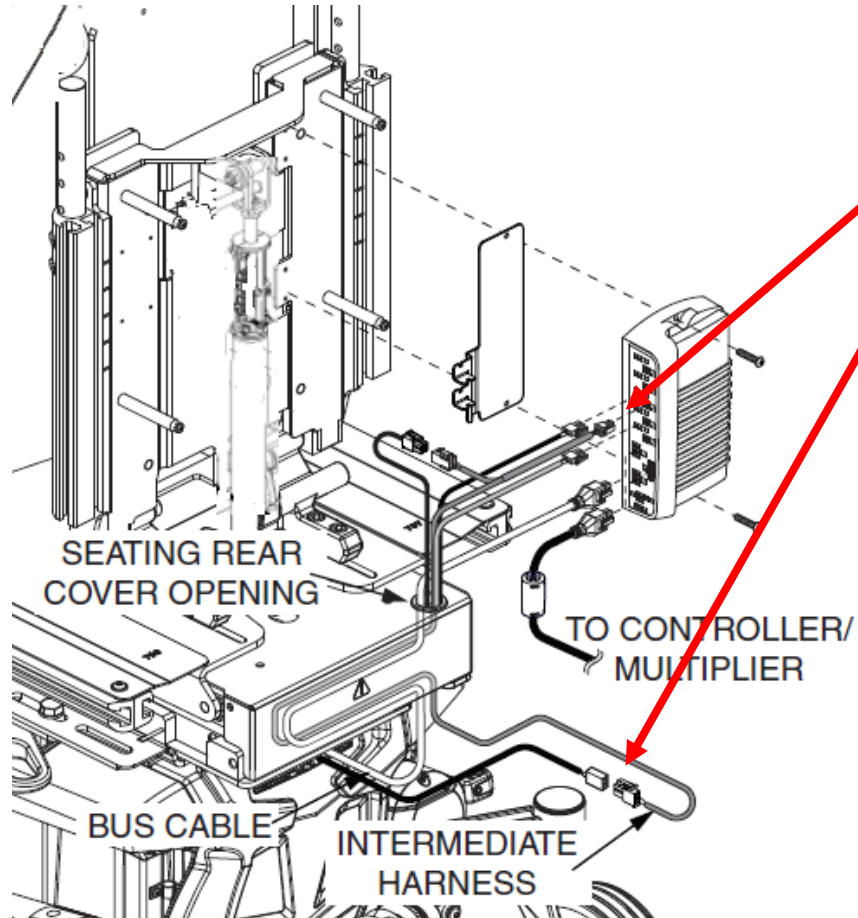
- Make center of gravity adjustments and center the width adjustment bars on the frame.
- Secure all hardware. Place the lift interface covers on the left and right sides of the lift base.

iLevel Retrofit Installation



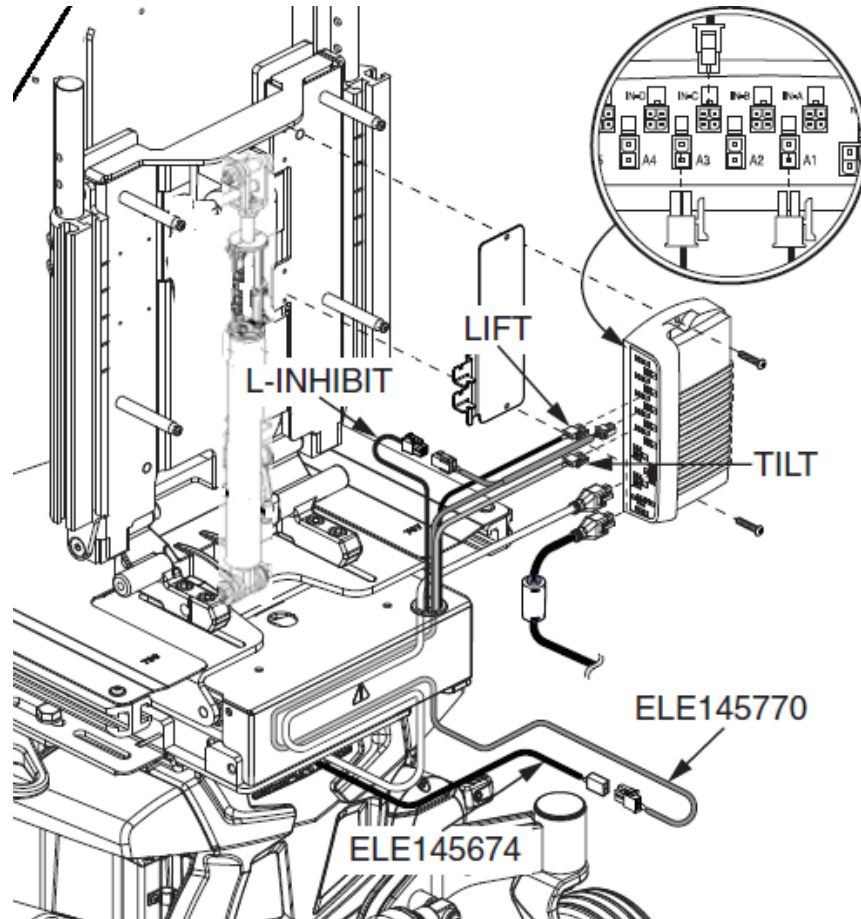
Reassemble the manual recline back hardware onto the new iLevel seating system.

iLevel Retrofit Installation



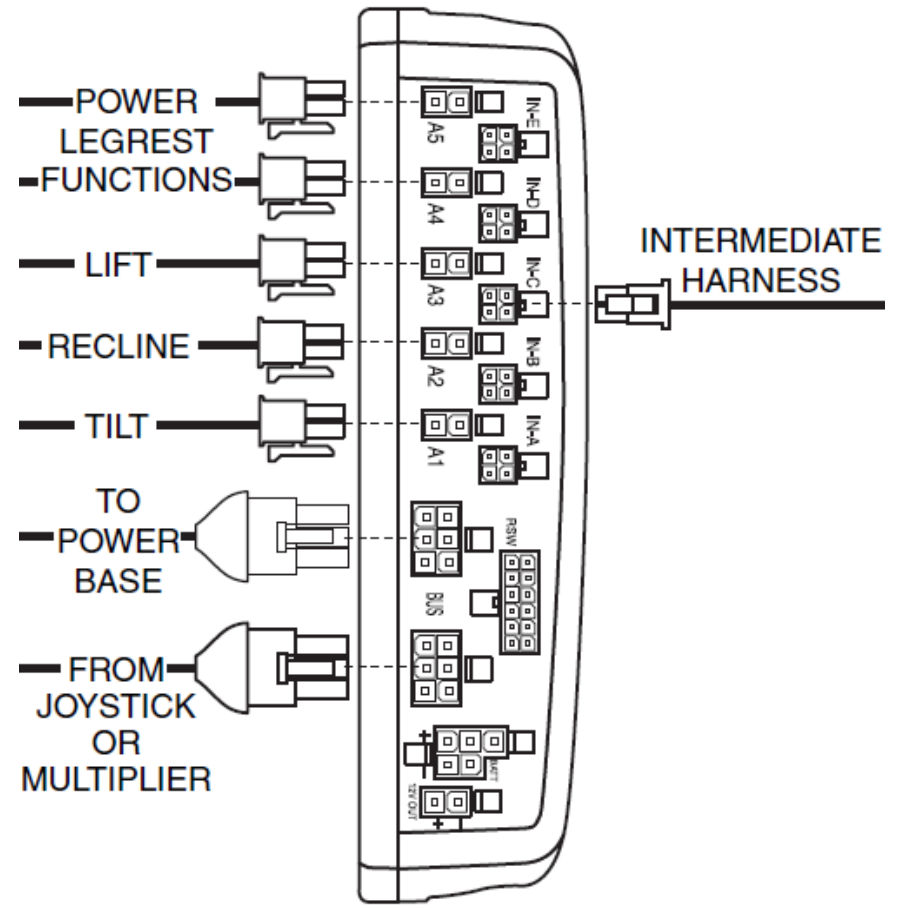
- Route the 2-pin connector of the iLevel intermediate harness, ELE145770, and the bus cable through the cable track and through seating rear cover openings.
- Elevating the seat gives easier access to the cable track. Connect the bus cable to the AAM.

iLevel Retrofit Installation



- Connect the iLevel® base harness, ELE145674, into intermediate harness, ELE145770.
- Connect the intermediate harness into the IN-C port on the AAM.
- Connect the lift harness, labeled L-Inhibit, into ELE145770.

iLevel Retrofit Installation

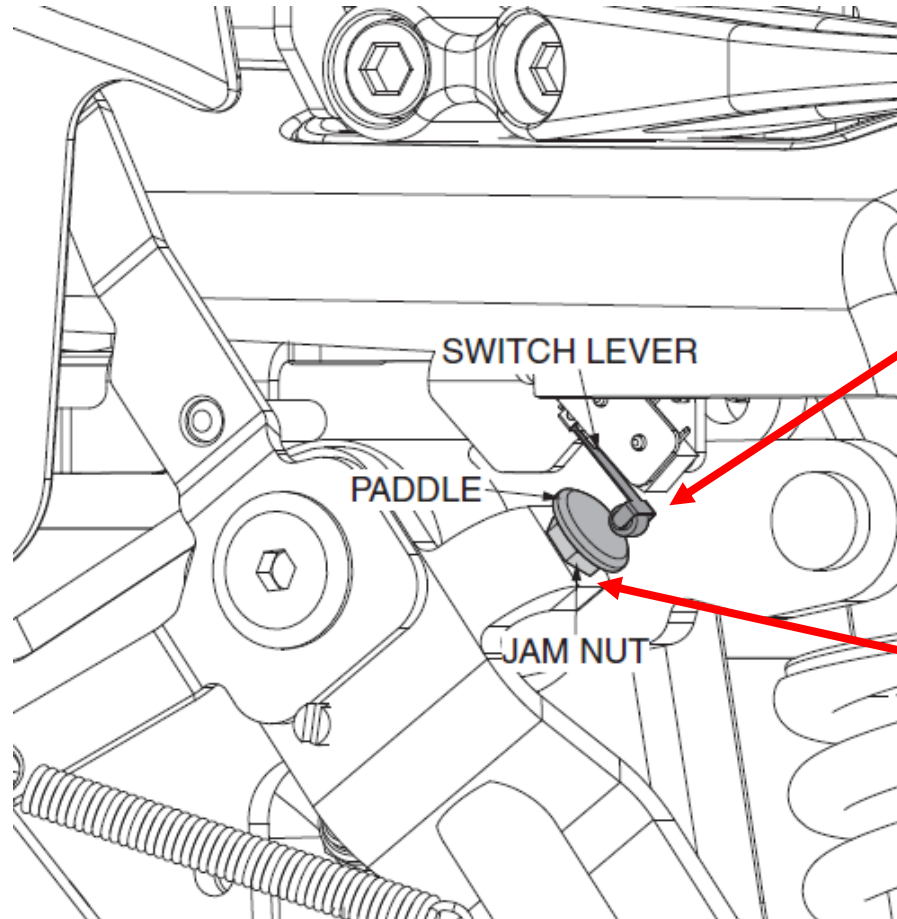


- The AAM is shown with possible harnesses for reference.
- Ensure all wires are free from pinch points.

iLevel Retrofit Installation

- Reassemble all components and ensure all connections and hardware are secure
- Verify all harnesses are reconnected.

iLevel Retrofit Installation



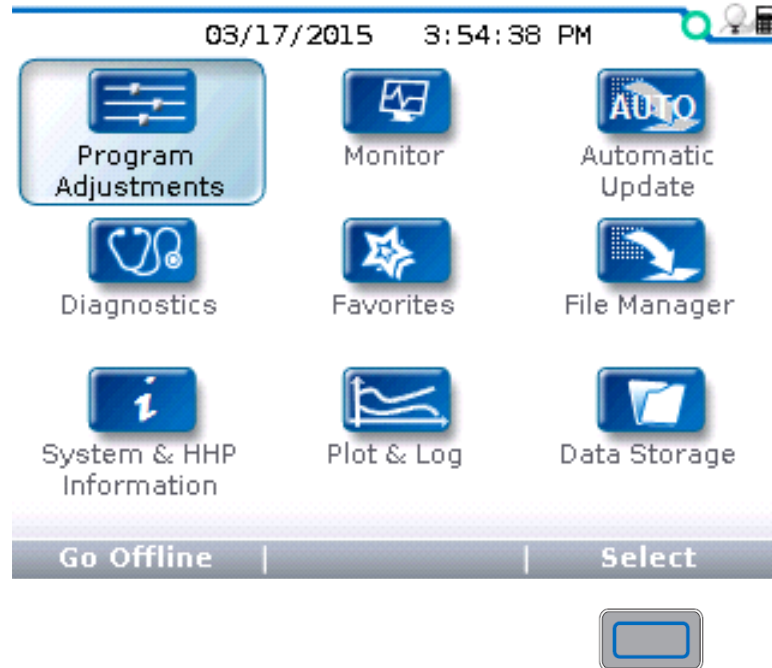
Verify that the switch makes full contact with suspension enhanced paddle when the seat is elevated.

If adjustment is needed, loosen the jam nut and adjust the paddle then retighten the jam nut.

For Q Logic 2 Programming

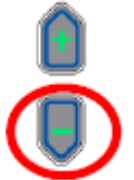
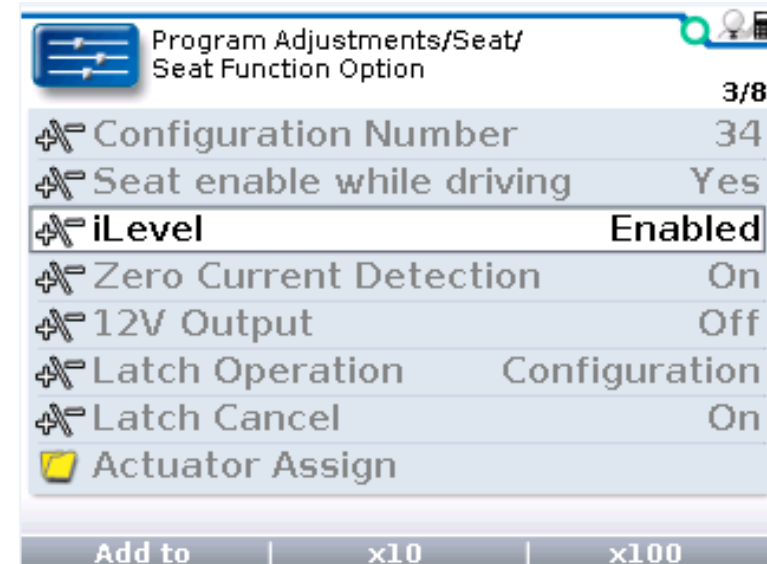
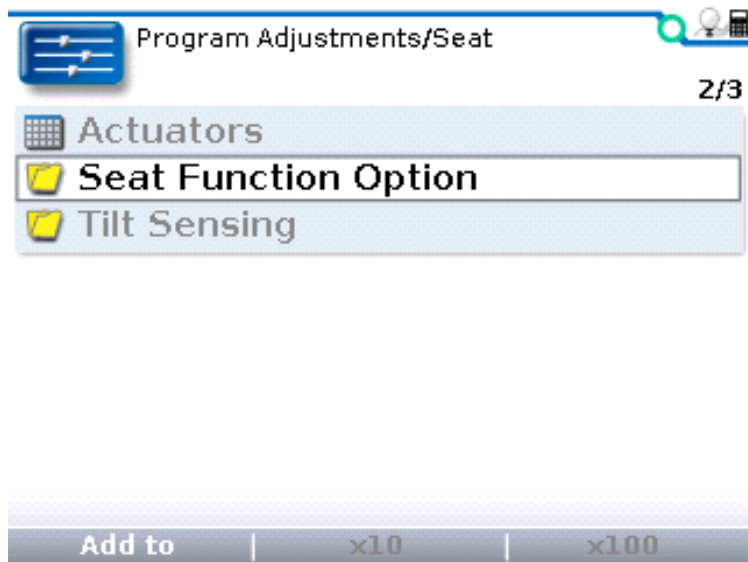
iLevel Programming

iLevel must be enabled in Programming



iLevel Programming

iLevel must be enabled in programming.



iLevel Programming

The following iLevel Firmware Versions(or higher) must be installed.

Powerbase -

Version: 3.68

Hand Control(Q-Logic 2 Only) -

Version 4.60

Advance Actuator Module(AAM) –

Version: 3.20

Enhance Display(Q-Logic 2 Only) -

Version: 1.09

Handheld Programmer –

Version:

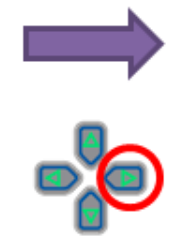
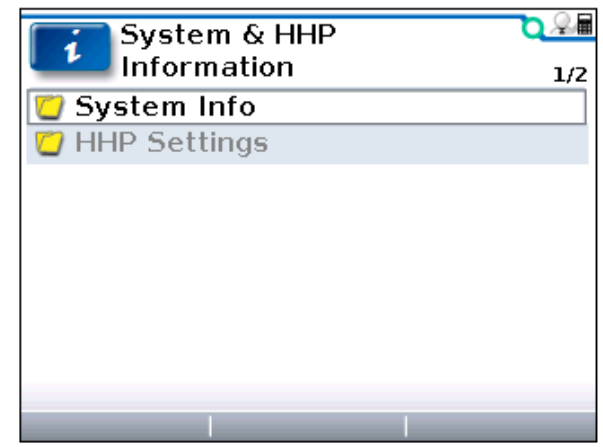
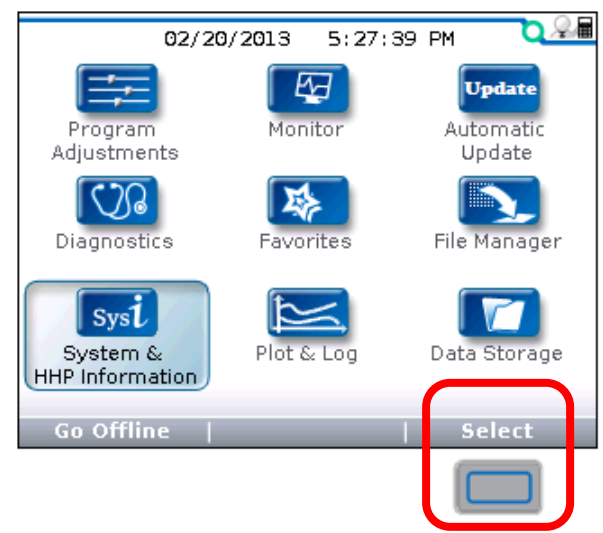
01.15.03.00

PC Programming Station -

Version: 6.10

Check firmware levels with HHP.

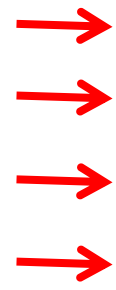
Verify needed firmware versions are installed.



A screenshot of the 'System Info' screen showing the following data:

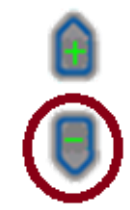
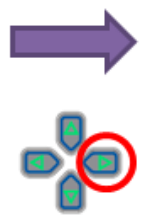
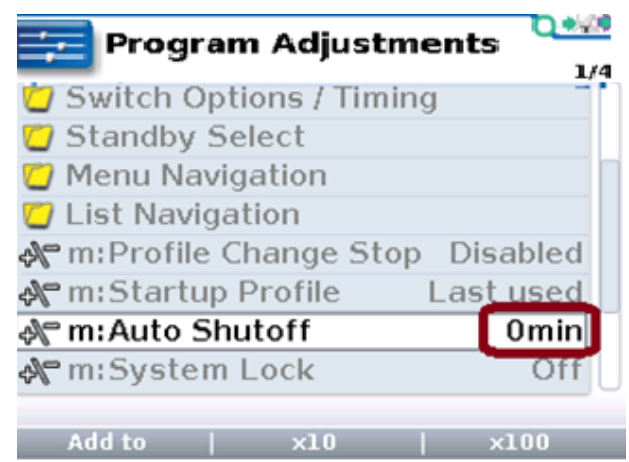
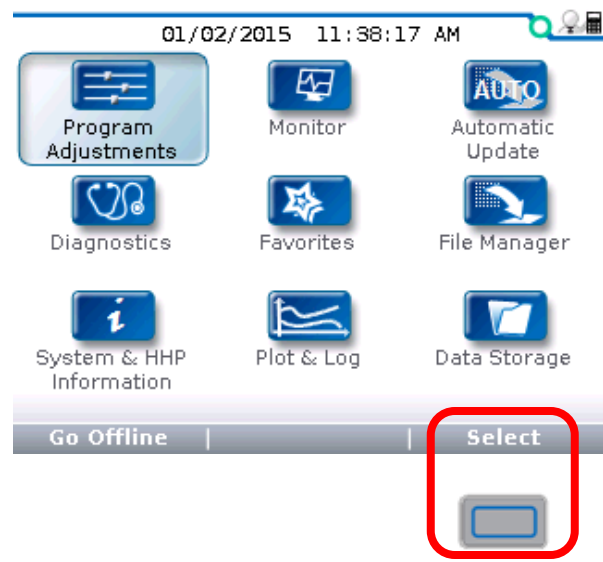
Component	SW Version	HW Version
Powerbase	V03.64	V05.12
Handcontrol	V04.60	V01.11
Advance Actuator Module	V03.17	V01.11
Specialty Control Inpu..	V01.00	V01.10

Under 3.20, update is needed.

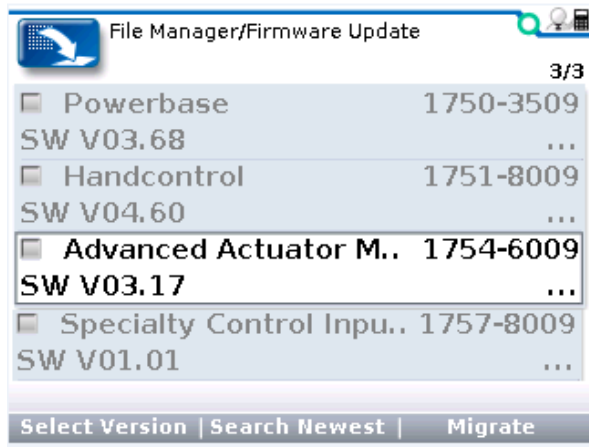
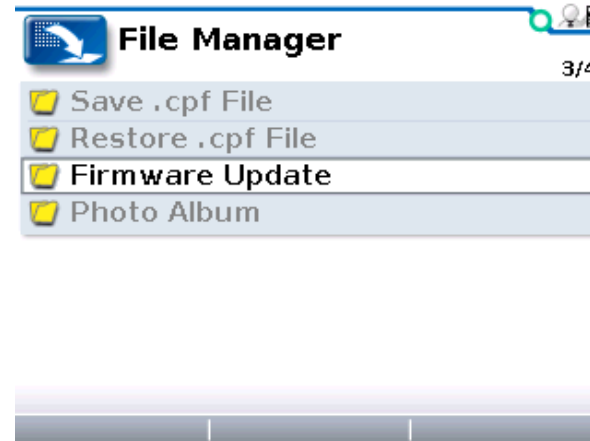
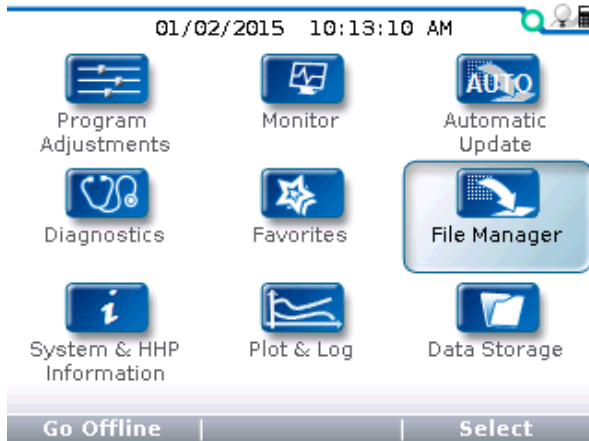


Manually Updating Modules

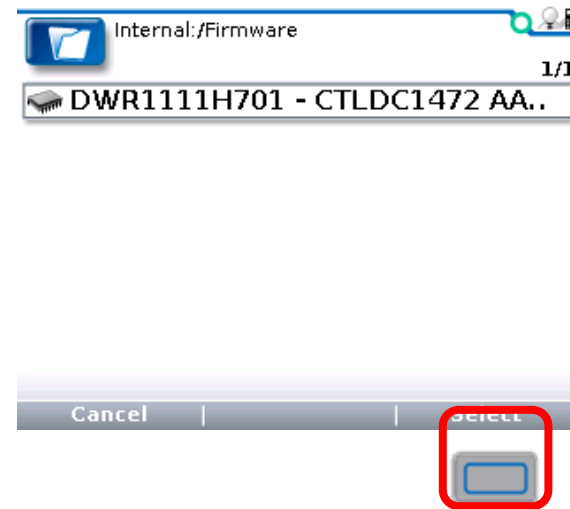
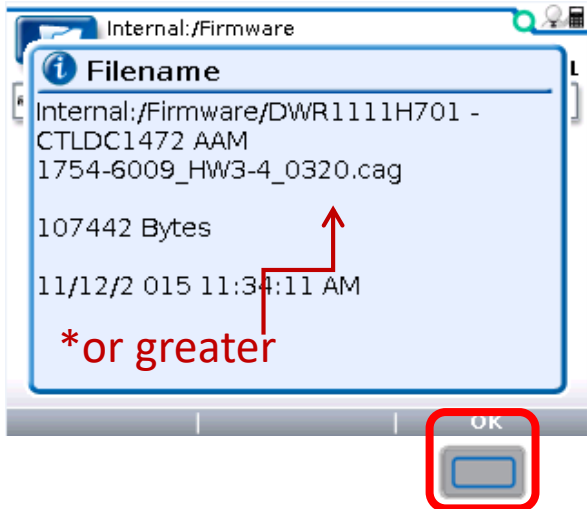
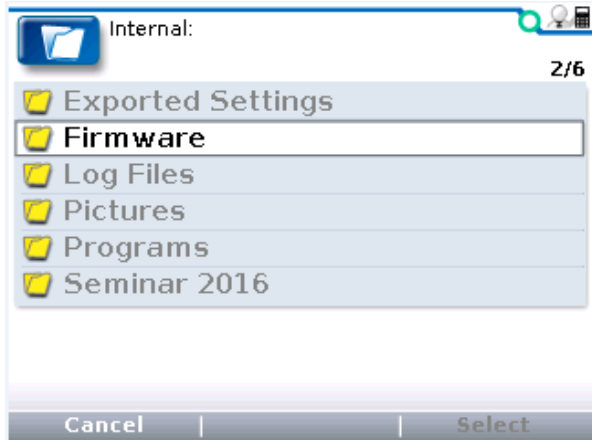
First Verify Auto Shutoff has been turned off!



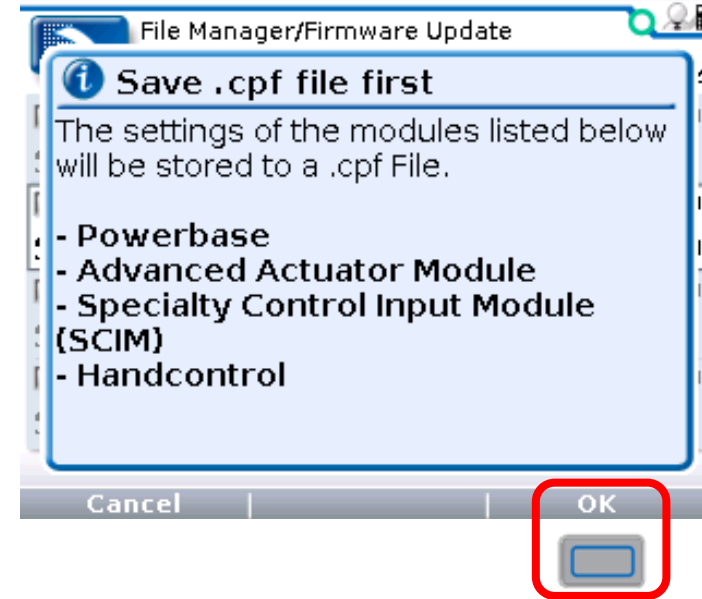
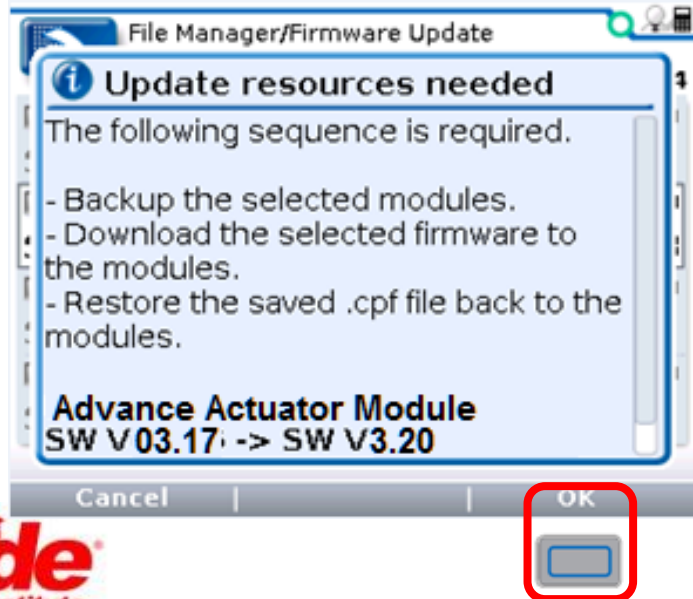
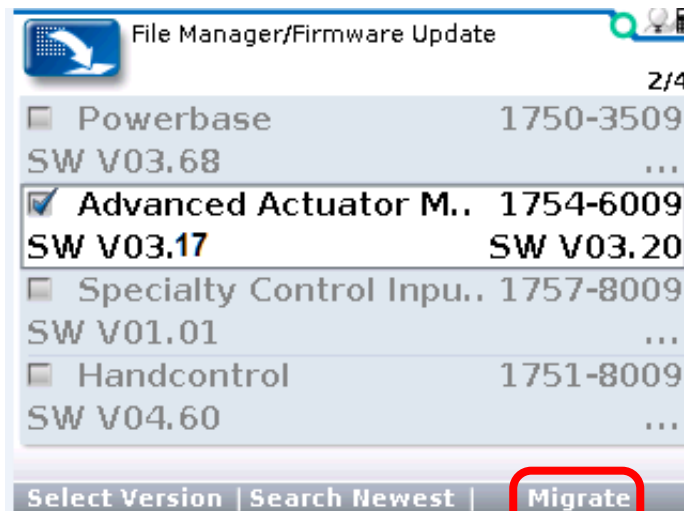
Manually Updating Modules



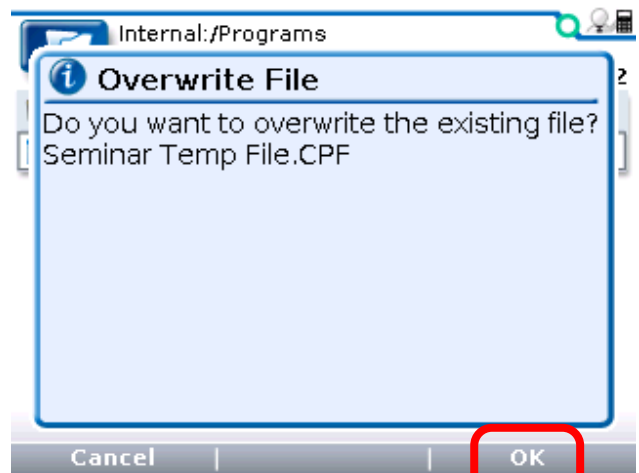
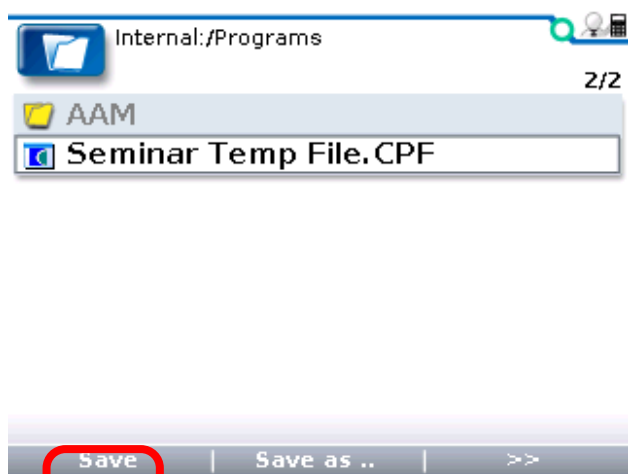
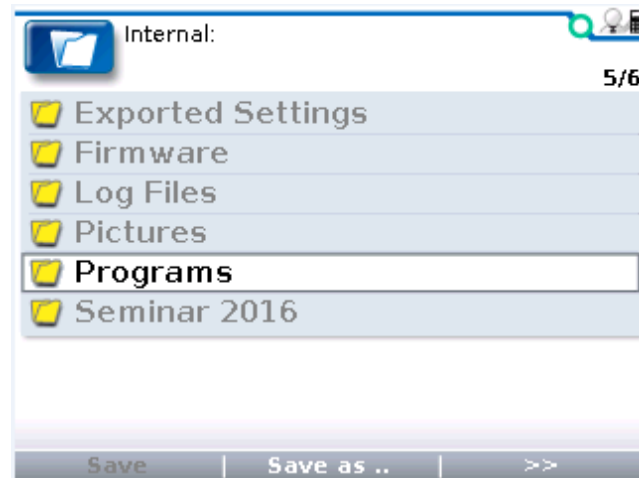
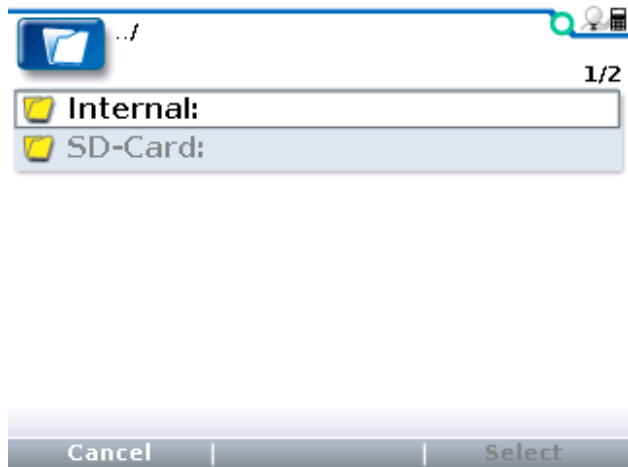
Manually Updating Modules



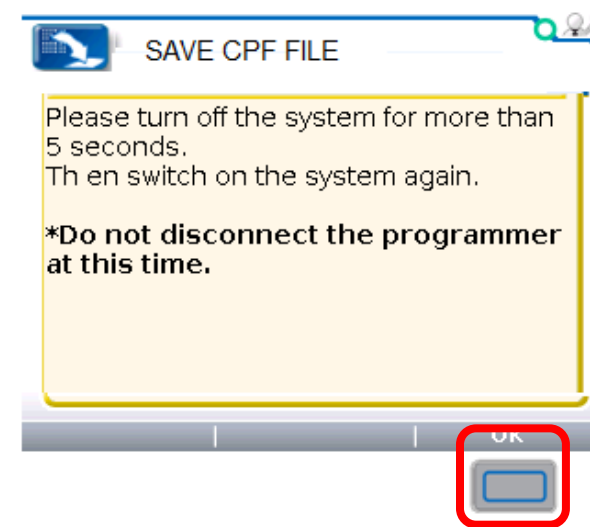
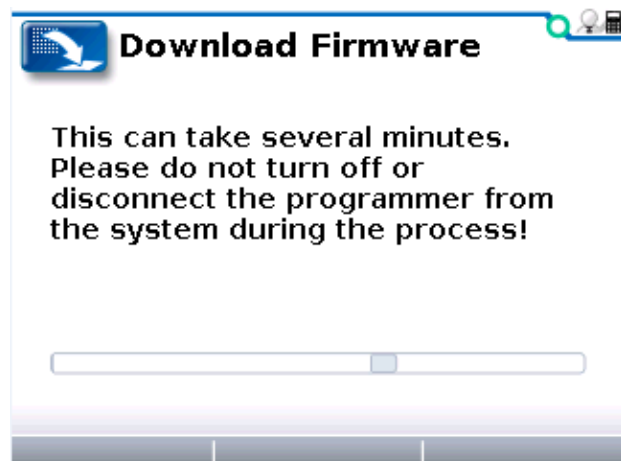
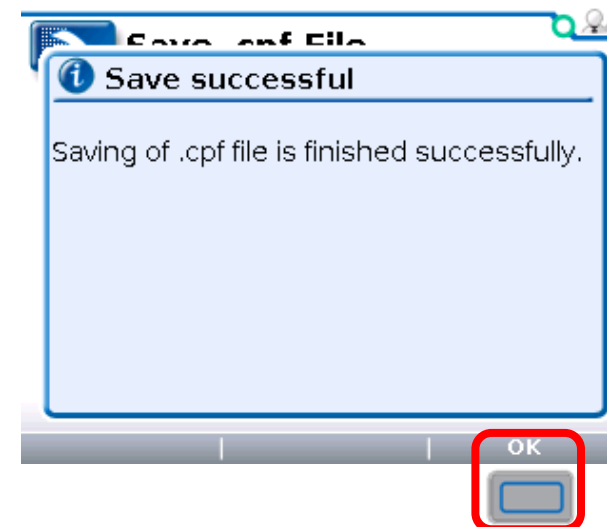
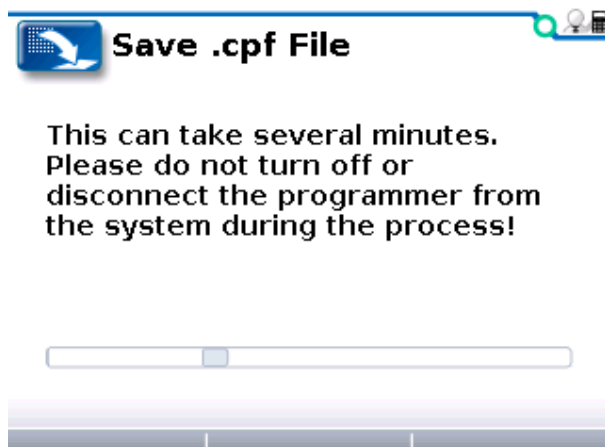
Manually Updating Modules



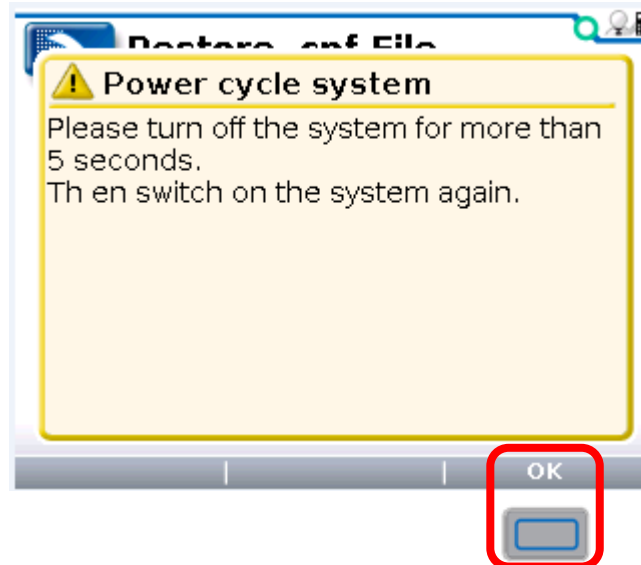
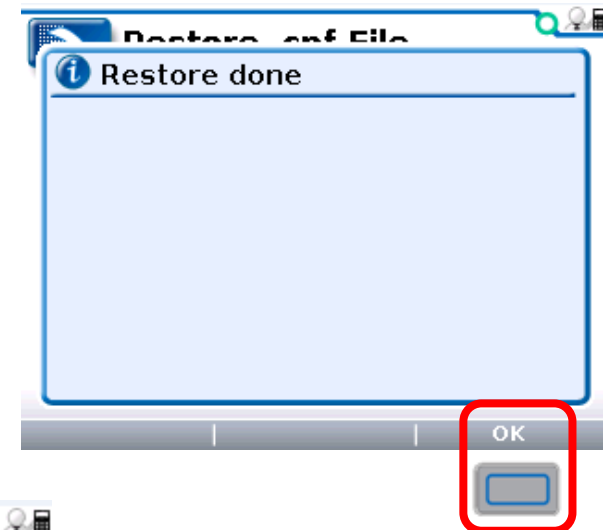
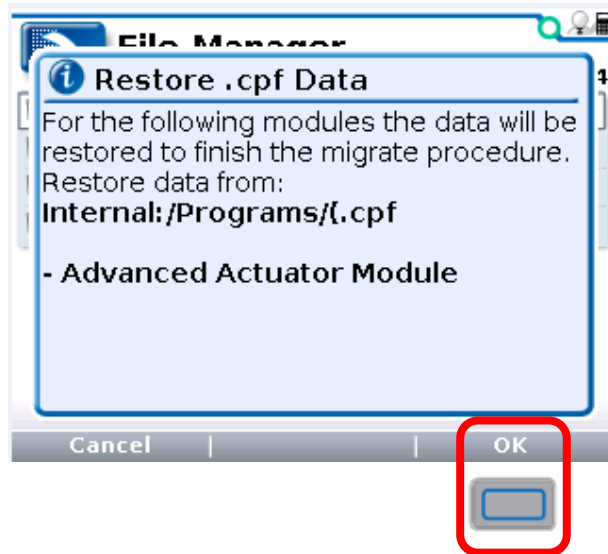
Manually Updating Modules



Manually Updating Modules

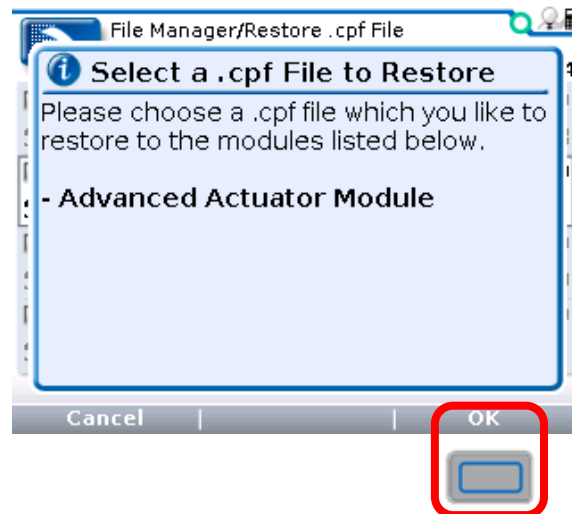
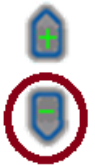
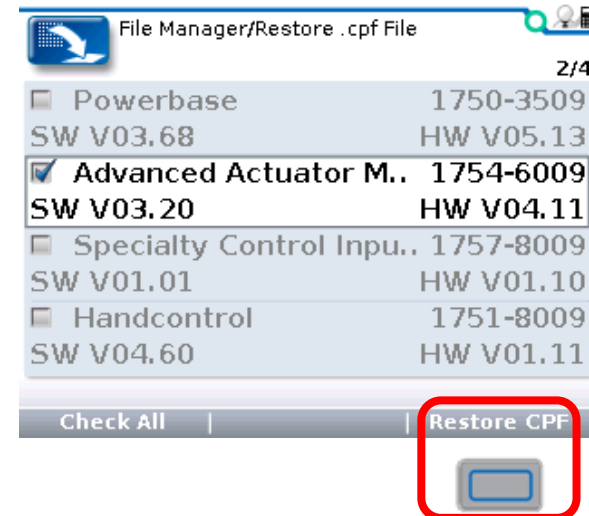
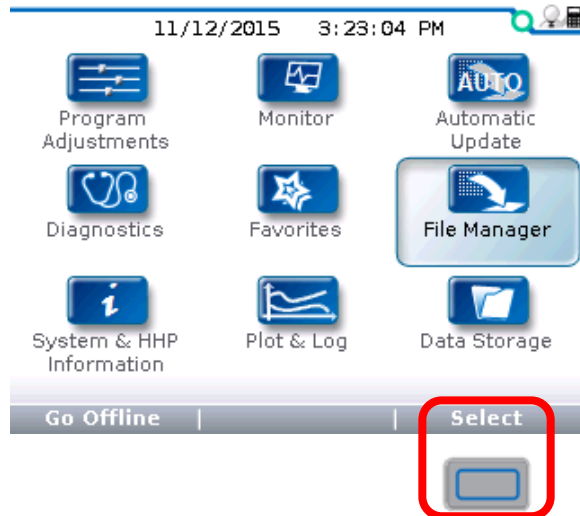


Manually Updating Modules

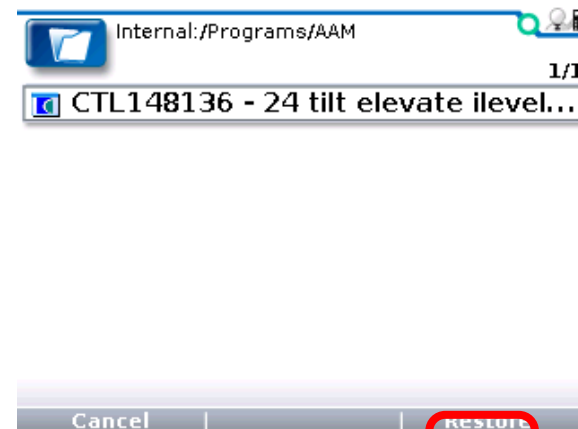
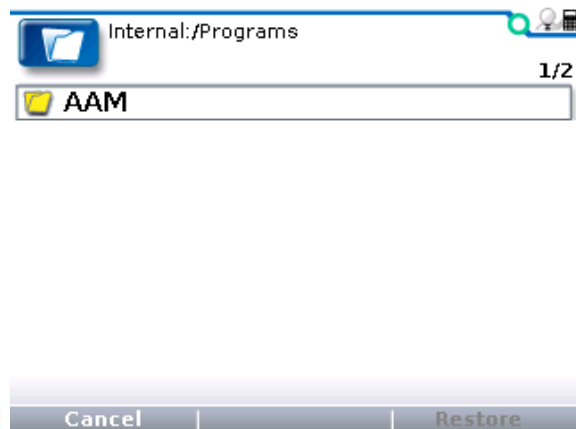
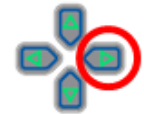
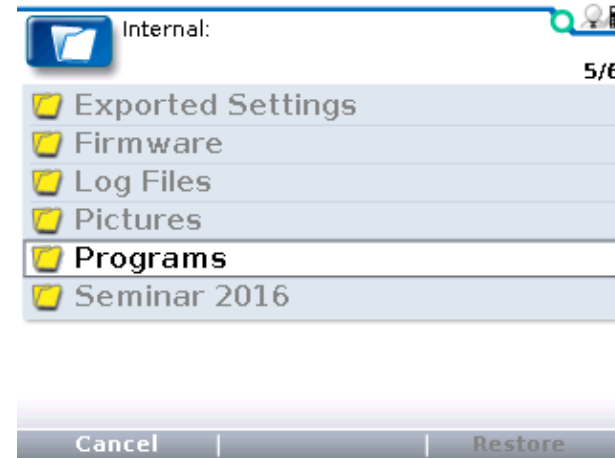
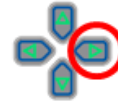
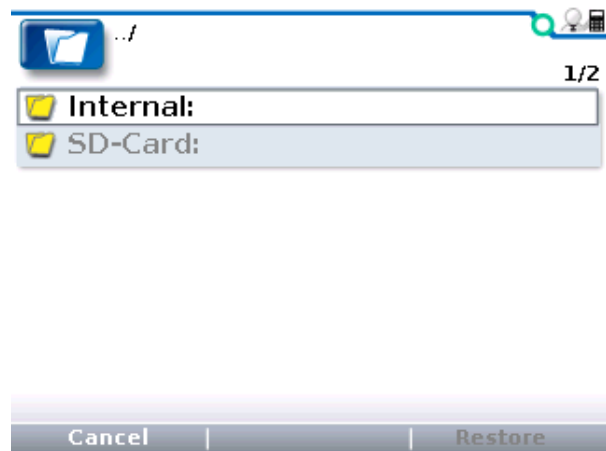


Manually Updating Modules

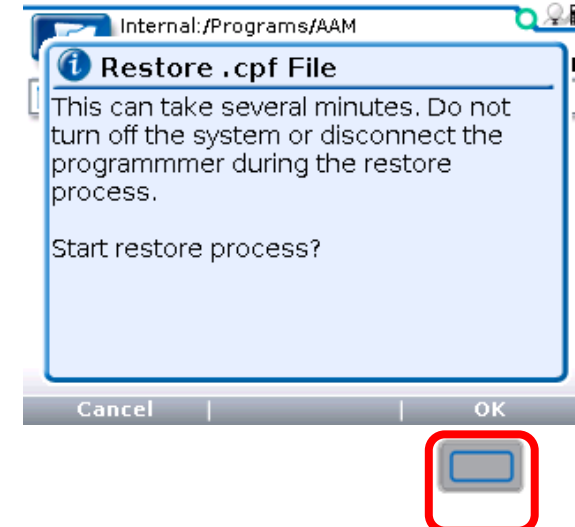
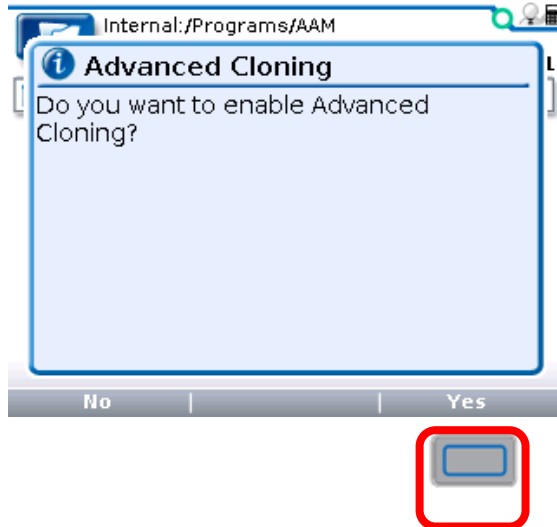
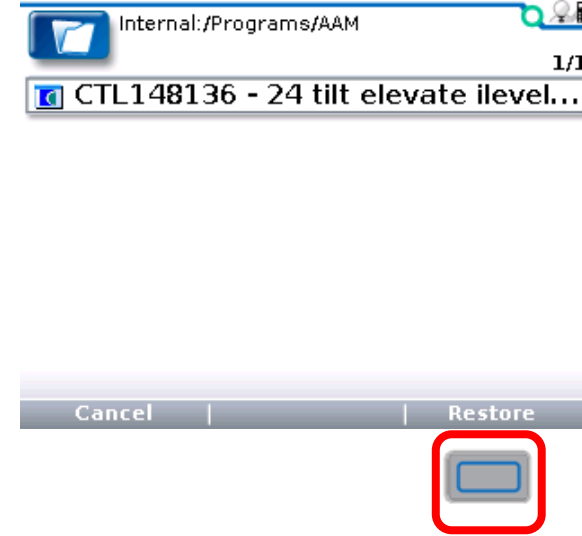
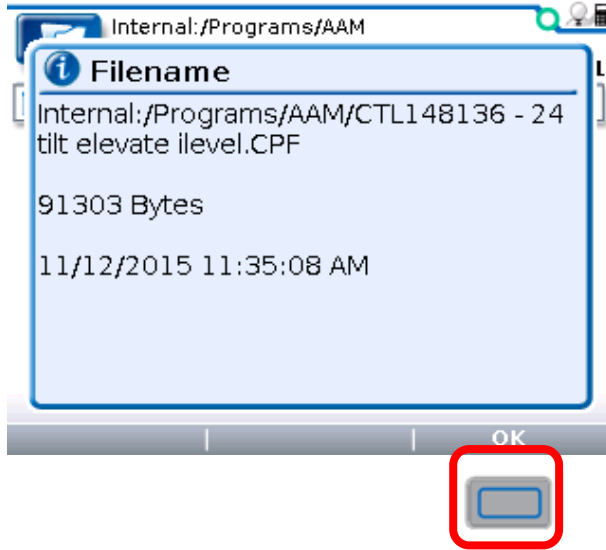
iLevel Program(CPF) File must be installed in the AAM



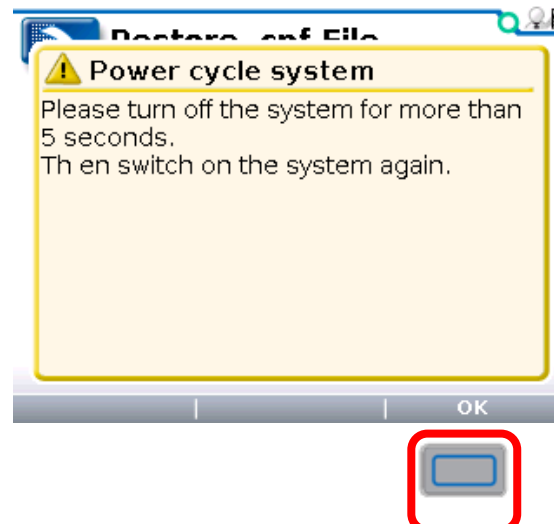
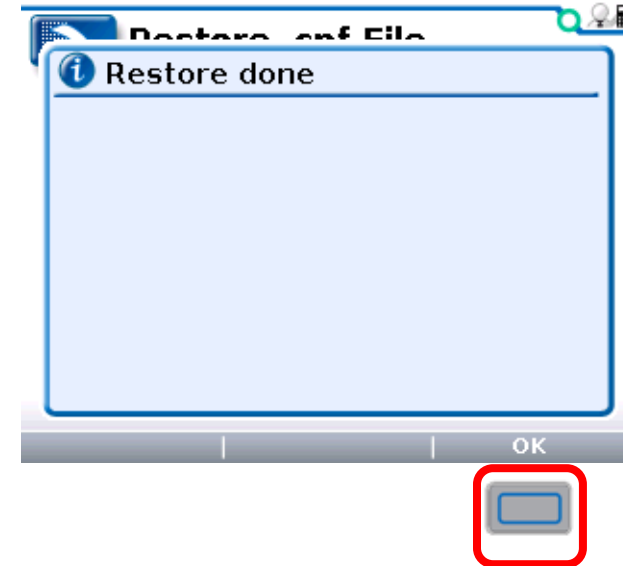
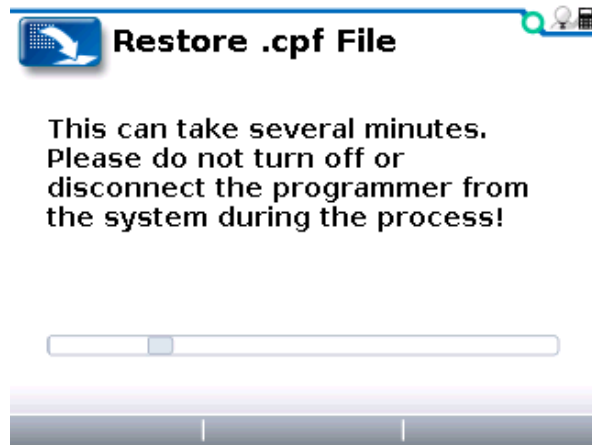
Manually Updating Modules



Manually Updating Modules

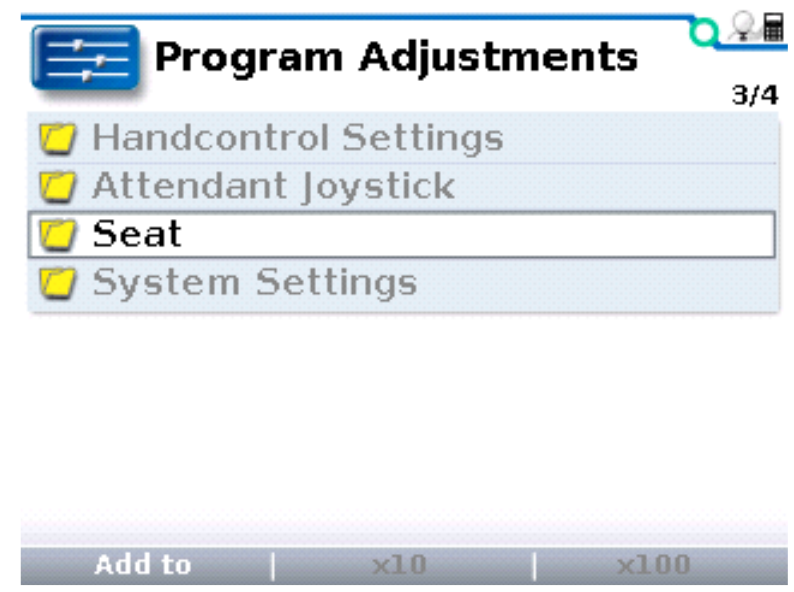
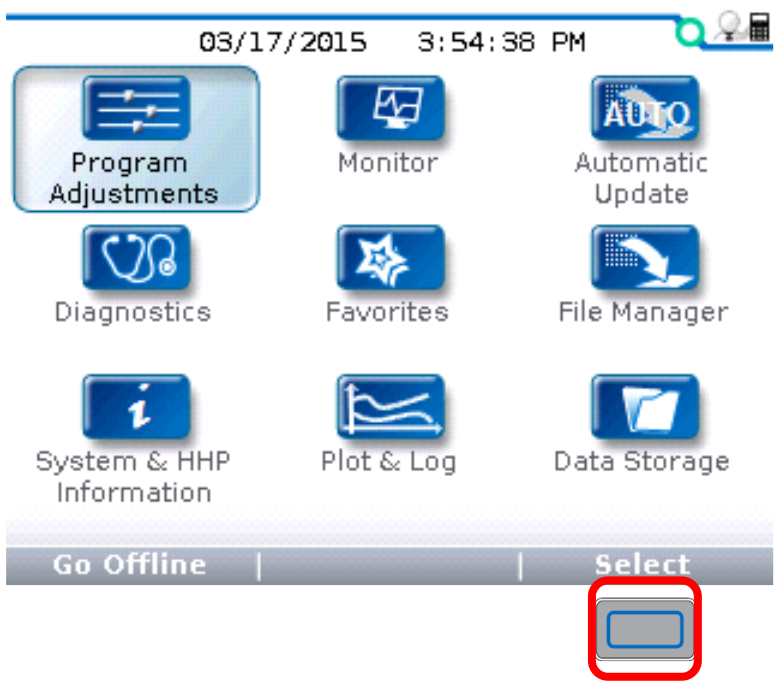


Manually Updating Modules

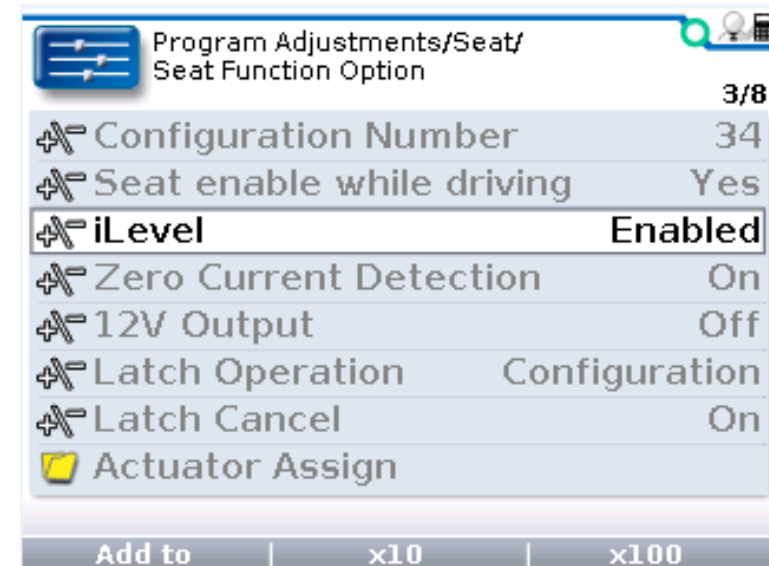
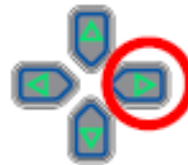
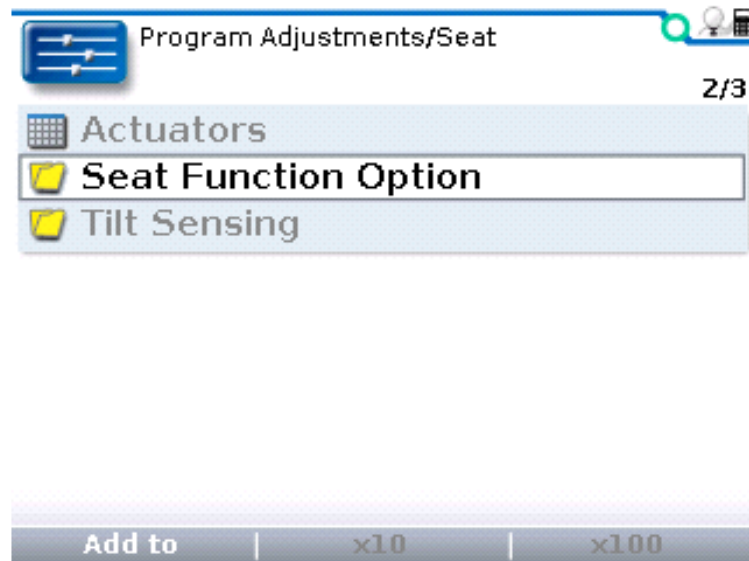


iLevel Programming

Now lets enabled iLevel.



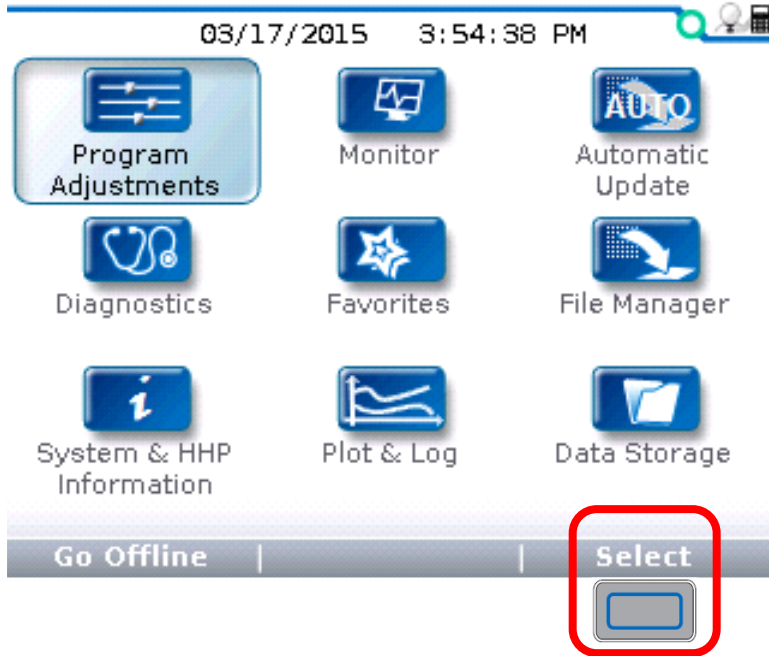
iLevel Programming



For Q Logic 3 Programming

For Q Logic 3 Programming

iLevel must be enabled in Programming



For Q Logic 3 Programming

Program Adjustments/Seat 5/7

- Reset Hourmeter
- Tilt Threshold Head Control
- Seat Navigation
- Seat Head Left / Right Swap
- iLevel**
- Latch Cancel
- Seat Enable While Driving

Add to | x10 | x100



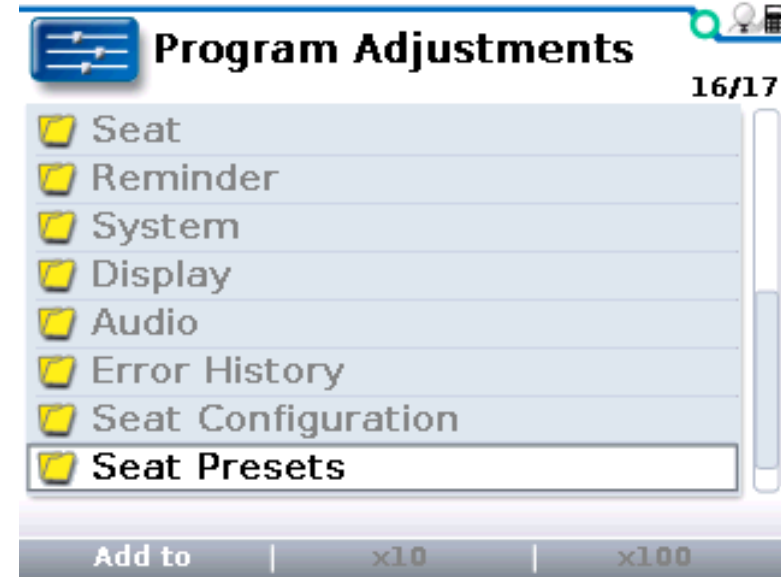
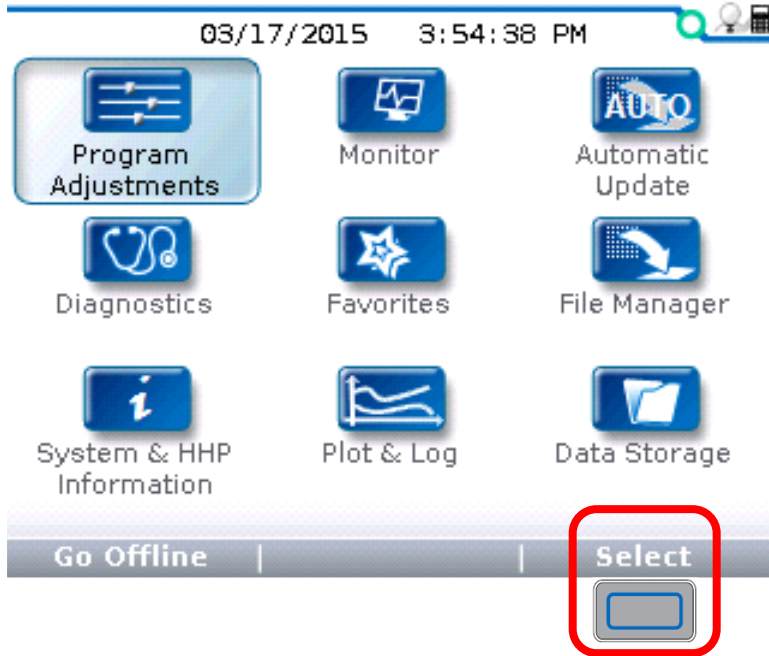
Program Adjustments/Seat/iLevel 1/1

iLevel Enabled

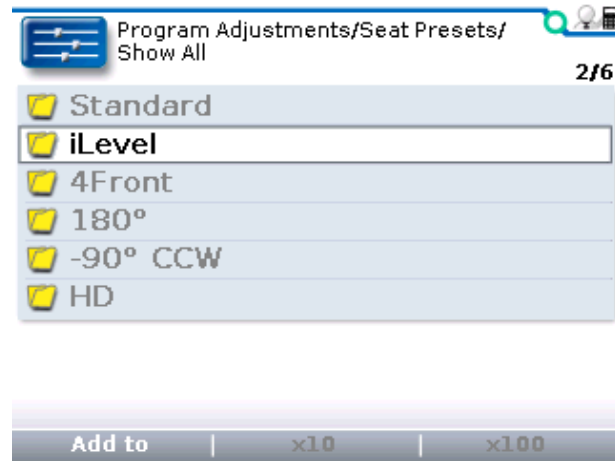
Add to | x10 | x100

For Q Logic 3 Programming

The correct configuration number has to be selected for iLeve.



For Q Logic 3 Programming





QUANTUM®

#1 FOR REHAB POWER

Thank you for your time

Quantum Rehab
Clinical Education Department
education@pridemobility.com