

# **TB2 Seating Systems**

Tilt, Recline, Tilt & Recline, Lift and Tilt

This Illustrated Parts Breakdown (IPB) Catalog has been compiled from the latest product information available at the time of publication. Quantum Rehab<sup>®</sup> / Pride Mobility Products<sup>®</sup> Corporation reserves the right to make changes and updates to this manual and to the product(s) it represents. Any changes, updates, or improvements to the product(s) may result in slight differences between this manual and the product that has been purchased.

An IPB is a graphically portrayed parts listing of product components which have been deemed to have serviceable, maintenance significance. When applicable, IPBs utilize “exploded” illustrations that detail serviceable components and a corresponding itemized parts list of reference numbers, part numbers, descriptions, quantities, and any applicable pricing. Most product components are incorporated into assemblies and may not be available for replacement.

Serviceable components will be noted by a callout in the illustration that will correspond to a alphanumeric reference number in the parts list. Items may also be listed in the parts list by parent assemblies. In most cases when a parent assembly is listed, there will be child parts or sub-assemblies listed under that parent.

For example: The parent assembly reference number is A1 — A5. That part contains all of the items listed as and contained within A1, A2, A3, A4, & A5. As long as these subcomponents have a callout associated with them, they can be selected for replacement or quote.

Updates to the contents of an IPB will be made on a regular basis based upon applicable product changes and enhancements. This PDF catalog has been export from the Provider based service site. The most up to date parts look up tool and ordering application is located at: [prideprovider.com](http://prideprovider.com). Please utilize this system to enhance your user experience. It is built with highly interactive materials that are set with relational properties that will facilitate easier part look-up, more accurate parts selection, notification of onhand part availability, and quick links to related documents and products.

We welcome all questions and comments regarding the Quantum Rehab<sup>®</sup> / Pride Mobility Products<sup>®</sup> Corporation IPB systems.

Any pricing that is included in Quantum Rehab<sup>®</sup> /Pride Mobility Products<sup>®</sup> Corporation IPBs is subject to change without prior notice.

Thank you for choosing products from Quantum Rehab<sup>®</sup> and Pride Mobility Products<sup>®</sup> Corporation.



# 1. Tilt

## 1.1. Tilt Base, Interface, and Seat Towers

### Tilt Base and Actuator

#### Q6 Edge Specific, Version 2 Tilt

Tilt Base w/ Actuator Complete, Version 2, Q6 Edge Specific, TB2	1
--	---

#### All Models Except Q6 Edge, Version 2 Tilt

Tilt Base w/ Actuator Complete, Version 2, All Models Except Q6 Edge, TB2	3
---	---

#### Serviceable Components, Version 2 Tilt

Tilt Frame and Actuator, Version 2, TB2 Tilt	5
Slider Interface Seat Base, 14"-20"W, TB2 Tilt	7
Slider Interface Seat Base, 20"-24"W, TB2 Tilt	9

#### Version 1

Tilt Frame and Actuator, Version 1, TB2 Tilt	11
Seat Base, 14"-20"W, TB2 Tilt	13
Seat Base, 20"-24"W, TB2 Tilt	15
Seat Base, 5" Centers, 14"-18"W, TB2 Tilt	17

### Interfaces

Spanner Width Reference	19
Interface Weldment, 5.039" Centers, TB2 Tilt	20
Rail Interface, 12.795" Centers, TB2 Tilt	23
Rail Interface, 14" Centers (Q6 Edge), TB2 Tilt	25
Rail Interface, 14.322" Centers (R4000), TB2 Tilt	27
Rail Interface, 16.125" Centers, TB2 Tilt	29
Interface Weldment, 1113ATS/1121/Superlow, TB2 Tilt	31

### Seat Towers

Fixed Seat Towers, 6000Z, TB2	33
Fixed Seat Towers, Non Specific Power Base, TB2	35
Fixed Seat Towers, TB2 Super Low Tilt	37
Angle Adj Towers, Non Specific Power Base, TB2 Tilt	39
Angle Adj Towers, Quantum 614, TB2 Tilt	41
Seat Tower Assembly - Angle Adjustable, R4000 / R4400	43

## 1.2. Tilt Base and Interface for Power Seat

Seat Base, 14"-20" W, TB2 Tilt w/ Elevating Seat	45
Seat Base, 20"-24" W, TB2 Tilt w/ Elevating Seat	47
Seat Interface for 14" Centers, TB2 Tilt w/ Elevating Seat, Q6 Edge	49
Seat Interface for 14.322" Centers, TB2 Tilt w/ Elevating Seat	51
Seat Interface, 16.125" Centers, TB2 Tilt w/ Elevating Seat	53
Seat Interface, Q6000, TB2 Tilt w/ Elevating Seat	55

## 1.3. Seat Pans and Side Rails

Side Rails - 14"-18"D, TB2	57
Side Rails - 15"-20"D, TB2	59
Side Rails - 20"-24"D, TB2	61
Seat Pans, TB2	63

## 1.4. Back Pan and Cushion Assy's

### Synergy Standard Back

Standard Back - 14" Width, TB2	65
Standard Back - 15" Width, TB2	67

Standard Back - 16" Width, TB2	69
Standard Back - 17" Width, TB2	71
Standard Back - 18" Width, TB2	73
Standard Back - 19" Width, TB2	75
Standard Back - 20" Width, TB2	77
Standard Back - 21" Width, TB2	79
Standard Back - 22" Width, TB2	81
Standard Back - 23" Width, TB2	83
Standard Back - 24" Width, TB2	85
Synergy Standard Back Lateral Extensions, TB2	87

**Solid Back Plate and Cushion Assy's (Discontinued)**

Solid Back Plate and Cushion 14" Width	89
Solid Back Plate and Cushion 15" Width	91
Solid Back Plate and Cushion 16" Width	92
Solid Back Plate and Cushion 17" Width	95
Solid Back Plate and Cushion 18" Width	96
Solid Back Plate and Cushion 19" Width	99
Solid Back Plate and Cushion 20" Width	100
Solid Back Plate and Cushion 21" Width	103
Solid Back Plate and Cushion 22" Width	105

**A.R.T. Group Solid Curved Back Assy's (Discontinued)**

Solid Curved Back - 14"-16" Width	107
Solid Curved Back - 17"-19" Width	109
Solid Curved Back - 20"-22" Width	111

**1.5. Back Cane Assy's**

**Back Canes**

Back Cane Assembly w/ Short Push Handle, 14"-25" Height, Version 1	113
Back Cane Extrusion - Straight, 14"-25" Height, Version 2	115
Back Cane Extrusion - Short Push Handles, 14"-25" Height, Version 2	117
Back Canes - 22" Flip Down	119

**Back Cane Brackets**

Back Cane Angle Adjustable Bracket, Version 2	121
Back Cane Flip Forward Bracket, Version 2	123
Mesomorph Back Cane Bracket - 1" Out, Version 2	125
Mesomorph Back Cane Bracket - 2" Out, Version 2	127
Endomorph Back Cane Bracket - 1" In, Version 2	129
Endomorph Back Cane Bracket - 2" In, Version 2	131

**1.6. Push Bar and Rigidizing Bar Assy's**

Push Bar - 14"-20"W, 20"-24"W, Clamp On	133
Push Bar - Mounted in Cane T-Slot, 14"-20" W	135
Push Bar - HD 20"W-24"W	137
Push Bar - Solid Back Plate, 14"-24" W	139
Rigidizing Bar, 14"-24" Width	141

**1.7. Headrest Assy's**

Stealth Standard Headrest Assembly, TB2	143
TRU-Comfort Headrest Assembly - 8", TB2	145
TRU-Comfort Headrest Assy - 10", TB2	147

**1.8. Manual Recline Assy**

Manual Recline Assembly, TB2	149
------------------------------	-----

**1.9. Lap Belts**

Lap Belts, Adult and Pediatric	151
--------------------------------	-----



## 1.10. Owner's and Decal Packages

TB2 Tilt Owner's Package	153
TB2 Tilt Decal Package	155

## 2. Recline

### 2.1. Stem Mounts and Tower Connectors

Spanner Width Reference	157
Seat Tower Mount Connector, TB2	158
Stem Mount, 5.039" Centers, 2.635"H, 14"-20"W, TB2	161
Stem Mount, 5.039" Centers, 3.375"H, 14"-20"W, TB2	163
Stem Mount, 12.795" Centers, 14"-20"W, TB2	165
Stem Mount, 12.795" Centers, 14"-20" Version 2, TB2	167
Stem Mount, 12.795" Centers, Q600XL 20"-24"W, TB2	169
Stem Mount, 13.625" Centers - 14"-20", TB2	171
Stem Mount, 14" Centers, 14"-24"W, TB2	173
Stem Mount, 14.322" Centers - 14"-20"W, TB2	175
Stem Mount, 16.125" Centers - 14"-20"W, TB2	177
Stem Mount, 16.125" Centers, 14"-20"W, Version 2, TB2	179

### 2.2. Actuators and Interface for Power Elevating Seat

Power Elevating Seat, 14"-18"W, Quantum 6000, TB2	181
Power Elevating Seat, 18"-24"W, Quantum 6000, TB2	183
Power Elevating Seat - 14" Centers, 14"-18" W, Recline, TB2	185
Power Elevating Seat, 14" Centers, 18"-24"W, Recline, TB2	187
Power Elevating Seat, 14.322" Centers, 14"-18"W, Recline, TB2	189
Power Elevating Seat, 14.322" Centers, 18"-24" W, Recline, TB2	191
Power Elevating Seat, 16.125" Centers, 14"-18"W, Recline, TB2	193
Power Elevating Seat, 16.125" Centers, 18"-24"W, Recline, TB2	195

### 2.3. Side Rail and Seat Pans

Side Rail, 14"D-18"D, Textured, TB2	197
Side Rail, 15"D-20"D, Power/Manual Recline, TB2	199
Side Rail, 20"D-24"D, Power/Manual Recline, TB2	201
Seat Pans, TB2 Recline, TB2	203

### 2.4. Back Canes, Linkage, and Actuator Assy's

#### Standard, Ver 2 - Serial Number Y0104009031060 and Subsequent

##### Curtis

14"-18"W, Curtis, Version 2 - Back Assy, Canes and Pivot, TB2 Recline	205
16"-20"W, Curtis, Version 2 - Back Assy, Canes and Pivot, TB2 Recline	207
20"-24"W, Curtis, Version 2 - Back Assy, Canes and Pivot, TB2 Recline	209

##### Remote Plus

14"-18"W, Remote Plus, Version 2 - Back Assy, Canes and Pivot, TB2 Recline	211
16"-20"W, Remote Plus, Version 2 - Back Assy, Canes and Pivot, TB2 Recline	213
20"-24"W, Remote Plus, Version 2 - Back Assy, Canes and Pivot, TB2 Recline	215
Back Shroud, Linkage, and Interface Plate V2, TB2 Recline	217

#### Standard, Ver 1 - Prior to Serial Number Y0104009031060

Back Assy, 14"-18"W, Curtis, Version 1, TB2 Recline	219
Back Assy, 16"-20"W, Curtis, Version 1, TB2 Recline	220
Back Assy, 20"-24"W, Curtis, Version 1, TB2 Recline	222
Back Shroud, Linkage, and Interface Plate, Version 1, TB2 Recline	224

##### TRU-Comfort

14-18"W TB2 Recline Back Canes / Pivot, TRU-Comfort	227
---	-----

16-20"W TB2 Recline Back Canes / Pivot, TRU-Comfort	229
20-24"W TB2 Recline Back Canes / Pivot, TRU-Comfort	231
Back Shrouds, TRU-Comfort Back, TB2 Recline	233
Recline Back Standard Parts, TB2, TRU-Comfort	235

## 2.5. Back Pans / Cushions

### Synergy Standard Back

Standard Back and Cushion, 17"-18" H, TB2 Recline	237
Standard Back and Cushion, 19"-20" H, TB2 Recline	239
Standard Back and Cushion, 21"-22" H, TB2 Recline	241
Standard Back and Cushion, 23"-24" H, TB2 Recline	243
Standard Back and Cushion, 25"-26" H, TB2 Recline	245
Standard Back and Cushion, 27"-28" H, TB2 Recline	247

### Tru-Comfort

TB2 Recline Seat Back, 16"W x 22"H, TRU-Comfort	249
TB2 Recline Seat Back, 16"W x 25"H, TRU-Comfort	251
TB2 Recline Seat Back, 18"W x 22"H, TRU-Comfort	253
TB2 Recline Seat Back, 18"W x 25"H, TRU-Comfort	255
TB2 Recline Seat Back, 20"W x 22"H, TRU-Comfort	257
TB2 Recline Seat Back, 20"W x 25"H, TRU-Comfort	259
TB2 Recline Seat Back, 22"W x 22"H, TRU-Comfort	261
TB2 Recline Seat Back, 22"W x 25"H, TRU-Comfort	263

### Version 1 Recline Back (Discontinued)

#### Back Plates

Back Plate - 18"H, TB2 Recline	265
Back Plate - 19"H, TB2 Recline	267
Back Plate - 20"H, TB2 Recline	269
Back Plate - 21"H, TB2 Recline	271
Back Plate - 22"H, TB2 Recline	273
Back Plate - 23"H, TB2 Recline	275
Back Plate - 24"H, TB2 Recline	277
Back Plate - 25"H, TB2 Recline	279
Back Plate - 26"H, TB2 Recline	281
Back Plate - 27"H, TB2 Recline	283
Back Plate - 28"H, TB2 Recline	285

#### Back Cushion

Back Cushion - 18"H, TB2 Recline	287
Back Cushion - 19"H, TB2 Recline	289
Back Cushion - 20"H, TB2 Recline	291
Back Cushion - 21"H, TB2 Recline	293
Back Cushion - 22"H, TB2 Recline	295
Back Cushion - 23"H, TB2 Recline	297
Back Cushion - 24"H, TB2 Recline	299
Back Cushion - 25"H, TB2 Recline	301
Back Cushion - 26"H, TB2 Recline	303
Back Cushion - 27"H, TB2 Recline	305
Back Cushion - 28"H, TB2 Recline	307

## 2.6. Lap Belt Assy's

Lap Belt, TB2 Power Recline	309
Pediatric Lap Belt, TB2 Power Recline	311

## 2.7. Owner's and Decal Package

Owner's Package, TB2 Recline	313
Decal Assembly, TB2 Recline	315

### 3. Tilt and Recline

#### 3.1. Tilt Base, Interface, and Seat Towers

##### Tilt Base and Actuator

###### Q6 Edge Specific

Tilt Base w/ Actuator Complete, Version 2, Q6 Edge Specific, TB2	317
--	-----

###### All Models Except Q6 Edge

Tilt Base w/ Actuator Complete, Version 2, All Models Except Q6 Edge, TB2	319
---	-----

###### Serviceable Components

Tilt Frame and Actuator, Version 2, TB2 Tilt	321
Slider Interface Seat Base, 14"-20"W, TB2 Tilt	323
Slider Interface Seat Base, 20"-24"W, TB2 Tilt	325

###### Version 1

Tilt Frame and Actuator, Version 1, TB2 Tilt	327
Seat Base, 14"-20"W, TB2 Tilt	329
Seat Base, 20"-24"W, TB2 Tilt	331
Seat Base, 5" Centers, 14"-18"W, TB2 Tilt	333

##### Interfaces

Interface Weldment, 5.039" Centers, TB2 Tilt	335
Rail Interface, 14" Centers (Q6 Edge), TB2 Tilt	337
Interface Weldment, 1113ATS/1121/Superlow, TB2 Tilt	339

##### Seat Towers

Seat Tower Mount Connector, TB2	341
Fixed Seat Towers, 6000Z, TB2	343
Fixed Seat Towers, Non Specific Power Base, TB2	345
Fixed Seat Towers, TB2 Super Low Tilt	347
Angle Adj Towers, Non Specific Power Base, TB2 Tilt	349
Angle Adj Towers, Quantum 614, TB2 Tilt	351
Seat Tower Assembly - Angle Adjustable, R4000 / R4400	353

#### 3.2. Tilt Base and Interface for Power Seat

Seat Base, 14"-20" W, TB2 Tilt w/ Elevating Seat	355
Seat Base, 20"-24" W, TB2 Tilt w/ Elevating Seat	357
Seat Interface for 14" Centers, TB2 Tilt w/ Elevating Seat, Q6 Edge	359
Seat Interface for 14.322" Centers, TB2 Tilt w/ Elevating Seat	361
Seat Interface, 16.125" Centers, TB2 Tilt w/ Elevating Seat	363
Seat Interface, Q6000, TB2 Tilt w/ Elevating Seat	365

#### 3.3. Seat Pans and Side Rails

Side Rails - 14"-18"D, TB2	367
Side Rails - 15"-20"D, TB2	369
Side Rails - 20"-24"D, TB2	371
Seat Pans, TB2	373

#### 3.4. Back Canes, Linkage, and Actuator

##### Standard, Ver 2 - Serial Number Y0104009031060 and Subsequent

###### Curtis

14"-18"W, Curtis, Version 2 - Back Assy, Canes and Pivot, TB2 Recline	375
16"-20"W, Curtis, Version 2 - Back Assy, Canes and Pivot, TB2 Recline	377
20"-24"W, Curtis, Version 2 - Back Assy, Canes and Pivot, TB2 Recline	379

## Remote Plus

14"-18"W, Remote Plus, Version 2 - Back Assy, Canes and Pivot, TB2 Recline	381
16"-20"W, Remote Plus, Version 2 - Back Assy, Canes and Pivot, TB2 Recline	383
20"-24"W, Remote Plus, Version 2 - Back Assy, Canes and Pivot, TB2 Recline	385
Back Shroud, Linkage, and Interface Plate V2, TB2 Recline	387

## Standard, Ver 1 - Prior to Serial Number Y0104009031060

Back Assy, 14"-18"W, Curtis, Version 1, TB2 Recline	389
Back Assy, 16"-20"W, Curtis, Version 1, TB2 Recline	390
Back Assy, 20"-24"W, Curtis, Version 1, TB2 Recline	392
Back Assy, Canes and Pivot, 14"-18" W Remote Plus, Version 1, TB2 Recline	394
Back Assy, Canes and Pivot, 16"-20" W, Remote Plus, Version 1, TB2 Recline	399
Back Assy, Canes and Pivot, 20"-24" W Remote Plus, Version 1, TB2 Recline	403
Back Shroud, Linkage, and Interface Plate, Version 1, TB2 Recline	407

## TRU-Comfort

14-18"W TB2 Recline Back Canes / Pivot, TRU-Comfort	409
16-20"W TB2 Recline Back Canes / Pivot, TRU-Comfort	411
20-24"W TB2 Recline Back Canes / Pivot, TRU-Comfort	413
Recline Back Standard Parts, TB2, TRU-Comfort	415
Back Shrouds, TRU-Comfort Back, TB2 Recline	417

## 3.5. Back Plate / Cushion Assy's

### Synergy Standard Back

Standard Back and Cushion, 17"-18" H, TB2 Recline	419
Standard Back and Cushion, 19"-20" H, TB2 Recline	421
Standard Back and Cushion, 21"-22" H, TB2 Recline	423
Standard Back and Cushion, 23"-24" H, TB2 Recline	425
Standard Back and Cushion, 25"-26" H, TB2 Recline	427
Standard Back and Cushion, 27"-28" H, TB2 Recline	429

### TRU-Comfort

TB2 Recline Seat Back, 16"W x 22"H, TRU-Comfort	431
TB2 Recline Seat Back, 16"W x 25"H, TRU-Comfort	433
TB2 Recline Seat Back, 18"W x 22"H, TRU-Comfort	435
TB2 Recline Seat Back, 18"W x 25"H, TRU-Comfort	437
TB2 Recline Seat Back, 20"W x 22"H, TRU-Comfort	439
TB2 Recline Seat Back, 20"W x 25"H, TRU-Comfort	441
TB2 Recline Seat Back, 22"W x 22"H, TRU-Comfort	443
TB2 Recline Seat Back, 22"W x 25"H, TRU-Comfort	445

### Version 1 Recline Back (Discontinued)

#### Back Plates

Back Plate - 18"H, TB2 Recline	447
Back Plate - 19"H, TB2 Recline	449
Back Plate - 20"H, TB2 Recline	451
Back Plate - 21"H, TB2 Recline	453
Back Plate - 22"H, TB2 Recline	455
Back Plate - 23"H, TB2 Recline	457
Back Plate - 24"H, TB2 Recline	459
Back Plate - 25"H, TB2 Recline	461
Back Plate - 26"H, TB2 Recline	463
Back Plate - 27"H, TB2 Recline	465
Back Plate - 28"H, TB2 Recline	467

#### Back Cushion

Back Cushion - 18"H, TB2 Recline	469
----------------------------------	-----

Back Cushion - 19"H, TB2 Recline	471
Back Cushion - 20"H, TB2 Recline	473
Back Cushion - 21"H, TB2 Recline	475
Back Cushion - 22"H, TB2 Recline	477
Back Cushion - 23"H, TB2 Recline	479
Back Cushion - 24"H, TB2 Recline	481
Back Cushion - 25"H, TB2 Recline	483
Back Cushion - 26"H, TB2 Recline	485
Back Cushion - 27"H, TB2 Recline	487
Back Cushion - 28"H, TB2 Recline	489
<b>3.6. Headrest and Mounting Hardware</b>	
Recline Headrest Assembly	491
<b>3.7. Lap Belt Assy's</b>	
Lap Belt, TB2 Power Recline	493
Pediatric Lap Belt, TB2 Power Recline	495
<b>3.8. Owner's and Decal Package</b>	
TB2 Tilt and Recline Owner's Package	497
TB2 Tilt & Recline Decal Package	499
<b>3.9. Replacement Actuators</b>	
TB2 Tilt, Recline, and Power Elevating Seat Actuators	501
<b>4. Lift and Tilt</b>	
<b>4.1. Seat Bases and Lift &amp; Tilt Frame and Actuator</b>	
Lift and Tilt Base Assembly, TB2	503
Seat Base, 16"-20"W, TB2 Power Lift and Tilt	505
Seat Base, 20"-24"W, TB2 Power Lift and Tilt	507
Seat Base, 5.039" Centers, 16"-20"W, TB2 Power Lift and Tilt	509
Seat Base, 5.039" Centers, 20"-24"W, TB2 Power Lift and Tilt	511
Seat Base, Q6 Edge 16"-20", Standard Hardware, TB2 Power Lift and Tilt	513
Seat Base, Q6 Edge / R44 16"-20", Metric Hardware, TB2 Power Lift and Tilt	515
<b>4.2. Side Rails and Seat Pans</b>	
Side Rails - 14"-18"D, TB2	517
Side Rails - 15"-20"D, TB2	519
Side Rails - 20"-24"D, TB2	521
Seat Pans, TB2	523
<b>4.3. Seat Tower Assy's</b>	
Seat Tower Assembly - Angle Adjustable, R4000 / R4400	525
Fixed Seat Towers, Non Specific Power Base, TB2	527
Seat Towers for Q614, TB2 Power Lift and Tilt	529
Fixed Seat Towers, TB2 Super Low Tilt	531
<b>4.4. Back Cane Assy's</b>	
Back Cane Extrusion - Short Push Handles, 14"-25" Height, Version 2	533
Back Cane Extrusion - Straight, 14"-25" Height, Version 2	535
Back Canes - 22" Flip Down	537
Push Bar - 14"-20"W, 20"-24"W, Clamp On	539
Push Bar - HD 20"W-24"W	541
Push Bar - Mounted in Cane T-Slot 16"-20"W	543
<b>4.5. Back Pan Assy's</b>	
<b>Synergy Standard Back</b>	
Standard Back - 16" Width, TB2	545

Standard Back - 17" Width, TB2	547
Standard Back - 18" Width, TB2	549
Standard Back - 19" Width, TB2	551
Standard Back - 20" Width, TB2	553
Standard Back - 21" Width, TB2	555
Synergy Standard Back Lateral Extensions, TB2	557

#### **A.R.T. Group Solid Curved Back Assy's (Discontinued)**

Solid Curved Back, 16"-18" Width	559
Solid Curved Back, 19"-21" Width	560
Solid Curved Back, 22" Width	562

#### **4.6. Headrest Assy's**

Stealth Standard Headrest Assembly, TB2	564
TRU-Comfort Headrest Assembly - 8", TB2	567
TRU-Comfort Headrest Assy - 10", TB2	569

#### **4.7. Lap Belts**

Lap Belts, Adult and Pediatric	571
--------------------------------	-----

#### **4.8. Owner's & Decal Packages**

Decal Package, TB2 Lift and Tilt	573
Decal Package, TB2 Lift, Tilt and Recline	575
Owner's Packages, TB2 Lift and Tilt	577
Owner's Package, TB2 Lift, Tilt and Recline	579

### **5. Lift, Tilt, & Recline**

#### **5.1. Seat Bases and Lift & Tilt Frame and Actuator**

Lift and Tilt Base Assembly, TB2	581
Seat Base, 16"-20"W, TB2 Power Lift and Tilt	583
Seat Base, 20"-24"W, TB2 Power Lift and Tilt	585
Seat Base, 5.039" Centers, 16"-20"W, TB2 Power Lift and Tilt	587
Seat Base, 5.039" Centers, 20"-24"W, TB2 Power Lift and Tilt	589
Seat Base, Q6 Edge 16"-20", Standard Hardware, TB2 Power Lift and Tilt	591
Seat Base, Q6 Edge / R44 16"-20", Metric Hardware, TB2 Power Lift and Tilt	593

#### **5.2. Side Rails and Seat Pans**

Side Rails - 14"-18"D, TB2	595
Side Rails - 15"-20"D, TB2	597
Side Rails - 20"-24"D, TB2	599
Seat Pans, TB2	601

#### **5.3. Seat Tower Assy's**

Seat Tower Assembly - Angle Adjustable, R4000 / R4400	603
Fixed Seat Towers, Non Specific Power Base, TB2	605
Seat Towers for Q614, TB2 Power Lift and Tilt	607
Fixed Seat Towers, TB2 Super Low Tilt	609

#### **5.4. Power Recline Back Assy's**

##### **Standard, Ver 2 - Serial Number Y0104009031060 and Subsequent**

14"-18"W, Curtis, Version 2 - Back Assy, Canes and Pivot, TB2 Recline	611
16"-20"W, Curtis, Version 2 - Back Assy, Canes and Pivot, TB2 Recline	613
20"-24"W, Curtis, Version 2 - Back Assy, Canes and Pivot, TB2 Recline	615
Back Shroud, Linkage, and Interface Plate V2, TB2 Recline	617
Back Shrouds, TRU-Comfort Back, TB2 Recline	619

##### **Standard, Ver 1 - Prior to Serial Number Y0104009031060**

Back Assy, 14"-18"W, Curtis, Version 1, TB2 Recline	621
---	-----

Back Assy, 16"-20"W, Curtis, Version 1, TB2 Recline	622
Back Assy, 20"-24"W, Curtis, Version 1, TB2 Recline	624
Back Shroud, Linkage, and Interface Plate, Version 1, TB2 Recline	626

### TRU-Comfort

14-18"W TB2 Recline Back Canes / Pivot, TRU-Comfort	629
16-20"W TB2 Recline Back Canes / Pivot, TRU-Comfort	631
20-24"W TB2 Recline Back Canes / Pivot, TRU-Comfort	633
Recline Back Standard Parts, TB2, TRU-Comfort	635
Back Shrouds, TRU-Comfort Back, TB2 Recline	637

## 5.5. Back Pan Assy's

### Synergy Standard Back

Standard Back and Cushion, 17"-18" H, TB2 Recline	639
Standard Back and Cushion, 19"-20" H, TB2 Recline	641
Standard Back and Cushion, 21"-22" H, TB2 Recline	643
Standard Back and Cushion, 23"-24" H, TB2 Recline	645
Standard Back and Cushion, 25"-26" H, TB2 Recline	647
Standard Back and Cushion, 27"-28" H, TB2 Recline	649
Synergy Standard Back Lateral Extensions, TB2	651

### Tru-Comfort

TB2 Recline Seat Back, 16"W x 22"H, TRU-Comfort	653
TB2 Recline Seat Back, 16"W x 25"H, TRU-Comfort	655
TB2 Recline Seat Back, 18"W x 22"H, TRU-Comfort	657
TB2 Recline Seat Back, 18"W x 25"H, TRU-Comfort	659
TB2 Recline Seat Back, 20"W x 22"H, TRU-Comfort	661
TB2 Recline Seat Back, 20"W x 25"H, TRU-Comfort	663
TB2 Recline Seat Back, 22"W x 22"H, TRU-Comfort	665
TB2 Recline Seat Back, 22"W x 25"H, TRU-Comfort	667

### A.R.T. Group Solid Curved Back Assy's (Discontinued)

Solid Curved Back, 16"-18" Width	669
Solid Curved Back, 19"-21" Width	670
Solid Curved Back, 22" Width	672

## 5.6. Headrest Assy's

Stealth Standard Headrest Assembly, TB2	674
TRU-Comfort Headrest Assembly - 8", TB2	677
TRU-Comfort Headrest Assy - 10", TB2	679

## 5.7. Lap Belts

Lap Belts, Adult and Pediatric	681
--------------------------------	-----

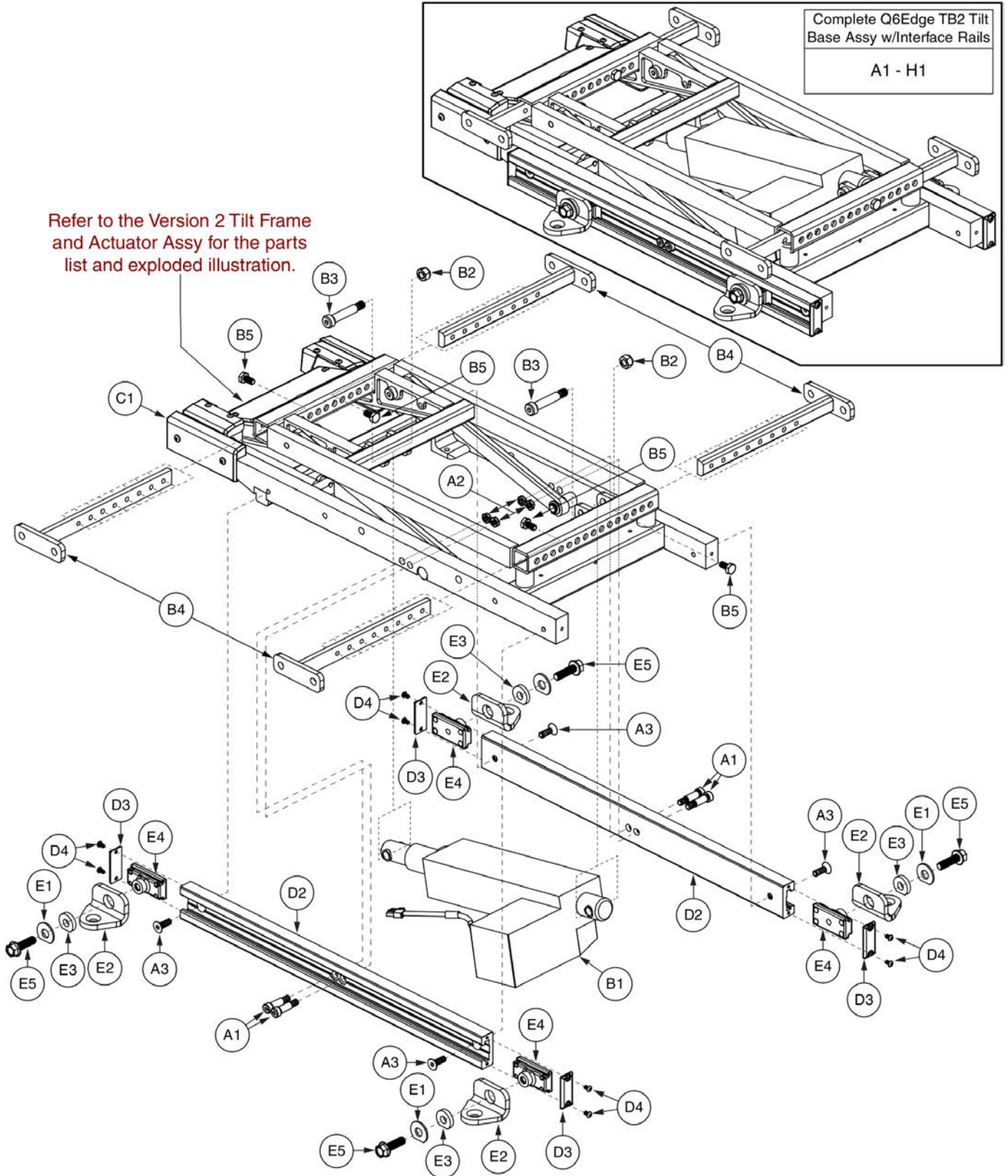
## 5.8. Owner's & Decal Packages

Decal Package, TB2 Lift and Tilt	683
Decal Package, TB2 Lift, Tilt and Recline	685
Owner's Packages, TB2 Lift and Tilt	687
Owner's Package, TB2 Lift, Tilt and Recline	689

## 6. Integration System for Aftermarket Backs

After Market Back Integration, TB2 Recline	691
Appendix A:Pages Index	693
Appendix B:Parts Index	695

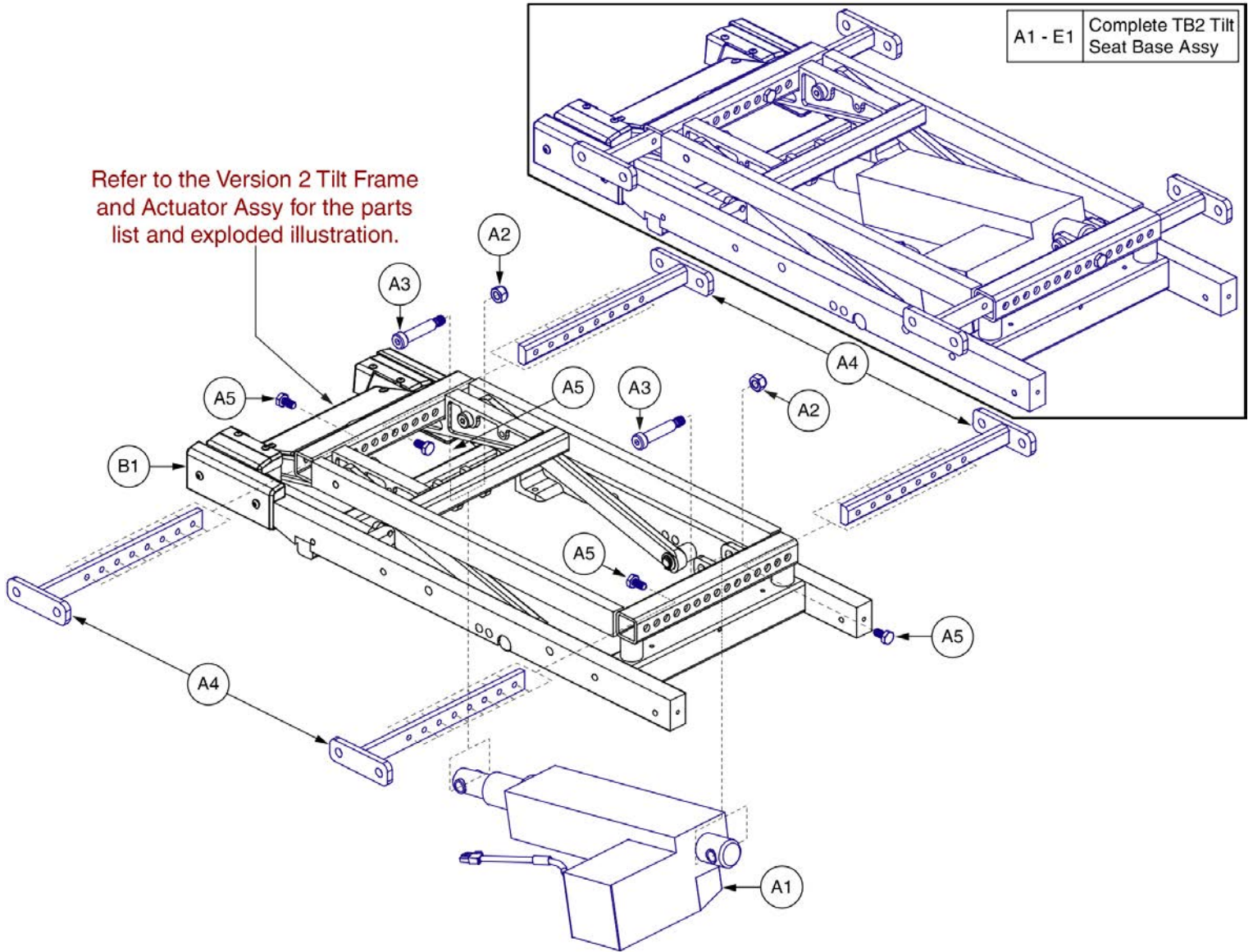
**Q6 Edge Specific, Version 2 Tilt**





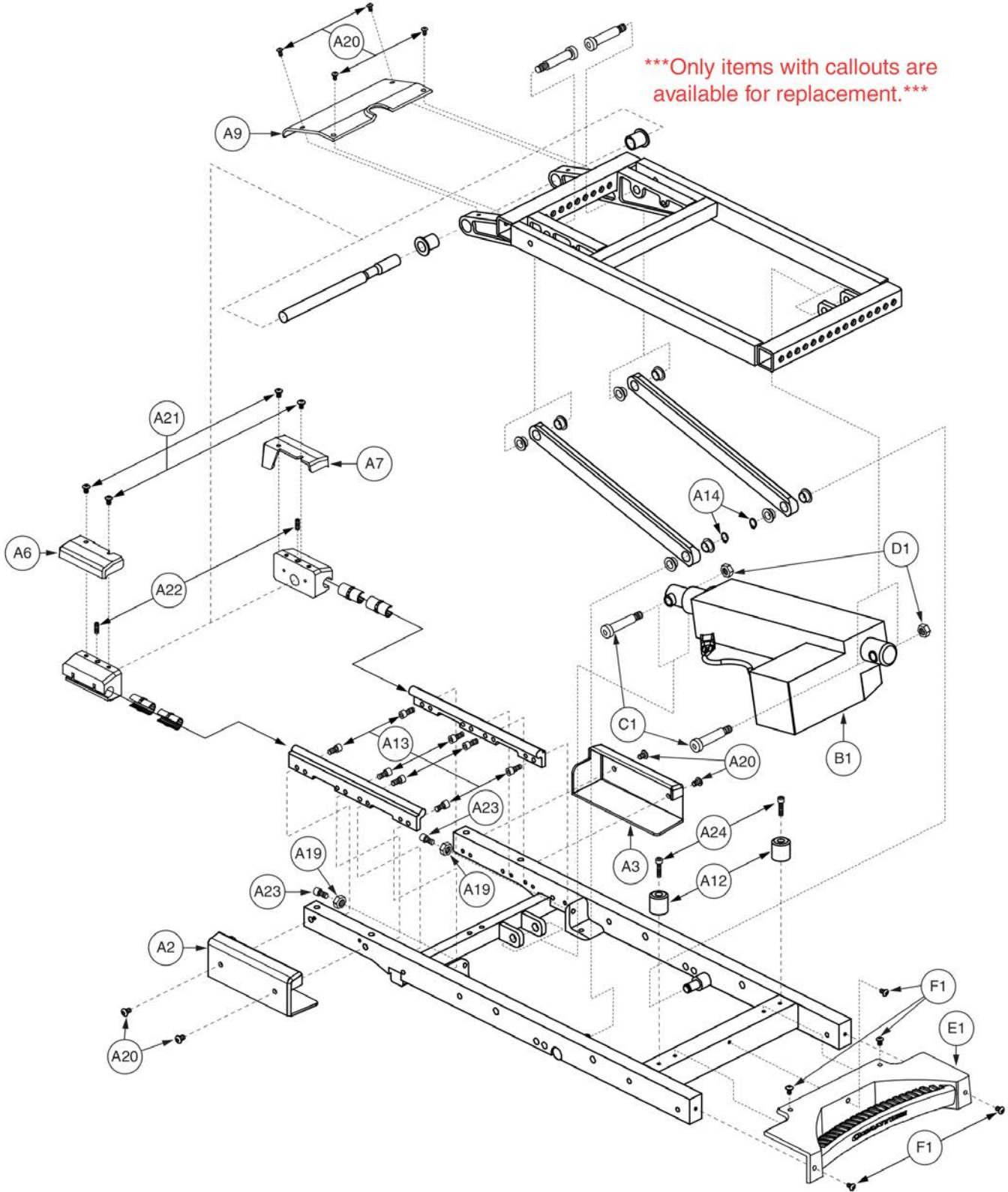
Item	Part No.	Name	Qty
A1 - H1	FRMASMB17908	TB2 TILT BASE,W/INTERFACE RAILS & DECALS,Q6EDGE	1
A1 - E5		TB2 TILT BASE,ASSY,W/INTERFACE RAILS,Q6EDGE,E-1265-072	1
A1	BLTASHL1067	BOLT,SHOULDER,5/16" X 0.75"	4
A2	NUTNJAM1014	NUT,NYLOCK JAM,BLACK ZINC,1/4-20	4
A3	SCRSHFH1085	SCREW,SHFH,BLACK ZINC,1/4-20 X 0.75",GRADE 8,W/NYLON PATCH,A-1367-005	4
B1 - C1		TB2 TILT BASE,ASSY,W/WIDTH ADJUSTMENT ARMS,E-1265-071	1
B1	ACCACTR1031	ACTUATOR,TRU-BALANCE TILT G2,H-1265-002,(LINAK: LA31-U272-01)	1
B2	NUTNYLK1026	NUT,NYLOCK,BLACK ZINC,5/16-18	2
B3	BLTASHL1165	BOLT,SHOULDER,BLACK ZINC,3/8" X 1.50",W/PATCH	2
B4	DWR1265C033	FRAME,WIDTH ADJUSTMENT WELDMENT,14"W-20"W,TB2	4
B5	SCRHHCS1479	SCREW,HHCS,BLACK ZINC,1/4-20 X 0.50",GRADE 8,W/NYLON PATCH	4
C1		TRU-BALANCE TILT 2 BASE,ASSY,VERSION 2,E-1265-069	1
D1 - E5		SEAT INTERFACE RAIL,ASSY,TRU-BALANCE 2 POWER TILT,14"CENTERS,W/INTERFACE BRACKETS,D-1265-037	2
D2		FRAME,INTERFACE RAIL,TRU-BALANCE TILT 2,D-1265-023	1
D3		END CAP,INTERFACE RAIL,ABS,D-1265-033	2
D4	SCRASBH1153	SCREW,BHSCS,BLACK ZINC,6-32 X 0.250",W/NYLON PATCH	4
E1 - E5		SEAT INTERFACE BRACKET,ASSY,TB2 TILT,EDGE,C-1265-122	2
E1		WASHER,FLAT,BLACK,0.39" ID X 0.98" OD X 0.08" THK	1
E2		SEAT INTERFACE BRACKET,TB2 TILT,EDGE	1
E3		WASHER,CUSTOM,POLYURETHANE,.350"ID X .88"OD X .19"TH	1
E4		SLIDE BRACKET,TB2 TILT,Q6 EDGE,STANDOFF,REAR	1
E5	SCRHHCS1672	SCREW,HHCS,BZ,5/16-18 X 1.125",FLANGED,GR 8,W/PATCH	1
F1	DWR1235L199	DECAL,READ OWNER'S MANUAL,ONLY AN AUTHORIZED TECHNICIAN CAN ADJUST THE SEAT,L-1235-199	2
G1	DWR1234L004	DECAL,ICON,300LBS/135 KG,MAXIMUM WEIGHT CAPACITY,L-1234-004	1
H1	DWR1234L072	DECAL,ICON,1.375" X 0.6875",OWNERS MANUAL/SCISSOR PINCH POINT,L-1234-072	2

All Models Except Q6 Edge, Version 2 Tilt



Item	Part No.	Name	Qty
A1 - E1	FRMASMB17909	TB2 TILT BASE,ASSY,W/WIDTH ADJUSTMENT ARMS & DECALS	1
A1 - B1		TB2 TILT BASE,ASSY,W/WIDTH ADJUSTMENT ARMS,E-1265-071	1
A1	ACCACTR1031	ACTUATOR,TRU-BALANCE TILT G2,H-1265-002,(LINAK: LA31-U272-01)	1
A2	NUTNYLK1026	NUT,NYLOCK,BLACK ZINC,5/16-18	2
A3	BLTASHL1165	BOLT,SHOULDER,BLACK ZINC,3/8" X 1.50",W/PATCH	2
A4	DWR1265C033	FRAME,WIDTH ADJUSTMENT WELDMENT,14"W-20"W,TB2	4
A5	SCRHHCS1479	SCREW,HHCS,BLACK ZINC,1/4-20 X 0.50",GRADE 8,W/NYLON PATCH	4
B1		TRU-BALANCE TILT 2 BASE,ASSY,VERSION 2,E-1265-069	1
C1	DWR1235L199	DECAL,READ OWNER'S MANUAL,ONLY AN AUTHORIZED TECHNICIAN CAN ADJUST THE SEAT,L-1235-199	2
D1	DWR1234L004	DECAL,ICON,300LBS/135 KG,MAXIMUM WEIGHT CAPACITY,L-1234-004	1
E1	DWR1234L072	DECAL,ICON,1.375" X 0.6875",OWNERS MANUAL/SCISSOR PINCH POINT,L-1234-072	2

Serviceable Components, Version 2 Tilt

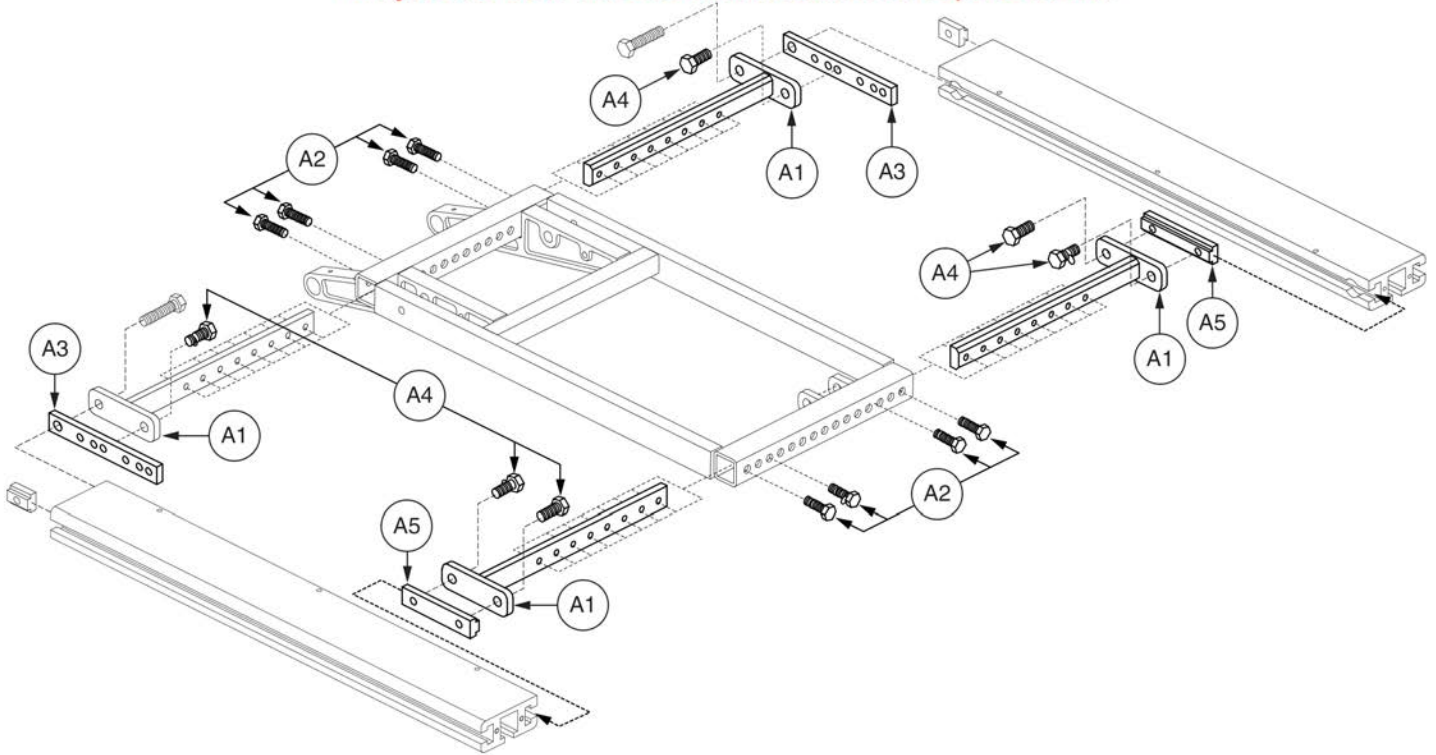


# Tilt Frame and Actuator, Version 2, TB2 Tilt



Item	Part No.	Name	Qty
A2	DWR1265C030	CAP,POST,PLASTIC,REAR,TRU-BALANCE TILT 2,RIGHT,C-1265-030	1
A3	DWR1265C031	CAP,POST,PLASTIC,REAR,TRU-BALANCE TILT 2,LEFT,C-1265-031	1
A6	DWR1265C040	COVER,PLASTIC,TRU-BALANCE TILT 2,SLIDER,RIGHT,C-1265-040	1
A7	DWR1265C041	COVER,PLASTIC,TRU-BALANCE TILT 2,SLIDER,LEFT,C-1265-041	1
A9	DWR1265D013	COVER,PLASTIC,TRU-BALANCE TILT 2,RESIDUAL SHIELD	1
A12	DWR1005B080	BUMPER,BLACK,RUBBER,0.80" OD,B-1005-080	2
A13	SCRSHCS1204	SCREW,SHCS,BLACK ZINC,10-32 X 0.50",GRADE 8,W/NYLON PATCH,B-1005-092	8
A14	RNGRTAN1043	RETAINING RING,BLACK ZINC,STEEL,9MM,EXTERNAL,B-1005-124	2
A19	NUTJAM1001	NUT, JAM,BLACK ZINC,ELMR,1/4-20	2
A20	SCRASBH1151	SCREW,BHSCS,BLACK ZINC,8-32 X 0.250",GR 8,W/PATCH	8
A21	SCRASBH1153	SCREW,BHSCS,BLACK ZINC,6-32 X 0.250",W/NYLON PATCH	4
A22		SCREW,SET,BLACK ZINC,10-32 X 0.500",W/NYLON PATCH	2
A23	SCRSHCS1174	SCREW,SHCS,BLACK ZINC,1/4-20 X 0.50",W/NYLON PATCH	2
A24	SCRSHCS1210	SCREW,SHCS,BLACK ZINC,8-32 X 0.750",W/NYLON PATCH	2
B1	ACCACTR1031	ACTUATOR,TRU-BALANCE TILT G2,H-1265-002,(LINAK: LA31-U272-01)	1
C1	BLTASHL1165	BOLT,SHOULDER,BLACK ZINC,3/8" X 1.50",W/PATCH	2
D1	NUTNYLK1026	NUT,NYLOCK,BLACK ZINC,5/16-18	2
E1	DWR1265E064	COVER,SEAT INTERFACE,BLACK,TRU-BALANCE 2 POWER TILT	1
F1	SCRASBH1144	SCREW,BHSCS,BLACK ZINC,8-32 X 0.375",GRADE 8,W/PATCH	5

\*\*\*Only items with callouts are available for replacement.\*\*\*



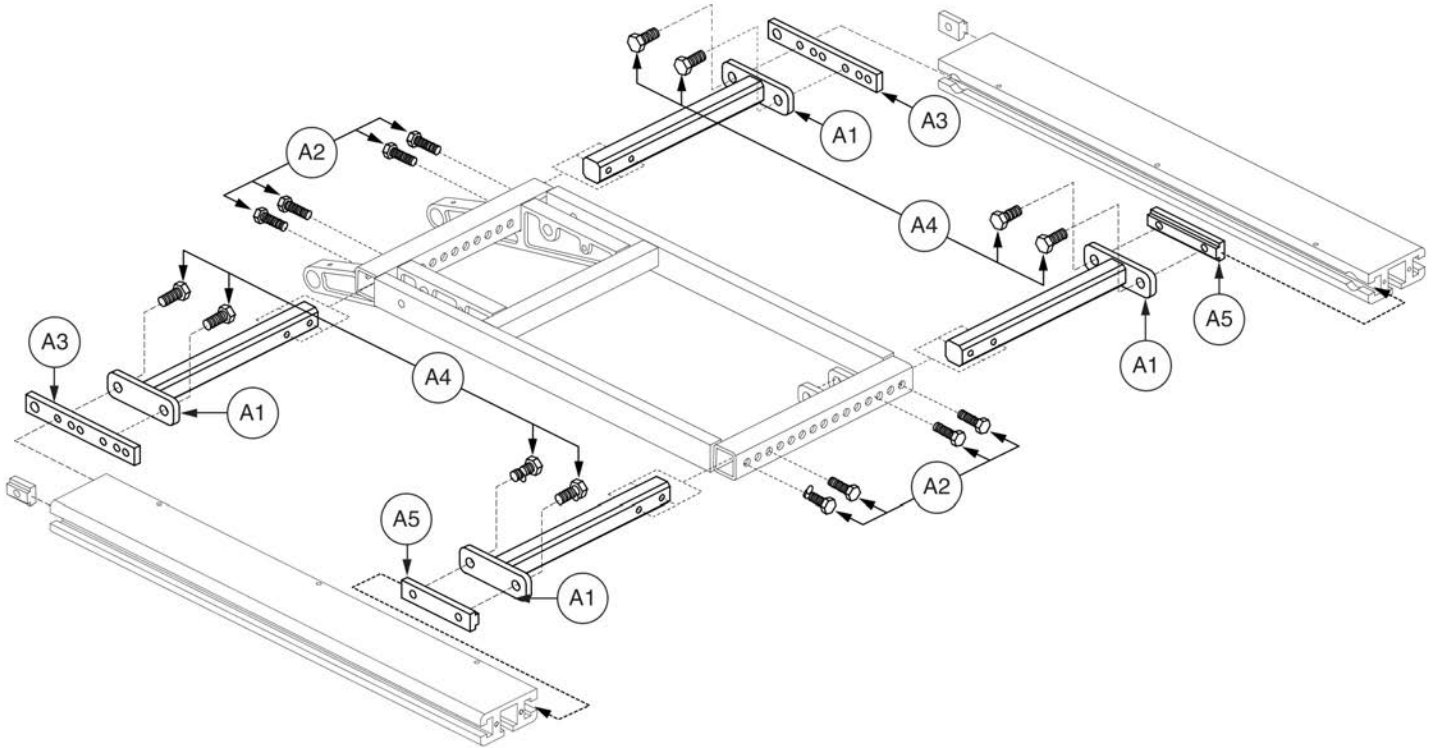


# Slider Interface Seat Base, 14"-20"W, TB2 Tilt



Item	Part No.	Name	Qty
A1	DWR1265C033	FRAME,WIDTH ADJUSTMENT WELDMENT,14"W-20"W,TB2	4
A2	SCRHHCS1479	SCREW,HHCS,BLACK ZINC,1/4-20 X 0.50",GRADE 8,W/NYLON PATCH	8
A3	DWR1265B002	FRAME,SAFETY PLATE,5.25" L,TB2 TILT	2
A4	SCRHHCS1241	SCREW,HHCS,BLACK ZINC,5/16-18 X 0.75",GR 8,W/PATCH	6
A5	DWR1360B015	T-NUT,BLACK,5/16-18 X 3", W/2",HOLE SPACING,B-1360-015	2

\*\*\*Only items with callouts are available for replacement.\*\*\*





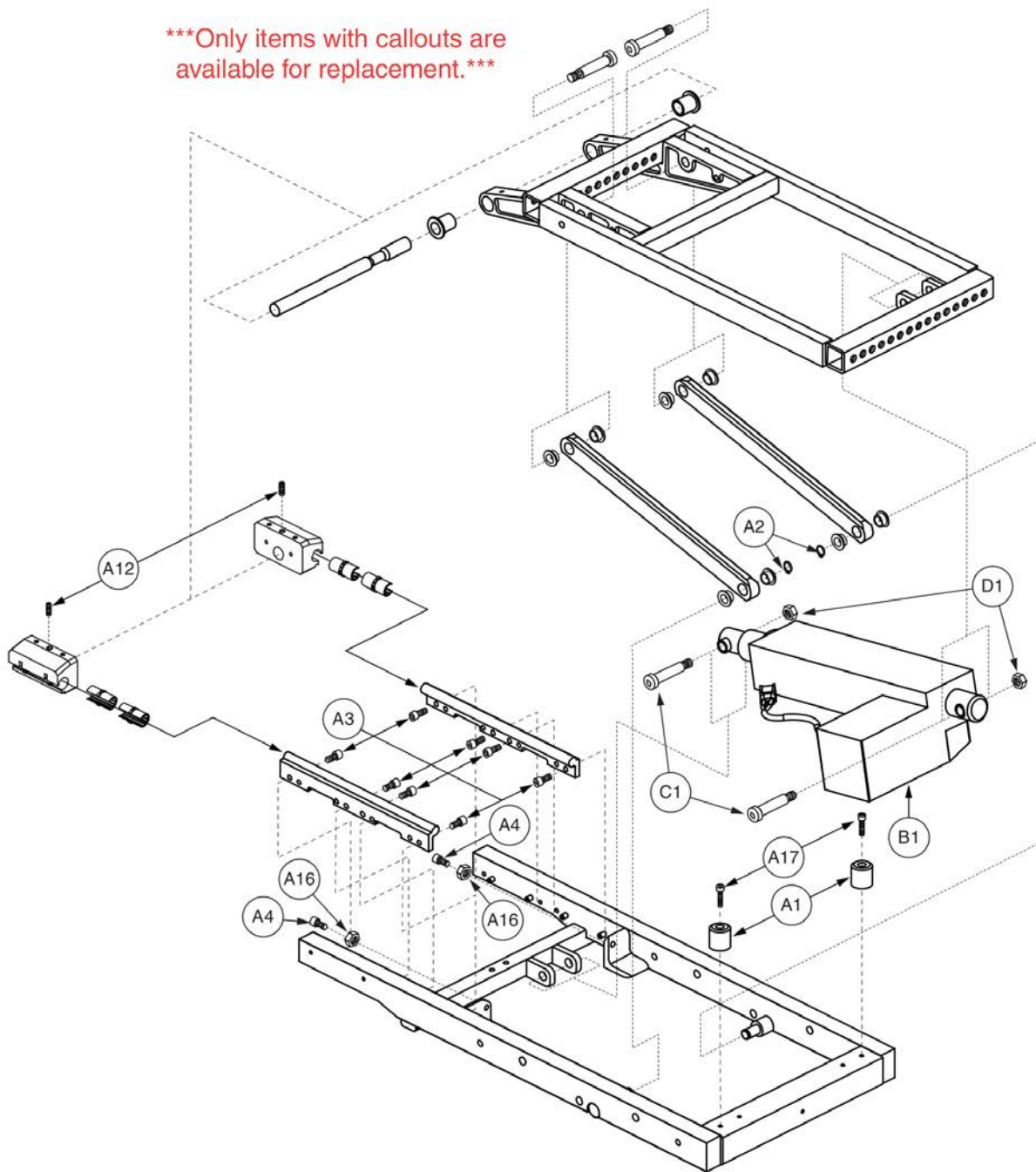
## Slider Interface Seat Base, 20"-24"W, TB2 Tilt



Item	Part No.	Name	Qty
A1	DWR1265C042	FRAME,WIDTH ADJUSTMENT WELDMENT,21"W-24"W,TB2	4
A2	SCRHHCS1325	SCREW,HHCS,BLACK ZINC,1/4-20 X 0.750",GR 8,W/PATCH	8
A3	DWR1265B002	FRAME,SAFETY PLATE,5.25" L,TB2 TILT	2
A4	SCRHHCS1241	SCREW,HHCS,BLACK ZINC,5/16-18 X 0.75",GR 8,W/PATCH	8
A5	DWR1360B015	T-NUT,BLACK,5/16-18 X 3", W/2",HOLE SPACING,B-1360-015	2

Version 1

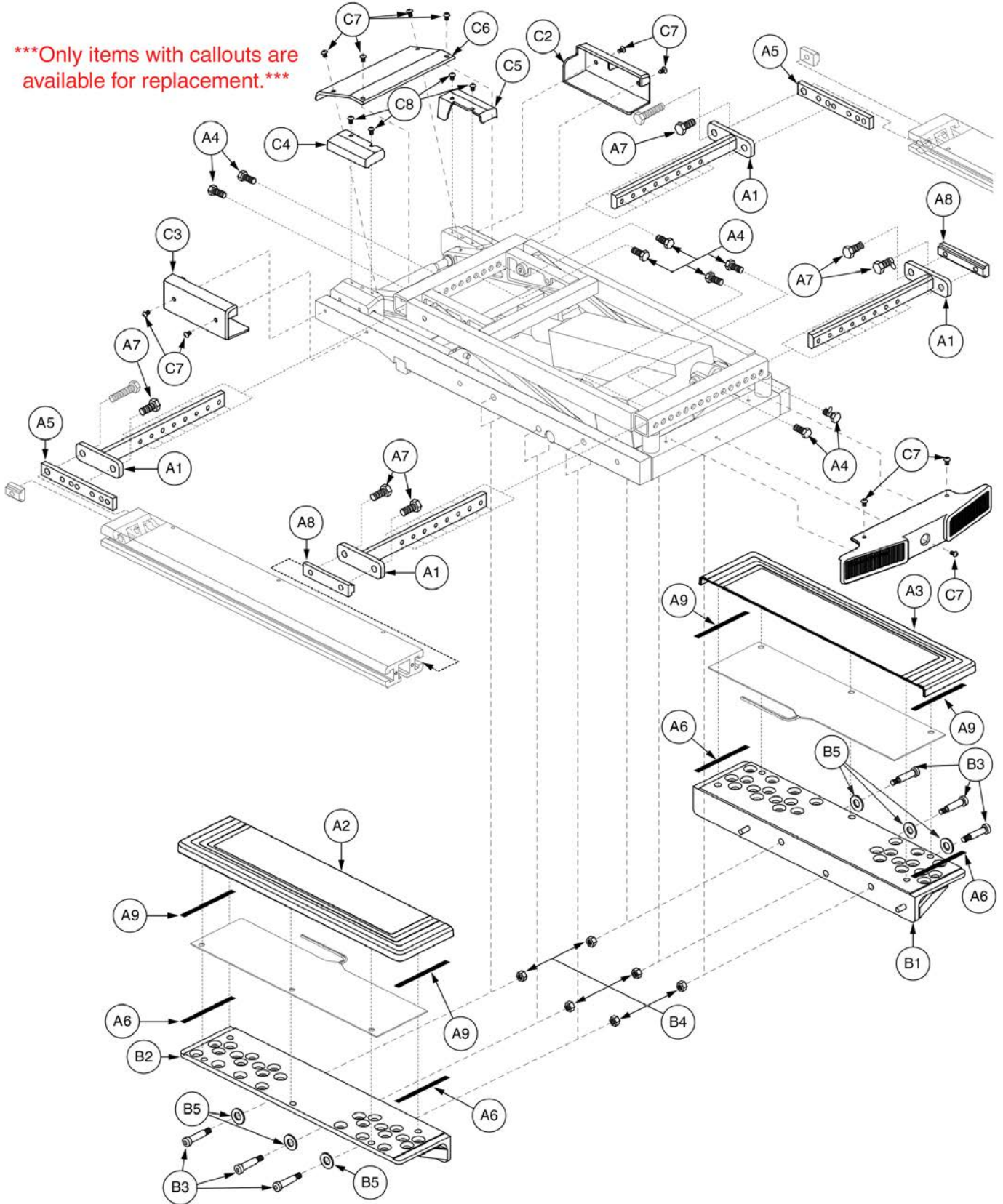
\*\*\*Only items with callouts are available for replacement.\*\*\*



Item	Part No.	Name	Qty
A1	DWR1005B080	BUMPER,BLACK,RUBBER,0.80" OD,B-1005-080	2
A2	RNGRTAN1043	RETAINING RING,BLACK ZINC,STEEL,9MM,EXTERNAL,B-1005-124	2
A3	SCRSHCS1204	SCREW,SHCS,BLACK ZINC,10-32 X 0.50",GRADE 8,W/NYLON PATCH,B-1005-092	8
A4	SCRSHCS1174	SCREW,SHCS,BLACK ZINC,1/4-20 X 0.50",W/NYLON PATCH	2
A12		SCREW,SET,BLACK ZINC,10-32 X 0.500",W/NYLON PATCH	2
A16	NUTJAM1001	NUT, JAM,BLACK ZINC,ELMR,1/4-20	2
A17	SCRSHCS1210	SCREW,SHCS,BLACK ZINC,8-32 X 0.750",W/NYLON PATCH	2
B1	ACCACTR1031	ACTUATOR,TRU-BALANCE TILT G2,H-1265-002,(LINAK: LA31-U272-01)	1
C1	BLTASHL1165	BOLT,SHOULDER,BLACK ZINC,3/8" X 1.50",W/PATCH	2
D1	NUTNYLK1026	NUT,NYLOCK,BLACK ZINC,5/16-18	2

Version 1

\*\*\*Only items with callouts are available for replacement.\*\*\*



# Seat Base, 14"-20"W, TB2 Tilt

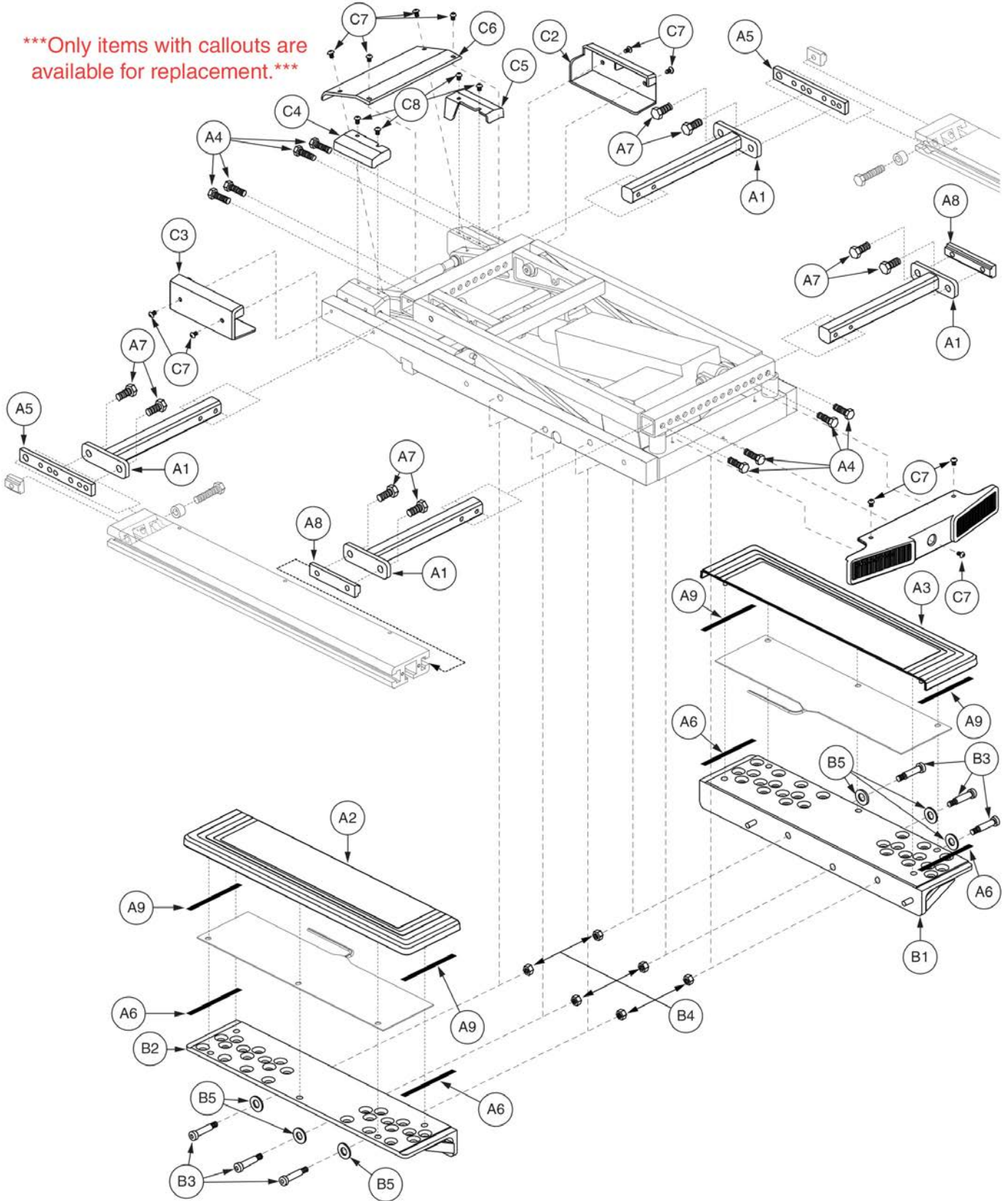


Item	Part No.	Name	Qty
A1	DWR1265C033	FRAME,WIDTH ADJUSTMENT WELDMENT,14"W-20"W,TB2	4
A2	DWR1265D012	COVER,INTERFACE WELDMENT,B,PLASTIC,TRU-BALANCE TILT 2	1
A3	DWR1265D010	COVER,INTERFACE WELDMENT,A,PLASTIC,TRU-BALANCE TILT 2	1
A4	SCRHHCS1479	SCREW,HHCS,BLACK ZINC,1/4-20 X 0.50",GRADE 8,W/NYLON PATCH	8
A5	DWR1265B002	FRAME,SAFETY PLATE,5.25" L,TB2 TILT	2
A6	VELHOOK1058	REUSABLE FASTENER,HOOK,BLACK,0.250"W,3.25"L	4
A7	SCRHHCS1241	SCREW,HHCS,BLACK ZINC,5/16-18 X 0.75",GR 8,W/PATCH	6
A8	DWR1360B015	T-NUT,BLACK,5/16-18 X 3", W/2",HOLE SPACING,B-1360-015	2
A9	VELLOOP1053	REUSABLE FASTENER,LOOP,BLACK,0.250"W,3.25"L	4
B1	DWR1265E029	FRAME,INTERFACE WELDMENT,A,TRU-BALANCE TILT 2,E-1265-029	1
B2	DWR1265E028	FRAME,INTERFACE WELDMENT,B,TRU-BALANCE TILT 2,E-1265-028	1
B3		BOLT,SHOULDER,5/16" X 1.00",C-1005-022	6
B4	NUTNYLK1014	NUT,NYLOCK,BLACK ZINC,1/4-20	6
B5	WASSTND1002	WASHER,FLAT,BLACK ZINC,0.3125" ID X 0.6875" OD X 0.0625" TH	6
C2	DWR1265C031	CAP,POST,PLASTIC,REAR,TRU-BALANCE TILT 2,LEFT,C-1265-031	1
C3	DWR1265C030	CAP,POST,PLASTIC,REAR,TRU-BALANCE TILT 2,RIGHT,C-1265-030	1
C4	DWR1265C040	COVER,PLASTIC,TRU-BALANCE TILT 2,SLIDER,RIGHT,C-1265-040	1
C5	DWR1265C041	COVER,PLASTIC,TRU-BALANCE TILT 2,SLIDER,LEFT,C-1265-041	1
C6	DWR1265D013	COVER,PLASTIC,TRU-BALANCE TILT 2,RESIDUAL SHIELD	1
C7	SCRASBH1151	SCREW,BHSCS,BLACK ZINC,8-32 X 0.250",GR 8,W/PATCH	11
C8	SCRASBH1153	SCREW,BHSCS,BLACK ZINC,6-32 X 0.250",W/NYLON PATCH	4



Version 1

\*\*\*Only items with callouts are available for replacement.\*\*\*



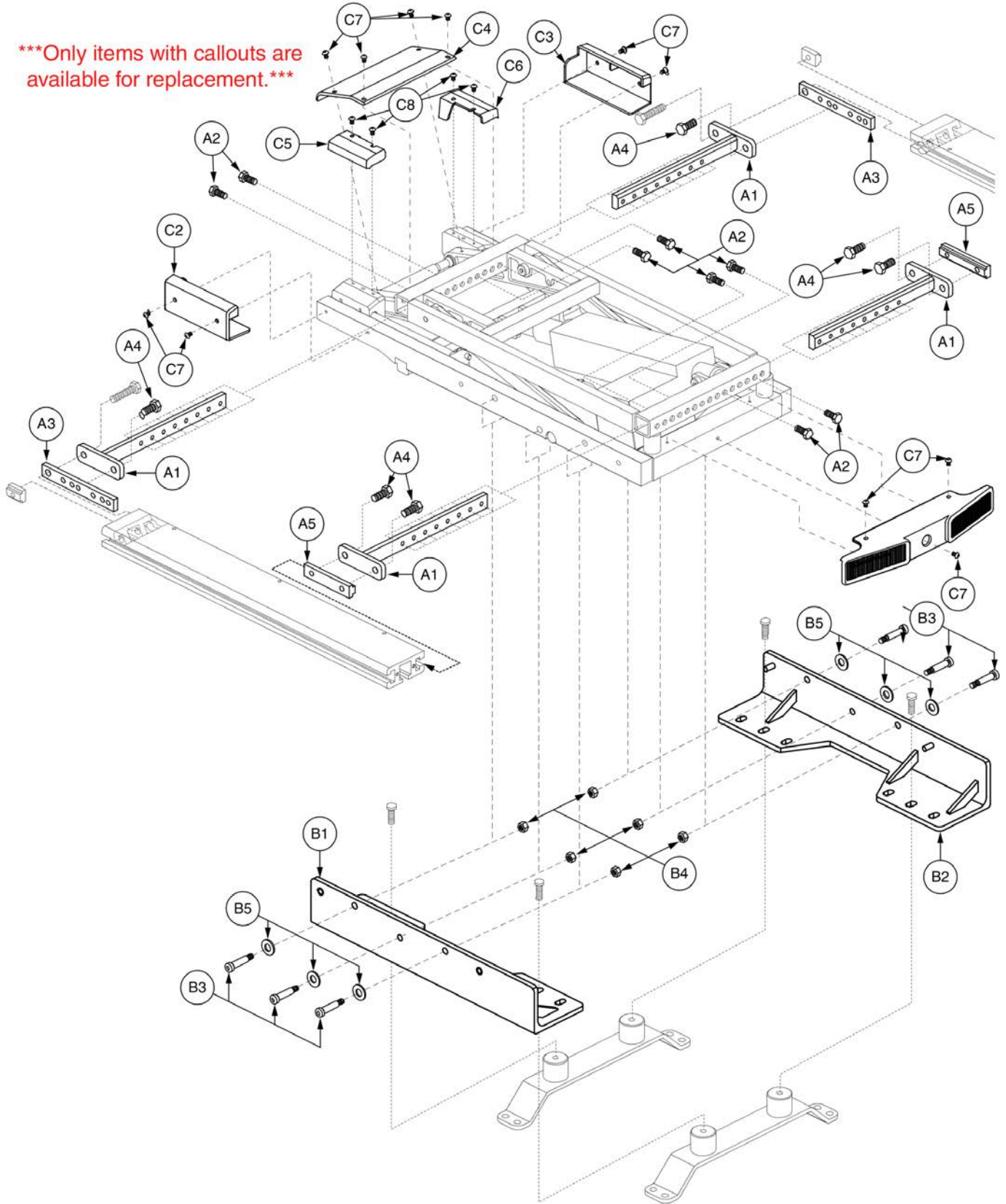
# Seat Base, 20"-24"W, TB2 Tilt



Item	Part No.	Name	Qty
A1	DWR1265C042	FRAME,WIDTH ADJUSTMENT WELDMENT,21"W-24"W,TB2	4
A2	DWR1265D012	COVER,INTERFACE WELDMENT,B,PLASTIC,TRU-BALANCE TILT 2	1
A3	DWR1265D010	COVER,INTERFACE WELDMENT,A,PLASTIC,TRU-BALANCE TILT 2	1
A4	SCRHHCS1325	SCREW,HHCS,BLACK ZINC,1/4-20 X 0.750",GR 8,W/PATCH	8
A5	DWR1265B002	FRAME,SAFETY PLATE,5.25" L,TB2 TILT	2
A6	VELHOOK1058	REUSABLE FASTENER,HOOK,BLACK,0.250"W,3.25"L	4
A7	SCRHHCS1241	SCREW,HHCS,BLACK ZINC,5/16-18 X 0.75",GR 8,W/PATCH	8
A8	DWR1360B015	T-NUT,BLACK,5/16-18 X 3", W/2",HOLE SPACING,B-1360-015	2
A9	VELLOOP1053	REUSABLE FASTENER,LOOP,BLACK,0.250"W,3.25"L	4
B1	DWR1265E029	FRAME,INTERFACE WELDMENT,A,TRU-BALANCE TILT 2,E-1265-029	1
B2	DWR1265E028	FRAME,INTERFACE WELDMENT,B,TRU-BALANCE TILT 2,E-1265-028	1
B3		BOLT,SHOULDER,5/16" X 1.00",C-1005-022	6
B4	NUTNYLK1014	NUT,NYLOCK,BLACK ZINC,1/4-20	6
B5	WASSTND1002	WASHER,FLAT,BLACK ZINC,0.3125" ID X 0.6875" OD X 0.0625" TH	6
C2	DWR1265C031	CAP,POST,PLASTIC,REAR,TRU-BALANCE TILT 2,LEFT,C-1265-031	1
C3	DWR1265C030	CAP,POST,PLASTIC,REAR,TRU-BALANCE TILT 2,RIGHT,C-1265-030	1
C4	DWR1265C040	COVER,PLASTIC,TRU-BALANCE TILT 2,SLIDER,RIGHT,C-1265-040	1
C5	DWR1265C041	COVER,PLASTIC,TRU-BALANCE TILT 2,SLIDER,LEFT,C-1265-041	1
C6	DWR1265D013	COVER,PLASTIC,TRU-BALANCE TILT 2,RESIDUAL SHIELD	1
C7	SCRASBH1151	SCREW,BHSCS,BLACK ZINC,8-32 X 0.250",GR 8,W/PATCH	11
C8	SCRASBH1153	SCREW,BHSCS,BLACK ZINC,6-32 X 0.250",W/NYLON PATCH	4

Version 1

\*\*\*Only items with callouts are available for replacement.\*\*\*





# Seat Base, 5" Centers, 14"-18"W, TB2 Tilt



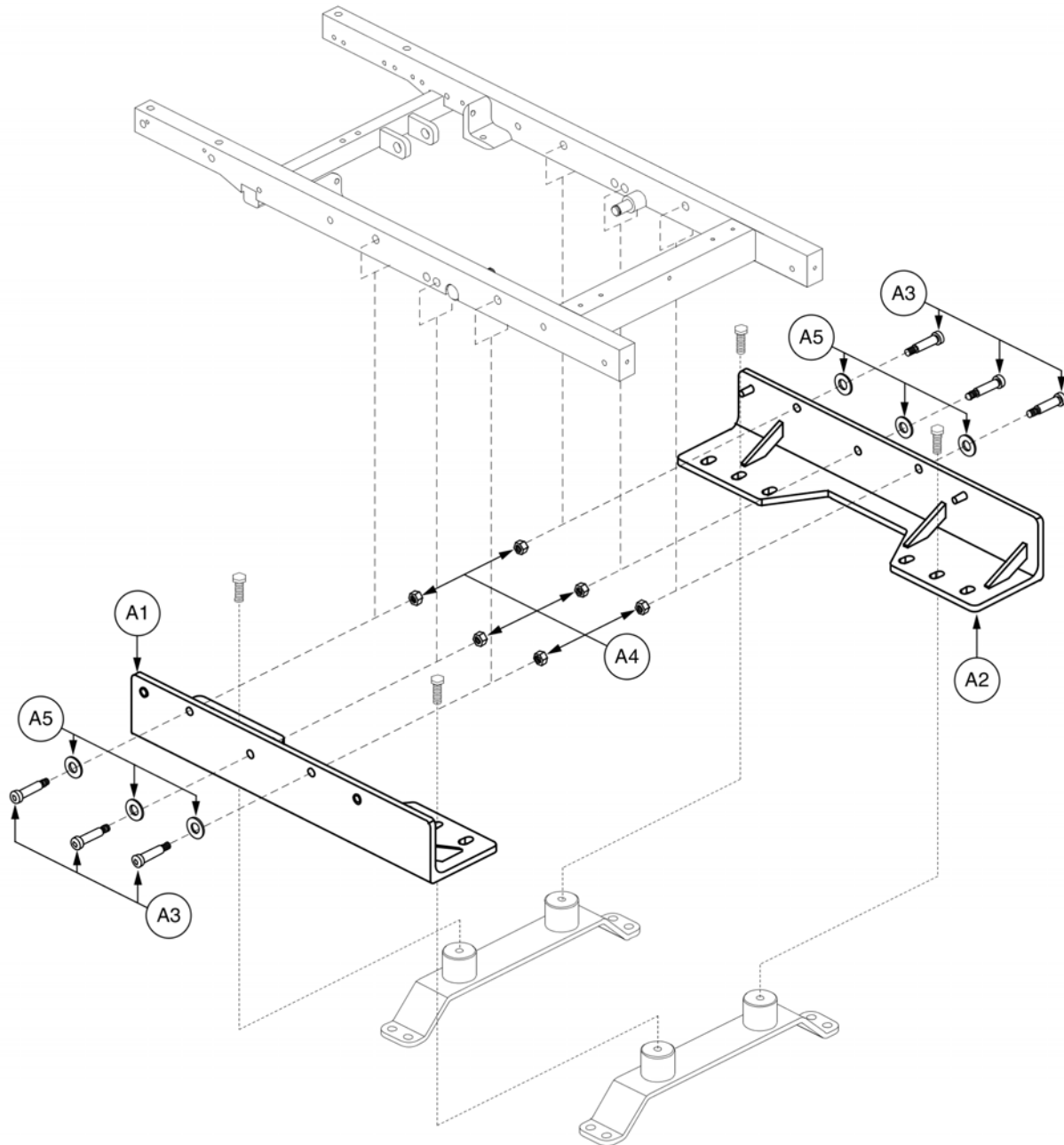
Item	Part No.	Name	Qty
A1	DWR1265C033	FRAME,WIDTH ADJUSTMENT WELDMENT,14"W-20"W,TB2	4
A2	SCRHHCS1325	SCREW,HHCS,BLACK ZINC,1/4-20 X 0.750",GR 8,W/PATCH	8
A3	DWR1265B002	FRAME,SAFETY PLATE,5.25" L,TB2 TILT	2
A4	SCRHHCS1241	SCREW,HHCS,BLACK ZINC,5/16-18 X 0.75",GR 8,W/PATCH	6
A5	DWR1360B015	T-NUT,BLACK,5/16-18 X 3", W/2",HOLE SPACING,B-1360-015	2
B1	DWR1265E044	FRAME,INTERFACE WELDMENT,B,5.039" CENTERS,TB2	1
B2	DWR1265E042	FRAME,INTERFACE WELDMENT,A,5.039" CENTERS,TB2	1
B3		BOLT,SHOULDER,5/16" X 1.00",C-1005-022	6
B4	NUTNYLK1014	NUT,NYLOCK,BLACK ZINC,1/4-20	6
B5	WASSTND1002	WASHER,FLAT,BLACK ZINC,0.3125" ID X 0.6875" OD X 0.0625" TH	6
C2	DWR1265C030	CAP,POST,PLASTIC,REAR,TRU-BALANCE TILT 2,RIGHT,C-1265-030	1
C3	DWR1265C031	CAP,POST,PLASTIC,REAR,TRU-BALANCE TILT 2,LEFT,C-1265-031	1
C4	DWR1265D013	COVER,PLASTIC,TRU-BALANCE TILT 2,RESIDUAL SHIELD	1
C5	DWR1265C040	COVER,PLASTIC,TRU-BALANCE TILT 2,SLIDER,RIGHT,C-1265-040	1
C6	DWR1265C041	COVER,PLASTIC,TRU-BALANCE TILT 2,SLIDER,LEFT,C-1265-041	1
C7	SCRASBH1151	SCREW,BHSCS,BLACK ZINC,8-32 X 0.250",GR 8,W/PATCH	11
C8	SCRASBH1153	SCREW,BHSCS,BLACK ZINC,6-32 X 0.250",W/NYLON PATCH	4

Interfaces

<b>SPANNER WIDTH</b>	<b>MODELS</b>
5.039"	J/Q1103ULTRA, J1143ULTRA, J/Q1107(front), DYNAMO1107(front), J/Q610, J6, JET3ULTRA
12.795"	J/Q600 SERIES, J/Q614
13.625"	J1113, J1113ATS, J1114, J1114ATS, DYNAMO, DYNAMO ATS, JET7, SELECT7
14.000"	Q6EDGE
14.322"	J1101, J/Q1121, R4000, VIBE(rear)
16.125"	J1170, J/Q1122, J1120-2000, J/Q1400 SERIES, J/Q1402, Q6000, Q6000Z, BLAST SERIES
20.125"	J/Q1650

This page intentionally left blank

Interfaces

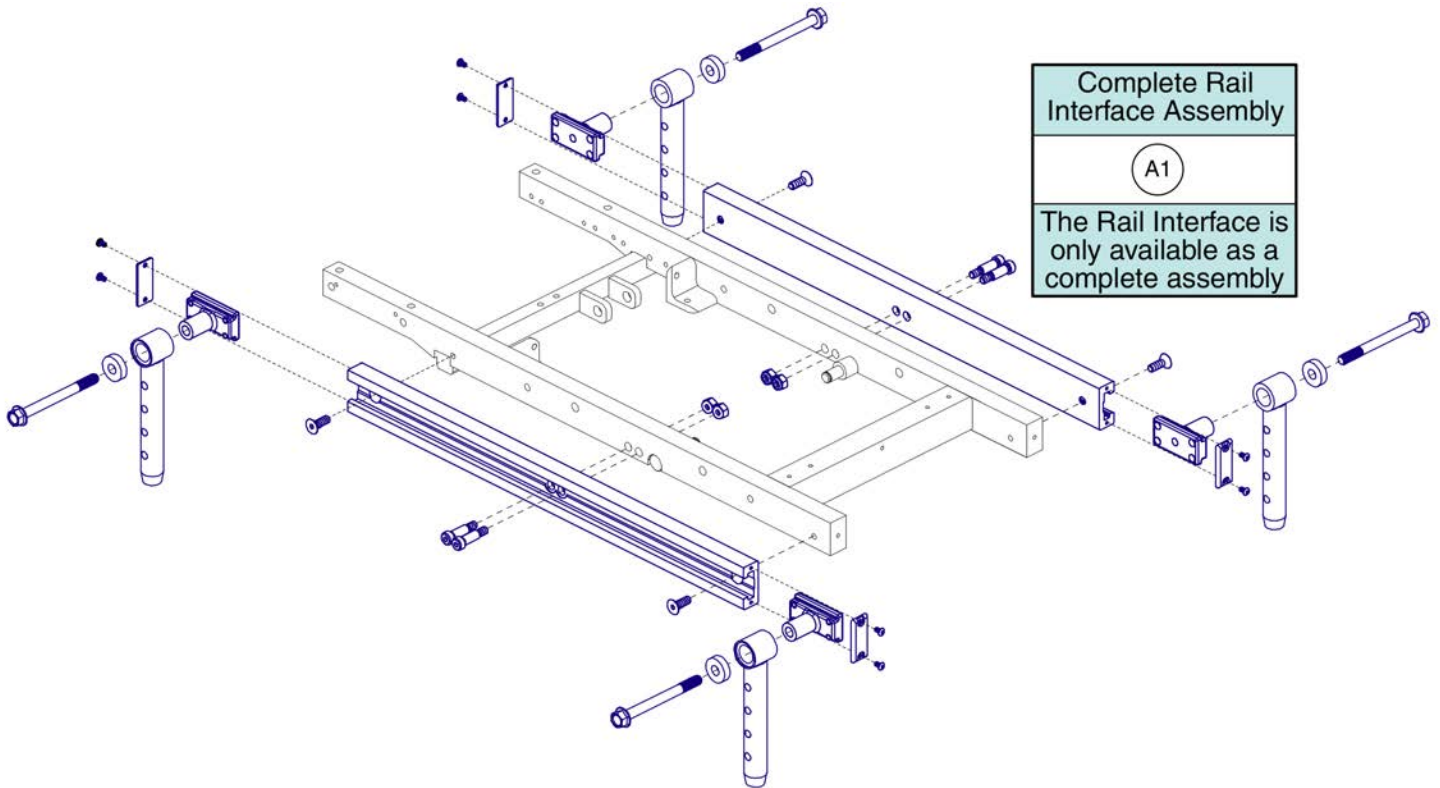


# Interface Weldment, 5.039" Centers, TB2 Tilt



Item	Part No.	Name	Qty
A1 - A5	FRMASMB16942	SEAT TOWER,ASSY,5.039" CENTERS,TRU-BALANCE 2 POWER TILT,W/MOUNTING HARDWARE	1
A1	DWR1265E044	FRAME,INTERFACE WELDMENT,B,5.039" CENTERS,TB2	1
A2	DWR1265E042	FRAME,INTERFACE WELDMENT,A,5.039" CENTERS,TB2	1
A3		BOLT,SHOULDER,5/16" X 1.00",C-1005-022	6
A4	NUTNYLK1014	NUT,NYLOCK,BLACK ZINC,1/4-20	6
A5	WASSTND1002	WASHER,FLAT,BLACK ZINC,0.3125" ID X 0.6875" OD X 0.0625" TH	6

Interfaces

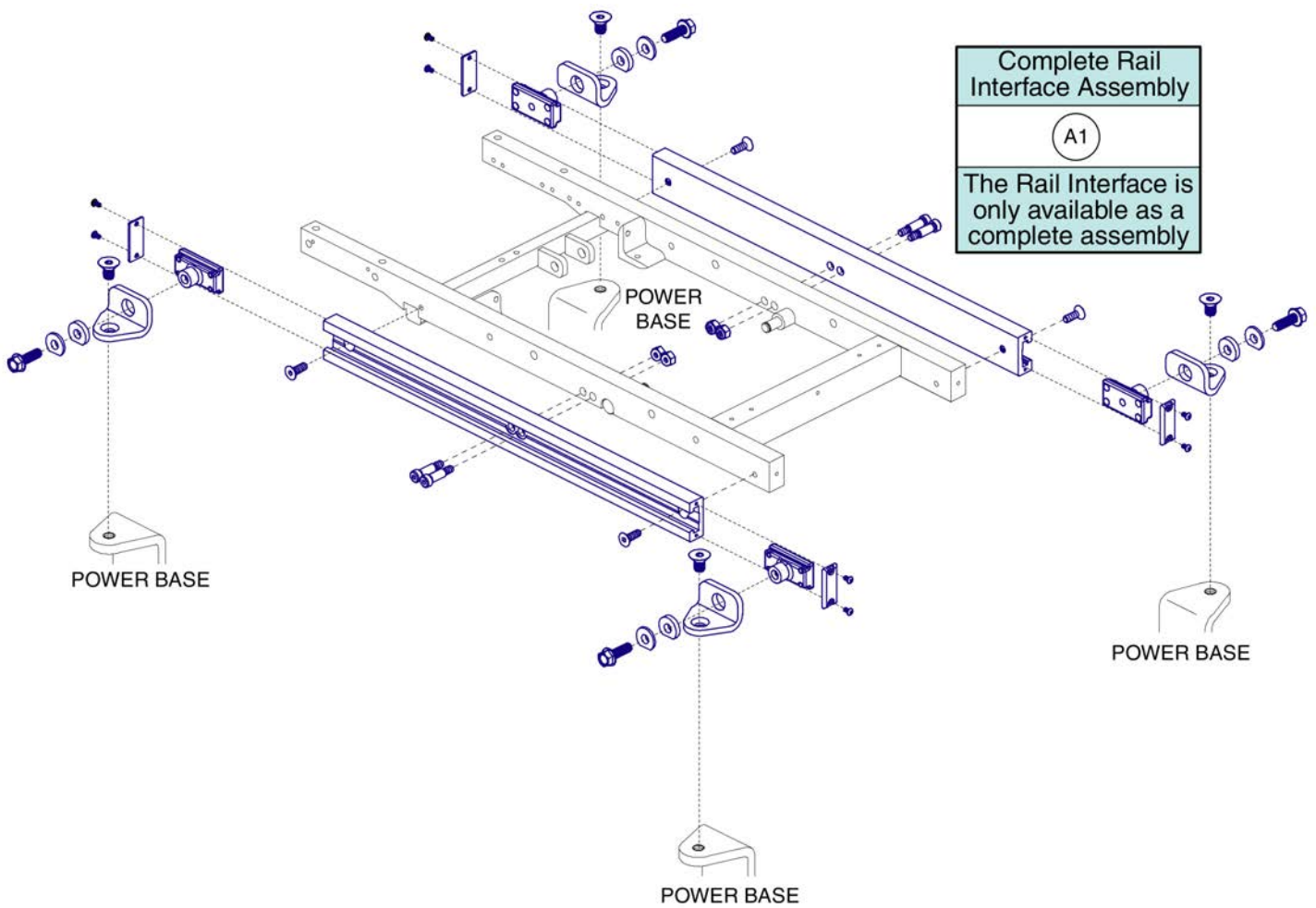


# Rail Interface, 12.795" Centers, TB2 Tilt



Item	Part No.	Name	Qty
A1	FRMASMB16943	SEAT TOWER,ASSY,RAIL INTERFACE,12.795" CENTERS,TRUBALANCE 2 POWER TILT,W/MOUNTING HARDWARE	1

Interfaces



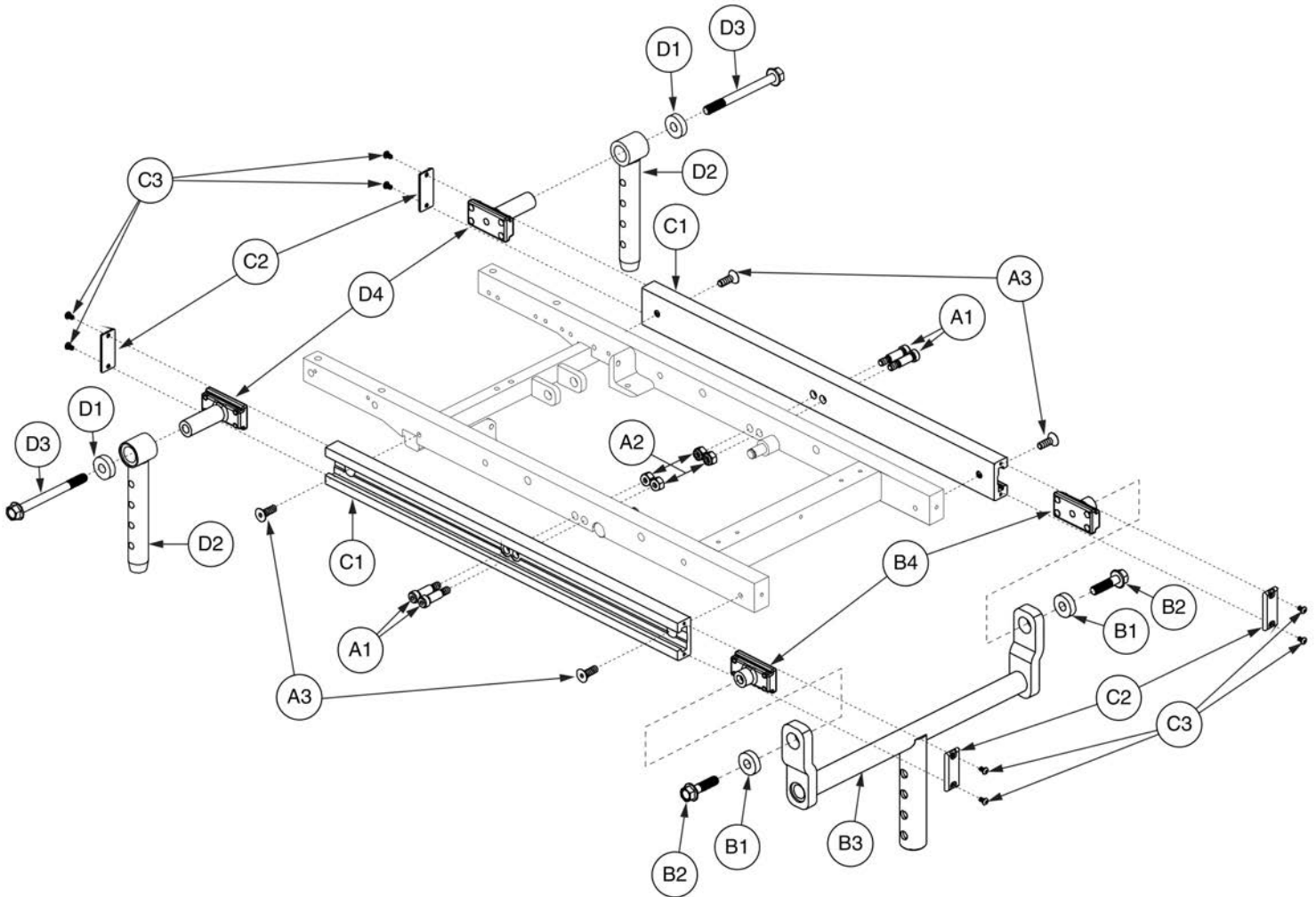


# Rail Interface, 14" Centers (Q6 Edge), TB2 Tilt



Item	Part No.	Name	Qty
A1	FRMASMB16296	SEAT TOWER,ASSY,RAIL INTERFACE,TRU-BALANCE 2 POWER TILT,14"CENTERS,W/MOUNTING HARDWARE	1

Interfaces

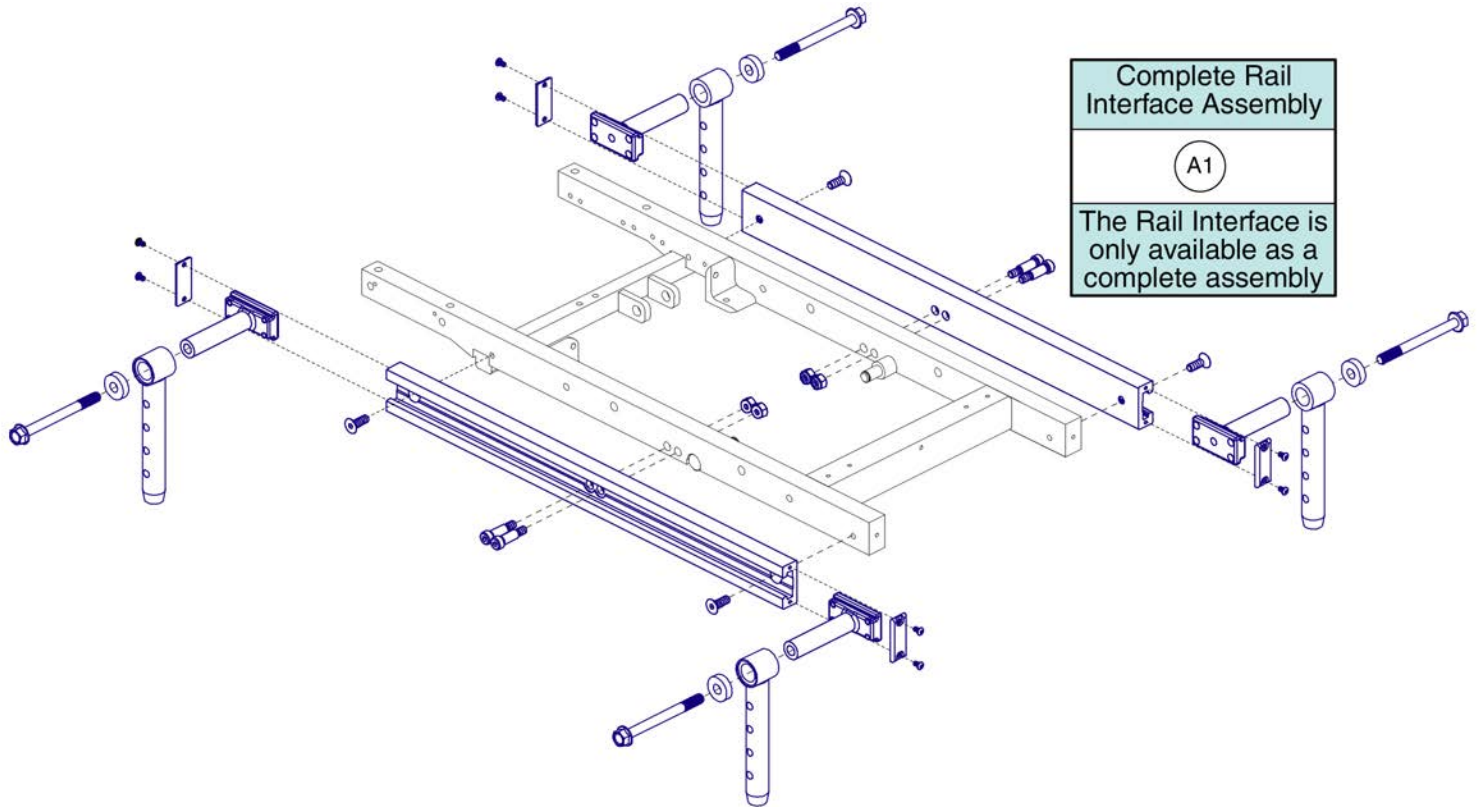


# Rail Interface, 14.322" Centers (R4000), TB2 Tilt



Item	Part No.	Name	Qty
A1 - D4		SEAT TOWER,ASSY,RAIL INTERFACE,14.322"CENTERS,QUANTUMR4000,TB2 TILT,W/MOUNTING HARDWARE	1
A1	BLTASHL1067	BOLT,SHOULDER,5/16" X 0.75"	4
A2	NUTNJAM1014	NUT,NYLOCK JAM,BLACK ZINC,1/4-20	4
A3	SCRSHFH1085	SCREW,SHFH,BLACK ZINC,1/4-20 X 0.75",GRADE 8,W/NYLON PATCH,A-1367-005	4
B1 - B4		SEAT TOWER,FRONT,UPPER,TILT,R4000,VERSION 2,D-1265-032	1
B1		WASHER,CUSTOM,POLYURETHANE,.350"ID X .875"OD X .25"THK	2
B2	SCRHHCS1661	SCREW,HHCS,BLACK ZINC,5/16-18 X 1.25",FLANGED,GR 8,W/PATCH	2
B3		SEAT TOWER WELDMENT,SUPPORT TEE,R4000,TB2 TILT,FRONT,V2	1
B4		SLIDE BRACKET,TB2 TILT,R4000,STANDOFF,FRONT	2
C1 - D4		SEAT INTERFACE RAIL,ASSY,ANGLE ADJUSTABLE,TB2 TILT,R4000,W/SEAT TOWER,D-1265-039	2
C1		FRAME,INTERFACE RAIL,TRU-BALANCE TILT 2,D-1265-023	1
C2		END CAP,INTERFACE RAIL,ABS,D-1265-033	2
C3	SCRASBH1153	SCREW,BHSCS,BLACK ZINC,6-32 X 0.250",W/NYLON PATCH	4
D1 - D4		SEAT TOWER,ASSY,ANGLE ADJUSTABLE,REAR,TB2 TILT,R4000,V2	1
D1		WASHER,CUSTOM,POLYURETHANE,.350"ID X .875"OD X .25"THK	1
D2		SWIVEL TOWER,ANGLE ADJUSTABLE,R4000,TB2 TILT,V2	1
D3		SCREW,HHCS,BLACK ZINC,5/16-18 X 2.50",FLANGED,GR 8,W/PATCH	1
D4		SLIDE BRACKET,TB2 TILT,R4000,STANDOFF,REAR	1

Interfaces

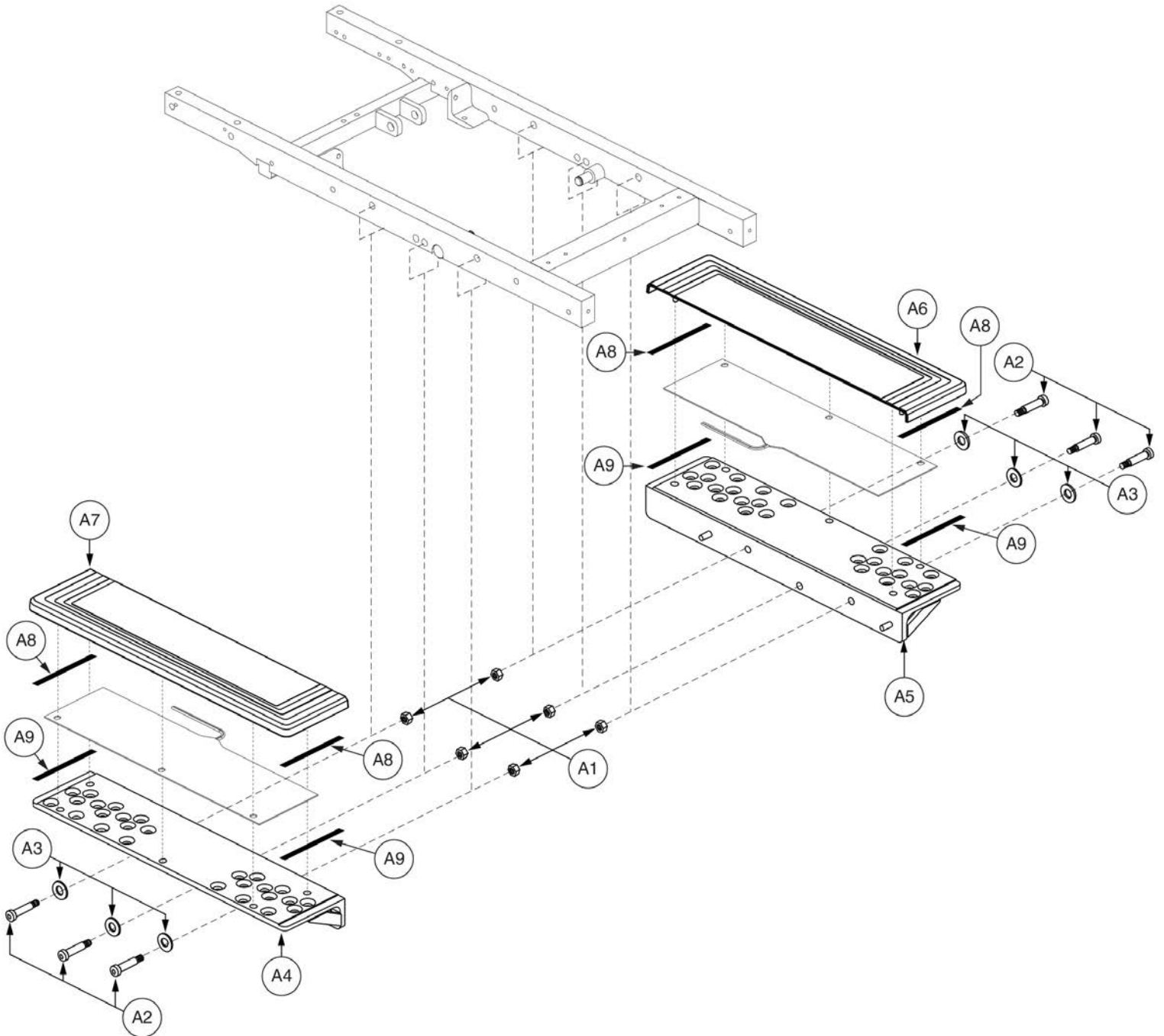


# Rail Interface, 16.125" Centers, TB2 Tilt



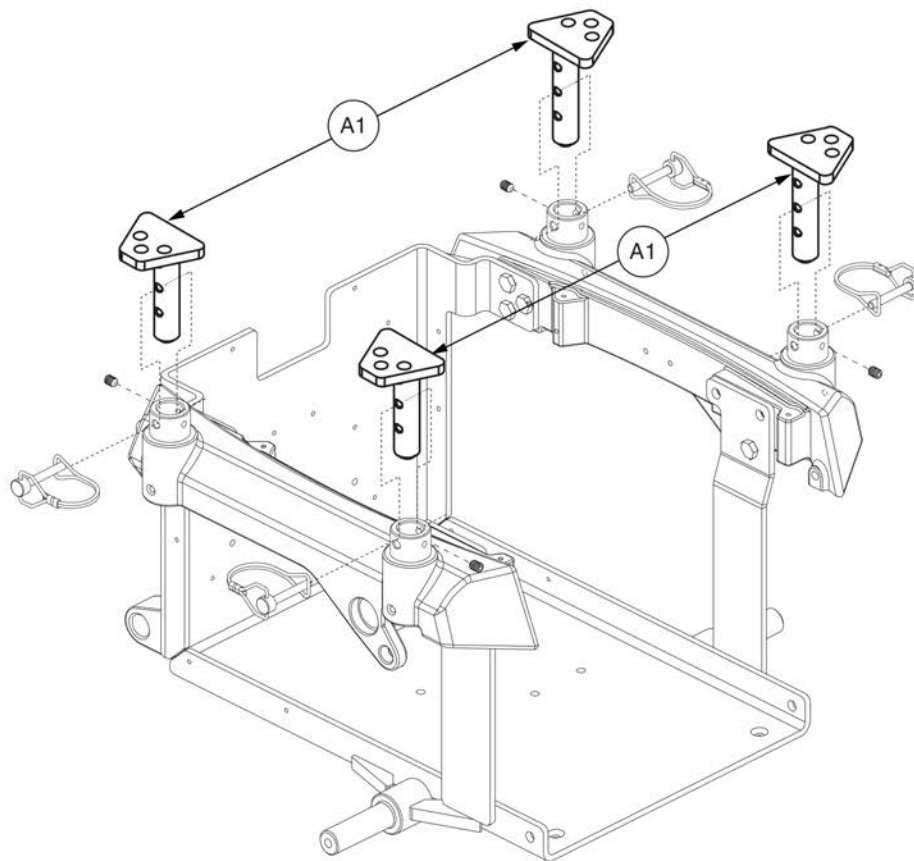
Item	Part No.	Name	Qty
A1	FRMASMB16945	SEAT TOWER,ASSY,RAIL INTERFACE,16.125" CENTERS,TRUBALANCE 2 POWER TILT,W/MOUNTING HARDWARE	1

Interfaces



Item	Part No.	Name	Qty
A1 - A9	FRMASMB17081	SEAT TOWER,ASSY,JAZZY1113ATS/JAZZY1121/SUPERLOW,TRUBALANCE 2 POWER TILT,W/MOUNTING HARDWARE	1
A1	NUTNYLK1014	NUT,NYLOCK,BLACK ZINC,1/4-20	6
A2		BOLT,SHOULDER,5/16" X 1.00",C-1005-022	6
A3	WASSTND1002	WASHER,FLAT,BLACK ZINC,0.3125" ID X 0.6875" OD X 0.0625" TH	6
A4	DWR1265E028	FRAME,INTERFACE WELDMENT,B,TRU-BALANCE TILT 2,E-1265-028	1
A5	DWR1265E029	FRAME,INTERFACE WELDMENT,A,TRU-BALANCE TILT 2,E-1265-029	1
A6	DWR1265D010	COVER,INTERFACE WELDMENT,A,PLASTIC,TRU-BALANCE TILT 2	1
A7	DWR1265D012	COVER,INTERFACE WELDMENT,B,PLASTIC,TRU-BALANCE TILT 2	1
A8	VELLOOP1053	REUSABLE FASTENER,LOOP,BLACK,0.250"W,3.25"L	4
A9	VELHOOK1058	REUSABLE FASTENER,HOOK,BLACK,0.250"W,3.25"L	4

Seat Towers



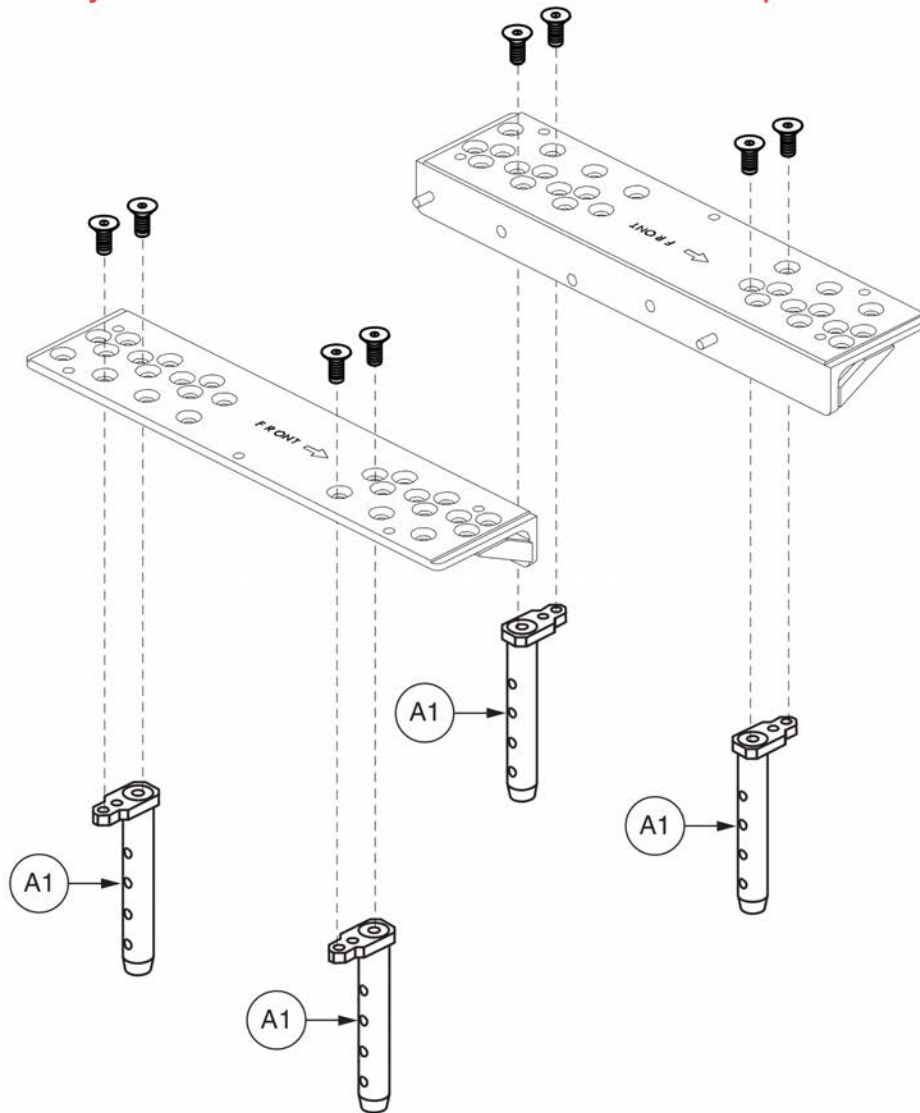




Item	Part No.	Name	Qty
A1	MEC133991	SEAT TOWER WELDMENT,3-HOLE,TRU-BALANCE 2 TILT 2,QUANTUM6000	4

Seat Towers

\*\*\* Only items with callouts are available for replacement. \*\*\*

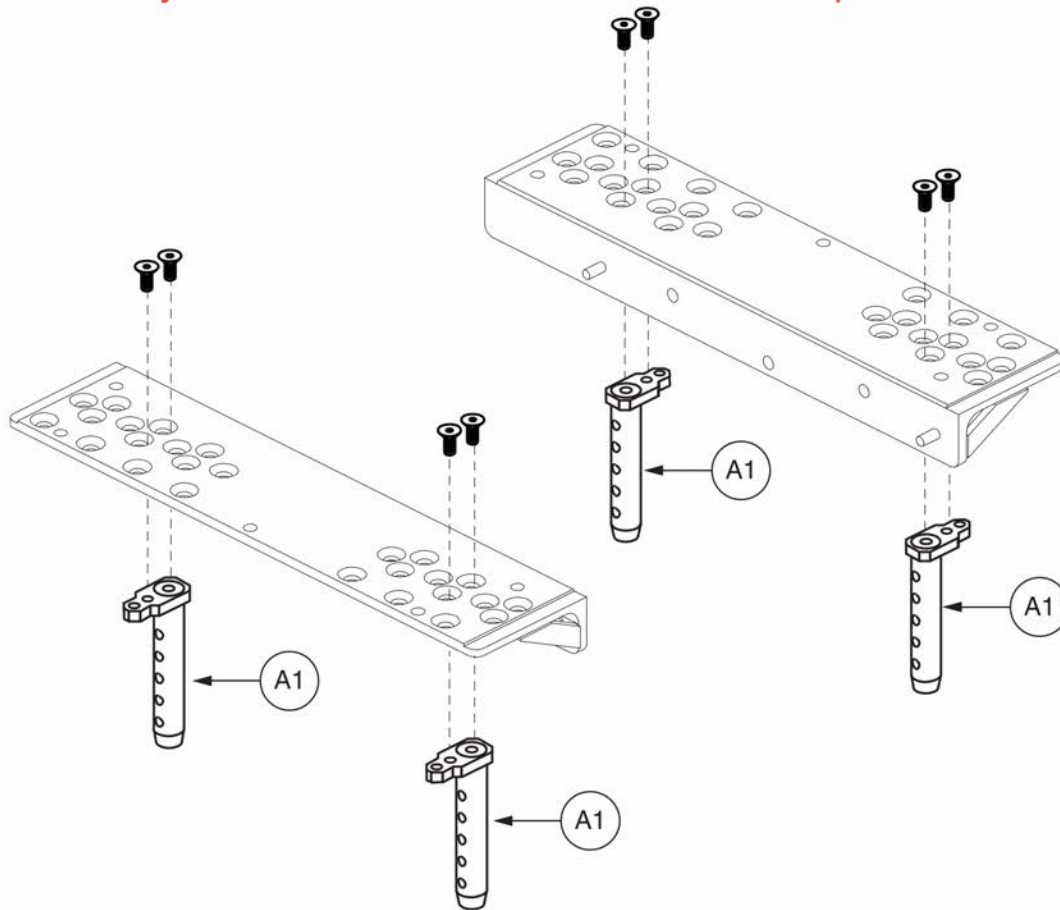




Item	Part No.	Name	Qty
A1	FRMASMB10498	SEAT TOWER,ASSY,FIXED,TRU-BALANCE 2 POWER TILT	4

Seat Towers

\*\*\* Only items with callouts are available for replacement. \*\*\*

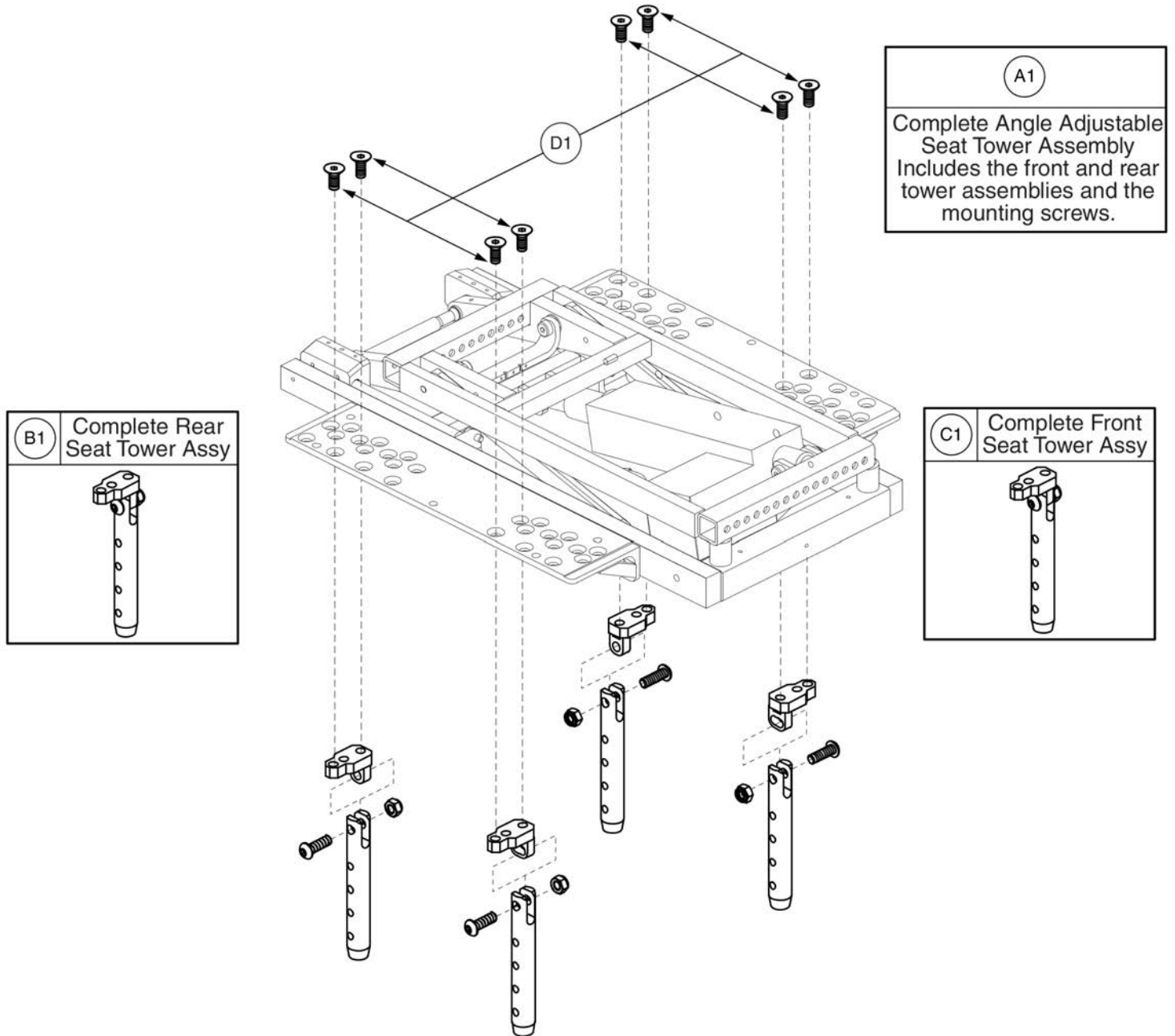


**Fixed Seat Towers, TB2 Super Low Tilt**



Item	Part No.	Name	Qty
A1	FRMASMB14490	SEAT TOWER,ASSY,FIXED,SUPER LOW,TRU-BALANCE 2 TILT	4

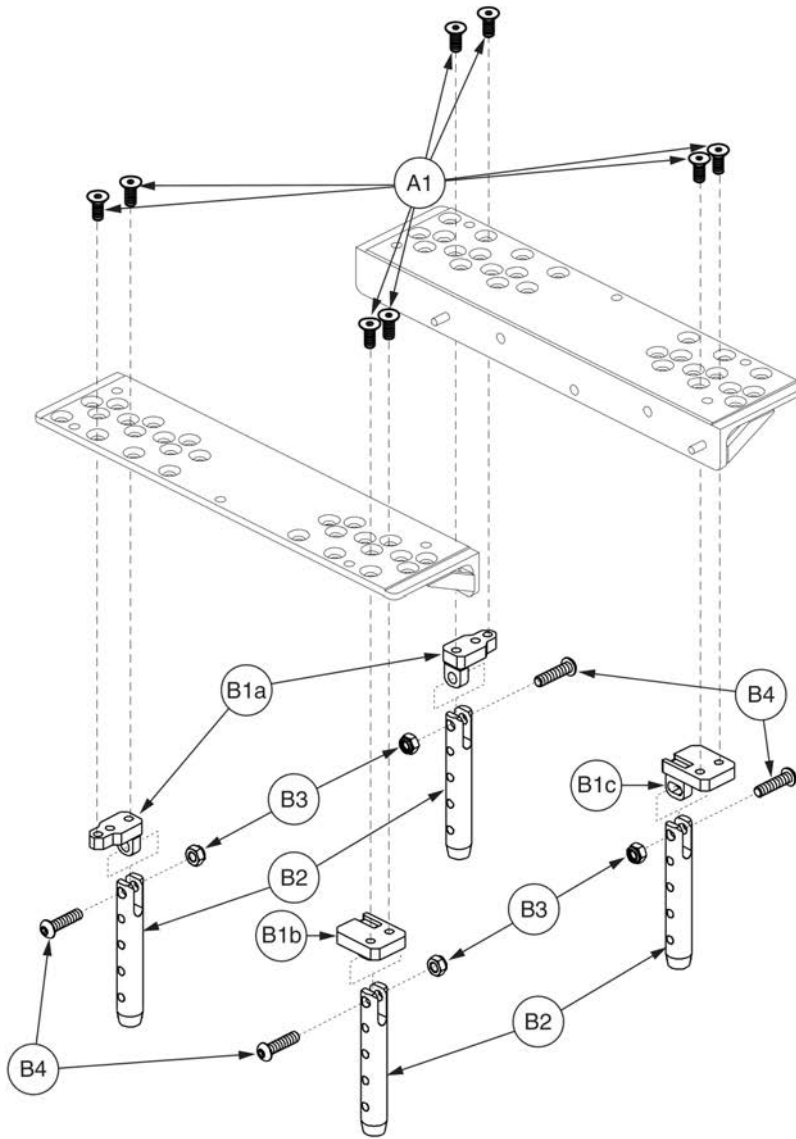
Seat Towers





Item	Part No.	Name	Qty
A1	FRMASMB10497	SEAT TOWER,ASSY,ANGLE ADJUSTABLE,TRU-BALANCE 2 POWER TILT	1
B1	FRMASMB12348	SEAT TOWER,ASSY,ANGLE ADJUSTABLE,TRU-BALANCE TILT 2,REAR,C-1265-067	2
C1	FRMASMB12347	SEAT TOWER,ASSY,ANGLE ADJUSTABLE,TRU-BALANCE TILT 2,FRONT,C-1265-065	2
D1	SCRSHFH1035	SCREW,SHFH,BLACK ZINC,5/16-18 X 0.75",GR 8,W/PATCH	8

Seat Towers

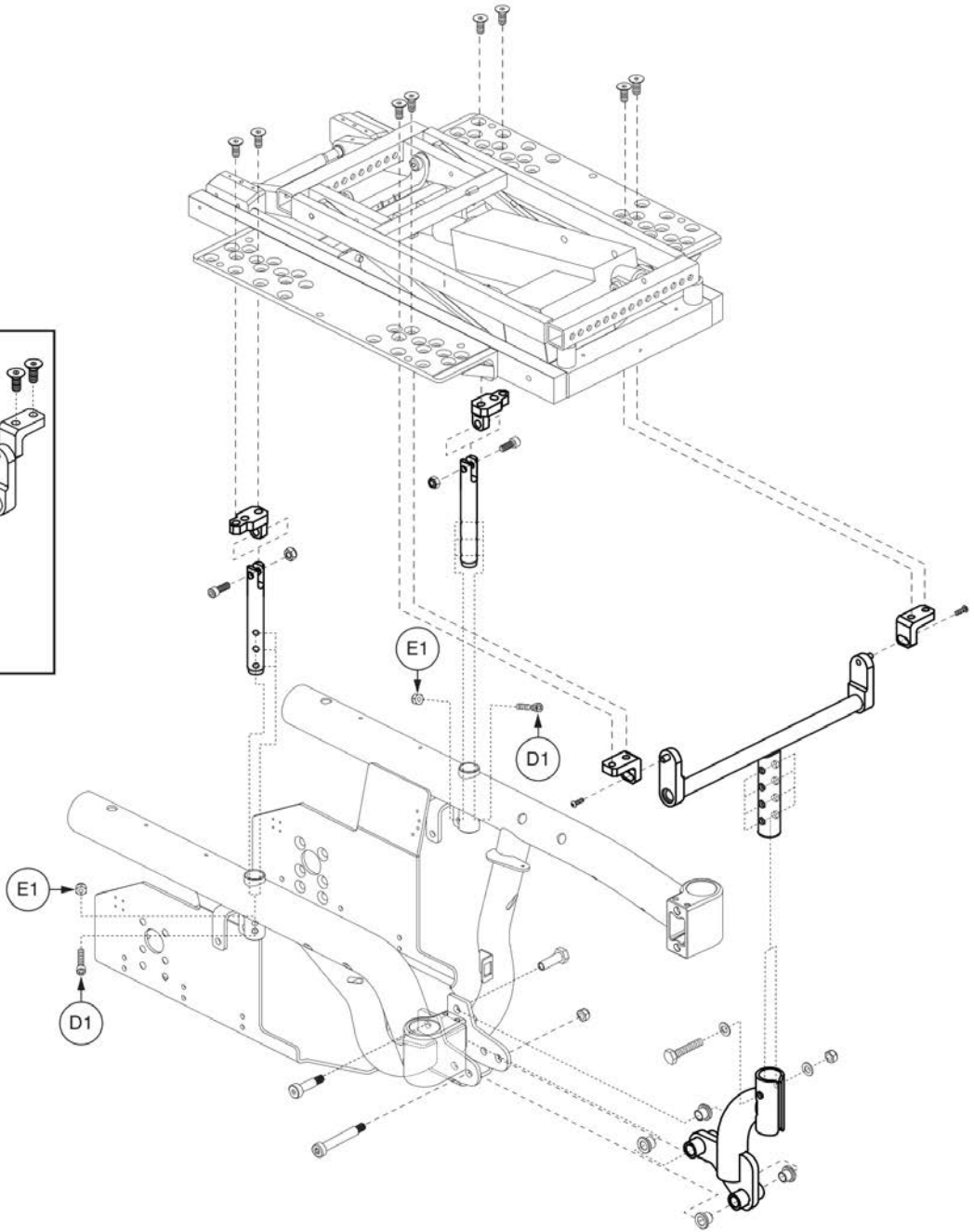
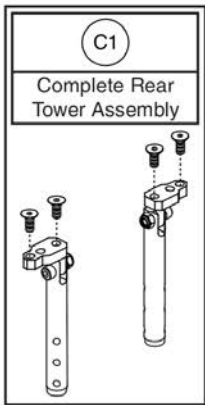
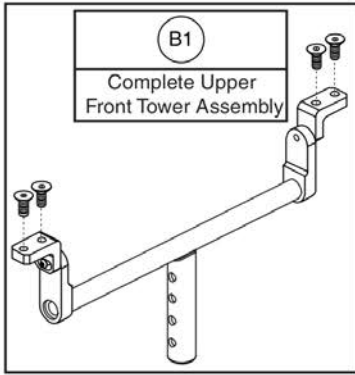
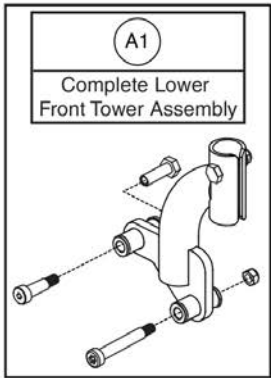




Item	Part No.	Name	Qty
A1 - B4		SEAT TOWER,ASSY,ANGLE ADJUSTABLE,TB2 TILT,JAZZY614	1
A1	SCRSHFH1035	SCREW,SHFH,BLACK ZINC,5/16-18 X 0.75",GR 8,W/PATCH	8
B1a - B4		SEAT TOWER,ASSY,ANGLE ADJUSTABLE,TRU-BALANCE 2 POWER TILT,JAZZY614,REAR,C-1265-074	2
B1b - B4		SEAT TOWER,ASSY,ANGLE ADJUSTABLE,TRU-BALANCE 2 POWER TILT,JAZZY614,FRONT,RIGHT,C-1265-080	1
B1c - B4		SEAT TOWER,ASSY,ANGLE ADJUSTABLE,TRU-BALANCE 2 POWER TILT,JAZZY614,FRONT,LEFT,C-1265-073	1
B1a		DUMP BRACKET,TRU-BALANCE TILT 2,REAR,C-1265-066	1
B1b		DUMP BRACKET,TRU-BALANCE POWER 2 TILT,RIGHT,C-1265-079	1
B1c		DUMP BRACKET,WELDMENT,TRU-BALANCE POWER 2 TILT,FRONT	1
B2		TOWER WELDMENT,4 HOLE,4.73"LENGTH,TB2 TILT,J614,LOWER	1
B3	NUTNYLK1026	NUT,NYLOCK,BLACK ZINC,5/16-18	1
B4	SCRASBH1180	SCREW,BHSCS,BLACK ZINC,5/16-18 X 1.25"	1

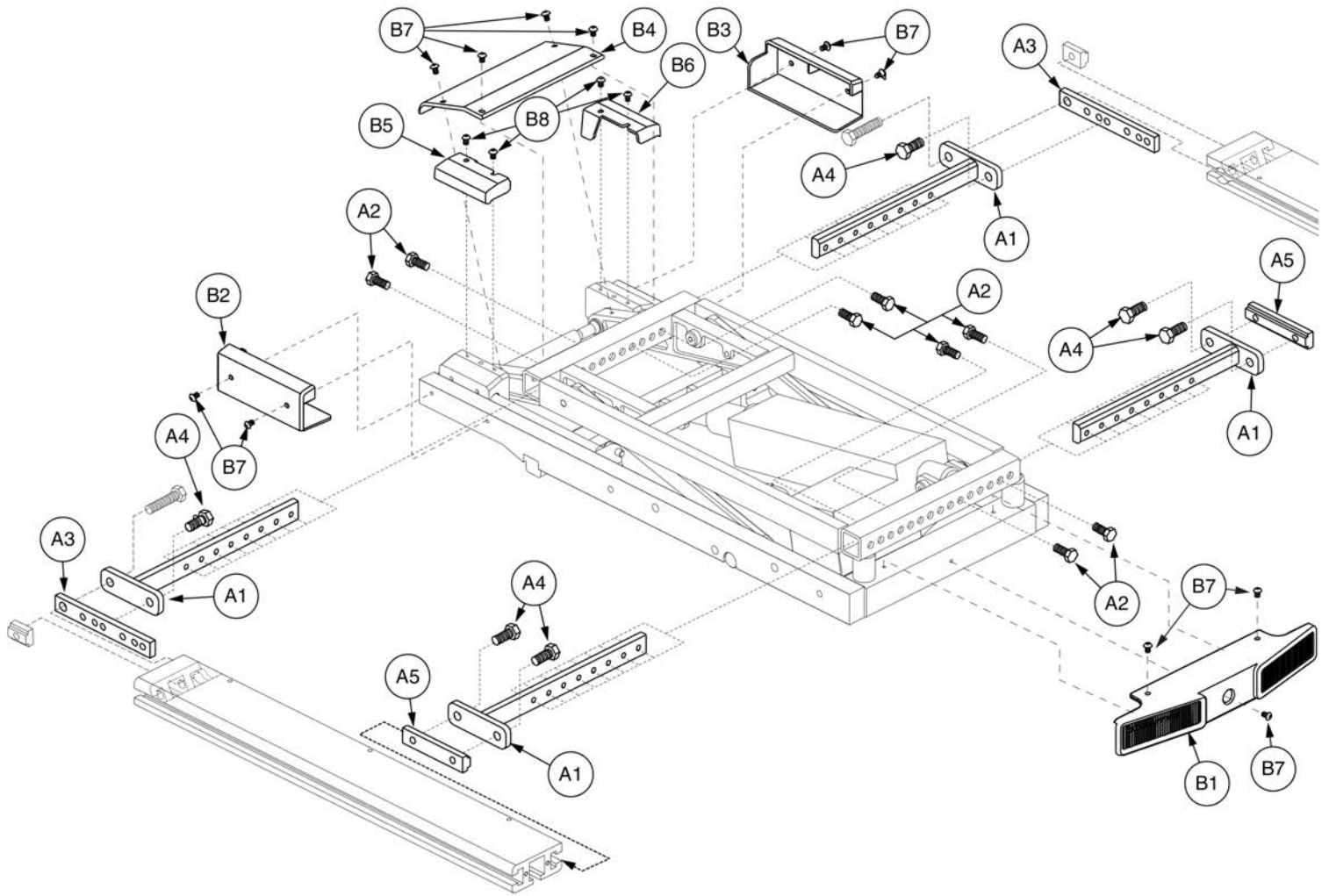
Seat Towers

\*\*\* Individual components are not available for replacement.  
The entire assembly must be purchased. \*\*\*



Item	Part No.	Name	Qty
A1	FRMASMB11128	SEAT TOWER,ASSY,FRONT,LOWER,R4000,D-1505-075	1
B1		SEAT TOWER,ASSY,FRONT,UPPER,TRU-BALANCE 2 TILT,R4000	1
C1		SEAT TOWER,ASSY,REAR,ANGLE ADJUSTABLE,TB2 TILT,R4000	2
D1	SCRSHCS1084	SCREW,SHCS,BLACK ZINC,M6-1.0 X 35MM,GRADE 12.9	2
E1	NUTNYLK1019	NUT,NYLOCK,BLACK ZINC,M6-1.0	2

1.2. Tilt Base and Interface for Power Seat

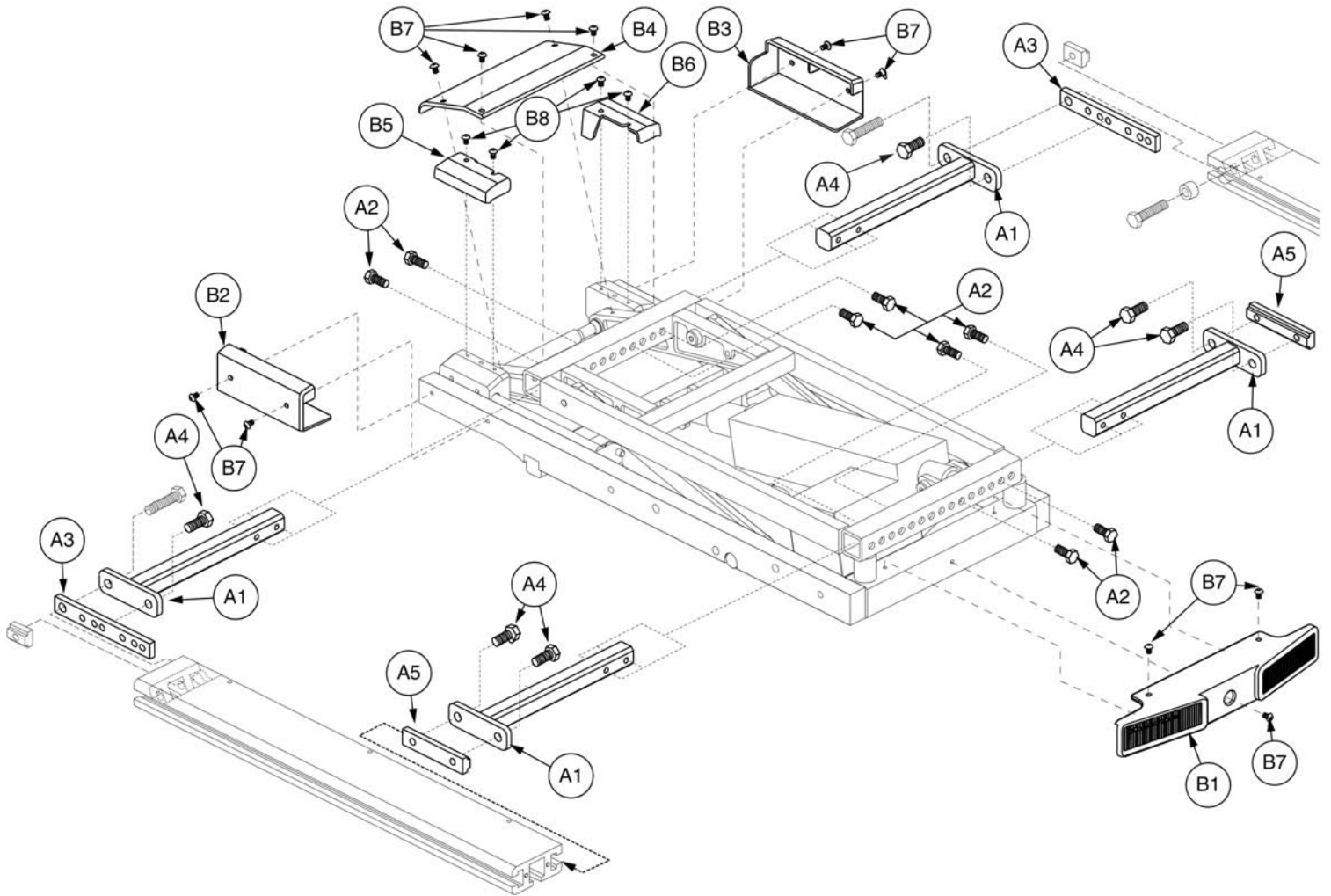


# Seat Base, 14"-20" W, TB2 Tilt w/ Elevating Seat



Item	Part No.	Name	Qty
A1 - C1		SEAT BASE,ASSY,14"W-18"W,W/POWER ELEVATING SEAT,TB2	1
A1 - C1		SEAT BASE,ASSY,16"W-20"W,W/POWER ELEVATING SEAT,TB2	1
A1	DWR1265C033	FRAME,WIDTH ADJUSTMENT WELDMENT,14"W-20"W,TB2	4
A2	SCRHHCS1479	SCREW,HHCS,BLACK ZINC,1/4-20 X 0.50",GRADE 8,W/NYLON PATCH	8
A3	DWR1265B002	FRAME,SAFETY PLATE,5.25" L,TB2 TILT	2
A4	SCRHHCS1241	SCREW,HHCS,BLACK ZINC,5/16-18 X 0.75",GR 8,W/PATCH	6
A5	DWR1360B015	T-NUT,BLACK,5/16-18 X 3", W/2",HOLE SPACING,B-1360-015	2
A6	ACCACTR1031	ACTUATOR,TRU-BALANCE TILT G2,H-1265-002,(LINAK: LA31-U272-01)	1
A7	BLTASHL1165	BOLT,SHOULDER,BLACK ZINC,3/8" X 1.50",W/PATCH	2
A8	NUTNYLK1026	NUT,NYLOCK,BLACK ZINC,5/16-18	2
B1 - C1		TRU-BALANCE TILT 2 BASE,ASSY,W/PLASTICS,E-1265-052	1
B1		COVER,FRONT,PLASTIC,TRU-BALANCE TILT 2,D-1265-011	1
B2	DWR1265C030	CAP,POST,PLASTIC,REAR,TRU-BALANCE TILT 2,RIGHT,C-1265-030	1
B3	DWR1265C031	CAP,POST,PLASTIC,REAR,TRU-BALANCE TILT 2,LEFT,C-1265-031	1
B4	DWR1265D013	COVER,PLASTIC,TRU-BALANCE TILT 2,RESIDUAL SHIELD	1
B5	DWR1265C040	COVER,PLASTIC,TRU-BALANCE TILT 2,SLIDER,RIGHT,C-1265-040	1
B6	DWR1265C041	COVER,PLASTIC,TRU-BALANCE TILT 2,SLIDER,LEFT,C-1265-041	1
B7	SCRASBH1151	SCREW,BHSCS,BLACK ZINC,8-32 X 0.250",GR 8,W/PATCH	11
B8	SCRASBH1153	SCREW,BHSCS,BLACK ZINC,6-32 X 0.250",W/NYLON PATCH	4
C1		TRU-BALANCE TILT 2 BASE,ASSY,E-1265-056	1

1.2. Tilt Base and Interface for Power Seat



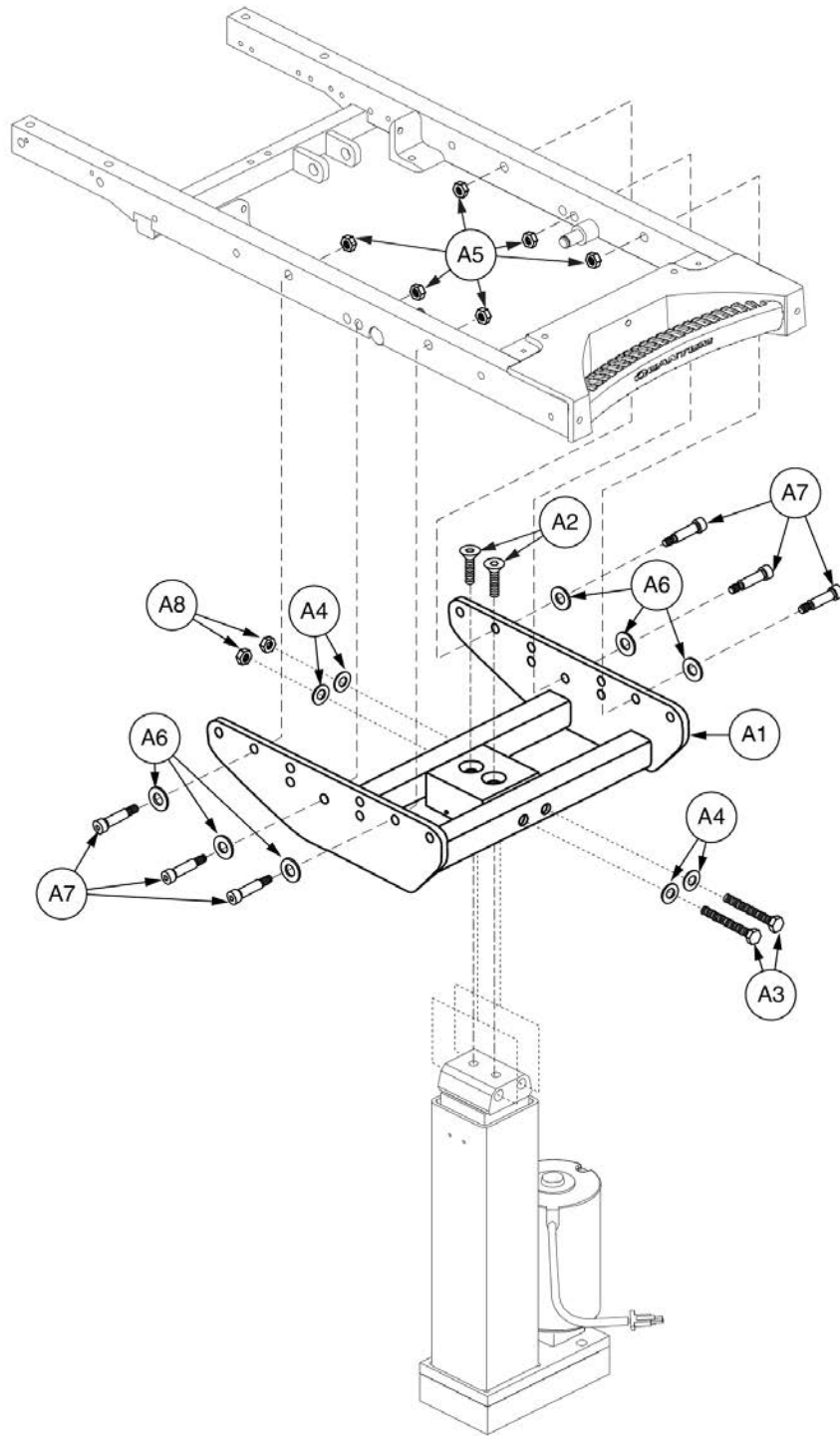
**Seat Base, 20"-24" W, TB2 Tilt w/ Elevating Seat**



Item	Part No.	Name	Qty
A1 - C1		SEAT BASE,ASSY,20"W-24"W,W/POWER ELEVATING SEAT,TB2	1
A1	DWR1265C042	FRAME,WIDTH ADJUSTMENT WELDMENT,21"W-24"W,TB2	4
A2	SCRHHCS1325	SCREW,HHCS,BLACK ZINC,1/4-20 X 0.750",GR 8,W/PATCH	8
A3	DWR1265B002	FRAME,SAFETY PLATE,5.25" L,TB2 TILT	2
A4	SCRHHCS1241	SCREW,HHCS,BLACK ZINC,5/16-18 X 0.75",GR 8,W/PATCH	6
A5	DWR1360B015	T-NUT,BLACK,5/16-18 X 3", W/2",HOLE SPACING,B-1360-015	2
A6	ACCACTR1031	ACTUATOR,TRU-BALANCE TILT G2,H-1265-002,(LINAK: LA31-U272-01)	1
A7	BLTASHL1165	BOLT,SHOULDER,BLACK ZINC,3/8" X 1.50",W/PATCH	2
A8	NUTNYLK1026	NUT,NYLOCK,BLACK ZINC,5/16-18	2
B1 - C1		TRU-BALANCE TILT 2 BASE,ASSY,W/PLASTICS,E-1265-052	1
B1		COVER,FRONT,PLASTIC,TRU-BALANCE TILT 2,D-1265-011	1
B2	DWR1265C030	CAP,POST,PLASTIC,REAR,TRU-BALANCE TILT 2,RIGHT,C-1265-030	1
B3	DWR1265C031	CAP,POST,PLASTIC,REAR,TRU-BALANCE TILT 2,LEFT,C-1265-031	1
B4	DWR1265D013	COVER,PLASTIC,TRU-BALANCE TILT 2,RESIDUAL SHIELD	1
B5	DWR1265C040	COVER,PLASTIC,TRU-BALANCE TILT 2,SLIDER,RIGHT,C-1265-040	1
B6	DWR1265C041	COVER,PLASTIC,TRU-BALANCE TILT 2,SLIDER,LEFT,C-1265-041	1
B7	SCRASBH1151	SCREW,BHSCS,BLACK ZINC,8-32 X 0.250",GR 8,W/PATCH	11
B8	SCRASBH1153	SCREW,BHSCS,BLACK ZINC,6-32 X 0.250",W/NYLON PATCH	4
C1		TRU-BALANCE TILT 2 BASE,ASSY,E-1265-056	1



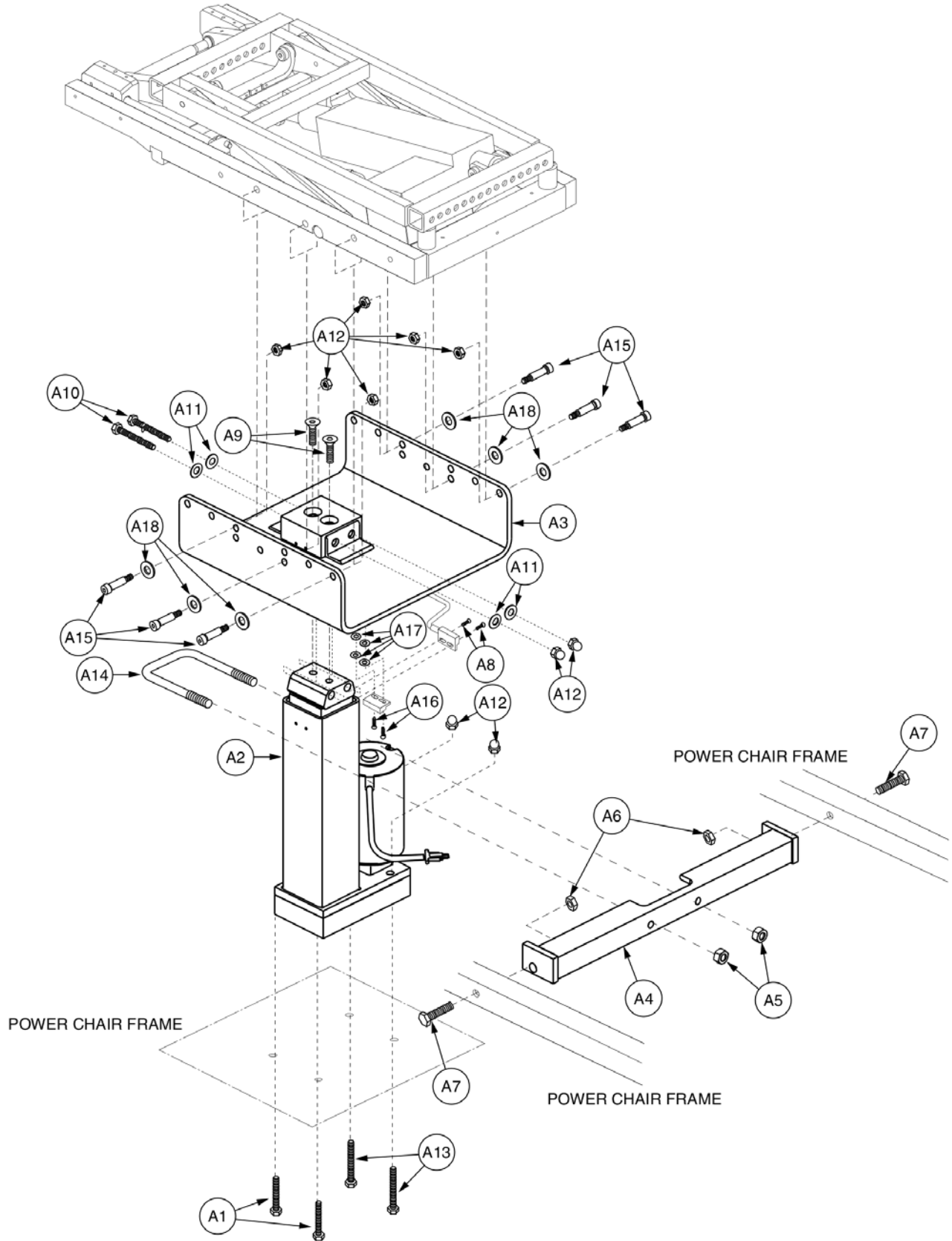
### 1.2. Tilt Base and Interface for Power Seat





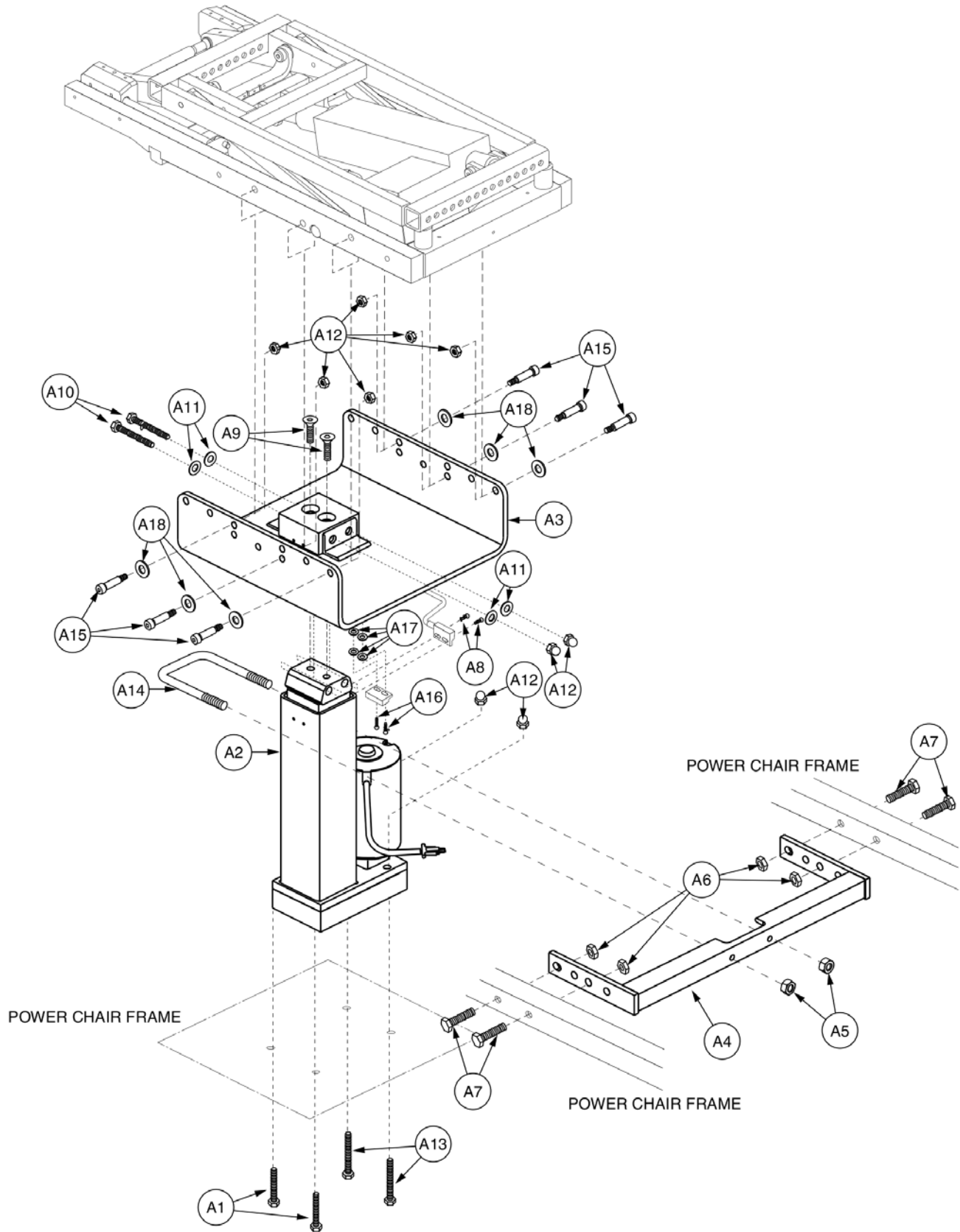
Item	Part No.	Name	Qty
A1 - A8	FRMASMB16307	SEAT BASE,ASSY,POWER SEAT,14" CENTERS,TRU-BALANCE 2 POWER TILT	1
A1		FRAME,INTERFACE WELDMENT,POWER SEAT,TB 2 TILT,E-1220-019	1
A2	SCRSHFH1191	SCREW,SHFH,BLACK ZINC,3/8-16 X 1.75",W/NYLON PATCH,(UNBRAKO: 10464)	2
A3	SCRHHCS1687	SCREW,HHCS,YELLOW ZINC,5/16-18 X 5.00",GRADE 8	2
A4	WASSAE1002	WASHER,FLAT,ZINC,5/16,0.3437" ID X 0.6875" OD X 0.0625" TH,SAE	4
A5	NUTNYLK1014	NUT,NYLOCK,BLACK ZINC,1/4-20	6
A6	WASSTND1002	WASHER,FLAT,BLACK ZINC,0.3125" ID X 0.6875" OD X 0.0625" TH	6
A7		BOLT,SHOULDER,5/16" X 1.00",C-1005-022	6
A8	NUTNYLK1026	NUT,NYLOCK,BLACK ZINC,5/16-18	2

1.2. Tilt Base and Interface for Power Seat



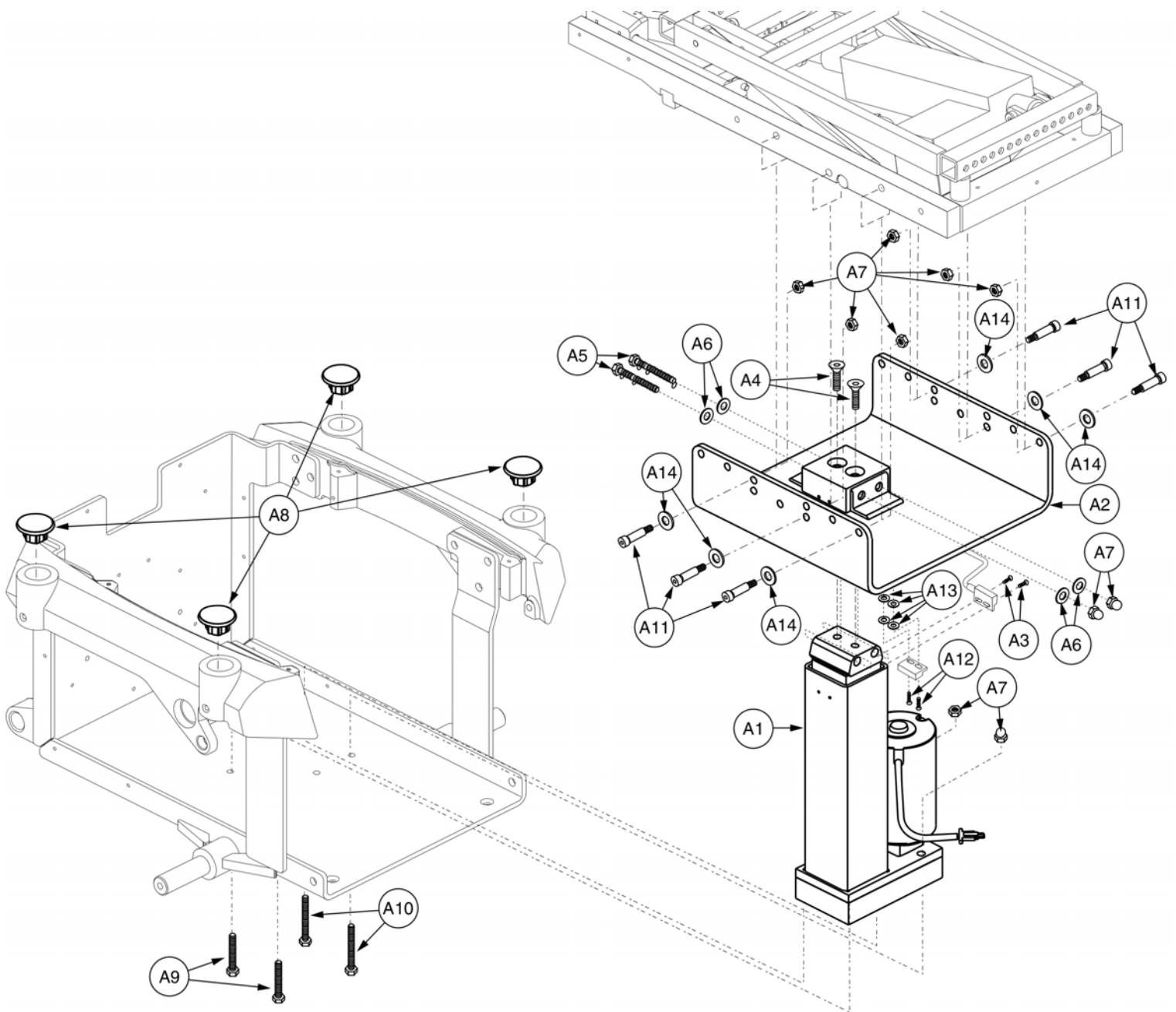
Item	Part No.	Name	Qty
A1 - A18	FRMASMB10507	SEAT BASE,ASSY,POWER SEAT,7" ELEVATION,W/TAPERED HEAD/2" SQ. SHAFT ACTUATOR,NON-SWIVEL,14.322"CENTERS,TB2 TILT	1
A1		SCREW,HHCS,BLACK ZINC,1/4-20 X 1.75",GR 8,W/PATCH	2
A2	DWR1368E015	ACTUATOR,TAPERED HEAD,TRU-BALANCE POWER SEAT,7" STROKE,E-1368-015,(MOTION SYSTEMS: 85972-003)	1
A3		FRAME,POWER SEAT INTERFACE WELDMENT,NON-SWIVEL,TB2	1
A4		FRAME,ACTUATOR SUPPORT WELDMENT,14.322" TOWER CENTERS	1
A5	NUTNYLK1026	NUT,NYLOCK,BLACK ZINC,5/16-18	2
A6	NUTNJAM1014	NUT,NYLOCK JAM,BLACK ZINC,1/4-20	2
A7	SCRHHCS1310	SCREW, HHCS,BLACK ZINC,1/4-20 X 2.750",GRADE 8	2
A8	SCRPPH1290	SCREW,PPH,BLACK ZINC,4-40 X 0.25"	2
A9	SCRSHFH1093	SCREW, SHFH,BLACK ZINC,3/8-16 X 1.00",GR 8,W/PATCH	2
A10		SCREW,HHCS,BLACK ZINC,1/4-20 X 3.75",GRADE 8	2
A11	WASBLK1001	WASHER,FLAT,BLACK ZINC,0.3125" ID X 0.75" OD X 0.0625"TH,1/4" USS	4
A12	NUTNYLK1014	NUT,NYLOCK,BLACK ZINC,1/4-20	10
A13	SCRHHCS1248	SCREW,HHCS,BLACK ZINC,1/4-20 X 2.00",GRADE 8	2
A14		U-BOLT,POWER SEAT STABILIZER,5/16-18,B-1368-015	1
A15		BOLT,SHOULDER,5/16" X 1.00",C-1005-022	6
A16	SCRPPH1301	SCREW, PPH,BLACK ZINC,4-40 X 0.50",GRADE 2	2
A17	WASSAE1000	WASHER, FLAT SAE,1/4"ID 7/16"OD 1/16"T	4
A18	WASSTND1002	WASHER,FLAT,BLACK ZINC,0.3125" ID X 0.6875" OD X 0.0625" TH	6

### 1.2. Tilt Base and Interface for Power Seat



Item	Part No.	Name	Qty
A1 - A18		SEAT BASE,ASSY,POWER SEAT,7" ELEVATION,W/ TAPERED HEAD/2" SQ. SHAFT ACTUATOR,NON-SWIVEL,16.125"CENTERS,TRU-BALANCE 2 POWER TILT	1
A1		SCREW,HHCS,BLACK ZINC,1/4-20 X 1.75",GR 8,W/PATCH	2
A2	DWR1368E015	ACTUATOR,TAPERED HEAD,TRU-BALANCE POWER SEAT,7" STROKE,E-1368-015,(MOTION SYSTEMS: 85972-003)	1
A3		FRAME,POWER SEAT INTERFACE WELDMENT,NON-SWIVEL,TB2	1
A4		FRAME,ACTUATOR SUPPORT WELDMENT,16.125" TOWER CENTERS	1
A5	NUTNYLK1026	NUT,NYLOCK,BLACK ZINC,5/16-18	2
A6	NUTNJAM1014	NUT,NYLOCK JAM,BLACK ZINC,1/4-20	4
A7	SCRHHCS1308	SCREW, HHCS,BLACK ZINC,1/4-20 X 2.250",GRADE 8	4
A8	SCRPPH1290	SCREW,PPH,BLACK ZINC,4-40 X 0.25"	2
A9	SCRSHFH1093	SCREW, SHFH,BLACK ZINC,3/8-16 X 1.00",GR 8,W/PATCH	2
A10		SCREW,HHCS,BLACK ZINC,1/4-20 X 3.75",GRADE 8	2
A11	WASBLK1001	WASHER,FLAT,BLACK ZINC,0.3125" ID X 0.75" OD X 0.0625"TH,1/4" USS	4
A12	NUTNYLK1014	NUT,NYLOCK,BLACK ZINC,1/4-20	10
A13	SCRHHCS1248	SCREW,HHCS,BLACK ZINC,1/4-20 X 2.00",GRADE 8	2
A14		U-BOLT,POWER SEAT STABILIZER,5/16-18,B-1368-015	1
A15		BOLT,SHOULDER,5/16" X 1.00",C-1005-022	6
A16	SCRPPH1301	SCREW, PPH,BLACK ZINC,4-40 X 0.50",GRADE 2	2
A17	WASSAE1000	WASHER, FLAT SAE,1/4"ID 7/16"OD 1/16"T	4
A18	WASSTND1002	WASHER,FLAT,BLACK ZINC,0.3125" ID X 0.6875" OD X 0.0625" TH	6

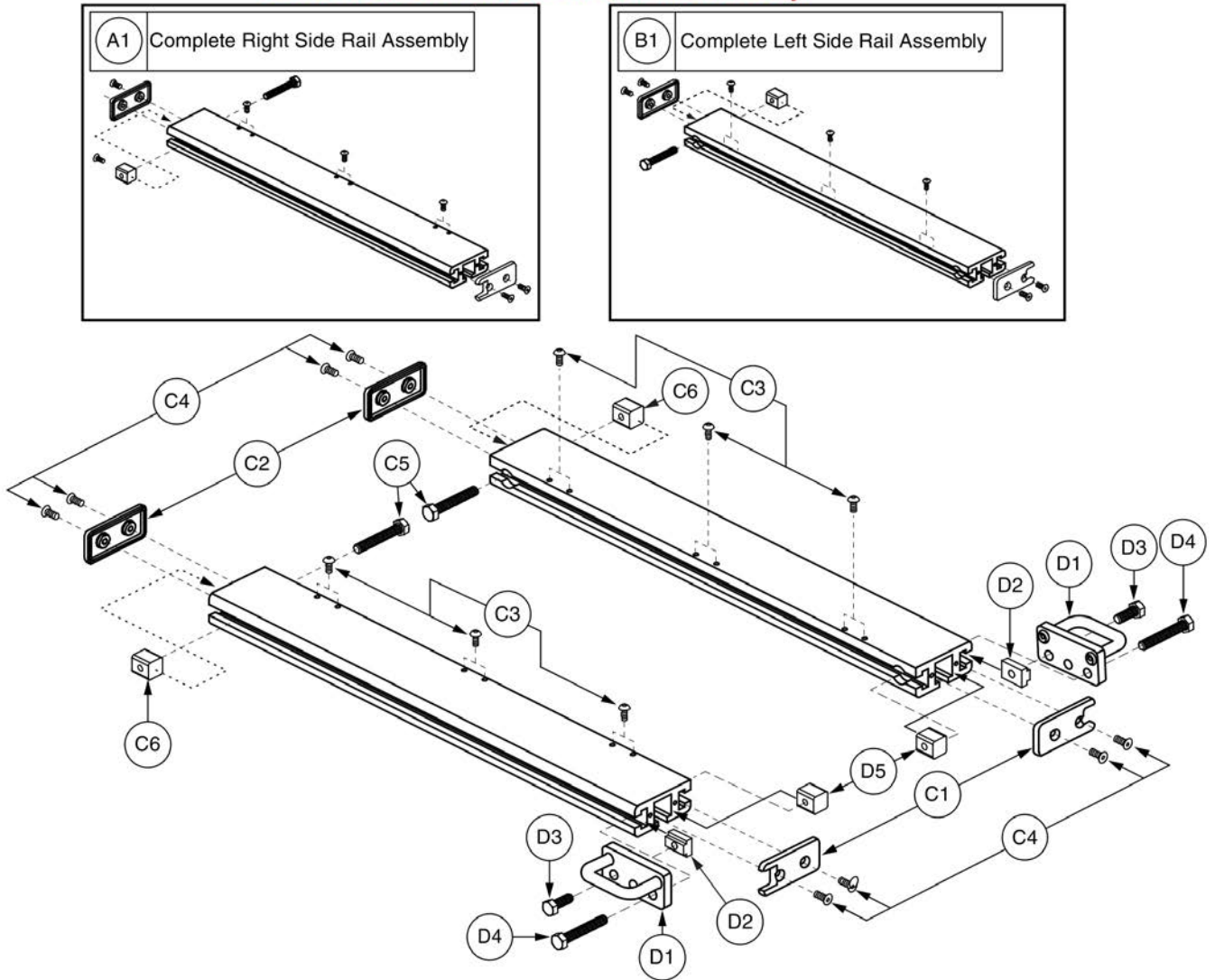
1.2. Tilt Base and Interface for Power Seat



Item	Part No.	Name	Qty
A1 - A14	FRMASMB10850	SEAT BASE, ASSY, 7" ELEVATION, W/ TAPERED HEAD/2" SQ. SHAFT ACTUATOR, NON-SWIVEL, 16.125" CENTERS, Q6000, TB2	1
A1	DWR1368E015	ACTUATOR, TAPERED HEAD, TRU-BALANCE POWER SEAT, 7" STROKE, E-1368-015, (MOTION SYSTEMS: 85972-003)	1
A2		FRAME, POWER SEAT INTERFACE WELDMENT, NON-SWIVEL, TB2	1
A3	SCRPPH1290	SCREW, PPH, BLACK ZINC, 4-40 X 0.25"	2
A4	SCRSHFH1093	SCREW, SHFH, BLACK ZINC, 3/8-16 X 1.00", GR 8, W/PATCH	2
A5		SCREW, HHCS, BLACK ZINC, 1/4-20 X 3.75", GRADE 8	2
A6	WASBLK1001	WASHER, FLAT, BLACK ZINC, 0.3125" ID X 0.75" OD X 0.0625" TH, 1/4" USS	4
A7	NUTNYLK1014	NUT, NYLOCK, BLACK ZINC, 1/4-20	10
A8	DWR1059C038	CAP, BLACK, PLASTIC, SEAT MOUNT CONNECTOR, C-1059-038	4
A9		SCREW, HHCS, BLACK ZINC, 1/4-20 X 1.75", GR 8, W/PATCH	2
A10	SCRHHCS1248	SCREW, HHCS, BLACK ZINC, 1/4-20 X 2.00", GRADE 8	2
A11		BOLT, SHOULDER, 5/16" X 1.00", C-1005-022	6
A12	SCRPPH1301	SCREW, PPH, BLACK ZINC, 4-40 X 0.50", GRADE 2	2
A13	WASSAE1000	WASHER, FLAT SAE, 1/4" ID 7/16" OD 1/16" T	4
A14	WASSTND1002	WASHER, FLAT, BLACK ZINC, 0.3125" ID X 0.6875" OD X 0.0625" TH	6

1.3. Seat Pans and Side Rails

\*\*\* Top-level assemblies include the side rails and hardware.  
Side rails cannot be ordered individually. \*\*\*

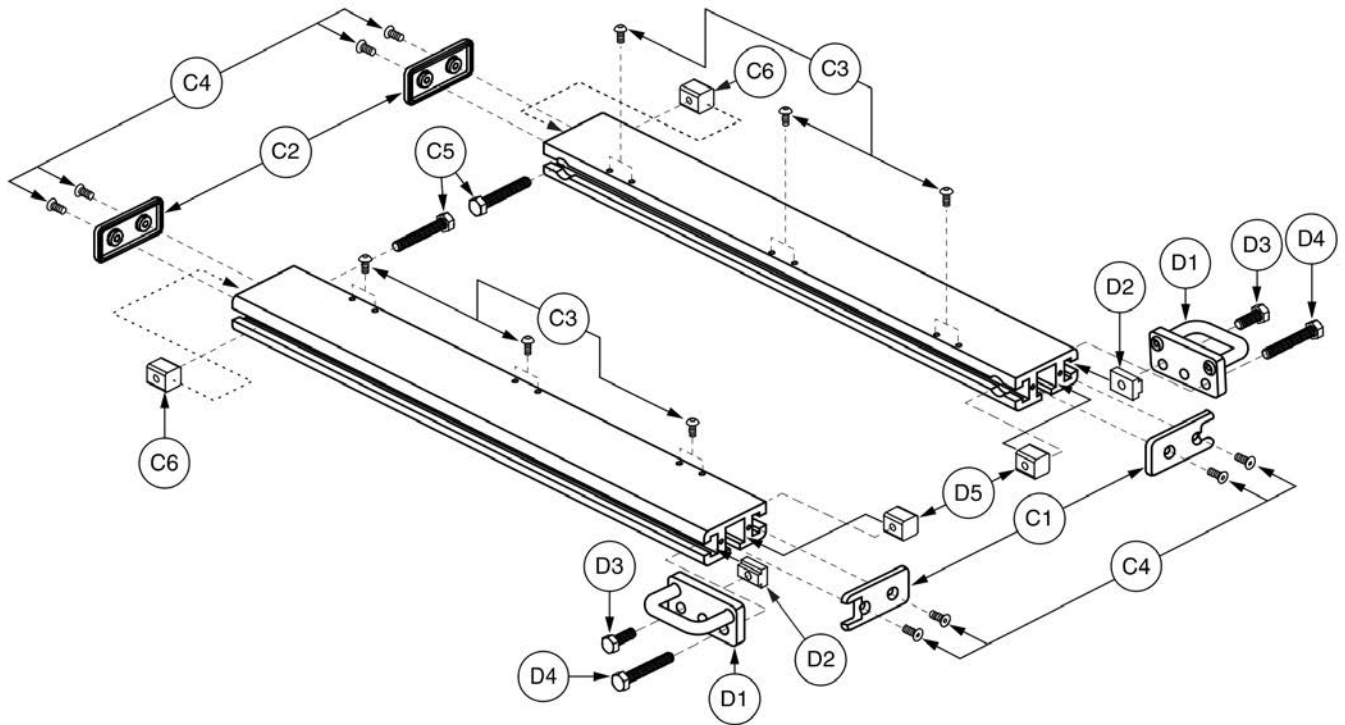
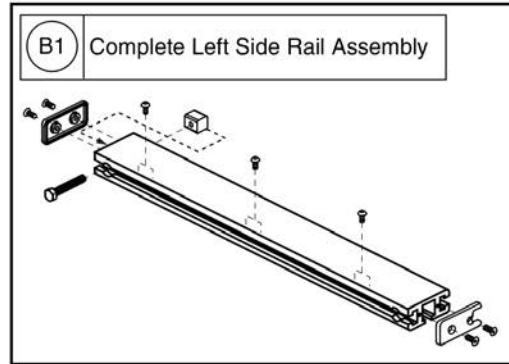
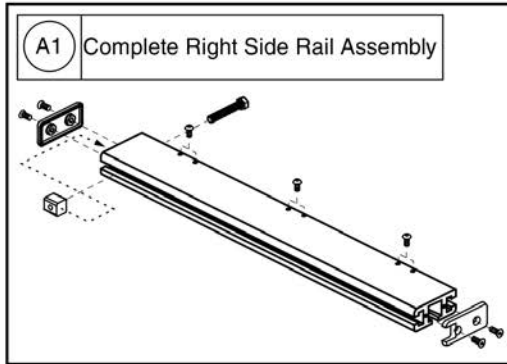




Item	Part No.	Name	Qty
PAIR	FRMASMB10518	SIDE RAIL,ASSY,14"D-18"D,TRU-BALANCE 2 POWER TILT,PAIR	1
A1	FRMASMB10520	SIDE RAIL,ASSY,14"D-18"D,TRU-BALANCE 2 POWER TILT,RIGHT	1
B1	FRMASMB10519	SIDE RAIL,ASSY,14"D-18"D,TRU-BALANCE 2 POWER TILT,LEFT	1
C1	DWR1360B048	EXTRUSION END CAP,SYNERGY SEAT,T-SLOT OPEN END	1
C2	DWR1360B007	EXTRUSION END CAP,SYNERGY SEAT,REAR,B-1360-007	1
C3	SCRASBH1094	SCREW,BHSCS,BLACK ZINC,10-32 X 0.4375",GR 8,W/PATCH	3
C4	SCRSHFH1036	SCREW,SHFH,BLACK ZINC,8-32 X 0.50",GR 8,W/PATCH	4
C5	SCRHHCS1478	SCREW, HHCS,BLACK ZINC,5/16-18 X 2.00",GR 8,W/PATCH	1
C6	DWR1005B180	NUT,MIDDLE CHANNEL,5/16-18,B-1005-180	1
D1	DWR1600B122B	SEAT FRAME,SECUREMENT BRACKET WELDMENT,TEXTURED	1
D2	DWR1360A004	T-NUT,5/16-18 X 0.875",A-1360-004	1
D3	SCRHHCS1241	SCREW,HHCS,BLACK ZINC,5/16-18 X 0.75",GR 8,W/PATCH	1
D4	SCRHHCS1478	SCREW, HHCS,BLACK ZINC,5/16-18 X 2.00",GR 8,W/PATCH	1
D5	DWR1005B180	NUT,MIDDLE CHANNEL,5/16-18,B-1005-180	1

1.3. Seat Pans and Side Rails

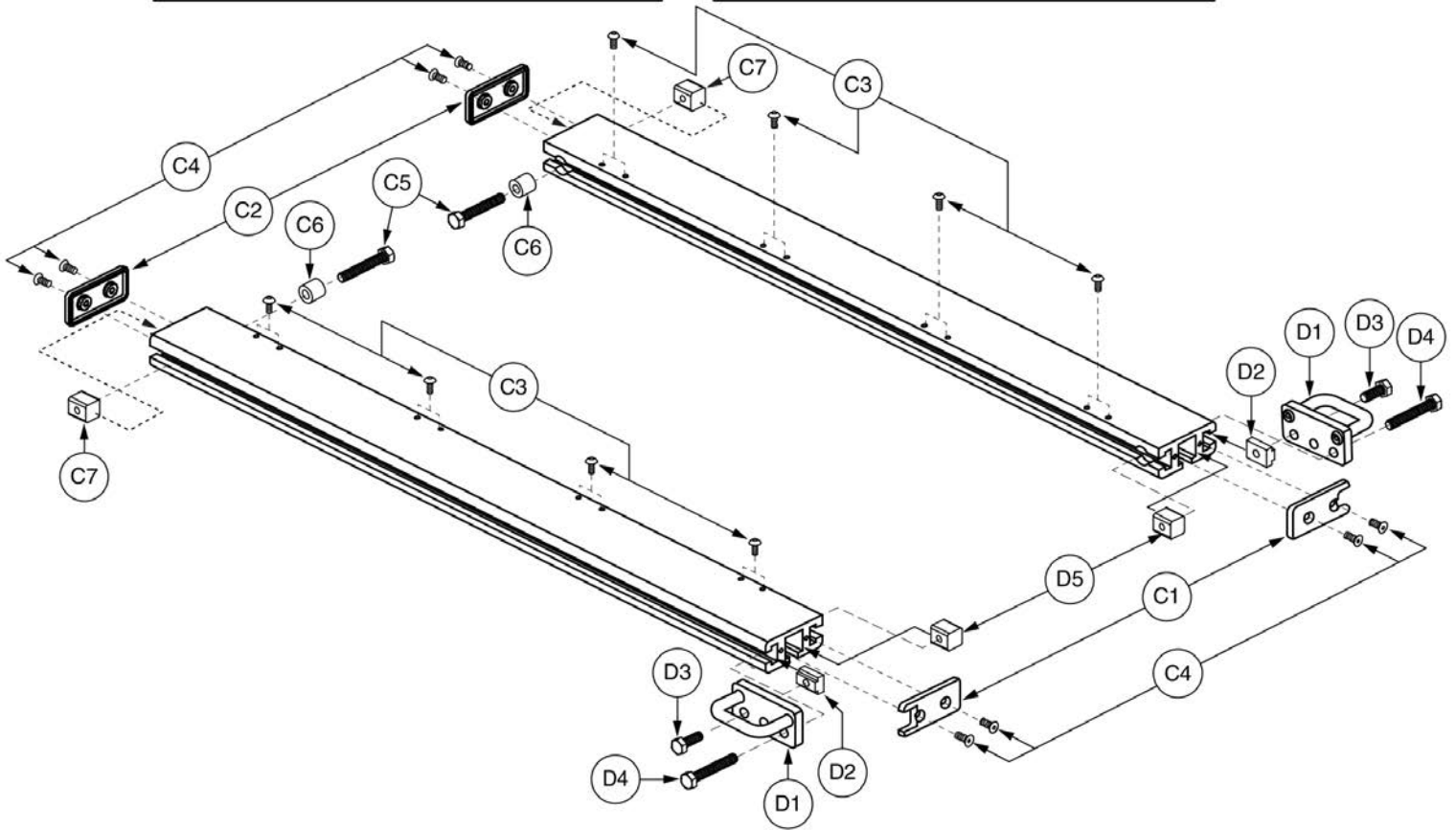
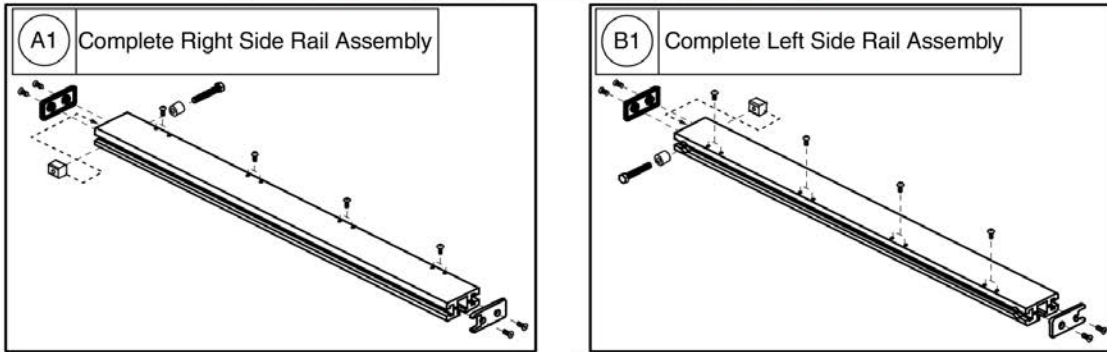
\*\*\* Top-level assemblies include the side rails and hardware.  
Side rails cannot be ordered individually. \*\*\*



Item	Part No.	Name	Qty
PAIR	FRMASMB10521	SIDE RAIL,ASSY,15"D-20"D,TRU-BALANCE 2 POWER TILT,PAIR	1
A1	FRMASMB10523	SIDE RAIL,ASSY,15"D-20"D,TRU-BALANCE 2 POWER TILT,RIGHT	1
B1	FRMASMB10522	SIDE RAIL,ASSY,15"D-20"D,TRU-BALANCE 2 POWER TILT,LEFT	1
C1	DWR1360B048	EXTRUSION END CAP,SYNERGY SEAT,T-SLOT OPEN END	1
C2	DWR1360B007	EXTRUSION END CAP,SYNERGY SEAT,REAR,B-1360-007	1
C3	SCRASBH1094	SCREW,BHSCS,BLACK ZINC,10-32 X 0.4375",GR 8,W/PATCH	3
C4	SCRSHFH1036	SCREW,SHFH,BLACK ZINC,8-32 X 0.50",GR 8,W/PATCH	4
C5	SCRHHCS1478	SCREW, HHCS,BLACK ZINC,5/16-18 X 2.00",GR 8,W/PATCH	1
C6	DWR1005B180	NUT,MIDDLE CHANNEL,5/16-18,B-1005-180	1
D1	DWR1600B122B	SEAT FRAME,SECUREMENT BRACKET WELDMENT,TEXTURED	1
D2	DWR1360A004	T-NUT,5/16-18 X 0.875",A-1360-004	1
D3	SCRHHCS1241	SCREW,HHCS,BLACK ZINC,5/16-18 X 0.75",GR 8,W/PATCH	1
D4	SCRHHCS1478	SCREW, HHCS,BLACK ZINC,5/16-18 X 2.00",GR 8,W/PATCH	1
D5	DWR1005B180	NUT,MIDDLE CHANNEL,5/16-18,B-1005-180	1

1.3. Seat Pans and Side Rails

\*\*\* Top-level assemblies include the side rails and hardware.  
Side rails cannot be ordered individually. \*\*\*

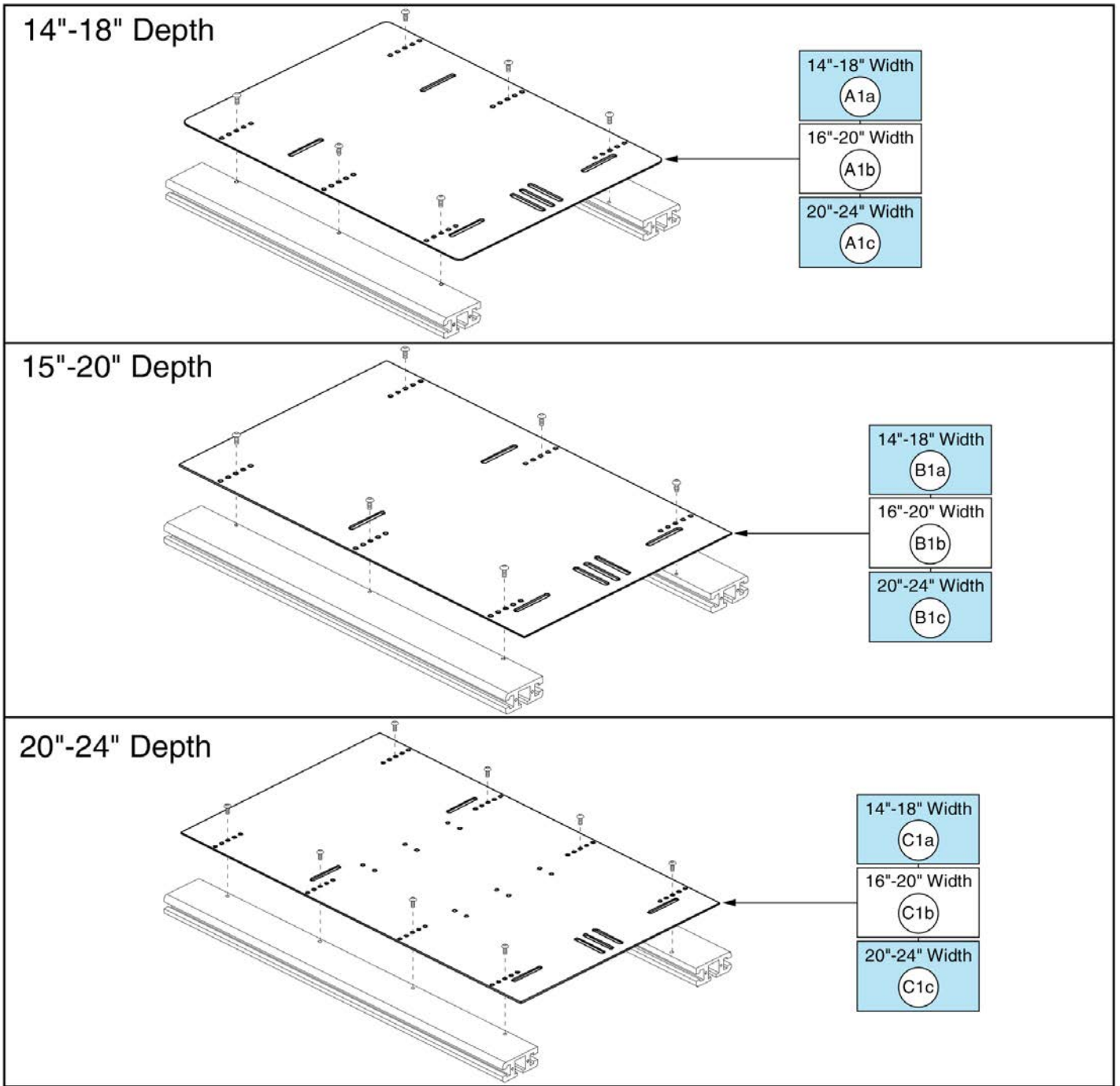


## Side Rails - 20"-24"D, TB2



Item	Part No.	Name	Qty
PAIR	FRMASMB10524	SIDE RAIL,ASSY,20"D-24"D,TRU-BALANCE 2 POWER TILT,PAIR	1
A1	FRMASMB10526	SIDE RAIL,ASSY,20"D-24"D,TRU-BALANCE 2 POWER TILT,RIGHT	1
B1	FRMASMB10525	SIDE RAIL,ASSY,20"D-24"D,TRU-BALANCE 2 POWER TILT,LEFT	1
C1	DWR1360B048	EXTRUSION END CAP,SYNERGY SEAT,T-SLOT OPEN END	1
C2	DWR1360B007	EXTRUSION END CAP,SYNERGY SEAT,REAR,B-1360-007	1
C3	SCRASBH1094	SCREW,BHSCS,BLACK ZINC,10-32 X 0.4375",GR 8,W/PATCH	4
C4	SCRSHFH1036	SCREW,SHFH,BLACK ZINC,8-32 X 0.50",GR 8,W/PATCH	4
C5	SCRHHCS1478	SCREW, HHCS,BLACK ZINC,5/16-18 X 2.00",GR 8,W/PATCH	1
C6	DWR1005B090	SPACER,BLACK,0.330"ID X 0.605"OD X 0.750"TH,B-1005-090	1
C7	DWR1005B180	NUT,MIDDLE CHANNEL,5/16-18,B-1005-180	1
D1	DWR1600B122B	SEAT FRAME,SECUREMENT BRACKET WELDMENT,TEXTURED	1
D2	DWR1360A004	T-NUT,5/16-18 X 0.875",A-1360-004	1
D3	SCRHHCS1241	SCREW,HHCS,BLACK ZINC,5/16-18 X 0.75",GR 8,W/PATCH	1
D4	SCRHHCS1478	SCREW, HHCS,BLACK ZINC,5/16-18 X 2.00",GR 8,W/PATCH	1
D5	DWR1005B180	NUT,MIDDLE CHANNEL,5/16-18,B-1005-180	1

1.3. Seat Pans and Side Rails



Item	Part No.	Name	Qty
A1a	DWR1362E046B	SEAT PAN,14"W-18"W,14"D-18"D,SYNERGY TILT	1
A1b	DWR1362E047B	SEAT PAN,16"W-20"W,14"D-18"D,SYNERGY TILT	1
A1c	DWR1362E048B	SEAT PAN,20"W-24"W,14"D-18"D,SYNERGY TILT	1
B1a	DWR1362E040B	SEAT PAN,14"W-18"W,15"D-20"D,SYNERGY TILT	1
B1b	DWR1362E038B	SEAT PAN,16"W-20"W,15"D-20"D,SYNERGY TILT	1
B1c	DWR1362E043B	SEAT PAN,20"W-24"W,15"D-20"D,SYNERGY TILT	1
C1a	DWR1362E041B	SEAT PAN,14"W-18"W,20"D-24"D,SYNERGY TILT	1
C1b	DWR1362E042B	SEAT PAN,16"W-20"W,20"D-24"D,SYNERGY TILT	1
C1c	DWR1362E044B	SEAT PAN,20"W-24"W,20"D-24"D,SYNERGY TILT	1

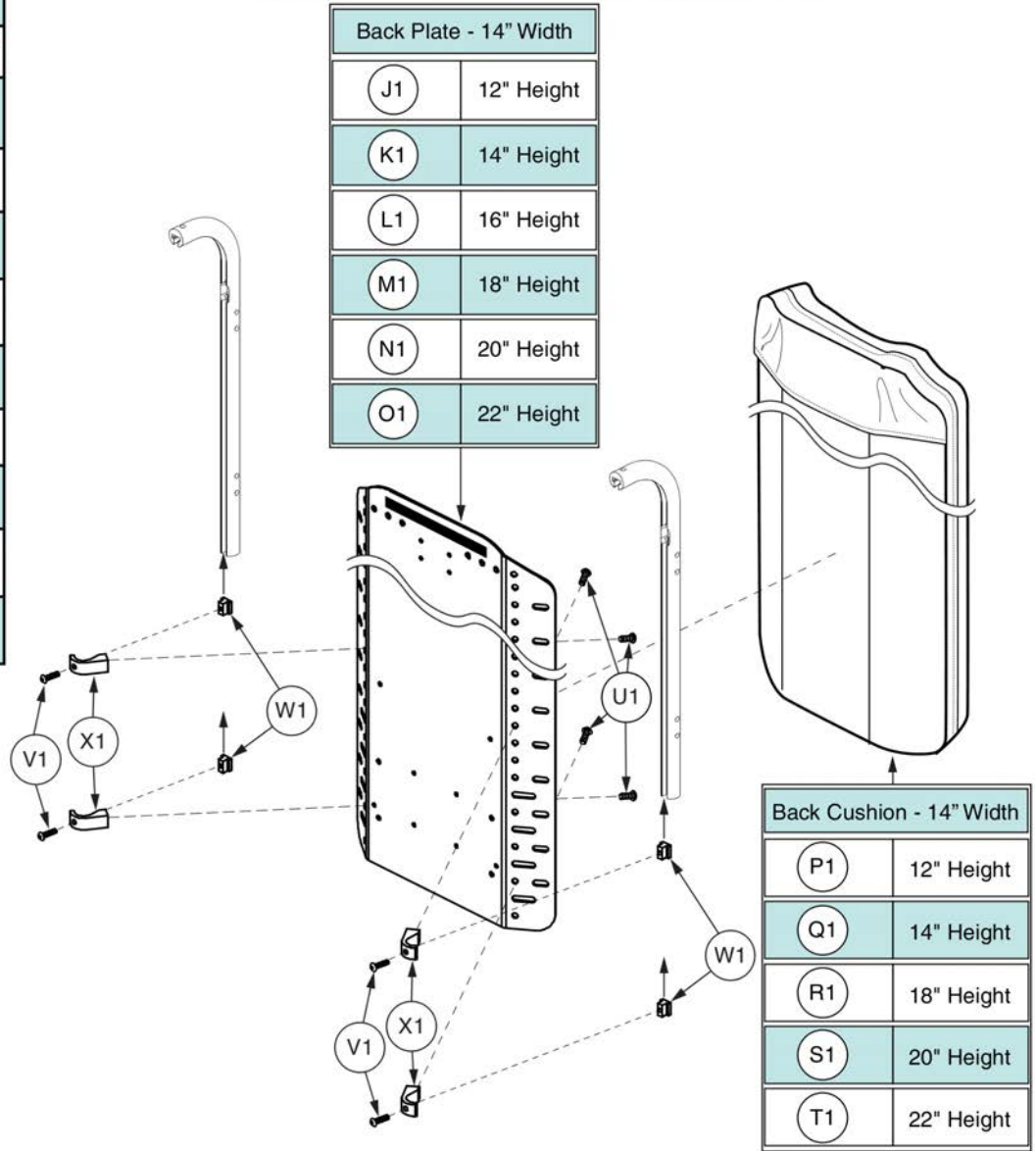


Synergy Standard Back

The top-level SETASMB's include the Back Plate, Back Cushion and mounting hardware (U1 - X1) .

Top-level Ref #s	Size	Back Plate Ref #s	Back Cushion Ref #s
A1	14"W x 12"H	J1	P1
B1	14"W x 12"H	J1	P1
C1	14"W x 14"H	K1	Q1
D1	14"W x 14"H	K1	Q1
E1	14"W x 18"H	M1	R1
F1	14"W x 18"H	M1	R1
G1	14"W x 20"H	N1	S1
H1	14"W x 20"H	N1	S1
I1	14"W x 22"H	O1	T1

\*\*\* Only sizes listed are available for replacement. All other sizes have been discontinued. \*\*\*



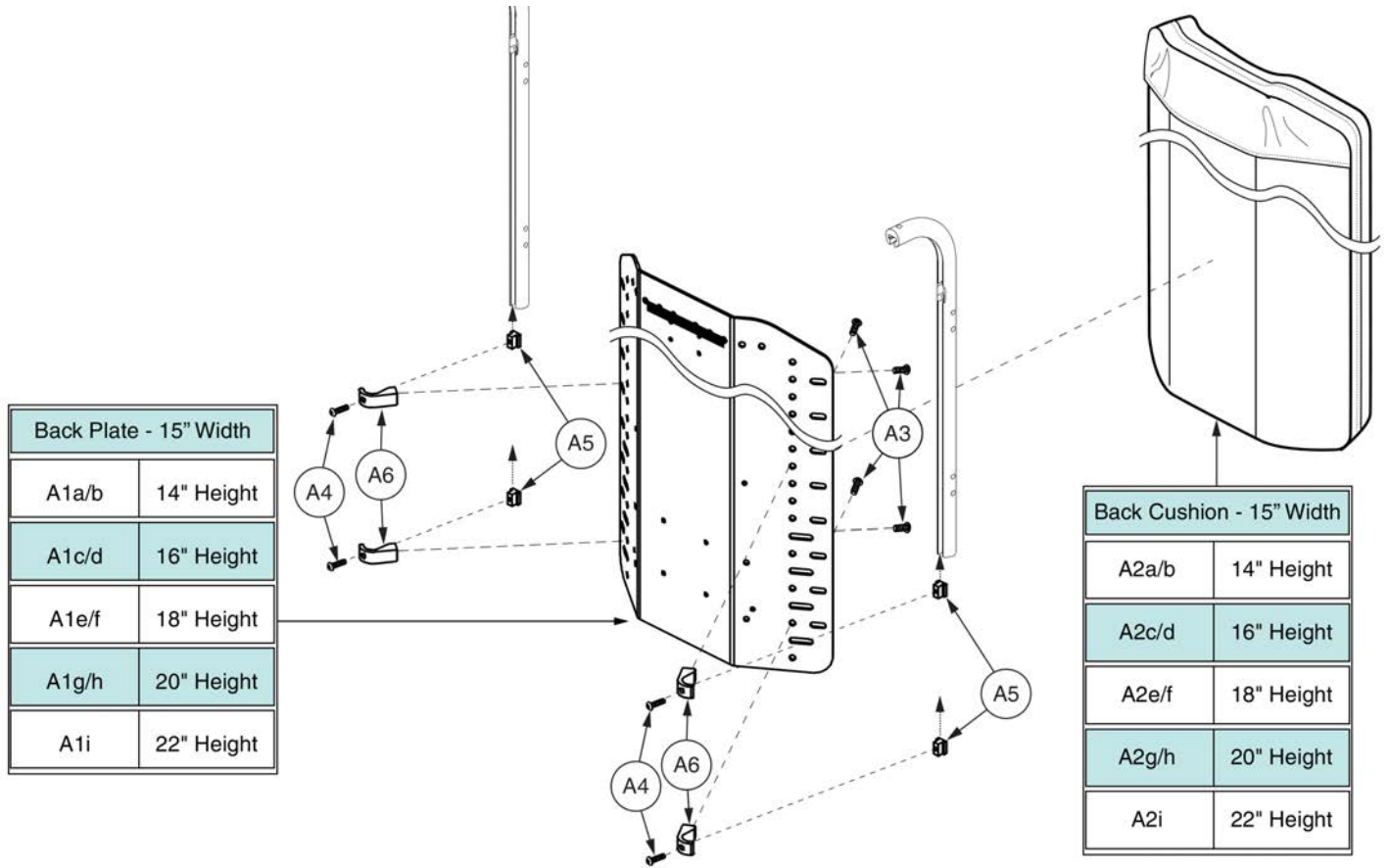


# Standard Back - 14" Width, TB2



Item	Part No.	Name	Qty
A1	SETASMB6449	SYNERGY STANDARD BACK, 14"W, 15"H, W/CUSHION, (14"W X 12"H)	1
B1	SETASMB6625	SYNERGY STANDARD BACK, 14"W, 16"H, W/CUSHION, (14"W X 12"H)	1
C1	SETASMB6461	SYNERGY STANDARD BACK, 14"W, 17"H, W/CUSHION, (14"W X 14"H)	1
D1	SETASMB6637	SYNERGY STANDARD BACK, 14"W, 18"H, W/CUSHION, (14"W X 14"H)	1
E1	SETASMB6491	SYNERGY STANDARD BACK, 14"W, 21"H, W/CUSHION, (14"W X 18"H)	1
F1	SETASMB6667	SYNERGY STANDARD BACK, 14"W, 22"H, W/CUSHION, (14"W X 18"H)	1
G1	SETASMB6510	SYNERGY STANDARD BACK, 14"W, 23"H, W/CUSHION, (14"W X 20"H)	1
H1	SETASMB6686	SYNERGY STANDARD BACK, 14"W, 24"H, W/CUSHION, (14"W X 20"H)	1
I1	SETASMB6529	SYNERGY STANDARD BACK, 14"W, 25"H, W/CUSHION, (14"W X 22"H)	1
J1	DWR1359E044E	SEAT BACK, 14"W, 12"H, SYNERGY STANDARD, E-1359-044	1
K1	DWR1359E029E	SEAT BACK, 14"W, 14"H, SYNERGY STANDARD, E-1359-029	1
L1		SEAT BACK, 14"W, 16"H, SYNERGY STANDARD, E-1359-032	1
M1	DWR1359E034E	SEAT BACK, 14"W, 18"H, SYNERGY STANDARD, E-1359-034	1
N1	DWR1359E036E	SEAT BACK, 14"W, 20"H, SYNERGY STANDARD, E-1359-036	1
O1	DWR1359E045E	SEAT BACK, 14"W, 22"H, SYNERGY STANDARD, E-1359-045	1
P1	CUSASMB2324	CUSHION, ASSY, 14"W, 12"H, SYNERGY STANDARD BACK, E-1359-084	1
Q1	CUSASMB2336	CUSHION, ASSY, 14"W, 14"H, SYNERGY STANDARD BACK, E-1359-083	1
R1	CUSASMB2366	CUSHION, ASSY, 14"W, 18"H, SYNERGY STANDARD BACK, E-1359-081	1
S1	CUSASMB2385	CUSHION, ASSY, 14"W, 20"H, SYNERGY STANDARD BACK, E-1359-079	1
T1	CUSASMB2404	CUSHION, ASSY, 14"W, 22"H, SYNERGY STANDARD BACK, E-1359-080	1
U1	SCRASBH1148	SCREW, BHSCS, BLACK ZINC, 1/4-20 X 0.50", W/PATCH	4
V1	SCRASBH1210	SCREW, BUTTON HEAD, .250-20 X .75, ASTM F835, BZ, PVTP	4
W1	DWR1359B003	T-NUT, BLACK, 1/4-20 X 0.563", 0.50" TH, B-1359-003	4
X1	DWR1306C024	BACK PLATE BRACKET, T-SLOT, 1", C-1306-024	4

Synergy Standard Back

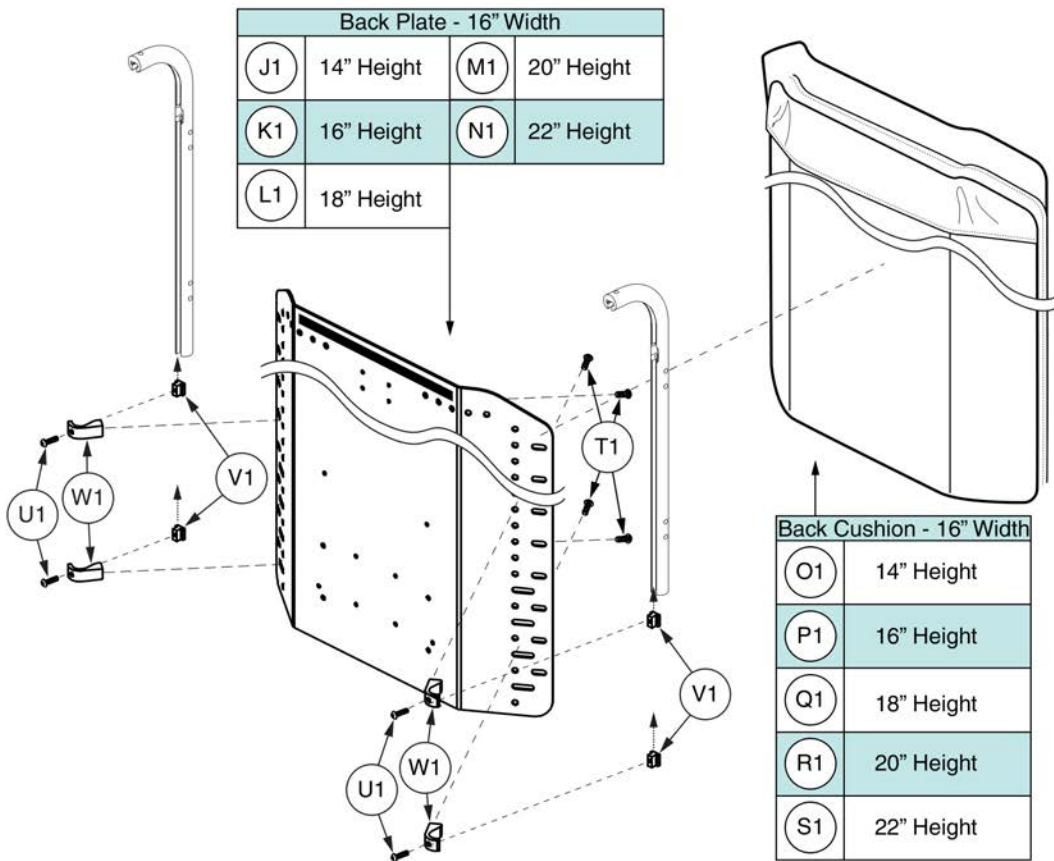


# Standard Back - 15" Width, TB2



Item	Part No.	Name	Qty
A1a - A6	SETASMB6462	SYNERGY STANDARD BACK, 15"W, 17"H, W/CUSHION, (15"W X 14"H)	1
A1b - A6	SETASMB6638	SYNERGY STANDARD BACK, 15"W, 18"H, W/CUSHION, (15"W X 14"H)	1
A1c - A6	SETASMB6473	SYNERGY STANDARD BACK, 15"W, 19"H, W/CUSHION, (15"W X 16"H)	1
A1d - A6	SETASMB6649	SYNERGY STANDARD BACK, 15"W, 20"H, W/CUSHION, (15"W X 16"H)	1
A1e - A6	SETASMB6492	SYNERGY STANDARD BACK, 15"W, 21"H, W/CUSHION, (15"W X 21"H)	1
A1f - A6	SETASMB6668	SYNERGY STANDARD BACK, 15"W, 22"H, W/CUSHION, (15"W X 18"H)	1
A1g - A6	SETASMB6511	SYNERGY STANDARD BACK, 15"W, 23"H, W/CUSHION, (15"W X 20"H)	1
A1h - A6	SETASMB6687	SYNERGY STANDARD BACK, 15"W, 24"H, W/CUSHION, (15"W X 20"H)	1
A1i - A6	SETASMB6530	SYNERGY STANDARD BACK, 15"W, 25"H, W/CUSHION, (15"W X 22"H)	1
A1a/b	DWR1359E029F	SEAT BACK, 15"W, 14"H, SYNERGY STANDARD, E-1359-029	1
A1c/d	DWR1359E032F	SEAT BACK, 15"W, 16"H, SYNERGY STANDARD, E-1359-032	1
A1e/f	DWR1359E034F	SEAT BACK, 15"W, 18"H, SYNERGY STANDARD, E-1359-034	1
A1g/h	DWR1359E036F	SEAT BACK, 15"W, 20"H, SYNERGY STANDARD, E-1359-036	1
A1i	DWR1359E045F	SEAT BACK, 15"W, 22"H, SYNERGY STANDARD, E-1359-045	1
A2a/b	CUSASMB2337	CUSHION, ASSY, 15"W, 14"H, SYNERGY STANDARD BACK, E-1359-083	1
A2c/d	CUSASMB2337	CUSHION, ASSY, 15"W, 14"H, SYNERGY STANDARD BACK, E-1359-083	1
A2e/f	CUSASMB2367	CUSHION, ASSY, 15"W, 18"H, SYNERGY STANDARD BACK, E-1359-081	1
A2g/h	CUSASMB2386	CUSHION, ASSY, 15"W, 20"H, SYNERGY STANDARD BACK, E-1359-079	1
A2i	CUSASMB2405	CUSHION, ASSY, 15"W, 22"H, SYNERGY STANDARD BACK, E-1359-080	1
A3	SCRASBH1148	SCREW, BHSCS, BLACK ZINC, 1/4-20 X 0.50", W/PATCH	4
A4	SCRASBH1210	SCREW, BUTTON HEAD, .250-20 X .75, ASTM F835, BZ, PVTP	4
A5	DWR1359B003	T-NUT, BLACK, 1/4-20 X 0.563", 0.50" TH, B-1359-003	4
A6	DWR1306C024	BACK PLATE BRACKET, T-SLOT, 1", C-1306-024	4

Synergy Standard Back



The complete Synergy Standard Back Assy's include the Seat Back, Cushion and mounting hardware (T1-W1) .

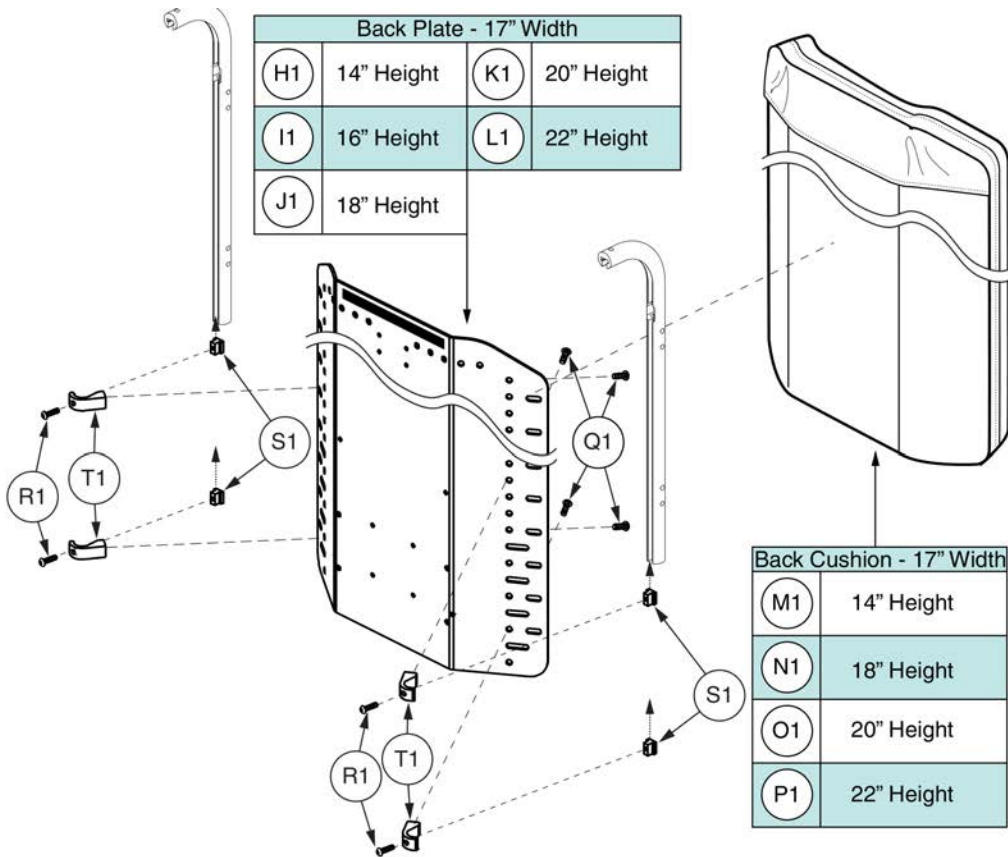
(A1)	Includes Seat Back (J1) and Cushion (O1)
(B1)	Includes Seat Back (J1) and Cushion (O1)
(C1)	Includes Seat Back (K1) and Cushion (P1)
(D1)	Includes Seat Back (K1) and Cushion (P1)
(E1)	Includes Seat Back (L1) and Cushion (Q1)
(F1)	Includes Seat Back (L1) and Cushion (Q1)
(G1)	Includes Seat Back (M1) and Cushion (R1)
(H1)	Includes Seat Back (M1) and Cushion (R1)
(I1)	Includes Seat Back (N1) and Cushion (S1)

Standard Back - 16" Width, TB2



Item	Part No.	Name	Qty
A1	SETASMB6463	SYNERGY STANDARD BACK, 16"W, 17"H, W/CUSHION, (16"W X 14"H)	1
B1	SETASMB6639	SYNERGY STANDARD BACK, 16"W, 18"H, W/CUSHION, (16"W X 14"H)	1
C1	SETASMB6474	SYNERGY STANDARD BACK, 16"W, 19"H, W/CUSHION, (16"W X 16"H)	1
D1	SETASMB6650	SYNERGY STANDARD BACK, 16"W, 20"H, W/CUSHION, (16"W X 16"H)	1
E1	SETASMB6493	SYNERGY STANDARD BACK, 16"W, 21"H, W/CUSHION, (16"W X 18"H)	1
F1	SETASMB6669	SYNERGY STANDARD BACK, 16"W, 22"H, W/CUSHION, (16"W X 18"H)	1
G1	SETASMB6512	SYNERGY STANDARD BACK, 16"W, 23"H, W/CUSHION, (16"W X 20"H)	1
H1	SETASMB6688	SYNERGY STANDARD BACK, 16"W, 24"H, W/CUSHION, (16"W X 20"H)	1
I1	SETASMB6531	SYNERGY STANDARD BACK, 16"W, 25"H, W/CUSHION, (16"W X 22"H)	1
J1	DWR1359E029G	SEAT BACK, 16"W, 14"H, SYNERGY STANDARD, E-1359-029	1
K1	DWR1359E032G	SEAT BACK, 16"W, 16"H, SYNERGY STANDARD, E-1359-032	1
L1	DWR1359E034G	SEAT BACK, 16"W, 18"H, SYNERGY STANDARD, E-1359-034	1
M1	DWR1359E036G	SEAT BACK, 16"W, 20"H, SYNERGY STANDARD, E-1359-036	1
N1	DWR1359E045G	SEAT BACK, 16"W, 22"H, SYNERGY STANDARD, E-1359-045	1
O1	CUSASMB2338	CUSHION, ASSY, 16"W, 14"H, SYNERGY STANDARD BACK, E-1359-083	1
P1	CUSASMB2349	CUSHION, ASSY, 16"W, 16"H, SYNERGY STANDARD BACK, E-1359-082	1
Q1	CUSASMB2368	CUSHION, ASSY, 16"W, 18"H, SYNERGY STANDARD BACK, E-1359-081	1
R1	CUSASMB2387	CUSHION, ASSY, 16"W, 20"H, SYNERGY STANDARD BACK, E-1359-079	1
S1	CUSASMB2406	CUSHION, ASSY, 16"W, 22"H, SYNERGY STANDARD BACK, E-1359-080	1
T1	SCRASBH1148	SCREW, BHSCS, BLACK ZINC, 1/4-20 X 0.50", W/PATCH	4
U1	SCRASBH1210	SCREW, BUTTON HEAD, .250-20 X .75, ASTM F835, BZ, PVTP	4
V1	DWR1359B003	T-NUT, BLACK, 1/4-20 X 0.563", 0.50" TH, B-1359-003	4
W1	DWR1306C024	BACK PLATE BRACKET, T-SLOT, 1", C-1306-024	4

Synergy Standard Back



Back Plate - 17" Width			
(H1)	14" Height	(K1)	20" Height
(I1)	16" Height	(L1)	22" Height
(J1)	18" Height		

Back Cushion - 17" Width	
(M1)	14" Height
(N1)	18" Height
(O1)	20" Height
(P1)	22" Height

The complete Synergy Standard Back Assy's include the Seat Back, Cushion and mounting hardware (Q1-T1).		
Ref #	Size	Includes
(A1)	17"W x 14"H	Seat Back (H1) and Cushion (M1)
(B1)	17"W x 14"H	Seat Back (H1) and Cushion (M1)
(C1)	17"W x 18"H	Seat Back (J1) and Cushion (N1)
(D1)	17"W x 18"H	Seat Back (J1) and Cushion (N1)
(E1)	17"W x 20"H	Seat Back (K1) and Cushion (O1)
(F1)	17"W x 20"H	Seat Back (K1) and Cushion (O1)
(G1)	17"W x 22"H	Seat Back (L1) and Cushion (P1)

\*\*\* Only sizes listed are available for replacement. All other sizes have been discontinued. \*\*\*

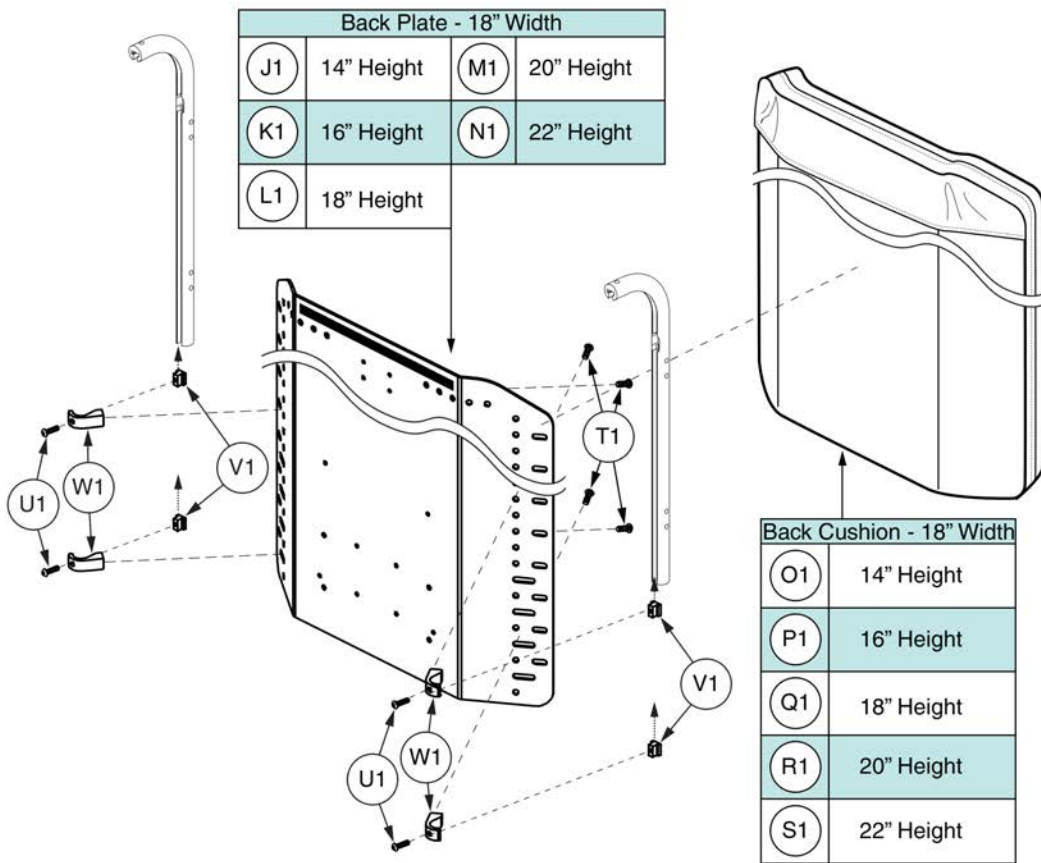
# Standard Back - 17" Width, TB2



Item	Part No.	Name	Qty
A1	SETASMB6464	SYNERGY STANDARD BACK, 17"W, 17"H, W/CUSHION, (17"W X 14"H)	1
B1	SETASMB6640	SYNERGY STANDARD BACK, 17"W, 18"D, W/CUSHION, (17"W X 14"H)	1
C1	SETASMB6494	SYNERGY STANDARD BACK, 17"W, 21"H, W/CUSHION, (17"W X 18"H)	1
D1	SETASMB6670	SYNERGY STANDARD BACK, 17"W, 22"H, W/CUSHION, (17"W X 18"H)	1
E1	SETASMB6513	SYNERGY STANDARD BACK, 17"W, 23"H, W/CUSHION, (17"W X 20"H)	1
F1	SETASMB6689	SYNERGY STANDARD BACK, 17"W, 24"H, W/CUSHION, (17"W X 20"H)	1
G1	SETASMB6532	SYNERGY STANDARD BACK, 17"W, 25"H, W/CUSHION, (17"W X 22"H)	1
H1	DWR1359E029H	SEAT BACK, 17"W, 14"H, SYNERGY STANDARD	1
I1		SEAT BACK, 17"W, 16"H, SYNERGY STANDARD	1
J1	DWR1359E034H	SEAT BACK, 17"W, 18"H, SYNERGY STANDARD	1
K1	DWR1359E036H	SEAT BACK, 17"W, 20"H, SYNERGY STANDARD	1
L1	DWR1359E045H	SEAT BACK, 17"W, 22"H, SYNERGY STANDARD	1
M1	CUSASMB2339	CUSHION, ASSY, 17"W, 14"H, SYNERGY STANDARD BACK	1
N1	CUSASMB2369	CUSHION, ASSY, 17"W, 18"H, SYNERGY STANDARD BACK	1
O1	CUSASMB2388	CUSHION, ASSY, 17"W, 20"H, SYNERGY STANDARD BACK	1
P1	CUSASMB2407	CUSHION, ASSY, 17"W, 22"H, SYNERGY STANDARD BACK	1
Q1	SCRASBH1148	SCREW, BHSCS, BLACK ZINC, 1/4-20 X 0.50", W/PATCH	4
R1	SCRASBH1210	SCREW, BUTTON HEAD, .250-20 X .75, ASTM F835, BZ, PVTP	4
S1	DWR1359B003	T-NUT, BLACK, 1/4-20 X 0.563", 0.50" TH, B-1359-003	4
T1	DWR1306C024	BACK PLATE BRACKET, T-SLOT, 1", C-1306-024	4



Synergy Standard Back



The complete Synergy Standard Back Assy's include the Seat Back, Cushion and mounting hardware (T1-W1).

(A1)	Includes Seat Back (J1) and Cushion (O1)
(B1)	Includes Seat Back (J1) and Cushion (O1)
(C1)	Includes Seat Back (K1) and Cushion (P1)
(D1)	Includes Seat Back (K1) and Cushion (P1)
(E1)	Includes Seat Back (L1) and Cushion (Q1)
(F1)	Includes Seat Back (L1) and Cushion (Q1)
(G1)	Includes Seat Back (M1) and Cushion (R1)
(H1)	Includes Seat Back (M1) and Cushion (R1)
(I1)	Includes Seat Back (N1) and Cushion (S1)

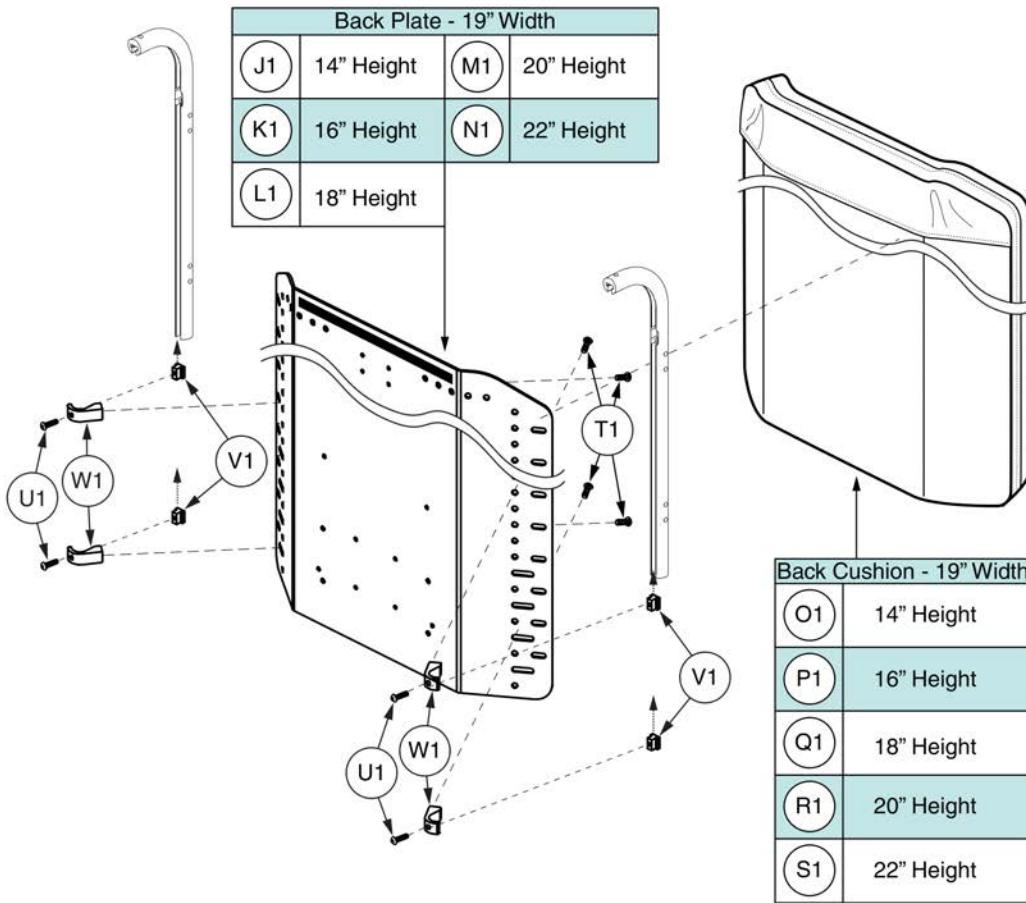


# Standard Back - 18" Width, TB2



Item	Part No.	Name	Qty
A1	SETASMB6465	SYNERGY STANDARD BACK, 18"W, 17"H, W/CUSHION, (18"W X 14"H)	1
B1	SETASMB6641	SYNERGY STANDARD BACK, 18"W, 18"H, W/CUSHION, (18"W X 14"H)	1
C1	SETASMB6476	SYNERGY STANDARD BACK, 18"W, 19"H, W/CUSHION, (18"W X 16"H)	1
D1	SETASMB6652	SYNERGY STANDARD BACK, 18"W, 20"H, W/CUSHION, (18"W X 16"H)	1
E1	SETASMB6495	SYNERGY STANDARD BACK, 18"W, 21"H, W/CUSHION, (18"W X 18"H)	1
F1	SETASMB6671	SYNERGY STANDARD BACK, 18"W, 22"H, W/CUSHION, (18"W X 18"H)	1
G1	SETASMB6514	SYNERGY STANDARD BACK, 18"W, 23"H, W/CUSHION, (18"W X 20"H)	1
H1	SETASMB6690	SYNERGY STANDARD BACK, 18"W, 24"H, W/CUSHION, (18"W X 20"H)	1
I1	SETASMB6533	SYNERGY STANDARD BACK, 18"W, 25"H, W/CUSHION, (18"W X 22"H)	1
J1	DWR1359E029I	SEAT BACK, 18"W, 14"H, SYNERGY STANDARD, E-1359-029	1
K1	DWR1359E032I	SEAT BACK, 18"W, 16"H, SYNERGY STANDARD, E-1359-032	1
L1	DWR1359E034I	SEAT BACK, 18"W, 18"H, SYNERGY STANDARD, E-1359-034	1
M1	DWR1359E036I	SEAT BACK, 18"W, 20"H, SYNERGY STANDARD, E-1359-036	1
N1	DWR1359E045I	SEAT BACK, 18"W, 22"H, SYNERGY STANDARD, E-1359-045	1
O1	CUSASMB2340	CUSHION, ASSY, 18"W, 14"H, SYNERGY STANDARD BACK, E-1359-083	1
P1	CUSASMB2351	CUSHION, ASSY, 18"W, 16"H, SYNERGY STANDARD BACK, E-1359-082	1
Q1	CUSASMB2370	CUSHION, ASSY, 18"W, 18"H, SYNERGY STANDARD BACK, E-1359-081	1
R1	CUSASMB2389	CUSHION, ASSY, 18"W, 20"H, SYNERGY STANDARD BACK, E-1359-079	1
S1	CUSASMB2408	CUSHION, ASSY, 18"W, 22"H, SYNERGY STANDARD BACK, E-1359-080	1
T1	SCRASBH1148	SCREW, BHSCS, BLACK ZINC, 1/4-20 X 0.50", W/PATCH	4
U1	SCRASBH1210	SCREW, BUTTON HEAD, .250-20 X .75, ASTM F835, BZ, PVTP	4
V1	DWR1359B003	T-NUT, BLACK, 1/4-20 X 0.563", 0.50" TH, B-1359-003	4
W1	DWR1306C024	BACK PLATE BRACKET, T-SLOT, 1", C-1306-024	4

Synergy Standard Back



The complete Synergy Standard Back Assy's include the Seat Back, Cushion and mounting hardware (T1-W1).

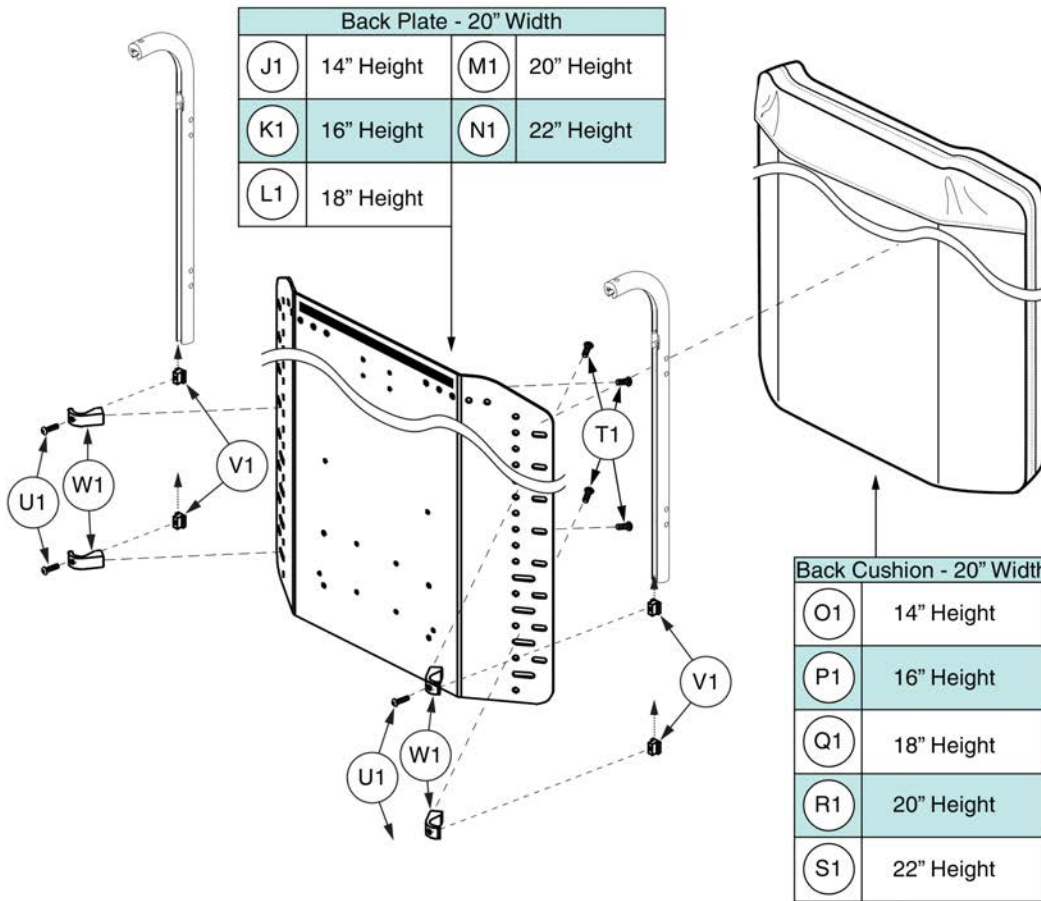
(A1)	Includes Seat Back (J1) and Cushion (O1)
(B1)	Includes Seat Back (J1) and Cushion (O1)
(C1)	Includes Seat Back (K1) and Cushion (P1)
(D1)	Includes Seat Back (K1) and Cushion (P1)
(E1)	Includes Seat Back (L1) and Cushion (Q1)
(F1)	Includes Seat Back (L1) and Cushion (Q1)
(G1)	Includes Seat Back (M1) and Cushion (R1)
(H1)	Includes Seat Back (M1) and Cushion (R1)
(I1)	Includes Seat Back (N1) and Cushion (S1)

# Standard Back - 19" Width, TB2



Item	Part No.	Name	Qty
A1	SETASMB6466	SYNERGY STANDARD BACK, 19"W, 17"H, W/CUSHION, (19"W X 14"H)	1
B1	SETASMB6642	SYNERGY STANDARD BACK, 19"W, 18"H, W/CUSHION, (19"W X 14"H)	1
C1	SETASMB6477	SYNERGY STANDARD BACK, 19"W, 19"H, W/CUSHION, (19"W X 16"H)	1
D1	SETASMB6653	SYNERGY STANDARD BACK, 19"W, 20"H, W/CUSHION, (19"W X 16"H)	1
E1	SETASMB6496	SYNERGY STANDARD BACK, 19"W, 21"H, W/CUSHION, (19"W X 18"H)	1
F1	SETASMB6672	SYNERGY STANDARD BACK, 19"W, 22"H, W/CUSHION, (19"W X 18"H)	1
G1	SETASMB6515	SYNERGY STANDARD BACK, 19"W, 23"H, W/CUSHION, (19"W X 20"H)	1
H1	SETASMB6691	SYNERGY STANDARD BACK, 19"W, 24"H, W/CUSHION, (19"W X 20"H)	1
I1	SETASMB6534	SYNERGY STANDARD BACK, 19"W, 25"H, W/CUSHION, (19"W X 22"H)	1
J1	DWR1359E029J	SEAT BACK, 19"W, 14"H, SYNERGY STANDARD, E-1359-029	1
K1	DWR1359E032J	SEAT BACK, 19"W, 16"H, SYNERGY STANDARD, E-1359-032	1
L1	DWR1359E034J	SEAT BACK, 19"W, 18"H, SYNERGY STANDARD, E-1359-034	1
M1	DWR1359E036J	SEAT BACK, 19"W, 20"H, SYNERGY STANDARD, E-1359-036	1
N1	DWR1359E045J	SEAT BACK, 19"W, 22"H, SYNERGY STANDARD, E-1359-045	1
O1	CUSASMB2341	CUSHION, ASSY, 19"W, 14"H, SYNERGY STANDARD BACK, E-1359-083	1
P1	CUSASMB2352	CUSHION, ASSY, 19"W, 16"H, SYNERGY STANDARD BACK, E-1359-082	1
Q1	CUSASMB2371	CUSHION, ASSY, 19"W, 18"H, SYNERGY STANDARD BACK, E-1359-081	1
R1	CUSASMB2390	CUSHION, ASSY, 19"W, 20"H, SYNERGY STANDARD BACK, E-1359-079	1
S1	CUSASMB2409	CUSHION, ASSY, 19"W, 22"H, SYNERGY STANDARD BACK, E-1359-080	1
T1	SCRASBH1148	SCREW, BHSCS, BLACK ZINC, 1/4-20 X 0.50", W/PATCH	4
U1	SCRASBH1210	SCREW, BUTTON HEAD, .250-20 X .75, ASTM F835, BZ, PVTP	4
V1	DWR1359B003	T-NUT, BLACK, 1/4-20 X 0.563", 0.50" TH, B-1359-003	4
W1	DWR1306C024	BACK PLATE BRACKET, T-SLOT, 1", C-1306-024	4

Synergy Standard Back



The complete Synergy Standard Back Assy's include the Seat Back, Cushion and mounting hardware (T1-W1).

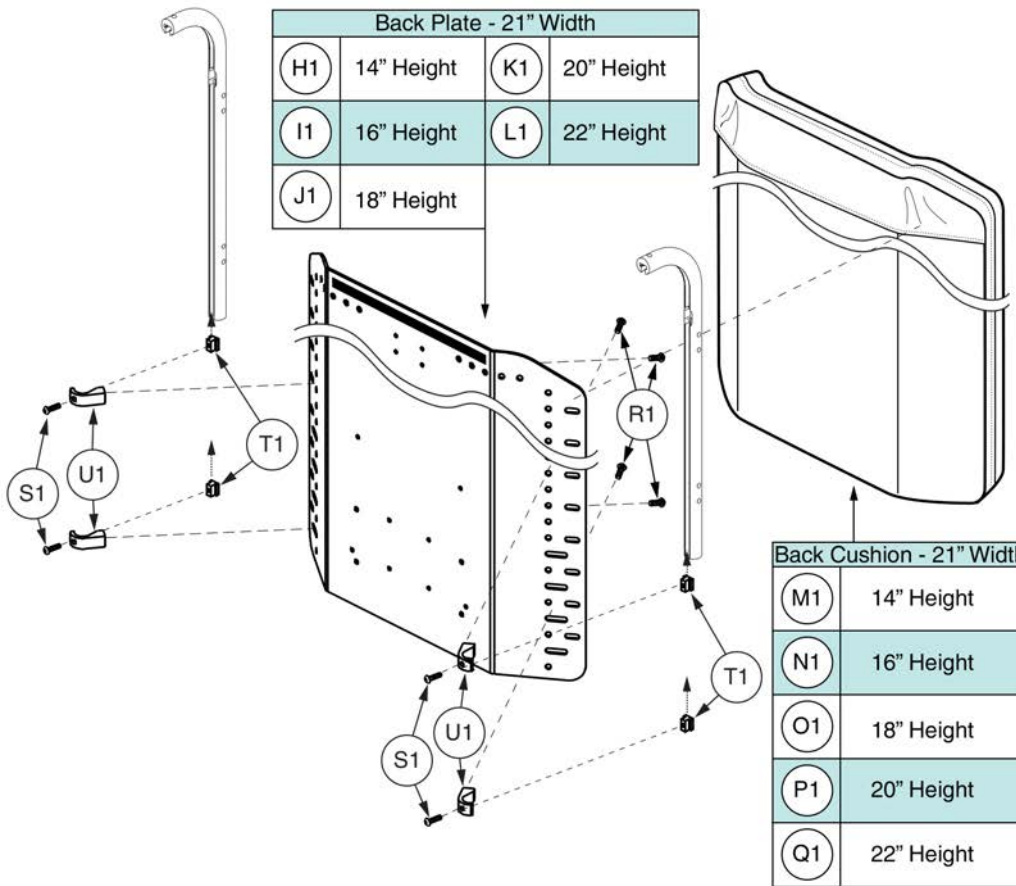
(A1)	Includes Seat Back (J1) and Cushion (O1)
(B1)	Includes Seat Back (J1) and Cushion (O1)
(C1)	Includes Seat Back (K1) and Cushion (P1)
(D1)	Includes Seat Back (K1) and Cushion (P1)
(E1)	Includes Seat Back (L1) and Cushion (Q1)
(F1)	Includes Seat Back (L1) and Cushion (Q1)
(G1)	Includes Seat Back (M1) and Cushion (R1)
(H1)	Includes Seat Back (M1) and Cushion (R1)
(I1)	Includes Seat Back (N1) and Cushion (S1)

# Standard Back - 20" Width, TB2



Item	Part No.	Name	Qty
A1	SETASMB6467	SYNERGY STANDARD BACK,20"W,17"H,W/CUSHION,(20"W X 14"H)	1
B1	SETASMB6643	SYNERGY STANDARD BACK,20"W,18"H,W/CUSHION,(20"W X 14"H)	1
C1	SETASMB6478	SYNERGY STANDARD BACK,20"W,19"H,W/CUSHION,(20"W X 16"H)	1
D1	SETASMB6654	SYNERGY STANDARD BACK,20"W,20"H,W/CUSHION,(20"W X 16"H)	1
E1	SETASMB6497	SYNERGY STANDARD BACK,20"W,21"H,W/CUSHION,(20"W X 18"H)	1
F1	SETASMB6673	SYNERGY STANDARD BACK,20"W,22"H,W/CUSHION,(20"W X 18"H)	1
G1	SETASMB6516	SYNERGY STANDARD BACK,20"W,23"H,W/CUSHION,(20"W X 20"H)	1
H1	SETASMB6692	SYNERGY STANDARD BACK,20"W,24"H,W/CUSHION,(20"W X 20"H)	1
I1	SETASMB6535	SYNERGY STANDARD BACK,20"W,25"H,W/CUSHION,(20"W X 22"H)	1
J1	DWR1359E029K	SEAT BACK,20"W,14"H,SYNERGY STANDARD,E-1359-029	1
K1	DWR1359E032K	SEAT BACK,20"W,16"H,SYNERGY STANDARD,E-1359-032	1
L1	DWR1359E034K	SEAT BACK,20"W,18"H,SYNERGY STANDARD,E-1359-034	1
M1	DWR1359E036K	SEAT BACK,20"W,20"H,SYNERGY STANDARD,E-1359-036	1
N1	DWR1359E045K	SEAT BACK,20"W,22"H,SYNERGY STANDARD,E-1359-045	1
O1	CUSASMB2342	CUSHION,ASSY,20"W,14"H,SYNERGY STANDARD BACK,E-1359-083	1
P1	CUSASMB2353	CUSHION,ASSY,20"W,16"H,SYNERGY STANDARD BACK,E-1359-082	1
Q1	CUSASMB2372	CUSHION,ASSY,20"W,18"H,SYNERGY STANDARD BACK,E-1359-081	1
R1	CUSASMB2391	CUSHION,ASSY,20"W,20"H,SYNERGY STANDARD BACK,E-1359-079	1
S1	CUSASMB2410	CUSHION,ASSY,20"W,22"H,SYNERGY STANDARD BACK,E-1359-080	1
T1	SCRASBH1148	SCREW,BHSCS,BLACK ZINC,1/4-20 X 0.50",W/PATCH	4
U1	SCRASBH1210	SCREW, BUTTON HEAD, .250-20 X .75, ASTM F835, BZ, PVTP	4
V1	DWR1359B003	T-NUT,BLACK,1/4-20 X 0.563",0.50" TH,B-1359-003	4
W1	DWR1306C024	BACK PLATE BRACKET,T-SLOT,1",C-1306-024	4

Synergy Standard Back



The complete Synergy Standard Back Assy's include the Seat Back, Cushion and mounting hardware (R1-U1).

Ref #	Size	Includes
(A1)	21"W x 16"H	Seat Back (I1) and Cushion (N1)
(B1)	21"W x 16"H	Seat Back (I1) and Cushion (N1)
(C1)	21"W x 18"H	Seat Back (J1) and Cushion (O1)
(D1)	21"W x 18"H	Seat Back (J1) and Cushion (O1)
(E1)	21"W x 20"H	Seat Back (K1) and Cushion (P1)
(F1)	21"W x 20"H	Seat Back (K1) and Cushion (P1)
(G1)	21"W x 22"H	Seat Back (L1) and Cushion (Q1)

\*\*\* Only sizes listed are available for replacement. All other sizes have been discontinued. \*\*\*

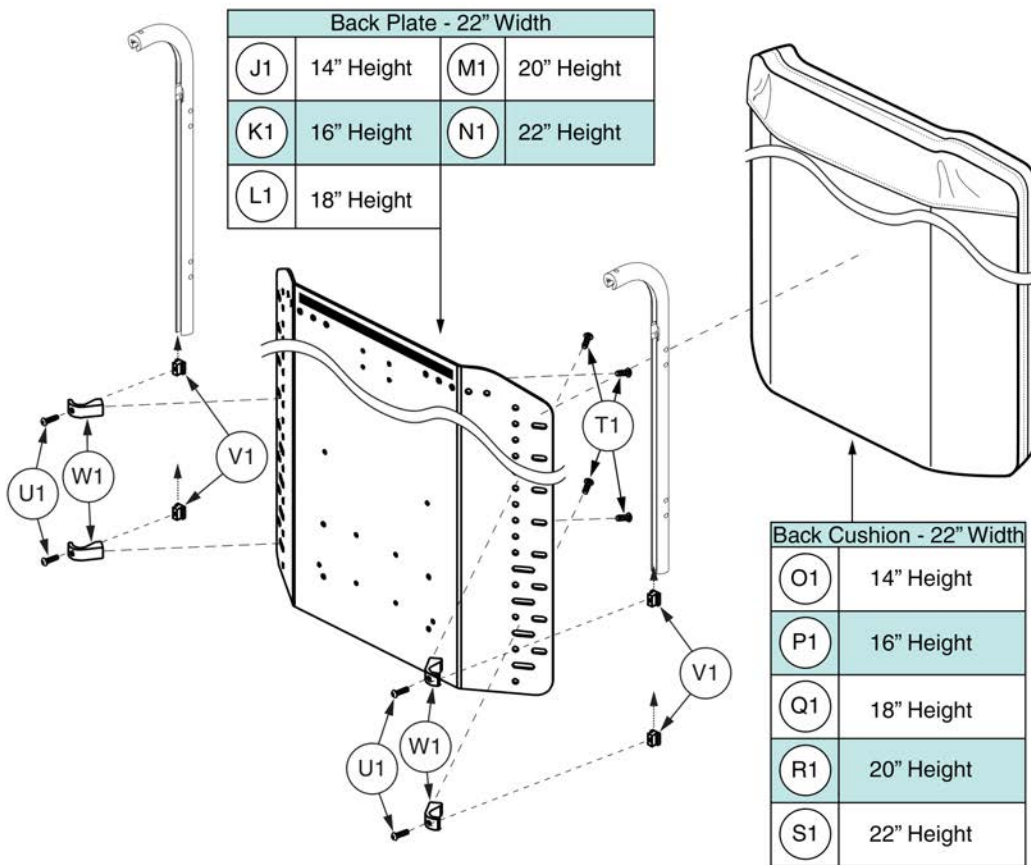


# Standard Back - 21" Width, TB2



Item	Part No.	Name	Qty
A1	SETASMB6479	SYNERGY STANDARD BACK,21"W,19"H,W/CUSHION,(21"W X 16"H)	1
B1	SETASMB6655	SYNERGY STANDARD BACK,21"W,20"H,W/CUSHION,(21"W X 16"H)	1
C1	SETASMB6498	SYNERGY STANDARD BACK,21"W,21"H,W/CUSHION,(21"W X 18"H)	1
D1	SETASMB6674	SYNERGY STANDARD BACK,21"W,22"H,W/CUSHION,(21"W X 18"H)	1
E1	SETASMB6517	SYNERGY STANDARD BACK,21"W,23"H,W/CUSHION,(21"W X 20"H)	1
F1	SETASMB6693	SYNERGY STANDARD BACK,21"W,24"H,W/CUSHION,(21"W X 20"H)	1
G1	SETASMB6536	SYNERGY STANDARD BACK,21"W,25"H,W/CUSHION,(21"W X 22"H)	1
H1		SEAT BACK,21"W,14"H,SYNERGY STANDARD,E-1359-029	1
I1	DWR1359E032L	SEAT BACK,21"W,16"H,SYNERGY STANDARD,E-1359-032	1
J1	DWR1359E034L	SEAT BACK,21"W,18"H,SYNERGY STANDARD,E-1359-034	1
K1	DWR1359E036L	SEAT BACK,21"W,20"H,SYNERGY STANDARD,E-1359-036	1
L1	DWR1359E045L	SEAT BACK,21"W,22"H,SYNERGY STANDARD,E-1359-045	1
M1		CUSHION,ASSY,21"W,14"H,SYNERGY STANDARD BACK,E-1359-083	1
N1	CUSASMB2354	CUSHION,ASSY,21"W,16"H,SYNERGY STANDARD BACK,E-1359-082	1
O1	CUSASMB2373	CUSHION,ASSY,21"W,18"H,SYNERGY STANDARD BACK,E-1359-081	1
P1	CUSASMB2392	CUSHION,ASSY,21"W,20"H,SYNERGY STANDARD BACK,E-1359-079	1
Q1	CUSASMB2411	CUSHION,ASSY,21"W,22"H,SYNERGY STANDARD BACK,E-1359-080	1
R1	SCRASBH1148	SCREW,BHSCS,BLACK ZINC,1/4-20 X 0.50",W/PATCH	4
S1	SCRASBH1210	SCREW, BUTTON HEAD, .250-20 X .75, ASTM F835, BZ, PVTP	4
T1	DWR1359B003	T-NUT,BLACK,1/4-20 X 0.563",0.50" TH,B-1359-003	4
U1	DWR1306C024	BACK PLATE BRACKET,T-SLOT,1",C-1306-024	4

Synergy Standard Back



The complete Synergy Standard Back Assy's include the Seat Back, Cushion and mounting hardware (T1-W1).

(A1)	Includes Seat Back (J1) and Cushion (O1)
(B1)	Includes Seat Back (J1) and Cushion (O1)
(C1)	Includes Seat Back (K1) and Cushion (P1)
(D1)	Includes Seat Back (K1) and Cushion (P1)
(E1)	Includes Seat Back (L1) and Cushion (Q1)
(F1)	Includes Seat Back (L1) and Cushion (Q1)
(G1)	Includes Seat Back (M1) and Cushion (R1)
(H1)	Includes Seat Back (M1) and Cushion (R1)
(I1)	Includes Seat Back (N1) and Cushion (S1)

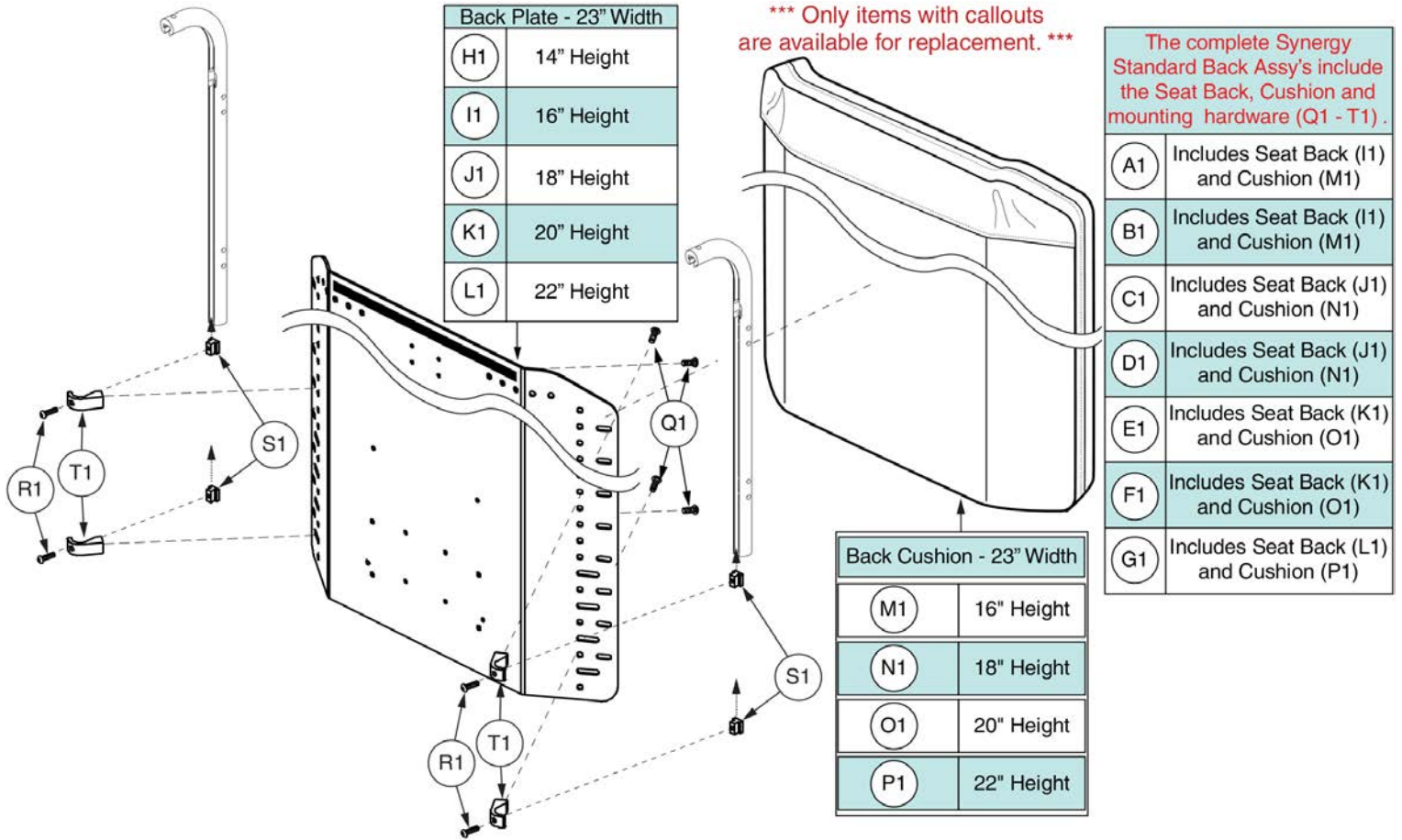


# Standard Back - 22" Width, TB2



Item	Part No.	Name	Qty
A1	SETASMB6469	SYNERGY STANDARD BACK,22"W,17"H,W/CUSHION,(22"W X 14"H)	1
B1	SETASMB6645	SYNERGY STANDARD BACK,22"W,18"H,W/CUSHION,(22"W X 14"H)	1
C1	SETASMB6480	SYNERGY STANDARD BACK,22"W,19"H,W/CUSHION,(22"W X 16"H)	1
D1	SETASMB6656	SYNERGY STANDARD BACK,22"W,20"H,W/CUSHION,(22"W X 16"H)	1
E1	SETASMB6499	SYNERGY STANDARD BACK,22"W,21"H,W/CUSHION,(22"W X 18"H)	1
F1	SETASMB6675	SYNERGY STANDARD BACK,22"W,22"H,W/CUSHION,(22"W X 18"H)	1
G1	SETASMB6518	SYNERGY STANDARD BACK,22"W,23"H,W/CUSHION,(22"W X 20"H)	1
H1	SETASMB6694	SYNERGY STANDARD BACK,22"W,24"H,W/CUSHION,(22"W X 20"H)	1
I1	SETASMB6537	SYNERGY STANDARD BACK,22"W,25"H,W/CUSHION,(22"W X 22"H)	1
J1	DWR1359E029M	SEAT BACK,22"W,14"H,SYNERGY STANDARD,E-1359-029	1
K1	DWR1359E032M	SEAT BACK,22"W,16"H,SYNERGY STANDARD,E-1359-032	1
L1	DWR1359E034M	SEAT BACK,22"W,18"H,SYNERGY STANDARD,E-1359-034	1
M1	DWR1359E036M	SEAT BACK,22"W,20"H,SYNERGY STANDARD,E-1359-036	1
N1	DWR1359E045M	SEAT BACK,22"W,22"H,SYNERGY STANDARD,E-1359-045	1
O1	CUSASMB2344	CUSHION,ASSY,22"W,14"H,SYNERGY STANDARD BACK,E-1359-083	1
P1	CUSASMB2355	CUSHION,ASSY,22"W,16"H,SYNERGY STANDARD BACK,E-1359-082	1
Q1	CUSASMB2374	CUSHION,ASSY,22"W,18"H,SYNERGY STANDARD BACK,E-1359-081	1
R1	CUSASMB2393	CUSHION,ASSY,22"W,20"H,SYNERGY STANDARD BACK,E-1359-079	1
S1	CUSASMB2412	CUSHION,ASSY,22"W,22"H,SYNERGY STANDARD BACK,E-1359-080	1
T1	SCRASBH1148	SCREW,BHSCS,BLACK ZINC,1/4-20 X 0.50",W/PATCH	4
U1	SCRASBH1210	SCREW, BUTTON HEAD, .250-20 X .75, ASTM F835, BZ, PVTP	4
V1	DWR1359B003	T-NUT,BLACK,1/4-20 X 0.563",0.50" TH,B-1359-003	4
W1	DWR1306C024	BACK PLATE BRACKET,T-SLOT,1",C-1306-024	4

Synergy Standard Back

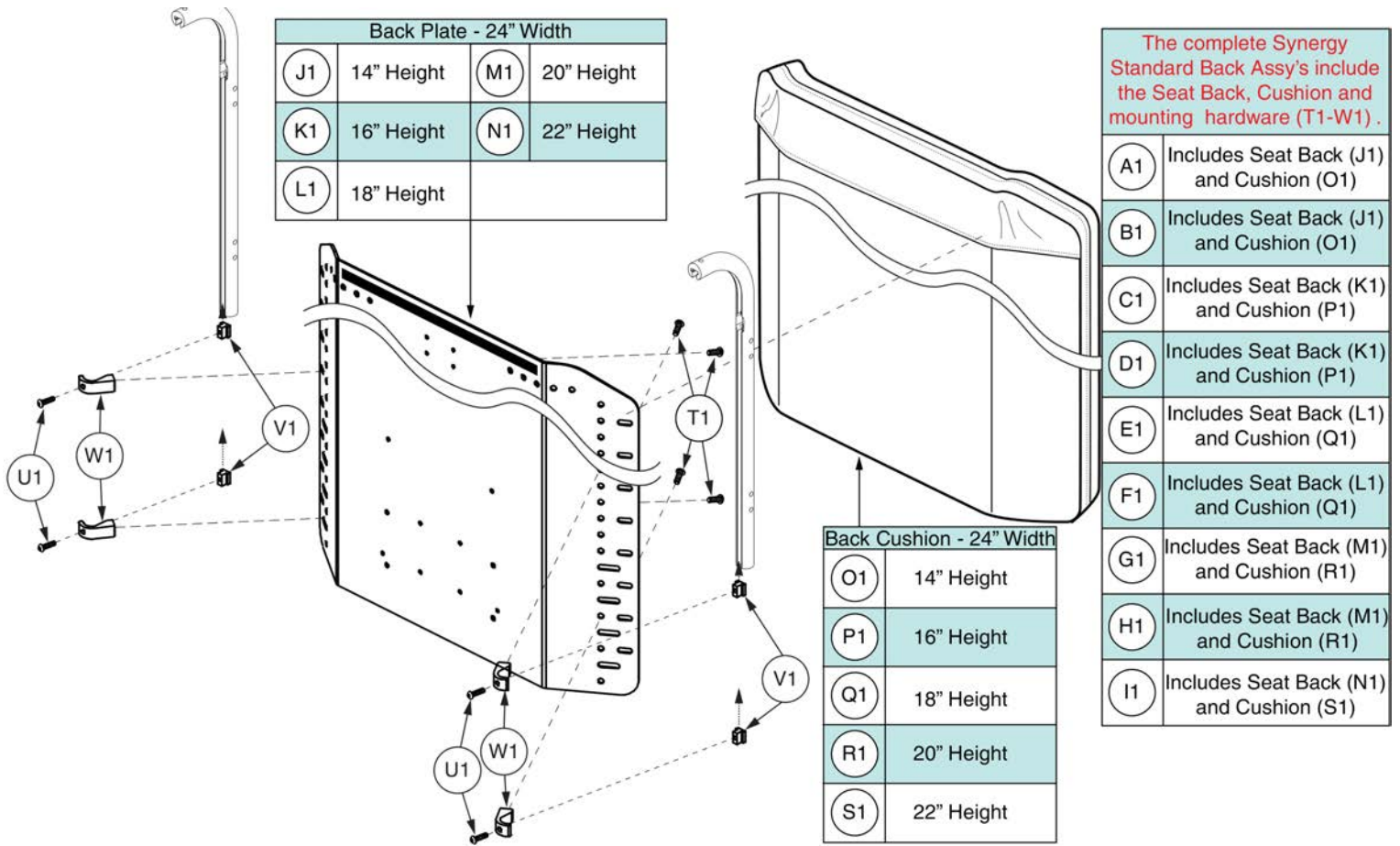


# Standard Back - 23" Width, TB2



Item	Part No.	Name	Qty
A1	SETASMB6481	SYNERGY STANDARD BACK,23"W,19"H,W/CUSHION,(23"W X 16"H)	1
B1	SETASMB6657	SYNERGY STANDARD BACK,23"W,20"H,W/CUSHION,(23"W X 16"H)	1
C1	SETASMB6500	SYNERGY STANDARD BACK,23"W,21"H,W/CUSHION,(23"W X 18"H)	1
D1	SETASMB6676	SYNERGY STANDARD BACK,23"W,22"H,W/CUSHION,(23"W X 18"H)	1
E1	SETASMB6519	SYNERGY STANDARD BACK,23"W,23"H,W/CUSHION,(23"W X 20"H)	1
F1	SETASMB6695	SYNERGY STANDARD BACK,23"W,24"H,W/CUSHION,(23"W X 20"H)	1
G1	SETASMB6538	SYNERGY STANDARD BACK,23"W,25"H,W/CUSHION,(23"W X 22"H)	1
H1		SEAT BACK,23"W,14"H,SYNERGY STANDARD,E-1359-029	1
I1	DWR1359E032N	SEAT BACK,23"W,16"H,SYNERGY STANDARD,E-1359-032	1
J1	DWR1359E034N	SEAT BACK,23"W,18"H,SYNERGY STANDARD,E-1359-034	1
K1	DWR1359E036N	SEAT BACK,23"W,20"H,SYNERGY STANDARD,E-1359-036	1
L1	DWR1359E045N	SEAT BACK,23"W,22"H,SYNERGY STANDARD,E-1359-045	1
M1	CUSASMB2356	CUSHION,ASSY,23"W,16"H,SYNERGY STANDARD BACK,E-1359-082	1
N1	CUSASMB2375	CUSHION,ASSY,23"W,18"H,SYNERGY STANDARD BACK,E-1359-081	1
O1	CUSASMB2394	CUSHION,ASSY,23"W,20"H,SYNERGY STANDARD BACK,E-1359-079	1
P1	CUSASMB2413	CUSHION,ASSY,23"W,22"H,SYNERGY STANDARD BACK,E-1359-080	1
Q1	SCRASBH1148	SCREW,BHSCS,BLACK ZINC,1/4-20 X 0.50",W/PATCH	4
R1	SCRASBH1210	SCREW, BUTTON HEAD, .250-20 X .75, ASTM F835, BZ, PVTP	4
S1	DWR1359B003	T-NUT,BLACK,1/4-20 X 0.563",0.50" TH,B-1359-003	4
T1	DWR1306C024	BACK PLATE BRACKET,T-SLOT,1",C-1306-024	4

Synergy Standard Back

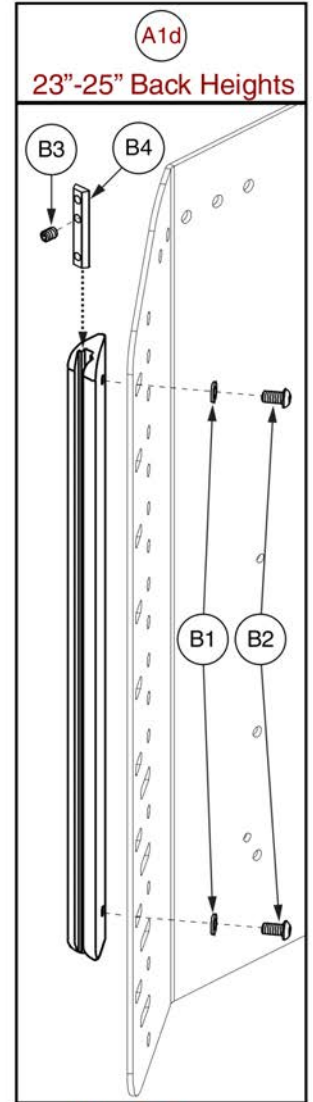
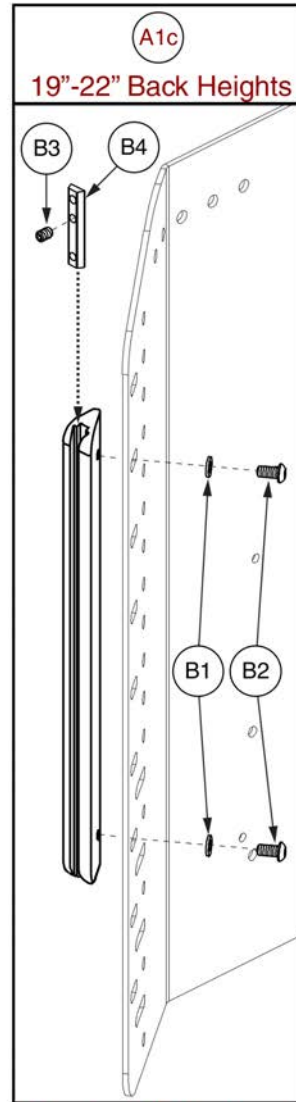
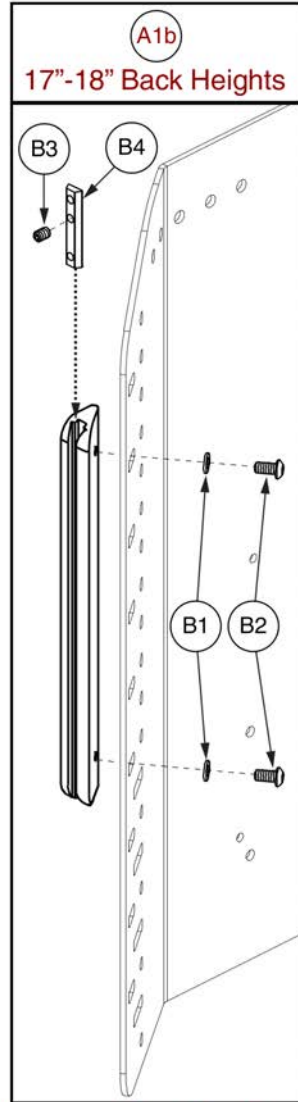
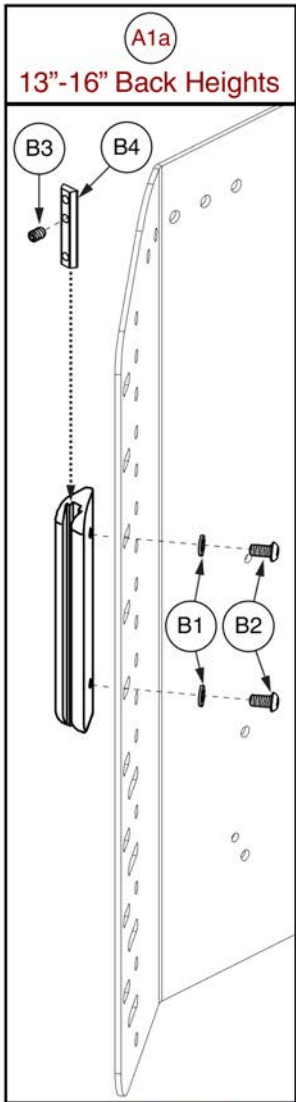


# Standard Back - 24" Width, TB2



Item	Part No.	Name	Qty
A1	SETASMB6471	SYNERGY STANDARD BACK,24"W,17"H,W/CUSHION,(24"W X 14"H)	1
B1	SETASMB6647	SYNERGY STANDARD BACK,24"W,18"H,W/CUSHION,(24"W X 14"H)	1
C1	SETASMB6482	SYNERGY STANDARD BACK,24"W,19"H,W/CUSHION,(24"W X 16"H)	1
D1	SETASMB6658	SYNERGY STANDARD BACK,24"W,20"H,W/CUSHION,(24"W X 16"H)	1
E1	SETASMB6501	SYNERGY STANDARD BACK,24"W,21"H,W/CUSHION,(24"W X 18"H)	1
F1	SETASMB6677	SYNERGY STANDARD BACK,24"W,22"H,W/CUSHION,(24"W X 18"H)	1
G1	SETASMB6520	SYNERGY STANDARD BACK,24"W,23"H,W/CUSHION,(24"W X 20"H)	1
H1	SETASMB6696	SYNERGY STANDARD BACK,24"W,24"H,W/CUSHION,(24"W X 20"H)	1
I1	SETASMB6539	SYNERGY STANDARD BACK,24"W,25"H,W/CUSHION,(24"W X 22"H)	1
J1	DWR1359E0290	SEAT BACK,24"W,14"H,SYNERGY STANDARD,E-1359-029	1
K1	DWR1359E0320	SEAT BACK,24"W,16"H,SYNERGY STANDARD,E-1359-032	1
L1	DWR1359E0340	SEAT BACK,24"W,18"H,SYNERGY STANDARD,E-1359-034	1
M1	DWR1359E0360	SEAT BACK,24"W,20"H,SYNERGY STANDARD,E-1359-036	1
N1	DWR1359E0450	SEAT BACK,24"W,22"H,SYNERGY STANDARD,E-1359-045	1
O1	CUSASMB2346	CUSHION,ASSY,24"W,14"H,SYNERGY STANDARD BACK,E-1359-083	1
P1	CUSASMB2357	CUSHION,ASSY,24"W,16"H,SYNERGY STANDARD BACK,E-1359-082	1
Q1	CUSASMB2376	CUSHION,ASSY,24"W,18"H,SYNERGY STANDARD BACK,E-1359-081	1
R1	CUSASMB2395	CUSHION,ASSY,24"W,20"H,SYNERGY STANDARD BACK,E-1359-079	1
S1	CUSASMB2414	CUSHION,ASSY,24"W,22"H,SYNERGY STANDARD BACK,E-1359-080	1
T1	SCRASBH1148	SCREW,BHSCS,BLACK ZINC,1/4-20 X 0.50",W/PATCH	4
U1	SCRASBH1210	SCREW, BUTTON HEAD, .250-20 X .75, ASTM F835, BZ, PVTP	4
V1	DWR1359B003	T-NUT,BLACK,1/4-20 X 0.563",0.50" TH,B-1359-003	4
W1	DWR1306C024	BACK PLATE BRACKET,T-SLOT,1",C-1306-024	4

Synergy Standard Back



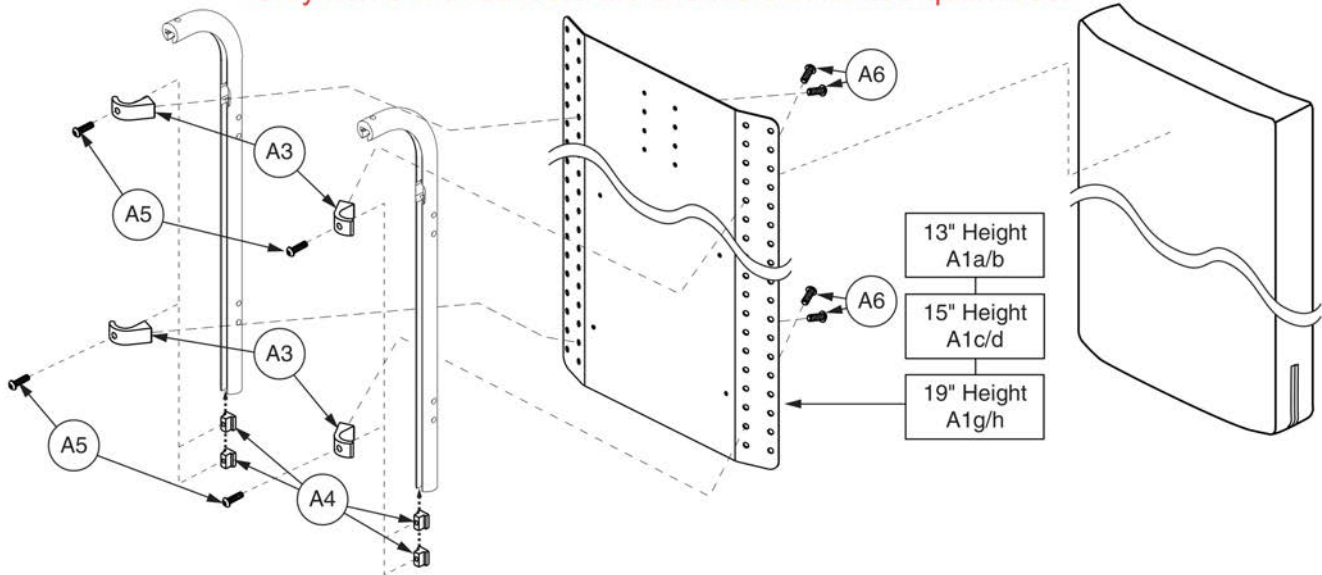
\*\*\*The track and the mounting hardware is included with the top-level assemblies.\*\*\*

Item	Part No.	Name	Qty
A1a	FRMASMB16274	LATERAL EXTENSION,ASSY,6",SYNERGY STANDARD BACK	1
A1b	FRMASMB16280	LATERAL EXTENSION,ASSY,10",SYNERGY STANDARD BACK	1
A1c	FRMASMB16298	LATERAL EXTENSION,ASSY,12",SYNERGY STANDARD BACK	1
A1d	FRMASMB16281	LATERAL EXTENSION,ASSY,16",SYNERGY STANDARD BACK	1
B1	WASSTND1097	WASHER, FLAT, 6.4 ID X 12 OD X 1.6 THK, ISO 7089-6-200 HV, BZ	2
B2	SCRASBH1148	SCREW,BHSCS,BLACK ZINC,1/4-20 X 0.50",W/PATCH	2
B3	SCRSETS1087	SCREW,SET,BLACK ZINC,1/4-20 X 0.375",CUP POINT,W/PATCH	1
B4		LATERAL EXTENSION,SLIDER INSERT,C-1359-015	1



Solid Back Plate and Cushion Assy's (Discontinued)

\*\*\*The Solid Back Assemblies have been discontinued.  
Only items with callouts are available in limited quantities.\*\*\*





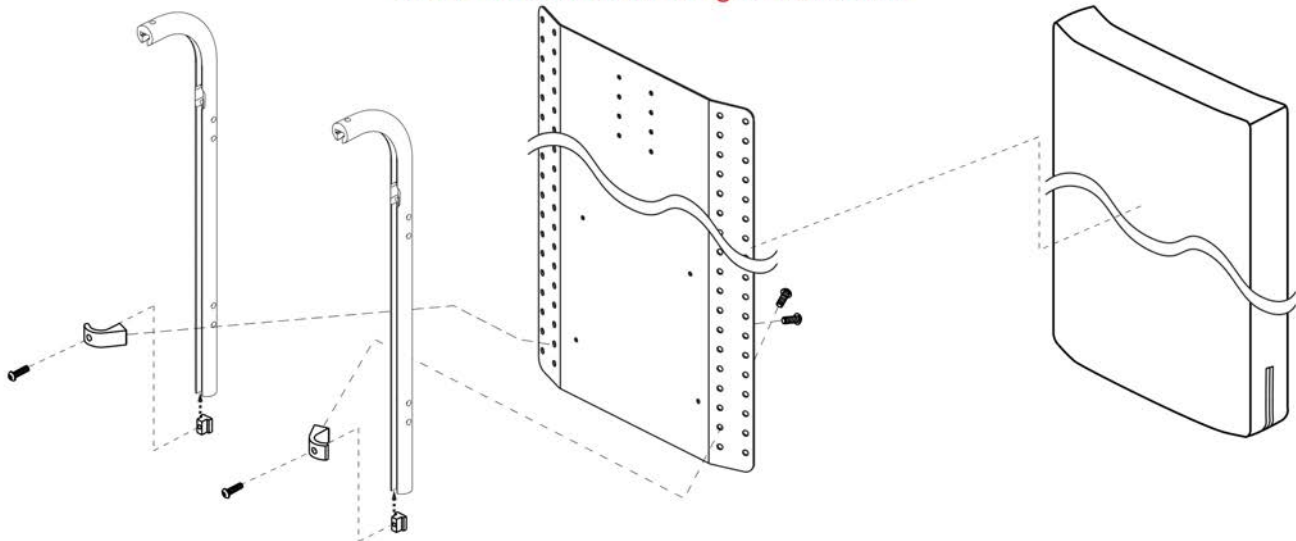
## Solid Back Plate and Cushion 14" Width



Item	Part No.	Name	Qty
A1a/b		SEAT BACK,PLATE,14"W,13"H,SYNERGY,E-1359-007	1
A1c/d		SEAT BACK,PLATE,14"W,15"H,SYNERGY,E-1359-007	1
A1g/h		SEAT BACK,PLATE,14"W,19"H,SYNERGY,E-1359-007	1
A3		BACK PLATE BRACKET,T-SLOT,1",C-1359-005	4
A4	DWR1359B003	T-NUT,BLACK,1/4-20 X 0.563",0.50" TH,B-1359-003	4
A5	SCRASBH1209	SCREW,BHSCS,BLACK ZINC,1/4-20 X .875",GR 8,W/PATCH	4
A6	SCRASBH1148	SCREW,BHSCS,BLACK ZINC,1/4-20 X 0.50",W/PATCH	4

*Solid Back Plate and Cushion Assy's (Discontinued)*

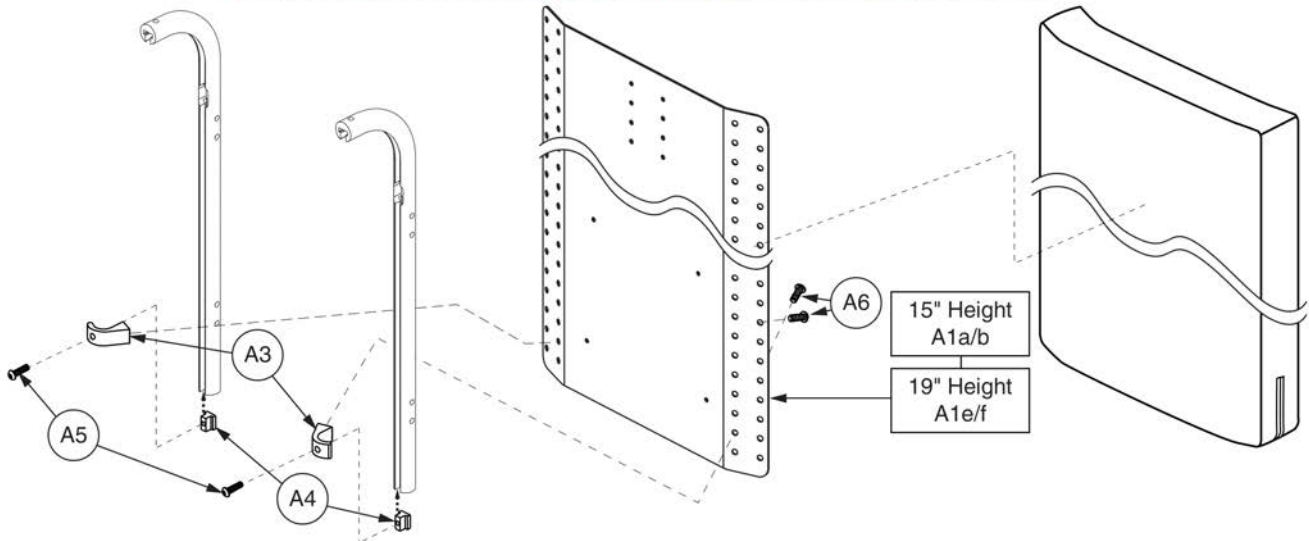
\*\*\*The Solid Back Assemblies have been discontinued.  
These items are no longer available.\*\*\*



This page intentionally left blank

*Solid Back Plate and Cushion Assy's (Discontinued)*

\*\*\*The Solid Back Assemblies have been discontinued.  
Only items with callouts are available in limited quantities.\*\*\*



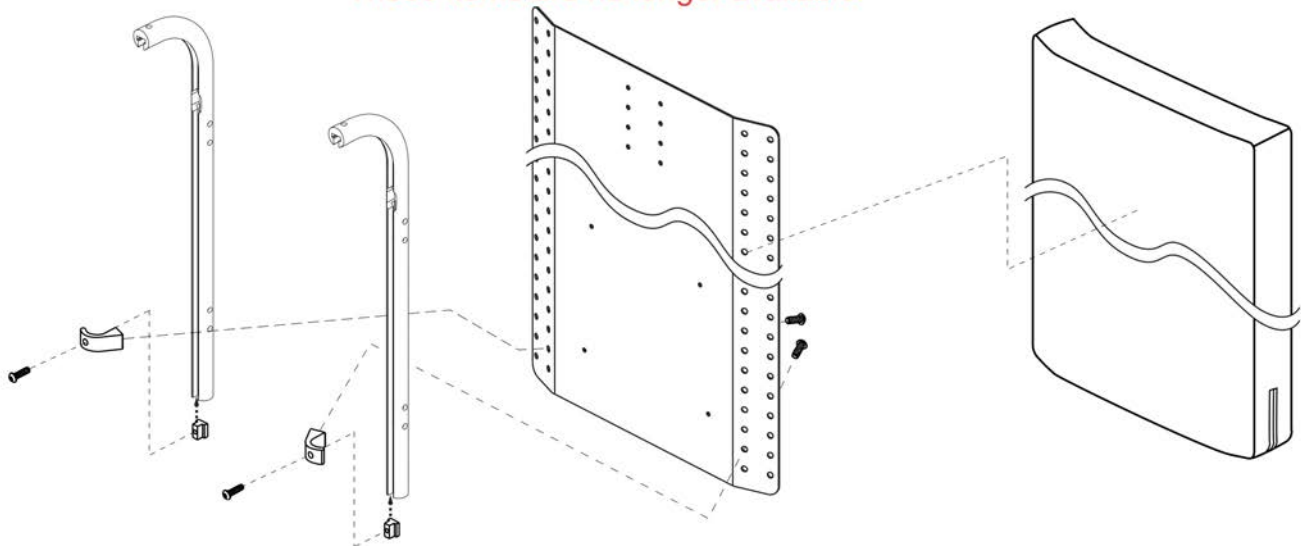
## Solid Back Plate and Cushion 16" Width



Item	Part No.	Name	Qty
A1a/b		SEAT BACK,PLATE,16"W,15"H,SYNERGY,E-1359-009	1
A1e/f		SEAT BACK,PLATE,16"W,19"H,SYNERGY,E-1359-009	1
A3		BACK PLATE BRACKET,T-SLOT,1",C-1359-005	2
A4	DWR1359B003	T-NUT,BLACK,1/4-20 X 0.563",0.50" TH,B-1359-003	2
A5	SCRASBH1209	SCREW,BHSCS,BLACK ZINC,1/4-20 X .875",GR 8,W/PATCH	2
A6	SCRASBH1148	SCREW,BHSCS,BLACK ZINC,1/4-20 X 0.50",W/PATCH	2

*Solid Back Plate and Cushion Assy's (Discontinued)*

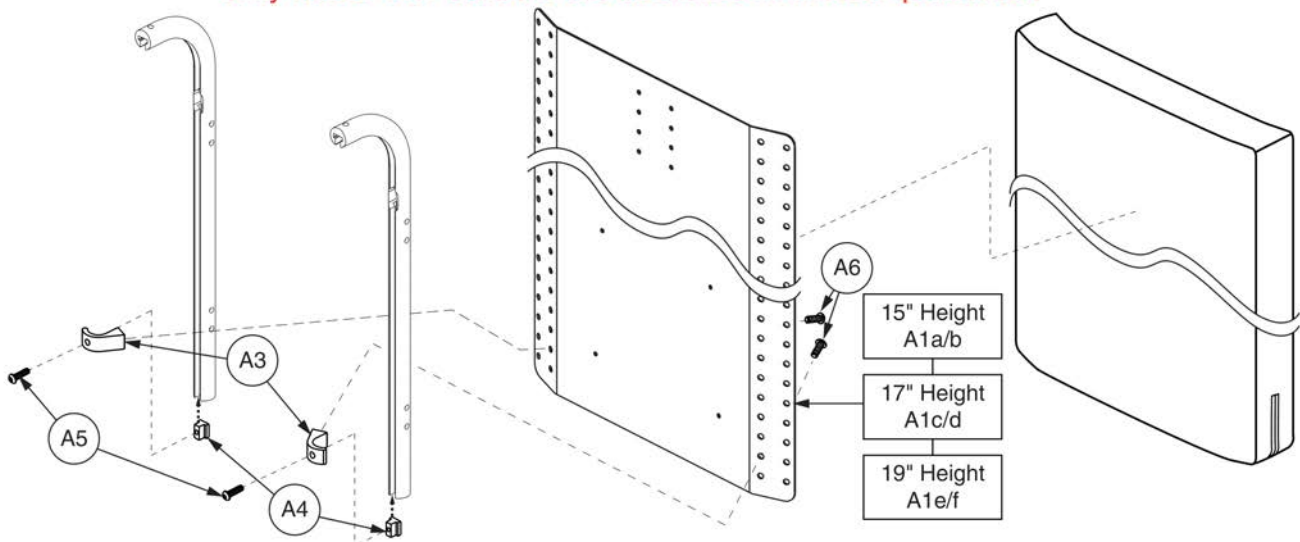
\*\*\*The Solid Back Assemblies have been discontinued.  
These items are no longer available.\*\*\*



This page intentionally left blank

*Solid Back Plate and Cushion Assy's (Discontinued)*

\*\*\*The Solid Back Assemblies have been discontinued.  
Only items with callouts are available in limited quantities.\*\*\*





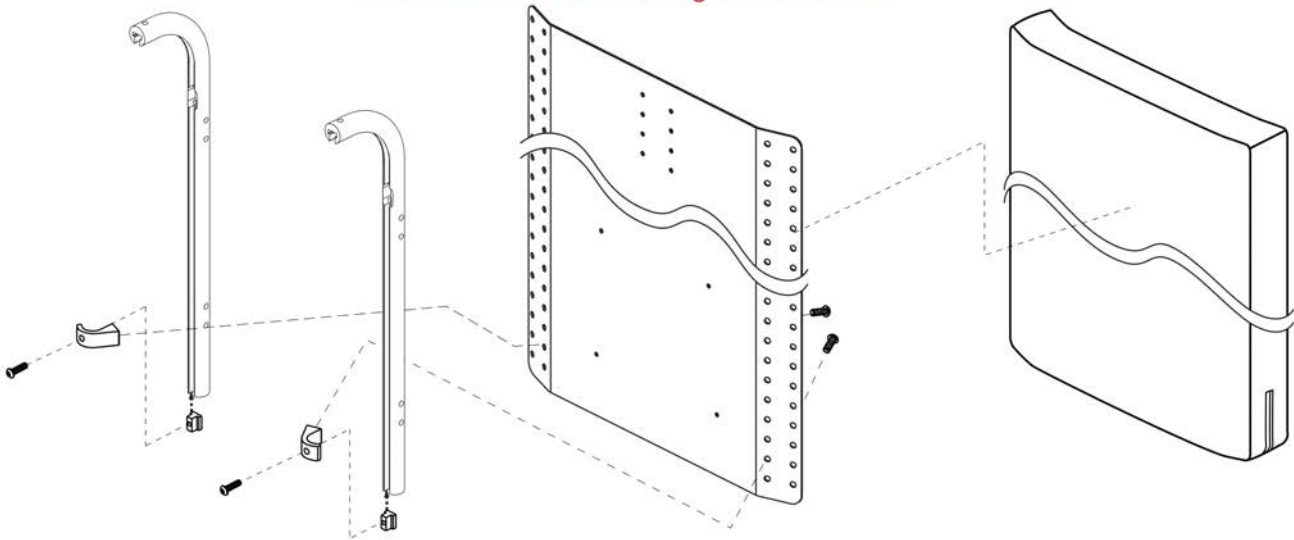
## Solid Back Plate and Cushion 18" Width



Item	Part No.	Name	Qty
A1a/b		SEAT BACK,PLATE,18"W,15"H,SYNERGY,E-1359-011	1
A1c/d		SEAT BACK,PLATE,18"W,17"H,SYNERGY,E-1359-011	1
A1e/f		SEAT BACK,PLATE,18"W,19"H,SYNERGY,E-1359-011	1
A3		BACK PLATE BRACKET,T-SLOT,1",C-1359-005	2
A4	DWR1359B003	T-NUT,BLACK,1/4-20 X 0.563",0.50" TH,B-1359-003	2
A5	SCRASBH1209	SCREW,BHSCS,BLACK ZINC,1/4-20 X .875",GR 8,W/PATCH	2
A6	SCRASBH1148	SCREW,BHSCS,BLACK ZINC,1/4-20 X 0.50",W/PATCH	2

*Solid Back Plate and Cushion Assy's (Discontinued)*

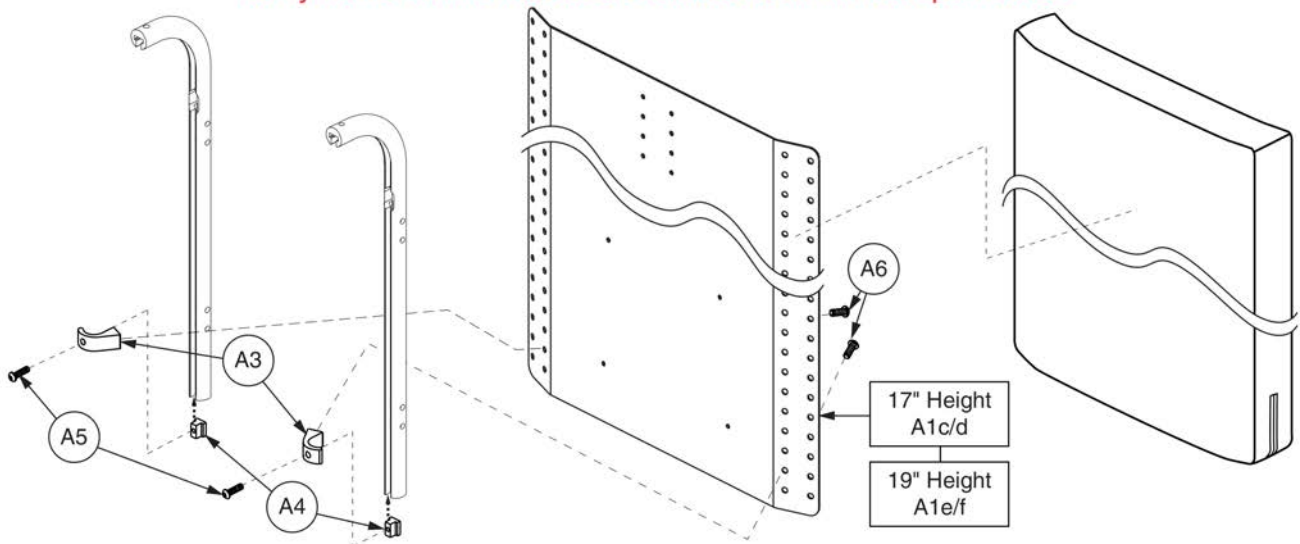
\*\*\*The Solid Back Assemblies have been discontinued.  
These items are no longer available.\*\*\*



This page intentionally left blank

*Solid Back Plate and Cushion Assy's (Discontinued)*

\*\*\*The Solid Back Assemblies have been discontinued.  
Only items with callouts are available in limited quantities.\*\*\*



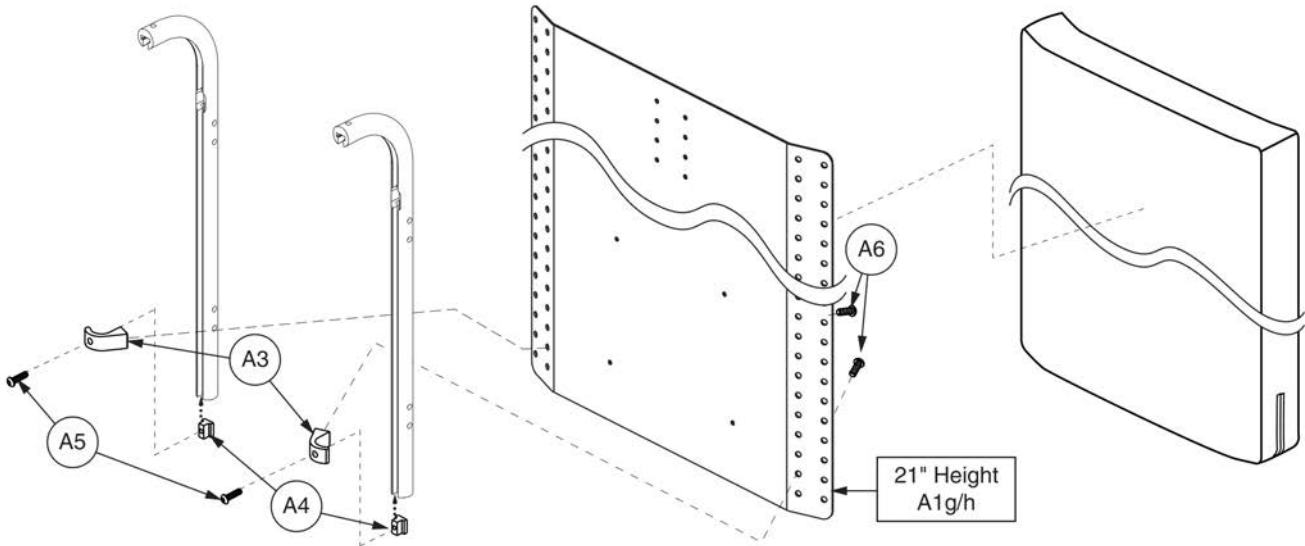
## Solid Back Plate and Cushion 20" Width



Item	Part No.	Name	Qty
A1c/d		SEAT BACK,PLATE,20"W,17"H,SYNERGY,E-1359-001	1
A1e/f		SEAT BACK,PLATE,20"W,19"H,SYNERGY,E-1359-001	1
A3		BACK PLATE BRACKET,T-SLOT,1",C-1359-005	2
A4	DWR1359B003	T-NUT,BLACK,1/4-20 X 0.563",0.50" TH,B-1359-003	2
A5	SCRASBH1209	SCREW,BHSCS,BLACK ZINC,1/4-20 X .875",GR 8,W/PATCH	2
A6	SCRASBH1148	SCREW,BHSCS,BLACK ZINC,1/4-20 X 0.50",W/PATCH	2

*Solid Back Plate and Cushion Assy's (Discontinued)*

\*\*\*The Solid Back Assemblies have been discontinued.  
Only items with callouts are available in limited quantities.\*\*\*



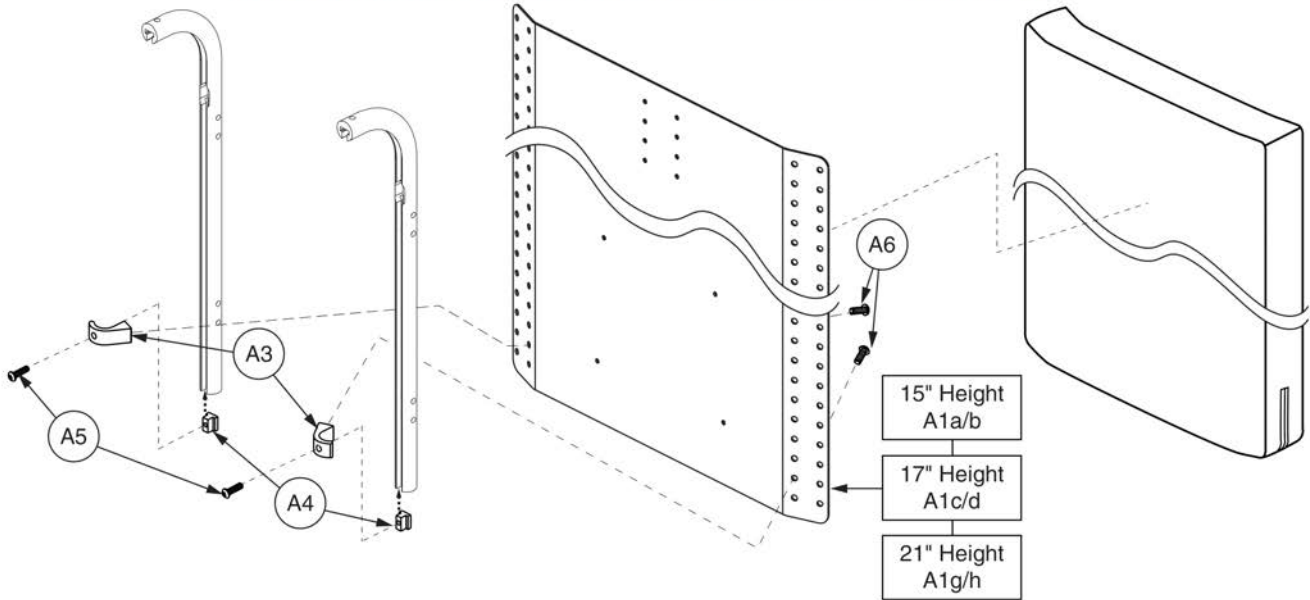
## Solid Back Plate and Cushion 21" Width



Item	Part No.	Name	Qty
A1g/h		SEAT BACK,PLATE,21"W,21"H,SYNERGY,E-1359-013	1
A3		BACK PLATE BRACKET,T-SLOT,1",C-1359-005	2
A4	DWR1359B003	T-NUT,BLACK,1/4-20 X 0.563",0.50" TH,B-1359-003	2
A5	SCRASBH1209	SCREW,BHSCS,BLACK ZINC,1/4-20 X .875",GR 8,W/PATCH	2
A6	SCRASBH1148	SCREW,BHSCS,BLACK ZINC,1/4-20 X 0.50",W/PATCH	2

*Solid Back Plate and Cushion Assy's (Discontinued)*

\*\*\*The Solid Back Assemblies have been discontinued.  
Only items with callouts are available in limited quantities.\*\*\*



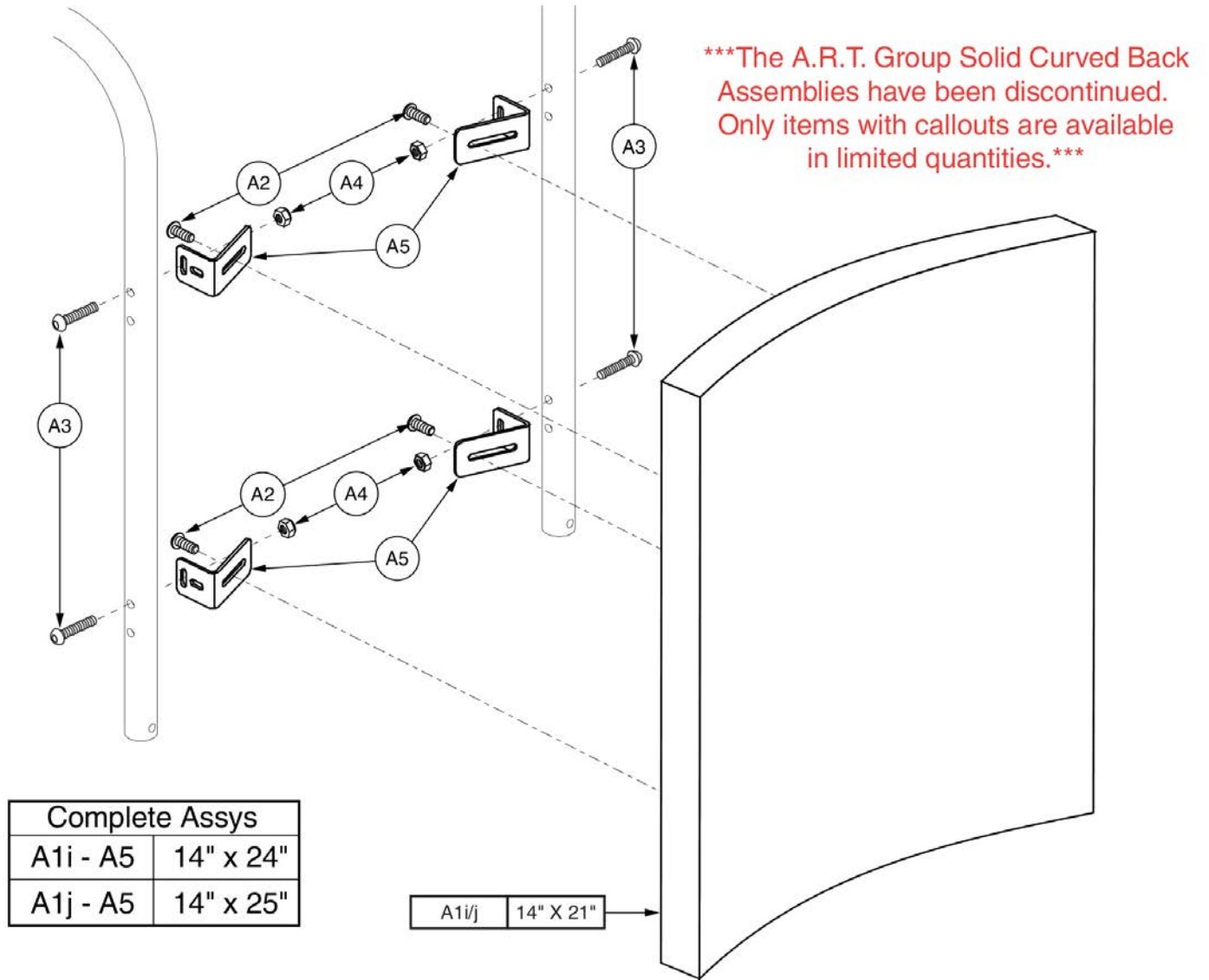


## Solid Back Plate and Cushion 22" Width



Item	Part No.	Name	Qty
A1a/b		SEAT BACK,PLATE,22"W,15"H,SYNERGY,E-1359-014	1
A1c/d		SEAT BACK,PLATE,22"W,17"H,SYNERGY,E-1359-014	1
A1g/h		SEAT BACK,PLATE,22"W,21"H,SYNERGY,E-1359-014	1
A3		BACK PLATE BRACKET,T-SLOT,1",C-1359-005	2
A4	DWR1359B003	T-NUT,BLACK,1/4-20 X 0.563",0.50" TH,B-1359-003	2
A5	SCRASBH1209	SCREW,BHSCS,BLACK ZINC,1/4-20 X .875",GR 8,W/PATCH	2
A6	SCRASBH1148	SCREW,BHSCS,BLACK ZINC,1/4-20 X 0.50",W/PATCH	2

A.R.T. Group Solid Curved Back Assy's (Discontinued)

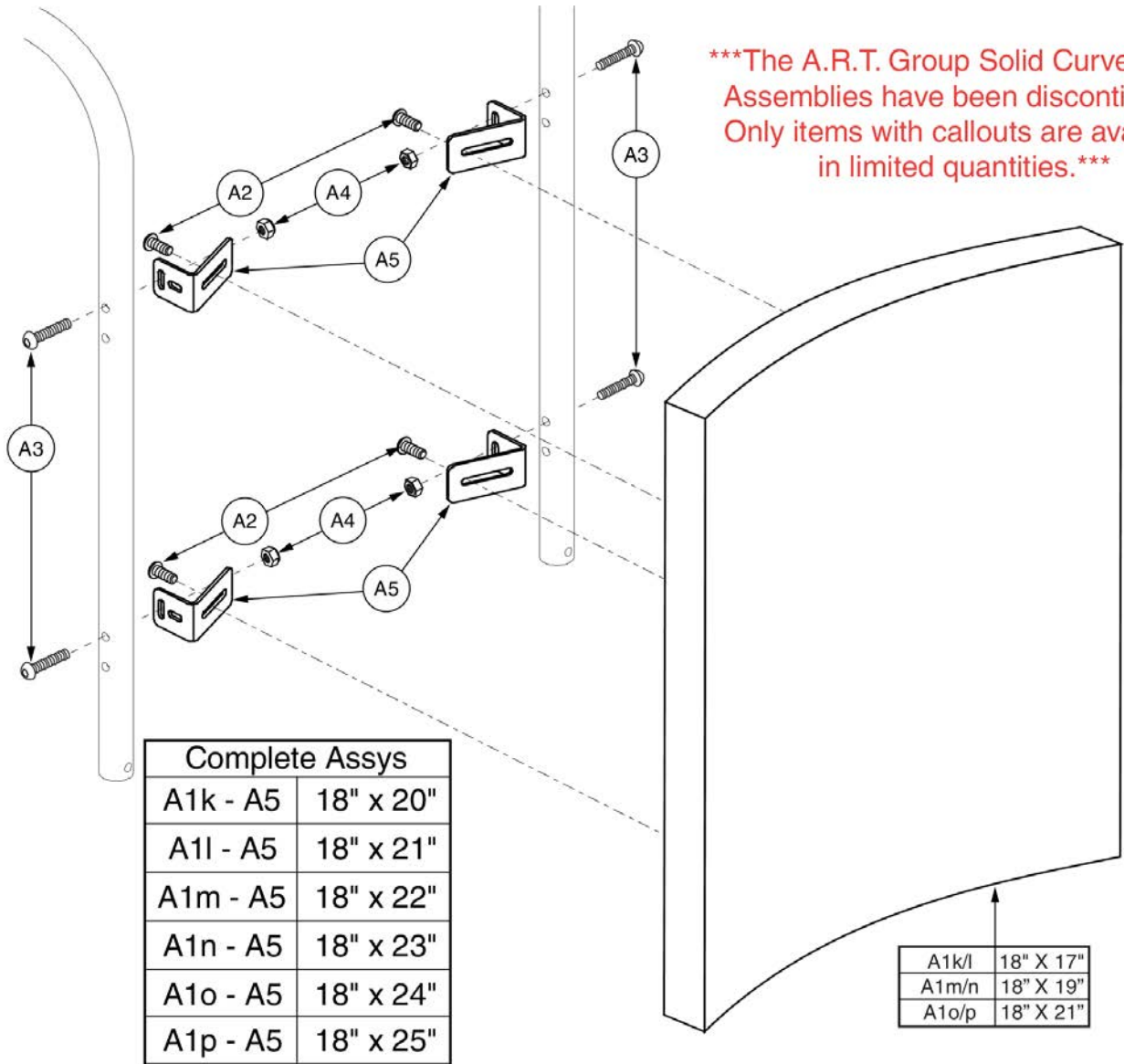


## Solid Curved Back - 14"-16" Width



Item	Part No.	Name	Qty
A1i - A5		SEAT BACK,ASSY,A.R.T SOLID BACK,14"W,24"H,(14"W X 21"H)	1
A1j - A5		SEAT BACK,ASSY,A.R.T SOLID BACK,14"W,25"H,(14"W X 21"H)	1
A1i/j		SEAT BACK,SOLID BACK INSERT,14"W,21"H	1
A2	SCRASBH1018	SCREW,BHSCS,BLACK ZINC,1/4-20 X 0.625",GRADE 8	4
A3	SCRASBH1007	SCREW,BHSCS,BLACK ZINC,1/4-20 X 1.50",GRADE 8	4
A4	NUTNYLK1014	NUT,NYLOCK,BLACK ZINC,1/4-20	4
A5		MOUNTING BRACKET,AES BACK HD MOUNTING,TEXTURED,B-1000-224	4

A.R.T. Group Solid Curved Back Assy's (Discontinued)

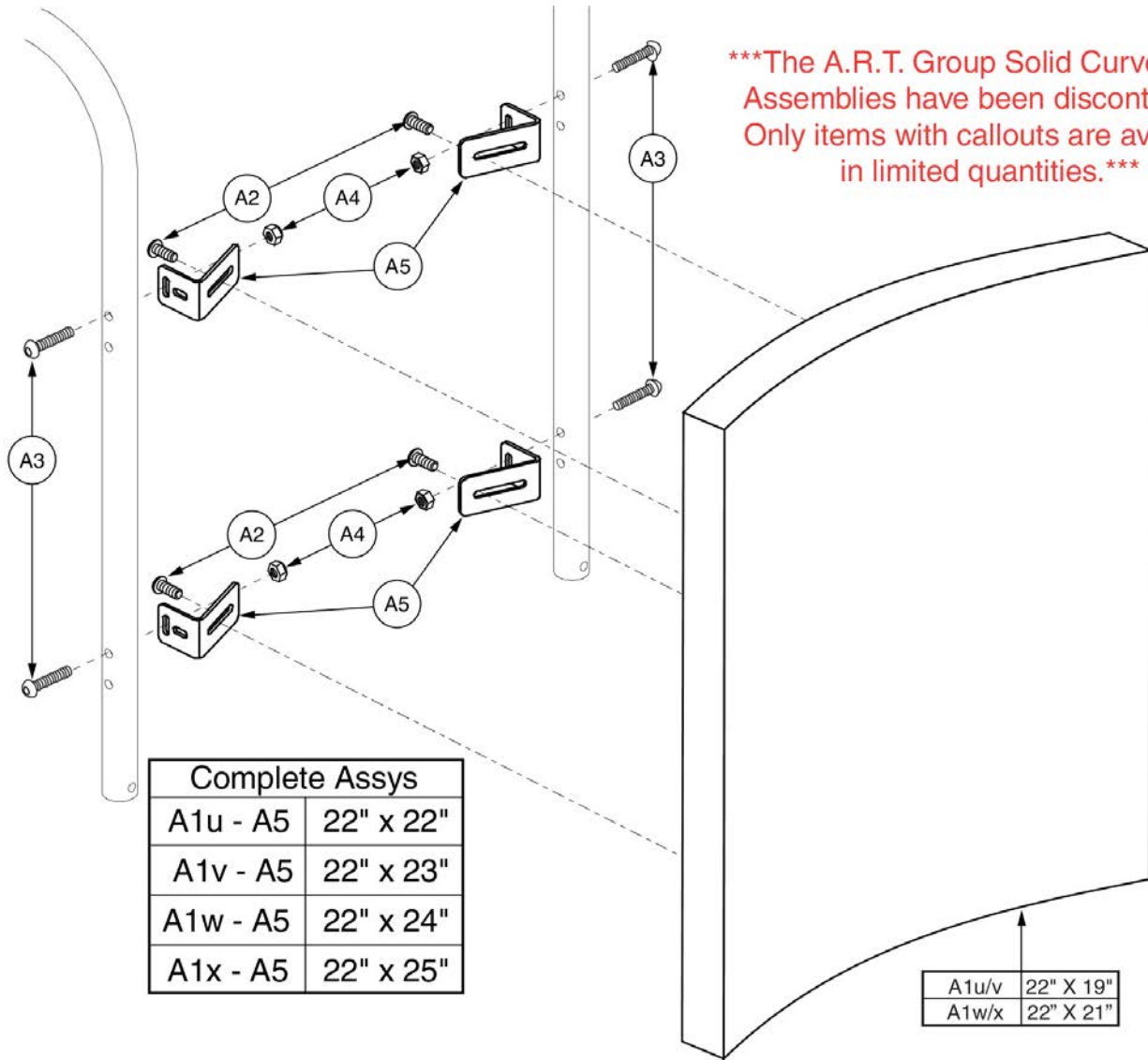


## Solid Curved Back - 17"-19" Width



Item	Part No.	Name	Qty
A1k - A5		SEAT BACK,ASSY,A.R.T SOLID BACK,18"W,20"H,(18"W X 17"H)	1
A1l - A5		SEAT BACK,ASSY,A.R.T SOLID BACK,18"W,21"H,(18"W X 17"H)	1
A1m - A5		SEAT BACK,ASSY,A.R.T SOLID BACK,18"W,22"H,(18"W X 19"H)	1
A1n - A5		SEAT BACK,ASSY,A.R.T SOLID BACK,18"W,23"H,(18"W X 19"H)	1
A1o - A5		SEAT BACK,ASSY,A.R.T SOLID BACK,18"W,24"H,(18"W X 21"H)	1
A1p - A5		SEAT BACK,ASSY,A.R.T SOLID BACK,18"W,25"H,(18"W X 21"H)	1
A1k/l		SEAT BACK,18"W,17"H	1
A1m/n		SEAT BACK,18"W,19"H	1
A1o/p		SEAT BACK,18"W,21"H	1
A2	SCRASBH1018	SCREW,BHSCS,BLACK ZINC,1/4-20 X 0.625",GRADE 8	4
A3	SCRASBH1007	SCREW,BHSCS,BLACK ZINC,1/4-20 X 1.50",GRADE 8	4
A4	NUTNYLK1014	NUT,NYLOCK,BLACK ZINC,1/4-20	4
A5		MOUNTING BRACKET,AES BACK HD MOUNTING,TEXTURED,B-1000-224	4

A.R.T. Group Solid Curved Back Assy's (Discontinued)

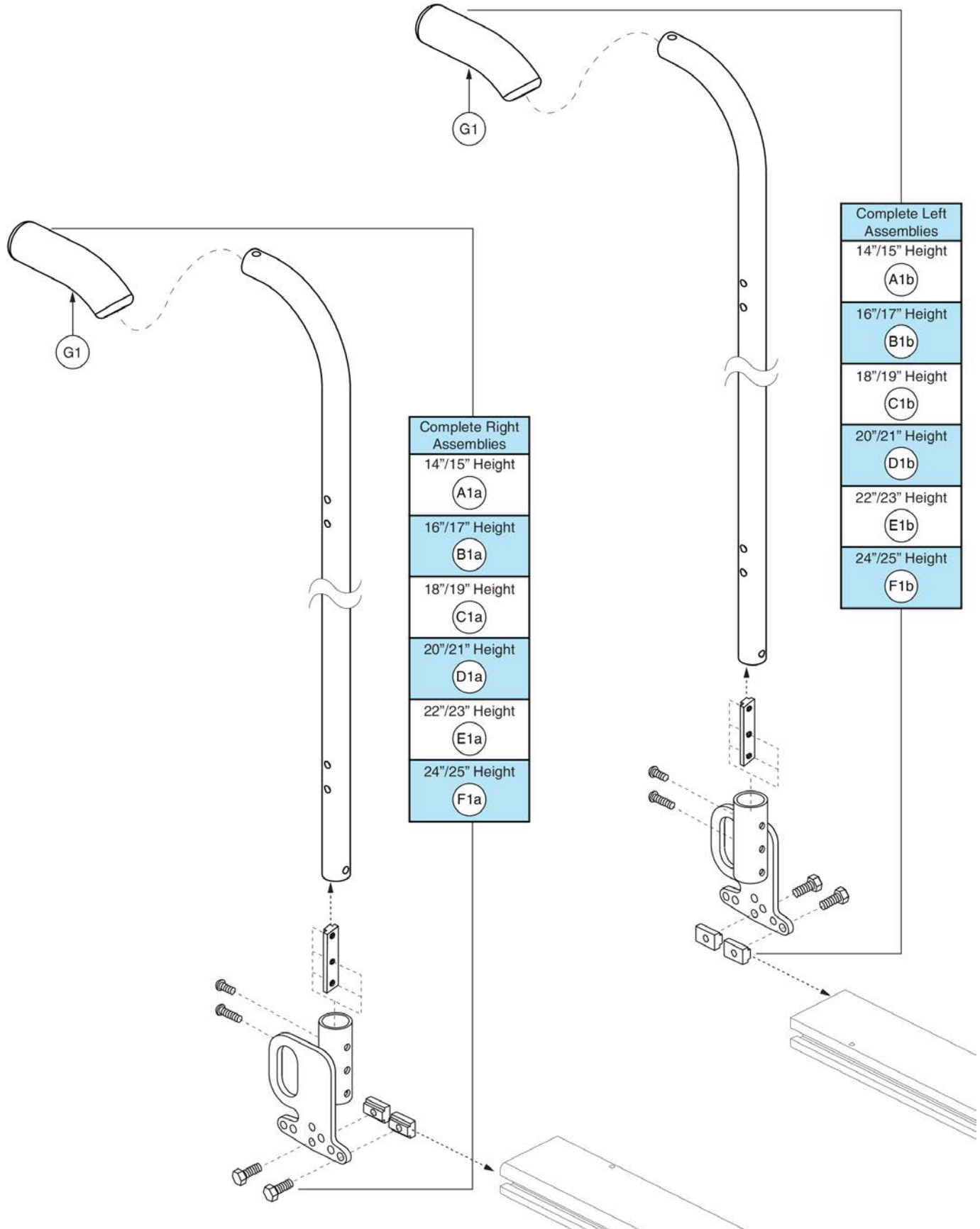


## Solid Curved Back - 20"-22" Width



Item	Part No.	Name	Qty
A1u - A5		SEAT BACK,ASSY,A.R.T SOLID BACK,22"W,22"H,(22"W X 19"H)	1
A1v - A5		SEAT BACK,ASSY,A.R.T SOLID BACK,22"W,23"H,(22"W X 19"H)	1
A1w - A5		SEAT BACK,ASSY,A.R.T SOLID BACK,22"W,24"H,(22"W X 21"H)	1
A1x - A5		SEAT BACK,ASSY,A.R.T SOLID BACK,22"W,25"H,(22"W X 21"H)	1
A1u/v		SEAT BACK,SOLID BACK INSERT,22"W,19"H	1
A1w/x		SEAT BACK,SOLID BACK INSERT,22"W,21"H	1
A2	SCRASBH1018	SCREW,BHSCS,BLACK ZINC,1/4-20 X 0.625",GRADE 8	4
A3	SCRASBH1007	SCREW,BHSCS,BLACK ZINC,1/4-20 X 1.50",GRADE 8	4
A4	NUTNYLK1014	NUT,NYLOCK,BLACK ZINC,1/4-20	4
A5		MOUNTING BRACKET,AES BACK HD MOUNTING,TEXTURED,B-1000-224	4

**Back Canes**

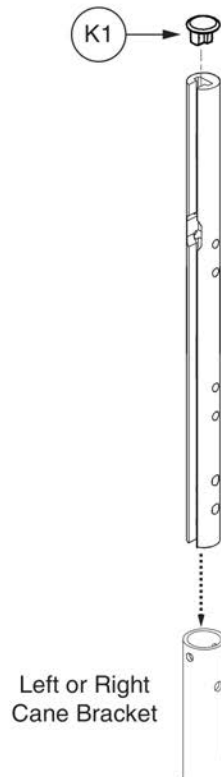




Item	Part No.	Name	Qty
A1a	FRMASMB7910	BACK CANE,ASSY,W/SHORT PUSH HANDLE,14"H-15"H,SYNERGY SEAT/TILT,RIGHT,TEXTURED,E-1360-162	1
A1b	FRMASMB7909	BACK CANE,ASSY,W/SHORT PUSH HANDLE,14"H-15"H,SYNERGY SEAT/TILT,LEFT,TEXTURED,E-1360-161	1
B1a	FRMASMB7912	BACK CANE,ASSY,W/SHORT PUSH HANDLE,16"H-17"H,SYNERGY SEAT/TILT,RIGHT,TEXTURED,E-1360-164	1
B1b	FRMASMB7911	BACK CANE,ASSY,W/SHORT PUSH HANDLE,16"H-17"H,SYNERGY SEAT/TILT,LEFT,TEXTURED,E-1360-163	1
C1a	FRMASMB7914	BACK CANE,ASSY,W/SHORT PUSH HANDLE,18"H-19"H,SYNERGY SEAT/TILT,RIGHT,TEXTURED,E-1360-166	1
C1b	FRMASMB7913	BACK CANE,ASSY,W/SHORT PUSH HANDLE,18"H-19"H,SYNERGY SEAT/TILT,LEFT,TEXTURED,E-1360-165	1
D1a	FRMASMB7916	BACK CANE,ASSY,W/SHORT PUSH HANDLE,20"H-21"H,SYNERGY SEAT/TILT,RIGHT,TEXTURED,E-1360-168	1
D1b	FRMASMB7915	BACK CANE,ASSY,W/SHORT PUSH HANDLE,20"H-21"H,SYNERGY SEAT/TILT,LEFT,TEXTURED,E-1360-167	1
E1a	FRMASMB7918	RIGHT BACK CANE,W/SHORT PUSH HANDLE,22"H-23"H,SYNERGY	1
E1b	FRMASMB7917	LEFT BACK CANE,W/SHORT PUSH HANDLE,22"H-23"H,SYNERGY	1
F1a	FRMASMB7920	RIGHT BACK CANE,W/SHORT PUSH HANDLE,24"H-25"H,SYNERGY	1
F1b	FRMASMB7919	LRFT BACK CANE,W/SHORT PUSH HANDLE,24"H-25"H,SYNERGY	1
G1	PROHDL1052	HAND GRIP,BLACK,FOAM,.94"ID X 5.00"L X .125"TH	1

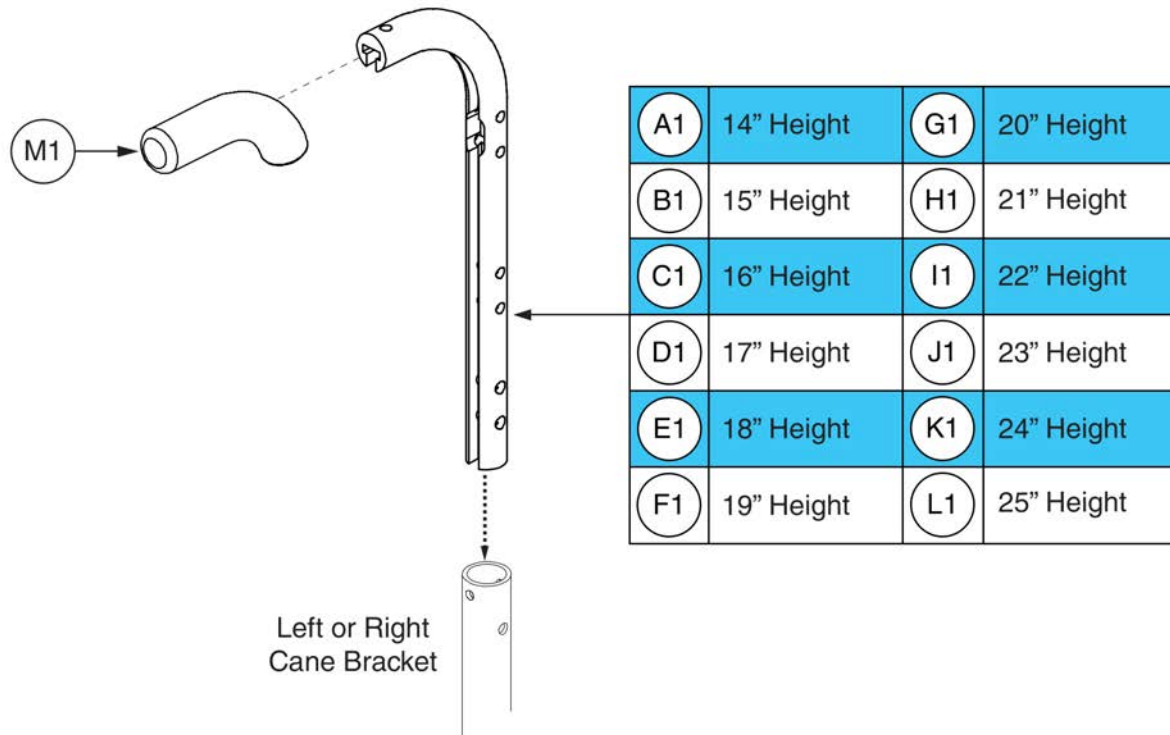
**Back Canes**

Please note: The straight, no push handle back canes are no longer available.  
Contact Technical Service for replacement options.



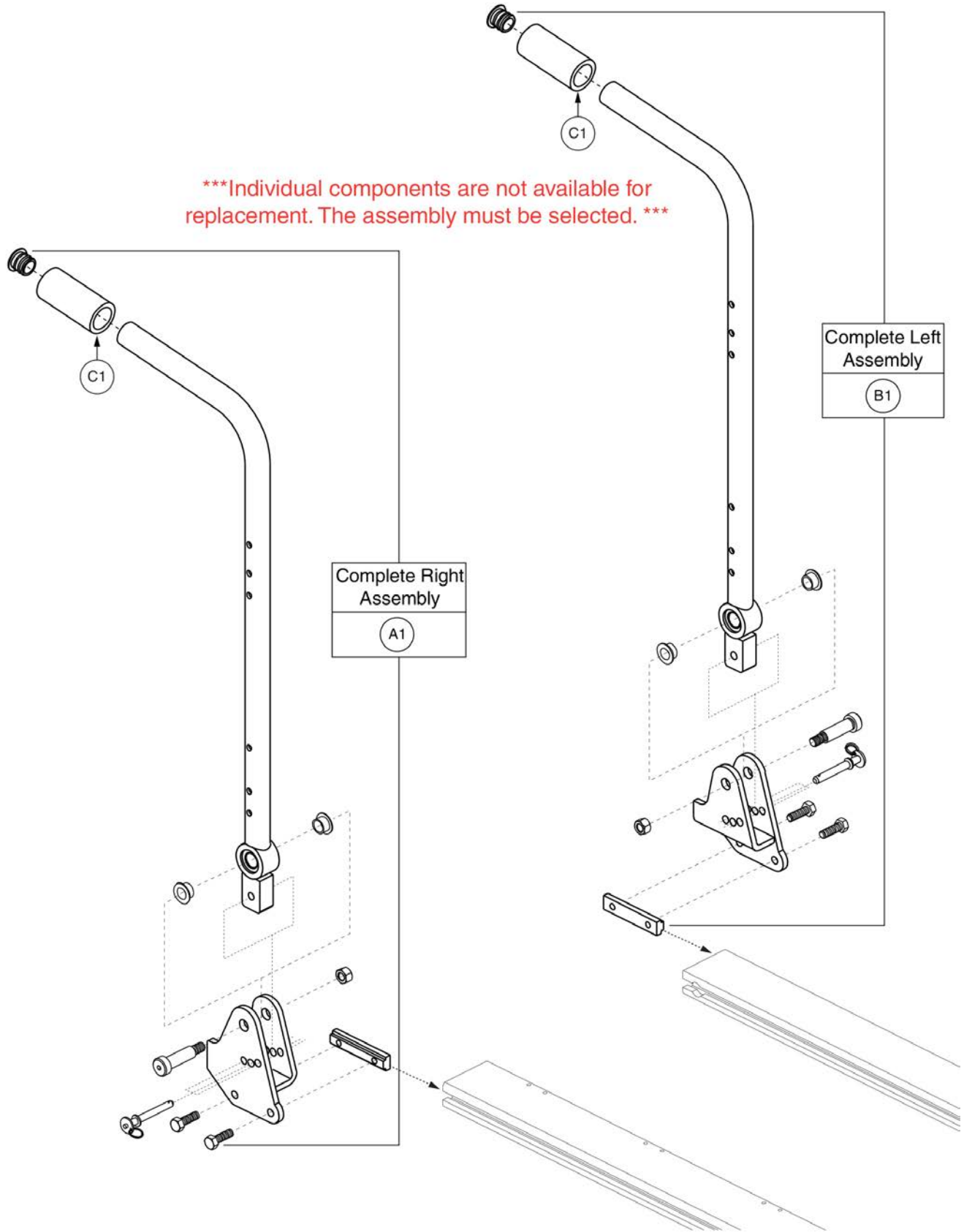
Item	Part No.	Name	Qty
A1	FRMASMB15774	BACK CANE,ASSY,NO PUSH HANDLE,STRAIGHT,16"H,6 HOLE	1
B1	FRMASMB15775	BACK CANE,ASSY,NO PUSH HANDLE,STRAIGHT,17"H,6 HOLE	1
C1	FRMASMB15776	BACK CANE,ASSY,NO PUSH HANDLE,STRAIGHT,18"H,6 HOLE	1
D1	FRMASMB15777	BACK CANE,ASSY,NO PUSH HANDLE,STRAIGHT,19"H,6 HOLE	1
E1	FRMASMB15778	BACK CANE,ASSY,NO PUSH HANDLE,STRAIGHT,20"H,6 HOLE	1
F1	FRMASMB15779	BACK CANE,ASSY,NO PUSH HANDLE,STRAIGHT,21"H,6 HOLE	1
G1	FRMASMB15780	BACK CANE,ASSY,NO PUSH HANDLE,STRAIGHT,22"H,6 HOLE	1
H1	FRMASMB15781	BACK CANE,ASSY,NO PUSH HANDLE,STRAIGHT,23"H,6 HOLE	1
I1	FRMASMB15782	BACK CANE,ASSY,NO PUSH HANDLE,STRAIGHT,24"H,6 HOLE	1
J1		BACK CANE,ASSY,NO PUSH HANDLE,STRAIGHT,25"H,6 HOLE	1
K1	DWR1367C043	END CAP,RECLINE ARMREST,TRU-BALANCE POWER RECLINE,C-1367-043	1

**Back Canes**



Item	Part No.	Name	Qty
A1	FRMASMB15832	BACK CANE,ASSY,W/SHORT PUSH HANDLE,14"H,6 HOLE,SYNERGY	1
B1	FRMASMB15833	BACK CANE,ASSY,W/SHORT PUSH HANDLE,15"H,6 HOLE,SYNERGY	1
C1	FRMASMB15834	BACK CANE,ASSY,W/SHORT PUSH HANDLE,16"H,6 HOLE	1
D1	FRMASMB15835	BACK CANE,ASSY,W/SHORT PUSH HANDLE,17"H,6 HOLE	1
E1	FRMASMB15836	BACK CANE,ASSY,W/SHORT PUSH HANDLE,18"H,6 HOLE,SYNERGY	1
F1	FRMASMB15837	BACK CANE,ASSY,W/SHORT PUSH HANDLE,19"H,6 HOLE,SYNERGY	1
G1	FRMASMB15838	BACK CANE,ASSY,W/SHORT PUSH HANDLE,20"H,6 HOLE	1
H1	FRMASMB15839	BACK CANE,ASSY,W/SHORT PUSH HANDLE,21"H,6 HOLE	1
I1	FRMASMB15840	BACK CANE,ASSY,W/SHORT PUSH HANDLE,22"H,6 HOLE,SYNERGY	1
J1	FRMASMB15841	BACK CANE,ASSY,W/SHORT PUSH HANDLE,23"H,6 HOLE,SYNERGY	1
K1	FRMASMB15842	BACK CANE,ASSY,W/SHORT PUSH HANDLE,24"H,6 HOLE	1
L1	FRMASMB15843	BACK CANE,ASSY,W/SHORT PUSH HANDLE,25"H,6 HOLE	1
M1	PROHDL1052	HAND GRIP,BLACK,FOAM,.94"ID X 5.00"L X .125"TH	1

Back Canes

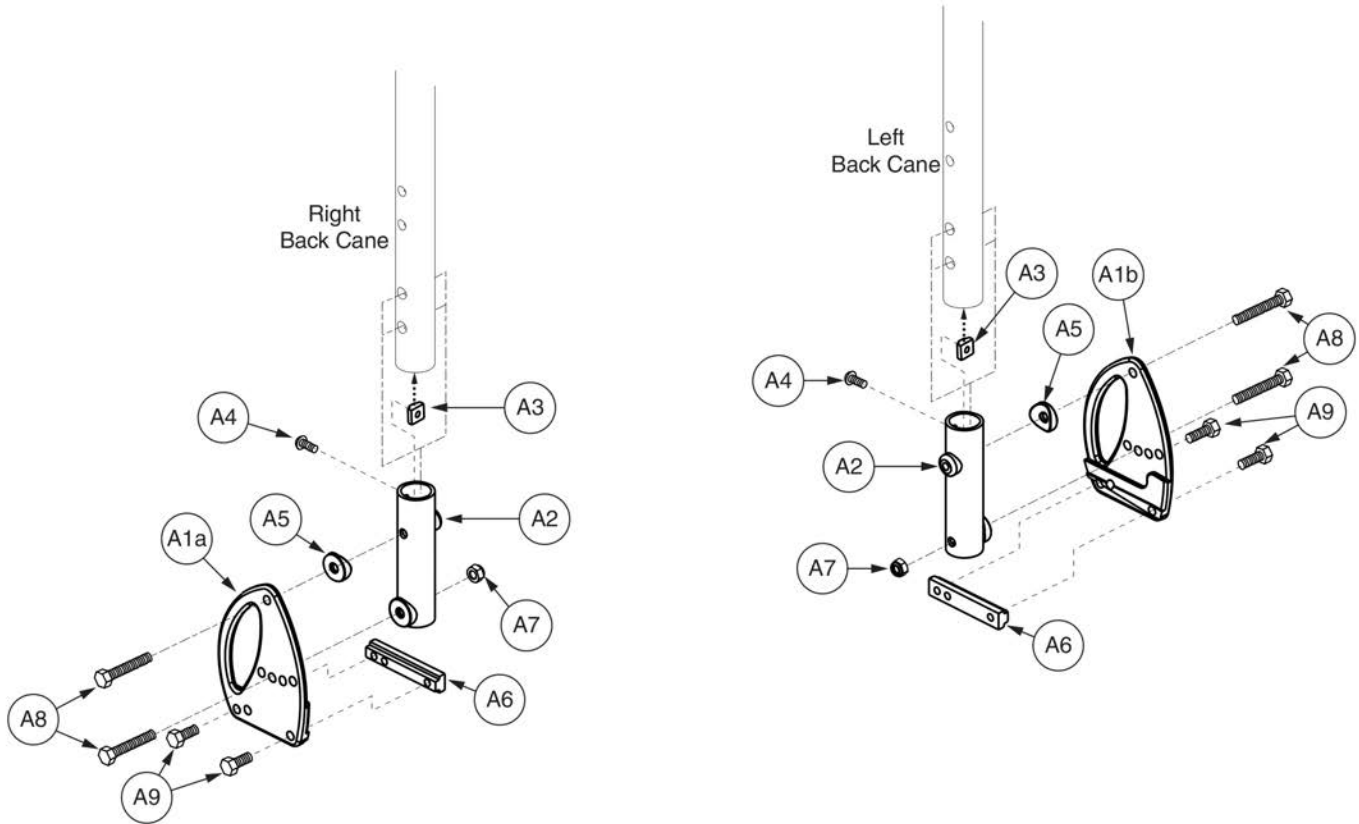


## Back Canes - 22" Flip Down



Item	Part No.	Name	Qty
A1	FRMASMB11211	BACK CANE,ASSY,FLIP DOWN,22"H,SYNERGY SEAT/TILT,RIGHT	1
B1	FRMASMB11212	BACK CANE,ASSY,FLIP DOWN,22"H,SYNERGY SEAT/TILT,LEFT	1
C1		HAND GRIP,JAZZY	1

Back Cane Brackets



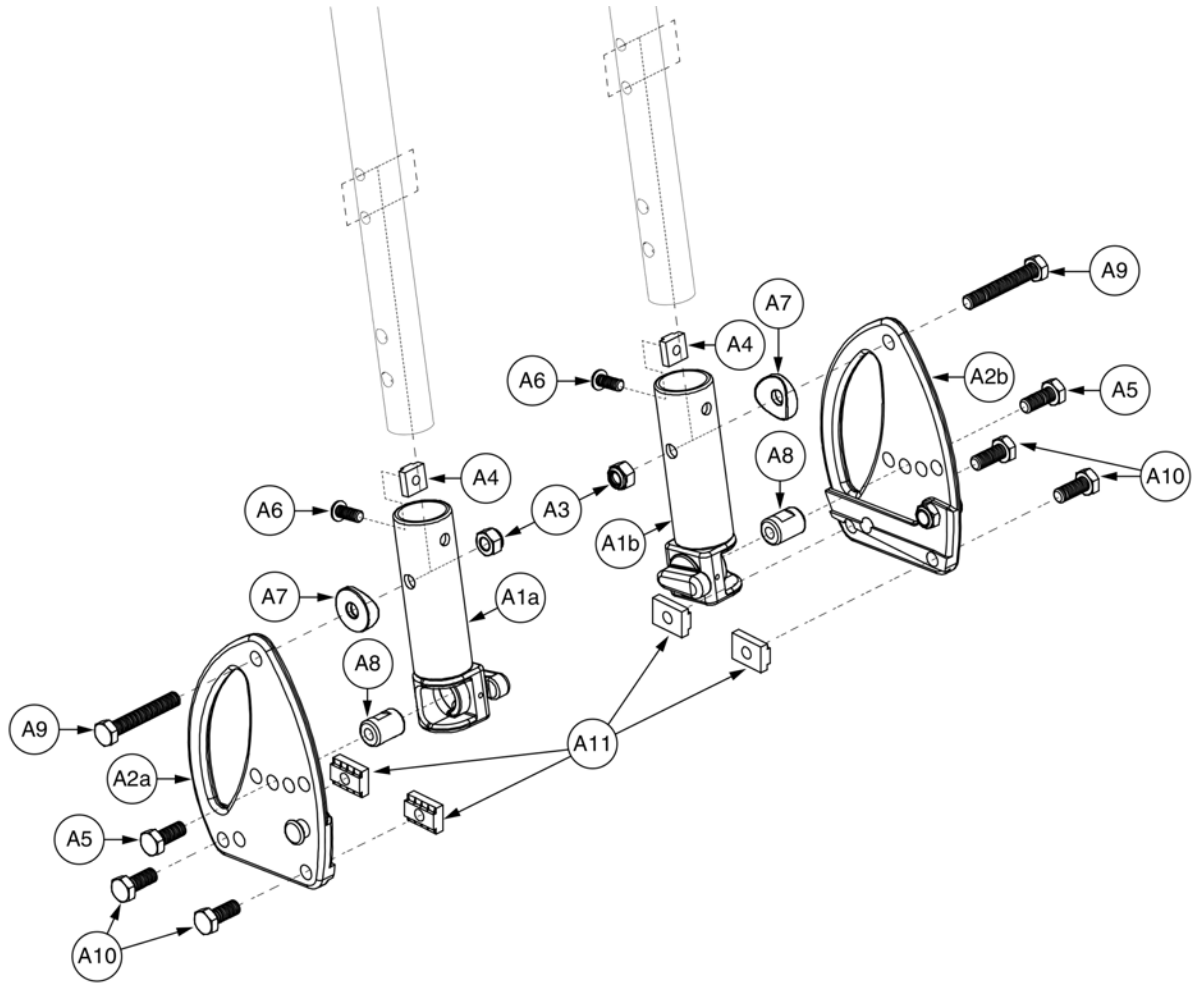


## Back Cane Angle Adjustable Bracket, Version 2



Item	Part No.	Name	Qty
A1a		BACK CANE BRACKET,ASSY,ANGLE ADJUSTABLE,RIGHT	1
A1b		BACK CANE BRACKET,ASSY,ANGLE ADJUSTABLE,LEFT	1
A2	DWR1360C154	BACK CANE SUPPORT TUBE WELDMENT,C-1360-154	1
A3	DWR1360A002	T-NUT,1/4-20 X 0.5625",A-1360-002	1
A4	SCRASBH1096	SCREW,BHSCS,BLACK ZINC,1/4-20 X 0.625",GRADE 8,W/NYLON PATCH,A-1360-009	1
A5	DWR1005B112	WASHER,COPED,BLACK,NYLON,0.333" ID X 1.00" OD,B-1005-112	1
A6	DWR1005C029	T-NUT,BLACK,5/16-18 X 3.25",3 HOLE,C-1005-029	1
A7	NUTNYLK1026	NUT,NYLOCK,BLACK ZINC,5/16-18	1
A8	SCRHHCS1585	SCREW,HHCS,BLACK ZINC,5/16-18 X 2.00",GR 8,W/PATCH	2
A9	SCRHHCS1240	SCREW,HHCS,BLACK ZINC,5/16-18 X 0.875",GR 8,W/PATCH	2

Back Cane Brackets

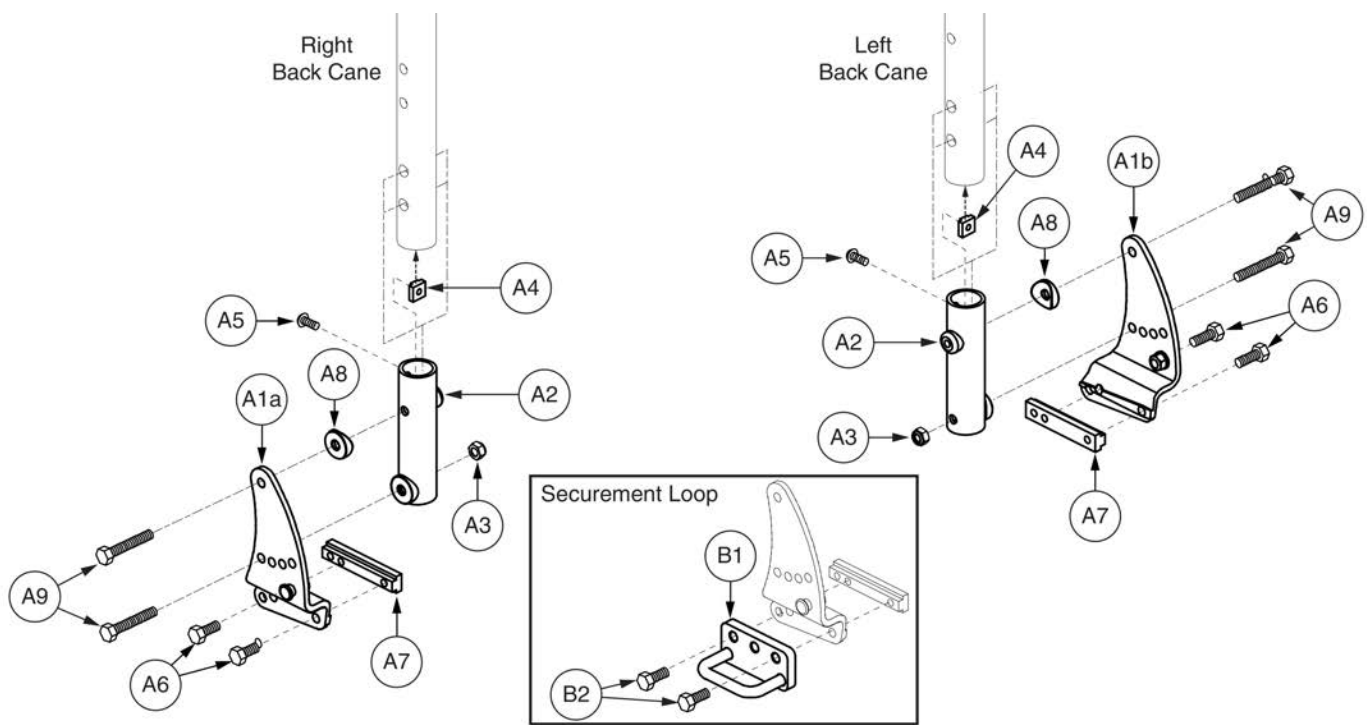


## Back Cane Flip Forward Bracket, Version 2



Item	Part No.	Name	Qty
A1a - A11	FRMASMB15851	BACK CANE BRACKET,ASSY,FLIP FORWARD,W/LOOP HATCHET,SYNERGY,RIGHT,TEXTURED,E-1360-250	1
A1a		BACK CANE,ASSY,FLIP FORWARD,SYNERGY SEAT/TILT,RIGHT	1
A2a		BACK CANE BRACKET,ASSY,ANGLE ADJUSTABLE,RIGHT	1
A1b - A11	FRMASMB15852	BACK CANE BRACKET,ASSY,FLIP FORWARD,W/LOOP HATCHET,SYNERGY,LEFT,TEXTURED,E-1360-249	1
A1b		BACK CANE,ASSY,FLIP FORWARD,SYNERGY SEAT/TILT,LEFT	1
A2b		BACK CANE BRACKET,ASSY,ANGLE ADJUSTABLE,LEFT	1
A3	NUTNYLK1026	NUT,NYLOCK,BLACK ZINC,5/16-18	1
A4	DWR1360A002	T-NUT,1/4-20 X 0.5625",A-1360-002	1
A5	SCRHHCS1241	SCREW,HHCS,BLACK ZINC,5/16-18 X 0.75",GR 8,W/PATCH	1
A6	SCRASBH1096	SCREW,BHSCS,BLACK ZINC,1/4-20 X 0.625",GRADE 8,W/NYLON PATCH,A-1360-009	1
A7	DWR1005B112	WASHER,COPED,BLACK,NYLON,0.333" ID X 1.00" OD,B-1005-112	1
A8		LOCKING BARREL,STEEL,.625"OD X .90"L,5/16-18 THREAD	1
A9	SCRHHCS1585	SCREW,HHCS,BLACK ZINC,5/16-18 X 2.00",GR 8,W/PATCH	1
A10	SCRHHCS1727	SCREW,HHCS,BLACK ZINC,M8-1.25 X 20MM,GRADE 10.9,W/NYLON PATCH,C-1005-098	2
A11	NUT8120005	NUT,T-SLOT,BLACK,M8-1.25	2

Back Cane Brackets

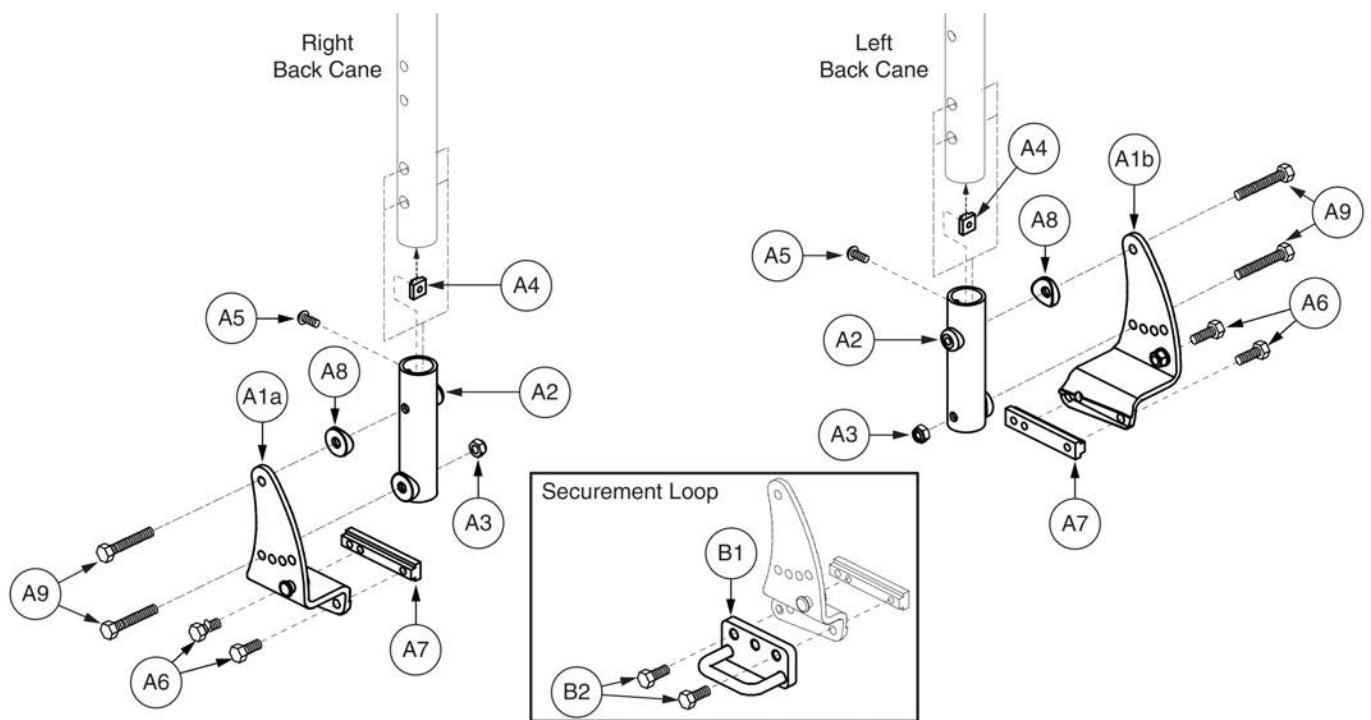


Mesomorph Back Cane Bracket - 1" Out, Version 2



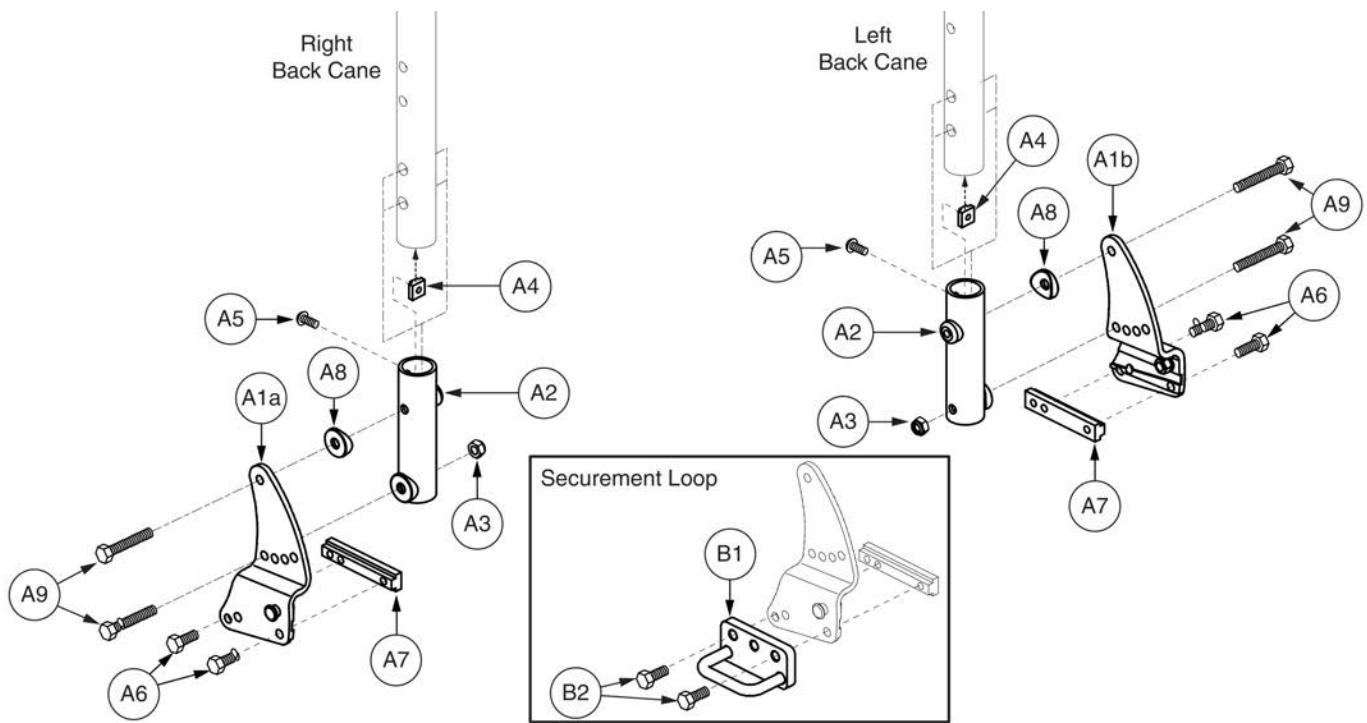
Item	Part No.	Name	Qty
A1a - A9	FRMASMB16389	BACK CANE BRACKET,ASSY,MESOMORPH,1" OUT,RIGHT	1
A1b - A9	FRMASMB16388	BACK CANE BRACKET,ASSY,MESOMORPH,1" OUT,LEFT	1
A1a	FRMASMB11104	SIDE RAIL MOUNT BRACKET,ASSY,ANGLE ADJUSTMENT,1"OUT,RIGHT	1
A1b	FRMASMB11103	SIDE RAIL MOUNT BRACKET,ASSY,ANGLE ADJUSTMENT,1"OUT,LEFT	1
A2	DWR1360C154	BACK CANE SUPPORT TUBE WELDMENT,C-1360-154	1
A3	NUTNYLK1026	NUT,NYLOCK,BLACK ZINC,5/16-18	1
A4	DWR1360A002	T-NUT,1/4-20 X 0.5625",A-1360-002	1
A5	SCRASBH1096	SCREW,BHSCS,BLACK ZINC,1/4-20 X 0.625",GRADE 8,W/NYLON PATCH,A-1360-009	1
A6	SCRHHCS1241	SCREW,HHCS,BLACK ZINC,5/16-18 X 0.75",GR 8,W/PATCH	2
A7	DWR1005C029	T-NUT,BLACK,5/16-18 X 3.25",3 HOLE,C-1005-029	1
A8	DWR1005B112	WASHER,COPED,BLACK,NYLON,0.333" ID X 1.00" OD,B-1005-112	1
A9	SCRHHCS1585	SCREW,HHCS,BLACK ZINC,5/16-18 X 2.00",GR 8,W/PATCH	2
B1	DWR1600B122B	SEAT FRAME,SECUREMENT BRACKET WELDMENT,TEXTURED	2
B2	SCRHHCS1300	SCREW,HHCS,BLACK ZINC,5/16-18 X 1.00",GR 8,W/PATCH	4

Back Cane Brackets



Item	Part No.	Name	Qty
A1a - A9	FRMASMB16392	BACK CANE BRACKET,ASSY,MESOMORPH,2" OUT,RIGHT	1
A1b - A9	FRMASMB16391	BACK CANE BRACKET,ASSY,MESOMORPH,2" OUT,LEFT	1
A1a	FRMASMB11100	SIDE RAIL MOUNT BRACKET,ASSY,ANGLE ADJUSTMENT,2"OUT,RIGHT	1
A1b	FRMASMB11099	SIDE RAIL MOUNT BRACKET,ASSY,ANGLE ADJUSTMENT,2"OUT,LEFT	1
A2	DWR1360C154	BACK CANE SUPPORT TUBE WELDMENT,C-1360-154	1
A3	NUTNYLK1026	NUT,NYLOCK,BLACK ZINC,5/16-18	1
A4	DWR1360A002	T-NUT,1/4-20 X 0.5625",A-1360-002	1
A5	SCRASBH1096	SCREW,BHSCS,BLACK ZINC,1/4-20 X 0.625",GRADE 8,W/NYLON PATCH,A-1360-009	1
A6	SCRHHCS1241	SCREW,HHCS,BLACK ZINC,5/16-18 X 0.75",GR 8,W/PATCH	2
A7	DWR1005C029	T-NUT,BLACK,5/16-18 X 3.25",3 HOLE,C-1005-029	1
A8	DWR1005B112	WASHER,COPED,BLACK,NYLON,0.333" ID X 1.00" OD,B-1005-112	1
A9	SCRHHCS1585	SCREW,HHCS,BLACK ZINC,5/16-18 X 2.00",GR 8,W/PATCH	2
B1	DWR1600B122B	SEAT FRAME,SECUREMENT BRACKET WELDMENT,TEXTURED	2
B2	SCRHHCS1300	SCREW,HHCS,BLACK ZINC,5/16-18 X 1.00",GR 8,W/PATCH	4

Back Cane Brackets



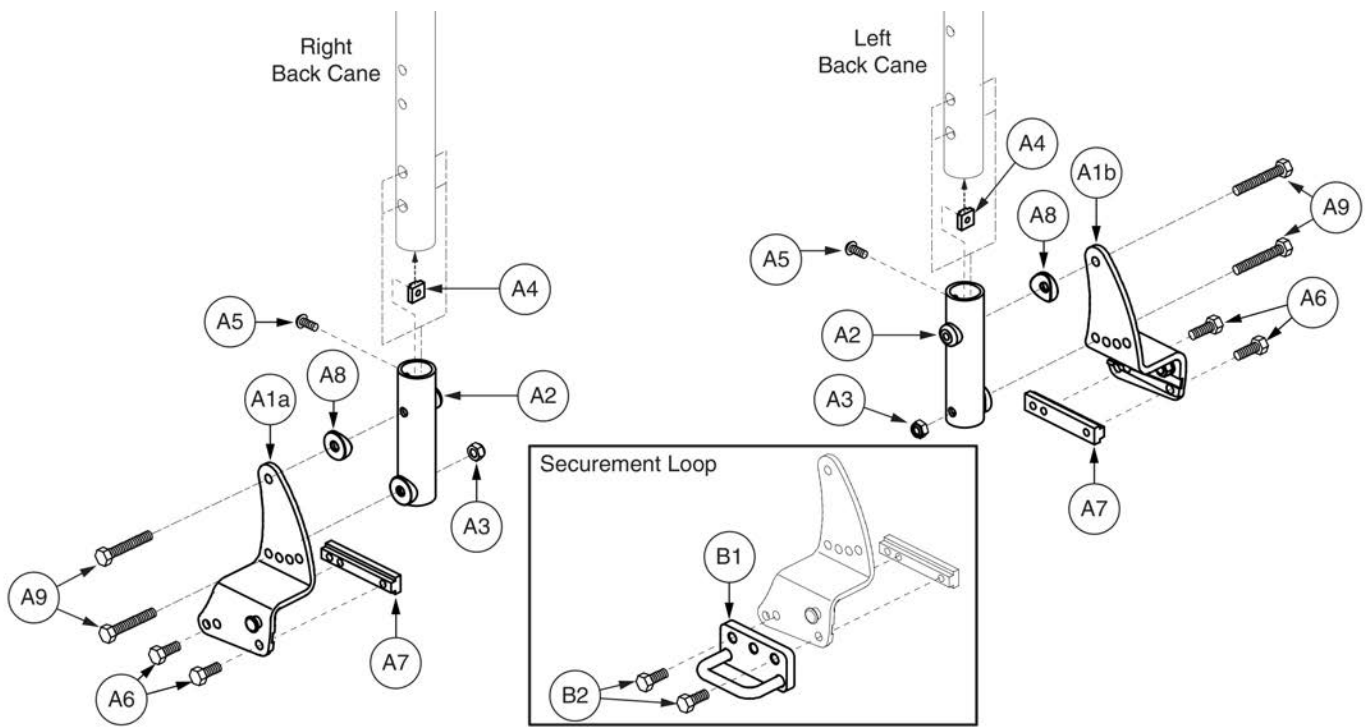


**Endomorph Back Cane Bracket - 1" In, Version 2**



Item	Part No.	Name	Qty
A1a - A9	FRMASMB16395	BACK CANE BRACKET,ASSY,ENDOMORPH,1" IN,SYNERGY,RIGHT	1
A1b - A9	FRMASMB16394	BACK CANE BRACKET,ASSY,ENDOMORPH,1" IN,SYNERGY,LEFT	1
A1a	FRMASMB11106	SIDE RAIL MOUNT,ASSY,ANGLE ADJUSTMENT,1" IN,RIGHT	1
A1b	FRMASMB11105	SIDE RAIL MOUNT,ASSY,ANGLE ADJUSTMENT,1" IN,LEFT	1
A2	DWR1360C154	BACK CANE SUPPORT TUBE WELDMENT,C-1360-154	1
A3	NUTNYLK1026	NUT,NYLOCK,BLACK ZINC,5/16-18	1
A4	DWR1360A002	T-NUT,1/4-20 X 0.5625",A-1360-002	1
A5	SCRASBH1096	SCREW,BHSCS,BLACK ZINC,1/4-20 X 0.625",GRADE 8,W/NYLON PATCH,A-1360-009	1
A6	SCRHHCS1241	SCREW,HHCS,BLACK ZINC,5/16-18 X 0.75",GR 8,W/PATCH	2
A7	DWR1005C029	T-NUT,BLACK,5/16-18 X 3.25",3 HOLE,C-1005-029	1
A8	DWR1005B112	WASHER,COPED,BLACK,NYLON,0.333" ID X 1.00" OD,B-1005-112	1
A9	SCRHHCS1585	SCREW,HHCS,BLACK ZINC,5/16-18 X 2.00",GR 8,W/PATCH	2
B1	DWR1600B122B	SEAT FRAME,SECUREMENT BRACKET WELDMENT,TEXTURED	2
B2	SCRHHCS1300	SCREW,HHCS,BLACK ZINC,5/16-18 X 1.00",GR 8,W/PATCH	4

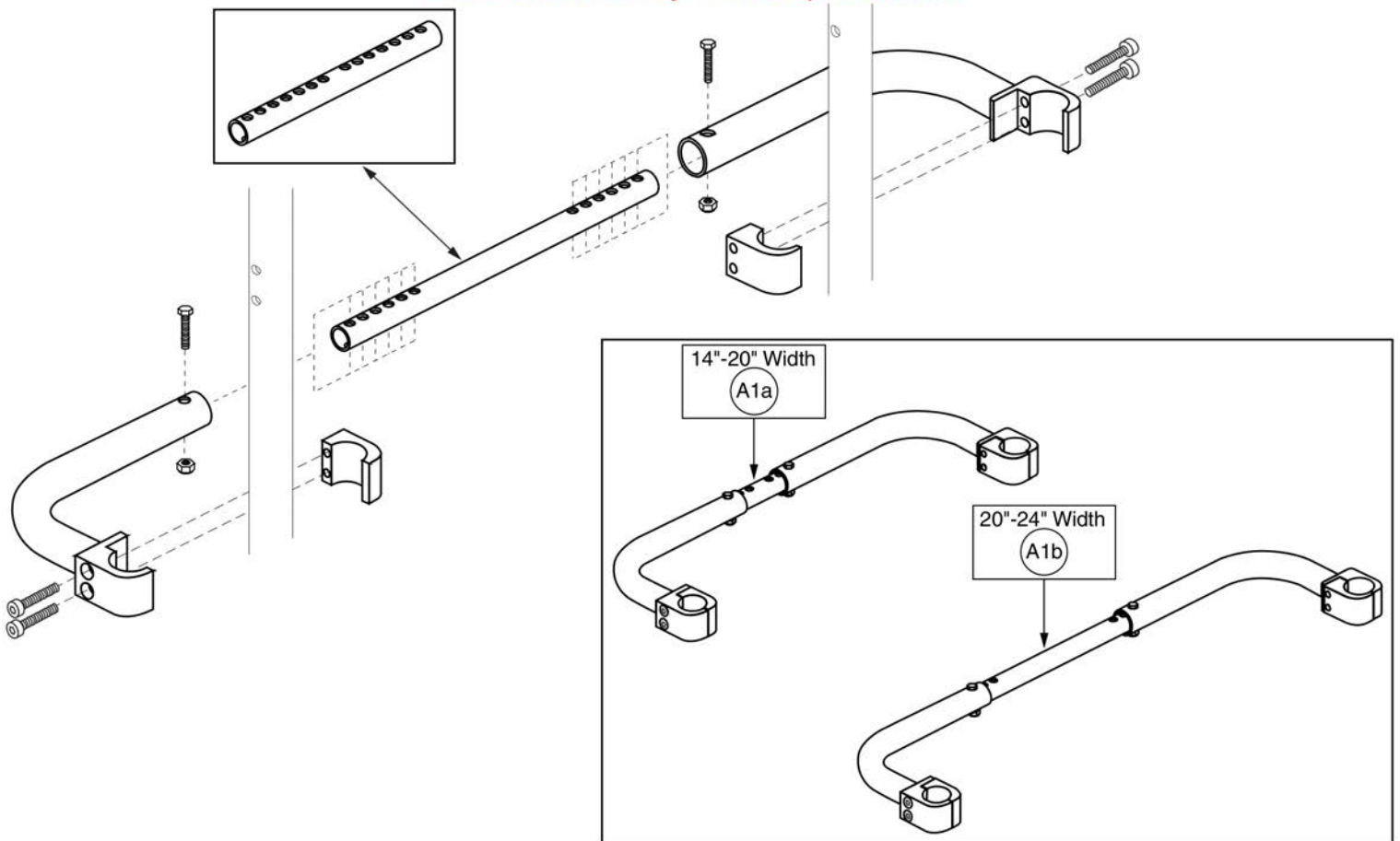
Back Cane Brackets



Item	Part No.	Name	Qty
A1a - A9	FRMASMB16398	BACK CANE BRACKET,ASSY,ENDOMORPH,2"IN,SYNERGY,RIGHT,TEXTURED	1
A1b - A9	FRMASMB16397	BACK CANE BRACKET,ASSY,ENDOMORPH,2"IN,SYNERGY,LEFT,TEXTURED	1
A1a	FRMASMB11102	SIDE RAIL MOUNT,ASSY,ANGLE ADJUSTMENT,2" IN,RIGHT	1
A1b	FRMASMB11101	SIDE RAIL MOUNT,ASSY,ANGLE ADJUSTMENT,2" IN,LEFT	1
A2	DWR1360C154	BACK CANE SUPPORT TUBE WELDMENT,C-1360-154	1
A3	NUTNYLK1026	NUT,NYLOCK,BLACK ZINC,5/16-18	1
A4	DWR1360A002	T-NUT,1/4-20 X 0.5625",A-1360-002	1
A5	SCRASBH1096	SCREW,BHSCS,BLACK ZINC,1/4-20 X 0.625",GRADE 8,W/NYLON PATCH,A-1360-009	1
A6	SCRHHCS1241	SCREW,HHCS,BLACK ZINC,5/16-18 X 0.75",GR 8,W/PATCH	2
A7	DWR1005C029	T-NUT,BLACK,5/16-18 X 3.25",3 HOLE,C-1005-029	1
A8	DWR1005B112	WASHER,COPED,BLACK,NYLON,0.333" ID X 1.00" OD,B-1005-112	1
A9	SCRHHCS1585	SCREW,HHCS,BLACK ZINC,5/16-18 X 2.00",GR 8,W/PATCH	2
B1	DWR1600B122B	SEAT FRAME,SECUREMENT BRACKET WELDMENT,TEXTURED	2
B2	SCRHHCS1300	SCREW,HHCS,BLACK ZINC,5/16-18 X 1.00",GR 8,W/PATCH	4

1.6. Push Bar and Rigidizing Bar Assy's

\*\*\* Individual components are not available for replacement.  
The entire assembly must be purchased. \*\*\*

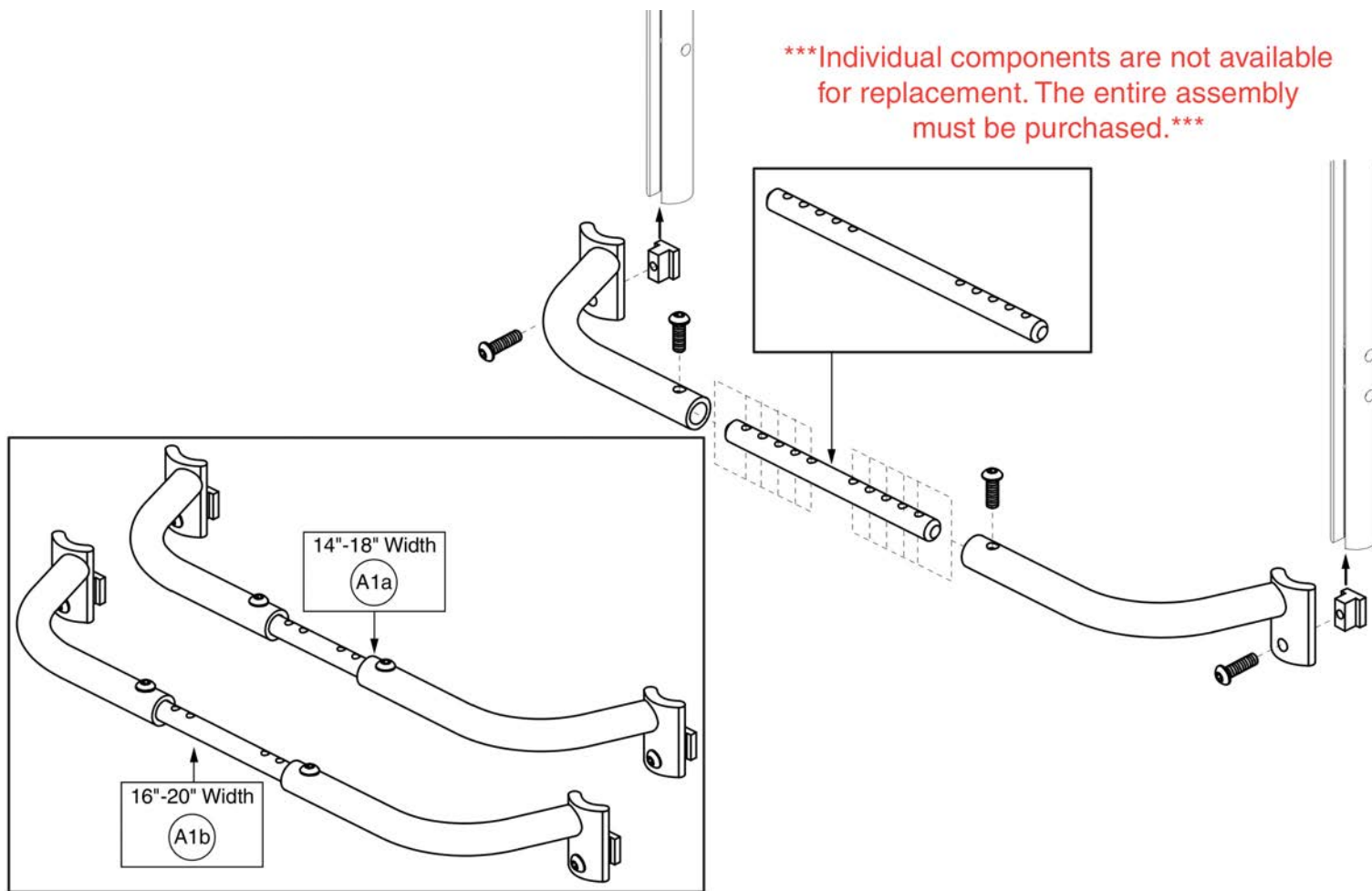


**Push Bar - 14"-20"W, 20"-24"W, Clamp On**



Item	Part No.	Name	Qty
A1a	FRMASMB6789	PUSH BAR,ASSY,14"W-20"W,SYNERGY SEAT, TEXTURED,D-1360-012	1
A1b		PUSH BAR,ASSY,20"W-24"W,SYNERGY SEAT, TEXTURED,D-1360-017	1

1.6. Push Bar and Rigidizing Bar Assy's



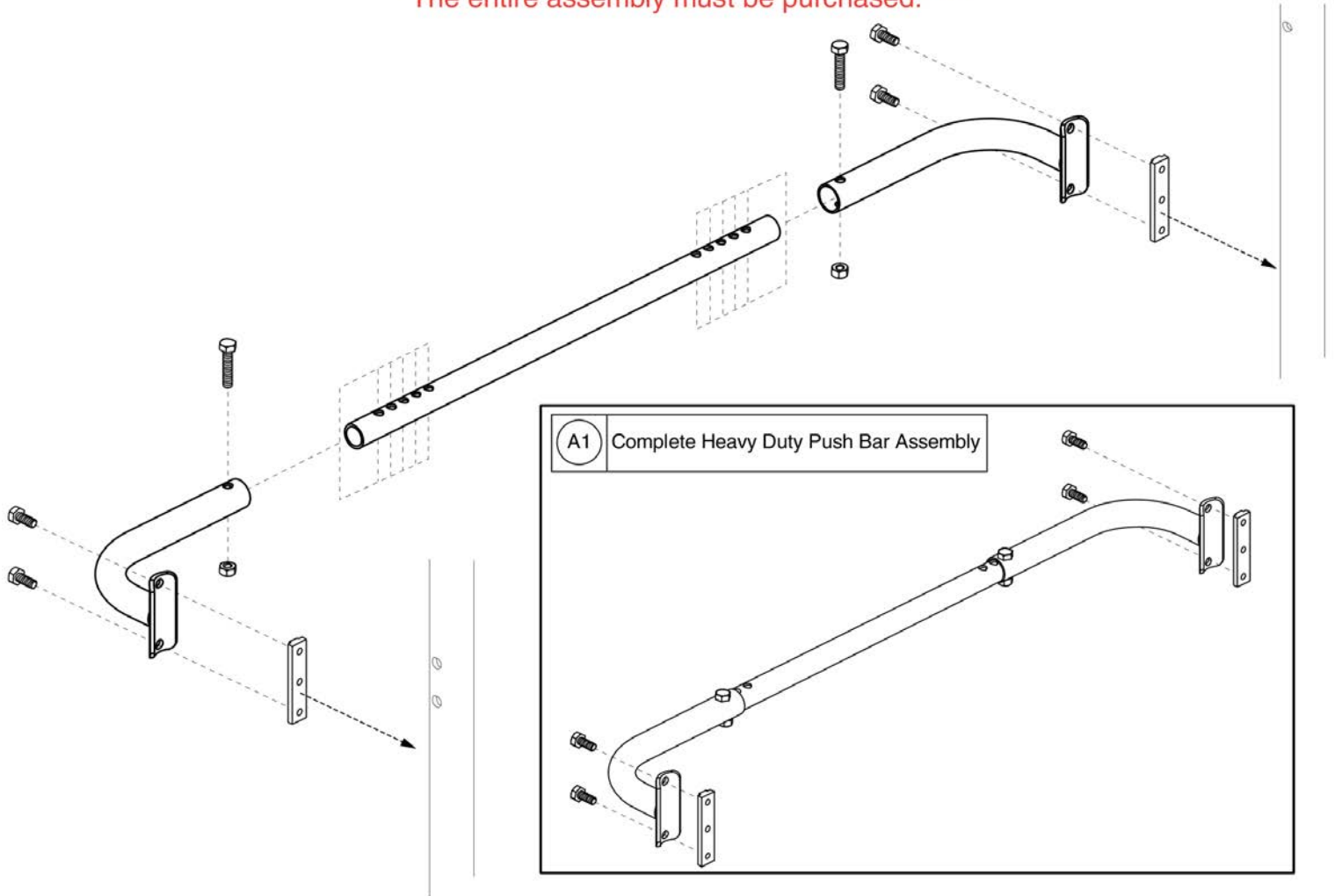
## Push Bar - Mounted in Cane T-Slot, 14"-20" W



Item	Part No.	Name	Qty
A1a	FRMASMB9197	PUSH BAR,ASSY,14"W-18"W,TRU-BALANCE,W/MOUNTING HARDWARE	1
A1b	FRMASMB9198	PUSH BAR,ASSY,16"W-20"W,QUANTUM,W/MOUNTING HARDWARE	1

1.6. Push Bar and Rigidizing Bar Assy's

\*\*\* Individual components are not available for replacement.  
The entire assembly must be purchased. \*\*\*





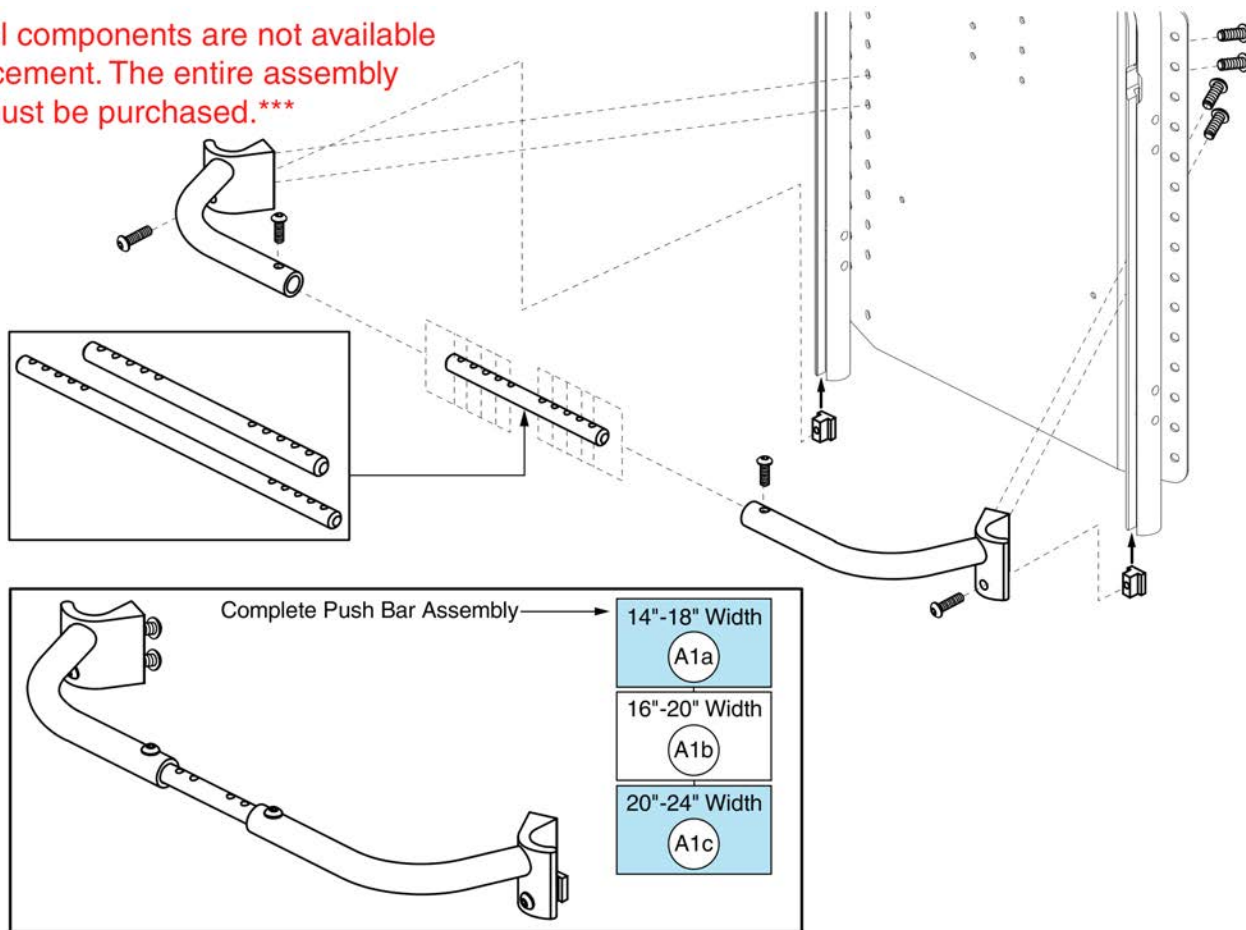
**Push Bar - HD 20"W-24"W**



Item	Part No.	Name	Qty
A1		PUSH BAR,ASSY,20"W-24"W,T-SLOT MOUNTED,SYNERGY SEAT HD	1

1.6. Push Bar and Rigidizing Bar Assy's

\*\*\*Individual components are not available for replacement. The entire assembly must be purchased.\*\*\*



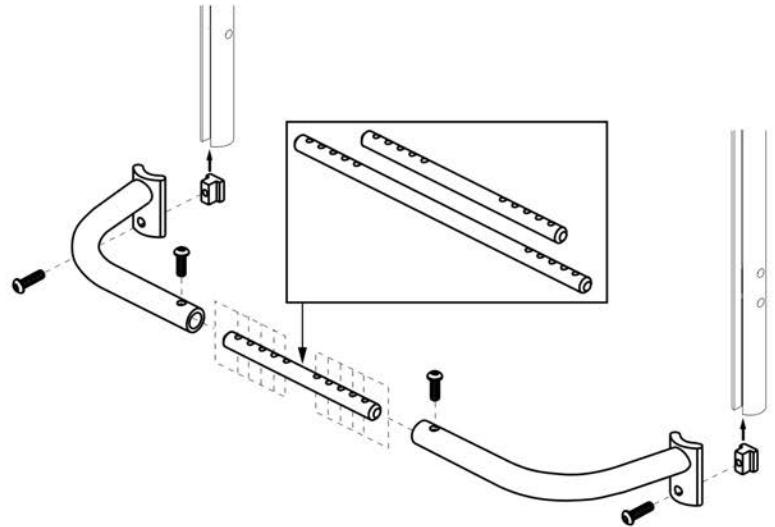
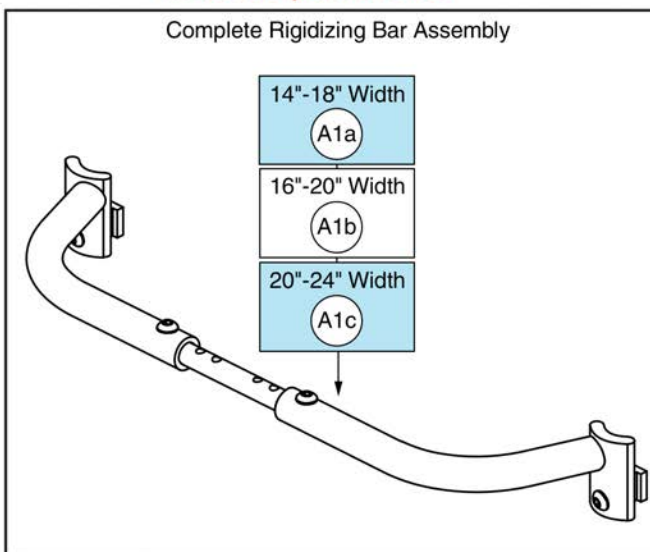
## Push Bar - Solid Back Plate, 14"-24" W



Item	Part No.	Name	Qty
A1a	FRMASMB9194	PUSH BAR,ASSY,14"W-18"W,TRU-BALANCE,SOLID BACK PLATE,W/MOUNTING HARDWARE	1
A1b	FRMASMB9195	PUSH BAR,ASSY,16"W-20"W,TRU-BALANCE,SOLID BACK PLATE,W/MOUNTING HARDWARE	1
A1c	FRMASMB9196	PUSH BAR,ASSY,20"W-24"W,TRU-BALANCE,SOLID BACK PLATE,W/MOUNTING HARDWARE	1

## 1.6. Push Bar and Rigidizing Bar Assy's

\*\*\*Individual components are not available for replacement. The entire assembly must be purchased.\*\*\*

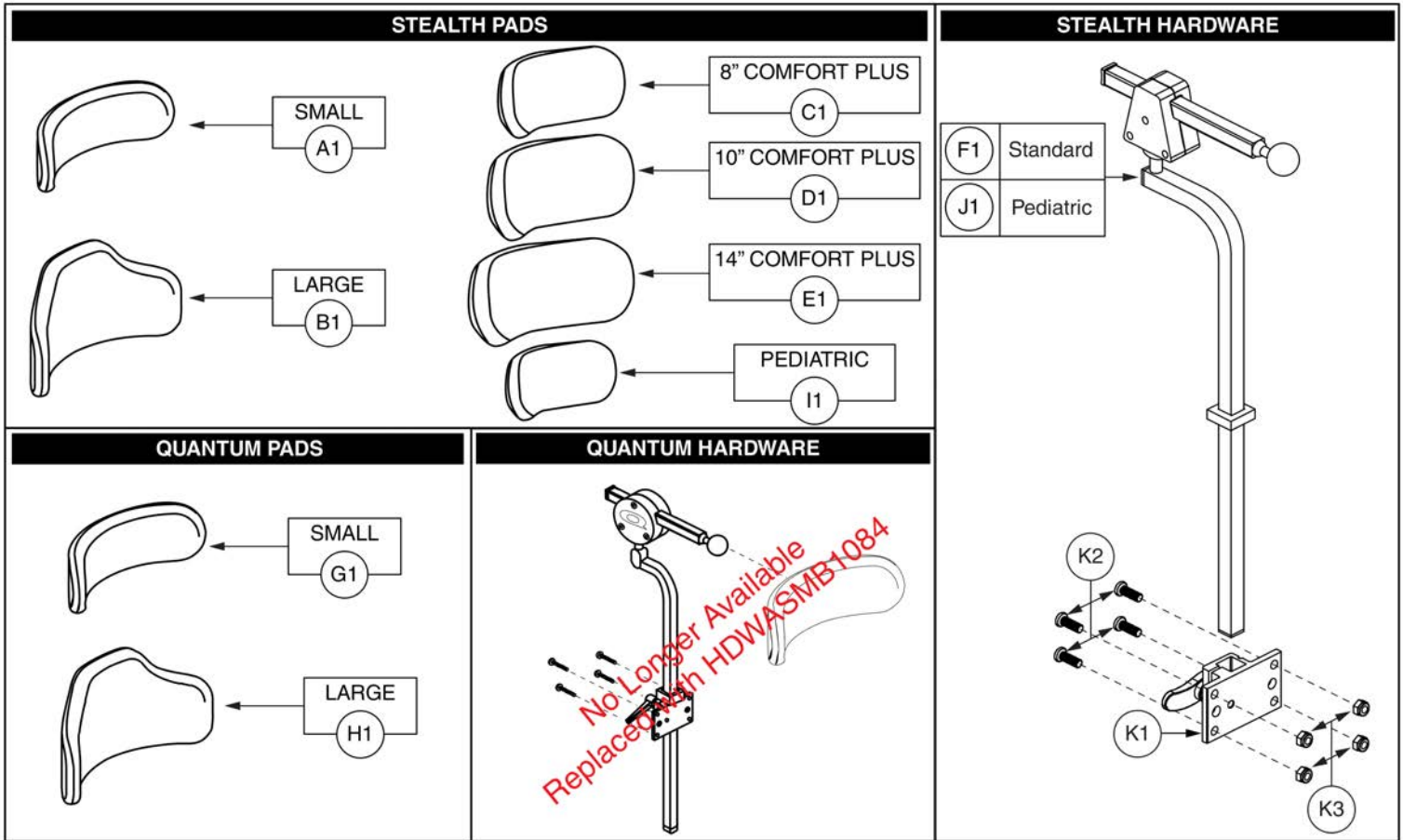


## Rigiding Bar, 14"-24" Width



Item	Part No.	Name	Qty
A1a	FRMASMB17114	RIGIDIZING BAR,ASSY,14"W-18"W,CANE MOUNTED,W/HARDWARE	1
A1b	FRMASMB17115	RIGIDIZING BAR,ASSY,16"W-20"W,CANE MOUNTED,W/HARDWARE	1
A1c	FRMASMB17116	RIGIDIZING BAR,ASSY,20"W-24"W,CANE MOUNTED,W/HARDWARE	1

1.7. Headrest Assy's

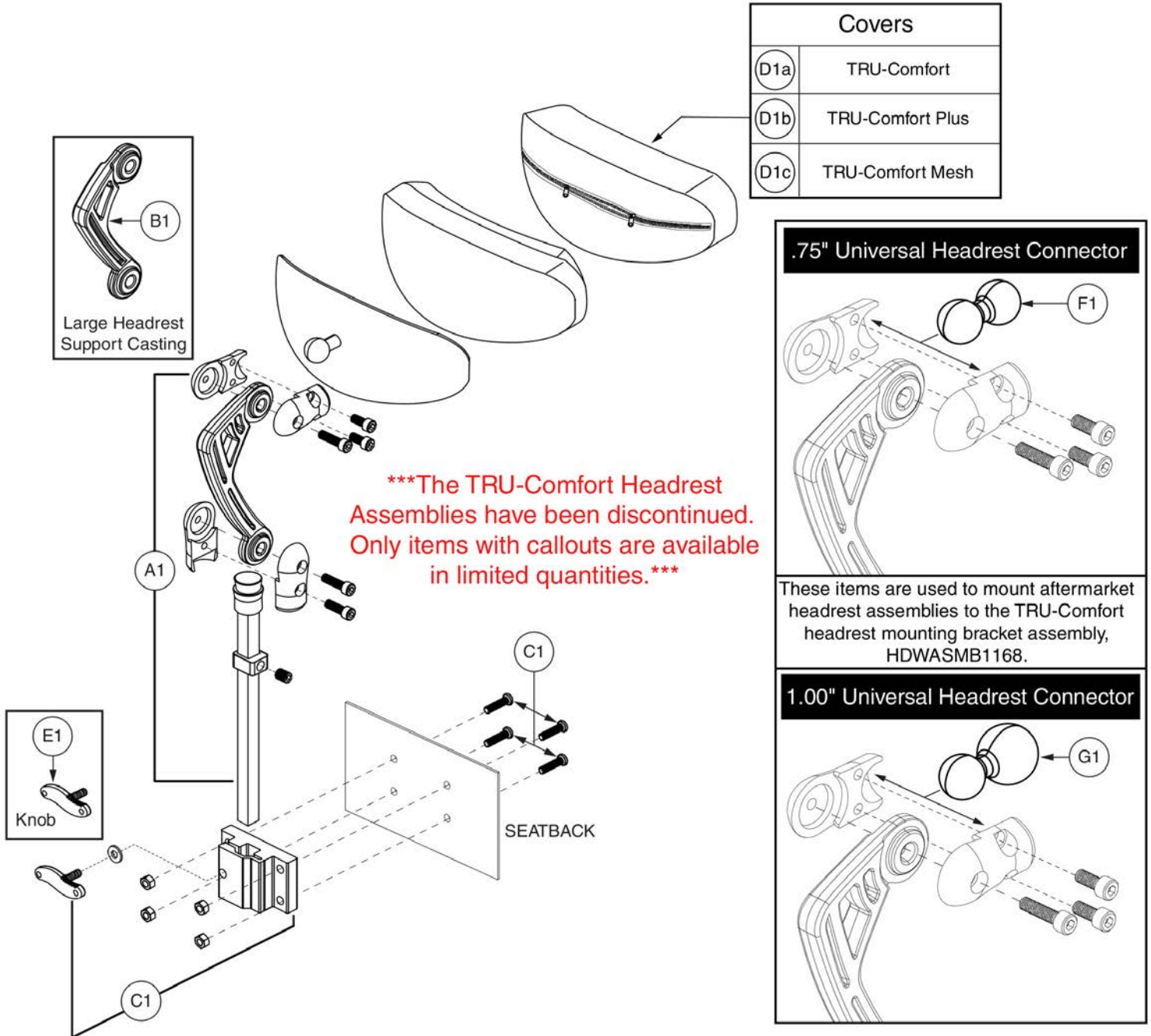


# Stealth Standard Headrest Assembly, TB2



Item	Part No.	Name	Qty
A1	SETHEAD1052	HEADREST,SMALL,CONTOURED,(STEALTH: STL-OTSM250)	1
B1	SETHEAD1053	HEADREST,LARGE,CONTOURED,(STEALTH: STL-OTLG150)	1
C1	POS148484	HEADREST,PAD,8",COMFORT PLUS,(STEALTH:CP450)	1
D1	SETHEAD1057	HEADREST,PAD,10IN,COMFORT PLUS,(STEALTH: CP250)	1
E1	INDPART2327	HEADREST,PAD,14",COMFORT PLUS,(STEALTH:CP150)	1
F1	HDWASMB1084	KIT,QUANTUM REHAB, OFFSET HEADREST,(STEALTH: HMO475P)	1
G1		HEADREST,SMALL,FLAT, VERSA TILT	1
H1		HEADREST,LARGE,FLAT, VERSA TILT	1
I1	SETHEAD1069	HEADREST,PEDIATRIC,6"L X 4.5"H,(STEALTH: CPN350)	1
J1	HDWASMB1166	KIT,QUANTUM REHAB,OFFSET HEADREST,PEDIATRIC,(STEALTH: HMO475P-17)	1
K1 - K3	SET150325	HEADREST BRACKET MOUNTING HARDWARE,ASSY,STEALTH,SYNERGY/TRU-BALANCE 2/Q-BACK 2	1
K1	MEC150070	MOUNTING BRACKET,SEAT BACK MOUNT,(STEALTH:SBM300)	1
K2	SCRASBH1152	SCREW,BHSCS,BLACK ZINC,10-32 X 0.625"	4
K3	NUTNYLK1001	NUT,NYLOCK,BLACK ZINC,10-32	4

1.7. Headrest Assy's



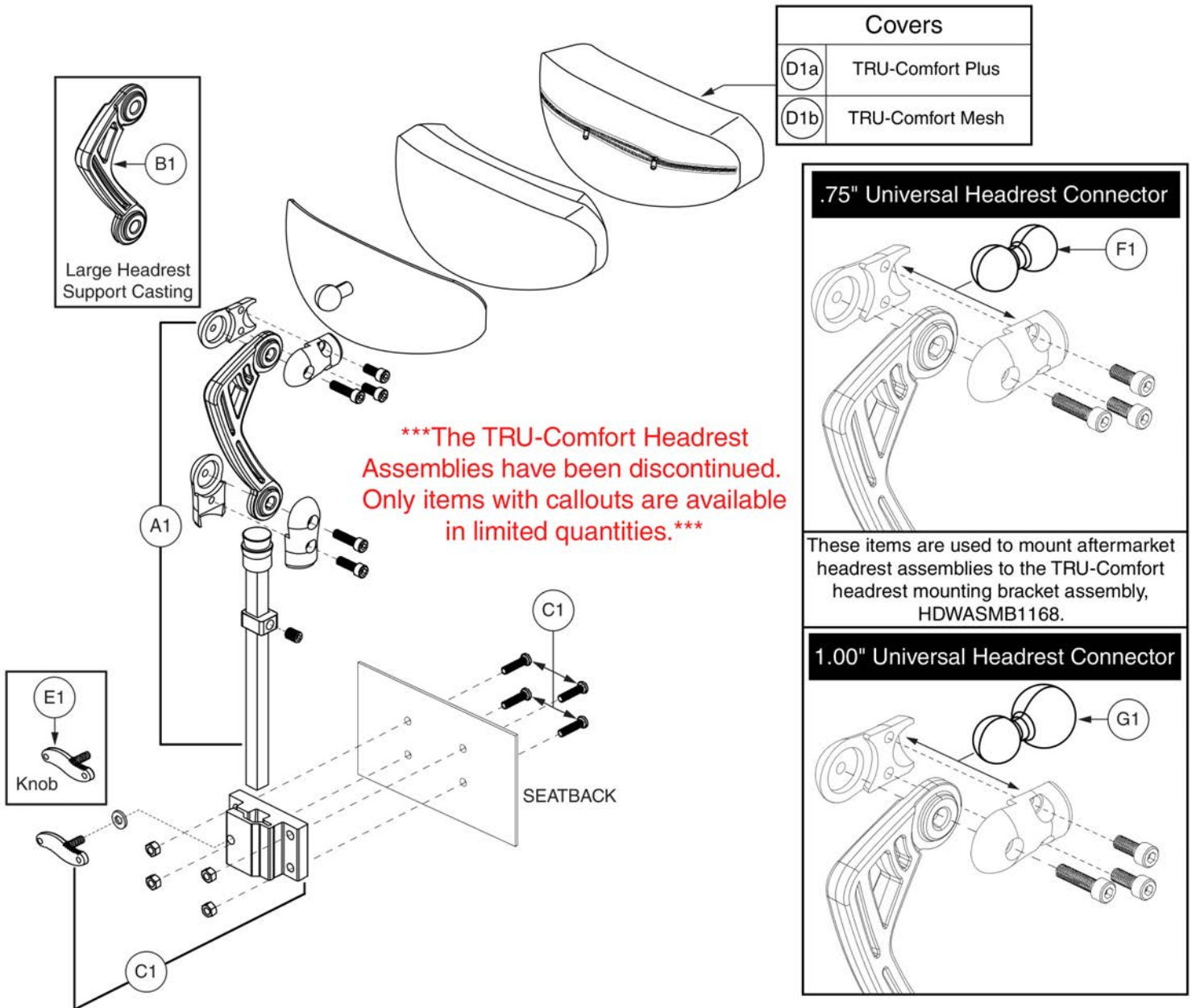


# TRU-Comfort Headrest Assembly - 8", TB2



Item	Part No.	Name	Qty
A1		HARDWARE KIT,ASSY,HEADREST MOUNT,TRUCOMFORT,W/REMOVABLE MOUNTING BRACKET	1
B1		BRACKET,HEADREST SUPPORT CASTING,SMALL	1
C1		HEADREST BRACKET MOUNTING HARDWARE,ASSY,SYNERGY/TB2	1
D1a		HEADREST COVER,OUTER,VINYL,MEDIUM	1
D1b		HEADREST COVER,OUTER,DRY-TEK,MEDIUM,TRU-COMFORT	1
D1c		HEADREST COVER,OUTER,AIR MESH,MEDIUM,TRU-COMFORT	1
E1	DWR1306C005	HEADREST KNOB WELDMENT,LOW PROFILE,C-1306-005	1
F1		KNOB,UNIVERSAL HEAD BRACE CONNECTOR,0.75",C-1010-366	1
G1		KNOB,UNIVERSAL HEAD BRACE CONNECTOR,1.00",C-1010-365	1

1.7. Headrest Assy's

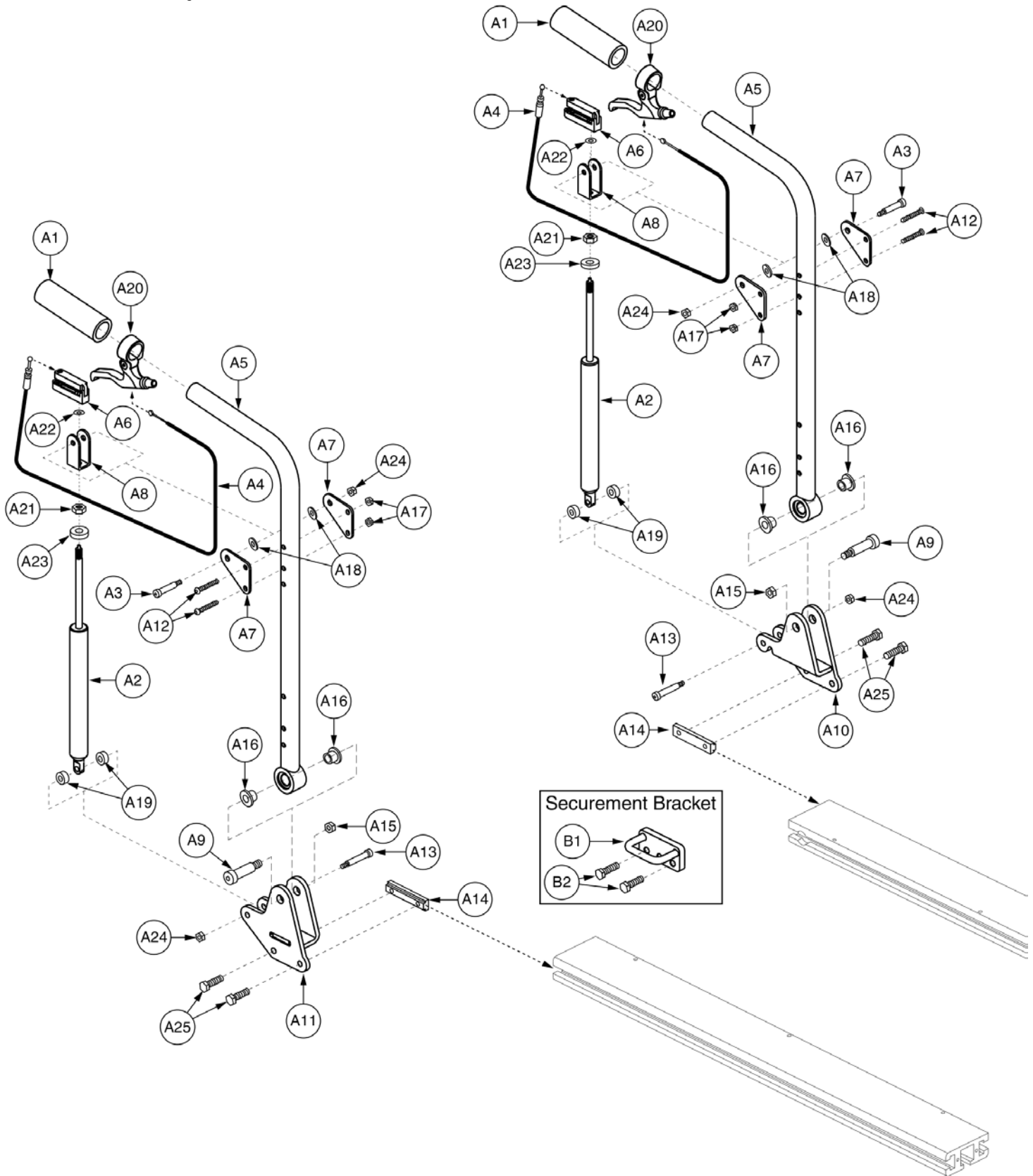


# TRU-Comfort Headrest Assy - 10", TB2



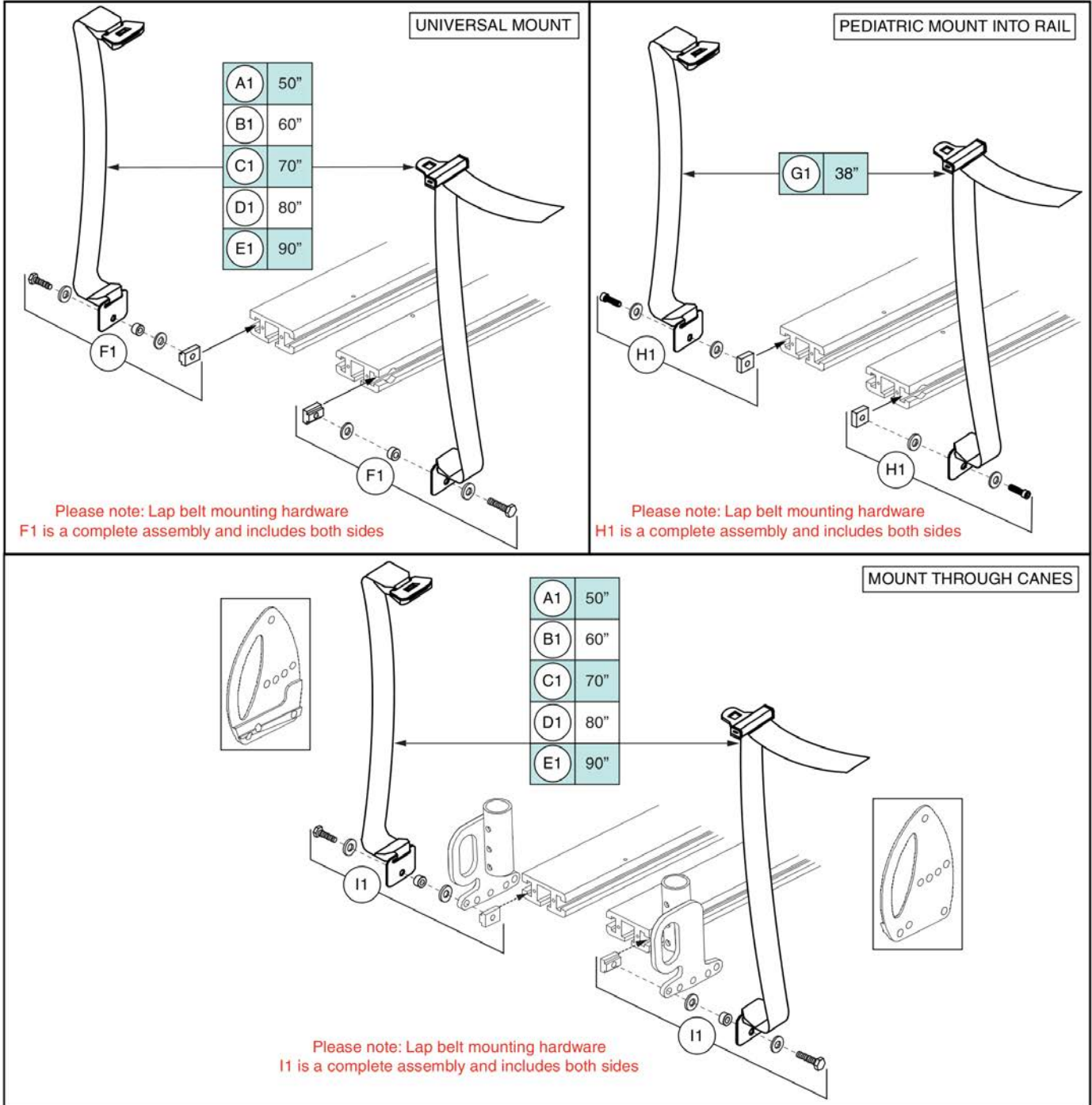
Item	Part No.	Name	Qty
A1		HARDWARE KIT,ASSY,HEADREST MOUNT,TRUCOMFORT,W/REMOVABLE MOUNTING BRACKET	1
B1		BRACKET,HEADREST SUPPORT CASTING,SMALL	1
C1		HEADREST BRACKET MOUNTING HARDWARE,ASSY,SYNERGY/TB2	1
D1a		HEADREST COVER,OUTER,DRY-TEK,LARGE,TRU-COMFORT	1
D1b		HEADREST COVER,OUTER,AIR MESH,LARGE,TRU-COMFORT	1
E1	DWR1306C005	HEADREST KNOB WELDMENT,LOW PROFILE,C-1306-005	1
F1		KNOB,UNIVERSAL HEAD BRACE CONNECTOR,0.75",C-1010-366	1
G1		KNOB,UNIVERSAL HEAD BRACE CONNECTOR,1.00",C-1010-365	1

1.8. Manual Recline Assy



Item	Part No.	Name	Qty
A1 - A25	FRMASMB12910	MANUAL RECLINE BACK,ASSY,22"H,SYNERGY SEAT/TRU-BALANCE	1
A1	PROHDL1052	HAND GRIP,BLACK,FOAM,.94"ID X 5.00"L X .125"TH	2
A2	DWR1600D107	GAS SPRING,SELF LOCKING,60LBS EXT FORCE,4.625" STROKE,16"OVERALL LENGTH,D-1600-107	2
A3	BLTASHL1071	BOLT,SHOULDER,5/16" X 1.25"	2
A4	DWR1600B109	CABLE,W/END ADAPTER,BLACK,26"L,B-1600-109	2
A5		BACK CANE EXTRUSION,W/SHORT PUSH HANDLE,22"H,6HOLE,W/2" BUSHING,MANUAL RECLINE,E-1250-031	2
A6	INDPART2091	ACTUATOR,BRACKET,RELEASE,LOCKING GAS SPRING	2
A7		MOUNTING BRACKET,PLATE,MANUAL RECLINE GAS SPRING	4
A8		MOUNTING BRACKET,"U",MANUAL RECLINE GAS SPRING	2
A9	BLTASHL1017	BOLT,SHOULDER,1/2" X 1.50"	2
A10		MOUNTING BRACKET,WELDMENT,MANUAL RECLINE,LEFT	1
A11		MOUNTING BRACKET,WELDMENT,MANUAL RECLINE,RIGHT	1
A12	SCRASBH1007	SCREW,BHSCS,BLACK ZINC,1/4-20 X 1.50",GRADE 8	4
A13	BLTASHL1059	BOLT,SHOULDER,5/16" X 1.50"	2
A14	DWR1360B015	T-NUT,BLACK,5/16-18 X 3", W/2",HOLE SPACING,B-1360-015	2
A15	NUTNYLK1006	NUT, NYLOCK,BLACK ZINC,3/8"-16	2
A16		BEARING, FLANGE,1"2 X 5/8"OD X 3/8"L X 7/8"FLANGE	4
A17	NUTNYLK1014	NUT,NYLOCK,BLACK ZINC,1/4-20	4
A18	WASSTND1097	WASHER, FLAT, 6.4 ID X 12 OD X 1.6 THK, ISO 7089-6-200 HV, BZ	4
A19	SPCNYLN1003	SPACER,BLACK,NYLON,0.3125" ID X 0.75" OD X 0.3125" TH	4
A20		LEVER,BRAKE,2 FINGER RELEASE, PAIR,DIA-TECH MX-97	2
A21	NUTJAM1029	NUT,JAM,BLACK ZINC,M10-1.0	2
A22	WASSTND1002	WASHER,FLAT,BLACK ZINC,0.3125" ID X 0.6875" OD X 0.0625" TH	2
A23	WASNLYN1119	WASHER,BLACK,NYLON,0.50" ID X 1.00" OD X 0.375" TH	2
A24	NUTNJAM1014	NUT,NYLOCK JAM,BLACK ZINC,1/4-20	4
A25	SCRHHCS1241	SCREW,HHCS,BLACK ZINC,5/16-18 X 0.75",GR 8,W/PATCH	4
B1	DWR1600B122B	SEAT FRAME,SECUREMENT BRACKET WELDMENT,TEXTURED	2
B2	SCRHHCS1300	SCREW,HHCS,BLACK ZINC,5/16-18 X 1.00",GR 8,W/PATCH	4

1.9. Lap Belts



## Lap Belts, Adult and Pediatric



Item	Part No.	Name	Qty
A1	ACCBELT1000	LAP BELT,50",C-1010-336	1
B1	ACCBELT1002	LAP BELT,60",C-1010-336	1
C1	ACCBELT1003	LAP BELT,70",C-1010-336	1
D1	ACCBELT1004	LAP BELT,80",C-1010-336	1
E1	ACCBELT1001	LAP BELT,90",C-1010-336	1
F1	HDW130230	LAP BELT MOUNTING HARDWARE,ASSY,UNIVERSAL	1
G1	ACCBELT1006	LAP BELT,1-1/2 X 38",PEDIATRIC,AUTO STYLE	1
H1	HDW131909	LAP BELT MOUNTING HARDWARE,ASSY,PEDIATRIC/POSITIONING,TRU-BALANCE 3	1
I1	HDW138689	LAP BELT MOUNTING HARDWARE,ASSY,BACK CANE MOUNTED	1

1.10. Owner's and Decal Packages



# Owner's Package



**TB2 Tilt Owner's Package**



Item	Part No.	Name	Qty
N/A		OWNER'S PACKAGE, TRU-BALANCE 2 POWER TILT	1
N/A	INFMANU3700	MANUAL, BASIC OPERATING INSTRUCTIONS, TRU-BALANCE 2 POWER POSITIONING SYSTEMS	1

1.10. Owner's and Decal Packages



# Decal Package

## TB2 Tilt Decal Package



Item	Part No.	Name	Qty
N/A		DECAL,ASSY,TRU-BALANCE 2 POWER TILT	1
N/A	DWR1234L004	DECAL,ICON,300LBS/135 KG,MAXIMUM WEIGHT CAPACITY,L-1234-004	1
N/A	DWR1234L072	DECAL,ICON,1.375" X 0.6875",OWNERS MANUAL/SCISSOR PINCH POINT,L-1234-072	2
N/A	DWR1235L199	DECAL,READ OWNER'S MANUAL,ONLY AN AUTHORIZED TECHNICIAN CAN ADJUST THE SEAT,L-1235-199	2

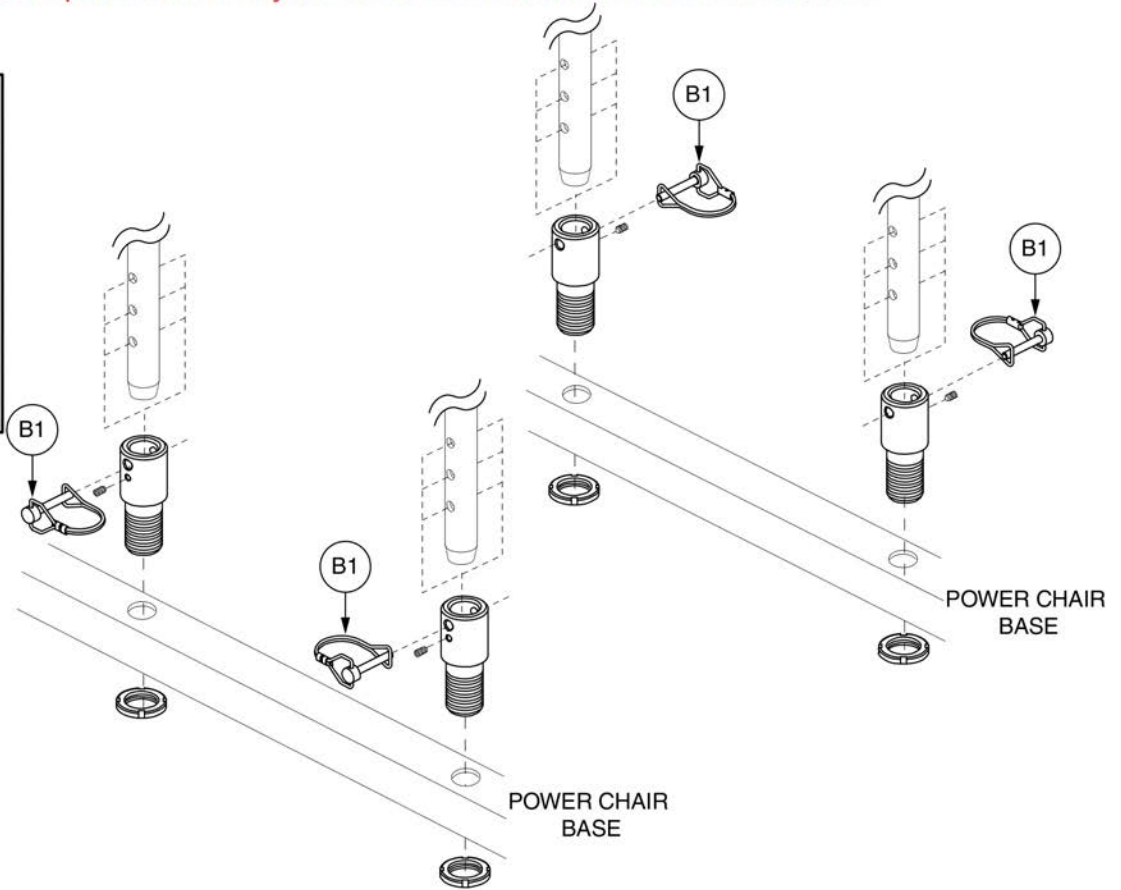
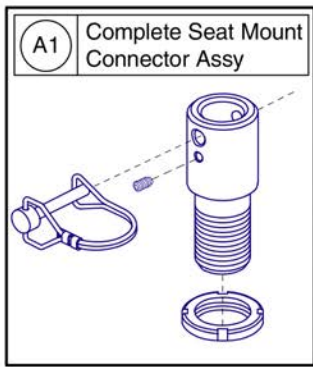
2.1. Stem Mounts and Tower Connectors

<b>SPANNER WIDTH</b>	<b>MODELS</b>
5.039"	J/Q1103ULTRA, J1143ULTRA, J/Q1107(front), DYNAMO1107(front), J/Q610, J6, JET3ULTRA
12.795"	J/Q600 SERIES, J/Q614
13.625"	J1113, J1113ATS, J1114, J1114ATS, DYNAMO, DYNAMO ATS, JET7, SELECT7
14.000"	Q6EDGE
14.322"	J1101, J/Q1121, R4000, VIBE(rear)
16.125"	J1170, J/Q1122, J1120-2000, J/Q1400 SERIES, J/Q1402, Q6000, Q6000Z, BLAST SERIES
20.125"	J/Q1650

This page intentionally left blank

2.1. Stem Mounts and Tower Connectors

\*\*\*The individual components are not available for replacement  
The complete assembly or items with callouts must be selected.\*\*\*



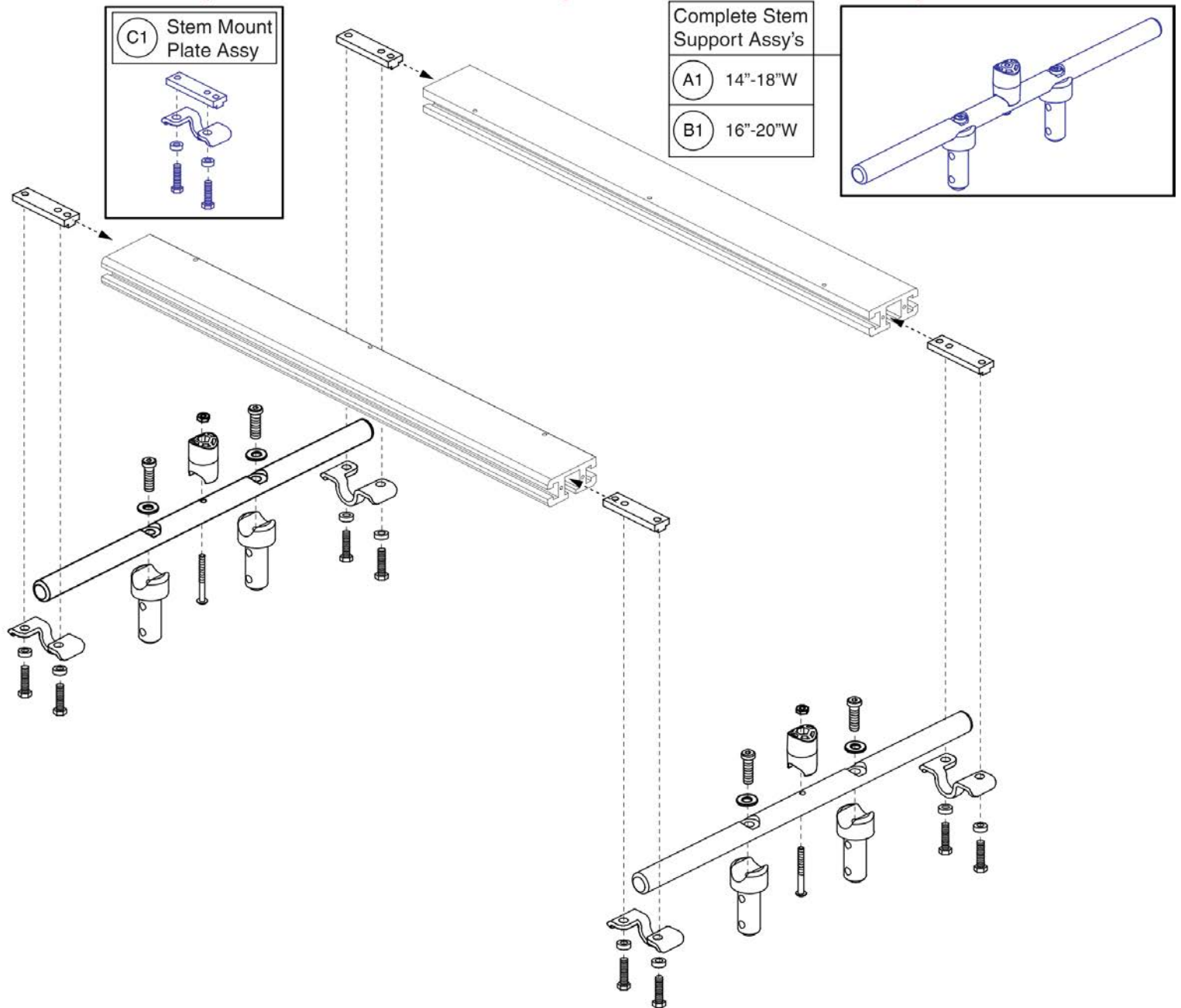
**Seat Tower Mount Connector, TB2**



Item	Part No.	Name	Qty
A1		SEAT MOUNT CONNECTOR,ASSY,W/SET SCREW	1
B1	DWR1054B026	PIN,SAFETY SNAP,M6 X 35MM,B-1054-026	1

## 2.1. Stem Mounts and Tower Connectors

\*\*\*Individual components are not available for replacement. The entire assembly must be selected.\*\*\*

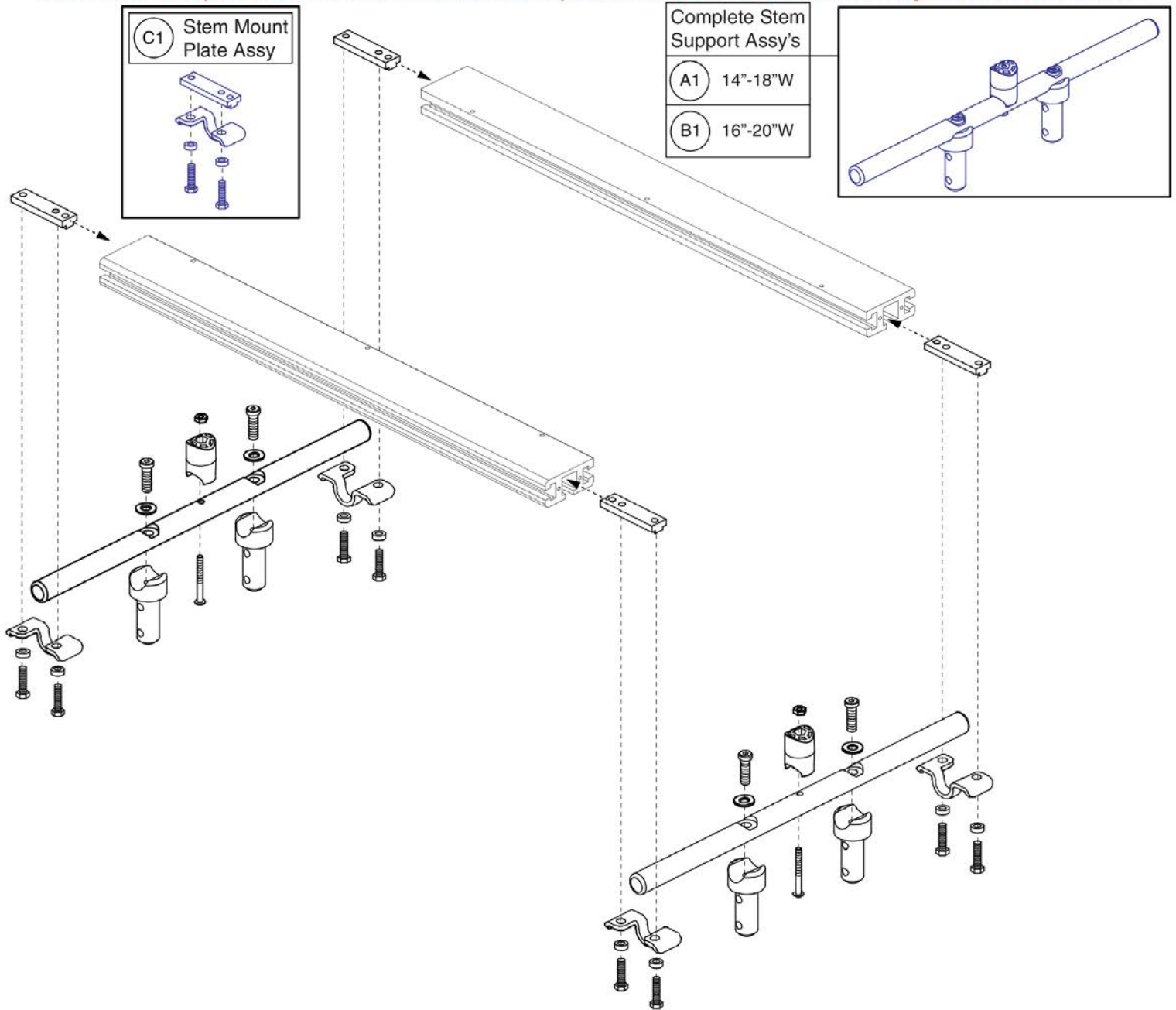




Item	Part No.	Name	Qty
A1	FRMASMB6951	HORIZONTAL STEM SUPPORT,ASSY,14"W-18"W,5.039"CENTERS,2.625"H,SYNERGY SEAT,E-1360-151	1
B1	FRMASMB6952	HORIZONTAL STEM SUPPORT,ASSY,16"W-20"W,5.039"CENTERS,2.625"H,SYNERGY SEAT,E-1360-152	1
C1	FRMASMB4657	STEM MOUNT PLATE,ASSY,SYNERGY SEAT,B-1360-002	1

## 2.1. Stem Mounts and Tower Connectors

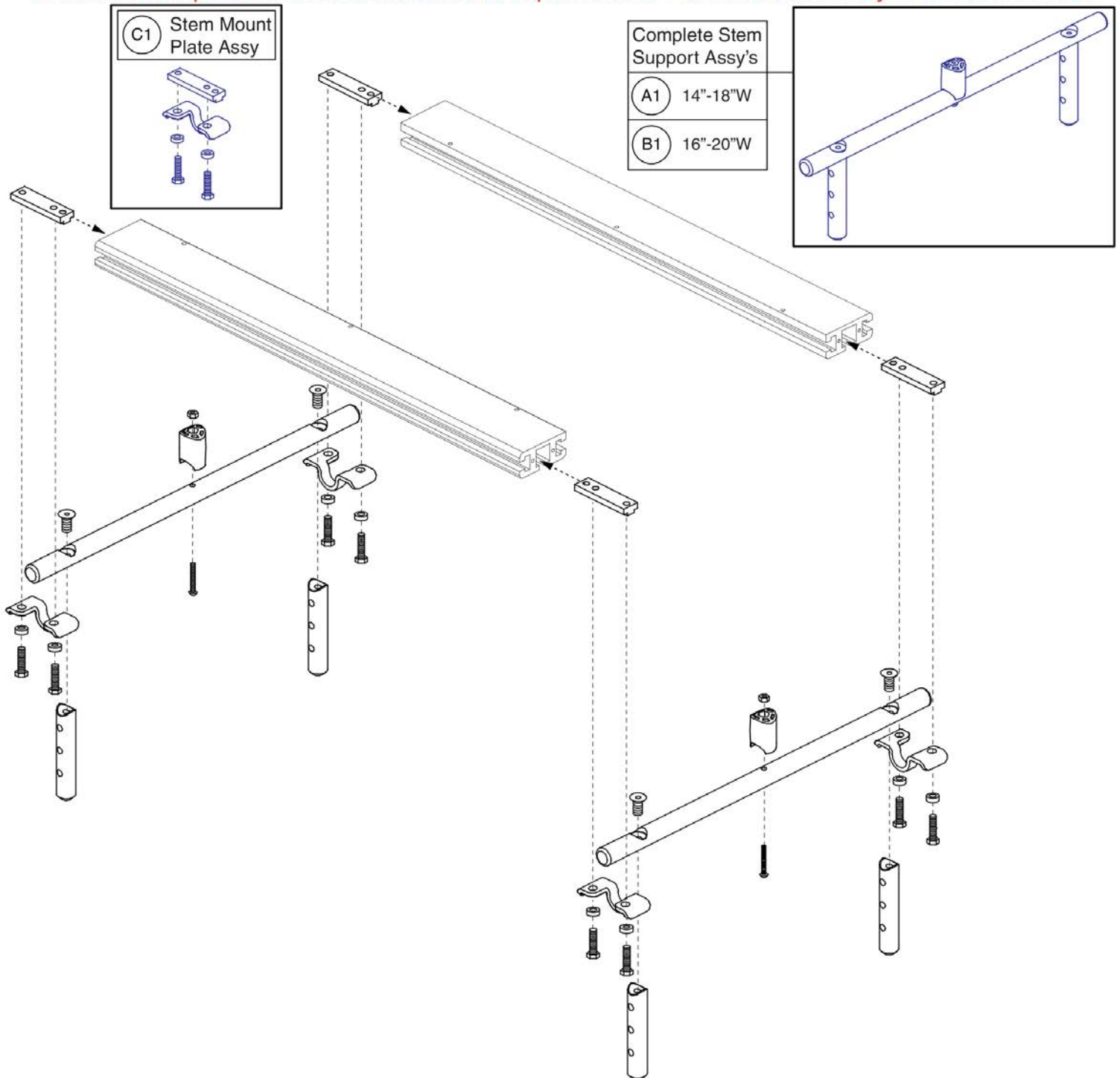
\*\*\*Individual components are not available for replacement. The entire assembly must be selected.\*\*\*



Item	Part No.	Name	Qty
A1	FRMASMB6954	HORIZONTAL STEM SUPPORT,ASSY,14"W-18"W,5.039"CENTERS,3.375"H,SYNERGY SEAT,E-1360-154	1
B1	FRMASMB6955	HORIZONTAL STEM SUPPORT,ASSY,16"W-20"W,5.039"CENTERS,3.375"H,SYNERGY SEAT,E-1360-153	1
C1	FRMASMB4657	STEM MOUNT PLATE,ASSY,SYNERGY SEAT,B-1360-002	1

2.1. Stem Mounts and Tower Connectors

\*\*\*Individual components are not available for replacement. The entire assembly must be selected.\*\*\*

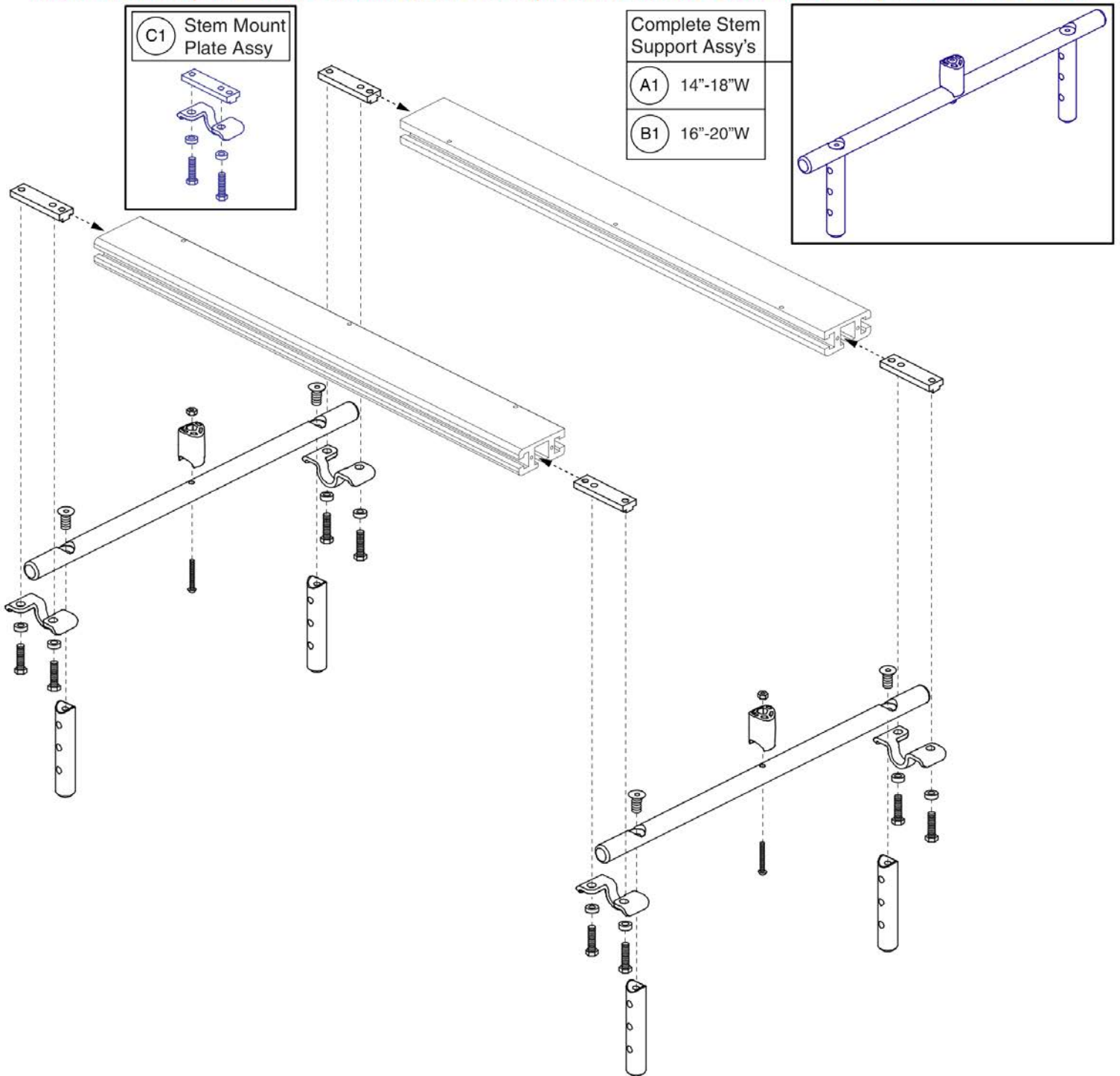


**Stem Mount, 12.795" Centers, 14"-20"W, TB2**

Item	Part No.	Name	Qty
A1	FRMASMB8401	HORIZONTAL STEM SUPPORT,ASSY,14"W-18"W,12.795"CENTERS,3-HOLE,SYNERGY SEAT,E-1360-186	1
B1	FRMASMB8402	HORIZONTAL STEM SUPPORT,ASSY,16"W-20"W,12.795"CENTERS,3-HOLE,SYNERGY SEAT,E-1360-187	1
C1	FRMASMB4657	STEM MOUNT PLATE,ASSY,SYNERGY SEAT,B-1360-002	1

2.1. Stem Mounts and Tower Connectors

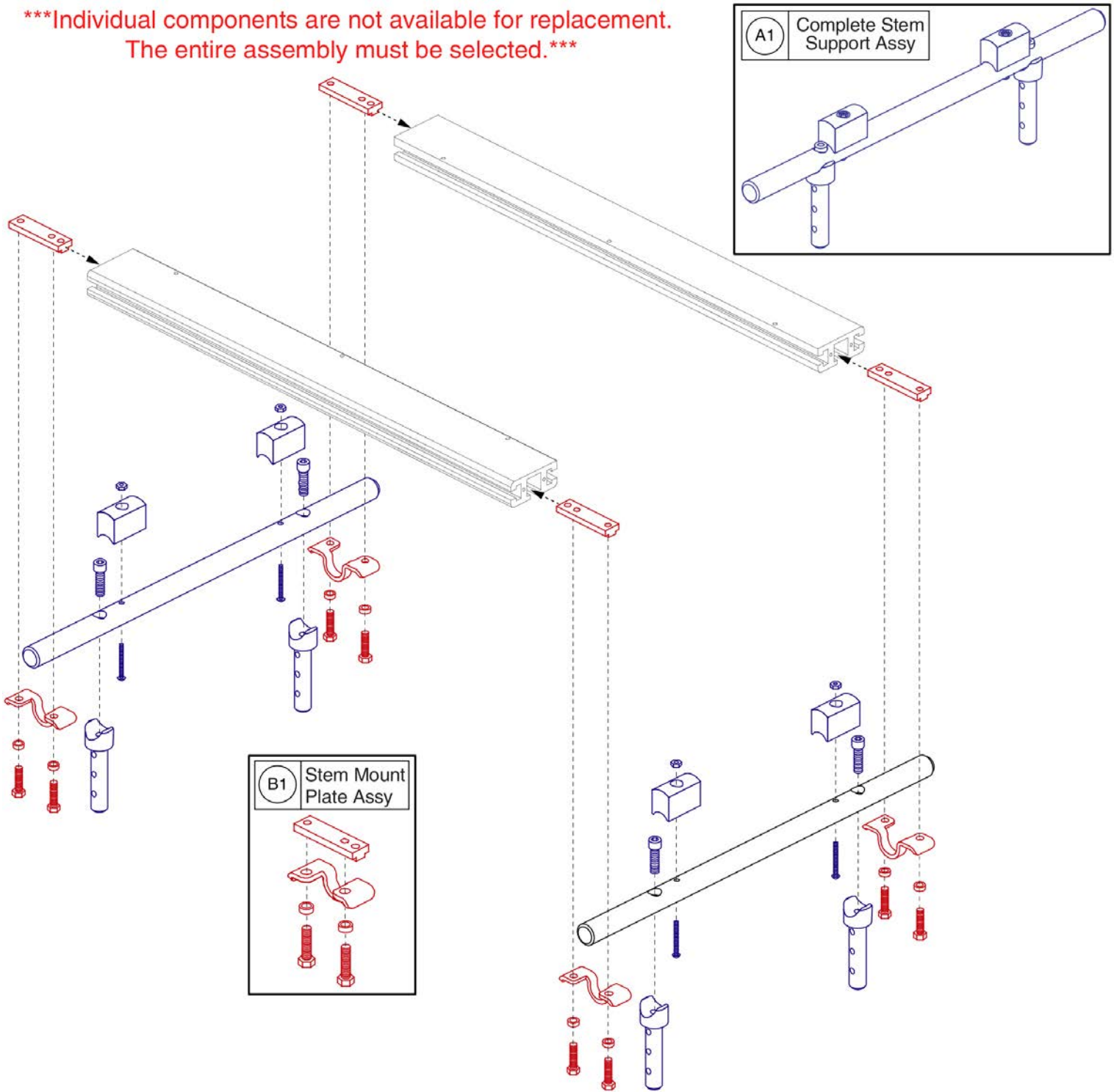
\*\*\*Individual components are not available for replacement. The entire assembly must be selected.\*\*\*



Item	Part No.	Name	Qty
A1	FRMASMB10824	HORIZONTAL STEM SUPPORT,ASSY,14"W-18"W,12.795"CENTERS,LOW HEAD SCREWS,3-HOLE,SYNERGY SEAT,D-1360-096	1
B1	FRMASMB10825	HORIZONTAL STEM SUPPORT,ASSY,16"W-20"W,12.795"CENTERS,LOW HEAD SCREWS,3-HOLE,SYNERGY SEAT,D-1360-097	1
C1	FRMASMB4657	STEM MOUNT PLATE,ASSY,SYNERGY SEAT,B-1360-002	1

### 2.1. Stem Mounts and Tower Connectors

\*\*\*Individual components are not available for replacement.  
The entire assembly must be selected.\*\*\*

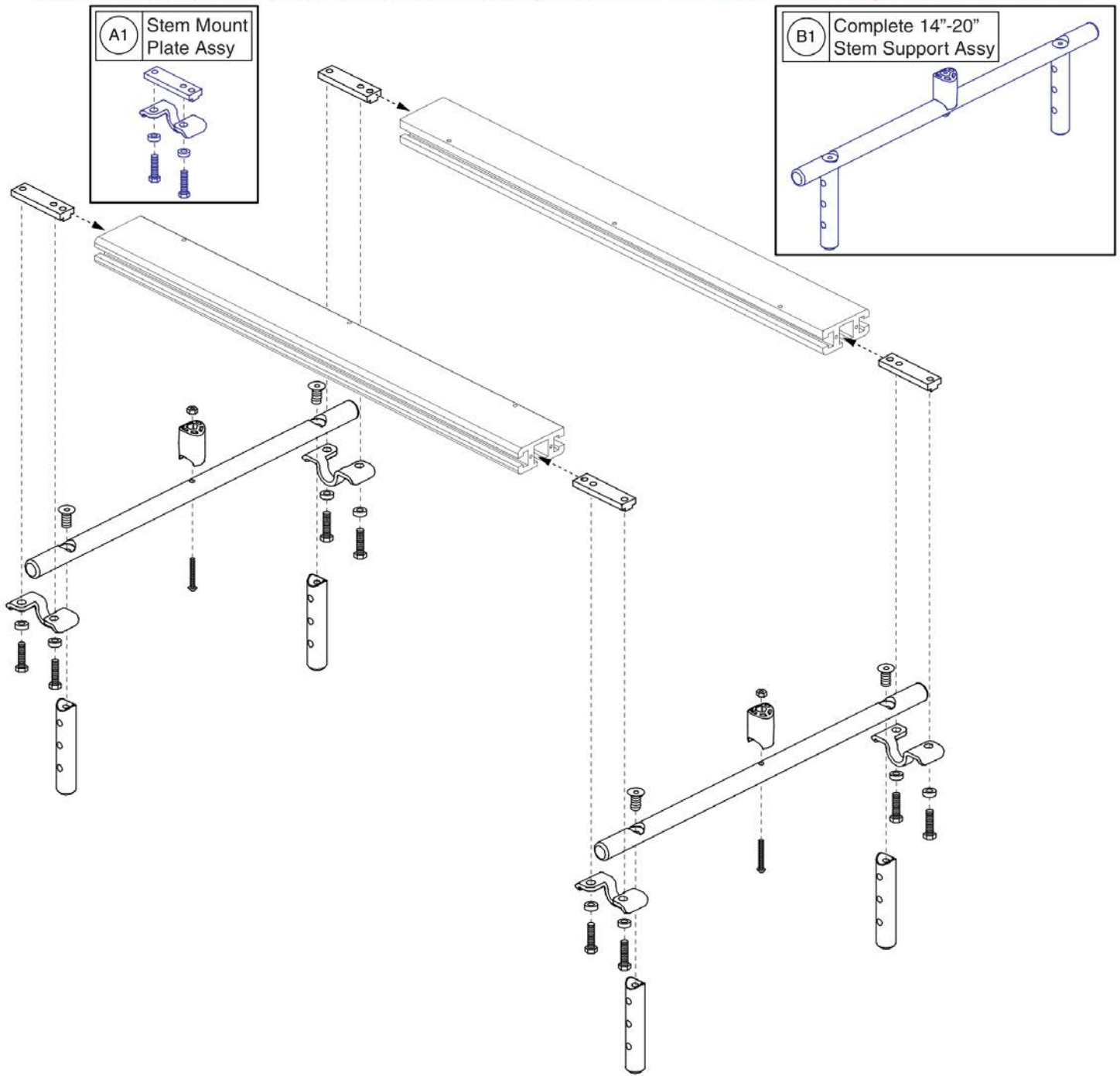




Item	Part No.	Name	Qty
A1	FRMASMB8447	HORIZONTAL STEM SUPPORT,ASSY,20"W-24"W,12.795"CENTERS,1" BAR,SYNERGY SEAT,E-1360-189	1
B1	FRMASMB9627	STEM MOUNT PLATE,ASSY,1" BAR,SYNERGY SEAT HD,B-1360-093	1

2.1. Stem Mounts and Tower Connectors

\*\*\*Individual components are not available for replacement. The entire assembly must be selected.\*\*\*



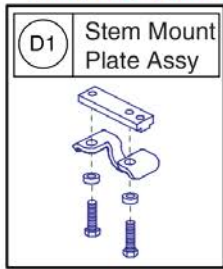
# Stem Mount, 13.625" Centers - 14"-20", TB2



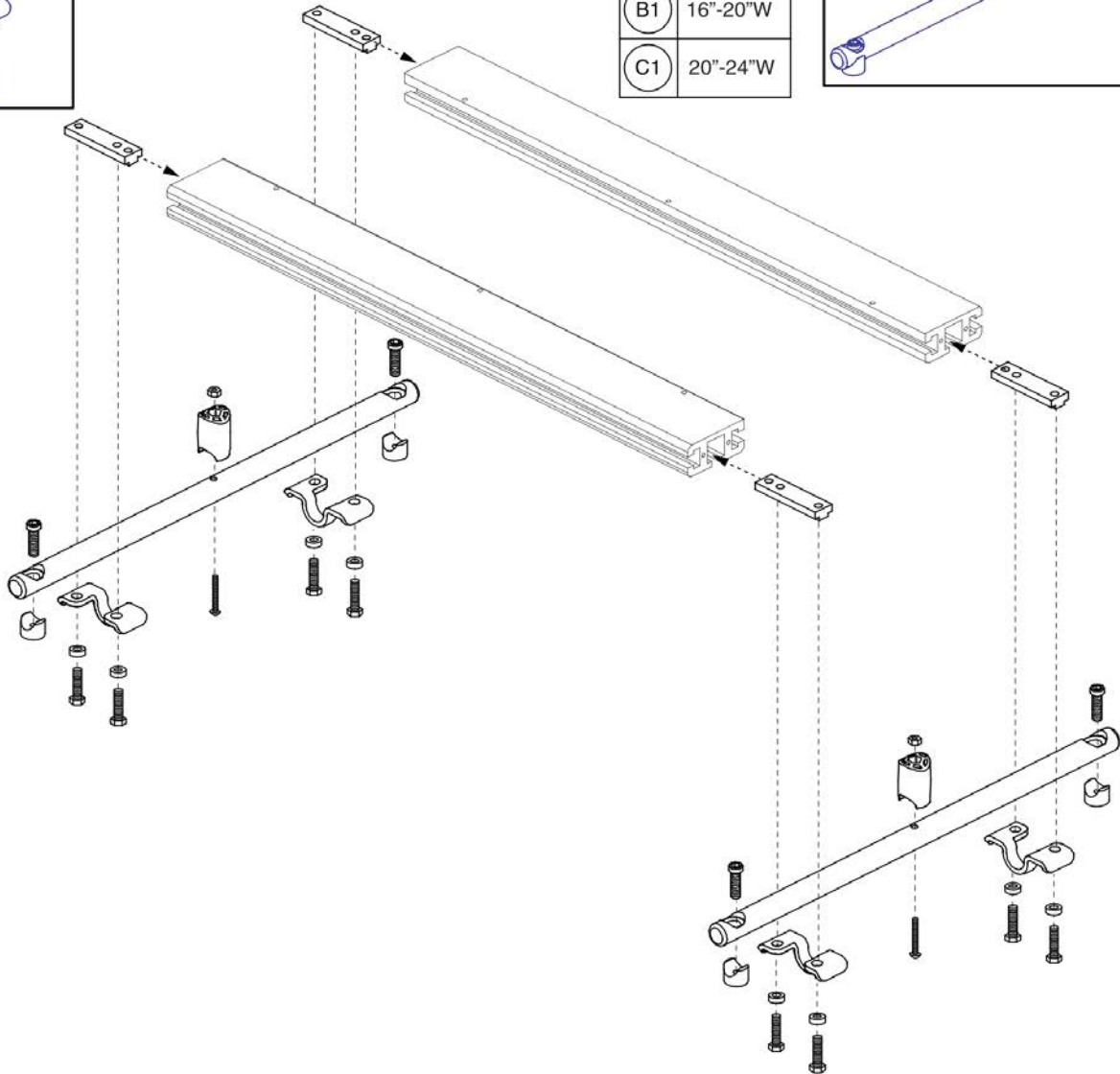
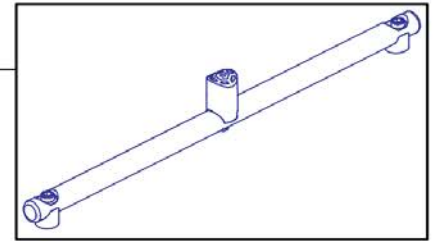
Item	Part No.	Name	Qty
A1	FRMASMB4657	STEM MOUNT PLATE,ASSY,SYNERGY SEAT,B-1360-002	1
B1		HORIZONTAL STEM SUPPORT,ASSY,14"W-20"W,13.625"CENTERS	1

2.1. Stem Mounts and Tower Connectors

\*\*\*Individual components are not available for replacement. The entire assembly must be selected.\*\*\*



Complete Stem Support Assy's	
(A1)	14"-18"W
(B1)	16"-20"W
(C1)	20"-24"W



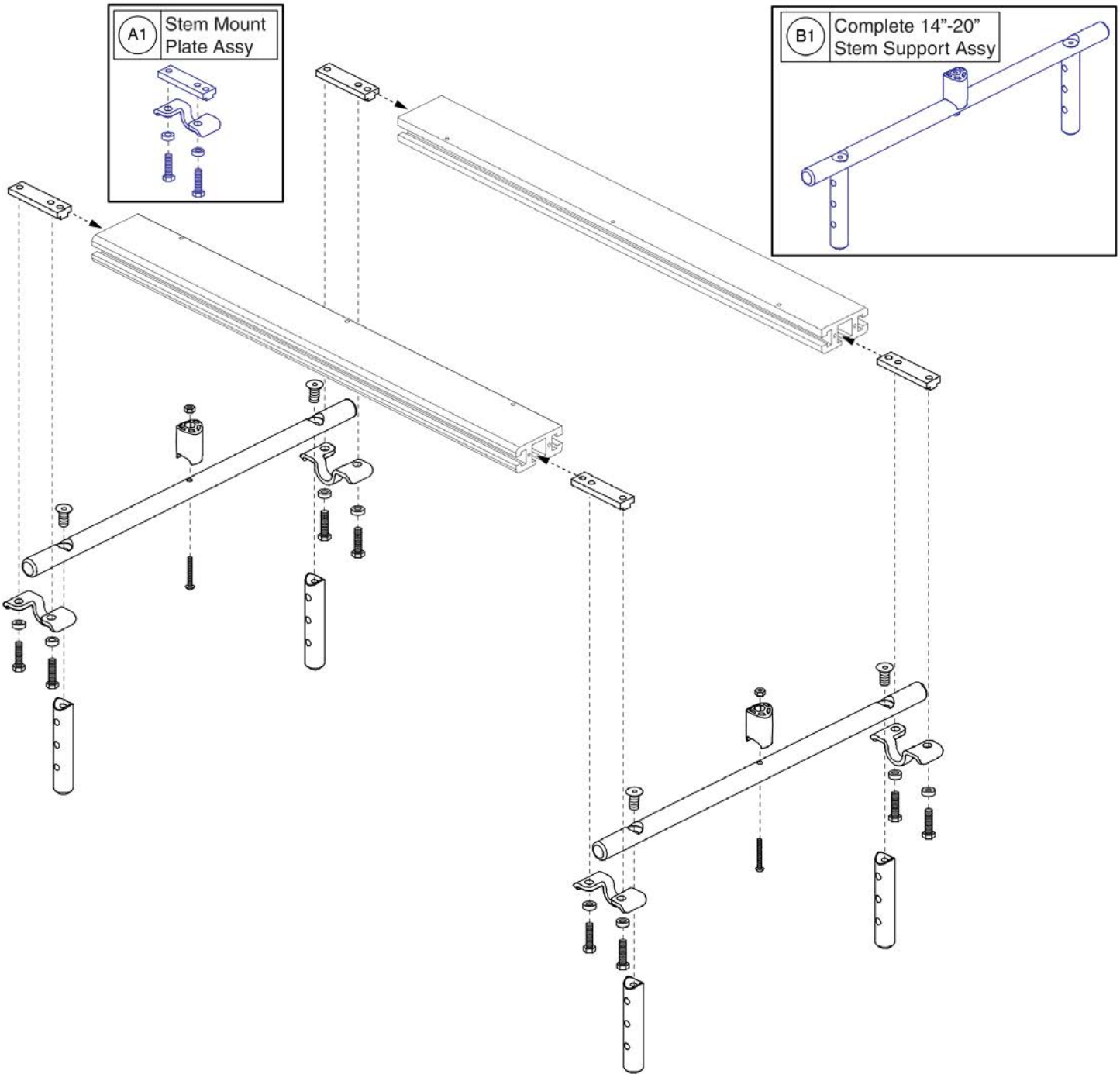
# Stem Mount, 14" Centers, 14"-24"W, TB2



Item	Part No.	Name	Qty
A1	FRMASMB16066	HORIZONTAL STEM SUPPORT,ASSY,14"W-18"W,14"CENTERS	1
B1	FRMASMB16067	HORIZONTAL STEM SUPPORT,ASSY,16"W-20"W,14"CENTERS	1
C1	FRMASMB16068	HORIZONTAL STEM SUPPORT,ASSY,20"W-24"W,14"CENTERS	1
D1	FRMASMB4657	STEM MOUNT PLATE,ASSY,SYNERGY SEAT,B-1360-002	1

2.1. Stem Mounts and Tower Connectors

\*\*\*Individual components are not available for replacement. The entire assembly must be selected.\*\*\*



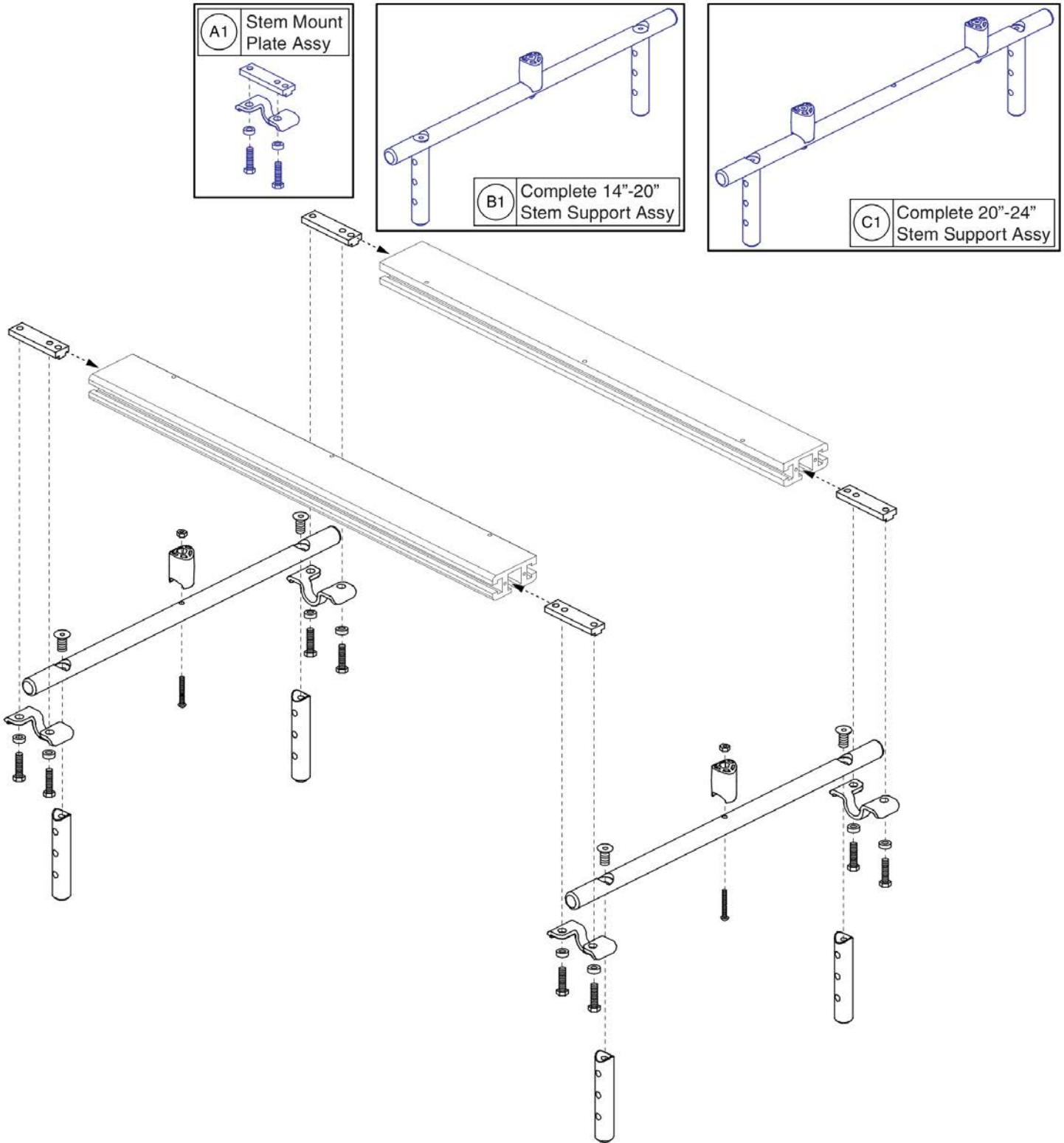
# Stem Mount, 14.322" Centers - 14"-20"W, TB2



Item	Part No.	Name	Qty
A1	FRMASMB4657	STEM MOUNT PLATE,ASSY,SYNERGY SEAT,B-1360-002	1
B1		HORIZONTAL STEM SUPPORT,ASSY,14"W-20"W,14.322"CENTERS	1

2.1. Stem Mounts and Tower Connectors

\*\*\*Individual components are not available for replacement. The entire assembly must be selected.\*\*\*





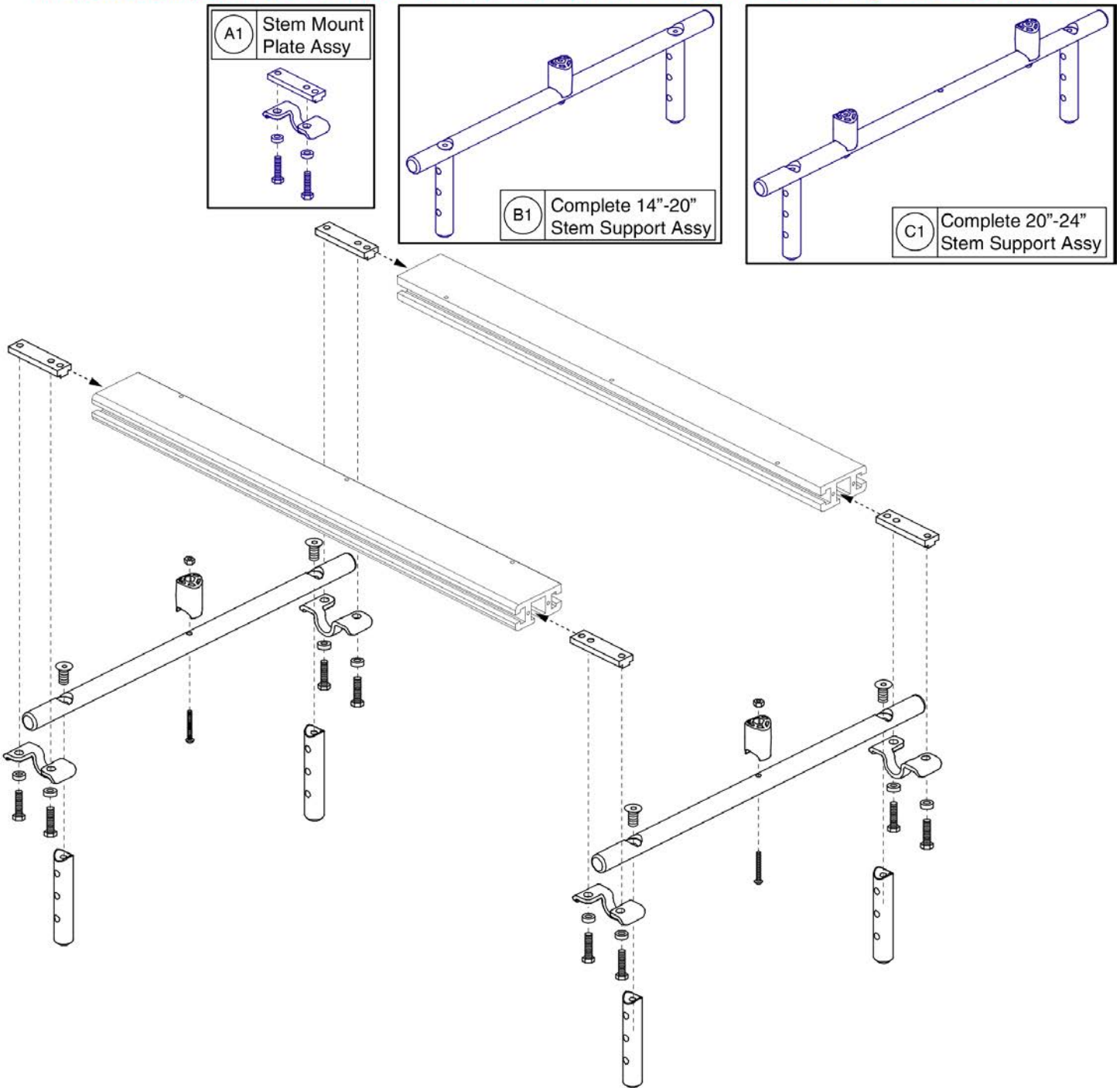
# Stem Mount, 16.125" Centers - 14"-20"W, TB2



Item	Part No.	Name	Qty
A1	FRMASMB4657	STEM MOUNT PLATE,ASSY,SYNERGY SEAT,B-1360-002	1
B1	FRMASMB6470	HORIZONTAL STEM SUPPORT,ASSY,14"W-20"W,16.125" CENTERS	1
C1	FRMASMB6471	HORIZONTAL STEM SUPPORT,ASSY,20"W-24"W,16.125" CENTERS	1

### 2.1. Stem Mounts and Tower Connectors

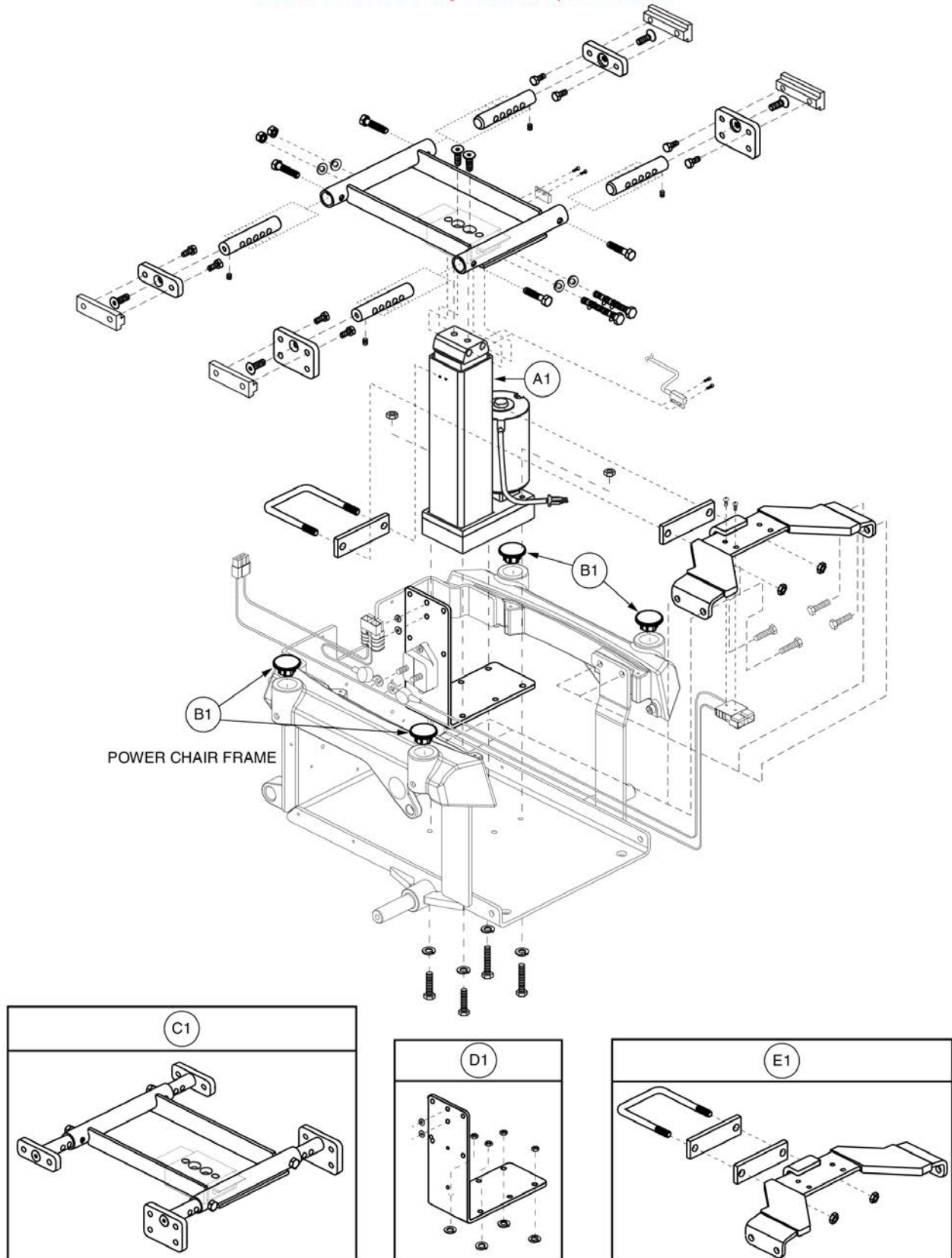
\*\*\*Individual components are not available for replacement. The entire assembly must be selected.\*\*\*



Item	Part No.	Name	Qty
A1	FRMASMB4657	STEM MOUNT PLATE,ASSY,SYNERGY SEAT,B-1360-002	1
B1	FRMASMB10827	HORIZONTAL STEM SUPPORT,ASSY,14"-20"W,16.125" CENTERS	1
C1	FRMASMB10828	HORIZONTAL STEM SUPPORT,ASSY,20"-24"W,16.125" CENTERS	1

## 2.2. Actuators and Interface for Power Elevating Seat

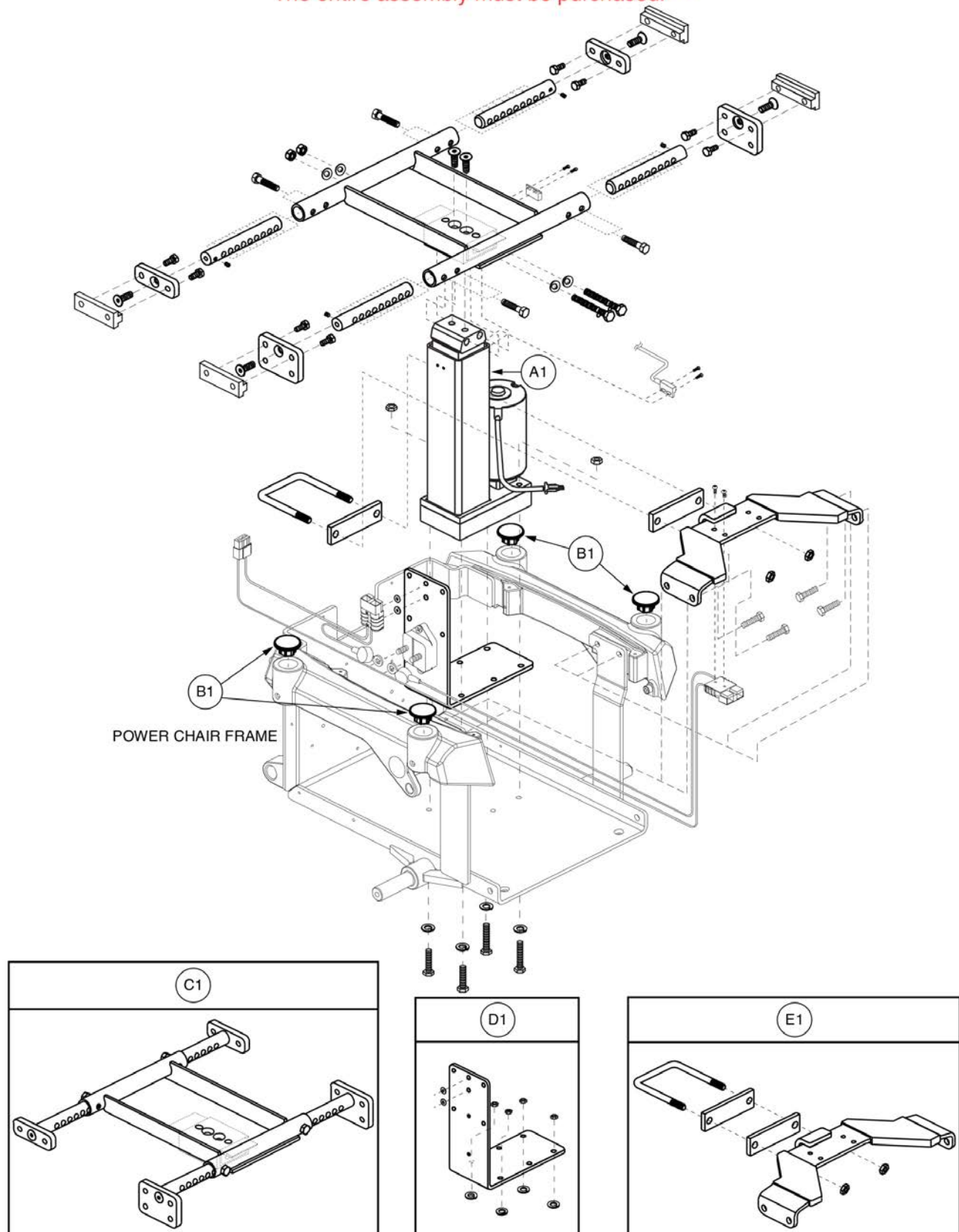
\*\*\* Individual components are not available for replacement.  
The entire assembly must be purchased. \*\*\*



Item	Part No.	Name	Qty
A1	DWR1368E015	ACTUATOR,TAPERED HEAD,TRU-BALANCE POWER SEAT,7" STROKE,E-1368-015,(MOTION SYSTEMS: 85972-003)	1
B1	DWR1059C038	CAP,BLACK,PLASTIC,SEAT MOUNT CONNECTOR,C-1059-038	4
C1	FRMASMB8286	SEAT FRAME,ASSY,14"W-18"W,SYNERGY POWER SEAT,NON-SWIVEL,D-1368-006	1
D1	FRMASMB8821	MOUNT BRACKET,ASSY,POWER SEAT,QUANTUM6000	1
E1	FRMASMB8818	FRAME,ASSY,FRONT STABILIZER SECTION,QUANTUM6000,POWER SEAT	1

## 2.2. Actuators and Interface for Power Elevating Seat

\*\*\* Individual components are not available for replacement.  
The entire assembly must be purchased. \*\*\*

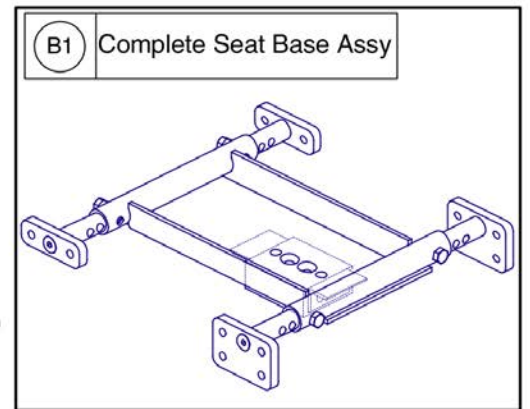
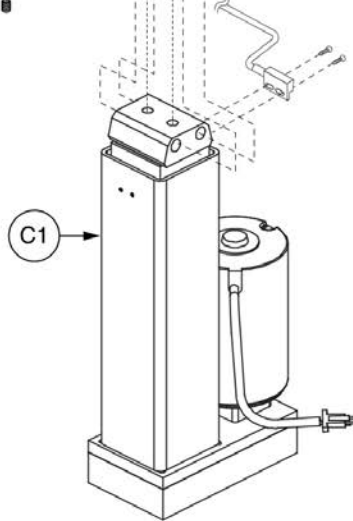
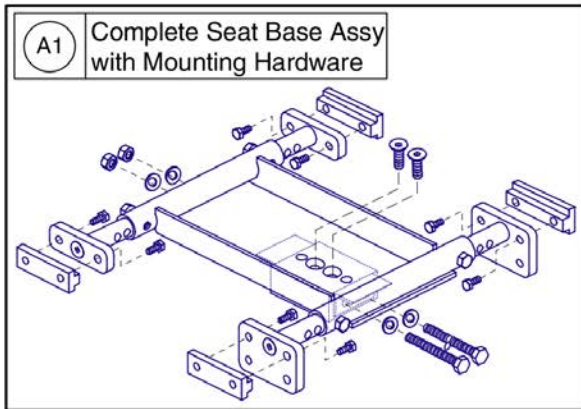
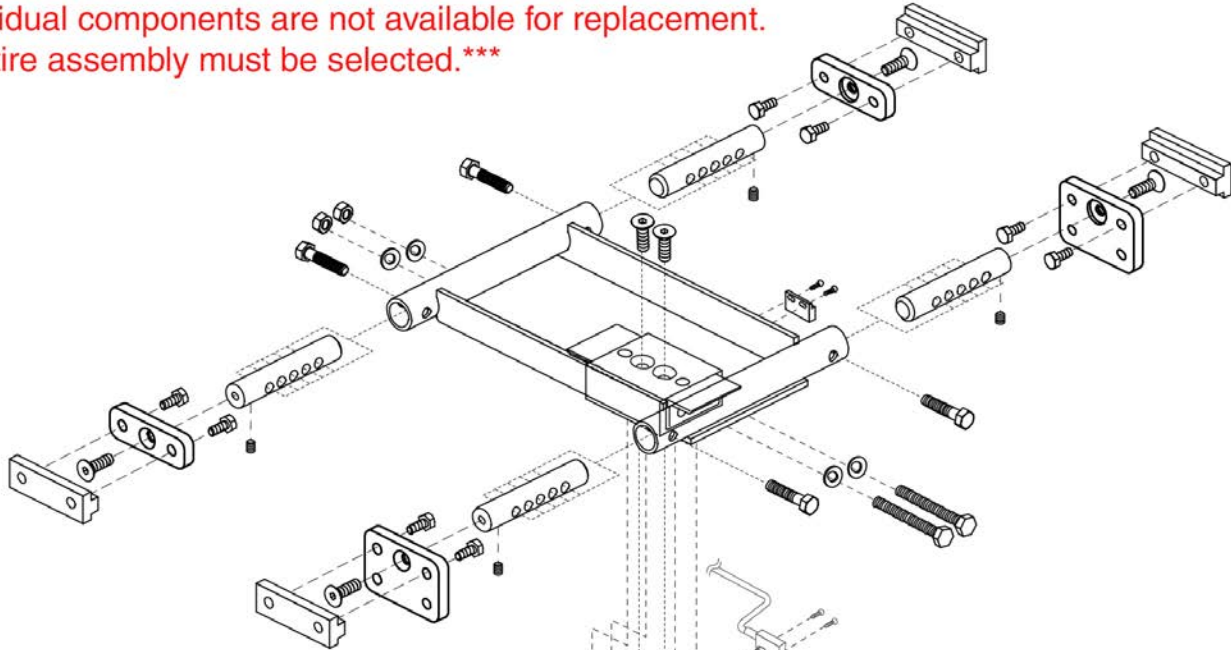


Item	Part No.	Name	Qty
A1	DWR1368E015	ACTUATOR,TAPERED HEAD,TRU-BALANCE POWER SEAT,7" STROKE,E-1368-015,(MOTION SYSTEMS: 85972-003)	1
B1	DWR1059C038	CAP,BLACK,PLASTIC,SEAT MOUNT CONNECTOR,C-1059-038	4
C1	FRMASMB8287	SEAT FRAME,ASSY,18-24"W,SYNERGY POWER SEAT,NON-SWIVEL	1
D1	FRMASMB8821	MOUNT BRACKET,ASSY,POWER SEAT,QUANTUM6000	1
E1	FRMASMB8818	FRAME,ASSY,FRONT STABILIZER SECTION,QUANTUM6000,POWER SEAT	1



## 2.2. Actuators and Interface for Power Elevating Seat

\*\*\*Individual components are not available for replacement.  
The entire assembly must be selected.\*\*\*

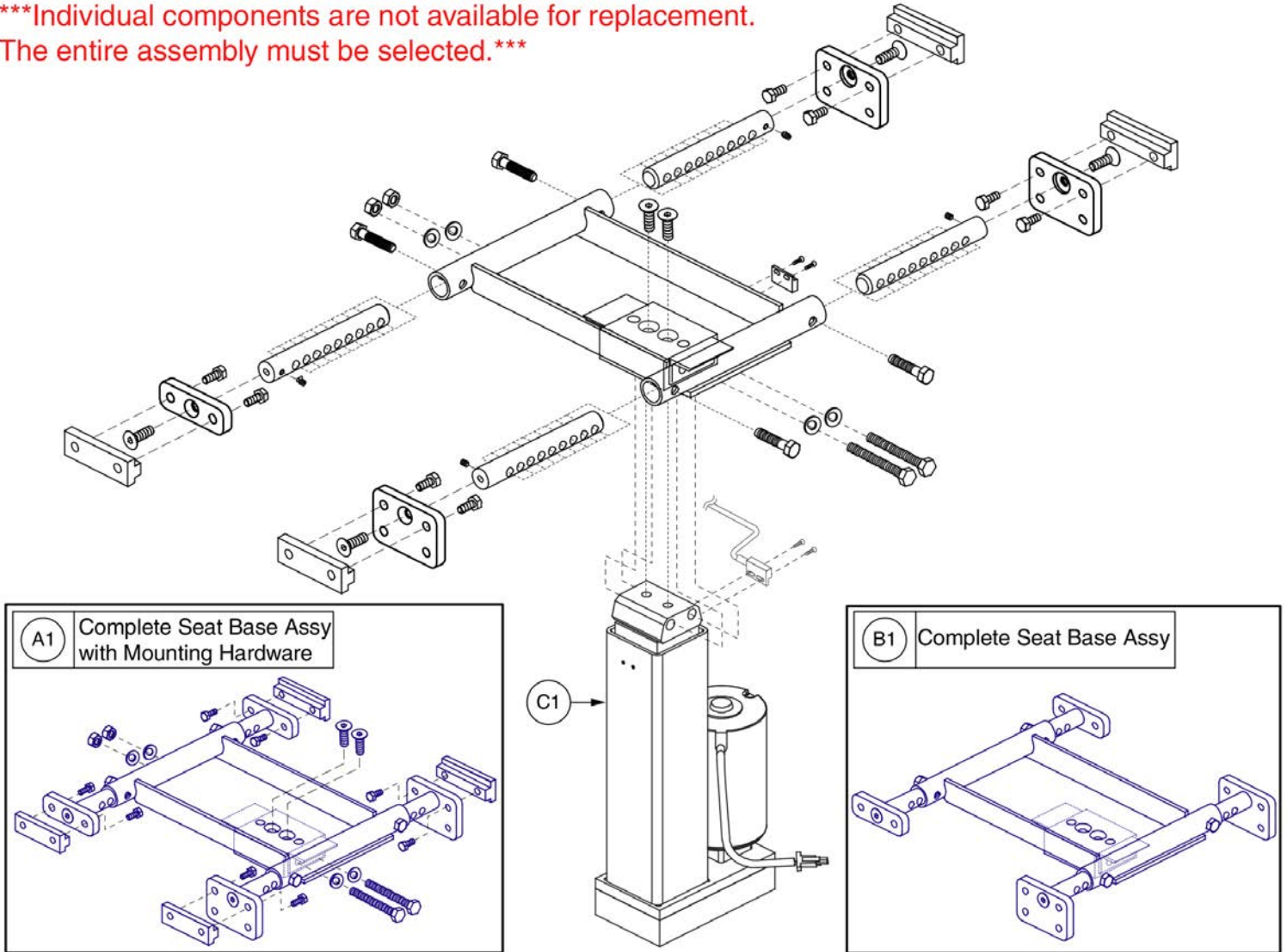




Item	Part No.	Name	Qty
A1	FRMASMB16303	SEAT BASE,ASSY,POWER SEAT,14-18"W,14"CENTERS,RECLINE	1
B1	FRMASMB8286	SEAT FRAME,ASSY,14"W-18"W,SYNERGY POWER SEAT,NON-SWIVEL,D-1368-006	1
C1	DWR1368E015	ACTUATOR,TAPERED HEAD,TRU-BALANCE POWER SEAT,7" STROKE,E-1368-015,(MOTION SYSTEMS: 85972-003)	1

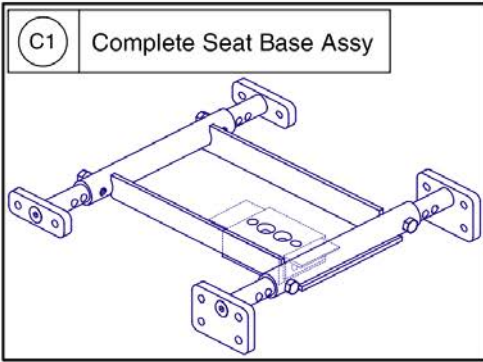
## 2.2. Actuators and Interface for Power Elevating Seat

\*\*\*Individual components are not available for replacement.  
The entire assembly must be selected.\*\*\*

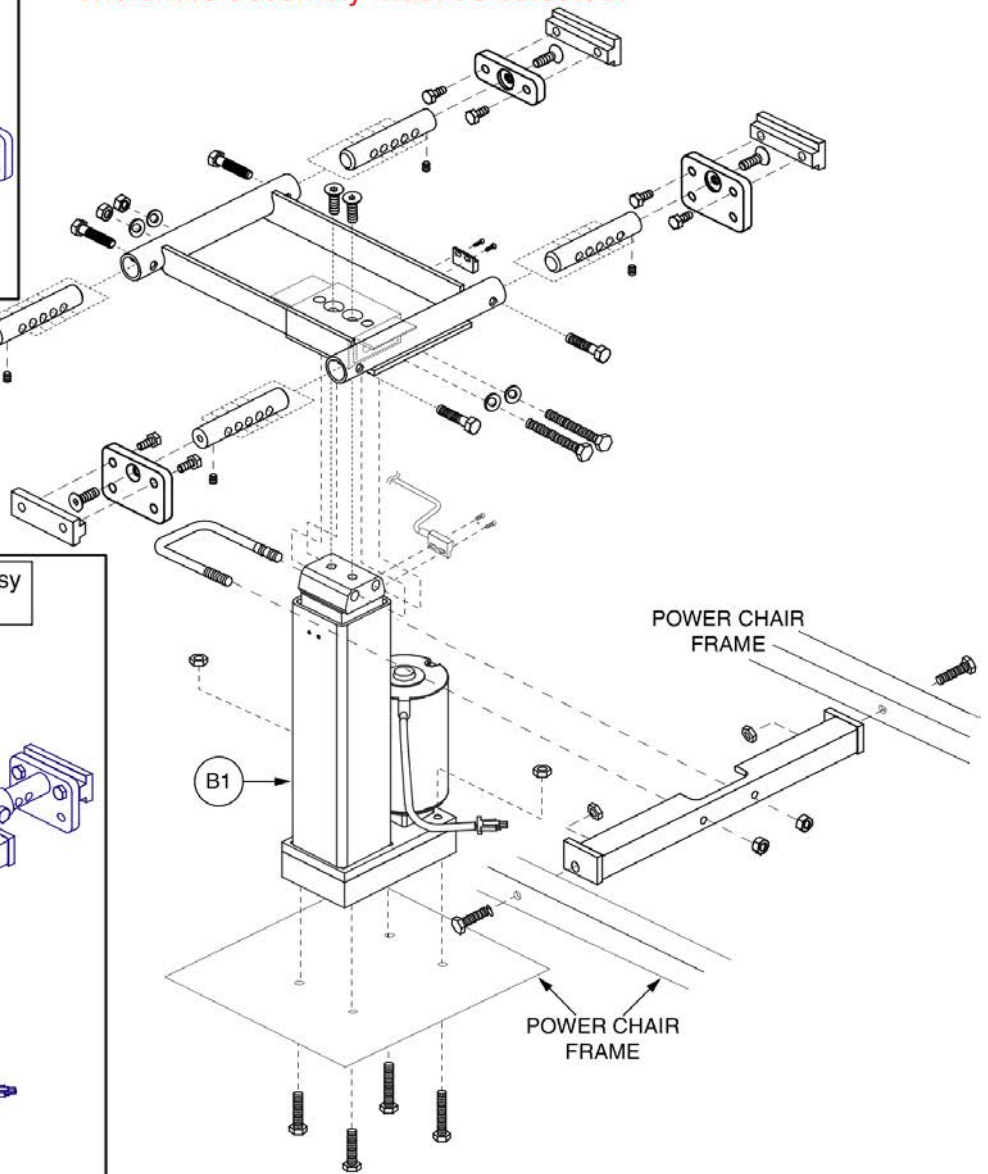
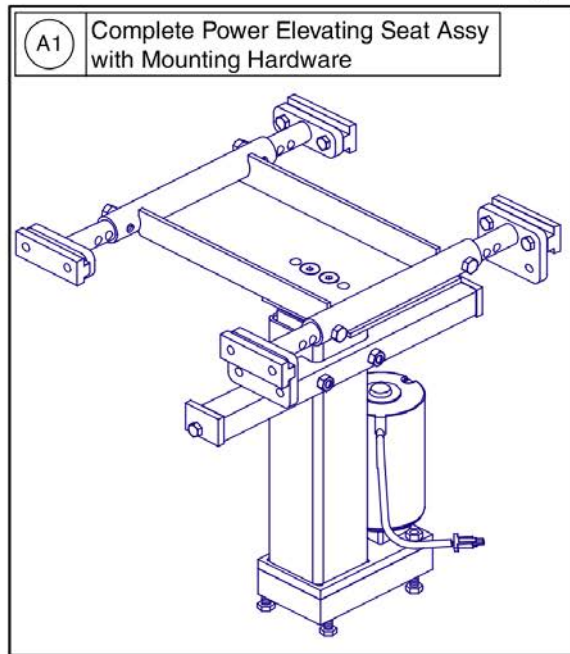


Item	Part No.	Name	Qty
A1	FRMASMB16304	SEAT BASE,ASSY,POWER SEAT,18-24"W,14" CENTERS	1
B1	FRMASMB8287	SEAT FRAME,ASSY,18-24"W,SYNERGY POWER SEAT,NON-SWIVEL	1
C1	DWR1368E015	ACTUATOR,TAPERED HEAD,TRU-BALANCE POWER SEAT,7" STROKE,E-1368-015,(MOTION SYSTEMS: 85972-003)	1

## 2.2. Actuators and Interface for Power Elevating Seat

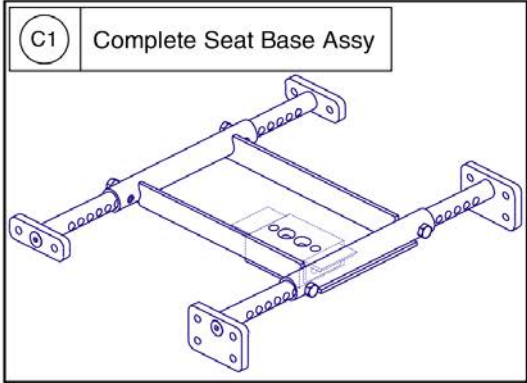


\*\*\*Individual components are not available for replacement. The entire assembly must be selected.\*\*\*

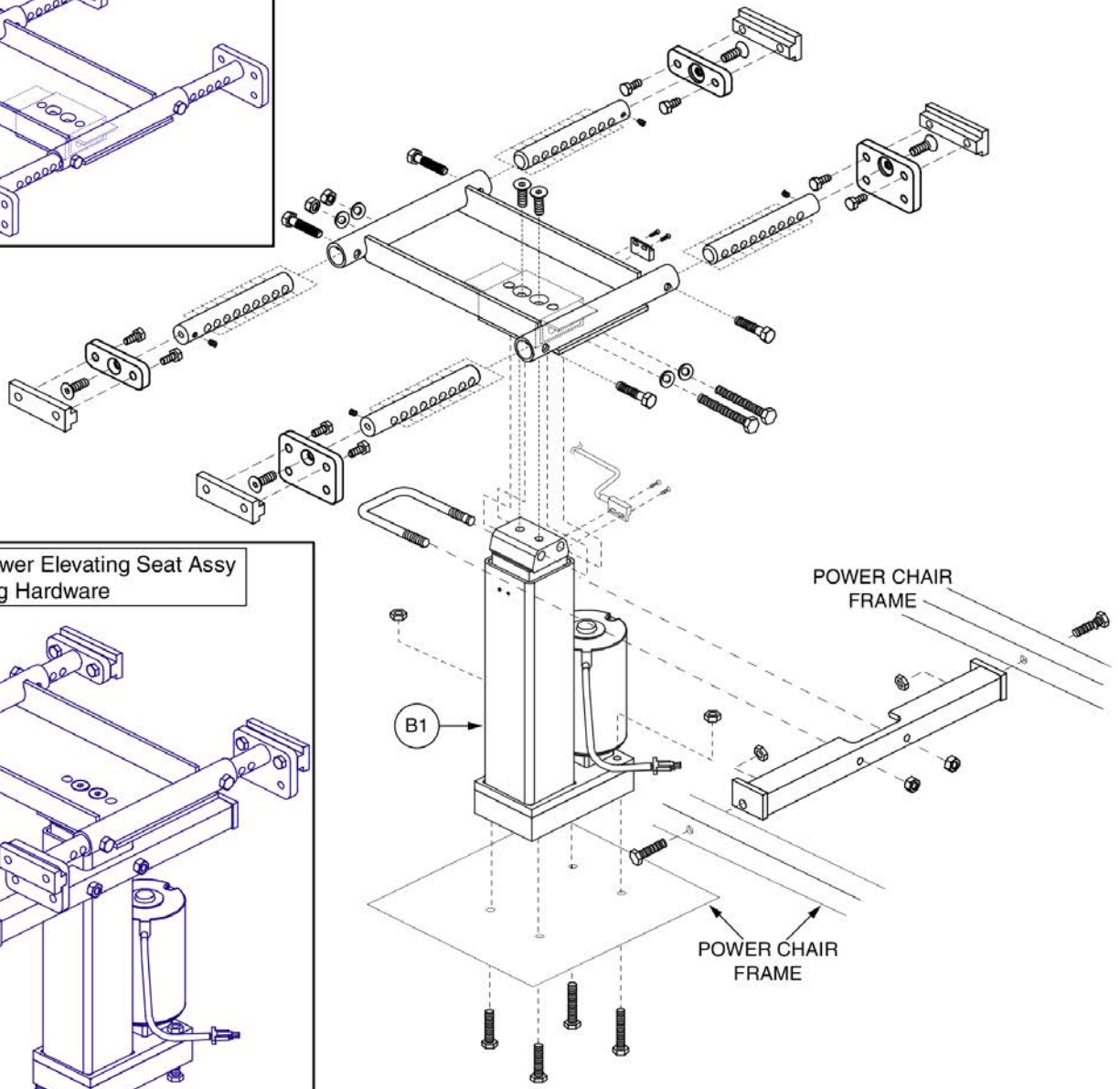


Item	Part No.	Name	Qty
A1		SEAT BASE, ASSY, POWER SEAT, 14"W-18"W, 7" ELEVATION, W/ TAPERED HEAD/2" SQ. SHAFT ACTUATOR, NON-SWIVEL, 14.322" TOWER CENTERS, TRU-BALANCE RECLINE	1
B1	DWR1368E015	ACTUATOR, TAPERED HEAD, TRU-BALANCE POWER SEAT, 7" STROKE, E-1368-015, (MOTION SYSTEMS: 85972-003)	1
C1	FRMASMB8286	SEAT FRAME, ASSY, 14"W-18"W, SYNERGY POWER SEAT, NON-SWIVEL, D-1368-006	1

## 2.2. Actuators and Interface for Power Elevating Seat



\*\*\*Individual components are not available for replacement. The entire assembly must be selected.\*\*\*

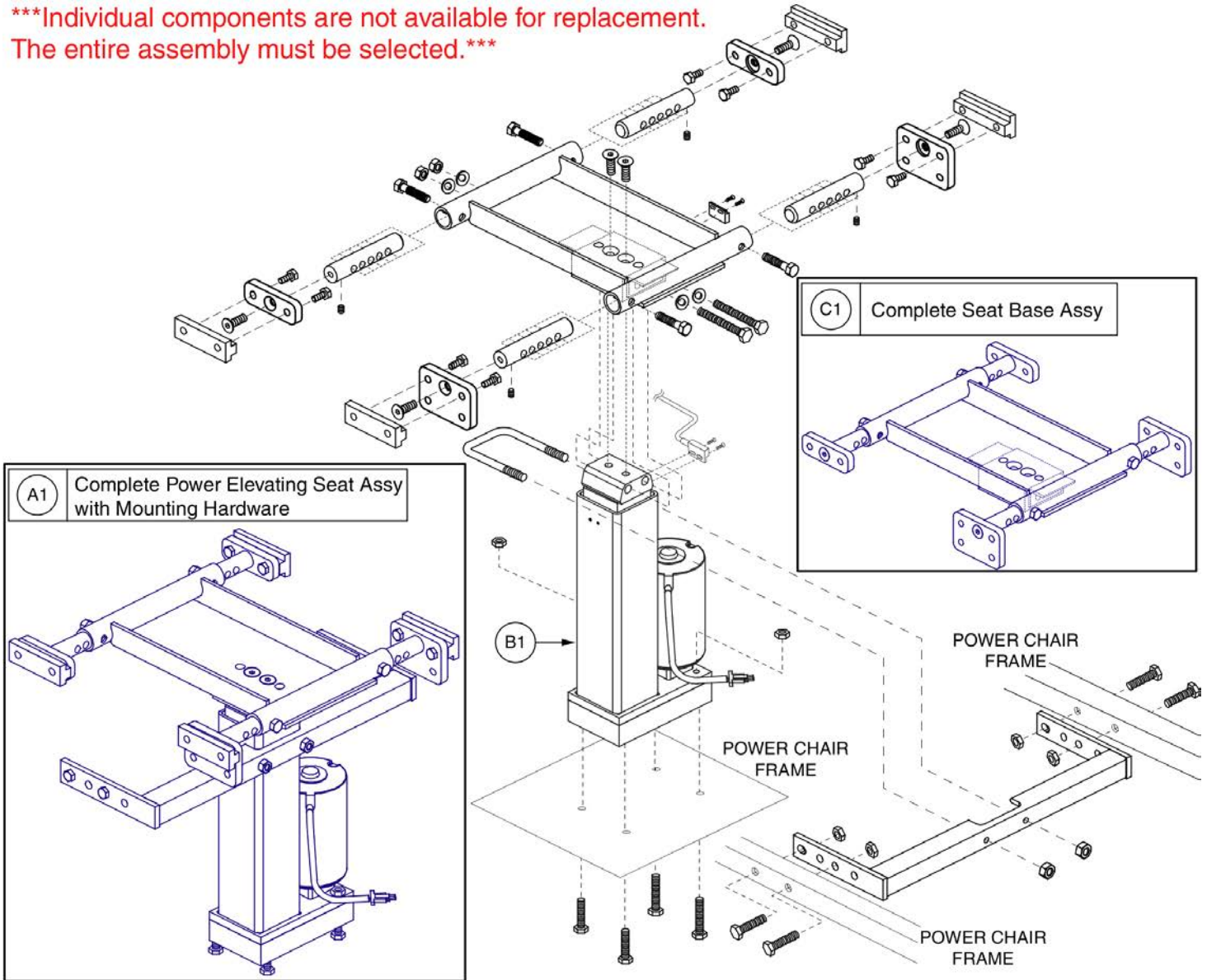


Item	Part No.	Name	Qty
A1		SEAT BASE, ASSY, POWER SEAT, 18"W-24"W, 7" ELEVATION, W/ TAPERED HEAD/2" SQ. SHAFT ACTUATOR, NON-SWIVEL, 14.322" TOWER CENTERS, TRU-BALANCE RECLINE	1
B1	DWR1368E015	ACTUATOR, TAPERED HEAD, TRU-BALANCE POWER SEAT, 7" STROKE, E-1368-015, (MOTION SYSTEMS: 85972-003)	1
C1	FRMASMB8287	SEAT FRAME, ASSY, 18-24"W, SYNERGY POWER SEAT, NON-SWIVEL	1



## 2.2. Actuators and Interface for Power Elevating Seat

\*\*\*Individual components are not available for replacement.  
The entire assembly must be selected.\*\*\*

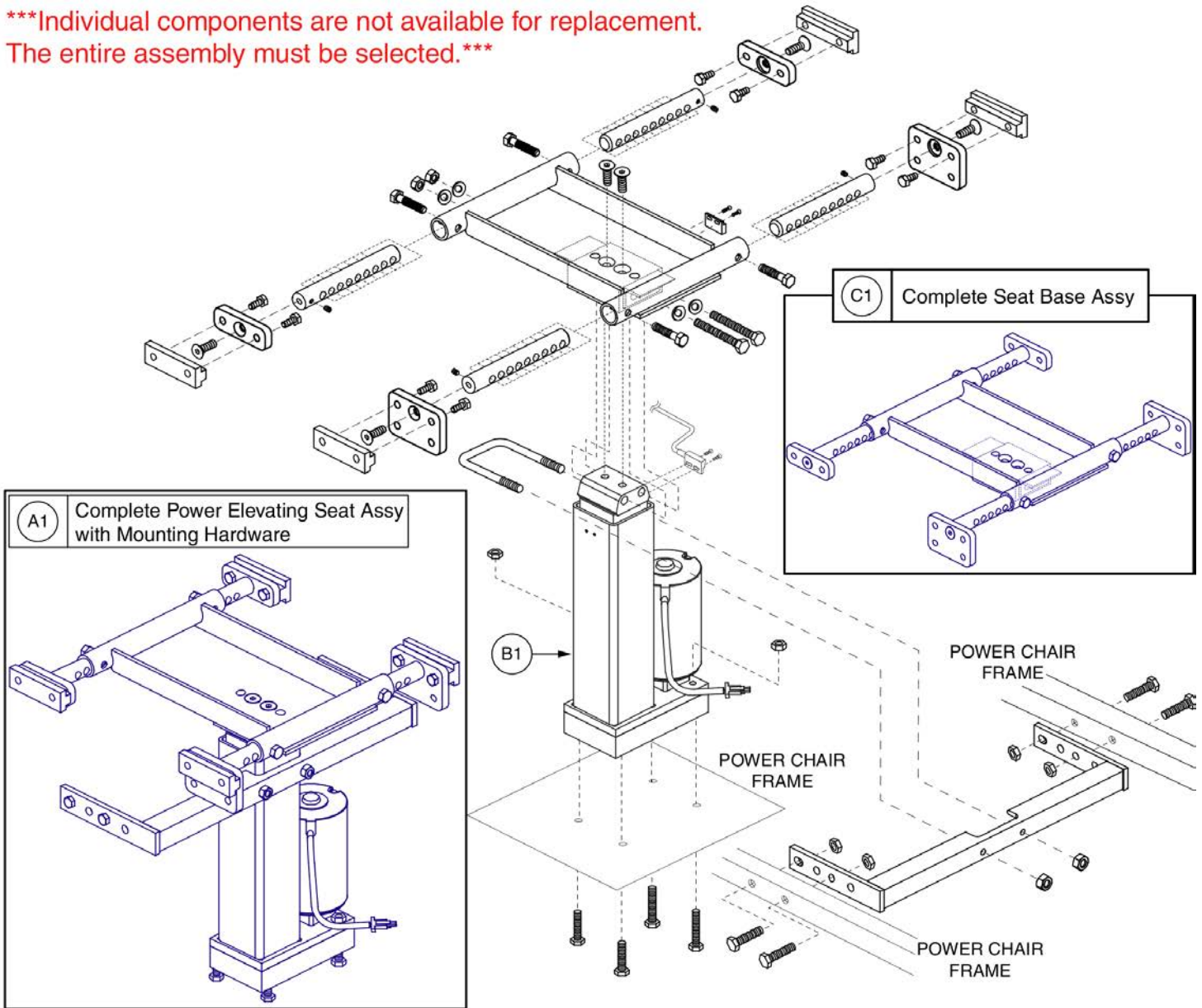




Item	Part No.	Name	Qty
A1	FRMASMB10413	SEAT BASE,ASSY,POWER SEAT,14"W-18"W,7" ELEVATION,W/ TAPERED HEAD/2" SQ. SHAFT ACTUATOR,NON-SWIVEL,16.125" TOWER CENTERS,TRU-BALANCE RECLINE	1
B1	DWR1368E015	ACTUATOR,TAPERED HEAD,TRU-BALANCE POWER SEAT,7" STROKE,E-1368-015,(MOTION SYSTEMS: 85972-003)	1
C1	FRMASMB8286	SEAT FRAME,ASSY,14"W-18"W,SYNERGY POWER SEAT,NON-SWIVEL,D-1368-006	1

## 2.2. Actuators and Interface for Power Elevating Seat

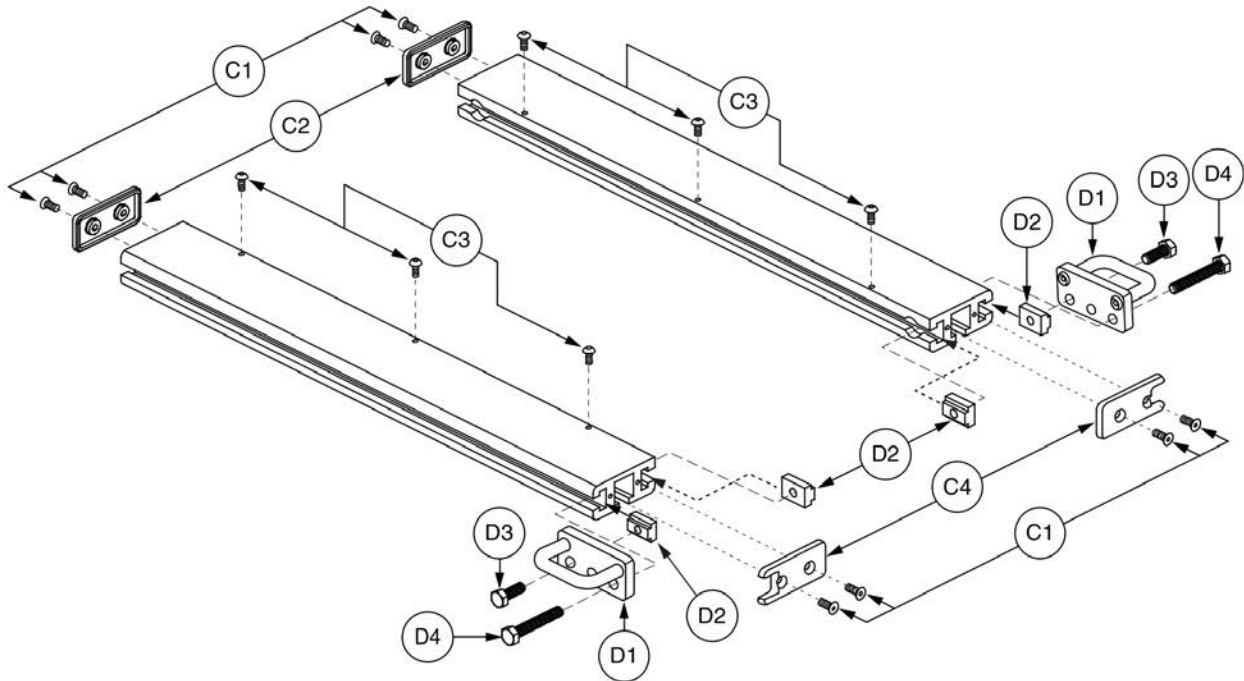
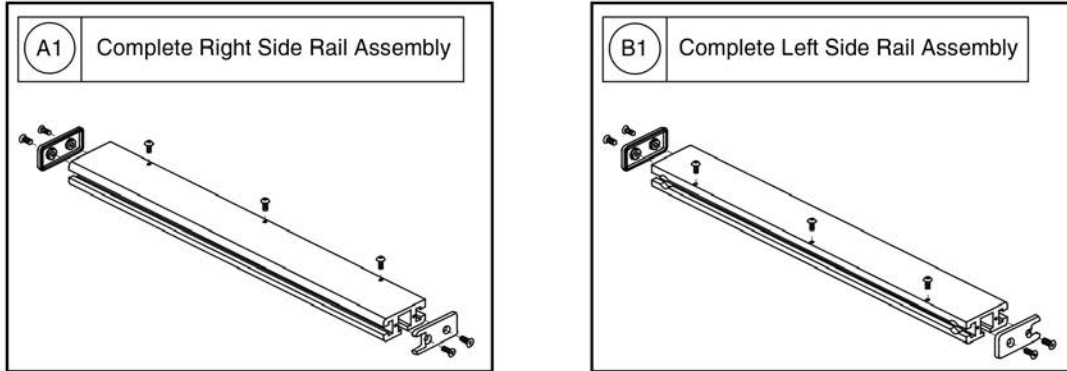
\*\*\*Individual components are not available for replacement.  
The entire assembly must be selected.\*\*\*



Item	Part No.	Name	Qty
A1		SEAT BASE, ASSY, POWER SEAT, 18"W-24"W, 7" ELEVATION, W/ TAPERED HEAD/2" SQ. SHAFT ACTUATOR, NON-SWIVEL, 16.125" TOWER CENTERS, TRU-BALANCE RECLINE	1
B1	DWR1368E015	ACTUATOR, TAPERED HEAD, TRU-BALANCE POWER SEAT, 7" STROKE, E-1368-015, (MOTION SYSTEMS: 85972-003)	1
C1	FRMASMB8287	SEAT FRAME, ASSY, 18-24"W, SYNERGY POWER SEAT, NON-SWIVEL	1

2.3. Side Rail and Seat Pans

\*\*\*Top-level assemblies include the side rails and hardware.  
Side rails cannot be ordered individually.\*\*\*



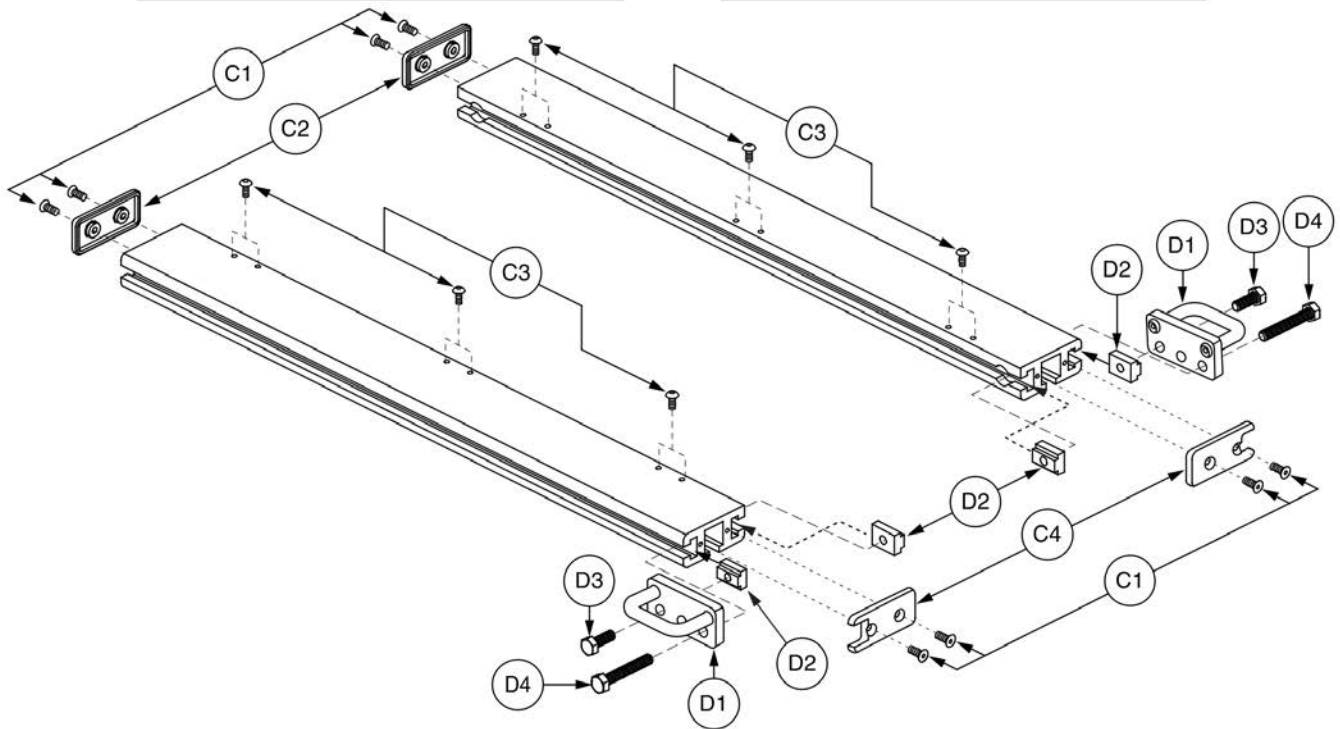
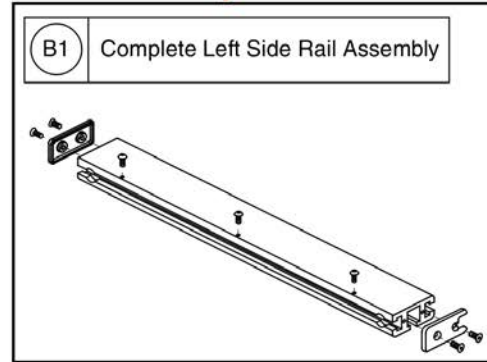
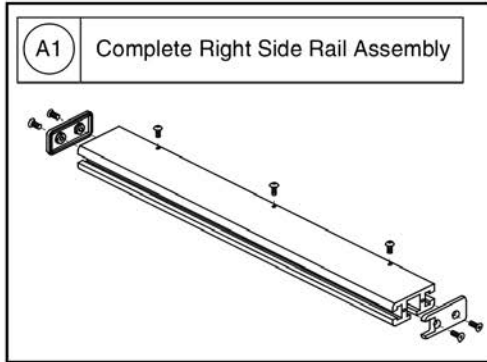
# Side Rail, 14"D-18"D, Textured, TB2



Item	Part No.	Name	Qty
PAIR	FRMASMB6982	SEAT FRAME,ASSY,SIDE RAIL,14"D-18"D,SYNERGY SEAT,PAIR	1
A1	FRMASMB6819	SEAT FRAME,ASSY,SIDE RAIL,14"D-18"D,SYNERGY SEAT,LEFT	1
B1	FRMASMB6820	SEAT FRAME,ASSY,SIDE RAIL,14"D-18"D,SYNERGY SEAT,RIGHT	1
C1	SCRSHFH1036	SCREW,SHFH,BLACK ZINC,8-32 X 0.50",GR 8,W/PATCH	4
C2	DWR1360B007	EXTRUSION END CAP,SYNERGY SEAT,REAR,B-1360-007	1
C3	SCRASBH1094	SCREW,BHSCS,BLACK ZINC,10-32 X 0.4375",GR 8,W/PATCH	3
C4	DWR1360B048	EXTRUSION END CAP,SYNERGY SEAT,T-SLOT OPEN END	1
D1	DWR1600B122B	SEAT FRAME,SECUREMENT BRACKET WELDMENT,TEXTURED	1
D2	DWR1360A004	T-NUT,5/16-18 X 0.875",A-1360-004	2
D3	SCRHHCS1241	SCREW,HHCS,BLACK ZINC,5/16-18 X 0.75",GR 8,W/PATCH	1
D4	SCRHHCS1478	SCREW, HHCS,BLACK ZINC,5/16-18 X 2.00",GR 8,W/PATCH	1

2.3. Side Rail and Seat Pans

\*\*\*Top-level assemblies include the side rails and hardware.  
Side rails cannot be ordered individually.\*\*\*

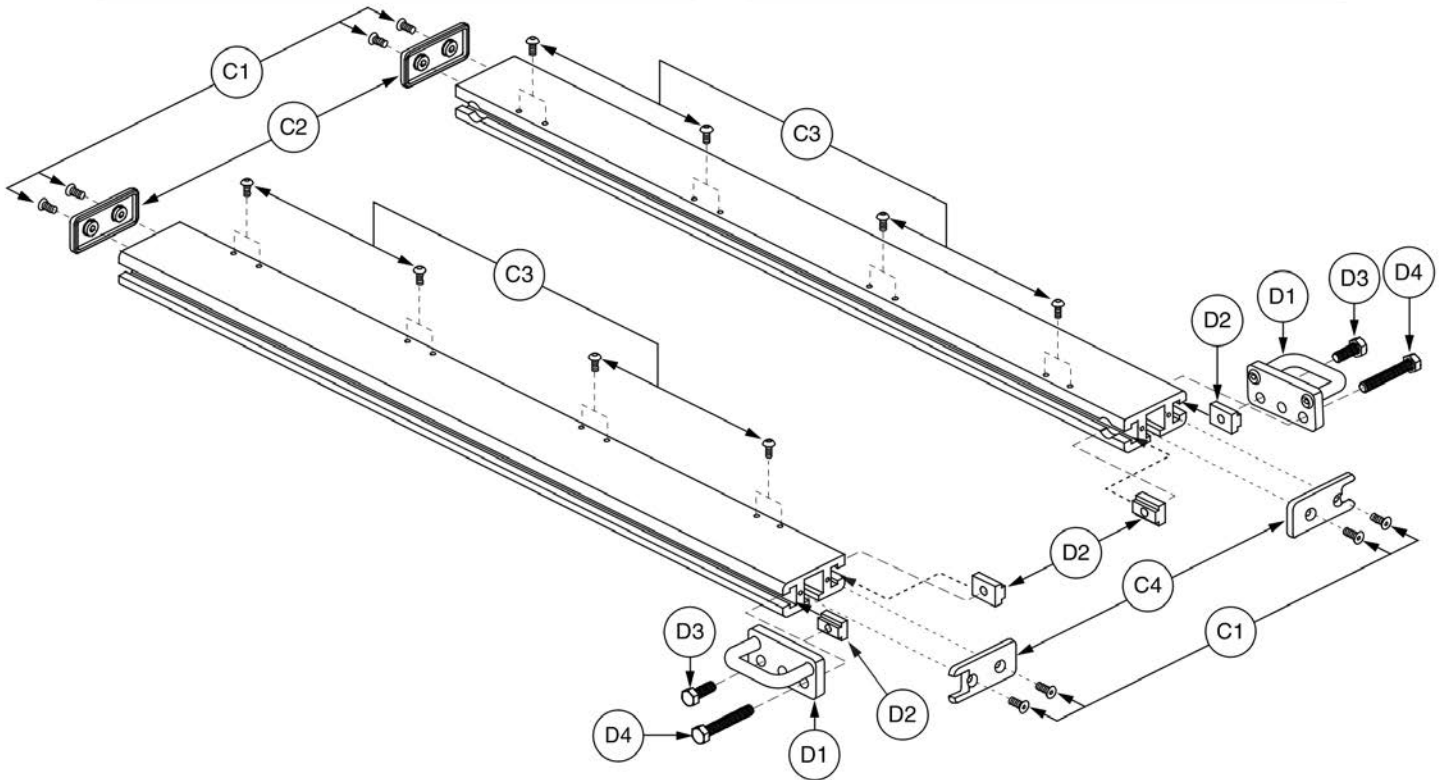
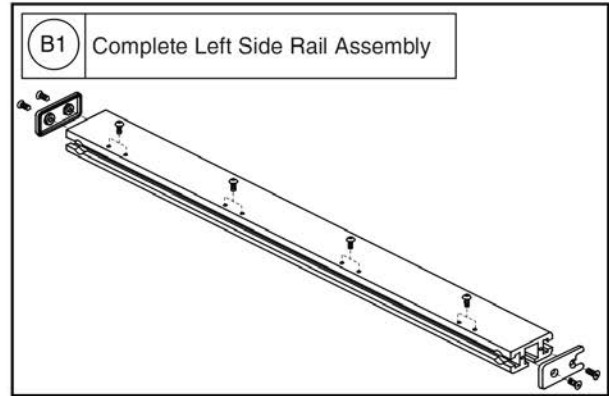
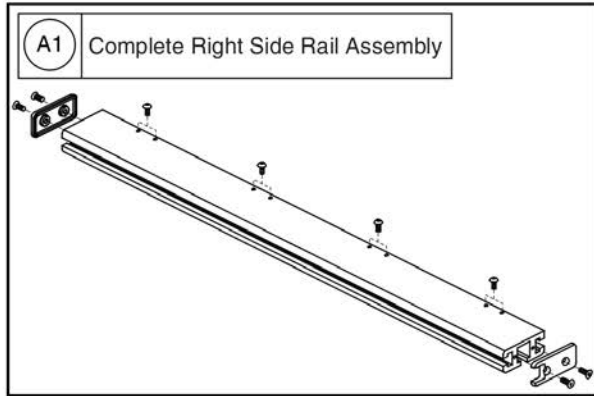


Item	Part No.	Name	Qty
PAIR		SIDE RAIL,ASSY,15"D-20"D,POWER/MANUAL RECLINE,PAIR	1
A1	FRMASMB7674	SIDE RAIL,ASSY,15"D-20"D,POWER/MANUAL RECLINE,LEFT	1
B1	FRMASMB7675	SIDE RAIL,ASSY,15"D-20"D,POWER/MANUAL RECLINE,RIGHT	1
C1	SCRSHFH1036	SCREW,SHFH,BLACK ZINC,8-32 X 0.50",GR 8,W/PATCH	4
C2	DWR1360B007	EXTRUSION END CAP,SYNERGY SEAT,REAR,B-1360-007	1
C3	SCRASBH1094	SCREW,BHSCS,BLACK ZINC,10-32 X 0.4375",GR 8,W/PATCH	3
C4	DWR1360B048	EXTRUSION END CAP,SYNERGY SEAT,T-SLOT OPEN END	1
D1	DWR1600B122B	SEAT FRAME,SECUREMENT BRACKET WELDMENT,TEXTURED	1
D2	DWR1360A004	T-NUT,5/16-18 X 0.875",A-1360-004	2
D3	SCRHHCS1241	SCREW,HHCS,BLACK ZINC,5/16-18 X 0.75",GR 8,W/PATCH	1
D4	SCRHHCS1478	SCREW, HHCS,BLACK ZINC,5/16-18 X 2.00",GR 8,W/PATCH	1



2.3. Side Rail and Seat Pans

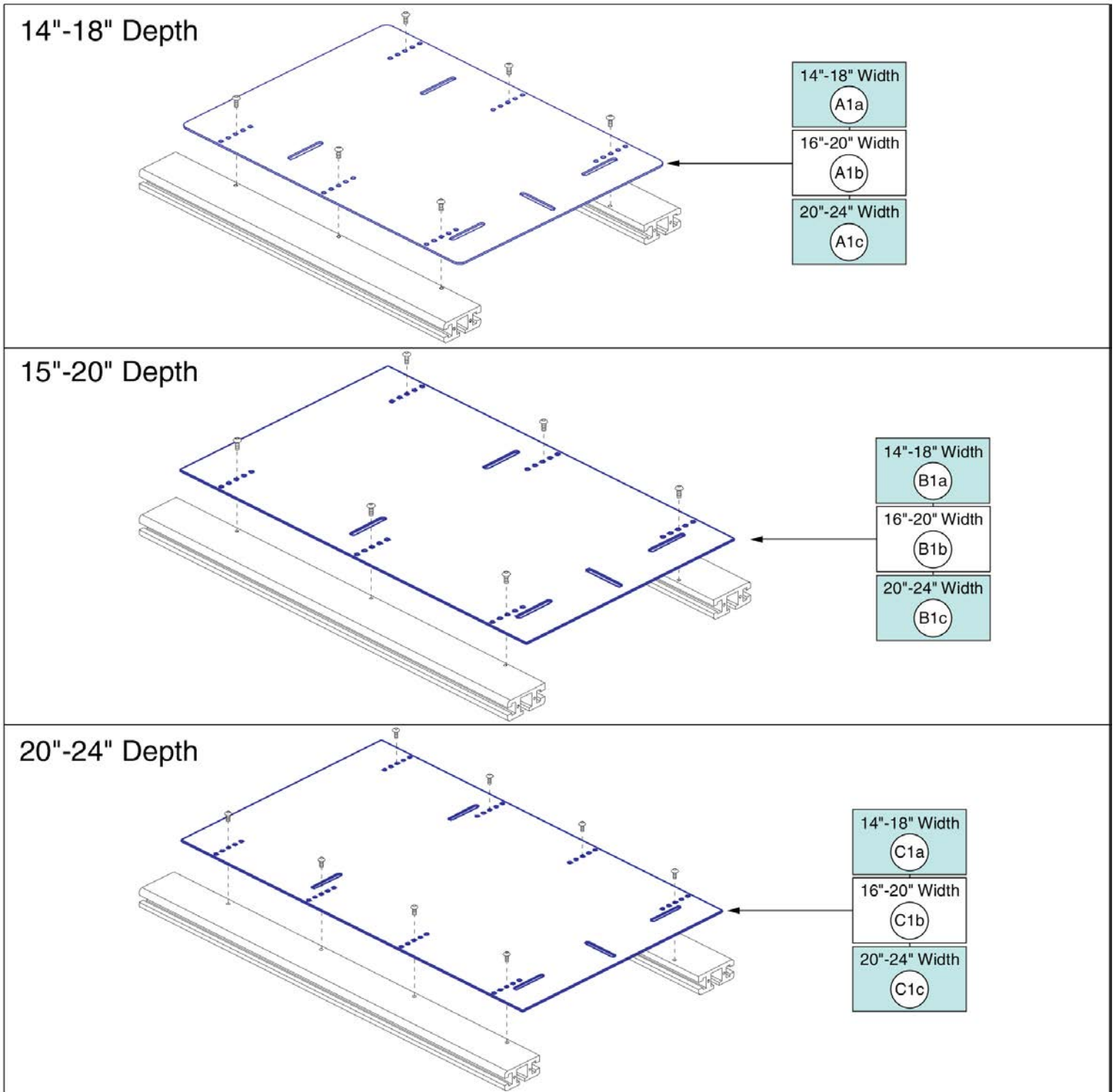
\*\*\*Top-level assemblies include the side rails and hardware.  
Side rails cannot be ordered individually.\*\*\*





Item	Part No.	Name	Qty
PAIR		SIDE RAIL,ASSY,20"D-24"D,POWER/MANUAL RECLINE,PAIR	1
A1	FRMASMB7677	SIDE RAIL,ASSY,20"D-24"D,POWER/MANUAL RECLINE,RIGHT	1
B1	FRMASMB7676	SIDE RAIL,ASSY,20"D-24"D,POWER/MANUAL RECLINE,LEFT	1
C1	SCRSHFH1036	SCREW,SHFH,BLACK ZINC,8-32 X 0.50",GR 8,W/PATCH	4
C2	DWR1360B007	EXTRUSION END CAP,SYNERGY SEAT,REAR,B-1360-007	1
C3	SCRASBH1094	SCREW,BHSCS,BLACK ZINC,10-32 X 0.4375",GR 8,W/PATCH	4
C4	DWR1360B048	EXTRUSION END CAP,SYNERGY SEAT,T-SLOT OPEN END	1
D1	DWR1600B122B	SEAT FRAME,SECUREMENT BRACKET WELDMENT,TEXTURED	1
D2	DWR1360A004	T-NUT,5/16-18 X 0.875",A-1360-004	2
D3	SCRHHCS1241	SCREW,HHCS,BLACK ZINC,5/16-18 X 0.75",GR 8,W/PATCH	1
D4	SCRHHCS1478	SCREW, HHCS,BLACK ZINC,5/16-18 X 2.00",GR 8,W/PATCH	1

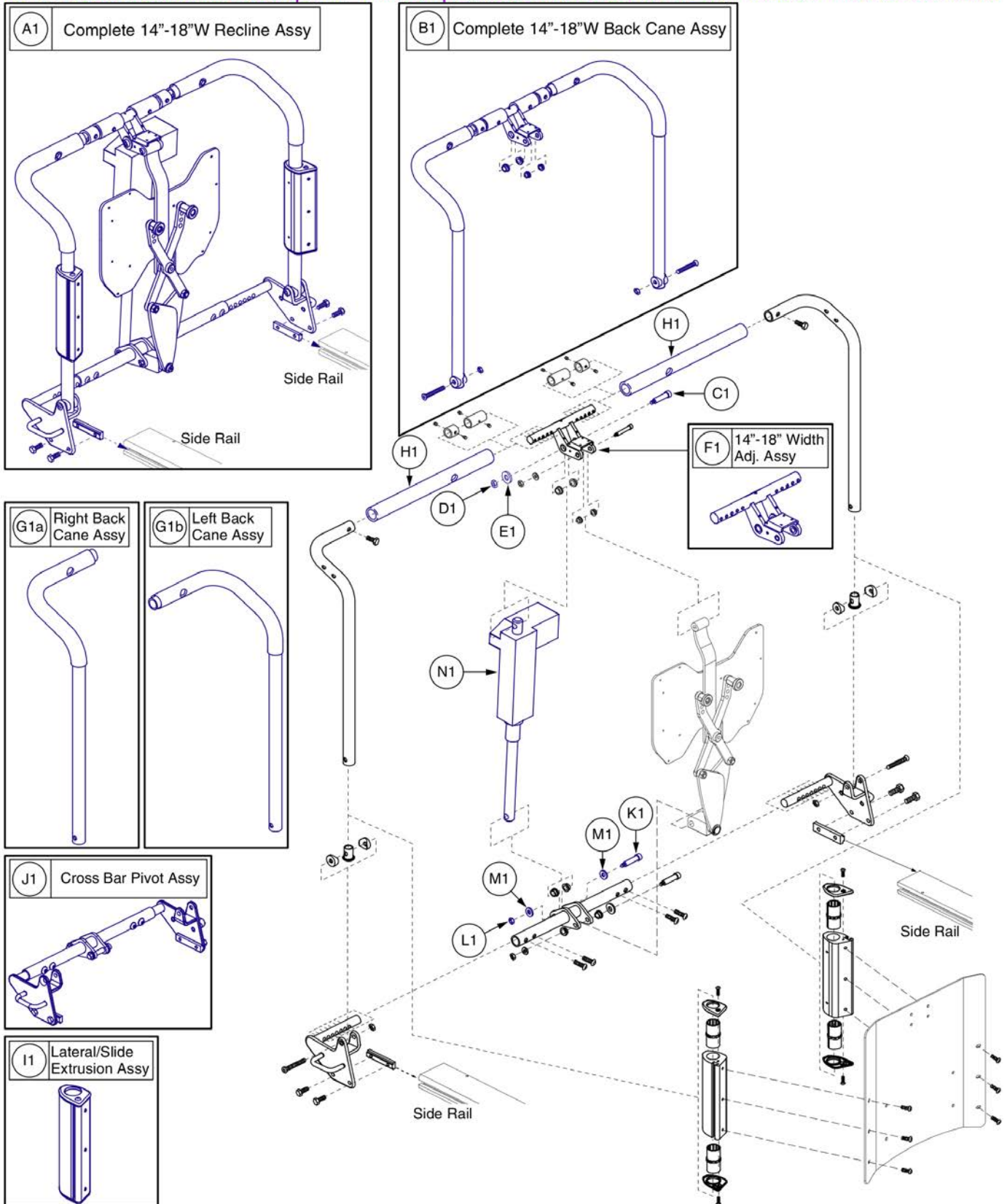
2.3. Side Rail and Seat Pans



Item	Part No.	Name	Qty
A1a	DWR1362E046B	SEAT PAN,14"W-18"W,14"D-18"D,SYNERGY TILT	1
A1b	DWR1362E047B	SEAT PAN,16"W-20"W,14"D-18"D,SYNERGY TILT	1
A1c	DWR1362E048B	SEAT PAN,20"W-24"W,14"D-18"D,SYNERGY TILT	1
B1a	DWR1362E040B	SEAT PAN,14"W-18"W,15"D-20"D,SYNERGY TILT	1
B1b	DWR1362E038B	SEAT PAN,16"W-20"W,15"D-20"D,SYNERGY TILT	1
B1c	DWR1362E043B	SEAT PAN,20"W-24"W,15"D-20"D,SYNERGY TILT	1
C1a	DWR1362E041B	SEAT PAN,14"W-18"W,20"D-24"D,SYNERGY TILT	1
C1b	DWR1362E042B	SEAT PAN,16"W-20"W,20"D-24"D,SYNERGY TILT	1
C1c	DWR1362E044B	SEAT PAN,20"W-24"W,20"D-24"D,SYNERGY TILT	1

Curtis

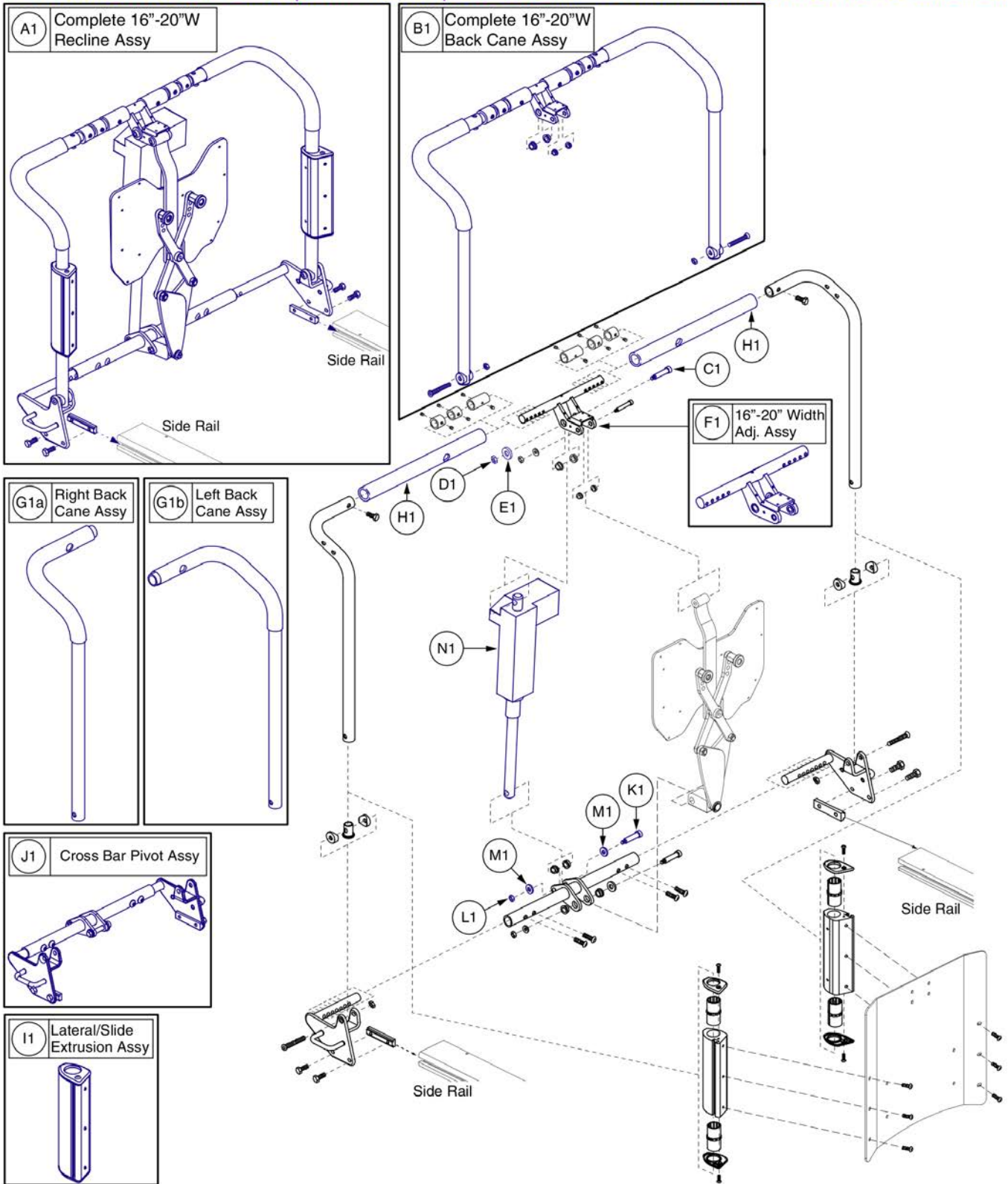
Version 2 Recline Assemblies are applicable to seating systems manufactured with Serial Number Y0104009031060 and subsequent. The complete assemblies or items with callouts must be selected.



Item	Part No.	Name	Qty
A1	SETASMB5933	SEAT BACK,ASSY,14"W-18"W,Q-LOGIC,TB2 RECLINE	1
B1	FRMASMB12764	BACK CANE,ASSY,14"W-18"W,Q-LOGIC,TB2 RECL.,W/HARDWARE	1
C1	BLTASHL1011	BOLT,SHOULDER,1/2" X 1.75"	2
D1	NUTNJAM1023	NUT,NYLOCK JAM,BLACK ZINC,3/8-16	1
E1	WASBLK1006	WASHER,FENDER,BLACK OXIDE,0.40" ID X 1.125" OD X 0.125" TH	1
F1	FRMASMB12697	WIDTH ADJ. BRACKET,ASSY,14"W-18"W,TB2 RECL.,UPPER	1
G1a	FRMASMB12690	BACK CANE,ASSY,TB2 RECLINE,RIGHT	1
G1b	FRMASMB12689	BACK CANE,ASSY,TB2 RECLINE,LEFT	1
H1	PROHDL1071	HAND GRIP,BLACK,FOAM,.930"ID X 1.250"OD X 17"L	1
I1	FRMASMB12696	LATERAL & SLIDE EXTRUSION,ASSY,TB2 RECLINE,D-1367-053	1
J1	FRMASMB7148	CROSS BAR PIVOT,ASSY,14"W-18"W,TB2 RECLINE,W/HARDWARE	1
K1	BLTASHL1011	BOLT,SHOULDER,1/2" X 1.75"	1
L1	NUTNYLK1006	NUT, NYLOCK,BLACK ZINC,3/8"-16	1
M1	WASSTND1034	WASHER,FLAT,BLACK ZINC,0.504"ID X 1.062"OD X 0.062"TH	2
N1	ACCACTR1032	ACTUATOR,TRU-BALANCE POWER RECLINE,H-1367-037,(LINAK: 314XXX-1115004X)	1
O1	FRMASMB7144	BACK INTERFACE PLATE,ASSY,TB2 RECLINE,W/HARDWARE	1
P1	FRMASMB12395	LINKAGE,ASSY,W/ELECTRONICS PLATE,TB2 RECLINE,VERSION 2	1

Curtis

Version 2 Recline Assemblies are applicable to seating systems manufactured with Serial Number Y0104009031060 and subsequent. The complete assemblies or items with callouts must be selected.





Item	Part No.	Name	Qty
A1	SETASMB5934	SEAT BACK,ASSY,16"W-20"W,Q-LOGIC,TB2 RECLINE	1
B1	FRMASMB12765	BACK CANE,ASSY,16"W-20"W,Q-LOGIC,TB2 RECL.,W/HARDWARE	1
C1	BLTASHL1011	BOLT,SHOULDER,1/2" X 1.75"	1
D1	NUTNJAM1023	NUT,NYLOCK JAM,BLACK ZINC,3/8-16	1
E1	WASBLK1006	WASHER,FENDER,BLACK OXIDE,0.40" ID X 1.125" OD X 0.125" TH	1
F1	FRMASMB12698	WIDTH ADJ. BRACKET,ASSY,16"W-20"W,TB2 RECLINE,UPPER	1
G1a	FRMASMB12690	BACK CANE,ASSY,TB2 RECLINE,RIGHT	1
G1b	FRMASMB12689	BACK CANE,ASSY,TB2 RECLINE,LEFT	1
H1	PROHDL1071	HAND GRIP,BLACK,FOAM,.930"ID X 1.250"OD X 17"L	1
I1	FRMASMB12696	LATERAL & SLIDE EXTRUSION,ASSY,TB2 RECLINE,D-1367-053	1
J1	FRMASMB7149	CROSS BAR PIVOT,ASSY,16"W-20"W,TB2 RECLINE,W/HARDWARE	1
K1	BLTASHL1011	BOLT,SHOULDER,1/2" X 1.75"	1
L1	NUTNYLK1006	NUT, NYLOCK,BLACK ZINC,3/8"-16	1
M1	WASSTND1034	WASHER,FLAT,BLACK ZINC,0.504"ID X 1.062"OD X 0.062"TH	2
N1	ACCACTR1032	ACTUATOR,TRU-BALANCE POWER RECLINE,H-1367-037,(LINAK: 314XXX-1115004X)	1
O1	FRMASMB7144	BACK INTERFACE PLATE,ASSY,TB2 RECLINE,W/HARDWARE	1
P1	FRMASMB12395	LINKAGE,ASSY,W/ELECTRONICS PLATE,TB2 RECLINE,VERSION 2	1

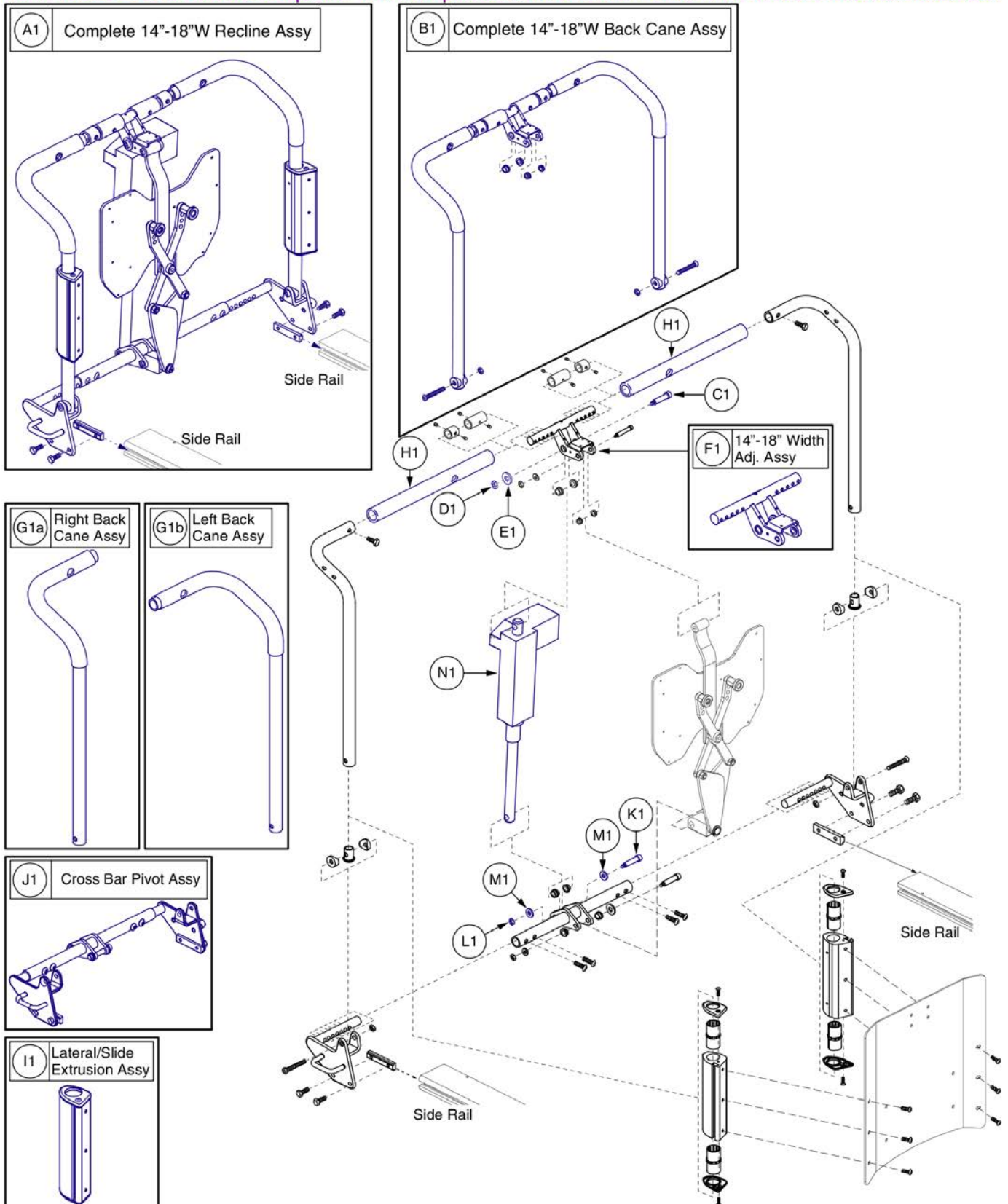




Item	Part No.	Name	Qty
A1	SETASMB5935	SEAT BACK,ASSY,20"W-24"W,Q-LOGIC,TB2 RECLINE	1
B1	FRMASMB12766	BACK CANE,ASSY,20"W-24"W,Q-LOGIC,TB2 RECL.,W/HARDWARE	1
C1	BLTASHL1011	BOLT,SHOULDER,1/2" X 1.75"	1
D1	NUTNJAM1023	NUT,NYLOCK JAM,BLACK ZINC,3/8-16	1
E1	WASBLK1006	WASHER,FENDER,BLACK OXIDE,0.40" ID X 1.125" OD X 0.125" TH	1
F1	FRMASMB12699	WIDTH ADJ. BRACKET,ASSY,20"W-24"W,TB2 RECL.,UPPER	1
G1a	FRMASMB12690	BACK CANE,ASSY,TB2 RECLINE,RIGHT	1
G1b	FRMASMB12689	BACK CANE,ASSY,TB2 RECLINE,LEFT	1
H1	PROHDL1071	HAND GRIP,BLACK,FOAM,.930"ID X 1.250"OD X 17"L	1
I1	FRMASMB12696	LATERAL & SLIDE EXTRUSION,ASSY,TB2 RECLINE,D-1367-053	1
J1	FRMASMB7150	CROSS BAR PIVOT,ASSY,20"W-24"W,TRU-BALANCE POWER RECLINE,W/MOUNTING HARDWARE	1
K1	BLTASHL1011	BOLT,SHOULDER,1/2" X 1.75"	1
L1	NUTNYLK1006	NUT, NYLOCK,BLACK ZINC,3/8"-16	1
M1	WASSTND1034	WASHER,FLAT,BLACK ZINC,0.504"ID X 1.062"OD X 0.062"TH	2
N1	ACCACTR1032	ACTUATOR,TRU-BALANCE POWER RECLINE,H-1367-037,(LINAK: 314XXX-1115004X)	1
O1	FRMASMB7144	BACK INTERFACE PLATE,ASSY,TB2 RECLINE,W/HARDWARE	1
P1	FRMASMB12395	LINKAGE,ASSY,W/ELECTRONICS PLATE,TB2 RECLINE,VERSION 2	1

**Remote Plus**

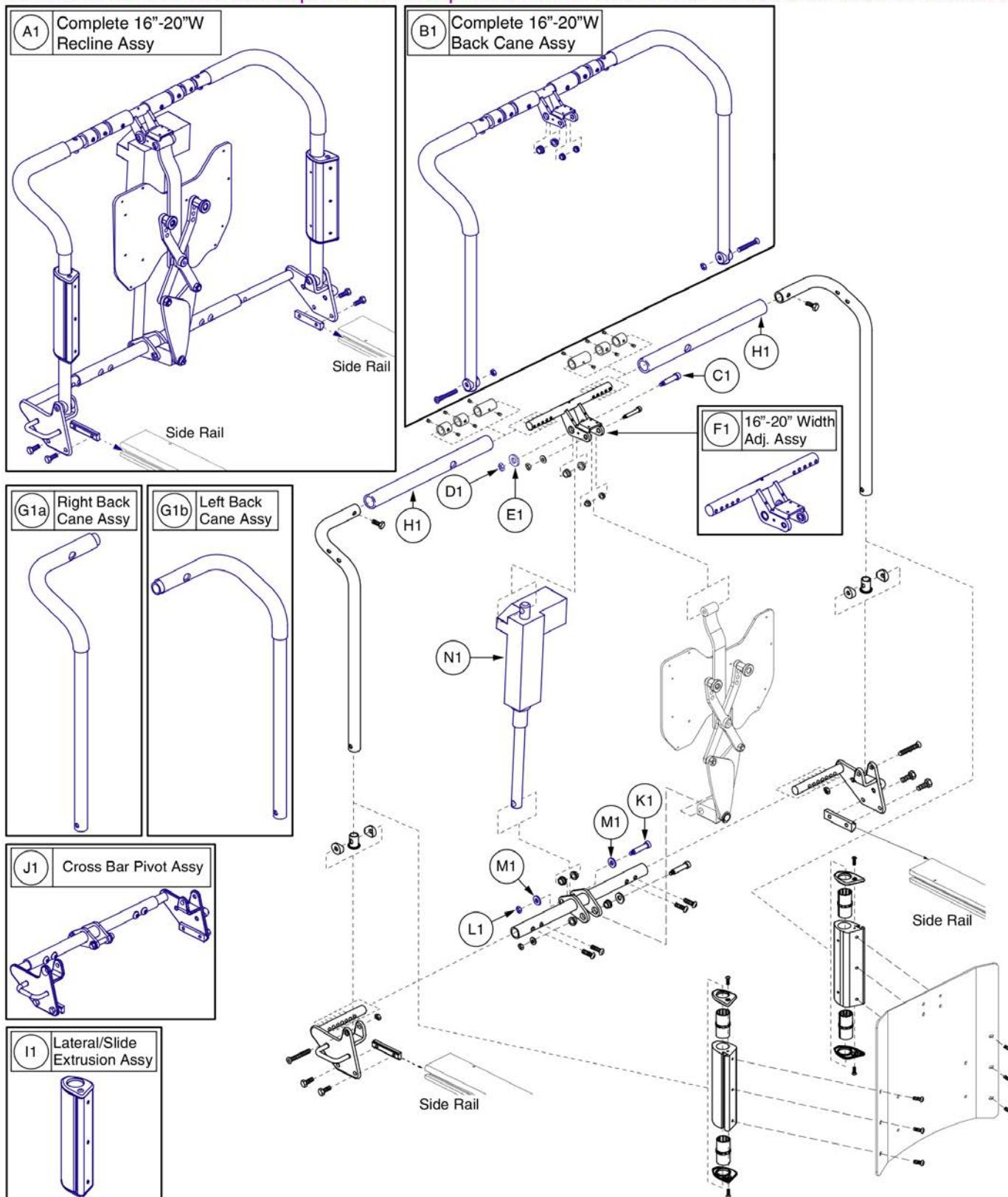
Version 2 Recline Assemblies are applicable to seating systems manufactured with Serial Number Y0104009031060 and subsequent. The complete assemblies or items with callouts must be selected.



Item	Part No.	Name	Qty
A1		SEAT BACK,ASSY,14"W-18"W,REMOTE PLUS,TRU-BALANCE 2 POWER RECLINE	1
B1		BACK CANE,ASSY,14"W-18"W,REMOTE PLUS,TRU-BALANCE 2 POWER RECLINE,W/MOUNTING HARDWARE	1
C1	BLTASHL1011	BOLT,SHOULDER,1/2" X 1.75"	1
D1	NUTNJAM1023	NUT,NYLOCK JAM,BLACK ZINC,3/8-16	1
E1	WASBLK1006	WASHER,FENDER,BLACK OXIDE,0.40" ID X 1.125" OD X 0.125" TH	1
F1		WIDTH ADJUSTMENT BRACKET,ASSY,REMOTE PLUS,14"W-18"W,TRU-BALANCE POWER RECLINE,UPPER,C-1367-088	1
G1a	FRMASMB12690	BACK CANE,ASSY,TB2 RECLINE,RIGHT	1
G1b	FRMASMB12689	BACK CANE,ASSY,TB2 RECLINE,LEFT	1
H1	PROHDLC1071	HAND GRIP,BLACK,FOAM,.930"ID X 1.250"OD X 17"L	2
I1	FRMASMB12696	LATERAL & SLIDE EXTRUSION,ASSY,TB2 RECLINE,D-1367-053	2
J1	FRMASMB7148	CROSS BAR PIVOT,ASSY,14"W-18"W,TB2 RECLINE,W/HARDWARE	1
K1	BLTASHL1011	BOLT,SHOULDER,1/2" X 1.75"	1
L1	NUTNYLK1006	NUT, NYLOCK,BLACK ZINC,3/8"-16	1
M1	WASSTND1034	WASHER,FLAT,BLACK ZINC,0.504"ID X 1.062"OD X 0.062"TH	2
N1	ACCACTR1032	ACTUATOR,TRU-BALANCE POWER RECLINE,H-1367-037,(LINAK: 314XXX-1115004X)	1
O1	FRMASMB7144	BACK INTERFACE PLATE,ASSY,TB2 RECLINE,W/HARDWARE	1
P1	FRMASMB12395	LINKAGE,ASSY,W/ELECTRONICS PLATE,TB2 RECLINE,VERSION 2	1
Q1	SHDASMB5119	SHROUD,ASSY,TRU-BALANCE 2 POWER RECLINE	1

**Remote Plus**

Version 2 Recline Assemblies are applicable to seating systems manufactured with Serial Number Y0104009031060 and subsequent. The complete assemblies or items with callouts must be selected.

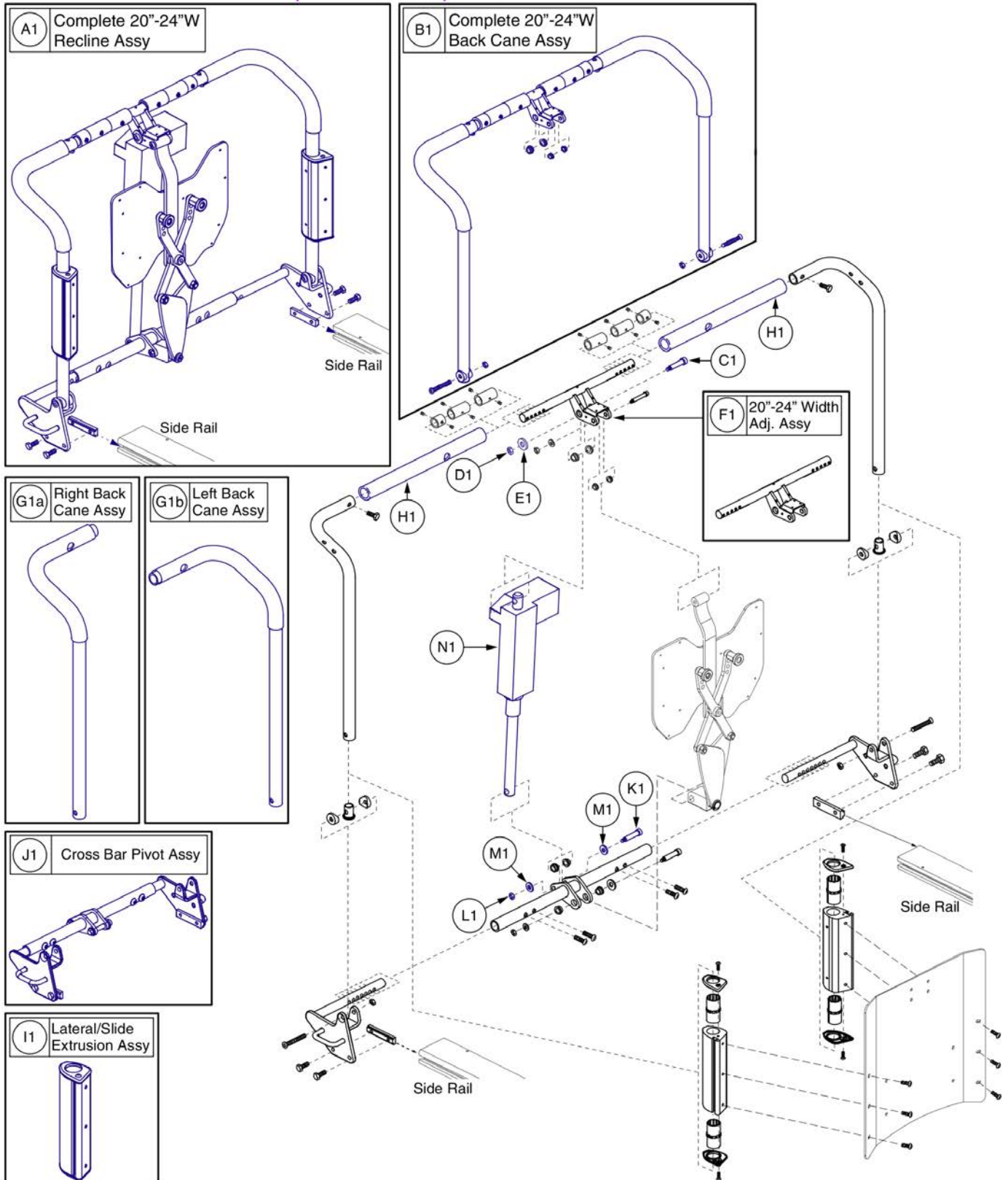


Item	Part No.	Name	Qty
A1		SEAT BACK,ASSY,16"W-20"W,REMOTE PLUS,TRU-BALANCE 2 POWER RECLINE	1
B1		BACK CANE,ASSY,16"W-20"W,REMOTE PLUS,TRU-BALANCE 2 POWER RECLINE,W/MOUNTING HARDWARE	1
C1	BLTASHL1011	BOLT,SHOULDER,1/2" X 1.75"	1
D1	NUTNJAM1023	NUT,NYLOCK JAM,BLACK ZINC,3/8-16	1
E1	WASBLK1006	WASHER,FENDER,BLACK OXIDE,0.40" ID X 1.125" OD X 0.125" TH	1
F1		WIDTH ADJUSTMENT BRACKET,ASSY,REMOTE PLUS,16"W-20"W,TRU-BALANCE POWER RECLINE,UPPER,C-1367-089	1
G1a	FRMASMB12690	BACK CANE,ASSY,TB2 RECLINE,RIGHT	1
G1b	FRMASMB12689	BACK CANE,ASSY,TB2 RECLINE,LEFT	1
H1	PROHDLC1071	HAND GRIP,BLACK,FOAM,.930"ID X 1.250"OD X 17"L	1
I1	FRMASMB12696	LATERAL & SLIDE EXTRUSION,ASSY,TB2 RECLINE,D-1367-053	1
J1	FRMASMB7117	CROSS BAR PIVOT,ASSY,16"W-20"W,TB2 RECLINE,E-1367-049	1
K1	BLTASHL1011	BOLT,SHOULDER,1/2" X 1.75"	1
L1	NUTNYLK1006	NUT, NYLOCK,BLACK ZINC,3/8"-16	1
M1	WASSTND1034	WASHER,FLAT,BLACK ZINC,0.504"ID X 1.062"OD X 0.062"TH	2
N1	ACCACTR1032	ACTUATOR,TRU-BALANCE POWER RECLINE,H-1367-037,(LINAK: 314XXX-1115004X)	1
O1	FRMASMB7144	BACK INTERFACE PLATE,ASSY,TB2 RECLINE,W/HARDWARE	1
P1	FRMASMB12395	LINKAGE,ASSY,W/ELECTRONICS PLATE,TB2 RECLINE,VERSION 2	1
Q1	SHDASMB5119	SHROUD,ASSY,TRU-BALANCE 2 POWER RECLINE	1



**Remote Plus**

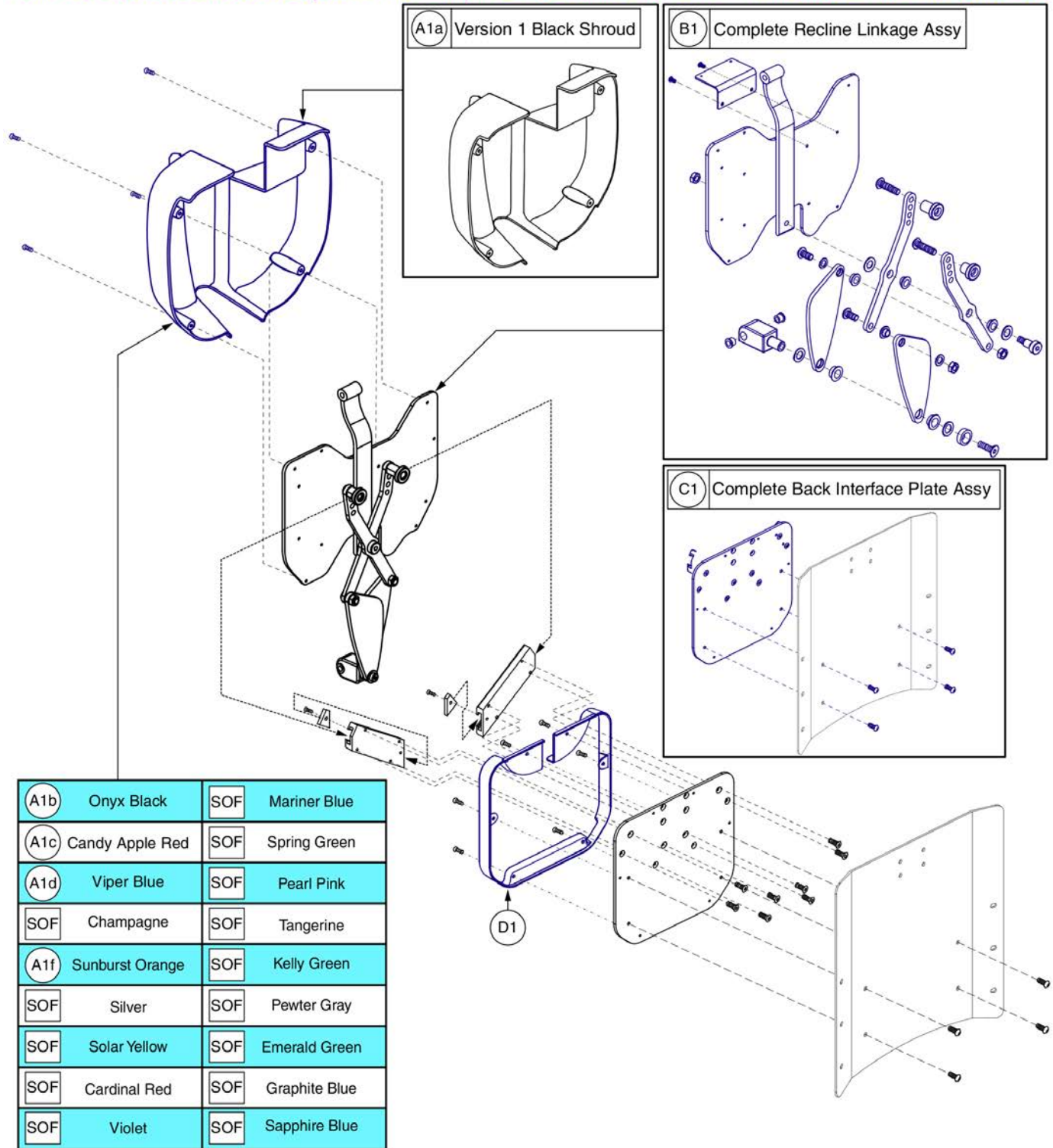
Version 2 Recline Assemblies are applicable to seating systems manufactured with Serial Number Y0104009031060 and subsequent. The complete assemblies or items with callouts must be selected.



Item	Part No.	Name	Qty
A1		SEAT BACK,ASSY,20"W-24"W,REMOTE PLUS,TRU-BALANCE 2 POWER RECLINE	1
B1		BACK CANE,ASSY,20"W-24"W,REMOTE PLUS,TRU-BALANCE 2 POWER RECLINE,W/MOUNTING HARDWARE	1
C1	BLTASHL1011	BOLT,SHOULDER,1/2" X 1.75"	1
D1	NUTNJAM1023	NUT,NYLOCK JAM,BLACK ZINC,3/8-16	1
E1	WASBLK1006	WASHER,FENDER,BLACK OXIDE,0.40" ID X 1.125" OD X 0.125" TH	1
F1		WIDTH ADJUSTMENT BRACKET,ASSY,REMOTE PLUS,20"W-24"W,TRU-BALANCE POWER RECLINE,UPPER,C-1367-090	1
G1a	FRMASMB12690	BACK CANE,ASSY,TB2 RECLINE,RIGHT	1
G1b	FRMASMB12689	BACK CANE,ASSY,TB2 RECLINE,LEFT	1
H1	PROHDLC1071	HAND GRIP,BLACK,FOAM,.930"ID X 1.250"OD X 17"L	1
I1	FRMASMB12696	LATERAL & SLIDE EXTRUSION,ASSY,TB2 RECLINE,D-1367-053	1
J1	FRMASMB7150	CROSS BAR PIVOT,ASSY,20"W-24"W,TRU-BALANCE POWER RECLINE,W/MOUNTING HARDWARE	1
K1	BLTASHL1011	BOLT,SHOULDER,1/2" X 1.75"	1
L1	NUTNYLK1006	NUT, NYLOCK,BLACK ZINC,3/8"-16	1
M1	WASSTND1034	WASHER,FLAT,BLACK ZINC,0.504"ID X 1.062"OD X 0.062"TH	2
N1	ACCACTR1032	ACTUATOR,TRU-BALANCE POWER RECLINE,H-1367-037,(LINAK: 314XXX-1115004X)	1
O1	FRMASMB7144	BACK INTERFACE PLATE,ASSY,TB2 RECLINE,W/HARDWARE	1
P1	FRMASMB12395	LINKAGE,ASSY,W/ELECTRONICS PLATE,TB2 RECLINE,VERSION 2	1
Q1	SHDASMB5119	SHROUD,ASSY,TRU-BALANCE 2 POWER RECLINE	1

**Standard, Ver 2 - Serial Number Y0104009031060 and Subsequent**

Version 2 Recline Assemblies are applicable to seating systems manufactured with Serial Number Y0104009031060 and subsequent. The complete assemblies or items with callouts must be selected.



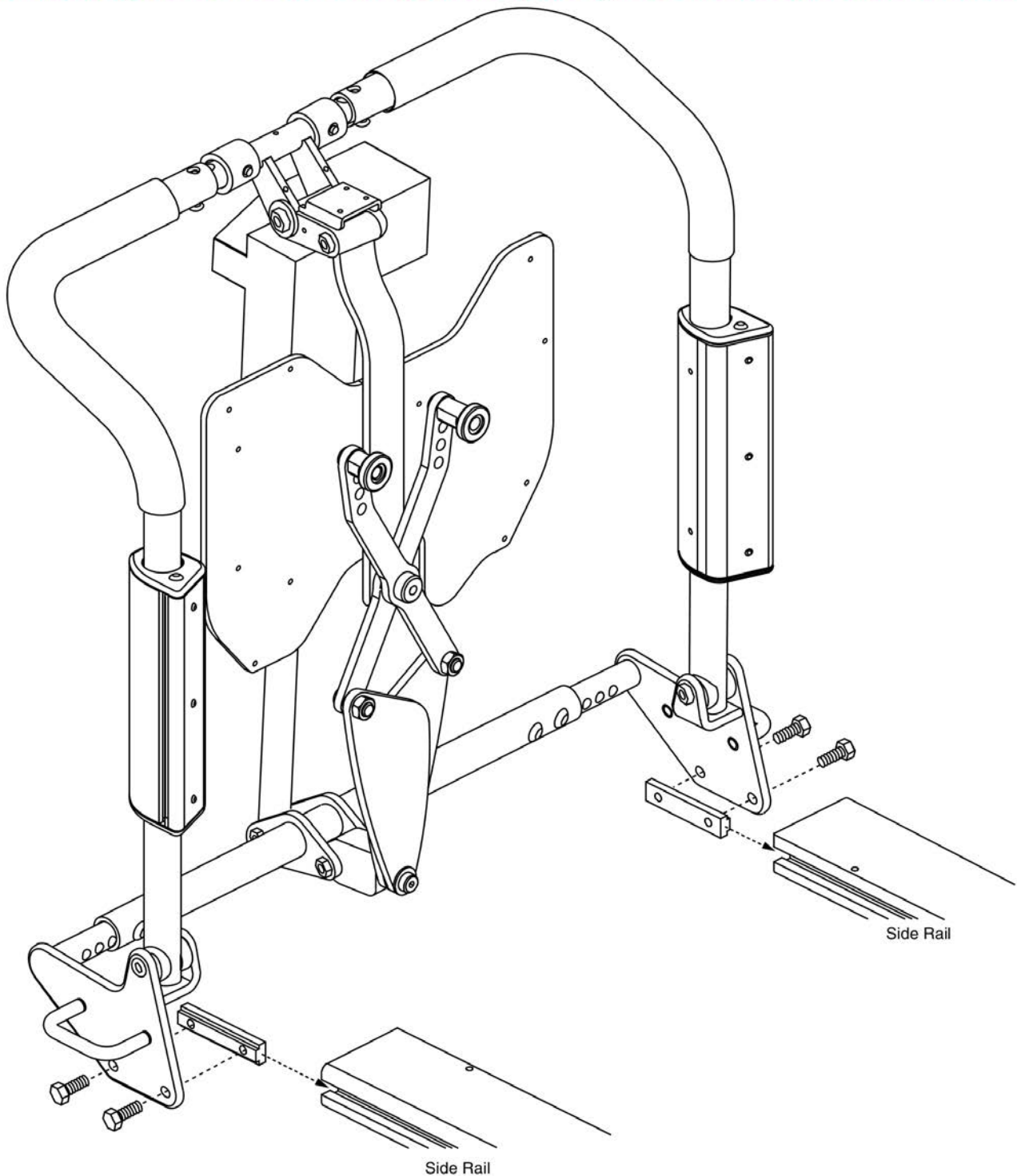
The shroud assembly includes the shrouds and the mounting hardware.



Item	Part No.	Name	Qty
A1a	DWR1367E074	SHROUD,ELECTRONICS COVER,BLACK,PLASTIC,OUTER,TRUBALANCE RECLINE,E-1367-074	1
A1b	SHDASMB6361	SHROUD,ASSY,ONYX BLACK,ELECTRONICS COVER,RECLINE	1
A1c	SHDASMB6480	SHROUD,ASSY,CANDY APPLE RED,ELECTRONICS COVER,RECLINE	1
A1d	SHDASMB6481	SHROUD,ASSY,VIPER BLUE,ELECTRONICS COVER,RECLINE	1
SOF	SHDASMB6483	SHROUD,ASSY,CHAMPAGNE,ELECTRONICS COVER,RECLINE	1
A1f	SHDASMB6484	SHROUD,ASSY,SUNBURST ORANGE,ELECTRONICS COVER,RECLINE	1
SOF	SHDASMB6485	SHROUD,ASSY,SILVER,ELECTRONICS COVER,RECLINE	1
SOF	SHDASMB6486	SHROUD,ASSY,SOLAR YELLOW,ELECTRONICS COVER,RECLINE	1
SOF	SHDASMB6487	SHROUD,ASSY,CARDINAL RED,ELECTRONICS COVER,RECLINE	1
SOF	SHDASMB6488	SHROUD,ASSY,VIOLET,ELECTRONICS COVER,RECLINE	1
SOF	SHDASMB6489	SHROUD,ASSY,MARINER BLUE,ELECTRONICS COVER,RECLINE	1
SOF	SHDASMB6490	SHROUD,ASSY,SPRING GREEN,ELECTRONICS COVER,RECLINE	1
SOF	SHDASMB6491	SHROUD,ASSY,PEARL PINK,ELECTRONICS COVER,RECLINE	1
SOF	SHDASMB6492	SHROUD,ASSY,TANGERINE,ELECTRONICS COVER,RECLINE	1
SOF	SHDASMB6493	SHROUD,ASSY,KELLY GREEN,ELECTRONICS COVER,RECLINE	1
SOF	SHDASMB6494	SHROUD,ASSY,PEWTER GRAY,ELECTRONICS COVER,RECLINE	1
SOF	SHDASMB6495	SHROUD,ASSY,EMERALD GREEN,ELECTRONICS COVER,RECLINE	1
SOF	SHDASMB6496	SHROUD,ASSY,GRAPHITE BLUE,ELECTRONICS COVER,RECLINE	1
SOF	SHDASMB6497	SHROUD,ASSY,SAPPHIRE BLUE,ELECTRONICS COVER,RECLINE	1
B1	FRMASMB12395	LINKAGE,ASSY,W/ELECTRONICS PLATE,TB2 RECLINE,VERSION 2	1
C1	FRMASMB7144	BACK INTERFACE PLATE,ASSY,TB2 RECLINE,W/HARDWARE	1
D1	DWR1367E042	SHROUD,COVER,INSIDE,BLACK,RECLINE,E-1367-042	1

Standard, Ver 1 - Prior to Serial Number Y0104009031060

\*\*\* Version 1 parts are no longer available and have been replaced by Version 2. \*\*\*  
When replacing Version 1 for Version 2 back canes, both right side and left side must be ordered.

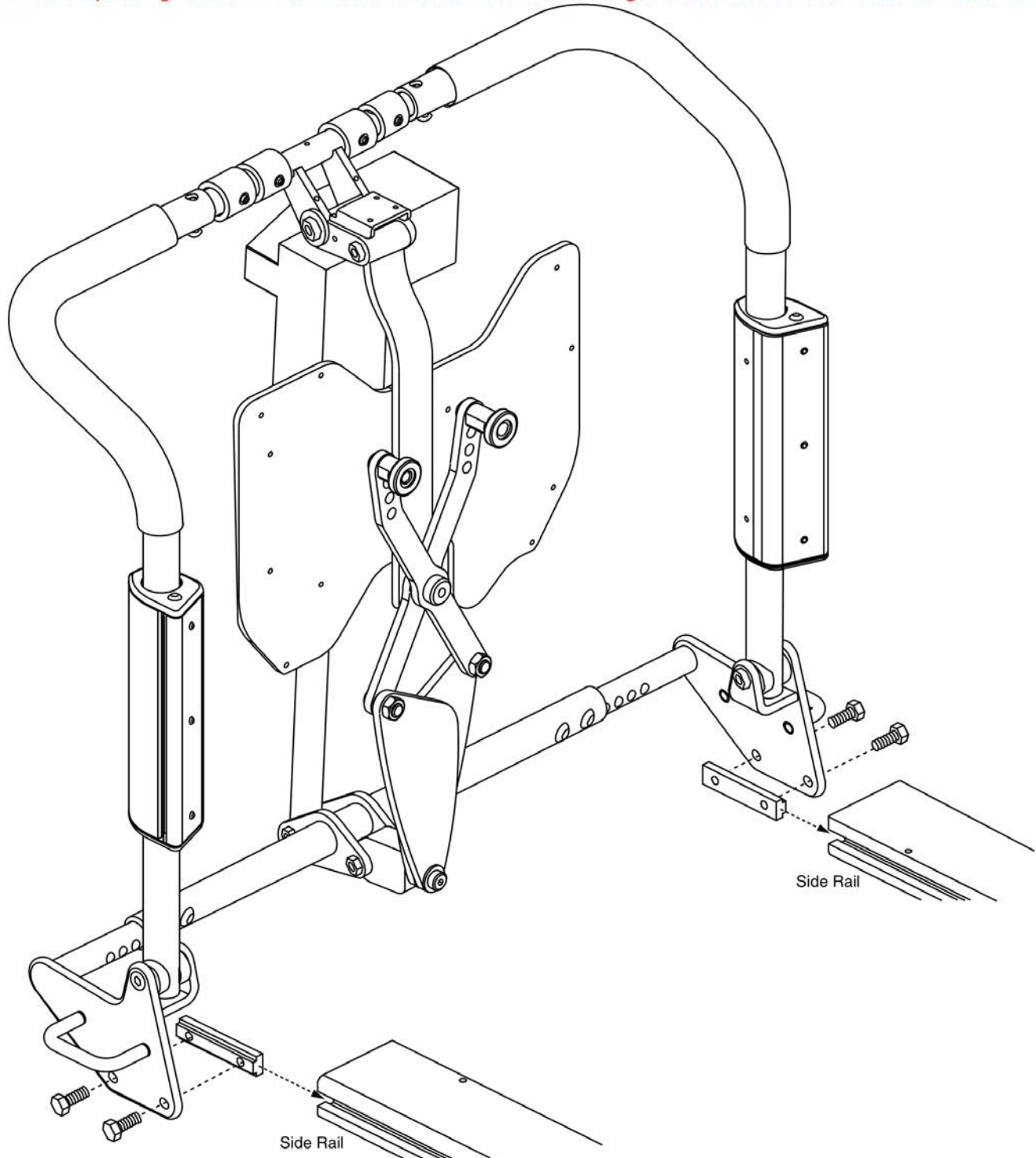


Version 1 Recline Assemblies are applicable  
to seating systems manufactured prior  
to Serial Number Y0104009031060.

This page intentionally left blank

Standard, Ver 1 - Prior to Serial Number Y0104009031060

\*\*\* Version 1 parts are no longer available and have been replaced by Version 2. \*\*\*  
When replacing Version 1 for Version 2 back canes, both right side and left side must be ordered.

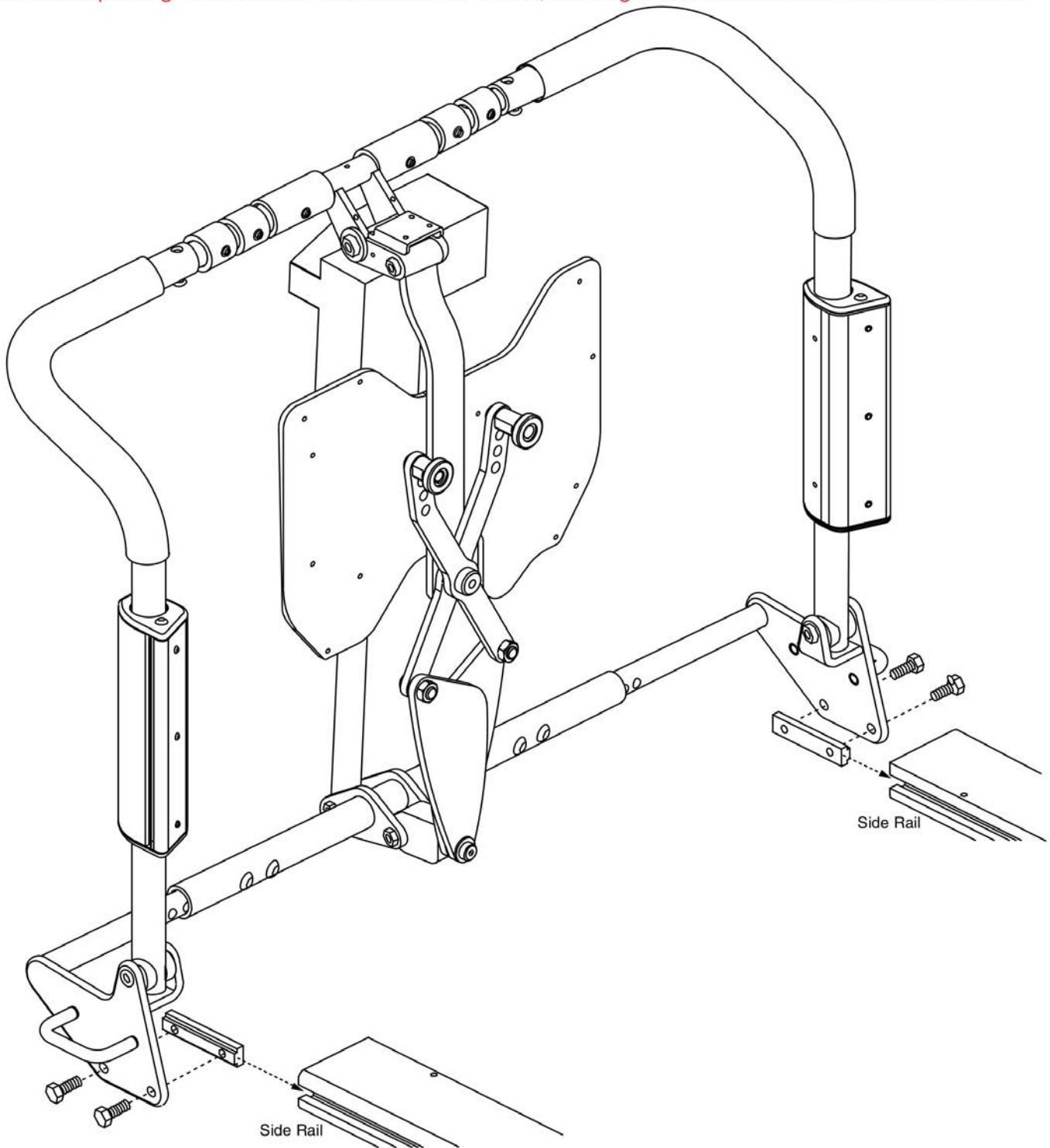


Version 1 Recline Assemblies are applicable  
to seating systems manufactured prior  
to Serial Number Y0104009031060.

This page intentionally left blank

Standard, Ver 1 - Prior to Serial Number Y0104009031060

\*\*\* Version 1 parts are no longer available and have been replaced by Version 2. \*\*\*  
When replacing Version 1 for Version 2 back canes, both right side and left side must be ordered.

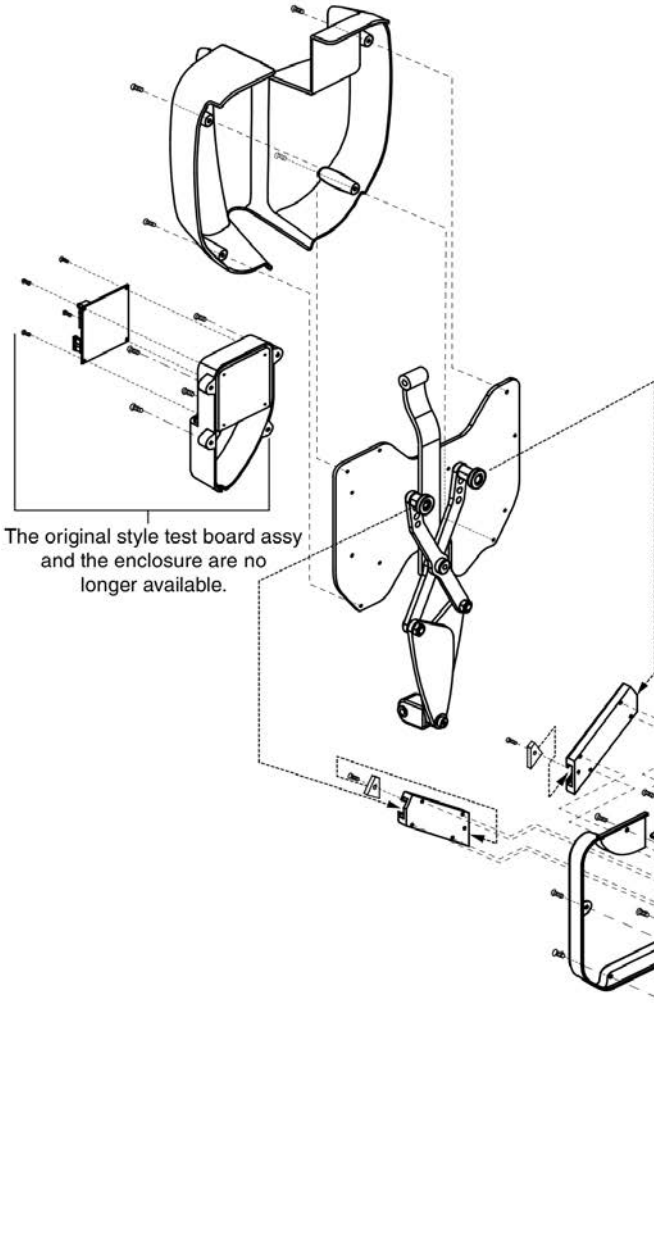


Version 1 Recline Assemblies are applicable  
to seating systems manufactured prior  
to Serial Number Y0104009031060.

This page intentionally left blank



**Standard, Ver 1 - Prior to Serial Number Y0104009031060**



A1 Complete, TRU-Balance 2 Power Recline Shroud Assembly

The shroud assembly includes the outer and inner shrouds, mounting hardware, and test harness assembly.

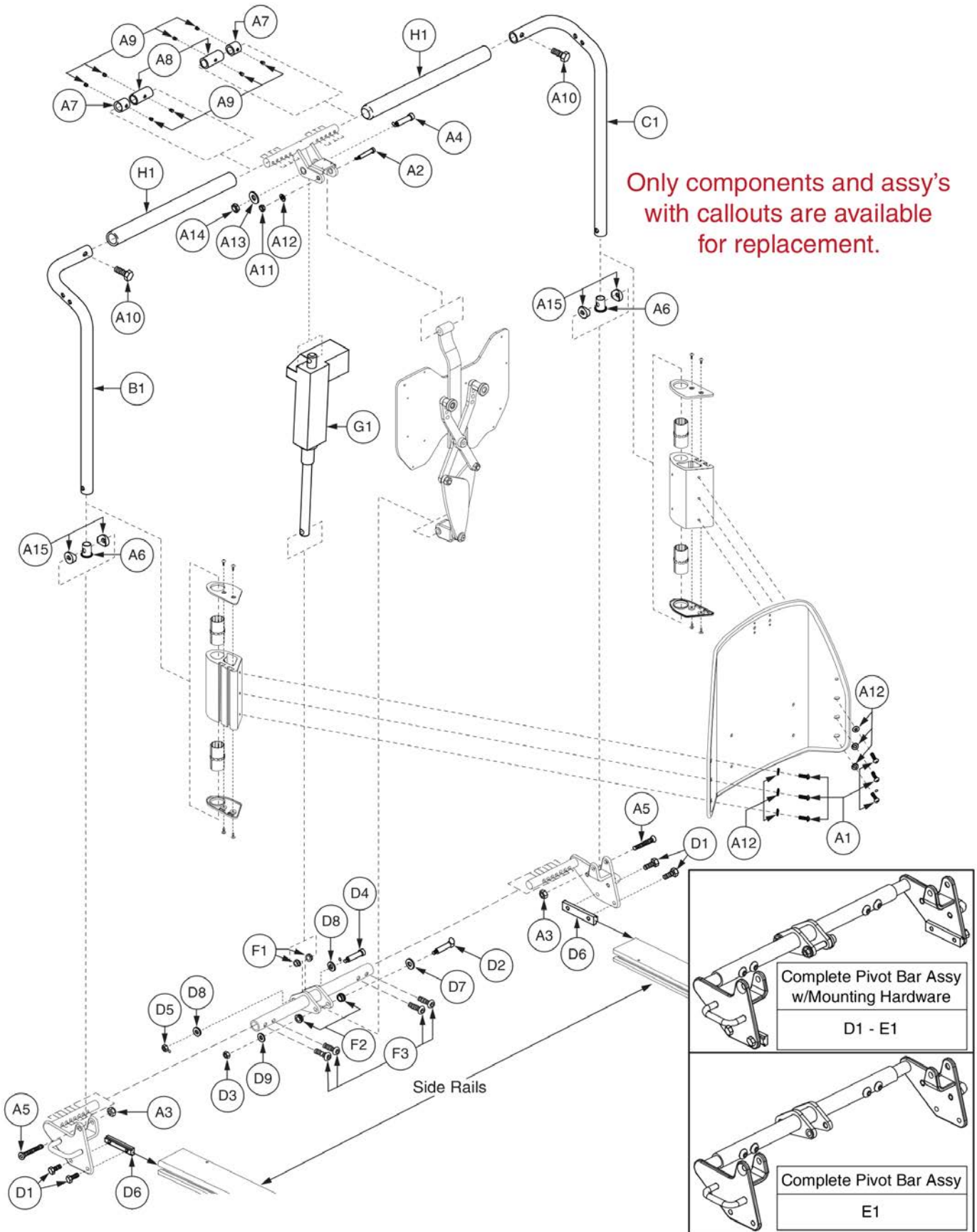
B1

Version 1 Recline Assemblies are applicable to seating systems manufactured prior to S/N Y0104009031060. Replacement parts are no longer available. Version 2 components must be utilized for replacement .



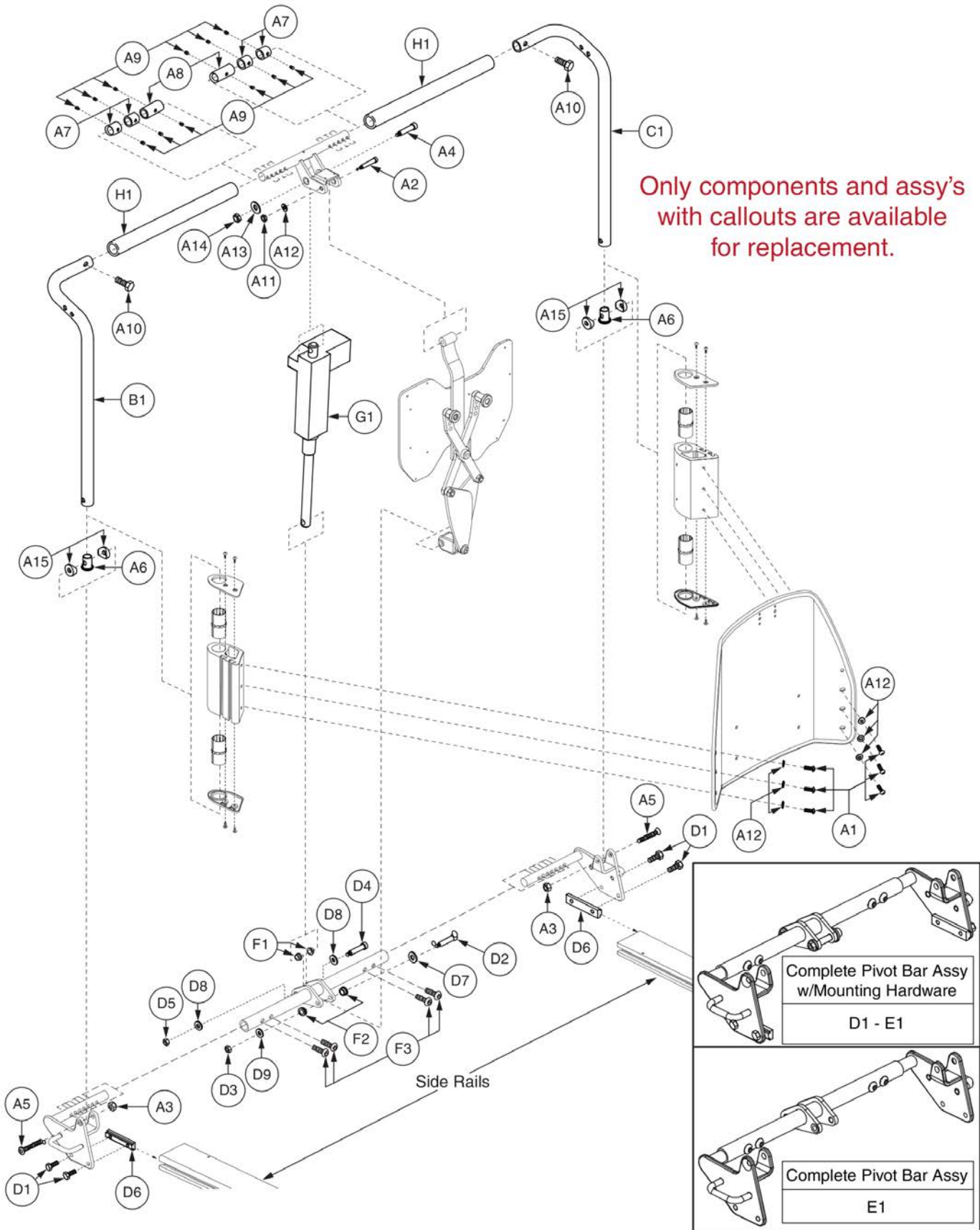
Item	Part No.	Name	Qty
A1	SHDASMB5119	SHROUD,ASSY,TRU-BALANCE 2 POWER RECLINE	1
B1	ELE139125	ELECTRONIC,ASSY,SERVICE BOARD,W/HARNESS & POUCH	1

TRU-Comfort



Item	Part No.	Name	Qty
A1	SCRASBH1148	SCREW,BHSCS,BLACK ZINC,1/4-20 X 0.50",W/PATCH	6
A2	BLTASHL1069	BOLT,SHOULDER,5/16" X 1.75"	1
A3	NUTNYLK1006	NUT, NYLOCK,BLACK ZINC,3/8"-16	2
A4	BLTASHL1011	BOLT,SHOULDER,1/2" X 1.75"	1
A5	SCRSHFH1087	SCREW,SHFH,BLACK ZINC,3/8-16 X 2.25",GRADE 8	2
A6	DWR1367C037	END CAP,BACK CANE,TRU-BALANCE POWER RECLINE,C-1367-037	2
A7	DWR1367C041	SPACER,ALUMINUM,.760"ID X 1.00"OD X 1.00"L,TB2 RECLINE	2
A8	DWR1367B033	SPACER,ALUMINUM,.760"ID X 1.00"OD X 2.00"L,TB2 RECLINE	2
A9	SCRSETS1086	SCREW, SET,BLACK ZINC,10-32 X 0.125",CUP POINT W/PATCH	8
A10	SCRHHCS1373	SCREW,HHCS,BLACK ZINC,1/4-20 X 1.00",GRADE 8,W/NYLON PATCH	2
A11	NUTNJAM1014	NUT,NYLOCK JAM,BLACK ZINC,1/4-20	1
A12	WASSAE1003	WASHER,FLAT,BLACK ZINC,1/4,0.281" ID X 0.625" OD X 0.0625" TH,SAE	7
A13	WASBLK1006	WASHER,FENDER,BLACK OXIDE,0.40" ID X 1.125" OD X 0.125" TH	1
A14	NUTNJAM1023	NUT,NYLOCK JAM,BLACK ZINC,3/8-16	1
A15	DWR1367B029	WASHER,BLACK,NYLON,0.412" ID X 0.764" OD,COPEL,B-1367-029	4
B1	FRMASMB12690	BACK CANE,ASSY,TB2 RECLINE,RIGHT	1
C1	FRMASMB12689	BACK CANE,ASSY,TB2 RECLINE,LEFT	1
D1 - E1	FRMASMB7148	CROSS BAR PIVOT,ASSY,14"W-18"W,TB2 RECLINE,W/HARDWARE	1
D1	SCRHHCS1241	SCREW,HHCS,BLACK ZINC,5/16-18 X 0.75",GR 8,W/PATCH	4
D2	BLTASHL1069	BOLT,SHOULDER,5/16" X 1.75"	1
D3	NUTNYLK1014	NUT,NYLOCK,BLACK ZINC,1/4-20	1
D4	BLTASHL1011	BOLT,SHOULDER,1/2" X 1.75"	1
D5	NUTNYLK1006	NUT, NYLOCK,BLACK ZINC,3/8"-16	1
D6	DWR1360B015	T-NUT,BLACK,5/16-18 X 3", W/2",HOLE SPACING,B-1360-015	2
D7	WASSTND1002	WASHER,FLAT,BLACK ZINC,0.3125" ID X 0.6875" OD X 0.0625" TH	1
D8	WASSTND1034	WASHER,FLAT,BLACK ZINC,0.504"ID X 1.062"OD X 0.062"TH	2
D9	WASSAE1003	WASHER,FLAT,BLACK ZINC,1/4,0.281" ID X 0.625" OD X 0.0625" TH,SAE	1
E1	FRMASMB7116	CROSS BAR PIVOT,ASSY,14"W-18"W,TB2 RECLINE,E-1367-048	1
F1	BRGFLNG1029	BEARING, FLANGE,BRONZE,0.500"ID X 0.625"OD X 0.375"TH X 0.875"FOD X 0.125"FTH	2
F2	BRGFLNG1025	BEARING, FLANGE,BRONZE,0.3125" ID X 0.375" OD X 0.250" TH SHAFT,0.562" FOD X 0.032"FTH,(IGUS: GFI-0506-04)	2
F3	SCRASBH1145	SCREW,BHSCS,BLACK ZINC,3/8-16 X 1.00",GR 8,W/PATCH	4
G1	ACCACTR1032	ACTUATOR,TRU-BALANCE POWER RECLINE,H-1367-037,(LINAK: 314XXX-1115004X)	1
H1	PROHDL1071	HAND GRIP,BLACK,FOAM,.930"ID X 1.250"OD X 17"L	1

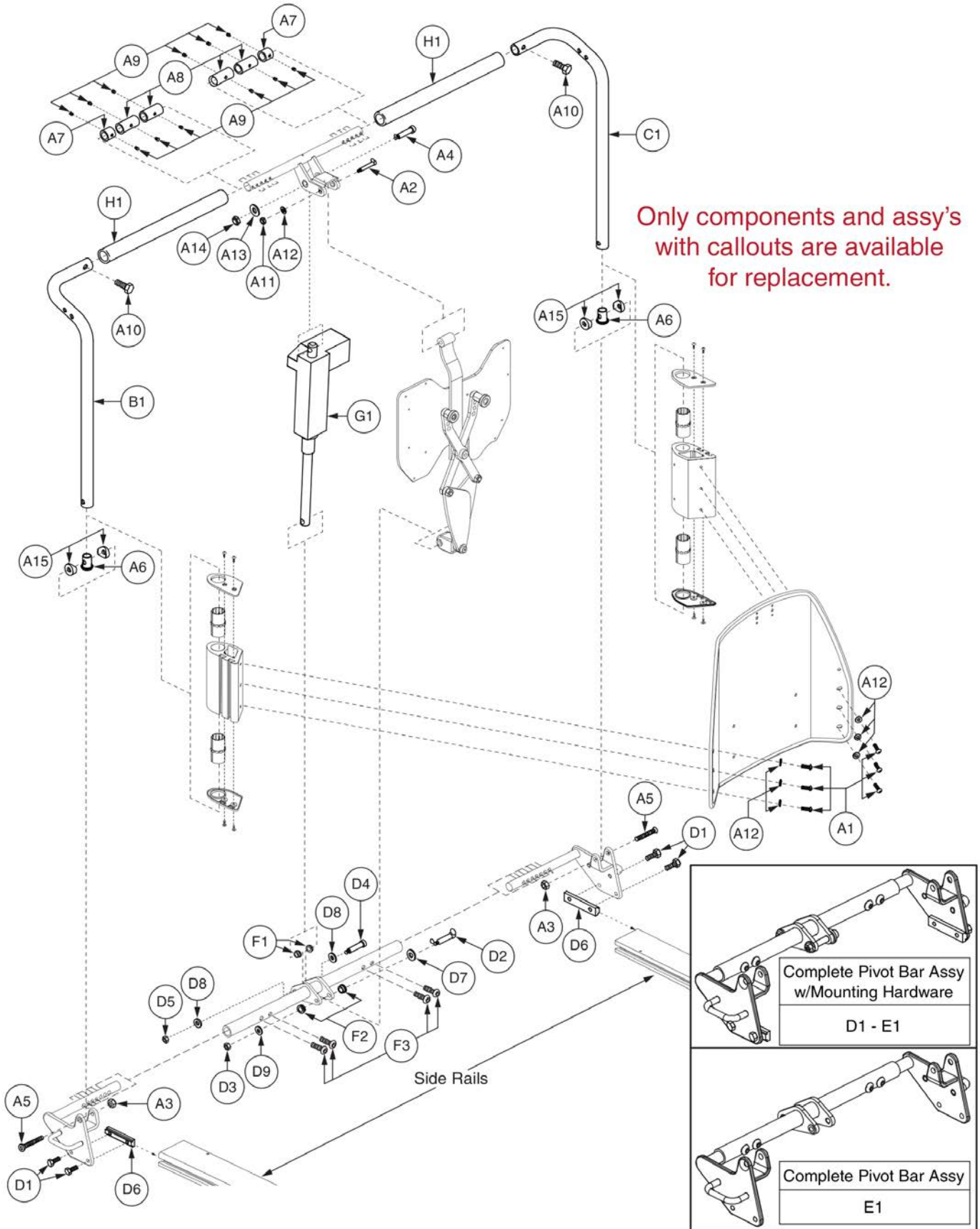
TRU-Comfort



Item	Part No.	Name	Qty
A1	SCRASBH1148	SCREW,BHSCS,BLACK ZINC,1/4-20 X 0.50",W/PATCH	6
A2	BLTASHL1069	BOLT,SHOULDER,5/16" X 1.75"	1
A3	NUTNYLK1006	NUT, NYLOCK,BLACK ZINC,3/8"-16	2
A4	BLTASHL1011	BOLT,SHOULDER,1/2" X 1.75"	1
A5	SCRSHFH1087	SCREW,SHFH,BLACK ZINC,3/8-16 X 2.25",GRADE 8	2
A6	DWR1367C037	END CAP,BACK CANE,TRU-BALANCE POWER RECLINE,C-1367-037	2
A7	DWR1367C041	SPACER,ALUMINUM,.760"ID X 1.00"OD X 1.00"L,TB2 RECLINE	4
A8	DWR1367B033	SPACER,ALUMINUM,.760"ID X 1.00"OD X 2.00"L,TB2 RECLINE	2
A9	SCRSETS1086	SCREW, SET,BLACK ZINC,10-32 X 0.125",CUP POINT W/PATCH	12
A10	SCRHHCS1373	SCREW,HHCS,BLACK ZINC,1/4-20 X 1.00",GRADE 8,W/NYLON PATCH	2
A11	NUTNJAM1014	NUT,NYLOCK JAM,BLACK ZINC,1/4-20	1
A12	WASSAE1003	WASHER,FLAT,BLACK ZINC,1/4,0.281" ID X 0.625" OD X 0.0625" TH,SAE	7
A13	WASBLK1006	WASHER,FENDER,BLACK OXIDE,0.40" ID X 1.125" OD X 0.125" TH	1
A14	NUTNJAM1023	NUT,NYLOCK JAM,BLACK ZINC,3/8-16	1
A15	DWR1367B029	WASHER,BLACK,NYLON,0.412" ID X 0.764" OD,COPEL,B-1367-029	4
B1	FRMASMB12690	BACK CANE,ASSY,TB2 RECLINE,RIGHT	1
C1	FRMASMB12689	BACK CANE,ASSY,TB2 RECLINE,LEFT	1
D1 - E1	FRMASMB7149	CROSS BAR PIVOT,ASSY,16"W-20"W,TB2 RECLINE,W/HARDWARE	1
D1	SCRHHCS1241	SCREW,HHCS,BLACK ZINC,5/16-18 X 0.75",GR 8,W/PATCH	4
D2	BLTASHL1069	BOLT,SHOULDER,5/16" X 1.75"	1
D3	NUTNYLK1014	NUT,NYLOCK,BLACK ZINC,1/4-20	1
D4	BLTASHL1011	BOLT,SHOULDER,1/2" X 1.75"	1
D5	NUTNYLK1006	NUT, NYLOCK,BLACK ZINC,3/8"-16	1
D6	DWR1360B015	T-NUT,BLACK,5/16-18 X 3", W/2",HOLE SPACING,B-1360-015	2
D7	WASSTND1002	WASHER,FLAT,BLACK ZINC,0.3125" ID X 0.6875" OD X 0.0625" TH	1
D8	WASSTND1034	WASHER,FLAT,BLACK ZINC,0.504"ID X 1.062"OD X 0.062"TH	2
D9	WASSAE1003	WASHER,FLAT,BLACK ZINC,1/4,0.281" ID X 0.625" OD X 0.0625" TH,SAE	1
E1	FRMASMB7117	CROSS BAR PIVOT,ASSY,16"W-20"W,TB2 RECLINE,E-1367-049	1
F1	BRGFLNG1029	BEARING, FLANGE,BRONZE,0.500"ID X 0.625"OD X 0.375"TH X 0.875"FOD X 0.125"FTH	2
F2	BRGFLNG1025	BEARING, FLANGE,BRONZE,0.3125" ID X 0.375" OD X 0.250" TH SHAFT,0.562" FOD X 0.032"FTH,(IGUS: GFI-0506-04)	2
F3	SCRASBH1145	SCREW,BHSCS,BLACK ZINC,3/8-16 X 1.00",GR 8,W/PATCH	4
G1	ACCACTR1032	ACTUATOR,TRU-BALANCE POWER RECLINE,H-1367-037,(LINAK: 314XXX-1115004X)	1
H1	PROHDL1071	HAND GRIP,BLACK,FOAM,.930"ID X 1.250"OD X 17"L	1



TRU-Comfort

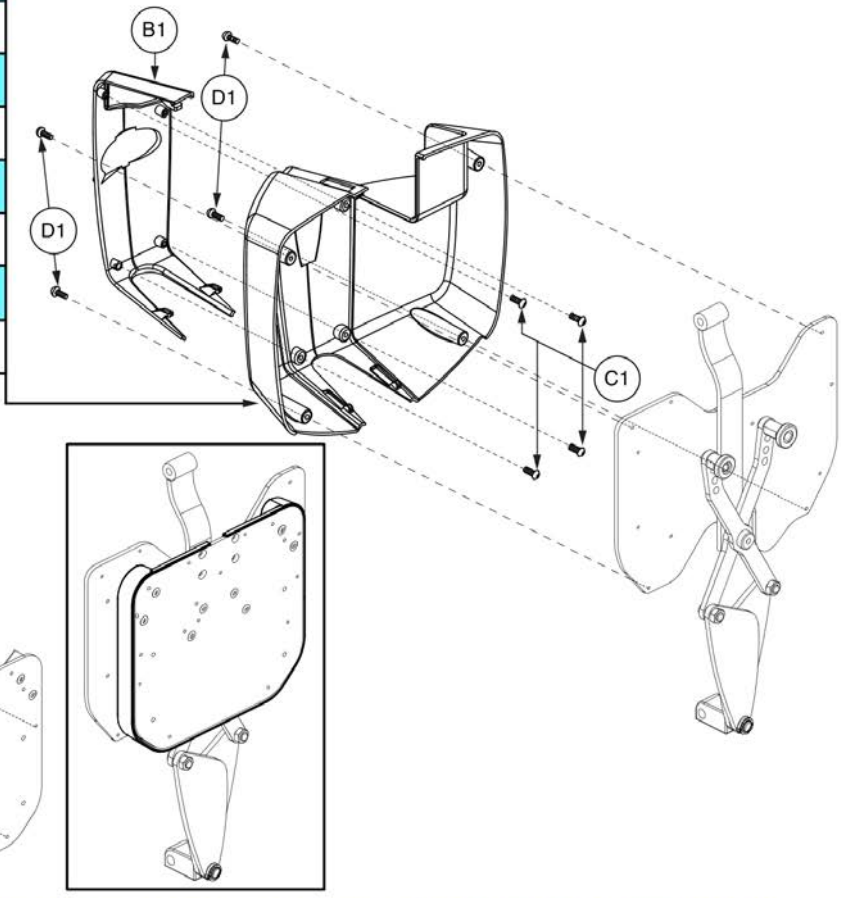


Item	Part No.	Name	Qty
A1	SCRASBH1148	SCREW,BHSCS,BLACK ZINC,1/4-20 X 0.50",W/PATCH	6
A2	BLTASHL1069	BOLT,SHOULDER,5/16" X 1.75"	1
A3	NUTNYLK1006	NUT, NYLOCK,BLACK ZINC,3/8"-16	2
A4	BLTASHL1011	BOLT,SHOULDER,1/2" X 1.75"	1
A5	SCRSHFH1087	SCREW,SHFH,BLACK ZINC,3/8-16 X 2.25",GRADE 8	2
A6	DWR1367C037	END CAP,BACK CANE,TRU-BALANCE POWER RECLINE,C-1367-037	2
A7	DWR1367C041	SPACER,ALUMINUM,.760"ID X 1.00"OD X 1.00"L,TB2 RECLINE	2
A8	DWR1367B033	SPACER,ALUMINUM,.760"ID X 1.00"OD X 2.00"L,TB2 RECLINE	4
A9	SCRSETS1086	SCREW, SET,BLACK ZINC,10-32 X 0.125",CUP POINT W/PATCH	12
A10	SCRHHCS1373	SCREW,HHCS,BLACK ZINC,1/4-20 X 1.00",GRADE 8,W/NYLON PATCH	2
A11	NUTNJAM1014	NUT,NYLOCK JAM,BLACK ZINC,1/4-20	1
A12	WASSAE1003	WASHER,FLAT,BLACK ZINC,1/4,0.281" ID X 0.625" OD X 0.0625" TH,SAE	7
A13	WASBLK1006	WASHER,FENDER,BLACK OXIDE,0.40" ID X 1.125" OD X 0.125" TH	1
A14	NUTNJAM1023	NUT,NYLOCK JAM,BLACK ZINC,3/8-16	1
A15	DWR1367B029	WASHER,BLACK,NYLON,0.412" ID X 0.764" OD,COPEL,B-1367-029	4
B1	FRMASMB12690	BACK CANE,ASSY,TB2 RECLINE,RIGHT	1
C1	FRMASMB12689	BACK CANE,ASSY,TB2 RECLINE,LEFT	1
D1 - E1	FRMASMB7150	CROSS BAR PIVOT,ASSY,20"W-24"W,TRU-BALANCE POWER RECLINE,W/MOUNTING HARDWARE	1
D1	SCRHHCS1241	SCREW,HHCS,BLACK ZINC,5/16-18 X 0.75",GR 8,W/PATCH	4
D2	BLTASHL1069	BOLT,SHOULDER,5/16" X 1.75"	1
D3	NUTNYLK1014	NUT, NYLOCK,BLACK ZINC,1/4-20	1
D4	BLTASHL1011	BOLT,SHOULDER,1/2" X 1.75"	1
D5	NUTNYLK1006	NUT, NYLOCK,BLACK ZINC,3/8"-16	1
D6	DWR1360B015	T-NUT,BLACK,5/16-18 X 3", W/2",HOLE SPACING,B-1360-015	2
D7	WASSTND1002	WASHER,FLAT,BLACK ZINC,0.3125" ID X 0.6875" OD X 0.0625" TH	1
D8	WASSTND1034	WASHER,FLAT,BLACK ZINC,0.504"ID X 1.062"OD X 0.062"TH	2
D9	WASSAE1003	WASHER,FLAT,BLACK ZINC,1/4,0.281" ID X 0.625" OD X 0.0625" TH,SAE	1
E1	FRMASMB7118	CROSS BAR PIVOT,ASSY,20"W-24"W,TB2 RECLINE	1
F1	BRGFLNG1029	BEARING, FLANGE,BRONZE,0.500"ID X 0.625"OD X 0.375"TH X 0.875"FOD X 0.125"FTH	2
F2	BRGFLNG1025	BEARING, FLANGE,BRONZE,0.3125" ID X 0.375" OD X 0.250" TH SHAFT,0.562" FOD X 0.032"FTH,(IGUS: GFI-0506-04)	2
F3	SCRASBH1145	SCREW,BHSCS,BLACK ZINC,3/8-16 X 1.00",GR 8,W/PATCH	4
G1	ACCACTR1032	ACTUATOR,TRU-BALANCE POWER RECLINE,H-1367-037,(LINAK: 314XXX-1115004X)	1
H1	PROHDL1071	HAND GRIP,BLACK,FOAM,.930"ID X 1.250"OD X 17"L	1

TRU-Comfort

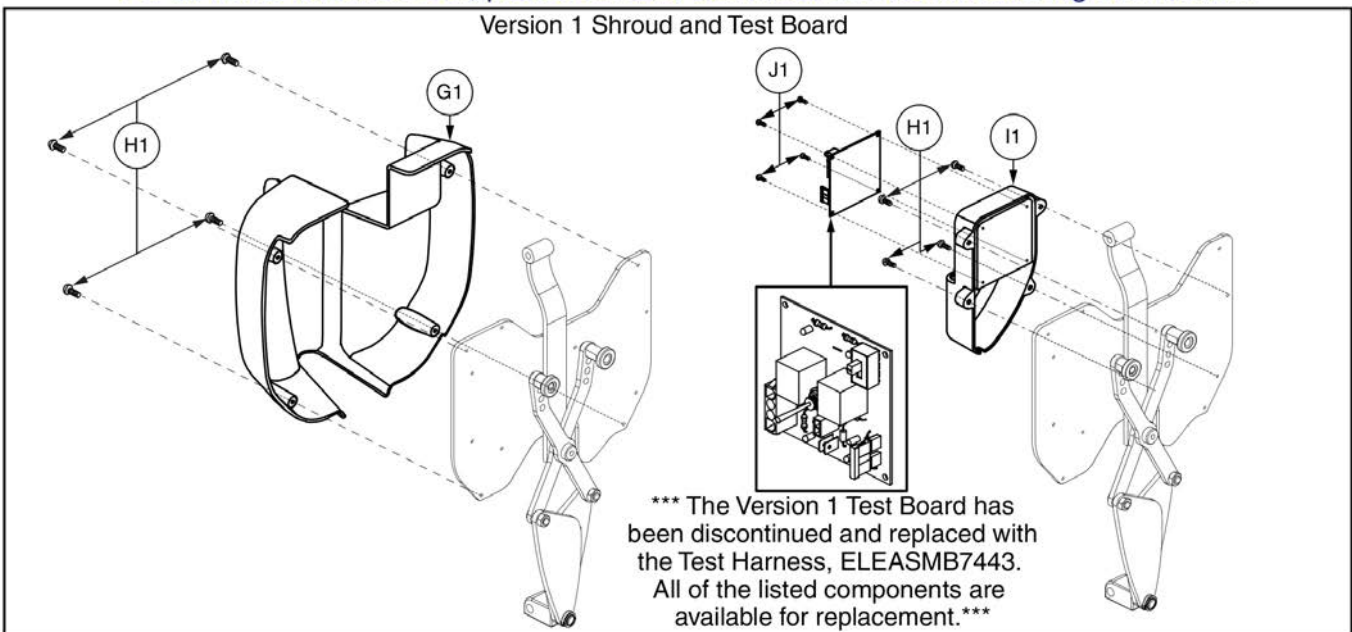
A1a	Black	SOF	Spring Green
A1b	Candy Apple Red	SOF	Pearl Pink
A1c	Viper Blue	SOF	Tangerine
SOF	Champagne	SOF	Kelly Green
A1d	Sunburst Orange	SOF	Pewter Gray
SOF	Silver	SOF	Emerald Green
SOF	Solar Yellow	SOF	Graphite Blue
SOF	Cardinal Red	SOF	Sapphire Blue
SOF	Violet	SOF	True Blue
SOF	Mariner Blue	SOF	Onion Yellow

\*\*\*The Shroud Assemblies contain the Painted Shroud, the Insert(B1) and the mounting hardware(C1). The assembly mounting hardware(D1) must be selected separately.\*\*\*



\*\*\*For all items listed as SOF, please contact Technical Service for ordering information.\*\*\*

Version 1 Shroud and Test Board

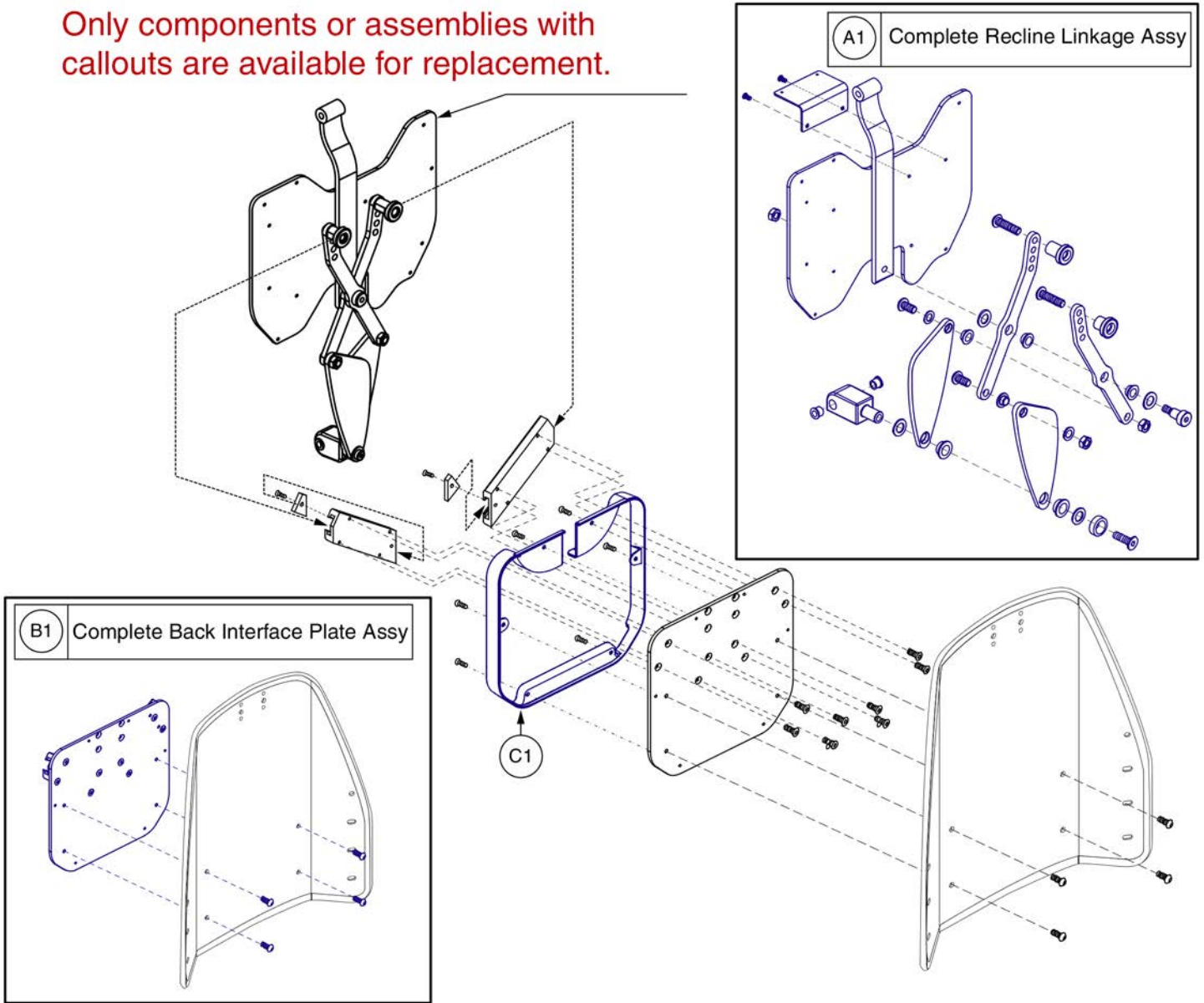




Item	Part No.	Name	Qty
A1a	SHDASMB6361	SHROUD,ASSY,ONYX BLACK,ELECTRONICS COVER,RECLINE	1
A1b	SHDASMB6480	SHROUD,ASSY,CANDY APPLE RED,ELECTRONICS COVER,RECLINE	1
A1c	SHDASMB6481	SHROUD,ASSY,VIPER BLUE,ELECTRONICS COVER,RECLINE	1
SOF	SHDASMB6483	SHROUD,ASSY,CHAMPAGNE,ELECTRONICS COVER,RECLINE	1
A1d	SHDASMB6484	SHROUD,ASSY,SUNBURST ORANGE,ELECTRONICS COVER,RECLINE	1
SOF	SHDASMB6485	SHROUD,ASSY,SILVER,ELECTRONICS COVER,RECLINE	1
SOF	SHDASMB6486	SHROUD,ASSY,SOLAR YELLOW,ELECTRONICS COVER,RECLINE	1
SOF	SHDASMB6487	SHROUD,ASSY,CARDINAL RED,ELECTRONICS COVER,RECLINE	1
SOF	SHDASMB6488	SHROUD,ASSY,VIOLET,ELECTRONICS COVER,RECLINE	1
SOF	SHDASMB6489	SHROUD,ASSY,MARINER BLUE,ELECTRONICS COVER,RECLINE	1
SOF	SHDASMB6490	SHROUD,ASSY,SPRING GREEN,ELECTRONICS COVER,RECLINE	1
SOF	SHDASMB6491	SHROUD,ASSY,PEARL PINK,ELECTRONICS COVER,RECLINE	1
SOF	SHDASMB6492	SHROUD,ASSY,TANGERINE,ELECTRONICS COVER,RECLINE	1
SOF	SHDASMB6493	SHROUD,ASSY,KELLY GREEN,ELECTRONICS COVER,RECLINE	1
SOF	SHDASMB6494	SHROUD,ASSY,PEWTER GRAY,ELECTRONICS COVER,RECLINE	1
SOF	SHDASMB6495	SHROUD,ASSY,EMERALD GREEN,ELECTRONICS COVER,RECLINE	1
SOF	SHDASMB6496	SHROUD,ASSY,GRAPHITE BLUE,ELECTRONICS COVER,RECLINE	1
SOF	SHDASMB6497	SHROUD,ASSY,SAPPHIRE BLUE,ELECTRONICS COVER,RECLINE	1
SOF	SHDASMB6706	SHROUD,ASSY,TRUE BLUE,ELECTRONICS COVER,TB2 RECLINE	1
SOF	SHDASMB6707	SHROUD,ASSY,ORION YELLOW,ELECTRONICS COVER,TB2 RECLINE	1
B1		SHROUD,INSERT,ELECTRONICS COVER,W"Q" LOGO,TB2 RECLINE	1
C1	SCRPPH1050	SCREW, PAN HEAD, TYPE H, M4X0.7 X 10, FT, ISO 7045, CL 4.8, BZ (USE SCRPPH1163)	4
D1	SCRPPH1353	SCREW,PPH,BLACK ZINC,8-32 X 0.3125"	4
E1	DWR1367E042	SHROUD,COVER,INSIDE,BLACK,RECLINE,E-1367-042	1
F1	SCRASBH1151	SCREW,BHSCS,BLACK ZINC,8-32 X 0.250",GR 8,W/PATCH	6
G1	DWR1367E074	SHROUD,ELECTRONICS COVER,BLACK,PLASTIC,OUTER,TRUBALANCE RECLINE,E-1367-074	1
H1	SCRPPH1353	SCREW,PPH,BLACK ZINC,8-32 X 0.3125"	4

TRU-Comfort

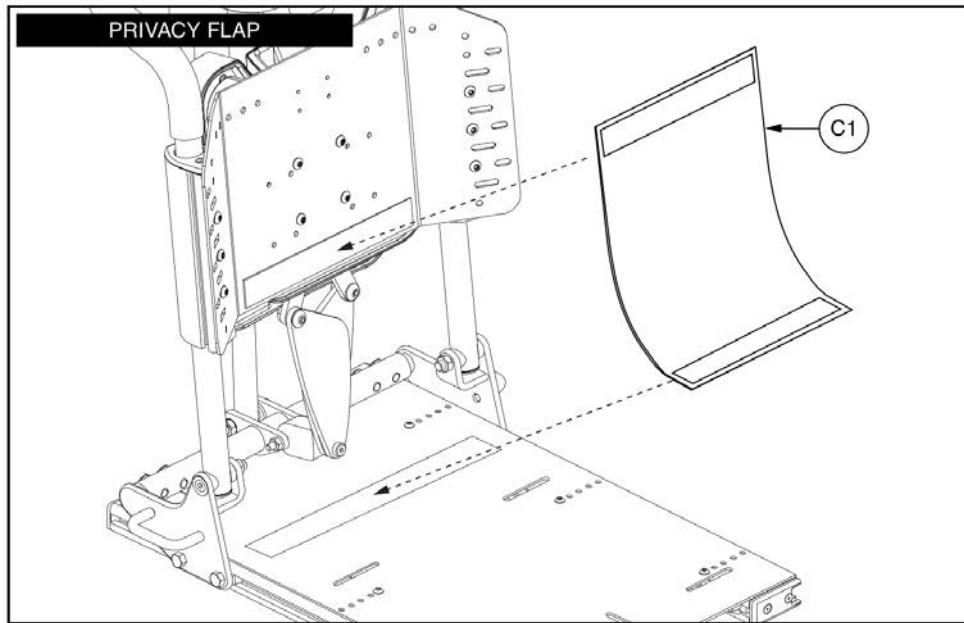
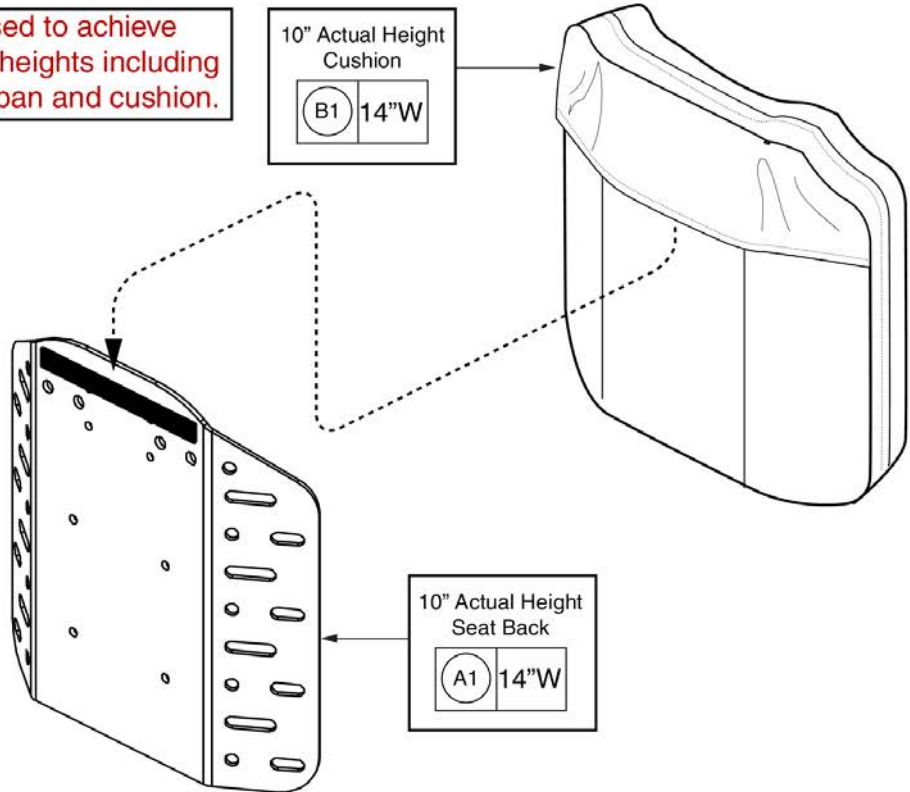
Only components or assemblies with callouts are available for replacement.



Item	Part No.	Name	Qty
A1	FRMASMB12395	LINKAGE,ASSY,W/ELECTRONICS PLATE,TB2 RECLINE,VERSION 2	1
B1	FRMASMB7144	BACK INTERFACE PLATE,ASSY,TB2 RECLINE,W/HARDWARE	1
C1	DWR1367E042	SHROUD,COVER,INSIDE,BLACK,RECLINE,E-1367-042	1

Synergy Standard Back

**NOTE:** These backs are used to achieve 17" to 18" overall back heights including the gap between seat pan and cushion.



Standard Back and Cushion, 17"-18" H, TB2 Recline



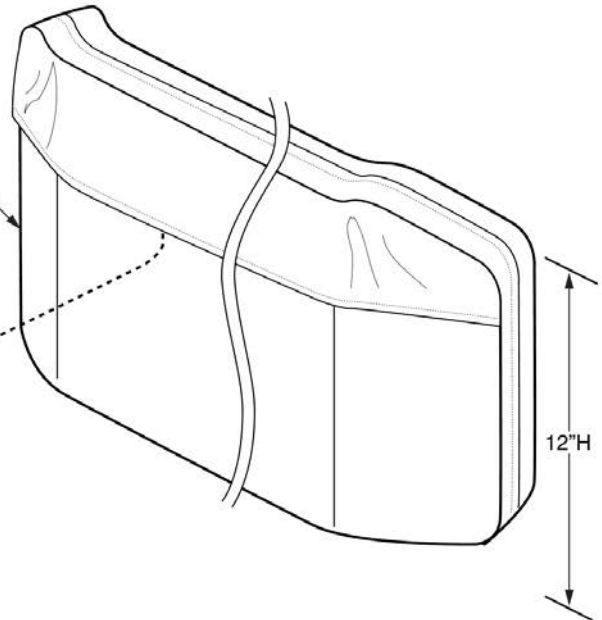
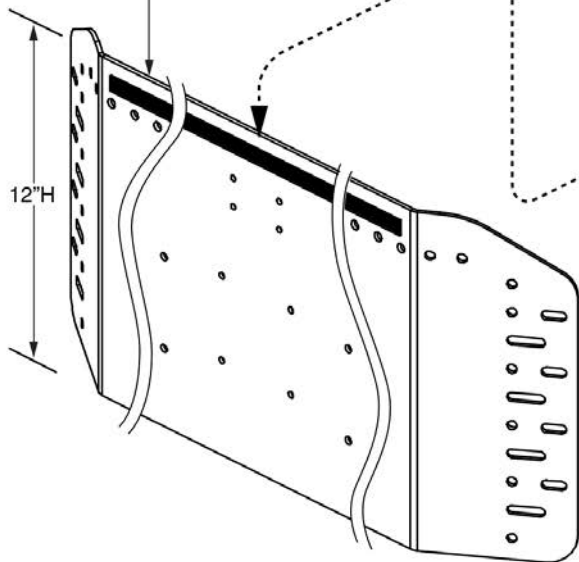
Item	Part No.	Name	Qty
A1	DWR1359E043E	SEAT BACK,14"W,10"H,SYNERGY STANDARD,E-1359-043	1
B1	CUSASMB2322	CUSHION,ASSY,14"W,10"H,SYNERGY STANDARD BACK,E-1359-085	1
C1	DWR1044E456B	SEAT BACK,PRIVACY FLAP,9.75"W,SYNERGY STANDARD BACK,E-1044-456	1

**Synergy Standard Back**

12" Physical Height Seat Back		
A1	14"W	G1 20"W
B1	15"W	H1 21"W
C1	16"W	I1 22"W
D1	17"W	J1 23"W
E1	18"W	K1 24"W
F1	19"W	

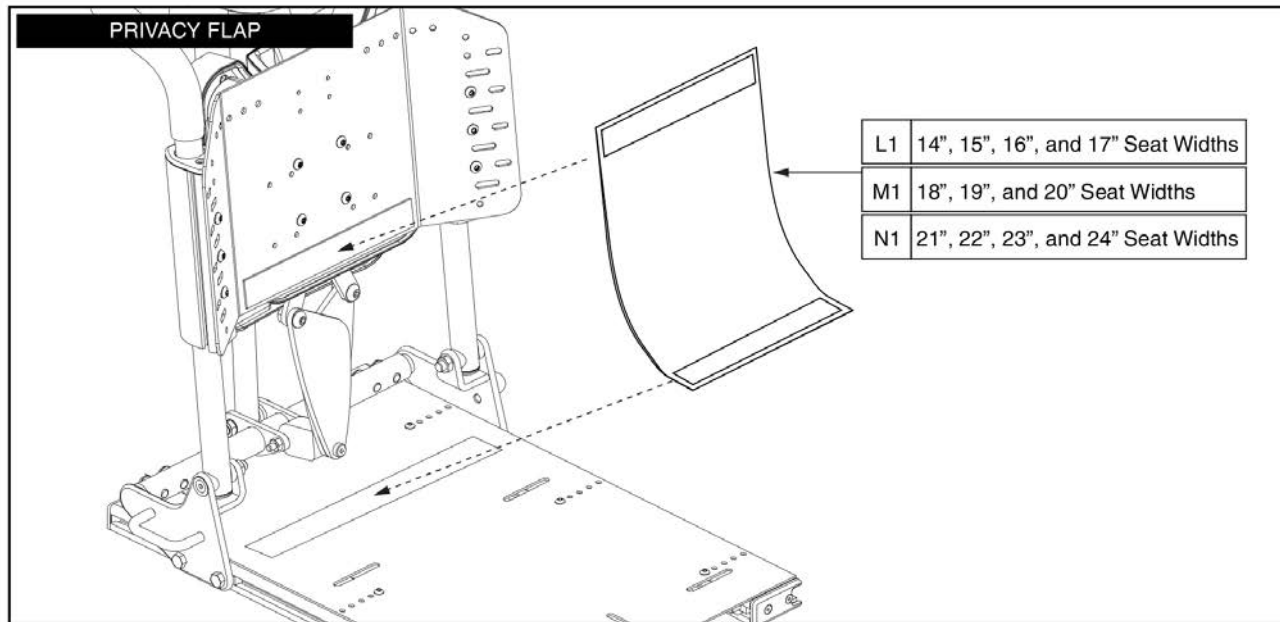
12" Physical Height Cushion		
A2	14"W	G2 20"W
B2	15"W	H2 21"W
C2	16"W	I2 22"W
D2	17"W	J2 23"W
E2	18"W	K2 24"W
F2	19"W	

**NOTE:** These backs are used to achieve 19" and 20" overall back heights including the gap between seat pan and cushion.



This Matrix represents the size of the assemblies in relation to the seat back as it is mounted on the seating system. (Includes the gap between seat pan and cushion)

A1/A2	14"W x 19"H & 14"W x 20"H	D1/D2	17"W x 19"H & 17"W x 20"H	G1/G2	20"W x 19"H & 20"W x 20"H	J1/J2	23"W x 19"H & 23"W x 20"H
B1/B2	15"W x 19"H & 15"W x 20"H	E1/E2	18"W x 19"H & 18"W x 20"H	H1/H2	21"W x 19"H & 21"W x 20"H	K1/K2	24"W x 19"H & 24"W x 20"H
C1/C2	16"W x 19"H & 16"W x 20"H	F1/F2	19"W x 19"H & 19"W x 20"H	I1/I2	22"W x 19"H & 22"W x 20"H		



Standard Back and Cushion, 19"-20" H, TB2 Recline



Item	Part No.	Name	Qty
A1	DWR1359E044E	SEAT BACK,14"W,12"H,SYNERGY STANDARD,E-1359-044	1
A2	CUSASMB2324	CUSHION,ASSY,14"W,12"H,SYNERGY STANDARD BACK,E-1359-084	1
B1	DWR1359E044F	SEAT BACK,15"W,12"H,SYNERGY STANDARD,E-1359-044	1
B2	CUSASMB2325	CUSHION,ASSY,15"W,12"H,SYNERGY STANDARD BACK,E-1359-084	1
C1	DWR1359E044G	SEAT BACK,16"W,12"H,SYNERGY STANDARD,E-1359-044	1
C2	CUSASMB2326	CUSHION,ASSY,16"W,12"H,SYNERGY STANDARD BACK,E-1359-084	1
D1	DWR1359E044H	SEAT BACK,17"W,12"H,SYNERGY STANDARD,E-1359-044	1
D2	CUSASMB2327	CUSHION,ASSY,17"W,12"H,SYNERGY STANDARD BACK,E-1359-084	1
E1	DWR1359E044I	SEAT BACK,18"W,12"H,SYNERGY STANDARD,E-1359-044	1
E2	CUSASMB2328	CUSHION,ASSY,18"W,12"H,SYNERGY STANDARD BACK,E-1359-084	1
F1		SEAT BACK,19"W,12"H,SYNERGY STANDARD,E-1359-044	1
F2	CUSASMB2329	CUSHION,ASSY,19"W,12"H,SYNERGY STANDARD BACK,E-1359-084	1
G1	DWR1359E044K	SEAT BACK,20"W,12"H,SYNERGY STANDARD,E-1359-044	1
G2	CUSASMB2330	CUSHION,ASSY,20"W,12"H,SYNERGY STANDARD BACK,E-1359-084	1
H1		SEAT BACK,21"W,12"H,SYNERGY STANDARD,E-1359-044	1
H2	CUSASMB2331	CUSHION,ASSY,21"W,12"H,SYNERGY STANDARD BACK,E-1359-084	1
I1		SEAT BACK,22"W,12"H,SYNERGY STANDARD,E-1359-044	1
I2	CUSASMB2332	CUSHION,ASSY,22"W,12"H,SYNERGY STANDARD BACK,E-1359-084	1
J1	DWR1359E044N	SEAT BACK,23"W,12"H,SYNERGY STANDARD,E-1359-044	1
J2	CUSASMB2333	CUSHION,ASSY,23"W,12"H,SYNERGY STANDARD BACK,E-1359-084	1
K1		SEAT BACK,24"W,12"H,SYNERGY STANDARD,E-1359-044	1
K2	CUSASMB2334	CUSHION,ASSY,24"W,12"H,SYNERGY STANDARD BACK,E-1359-084	1
L1	DWR1044E456C	SEAT BACK,PRIVACY FLAP,6.75"W,SYNERGY STANDARD BACK,E- 1044-456	1
M1	DWR1044E456B	SEAT BACK,PRIVACY FLAP,9.75"W,SYNERGY STANDARD BACK,E-1044-456	1
N1	DWR1044E456A	SEAT BACK,PRIVACY FLAP,12.75"W,SYNERGY STANDARD BACK,E-1044-456	1

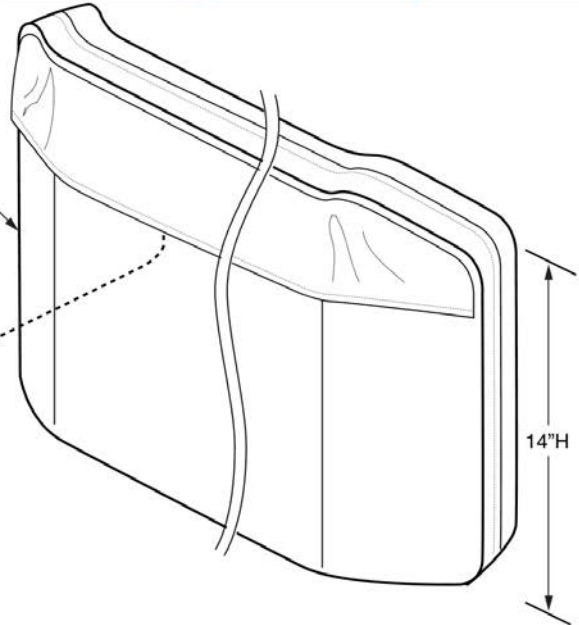
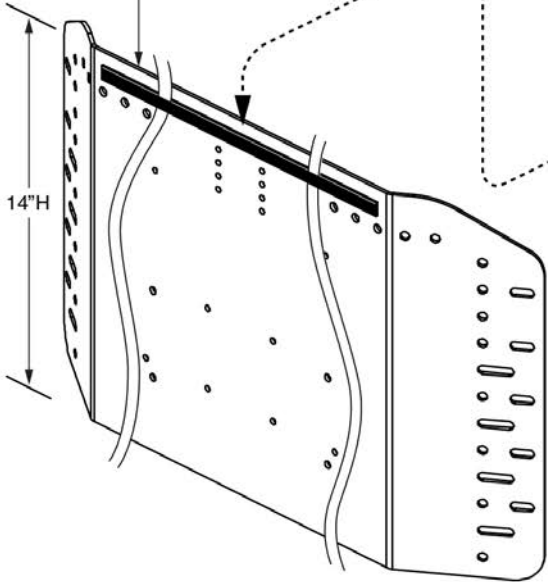


**Synergy Standard Back**

14" Physical Height Seat Back			
A1	14"W	G1	20"W
B1	15"W	H1	21"W
C1	16"W	I1	22"W
D1	17"W	J1	23"W
E1	18"W	K1	24"W
F1	19"W		

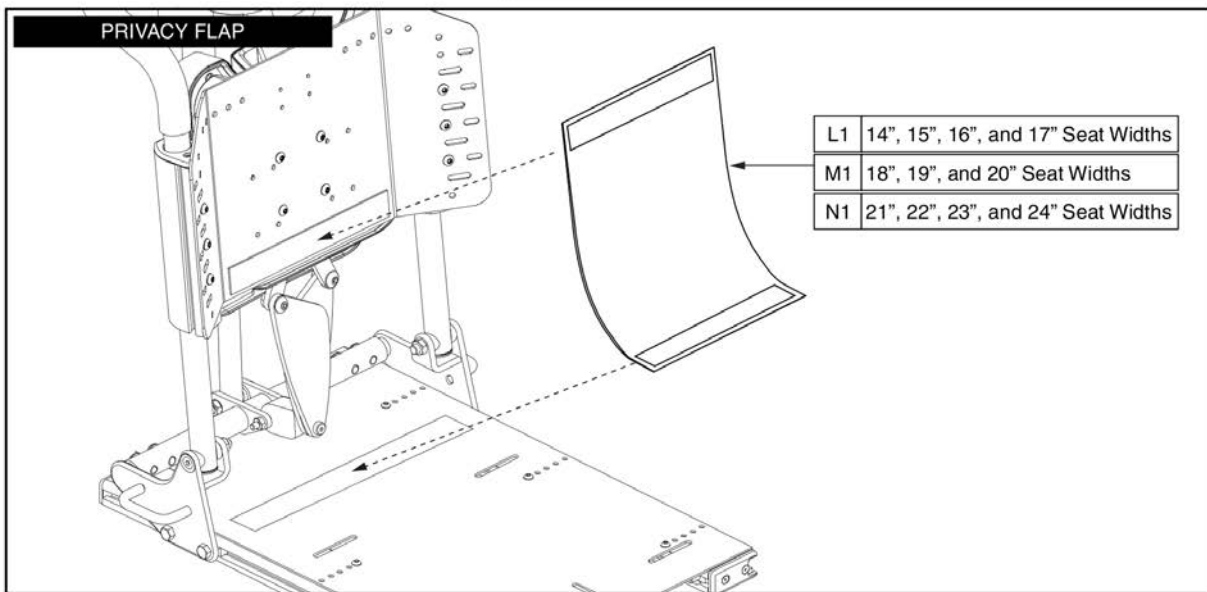
14" Physical Height Cushion			
A2	14"W	G2	20"W
B2	15"W	H2	21"W
C2	16"W	I2	22"W
D2	17"W	J2	23"W
E2	18"W	K2	24"W
F2	19"W		

**NOTE:** These backs are used to achieve 21" and 22" overall back heights including the gap between seat pan and cushion.



This Matrix represents the size of the assemblies in relation to the seat back as it is mounted on the seating system. (Includes the gap between seat pan and cushion)

A1/A2	14"W x 21"H 14"W x 22"H	D1/D2	17"W x 21"H 17"W x 22"H	G1/G2	20"W x 21"H 20"W x 22"H	J1/J2	23"W x 21"H 23"W x 22"H
B1/B2	15"W x 21"H 15"W x 22"H	E1/E2	18"W x 21"H 18"W x 22"H	H1/H2	21"W x 21"H 21"W x 22"H	K1/K2	24"W x 21"H 24"W x 22"H
C1/C2	16"W x 21"H 16"W x 22"H	F1/F2	19"W x 21"H 19"W x 22"H	I1/I2	22"W x 21"H 22"W x 22"H		





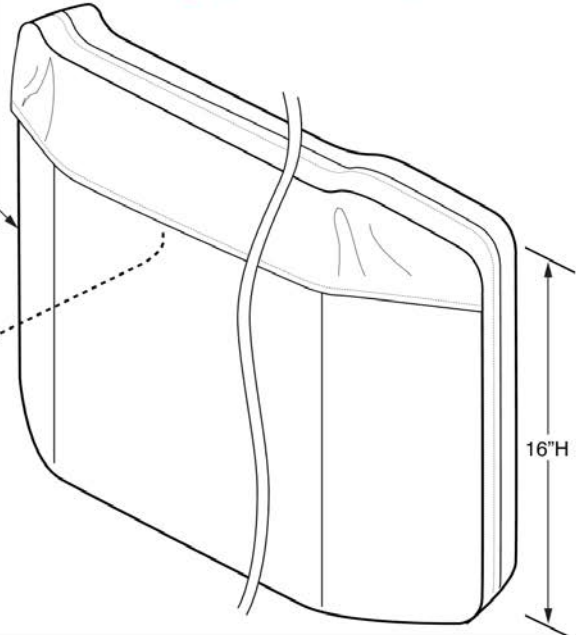
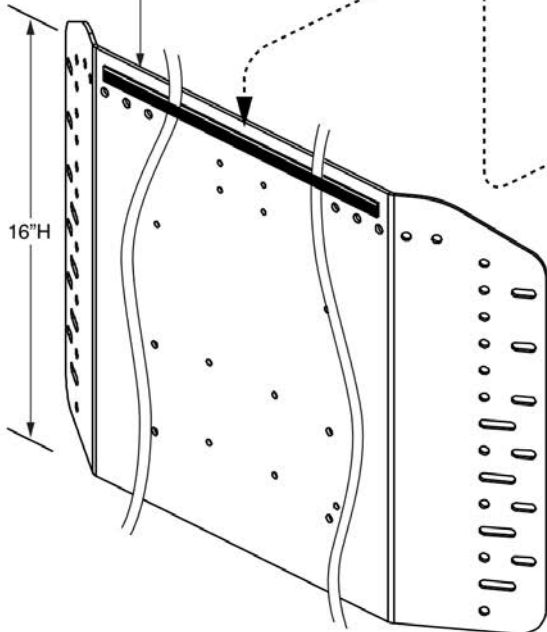
Item	Part No.	Name	Qty
A1	DWR1359E029E	SEAT BACK,14"W,14"H,SYNERGY STANDARD,E-1359-029	1
A2	CUSASMB2336	CUSHION,ASSY,14"W,14"H,SYNERGY STANDARD BACK,E-1359-083	1
B1	DWR1359E029F	SEAT BACK,15"W,14"H,SYNERGY STANDARD,E-1359-029	1
B2	CUSASMB2337	CUSHION,ASSY,15"W,14"H,SYNERGY STANDARD BACK,E-1359-083	1
C1	DWR1359E029G	SEAT BACK,16"W,14"H,SYNERGY STANDARD,E-1359-029	1
C2	CUSASMB2338	CUSHION,ASSY,16"W,14"H,SYNERGY STANDARD BACK,E-1359-083	1
D1	DWR1359E029H	SEAT BACK,17"W,14"H,SYNERGY STANDARD	1
D2	CUSASMB2339	CUSHION,ASSY,17"W,14"H,SYNERGY STANDARD BACK	1
E1	DWR1359E029I	SEAT BACK,18"W,14"H,SYNERGY STANDARD,E-1359-029	1
E2	CUSASMB2340	CUSHION,ASSY,18"W,14"H,SYNERGY STANDARD BACK,E-1359-083	1
F1	DWR1359E029J	SEAT BACK,19"W,14"H,SYNERGY STANDARD,E-1359-029	1
F2	CUSASMB2341	CUSHION,ASSY,19"W,14"H,SYNERGY STANDARD BACK,E-1359-083	1
G1	DWR1359E029K	SEAT BACK,20"W,14"H,SYNERGY STANDARD,E-1359-029	1
G2	CUSASMB2342	CUSHION,ASSY,20"W,14"H,SYNERGY STANDARD BACK,E-1359-083	1
H1		SEAT BACK,21"W,14"H,SYNERGY STANDARD,E-1359-029	1
H2		CUSHION,ASSY,21"W,14"H,SYNERGY STANDARD BACK,E-1359-083	1
I1	DWR1359E029M	SEAT BACK,22"W,14"H,SYNERGY STANDARD,E-1359-029	1
I2	CUSASMB2344	CUSHION,ASSY,22"W,14"H,SYNERGY STANDARD BACK,E-1359-083	1
J1		SEAT BACK,23"W,14"H,SYNERGY STANDARD,E-1359-029	1
J2		CUSHION,ASSY,23"W,14"H,SYNERGY STANDARD BACK,E-1359-083	1
K1	DWR1359E029O	SEAT BACK,24"W,14"H,SYNERGY STANDARD,E-1359-029	1
K2	CUSASMB2346	CUSHION,ASSY,24"W,14"H,SYNERGY STANDARD BACK,E-1359-083	1
L1	DWR1044E456C	SEAT BACK,PRIVACY FLAP,6.75"W,SYNERGY STANDARD BACK,E- 1044-456	1
M1	DWR1044E456B	SEAT BACK,PRIVACY FLAP,9.75"W,SYNERGY STANDARD BACK,E-1044-456	1
N1	DWR1044E456A	SEAT BACK,PRIVACY FLAP,12.75"W,SYNERGY STANDARD BACK,E-1044-456	1

**Synergy Standard Back**

16" Physical Height Seat Back			
A1	14"W	G1	20"W
B1	15"W	H1	21"W
C1	16"W	I1	22"W
D1	17"W	J1	23"W
E1	18"W	K1	24"W
F1	19"W		

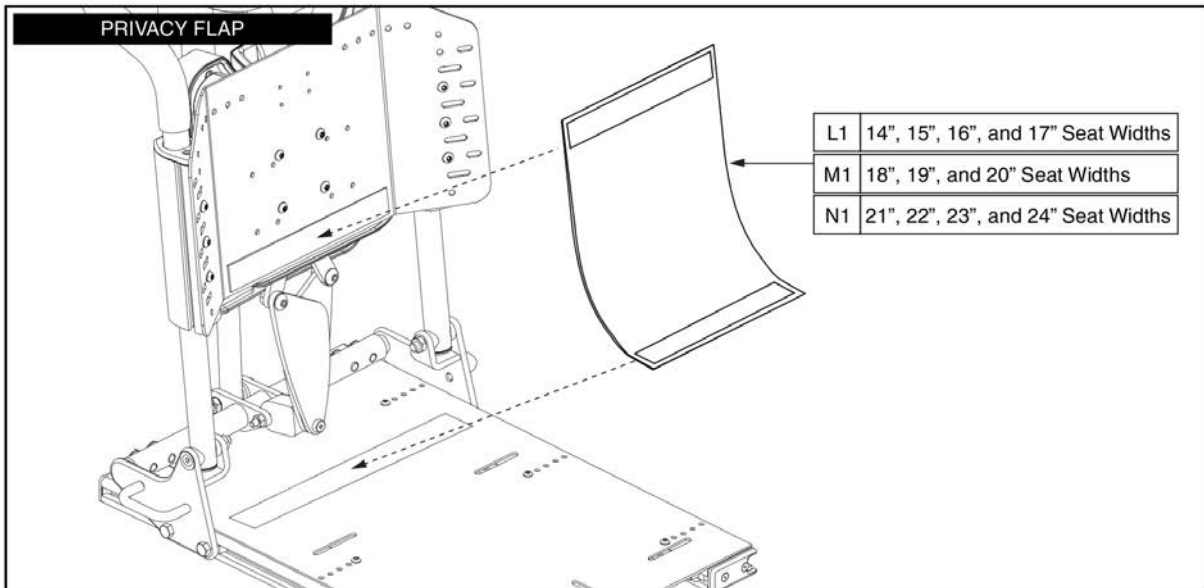
16" Physical Height Cushion			
A2	14"W	G2	20"W
B2	15"W	H2	21"W
C2	16"W	I2	22"W
D2	17"W	J2	23"W
E2	18"W	K2	24"W
F2	19"W		

**NOTE:** These backs are used to achieve 23" and 24" overall back heights including the gap between seat pan and cushion.



This Matrix represents the size of the assemblies in relation to the seat back as it is mounted on the seating system. (Includes the gap between seat pan and cushion)

A1/A2	14"W x 23"H 14"W x 24"H	D1/D2	17"W x 23"H 17"W x 24"H	G1/G2	20"W x 23"H 20"W x 24"H	J1/J2	23"W x 23"H 23"W x 24"H
B1/B2	15"W x 23"H 15"W x 24"H	E1/E2	18"W x 23"H 18"W x 24"H	H1/H2	21"W x 23"H 21"W x 24"H	K1/K2	24"W x 23"H 24"W x 24"H
C1/C2	16"W x 23"H 16"W x 24"H	F1/F2	19"W x 23"H 19"W x 24"H	I1/I2	22"W x 23"H 22"W x 24"H		



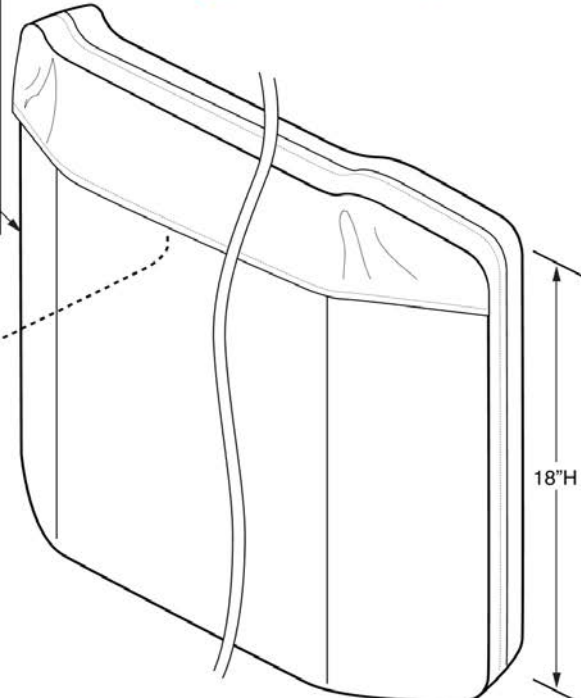
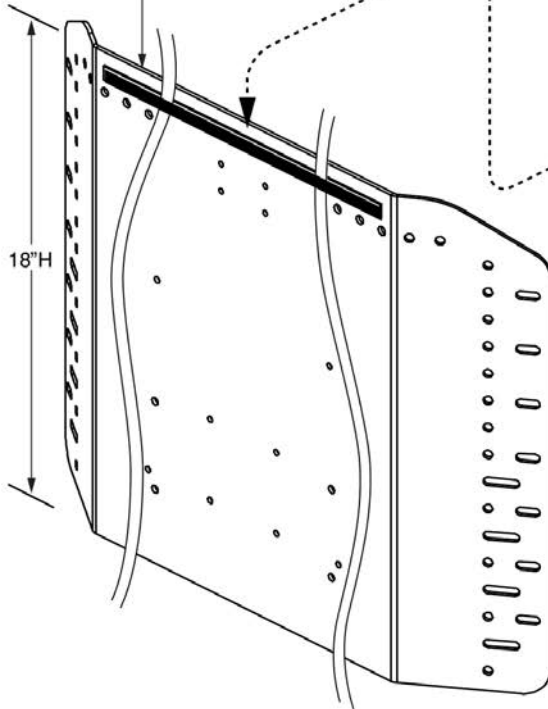
Item	Part No.	Name	Qty
A1		SEAT BACK,14"W,16"H,SYNERGY STANDARD,E-1359-032	1
A2		CUSHION,ASSY,14"W,16"H,SYNERGY STANDARD BACK,E-1359-082	1
B1	DWR1359E032F	SEAT BACK,15"W,16"H,SYNERGY STANDARD,E-1359-032	1
B2	CUSASMB2348	CUSHION,ASSY,15"W,16"H,SYNERGY STANDARD BACK,E-1359-082	1
C1	DWR1359E032G	SEAT BACK,16"W,16"H,SYNERGY STANDARD,E-1359-032	1
C2	CUSASMB2349	CUSHION,ASSY,16"W,16"H,SYNERGY STANDARD BACK,E-1359-082	1
D1		SEAT BACK,17"W,16"H,SYNERGY STANDARD	1
D2	CUSASMB2350	CUSHION,ASSY,17"W,16"H,SYNERGY STANDARD BACK,E-1359-082	1
E1	DWR1359E032I	SEAT BACK,18"W,16"H,SYNERGY STANDARD,E-1359-032	1
E2	CUSASMB2351	CUSHION,ASSY,18"W,16"H,SYNERGY STANDARD BACK,E-1359-082	1
F1	DWR1359E032J	SEAT BACK,19"W,16"H,SYNERGY STANDARD,E-1359-032	1
F2	CUSASMB2352	CUSHION,ASSY,19"W,16"H,SYNERGY STANDARD BACK,E-1359-082	1
G1	DWR1359E032K	SEAT BACK,20"W,16"H,SYNERGY STANDARD,E-1359-032	1
G2	CUSASMB2353	CUSHION,ASSY,20"W,16"H,SYNERGY STANDARD BACK,E-1359-082	1
H1	DWR1359E032L	SEAT BACK,21"W,16"H,SYNERGY STANDARD,E-1359-032	1
H2	CUSASMB2354	CUSHION,ASSY,21"W,16"H,SYNERGY STANDARD BACK,E-1359-082	1
I1	DWR1359E032M	SEAT BACK,22"W,16"H,SYNERGY STANDARD,E-1359-032	1
I2	CUSASMB2355	CUSHION,ASSY,22"W,16"H,SYNERGY STANDARD BACK,E-1359-082	1
J1	DWR1359E032N	SEAT BACK,23"W,16"H,SYNERGY STANDARD,E-1359-032	1
J2	CUSASMB2356	CUSHION,ASSY,23"W,16"H,SYNERGY STANDARD BACK,E-1359-082	1
K1	DWR1359E032O	SEAT BACK,24"W,16"H,SYNERGY STANDARD,E-1359-032	1
K2	CUSASMB2357	CUSHION,ASSY,24"W,16"H,SYNERGY STANDARD BACK,E-1359-082	1
L1	DWR1044E456C	SEAT BACK,PRIVACY FLAP,6.75"W,SYNERGY STANDARD BACK,E- 1044-456	1
M1	DWR1044E456B	SEAT BACK,PRIVACY FLAP,9.75"W,SYNERGY STANDARD BACK,E-1044-456	1
N1	DWR1044E456A	SEAT BACK,PRIVACY FLAP,12.75"W,SYNERGY STANDARD BACK,E-1044-456	1

Synergy Standard Back

18" Physical Height Seat Back			
A1	14"W	G1	20"W
B1	15"W	H1	21"W
C1	16"W	I1	22"W
D1	17"W	J1	23"W
E1	18"W	K1	24"W
F1	19"W		

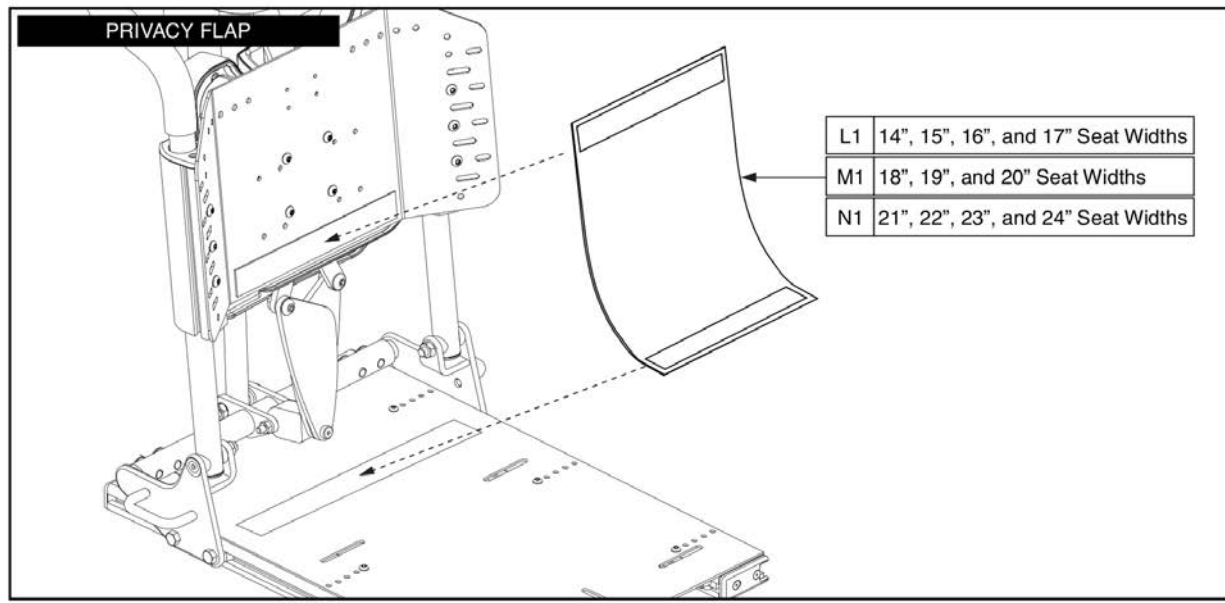
18" Physical Height Cushion			
A2	14"W	G2	20"W
B2	15"W	H2	21"W
C2	16"W	I2	22"W
D2	17"W	J2	23"W
E2	18"W	K2	24"W
F2	19"W		

**NOTE:** These backs are used to achieve 25" and 26" overall back heights including the gap between seat pan and cushion.



This Matrix represents the size of the assemblies in relation to the seat back as it is mounted on the seating system. (Includes the gap between seat pan and cushion)

A1/A2	14"W x 25"H 14"W x 26"H	D1/D2	17"W x 25"H 17"W x 26"H	G1/G2	20"W x 25"H 20"W x 26"H	J1/J2	23"W x 25"H 23"W x 26"H
B1/B2	15"W x 25"H 15"W x 26"H	E1/E2	18"W x 25"H 18"W x 26"H	H1/H2	21"W x 25"H 21"W x 26"H	K1/K2	24"W x 25"H 24"W x 26"H
C1/C2	16"W x 25"H 16"W x 26"H	F1/F2	19"W x 25"H 19"W x 26"H	I1/I2	22"W x 25"H 22"W x 26"H		



L1	14", 15", 16", and 17" Seat Widths
M1	18", 19", and 20" Seat Widths
N1	21", 22", 23", and 24" Seat Widths

Item	Part No.	Name	Qty
A1	DWR1359E034E	SEAT BACK,14"W,18"H,SYNERGY STANDARD,E-1359-034	1
A2	CUSASMB2366	CUSHION,ASSY,14"W,18"H,SYNERGY STANDARD BACK,E-1359-081	1
B1	DWR1359E034F	SEAT BACK,15"W,18"H,SYNERGY STANDARD,E-1359-034	1
B2	CUSASMB2367	CUSHION,ASSY,15"W,18"H,SYNERGY STANDARD BACK,E-1359-081	1
C1	DWR1359E034G	SEAT BACK,16"W,18"H,SYNERGY STANDARD,E-1359-034	1
C2	CUSASMB2368	CUSHION,ASSY,16"W,18"H,SYNERGY STANDARD BACK,E-1359-081	1
D1	DWR1359E034H	SEAT BACK,17"W,18"H,SYNERGY STANDARD	1
D2	CUSASMB2369	CUSHION,ASSY,17"W,18"H,SYNERGY STANDARD BACK	1
E1	DWR1359E034I	SEAT BACK,18"W,18"H,SYNERGY STANDARD,E-1359-034	1
E2	CUSASMB2370	CUSHION,ASSY,18"W,18"H,SYNERGY STANDARD BACK,E-1359-081	1
F1	DWR1359E034J	SEAT BACK,19"W,18"H,SYNERGY STANDARD,E-1359-034	1
F2	CUSASMB2371	CUSHION,ASSY,19"W,18"H,SYNERGY STANDARD BACK,E-1359-081	1
G1	DWR1359E034K	SEAT BACK,20"W,18"H,SYNERGY STANDARD,E-1359-034	1
G2	CUSASMB2372	CUSHION,ASSY,20"W,18"H,SYNERGY STANDARD BACK,E-1359-081	1
H1	DWR1359E034L	SEAT BACK,21"W,18"H,SYNERGY STANDARD,E-1359-034	1
H2	CUSASMB2373	CUSHION,ASSY,21"W,18"H,SYNERGY STANDARD BACK,E-1359-081	1
I1	DWR1359E034M	SEAT BACK,22"W,18"H,SYNERGY STANDARD,E-1359-034	1
I2	CUSASMB2374	CUSHION,ASSY,22"W,18"H,SYNERGY STANDARD BACK,E-1359-081	1
J1	DWR1359E034N	SEAT BACK,23"W,18"H,SYNERGY STANDARD,E-1359-034	1
J2	CUSASMB2375	CUSHION,ASSY,23"W,18"H,SYNERGY STANDARD BACK,E-1359-081	1
K1	DWR1359E034O	SEAT BACK,24"W,18"H,SYNERGY STANDARD,E-1359-034	1
K2	CUSASMB2376	CUSHION,ASSY,24"W,18"H,SYNERGY STANDARD BACK,E-1359-081	1
L1	DWR1044E456C	SEAT BACK,PRIVACY FLAP,6.75"W,SYNERGY STANDARD BACK,E- 1044-456	1
M1	DWR1044E456B	SEAT BACK,PRIVACY FLAP,9.75"W,SYNERGY STANDARD BACK,E-1044-456	1
N1	DWR1044E456A	SEAT BACK,PRIVACY FLAP,12.75"W,SYNERGY STANDARD BACK,E-1044-456	1

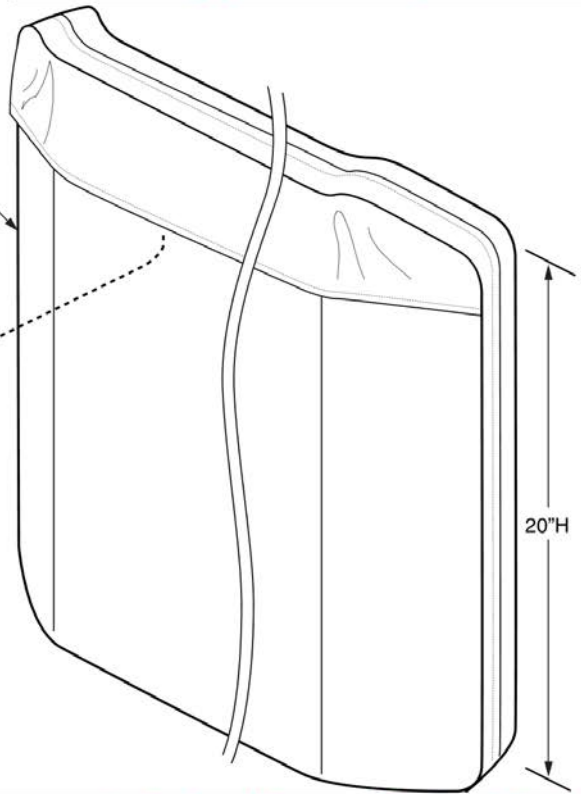
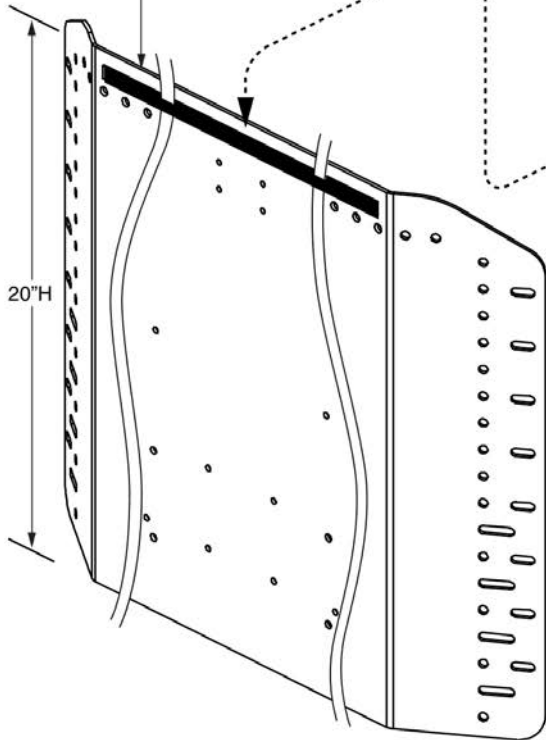


**Synergy Standard Back**

20" Physical Height Seat Back			
A1	14"W	G1	20"W
B1	15"W	H1	21"W
C1	16"W	I1	22"W
D1	17"W	J1	23"W
E1	18"W	K1	24"W
F1	19"W		

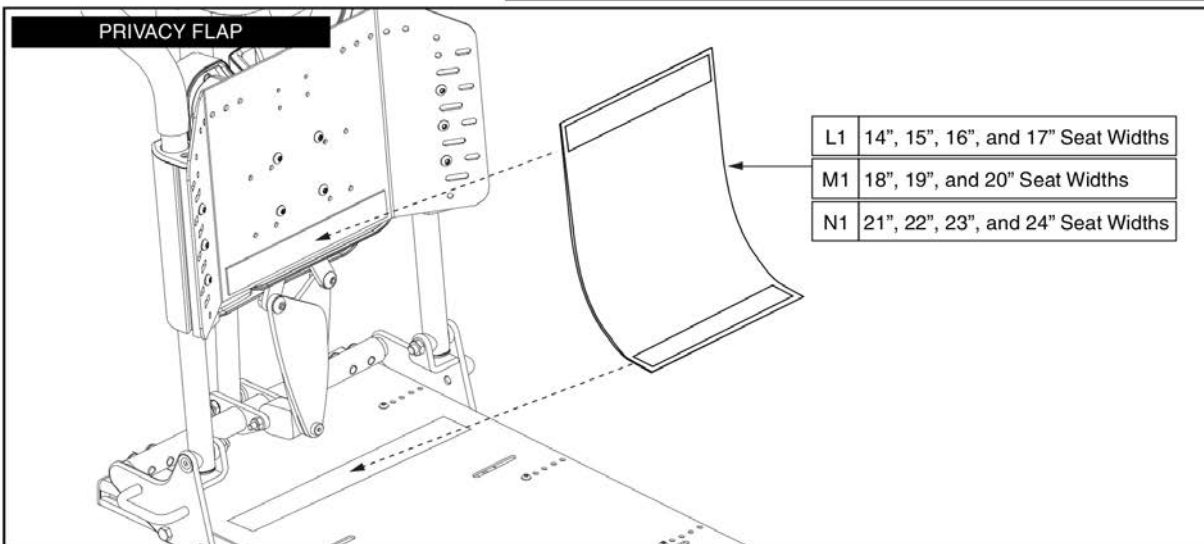
20" Physical Height Cushion			
A2	14"W	G2	20"W
B2	15"W	H2	21"W
C2	16"W	I2	22"W
D2	17"W	J2	23"W
E2	18"W	K2	24"W
F2	19"W		

**NOTE:** These backs are used to achieve 27" and 28" overall back heights including the gap between seat pan and cushion.



This Matrix represents the size of the assemblies in relation to the seat back as it is mounted on the seating system. (Includes the gap between seat pan and cushion)

A1/A2	14"W x 27"H 14"W x 28"H	D1/D2	17"W x 27"H 17"W x 28"H	G1/G2	20"W x 27"H 20"W x 28"H	J1/J2	23"W x 27"H 23"W x 28"H
B1/B2	15"W x 27"H 15"W x 28"H	E1/E2	18"W x 27"H 18"W x 28"H	H1/H2	21"W x 27"H 21"W x 28"H	K1/K2	24"W x 27"H 24"W x 28"H
C1/C2	16"W x 27"H 16"W x 28"H	F1/F2	19"W x 27"H 19"W x 28"H	I1/I2	22"W x 27"H 22"W x 28"H		

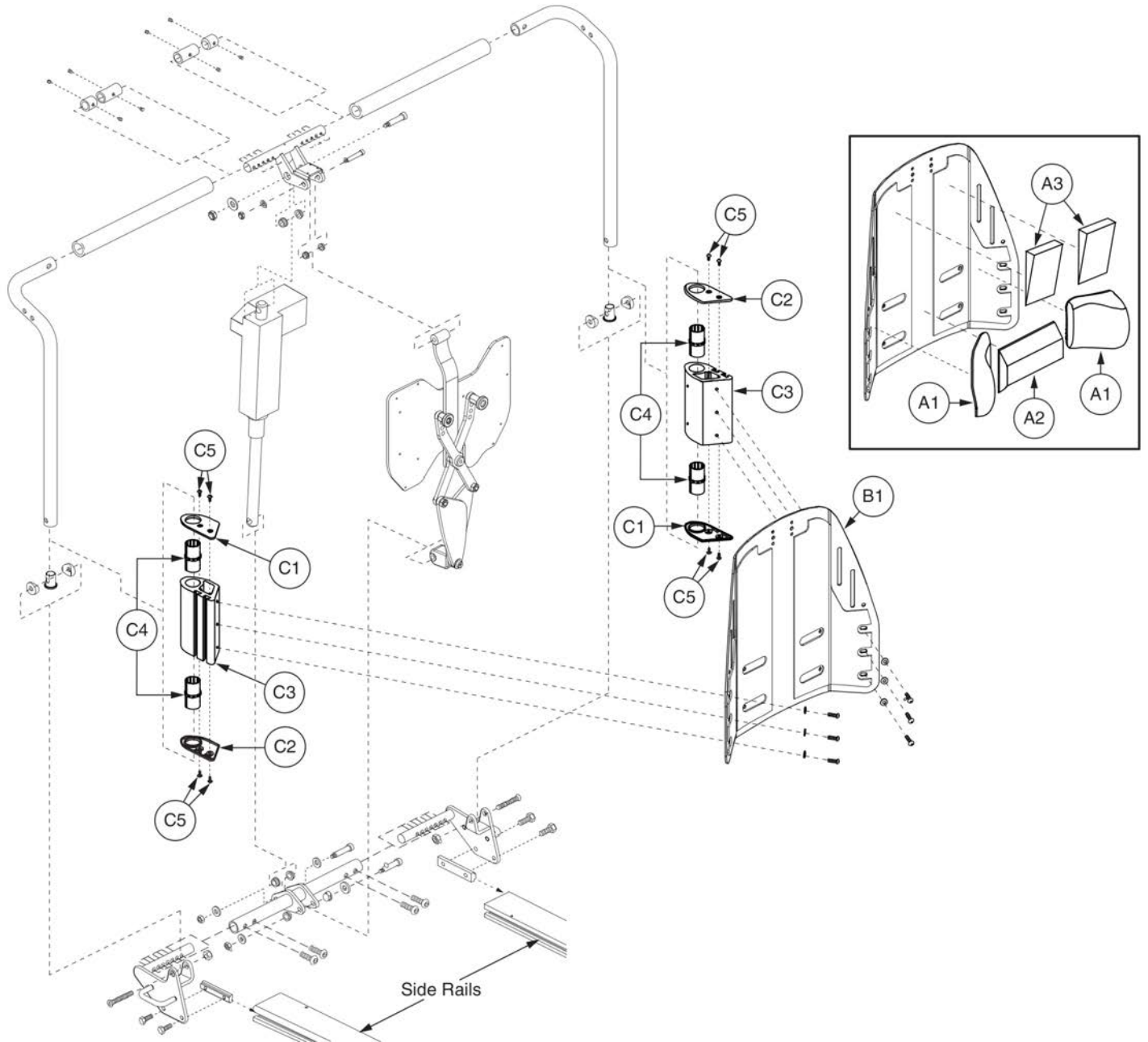


Standard Back and Cushion, 27"-28" H, TB2 Recline



Item	Part No.	Name	Qty
A1	DWR1359E036E	SEAT BACK,14"W,20"H,SYNERGY STANDARD,E-1359-036	1
A2	CUSASMB2385	CUSHION,ASSY,14"W,20"H,SYNERGY STANDARD BACK,E-1359-079	1
B1	DWR1359E036F	SEAT BACK,15"W,20"H,SYNERGY STANDARD,E-1359-036	1
B2	CUSASMB2386	CUSHION,ASSY,15"W,20"H,SYNERGY STANDARD BACK,E-1359-079	1
C1	DWR1359E036G	SEAT BACK,16"W,20"H,SYNERGY STANDARD,E-1359-036	1
C2	CUSASMB2387	CUSHION,ASSY,16"W,20"H,SYNERGY STANDARD BACK,E-1359-079	1
D1	DWR1359E036H	SEAT BACK,17"W,20"H,SYNERGY STANDARD	1
D2	CUSASMB2388	CUSHION,ASSY,17"W,20"H,SYNERGY STANDARD BACK	1
E1	DWR1359E036I	SEAT BACK,18"W,20"H,SYNERGY STANDARD,E-1359-036	1
E2	CUSASMB2389	CUSHION,ASSY,18"W,20"H,SYNERGY STANDARD BACK,E-1359-079	1
F1	DWR1359E036J	SEAT BACK,19"W,20"H,SYNERGY STANDARD,E-1359-036	1
F2	CUSASMB2390	CUSHION,ASSY,19"W,20"H,SYNERGY STANDARD BACK,E-1359-079	1
G1	DWR1359E036K	SEAT BACK,20"W,20"H,SYNERGY STANDARD,E-1359-036	1
G2	CUSASMB2391	CUSHION,ASSY,20"W,20"H,SYNERGY STANDARD BACK,E-1359-079	1
H1	DWR1359E036L	SEAT BACK,21"W,20"H,SYNERGY STANDARD,E-1359-036	1
H2	CUSASMB2392	CUSHION,ASSY,21"W,20"H,SYNERGY STANDARD BACK,E-1359-079	1
I1	DWR1359E036M	SEAT BACK,22"W,20"H,SYNERGY STANDARD,E-1359-036	1
I2	CUSASMB2393	CUSHION,ASSY,22"W,20"H,SYNERGY STANDARD BACK,E-1359-079	1
J1	DWR1359E036N	SEAT BACK,23"W,20"H,SYNERGY STANDARD,E-1359-036	1
J2	CUSASMB2394	CUSHION,ASSY,23"W,20"H,SYNERGY STANDARD BACK,E-1359-079	1
K1	DWR1359E036O	SEAT BACK,24"W,20"H,SYNERGY STANDARD,E-1359-036	1
K2	CUSASMB2395	CUSHION,ASSY,24"W,20"H,SYNERGY STANDARD BACK,E-1359-079	1
L1	DWR1044E456C	SEAT BACK,PRIVACY FLAP,6.75"W,SYNERGY STANDARD BACK,E- 1044-456	1
M1	DWR1044E456B	SEAT BACK,PRIVACY FLAP,9.75"W,SYNERGY STANDARD BACK,E-1044-456	1
N1	DWR1044E456A	SEAT BACK,PRIVACY FLAP,12.75"W,SYNERGY STANDARD BACK,E-1044-456	1

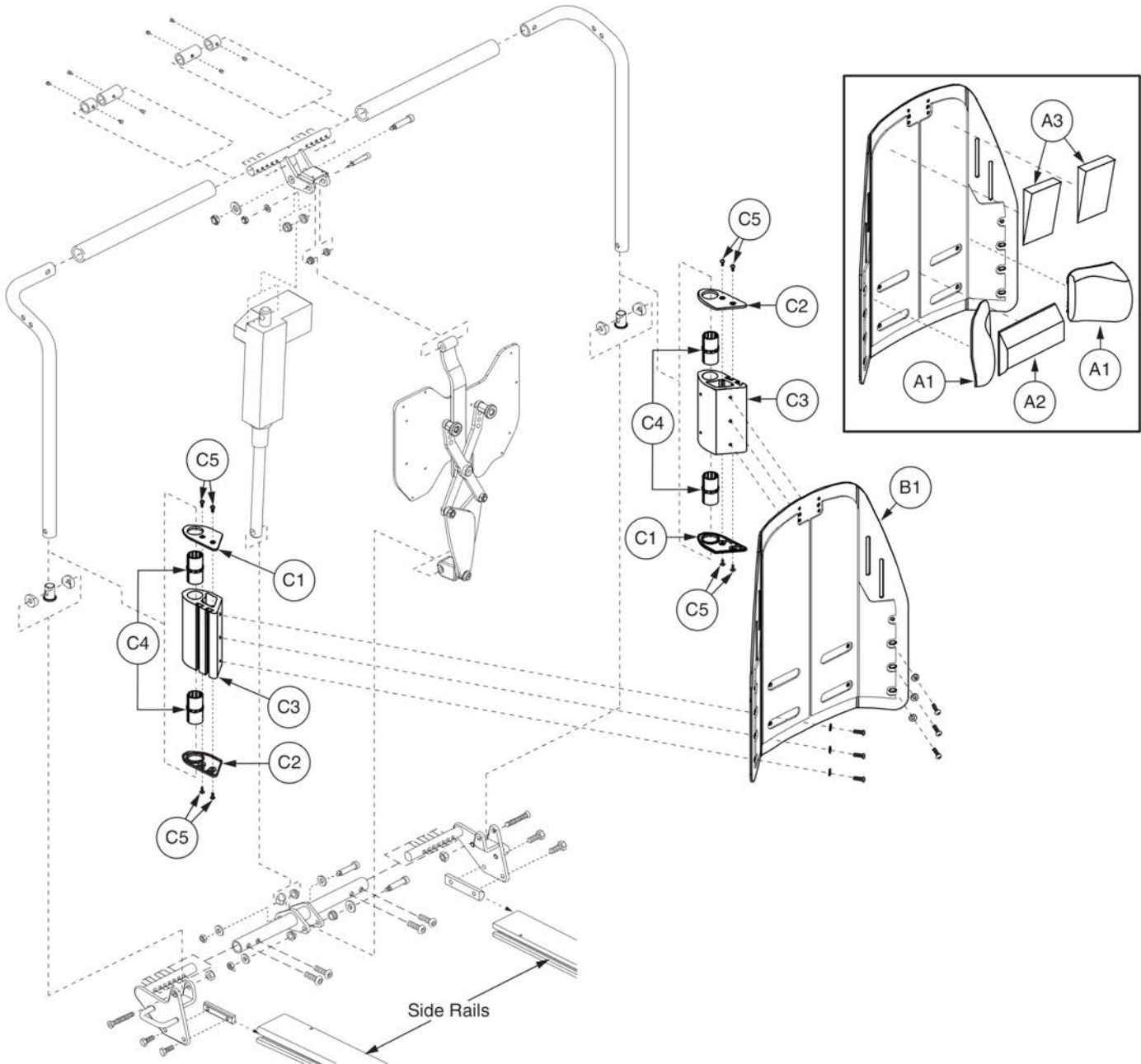
Tru-Comfort





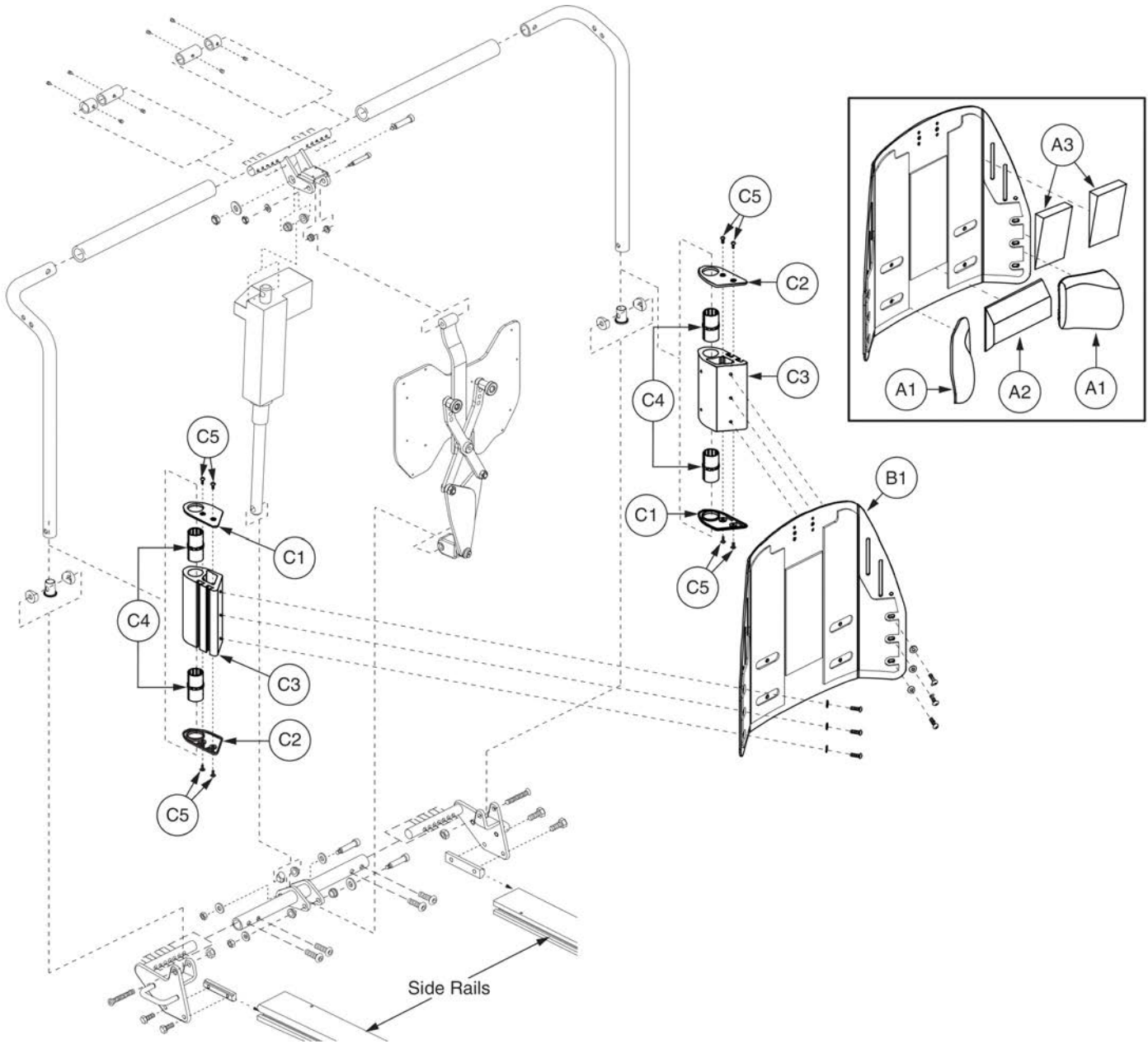
Item	Part No.	Name	Qty
A1 - C5	SETASMB6044	SEAT BACK,ASSY,16"W,22"H,Q-LOGIC,TRU-COMFORT RECLINE	1
A1 - B1	SETASMB5911	SEAT BACK,16"W,22"H,RECLINE,W/LATERAL & LUMBAR SUPPORT	1
A1	DWR1306E038	LATERAL SUPPORT,PLASTIC,TRU-COMFORT SEAT,LEFT/RIGHT	2
A2	DWR1306D014	CUSHION,LUMBAR SUPPORT,TRU-COMFORT SEAT,D-1306-014	1
A3	DWR1306D059	THORACIC SUPPORT,TRU-COMFORT SEAT,LEFT/RIGHT,D-1306-059	2
B1	FRMASMB9889	SEAT BACK,16"W,22"H,TRU-COMFORT/TRU-BALANCE RECLINE	1
C1 - C5	FRMASMB12695	LATERALS AND SLIDE EXTRUSION,ASSY,TRU-COMFORT RECLINE	2
C1	DWR1306D008	LATERAL EXTRUSION CAP,TRU-COMFORT RECLINE,RIGHT	1
C2	DWR1306D007	LATERAL EXTRUSION CAP,TRU-COMFORT RECLINE,LEFT	1
C3	DWR1306E037	LATERALS AND SLIDE EXTRUSION,TRU-COMFORT RECLINE	1
C4	BRGSLV1038	BEARING, SLEEVE,1.00"ID X 1.125"OD X 2.205"L,DRYLIN-R	2
C5		SCREW,PPH-THREAD CUTTING,BLACK ZINC,8-32 X .375",GR 2	4

Tru-Comfort



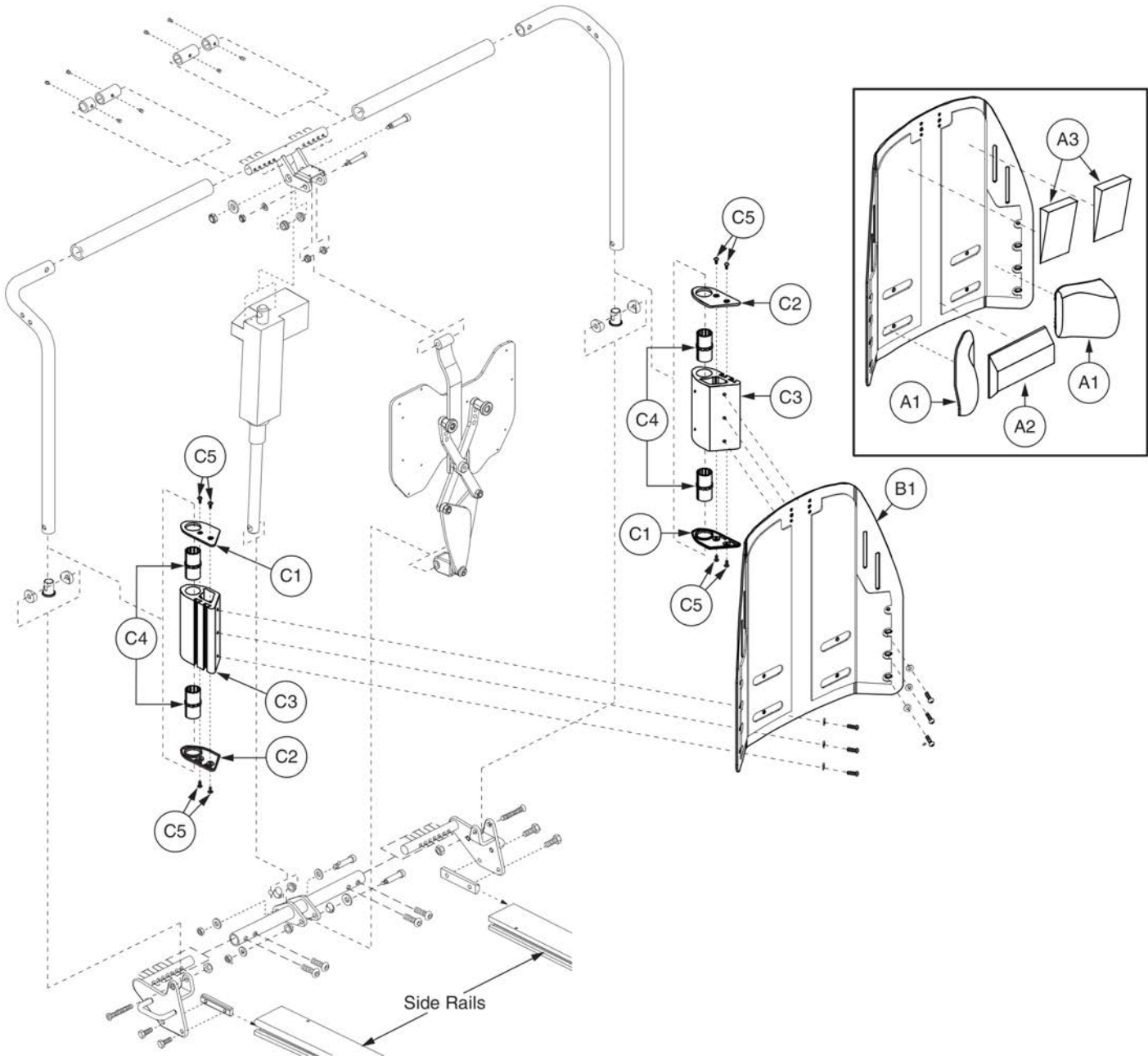
Item	Part No.	Name	Qty
A1 - C5	SETASMB6045	SEAT BACK,ASSY,16"W,25"H,Q-LOGIC,TRU-COMFORT RECLINE	1
A1 - B1	SETASMB5912	SEAT BACK,ASSY,16"W,25"H,TRU-COMFORT RECLINE,W/LATERAL & LUMBAR SUPPORT	1
A1	DWR1306E038	LATERAL SUPPORT,PLASTIC,TRU-COMFORT SEAT,LEFT/RIGHT	2
A2	DWR1306D014	CUSHION,LUMBAR SUPPORT,TRU-COMFORT SEAT,D-1306-014	1
A3	DWR1306D059	THORACIC SUPPORT,TRU-COMFORT SEAT,LEFT/RIGHT,D-1306-059	2
B1	FRMASMB9890	SEAT BACK,ASSY,16"W,25"H,TRU-COMFORT RECLINE,E-1306-057	1
C1 - C5	FRMASMB12695	LATERALS AND SLIDE EXTRUSION,ASSY,TRU-COMFORT RECLINE	2
C1	DWR1306D008	LATERAL EXTRUSION CAP,TRU-COMFORT RECLINE,RIGHT	1
C2	DWR1306D007	LATERAL EXTRUSION CAP,TRU-COMFORT RECLINE,LEFT	1
C3	DWR1306E037	LATERALS AND SLIDE EXTRUSION,TRU-COMFORT RECLINE	1
C4		BEARING, SLEEVE,1.00"ID X 1.125"OD X 2.205"L,DRYLIN-R	2
C5		SCREW,PPH-THREAD CUTTING,BLACK ZINC,8-32 X .375",GR 2	4

Tru-Comfort



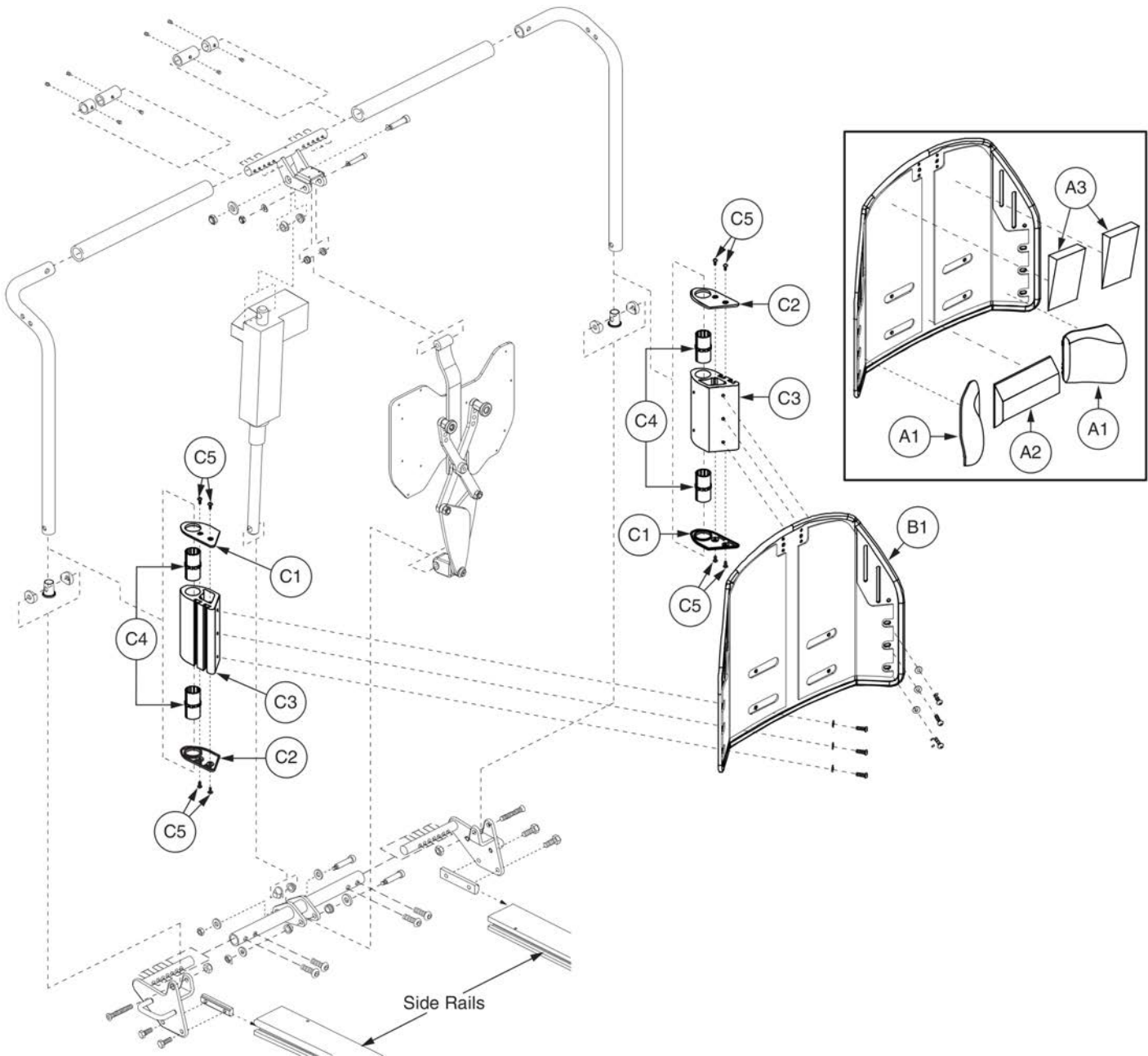
Item	Part No.	Name	Qty
A1 - C5	SETASMB6046	SEAT BACK,ASSY,18"W,22"H,Q-LOGIC,TRU-COMFORT RECLINE	1
A1 - B1	SETASMB5913	SEAT BACK,ASSY,18"W,22"H,TRU-COMFORT RECLINE,W/LATERAL & LUMBAR SUPPORT	1
A1	DWR1306E038	LATERAL SUPPORT,PLASTIC,TRU-COMFORT SEAT,LEFT/RIGHT	2
A2	DWR1306D014	CUSHION,LUMBAR SUPPORT,TRU-COMFORT SEAT,D-1306-014	1
A3	DWR1306D059	THORACIC SUPPORT,TRU-COMFORT SEAT,LEFT/RIGHT,D-1306-059	2
B1	FRMASMB9891	SEAT BACK,ASSY,18"W,22"H,TRU-COMFORT RECLINE BACK,TRUBALANCE RECLINE,E-1306-058	1
C1 - C5	FRMASMB12695	LATERALS AND SLIDE EXTRUSION,ASSY,TRU-COMFORT RECLINE	2
C1	DWR1306D008	LATERAL EXTRUSION CAP,TRU-COMFORT RECLINE,RIGHT	1
C2	DWR1306D007	LATERAL EXTRUSION CAP,TRU-COMFORT RECLINE,LEFT	1
C3	DWR1306E037	LATERALS AND SLIDE EXTRUSION,TRU-COMFORT RECLINE	1
C4		BEARING, SLEEVE,1.00"ID X 1.125"OD X 2.205"L,DRYLIN-R	2
C5		SCREW,PPH-THREAD CUTTING,BLACK ZINC,8-32 X .375",GR 2	4

Tru-Comfort



Item	Part No.	Name	Qty
A1 - C5	SETASMB6047	SEAT BACK,ASSY,18"W,27-28"H,TRU-COMFORT RECLINE	1
A1 - B1	SETASMB5914	SEAT BACK,ASSY,18"W,25"H,TRU-COMFORT RECLINE,W/LATERAL & LUMBAR SUPPORT	1
A1	DWR1306E038	LATERAL SUPPORT,PLASTIC,TRU-COMFORT SEAT,LEFT/RIGHT	2
A2	DWR1306D014	CUSHION,LUMBAR SUPPORT,TRU-COMFORT SEAT,D-1306-014	1
A3	DWR1306D059	THORACIC SUPPORT,TRU-COMFORT SEAT,LEFT/RIGHT,D-1306-059	2
B1	FRMASMB9892	SEAT BACK,ASSY,18"W,25"H,TRU-COMFORT RECLINE BACK,TRUBALANCE RECLINE,E-1306-059	1
C1 - C5	FRMASMB12695	LATERALS AND SLIDE EXTRUSION,ASSY,TRU-COMFORT RECLINE	2
C1	DWR1306D008	LATERAL EXTRUSION CAP,TRU-COMFORT RECLINE,RIGHT	1
C2	DWR1306D007	LATERAL EXTRUSION CAP,TRU-COMFORT RECLINE,LEFT	1
C3	DWR1306E037	LATERALS AND SLIDE EXTRUSION,TRU-COMFORT RECLINE	1
C4		BEARING, SLEEVE,1.00"ID X 1.125"OD X 2.205"L,DRYLIN-R	2
C5		SCREW,PPH-THREAD CUTTING,BLACK ZINC,8-32 X .375",GR 2	4

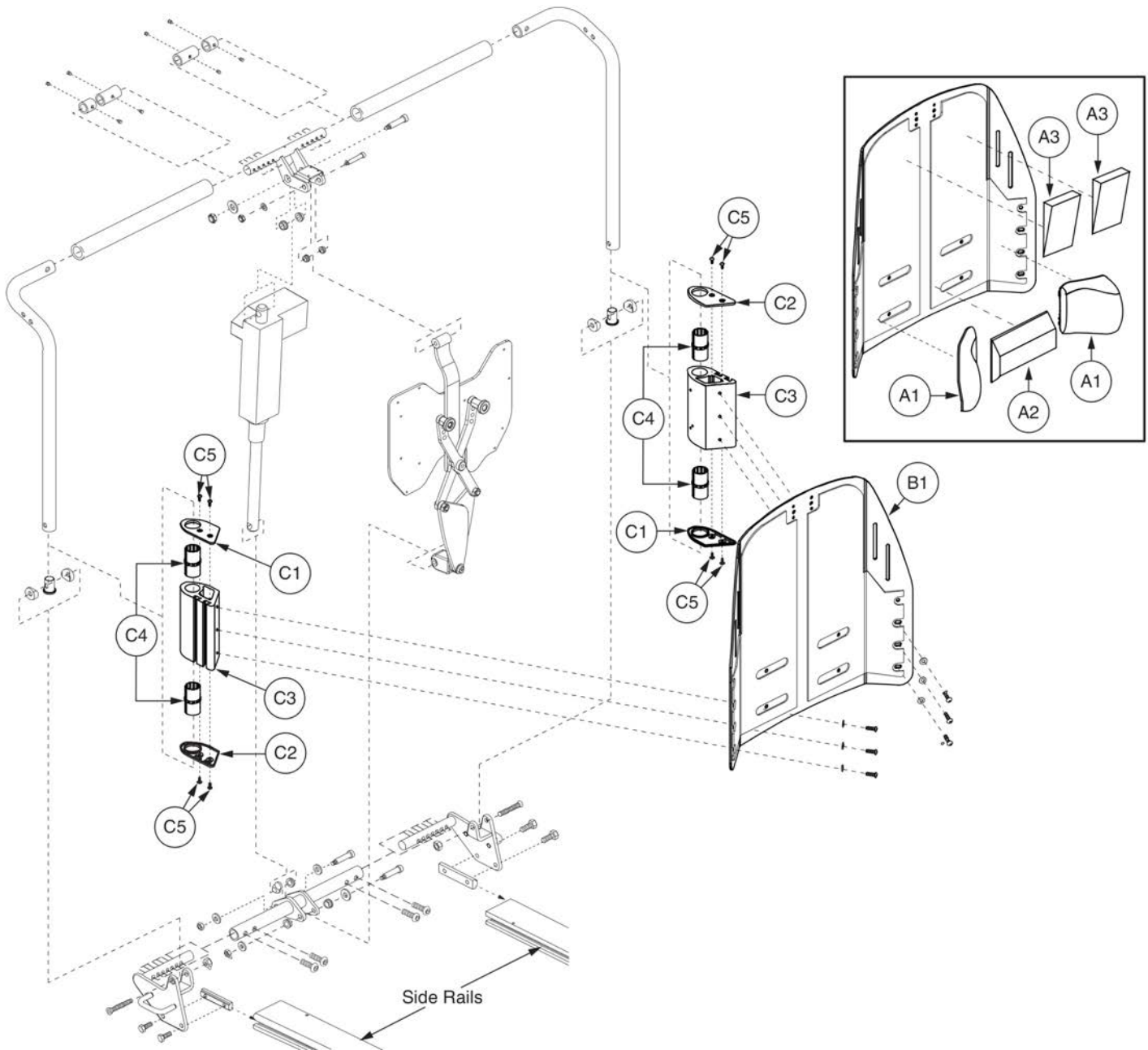
Tru-Comfort





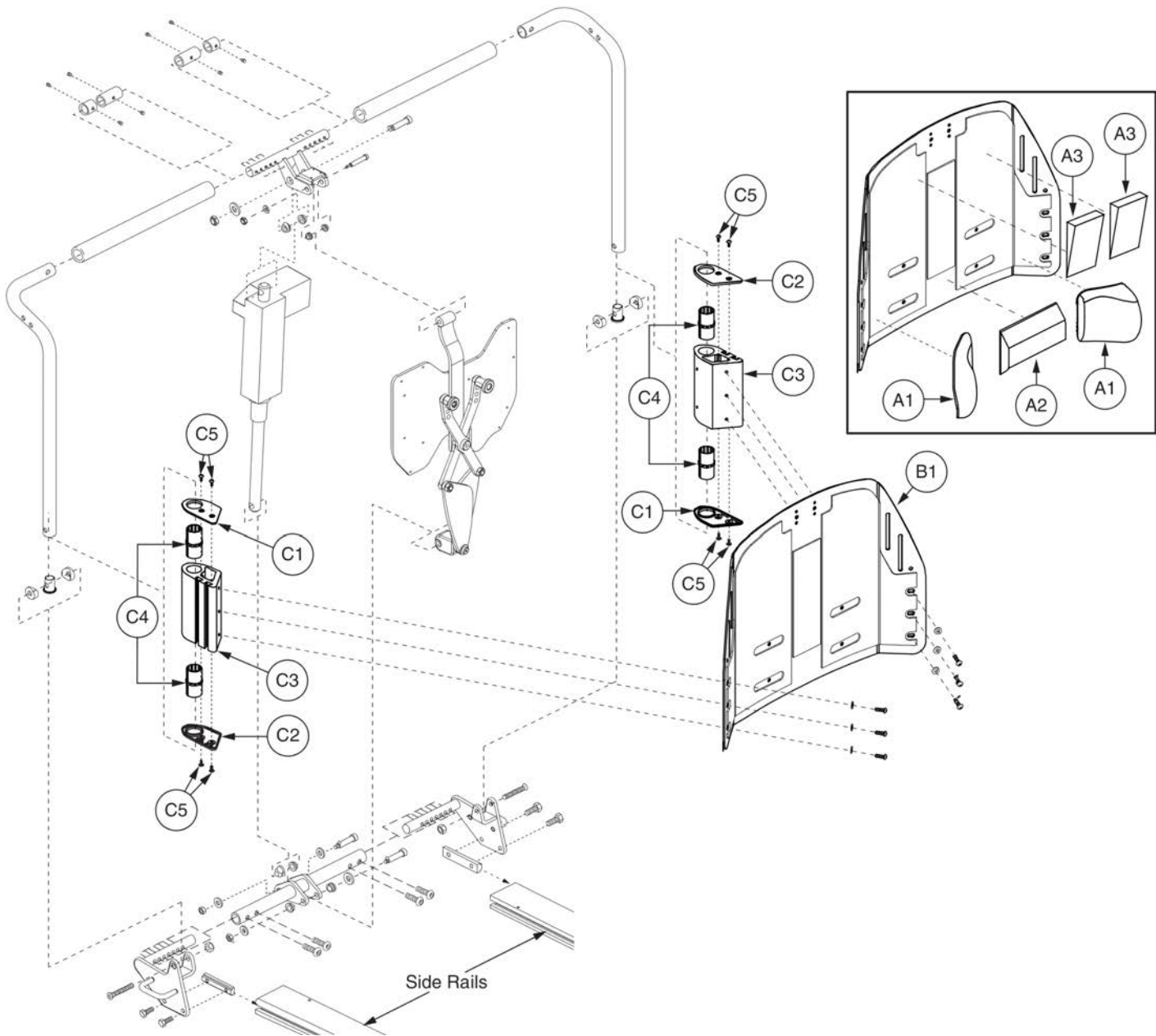
Item	Part No.	Name	Qty
A1 - C5	SETASMB6048	SEAT BACK,ASSY,20"W,22"H,TRU-COMFORT,TB2 RECLINE	1
A1 - B1	SETASMB5915	SEAT BACK,ASSY,20"W,22"H,TRU-COMFORT RECLINE,W/LATERAL & LUMBAR SUPPORT	1
A1	DWR1306E038	LATERAL SUPPORT,PLASTIC,TRU-COMFORT SEAT,LEFT/RIGHT	2
A2	DWR1306D014	CUSHION,LUMBAR SUPPORT,TRU-COMFORT SEAT,D-1306-014	1
A3	DWR1306D059	THORACIC SUPPORT,TRU-COMFORT SEAT,LEFT/RIGHT,D-1306-059	2
B1	FRMASMB9893	SEAT BACK,ASSY,20"W,22"H,TRU-COMFORT RECLINE BACK,TRUBALANCE RECLINE,E-1306-060	1
C1 - C5	FRMASMB12695	LATERALS AND SLIDE EXTRUSION,ASSY,TRU-COMFORT RECLINE	2
C1	DWR1306D008	LATERAL EXTRUSION CAP,TRU-COMFORT RECLINE,RIGHT	1
C2	DWR1306D007	LATERAL EXTRUSION CAP,TRU-COMFORT RECLINE,LEFT	1
C3	DWR1306E037	LATERALS AND SLIDE EXTRUSION,TRU-COMFORT RECLINE	1
C4		BEARING, SLEEVE,1.00"ID X 1.125"OD X 2.205"L,DRYLIN-R	2
C5		SCREW,PPH-THREAD CUTTING,BLACK ZINC,8-32 X .375",GR 2	4

Tru-Comfort



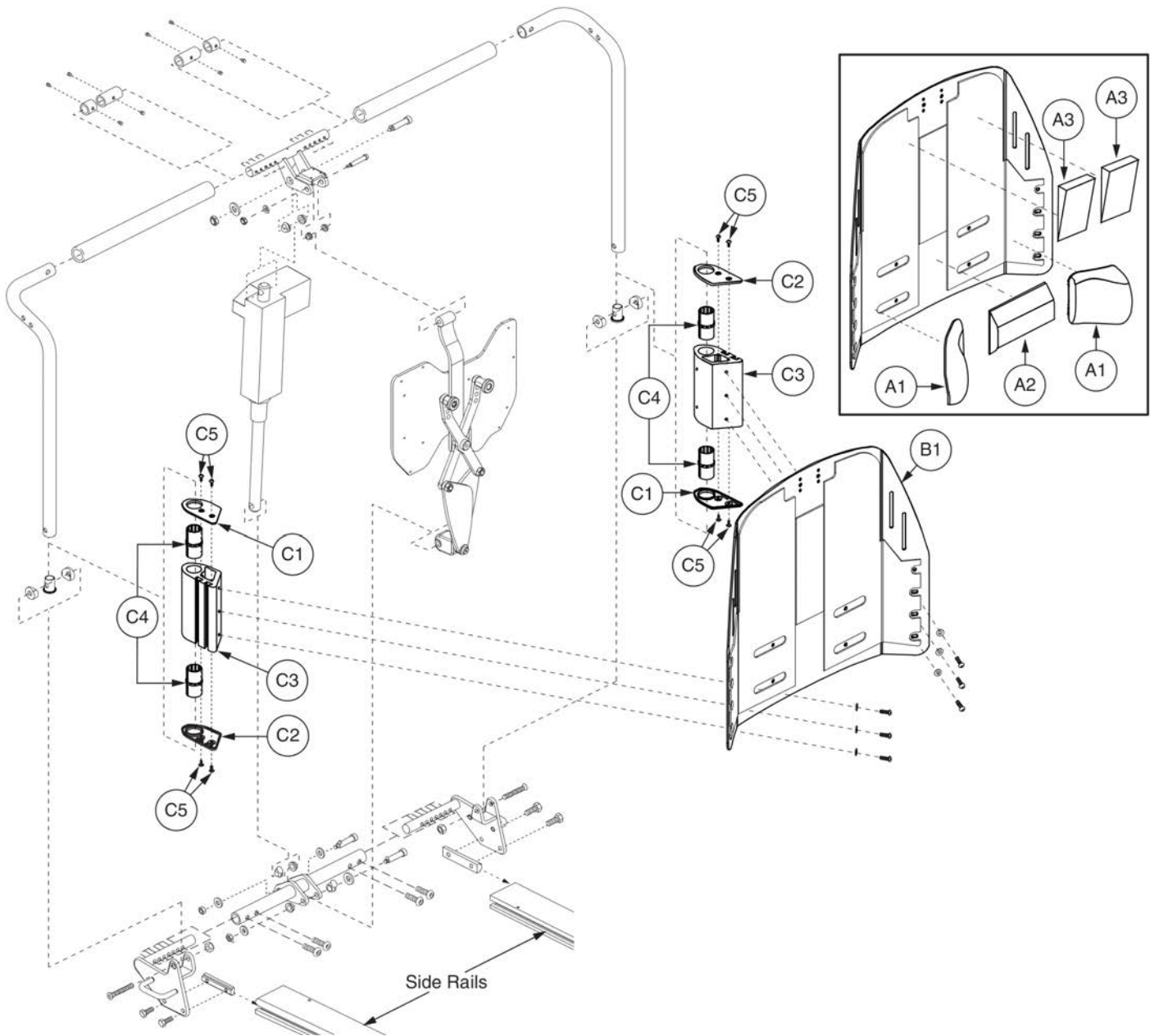
Item	Part No.	Name	Qty
A1 - C5	SETASMB6049	SEAT BACK,ASSY,20"W,25"H,Q-LOGIC,TRU-COMFORT RECLINE	1
A1 - B1	SETASMB5916	SEAT BACK,ASSY,20"W,25"H,TRU-COMFORT RECLINE,W/LATERAL & LUMBAR SUPPORT	1
A1	DWR1306E038	LATERAL SUPPORT,PLASTIC,TRU-COMFORT SEAT,LEFT/RIGHT	2
A2	DWR1306D014	CUSHION,LUMBAR SUPPORT,TRU-COMFORT SEAT,D-1306-014	1
A3	DWR1306D059	THORACIC SUPPORT,TRU-COMFORT SEAT,LEFT/RIGHT,D-1306-059	2
B1	FRMASMB9894	SEAT BACK,ASSY,20"W,25"H,TRU-COMFORT RECLINE BACK,TRUBALANCE RECLINE,E-1306-061	1
C1 - C5	FRMASMB12695	LATERALS AND SLIDE EXTRUSION,ASSY,TRU-COMFORT RECLINE	2
C1	DWR1306D008	LATERAL EXTRUSION CAP,TRU-COMFORT RECLINE,RIGHT	1
C2	DWR1306D007	LATERAL EXTRUSION CAP,TRU-COMFORT RECLINE,LEFT	1
C3	DWR1306E037	LATERALS AND SLIDE EXTRUSION,TRU-COMFORT RECLINE	1
C4		BEARING, SLEEVE,1.00"ID X 1.125"OD X 2.205"L,DRYLIN-R	2
C5		SCREW,PPH-THREAD CUTTING,BLACK ZINC,8-32 X .375",GR 2	4

Tru-Comfort



Item	Part No.	Name	Qty
A1 - C5	SETASMB6050	SEAT BACK,ASSY,22"W,22"H,Q-LOGIC,TRU-COMFORT RECLINE	1
A1 - B1	SETASMB5917	SEAT BACK,ASSY,22"W,22"H,TRU-COMFORT RECLINE,W/LATERAL & LUMBAR SUPPORT	1
A1	DWR1306E038	LATERAL SUPPORT,PLASTIC,TRU-COMFORT SEAT,LEFT/RIGHT	2
A2	DWR1306D014	CUSHION,LUMBAR SUPPORT,TRU-COMFORT SEAT,D-1306-014	1
A3	DWR1306D059	THORACIC SUPPORT,TRU-COMFORT SEAT,LEFT/RIGHT,D-1306-059	2
B1	FRMASMB9895	SEAT BACK,ASSY,22"W,22"H,TRU-COMFORT RECLINE BACK,TRUBALANCE RECLINE,E-1306-062	1
C1 - C5	FRMASMB12695	LATERALS AND SLIDE EXTRUSION,ASSY,TRU-COMFORT RECLINE	2
C1	DWR1306D008	LATERAL EXTRUSION CAP,TRU-COMFORT RECLINE,RIGHT	1
C2	DWR1306D007	LATERAL EXTRUSION CAP,TRU-COMFORT RECLINE,LEFT	1
C3	DWR1306E037	LATERALS AND SLIDE EXTRUSION,TRU-COMFORT RECLINE	1
C4	BRGSLV1038	BEARING, SLEEVE,1.00"ID X 1.125"OD X 2.205"L,DRYLIN-R	2
C5		SCREW,PPH-THREAD CUTTING,BLACK ZINC,8-32 X .375",GR 2	4

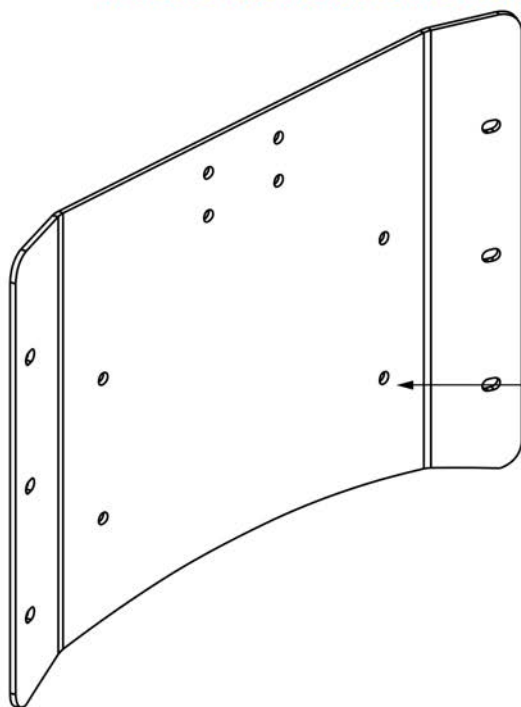
Tru-Comfort



Item	Part No.	Name	Qty
A1 - C5	SETASMB6051	SEAT BACK,ASSY,22"W,25"H,Q-LOGIC,TRU-COMFORT RECLINE	1
A1 - B1	SETASMB5918	SEAT BACK,ASSY,22"W,25"H,TRU-COMFORT RECLINE,W/LATERAL & LUMBAR SUPPORT	1
A1	DWR1306E038	LATERAL SUPPORT,PLASTIC,TRU-COMFORT SEAT,LEFT/RIGHT	2
A2	DWR1306D014	CUSHION,LUMBAR SUPPORT,TRU-COMFORT SEAT,D-1306-014	1
A3	DWR1306D059	THORACIC SUPPORT,TRU-COMFORT SEAT,LEFT/RIGHT,D-1306-059	2
B1	FRMASMB9896	SEAT BACK,ASSY,22"W,25"H,TRU-COMFORT RECLINE BACK,TRUBALANCE RECLINE,E-1306-063	1
C1 - C5	FRMASMB12695	LATERALS AND SLIDE EXTRUSION,ASSY,TRU-COMFORT RECLINE	2
C1	DWR1306D008	LATERAL EXTRUSION CAP,TRU-COMFORT RECLINE,RIGHT	1
C2	DWR1306D007	LATERAL EXTRUSION CAP,TRU-COMFORT RECLINE,LEFT	1
C3	DWR1306E037	LATERALS AND SLIDE EXTRUSION,TRU-COMFORT RECLINE	1
C4		BEARING, SLEEVE,1.00"ID X 1.125"OD X 2.205"L,DRYLIN-R	2
C5		SCREW,PPH-THREAD CUTTING,BLACK ZINC,8-32 X .375",GR 2	4

Back Plates

\*\*\*The Tru-Balance Power Recline Back Plates have been discontinued. These items are no longer available.\*\*\*



18" Height

A1a	14" Width
A1b	15" Width
A1c	16" Width
A1d	17" Width
A1e	18" Width
A1f	19" Width
A1g	20" Width
A1h	21" Width
A1i	22" Width
A1j	23" Width
A1k	24" Width



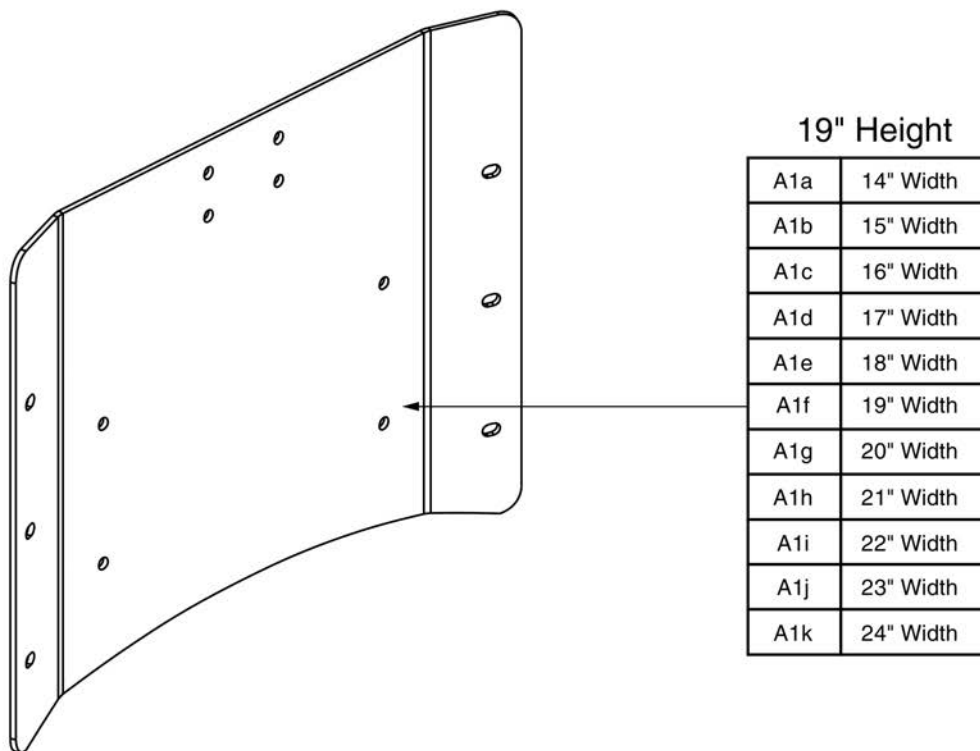
## Back Plate - 18"H, TB2 Recline



Item	Part No.	Name	Qty
A1a		SEAT BACK,PLATE,14"W,18"H,9.750" RADIUS HEIGHT,TRU-BALANCE POWER RECLINE,E-1367-041	1
A1b		SEAT BACK,PLATE,15"W,18"H,9.750" RADIUS HEIGHT,TRU-BALANCE POWER RECLINE,E-1367-040	1
A1c		SEAT BACK,PLATE,16"W,18"H,9.750" RADIUS HEIGHT,TRU-BALANCE POWER RECLINE,E-1367-039	1
A1d		SEAT BACK,PLATE,17"W,18"H,9.750" RADIUS HEIGHT,TRU-BALANCE POWER RECLINE,E-1367-038	1
A1e		SEAT BACK,PLATE,18"W,18"H,9.750" RADIUS HEIGHT,TRU-BALANCE POWER RECLINE,E-1367-030	1
A1f		SEAT BACK,PLATE,19"W,18"H,9.750" RADIUS HEIGHT,TRU-BALANCE POWER RECLINE,E-1367-037	1
A1g		SEAT BACK,PLATE,20"W,18"H,9.750" RADIUS HEIGHT,TRU-BALANCE POWER RECLINE,E-1367-036	1
A1h		SEAT BACK,PLATE,21"W,18"H,9.750" RADIUS HEIGHT,TRU-BALANCE POWER RECLINE,E-1367-035	1
A1i		SEAT BACK,PLATE,22"W,18"H,9.750" RADIUS HEIGHT,TRU-BALANCE POWER RECLINE,E-1367-034	1
A1j		SEAT BACK,PLATE,23"W,18"H,9.750" RADIUS HEIGHT,TRU-BALANCE POWER RECLINE,E-1367-033	1
A1k		SEAT BACK,PLATE,24"W,18"H,9.750" RADIUS HEIGHT,TRU-BALANCE POWER RECLINE,E-1367-032	1

Back Plates

\*\*\*The Tru-Balance Power Recline Back Plates have been discontinued. These items are no longer available.\*\*\*



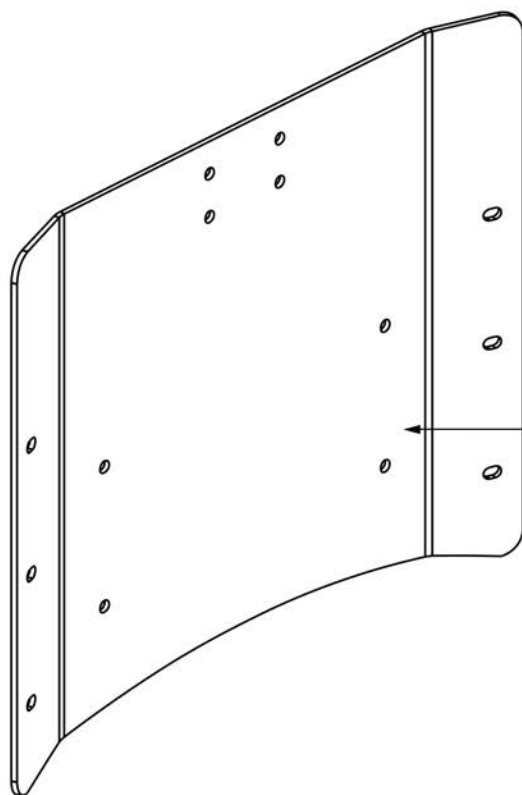
## Back Plate - 19"H, TB2 Recline



Item	Part No.	Name	Qty
A1a		SEAT BACK,PLATE,14"W,19"H,10.750" RADIUS HEIGHT,TRU-BALANCE POWER RECLINE,E-1367-041	1
A1b		SEAT BACK,PLATE,15"W,19"H,10.750" RADIUS HEIGHT,TRU-BALANCE POWER RECLINE,E-1367-040	1
A1c		SEAT BACK,PLATE,16"W,19"H,10.750" RADIUS HEIGHT,TRU-BALANCE POWER RECLINE,E-1367-039	1
A1d		SEAT BACK,PLATE,17"W,19"H,10.750" RADIUS HEIGHT,TRU-BALANCE POWER RECLINE,E-1367-038	1
A1e		SEAT BACK,PLATE,18"W,19"H,10.750" RADIUS HEIGHT,TRU-BALANCE POWER RECLINE,E-1367-030	1
A1f		SEAT BACK,PLATE,19"W,19"H,10.750" RADIUS HEIGHT,TRU-BALANCE POWER RECLINE,E-1367-037	1
A1g		SEAT BACK,PLATE,20"W,19"H,10.750" RADIUS HEIGHT,TRU-BALANCE POWER RECLINE,E-1367-036	1
A1h		SEAT BACK,PLATE,21"W,19"H,10.750" RADIUS HEIGHT,TRU-BALANCE POWER RECLINE,E-1367-035	1
A1i		SEAT BACK,PLATE,22"W,19"H,10.750" RADIUS HEIGHT,TRU-BALANCE POWER RECLINE,E-1367-034	1
A1j		SEAT BACK,PLATE,23"W,19"H,10.750" RADIUS HEIGHT,TRU-BALANCE POWER RECLINE,E-1367-033	1
A1k		SEAT BACK,PLATE,24"W,19"H,10.750" RADIUS HEIGHT,TRU-BALANCE POWER RECLINE,E-1367-032	1

Back Plates

\*\*\*The Tru-Balance Power Recline Back Plates have been discontinued. These items are no longer available.\*\*\*



20" Height

A1a	14" Width
A1b	15" Width
A1c	16" Width
A1d	17" Width
A1e	18" Width
A1f	19" Width
A1g	20" Width
A1h	21" Width
A1i	22" Width
A1j	23" Width
A1k	24" Width

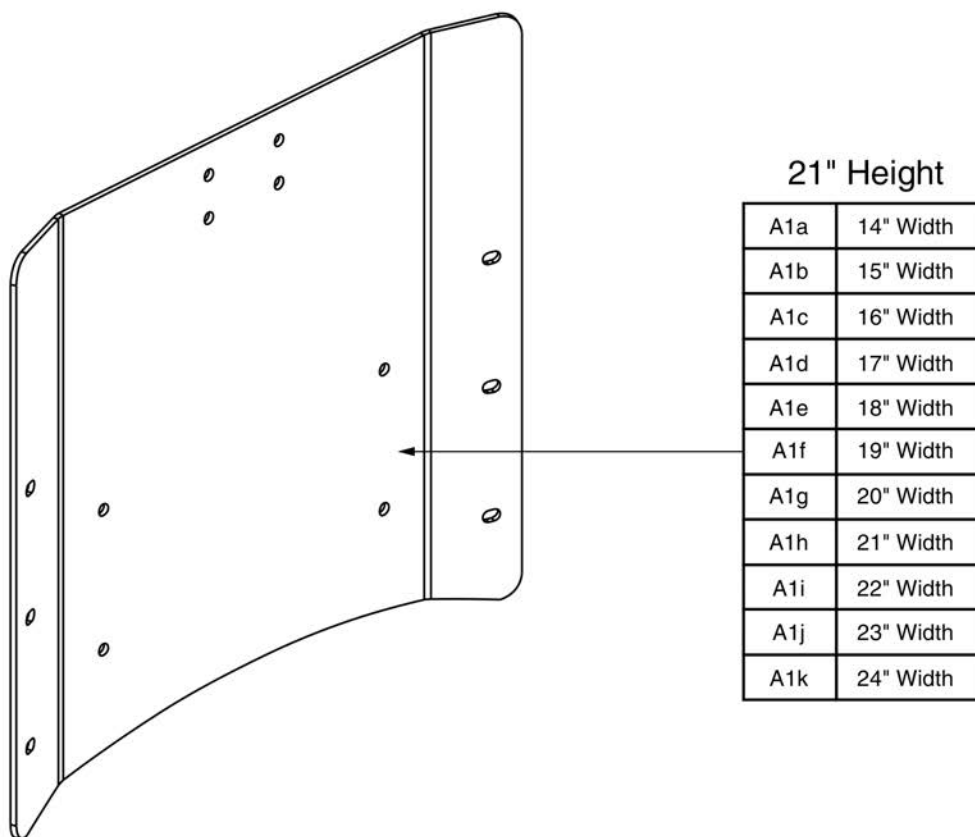
## Back Plate - 20"H, TB2 Recline



Item	Part No.	Name	Qty
A1a		SEAT BACK,PLATE,14"W,20"H,11.750" RADIUS HEIGHT,TRU-BALANCE POWER RECLINE,E-1367-041	1
A1b		SEAT BACK,PLATE,15"W,20"H,11.750" RADIUS HEIGHT,TRU-BALANCE POWER RECLINE,E-1367-040	1
A1c		SEAT BACK,PLATE,16"W,20"H,11.750" RADIUS HEIGHT,TRU-BALANCE POWER RECLINE,E-1367-039	1
A1d		SEAT BACK,PLATE,17"W,20"H,11.750" RADIUS HEIGHT,TRU-BALANCE POWER RECLINE,E-1367-038	1
A1e		SEAT BACK,PLATE,18"W,20"H,11.750" RADIUS HEIGHT,TRU-BALANCE POWER RECLINE,E-1367-030	1
A1f		SEAT BACK,PLATE,19"W,20"H,11.750" RADIUS HEIGHT,TRU-BALANCE POWER RECLINE,E-1367-037	1
A1g		SEAT BACK,PLATE,20"W,20"H,11.750" RADIUS HEIGHT,TRU-BALANCE POWER RECLINE,E-1367-036	1
A1h		SEAT BACK,PLATE,21"W,20"H,11.750" RADIUS HEIGHT,TRU-BALANCE POWER RECLINE,E-1367-035	1
A1i		SEAT BACK,PLATE,22"W,20"H,11.750" RADIUS HEIGHT,TRU-BALANCE POWER RECLINE,E-1367-034	1
A1j		SEAT BACK,PLATE,23"W,20"H,11.750" RADIUS HEIGHT,TRU-BALANCE POWER RECLINE,E-1367-033	1
A1k		SEAT BACK,PLATE,24"W,20"H,11.750" RADIUS HEIGHT,TRU-BALANCE POWER RECLINE,E-1367-032	1

Back Plates

\*\*\*The Tru-Balance Power Recline Back Plates have been discontinued. These items are no longer available.\*\*\*



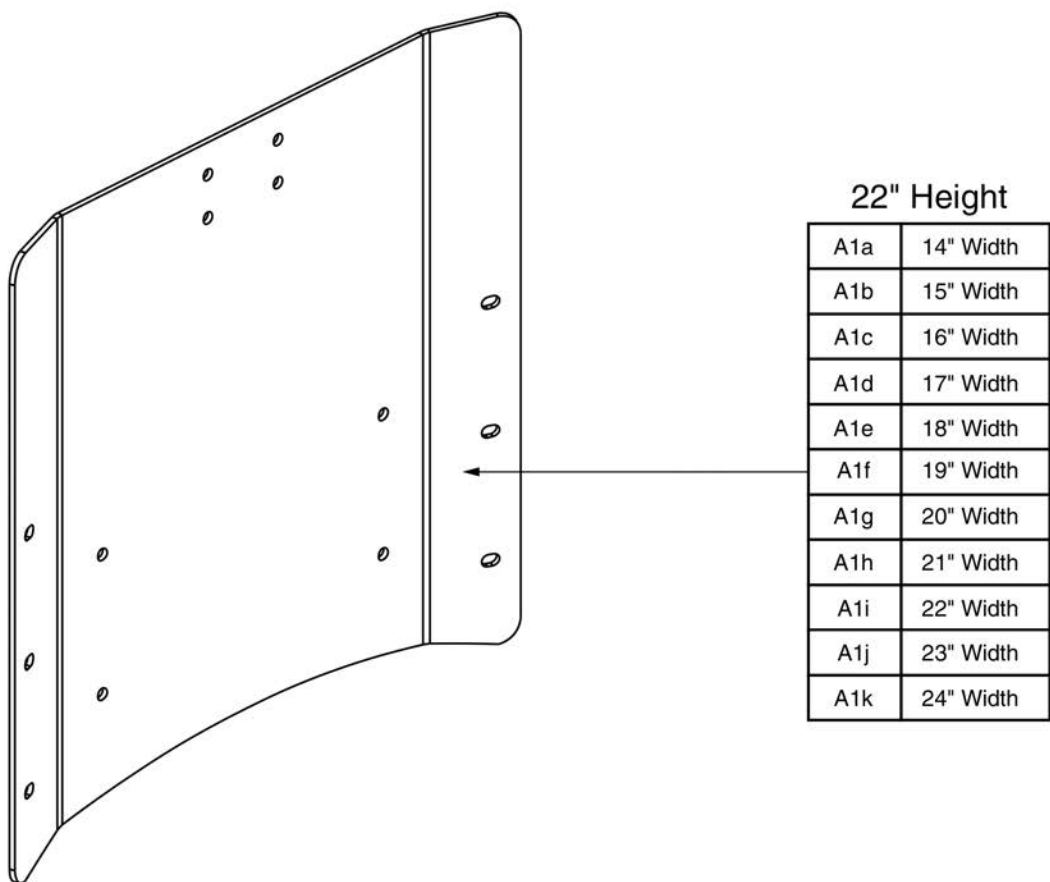
## Back Plate - 21"H, TB2 Recline



Item	Part No.	Name	Qty
A1a		SEAT BACK,PLATE,14"W,21"H,12.750" RADIUS HEIGHT,TRU-BALANCE POWER RECLINE,E-1367-041	1
A1b		SEAT BACK,PLATE,15"W,21"H,12.750" RADIUS HEIGHT,TRU-BALANCE POWER RECLINE,E-1367-040	1
A1c		SEAT BACK,PLATE,16"W,21"H,12.750" RADIUS HEIGHT,TRU-BALANCE POWER RECLINE,E-1367-039	1
A1d		SEAT BACK,PLATE,17"W,21"H,12.750" RADIUS HEIGHT,TRU-BALANCE POWER RECLINE,E-1367-038	1
A1e		SEAT BACK,PLATE,18"W,21"H,12.750" RADIUS HEIGHT,TRU-BALANCE POWER RECLINE,E-1367-030	1
A1f		SEAT BACK,PLATE,19"W,21"H,12.750" RADIUS HEIGHT,TRU-BALANCE POWER RECLINE,E-1367-037	1
A1g		SEAT BACK,PLATE,20"W,21"H,12.750" RADIUS HEIGHT,TRU-BALANCE POWER RECLINE,E-1367-036	1
A1h		SEAT BACK,PLATE,21"W,21"H,12.750" RADIUS HEIGHT,TRU-BALANCE POWER RECLINE,E-1367-035	1
A1i		SEAT BACK,PLATE,22"W,21"H,12.750" RADIUS HEIGHT,TRU-BALANCE POWER RECLINE,E-1367-034	1
A1j		SEAT BACK,PLATE,23"W,21"H,12.750" RADIUS HEIGHT,TRU-BALANCE POWER RECLINE,E-1367-033	1
A1k		SEAT BACK,PLATE,24"W,21"H,12.750" RADIUS HEIGHT,TRU-BALANCE POWER RECLINE,E-1367-032	1

Back Plates

\*\*\*The Tru-Balance Power Recline Back Plates have been discontinued. These items are no longer available.\*\*\*





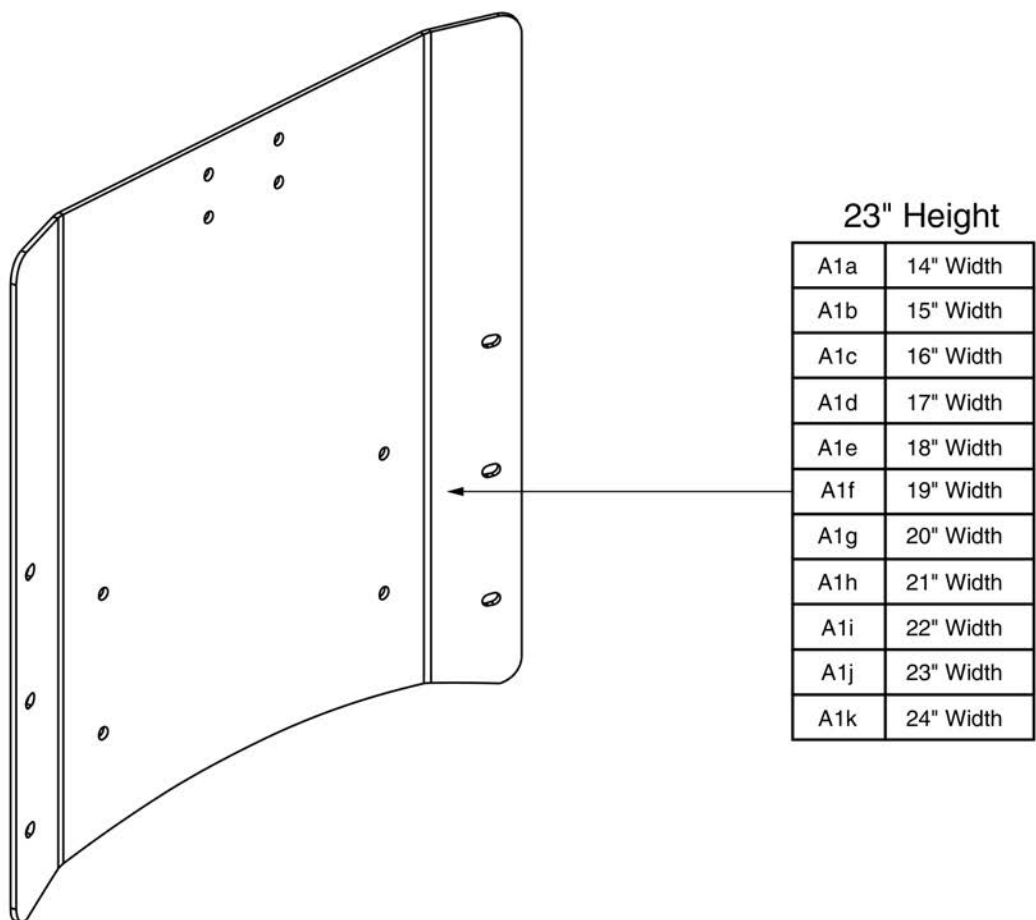
## Back Plate - 22"H, TB2 Recline



Item	Part No.	Name	Qty
A1a		SEAT BACK,PLATE,14"W,22"H,13.750" RADIUS HEIGHT,TRU-BALANCE POWER RECLINE,E-1367-041	1
A1b		SEAT BACK,PLATE,15"W,22"H,13.750" RADIUS HEIGHT,TRU-BALANCE POWER RECLINE,E-1367-040	1
A1c		SEAT BACK,PLATE,16"W,22"H,13.750" RADIUS HEIGHT,TRU-BALANCE POWER RECLINE,E-1367-039	1
A1d		SEAT BACK,PLATE,17"W,22"H,13.750" RADIUS HEIGHT,TRU-BALANCE POWER RECLINE,E-1367-038	1
A1e		SEAT BACK,PLATE,18"W,22"H,13.750" RADIUS HEIGHT,TRU-BALANCE POWER RECLINE,E-1367-030	1
A1f		SEAT BACK,PLATE,19"W,22"H,13.750" RADIUS HEIGHT,TRU-BALANCE POWER RECLINE,E-1367-037	1
A1g		SEAT BACK,PLATE,20"W,22"H,13.750" RADIUS HEIGHT,TRU-BALANCE POWER RECLINE,E-1367-036	1
A1h		SEAT BACK,PLATE,21"W,22"H,13.750" RADIUS HEIGHT,TRU-BALANCE POWER RECLINE,E-1367-035	1
A1i		SEAT BACK,PLATE,22"W,22"H,13.750" RADIUS HEIGHT,TRU-BALANCE POWER RECLINE,E-1367-034	1
A1j		SEAT BACK,PLATE,23"W,22"H,13.750" RADIUS HEIGHT,TRU-BALANCE POWER RECLINE,E-1367-033	1
A1k		SEAT BACK,PLATE,24"W,22"H,13.750" RADIUS HEIGHT,TRU-BALANCE POWER RECLINE,E-1367-032	1

Back Plates

\*\*\*The Tru-Balance Power Recline Back Plates have been discontinued. These items are no longer available.\*\*\*



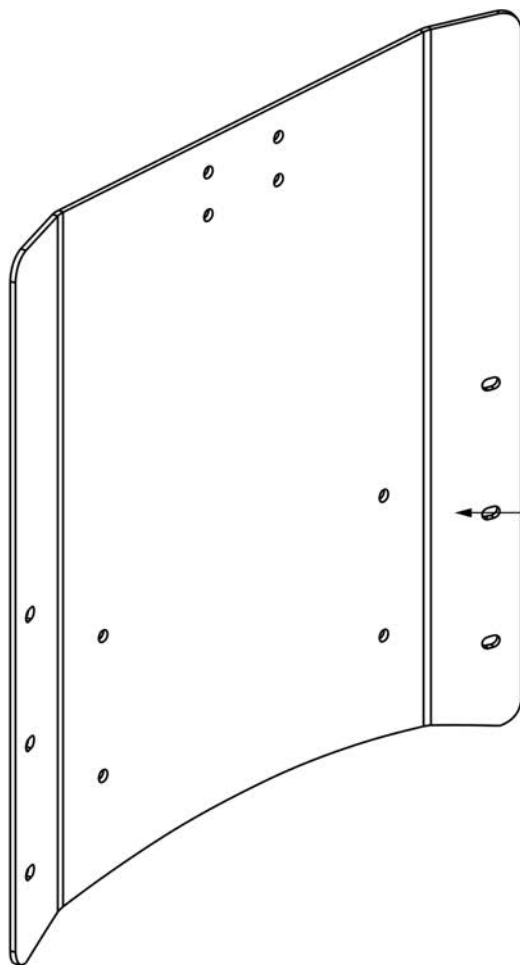
## Back Plate - 23"H, TB2 Recline



Item	Part No.	Name	Qty
A1a		SEAT BACK,PLATE,14"W,23"H,14.750" RADIUS HEIGHT,TRU-BALANCE POWER RECLINE,E-1367-041	1
A1b		SEAT BACK,PLATE,15"W,23"H,14.750" RADIUS HEIGHT,TRU-BALANCE POWER RECLINE,E-1367-040	1
A1c		SEAT BACK,PLATE,16"W,23"H,14.750" RADIUS HEIGHT,TRU-BALANCE POWER RECLINE,E-1367-039	1
A1d		SEAT BACK,PLATE,17"W,23"H,14.750" RADIUS HEIGHT,TRU-BALANCE POWER RECLINE,E-1367-038	1
A1e		SEAT BACK,PLATE,18"W,23"H,14.750" RADIUS HEIGHT,TRU-BALANCE POWER RECLINE,E-1367-030	1
A1f		SEAT BACK,PLATE,19"W,23"H,14.750" RADIUS HEIGHT,TRU-BALANCE POWER RECLINE,E-1367-037	1
A1g		SEAT BACK,PLATE,20"W,23"H,14.750" RADIUS HEIGHT,TRU-BALANCE POWER RECLINE,E-1367-036	1
A1h		SEAT BACK,PLATE,21"W,23"H,14.750" RADIUS HEIGHT,TRU-BALANCE POWER RECLINE,E-1367-035	1
A1i		SEAT BACK,PLATE,22"W,23"H,14.750" RADIUS HEIGHT,TRU-BALANCE POWER RECLINE,E-1367-034	1
A1j		SEAT BACK,PLATE,23"W,23"H,14.750" RADIUS HEIGHT,TRU-BALANCE POWER RECLINE,E-1367-033	1
A1k		SEAT BACK,PLATE,24"W,23"H,14.750" RADIUS HEIGHT,TRU-BALANCE POWER RECLINE,E-1367-032	1

Back Plates

\*\*\*The Tru-Balance Power Recline Back Plates have been discontinued. These items are no longer available.\*\*\*



24" Height

A1a	14" Width
A1b	15" Width
A1c	16" Width
A1d	17" Width
A1e	18" Width
A1f	19" Width
A1g	20" Width
A1h	21" Width
A1i	22" Width
A1j	23" Width
A1k	24" Width

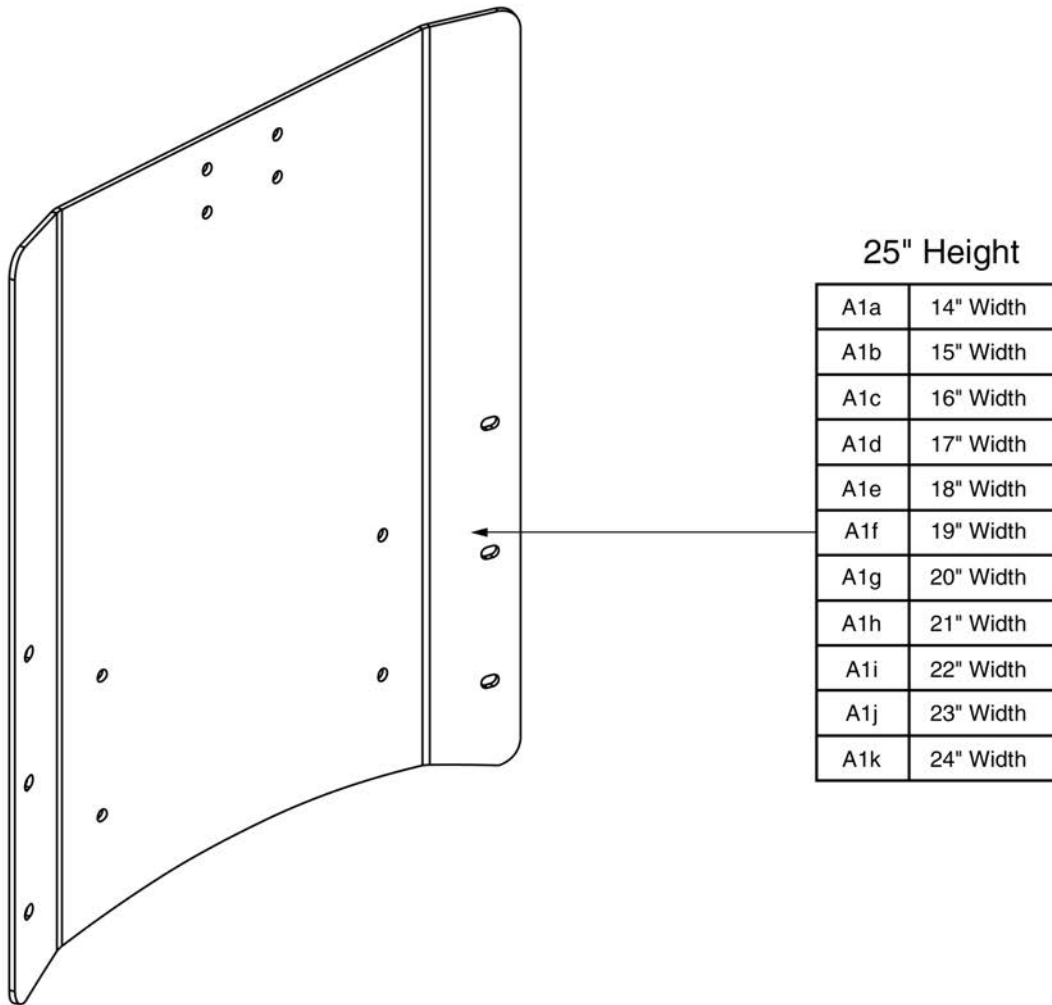
## Back Plate - 24"H, TB2 Recline



Item	Part No.	Name	Qty
A1a		SEAT BACK,PLATE,14"W,24"H,15.750" RADIUS HEIGHT,TRU-BALANCE POWER RECLINE,E-1367-041	1
A1b		SEAT BACK,PLATE,15"W,24"H,15.750" RADIUS HEIGHT,TRU-BALANCE POWER RECLINE,E-1367-040	1
A1c		SEAT BACK,PLATE,16"W,24"H,15.750" RADIUS HEIGHT,TRU-BALANCE POWER RECLINE,E-1367-039	1
A1d		SEAT BACK,PLATE,17"W,24"H,15.750" RADIUS HEIGHT,TRU-BALANCE POWER RECLINE,E-1367-038	1
A1e		SEAT BACK,PLATE,18"W,24"H,15.750" RADIUS HEIGHT,TRU-BALANCE POWER RECLINE,E-1367-030	1
A1f		SEAT BACK,PLATE,19"W,24"H,15.750" RADIUS HEIGHT,TRU-BALANCE POWER RECLINE,E-1367-037	1
A1g		SEAT BACK,PLATE,20"W,24"H,15.750" RADIUS HEIGHT,TRU-BALANCE POWER RECLINE,E-1367-036	1
A1h		SEAT BACK,PLATE,21"W,24"H,15.750" RADIUS HEIGHT,TRU-BALANCE POWER RECLINE,E-1367-035	1
A1i		SEAT BACK,PLATE,22"W,24"H,15.750" RADIUS HEIGHT,TRU-BALANCE POWER RECLINE,E-1367-034	1
A1j		SEAT BACK,PLATE,23"W,24"H,15.750" RADIUS HEIGHT,TRU-BALANCE POWER RECLINE,E-1367-033	1
A1k		SEAT BACK,PLATE,24"W,24"H,15.750" RADIUS HEIGHT,TRU-BALANCE POWER RECLINE,E-1367-032	1

Back Plates

\*\*\*The Tru-Balance Power Recline Back Plates have been discontinued. These items are no longer available.\*\*\*



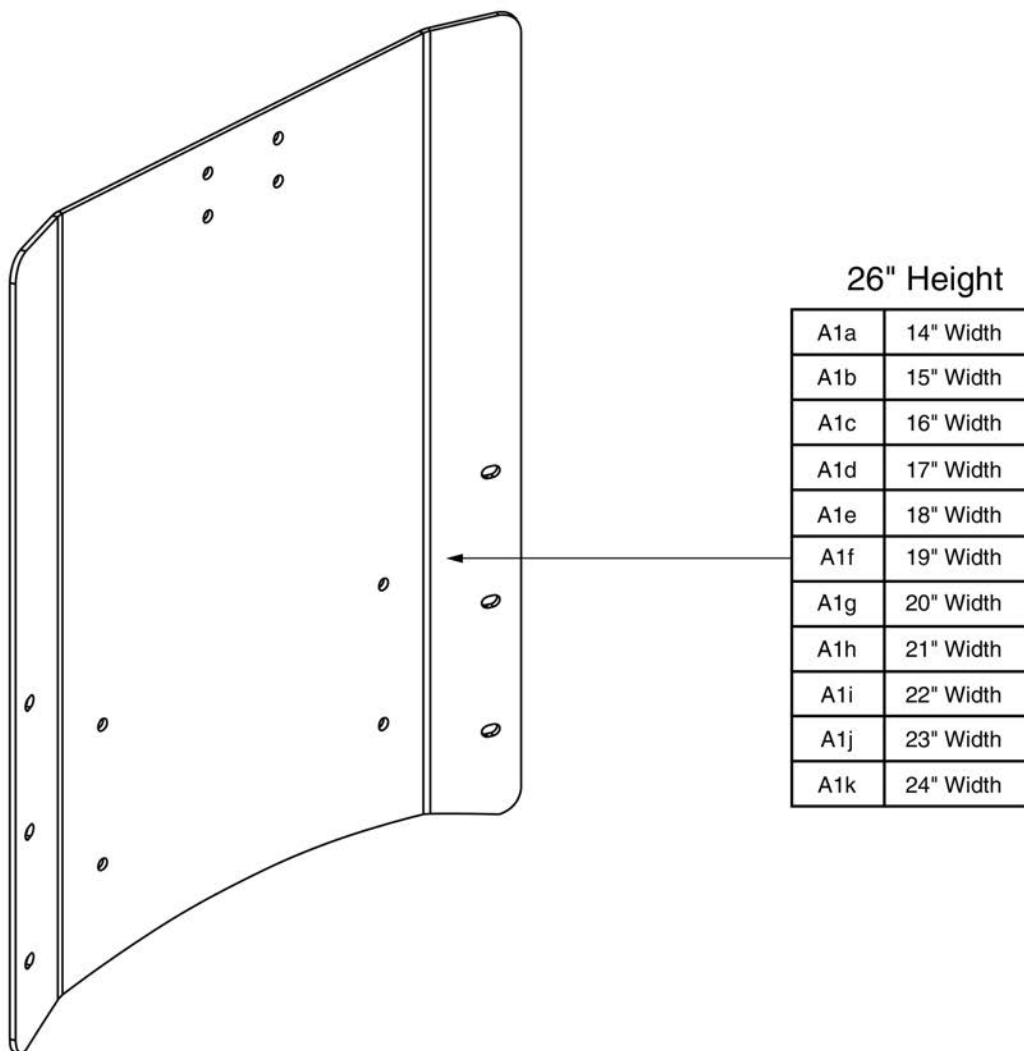
## Back Plate - 25"H, TB2 Recline



Item	Part No.	Name	Qty
A1a		SEAT BACK,PLATE,14"W,25"H,16.750" RADIUS HEIGHT,TRU-BALANCE POWER RECLINE,E-1367-041	1
A1b		SEAT BACK,PLATE,15"W,25"H,16.750" RADIUS HEIGHT,TRU-BALANCE POWER RECLINE,E-1367-040	1
A1c		SEAT BACK,PLATE,16"W,25"H,16.750" RADIUS HEIGHT,TRU-BALANCE POWER RECLINE,E-1367-039	1
A1d		SEAT BACK,PLATE,17"W,25"H,16.750" RADIUS HEIGHT,TRU-BALANCE POWER RECLINE,E-1367-038	1
A1e		SEAT BACK,PLATE,18"W,25"H,16.750" RADIUS HEIGHT,TRU-BALANCE POWER RECLINE,E-1367-030	1
A1f		SEAT BACK,PLATE,19"W,25"H,16.750" RADIUS HEIGHT,TRU-BALANCE POWER RECLINE,E-1367-037	1
A1g		SEAT BACK,PLATE,20"W,25"H,16.750" RADIUS HEIGHT,TRU-BALANCE POWER RECLINE,E-1367-036	1
A1h		SEAT BACK,PLATE,21"W,25"H,16.750" RADIUS HEIGHT,TRU-BALANCE POWER RECLINE,E-1367-035	1
A1i		SEAT BACK,PLATE,22"W,25"H,16.750" RADIUS HEIGHT,TRU-BALANCE POWER RECLINE,E-1367-034	1
A1j		SEAT BACK,PLATE,23"W,25"H,16.750" RADIUS HEIGHT,TRU-BALANCE POWER RECLINE,E-1367-033	1
A1k		SEAT BACK,PLATE,24"W,25"H,16.750" RADIUS HEIGHT,TRU-BALANCE POWER RECLINE,E-1367-032	1

Back Plates

\*\*\*The Tru-Balance Power Recline Back Plates have been discontinued. These items are no longer available.\*\*\*





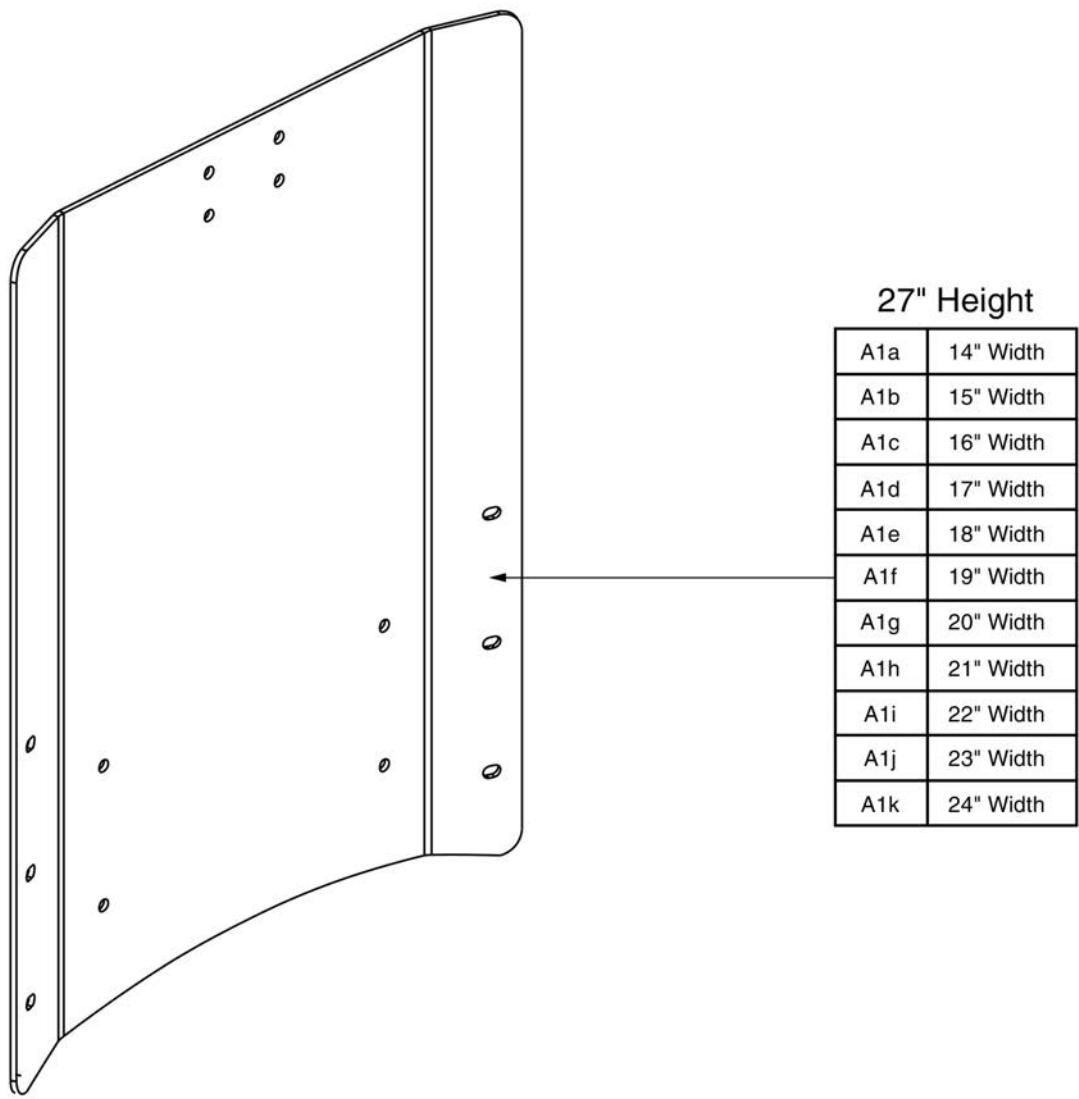
## Back Plate - 26"H, TB2 Recline



Item	Part No.	Name	Qty
A1a		SEAT BACK,PLATE,14"W,26"H,17.750" RADIUS HEIGHT,TRU-BALANCE POWER RECLINE,E-1367-041	1
A1b		SEAT BACK,PLATE,15"W,26"H,17.750" RADIUS HEIGHT,TRU-BALANCE POWER RECLINE,E-1367-040	1
A1c		SEAT BACK,PLATE,16"W,26"H,17.750" RADIUS HEIGHT,TRU-BALANCE POWER RECLINE,E-1367-039	1
A1d		SEAT BACK,PLATE,17"W,26"H,17.750" RADIUS HEIGHT,TRU-BALANCE POWER RECLINE,E-1367-038	1
A1e		SEAT BACK,PLATE,18"W,26"H,17.750" RADIUS HEIGHT,TRU-BALANCE POWER RECLINE,E-1367-030	1
A1f		SEAT BACK,PLATE,19"W,26"H,17.750" RADIUS HEIGHT,TRU-BALANCE POWER RECLINE,E-1367-037	1
A1g		SEAT BACK,PLATE,20"W,26"H,17.750" RADIUS HEIGHT,TRU-BALANCE POWER RECLINE,E-1367-036	1
A1h		SEAT BACK,PLATE,21"W,26"H,17.750" RADIUS HEIGHT,TRU-BALANCE POWER RECLINE,E-1367-035	1
A1i		SEAT BACK,PLATE,22"W,26"H,17.750" RADIUS HEIGHT,TRU-BALANCE POWER RECLINE,E-1367-034	1
A1j		SEAT BACK,PLATE,23"W,26"H,17.750" RADIUS HEIGHT,TRU-BALANCE POWER RECLINE,E-1367-033	1
A1k		SEAT BACK,PLATE,24"W,26"H,17.750" RADIUS HEIGHT,TRU-BALANCE POWER RECLINE,E-1367-032	1

Back Plates

\*\*\*The Tru-Balance Power Recline Back Plates have been discontinued. These items are no longer available.\*\*\*



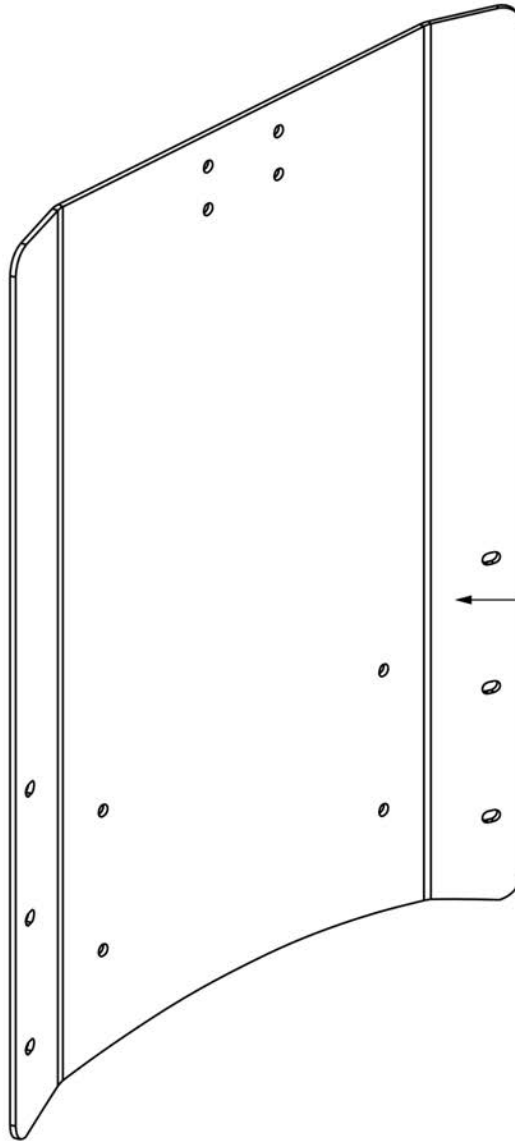
## Back Plate - 27"H, TB2 Recline



Item	Part No.	Name	Qty
A1a		SEAT BACK,PLATE,14"W,27"H,18.750" RADIUS HEIGHT,TRU-BALANCE POWER RECLINE,E-1367-041	1
A1b		SEAT BACK,PLATE,15"W,27"H,18.750" RADIUS HEIGHT,TRU-BALANCE POWER RECLINE,E-1367-040	1
A1c		SEAT BACK,PLATE,16"W,27"H,18.750" RADIUS HEIGHT,TRU-BALANCE POWER RECLINE,E-1367-039	1
A1d		SEAT BACK,PLATE,17"W,27"H,18.750" RADIUS HEIGHT,TRU-BALANCE POWER RECLINE,E-1367-038	1
A1e		SEAT BACK,PLATE,18"W,27"H,18.750" RADIUS HEIGHT,TRU-BALANCE POWER RECLINE,E-1367-030	1
A1f		SEAT BACK,PLATE,19"W,27"H,18.750" RADIUS HEIGHT,TRU-BALANCE POWER RECLINE,E-1367-037	1
A1g		SEAT BACK,PLATE,20"W,27"H,18.750" RADIUS HEIGHT,TRU-BALANCE POWER RECLINE,E-1367-036	1
A1h		SEAT BACK,PLATE,21"W,27"H,18.750" RADIUS HEIGHT,TRU-BALANCE POWER RECLINE,E-1367-035	1
A1i		SEAT BACK,PLATE,22"W,27"H,18.750" RADIUS HEIGHT,TRU-BALANCE POWER RECLINE,E-1367-034	1
A1j		SEAT BACK,PLATE,23"W,27"H,18.750" RADIUS HEIGHT,TRU-BALANCE POWER RECLINE,E-1367-033	1
A1k		SEAT BACK,PLATE,24"W,27"H,18.750" RADIUS HEIGHT,TRU-BALANCE POWER RECLINE,E-1367-032	1

Back Plates

\*\*\*The Tru-Balance Power Recline Back Plates have been discontinued. These items are no longer available.\*\*\*



28" Height

A1a	14" Width
A1b	15" Width
A1c	16" Width
A1d	17" Width
A1e	18" Width
A1f	19" Width
A1g	20" Width
A1h	21" Width
A1i	22" Width
A1j	23" Width
A1k	24" Width

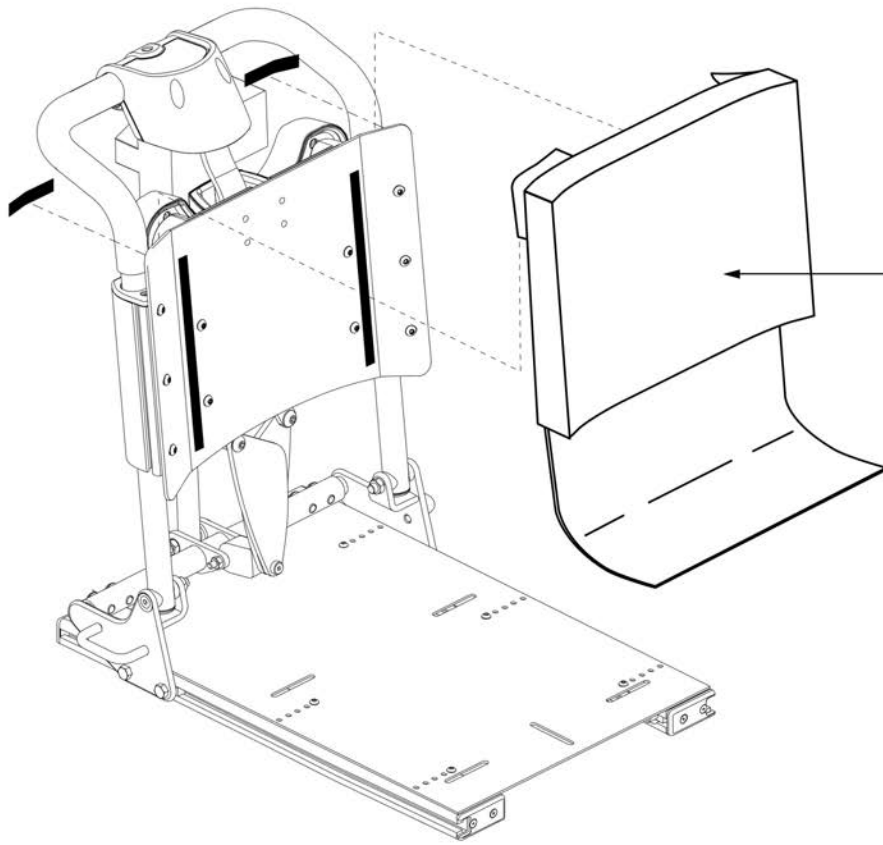
## Back Plate - 28"H, TB2 Recline



Item	Part No.	Name	Qty
A1a		SEAT BACK,PLATE,14"W,28"H,19.750" RADIUS HEIGHT,TRU-BALANCE POWER RECLINE,E-1367-041	1
A1b		SEAT BACK,PLATE,15"W,28"H,19.750" RADIUS HEIGHT,TRU-BALANCE POWER RECLINE,E-1367-040	1
A1c		SEAT BACK,PLATE,16"W,28"H,19.750" RADIUS HEIGHT,TRU-BALANCE POWER RECLINE,E-1367-039	1
A1d		SEAT BACK,PLATE,17"W,28"H,19.750" RADIUS HEIGHT,TRU-BALANCE POWER RECLINE,E-1367-038	1
A1e		SEAT BACK,PLATE,18"W,28"H,19.750" RADIUS HEIGHT,TRU-BALANCE POWER RECLINE,E-1367-030	1
A1f		SEAT BACK,PLATE,19"W,28"H,19.750" RADIUS HEIGHT,TRU-BALANCE POWER RECLINE,E-1367-037	1
A1g		SEAT BACK,PLATE,20"W,28"H,19.750" RADIUS HEIGHT,TRU-BALANCE POWER RECLINE,E-1367-036	1
A1h		SEAT BACK,PLATE,21"W,28"H,19.750" RADIUS HEIGHT,TRU-BALANCE POWER RECLINE,E-1367-035	1
A1i		SEAT BACK,PLATE,22"W,28"H,19.750" RADIUS HEIGHT,TRU-BALANCE POWER RECLINE,E-1367-034	1
A1j		SEAT BACK,PLATE,23"W,28"H,19.750" RADIUS HEIGHT,TRU-BALANCE POWER RECLINE,E-1367-033	1
A1k		SEAT BACK,PLATE,24"W,28"H,19.750" RADIUS HEIGHT,TRU-BALANCE POWER RECLINE,E-1367-032	1

Back Cushion

\*\*\*The Tru-Balance Power Recline Back Cushions have been discontinued. These items are no longer available.\*\*\*



18" Height

A1a	14" Width
A1b	15" Width
A1c	16" Width
A1d	17" Width
A1e	18" Width
A1f	19" Width
A1g	20" Width
A1h	21" Width
A1i	22" Width
A1j	23" Width
A1k	24" Width

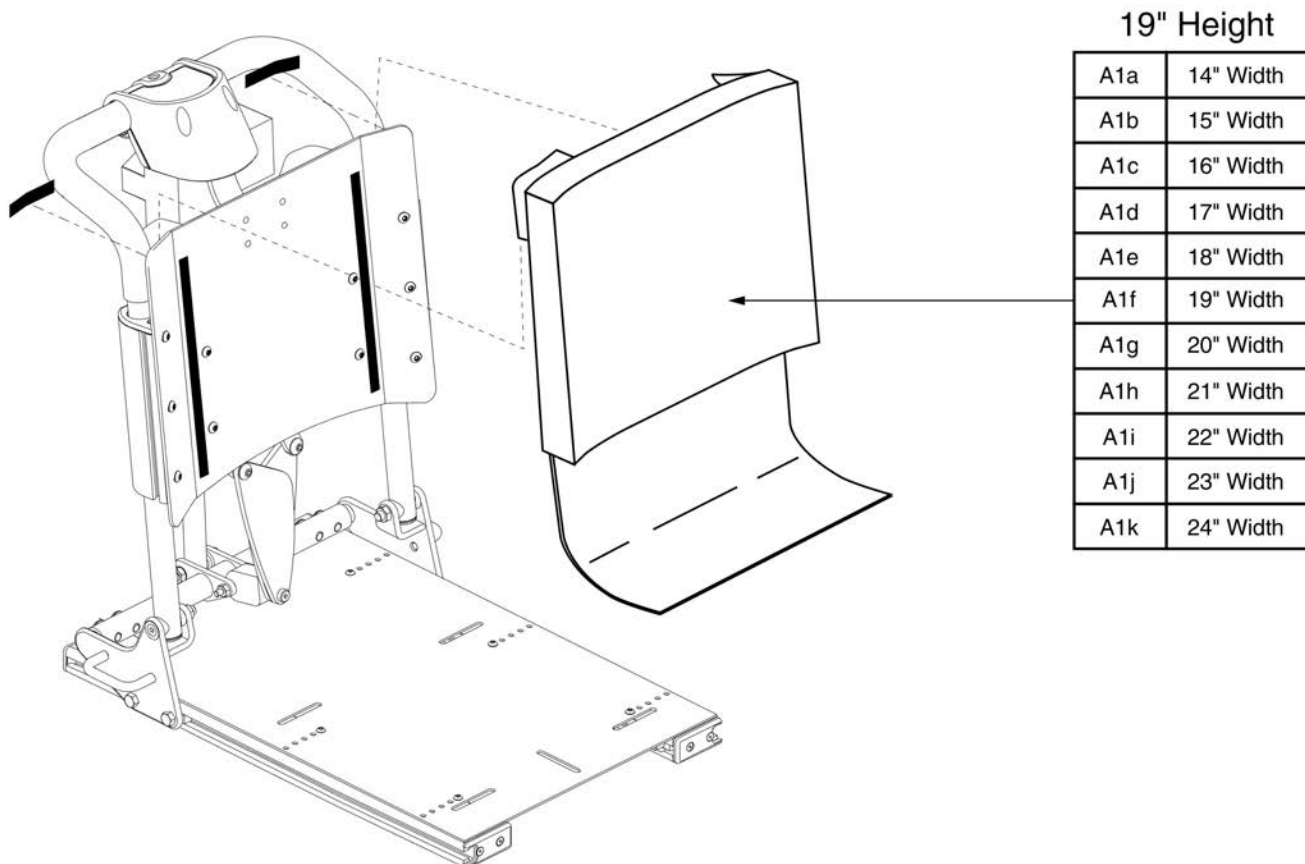
## Back Cushion - 18"H, TB2 Recline



Item	Part No.	Name	Qty
A1a		CUSHION,ASSY,BACK,14"W,18"H,(14.71"W,11.25"H ACTUAL BACK SIZE),TRU-BALANCE POWER RECLINE	1
A1b		CUSHION,ASSY,BACK,15"W,18"H,(15.71"W,11.25"H ACTUAL BACK SIZE),TRU-BALANCE POWER RECLINE	1
A1c		CUSHION,ASSY,BACK,16"W,18"H,(16.71"W,11.25"H ACTUAL BACK SIZE),TRU-BALANCE POWER RECLINE	1
A1d		CUSHION,ASSY,BACK,17"W,18"H,(17.71"W,11.25"H ACTUAL BACK SIZE),TRU-BALANCE POWER RECLINE	1
A1e		CUSHION,ASSY,BACK,18"W,18"H,(18.71"W,11.25"H ACTUAL BACK SIZE),TRU-BALANCE POWER RECLINE	1
A1f		CUSHION,ASSY,BACK,19"W,18"H,(19.71"W,11.25"H ACTUAL BACK SIZE),TRU-BALANCE POWER RECLINE	1
A1g		CUSHION,ASSY,BACK,20"W,18"H,(20.71"W,11.25"H ACTUAL BACK SIZE),TRU-BALANCE POWER RECLINE	1
A1h		CUSHION,ASSY,BACK,21"W,18"H,(21.71"W,11.25"H ACTUAL BACK SIZE),TRU-BALANCE POWER RECLINE	1
A1i		CUSHION,ASSY,BACK,22"W,18"H,(22.71"W,11.25"H ACTUAL BACK SIZE),TRU-BALANCE POWER RECLINE	1
A1j		CUSHION,ASSY,BACK,23"W,18"H,(23.71"W,11.25"H ACTUAL BACK SIZE),TRU-BALANCE POWER RECLINE	1
A1k		CUSHION,ASSY,BACK,24"W,18"H,(24.71"W,11.25"H ACTUAL BACK SIZE),TRU-BALANCE POWER RECLINE	1

Back Cushion

\*\*\*The Tru-Balance Power Recline Back Cushions have been discontinued. These items are no longer available.\*\*\*





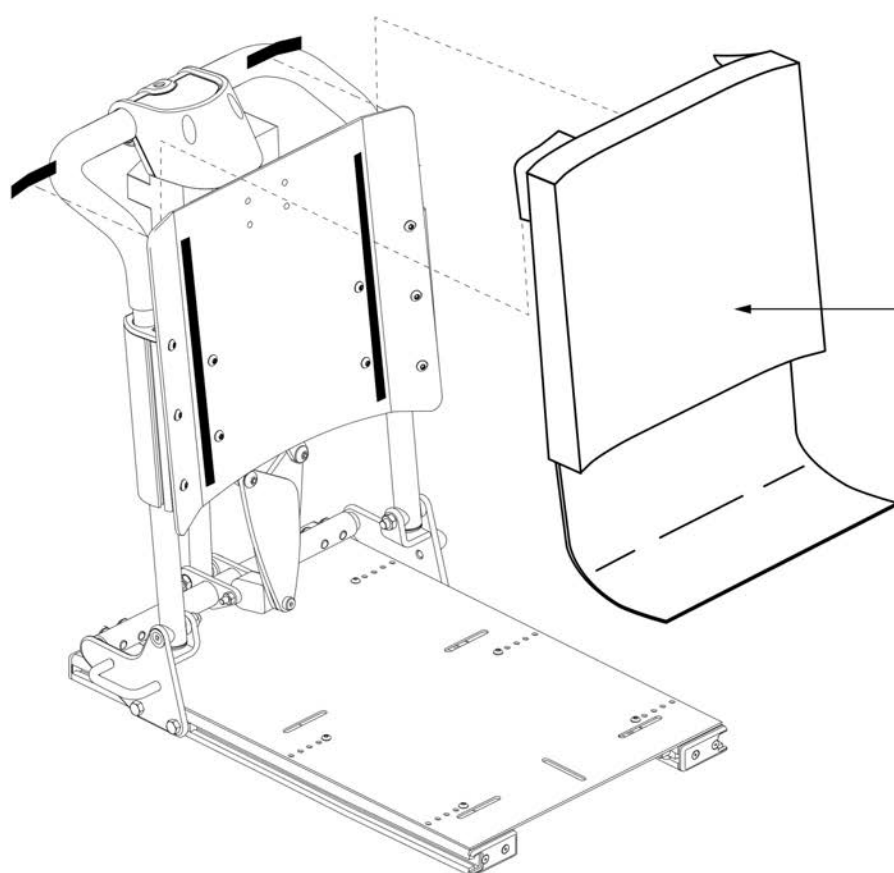
## Back Cushion - 19"H, TB2 Recline



Item	Part No.	Name	Qty
A1a		CUSHION,ASSY,BACK,14"W,19"H,(14.71"W,12.25"H ACTUAL BACK SIZE),TRU-BALANCE POWER RECLINE	1
A1b		CUSHION,ASSY,BACK,15"W,19"H,(15.71"W,12.25"H ACTUAL BACK SIZE),TRU-BALANCE POWER RECLINE	1
A1c		CUSHION,ASSY,BACK,16"W,19"H,(16.71"W,12.25"H ACTUAL BACK SIZE),TRU-BALANCE POWER RECLINE	1
A1d		CUSHION,ASSY,BACK,17"W,19"H,(17.71"W,12.25"H ACTUAL BACK SIZE),TRU-BALANCE POWER RECLINE	1
A1e		CUSHION,ASSY,BACK,18"W,19"H,(18.71"W,12.25"H ACTUAL BACK SIZE),TRU-BALANCE POWER RECLINE	1
A1f		CUSHION,ASSY,BACK,19"W,19"H,(19.71"W,12.25"H ACTUAL BACK SIZE),TRU-BALANCE POWER RECLINE	1
A1g		CUSHION,ASSY,BACK,20"W,19"H,(20.71"W,12.25"H ACTUAL BACK SIZE),TRU-BALANCE POWER RECLINE	1
A1h		CUSHION,ASSY,BACK,21"W,19"H,(21.71"W,12.25"H ACTUAL BACK SIZE),TRU-BALANCE POWER RECLINE	1
A1i		CUSHION,ASSY,BACK,22"W,19"H,(22.71"W,12.25"H ACTUAL BACK SIZE),TRU-BALANCE POWER RECLINE	1
A1j		CUSHION,ASSY,BACK,23"W,19"H,(23.71"W,12.25"H ACTUAL BACK SIZE),TRU-BALANCE POWER RECLINE	1
A1k		CUSHION,ASSY,BACK,24"W,19"H,(24.71"W,12.25"H ACTUAL BACK SIZE),TRU-BALANCE POWER RECLINE	1

Back Cushion

\*\*\*The Tru-Balance Power Recline Back Cushions have been discontinued. These items are no longer available.\*\*\*



20" Height

A1a	14" Width
A1b	15" Width
A1c	16" Width
A1d	17" Width
A1e	18" Width
A1f	19" Width
A1g	20" Width
A1h	21" Width
A1i	22" Width
A1j	23" Width
A1k	24" Width

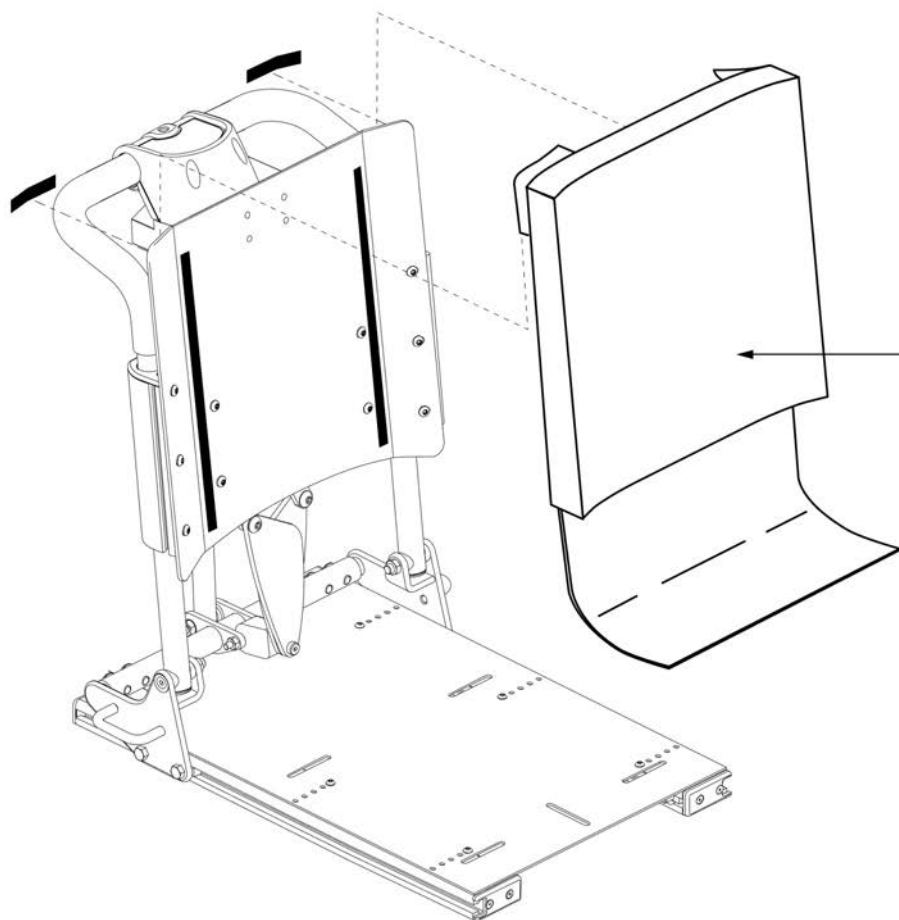
## Back Cushion - 20"H, TB2 Recline



Item	Part No.	Name	Qty
A1a		CUSHION,ASSY,BACK,14"W,20"H,(14.71"W,13.25"H ACTUAL BACK SIZE),TRU-BALANCE POWER RECLINE	1
A1b		CUSHION,ASSY,BACK,15"W,20"H,(15.71"W,13.25"H ACTUAL BACK SIZE),TRU-BALANCE POWER RECLINE	1
A1c		CUSHION,ASSY,BACK,16"W,20"H,(16.71"W,13.25"H ACTUAL BACK SIZE),TRU-BALANCE POWER RECLINE	1
A1d		CUSHION,ASSY,BACK,17"W,20"H,(17.71"W,13.25"H ACTUAL BACK SIZE),TRU-BALANCE POWER RECLINE	1
A1e		CUSHION,ASSY,BACK,18"W,20"H,(18.71"W,13.25"H ACTUAL BACK SIZE),TRU-BALANCE POWER RECLINE	1
A1f		CUSHION,ASSY,BACK,19"W,20"H,(19.71"W,13.25"H ACTUAL BACK SIZE),TRU-BALANCE POWER RECLINE	1
A1g		CUSHION,ASSY,BACK,20"W,20"H,(20.71"W,13.25"H ACTUAL BACK SIZE),TRU-BALANCE POWER RECLINE	1
A1h		CUSHION,ASSY,BACK,21"W,20"H,(21.71"W,13.25"H ACTUAL BACK SIZE),TRU-BALANCE POWER RECLINE	1
A1i		CUSHION,ASSY,BACK,22"W,20"H,(22.71"W,13.25"H ACTUAL BACK SIZE),TRU-BALANCE POWER RECLINE	1
A1j		CUSHION,ASSY,BACK,23"W,20"H,(23.71"W,13.25"H ACTUAL BACK SIZE),TRU-BALANCE POWER RECLINE	1
A1k		CUSHION,ASSY,BACK,24"W,20"H,(24.71"W,12.25"H ACTUAL BACK SIZE),TRU-BALANCE POWER RECLINE	1

Back Cushion

\*\*\*The Tru-Balance Power Recline Back Cushions have been discontinued. These items are no longer available.\*\*\*



21" Height

A1a	14" Width
A1b	15" Width
A1c	16" Width
A1d	17" Width
A1e	18" Width
A1f	19" Width
A1g	20" Width
A1h	21" Width
A1i	22" Width
A1j	23" Width
A1k	24" Width

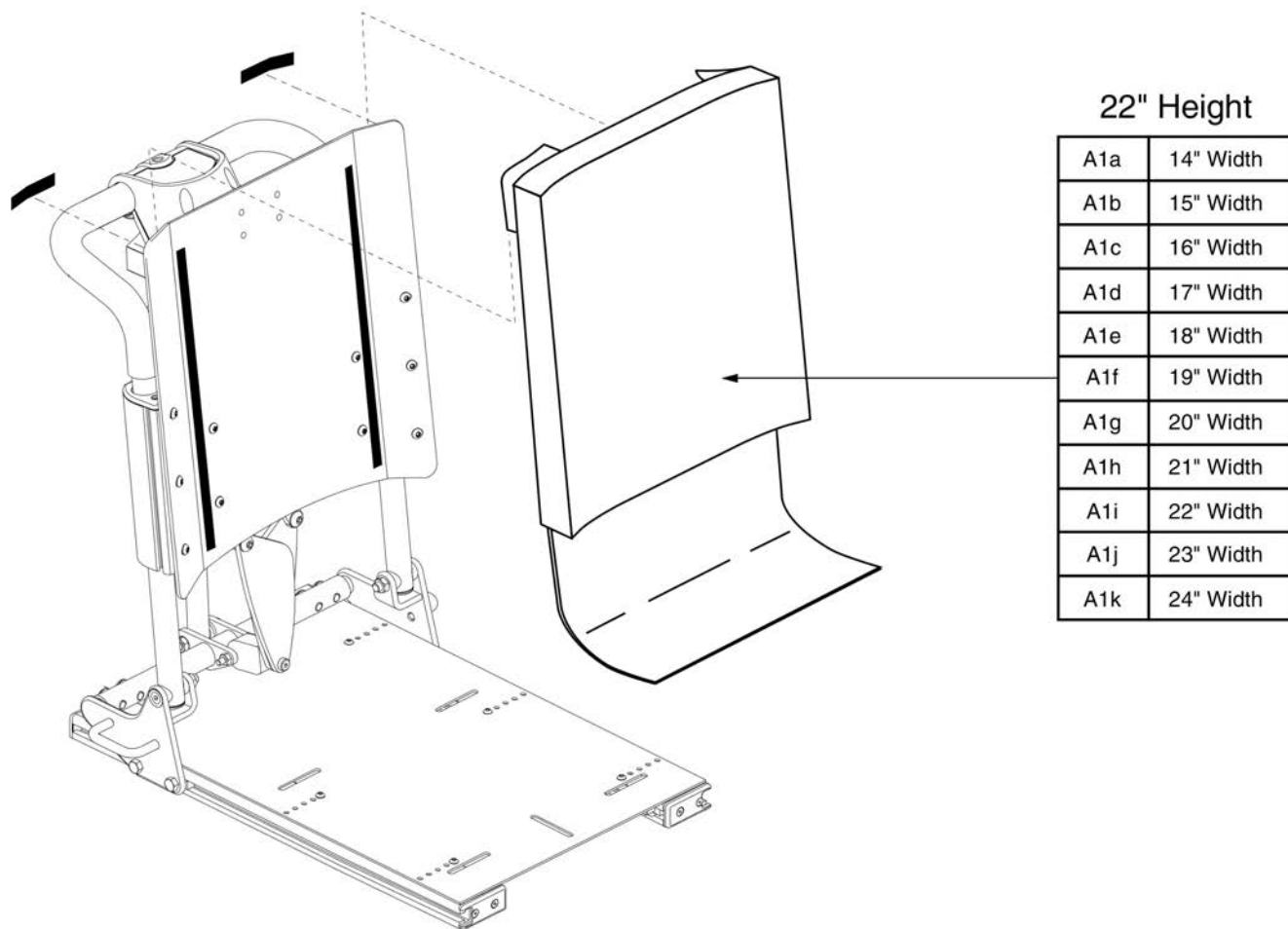
## Back Cushion - 21"H, TB2 Recline



Item	Part No.	Name	Qty
A1a		CUSHION,ASSY,BACK,14"W,21"H,(14.71"W,14.25"H ACTUAL BACK SIZE),TRU-BALANCE POWER RECLINE	1
A1b		CUSHION,ASSY,BACK,15"W,21"H,(15.71"W,14.25"H ACTUAL BACK SIZE),TRU-BALANCE POWER RECLINE	1
A1c		CUSHION,ASSY,BACK,16"W,21"H,(16.71"W,14.25"H ACTUAL BACK SIZE),TRU-BALANCE POWER RECLINE	1
A1d		CUSHION,ASSY,BACK,17"W,21"H,(17.71"W,14.25"H ACTUAL BACK SIZE),TRU-BALANCE POWER RECLINE	1
A1e		CUSHION,ASSY,BACK,18"W,21"H,(18.71"W,14.25"H ACTUAL BACK SIZE),TRU-BALANCE POWER RECLINE	1
A1f		CUSHION,ASSY,BACK,19"W,21"H,(19.71"W,14.25"H ACTUAL BACK SIZE),TRU-BALANCE POWER RECLINE	1
A1g		CUSHION,ASSY,BACK,20"W,21"H,(20.71"W,14.25"H ACTUAL BACK SIZE),TRU-BALANCE POWER RECLINE	1
A1h		CUSHION,ASSY,BACK,21"W,21"H,(21.71"W,14.25"H ACTUAL BACK SIZE),TRU-BALANCE POWER RECLINE	1
A1i		CUSHION,ASSY,BACK,22"W,21"H,(22.71"W,14.25"H ACTUAL BACK SIZE),TRU-BALANCE POWER RECLINE	1
A1j		CUSHION,ASSY,BACK,23"W,21"H,(23.71"W,14.25"H ACTUAL BACK SIZE),TRU-BALANCE POWER RECLINE	1
A1k		CUSHION,ASSY,BACK,24"W,21"H,(24.71"W,14.25"H ACTUAL BACK SIZE),TRU-BALANCE POWER RECLINE	1

Back Cushion

\*\*\*The Tru-Balance Power Recline Back Cushions have been discontinued. These items are no longer available.\*\*\*



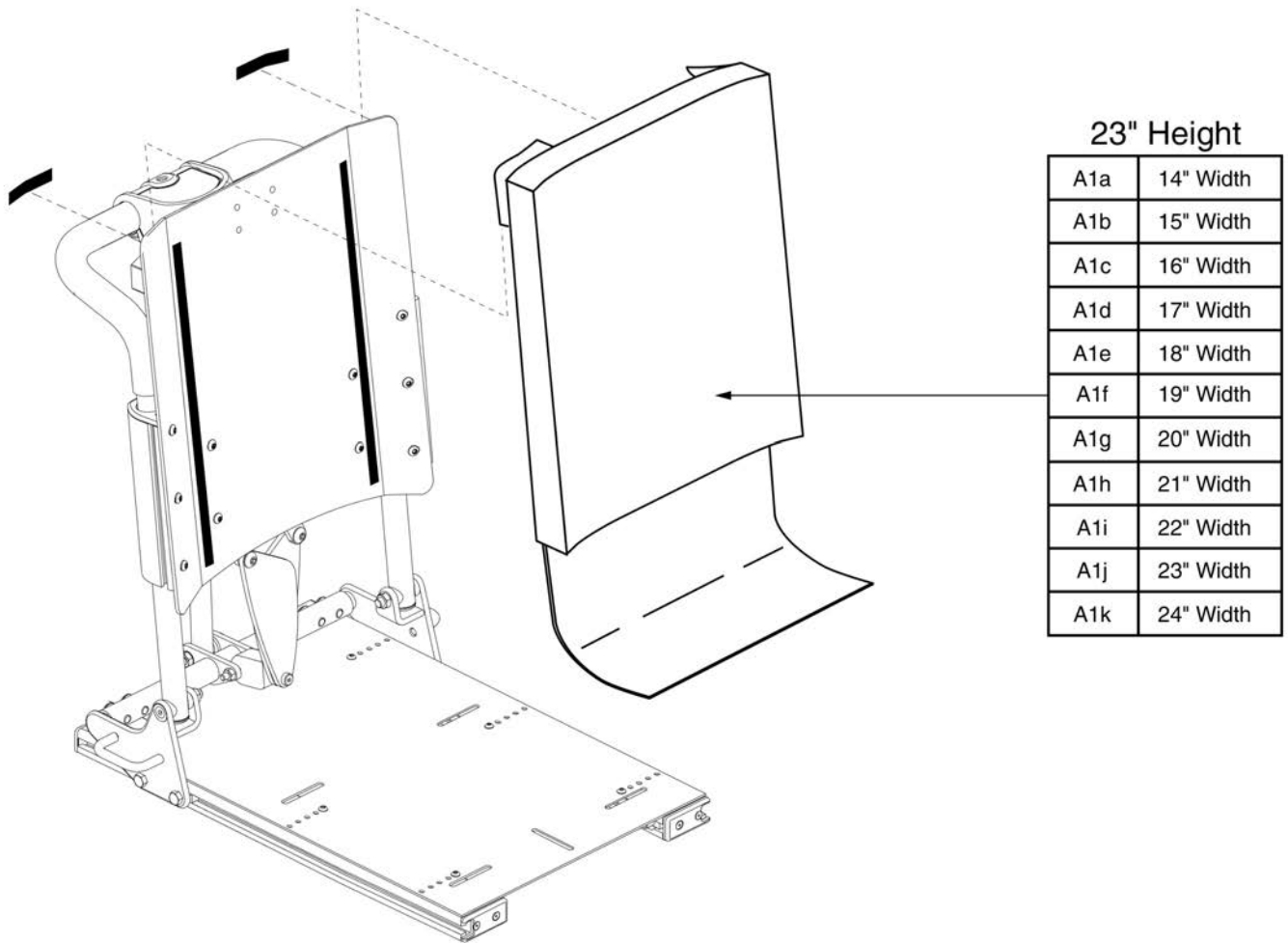
## Back Cushion - 22"H, TB2 Recline



Item	Part No.	Name	Qty
A1a		CUSHION,ASSY,BACK,14"W,22"H,(14.71"W,15.25"H ACTUAL BACK SIZE),TRU-BALANCE POWER RECLINE	1
A1b		CUSHION,ASSY,BACK,15"W,22"H,(15.71"W,15.25"H ACTUAL BACK SIZE),TRU-BALANCE POWER RECLINE	1
A1c		CUSHION,ASSY,BACK,16"W,22"H,(16.71"W,15.25"H ACTUAL BACK SIZE),TRU-BALANCE POWER RECLINE	1
A1d		CUSHION,ASSY,BACK,17"W,22"H,(17.71"W,15.25"H ACTUAL BACK SIZE),TRU-BALANCE POWER RECLINE	1
A1e		CUSHION,ASSY,BACK,18"W,22"H,(18.71"W,15.25"H ACTUAL BACK SIZE),TRU-BALANCE POWER RECLINE	1
A1f		CUSHION,ASSY,BACK,19"W,22"H,(19.71"W,15.25"H ACTUAL BACK SIZE),TRU-BALANCE POWER RECLINE	1
A1g		CUSHION,ASSY,BACK,20"W,22"H,(20.71"W,15.25"H ACTUAL BACK SIZE),TRU-BALANCE POWER RECLINE	1
A1h		CUSHION,ASSY,BACK,21"W,22"H,(21.71"W,15.25"H ACTUAL BACK SIZE),TRU-BALANCE POWER RECLINE	1
A1i		CUSHION,ASSY,BACK,22"W,22"H,(22.71"W,15.25"H ACTUAL BACK SIZE),TRU-BALANCE POWER RECLINE	1
A1j		CUSHION,ASSY,BACK,23"W,22"H,(23.71"W,15.25"H ACTUAL BACK SIZE),TRU-BALANCE POWER RECLINE	1
A1k		CUSHION,ASSY,BACK,24"W,22"H,(24.71"W,15.25"H ACTUAL BACK SIZE),TRU-BALANCE POWER RECLINE	1

Back Cushion

\*\*\*The Tru-Balance Power Recline Back Cushions have been discontinued. These items are no longer available.\*\*\*





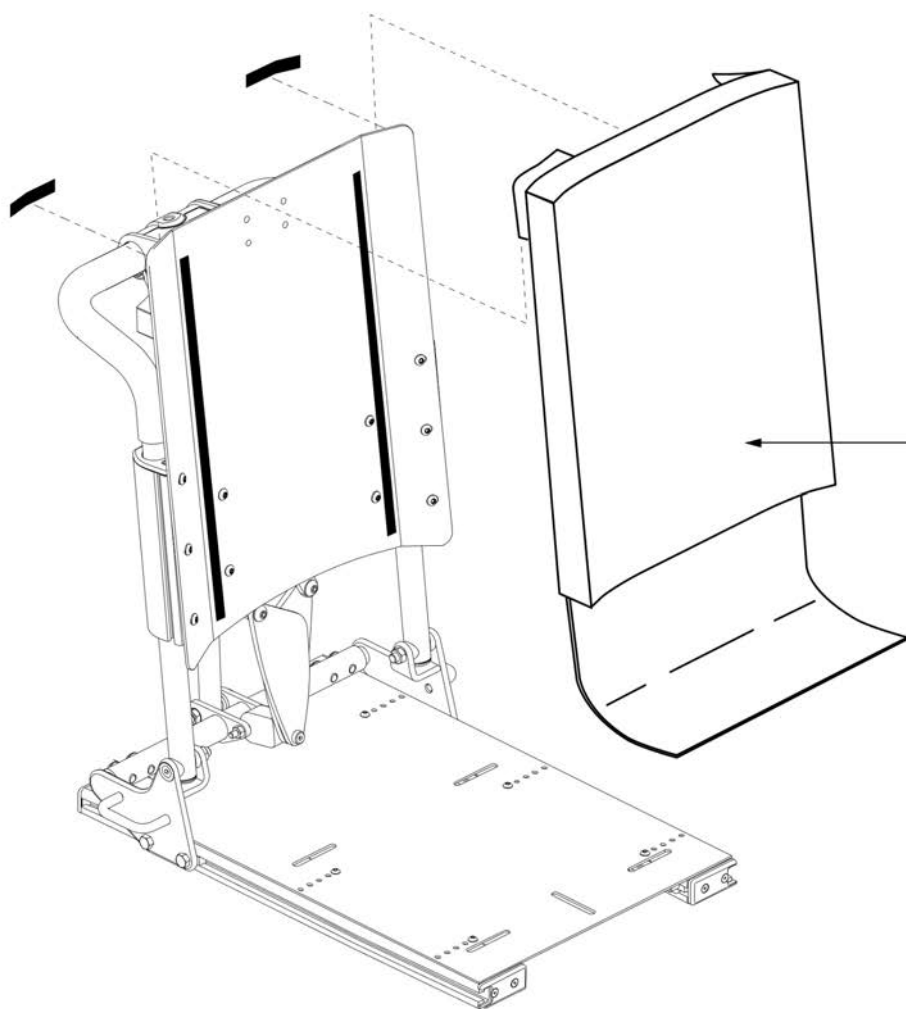
## Back Cushion - 23"H, TB2 Recline



Item	Part No.	Name	Qty
A1a		CUSHION,ASSY,BACK,14"W,23"H,(14.71"W,16.25"H ACTUAL BACK SIZE),TRU-BALANCE POWER RECLINE	1
A1b		CUSHION,ASSY,BACK,15"W,23"H,(15.71"W,16.25"H ACTUAL BACK SIZE),TRU-BALANCE POWER RECLINE	1
A1c		CUSHION,ASSY,BACK,16"W,23"H,(16.71"W,16.25"H ACTUAL BACK SIZE),TRU-BALANCE POWER RECLINE	1
A1d		CUSHION,ASSY,BACK,17"W,23"H,(17.71"W,16.25"H ACTUAL BACK SIZE),TRU-BALANCE POWER RECLINE	1
A1e		CUSHION,ASSY,BACK,18"W,23"H,(18.71"W,16.25"H ACTUAL BACK SIZE),TRU-BALANCE POWER RECLINE	1
A1f		CUSHION,ASSY,BACK,19"W,23"H,(19.71"W,16.25"H ACTUAL BACK SIZE),TRU-BALANCE POWER RECLINE	1
A1g		CUSHION,ASSY,BACK,20"W,23"H,(20.71"W,16.25"H ACTUAL BACK SIZE),TRU-BALANCE POWER RECLINE	1
A1h		CUSHION,ASSY,BACK,21"W,23"H,(21.71"W,16.25"H ACTUAL BACK SIZE),TRU-BALANCE POWER RECLINE	1
A1i		CUSHION,ASSY,BACK,22"W,23"H,(22.71"W,16.25"H ACTUAL BACK SIZE),TRU-BALANCE POWER RECLINE	1
A1j		CUSHION,ASSY,BACK,23"W,23"H,(23.71"W,16.25"H ACTUAL BACK SIZE),TRU-BALANCE POWER RECLINE	1
A1k		CUSHION,ASSY,BACK,24"W,23"H,(24.71"W,16.25"H ACTUAL BACK SIZE),TRU-BALANCE POWER RECLINE	1

Back Cushion

\*\*\*The Tru-Balance Power Recline Back Cushions have been discontinued. These items are no longer available.\*\*\*



24" Height

A1a	14" Width
A1b	15" Width
A1c	16" Width
A1d	17" Width
A1e	18" Width
A1f	19" Width
A1g	20" Width
A1h	21" Width
A1i	22" Width
A1j	23" Width
A1k	24" Width

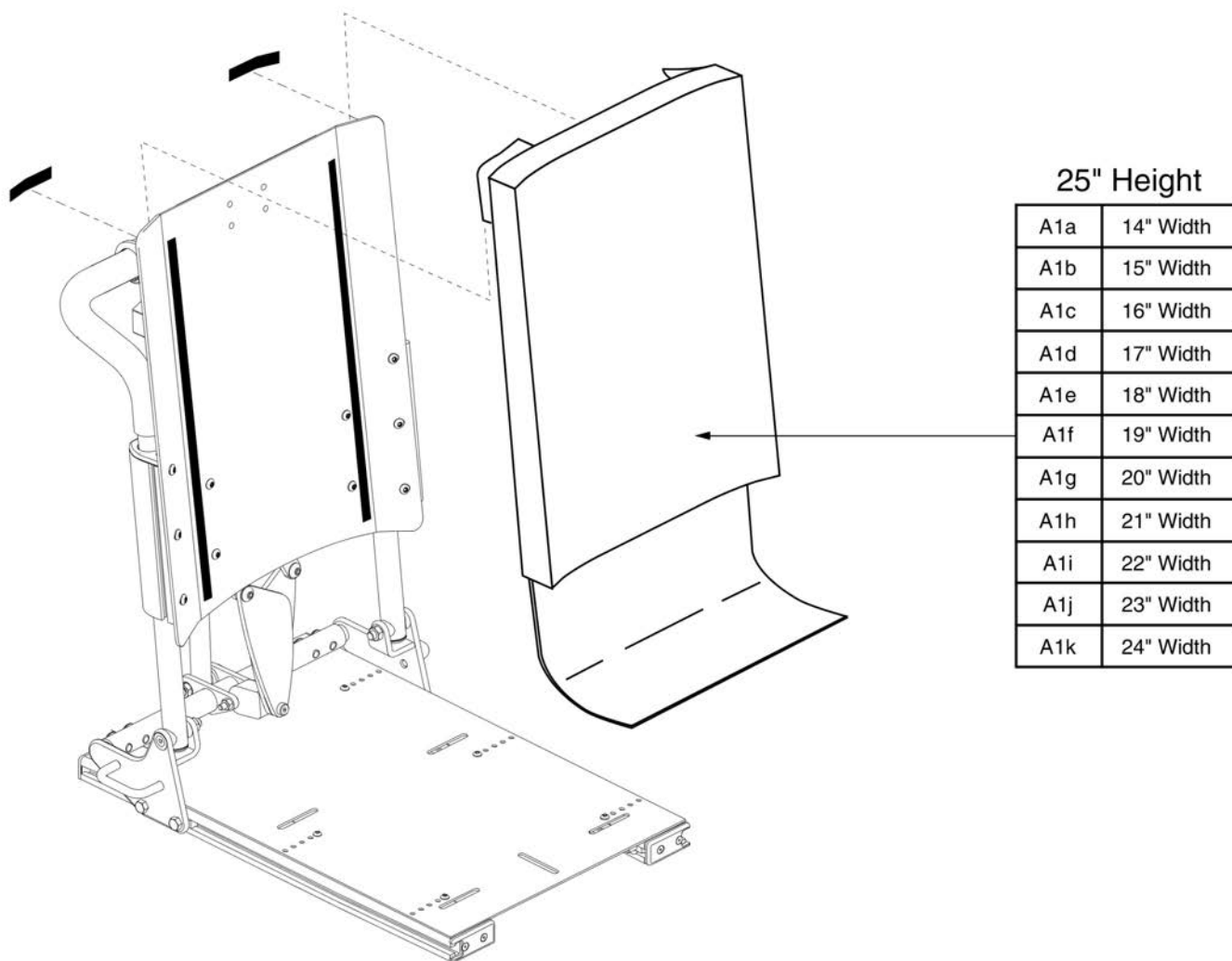
## Back Cushion - 24"H, TB2 Recline



Item	Part No.	Name	Qty
A1a		CUSHION,ASSY,BACK,14"W,24"H,(14.71"W,17.25"H ACTUAL BACK SIZE),TRU-BALANCE POWER RECLINE	1
A1b		CUSHION,ASSY,BACK,15"W,24"H,(15.71"W,17.25"H ACTUAL BACK SIZE),TRU-BALANCE POWER RECLINE	1
A1c		CUSHION,ASSY,BACK,16"W,24"H,(16.71"W,17.25"H ACTUAL BACK SIZE),TRU-BALANCE POWER RECLINE	1
A1d		CUSHION,ASSY,BACK,17"W,24"H,(17.71"W,17.25"H ACTUAL BACK SIZE),TRU-BALANCE POWER RECLINE	1
A1e		CUSHION,ASSY,BACK,18"W,24"H,(18.71"W,17.25"H ACTUAL BACK SIZE),TRU-BALANCE POWER RECLINE	1
A1f		CUSHION,ASSY,BACK,19"W,24"H,(19.71"W,17.25"H ACTUAL BACK SIZE),TRU-BALANCE POWER RECLINE	1
A1g		CUSHION,ASSY,BACK,20"W,24"H,(20.71"W,17.25"H ACTUAL BACK SIZE),TRU-BALANCE POWER RECLINE	1
A1h		CUSHION,ASSY,BACK,21"W,24"H,(21.71"W,17.25"H ACTUAL BACK SIZE),TRU-BALANCE POWER RECLINE	1
A1i		CUSHION,ASSY,BACK,22"W,24"H,(22.71"W,17.25"H ACTUAL BACK SIZE),TRU-BALANCE POWER RECLINE	1
A1j		CUSHION,ASSY,BACK,23"W,24"H,(23.71"W,17.25"H ACTUAL BACK SIZE),TRU-BALANCE POWER RECLINE	1
A1k		CUSHION,ASSY,BACK,24"W,24"H,(24.71"W,17.25"H ACTUAL BACK SIZE),TRU-BALANCE POWER RECLINE	1

Back Cushion

\*\*\*The Tru-Balance Power Recline Back Cushions have been discontinued. These items are no longer available.\*\*\*



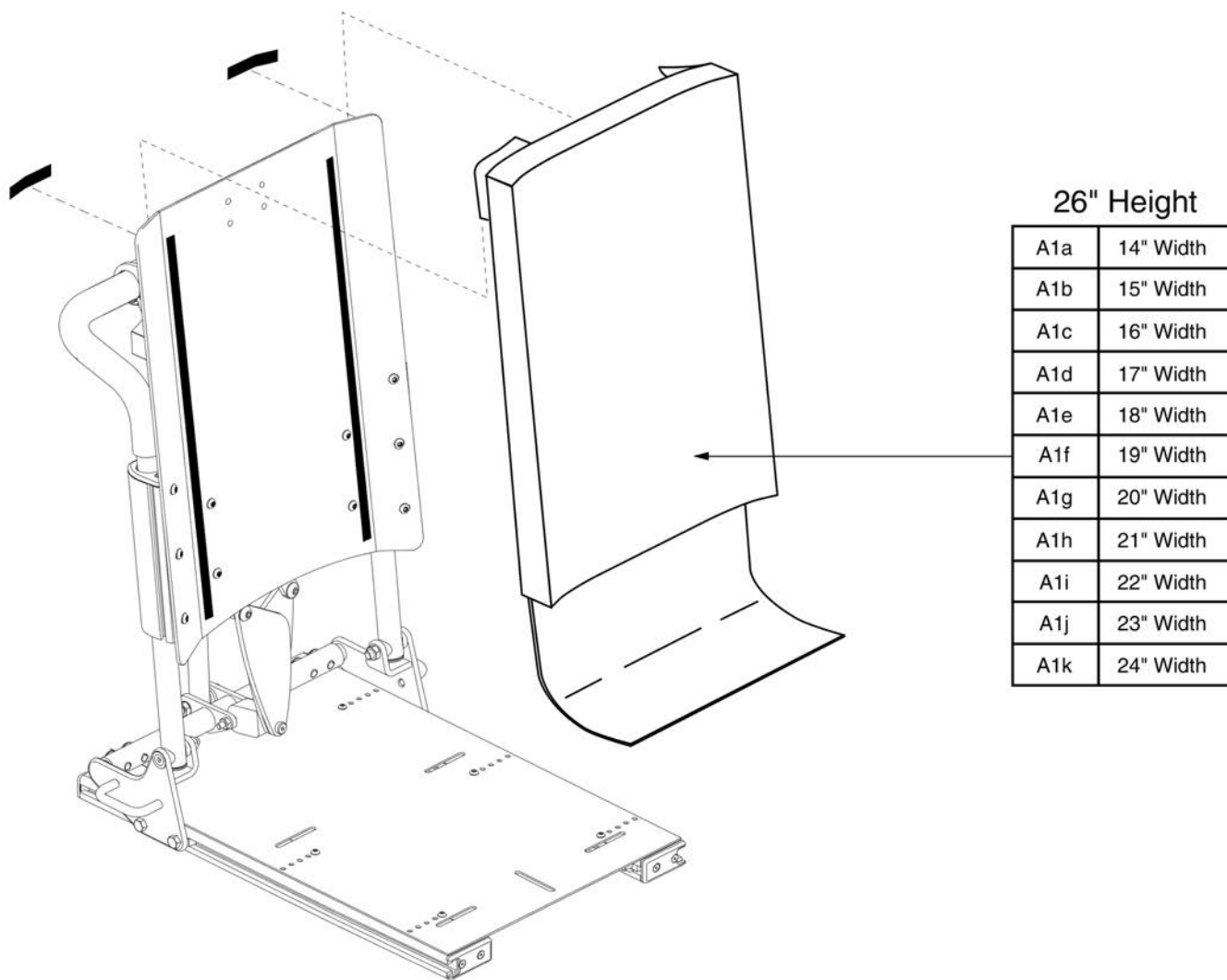
## Back Cushion - 25"H, TB2 Recline



Item	Part No.	Name	Qty
A1a		CUSHION,ASSY,BACK,14"W,25"H,(14.71"W,18.25"H ACTUAL BACK SIZE),TRU-BALANCE POWER RECLINE	1
A1b		CUSHION,ASSY,BACK,15"W,25"H,(15.71"W,18.25"H ACTUAL BACK SIZE),TRU-BALANCE POWER RECLINE	1
A1c		CUSHION,ASSY,BACK,16"W,25"H,(16.71"W,18.25"H ACTUAL BACK SIZE),TRU-BALANCE POWER RECLINE	1
A1d		CUSHION,ASSY,BACK,17"W,25"H,(17.71"W,18.25"H ACTUAL BACK SIZE),TRU-BALANCE POWER RECLINE	1
A1e		CUSHION,ASSY,BACK,18"W,25"H,(18.71"W,18.25"H ACTUAL BACK SIZE),TRU-BALANCE POWER RECLINE	1
A1f		CUSHION,ASSY,BACK,19"W,25"H,(19.71"W,18.25"H ACTUAL BACK SIZE),TRU-BALANCE POWER RECLINE	1
A1g		CUSHION,ASSY,BACK,20"W,25"H,(20.71"W,18.25"H ACTUAL BACK SIZE),TRU-BALANCE POWER RECLINE	1
A1h		CUSHION,ASSY,BACK,21"W,25"H,(21.71"W,18.25"H ACTUAL BACK SIZE),TRU-BALANCE POWER RECLINE	1
A1i		CUSHION,ASSY,BACK,22"W,25"H,(22.71"W,18.25"H ACTUAL BACK SIZE),TRU-BALANCE POWER RECLINE	1
A1j		CUSHION,ASSY,BACK,23"W,25"H,(23.71"W,18.25"H ACTUAL BACK SIZE),TRU-BALANCE POWER RECLINE	1
A1k		CUSHION,ASSY,BACK,24"W,25"H,(24.71"W,18.25"H ACTUAL BACK SIZE),TRU-BALANCE POWER RECLINE	1

Back Cushion

\*\*\*The Tru-Balance Power Recline Back Cushions have been discontinued. These items are no longer available.\*\*\*



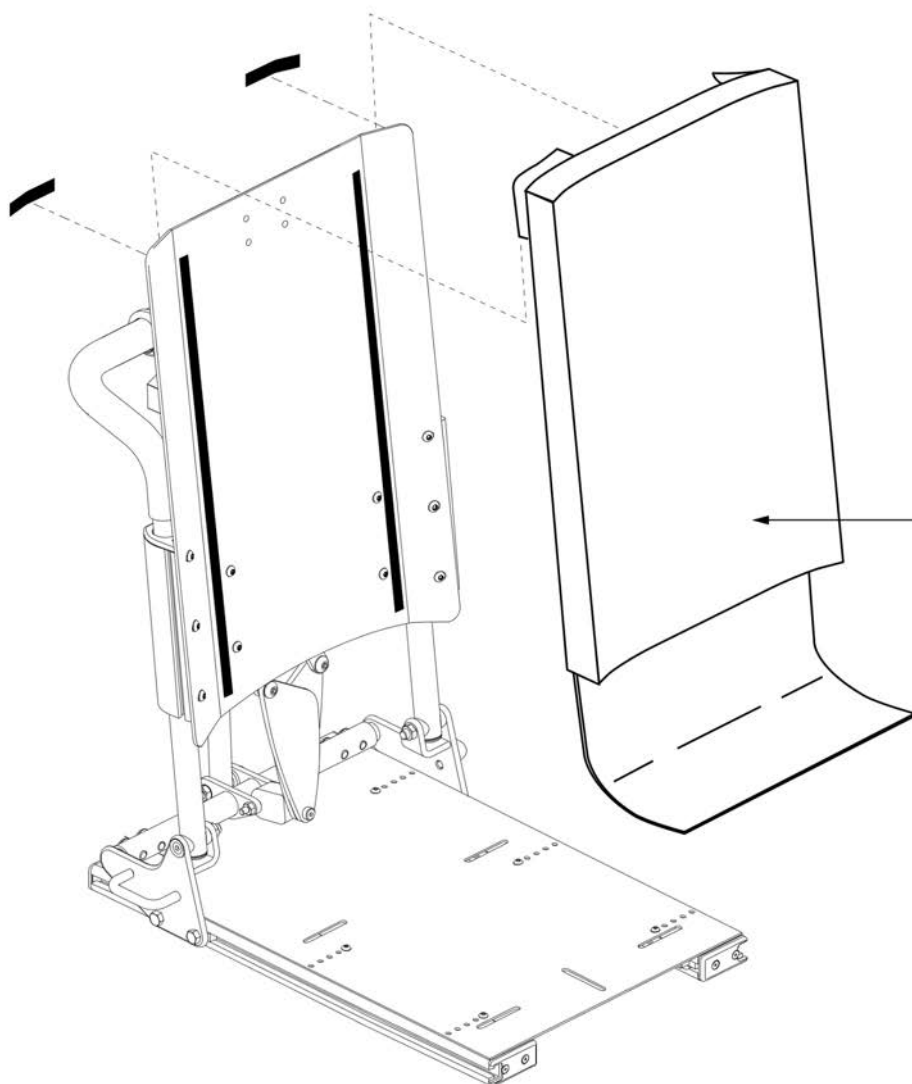
## Back Cushion - 26"H, TB2 Recline



Item	Part No.	Name	Qty
A1a		CUSHION,ASSY,BACK,14"W,26"H,(14.71"W,19.25"H ACTUAL BACK SIZE),TRU-BALANCE POWER RECLINE	1
A1b		CUSHION,ASSY,BACK,15"W,26"H,(15.71"W,19.25"H ACTUAL BACK SIZE),TRU-BALANCE POWER RECLINE	1
A1c		CUSHION,ASSY,BACK,16"W,26"H,(16.71"W,19.25"H ACTUAL BACK SIZE),TRU-BALANCE POWER RECLINE	1
A1d		CUSHION,ASSY,BACK,17"W,26"H,(17.71"W,19.25"H ACTUAL BACK SIZE),TRU-BALANCE POWER RECLINE	1
A1e		CUSHION,ASSY,BACK,18"W,26"H,(18.71"W,19.25"H ACTUAL BACK SIZE),TRU-BALANCE POWER RECLINE	1
A1f		CUSHION,ASSY,BACK,19"W,26"H,(19.71"W,19.25"H ACTUAL BACK SIZE),TRU-BALANCE POWER RECLINE	1
A1g		CUSHION,ASSY,BACK,20"W,26"H,(20.71"W,19.25"H ACTUAL BACK SIZE),TRU-BALANCE POWER RECLINE	1
A1h		CUSHION,ASSY,BACK,21"W,26"H,(21.71"W,19.25"H ACTUAL BACK SIZE),TRU-BALANCE POWER RECLINE	1
A1i		CUSHION,ASSY,BACK,22"W,26"H,(22.71"W,19.25"H ACTUAL BACK SIZE),TRU-BALANCE POWER RECLINE	1
A1j		CUSHION,ASSY,BACK,23"W,26"H,(23.71"W,19.25"H ACTUAL BACK SIZE),TRU-BALANCE POWER RECLINE	1
A1k		CUSHION,ASSY,BACK,24"W,26"H,(24.71"W,19.25"H ACTUAL BACK SIZE),TRU-BALANCE POWER RECLINE	1

Back Cushion

\*\*\*The Tru-Balance Power Recline Back Cushions have been discontinued. These items are no longer available.\*\*\*



27" Height

A1a	14" Width
A1b	15" Width
A1c	16" Width
A1d	17" Width
A1e	18" Width
A1f	19" Width
A1g	20" Width
A1h	21" Width
A1i	22" Width
A1j	23" Width
A1k	24" Width



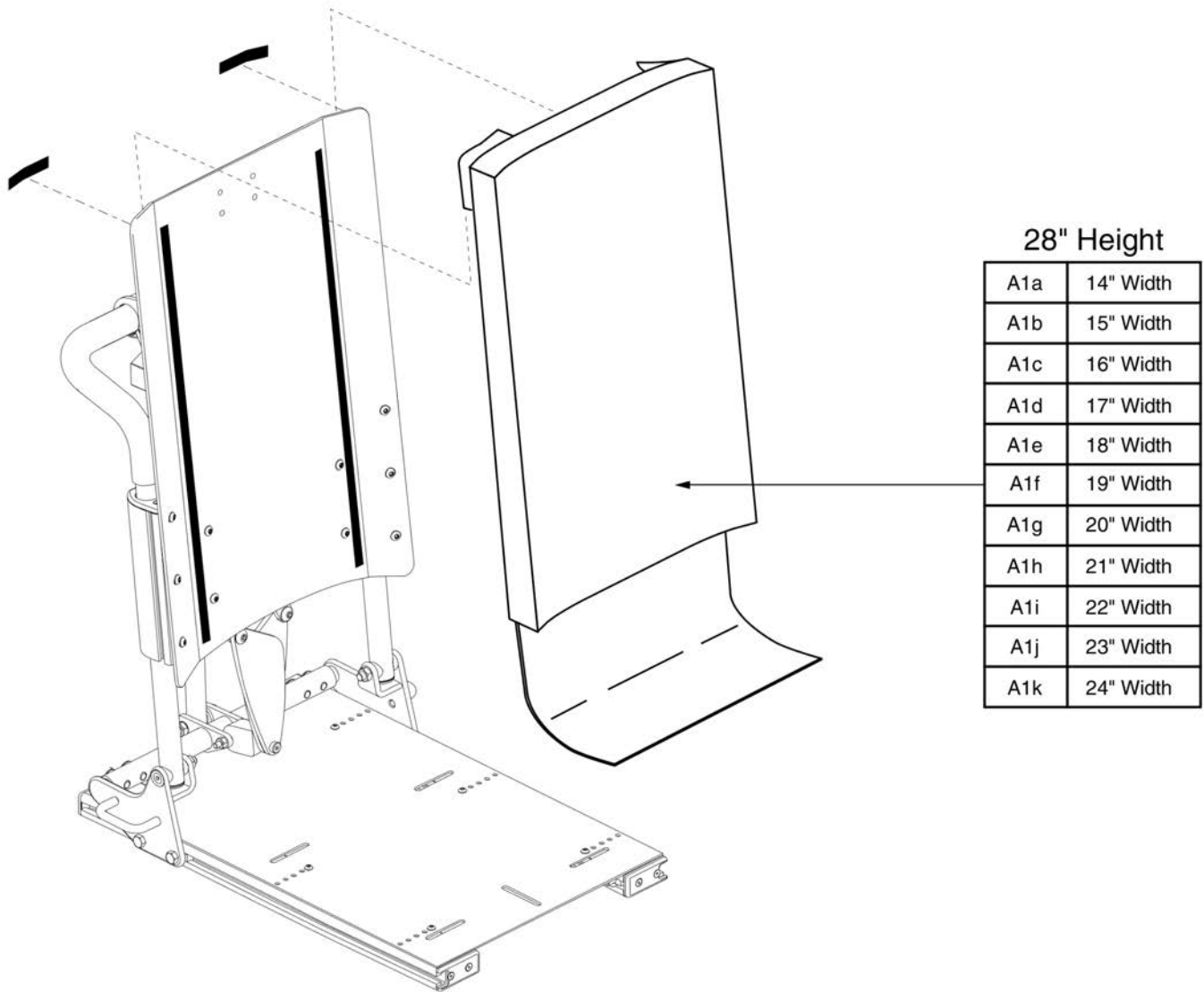
## Back Cushion - 27"H, TB2 Recline



Item	Part No.	Name	Qty
A1a		CUSHION,ASSY,BACK,14"W,27"H,(14.71"W,20.25"H ACTUAL BACK SIZE),TRU-BALANCE POWER RECLINE	1
A1b		CUSHION,ASSY,BACK,15"W,27"H,(15.71"W,20.25"H ACTUAL BACK SIZE),TRU-BALANCE POWER RECLINE	1
A1c		CUSHION,ASSY,BACK,16"W,27"H,(16.71"W,20.25"H ACTUAL BACK SIZE),TRU-BALANCE POWER RECLINE	1
A1d		CUSHION,ASSY,BACK,17"W,27"H,(17.71"W,20.25"H ACTUAL BACK SIZE),TRU-BALANCE POWER RECLINE	1
A1e		CUSHION,ASSY,BACK,18"W,27"H,(18.71"W,20.25"H ACTUAL BACK SIZE),TRU-BALANCE POWER RECLINE	1
A1f		CUSHION,ASSY,BACK,19"W,27"H,(19.71"W,20.25"H ACTUAL BACK SIZE),TRU-BALANCE POWER RECLINE	1
A1g		CUSHION,ASSY,BACK,20"W,27"H,(20.71"W,20.25"H ACTUAL BACK SIZE),TRU-BALANCE POWER RECLINE	1
A1h		CUSHION,ASSY,BACK,21"W,27"H,(21.71"W,20.25"H ACTUAL BACK SIZE),TRU-BALANCE POWER RECLINE	1
A1i		CUSHION,ASSY,BACK,22"W,27"H,(22.71"W,20.25"H ACTUAL BACK SIZE),TRU-BALANCE POWER RECLINE	1
A1j		CUSHION,ASSY,BACK,23"W,27"D,(23.71"W,20.25"H ACTUAL BACK SIZE),TRU-BALANCE POWER RECLINE	1
A1k		CUSHION,ASSY,BACK,24"W,27"H,(24.71"W,20.25"H ACTUAL BACK SIZE),TRU-BALANCE POWER RECLINE	1

Back Cushion

\*\*\*The Tru-Balance Power Recline Back Cushions have been discontinued. These items are no longer available.\*\*\*

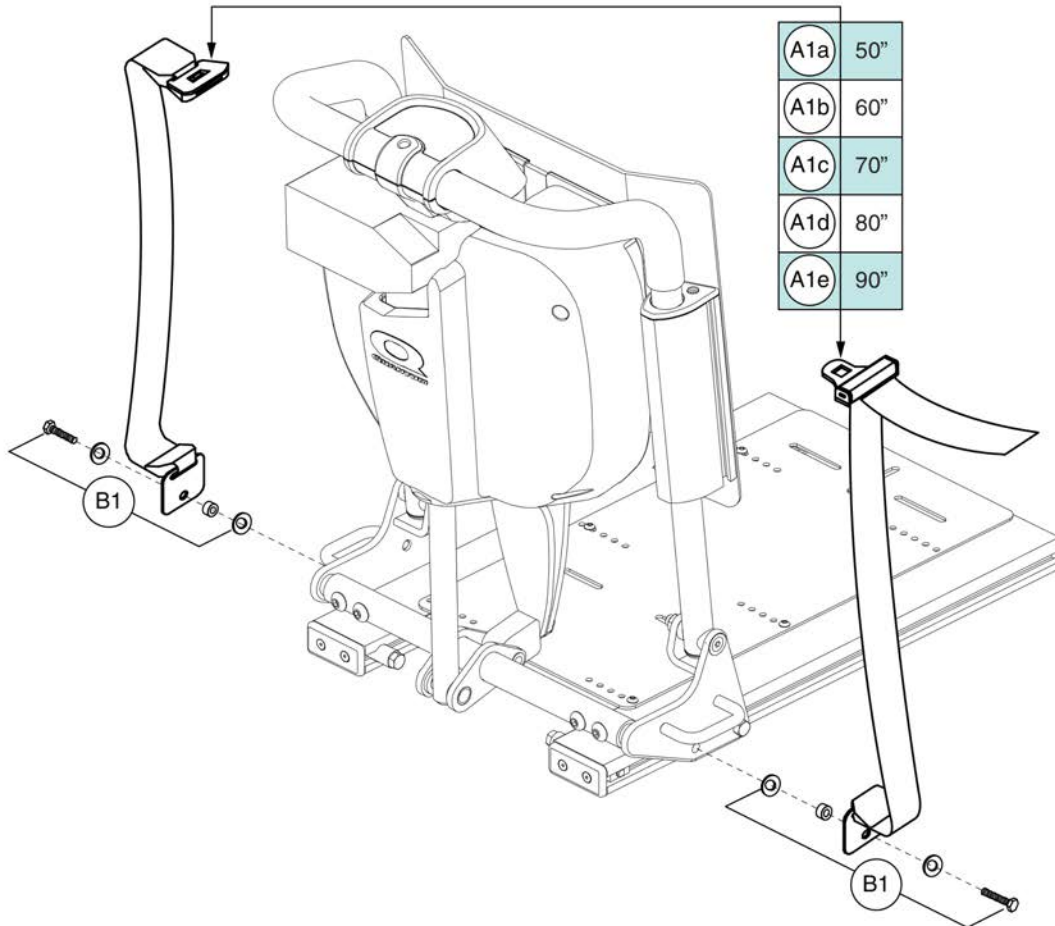


## Back Cushion - 28"H, TB2 Recline



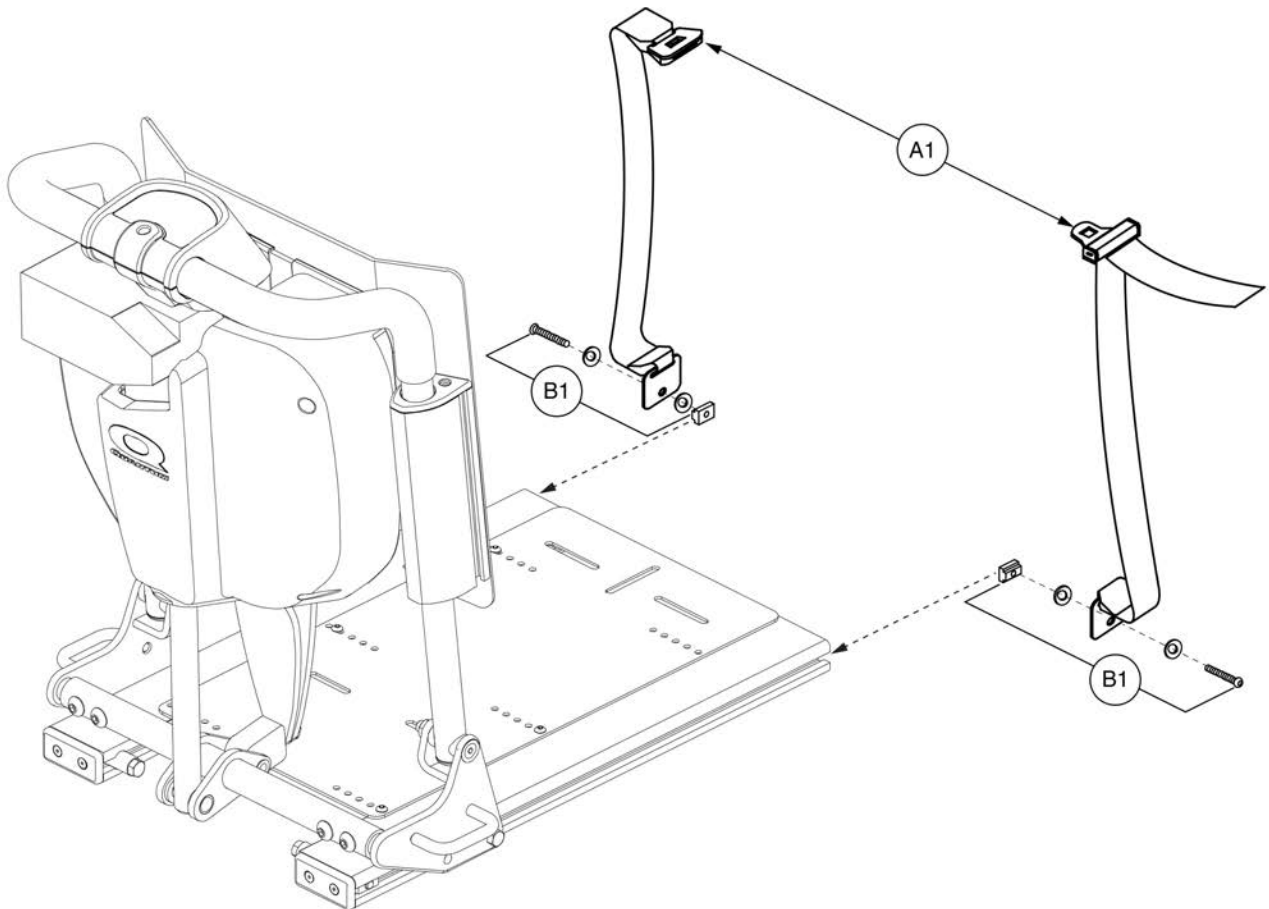
Item	Part No.	Name	Qty
A1a		CUSHION,ASSY,BACK,14"W,28"H,(14.71"W,21.25"H ACTUAL BACK SIZE),TRU-BALANCE POWER RECLINE	1
A1b		CUSHION,ASSY,BACK,15"W,28"H,(15.71"W,21.25"H ACTUAL BACK SIZE),TRU-BALANCE POWER RECLINE	1
A1c		CUSHION,ASSY,BACK,16"W,28"H,(16.71"W,21.25"H ACTUAL BACK SIZE),TRU-BALANCE POWER RECLINE	1
A1d		CUSHION,ASSY,BACK,17"W,28"H,(17.71"W,21.25"H ACTUAL BACK SIZE),TRU-BALANCE POWER RECLINE	1
A1e		CUSHION,ASSY,BACK,18"W,28"H,(18.71"W,21.25"H ACTUAL BACK SIZE),TRU-BALANCE POWER RECLINE	1
A1f		CUSHION,ASSY,BACK,19"W,28"H,(19.71"W,21.25"H ACTUAL BACK SIZE),TRU-BALANCE POWER RECLINE	1
A1g		CUSHION,ASSY,BACK,20"W,28"H,(20.71"W,21.25"H ACTUAL BACK SIZE),TRU-BALANCE POWER RECLINE	1
A1h		CUSHION,ASSY,BACK,21"W,28"H,(21.71"W,21.25"H ACTUAL BACK SIZE),TRU-BALANCE POWER RECLINE	1
A1i		CUSHION,ASSY,BACK,22"W,28"H,(22.71"W,21.25"H ACTUAL BACK SIZE),TRU-BALANCE POWER RECLINE	1
A1j		CUSHION,ASSY,BACK,23"W,28"H,(23.71"W,21.25"H ACTUAL BACK SIZE),TRU-BALANCE POWER RECLINE	1
A1k		CUSHION,ASSY,BACK,24"W,28"H,(24.71"W,21.25"H ACTUAL BACK SIZE),TRU-BALANCE POWER RECLINE	1

2.6. Lap Belt Assy's



Item	Part No.	Name	Qty
A1a	ACCBELT1000	LAP BELT,50",C-1010-336	1
A1b	ACCBELT1002	LAP BELT,60",C-1010-336	1
A1c	ACCBELT1003	LAP BELT,70",C-1010-336	1
A1d	ACCBELT1004	LAP BELT,80",C-1010-336	1
A1e	ACCBELT1001	LAP BELT,90",C-1010-336	1
B1	HDWASMB1044	LAP BELT MOUNTING HARDWARE,ASSY,SYNERGY SEAT	1

2.6. Lap Belt Assy's



# Pediatric Lap Belt, TB2 Power Recline



Item	Part No.	Name	Qty
A1	ACCBELT1006	LAP BELT,1-1/2 X 38",PEDIATRIC,AUTO STYLE	1
B1	HDWASMB1049	LAP BELT MOUNTING HARDWARE, ASSY, PEDIATRIC LAP BELT, SYNERGY SEAT	1

2.7. Owner's and Decal Package



# Owner's Package





Item	Part No.	Name	Qty
N/A	INFMANU3700	MANUAL,BASIC OPERATING INSTRUCTIONS,TRU-BALANCE 2 POWER POSITIONING SYSTEMS	1
N/A		HANG TAG,CAUTION,REMOVE WIRE TIE PRIOR TO CABLE ROUTING,L-1235-455	1

2.7. Owner's and Decal Package

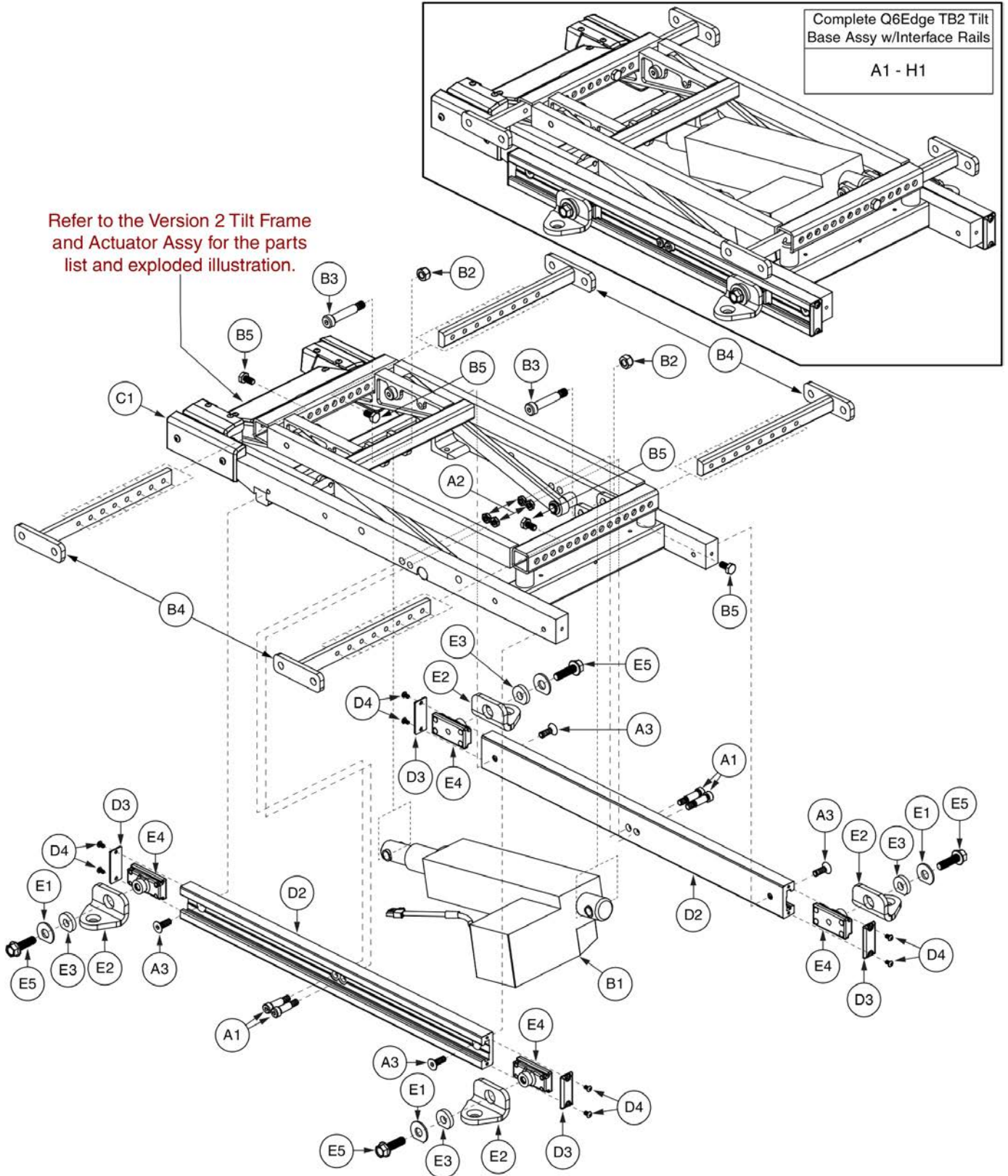


# Decal Package



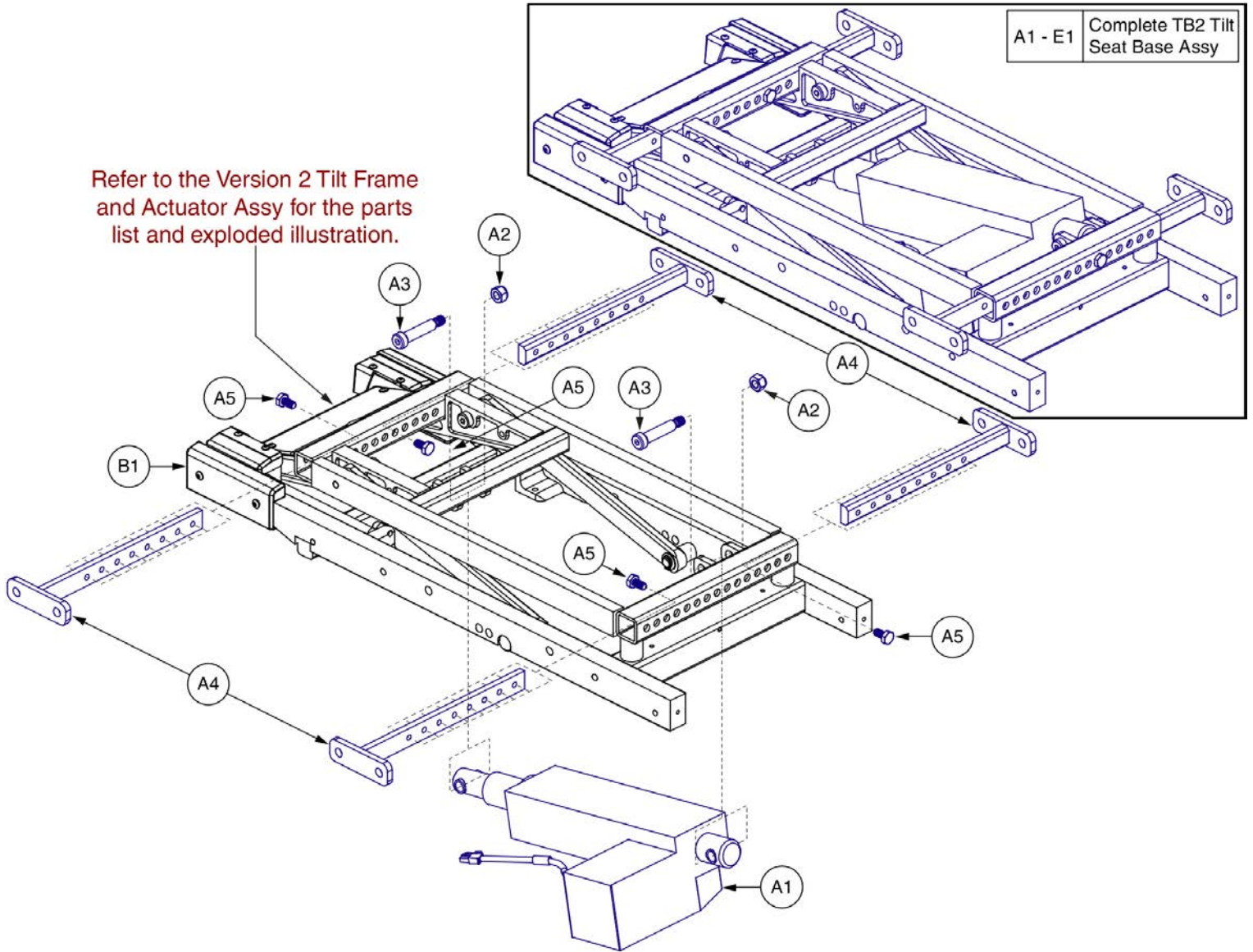
Item	Part No.	Name	Qty
N/A	DWR1234L414	HANG TAG,ATTENTION,CENTER OF GRAVITY ADJUSTMENT,L-1234-414	1
N/A	DWR1234L004	DECAL,ICON,300LBS/135 KG,MAXIMUM WEIGHT CAPACITY,L-1234-004	1

**Q6 Edge Specific**



Item	Part No.	Name	Qty
A1 - H1	FRMASMB17908	TB2 TILT BASE,W/INTERFACE RAILS & DECALS,Q6EDGE	1
A1 - E5		TB2 TILT BASE,ASSY,W/INTERFACE RAILS,Q6EDGE,E-1265-072	1
A1	BLTASHL1067	BOLT,SHOULDER,5/16" X 0.75"	4
A2	NUTNJAM1014	NUT,NYLOCK JAM,BLACK ZINC,1/4-20	4
A3	SCRSHFH1085	SCREW,SHFH,BLACK ZINC,1/4-20 X 0.75",GRADE 8,W/NYLON PATCH,A-1367-005	4
B1 - C1		TB2 TILT BASE,ASSY,W/WIDTH ADJUSTMENT ARMS,E-1265-071	1
B1	ACCACTR1031	ACTUATOR,TRU-BALANCE TILT G2,H-1265-002,(LINAK: LA31-U272-01)	1
B2	NUTNYLK1026	NUT,NYLOCK,BLACK ZINC,5/16-18	2
B3	BLTASHL1165	BOLT,SHOULDER,BLACK ZINC,3/8" X 1.50",W/PATCH	2
B4	DWR1265C033	FRAME,WIDTH ADJUSTMENT WELDMENT,14"W-20"W,TB2	4
B5	SCRHHCS1479	SCREW,HHCS,BLACK ZINC,1/4-20 X 0.50",GRADE 8,W/NYLON PATCH	4
C1		TRU-BALANCE TILT 2 BASE,ASSY,VERSION 2,E-1265-069	1
D1 - E5		SEAT INTERFACE RAIL,ASSY,TRU-BALANCE 2 POWER TILT,14"CENTERS,W/INTERFACE BRACKETS,D-1265-037	2
D2		FRAME,INTERFACE RAIL,TRU-BALANCE TILT 2,D-1265-023	1
D3		END CAP,INTERFACE RAIL,ABS,D-1265-033	2
D4	SCRASBH1153	SCREW,BHSCS,BLACK ZINC,6-32 X 0.250",W/NYLON PATCH	4
E1 - E5		SEAT INTERFACE BRACKET,ASSY,TB2 TILT,EDGE,C-1265-122	2
E1		WASHER,FLAT,BLACK,0.39" ID X 0.98" OD X 0.08" THK	1
E2		SEAT INTERFACE BRACKET,TB2 TILT,EDGE	1
E3		WASHER,CUSTOM,POLYURETHANE,.350"ID X .88"OD X .19"TH	1
E4		SLIDE BRACKET,TB2 TILT,Q6 EDGE,STANDOFF,REAR	1
E5	SCRHHCS1672	SCREW,HHCS,BZ,5/16-18 X 1.125",FLANGED,GR 8,W/PATCH	1
F1	DWR1235L199	DECAL,READ OWNER'S MANUAL,ONLY AN AUTHORIZED TECHNICIAN CAN ADJUST THE SEAT,L-1235-199	2
G1	DWR1234L004	DECAL,ICON,300LBS/135 KG,MAXIMUM WEIGHT CAPACITY,L-1234-004	1
H1	DWR1234L072	DECAL,ICON,1.375" X 0.6875",OWNERS MANUAL/SCISSOR PINCH POINT,L-1234-072	2

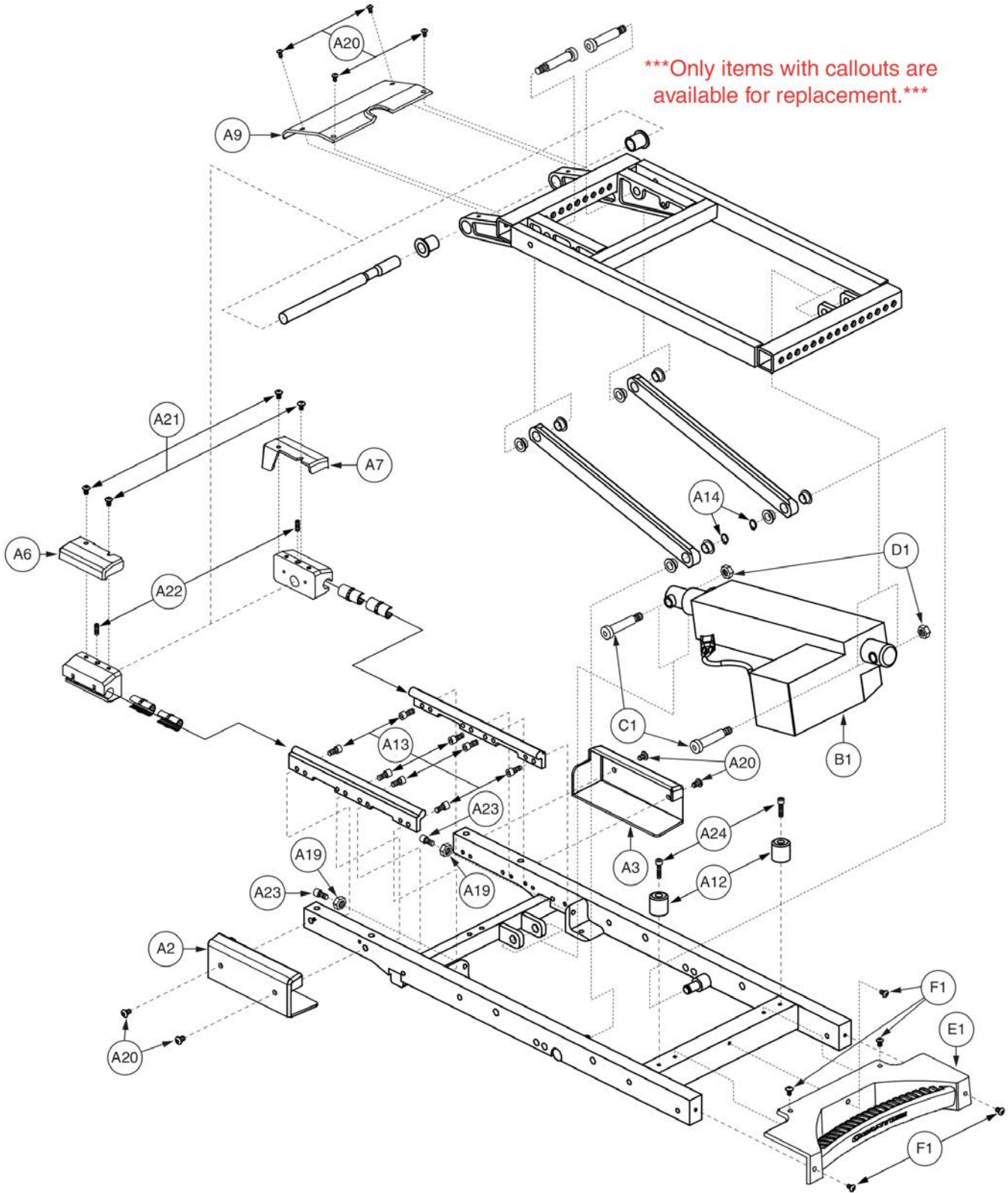
All Models Except Q6 Edge



Item	Part No.	Name	Qty
A1 - E1	FRMASMB17909	TB2 TILT BASE,ASSY,W/WIDTH ADJUSTMENT ARMS & DECALS	1
A1 - B1		TB2 TILT BASE,ASSY,W/WIDTH ADJUSTMENT ARMS,E-1265-071	1
A1	ACCACTR1031	ACTUATOR,TRU-BALANCE TILT G2,H-1265-002,(LINAK: LA31-U272-01)	1
A2	NUTNYLK1026	NUT,NYLOCK,BLACK ZINC,5/16-18	2
A3	BLTASHL1165	BOLT,SHOULDER,BLACK ZINC,3/8" X 1.50",W/PATCH	2
A4	DWR1265C033	FRAME,WIDTH ADJUSTMENT WELDMENT,14"W-20"W,TB2	4
A5	SCRHHCS1479	SCREW,HHCS,BLACK ZINC,1/4-20 X 0.50",GRADE 8,W/NYLON PATCH	4
B1		TRU-BALANCE TILT 2 BASE,ASSY,VERSION 2,E-1265-069	1
C1	DWR1235L199	DECAL,READ OWNER'S MANUAL,ONLY AN AUTHORIZED TECHNICIAN CAN ADJUST THE SEAT,L-1235-199	2
D1	DWR1234L004	DECAL,ICON,300LBS/135 KG,MAXIMUM WEIGHT CAPACITY,L-1234-004	1
E1	DWR1234L072	DECAL,ICON,1.375" X 0.6875",OWNERS MANUAL/SCISSOR PINCH POINT,L-1234-072	2



Serviceable Components

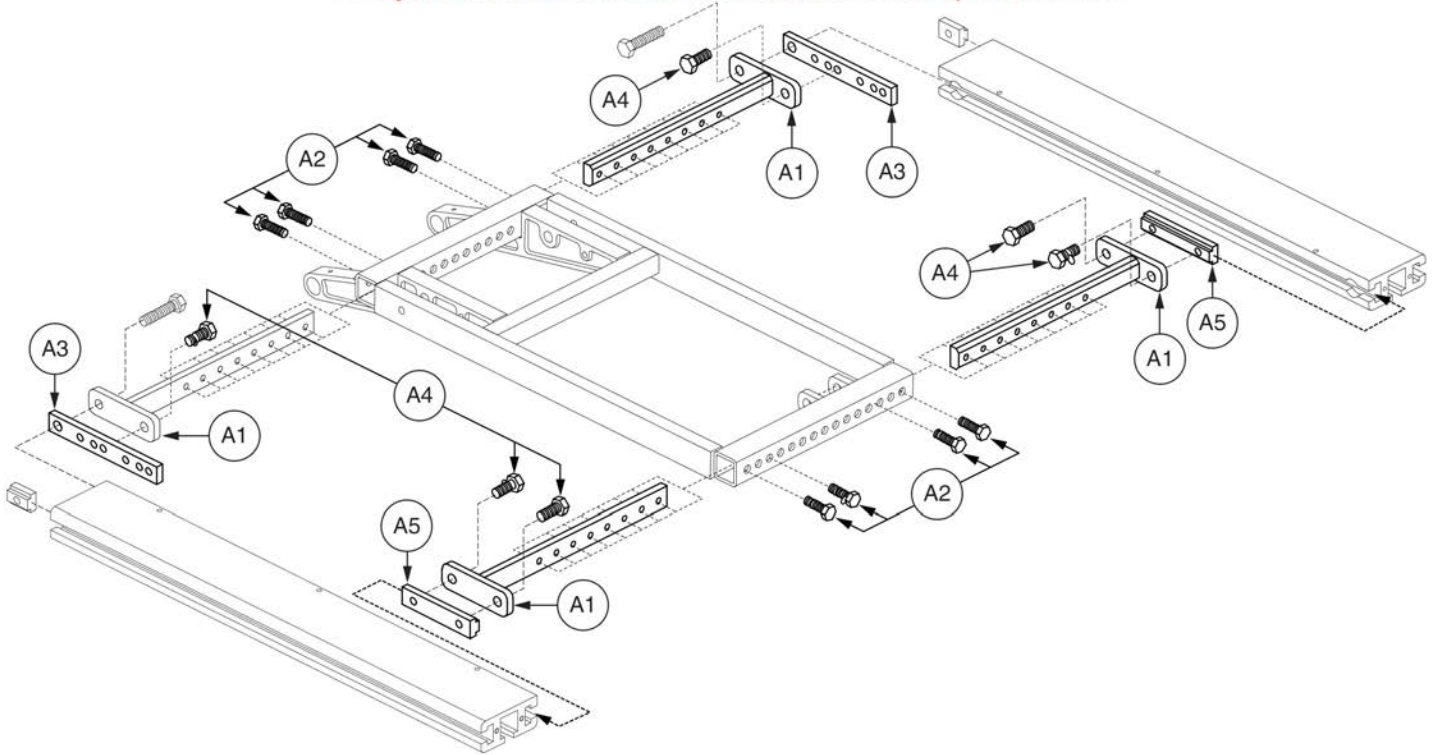




Item	Part No.	Name	Qty
A2	DWR1265C030	CAP,POST,PLASTIC,REAR,TRU-BALANCE TILT 2,RIGHT,C-1265-030	1
A3	DWR1265C031	CAP,POST,PLASTIC,REAR,TRU-BALANCE TILT 2,LEFT,C-1265-031	1
A6	DWR1265C040	COVER,PLASTIC,TRU-BALANCE TILT 2,SLIDER,RIGHT,C-1265-040	1
A7	DWR1265C041	COVER,PLASTIC,TRU-BALANCE TILT 2,SLIDER,LEFT,C-1265-041	1
A9	DWR1265D013	COVER,PLASTIC,TRU-BALANCE TILT 2,RESIDUAL SHIELD	1
A12	DWR1005B080	BUMPER,BLACK,RUBBER,0.80" OD,B-1005-080	2
A13	SCRSHCS1204	SCREW,SHCS,BLACK ZINC,10-32 X 0.50",GRADE 8,W/NYLON PATCH,B-1005-092	8
A14	RNGRTAN1043	RETAINING RING,BLACK ZINC,STEEL,9MM,EXTERNAL,B-1005-124	2
A19	NUTJAM1001	NUT, JAM,BLACK ZINC,ELMR,1/4-20	2
A20	SCRASBH1151	SCREW,BHSCS,BLACK ZINC,8-32 X 0.250",GR 8,W/PATCH	8
A21	SCRASBH1153	SCREW,BHSCS,BLACK ZINC,6-32 X 0.250",W/NYLON PATCH	4
A22		SCREW,SET,BLACK ZINC,10-32 X 0.500",W/NYLON PATCH	2
A23	SCRSHCS1174	SCREW,SHCS,BLACK ZINC,1/4-20 X 0.50",W/NYLON PATCH	2
A24	SCRSHCS1210	SCREW,SHCS,BLACK ZINC,8-32 X 0.750",W/NYLON PATCH	2
B1	ACCACTR1031	ACTUATOR,TRU-BALANCE TILT G2,H-1265-002,(LINAK: LA31-U272-01)	1
C1	BLTASHL1165	BOLT,SHOULDER,BLACK ZINC,3/8" X 1.50",W/PATCH	2
D1	NUTNYLK1026	NUT,NYLOCK,BLACK ZINC,5/16-18	2
E1	DWR1265E064	COVER,SEAT INTERFACE,BLACK,TRU-BALANCE 2 POWER TILT	1
F1	SCRASBH1144	SCREW,BHSCS,BLACK ZINC,8-32 X 0.375",GRADE 8,W/PATCH	5

Serviceable Components

\*\*\*Only items with callouts are available for replacement.\*\*\*



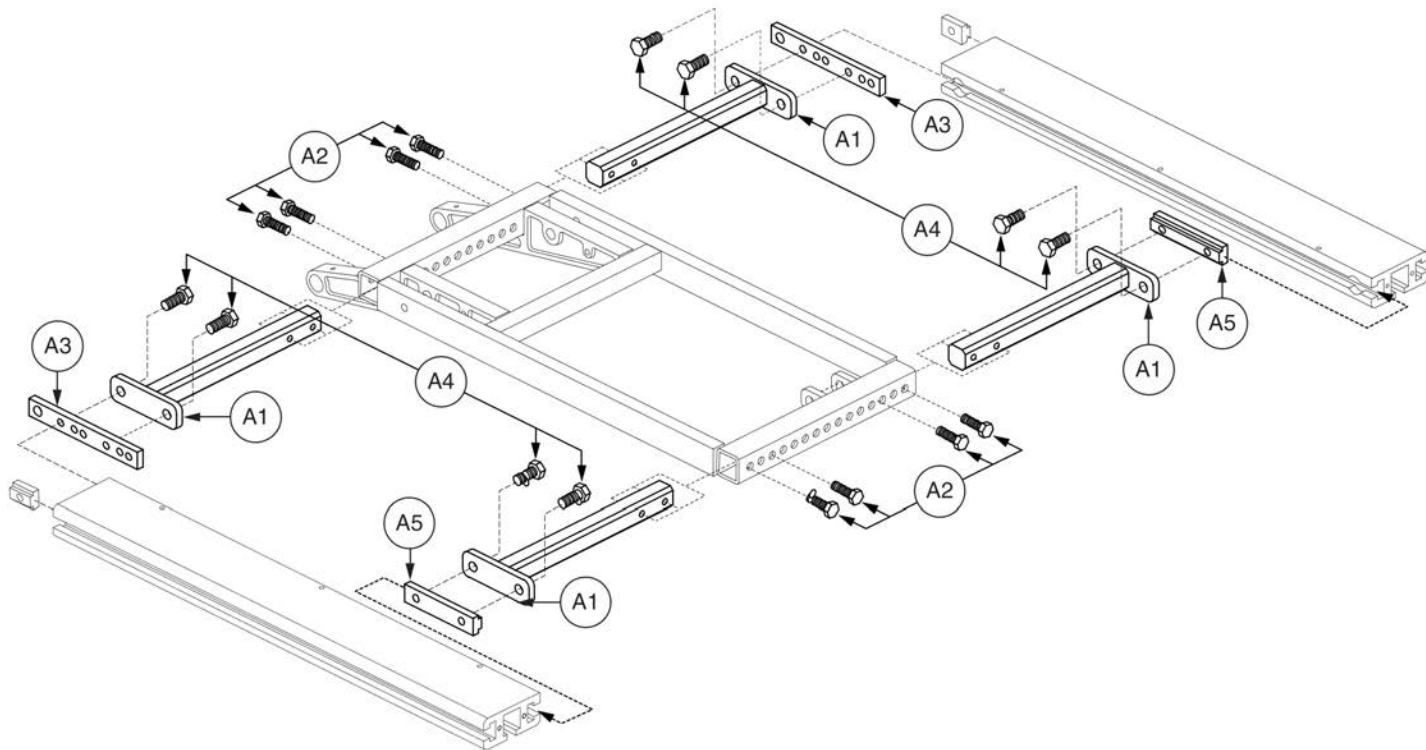
# Slider Interface Seat Base, 14"-20"W, TB2 Tilt



Item	Part No.	Name	Qty
A1	DWR1265C033	FRAME,WIDTH ADJUSTMENT WELDMENT,14"W-20"W,TB2	4
A2	SCRHHCS1479	SCREW,HHCS,BLACK ZINC,1/4-20 X 0.50",GRADE 8,W/NYLON PATCH	8
A3	DWR1265B002	FRAME,SAFETY PLATE,5.25" L,TB2 TILT	2
A4	SCRHHCS1241	SCREW,HHCS,BLACK ZINC,5/16-18 X 0.75",GR 8,W/PATCH	6
A5	DWR1360B015	T-NUT,BLACK,5/16-18 X 3", W/2",HOLE SPACING,B-1360-015	2

Serviceable Components

\*\*\*Only items with callouts are available for replacement.\*\*\*



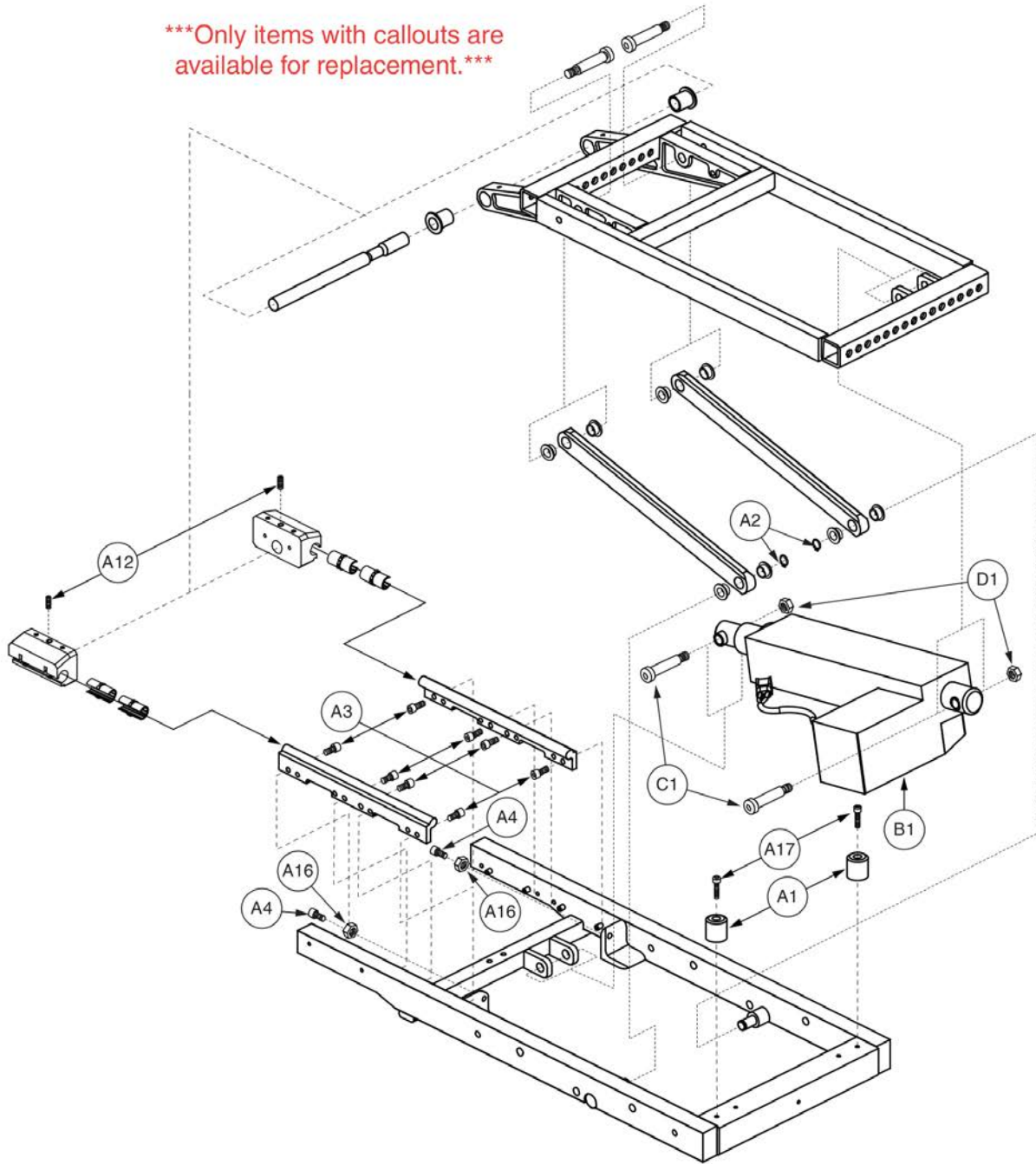
## Slider Interface Seat Base, 20"-24"W, TB2 Tilt



Item	Part No.	Name	Qty
A1	DWR1265C042	FRAME,WIDTH ADJUSTMENT WELDMENT,21"W-24"W,TB2	4
A2	SCRHHCS1325	SCREW,HHCS,BLACK ZINC,1/4-20 X 0.750",GR 8,W/PATCH	8
A3	DWR1265B002	FRAME,SAFETY PLATE,5.25" L,TB2 TILT	2
A4	SCRHHCS1241	SCREW,HHCS,BLACK ZINC,5/16-18 X 0.75",GR 8,W/PATCH	8
A5	DWR1360B015	T-NUT,BLACK,5/16-18 X 3", W/2",HOLE SPACING,B-1360-015	2

Version 1

\*\*\*Only items with callouts are available for replacement.\*\*\*

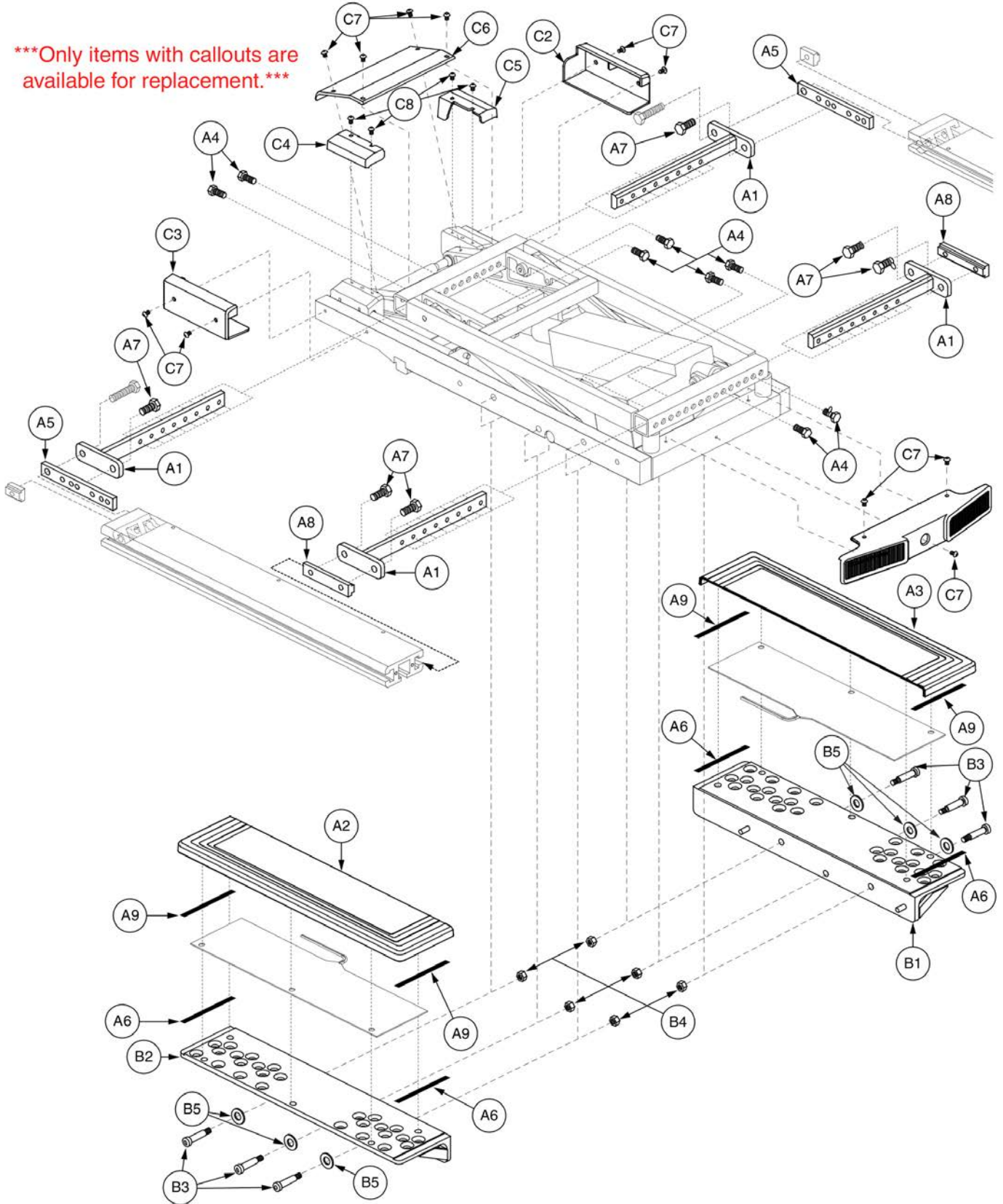


Item	Part No.	Name	Qty
A1	DWR1005B080	BUMPER,BLACK,RUBBER,0.80" OD,B-1005-080	2
A2	RNGRTAN1043	RETAINING RING,BLACK ZINC,STEEL,9MM,EXTERNAL,B-1005-124	2
A3	SCRSHCS1204	SCREW,SHCS,BLACK ZINC,10-32 X 0.50",GRADE 8,W/NYLON PATCH,B-1005-092	8
A4	SCRSHCS1174	SCREW,SHCS,BLACK ZINC,1/4-20 X 0.50",W/NYLON PATCH	2
A12		SCREW,SET,BLACK ZINC,10-32 X 0.500",W/NYLON PATCH	2
A16	NUTJAM1001	NUT, JAM,BLACK ZINC,ELMR,1/4-20	2
A17	SCRSHCS1210	SCREW,SHCS,BLACK ZINC,8-32 X 0.750",W/NYLON PATCH	2
B1	ACCACTR1031	ACTUATOR,TRU-BALANCE TILT G2,H-1265-002,(LINAK: LA31-U272-01)	1
C1	BLTASHL1165	BOLT,SHOULDER,BLACK ZINC,3/8" X 1.50",W/PATCH	2
D1	NUTNYLK1026	NUT,NYLOCK,BLACK ZINC,5/16-18	2



Version 1

\*\*\*Only items with callouts are available for replacement.\*\*\*





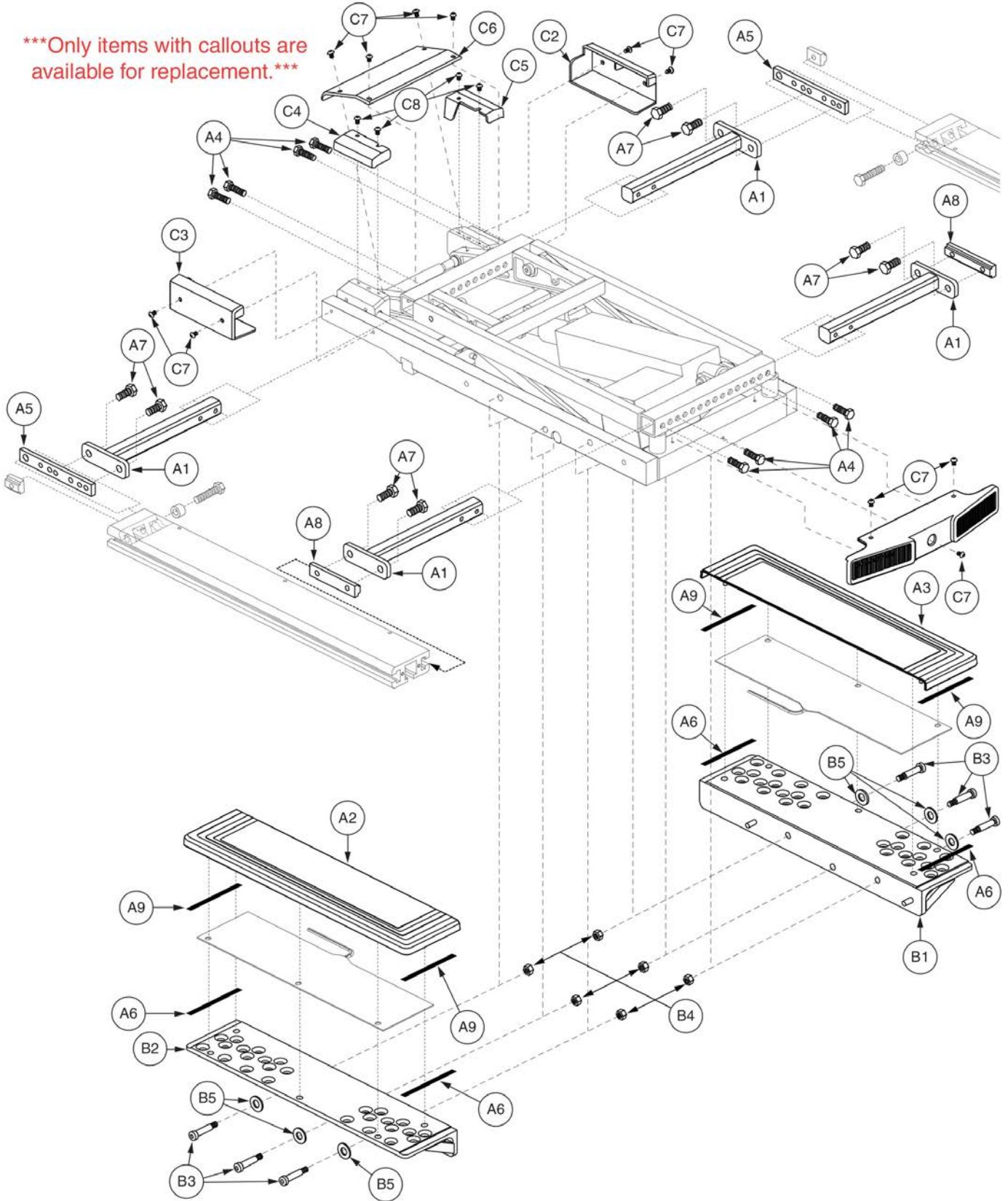
# Seat Base, 14"-20"W, TB2 Tilt



Item	Part No.	Name	Qty
A1	DWR1265C033	FRAME,WIDTH ADJUSTMENT WELDMENT,14"W-20"W,TB2	4
A2	DWR1265D012	COVER,INTERFACE WELDMENT,B,PLASTIC,TRU-BALANCE TILT 2	1
A3	DWR1265D010	COVER,INTERFACE WELDMENT,A,PLASTIC,TRU-BALANCE TILT 2	1
A4	SCRHHCS1479	SCREW,HHCS,BLACK ZINC,1/4-20 X 0.50",GRADE 8,W/NYLON PATCH	8
A5	DWR1265B002	FRAME,SAFETY PLATE,5.25" L,TB2 TILT	2
A6	VELHOOK1058	REUSABLE FASTENER,HOOK,BLACK,0.250"W,3.25"L	4
A7	SCRHHCS1241	SCREW,HHCS,BLACK ZINC,5/16-18 X 0.75",GR 8,W/PATCH	6
A8	DWR1360B015	T-NUT,BLACK,5/16-18 X 3", W/2",HOLE SPACING,B-1360-015	2
A9	VELLOOP1053	REUSABLE FASTENER,LOOP,BLACK,0.250"W,3.25"L	4
B1	DWR1265E029	FRAME,INTERFACE WELDMENT,A,TRU-BALANCE TILT 2,E-1265-029	1
B2	DWR1265E028	FRAME,INTERFACE WELDMENT,B,TRU-BALANCE TILT 2,E-1265-028	1
B3		BOLT,SHOULDER,5/16" X 1.00",C-1005-022	6
B4	NUTNYLK1014	NUT,NYLOCK,BLACK ZINC,1/4-20	6
B5	WASSTND1002	WASHER,FLAT,BLACK ZINC,0.3125" ID X 0.6875" OD X 0.0625" TH	6
C2	DWR1265C031	CAP,POST,PLASTIC,REAR,TRU-BALANCE TILT 2,LEFT,C-1265-031	1
C3	DWR1265C030	CAP,POST,PLASTIC,REAR,TRU-BALANCE TILT 2,RIGHT,C-1265-030	1
C4	DWR1265C040	COVER,PLASTIC,TRU-BALANCE TILT 2,SLIDER,RIGHT,C-1265-040	1
C5	DWR1265C041	COVER,PLASTIC,TRU-BALANCE TILT 2,SLIDER,LEFT,C-1265-041	1
C6	DWR1265D013	COVER,PLASTIC,TRU-BALANCE TILT 2,RESIDUAL SHIELD	1
C7	SCRASBH1151	SCREW,BHSCS,BLACK ZINC,8-32 X 0.250",GR 8,W/PATCH	11
C8	SCRASBH1153	SCREW,BHSCS,BLACK ZINC,6-32 X 0.250",W/NYLON PATCH	4

Version 1

\*\*\*Only items with callouts are available for replacement.\*\*\*



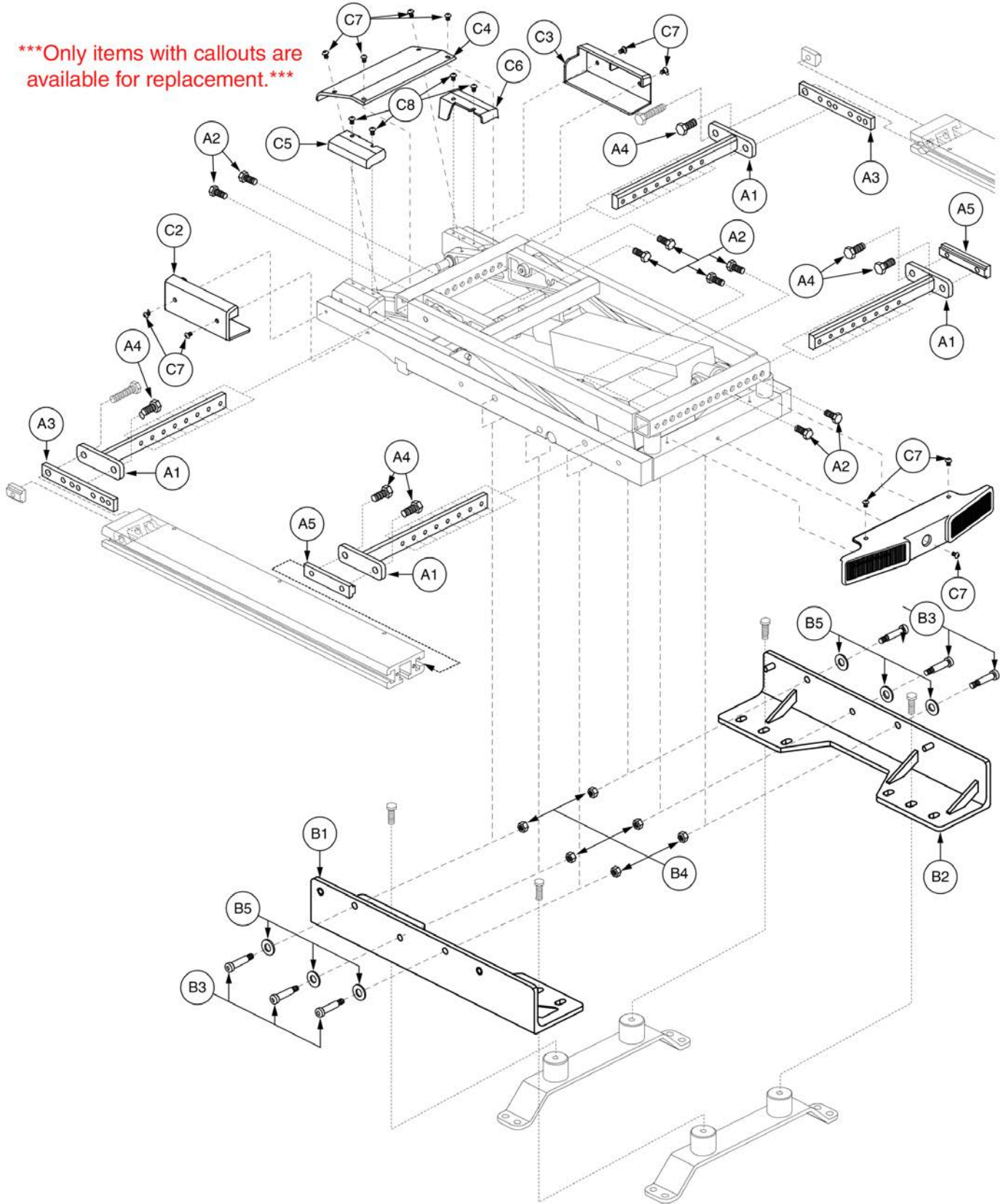
# Seat Base, 20"-24"W, TB2 Tilt



Item	Part No.	Name	Qty
A1	DWR1265C042	FRAME,WIDTH ADJUSTMENT WELDMENT,21"W-24"W,TB2	4
A2	DWR1265D012	COVER,INTERFACE WELDMENT,B,PLASTIC,TRU-BALANCE TILT 2	1
A3	DWR1265D010	COVER,INTERFACE WELDMENT,A,PLASTIC,TRU-BALANCE TILT 2	1
A4	SCRHHCS1325	SCREW,HHCS,BLACK ZINC,1/4-20 X 0.750",GR 8,W/PATCH	8
A5	DWR1265B002	FRAME,SAFETY PLATE,5.25" L,TB2 TILT	2
A6	VELHOOK1058	REUSABLE FASTENER,HOOK,BLACK,0.250"W,3.25"L	4
A7	SCRHHCS1241	SCREW,HHCS,BLACK ZINC,5/16-18 X 0.75",GR 8,W/PATCH	8
A8	DWR1360B015	T-NUT,BLACK,5/16-18 X 3", W/2",HOLE SPACING,B-1360-015	2
A9	VELLOOP1053	REUSABLE FASTENER,LOOP,BLACK,0.250"W,3.25"L	4
B1	DWR1265E029	FRAME,INTERFACE WELDMENT,A,TRU-BALANCE TILT 2,E-1265-029	1
B2	DWR1265E028	FRAME,INTERFACE WELDMENT,B,TRU-BALANCE TILT 2,E-1265-028	1
B3		BOLT,SHOULDER,5/16" X 1.00",C-1005-022	6
B4	NUTNYLK1014	NUT,NYLOCK,BLACK ZINC,1/4-20	6
B5	WASSTND1002	WASHER,FLAT,BLACK ZINC,0.3125" ID X 0.6875" OD X 0.0625" TH	6
C2	DWR1265C031	CAP,POST,PLASTIC,REAR,TRU-BALANCE TILT 2,LEFT,C-1265-031	1
C3	DWR1265C030	CAP,POST,PLASTIC,REAR,TRU-BALANCE TILT 2,RIGHT,C-1265-030	1
C4	DWR1265C040	COVER,PLASTIC,TRU-BALANCE TILT 2,SLIDER,RIGHT,C-1265-040	1
C5	DWR1265C041	COVER,PLASTIC,TRU-BALANCE TILT 2,SLIDER,LEFT,C-1265-041	1
C6	DWR1265D013	COVER,PLASTIC,TRU-BALANCE TILT 2,RESIDUAL SHIELD	1
C7	SCRASBH1151	SCREW,BHSCS,BLACK ZINC,8-32 X 0.250",GR 8,W/PATCH	11
C8	SCRASBH1153	SCREW,BHSCS,BLACK ZINC,6-32 X 0.250",W/NYLON PATCH	4

Version 1

\*\*\*Only items with callouts are available for replacement.\*\*\*

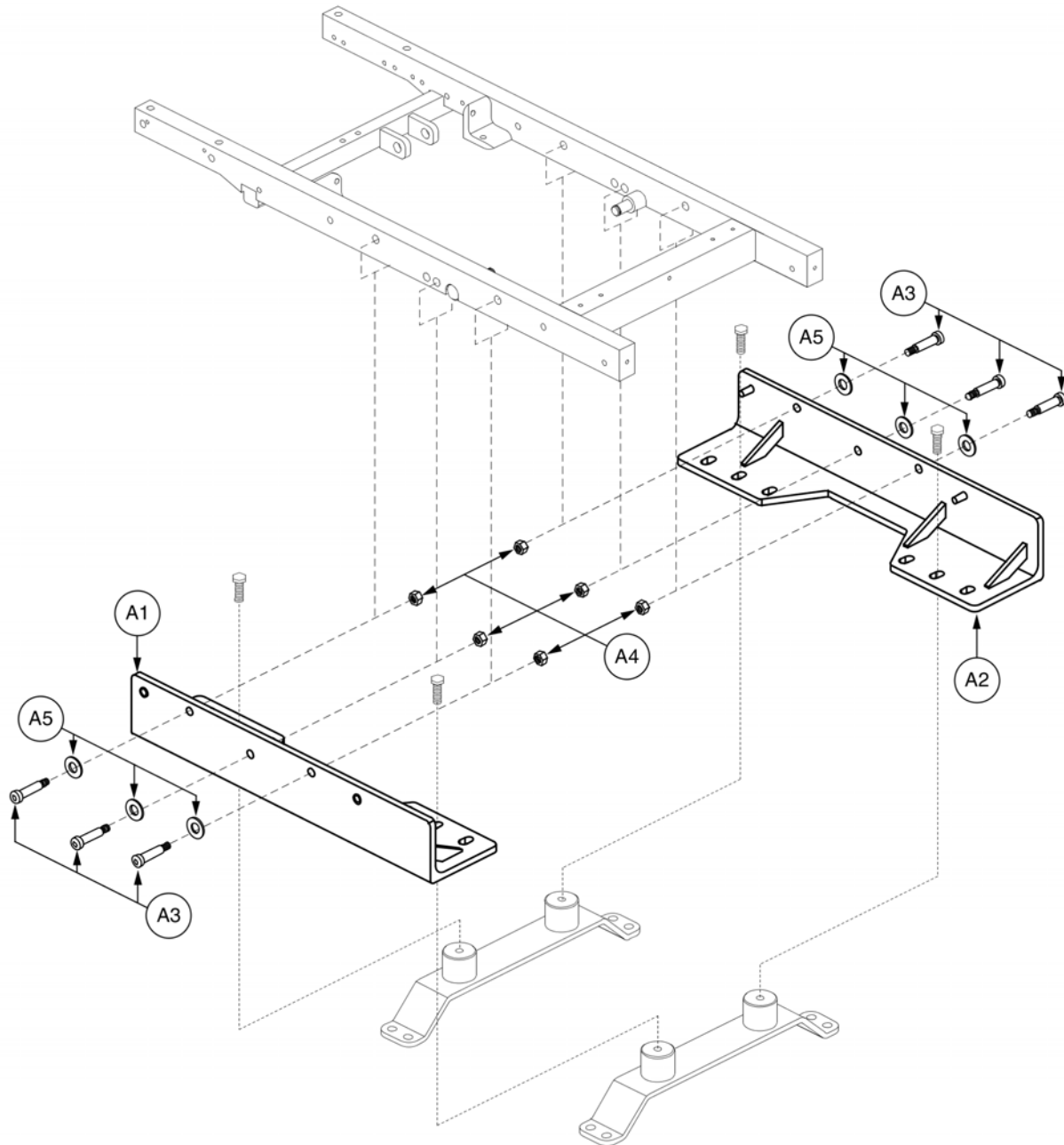


# Seat Base, 5" Centers, 14"-18"W, TB2 Tilt



Item	Part No.	Name	Qty
A1	DWR1265C033	FRAME,WIDTH ADJUSTMENT WELDMENT,14"W-20"W,TB2	4
A2	SCRHHCS1325	SCREW,HHCS,BLACK ZINC,1/4-20 X 0.750",GR 8,W/PATCH	8
A3	DWR1265B002	FRAME,SAFETY PLATE,5.25" L,TB2 TILT	2
A4	SCRHHCS1241	SCREW,HHCS,BLACK ZINC,5/16-18 X 0.75",GR 8,W/PATCH	6
A5	DWR1360B015	T-NUT,BLACK,5/16-18 X 3", W/2",HOLE SPACING,B-1360-015	2
B1	DWR1265E044	FRAME,INTERFACE WELDMENT,B,5.039" CENTERS,TB2	1
B2	DWR1265E042	FRAME,INTERFACE WELDMENT,A,5.039" CENTERS,TB2	1
B3		BOLT,SHOULDER,5/16" X 1.00",C-1005-022	6
B4	NUTNYLK1014	NUT,NYLOCK,BLACK ZINC,1/4-20	6
B5	WASSTND1002	WASHER,FLAT,BLACK ZINC,0.3125" ID X 0.6875" OD X 0.0625" TH	6
C2	DWR1265C030	CAP,POST,PLASTIC,REAR,TRU-BALANCE TILT 2,RIGHT,C-1265-030	1
C3	DWR1265C031	CAP,POST,PLASTIC,REAR,TRU-BALANCE TILT 2,LEFT,C-1265-031	1
C4	DWR1265D013	COVER,PLASTIC,TRU-BALANCE TILT 2,RESIDUAL SHIELD	1
C5	DWR1265C040	COVER,PLASTIC,TRU-BALANCE TILT 2,SLIDER,RIGHT,C-1265-040	1
C6	DWR1265C041	COVER,PLASTIC,TRU-BALANCE TILT 2,SLIDER,LEFT,C-1265-041	1
C7	SCRASBH1151	SCREW,BHSCS,BLACK ZINC,8-32 X 0.250",GR 8,W/PATCH	11
C8	SCRASBH1153	SCREW,BHSCS,BLACK ZINC,6-32 X 0.250",W/NYLON PATCH	4

Interfaces



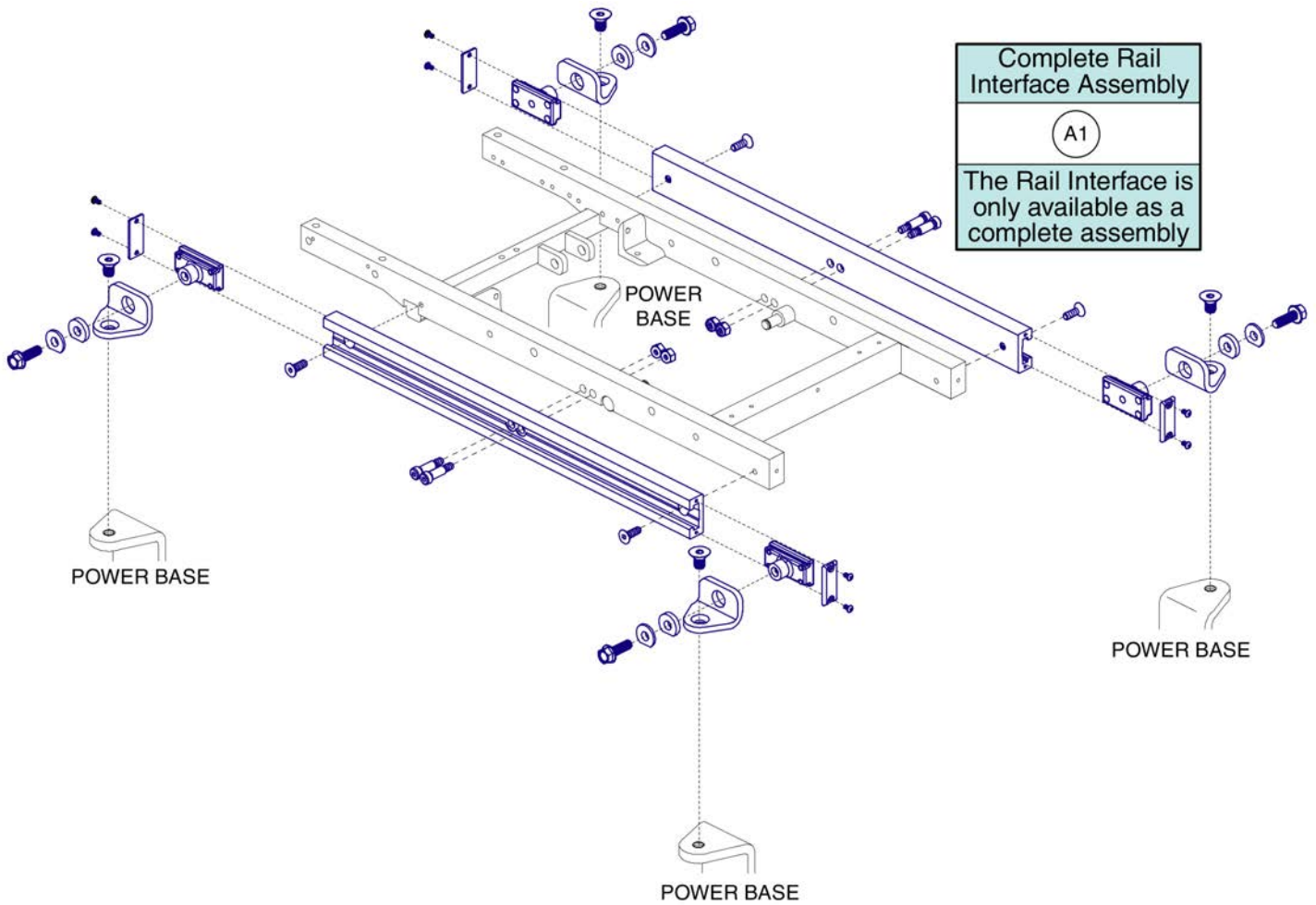


# Interface Weldment, 5.039" Centers, TB2 Tilt



Item	Part No.	Name	Qty
A1 - A5	FRMASMB16942	SEAT TOWER,ASSY,5.039" CENTERS,TRU-BALANCE 2 POWER TILT,W/MOUNTING HARDWARE	1
A1	DWR1265E044	FRAME,INTERFACE WELDMENT,B,5.039" CENTERS,TB2	1
A2	DWR1265E042	FRAME,INTERFACE WELDMENT,A,5.039" CENTERS,TB2	1
A3		BOLT,SHOULDER,5/16" X 1.00",C-1005-022	6
A4	NUTNYLK1014	NUT,NYLOCK,BLACK ZINC,1/4-20	6
A5	WASSTND1002	WASHER,FLAT,BLACK ZINC,0.3125" ID X 0.6875" OD X 0.0625" TH	6

Interfaces



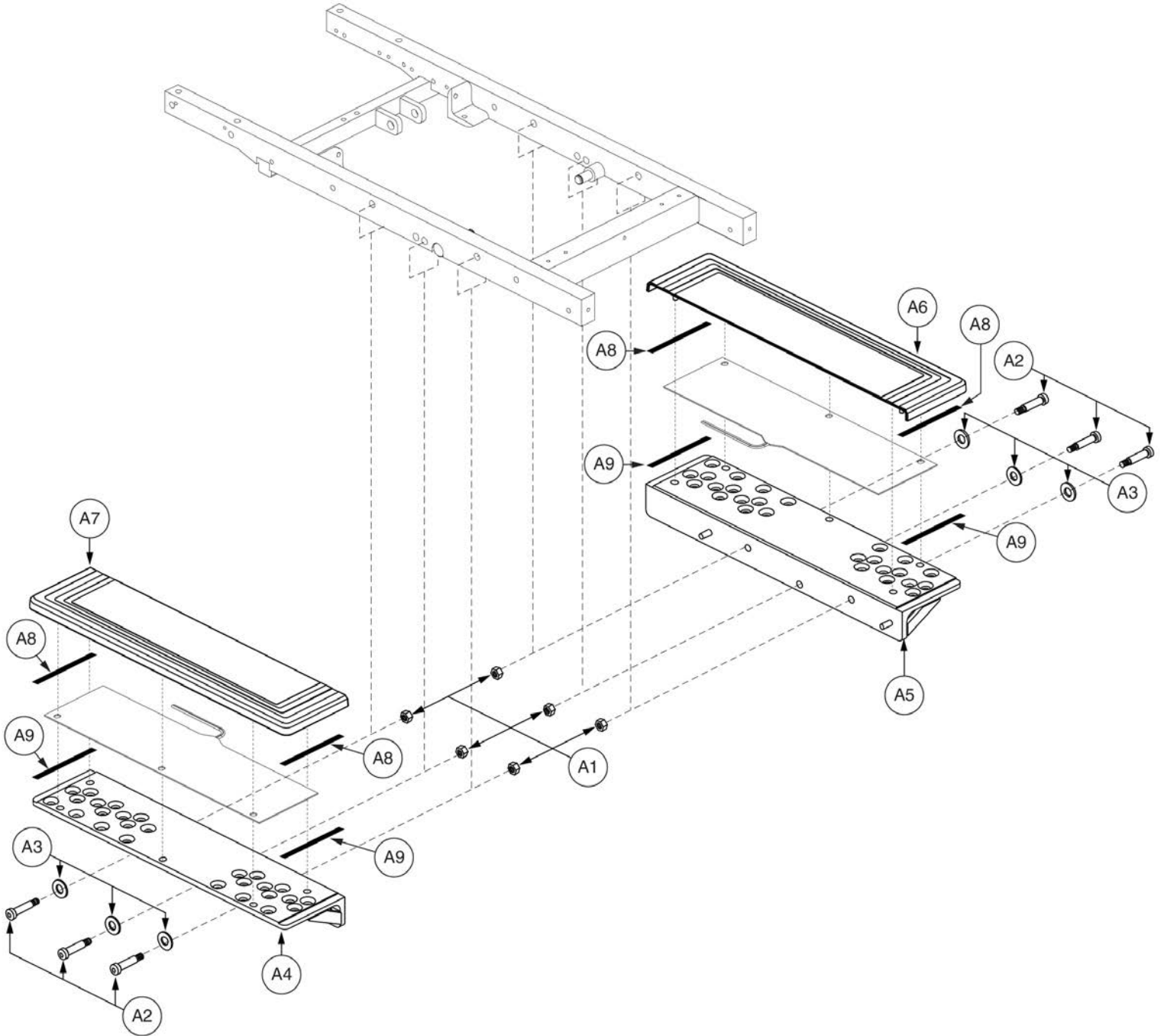


# Rail Interface, 14" Centers (Q6 Edge), TB2 Tilt



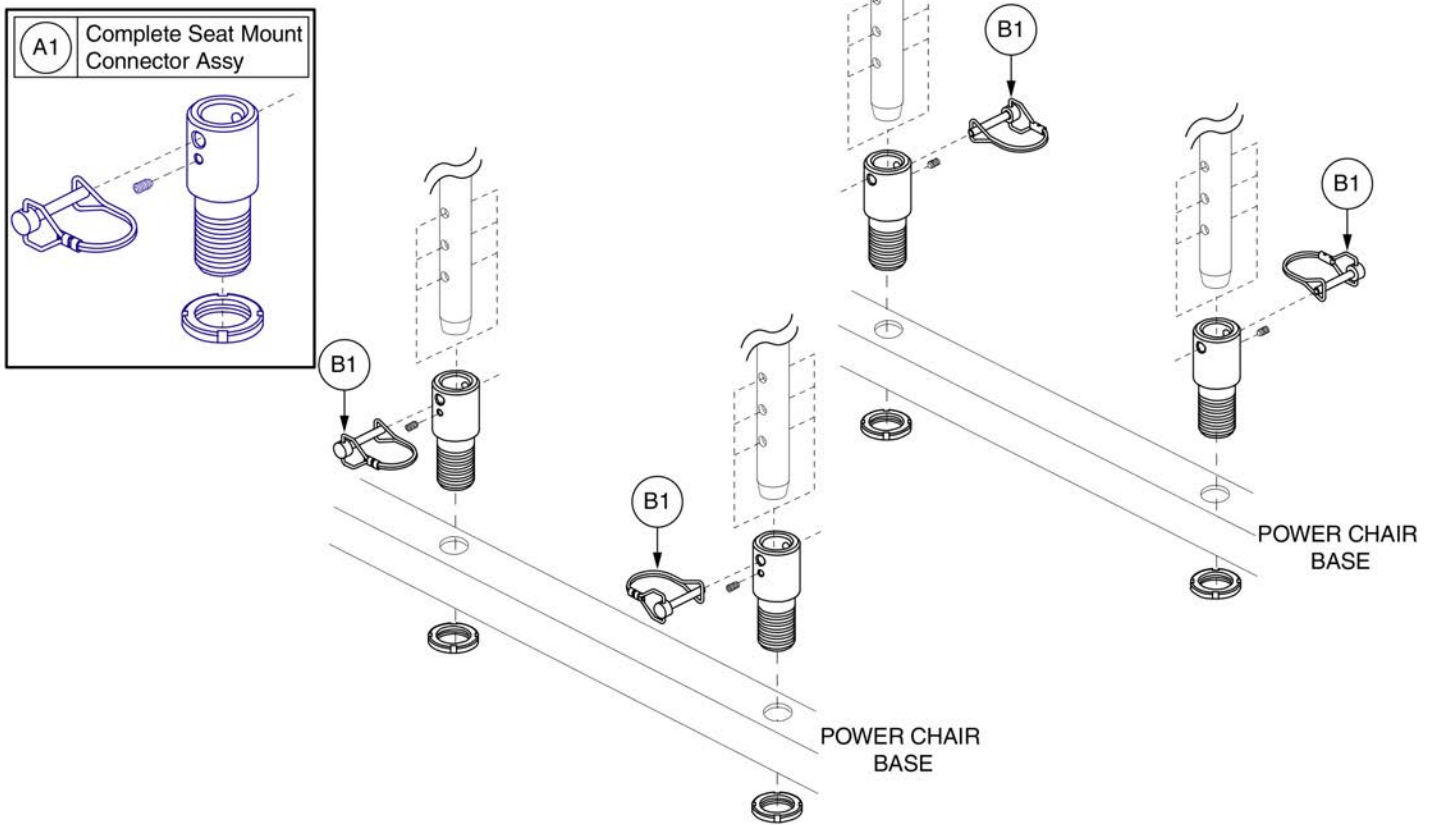
Item	Part No.	Name	Qty
A1	FRMASMB16296	SEAT TOWER,ASSY,RAIL INTERFACE,TRU-BALANCE 2 POWER TILT,14"CENTERS,W/MOUNTING HARDWARE	1

Interfaces



Item	Part No.	Name	Qty
A1 - A9	FRMASMB17081	SEAT TOWER,ASSY,JAZZY1113ATS/JAZZY1121/SUPERLOW,TRUBALANCE 2 POWER TILT,W/MOUNTING HARDWARE	1
A1	NUTNYLK1014	NUT,NYLOCK,BLACK ZINC,1/4-20	6
A2		BOLT,SHOULDER,5/16" X 1.00",C-1005-022	6
A3	WASSTND1002	WASHER,FLAT,BLACK ZINC,0.3125" ID X 0.6875" OD X 0.0625" TH	6
A4	DWR1265E028	FRAME,INTERFACE WELDMENT,B,TRU-BALANCE TILT 2,E-1265-028	1
A5	DWR1265E029	FRAME,INTERFACE WELDMENT,A,TRU-BALANCE TILT 2,E-1265-029	1
A6	DWR1265D010	COVER,INTERFACE WELDMENT,A,PLASTIC,TRU-BALANCE TILT 2	1
A7	DWR1265D012	COVER,INTERFACE WELDMENT,B,PLASTIC,TRU-BALANCE TILT 2	1
A8	VELLOOP1053	REUSABLE FASTENER,LOOP,BLACK,0.250"W,3.25"L	4
A9	VELHOOK1058	REUSABLE FASTENER,HOOK,BLACK,0.250"W,3.25"L	4

\*\*\*The individual components are not available for replacement  
The complete assembly or items with callouts must be selected.\*\*\*

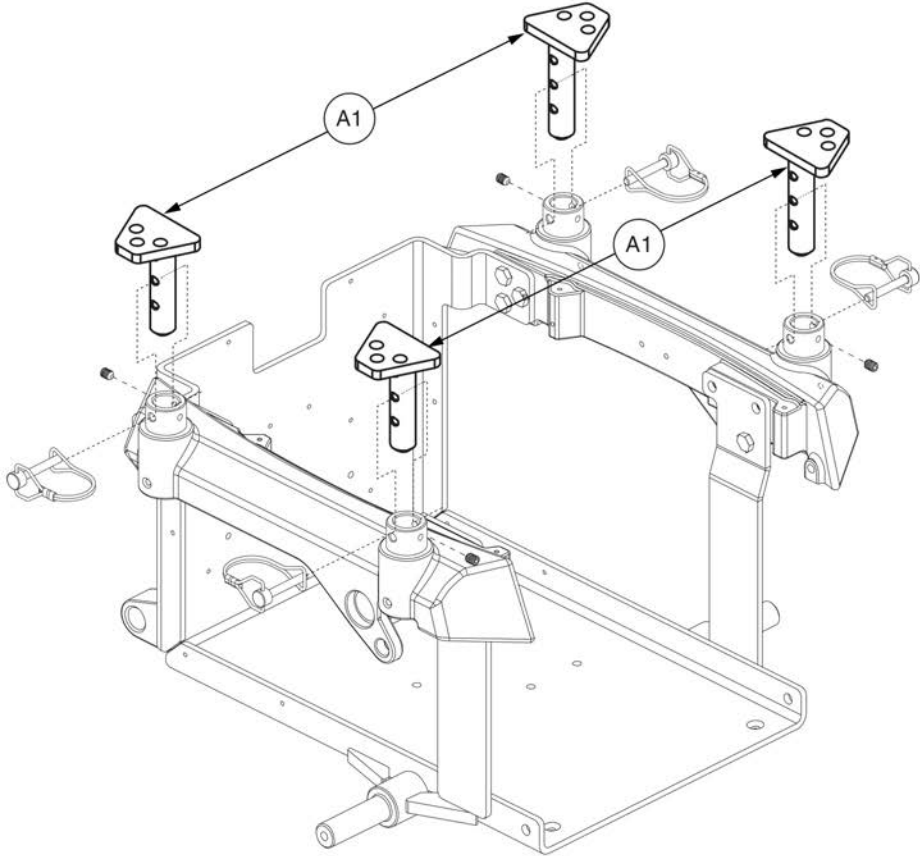


**Seat Tower Mount Connector, TB2**



Item	Part No.	Name	Qty
A1		SEAT MOUNT CONNECTOR,ASSY,W/SET SCREW	1
B1	DWR1054B026	PIN,SAFETY SNAP,M6 X 35MM,B-1054-026	1

Seat Towers

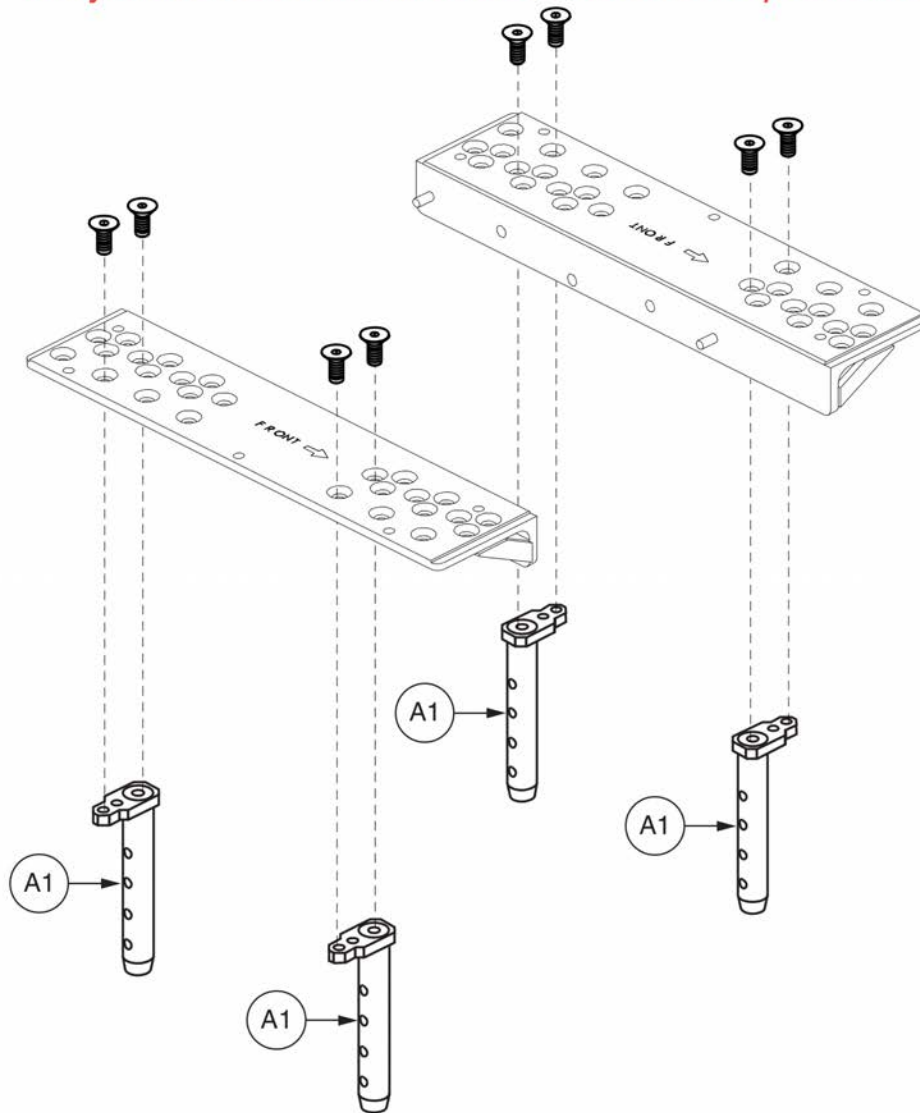




Item	Part No.	Name	Qty
A1	MEC133991	SEAT TOWER WELDMENT,3-HOLE,TRU-BALANCE 2 TILT 2,QUANTUM6000	4

Seat Towers

\*\*\* Only items with callouts are available for replacement. \*\*\*



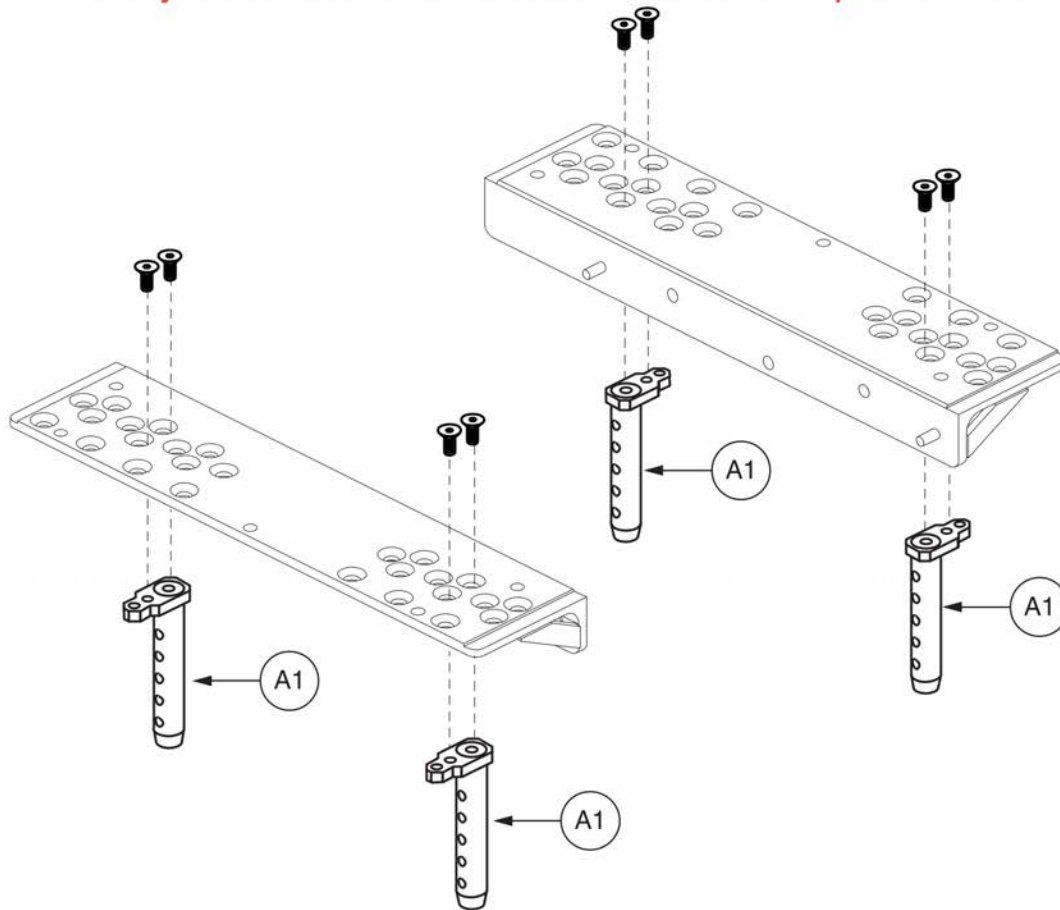




Item	Part No.	Name	Qty
A1	FRMASMB10498	SEAT TOWER,ASSY,FIXED,TRU-BALANCE 2 POWER TILT	4

Seat Towers

\*\*\* Only items with callouts are available for replacement. \*\*\*

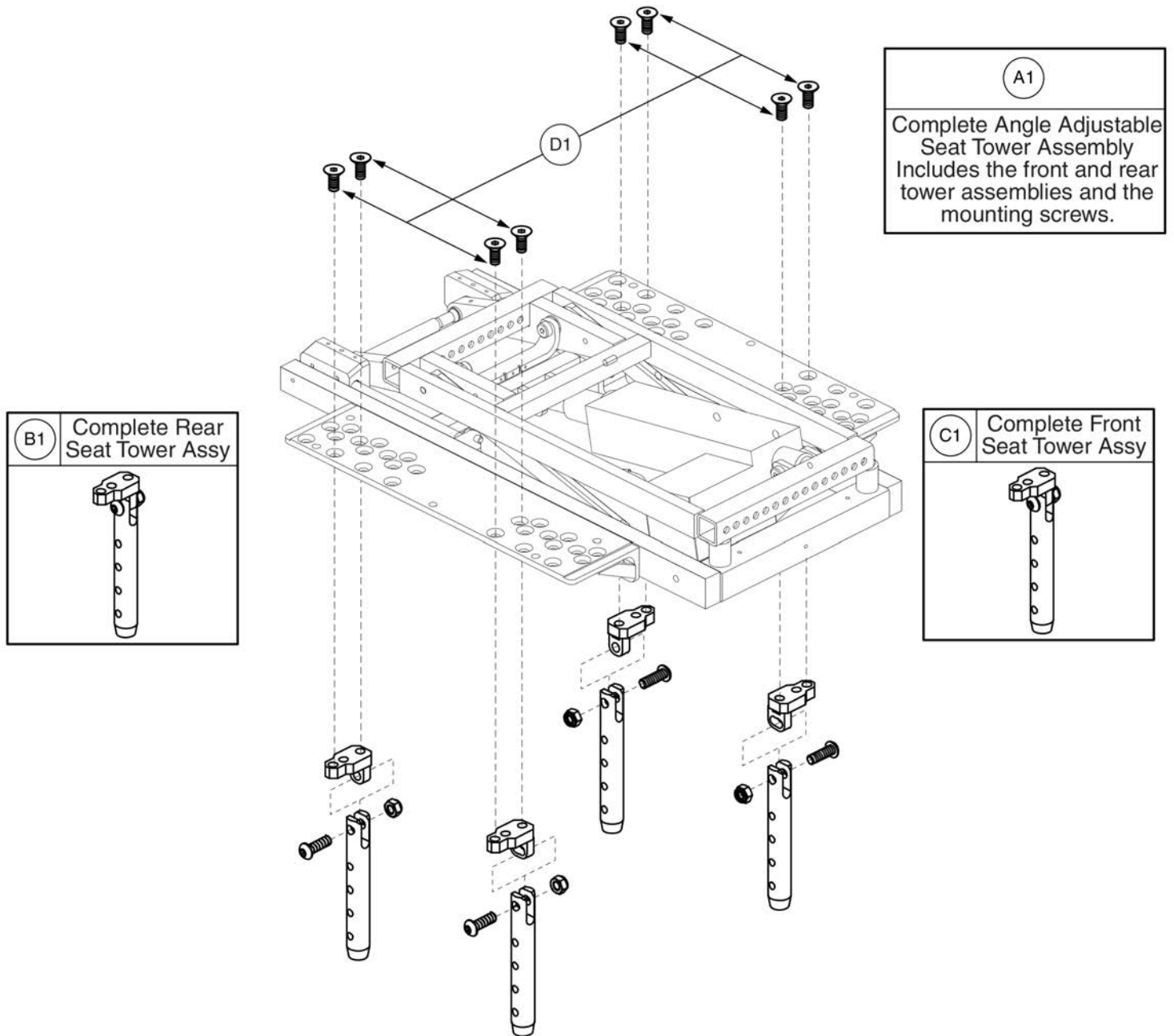


**Fixed Seat Towers, TB2 Super Low Tilt**



Item	Part No.	Name	Qty
A1	FRMASMB14490	SEAT TOWER,ASSY,FIXED,SUPER LOW,TRU-BALANCE 2 TILT	4

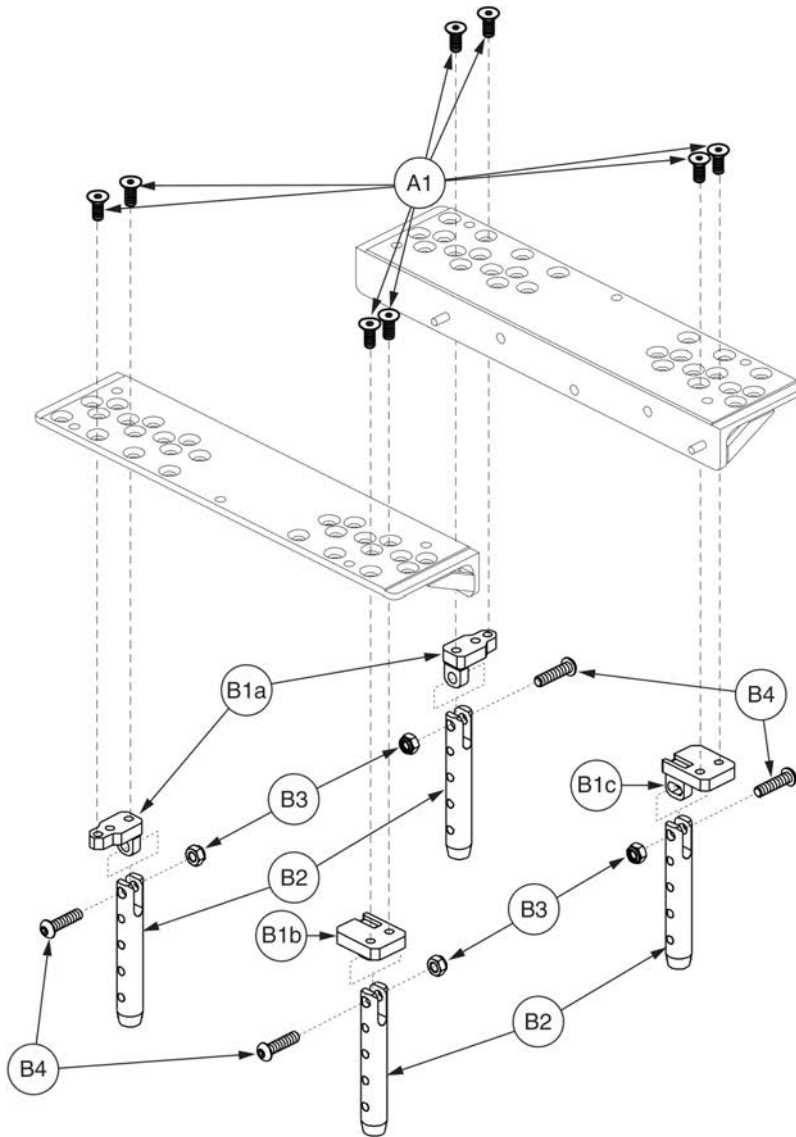
Seat Towers





Item	Part No.	Name	Qty
A1	FRMASMB10497	SEAT TOWER,ASSY,ANGLE ADJUSTABLE,TRU-BALANCE 2 POWER TILT	1
B1	FRMASMB12348	SEAT TOWER,ASSY,ANGLE ADJUSTABLE,TRU-BALANCE TILT 2,REAR,C-1265-067	2
C1	FRMASMB12347	SEAT TOWER,ASSY,ANGLE ADJUSTABLE,TRU-BALANCE TILT 2,FRONT,C-1265-065	2
D1	SCRSHFH1035	SCREW,SHFH,BLACK ZINC,5/16-18 X 0.75",GR 8,W/PATCH	8

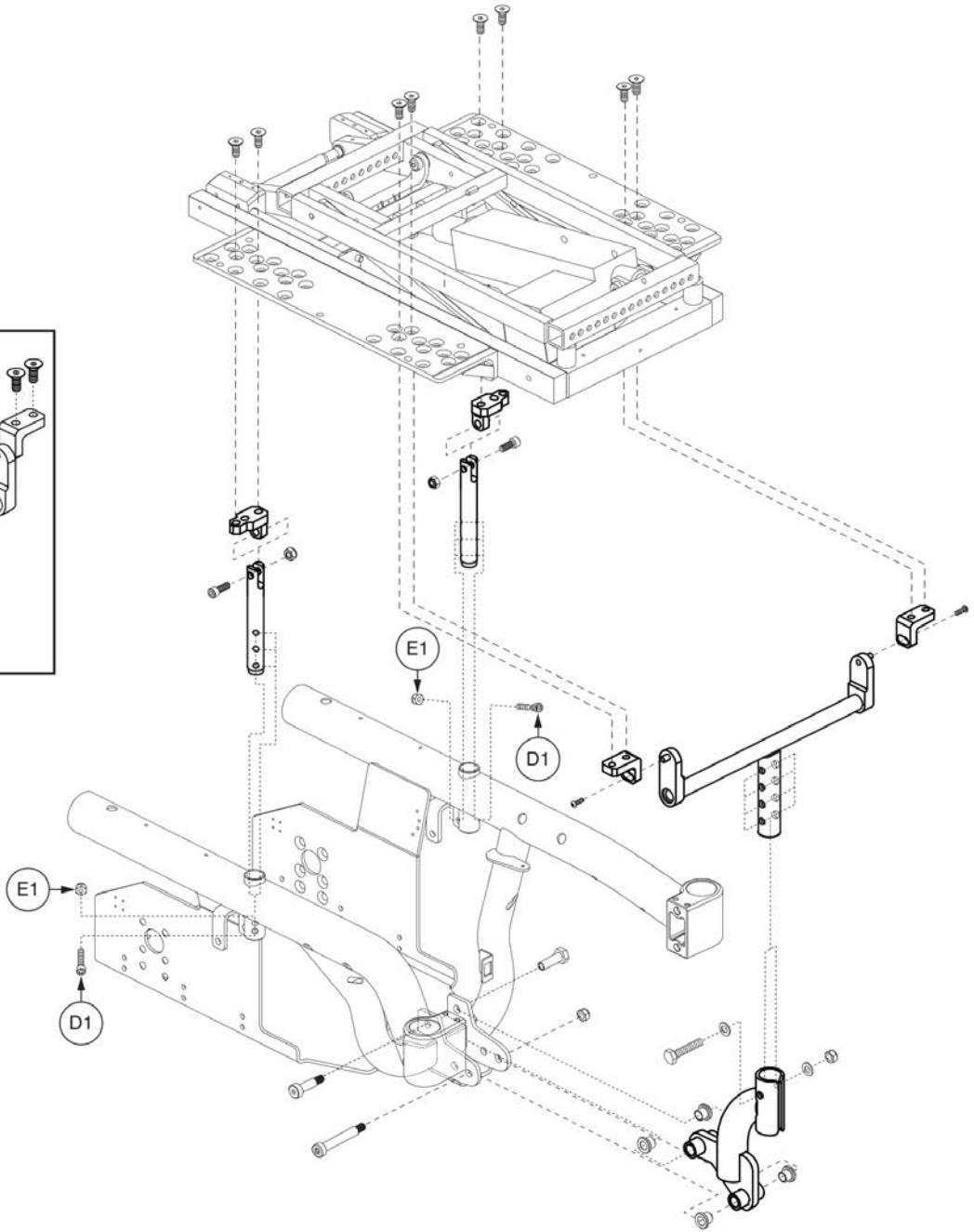
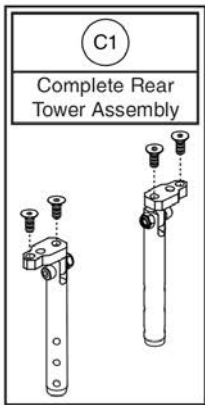
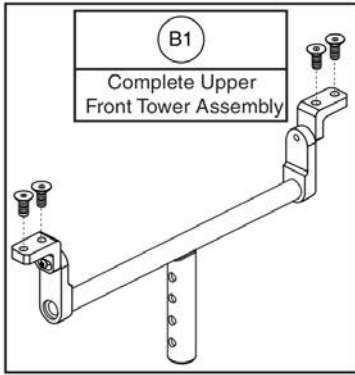
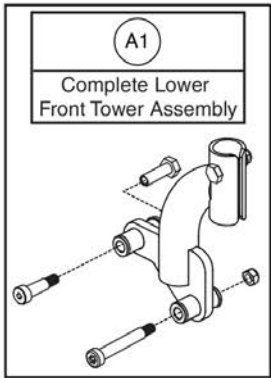
Seat Towers



Item	Part No.	Name	Qty
A1 - B4		SEAT TOWER,ASSY,ANGLE ADJUSTABLE,TB2 TILT,JAZZY614	1
A1	SCRSHFH1035	SCREW,SHFH,BLACK ZINC,5/16-18 X 0.75",GR 8,W/PATCH	8
B1a - B4		SEAT TOWER,ASSY,ANGLE ADJUSTABLE,TRU-BALANCE 2 POWER TILT,JAZZY614,REAR,C-1265-074	2
B1b - B4		SEAT TOWER,ASSY,ANGLE ADJUSTABLE,TRU-BALANCE 2 POWER TILT,JAZZY614,FRONT,RIGHT,C-1265-080	1
B1c - B4		SEAT TOWER,ASSY,ANGLE ADJUSTABLE,TRU-BALANCE 2 POWER TILT,JAZZY614,FRONT,LEFT,C-1265-073	1
B1a		DUMP BRACKET,TRU-BALANCE TILT 2,REAR,C-1265-066	1
B1b		DUMP BRACKET,TRU-BALANCE POWER 2 TILT,RIGHT,C-1265-079	1
B1c		DUMP BRACKET,WELDMENT,TRU-BALANCE POWER 2 TILT,FRONT	1
B2		TOWER WELDMENT,4 HOLE,4.73"LENGTH,TB2 TILT,J614,LOWER	1
B3	NUTNYLK1026	NUT,NYLOCK,BLACK ZINC,5/16-18	1
B4	SCRASBH1180	SCREW,BHSCS,BLACK ZINC,5/16-18 X 1.25"	1

Seat Towers

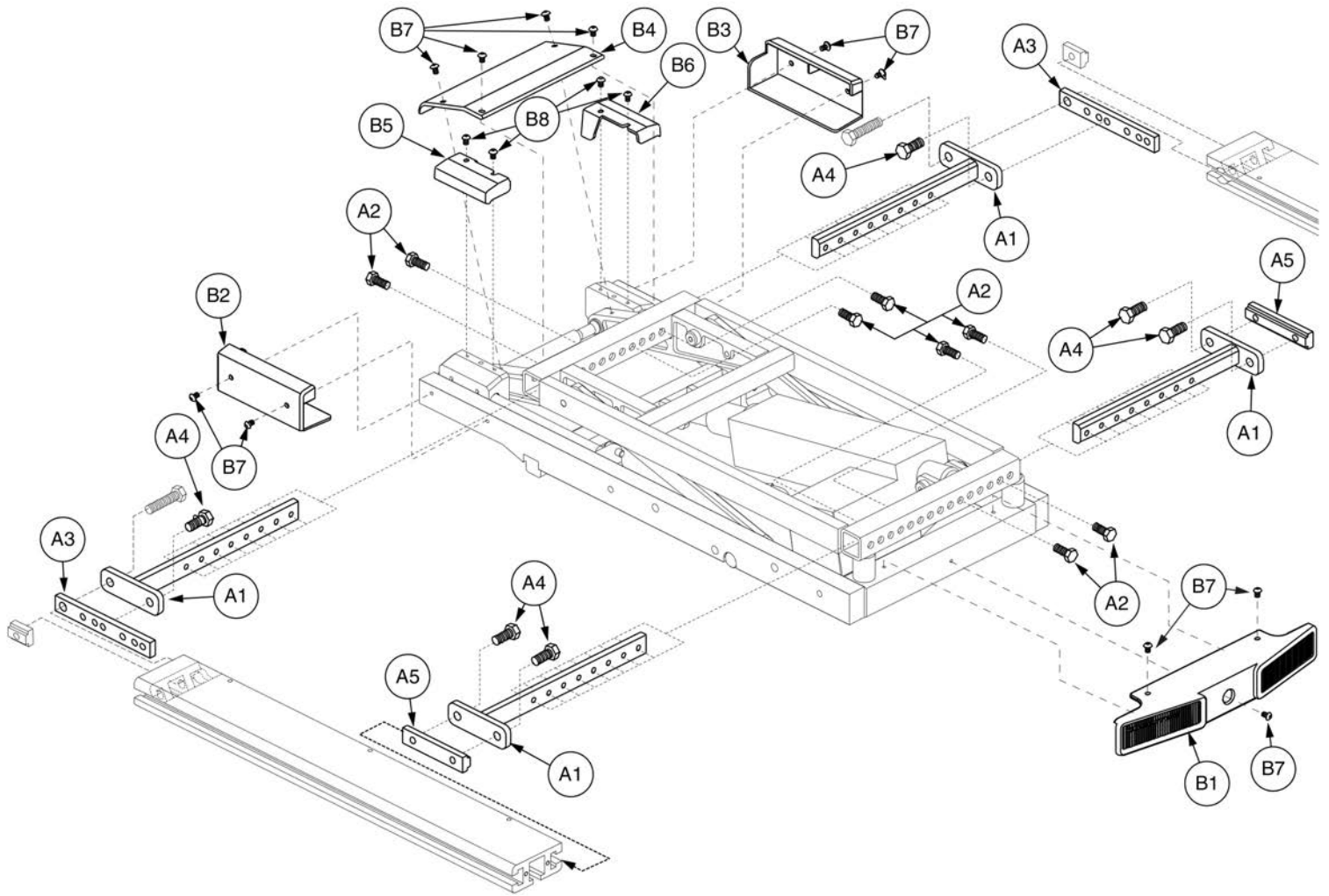
\*\*\* Individual components are not available for replacement.  
The entire assembly must be purchased. \*\*\*





Item	Part No.	Name	Qty
A1	FRMASMB11128	SEAT TOWER,ASSY,FRONT,LOWER,R4000,D-1505-075	1
B1		SEAT TOWER,ASSY,FRONT,UPPER,TRU-BALANCE 2 TILT,R4000	1
C1		SEAT TOWER,ASSY,REAR,ANGLE ADJUSTABLE,TB2 TILT,R4000	2
D1	SCRSHCS1084	SCREW,SHCS,BLACK ZINC,M6-1.0 X 35MM,GRADE 12.9	2
E1	NUTNYLK1019	NUT,NYLOCK,BLACK ZINC,M6-1.0	2

3.2. Tilt Base and Interface for Power Seat

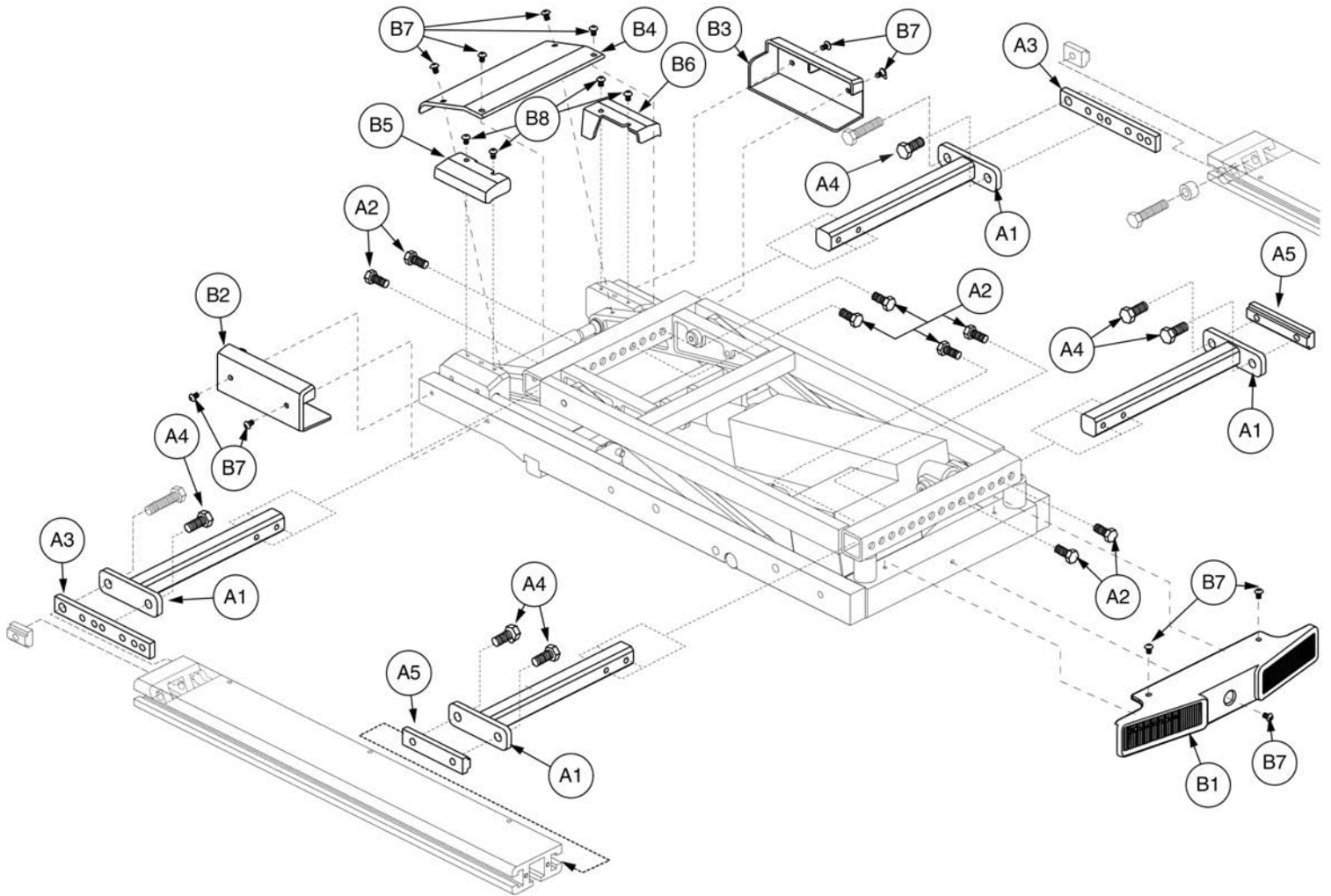


Seat Base, 14"-20" W, TB2 Tilt w/ Elevating Seat



Item	Part No.	Name	Qty
A1 - C1		SEAT BASE,ASSY,14"W-18"W,W/POWER ELEVATING SEAT,TB2	1
A1 - C1		SEAT BASE,ASSY,16"W-20"W,W/POWER ELEVATING SEAT,TB2	1
A1	DWR1265C033	FRAME,WIDTH ADJUSTMENT WELDMENT,14"W-20"W,TB2	4
A2	SCRHHCS1479	SCREW,HHCS,BLACK ZINC,1/4-20 X 0.50",GRADE 8,W/NYLON PATCH	8
A3	DWR1265B002	FRAME,SAFETY PLATE,5.25" L,TB2 TILT	2
A4	SCRHHCS1241	SCREW,HHCS,BLACK ZINC,5/16-18 X 0.75",GR 8,W/PATCH	6
A5	DWR1360B015	T-NUT,BLACK,5/16-18 X 3", W/2",HOLE SPACING,B-1360-015	2
A6	ACCACTR1031	ACTUATOR,TRU-BALANCE TILT G2,H-1265-002,(LINAK: LA31-U272-01)	1
A7	BLTASHL1165	BOLT,SHOULDER,BLACK ZINC,3/8" X 1.50",W/PATCH	2
A8	NUTNYLK1026	NUT,NYLOCK,BLACK ZINC,5/16-18	2
B1 - C1		TRU-BALANCE TILT 2 BASE,ASSY,W/PLASTICS,E-1265-052	1
B1		COVER,FRONT,PLASTIC,TRU-BALANCE TILT 2,D-1265-011	1
B2	DWR1265C030	CAP,POST,PLASTIC,REAR,TRU-BALANCE TILT 2,RIGHT,C-1265-030	1
B3	DWR1265C031	CAP,POST,PLASTIC,REAR,TRU-BALANCE TILT 2,LEFT,C-1265-031	1
B4	DWR1265D013	COVER,PLASTIC,TRU-BALANCE TILT 2,RESIDUAL SHIELD	1
B5	DWR1265C040	COVER,PLASTIC,TRU-BALANCE TILT 2,SLIDER,RIGHT,C-1265-040	1
B6	DWR1265C041	COVER,PLASTIC,TRU-BALANCE TILT 2,SLIDER,LEFT,C-1265-041	1
B7	SCRASBH1151	SCREW,BHSCS,BLACK ZINC,8-32 X 0.250",GR 8,W/PATCH	11
B8	SCRASBH1153	SCREW,BHSCS,BLACK ZINC,6-32 X 0.250",W/NYLON PATCH	4
C1		TRU-BALANCE TILT 2 BASE,ASSY,E-1265-056	1

3.2. Tilt Base and Interface for Power Seat

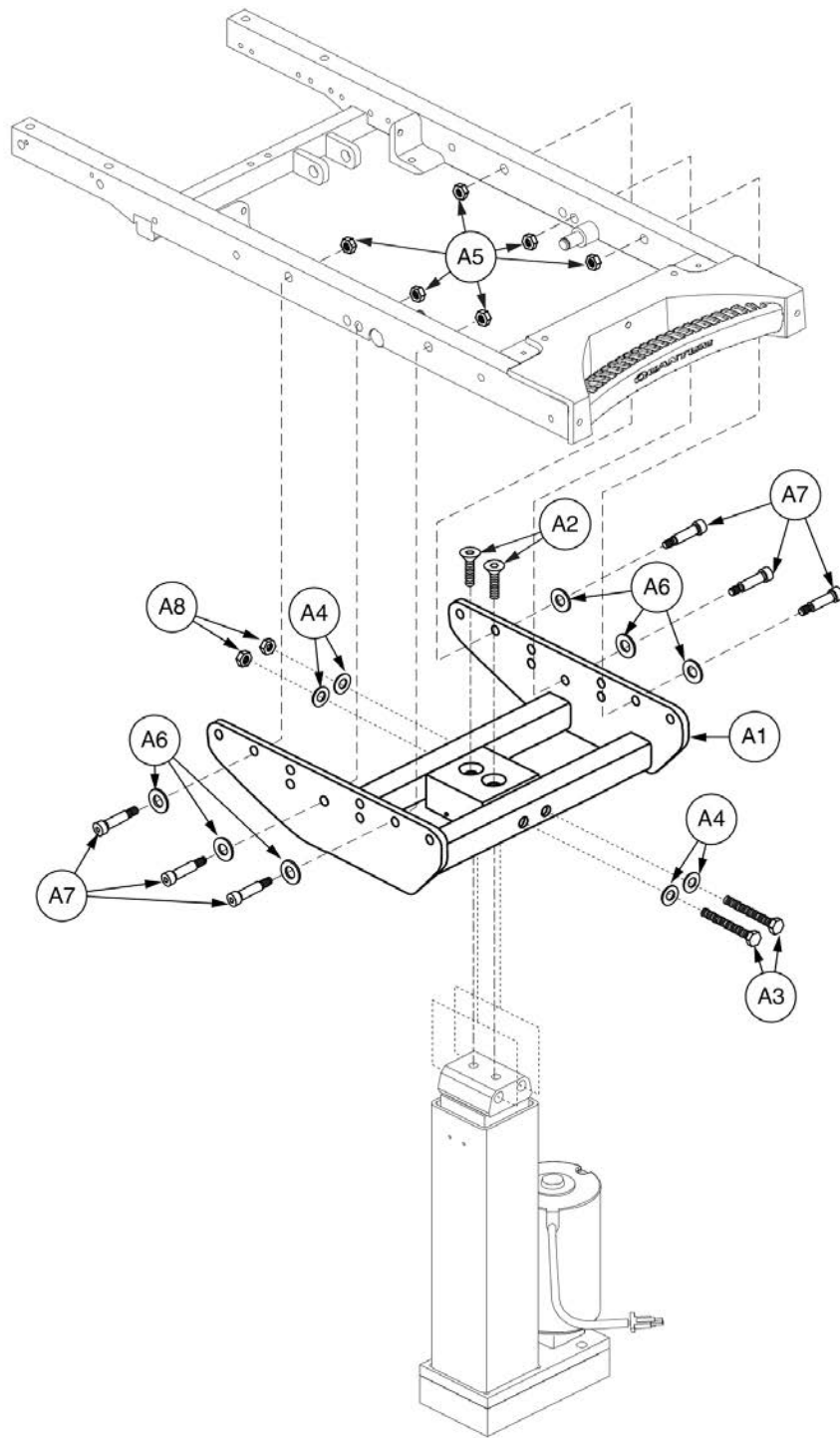


Seat Base, 20"-24" W, TB2 Tilt w/ Elevating Seat



Item	Part No.	Name	Qty
A1 - C1		SEAT BASE,ASSY,20"W-24"W,W/POWER ELEVATING SEAT,TB2	1
A1	DWR1265C042	FRAME,WIDTH ADJUSTMENT WELDMENT,21"W-24"W,TB2	4
A2	SCRHHCS1325	SCREW,HHCS,BLACK ZINC,1/4-20 X 0.750",GR 8,W/PATCH	8
A3	DWR1265B002	FRAME,SAFETY PLATE,5.25" L,TB2 TILT	2
A4	SCRHHCS1241	SCREW,HHCS,BLACK ZINC,5/16-18 X 0.75",GR 8,W/PATCH	6
A5	DWR1360B015	T-NUT,BLACK,5/16-18 X 3", W/2",HOLE SPACING,B-1360-015	2
A6	ACCACTR1031	ACTUATOR,TRU-BALANCE TILT G2,H-1265-002,(LINAK: LA31-U272-01)	1
A7	BLTASHL1165	BOLT,SHOULDER,BLACK ZINC,3/8" X 1.50",W/PATCH	2
A8	NUTNYLK1026	NUT,NYLOCK,BLACK ZINC,5/16-18	2
B1 - C1		TRU-BALANCE TILT 2 BASE,ASSY,W/PLASTICS,E-1265-052	1
B1		COVER,FRONT,PLASTIC,TRU-BALANCE TILT 2,D-1265-011	1
B2	DWR1265C030	CAP,POST,PLASTIC,REAR,TRU-BALANCE TILT 2,RIGHT,C-1265-030	1
B3	DWR1265C031	CAP,POST,PLASTIC,REAR,TRU-BALANCE TILT 2,LEFT,C-1265-031	1
B4	DWR1265D013	COVER,PLASTIC,TRU-BALANCE TILT 2,RESIDUAL SHIELD	1
B5	DWR1265C040	COVER,PLASTIC,TRU-BALANCE TILT 2,SLIDER,RIGHT,C-1265-040	1
B6	DWR1265C041	COVER,PLASTIC,TRU-BALANCE TILT 2,SLIDER,LEFT,C-1265-041	1
B7	SCRASBH1151	SCREW,BHSCS,BLACK ZINC,8-32 X 0.250",GR 8,W/PATCH	11
B8	SCRASBH1153	SCREW,BHSCS,BLACK ZINC,6-32 X 0.250",W/NYLON PATCH	4
C1		TRU-BALANCE TILT 2 BASE,ASSY,E-1265-056	1

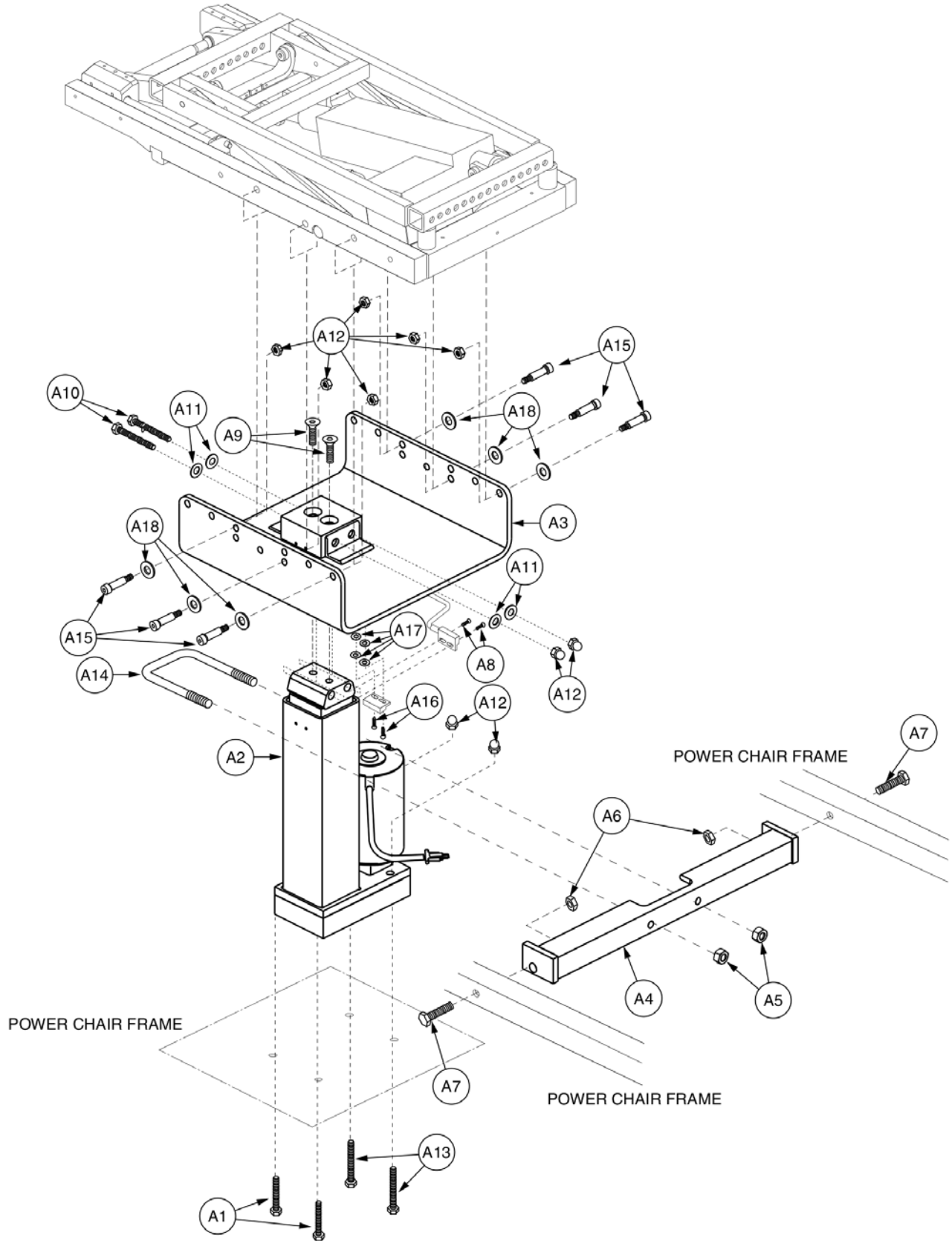
### 3.2. Tilt Base and Interface for Power Seat



Item	Part No.	Name	Qty
A1 - A8	FRMASMB16307	SEAT BASE,ASSY,POWER SEAT,14" CENTERS,TRU-BALANCE 2 POWER TILT	1
A1		FRAME,INTERFACE WELDMENT,POWER SEAT,TB 2 TILT,E-1220-019	1
A2	SCRSHFH1191	SCREW,SHFH,BLACK ZINC,3/8-16 X 1.75",W/NYLON PATCH,(UNBRAKO: 10464)	2
A3	SCRHHCS1687	SCREW,HHCS,YELLOW ZINC,5/16-18 X 5.00",GRADE 8	2
A4	WASSAE1002	WASHER,FLAT,ZINC,5/16,0.3437" ID X 0.6875" OD X 0.0625" TH,SAE	4
A5	NUTNYLK1014	NUT,NYLOCK,BLACK ZINC,1/4-20	6
A6	WASSTND1002	WASHER,FLAT,BLACK ZINC,0.3125" ID X 0.6875" OD X 0.0625" TH	6
A7		BOLT,SHOULDER,5/16" X 1.00",C-1005-022	6
A8	NUTNYLK1026	NUT,NYLOCK,BLACK ZINC,5/16-18	2



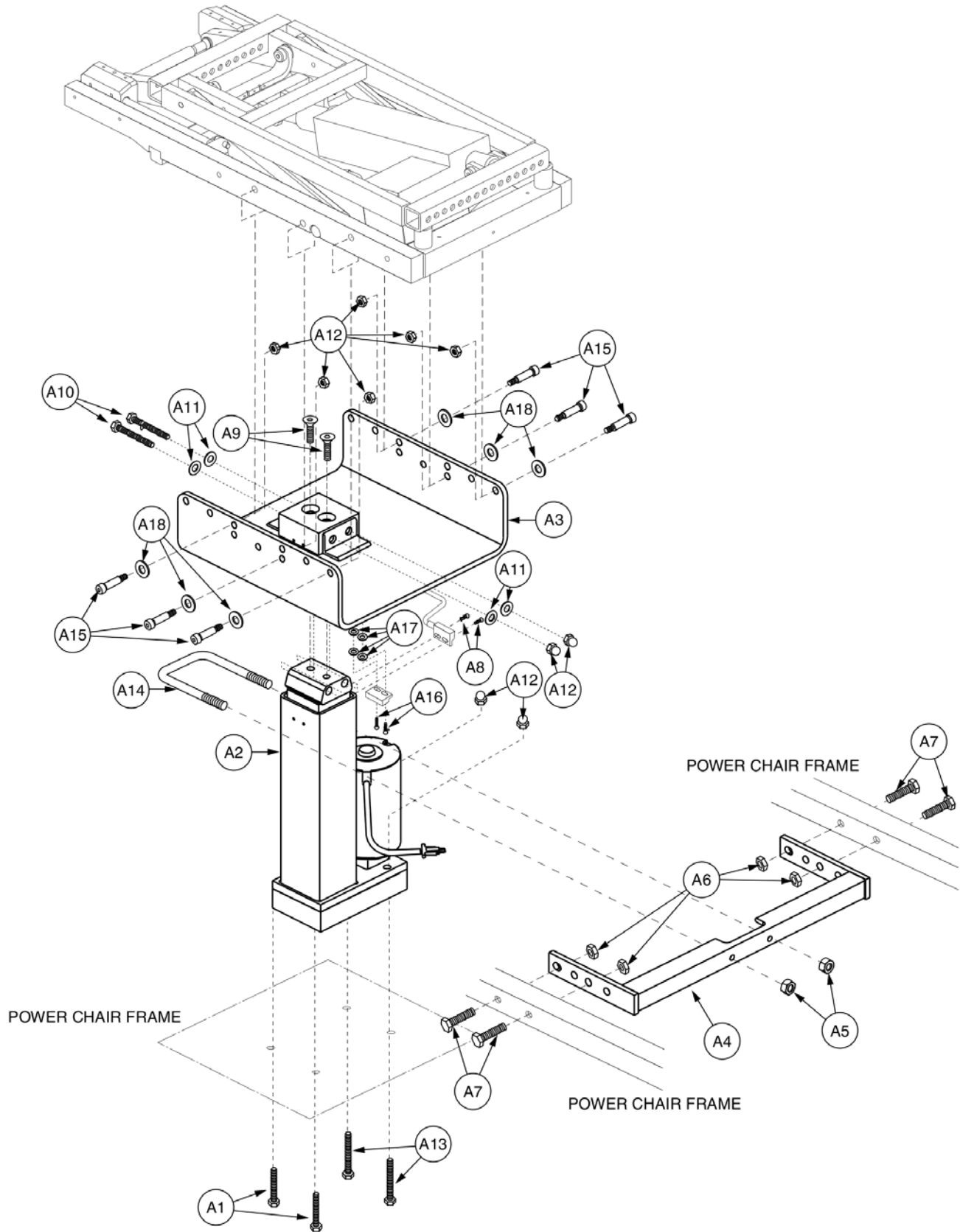
### 3.2. Tilt Base and Interface for Power Seat





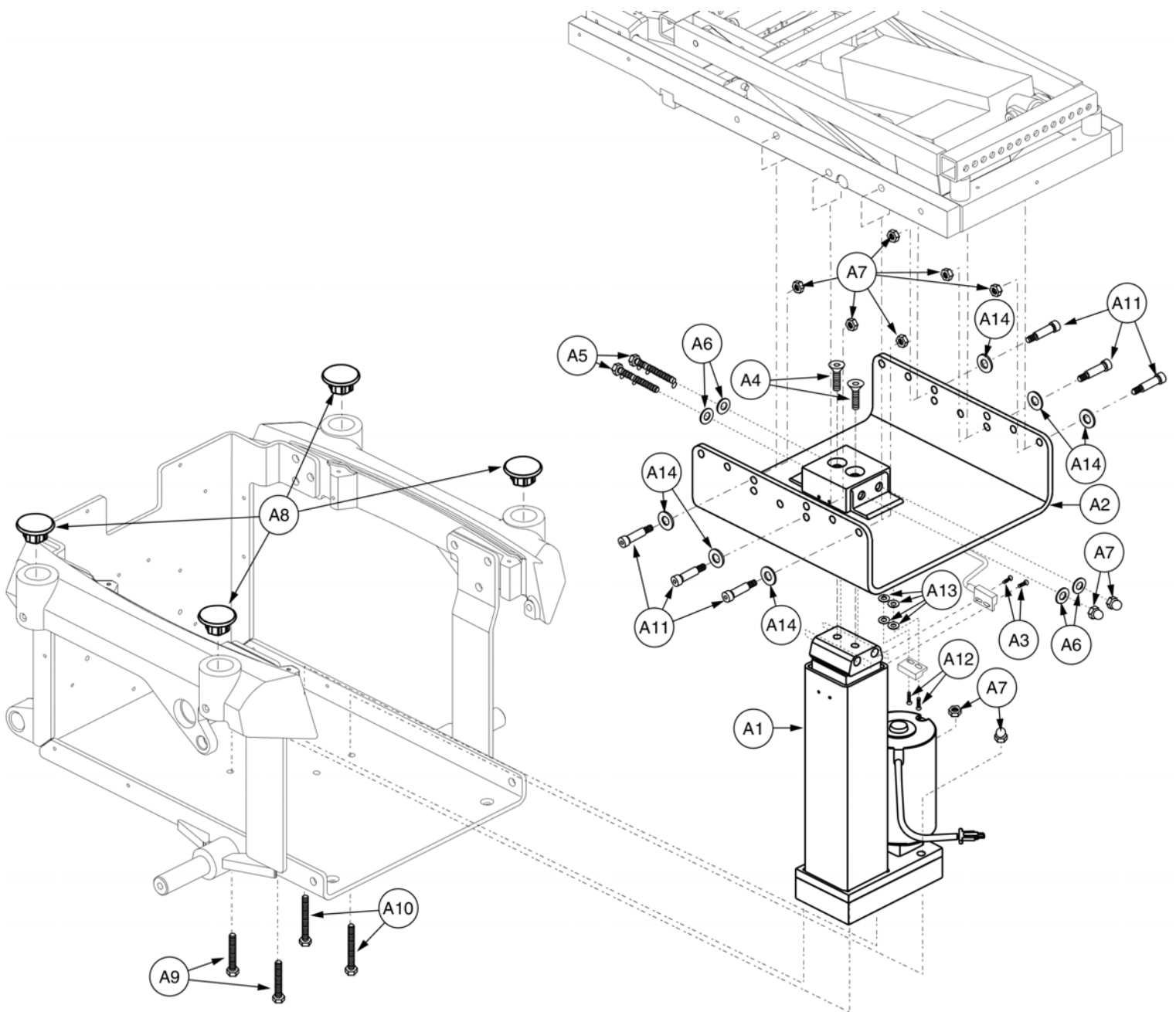
Item	Part No.	Name	Qty
A1 - A18	FRMASMB10507	SEAT BASE,ASSY,POWER SEAT,7" ELEVATION,W/TAPERED HEAD/2" SQ. SHAFT ACTUATOR,NON-SWIVEL,14.322"CENTERS,TB2 TILT	1
A1		SCREW,HHCS,BLACK ZINC,1/4-20 X 1.75",GR 8,W/PATCH	2
A2	DWR1368E015	ACTUATOR,TAPERED HEAD,TRU-BALANCE POWER SEAT,7" STROKE,E-1368-015,(MOTION SYSTEMS: 85972-003)	1
A3		FRAME,POWER SEAT INTERFACE WELDMENT,NON-SWIVEL,TB2	1
A4		FRAME,ACTUATOR SUPPORT WELDMENT,14.322" TOWER CENTERS	1
A5	NUTNYLK1026	NUT,NYLOCK,BLACK ZINC,5/16-18	2
A6	NUTNJAM1014	NUT,NYLOCK JAM,BLACK ZINC,1/4-20	2
A7	SCRHHCS1310	SCREW, HHCS,BLACK ZINC,1/4-20 X 2.750",GRADE 8	2
A8	SCRPPH1290	SCREW,PPH,BLACK ZINC,4-40 X 0.25"	2
A9	SCRSHFH1093	SCREW, SHFH,BLACK ZINC,3/8-16 X 1.00",GR 8,W/PATCH	2
A10		SCREW,HHCS,BLACK ZINC,1/4-20 X 3.75",GRADE 8	2
A11	WASBLK1001	WASHER,FLAT,BLACK ZINC,0.3125" ID X 0.75" OD X 0.0625"TH,1/4" USS	4
A12	NUTNYLK1014	NUT,NYLOCK,BLACK ZINC,1/4-20	10
A13	SCRHHCS1248	SCREW,HHCS,BLACK ZINC,1/4-20 X 2.00",GRADE 8	2
A14		U-BOLT,POWER SEAT STABILIZER,5/16-18,B-1368-015	1
A15		BOLT,SHOULDER,5/16" X 1.00",C-1005-022	6
A16	SCRPPH1301	SCREW, PPH,BLACK ZINC,4-40 X 0.50",GRADE 2	2
A17	WASSAE1000	WASHER, FLAT SAE,1/4"ID 7/16"OD 1/16"T	4
A18	WASSTND1002	WASHER,FLAT,BLACK ZINC,0.3125" ID X 0.6875" OD X 0.0625" TH	6

### 3.2. Tilt Base and Interface for Power Seat



Item	Part No.	Name	Qty
A1 - A18		SEAT BASE,ASSY,POWER SEAT,7" ELEVATION,W/ TAPERED HEAD/2" SQ. SHAFT ACTUATOR,NON-SWIVEL,16.125"CENTERS,TRU-BALANCE 2 POWER TILT	1
A1		SCREW,HHCS,BLACK ZINC,1/4-20 X 1.75",GR 8,W/PATCH	2
A2	DWR1368E015	ACTUATOR,TAPERED HEAD,TRU-BALANCE POWER SEAT,7" STROKE,E-1368-015,(MOTION SYSTEMS: 85972-003)	1
A3		FRAME,POWER SEAT INTERFACE WELDMENT,NON-SWIVEL,TB2	1
A4		FRAME,ACTUATOR SUPPORT WELDMENT,16.125" TOWER CENTERS	1
A5	NUTNYLK1026	NUT,NYLOCK,BLACK ZINC,5/16-18	2
A6	NUTNJAM1014	NUT,NYLOCK JAM,BLACK ZINC,1/4-20	4
A7	SCRHHCS1308	SCREW, HHCS,BLACK ZINC,1/4-20 X 2.250",GRADE 8	4
A8	SCRPPH1290	SCREW,PPH,BLACK ZINC,4-40 X 0.25"	2
A9	SCRSHFH1093	SCREW, SHFH,BLACK ZINC,3/8-16 X 1.00",GR 8,W/PATCH	2
A10		SCREW,HHCS,BLACK ZINC,1/4-20 X 3.75",GRADE 8	2
A11	WASBLK1001	WASHER,FLAT,BLACK ZINC,0.3125" ID X 0.75" OD X 0.0625"TH,1/4" USS	4
A12	NUTNYLK1014	NUT,NYLOCK,BLACK ZINC,1/4-20	10
A13	SCRHHCS1248	SCREW,HHCS,BLACK ZINC,1/4-20 X 2.00",GRADE 8	2
A14		U-BOLT,POWER SEAT STABILIZER,5/16-18,B-1368-015	1
A15		BOLT,SHOULDER,5/16" X 1.00",C-1005-022	6
A16	SCRPPH1301	SCREW, PPH,BLACK ZINC,4-40 X 0.50",GRADE 2	2
A17	WASSAE1000	WASHER, FLAT SAE,1/4"ID 7/16"OD 1/16"T	4
A18	WASSTND1002	WASHER,FLAT,BLACK ZINC,0.3125" ID X 0.6875" OD X 0.0625" TH	6

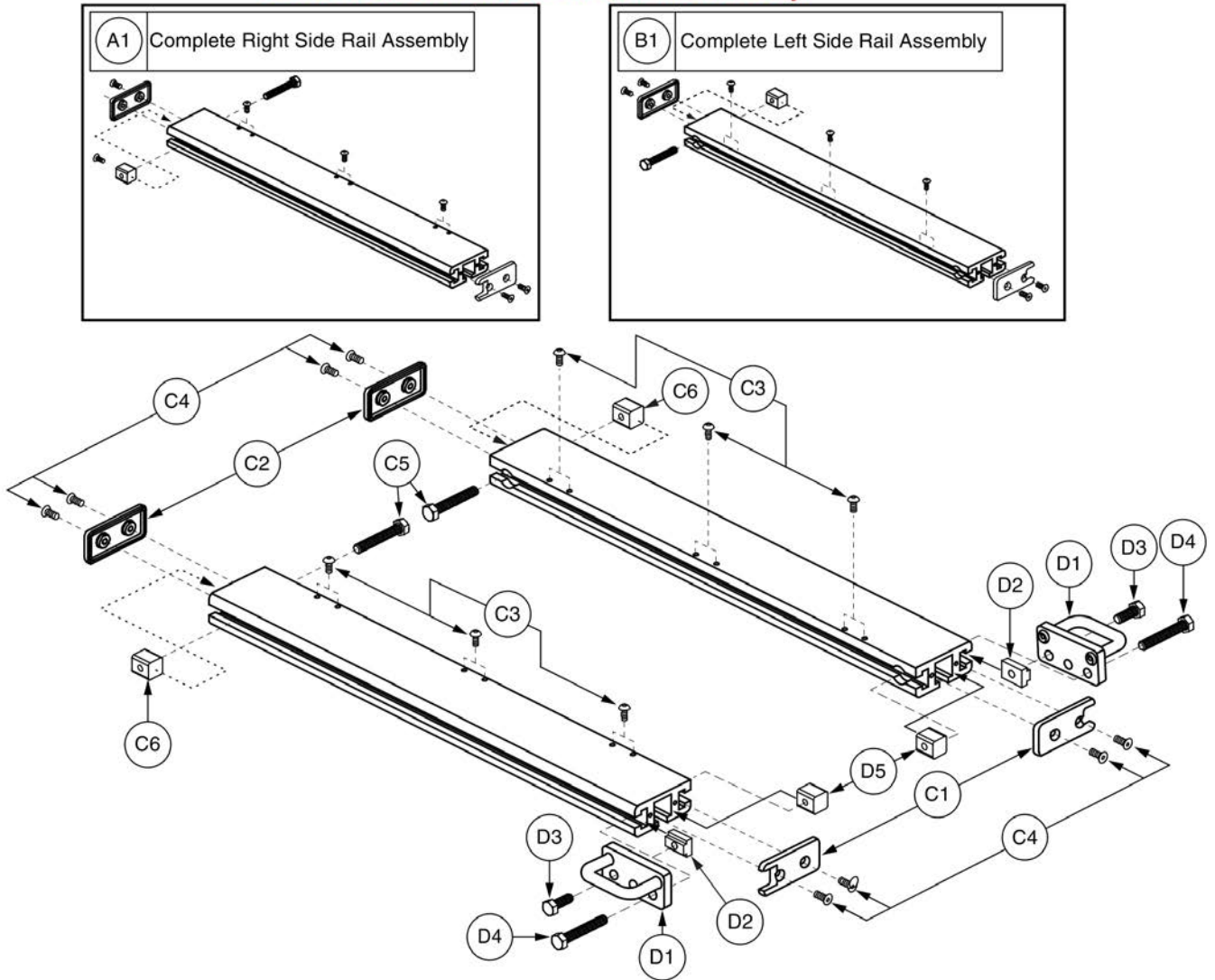
3.2. Tilt Base and Interface for Power Seat



Item	Part No.	Name	Qty
A1 - A14	FRMASMB10850	SEAT BASE,ASSY,7" ELEVATION,W/ TAPERED HEAD/2" SQ. SHAFT ACTUATOR,NON-SWIVEL,16.125" CENTERS,Q6000,TB2	1
A1	DWR1368E015	ACTUATOR,TAPERED HEAD,TRU-BALANCE POWER SEAT,7" STROKE,E-1368-015,(MOTION SYSTEMS: 85972-003)	1
A2		FRAME,POWER SEAT INTERFACE WELDMENT,NON-SWIVEL,TB2	1
A3	SCRPPH1290	SCREW,PPH,BLACK ZINC,4-40 X 0.25"	2
A4	SCRSHFH1093	SCREW, SHFH,BLACK ZINC,3/8-16 X 1.00",GR 8,W/PATCH	2
A5		SCREW,HHCS,BLACK ZINC,1/4-20 X 3.75",GRADE 8	2
A6	WASBLK1001	WASHER,FLAT,BLACK ZINC,0.3125" ID X 0.75" OD X 0.0625"TH,1/4" USS	4
A7	NUTNYLK1014	NUT,NYLOCK,BLACK ZINC,1/4-20	10
A8	DWR1059C038	CAP,BLACK,PLASTIC,SEAT MOUNT CONNECTOR,C-1059-038	4
A9		SCREW,HHCS,BLACK ZINC,1/4-20 X 1.75",GR 8,W/PATCH	2
A10	SCRHHCS1248	SCREW,HHCS,BLACK ZINC,1/4-20 X 2.00",GRADE 8	2
A11		BOLT,SHOULDER,5/16" X 1.00",C-1005-022	6
A12	SCRPPH1301	SCREW, PPH,BLACK ZINC,4-40 X 0.50",GRADE 2	2
A13	WASSAE1000	WASHER, FLAT SAE,1/4"ID 7/16"OD 1/16"T	4
A14	WASSTND1002	WASHER,FLAT,BLACK ZINC,0.3125" ID X 0.6875" OD X 0.0625" TH	6

3.3. Seat Pans and Side Rails

\*\*\* Top-level assemblies include the side rails and hardware.  
Side rails cannot be ordered individually. \*\*\*

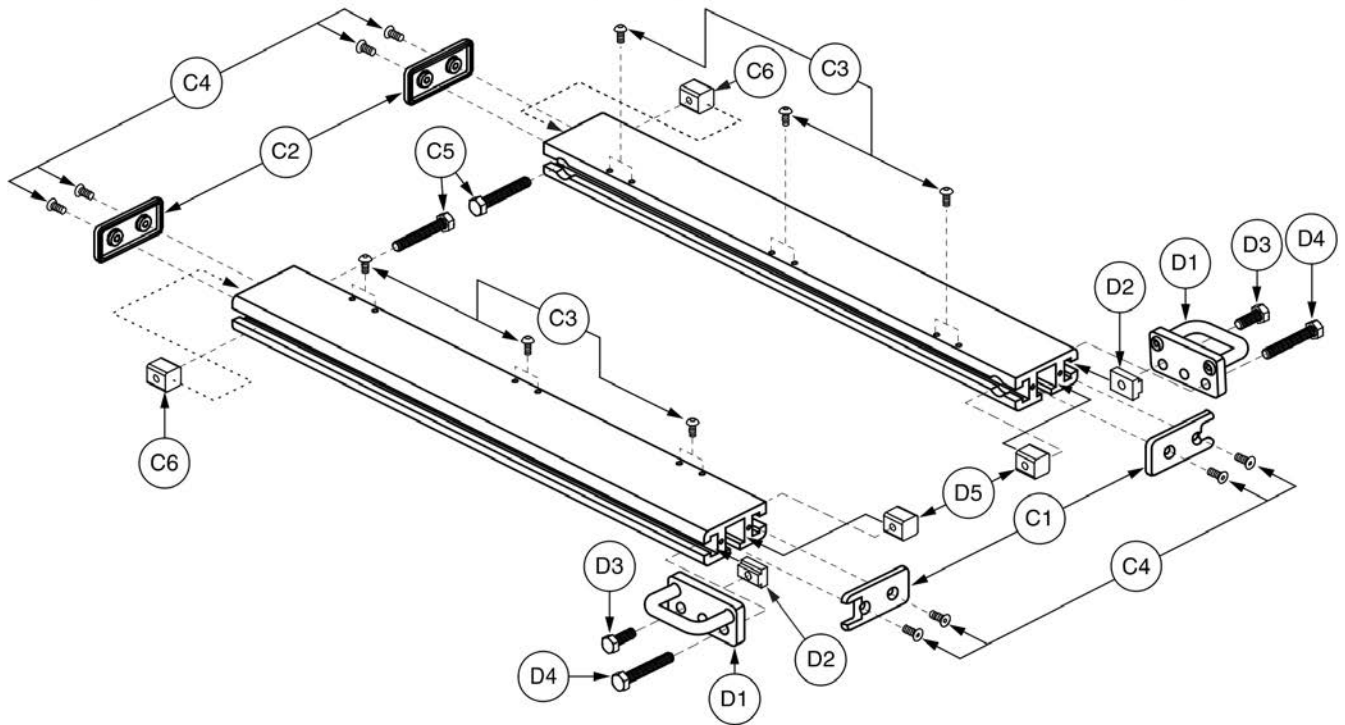
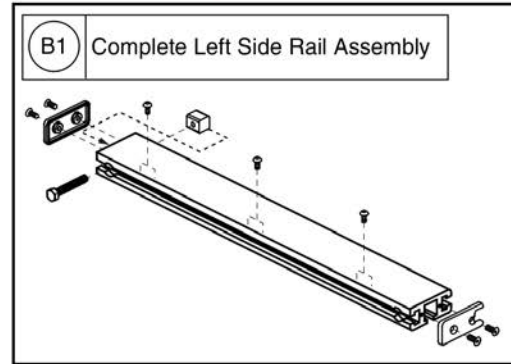
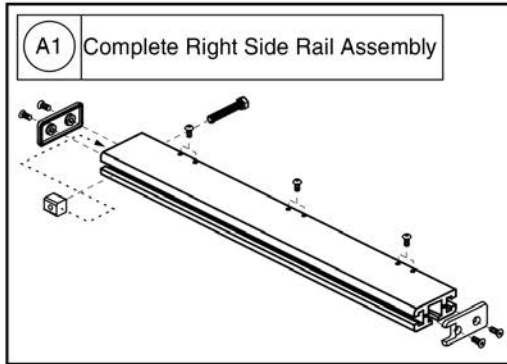


Item	Part No.	Name	Qty
PAIR	FRMASMB10518	SIDE RAIL,ASSY,14"D-18"D,TRU-BALANCE 2 POWER TILT,PAIR	1
A1	FRMASMB10520	SIDE RAIL,ASSY,14"D-18"D,TRU-BALANCE 2 POWER TILT,RIGHT	1
B1	FRMASMB10519	SIDE RAIL,ASSY,14"D-18"D,TRU-BALANCE 2 POWER TILT,LEFT	1
C1	DWR1360B048	EXTRUSION END CAP,SYNERGY SEAT,T-SLOT OPEN END	1
C2	DWR1360B007	EXTRUSION END CAP,SYNERGY SEAT,REAR,B-1360-007	1
C3	SCRASBH1094	SCREW,BHSCS,BLACK ZINC,10-32 X 0.4375",GR 8,W/PATCH	3
C4	SCRSHFH1036	SCREW,SHFH,BLACK ZINC,8-32 X 0.50",GR 8,W/PATCH	4
C5	SCRHHCS1478	SCREW, HHCS,BLACK ZINC,5/16-18 X 2.00",GR 8,W/PATCH	1
C6	DWR1005B180	NUT,MIDDLE CHANNEL,5/16-18,B-1005-180	1
D1	DWR1600B122B	SEAT FRAME,SECUREMENT BRACKET WELDMENT,TEXTURED	1
D2	DWR1360A004	T-NUT,5/16-18 X 0.875",A-1360-004	1
D3	SCRHHCS1241	SCREW,HHCS,BLACK ZINC,5/16-18 X 0.75",GR 8,W/PATCH	1
D4	SCRHHCS1478	SCREW, HHCS,BLACK ZINC,5/16-18 X 2.00",GR 8,W/PATCH	1
D5	DWR1005B180	NUT,MIDDLE CHANNEL,5/16-18,B-1005-180	1



3.3. Seat Pans and Side Rails

\*\*\* Top-level assemblies include the side rails and hardware.  
Side rails cannot be ordered individually. \*\*\*





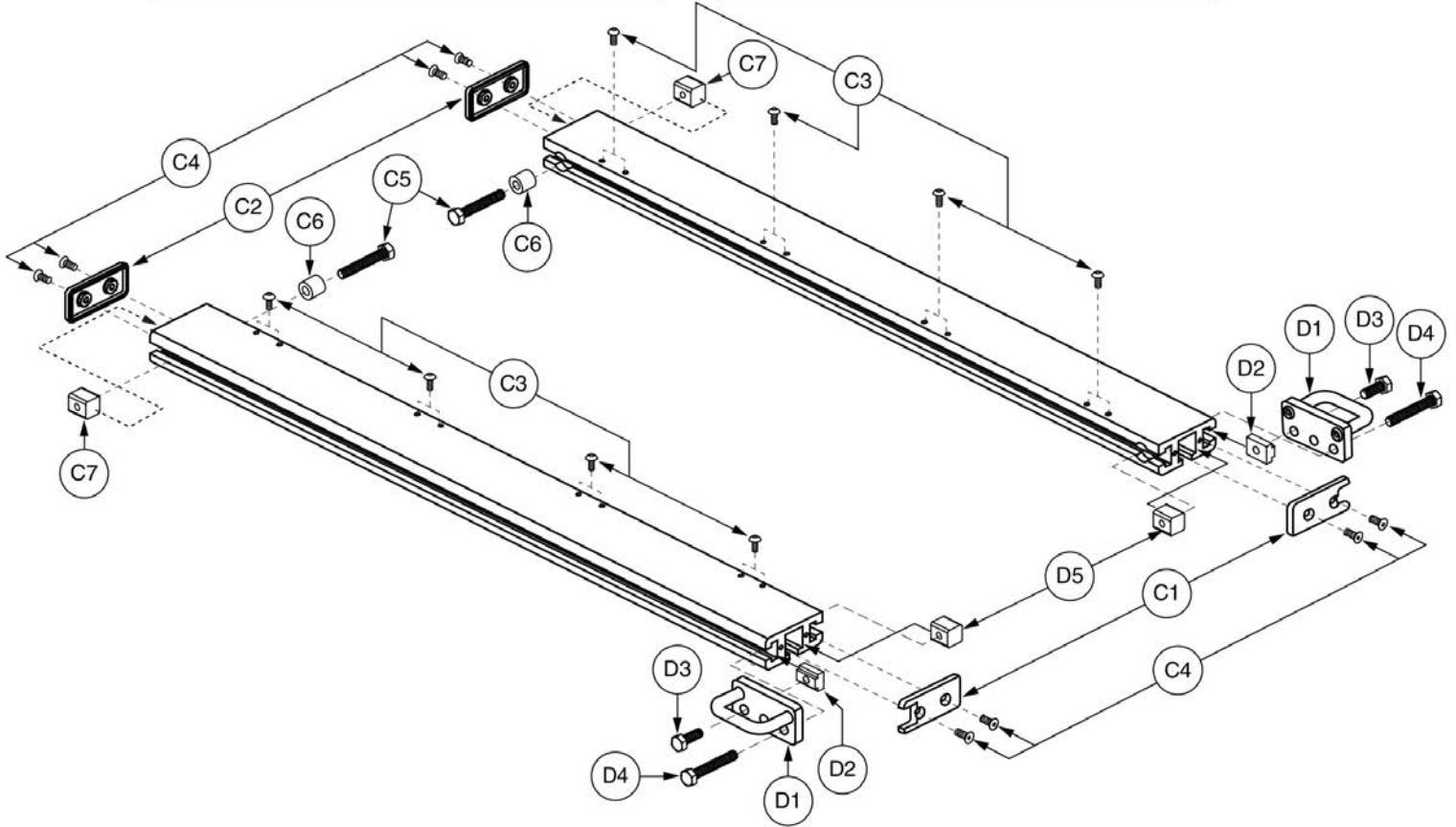
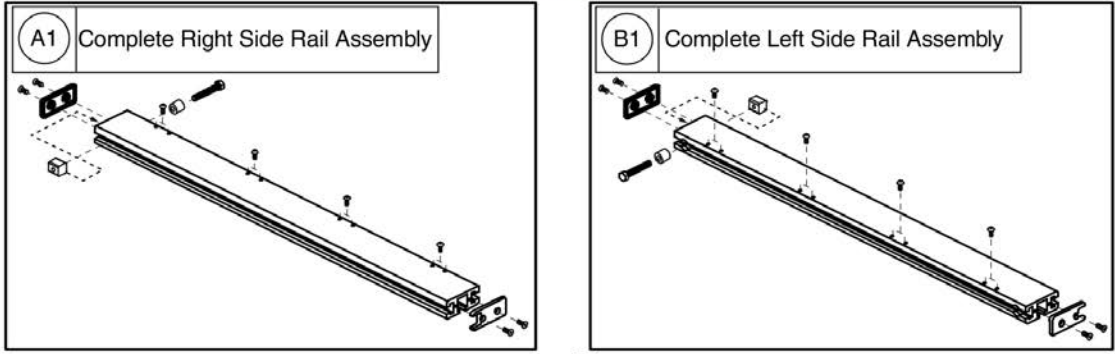
## Side Rails - 15"-20"D, TB2



Item	Part No.	Name	Qty
PAIR	FRMASMB10521	SIDE RAIL,ASSY,15"D-20"D,TRU-BALANCE 2 POWER TILT,PAIR	1
A1	FRMASMB10523	SIDE RAIL,ASSY,15"D-20"D,TRU-BALANCE 2 POWER TILT,RIGHT	1
B1	FRMASMB10522	SIDE RAIL,ASSY,15"D-20"D,TRU-BALANCE 2 POWER TILT,LEFT	1
C1	DWR1360B048	EXTRUSION END CAP,SYNERGY SEAT,T-SLOT OPEN END	1
C2	DWR1360B007	EXTRUSION END CAP,SYNERGY SEAT,REAR,B-1360-007	1
C3	SCRASBH1094	SCREW,BHSCS,BLACK ZINC,10-32 X 0.4375",GR 8,W/PATCH	3
C4	SCRSHFH1036	SCREW,SHFH,BLACK ZINC,8-32 X 0.50",GR 8,W/PATCH	4
C5	SCRHHCS1478	SCREW, HHCS,BLACK ZINC,5/16-18 X 2.00",GR 8,W/PATCH	1
C6	DWR1005B180	NUT,MIDDLE CHANNEL,5/16-18,B-1005-180	1
D1	DWR1600B122B	SEAT FRAME,SECUREMENT BRACKET WELDMENT,TEXTURED	1
D2	DWR1360A004	T-NUT,5/16-18 X 0.875",A-1360-004	1
D3	SCRHHCS1241	SCREW,HHCS,BLACK ZINC,5/16-18 X 0.75",GR 8,W/PATCH	1
D4	SCRHHCS1478	SCREW, HHCS,BLACK ZINC,5/16-18 X 2.00",GR 8,W/PATCH	1
D5	DWR1005B180	NUT,MIDDLE CHANNEL,5/16-18,B-1005-180	1

3.3. Seat Pans and Side Rails

\*\*\* Top-level assemblies include the side rails and hardware.  
Side rails cannot be ordered individually. \*\*\*

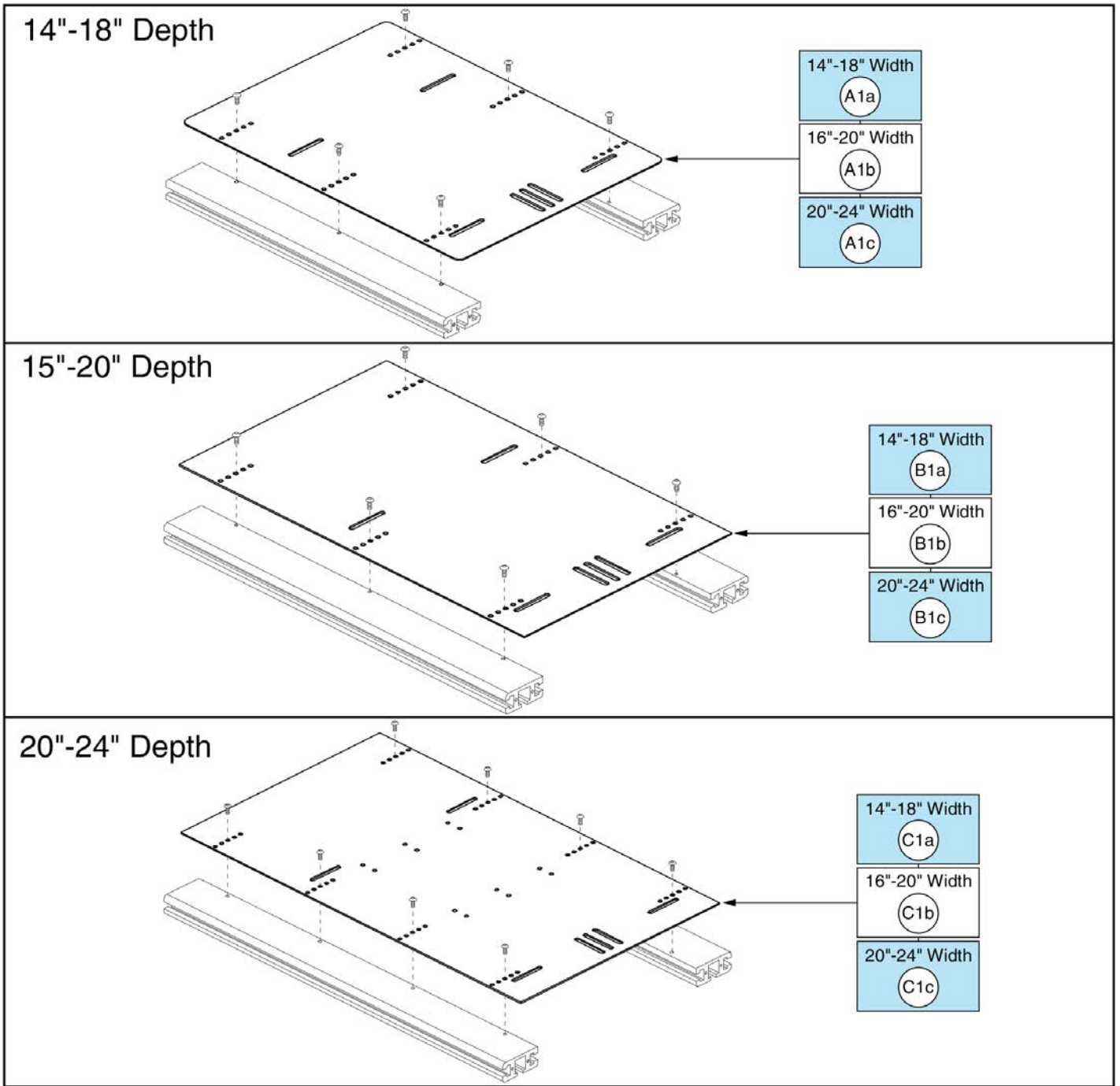


# Side Rails - 20"-24"D, TB2



Item	Part No.	Name	Qty
PAIR	FRMASMB10524	SIDE RAIL,ASSY,20"D-24"D,TRU-BALANCE 2 POWER TILT,PAIR	1
A1	FRMASMB10526	SIDE RAIL,ASSY,20"D-24"D,TRU-BALANCE 2 POWER TILT,RIGHT	1
B1	FRMASMB10525	SIDE RAIL,ASSY,20"D-24"D,TRU-BALANCE 2 POWER TILT,LEFT	1
C1	DWR1360B048	EXTRUSION END CAP,SYNERGY SEAT,T-SLOT OPEN END	1
C2	DWR1360B007	EXTRUSION END CAP,SYNERGY SEAT,REAR,B-1360-007	1
C3	SCRASBH1094	SCREW,BHSCS,BLACK ZINC,10-32 X 0.4375",GR 8,W/PATCH	4
C4	SCRSHFH1036	SCREW,SHFH,BLACK ZINC,8-32 X 0.50",GR 8,W/PATCH	4
C5	SCRHHCS1478	SCREW, HHCS,BLACK ZINC,5/16-18 X 2.00",GR 8,W/PATCH	1
C6	DWR1005B090	SPACER,BLACK,0.330"ID X 0.605"OD X 0.750"TH,B-1005-090	1
C7	DWR1005B180	NUT,MIDDLE CHANNEL,5/16-18,B-1005-180	1
D1	DWR1600B122B	SEAT FRAME,SECUREMENT BRACKET WELDMENT,TEXTURED	1
D2	DWR1360A004	T-NUT,5/16-18 X 0.875",A-1360-004	1
D3	SCRHHCS1241	SCREW,HHCS,BLACK ZINC,5/16-18 X 0.75",GR 8,W/PATCH	1
D4	SCRHHCS1478	SCREW, HHCS,BLACK ZINC,5/16-18 X 2.00",GR 8,W/PATCH	1
D5	DWR1005B180	NUT,MIDDLE CHANNEL,5/16-18,B-1005-180	1

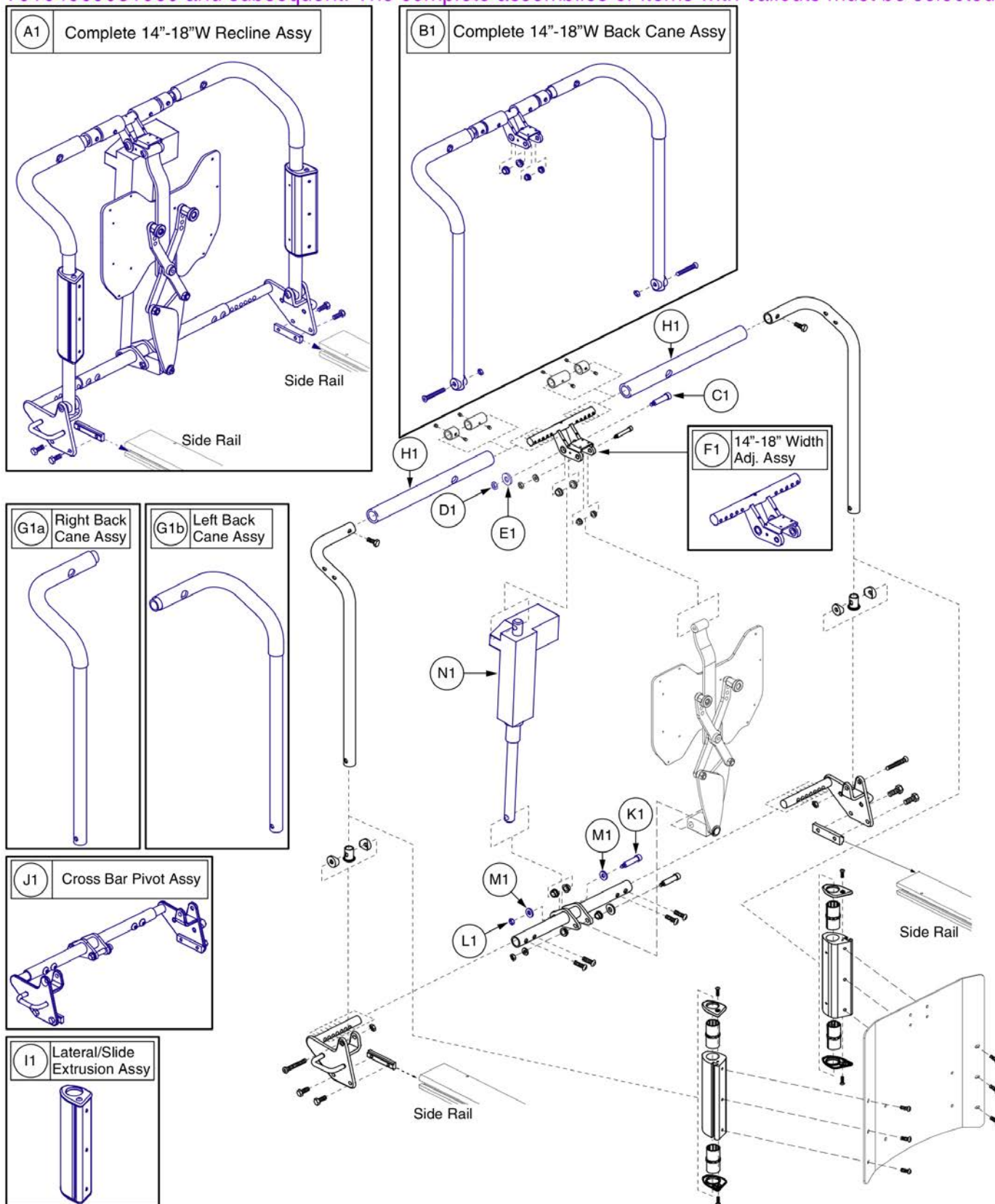
3.3. Seat Pans and Side Rails



Item	Part No.	Name	Qty
A1a	DWR1362E046B	SEAT PAN,14"W-18"W,14"D-18"D,SYNERGY TILT	1
A1b	DWR1362E047B	SEAT PAN,16"W-20"W,14"D-18"D,SYNERGY TILT	1
A1c	DWR1362E048B	SEAT PAN,20"W-24"W,14"D-18"D,SYNERGY TILT	1
B1a	DWR1362E040B	SEAT PAN,14"W-18"W,15"D-20"D,SYNERGY TILT	1
B1b	DWR1362E038B	SEAT PAN,16"W-20"W,15"D-20"D,SYNERGY TILT	1
B1c	DWR1362E043B	SEAT PAN,20"W-24"W,15"D-20"D,SYNERGY TILT	1
C1a	DWR1362E041B	SEAT PAN,14"W-18"W,20"D-24"D,SYNERGY TILT	1
C1b	DWR1362E042B	SEAT PAN,16"W-20"W,20"D-24"D,SYNERGY TILT	1
C1c	DWR1362E044B	SEAT PAN,20"W-24"W,20"D-24"D,SYNERGY TILT	1

Curtis

Version 2 Recline Assemblies are applicable to seating systems manufactured with Serial Number Y0104009031060 and subsequent. The complete assemblies or items with callouts must be selected.

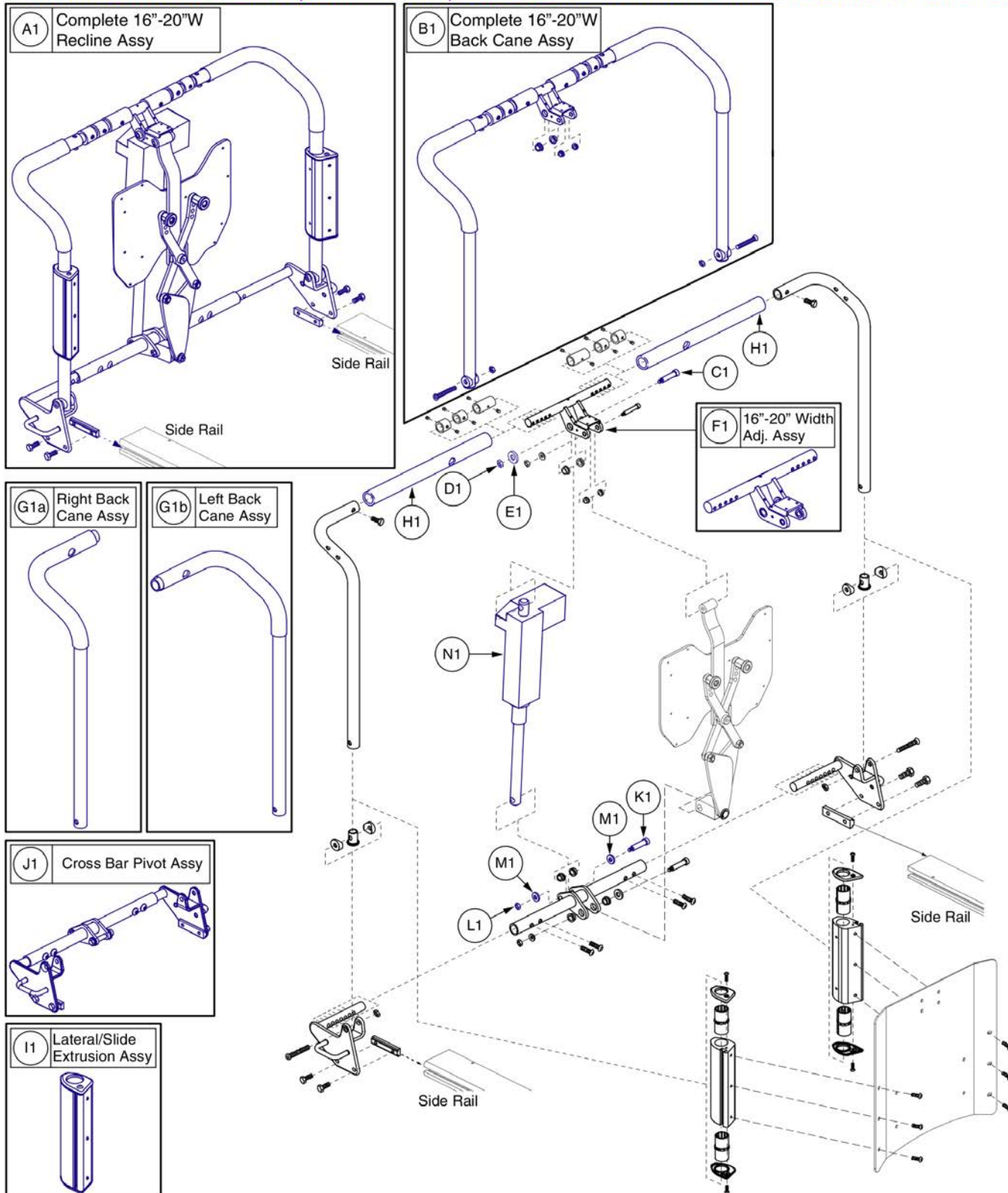


Item	Part No.	Name	Qty
A1	SETASMB5933	SEAT BACK,ASSY,14"W-18"W,Q-LOGIC,TB2 RECLINE	1
B1	FRMASMB12764	BACK CANE,ASSY,14"W-18"W,Q-LOGIC,TB2 RECL.,W/HARDWARE	1
C1	BLTASHL1011	BOLT,SHOULDER,1/2" X 1.75"	2
D1	NUTNJAM1023	NUT,NYLOCK JAM,BLACK ZINC,3/8-16	1
E1	WASBLK1006	WASHER,FENDER,BLACK OXIDE,0.40" ID X 1.125" OD X 0.125" TH	1
F1	FRMASMB12697	WIDTH ADJ. BRACKET,ASSY,14"W-18"W,TB2 RECL.,UPPER	1
G1a	FRMASMB12690	BACK CANE,ASSY,TB2 RECLINE,RIGHT	1
G1b	FRMASMB12689	BACK CANE,ASSY,TB2 RECLINE,LEFT	1
H1	PROHDL1071	HAND GRIP,BLACK,FOAM,.930"ID X 1.250"OD X 17"L	1
I1	FRMASMB12696	LATERAL & SLIDE EXTRUSION,ASSY,TB2 RECLINE,D-1367-053	1
J1	FRMASMB7148	CROSS BAR PIVOT,ASSY,14"W-18"W,TB2 RECLINE,W/HARDWARE	1
K1	BLTASHL1011	BOLT,SHOULDER,1/2" X 1.75"	1
L1	NUTNYLK1006	NUT, NYLOCK,BLACK ZINC,3/8"-16	1
M1	WASSTND1034	WASHER,FLAT,BLACK ZINC,0.504"ID X 1.062"OD X 0.062"TH	2
N1	ACCACTR1032	ACTUATOR,TRU-BALANCE POWER RECLINE,H-1367-037,(LINAK: 314XXX-1115004X)	1
O1	FRMASMB7144	BACK INTERFACE PLATE,ASSY,TB2 RECLINE,W/HARDWARE	1
P1	FRMASMB12395	LINKAGE,ASSY,W/ELECTRONICS PLATE,TB2 RECLINE,VERSION 2	1



Curtis

Version 2 Recline Assemblies are applicable to seating systems manufactured with Serial Number Y0104009031060 and subsequent. The complete assemblies or items with callouts must be selected.





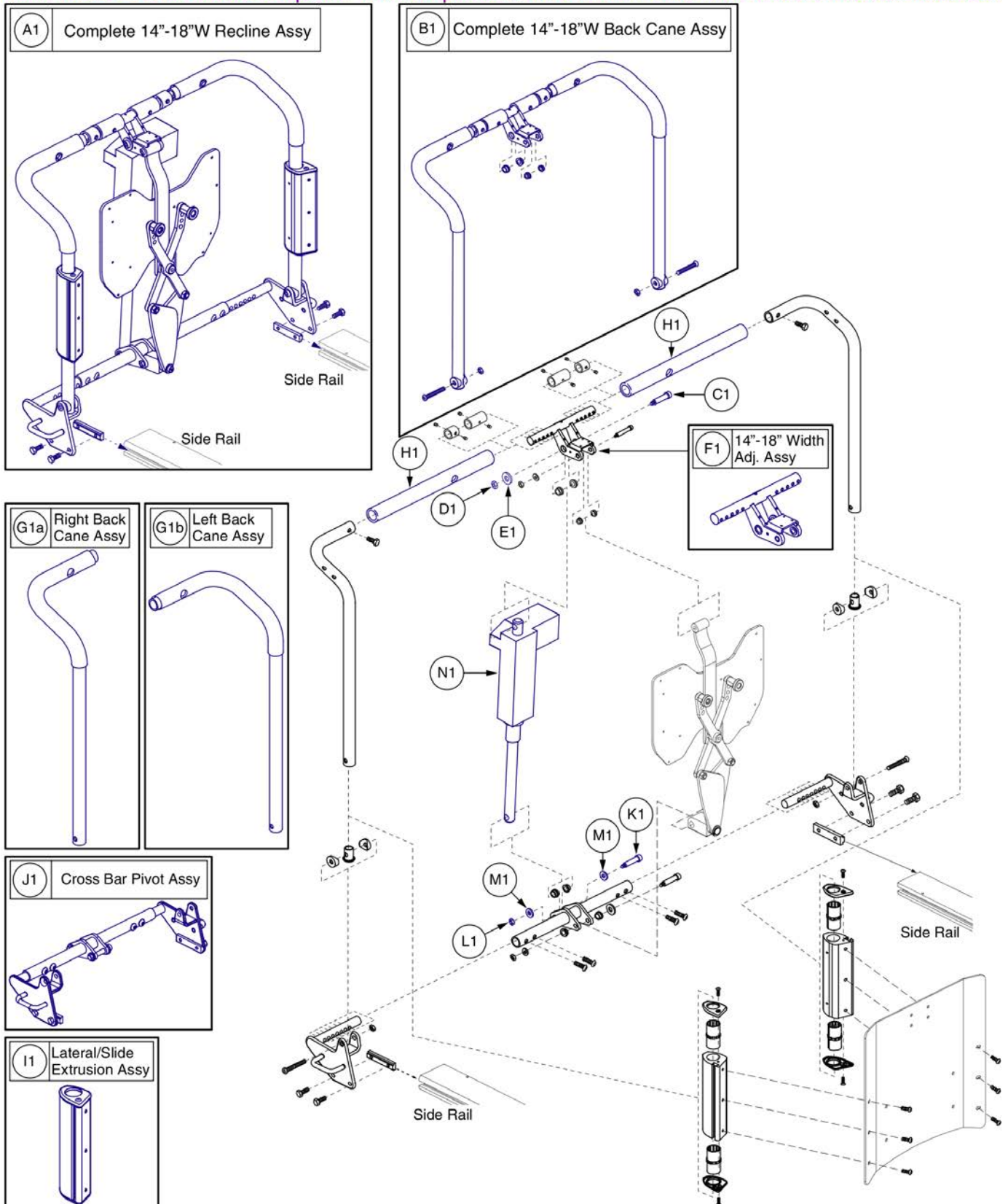
Item	Part No.	Name	Qty
A1	SETASMB5934	SEAT BACK,ASSY,16"W-20"W,Q-LOGIC,TB2 RECLINE	1
B1	FRMASMB12765	BACK CANE,ASSY,16"W-20"W,Q-LOGIC,TB2 RECL.,W/HARDWARE	1
C1	BLTASHL1011	BOLT,SHOULDER,1/2" X 1.75"	1
D1	NUTNJAM1023	NUT,NYLOCK JAM,BLACK ZINC,3/8-16	1
E1	WASBLK1006	WASHER,FENDER,BLACK OXIDE,0.40" ID X 1.125" OD X 0.125" TH	1
F1	FRMASMB12698	WIDTH ADJ. BRACKET,ASSY,16"W-20"W,TB2 RECLINE,UPPER	1
G1a	FRMASMB12690	BACK CANE,ASSY,TB2 RECLINE,RIGHT	1
G1b	FRMASMB12689	BACK CANE,ASSY,TB2 RECLINE,LEFT	1
H1	PROHDL1071	HAND GRIP,BLACK,FOAM,.930"ID X 1.250"OD X 17"L	1
I1	FRMASMB12696	LATERAL & SLIDE EXTRUSION,ASSY,TB2 RECLINE,D-1367-053	1
J1	FRMASMB7149	CROSS BAR PIVOT,ASSY,16"W-20"W,TB2 RECLINE,W/HARDWARE	1
K1	BLTASHL1011	BOLT,SHOULDER,1/2" X 1.75"	1
L1	NUTNYLK1006	NUT, NYLOCK,BLACK ZINC,3/8"-16	1
M1	WASSTND1034	WASHER,FLAT,BLACK ZINC,0.504"ID X 1.062"OD X 0.062"TH	2
N1	ACCACTR1032	ACTUATOR,TRU-BALANCE POWER RECLINE,H-1367-037,(LINAK: 314XXX-1115004X)	1
O1	FRMASMB7144	BACK INTERFACE PLATE,ASSY,TB2 RECLINE,W/HARDWARE	1
P1	FRMASMB12395	LINKAGE,ASSY,W/ELECTRONICS PLATE,TB2 RECLINE,VERSION 2	1



Item	Part No.	Name	Qty
A1	SETASMB5935	SEAT BACK,ASSY,20"W-24"W,Q-LOGIC,TB2 RECLINE	1
B1	FRMASMB12766	BACK CANE,ASSY,20"W-24"W,Q-LOGIC,TB2 RECL.,W/HARDWARE	1
C1	BLTASHL1011	BOLT,SHOULDER,1/2" X 1.75"	1
D1	NUTNJAM1023	NUT,NYLOCK JAM,BLACK ZINC,3/8-16	1
E1	WASBLK1006	WASHER,FENDER,BLACK OXIDE,0.40" ID X 1.125" OD X 0.125" TH	1
F1	FRMASMB12699	WIDTH ADJ. BRACKET,ASSY,20"W-24"W,TB2 RECL.,UPPER	1
G1a	FRMASMB12690	BACK CANE,ASSY,TB2 RECLINE,RIGHT	1
G1b	FRMASMB12689	BACK CANE,ASSY,TB2 RECLINE,LEFT	1
H1	PROHDL1071	HAND GRIP,BLACK,FOAM,.930"ID X 1.250"OD X 17"L	1
I1	FRMASMB12696	LATERAL & SLIDE EXTRUSION,ASSY,TB2 RECLINE,D-1367-053	1
J1	FRMASMB7150	CROSS BAR PIVOT,ASSY,20"W-24"W,TRU-BALANCE POWER RECLINE,W/MOUNTING HARDWARE	1
K1	BLTASHL1011	BOLT,SHOULDER,1/2" X 1.75"	1
L1	NUTNYLK1006	NUT, NYLOCK,BLACK ZINC,3/8"-16	1
M1	WASSTND1034	WASHER,FLAT,BLACK ZINC,0.504"ID X 1.062"OD X 0.062"TH	2
N1	ACCACTR1032	ACTUATOR,TRU-BALANCE POWER RECLINE,H-1367-037,(LINAK: 314XXX-1115004X)	1
O1	FRMASMB7144	BACK INTERFACE PLATE,ASSY,TB2 RECLINE,W/HARDWARE	1
P1	FRMASMB12395	LINKAGE,ASSY,W/ELECTRONICS PLATE,TB2 RECLINE,VERSION 2	1

**Remote Plus**

Version 2 Recline Assemblies are applicable to seating systems manufactured with Serial Number Y0104009031060 and subsequent. The complete assemblies or items with callouts must be selected.

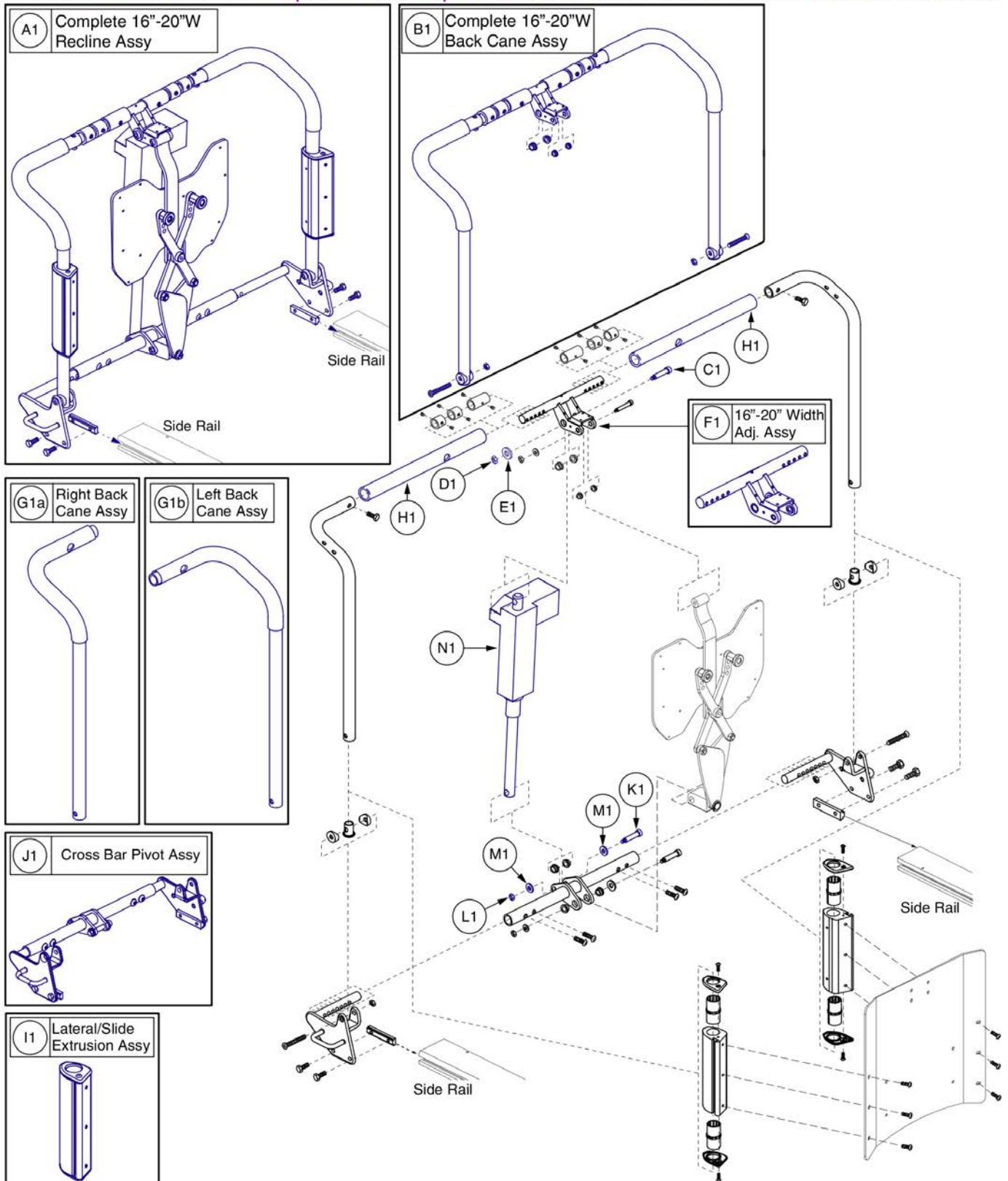


Item	Part No.	Name	Qty
A1		SEAT BACK,ASSY,14"W-18"W,REMOTE PLUS,TRU-BALANCE 2 POWER RECLINE	1
B1		BACK CANE,ASSY,14"W-18"W,REMOTE PLUS,TRU-BALANCE 2 POWER RECLINE,W/MOUNTING HARDWARE	1
C1	BLTASHL1011	BOLT,SHOULDER,1/2" X 1.75"	1
D1	NUTNJAM1023	NUT,NYLOCK JAM,BLACK ZINC,3/8-16	1
E1	WASBLK1006	WASHER,FENDER,BLACK OXIDE,0.40" ID X 1.125" OD X 0.125" TH	1
F1		WIDTH ADJUSTMENT BRACKET,ASSY,REMOTE PLUS,14"W-18"W,TRU-BALANCE POWER RECLINE,UPPER,C-1367-088	1
G1a	FRMASMB12690	BACK CANE,ASSY,TB2 RECLINE,RIGHT	1
G1b	FRMASMB12689	BACK CANE,ASSY,TB2 RECLINE,LEFT	1
H1	PROHDLC1071	HAND GRIP,BLACK,FOAM,.930"ID X 1.250"OD X 17"L	2
I1	FRMASMB12696	LATERAL & SLIDE EXTRUSION,ASSY,TB2 RECLINE,D-1367-053	2
J1	FRMASMB7148	CROSS BAR PIVOT,ASSY,14"W-18"W,TB2 RECLINE,W/HARDWARE	1
K1	BLTASHL1011	BOLT,SHOULDER,1/2" X 1.75"	1
L1	NUTNYLK1006	NUT, NYLOCK,BLACK ZINC,3/8"-16	1
M1	WASSTND1034	WASHER,FLAT,BLACK ZINC,0.504"ID X 1.062"OD X 0.062"TH	2
N1	ACCACTR1032	ACTUATOR,TRU-BALANCE POWER RECLINE,H-1367-037,(LINAK: 314XXX-1115004X)	1
O1	FRMASMB7144	BACK INTERFACE PLATE,ASSY,TB2 RECLINE,W/HARDWARE	1
P1	FRMASMB12395	LINKAGE,ASSY,W/ELECTRONICS PLATE,TB2 RECLINE,VERSION 2	1
Q1	SHDASMB5119	SHROUD,ASSY,TRU-BALANCE 2 POWER RECLINE	1



**Remote Plus**

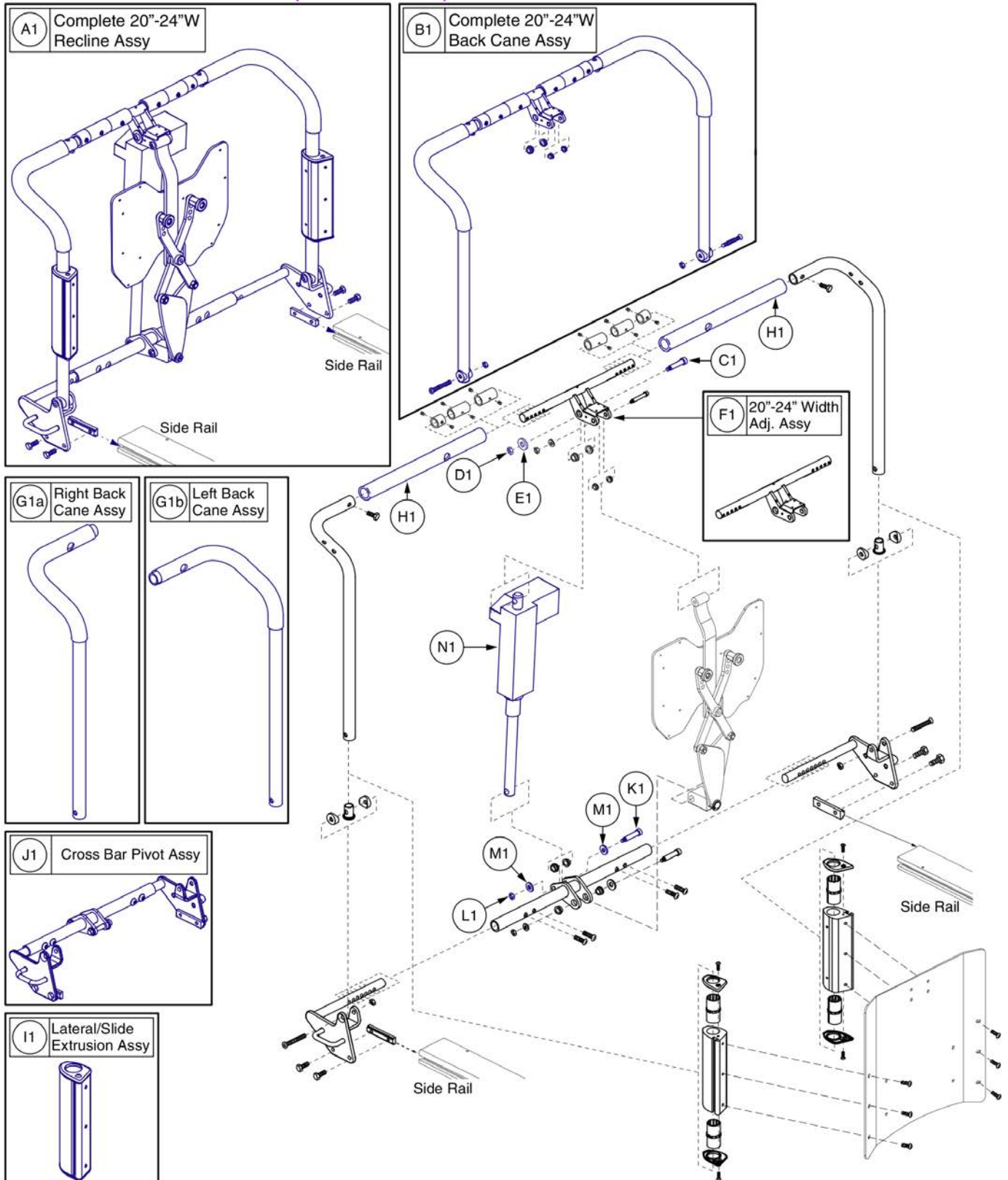
Version 2 Recline Assemblies are applicable to seating systems manufactured with Serial Number Y0104009031060 and subsequent. The complete assemblies or items with callouts must be selected.



Item	Part No.	Name	Qty
A1		SEAT BACK,ASSY,16"W-20"W,REMOTE PLUS,TRU-BALANCE 2 POWER RECLINE	1
B1		BACK CANE,ASSY,16"W-20"W,REMOTE PLUS,TRU-BALANCE 2 POWER RECLINE,W/MOUNTING HARDWARE	1
C1	BLTASHL1011	BOLT,SHOULDER,1/2" X 1.75"	1
D1	NUTNJAM1023	NUT,NYLOCK JAM,BLACK ZINC,3/8-16	1
E1	WASBLK1006	WASHER,FENDER,BLACK OXIDE,0.40" ID X 1.125" OD X 0.125" TH	1
F1		WIDTH ADJUSTMENT BRACKET,ASSY,REMOTE PLUS,16"W-20"W,TRU-BALANCE POWER RECLINE,UPPER,C-1367-089	1
G1a	FRMASMB12690	BACK CANE,ASSY,TB2 RECLINE,RIGHT	1
G1b	FRMASMB12689	BACK CANE,ASSY,TB2 RECLINE,LEFT	1
H1	PROHDLC1071	HAND GRIP,BLACK,FOAM,.930"ID X 1.250"OD X 17"L	1
I1	FRMASMB12696	LATERAL & SLIDE EXTRUSION,ASSY,TB2 RECLINE,D-1367-053	1
J1	FRMASMB7117	CROSS BAR PIVOT,ASSY,16"W-20"W,TB2 RECLINE,E-1367-049	1
K1	BLTASHL1011	BOLT,SHOULDER,1/2" X 1.75"	1
L1	NUTNYLK1006	NUT, NYLOCK,BLACK ZINC,3/8"-16	1
M1	WASSTND1034	WASHER,FLAT,BLACK ZINC,0.504"ID X 1.062"OD X 0.062"TH	2
N1	ACCACTR1032	ACTUATOR,TRU-BALANCE POWER RECLINE,H-1367-037,(LINAK: 314XXX-1115004X)	1
O1	FRMASMB7144	BACK INTERFACE PLATE,ASSY,TB2 RECLINE,W/HARDWARE	1
P1	FRMASMB12395	LINKAGE,ASSY,W/ELECTRONICS PLATE,TB2 RECLINE,VERSION 2	1
Q1	SHDASMB5119	SHROUD,ASSY,TRU-BALANCE 2 POWER RECLINE	1

**Remote Plus**

Version 2 Recline Assemblies are applicable to seating systems manufactured with Serial Number Y0104009031060 and subsequent. The complete assemblies or items with callouts must be selected.

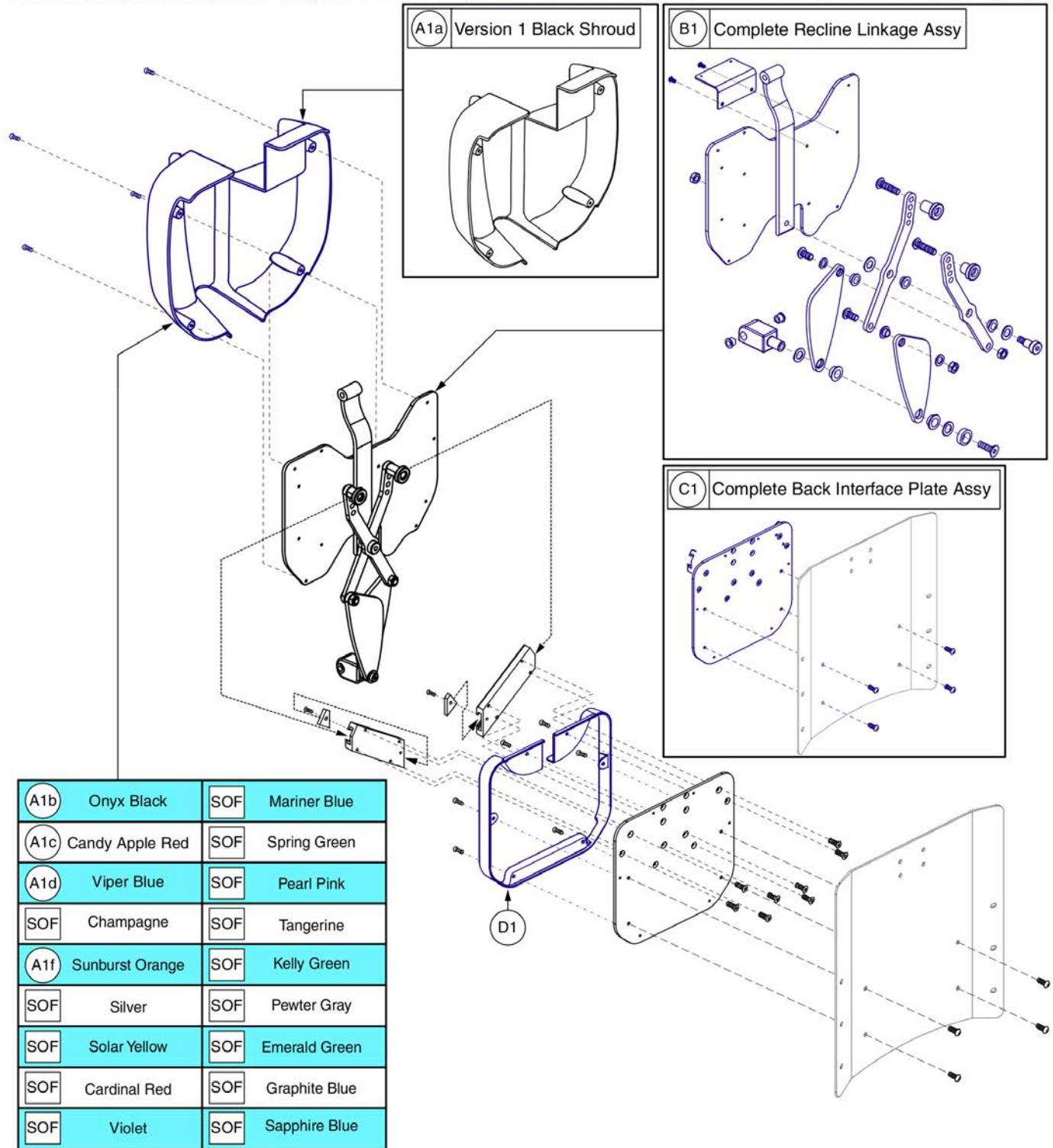




Item	Part No.	Name	Qty
A1		SEAT BACK,ASSY,20"W-24"W,REMOTE PLUS,TRU-BALANCE 2 POWER RECLINE	1
B1		BACK CANE,ASSY,20"W-24"W,REMOTE PLUS,TRU-BALANCE 2 POWER RECLINE,W/MOUNTING HARDWARE	1
C1	BLTASHL1011	BOLT,SHOULDER,1/2" X 1.75"	1
D1	NUTNJAM1023	NUT,NYLOCK JAM,BLACK ZINC,3/8-16	1
E1	WASBLK1006	WASHER,FENDER,BLACK OXIDE,0.40" ID X 1.125" OD X 0.125" TH	1
F1		WIDTH ADJUSTMENT BRACKET,ASSY,REMOTE PLUS,20"W-24"W,TRU-BALANCE POWER RECLINE,UPPER,C-1367-090	1
G1a	FRMASMB12690	BACK CANE,ASSY,TB2 RECLINE,RIGHT	1
G1b	FRMASMB12689	BACK CANE,ASSY,TB2 RECLINE,LEFT	1
H1	PROHDLC1071	HAND GRIP,BLACK,FOAM,.930"ID X 1.250"OD X 17"L	1
I1	FRMASMB12696	LATERAL & SLIDE EXTRUSION,ASSY,TB2 RECLINE,D-1367-053	1
J1	FRMASMB7150	CROSS BAR PIVOT,ASSY,20"W-24"W,TRU-BALANCE POWER RECLINE,W/MOUNTING HARDWARE	1
K1	BLTASHL1011	BOLT,SHOULDER,1/2" X 1.75"	1
L1	NUTNYLK1006	NUT, NYLOCK,BLACK ZINC,3/8"-16	1
M1	WASSTND1034	WASHER,FLAT,BLACK ZINC,0.504"ID X 1.062"OD X 0.062"TH	2
N1	ACCACTR1032	ACTUATOR,TRU-BALANCE POWER RECLINE,H-1367-037,(LINAK: 314XXX-1115004X)	1
O1	FRMASMB7144	BACK INTERFACE PLATE,ASSY,TB2 RECLINE,W/HARDWARE	1
P1	FRMASMB12395	LINKAGE,ASSY,W/ELECTRONICS PLATE,TB2 RECLINE,VERSION 2	1
Q1	SHDASMB5119	SHROUD,ASSY,TRU-BALANCE 2 POWER RECLINE	1

**Standard, Ver 2 - Serial Number Y0104009031060 and Subsequent**

Version 2 Recline Assemblies are applicable to seating systems manufactured with Serial Number Y0104009031060 and subsequent. The complete assemblies or items with callouts must be selected.

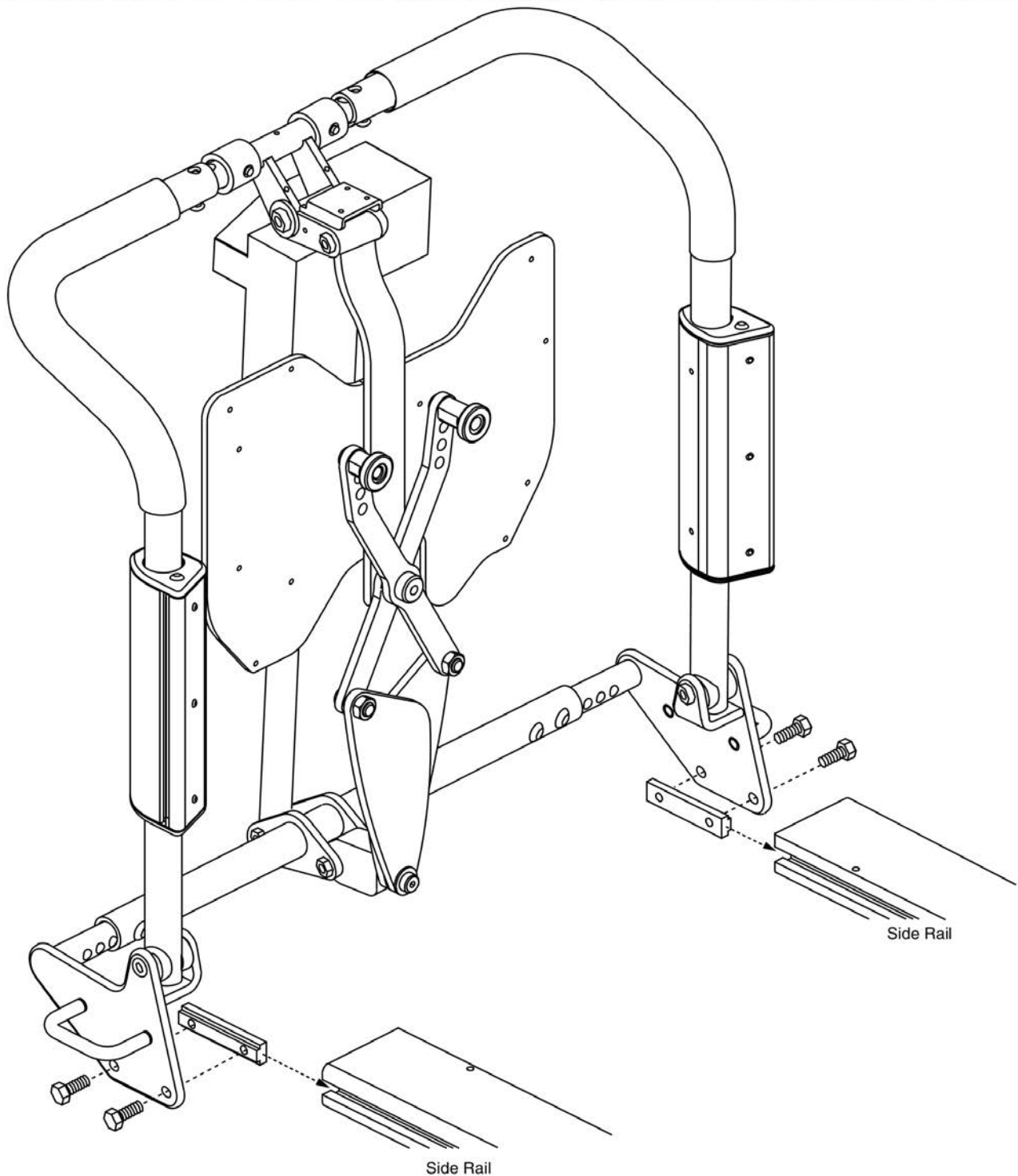


The shroud assembly includes the shrouds and the mounting hardware.

Item	Part No.	Name	Qty
A1a	DWR1367E074	SHROUD,ELECTRONICS COVER,BLACK,PLASTIC,OUTER,TRUBALANCE RECLINE,E-1367-074	1
A1b	SHDASMB6361	SHROUD,ASSY,ONYX BLACK,ELECTRONICS COVER,RECLINE	1
A1c	SHDASMB6480	SHROUD,ASSY,CANDY APPLE RED,ELECTRONICS COVER,RECLINE	1
A1d	SHDASMB6481	SHROUD,ASSY,VIPER BLUE,ELECTRONICS COVER,RECLINE	1
SOF	SHDASMB6483	SHROUD,ASSY,CHAMPAGNE,ELECTRONICS COVER,RECLINE	1
A1f	SHDASMB6484	SHROUD,ASSY,SUNBURST ORANGE,ELECTRONICS COVER,RECLINE	1
SOF	SHDASMB6485	SHROUD,ASSY,SILVER,ELECTRONICS COVER,RECLINE	1
SOF	SHDASMB6486	SHROUD,ASSY,SOLAR YELLOW,ELECTRONICS COVER,RECLINE	1
SOF	SHDASMB6487	SHROUD,ASSY,CARDINAL RED,ELECTRONICS COVER,RECLINE	1
SOF	SHDASMB6488	SHROUD,ASSY,VIOLET,ELECTRONICS COVER,RECLINE	1
SOF	SHDASMB6489	SHROUD,ASSY,MARINER BLUE,ELECTRONICS COVER,RECLINE	1
SOF	SHDASMB6490	SHROUD,ASSY,SPRING GREEN,ELECTRONICS COVER,RECLINE	1
SOF	SHDASMB6491	SHROUD,ASSY,PEARL PINK,ELECTRONICS COVER,RECLINE	1
SOF	SHDASMB6492	SHROUD,ASSY,TANGERINE,ELECTRONICS COVER,RECLINE	1
SOF	SHDASMB6493	SHROUD,ASSY,KELLY GREEN,ELECTRONICS COVER,RECLINE	1
SOF	SHDASMB6494	SHROUD,ASSY,PEWTER GRAY,ELECTRONICS COVER,RECLINE	1
SOF	SHDASMB6495	SHROUD,ASSY,EMERALD GREEN,ELECTRONICS COVER,RECLINE	1
SOF	SHDASMB6496	SHROUD,ASSY,GRAPHITE BLUE,ELECTRONICS COVER,RECLINE	1
SOF	SHDASMB6497	SHROUD,ASSY,SAPPHIRE BLUE,ELECTRONICS COVER,RECLINE	1
B1	FRMASMB12395	LINKAGE,ASSY,W/ELECTRONICS PLATE,TB2 RECLINE,VERSION 2	1
C1	FRMASMB7144	BACK INTERFACE PLATE,ASSY,TB2 RECLINE,W/HARDWARE	1
D1	DWR1367E042	SHROUD,COVER,INSIDE,BLACK,RECLINE,E-1367-042	1

Standard, Ver 1 - Prior to Serial Number Y0104009031060

\*\*\* Version 1 parts are no longer available and have been replaced by Version 2. \*\*\*  
When replacing Version 1 for Version 2 back canes, both right side and left side must be ordered.

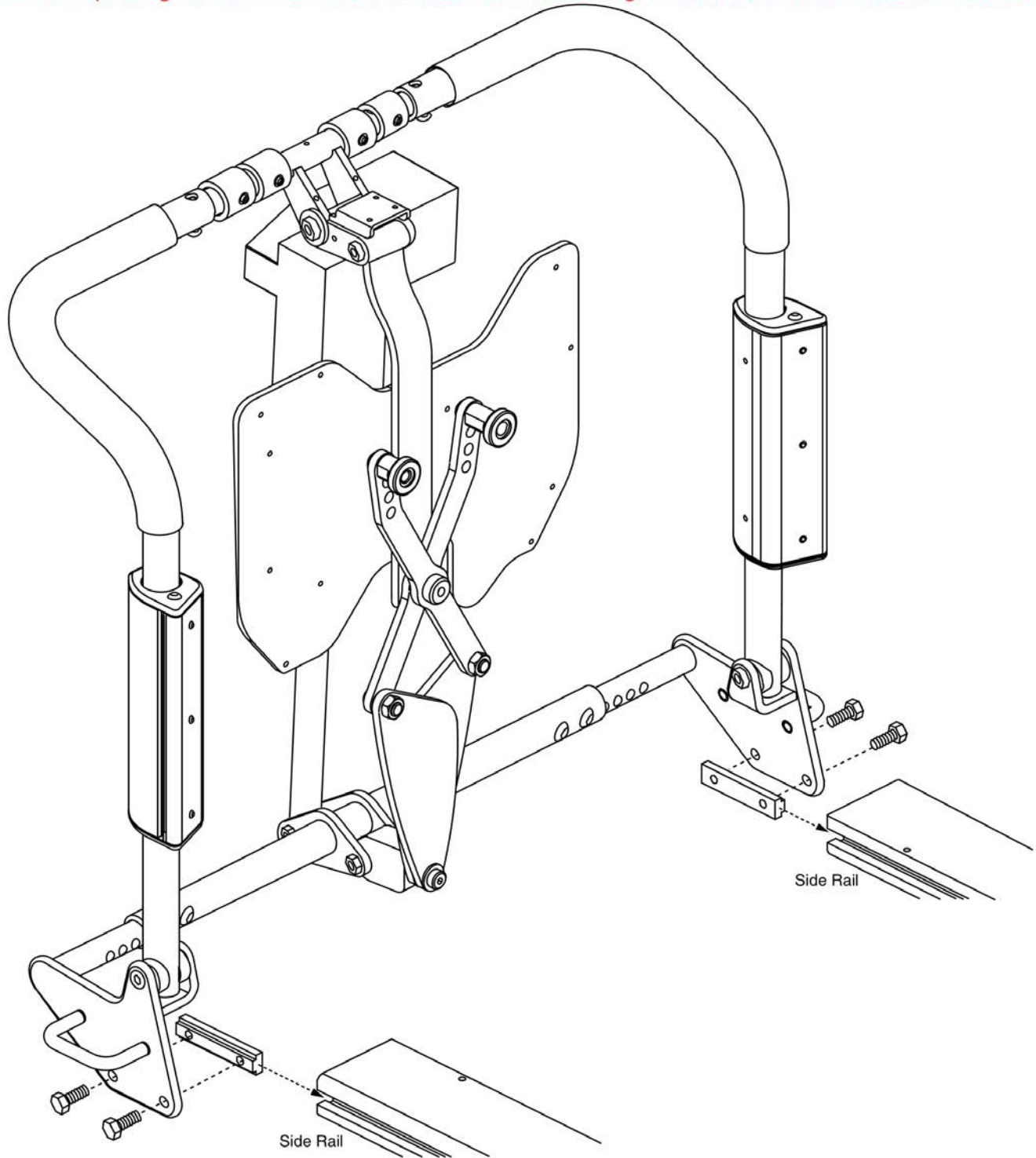


Version 1 Recline Assemblies are applicable  
to seating systems manufactured prior  
to Serial Number Y0104009031060.

This page intentionally left blank

Standard, Ver 1 - Prior to Serial Number Y0104009031060

\*\*\* Version 1 parts are no longer available and have been replaced by Version 2. \*\*\*  
When replacing Version 1 for Version 2 back canes, both right side and left side must be ordered.



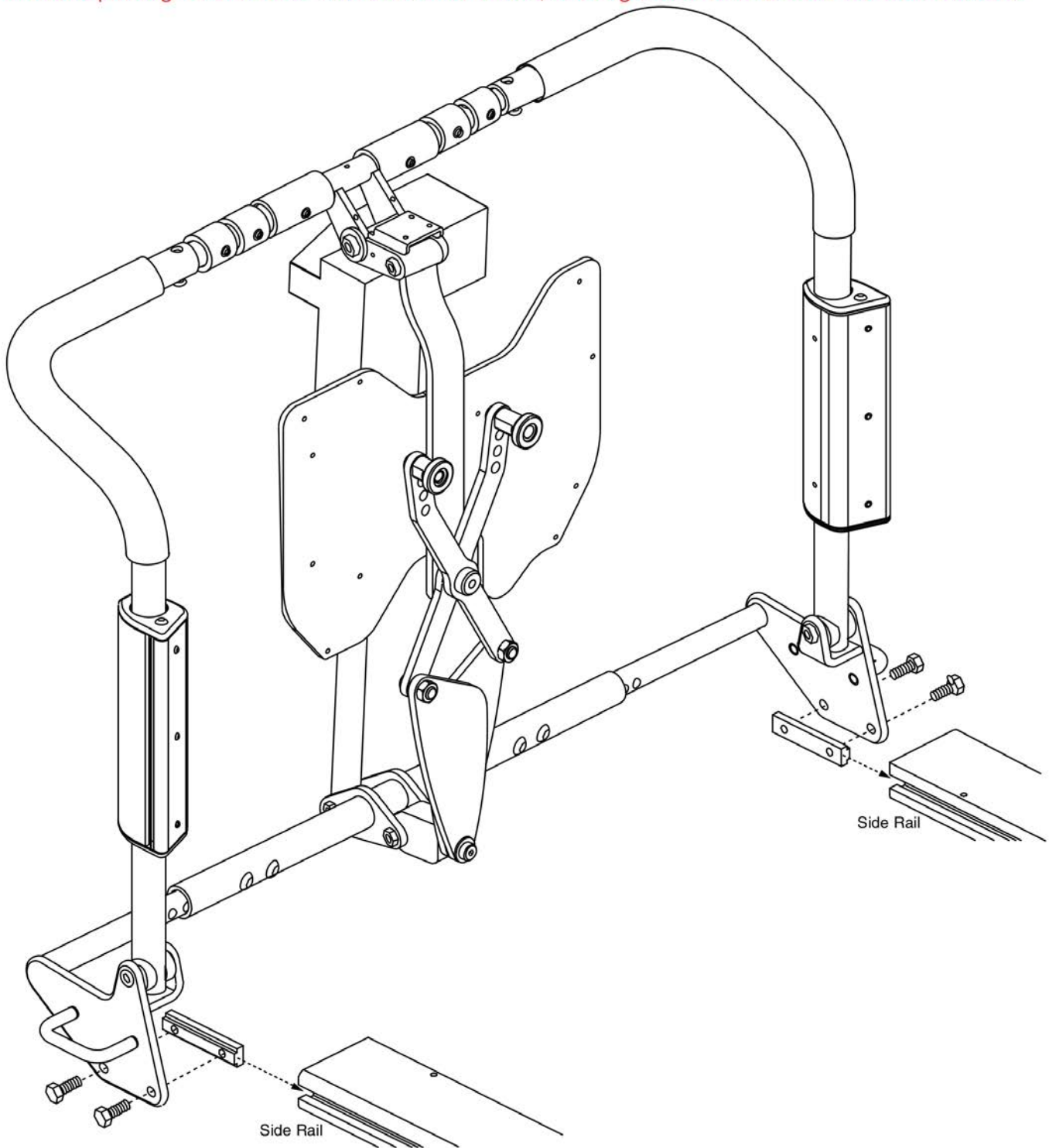
Version 1 Recline Assemblies are applicable  
to seating systems manufactured prior  
to Serial Number Y0104009031060.



This page intentionally left blank

Standard, Ver 1 - Prior to Serial Number Y0104009031060

\*\*\* Version 1 parts are no longer available and have been replaced by Version 2. \*\*\*  
When replacing Version 1 for Version 2 back canes, both right side and left side must be ordered.

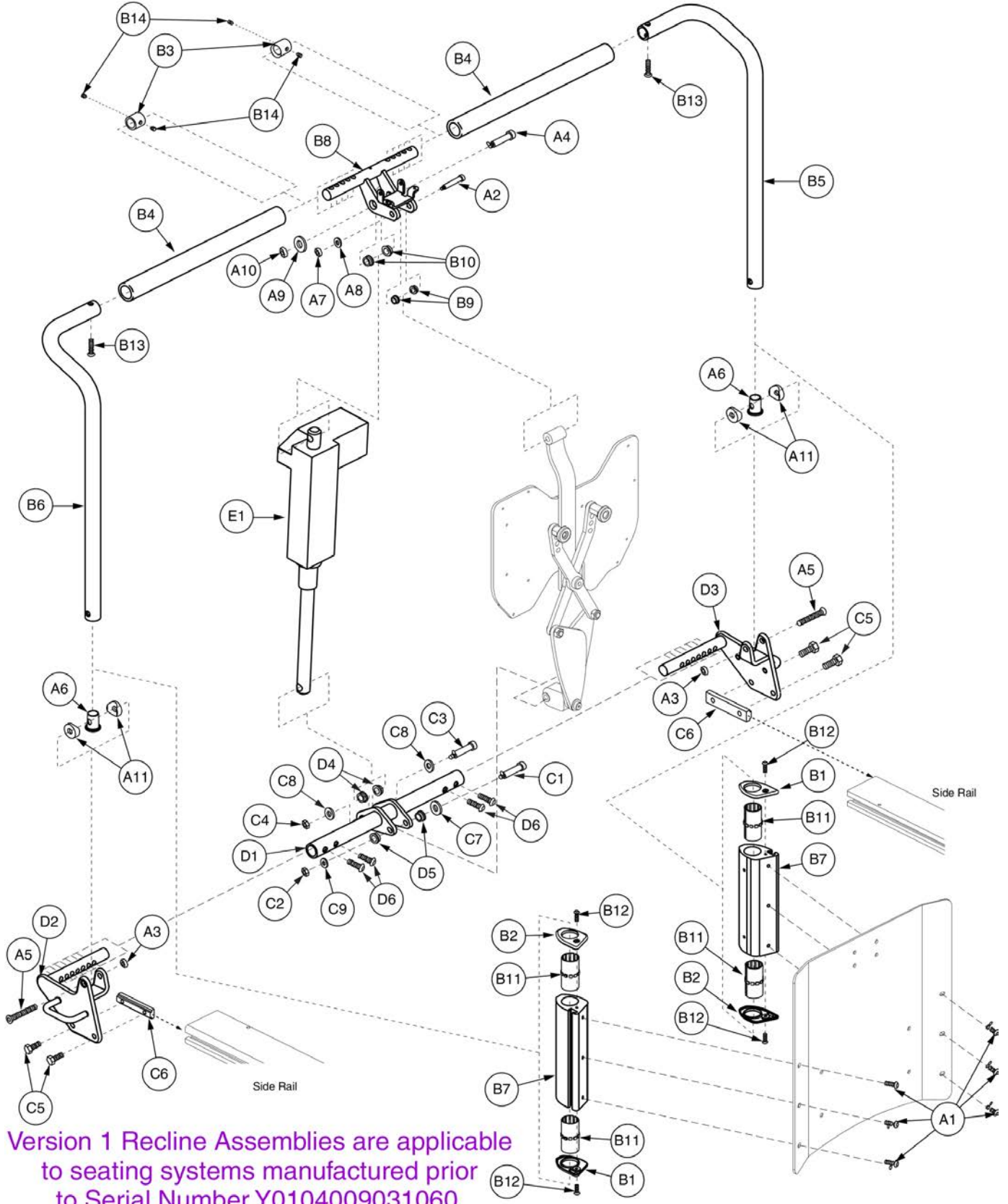


Version 1 Recline Assemblies are applicable  
to seating systems manufactured prior  
to Serial Number Y0104009031060.



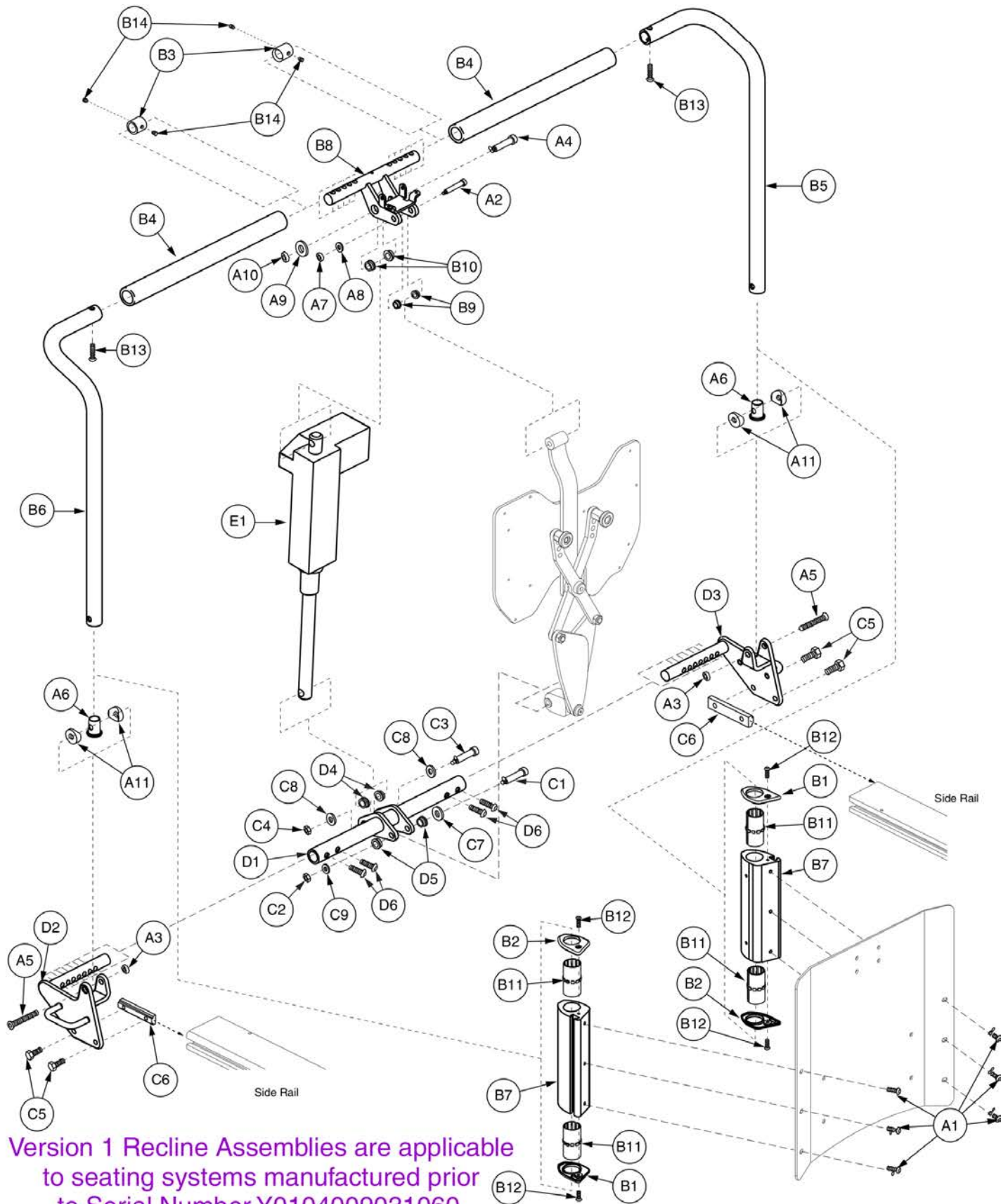
This page intentionally left blank

Standard, Ver 1 - Prior to Serial Number Y0104009031060



Version 1 Recline Assemblies are applicable to seating systems manufactured prior to Serial Number Y0104009031060.

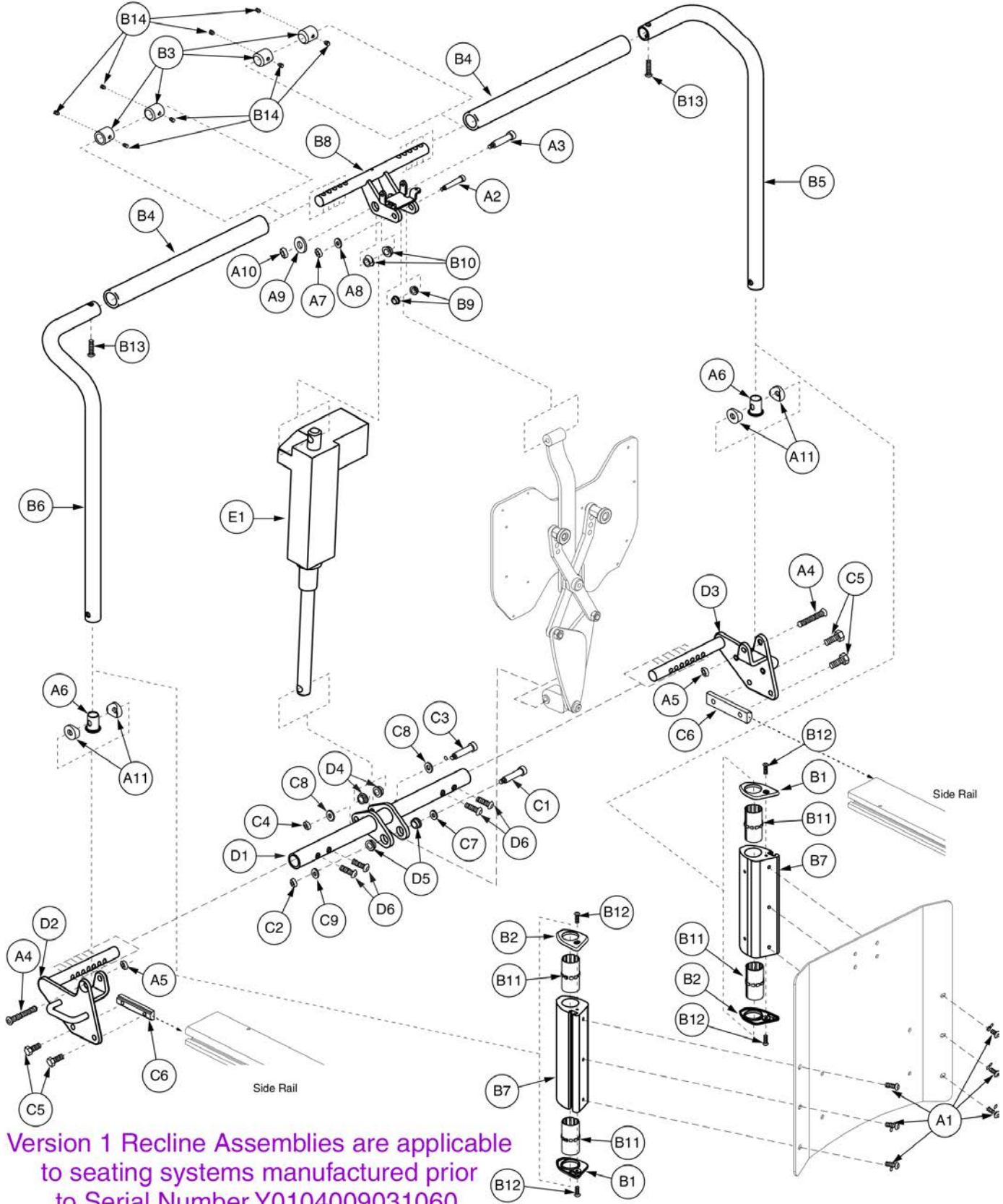
Item	Part No.	Name	Qty
A1 - H1		SEAT BACK,ASSY,14"W-18"W,REMOTE PLUS,TRU-BALANCE 2 POWER RECLINE	1
A1 - B14		BACK CANE,ASSY,14"W-18"W,TRU-BALANCE POWER RECLINE,W/MOUNTING HARDWARE	1
A1	SCRASBH1148	SCREW,BHSCS,BLACK ZINC,1/4-20 X 0.50",W/PATCH	6
A2	BLTASHL1069	BOLT,SHOULDER,5/16" X 1.75"	1
A3	NUTNYLK1006	NUT, NYLOCK,BLACK ZINC,3/8"-16	2
A4	BLTASHL1011	BOLT,SHOULDER,1/2" X 1.75"	1
A5	SCRSHFH1087	SCREW,SHFH,BLACK ZINC,3/8-16 X 2.25",GRADE 8	2
A6	DWR1367C037	END CAP,BACK CANE,TRU-BALANCE POWER RECLINE,C-1367-037	2
A7	NUTNJAM1014	NUT,NYLOCK JAM,BLACK ZINC,1/4-20	1
A8	WASSAE1003	WASHER,FLAT,BLACK ZINC,1/4,0.281" ID X 0.625" OD X 0.0625" TH,SAE	1
A9	WASBLK1006	WASHER,FENDER,BLACK OXIDE,0.40" ID X 1.125" OD X 0.125" TH	1
A10	NUTNJAM1023	NUT,NYLOCK JAM,BLACK ZINC,3/8-16	1
A11	DWR1367B029	WASHER,BLACK,NYLON,0.412" ID X 0.764" OD,COPEL,B-1367-029	4
B1 - B14		BACK CANE,ASSY,14"W-18"W,TB2 RECLINE,E-1367-051	1
B1	DWR1367C039	LATERALS AND SLIDE EXTRUSION CAP,TB2 RECLINE,LEFT	2
B2	DWR1367C040	LATERALS AND SLIDE EXTRUSION CAP,TB2 RECLINE,RIGHT	2
B3	DWR1367C041	SPACER,ALUMINUM,.760"ID X 1.00"OD X 1.00"L,TB2 RECLINE	2
B4	PROHDL1071	HAND GRIP,BLACK,FOAM,.930"ID X 1.250"OD X 17"L	2
B5		BACK CANE,SYNERGY TRU-BALANCE POWER RECLINE,LEFT	1
B6		BACK CANE,SYNERGY TRU-BALANCE POWER RECLINE,RIGHT	1
B7		LATERALS AND SLIDE EXTRUSION,TB2 RECLINE	2
B8		ACTUATOR WIDTH ADJUSTMENT,14"W-18"W,TB2 RECLINE,UPPER	1
B9	BRGFLNG1025	BEARING, FLANGE,BRONZE,0.3125" ID X 0.375" OD X 0.250" TH SHAFT,0.562" FOD X 0.032"FTH,(IGUS: GFI-0506-04)	2
B10		BEARING,FLANGE,BRONZE,0.500"ID X 0.625"OD X 0.250"TH,0.875"FOD X 0.125"FTH	2
B11	BRGSLV1038	BEARING, SLEEVE,1.00"ID X 1.125"OD X 2.205"L,DRYLIN-R	4
B12	SCRASBH1144	SCREW,BHSCS,BLACK ZINC,8-32 X 0.375",GRADE 8,W/PATCH	4
B13	SCRASBH1145	SCREW,BHSCS,BLACK ZINC,3/8-16 X 1.00",GR 8,W/PATCH	2
B14	SCRSETS1086	SCREW, SET,BLACK ZINC,10-32 X 0.125",CUP POINT W/PATCH	4
C1 - D6	FRMASMB7148	CROSS BAR PIVOT,ASSY,14"W-18"W,TB2 RECLINE,W/HARDWARE	1
C1	BLTASHL1069	BOLT,SHOULDER,5/16" X 1.75"	1
C2	NUTNYLK1014	NUT,NYLOCK,BLACK ZINC,1/4-20	1
C3	BLTASHL1011	BOLT,SHOULDER,1/2" X 1.75"	1
C4	NUTNYLK1006	NUT, NYLOCK,BLACK ZINC,3/8"-16	1
C5	SCRHHCS1241	SCREW,HHCS,BLACK ZINC,5/16-18 X 0.75",GR 8,W/PATCH	4
C6	DWR1360B015	T-NUT,BLACK,5/16-18 X 3", W/2",HOLE SPACING,B-1360-015	2



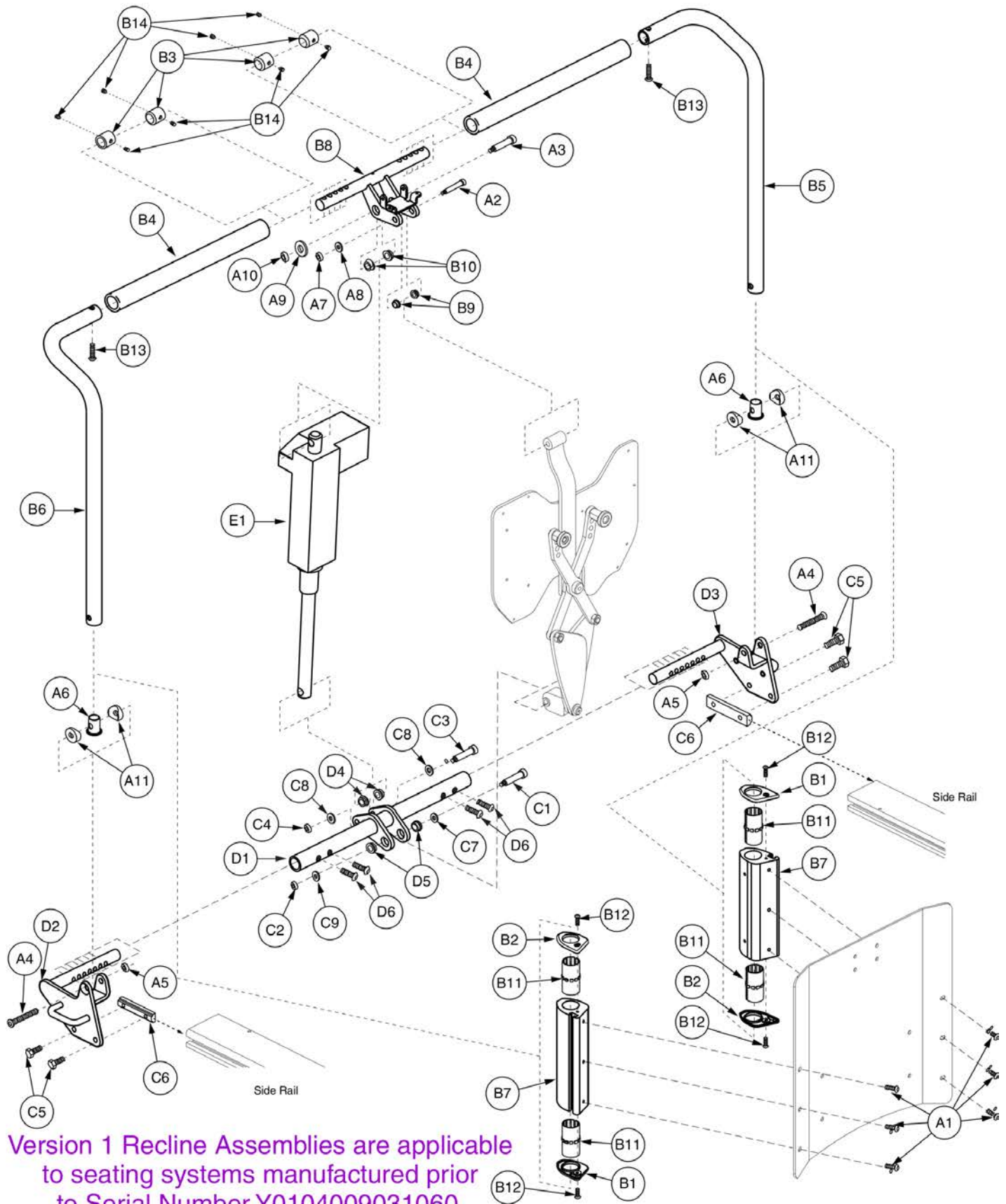
Item	Part No.	Name	Qty
C7	WASSTND1002	WASHER,FLAT,BLACK ZINC,0.3125" ID X 0.6875" OD X 0.0625" TH	1
C8	WASSTND1034	WASHER,FLAT,BLACK ZINC,0.504"ID X 1.062"OD X 0.062"TH	2
C9	WASSAE1003	WASHER,FLAT,BLACK ZINC,1/4,0.281" ID X 0.625" OD X 0.0625" TH,SAE	1
D1 - D6	FRMASMB7116	CROSS BAR PIVOT,ASSY,14"W-18"W,TB2 RECLINE,E-1367-048	1
D1		ACTUATOR BRACKET,14"W-18"W,TB2 RECLINE,LOWER	1
D2		PIVOT PLATE WELDMENT,14"W-18"W,TB2 RECLINE,RIGHT	1
D3		PIVOT PLATE WELDMENT,14"W-18"W,TB2 RECLINE,LEFT	1
D4	BRGFLNG1029	BEARING, FLANGE,BRONZE,0.500"ID X 0.625"OD X 0.375"TH X 0.875"FOD X 0.125"FTH	2
D5	BRGFLNG1025	BEARING, FLANGE,BRONZE,0.3125" ID X 0.375" OD X 0.250" TH SHAFT,0.562" FOD X 0.032"FTH,(IGUS: GFI-0506-04)	2
D6	SCRASBH1145	SCREW,BHSCS,BLACK ZINC,3/8-16 X 1.00",GR 8,W/PATCH	4
E1	ACCACTR1032	ACTUATOR,TRU-BALANCE POWER RECLINE,H-1367-037,(LINAK: 314XXX-1115004X)	1
F1	FRMASMB7144	BACK INTERFACE PLATE,ASSY,TB2 RECLINE,W/HARDWARE	1
G1		LINKAGE,ASSY,W/ELECTRONICS PLATE,TB2 RECLINE	1
H1	SHDASMB5119	SHROUD,ASSY,TRU-BALANCE 2 POWER RECLINE	1



**Standard, Ver 1 - Prior to Serial Number Y0104009031060**



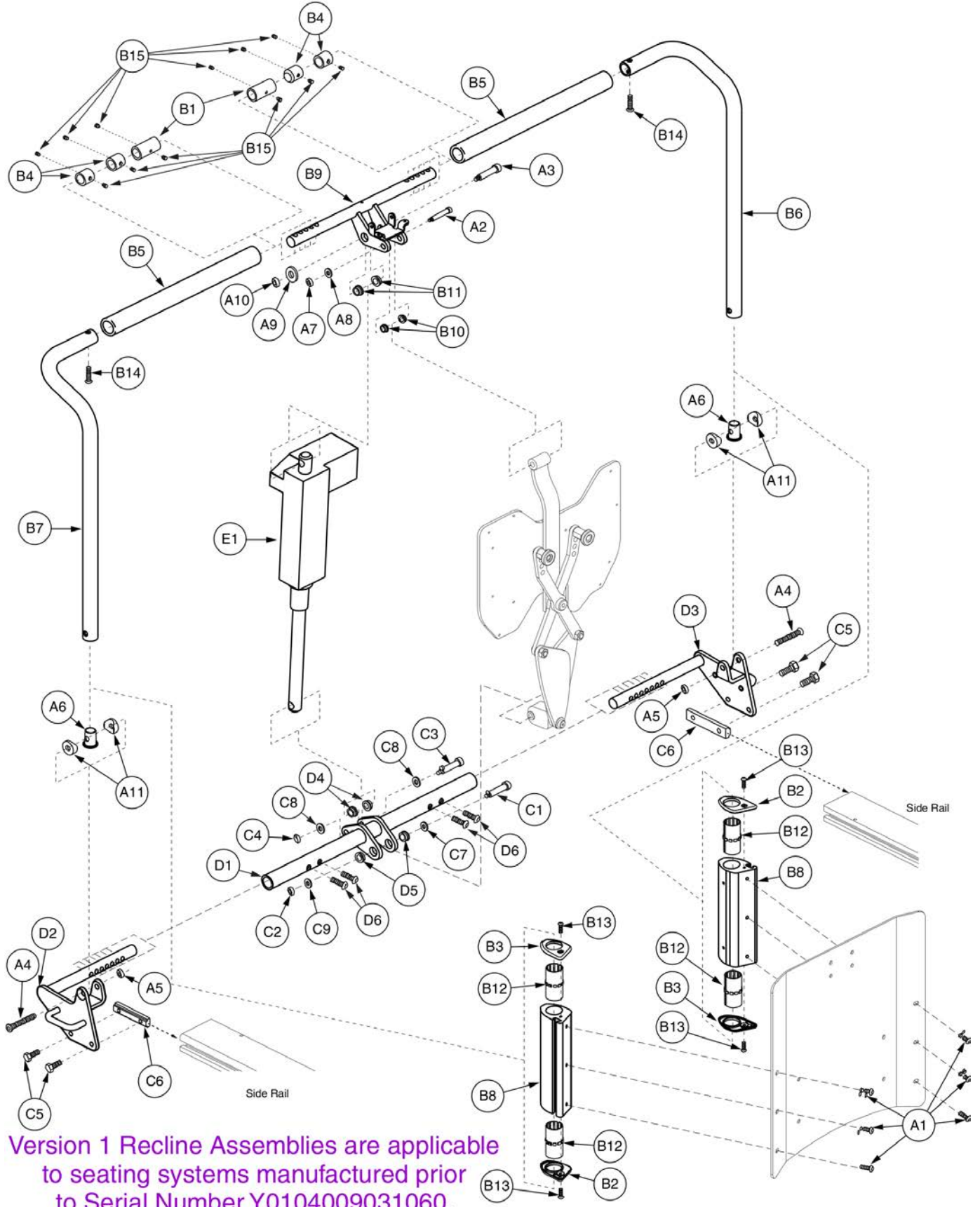
Item	Part No.	Name	Qty
A1 - H1		SEAT BACK,ASSY,16"W-20"W,REMOTE PLUS,TRU-BALANCE 2 POWER RECLINE	1
A1 - B14		BACK CANE,ASSY,16"W-20"W,TRU-BALANCE POWER RECLINE,W/MOUNTING HARDWARE	1
A1	SCRASBH1148	SCREW,BHSCS,BLACK ZINC,1/4-20 X 0.50",W/PATCH	6
A2	BLTASHL1069	BOLT,SHOULDER,5/16" X 1.75"	1
A3	BLTASHL1011	BOLT,SHOULDER,1/2" X 1.75"	1
A4	SCRSHFH1087	SCREW,SHFH,BLACK ZINC,3/8-16 X 2.25",GRADE 8	2
A5	NUTNYLK1006	NUT, NYLOCK,BLACK ZINC,3/8"-16	2
A6	DWR1367C037	END CAP,BACK CANE,TRU-BALANCE POWER RECLINE,C-1367-037	2
A7	NUTNJAM1014	NUT,NYLOCK JAM,BLACK ZINC,1/4-20	1
A8	WASSAE1003	WASHER,FLAT,BLACK ZINC,1/4,0.281" ID X 0.625" OD X 0.0625" TH,SAE	1
A9	WASBLK1006	WASHER,FENDER,BLACK OXIDE,0.40" ID X 1.125" OD X 0.125" TH	1
A10	NUTNJAM1023	NUT,NYLOCK JAM,BLACK ZINC,3/8-16	1
A11	DWR1367B029	WASHER,BLACK,NYLON,0.412" ID X 0.764" OD,COPEL,B-1367-029	4
B1 - B14		BACK CANE,ASSY,16"W-20"W,TB2 RECLINE,E-1367-052	1
B1	DWR1367C039	LATERALS AND SLIDE EXTRUSION CAP,TB2 RECLINE,LEFT	2
B2	DWR1367C040	LATERALS AND SLIDE EXTRUSION CAP,TB2 RECLINE,RIGHT	2
B3	DWR1367C041	SPACER,ALUMINUM,.760"ID X 1.00"OD X 1.00"L,TB2 RECLINE	4
B4	PROHDL1071	HAND GRIP,BLACK,FOAM,.930"ID X 1.250"OD X 17"L	2
B5		BACK CANE,SYNERGY TRU-BALANCE POWER RECLINE,LEFT	1
B6		BACK CANE,SYNERGY TRU-BALANCE POWER RECLINE,RIGHT	1
B7		LATERALS AND SLIDE EXTRUSION,TB2 RECLINE	2
B8		ACTUATOR WIDTH ADJUSTMENT,16"W-20"W,TB2 RECLINE,UPPER	1
B9	BRGFLNG1025	BEARING, FLANGE,BRONZE,0.3125" ID X 0.375" OD X 0.250" TH SHAFT,0.562" FOD X 0.032"FTH,(IGUS: GFI-0506-04)	2
B10		BEARING,FLANGE,BRONZE,0.500"ID X 0.625"OD X 0.250"TH,0.875"FOD X 0.125"FTH	2
B11	BRGSLV1038	BEARING, SLEEVE,1.00"ID X 1.125"OD X 2.205"L,DRYLIN-R	4
B12	SCRASBH1144	SCREW,BHSCS,BLACK ZINC,8-32 X 0.375",GRADE 8,W/PATCH	4
B13	SCRASBH1145	SCREW,BHSCS,BLACK ZINC,3/8-16 X 1.00",GR 8,W/PATCH	2
B14	SCRSETS1086	SCREW, SET,BLACK ZINC,10-32 X 0.125",CUP POINT W/PATCH	8
C1 - D6	FRMASMB7149	CROSS BAR PIVOT,ASSY,16"W-20"W,TB2 RECLINE,W/HARDWARE	1
C1	BLTASHL1069	BOLT,SHOULDER,5/16" X 1.75"	1
C2	NUTNYLK1014	NUT,NYLOCK,BLACK ZINC,1/4-20	1
C3	BLTASHL1011	BOLT,SHOULDER,1/2" X 1.75"	1
C4	NUTNYLK1006	NUT, NYLOCK,BLACK ZINC,3/8"-16	1
C5	SCRHHCS1241	SCREW,HHCS,BLACK ZINC,5/16-18 X 0.75",GR 8,W/PATCH	4
C6	DWR1360B015	T-NUT,BLACK,5/16-18 X 3", W/2",HOLE SPACING,B-1360-015	2





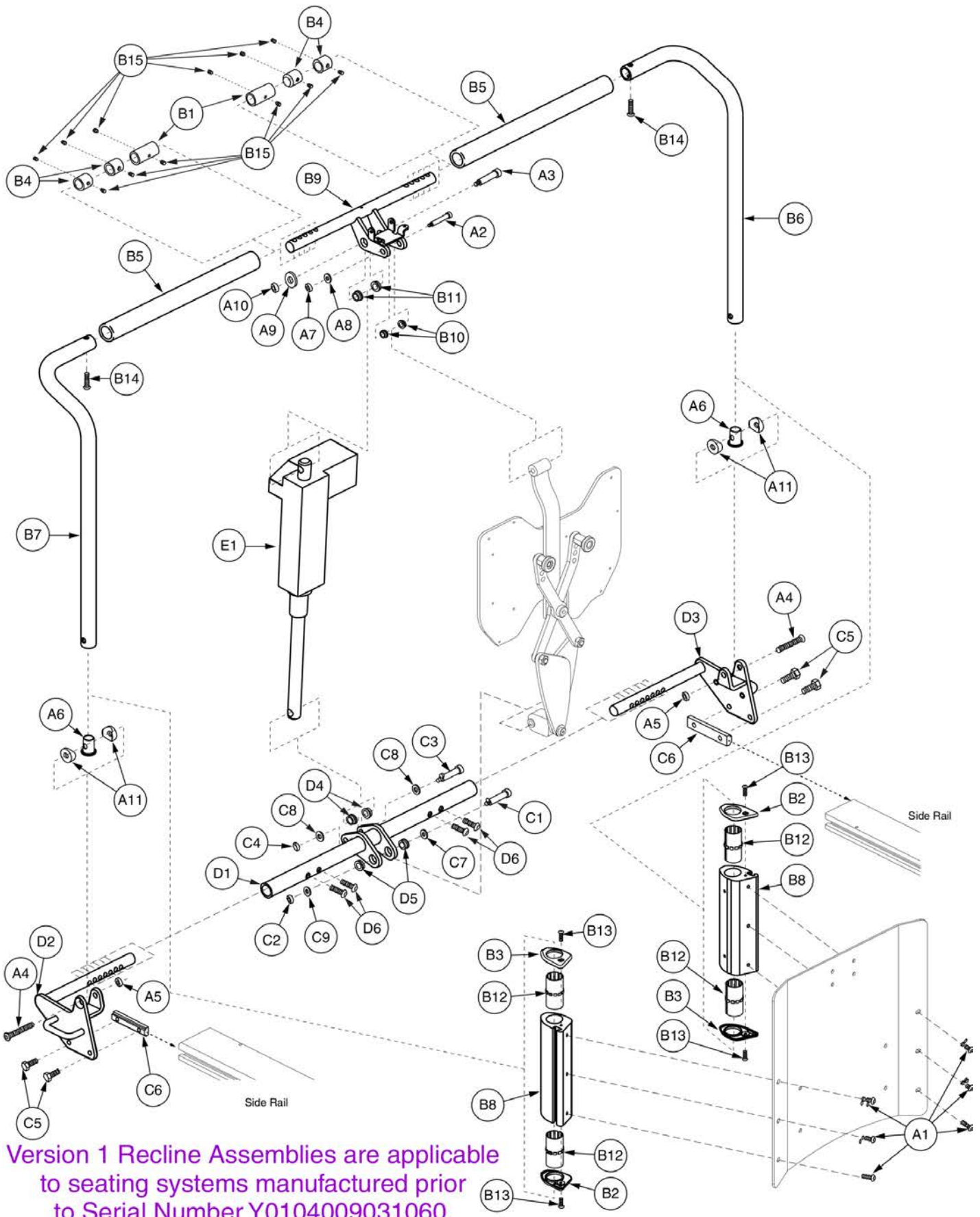
Item	Part No.	Name	Qty
C7	WASSTND1002	WASHER,FLAT,BLACK ZINC,0.3125" ID X 0.6875" OD X 0.0625" TH	1
C8	WASSTND1034	WASHER,FLAT,BLACK ZINC,0.504"ID X 1.062"OD X 0.062"TH	2
C9	WASSAE1003	WASHER,FLAT,BLACK ZINC,1/4,0.281" ID X 0.625" OD X 0.0625" TH,SAE	1
D1 - D6	FRMASMB7117	CROSS BAR PIVOT,ASSY,16"W-20"W,TB2 RECLINE,E-1367-049	1
D1	DWR1367E009	ACTUATOR BRACKET,16"W-20"W,TB2 RECLINE,LOWER	1
D2	DWR1367D015	PIVOT PLATE WELDMENT,16"W-20"W,TB2 RECLINE,RIGHT	1
D3	DWR1367D017	PIVOT PLATE WELDMENT,16"W-20"W,TB2 RECLINE,LEFT	1
D4	BRGFLNG1029	BEARING, FLANGE,BRONZE,0.500"ID X 0.625"OD X 0.375"TH X 0.875"FOD X 0.125"FTH	2
D5	BRGFLNG1025	BEARING, FLANGE,BRONZE,0.3125" ID X 0.375" OD X 0.250" TH SHAFT,0.562" FOD X 0.032"FTH,(IGUS: GFI-0506-04)	2
D6	SCRASBH1145	SCREW,BHSCS,BLACK ZINC,3/8-16 X 1.00",GR 8,W/PATCH	4
E1	ACCACTR1032	ACTUATOR,TRU-BALANCE POWER RECLINE,H-1367-037,(LINAK: 314XXX-1115004X)	1
F1	FRMASMB7144	BACK INTERFACE PLATE,ASSY,TB2 RECLINE,W/HARDWARE	1
G1		LINKAGE,ASSY,W/ELECTRONICS PLATE,TB2 RECLINE	1
H1	SHDASMB5119	SHROUD,ASSY,TRU-BALANCE 2 POWER RECLINE	1

Standard, Ver 1 - Prior to Serial Number Y0104009031060



Version 1 Recline Assemblies are applicable to seating systems manufactured prior to Serial Number Y0104009031060.

Item	Part No.	Name	Qty
A1 - H1		SEAT BACK,ASSY,20"W-24"W,REMOTE PLUS,TRU-BALANCE 2 POWER RECLINE	1
A1 - B15		BACK CANE,ASSY,20"W-24"W,TB2 RECLINE,W/MOUNTING HARDWARE	1
A1	SCRASBH1148	SCREW,BHSCS,BLACK ZINC,1/4-20 X 0.50",W/PATCH	6
A2	BLTASHL1069	BOLT,SHOULDER,5/16" X 1.75"	1
A3	BLTASHL1011	BOLT,SHOULDER,1/2" X 1.75"	1
A4	SCRSHFH1087	SCREW,SHFH,BLACK ZINC,3/8-16 X 2.25",GRADE 8	2
A5	NUTNYLK1006	NUT, NYLOCK,BLACK ZINC,3/8"-16	2
A6	DWR1367C037	END CAP,BACK CANE,TRU-BALANCE POWER RECLINE,C-1367-037	2
A7	NUTNJAM1014	NUT,NYLOCK JAM,BLACK ZINC,1/4-20	1
A8	WASSAE1003	WASHER,FLAT,BLACK ZINC,1/4,0.281" ID X 0.625" OD X 0.0625" TH,SAE	1
A9	WASBLK1006	WASHER,FENDER,BLACK OXIDE,0.40" ID X 1.125" OD X 0.125" TH	1
A10	NUTNJAM1023	NUT,NYLOCK JAM,BLACK ZINC,3/8-16	1
A11	DWR1367B029	WASHER,BLACK,NYLON,0.412" ID X 0.764" OD,COPEL,B-1367-029	4
B1 - B15		BACK CANE,ASSY,20"W-24"W,TB2 RECLINE	1
B1	DWR1367B033	SPACER,ALUMINUM,.760"ID X 1.00"OD X 2.00"L,TB2 RECLINE	2
B2	DWR1367C039	LATERALS AND SLIDE EXTRUSION CAP,TB2 RECLINE,LEFT	2
B3	DWR1367C040	LATERALS AND SLIDE EXTRUSION CAP,TB2 RECLINE,RIGHT	2
B4	DWR1367C041	SPACER,ALUMINUM,.760"ID X 1.00"OD X 1.00"L,TB2 RECLINE	4
B5	PROHDL1071	HAND GRIP,BLACK,FOAM,.930"ID X 1.250"OD X 17"L	2
B6		BACK CANE,SYNERGY TRU-BALANCE POWER RECLINE,LEFT	1
B7		BACK CANE,SYNERGY TRU-BALANCE POWER RECLINE,RIGHT	1
B8		LATERALS AND SLIDE EXTRUSION,TB2 RECLINE	2
B9		ACTUATOR WIDTH ADJUSTMENT,20"W-24"W,TB2 RECLINE,UPPER	1
B10	BRGFLNG1025	BEARING, FLANGE,BRONZE,0.3125" ID X 0.375" OD X 0.250" TH SHAFT,0.562" FOD X 0.032"FTH,(IGUS: GFI-0506-04)	2
B11		BEARING,FLANGE,BRONZE,0.500"ID X 0.625"OD X 0.250"TH,0.875"FOD X 0.125"FTH	2
B12	BRGSLV1038	BEARING, SLEEVE,1.00"ID X 1.125"OD X 2.205"L,DRYLIN-R	4
B13	SCRASBH1144	SCREW,BHSCS,BLACK ZINC,8-32 X 0.375",GRADE 8,W/PATCH	4
B14	SCRASBH1145	SCREW,BHSCS,BLACK ZINC,3/8-16 X 1.00",GR 8,W/PATCH	2
B15	SCRSETS1086	SCREW, SET,BLACK ZINC,10-32 X 0.125",CUP POINT W/PATCH	12
C1 - D6	FRMASMB7150	CROSS BAR PIVOT,ASSY,20"W-24"W,TRU-BALANCE POWER RECLINE,W/MOUNTING HARDWARE	1
C1	BLTASHL1069	BOLT,SHOULDER,5/16" X 1.75"	1
C2	NUTNYLK1014	NUT,NYLOCK,BLACK ZINC,1/4-20	1
C3	BLTASHL1011	BOLT,SHOULDER,1/2" X 1.75"	1
C4	NUTNYLK1006	NUT, NYLOCK,BLACK ZINC,3/8"-16	1
C5	SCRHHCS1241	SCREW,HHCS,BLACK ZINC,5/16-18 X 0.75",GR 8,W/PATCH	4

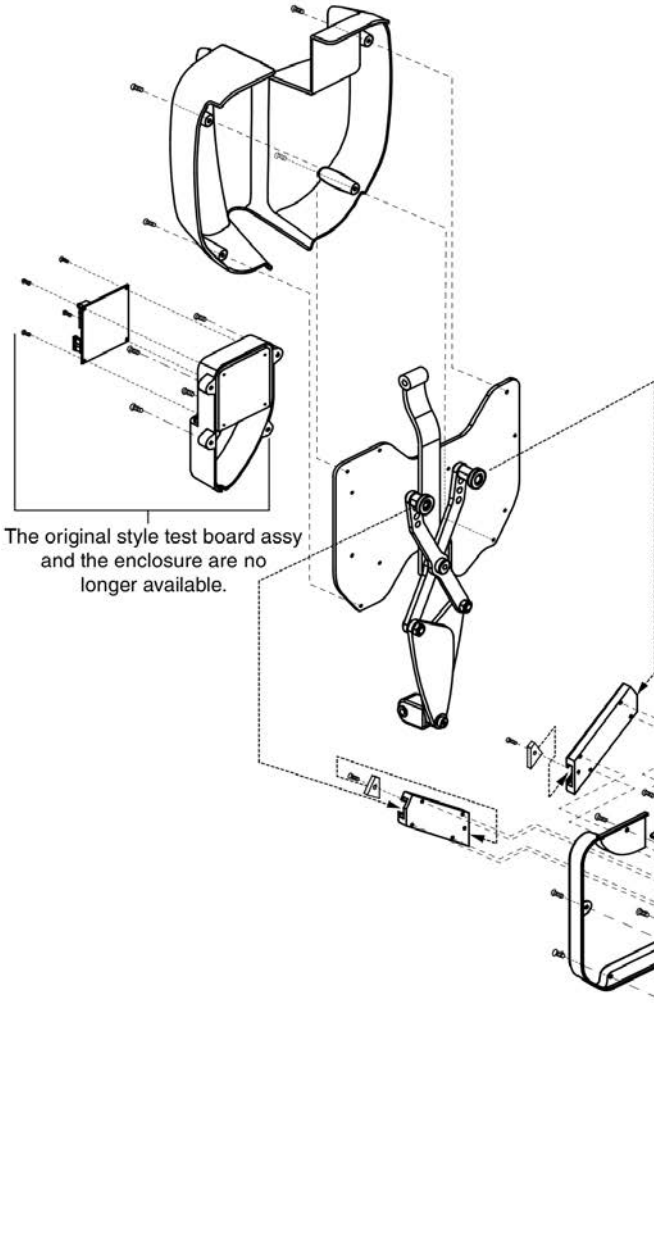


Version 1 Recline Assemblies are applicable to seating systems manufactured prior to Serial Number Y0104009031060.

Item	Part No.	Name	Qty
C6	DWR1360B015	T-NUT,BLACK,5/16-18 X 3", W/2",HOLE SPACING,B-1360-015	2
C7	WASSTND1002	WASHER,FLAT,BLACK ZINC,0.3125" ID X 0.6875" OD X 0.0625" TH	1
C8	WASSTND1034	WASHER,FLAT,BLACK ZINC,0.504"ID X 1.062"OD X 0.062"TH	2
C9	WASSAE1003	WASHER,FLAT,BLACK ZINC,1/4,0.281" ID X 0.625" OD X 0.0625" TH,SAE	1
D1 - D6	FRMASMB7118	CROSS BAR PIVOT,ASSY,20"W-24"W,TB2 RECLINE	1
D1		ACTUATOR BRACKET,20"D-24"D,TB2 RECLINE,LOWER	1
D2		PIVOT PLATE WELDMENT,20"W-24"W,TB2 RECLINE,RIGHT	1
D3		PIVOT PLATE WELDMENT,20"W-24"W,TB2 RECLINE,LEFT	1
D4	BRGFLNG1029	BEARING, FLANGE,BRONZE,0.500"ID X 0.625"OD X 0.375"TH X 0.875"FOD X 0.125"FTH	2
D5	BRGFLNG1025	BEARING, FLANGE,BRONZE,0.3125" ID X 0.375" OD X 0.250" TH SHAFT,0.562" FOD X 0.032"FTH,(IGUS: GFI-0506-04)	2
D6	SCRASBH1145	SCREW,BHSCS,BLACK ZINC,3/8-16 X 1.00",GR 8,W/PATCH	4
E1	ACCACTR1032	ACTUATOR,TRU-BALANCE POWER RECLINE,H-1367-037,(LINAK: 314XXX-1115004X)	1
F1	FRMASMB7144	BACK INTERFACE PLATE,ASSY,TB2 RECLINE,W/HARDWARE	1
G1		LINKAGE,ASSY,W/ELECTRONICS PLATE,TB2 RECLINE	1
H1	SHDASMB5119	SHROUD,ASSY,TRU-BALANCE 2 POWER RECLINE	1



**Standard, Ver 1 - Prior to Serial Number Y0104009031060**



**A1** Complete, TRU-Balance 2 Power Recline Shroud Assembly

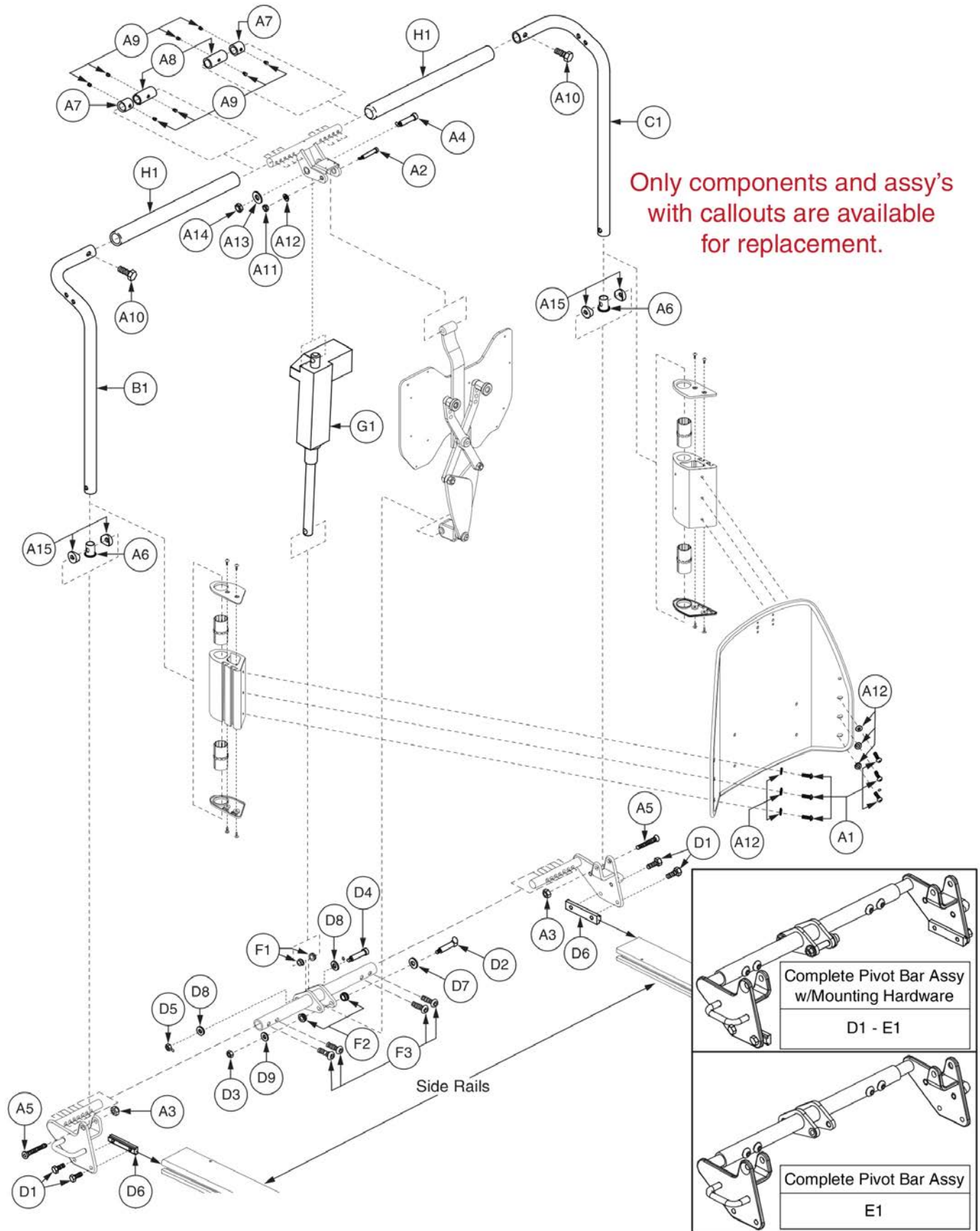
The shroud assembly includes the outer and inner shrouds, mounting hardware, and test harness assembly.

**B1**

Version 1 Recline Assemblies are applicable to seating systems manufactured prior to S/N Y0104009031060. Replacement parts are no longer available. Version 2 components must be utilized for replacement .

Item	Part No.	Name	Qty
A1	SHDASMB5119	SHROUD,ASSY,TRU-BALANCE 2 POWER RECLINE	1
B1	ELE139125	ELECTRONIC,ASSY,SERVICE BOARD,W/HARNESS & POUCH	1

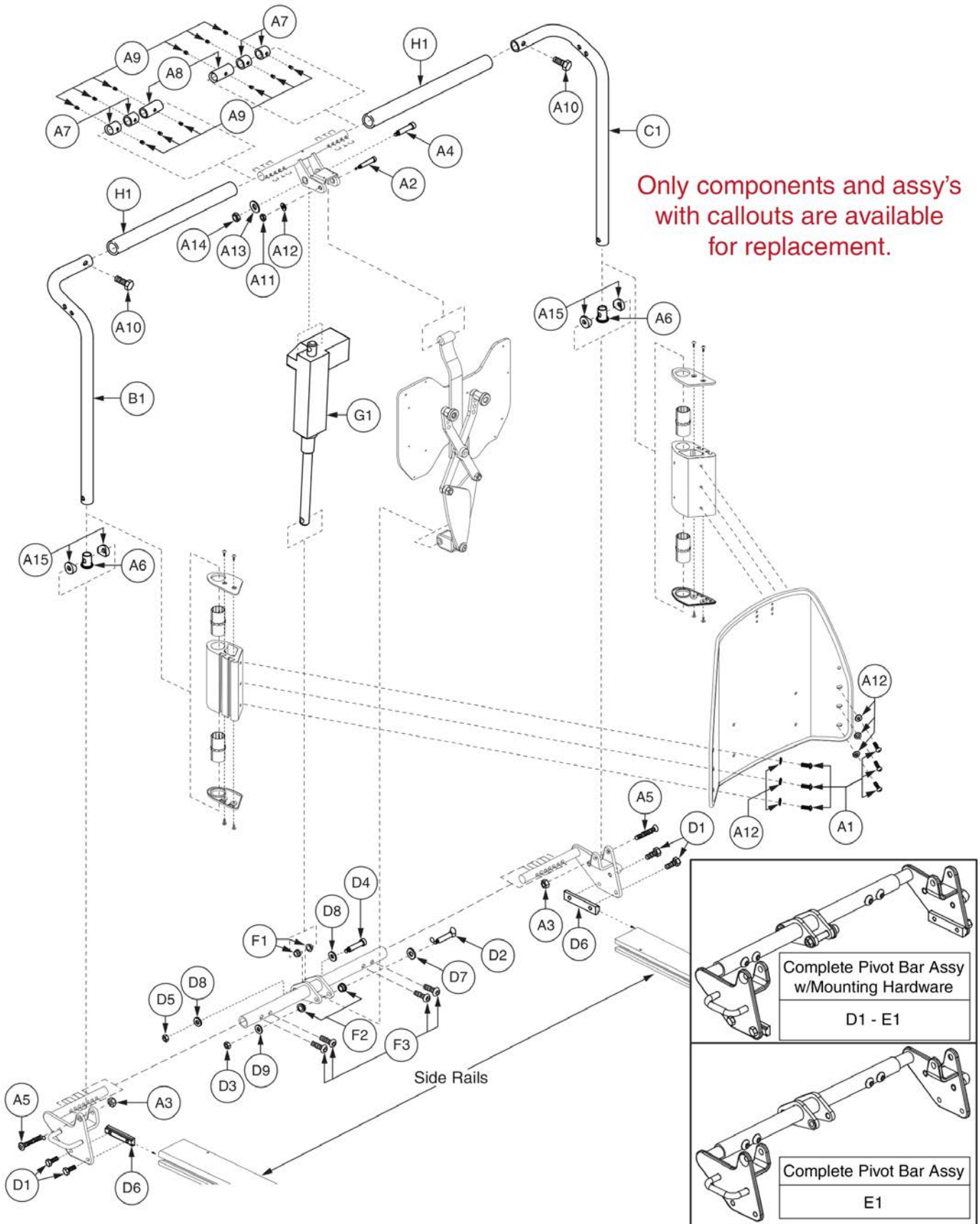
TRU-Comfort





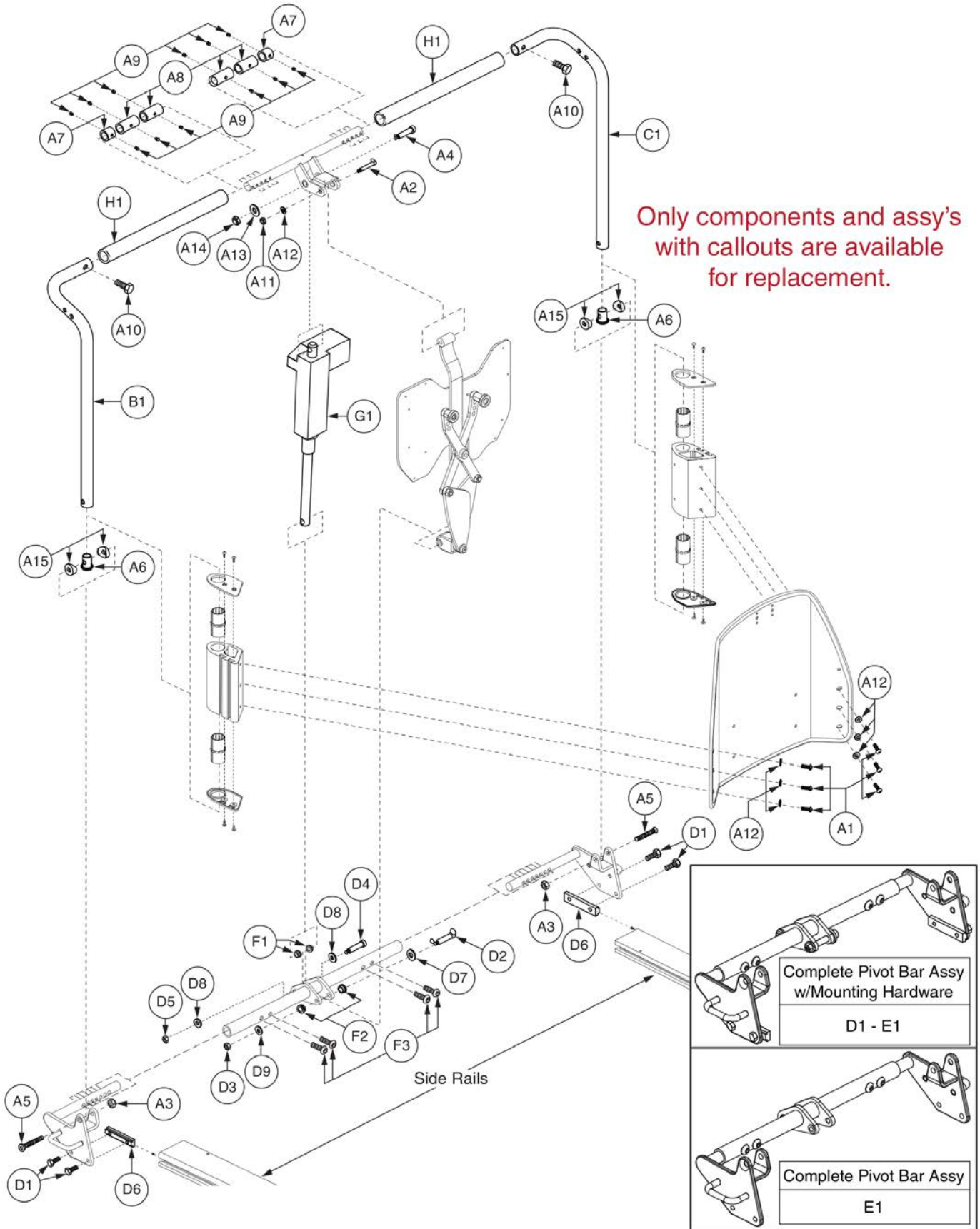
Item	Part No.	Name	Qty
A1	SCRASBH1148	SCREW,BHSCS,BLACK ZINC,1/4-20 X 0.50",W/PATCH	6
A2	BLTASHL1069	BOLT,SHOULDER,5/16" X 1.75"	1
A3	NUTNYLK1006	NUT, NYLOCK,BLACK ZINC,3/8"-16	2
A4	BLTASHL1011	BOLT,SHOULDER,1/2" X 1.75"	1
A5	SCRSHFH1087	SCREW,SHFH,BLACK ZINC,3/8-16 X 2.25",GRADE 8	2
A6	DWR1367C037	END CAP,BACK CANE,TRU-BALANCE POWER RECLINE,C-1367-037	2
A7	DWR1367C041	SPACER,ALUMINUM,.760"ID X 1.00"OD X 1.00"L,TB2 RECLINE	2
A8	DWR1367B033	SPACER,ALUMINUM,.760"ID X 1.00"OD X 2.00"L,TB2 RECLINE	2
A9	SCRSETS1086	SCREW, SET,BLACK ZINC,10-32 X 0.125",CUP POINT W/PATCH	8
A10	SCRHHCS1373	SCREW,HHCS,BLACK ZINC,1/4-20 X 1.00",GRADE 8,W/NYLON PATCH	2
A11	NUTNJAM1014	NUT,NYLOCK JAM,BLACK ZINC,1/4-20	1
A12	WASSAE1003	WASHER,FLAT,BLACK ZINC,1/4,0.281" ID X 0.625" OD X 0.0625" TH,SAE	7
A13	WASBLK1006	WASHER,FENDER,BLACK OXIDE,0.40" ID X 1.125" OD X 0.125" TH	1
A14	NUTNJAM1023	NUT,NYLOCK JAM,BLACK ZINC,3/8-16	1
A15	DWR1367B029	WASHER,BLACK,NYLON,0.412" ID X 0.764" OD,COPEL,B-1367-029	4
B1	FRMASMB12690	BACK CANE,ASSY,TB2 RECLINE,RIGHT	1
C1	FRMASMB12689	BACK CANE,ASSY,TB2 RECLINE,LEFT	1
D1 - E1	FRMASMB7148	CROSS BAR PIVOT,ASSY,14"W-18"W,TB2 RECLINE,W/HARDWARE	1
D1	SCRHHCS1241	SCREW,HHCS,BLACK ZINC,5/16-18 X 0.75",GR 8,W/PATCH	4
D2	BLTASHL1069	BOLT,SHOULDER,5/16" X 1.75"	1
D3	NUTNYLK1014	NUT,NYLOCK,BLACK ZINC,1/4-20	1
D4	BLTASHL1011	BOLT,SHOULDER,1/2" X 1.75"	1
D5	NUTNYLK1006	NUT, NYLOCK,BLACK ZINC,3/8"-16	1
D6	DWR1360B015	T-NUT,BLACK,5/16-18 X 3", W/2",HOLE SPACING,B-1360-015	2
D7	WASSTND1002	WASHER,FLAT,BLACK ZINC,0.3125" ID X 0.6875" OD X 0.0625" TH	1
D8	WASSTND1034	WASHER,FLAT,BLACK ZINC,0.504"ID X 1.062"OD X 0.062"TH	2
D9	WASSAE1003	WASHER,FLAT,BLACK ZINC,1/4,0.281" ID X 0.625" OD X 0.0625" TH,SAE	1
E1	FRMASMB7116	CROSS BAR PIVOT,ASSY,14"W-18"W,TB2 RECLINE,E-1367-048	1
F1	BRGFLNG1029	BEARING, FLANGE,BRONZE,0.500"ID X 0.625"OD X 0.375"TH X 0.875"FOD X 0.125"FTH	2
F2	BRGFLNG1025	BEARING, FLANGE,BRONZE,0.3125" ID X 0.375" OD X 0.250" TH SHAFT,0.562" FOD X 0.032"FTH,(IGUS: GFI-0506-04)	2
F3	SCRASBH1145	SCREW,BHSCS,BLACK ZINC,3/8-16 X 1.00",GR 8,W/PATCH	4
G1	ACCACTR1032	ACTUATOR,TRU-BALANCE POWER RECLINE,H-1367-037,(LINAK: 314XXX-1115004X)	1
H1	PROHDL1071	HAND GRIP,BLACK,FOAM,.930"ID X 1.250"OD X 17"L	1

TRU-Comfort



Item	Part No.	Name	Qty
A1	SCRASBH1148	SCREW,BHSCS,BLACK ZINC,1/4-20 X 0.50",W/PATCH	6
A2	BLTASHL1069	BOLT,SHOULDER,5/16" X 1.75"	1
A3	NUTNYLK1006	NUT, NYLOCK,BLACK ZINC,3/8"-16	2
A4	BLTASHL1011	BOLT,SHOULDER,1/2" X 1.75"	1
A5	SCRSHFH1087	SCREW,SHFH,BLACK ZINC,3/8-16 X 2.25",GRADE 8	2
A6	DWR1367C037	END CAP,BACK CANE,TRU-BALANCE POWER RECLINE,C-1367-037	2
A7	DWR1367C041	SPACER,ALUMINUM,.760"ID X 1.00"OD X 1.00"L,TB2 RECLINE	4
A8	DWR1367B033	SPACER,ALUMINUM,.760"ID X 1.00"OD X 2.00"L,TB2 RECLINE	2
A9	SCRSETS1086	SCREW, SET,BLACK ZINC,10-32 X 0.125",CUP POINT W/PATCH	12
A10	SCRHHCS1373	SCREW,HHCS,BLACK ZINC,1/4-20 X 1.00",GRADE 8,W/NYLON PATCH	2
A11	NUTNJAM1014	NUT,NYLOCK JAM,BLACK ZINC,1/4-20	1
A12	WASSAE1003	WASHER,FLAT,BLACK ZINC,1/4,0.281" ID X 0.625" OD X 0.0625" TH,SAE	7
A13	WASBLK1006	WASHER,FENDER,BLACK OXIDE,0.40" ID X 1.125" OD X 0.125" TH	1
A14	NUTNJAM1023	NUT,NYLOCK JAM,BLACK ZINC,3/8-16	1
A15	DWR1367B029	WASHER,BLACK,NYLON,0.412" ID X 0.764" OD,COPEL,B-1367-029	4
B1	FRMASMB12690	BACK CANE,ASSY,TB2 RECLINE,RIGHT	1
C1	FRMASMB12689	BACK CANE,ASSY,TB2 RECLINE,LEFT	1
D1 - E1	FRMASMB7149	CROSS BAR PIVOT,ASSY,16"W-20"W,TB2 RECLINE,W/HARDWARE	1
D1	SCRHHCS1241	SCREW,HHCS,BLACK ZINC,5/16-18 X 0.75",GR 8,W/PATCH	4
D2	BLTASHL1069	BOLT,SHOULDER,5/16" X 1.75"	1
D3	NUTNYLK1014	NUT, NYLOCK,BLACK ZINC,1/4-20	1
D4	BLTASHL1011	BOLT,SHOULDER,1/2" X 1.75"	1
D5	NUTNYLK1006	NUT, NYLOCK,BLACK ZINC,3/8"-16	1
D6	DWR1360B015	T-NUT,BLACK,5/16-18 X 3", W/2",HOLE SPACING,B-1360-015	2
D7	WASSTND1002	WASHER,FLAT,BLACK ZINC,0.3125" ID X 0.6875" OD X 0.0625" TH	1
D8	WASSTND1034	WASHER,FLAT,BLACK ZINC,0.504"ID X 1.062"OD X 0.062"TH	2
D9	WASSAE1003	WASHER,FLAT,BLACK ZINC,1/4,0.281" ID X 0.625" OD X 0.0625" TH,SAE	1
E1	FRMASMB7117	CROSS BAR PIVOT,ASSY,16"W-20"W,TB2 RECLINE,E-1367-049	1
F1	BRGFLNG1029	BEARING, FLANGE,BRONZE,0.500"ID X 0.625"OD X 0.375"TH X 0.875"FOD X 0.125"FTH	2
F2	BRGFLNG1025	BEARING, FLANGE,BRONZE,0.3125" ID X 0.375" OD X 0.250" TH SHAFT,0.562" FOD X 0.032"FTH,(IGUS: GFI-0506-04)	2
F3	SCRASBH1145	SCREW,BHSCS,BLACK ZINC,3/8-16 X 1.00",GR 8,W/PATCH	4
G1	ACCACTR1032	ACTUATOR,TRU-BALANCE POWER RECLINE,H-1367-037,(LINAK: 314XXX-1115004X)	1
H1	PROHDL1071	HAND GRIP,BLACK,FOAM,.930"ID X 1.250"OD X 17"L	1

TRU-Comfort

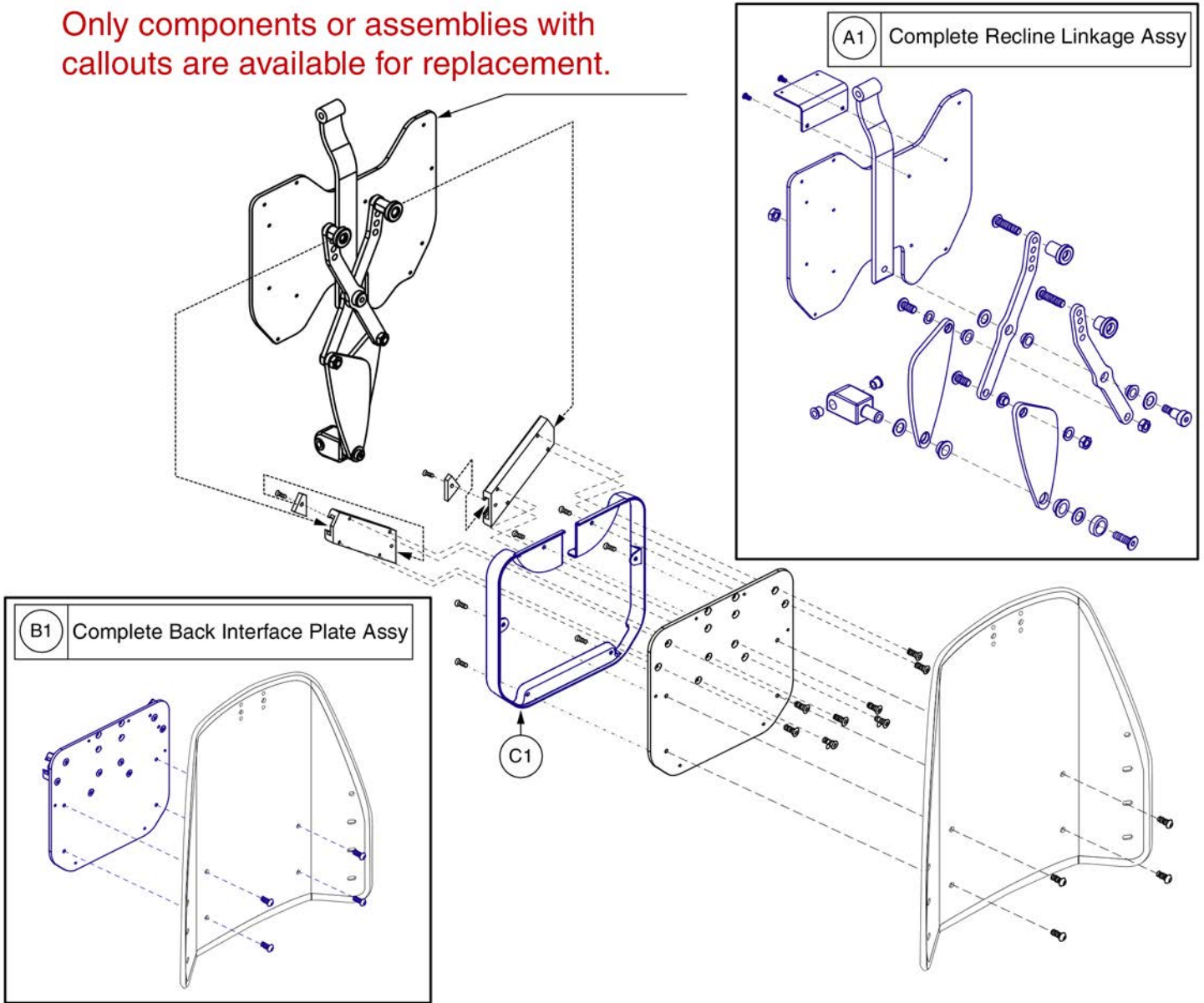


Item	Part No.	Name	Qty
A1	SCRASBH1148	SCREW,BHSCS,BLACK ZINC,1/4-20 X 0.50",W/PATCH	6
A2	BLTASHL1069	BOLT,SHOULDER,5/16" X 1.75"	1
A3	NUTNYLK1006	NUT, NYLOCK,BLACK ZINC,3/8"-16	2
A4	BLTASHL1011	BOLT,SHOULDER,1/2" X 1.75"	1
A5	SCRSHFH1087	SCREW,SHFH,BLACK ZINC,3/8-16 X 2.25",GRADE 8	2
A6	DWR1367C037	END CAP,BACK CANE,TRU-BALANCE POWER RECLINE,C-1367-037	2
A7	DWR1367C041	SPACER,ALUMINUM,.760"ID X 1.00"OD X 1.00"L,TB2 RECLINE	2
A8	DWR1367B033	SPACER,ALUMINUM,.760"ID X 1.00"OD X 2.00"L,TB2 RECLINE	4
A9	SCRSETS1086	SCREW, SET,BLACK ZINC,10-32 X 0.125",CUP POINT W/PATCH	12
A10	SCRHHCS1373	SCREW,HHCS,BLACK ZINC,1/4-20 X 1.00",GRADE 8,W/NYLON PATCH	2
A11	NUTNJAM1014	NUT,NYLOCK JAM,BLACK ZINC,1/4-20	1
A12	WASSAE1003	WASHER,FLAT,BLACK ZINC,1/4,0.281" ID X 0.625" OD X 0.0625" TH,SAE	7
A13	WASBLK1006	WASHER,FENDER,BLACK OXIDE,0.40" ID X 1.125" OD X 0.125" TH	1
A14	NUTNJAM1023	NUT,NYLOCK JAM,BLACK ZINC,3/8-16	1
A15	DWR1367B029	WASHER,BLACK,NYLON,0.412" ID X 0.764" OD,COPEL,B-1367-029	4
B1	FRMASMB12690	BACK CANE,ASSY,TB2 RECLINE,RIGHT	1
C1	FRMASMB12689	BACK CANE,ASSY,TB2 RECLINE,LEFT	1
D1 - E1	FRMASMB7150	CROSS BAR PIVOT,ASSY,20"W-24"W,TRU-BALANCE POWER RECLINE,W/MOUNTING HARDWARE	1
D1	SCRHHCS1241	SCREW,HHCS,BLACK ZINC,5/16-18 X 0.75",GR 8,W/PATCH	4
D2	BLTASHL1069	BOLT,SHOULDER,5/16" X 1.75"	1
D3	NUTNYLK1014	NUT, NYLOCK,BLACK ZINC,1/4-20	1
D4	BLTASHL1011	BOLT,SHOULDER,1/2" X 1.75"	1
D5	NUTNYLK1006	NUT, NYLOCK,BLACK ZINC,3/8"-16	1
D6	DWR1360B015	T-NUT,BLACK,5/16-18 X 3", W/2",HOLE SPACING,B-1360-015	2
D7	WASSTND1002	WASHER,FLAT,BLACK ZINC,0.3125" ID X 0.6875" OD X 0.0625" TH	1
D8	WASSTND1034	WASHER,FLAT,BLACK ZINC,0.504"ID X 1.062"OD X 0.062"TH	2
D9	WASSAE1003	WASHER,FLAT,BLACK ZINC,1/4,0.281" ID X 0.625" OD X 0.0625" TH,SAE	1
E1	FRMASMB7118	CROSS BAR PIVOT,ASSY,20"W-24"W,TB2 RECLINE	1
F1	BRGFLNG1029	BEARING, FLANGE,BRONZE,0.500"ID X 0.625"OD X 0.375"TH X 0.875"FOD X 0.125"FTH	2
F2	BRGFLNG1025	BEARING, FLANGE,BRONZE,0.3125" ID X 0.375" OD X 0.250" TH SHAFT,0.562" FOD X 0.032"FTH,(IGUS: GFI-0506-04)	2
F3	SCRASBH1145	SCREW,BHSCS,BLACK ZINC,3/8-16 X 1.00",GR 8,W/PATCH	4
G1	ACCACTR1032	ACTUATOR,TRU-BALANCE POWER RECLINE,H-1367-037,(LINAK: 314XXX-1115004X)	1
H1	PROHDL1071	HAND GRIP,BLACK,FOAM,.930"ID X 1.250"OD X 17"L	1



TRU-Comfort

Only components or assemblies with callouts are available for replacement.

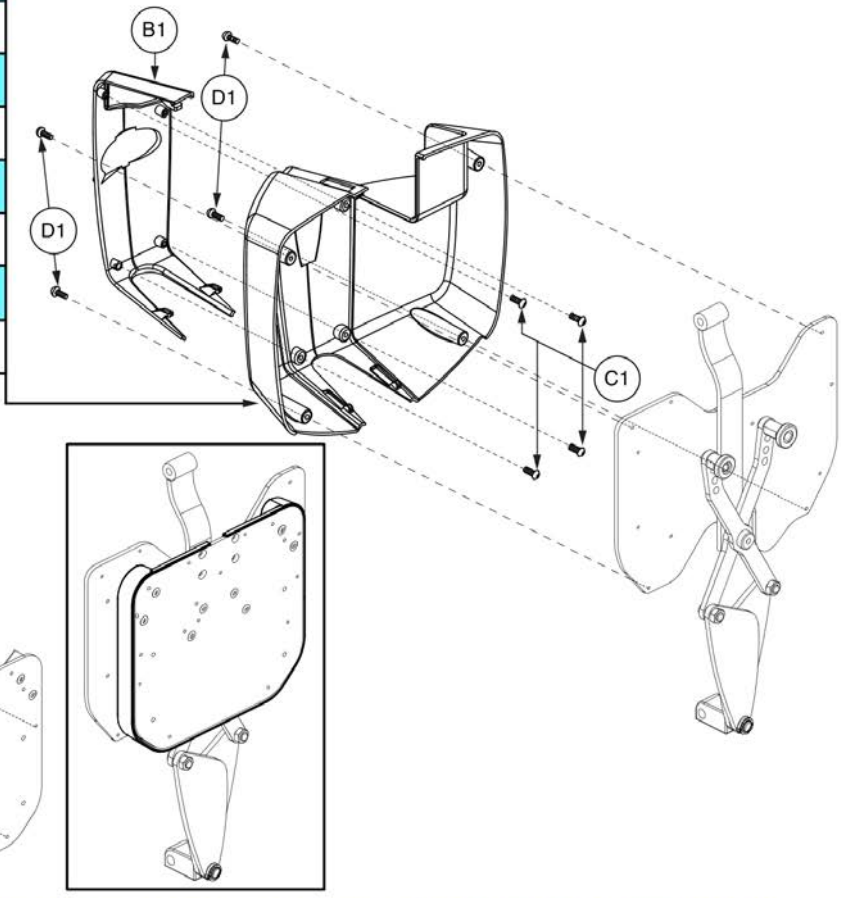


Item	Part No.	Name	Qty
A1	FRMASMB12395	LINKAGE,ASSY,W/ELECTRONICS PLATE,TB2 RECLINE,VERSION 2	1
B1	FRMASMB7144	BACK INTERFACE PLATE,ASSY,TB2 RECLINE,W/HARDWARE	1
C1	DWR1367E042	SHROUD,COVER,INSIDE,BLACK,RECLINE,E-1367-042	1

TRU-Comfort

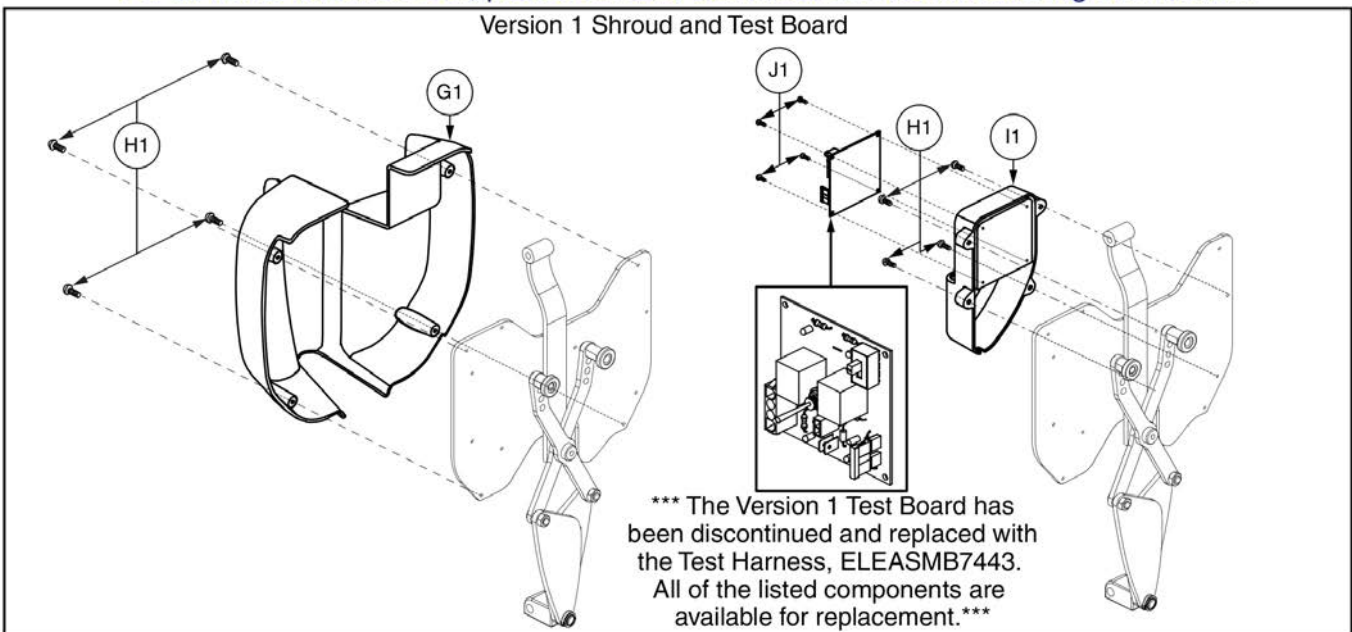
A1a	Black	SOF	Spring Green
A1b	Candy Apple Red	SOF	Pearl Pink
A1c	Viper Blue	SOF	Tangerine
SOF	Champagne	SOF	Kelly Green
A1d	Sunburst Orange	SOF	Pewter Gray
SOF	Silver	SOF	Emerald Green
SOF	Solar Yellow	SOF	Graphite Blue
SOF	Cardinal Red	SOF	Sapphire Blue
SOF	Violet	SOF	True Blue
SOF	Mariner Blue	SOF	Onion Yellow

\*\*\*The Shroud Assemblies contain the Painted Shroud, the Insert(B1) and the mounting hardware(C1). The assembly mounting hardware(D1) must be selected separately.\*\*\*



\*\*\*For all items listed as SOF, please contact Technical Service for ordering information.\*\*\*

Version 1 Shroud and Test Board



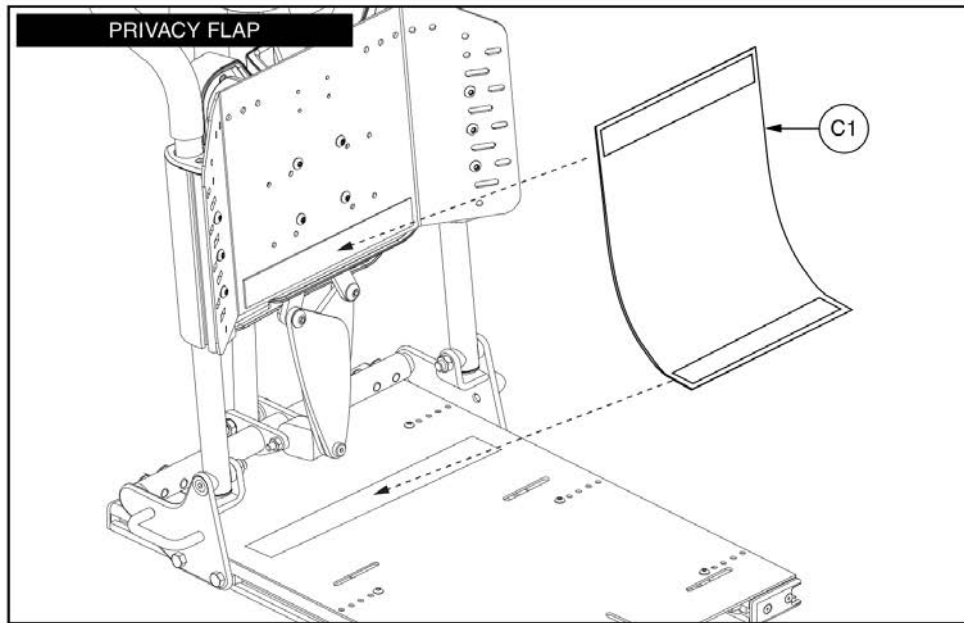
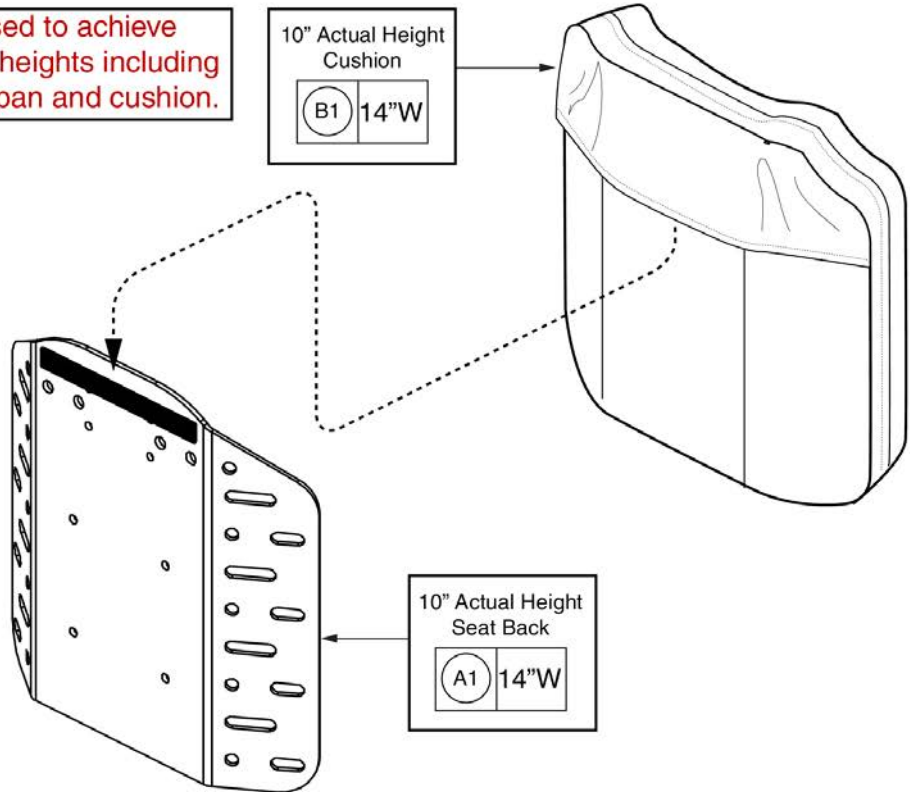
\*\*\* The Version 1 Test Board has been discontinued and replaced with the Test Harness, ELEASMB7443. All of the listed components are available for replacement.\*\*\*



Item	Part No.	Name	Qty
A1a	SHDASMB6361	SHROUD,ASSY,ONYX BLACK,ELECTRONICS COVER,RECLINE	1
A1b	SHDASMB6480	SHROUD,ASSY,CANDY APPLE RED,ELECTRONICS COVER,RECLINE	1
A1c	SHDASMB6481	SHROUD,ASSY,VIPER BLUE,ELECTRONICS COVER,RECLINE	1
SOF	SHDASMB6483	SHROUD,ASSY,CHAMPAGNE,ELECTRONICS COVER,RECLINE	1
A1d	SHDASMB6484	SHROUD,ASSY,SUNBURST ORANGE,ELECTRONICS COVER,RECLINE	1
SOF	SHDASMB6485	SHROUD,ASSY,SILVER,ELECTRONICS COVER,RECLINE	1
SOF	SHDASMB6486	SHROUD,ASSY,SOLAR YELLOW,ELECTRONICS COVER,RECLINE	1
SOF	SHDASMB6487	SHROUD,ASSY,CARDINAL RED,ELECTRONICS COVER,RECLINE	1
SOF	SHDASMB6488	SHROUD,ASSY,VIOLET,ELECTRONICS COVER,RECLINE	1
SOF	SHDASMB6489	SHROUD,ASSY,MARINER BLUE,ELECTRONICS COVER,RECLINE	1
SOF	SHDASMB6490	SHROUD,ASSY,SPRING GREEN,ELECTRONICS COVER,RECLINE	1
SOF	SHDASMB6491	SHROUD,ASSY,PEARL PINK,ELECTRONICS COVER,RECLINE	1
SOF	SHDASMB6492	SHROUD,ASSY,TANGERINE,ELECTRONICS COVER,RECLINE	1
SOF	SHDASMB6493	SHROUD,ASSY,KELLY GREEN,ELECTRONICS COVER,RECLINE	1
SOF	SHDASMB6494	SHROUD,ASSY,PEWTER GRAY,ELECTRONICS COVER,RECLINE	1
SOF	SHDASMB6495	SHROUD,ASSY,EMERALD GREEN,ELECTRONICS COVER,RECLINE	1
SOF	SHDASMB6496	SHROUD,ASSY,GRAPHITE BLUE,ELECTRONICS COVER,RECLINE	1
SOF	SHDASMB6497	SHROUD,ASSY,SAPPHIRE BLUE,ELECTRONICS COVER,RECLINE	1
SOF	SHDASMB6706	SHROUD,ASSY,TRUE BLUE,ELECTRONICS COVER,TB2 RECLINE	1
SOF	SHDASMB6707	SHROUD,ASSY,ORION YELLOW,ELECTRONICS COVER,TB2 RECLINE	1
B1		SHROUD,INSERT,ELECTRONICS COVER,W"Q" LOGO,TB2 RECLINE	1
C1	SCRPPH1050	SCREW, PAN HEAD, TYPE H, M4X0.7 X 10, FT, ISO 7045, CL 4.8, BZ (USE SCRPPH1163)	4
D1	SCRPPH1353	SCREW,PPH,BLACK ZINC,8-32 X 0.3125"	4
E1	DWR1367E042	SHROUD,COVER,INSIDE,BLACK,RECLINE,E-1367-042	1
F1	SCRASBH1151	SCREW,BHSCS,BLACK ZINC,8-32 X 0.250",GR 8,W/PATCH	6
G1	DWR1367E074	SHROUD,ELECTRONICS COVER,BLACK,PLASTIC,OUTER,TRUBALANCE RECLINE,E-1367-074	1
H1	SCRPPH1353	SCREW,PPH,BLACK ZINC,8-32 X 0.3125"	4

Synergy Standard Back

**NOTE:** These backs are used to achieve 17" to 18" overall back heights including the gap between seat pan and cushion.



Standard Back and Cushion, 17"-18" H, TB2 Recline



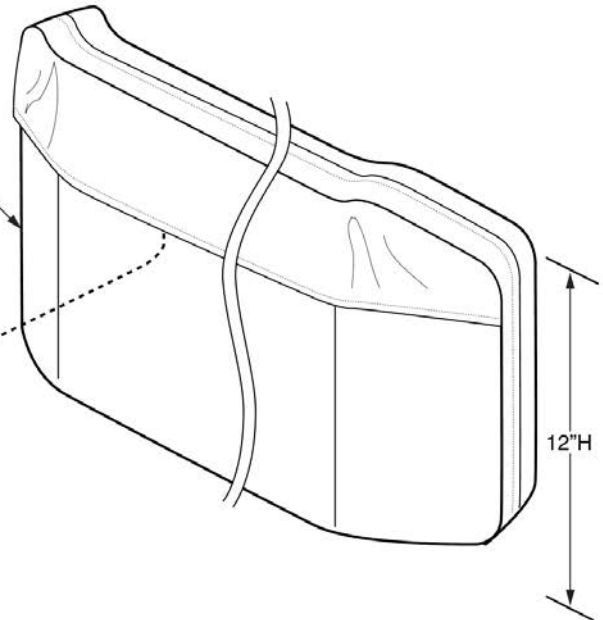
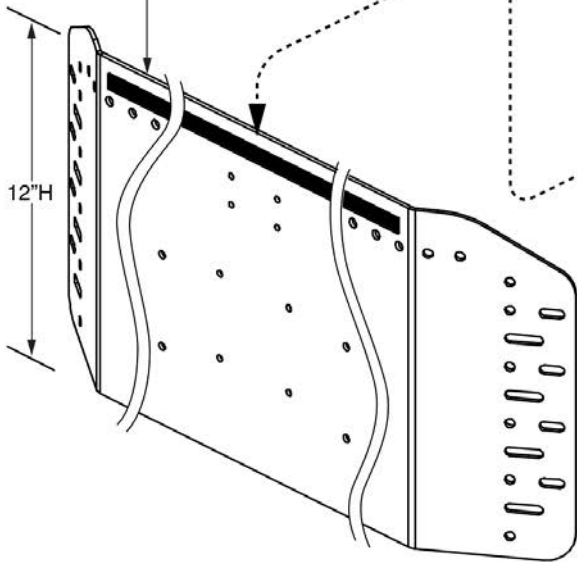
Item	Part No.	Name	Qty
A1	DWR1359E043E	SEAT BACK,14"W,10"H,SYNERGY STANDARD,E-1359-043	1
B1	CUSASMB2322	CUSHION,ASSY,14"W,10"H,SYNERGY STANDARD BACK,E-1359-085	1
C1	DWR1044E456B	SEAT BACK,PRIVACY FLAP,9.75"W,SYNERGY STANDARD BACK,E-1044-456	1

**Synergy Standard Back**

12" Physical Height Seat Back		
A1	14"W	G1 20"W
B1	15"W	H1 21"W
C1	16"W	I1 22"W
D1	17"W	J1 23"W
E1	18"W	K1 24"W
F1	19"W	

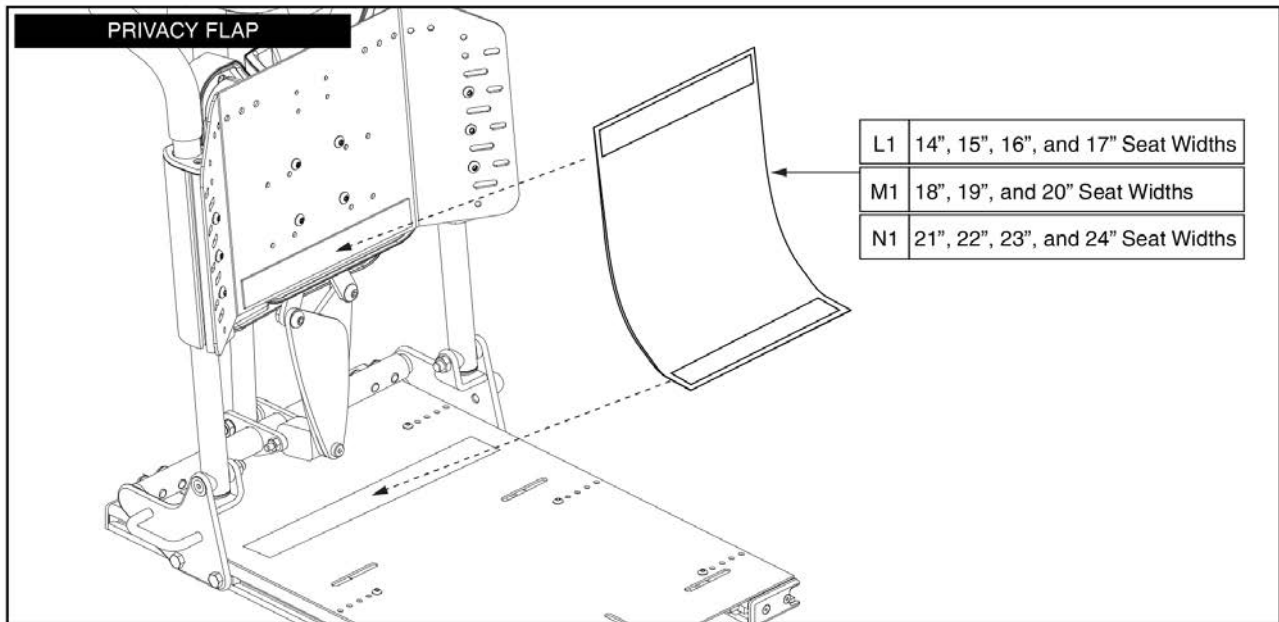
12" Physical Height Cushion		
A2	14"W	G2 20"W
B2	15"W	H2 21"W
C2	16"W	I2 22"W
D2	17"W	J2 23"W
E2	18"W	K2 24"W
F2	19"W	

**NOTE:** These backs are used to achieve 19" and 20" overall back heights including the gap between seat pan and cushion.



This Matrix represents the size of the assemblies in relation to the seat back as it is mounted on the seating system. (Includes the gap between seat pan and cushion)

A1/A2	14"W x 19"H & 14"W x 20"H	D1/D2	17"W x 19"H & 17"W x 20"H	G1/G2	20"W x 19"H & 20"W x 20"H	J1/J2	23"W x 19"H & 23"W x 20"H
B1/B2	15"W x 19"H & 15"W x 20"H	E1/E2	18"W x 19"H & 18"W x 20"H	H1/H2	21"W x 19"H & 21"W x 20"H	K1/K2	24"W x 19"H & 24"W x 20"H
C1/C2	16"W x 19"H & 16"W x 20"H	F1/F2	19"W x 19"H & 19"W x 20"H	I1/I2	22"W x 19"H & 22"W x 20"H		



Standard Back and Cushion, 19"-20" H, TB2 Recline



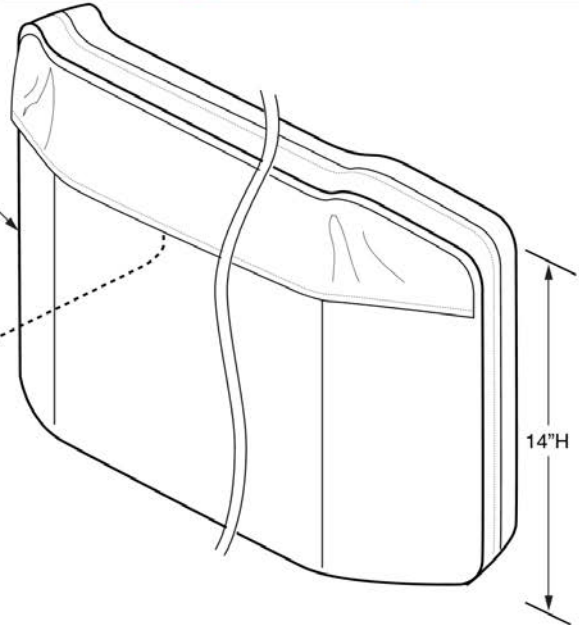
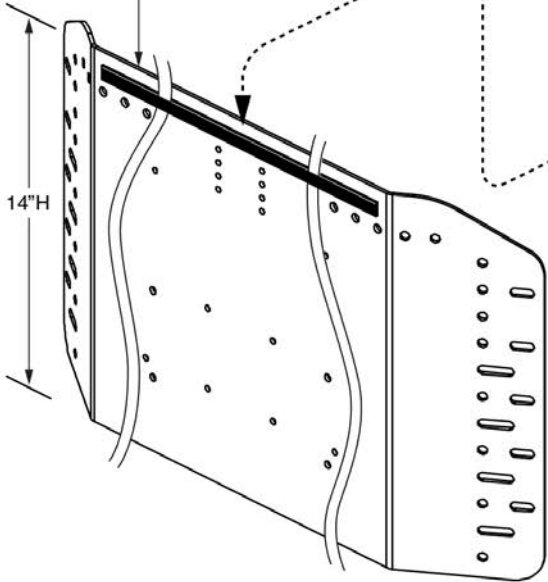
Item	Part No.	Name	Qty
A1	DWR1359E044E	SEAT BACK,14"W,12"H,SYNERGY STANDARD,E-1359-044	1
A2	CUSASMB2324	CUSHION,ASSY,14"W,12"H,SYNERGY STANDARD BACK,E-1359-084	1
B1	DWR1359E044F	SEAT BACK,15"W,12"H,SYNERGY STANDARD,E-1359-044	1
B2	CUSASMB2325	CUSHION,ASSY,15"W,12"H,SYNERGY STANDARD BACK,E-1359-084	1
C1	DWR1359E044G	SEAT BACK,16"W,12"H,SYNERGY STANDARD,E-1359-044	1
C2	CUSASMB2326	CUSHION,ASSY,16"W,12"H,SYNERGY STANDARD BACK,E-1359-084	1
D1	DWR1359E044H	SEAT BACK,17"W,12"H,SYNERGY STANDARD,E-1359-044	1
D2	CUSASMB2327	CUSHION,ASSY,17"W,12"H,SYNERGY STANDARD BACK,E-1359-084	1
E1	DWR1359E044I	SEAT BACK,18"W,12"H,SYNERGY STANDARD,E-1359-044	1
E2	CUSASMB2328	CUSHION,ASSY,18"W,12"H,SYNERGY STANDARD BACK,E-1359-084	1
F1		SEAT BACK,19"W,12"H,SYNERGY STANDARD,E-1359-044	1
F2	CUSASMB2329	CUSHION,ASSY,19"W,12"H,SYNERGY STANDARD BACK,E-1359-084	1
G1	DWR1359E044K	SEAT BACK,20"W,12"H,SYNERGY STANDARD,E-1359-044	1
G2	CUSASMB2330	CUSHION,ASSY,20"W,12"H,SYNERGY STANDARD BACK,E-1359-084	1
H1		SEAT BACK,21"W,12"H,SYNERGY STANDARD,E-1359-044	1
H2	CUSASMB2331	CUSHION,ASSY,21"W,12"H,SYNERGY STANDARD BACK,E-1359-084	1
I1		SEAT BACK,22"W,12"H,SYNERGY STANDARD,E-1359-044	1
I2	CUSASMB2332	CUSHION,ASSY,22"W,12"H,SYNERGY STANDARD BACK,E-1359-084	1
J1	DWR1359E044N	SEAT BACK,23"W,12"H,SYNERGY STANDARD,E-1359-044	1
J2	CUSASMB2333	CUSHION,ASSY,23"W,12"H,SYNERGY STANDARD BACK,E-1359-084	1
K1		SEAT BACK,24"W,12"H,SYNERGY STANDARD,E-1359-044	1
K2	CUSASMB2334	CUSHION,ASSY,24"W,12"H,SYNERGY STANDARD BACK,E-1359-084	1
L1	DWR1044E456C	SEAT BACK,PRIVACY FLAP,6.75"W,SYNERGY STANDARD BACK,E- 1044-456	1
M1	DWR1044E456B	SEAT BACK,PRIVACY FLAP,9.75"W,SYNERGY STANDARD BACK,E-1044-456	1
N1	DWR1044E456A	SEAT BACK,PRIVACY FLAP,12.75"W,SYNERGY STANDARD BACK,E-1044-456	1

**Synergy Standard Back**

14" Physical Height Seat Back			
A1	14"W	G1	20"W
B1	15"W	H1	21"W
C1	16"W	I1	22"W
D1	17"W	J1	23"W
E1	18"W	K1	24"W
F1	19"W		

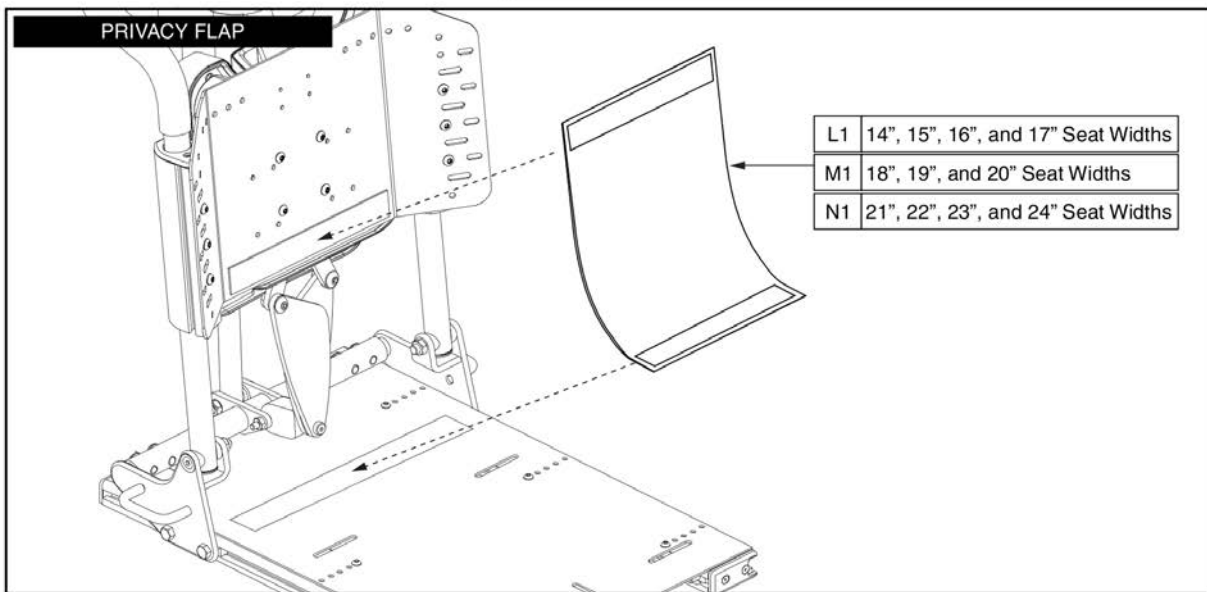
14" Physical Height Cushion			
A2	14"W	G2	20"W
B2	15"W	H2	21"W
C2	16"W	I2	22"W
D2	17"W	J2	23"W
E2	18"W	K2	24"W
F2	19"W		

**NOTE:** These backs are used to achieve 21" and 22" overall back heights including the gap between seat pan and cushion.



This Matrix represents the size of the assemblies in relation to the seat back as it is mounted on the seating system. (Includes the gap between seat pan and cushion)

A1/A2	14"W x 21"H 14"W x 22"H	D1/D2	17"W x 21"H 17"W x 22"H	G1/G2	20"W x 21"H 20"W x 22"H	J1/J2	23"W x 21"H 23"W x 22"H
B1/B2	15"W x 21"H 15"W x 22"H	E1/E2	18"W x 21"H 18"W x 22"H	H1/H2	21"W x 21"H 21"W x 22"H	K1/K2	24"W x 21"H 24"W x 22"H
C1/C2	16"W x 21"H 16"W x 22"H	F1/F2	19"W x 21"H 19"W x 22"H	I1/I2	22"W x 21"H 22"W x 22"H		





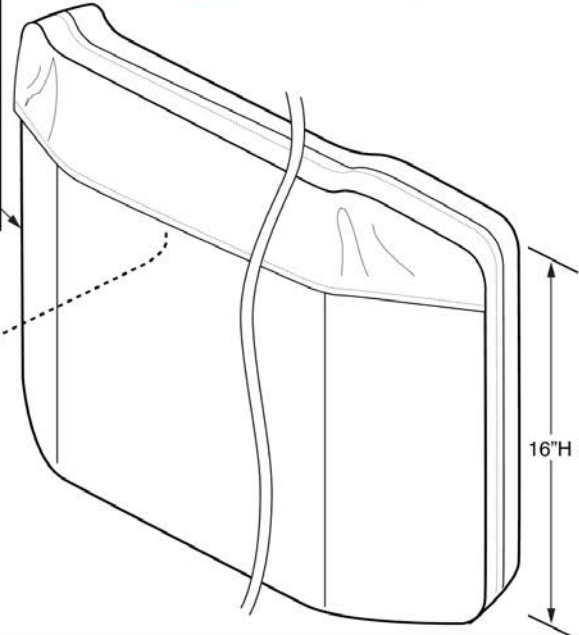
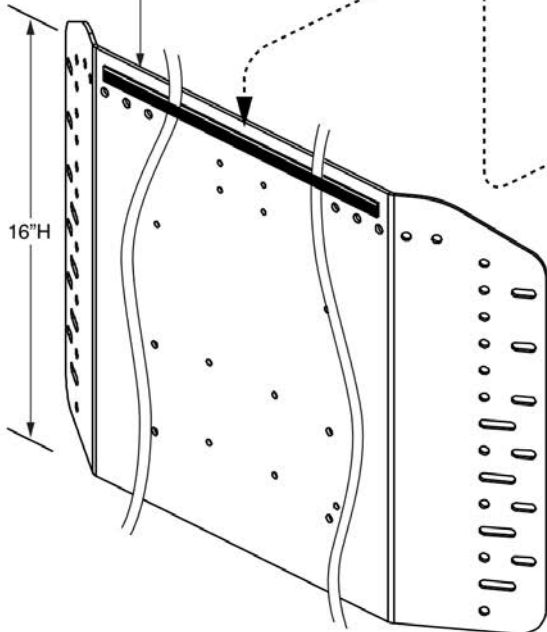
Item	Part No.	Name	Qty
A1	DWR1359E029E	SEAT BACK,14"W,14"H,SYNERGY STANDARD,E-1359-029	1
A2	CUSASMB2336	CUSHION,ASSY,14"W,14"H,SYNERGY STANDARD BACK,E-1359-083	1
B1	DWR1359E029F	SEAT BACK,15"W,14"H,SYNERGY STANDARD,E-1359-029	1
B2	CUSASMB2337	CUSHION,ASSY,15"W,14"H,SYNERGY STANDARD BACK,E-1359-083	1
C1	DWR1359E029G	SEAT BACK,16"W,14"H,SYNERGY STANDARD,E-1359-029	1
C2	CUSASMB2338	CUSHION,ASSY,16"W,14"H,SYNERGY STANDARD BACK,E-1359-083	1
D1	DWR1359E029H	SEAT BACK,17"W,14"H,SYNERGY STANDARD	1
D2	CUSASMB2339	CUSHION,ASSY,17"W,14"H,SYNERGY STANDARD BACK	1
E1	DWR1359E029I	SEAT BACK,18"W,14"H,SYNERGY STANDARD,E-1359-029	1
E2	CUSASMB2340	CUSHION,ASSY,18"W,14"H,SYNERGY STANDARD BACK,E-1359-083	1
F1	DWR1359E029J	SEAT BACK,19"W,14"H,SYNERGY STANDARD,E-1359-029	1
F2	CUSASMB2341	CUSHION,ASSY,19"W,14"H,SYNERGY STANDARD BACK,E-1359-083	1
G1	DWR1359E029K	SEAT BACK,20"W,14"H,SYNERGY STANDARD,E-1359-029	1
G2	CUSASMB2342	CUSHION,ASSY,20"W,14"H,SYNERGY STANDARD BACK,E-1359-083	1
H1		SEAT BACK,21"W,14"H,SYNERGY STANDARD,E-1359-029	1
H2		CUSHION,ASSY,21"W,14"H,SYNERGY STANDARD BACK,E-1359-083	1
I1	DWR1359E029M	SEAT BACK,22"W,14"H,SYNERGY STANDARD,E-1359-029	1
I2	CUSASMB2344	CUSHION,ASSY,22"W,14"H,SYNERGY STANDARD BACK,E-1359-083	1
J1		SEAT BACK,23"W,14"H,SYNERGY STANDARD,E-1359-029	1
J2		CUSHION,ASSY,23"W,14"H,SYNERGY STANDARD BACK,E-1359-083	1
K1	DWR1359E029O	SEAT BACK,24"W,14"H,SYNERGY STANDARD,E-1359-029	1
K2	CUSASMB2346	CUSHION,ASSY,24"W,14"H,SYNERGY STANDARD BACK,E-1359-083	1
L1	DWR1044E456C	SEAT BACK,PRIVACY FLAP,6.75"W,SYNERGY STANDARD BACK,E- 1044-456	1
M1	DWR1044E456B	SEAT BACK,PRIVACY FLAP,9.75"W,SYNERGY STANDARD BACK,E-1044-456	1
N1	DWR1044E456A	SEAT BACK,PRIVACY FLAP,12.75"W,SYNERGY STANDARD BACK,E-1044-456	1

**Synergy Standard Back**

16" Physical Height Seat Back			
A1	14"W	G1	20"W
B1	15"W	H1	21"W
C1	16"W	I1	22"W
D1	17"W	J1	23"W
E1	18"W	K1	24"W
F1	19"W		

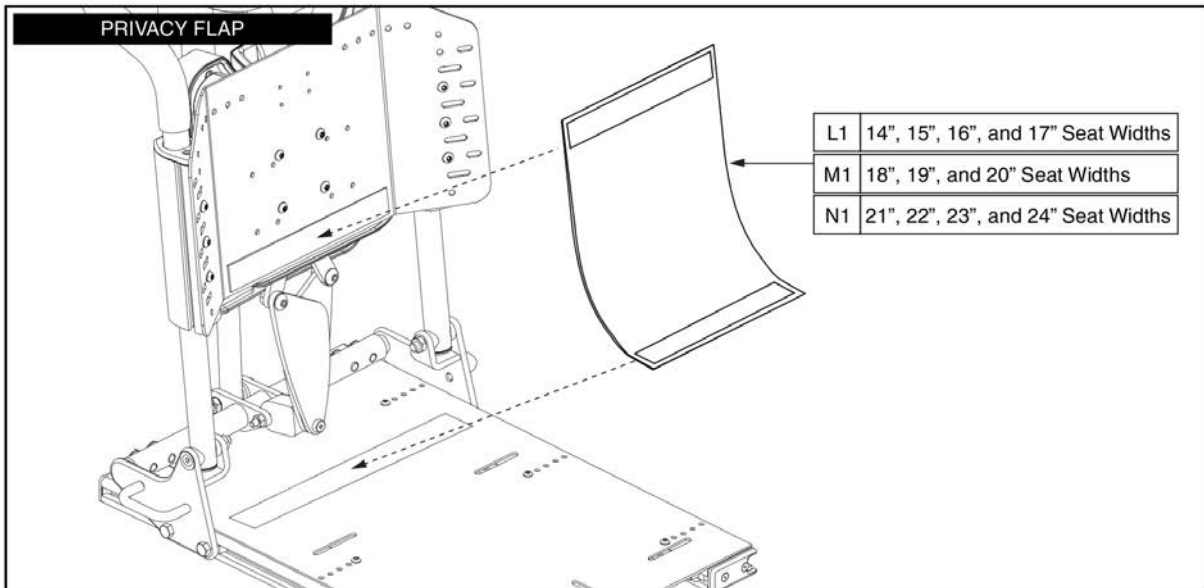
16" Physical Height Cushion			
A2	14"W	G2	20"W
B2	15"W	H2	21"W
C2	16"W	I2	22"W
D2	17"W	J2	23"W
E2	18"W	K2	24"W
F2	19"W		

**NOTE:** These backs are used to achieve 23" and 24" overall back heights including the gap between seat pan and cushion.



This Matrix represents the size of the assemblies in relation to the seat back as it is mounted on the seating system. (Includes the gap between seat pan and cushion)

A1/A2	14"W x 23"H 14"W x 24"H	D1/D2	17"W x 23"H 17"W x 24"H	G1/G2	20"W x 23"H 20"W x 24"H	J1/J2	23"W x 23"H 23"W x 24"H
B1/B2	15"W x 23"H 15"W x 24"H	E1/E2	18"W x 23"H 18"W x 24"H	H1/H2	21"W x 23"H 21"W x 24"H	K1/K2	24"W x 23"H 24"W x 24"H
C1/C2	16"W x 23"H 16"W x 24"H	F1/F2	19"W x 23"H 19"W x 24"H	I1/I2	22"W x 23"H 22"W x 24"H		





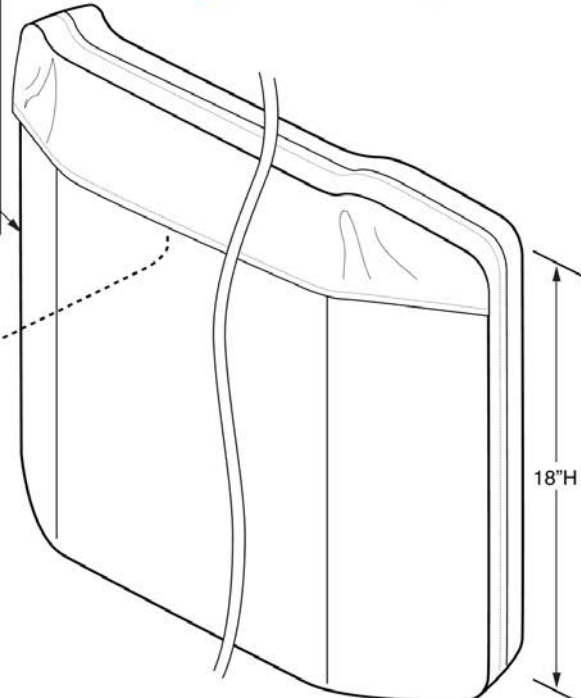
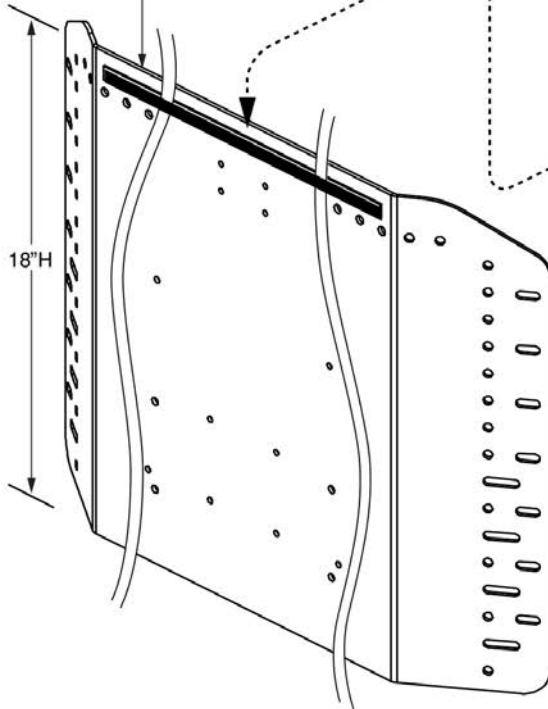
Item	Part No.	Name	Qty
A1		SEAT BACK,14"W,16"H,SYNERGY STANDARD,E-1359-032	1
A2		CUSHION,ASSY,14"W,16"H,SYNERGY STANDARD BACK,E-1359-082	1
B1	DWR1359E032F	SEAT BACK,15"W,16"H,SYNERGY STANDARD,E-1359-032	1
B2	CUSASMB2348	CUSHION,ASSY,15"W,16"H,SYNERGY STANDARD BACK,E-1359-082	1
C1	DWR1359E032G	SEAT BACK,16"W,16"H,SYNERGY STANDARD,E-1359-032	1
C2	CUSASMB2349	CUSHION,ASSY,16"W,16"H,SYNERGY STANDARD BACK,E-1359-082	1
D1		SEAT BACK,17"W,16"H,SYNERGY STANDARD	1
D2	CUSASMB2350	CUSHION,ASSY,17"W,16"H,SYNERGY STANDARD BACK,E-1359-082	1
E1	DWR1359E032I	SEAT BACK,18"W,16"H,SYNERGY STANDARD,E-1359-032	1
E2	CUSASMB2351	CUSHION,ASSY,18"W,16"H,SYNERGY STANDARD BACK,E-1359-082	1
F1	DWR1359E032J	SEAT BACK,19"W,16"H,SYNERGY STANDARD,E-1359-032	1
F2	CUSASMB2352	CUSHION,ASSY,19"W,16"H,SYNERGY STANDARD BACK,E-1359-082	1
G1	DWR1359E032K	SEAT BACK,20"W,16"H,SYNERGY STANDARD,E-1359-032	1
G2	CUSASMB2353	CUSHION,ASSY,20"W,16"H,SYNERGY STANDARD BACK,E-1359-082	1
H1	DWR1359E032L	SEAT BACK,21"W,16"H,SYNERGY STANDARD,E-1359-032	1
H2	CUSASMB2354	CUSHION,ASSY,21"W,16"H,SYNERGY STANDARD BACK,E-1359-082	1
I1	DWR1359E032M	SEAT BACK,22"W,16"H,SYNERGY STANDARD,E-1359-032	1
I2	CUSASMB2355	CUSHION,ASSY,22"W,16"H,SYNERGY STANDARD BACK,E-1359-082	1
J1	DWR1359E032N	SEAT BACK,23"W,16"H,SYNERGY STANDARD,E-1359-032	1
J2	CUSASMB2356	CUSHION,ASSY,23"W,16"H,SYNERGY STANDARD BACK,E-1359-082	1
K1	DWR1359E032O	SEAT BACK,24"W,16"H,SYNERGY STANDARD,E-1359-032	1
K2	CUSASMB2357	CUSHION,ASSY,24"W,16"H,SYNERGY STANDARD BACK,E-1359-082	1
L1	DWR1044E456C	SEAT BACK,PRIVACY FLAP,6.75"W,SYNERGY STANDARD BACK,E- 1044-456	1
M1	DWR1044E456B	SEAT BACK,PRIVACY FLAP,9.75"W,SYNERGY STANDARD BACK,E-1044-456	1
N1	DWR1044E456A	SEAT BACK,PRIVACY FLAP,12.75"W,SYNERGY STANDARD BACK,E-1044-456	1

Synergy Standard Back

18" Physical Height Seat Back			
A1	14"W	G1	20"W
B1	15"W	H1	21"W
C1	16"W	I1	22"W
D1	17"W	J1	23"W
E1	18"W	K1	24"W
F1	19"W		

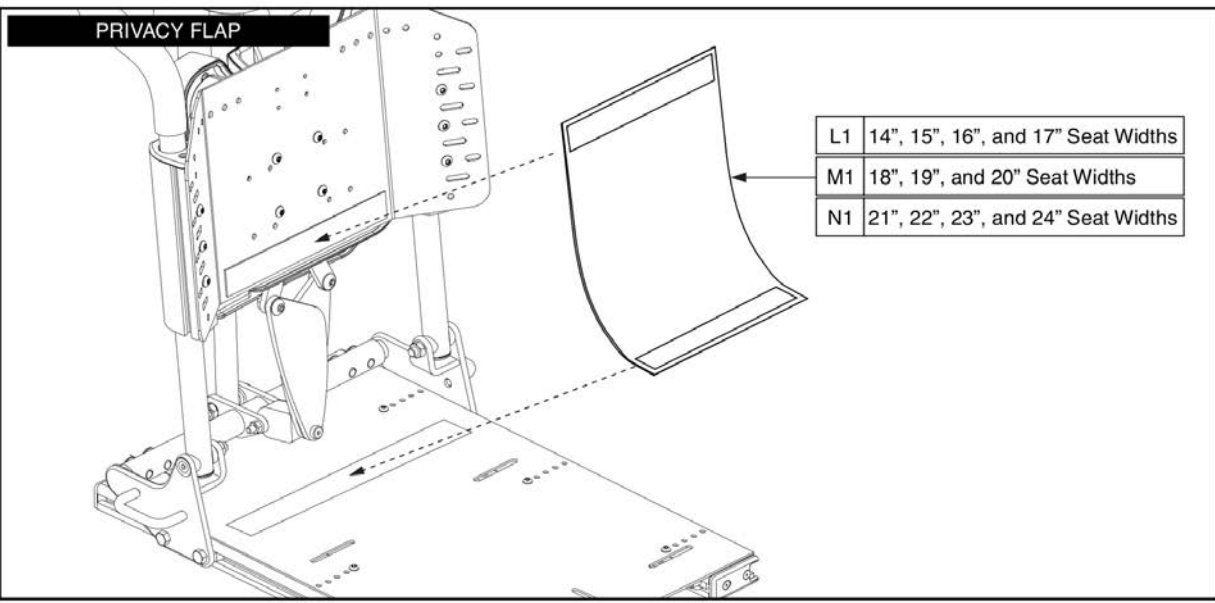
18" Physical Height Cushion			
A2	14"W	G2	20"W
B2	15"W	H2	21"W
C2	16"W	I2	22"W
D2	17"W	J2	23"W
E2	18"W	K2	24"W
F2	19"W		

**NOTE:** These backs are used to achieve 25" and 26" overall back heights including the gap between seat pan and cushion.



This Matrix represents the size of the assemblies in relation to the seat back as it is mounted on the seating system. (Includes the gap between seat pan and cushion)

A1/A2	14"W x 25"H 14"W x 26"H	D1/D2	17"W x 25"H 17"W x 26"H	G1/G2	20"W x 25"H 20"W x 26"H	J1/J2	23"W x 25"H 23"W x 26"H
B1/B2	15"W x 25"H 15"W x 26"H	E1/E2	18"W x 25"H 18"W x 26"H	H1/H2	21"W x 25"H 21"W x 26"H	K1/K2	24"W x 25"H 24"W x 26"H
C1/C2	16"W x 25"H 16"W x 26"H	F1/F2	19"W x 25"H 19"W x 26"H	I1/I2	22"W x 25"H 22"W x 26"H		



L1	14", 15", 16", and 17" Seat Widths
M1	18", 19", and 20" Seat Widths
N1	21", 22", 23", and 24" Seat Widths

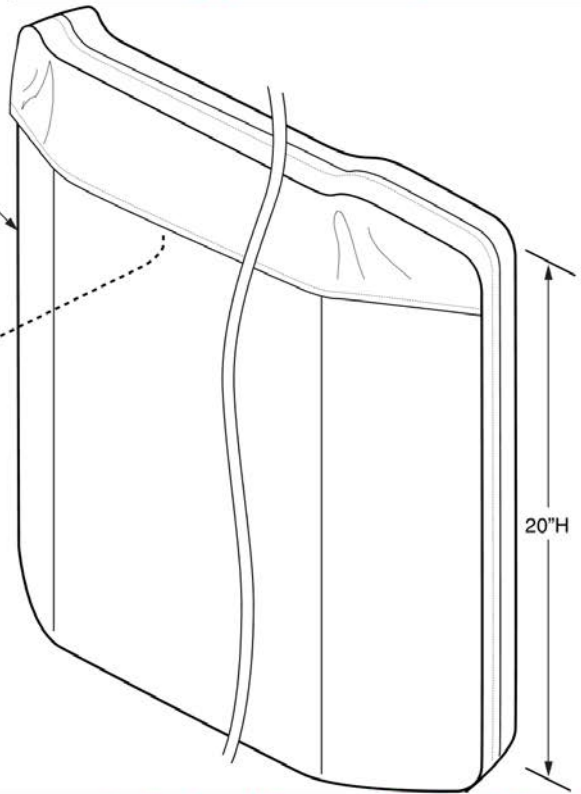
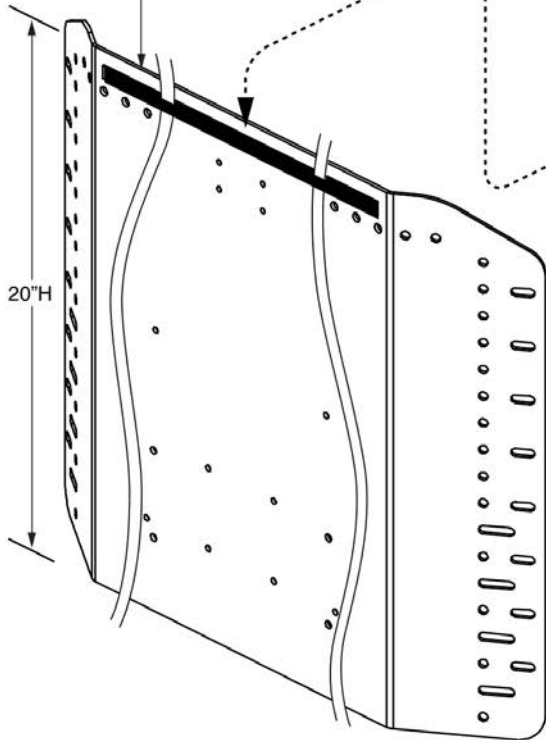
Item	Part No.	Name	Qty
A1	DWR1359E034E	SEAT BACK,14"W,18"H,SYNERGY STANDARD,E-1359-034	1
A2	CUSASMB2366	CUSHION,ASSY,14"W,18"H,SYNERGY STANDARD BACK,E-1359-081	1
B1	DWR1359E034F	SEAT BACK,15"W,18"H,SYNERGY STANDARD,E-1359-034	1
B2	CUSASMB2367	CUSHION,ASSY,15"W,18"H,SYNERGY STANDARD BACK,E-1359-081	1
C1	DWR1359E034G	SEAT BACK,16"W,18"H,SYNERGY STANDARD,E-1359-034	1
C2	CUSASMB2368	CUSHION,ASSY,16"W,18"H,SYNERGY STANDARD BACK,E-1359-081	1
D1	DWR1359E034H	SEAT BACK,17"W,18"H,SYNERGY STANDARD	1
D2	CUSASMB2369	CUSHION,ASSY,17"W,18"H,SYNERGY STANDARD BACK	1
E1	DWR1359E034I	SEAT BACK,18"W,18"H,SYNERGY STANDARD,E-1359-034	1
E2	CUSASMB2370	CUSHION,ASSY,18"W,18"H,SYNERGY STANDARD BACK,E-1359-081	1
F1	DWR1359E034J	SEAT BACK,19"W,18"H,SYNERGY STANDARD,E-1359-034	1
F2	CUSASMB2371	CUSHION,ASSY,19"W,18"H,SYNERGY STANDARD BACK,E-1359-081	1
G1	DWR1359E034K	SEAT BACK,20"W,18"H,SYNERGY STANDARD,E-1359-034	1
G2	CUSASMB2372	CUSHION,ASSY,20"W,18"H,SYNERGY STANDARD BACK,E-1359-081	1
H1	DWR1359E034L	SEAT BACK,21"W,18"H,SYNERGY STANDARD,E-1359-034	1
H2	CUSASMB2373	CUSHION,ASSY,21"W,18"H,SYNERGY STANDARD BACK,E-1359-081	1
I1	DWR1359E034M	SEAT BACK,22"W,18"H,SYNERGY STANDARD,E-1359-034	1
I2	CUSASMB2374	CUSHION,ASSY,22"W,18"H,SYNERGY STANDARD BACK,E-1359-081	1
J1	DWR1359E034N	SEAT BACK,23"W,18"H,SYNERGY STANDARD,E-1359-034	1
J2	CUSASMB2375	CUSHION,ASSY,23"W,18"H,SYNERGY STANDARD BACK,E-1359-081	1
K1	DWR1359E034O	SEAT BACK,24"W,18"H,SYNERGY STANDARD,E-1359-034	1
K2	CUSASMB2376	CUSHION,ASSY,24"W,18"H,SYNERGY STANDARD BACK,E-1359-081	1
L1	DWR1044E456C	SEAT BACK,PRIVACY FLAP,6.75"W,SYNERGY STANDARD BACK,E- 1044-456	1
M1	DWR1044E456B	SEAT BACK,PRIVACY FLAP,9.75"W,SYNERGY STANDARD BACK,E-1044-456	1
N1	DWR1044E456A	SEAT BACK,PRIVACY FLAP,12.75"W,SYNERGY STANDARD BACK,E-1044-456	1

**Synergy Standard Back**

20" Physical Height Seat Back			
A1	14"W	G1	20"W
B1	15"W	H1	21"W
C1	16"W	I1	22"W
D1	17"W	J1	23"W
E1	18"W	K1	24"W
F1	19"W		

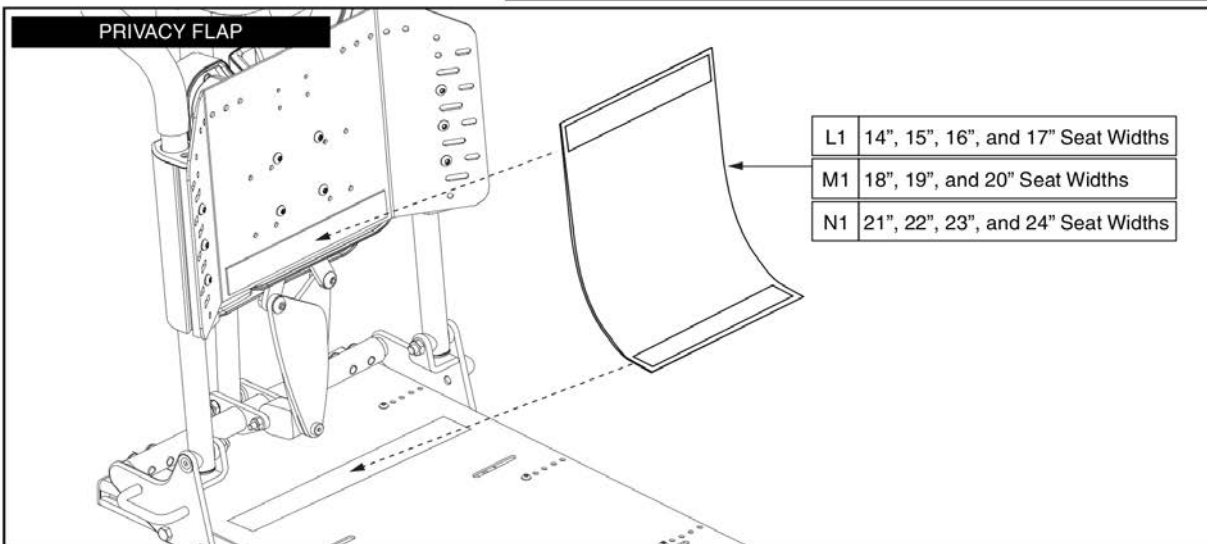
20" Physical Height Cushion			
A2	14"W	G2	20"W
B2	15"W	H2	21"W
C2	16"W	I2	22"W
D2	17"W	J2	23"W
E2	18"W	K2	24"W
F2	19"W		

**NOTE:** These backs are used to achieve 27" and 28" overall back heights including the gap between seat pan and cushion.



This Matrix represents the size of the assemblies in relation to the seat back as it is mounted on the seating system. (Includes the gap between seat pan and cushion)

A1/A2	14"W x 27"H 14"W x 28"H	D1/D2	17"W x 27"H 17"W x 28"H	G1/G2	20"W x 27"H 20"W x 28"H	J1/J2	23"W x 27"H 23"W x 28"H
B1/B2	15"W x 27"H 15"W x 28"H	E1/E2	18"W x 27"H 18"W x 28"H	H1/H2	21"W x 27"H 21"W x 28"H	K1/K2	24"W x 27"H 24"W x 28"H
C1/C2	16"W x 27"H 16"W x 28"H	F1/F2	19"W x 27"H 19"W x 28"H	I1/I2	22"W x 27"H 22"W x 28"H		



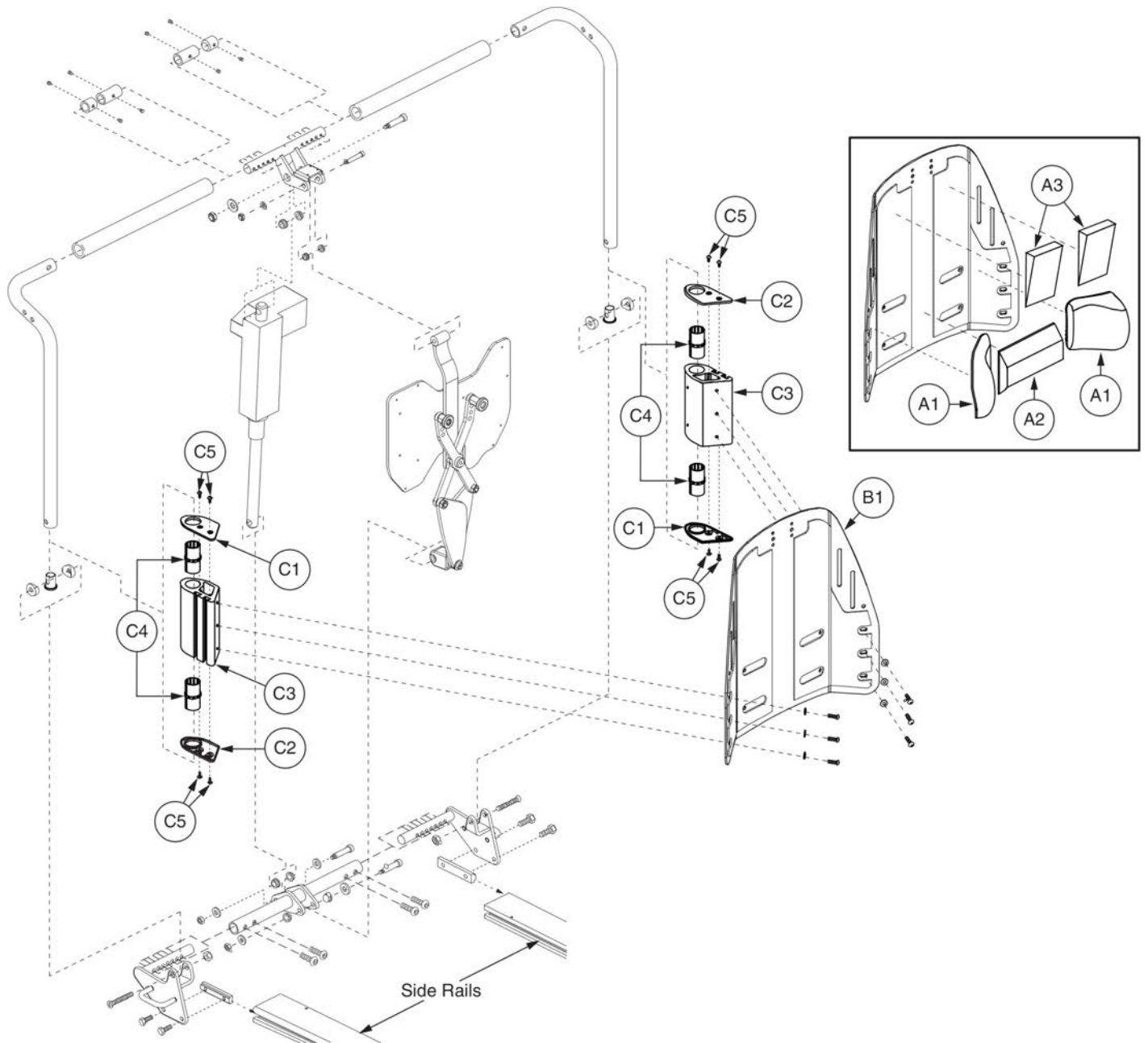
Standard Back and Cushion, 27"-28" H, TB2 Recline



Item	Part No.	Name	Qty
A1	DWR1359E036E	SEAT BACK,14"W,20"H,SYNERGY STANDARD,E-1359-036	1
A2	CUSASMB2385	CUSHION,ASSY,14"W,20"H,SYNERGY STANDARD BACK,E-1359-079	1
B1	DWR1359E036F	SEAT BACK,15"W,20"H,SYNERGY STANDARD,E-1359-036	1
B2	CUSASMB2386	CUSHION,ASSY,15"W,20"H,SYNERGY STANDARD BACK,E-1359-079	1
C1	DWR1359E036G	SEAT BACK,16"W,20"H,SYNERGY STANDARD,E-1359-036	1
C2	CUSASMB2387	CUSHION,ASSY,16"W,20"H,SYNERGY STANDARD BACK,E-1359-079	1
D1	DWR1359E036H	SEAT BACK,17"W,20"H,SYNERGY STANDARD	1
D2	CUSASMB2388	CUSHION,ASSY,17"W,20"H,SYNERGY STANDARD BACK	1
E1	DWR1359E036I	SEAT BACK,18"W,20"H,SYNERGY STANDARD,E-1359-036	1
E2	CUSASMB2389	CUSHION,ASSY,18"W,20"H,SYNERGY STANDARD BACK,E-1359-079	1
F1	DWR1359E036J	SEAT BACK,19"W,20"H,SYNERGY STANDARD,E-1359-036	1
F2	CUSASMB2390	CUSHION,ASSY,19"W,20"H,SYNERGY STANDARD BACK,E-1359-079	1
G1	DWR1359E036K	SEAT BACK,20"W,20"H,SYNERGY STANDARD,E-1359-036	1
G2	CUSASMB2391	CUSHION,ASSY,20"W,20"H,SYNERGY STANDARD BACK,E-1359-079	1
H1	DWR1359E036L	SEAT BACK,21"W,20"H,SYNERGY STANDARD,E-1359-036	1
H2	CUSASMB2392	CUSHION,ASSY,21"W,20"H,SYNERGY STANDARD BACK,E-1359-079	1
I1	DWR1359E036M	SEAT BACK,22"W,20"H,SYNERGY STANDARD,E-1359-036	1
I2	CUSASMB2393	CUSHION,ASSY,22"W,20"H,SYNERGY STANDARD BACK,E-1359-079	1
J1	DWR1359E036N	SEAT BACK,23"W,20"H,SYNERGY STANDARD,E-1359-036	1
J2	CUSASMB2394	CUSHION,ASSY,23"W,20"H,SYNERGY STANDARD BACK,E-1359-079	1
K1	DWR1359E036O	SEAT BACK,24"W,20"H,SYNERGY STANDARD,E-1359-036	1
K2	CUSASMB2395	CUSHION,ASSY,24"W,20"H,SYNERGY STANDARD BACK,E-1359-079	1
L1	DWR1044E456C	SEAT BACK,PRIVACY FLAP,6.75"W,SYNERGY STANDARD BACK,E- 1044-456	1
M1	DWR1044E456B	SEAT BACK,PRIVACY FLAP,9.75"W,SYNERGY STANDARD BACK,E-1044-456	1
N1	DWR1044E456A	SEAT BACK,PRIVACY FLAP,12.75"W,SYNERGY STANDARD BACK,E-1044-456	1



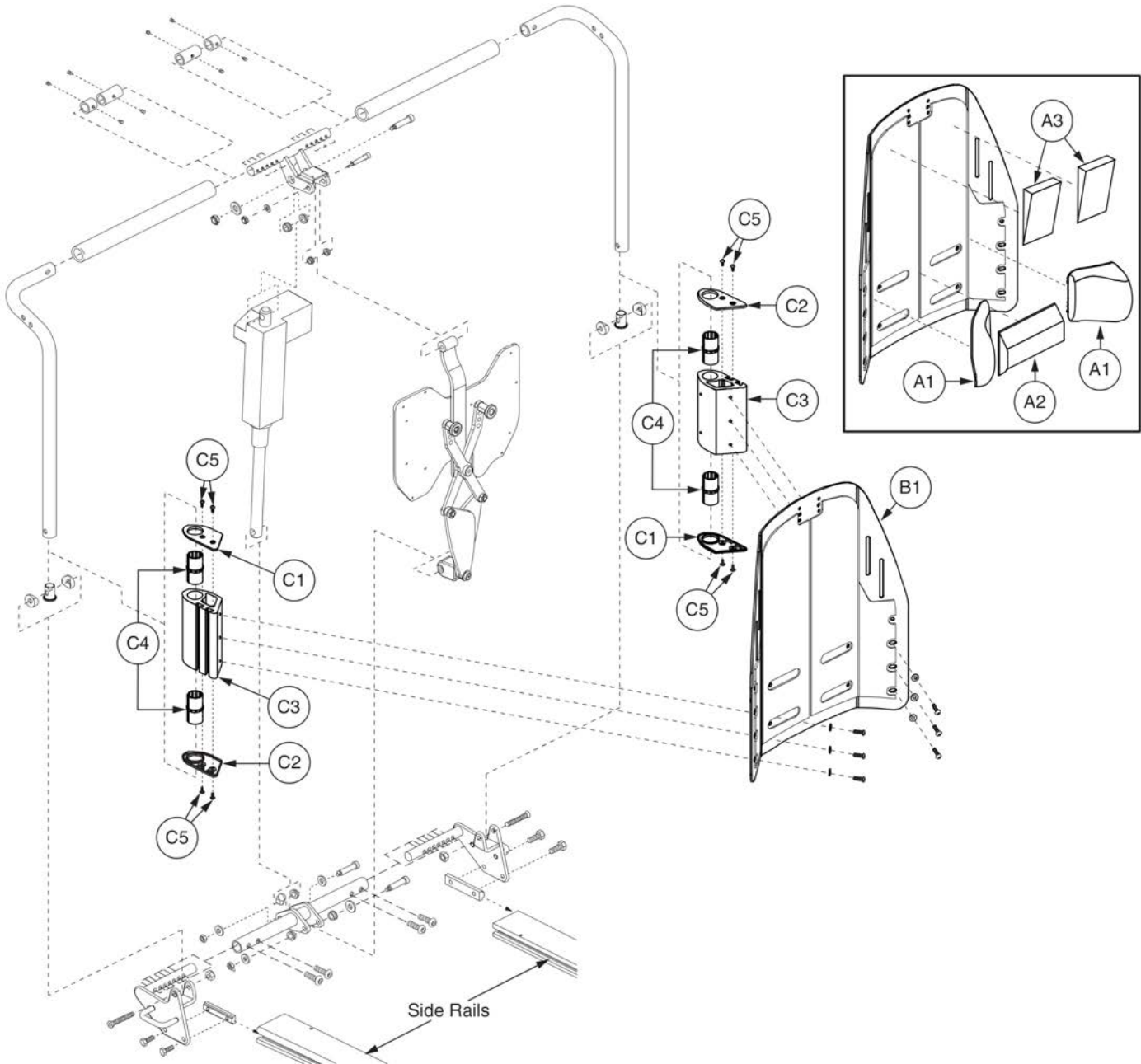
TRU-Comfort



Item	Part No.	Name	Qty
A1 - C5	SETASMB6044	SEAT BACK,ASSY,16"W,22"H,Q-LOGIC,TRU-COMFORT RECLINE	1
A1 - B1	SETASMB5911	SEAT BACK,16"W,22"H,RECLINE,W/LATERAL & LUMBAR SUPPORT	1
A1	DWR1306E038	LATERAL SUPPORT,PLASTIC,TRU-COMFORT SEAT,LEFT/RIGHT	2
A2	DWR1306D014	CUSHION,LUMBAR SUPPORT,TRU-COMFORT SEAT,D-1306-014	1
A3	DWR1306D059	THORACIC SUPPORT,TRU-COMFORT SEAT,LEFT/RIGHT,D-1306-059	2
B1	FRMASMB9889	SEAT BACK,16"W,22"H,TRU-COMFORT/TRU-BALANCE RECLINE	1
C1 - C5	FRMASMB12695	LATERALS AND SLIDE EXTRUSION,ASSY,TRU-COMFORT RECLINE	2
C1	DWR1306D008	LATERAL EXTRUSION CAP,TRU-COMFORT RECLINE,RIGHT	1
C2	DWR1306D007	LATERAL EXTRUSION CAP,TRU-COMFORT RECLINE,LEFT	1
C3	DWR1306E037	LATERALS AND SLIDE EXTRUSION,TRU-COMFORT RECLINE	1
C4	BRGSLV1038	BEARING, SLEEVE,1.00"ID X 1.125"OD X 2.205"L,DRYLIN-R	2
C5		SCREW,PPH-THREAD CUTTING,BLACK ZINC,8-32 X .375",GR 2	4

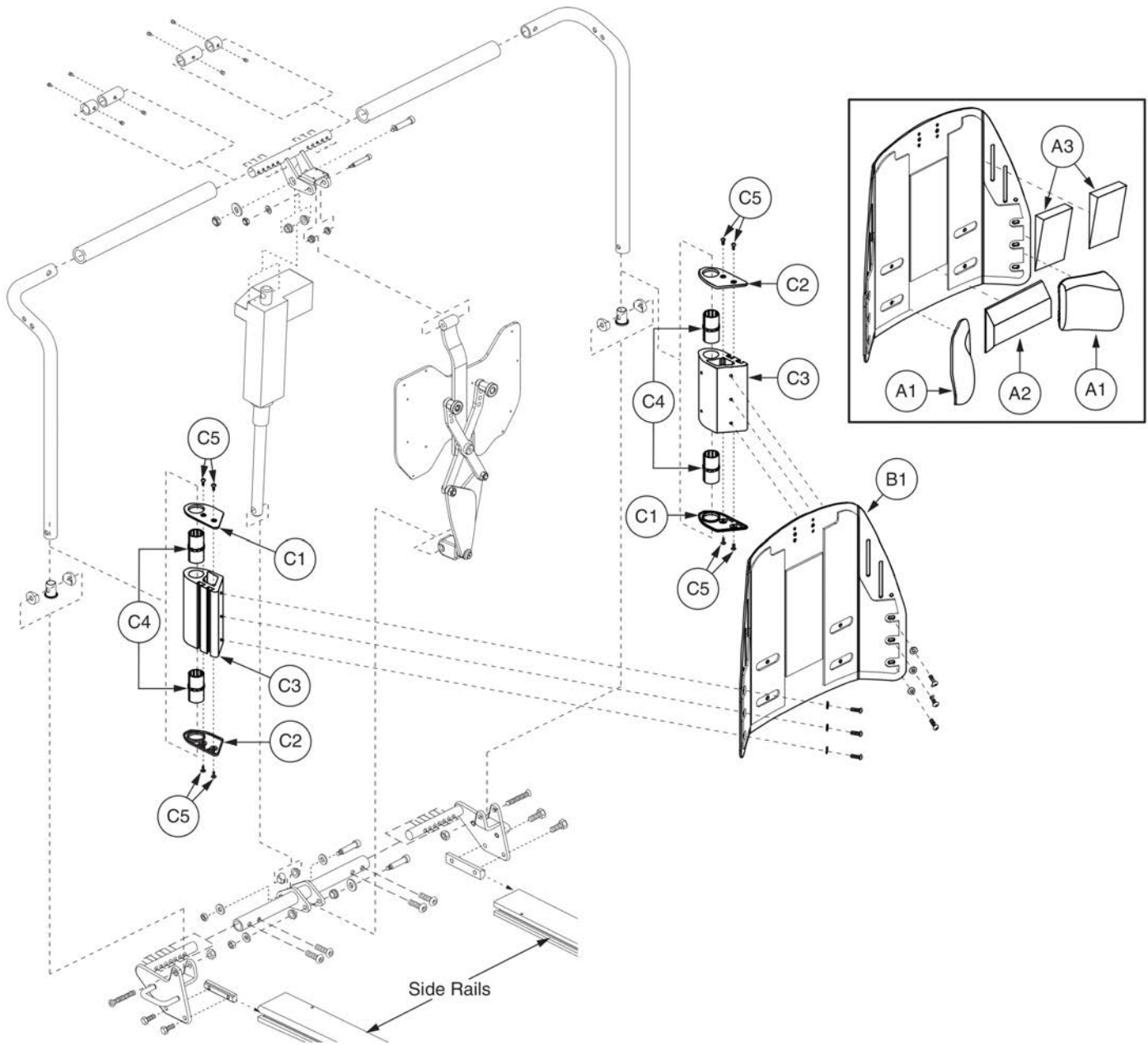


TRU-Comfort



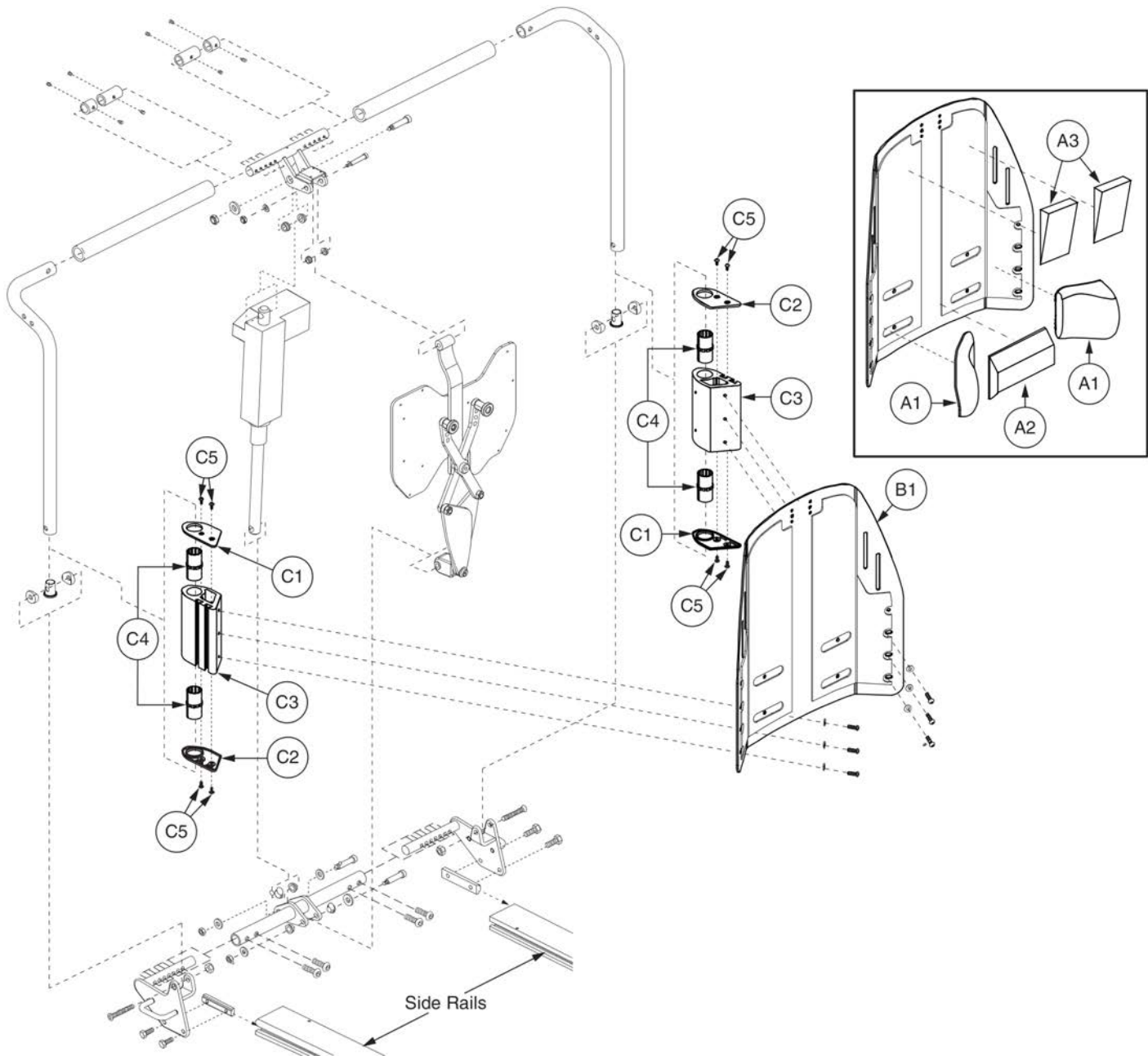
Item	Part No.	Name	Qty
A1 - C5	SETASMB6045	SEAT BACK,ASSY,16"W,25"H,Q-LOGIC,TRU-COMFORT RECLINE	1
A1 - B1	SETASMB5912	SEAT BACK,ASSY,16"W,25"H,TRU-COMFORT RECLINE,W/LATERAL & LUMBAR SUPPORT	1
A1	DWR1306E038	LATERAL SUPPORT,PLASTIC,TRU-COMFORT SEAT,LEFT/RIGHT	2
A2	DWR1306D014	CUSHION,LUMBAR SUPPORT,TRU-COMFORT SEAT,D-1306-014	1
A3	DWR1306D059	THORACIC SUPPORT,TRU-COMFORT SEAT,LEFT/RIGHT,D-1306-059	2
B1	FRMASMB9890	SEAT BACK,ASSY,16"W,25"H,TRU-COMFORT RECLINE,E-1306-057	1
C1 - C5	FRMASMB12695	LATERALS AND SLIDE EXTRUSION,ASSY,TRU-COMFORT RECLINE	2
C1	DWR1306D008	LATERAL EXTRUSION CAP,TRU-COMFORT RECLINE,RIGHT	1
C2	DWR1306D007	LATERAL EXTRUSION CAP,TRU-COMFORT RECLINE,LEFT	1
C3	DWR1306E037	LATERALS AND SLIDE EXTRUSION,TRU-COMFORT RECLINE	1
C4		BEARING, SLEEVE,1.00"ID X 1.125"OD X 2.205"L,DRYLIN-R	2
C5		SCREW,PPH-THREAD CUTTING,BLACK ZINC,8-32 X .375",GR 2	4

TRU-Comfort



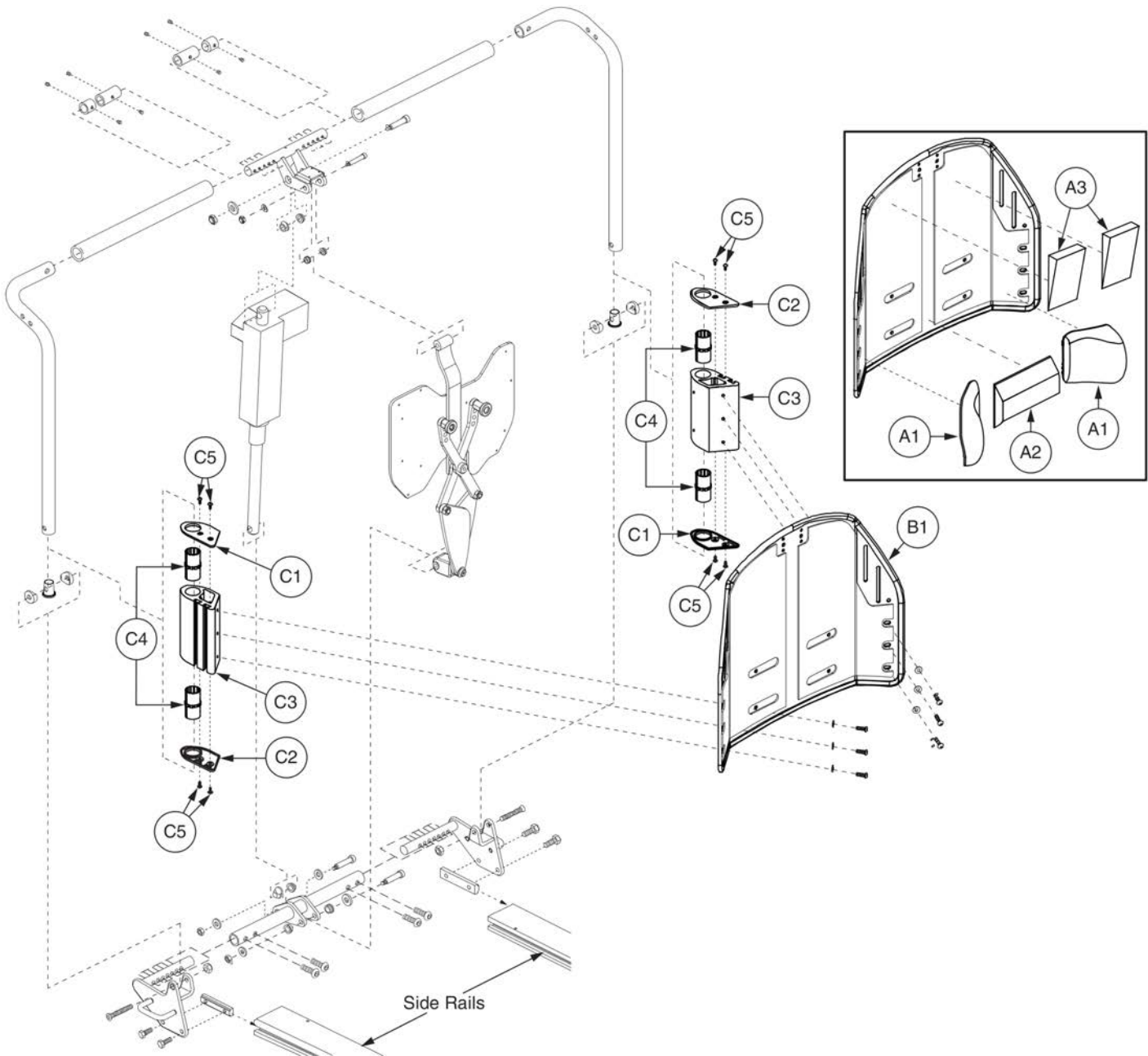
Item	Part No.	Name	Qty
A1 - C5	SETASMB6046	SEAT BACK,ASSY,18"W,22"H,Q-LOGIC,TRU-COMFORT RECLINE	1
A1 - B1	SETASMB5913	SEAT BACK,ASSY,18"W,22"H,TRU-COMFORT RECLINE,W/LATERAL & LUMBAR SUPPORT	1
A1	DWR1306E038	LATERAL SUPPORT,PLASTIC,TRU-COMFORT SEAT,LEFT/RIGHT	2
A2	DWR1306D014	CUSHION,LUMBAR SUPPORT,TRU-COMFORT SEAT,D-1306-014	1
A3	DWR1306D059	THORACIC SUPPORT,TRU-COMFORT SEAT,LEFT/RIGHT,D-1306-059	2
B1	FRMASMB9891	SEAT BACK,ASSY,18"W,22"H,TRU-COMFORT RECLINE BACK,TRUBALANCE RECLINE,E-1306-058	1
C1 - C5	FRMASMB12695	LATERALS AND SLIDE EXTRUSION,ASSY,TRU-COMFORT RECLINE	2
C1	DWR1306D008	LATERAL EXTRUSION CAP,TRU-COMFORT RECLINE,RIGHT	1
C2	DWR1306D007	LATERAL EXTRUSION CAP,TRU-COMFORT RECLINE,LEFT	1
C3	DWR1306E037	LATERALS AND SLIDE EXTRUSION,TRU-COMFORT RECLINE	1
C4		BEARING, SLEEVE,1.00"ID X 1.125"OD X 2.205"L,DRYLIN-R	2
C5		SCREW,PPH-THREAD CUTTING,BLACK ZINC,8-32 X .375",GR 2	4

TRU-Comfort



Item	Part No.	Name	Qty
A1 - C5	SETASMB6047	SEAT BACK,ASSY,18"W,27-28"H,TRU-COMFORT RECLINE	1
A1 - B1	SETASMB5914	SEAT BACK,ASSY,18"W,25"H,TRU-COMFORT RECLINE,W/LATERAL & LUMBAR SUPPORT	1
A1	DWR1306E038	LATERAL SUPPORT,PLASTIC,TRU-COMFORT SEAT,LEFT/RIGHT	2
A2	DWR1306D014	CUSHION,LUMBAR SUPPORT,TRU-COMFORT SEAT,D-1306-014	1
A3	DWR1306D059	THORACIC SUPPORT,TRU-COMFORT SEAT,LEFT/RIGHT,D-1306-059	2
B1	FRMASMB9892	SEAT BACK,ASSY,18"W,25"H,TRU-COMFORT RECLINE BACK,TRUBALANCE RECLINE,E-1306-059	1
C1 - C5	FRMASMB12695	LATERALS AND SLIDE EXTRUSION,ASSY,TRU-COMFORT RECLINE	2
C1	DWR1306D008	LATERAL EXTRUSION CAP,TRU-COMFORT RECLINE,RIGHT	1
C2	DWR1306D007	LATERAL EXTRUSION CAP,TRU-COMFORT RECLINE,LEFT	1
C3	DWR1306E037	LATERALS AND SLIDE EXTRUSION,TRU-COMFORT RECLINE	1
C4		BEARING, SLEEVE,1.00"ID X 1.125"OD X 2.205"L,DRYLIN-R	2
C5		SCREW,PPH-THREAD CUTTING,BLACK ZINC,8-32 X .375",GR 2	4

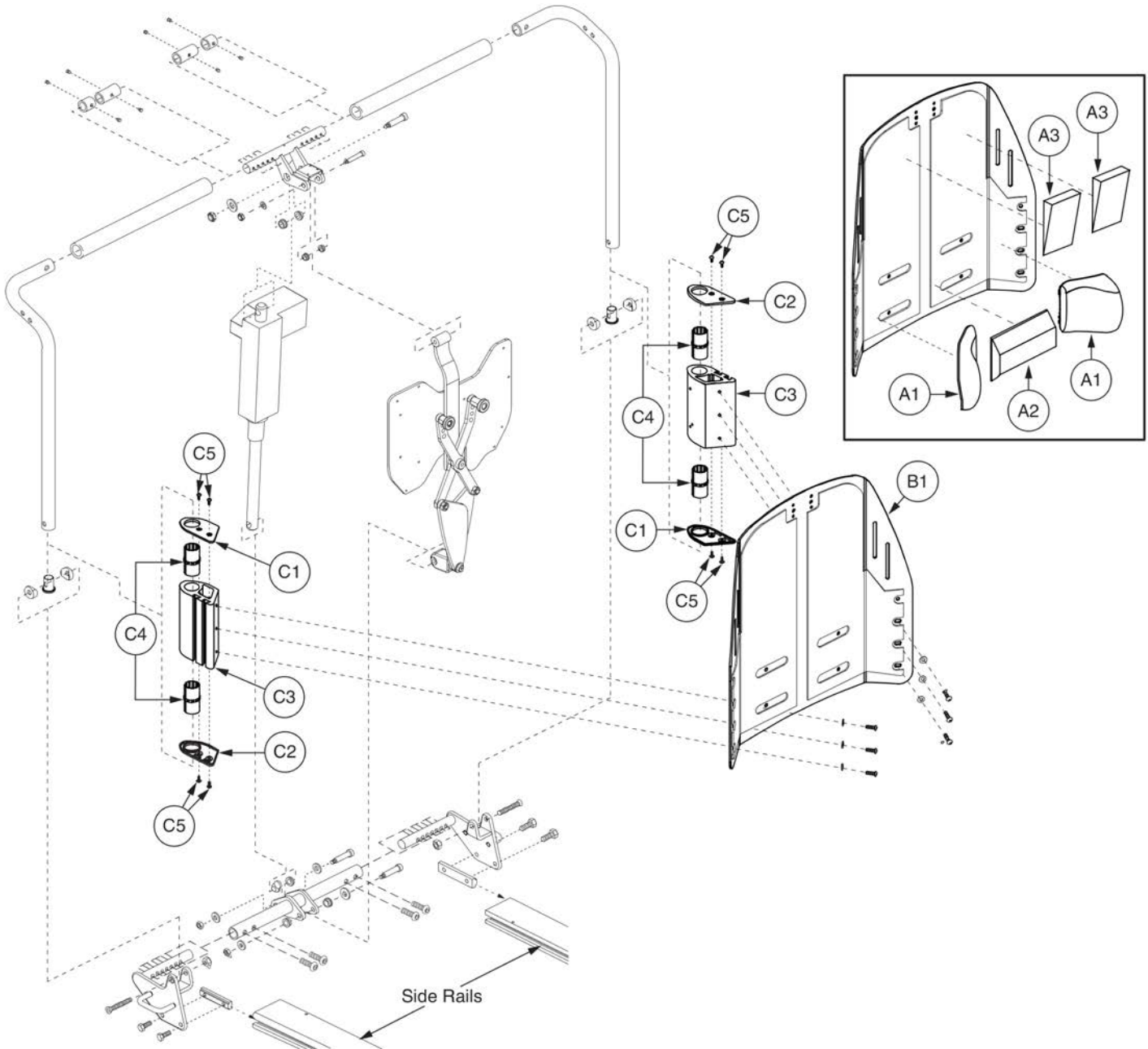
TRU-Comfort





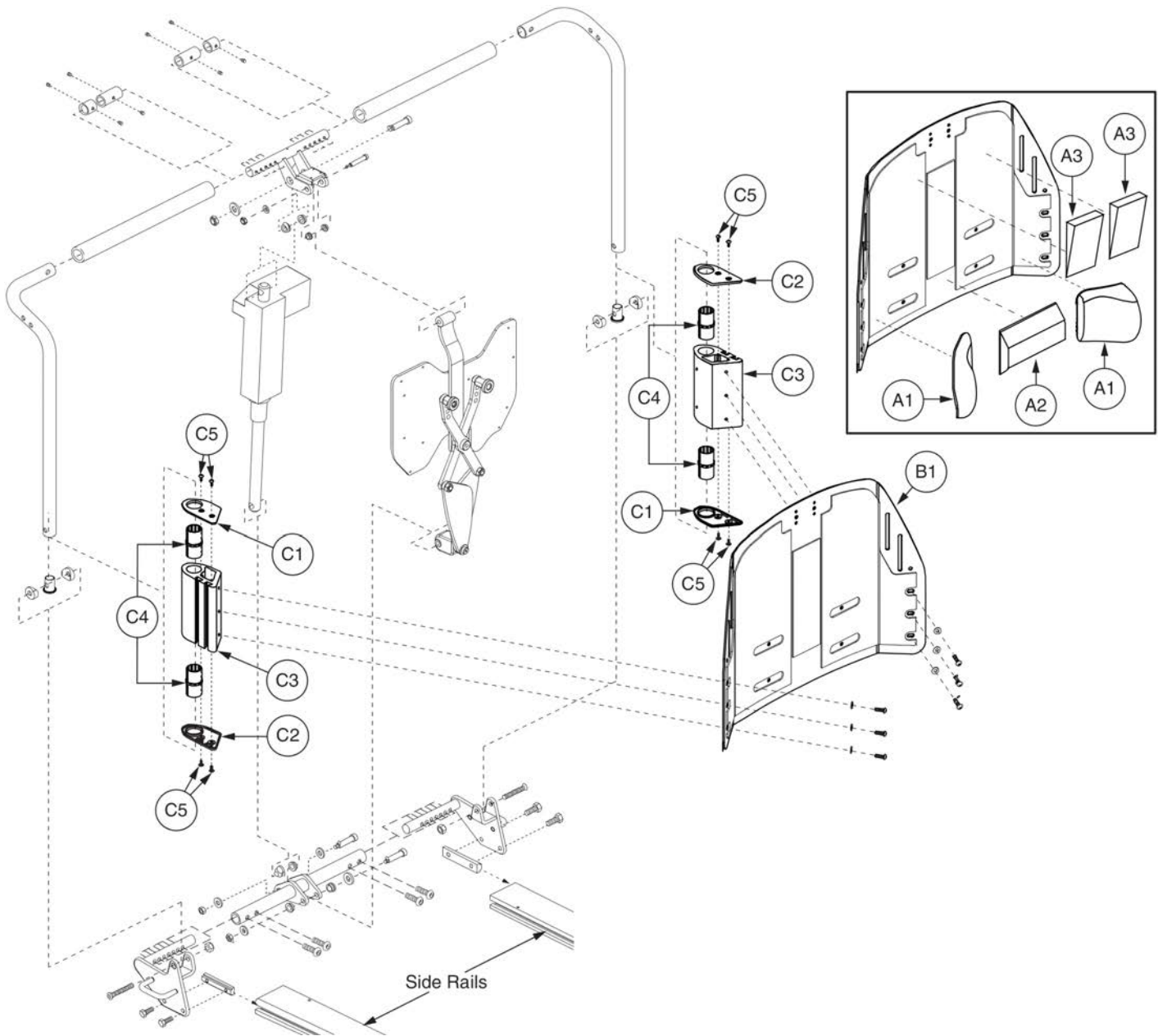
Item	Part No.	Name	Qty
A1 - C5	SETASMB6048	SEAT BACK,ASSY,20"W,22"H,TRU-COMFORT,TB2 RECLINE	1
A1 - B1	SETASMB5915	SEAT BACK,ASSY,20"W,22"H,TRU-COMFORT RECLINE,W/LATERAL & LUMBAR SUPPORT	1
A1	DWR1306E038	LATERAL SUPPORT,PLASTIC,TRU-COMFORT SEAT,LEFT/RIGHT	2
A2	DWR1306D014	CUSHION,LUMBAR SUPPORT,TRU-COMFORT SEAT,D-1306-014	1
A3	DWR1306D059	THORACIC SUPPORT,TRU-COMFORT SEAT,LEFT/RIGHT,D-1306-059	2
B1	FRMASMB9893	SEAT BACK,ASSY,20"W,22"H,TRU-COMFORT RECLINE BACK,TRUBALANCE RECLINE,E-1306-060	1
C1 - C5	FRMASMB12695	LATERALS AND SLIDE EXTRUSION,ASSY,TRU-COMFORT RECLINE	2
C1	DWR1306D008	LATERAL EXTRUSION CAP,TRU-COMFORT RECLINE,RIGHT	1
C2	DWR1306D007	LATERAL EXTRUSION CAP,TRU-COMFORT RECLINE,LEFT	1
C3	DWR1306E037	LATERALS AND SLIDE EXTRUSION,TRU-COMFORT RECLINE	1
C4		BEARING, SLEEVE,1.00"ID X 1.125"OD X 2.205"L,DRYLIN-R	2
C5		SCREW,PPH-THREAD CUTTING,BLACK ZINC,8-32 X .375",GR 2	4

TRU-Comfort



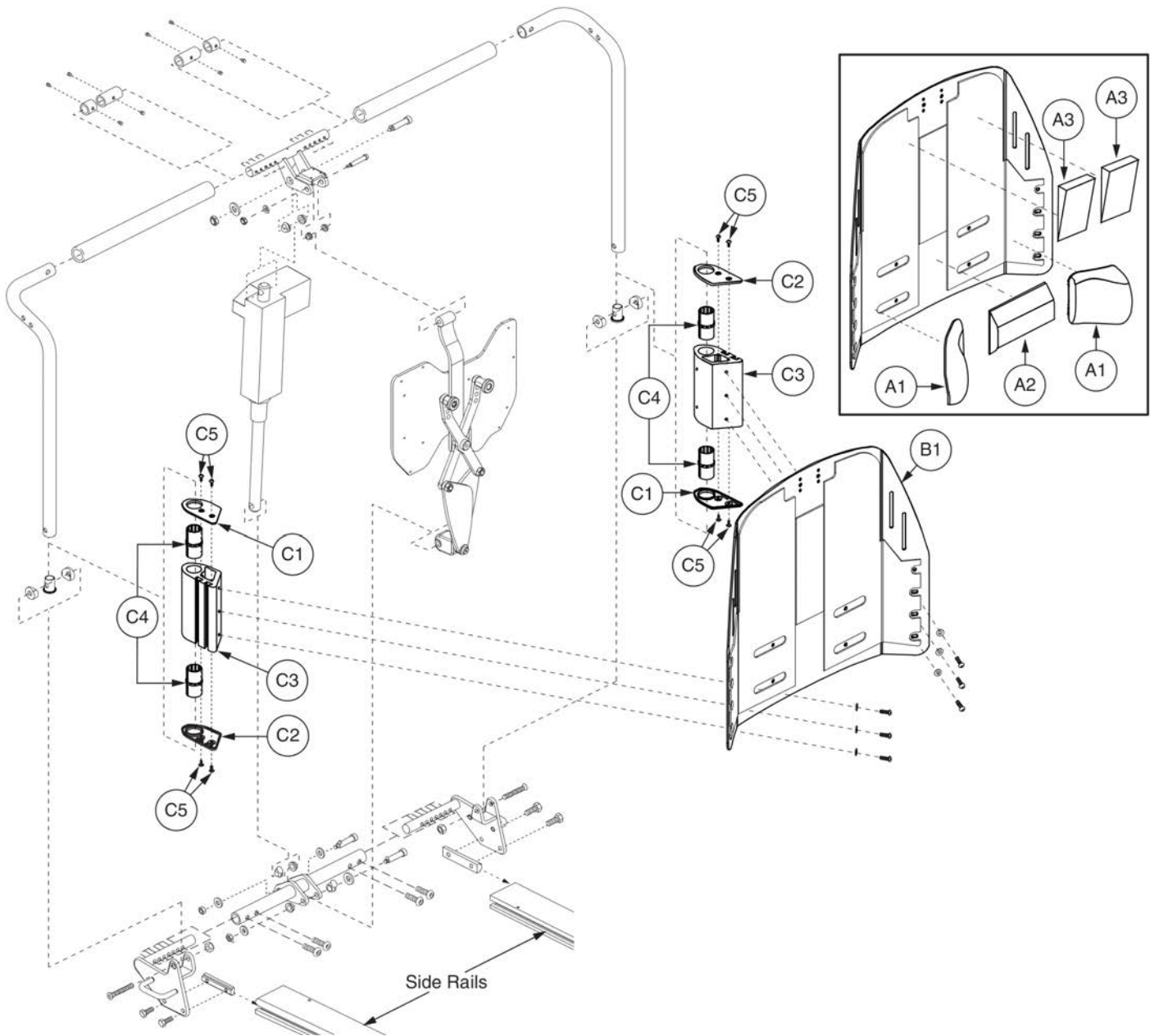
Item	Part No.	Name	Qty
A1 - C5	SETASMB6049	SEAT BACK,ASSY,20"W,25"H,Q-LOGIC,TRU-COMFORT RECLINE	1
A1 - B1	SETASMB5916	SEAT BACK,ASSY,20"W,25"H,TRU-COMFORT RECLINE,W/LATERAL & LUMBAR SUPPORT	1
A1	DWR1306E038	LATERAL SUPPORT,PLASTIC,TRU-COMFORT SEAT,LEFT/RIGHT	2
A2	DWR1306D014	CUSHION,LUMBAR SUPPORT,TRU-COMFORT SEAT,D-1306-014	1
A3	DWR1306D059	THORACIC SUPPORT,TRU-COMFORT SEAT,LEFT/RIGHT,D-1306-059	2
B1	FRMASMB9894	SEAT BACK,ASSY,20"W,25"H,TRU-COMFORT RECLINE BACK,TRUBALANCE RECLINE,E-1306-061	1
C1 - C5	FRMASMB12695	LATERALS AND SLIDE EXTRUSION,ASSY,TRU-COMFORT RECLINE	2
C1	DWR1306D008	LATERAL EXTRUSION CAP,TRU-COMFORT RECLINE,RIGHT	1
C2	DWR1306D007	LATERAL EXTRUSION CAP,TRU-COMFORT RECLINE,LEFT	1
C3	DWR1306E037	LATERALS AND SLIDE EXTRUSION,TRU-COMFORT RECLINE	1
C4		BEARING, SLEEVE,1.00"ID X 1.125"OD X 2.205"L,DRYLIN-R	2
C5		SCREW,PPH-THREAD CUTTING,BLACK ZINC,8-32 X .375",GR 2	4

TRU-Comfort



Item	Part No.	Name	Qty
A1 - C5	SETASMB6050	SEAT BACK,ASSY,22"W,22"H,Q-LOGIC,TRU-COMFORT RECLINE	1
A1 - B1	SETASMB5917	SEAT BACK,ASSY,22"W,22"H,TRU-COMFORT RECLINE,W/LATERAL & LUMBAR SUPPORT	1
A1	DWR1306E038	LATERAL SUPPORT,PLASTIC,TRU-COMFORT SEAT,LEFT/RIGHT	2
A2	DWR1306D014	CUSHION,LUMBAR SUPPORT,TRU-COMFORT SEAT,D-1306-014	1
A3	DWR1306D059	THORACIC SUPPORT,TRU-COMFORT SEAT,LEFT/RIGHT,D-1306-059	2
B1	FRMASMB9895	SEAT BACK,ASSY,22"W,22"H,TRU-COMFORT RECLINE BACK,TRUBALANCE RECLINE,E-1306-062	1
C1 - C5	FRMASMB12695	LATERALS AND SLIDE EXTRUSION,ASSY,TRU-COMFORT RECLINE	2
C1	DWR1306D008	LATERAL EXTRUSION CAP,TRU-COMFORT RECLINE,RIGHT	1
C2	DWR1306D007	LATERAL EXTRUSION CAP,TRU-COMFORT RECLINE,LEFT	1
C3	DWR1306E037	LATERALS AND SLIDE EXTRUSION,TRU-COMFORT RECLINE	1
C4	BRGSLV1038	BEARING, SLEEVE,1.00"ID X 1.125"OD X 2.205"L,DRYLIN-R	2
C5		SCREW,PPH-THREAD CUTTING,BLACK ZINC,8-32 X .375",GR 2	4

TRU-Comfort

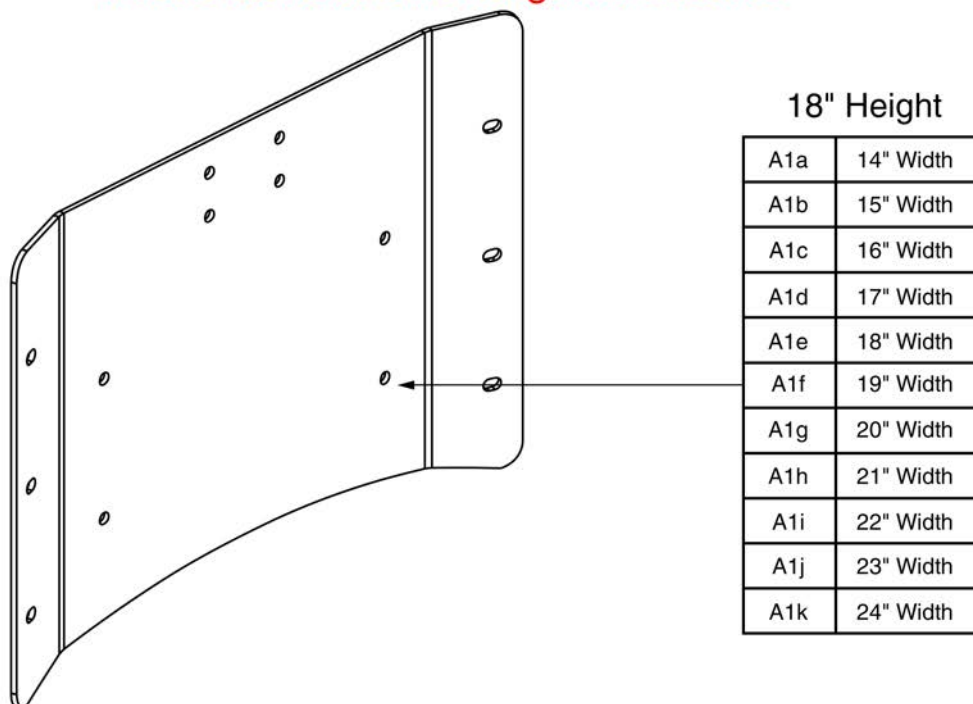


Item	Part No.	Name	Qty
A1 - C5	SETASMB6051	SEAT BACK,ASSY,22"W,25"H,Q-LOGIC,TRU-COMFORT RECLINE	1
A1 - B1	SETASMB5918	SEAT BACK,ASSY,22"W,25"H,TRU-COMFORT RECLINE,W/LATERAL & LUMBAR SUPPORT	1
A1	DWR1306E038	LATERAL SUPPORT,PLASTIC,TRU-COMFORT SEAT,LEFT/RIGHT	2
A2	DWR1306D014	CUSHION,LUMBAR SUPPORT,TRU-COMFORT SEAT,D-1306-014	1
A3	DWR1306D059	THORACIC SUPPORT,TRU-COMFORT SEAT,LEFT/RIGHT,D-1306-059	2
B1	FRMASMB9896	SEAT BACK,ASSY,22"W,25"H,TRU-COMFORT RECLINE BACK,TRUBALANCE RECLINE,E-1306-063	1
C1 - C5	FRMASMB12695	LATERALS AND SLIDE EXTRUSION,ASSY,TRU-COMFORT RECLINE	2
C1	DWR1306D008	LATERAL EXTRUSION CAP,TRU-COMFORT RECLINE,RIGHT	1
C2	DWR1306D007	LATERAL EXTRUSION CAP,TRU-COMFORT RECLINE,LEFT	1
C3	DWR1306E037	LATERALS AND SLIDE EXTRUSION,TRU-COMFORT RECLINE	1
C4		BEARING, SLEEVE,1.00"ID X 1.125"OD X 2.205"L,DRYLIN-R	2
C5		SCREW,PPH-THREAD CUTTING,BLACK ZINC,8-32 X .375",GR 2	4



Back Plates

\*\*\*The Tru-Balance Power Recline Back Plates have been discontinued. These items are no longer available.\*\*\*



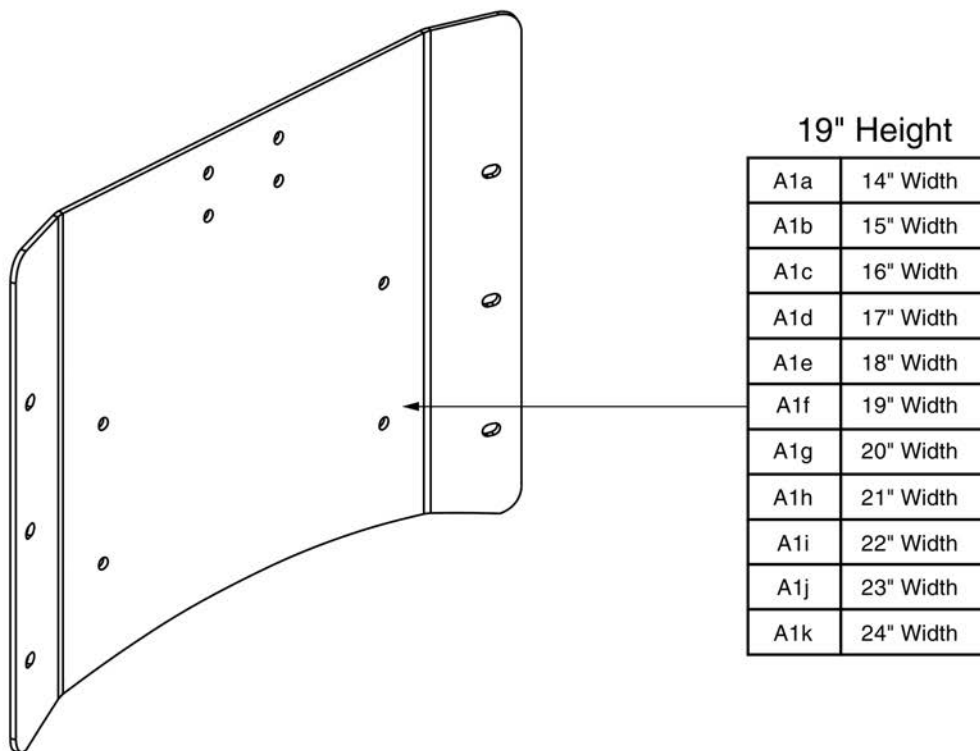
## Back Plate - 18"H, TB2 Recline



Item	Part No.	Name	Qty
A1a		SEAT BACK,PLATE,14"W,18"H,9.750" RADIUS HEIGHT,TRU-BALANCE POWER RECLINE,E-1367-041	1
A1b		SEAT BACK,PLATE,15"W,18"H,9.750" RADIUS HEIGHT,TRU-BALANCE POWER RECLINE,E-1367-040	1
A1c		SEAT BACK,PLATE,16"W,18"H,9.750" RADIUS HEIGHT,TRU-BALANCE POWER RECLINE,E-1367-039	1
A1d		SEAT BACK,PLATE,17"W,18"H,9.750" RADIUS HEIGHT,TRU-BALANCE POWER RECLINE,E-1367-038	1
A1e		SEAT BACK,PLATE,18"W,18"H,9.750" RADIUS HEIGHT,TRU-BALANCE POWER RECLINE,E-1367-030	1
A1f		SEAT BACK,PLATE,19"W,18"H,9.750" RADIUS HEIGHT,TRU-BALANCE POWER RECLINE,E-1367-037	1
A1g		SEAT BACK,PLATE,20"W,18"H,9.750" RADIUS HEIGHT,TRU-BALANCE POWER RECLINE,E-1367-036	1
A1h		SEAT BACK,PLATE,21"W,18"H,9.750" RADIUS HEIGHT,TRU-BALANCE POWER RECLINE,E-1367-035	1
A1i		SEAT BACK,PLATE,22"W,18"H,9.750" RADIUS HEIGHT,TRU-BALANCE POWER RECLINE,E-1367-034	1
A1j		SEAT BACK,PLATE,23"W,18"H,9.750" RADIUS HEIGHT,TRU-BALANCE POWER RECLINE,E-1367-033	1
A1k		SEAT BACK,PLATE,24"W,18"H,9.750" RADIUS HEIGHT,TRU-BALANCE POWER RECLINE,E-1367-032	1

Back Plates

\*\*\*The Tru-Balance Power Recline Back Plates have been discontinued. These items are no longer available.\*\*\*



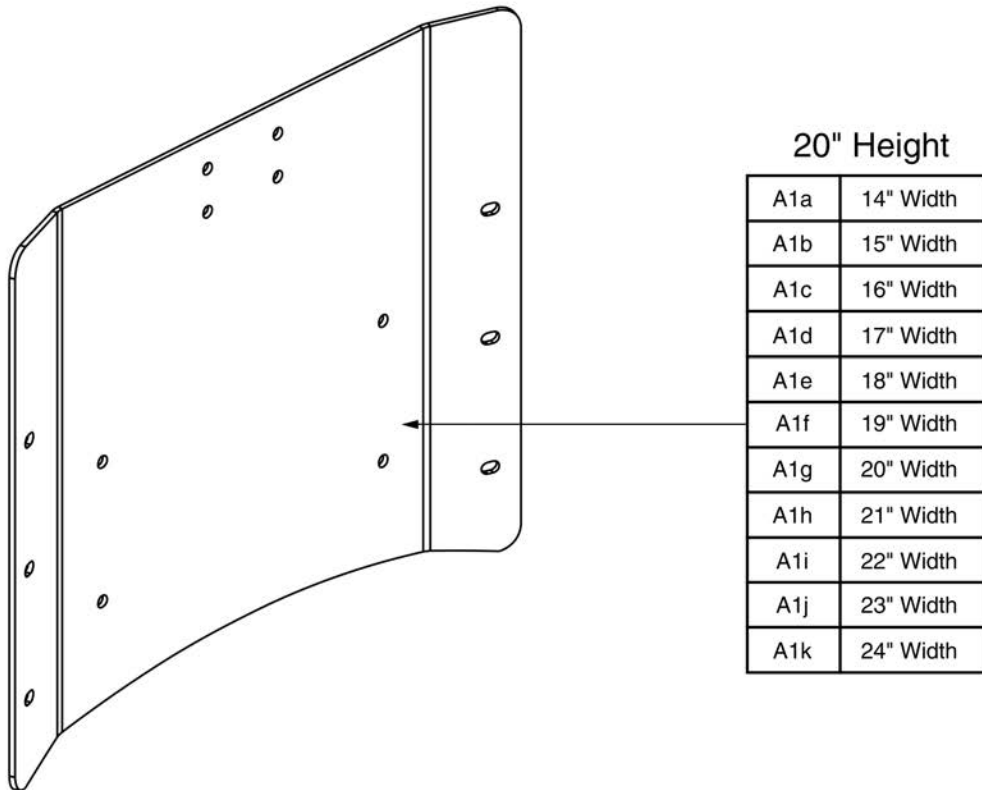
## Back Plate - 19"H, TB2 Recline



Item	Part No.	Name	Qty
A1a		SEAT BACK,PLATE,14"W,19"H,10.750" RADIUS HEIGHT,TRU-BALANCE POWER RECLINE,E-1367-041	1
A1b		SEAT BACK,PLATE,15"W,19"H,10.750" RADIUS HEIGHT,TRU-BALANCE POWER RECLINE,E-1367-040	1
A1c		SEAT BACK,PLATE,16"W,19"H,10.750" RADIUS HEIGHT,TRU-BALANCE POWER RECLINE,E-1367-039	1
A1d		SEAT BACK,PLATE,17"W,19"H,10.750" RADIUS HEIGHT,TRU-BALANCE POWER RECLINE,E-1367-038	1
A1e		SEAT BACK,PLATE,18"W,19"H,10.750" RADIUS HEIGHT,TRU-BALANCE POWER RECLINE,E-1367-030	1
A1f		SEAT BACK,PLATE,19"W,19"H,10.750" RADIUS HEIGHT,TRU-BALANCE POWER RECLINE,E-1367-037	1
A1g		SEAT BACK,PLATE,20"W,19"H,10.750" RADIUS HEIGHT,TRU-BALANCE POWER RECLINE,E-1367-036	1
A1h		SEAT BACK,PLATE,21"W,19"H,10.750" RADIUS HEIGHT,TRU-BALANCE POWER RECLINE,E-1367-035	1
A1i		SEAT BACK,PLATE,22"W,19"H,10.750" RADIUS HEIGHT,TRU-BALANCE POWER RECLINE,E-1367-034	1
A1j		SEAT BACK,PLATE,23"W,19"H,10.750" RADIUS HEIGHT,TRU-BALANCE POWER RECLINE,E-1367-033	1
A1k		SEAT BACK,PLATE,24"W,19"H,10.750" RADIUS HEIGHT,TRU-BALANCE POWER RECLINE,E-1367-032	1

Back Plates

\*\*\*The Tru-Balance Power Recline Back Plates have been discontinued. These items are no longer available.\*\*\*



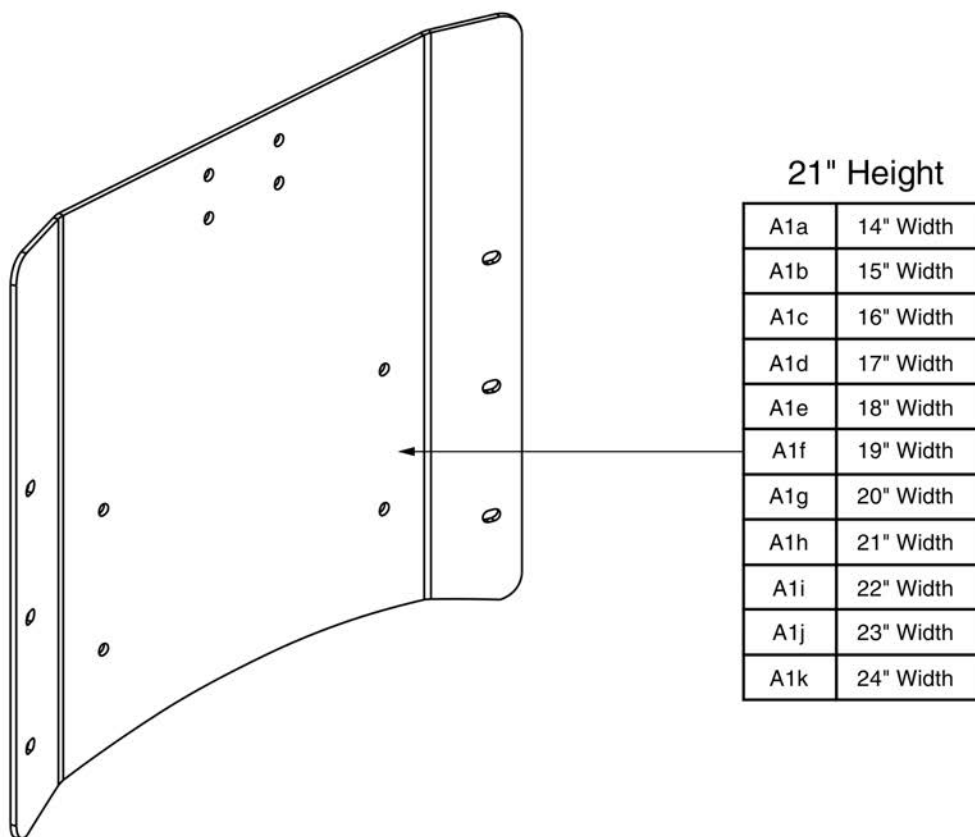
## Back Plate - 20"H, TB2 Recline



Item	Part No.	Name	Qty
A1a		SEAT BACK,PLATE,14"W,20"H,11.750" RADIUS HEIGHT,TRU-BALANCE POWER RECLINE,E-1367-041	1
A1b		SEAT BACK,PLATE,15"W,20"H,11.750" RADIUS HEIGHT,TRU-BALANCE POWER RECLINE,E-1367-040	1
A1c		SEAT BACK,PLATE,16"W,20"H,11.750" RADIUS HEIGHT,TRU-BALANCE POWER RECLINE,E-1367-039	1
A1d		SEAT BACK,PLATE,17"W,20"H,11.750" RADIUS HEIGHT,TRU-BALANCE POWER RECLINE,E-1367-038	1
A1e		SEAT BACK,PLATE,18"W,20"H,11.750" RADIUS HEIGHT,TRU-BALANCE POWER RECLINE,E-1367-030	1
A1f		SEAT BACK,PLATE,19"W,20"H,11.750" RADIUS HEIGHT,TRU-BALANCE POWER RECLINE,E-1367-037	1
A1g		SEAT BACK,PLATE,20"W,20"H,11.750" RADIUS HEIGHT,TRU-BALANCE POWER RECLINE,E-1367-036	1
A1h		SEAT BACK,PLATE,21"W,20"H,11.750" RADIUS HEIGHT,TRU-BALANCE POWER RECLINE,E-1367-035	1
A1i		SEAT BACK,PLATE,22"W,20"H,11.750" RADIUS HEIGHT,TRU-BALANCE POWER RECLINE,E-1367-034	1
A1j		SEAT BACK,PLATE,23"W,20"H,11.750" RADIUS HEIGHT,TRU-BALANCE POWER RECLINE,E-1367-033	1
A1k		SEAT BACK,PLATE,24"W,20"H,11.750" RADIUS HEIGHT,TRU-BALANCE POWER RECLINE,E-1367-032	1

Back Plates

\*\*\*The Tru-Balance Power Recline Back Plates have been discontinued. These items are no longer available.\*\*\*





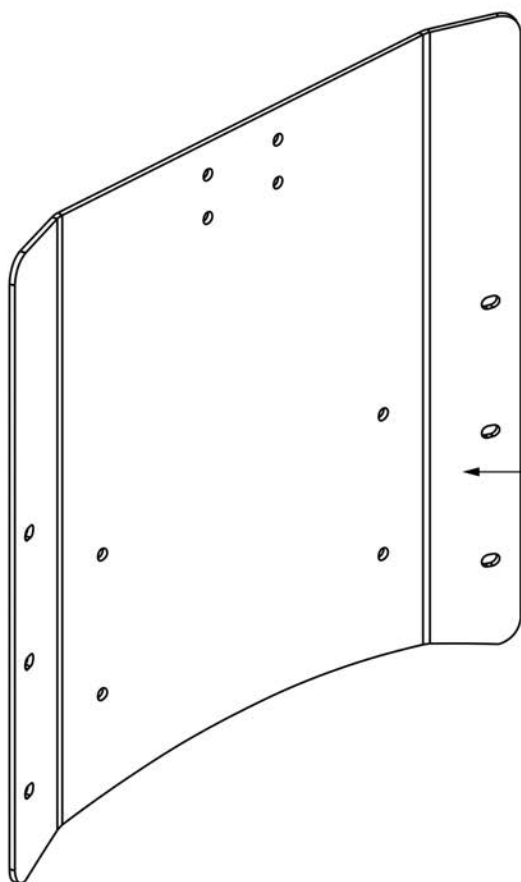
## Back Plate - 21"H, TB2 Recline



Item	Part No.	Name	Qty
A1a		SEAT BACK,PLATE,14"W,21"H,12.750" RADIUS HEIGHT,TRU-BALANCE POWER RECLINE,E-1367-041	1
A1b		SEAT BACK,PLATE,15"W,21"H,12.750" RADIUS HEIGHT,TRU-BALANCE POWER RECLINE,E-1367-040	1
A1c		SEAT BACK,PLATE,16"W,21"H,12.750" RADIUS HEIGHT,TRU-BALANCE POWER RECLINE,E-1367-039	1
A1d		SEAT BACK,PLATE,17"W,21"H,12.750" RADIUS HEIGHT,TRU-BALANCE POWER RECLINE,E-1367-038	1
A1e		SEAT BACK,PLATE,18"W,21"H,12.750" RADIUS HEIGHT,TRU-BALANCE POWER RECLINE,E-1367-030	1
A1f		SEAT BACK,PLATE,19"W,21"H,12.750" RADIUS HEIGHT,TRU-BALANCE POWER RECLINE,E-1367-037	1
A1g		SEAT BACK,PLATE,20"W,21"H,12.750" RADIUS HEIGHT,TRU-BALANCE POWER RECLINE,E-1367-036	1
A1h		SEAT BACK,PLATE,21"W,21"H,12.750" RADIUS HEIGHT,TRU-BALANCE POWER RECLINE,E-1367-035	1
A1i		SEAT BACK,PLATE,22"W,21"H,12.750" RADIUS HEIGHT,TRU-BALANCE POWER RECLINE,E-1367-034	1
A1j		SEAT BACK,PLATE,23"W,21"H,12.750" RADIUS HEIGHT,TRU-BALANCE POWER RECLINE,E-1367-033	1
A1k		SEAT BACK,PLATE,24"W,21"H,12.750" RADIUS HEIGHT,TRU-BALANCE POWER RECLINE,E-1367-032	1

Back Plates

\*\*\*The Tru-Balance Power Recline Back Plates have been discontinued. These items are no longer available.\*\*\*



22" Height

A1a	14" Width
A1b	15" Width
A1c	16" Width
A1d	17" Width
A1e	18" Width
A1f	19" Width
A1g	20" Width
A1h	21" Width
A1i	22" Width
A1j	23" Width
A1k	24" Width

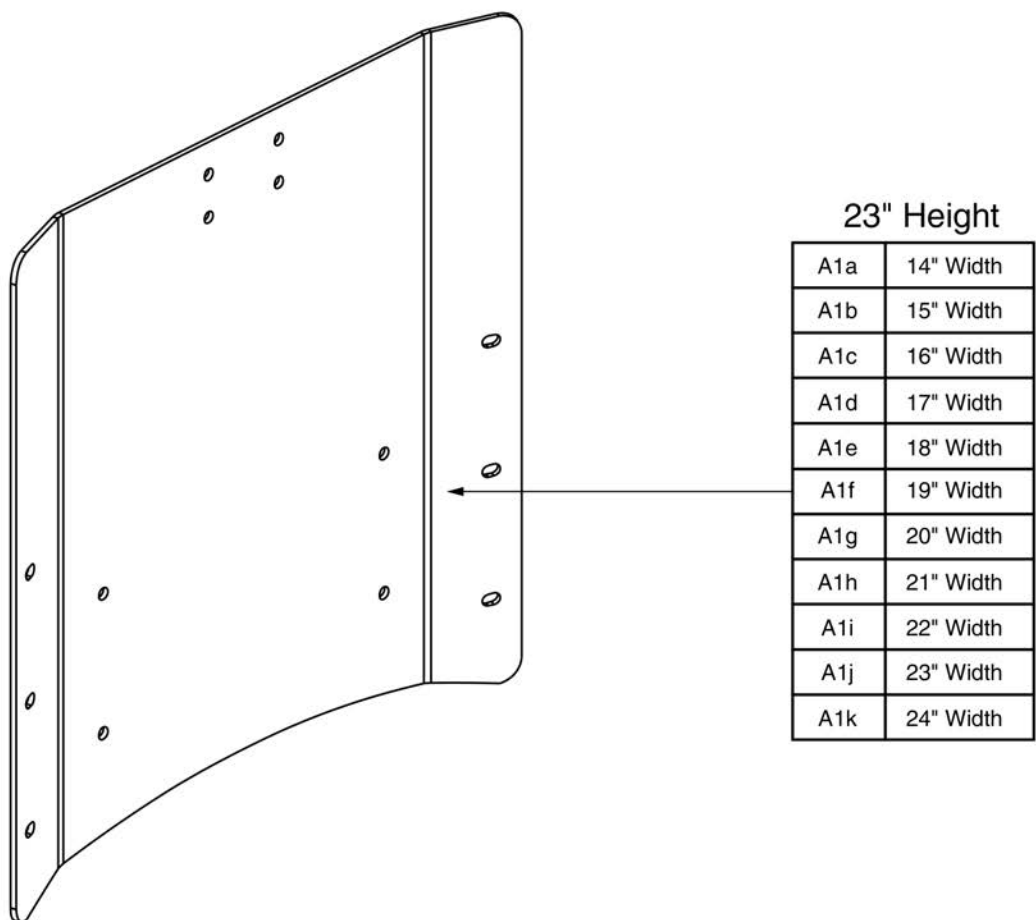
## Back Plate - 22"H, TB2 Recline



Item	Part No.	Name	Qty
A1a		SEAT BACK,PLATE,14"W,22"H,13.750" RADIUS HEIGHT,TRU-BALANCE POWER RECLINE,E-1367-041	1
A1b		SEAT BACK,PLATE,15"W,22"H,13.750" RADIUS HEIGHT,TRU-BALANCE POWER RECLINE,E-1367-040	1
A1c		SEAT BACK,PLATE,16"W,22"H,13.750" RADIUS HEIGHT,TRU-BALANCE POWER RECLINE,E-1367-039	1
A1d		SEAT BACK,PLATE,17"W,22"H,13.750" RADIUS HEIGHT,TRU-BALANCE POWER RECLINE,E-1367-038	1
A1e		SEAT BACK,PLATE,18"W,22"H,13.750" RADIUS HEIGHT,TRU-BALANCE POWER RECLINE,E-1367-030	1
A1f		SEAT BACK,PLATE,19"W,22"H,13.750" RADIUS HEIGHT,TRU-BALANCE POWER RECLINE,E-1367-037	1
A1g		SEAT BACK,PLATE,20"W,22"H,13.750" RADIUS HEIGHT,TRU-BALANCE POWER RECLINE,E-1367-036	1
A1h		SEAT BACK,PLATE,21"W,22"H,13.750" RADIUS HEIGHT,TRU-BALANCE POWER RECLINE,E-1367-035	1
A1i		SEAT BACK,PLATE,22"W,22"H,13.750" RADIUS HEIGHT,TRU-BALANCE POWER RECLINE,E-1367-034	1
A1j		SEAT BACK,PLATE,23"W,22"H,13.750" RADIUS HEIGHT,TRU-BALANCE POWER RECLINE,E-1367-033	1
A1k		SEAT BACK,PLATE,24"W,22"H,13.750" RADIUS HEIGHT,TRU-BALANCE POWER RECLINE,E-1367-032	1

Back Plates

\*\*\*The Tru-Balance Power Recline Back Plates have been discontinued. These items are no longer available.\*\*\*



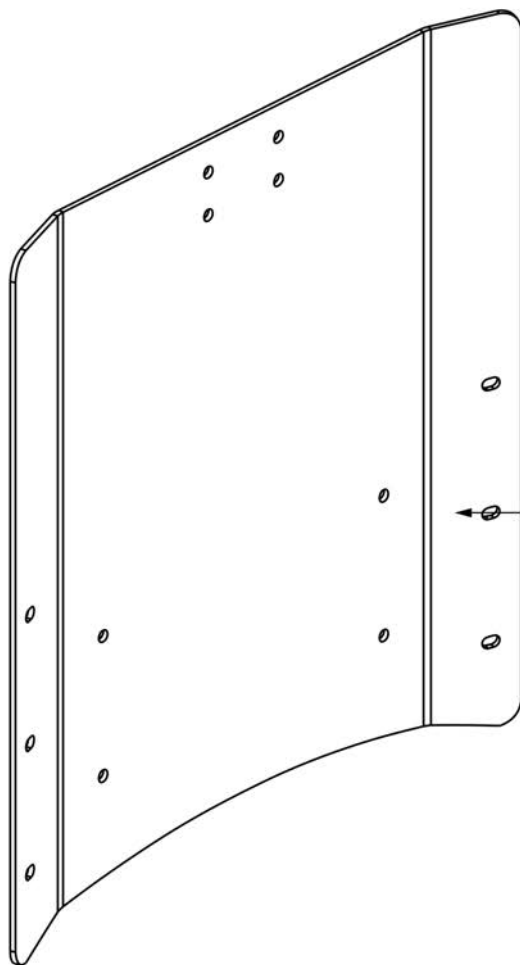
## Back Plate - 23"H, TB2 Recline



Item	Part No.	Name	Qty
A1a		SEAT BACK,PLATE,14"W,23"H,14.750" RADIUS HEIGHT,TRU-BALANCE POWER RECLINE,E-1367-041	1
A1b		SEAT BACK,PLATE,15"W,23"H,14.750" RADIUS HEIGHT,TRU-BALANCE POWER RECLINE,E-1367-040	1
A1c		SEAT BACK,PLATE,16"W,23"H,14.750" RADIUS HEIGHT,TRU-BALANCE POWER RECLINE,E-1367-039	1
A1d		SEAT BACK,PLATE,17"W,23"H,14.750" RADIUS HEIGHT,TRU-BALANCE POWER RECLINE,E-1367-038	1
A1e		SEAT BACK,PLATE,18"W,23"H,14.750" RADIUS HEIGHT,TRU-BALANCE POWER RECLINE,E-1367-030	1
A1f		SEAT BACK,PLATE,19"W,23"H,14.750" RADIUS HEIGHT,TRU-BALANCE POWER RECLINE,E-1367-037	1
A1g		SEAT BACK,PLATE,20"W,23"H,14.750" RADIUS HEIGHT,TRU-BALANCE POWER RECLINE,E-1367-036	1
A1h		SEAT BACK,PLATE,21"W,23"H,14.750" RADIUS HEIGHT,TRU-BALANCE POWER RECLINE,E-1367-035	1
A1i		SEAT BACK,PLATE,22"W,23"H,14.750" RADIUS HEIGHT,TRU-BALANCE POWER RECLINE,E-1367-034	1
A1j		SEAT BACK,PLATE,23"W,23"H,14.750" RADIUS HEIGHT,TRU-BALANCE POWER RECLINE,E-1367-033	1
A1k		SEAT BACK,PLATE,24"W,23"H,14.750" RADIUS HEIGHT,TRU-BALANCE POWER RECLINE,E-1367-032	1

Back Plates

\*\*\*The Tru-Balance Power Recline Back Plates have been discontinued. These items are no longer available.\*\*\*



24" Height

A1a	14" Width
A1b	15" Width
A1c	16" Width
A1d	17" Width
A1e	18" Width
A1f	19" Width
A1g	20" Width
A1h	21" Width
A1i	22" Width
A1j	23" Width
A1k	24" Width

## Back Plate - 24"H, TB2 Recline

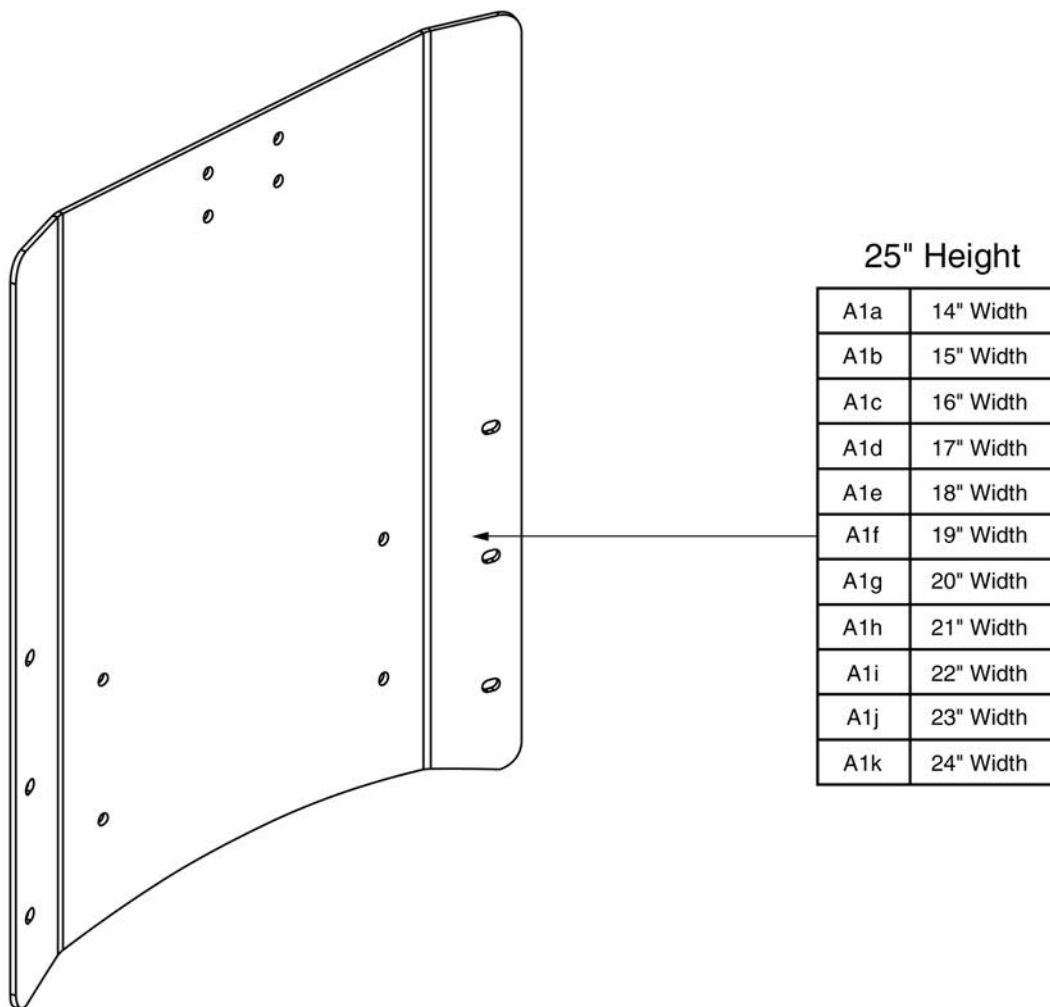


Item	Part No.	Name	Qty
A1a		SEAT BACK,PLATE,14"W,24"H,15.750" RADIUS HEIGHT,TRU-BALANCE POWER RECLINE,E-1367-041	1
A1b		SEAT BACK,PLATE,15"W,24"H,15.750" RADIUS HEIGHT,TRU-BALANCE POWER RECLINE,E-1367-040	1
A1c		SEAT BACK,PLATE,16"W,24"H,15.750" RADIUS HEIGHT,TRU-BALANCE POWER RECLINE,E-1367-039	1
A1d		SEAT BACK,PLATE,17"W,24"H,15.750" RADIUS HEIGHT,TRU-BALANCE POWER RECLINE,E-1367-038	1
A1e		SEAT BACK,PLATE,18"W,24"H,15.750" RADIUS HEIGHT,TRU-BALANCE POWER RECLINE,E-1367-030	1
A1f		SEAT BACK,PLATE,19"W,24"H,15.750" RADIUS HEIGHT,TRU-BALANCE POWER RECLINE,E-1367-037	1
A1g		SEAT BACK,PLATE,20"W,24"H,15.750" RADIUS HEIGHT,TRU-BALANCE POWER RECLINE,E-1367-036	1
A1h		SEAT BACK,PLATE,21"W,24"H,15.750" RADIUS HEIGHT,TRU-BALANCE POWER RECLINE,E-1367-035	1
A1i		SEAT BACK,PLATE,22"W,24"H,15.750" RADIUS HEIGHT,TRU-BALANCE POWER RECLINE,E-1367-034	1
A1j		SEAT BACK,PLATE,23"W,24"H,15.750" RADIUS HEIGHT,TRU-BALANCE POWER RECLINE,E-1367-033	1
A1k		SEAT BACK,PLATE,24"W,24"H,15.750" RADIUS HEIGHT,TRU-BALANCE POWER RECLINE,E-1367-032	1



Back Plates

\*\*\*The Tru-Balance Power Recline Back Plates have been discontinued. These items are no longer available.\*\*\*



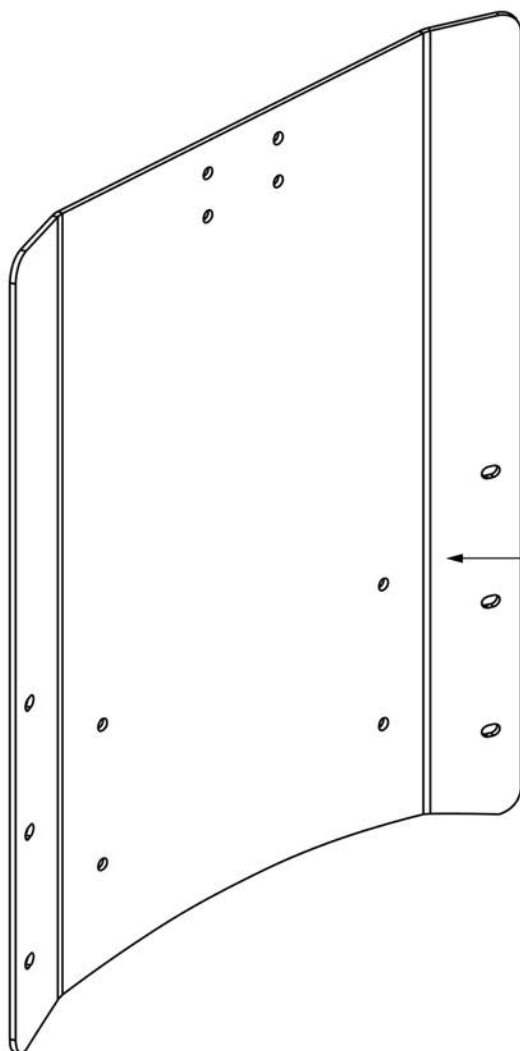
## Back Plate - 25"H, TB2 Recline



Item	Part No.	Name	Qty
A1a		SEAT BACK,PLATE,14"W,25"H,16.750" RADIUS HEIGHT,TRU-BALANCE POWER RECLINE,E-1367-041	1
A1b		SEAT BACK,PLATE,15"W,25"H,16.750" RADIUS HEIGHT,TRU-BALANCE POWER RECLINE,E-1367-040	1
A1c		SEAT BACK,PLATE,16"W,25"H,16.750" RADIUS HEIGHT,TRU-BALANCE POWER RECLINE,E-1367-039	1
A1d		SEAT BACK,PLATE,17"W,25"H,16.750" RADIUS HEIGHT,TRU-BALANCE POWER RECLINE,E-1367-038	1
A1e		SEAT BACK,PLATE,18"W,25"H,16.750" RADIUS HEIGHT,TRU-BALANCE POWER RECLINE,E-1367-030	1
A1f		SEAT BACK,PLATE,19"W,25"H,16.750" RADIUS HEIGHT,TRU-BALANCE POWER RECLINE,E-1367-037	1
A1g		SEAT BACK,PLATE,20"W,25"H,16.750" RADIUS HEIGHT,TRU-BALANCE POWER RECLINE,E-1367-036	1
A1h		SEAT BACK,PLATE,21"W,25"H,16.750" RADIUS HEIGHT,TRU-BALANCE POWER RECLINE,E-1367-035	1
A1i		SEAT BACK,PLATE,22"W,25"H,16.750" RADIUS HEIGHT,TRU-BALANCE POWER RECLINE,E-1367-034	1
A1j		SEAT BACK,PLATE,23"W,25"H,16.750" RADIUS HEIGHT,TRU-BALANCE POWER RECLINE,E-1367-033	1
A1k		SEAT BACK,PLATE,24"W,25"H,16.750" RADIUS HEIGHT,TRU-BALANCE POWER RECLINE,E-1367-032	1

Back Plates

\*\*\*The Tru-Balance Power Recline Back Plates have been discontinued. These items are no longer available.\*\*\*



26" Height

A1a	14" Width
A1b	15" Width
A1c	16" Width
A1d	17" Width
A1e	18" Width
A1f	19" Width
A1g	20" Width
A1h	21" Width
A1i	22" Width
A1j	23" Width
A1k	24" Width

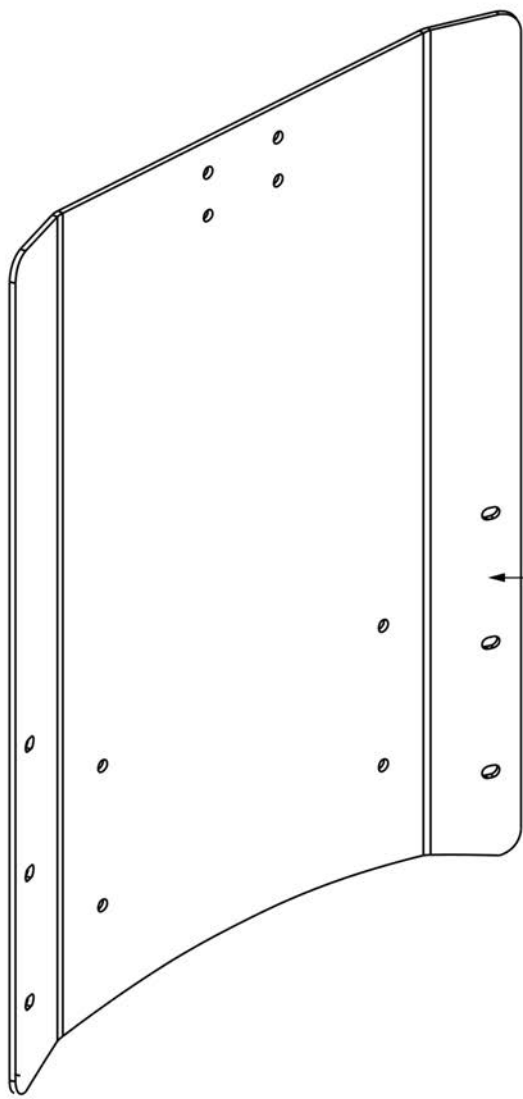
## Back Plate - 26"H, TB2 Recline



Item	Part No.	Name	Qty
A1a		SEAT BACK,PLATE,14"W,26"H,17.750" RADIUS HEIGHT,TRU-BALANCE POWER RECLINE,E-1367-041	1
A1b		SEAT BACK,PLATE,15"W,26"H,17.750" RADIUS HEIGHT,TRU-BALANCE POWER RECLINE,E-1367-040	1
A1c		SEAT BACK,PLATE,16"W,26"H,17.750" RADIUS HEIGHT,TRU-BALANCE POWER RECLINE,E-1367-039	1
A1d		SEAT BACK,PLATE,17"W,26"H,17.750" RADIUS HEIGHT,TRU-BALANCE POWER RECLINE,E-1367-038	1
A1e		SEAT BACK,PLATE,18"W,26"H,17.750" RADIUS HEIGHT,TRU-BALANCE POWER RECLINE,E-1367-030	1
A1f		SEAT BACK,PLATE,19"W,26"H,17.750" RADIUS HEIGHT,TRU-BALANCE POWER RECLINE,E-1367-037	1
A1g		SEAT BACK,PLATE,20"W,26"H,17.750" RADIUS HEIGHT,TRU-BALANCE POWER RECLINE,E-1367-036	1
A1h		SEAT BACK,PLATE,21"W,26"H,17.750" RADIUS HEIGHT,TRU-BALANCE POWER RECLINE,E-1367-035	1
A1i		SEAT BACK,PLATE,22"W,26"H,17.750" RADIUS HEIGHT,TRU-BALANCE POWER RECLINE,E-1367-034	1
A1j		SEAT BACK,PLATE,23"W,26"H,17.750" RADIUS HEIGHT,TRU-BALANCE POWER RECLINE,E-1367-033	1
A1k		SEAT BACK,PLATE,24"W,26"H,17.750" RADIUS HEIGHT,TRU-BALANCE POWER RECLINE,E-1367-032	1

Back Plates

\*\*\*The Tru-Balance Power Recline Back Plates have been discontinued. These items are no longer available.\*\*\*



27" Height

A1a	14" Width
A1b	15" Width
A1c	16" Width
A1d	17" Width
A1e	18" Width
A1f	19" Width
A1g	20" Width
A1h	21" Width
A1i	22" Width
A1j	23" Width
A1k	24" Width

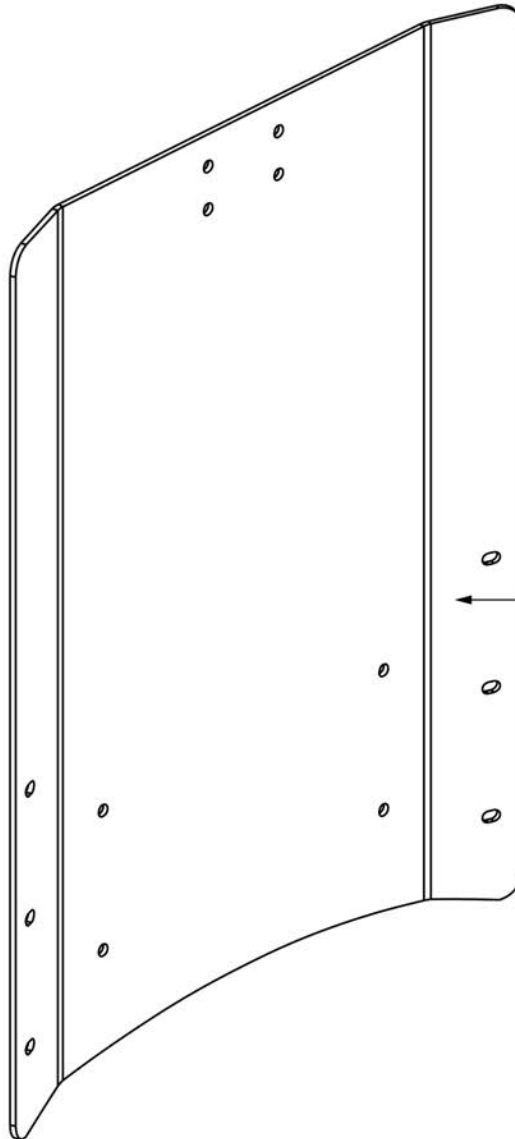
## Back Plate - 27"H, TB2 Recline



Item	Part No.	Name	Qty
A1a		SEAT BACK,PLATE,14"W,27"H,18.750" RADIUS HEIGHT,TRU-BALANCE POWER RECLINE,E-1367-041	1
A1b		SEAT BACK,PLATE,15"W,27"H,18.750" RADIUS HEIGHT,TRU-BALANCE POWER RECLINE,E-1367-040	1
A1c		SEAT BACK,PLATE,16"W,27"H,18.750" RADIUS HEIGHT,TRU-BALANCE POWER RECLINE,E-1367-039	1
A1d		SEAT BACK,PLATE,17"W,27"H,18.750" RADIUS HEIGHT,TRU-BALANCE POWER RECLINE,E-1367-038	1
A1e		SEAT BACK,PLATE,18"W,27"H,18.750" RADIUS HEIGHT,TRU-BALANCE POWER RECLINE,E-1367-030	1
A1f		SEAT BACK,PLATE,19"W,27"H,18.750" RADIUS HEIGHT,TRU-BALANCE POWER RECLINE,E-1367-037	1
A1g		SEAT BACK,PLATE,20"W,27"H,18.750" RADIUS HEIGHT,TRU-BALANCE POWER RECLINE,E-1367-036	1
A1h		SEAT BACK,PLATE,21"W,27"H,18.750" RADIUS HEIGHT,TRU-BALANCE POWER RECLINE,E-1367-035	1
A1i		SEAT BACK,PLATE,22"W,27"H,18.750" RADIUS HEIGHT,TRU-BALANCE POWER RECLINE,E-1367-034	1
A1j		SEAT BACK,PLATE,23"W,27"H,18.750" RADIUS HEIGHT,TRU-BALANCE POWER RECLINE,E-1367-033	1
A1k		SEAT BACK,PLATE,24"W,27"H,18.750" RADIUS HEIGHT,TRU-BALANCE POWER RECLINE,E-1367-032	1

Back Plates

\*\*\*The Tru-Balance Power Recline Back Plates have been discontinued. These items are no longer available.\*\*\*



28" Height

A1a	14" Width
A1b	15" Width
A1c	16" Width
A1d	17" Width
A1e	18" Width
A1f	19" Width
A1g	20" Width
A1h	21" Width
A1i	22" Width
A1j	23" Width
A1k	24" Width

## Back Plate - 28"H, TB2 Recline

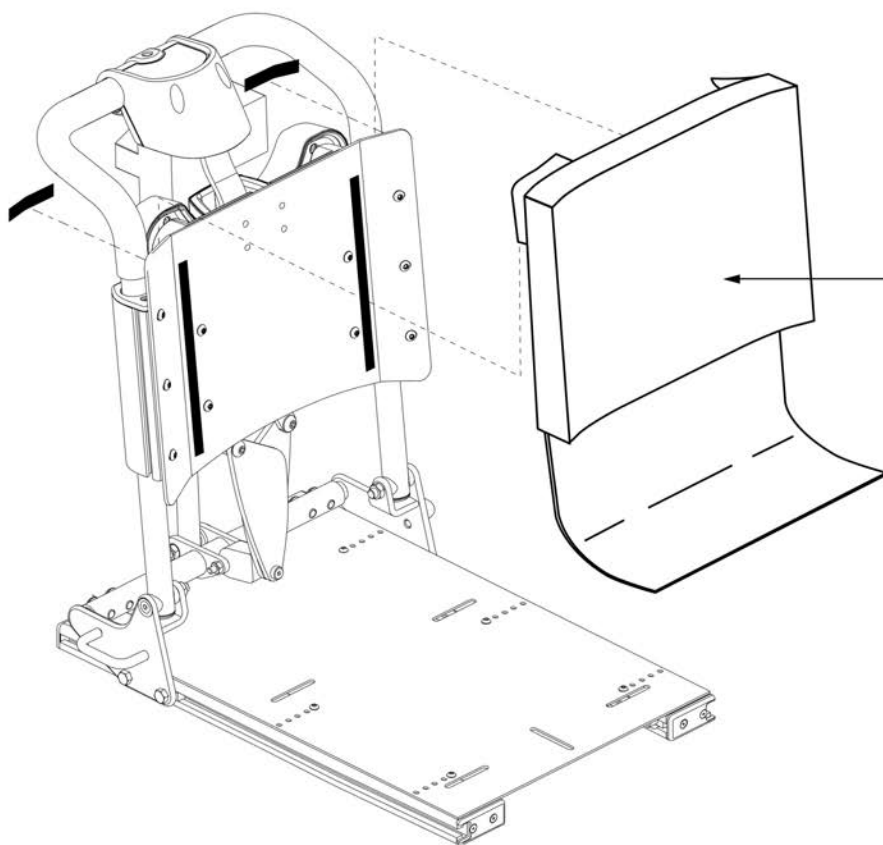


Item	Part No.	Name	Qty
A1a		SEAT BACK,PLATE,14"W,28"H,19.750" RADIUS HEIGHT,TRU-BALANCE POWER RECLINE,E-1367-041	1
A1b		SEAT BACK,PLATE,15"W,28"H,19.750" RADIUS HEIGHT,TRU-BALANCE POWER RECLINE,E-1367-040	1
A1c		SEAT BACK,PLATE,16"W,28"H,19.750" RADIUS HEIGHT,TRU-BALANCE POWER RECLINE,E-1367-039	1
A1d		SEAT BACK,PLATE,17"W,28"H,19.750" RADIUS HEIGHT,TRU-BALANCE POWER RECLINE,E-1367-038	1
A1e		SEAT BACK,PLATE,18"W,28"H,19.750" RADIUS HEIGHT,TRU-BALANCE POWER RECLINE,E-1367-030	1
A1f		SEAT BACK,PLATE,19"W,28"H,19.750" RADIUS HEIGHT,TRU-BALANCE POWER RECLINE,E-1367-037	1
A1g		SEAT BACK,PLATE,20"W,28"H,19.750" RADIUS HEIGHT,TRU-BALANCE POWER RECLINE,E-1367-036	1
A1h		SEAT BACK,PLATE,21"W,28"H,19.750" RADIUS HEIGHT,TRU-BALANCE POWER RECLINE,E-1367-035	1
A1i		SEAT BACK,PLATE,22"W,28"H,19.750" RADIUS HEIGHT,TRU-BALANCE POWER RECLINE,E-1367-034	1
A1j		SEAT BACK,PLATE,23"W,28"H,19.750" RADIUS HEIGHT,TRU-BALANCE POWER RECLINE,E-1367-033	1
A1k		SEAT BACK,PLATE,24"W,28"H,19.750" RADIUS HEIGHT,TRU-BALANCE POWER RECLINE,E-1367-032	1



Back Cushion

\*\*\*The Tru-Balance Power Recline Back Cushions have been discontinued. These items are no longer available.\*\*\*



18" Height

A1a	14" Width
A1b	15" Width
A1c	16" Width
A1d	17" Width
A1e	18" Width
A1f	19" Width
A1g	20" Width
A1h	21" Width
A1i	22" Width
A1j	23" Width
A1k	24" Width

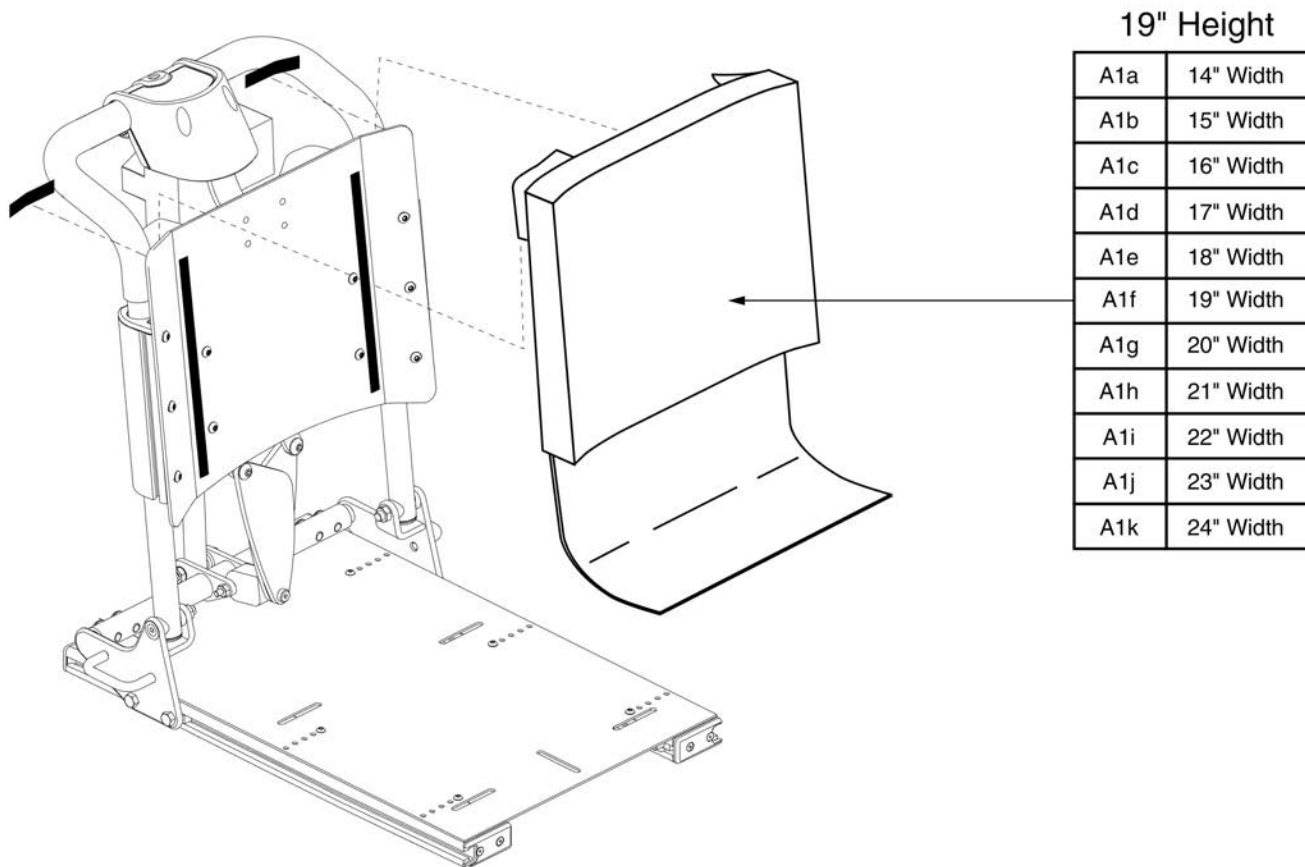
## Back Cushion - 18"H, TB2 Recline



Item	Part No.	Name	Qty
A1a		CUSHION,ASSY,BACK,14"W,18"H,(14.71"W,11.25"H ACTUAL BACK SIZE),TRU-BALANCE POWER RECLINE	1
A1b		CUSHION,ASSY,BACK,15"W,18"H,(15.71"W,11.25"H ACTUAL BACK SIZE),TRU-BALANCE POWER RECLINE	1
A1c		CUSHION,ASSY,BACK,16"W,18"H,(16.71"W,11.25"H ACTUAL BACK SIZE),TRU-BALANCE POWER RECLINE	1
A1d		CUSHION,ASSY,BACK,17"W,18"H,(17.71"W,11.25"H ACTUAL BACK SIZE),TRU-BALANCE POWER RECLINE	1
A1e		CUSHION,ASSY,BACK,18"W,18"H,(18.71"W,11.25"H ACTUAL BACK SIZE),TRU-BALANCE POWER RECLINE	1
A1f		CUSHION,ASSY,BACK,19"W,18"H,(19.71"W,11.25"H ACTUAL BACK SIZE),TRU-BALANCE POWER RECLINE	1
A1g		CUSHION,ASSY,BACK,20"W,18"H,(20.71"W,11.25"H ACTUAL BACK SIZE),TRU-BALANCE POWER RECLINE	1
A1h		CUSHION,ASSY,BACK,21"W,18"H,(21.71"W,11.25"H ACTUAL BACK SIZE),TRU-BALANCE POWER RECLINE	1
A1i		CUSHION,ASSY,BACK,22"W,18"H,(22.71"W,11.25"H ACTUAL BACK SIZE),TRU-BALANCE POWER RECLINE	1
A1j		CUSHION,ASSY,BACK,23"W,18"H,(23.71"W,11.25"H ACTUAL BACK SIZE),TRU-BALANCE POWER RECLINE	1
A1k		CUSHION,ASSY,BACK,24"W,18"H,(24.71"W,11.25"H ACTUAL BACK SIZE),TRU-BALANCE POWER RECLINE	1

Back Cushion

\*\*\*The Tru-Balance Power Recline Back Cushions have been discontinued. These items are no longer available.\*\*\*



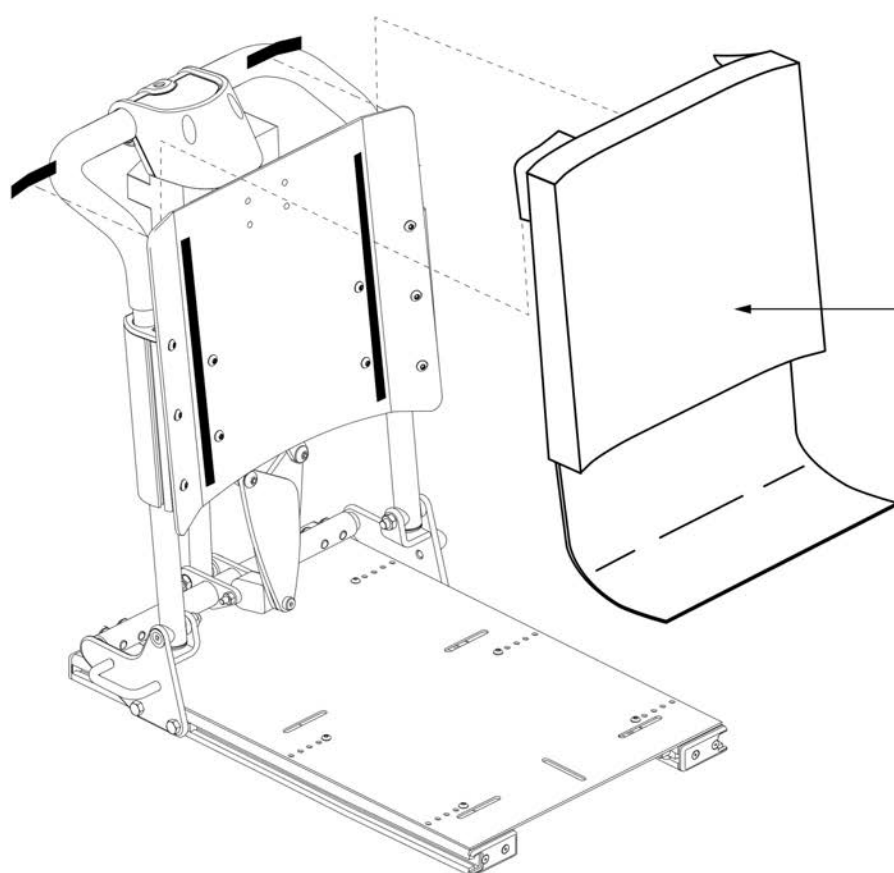
## Back Cushion - 19"H, TB2 Recline



Item	Part No.	Name	Qty
A1a		CUSHION,ASSY,BACK,14"W,19"H,(14.71"W,12.25"H ACTUAL BACK SIZE),TRU-BALANCE POWER RECLINE	1
A1b		CUSHION,ASSY,BACK,15"W,19"H,(15.71"W,12.25"H ACTUAL BACK SIZE),TRU-BALANCE POWER RECLINE	1
A1c		CUSHION,ASSY,BACK,16"W,19"H,(16.71"W,12.25"H ACTUAL BACK SIZE),TRU-BALANCE POWER RECLINE	1
A1d		CUSHION,ASSY,BACK,17"W,19"H,(17.71"W,12.25"H ACTUAL BACK SIZE),TRU-BALANCE POWER RECLINE	1
A1e		CUSHION,ASSY,BACK,18"W,19"H,(18.71"W,12.25"H ACTUAL BACK SIZE),TRU-BALANCE POWER RECLINE	1
A1f		CUSHION,ASSY,BACK,19"W,19"H,(19.71"W,12.25"H ACTUAL BACK SIZE),TRU-BALANCE POWER RECLINE	1
A1g		CUSHION,ASSY,BACK,20"W,19"H,(20.71"W,12.25"H ACTUAL BACK SIZE),TRU-BALANCE POWER RECLINE	1
A1h		CUSHION,ASSY,BACK,21"W,19"H,(21.71"W,12.25"H ACTUAL BACK SIZE),TRU-BALANCE POWER RECLINE	1
A1i		CUSHION,ASSY,BACK,22"W,19"H,(22.71"W,12.25"H ACTUAL BACK SIZE),TRU-BALANCE POWER RECLINE	1
A1j		CUSHION,ASSY,BACK,23"W,19"H,(23.71"W,12.25"H ACTUAL BACK SIZE),TRU-BALANCE POWER RECLINE	1
A1k		CUSHION,ASSY,BACK,24"W,19"H,(24.71"W,12.25"H ACTUAL BACK SIZE),TRU-BALANCE POWER RECLINE	1

Back Cushion

\*\*\*The Tru-Balance Power Recline Back Cushions have been discontinued. These items are no longer available.\*\*\*



20" Height

A1a	14" Width
A1b	15" Width
A1c	16" Width
A1d	17" Width
A1e	18" Width
A1f	19" Width
A1g	20" Width
A1h	21" Width
A1i	22" Width
A1j	23" Width
A1k	24" Width

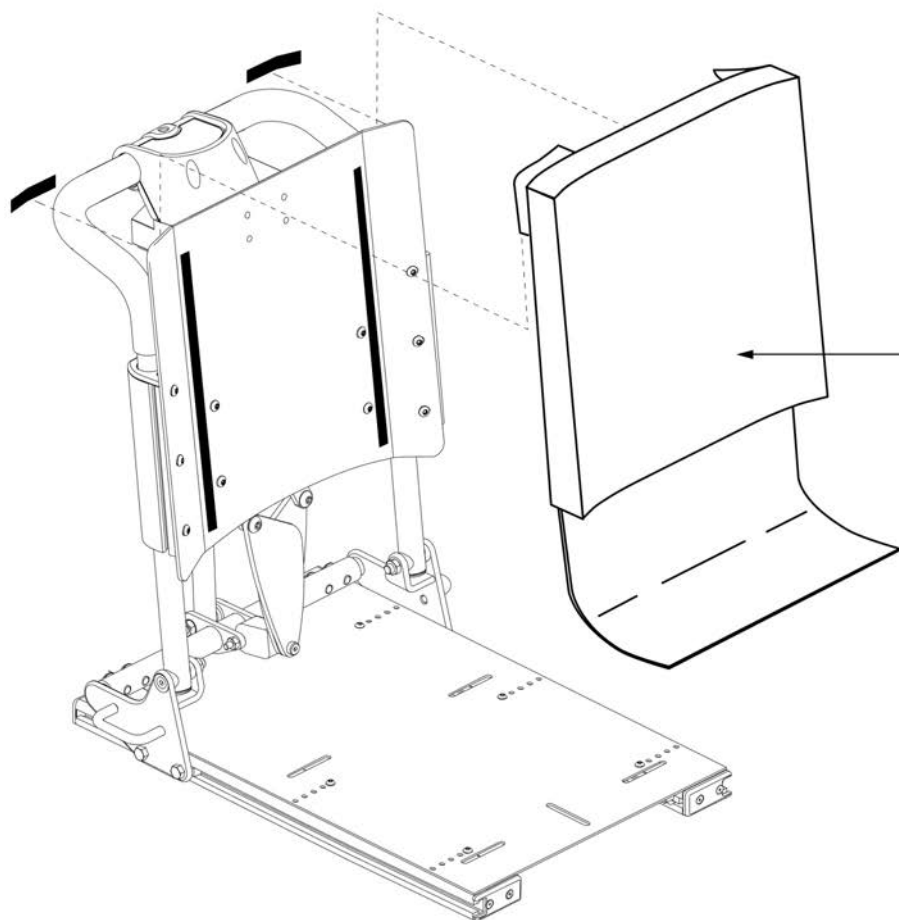
## Back Cushion - 20"H, TB2 Recline



Item	Part No.	Name	Qty
A1a		CUSHION,ASSY,BACK,14"W,20"H,(14.71"W,13.25"H ACTUAL BACK SIZE),TRU-BALANCE POWER RECLINE	1
A1b		CUSHION,ASSY,BACK,15"W,20"H,(15.71"W,13.25"H ACTUAL BACK SIZE),TRU-BALANCE POWER RECLINE	1
A1c		CUSHION,ASSY,BACK,16"W,20"H,(16.71"W,13.25"H ACTUAL BACK SIZE),TRU-BALANCE POWER RECLINE	1
A1d		CUSHION,ASSY,BACK,17"W,20"H,(17.71"W,13.25"H ACTUAL BACK SIZE),TRU-BALANCE POWER RECLINE	1
A1e		CUSHION,ASSY,BACK,18"W,20"H,(18.71"W,13.25"H ACTUAL BACK SIZE),TRU-BALANCE POWER RECLINE	1
A1f		CUSHION,ASSY,BACK,19"W,20"H,(19.71"W,13.25"H ACTUAL BACK SIZE),TRU-BALANCE POWER RECLINE	1
A1g		CUSHION,ASSY,BACK,20"W,20"H,(20.71"W,13.25"H ACTUAL BACK SIZE),TRU-BALANCE POWER RECLINE	1
A1h		CUSHION,ASSY,BACK,21"W,20"H,(21.71"W,13.25"H ACTUAL BACK SIZE),TRU-BALANCE POWER RECLINE	1
A1i		CUSHION,ASSY,BACK,22"W,20"H,(22.71"W,13.25"H ACTUAL BACK SIZE),TRU-BALANCE POWER RECLINE	1
A1j		CUSHION,ASSY,BACK,23"W,20"H,(23.71"W,13.25"H ACTUAL BACK SIZE),TRU-BALANCE POWER RECLINE	1
A1k		CUSHION,ASSY,BACK,24"W,20"H,(24.71"W,12.25"H ACTUAL BACK SIZE),TRU-BALANCE POWER RECLINE	1

Back Cushion

\*\*\*The Tru-Balance Power Recline Back Cushions have been discontinued. These items are no longer available.\*\*\*



21" Height

A1a	14" Width
A1b	15" Width
A1c	16" Width
A1d	17" Width
A1e	18" Width
A1f	19" Width
A1g	20" Width
A1h	21" Width
A1i	22" Width
A1j	23" Width
A1k	24" Width

## Back Cushion - 21"H, TB2 Recline

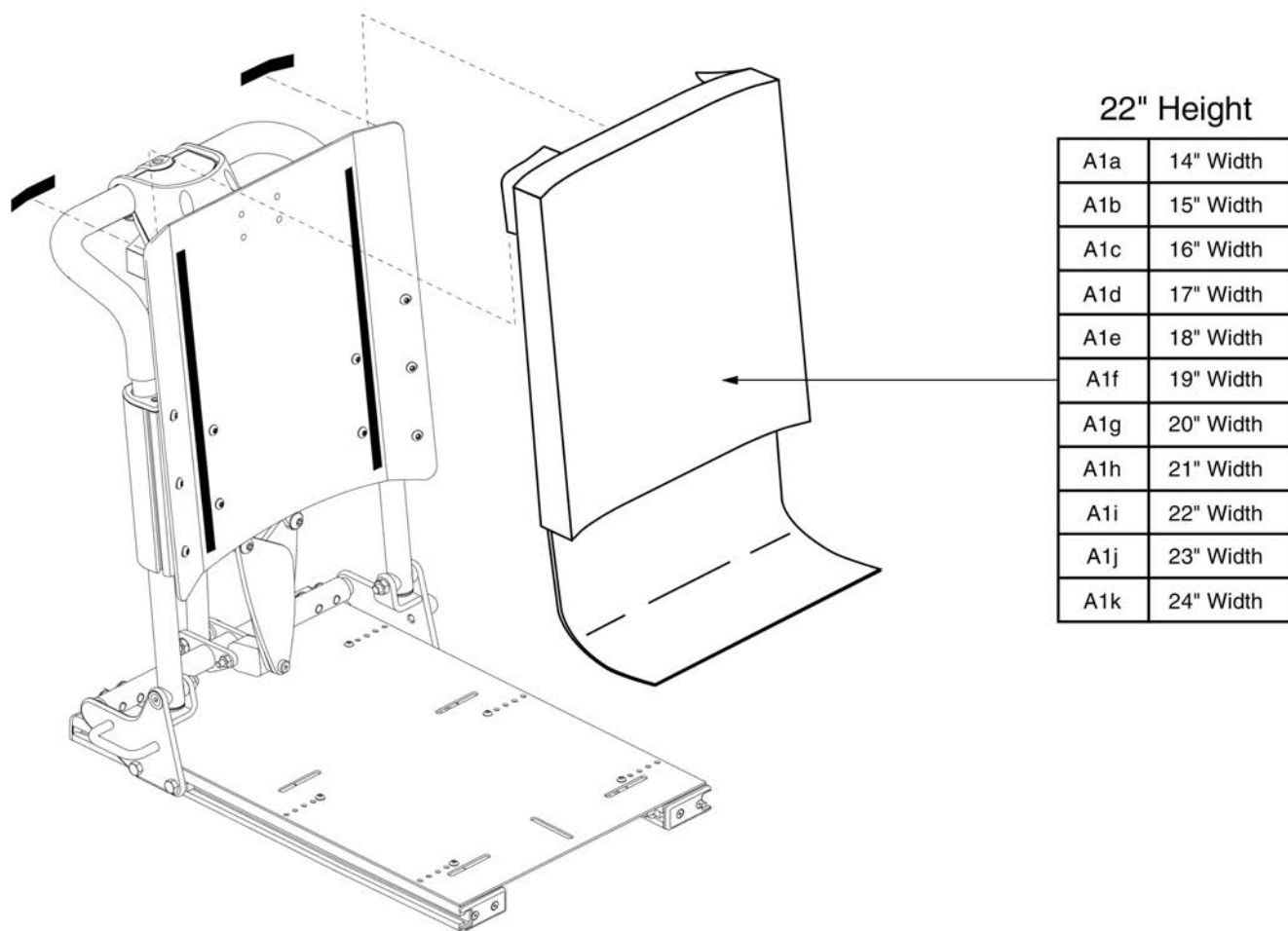


Item	Part No.	Name	Qty
A1a		CUSHION,ASSY,BACK,14"W,21"H,(14.71"W,14.25"H ACTUAL BACK SIZE),TRU-BALANCE POWER RECLINE	1
A1b		CUSHION,ASSY,BACK,15"W,21"H,(15.71"W,14.25"H ACTUAL BACK SIZE),TRU-BALANCE POWER RECLINE	1
A1c		CUSHION,ASSY,BACK,16"W,21"H,(16.71"W,14.25"H ACTUAL BACK SIZE),TRU-BALANCE POWER RECLINE	1
A1d		CUSHION,ASSY,BACK,17"W,21"H,(17.71"W,14.25"H ACTUAL BACK SIZE),TRU-BALANCE POWER RECLINE	1
A1e		CUSHION,ASSY,BACK,18"W,21"H,(18.71"W,14.25"H ACTUAL BACK SIZE),TRU-BALANCE POWER RECLINE	1
A1f		CUSHION,ASSY,BACK,19"W,21"H,(19.71"W,14.25"H ACTUAL BACK SIZE),TRU-BALANCE POWER RECLINE	1
A1g		CUSHION,ASSY,BACK,20"W,21"H,(20.71"W,14.25"H ACTUAL BACK SIZE),TRU-BALANCE POWER RECLINE	1
A1h		CUSHION,ASSY,BACK,21"W,21"H,(21.71"W,14.25"H ACTUAL BACK SIZE),TRU-BALANCE POWER RECLINE	1
A1i		CUSHION,ASSY,BACK,22"W,21"H,(22.71"W,14.25"H ACTUAL BACK SIZE),TRU-BALANCE POWER RECLINE	1
A1j		CUSHION,ASSY,BACK,23"W,21"H,(23.71"W,14.25"H ACTUAL BACK SIZE),TRU-BALANCE POWER RECLINE	1
A1k		CUSHION,ASSY,BACK,24"W,21"H,(24.71"W,14.25"H ACTUAL BACK SIZE),TRU-BALANCE POWER RECLINE	1



Back Cushion

\*\*\*The Tru-Balance Power Recline Back Cushions have been discontinued. These items are no longer available.\*\*\*



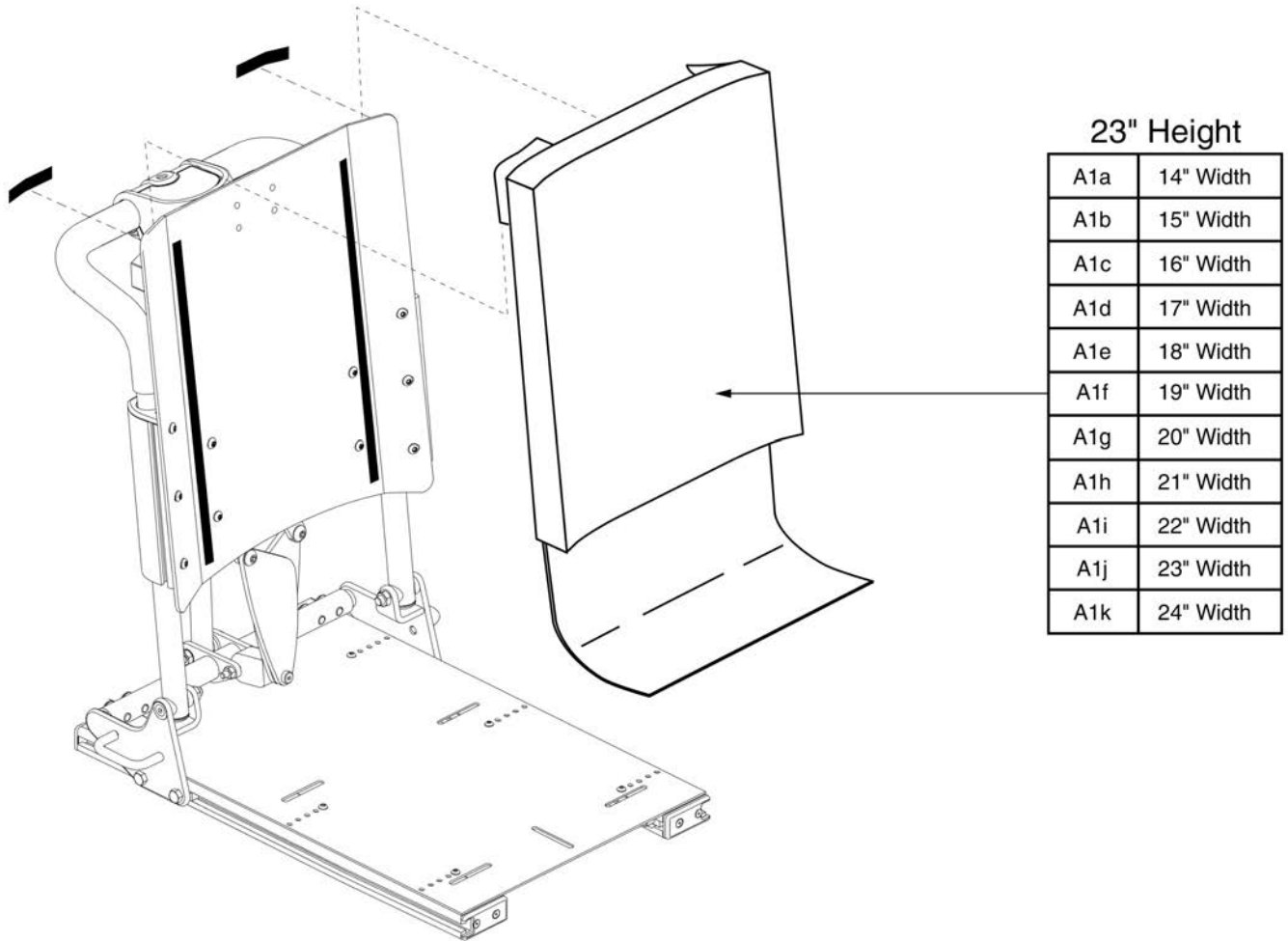
## Back Cushion - 22"H, TB2 Recline



Item	Part No.	Name	Qty
A1a		CUSHION,ASSY,BACK,14"W,22"H,(14.71"W,15.25"H ACTUAL BACK SIZE),TRU-BALANCE POWER RECLINE	1
A1b		CUSHION,ASSY,BACK,15"W,22"H,(15.71"W,15.25"H ACTUAL BACK SIZE),TRU-BALANCE POWER RECLINE	1
A1c		CUSHION,ASSY,BACK,16"W,22"H,(16.71"W,15.25"H ACTUAL BACK SIZE),TRU-BALANCE POWER RECLINE	1
A1d		CUSHION,ASSY,BACK,17"W,22"H,(17.71"W,15.25"H ACTUAL BACK SIZE),TRU-BALANCE POWER RECLINE	1
A1e		CUSHION,ASSY,BACK,18"W,22"H,(18.71"W,15.25"H ACTUAL BACK SIZE),TRU-BALANCE POWER RECLINE	1
A1f		CUSHION,ASSY,BACK,19"W,22"H,(19.71"W,15.25"H ACTUAL BACK SIZE),TRU-BALANCE POWER RECLINE	1
A1g		CUSHION,ASSY,BACK,20"W,22"H,(20.71"W,15.25"H ACTUAL BACK SIZE),TRU-BALANCE POWER RECLINE	1
A1h		CUSHION,ASSY,BACK,21"W,22"H,(21.71"W,15.25"H ACTUAL BACK SIZE),TRU-BALANCE POWER RECLINE	1
A1i		CUSHION,ASSY,BACK,22"W,22"H,(22.71"W,15.25"H ACTUAL BACK SIZE),TRU-BALANCE POWER RECLINE	1
A1j		CUSHION,ASSY,BACK,23"W,22"H,(23.71"W,15.25"H ACTUAL BACK SIZE),TRU-BALANCE POWER RECLINE	1
A1k		CUSHION,ASSY,BACK,24"W,22"H,(24.71"W,15.25"H ACTUAL BACK SIZE),TRU-BALANCE POWER RECLINE	1

Back Cushion

\*\*\*The Tru-Balance Power Recline Back Cushions have been discontinued. These items are no longer available.\*\*\*



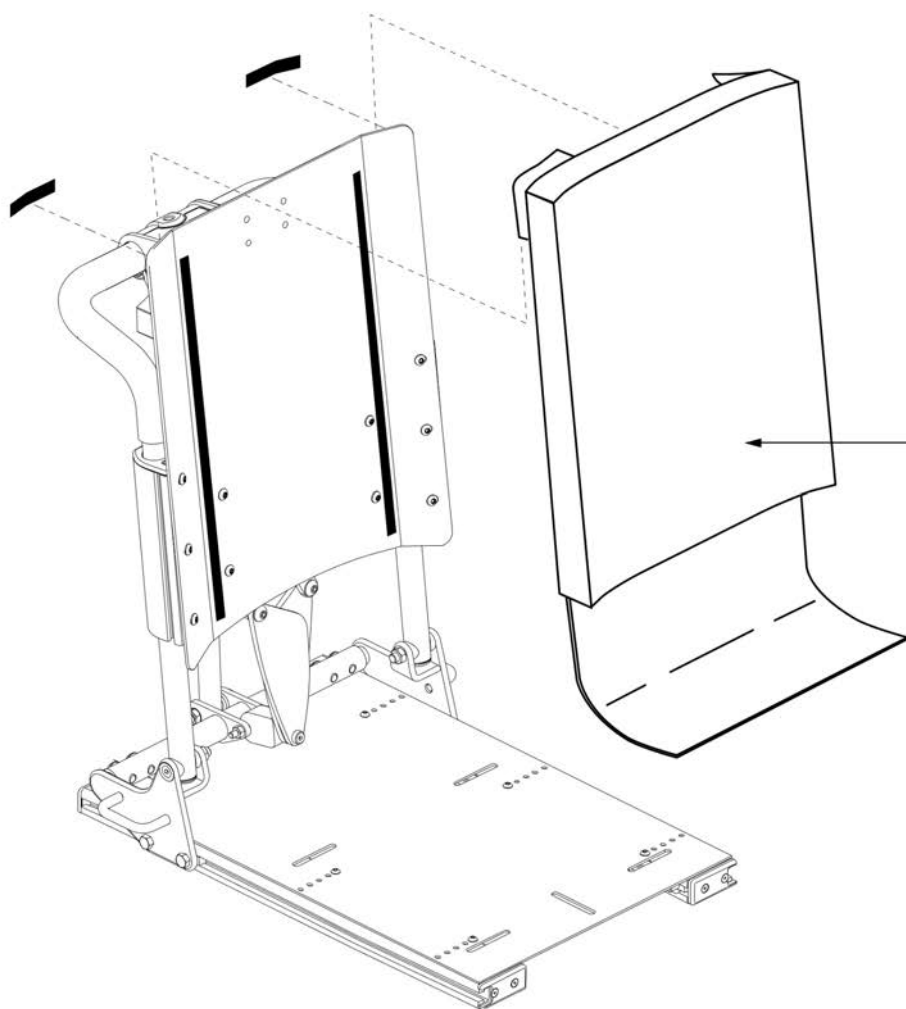
## Back Cushion - 23"H, TB2 Recline



Item	Part No.	Name	Qty
A1a		CUSHION,ASSY,BACK,14"W,23"H,(14.71"W,16.25"H ACTUAL BACK SIZE),TRU-BALANCE POWER RECLINE	1
A1b		CUSHION,ASSY,BACK,15"W,23"H,(15.71"W,16.25"H ACTUAL BACK SIZE),TRU-BALANCE POWER RECLINE	1
A1c		CUSHION,ASSY,BACK,16"W,23"H,(16.71"W,16.25"H ACTUAL BACK SIZE),TRU-BALANCE POWER RECLINE	1
A1d		CUSHION,ASSY,BACK,17"W,23"H,(17.71"W,16.25"H ACTUAL BACK SIZE),TRU-BALANCE POWER RECLINE	1
A1e		CUSHION,ASSY,BACK,18"W,23"H,(18.71"W,16.25"H ACTUAL BACK SIZE),TRU-BALANCE POWER RECLINE	1
A1f		CUSHION,ASSY,BACK,19"W,23"H,(19.71"W,16.25"H ACTUAL BACK SIZE),TRU-BALANCE POWER RECLINE	1
A1g		CUSHION,ASSY,BACK,20"W,23"H,(20.71"W,16.25"H ACTUAL BACK SIZE),TRU-BALANCE POWER RECLINE	1
A1h		CUSHION,ASSY,BACK,21"W,23"H,(21.71"W,16.25"H ACTUAL BACK SIZE),TRU-BALANCE POWER RECLINE	1
A1i		CUSHION,ASSY,BACK,22"W,23"H,(22.71"W,16.25"H ACTUAL BACK SIZE),TRU-BALANCE POWER RECLINE	1
A1j		CUSHION,ASSY,BACK,23"W,23"H,(23.71"W,16.25"H ACTUAL BACK SIZE),TRU-BALANCE POWER RECLINE	1
A1k		CUSHION,ASSY,BACK,24"W,23"H,(24.71"W,16.25"H ACTUAL BACK SIZE),TRU-BALANCE POWER RECLINE	1

Back Cushion

\*\*\*The Tru-Balance Power Recline Back Cushions have been discontinued. These items are no longer available.\*\*\*



24" Height

A1a	14" Width
A1b	15" Width
A1c	16" Width
A1d	17" Width
A1e	18" Width
A1f	19" Width
A1g	20" Width
A1h	21" Width
A1i	22" Width
A1j	23" Width
A1k	24" Width

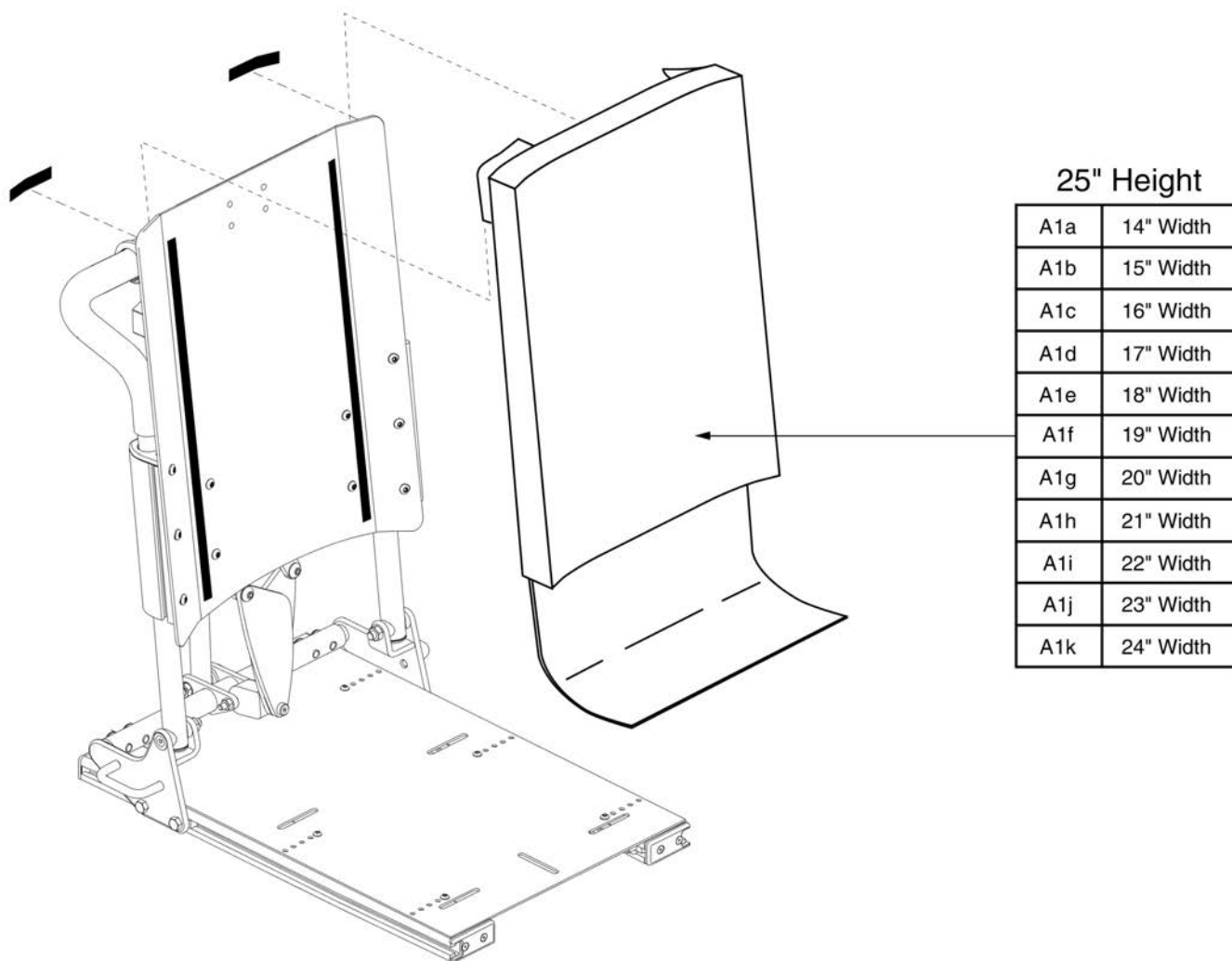
## Back Cushion - 24"H, TB2 Recline



Item	Part No.	Name	Qty
A1a		CUSHION,ASSY,BACK,14"W,24"H,(14.71"W,17.25"H ACTUAL BACK SIZE),TRU-BALANCE POWER RECLINE	1
A1b		CUSHION,ASSY,BACK,15"W,24"H,(15.71"W,17.25"H ACTUAL BACK SIZE),TRU-BALANCE POWER RECLINE	1
A1c		CUSHION,ASSY,BACK,16"W,24"H,(16.71"W,17.25"H ACTUAL BACK SIZE),TRU-BALANCE POWER RECLINE	1
A1d		CUSHION,ASSY,BACK,17"W,24"H,(17.71"W,17.25"H ACTUAL BACK SIZE),TRU-BALANCE POWER RECLINE	1
A1e		CUSHION,ASSY,BACK,18"W,24"H,(18.71"W,17.25"H ACTUAL BACK SIZE),TRU-BALANCE POWER RECLINE	1
A1f		CUSHION,ASSY,BACK,19"W,24"H,(19.71"W,17.25"H ACTUAL BACK SIZE),TRU-BALANCE POWER RECLINE	1
A1g		CUSHION,ASSY,BACK,20"W,24"H,(20.71"W,17.25"H ACTUAL BACK SIZE),TRU-BALANCE POWER RECLINE	1
A1h		CUSHION,ASSY,BACK,21"W,24"H,(21.71"W,17.25"H ACTUAL BACK SIZE),TRU-BALANCE POWER RECLINE	1
A1i		CUSHION,ASSY,BACK,22"W,24"H,(22.71"W,17.25"H ACTUAL BACK SIZE),TRU-BALANCE POWER RECLINE	1
A1j		CUSHION,ASSY,BACK,23"W,24"H,(23.71"W,17.25"H ACTUAL BACK SIZE),TRU-BALANCE POWER RECLINE	1
A1k		CUSHION,ASSY,BACK,24"W,24"H,(24.71"W,17.25"H ACTUAL BACK SIZE),TRU-BALANCE POWER RECLINE	1

Back Cushion

\*\*\*The Tru-Balance Power Recline Back Cushions have been discontinued. These items are no longer available.\*\*\*



## Back Cushion - 25"H, TB2 Recline

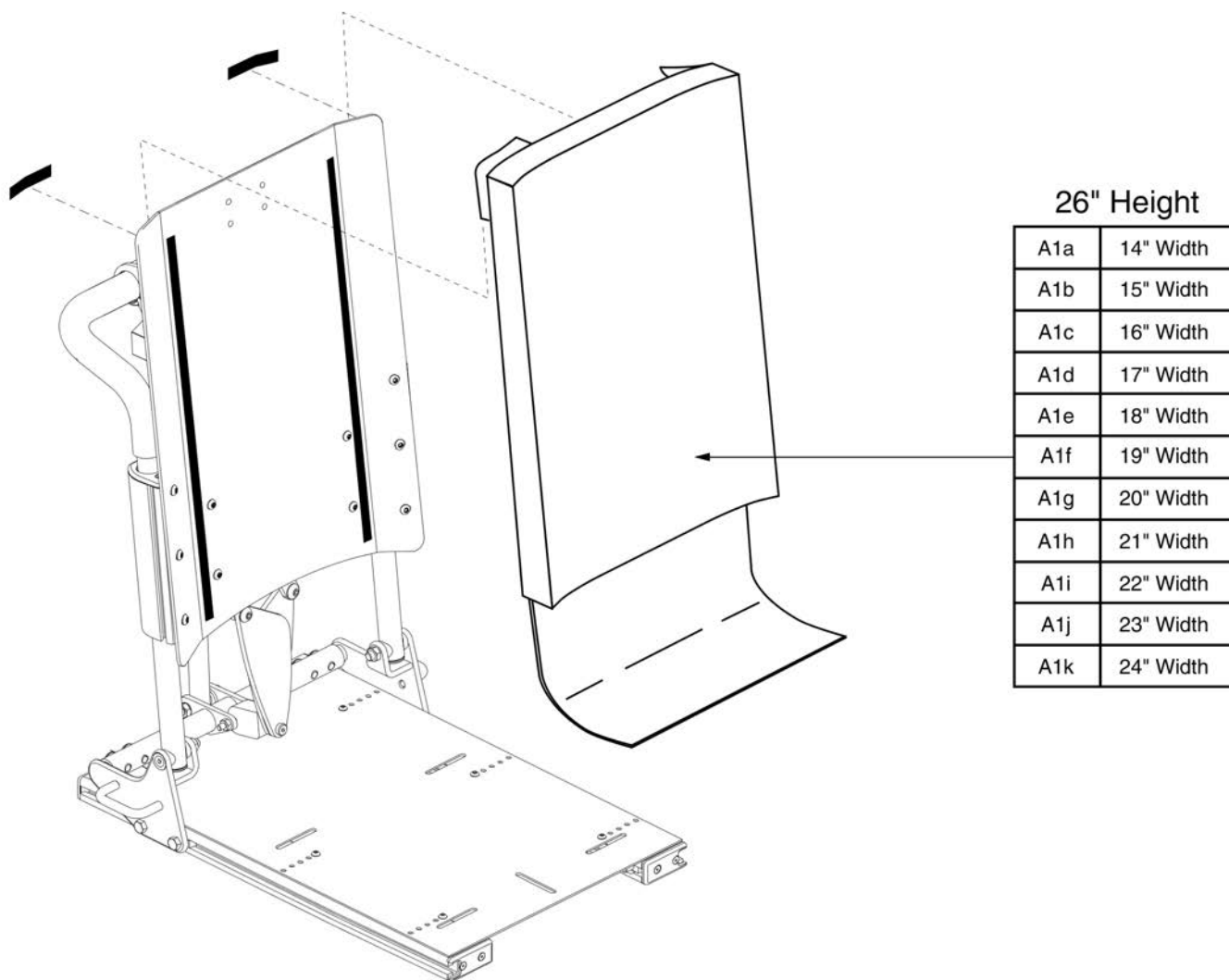


Item	Part No.	Name	Qty
A1a		CUSHION,ASSY,BACK,14"W,25"H,(14.71"W,18.25"H ACTUAL BACK SIZE),TRU-BALANCE POWER RECLINE	1
A1b		CUSHION,ASSY,BACK,15"W,25"H,(15.71"W,18.25"H ACTUAL BACK SIZE),TRU-BALANCE POWER RECLINE	1
A1c		CUSHION,ASSY,BACK,16"W,25"H,(16.71"W,18.25"H ACTUAL BACK SIZE),TRU-BALANCE POWER RECLINE	1
A1d		CUSHION,ASSY,BACK,17"W,25"H,(17.71"W,18.25"H ACTUAL BACK SIZE),TRU-BALANCE POWER RECLINE	1
A1e		CUSHION,ASSY,BACK,18"W,25"H,(18.71"W,18.25"H ACTUAL BACK SIZE),TRU-BALANCE POWER RECLINE	1
A1f		CUSHION,ASSY,BACK,19"W,25"H,(19.71"W,18.25"H ACTUAL BACK SIZE),TRU-BALANCE POWER RECLINE	1
A1g		CUSHION,ASSY,BACK,20"W,25"H,(20.71"W,18.25"H ACTUAL BACK SIZE),TRU-BALANCE POWER RECLINE	1
A1h		CUSHION,ASSY,BACK,21"W,25"H,(21.71"W,18.25"H ACTUAL BACK SIZE),TRU-BALANCE POWER RECLINE	1
A1i		CUSHION,ASSY,BACK,22"W,25"H,(22.71"W,18.25"H ACTUAL BACK SIZE),TRU-BALANCE POWER RECLINE	1
A1j		CUSHION,ASSY,BACK,23"W,25"H,(23.71"W,18.25"H ACTUAL BACK SIZE),TRU-BALANCE POWER RECLINE	1
A1k		CUSHION,ASSY,BACK,24"W,25"H,(24.71"W,18.25"H ACTUAL BACK SIZE),TRU-BALANCE POWER RECLINE	1



Back Cushion

\*\*\*The Tru-Balance Power Recline Back Cushions have been discontinued. These items are no longer available.\*\*\*



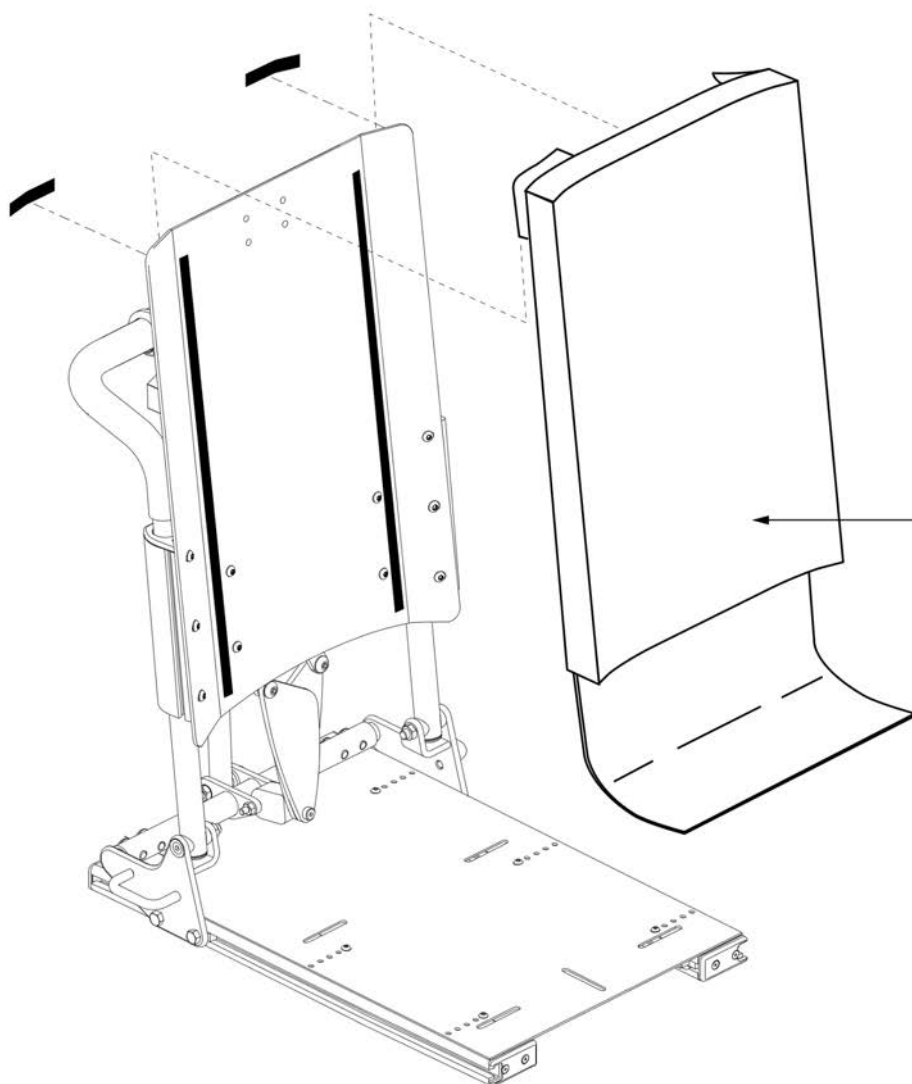
## Back Cushion - 26"H, TB2 Recline



Item	Part No.	Name	Qty
A1a		CUSHION,ASSY,BACK,14"W,26"H,(14.71"W,19.25"H ACTUAL BACK SIZE),TRU-BALANCE POWER RECLINE	1
A1b		CUSHION,ASSY,BACK,15"W,26"H,(15.71"W,19.25"H ACTUAL BACK SIZE),TRU-BALANCE POWER RECLINE	1
A1c		CUSHION,ASSY,BACK,16"W,26"H,(16.71"W,19.25"H ACTUAL BACK SIZE),TRU-BALANCE POWER RECLINE	1
A1d		CUSHION,ASSY,BACK,17"W,26"H,(17.71"W,19.25"H ACTUAL BACK SIZE),TRU-BALANCE POWER RECLINE	1
A1e		CUSHION,ASSY,BACK,18"W,26"H,(18.71"W,19.25"H ACTUAL BACK SIZE),TRU-BALANCE POWER RECLINE	1
A1f		CUSHION,ASSY,BACK,19"W,26"H,(19.71"W,19.25"H ACTUAL BACK SIZE),TRU-BALANCE POWER RECLINE	1
A1g		CUSHION,ASSY,BACK,20"W,26"H,(20.71"W,19.25"H ACTUAL BACK SIZE),TRU-BALANCE POWER RECLINE	1
A1h		CUSHION,ASSY,BACK,21"W,26"H,(21.71"W,19.25"H ACTUAL BACK SIZE),TRU-BALANCE POWER RECLINE	1
A1i		CUSHION,ASSY,BACK,22"W,26"H,(22.71"W,19.25"H ACTUAL BACK SIZE),TRU-BALANCE POWER RECLINE	1
A1j		CUSHION,ASSY,BACK,23"W,26"H,(23.71"W,19.25"H ACTUAL BACK SIZE),TRU-BALANCE POWER RECLINE	1
A1k		CUSHION,ASSY,BACK,24"W,26"H,(24.71"W,19.25"H ACTUAL BACK SIZE),TRU-BALANCE POWER RECLINE	1

Back Cushion

\*\*\*The Tru-Balance Power Recline Back Cushions have been discontinued. These items are no longer available.\*\*\*



27" Height

A1a	14" Width
A1b	15" Width
A1c	16" Width
A1d	17" Width
A1e	18" Width
A1f	19" Width
A1g	20" Width
A1h	21" Width
A1i	22" Width
A1j	23" Width
A1k	24" Width

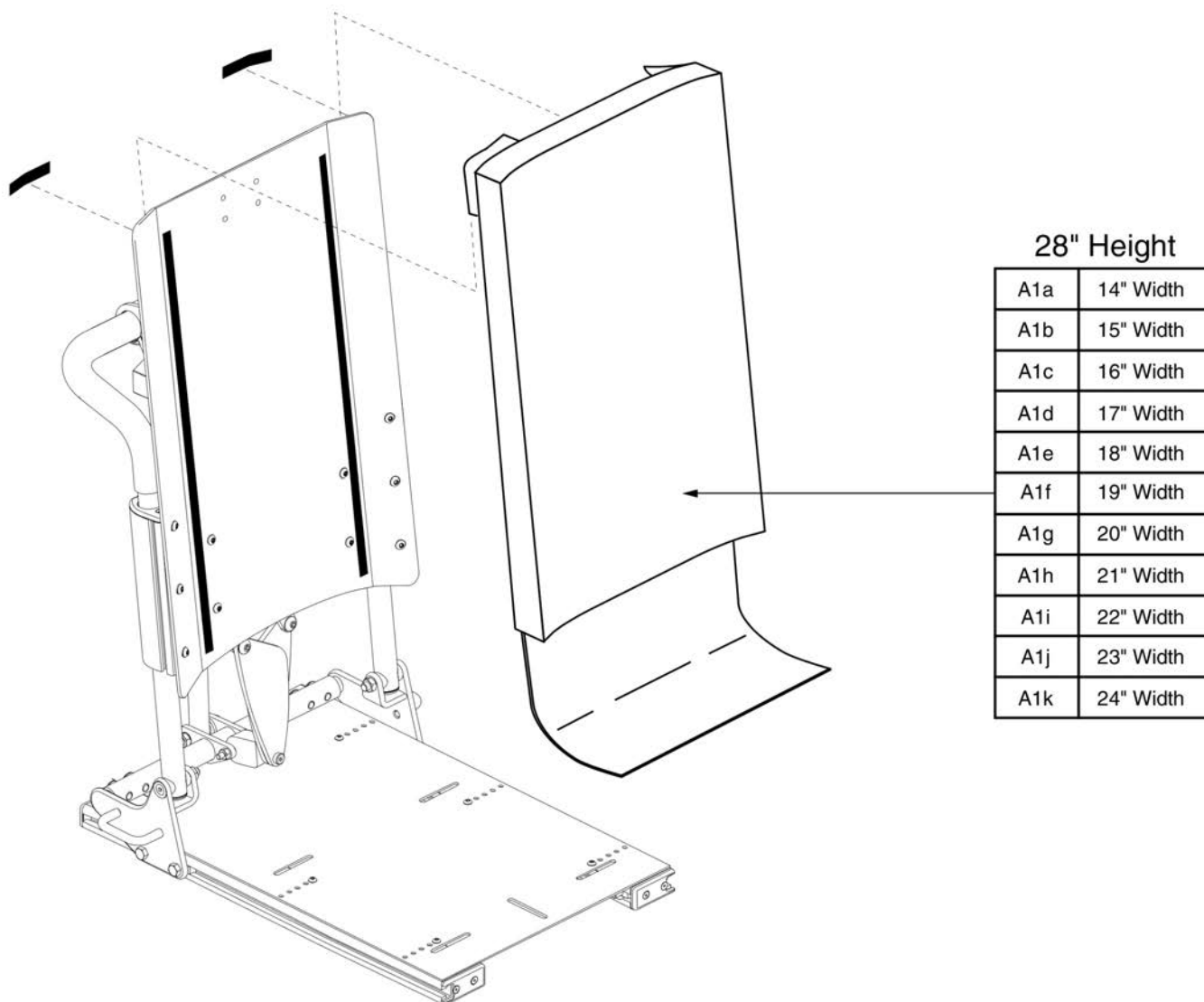
## Back Cushion - 27"H, TB2 Recline



Item	Part No.	Name	Qty
A1a		CUSHION,ASSY,BACK,14"W,27"H,(14.71"W,20.25"H ACTUAL BACK SIZE),TRU-BALANCE POWER RECLINE	1
A1b		CUSHION,ASSY,BACK,15"W,27"H,(15.71"W,20.25"H ACTUAL BACK SIZE),TRU-BALANCE POWER RECLINE	1
A1c		CUSHION,ASSY,BACK,16"W,27"H,(16.71"W,20.25"H ACTUAL BACK SIZE),TRU-BALANCE POWER RECLINE	1
A1d		CUSHION,ASSY,BACK,17"W,27"H,(17.71"W,20.25"H ACTUAL BACK SIZE),TRU-BALANCE POWER RECLINE	1
A1e		CUSHION,ASSY,BACK,18"W,27"H,(18.71"W,20.25"H ACTUAL BACK SIZE),TRU-BALANCE POWER RECLINE	1
A1f		CUSHION,ASSY,BACK,19"W,27"H,(19.71"W,20.25"H ACTUAL BACK SIZE),TRU-BALANCE POWER RECLINE	1
A1g		CUSHION,ASSY,BACK,20"W,27"H,(20.71"W,20.25"H ACTUAL BACK SIZE),TRU-BALANCE POWER RECLINE	1
A1h		CUSHION,ASSY,BACK,21"W,27"H,(21.71"W,20.25"H ACTUAL BACK SIZE),TRU-BALANCE POWER RECLINE	1
A1i		CUSHION,ASSY,BACK,22"W,27"H,(22.71"W,20.25"H ACTUAL BACK SIZE),TRU-BALANCE POWER RECLINE	1
A1j		CUSHION,ASSY,BACK,23"W,27"D,(23.71"W,20.25"H ACTUAL BACK SIZE),TRU-BALANCE POWER RECLINE	1
A1k		CUSHION,ASSY,BACK,24"W,27"H,(24.71"W,20.25"H ACTUAL BACK SIZE),TRU-BALANCE POWER RECLINE	1

Back Cushion

\*\*\*The Tru-Balance Power Recline Back Cushions have been discontinued. These items are no longer available.\*\*\*

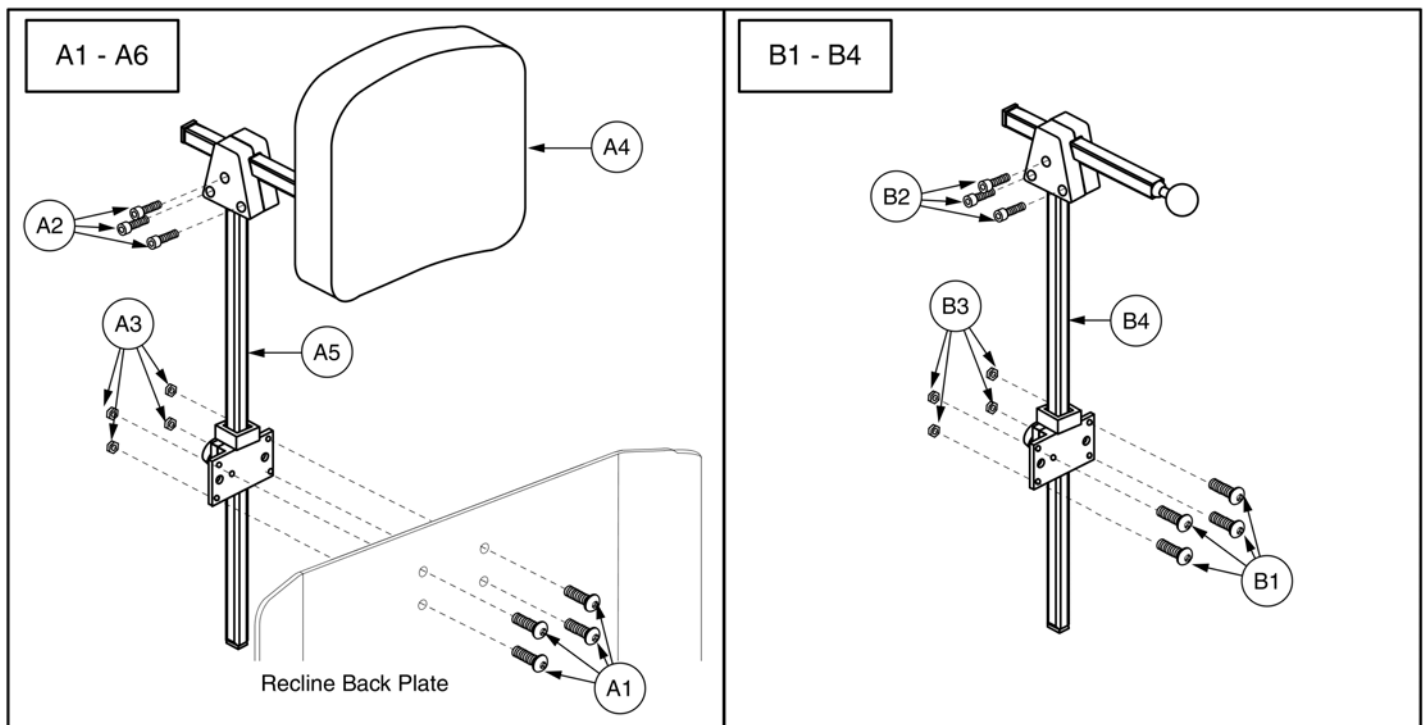


## Back Cushion - 28"H, TB2 Recline



Item	Part No.	Name	Qty
A1a		CUSHION,ASSY,BACK,14"W,28"H,(14.71"W,21.25"H ACTUAL BACK SIZE),TRU-BALANCE POWER RECLINE	1
A1b		CUSHION,ASSY,BACK,15"W,28"H,(15.71"W,21.25"H ACTUAL BACK SIZE),TRU-BALANCE POWER RECLINE	1
A1c		CUSHION,ASSY,BACK,16"W,28"H,(16.71"W,21.25"H ACTUAL BACK SIZE),TRU-BALANCE POWER RECLINE	1
A1d		CUSHION,ASSY,BACK,17"W,28"H,(17.71"W,21.25"H ACTUAL BACK SIZE),TRU-BALANCE POWER RECLINE	1
A1e		CUSHION,ASSY,BACK,18"W,28"H,(18.71"W,21.25"H ACTUAL BACK SIZE),TRU-BALANCE POWER RECLINE	1
A1f		CUSHION,ASSY,BACK,19"W,28"H,(19.71"W,21.25"H ACTUAL BACK SIZE),TRU-BALANCE POWER RECLINE	1
A1g		CUSHION,ASSY,BACK,20"W,28"H,(20.71"W,21.25"H ACTUAL BACK SIZE),TRU-BALANCE POWER RECLINE	1
A1h		CUSHION,ASSY,BACK,21"W,28"H,(21.71"W,21.25"H ACTUAL BACK SIZE),TRU-BALANCE POWER RECLINE	1
A1i		CUSHION,ASSY,BACK,22"W,28"H,(22.71"W,21.25"H ACTUAL BACK SIZE),TRU-BALANCE POWER RECLINE	1
A1j		CUSHION,ASSY,BACK,23"W,28"H,(23.71"W,21.25"H ACTUAL BACK SIZE),TRU-BALANCE POWER RECLINE	1
A1k		CUSHION,ASSY,BACK,24"W,28"H,(24.71"W,21.25"H ACTUAL BACK SIZE),TRU-BALANCE POWER RECLINE	1

## 3.6. Headrest and Mounting Hardware



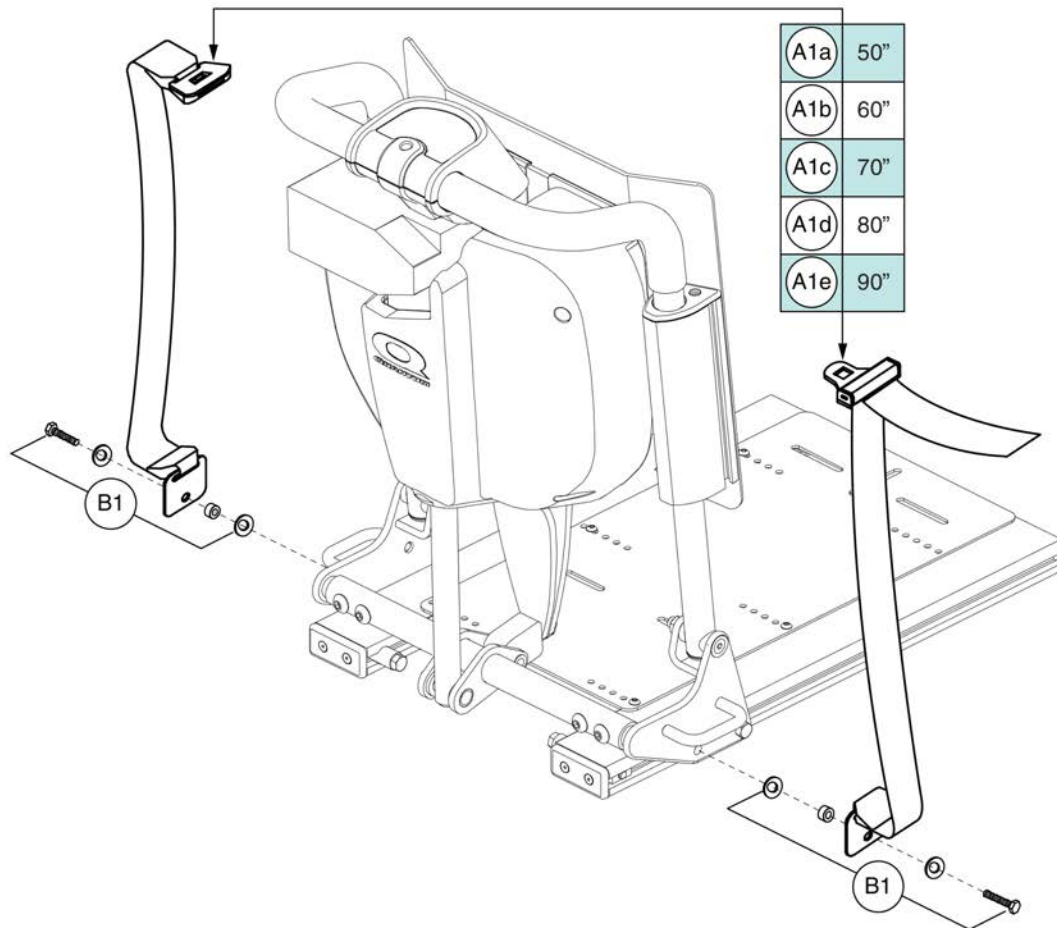
# Recline Headrest Assembly



Item	Part No.	Name	Qty
A1 - A6		HEADREST,ASSY,STRAIGHT,6.5" X 7",TRU-BALANCE POWER RECLINE	1
A1	SCRASBH1002	SCREW,BHSCS,BLACK ZINC,10-32-0.750",GRADE 8	4
A2	SCRSHCS1146	SCREW, SHCS,BLACK ZINC,10-32 X 0.875"	3
A3	NUTNJAM1028	NUT,NYLOCK JAM,BLACK ZINC,10-32	4
A4		HEADREST,PAD,6.5" X 7",SMALL,TRU-BALANCE POWER RECLINE,(MEDICAL APPLICATIONS:MA-HR-PAD-PS)	1
A5	HDWASMB1061	HARDWARE,ASSY,STRAIGHT HEADREST,TRU-BALANCE POWER RECLINE,(MEDICAL APPLICATIONS:MA-HR-AS-G-Q)	1
*A6		HANG TAG,REMOVAL OF EXCESS HEADREST ADJUSTMENT BAR,TRU-BALANCE SEATING,L-1234-306	1
B1 - B4	HDWASMB1071	HEADREST,STRAIGHT,FOR AFTER MARKET HEADREST,SYNERGY RECLINE/TILT & RECLINE	1
B1	SCRASBH1002	SCREW,BHSCS,BLACK ZINC,10-32-0.750",GRADE 8	4
B2	SCRSHCS1146	SCREW, SHCS,BLACK ZINC,10-32 X 0.875"	3
B3	NUTNJAM1028	NUT,NYLOCK JAM,BLACK ZINC,10-32	3
B4	HDWASMB1061	HARDWARE,ASSY,STRAIGHT HEADREST,TRU-BALANCE POWER RECLINE,(MEDICAL APPLICATIONS:MA-HR-AS-G-Q)	1



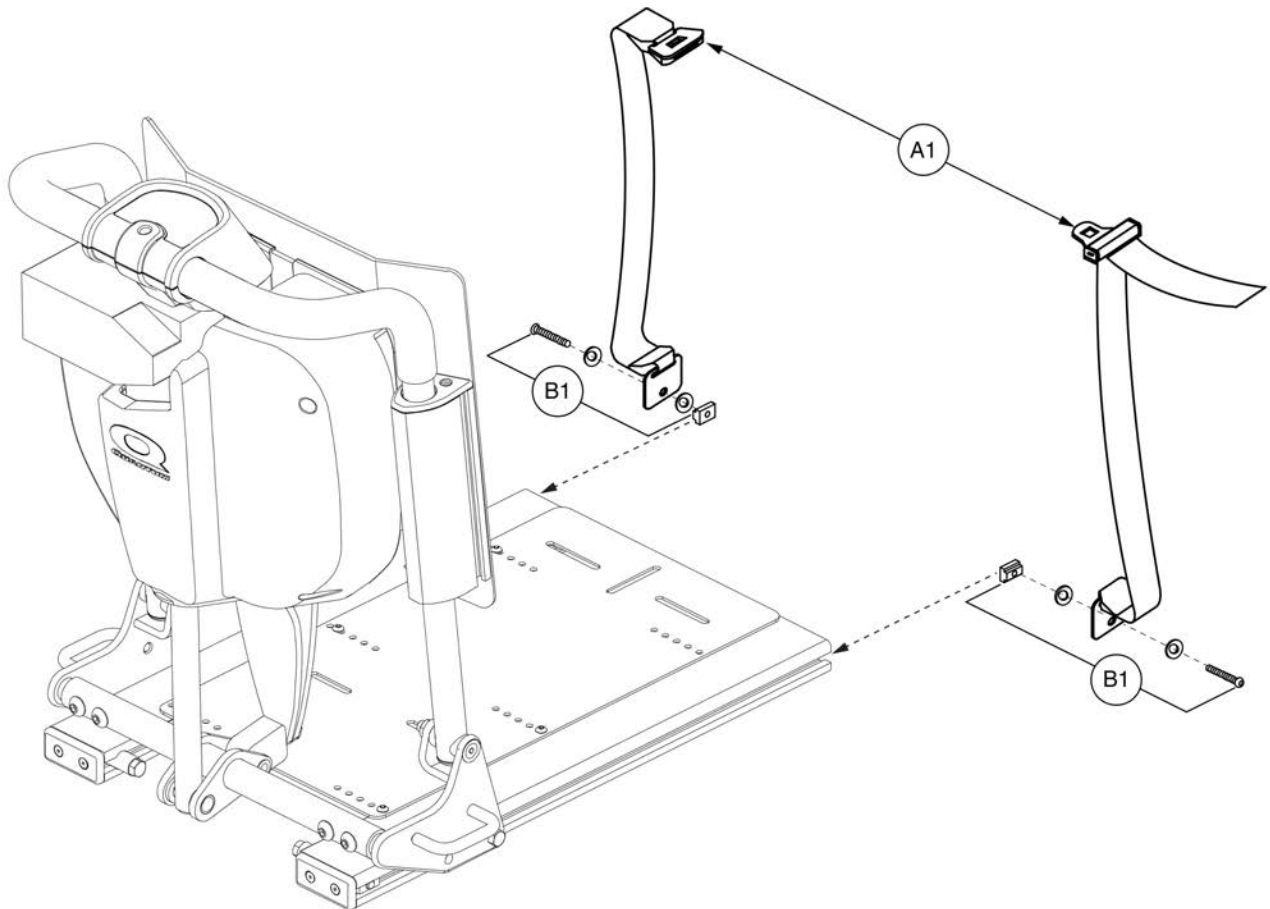
3.7. Lap Belt Assy's





Item	Part No.	Name	Qty
A1a	ACCBELT1000	LAP BELT,50",C-1010-336	1
A1b	ACCBELT1002	LAP BELT,60",C-1010-336	1
A1c	ACCBELT1003	LAP BELT,70",C-1010-336	1
A1d	ACCBELT1004	LAP BELT,80",C-1010-336	1
A1e	ACCBELT1001	LAP BELT,90",C-1010-336	1
B1	HDWASMB1044	LAP BELT MOUNTING HARDWARE,ASSY,SYNERGY SEAT	1

3.7. Lap Belt Assy's



**Pediatric Lap Belt, TB2 Power Recline**



Item	Part No.	Name	Qty
A1	ACCBELT1006	LAP BELT,1-1/2 X 38",PEDIATRIC,AUTO STYLE	1
B1	HDWASMB1049	LAP BELT MOUNTING HARDWARE, ASSY, PEDIATRIC LAP BELT, SYNERGY SEAT	1

3.8. Owner's and Decal Package



# Owner's Package

**TB2 Tilt and Recline Owner's Package**



Item	Part No.	Name	Qty
N/A	INDASMB1778	OWNER'S PACKAGE, TRU-BALANCE 2 POWER TILT AND RECLINE	1
N/A	INFMANU3700	MANUAL, BASIC OPERATING INSTRUCTIONS, TRU-BALANCE 2 POWER POSITIONING SYSTEMS	1

3.8. Owner's and Decal Package



# Decal Package

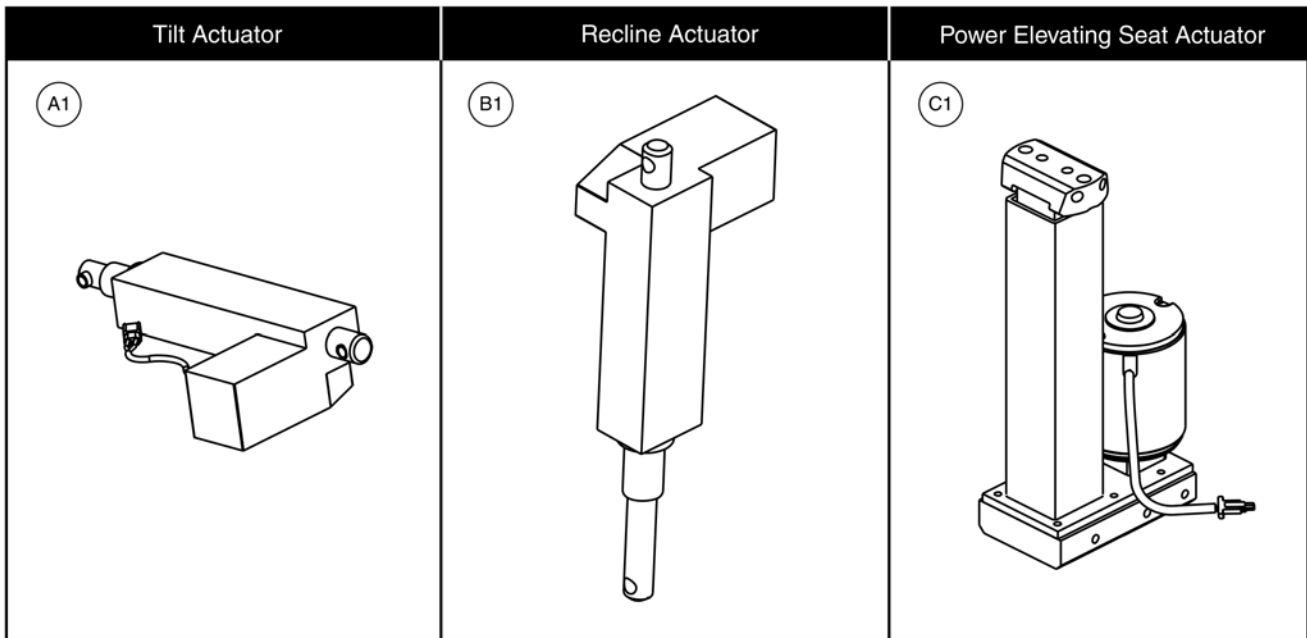
## TB2 Tilt & Recline Decal Package



Item	Part No.	Name	Qty
N/A	DECASMB2060	DECAL,ASSY,TRU-BALANCE 2 POWER TILT AND RECLINE	1
N/A	DWR1234L004	DECAL,ICON,300LBS/135 KG,MAXIMUM WEIGHT CAPACITY,L-1234-004	1
N/A	DWR1234L072	DECAL,ICON,1.375" X 0.6875",OWNERS MANUAL/SCISSOR PINCH POINT,L-1234-072	2
N/A	DWR1234L414	HANG TAG,ATTENTION,CENTER OF GRAVITY ADJUSTMENT,L-1234-414	1
N/A	DWR1235L199	DECAL,READ OWNER'S MANUAL,ONLY AN AUTHORIZED TECHNICIAN CAN ADJUST THE SEAT,L-1235-199	2



3.9. Replacement Actuators



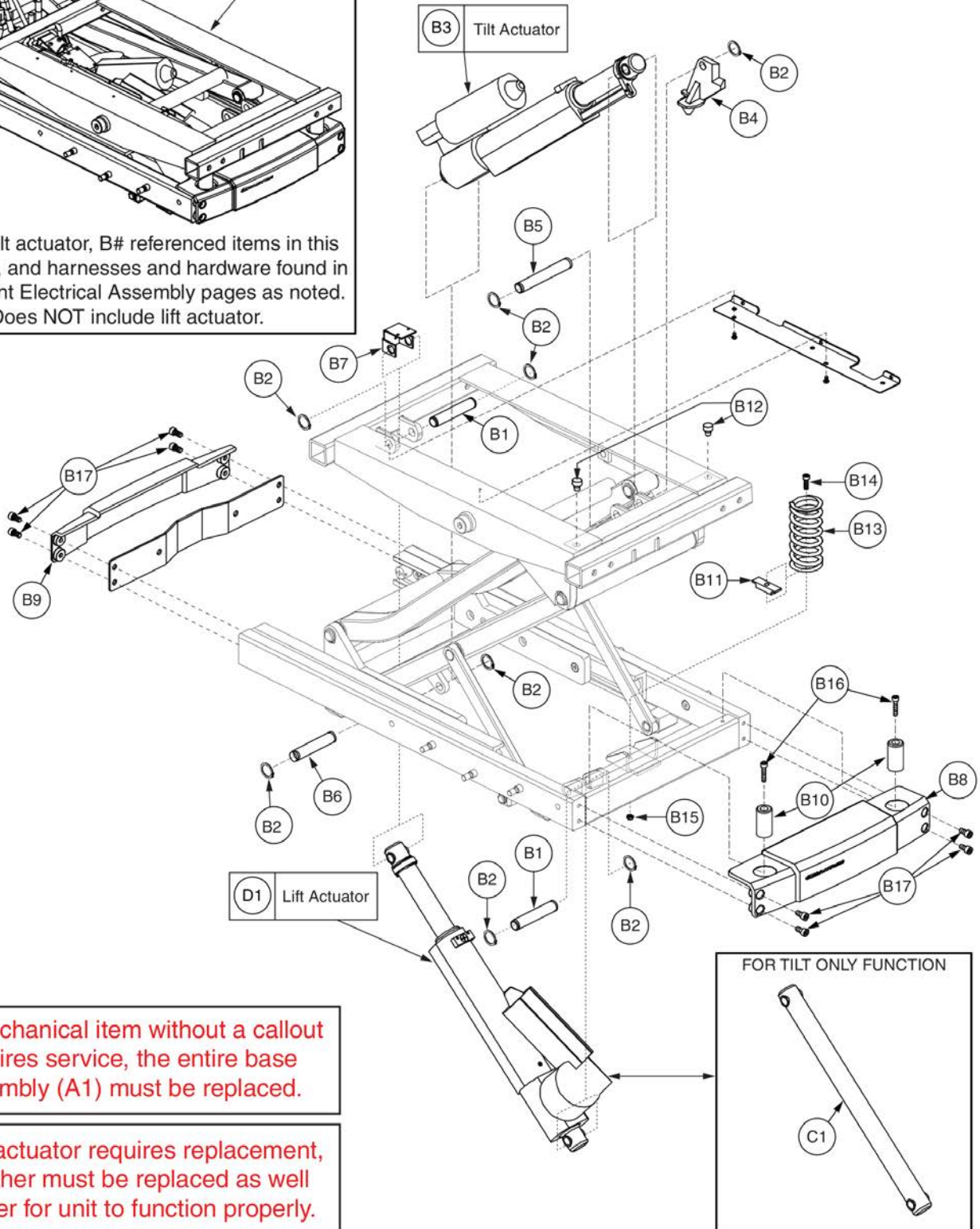
Item	Part No.	Name	Qty
A1	ACCACTR1031	ACTUATOR, TRU-BALANCE TILT G2, H-1265-002, (LINAK: LA31-U272-01)	1
B1	ACCACTR1032	ACTUATOR, TRU-BALANCE POWER RECLINE, H-1367-037, (LINAK: 314XXX-1115004X)	1
C1	DWR1368E015	ACTUATOR, TAPERED HEAD, TRU-BALANCE POWER SEAT, 7" STROKE, E-1368-015, (MOTION SYSTEMS: 85972-003)	1

4.1. Seat Bases and Lift & Tilt Frame and Actuator

**LIFT AND TILT FULL BASE ASSEMBLY WITH HARNESES AND TILT ACTUATOR**

(A1) FRMASMB17894

Includes tilt actuator, B# referenced items in this illustration, and harnesses and hardware found in subsequent Electrical Assembly pages as noted. Does NOT include lift actuator.



If a mechanical item without a callout requires service, the entire base assembly (A1) must be replaced.

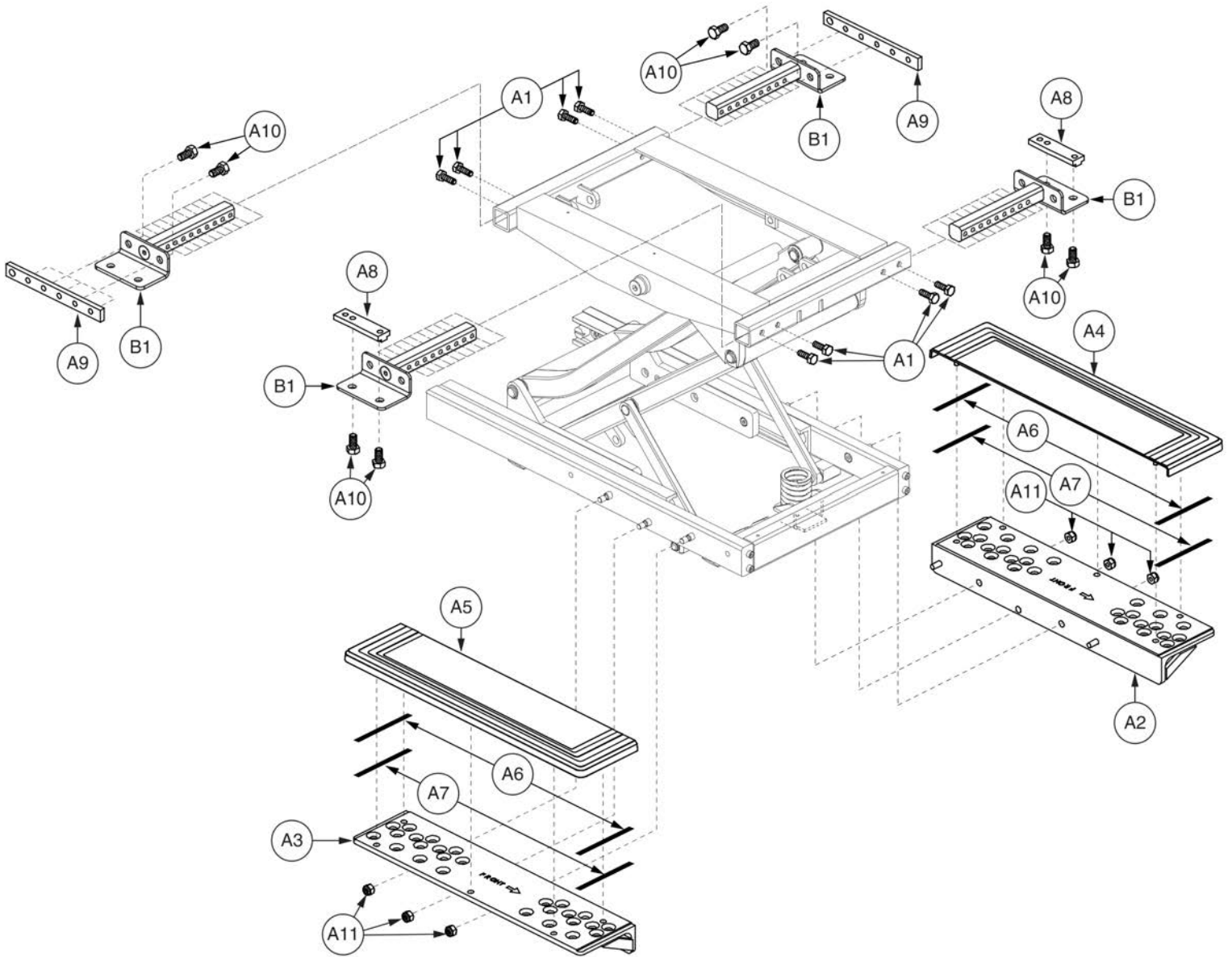
If one actuator requires replacement, the other must be replaced as well in order for unit to function properly.

# Lift and Tilt Base Assembly, TB2



Item	Part No.	Name	Qty
A1	FRMASMB17894	TB2 LIFT & TILT,ASSY,W/HARNESS & MOUNTING BRACKETS	1
B1	DWR1290C083	CLEVIS PIN,ACTUATOR,BLACK ZINC,0.375" DIA X 1.688" L,C-1290-083	2
B2	RNGRTAN1035	RETAINING RING,BLACK ZINC,0.375",EXTERNAL,B-1005-084	8
B3	ACCACTR1052	ACTUATOR,150MM STROKE,TRU-BALANCE 2 LIFT & TILT	1
B4	DWR1291C004	CLEVIS INTERFACE WELDMENT,GUIDE,SINGLE SPRING ASSIST,TRU-BALANCE 2 POWER LIFT & TILT,C-1291-004	1
B5	DWR1290C082	CLEVIS PIN,ACTUATOR,BLACK ZINC,0.375" DIA X 1.938" L,C-1290-082	1
B6	DWR1290C083	CLEVIS PIN,ACTUATOR,BLACK ZINC,0.375" DIA X 1.688" L,C-1290-083	1
B7	DWR1290C056	MOUNTING BRACKET,MAGNETIC SWITCH,ELEVATE INHIBIT,B	1
B8	DWR1290E047	COVER,PLASTIC,TRU-BALANCE LIFT & TILT,MIDDLE,FRONT	1
B9	DWR1290D037	COVER,PLASTIC,TRU-BALANCE LIFT & TILT,MIDDLE,REAR	1
B10	DWR1005C072	BUMPER,BLACK,RUBBER,1.38"L X 0.80" OD,C-1005-072	2
B11	DWR1290C069	SPRING,SECUREMENT TAB,TRU-BALANCE LIFT & TILT,C-1290-069	1
B12	DWR1290B046	BUMPER,BLACK RUBBER,DUROMETER,B-1290-046	2
B13	DWR1005C061	SPRING,COMPRESSION,ZINC,3.00"FL X 0.177" WIRE DIA X 1.40"OD X RATE: 120 LBS/IN,C-1005-061,(LEE SPRING:LHC-177P-02M)	1
B14		SCREW, SHCS,BLACK,8-32 X 1/2"L	1
B15		NUT,JAM,BLACK ZINC,8-32	1
B16		SCREW,SHCS,BLACK ZINC,8-32 X 1.00",W/NYLON PATCH	2
B17		SCREW,SHCS,BLACK ZINC,10-32 X 0.375",W/NYLON PATCH	8
C1		FRAME,TUBE,12"L,TRU-BALANCE 2 LIFT & TILT, TILT ONLY	1
D1	ELEASMB7440	ACTUATOR,ASSY,TRU-BALANCE 2 LIFT & TILT,W/EXTENSION HARNESS,C-1265-143	1

4.1. Seat Bases and Lift & Tilt Frame and Actuator



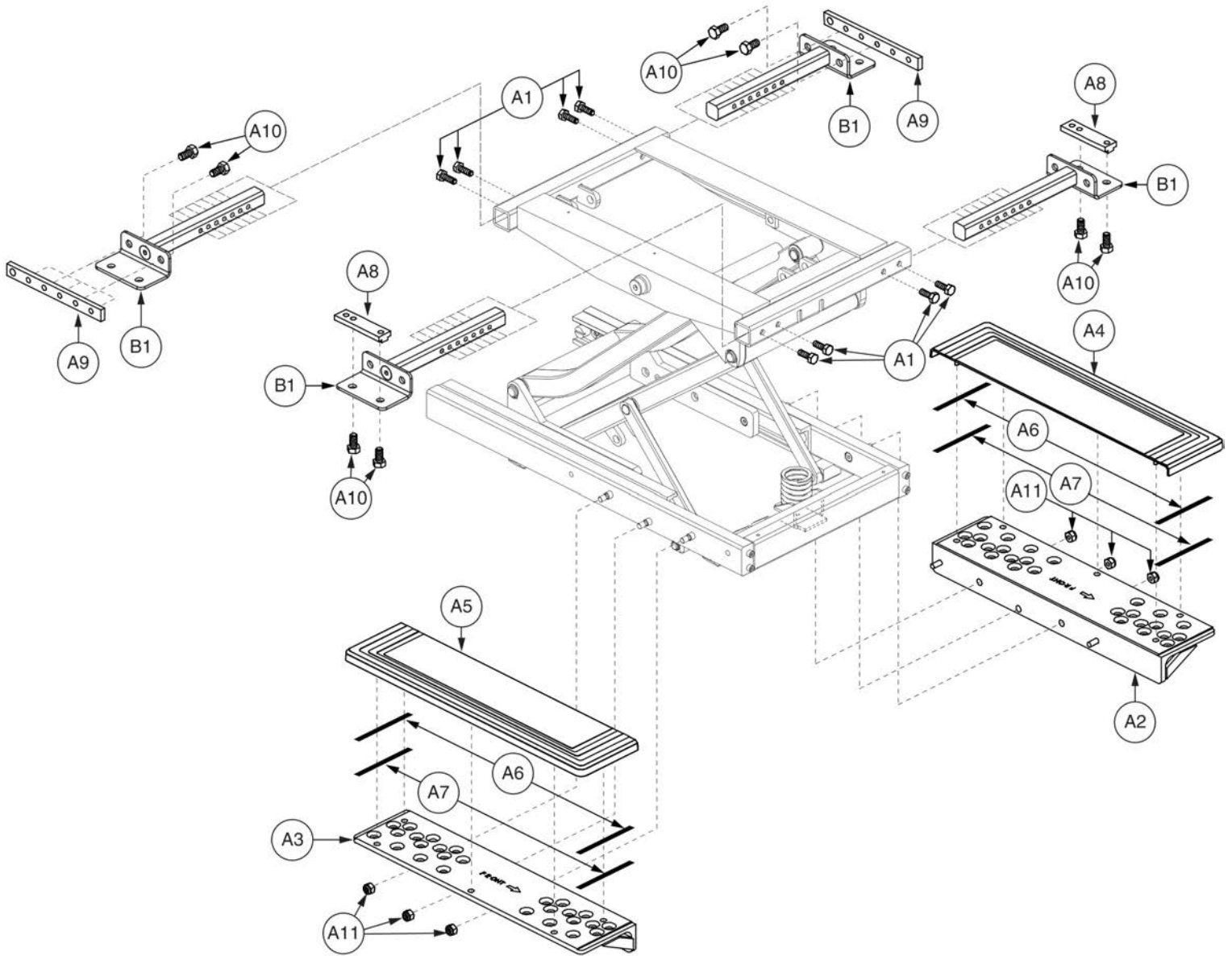
# Seat Base, 16"-20"W, TB2 Power Lift and Tilt



Item	Part No.	Name	Qty
A1	SCRHHCS1325	SCREW,HHCS,BLACK ZINC,1/4-20 X 0.750",GR 8,W/PATCH	8
A2	DWR1290E037	FRAME,INTERFACE WELDMENT,A,TRU-BALANCE LIFT & TILT	1
A3	DWR1290E039	FRAME,INTERFACE WELDMENT,B,TRU-BALANCE LIFT & TILT	1
A4	DWR1265D012	COVER,INTERFACE WELDMENT,B,PLASTIC,TRU-BALANCE TILT 2	1
A5	DWR1265D010	COVER,INTERFACE WELDMENT,A,PLASTIC,TRU-BALANCE TILT 2	1
A6	VELLOOP1053	REUSABLE FASTENER,LOOP,BLACK,0.250"W,3.25"L	4
A7	VELHOOK1058	REUSABLE FASTENER,HOOK,BLACK,0.250"W,3.25"L	4
A8	DWR1005B215	T-NUT,BLACK,5/16-18 X 2.75",W/3 HOLES,0.74" TH,B-1005-215	2
A9	DWR1270C019	FRAME,SAFETY PLATE,16"D-20"D,TRU-BALANCE LIFT,C-1270-019	2
A10	SCRHHCS1256	SCREW,HHCS,BLACK ZINC,5/16-18 X 0.625",GR 8,W/PATCH	8
A11	NUTNYLK1014	NUT,NYLOCK,BLACK ZINC,1/4-20	6
B1	FRMASMB17815	WIDTH ADJUSTMENT BRACKET,ASSY,16"-20"W,TB2 LIFT & TILT	4
C1	FRMASMB17894	TB2 LIFT & TILT,ASSY,W/HARNESS & MOUNTING BRACKETS	1



4.1. Seat Bases and Lift & Tilt Frame and Actuator



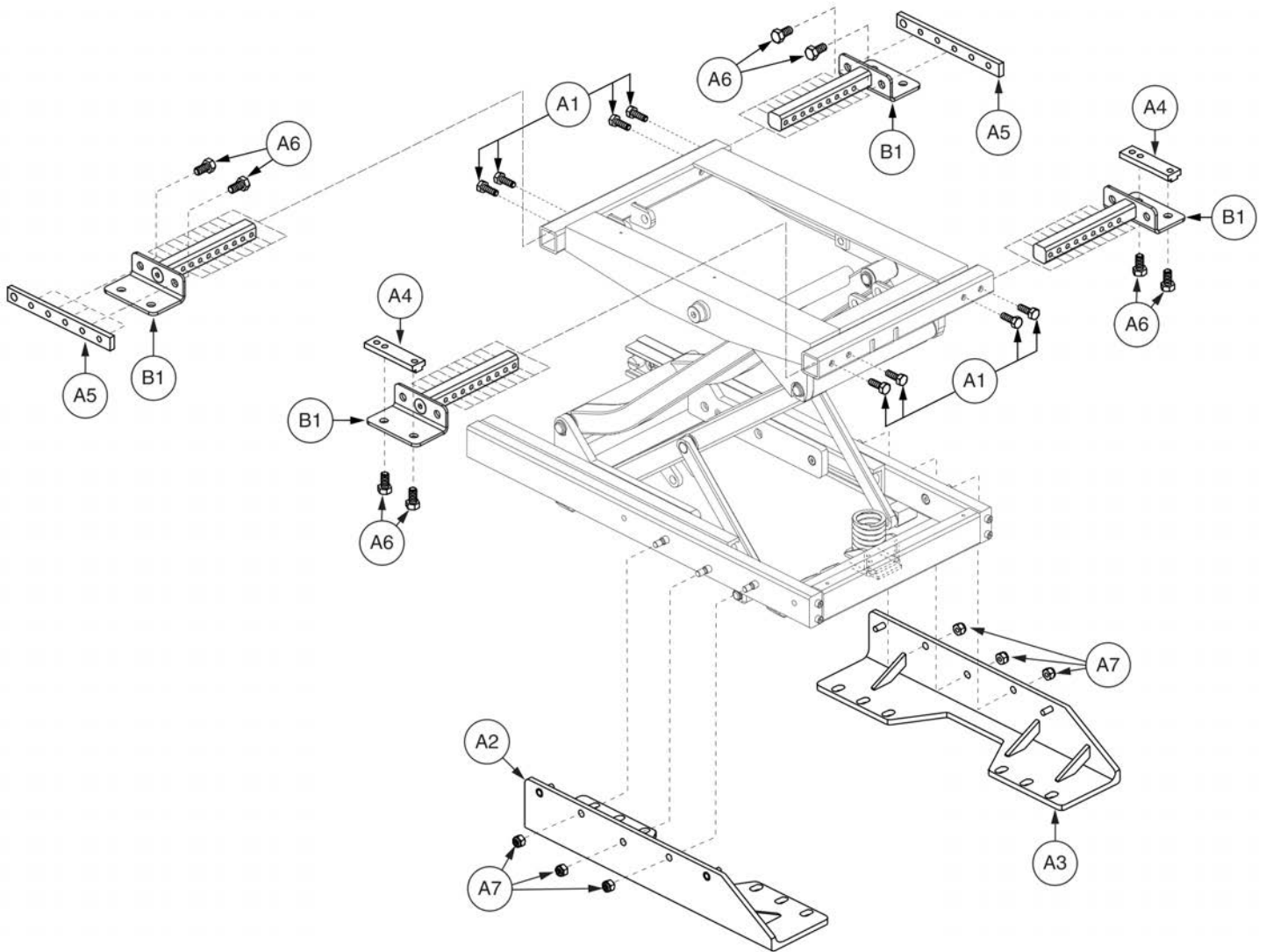
# Seat Base, 20"-24"W, TB2 Power Lift and Tilt



Item	Part No.	Name	Qty
A1	SCRHHCS1325	SCREW,HHCS,BLACK ZINC,1/4-20 X 0.750",GR 8,W/PATCH	8
A2	DWR1290E037	FRAME,INTERFACE WELDMENT,A,TRU-BALANCE LIFT & TILT	1
A3	DWR1290E039	FRAME,INTERFACE WELDMENT,B,TRU-BALANCE LIFT & TILT	1
A4	DWR1265D012	COVER,INTERFACE WELDMENT,B,PLASTIC,TRU-BALANCE TILT 2	1
A5	DWR1265D010	COVER,INTERFACE WELDMENT,A,PLASTIC,TRU-BALANCE TILT 2	1
A6	VELLOOP1053	REUSABLE FASTENER,LOOP,BLACK,0.250"W,3.25"L	4
A7	VELHOOK1058	REUSABLE FASTENER,HOOK,BLACK,0.250"W,3.25"L	4
A8	DWR1005B215	T-NUT,BLACK,5/16-18 X 2.75",W/3 HOLES,0.74" TH,B-1005-215	2
A9	DWR1270C019	FRAME,SAFETY PLATE,16"D-20"D,TRU-BALANCE LIFT,C-1270-019	2
A10	SCRHHCS1256	SCREW,HHCS,BLACK ZINC,5/16-18 X 0.625",GR 8,W/PATCH	8
A11	NUTNYLK1014	NUT,NYLOCK,BLACK ZINC,1/4-20	6
B1	FRMASMB17816	WIDTH ADJUSTMENT BRACKET,ASSY,20"-24"W,TB2 LIFT & TILT	4
C1	FRMASMB17894	TB2 LIFT & TILT,ASSY,W/HARNESS & MOUNTING BRACKETS	1

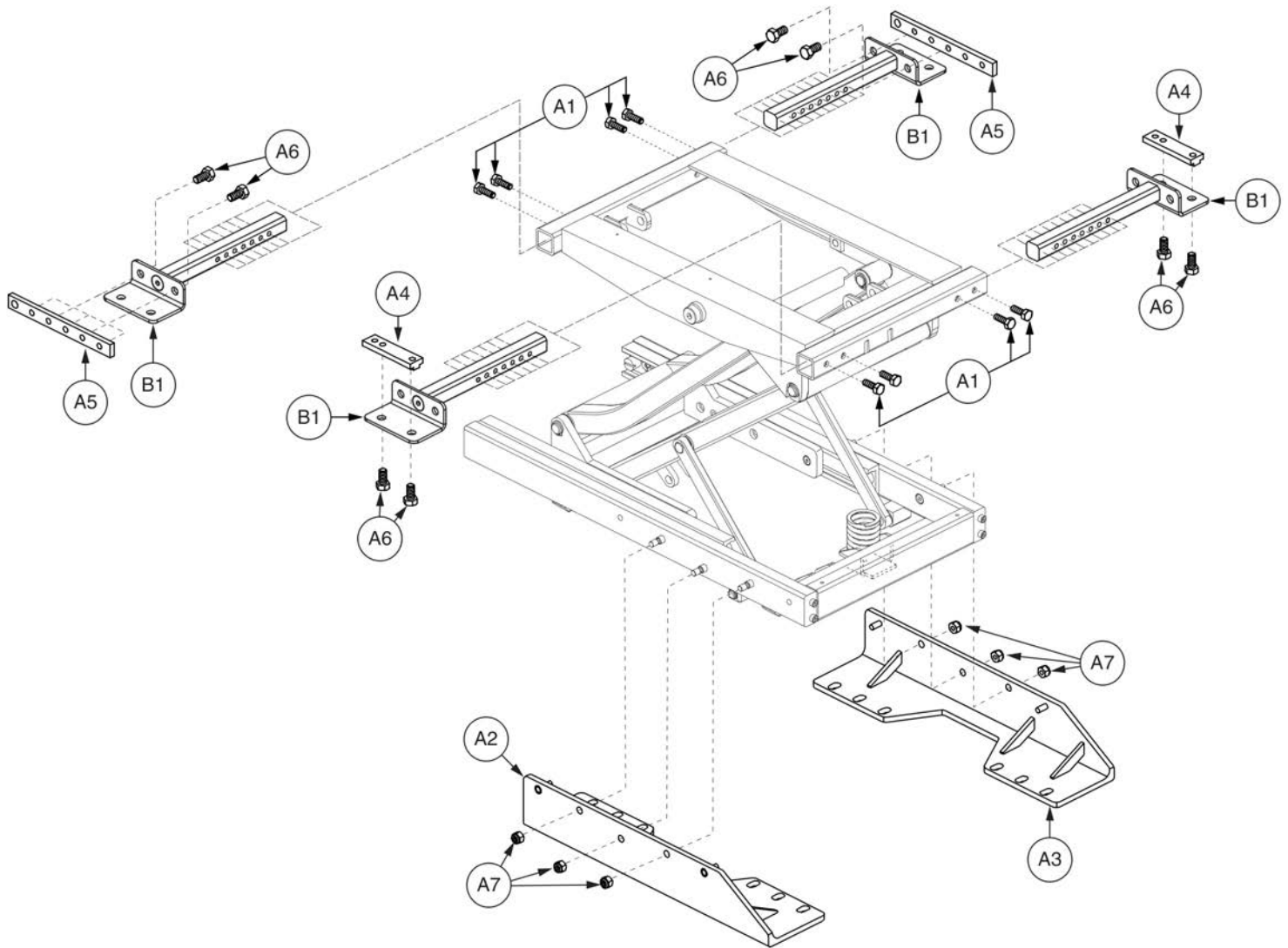


4.1. Seat Bases and Lift & Tilt Frame and Actuator



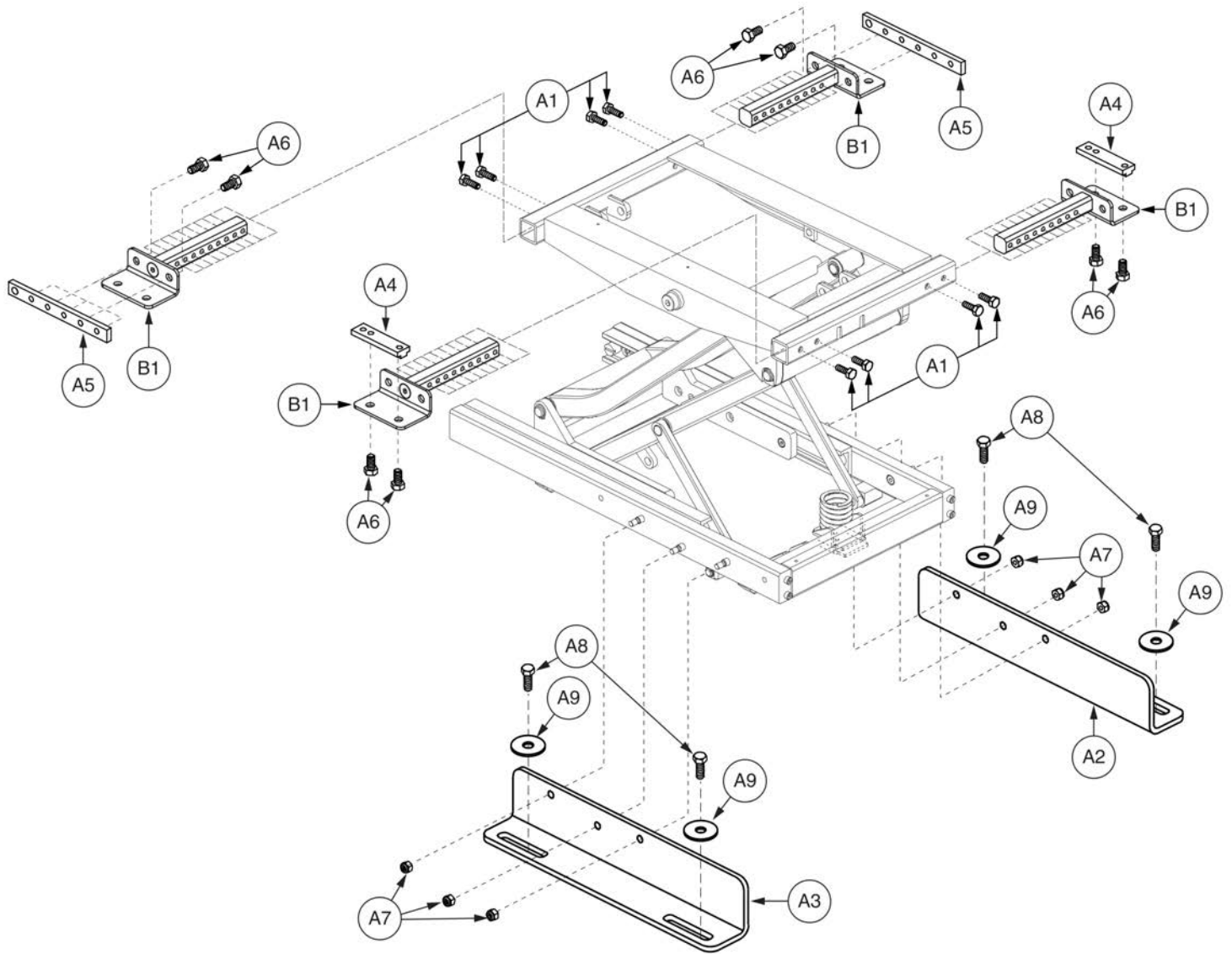
Item	Part No.	Name	Qty
A1	SCRHHCS1325	SCREW,HHCS,BLACK ZINC,1/4-20 X 0.750",GR 8,W/PATCH	8
A2	DWR1291E013	FRAME,INTERFACE WELDMENT,5.039" CENTERS,TRU-BALANCE LIFT & TILT,VERSION 2,RIGHT,E-1291-013	1
A3	DWR1291E012	FRAME,INTERFACE WELDMENT,5.039" CENTERS,TRU-BALANCE LIFT & TILT,VERSION 2,LEFT,E-1291-012	1
A4	DWR1005B215	T-NUT,BLACK,5/16-18 X 2.75",W/3 HOLES,0.74" TH,B-1005-215	2
A5	DWR1270C019	FRAME,SAFETY PLATE,16"D-20"D,TRU-BALANCE LIFT,C-1270-019	2
A6	SCRHHCS1256	SCREW,HHCS,BLACK ZINC,5/16-18 X 0.625",GR 8,W/PATCH	8
A7	NUTNYLK1014	NUT,NYLOCK,BLACK ZINC,1/4-20	6
B1	FRMASMB17815	WIDTH ADJUSTMENT BRACKET,ASSY,16"-20"W,TB2 LIFT & TILT	4
C1	FRMASMB17894	TB2 LIFT & TILT,ASSY,W/HARNESS & MOUNTING BRACKETS	1

4.1. Seat Bases and Lift & Tilt Frame and Actuator



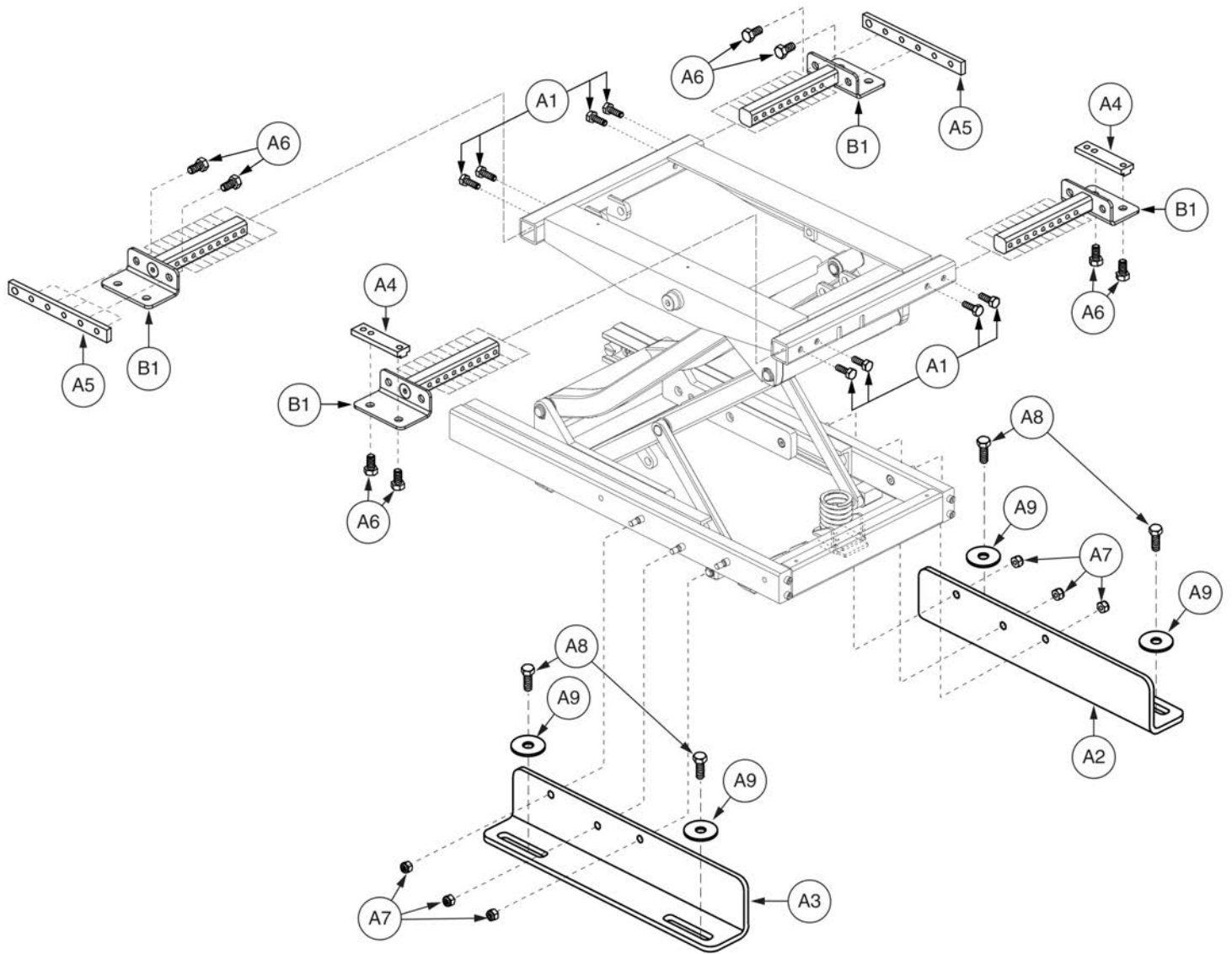
Item	Part No.	Name	Qty
A1	SCRHHCS1325	SCREW,HHCS,BLACK ZINC,1/4-20 X 0.750",GR 8,W/PATCH	8
A2	DWR1291E013	FRAME,INTERFACE WELDMENT,5.039" CENTERS,TRU-BALANCE LIFT & TILT,VERSION 2,RIGHT,E-1291-013	1
A3	DWR1291E012	FRAME,INTERFACE WELDMENT,5.039" CENTERS,TRU-BALANCE LIFT & TILT,VERSION 2,LEFT,E-1291-012	1
A4	DWR1005B215	T-NUT,BLACK,5/16-18 X 2.75",W/3 HOLES,0.74" TH,B-1005-215	2
A5	DWR1270C019	FRAME,SAFETY PLATE,16"D-20"D,TRU-BALANCE LIFT,C-1270-019	2
A6	SCRHHCS1256	SCREW,HHCS,BLACK ZINC,5/16-18 X 0.625",GR 8,W/PATCH	8
A7	NUTNYLK1014	NUT,NYLOCK,BLACK ZINC,1/4-20	6
B1	FRMASMB17816	WIDTH ADJUSTMENT BRACKET,ASSY,20"-24"W,TB2 LIFT & TILT	4
C1	FRMASMB17894	TB2 LIFT & TILT,ASSY,W/HARNESS & MOUNTING BRACKETS	1

### 4.1. Seat Bases and Lift & Tilt Frame and Actuator



Item	Part No.	Name	Qty
A1	SCRHHCS1325	SCREW,HHCS,BLACK ZINC,1/4-20 X 0.750",GR 8,W/PATCH	8
A2	DWR1220E020	MOUNTING INTERFACE PLATE,TB2 LIFT & TILT,EDGE,LEFT	1
A3	DWR1220E021	MOUNTING INTERFACE PLATE,TB2 LIFT & TILT,EDGE,RIGHT	1
A4	DWR1005B215	T-NUT,BLACK,5/16-18 X 2.75",W/3 HOLES,0.74" TH,B-1005-215	2
A5	DWR1270C019	FRAME,SAFETY PLATE,16"D-20"D,TRU-BALANCE LIFT,C-1270-019	2
A6	SCRHHCS1256	SCREW,HHCS,BLACK ZINC,5/16-18 X 0.625",GR 8,W/PATCH	8
A7	NUTNYLK1014	NUT,NYLOCK,BLACK ZINC,1/4-20	6
A8	SCRHHCS1519	SCREW,HHCS,BLACK ZINC,3/8-16 X 0.75",GRADE 8,W/NYLON PATCH	4
A9	WASMETR1043	WASHER,FLAT,BLACK ZINC,10.5MM ID X 30MM OD X 2.5MM TH	4
B1	FRMASMB17815	WIDTH ADJUSTMENT BRACKET,ASSY,16"-20"W,TB2 LIFT & TILT	4
C1	FRMASMB17894	TB2 LIFT & TILT,ASSY,W/HARNESS & MOUNTING BRACKETS	1

### 4.1. Seat Bases and Lift & Tilt Frame and Actuator

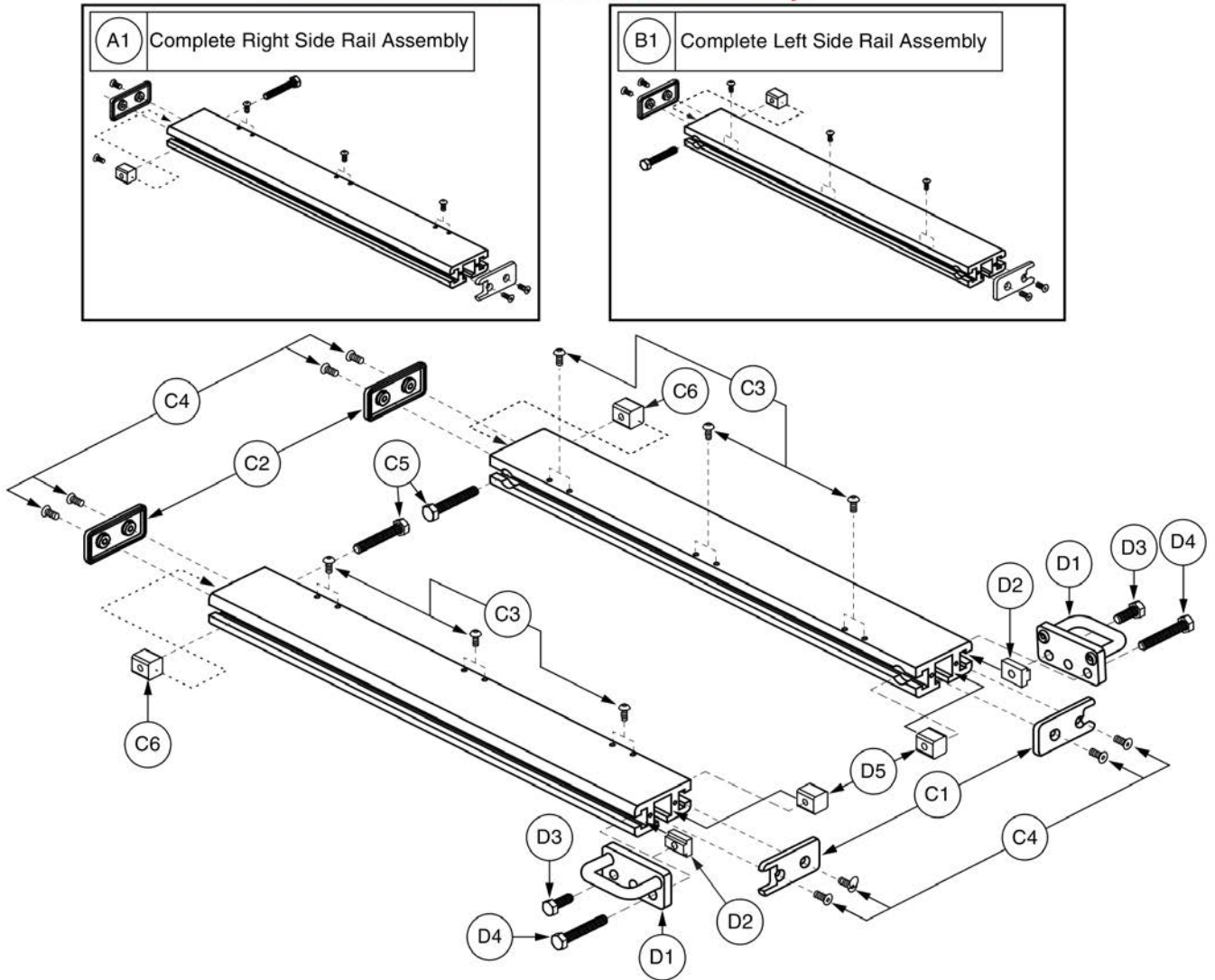


Item	Part No.	Name	Qty
A1	SCRHHCS1325	SCREW,HHCS,BLACK ZINC,1/4-20 X 0.750",GR 8,W/PATCH	8
A2	DWR1220E020	MOUNTING INTERFACE PLATE,TB2 LIFT & TILT,EDGE,LEFT	1
A3	DWR1220E021	MOUNTING INTERFACE PLATE,TB2 LIFT & TILT,EDGE,RIGHT	1
A4	DWR1360B018	T-NUT,BLACK,5/16-18 X 2.25",W/1.75",HOLE SPACING,B-1360-018	2
A5	DWR1270C019	FRAME,SAFETY PLATE,16"D-20"D,TRU-BALANCE LIFT,C-1270-019	2
A6	SCRHHCS1256	SCREW,HHCS,BLACK ZINC,5/16-18 X 0.625",GR 8,W/PATCH	8
A7	NUTNYLK1014	NUT,NYLOCK,BLACK ZINC,1/4-20	6
A8	HDW120048	SCREW,HHCS,BLACK ZINC,M10-1.5 X 20MM,GR 10.9,W/PATCH	4
A9	WASMETR1043	WASHER,FLAT,BLACK ZINC,10.5MM ID X 30MM OD X 2.5MM TH	4
B1	FRMASMB17815	WIDTH ADJUSTMENT BRACKET,ASSY,16"-20"W,TB2 LIFT & TILT	4
C1	FRMASMB17894	TB2 LIFT & TILT,ASSY,W/HARNESS & MOUNTING BRACKETS	1



4.2. Side Rails and Seat Pans

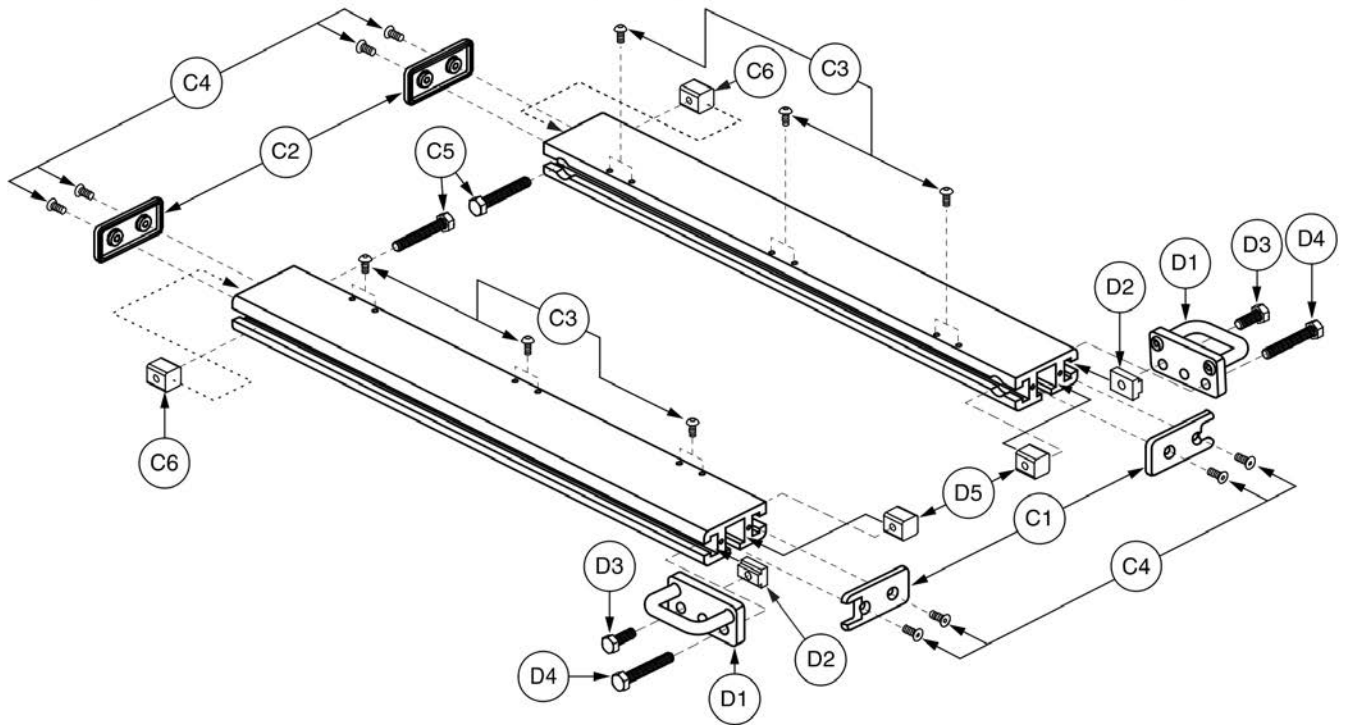
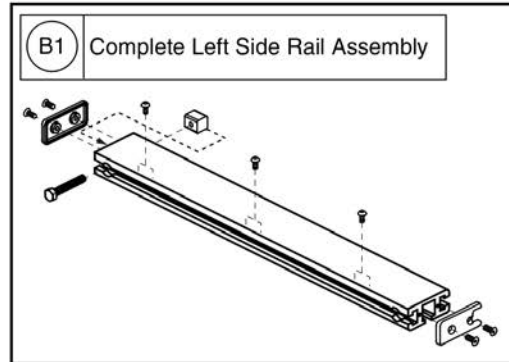
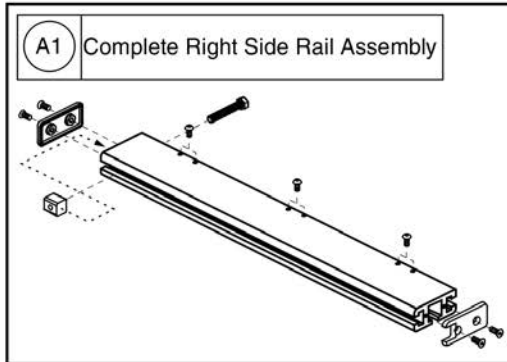
\*\*\* Top-level assemblies include the side rails and hardware.  
Side rails cannot be ordered individually. \*\*\*



Item	Part No.	Name	Qty
PAIR	FRMASMB10518	SIDE RAIL,ASSY,14"D-18"D,TRU-BALANCE 2 POWER TILT,PAIR	1
A1	FRMASMB10520	SIDE RAIL,ASSY,14"D-18"D,TRU-BALANCE 2 POWER TILT,RIGHT	1
B1	FRMASMB10519	SIDE RAIL,ASSY,14"D-18"D,TRU-BALANCE 2 POWER TILT,LEFT	1
C1	DWR1360B048	EXTRUSION END CAP,SYNERGY SEAT,T-SLOT OPEN END	1
C2	DWR1360B007	EXTRUSION END CAP,SYNERGY SEAT,REAR,B-1360-007	1
C3	SCRASBH1094	SCREW,BHSCS,BLACK ZINC,10-32 X 0.4375",GR 8,W/PATCH	3
C4	SCRSHFH1036	SCREW,SHFH,BLACK ZINC,8-32 X 0.50",GR 8,W/PATCH	4
C5	SCRHHCS1478	SCREW, HHCS,BLACK ZINC,5/16-18 X 2.00",GR 8,W/PATCH	1
C6	DWR1005B180	NUT,MIDDLE CHANNEL,5/16-18,B-1005-180	1
D1	DWR1600B122B	SEAT FRAME,SECUREMENT BRACKET WELDMENT,TEXTURED	1
D2	DWR1360A004	T-NUT,5/16-18 X 0.875",A-1360-004	1
D3	SCRHHCS1241	SCREW,HHCS,BLACK ZINC,5/16-18 X 0.75",GR 8,W/PATCH	1
D4	SCRHHCS1478	SCREW, HHCS,BLACK ZINC,5/16-18 X 2.00",GR 8,W/PATCH	1
D5	DWR1005B180	NUT,MIDDLE CHANNEL,5/16-18,B-1005-180	1

4.2. Side Rails and Seat Pans

\*\*\* Top-level assemblies include the side rails and hardware.  
Side rails cannot be ordered individually. \*\*\*



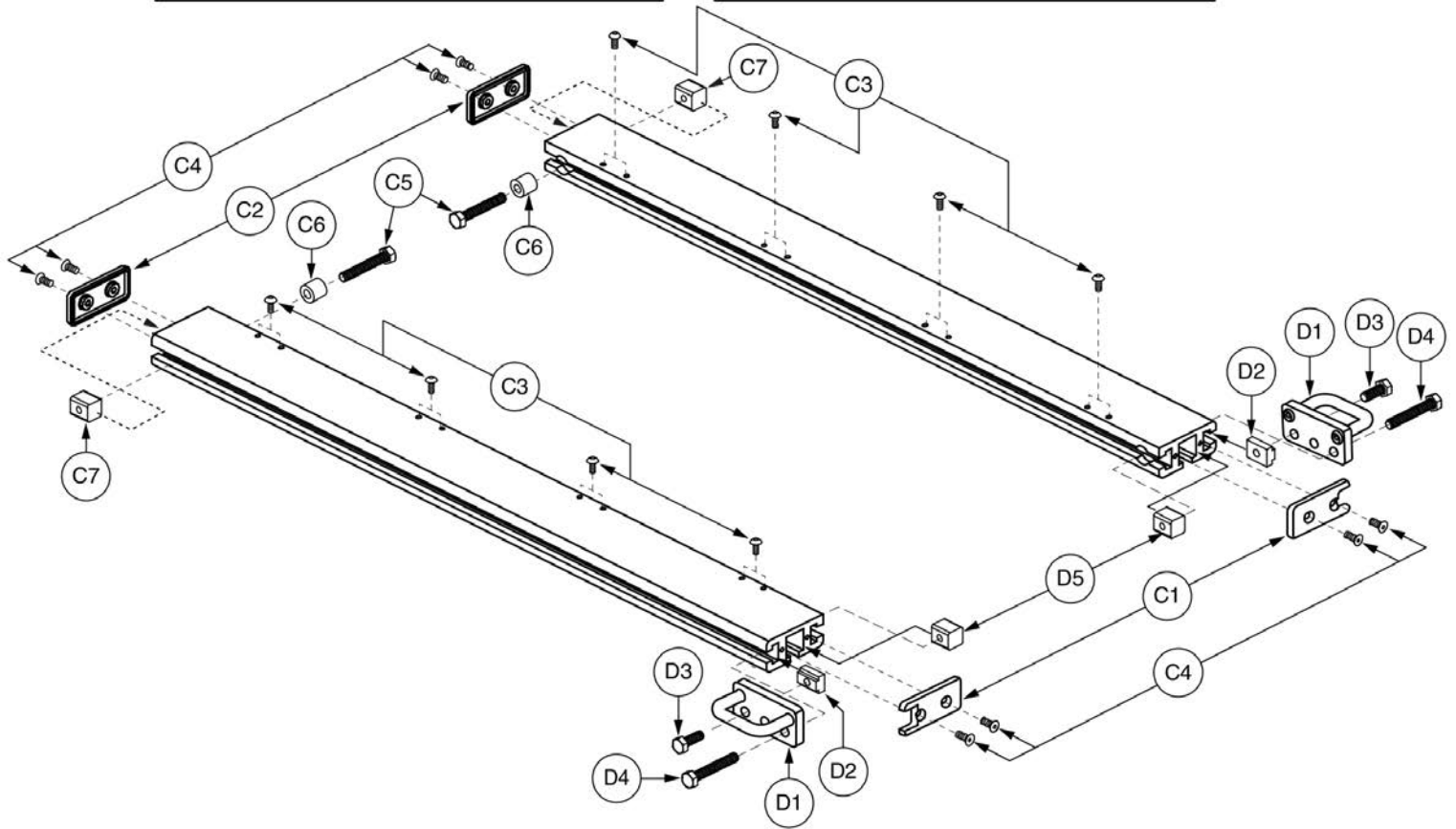
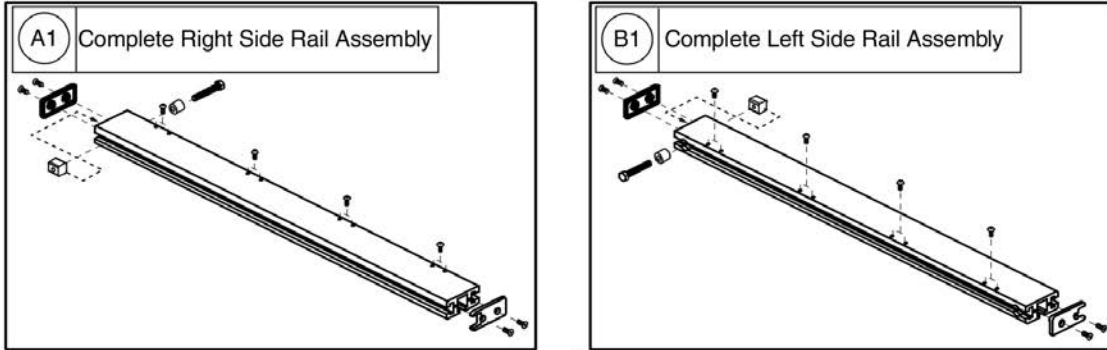
# Side Rails - 15"-20"D, TB2



Item	Part No.	Name	Qty
PAIR	FRMASMB10521	SIDE RAIL,ASSY,15"D-20"D,TRU-BALANCE 2 POWER TILT,PAIR	1
A1	FRMASMB10523	SIDE RAIL,ASSY,15"D-20"D,TRU-BALANCE 2 POWER TILT,RIGHT	1
B1	FRMASMB10522	SIDE RAIL,ASSY,15"D-20"D,TRU-BALANCE 2 POWER TILT,LEFT	1
C1	DWR1360B048	EXTRUSION END CAP,SYNERGY SEAT,T-SLOT OPEN END	1
C2	DWR1360B007	EXTRUSION END CAP,SYNERGY SEAT,REAR,B-1360-007	1
C3	SCRASBH1094	SCREW,BHSCS,BLACK ZINC,10-32 X 0.4375",GR 8,W/PATCH	3
C4	SCRSHFH1036	SCREW,SHFH,BLACK ZINC,8-32 X 0.50",GR 8,W/PATCH	4
C5	SCRHHCS1478	SCREW, HHCS,BLACK ZINC,5/16-18 X 2.00",GR 8,W/PATCH	1
C6	DWR1005B180	NUT,MIDDLE CHANNEL,5/16-18,B-1005-180	1
D1	DWR1600B122B	SEAT FRAME,SECUREMENT BRACKET WELDMENT,TEXTURED	1
D2	DWR1360A004	T-NUT,5/16-18 X 0.875",A-1360-004	1
D3	SCRHHCS1241	SCREW,HHCS,BLACK ZINC,5/16-18 X 0.75",GR 8,W/PATCH	1
D4	SCRHHCS1478	SCREW, HHCS,BLACK ZINC,5/16-18 X 2.00",GR 8,W/PATCH	1
D5	DWR1005B180	NUT,MIDDLE CHANNEL,5/16-18,B-1005-180	1

4.2. Side Rails and Seat Pans

\*\*\* Top-level assemblies include the side rails and hardware.  
Side rails cannot be ordered individually. \*\*\*



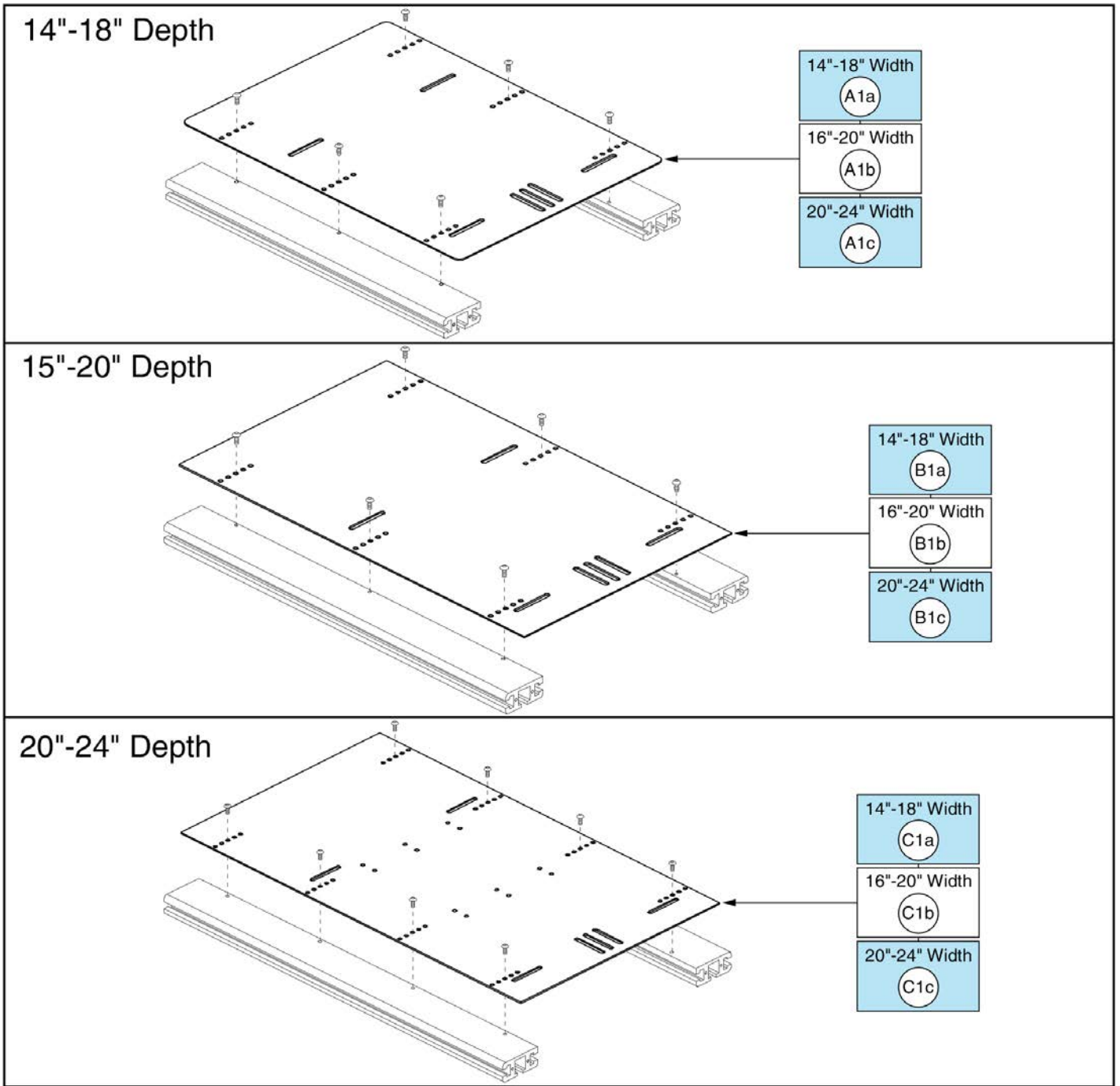
## Side Rails - 20"-24"D, TB2



Item	Part No.	Name	Qty
PAIR	FRMASMB10524	SIDE RAIL,ASSY,20"D-24"D,TRU-BALANCE 2 POWER TILT,PAIR	1
A1	FRMASMB10526	SIDE RAIL,ASSY,20"D-24"D,TRU-BALANCE 2 POWER TILT,RIGHT	1
B1	FRMASMB10525	SIDE RAIL,ASSY,20"D-24"D,TRU-BALANCE 2 POWER TILT,LEFT	1
C1	DWR1360B048	EXTRUSION END CAP,SYNERGY SEAT,T-SLOT OPEN END	1
C2	DWR1360B007	EXTRUSION END CAP,SYNERGY SEAT,REAR,B-1360-007	1
C3	SCRASBH1094	SCREW,BHSCS,BLACK ZINC,10-32 X 0.4375",GR 8,W/PATCH	4
C4	SCRSHFH1036	SCREW,SHFH,BLACK ZINC,8-32 X 0.50",GR 8,W/PATCH	4
C5	SCRHHCS1478	SCREW, HHCS,BLACK ZINC,5/16-18 X 2.00",GR 8,W/PATCH	1
C6	DWR1005B090	SPACER,BLACK,0.330"ID X 0.605"OD X 0.750"TH,B-1005-090	1
C7	DWR1005B180	NUT,MIDDLE CHANNEL,5/16-18,B-1005-180	1
D1	DWR1600B122B	SEAT FRAME,SECUREMENT BRACKET WELDMENT,TEXTURED	1
D2	DWR1360A004	T-NUT,5/16-18 X 0.875",A-1360-004	1
D3	SCRHHCS1241	SCREW,HHCS,BLACK ZINC,5/16-18 X 0.75",GR 8,W/PATCH	1
D4	SCRHHCS1478	SCREW, HHCS,BLACK ZINC,5/16-18 X 2.00",GR 8,W/PATCH	1
D5	DWR1005B180	NUT,MIDDLE CHANNEL,5/16-18,B-1005-180	1



4.2. Side Rails and Seat Pans

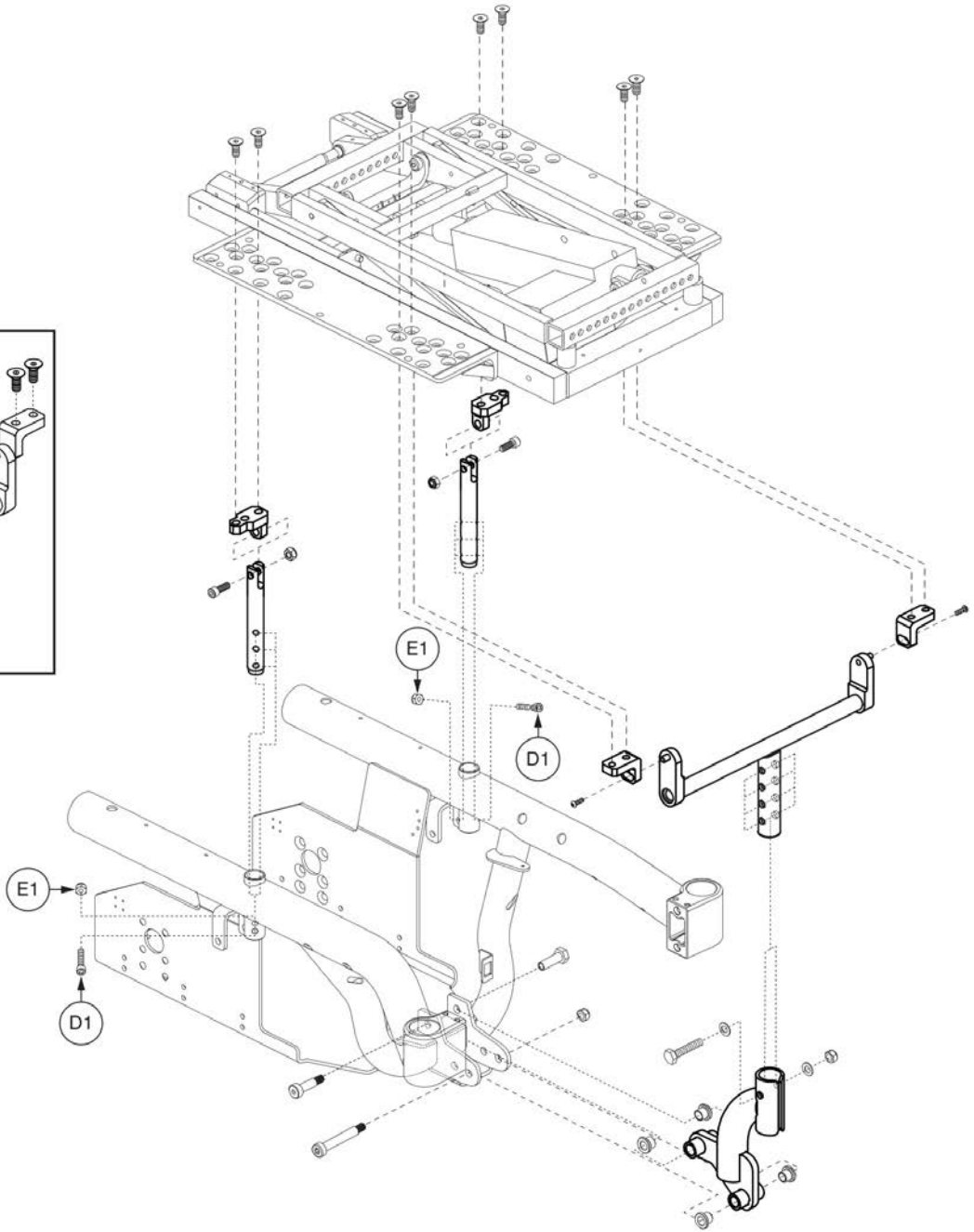
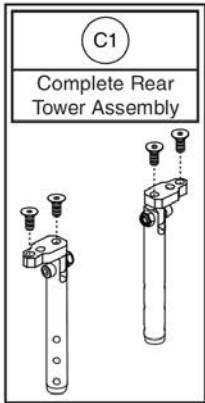
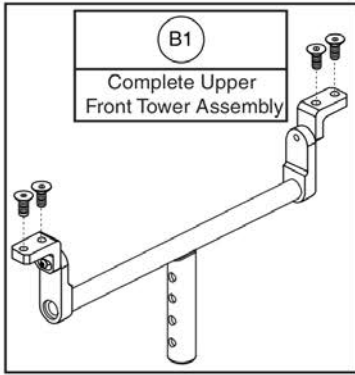
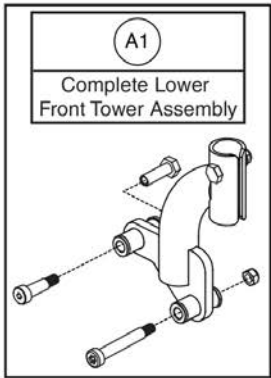


Item	Part No.	Name	Qty
A1a	DWR1362E046B	SEAT PAN,14"W-18"W,14"D-18"D,SYNERGY TILT	1
A1b	DWR1362E047B	SEAT PAN,16"W-20"W,14"D-18"D,SYNERGY TILT	1
A1c	DWR1362E048B	SEAT PAN,20"W-24"W,14"D-18"D,SYNERGY TILT	1
B1a	DWR1362E040B	SEAT PAN,14"W-18"W,15"D-20"D,SYNERGY TILT	1
B1b	DWR1362E038B	SEAT PAN,16"W-20"W,15"D-20"D,SYNERGY TILT	1
B1c	DWR1362E043B	SEAT PAN,20"W-24"W,15"D-20"D,SYNERGY TILT	1
C1a	DWR1362E041B	SEAT PAN,14"W-18"W,20"D-24"D,SYNERGY TILT	1
C1b	DWR1362E042B	SEAT PAN,16"W-20"W,20"D-24"D,SYNERGY TILT	1
C1c	DWR1362E044B	SEAT PAN,20"W-24"W,20"D-24"D,SYNERGY TILT	1



### 4.3. Seat Tower Assy's

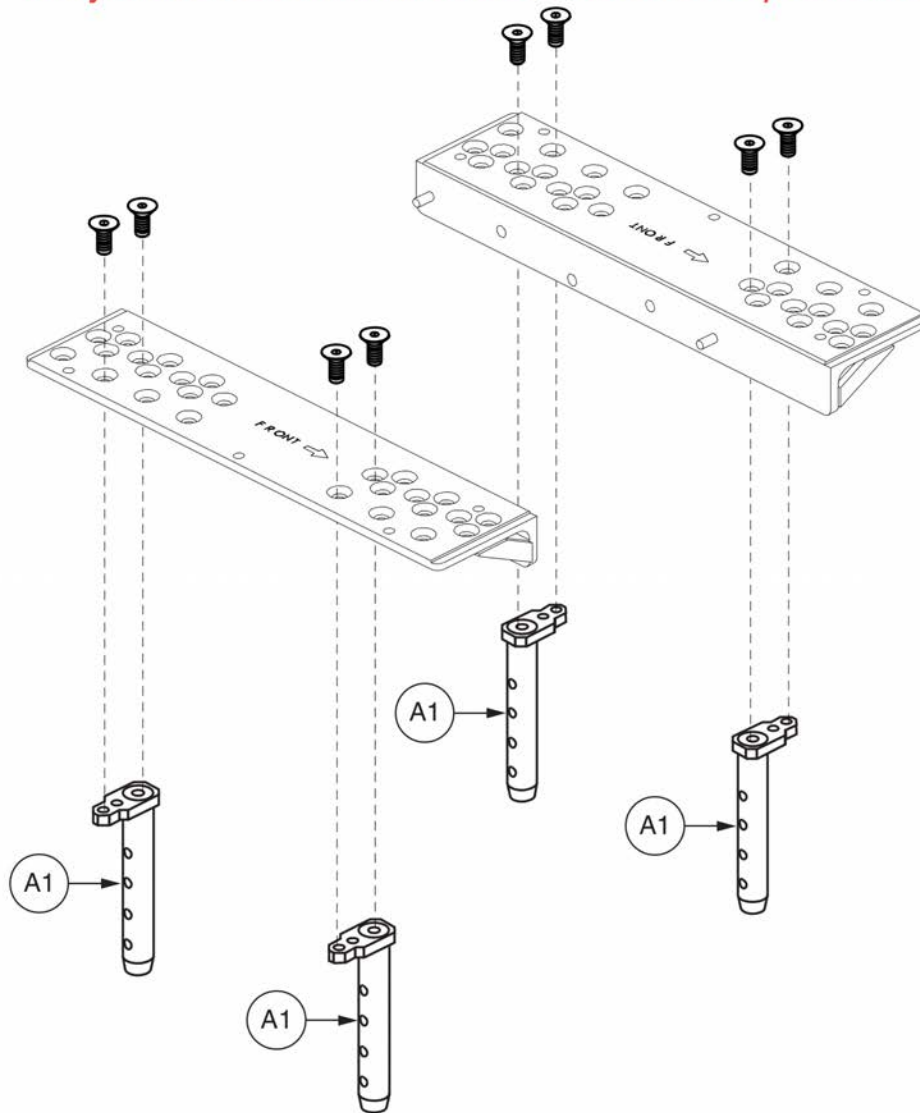
\*\*\* Individual components are not available for replacement.  
The entire assembly must be purchased. \*\*\*



Item	Part No.	Name	Qty
A1	FRMASMB11128	SEAT TOWER,ASSY,FRONT,LOWER,R4000,D-1505-075	1
B1		SEAT TOWER,ASSY,FRONT,UPPER,TRU-BALANCE 2 TILT,R4000	1
C1		SEAT TOWER,ASSY,REAR,ANGLE ADJUSTABLE,TB2 TILT,R4000	2
D1	SCRSHCS1084	SCREW,SHCS,BLACK ZINC,M6-1.0 X 35MM,GRADE 12.9	2
E1	NUTNYLK1019	NUT,NYLOCK,BLACK ZINC,M6-1.0	2

4.3. Seat Tower Assy's

\*\*\* Only items with callouts are available for replacement. \*\*\*

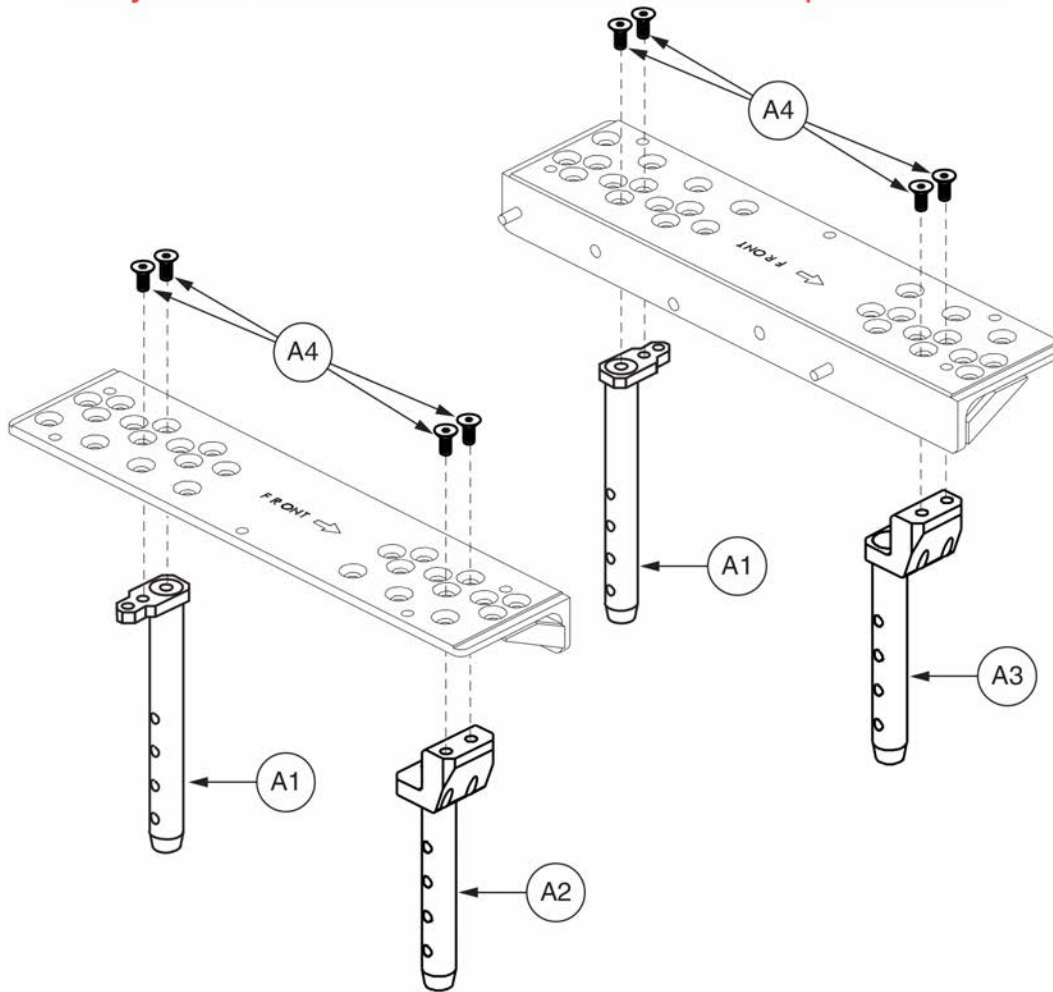




Item	Part No.	Name	Qty
A1	FRMASMB10498	SEAT TOWER,ASSY,FIXED,TRU-BALANCE 2 POWER TILT	4

4.3. Seat Tower Assy's

\*\*\* Only items with callouts are available for replacement. \*\*\*



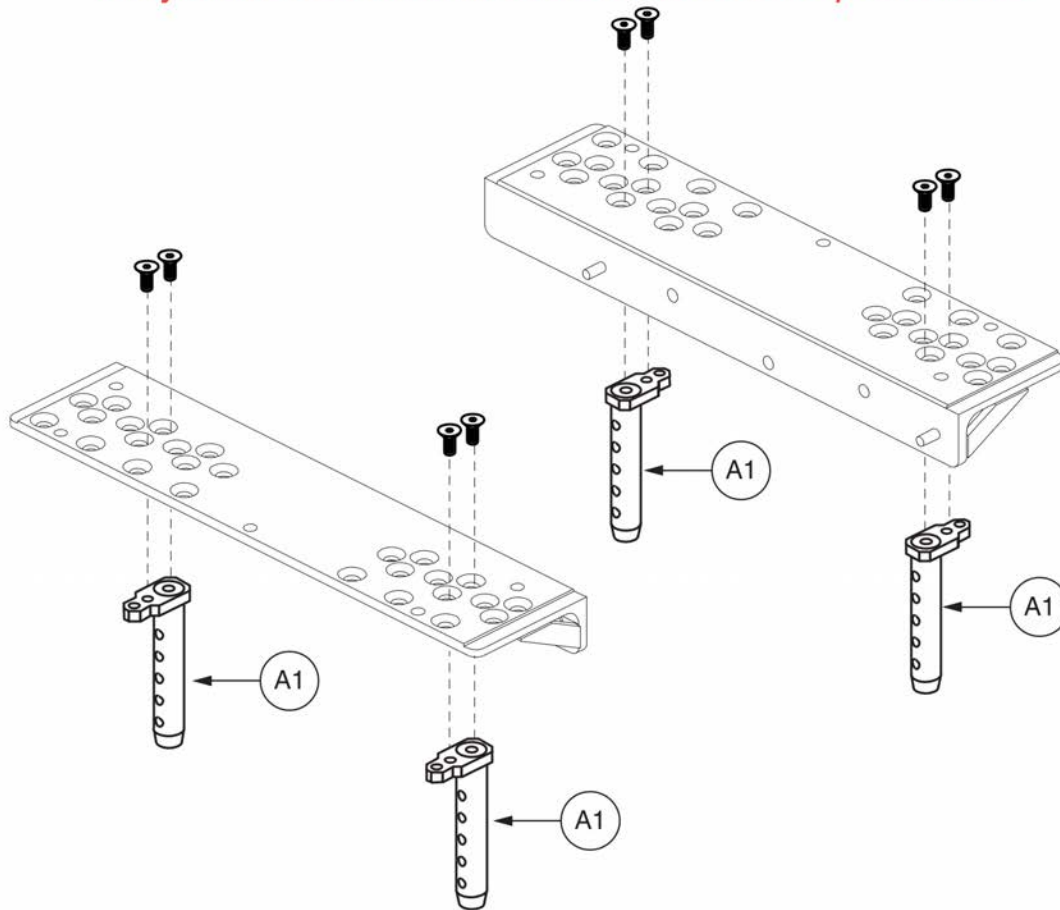
## Seat Towers for Q614, TB2 Power Lift and Tilt



Item	Part No.	Name	Qty
A1		TOWER WELDMENT,4 HOLE,5.50" OVERALL LENGTH,TRU-BALANCE 2 POWER LIFT & TILT,JAZZY614,REAR,B-1265-063	2
A2		TOWER WELDMENT,4 HOLE,5.50" OVERALL LENGTH,TRU-BALANCE 2 POWER LIFT & TILT,JAZZY614,FRONT,RIGHT,B-1265-064	1
A3		TOWER WELDMENT,4 HOLE,5.50" OVERALL LENGTH,TRU-BALANCE 2 POWER LIFT & TILT,JAZZY614,FRONT,LEFT,B-1265-065	1
A4	SCRSHFH1035	SCREW,SHFH,BLACK ZINC,5/16-18 X 0.75",GR 8,W/PATCH	8

4.3. Seat Tower Assy's

\*\*\* Only items with callouts are available for replacement. \*\*\*



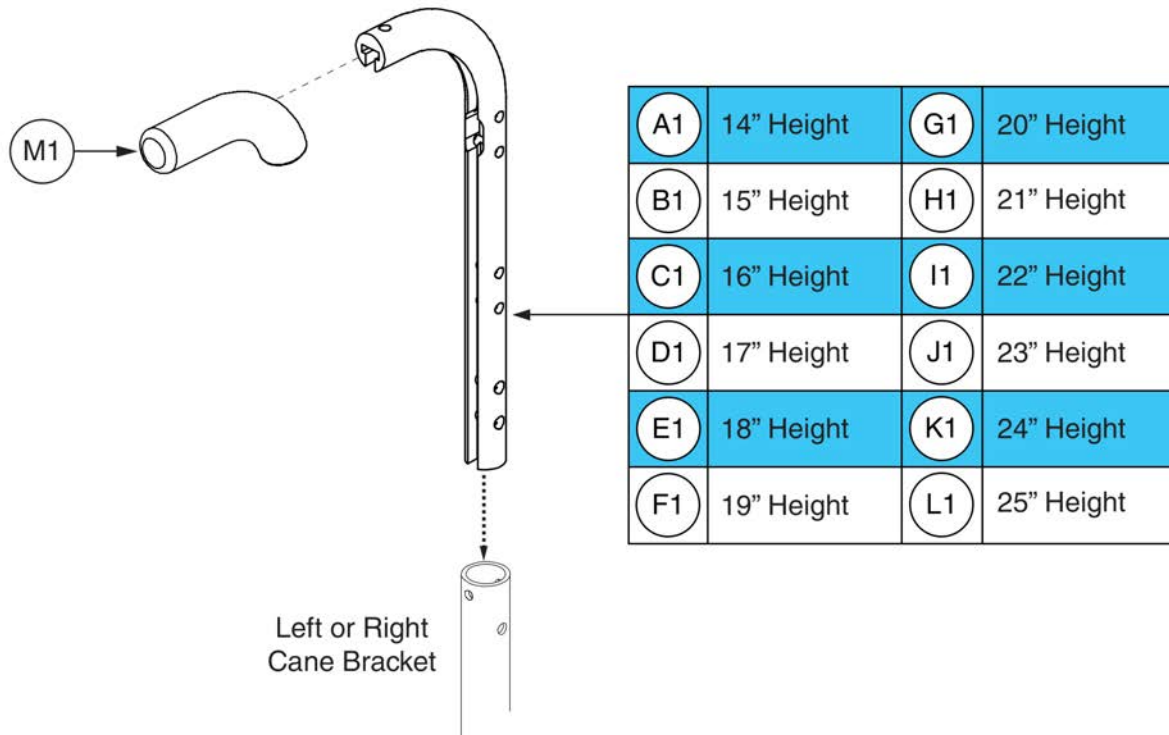
**Fixed Seat Towers, TB2 Super Low Tilt**



Item	Part No.	Name	Qty
A1	FRMASMB14490	SEAT TOWER,ASSY,FIXED,SUPER LOW,TRU-BALANCE 2 TILT	4



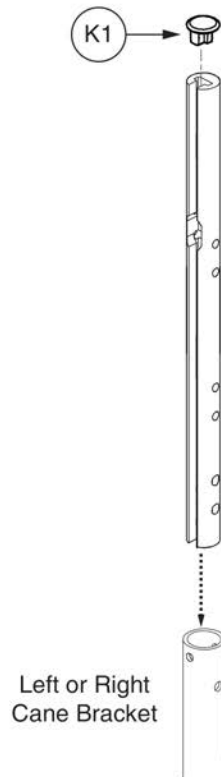
4.4. Back Cane Assy's



Item	Part No.	Name	Qty
A1	FRMASMB15832	BACK CANE,ASSY,W/SHORT PUSH HANDLE,14"H,6 HOLE,SYNERGY	1
B1	FRMASMB15833	BACK CANE,ASSY,W/SHORT PUSH HANDLE,15"H,6 HOLE,SYNERGY	1
C1	FRMASMB15834	BACK CANE,ASSY,W/SHORT PUSH HANDLE,16"H,6 HOLE	1
D1	FRMASMB15835	BACK CANE,ASSY,W/SHORT PUSH HANDLE,17"H,6 HOLE	1
E1	FRMASMB15836	BACK CANE,ASSY,W/SHORT PUSH HANDLE,18"H,6 HOLE,SYNERGY	1
F1	FRMASMB15837	BACK CANE,ASSY,W/SHORT PUSH HANDLE,19"H,6 HOLE,SYNERGY	1
G1	FRMASMB15838	BACK CANE,ASSY,W/SHORT PUSH HANDLE,20"H,6 HOLE	1
H1	FRMASMB15839	BACK CANE,ASSY,W/SHORT PUSH HANDLE,21"H,6 HOLE	1
I1	FRMASMB15840	BACK CANE,ASSY,W/SHORT PUSH HANDLE,22"H,6 HOLE,SYNERGY	1
J1	FRMASMB15841	BACK CANE,ASSY,W/SHORT PUSH HANDLE,23"H,6 HOLE,SYNERGY	1
K1	FRMASMB15842	BACK CANE,ASSY,W/SHORT PUSH HANDLE,24"H,6 HOLE	1
L1	FRMASMB15843	BACK CANE,ASSY,W/SHORT PUSH HANDLE,25"H,6 HOLE	1
M1	PROHDL1052	HAND GRIP,BLACK,FOAM,.94"ID X 5.00"L X .125"TH	1

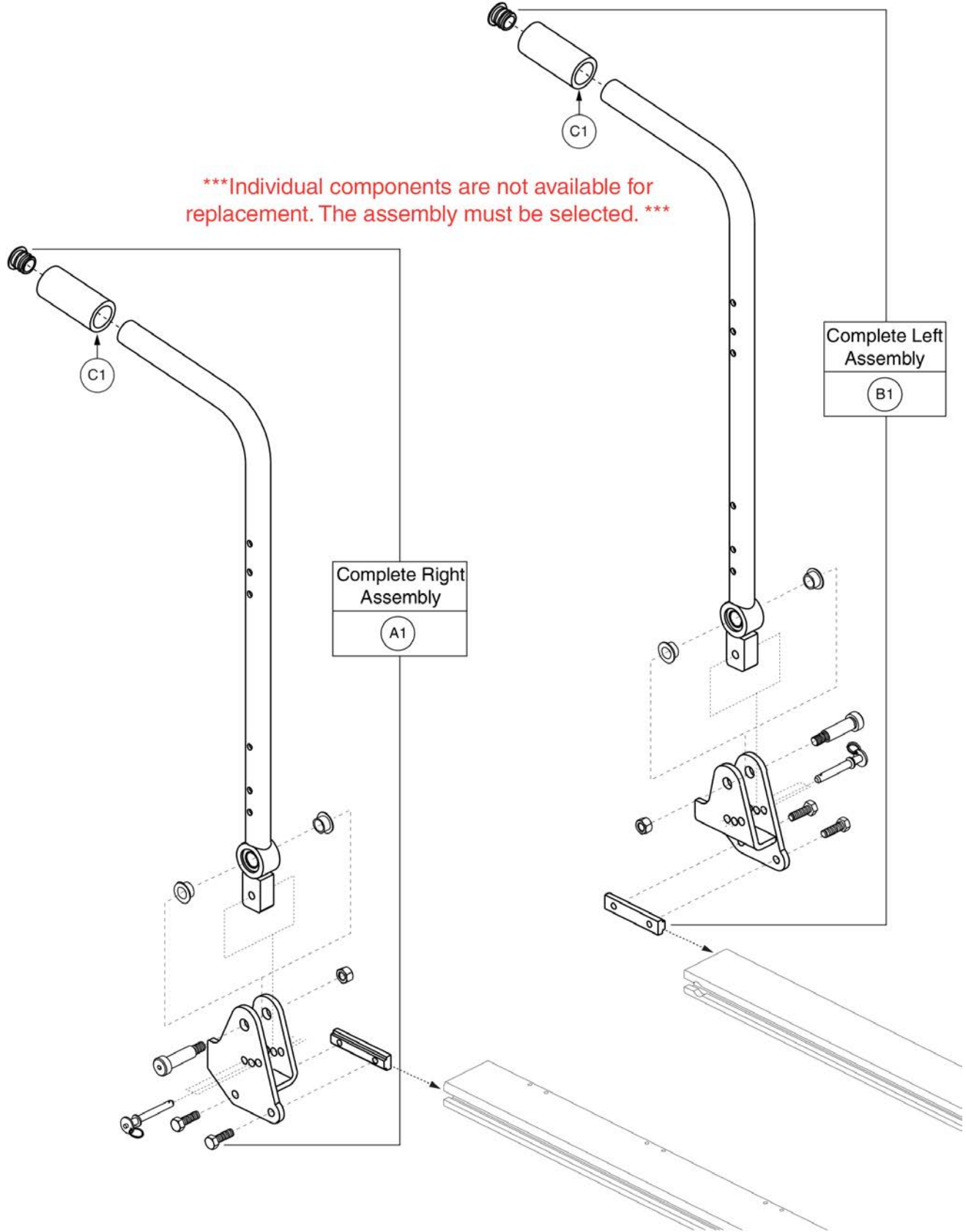
4.4. Back Cane Assy's

Please note: The straight, no push handle back canes are no longer available.  
Contact Technical Service for replacement options.



Item	Part No.	Name	Qty
A1	FRMASMB15774	BACK CANE,ASSY,NO PUSH HANDLE,STRAIGHT,16"H,6 HOLE	1
B1	FRMASMB15775	BACK CANE,ASSY,NO PUSH HANDLE,STRAIGHT,17"H,6 HOLE	1
C1	FRMASMB15776	BACK CANE,ASSY,NO PUSH HANDLE,STRAIGHT,18"H,6 HOLE	1
D1	FRMASMB15777	BACK CANE,ASSY,NO PUSH HANDLE,STRAIGHT,19"H,6 HOLE	1
E1	FRMASMB15778	BACK CANE,ASSY,NO PUSH HANDLE,STRAIGHT,20"H,6 HOLE	1
F1	FRMASMB15779	BACK CANE,ASSY,NO PUSH HANDLE,STRAIGHT,21"H,6 HOLE	1
G1	FRMASMB15780	BACK CANE,ASSY,NO PUSH HANDLE,STRAIGHT,22"H,6 HOLE	1
H1	FRMASMB15781	BACK CANE,ASSY,NO PUSH HANDLE,STRAIGHT,23"H,6 HOLE	1
I1	FRMASMB15782	BACK CANE,ASSY,NO PUSH HANDLE,STRAIGHT,24"H,6 HOLE	1
J1		BACK CANE,ASSY,NO PUSH HANDLE,STRAIGHT,25"H,6 HOLE	1
K1	DWR1367C043	END CAP,RECLINE ARMREST,TRU-BALANCE POWER RECLINE,C-1367-043	1

4.4. Back Cane Assy's



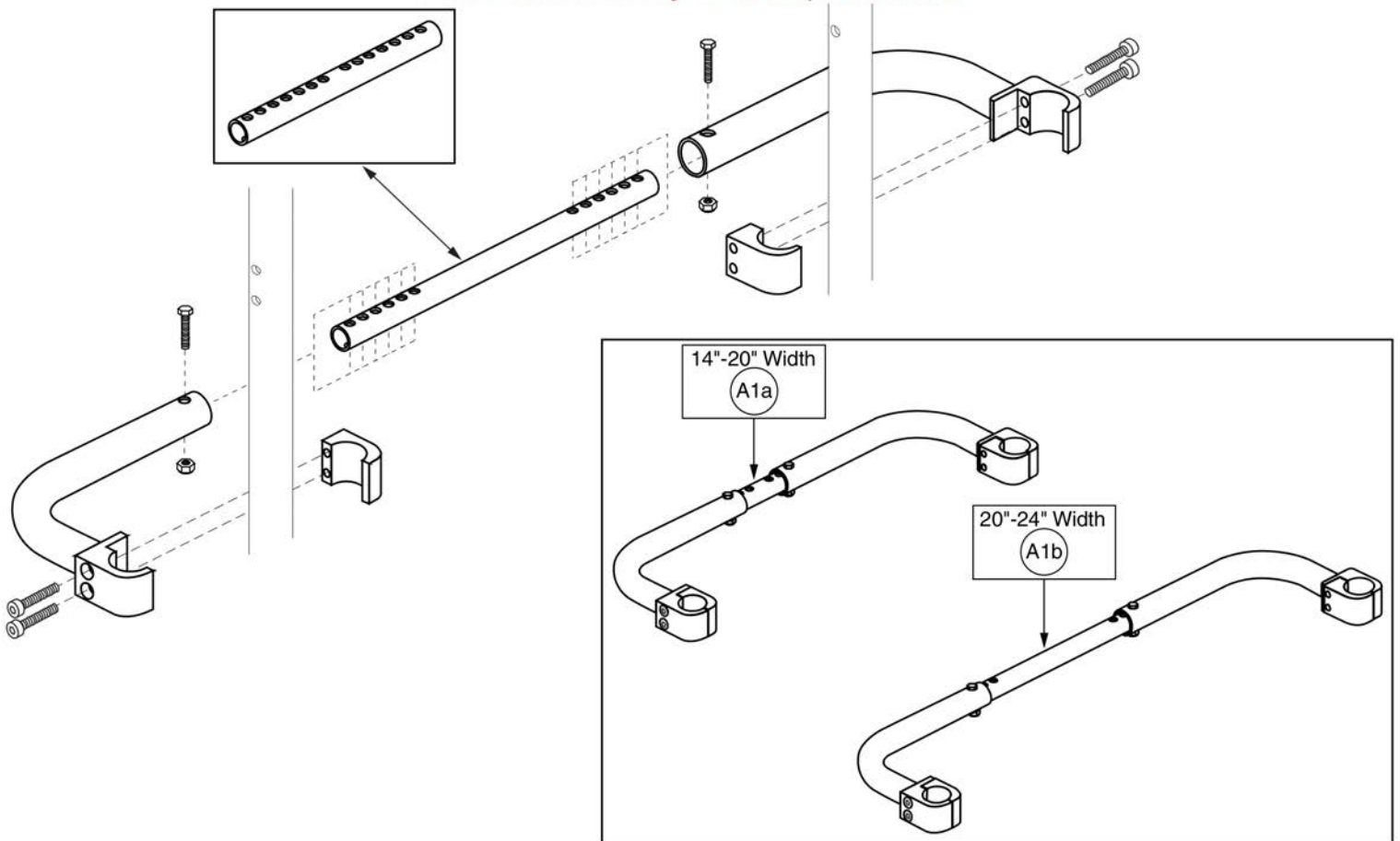
## Back Canes - 22" Flip Down



Item	Part No.	Name	Qty
A1	FRMASMB11211	BACK CANE,ASSY,FLIP DOWN,22"H,SYNERGY SEAT/TILT,RIGHT	1
B1	FRMASMB11212	BACK CANE,ASSY,FLIP DOWN,22"H,SYNERGY SEAT/TILT,LEFT	1
C1		HAND GRIP,JAZZY	1

4.4. Back Cane Assy's

\*\*\* Individual components are not available for replacement.  
The entire assembly must be purchased. \*\*\*



**Push Bar - 14"-20"W, 20"-24"W, Clamp On**

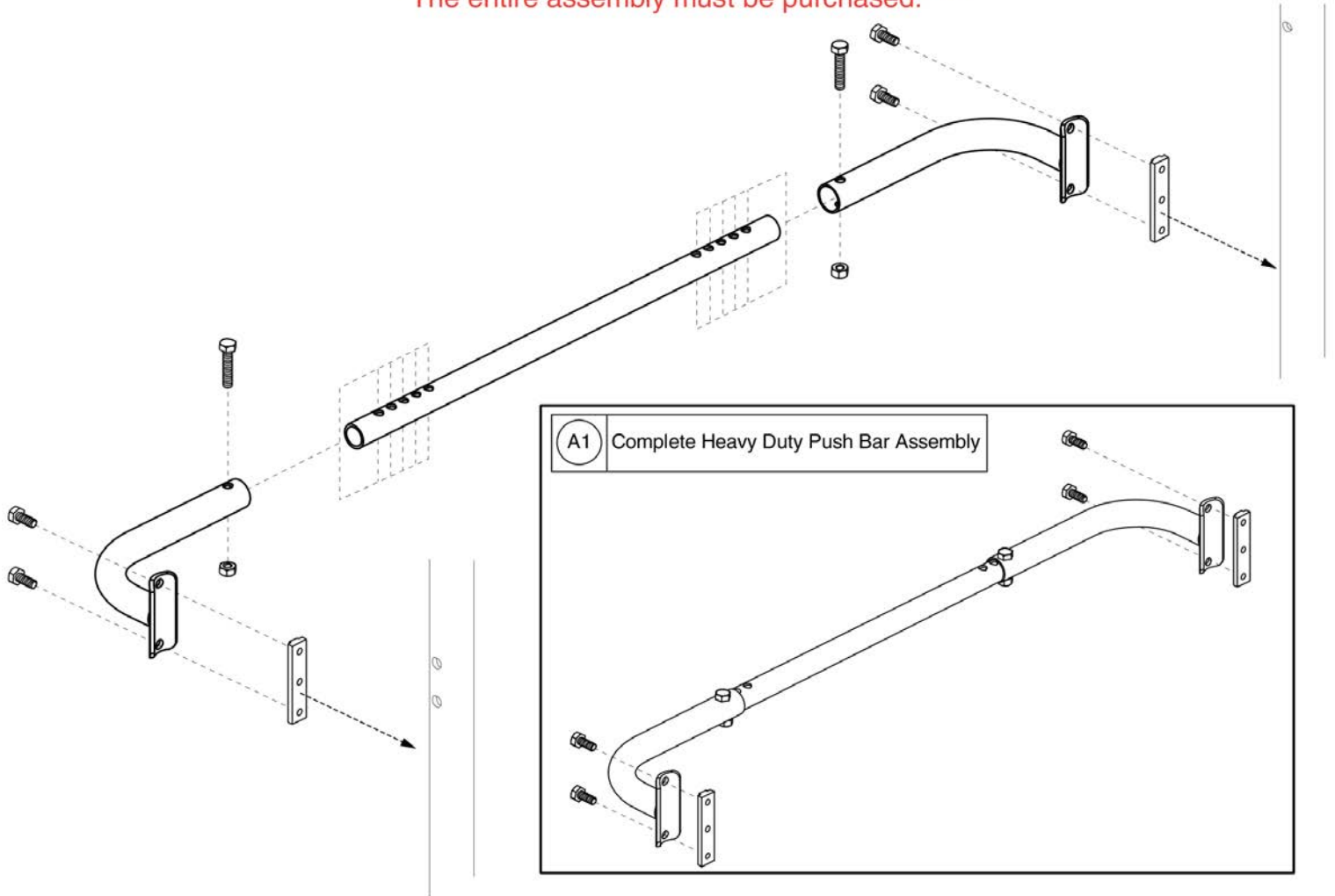


Item	Part No.	Name	Qty
A1a	FRMASMB6789	PUSH BAR,ASSY,14"W-20"W,SYNERGY SEAT, TEXTURED,D-1360-012	1
A1b		PUSH BAR,ASSY,20"W-24"W,SYNERGY SEAT, TEXTURED,D-1360-017	1



4.4. Back Cane Assy's

\*\*\* Individual components are not available for replacement.  
The entire assembly must be purchased. \*\*\*



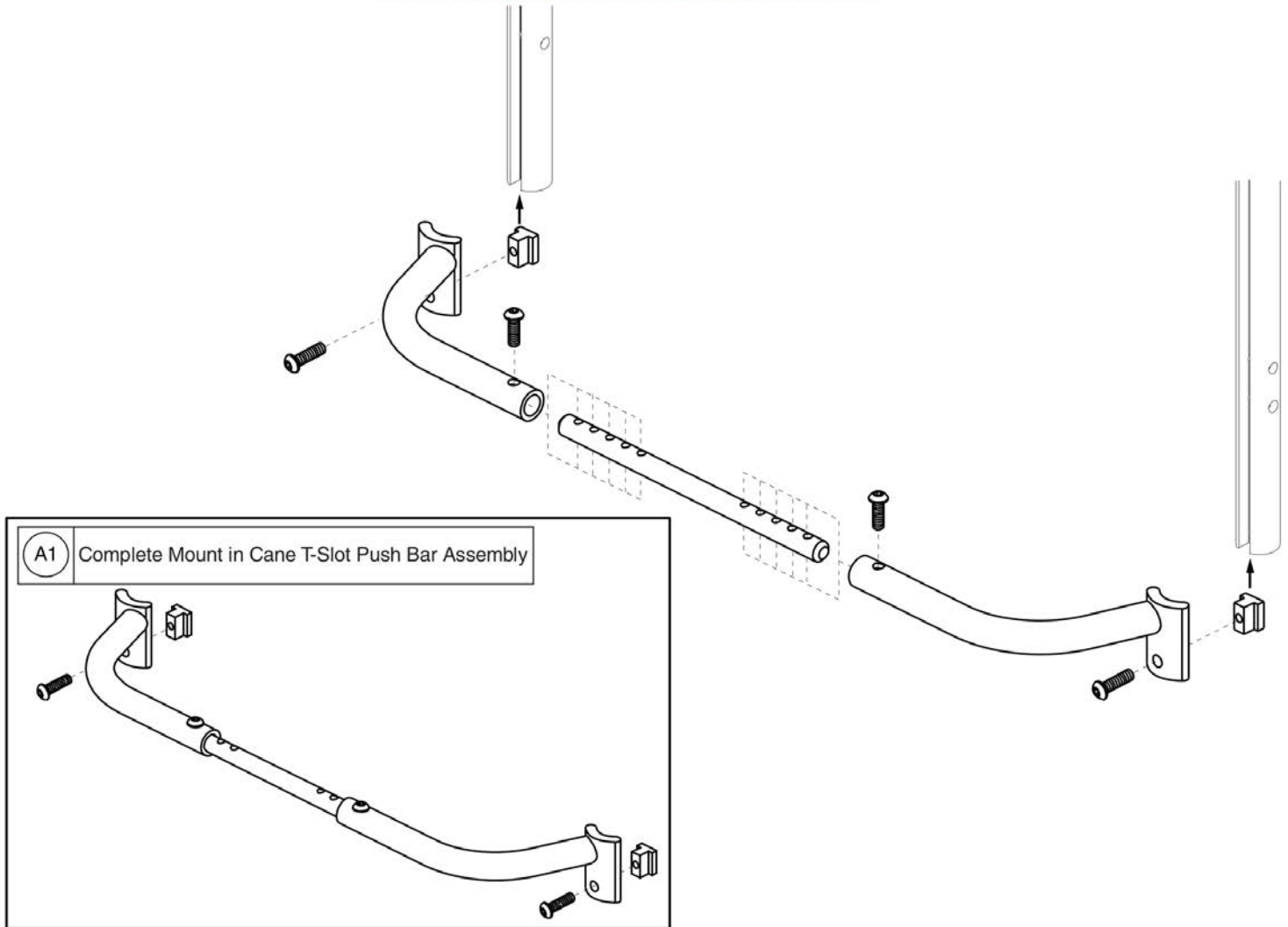
# Push Bar - HD 20"W-24"W



Item	Part No.	Name	Qty
A1		PUSH BAR,ASSY,20"W-24"W,T-SLOT MOUNTED,SYNERGY SEAT HD	1

4.4. Back Cane Assy's

\*\*\* Individual components are not available for replacement.  
The entire assembly must be purchased. \*\*\*

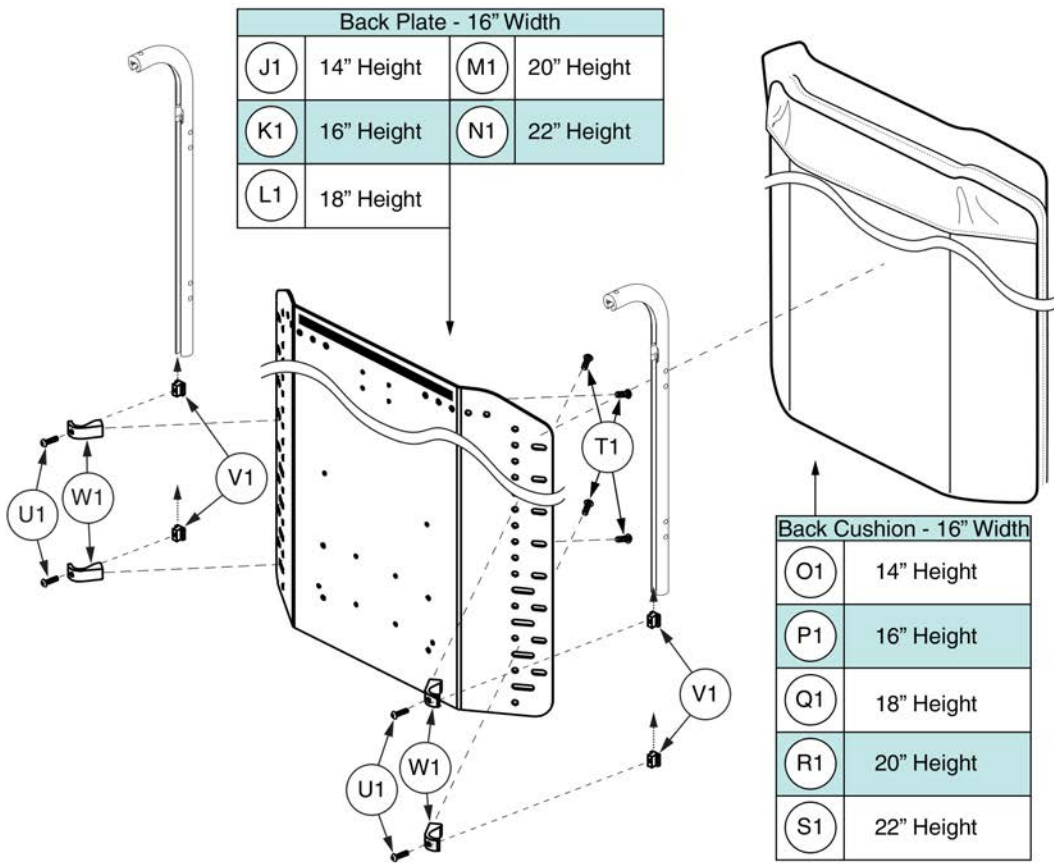


**Push Bar - Mounted in Cane T-Slot 16"-20"W**



Item	Part No.	Name	Qty
A1	FRMASMB9198	PUSH BAR,ASSY,16"W-20"W,QUANTUM,W/MOUNTING HARDWARE	1

Synergy Standard Back



The complete Synergy Standard Back Assy's include the Seat Back, Cushion and mounting hardware (T1-W1) .

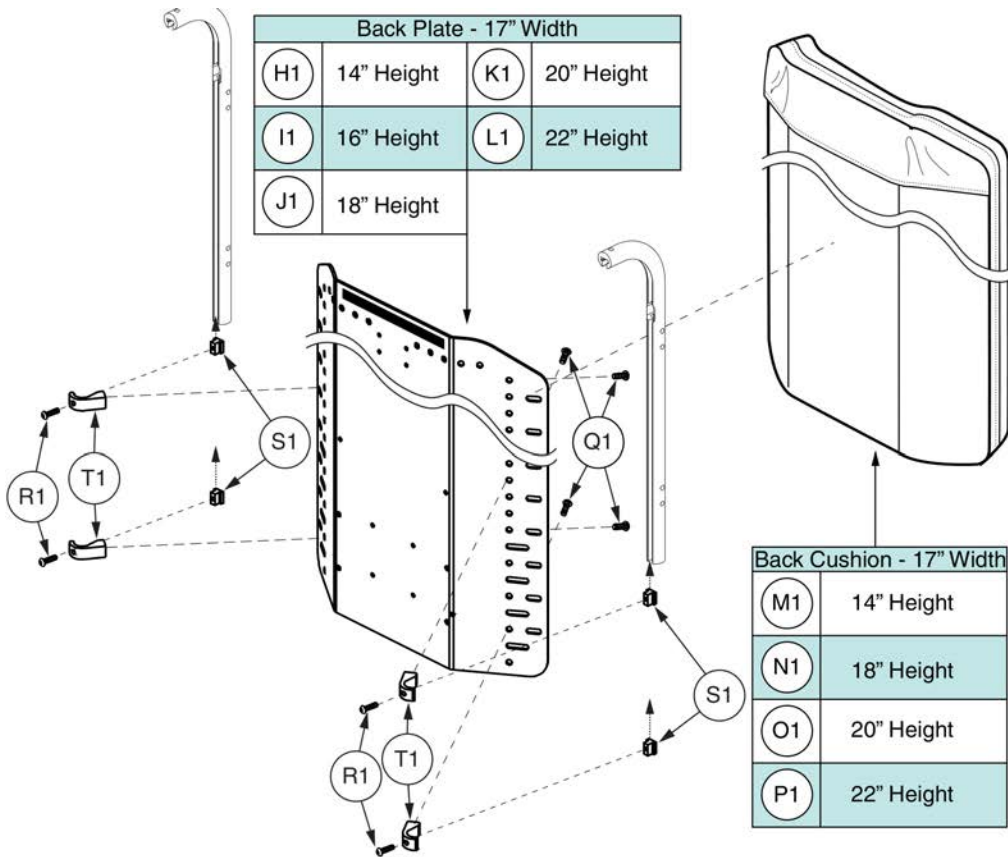
(A1)	Includes Seat Back (J1) and Cushion (O1)
(B1)	Includes Seat Back (J1) and Cushion (O1)
(C1)	Includes Seat Back (K1) and Cushion (P1)
(D1)	Includes Seat Back (K1) and Cushion (P1)
(E1)	Includes Seat Back (L1) and Cushion (Q1)
(F1)	Includes Seat Back (L1) and Cushion (Q1)
(G1)	Includes Seat Back (M1) and Cushion (R1)
(H1)	Includes Seat Back (M1) and Cushion (R1)
(I1)	Includes Seat Back (N1) and Cushion (S1)

Standard Back - 16" Width, TB2



Item	Part No.	Name	Qty
A1	SETASMB6463	SYNERGY STANDARD BACK, 16"W, 17"H, W/CUSHION, (16"W X 14"H)	1
B1	SETASMB6639	SYNERGY STANDARD BACK, 16"W, 18"H, W/CUSHION, (16"W X 14"H)	1
C1	SETASMB6474	SYNERGY STANDARD BACK, 16"W, 19"H, W/CUSHION, (16"W X 16"H)	1
D1	SETASMB6650	SYNERGY STANDARD BACK, 16"W, 20"H, W/CUSHION, (16"W X 16"H)	1
E1	SETASMB6493	SYNERGY STANDARD BACK, 16"W, 21"H, W/CUSHION, (16"W X 18"H)	1
F1	SETASMB6669	SYNERGY STANDARD BACK, 16"W, 22"H, W/CUSHION, (16"W X 18"H)	1
G1	SETASMB6512	SYNERGY STANDARD BACK, 16"W, 23"H, W/CUSHION, (16"W X 20"H)	1
H1	SETASMB6688	SYNERGY STANDARD BACK, 16"W, 24"H, W/CUSHION, (16"W X 20"H)	1
I1	SETASMB6531	SYNERGY STANDARD BACK, 16"W, 25"H, W/CUSHION, (16"W X 22"H)	1
J1	DWR1359E029G	SEAT BACK, 16"W, 14"H, SYNERGY STANDARD, E-1359-029	1
K1	DWR1359E032G	SEAT BACK, 16"W, 16"H, SYNERGY STANDARD, E-1359-032	1
L1	DWR1359E034G	SEAT BACK, 16"W, 18"H, SYNERGY STANDARD, E-1359-034	1
M1	DWR1359E036G	SEAT BACK, 16"W, 20"H, SYNERGY STANDARD, E-1359-036	1
N1	DWR1359E045G	SEAT BACK, 16"W, 22"H, SYNERGY STANDARD, E-1359-045	1
O1	CUSASMB2338	CUSHION, ASSY, 16"W, 14"H, SYNERGY STANDARD BACK, E-1359-083	1
P1	CUSASMB2349	CUSHION, ASSY, 16"W, 16"H, SYNERGY STANDARD BACK, E-1359-082	1
Q1	CUSASMB2368	CUSHION, ASSY, 16"W, 18"H, SYNERGY STANDARD BACK, E-1359-081	1
R1	CUSASMB2387	CUSHION, ASSY, 16"W, 20"H, SYNERGY STANDARD BACK, E-1359-079	1
S1	CUSASMB2406	CUSHION, ASSY, 16"W, 22"H, SYNERGY STANDARD BACK, E-1359-080	1
T1	SCRASBH1148	SCREW, BHSCS, BLACK ZINC, 1/4-20 X 0.50", W/PATCH	4
U1	SCRASBH1210	SCREW, BUTTON HEAD, .250-20 X .75, ASTM F835, BZ, PVTP	4
V1	DWR1359B003	T-NUT, BLACK, 1/4-20 X 0.563", 0.50" TH, B-1359-003	4
W1	DWR1306C024	BACK PLATE BRACKET, T-SLOT, 1", C-1306-024	4

Synergy Standard Back



Back Plate - 17" Width			
(H1)	14" Height	(K1)	20" Height
(I1)	16" Height	(L1)	22" Height
(J1)	18" Height		

Back Cushion - 17" Width	
(M1)	14" Height
(N1)	18" Height
(O1)	20" Height
(P1)	22" Height

The complete Synergy Standard Back Assy's include the Seat Back, Cushion and mounting hardware (Q1-T1).		
Ref #	Size	Includes
(A1)	17"W x 14"H	Seat Back (H1) and Cushion (M1)
(B1)	17"W x 14"H	Seat Back (H1) and Cushion (M1)
(C1)	17"W x 18"H	Seat Back (J1) and Cushion (N1)
(D1)	17"W x 18"H	Seat Back (J1) and Cushion (N1)
(E1)	17"W x 20"H	Seat Back (K1) and Cushion (O1)
(F1)	17"W x 20"H	Seat Back (K1) and Cushion (O1)
(G1)	17"W x 22"H	Seat Back (L1) and Cushion (P1)

\*\*\* Only sizes listed are available for replacement. All other sizes have been discontinued. \*\*\*

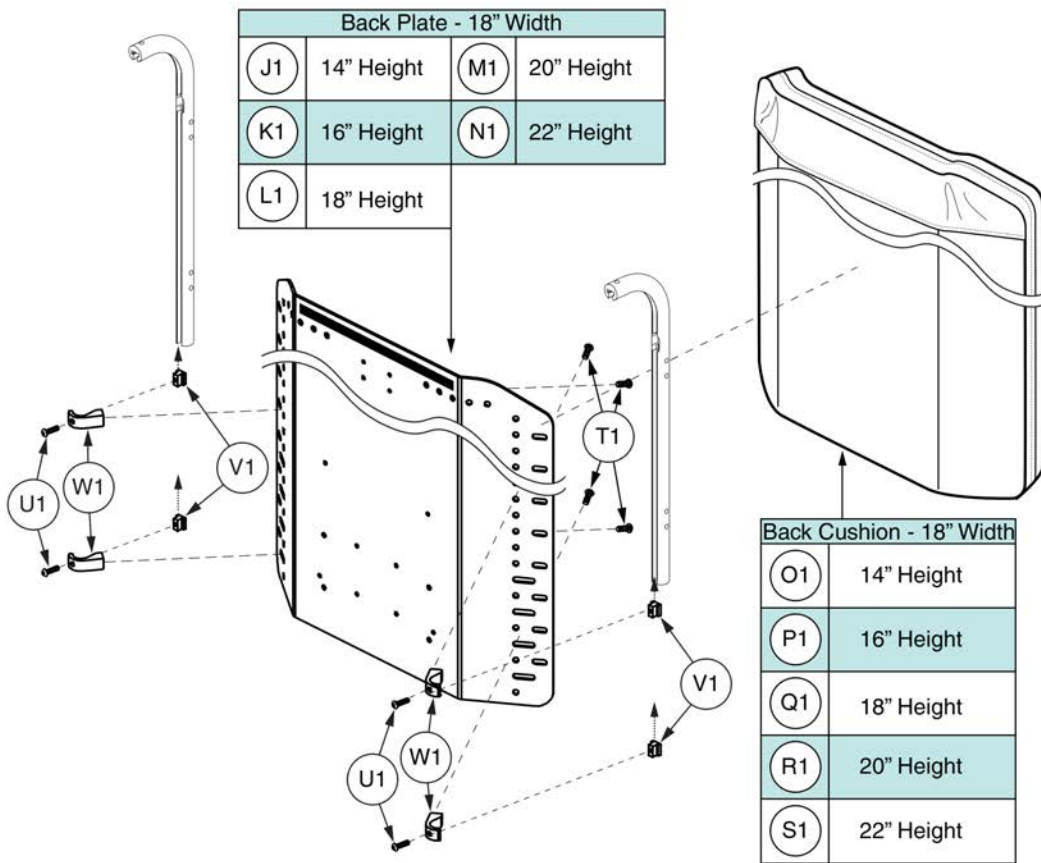
Standard Back - 17" Width, TB2



Item	Part No.	Name	Qty
A1	SETASMB6464	SYNERGY STANDARD BACK, 17"W, 17"H, W/CUSHION, (17"W X 14"H)	1
B1	SETASMB6640	SYNERGY STANDARD BACK, 17"W, 18"D, W/CUSHION, (17"W X 14"H)	1
C1	SETASMB6494	SYNERGY STANDARD BACK, 17"W, 21"H, W/CUSHION, (17"W X 18"H)	1
D1	SETASMB6670	SYNERGY STANDARD BACK, 17"W, 22"H, W/CUSHION, (17"W X 18"H)	1
E1	SETASMB6513	SYNERGY STANDARD BACK, 17"W, 23"H, W/CUSHION, (17"W X 20"H)	1
F1	SETASMB6689	SYNERGY STANDARD BACK, 17"W, 24"H, W/CUSHION, (17"W X 20"H)	1
G1	SETASMB6532	SYNERGY STANDARD BACK, 17"W, 25"H, W/CUSHION, (17"W X 22"H)	1
H1	DWR1359E029H	SEAT BACK, 17"W, 14"H, SYNERGY STANDARD	1
I1		SEAT BACK, 17"W, 16"H, SYNERGY STANDARD	1
J1	DWR1359E034H	SEAT BACK, 17"W, 18"H, SYNERGY STANDARD	1
K1	DWR1359E036H	SEAT BACK, 17"W, 20"H, SYNERGY STANDARD	1
L1	DWR1359E045H	SEAT BACK, 17"W, 22"H, SYNERGY STANDARD	1
M1	CUSASMB2339	CUSHION, ASSY, 17"W, 14"H, SYNERGY STANDARD BACK	1
N1	CUSASMB2369	CUSHION, ASSY, 17"W, 18"H, SYNERGY STANDARD BACK	1
O1	CUSASMB2388	CUSHION, ASSY, 17"W, 20"H, SYNERGY STANDARD BACK	1
P1	CUSASMB2407	CUSHION, ASSY, 17"W, 22"H, SYNERGY STANDARD BACK	1
Q1	SCRASBH1148	SCREW, BHSCS, BLACK ZINC, 1/4-20 X 0.50", W/PATCH	4
R1	SCRASBH1210	SCREW, BUTTON HEAD, .250-20 X .75, ASTM F835, BZ, PVTP	4
S1	DWR1359B003	T-NUT, BLACK, 1/4-20 X 0.563", 0.50" TH, B-1359-003	4
T1	DWR1306C024	BACK PLATE BRACKET, T-SLOT, 1", C-1306-024	4



Synergy Standard Back



The complete Synergy Standard Back Assy's include the Seat Back, Cushion and mounting hardware (T1-W1).

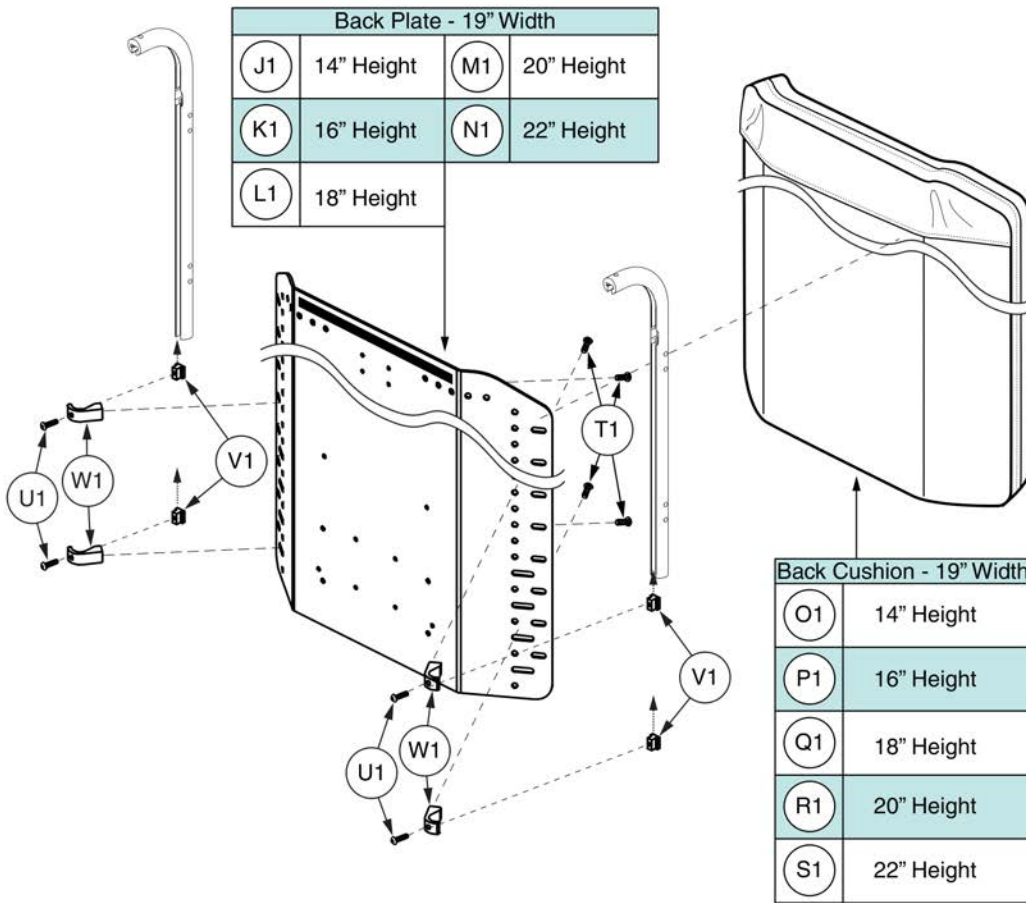
(A1)	Includes Seat Back (J1) and Cushion (O1)
(B1)	Includes Seat Back (J1) and Cushion (O1)
(C1)	Includes Seat Back (K1) and Cushion (P1)
(D1)	Includes Seat Back (K1) and Cushion (P1)
(E1)	Includes Seat Back (L1) and Cushion (Q1)
(F1)	Includes Seat Back (L1) and Cushion (Q1)
(G1)	Includes Seat Back (M1) and Cushion (R1)
(H1)	Includes Seat Back (M1) and Cushion (R1)
(I1)	Includes Seat Back (N1) and Cushion (S1)

# Standard Back - 18" Width, TB2



Item	Part No.	Name	Qty
A1	SETASMB6465	SYNERGY STANDARD BACK, 18"W, 17"H, W/CUSHION, (18"W X 14"H)	1
B1	SETASMB6641	SYNERGY STANDARD BACK, 18"W, 18"H, W/CUSHION, (18"W X 14"H)	1
C1	SETASMB6476	SYNERGY STANDARD BACK, 18"W, 19"H, W/CUSHION, (18"W X 16"H)	1
D1	SETASMB6652	SYNERGY STANDARD BACK, 18"W, 20"H, W/CUSHION, (18"W X 16"H)	1
E1	SETASMB6495	SYNERGY STANDARD BACK, 18"W, 21"H, W/CUSHION, (18"W X 18"H)	1
F1	SETASMB6671	SYNERGY STANDARD BACK, 18"W, 22"H, W/CUSHION, (18"W X 18"H)	1
G1	SETASMB6514	SYNERGY STANDARD BACK, 18"W, 23"H, W/CUSHION, (18"W X 20"H)	1
H1	SETASMB6690	SYNERGY STANDARD BACK, 18"W, 24"H, W/CUSHION, (18"W X 20"H)	1
I1	SETASMB6533	SYNERGY STANDARD BACK, 18"W, 25"H, W/CUSHION, (18"W X 22"H)	1
J1	DWR1359E029I	SEAT BACK, 18"W, 14"H, SYNERGY STANDARD, E-1359-029	1
K1	DWR1359E032I	SEAT BACK, 18"W, 16"H, SYNERGY STANDARD, E-1359-032	1
L1	DWR1359E034I	SEAT BACK, 18"W, 18"H, SYNERGY STANDARD, E-1359-034	1
M1	DWR1359E036I	SEAT BACK, 18"W, 20"H, SYNERGY STANDARD, E-1359-036	1
N1	DWR1359E045I	SEAT BACK, 18"W, 22"H, SYNERGY STANDARD, E-1359-045	1
O1	CUSASMB2340	CUSHION, ASSY, 18"W, 14"H, SYNERGY STANDARD BACK, E-1359-083	1
P1	CUSASMB2351	CUSHION, ASSY, 18"W, 16"H, SYNERGY STANDARD BACK, E-1359-082	1
Q1	CUSASMB2370	CUSHION, ASSY, 18"W, 18"H, SYNERGY STANDARD BACK, E-1359-081	1
R1	CUSASMB2389	CUSHION, ASSY, 18"W, 20"H, SYNERGY STANDARD BACK, E-1359-079	1
S1	CUSASMB2408	CUSHION, ASSY, 18"W, 22"H, SYNERGY STANDARD BACK, E-1359-080	1
T1	SCRASBH1148	SCREW, BHSCS, BLACK ZINC, 1/4-20 X 0.50", W/PATCH	4
U1	SCRASBH1210	SCREW, BUTTON HEAD, .250-20 X .75, ASTM F835, BZ, PVTP	4
V1	DWR1359B003	T-NUT, BLACK, 1/4-20 X 0.563", 0.50" TH, B-1359-003	4
W1	DWR1306C024	BACK PLATE BRACKET, T-SLOT, 1", C-1306-024	4

Synergy Standard Back



The complete Synergy Standard Back Assy's include the Seat Back, Cushion and mounting hardware (T1-W1).

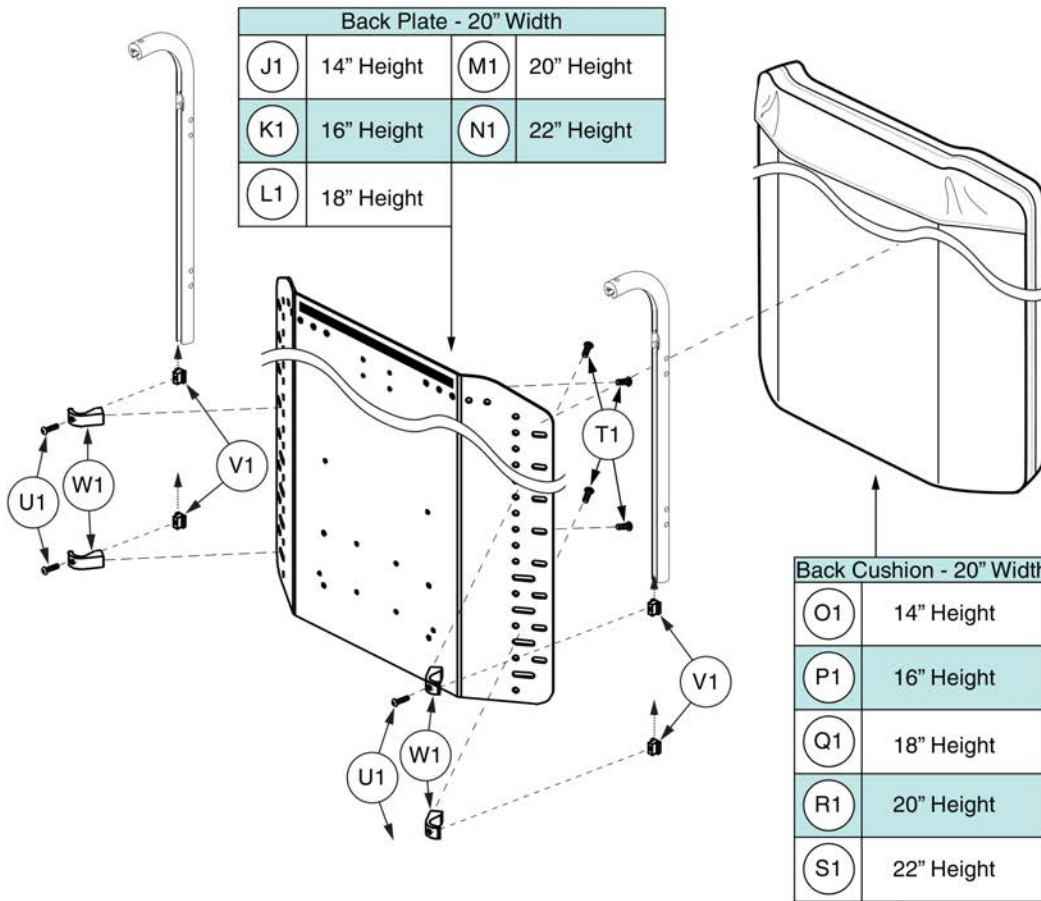
(A1)	Includes Seat Back (J1) and Cushion (O1)
(B1)	Includes Seat Back (J1) and Cushion (O1)
(C1)	Includes Seat Back (K1) and Cushion (P1)
(D1)	Includes Seat Back (K1) and Cushion (P1)
(E1)	Includes Seat Back (L1) and Cushion (Q1)
(F1)	Includes Seat Back (L1) and Cushion (Q1)
(G1)	Includes Seat Back (M1) and Cushion (R1)
(H1)	Includes Seat Back (M1) and Cushion (R1)
(I1)	Includes Seat Back (N1) and Cushion (S1)

Standard Back - 19" Width, TB2



Item	Part No.	Name	Qty
A1	SETASMB6466	SYNERGY STANDARD BACK, 19"W, 17"H, W/CUSHION, (19"W X 14"H)	1
B1	SETASMB6642	SYNERGY STANDARD BACK, 19"W, 18"H, W/CUSHION, (19"W X 14"H)	1
C1	SETASMB6477	SYNERGY STANDARD BACK, 19"W, 19"H, W/CUSHION, (19"W X 16"H)	1
D1	SETASMB6653	SYNERGY STANDARD BACK, 19"W, 20"H, W/CUSHION, (19"W X 16"H)	1
E1	SETASMB6496	SYNERGY STANDARD BACK, 19"W, 21"H, W/CUSHION, (19"W X 18"H)	1
F1	SETASMB6672	SYNERGY STANDARD BACK, 19"W, 22"H, W/CUSHION, (19"W X 18"H)	1
G1	SETASMB6515	SYNERGY STANDARD BACK, 19"W, 23"H, W/CUSHION, (19"W X 20"H)	1
H1	SETASMB6691	SYNERGY STANDARD BACK, 19"W, 24"H, W/CUSHION, (19"W X 20"H)	1
I1	SETASMB6534	SYNERGY STANDARD BACK, 19"W, 25"H, W/CUSHION, (19"W X 22"H)	1
J1	DWR1359E029J	SEAT BACK, 19"W, 14"H, SYNERGY STANDARD, E-1359-029	1
K1	DWR1359E032J	SEAT BACK, 19"W, 16"H, SYNERGY STANDARD, E-1359-032	1
L1	DWR1359E034J	SEAT BACK, 19"W, 18"H, SYNERGY STANDARD, E-1359-034	1
M1	DWR1359E036J	SEAT BACK, 19"W, 20"H, SYNERGY STANDARD, E-1359-036	1
N1	DWR1359E045J	SEAT BACK, 19"W, 22"H, SYNERGY STANDARD, E-1359-045	1
O1	CUSASMB2341	CUSHION, ASSY, 19"W, 14"H, SYNERGY STANDARD BACK, E-1359-083	1
P1	CUSASMB2352	CUSHION, ASSY, 19"W, 16"H, SYNERGY STANDARD BACK, E-1359-082	1
Q1	CUSASMB2371	CUSHION, ASSY, 19"W, 18"H, SYNERGY STANDARD BACK, E-1359-081	1
R1	CUSASMB2390	CUSHION, ASSY, 19"W, 20"H, SYNERGY STANDARD BACK, E-1359-079	1
S1	CUSASMB2409	CUSHION, ASSY, 19"W, 22"H, SYNERGY STANDARD BACK, E-1359-080	1
T1	SCRASBH1148	SCREW, BHSCS, BLACK ZINC, 1/4-20 X 0.50", W/PATCH	4
U1	SCRASBH1210	SCREW, BUTTON HEAD, .250-20 X .75, ASTM F835, BZ, PVTP	4
V1	DWR1359B003	T-NUT, BLACK, 1/4-20 X 0.563", 0.50" TH, B-1359-003	4
W1	DWR1306C024	BACK PLATE BRACKET, T-SLOT, 1", C-1306-024	4

Synergy Standard Back



The complete Synergy Standard Back Assy's include the Seat Back, Cushion and mounting hardware (T1-W1).

(A1)	Includes Seat Back (J1) and Cushion (O1)
(B1)	Includes Seat Back (J1) and Cushion (O1)
(C1)	Includes Seat Back (K1) and Cushion (P1)
(D1)	Includes Seat Back (K1) and Cushion (P1)
(E1)	Includes Seat Back (L1) and Cushion (Q1)
(F1)	Includes Seat Back (L1) and Cushion (Q1)
(G1)	Includes Seat Back (M1) and Cushion (R1)
(H1)	Includes Seat Back (M1) and Cushion (R1)
(I1)	Includes Seat Back (N1) and Cushion (S1)

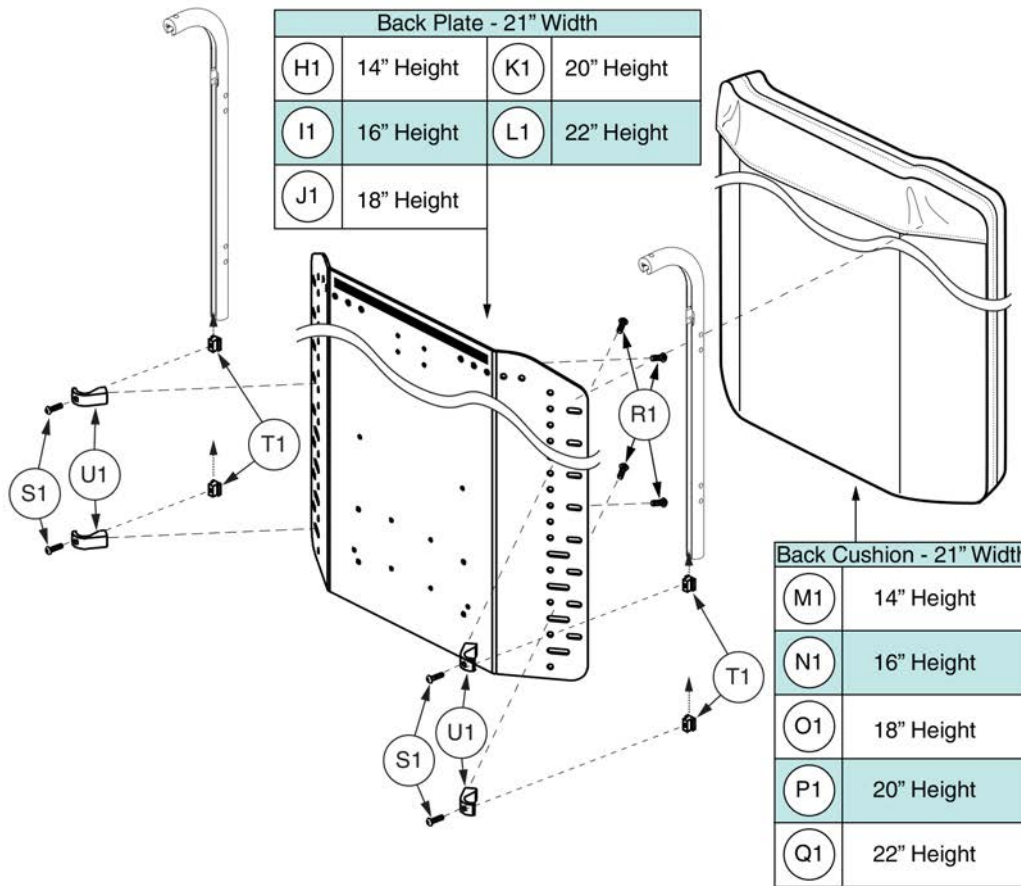
Standard Back - 20" Width, TB2



Item	Part No.	Name	Qty
A1	SETASMB6467	SYNERGY STANDARD BACK,20"W,17"H,W/CUSHION,(20"W X 14"H)	1
B1	SETASMB6643	SYNERGY STANDARD BACK,20"W,18"H,W/CUSHION,(20"W X 14"H)	1
C1	SETASMB6478	SYNERGY STANDARD BACK,20"W,19"H,W/CUSHION,(20"W X 16"H)	1
D1	SETASMB6654	SYNERGY STANDARD BACK,20"W,20"H,W/CUSHION,(20"W X 16"H)	1
E1	SETASMB6497	SYNERGY STANDARD BACK,20"W,21"H,W/CUSHION,(20"W X 18"H)	1
F1	SETASMB6673	SYNERGY STANDARD BACK,20"W,22"H,W/CUSHION,(20"W X 18"H)	1
G1	SETASMB6516	SYNERGY STANDARD BACK,20"W,23"H,W/CUSHION,(20"W X 20"H)	1
H1	SETASMB6692	SYNERGY STANDARD BACK,20"W,24"H,W/CUSHION,(20"W X 20"H)	1
I1	SETASMB6535	SYNERGY STANDARD BACK,20"W,25"H,W/CUSHION,(20"W X 22"H)	1
J1	DWR1359E029K	SEAT BACK,20"W,14"H,SYNERGY STANDARD,E-1359-029	1
K1	DWR1359E032K	SEAT BACK,20"W,16"H,SYNERGY STANDARD,E-1359-032	1
L1	DWR1359E034K	SEAT BACK,20"W,18"H,SYNERGY STANDARD,E-1359-034	1
M1	DWR1359E036K	SEAT BACK,20"W,20"H,SYNERGY STANDARD,E-1359-036	1
N1	DWR1359E045K	SEAT BACK,20"W,22"H,SYNERGY STANDARD,E-1359-045	1
O1	CUSASMB2342	CUSHION,ASSY,20"W,14"H,SYNERGY STANDARD BACK,E-1359-083	1
P1	CUSASMB2353	CUSHION,ASSY,20"W,16"H,SYNERGY STANDARD BACK,E-1359-082	1
Q1	CUSASMB2372	CUSHION,ASSY,20"W,18"H,SYNERGY STANDARD BACK,E-1359-081	1
R1	CUSASMB2391	CUSHION,ASSY,20"W,20"H,SYNERGY STANDARD BACK,E-1359-079	1
S1	CUSASMB2410	CUSHION,ASSY,20"W,22"H,SYNERGY STANDARD BACK,E-1359-080	1
T1	SCRASBH1148	SCREW,BHSCS,BLACK ZINC,1/4-20 X 0.50",W/PATCH	4
U1	SCRASBH1210	SCREW, BUTTON HEAD, .250-20 X .75, ASTM F835, BZ, PVTP	4
V1	DWR1359B003	T-NUT,BLACK,1/4-20 X 0.563",0.50" TH,B-1359-003	4
W1	DWR1306C024	BACK PLATE BRACKET,T-SLOT,1",C-1306-024	4



Synergy Standard Back



The complete Synergy Standard Back Assy's include the Seat Back, Cushion and mounting hardware (R1-U1).

Ref #	Size	Includes
(A1)	21"W x 16"H	Seat Back (I1) and Cushion (N1)
(B1)	21"W x 16"H	Seat Back (I1) and Cushion (N1)
(C1)	21"W x 18"H	Seat Back (J1) and Cushion (O1)
(D1)	21"W x 18"H	Seat Back (J1) and Cushion (O1)
(E1)	21"W x 20"H	Seat Back (K1) and Cushion (P1)
(F1)	21"W x 20"H	Seat Back (K1) and Cushion (P1)
(G1)	21"W x 22"H	Seat Back (L1) and Cushion (Q1)

\*\*\* Only sizes listed are available for replacement. All other sizes have been discontinued. \*\*\*

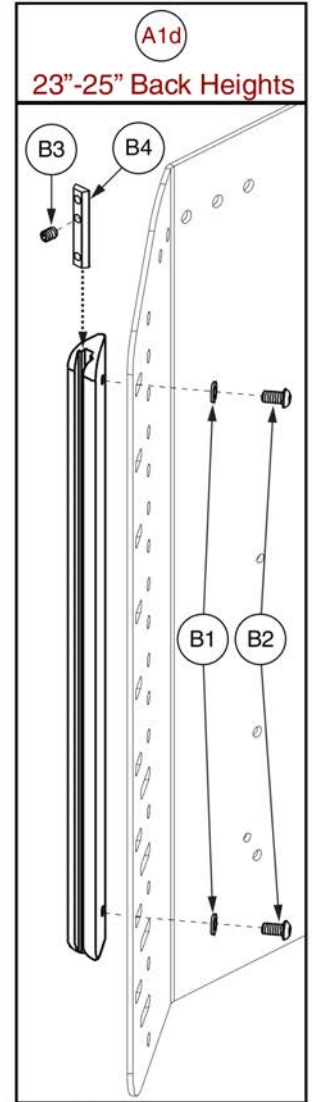
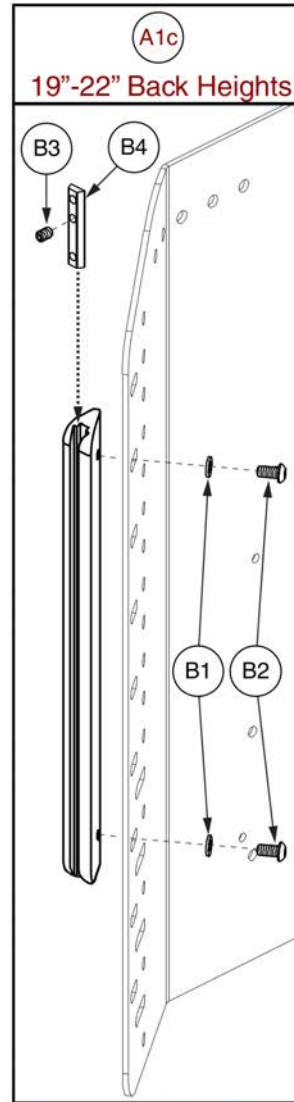
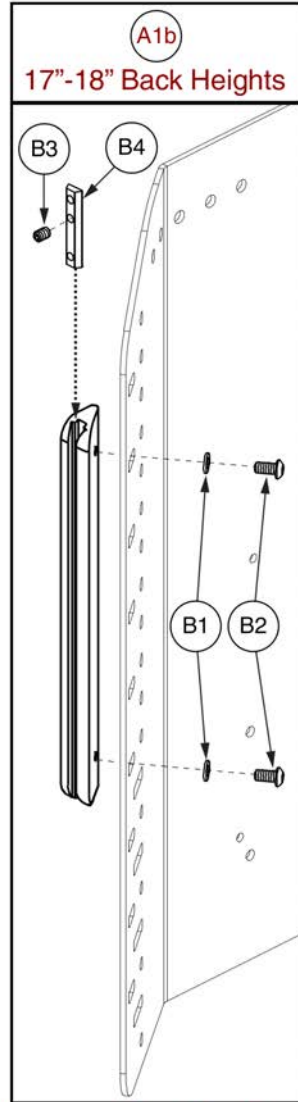
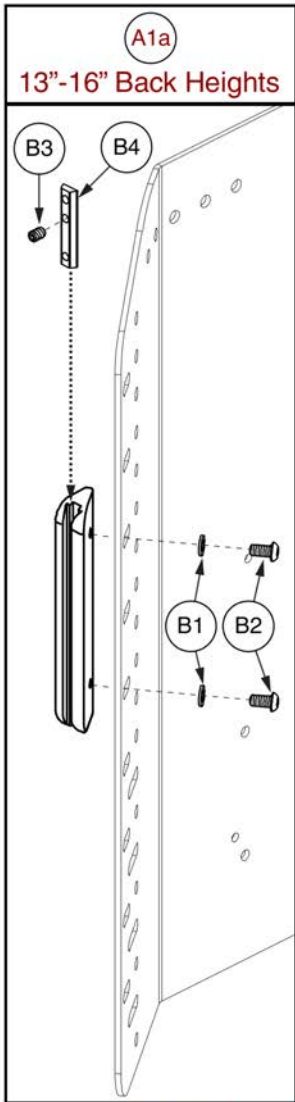
Standard Back - 21" Width, TB2



Item	Part No.	Name	Qty
A1	SETASMB6479	SYNERGY STANDARD BACK,21"W,19"H,W/CUSHION,(21"W X 16"H)	1
B1	SETASMB6655	SYNERGY STANDARD BACK,21"W,20"H,W/CUSHION,(21"W X 16"H)	1
C1	SETASMB6498	SYNERGY STANDARD BACK,21"W,21"H,W/CUSHION,(21"W X 18"H)	1
D1	SETASMB6674	SYNERGY STANDARD BACK,21"W,22"H,W/CUSHION,(21"W X 18"H)	1
E1	SETASMB6517	SYNERGY STANDARD BACK,21"W,23"H,W/CUSHION,(21"W X 20"H)	1
F1	SETASMB6693	SYNERGY STANDARD BACK,21"W,24"H,W/CUSHION,(21"W X 20"H)	1
G1	SETASMB6536	SYNERGY STANDARD BACK,21"W,25"H,W/CUSHION,(21"W X 22"H)	1
H1		SEAT BACK,21"W,14"H,SYNERGY STANDARD,E-1359-029	1
I1	DWR1359E032L	SEAT BACK,21"W,16"H,SYNERGY STANDARD,E-1359-032	1
J1	DWR1359E034L	SEAT BACK,21"W,18"H,SYNERGY STANDARD,E-1359-034	1
K1	DWR1359E036L	SEAT BACK,21"W,20"H,SYNERGY STANDARD,E-1359-036	1
L1	DWR1359E045L	SEAT BACK,21"W,22"H,SYNERGY STANDARD,E-1359-045	1
M1		CUSHION,ASSY,21"W,14"H,SYNERGY STANDARD BACK,E-1359-083	1
N1	CUSASMB2354	CUSHION,ASSY,21"W,16"H,SYNERGY STANDARD BACK,E-1359-082	1
O1	CUSASMB2373	CUSHION,ASSY,21"W,18"H,SYNERGY STANDARD BACK,E-1359-081	1
P1	CUSASMB2392	CUSHION,ASSY,21"W,20"H,SYNERGY STANDARD BACK,E-1359-079	1
Q1	CUSASMB2411	CUSHION,ASSY,21"W,22"H,SYNERGY STANDARD BACK,E-1359-080	1
R1	SCRASBH1148	SCREW,BHSCS,BLACK ZINC,1/4-20 X 0.50",W/PATCH	4
S1	SCRASBH1210	SCREW, BUTTON HEAD, .250-20 X .75, ASTM F835, BZ, PVTP	4
T1	DWR1359B003	T-NUT,BLACK,1/4-20 X 0.563",0.50" TH,B-1359-003	4
U1	DWR1306C024	BACK PLATE BRACKET,T-SLOT,1",C-1306-024	4



Synergy Standard Back

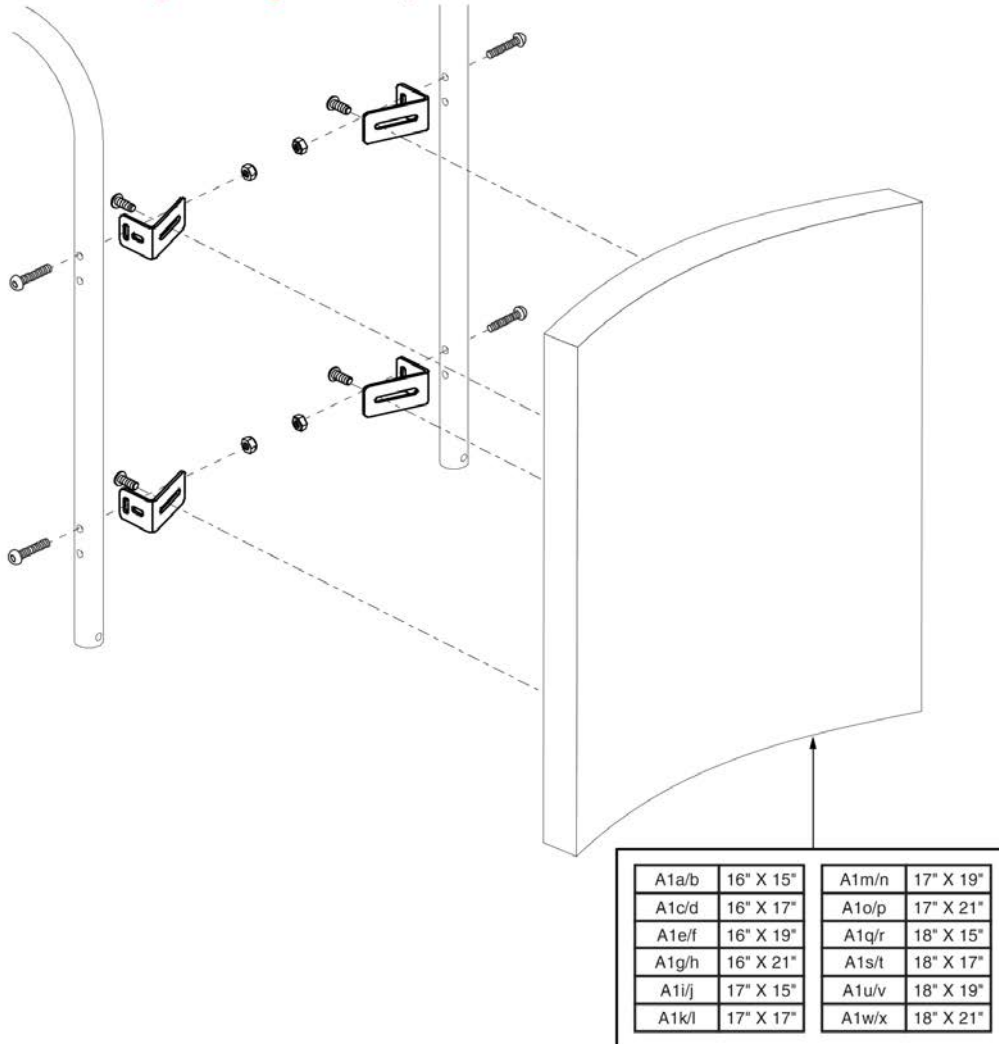


\*\*\*The track and the mounting hardware is included with the top-level assemblies.\*\*\*

Item	Part No.	Name	Qty
A1a	FRMASMB16274	LATERAL EXTENSION,ASSY,6",SYNERGY STANDARD BACK	1
A1b	FRMASMB16280	LATERAL EXTENSION,ASSY,10",SYNERGY STANDARD BACK	1
A1c	FRMASMB16298	LATERAL EXTENSION,ASSY,12",SYNERGY STANDARD BACK	1
A1d	FRMASMB16281	LATERAL EXTENSION,ASSY,16",SYNERGY STANDARD BACK	1
B1	WASSTND1097	WASHER, FLAT, 6.4 ID X 12 OD X 1.6 THK, ISO 7089-6-200 HV, BZ	2
B2	SCRASBH1148	SCREW,BHSCS,BLACK ZINC,1/4-20 X 0.50",W/PATCH	2
B3	SCRSETS1087	SCREW,SET,BLACK ZINC,1/4-20 X 0.375",CUP POINT,W/PATCH	1
B4		LATERAL EXTENSION,SLIDER INSERT,C-1359-015	1

A.R.T. Group Solid Curved Back Assy's (Discontinued)

\*\*\* Available only through SOF, please contact Technical Service. \*\*\*

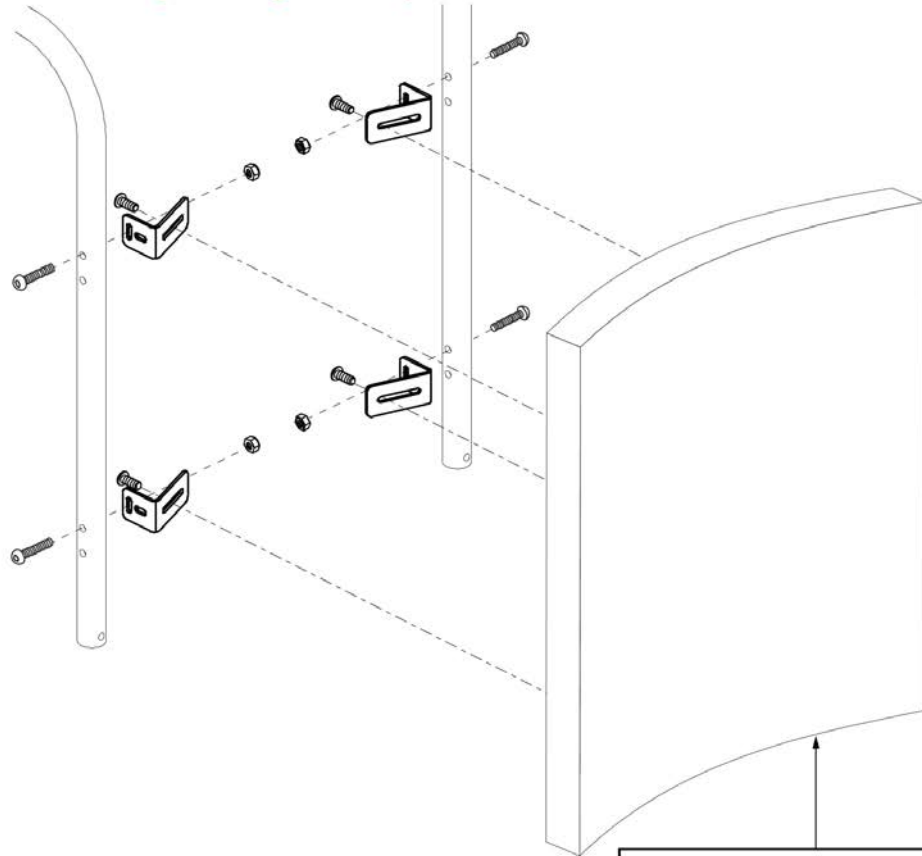


A1a — A5	16" x 18"	A1g — A5	16" x 24"	A1m — A5	17" x 22"	A1s — A5	18" x 20"
A1b — A5	16" x 19"	A1h — A5	16" x 25"	A1n — A5	17" x 23"	A1t — A5	18" x 21"
A1c — A5	16" x 20"	A1i — A5	17" x 18"	A1o — A5	17" x 24"	A1u — A5	18" x 22"
A1d — A5	16" x 21"	A1j — A5	17" x 19"	A1p — A5	17" x 25"	A1v — A5	18" x 23"
A1e — A5	16" x 22"	A1k — A5	17" x 20"	A1q — A5	18" x 18"	A1w — A5	18" x 24"
A1f — A5	16" x 23"	A1l — A5	17" x 21"	A1r — A5	18" x 19"	A1x — A5	18" x 25"

This page intentionally left blank

A.R.T. Group Solid Curved Back Assy's (Discontinued)

\*\*\* Available only through SOF, please contact Technical Service. \*\*\*



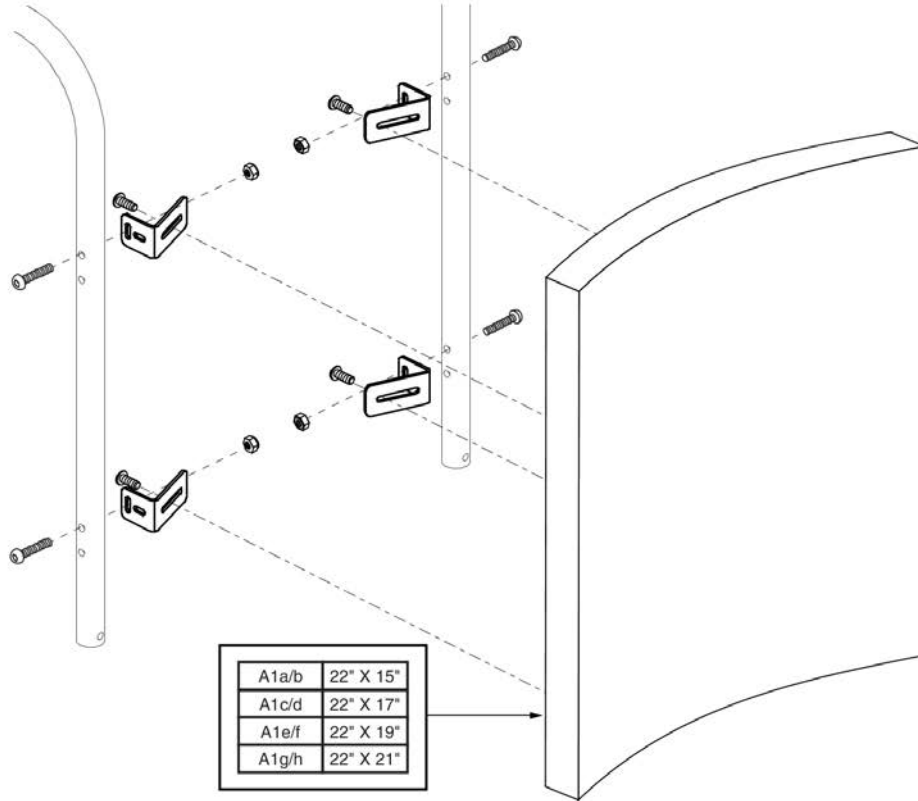
A1a/b	19" X 15"	A1m/n	20" X 19"
A1c/d	19" X 17"	A1o/p	20" X 21"
A1e/f	19" X 19"	A1q/r	21" X 15"
A1g/h	19" X 21"	A1s/t	21" X 17"
A1i/j	20" X 15"	A1u/v	21" X 19"
A1k/l	20" X 17"	A1w/x	21" X 21"

A1a — A5	19" x 18"	A1g — A5	19" x 24"	A1m — A5	20" x 22"	A1s — A5	21" x 20"
A1b — A5	19" x 19"	A1h — A5	19" x 25"	A1n — A5	20" x 23"	A1t — A5	21" x 21"
A1c — A5	19" x 20"	A1i — A5	20" x 18"	A1o — A5	20" x 24"	A1u — A5	21" x 22"
A1d — A5	19" x 21"	A1j — A5	20" x 19"	A1p — A5	20" x 25"	A1v — A5	21" x 23"
A1e — A5	19" x 22"	A1k — A5	20" x 20"	A1q — A5	21" x 18"	A1w — A5	21" x 24"
A1f — A5	19" x 23"	A1l — A5	20" x 21"	A1r — A5	21" x 19"	A1x — A5	21" x 25"

This page intentionally left blank

A.R.T. Group Solid Curved Back Assy's (Discontinued)

\*\*\* Available only through SOF, please contact Technical Service. \*\*\*

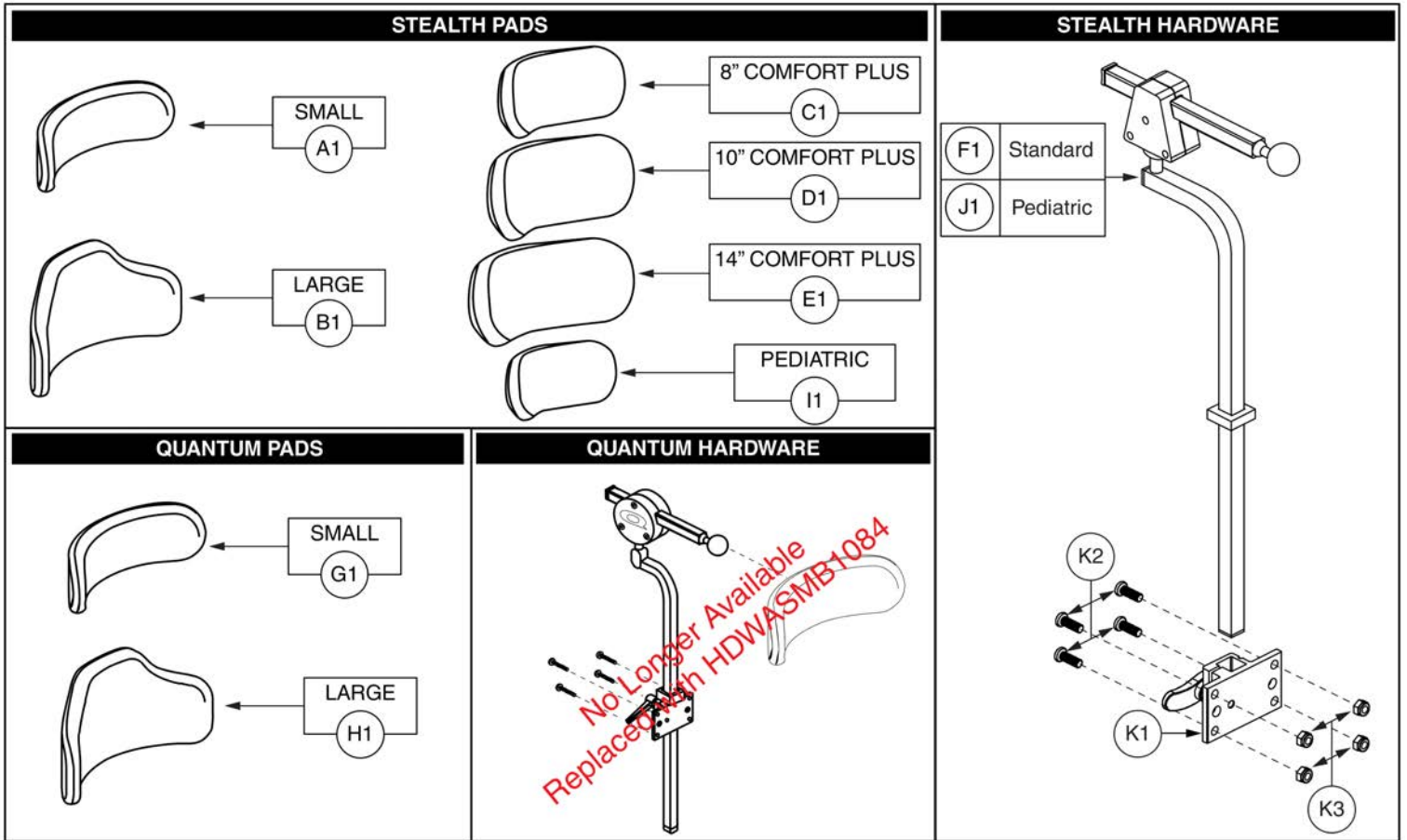


A1a - A5	22" x 18"	A1c - A5	22" x 20"	A1e - A5	22" x 22"	A1g - A5	22" x 24"
A1b - A5	22" x 19"	A1d - A5	22" x 21"	A1f - A5	22" x 23"	A1h - A5	22" x 25"

This page intentionally left blank



4.6. Headrest Assy's

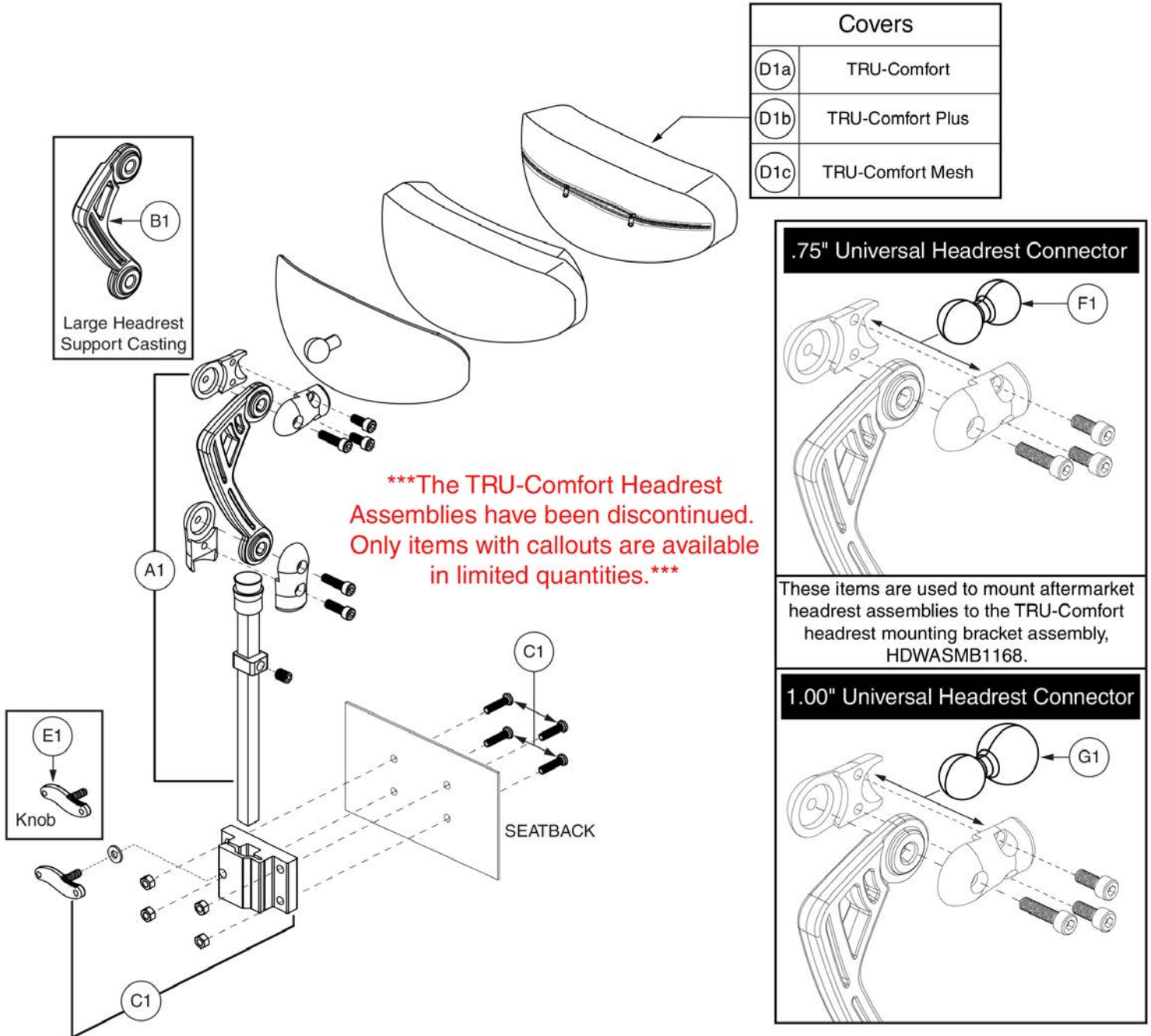


# Stealth Standard Headrest Assembly, TB2



Item	Part No.	Name	Qty
A1	SETHEAD1052	HEADREST,SMALL,CONTOURED,(STEALTH: STL-OTSM250)	1
B1	SETHEAD1053	HEADREST,LARGE,CONTOURED,(STEALTH: STL-OTLG150)	1
C1	POS148484	HEADREST,PAD,8",COMFORT PLUS,(STEALTH:CP450)	1
D1	SETHEAD1057	HEADREST,PAD,10IN,COMFORT PLUS,(STEALTH: CP250)	1
E1	INDPART2327	HEADREST,PAD,14",COMFORT PLUS,(STEALTH:CP150)	1
F1	HDWASMB1084	KIT,QUANTUM REHAB, OFFSET HEADREST,(STEALTH: HMO475P)	1
G1		HEADREST,SMALL,FLAT, VERSA TILT	1
H1		HEADREST,LARGE,FLAT, VERSA TILT	1
I1	SETHEAD1069	HEADREST,PEDIATRIC,6"L X 4.5"H,(STEALTH: CPN350)	1
J1	HDWASMB1166	KIT,QUANTUM REHAB,OFFSET HEADREST,PEDIATRIC,(STEALTH: HMO475P-17)	1
K1 - K3	SET150325	HEADREST BRACKET MOUNTING HARDWARE,ASSY,STEALTH,SYNERGY/TRU-BALANCE 2/Q-BACK 2	1
K1	MEC150070	MOUNTING BRACKET,SEAT BACK MOUNT,(STEALTH:SBM300)	1
K2	SCRASBH1152	SCREW,BHSCS,BLACK ZINC,10-32 X 0.625"	4
K3	NUTNYLK1001	NUT,NYLOCK,BLACK ZINC,10-32	4

4.6. Headrest Assy's

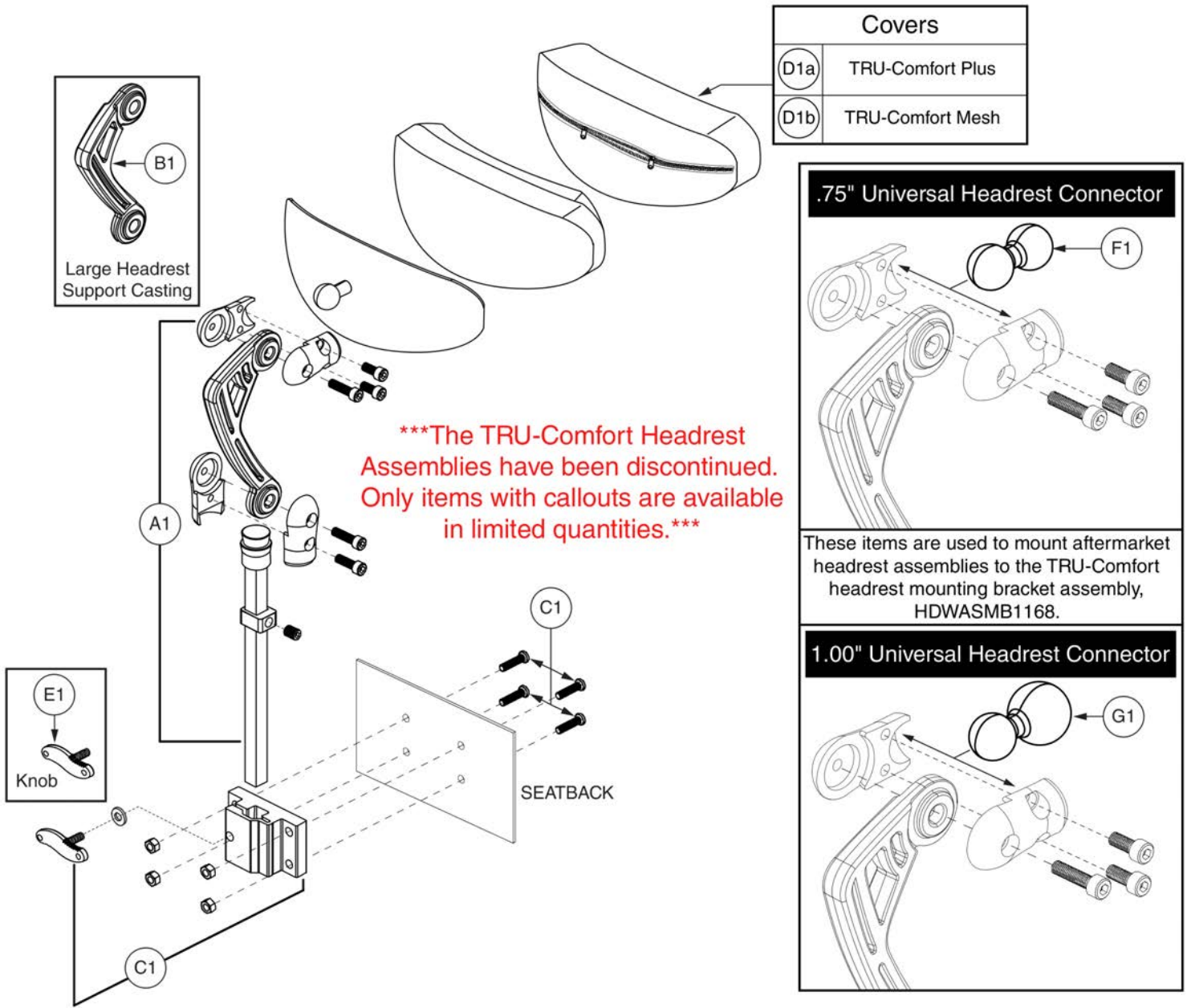


# TRU-Comfort Headrest Assembly - 8", TB2



Item	Part No.	Name	Qty
A1		HARDWARE KIT,ASSY,HEADREST MOUNT,TRUCOMFORT,W/REMOVABLE MOUNTING BRACKET	1
B1		BRACKET,HEADREST SUPPORT CASTING,SMALL	1
C1		HEADREST BRACKET MOUNTING HARDWARE,ASSY,SYNERGY/TB2	1
D1a		HEADREST COVER,OUTER,VINYL,MEDIUM	1
D1b		HEADREST COVER,OUTER,DRY-TEK,MEDIUM,TRU-COMFORT	1
D1c		HEADREST COVER,OUTER,AIR MESH,MEDIUM,TRU-COMFORT	1
E1	DWR1306C005	HEADREST KNOB WELDMENT,LOW PROFILE,C-1306-005	1
F1		KNOB,UNIVERSAL HEAD BRACE CONNECTOR,0.75",C-1010-366	1
G1		KNOB,UNIVERSAL HEAD BRACE CONNECTOR,1.00",C-1010-365	1

4.6. Headrest Assy's

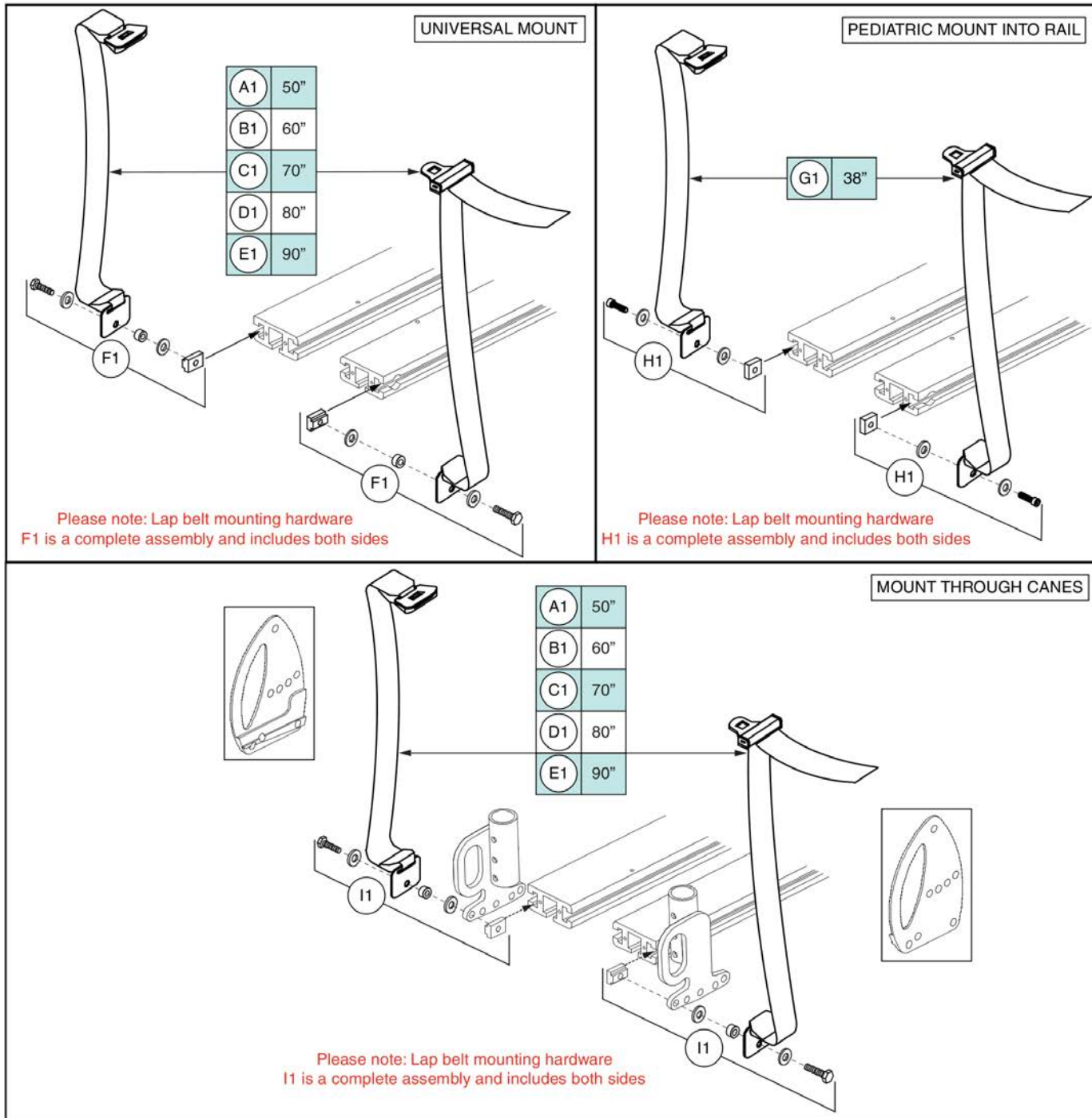


# TRU-Comfort Headrest Assy - 10", TB2



Item	Part No.	Name	Qty
A1		HARDWARE KIT,ASSY,HEADREST MOUNT,TRUCOMFORT,W/REMOVABLE MOUNTING BRACKET	1
B1		BRACKET,HEADREST SUPPORT CASTING,SMALL	1
C1		HEADREST BRACKET MOUNTING HARDWARE,ASSY,SYNERGY/TB2	1
D1a		HEADREST COVER,OUTER,DRY-TEK,LARGE,TRU-COMFORT	1
D1b		HEADREST COVER,OUTER,AIR MESH,LARGE,TRU-COMFORT	1
E1	DWR1306C005	HEADREST KNOB WELDMENT,LOW PROFILE,C-1306-005	1
F1		KNOB,UNIVERSAL HEAD BRACE CONNECTOR,0.75",C-1010-366	1
G1		KNOB,UNIVERSAL HEAD BRACE CONNECTOR,1.00",C-1010-365	1

4.7. Lap Belts





## Lap Belts, Adult and Pediatric



Item	Part No.	Name	Qty
A1	ACCBELT1000	LAP BELT,50",C-1010-336	1
B1	ACCBELT1002	LAP BELT,60",C-1010-336	1
C1	ACCBELT1003	LAP BELT,70",C-1010-336	1
D1	ACCBELT1004	LAP BELT,80",C-1010-336	1
E1	ACCBELT1001	LAP BELT,90",C-1010-336	1
F1	HDW130230	LAP BELT MOUNTING HARDWARE,ASSY,UNIVERSAL	1
G1	ACCBELT1006	LAP BELT,1-1/2 X 38",PEDIATRIC,AUTO STYLE	1
H1	HDW131909	LAP BELT MOUNTING HARDWARE,ASSY,PEDIATRIC/POSITIONING,TRU-BALANCE 3	1
I1	HDW138689	LAP BELT MOUNTING HARDWARE,ASSY,BACK CANE MOUNTED	1



4.8. Owner's & Decal Packages



# Decal Package

## Decal Package, TB2 Lift and Tilt



Item	Part No.	Name	Qty
*N/A	DWR1234L004	DECAL,ICON,300LBS/135 KG,MAXIMUM WEIGHT CAPACITY,L-1234-004	1
*N/A	DWR1234L072	DECAL,ICON,1.375" X 0.6875",OWNERS MANUAL/SCISSOR PINCH POINT,L-1234-072	2
*N/A	DWR1235L199	DECAL,READ OWNER'S MANUAL,ONLY AN AUTHORIZED TECHNICIAN CAN ADJUST THE SEAT,L-1235-199	2

4.8. Owner's & Decal Packages



# Decal Package

## Decal Package, TB2 Lift, Tilt and Recline



Item	Part No.	Name	Qty
*N/A	DWR1234L004	DECAL,ICON,300LBS/135 KG,MAXIMUM WEIGHT CAPACITY,L-1234-004	1
*N/A	DWR1234L072	DECAL,ICON,1.375" X 0.6875",OWNERS MANUAL/SCISSOR PINCH POINT,L-1234-072	2
*N/A	DWR1235L199	DECAL,READ OWNER'S MANUAL,ONLY AN AUTHORIZED TECHNICIAN CAN ADJUST THE SEAT,L-1235-199	2

4.8. Owner's & Decal Packages



# Owner's Package

Item	Part No.	Name	Qty
*N/A	INFMANU3700	MANUAL,BASIC OPERATING INSTRUCTIONS,TRU-BALANCE 2 POWER POSITIONING SYSTEMS	1
*N/A	INFINFB2409	MANUAL,PRODUCT INSERT SHEET,CANTILEVER ARMS,QUANTUM	1
*N/A	INFINFB2778	MANUAL,PRODUCT INSERT SHEET,UPDATED MOUNTING BLOCK,ENGLISH/FRENCH CANADIAN	1

4.8. Owner's & Decal Packages



# Owner's Package

Item	Part No.	Name	Qty
*N/A	INFMANU3700	MANUAL,BASIC OPERATING INSTRUCTIONS,TRU-BALANCE 2 POWER POSITIONING SYSTEMS	1
*N/A	INFINFB2409	MANUAL,PRODUCT INSERT SHEET,CANTILEVER ARMS,QUANTUM	1
*N/A	INFINFB2778	MANUAL,PRODUCT INSERT SHEET,UPDATED MOUNTING BLOCK,ENGLISH/FRENCH CANADIAN	1

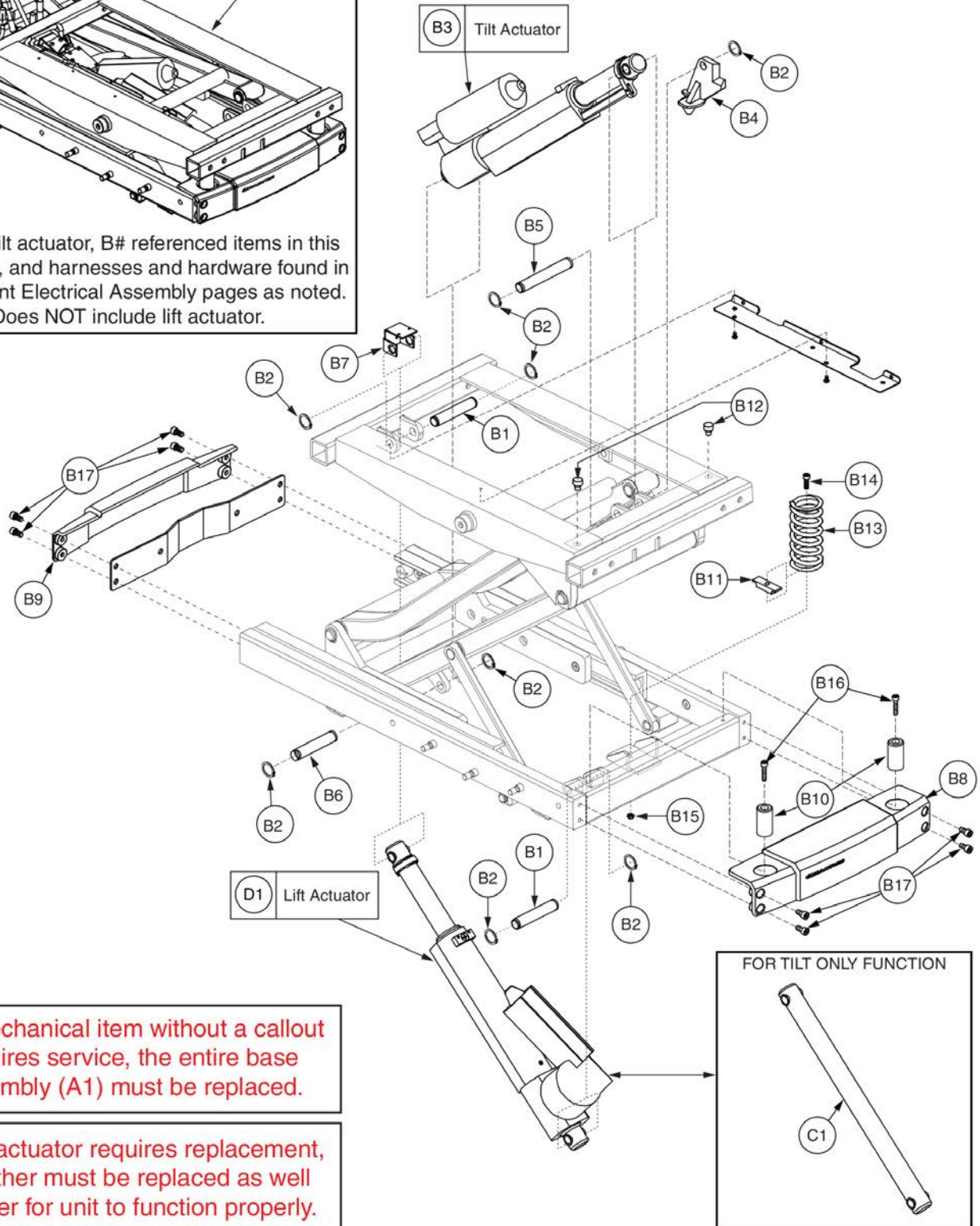


5.1. Seat Bases and Lift & Tilt Frame and Actuator

**LIFT AND TILT FULL BASE ASSEMBLY WITH HARNESSSES AND TILT ACTUATOR**

(A1) FRMASMB17894

Includes tilt actuator, B# referenced items in this illustration, and harnesses and hardware found in subsequent Electrical Assembly pages as noted. Does NOT include lift actuator.



If a mechanical item without a callout requires service, the entire base assembly (A1) must be replaced.

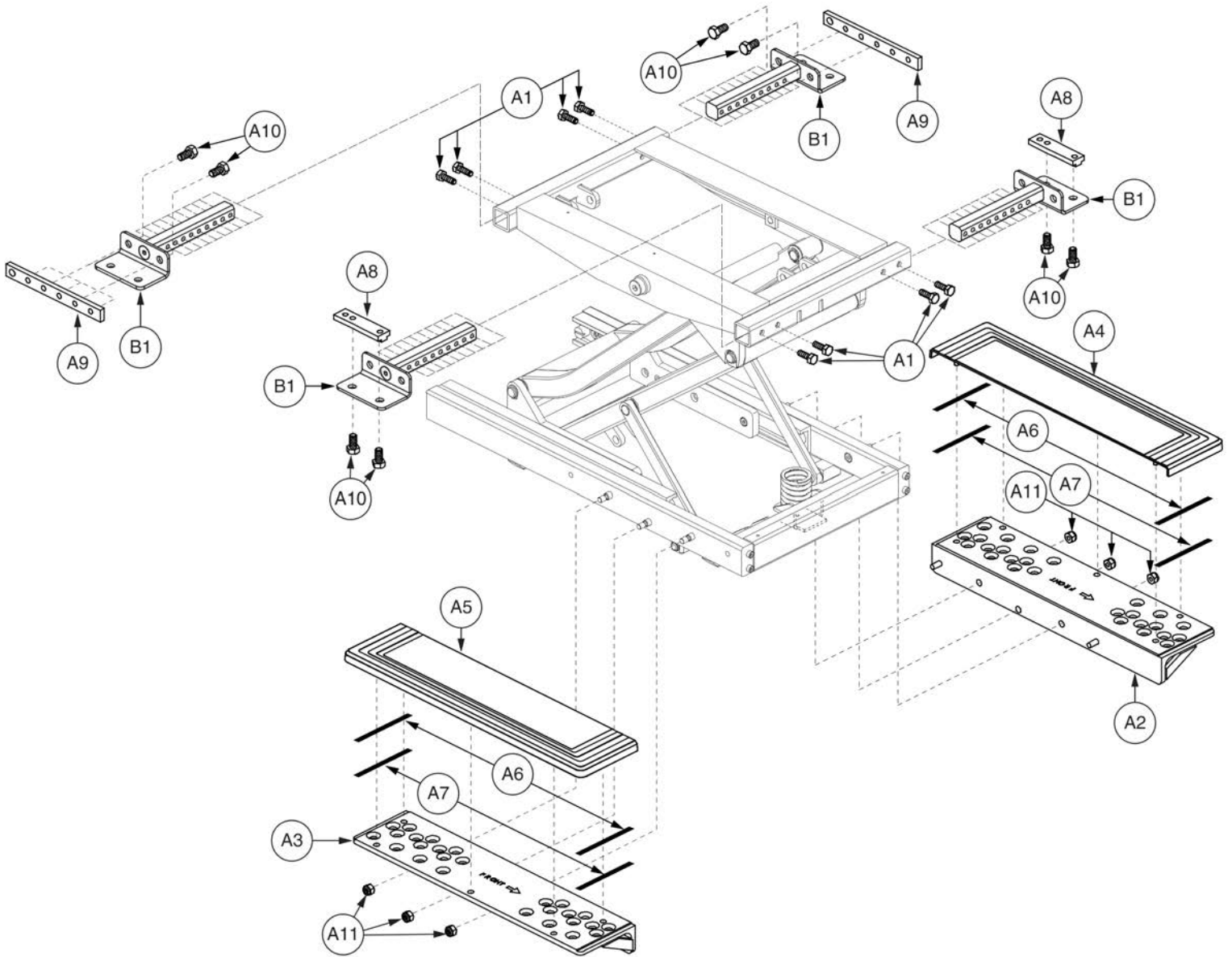
If one actuator requires replacement, the other must be replaced as well in order for unit to function properly.

# Lift and Tilt Base Assembly, TB2



Item	Part No.	Name	Qty
A1	FRMASMB17894	TB2 LIFT & TILT,ASSY,W/HARNESS & MOUNTING BRACKETS	1
B1	DWR1290C083	CLEVIS PIN,ACTUATOR,BLACK ZINC,0.375" DIA X 1.688" L,C-1290-083	2
B2	RNGRTAN1035	RETAINING RING,BLACK ZINC,0.375",EXTERNAL,B-1005-084	8
B3	ACCACTR1052	ACTUATOR,150MM STROKE,TRU-BALANCE 2 LIFT & TILT	1
B4	DWR1291C004	CLEVIS INTERFACE WELDMENT,GUIDE,SINGLE SPRING ASSIST,TRU-BALANCE 2 POWER LIFT & TILT,C-1291-004	1
B5	DWR1290C082	CLEVIS PIN,ACTUATOR,BLACK ZINC,0.375" DIA X 1.938" L,C-1290-082	1
B6	DWR1290C083	CLEVIS PIN,ACTUATOR,BLACK ZINC,0.375" DIA X 1.688" L,C-1290-083	1
B7	DWR1290C056	MOUNTING BRACKET,MAGNETIC SWITCH,ELEVATE INHIBIT,B	1
B8	DWR1290E047	COVER,PLASTIC,TRU-BALANCE LIFT & TILT,MIDDLE,FRONT	1
B9	DWR1290D037	COVER,PLASTIC,TRU-BALANCE LIFT & TILT,MIDDLE,REAR	1
B10	DWR1005C072	BUMPER,BLACK,RUBBER,1.38"L X 0.80" OD,C-1005-072	2
B11	DWR1290C069	SPRING,SECUREMENT TAB,TRU-BALANCE LIFT & TILT,C-1290-069	1
B12	DWR1290B046	BUMPER,BLACK RUBBER,DUROMETER,B-1290-046	2
B13	DWR1005C061	SPRING,COMPRESSION,ZINC,3.00"FL X 0.177" WIRE DIA X 1.40"OD X RATE: 120 LBS/IN,C-1005-061,(LEE SPRING:LHC-177P-02M)	1
B14		SCREW, SHCS,BLACK,8-32 X 1/2"L	1
B15		NUT,JAM,BLACK ZINC,8-32	1
B16		SCREW,SHCS,BLACK ZINC,8-32 X 1.00",W/NYLON PATCH	2
B17		SCREW,SHCS,BLACK ZINC,10-32 X 0.375",W/NYLON PATCH	8
C1		FRAME,TUBE,12"L,TRU-BALANCE 2 LIFT & TILT, TILT ONLY	1
D1	ELEASMB7440	ACTUATOR,ASSY,TRU-BALANCE 2 LIFT & TILT,W/EXTENSION HARNESS,C-1265-143	1

5.1. Seat Bases and Lift & Tilt Frame and Actuator

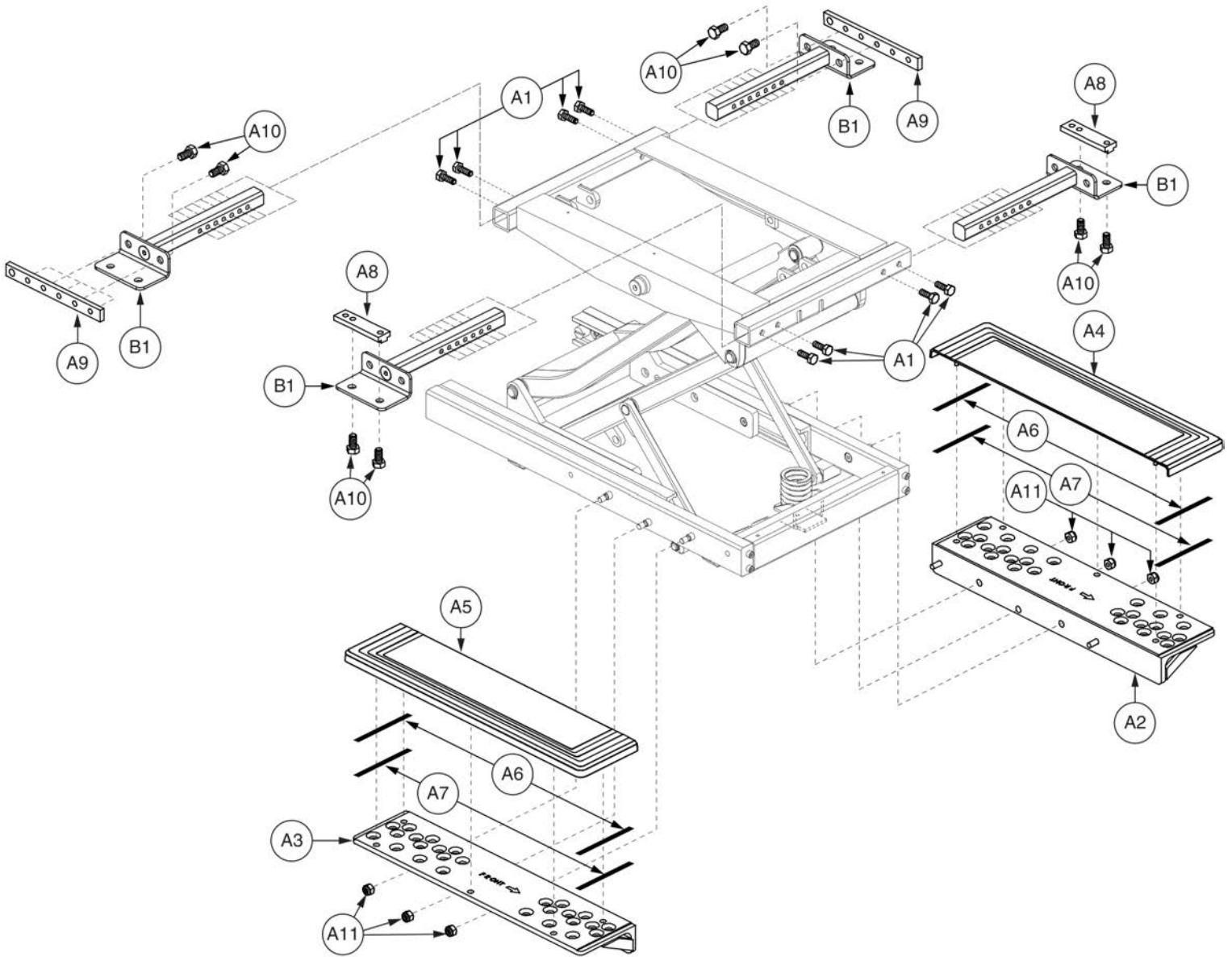


# Seat Base, 16"-20"W, TB2 Power Lift and Tilt



Item	Part No.	Name	Qty
A1	SCRHHCS1325	SCREW,HHCS,BLACK ZINC,1/4-20 X 0.750",GR 8,W/PATCH	8
A2	DWR1290E037	FRAME,INTERFACE WELDMENT,A,TRU-BALANCE LIFT & TILT	1
A3	DWR1290E039	FRAME,INTERFACE WELDMENT,B,TRU-BALANCE LIFT & TILT	1
A4	DWR1265D012	COVER,INTERFACE WELDMENT,B,PLASTIC,TRU-BALANCE TILT 2	1
A5	DWR1265D010	COVER,INTERFACE WELDMENT,A,PLASTIC,TRU-BALANCE TILT 2	1
A6	VELLOOP1053	REUSABLE FASTENER,LOOP,BLACK,0.250"W,3.25"L	4
A7	VELHOOK1058	REUSABLE FASTENER,HOOK,BLACK,0.250"W,3.25"L	4
A8	DWR1005B215	T-NUT,BLACK,5/16-18 X 2.75",W/3 HOLES,0.74" TH,B-1005-215	2
A9	DWR1270C019	FRAME,SAFETY PLATE,16"D-20"D,TRU-BALANCE LIFT,C-1270-019	2
A10	SCRHHCS1256	SCREW,HHCS,BLACK ZINC,5/16-18 X 0.625",GR 8,W/PATCH	8
A11	NUTNYLK1014	NUT,NYLOCK,BLACK ZINC,1/4-20	6
B1	FRMASMB17815	WIDTH ADJUSTMENT BRACKET,ASSY,16"-20"W,TB2 LIFT & TILT	4
C1	FRMASMB17894	TB2 LIFT & TILT,ASSY,W/HARNESS & MOUNTING BRACKETS	1

5.1. Seat Bases and Lift & Tilt Frame and Actuator



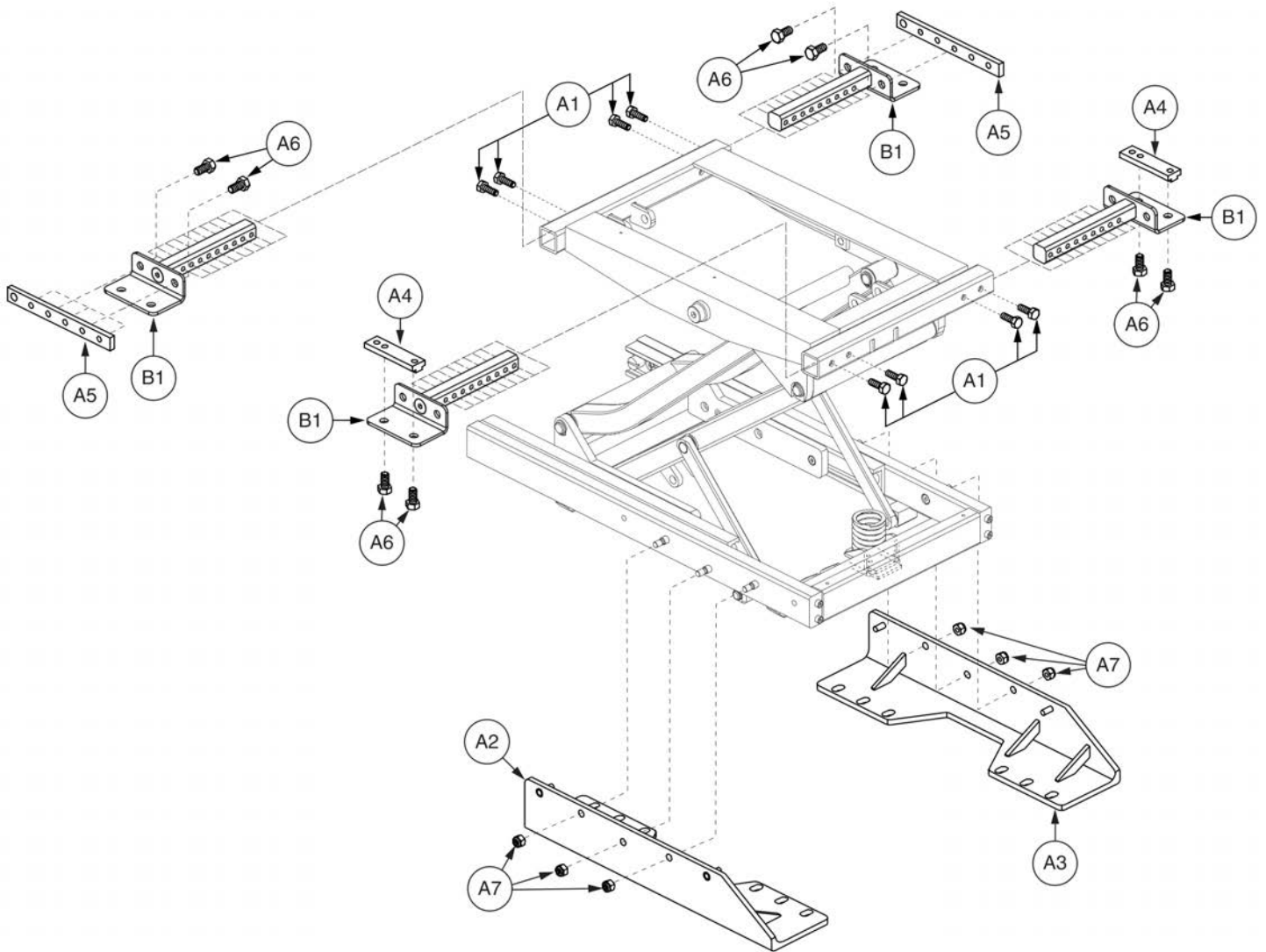


# Seat Base, 20"-24"W, TB2 Power Lift and Tilt



Item	Part No.	Name	Qty
A1	SCRHHCS1325	SCREW,HHCS,BLACK ZINC,1/4-20 X 0.750",GR 8,W/PATCH	8
A2	DWR1290E037	FRAME,INTERFACE WELDMENT,A,TRU-BALANCE LIFT & TILT	1
A3	DWR1290E039	FRAME,INTERFACE WELDMENT,B,TRU-BALANCE LIFT & TILT	1
A4	DWR1265D012	COVER,INTERFACE WELDMENT,B,PLASTIC,TRU-BALANCE TILT 2	1
A5	DWR1265D010	COVER,INTERFACE WELDMENT,A,PLASTIC,TRU-BALANCE TILT 2	1
A6	VELLOOP1053	REUSABLE FASTENER,LOOP,BLACK,0.250"W,3.25"L	4
A7	VELHOOK1058	REUSABLE FASTENER,HOOK,BLACK,0.250"W,3.25"L	4
A8	DWR1005B215	T-NUT,BLACK,5/16-18 X 2.75",W/3 HOLES,0.74" TH,B-1005-215	2
A9	DWR1270C019	FRAME,SAFETY PLATE,16"D-20"D,TRU-BALANCE LIFT,C-1270-019	2
A10	SCRHHCS1256	SCREW,HHCS,BLACK ZINC,5/16-18 X 0.625",GR 8,W/PATCH	8
A11	NUTNYLK1014	NUT,NYLOCK,BLACK ZINC,1/4-20	6
B1	FRMASMB17816	WIDTH ADJUSTMENT BRACKET,ASSY,20"-24"W,TB2 LIFT & TILT	4
C1	FRMASMB17894	TB2 LIFT & TILT,ASSY,W/HARNESS & MOUNTING BRACKETS	1

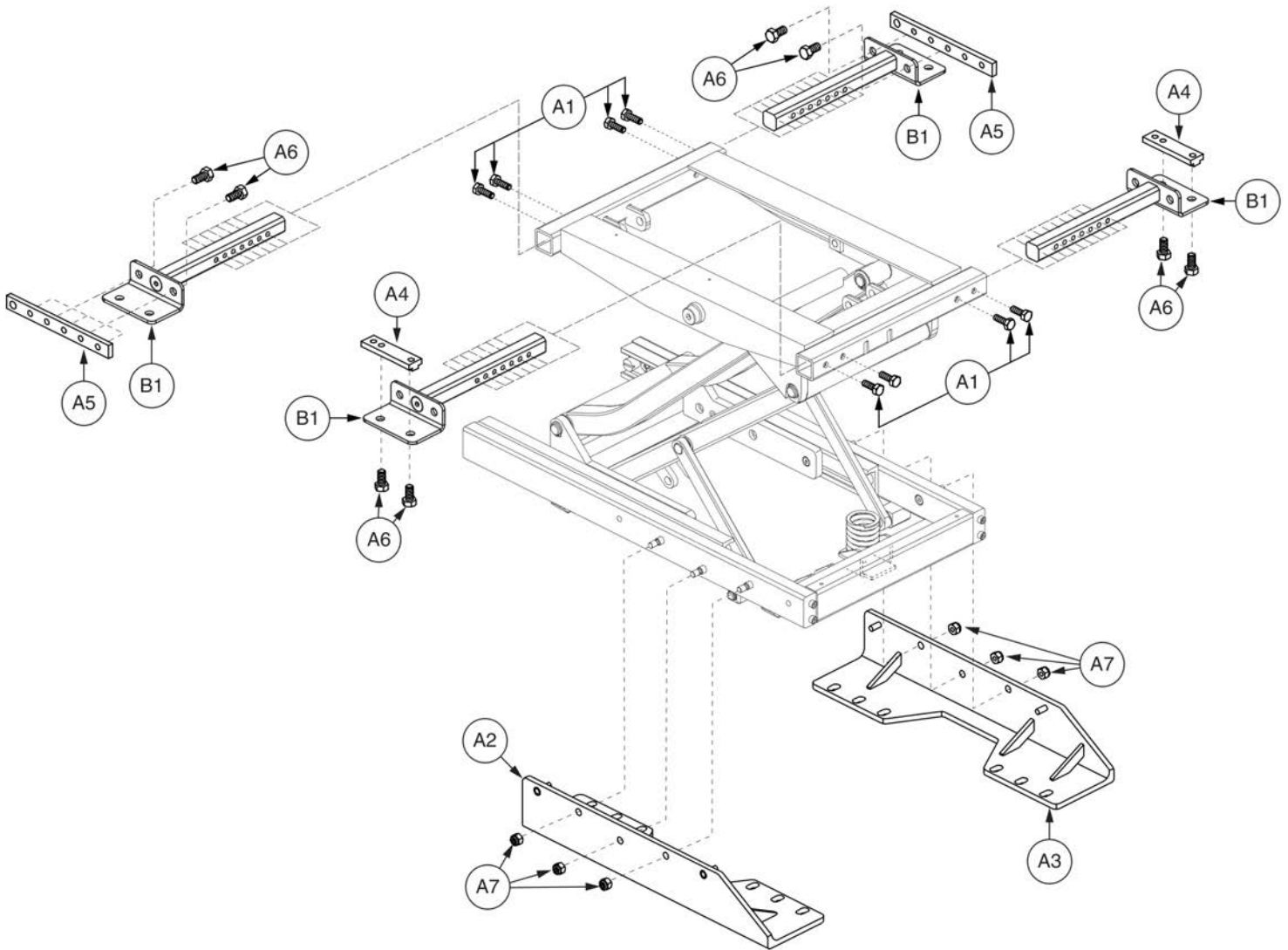
5.1. Seat Bases and Lift & Tilt Frame and Actuator



Item	Part No.	Name	Qty
A1	SCRHHCS1325	SCREW,HHCS,BLACK ZINC,1/4-20 X 0.750",GR 8,W/PATCH	8
A2	DWR1291E013	FRAME,INTERFACE WELDMENT,5.039" CENTERS,TRU-BALANCE LIFT & TILT,VERSION 2,RIGHT,E-1291-013	1
A3	DWR1291E012	FRAME,INTERFACE WELDMENT,5.039" CENTERS,TRU-BALANCE LIFT & TILT,VERSION 2,LEFT,E-1291-012	1
A4	DWR1005B215	T-NUT,BLACK,5/16-18 X 2.75",W/3 HOLES,0.74" TH,B-1005-215	2
A5	DWR1270C019	FRAME,SAFETY PLATE,16"D-20"D,TRU-BALANCE LIFT,C-1270-019	2
A6	SCRHHCS1256	SCREW,HHCS,BLACK ZINC,5/16-18 X 0.625",GR 8,W/PATCH	8
A7	NUTNYLK1014	NUT,NYLOCK,BLACK ZINC,1/4-20	6
B1	FRMASMB17815	WIDTH ADJUSTMENT BRACKET,ASSY,16"-20"W,TB2 LIFT & TILT	4
C1	FRMASMB17894	TB2 LIFT & TILT,ASSY,W/HARNESS & MOUNTING BRACKETS	1



5.1. Seat Bases and Lift & Tilt Frame and Actuator

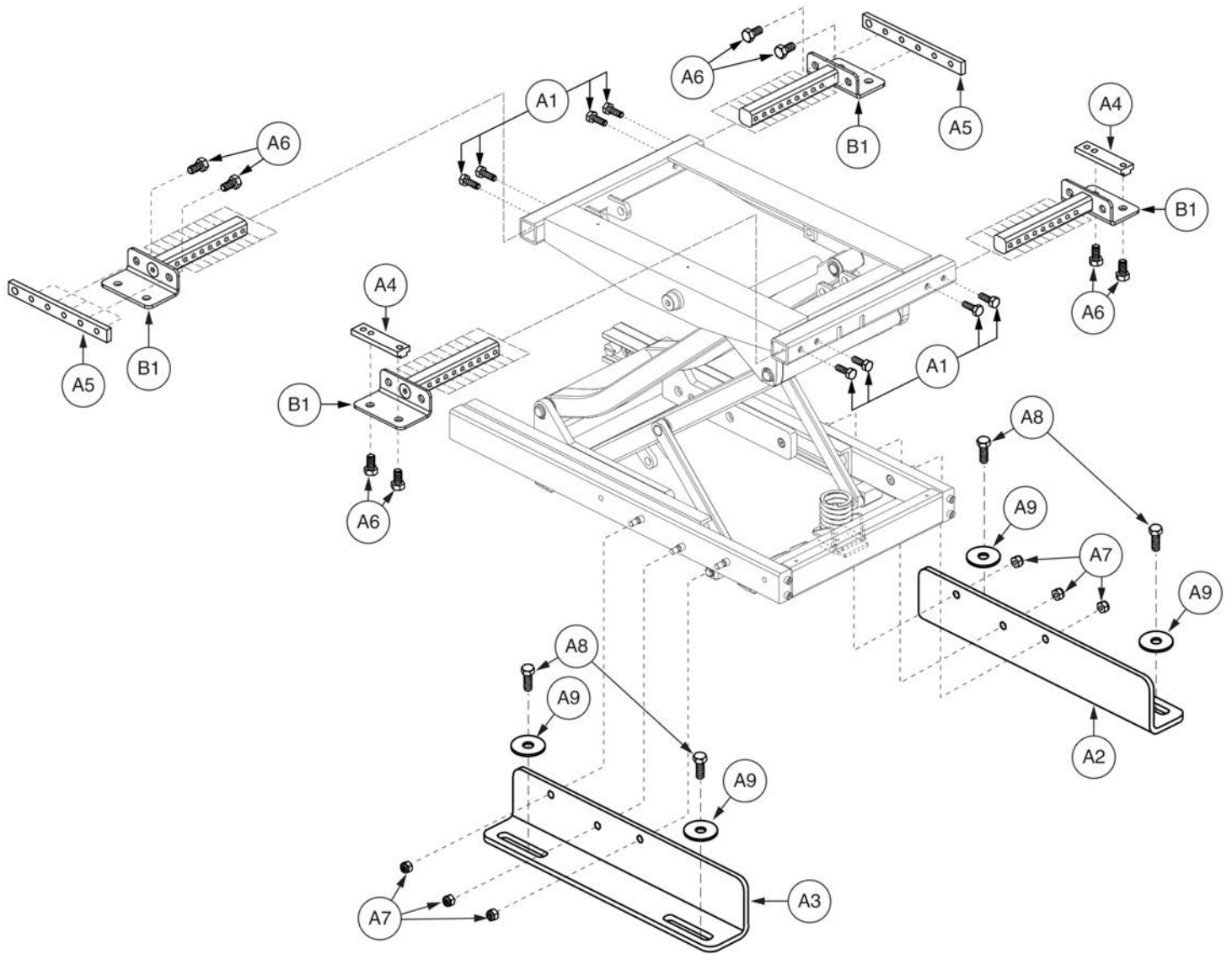


Item	Part No.	Name	Qty
A1	SCRHHCS1325	SCREW,HHCS,BLACK ZINC,1/4-20 X 0.750",GR 8,W/PATCH	8
A2	DWR1291E013	FRAME,INTERFACE WELDMENT,5.039" CENTERS,TRU-BALANCE LIFT & TILT,VERSION 2,RIGHT,E-1291-013	1
A3	DWR1291E012	FRAME,INTERFACE WELDMENT,5.039" CENTERS,TRU-BALANCE LIFT & TILT,VERSION 2,LEFT,E-1291-012	1
A4	DWR1005B215	T-NUT,BLACK,5/16-18 X 2.75",W/3 HOLES,0.74" TH,B-1005-215	2
A5	DWR1270C019	FRAME,SAFETY PLATE,16"D-20"D,TRU-BALANCE LIFT,C-1270-019	2
A6	SCRHHCS1256	SCREW,HHCS,BLACK ZINC,5/16-18 X 0.625",GR 8,W/PATCH	8
A7	NUTNYLK1014	NUT,NYLOCK,BLACK ZINC,1/4-20	6
B1	FRMASMB17816	WIDTH ADJUSTMENT BRACKET,ASSY,20"-24"W,TB2 LIFT & TILT	4
C1	FRMASMB17894	TB2 LIFT & TILT,ASSY,W/HARNESS & MOUNTING BRACKETS	1



Item	Part No.	Name	Qty
A1	SCRHHCS1325	SCREW,HHCS,BLACK ZINC,1/4-20 X 0.750",GR 8,W/PATCH	8
A2	DWR1220E020	MOUNTING INTERFACE PLATE,TB2 LIFT & TILT,EDGE,LEFT	1
A3	DWR1220E021	MOUNTING INTERFACE PLATE,TB2 LIFT & TILT,EDGE,RIGHT	1
A4	DWR1005B215	T-NUT,BLACK,5/16-18 X 2.75",W/3 HOLES,0.74" TH,B-1005-215	2
A5	DWR1270C019	FRAME,SAFETY PLATE,16"D-20"D,TRU-BALANCE LIFT,C-1270-019	2
A6	SCRHHCS1256	SCREW,HHCS,BLACK ZINC,5/16-18 X 0.625",GR 8,W/PATCH	8
A7	NUTNYLK1014	NUT,NYLOCK,BLACK ZINC,1/4-20	6
A8	SCRHHCS1519	SCREW,HHCS,BLACK ZINC,3/8-16 X 0.75",GRADE 8,W/NYLON PATCH	4
A9	WASMETR1043	WASHER,FLAT,BLACK ZINC,10.5MM ID X 30MM OD X 2.5MM TH	4
B1	FRMASMB17815	WIDTH ADJUSTMENT BRACKET,ASSY,16"-20"W,TB2 LIFT & TILT	4
C1	FRMASMB17894	TB2 LIFT & TILT,ASSY,W/HARNESS & MOUNTING BRACKETS	1

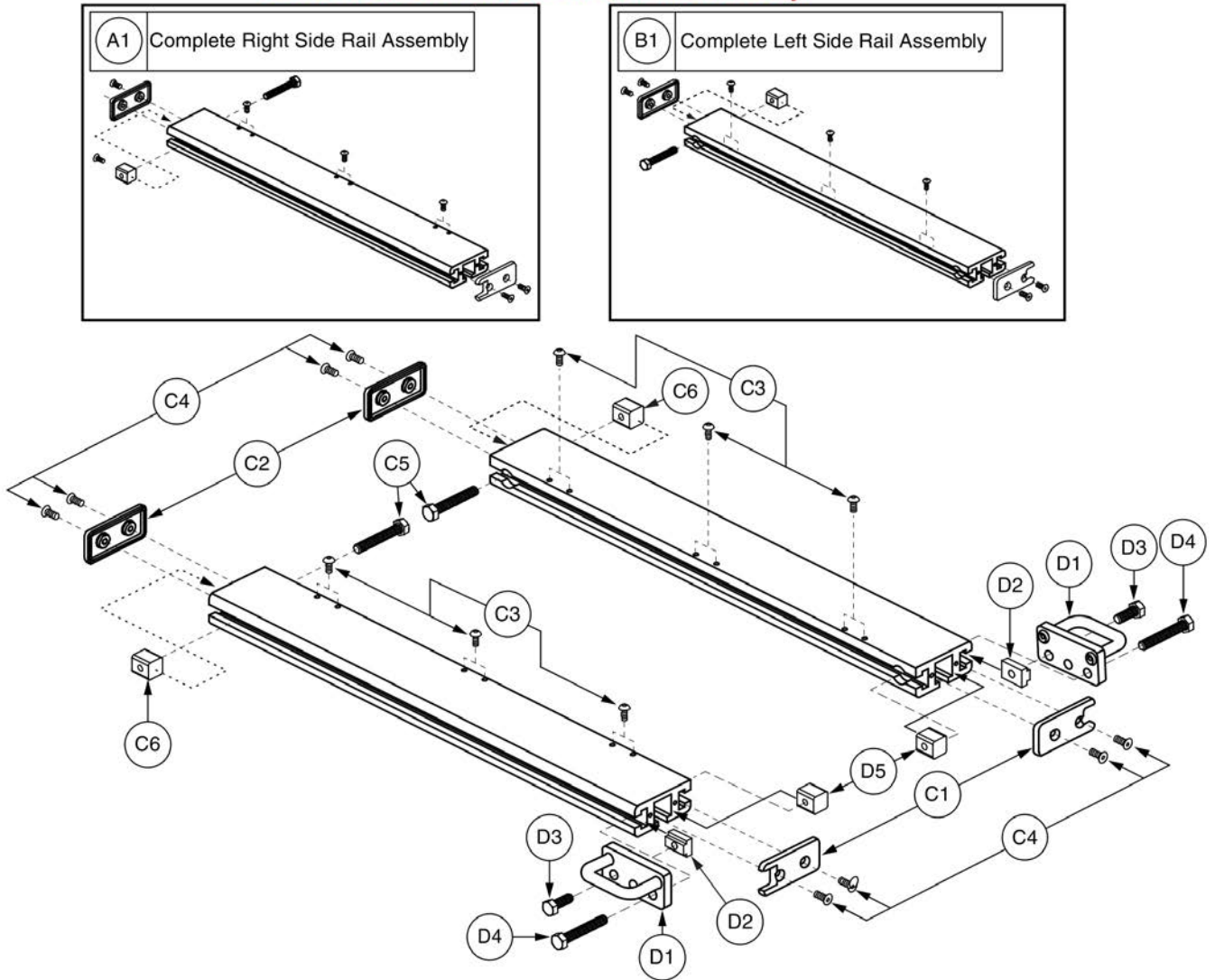
### 5.1. Seat Bases and Lift & Tilt Frame and Actuator



Item	Part No.	Name	Qty
A1	SCRHHCS1325	SCREW,HHCS,BLACK ZINC,1/4-20 X 0.750",GR 8,W/PATCH	8
A2	DWR1220E020	MOUNTING INTERFACE PLATE,TB2 LIFT & TILT,EDGE,LEFT	1
A3	DWR1220E021	MOUNTING INTERFACE PLATE,TB2 LIFT & TILT,EDGE,RIGHT	1
A4	DWR1360B018	T-NUT,BLACK,5/16-18 X 2.25",W/1.75",HOLE SPACING,B-1360-018	2
A5	DWR1270C019	FRAME,SAFETY PLATE,16"D-20"D,TRU-BALANCE LIFT,C-1270-019	2
A6	SCRHHCS1256	SCREW,HHCS,BLACK ZINC,5/16-18 X 0.625",GR 8,W/PATCH	8
A7	NUTNYLK1014	NUT,NYLOCK,BLACK ZINC,1/4-20	6
A8	HDW120048	SCREW,HHCS,BLACK ZINC,M10-1.5 X 20MM,GR 10.9,W/PATCH	4
A9	WASMETR1043	WASHER,FLAT,BLACK ZINC,10.5MM ID X 30MM OD X 2.5MM TH	4
B1	FRMASMB17815	WIDTH ADJUSTMENT BRACKET,ASSY,16"-20"W,TB2 LIFT & TILT	4
C1	FRMASMB17894	TB2 LIFT & TILT,ASSY,W/HARNESS & MOUNTING BRACKETS	1

5.2. Side Rails and Seat Pans

\*\*\* Top-level assemblies include the side rails and hardware.  
Side rails cannot be ordered individually. \*\*\*



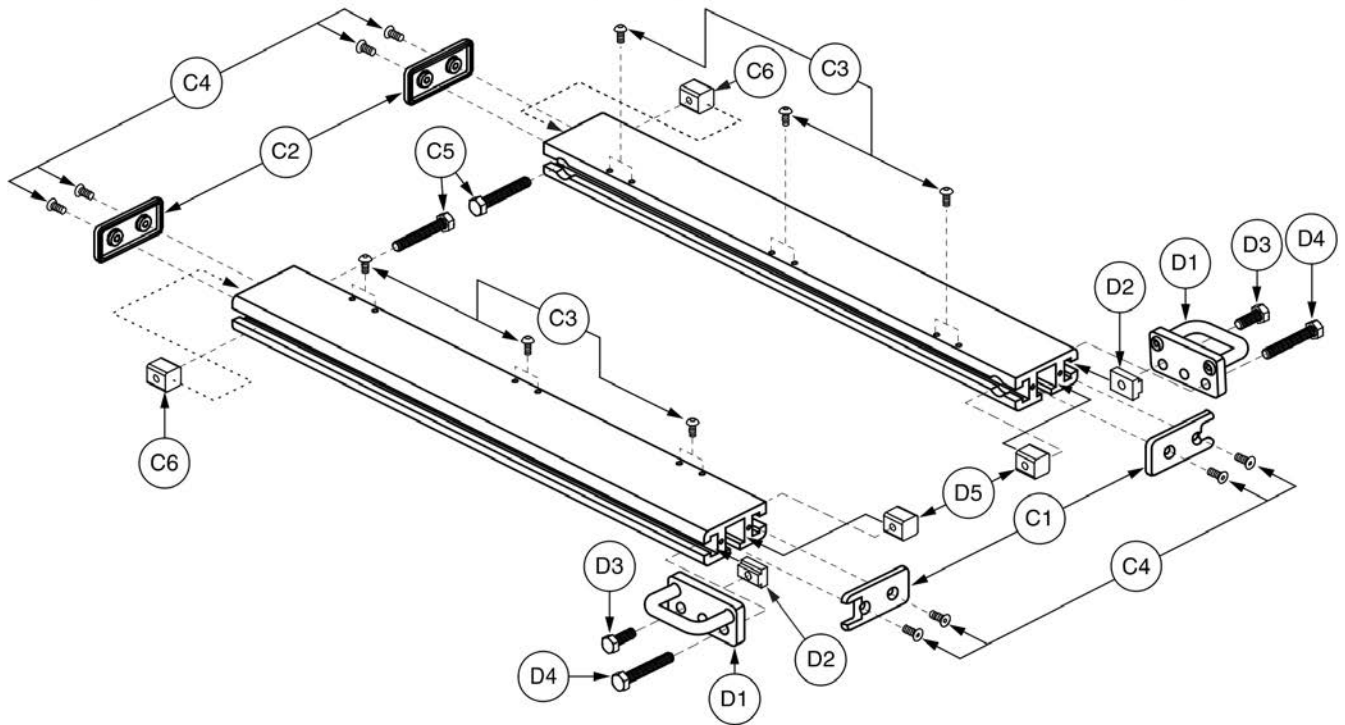
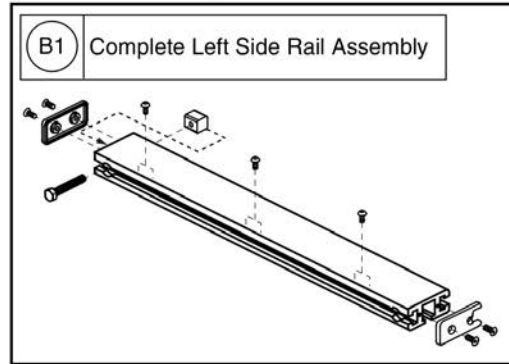
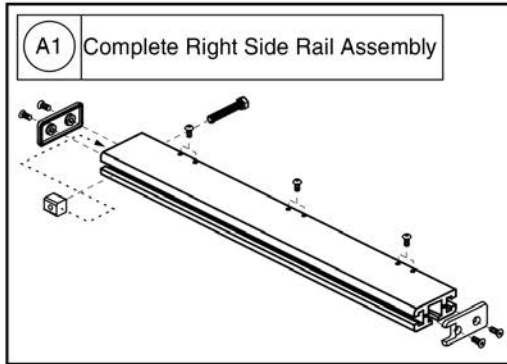


Item	Part No.	Name	Qty
PAIR	FRMASMB10518	SIDE RAIL,ASSY,14"D-18"D,TRU-BALANCE 2 POWER TILT,PAIR	1
A1	FRMASMB10520	SIDE RAIL,ASSY,14"D-18"D,TRU-BALANCE 2 POWER TILT,RIGHT	1
B1	FRMASMB10519	SIDE RAIL,ASSY,14"D-18"D,TRU-BALANCE 2 POWER TILT,LEFT	1
C1	DWR1360B048	EXTRUSION END CAP,SYNERGY SEAT,T-SLOT OPEN END	1
C2	DWR1360B007	EXTRUSION END CAP,SYNERGY SEAT,REAR,B-1360-007	1
C3	SCRASBH1094	SCREW,BHSCS,BLACK ZINC,10-32 X 0.4375",GR 8,W/PATCH	3
C4	SCRSHFH1036	SCREW,SHFH,BLACK ZINC,8-32 X 0.50",GR 8,W/PATCH	4
C5	SCRHHCS1478	SCREW, HHCS,BLACK ZINC,5/16-18 X 2.00",GR 8,W/PATCH	1
C6	DWR1005B180	NUT,MIDDLE CHANNEL,5/16-18,B-1005-180	1
D1	DWR1600B122B	SEAT FRAME,SECUREMENT BRACKET WELDMENT,TEXTURED	1
D2	DWR1360A004	T-NUT,5/16-18 X 0.875",A-1360-004	1
D3	SCRHHCS1241	SCREW,HHCS,BLACK ZINC,5/16-18 X 0.75",GR 8,W/PATCH	1
D4	SCRHHCS1478	SCREW, HHCS,BLACK ZINC,5/16-18 X 2.00",GR 8,W/PATCH	1
D5	DWR1005B180	NUT,MIDDLE CHANNEL,5/16-18,B-1005-180	1



5.2. Side Rails and Seat Pans

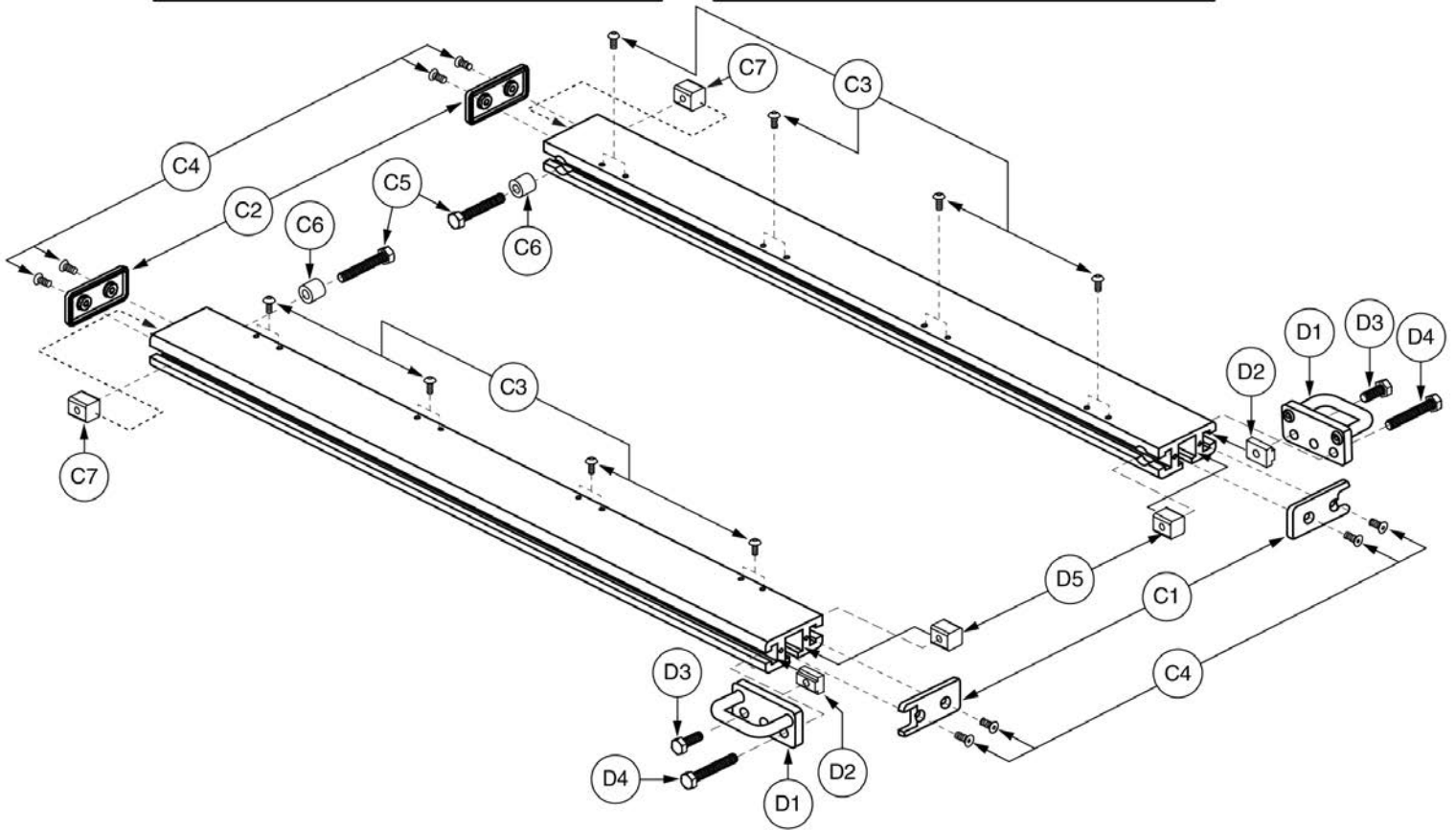
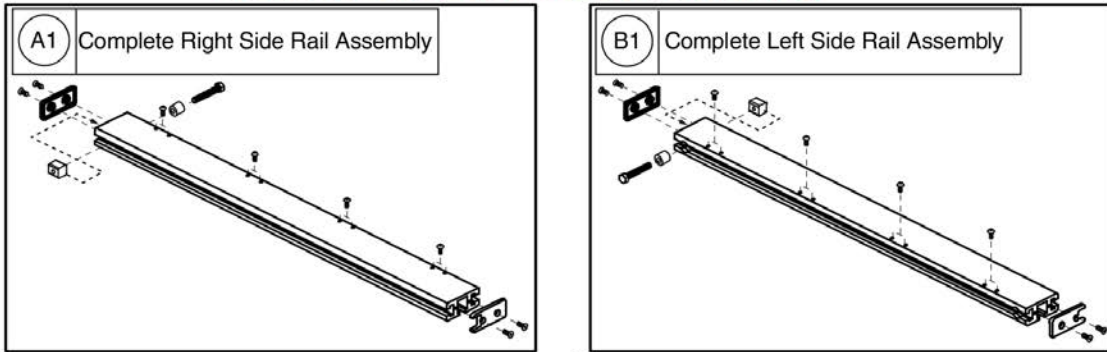
\*\*\* Top-level assemblies include the side rails and hardware.  
Side rails cannot be ordered individually. \*\*\*



Item	Part No.	Name	Qty
PAIR	FRMASMB10521	SIDE RAIL,ASSY,15"D-20"D,TRU-BALANCE 2 POWER TILT,PAIR	1
A1	FRMASMB10523	SIDE RAIL,ASSY,15"D-20"D,TRU-BALANCE 2 POWER TILT,RIGHT	1
B1	FRMASMB10522	SIDE RAIL,ASSY,15"D-20"D,TRU-BALANCE 2 POWER TILT,LEFT	1
C1	DWR1360B048	EXTRUSION END CAP,SYNERGY SEAT,T-SLOT OPEN END	1
C2	DWR1360B007	EXTRUSION END CAP,SYNERGY SEAT,REAR,B-1360-007	1
C3	SCRASBH1094	SCREW,BHSCS,BLACK ZINC,10-32 X 0.4375",GR 8,W/PATCH	3
C4	SCRSHFH1036	SCREW,SHFH,BLACK ZINC,8-32 X 0.50",GR 8,W/PATCH	4
C5	SCRHHCS1478	SCREW, HHCS,BLACK ZINC,5/16-18 X 2.00",GR 8,W/PATCH	1
C6	DWR1005B180	NUT,MIDDLE CHANNEL,5/16-18,B-1005-180	1
D1	DWR1600B122B	SEAT FRAME,SECUREMENT BRACKET WELDMENT,TEXTURED	1
D2	DWR1360A004	T-NUT,5/16-18 X 0.875",A-1360-004	1
D3	SCRHHCS1241	SCREW,HHCS,BLACK ZINC,5/16-18 X 0.75",GR 8,W/PATCH	1
D4	SCRHHCS1478	SCREW, HHCS,BLACK ZINC,5/16-18 X 2.00",GR 8,W/PATCH	1
D5	DWR1005B180	NUT,MIDDLE CHANNEL,5/16-18,B-1005-180	1

5.2. Side Rails and Seat Pans

\*\*\* Top-level assemblies include the side rails and hardware.  
Side rails cannot be ordered individually. \*\*\*

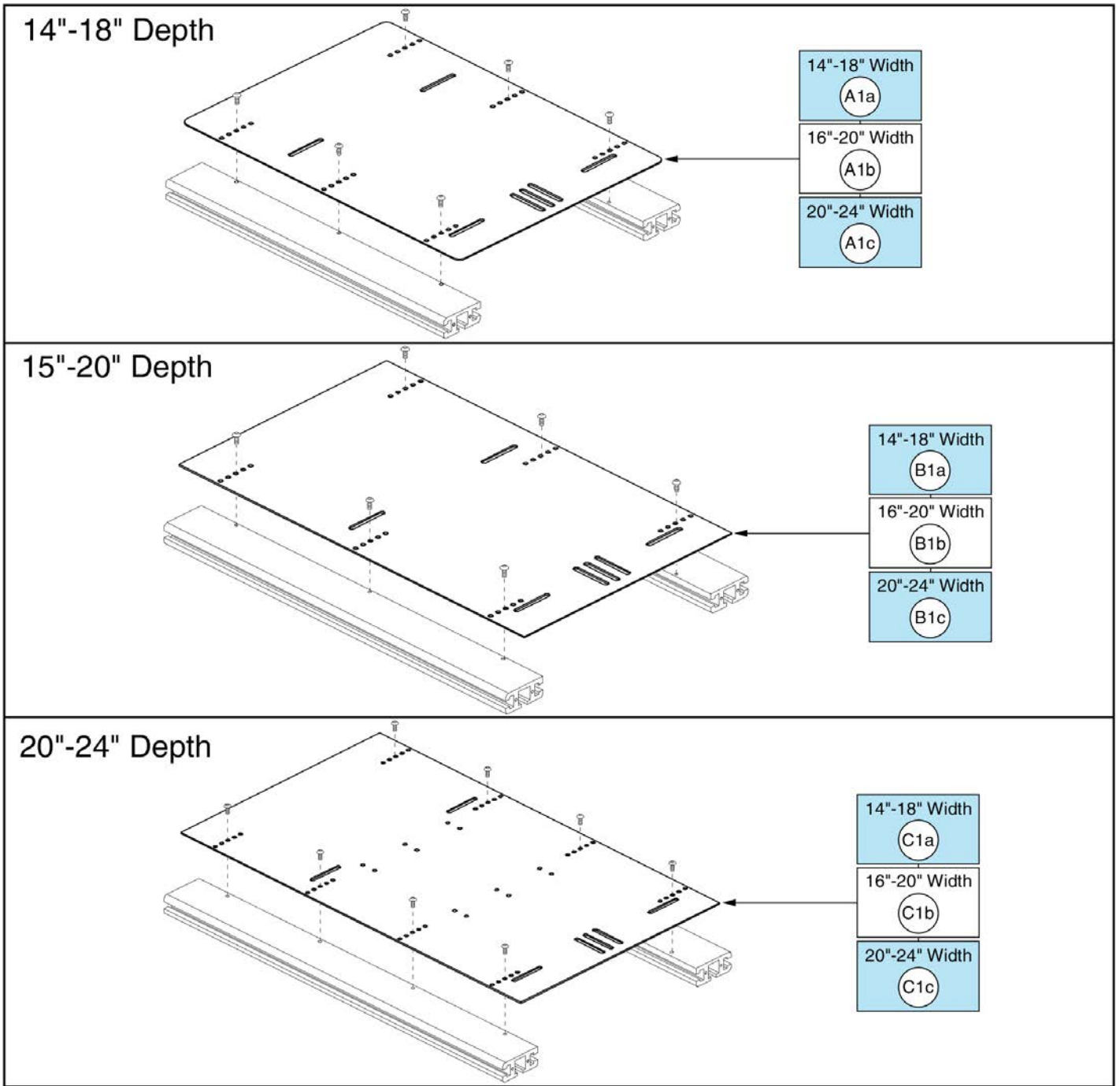


# Side Rails - 20"-24"D, TB2



Item	Part No.	Name	Qty
PAIR	FRMASMB10524	SIDE RAIL,ASSY,20"D-24"D,TRU-BALANCE 2 POWER TILT,PAIR	1
A1	FRMASMB10526	SIDE RAIL,ASSY,20"D-24"D,TRU-BALANCE 2 POWER TILT,RIGHT	1
B1	FRMASMB10525	SIDE RAIL,ASSY,20"D-24"D,TRU-BALANCE 2 POWER TILT,LEFT	1
C1	DWR1360B048	EXTRUSION END CAP,SYNERGY SEAT,T-SLOT OPEN END	1
C2	DWR1360B007	EXTRUSION END CAP,SYNERGY SEAT,REAR,B-1360-007	1
C3	SCRASBH1094	SCREW,BHSCS,BLACK ZINC,10-32 X 0.4375",GR 8,W/PATCH	4
C4	SCRSHFH1036	SCREW,SHFH,BLACK ZINC,8-32 X 0.50",GR 8,W/PATCH	4
C5	SCRHHCS1478	SCREW, HHCS,BLACK ZINC,5/16-18 X 2.00",GR 8,W/PATCH	1
C6	DWR1005B090	SPACER,BLACK,0.330"ID X 0.605"OD X 0.750"TH,B-1005-090	1
C7	DWR1005B180	NUT,MIDDLE CHANNEL,5/16-18,B-1005-180	1
D1	DWR1600B122B	SEAT FRAME,SECUREMENT BRACKET WELDMENT,TEXTURED	1
D2	DWR1360A004	T-NUT,5/16-18 X 0.875",A-1360-004	1
D3	SCRHHCS1241	SCREW,HHCS,BLACK ZINC,5/16-18 X 0.75",GR 8,W/PATCH	1
D4	SCRHHCS1478	SCREW, HHCS,BLACK ZINC,5/16-18 X 2.00",GR 8,W/PATCH	1
D5	DWR1005B180	NUT,MIDDLE CHANNEL,5/16-18,B-1005-180	1

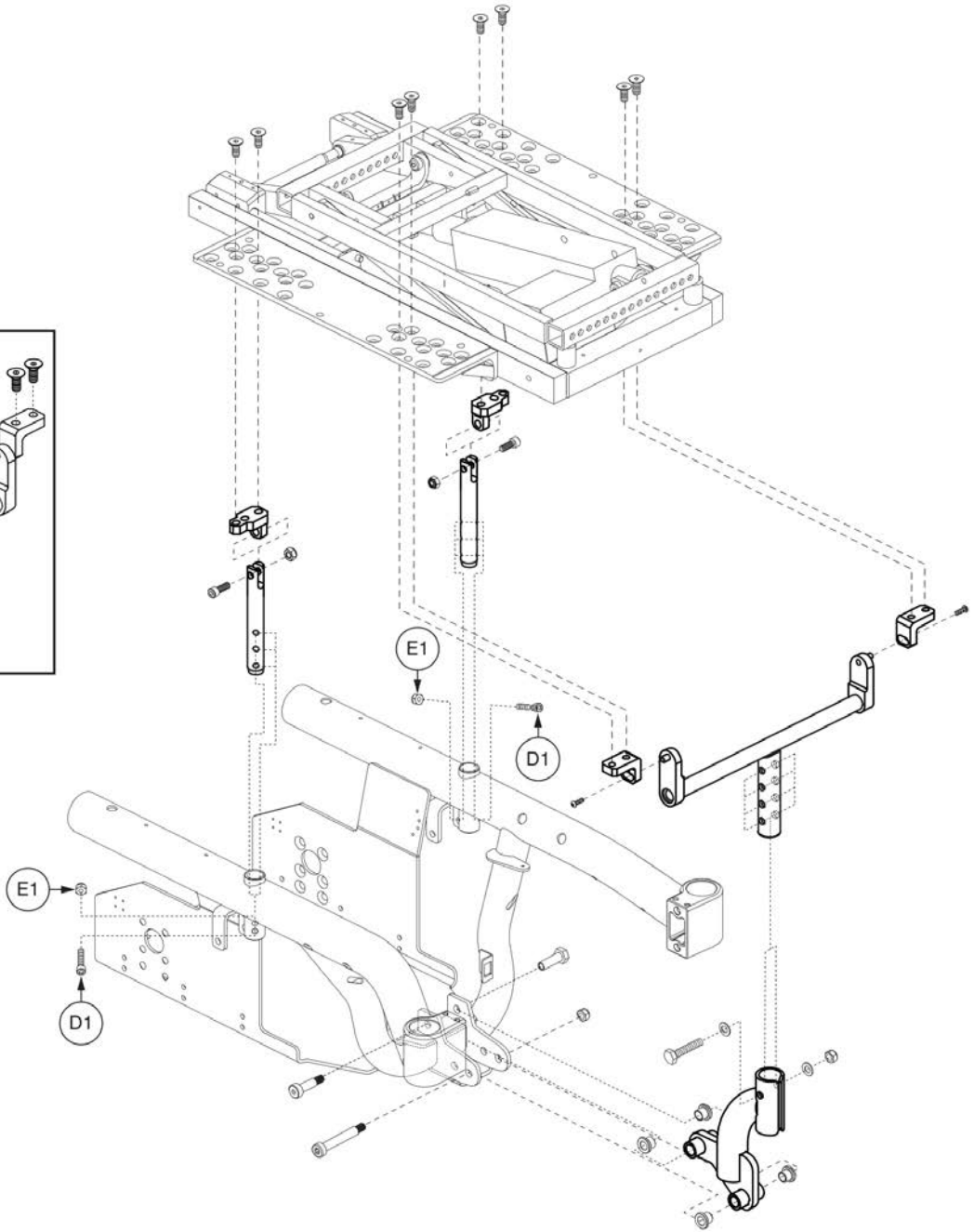
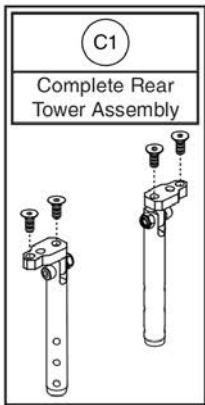
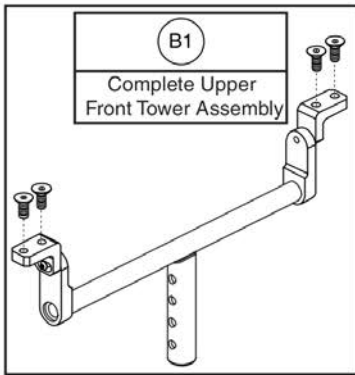
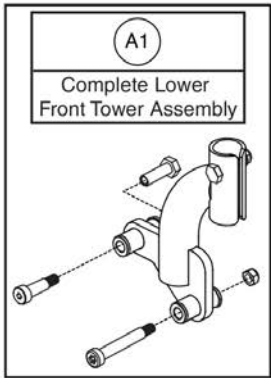
5.2. Side Rails and Seat Pans



Item	Part No.	Name	Qty
A1a	DWR1362E046B	SEAT PAN,14"W-18"W,14"D-18"D,SYNERGY TILT	1
A1b	DWR1362E047B	SEAT PAN,16"W-20"W,14"D-18"D,SYNERGY TILT	1
A1c	DWR1362E048B	SEAT PAN,20"W-24"W,14"D-18"D,SYNERGY TILT	1
B1a	DWR1362E040B	SEAT PAN,14"W-18"W,15"D-20"D,SYNERGY TILT	1
B1b	DWR1362E038B	SEAT PAN,16"W-20"W,15"D-20"D,SYNERGY TILT	1
B1c	DWR1362E043B	SEAT PAN,20"W-24"W,15"D-20"D,SYNERGY TILT	1
C1a	DWR1362E041B	SEAT PAN,14"W-18"W,20"D-24"D,SYNERGY TILT	1
C1b	DWR1362E042B	SEAT PAN,16"W-20"W,20"D-24"D,SYNERGY TILT	1
C1c	DWR1362E044B	SEAT PAN,20"W-24"W,20"D-24"D,SYNERGY TILT	1

### 5.3. Seat Tower Assy's

\*\*\* Individual components are not available for replacement.  
The entire assembly must be purchased. \*\*\*



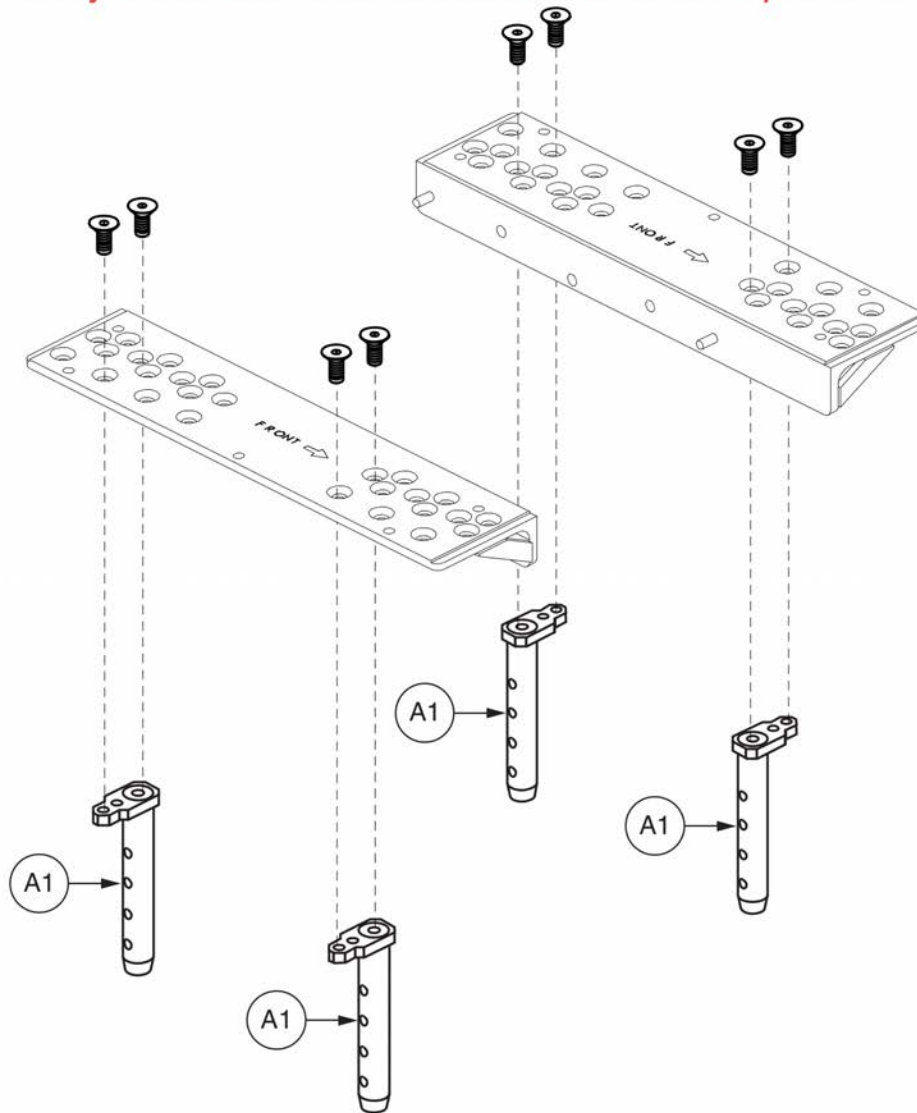


Item	Part No.	Name	Qty
A1	FRMASMB11128	SEAT TOWER,ASSY,FRONT,LOWER,R4000,D-1505-075	1
B1		SEAT TOWER,ASSY,FRONT,UPPER,TRU-BALANCE 2 TILT,R4000	1
C1		SEAT TOWER,ASSY,REAR,ANGLE ADJUSTABLE,TB2 TILT,R4000	2
D1	SCRSHCS1084	SCREW,SHCS,BLACK ZINC,M6-1.0 X 35MM,GRADE 12.9	2
E1	NUTNYLK1019	NUT,NYLOCK,BLACK ZINC,M6-1.0	2



5.3. Seat Tower Assy's

\*\*\* Only items with callouts are available for replacement. \*\*\*

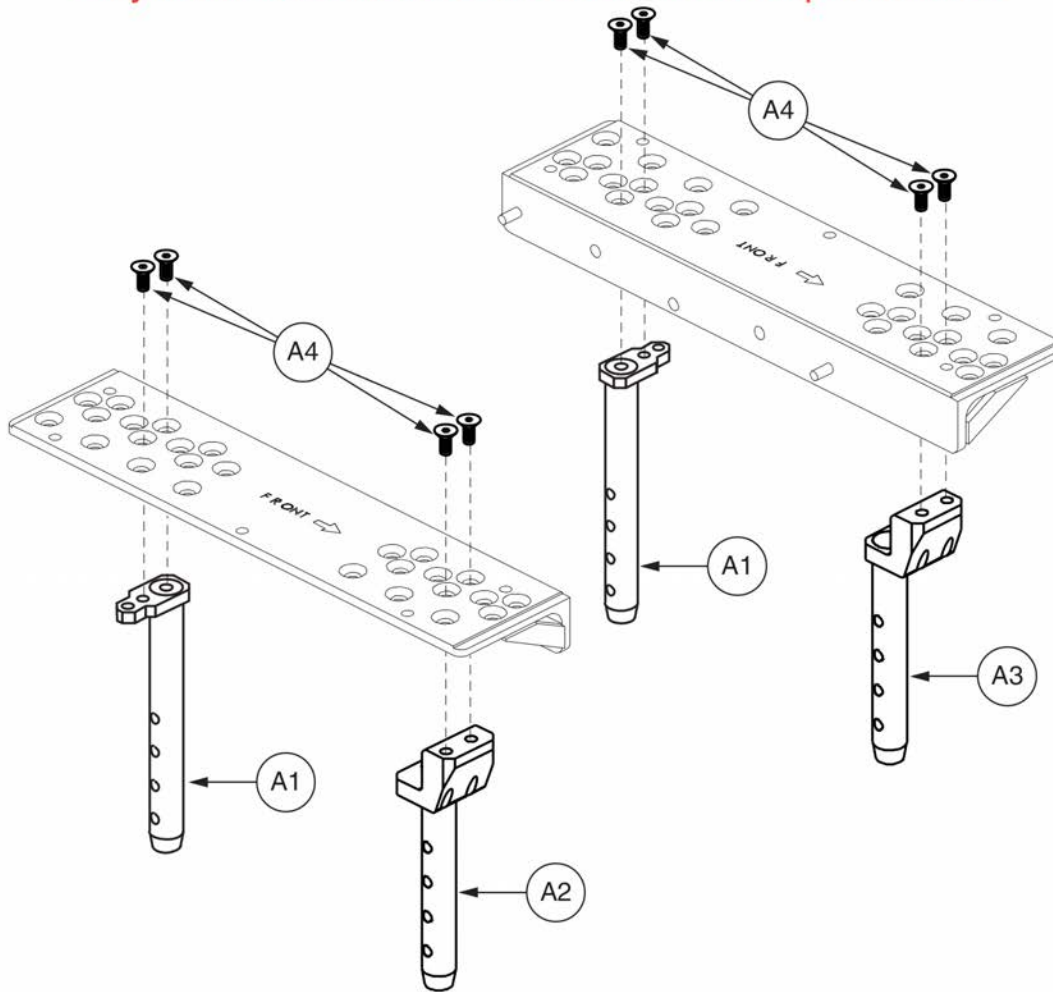




Item	Part No.	Name	Qty
A1	FRMASMB10498	SEAT TOWER,ASSY,FIXED,TRU-BALANCE 2 POWER TILT	4

5.3. Seat Tower Assy's

\*\*\* Only items with callouts are available for replacement. \*\*\*



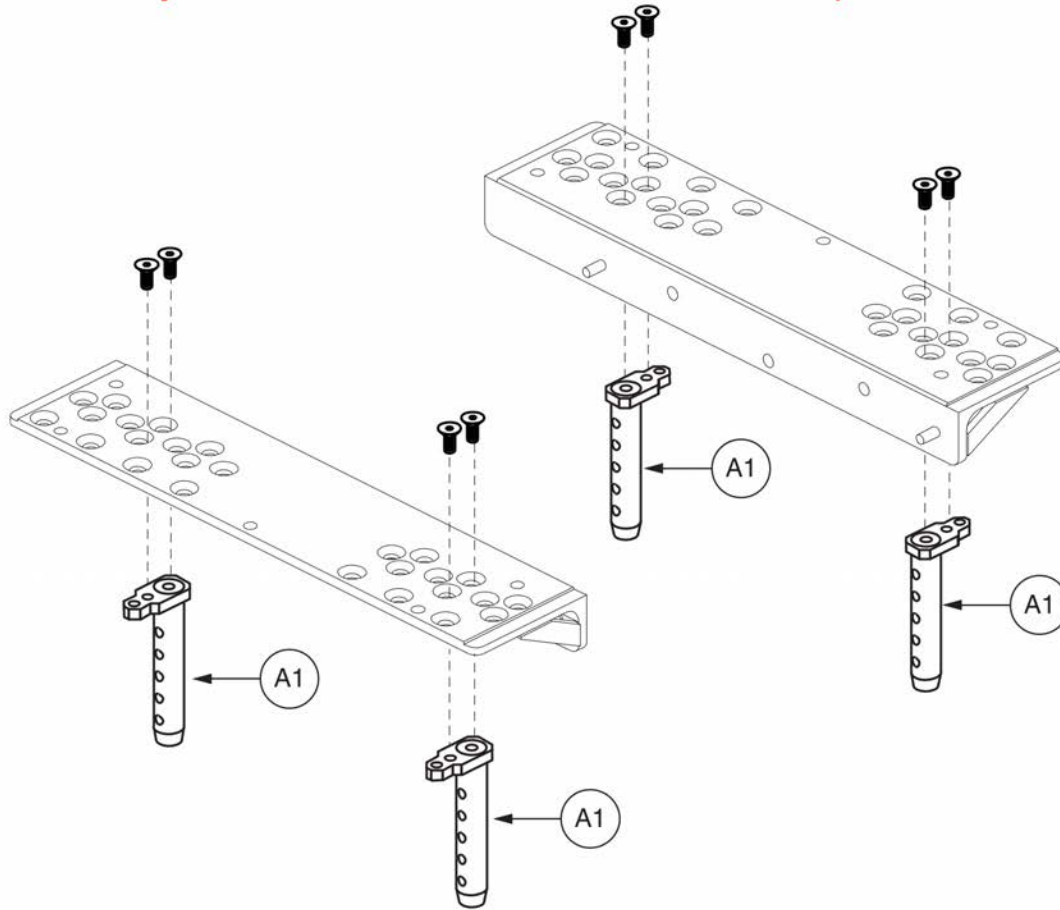
# Seat Towers for Q614, TB2 Power Lift and Tilt



Item	Part No.	Name	Qty
A1		TOWER WELDMENT,4 HOLE,5.50" OVERALL LENGTH,TRU-BALANCE 2 POWER LIFT & TILT,JAZZY614,REAR,B-1265-063	2
A2		TOWER WELDMENT,4 HOLE,5.50" OVERALL LENGTH,TRU-BALANCE 2 POWER LIFT & TILT,JAZZY614,FRONT,RIGHT,B-1265-064	1
A3		TOWER WELDMENT,4 HOLE,5.50" OVERALL LENGTH,TRU-BALANCE 2 POWER LIFT & TILT,JAZZY614,FRONT,LEFT,B-1265-065	1
A4	SCRSHFH1035	SCREW,SHFH,BLACK ZINC,5/16-18 X 0.75",GR 8,W/PATCH	8

5.3. Seat Tower Assy's

\*\*\* Only items with callouts are available for replacement. \*\*\*



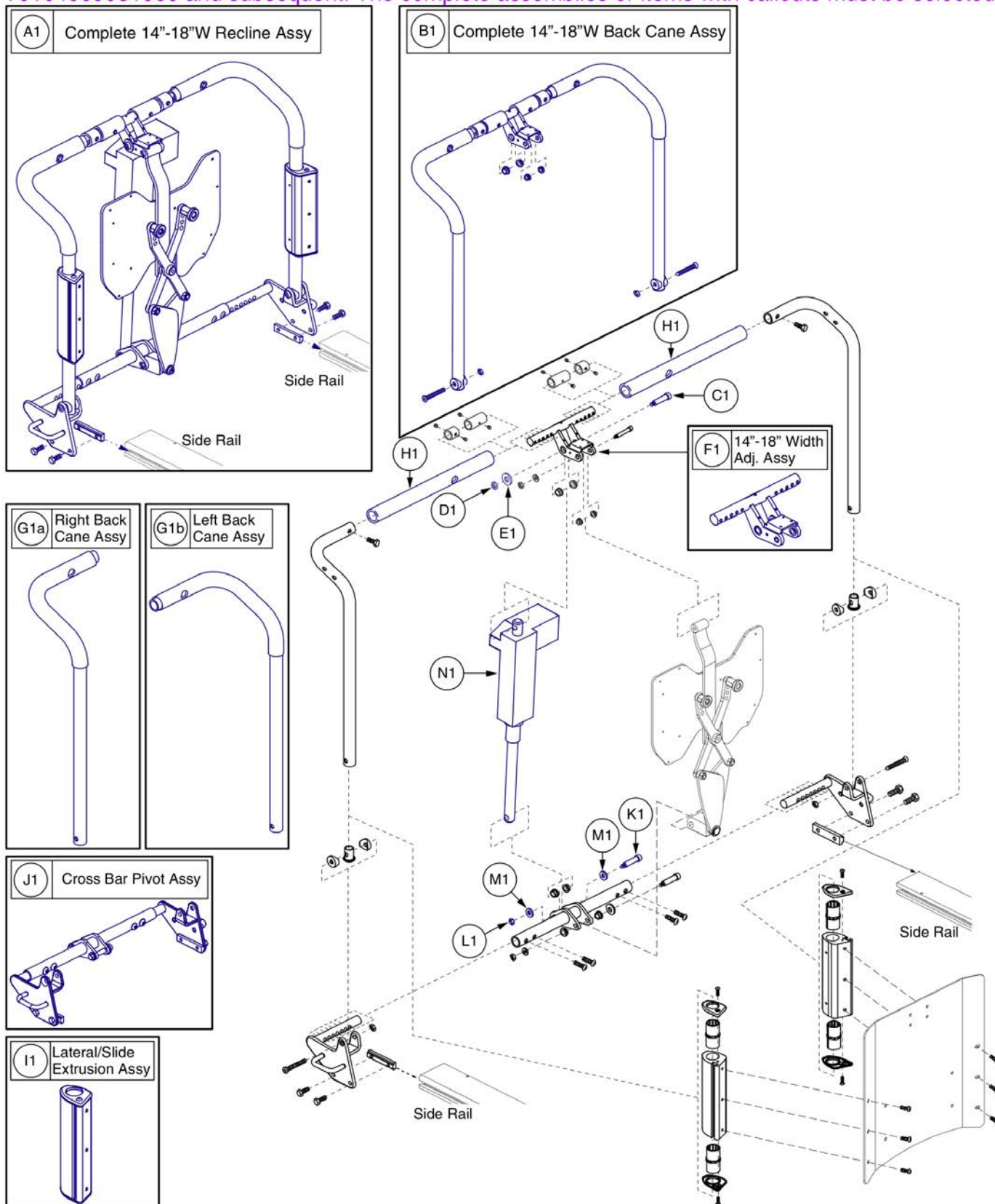
Fixed Seat Towers, TB2 Super Low Tilt



Item	Part No.	Name	Qty
A1	FRMASMB14490	SEAT TOWER,ASSY,FIXED,SUPER LOW,TRU-BALANCE 2 TILT	4

**Standard, Ver 2 - Serial Number Y0104009031060 and Subsequent**

Version 2 Recline Assemblies are applicable to seating systems manufactured with Serial Number Y0104009031060 and subsequent. The complete assemblies or items with callouts must be selected.

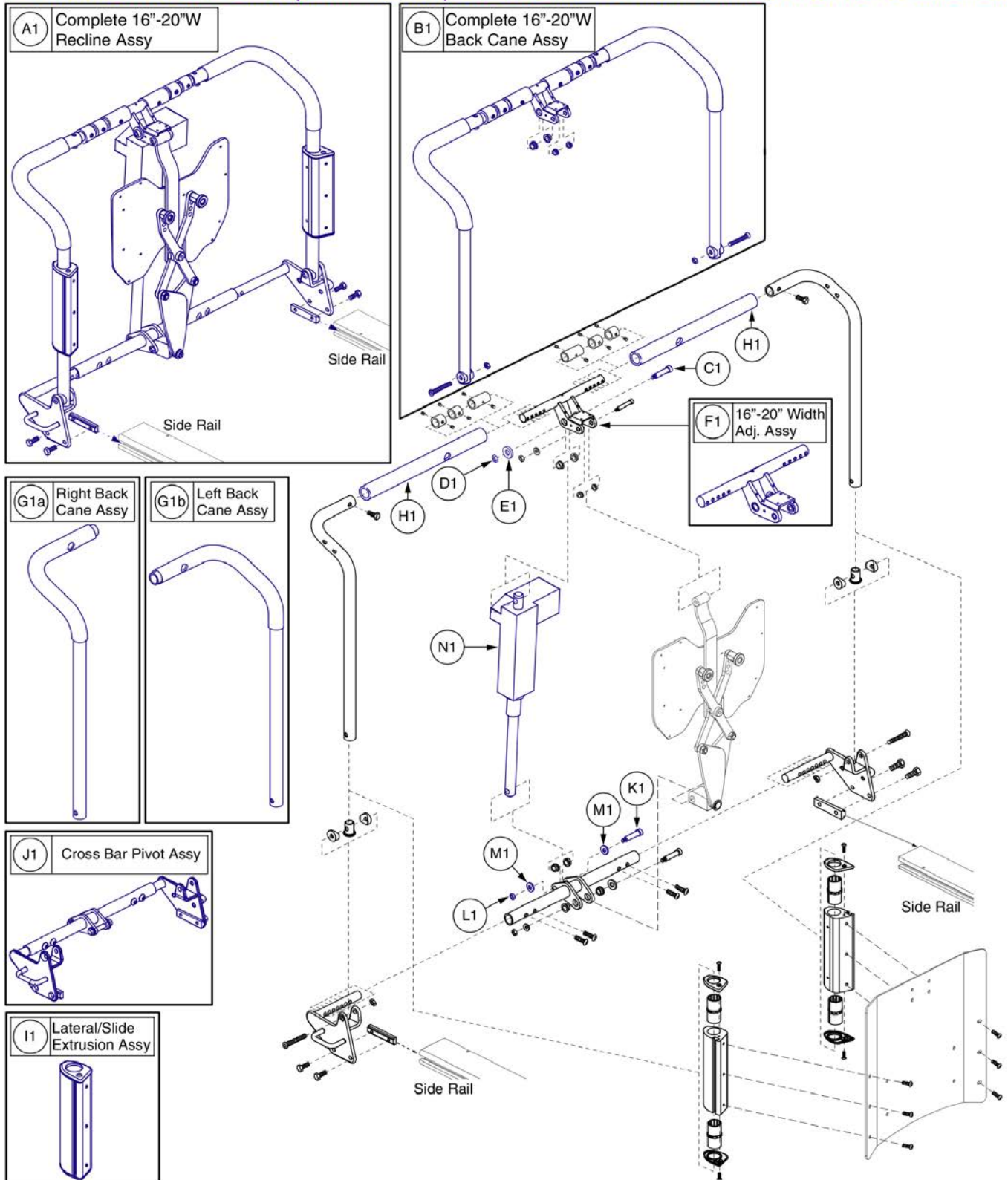


Item	Part No.	Name	Qty
A1	SETASMB5933	SEAT BACK,ASSY,14"W-18"W,Q-LOGIC,TB2 RECLINE	1
B1	FRMASMB12764	BACK CANE,ASSY,14"W-18"W,Q-LOGIC,TB2 RECL.,W/HARDWARE	1
C1	BLTASHL1011	BOLT,SHOULDER,1/2" X 1.75"	2
D1	NUTNJAM1023	NUT,NYLOCK JAM,BLACK ZINC,3/8-16	1
E1	WASBLK1006	WASHER,FENDER,BLACK OXIDE,0.40" ID X 1.125" OD X 0.125" TH	1
F1	FRMASMB12697	WIDTH ADJ. BRACKET,ASSY,14"W-18"W,TB2 RECL.,UPPER	1
G1a	FRMASMB12690	BACK CANE,ASSY,TB2 RECLINE,RIGHT	1
G1b	FRMASMB12689	BACK CANE,ASSY,TB2 RECLINE,LEFT	1
H1	PROHDL1071	HAND GRIP,BLACK,FOAM,.930"ID X 1.250"OD X 17"L	1
I1	FRMASMB12696	LATERAL & SLIDE EXTRUSION,ASSY,TB2 RECLINE,D-1367-053	1
J1	FRMASMB7148	CROSS BAR PIVOT,ASSY,14"W-18"W,TB2 RECLINE,W/HARDWARE	1
K1	BLTASHL1011	BOLT,SHOULDER,1/2" X 1.75"	1
L1	NUTNYLK1006	NUT, NYLOCK,BLACK ZINC,3/8"-16	1
M1	WASSTND1034	WASHER,FLAT,BLACK ZINC,0.504"ID X 1.062"OD X 0.062"TH	2
N1	ACCACTR1032	ACTUATOR,TRU-BALANCE POWER RECLINE,H-1367-037,(LINAK: 314XXX-1115004X)	1
O1	FRMASMB7144	BACK INTERFACE PLATE,ASSY,TB2 RECLINE,W/HARDWARE	1
P1	FRMASMB12395	LINKAGE,ASSY,W/ELECTRONICS PLATE,TB2 RECLINE,VERSION 2	1



**Standard, Ver 2 - Serial Number Y0104009031060 and Subsequent**

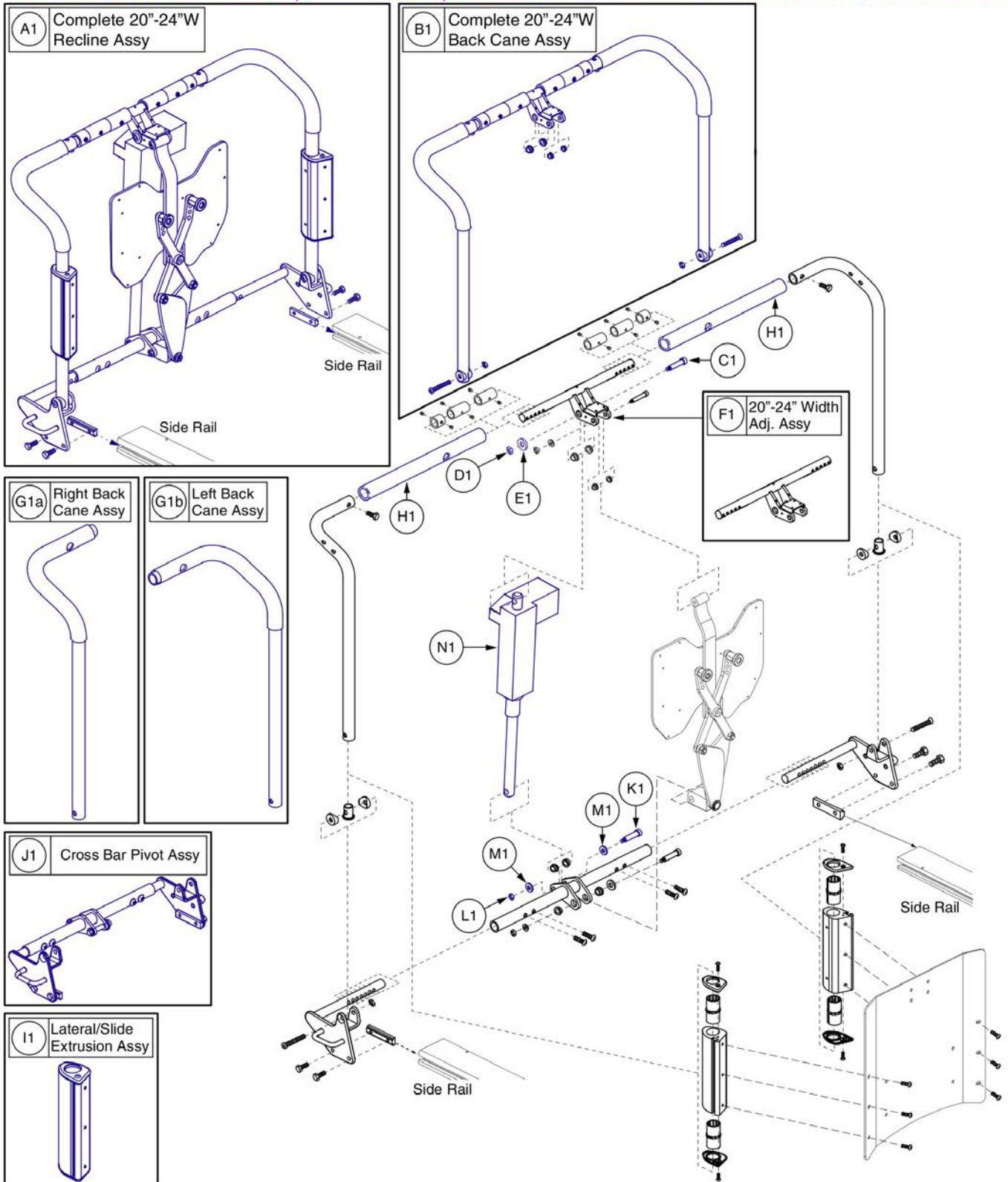
Version 2 Recline Assemblies are applicable to seating systems manufactured with Serial Number Y0104009031060 and subsequent. The complete assemblies or items with callouts must be selected.



Item	Part No.	Name	Qty
A1	SETASMB5934	SEAT BACK,ASSY,16"W-20"W,Q-LOGIC,TB2 RECLINE	1
B1	FRMASMB12765	BACK CANE,ASSY,16"W-20"W,Q-LOGIC,TB2 RECL.,W/HARDWARE	1
C1	BLTASHL1011	BOLT,SHOULDER,1/2" X 1.75"	1
D1	NUTNJAM1023	NUT,NYLOCK JAM,BLACK ZINC,3/8-16	1
E1	WASBLK1006	WASHER,FENDER,BLACK OXIDE,0.40" ID X 1.125" OD X 0.125" TH	1
F1	FRMASMB12698	WIDTH ADJ. BRACKET,ASSY,16"W-20"W,TB2 RECLINE,UPPER	1
G1a	FRMASMB12690	BACK CANE,ASSY,TB2 RECLINE,RIGHT	1
G1b	FRMASMB12689	BACK CANE,ASSY,TB2 RECLINE,LEFT	1
H1	PROHDL1071	HAND GRIP,BLACK,FOAM,.930"ID X 1.250"OD X 17"L	1
I1	FRMASMB12696	LATERAL & SLIDE EXTRUSION,ASSY,TB2 RECLINE,D-1367-053	1
J1	FRMASMB7149	CROSS BAR PIVOT,ASSY,16"W-20"W,TB2 RECLINE,W/HARDWARE	1
K1	BLTASHL1011	BOLT,SHOULDER,1/2" X 1.75"	1
L1	NUTNYLK1006	NUT, NYLOCK,BLACK ZINC,3/8"-16	1
M1	WASSTND1034	WASHER,FLAT,BLACK ZINC,0.504"ID X 1.062"OD X 0.062"TH	2
N1	ACCACTR1032	ACTUATOR,TRU-BALANCE POWER RECLINE,H-1367-037,(LINAK: 314XXX-1115004X)	1
O1	FRMASMB7144	BACK INTERFACE PLATE,ASSY,TB2 RECLINE,W/HARDWARE	1
P1	FRMASMB12395	LINKAGE,ASSY,W/ELECTRONICS PLATE,TB2 RECLINE,VERSION 2	1

**Standard, Ver 2 - Serial Number Y0104009031060 and Subsequent**

Version 2 Recline Assemblies are applicable to seating systems manufactured with Serial Number Y0104009031060 and subsequent. The complete assemblies or items with callouts must be selected.

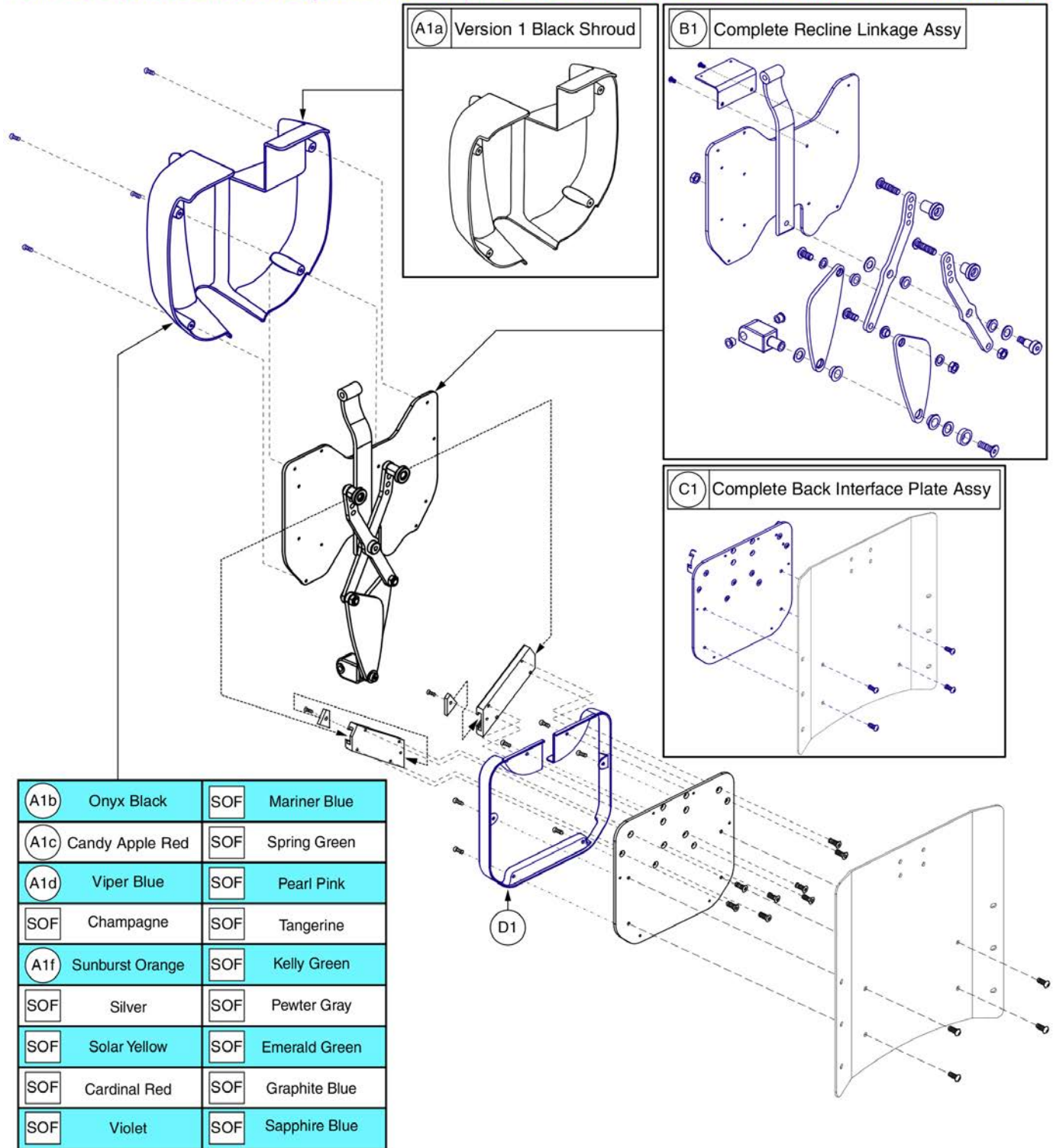


Item	Part No.	Name	Qty
A1	SETASMB5935	SEAT BACK,ASSY,20"W-24"W,Q-LOGIC,TB2 RECLINE	1
B1	FRMASMB12766	BACK CANE,ASSY,20"W-24"W,Q-LOGIC,TB2 RECL.,W/HARDWARE	1
C1	BLTASHL1011	BOLT,SHOULDER,1/2" X 1.75"	1
D1	NUTNJAM1023	NUT,NYLOCK JAM,BLACK ZINC,3/8-16	1
E1	WASBLK1006	WASHER,FENDER,BLACK OXIDE,0.40" ID X 1.125" OD X 0.125" TH	1
F1	FRMASMB12699	WIDTH ADJ. BRACKET,ASSY,20"W-24"W,TB2 RECL.,UPPER	1
G1a	FRMASMB12690	BACK CANE,ASSY,TB2 RECLINE,RIGHT	1
G1b	FRMASMB12689	BACK CANE,ASSY,TB2 RECLINE,LEFT	1
H1	PROHDL1071	HAND GRIP,BLACK,FOAM,.930"ID X 1.250"OD X 17"L	1
I1	FRMASMB12696	LATERAL & SLIDE EXTRUSION,ASSY,TB2 RECLINE,D-1367-053	1
J1	FRMASMB7150	CROSS BAR PIVOT,ASSY,20"W-24"W,TRU-BALANCE POWER RECLINE,W/MOUNTING HARDWARE	1
K1	BLTASHL1011	BOLT,SHOULDER,1/2" X 1.75"	1
L1	NUTNYLK1006	NUT, NYLOCK,BLACK ZINC,3/8"-16	1
M1	WASSTND1034	WASHER,FLAT,BLACK ZINC,0.504"ID X 1.062"OD X 0.062"TH	2
N1	ACCACTR1032	ACTUATOR,TRU-BALANCE POWER RECLINE,H-1367-037,(LINAK: 314XXX-1115004X)	1
O1	FRMASMB7144	BACK INTERFACE PLATE,ASSY,TB2 RECLINE,W/HARDWARE	1
P1	FRMASMB12395	LINKAGE,ASSY,W/ELECTRONICS PLATE,TB2 RECLINE,VERSION 2	1



**Standard, Ver 2 - Serial Number Y0104009031060 and Subsequent**

Version 2 Recline Assemblies are applicable to seating systems manufactured with Serial Number Y0104009031060 and subsequent. The complete assemblies or items with callouts must be selected.



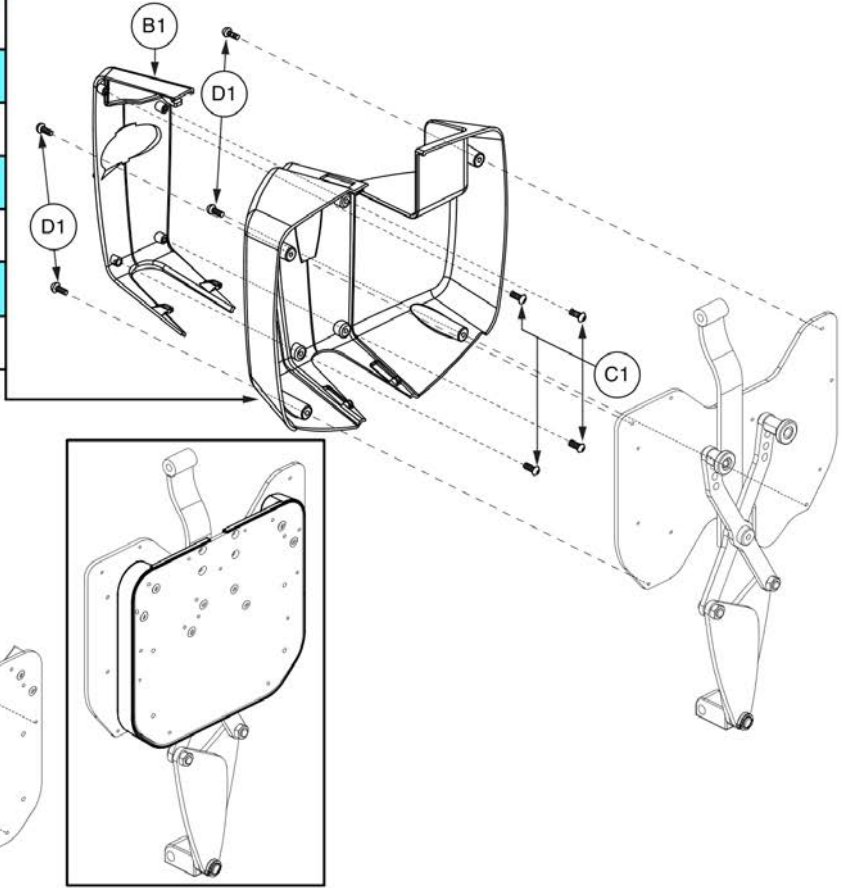
The shroud assembly includes the shrouds and the mounting hardware.

Item	Part No.	Name	Qty
A1a	DWR1367E074	SHROUD,ELECTRONICS COVER,BLACK,PLASTIC,OUTER,TRUBALANCE RECLINE,E-1367-074	1
A1b	SHDASMB6361	SHROUD,ASSY,ONYX BLACK,ELECTRONICS COVER,RECLINE	1
A1c	SHDASMB6480	SHROUD,ASSY,CANDY APPLE RED,ELECTRONICS COVER,RECLINE	1
A1d	SHDASMB6481	SHROUD,ASSY,VIPER BLUE,ELECTRONICS COVER,RECLINE	1
SOF	SHDASMB6483	SHROUD,ASSY,CHAMPAGNE,ELECTRONICS COVER,RECLINE	1
A1f	SHDASMB6484	SHROUD,ASSY,SUNBURST ORANGE,ELECTRONICS COVER,RECLINE	1
SOF	SHDASMB6485	SHROUD,ASSY,SILVER,ELECTRONICS COVER,RECLINE	1
SOF	SHDASMB6486	SHROUD,ASSY,SOLAR YELLOW,ELECTRONICS COVER,RECLINE	1
SOF	SHDASMB6487	SHROUD,ASSY,CARDINAL RED,ELECTRONICS COVER,RECLINE	1
SOF	SHDASMB6488	SHROUD,ASSY,VIOLET,ELECTRONICS COVER,RECLINE	1
SOF	SHDASMB6489	SHROUD,ASSY,MARINER BLUE,ELECTRONICS COVER,RECLINE	1
SOF	SHDASMB6490	SHROUD,ASSY,SPRING GREEN,ELECTRONICS COVER,RECLINE	1
SOF	SHDASMB6491	SHROUD,ASSY,PEARL PINK,ELECTRONICS COVER,RECLINE	1
SOF	SHDASMB6492	SHROUD,ASSY,TANGERINE,ELECTRONICS COVER,RECLINE	1
SOF	SHDASMB6493	SHROUD,ASSY,KELLY GREEN,ELECTRONICS COVER,RECLINE	1
SOF	SHDASMB6494	SHROUD,ASSY,PEWTER GRAY,ELECTRONICS COVER,RECLINE	1
SOF	SHDASMB6495	SHROUD,ASSY,EMERALD GREEN,ELECTRONICS COVER,RECLINE	1
SOF	SHDASMB6496	SHROUD,ASSY,GRAPHITE BLUE,ELECTRONICS COVER,RECLINE	1
SOF	SHDASMB6497	SHROUD,ASSY,SAPPHIRE BLUE,ELECTRONICS COVER,RECLINE	1
B1	FRMASMB12395	LINKAGE,ASSY,W/ELECTRONICS PLATE,TB2 RECLINE,VERSION 2	1
C1	FRMASMB7144	BACK INTERFACE PLATE,ASSY,TB2 RECLINE,W/HARDWARE	1
D1	DWR1367E042	SHROUD,COVER,INSIDE,BLACK,RECLINE,E-1367-042	1

Standard, Ver 2 - Serial Number Y0104009031060 and Subsequent

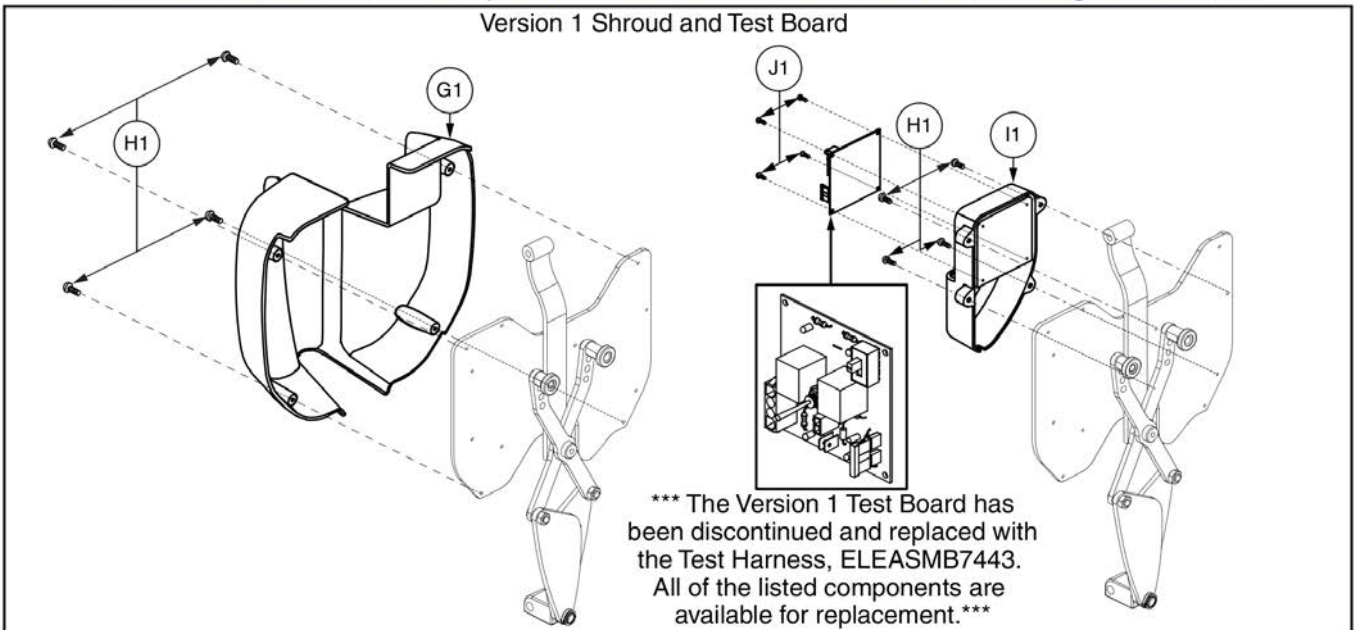
A1a	Black	SOF	Spring Green
A1b	Candy Apple Red	SOF	Pearl Pink
A1c	Viper Blue	SOF	Tangerine
SOF	Champagne	SOF	Kelly Green
A1d	Sunburst Orange	SOF	Pewter Gray
SOF	Silver	SOF	Emerald Green
SOF	Solar Yellow	SOF	Graphite Blue
SOF	Cardinal Red	SOF	Sapphire Blue
SOF	Violet	SOF	True Blue
SOF	Mariner Blue	SOF	Onion Yellow

\*\*\*The Shroud Assemblies contain the Painted Shroud, the Insert(B1) and the mounting hardware(C1). The assembly mounting hardware(D1) must be selected separately.\*\*\*



\*\*\*For all items listed as SOF, please contact Technical Service for ordering information.\*\*\*

Version 1 Shroud and Test Board



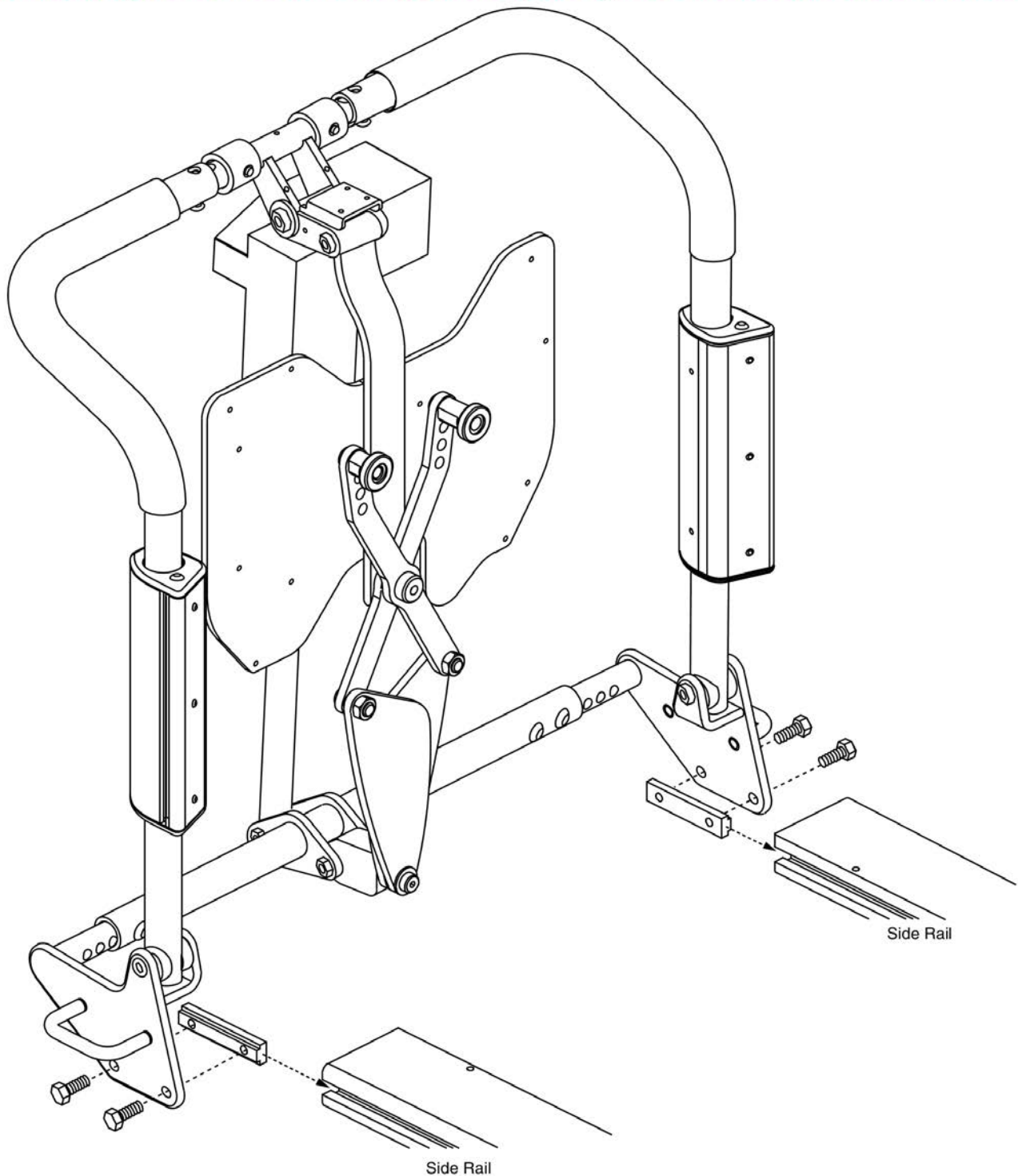
\*\*\* The Version 1 Test Board has been discontinued and replaced with the Test Harness, ELEASMB7443. All of the listed components are available for replacement.\*\*\*

Item	Part No.	Name	Qty
A1a	SHDASMB6361	SHROUD,ASSY,ONYX BLACK,ELECTRONICS COVER,RECLINE	1
A1b	SHDASMB6480	SHROUD,ASSY,CANDY APPLE RED,ELECTRONICS COVER,RECLINE	1
A1c	SHDASMB6481	SHROUD,ASSY,VIPER BLUE,ELECTRONICS COVER,RECLINE	1
SOF	SHDASMB6483	SHROUD,ASSY,CHAMPAGNE,ELECTRONICS COVER,RECLINE	1
A1d	SHDASMB6484	SHROUD,ASSY,SUNBURST ORANGE,ELECTRONICS COVER,RECLINE	1
SOF	SHDASMB6485	SHROUD,ASSY,SILVER,ELECTRONICS COVER,RECLINE	1
SOF	SHDASMB6486	SHROUD,ASSY,SOLAR YELLOW,ELECTRONICS COVER,RECLINE	1
SOF	SHDASMB6487	SHROUD,ASSY,CARDINAL RED,ELECTRONICS COVER,RECLINE	1
SOF	SHDASMB6488	SHROUD,ASSY,VIOLET,ELECTRONICS COVER,RECLINE	1
SOF	SHDASMB6489	SHROUD,ASSY,MARINER BLUE,ELECTRONICS COVER,RECLINE	1
SOF	SHDASMB6490	SHROUD,ASSY,SPRING GREEN,ELECTRONICS COVER,RECLINE	1
SOF	SHDASMB6491	SHROUD,ASSY,PEARL PINK,ELECTRONICS COVER,RECLINE	1
SOF	SHDASMB6492	SHROUD,ASSY,TANGERINE,ELECTRONICS COVER,RECLINE	1
SOF	SHDASMB6493	SHROUD,ASSY,KELLY GREEN,ELECTRONICS COVER,RECLINE	1
SOF	SHDASMB6494	SHROUD,ASSY,PEWTER GRAY,ELECTRONICS COVER,RECLINE	1
SOF	SHDASMB6495	SHROUD,ASSY,EMERALD GREEN,ELECTRONICS COVER,RECLINE	1
SOF	SHDASMB6496	SHROUD,ASSY,GRAPHITE BLUE,ELECTRONICS COVER,RECLINE	1
SOF	SHDASMB6497	SHROUD,ASSY,SAPPHIRE BLUE,ELECTRONICS COVER,RECLINE	1
SOF	SHDASMB6706	SHROUD,ASSY,TRUE BLUE,ELECTRONICS COVER,TB2 RECLINE	1
SOF	SHDASMB6707	SHROUD,ASSY,ORION YELLOW,ELECTRONICS COVER,TB2 RECLINE	1
B1		SHROUD,INSERT,ELECTRONICS COVER,W"Q" LOGO,TB2 RECLINE	1
C1	SCRPPH1050	SCREW, PAN HEAD, TYPE H, M4X0.7 X 10, FT, ISO 7045, CL 4.8, BZ (USE SCRPPH1163)	4
D1	SCRPPH1353	SCREW,PPH,BLACK ZINC,8-32 X 0.3125"	4
E1	DWR1367E042	SHROUD,COVER,INSIDE,BLACK,RECLINE,E-1367-042	1
F1	SCRASBH1151	SCREW,BHSCS,BLACK ZINC,8-32 X 0.250",GR 8,W/PATCH	6
G1	DWR1367E074	SHROUD,ELECTRONICS COVER,BLACK,PLASTIC,OUTER,TRUBALANCE RECLINE,E-1367-074	1
H1	SCRPPH1353	SCREW,PPH,BLACK ZINC,8-32 X 0.3125"	4



Standard, Ver 1 - Prior to Serial Number Y0104009031060

\*\*\* Version 1 parts are no longer available and have been replaced by Version 2. \*\*\*  
When replacing Version 1 for Version 2 back canes, both right side and left side must be ordered.

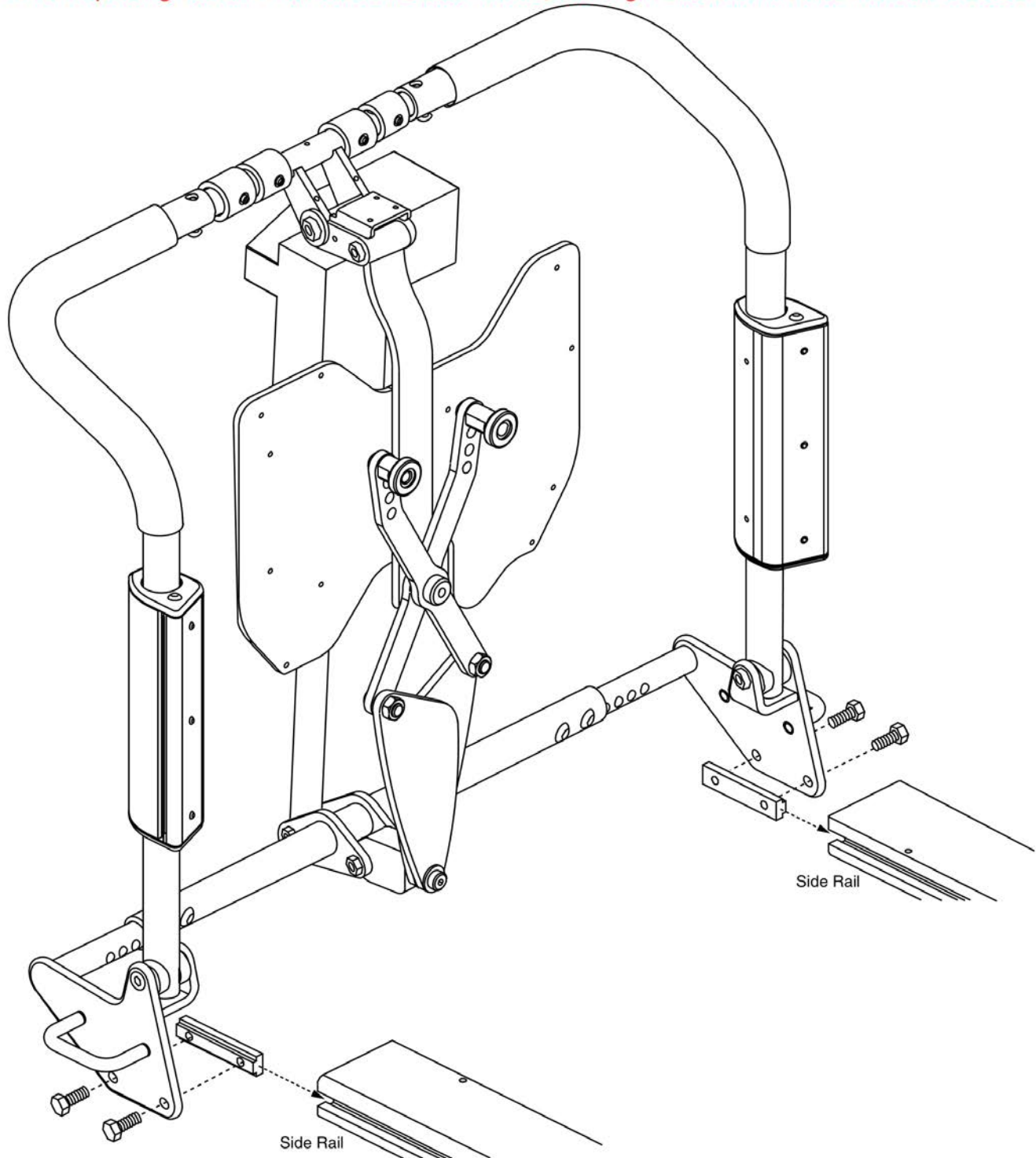


Version 1 Recline Assemblies are applicable  
to seating systems manufactured prior  
to Serial Number Y0104009031060.

This page intentionally left blank

Standard, Ver 1 - Prior to Serial Number Y0104009031060

\*\*\* Version 1 parts are no longer available and have been replaced by Version 2. \*\*\*  
When replacing Version 1 for Version 2 back canes, both right side and left side must be ordered.



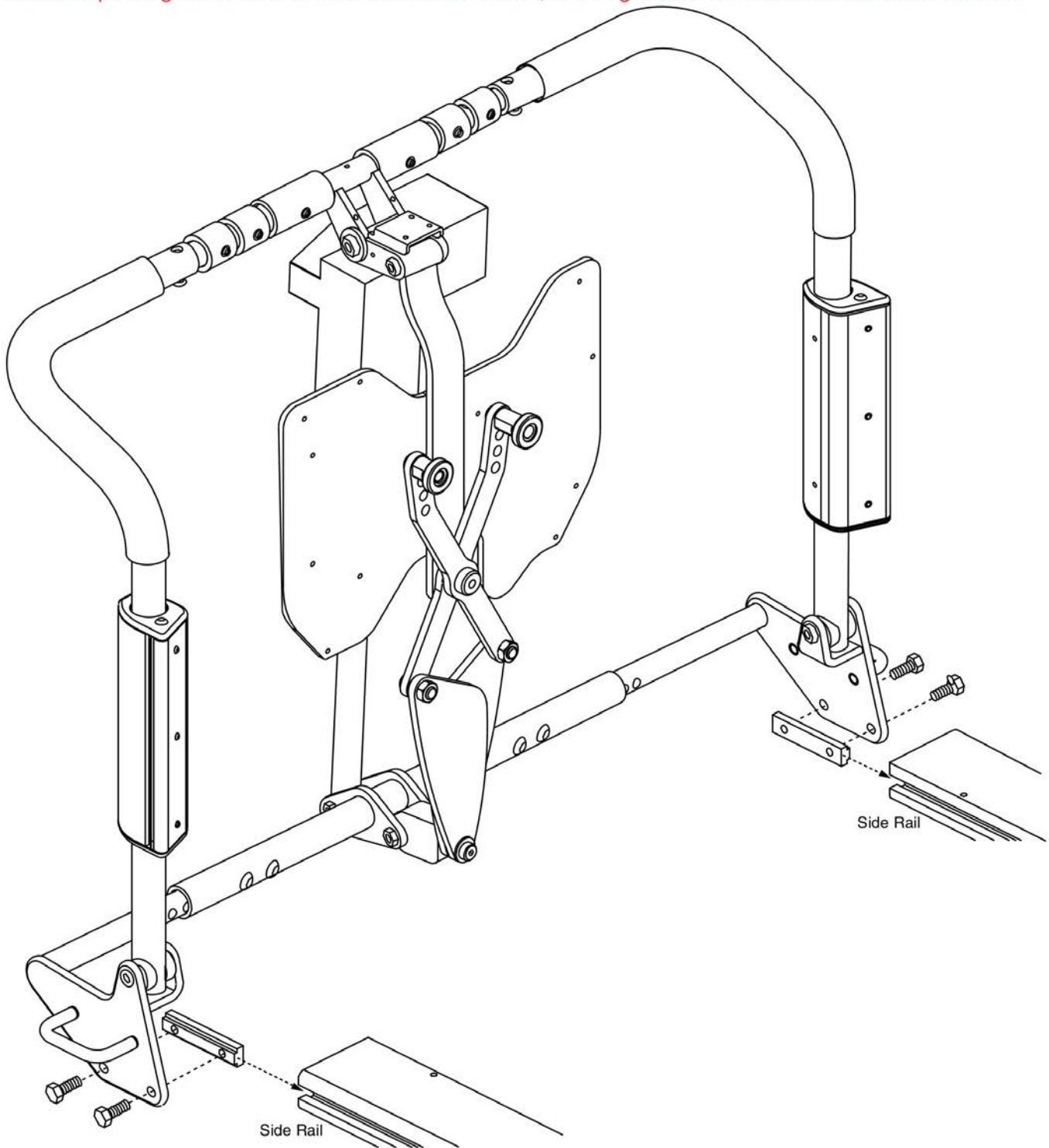
Version 1 Recline Assemblies are applicable  
to seating systems manufactured prior  
to Serial Number Y0104009031060.



This page intentionally left blank

Standard, Ver 1 - Prior to Serial Number Y0104009031060

\*\*\* Version 1 parts are no longer available and have been replaced by Version 2. \*\*\*  
When replacing Version 1 for Version 2 back canes, both right side and left side must be ordered.

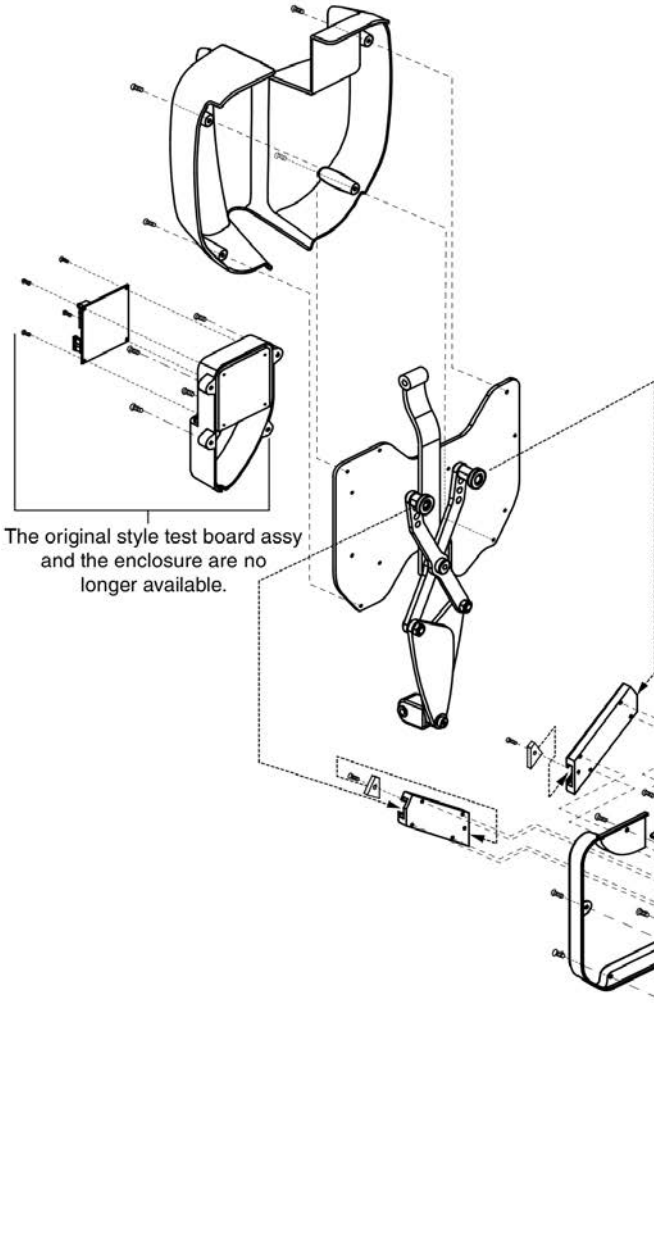


Version 1 Recline Assemblies are applicable  
to seating systems manufactured prior  
to Serial Number Y0104009031060.

This page intentionally left blank



**Standard, Ver 1 - Prior to Serial Number Y0104009031060**



A1 Complete, TRU-Balance 2 Power Recline Shroud Assembly

The shroud assembly includes the outer and inner shrouds, mounting hardware, and test harness assembly.

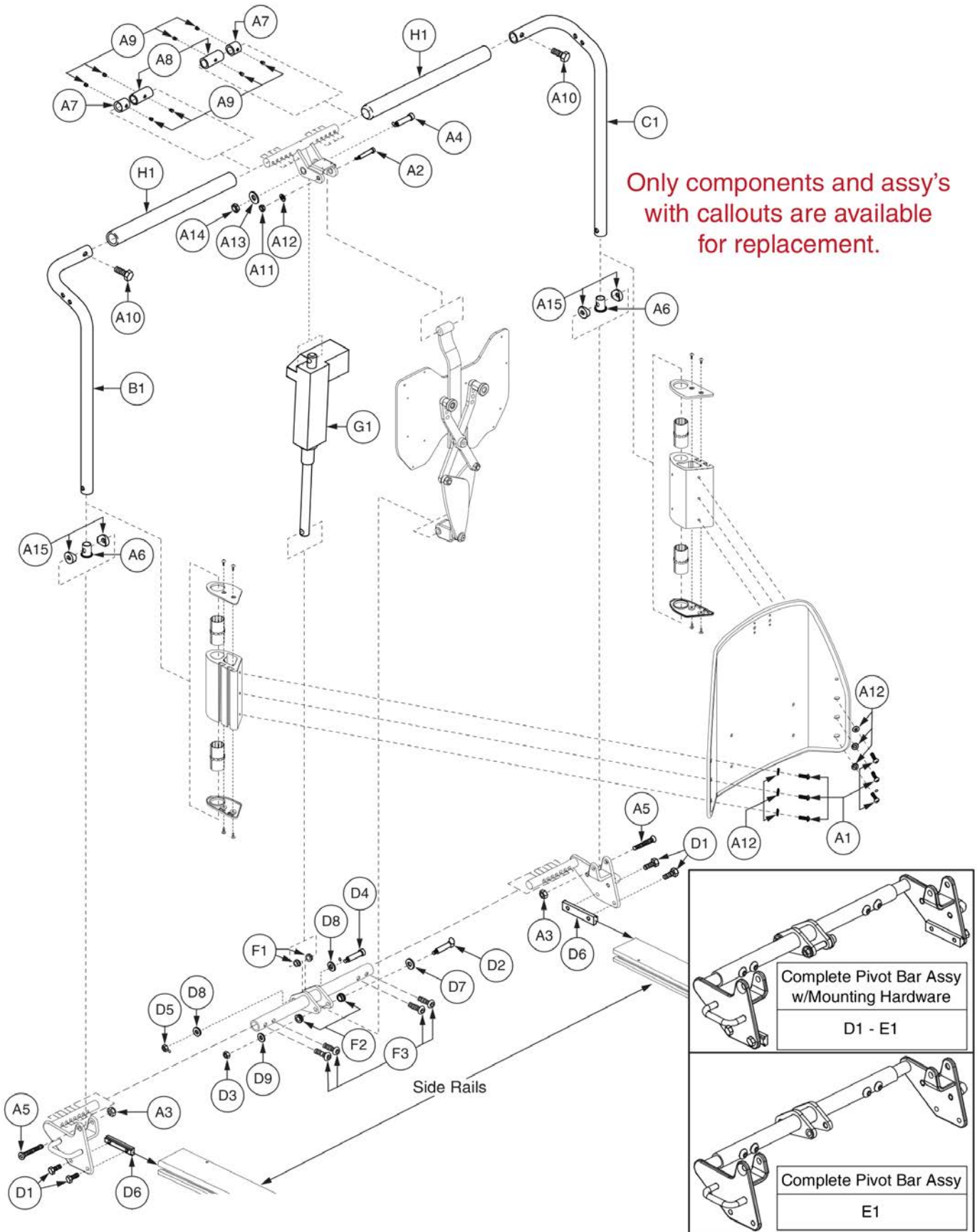
B1

Version 1 Recline Assemblies are applicable to seating systems manufactured prior to S/N Y0104009031060. Replacement parts are no longer available. Version 2 components must be utilized for replacement .

Item	Part No.	Name	Qty
A1	SHDASMB5119	SHROUD,ASSY,TRU-BALANCE 2 POWER RECLINE	1
B1	ELE139125	ELECTRONIC,ASSY,SERVICE BOARD,W/HARNESS & POUCH	1

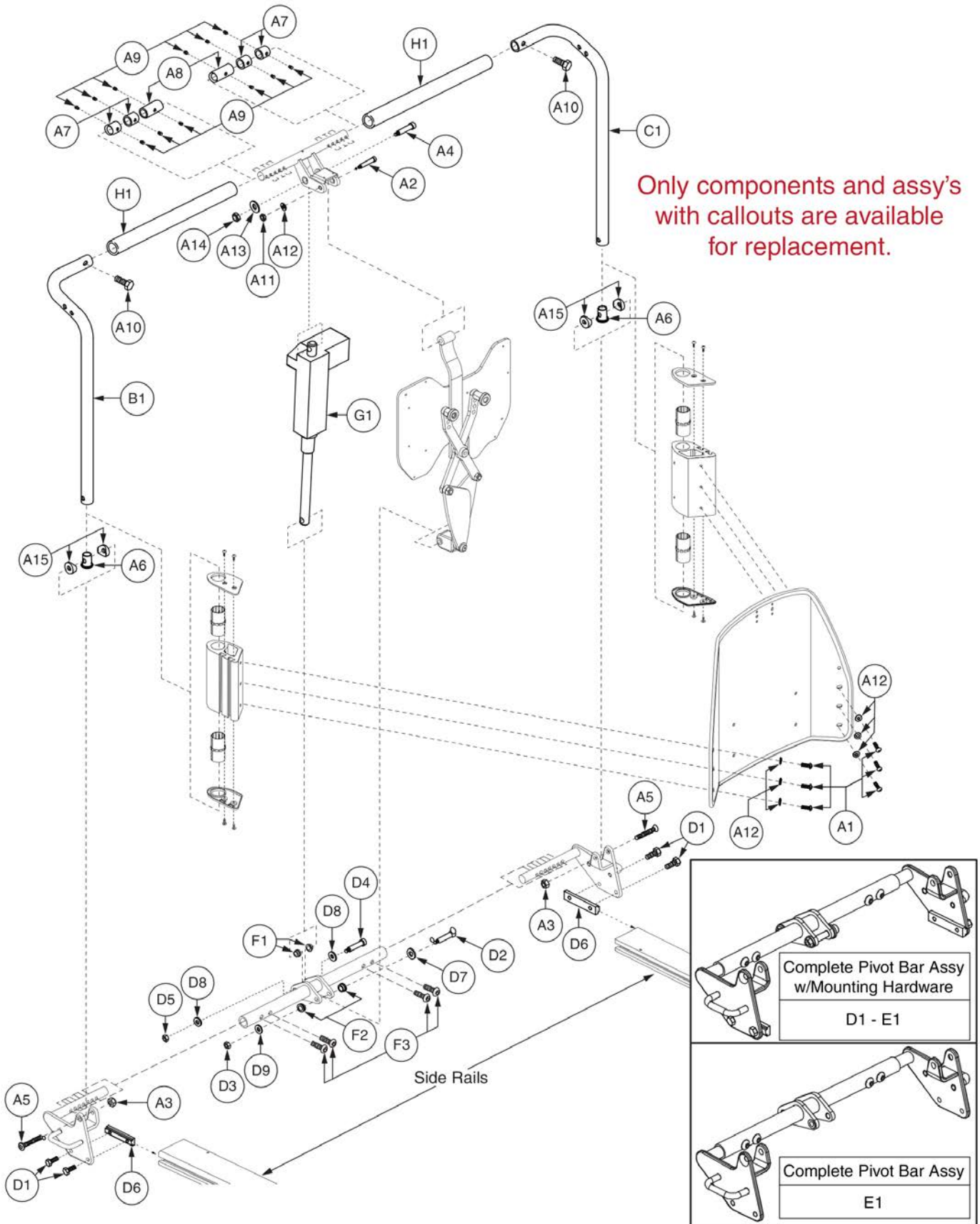


TRU-Comfort



Item	Part No.	Name	Qty
A1	SCRASBH1148	SCREW,BHSCS,BLACK ZINC,1/4-20 X 0.50",W/PATCH	6
A2	BLTASHL1069	BOLT,SHOULDER,5/16" X 1.75"	1
A3	NUTNYLK1006	NUT, NYLOCK,BLACK ZINC,3/8"-16	2
A4	BLTASHL1011	BOLT,SHOULDER,1/2" X 1.75"	1
A5	SCRSHFH1087	SCREW,SHFH,BLACK ZINC,3/8-16 X 2.25",GRADE 8	2
A6	DWR1367C037	END CAP,BACK CANE,TRU-BALANCE POWER RECLINE,C-1367-037	2
A7	DWR1367C041	SPACER,ALUMINUM,.760"ID X 1.00"OD X 1.00"L,TB2 RECLINE	2
A8	DWR1367B033	SPACER,ALUMINUM,.760"ID X 1.00"OD X 2.00"L,TB2 RECLINE	2
A9	SCRSETS1086	SCREW, SET,BLACK ZINC,10-32 X 0.125",CUP POINT W/PATCH	8
A10	SCRHHCS1373	SCREW,HHCS,BLACK ZINC,1/4-20 X 1.00",GRADE 8,W/NYLON PATCH	2
A11	NUTNJAM1014	NUT,NYLOCK JAM,BLACK ZINC,1/4-20	1
A12	WASSAE1003	WASHER,FLAT,BLACK ZINC,1/4,0.281" ID X 0.625" OD X 0.0625" TH,SAE	7
A13	WASBLK1006	WASHER,FENDER,BLACK OXIDE,0.40" ID X 1.125" OD X 0.125" TH	1
A14	NUTNJAM1023	NUT,NYLOCK JAM,BLACK ZINC,3/8-16	1
A15	DWR1367B029	WASHER,BLACK,NYLON,0.412" ID X 0.764" OD,COPEL,B-1367-029	4
B1	FRMASMB12690	BACK CANE,ASSY,TB2 RECLINE,RIGHT	1
C1	FRMASMB12689	BACK CANE,ASSY,TB2 RECLINE,LEFT	1
D1 - E1	FRMASMB7148	CROSS BAR PIVOT,ASSY,14"W-18"W,TB2 RECLINE,W/HARDWARE	1
D1	SCRHHCS1241	SCREW,HHCS,BLACK ZINC,5/16-18 X 0.75",GR 8,W/PATCH	4
D2	BLTASHL1069	BOLT,SHOULDER,5/16" X 1.75"	1
D3	NUTNYLK1014	NUT, NYLOCK,BLACK ZINC,1/4-20	1
D4	BLTASHL1011	BOLT,SHOULDER,1/2" X 1.75"	1
D5	NUTNYLK1006	NUT, NYLOCK,BLACK ZINC,3/8"-16	1
D6	DWR1360B015	T-NUT,BLACK,5/16-18 X 3", W/2",HOLE SPACING,B-1360-015	2
D7	WASSTND1002	WASHER,FLAT,BLACK ZINC,0.3125" ID X 0.6875" OD X 0.0625" TH	1
D8	WASSTND1034	WASHER,FLAT,BLACK ZINC,0.504"ID X 1.062"OD X 0.062"TH	2
D9	WASSAE1003	WASHER,FLAT,BLACK ZINC,1/4,0.281" ID X 0.625" OD X 0.0625" TH,SAE	1
E1	FRMASMB7116	CROSS BAR PIVOT,ASSY,14"W-18"W,TB2 RECLINE,E-1367-048	1
F1	BRGFLNG1029	BEARING, FLANGE,BRONZE,0.500"ID X 0.625"OD X 0.375"TH X 0.875"FOD X 0.125"FTH	2
F2	BRGFLNG1025	BEARING, FLANGE,BRONZE,0.3125" ID X 0.375" OD X 0.250" TH SHAFT,0.562" FOD X 0.032"FTH,(IGUS: GFI-0506-04)	2
F3	SCRASBH1145	SCREW,BHSCS,BLACK ZINC,3/8-16 X 1.00",GR 8,W/PATCH	4
G1	ACCACTR1032	ACTUATOR,TRU-BALANCE POWER RECLINE,H-1367-037,(LINAK: 314XXX-1115004X)	1
H1	PROHDL1071	HAND GRIP,BLACK,FOAM,.930"ID X 1.250"OD X 17"L	1

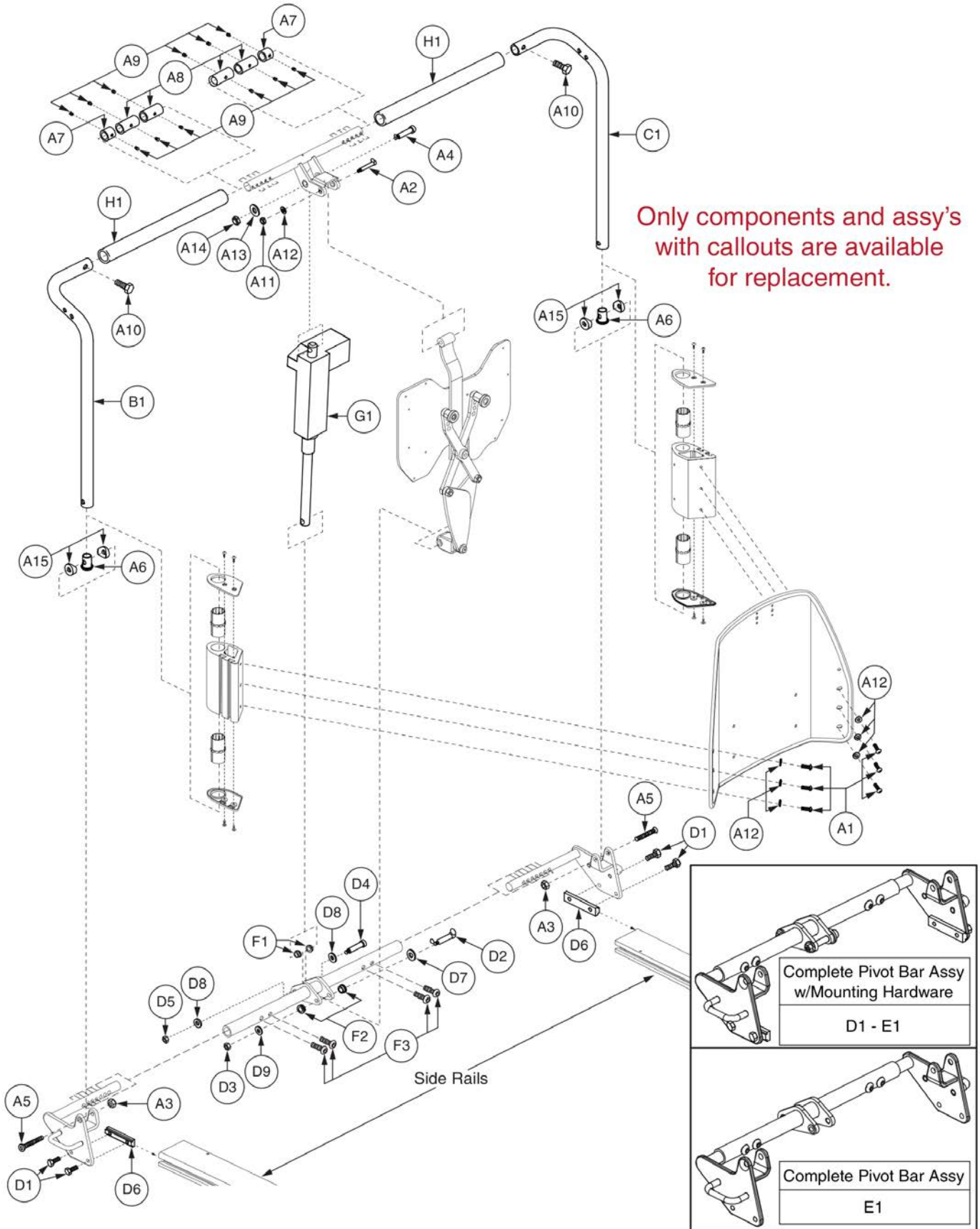
TRU-Comfort



Item	Part No.	Name	Qty
A1	SCRASBH1148	SCREW,BHSCS,BLACK ZINC,1/4-20 X 0.50",W/PATCH	6
A2	BLTASHL1069	BOLT,SHOULDER,5/16" X 1.75"	1
A3	NUTNYLK1006	NUT, NYLOCK,BLACK ZINC,3/8"-16	2
A4	BLTASHL1011	BOLT,SHOULDER,1/2" X 1.75"	1
A5	SCRSHFH1087	SCREW,SHFH,BLACK ZINC,3/8-16 X 2.25",GRADE 8	2
A6	DWR1367C037	END CAP,BACK CANE,TRU-BALANCE POWER RECLINE,C-1367-037	2
A7	DWR1367C041	SPACER,ALUMINUM,.760"ID X 1.00"OD X 1.00"L,TB2 RECLINE	4
A8	DWR1367B033	SPACER,ALUMINUM,.760"ID X 1.00"OD X 2.00"L,TB2 RECLINE	2
A9	SCRSETS1086	SCREW, SET,BLACK ZINC,10-32 X 0.125",CUP POINT W/PATCH	12
A10	SCRHHCS1373	SCREW,HHCS,BLACK ZINC,1/4-20 X 1.00",GRADE 8,W/NYLON PATCH	2
A11	NUTNJAM1014	NUT,NYLOCK JAM,BLACK ZINC,1/4-20	1
A12	WASSAE1003	WASHER,FLAT,BLACK ZINC,1/4,0.281" ID X 0.625" OD X 0.0625" TH,SAE	7
A13	WASBLK1006	WASHER,FENDER,BLACK OXIDE,0.40" ID X 1.125" OD X 0.125" TH	1
A14	NUTNJAM1023	NUT,NYLOCK JAM,BLACK ZINC,3/8-16	1
A15	DWR1367B029	WASHER,BLACK,NYLON,0.412" ID X 0.764" OD,COPEDED,B-1367-029	4
B1	FRMASMB12690	BACK CANE,ASSY,TB2 RECLINE,RIGHT	1
C1	FRMASMB12689	BACK CANE,ASSY,TB2 RECLINE,LEFT	1
D1 - E1	FRMASMB7149	CROSS BAR PIVOT,ASSY,16"W-20"W,TB2 RECLINE,W/HARDWARE	1
D1	SCRHHCS1241	SCREW,HHCS,BLACK ZINC,5/16-18 X 0.75",GR 8,W/PATCH	4
D2	BLTASHL1069	BOLT,SHOULDER,5/16" X 1.75"	1
D3	NUTNYLK1014	NUT,NYLOCK,BLACK ZINC,1/4-20	1
D4	BLTASHL1011	BOLT,SHOULDER,1/2" X 1.75"	1
D5	NUTNYLK1006	NUT, NYLOCK,BLACK ZINC,3/8"-16	1
D6	DWR1360B015	T-NUT,BLACK,5/16-18 X 3", W/2",HOLE SPACING,B-1360-015	2
D7	WASSTND1002	WASHER,FLAT,BLACK ZINC,0.3125" ID X 0.6875" OD X 0.0625" TH	1
D8	WASSTND1034	WASHER,FLAT,BLACK ZINC,0.504"ID X 1.062"OD X 0.062"TH	2
D9	WASSAE1003	WASHER,FLAT,BLACK ZINC,1/4,0.281" ID X 0.625" OD X 0.0625" TH,SAE	1
E1	FRMASMB7117	CROSS BAR PIVOT,ASSY,16"W-20"W,TB2 RECLINE,E-1367-049	1
F1	BRGFLNG1029	BEARING, FLANGE,BRONZE,0.500"ID X 0.625"OD X 0.375"TH X 0.875"FOD X 0.125"FTH	2
F2	BRGFLNG1025	BEARING, FLANGE,BRONZE,0.3125" ID X 0.375" OD X 0.250" TH SHAFT,0.562" FOD X 0.032"FTH,(IGUS: GFI-0506-04)	2
F3	SCRASBH1145	SCREW,BHSCS,BLACK ZINC,3/8-16 X 1.00",GR 8,W/PATCH	4
G1	ACCACTR1032	ACTUATOR,TRU-BALANCE POWER RECLINE,H-1367-037,(LINAK: 314XXX-1115004X)	1
H1	PROHDL1071	HAND GRIP,BLACK,FOAM,.930"ID X 1.250"OD X 17"L	1



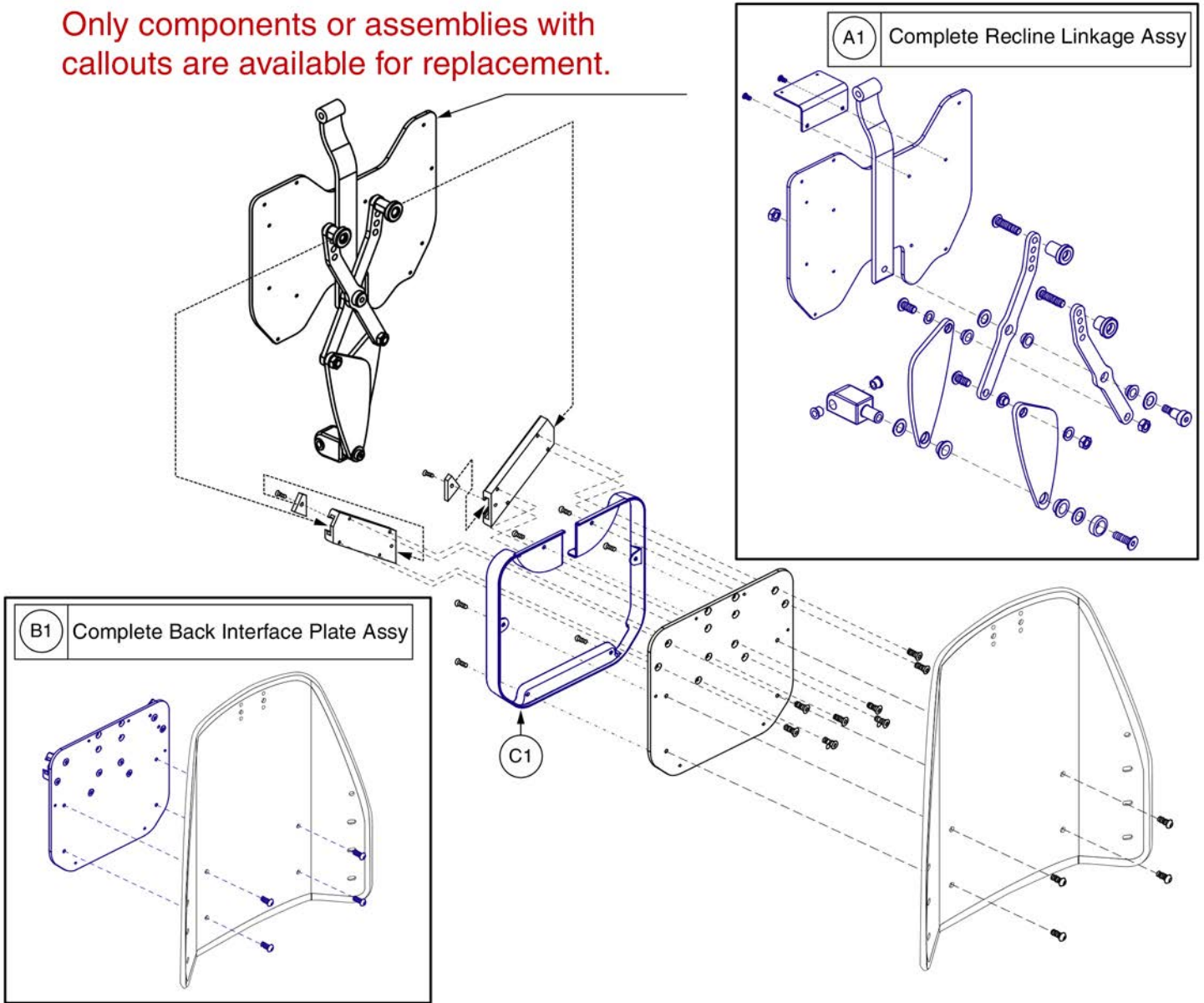
TRU-Comfort



Item	Part No.	Name	Qty
A1	SCRASBH1148	SCREW,BHSCS,BLACK ZINC,1/4-20 X 0.50",W/PATCH	6
A2	BLTASHL1069	BOLT,SHOULDER,5/16" X 1.75"	1
A3	NUTNYLK1006	NUT, NYLOCK,BLACK ZINC,3/8"-16	2
A4	BLTASHL1011	BOLT,SHOULDER,1/2" X 1.75"	1
A5	SCRSHFH1087	SCREW,SHFH,BLACK ZINC,3/8-16 X 2.25",GRADE 8	2
A6	DWR1367C037	END CAP,BACK CANE,TRU-BALANCE POWER RECLINE,C-1367-037	2
A7	DWR1367C041	SPACER,ALUMINUM,.760"ID X 1.00"OD X 1.00"L,TB2 RECLINE	2
A8	DWR1367B033	SPACER,ALUMINUM,.760"ID X 1.00"OD X 2.00"L,TB2 RECLINE	4
A9	SCRSETS1086	SCREW, SET,BLACK ZINC,10-32 X 0.125",CUP POINT W/PATCH	12
A10	SCRHHCS1373	SCREW,HHCS,BLACK ZINC,1/4-20 X 1.00",GRADE 8,W/NYLON PATCH	2
A11	NUTNJAM1014	NUT,NYLOCK JAM,BLACK ZINC,1/4-20	1
A12	WASSAE1003	WASHER,FLAT,BLACK ZINC,1/4,0.281" ID X 0.625" OD X 0.0625" TH,SAE	7
A13	WASBLK1006	WASHER,FENDER,BLACK OXIDE,0.40" ID X 1.125" OD X 0.125" TH	1
A14	NUTNJAM1023	NUT,NYLOCK JAM,BLACK ZINC,3/8-16	1
A15	DWR1367B029	WASHER,BLACK,NYLON,0.412" ID X 0.764" OD,COPEL,B-1367-029	4
B1	FRMASMB12690	BACK CANE,ASSY,TB2 RECLINE,RIGHT	1
C1	FRMASMB12689	BACK CANE,ASSY,TB2 RECLINE,LEFT	1
D1 - E1	FRMASMB7150	CROSS BAR PIVOT,ASSY,20"W-24"W,TRU-BALANCE POWER RECLINE,W/MOUNTING HARDWARE	1
D1	SCRHHCS1241	SCREW,HHCS,BLACK ZINC,5/16-18 X 0.75",GR 8,W/PATCH	4
D2	BLTASHL1069	BOLT,SHOULDER,5/16" X 1.75"	1
D3	NUTNYLK1014	NUT,NYLOCK,BLACK ZINC,1/4-20	1
D4	BLTASHL1011	BOLT,SHOULDER,1/2" X 1.75"	1
D5	NUTNYLK1006	NUT, NYLOCK,BLACK ZINC,3/8"-16	1
D6	DWR1360B015	T-NUT,BLACK,5/16-18 X 3", W/2",HOLE SPACING,B-1360-015	2
D7	WASSTND1002	WASHER,FLAT,BLACK ZINC,0.3125" ID X 0.6875" OD X 0.0625" TH	1
D8	WASSTND1034	WASHER,FLAT,BLACK ZINC,0.504"ID X 1.062"OD X 0.062"TH	2
D9	WASSAE1003	WASHER,FLAT,BLACK ZINC,1/4,0.281" ID X 0.625" OD X 0.0625" TH,SAE	1
E1	FRMASMB7118	CROSS BAR PIVOT,ASSY,20"W-24"W,TB2 RECLINE	1
F1	BRGFLNG1029	BEARING, FLANGE,BRONZE,0.500"ID X 0.625"OD X 0.375"TH X 0.875"FOD X 0.125"FTH	2
F2	BRGFLNG1025	BEARING, FLANGE,BRONZE,0.3125" ID X 0.375" OD X 0.250" TH SHAFT,0.562" FOD X 0.032"FTH,(IGUS: GFI-0506-04)	2
F3	SCRASBH1145	SCREW,BHSCS,BLACK ZINC,3/8-16 X 1.00",GR 8,W/PATCH	4
G1	ACCACTR1032	ACTUATOR,TRU-BALANCE POWER RECLINE,H-1367-037,(LINAK: 314XXX-1115004X)	1
H1	PROHDL1071	HAND GRIP,BLACK,FOAM,.930"ID X 1.250"OD X 17"L	1

TRU-Comfort

Only components or assemblies with callouts are available for replacement.



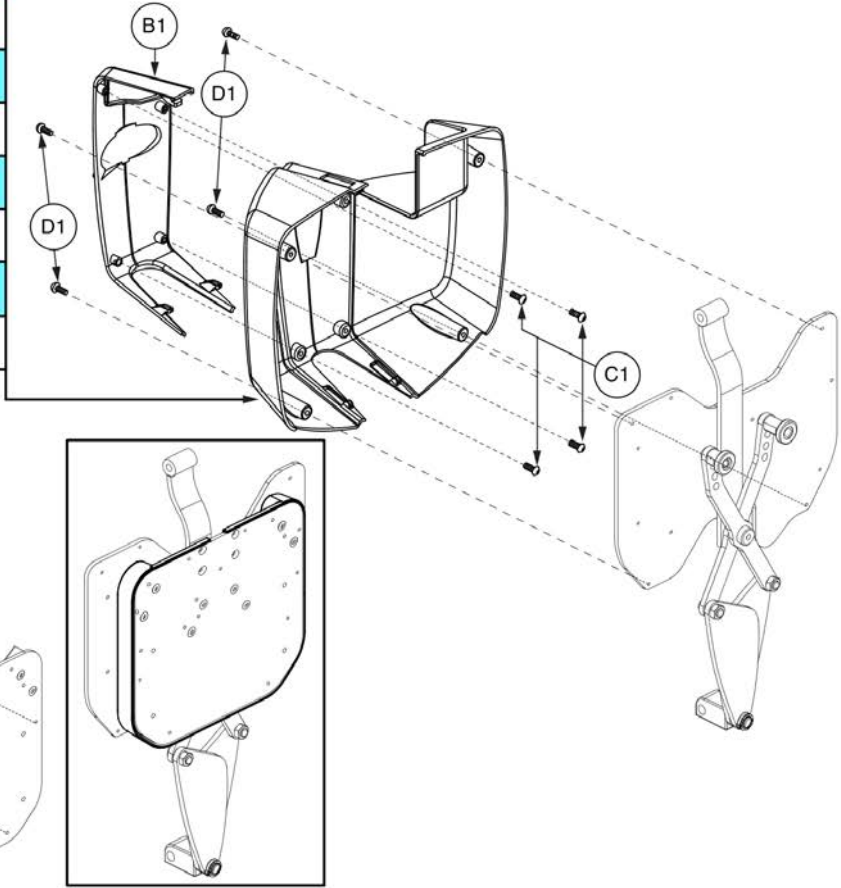
Item	Part No.	Name	Qty
A1	FRMASMB12395	LINKAGE,ASSY,W/ELECTRONICS PLATE,TB2 RECLINE,VERSION 2	1
B1	FRMASMB7144	BACK INTERFACE PLATE,ASSY,TB2 RECLINE,W/HARDWARE	1
C1	DWR1367E042	SHROUD,COVER,INSIDE,BLACK,RECLINE,E-1367-042	1



TRU-Comfort

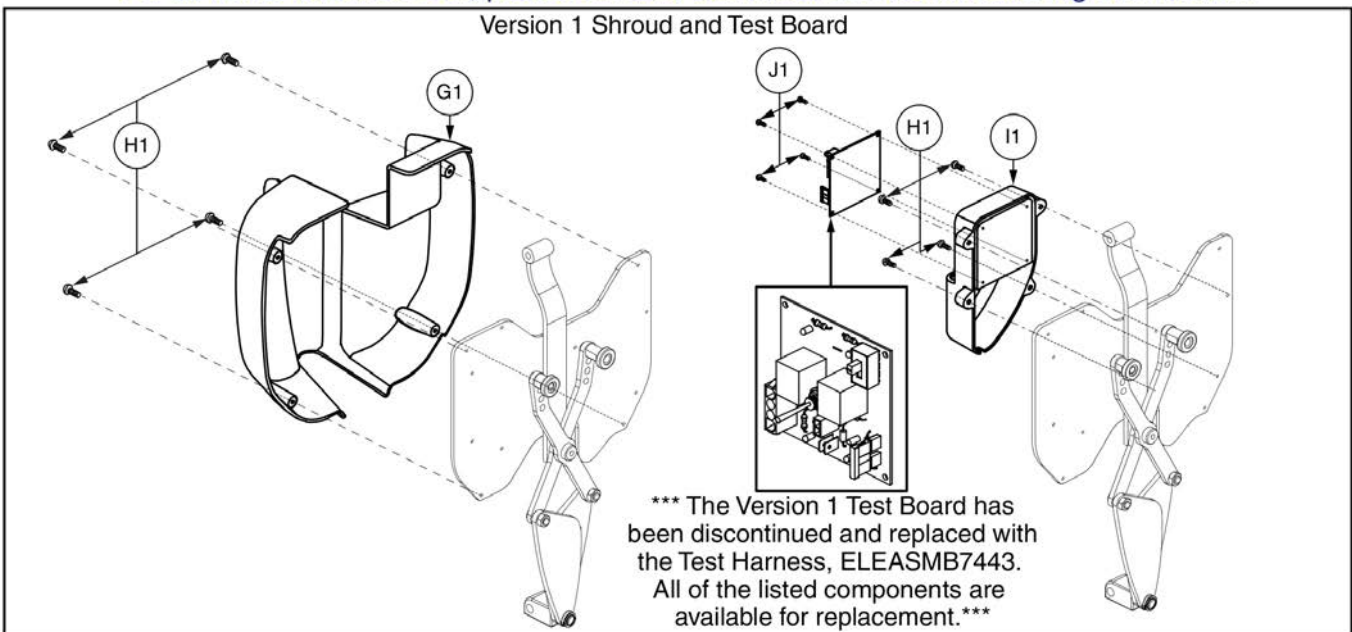
A1a	Black	SOF	Spring Green
A1b	Candy Apple Red	SOF	Pearl Pink
A1c	Viper Blue	SOF	Tangerine
SOF	Champagne	SOF	Kelly Green
A1d	Sunburst Orange	SOF	Pewter Gray
SOF	Silver	SOF	Emerald Green
SOF	Solar Yellow	SOF	Graphite Blue
SOF	Cardinal Red	SOF	Sapphire Blue
SOF	Violet	SOF	True Blue
SOF	Mariner Blue	SOF	Onion Yellow

\*\*\*The Shroud Assemblies contain the Painted Shroud, the Insert(B1) and the mounting hardware(C1). The assembly mounting hardware(D1) must be selected separately.\*\*\*



\*\*\*For all items listed as SOF, please contact Technical Service for ordering information.\*\*\*

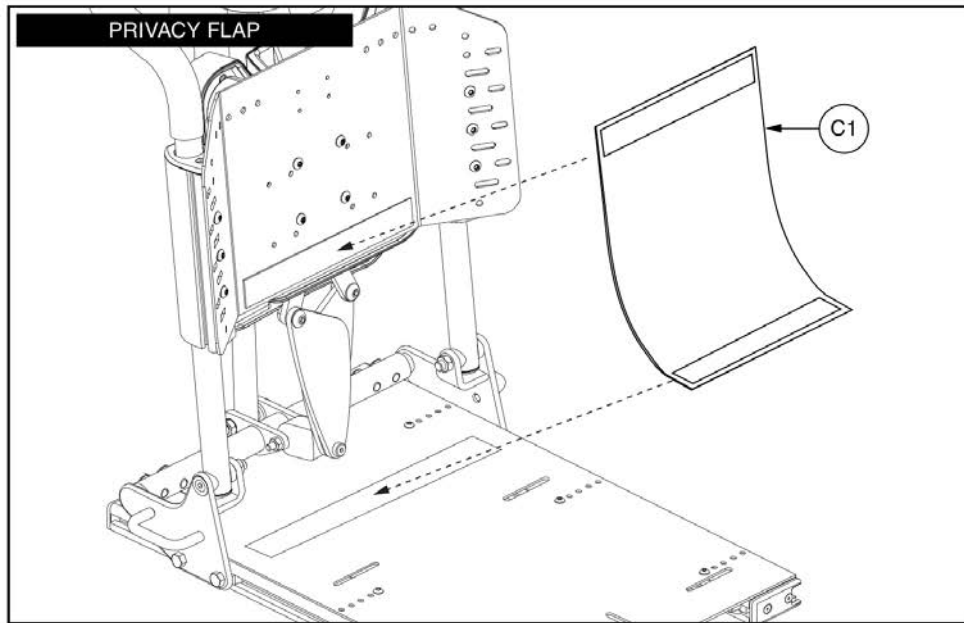
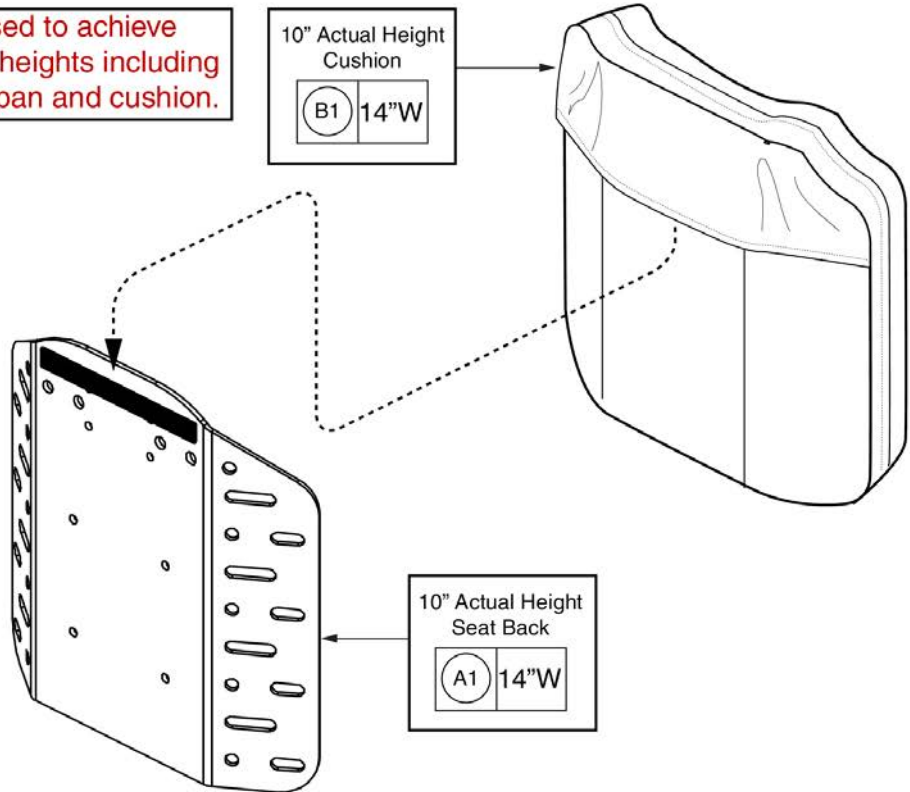
Version 1 Shroud and Test Board



Item	Part No.	Name	Qty
A1a	SHDASMB6361	SHROUD,ASSY,ONYX BLACK,ELECTRONICS COVER,RECLINE	1
A1b	SHDASMB6480	SHROUD,ASSY,CANDY APPLE RED,ELECTRONICS COVER,RECLINE	1
A1c	SHDASMB6481	SHROUD,ASSY,VIPER BLUE,ELECTRONICS COVER,RECLINE	1
SOF	SHDASMB6483	SHROUD,ASSY,CHAMPAGNE,ELECTRONICS COVER,RECLINE	1
A1d	SHDASMB6484	SHROUD,ASSY,SUNBURST ORANGE,ELECTRONICS COVER,RECLINE	1
SOF	SHDASMB6485	SHROUD,ASSY,SILVER,ELECTRONICS COVER,RECLINE	1
SOF	SHDASMB6486	SHROUD,ASSY,SOLAR YELLOW,ELECTRONICS COVER,RECLINE	1
SOF	SHDASMB6487	SHROUD,ASSY,CARDINAL RED,ELECTRONICS COVER,RECLINE	1
SOF	SHDASMB6488	SHROUD,ASSY,VIOLET,ELECTRONICS COVER,RECLINE	1
SOF	SHDASMB6489	SHROUD,ASSY,MARINER BLUE,ELECTRONICS COVER,RECLINE	1
SOF	SHDASMB6490	SHROUD,ASSY,SPRING GREEN,ELECTRONICS COVER,RECLINE	1
SOF	SHDASMB6491	SHROUD,ASSY,PEARL PINK,ELECTRONICS COVER,RECLINE	1
SOF	SHDASMB6492	SHROUD,ASSY,TANGERINE,ELECTRONICS COVER,RECLINE	1
SOF	SHDASMB6493	SHROUD,ASSY,KELLY GREEN,ELECTRONICS COVER,RECLINE	1
SOF	SHDASMB6494	SHROUD,ASSY,PEWTER GRAY,ELECTRONICS COVER,RECLINE	1
SOF	SHDASMB6495	SHROUD,ASSY,EMERALD GREEN,ELECTRONICS COVER,RECLINE	1
SOF	SHDASMB6496	SHROUD,ASSY,GRAPHITE BLUE,ELECTRONICS COVER,RECLINE	1
SOF	SHDASMB6497	SHROUD,ASSY,SAPPHIRE BLUE,ELECTRONICS COVER,RECLINE	1
SOF	SHDASMB6706	SHROUD,ASSY,TRUE BLUE,ELECTRONICS COVER,TB2 RECLINE	1
SOF	SHDASMB6707	SHROUD,ASSY,ORION YELLOW,ELECTRONICS COVER,TB2 RECLINE	1
B1		SHROUD,INSERT,ELECTRONICS COVER,W"Q" LOGO,TB2 RECLINE	1
C1	SCRPPH1050	SCREW, PAN HEAD, TYPE H, M4X0.7 X 10, FT, ISO 7045, CL 4.8, BZ (USE SCRPPH1163)	4
D1	SCRPPH1353	SCREW,PPH,BLACK ZINC,8-32 X 0.3125"	4
E1	DWR1367E042	SHROUD,COVER,INSIDE,BLACK,RECLINE,E-1367-042	1
F1	SCRASBH1151	SCREW,BHSCS,BLACK ZINC,8-32 X 0.250",GR 8,W/PATCH	6
G1	DWR1367E074	SHROUD,ELECTRONICS COVER,BLACK,PLASTIC,OUTER,TRUBALANCE RECLINE,E-1367-074	1
H1	SCRPPH1353	SCREW,PPH,BLACK ZINC,8-32 X 0.3125"	4

**Synergy Standard Back**

**NOTE:** These backs are used to achieve 17" to 18" overall back heights including the gap between seat pan and cushion.



Standard Back and Cushion, 17"-18" H, TB2 Recline



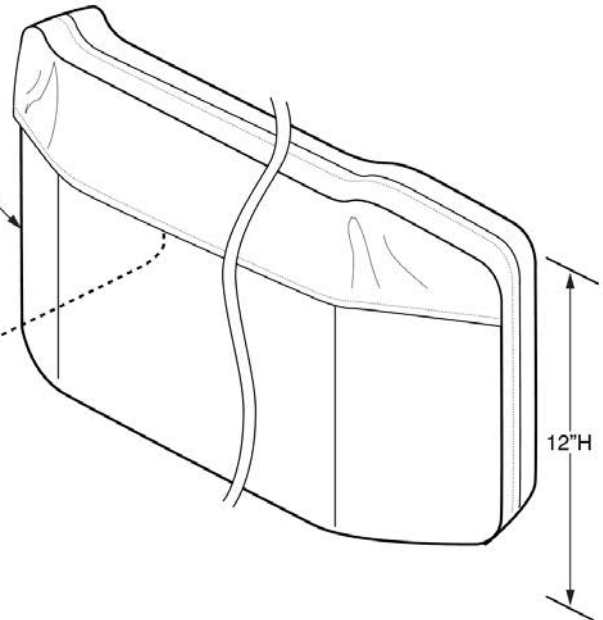
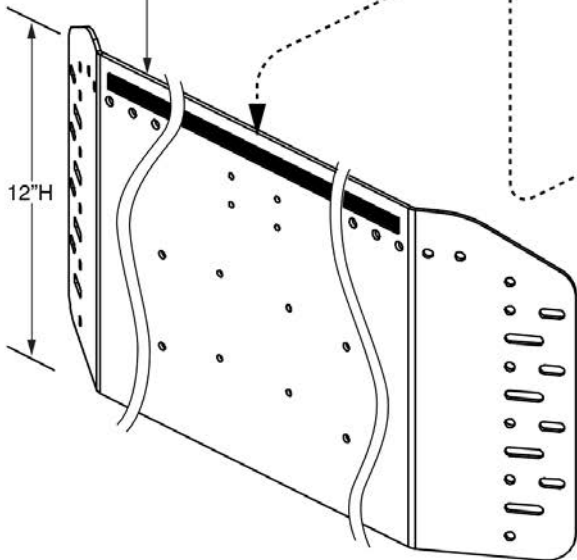
Item	Part No.	Name	Qty
A1	DWR1359E043E	SEAT BACK,14"W,10"H,SYNERGY STANDARD,E-1359-043	1
B1	CUSASMB2322	CUSHION,ASSY,14"W,10"H,SYNERGY STANDARD BACK,E-1359-085	1
C1	DWR1044E456B	SEAT BACK,PRIVACY FLAP,9.75"W,SYNERGY STANDARD BACK,E-1044-456	1

**Synergy Standard Back**

12" Physical Height Seat Back		
A1	14"W	G1 20"W
B1	15"W	H1 21"W
C1	16"W	I1 22"W
D1	17"W	J1 23"W
E1	18"W	K1 24"W
F1	19"W	

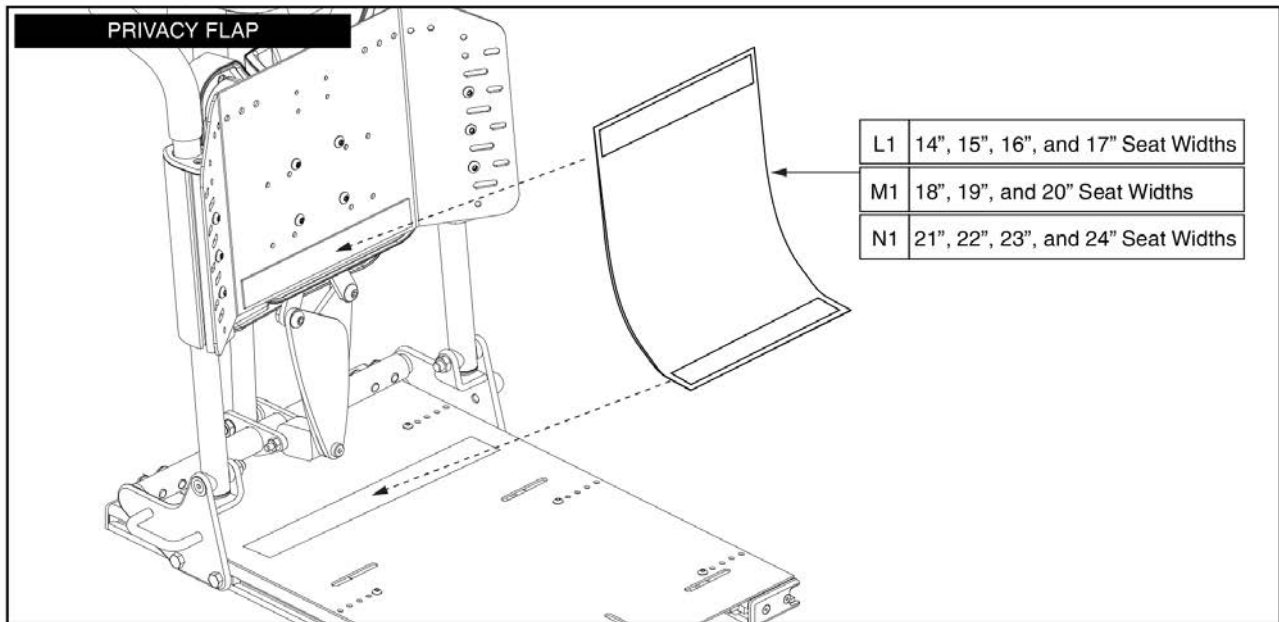
12" Physical Height Cushion		
A2	14"W	G2 20"W
B2	15"W	H2 21"W
C2	16"W	I2 22"W
D2	17"W	J2 23"W
E2	18"W	K2 24"W
F2	19"W	

**NOTE:** These backs are used to achieve 19" and 20" overall back heights including the gap between seat pan and cushion.



This Matrix represents the size of the assemblies in relation to the seat back as it is mounted on the seating system. (Includes the gap between seat pan and cushion)

A1/A2	14"W x 19"H & 14"W x 20"H	D1/D2	17"W x 19"H & 17"W x 20"H	G1/G2	20"W x 19"H & 20"W x 20"H	J1/J2	23"W x 19"H & 23"W x 20"H
B1/B2	15"W x 19"H & 15"W x 20"H	E1/E2	18"W x 19"H & 18"W x 20"H	H1/H2	21"W x 19"H & 21"W x 20"H	K1/K2	24"W x 19"H & 24"W x 20"H
C1/C2	16"W x 19"H & 16"W x 20"H	F1/F2	19"W x 19"H & 19"W x 20"H	I1/I2	22"W x 19"H & 22"W x 20"H		





Standard Back and Cushion, 19"-20" H, TB2 Recline



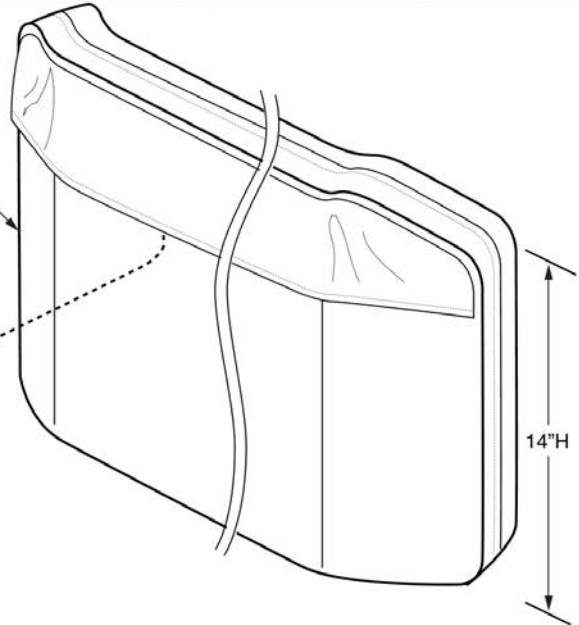
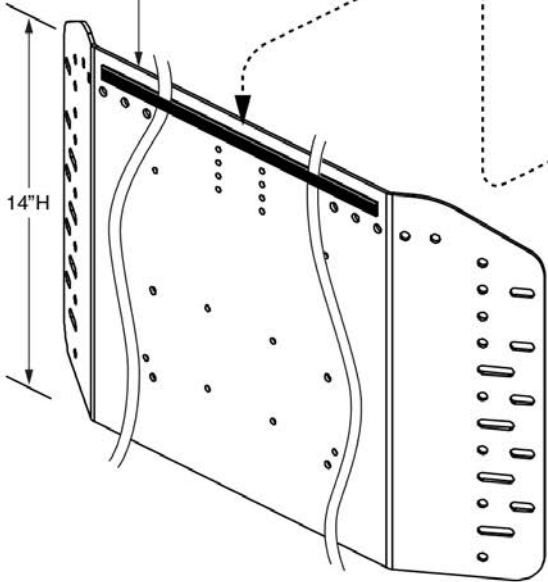
Item	Part No.	Name	Qty
A1	DWR1359E044E	SEAT BACK,14"W,12"H,SYNERGY STANDARD,E-1359-044	1
A2	CUSASMB2324	CUSHION,ASSY,14"W,12"H,SYNERGY STANDARD BACK,E-1359-084	1
B1	DWR1359E044F	SEAT BACK,15"W,12"H,SYNERGY STANDARD,E-1359-044	1
B2	CUSASMB2325	CUSHION,ASSY,15"W,12"H,SYNERGY STANDARD BACK,E-1359-084	1
C1	DWR1359E044G	SEAT BACK,16"W,12"H,SYNERGY STANDARD,E-1359-044	1
C2	CUSASMB2326	CUSHION,ASSY,16"W,12"H,SYNERGY STANDARD BACK,E-1359-084	1
D1	DWR1359E044H	SEAT BACK,17"W,12"H,SYNERGY STANDARD,E-1359-044	1
D2	CUSASMB2327	CUSHION,ASSY,17"W,12"H,SYNERGY STANDARD BACK,E-1359-084	1
E1	DWR1359E044I	SEAT BACK,18"W,12"H,SYNERGY STANDARD,E-1359-044	1
E2	CUSASMB2328	CUSHION,ASSY,18"W,12"H,SYNERGY STANDARD BACK,E-1359-084	1
F1		SEAT BACK,19"W,12"H,SYNERGY STANDARD,E-1359-044	1
F2	CUSASMB2329	CUSHION,ASSY,19"W,12"H,SYNERGY STANDARD BACK,E-1359-084	1
G1	DWR1359E044K	SEAT BACK,20"W,12"H,SYNERGY STANDARD,E-1359-044	1
G2	CUSASMB2330	CUSHION,ASSY,20"W,12"H,SYNERGY STANDARD BACK,E-1359-084	1
H1		SEAT BACK,21"W,12"H,SYNERGY STANDARD,E-1359-044	1
H2	CUSASMB2331	CUSHION,ASSY,21"W,12"H,SYNERGY STANDARD BACK,E-1359-084	1
I1		SEAT BACK,22"W,12"H,SYNERGY STANDARD,E-1359-044	1
I2	CUSASMB2332	CUSHION,ASSY,22"W,12"H,SYNERGY STANDARD BACK,E-1359-084	1
J1	DWR1359E044N	SEAT BACK,23"W,12"H,SYNERGY STANDARD,E-1359-044	1
J2	CUSASMB2333	CUSHION,ASSY,23"W,12"H,SYNERGY STANDARD BACK,E-1359-084	1
K1		SEAT BACK,24"W,12"H,SYNERGY STANDARD,E-1359-044	1
K2	CUSASMB2334	CUSHION,ASSY,24"W,12"H,SYNERGY STANDARD BACK,E-1359-084	1
L1	DWR1044E456C	SEAT BACK,PRIVACY FLAP,6.75"W,SYNERGY STANDARD BACK,E- 1044-456	1
M1	DWR1044E456B	SEAT BACK,PRIVACY FLAP,9.75"W,SYNERGY STANDARD BACK,E-1044-456	1
N1	DWR1044E456A	SEAT BACK,PRIVACY FLAP,12.75"W,SYNERGY STANDARD BACK,E-1044-456	1

**Synergy Standard Back**

14" Physical Height Seat Back			
A1	14"W	G1	20"W
B1	15"W	H1	21"W
C1	16"W	I1	22"W
D1	17"W	J1	23"W
E1	18"W	K1	24"W
F1	19"W		

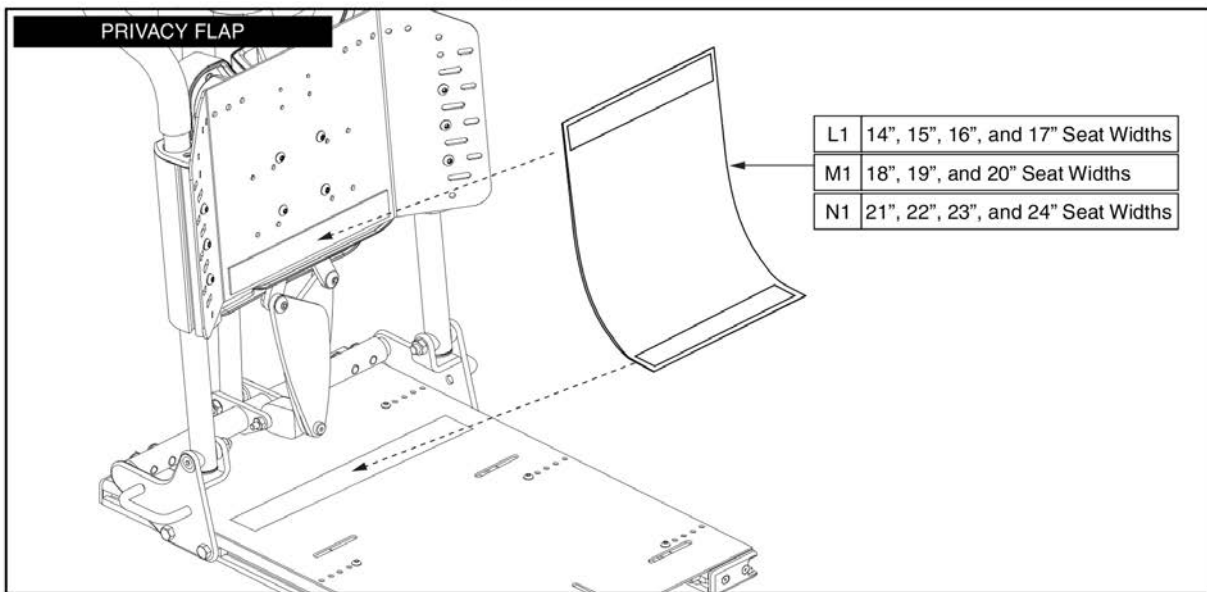
14" Physical Height Cushion			
A2	14"W	G2	20"W
B2	15"W	H2	21"W
C2	16"W	I2	22"W
D2	17"W	J2	23"W
E2	18"W	K2	24"W
F2	19"W		

**NOTE:** These backs are used to achieve 21" and 22" overall back heights including the gap between seat pan and cushion.



This Matrix represents the size of the assemblies in relation to the seat back as it is mounted on the seating system. (Includes the gap between seat pan and cushion)

A1/A2	14"W x 21"H 14"W x 22"H	D1/D2	17"W x 21"H 17"W x 22"H	G1/G2	20"W x 21"H 20"W x 22"H	J1/J2	23"W x 21"H 23"W x 22"H
B1/B2	15"W x 21"H 15"W x 22"H	E1/E2	18"W x 21"H 18"W x 22"H	H1/H2	21"W x 21"H 21"W x 22"H	K1/K2	24"W x 21"H 24"W x 22"H
C1/C2	16"W x 21"H 16"W x 22"H	F1/F2	19"W x 21"H 19"W x 22"H	I1/I2	22"W x 21"H 22"W x 22"H		



Standard Back and Cushion, 21"-22" H, TB2 Recline



Item	Part No.	Name	Qty
A1	DWR1359E029E	SEAT BACK,14"W,14"H,SYNERGY STANDARD,E-1359-029	1
A2	CUSASMB2336	CUSHION,ASSY,14"W,14"H,SYNERGY STANDARD BACK,E-1359-083	1
B1	DWR1359E029F	SEAT BACK,15"W,14"H,SYNERGY STANDARD,E-1359-029	1
B2	CUSASMB2337	CUSHION,ASSY,15"W,14"H,SYNERGY STANDARD BACK,E-1359-083	1
C1	DWR1359E029G	SEAT BACK,16"W,14"H,SYNERGY STANDARD,E-1359-029	1
C2	CUSASMB2338	CUSHION,ASSY,16"W,14"H,SYNERGY STANDARD BACK,E-1359-083	1
D1	DWR1359E029H	SEAT BACK,17"W,14"H,SYNERGY STANDARD	1
D2	CUSASMB2339	CUSHION,ASSY,17"W,14"H,SYNERGY STANDARD BACK	1
E1	DWR1359E029I	SEAT BACK,18"W,14"H,SYNERGY STANDARD,E-1359-029	1
E2	CUSASMB2340	CUSHION,ASSY,18"W,14"H,SYNERGY STANDARD BACK,E-1359-083	1
F1	DWR1359E029J	SEAT BACK,19"W,14"H,SYNERGY STANDARD,E-1359-029	1
F2	CUSASMB2341	CUSHION,ASSY,19"W,14"H,SYNERGY STANDARD BACK,E-1359-083	1
G1	DWR1359E029K	SEAT BACK,20"W,14"H,SYNERGY STANDARD,E-1359-029	1
G2	CUSASMB2342	CUSHION,ASSY,20"W,14"H,SYNERGY STANDARD BACK,E-1359-083	1
H1		SEAT BACK,21"W,14"H,SYNERGY STANDARD,E-1359-029	1
H2		CUSHION,ASSY,21"W,14"H,SYNERGY STANDARD BACK,E-1359-083	1
I1	DWR1359E029M	SEAT BACK,22"W,14"H,SYNERGY STANDARD,E-1359-029	1
I2	CUSASMB2344	CUSHION,ASSY,22"W,14"H,SYNERGY STANDARD BACK,E-1359-083	1
J1		SEAT BACK,23"W,14"H,SYNERGY STANDARD,E-1359-029	1
J2		CUSHION,ASSY,23"W,14"H,SYNERGY STANDARD BACK,E-1359-083	1
K1	DWR1359E029O	SEAT BACK,24"W,14"H,SYNERGY STANDARD,E-1359-029	1
K2	CUSASMB2346	CUSHION,ASSY,24"W,14"H,SYNERGY STANDARD BACK,E-1359-083	1
L1	DWR1044E456C	SEAT BACK,PRIVACY FLAP,6.75"W,SYNERGY STANDARD BACK,E- 1044-456	1
M1	DWR1044E456B	SEAT BACK,PRIVACY FLAP,9.75"W,SYNERGY STANDARD BACK,E-1044-456	1
N1	DWR1044E456A	SEAT BACK,PRIVACY FLAP,12.75"W,SYNERGY STANDARD BACK,E-1044-456	1

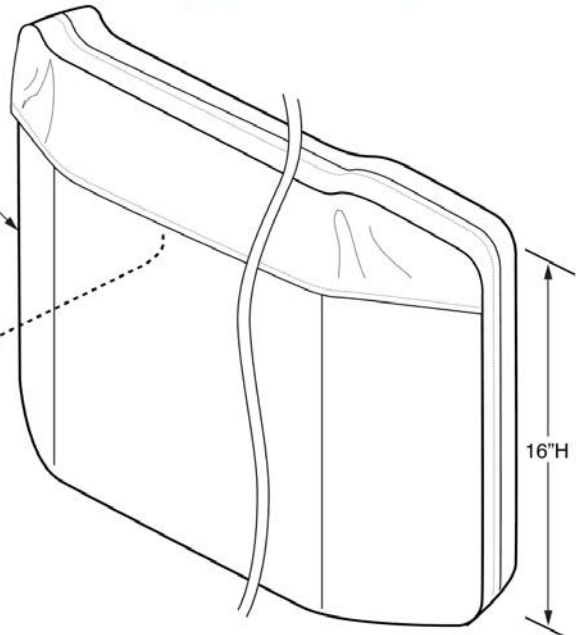
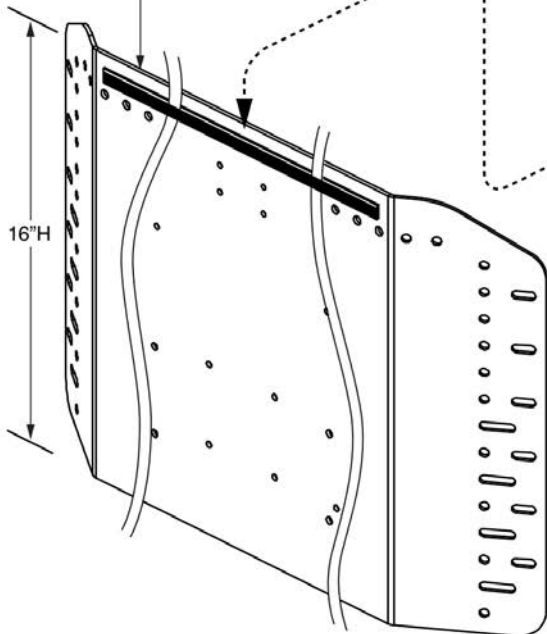


**Synergy Standard Back**

16" Physical Height Seat Back			
A1	14"W	G1	20"W
B1	15"W	H1	21"W
C1	16"W	I1	22"W
D1	17"W	J1	23"W
E1	18"W	K1	24"W
F1	19"W		

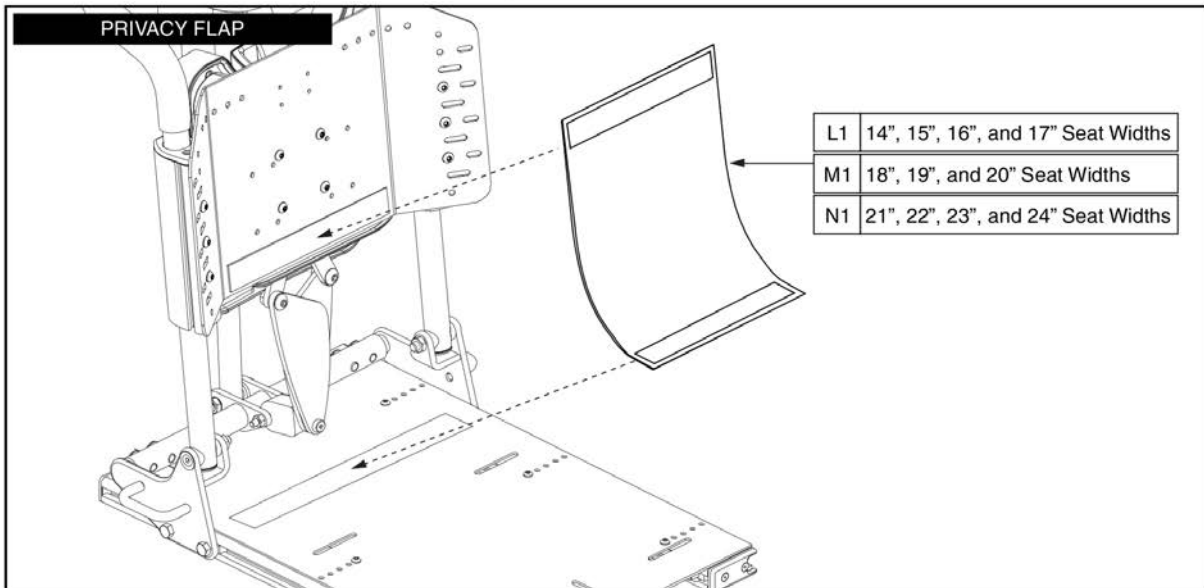
16" Physical Height Cushion			
A2	14"W	G2	20"W
B2	15"W	H2	21"W
C2	16"W	I2	22"W
D2	17"W	J2	23"W
E2	18"W	K2	24"W
F2	19"W		

**NOTE:** These backs are used to achieve 23" and 24" overall back heights including the gap between seat pan and cushion.



This Matrix represents the size of the assemblies in relation to the seat back as it is mounted on the seating system. (Includes the gap between seat pan and cushion)

A1/A2	14"W x 23"H 14"W x 24"H	D1/D2	17"W x 23"H 17"W x 24"H	G1/G2	20"W x 23"H 20"W x 24"H	J1/J2	23"W x 23"H 23"W x 24"H
B1/B2	15"W x 23"H 15"W x 24"H	E1/E2	18"W x 23"H 18"W x 24"H	H1/H2	21"W x 23"H 21"W x 24"H	K1/K2	24"W x 23"H 24"W x 24"H
C1/C2	16"W x 23"H 16"W x 24"H	F1/F2	19"W x 23"H 19"W x 24"H	I1/I2	22"W x 23"H 22"W x 24"H		



Standard Back and Cushion, 23"-24" H, TB2 Recline



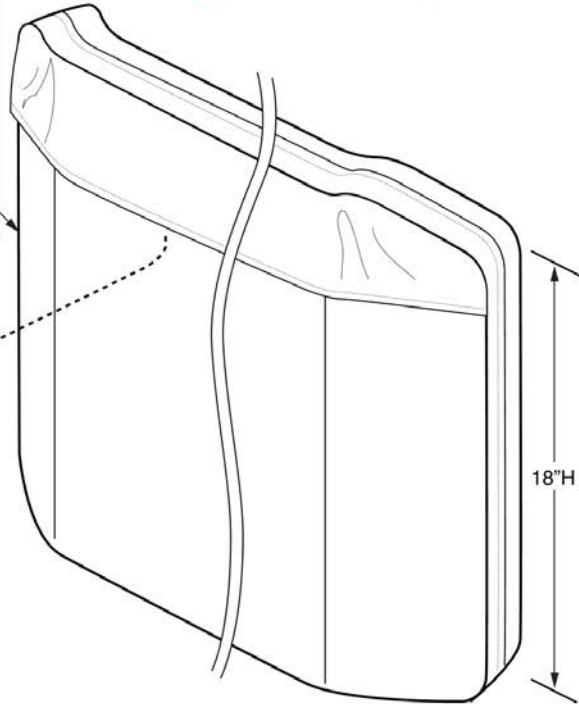
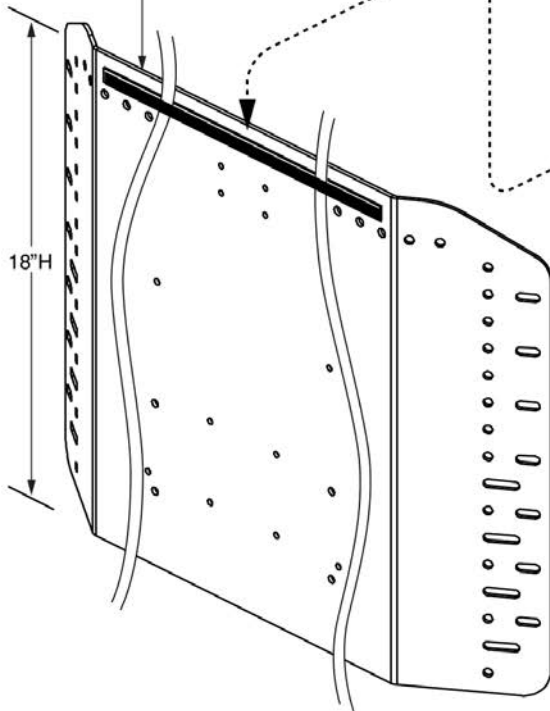
Item	Part No.	Name	Qty
A1		SEAT BACK,14"W,16"H,SYNERGY STANDARD,E-1359-032	1
A2		CUSHION,ASSY,14"W,16"H,SYNERGY STANDARD BACK,E-1359-082	1
B1	DWR1359E032F	SEAT BACK,15"W,16"H,SYNERGY STANDARD,E-1359-032	1
B2	CUSASMB2348	CUSHION,ASSY,15"W,16"H,SYNERGY STANDARD BACK,E-1359-082	1
C1	DWR1359E032G	SEAT BACK,16"W,16"H,SYNERGY STANDARD,E-1359-032	1
C2	CUSASMB2349	CUSHION,ASSY,16"W,16"H,SYNERGY STANDARD BACK,E-1359-082	1
D1		SEAT BACK,17"W,16"H,SYNERGY STANDARD	1
D2	CUSASMB2350	CUSHION,ASSY,17"W,16"H,SYNERGY STANDARD BACK,E-1359-082	1
E1	DWR1359E032I	SEAT BACK,18"W,16"H,SYNERGY STANDARD,E-1359-032	1
E2	CUSASMB2351	CUSHION,ASSY,18"W,16"H,SYNERGY STANDARD BACK,E-1359-082	1
F1	DWR1359E032J	SEAT BACK,19"W,16"H,SYNERGY STANDARD,E-1359-032	1
F2	CUSASMB2352	CUSHION,ASSY,19"W,16"H,SYNERGY STANDARD BACK,E-1359-082	1
G1	DWR1359E032K	SEAT BACK,20"W,16"H,SYNERGY STANDARD,E-1359-032	1
G2	CUSASMB2353	CUSHION,ASSY,20"W,16"H,SYNERGY STANDARD BACK,E-1359-082	1
H1	DWR1359E032L	SEAT BACK,21"W,16"H,SYNERGY STANDARD,E-1359-032	1
H2	CUSASMB2354	CUSHION,ASSY,21"W,16"H,SYNERGY STANDARD BACK,E-1359-082	1
I1	DWR1359E032M	SEAT BACK,22"W,16"H,SYNERGY STANDARD,E-1359-032	1
I2	CUSASMB2355	CUSHION,ASSY,22"W,16"H,SYNERGY STANDARD BACK,E-1359-082	1
J1	DWR1359E032N	SEAT BACK,23"W,16"H,SYNERGY STANDARD,E-1359-032	1
J2	CUSASMB2356	CUSHION,ASSY,23"W,16"H,SYNERGY STANDARD BACK,E-1359-082	1
K1	DWR1359E032O	SEAT BACK,24"W,16"H,SYNERGY STANDARD,E-1359-032	1
K2	CUSASMB2357	CUSHION,ASSY,24"W,16"H,SYNERGY STANDARD BACK,E-1359-082	1
L1	DWR1044E456C	SEAT BACK,PRIVACY FLAP,6.75"W,SYNERGY STANDARD BACK,E- 1044-456	1
M1	DWR1044E456B	SEAT BACK,PRIVACY FLAP,9.75"W,SYNERGY STANDARD BACK,E-1044-456	1
N1	DWR1044E456A	SEAT BACK,PRIVACY FLAP,12.75"W,SYNERGY STANDARD BACK,E-1044-456	1

Synergy Standard Back

18" Physical Height Seat Back			
A1	14"W	G1	20"W
B1	15"W	H1	21"W
C1	16"W	I1	22"W
D1	17"W	J1	23"W
E1	18"W	K1	24"W
F1	19"W		

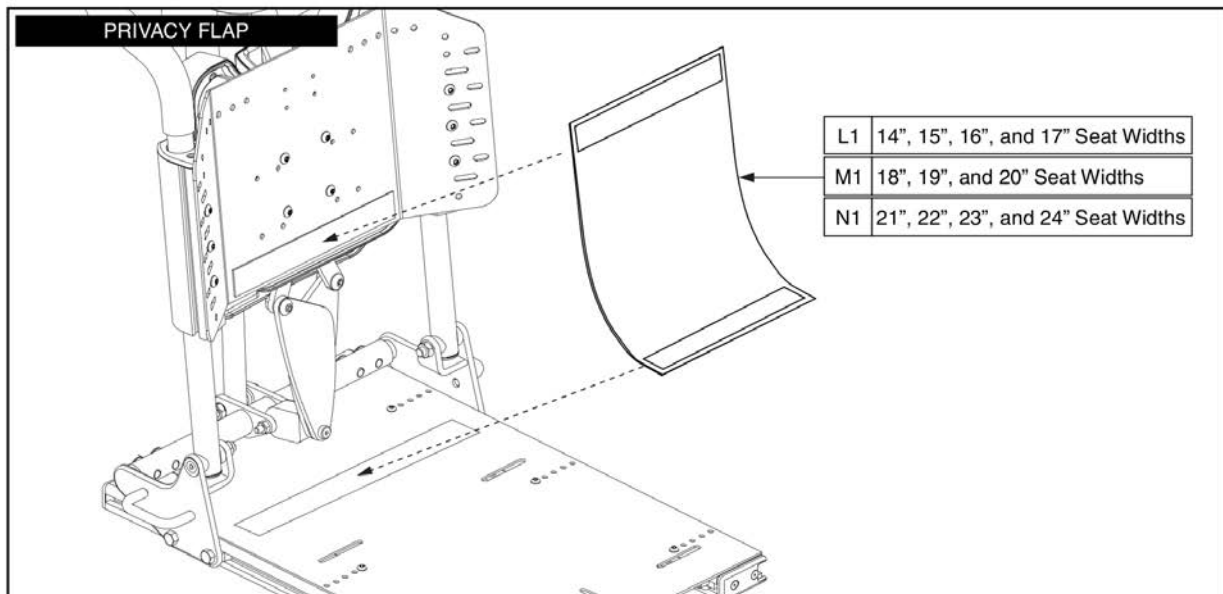
18" Physical Height Cushion			
A2	14"W	G2	20"W
B2	15"W	H2	21"W
C2	16"W	I2	22"W
D2	17"W	J2	23"W
E2	18"W	K2	24"W
F2	19"W		

**NOTE:** These backs are used to achieve 25" and 26" overall back heights including the gap between seat pan and cushion.



This Matrix represents the size of the assemblies in relation to the seat back as it is mounted on the seating system. (Includes the gap between seat pan and cushion)

A1/A2	14"W x 25"H 14"W x 26"H	D1/D2	17"W x 25"H 17"W x 26"H	G1/G2	20"W x 25"H 20"W x 26"H	J1/J2	23"W x 25"H 23"W x 26"H
B1/B2	15"W x 25"H 15"W x 26"H	E1/E2	18"W x 25"H 18"W x 26"H	H1/H2	21"W x 25"H 21"W x 26"H	K1/K2	24"W x 25"H 24"W x 26"H
C1/C2	16"W x 25"H 16"W x 26"H	F1/F2	19"W x 25"H 19"W x 26"H	I1/I2	22"W x 25"H 22"W x 26"H		



Item	Part No.	Name	Qty
A1	DWR1359E034E	SEAT BACK,14"W,18"H,SYNERGY STANDARD,E-1359-034	1
A2	CUSASMB2366	CUSHION,ASSY,14"W,18"H,SYNERGY STANDARD BACK,E-1359-081	1
B1	DWR1359E034F	SEAT BACK,15"W,18"H,SYNERGY STANDARD,E-1359-034	1
B2	CUSASMB2367	CUSHION,ASSY,15"W,18"H,SYNERGY STANDARD BACK,E-1359-081	1
C1	DWR1359E034G	SEAT BACK,16"W,18"H,SYNERGY STANDARD,E-1359-034	1
C2	CUSASMB2368	CUSHION,ASSY,16"W,18"H,SYNERGY STANDARD BACK,E-1359-081	1
D1	DWR1359E034H	SEAT BACK,17"W,18"H,SYNERGY STANDARD	1
D2	CUSASMB2369	CUSHION,ASSY,17"W,18"H,SYNERGY STANDARD BACK	1
E1	DWR1359E034I	SEAT BACK,18"W,18"H,SYNERGY STANDARD,E-1359-034	1
E2	CUSASMB2370	CUSHION,ASSY,18"W,18"H,SYNERGY STANDARD BACK,E-1359-081	1
F1	DWR1359E034J	SEAT BACK,19"W,18"H,SYNERGY STANDARD,E-1359-034	1
F2	CUSASMB2371	CUSHION,ASSY,19"W,18"H,SYNERGY STANDARD BACK,E-1359-081	1
G1	DWR1359E034K	SEAT BACK,20"W,18"H,SYNERGY STANDARD,E-1359-034	1
G2	CUSASMB2372	CUSHION,ASSY,20"W,18"H,SYNERGY STANDARD BACK,E-1359-081	1
H1	DWR1359E034L	SEAT BACK,21"W,18"H,SYNERGY STANDARD,E-1359-034	1
H2	CUSASMB2373	CUSHION,ASSY,21"W,18"H,SYNERGY STANDARD BACK,E-1359-081	1
I1	DWR1359E034M	SEAT BACK,22"W,18"H,SYNERGY STANDARD,E-1359-034	1
I2	CUSASMB2374	CUSHION,ASSY,22"W,18"H,SYNERGY STANDARD BACK,E-1359-081	1
J1	DWR1359E034N	SEAT BACK,23"W,18"H,SYNERGY STANDARD,E-1359-034	1
J2	CUSASMB2375	CUSHION,ASSY,23"W,18"H,SYNERGY STANDARD BACK,E-1359-081	1
K1	DWR1359E034O	SEAT BACK,24"W,18"H,SYNERGY STANDARD,E-1359-034	1
K2	CUSASMB2376	CUSHION,ASSY,24"W,18"H,SYNERGY STANDARD BACK,E-1359-081	1
L1	DWR1044E456C	SEAT BACK,PRIVACY FLAP,6.75"W,SYNERGY STANDARD BACK,E- 1044-456	1
M1	DWR1044E456B	SEAT BACK,PRIVACY FLAP,9.75"W,SYNERGY STANDARD BACK,E-1044-456	1
N1	DWR1044E456A	SEAT BACK,PRIVACY FLAP,12.75"W,SYNERGY STANDARD BACK,E-1044-456	1

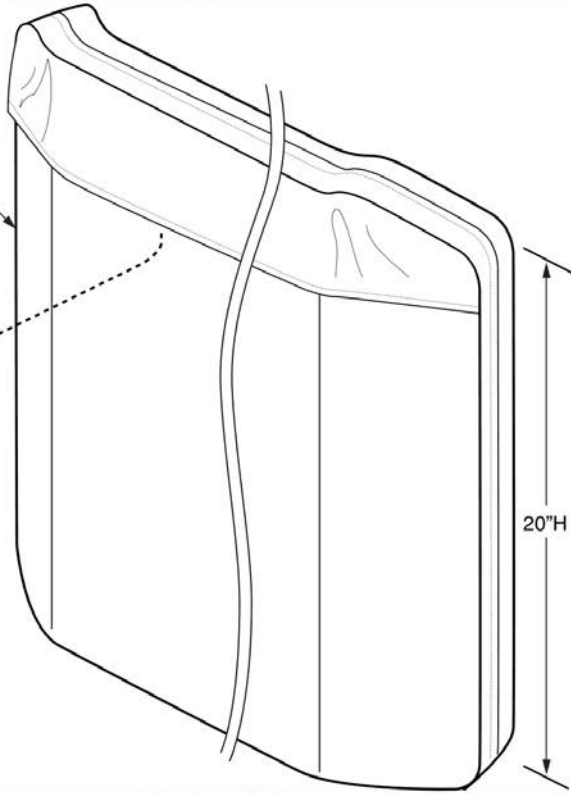
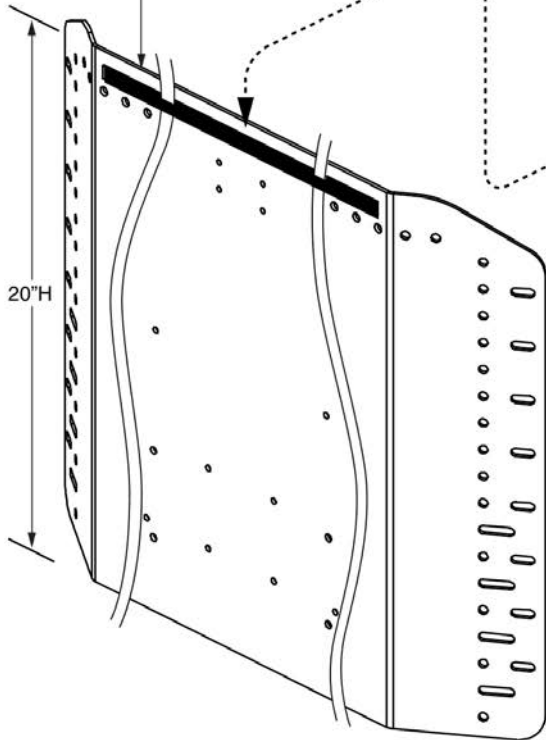


**Synergy Standard Back**

A1	14"W	G1	20"W
B1	15"W	H1	21"W
C1	16"W	I1	22"W
D1	17"W	J1	23"W
E1	18"W	K1	24"W
F1	19"W		

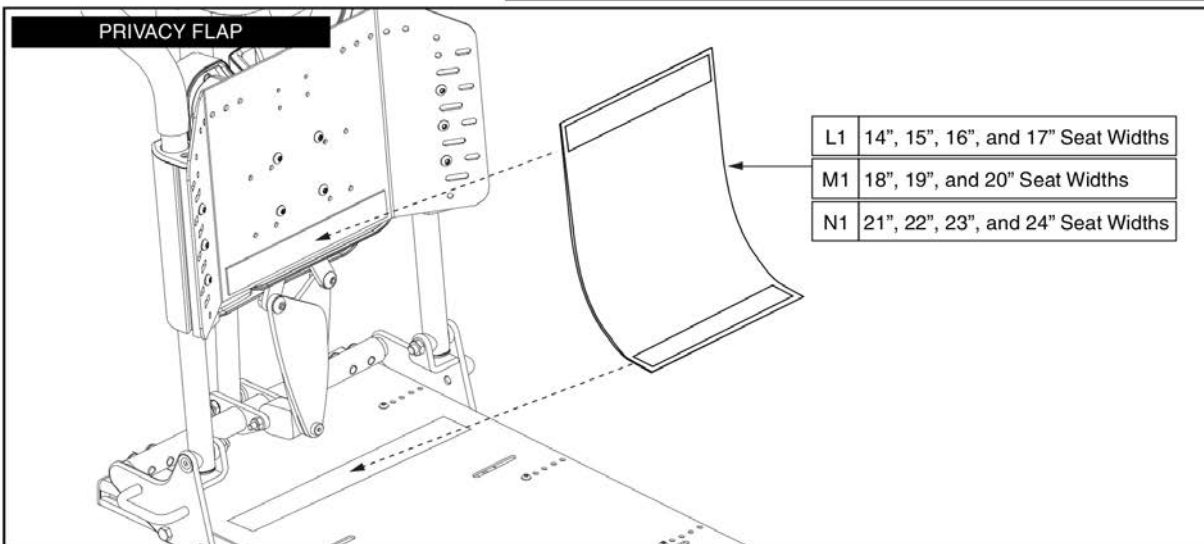
A2	14"W	G2	20"W
B2	15"W	H2	21"W
C2	16"W	I2	22"W
D2	17"W	J2	23"W
E2	18"W	K2	24"W
F2	19"W		

**NOTE:** These backs are used to achieve 27" and 28" overall back heights including the gap between seat pan and cushion.



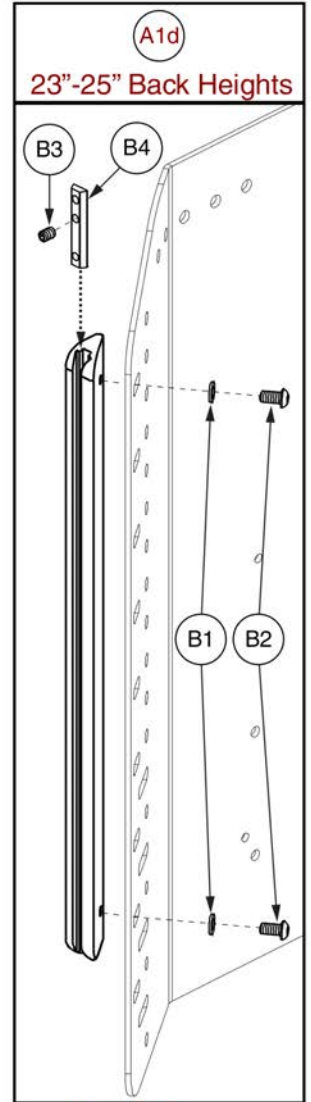
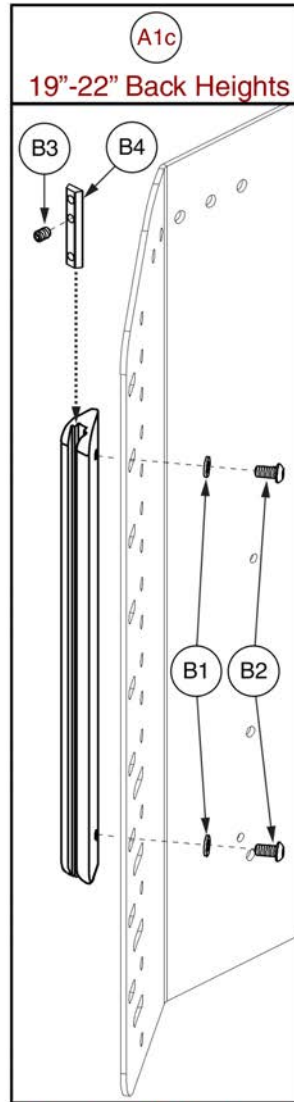
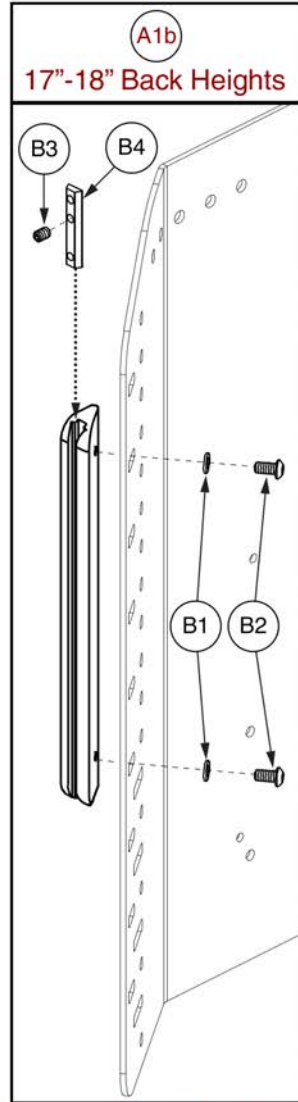
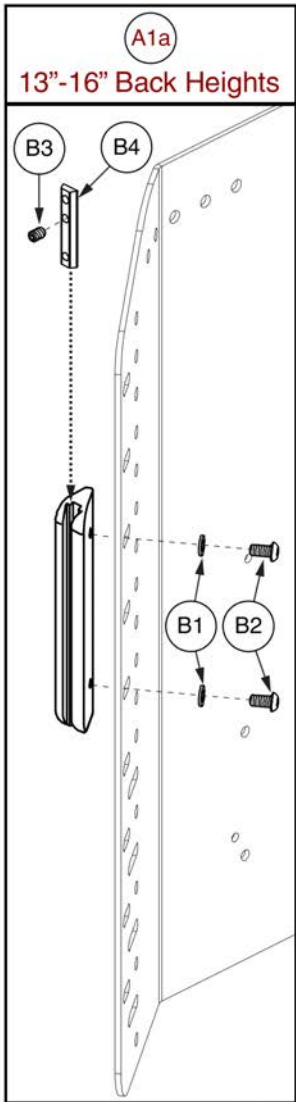
This Matrix represents the size of the assemblies in relation to the seat back as it is mounted on the seating system. (Includes the gap between seat pan and cushion)

A1/A2	14"W x 27"H 14"W x 28"H	D1/D2	17"W x 27"H 17"W x 28"H	G1/G2	20"W x 27"H 20"W x 28"H	J1/J2	23"W x 27"H 23"W x 28"H
B1/B2	15"W x 27"H 15"W x 28"H	E1/E2	18"W x 27"H 18"W x 28"H	H1/H2	21"W x 27"H 21"W x 28"H	K1/K2	24"W x 27"H 24"W x 28"H
C1/C2	16"W x 27"H 16"W x 28"H	F1/F2	19"W x 27"H 19"W x 28"H	I1/I2	22"W x 27"H 22"W x 28"H		



Item	Part No.	Name	Qty
A1	DWR1359E036E	SEAT BACK,14"W,20"H,SYNERGY STANDARD,E-1359-036	1
A2	CUSASMB2385	CUSHION,ASSY,14"W,20"H,SYNERGY STANDARD BACK,E-1359-079	1
B1	DWR1359E036F	SEAT BACK,15"W,20"H,SYNERGY STANDARD,E-1359-036	1
B2	CUSASMB2386	CUSHION,ASSY,15"W,20"H,SYNERGY STANDARD BACK,E-1359-079	1
C1	DWR1359E036G	SEAT BACK,16"W,20"H,SYNERGY STANDARD,E-1359-036	1
C2	CUSASMB2387	CUSHION,ASSY,16"W,20"H,SYNERGY STANDARD BACK,E-1359-079	1
D1	DWR1359E036H	SEAT BACK,17"W,20"H,SYNERGY STANDARD	1
D2	CUSASMB2388	CUSHION,ASSY,17"W,20"H,SYNERGY STANDARD BACK	1
E1	DWR1359E036I	SEAT BACK,18"W,20"H,SYNERGY STANDARD,E-1359-036	1
E2	CUSASMB2389	CUSHION,ASSY,18"W,20"H,SYNERGY STANDARD BACK,E-1359-079	1
F1	DWR1359E036J	SEAT BACK,19"W,20"H,SYNERGY STANDARD,E-1359-036	1
F2	CUSASMB2390	CUSHION,ASSY,19"W,20"H,SYNERGY STANDARD BACK,E-1359-079	1
G1	DWR1359E036K	SEAT BACK,20"W,20"H,SYNERGY STANDARD,E-1359-036	1
G2	CUSASMB2391	CUSHION,ASSY,20"W,20"H,SYNERGY STANDARD BACK,E-1359-079	1
H1	DWR1359E036L	SEAT BACK,21"W,20"H,SYNERGY STANDARD,E-1359-036	1
H2	CUSASMB2392	CUSHION,ASSY,21"W,20"H,SYNERGY STANDARD BACK,E-1359-079	1
I1	DWR1359E036M	SEAT BACK,22"W,20"H,SYNERGY STANDARD,E-1359-036	1
I2	CUSASMB2393	CUSHION,ASSY,22"W,20"H,SYNERGY STANDARD BACK,E-1359-079	1
J1	DWR1359E036N	SEAT BACK,23"W,20"H,SYNERGY STANDARD,E-1359-036	1
J2	CUSASMB2394	CUSHION,ASSY,23"W,20"H,SYNERGY STANDARD BACK,E-1359-079	1
K1	DWR1359E036O	SEAT BACK,24"W,20"H,SYNERGY STANDARD,E-1359-036	1
K2	CUSASMB2395	CUSHION,ASSY,24"W,20"H,SYNERGY STANDARD BACK,E-1359-079	1
L1	DWR1044E456C	SEAT BACK,PRIVACY FLAP,6.75"W,SYNERGY STANDARD BACK,E- 1044-456	1
M1	DWR1044E456B	SEAT BACK,PRIVACY FLAP,9.75"W,SYNERGY STANDARD BACK,E-1044-456	1
N1	DWR1044E456A	SEAT BACK,PRIVACY FLAP,12.75"W,SYNERGY STANDARD BACK,E-1044-456	1

Synergy Standard Back

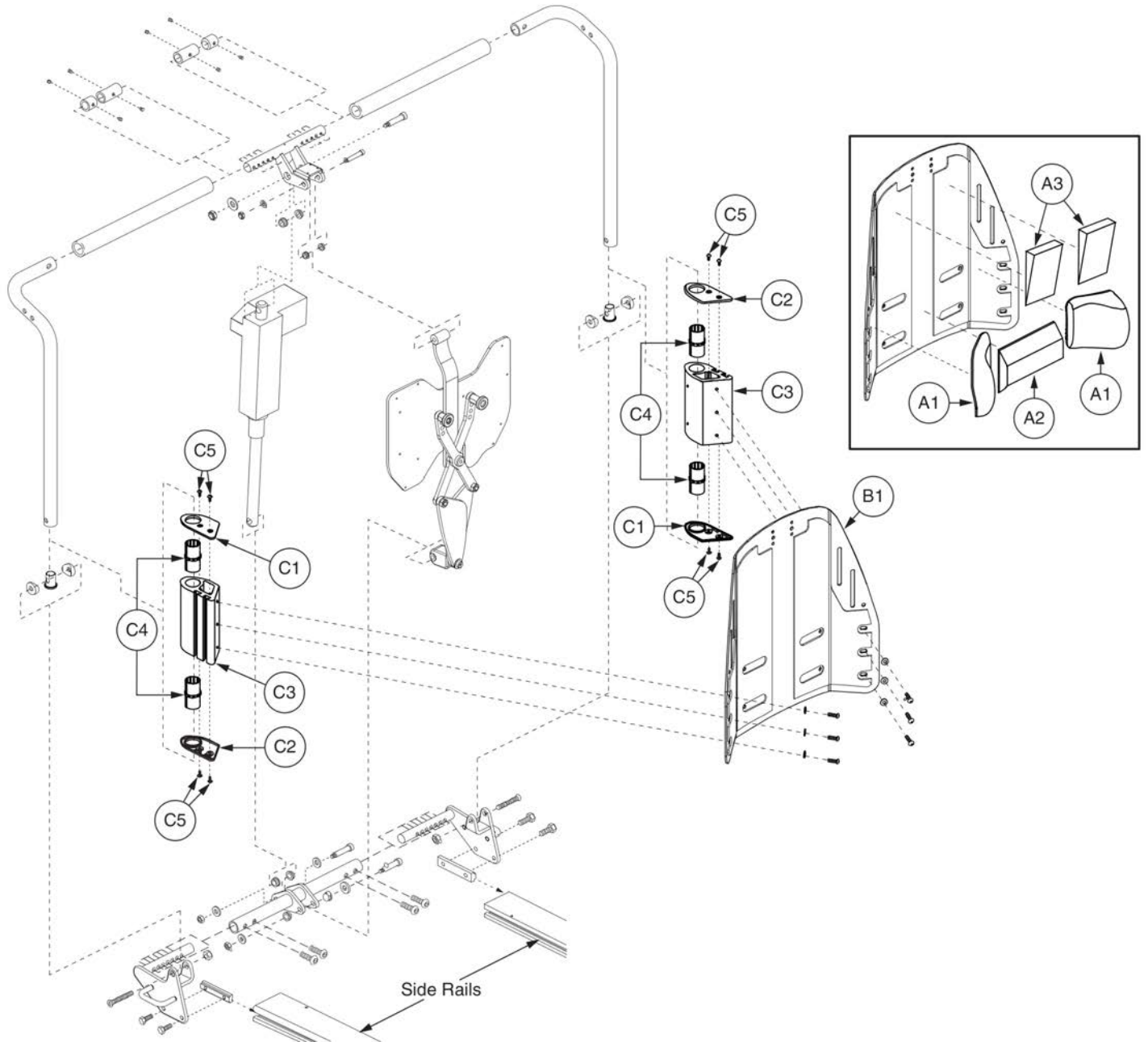


\*\*\*The track and the mounting hardware is included with the top-level assemblies.\*\*\*

Item	Part No.	Name	Qty
A1a	FRMASMB16274	LATERAL EXTENSION,ASSY,6",SYNERGY STANDARD BACK	1
A1b	FRMASMB16280	LATERAL EXTENSION,ASSY,10",SYNERGY STANDARD BACK	1
A1c	FRMASMB16298	LATERAL EXTENSION,ASSY,12",SYNERGY STANDARD BACK	1
A1d	FRMASMB16281	LATERAL EXTENSION,ASSY,16",SYNERGY STANDARD BACK	1
B1	WASSTND1097	WASHER, FLAT, 6.4 ID X 12 OD X 1.6 THK, ISO 7089-6-200 HV, BZ	2
B2	SCRASBH1148	SCREW,BHSCS,BLACK ZINC,1/4-20 X 0.50",W/PATCH	2
B3	SCRSETS1087	SCREW,SET,BLACK ZINC,1/4-20 X 0.375",CUP POINT,W/PATCH	1
B4		LATERAL EXTENSION,SLIDER INSERT,C-1359-015	1

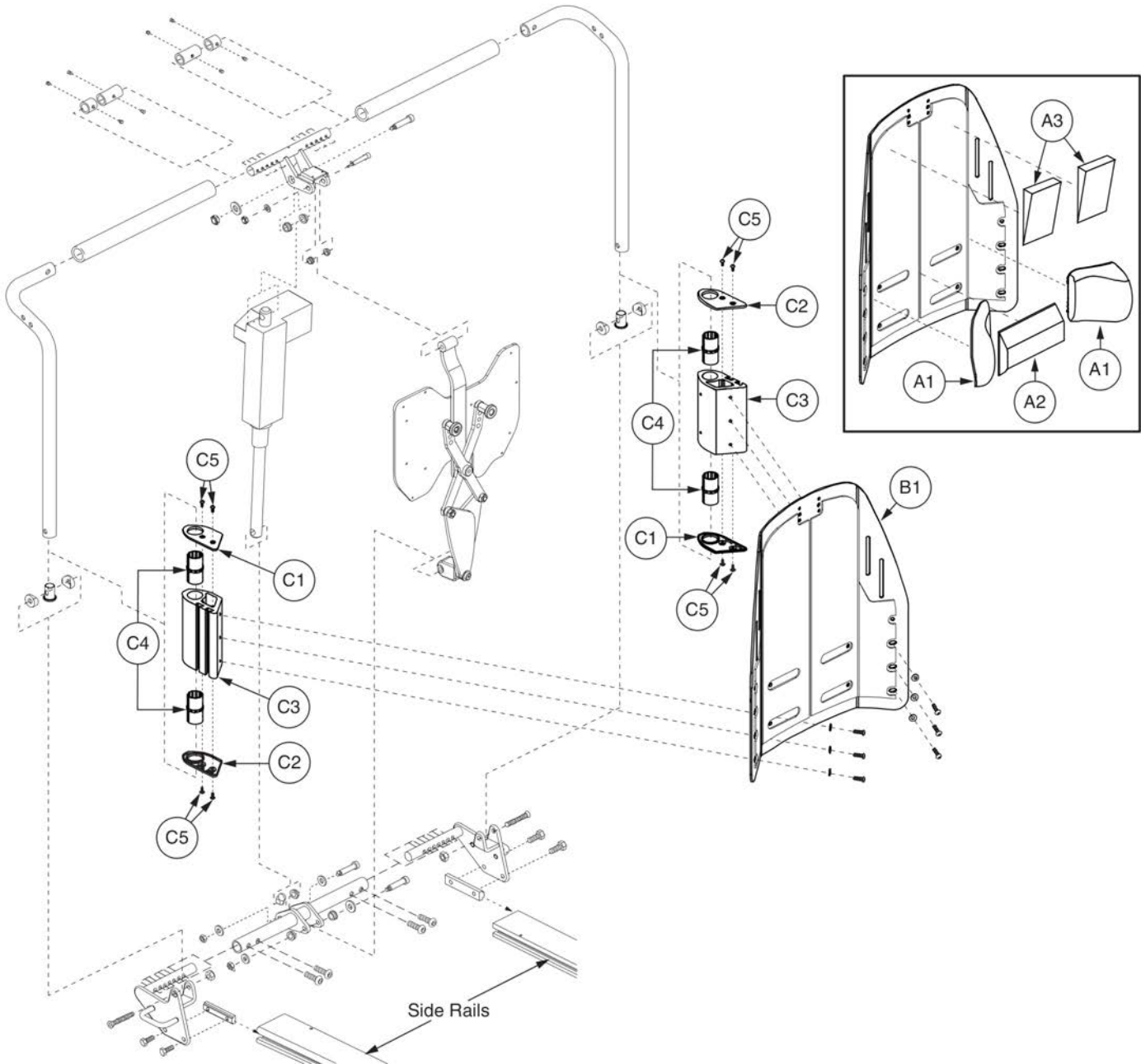


Tru-Comfort



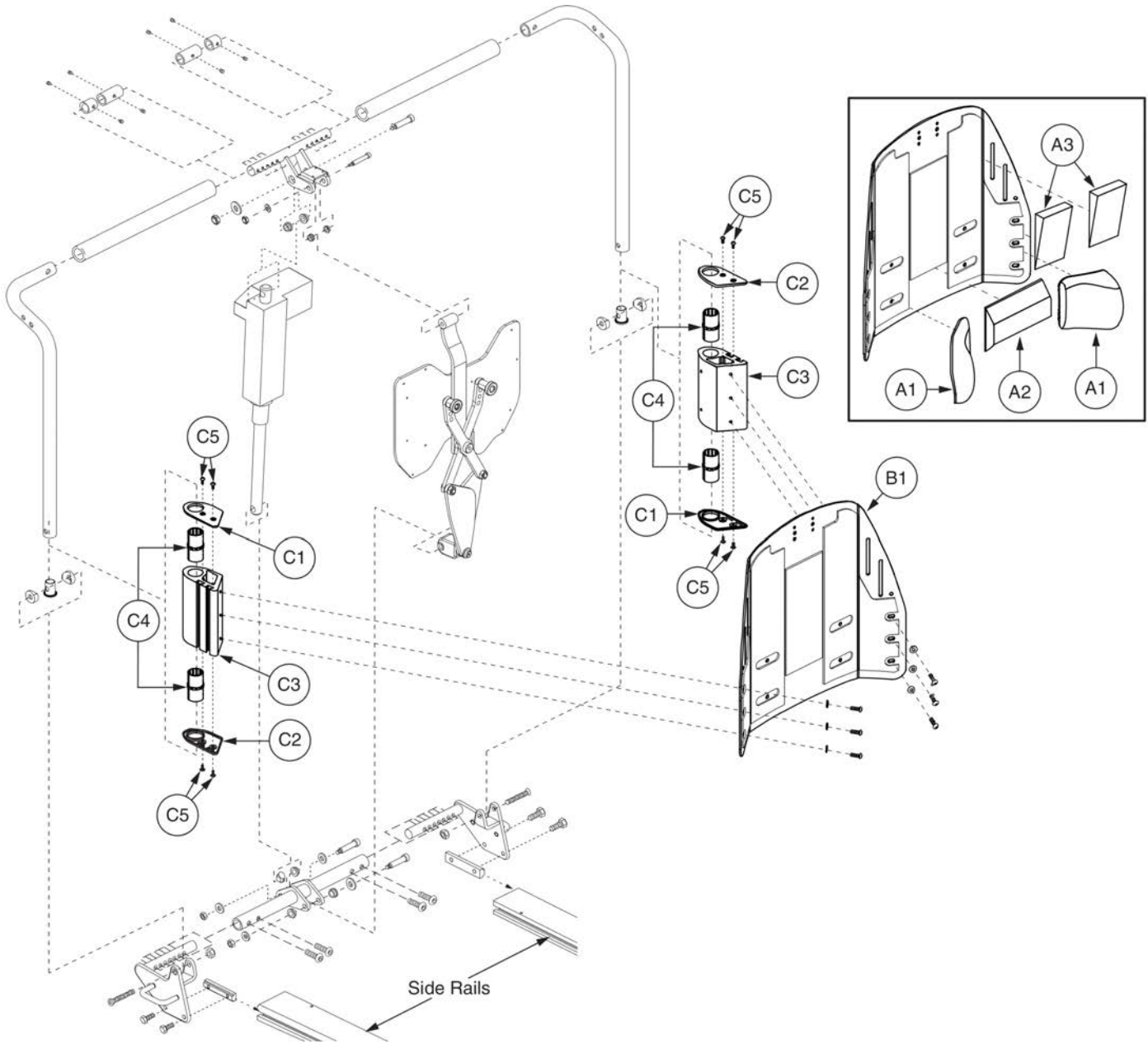
Item	Part No.	Name	Qty
A1 - C5	SETASMB6044	SEAT BACK,ASSY,16"W,22"H,Q-LOGIC,TRU-COMFORT RECLINE	1
A1 - B1	SETASMB5911	SEAT BACK,16"W,22"H,RECLINE,W/LATERAL & LUMBAR SUPPORT	1
A1	DWR1306E038	LATERAL SUPPORT,PLASTIC,TRU-COMFORT SEAT,LEFT/RIGHT	2
A2	DWR1306D014	CUSHION,LUMBAR SUPPORT,TRU-COMFORT SEAT,D-1306-014	1
A3	DWR1306D059	THORACIC SUPPORT,TRU-COMFORT SEAT,LEFT/RIGHT,D-1306-059	2
B1	FRMASMB9889	SEAT BACK,16"W,22"H,TRU-COMFORT/TRU-BALANCE RECLINE	1
C1 - C5	FRMASMB12695	LATERALS AND SLIDE EXTRUSION,ASSY,TRU-COMFORT RECLINE	2
C1	DWR1306D008	LATERAL EXTRUSION CAP,TRU-COMFORT RECLINE,RIGHT	1
C2	DWR1306D007	LATERAL EXTRUSION CAP,TRU-COMFORT RECLINE,LEFT	1
C3	DWR1306E037	LATERALS AND SLIDE EXTRUSION,TRU-COMFORT RECLINE	1
C4	BRGSLV1038	BEARING, SLEEVE,1.00"ID X 1.125"OD X 2.205"L,DRYLIN-R	2
C5		SCREW,PPH-THREAD CUTTING,BLACK ZINC,8-32 X .375",GR 2	4

Tru-Comfort



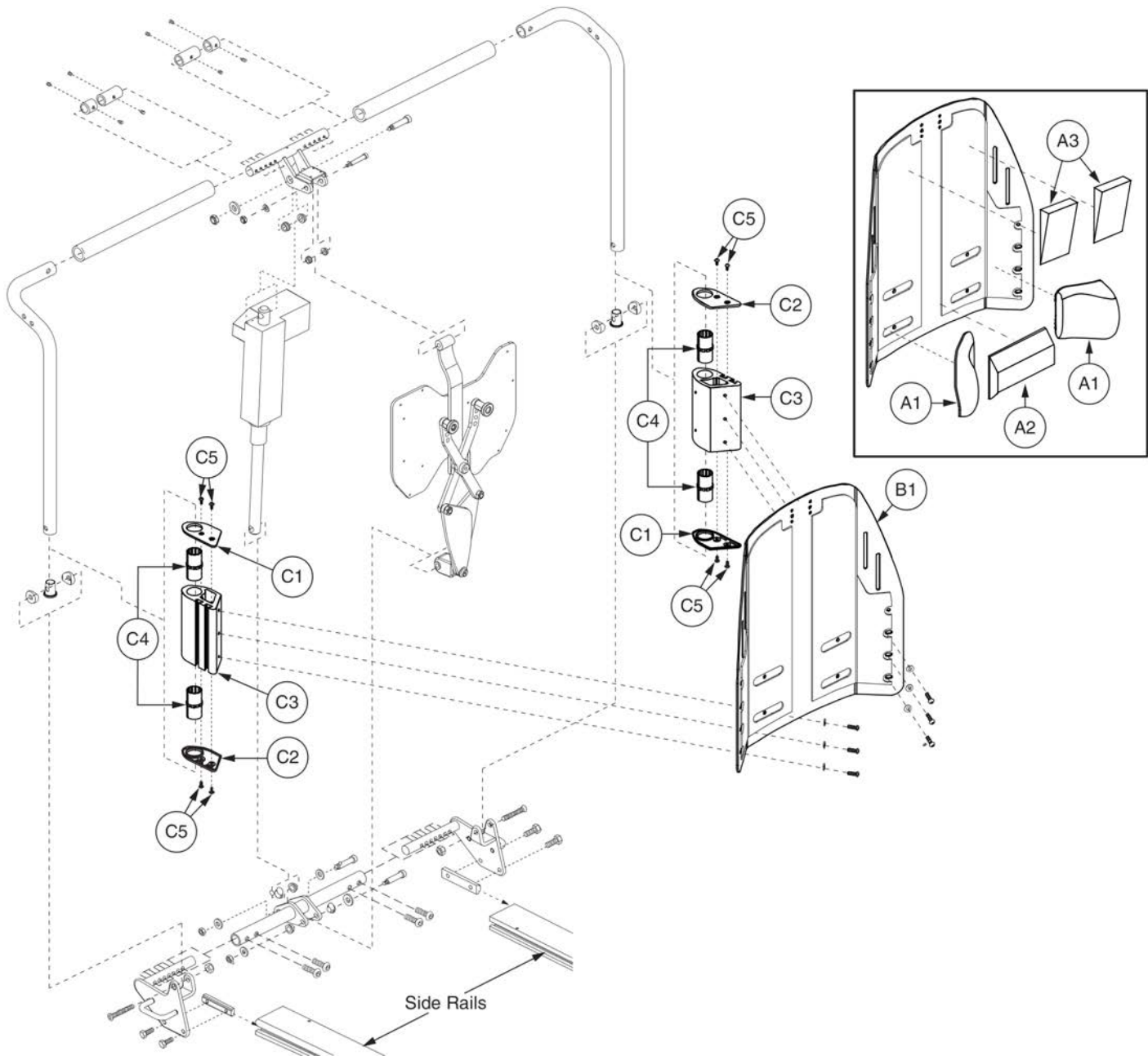
Item	Part No.	Name	Qty
A1 - C5	SETASMB6045	SEAT BACK,ASSY,16"W,25"H,Q-LOGIC,TRU-COMFORT RECLINE	1
A1 - B1	SETASMB5912	SEAT BACK,ASSY,16"W,25"H,TRU-COMFORT RECLINE,W/LATERAL & LUMBAR SUPPORT	1
A1	DWR1306E038	LATERAL SUPPORT,PLASTIC,TRU-COMFORT SEAT,LEFT/RIGHT	2
A2	DWR1306D014	CUSHION,LUMBAR SUPPORT,TRU-COMFORT SEAT,D-1306-014	1
A3	DWR1306D059	THORACIC SUPPORT,TRU-COMFORT SEAT,LEFT/RIGHT,D-1306-059	2
B1	FRMASMB9890	SEAT BACK,ASSY,16"W,25"H,TRU-COMFORT RECLINE,E-1306-057	1
C1 - C5	FRMASMB12695	LATERALS AND SLIDE EXTRUSION,ASSY,TRU-COMFORT RECLINE	2
C1	DWR1306D008	LATERAL EXTRUSION CAP,TRU-COMFORT RECLINE,RIGHT	1
C2	DWR1306D007	LATERAL EXTRUSION CAP,TRU-COMFORT RECLINE,LEFT	1
C3	DWR1306E037	LATERALS AND SLIDE EXTRUSION,TRU-COMFORT RECLINE	1
C4		BEARING, SLEEVE,1.00"ID X 1.125"OD X 2.205"L,DRYLIN-R	2
C5		SCREW,PPH-THREAD CUTTING,BLACK ZINC,8-32 X .375",GR 2	4

Tru-Comfort



Item	Part No.	Name	Qty
A1 - C5	SETASMB6046	SEAT BACK,ASSY,18"W,22"H,Q-LOGIC,TRU-COMFORT RECLINE	1
A1 - B1	SETASMB5913	SEAT BACK,ASSY,18"W,22"H,TRU-COMFORT RECLINE,W/LATERAL & LUMBAR SUPPORT	1
A1	DWR1306E038	LATERAL SUPPORT,PLASTIC,TRU-COMFORT SEAT,LEFT/RIGHT	2
A2	DWR1306D014	CUSHION,LUMBAR SUPPORT,TRU-COMFORT SEAT,D-1306-014	1
A3	DWR1306D059	THORACIC SUPPORT,TRU-COMFORT SEAT,LEFT/RIGHT,D-1306-059	2
B1	FRMASMB9891	SEAT BACK,ASSY,18"W,22"H,TRU-COMFORT RECLINE BACK,TRUBALANCE RECLINE,E-1306-058	1
C1 - C5	FRMASMB12695	LATERALS AND SLIDE EXTRUSION,ASSY,TRU-COMFORT RECLINE	2
C1	DWR1306D008	LATERAL EXTRUSION CAP,TRU-COMFORT RECLINE,RIGHT	1
C2	DWR1306D007	LATERAL EXTRUSION CAP,TRU-COMFORT RECLINE,LEFT	1
C3	DWR1306E037	LATERALS AND SLIDE EXTRUSION,TRU-COMFORT RECLINE	1
C4		BEARING, SLEEVE,1.00"ID X 1.125"OD X 2.205"L,DRYLIN-R	2
C5		SCREW,PPH-THREAD CUTTING,BLACK ZINC,8-32 X .375",GR 2	4

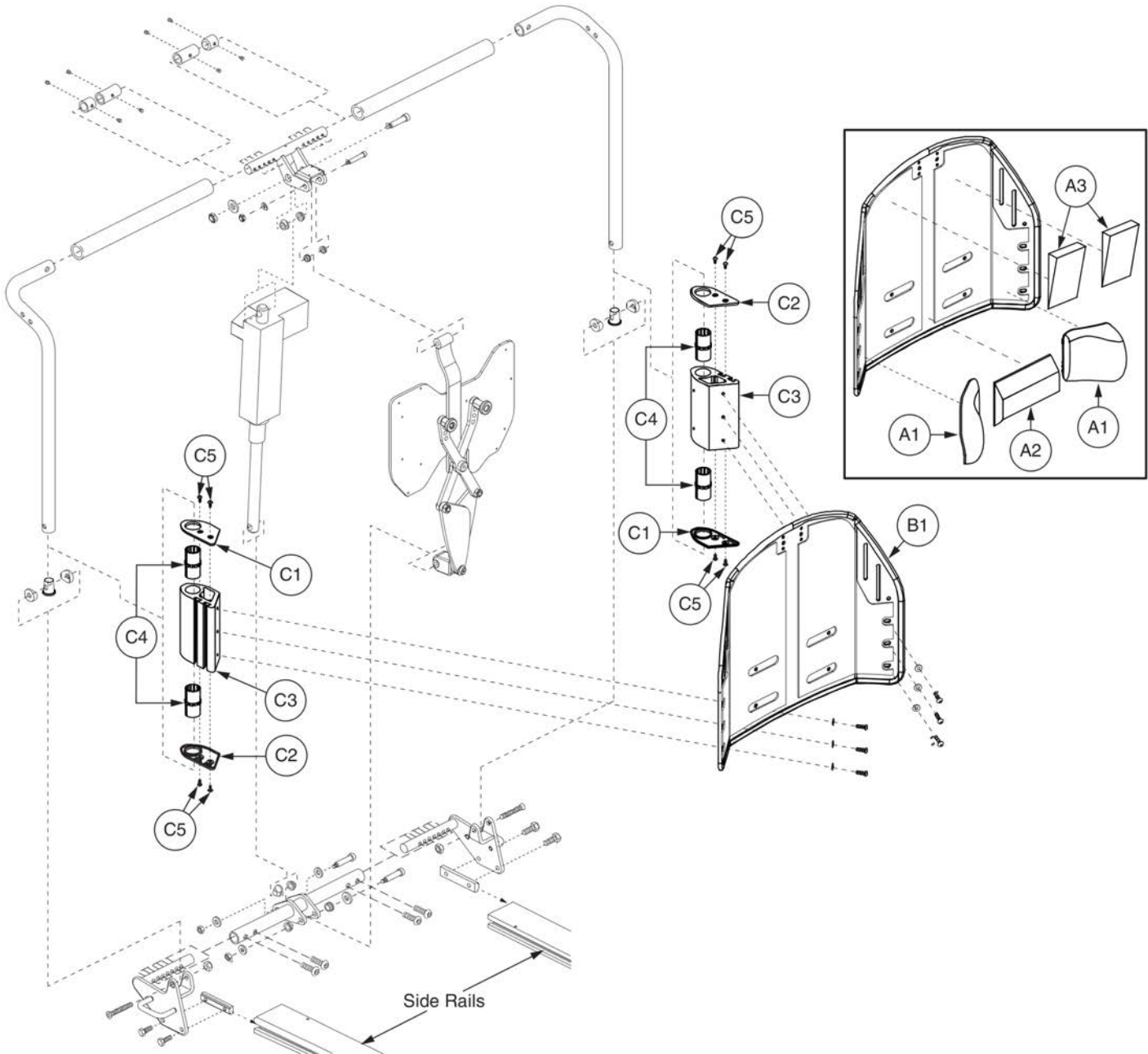
Tru-Comfort



Item	Part No.	Name	Qty
A1 - C5	SETASMB6047	SEAT BACK,ASSY,18"W,27-28"H,TRU-COMFORT RECLINE	1
A1 - B1	SETASMB5914	SEAT BACK,ASSY,18"W,25"H,TRU-COMFORT RECLINE,W/LATERAL & LUMBAR SUPPORT	1
A1	DWR1306E038	LATERAL SUPPORT,PLASTIC,TRU-COMFORT SEAT,LEFT/RIGHT	2
A2	DWR1306D014	CUSHION,LUMBAR SUPPORT,TRU-COMFORT SEAT,D-1306-014	1
A3	DWR1306D059	THORACIC SUPPORT,TRU-COMFORT SEAT,LEFT/RIGHT,D-1306-059	2
B1	FRMASMB9892	SEAT BACK,ASSY,18"W,25"H,TRU-COMFORT RECLINE BACK,TRUBALANCE RECLINE,E-1306-059	1
C1 - C5	FRMASMB12695	LATERALS AND SLIDE EXTRUSION,ASSY,TRU-COMFORT RECLINE	2
C1	DWR1306D008	LATERAL EXTRUSION CAP,TRU-COMFORT RECLINE,RIGHT	1
C2	DWR1306D007	LATERAL EXTRUSION CAP,TRU-COMFORT RECLINE,LEFT	1
C3	DWR1306E037	LATERALS AND SLIDE EXTRUSION,TRU-COMFORT RECLINE	1
C4		BEARING, SLEEVE,1.00"ID X 1.125"OD X 2.205"L,DRYLIN-R	2
C5		SCREW,PPH-THREAD CUTTING,BLACK ZINC,8-32 X .375",GR 2	4

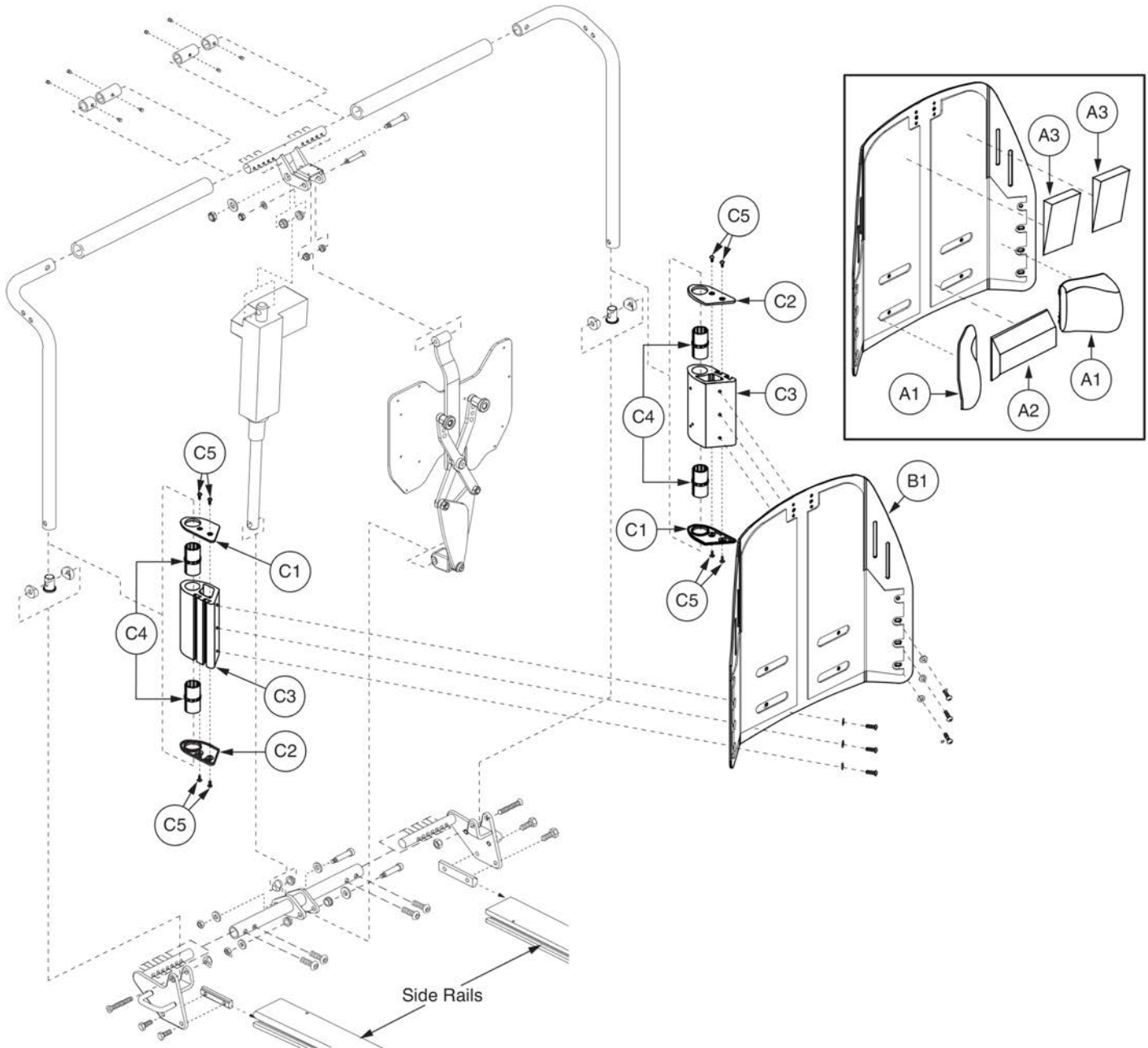


Tru-Comfort



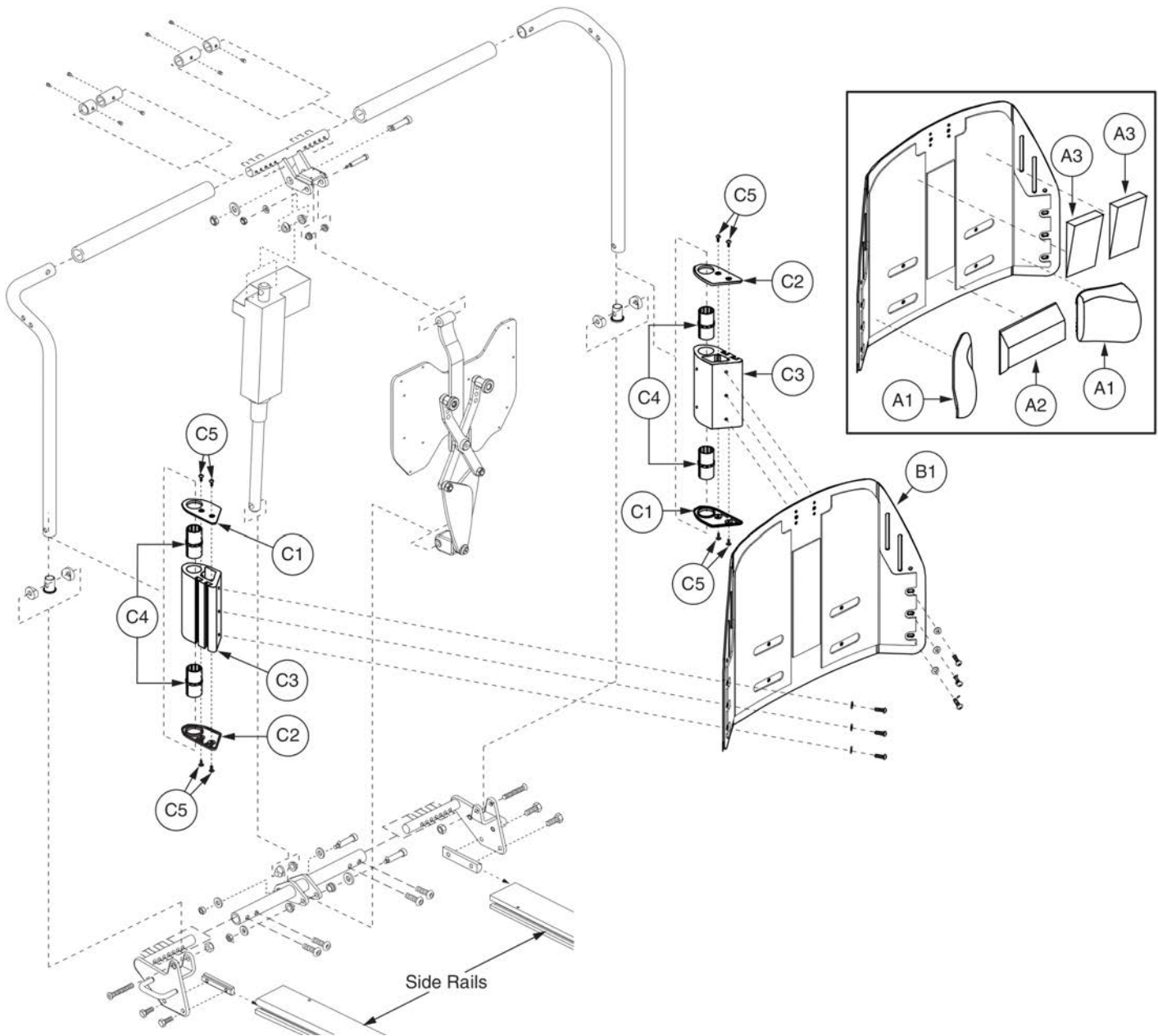
Item	Part No.	Name	Qty
A1 - C5	SETASMB6048	SEAT BACK,ASSY,20"W,22"H,TRU-COMFORT,TB2 RECLINE	1
A1 - B1	SETASMB5915	SEAT BACK,ASSY,20"W,22"H,TRU-COMFORT RECLINE,W/LATERAL & LUMBAR SUPPORT	1
A1	DWR1306E038	LATERAL SUPPORT,PLASTIC,TRU-COMFORT SEAT,LEFT/RIGHT	2
A2	DWR1306D014	CUSHION,LUMBAR SUPPORT,TRU-COMFORT SEAT,D-1306-014	1
A3	DWR1306D059	THORACIC SUPPORT,TRU-COMFORT SEAT,LEFT/RIGHT,D-1306-059	2
B1	FRMASMB9893	SEAT BACK,ASSY,20"W,22"H,TRU-COMFORT RECLINE BACK,TRUBALANCE RECLINE,E-1306-060	1
C1 - C5	FRMASMB12695	LATERALS AND SLIDE EXTRUSION,ASSY,TRU-COMFORT RECLINE	2
C1	DWR1306D008	LATERAL EXTRUSION CAP,TRU-COMFORT RECLINE,RIGHT	1
C2	DWR1306D007	LATERAL EXTRUSION CAP,TRU-COMFORT RECLINE,LEFT	1
C3	DWR1306E037	LATERALS AND SLIDE EXTRUSION,TRU-COMFORT RECLINE	1
C4		BEARING, SLEEVE,1.00"ID X 1.125"OD X 2.205"L,DRYLIN-R	2
C5		SCREW,PPH-THREAD CUTTING,BLACK ZINC,8-32 X .375",GR 2	4

Tru-Comfort



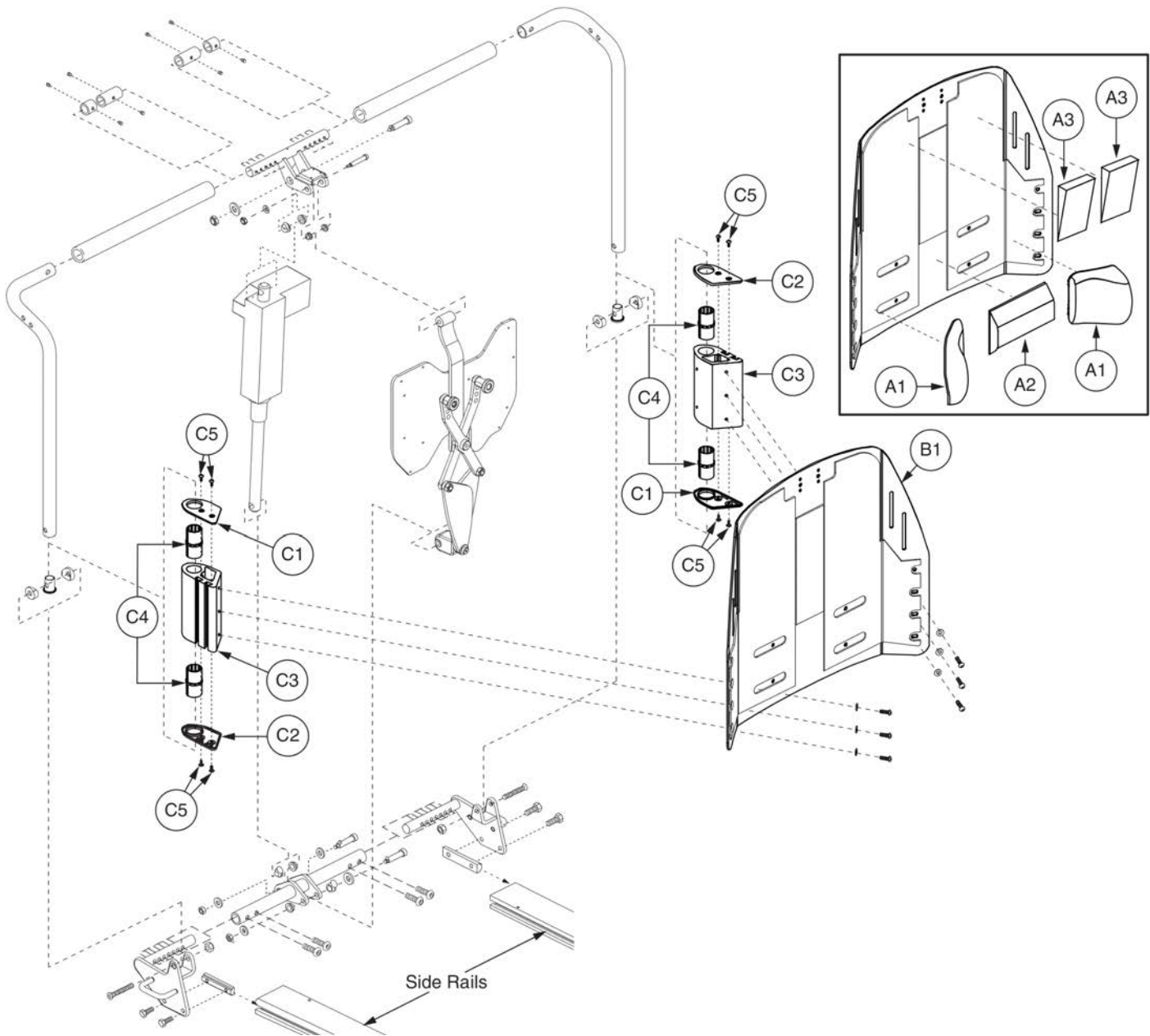
Item	Part No.	Name	Qty
A1 - C5	SETASMB6049	SEAT BACK,ASSY,20"W,25"H,Q-LOGIC,TRU-COMFORT RECLINE	1
A1 - B1	SETASMB5916	SEAT BACK,ASSY,20"W,25"H,TRU-COMFORT RECLINE,W/LATERAL & LUMBAR SUPPORT	1
A1	DWR1306E038	LATERAL SUPPORT,PLASTIC,TRU-COMFORT SEAT,LEFT/RIGHT	2
A2	DWR1306D014	CUSHION,LUMBAR SUPPORT,TRU-COMFORT SEAT,D-1306-014	1
A3	DWR1306D059	THORACIC SUPPORT,TRU-COMFORT SEAT,LEFT/RIGHT,D-1306-059	2
B1	FRMASMB9894	SEAT BACK,ASSY,20"W,25"H,TRU-COMFORT RECLINE BACK,TRUBALANCE RECLINE,E-1306-061	1
C1 - C5	FRMASMB12695	LATERALS AND SLIDE EXTRUSION,ASSY,TRU-COMFORT RECLINE	2
C1	DWR1306D008	LATERAL EXTRUSION CAP,TRU-COMFORT RECLINE,RIGHT	1
C2	DWR1306D007	LATERAL EXTRUSION CAP,TRU-COMFORT RECLINE,LEFT	1
C3	DWR1306E037	LATERALS AND SLIDE EXTRUSION,TRU-COMFORT RECLINE	1
C4		BEARING, SLEEVE,1.00"ID X 1.125"OD X 2.205"L,DRYLIN-R	2
C5		SCREW,PPH-THREAD CUTTING,BLACK ZINC,8-32 X .375",GR 2	4

Tru-Comfort



Item	Part No.	Name	Qty
A1 - C5	SETASMB6050	SEAT BACK,ASSY,22"W,22"H,Q-LOGIC,TRU-COMFORT RECLINE	1
A1 - B1	SETASMB5917	SEAT BACK,ASSY,22"W,22"H,TRU-COMFORT RECLINE,W/LATERAL & LUMBAR SUPPORT	1
A1	DWR1306E038	LATERAL SUPPORT,PLASTIC,TRU-COMFORT SEAT,LEFT/RIGHT	2
A2	DWR1306D014	CUSHION,LUMBAR SUPPORT,TRU-COMFORT SEAT,D-1306-014	1
A3	DWR1306D059	THORACIC SUPPORT,TRU-COMFORT SEAT,LEFT/RIGHT,D-1306-059	2
B1	FRMASMB9895	SEAT BACK,ASSY,22"W,22"H,TRU-COMFORT RECLINE BACK,TRUBALANCE RECLINE,E-1306-062	1
C1 - C5	FRMASMB12695	LATERALS AND SLIDE EXTRUSION,ASSY,TRU-COMFORT RECLINE	2
C1	DWR1306D008	LATERAL EXTRUSION CAP,TRU-COMFORT RECLINE,RIGHT	1
C2	DWR1306D007	LATERAL EXTRUSION CAP,TRU-COMFORT RECLINE,LEFT	1
C3	DWR1306E037	LATERALS AND SLIDE EXTRUSION,TRU-COMFORT RECLINE	1
C4	BRGSLV1038	BEARING, SLEEVE,1.00"ID X 1.125"OD X 2.205"L,DRYLIN-R	2
C5		SCREW,PPH-THREAD CUTTING,BLACK ZINC,8-32 X .375",GR 2	4

Tru-Comfort

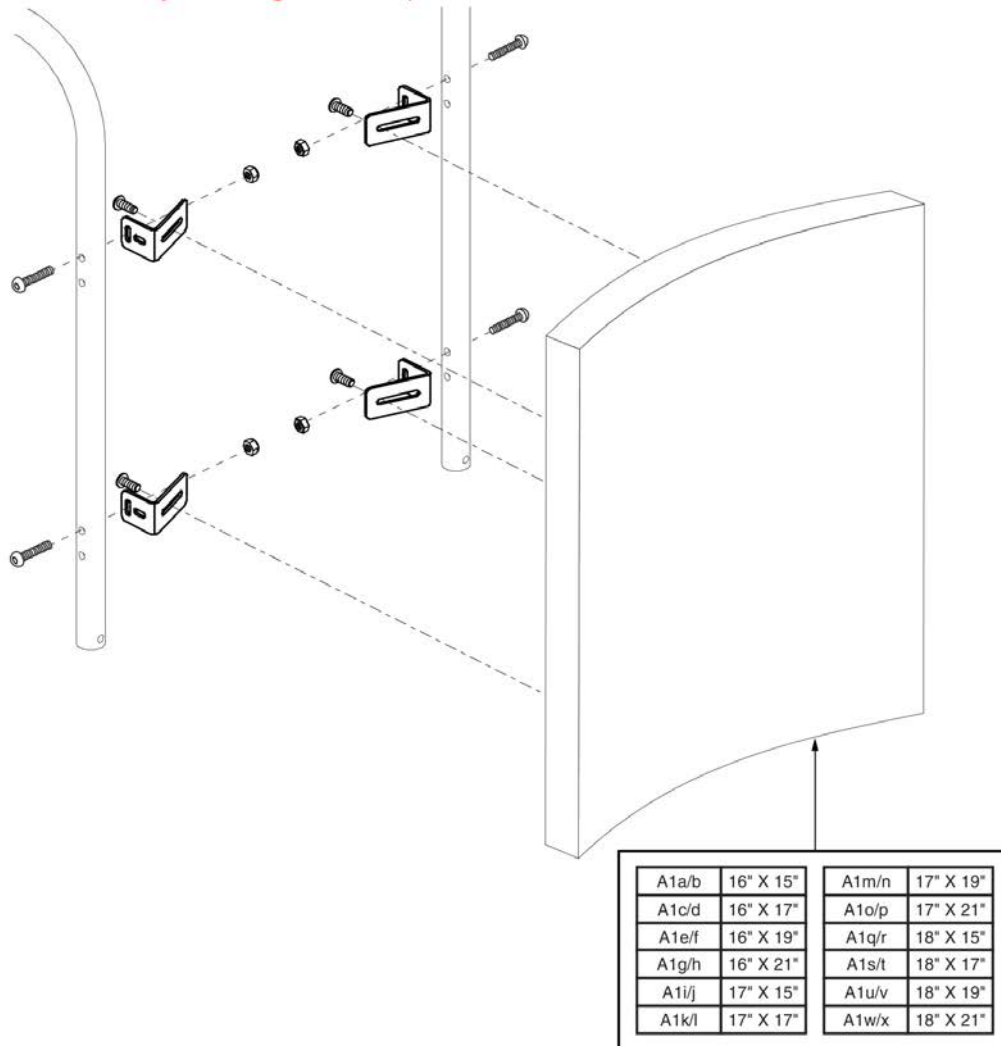


Item	Part No.	Name	Qty
A1 - C5	SETASMB6051	SEAT BACK,ASSY,22"W,25"H,Q-LOGIC,TRU-COMFORT RECLINE	1
A1 - B1	SETASMB5918	SEAT BACK,ASSY,22"W,25"H,TRU-COMFORT RECLINE,W/LATERAL & LUMBAR SUPPORT	1
A1	DWR1306E038	LATERAL SUPPORT,PLASTIC,TRU-COMFORT SEAT,LEFT/RIGHT	2
A2	DWR1306D014	CUSHION,LUMBAR SUPPORT,TRU-COMFORT SEAT,D-1306-014	1
A3	DWR1306D059	THORACIC SUPPORT,TRU-COMFORT SEAT,LEFT/RIGHT,D-1306-059	2
B1	FRMASMB9896	SEAT BACK,ASSY,22"W,25"H,TRU-COMFORT RECLINE BACK,TRUBALANCE RECLINE,E-1306-063	1
C1 - C5	FRMASMB12695	LATERALS AND SLIDE EXTRUSION,ASSY,TRU-COMFORT RECLINE	2
C1	DWR1306D008	LATERAL EXTRUSION CAP,TRU-COMFORT RECLINE,RIGHT	1
C2	DWR1306D007	LATERAL EXTRUSION CAP,TRU-COMFORT RECLINE,LEFT	1
C3	DWR1306E037	LATERALS AND SLIDE EXTRUSION,TRU-COMFORT RECLINE	1
C4		BEARING, SLEEVE,1.00"ID X 1.125"OD X 2.205"L,DRYLIN-R	2
C5		SCREW,PPH-THREAD CUTTING,BLACK ZINC,8-32 X .375",GR 2	4



A.R.T. Group Solid Curved Back Assy's (Discontinued)

\*\*\* Available only through SOF, please contact Technical Service. \*\*\*

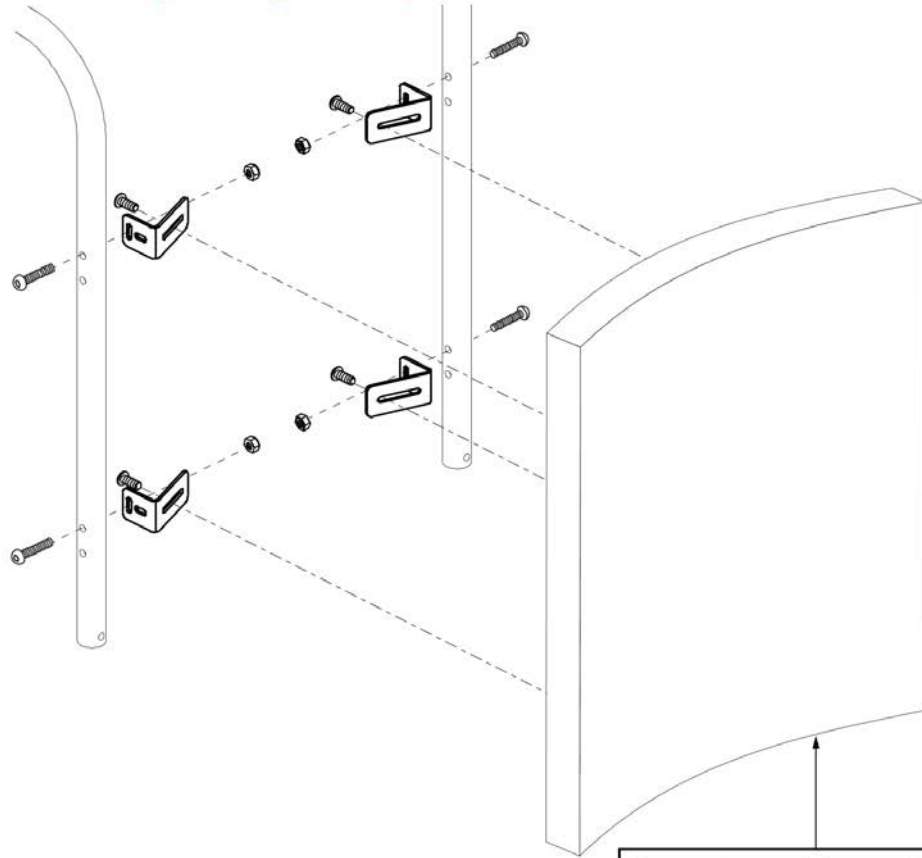


A1a — A5	16" x 18"	A1g — A5	16" x 24"	A1m — A5	17" x 22"	A1s — A5	18" x 20"
A1b — A5	16" x 19"	A1h — A5	16" x 25"	A1n — A5	17" x 23"	A1t — A5	18" x 21"
A1c — A5	16" x 20"	A1i — A5	17" x 18"	A1o — A5	17" x 24"	A1u — A5	18" x 22"
A1d — A5	16" x 21"	A1j — A5	17" x 19"	A1p — A5	17" x 25"	A1v — A5	18" x 23"
A1e — A5	16" x 22"	A1k — A5	17" x 20"	A1q — A5	18" x 18"	A1w — A5	18" x 24"
A1f — A5	16" x 23"	A1l — A5	17" x 21"	A1r — A5	18" x 19"	A1x — A5	18" x 25"

This page intentionally left blank

A.R.T. Group Solid Curved Back Assy's (Discontinued)

\*\*\* Available only through SOF, please contact Technical Service. \*\*\*



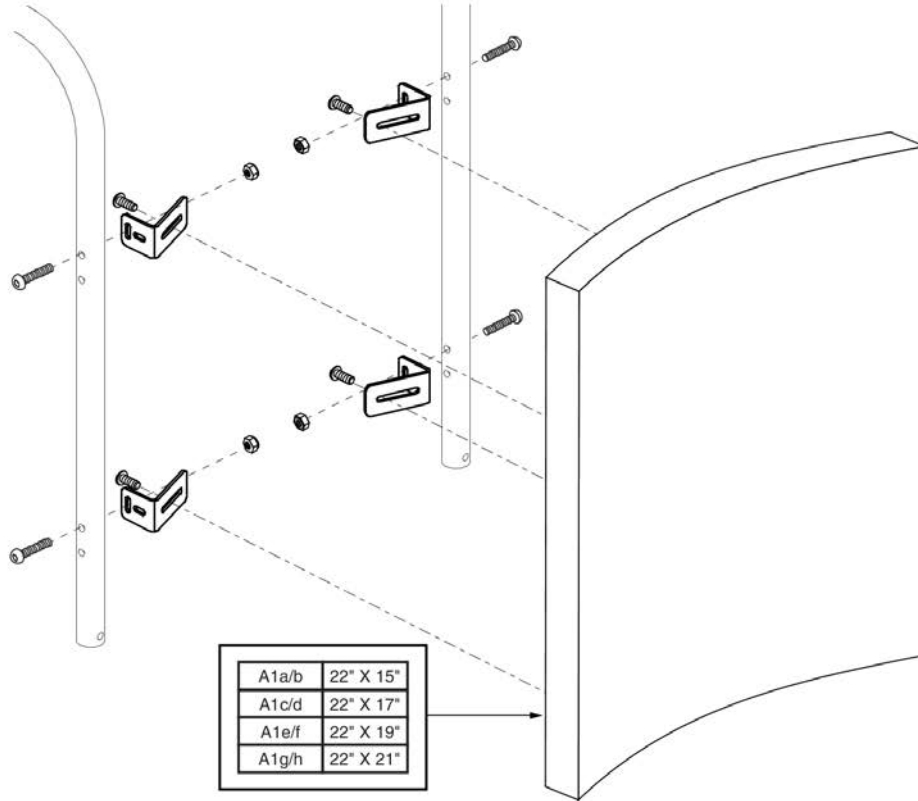
A1a/b	19" X 15"	A1m/n	20" X 19"
A1c/d	19" X 17"	A1o/p	20" X 21"
A1e/f	19" X 19"	A1q/r	21" X 15"
A1g/h	19" X 21"	A1s/t	21" X 17"
A1i/j	20" X 15"	A1u/v	21" X 19"
A1k/l	20" X 17"	A1w/x	21" X 21"

A1a — A5	19" x 18"	A1g — A5	19" x 24"	A1m — A5	20" x 22"	A1s — A5	21" x 20"
A1b — A5	19" x 19"	A1h — A5	19" x 25"	A1n — A5	20" x 23"	A1t — A5	21" x 21"
A1c — A5	19" x 20"	A1i — A5	20" x 18"	A1o — A5	20" x 24"	A1u — A5	21" x 22"
A1d — A5	19" x 21"	A1j — A5	20" x 19"	A1p — A5	20" x 25"	A1v — A5	21" x 23"
A1e — A5	19" x 22"	A1k — A5	20" x 20"	A1q — A5	21" x 18"	A1w — A5	21" x 24"
A1f — A5	19" x 23"	A1l — A5	20" x 21"	A1r — A5	21" x 19"	A1x — A5	21" x 25"

This page intentionally left blank

A.R.T. Group Solid Curved Back Assy's (Discontinued)

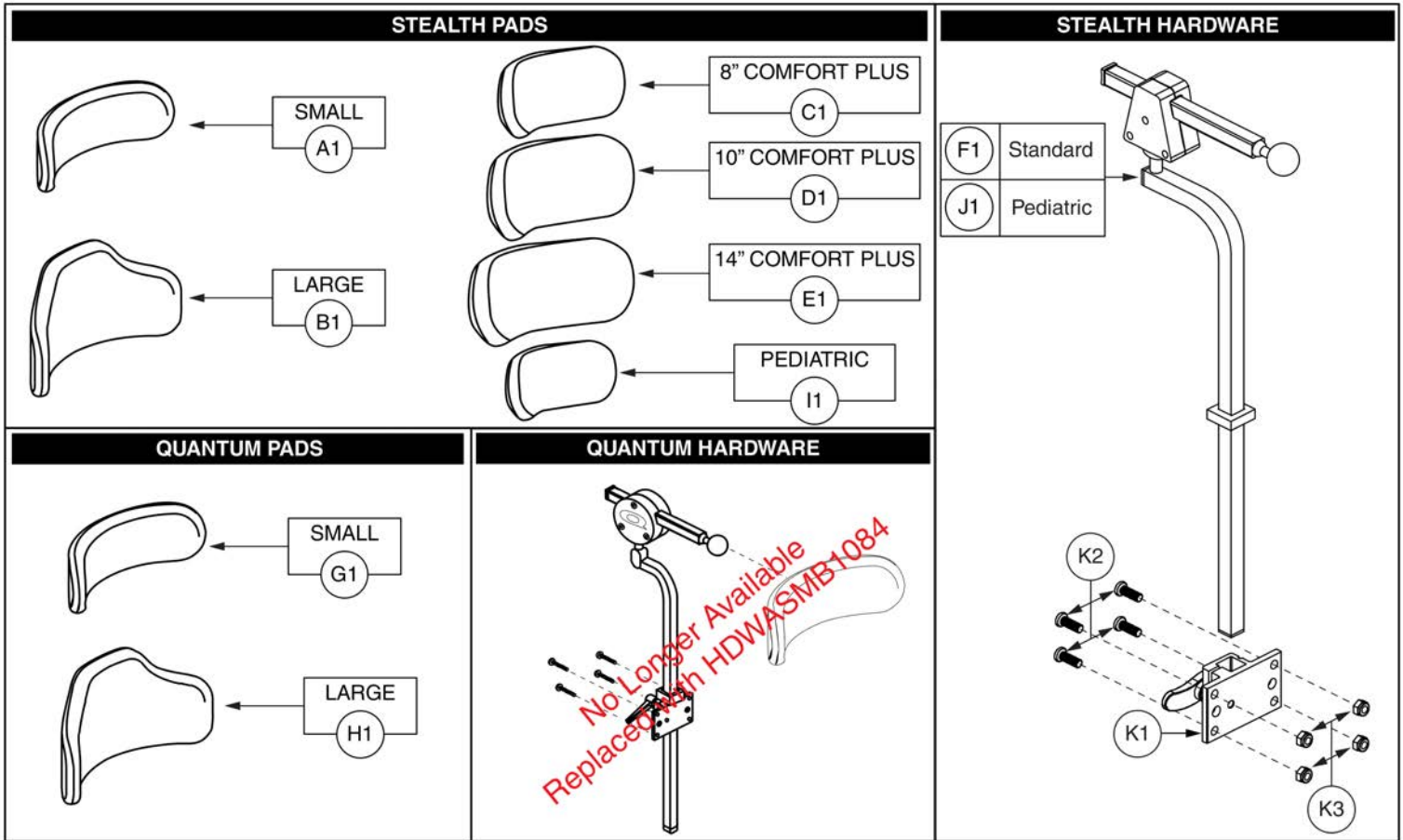
\*\*\* Available only through SOF, please contact Technical Service. \*\*\*



A1a - A5	22" x 18"	A1c - A5	22" x 20"	A1e - A5	22" x 22"	A1g - A5	22" x 24"
A1b - A5	22" x 19"	A1d - A5	22" x 21"	A1f - A5	22" x 23"	A1h - A5	22" x 25"

This page intentionally left blank

5.6. Headrest Assy's



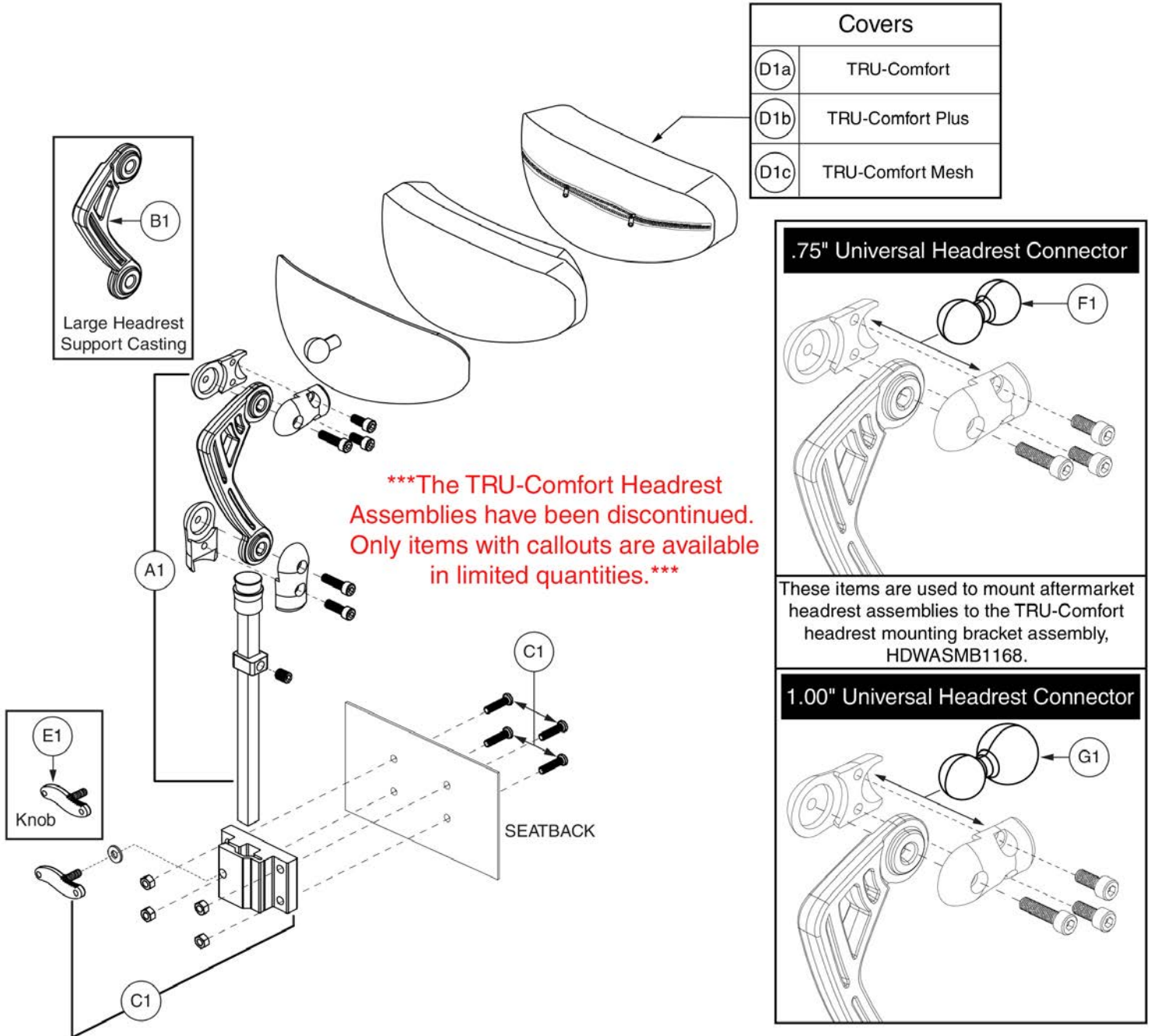
# Stealth Standard Headrest Assembly, TB2



Item	Part No.	Name	Qty
A1	SETHEAD1052	HEADREST,SMALL,CONTOURED,(STEALTH: STL-OTSM250)	1
B1	SETHEAD1053	HEADREST,LARGE,CONTOURED,(STEALTH: STL-OTLG150)	1
C1	POS148484	HEADREST,PAD,8",COMFORT PLUS,(STEALTH:CP450)	1
D1	SETHEAD1057	HEADREST,PAD,10IN,COMFORT PLUS,(STEALTH: CP250)	1
E1	INDPART2327	HEADREST,PAD,14",COMFORT PLUS,(STEALTH:CP150)	1
F1	HDWASMB1084	KIT,QUANTUM REHAB, OFFSET HEADREST,(STEALTH: HMO475P)	1
G1		HEADREST,SMALL,FLAT, VERSA TILT	1
H1		HEADREST,LARGE,FLAT, VERSA TILT	1
I1	SETHEAD1069	HEADREST,PEDIATRIC,6"L X 4.5"H,(STEALTH: CPN350)	1
J1	HDWASMB1166	KIT,QUANTUM REHAB,OFFSET HEADREST,PEDIATRIC,(STEALTH: HMO475P-17)	1
K1 - K3	SET150325	HEADREST BRACKET MOUNTING HARDWARE,ASSY,STEALTH,SYNERGY/TRU-BALANCE 2/Q-BACK 2	1
K1	MEC150070	MOUNTING BRACKET,SEAT BACK MOUNT,(STEALTH:SBM300)	1
K2	SCRASBH1152	SCREW,BHSCS,BLACK ZINC,10-32 X 0.625"	4
K3	NUTNYLK1001	NUT,NYLOCK,BLACK ZINC,10-32	4



5.6. Headrest Assy's

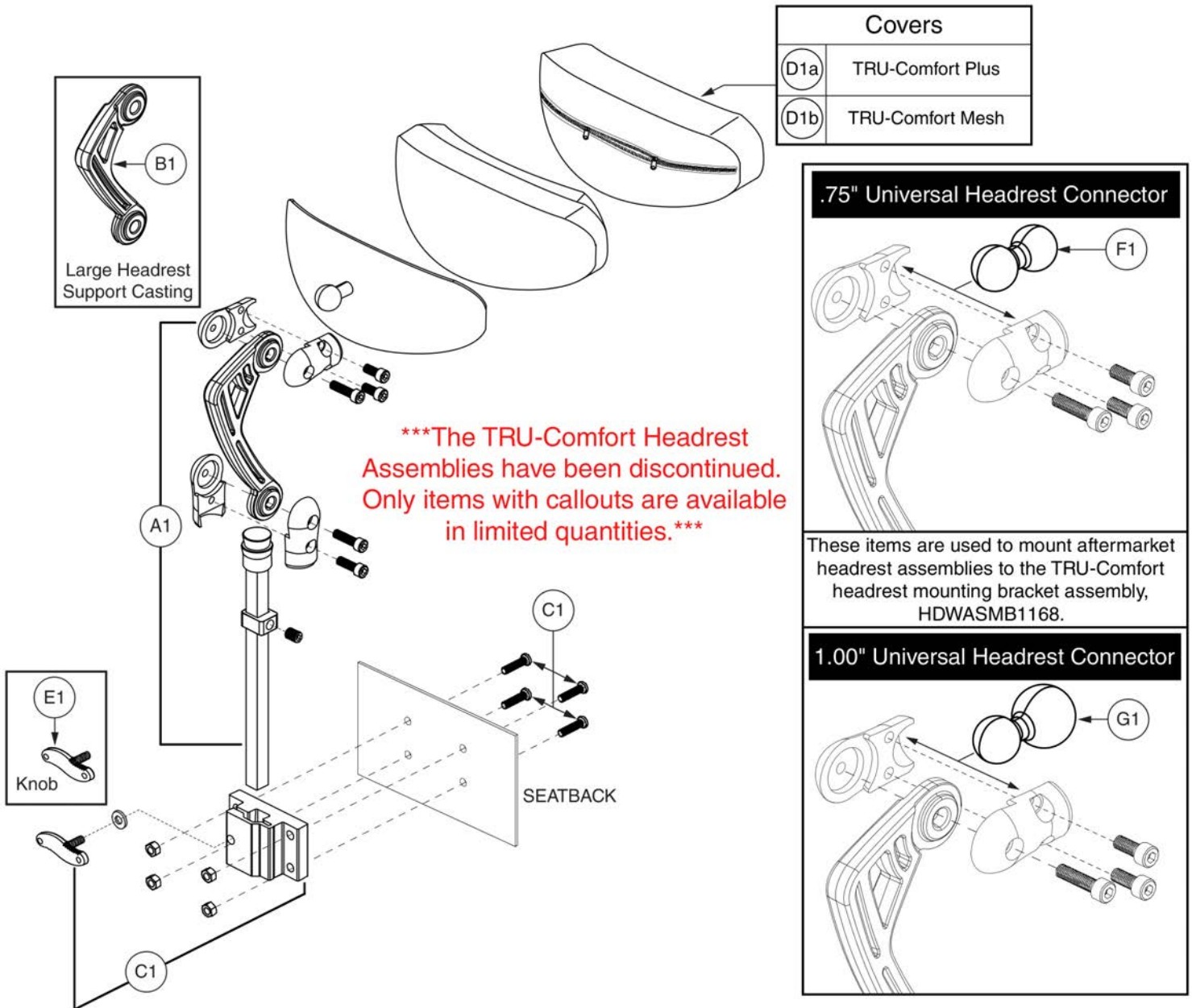


# TRU-Comfort Headrest Assembly - 8", TB2



Item	Part No.	Name	Qty
A1		HARDWARE KIT,ASSY,HEADREST MOUNT,TRUCOMFORT,W/REMOVABLE MOUNTING BRACKET	1
B1		BRACKET,HEADREST SUPPORT CASTING,SMALL	1
C1		HEADREST BRACKET MOUNTING HARDWARE,ASSY,SYNERGY/TB2	1
D1a		HEADREST COVER,OUTER,VINYL,MEDIUM	1
D1b		HEADREST COVER,OUTER,DRY-TEK,MEDIUM,TRU-COMFORT	1
D1c		HEADREST COVER,OUTER,AIR MESH,MEDIUM,TRU-COMFORT	1
E1	DWR1306C005	HEADREST KNOB WELDMENT,LOW PROFILE,C-1306-005	1
F1		KNOB,UNIVERSAL HEAD BRACE CONNECTOR,0.75",C-1010-366	1
G1		KNOB,UNIVERSAL HEAD BRACE CONNECTOR,1.00",C-1010-365	1

5.6. Headrest Assy's

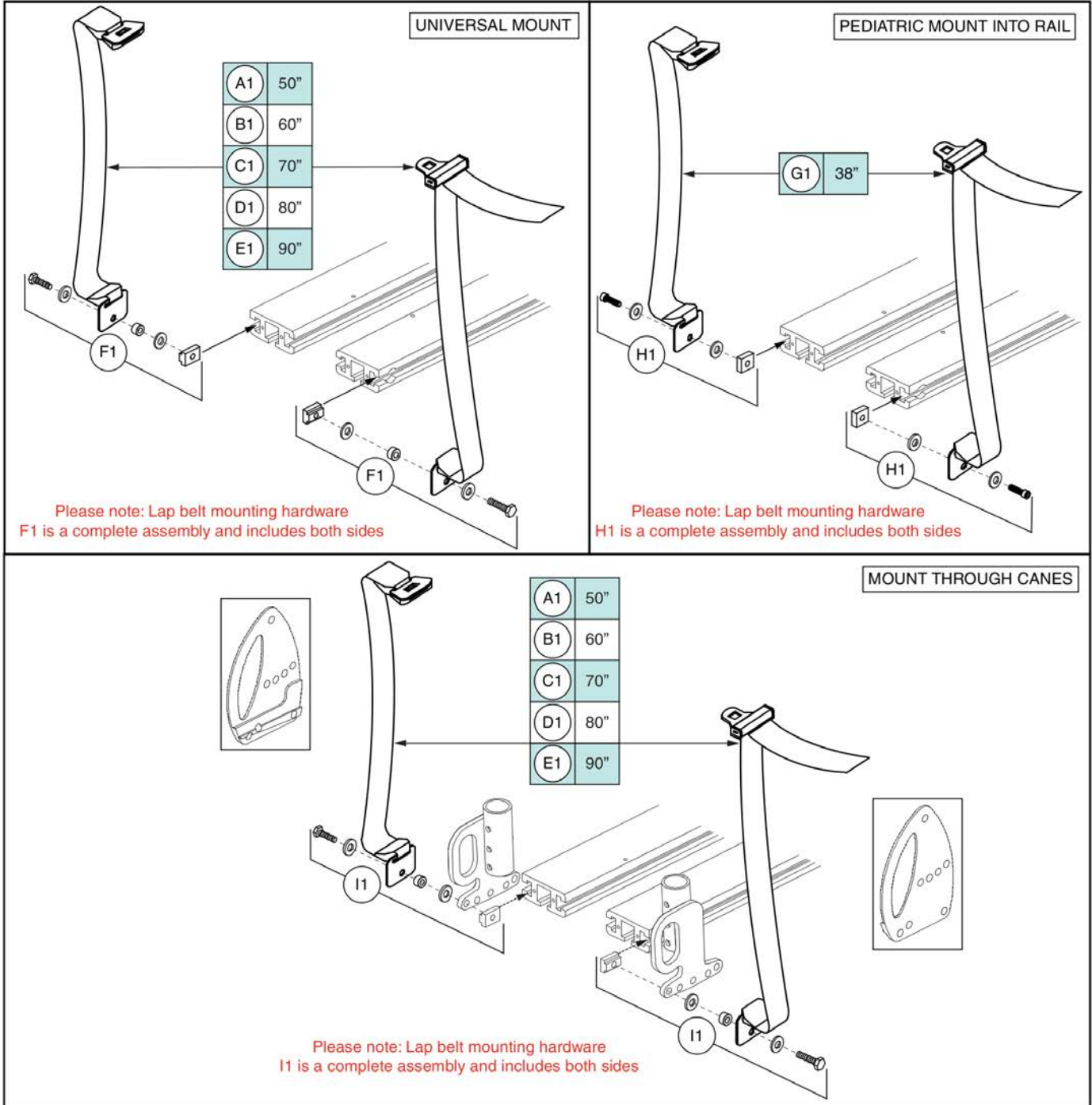


# TRU-Comfort Headrest Assy - 10", TB2



Item	Part No.	Name	Qty
A1		HARDWARE KIT,ASSY,HEADREST MOUNT,TRUCOMFORT,W/REMOVABLE MOUNTING BRACKET	1
B1		BRACKET,HEADREST SUPPORT CASTING,SMALL	1
C1		HEADREST BRACKET MOUNTING HARDWARE,ASSY,SYNERGY/TB2	1
D1a		HEADREST COVER,OUTER,DRY-TEK,LARGE,TRU-COMFORT	1
D1b		HEADREST COVER,OUTER,AIR MESH,LARGE,TRU-COMFORT	1
E1	DWR1306C005	HEADREST KNOB WELDMENT,LOW PROFILE,C-1306-005	1
F1		KNOB,UNIVERSAL HEAD BRACE CONNECTOR,0.75",C-1010-366	1
G1		KNOB,UNIVERSAL HEAD BRACE CONNECTOR,1.00",C-1010-365	1

5.7. Lap Belts



# Lap Belts, Adult and Pediatric



Item	Part No.	Name	Qty
A1	ACCBELT1000	LAP BELT,50",C-1010-336	1
B1	ACCBELT1002	LAP BELT,60",C-1010-336	1
C1	ACCBELT1003	LAP BELT,70",C-1010-336	1
D1	ACCBELT1004	LAP BELT,80",C-1010-336	1
E1	ACCBELT1001	LAP BELT,90",C-1010-336	1
F1	HDW130230	LAP BELT MOUNTING HARDWARE,ASSY,UNIVERSAL	1
G1	ACCBELT1006	LAP BELT,1-1/2 X 38",PEDIATRIC,AUTO STYLE	1
H1	HDW131909	LAP BELT MOUNTING HARDWARE,ASSY,PEDIATRIC/POSITIONING,TRU-BALANCE 3	1
I1	HDW138689	LAP BELT MOUNTING HARDWARE,ASSY,BACK CANE MOUNTED	1

5.8. Owner's & Decal Packages



# Decal Package

## Decal Package, TB2 Lift and Tilt



Item	Part No.	Name	Qty
*N/A	DWR1234L004	DECAL,ICON,300LBS/135 KG,MAXIMUM WEIGHT CAPACITY,L-1234-004	1
*N/A	DWR1234L072	DECAL,ICON,1.375" X 0.6875",OWNERS MANUAL/SCISSOR PINCH POINT,L-1234-072	2
*N/A	DWR1235L199	DECAL,READ OWNER'S MANUAL,ONLY AN AUTHORIZED TECHNICIAN CAN ADJUST THE SEAT,L-1235-199	2



5.8. Owner's & Decal Packages



# Decal Package

## Decal Package, TB2 Lift, Tilt and Recline



Item	Part No.	Name	Qty
*N/A	DWR1234L004	DECAL,ICON,300LBS/135 KG,MAXIMUM WEIGHT CAPACITY,L-1234-004	1
*N/A	DWR1234L072	DECAL,ICON,1.375" X 0.6875",OWNERS MANUAL/SCISSOR PINCH POINT,L-1234-072	2
*N/A	DWR1235L199	DECAL,READ OWNER'S MANUAL,ONLY AN AUTHORIZED TECHNICIAN CAN ADJUST THE SEAT,L-1235-199	2

5.8. Owner's & Decal Packages



# Owner's Package



Item	Part No.	Name	Qty
*N/A	INFMANU3700	MANUAL,BASIC OPERATING INSTRUCTIONS,TRU-BALANCE 2 POWER POSITIONING SYSTEMS	1
*N/A	INFINFB2409	MANUAL,PRODUCT INSERT SHEET,CANTILEVER ARMS,QUANTUM	1
*N/A	INFINFB2778	MANUAL,PRODUCT INSERT SHEET,UPDATED MOUNTING BLOCK,ENGLISH/FRENCH CANADIAN	1

5.8. Owner's & Decal Packages



# Owner's Package

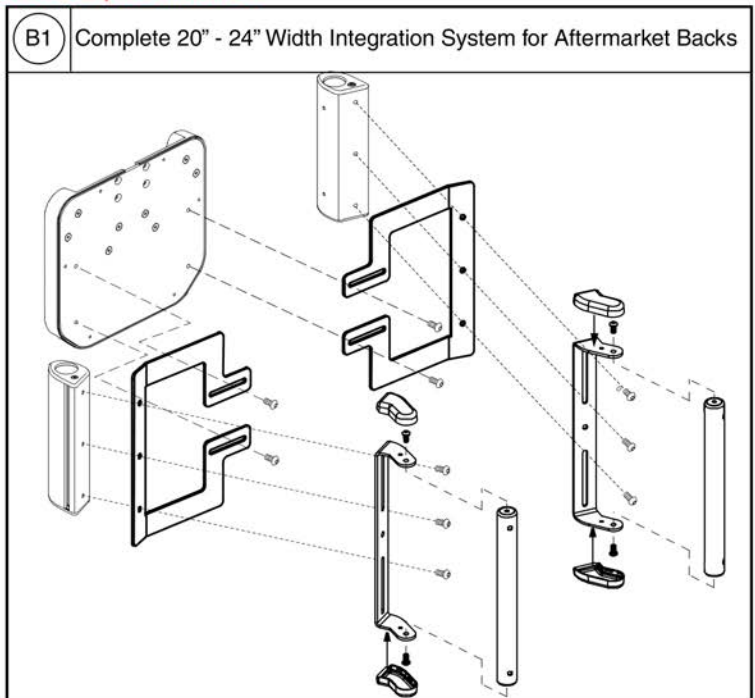
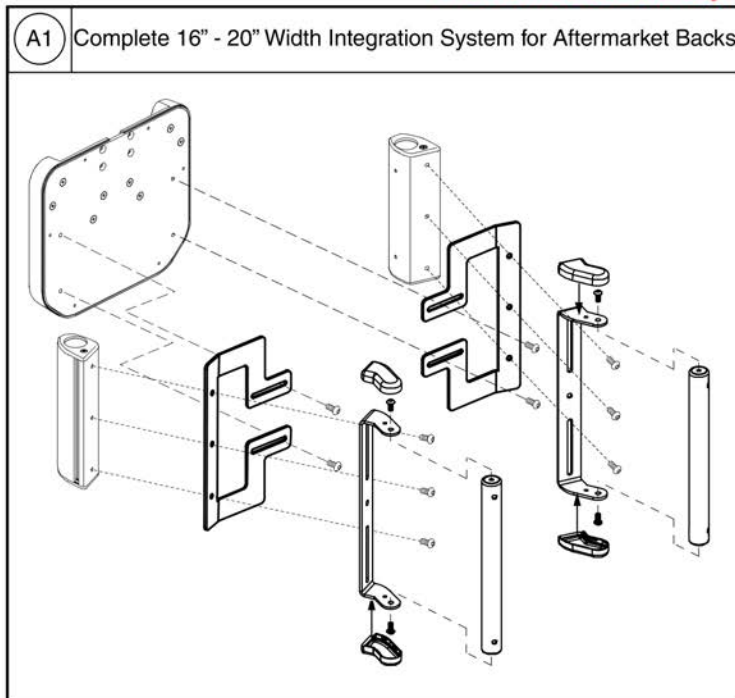
# Owner's Package, TB2 Lift, Tilt and Recline



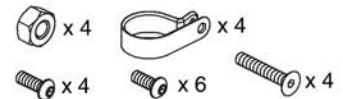
Item	Part No.	Name	Qty
*N/A	INFMANU3700	MANUAL,BASIC OPERATING INSTRUCTIONS,TRU-BALANCE 2 POWER POSITIONING SYSTEMS	1
*N/A	INFINFB2409	MANUAL,PRODUCT INSERT SHEET,CANTILEVER ARMS,QUANTUM	1
*N/A	INFINFB2778	MANUAL,PRODUCT INSERT SHEET,UPDATED MOUNTING BLOCK,ENGLISH/FRENCH CANADIAN	1

6. Integration System for Aftermarket Backs

\*\*\* Individual components are not available for replacement.  
The entire assembly must be purchased. \*\*\*



Extra Hardware is included with the KIT for various mounting configurations.





Item	Part No.	Name	Qty
A1	SETASMB6364	SEAT BACK,ASSY,16"W-20"W,AFTER MARKET,RECLINE BACK INTEGRATION,PAIR	1
B1	SETASMB6365	SEAT BACK,ASSY,20"W-24"W,AFTER MARKET,RECLINE BACK INTEGRATION,PAIR	1
C1		INSTALLATION INSTRUCTIONS,AFTERMARKET RECLINE BACK INTEGRATION KIT,QUANTUM	1



Appendix A:Pages Index

14"-18"W, Curtis, Version 2 - Back Assy, Canes and Pivot, TB2 Recline . . . 205, 375, 611

14"-18"W, Remote Plus, Version 2 - Back Assy, Canes and Pivot, TB2 Recline . . . . . 211, 381

14-18"W TB2 Recline Back Canes / Pivot, TRU-Comfort . . . 227, 409, 629

16"-20"W, Curtis, Version 2 - Back Assy, Canes and Pivot, TB2 Recline . . . 207, 377, 613

16"-20"W, Remote Plus, Version 2 - Back Assy, Canes and Pivot, TB2 Recline . . . . . 213, 383

16-20"W TB2 Recline Back Canes / Pivot, TRU-Comfort . . . 229, 411, 631

20"-24"W, Curtis, Version 2 - Back Assy, Canes and Pivot, TB2 Recline . . . 209, 379, 615

20"-24"W, Remote Plus, Version 2 - Back Assy, Canes and Pivot, TB2 Recline . . . . . 215, 385

20-24"W TB2 Recline Back Canes / Pivot, TRU-Comfort . . . 231, 413, 633

After Market Back Integration, TB2 Recline . . . . . 691

Angle Adj Towers, Non Specific Power Base, TB2 Tilt . . . . . 39, 349

Angle Adj Towers, Quantum 614, TB2 Tilt . . . . . 41, 351

Back Assy, 14"-18"W, Curtis,Version 1, TB2 Recline . . . . . 219, 389, 621

Back Assy, 16"-20"W, Curtis, Version 1, TB2 Recline . . . . . 220, 390, 622

Back Assy, 20"-24"W, Curtis, Version 1, TB2 Recline . . . . . 222, 392, 624

Back Assy, Canes and Pivot, 14"-18" W Remote Plus, Version 1, TB2 Recline . . . . . 394

Back Assy, Canes and Pivot, 16"-20" W, Remote Plus, Version 1, TB2 Recline . . . . . 399

Back Assy, Canes and Pivot, 20"-24" W Remote Plus, Version 1, TB2 Recline . . . . . 403

Back Cane Angle Adjustable Bracket, Version 2 . . . . . 121

Back Cane Assembly w/ Short Push Handle, 14"-25" Height, Version 1 . . . 113

Back Cane Extrusion - Short Push Handles, 14"-25" Height, Version 2 . . . 117, 533

Back Cane Extrusion - Straight, 14"-25" Height, Version 2 . . . . . 115, 535

Back Cane Flip Forward Bracket, Version 2 . . . . . 123

Back Canes - 22" Flip Down . . . . . 119, 537

Back Cushion - 18"H, TB2 Recline . . . . . 287, 469

Back Cushion - 19"H, TB2 Recline . . . . . 289, 471

Back Cushion - 20"H, TB2 Recline . . . . . 291, 473

Back Cushion - 21"H, TB2 Recline . . . . . 293, 475

Back Cushion - 22"H, TB2 Recline . . . . . 295, 477

Back Cushion - 23"H, TB2 Recline . . . . . 297, 479

Back Cushion - 24"H, TB2 Recline . . . . . 299, 481

Back Cushion - 25"H, TB2 Recline . . . . . 301, 483

Back Cushion - 26"H, TB2 Recline . . . . . 303, 485

Back Cushion - 27"H, TB2 Recline . . . . . 305, 487

Back Cushion - 28"H, TB2 Recline . . . . . 307, 489

Back Plate - 18"H, TB2 Recline . . . . . 265, 447

Back Plate - 19"H, TB2 Recline . . . . . 267, 449

Back Plate - 20"H, TB2 Recline . . . . . 269, 451

Back Plate - 21"H, TB2 Recline . . . . . 271, 453

Back Plate - 22"H, TB2 Recline . . . . . 273, 455

Back Plate - 23"H, TB2 Recline . . . . . 275, 457

Back Plate - 24"H, TB2 Recline . . . . . 277, 459

Back Plate - 25"H, TB2 Recline . . . . . 279, 461

Back Plate - 26"H, TB2 Recline . . . . . 281, 463

Back Plate - 27"H, TB2 Recline . . . . . 283, 465

Back Plate - 28"H, TB2 Recline . . . . . 285, 467

Back Shroud, Linkage, and Interface Plate V2, TB2 Recline . . . . . 217, 387, 617

Back Shroud, Linkage, and Interface Plate, Version 1, TB2 Recline . . . 224, 407, 626

Back Shrouds, TRU-Comfort Back, TB2 Recline . . . . . 233, 417, 619, 637

Decal Assembly, TB2 Recline . . . . . 315

Decal Package, TB2 Lift and Tilt . . . . . 573, 683

Decal Package, TB2 Lift, Tilt and Recline . . . . . 575, 685

Endomorph Back Cane Bracket - 1" In, Version 2 . . . . . 129

Endomorph Back Cane Bracket - 2" In, Version 2 . . . . . 131

Fixed Seat Towers, 6000Z, TB2 . . . . . 33, 343

Fixed Seat Towers, Non Specific Power Base, TB2 . . . . . 35, 345, 527, 605

Fixed Seat Towers, TB2 Super Low Tilt . . . . . 37, 347, 531, 609

Interface Weldment, 1113ATS/1121/Superlow, TB2 Tilt . . . . . 31, 339

Interface Weldment, 5.039" Centers, TB2 Tilt . . . . . 20, 335

Lap Belt, TB2 Power Recline . . . . . 309, 493

Lap Belts, Adult and Pediatric . . . . . 151, 571, 681

Lift and Tilt Base Assembly, TB2 . . . . . 503, 581

Manual Recline Assembly, TB2 . . . . . 149

Mesomorph Back Cane Bracket - 1" Out, Version 2 . . . . . 125

Mesomorph Back Cane Bracket - 2" Out, Version 2 . . . . . 127

Owner's Package, TB2 Lift, Tilt and Recline . . . . . 579, 689

Owner's Package, TB2 Recline . . . . . 313

Owner's Packages, TB2 Lift and Tilt . . . . . 577, 687

Pediatric Lap Belt, TB2 Power Recline . . . . . 311, 495

Power Elevating Seat - 14" Centers, 14"-18" W, Recline, TB2 . . . . . 185

Power Elevating Seat, 14" Centers, 18"-24"W, Recline, TB2 . . . . . 187

Power Elevating Seat, 14"-18"W, Quantum 6000, TB2 . . . . . 181

Power Elevating Seat, 14.322" Centers, 14"-18"W, Recline, TB2 . . . . . 189

Power Elevating Seat, 14.322" Centers, 18"-24" W, Recline, TB2 . . . . . 191

Power Elevating Seat, 16.125" Centers, 14"-18"W, Recline, TB2 . . . . . 193

Power Elevating Seat, 16.125" Centers, 18"-24"W, Recline, TB2 . . . . . 195

Power Elevating Seat, 18"-24"W, Quantum 6000, TB2 . . . . . 183

Push Bar - 14"-20"W, 20"-24"W, Clamp On . . . . . 133, 539

Push Bar - HD 20"W-24"W . . . . . 137, 541

Push Bar - Mounted in Cane T-Slot 16"-20"W . . . . . 543

Push Bar - Mounted in Cane T-Slot, 14"-20" W . . . . . 135

Push Bar - Solid Back Plate, 14"-24" W . . . . . 139

Rail Interface, 12.795" Centers, TB2 Tilt . . . . . 23

Rail Interface, 14" Centers (Q6 Edge), TB2 Tilt . . . . . 25, 337

Rail Interface, 14.322" Centers (R4000), TB2 Tilt . . . . . 27

Rail Interface, 16.125" Centers, TB2 Tilt . . . . . 29

Recline Back Standard Parts, TB2, TRU-Comfort . . . . . 235, 415, 635

Recline Headrest Assembly . . . . . 491

Rigiding Bar, 14"-24" Width . . . . . 141

Seat Base, 14"-20" W, TB2 Tilt w/ Elevating Seat . . . . . 45, 355

Seat Base, 14"-20"W, TB2 Tilt . . . . .	13, 329	Standard Back - 19" Width, TB2 . . . . .	75, 551
Seat Base, 16"-20"W, TB2 Power Lift and Tilt . . . . .	505, 583	Standard Back - 20" Width, TB2 . . . . .	77, 553
Seat Base, 20"-24" W, TB2 Tilt w/ Elevating Seat . . . . .	47, 357	Standard Back - 21" Width, TB2 . . . . .	79, 555
Seat Base, 20"-24"W, TB2 Power Lift and Tilt . . . . .	507, 585	Standard Back - 22" Width, TB2 . . . . .	81
Seat Base, 20"-24"W, TB2 Tilt . . . . .	15, 331	Standard Back - 23" Width, TB2 . . . . .	83
Seat Base, 5" Centers, 14"-18"W, TB2 Tilt . . . . .	17, 333	Standard Back - 24" Width, TB2 . . . . .	85
Seat Base, 5.039" Centers, 16"-20"W, TB2 Power Lift and Tilt . . . . .	509, 587	Standard Back and Cushion, 17"-18" H, TB2 Recline . . . . .	237, 419, 639
Seat Base, 5.039" Centers, 20"-24"W, TB2 Power Lift and Tilt . . . . .	511, 589	Standard Back and Cushion, 19"-20" H, TB2 Recline . . . . .	239, 421, 641
Seat Base, Q6 Edge / R44 16"-20", Metric Hardware, TB2 Power Lift and Tilt . . . . .	515, 593	Standard Back and Cushion, 21"-22" H, TB2 Recline . . . . .	241, 423, 643
Seat Base, Q6 Edge 16"-20", Standard Hardware, TB2 Power Lift and Tilt . . . . .	513, 591	Standard Back and Cushion, 23"-24" H, TB2 Recline . . . . .	243, 425, 645
Seat Interface for 14" Centers, TB2 Tilt w/ Elevating Seat, Q6 Edge . . . . .	49, 359	Standard Back and Cushion, 25"-26" H, TB2 Recline . . . . .	245, 427, 647
Seat Interface for 14.322" Centers, TB2 Tilt w/ Elevating Seat . . . . .	51, 361	Standard Back and Cushion, 27"-28" H, TB2 Recline . . . . .	247, 429, 649
Seat Interface, 16.125" Centers, TB2 Tilt w/ Elevating Seat . . . . .	53, 363	Stealth Standard Headrest Assembly, TB2 . . . . .	143, 564, 674
Seat Interface, Q6000, TB2 Tilt w/ Elevating Seat . . . . .	55, 365	Stem Mount, 12.795" Centers, 14"-20" Version 2, TB2 . . . . .	167
Seat Pans, TB2 . . . . .	63, 373, 523, 601	Stem Mount, 12.795" Centers, 14"-20"W, TB2 . . . . .	165
Seat Pans, TB2 Recline, TB2 . . . . .	203	Stem Mount, 12.795" Centers, Q600XL 20"-24"W, TB2 . . . . .	169
Seat Tower Assembly - Angle Adjustable, R4000 / R4400 . . . . .	43, 353, 525, 603	Stem Mount, 13.625" Centers - 14"-20", TB2 . . . . .	171
Seat Tower Mount Connector, TB2 . . . . .	158, 341	Stem Mount, 14" Centers, 14"-24"W, TB2 . . . . .	173
Seat Towers for Q614, TB2 Power Lift and Tilt . . . . .	529, 607	Stem Mount, 14.322" Centers - 14"-20"W, TB2 . . . . .	175
Side Rail, 14"D-18"D, Textured, TB2 . . . . .	197	Stem Mount, 16.125" Centers - 14"-20"W, TB2 . . . . .	177
Side Rail, 15"D-20"D, Power/Manual Recline, TB2 . . . . .	199	Stem Mount, 16.125" Centers, 14"-20"W, Version 2, TB2 . . . . .	179
Side Rail, 20"D-24"D, Power/Manual Recline, TB2 . . . . .	201	Stem Mount, 5.039" Centers, 2.635"H, 14"-20"W, TB2 . . . . .	161
Side Rails - 14"-18"D, TB2 . . . . .	57, 367, 517, 595	Stem Mount, 5.039" Centers, 3.375"H, 14"-20"W, TB2 . . . . .	163
Side Rails - 15"-20"D, TB2 . . . . .	59, 369, 519, 597	Synergy Standard Back Lateral Extensions, TB2 . . . . .	87, 557, 651
Side Rails - 20"-24"D, TB2 . . . . .	61, 371, 521, 599	TB2 Recline Seat Back, 16"W x 22"H, TRU-Comfort . . . . .	249, 431, 653
Slider Interface Seat Base, 14"-20"W, TB2 Tilt . . . . .	7, 323	TB2 Recline Seat Back, 16"W x 25"H, TRU-Comfort . . . . .	251, 433, 655
Slider Interface Seat Base, 20"-24"W, TB2 Tilt . . . . .	9, 325	TB2 Recline Seat Back, 18"W x 22"H, TRU-Comfort . . . . .	253, 435, 657
Solid Back Plate and Cushion 14" Width . . . . .	89	TB2 Recline Seat Back, 18"W x 25"H, TRU-Comfort . . . . .	255, 437, 659
Solid Back Plate and Cushion 15" Width . . . . .	91	TB2 Recline Seat Back, 20"W x 22"H, TRU-Comfort . . . . .	257, 439, 661
Solid Back Plate and Cushion 16" Width . . . . .	92	TB2 Recline Seat Back, 20"W x 25"H, TRU-Comfort . . . . .	259, 441, 663
Solid Back Plate and Cushion 17" Width . . . . .	95	TB2 Recline Seat Back, 22"W x 22"H, TRU-Comfort . . . . .	261, 443, 665
Solid Back Plate and Cushion 18" Width . . . . .	96	TB2 Recline Seat Back, 22"W x 25"H, TRU-Comfort . . . . .	263, 445, 667
Solid Back Plate and Cushion 19" Width . . . . .	99	TB2 Tilt & Recline Decal Package . . . . .	499
Solid Back Plate and Cushion 20" Width . . . . .	100	TB2 Tilt Decal Package . . . . .	155
Solid Back Plate and Cushion 21" Width . . . . .	103	TB2 Tilt Owner's Package . . . . .	153
Solid Back Plate and Cushion 22" Width . . . . .	105	TB2 Tilt and Recline Owner's Package . . . . .	497
Solid Curved Back - 14"-16" Width . . . . .	107	TB2 Tilt, Recline, and Power Elevating Seat Actuators . . . . .	501
Solid Curved Back - 17"-19" Width . . . . .	109	TRU-Comfort Headrest Assembly - 8", TB2 . . . . .	145, 567, 677
Solid Curved Back - 20"-22" Width . . . . .	111	TRU-Comfort Headrest Assy - 10", TB2 . . . . .	147, 569, 679
Solid Curved Back, 16"-18" Width . . . . .	559, 669	Tilt Base w/ Actuator Complete, Version 2, All Models Except Q6 Edge, TB2 . . . . .	3, 319
Solid Curved Back, 19"-21" Width . . . . .	560, 670	Tilt Base w/ Actuator Complete, Version 2, Q6 Edge Specific, TB2 . . . . .	1, 317
Solid Curved Back, 22" Width . . . . .	562, 672	Tilt Frame and Actuator, Version 1, TB2 Tilt . . . . .	11, 327
Spanner Width Reference . . . . .	19, 157	Tilt Frame and Actuator, Version 2, TB2 Tilt . . . . .	5, 321
Standard Back - 14" Width, TB2 . . . . .	65		
Standard Back - 15" Width, TB2 . . . . .	67		
Standard Back - 16" Width, TB2 . . . . .	69, 545		
Standard Back - 17" Width, TB2 . . . . .	71, 547		
Standard Back - 18" Width, TB2 . . . . .	73, 549		

Appendix B:Parts Index

ACCACTR1031 . . . . .	2, 4, 6, 12, 46, 48, 318, 320, 322, 328, 356, 358, 502	CUSASMB1442 . . . . .	298, 480
ACCACTR1032 . . . . .	206, 208, 210, 212, 214, 216, 228, 230, 232, 376, 378, 380, 382, 384, 386, 398, 402, 406, 410, 412, 414, 502, 612, 614, 616, 630, 632, 634	CUSASMB1443 . . . . .	300, 482
ACCACTR1052 . . . . .	504, 582	CUSASMB1444 . . . . .	302, 484
ACCBELT1000 . . . . .	152, 310, 494, 572, 682	CUSASMB1445 . . . . .	304, 486
ACCBELT1001 . . . . .	152, 310, 494, 572, 682	CUSASMB1446 . . . . .	306, 488
ACCBELT1002 . . . . .	152, 310, 494, 572, 682	CUSASMB1447 . . . . .	308, 490
ACCBELT1003 . . . . .	152, 310, 494, 572, 682	CUSASMB1448 . . . . .	288, 470
ACCBELT1004 . . . . .	152, 310, 494, 572, 682	CUSASMB1449 . . . . .	290, 472
ACCBELT1006 . . . . .	152, 312, 496, 572, 682	CUSASMB1450 . . . . .	292, 474
BLTASHL1011 . . . . .	206, 206, 208, 208, 210, 210, 212, 212, 214, 214, 216, 216, 228, 228, 230, 230, 232, 232, 376, 376, 378, 378, 380, 380, 382, 382, 384, 384, 386, 386, 396, 396, 400, 400, 404, 404, 410, 410, 412, 412, 414, 414, 612, 612, 614, 614, 616, 616, 630, 630, 632, 632, 634, 634	CUSASMB1451 . . . . .	294, 476
BLTASHL1017 . . . . .	150	CUSASMB1452 . . . . .	296, 478
BLTASHL1035 . . . . .	14, 16, 18, 22, 32, 50, 52, 54, 56, 330, 332, 334, 336, 340, 360, 362, 364, 366	CUSASMB1453 . . . . .	298, 480
BLTASHL1059 . . . . .	150	CUSASMB1454 . . . . .	300, 482
BLTASHL1067 . . . . .	2, 28, 318	CUSASMB1455 . . . . .	302, 484
BLTASHL1069 . . . . .	228, 228, 230, 230, 232, 232, 396, 396, 400, 400, 404, 404, 410, 410, 412, 412, 414, 414, 630, 630, 632, 632, 634, 634	CUSASMB1456 . . . . .	304, 486
BLTASHL1071 . . . . .	150	CUSASMB1457 . . . . .	306, 488
BLTASHL1165 . . . . .	2, 4, 6, 12, 46, 48, 318, 320, 322, 328, 356, 358	CUSASMB1458 . . . . .	308, 490
BRGFLNG1002 . . . . .	150	CUSASMB1459 . . . . .	288, 470
BRGFLNG1012 . . . . .	396, 400, 404	CUSASMB1460 . . . . .	290, 472
BRGFLNG1025 . . . . .	228, 230, 232, 396, 398, 400, 402, 404, 406, 410, 412, 414, 630, 632, 634	CUSASMB1461 . . . . .	292, 474
BRGFLNG1029 . . . . .	228, 230, 232, 398, 402, 406, 410, 412, 414, 630, 632, 634	CUSASMB1462 . . . . .	294, 476
BRGSLV1038 . . . . .	250, 252, 254, 256, 258, 260, 262, 264, 396, 400, 404, 432, 434, 436, 438, 440, 442, 444, 446, 654, 656, 658, 660, 662, 664, 666, 668	CUSASMB1463 . . . . .	296, 478
CUS131210 . . . . .	146, 568, 678	CUSASMB1464 . . . . .	298, 480
CUS131214 . . . . .	148, 570, 680	CUSASMB1465 . . . . .	300, 482
CUSASMB1426 . . . . .	288, 470	CUSASMB1466 . . . . .	302, 484
CUSASMB1427 . . . . .	290, 472	CUSASMB1467 . . . . .	304, 486
CUSASMB1428 . . . . .	292, 474	CUSASMB1468 . . . . .	306, 488
CUSASMB1429 . . . . .	294, 476	CUSASMB1469 . . . . .	308, 490
CUSASMB1430 . . . . .	296, 478	CUSASMB1470 . . . . .	288, 470
CUSASMB1431 . . . . .	298, 480	CUSASMB1471 . . . . .	290, 472
CUSASMB1432 . . . . .	300, 482	CUSASMB1472 . . . . .	292, 474
CUSASMB1433 . . . . .	302, 484	CUSASMB1473 . . . . .	294, 476
CUSASMB1434 . . . . .	304, 486	CUSASMB1474 . . . . .	296, 478
CUSASMB1435 . . . . .	306, 488	CUSASMB1475 . . . . .	298, 480
CUSASMB1436 . . . . .	308, 490	CUSASMB1476 . . . . .	300, 482
CUSASMB1437 . . . . .	288, 470	CUSASMB1477 . . . . .	302, 484
CUSASMB1438 . . . . .	290, 472	CUSASMB1478 . . . . .	304, 486
CUSASMB1439 . . . . .	292, 474	CUSASMB1479 . . . . .	306, 488
CUSASMB1440 . . . . .	294, 476	CUSASMB1480 . . . . .	308, 490
CUSASMB1441 . . . . .	296, 478	CUSASMB1481 . . . . .	288, 470
		CUSASMB1482 . . . . .	290, 472
		CUSASMB1483 . . . . .	292, 474
		CUSASMB1484 . . . . .	294, 476
		CUSASMB1485 . . . . .	296, 478
		CUSASMB1486 . . . . .	298, 480
		CUSASMB1487 . . . . .	300, 482
		CUSASMB1488 . . . . .	302, 484
		CUSASMB1489 . . . . .	304, 486
		CUSASMB1490 . . . . .	306, 488
		CUSASMB1491 . . . . .	308, 490
		CUSASMB1492 . . . . .	288, 470

CUSASMB1493	290, 472	CUSASMB1544	304, 486
CUSASMB1494	292, 474	CUSASMB1545	306, 488
CUSASMB1495	294, 476	CUSASMB1546	308, 490
CUSASMB1496	296, 478	CUSASMB2322	238, 420, 640
CUSASMB1497	298, 480	CUSASMB2324	66, 240, 422, 642
CUSASMB1498	300, 482	CUSASMB2325	240, 422, 642
CUSASMB1499	302, 484	CUSASMB2326	240, 422, 642
CUSASMB1500	304, 486	CUSASMB2327	240, 422, 642
CUSASMB1501	306, 488	CUSASMB2328	240, 422, 642
CUSASMB1502	308, 490	CUSASMB2329	240, 422, 642
CUSASMB1503	288, 470	CUSASMB2330	240, 422, 642
CUSASMB1504	290, 472	CUSASMB2331	240, 422, 642
CUSASMB1505	292, 474	CUSASMB2332	240, 422, 642
CUSASMB1506	294, 476	CUSASMB2333	240, 422, 642
CUSASMB1507	296, 478	CUSASMB2334	240, 422, 642
CUSASMB1508	298, 480	CUSASMB2336	66, 242, 424, 644
CUSASMB1509	300, 482	CUSASMB2337	68, 68, 242, 424, 644
CUSASMB1510	302, 484	CUSASMB2338	70, 242, 424, 546, 644
CUSASMB1511	304, 486	CUSASMB2339	72, 242, 424, 548, 644
CUSASMB1512	306, 488	CUSASMB2340	74, 242, 424, 550, 644
CUSASMB1513	308, 490	CUSASMB2341	76, 242, 424, 552, 644
CUSASMB1514	288, 470	CUSASMB2342	78, 242, 424, 554, 644
CUSASMB1515	290, 472	CUSASMB2343	80, 242, 424, 556, 644
CUSASMB1516	292, 474	CUSASMB2344	82, 242, 424, 644
CUSASMB1517	294, 476	CUSASMB2345	242, 424, 644
CUSASMB1518	296, 478	CUSASMB2346	86, 242, 424, 644
CUSASMB1519	298, 480	CUSASMB2347	244, 426, 646
CUSASMB1520	300, 482	CUSASMB2348	244, 426, 646
CUSASMB1521	302, 484	CUSASMB2349	70, 244, 426, 546, 646
CUSASMB1522	304, 486	CUSASMB2350	244, 426, 646
CUSASMB1523	306, 488	CUSASMB2351	74, 244, 426, 550, 646
CUSASMB1524	308, 490	CUSASMB2352	76, 244, 426, 552, 646
CUSASMB1525	288, 470	CUSASMB2353	78, 244, 426, 554, 646
CUSASMB1526	290, 472	CUSASMB2354	80, 244, 426, 556, 646
CUSASMB1527	292, 474	CUSASMB2355	82, 244, 426, 646
CUSASMB1528	294, 476	CUSASMB2356	84, 244, 426, 646
CUSASMB1529	296, 478	CUSASMB2357	86, 244, 426, 646
CUSASMB1530	298, 480	CUSASMB2366	66, 246, 428, 648
CUSASMB1531	300, 482	CUSASMB2367	68, 246, 428, 648
CUSASMB1532	302, 484	CUSASMB2368	70, 246, 428, 546, 648
CUSASMB1533	304, 486	CUSASMB2369	72, 246, 428, 548, 648
CUSASMB1534	306, 488	CUSASMB2370	74, 246, 428, 550, 648
CUSASMB1535	308, 490	CUSASMB2371	76, 246, 428, 552, 648
CUSASMB1536	288, 470	CUSASMB2372	78, 246, 428, 554, 648
CUSASMB1537	290, 472	CUSASMB2373	80, 246, 428, 556, 648
CUSASMB1538	292, 474	CUSASMB2374	82, 246, 428, 648
CUSASMB1539	294, 476	CUSASMB2375	84, 246, 428, 648
CUSASMB1540	296, 478	CUSASMB2376	86, 246, 428, 648
CUSASMB1541	298, 480	CUSASMB2385	66, 248, 430, 650
CUSASMB1542	300, 482	CUSASMB2386	68, 248, 430, 650
CUSASMB1543	302, 484	CUSASMB2387	70, 248, 430, 546, 650

CUSASMB2388	72, 248, 430, 548, 650	DWR1234L306	492
CUSASMB2389	74, 248, 430, 550, 650	DWR1234L414	316, 500
CUSASMB2390	76, 248, 430, 552, 650	DWR1235L199	2, 4, 156, 318, 320, 500, 574, 576, 684, 686
CUSASMB2391	78, 248, 430, 554, 650	DWR1235L455	314
CUSASMB2392	80, 248, 430, 556, 650	DWR1250D029B	150
CUSASMB2393	82, 248, 430, 650	DWR1250D030B	150
CUSASMB2394	84, 248, 430, 650	DWR1250E031	150
CUSASMB2395	86, 248, 430, 650	DWR1265B002	8, 10, 14, 16, 18, 46, 48, 324, 326, 330, 332, 334, 356, 358
CUSASMB2404	66	DWR1265B063	530, 608
CUSASMB2405	68	DWR1265B064	530, 608
CUSASMB2406	70, 546	DWR1265B065	530, 608
CUSASMB2407	72, 548	DWR1265C030	6, 14, 16, 18, 46, 48, 322, 330, 332, 334, 356, 358
CUSASMB2408	74, 550	DWR1265C031	6, 14, 16, 18, 46, 48, 322, 330, 332, 334, 356, 358
CUSASMB2409	76, 552	DWR1265C033	2, 4, 8, 14, 18, 46, 318, 320, 324, 330, 334, 356
CUSASMB2410	78, 554	DWR1265C040	6, 14, 16, 18, 46, 48, 322, 330, 332, 334, 356, 358
CUSASMB2411	80, 556	DWR1265C041	6, 14, 16, 18, 46, 48, 322, 330, 332, 334, 356, 358
CUSASMB2412	82	DWR1265C042	10, 16, 48, 326, 332, 358
CUSASMB2413	84	DWR1265C066	42, 352
CUSASMB2414	86	DWR1265C071	42, 352
DECASMB2058	156	DWR1265C072	42, 352
DECASMB2060	500	DWR1265C079	42, 352
DWR1000B224B	108, 110, 112	DWR1265C116	2, 318
DWR1005B080	6, 12, 322, 328	DWR1265C117	28, 28
DWR1005B090	62, 372, 522, 600	DWR1265C126	2, 318
DWR1005B112	122, 124, 126, 128, 130, 132	DWR1265C133	2, 318
DWR1005B180	58, 58, 60, 60, 62, 62, 368, 368, 370, 370, 372, 372, 518, 518, 520, 520, 522, 522, 596, 596, 598, 598, 600, 600	DWR1265C134	28
DWR1005B215	506, 508, 510, 512, 514, 584, 586, 588, 590, 592	DWR1265C135	28
DWR1005C029	122, 126, 128, 130, 132	DWR1265D010	14, 16, 32, 330, 332, 340, 506, 508, 584, 586
DWR1005C061	504, 582	DWR1265D011	46, 48, 356, 358
DWR1005C072	504, 582	DWR1265D012	14, 16, 32, 330, 332, 340, 506, 508, 584, 586
DWR1005C081	2, 318	DWR1265D013	6, 14, 16, 18, 46, 48, 322, 330, 332, 334, 356, 358
DWR1010C365	146, 148, 568, 570, 678, 680	DWR1265D023	2, 28, 318
DWR1010C366	146, 148, 568, 570, 678, 680	DWR1265D031	28
DWR1010C418	146, 148, 568, 570, 678, 680	DWR1265D033	2, 28, 318
DWR1040E747	146, 568, 678	DWR1265E028	14, 16, 32, 330, 332, 340
DWR1040E748	146, 568, 678	DWR1265E029	14, 16, 32, 330, 332, 340
DWR1040E765	148, 570, 680	DWR1265E042	18, 22, 334, 336
DWR1044E456A	240, 242, 244, 246, 248, 422, 424, 426, 428, 430, 642, 644, 646, 648, 650	DWR1265E044	18, 22, 334, 336
DWR1044E456B	238, 240, 242, 244, 246, 248, 420, 422, 424, 426, 428, 430, 640, 642, 644, 646, 648, 650	DWR1265E064	6, 322
DWR1044E456C	240, 242, 244, 246, 248, 422, 424, 426, 428, 430, 642, 644, 646, 648, 650	DWR1265E065	28
DWR1054B026	160, 342	DWR1270C019	506, 508, 510, 512, 514, 516, 584, 586, 588, 590, 592, 594
DWR1059C038	56, 182, 184, 366	DWR1290B046	504, 582
DWR1220E019	50, 360	DWR1290C056	504, 582
DWR1220E020	514, 516, 592, 594	DWR1290C067	504, 582
DWR1220E021	514, 516, 592, 594	DWR1290C069	504, 582
DWR1234L004	2, 4, 156, 316, 318, 320, 500, 574, 576, 684, 686	DWR1290C082	504, 582
DWR1234L072	2, 4, 156, 318, 320, 500, 574, 576, 684, 686	DWR1290C083	504, 504, 582, 582
		DWR1290D037	504, 582
		DWR1290E037	506, 508, 584, 586
		DWR1290E039	506, 508, 584, 586
		DWR1290E047	504, 582



DWR1291C004	504, 582	DWR1359E032I	74, 244, 426, 550, 646
DWR1291E012	510, 512, 588, 590	DWR1359E032J	76, 244, 426, 552, 646
DWR1291E013	510, 512, 588, 590	DWR1359E032K	78, 244, 426, 554, 646
DWR1306C005	146, 148, 568, 570, 678, 680	DWR1359E032L	80, 244, 426, 556, 646
DWR1306C024	66, 68, 70, 72, 74, 76, 78, 80, 82, 84, 86, 546, 548, 550, 552, 554, 556	DWR1359E032M	82, 244, 426, 646
DWR1306D007	250, 252, 254, 256, 258, 260, 262, 264, 432, 434, 436, 438, 440, 442, 444, 446, 654, 656, 658, 660, 662, 664, 666, 668	DWR1359E032N	84, 244, 426, 646
DWR1306D008	250, 252, 254, 256, 258, 260, 262, 264, 432, 434, 436, 438, 440, 442, 444, 446, 654, 656, 658, 660, 662, 664, 666, 668	DWR1359E032O	86, 244, 426, 646
DWR1306D014	250, 252, 254, 256, 258, 260, 262, 264, 432, 434, 436, 438, 440, 442, 444, 446, 654, 656, 658, 660, 662, 664, 666, 668	DWR1359E034E	66, 246, 428, 648
DWR1306D059	250, 252, 254, 256, 258, 260, 262, 264, 432, 434, 436, 438, 440, 442, 444, 446, 654, 656, 658, 660, 662, 664, 666, 668	DWR1359E034F	68, 246, 428, 648
DWR1306E037	250, 252, 254, 256, 258, 260, 262, 264, 432, 434, 436, 438, 440, 442, 444, 446, 654, 656, 658, 660, 662, 664, 666, 668	DWR1359E034G	70, 246, 428, 546, 648
DWR1306E038	250, 252, 254, 256, 258, 260, 262, 264, 432, 434, 436, 438, 440, 442, 444, 446, 654, 656, 658, 660, 662, 664, 666, 668	DWR1359E034H	72, 246, 428, 548, 648
DWR1359B003	66, 68, 70, 72, 74, 76, 78, 80, 82, 84, 86, 90, 94, 98, 102, 104, 106, 546, 548, 550, 552, 554, 556	DWR1359E034I	74, 246, 428, 550, 648
DWR1359C005	90, 94, 98, 102, 104, 106	DWR1359E034J	76, 246, 428, 552, 648
DWR1359C015	88, 558, 652	DWR1359E034K	78, 246, 428, 554, 648
DWR1359E001I	102	DWR1359E034L	80, 246, 428, 556, 648
DWR1359E001K	102	DWR1359E034M	82, 246, 428, 648
DWR1359E007E	90	DWR1359E034N	84, 246, 428, 648
DWR1359E007G	90	DWR1359E034O	86, 246, 428, 648
DWR1359E007K	90	DWR1359E036E	66, 248, 430, 650
DWR1359E009G	94	DWR1359E036F	68, 248, 430, 650
DWR1359E009K	94	DWR1359E036G	70, 248, 430, 546, 650
DWR1359E011G	98	DWR1359E036H	72, 248, 430, 548, 650
DWR1359E011I	98	DWR1359E036I	74, 248, 430, 550, 650
DWR1359E011K	98	DWR1359E036J	76, 248, 430, 552, 650
DWR1359E013M	104	DWR1359E036K	78, 248, 430, 554, 650
DWR1359E014G	106	DWR1359E036L	80, 248, 430, 556, 650
DWR1359E014I	106	DWR1359E036M	82, 248, 430, 650
DWR1359E014M	106	DWR1359E036N	84, 248, 430, 650
DWR1359E029E	66, 242, 424, 644	DWR1359E036O	86, 248, 430, 650
DWR1359E029F	68, 242, 424, 644	DWR1359E043E	238, 420, 640
DWR1359E029G	70, 242, 424, 546, 644	DWR1359E044E	66, 240, 422, 642
DWR1359E029H	72, 242, 424, 548, 644	DWR1359E044F	240, 422, 642
DWR1359E029I	74, 242, 424, 550, 644	DWR1359E044G	240, 422, 642
DWR1359E029J	76, 242, 424, 552, 644	DWR1359E044H	240, 422, 642
DWR1359E029K	78, 242, 424, 554, 644	DWR1359E044I	240, 422, 642
DWR1359E029L	80, 242, 424, 556, 644	DWR1359E044J	240, 422, 642
DWR1359E029M	82, 242, 424, 644	DWR1359E044K	240, 422, 642
DWR1359E029N	84, 242, 424, 644	DWR1359E044L	240, 422, 642
DWR1359E029O	86, 242, 424, 644	DWR1359E044M	240, 422, 642
DWR1359E032E	66, 244, 426, 646	DWR1359E044N	240, 422, 642
DWR1359E032F	68, 244, 426, 646	DWR1359E044O	240, 422, 642
DWR1359E032G	70, 244, 426, 546, 646	DWR1359E045E	66
DWR1359E032H	72, 244, 426, 548, 646	DWR1359E045F	68
		DWR1359E045G	70, 546
		DWR1359E045H	72, 548
		DWR1359E045I	74, 550
		DWR1359E045J	76, 552
		DWR1359E045K	78, 554
		DWR1359E045L	80, 556
		DWR1359E045M	82
		DWR1359E045N	84

DWR1359E0450	86	DWR1367E030E	274, 456
DWR1360A002	122, 124, 126, 128, 130, 132	DWR1367E030F	276, 458
DWR1360A004	58, 60, 62, 198, 200, 202, 368, 370, 372, 518, 520, 522, 596, 598, 600	DWR1367E030G	278, 460
DWR1360B007	58, 60, 62, 198, 200, 202, 368, 370, 372, 518, 520, 522, 596, 598, 600	DWR1367E030H	280, 462
DWR1360B015	8, 10, 14, 16, 18, 46, 48, 150, 228, 230, 232, 324, 326, 330, 332, 334, 356, 358, 396, 400, 406, 410, 412, 414, 630, 632, 634	DWR1367E030I	282, 464
DWR1360B018	516, 594	DWR1367E030J	284, 466
DWR1360B048	58, 60, 62, 198, 200, 202, 368, 370, 372, 518, 520, 522, 596, 598, 600	DWR1367E030K	286, 468
DWR1360B094	124	DWR1367E032A	266, 448
DWR1360C154	122, 126, 128, 130, 132	DWR1367E032B	268, 450
DWR1362E038B	64, 204, 374, 524, 602	DWR1367E032C	270, 452
DWR1362E040B	64, 204, 374, 524, 602	DWR1367E032D	272, 454
DWR1362E041B	64, 204, 374, 524, 602	DWR1367E032E	274, 456
DWR1362E042B	64, 204, 374, 524, 602	DWR1367E032F	276, 458
DWR1362E043B	64, 204, 374, 524, 602	DWR1367E032G	278, 460
DWR1362E044B	64, 204, 374, 524, 602	DWR1367E032H	280, 462
DWR1362E046B	64, 204, 374, 524, 602	DWR1367E032I	282, 464
DWR1362E047B	64, 204, 374, 524, 602	DWR1367E032J	284, 466
DWR1362E048B	64, 204, 374, 524, 602	DWR1367E032K	286, 468
DWR1367B029	228, 230, 232, 396, 400, 404, 410, 412, 414, 630, 632, 634	DWR1367E033A	266, 448
DWR1367B033	228, 230, 232, 404, 410, 412, 414, 630, 632, 634	DWR1367E033B	268, 450
DWR1367C037	228, 230, 232, 396, 400, 404, 410, 412, 414, 630, 632, 634	DWR1367E033C	270, 452
DWR1367C039	396, 400, 404	DWR1367E033D	272, 454
DWR1367C040	396, 400, 404	DWR1367E033E	274, 456
DWR1367C041	228, 230, 232, 396, 400, 404, 410, 412, 414, 630, 632, 634	DWR1367E033F	276, 458
DWR1367C043	116, 536	DWR1367E033G	278, 460
DWR1367D009	398	DWR1367E033H	280, 462
DWR1367D010	398	DWR1367E033I	282, 464
DWR1367D014	406	DWR1367E033J	284, 466
DWR1367D015	402	DWR1367E033K	286, 468
DWR1367D016	406	DWR1367E034A	266, 448
DWR1367D017	402	DWR1367E034B	268, 450
DWR1367E003	396	DWR1367E034C	270, 452
DWR1367E004	404	DWR1367E034D	272, 454
DWR1367E005	400	DWR1367E034E	274, 456
DWR1367E008	406	DWR1367E034F	276, 458
DWR1367E009	402	DWR1367E034G	278, 460
DWR1367E010	398	DWR1367E034H	280, 462
DWR1367E024	396, 400, 404	DWR1367E034I	282, 464
DWR1367E025	396, 400, 404	DWR1367E034J	284, 466
DWR1367E028	396, 400, 404	DWR1367E034K	286, 468
DWR1367E030A	266, 448	DWR1367E035A	266, 448
DWR1367E030B	268, 450	DWR1367E035B	268, 450
DWR1367E030C	270, 452	DWR1367E035C	270, 452
DWR1367E030D	272, 454	DWR1367E035D	272, 454
		DWR1367E035E	274, 456
		DWR1367E035F	276, 458
		DWR1367E035G	278, 460
		DWR1367E035H	280, 462
		DWR1367E035I	282, 464
		DWR1367E035J	284, 466
		DWR1367E035K	286, 468

DWR1367E036A	266, 448	DWR1367E040H	280, 462
DWR1367E036B	268, 450	DWR1367E040I	282, 464
DWR1367E036C	270, 452	DWR1367E040J	284, 466
DWR1367E036D	272, 454	DWR1367E040K	286, 468
DWR1367E036E	274, 456	DWR1367E041A	266, 448
DWR1367E036F	276, 458	DWR1367E041B	268, 450
DWR1367E036G	278, 460	DWR1367E041C	270, 452
DWR1367E036H	280, 462	DWR1367E041D	272, 454
DWR1367E036I	282, 464	DWR1367E041E	274, 456
DWR1367E036J	284, 466	DWR1367E041F	276, 458
DWR1367E036K	286, 468	DWR1367E041G	278, 460
DWR1367E037A	266, 448	DWR1367E041H	280, 462
DWR1367E037B	268, 450	DWR1367E041I	282, 464
DWR1367E037C	270, 452	DWR1367E041J	284, 466
DWR1367E037D	272, 454	DWR1367E041K	286, 468
DWR1367E037E	274, 456	DWR1367E042	218, 234, 236, 388, 416, 418, 618, 620, 636, 638
DWR1367E037F	276, 458	DWR1367E074	218, 234, 388, 418, 618, 620, 638
DWR1367E037G	278, 460	DWR1368B015	52, 54, 362, 364
DWR1367E037H	280, 462	DWR1368D008	52, 362
DWR1367E037I	282, 464	DWR1368E015	52, 54, 56, 182, 184, 186, 188, 190, 192, 194, 196, 362, 364, 366, 502
DWR1367E037J	284, 466	DWR1368E017	52, 54, 56, 362, 364, 366
DWR1367E037K	286, 468	DWR1368E021	54, 364
DWR1367E038A	266, 448	DWR1600B107B	150
DWR1367E038B	268, 450	DWR1600B108B	150
DWR1367E038C	270, 452	DWR1600B109	150
DWR1367E038D	272, 454	DWR1600B122B	58, 60, 62, 126, 128, 130, 132, 150, 198, 200, 202, 368, 370, 372, 518, 520, 522, 596, 598, 600
DWR1367E038E	274, 456	DWR1600D107	150
DWR1367E038F	276, 458	ELE139125	226, 408, 628
DWR1367E038G	278, 460	ELEASMB7440	504, 582
DWR1367E038H	280, 462	FRMASMB10035	398, 402, 406
DWR1367E038I	282, 464	FRMASMB10411	190
DWR1367E038J	284, 466	FRMASMB10412	192
DWR1367E038K	286, 468	FRMASMB10413	194
DWR1367E039A	266, 448	FRMASMB10414	196
DWR1367E039B	268, 450	FRMASMB10497	40, 350
DWR1367E039C	270, 452	FRMASMB10498	36, 346, 528, 606
DWR1367E039D	272, 454	FRMASMB10506	54, 364
DWR1367E039E	274, 456	FRMASMB10507	52, 362
DWR1367E039F	276, 458	FRMASMB10518	58, 368, 518, 596
DWR1367E039G	278, 460	FRMASMB10519	58, 368, 518, 596
DWR1367E039H	280, 462	FRMASMB10520	58, 368, 518, 596
DWR1367E039I	282, 464	FRMASMB10521	60, 370, 520, 598
DWR1367E039J	284, 466	FRMASMB10522	60, 370, 520, 598
DWR1367E039K	286, 468	FRMASMB10523	60, 370, 520, 598
DWR1367E040A	266, 448	FRMASMB10524	62, 372, 522, 600
DWR1367E040B	268, 450	FRMASMB10525	62, 372, 522, 600
DWR1367E040C	270, 452	FRMASMB10526	62, 372, 522, 600
DWR1367E040D	272, 454	FRMASMB10824	168
DWR1367E040E	274, 456	FRMASMB10825	168
DWR1367E040F	276, 458		
DWR1367E040G	278, 460		



FRMASMB10827	180	FRMASMB15775	116, 536
FRMASMB10828	180	FRMASMB15776	116, 536
FRMASMB10850	56, 366	FRMASMB15777	116, 536
FRMASMB11099	128	FRMASMB15778	116, 536
FRMASMB11100	128	FRMASMB15779	116, 536
FRMASMB11101	132	FRMASMB15780	116, 536
FRMASMB11102	132	FRMASMB15781	116, 536
FRMASMB11103	126	FRMASMB15782	116, 536
FRMASMB11104	126	FRMASMB15783	116, 536
FRMASMB11105	130	FRMASMB15832	118, 534
FRMASMB11106	130	FRMASMB15833	118, 534
FRMASMB11128	44, 354, 526, 604	FRMASMB15834	118, 534
FRMASMB11211	120, 538	FRMASMB15835	118, 534
FRMASMB11212	120, 538	FRMASMB15836	118, 534
FRMASMB11440	46, 48, 356, 358	FRMASMB15837	118, 534
FRMASMB11443	46, 48, 356, 358	FRMASMB15838	118, 534
FRMASMB11989	44, 354, 526, 604	FRMASMB15839	118, 534
FRMASMB11990	44, 354, 526, 604	FRMASMB15840	118, 534
FRMASMB12347	40, 350	FRMASMB15841	118, 534
FRMASMB12348	40, 350	FRMASMB15842	118, 534
FRMASMB12385	124	FRMASMB15843	118, 534
FRMASMB12386	124	FRMASMB15851	124
FRMASMB12395	206, 208, 210, 212, 214, 216, 218, 236, 376, 378, 380, 382, 384, 386, 388, 416, 612, 614, 616, 618, 636	FRMASMB15852	124
FRMASMB12481	42, 352	FRMASMB16002	2, 4, 318, 320
FRMASMB12482	42, 352	FRMASMB16004	28
FRMASMB12496	42, 352	FRMASMB16005	28
FRMASMB12689	206, 208, 210, 212, 214, 216, 228, 230, 232, 376, 378, 380, 382, 384, 386, 410, 412, 414, 612, 614, 616, 630, 632, 634	FRMASMB16008	2, 318
FRMASMB12690	206, 208, 210, 212, 214, 216, 228, 230, 232, 376, 378, 380, 382, 384, 386, 410, 412, 414, 612, 614, 616, 630, 632, 634	FRMASMB16066	174
FRMASMB12695	250, 252, 254, 256, 258, 260, 262, 264, 432, 434, 436, 438, 440, 442, 444, 446, 654, 656, 658, 660, 662, 664, 666, 668	FRMASMB16067	174
FRMASMB12696	206, 208, 210, 212, 214, 216, 376, 378, 380, 382, 384, 386, 612, 614, 616	FRMASMB16068	174
FRMASMB12697	206, 376, 612	FRMASMB16172	28
FRMASMB12698	208, 378, 614	FRMASMB16175	2, 318
FRMASMB12699	210, 380, 616	FRMASMB16274	88, 558, 652
FRMASMB12700	212, 382	FRMASMB16280	88, 558, 652
FRMASMB12701	214, 384	FRMASMB16281	88, 558, 652
FRMASMB12702	216, 386	FRMASMB16296	26, 338
FRMASMB12757	214, 384	FRMASMB16298	88, 558, 652
FRMASMB12758	216, 386	FRMASMB16303	186
FRMASMB12761	212, 382	FRMASMB16304	188
FRMASMB12764	206, 376, 612	FRMASMB16307	50, 360
FRMASMB12765	208, 378, 614	FRMASMB16388	126
FRMASMB12766	210, 380, 616	FRMASMB16389	126
FRMASMB12851	42, 352	FRMASMB16391	128
FRMASMB12910	150	FRMASMB16392	128
FRMASMB14490	38, 348, 532, 610	FRMASMB16394	130
FRMASMB15774	116, 536	FRMASMB16395	130
		FRMASMB16397	132
		FRMASMB16398	132
		FRMASMB16942	22, 336
		FRMASMB16943	24
		FRMASMB16944	28

FRMASMB16945	30	FRMASMB7733	202
FRMASMB17081	32, 340	FRMASMB7909	114
FRMASMB17114	142	FRMASMB7910	114
FRMASMB17115	142	FRMASMB7911	114
FRMASMB17116	142	FRMASMB7912	114
FRMASMB17628	122, 124	FRMASMB7913	114
FRMASMB17629	122, 124	FRMASMB7914	114
FRMASMB17815	506, 510, 514, 516, 584, 588, 592, 594	FRMASMB7915	114
FRMASMB17816	508, 512, 586, 590	FRMASMB7916	114
FRMASMB17894	504, 506, 508, 510, 512, 514, 516, 582, 584, 586, 588, 590, 592, 594	FRMASMB7917	114
FRMASMB17896	2, 318	FRMASMB7918	114
FRMASMB17897	2, 4, 318, 320	FRMASMB7919	114
FRMASMB17908	2, 318	FRMASMB7920	114
FRMASMB17909	4, 320	FRMASMB8286	182, 186, 190, 194
FRMASMB4657	162, 164, 166, 168, 172, 174, 176, 178, 180	FRMASMB8287	184, 188, 192, 196
FRMASMB4677	172	FRMASMB8401	166
FRMASMB6341	160, 342	FRMASMB8402	166
FRMASMB6468	176	FRMASMB8447	170
FRMASMB6470	178	FRMASMB8818	182, 184
FRMASMB6471	178	FRMASMB8821	182, 184
FRMASMB6789	134, 540	FRMASMB9194	140
FRMASMB6790	134, 540	FRMASMB9195	140
FRMASMB6819	198	FRMASMB9196	140
FRMASMB6820	198	FRMASMB9197	136
FRMASMB6951	162	FRMASMB9198	136, 544
FRMASMB6952	162	FRMASMB9627	170
FRMASMB6954	164	FRMASMB9889	250, 432, 654
FRMASMB6955	164	FRMASMB9890	252, 434, 656
FRMASMB6982	198	FRMASMB9891	254, 436, 658
FRMASMB7028	138, 542	FRMASMB9892	256, 438, 660
FRMASMB7116	228, 398, 410, 630	FRMASMB9893	258, 440, 662
FRMASMB7117	214, 230, 384, 402, 412, 632	FRMASMB9894	260, 442, 664
FRMASMB7118	232, 406, 414, 634	FRMASMB9895	262, 444, 666
FRMASMB7119	396	FRMASMB9896	264, 446, 668
FRMASMB7120	400	HDW120048	516, 594
FRMASMB7121	404	HDW130230	152, 572, 682
FRMASMB7137	492	HDW131909	152, 572, 682
FRMASMB7144	206, 208, 210, 212, 214, 216, 218, 236, 376, 378, 380, 382, 384, 386, 388, 398, 402, 406, 416, 612, 614, 616, 618, 636	HDW138689	152, 572, 682
FRMASMB7145	396	HDWASMB1044	310, 494
FRMASMB7146	400	HDWASMB1049	312, 496
FRMASMB7147	404	HDWASMB1061	492, 492
FRMASMB7148	206, 212, 228, 376, 382, 396, 410, 612, 630	HDWASMB1071	492
FRMASMB7149	208, 230, 378, 400, 412, 614, 632	HDWASMB1084	144, 566, 676
FRMASMB7150	210, 216, 232, 380, 386, 404, 414, 616, 634	HDWASMB1166	144, 566, 676
FRMASMB7674	200	HDWASMB1168	146, 148, 568, 570, 678, 680
FRMASMB7675	200	INDASMB1746	154
FRMASMB7676	202	INDASMB1778	498
FRMASMB7677	202	INDPART1914	144, 566, 676
FRMASMB7732	200	INDPART1915	144, 566, 676
		INDPART2091	150
		INDPART2092	150

INDPART2327	144, 566, 676	SCRASBH1153	2, 6, 14, 16, 18, 28, 46, 48, 318, 322, 330, 332, 334, 356, 358
INFINFB2409	578, 580, 688, 690	SCRASBH1180	42, 352
INFINFB2778	578, 580, 688, 690	SCRASBH1209	90, 94, 98, 102, 104, 106
INFINFB3106	692	SCRASBH1210	66, 68, 70, 72, 74, 76, 78, 80, 82, 84, 86, 546, 548, 550, 552, 554, 556
INFMANU3700	154, 314, 498, 578, 580, 688, 690	SCRHHCS1240	122
MEC133991	34, 344	SCRHHCS1241	8, 10, 14, 16, 18, 46, 48, 58, 60, 62, 124, 126, 128, 130, 132, 150, 198, 200, 202, 228, 230, 232, 324, 326, 330, 332, 334, 356, 358, 368, 370, 372, 396, 400, 404, 410, 412, 414, 518, 520, 522, 596, 598, 600, 630, 632, 634
MEC150070	144, 566, 676	SCRHHCS1248	52, 54, 56, 362, 364, 366
NUT8120005	124	SCRHHCS1256	506, 508, 510, 512, 514, 516, 584, 586, 588, 590, 592, 594
NUTJAM1001	6, 12, 322, 328	SCRHHCS1300	126, 128, 130, 132, 150
NUTJAM1029	150	SCRHHCS1308	54, 364
NUTJAM1046	504, 582	SCRHHCS1310	52, 362
NUTNJAM1014	2, 28, 52, 54, 150, 228, 230, 232, 318, 362, 364, 396, 400, 404, 410, 412, 414, 630, 632, 634	SCRHHCS1325	10, 16, 18, 48, 326, 332, 334, 358, 506, 508, 510, 512, 514, 516, 584, 586, 588, 590, 592, 594
NUTNJAM1023	206, 208, 210, 212, 214, 216, 228, 230, 232, 376, 378, 380, 382, 384, 386, 396, 400, 404, 410, 412, 414, 612, 614, 616, 630, 632, 634	SCRHHCS1373	228, 230, 232, 410, 412, 414, 630, 632, 634
NUTNJAM1028	492, 492	SCRHHCS1381	52, 54, 56, 362, 364, 366
NUTNYLK1001	144, 566, 676	SCRHHCS1478	58, 58, 60, 60, 62, 62, 198, 200, 202, 368, 368, 370, 370, 372, 372, 518, 518, 520, 520, 522, 522, 596, 596, 598, 598, 600, 600
NUTNYLK1006	150, 206, 208, 210, 212, 214, 216, 228, 228, 230, 230, 232, 232, 376, 378, 380, 382, 384, 386, 396, 396, 400, 400, 404, 404, 410, 410, 412, 412, 414, 414, 612, 614, 616, 630, 630, 632, 632, 634, 634	SCRHHCS1479	2, 4, 8, 14, 46, 318, 320, 324, 330, 356
NUTNYLK1014	14, 16, 18, 22, 32, 50, 52, 54, 56, 108, 110, 112, 150, 228, 230, 232, 330, 332, 334, 336, 340, 360, 362, 364, 366, 396, 400, 404, 410, 412, 414, 506, 508, 510, 512, 514, 516, 584, 586, 588, 590, 592, 594, 630, 632, 634	SCRHHCS1489	52, 54, 56, 362, 364, 366
NUTNYLK1019	44, 354, 526, 604	SCRHHCS1519	514, 592
NUTNYLK1026	2, 4, 6, 12, 42, 46, 48, 50, 52, 54, 122, 124, 126, 128, 130, 132, 318, 320, 322, 328, 352, 356, 358, 360, 362, 364	SCRHHCS1585	122, 124, 126, 128, 130, 132
POS148484	144, 566, 676	SCRHHCS1661	28
PROHDL1024	120, 538	SCRHHCS1663	28
PROHDL1052	114, 118, 150, 534	SCRHHCS1672	2, 318
PROHDL1071	206, 208, 210, 212, 214, 216, 228, 230, 232, 376, 378, 380, 382, 384, 386, 396, 400, 404, 410, 412, 414, 612, 614, 616, 630, 632, 634	SCRHHCS1687	50, 360
RNGRTAN1035	504, 582	SCRHHCS1727	124
RNGRTAN1043	6, 12, 322, 328	SCRPPH1050	234, 418, 620, 638
SCRASBH1002	492, 492	SCRPPH1290	52, 54, 56, 362, 364, 366
SCRASBH1007	108, 110, 112, 150	SCRPPH1301	52, 54, 56, 362, 364, 366
SCRASBH1018	108, 110, 112	SCRPPH1353	234, 234, 418, 418, 620, 620, 638, 638
SCRASBH1094	58, 60, 62, 198, 200, 202, 368, 370, 372, 518, 520, 522, 596, 598, 600	SCRPPTC1049	250, 252, 254, 256, 258, 260, 262, 264, 432, 434, 436, 438, 440, 442, 444, 446, 654, 656, 658, 660, 662, 664, 666, 668
SCRASBH1096	122, 124, 126, 128, 130, 132	SCRSETS1086	228, 230, 232, 396, 400, 404, 410, 412, 414, 630, 632, 634
SCRASBH1144	6, 322, 396, 400, 404	SCRSETS1087	88, 558, 652
SCRASBH1145	228, 230, 232, 396, 398, 400, 402, 404, 406, 410, 412, 414, 630, 632, 634	SCRSETS1108	6, 12, 322, 328
SCRASBH1148	66, 68, 70, 72, 74, 76, 78, 80, 82, 84, 86, 88, 90, 94, 98, 102, 104, 106, 228, 230, 232, 396, 400, 404, 410, 412, 414, 546, 548, 550, 552, 554, 556, 558, 630, 632, 634, 652	SCRSHCS1029	504, 582
SCRASBH1151	6, 14, 16, 18, 46, 48, 234, 322, 330, 332, 334, 356, 358, 418, 620, 638	SCRSHCS1084	44, 354, 526, 604
SCRASBH1152	144, 566, 676	SCRSHCS1114	504, 582
		SCRSHCS1146	492, 492
		SCRSHCS1174	6, 12, 322, 328
		SCRSHCS1204	6, 12, 322, 328
		SCRSHCS1210	6, 12, 322, 328
		SCRSHCS1290	504, 582
		SCRSHFH1035	40, 42, 350, 352, 530, 608
		SCRSHFH1036	58, 60, 62, 198, 200, 202, 368, 370, 372, 518, 520, 522, 596, 598, 600
		SCRSHFH1085	2, 28, 318
		SCRSHFH1087	228, 230, 232, 396, 400, 404, 410, 412, 414, 630, 632, 634

SCRSHFH1093	52, 54, 56, 362, 364, 366	SETASMB6469	82
SCRSHFH1191	50, 360	SETASMB6471	86
SET131064	146, 148, 568, 570, 678, 680	SETASMB6473	68
SET150325	144, 566, 676	SETASMB6474	70, 546
SETASMB3645	108	SETASMB6476	74, 550
SETASMB3646	108	SETASMB6477	76, 552
SETASMB3673	110	SETASMB6478	78, 554
SETASMB3674	110	SETASMB6479	80, 556
SETASMB3675	110	SETASMB6480	82
SETASMB3676	110	SETASMB6481	84
SETASMB3677	110	SETASMB6482	86
SETASMB3678	110	SETASMB6491	66
SETASMB3707	112	SETASMB6492	68
SETASMB3708	112	SETASMB6493	70, 546
SETASMB3709	112	SETASMB6494	72, 548
SETASMB3710	112	SETASMB6495	74, 550
SETASMB5911	250, 432, 654	SETASMB6496	76, 552
SETASMB5912	252, 434, 656	SETASMB6497	78, 554
SETASMB5913	254, 436, 658	SETASMB6498	80, 556
SETASMB5914	256, 438, 660	SETASMB6499	82
SETASMB5915	258, 440, 662	SETASMB6500	84
SETASMB5916	260, 442, 664	SETASMB6501	86
SETASMB5917	262, 444, 666	SETASMB6510	66
SETASMB5918	264, 446, 668	SETASMB6511	68
SETASMB5933	206, 376, 612	SETASMB6512	70, 546
SETASMB5934	208, 378, 614	SETASMB6513	72, 548
SETASMB5935	210, 380, 616	SETASMB6514	74, 550
SETASMB5938	46, 356	SETASMB6515	76, 552
SETASMB5939	46, 356	SETASMB6516	78, 554
SETASMB5940	48, 358	SETASMB6517	80, 556
SETASMB5942	212, 382, 396	SETASMB6518	82
SETASMB5943	214, 384, 400	SETASMB6519	84
SETASMB5944	216, 386, 404	SETASMB6520	86
SETASMB6044	250, 432, 654	SETASMB6529	66
SETASMB6045	252, 434, 656	SETASMB6530	68
SETASMB6046	254, 436, 658	SETASMB6531	70, 546
SETASMB6047	256, 438, 660	SETASMB6532	72, 548
SETASMB6048	258, 440, 662	SETASMB6533	74, 550
SETASMB6049	260, 442, 664	SETASMB6534	76, 552
SETASMB6050	262, 444, 666	SETASMB6535	78, 554
SETASMB6051	264, 446, 668	SETASMB6536	80, 556
SETASMB6364	692	SETASMB6537	82
SETASMB6365	692	SETASMB6538	84
SETASMB6449	66	SETASMB6539	86
SETASMB6461	66	SETASMB6625	66
SETASMB6462	68	SETASMB6637	66
SETASMB6463	70, 546	SETASMB6638	68
SETASMB6464	72, 548	SETASMB6639	70, 546
SETASMB6465	74, 550	SETASMB6640	72, 548
SETASMB6466	76, 552	SETASMB6641	74, 550
SETASMB6467	78, 554	SETASMB6642	76, 552

SETASMB6643	78, 554	SHDASMB6483	218, 234, 388, 418, 618, 620, 638
SETASMB6645	82	SHDASMB6484	218, 234, 388, 418, 618, 620, 638
SETASMB6647	86	SHDASMB6485	218, 234, 388, 418, 618, 620, 638
SETASMB6649	68	SHDASMB6486	218, 234, 388, 418, 618, 620, 638
SETASMB6650	70, 546	SHDASMB6487	218, 234, 388, 418, 618, 620, 638
SETASMB6652	74, 550	SHDASMB6488	218, 234, 388, 418, 618, 620, 638
SETASMB6653	76, 552	SHDASMB6489	218, 234, 388, 418, 618, 620, 638
SETASMB6654	78, 554	SHDASMB6490	218, 234, 388, 418, 618, 620, 638
SETASMB6655	80, 556	SHDASMB6491	218, 234, 388, 418, 618, 620, 638
SETASMB6656	82	SHDASMB6492	218, 234, 388, 418, 618, 620, 638
SETASMB6657	84	SHDASMB6493	218, 234, 388, 418, 618, 620, 638
SETASMB6658	86	SHDASMB6494	218, 234, 388, 418, 618, 620, 638
SETASMB6667	66	SHDASMB6495	218, 234, 388, 418, 618, 620, 638
SETASMB6668	68	SHDASMB6496	218, 234, 388, 418, 618, 620, 638
SETASMB6669	70, 546	SHDASMB6497	218, 234, 388, 418, 618, 620, 638
SETASMB6670	72, 548	SHDASMB6706	234, 418, 620, 638
SETASMB6671	74, 550	SHDASMB6707	234, 418, 620, 638
SETASMB6672	76, 552	SPCNYLN1003	150
SETASMB6673	78, 554	VELHOOK1058	14, 16, 32, 330, 332, 340, 506, 508, 584, 586
SETASMB6674	80, 556	VELLOOP1053	14, 16, 32, 330, 332, 340, 506, 508, 584, 586
SETASMB6675	82	WASBLK1001	52, 54, 56, 362, 364, 366
SETASMB6676	84	WASBLK1006	206, 208, 210, 212, 214, 216, 228, 230, 232, 376, 378, 380, 382, 384, 386, 396, 400, 404, 410, 412, 414, 612, 614, 616, 630, 632, 634
SETASMB6677	86	WASMETR1043	514, 516, 592, 594
SETASMB6686	66	WASNYLN1119	150
SETASMB6687	68	WASSAE1000	52, 54, 56, 362, 364, 366
SETASMB6688	70, 546	WASSAE1002	50, 360
SETASMB6689	72, 548	WASSAE1003	228, 228, 230, 230, 232, 232, 396, 398, 400, 402, 404, 406, 410, 410, 412, 412, 414, 414, 630, 630, 632, 632, 634, 634
SETASMB6690	74, 550	WASSTND1002	14, 16, 18, 22, 32, 50, 52, 54, 56, 150, 228, 230, 232, 330, 332, 334, 336, 340, 360, 362, 364, 366, 398, 402, 406, 410, 412, 414, 630, 632, 634
SETASMB6691	76, 552	WASSTND1034	206, 208, 210, 212, 214, 216, 228, 230, 232, 376, 378, 380, 382, 384, 386, 398, 402, 406, 410, 412, 414, 612, 614, 616, 630, 632, 634
SETASMB6692	78, 554	WASSTND1097	88, 150, 558, 652
SETASMB6693	80, 556		
SETASMB6694	82		
SETASMB6695	84		
SETASMB6696	86		
SETBACK1666	110		
SETBACK1667	110		
SETBACK1670	110		
SETBACK1672	112		
SETBACK1689	112		
SETBACK1947	108		
SETHEAD1048	492		
SETHEAD1052	144, 566, 676		
SETHEAD1053	144, 566, 676		
SETHEAD1057	144, 566, 676		
SETHEAD1069	144, 566, 676		
SHDASMB5119	212, 214, 216, 226, 382, 384, 386, 398, 402, 406, 408, 628		
SHDASMB6360	234, 418, 620, 638		
SHDASMB6361	218, 234, 388, 418, 618, 620, 638		
SHDASMB6480	218, 234, 388, 418, 618, 620, 638		
SHDASMB6481	218, 234, 388, 418, 618, 620, 638		

# Illustrated Parts Breakdown

## **USA - Quantum Rehab**

401 York Avenue  
Duryea, Pa 18642  
[www.quantumrehab.com](http://www.quantumrehab.com)

## **USA - Pride Mobility Products Corp.**

182 Susquehanna Avenue  
Exeter, Pa 18643  
[www.pridemobility.com](http://www.pridemobility.com)

## **Canada**

5096 South Service Road  
Beamsville, Ontario L0R 1B3  
[www.pridemobility.ca](http://www.pridemobility.ca)  
[www.quantumrehab.com](http://www.quantumrehab.com)

## **Australia**

20-24 Apollo Drive  
Hallam, Victoria 3803  
[www.pridemobility.com.au](http://www.pridemobility.com.au)  
[www.quantumrehab.com.au](http://www.quantumrehab.com.au)

## **New Zealand**

38 Lansford Crescent  
Avondale, Auckland 0600  
[www.pridemobility.co.nz](http://www.pridemobility.co.nz)

## **UK**

32 Wedgwood Road  
Bicester, Oxfordshire OX26 4UL  
[www.pride-mobility.co.uk](http://www.pride-mobility.co.uk)  
[www.quantumrehab.co.uk](http://www.quantumrehab.co.uk)

## **Netherlands**

**(Authorised EU Representative)**

De Zwaan 3  
1601 MS Enkhuizen  
[www.pridemobility.eu](http://www.pridemobility.eu)  
[www.quantumrehab.eu](http://www.quantumrehab.eu)

## **Italy**

Via del Progresso, ang. Via del Lavoro  
Loc. Prato della Corte  
00065 Fiano Romano (RM)  
[www.pride-italia.it](http://www.pride-italia.it)  
[www.quantumrehab-italia.it](http://www.quantumrehab-italia.it)

## **France**

26 Rue Monseigneur Ancel  
69800 Saint-Priest  
[www.pridemobility.fr](http://www.pridemobility.fr)  
[www.quantumrehab.fr](http://www.quantumrehab.fr)

## **Spain**

Calle Las Minas Número 67  
Polígono Industrial Urtinsa II, de Alcorcón  
28923 Madrid

## **Germany**

Hövelrieger Str. 28  
33161 Hövelhof  
[www.pridemobility.de](http://www.pridemobility.de)

## **China**

Room 508, Building #4  
TianNa Business Zone  
No. 500 Jianyun Road  
Pudong New Area  
Shanghai 201318

