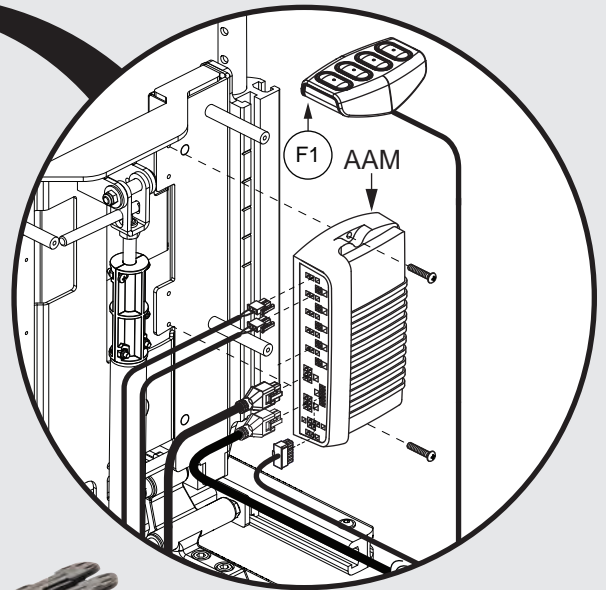


TRU BALANCE³ ELECTRONICS

PRIDE
MOBILITY
LIVE YOUR BEST[®]



Illustrated Parts Breakdown



Illustrated Parts Breakdown

USA - Quantum Rehab

401 York Avenue
Duryea, Pa 18642
www.quantumrehab.com

USA - Pride Mobility Products Corp.

182 Susquehanna Avenue
Exeter, Pa 18643
www.pridemobility.com

Canada

5096 South Service Road
Beamsville, Ontario L0R 1B3
www.pridemobility.ca
www.quantumrehab.com

Australia

20-24 Apollo Drive
Hallam, Victoria 3803
www.pridemobility.com.au
www.quantumrehab.com.au

New Zealand

38 Lansford Crescent
Avondale, Auckland 0600
www.pridemobility.co.nz

UK

32 Wedgwood Road
Bicester, Oxfordshire OX26 4UL
www.pride-mobility.co.uk
www.quantumrehab.co.uk

Netherlands

(Authorised EU Representative)

De Zwaan 3
1601 MS Enkhuizen
www.pridemobility.eu
www.quantumrehab.eu

Italy

Via del Progresso, ang. Via del Lavoro
Loc. Prato della Corte
00065 Fiano Romano (RM)
www.pride-italia.it
www.quantumrehab-italia.it

France

26 Rue Monseigneur Ancel
69800 Saint-Priest
www.pridemobility.fr
www.quantumrehab.fr

Spain

Calle Las Minas Número 67
Polígono Industrial Urtinsa II, de Alcorcón
28923 Madrid

Germany

Hövelrieger Str. 28
33161 Hövelhof

China

Room 508, Building #4
TianNa Business Zone
No. 500 Jianyun Road
Pudong New Area
Shanghai 201318



1. Q-Logic 3 Electronics

Q-Logic 3 Joystick Assy's	1
Q-Logic 3 Seating Modules & Mounts	3
Q-Logic 3 Lighting Modules & Hardware	5
Q-Logic 3 Bus Cables, Multiplier Harnesses, & Mounts	7
Q-Logic 3 Enhanced Display & Gooseneck Mount	9
I-Access & 4-Function Seating Modules & Mounts	11
Q-Logic 3 Stand Alone Joystick, Attendant Control, & Mounts	13
Q-Logic 3 SCIM, Sip & Puff, & ECM Modules & Mounts	15
Q-Logic 3 USB Charger Module Assy	17

Q-Logic 3 SD Cards

Q-Logic 3 SD Cards for 4Front	19
Q-Logic 3 SD Cards for Edge 3	21
Q-Logic 3 SD Cards for Edge HD	23
Q-Logic 3 SD Cards for Edge 2.0	25
Q-Logic 3 SD Cards for Q6 Edge 3 Stretto, 6.25MPH Program	27
Q-Logic 3 SD Cards for Q1450	29

Q-Logic 2 & 3 Joystick & Enhanced Display Shrouds

Q-Logic 2 & 3 Joystick Shrouds	31
Q-Logic 2 & 3 Enhanced Display Shrouds	33

2. Q-Logic 2 Electronics

2.1. Static Seat

Electronic Master Assy's, Static Seat, TB3 / Q-Logic 2	37
AAM Assy, Static Seat, TB3 / Q-Logic 2	39
Harnesses, Static Seat, TB3 / Q-Logic 2	41
Harness Mounting Hardware, Static Seat, TB3 / Q-Logic 2	43

2.2. Recline

Electronic Master Assy's, Recline, TB3 / Q-Logic 2	45
AM1/ AAM Module Assy, Recline Only, TB3 / Q-Logic 2	47
Harnesses, Recline, TB3 / Q-Logic 2	49
Harness Mounting Hardware, Recline, TB3 / Q-Logic 2	51

2.3. Tilt

Electronic Master Assy's, Tilt, TB3 / Q-Logic 2	53
AM1/AAM Modules, Tilt, TB3 / Q-Logic 2	55
Harnesses, Tilt, TB3 / Q-Logic 2	57
Harness Mounting Hardware, Tilt, TB3 / Q-Logic 2	59

2.4. Lift

Electronic Master Assy's, Lift, TB3 / Q-Logic 2	61
AAM Modules, Lift, TB3 / Q-Logic 2	63
Harnesses, Lift, TB3 / Q-Logic 2	65
Harness Mounting Hardware, Lift, TB3 / Q-Logic 2	67

2.5. Tilt & Recline

Electronic Master Assy's, Tilt and Recline, TB3 / Q-Logic 2	69
AAM Modules, Tilt and Recline, TB3 / Q-Logic 2	71
Harnesses, Tilt and Recline, TB3 / Q-Logic 2	73
Harness Mounting Hardware, Tilt and Recline, TB3 / Q-Logic 2	75

2.6. Lift & Recline

Electronic Master Assy's, Lift and Recline, TB3 / Q-Logic 2	77
AAM Modules, Lift and Recline, TB3 / Q-Logic 2	79
Harnesses, Lift and Recline, TB3 / Q-Logic 2	81

Harness Mounting Hardware, Lift and Recline, TB3 / Q-Logic 2	83
2.7. Lift & Tilt	
Electronic Master Assy's, Lift and Tilt, TB3 / Q-Logic 2	85
AAM Modules, Lift and Tilt, TB3 / Q-Logic 2	87
Harnesses, Lift and Tilt, TB3 / Q-Logic 2	89
Harness Mounting Hardware, Lift and Tilt, TB3 / Q-Logic 2	91
2.8. Lift, Tilt, & Recline	
Electronic Master Assy's, Lift, Tilt, and Recline, TB3 / Q-Logic 2	93
AAM Modules, Lift, Tilt, and Recline, TB3 / Q-Logic 2	95
Harnesses, Lift, Tilt, and Recline, TB3 / Q-Logic 2	97
Harness Mounting Hardware, Lift, Tilt, and Recline, TB3 / Q-Logic 2	99
2.9. Attendant Control Assy	
Attendant Control Assy, TB3 / Q-Logic 2	101
2.10. USB Charger Harness	
USB Charger Module, Q-Logic 2	103
2.11. Specialty Control Interface Module (SCIM) Assy	
SCIM Kit Assy w/TB3 Accessory Bar, Q-Logic 2	105
3. NE+ Electronics	
3.1. Static Seat	
Static Seat, Ind. Legs - AM2, Wiring, and Hardware, TB3 / NE+	107
Static Seat w/ Combined Legs, AM2, Wiring, and Hardware, TB3 / NE+	109
Static Seat w/ AFP, AM1, Wiring, and Hardware, TB3 / NE+	111
3.2. Recline	
Recline Only, AM1 w/ Bus Cable, and Hardware, TB3 / NE+	113
Recline and AFP w/ AM2, Harnesses and Hardware, TB3 / NE+	115
3.3. Tilt	
Tilt Only thru AM1 w/ Bus Cable and Hardware, TB3 Seating	117
Tilt w/ Manual Recline thru AM1, Harnesses and Hardware, TB3 Seating	119
Tilt w/ AFP thru AM2 w/ Harnesses and Hardware, TB3 Seating	121
3.4. Lift	
Lift Only, AM1, Harnesses and Hardware, TB3 / NE+	123
Lift w/ AFP, AM2, Harnesses and Hardware, TB3 / NE+	125
3.5. Tilt & Recline	
Tilt & Recline, AM2, Harnesses and Hardware, TB3 / NE+	127
3.6. Lift & Recline	
Lift & Recline, AM2, Harnesses and Hardware, TB3 / NE+	129
3.7. Lift & Tilt	
Lift & Tilt, AM2, Harnesses and Hardware, TB3 / NE+	131
4. R-NET Electronics	
4.1. Standard Configuration Seat Mounted Lights	
4.1.1. Static Seat	
TB3 / R-Net, Static Seat w/ Lights	133
TB3 / R-Net, Static Seat w/ Power Legs	135
TB3 / R-Net, Static Seat w/ AFP	137

4.1.2. Tilt

TB3 / R-Net, Tilt	139
TB3 / R-Net, Tilt w/ Power Legs	141
TB3 / R-Net, Tilt w/ AFP	143

4.1.3. Recline

TB3 / R-Net, Recline	145
TB3 / R-Net, Recline w/ AFP	147
TB3 / R-Net, Recline w/ Power Legs	149

4.1.4. Tilt & Recline

TB3 / R-Net, Tilt & Recline	151
TB3 / R-Net, Tilt & Recline w/ Power Legs	153
TB3 / R-Net, Tilt & Recline w/ AFP	155

4.1.5. Lift & Tilt

4.2. Q6 Edge 3 Stretto Seat Mounted Lights

4.2.1. Static Seat

TB3 / R-Net, Static Seat w/ Light, Q6 Edge 3 Stretto	157
TB3 / R-Net, Static Seat w/ Power Legs & Lights, Q6 Edge 3 Stretto	159
TB3 / R-Net, Static Seat w/ AFP, Q6 Edge 3 Stretto	161

4.2.2. Tilt

TB3 / R-Net, Tilt w/ Lights, Q6 Edge 3 Stretto	163
TB3 / R-Net Tilt w/ Power Legs & Lights, Q6 Edge 3 Stretto	165
TB3 / R-Net Tilt w/ AFP & Lights, Q6 Edge 3 Stretto	167

4.2.3. Recline

TB3 / R-Net, Recline w/ Lights, Q6 Edge 3 Stretto	169
TB3 / R-Net Recline w/ Power Legs & Lights, Q6 Edge 3 Stretto	171
TB3 / R-Net Recline w/ AFP & Lights, Q6 Edge 3 Stretto	173

4.2.4. Tilt & Recline

TB3 / R-Net, Tilt & Recline w/ Lights, Q6 Edge 3 Stretto	175
TB3 / R-Net, Tilt & Recline w/ Power Legs & Lights, Q6 Edge 3 Stretto	177
TB3 / R-Net, Tilt & Recline w/ AFP & Lights, Q6 Edge 3 Stretto	179

4.2.5. Lift

R-Net Lift Only, REAC Lift / I-Level, Q6 Edge 3 Stretto	181
R-Net Lift Only w/Power Legs, REAC Lift / I-Level, Q6 Edge 3 Stretto	183
R-Net Lift Only w/ AFP, REAC Lift / I-Level, Q6 Edge 3 Stretto	185

4.2.6. Lift & Tilt

R-Net Lift & Tilt, REAC Lift / I-Level, Q6 Edge 3 Stretto	187
R-Net Lift & Tilt w/Power Legs, REAC Lift / I-Level, Q6 Edge 3 Stretto	189
R-Net Lift & Tilt w/AFP, REAC Lift / I-Level, Q6 Edge 3 Stretto	191

4.2.7. Lift & Recline

R-Net Lift & Recline, REAC Lift / I-Level, Q6 Edge 3 Stretto	193
R-Net Lift & Recline w/ Power Legs, REAC Lift / I-Level, Q6 Edge 3 Stretto	195
R-Net Lift & Recline w/AFP, REAC Lift / I-Level, Q6 Edge 3 Stretto	197

4.2.8. Lift, Tilt, & Recline

R-Net Lift, Tilt, & Recline, REAC Lift / I-Level, Q6 Edge 3 Stretto	199
R-Net Lift, Tilt, & Recline w/Power Legs, REAC Lift / I-Level, Q6 Edge 3 Stretto	201
R-Net Lift, Tilt, & Recline w/AFP, REAC Lift / I-Level, Q6 Edge 3 Stretto	203

4.3. Rail Mounted LED Light Assy	
Standard Config. Light Assembly, TB3	205
Q6 Edge 3 Stretto Config. Light Assy, TB3 / Flex Seating	207
5. Lighting Assemblies, Curtis, TB3 Seating	
5.1. Lighting thru LM, Q-Logic 2 / NE+	
Lighting Module w/ Harnesses and Hardware, TB3 / Q-Logic 2	209
Lighting thru LM, TB3 Static Seat, NE+, Q6 Edge 3 Stretto	211
5.2. Lighting thru LAM2, Q-Logic 2 / NE+	
Lighting thru LAM2 Master Assemblies, TB3, NE+/Q-Logic 2	213
LAM2 Modules, TB3, NE+/Q-Logic 2	215
Harnesses, TB3 w/ LAM2, NE+/Q-Logic 2	217
Hardware, TB3 w/ LAM2, NE+ / Q-Logic 2	219
5.3. Lighting thru LM / LAM2, Q-Logic 3	
Q-Logic 3 Lighting Modules & Hardware	221
5.4. Seat Mounted Lights	
Standard Config. Light Assembly, TB3	223
Q6 Edge 3 Stretto Config. Light Assy, TB3 / Flex Seating	225
6. Manual Recline Assy's	
Manual Recline Inhibit Harness, TB3 Q-Logic/NE+	227
Manual Recline Inhibit Harness, TB3 NE	229
7. Tilt thru Toggle Assy's	
Tilt thru Toggle, TB3 Q-Logic/ NE+	231
Tilt thru Toggle, Manual Recline, TB3 Q-Logic/NE+	233
Tilt thru Toggle, TB3 NE	235
8. Seating Controls - Toggles, Buttons, and Mounts	
4-Button Actuator Control Module, TB3	237
Seating Controls and Mounts, TB3 Arms	239
Seating Controls and Mounts, Tubular Arms	241
High Power Toggle and Mount, TB3 Arms	243
High Power Toggle and Mount, Tubular Arms	245
9. Power Legrest Harnesses & Hardware Assy's	
Powered Legrest Harnesses and Mounting Hardware, TB3	247
10. Electronics Cover Shrouds	
Rear Wire Covers, TB3	249
11. Rear Electronics Cover Shrouds	
Electronics Boxes - Original Quantum Colors,Pre 6/1/15, TB3	251
Electronics Boxes - New Quantum Colors, 6/1/15, TB3	253
12. Electronics Cover Shrouds - TB3 Redesigned Back	
Painted E-Box Shrouds, TB3 Redesigned Back	255
Carrier Shroud Assy, TB3 Redesigned Back	257
13. Quantum Color Reference Chart	
Quantum Color Reference Chart	259
Appendix A:Pages Index	260
Appendix B:Parts Index	262

1. Q-Logic 3 Electronics

Q-Logic 3 Joysticks

* Q-Logic 3 Joystick replacement requires the selection of a Pre-programmed SD Card. SD Cards are not shown. Refer to the model specific SD Card pages for selection. *

Q-Logic 3 Joysticks (Shroud NOT Included) Select Separately	
A1	Standard
B1	Lighting

Standard Inline Joystick Mounting Bracket Assy
C1

Joystick Replacement notes:

- The replacement joystick DOES NOT include the painted shroud. Please utilize the existing. If required, it must be selected separately.
- The replacement joystick DOES NOT include the SD card. Refer to the model specific SD Card pages for selection.
- A Pre-programmed, Joystick mounted SD Card is required when:
 - Replacing a Joystick, Power Base Module, Seating Module, or Display.
 - Any circumstance where all of the electronics modules require replacement.
 - When retrofitting a unit in the field to Q-Logic 3 Electronics.
- The Q-Logic 3 system will reprogram the unit based upon the information loaded onto the SD card. A new SD card ensures the unit is loaded with the latest software.
- Contact Technical Service for more information.

D1	Speed Knob
E1	Joystick Knob

Lower Housing w/ Bus Cable
F1

- Refer to the Joystick Mounts & Receivers Sections for more Joystick mounting options.

Q-Logic 3 Joystick Assy's



Item	Part No.	Name	Qty
A1	CTL143976	EXPANDABLE CONTROLLER W/ JOYSTICK AND LCD COLOR DISPLAY, Q-LOGIC 3, 4-KEY, (CURTIS: 17949700-02-0009)	1
B1	CTL143977	EXPANDABLE CONTROLLER W/ JOYSTICK AND LCD COLOR DISPLAY AND LIGHTS, Q-LOGIC 3, 4-KEY, (CURTIS: 17949700-02-0109)	1
C1	FRMASMB10617	JOYSTICK MOUNTING BRACKET,ASSY,CURTIS,INLINE	1
D1	DGN124309	SPEED WHEEL,KNOB,CURTIS Q-LOGIC 2,BLACK,PLASTIC,DGN124309,(CURTIS: 17949367-01)	1
E1	DGN154742	JOYSTICK, KNOB, Q-LOGIC 3, 6.35MM-ID, (CURTIS: 17519114-01)	1
F1	ELE144006	ELECTRONIC, BOTTOM HOUSING, JOYSTICK MODULE Q-LOGIC 3,W/ BUS CABLE Q-LOGIC 3, (CURTIS: 17949366-02)	1

1. Q-Logic 3 Electronics

Q-Logic 3 Seating and Lighting Modules

<p>A1 AAM - Advanced Actuator Module (5 Actuator)</p>	<p>B1 AM1 1 Actuator Module</p>	<p>C1 AM2 2 Actuator Module</p>	<p>D1 LM Lighting Module</p>
<p>E1 LAM2 - Light & Actuator Module (2 Actuator)</p>	<p>* Seating System Module (A1, B1, C1, or E1) replacement requires the selection of a Pre-programmed SD Card. *</p> <p>SD Card Replacement notes:</p> <ul style="list-style-type: none"> - A Pre-programmed, Q-Logic 3 Joystick mounted SD Card is required when: <ul style="list-style-type: none"> • Replacing a Joystick, Power Base Module, Seating Module, or Display. • Any circumstance where all of the electronics modules require replacement. • When retrofitting a unit in the field to Q-Logic 3 Electronics. - A firmware upgrade occurred requiring a system update to enable enhanced features. - The Q-Logic 3 system will reprogram the unit based upon the information loaded onto the SD card. A new SD card ensures the unit is loaded with the latest software. - The proper, programmed SD card must be selected to ensure the unit functions as intended. - SD Cards are not shown. Refer to the model specific SD Card pages for selection. - Contact Technical Service for more information. 		

Module Mounts for TB3 Seating System Backs

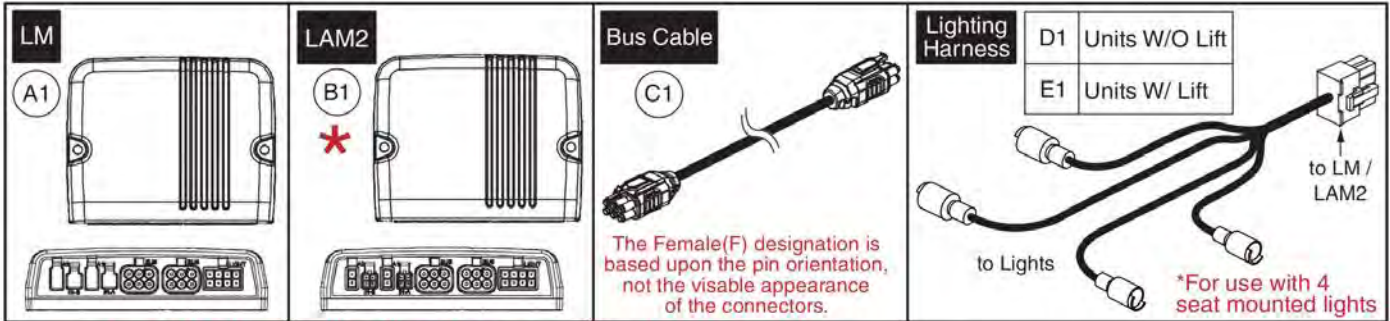
<p>AAM Mount</p>	<p>AM1, AM2, LM, & LAM2 Mount</p>	<p>LM Mounting for Units w/Multiple Power Options</p>
-------------------------	--	--

Q-Logic 3 Seating Modules & Mounts



Item	Part No.	Name	Qty
A1	CTL143982	ADVANCED ACTUATOR MODULE,Q-LOGIC 3,5 ACTUATOR,(CURTIS: 17952700-5009)	1
B1	CTL143983	ACTUATOR MODULE, Q-LOGIC 3, AM1, 1 ACTUATOR, (CURTIS: 17963700-1009)	1
C1	CTL143984	ACTUATOR MODULE,Q-LOGIC 3,AM2,2 ACTUATOR,(CURTIS:17963700-2009)	1
D1	CTL143986	LIGHT MODULE,Q-LOGIC 3,LM,(CURTIS:17963700-0109)	1
E1	CTL143985	ACTUATOR MODULE,Q-LOGIC 3,LAM2,2 ACTUATOR AND LIGHTS,(CURTIS: 17963700-2109)	1
F1	MEC156032	AAM STRAIN RELIEF,Q-LOGIC 3,SEATBACK BRACKET ASSEMBLY	1
G1	MEC155983	AM STRAIN RELIEF, Q LOGIC 3	1
H1	MEC162072	SPECIALTY CONTROLS SEATBACK BRACKET LID ASSEMBLY	1
I1	SCRPPH1153	SCREW, PAN HEAD, TYPE H, M4X0.7 X 20, FT, ISO 7045, CL 4.8, BZ	2
J1	SCRPPH1163	SCREW, PAN HEAD, TYPE H, M4X0.7 X 10, FT, ISO 7045, CL 4.8, BZ	2

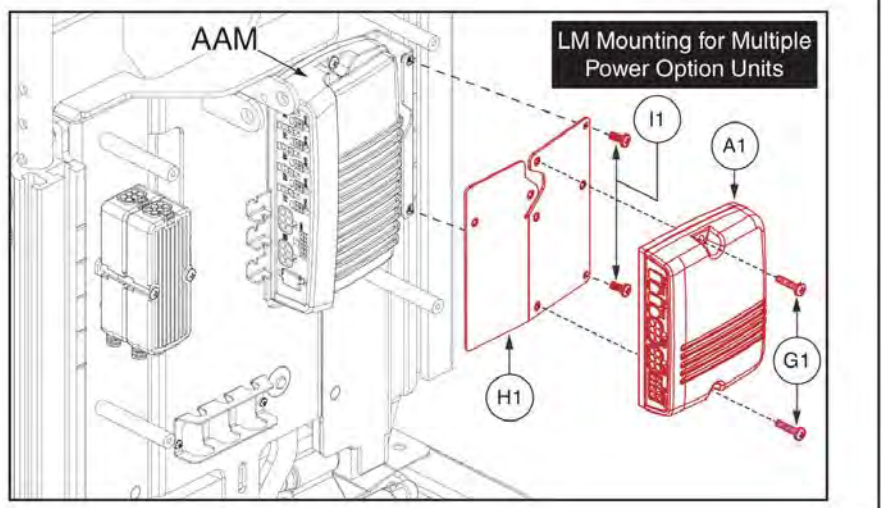
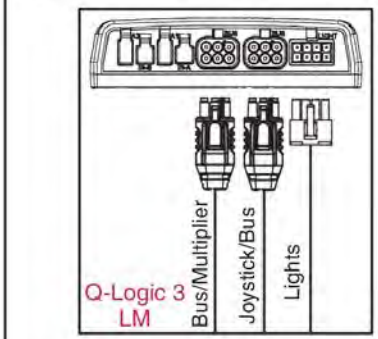
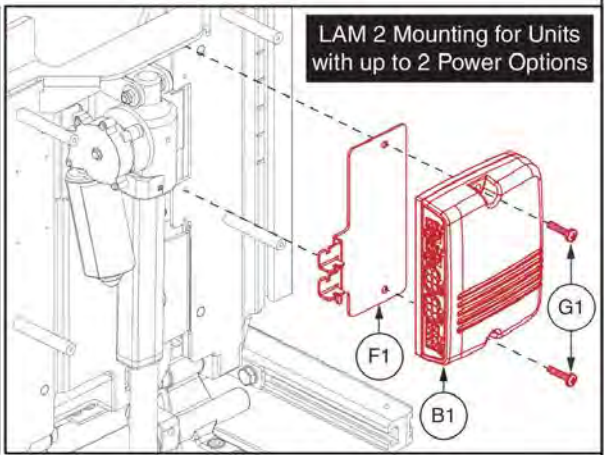
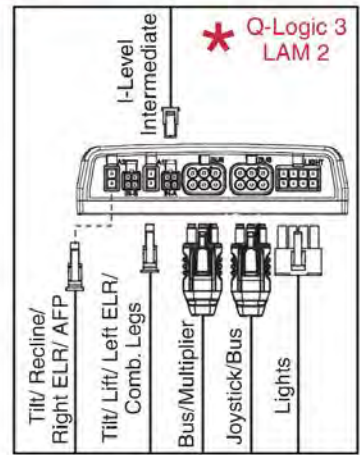
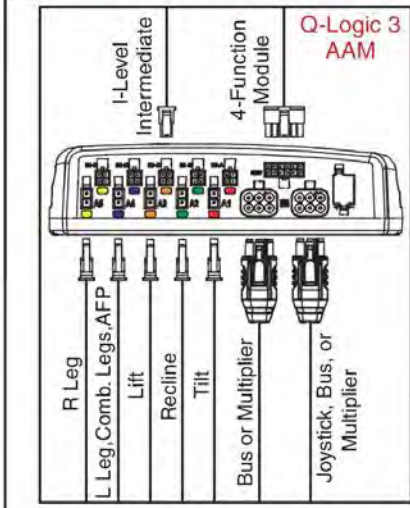
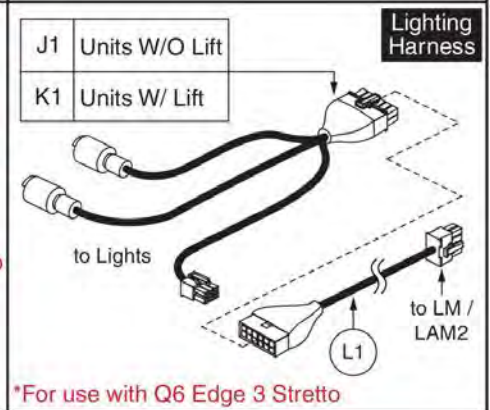
1. Q-Logic 3 Electronics



*** Seating System Module (B1) replacement may require the selection of a Pre-programmed SD Card. ***

SD Card Replacement notes:

- It is recommended to replace the SD card when replacing any module to install the most up to date firmware on the unit.
- It is **REQUIRED** to replace the SD card when retrofitting a unit in the field to Q-Logic 3 electronics or any circumstance where all of the electronics modules require replacement.
- The Q-Logic 3 system will reprogram the unit based upon the information loaded onto the SD card.
- The proper, programmed SD card must be selected to ensure the unit functions as intended.
- SD Cards not shown. See SD Card page for selection.
- Contact Technical Service for more information.



Q-Logic 3 Lighting Modules & Hardware



Item	Part No.	Name	Qty
A1	CTL143986	LIGHT MODULE,Q-LOGIC 3,LM,(CURTIS:17963700-0109)	1
B1	CTL143985	ACTUATOR MODULE,Q-LOGIC 3,LAM2,2 ACTUATOR AND LIGHTS,(CURTIS: 17963700-2109)	1
C1	HAR143994	HARNESS, BUS EXTENSION CABLE, Q-LOGIC 3, 0.3 METER, FEMALE/FEMALE, (CURTIS: 17881361-01-02)	1
D1	ELE168114	HARNESS, FULL LIGHT, LED, SEATING SYSTEM W/O LIFT, QL3	1
E1	ELE168113	HARNESS, FULL LIGHT, LED, SEATING SYSTEM W/LIFT, QL3	1
F1	MEC155983	AM STRAIN RELIEF, Q LOGIC 3	1
G1	SCRPPH1153	SCREW, PAN HEAD, TYPE H, M4X0.7 X 20, FT, ISO 7045, CL 4.8, BZ	2
H1	MEC162072	SPECIALTY CONTROLS SEATBACK BRACKET LID ASSEMBLY	1
I1	SCRPPH1163	SCREW, PAN HEAD, TYPE H, M4X0.7 X 10, FT, ISO 7045, CL 4.8, BZ	2
J1	ELE1808670	HARNESS,LIGHT INTERFACE,Q6 EDGE 3 STRETTO,REAR SEAT MODULE, W/O LIFT	1
K1	ELE1808585	HARNESS, LIGHT INTERFACE, EDGE MINI, REAR SEAT MODULE, W/LIFT	1
L1	ELE1808813	HARNESS, LIGHT MODULE INTERFACE, QL3, EDGE MINI	1

1. Q-Logic 3 Electronics

Q-Logic 3 Bus Cables and Multiplier Harnesses

Multipliers	A1	Primary	Male / Female Bus Cables	C1	.41m (1.3 ft.)	Female / Female Bus Cables	E1	.3m (1 ft.)
	B1	Secondary		D1	1.1m (3.5 ft.)		F1	1.1m (3.5 ft.)

Primary Secondary

M(♂) F(♀)

F(♀) F(♀)

Female Pin Connection

Male Pin Connection

Male(M)/Female(F) designation is based upon the pin orientation, not the visible appearance of the connector.

Multiplier Mounts for TB3 Seating System Backs

TB3 Back (Prior to 2020)

TB3 Redesigned Back (2020)

G1	H1	I1	Ladder Style Wire Clamp & Mounting Screw
1 Multiplier Mount Assy (Primary)	2 Multiplier Mount Assy (Primary & Secondary)	3 Bank Connector Bracket Assy	

(20mm)

(40mm)

Prior Version

J1 K1

Item	Part No.	Name	Qty
A1	HAR144003	HARNESS, SEAT MULTIPLIER Q-LOGIC 3, (CURTIS: 17881360-02-01)	1
B1	HAR144004	HARNESS,BASE MULTIPLIER Q-LOGIC 3	1
C1	HAR144005	HARNESS, BUS EXTENSION CABLE, Q-LOGIC 3, 0.410 METER,MALE/FEMALE, (CURTIS: 17881362-01-01)	1
D1	HAR144002	HARNESS, BUS EXTENSION CABLE, Q-LOGIC 3, 1.1 METER, MALE/FEMALE, (CURTIS: 17881362-01-02)	1
E1	HAR143994	HARNESS, BUS EXTENSION CABLE, Q-LOGIC 3, 0.3 METER, FEMALE/FEMALE, (CURTIS: 17881361-01-02)	1
F1	HAR144000	HARNESS, BUS CABLE, Q-LOGIC 3, 1.1 METER, FEMALE / FEMALE, (CURTIS: 17881361-01-01)	1
G1	MEC1611656	MULTIPLIER STUD MOUNT ASSEMBLY,PRIMARY	1
H1	MEC1611657	MULTIPLIER STUD MOUNT ASSEMBLY,PRIMARY & SECONDARY	1
I1	MEC168034	BRACKET,ASSY,TB3 BACK ELECTRONICS MOUNTING HARDWARE	1
J1	HDW135288	WIRE CLIP,REUSABLE,BLACK,PLASTIC,(MICRO PLASTICS:NM22LCC1000B)	1
K1	SCRPPH1163	SCREW, PAN HEAD, TYPE H, M4X0.7 X 10, FT, ISO 7045, CL 4.8, BZ	1

1. Q-Logic 3 Electronics

Q-Logic 3 Enhanced Display, Gooseneck, & Mount

* Enhanced Display replacement requires the selection of a Pre-programmed SD Card. *

SD Card Replacement notes:

- A Pre-programmed, Q-Logic 3 Joystick mounted SD Card is required when:
 - Replacing a Joystick, Power Base Module, Seating Module, or Display.
 - Any circumstance where all of the electronics modules require replacement.
 - When retrofitting a unit in the field to Q-Logic 3 Electronics.
- A firmware upgrade occurred requiring a system update to enable enhanced features.
- The Q-Logic 3 system will reprogram the unit based upon the information loaded onto the SD card. A new SD card ensures the unit is loaded with the latest software.
- The proper, programmed SD card must be selected to ensure the unit functions as intended.
- SD Cards are not shown. Refer to the model specific SD Card pages for selection.
- Contact Technical Service for more information.

A1 Q-Logic 3 Enhanced Display
 (Shroud NOT Included)
 (Select Separately)

Gooseneck Notes:


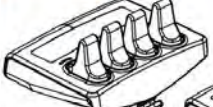

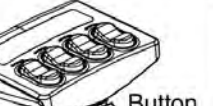
- This Gooseneck & Mounting Bracket replaces all previous versions.
- It is compatible with all versions of the Q-Logic 1, 2, & 3 Enhanced Displays.

Original Bracket	Q-Logic 1	Q-Logic 2 & 3

Item	Part No.	Name	Qty
A1	CTL143979	EXPANDABLE CONTROLLER W/ LCD COLOR DISPLAY,Q-LOGIC 3,(CURTIS:17955700-02-3409)	1
B1	DWR1010D446	MOUNTING BRACKET,FLEXIBLE,W/COPPER INSERT,DISPLAY MOUNT,D-1010-446	1
C1	MEC143421	MOUNTING BRACKET,ENHANCED DISPLAY CONTROLLER V2,QLOGIC	1
D1	SCRASBH1210	SCREW, BUTTON HEAD, .250-20 X .75, ASTM F835, BZ, PVTP	1
E1	SCRPPH1383	SCREW,PPH,BLACK ZINC,M5-.8 X 8MM	2

1. Q-Logic 3 Electronics

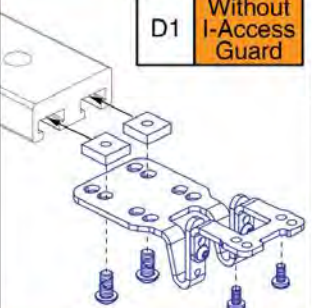
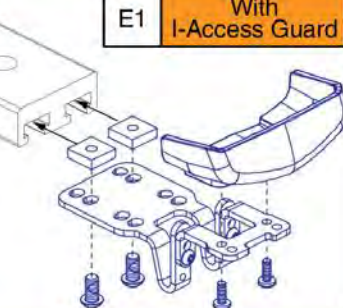
Modules (Rule 1)

A1 4-Function Push Button	I-Access	B1 Toggle
		C1 Button
		

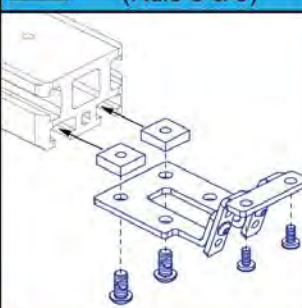
Rules:

1. The 4-Function Module (A1) CAN NOT mount to the assy's that contain the I-Access Guard.
2. Assy's that contain components for mounting to the Arm Tube or Back Cane, can have the clamp hardware reversed to mount on the opposite side.
3. The Mounts are only available as an assembly. Individual components are not available for replacement unless noted.
4. The existing hardware that mounts the joystick to the joystick mounting bracket will be reused for the installation of the module mount under the joystick.
5. The TB3 Version 1 & 2 Mount (F1), the Under Joystick Mount (G1), and the Back Cane Attendant Mount CAN NOT accept the I-Access Guard.

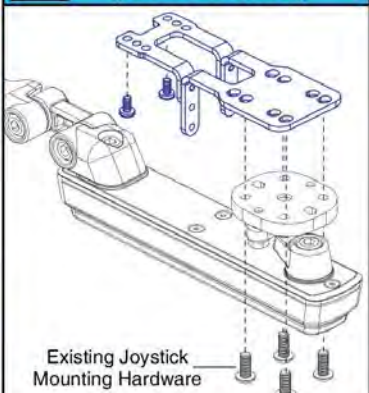
TB3 Version 3 Flip-back Arm Mounts (Rule 3)

D1 Without I-Access Guard	E1 With I-Access Guard
	

F1 TB3 Version 1 & 2 Flip-back Arm Mount (Rule 3 & 5)


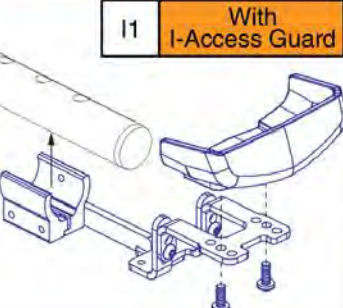


G1 Under Joystick Mount (Rules 3, 4, & 5)

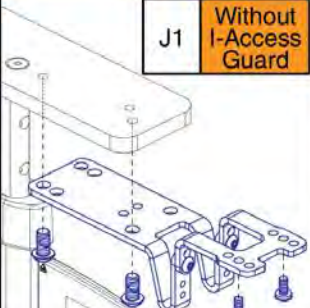
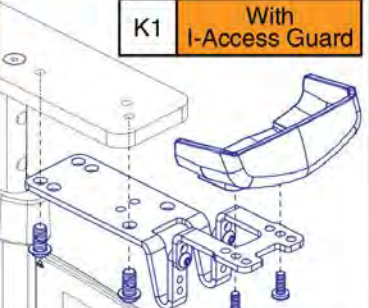


Existing Joystick Mounting Hardware

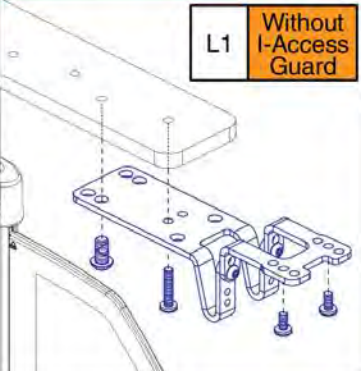
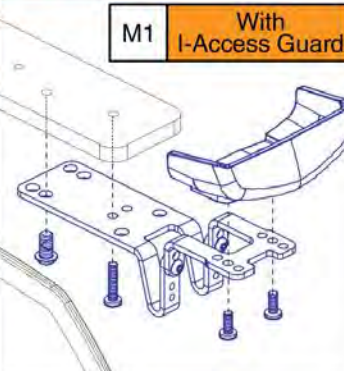
Tubular Arm Mounts (Rules 2 & 3)

H1 Without I-Access Guard	I1 With I-Access Guard
	

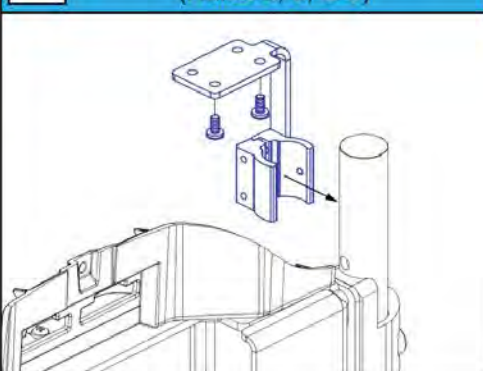
TB Flex T-Arm, Desk Length Mounts (Rule 3)

J1 Without I-Access Guard	K1 With I-Access Guard
	

TB Flex T-Arm, Full Length Mounts (Rule 3)

L1 Without I-Access Guard	M1 With I-Access Guard
	

N1 TB3 Back Cane Attendant Mounts (Rules 2, 3, & 5)

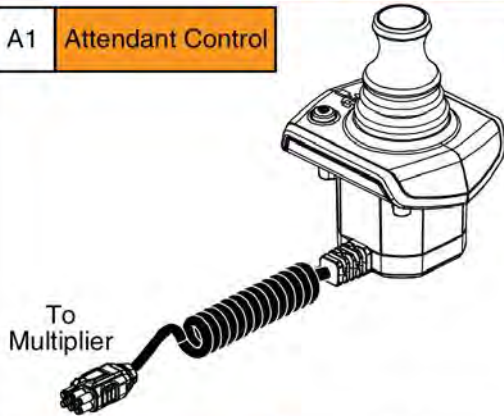


Item	Part No.	Name	Qty
A1	CTL123218	CONTROLLER,4-FUNCTION PUSH BUTTON,(CURTIS: 17682700)	1
B1	CTL144010	IACCESS ENHANCED SWITCH MODULE,Q-LOGIC 3,TOGGLE BUTTON,(CURTIS:17966700-4109)	1
C1	CTL144009	IACCESS ENHANCED SWITCH MODULE,Q-LOGIC 3,FLAT BUTTON,(CURTIS:17966700-4009)	1
D1	MEC1906531	MOUNTING BRACKET,ASSY,4-FUNCTION PUSH BUTTON/IACCESS,FOR NEW FLIP BACK ARM,W/HARDWARE	1
E1	MEC2001392	MOUNTING BRACKET,ASSY,4-FUNCTION PUSH BUTTON/IACCESS,FOR NEW FLIP BACK ARM,W/GUARD	1
F1	MEC136981	MOUNTING BRACKET,ASSY,4-FUNCTION PUSH BUTTON,W/EXTENSION & MOUNTING HARDWARE,TRU-BALANCE 3	1
G1	MEC1907500	MOUNTING BRACKET,ASSY,4-FUNCTION PUSH BUTTON/IACCESS,JOYSTICK MOUNT,W/HARDWARE	1
H1	MEC1906530	MOUNTING BRACKET,ASSY,4-FUNCTION PUSH BUTTON/IACCESS,UNDER ARM MOUNT FOR TUBE ARM,W/HARDWARE	1
I1	MEC2001391	MOUNTING BRACKET,ASSY,4-FUNCTION PUSH BUTTON/IACCESS,UNDER ARM MOUNT FOR TUBE ARM,W/GUARD	1
J1	MEC2001395	MOUNTING BRACKET,ASSY,4-FUNCTION PUSH BUTTON/IACCESS,UNDER ARM MOUNT FOR DESK TBFLEX ARM,W/HARDWARE	1
K1	MEC2001400	MOUNTING BRACKET,ASSY,4-FUNCTION PUSH BUTTON/IACCESS,UNDER ARM MOUNT FOR DESK TBFLEX ARM,W/GUARD	1
L1	MEC1906565	MOUNTING BRACKET,ASSY,4-FUNCTION PUSH BUTTON/IACCESS,UNDER ARM MOUNT FOR TBFLEX ARM,W/HARDWARE	1
M1	MEC2001401	MOUNTING BRACKET,ASSY,4-FUNCTION PUSH BUTTON/IACCESS,UNDER ARM MOUNT FOR FULL TBFLEX ARM,W/GUARD	1
N1	MEC1906564	MOUNTING BRACKET,ASSY,4-FUNCTION PUSH BUTTON/IACCESS,ATTENDANT MOUNT,W/HARDWARE	1

1. Q-Logic 3 Electronics

Q-Logic 3 Attendant Control & Mounts for TB3 Seating System

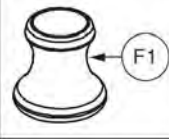
A1 Attendant Control



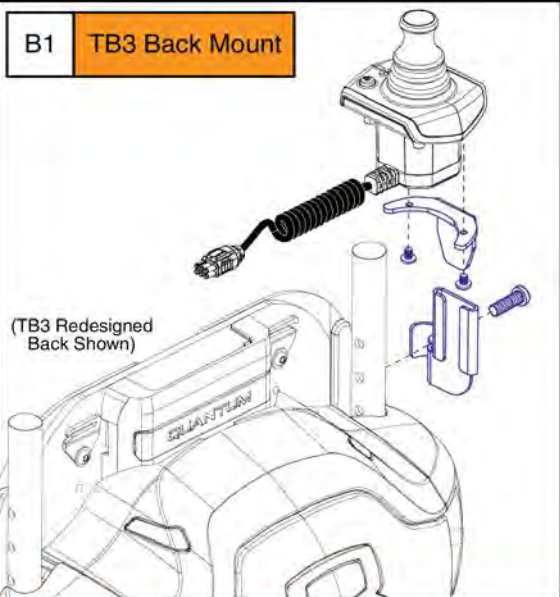
Attendant Control Notes:

- Must be used in conjunction with an Enhanced Display or Q-Logic 3 Joystick.
- Mounting options are listed below.
- The Attendant Control is equipped with a "Curly" bus cable.

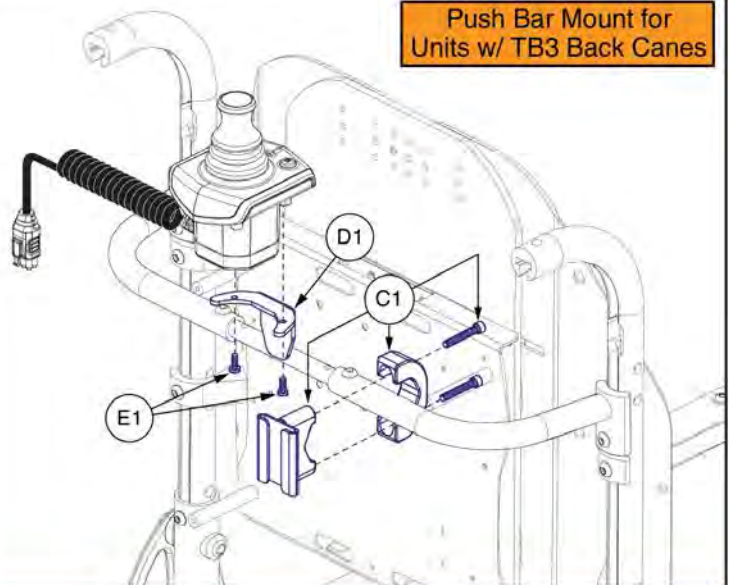
Knob



B1 TB3 Back Mount

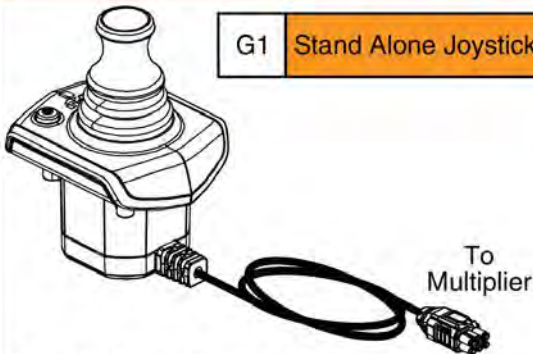


Push Bar Mount for Units w/ TB3 Back Canes



Q-Logic 3 Stand Alone Joystick

G1 Stand Alone Joystick (SAJ)



Knob

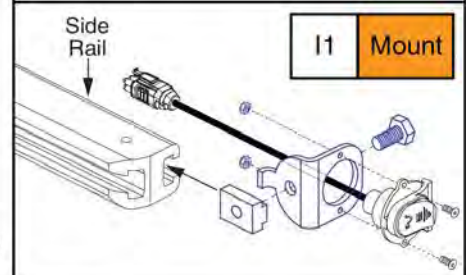


SAJ Charging / Programming Harness & Side Rail Mount

H1 Harness



I1 Mount



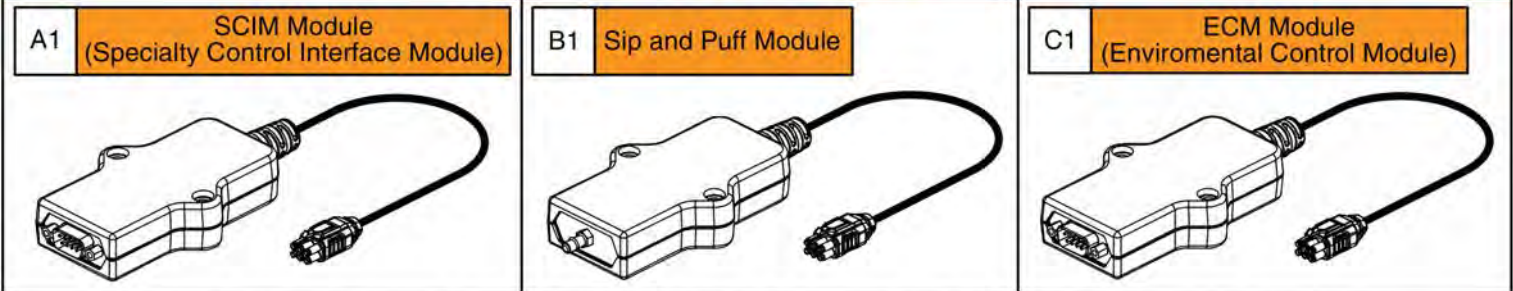
Stand Alone Joystick Notes:

- Must be used in conjunction with an Enhanced Display or Q-Logic 3 Joystick.
- The SAJ mounts to the seating system arms and the mounting options are contained within the Power Base Joystick Mounts & Receivers Sections.

Item	Part No.	Name	Qty
A1	CTL143981	ATTENDANT CONTROL MODULE,Q-LOGIC 3,(CURTIS:17962700-2109)	1
B1	MEC125270	MOUNTING BRACKET,ASSY,ATTENDANT CONTROL,TRU-BALANCE 3	1
C1	FRMASMB10455	MOUNTING BRACKET,ASSY,ATTENDANT CONTROL,C-1010-285	1
D1	DWR1010D298	MOUNTING BRACKET,ATTENDANT BRACKET,CURTIS STAND ALONE JOYSTICK,D-1010-298	1
E1	SCRPPH1036	SCREW, PAN HEAD, TYPE H, M4X0.7 X 8, FT, ISO 7045, CL 4.8, BZ	2
F1	DGN154742	JOYSTICK, KNOB, Q-LOGIC 3, 6.35MM-ID, (CURTIS: 17519114-01)	1
G1	CTL143980	STANDALONE JOYSTICK, Q-LOGIC 3, (CURTIS: 17953700-1109)	1
H1	HAR144001	HARNESS, CHARGER/PROGRAMMER, Q-LOGIC 3, 0.9 METER,(CURTIS: 17880701)	1
I1	FRMASMB11156	MOUNTING BRACKET,ASSY,STAND ALONE JOYSTICK,SIDE RAIL MOUNT,C-1360-163	1

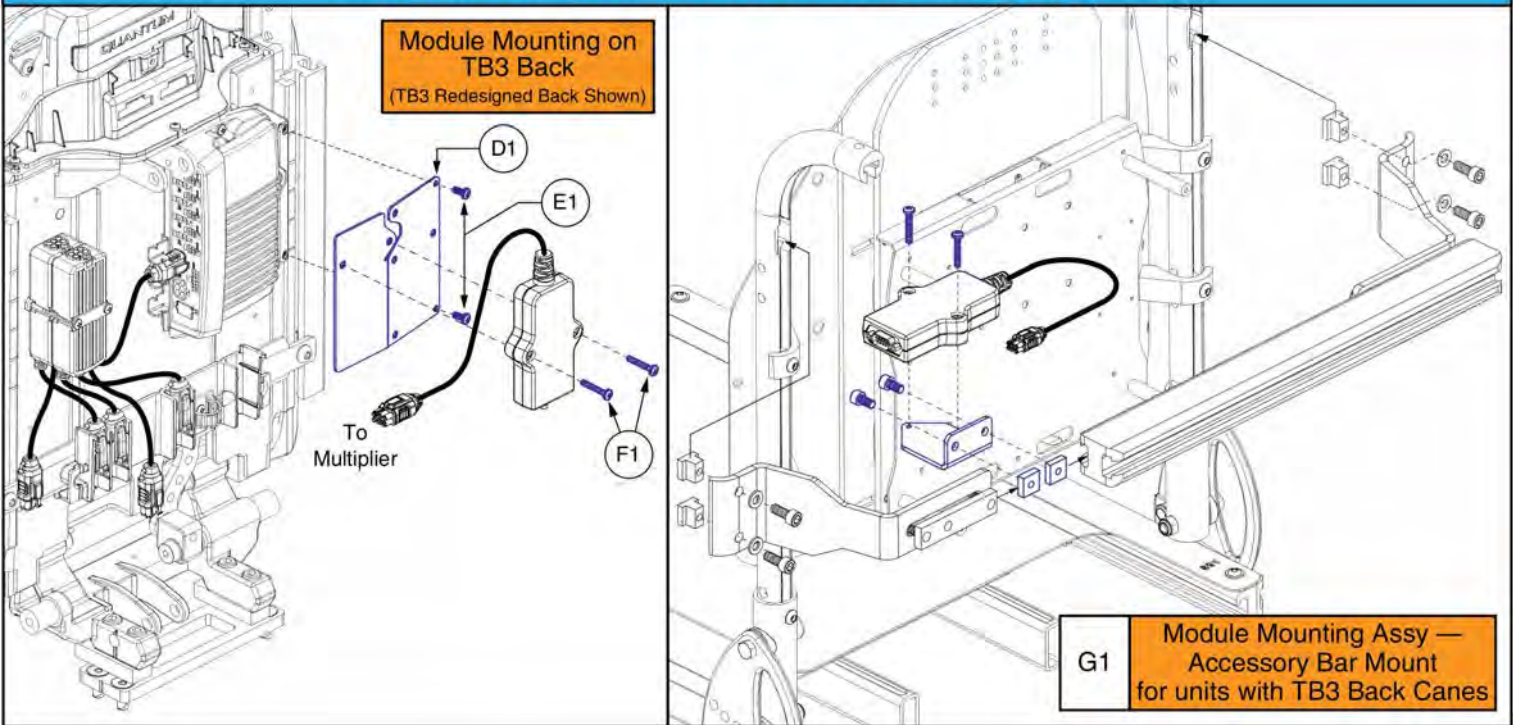
1. Q-Logic 3 Electronics

Alternative Control Modules



Note: Mounting a combination of the ECM, SCIM, and Sip & Puff modules simultaneously is only available through SOF.

Alternative Control Module Mounts for TB3 Seating System

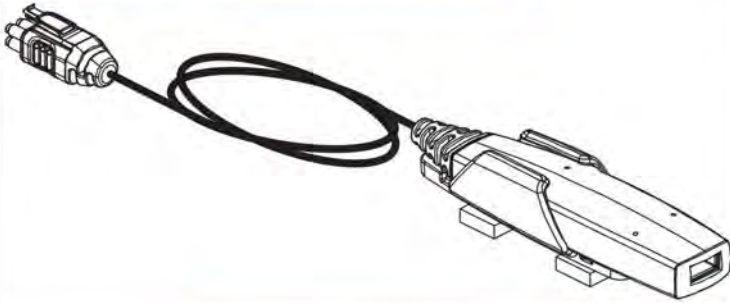


Item	Part No.	Name	Qty
A1	CTL143988	SPECIALTY CONTROL INTERFACE MODULE,Q-LOGIC 3,(SCIM),(CURTIS:17950700-1009)	1
B1	CTL143990	SIP & PUFF MODULE,Q-LOGIC 3,(CURTIS:17961700-0009)	1
C1	CTL143989	ENVIRONMENTAL CONTROL MODULE, Q-LOGIC 3	1
D1	MEC162072	SPECIALTY CONTROLS SEATBACK BRACKET LID ASSEMBLY	1
E1	SCRPPH1163	SCREW, PAN HEAD, TYPE H, M4X0.7 X 10, FT, ISO 7045, CL 4.8, BZ	2
F1	SCRPPH1103	SCREW,PPH,BLACK ZINC,M4-.7 X 25MM	2
G1	MEC138192	BRACKET,ASSY,SCIM,ACCESSORY BAR MOUNT,TRU-BALANCE 3	1

1. Q-Logic 3 Electronics

Q-Logic 3 USB Charger Module Assy

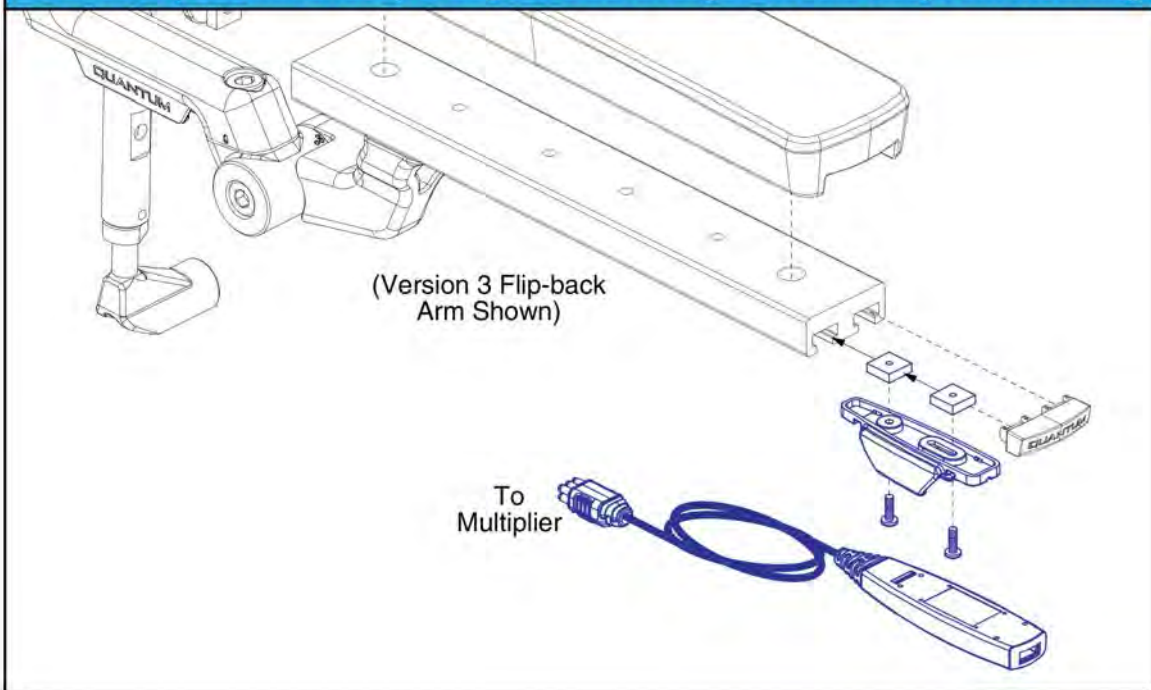
A1 Complete USB Charger Module Assy



USB Charger Module Notes:

- The assembly includes the slot-nut mounting hardware and the installation instructions.
- The assembly can mount to any channel that accepts slot / t-nut hardware.
- It is recommended to mount the module in an area that is not susceptible to impacts or snags.
- A multiplier harness is required for operation.
- The usb charger is rated at 1A.
- The module output is switched on when the Q-Logic system is powered on.

Standard (Recommended) Q-Logic 3 USB Charger Module Assy Arm Mounting



Q-Logic 3 USB Charger Module Assy



Item	Part No.	Name	Qty
A1	ELE168069	ELECTRONIC,ASSY,USB CHARGER,Q-LOGIC 3,W/MOUNTING BRACKET,HARDWARE	1

Q-Logic 3 SD Cards



Pre-programmed
Micro SD Card

Q-Logic 3 SD Card Master List - 4Front			
Ref#	Part Number	Motor Type	Options
A1	ELE1712717	6 mph Linix	Power Positioning, w/Anti-tips
B1	ELE1712722	6 mph Linix	Static, w/Anti-tips
C1	ELE1712725	5 mph Linix	Power Positioning, w/o Anti-tips
D1	ELE1712724	5 mph Linix	Static, w/o Anti-tips

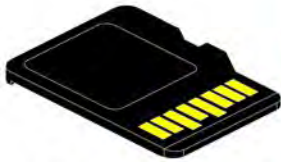
Please note:

- Pre-programmed SD Cards are required when:
 - Replacing a Joystick, Power Base Module, or Seating Module. A firmware upgrade occurred requiring a system update to enable all of the enhanced features.
 - Any circumstance where all of the electronics modules require replacement.
- The Q-Logic 3 system will reprogram the unit based upon the information loaded onto the SD card.
- The proper, programmed SD card must be selected to ensure the unit functions as intended.

Q-Logic 3 SD Cards for 4Front



Item	Part No.	Name	Qty
A1	ELE1712717	SERVICEABLE ASSEMBLY,SD CARD,Q-LOGIC 3,4FRONT WITH ANTI-TIPS PROGRAM,6MPH LINIX MOTORS,POWER POSITIONING	1
B1	ELE1712722	SERVICEABLE ASSEMBLY,SD CARD,Q-LOGIC 3,4FRONT WITH ANTITIPSPROGRAM,6MPH LINIX MOTORS,STATIC SEATING	1
C1	ELE1712725	SERVICEABLE ASSEMBLY,SD CARD,Q-LOGIC 3,4FRONT WITHOUT ANTI-TIPS PROGRAM,5MPH LINIX MOTORS,POWER POSITIONING	1
D1	ELE1712724	SERVICEABLE ASSEMBLY,SD CARD,Q-LOGIC 3,4FRONT WITHOUT ANTI-TIPS PROGRAM,5MPH LINIX MOTORS,STATIC SEATING	1



Pre-programmed
Micro SD Card

Q-Logic 3 SD Card Master List - Q6 Edge 3			
Ref#	Part Number	Motor Type	Options
A1	ELE1805110	6 mph Linix	Power Positioning
B1	ELE1805112	6 mph Linix	Static
C1	ELE1805113	6 mph Linix, Accu Trac	Power Positioning
D1	ELE1805111	6 mph Linix, Accu Trac	Static

Please note:

- Pre-programmed SD Cards are required when:
 - Replacing a Joystick, Power Base Module, or Seating Module. A firmware upgrade occurred requiring a system update to enable all of the enhanced features.
 - Any circumstance where all of the electronics modules require replacement.
- The Q-Logic 3 system will reprogram the unit based upon the information loaded onto the SD card.
- The proper, programmed SD card must be selected to ensure the unit functions as intended.

Q-Logic 3 SD Cards for Edge 3



Item	Part No.	Name	Qty
A1	ELE1805110	SERVICEABLE ASSEMBLY,SD CARD,Q6EDGE3 PROGRAM,6MPH LINIX MOTORS,Q-LOGIC 3,POWER POSITIONING	1
B1	ELE1805112	SERVICEABLE ASSEMBLY,SD CARD,Q6EDGE 3 PROGRAM,6MPH LINIX MOTORS,Q-LOGIC 3,STATIC SEATING	1
C1	ELE1805113	SERVICEABLE ASSEMBLY,SD CARD,Q6EDGE3 PROGRAM,6MPH LINIX MOTORS ACCU TRAC,Q-LOGIC3,POWER POSITIONING	1
D1	ELE1805111	SERVICEABLE ASSEMBLY,SD CARD,Q6EDGE 3 PROGRAM,6MPH LINIX MOTORS,Q-LOGIC 3,ACCU TRAC,STATIC SEATING	1



Pre-programmed
Micro SD Card

Q-Logic 3 SD Card Master List - Q6 Edge HD			
Ref#	Part Number	Motor Type	Options
A1	ELE1805107	4.5 mph Hammer II	Power Positioning
B1	ELE1805109	4.5 mph Hammer II	Static

Please note:

- Pre-programmed SD Cards are required when:
 - Replacing a Joystick, Power Base Module, or Seating Module. A firmware upgrade occurred requiring a system update to enable all of the enhanced features.
 - Any circumstance where all of the electronics modules require replacement.
- The Q-Logic 3 system will reprogram the unit based upon the information loaded onto the SD card.
- The proper, programmed SD card must be selected to ensure the unit functions as intended.

Q-Logic 3 SD Cards for Edge HD



Item	Part No.	Name	Qty
A1	ELE1805107	SERVICEABLE ASSEMBLY, SD CARD, Q6EDGE HD, Q-LOGIC 3,HAMMER II 4.5MPH MOTORS,POWER POSITIONING	1
B1	ELE1805109	SERVICEABLE ASSEMBLY, SD CARD, Q6EDGE HD, Q-LOGIC 3,HAMMER II 4.5MPH MOTORS, STATIC SEATING	1



Pre-programmed
Micro SD Card

Q-Logic 3 SD Card Master List - Q6 Edge 2.0			
Ref#	Part Number	Motor Type	Options
A1	ELE1700789	6 mph Linix	Power Positioning
B1	ELE1700824	6 mph Linix	Static
C1	ELE1700826	6 mph Linix, Accu Trac	Power Positioning
D1	ELE1700827	6 mph Linix, Accu Trac	Static

Please note:

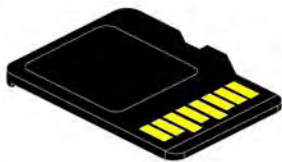
- Pre-programmed SD Cards are required when:
 - Replacing a Joystick, Power Base Module, or Seating Module. A firmware upgrade occurred requiring a system update to enable all of the enhanced features.
 - Any circumstance where all of the electronics modules require replacement.
- The Q-Logic 3 system will reprogram the unit based upon the information loaded onto the SD card.
- The proper, programmed SD card must be selected to ensure the unit functions as intended.

Q-Logic 3 SD Cards for Edge 2.0



Item	Part No.	Name	Qty
A1	ELE1700789	SERVICABLE ASSEMBLY, SD CARD, Q-LOGIC 3, Q6EDGE 2, 6MPH LINIX MOTORS, POWER POSTIONING	1
B1	ELE1700824	SERVICABLE ASSEMBLY, SD CARD, Q-LOGIC 3, Q6EDGE 2, 6MPH LINIX MOTORS, STATIC SEATING	1
C1	ELE1700826	SERVICABLE ASSEMBLY, SD CARD, Q-LOGIC 3, Q6EDGE 2, 6MPH LINIX MOTORS ACCU TRAC, POWER POSITIONING	1
D1	ELE1700827	SERVICABLE ASSEMBLY, SD CARD, Q-LOGIC 3, Q6EDGE 2, 6MPH LINIX MOTORS ACCU TRAC, STATIC SEATING	1

Q-Logic 3 SD Cards



Pre-programmed
Micro SD Card

Q-Logic 3 SD Card Master List - Q6 Edge 3 Stretto				
Ref#	Part Number	Motor Program	Drive Wheels	Options
A1	ELE1908264	6.25 mph	12 Inch	Static
B1	ELE1908260	6.25 mph	12 Inch	Power Positioning
C1	ELE1908263	6.25 mph	14 Inch	Static
D1	ELE1908262	6.25 mph	14 Inch	Power Positioning

Please note:

- Pre-programmed SD Cards are required when:
 - Replacing a Joystick, Power Base Module, or Seating Module. A firmware upgrade occurred requiring a system update to enable all of the enhanced features.
 - Any circumstance where all of the electronics modules require replacement.
- The Q-Logic 3 system will reprogram the unit based upon the information loaded onto the SD card.
- The proper, programmed SD card must be selected to ensure the unit functions as intended.

Item	Part No.	Name	Qty
A1	ELE1908264	SERVICEABLE ASSEMBLY, SD CARD, Q6EDGE 3 STRETTO 12 INCH TIRES, PROGRAM,6.25MPH LINIX MOTORS,Q-LOGIC 3, STATIC SEATING	1
B1	ELE1908260	SERVICEABLE ASSEMBLY, SD CARD, Q6EDGE 3 STRETTO 12 INCH TIRES, PROGRAM,6.25MPH LINIX MOTORS,Q-LOGIC 3, POWER POSITIONING.	1
C1	ELE1908263	SERVICEABLE ASSEMBLY, SD CARD, Q6EDGE 3 STRETTO 14 INCH TIRES, PROGRAM,6.25MPH LINIX MOTORS,Q-LOGIC 3, STATIC SEATING	1
D1	ELE1908262	SERVICEABLE ASSEMBLY, SD CARD, Q6EDGE 3 STRETTO 14 INCH TIRES, PROGRAM,6.25MPH LINIX MOTORS,Q-LOGIC 3, POWER POSITIONING.	1

Q-Logic 3 SD Card Master List - Q1450

Ref#	Part Number	Motor Type	Options
A1	ELE2000743	Hammer II	Static
B1	ELE2000745	Hammer II	Power Positioning



Pre-programmed
Micro SD Card

Please note:

- Pre-programmed SD Cards are required when:
 - Replacing a Joystick, Power Base Module, or Seating Module. A firmware upgrade occurred requiring a system update to enable all of the enhanced features.
 - Any circumstance where all of the electronics modules require replacement.
- The Q-Logic 3 system will reprogram the unit based upon the information loaded onto the SD card.
- The proper, programmed SD card must be selected to ensure the unit functions as intended.

Q-Logic 3 SD Cards for Q1450

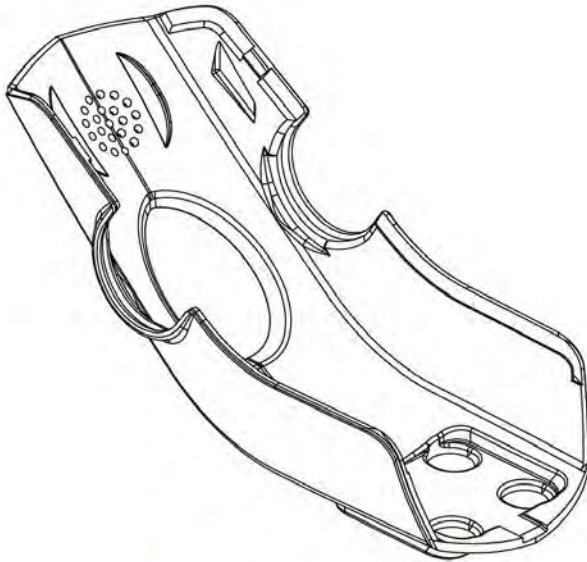


Item	Part No.	Name	Qty
A1	ELE2000743	SERVICABLE ASSEMBLY,SD CARD,Q-LOGIC 3,QUANTUM 1450,4.5MPH HAMMER II MOTORS, STATIC SEATING	1
B1	ELE2000745	SERVICABLE ASSEMBLY,SD CARD,Q-LOGIC 3,QUANTUM 1450,4.5MPH HAMMER II MOTORS,POWER POSTIONING	1

Q-Logic 2 & 3 Joystick & Enhanced Display Shrouds

***Please Note:**

- The joystick shrouds are available in all the Quantum colors listed.
- Power base colors vary by model and some colors listed may not be available on all power bases. See the Quantum Color Reference Chart for color options.
- Some colors listed may have prolonged lead times.
- Contact Technical Service for more information.



Q-Logic 2 (Pre 2015)	
Ref#	Color Name
A1	Std., Soft Touch
A2	Black
A3	Silver
A4	Candy Apple Red
A5	Pearl Pink
A6	Sapphire Blue
A7	True Blue
A8	Viper Blue
A9	Emerald Green
A10	Orion Yellow
A11	Sunburst Orange

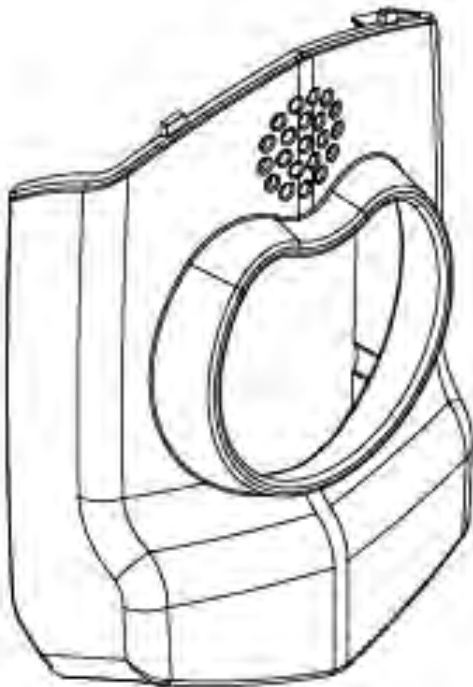
Q-Logic 2 (Post 2015) & Q-Logic 3	
Ref#	Color Name
B1	Std., Soft Touch
B2	Back in Black
B3	Night Train
B4	Grey Street
B5	Silver Bullet
B6	White Satin
B7	Red Corvette
B8	Cherry Bomb
B9	Pretty in Pink
B10	Raspberry Beret
B11	Sugar Plum
B12	Deep Purple
B13	Midnight Blue
B14	Electric Blue
B15	Blue Jean
B16	Green Machine
B17	Military Green
B18	Lime Light
B19	Yellow Blaze
B20	Lemon Crush
B21	Orange Crush
B22	Evolution Orange
B23	Carbon Fiber
B24	Digital Camo
B25	Faded Glory

Q-Logic 2 & 3 Joystick Shrouds



Item	Part No.	Name	Qty
A1	DGN124307	Q-LOGIC 2/3 JOYSTICK SHROUD,BLACK SOFT-TOUCH PAINT,(CURTIS: 17949365-02)	1
A2	DGN124336-PBK1	Q-LOGIC 2/3 JOYSTICK SHROUD,PPW-BLK-01 (BACK IN BLACK/BLACK)	1
A3	DGN124336-PSL1	Q-LOGIC 2/3 JOYSTICK SHROUD,PPW-SIL-01 (SILVER)	1
A4	DGN124336-PRD1	Q-LOGIC 2/3 JOYSTICK SHROUD,PPW-RED-01 (RED CORVETTE/CANDY APPLE RED)	1
A5	DGN124336-PPK1	Q-LOGIC 2/3 JOYSTICK SHROUD,PPW-PNK-01 (PEARL PINK)	1
A6	DGN124336-PPR4	Q-LOGIC 2/3 JOYSTICK SHROUD,PPW-PRP-04 (SAPPHIRE BLUE)	1
A7	DGN124336-PBU9	Q-LOGIC 2/3 JOYSTICK SHROUD,PPW-BLU-09 (ELECTRIC BLUE/TRUE BLUE)	1
A8	DGN124336-PBU1	Q-LOGIC 2/3 JOYSTICK SHROUD,PPW-BLU-01 (VIPER BLUE)	1
A9	DGN124336-PGN5	Q-LOGIC 2/3 JOYSTICK SHROUD,PPW-GRN-05 (EMERALD GREEN)	1
A10	DGN124336-PYL3	Q-LOGIC 2/3 JOYSTICK SHROUD,PPW-YEL-03 (YELLOW BLAZE/ORION YELLOW)	1
A11	DGN124336-POR4	Q-LOGIC 2/3 JOYSTICK SHROUD,PPW-ORN-04 (SUNBURST ORANGE)	1
B1	DGN124307	Q-LOGIC 2/3 JOYSTICK SHROUD,BLACK SOFT-TOUCH PAINT,(CURTIS: 17949365-02)	1
B2	DGN124336-PBK1	Q-LOGIC 2/3 JOYSTICK SHROUD,PPW-BLK-01 (BACK IN BLACK/BLACK)	1
B3	DGN124336-PBK3	Q-LOGIC 2/3 JOYSTICK SHROUD,PPW-BLK-03 (NIGHT TRAIN)	1
B4	DGN124336-PSL3	Q-LOGIC 2/3 JOYSTICK SHROUD,PPW-SIL-03 (GREY STREET)	1
B5	DGN124336-PSL7	Q-LOGIC 2/3 JOYSTICK SHROUD,PPW-SIL-07 (SILVER BULLET)	1
B6	DGN124336-PWH2	Q-LOGIC 2/3 JOYSTICK SHROUD,PPW-WHT-02 (WHITE SATIN)	1
B7	DGN124336-PRD1	Q-LOGIC 2/3 JOYSTICK SHROUD,PPW-RED-01 (RED CORVETTE/CANDY APPLE RED)	1
B8	DGN124336-PRD4	Q-LOGIC 2/3 JOYSTICK SHROUD,PPW-RED-04 (CHERRY BOMB)	1
B9	DGN124336-PPK3	Q-LOGIC 2/3 JOYSTICK SHROUD,PPW-PNK-03 (PRETTY IN PINK)	1
B10	DGN124336-PPK4	Q-LOGIC 2/3 JOYSTICK SHROUD,PPW-PNK-04 (RASPBERRY BERET)	1
B11	DGN124336-PPR7	Q-LOGIC 2/3 JOYSTICK SHROUD,PPW-PRP-07 (SUGAR PLUM)	1
B12	DGN124336-PPR5	Q-LOGIC 2/3 JOYSTICK SHROUD,PPW-PRP-05 (DEEP PURPLE)	1
B13	DGN124336-PBU10	Q-LOGIC 2/3 JOYSTICK SHROUD,PPW-BLU-10 (MIDNIGHT BLUE)	1
B14	DGN124336-PBU9	Q-LOGIC 2/3 JOYSTICK SHROUD,PPW-BLU-09 (ELECTRIC BLUE/TRUE BLUE)	1
B15	DGN124336-PBU11	Q-LOGIC 2/3 JOYSTICK SHROUD,PPW-BLU-11 (BLUE JEAN)	1
B16	DGN124336-PGN11	Q-LOGIC 2/3 JOYSTICK SHROUD,PPW-GRN-11 (GREEN MACHINE)	1
B17	DGN124336-PGN8	Q-LOGIC 2/3 JOYSTICK SHROUD,PPW-GRN-08 (MILITARY GREEN)	1
B18	DGN124336-PGN7	Q-LOGIC 2/3 JOYSTICK SHROUD,PPW-GRN-07 (LIME LIGHT)	1
B19	DGN124336-PYL3	Q-LOGIC 2/3 JOYSTICK SHROUD,PPW-YEL-03 (YELLOW BLAZE/ORION YELLOW)	1
B20	DGN124336-PYL4	Q-LOGIC 2/3 JOYSTICK SHROUD,PPW-YEL-04 (LEMON CRUSH)	1
B21	DGN124336-POR6	Q-LOGIC 2/3 JOYSTICK SHROUD,PPW-ORN-06 (ORANGE CRUSH)	1
B22	DGN124336-POR7	Q-LOGIC 2/3 JOYSTICK SHROUD,PPW-ORN-07 (EVOLUTION ORANGE)	1
B23	DGN124336-WCB1	Q-LOGIC 2/3 JOYSTICK SHROUD,PWT-CBN-01 (CARBON FIBER)	1
B24	DGN124336-WCM7	Q-LOGIC 2/3 JOYSTICK SHROUD,PWT-CMO-07 (MILITARY DIGITAL CAMO)	1
B25	DGN124336-WFL2	Q-LOGIC 2/3 JOYSTICK SHROUD,PWT-FLG-02 (FADED GLORY)	1

Q-Logic 2 & 3 Joystick & Enhanced Display Shrouds



****Note: Some color options may have prolonged lead times. Please contact Tech Service for availability.****

Q-Logic 2 (Post 2015) & Q-Logic 3

Ref#	Color Name	Part Suffix	Color Code
B1	Std., Soft Touch	—	—
B2	Back in Black	FBK1	PPW-BLK-01
B3	Night Train	FBK3	PPW-BLK-03
B4	Grey Street	PSL3	PPW-SIL-03
B5	Silver Bullet	PSL7	PPW-SIL-07
B6	White Satin	PWT2	PPW-WHT-02
B7	Red Corvette	PRD1	PPW-RED-01
B8	Cherry Bomb	PRD4	PPW-RED-04
B9	Pretty in Pink	PPK3	PPW-PNK-03
B10	Raspberry Beret	PPK4	PPW-PNK-04
B11	Sugar Plum	PPR7	PPW-PRP-07
B12	Deep Purple	PPR5	PPW-PRP-05
B13	Midnight Blue	PBU10	PPW-BLU-10
B14	Electric Blue	FBU8	PPW-BLU-08
B15	Blue Jean	PBU11	PPW-BLU-11
B16	Green Machine	PGN11	PPW-GRN-11
B17	Military Green	PGN8	PPW-GRN-08
B18	Lime Light	PGN7	PPW-GRN-07
B19	Yellow Blaze	PYL3	PPW-YEL-03
B20	Lemon Crush	PYL4	PPW-YEL-04
B21	Orange Crush	POR6	PPW-ORN-06
B22	Evolution Orange	POR7	PPW-ORN-07
B23	Carbon Fiber	WCB1	PWT-CBN-01
B24	Digital Camo	WCM7	PWT-CMO-07
B25	Faded Glory	WFL2	PWT-FLG-02

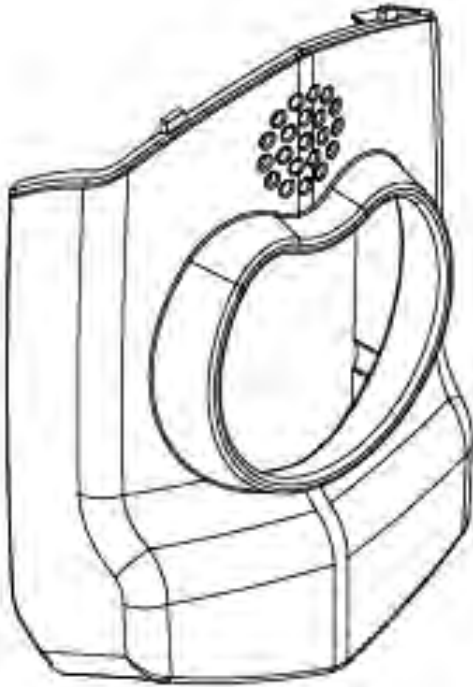
Q-Logic 2 (Pre 2015)

Ref#	Color Name	Part Suffix	Color Code
A1	Std., Soft Touch	—	—
A2	Black	PBK1	PPW-BLK-01
A3	Silver	PSL1	PPW-SIL-01
A4	Candy Apple Red	PRD1	PPW-RED-01
A5	Pearl Pink	PPK1	PPW-PNK-01
A6	Sapphire Blue	PPR4	PPW-PRP-04
A7	True Blue	PBU9	PPW-BLU-09
A8	Viper Blue	PRD1	PPW-BLU-01
A9	Emerald Green	PGN5	PPW-GRN-05
A10	Orion Yellow	PYL3	PPW-YEL-03
A11	Sunburst Orange	POR1	PPW-ORN-01

Q-Logic 2 & 3 Enhanced Display Shrouds



Item	Part No.	Name	Qty
A1	DGN137728	ENHANCED DISPLAY 2.0 SHROUD, BLACK SOFT-TOUCH PAINT, QLOGIC 2	1
A2	DGN137729-PBK1	ENHANCED DISPLAY MODULE 2.0 SHROUD, PLASTIC, PPW-BLK-01 (BACK IN BLACK/BLACK)	1
A3	DGN137729-PSL1	ENHANCED DISPLAY MODULE 2.0 SHROUD, PLASTIC, PPW-SIL-01 (SILVER)	1
A4	DGN137729-PRD1	ENHANCED DISPLAY MODULE 2.0 SHROUD, PLASTIC, PPW-RED-01 (RED CORVETTE/CANDY APPLE RED)	1
A5	DGN137729-PPK1	ENHANCED DISPLAY MODULE 2.0 SHROUD, PLASTIC, PPW-PNK-01 (PEARL PINK)	1
A6	DGN137729-PPR4	ENHANCED DISPLAY MODULE 2.0 SHROUD, PLASTIC, PPW-PRP-04 (SAPPHIRE BLUE)	1
A7	DGN137729-PBU9	ENHANCED DISPLAY MODULE 2.0 SHROUD, PLASTIC, PPW-BLU-09 (ELECTRIC BLUE/TRUE BLUE)	1
A8	DGN137729-PBU1	ENHANCED DISPLAY MODULE 2.0 SHROUD, PLASTIC, PPW-BLU-01 (VIPER BLUE)	1
A9	DGN137729-PGN5	ENHANCED DISPLAY MODULE 2.0 SHROUD, PLASTIC, PPW-GRN-05 (EMERALD GREEN)	1
A10	DGN137729-PYL3	ENHANCED DISPLAY MODULE 2.0 SHROUD, PLASTIC, PPW-YEL-03 (YELLOW BLAZE/ORION YELLOW)	1
A11	DGN137729-POR4	ENHANCED DISPLAY MODULE 2.0 SHROUD, PLASTIC, PPW-ORN-04 (SUNBURST ORANGE)	1
B1	DGN137728	ENHANCED DISPLAY 2.0 SHROUD, BLACK SOFT-TOUCH PAINT, QLOGIC 2	1
B2	DGN137729-PBK1	ENHANCED DISPLAY MODULE 2.0 SHROUD, PLASTIC, PPW-BLK-01 (BACK IN BLACK/BLACK)	1
B3	DGN137729-PBK3	ENHANCED DISPLAY MODULE 2.0 SHROUD, PLASTIC, PPW-BLK-03 (NIGHT TRAIN)	1
B4	DGN137729-PSL3	ENHANCED DISPLAY MODULE 2.0 SHROUD, PLASTIC, PPW-SIL-03 (GREY STREET)	1
B5	DGN137729-PSL7	ENHANCED DISPLAY MODULE 2.0 SHROUD, PLASTIC, PPW-SIL-07 (SILVER BULLET)	1
B6	DGN137729-PWH2	ENHANCED DISPLAY MODULE 2.0 SHROUD, PLASTIC, PPW-WHT-02 (WHITE SATIN/PEARL WHITE)	1
B7	DGN137729-PRD1	ENHANCED DISPLAY MODULE 2.0 SHROUD, PLASTIC, PPW-RED-01 (RED CORVETTE/CANDY APPLE RED)	1
B8	DGN137729-PRD4	ENHANCED DISPLAY MODULE 2.0 SHROUD, PLASTIC, PPW-RED-04 (CHERRY BOMB)	1
B9	DGN137729-PPK3	ENHANCED DISPLAY MODULE 2.0 SHROUD, PLASTIC, PPW-PNK-03 (PRETTY IN PINK)	1
B10	DGN137729-PPK4	ENHANCED DISPLAY MODULE 2.0 SHROUD, PLASTIC, PPW-PNK-04 (RASPBERRY BERET)	1
B11	DGN137729-PPR7	ENHANCED DISPLAY MODULE 2.0 SHROUD, PLASTIC, PPW-PRP-07 (SUGAR PLUM)	1
B12	DGN137729-PPR5	ENHANCED DISPLAY MODULE 2.0 SHROUD, PLASTIC, PPW-PRP-05 (DEEP PURPLE)	1
B13	DGN137729-PBU10	ENHANCED DISPLAY MODULE 2.0 SHROUD, PLASTIC, PPW-BLU-10 (MIDNIGHT BLUE)	1
B14	DGN137729-PBU9	ENHANCED DISPLAY MODULE 2.0 SHROUD, PLASTIC, PPW-BLU-09 (ELECTRIC BLUE/TRUE BLUE)	1
B15	DGN137729-PBU11	ENHANCED DISPLAY MODULE 2.0 SHROUD, PLASTIC, PPW-BLU-11 (BLUE JEAN)	1
B16	DGN137729-PGN11	ENHANCED DISPLAY MODULE 2.0 SHROUD, PLASTIC, PPW-GRN-11 (GREEN MACHINE)	1
B17	DGN137729-PGN8	ENHANCED DISPLAY MODULE 2.0 SHROUD, PLASTIC, PPW-GRN-08 (MILITARY GREEN)	1
B18	DGN137729-PGN7	ENHANCED DISPLAY MODULE 2.0 SHROUD, PLASTIC, PPW-GRN-07 (LIME LIGHT)	1
B19	DGN137729-PYL3	ENHANCED DISPLAY MODULE 2.0 SHROUD, PLASTIC, PPW-YEL-03 (YELLOW BLAZE/ORION YELLOW)	1
B20	DGN137729-PYL4	ENHANCED DISPLAY MODULE 2.0 SHROUD, PLASTIC, PPW-YEL-04 (LEMON CRUSH)	1
B21	DGN137729-POR6	ENHANCED DISPLAY MODULE 2.0 SHROUD, PLASTIC, PPW-ORN-06 (ORANGE CRUSH)	1
B22	DGN137729-POR7	ENHANCED DISPLAY MODULE 2.0 SHROUD, PLASTIC, PPW-ORN-07 (EVOLUTION ORANGE)	1
B23	DGN137729-WCB1	ENHANCED DISPLAY MODULE 2.0 SHROUD, PLASTIC, PWT-CBN-01 (CARBON FIBER)	1
B24	DGN137729-WCM7	ENHANCED DISPLAY MODULE 2.0 SHROUD, PLASTIC, PWT-CMO-07 (MILITARY DIGITAL CAMO)	1



****Note: Some color options may have prolonged lead times. Please contact Tech Service for availability.****

Q-Logic 2 (Post 2015) & Q-Logic 3

Ref#	Color Name	Part Suffix	Color Code
B1	Std., Soft Touch	—	—
B2	Back in Black	PBK1	PPW-BLK-01
B3	Night Train	PBK3	PPW-BLK-03
B4	Grey Street	PSL3	PPW-SIL-03
B5	Silver Bullet	PSL7	PPW-SIL-07
B6	White Satin	PWT2	PPW-WHT-02
B7	Red Corvette	PRD1	PPW-RED-01
B8	Cherry Bomb	PRD4	PPW-RED-04
B9	Pretty in Pink	PPK3	PPW-PNK-03
B10	Raspberry Beret	PPK4	PPW-PNK-04
B11	Sugar Plum	PPR7	PPW-PRP-07
B12	Deep Purple	PPR5	PPW-PRP-05
B13	Midnight Blue	PBU10	PPW-BLU-10
B14	Electric Blue	PBU9	PPW-BLU-09
B15	Blue Jean	PBU11	PPW-BLU-11
B16	Green Machine	PGN11	PPW-GRN-11
B17	Military Green	PGN8	PPW-GRN-08
B18	Lime Light	PGN7	PPW-GRN-07
B19	Yellow Blaze	PYL3	PPW-YEL-03
B20	Lemon Crush	PYL4	PPW-YEL-04
B21	Orange Crush	POR6	PPW-ORN-06
B22	Evolution Orange	POR7	PPW-ORN-07
B23	Carbon Fiber	WCB1	PWT-CBN-01
B24	Digital Camo	WCM7	PWT-CMO-07
B25	Faded Glory	WFL2	PWT-FLG-02

Q-Logic 2 (Pre 2015)

Ref#	Color Name	Part Suffix	Color Code
A1	Std., Soft Touch	—	—
A2	Black	PBK1	PPW-BLK-01
A3	Silver	PSL1	PPW-SIL-01
A4	Candy Apple Red	PRD1	PPW-RED-01
A5	Pearl Pink	PPK1	PPW-PNK-01
A6	Sapphire Blue	PPR4	PPW-PRP-04
A7	True Blue	PBU9	PPW-BLU-09
A8	Viper Blue	PRD1	PPW-BLU-01
A9	Emerald Green	PGN5	PPW-GRN-05
A10	Orion Yellow	PYL3	PPW-YEL-03
A11	Sunburst Orange	POR1	PPW-ORN-01

Q-Logic 2 & 3 Enhanced Display Shrouds



Item	Part No.	Name	Qty
B25	DGN137729-WFL2	ENHANCED DISPLAY MODULE 2.0 SHROUD,PLASTIC,PWT-FLG-02 (FADED GLORY)	1

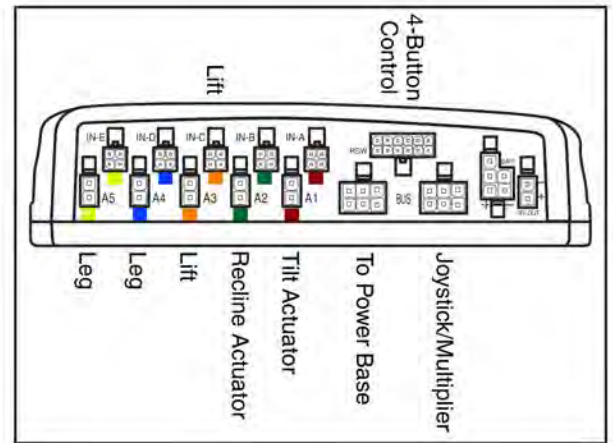
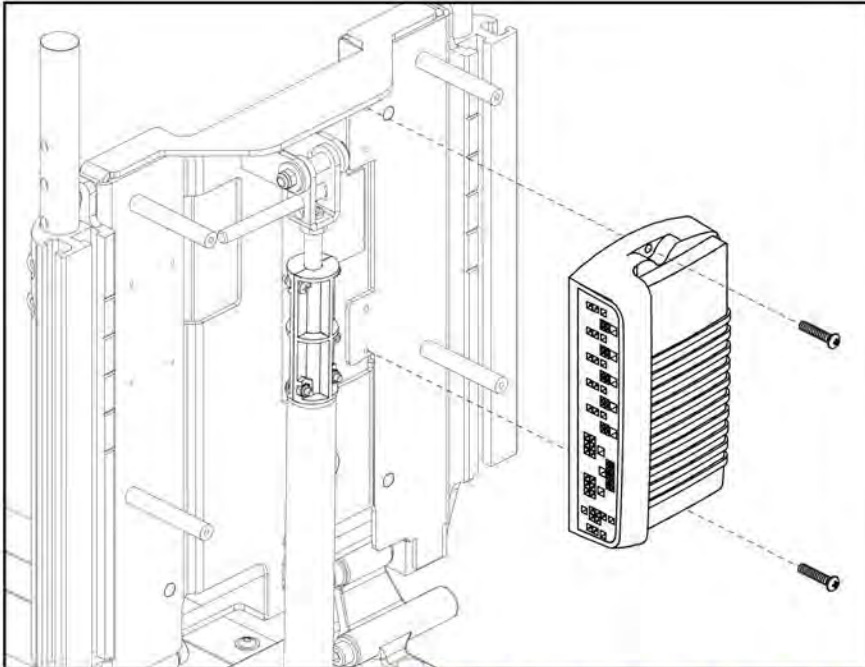
2.1. Static Seat

TB3 Q-Logic 2 Seat Only Master Assemblies		
A1	ELE130749	Seat with Independent Legs
B1	ELE130750	Seat with Comb. Legs
C1	ELE135164	Seat with Comb. Legs, 4-Button Control
D1	ELE130751	Seat with AFP
E1	ELE135165	Seat with AFP, 4-Button Control

The master assemblies include harnesses, seating module, and mounting hardware for the various configurations.

Item	Part No.	Name	Qty
A1	ELE130749	ELECTRONIC,CURTIS/AAM, INDEPENDENT LEGS, SEAT (CONFIG. #01)	1
B1	ELE130750	ELECTRONIC,CURTIS/AAM,COMBINED LEGS (CONFIG. #02)	1
C1	ELE135164	SEAT W/COMBINED LEGS,4-BUTTON,(CONFIG.#02)	1
D1	ELE130751	SEAT W/AFP,(CONFIG.#03)	1
E1	ELE135165	SEAT W/AFP,4-BUTTON,(CONFIG.#03)	1

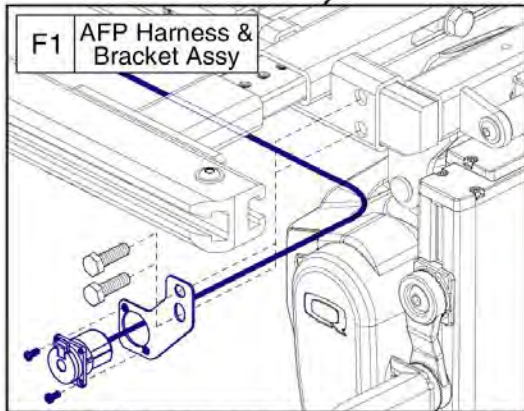
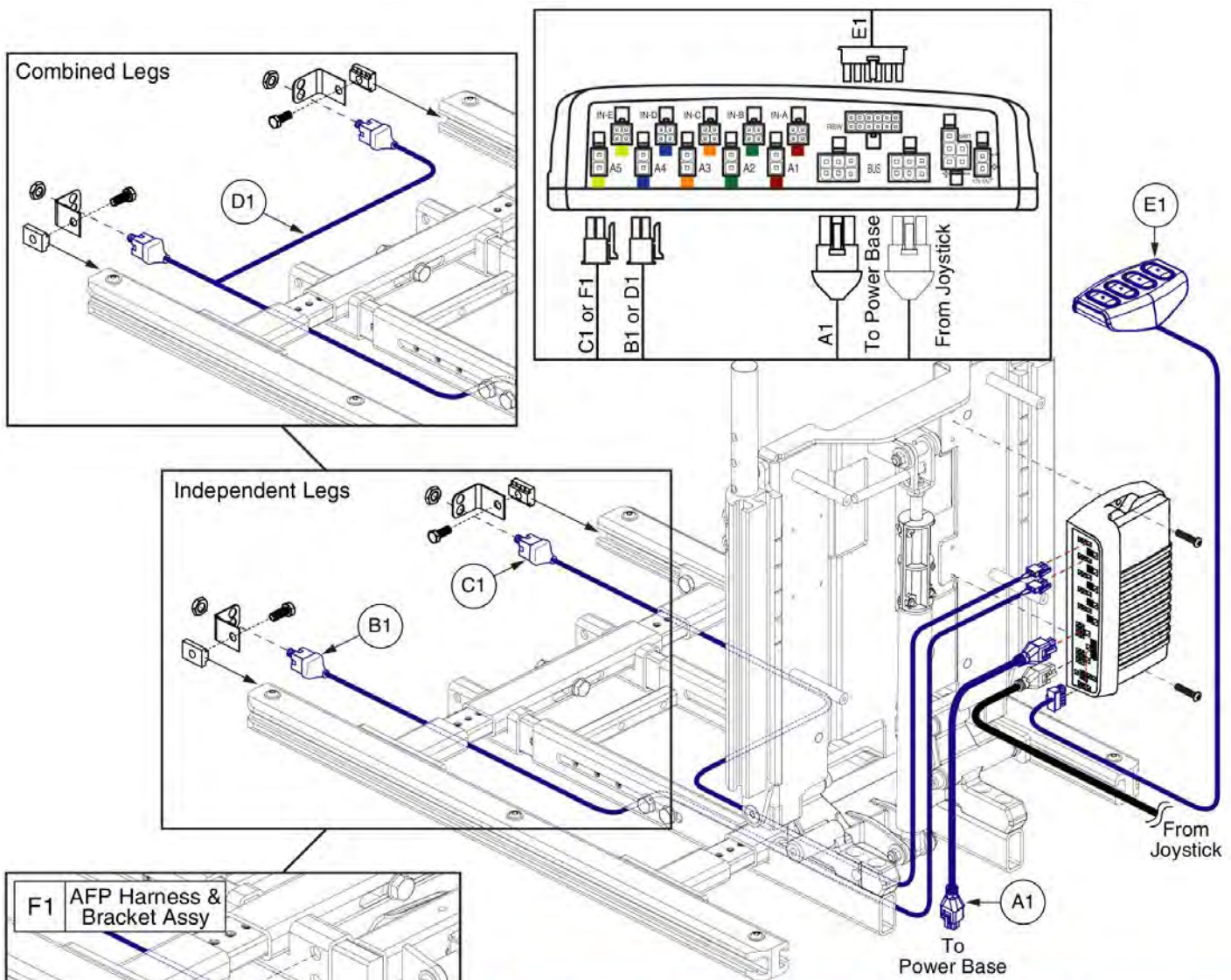
2.1. Static Seat



TB3 Q-Logic 2 Seat Only AAM Assemblies		
A1	ELEASMB5613	Seat Only w/ Independent Legs
B1	ELEASMB5614	Seat Only w/ Comb. Legs & Comb. Legs, 4-Button Control
C1	ELEASMB5615	Seat Only w/ AFP & AFP, 4-Button Control

Item	Part No.	Name	Qty
A1	ELEASMB5613	AAM,INDEPENDENT LEGS (CONFIG. #01)	1
B1	ELEASMB5614	AAM, COMBINED LEGS (CONFIG. #02)	1
C1	ELEASMB5615	ELECTRONIC,ASSY,CURTIS AAM MODULE,W/ PROGRAMMING,TRUBALANCE,POWER FOOT PLATFORM,(CONFIGURATION # 03)	1

2.1. Static Seat

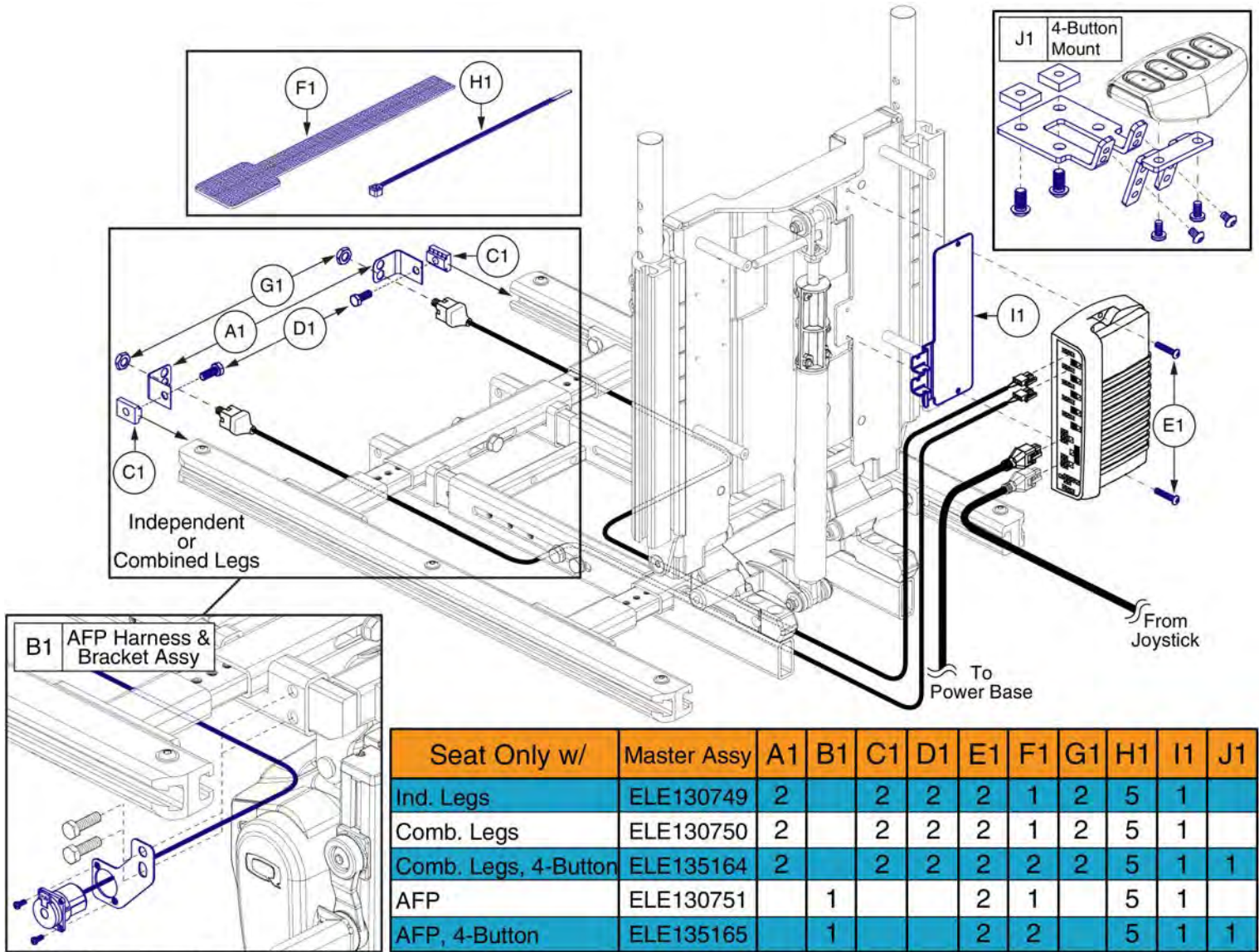


This AFP Harness and Bracket Assembly, F1, replaces all previous versions. The Assembly must be selected for proper retrofit.

Seat Only w/	Master Assy	A1	B1	C1	D1	E1	F1
Independent Legs	ELE130749	1	1	1			
Combined Legs	ELE130750	1			1		
Comb. Legs, 4-Button	ELE135164	1			1	1	
AFP	ELE130751	1					1
AFP, 4-Button	ELE135165	1				1	1

Item	Part No.	Name	Qty
A1	DWR1111H047	HARNESS,BUS CABLE,1.0 METER,FEMALE/FEMALE,H-1111-047,(CURTIS:17881302)	1
B1	DWR1265H006	ELECTRONIC,HARNESS,INDEPENDENT ELR,CURTIS,TRU-BALANCE TILT 2,LEFT,H-1265-006	1
C1	DWR1265H007	ELECTRONIC,HARNESS,INDEPENDENT ELR,CURTIS,TRU-BALANCE TILT 2,RIGHT,H-1265-007	1
D1	DWR1265H005	ELECTRONIC,HARNESS,COMBINED ELR,CURTIS,TRU-BALANCE TILT 2,H-1265-005	1
E1	CTL123218	CONTROLLER,4-FUNCTION PUSH BUTTON,(CURTIS: 17682700)	1
F1	ELE1704823	ELECTRONIC,ASSY,AFP W/MOUNTING BRACKET & HARDWARE,TB3,VERSION 2	1

2.1. Static Seat



This AFP Harness and Bracket Assembly, B1, replaces all previous versions. The Assembly must be selected for proper retrofit.

Item	Part No.	Name	Qty
A1	DWR1303B026	ELECTRICAL CONNECTION BRACKET,ARTICULATING LEGREST	1
B1	ELE1704823	ELECTRONIC,ASSY,AFP W/MOUNTING BRACKET & HARDWARE,TB3,VERSION 2	1
C1	NUT8120005	NUT,T-SLOT,BLACK,M8-1.25	1
D1	SCRHHCS1382	SCREW,HHCS,BLACK ZINC CHROMATE,M8-1.25 X 12MM,10.9	1
E1	SCRPPH1061	SCREW, PPH,ZINC,M4 X .7T X 20MM	1
F1	VELDBLS1001	REUSABLE FASTENER,1/2"W X 8"L,HOOK & LOOP	1
G1	NUTJAM1032	NUT,JAM,THIN,STAINLESS STEEL,3/8-32	1
H1	PLSTIE1004	TIE WRAP,BLACK,8"	1
I1	MEC138556	BRACKET,STRAIN RELIEF,AAM	1
J1	MEC136981	MOUNTING BRACKET,ASSY,4-FUNCTION PUSH BUTTON,W/EXTENSION & MOUNTING HARDWARE,TRU-BALANCE 3	1

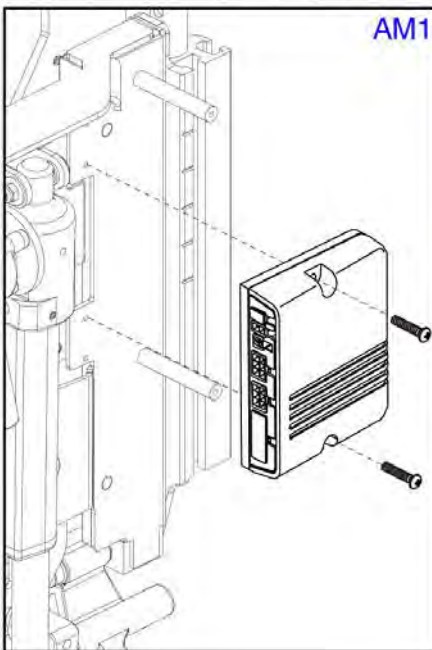
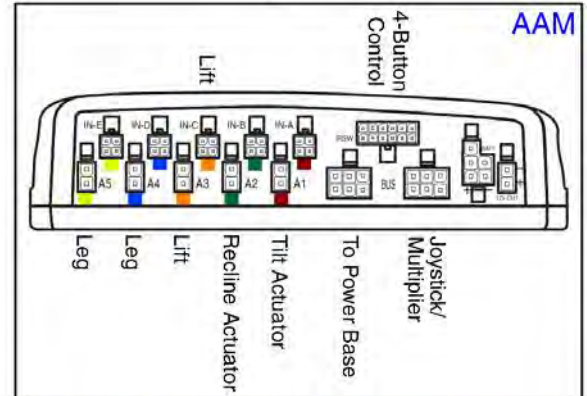
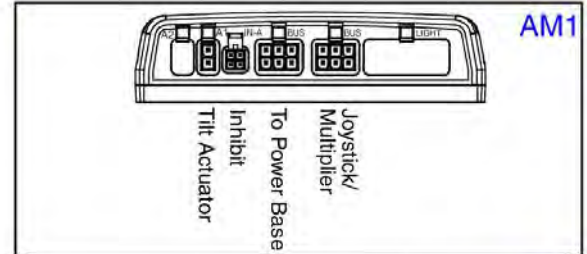
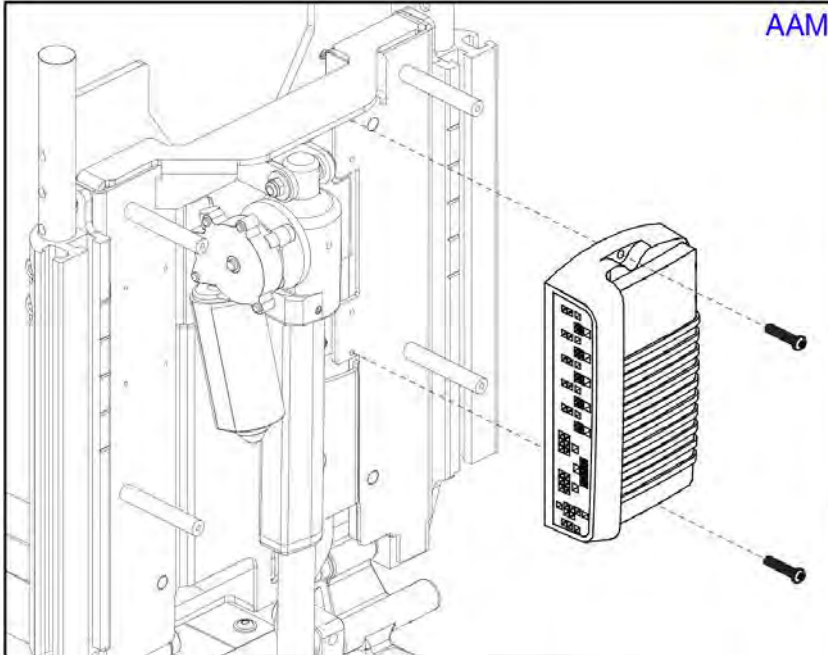
2.2. Recline

TB3 Q-Logic 2 Recline Master Assemblies		
A1	ELE130813	Recline Only thru AM1
B1	ELE130816	Recline Only thru AM1 w/ Attendant Control
C1	ELE130817	Recline Only
D1	ELE135173	Recline Only, 4-Button Control
E1	ELE130819	Recline w/ Attendant Control
F1	ELE135174	Recline w/ Attendant Control, 4-Button Control
G1	ELE130821	Recline w/ Independent Legs
H1	ELE130823	Recline w/ Independent Legs & Attendant Control
I1	ELE130825	Recline w/ Combined Legs
J1	ELE135175	Recline w/ Combined Legs, 4-Button Control
K1	ELE130827	Recline w/ Combined Legs & Attendant Control
L1	ELE135176	Recline w/ Comb. Legs & Att. Control, 4-Button Control
M1	ELE130829	Recline w/ AFP
N1	ELE135177	Recline w/ AFP, 4-Button Control
O1	ELE130831	Recline w/ AFP & Attendant Control
P1	ELE135178	Recline w/ AFP & Attendant Control, 4-Button Control

The master assemblies include the harnesses, seating module, and mounting hardware for the various configurations.

Item	Part No.	Name	Qty
A1	ELE130813	THRU AM1,RECLINE ONLY,(CONFIG#08)	1
B1	ELE130816	THRU AM1,RECLINE ONLY,W/ATTENDANT CONTROL,(CONFIG.#08)	1
C1	ELE130817	RECLINE ONLY,(CONFIG.#08)	1
D1	ELE135173	RECLINE ONLY,4-BUTTON,(CONFIG.#08)	1
E1	ELE130819	RECLINE ONLY,ATTENDANT CONTROL,(CONFIG.#08)	1
F1	ELE135174	RECLINE ONLY,ATTENDANT CONTROL,4-BUTTON,(CONFIG.#08)	1
G1	ELE130821	RECLINE W/INDEPENDENT LEGS,(CONFIG.#09)	1
H1	ELE130823	RECLINE W/INDEP. LEGS,ATTENDANT CONTROL(CONFIG.#09)	1
I1	ELE130825	RECLINE W/COMBINED LEGS,(CONFIG.#10)	1
J1	ELE135175	RECLINE W/COMBINED LEGS,4-BUTTON,(CONFIG.#10)	1
K1	ELE130827	RECLINE W/COMBINED LEGS,ATTENDANT CONTROL,(CONFIG.#10)	1
L1	ELE135176	RECLINE W/COMBINED LEGS,ATTENDANT CONTROL,4-BUTTON,(CONFIG.#10)	1
M1	ELE130829	RECLINE W/AFP,(CONFIG.#11)	1
N1	ELE135177	RECLINE W/AFP,4-BUTTON,(CONFIG.#11)	1
O1	ELE130831	RECLINE W/AFP,ATTENDANT CONTROL,(CONFIG.#11)	1
P1	ELE135178	RECLINE W/AFP,ATTENDANT CONTROL,4-BUTTON,(CONFIG.#11)	1

2.2. Recline

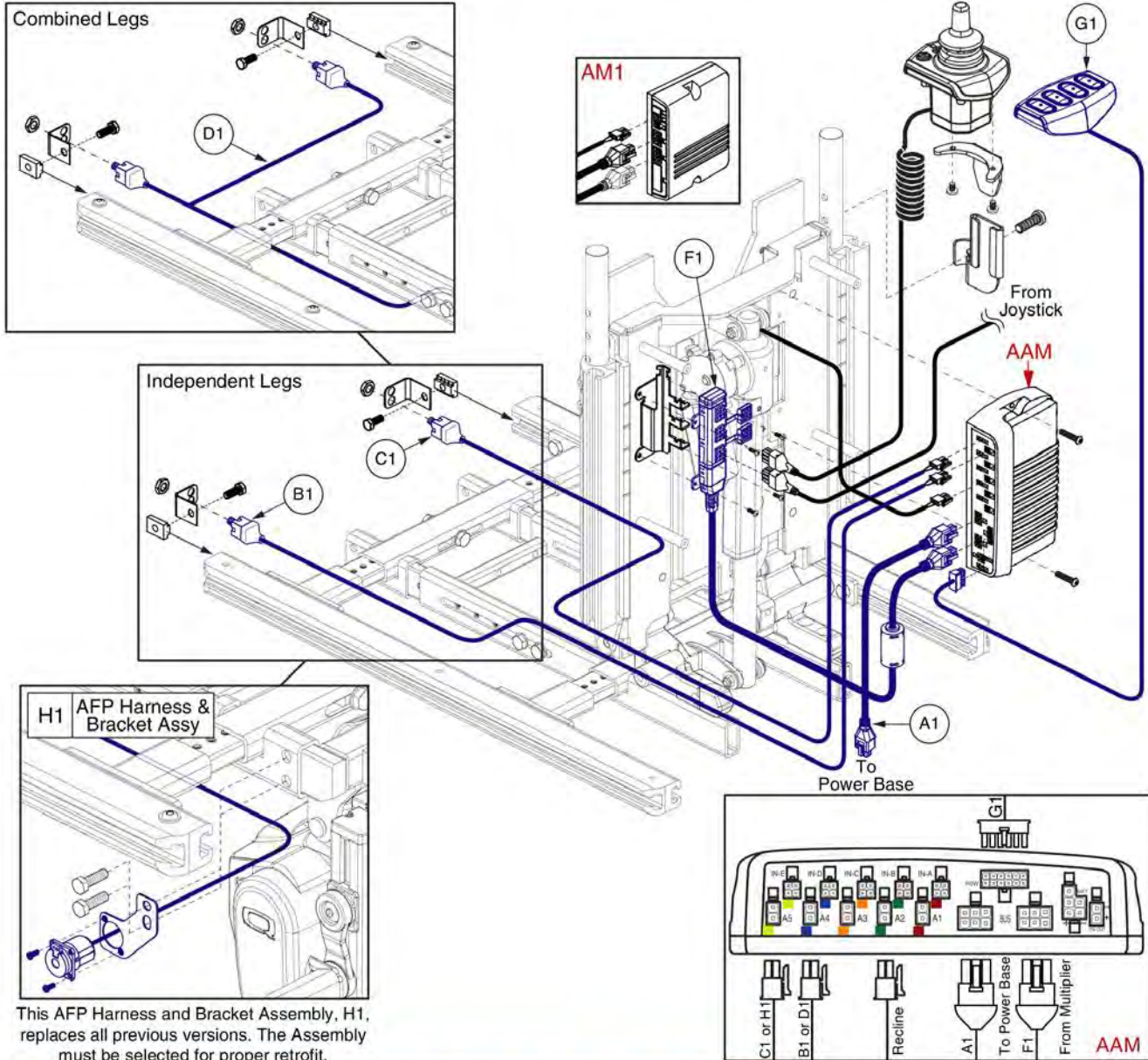


TB3 Q-Logic 2 Recline AM1 and AAM Assemblies		
A1	ELEASMB6045	Recline Only thru AM1
A1	ELEASMB6045	Recline Only thru AM1 w/ Attendant Control
B1	ELEASMB5620	Recline Only
B1	ELEASMB5620	Recline Only, 4-Button Control
B1	ELEASMB5620	Recline Only w/ Attendant Control
B1	ELEASMB5620	Recline Only w/ Attendant Control, 4-Button Control
C1	ELEASMB5621	Recline Only w/ Independent Legs
C1	ELEASMB5621	Recline Only w/ Independent Legs & Attendant Control
D1	ELEASMB5622	Recline Only w/ Combined Legs
D1	ELEASMB5622	Recline Only w/ Combined Legs, 4-Button Control
D1	ELEASMB5622	Recline Only w/ Combined Legs & Attendant Control
D1	ELEASMB5622	Recline Only w/ Comb. Legs & Att. Control, 4-Button Control
E1	ELEASMB5623	Recline Only w/ AFP
E1	ELEASMB5623	Recline Only w/ AFP, 4-Button Control
E1	ELEASMB5623	Recline Only w/ AFP & Attendant Control
E1	ELEASMB5623	Recline Only w/ AFP & Attendant Control, 4-Button Control



Item	Part No.	Name	Qty
A1	ELEASMB6045	AM1,RECLINE ONLY,(CONFIG.#8)	1
B1	ELEASMB5620	AAM,RECLINE ONLY,(CONFIG.#08)	1
C1	ELEASMB5621	AAM,RECLINE W/INDEPENDENT LEGS,(CONFIG.#09)	1
D1	ELEASMB5622	AAM,RECLINE W/COMBINED LEGS,(CONFIG.#10)	1
E1	ELEASMB5623	AAM,RECLINE W/AFP,(CONFIG.#11)	1

2.2. Recline

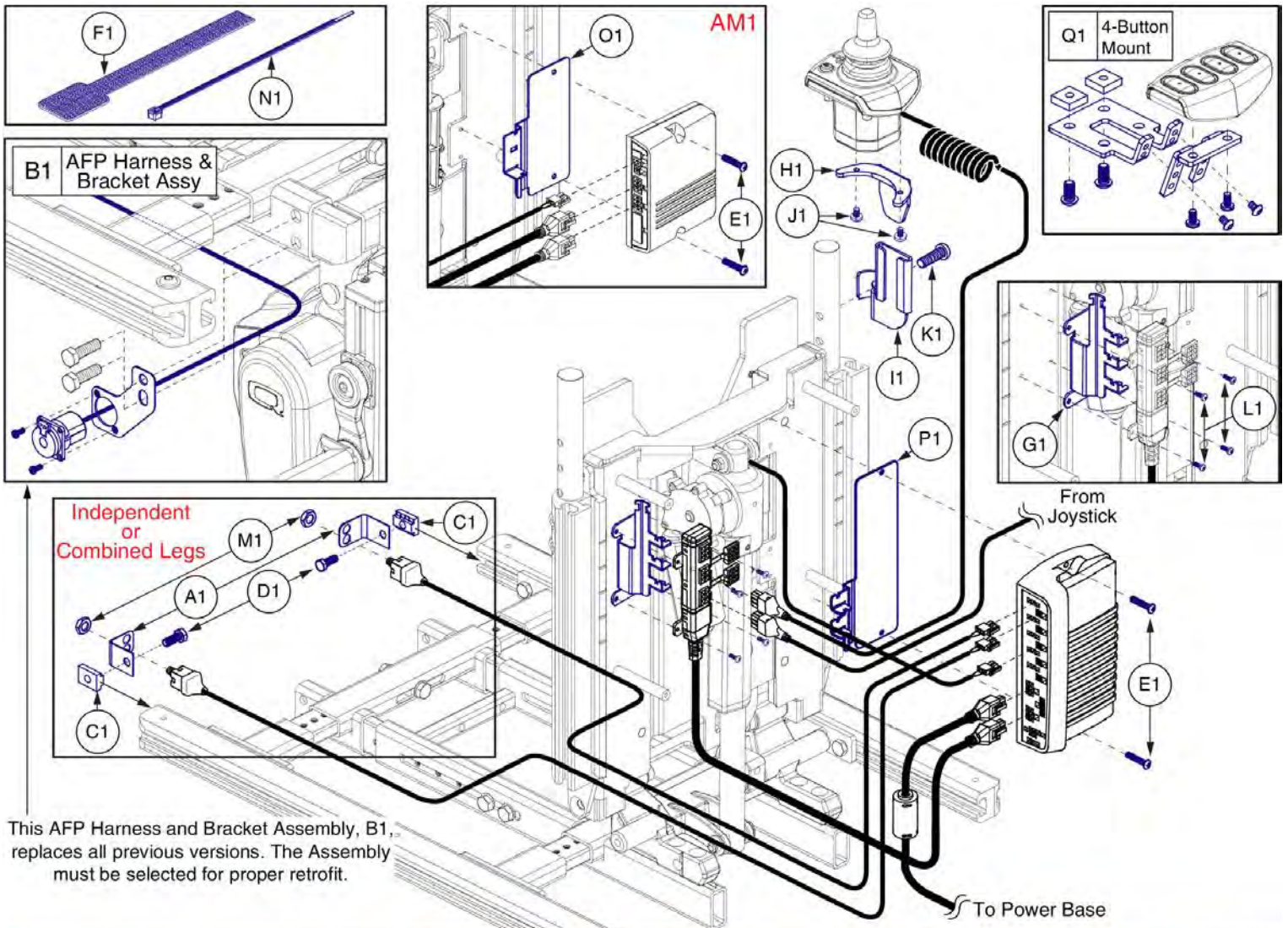


This AFP Harness and Bracket Assembly, H1, replaces all previous versions. The Assembly must be selected for proper retrofit.

Recline w/	Master Assy	A1	B1	C1	D1	E1	F1	G1	H1
Recline Only thru AM1	ELE130813	1							
Recline Only	ELE130817	1							
Recline Only, 4-Button	ELE135173	1						1	
Attendant Control	ELE130819	1				1	1		
Attendant Control, 4-Button	ELE135174	1				1	1	1	
Independent Legs	ELE130821	1	1	1					
Ind. Legs w/Att. Control	ELE130823	1	1	1		1	1		
Combined Legs	ELE130825	1			1				
Combined Legs, 4-Button	ELE135175	1			1			1	
Comb. Legs w/Att. Control	ELE130827	1			1	1	1		
Comb. Legs w/Att. Control, 4-Button	ELE135176	1			1	1	1	1	
AFP	ELE130829	1							1
AFP, 4-Button	ELE135177	1						1	1
AFP w/Att Control	ELE130831	1				1	1		1
AFP w/Att Control, 4-Button	ELE135178	1				1	1	1	1

Item	Part No.	Name	Qty
A1	DWR1111H047	HARNESS,BUS CABLE,1.0 METER,FEMALE/FEMALE,H-1111-047,(CURTIS:17881302)	1
B1	DWR1265H006	ELECTRONIC,HARNESS,INDEPENDENT ELR,CURTIS,TRU-BALANCE TILT 2,LEFT,H-1265-006	1
C1	DWR1265H007	ELECTRONIC,HARNESS,INDEPENDENT ELR,CURTIS,TRU-BALANCE TILT 2,RIGHT,H-1265-007	1
D1	DWR1265H005	ELECTRONIC,HARNESS,COMBINED ELR,CURTIS,TRU-BALANCE TILT 2,H-1265-005	1
E1	CTL137822	CONTROLLER,ATTENDANT CONTROL MODULE 2.0,Q-LOGIC 2	1
F1	DWR1111H053	HARNESS,MULTIPLIER BOX,0.3 METER,H-1111-053,(CURTIS: 17869700)	1
G1	CTL123218	CONTROLLER,4-FUNCTION PUSH BUTTON,(CURTIS: 17682700)	1
H1	ELE1704823	ELECTRONIC,ASSY,AFP W/MOUNTING BRACKET & HARDWARE,TB3,VERSION 2	1

2.2. Recline



This AFP Harness and Bracket Assembly, B1, replaces all previous versions. The Assembly must be selected for proper retrofit.

Recline w/	Master Assy	A1	B1	C1	D1	E1	F1	G1	H1	I1	J1	K1	L1	M1	N1	O1	P1	Q1
Recline Only thru AM1	ELE130813					2	1								5	1		
Recline Only	ELE130817					2	1								5		1	
Recline Only, 4-Button	ELE135173					2	2								5		1	1
Attendant Control	ELE130819					2	1	1	1	1	2	1	4		5		1	
Attendant Control, 4-Button	ELE135174					2	2	1	1	1	2	1	4		5		1	1
Independent Legs	ELE130821	2		2	2	2	1							2	5		1	
Ind. Legs w/Att. Control	ELE130823	2		2	2	2	1	1	1	1	2	1	4	2	5		1	
Combined Legs	ELE130825	2		2	2	2	2							2	5		1	
Combined Legs, 4-Button	ELE135175	2		2	2	2	2							2	5		1	1
Comb. Legs w/Att. Control	ELE130827	2		2	2	2	2	1	1	1	2	1	4	2	5		1	
Comb. Legs w/Att. Control, 4-Button	ELE135176	2		2	2	2	2	1	1	1	2	1	4	2	5		1	1
AFP	ELE130829		1			2	1								5		1	
AFP, 4-Button	ELE135177		1			2	2								5		1	1
AFP w/Att Control	ELE130831		1			2	1	1	1	1	2	1	4		5		1	
AFP w/Att Control, 4-Button	ELE135178		1			2	2	1	1	1	2	1	4		5		1	1

Item	Part No.	Name	Qty
A1	DWR1303B026	ELECTRICAL CONNECTION BRACKET,ARTICULATING LEGREST	1
B1	ELE1704823	ELECTRONIC,ASSY,AFP W/MOUNTING BRACKET & HARDWARE,TB3,VERSION 2	1
C1	NUT8120005	NUT,T-SLOT,BLACK,M8-1.25	1
D1	SCRHHCS1382	SCREW,HHCS,BLACK ZINC CHROMATE,M8-1.25 X 12MM,10.9	1
E1	SCRPPH1061	SCREW, PPH,ZINC,M4 X .7T X 20MM	1
F1	VELDBLS1001	REUSABLE FASTENER,1/2"W X 8"L,HOOK & LOOP	1
G1	MEC120550	BRACKET,STRAIN RELIEF,MULTIPLEX	1
H1	DWR1010D298	MOUNTING BRACKET,ATTENDANT BRACKET,CURTIS STAND ALONE JOYSTICK,D-1010-298	1
I1	MEC122827	ATTENDANT CONTROL MOUNT CATCH PLATE	1
J1	SCRPPH1165	SCREW,PPH,BLACK ZINC,M4-.7 X 8MM,P-TYPE	1
K1	HDW124866	SCREW, LOW SOCKET HEAD, M8X1.25 X 25, DIN 7984, CL 10.9, BZ, PVTP	1
L1	SCRPPH1276	SCREW,PPH,BLACK ZINC,M3-.5 X 8MM	1
M1	NUTJAM1032	NUT,JAM,THIN,STAINLESS STEEL,3/8-32	1
N1	PLSTIE1004	TIE WRAP,BLACK,8"	1
O1	MEC138637	BRACKET,STRAIN RELIEF,AM1	1
P1	MEC138556	BRACKET,STRAIN RELIEF,AAM	1
Q1	MEC136981	MOUNTING BRACKET,ASSY,4-FUNCTION PUSH BUTTON,W/EXTENSION & MOUNTING HARDWARE,TRU-BALANCE 3	1

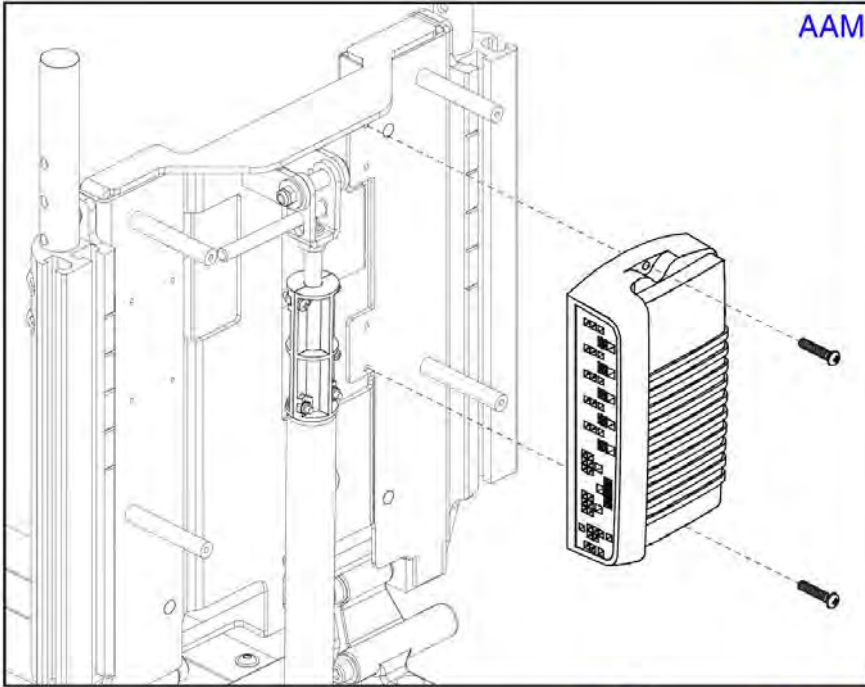
2.3. Tilt

TB3 Q-Logic 2 Tilt Master Assemblies		
A1	ELE130760	Tilt Only thru AM1
B1	ELE130762	Tilt Only
C1	ELE135169	Tilt Only, 4-Button Control
D1	ELE130764	Tilt w/ Manual Recline
E1	ELE135170	Tilt w/ Manual Recline, 4-Button Control
F1	ELE130766	Tilt w/ Independent Legs
G1	ELE130768	Tilt w/ Combined Legs
H1	ELE135171	Tilt w/ Combined Legs, 4-Button Control
I1	ELE130770	Tilt w/ AFP
J1	ELE135172	Tilt w/ AFP, 4-Button Control

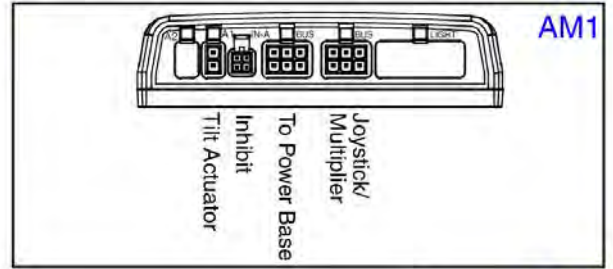
The master assemblies include the harnesses, seating module, and mounting hardware for the various configurations.

Item	Part No.	Name	Qty
A1	ELE130760	THRU AM1,TILT ONLY,(CONFIG#20)	1
B1	ELE130762	TILT ONLY,(CONFIG#20)	1
C1	ELE135169	TILT ONLY,4-BUTTON,(CONFIG#20)	1
D1	ELE130764	TILT W/MANUAL RECLINE,(CONFIG#20)	1
E1	ELE135170	TILT W/MANUAL RECLINE,4-BUTTON,(CONFIG#20)	1
F1	ELE130766	TILT W/INDEPENDENT LEGS,(CONFIG#21)	1
G1	ELE130768	TILT W/COMBINED LEGS,(CONFIG#22)	1
H1	ELE135171	TILT W/COMBINED LEGS,4-BUTTON,(CONFIG#22)	1
I1	ELE130770	TILT W/AFP,(CONFIG#22)	1
J1	ELE135172	TILT W/AFP,4-BUTTON,(CONFIG#22)	1

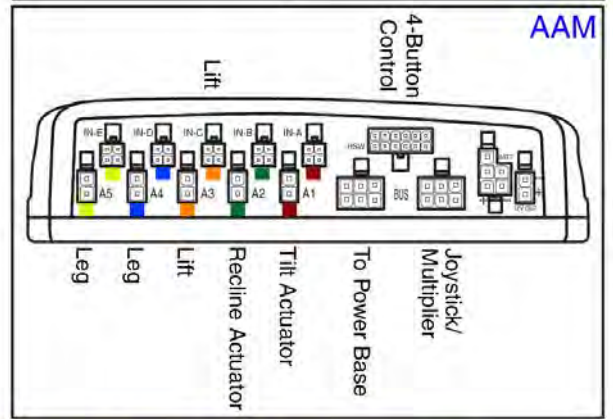
2.3. Tilt



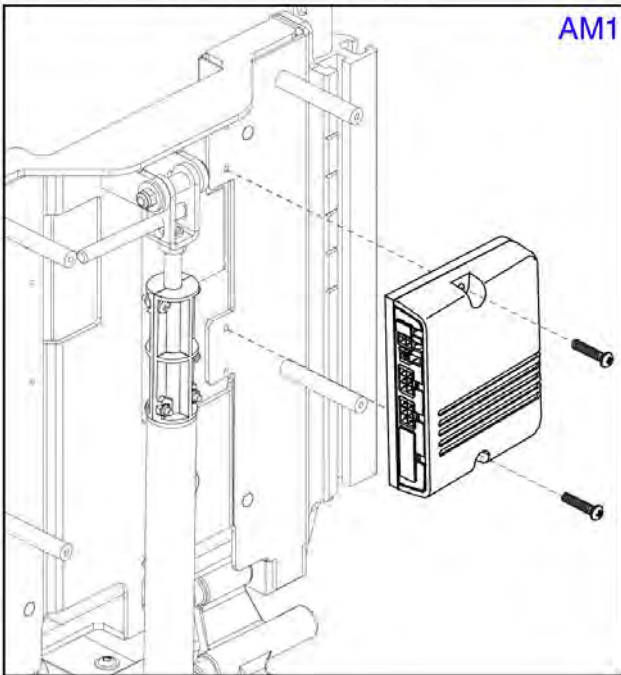
AAM



AM1



AAM



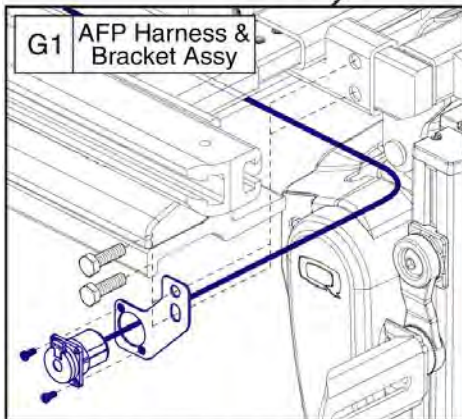
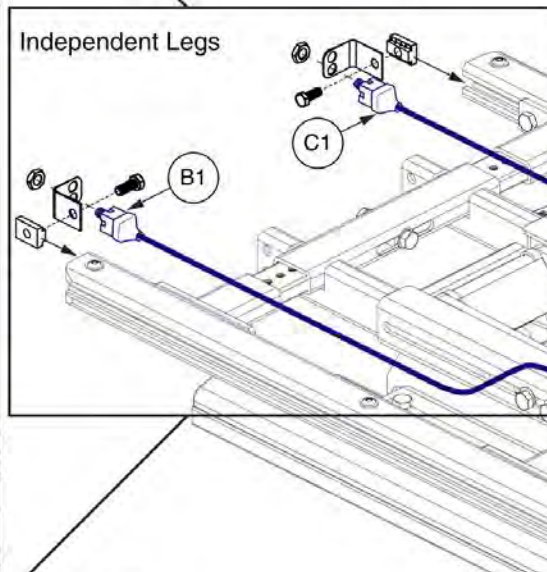
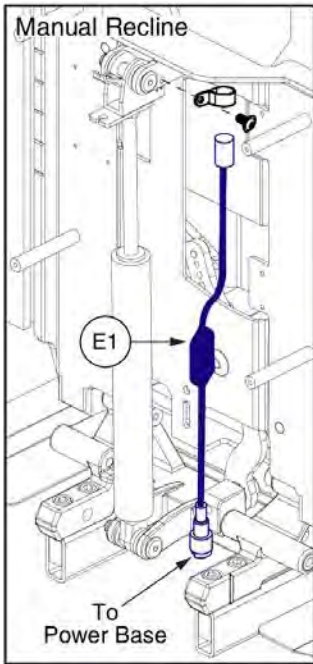
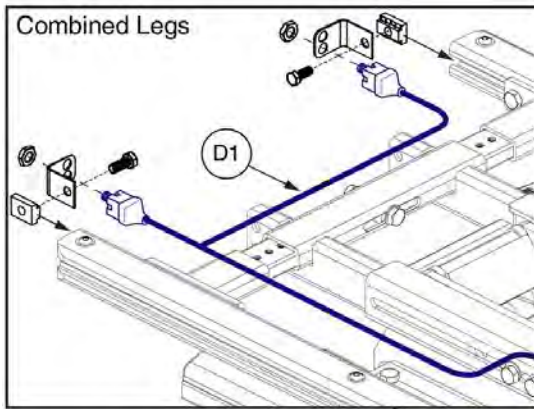
AM1

TB3 Q-Logic 2 Tilt AM1 and AAM Assemblies		
A1	ELEASMB6043	Tilt Only thru AM1
B1	ELEASMB5628	Tilt Only
B1	ELEASMB5628	Tilt Only, 4-Button Control
B1	ELEASMB5628	Tilt w/ Manual Recline
B1	ELEASMB5628	Tilt w/ Man. Recline, 4-Button Control
C1	ELEASMB5629	Tilt w/ Independent Legs
D1	ELEASMB5630	Tilt w/ Combined Legs
D1	ELEASMB5630	Tilt w/ Comb. Legs, 4-Button Control
E1	ELEASMB5631	Tilt w/ AFP
E1	ELEASMB5631	Tilt w/ AFP, 4-Button Control

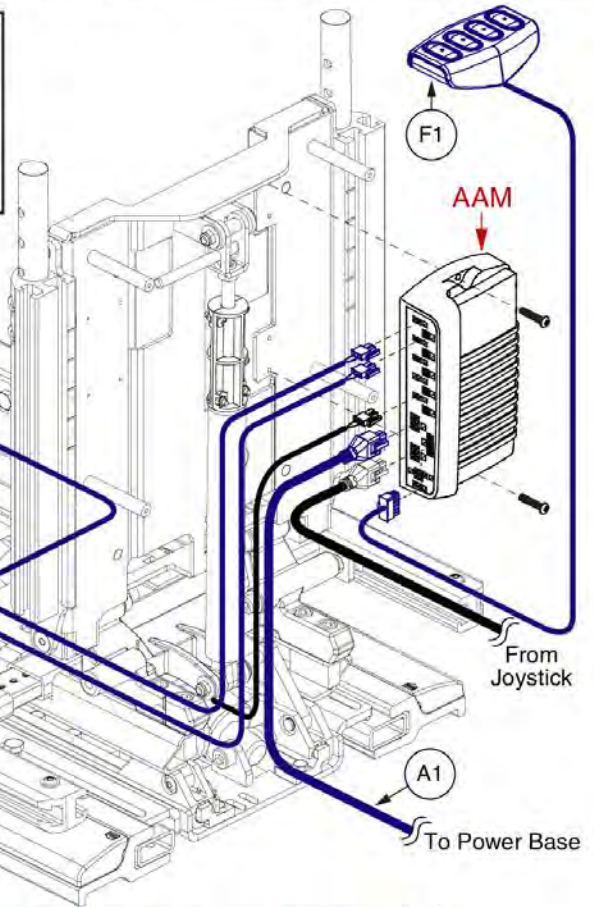
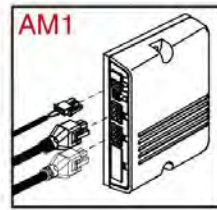
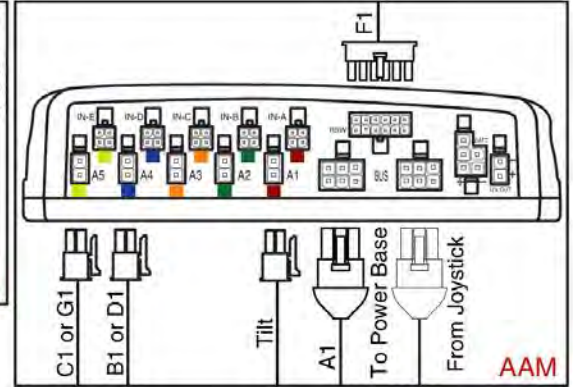
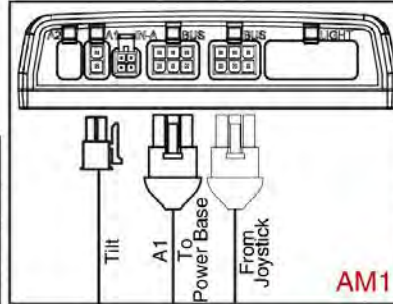


Item	Part No.	Name	Qty
A1	ELEASMB6043	AM1,TILT ONLY,(CONFIG.#20)	1
B1	ELEASMB5628	AAM,TILT ONLY,(CONFIG.#20)	1
C1	ELEASMB5629	AAM,TILT W/INDEPENDENT LEGS,(CONFIG.#21)	1
D1	ELEASMB5630	AAM,TILT W/COMBINED LEGS,(CONFIG.#22)	1
E1	ELEASMB5631	AAM,TILT W/AFP,(CONFIG.#23)	1

2.3. Tilt



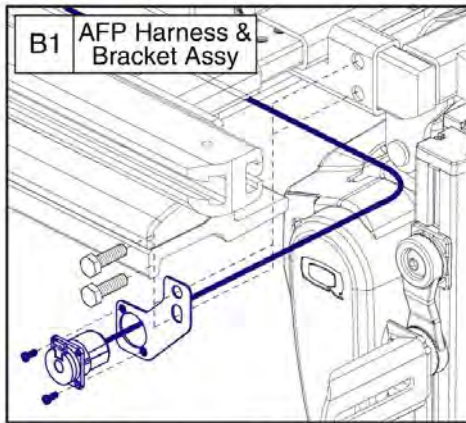
This AFP Harness and Bracket Assembly, G1, replaces all previous versions. The Assembly must be selected for proper retrofit.



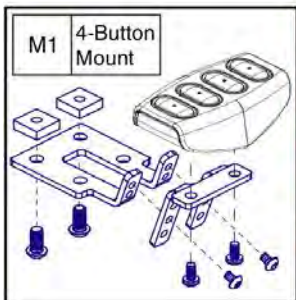
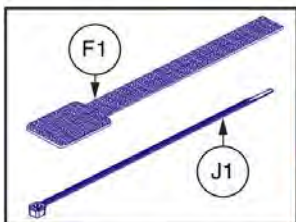
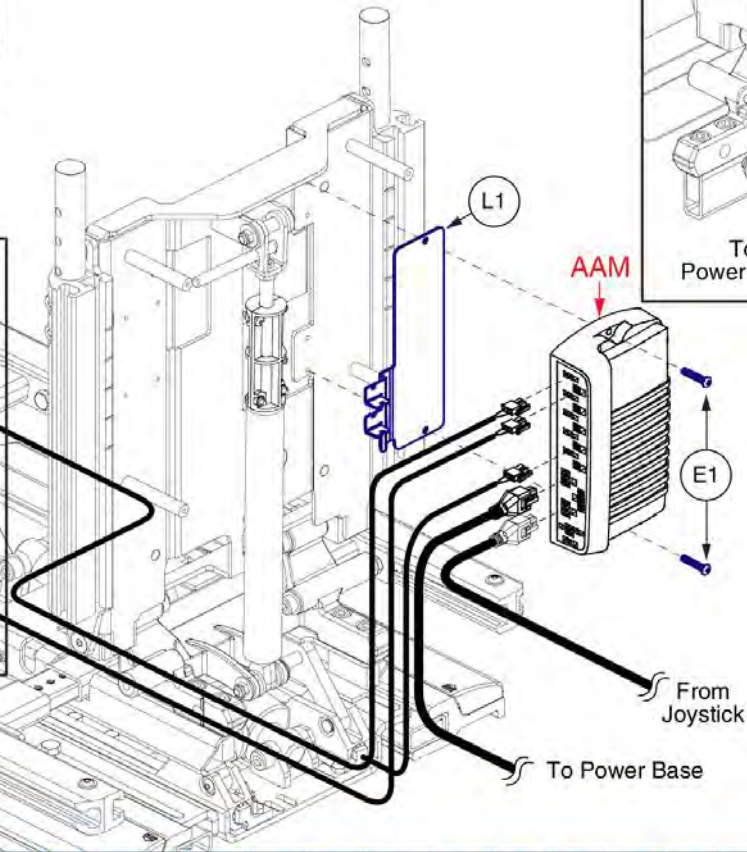
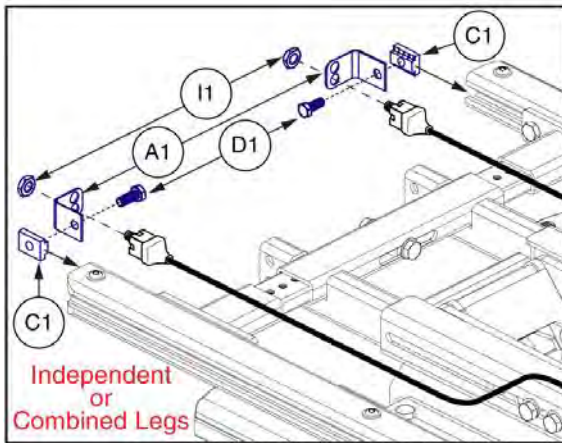
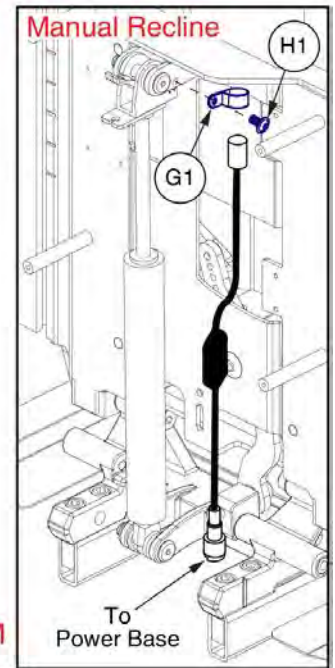
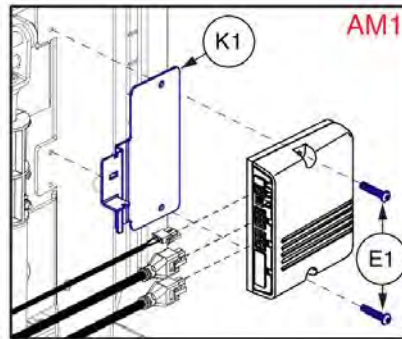
Tilt w/	Master Assy	A1	B1	C1	D1	E1	F1	G1
Tilt Only thru AM1	ELE130760	1						
Tilt Only	ELE130762	1						
Tilt Only, 4-Button	ELE135169	1					1	
Manual Recline	ELE130764	1				1		
Manual Recline, 4-Button	ELE135170	1				1	1	
Independent Legs	ELE130766	1	1	1				
Combined Legs	ELE130768	1			1			
Combined Legs, 4-Button	ELE135171	1					1	
AFP	ELE130770	1						1
AFP, 4-Button	ELE135172	1					1	1

Item	Part No.	Name	Qty
A1	DWR1111H047	HARNESS,BUS CABLE,1.0 METER,FEMALE/FEMALE,H-1111-047,(CURTIS:17881302)	1
B1	DWR1265H006	ELECTRONIC,HARNESS,INDEPENDENT ELR,CURTIS,TRU-BALANCE TILT 2,LEFT,H-1265-006	1
C1	DWR1265H007	ELECTRONIC,HARNESS,INDEPENDENT ELR,CURTIS,TRU-BALANCE TILT 2,RIGHT,H-1265-007	1
D1	DWR1265H005	ELECTRONIC,HARNESS,COMBINED ELR,CURTIS,TRU-BALANCE TILT 2,H-1265-005	1
E1	ELE142519	HARNESS,COMBINATION,INHIBIT,MANUAL TILT,ROHS	1
F1	CTL123218	CONTROLLER,4-FUNCTION PUSH BUTTON,(CURTIS: 17682700)	1
G1	ELE1704823	ELECTRONIC,ASSY,AFP W/MOUNTING BRACKET & HARDWARE,TB3,VERSION 2	1

2.3. Tilt



This AFP Harness and Bracket Assembly, B1, replaces all previous versions. The Assembly must be selected for proper retrofit.



Tilt w/	Master Assy	A1	B1	C1	D1	E1	F1	G1	H1	I1	J1	K1	L1	M1
Tilt Only thru AM1	ELE130760					2	1				5	1		
Tilt Only	ELE130762					2	1				5		1	
Tilt Only, 4-Button	ELE135169					2	2				5		1	1
Manual Recline	ELE130764					2	1	1	1		5		1	
Manual Recline, 4-Button	ELE135170					2	2	1	1		5		1	1
Independent Legs	ELE130766	2		2	2	2	1			2	5		1	
Combined Legs	ELE130768	2		2	2	2	2			2	5		1	
Combined Legs, 4-Button	ELE135171	2		2	2	2	2			2	5		1	1
AFP	ELE130770		1			2	1				5		1	
AFP, 4-Button	ELE135172		1			2	2				5		1	1

Item	Part No.	Name	Qty
A1	DWR1303B026	ELECTRICAL CONNECTION BRACKET,ARTICULATING LEGREST	1
B1	ELE1704823	ELECTRONIC,ASSY,AFP W/MOUNTING BRACKET & HARDWARE,TB3,VERSION 2	1
C1	NUT8120005	NUT,T-SLOT,BLACK,M8-1.25	1
D1	SCRHHCS1382	SCREW,HHCS,BLACK ZINC CHROMATE,M8-1.25 X 12MM,10.9	1
E1	SCRPPH1061	SCREW, PPH,ZINC,M4 X .7T X 20MM	1
F1	VELDBLS1001	REUSABLE FASTENER,1/2"W X 8"L,HOOK & LOOP	1
G1	CLPCBLC1025	CLAMP,CABLE,STEEL,0.50" DIA,RUBBER COATED	1
H1	HDW121242	SCREW, BUTTON HEAD, FLANGED, M6X1.0 X 8, ISO 7380-2, CL 10.9, BZ, PVTP	1
I1	NUTJAM1032	NUT,JAM,THIN,STAINLESS STEEL,3/8-32	1
J1	PLSTIE1004	TIE WRAP,BLACK,8"	1
K1	MEC138637	BRACKET,STRAIN RELIEF,AM1	1
L1	MEC138556	BRACKET,STRAIN RELIEF,AAM	1
M1	MEC136981	MOUNTING BRACKET,ASSY,4-FUNCTION PUSH BUTTON,W/EXTENSION & MOUNTING HARDWARE,TRU-BALANCE 3	1

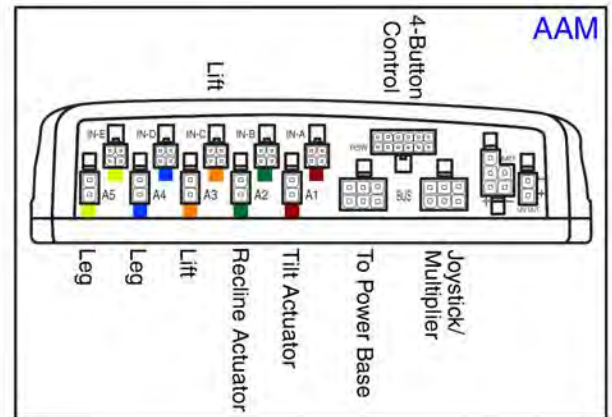
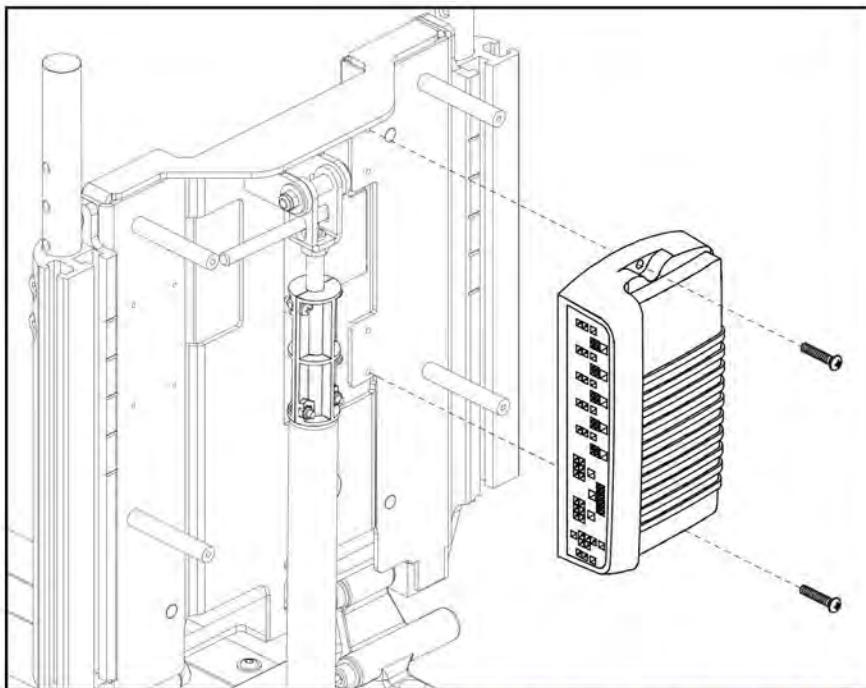
2.4. Lift

TB3 Q-Logic 2 Lift Master Assemblies		
A1	ELE130756	Lift Only
B1	ELE135166	Lift Only, 4-Button Control
C1	ELE130757	Lift with Independent Legs
D1	ELE130758	Lift with Combined Legs
E1	ELE135167	Lift with Comb. Legs, 4-Button Control
F1	ELE130759	Lift with Power AFP
G1	ELE135168	Lift with Power AFP, 4-Button Control

The master assemblies include harnesses, seating module, and mounting hardware for the various configurations.

Item	Part No.	Name	Qty
A1	ELE130756	ELECTRONIC,CURTIS/AAM,LIFT (CONFIG. #04)	1
B1	ELE135166	LIFT ONLY,4-BUTTON,(CONFIG.#04)	1
C1	ELE130757	ELECTRONIC,CURTIS/AAM, INDEPENDENT LEGS, LIFT (CONFIG. #05)	1
D1	ELE130758	ELECTRONIC,CURTIS/AAM, COMBINED LEGS, LIFT (CONFIG. #06)	1
E1	ELE135167	LIFT W/COMBINED LEGS,4-BUTTON,(CONFIG.#06)	1
F1	ELE130759	LIFT W/AFP,(CONFIG.#07)	1
G1	ELE135168	LIFT W/AFP,4-BUTTON,(CONFIG.#07)	1

2.4. Lift

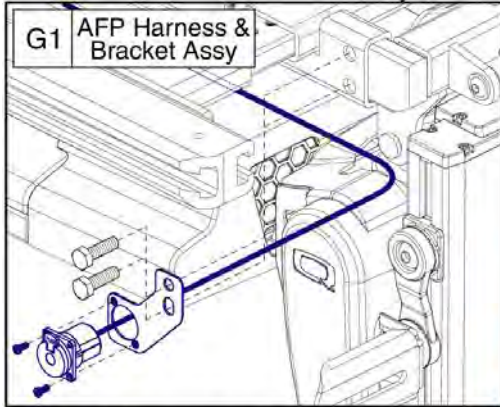
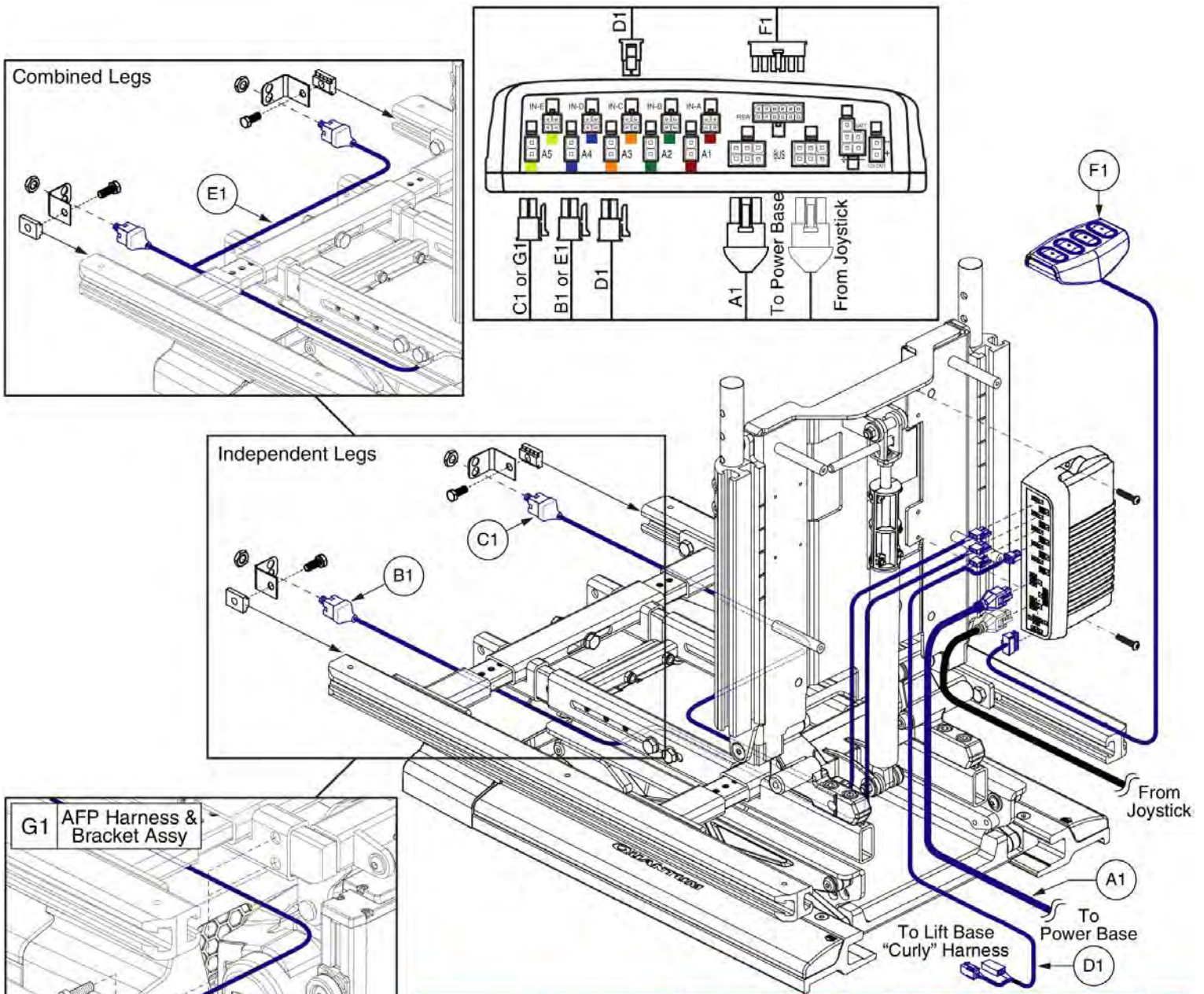


TB3 Q-Logic 2 Lift AAM Assemblies		
A1	ELEASMB5616	Lift Only
A1	ELEASMB5616	Lift Only, 4-Button Control
B1	ELEASMB5617	Lift with Independent Legs
C1	ELEASMB5618	Lift with Combined Legs
C1	ELEASMB5618	Lift with Comb. Legs, 4-Button Control
D1	ELEASMB5619	Lift with Power AFP
D1	ELEASMB5619	Lift with Power AFP, 4-Button Control



Item	Part No.	Name	Qty
A1	ELEASMB5616	AAM,ELEVATE (CONFIG. #04)	1
B1	ELEASMB5617	AAM, ELEVATE, INDEPENDENT LEGS (CONFIG. #05)	1
C1	ELEASMB5618	AAM, ELEVATE, COMBINED LEGS (CONFIG. #06)	1
D1	ELEASMB5619	AAM,LIFT W/AFP,(CONFIG.#07)	1

2.4. Lift

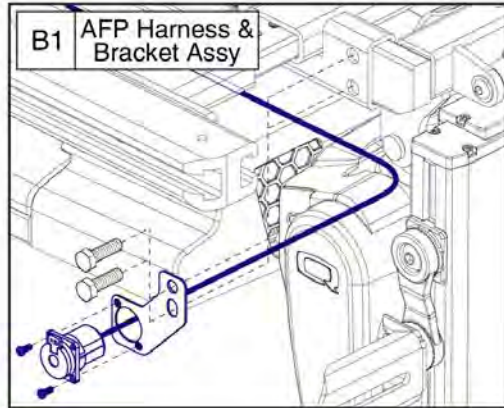


This AFP Harness and Bracket Assembly, B1, replaces all previous versions. The Assembly must be selected for proper retrofit.

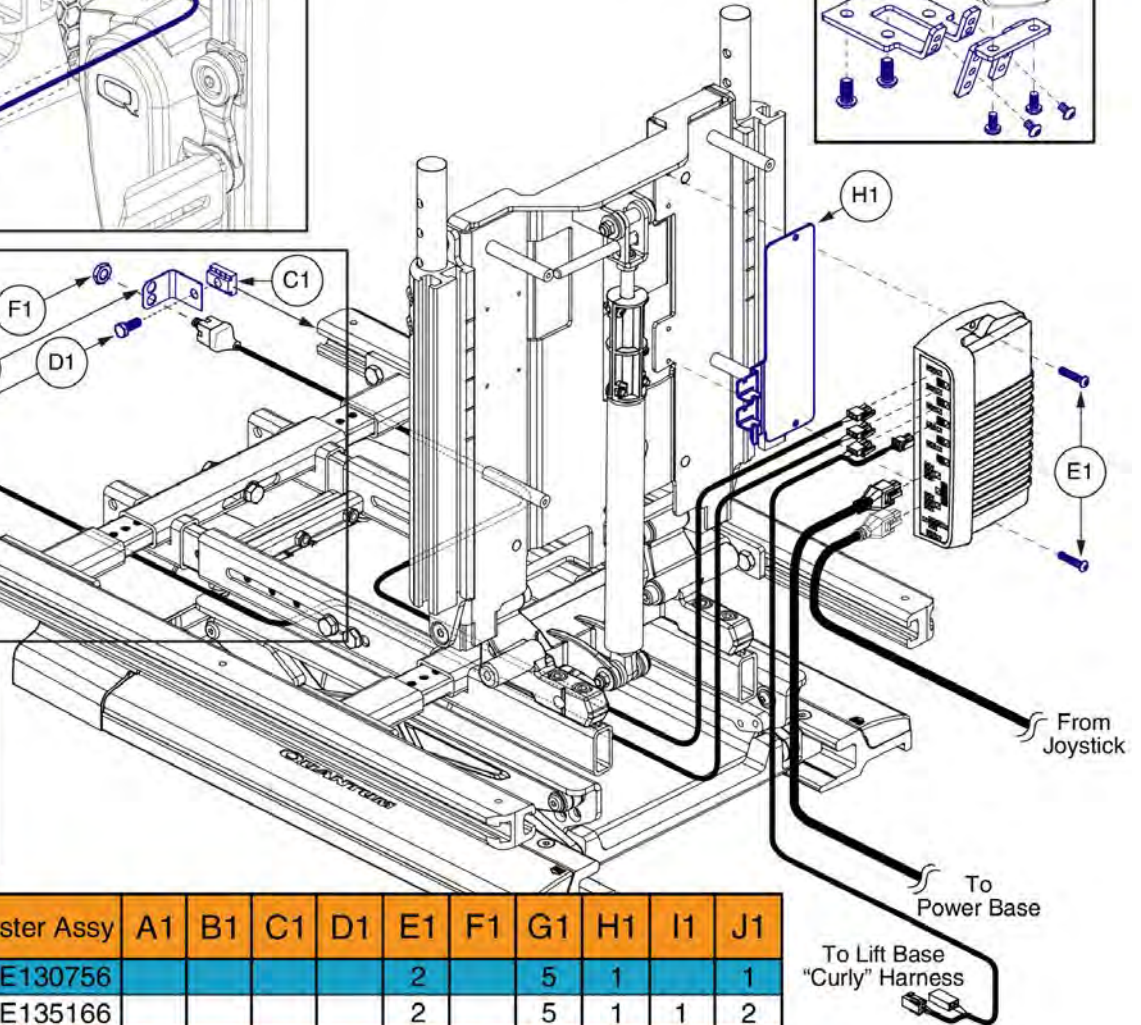
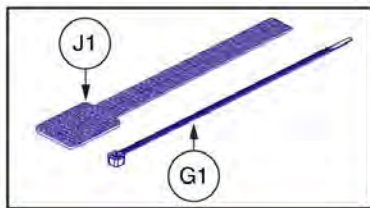
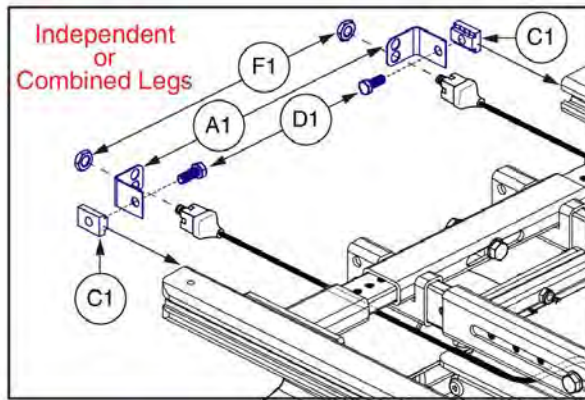
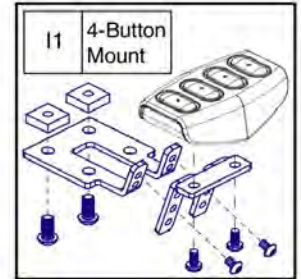
Lift Only w/	Master Assy	A1	B1	C1	D1	E1	F1	G1
Lift Only	ELE130756	1			1			
Lift Only, 4-Button	ELE135166	1			1		1	
Independent Legs	ELE130757	1	1	1	1			
Combined Legs	ELE130758	1			1	1		
Combined Legs, 4- Button	ELE135167	1			1	1	1	
AFP	ELE130759	1			1			1
AFP, 4-Button	ELE135168	1			1		1	1

Item	Part No.	Name	Qty
A1	DWR1111H047	HARNESS,BUS CABLE,1.0 METER,FEMALE/FEMALE,H-1111-047,(CURTIS:17881302)	1
B1	DWR1265H006	ELECTRONIC,HARNESS,INDEPENDENT ELR,CURTIS,TRU-BALANCE TILT 2,LEFT,H-1265-006	1
C1	DWR1265H007	ELECTRONIC,HARNESS,INDEPENDENT ELR,CURTIS,TRU-BALANCE TILT 2,RIGHT,H-1265-007	1
D1	ELE133304	ELECTRONIC,HARNESS,CURLY CABLE EXTENSION CABLE,FRONT MOUNTED,TRU-BALANCE 3 LIFT	1
E1	DWR1265H005	ELECTRONIC,HARNESS,COMBINED ELR,CURTIS,TRU-BALANCE TILT 2,H-1265-005	1
F1	CTL123218	CONTROLLER,4-FUNCTION PUSH BUTTON,(CURTIS: 17682700)	1
G1	ELE1704823	ELECTRONIC,ASSY,AFP W/MOUNTING BRACKET & HARDWARE,TB3,VERSION 2	1

2.4. Lift



This AFP Harness and Bracket Assembly, B1, replaces all previous versions. The Assembly must be selected for proper retrofit.



Lift Only w/	Master Assy	A1	B1	C1	D1	E1	F1	G1	H1	I1	J1
Lift Only	ELE130756					2		5	1		1
Lift Only, 4-Button	ELE135166					2		5	1	1	2
Independent Legs	ELE130757	2		2	2	2	2	5	1		1
Combined Legs	ELE130758	2		2	2	2	2	5	1		2
Combined Legs, 4-Button	ELE135167	2		2	2	2	2	5	1	1	2
AFP	ELE130759		1			2		5	1		1
AFP, 4-Button	ELE135168		1			2		5	1	1	2

Item	Part No.	Name	Qty
A1	DWR1303B026	ELECTRICAL CONNECTION BRACKET,ARTICULATING LEGREST	1
B1	ELE1704823	ELECTRONIC,ASSY,AFP W/MOUNTING BRACKET & HARDWARE,TB3,VERSION 2	1
C1	NUT8120005	NUT,T-SLOT,BLACK,M8-1.25	1
D1	SCRHHCS1382	SCREW,HHCS,BLACK ZINC CHROMATE,M8-1.25 X 12MM,10.9	1
E1	SCRPPH1061	SCREW, PPH,ZINC,M4 X .7T X 20MM	1
F1	NUTJAM1032	NUT,JAM,THIN,STAINLESS STEEL,3/8-32	1
G1	PLSTIE1004	TIE WRAP,BLACK,8"	1
H1	MEC138556	BRACKET,STRAIN RELIEF,AAM	1
I1	MEC136981	MOUNTING BRACKET,ASSY,4-FUNCTION PUSH BUTTON,W/EXTENSION & MOUNTING HARDWARE,TRU-BALANCE 3	1
J1	VELDBLS1001	REUSABLE FASTENER,1/2"W X 8"L,HOOK & LOOP	1

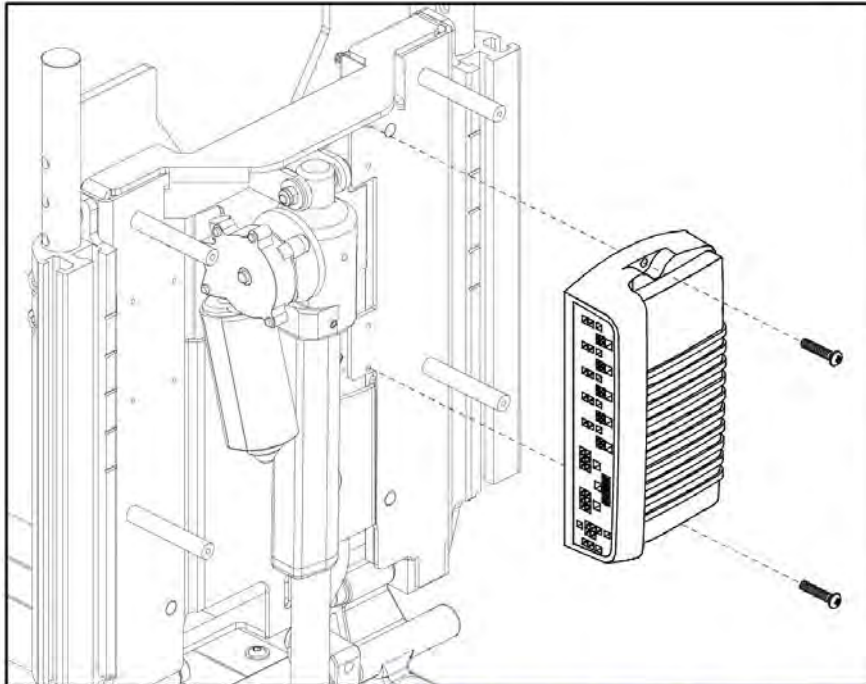
2.5. Tilt & Recline

TB3 Q-Logic 2 Tilt and Recline Master Assemblies		
A1	ELE130789	Tilt & Recline
B1	ELE135191	Tilt & Recline, 4-Button Control
C1	ELE130791	Tilt & Recline w/ Attendant Control
D1	ELE135195	Tilt & Recline w/ Attendant Control, 4-Button Control
E1	ELE130793	Tilt & Recline w/ Independent Legs
F1	ELE130795	Tilt & Recline w/ Independent Legs & Attendant Control
G1	ELE130797	Tilt & Recline w/ Combined Legs
H1	ELE135197	Tilt & Recline w/ Combined Legs, 4-Button Control
I1	ELE130799	Tilt & Recline w/ Combined Legs & Attendant Control
J1	ELE135203	Tilt & Recline w/ Combined Legs & Attendant Control, 4-Button Control
K1	ELE130801	Tilt & Recline w/ AFP
L1	ELE135204	Tilt & Recline w/ AFP, 4-Button Control
M1	ELE130803	Tilt & Recline w/ AFP & Attendant Control
N1	ELE135205	Tilt & Recline w/ AFP & Attendant Control, 4-Button Control

The master assemblies include the harnesses, seating module, and mounting hardware for the various configurations.

Item	Part No.	Name	Qty
A1	ELE130789	TILT & RECLINE,(CONFIG.#28)	1
B1	ELE135191	TILT & RECLINE,4-BUTTON,(CONFIG.#28)	1
C1	ELE130791	TILT & RECLINE,ATTENDANT CONTROL,(CONFIG.#28)	1
D1	ELE135195	TILT & RECLINE,ATTENDANT CONTROL,4-BUTTON,(CONFIG.#28)	1
E1	ELE130793	TILT & RECLINE W/INDEPENDENT LEGS,(CONFIG.#29)	1
F1	ELE130795	TILT & RECLINE W/INDEPENDENT LEGS,ATTENDANT CONTROL,(CONFIG.#29)	1
G1	ELE130797	TILT & RECLINE W/COMBINED LEGS,(CONFIG.#30)	1
H1	ELE135197	TILT & RECLINE W/COMBINED LEGS,4-BUTTON,(CONFIG.#30)	1
I1	ELE130799	TILT & RECLINE W/COMBINED LEGS,ATTENDANT CONTROL(CONFIG.#30)	1
J1	ELE135203	TILT & RECLINE W/COMBINED LEGS,ATTENDANT CONTROL,4-BUTTON,(CONFIG.#30)	1
K1	ELE130801	TILT & RECLINE W/AFP,(CONFIG.#31)	1
L1	ELE135204	TILT & RECLINE W/AFP,4-BUTTON,(CONFIG.#31)	1
M1	ELE130803	TILT & RECLINE W/AFP,ATTENDANT CONTROL,(CONFIG.#31)	1
N1	ELE135205	TILT & RECLINE W/AFP,ATTENDANT CONTROL,4-BUTTON,(CONFIG.#31)	1

2.5. Tilt & Recline

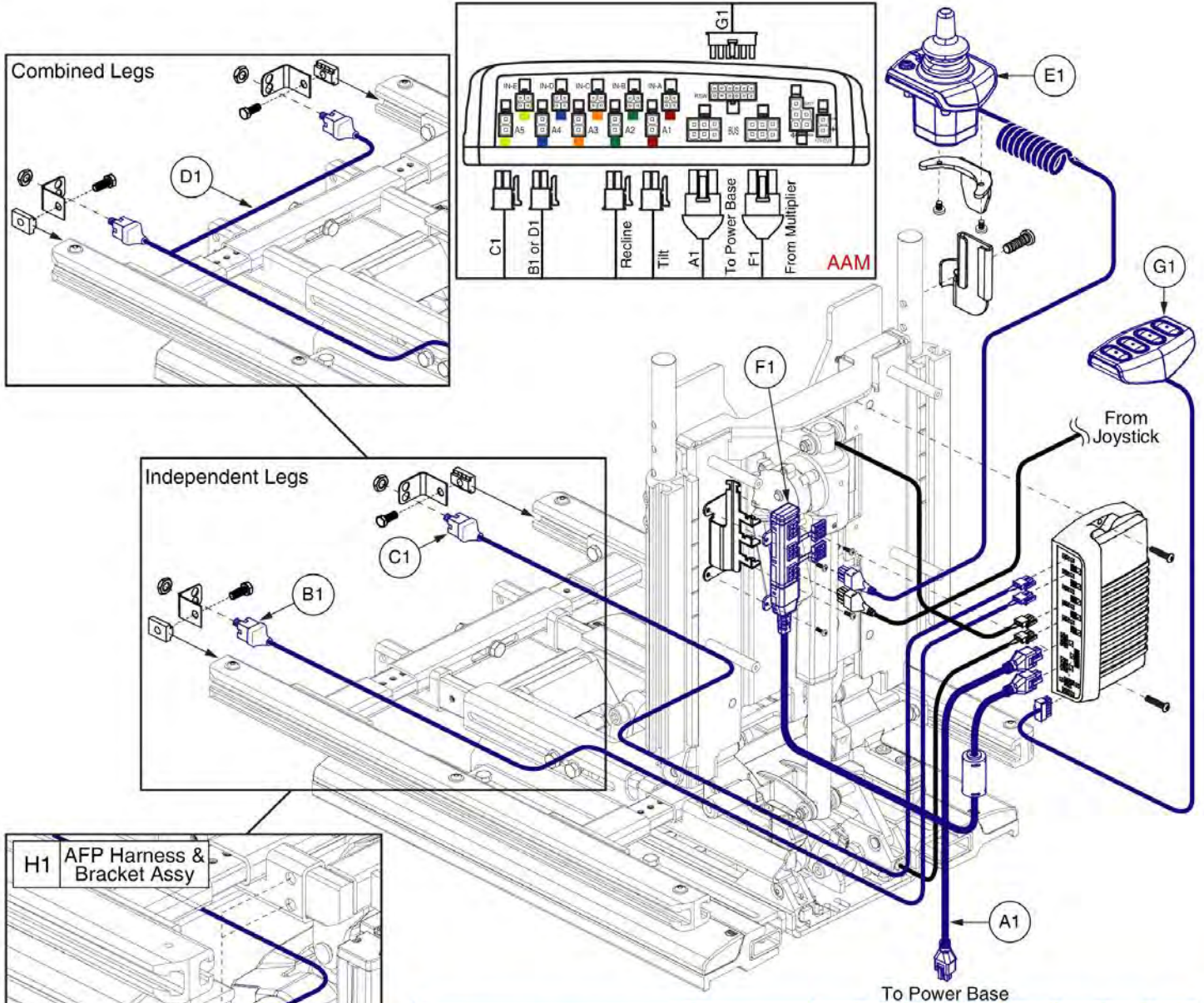


TB3 Q-Logic 2 Tilt & Recline AAM Assemblies		
A1	ELEASMB5636	Tilt & Recline
A1	ELEASMB5636	Tilt & Recline, 4-Button Control
A1	ELEASMB5636	Tilt & Recline w/ Attendant Control
A1	ELEASMB5636	Tilt & Recline w/ Attendant Control, 4-Button Control
B1	ELEASMB5637	Tilt & Recline w/ Independent Legs
B1	ELEASMB5637	Tilt & Recline w/ Independent Legs & Attendant Control
C1	ELEASMB5638	Tilt & Recline w/ Combined Legs
C1	ELEASMB5638	Tilt & Recline w/ Combined Legs, 4-Button Control
C1	ELEASMB5638	Tilt & Recline w/ Combined Legs & Attendant Control
C1	ELEASMB5638	Tilt & Recline w/ Comb. Legs & Att. Control, 4-Button Control
D1	ELEASMB5639	Tilt & Recline w/ AFP
D1	ELEASMB5639	Tilt & Recline w/ AFP, 4-Button Control
D1	ELEASMB5639	Tilt & Recline w/ AFP & Attendant Control
D1	ELEASMB5639	Tilt & Recline w/ AFP & Attendant Control, 4-Button Control



Item	Part No.	Name	Qty
A1	ELEASMB5636	AAM,TILT & RECLINE,(CONFIG.#28)	1
B1	ELEASMB5637	AAM,TILT & RECLINE W/INDEPENDENT LEGS,(CONFIG.#29)	1
C1	ELEASMB5638	AAM,TILT & RECLINE W/COMBINED LEGS,(CONFIG.#30)	1
D1	ELEASMB5639	AAM,TILT & RECLINE W/AFP,(CONFIG.#31)	1

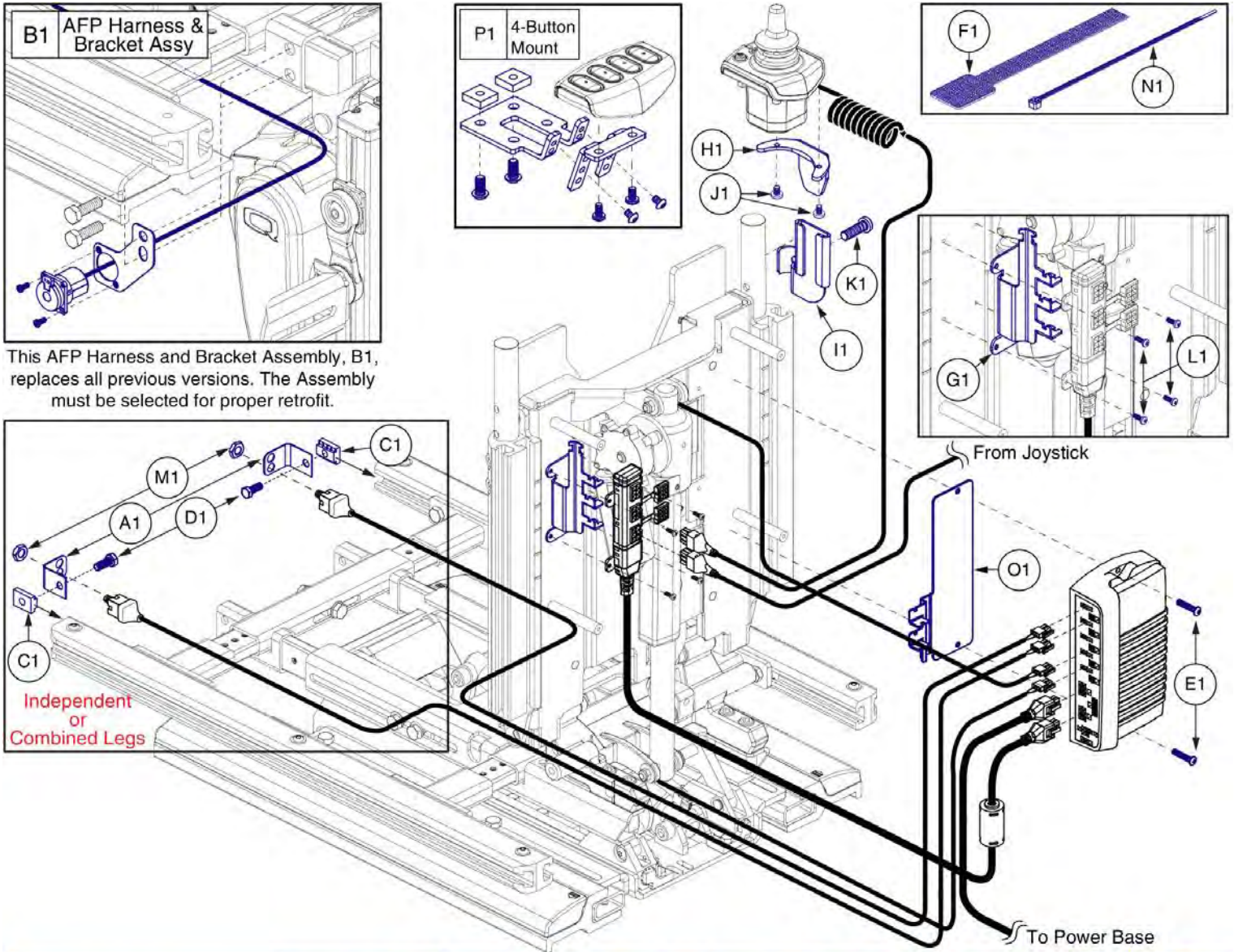
2.5. Tilt & Recline



Tilt & Recline w/	Master Assy	A1	B1	C1	D1	E1	F1	G1	H1
Tilt & Recline Only	ELE130789	1							
Tilt & Recline Only, 4-Button	ELE135191	1						1	
Attendant Control	ELE130791	1				1	1		
Attendant Control, 4-Button	ELE135195	1				1	1	1	
Independent Legs	ELE130793	1	1	1					
Ind. Legs w/Att. Control	ELE130795	1	1	1		1	1		
Combined Legs	ELE130797	1			1				
Combined Legs, 4-Button	ELE135197	1			1			1	
Comb. Legs w/Att. Control	ELE130799	1			1	1	1		
Comb. Legs w/Att. Control, 4-Button	ELE135203	1			1	1	1	1	
AFP	ELE130801	1							1
AFP, 4-Button	ELE135204	1						1	1
AFP w/Att. Control	ELE130803	1			1	1	1		1
AFP w/Att. Control, 4-Button	ELE135205	1			1	1	1	1	1

Item	Part No.	Name	Qty
A1	DWR1111H047	HARNESS,BUS CABLE,1.0 METER,FEMALE/FEMALE,H-1111-047,(CURTIS:17881302)	1
B1	DWR1265H006	ELECTRONIC,HARNESS,INDEPENDENT ELR,CURTIS,TRU-BALANCE TILT 2,LEFT,H-1265-006	1
C1	DWR1265H007	ELECTRONIC,HARNESS,INDEPENDENT ELR,CURTIS,TRU-BALANCE TILT 2,RIGHT,H-1265-007	1
D1	DWR1265H005	ELECTRONIC,HARNESS,COMBINED ELR,CURTIS,TRU-BALANCE TILT 2,H-1265-005	1
E1	CTL137822	CONTROLLER,ATTENDANT CONTROL MODULE 2.0,Q-LOGIC 2	1
F1	DWR1111H053	HARNESS,MULTIPLIER BOX,0.3 METER,H-1111-053,(CURTIS: 17869700)	1
G1	CTL123218	CONTROLLER,4-FUNCTION PUSH BUTTON,(CURTIS: 17682700)	1
H1	ELE1704823	ELECTRONIC,ASSY,AFP W/MOUNTING BRACKET & HARDWARE,TB3,VERSION 2	1

2.5. Tilt & Recline



Tilt & Recline w/	Master Assy	A1	B1	C1	D1	E1	F1	G1	H1	I1	J1	K1	L1	M1	N1	O1	P1
Tilt & Recline Only	ELE130789					2	1								5		1
Tilt & Recline Only, 4-Button	ELE135191					2	2								5		1
Attendant Control	ELE130791					2	1	1	1	1	2	1	4		5		1
Attendant Control, 4-Button	ELE135195					2	2	1	1	1	2	1	4		5		1
Independent Legs	ELE130793	2		2	2	2	1							2	5	4	1
Ind. Legs w/Att. Control	ELE130795	2		2	2	2	1	1	1	1	2	1	4	2	5	4	1
Combined Legs	ELE130797	2		2	2	2	2							2	5	4	1
Combined Legs, 4-Button	ELE135197	2		2	2	2	2							2	5	4	1
Comb. Legs w/Att. Control	ELE130799	2		2	2	2	2	1	1	1	2	1	4	2	5	4	1
Comb. Legs w/Att. Control, 4-Button	ELE135203	2		2	2	2	2	1	1	1	2	1	4	2	5	4	1
AFP	ELE130801		1			2	1								5	2	1
AFP, 4-Button	ELE135204		1			2	1								5	2	1
AFP w/Att. Control	ELE130803		1			2	1	1	1	1	2	1	4		5	2	1
AFP w/Att. Control, 4-Button	ELE135205		1			2	1	1	1	1	2	1	4		5	2	1

Item	Part No.	Name	Qty
A1	DWR1303B026	ELECTRICAL CONNECTION BRACKET,ARTICULATING LEGREST	1
B1	ELE1704823	ELECTRONIC,ASSY,AFP W/MOUNTING BRACKET & HARDWARE,TB3,VERSION 2	1
C1	NUT8120005	NUT,T-SLOT,BLACK,M8-1.25	1
D1	SCRHHCS1382	SCREW,HHCS,BLACK ZINC CHROMATE,M8-1.25 X 12MM,10.9	1
E1	SCRPPH1061	SCREW, PPH,ZINC,M4 X .7T X 20MM	1
F1	VELDBLS1001	REUSABLE FASTENER,1/2"W X 8"L,HOOK & LOOP	1
G1	MEC120550	BRACKET,STRAIN RELIEF,MULTIPLEX	1
H1	DWR1010D298	MOUNTING BRACKET,ATTENDANT BRACKET,CURTIS STAND ALONE JOYSTICK,D-1010-298	1
I1	MEC122827	ATTENDANT CONTROL MOUNT CATCH PLATE	1
J1	SCRPPH1165	SCREW,PPH,BLACK ZINC,M4-.7 X 8MM,P-TYPE	1
K1	HDW124866	SCREW, LOW SOCKET HEAD, M8X1.25 X 25, DIN 7984, CL 10.9, BZ, PVTP	1
L1	SCRPPH1276	SCREW,PPH,BLACK ZINC,M3-.5 X 8MM	1
M1	NUTJAM1032	NUT,JAM,THIN,STAINLESS STEEL,3/8-32	1
N1	PLSTIE1004	TIE WRAP,BLACK,8"	1
O1	MEC138556	BRACKET,STRAIN RELIEF,AAM	1
P1	MEC136981	MOUNTING BRACKET,ASSY,4-FUNCTION PUSH BUTTON,W/EXTENSION & MOUNTING HARDWARE,TRU-BALANCE 3	1

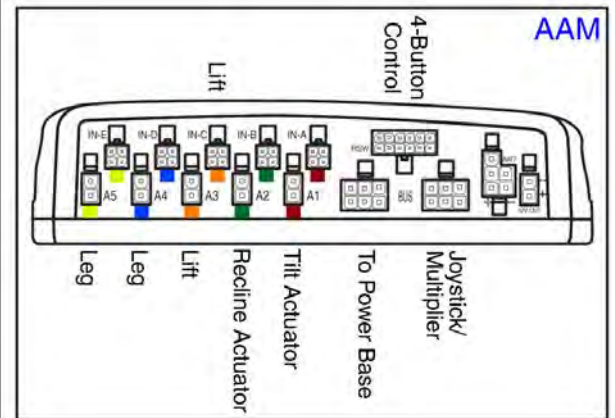
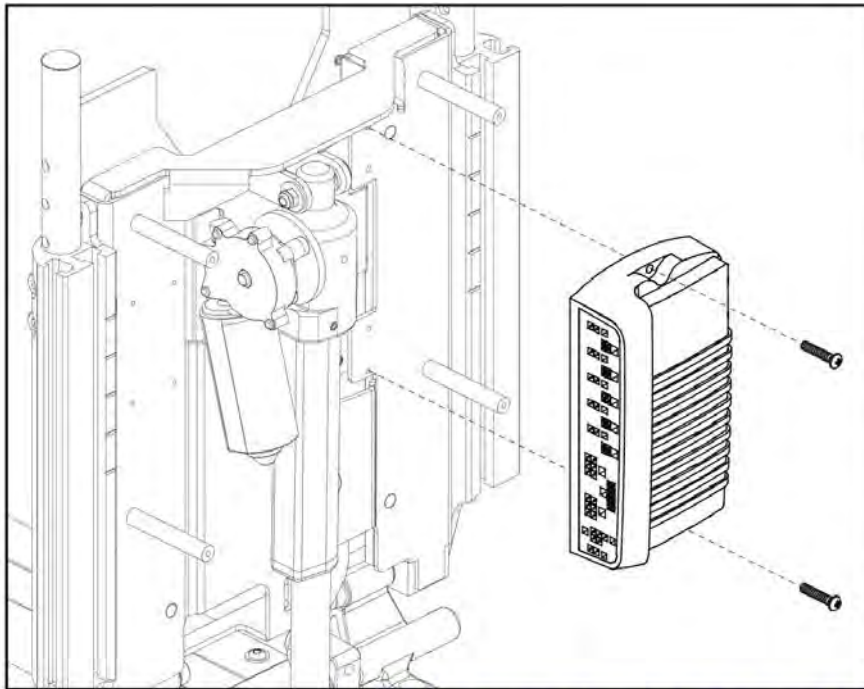
2.6. Lift & Recline

TB3 Q-Logic 2 Lift and Recline Master Assemblies		
A1	ELE130833	Lift & Recline
B1	ELE135206	Lift & Recline, 4-Button Control
C1	ELE130834	Lift & Recline w/ Attendant Control
D1	ELE135208	Lift & Recline w/ Attendant Control, 4-Button Control
E1	ELE130835	Lift & Recline w/ Independant Legs
F1	ELE130836	Lift & Recline w/ Independant Legs & Attendant Control
G1	ELE130837	Lift & Recline w/ Combined Legs
H1	ELE135213	Lift & Recline w/ Combined Legs, 4-Button Control
I1	ELE130838	Lift & Recline w/ Combined Legs & Attendant Control
J1	ELE135217	Lift & Recline w/ Comb. Legs & Att. Control, 4-Button Control
K1	ELE130841	Lift & Recline w/ AFP
L1	ELE135219	Lift & Recline w/ AFP, 4-Button Control
M1	ELE130843	Lift & Recline w/ AFP & Attendant Control
N1	ELE135220	Lift & Recline w/ AFP & Attendant Control, 4-Button Control

The master assemblies include the harnesses, seating module, and mounting hardware for the various configurations.

Item	Part No.	Name	Qty
A1	ELE130833	ELECTRONIC,CURTIS/AAM, LIFT & RECLINE (CONFIG. #14)	1
B1	ELE135206	LIFT & RECLINE,4-BUTTON,(CONFIG.#14)	1
C1	ELE130834	LIFT & RECLINE,ATTENDANT CONTROL,(CONFIG.#14)	1
D1	ELE135208	LIFT & RECLINE,ATTENDANT CONTROL,4-BUTTON,(CONFIG.#14)	1
E1	ELE130835	ELECTRONIC,CURTIS/AAM, INDEPENDENT LEGS, LIFT & RECLINE (CONFIG. #15)	1
F1	ELE130836	LIFT & RECLINE W/INDEPENDENT LEGS,ATTENDANT CONTROL,(CONFIG.#15)	1
G1	ELE130837	ELECTRONIC,CURTIS/AAM, LIFT & RECLINE,COMBINED LEGS (CONFIG. #16)	1
H1	ELE135213	LIFT & RECLINE W/COMBINED LEGS,4-BUTTON,(CONFIG.#16)	1
I1	ELE130838	LIFT & RECLINE W/COMBINED LEGS,ATTENDANT CONTROL,(CONFIG.#16)	1
J1	ELE135217	LIFT & RECLINE W/COMBINED LEGS,ATTENDANT CONTROL,4-BUTTON,(CONFIG.#16)	1
K1	ELE130841	LIFT & RECLINE W/AFP,(CONFIG.#17)	1
L1	ELE135219	LIFT & RECLINE W/AFP,4-BUTTON,(CONFIG.#17)	1
M1	ELE130843	LIFT & RECLINE W/AFP,ATTENDANT CONTROL,(CONFIG.#17)	1
N1	ELE135220	LIFT & RECLINE W/AFP,ATTENDANT CONTROL,4-BUTTON,(CONFIG.#17)	1

2.6. Lift & Recline



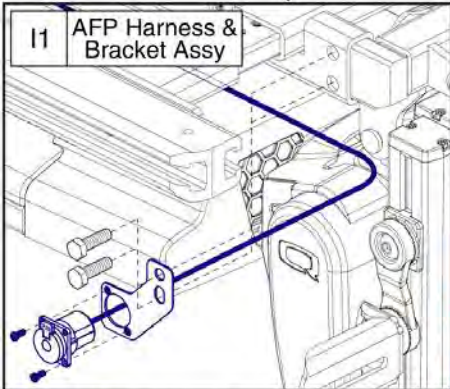
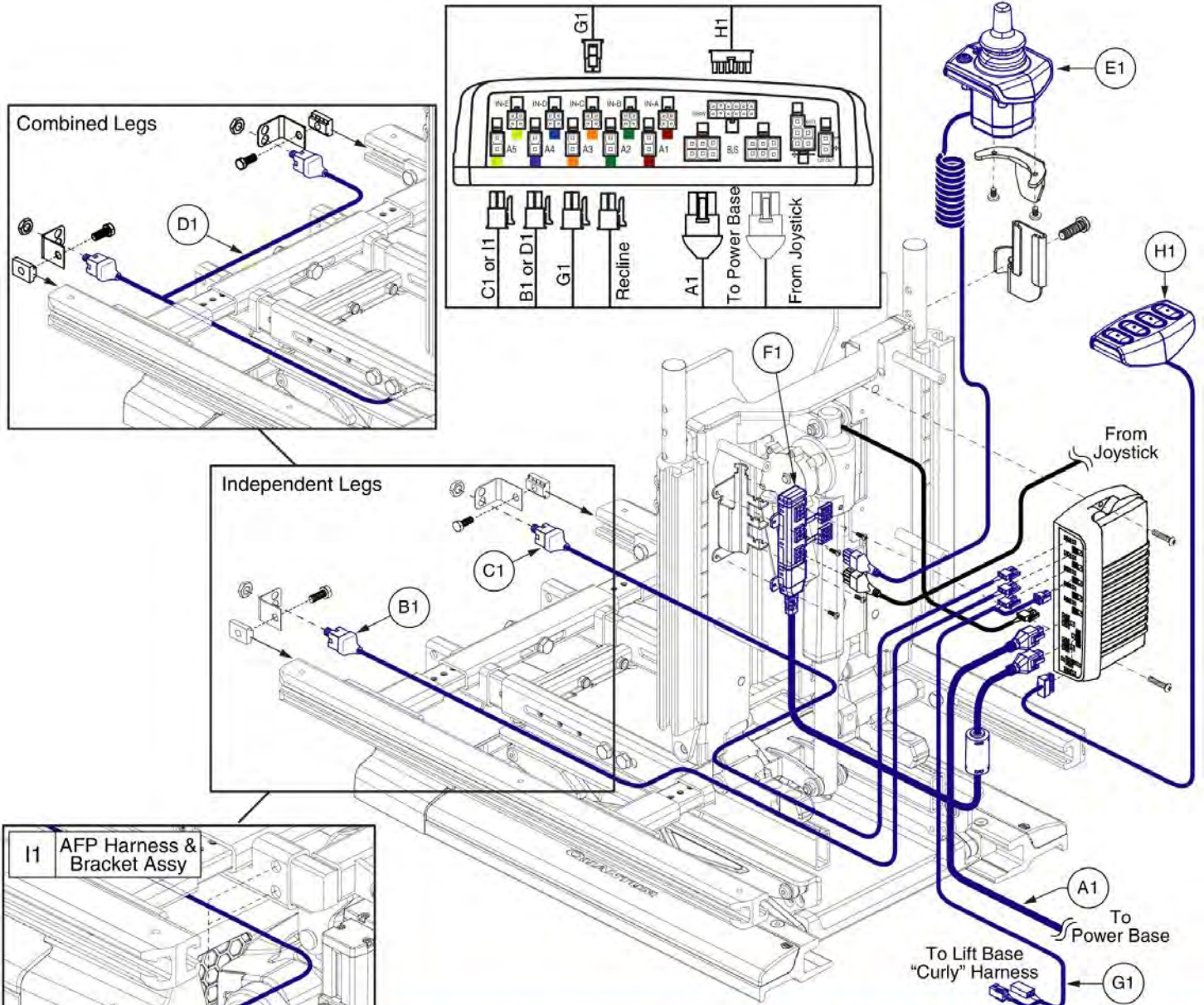
TB3 Q-Logic 2 Lift & Recline AAM Assemblies

A1	ELEASMB5624	Lift & Recline
A1	ELEASMB5624	Lift & Recline, 4-Button Control
A1	ELEASMB5624	Lift & Recline w/ Attendant Control
A1	ELEASMB5624	Lift & Recline w/ Attendant Control, 4-Button Control
B1	ELEASMB5625	Lift & Recline w/ Independent Legs
B1	ELEASMB5625	Lift & Recline w/ Independent Legs & Attendant Control
C1	ELEASMB5626	Lift & Recline w/ Combined Legs
C1	ELEASMB5626	Lift & Recline w/ Combined Legs, 4-Button Control
C1	ELEASMB5626	Lift & Recline w/ Combined Legs & Attendant Control
C1	ELEASMB5626	Lift & Recline w/ Comb. Legs & Att. Control, 4-Button Control
D1	ELEASMB5627	Lift & Recline w/ AFP
D1	ELEASMB5627	Lift & Recline w/ AFP, 4-Button Control
D1	ELEASMB5627	Lift & Recline w/ Attendant Control
D1	ELEASMB5627	Lift & Recline w/ Attendant Control, 4-Button Control



Item	Part No.	Name	Qty
A1	ELEASMB5624	AAM, RECLINE/ELEVATE (CONFIG. #14)	1
B1	ELEASMB5625	AAM, RECLINE/ELEVATE, INDEPENDENT LEGS (CONFIG. #15)	1
C1	ELEASMB5626	AAM, RECLINE/ELEVATE, COMBINED LEGS (CONFIG. #16)	1
D1	ELEASMB5627	AAM, LIFT & RECLINE W/AFP, (CONFIG. #17)	1

2.6. Lift & Recline

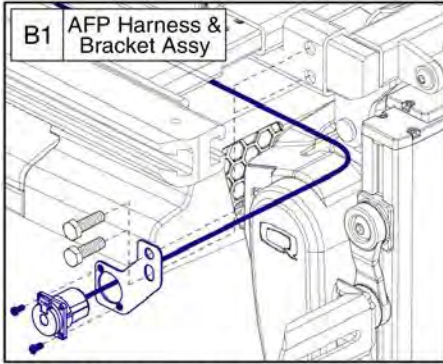


This AFP Harness and Bracket Assembly, I1, replaces all previous versions. The Assembly must be selected for proper retrofit.

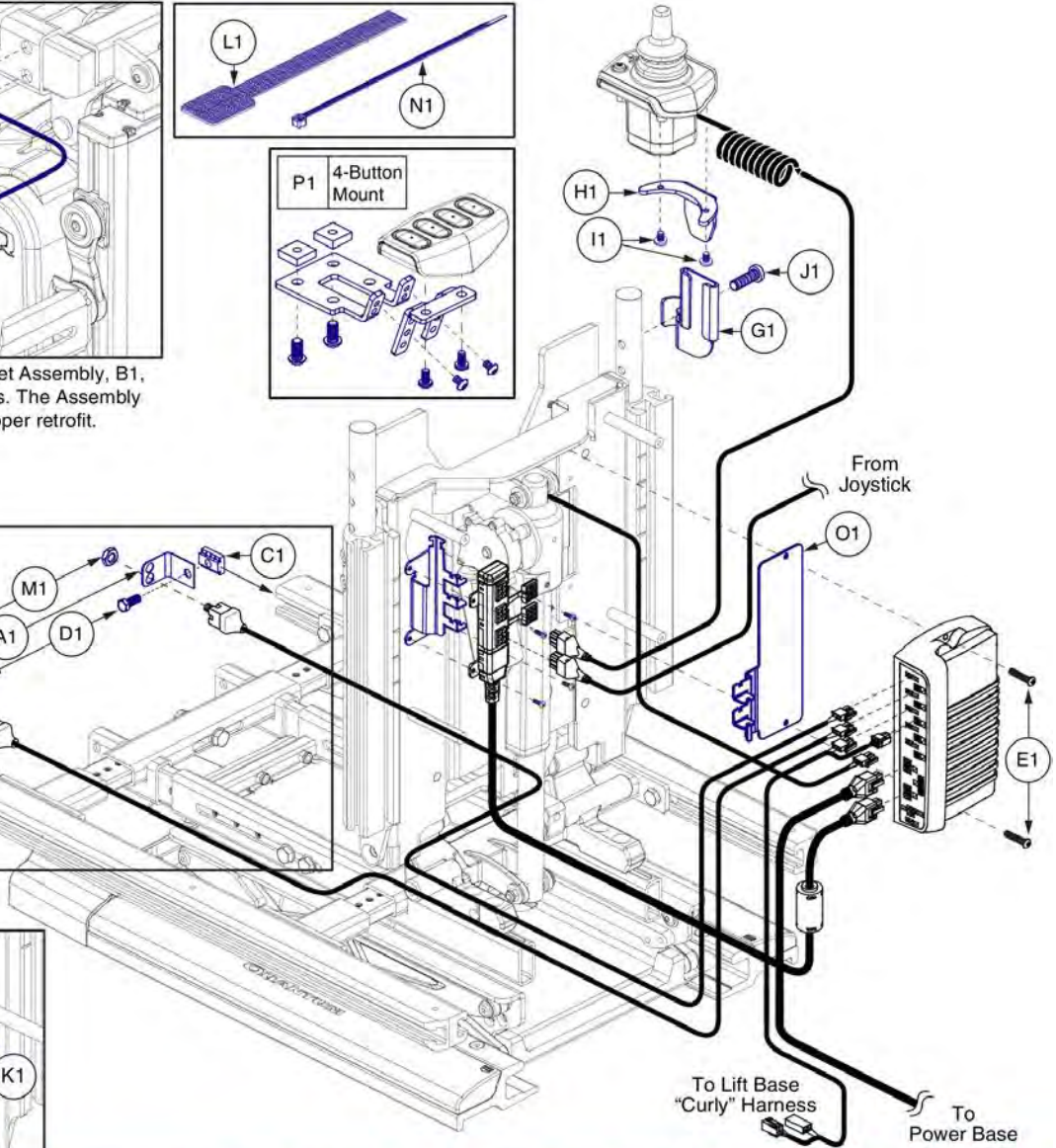
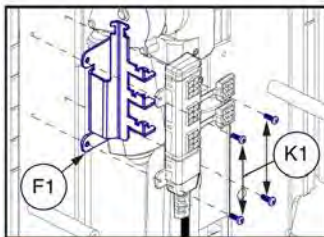
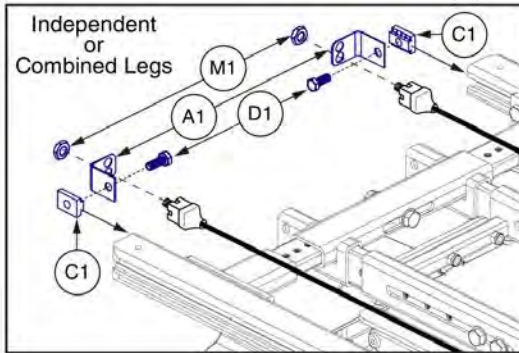
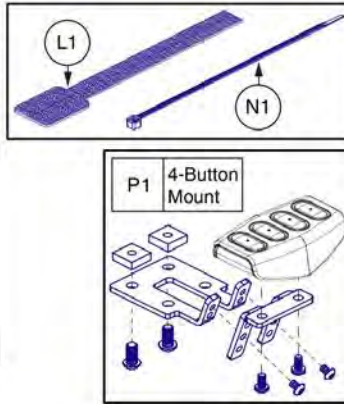
Lift and Recline w/	Master Assy	A1	B1	C1	D1	E1	F1	G1	H1	I1
Lift & Recline	ELE130833	1						1		
Lift & Recline, 4-Button	ELE135206	1						1	1	
Attendant Control	ELE130834	1				1	1	1		
Attendant Control, 4-Button	ELE135208	1				1	1	1	1	
Independent Legs	ELE130835	1	1	1				1		
Ind. Legs w/Att. Control	ELE130836	1	1	1		1	1	1		
Combined Legs	ELE130837	1			1			1		
Combined Legs, 4-Button	ELE135213	1			1			1	1	
Comb. Legs w/Att. Control	ELE130838	1			1	1	1	1		
Comb. Legs w/Att. Control, 4-Button	ELE135217	1			1	1	1	1	1	
AFP	ELE130841	1		1				1		1
AFP, 4-Button	ELE135219	1		1				1	1	1
AFP w/Att. Control	ELE130843	1		1		1	1	1		1
AFP w/Att. Control, 4-Button	ELE135220	1		1		1	1	1	1	1

Item	Part No.	Name	Qty
A1	DWR1111H047	HARNESS,BUS CABLE,1.0 METER,FEMALE/FEMALE,H-1111-047,(CURTIS:17881302)	1
B1	DWR1265H006	ELECTRONIC,HARNESS,INDEPENDENT ELR,CURTIS,TRU-BALANCE TILT 2,LEFT,H-1265-006	1
C1	DWR1265H007	ELECTRONIC,HARNESS,INDEPENDENT ELR,CURTIS,TRU-BALANCE TILT 2,RIGHT,H-1265-007	1
D1	DWR1265H005	ELECTRONIC,HARNESS,COMBINED ELR,CURTIS,TRU-BALANCE TILT 2,H-1265-005	1
E1	CTL137822	CONTROLLER,ATTENDANT CONTROL MODULE 2.0,Q-LOGIC 2	1
F1	DWR1111H053	HARNESS,MULTIPLIER BOX,0.3 METER,H-1111-053,(CURTIS: 17869700)	1
G1	ELE133304	ELECTRONIC,HARNESS,CURLY CABLE EXTENSION CABLE,FRONT MOUNTED,TRU-BALANCE 3 LIFT	1
H1	CTL123218	CONTROLLER,4-FUNCTION PUSH BUTTON,(CURTIS: 17682700)	1
I1	ELE1704823	ELECTRONIC,ASSY,AFP W/MOUNTING BRACKET & HARDWARE,TB3,VERSION 2	1

2.6. Lift & Recline



This AFP Harness and Bracket Assembly, B1, replaces all previous versions. The Assembly must be selected for proper retrofit.



Lift and Recline w/	Master Assy	A1	B1	C1	D1	E1	F1	G1	H1	I1	J1	K1	L1	M1	N1	O1	P1
Lift & Recline	ELE130833					2							1		5	1	
Lift & Recline, 4-Button	ELE135206					2							2		5	1	1
Attendant Control	ELE130834					2	1	1	1	2	1	4	1		5	1	
Attendant Control, 4-Button	ELE135208					2	1	1	1	2	1	4	2		5	1	1
Independent Legs	ELE130835	2		2	2	2							1	2	5	1	
Ind. Legs w/Att. Control	ELE130836	2		2	2	2	1	1	1	2	1	4	1	2	5	1	
Combined Legs	ELE130837	2		2	2	2							2	2	5	1	
Combined Legs, 4-Button	ELE135213	2		2	2	2							2	2	5	1	1
Comb. Legs w/Att. Control	ELE130838	2		2	2	2	1	1	1	2	1	4	2	2	5	1	
Comb. Legs w/Att. Control, 4-Button	ELE135217	2		2	2	2	1	1	1	2	1	4	2	2	5	1	1
AFP	ELE130841		1			2							1		5	1	
AFP, 4-Button	ELE135219		1			2							2		5	1	1
AFP w/Att Control	ELE130843		1			2	1	1	1	2	1	4	1		5	1	
AFP w/Att Control, 4-Button	ELE135220		1			2	1	1	1	2	1	4	2		5	1	1

Item	Part No.	Name	Qty
A1	DWR1303B026	ELECTRICAL CONNECTION BRACKET,ARTICULATING LEGREST	1
B1	MEC130241	ELECTRICAL CONNECTION BRACKET,AFP,TB3	1
C1	NUT8120005	NUT,T-SLOT,BLACK,M8-1.25	1
D1	SCRHHCS1382	SCREW,HHCS,BLACK ZINC CHROMATE,M8-1.25 X 12MM,10.9	1
E1	SCRPPH1061	SCREW, PPH,ZINC,M4 X .7T X 20MM	1
F1	MEC120550	BRACKET,STRAIN RELIEF,MULTIPLEX	1
G1	DWR1010D298	MOUNTING BRACKET,ATTENDANT BRACKET,CURTIS STAND ALONE JOYSTICK,D-1010-298	1
H1	MEC122827	ATTENDANT CONTROL MOUNT CATCH PLATE	1
I1	SCRPPH1165	SCREW,PPH,BLACK ZINC,M4-.7 X 8MM,P-TYPE	1
J1	HDW124866	SCREW, LOW SOCKET HEAD, M8X1.25 X 25, DIN 7984, CL 10.9, BZ, PVTP	1
K1	SCRPPH1276	SCREW,PPH,BLACK ZINC,M3-.5 X 8MM	1
L1	VELDBLS1001	REUSABLE FASTENER,1/2"W X 8"L,HOOK & LOOP	1
M1	NUTJAM1032	NUT,JAM,THIN,STAINLESS STEEL,3/8-32	1
N1	PLSTIE1004	TIE WRAP,BLACK,8"	1
O1	MEC138556	BRACKET,STRAIN RELIEF,AAM	1
P1	MEC136981	MOUNTING BRACKET,ASSY,4-FUNCTION PUSH BUTTON,W/EXTENSION & MOUNTING HARDWARE,TRU-BALANCE 3	1

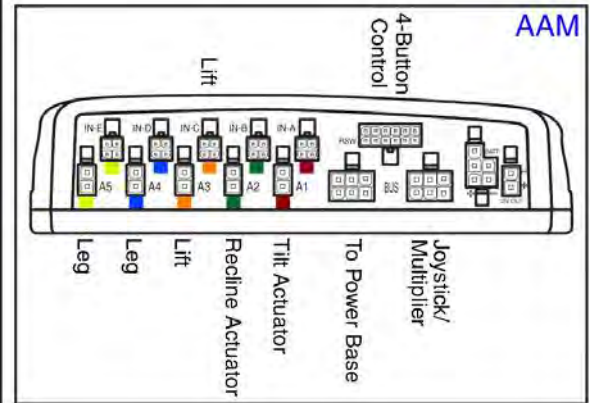
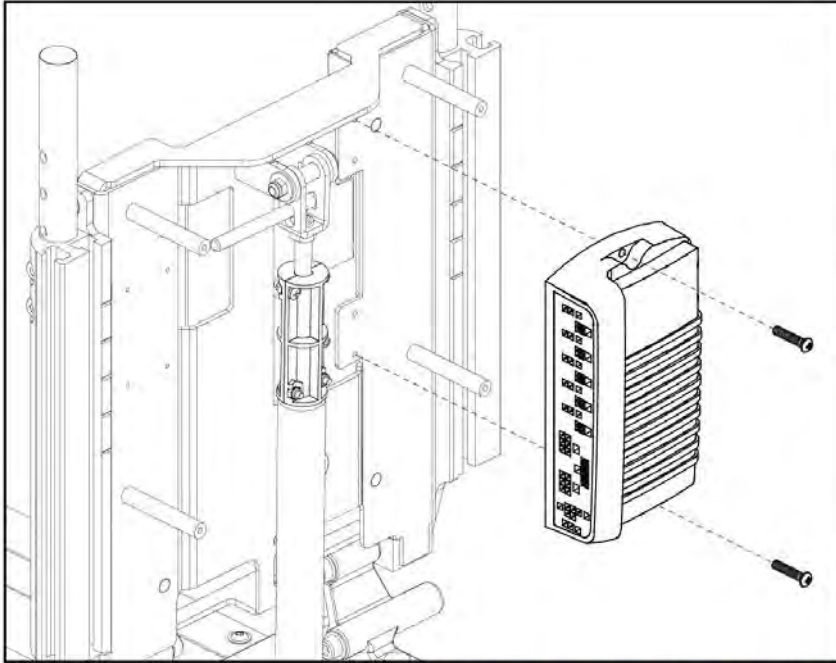
2.7. Lift & Tilt

TB3 Q-logic 2 Lift and Tilt Master Assemblies		
A1	ELE130772	Lift & Tilt
B1	ELE135179	Lift & Tilt, 4-Button Control
C1	ELE130782	Lift & Tilt w/ Attendant Control
D1	ELE135182	Lift & Tilt w/ Attendant Control, 4-Button Control
E1	ELE130783	Lift & Tilt w/ Independent Legs
F1	ELE130784	Lift & Tilt w/ Independent Legs & Attendant Control
G1	ELE130785	Lift & Tilt w/ Combined Legs
H1	ELE135185	Lift & Tilt w/ Combined Legs, 4-Button Control
I1	ELE130786	Lift & Tilt w/ Combined Legs & Attendant Control
J1	ELE135187	Lift & Tilt w/ Comb. Legs & Att. Control, 4-Button Control
K1	ELE130787	Lift & Tilt w/ AFP
L1	ELE135188	Lift & Tilt w/ AFP, 4-Button Control
M1	ELE130788	Lift & Tilt w/ AFP & Attendant Control
N1	ELE135189	Lift & Tilt w/ AFP & Attendant Control, 4-Button Control

The master assemblies include the harnesses, seating module, and mounting hardware for the various configurations.

Item	Part No.	Name	Qty
A1	ELE130772	ELECTRONIC,CURTIS/AAM, LIFT & TILT (CONFIG. #24)	1
B1	ELE135179	LIFT & TILT,4-BUTTON,(CONFIG.#24)	1
C1	ELE130782	LIFT & TILT,ATTENDANT CONTROL,(CONFIG.#24)	1
D1	ELE135182	LIFT & TILT,ATTENDANT CONTROL,4-BUTTON,(CONFIG.#24)	1
E1	ELE130783	ELECTRONIC,CURTIS/AAM, INDEPENDENT LEGS, LIFT & TILT (CONFIG. #25)	1
F1	ELE130784	LIFT & TILT W/INDEPENDENT LEGS,ATTENDANT CONTROL,(CONFIG.#25)	1
G1	ELE130785	LIFT & TILT W/COMBINED LEGS,(CONFIG.#26)	1
H1	ELE135185	LIFT & TILT W/COMBINED LEGS,4-BUTTON,(CONFIG.#26)	1
I1	ELE130786	LIFT & TILT W/COMBINED LEGS,ATTENDANT CONTROL,(CONFIG.#26)	1
J1	ELE135187	LIFT & TILT W/COMBINED LEGS,ATTENDANT CONTROL,4-BUTTON,(CONFIG.#26)	1
K1	ELE130787	LIFT & TILT W/AFP,(CONFIG.#27)	1
L1	ELE135188	LIFT & TILT W/AFP,4-BUTTON,(CONFIG.#27)	1
M1	ELE130788	LIFT & TILT W/AFP,ATTENDANT CONTROL,(CONFIG.#27)	1
N1	ELE135189	LIFT & TILT W/AFP,ATTENDANT CONTROL,4-BUTTON,(CONFIG.#27)	1

2.7. Lift & Tilt

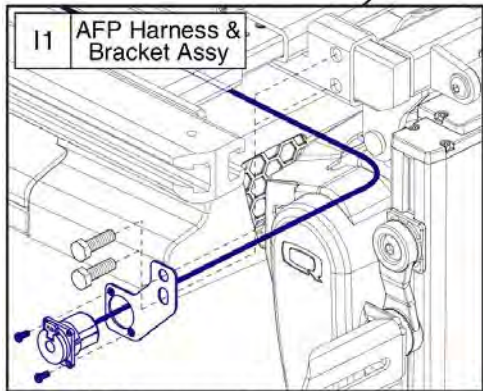
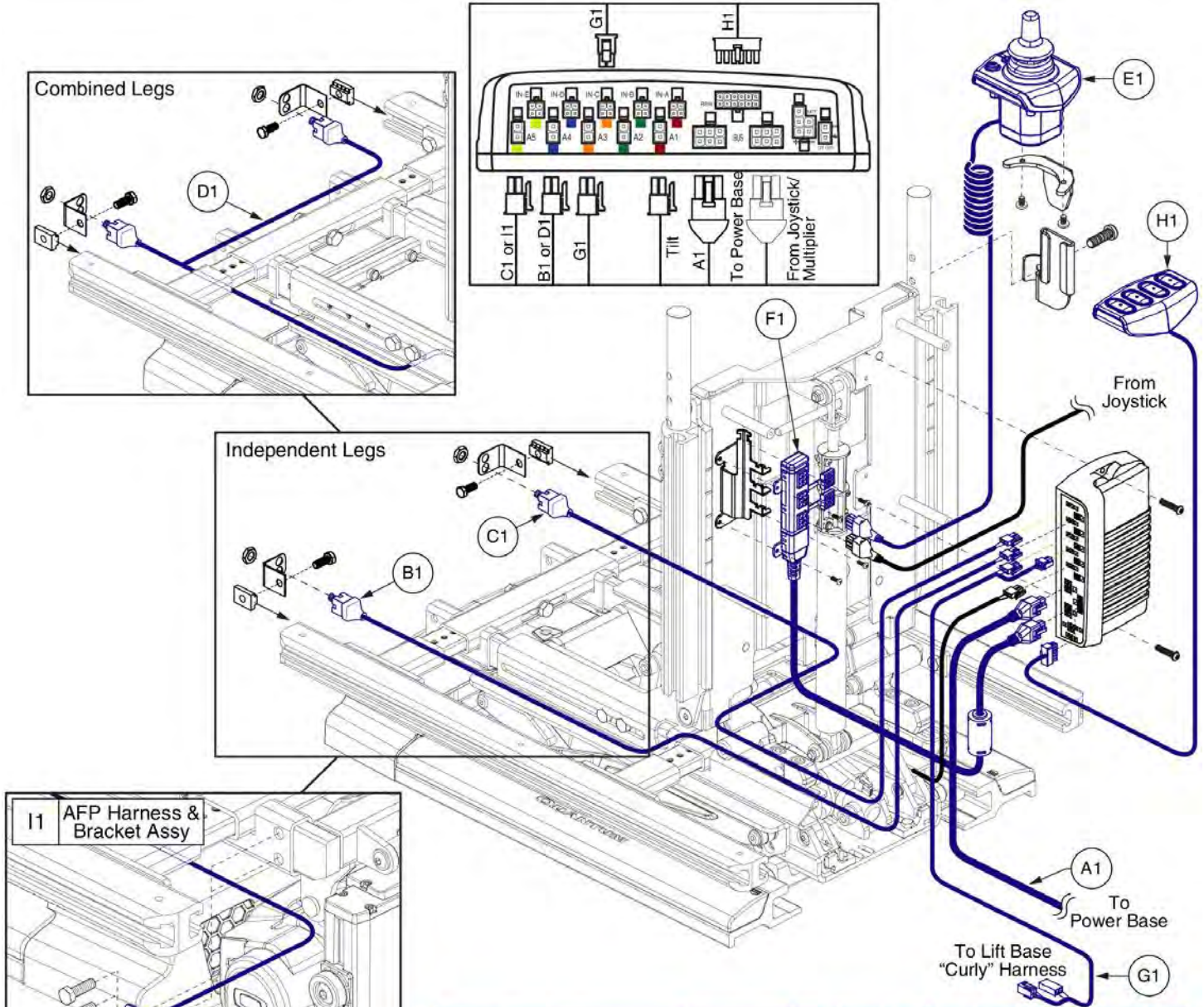


TB3 Q-Logic 2 Lift and Tilt AAM Assemblies		
A1	ELEASMB5632	Lift & Tilt
A1	ELEASMB5632	Lift & Tilt, 4-Button Control
A1	ELEASMB5632	Lift & Tilt w/ Attendant Control
A1	ELEASMB5632	Lift & Tilt w/ Attendant Control, 4-Button Control
B1	ELEASMB5633	Lift & Tilt w/ Independent Legs
B1	ELEASMB5633	Lift & Tilt w/ Independent Legs & Attendant Control
C1	ELEASMB5634	Lift & Tilt w/ Combined Legs
C1	ELEASMB5634	Lift & Tilt w/ Combined Legs, 4-Button Control
C1	ELEASMB5634	Lift & Tilt w/ Combined Legs & Attendant Control
C1	ELEASMB5634	Lift & Tilt w/ Comb. Legs & Att. Control, 4-Button Control
D1	ELEASMB5635	Lift & Tilt w/ AFP
D1	ELEASMB5635	Lift & Tilt w/ AFP, 4-Button Control
D1	ELEASMB5635	Lift & Tilt w/ AFP & Attendant Control
D1	ELEASMB5635	Lift & Tilt w/ AFP & Attendant Control, 4-Button Control



Item	Part No.	Name	Qty
A1	ELEASMB5632	AAM,TILT/ELEVATE,(CONFIG. #24)	1
B1	ELEASMB5633	AAM, TILT/ELEVATE, INDEPENDENT LEGS (CONFIG. #25)	1
C1	ELEASMB5634	AAM,LIFT & TILT W/COMBINED LEGS,(CONFIG.#26)	1
D1	ELEASMB5635	AAM,LIFT & TILT W/AFP,(CONFIG.#27)	1

2.7. Lift & Tilt

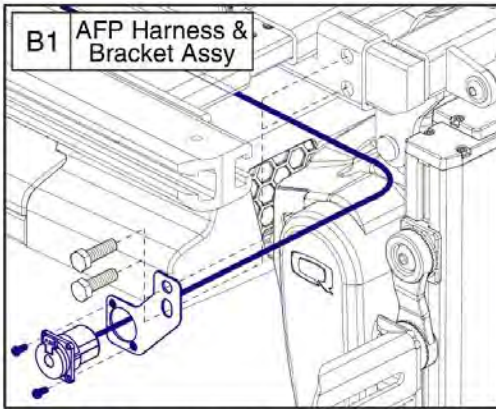


This AFP Harness and Bracket Assembly, I1, replaces all previous versions. The Assembly must be selected for proper retrofit.

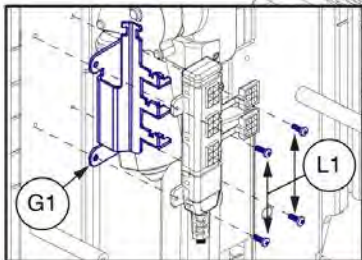
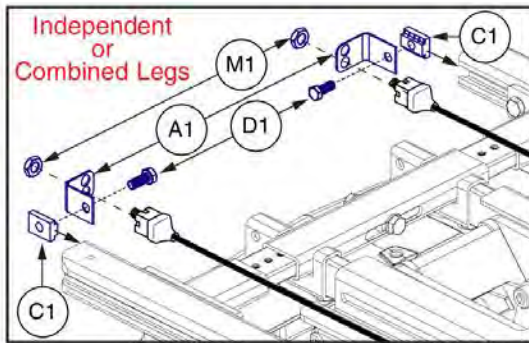
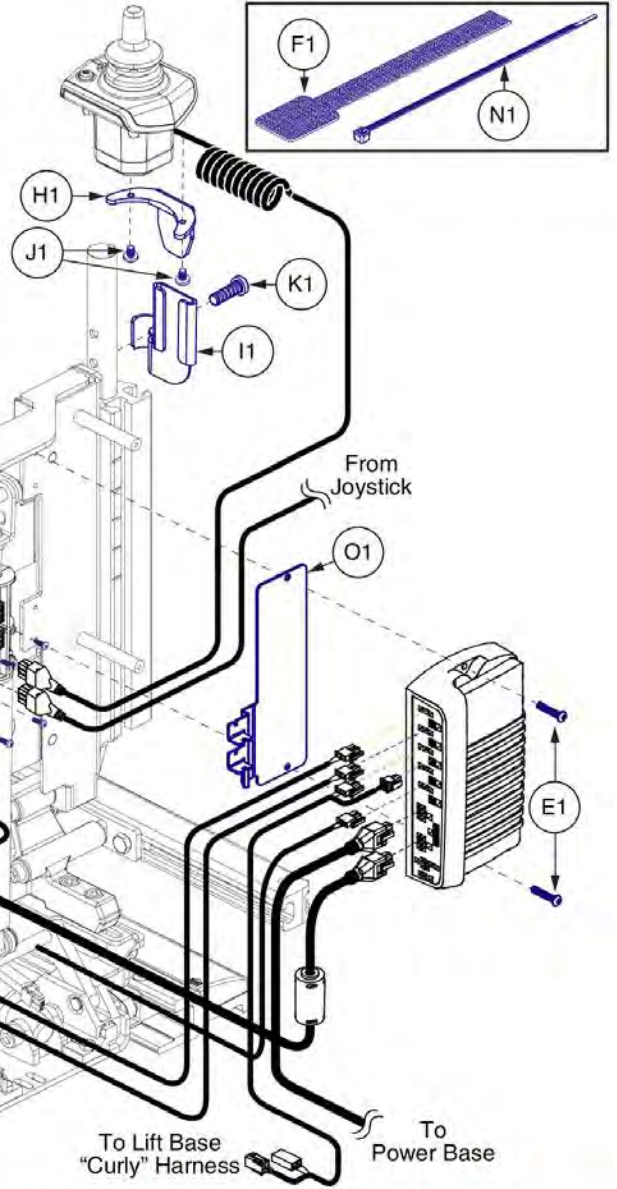
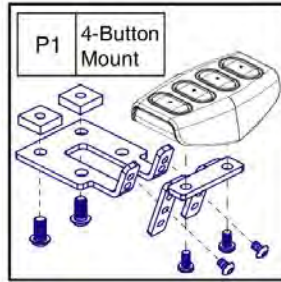
Lift and Tilt w/	Master Assy	A1	B1	C1	D1	E1	F1	G1	H1	I1
Lift & Tilt Only	ELE130772	1						1		
Lift & Tilt Only, 4-Button	ELE135179	1						1	1	
Attendant Control	ELE130782	1				1	1	1		
Attendant Control, 4-Button	ELE135182	1				1	1	1	1	
Independent Legs	ELE130783	1	1	1				1		
Ind. Legs w/Att. Control	ELE130784	1	1	1		1	1	1		
Combined Legs	ELE130785	1			1			1		
Combined Legs, 4-Button	ELE135185	1			1			1	1	
Comb. Legs w/Att. Control	ELE130786	1			1	1	1	1		
Comb. Legs w/Att. Control, 4-Button	ELE135187	1			1	1	1	1	1	
AFP	ELE130787	1						1		1
AFP, 4-Button	ELE135188	1						1	1	1
AFP w/Att. Control	ELE130788	1				1	1	1		1
AFP w/Att. Control, 4-Button	ELE135189	1				1	1	1	1	1

Item	Part No.	Name	Qty
A1	DWR1111H047	HARNES,BUS CABLE,1.0 METER,FEMALE/FEMALE,H-1111-047,(CURTIS:17881302)	1
B1	DWR1265H006	ELECTRONIC,HARNES,INDEPENDENT ELR,CURTIS,TRU-BALANCE TILT 2,LEFT,H-1265-006	1
C1	DWR1265H007	ELECTRONIC,HARNES,INDEPENDENT ELR,CURTIS,TRU-BALANCE TILT 2,RIGHT,H-1265-007	1
D1	DWR1265H005	ELECTRONIC,HARNES,COMBINED ELR,CURTIS,TRU-BALANCE TILT 2,H-1265-005	1
E1	CTL137822	CONTROLLER,ATTENDANT CONTROL MODULE 2.0,Q-LOGIC 2	1
F1	DWR1111H053	HARNES,MULTIPLIER BOX,0.3 METER,H-1111-053,(CURTIS: 17869700)	1
G1	ELE133304	ELECTRONIC,HARNES,CURLY CABLE EXTENSION CABLE,FRONT MOUNTED,TRU-BALANCE 3 LIFT	1
H1	CTL123218	CONTROLLER,4-FUNCTION PUSH BUTTON,(CURTIS: 17682700)	1
I1	ELE1704823	ELECTRONIC,ASSY,AFP W/MOUNTING BRACKET & HARDWARE,TB3,VERSION 2	1

2.7. Lift & Tilt



This AFP Harness and Bracket Assembly, B1, replaces all previous versions. The Assembly must be selected for proper retrofit.



Lift & Tilt w/	Master Assy	A1	B1	C1	D1	E1	F1	G1	H1	I1	J1	K1	L1	M1	N1	O1	P1
Lift & Tilt Only	ELE130772					2	1								5	1	
Lift & Tilt Only, 4-Button	ELE135179					2	2								5	1	1
Attendant Control	ELE130782					2	1	1	1	1	2	1	4		5	1	
Attendant Control, 4-Button	ELE135182					2	2	1	1	1	2	1	4		5	1	1
Independent Legs	ELE130783	2		2	2	2	1							2	5	1	
Ind. Legs w/Att. Control	ELE130784	2		2	2	2	1	1	1	1	2	1	4	2	5	1	
Combined Legs	ELE130785	2		2	2	2	2							2	5	1	
Combined Legs, 4-Button	ELE135185	2		2	2	2	2							2	5	1	1
Comb. Legs w/Att. Control	ELE130786	2		2	2	2	2	1	1	1	2	1	4	2	5	1	
Comb. Legs w/Att. Control, 4-Button	ELE135187	2		2	2	2	2	1	1	1	2	1	4	2	5	1	1
AFP	ELE130787		1			2	1								5	1	
AFP, 4-Button	ELE135188		1			2	2								5	1	1
AFP w/Att. Control	ELE130788		1			2	1	1	1	1	2	1	4		5	1	
AFP w/Att. Control, 4-Button	ELE135189		1			2	2	1	1	1	2	1	4		5	1	1

Item	Part No.	Name	Qty
A1	DWR1303B026	ELECTRICAL CONNECTION BRACKET,ARTICULATING LEGREST	1
B1	ELE1704823	ELECTRONIC,ASSY,AFP W/MOUNTING BRACKET & HARDWARE,TB3,VERSION 2	1
C1	NUT8120005	NUT,T-SLOT,BLACK,M8-1.25	1
D1	SCRHHCS1382	SCREW,HHCS,BLACK ZINC CHROMATE,M8-1.25 X 12MM,10.9	1
E1	SCRPPH1061	SCREW, PPH,ZINC,M4 X .7T X 20MM	1
F1	VELDBLS1001	REUSABLE FASTENER,1/2"W X 8"L,HOOK & LOOP	1
G1	MEC120550	BRACKET,STRAIN RELIEF,MULTIPLEX	1
H1	DWR1010D298	MOUNTING BRACKET,ATTENDANT BRACKET,CURTIS STAND ALONE JOYSTICK,D-1010-298	1
I1	MEC122827	ATTENDANT CONTROL MOUNT CATCH PLATE	1
J1	SCRPPH1165	SCREW,PPH,BLACK ZINC,M4-.7 X 8MM,P-TYPE	1
K1	HDW124866	SCREW, LOW SOCKET HEAD, M8X1.25 X 25, DIN 7984, CL 10.9, BZ, PVTP	1
L1	SCRPPH1276	SCREW,PPH,BLACK ZINC,M3-.5 X 8MM	1
M1	NUTJAM1032	NUT,JAM,THIN,STAINLESS STEEL,3/8-32	1
N1	PLSTIE1004	TIE WRAP,BLACK,8"	1
O1	MEC138556	BRACKET,STRAIN RELIEF,AAM	1
P1	MEC136981	MOUNTING BRACKET,ASSY,4-FUNCTION PUSH BUTTON,W/EXTENSION & MOUNTING HARDWARE,TRU-BALANCE 3	1

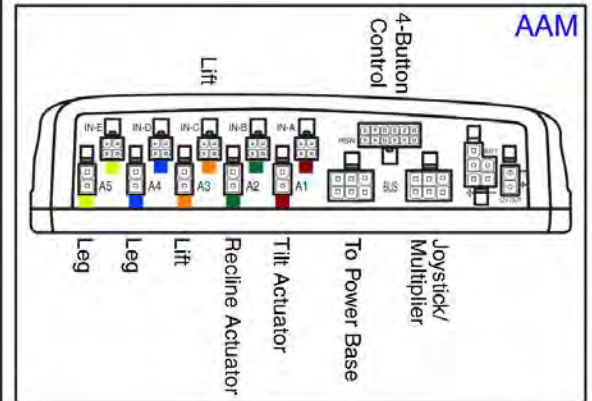
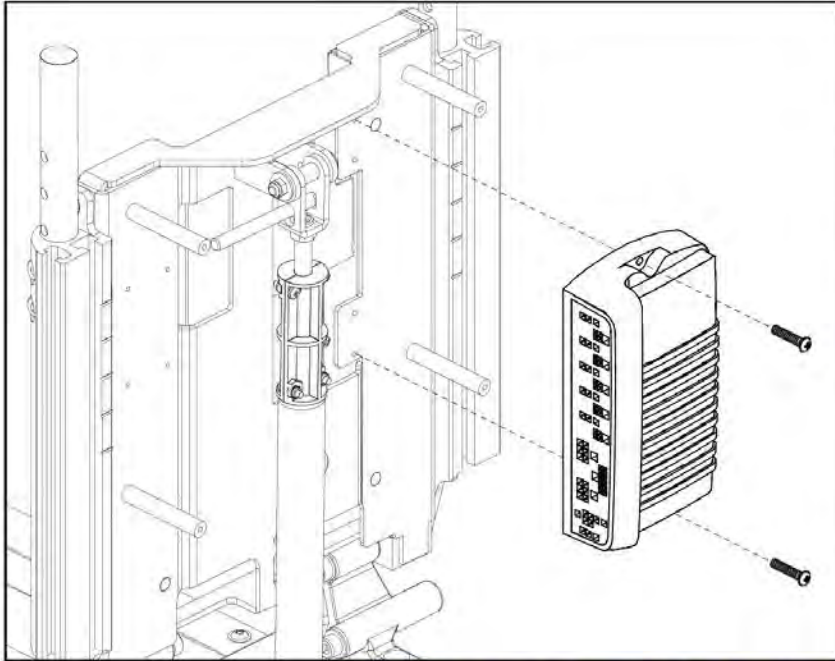
2.8. Lift, Tilt, & Recline

TB3 Q-logic 2 Lift, Tilt, and Recline Master Assemblies		
A1	ELE130806	Lift, Tilt, & Recline
B1	ELE135221	Lift, Tilt, & Recline, 4-Button Control
C1	ELE130805	Lift, Tilt, & Recline w/ Attendant Control
D1	ELE135222	Lift, Tilt, & Recline w/ Attendant Control, 4-Button Control
E1	ELE130807	Lift, Tilt, & Recline w/ Independent Legs
F1	ELE130808	Lift, Tilt, & Recline w/ Independent Legs & Attendant Control
G1	ELE130809	Lift, Tilt, & Recline w/ Combined Legs
H1	ELE135223	Lift, Tilt, & Recline w/ Combined Legs, 4-Button Control
I1	ELE130810	Lift, Tilt, & Recline w/ Combined Legs & Attendant Control
J1	ELE135224	Lift, Tilt, & Recline w/ Comb. Legs & Att. Control, 4-Button Control
K1	ELE130811	Lift, Tilt, & Recline w/ AFP
L1	ELE135225	Lift, Tilt, & Recline w/ AFP, 4-Button Control
M1	ELE130812	Lift, Tilt, & Recline w/ AFP & Attendant Control
N1	ELE135226	Lift, Tilt, & Recline w/ AFP & Attendant Control, 4-Button Control

The master assemblies include the harnesses, seating module, and mounting hardware for the various configurations.

Item	Part No.	Name	Qty
A1	ELE130806	ELECTRONIC,CURTIS/AAM, LIFT TILT & RECLINE (CONFIG.#34)	1
B1	ELE135221	LIFT,TILT, & RECLINE,4-BUTTON,(CONFIG.#34)	1
C1	ELE130805	LIFT,TILT, & RECLINE,ATTENDANT CONTROL,(CONFIG.34)	1
D1	ELE135222	LIFT,TILT, & RECLINE,ATTENDANT CONTROL,4-BUTTON,(CONFIG.34)	1
E1	ELE130807	ELECTRONIC,ASSY,CURTIS/AAM, LIFT, TILT & RECLINE,INDEPENDENT LEGS (CONFIG. # 35)	1
F1	ELE130808	LIFT,TILT, & RECLINE W/INDEPENDENT LEGS,ATTENDANT CONTROL,(CONFIG.35)	1
G1	ELE130809	LIFT,TILT, & RECLINE W/COMBINED LEGS,(CONFIG.36)	1
H1	ELE135223	LIFT,TILT, & RECLINE W/COMBINED LEGS,4-BUTTON,(CONFIG.36)	1
I1	ELE130810	LIFT,TILT, & RECLINE W/COMBINED LEGS,ATTENDANT CONTROL,(CONFIG.36)	1
J1	ELE135224	LIFT,TILT, & RECLINE W/COMBINED LEGS,ATTENDANT CONTROL,4-BUTTON,(CONFIG.36)	1
K1	ELE130811	LIFT,TILT, & RECLINE W/AFP,(CONFIG.37)	1
L1	ELE135225	LIFT,TILT, & RECLINE W/AFP,4-BUTTON,(CONFIG.37)	1
M1	ELE130812	LIFT,TILT, & RECLINE W/AFP,ATTENDANT CONTROL,(CONFIG.37)	1
N1	ELE135226	LIFT,TILT, & RECLINE W/AFP,ATTENDANT CONTROL,4-BUTTON,(CONFIG.37)	1

2.8. Lift, Tilt, & Recline

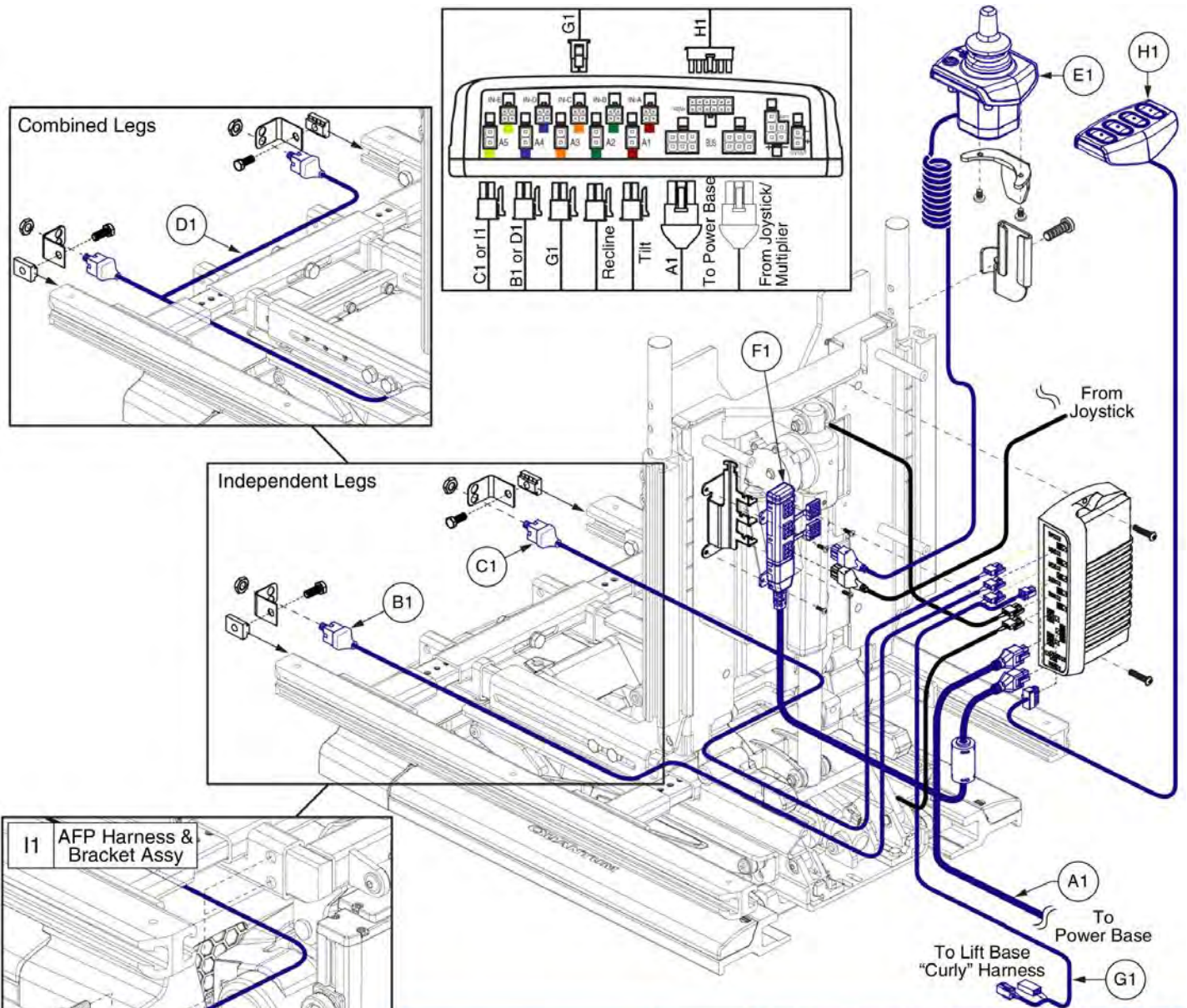


TB3 Q-logic 2 Lift, Tilt, & Recline AAM Assemblies

A1	ELEASMB5640	Lift, Tilt, & Recline
A1	ELEASMB5640	Lift, Tilt, & Recline, 4-Button Control
A1	ELEASMB5640	Lift, Tilt, & Recline w/ Attendant Control
A1	ELEASMB5640	Lift, Tilt, & Recline w/ Attendant Control, 4-Button Control
B1	ELEASMB5641	Lift, Tilt, & Recline w/ Independent Legs
B1	ELEASMB5641	Lift, Tilt, & Recline w/ Independent Legs & Attendant Control
C1	ELEASMB5642	Lift, Tilt, & Recline w/ Combined Legs
C1	ELEASMB5642	Lift, Tilt, & Recline w/ Combined Legs, 4-Button Control
C1	ELEASMB5642	Lift, Tilt, & Recline w/ Combined Legs & Attendant Control
C1	ELEASMB5642	Lift, Tilt, & Recline w/ Comb. Legs & Att. Control, 4-Button Control
D1	ELEASMB5643	Lift, Tilt, & Recline w/ AFP
D1	ELEASMB5643	Lift, Tilt, & Recline w/ AFP, 4-Button Control
D1	ELEASMB5643	Lift, Tilt, & Recline w/ AFP & Attendant Control
D1	ELEASMB5643	Lift, Tilt, & Recline w/ AFP & Attendant Control, 4-Button Control

Item	Part No.	Name	Qty
A1	ELEASMB5640	AAM, TILT/RECLINE/ELEVATE (CONFIG. #34)	1
B1	ELEASMB5641	AAM, TILT/RECLINE/ELEVATE, INDEPENDENT LEGS (CONFIG. #35)	1
C1	ELEASMB5642	AAM,LIFT,TILT, & RECLINE W/COMBINED LEGS,(CONFIG.#36)	1
D1	ELEASMB5643	AAM,LIFT,TILT, & RECLINE W/AFP,(CONFIG.#37)	1

2.8. Lift, Tilt, & Recline

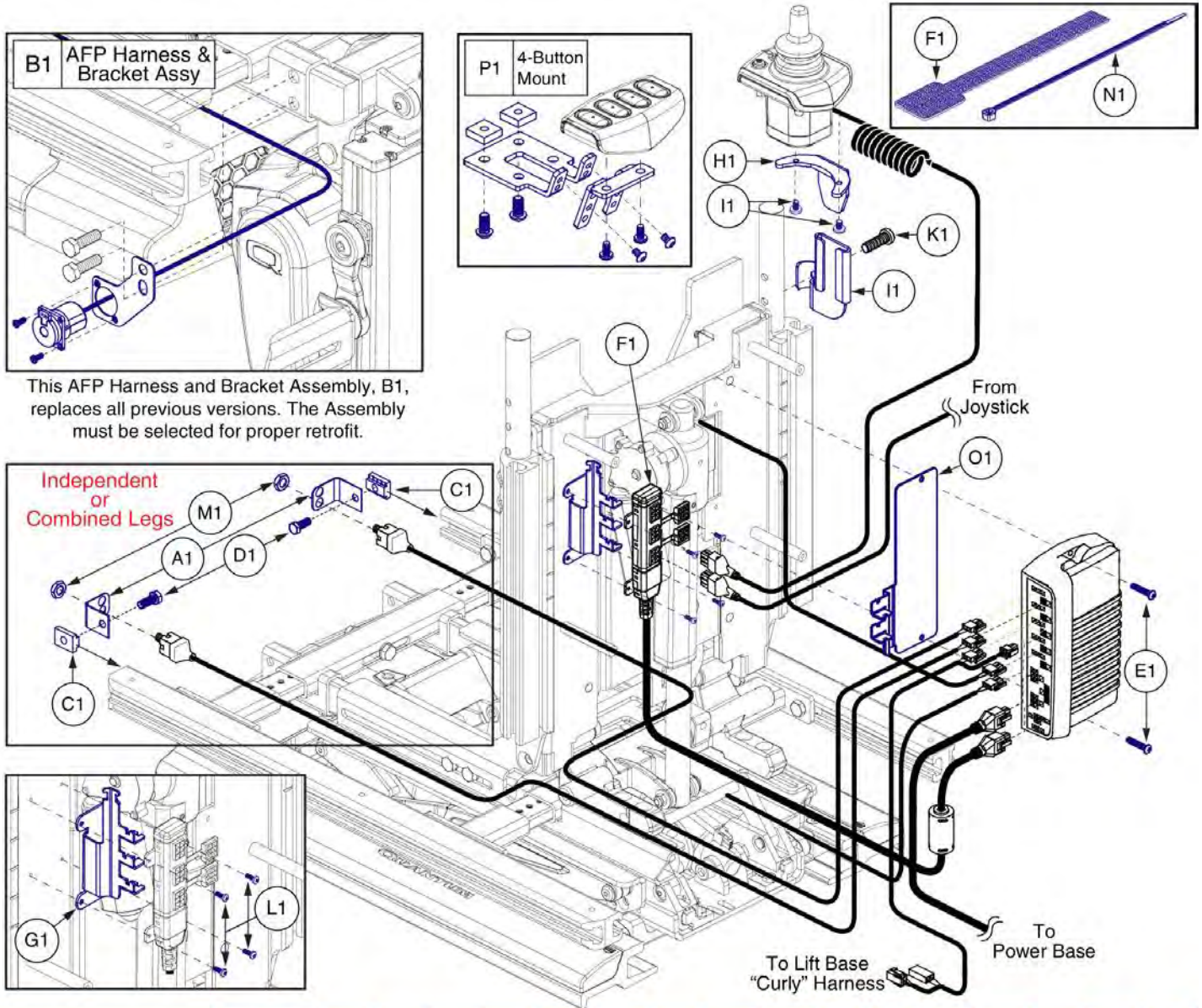


This AFP Harness and Bracket Assembly, I1, replaces all previous versions. The Assembly must be selected for proper retrofit.

Lift, Tilt, & Recline w/	Master Assy	A1	B1	C1	D1	E1	F1	G1	H1	I1
Lift, Tilt, & Recline	ELE130806	1						1		1
Lift, Tilt, & Recline, 4-Button	ELE135221	1						1	1	1
Attendant Control	ELE130805	1				1	1	1		1
Attendant Control, 4-Button	ELE135222	1				1	1	1	1	1
Independent Legs	ELE130807	1	1	1				1		1
Ind. Legs w/Att. Control	ELE130808	1	1	1		1	1	1		1
Combined Legs	ELE130809	1			1			1	1	1
Combined Legs, 4-Button	ELE135223	1			1			1	1	1
Comb. Legs w/Att. Control	ELE130810	1			1	1	1	1	1	1
Comb. Legs w/Att. Control, 4-Button	ELE131060	1			1	1	1	1	1	1
AFP	ELE130811	1		1				1		1
AFP, 4-Button	ELE131061	1		1				1	1	1
AFP w/Att. Control	ELE130812	1		1		1	1	1		1
AFP w/Att. Control, 4-Button	ELE135220	1		1		1	1	1	1	1

Item	Part No.	Name	Qty
A1	DWR1111H047	HARNESS,BUS CABLE,1.0 METER,FEMALE/FEMALE,H-1111-047,(CURTIS:17881302)	1
B1	DWR1265H006	ELECTRONIC,HARNESS,INDEPENDENT ELR,CURTIS,TRU-BALANCE TILT 2,LEFT,H-1265-006	1
C1	DWR1265H007	ELECTRONIC,HARNESS,INDEPENDENT ELR,CURTIS,TRU-BALANCE TILT 2,RIGHT,H-1265-007	1
D1	DWR1265H005	ELECTRONIC,HARNESS,COMBINED ELR,CURTIS,TRU-BALANCE TILT 2,H-1265-005	1
E1	CTL137822	CONTROLLER,ATTENDANT CONTROL MODULE 2.0,Q-LOGIC 2	1
F1	DWR1111H053	HARNESS,MULTIPLIER BOX,0.3 METER,H-1111-053,(CURTIS: 17869700)	1
G1	ELE133304	ELECTRONIC,HARNESS,CURLY CABLE EXTENSION CABLE,FRONT MOUNTED,TRU-BALANCE 3 LIFT	1
H1	CTL123218	CONTROLLER,4-FUNCTION PUSH BUTTON,(CURTIS: 17682700)	1
I1	ELE1704823	ELECTRONIC,ASSY,AFP W/MOUNTING BRACKET & HARDWARE,TB3,VERSION 2	1

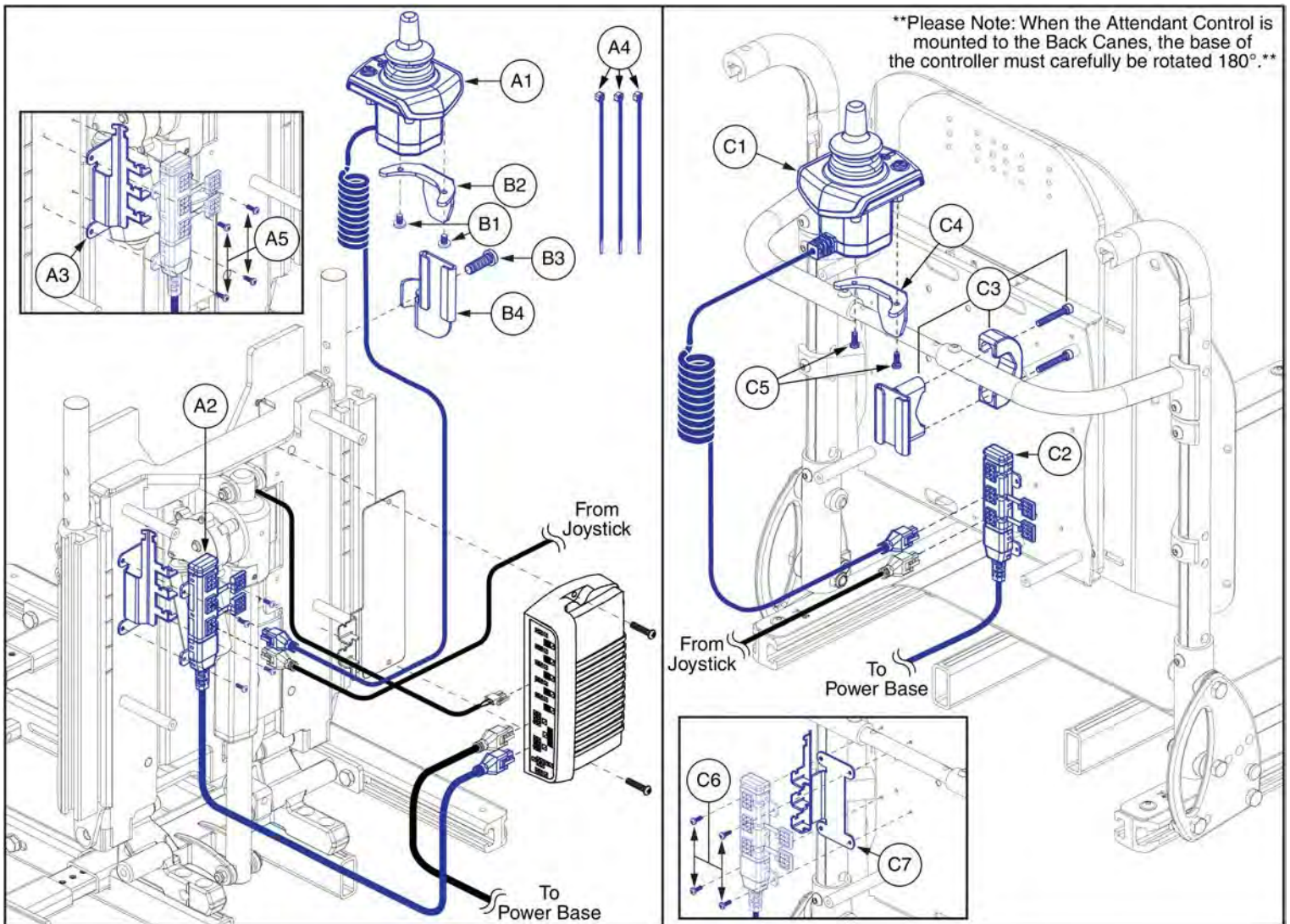
2.8. Lift, Tilt, & Recline



Lift, Tilt, & Recline w/	Master Assy	A1	B1	C1	D1	E1	F1	G1	H1	I1	J1	K1	L1	M1	N1	O1	P1
Lift, Tilt, & Recline	ELE130806					2	1								5	1	
Lift, Tilt, & Recline, 4-Button	ELE135221					2	2								5	1	1
Attendant Control	ELE130805					2	1	1	1	1	2	1	4		5	1	
Attendant Control, 4-Button	ELE135222					2	2	1	1	1	2	1	4		5	1	1
Independent Legs	ELE130807	2		2	2	2	1							2	5	1	
Ind. Legs w/Att. Control	ELE130808	2		2	2	2	1	1	1	1	2	1	4	2	5	1	
Combined Legs	ELE130809	2		2	2	2	2							2	5	1	
Combined Legs, 4-Button	ELE135223	2		2	2	2	2							2	5	1	1
Comb. Legs w/Att. Control	ELE130810	2		2	2	2	2	1	1	1	2	1	4	2	5	1	
Comb. Legs w/Att. Control, 4-Button	ELE135224	2		2	2	2	2	1	1	1	2	1	4	2	5	1	1
AFP	ELE130811		1				2	1							5	1	
AFP, 4-Button	ELE135225		1				2	2							5	1	1
AFP w/Att Control	ELE130812		1				2	1	1	1	2	1	4		5	1	
AFP w/Att Control, 4-Button	ELE135226		1				2	2	1	1	2	1	4		5	1	1

Item	Part No.	Name	Qty
A1	DWR1303B026	ELECTRICAL CONNECTION BRACKET,ARTICULATING LEGREST	1
B1	ELE1704823	ELECTRONIC,ASSY,AFP W/MOUNTING BRACKET & HARDWARE,TB3,VERSION 2	1
C1	NUT8120005	NUT,T-SLOT,BLACK,M8-1.25	1
D1	SCRHHCS1382	SCREW,HHCS,BLACK ZINC CHROMATE,M8-1.25 X 12MM,10.9	1
E1	SCRPPH1061	SCREW, PPH,ZINC,M4 X .7T X 20MM	1
F1	VELDBLS1001	REUSABLE FASTENER,1/2"W X 8"L,HOOK & LOOP	1
G1	MEC120550	BRACKET,STRAIN RELIEF,MULTIPLEX	1
H1	DWR1010D298	MOUNTING BRACKET,ATTENDANT BRACKET,CURTIS STAND ALONE JOYSTICK,D-1010-298	1
I1	MEC122827	ATTENDANT CONTROL MOUNT CATCH PLATE	1
J1	SCRPPH1165	SCREW,PPH,BLACK ZINC,M4-.7 X 8MM,P-TYPE	1
K1	HDW124866	SCREW, LOW SOCKET HEAD, M8X1.25 X 25, DIN 7984, CL 10.9, BZ, PVTP	1
L1	SCRPPH1276	SCREW,PPH,BLACK ZINC,M3-.5 X 8MM	1
M1	NUTJAM1032	NUT,JAM,THIN,STAINLESS STEEL,3/8-32	1
N1	PLSTIE1004	TIE WRAP,BLACK,8"	1
O1	MEC138556	BRACKET,STRAIN RELIEF,AAM	1
P1	MEC136981	MOUNTING BRACKET,ASSY,4-FUNCTION PUSH BUTTON,W/EXTENSION & MOUNTING HARDWARE,TRU-BALANCE 3	1

2.9. Attendant Control Assy

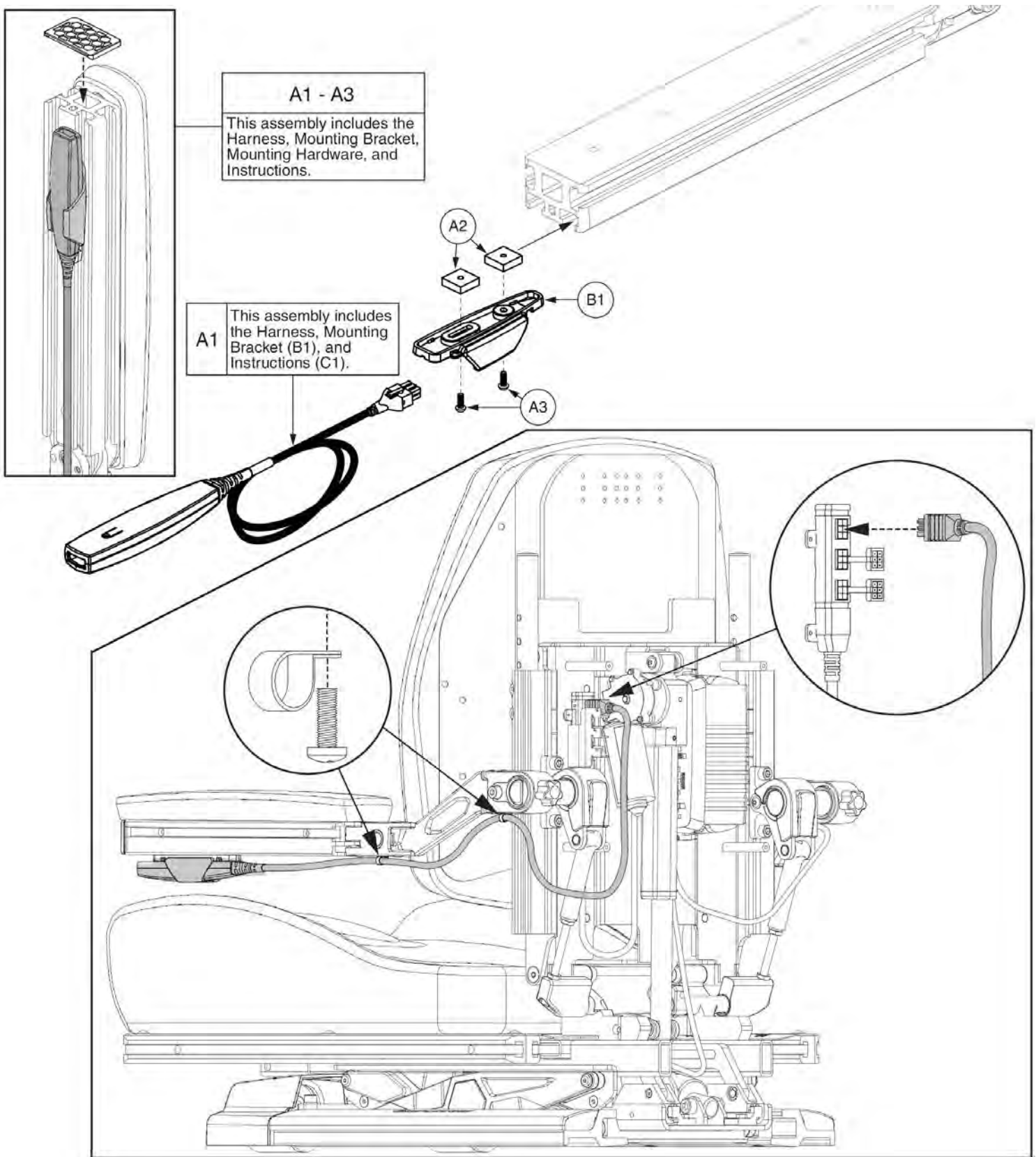


Attendant Control Assy, TB3 / Q-Logic 2



Item	Part No.	Name	Qty
A1 - B4	ELE125264	NE PLUS/Q-LOGIC,ATTENDANT CONTROL MODULE,TB3 W/MOUNTING BRACKET & HARDWARE	1
A1	CTL137822	CONTROLLER,ATTENDANT CONTROL MODULE 2.0,Q-LOGIC 2	1
A2	DWR1111H053	HARNESS,MULTIPLIER BOX,0.3 METER,H-1111-053,(CURTIS: 17869700)	1
A3	MEC120550	BRACKET,STRAIN RELIEF,MULTIPLEX	1
A4	PLSTIE1001	TIE WRAP,BLACK,4"	3
A5	SCRPPH1276	SCREW,PPH,BLACK ZINC,M3-.5 X 8MM	4
B1 - B4	MEC125270	MOUNTING BRACKET,ASSY,ATTENDANT CONTROL,TRU-BALANCE 3	1
B1	SCRPPH1165	SCREW,PPH,BLACK ZINC,M4-.7 X 8MM,P-TYPE	2
B2	DWR1010D298	MOUNTING BRACKET,ATTENDANT BRACKET,CURTIS STAND ALONE JOYSTICK,D-1010-298	1
B3	HDW124866	SCREW, LOW SOCKET HEAD, M8X1.25 X 25, DIN 7984, CL 10.9, BZ, PVTP	1
B4	MEC122827	ATTENDANT CONTROL MOUNT CATCH PLATE	1
C1 - C7	ELE165226	ELECTRONIC,ASSY,NE PLUS/Q-LOGIC,ATTENDANT CONTROL MODULE,W/MOUNTING BRACKET & HARDWARE,TB3 BACK CANES	1
C1	CTL137822	CONTROLLER,ATTENDANT CONTROL MODULE 2.0,Q-LOGIC 2	1
C2	DWR1111H053	HARNESS,MULTIPLIER BOX,0.3 METER,H-1111-053,(CURTIS: 17869700)	1
C3	FRMASMB10455	MOUNTING BRACKET,ASSY,ATTENDANT CONTROL,C-1010-285	1
C4	DWR1010D298	MOUNTING BRACKET,ATTENDANT BRACKET,CURTIS STAND ALONE JOYSTICK,D-1010-298	1
C5	SCRPPH1165	SCREW,PPH,BLACK ZINC,M4-.7 X 8MM,P-TYPE	2
C6	SCRPPH1276	SCREW,PPH,BLACK ZINC,M3-.5 X 8MM	2
C7	MEC120550	BRACKET,STRAIN RELIEF,MULTIPLEX	1

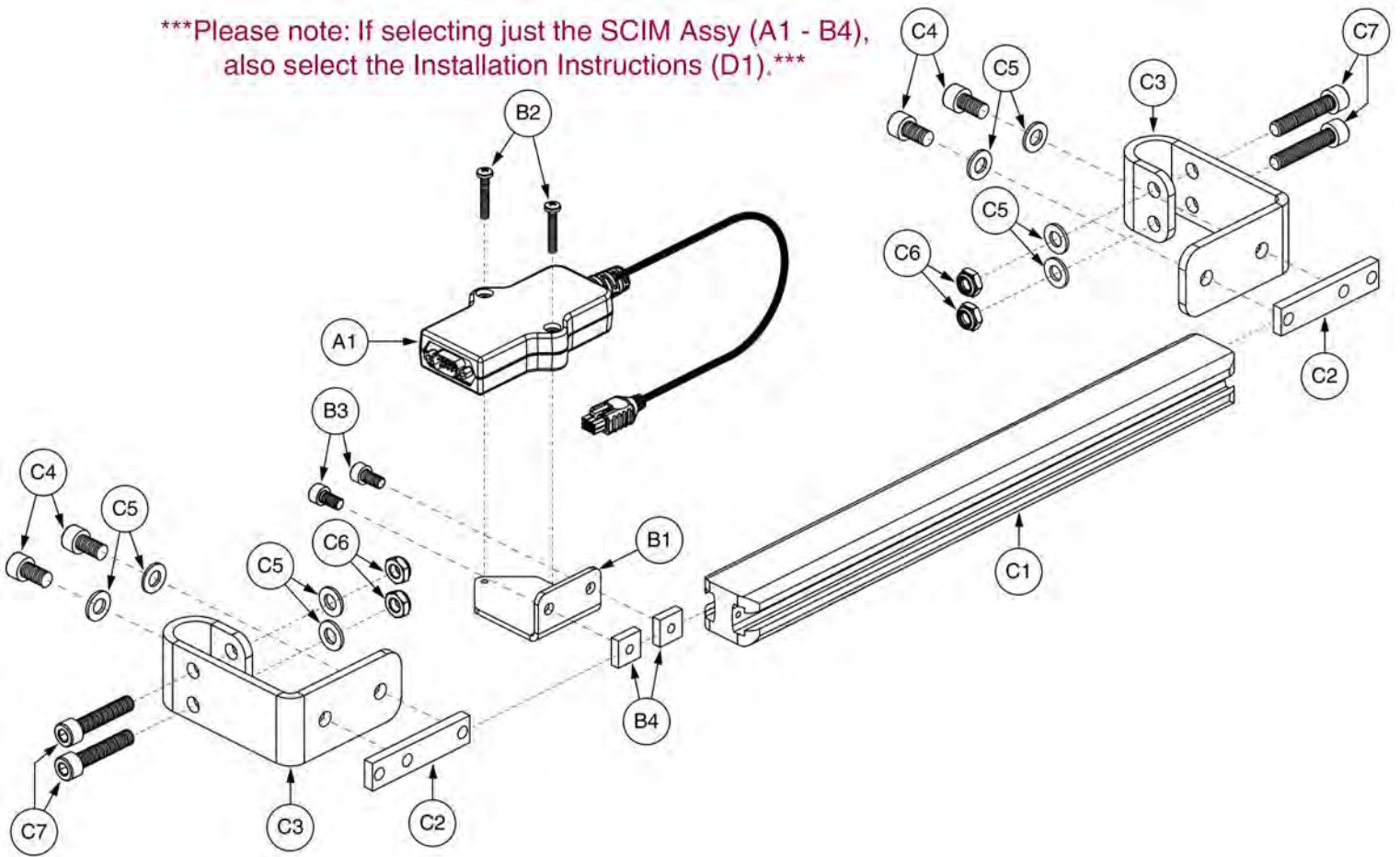
2.10. USB Charger Harness



Item	Part No.	Name	Qty
A1 - A3	ELE124122	USB CHARGER,W/MOUNTING BRACKET,HARDWARE,ELE124122	1
A1	ELE135958	USB CHARGER,W/MOUNTING BRACKET & INSTRUCTIONS	1
A2	MEC121720	NUT,T-SLOT,M4 X 0.7,TRU-BALANCE 3	2
A3	SCRPPH1044	SCREW,PPH,BLACK ZINC,M4-.7 X 12MM	2
B1	MEC124121	MOUNTING BRACKET,USB CHARGER,(CURTIS: 17951300-01)	1

2.11. Specialty Control Interface Module (SCIM) Assy

Please note: If selecting just the SCIM Assy (A1 - B4), also select the Installation Instructions (D1).

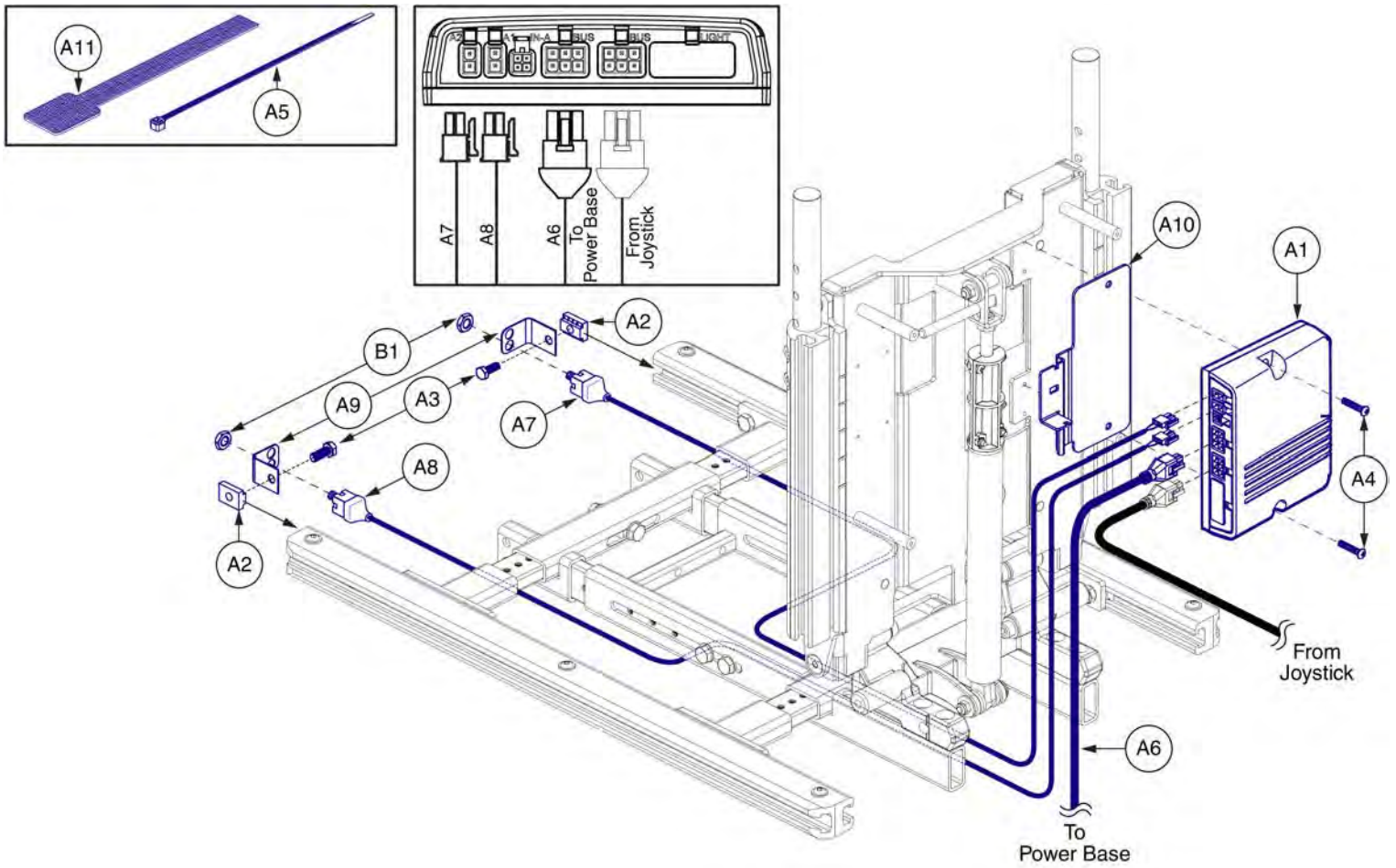


SCIM Kit Assy w/TB3 Accessory Bar, Q-Logic 2



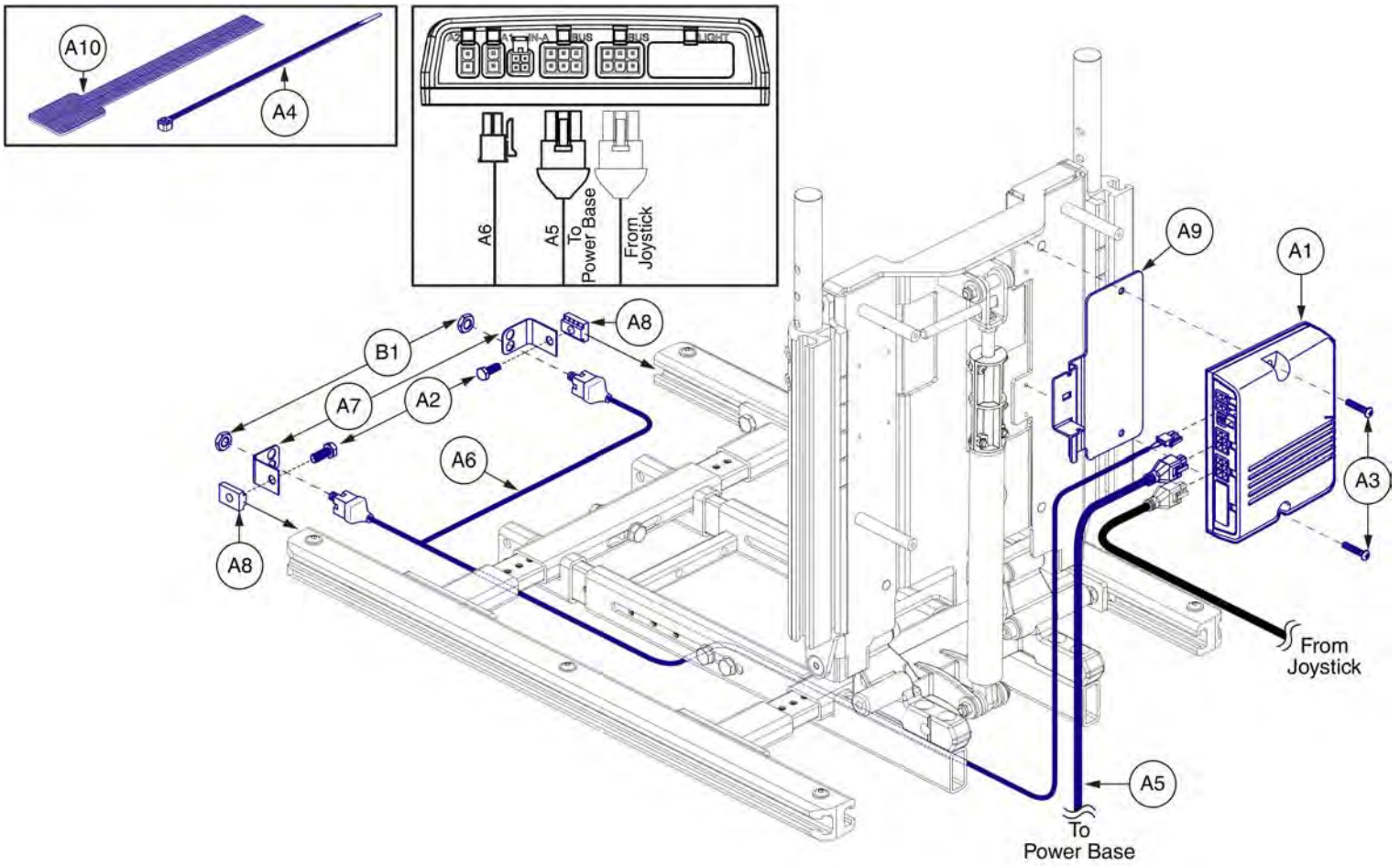
Item	Part No.	Name	Qty
A1 - D1	KIT139061	KIT,ASSY,SCIM CONTROLLER,Q-LOGIC 2,W/MOUNTING BRACKET,TB3 ACCESSORY BAR & INSTALLATION INSTRUCTIONS	1
A1 - B4	KIT138989	KIT,ASSY,SCIM CONTROLLER,Q-LOGIC 2,W/MOUNTING BRACKET	1
A1	CTL137626	CONTROLLER,SPECIALTY CONTROL INTERFACE MODULE (SCIM)	1
B1 - B4	MEC138192	BRACKET,ASSY,SCIM,ACCESSORY BAR MOUNT,TRU-BALANCE 3	1
B1	MEC137092	BRACKET,SCIM,ACCESSORY BAR MOUNT,TRU-BALANCE 3	1
B2	SCRPPH1103	SCREW,PPH,BLACK ZINC,M4-.7 X 25MM	2
B3	SCRSHCS1095	SCREW,SHCS,BLACK ZINC,M6-1.0 X 12MM,GR 10.9,W/PATCH	2
B4	MEC131114	SQUARE NUT,T-SLOT, M6X1.0	2
C1 - C7	MEC125098	ACCESSORY BAR,ASSY,REAR,TRU-BALANCE 3	1
C1	MEC121300	DUAL SLOT ACCESSORY TRAC,TRU-BALANCE 3	1
C2	MEC121306	SLOT-NUT,ACCESSORY BRACKET,TRU-BALANCE 3	2
C3	MEC123780	BRACKET,ACCESSORY,TRU-BALANCE 3	2
C4	SCRSHCS1079	SCREW,SHCS,BLACK ZINC,M8-1.25 X 15MM,W/NYLON PATCH	4
C5	WASSTND1074	WASHER,FLAT,BLACK ZINC,8.4MM ID X 16MM OD X 1.6MM TH	8
C6	NUTNJAM1020	NUT,NYLOCK JAM,BLACK ZINC,M8-1.25	4
C7	HDW134234	SCREW,SHCS,BLACK ZINC,M8-1.25 X 40MM,CLASS 12.9	4
D1		MANUAL,INSTALLATION INSTRUCTIONS,SCIM-SPECIALTY CONTROL INTERFACE MODULE,TRU-BALANCE 3	1

3.1. Static Seat



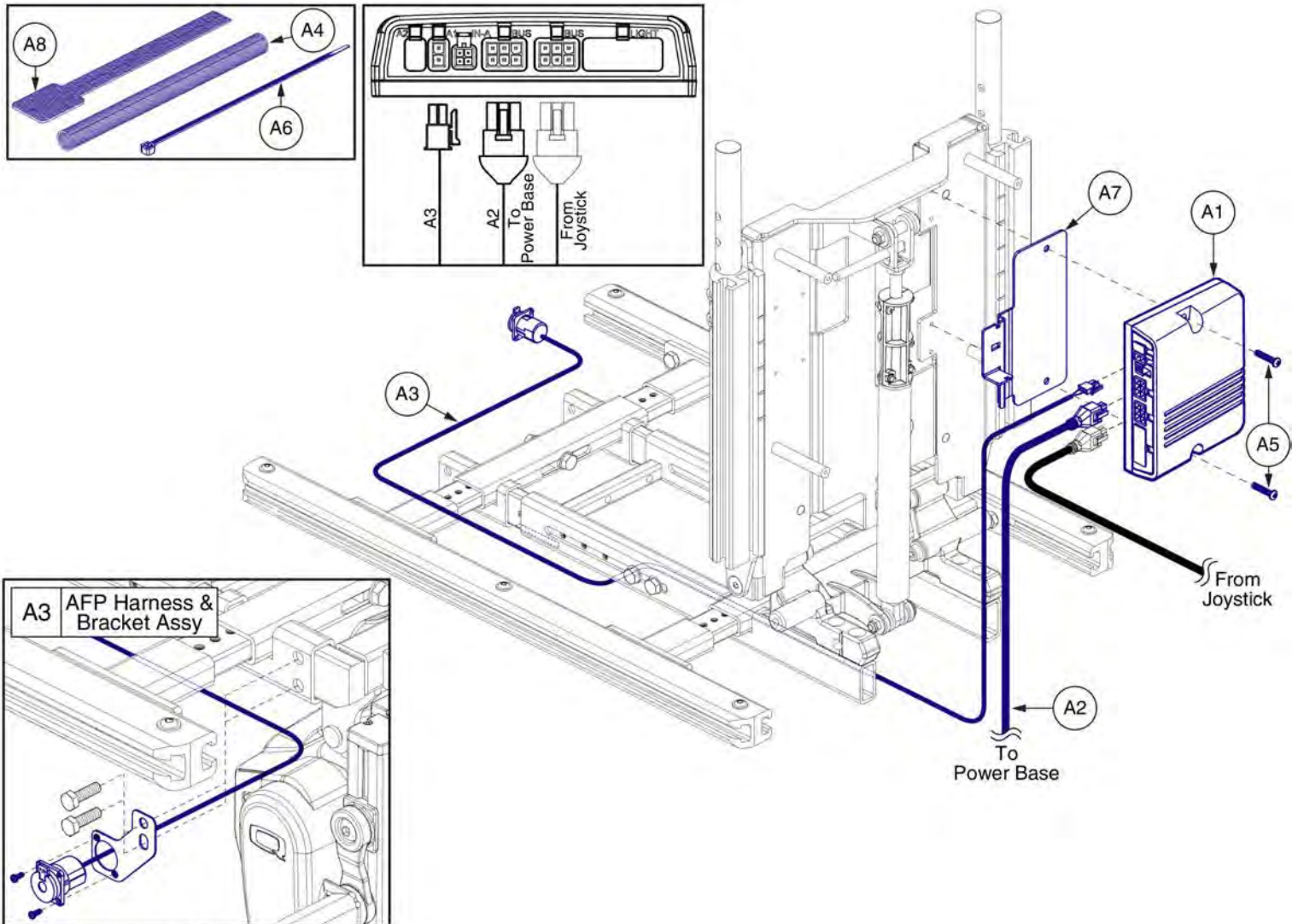
Item	Part No.	Name	Qty
A1 - A11	ELE130739	ELECTRONIC,ASSY,NE PLUS,INDEPENDENT LEGS, SEAT(CONFIG. #01)	1
A1	ELEASMB6046	NE+ AM2, INDEPENDENT LEGS,(CONFIG. #1)	1
A2	NUT8120005	NUT,T-SLOT,BLACK,M8-1.25	2
A3	SCRHHCS1382	SCREW,HHCS,BLACK ZINC CHROMATE,M8-1.25 X 12MM,10.9	2
A4	SCRPPH1061	SCREW, PPH,ZINC,M4 X .7T X 20MM	2
A5	PLSTIE1004	TIE WRAP,BLACK,8"	5
A6	DWR1111H047	HARNESS,BUS CABLE,1.0 METER,FEMALE/FEMALE,H-1111-047,(CURTIS:17881302)	1
A7	DWR1265H006	ELECTRONIC,HARNESS,INDEPENDENT ELR,CURTIS,TRU-BALANCE TILT 2,LEFT,H-1265-006	1
A8	DWR1265H007	ELECTRONIC,HARNESS,INDEPENDENT ELR,CURTIS,TRU-BALANCE TILT 2,RIGHT,H-1265-007	1
A9	DWR1303B026	ELECTRICAL CONNECTION BRACKET,ARTICULATING LEGREST	2
A10	MEC138637	BRACKET,STRAIN RELIEF,AM1	1
A11	VELDBLS1001	REUSABLE FASTENER,1/2"W X 8"L,HOOK & LOOP	1
B1	NUTJAM1032	NUT,JAM,THIN,STAINLESS STEEL,3/8-32	2

3.1. Static Seat



Item	Part No.	Name	Qty
A1 - A10	ELE130740	ELECTRONIC,ASSY,NE PLUS,COMBINED LEGS, SEAT (CONFIG. #02)	1
A1	ELEASMB6047	NE+ AM2, COMBINED LEGS,(CONFIG. #2)	1
A2	SCRHHCS1382	SCREW,HHCS,BLACK ZINC CHROMATE,M8-1.25 X 12MM,10.9	2
A3	SCRPPH1061	SCREW, PPH,ZINC,M4 X .7T X 20MM	2
A4	PLSTIE1004	TIE WRAP,BLACK,8"	5
A5	DWR1111H047	HARNESS,BUS CABLE,1.0 METER,FEMALE/FEMALE,H-1111-047,(CURTIS:17881302)	1
A6	DWR1265H005	ELECTRONIC,HARNESS,COMBINED ELR,CURTIS,TRU-BALANCE TILT 2,H-1265-005	1
A7	DWR1303B026	ELECTRICAL CONNECTION BRACKET,ARTICULATING LEGREST	2
A8	NUT8120005	NUT,T-SLOT,BLACK,M8-1.25	2
A9	MEC138637	BRACKET,STRAIN RELIEF,AM1	1
A10	VELDBLS1001	REUSABLE FASTENER,1/2"W X 8"L,HOOK & LOOP	1
B1	NUTJAM1032	NUT,JAM,THIN,STAINLESS STEEL,3/8-32	2

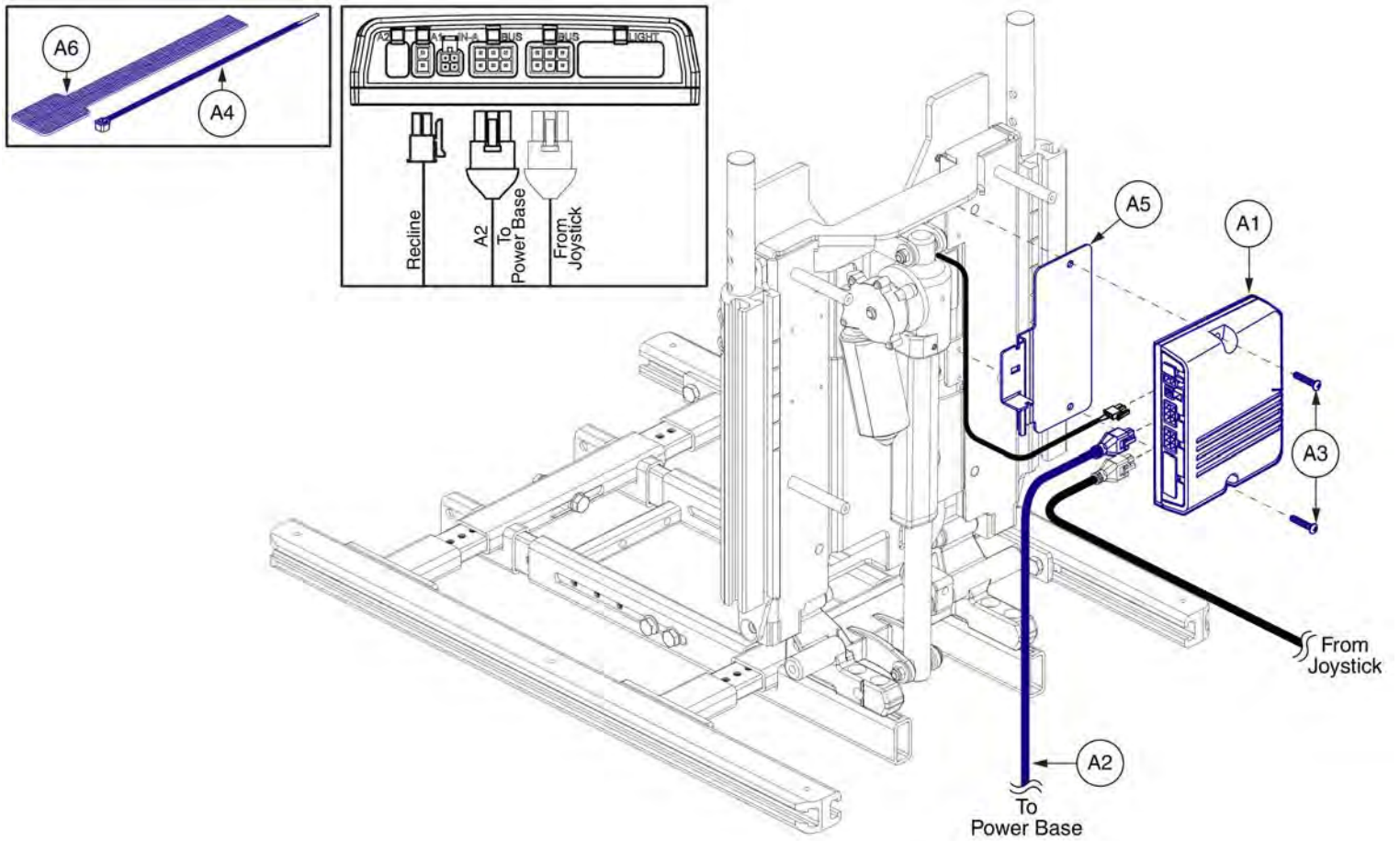
3.1. Static Seat



This AFP Harness and Bracket Assembly, A3, replaces all previous versions. The Assembly must be selected for proper retrofit.

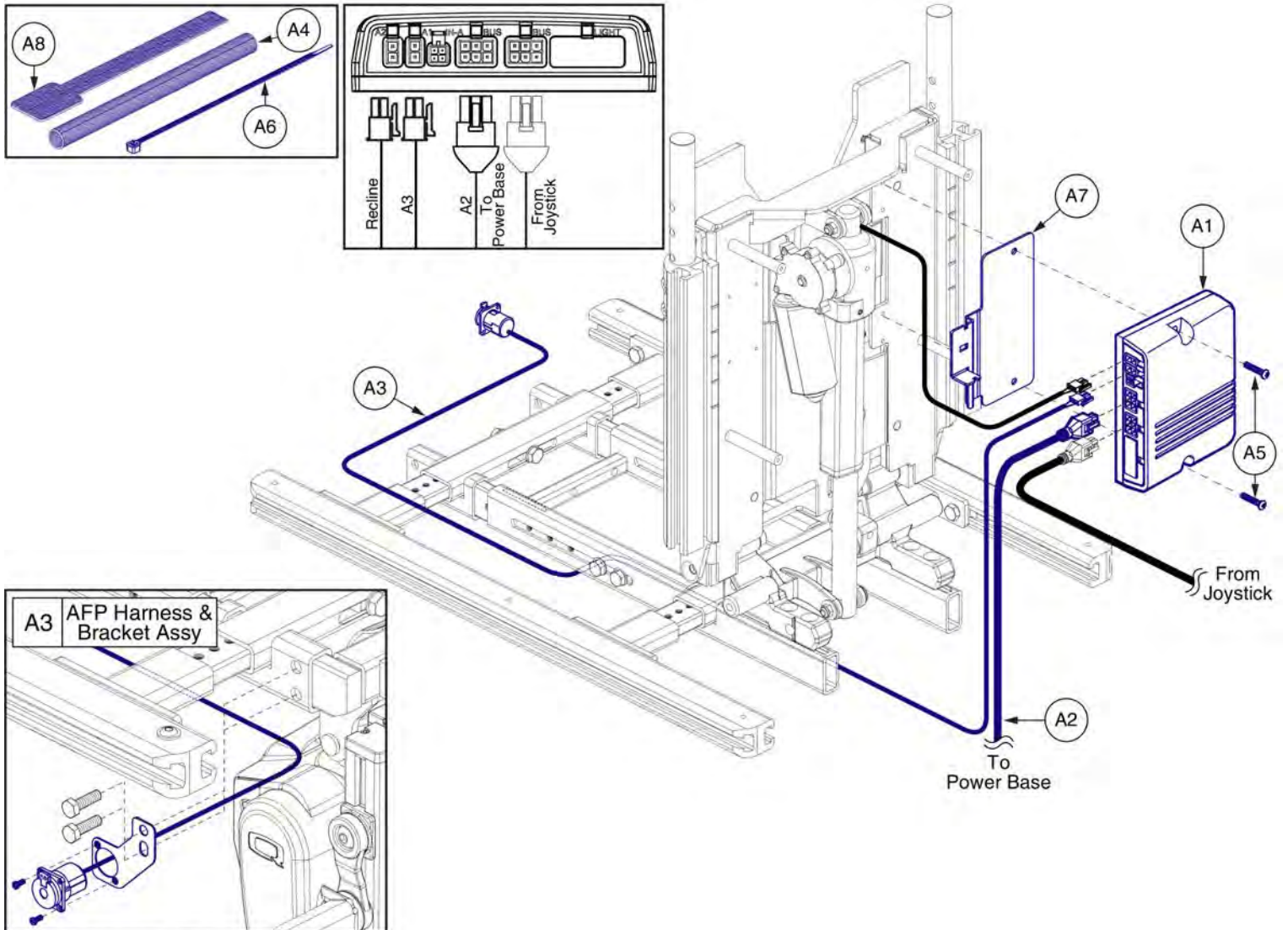
Item	Part No.	Name	Qty
A1 - A8	ELE130741	NE PLUS,SEAT ONLY W/AFP,TB3,(CONFIG.#03)	1
A1	ELEASMB6434	AM1,SEAT ONLY W/AFP,(CONFIG.#03)	1
A2	DWR1111H047	HARNESS,BUS CABLE,1.0 METER,FEMALE/FEMALE,H-1111-047,(CURTIS:17881302)	1
A3	ELE1704823	ELECTRONIC,ASSY,AFP W/MOUNTING BRACKET & HARDWARE,TB3,VERSION 2	1
A4	ELE146865	ELECTRONIC,SELF WRAPPING,5/8"D,10"L,SPLIT TUBULAR WOVEN SLEEVE,TECHFLEX(F6W0.63BK10)	1
A5	SCRPPH1061	SCREW, PPH,ZINC,M4 X .7T X 20MM	2
A6	PLSTIE1004	TIE WRAP,BLACK,8"	5
A7	MEC138637	BRACKET,STRAIN RELIEF,AM1	1
A8	VELDBLS1001	REUSABLE FASTENER,1/2"W X 8"L,HOOK & LOOP	1

3.2. Recline



Item	Part No.	Name	Qty
A1 - A6	ELE130010	NE PLUS,RECLINE ONLY,TB3,(CONFIG.#08)	1
A1	ELEASMB6045	AM1,RECLINE ONLY,(CONFIG.#8)	1
A2	DWR1111H047	HARNESS,BUS CABLE,1.0 METER,FEMALE/FEMALE,H-1111-047,(CURTIS:17881302)	1
A3	SCRPPH1061	SCREW, PPH,ZINC,M4 X .7T X 20MM	2
A4	PLSTIE1004	TIE WRAP,BLACK,8"	5
A5	MEC138637	BRACKET,STRAIN RELIEF,AM1	1
A6	VELDBLS1001	REUSABLE FASTENER,1/2"W X 8"L,HOOK & LOOP	1

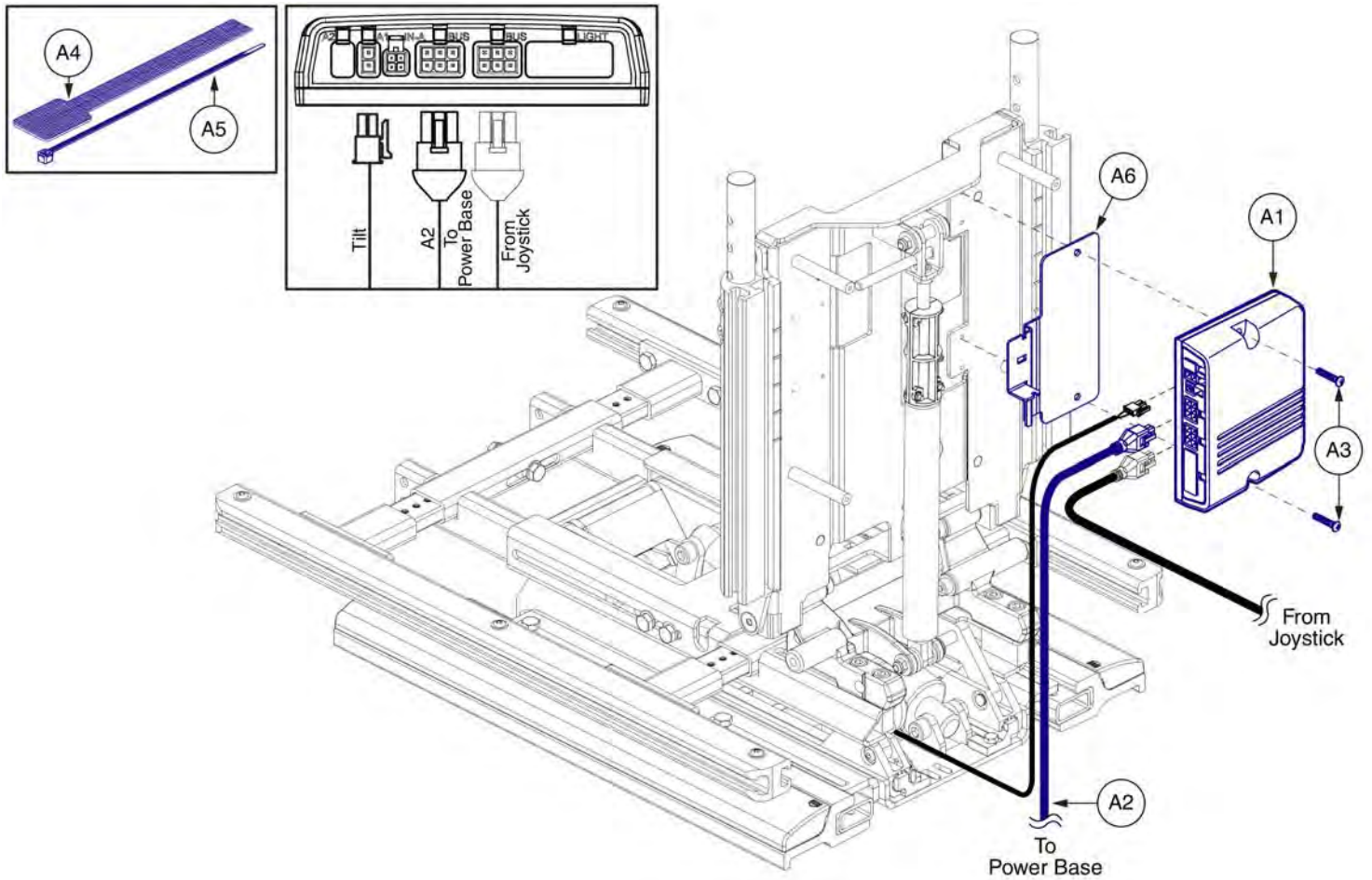
3.2. Recline



This AFP Harness and Bracket Assembly, A3, replaces all previous versions. The Assembly must be selected for proper retrofit.

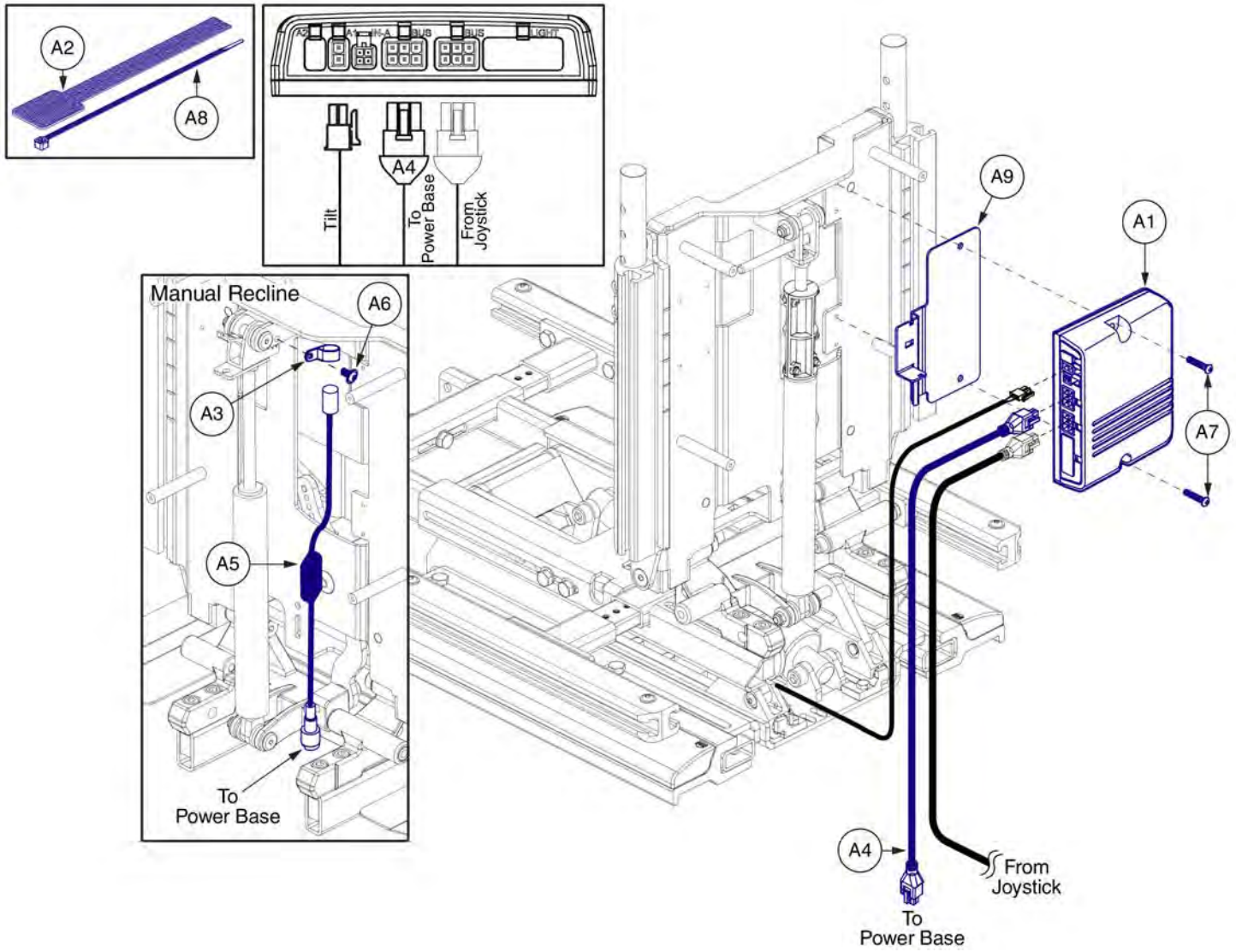
Item	Part No.	Name	Qty
A1 - A8	ELE130011	NE PLUS,RECLINE W/AFP,TB3,(CONFIG.#11)	1
A1	ELEASMB6435	AM2,RECLINE W/AFP,(CONFIG.#11)	1
A2	DWR1111H047	HARNESS,BUS CABLE,1.0 METER,FEMALE/FEMALE,H-1111-047,(CURTIS:17881302)	1
A3	ELE1704823	ELECTRONIC,ASSY,AFP W/MOUNTING BRACKET & HARDWARE,TB3,VERSION 2	1
A4	ELE146865	ELECTRONIC,SELF WRAPPING,5/8"D,10"L,SPLIT TUBULAR WOVEN SLEEVE,TECHFLEX(F6W0.63BK10)	1
A5	SCRPPH1061	SCREW, PPH,ZINC,M4 X .7T X 20MM	2
A6	PLSTIE1004	TIE WRAP,BLACK,8"	5
A7	MEC138637	BRACKET,STRAIN RELIEF,AM1	1
A8	VELDBLS1001	REUSABLE FASTENER,1/2"W X 8"L,HOOK & LOOP	1

3.3. Tilt



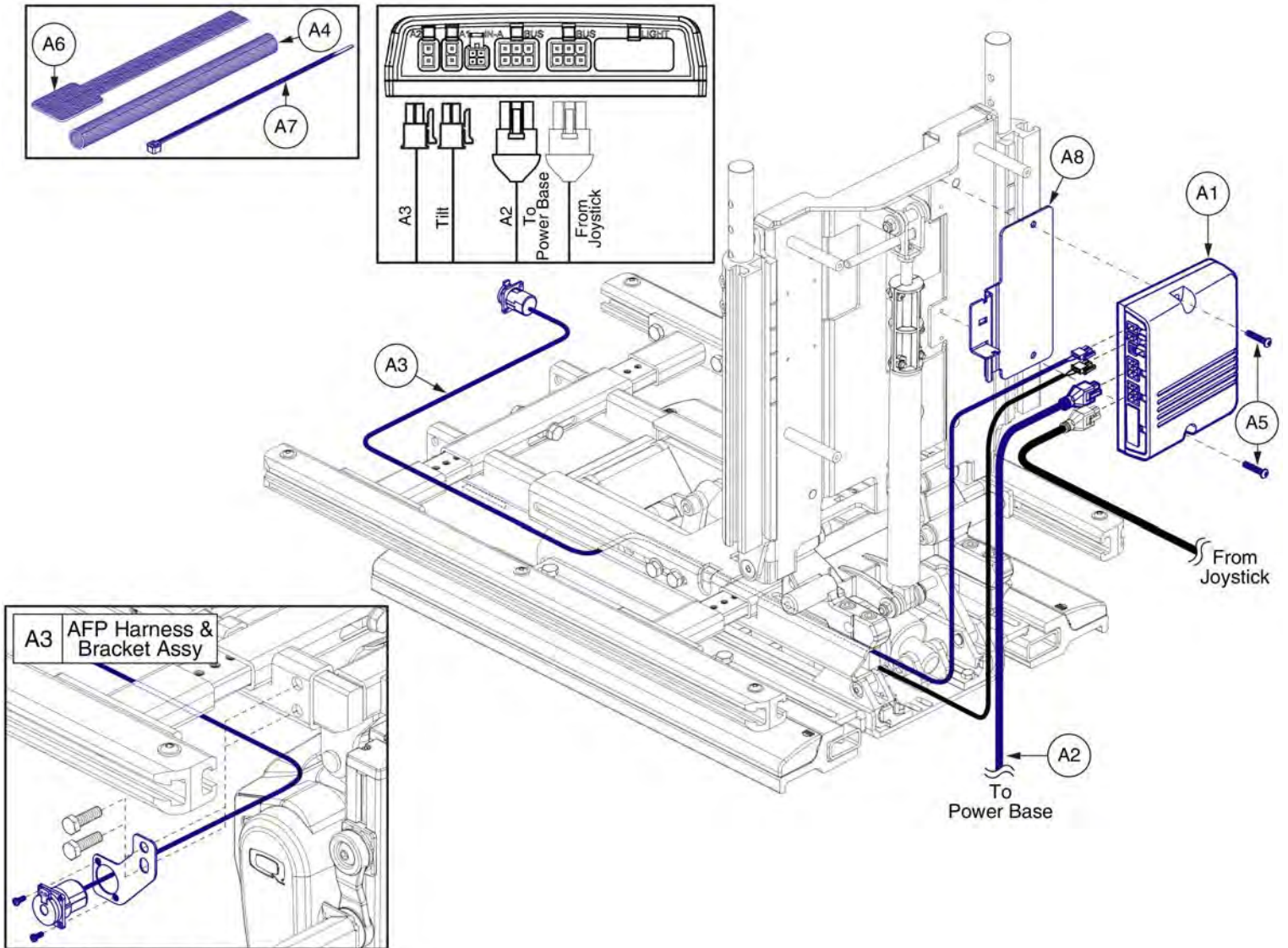
Item	Part No.	Name	Qty
A1 - A6	ELE130744	NE PLUS,TILT ONLY,(CONFIG.#20)	1
A1	ELEASMB6043	AM1,TILT ONLY,(CONFIG.#20)	1
A2	DWR1111H047	HARNESS,BUS CABLE,1.0 METER,FEMALE/FEMALE,H-1111-047,(CURTIS:17881302)	1
A3	SCRPPH1061	SCREW, PPH,ZINC,M4 X .7T X 20MM	2
A4	VELDBLS1001	REUSABLE FASTENER,1/2"W X 8"L,HOOK & LOOP	1
A5	PLSTIE1004	TIE WRAP,BLACK,8"	5
A6	MEC138637	BRACKET,STRAIN RELIEF,AM1	1

3.3. Tilt



Item	Part No.	Name	Qty
A1 - A9	ELE130746	NE PLUS,TILT W/MANUAL RECLINE,(CONFIG.#20)	1
A1	ELEASMB6043	AM1,TILT ONLY,(CONFIG.#20)	1
A2	VELDBLS1001	REUSABLE FASTENER,1/2"W X 8"L,HOOK & LOOP	2
A3	CLPCBLC1025	CLAMP,CABLE,STEEL,0.50" DIA,RUBBER COATED	1
A4	DWR1111H047	HARNESS,BUS CABLE,1.0 METER,FEMALE/FEMALE,H-1111-047,(CURTIS:17881302)	1
A5	ELE142519	HARNESS,COMBINATION,INHIBIT,MANUAL TILT,ROHS	1
A6	HDW121242	SCREW, BUTTON HEAD, FLANGED, M6X1.0 X 8, ISO 7380-2, CL 10.9, BZ, PVTP	1
A7	SCRPPH1061	SCREW, PPH,ZINC,M4 X .7T X 20MM	2
A8	PLSTIE1004	TIE WRAP,BLACK,8"	5
A9	MEC138637	BRACKET,STRAIN RELIEF,AM1	1

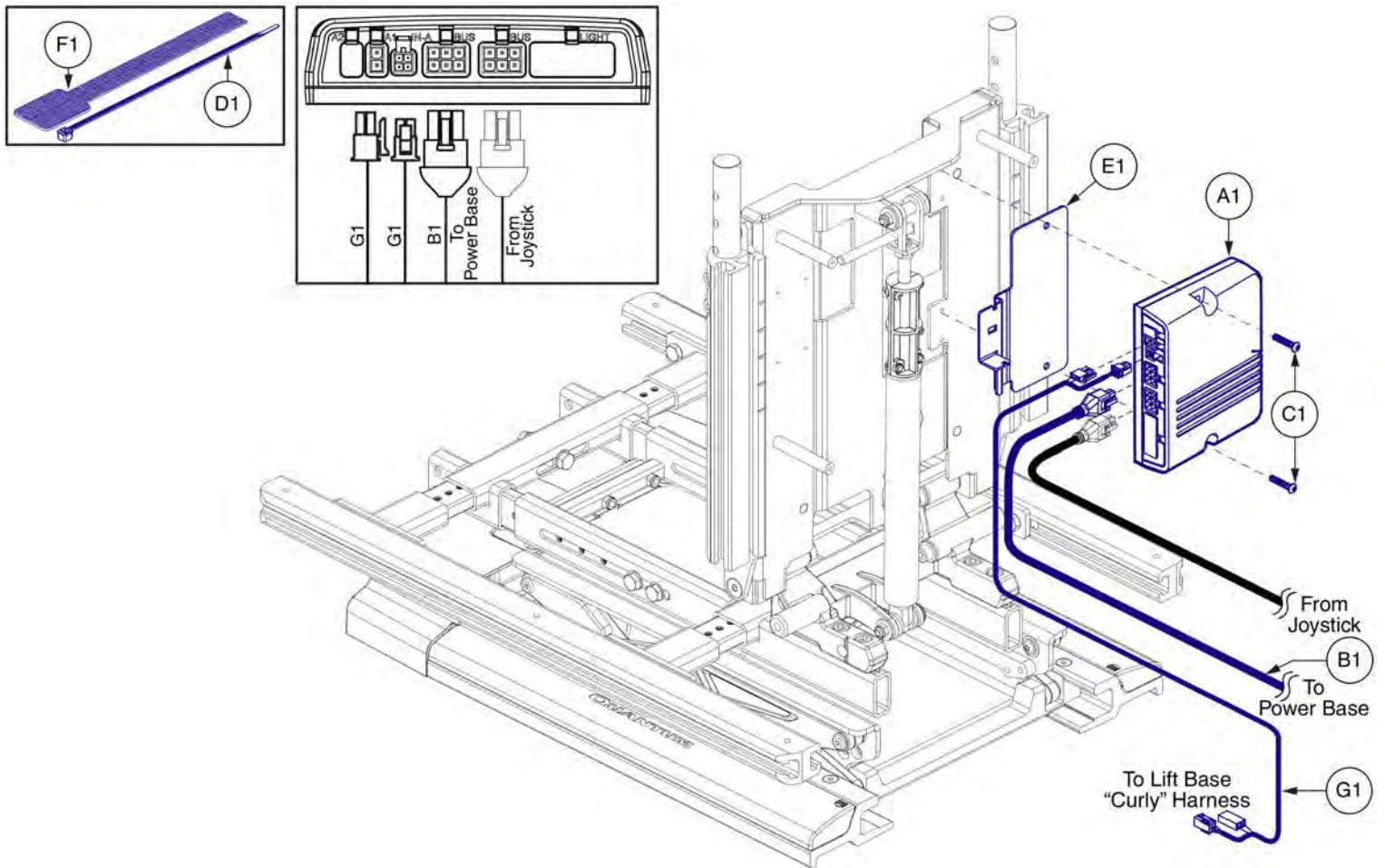
3.3. Tilt



This AFP Harness and Bracket Assembly, A3, replaces all previous versions. The Assembly must be selected for proper retrofit.

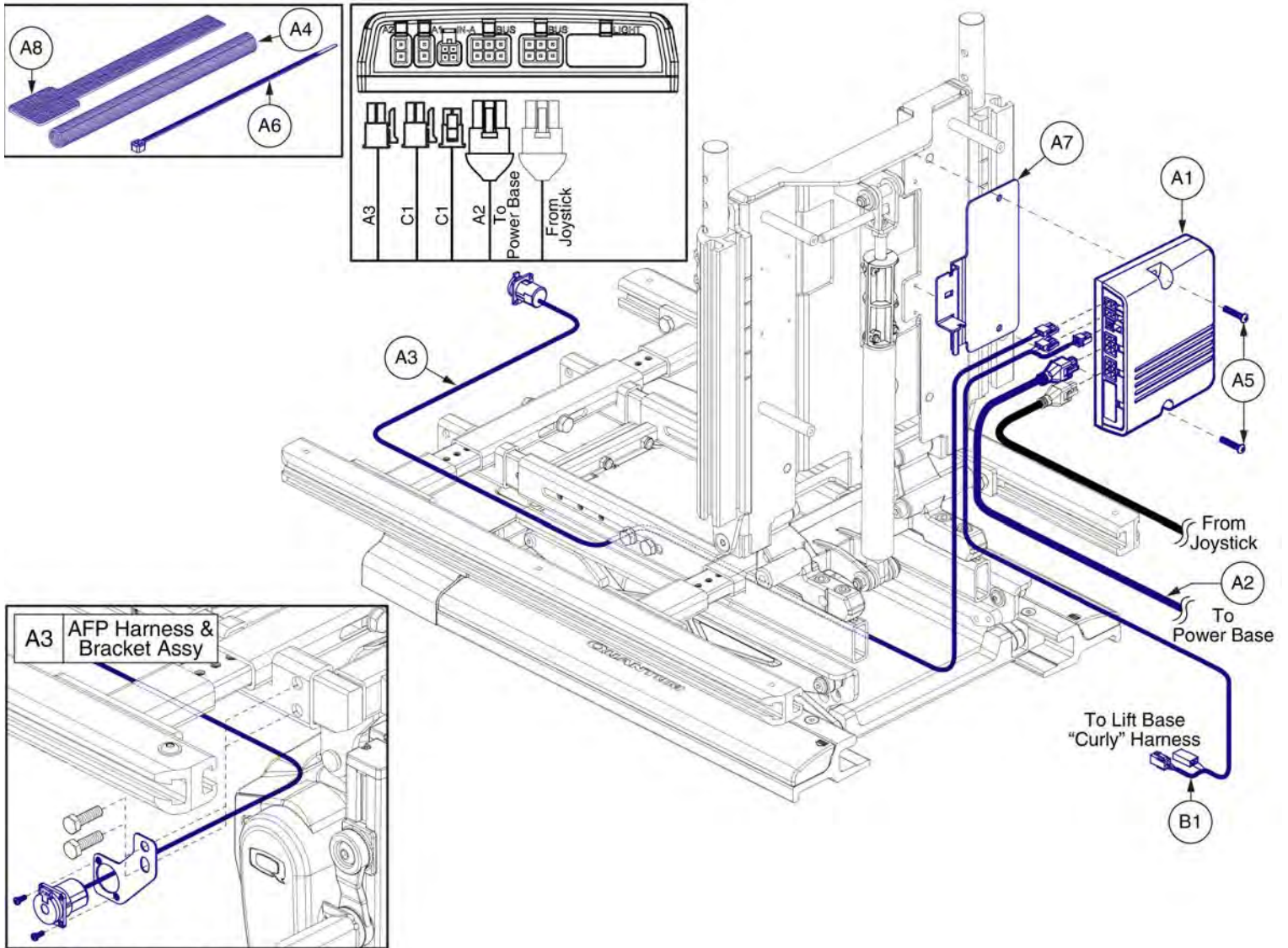
Item	Part No.	Name	Qty
A1 - A8	ELE130747	NE PLUS,TILT W/AFP,(CONFIG.#23)	1
A1	ELEASMB6433	AM2,TILT W/AFP,(CONFIG.#23)	1
A2	DWR1111H047	HARNESS,BUS CABLE,1.0 METER,FEMALE/FEMALE,H-1111-047,(CURTIS:17881302)	1
A3	ELE1704823	ELECTRONIC,ASSY,AFP W/MOUNTING BRACKET & HARDWARE,TB3,VERSION 2	1
A4	ELE146865	ELECTRONIC,SELF WRAPPING,5/8"D,10"L,SPLIT TUBULAR WOVEN SLEEVE,TECHFLEX(F6W0.63BK10)	1
A5	SCRPPH1061	SCREW, PPH,ZINC,M4 X .7T X 20MM	2
A6	VELDBLS1001	REUSABLE FASTENER,1/2"W X 8"L,HOOK & LOOP	2
A7	PLSTIE1004	TIE WRAP,BLACK,8"	5
A8	MEC138637	BRACKET,STRAIN RELIEF,AM1	1
B1	NUTJAM1032	NUT,JAM,THIN,STAINLESS STEEL,3/8-32	1

3.4. Lift



Item	Part No.	Name	Qty
A1	ELEASMB6557	AM1,LIFT ONLY,(CONFIG.#04)	1
B1	DWR1111H047	HARNESS,BUS CABLE,1.0 METER,FEMALE/FEMALE,H-1111-047,(CURTIS:17881302)	1
C1	SCRPPH1061	SCREW, PPH,ZINC,M4 X .7T X 20MM	2
D1	PLSTIE1004	TIE WRAP,BLACK,8"	5
E1	MEC138637	BRACKET,STRAIN RELIEF,AM1	1
F1	VELDBLS1001	REUSABLE FASTENER,1/2"W X 8"L,HOOK & LOOP	1
G1	ELE133304	ELECTRONIC,HARNESS,CURLY CABLE EXTENSION CABLE,FRONT MOUNTED,TRU-BALANCE 3 LIFT	1

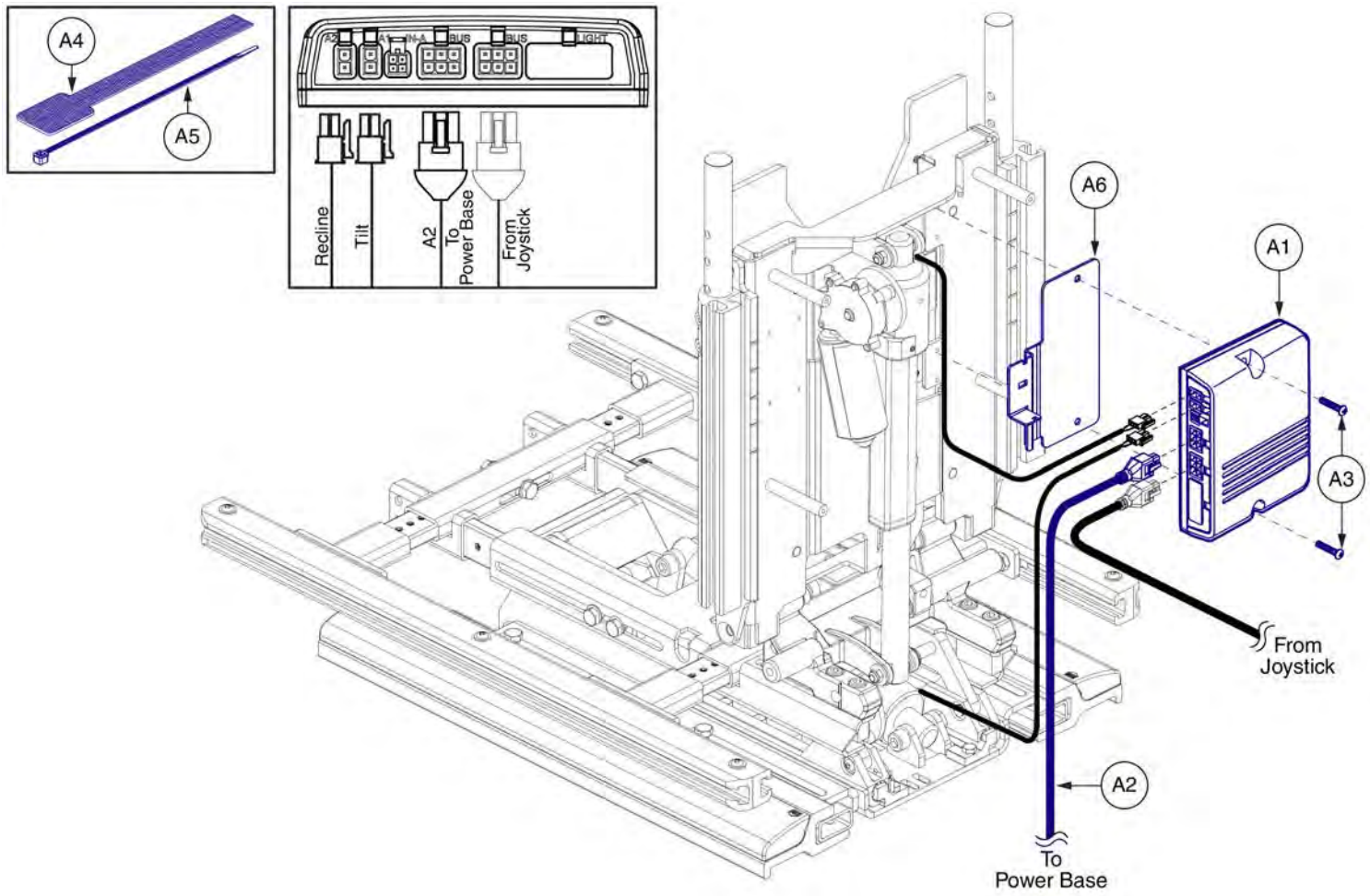
3.4. Lift



This AFP Harness and Bracket Assembly, A3, replaces all previous versions. The Assembly must be selected for proper retrofit.

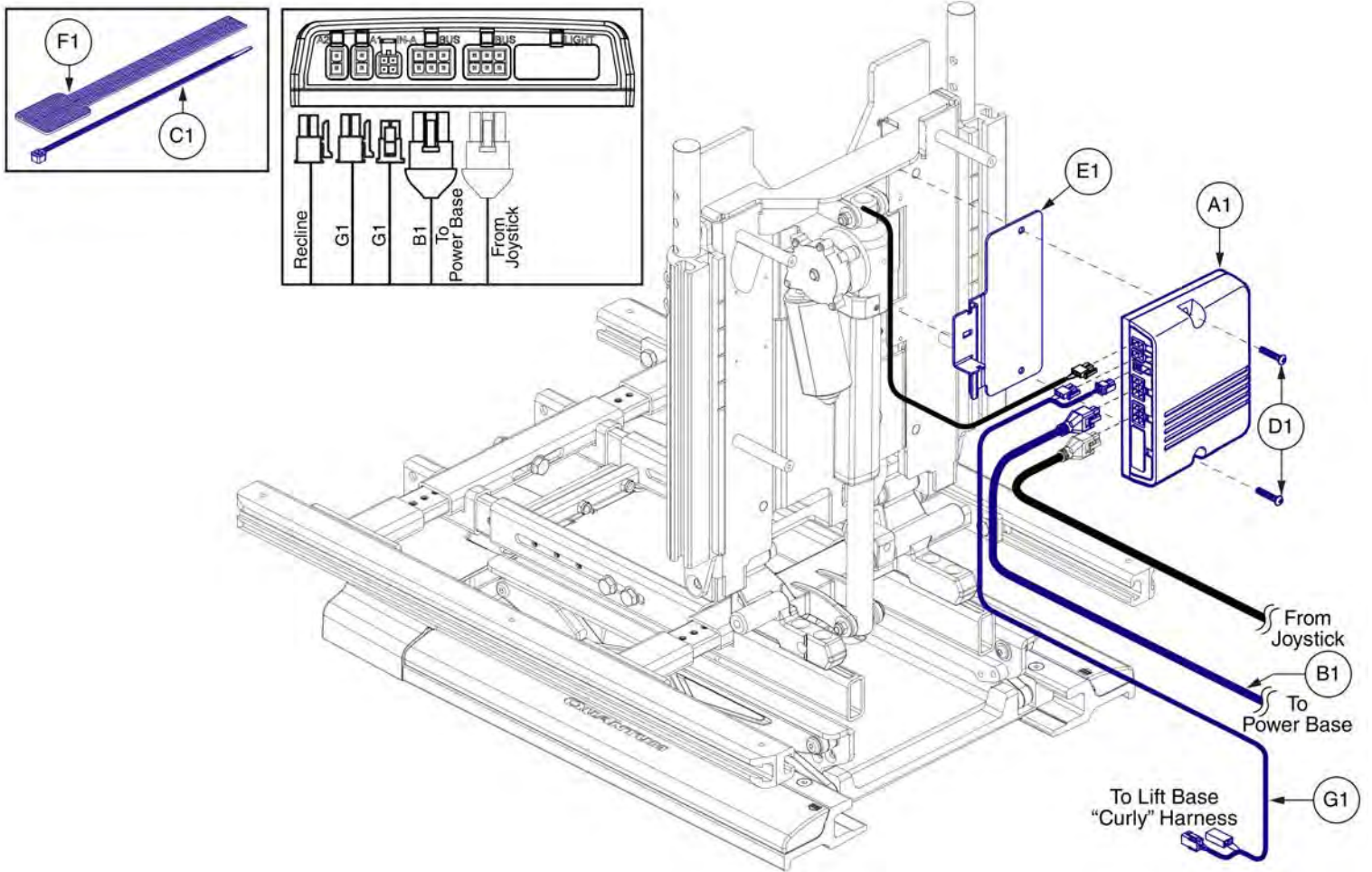
Item	Part No.	Name	Qty
A1 - A8	ELE130743	NE PLUS,LIFT W/AFP,(CONFIG.#07)	1
A1	ELEASMB7164	AM2,LIFT W/AFP,(CONFIG.#07)	1
A2	DWR1111H047	HARNESS,BUS CABLE,1.0 METER,FEMALE/FEMALE,H-1111-047,(CURTIS:17881302)	1
A3	ELE1704823	ELECTRONIC,ASSY,AFP W/MOUNTING BRACKET & HARDWARE,TB3,VERSION 2	1
A4	ELE146865	ELECTRONIC,SELF WRAPPING,5/8"D,10"L,SPLIT TUBULAR WOVEN SLEEVE,TECHFLEX(F6W0.63BK10)	1
A5	SCRPPH1061	SCREW, PPH,ZINC,M4 X .7T X 20MM	2
A6	PLSTIE1004	TIE WRAP,BLACK,8"	5
A7	MEC138637	BRACKET,STRAIN RELIEF,AM1	1
A8	VELDBLS1001	REUSABLE FASTENER,1/2"W X 8"L,HOOK & LOOP	1
B1	ELE133304	ELECTRONIC,HARNESS,CURLY CABLE EXTENSION CABLE,FRONT MOUNTED,TRU-BALANCE 3 LIFT	1

3.5. Tilt & Recline



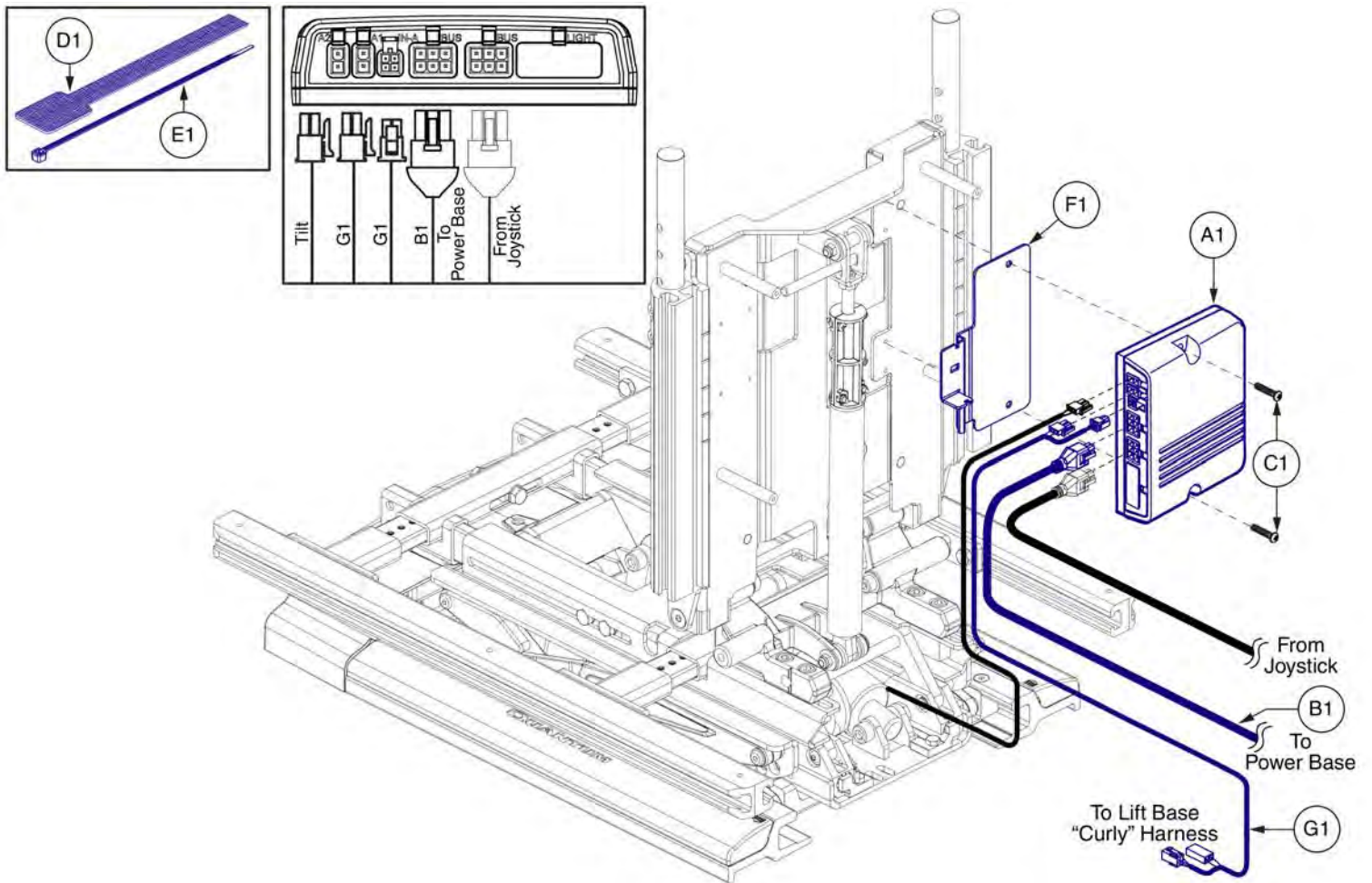
Item	Part No.	Name	Qty
A1 - A6	ELE130008	NE PLUS,TILT & RECLINE,(CONFIG.#28)	1
A1	ELEASMB6044	AM2,TILT & RECLINE,(CONFIG.#28)	1
A2	DWR1111H047	HARNESS,BUS CABLE,1.0 METER,FEMALE/FEMALE,H-1111-047,(CURTIS:17881302)	1
A3	SCRPPH1061	SCREW, PPH,ZINC,M4 X .7T X 20MM	2
A4	VELDBLS1001	REUSABLE FASTENER,1/2"W X 8"L,HOOK & LOOP	1
A5	PLSTIE1004	TIE WRAP,BLACK,8"	5
A6	MEC138637	BRACKET,STRAIN RELIEF,AM1	1

3.6. Lift & Recline



Item	Part No.	Name	Qty
A1	ELEASMB7163	AM2,LIFT & RECLINE,(CONFIG.#14)	1
B1	DWR1111H047	HARNESS,BUS CABLE,1.0 METER,FEMALE/FEMALE,H-1111-047,(CURTIS:17881302)	1
C1	PLSTIE1004	TIE WRAP,BLACK,8"	5
D1	SCRPPH1061	SCREW, PPH,ZINC,M4 X .7T X 20MM	2
E1	MEC138637	BRACKET,STRAIN RELIEF,AM1	1
F1	VELDBLS1001	REUSABLE FASTENER,1/2"W X 8"L,HOOK & LOOP	1
G1	ELE133304	ELECTRONIC,HARNESS,CURLY CABLE EXTENSION CABLE,FRONT MOUNTED,TRU-BALANCE 3 LIFT	1

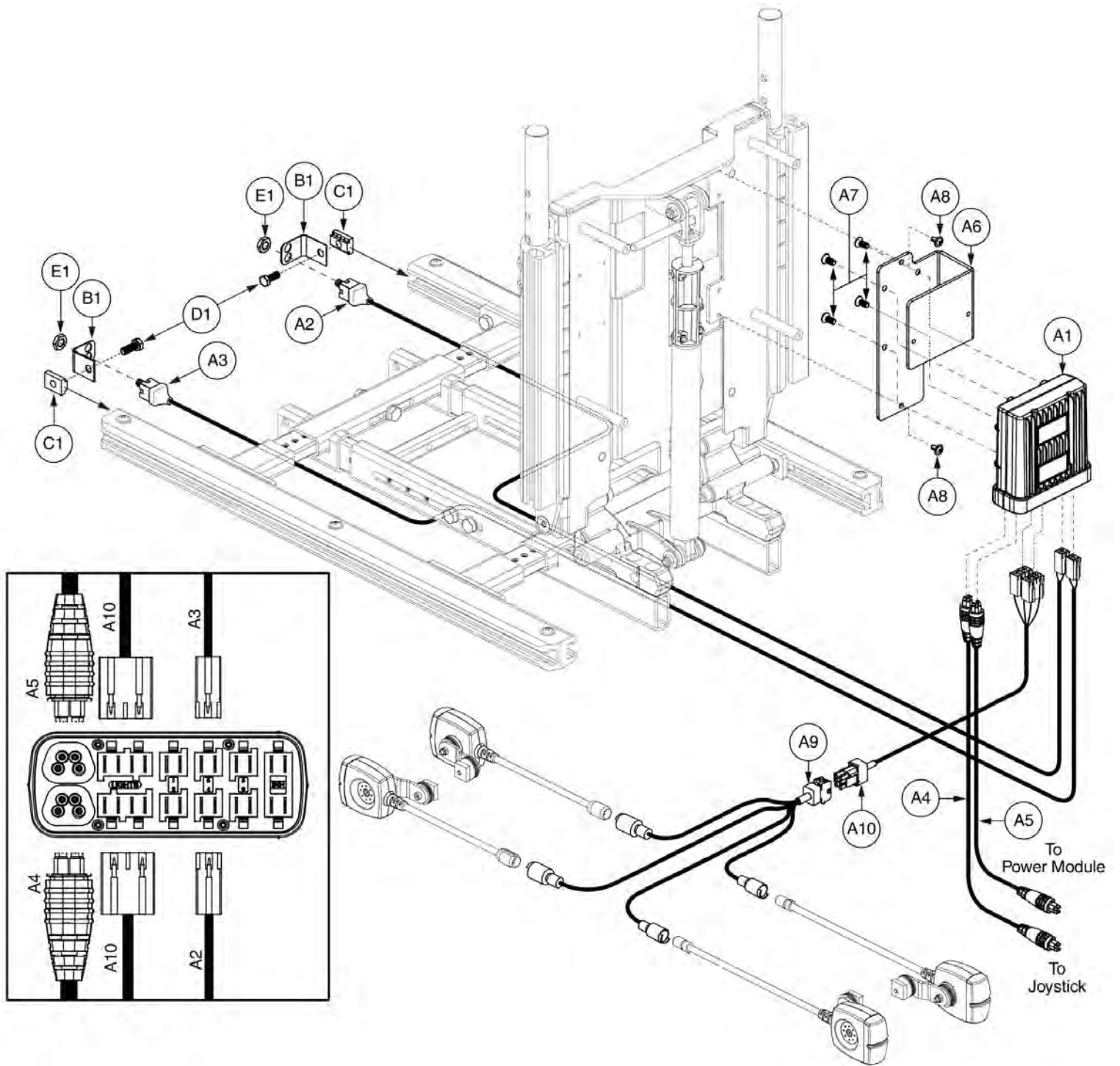
3.7. Lift & Tilt



Item	Part No.	Name	Qty
A1	ELEASMB7162	AM2,LIFT & TILT,(CONFIG.#24)	1
B1	DWR1111H047	HARNESS,BUS CABLE,1.0 METER,FEMALE/FEMALE,H-1111-047,(CURTIS:17881302)	1
C1	SCRPPH1061	SCREW, PPH,ZINC,M4 X .7T X 20MM	2
D1	VELDBLS1001	REUSABLE FASTENER,1/2"W X 8"L,HOOK & LOOP	1
E1	PLSTIE1004	TIE WRAP,BLACK,8"	5
F1	MEC138637	BRACKET,STRAIN RELIEF,AM1	1
G1	ELE133304	ELECTRONIC,HARNESS,CURLY CABLE EXTENSION CABLE,FRONT MOUNTED,TRU-BALANCE 3 LIFT	1

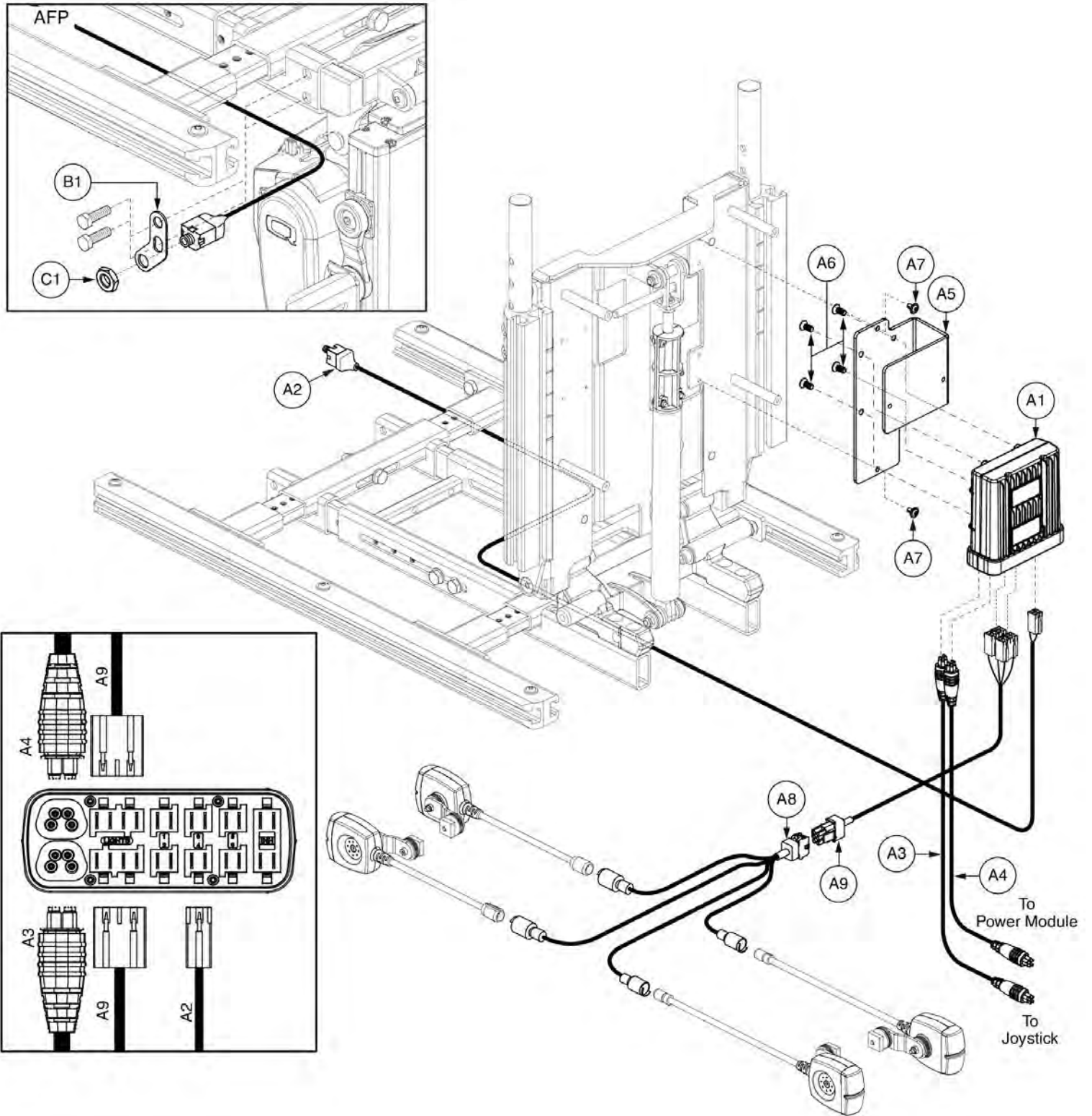
Item	Part No.	Name	Qty
A1 - A8	ELE142991	ELECTRONIC,ASSY,R-NET,LIGHTS,TRU-BALANCE 3 SEAT	1
A1	CTLDC1523	ELECTRONIC,MODULE,ISM,ACTUATOR AND LIGHTING,H-1111-117	1
A2	DWR1010H135	ELECTRONIC,HARNESS,FULL LIGHT,LED,EURO/SYNERGY	1
A3	DWR1010H145	ELECTRONIC,HARNESS,FULL LIGHT,R-NET,H-1010-145	1
A4	MEC138354	BRACKET,R-NET ISM-L,TRU-BALANCE 3	1
A5	SCRSHFH1015	SCREW,SHFH,BLACK ZINC,M5-.8 X 12MM,GRADE 10.9	4
A6	HDW123677	SCREW,FLANGED BUTTON HEAD, M4X0.7 X 10, ISO 7380-2, CL 10.9, BZ, PVTP	2
A7	DWR1111H565	ELECTRONIC,HARNESS,BUS CABLE,0.5 METER,MALE/MALE,R-NET	1
A8	DWR1111H567	ELECTRONIC,HARNESS,BUS CABLE,1.0 METER,MALE/MALE,R-NET	1

4.1.1. Static Seat



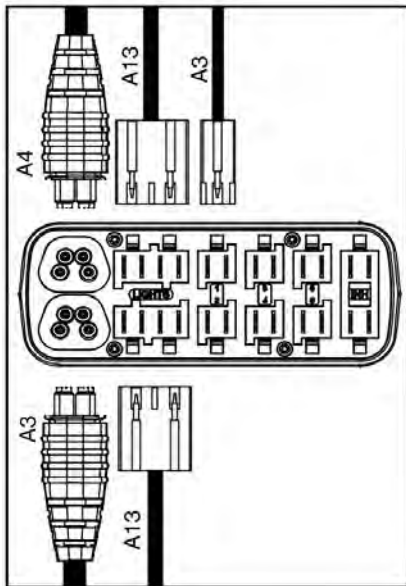
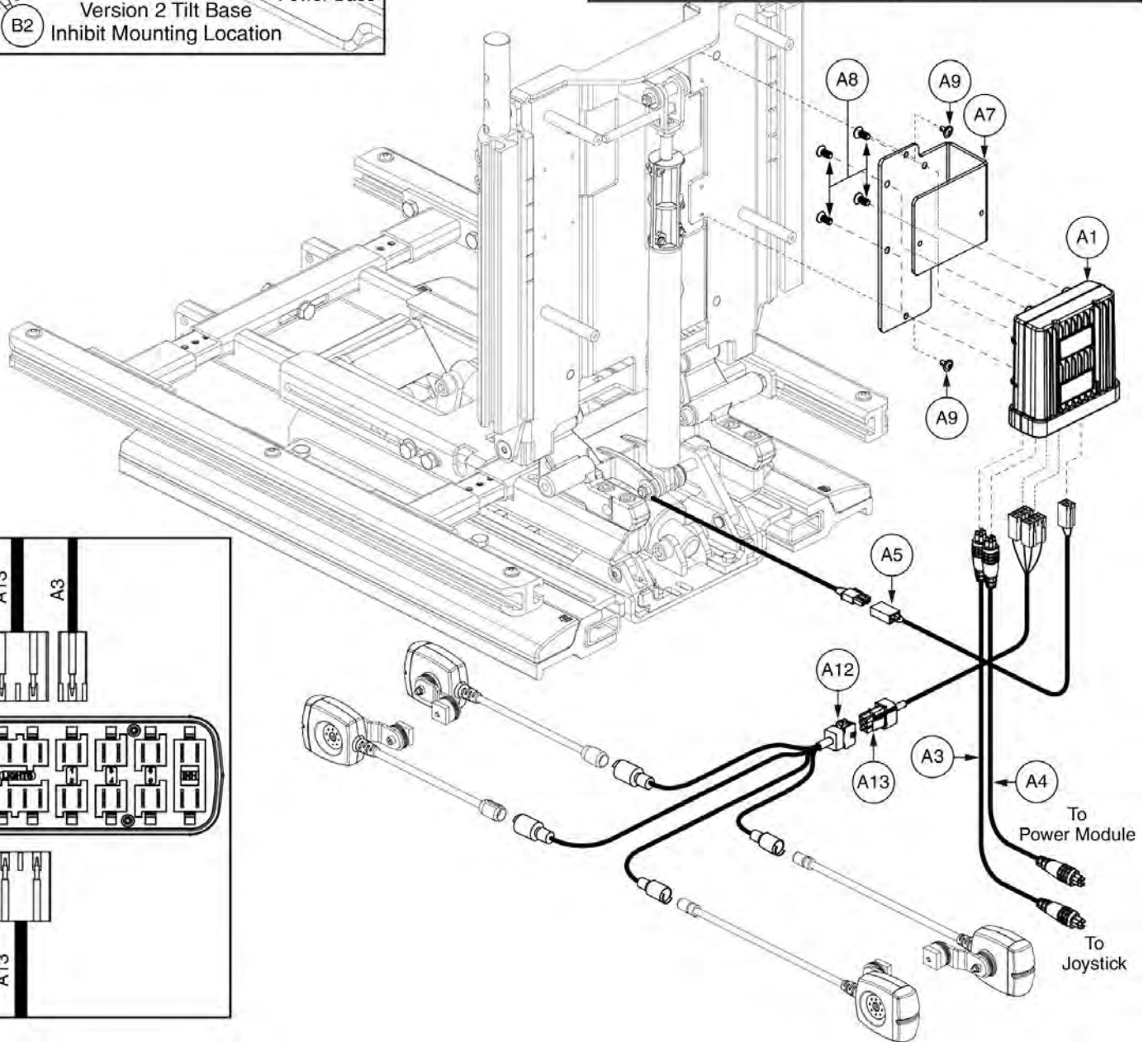
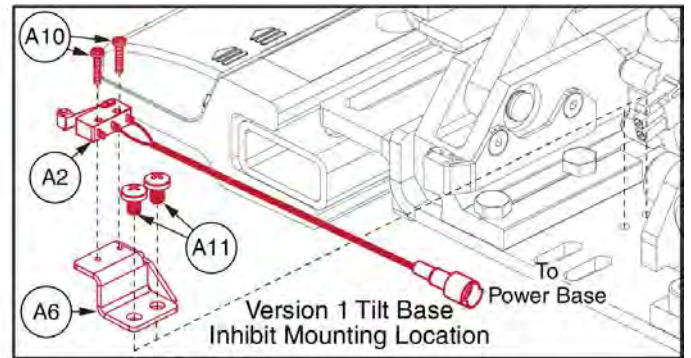
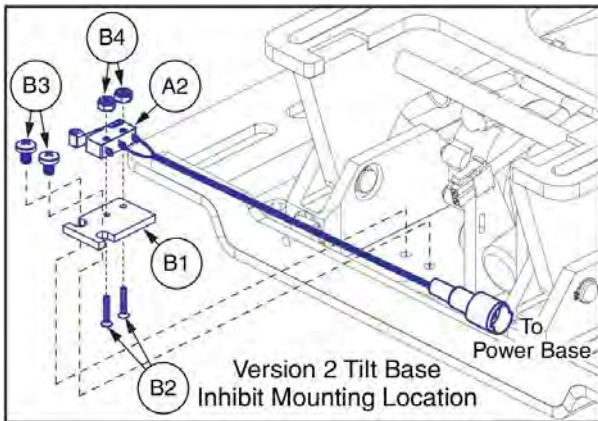
Item	Part No.	Name	Qty
A1 - A10	ELE142992	ELECTRONIC,ASSY,R-NET,W/POWER LEGS,LIGHTS,TB3	1
A1 - A8	ELE143003	ELECTRONIC,ASSY,R-NET,W/POWER LEGS,TB3	1
A1	CTLDC1523	ELECTRONIC,MODULE,ISM,ACTUATOR AND LIGHTING,H-1111-117	1
A2	DWR1265H077	ELECTRONIC,HARNESS,R-NET,ELR ACTUATOR HARNESS,RIGHT	1
A3	DWR1265H078	ELECTRONIC,HARNESS,R-NET,ELR ACTUATOR HARNESS,LEFT	1
A4	DWR1111H565	ELECTRONIC,HARNESS,BUS CABLE,0.5 METER,MALE/MALE,R-NET	2
A5	DWR1111H567	ELECTRONIC,HARNESS,BUS CABLE,1.0 METER,MALE/MALE,R-NET	1
A6	MEC138354	BRACKET,R-NET ISM-L,TRU-BALANCE 3	1
A7	SCRSHFH1015	SCREW,SHFH,BLACK ZINC,M5-.8 X 12MM,GRADE 10.9	4
A8	HDW123677	SCREW,FLANGED BUTTON HEAD, M4X0.7 X 10, ISO 7380-2, CL 10.9, BZ, PVTP	2
A9	DWR1010H135	ELECTRONIC,HARNESS,FULL LIGHT,LED,EURO/SYNERGY	1
A10	DWR1010H145	ELECTRONIC,HARNESS,FULL LIGHT,R-NET,H-1010-145	1
B1	DWR1303B026	ELECTRICAL CONNECTION BRACKET,ARTICULATING LEGREST	2
C1	NUT8120005	NUT,T-SLOT,BLACK,M8-1.25	2
D1	SCRHHCS1382	SCREW,HHCS,BLACK ZINC CHROMATE,M8-1.25 X 12MM,10.9	2
E1	NUTJAM1032	NUT,JAM,THIN,STAINLESS STEEL,3/8-32	2

4.1.1. Static Seat



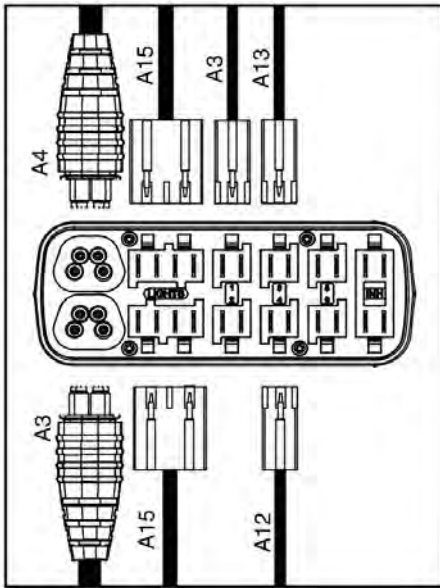
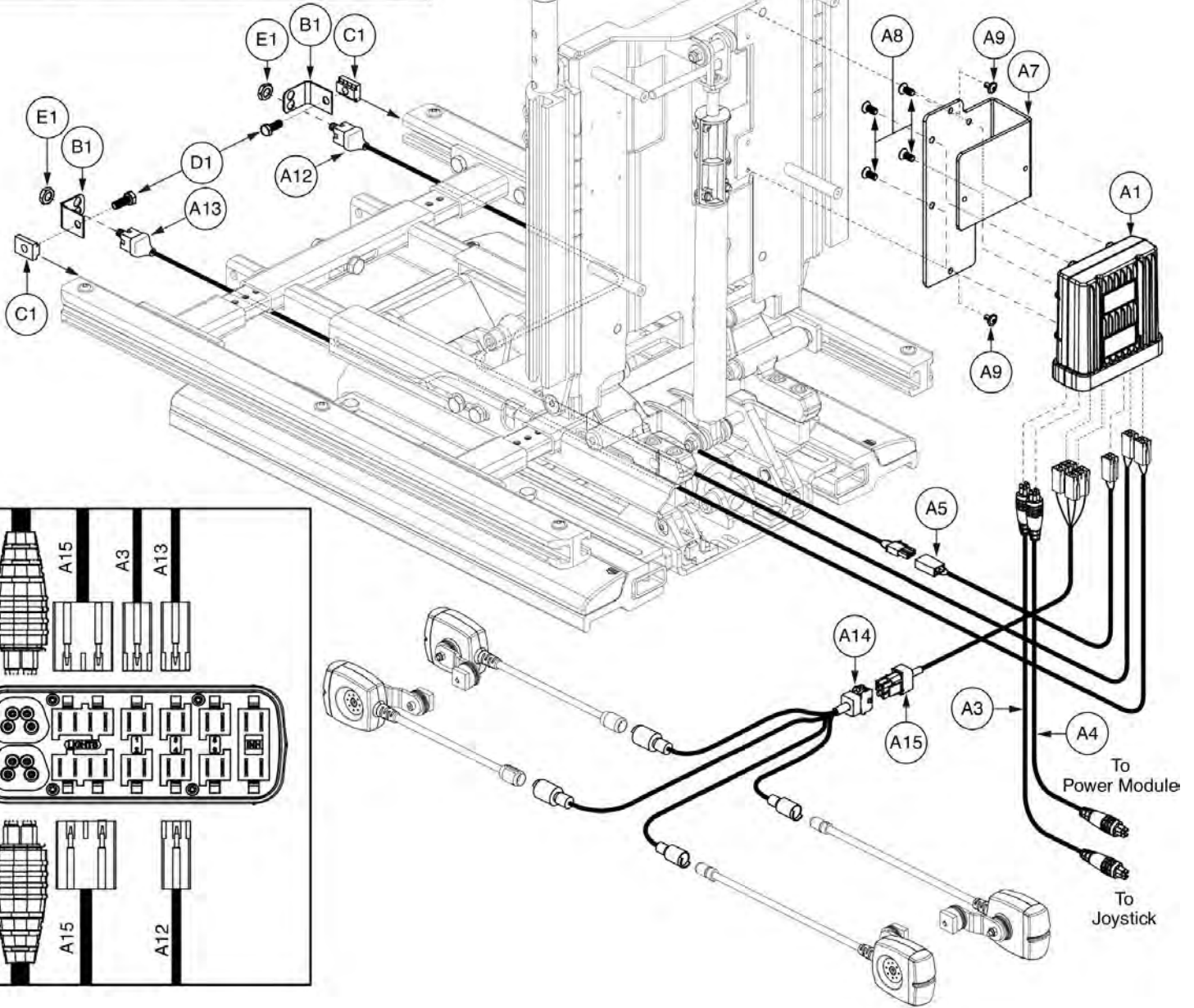
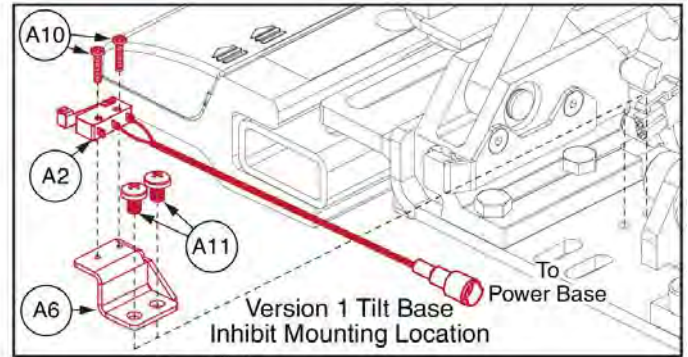
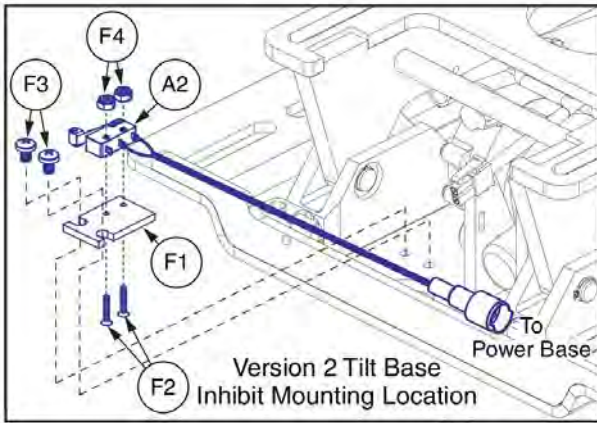
Item	Part No.	Name	Qty
A1 - A9	ELE142993	ELECTRONIC,ASSY,R-NET,W/POWER AFP,LIGHTS,TB3	1
A1 - A7	ELE143004	ELECTRONIC,ASSY,R-NET,W/POWER AFP,TB3	1
A1	CTLDC1523	ELECTRONIC,MODULE,ISM,ACTUATOR AND LIGHTING,H-1111-117	1
A2	DWR1265H077	ELECTRONIC,HARNESS,R-NET,ELR ACTUATOR HARNESS,RIGHT	1
A3	DWR1111H565	ELECTRONIC,HARNESS,BUS CABLE,0.5 METER,MALE/MALE,R-NET	2
A4	DWR1111H567	ELECTRONIC,HARNESS,BUS CABLE,1.0 METER,MALE/MALE,R-NET	1
A5	MEC138354	BRACKET,R-NET ISM-L,TRU-BALANCE 3	1
A6	SCRSHFH1015	SCREW,SHFH,BLACK ZINC,M5-.8 X 12MM,GRADE 10.9	4
A7	HDW123677	SCREW,FLANGED BUTTON HEAD, M4X0.7 X 10, ISO 7380-2, CL 10.9, BZ, PVTP	2
A8	DWR1010H135	ELECTRONIC,HARNESS,FULL LIGHT,LED,EURO/SYNERGY	1
A9	DWR1010H145	ELECTRONIC,HARNESS,FULL LIGHT,R-NET,H-1010-145	1
B1	MEC130241	ELECTRICAL CONNECTION BRACKET,AFP,TB3	1
C1	NUTJAM1032	NUT,JAM,THIN,STAINLESS STEEL,3/8-32	1

4.1.2. Tilt



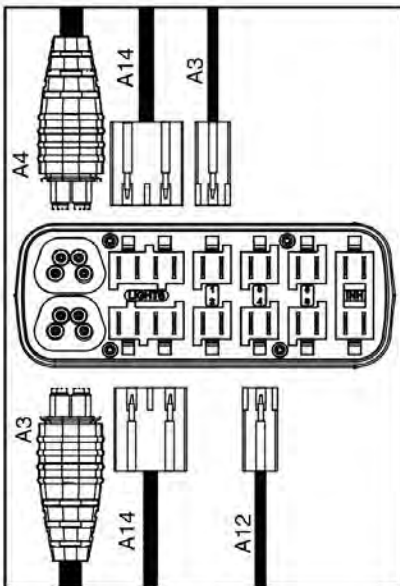
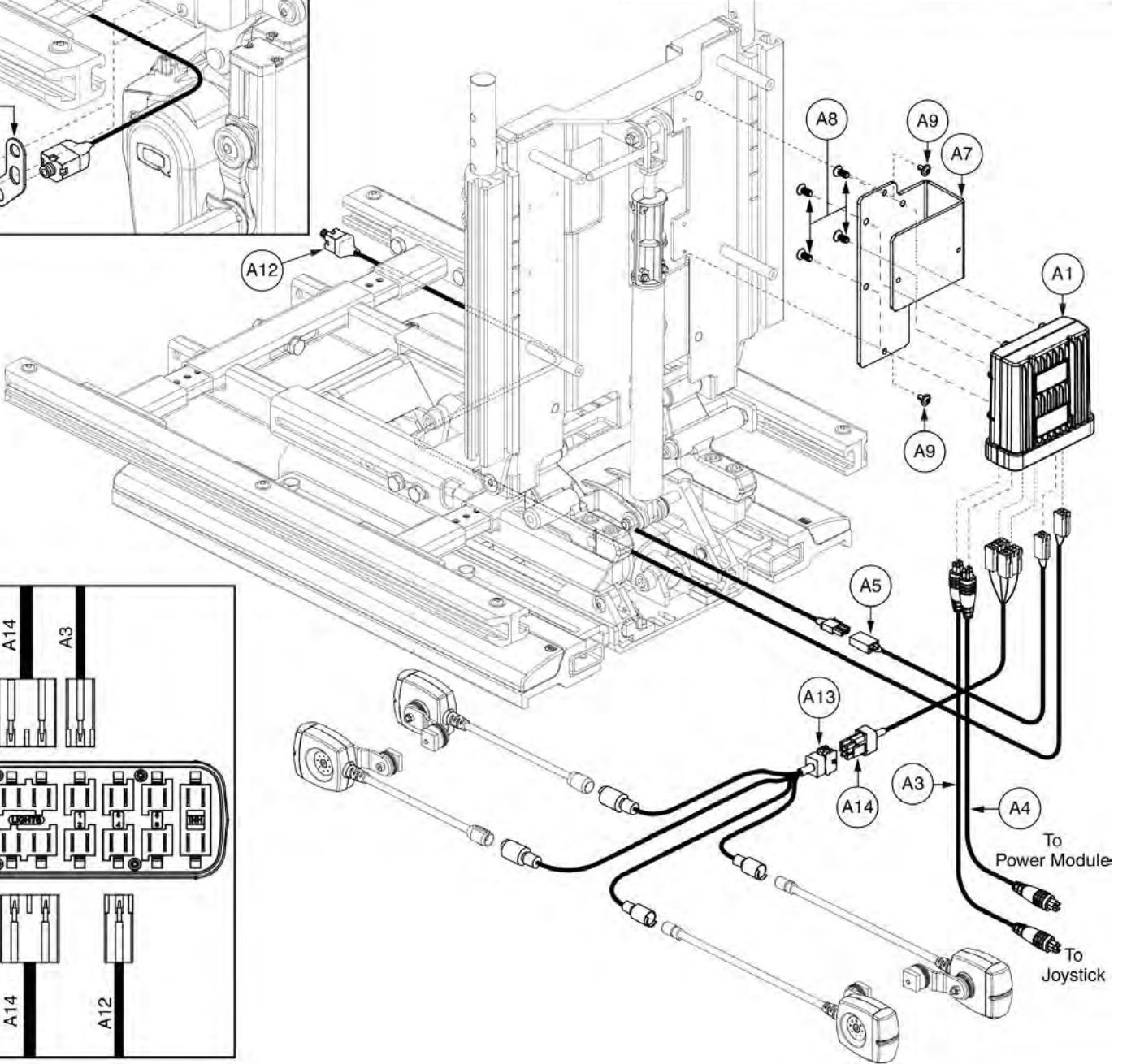
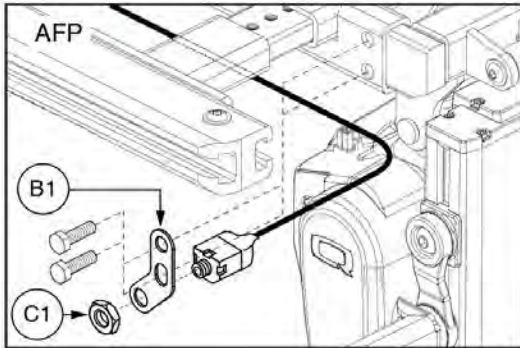
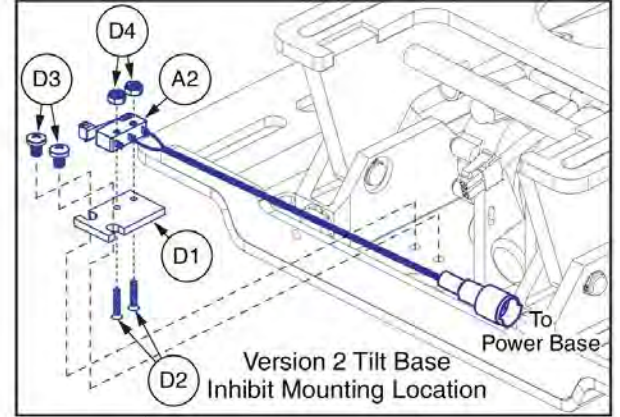
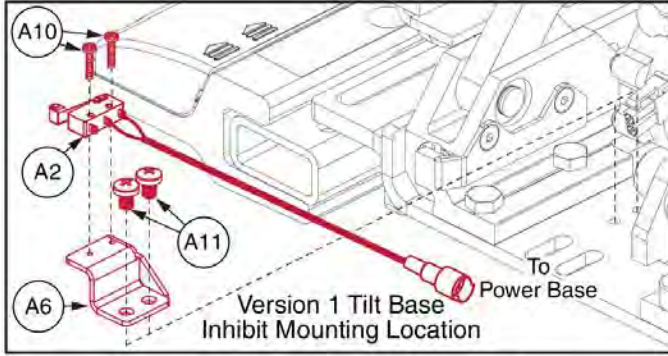
Item	Part No.	Name	Qty
A1 - A13	ELE142994	ELECTRONIC,ASSY,R-NET,LIGHTS,TRU-BALANCE 3 POWER TILT	1
A1 - A11	ELE143005	ELECTRONIC,ASSY,R-NET,TRU-BALANCE 3 POWER TILT	1
A1	CTLDC1523	ELECTRONIC,MODULE,ISM,ACTUATOR AND LIGHTING,H-1111-117	1
A2	DWR1265H039	HARNESS,MICROSWITCH INHIBIT,TILT	1
A3	DWR1111H565	ELECTRONIC,HARNESS,BUS CABLE,0.5 METER,MALE/MALE,R-NET	2
A4	DWR1111H567	ELECTRONIC,HARNESS,BUS CABLE,1.0 METER,MALE/MALE,R-NET	1
A5	ELE136088	ELECTRONIC,HARNESS,R-NET ACTUATOR INTERFACE,MOLEX/INTECH	1
A6	MEC125246	SUPPORT PLATE,INHIBIT MICROSWITCH,TRU-BALANCE 3	1
A7	MEC138354	BRACKET,R-NET ISM-L,TRU-BALANCE 3	1
A8	SCRSHFH1015	SCREW,SHFH,BLACK ZINC,M5-8 X 12MM,GRADE 10.9	4
A9	SCRPPH1304	SCREW,PPH,BLACK ZINC,M4-.7 X 6MM	2
A10	SCRPPH1454	SCREW,PPH,M2 X 0.4 X 10MM,304 SS	2
A11	HDW123677	SCREW,FLANGED BUTTON HEAD, M4X0.7 X 10, ISO 7380-2, CL 10.9, BZ, PVTP	2
A12	DWR1010H135	ELECTRONIC,HARNESS,FULL LIGHT,LED,EURO/SYNERGY	1
A13	DWR1010H145	ELECTRONIC,HARNESS,FULL LIGHT,R-NET,H-1010-145	1
B1 - B4	MEC160436	MOUNTING BRACKET,ASSY,INHIBIT MICROSWITCH,TB3.5	1
B1	MEC152404	TILT,INHIBIT SWITCH PLATE,TRU-BALANCE 3.5	1
B2	SCRPFH1076	SCREW,PFH,STAINLESS STEEL,2-56 X 0.50"	2
B3	SCRPPH1304	SCREW,PPH,BLACK ZINC,M4-.7 X 6MM	2
B4	NUTNYLK1106	NUT,NYLOCK,BLACK ZINC,2-56,GRADE 2	2

4.1.2. Tilt



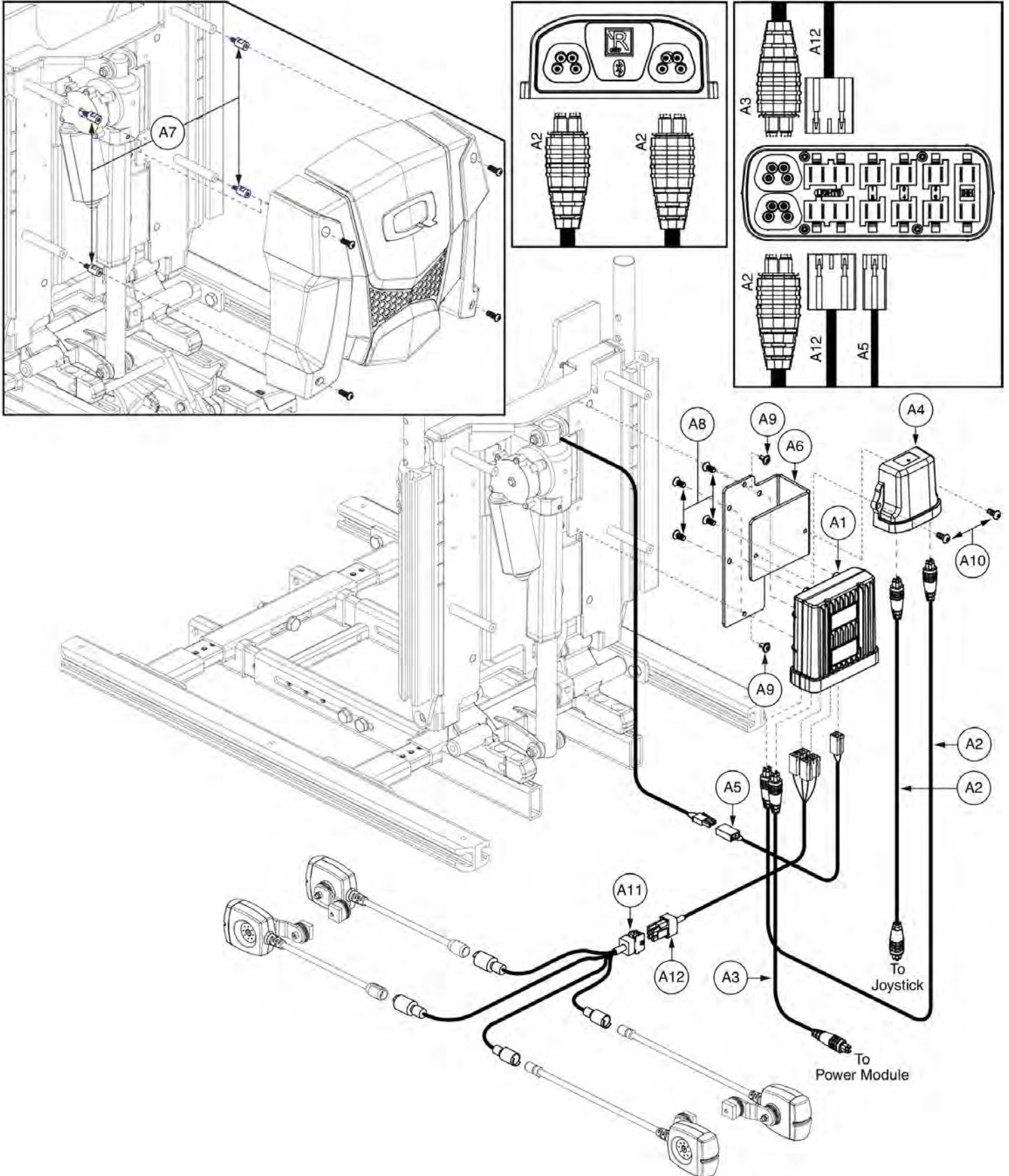
Item	Part No.	Name	Qty
A1 - A15	ELE142995	ELECTRONIC,ASSY,R-NET,W/POWER LEGS,LIGHTS,TB3 TILT	1
A1 - A13	ELE143006	ELECTRONIC,ASSY,R-NET,W/POWER LEGS,TRU-BALANCE 3 TILT	1
A1	CTLDC1523	ELECTRONIC,MODULE,ISM,ACTUATOR AND LIGHTING,H-1111-117	1
A2	DWR1265H039	HARNESS,MICROSWITCH INHIBIT,TILT	1
A3	DWR1111H565	ELECTRONIC,HARNESS,BUS CABLE,0.5 METER,MALE/MALE,R-NET	2
A4	DWR1111H567	ELECTRONIC,HARNESS,BUS CABLE,1.0 METER,MALE/MALE,R-NET	1
A5	ELE136088	ELECTRONIC,HARNESS,R-NET ACTUATOR INTERFACE,MOLEX/INTECH	1
A6	MEC125246	SUPPORT PLATE,INHIBIT MICROSWITCH,TRU-BALANCE 3	1
A7	MEC138354	BRACKET,R-NET ISM-L,TRU-BALANCE 3	1
A8	SCRSHFH1015	SCREW,SHFH,BLACK ZINC,M5-.8 X 12MM,GRADE 10.9	4
A9	SCRPPH1304	SCREW,PPH,BLACK ZINC,M4-.7 X 6MM	2
A10	SCRPPH1454	SCREW,PPH,M2 X 0.4 X 10MM,304 SS	2
A11	HDW123677	SCREW,FLANGED BUTTON HEAD, M4X0.7 X 10, ISO 7380-2, CL 10.9, BZ, PVTP	2
A12	DWR1265H077	ELECTRONIC,HARNESS,R-NET,ELR ACTUATOR HARNESS,RIGHT	1
A13	DWR1265H078	ELECTRONIC,HARNESS,R-NET,ELR ACTUATOR HARNESS,LEFT	1
A14	DWR1010H135	ELECTRONIC,HARNESS,FULL LIGHT,LED,EURO/SYNERGY	1
A15	DWR1010H145	ELECTRONIC,HARNESS,FULL LIGHT,R-NET,H-1010-145	1
B1	DWR1303B026	ELECTRICAL CONNECTION BRACKET,ARTICULATING LEGREST	2
C1	NUT8120005	NUT,T-SLOT,BLACK,M8-1.25	2
D1	SCRHHCS1382	SCREW,HHCS,BLACK ZINC CHROMATE,M8-1.25 X 12MM,10.9	2
E1	NUTJAM1032	NUT,JAM,THIN,STAINLESS STEEL,3/8-32	2
F1 - F4	MEC160436	MOUNTING BRACKET,ASSY,INHIBIT MICROSWITCH,TB3.5	1
F1	MEC152404	TILT,INHIBIT SWITCH PLATE,TRU-BALANCE 3.5	1
F2	SCRPFH1076	SCREW,PFH,STAINLESS STEEL,2-56 X 0.50"	2
F3	SCRPPH1304	SCREW,PPH,BLACK ZINC,M4-.7 X 6MM	2
F4	NUTNYLK1106	NUT,NYLOCK,BLACK ZINC,2-56,GRADE 2	2

4.1.2. Tilt



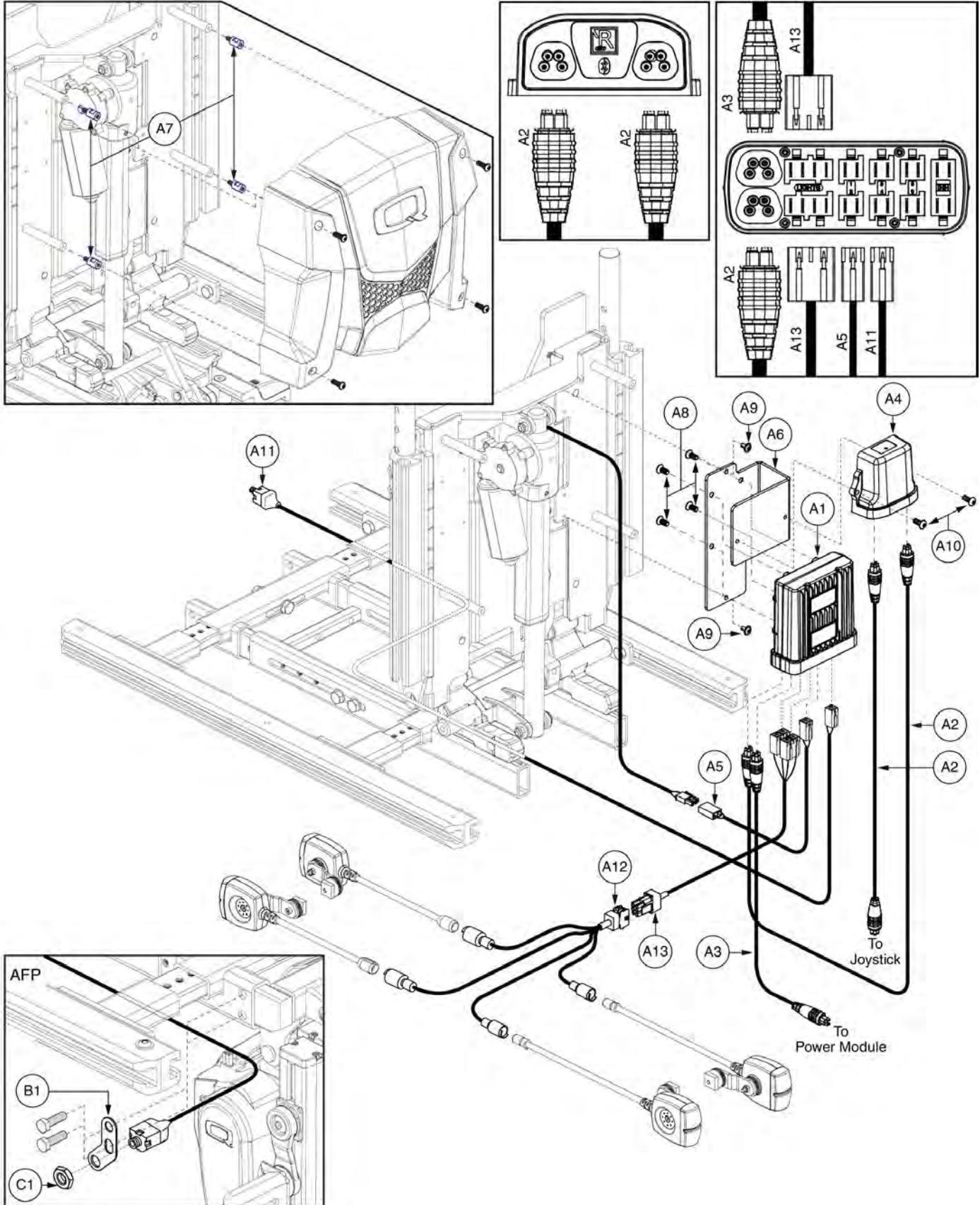
Item	Part No.	Name	Qty
A1 - A14	ELE142996	ELECTRONIC,ASSY,R-NET,W/POWER AFP,LIGHTS,TB3 TILT	1
A1 - A12	ELE143007	ELECTRONIC,ASSY,R-NET,W/POWER AFP,TB3 TILT	1
A1	CTLDC1523	ELECTRONIC,MODULE,ISM,ACTUATOR AND LIGHTING,H-1111-117	1
A2	DWR1265H039	HARNESS,MICROSWITCH INHIBIT,TILT	1
A3	DWR1111H565	ELECTRONIC,HARNESS,BUS CABLE,0.5 METER,MALE/MALE,R-NET	2
A4	DWR1111H567	ELECTRONIC,HARNESS,BUS CABLE,1.0 METER,MALE/MALE,R-NET	1
A5	ELE136088	ELECTRONIC,HARNESS,R-NET ACTUATOR INTERFACE,MOLEX/INTECH	1
A6	MEC125246	SUPPORT PLATE,INHIBIT MICROSWITCH,TRU-BALANCE 3	1
A7	MEC138354	BRACKET,R-NET ISM-L,TRU-BALANCE 3	1
A8	SCRSHFH1015	SCREW,SHFH,BLACK ZINC,M5-.8 X 12MM,GRADE 10.9	4
A9	SCRPPH1304	SCREW,PPH,BLACK ZINC,M4-.7 X 6MM	2
A10	SCRPPH1454	SCREW,PPH,M2 X 0.4 X 10MM,304 SS	2
A11	HDW123677	SCREW,FLANGED BUTTON HEAD, M4X0.7 X 10, ISO 7380-2, CL 10.9, BZ, PVTP	2
A12	DWR1265H077	ELECTRONIC,HARNESS,R-NET,ELR ACTUATOR HARNESS,RIGHT	1
A13	DWR1010H135	ELECTRONIC,HARNESS,FULL LIGHT,LED,EURO/SYNERGY	1
A14	DWR1010H145	ELECTRONIC,HARNESS,FULL LIGHT,R-NET,H-1010-145	1
B1	MEC130241	ELECTRICAL CONNECTION BRACKET,AFP,TB3	1
C1	NUTJAM1032	NUT,JAM,THIN,STAINLESS STEEL,3/8-32	1
D1 - D4	MEC160436	MOUNTING BRACKET,ASSY,INHIBIT MICROSWITCH,TB3.5	1
D1	MEC152404	TILT,INHIBIT SWITCH PLATE,TRU-BALANCE 3.5	1
D2	SCRPFH1076	SCREW,PFH,STAINLESS STEEL,2-56 X 0.50"	2
D3	SCRPPH1304	SCREW,PPH,BLACK ZINC,M4-.7 X 6MM	2
D4	NUTNYLK1106	NUT,NYLOCK,BLACK ZINC,2-56,GRADE 2	2

4.1.3. Recline



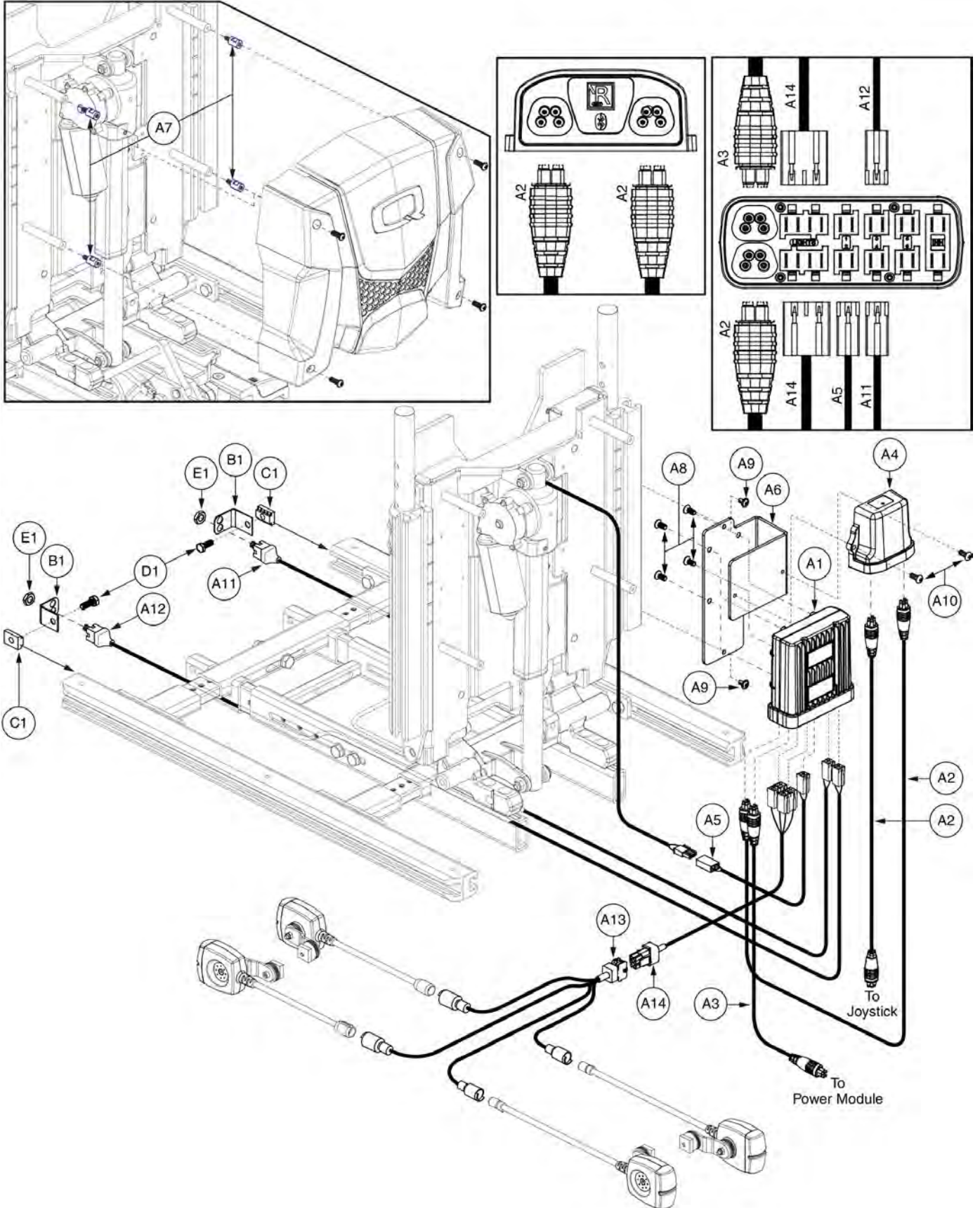
Item	Part No.	Name	Qty
A1 - A12	ELE142997	ELECTRONIC,ASSY,R-NET,LIGHTS,TB3 POWER RECLINE	1
A1 - A10	ELE143008	ELECTRONIC,ASSY,R-NET,TB3 POWER RECLINE	1
A1	CTLDC1523	ELECTRONIC,MODULE,ISM,ACTUATOR AND LIGHTING,H-1111-117	1
A2	DWR1111H565	ELECTRONIC,HARNESS,BUS CABLE,0.5 METER,MALE/MALE,R-NET	2
A3	DWR1111H567	ELECTRONIC,HARNESS,BUS CABLE,1.0 METER,MALE/MALE,R-NET	1
A4	CTL137838	R-NET TILT/ASM MODULE (D51508)	1
A5	ELE136088	ELECTRONIC,HARNESS,R-NET ACTUATOR INTERFACE,MOLEX/INTECH	1
A6	MEC138354	BRACKET,R-NET ISM-L,TRU-BALANCE 3	1
A7	HDW131337	STANDOFF,MALE-FEMALE,M4-0.7 X 15MM	4
A8	SCRSHFH1015	SCREW,SHFH,BLACK ZINC,M5-.8 X 12MM,GRADE 10.9	4
A9	HDW123677	SCREW,FLANGED BUTTON HEAD, M4X0.7 X 10, ISO 7380-2, CL 10.9, BZ, PVTP	2
A10	HDW125022	SCREW,BHSCS,BLACK ZINC,M5-.8 X 12MM,W/NYLON PATCH	2
A11	DWR1010H135	ELECTRONIC,HARNESS,FULL LIGHT,LED,EURO/SYNERGY	1
A12	DWR1010H145	ELECTRONIC,HARNESS,FULL LIGHT,R-NET,H-1010-145	1

4.1.3. Recline



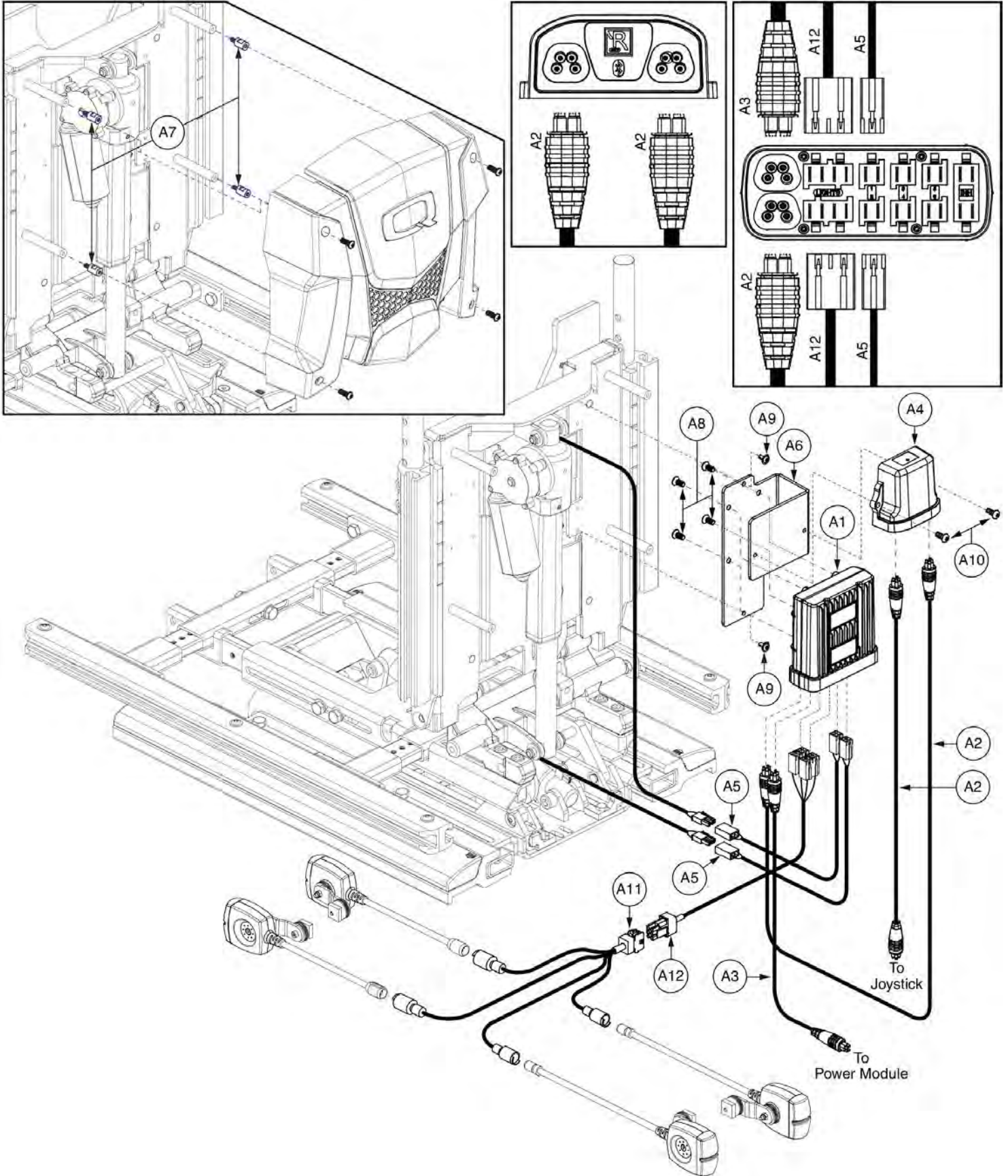
Item	Part No.	Name	Qty
A1 - A13	ELE142998	ELECTRONIC,ASSY,R-NET,W/POWER AFP,LIGHTS,TB3 RECLINE	1
A1 - A11	ELE143009	ELECTRONIC,ASSY,R-NET,W/POWER AFP,TB3 RECLINE	1
A1	CTLDC1523	ELECTRONIC,MODULE,ISM,ACTUATOR AND LIGHTING,H-1111-117	1
A2	DWR1111H565	ELECTRONIC,HARNESS,BUS CABLE,0.5 METER,MALE/MALE,R-NET	2
A3	DWR1111H567	ELECTRONIC,HARNESS,BUS CABLE,1.0 METER,MALE/MALE,R-NET	1
A4	CTL137838	R-NET TILT/ASM MODULE (D51508)	1
A5	ELE136088	ELECTRONIC,HARNESS,R-NET ACTUATOR INTERFACE,MOLEX/INTECH	1
A6	MEC138354	BRACKET,R-NET ISM-L,TRU-BALANCE 3	1
A7	HDW131337	STANDOFF,MALE-FEMALE,M4-0.7 X 15MM	4
A8	SCRSHFH1015	SCREW,SHFH,BLACK ZINC,M5-.8 X 12MM,GRADE 10.9	4
A9	HDW123677	SCREW,FLANGED BUTTON HEAD, M4X0.7 X 10, ISO 7380-2, CL 10.9, BZ, PVTP	2
A10	HDW125022	SCREW,BHSCS,BLACK ZINC,M5-.8 X 12MM,W/NYLON PATCH	2
A11	DWR1265H077	ELECTRONIC,HARNESS,R-NET,ELR ACTUATOR HARNESS,RIGHT	1
A12	DWR1010H135	ELECTRONIC,HARNESS,FULL LIGHT,LED,EURO/SYNERGY	1
A13	DWR1010H145	ELECTRONIC,HARNESS,FULL LIGHT,R-NET,H-1010-145	1
B1	MEC130241	ELECTRICAL CONNECTION BRACKET,AFP,TB3	1
C1	NUTJAM1032	NUT,JAM,THIN,STAINLESS STEEL,3/8-32	1

4.1.3. Recline



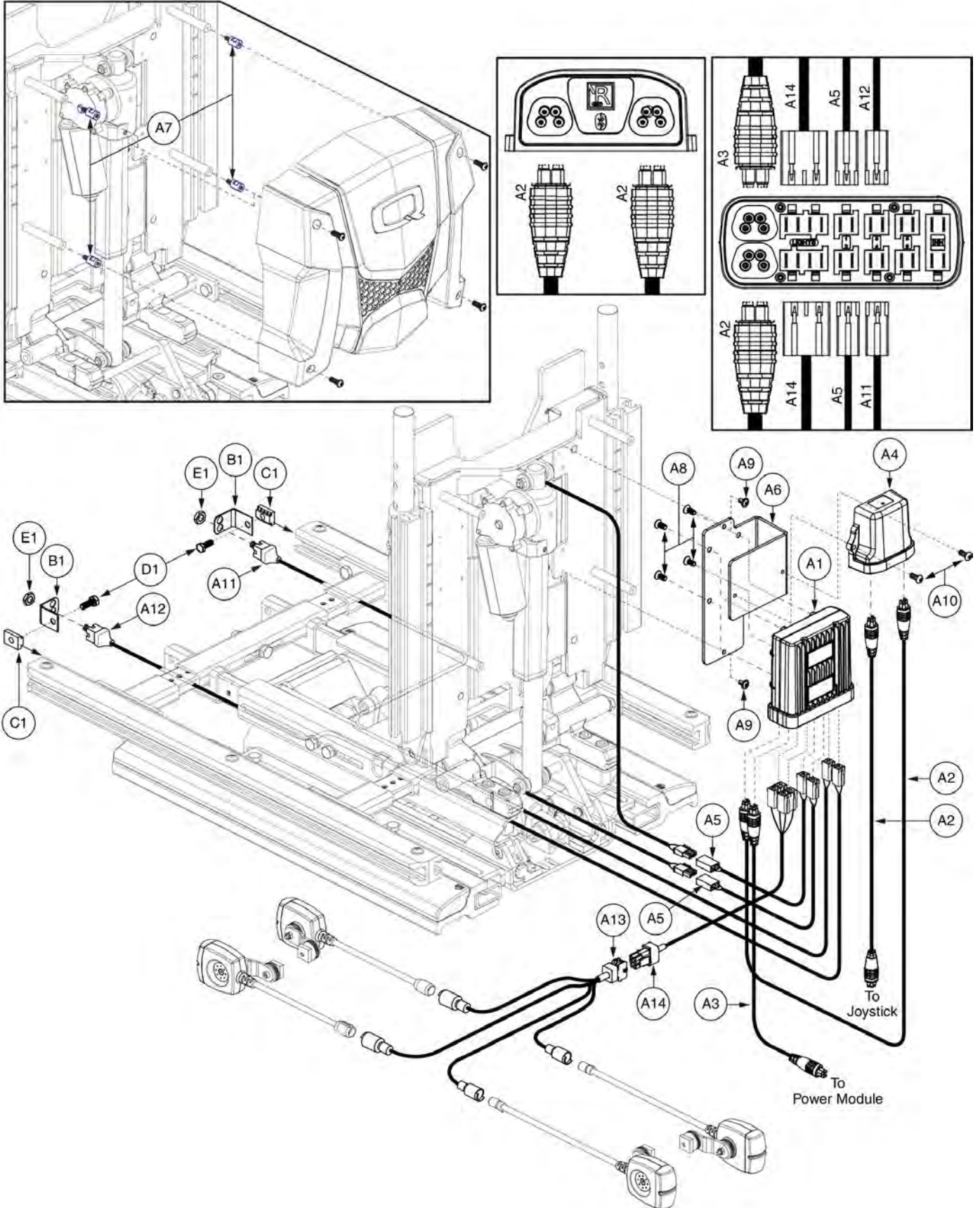
Item	Part No.	Name	Qty
A1 - A14	ELE142999	ELECTRONIC,ASSY,R-NET,W/POWER LEGS,LIGHTS,TB3 RECLINE	1
A1 - A12	ELE143010	ELECTRONIC,ASSY,R-NET,W/POWER LEGS,TB3 RECLINE	1
A1	CTLDC1523	ELECTRONIC,MODULE,ISM,ACTUATOR AND LIGHTING,H-1111-117	1
A2	DWR1111H565	ELECTRONIC,HARNESS,BUS CABLE,0.5 METER,MALE/MALE,R-NET	2
A3	DWR1111H567	ELECTRONIC,HARNESS,BUS CABLE,1.0 METER,MALE/MALE,R-NET	1
A4	CTL137838	R-NET TILT/ASM MODULE (D51508)	1
A5	ELE136088	ELECTRONIC,HARNESS,R-NET ACTUATOR INTERFACE,MOLEX/INTECH	1
A6	MEC138354	BRACKET,R-NET ISM-L,TRU-BALANCE 3	1
A7	HDW131337	STANDOFF,MALE-FEMALE,M4-0.7 X 15MM	4
A8	SCRSHFH1015	SCREW,SHFH,BLACK ZINC,M5-8 X 12MM,GRADE 10.9	4
A9	HDW123677	SCREW,FLANGED BUTTON HEAD, M4X0.7 X 10, ISO 7380-2, CL 10.9, BZ, PVTP	2
A10	HDW125022	SCREW,BHSCS,BLACK ZINC,M5-8 X 12MM,W/NYLON PATCH	2
A11	DWR1265H077	ELECTRONIC,HARNESS,R-NET,ELR ACTUATOR HARNESS,RIGHT	1
A12	DWR1265H078	ELECTRONIC,HARNESS,R-NET,ELR ACTUATOR HARNESS,LEFT	1
A13	DWR1010H135	ELECTRONIC,HARNESS,FULL LIGHT,LED,EURO/SYNERGY	1
A14	DWR1010H145	ELECTRONIC,HARNESS,FULL LIGHT,R-NET,H-1010-145	1
B1	DWR1303B026	ELECTRICAL CONNECTION BRACKET,ARTICULATING LEGREST	2
C1	NUT8120005	NUT,T-SLOT,BLACK,M8-1.25	2
D1	SCRHHCS1382	SCREW,HHCS,BLACK ZINC CHROMATE,M8-1.25 X 12MM,10.9	2
E1	NUTJAM1032	NUT,JAM,THIN,STAINLESS STEEL,3/8-32	2

4.1.4. Tilt & Recline



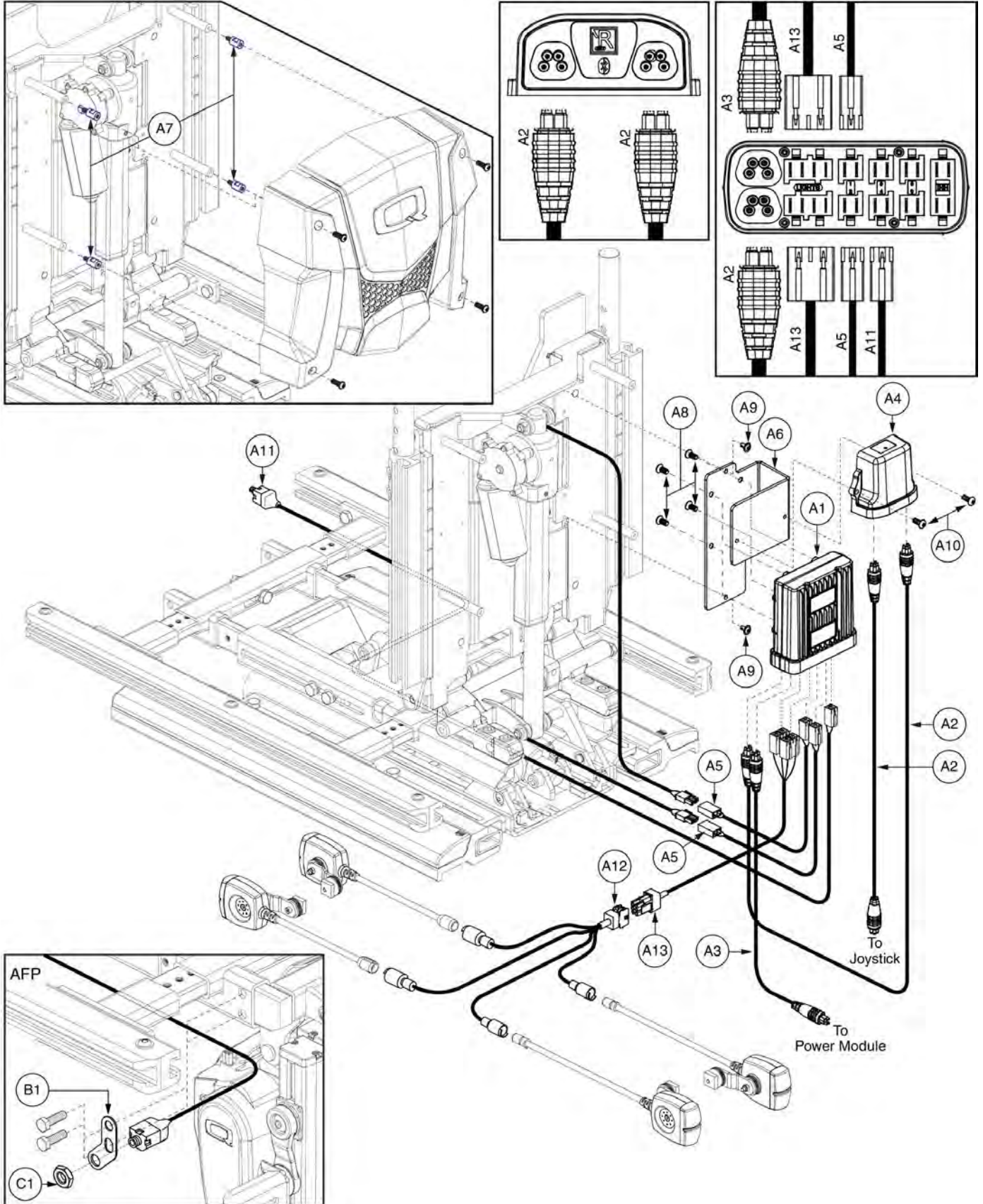
Item	Part No.	Name	Qty
A1 - A12	ELE143000	ELECTRONIC,ASSY,R-NET,LIGHTS,TB3 TILT & RECLINE	1
A1 - A10	ELE143011	ELECTRONIC,ASSY,R-NET,TB3 TILT & RECLINE	1
A1	CTLDC1523	ELECTRONIC,MODULE,ISM,ACTUATOR AND LIGHTING,H-1111-117	1
A2	DWR1111H565	ELECTRONIC,HARNESS,BUS CABLE,0.5 METER,MALE/MALE,R-NET	2
A3	DWR1111H567	ELECTRONIC,HARNESS,BUS CABLE,1.0 METER,MALE/MALE,R-NET	1
A4	CTL137838	R-NET TILT/ASM MODULE (D51508)	1
A5	ELE136088	ELECTRONIC,HARNESS,R-NET ACTUATOR INTERFACE,MOLEX/INTECH	2
A6	MEC138354	BRACKET,R-NET ISM-L,TRU-BALANCE 3	1
A7	HDW131337	STANDOFF,MALE-FEMALE,M4-0.7 X 15MM	4
A8	SCRSHFH1015	SCREW,SHFH,BLACK ZINC,M5-.8 X 12MM,GRADE 10.9	4
A9	HDW123677	SCREW,FLANGED BUTTON HEAD, M4X0.7 X 10, ISO 7380-2, CL 10.9, BZ, PVTP	2
A10	HDW125022	SCREW,BHSCS,BLACK ZINC,M5-.8 X 12MM,W/NYLON PATCH	2
A11	DWR1010H135	ELECTRONIC,HARNESS,FULL LIGHT,LED,EURO/SYNERGY	1
A12	DWR1010H145	ELECTRONIC,HARNESS,FULL LIGHT,R-NET,H-1010-145	1

4.1.4. Tilt & Recline



Item	Part No.	Name	Qty
A1 - A14	ELE143002	ELECTRONIC,ASSY,R-NET,W/POWER LEGS,LIGHTS,TRU-BALANCE 3 POWER TILT & RECLINE	1
A1 - A12	ELE143013	ELECTRONIC,ASSY,R-NET,W/POWER LEGS,TRU-BALANCE 3 POWER TILT & RECLINE	1
A1	CTLDC1523	ELECTRONIC,MODULE,ISM,ACTUATOR AND LIGHTING,H-1111-117	1
A2	DWR1111H565	ELECTRONIC,HARNESS,BUS CABLE,0.5 METER,MALE/MALE,R-NET	2
A3	DWR1111H567	ELECTRONIC,HARNESS,BUS CABLE,1.0 METER,MALE/MALE,R-NET	1
A4	CTL137838	R-NET TILT/ASM MODULE (D51508)	1
A5	ELE136088	ELECTRONIC,HARNESS,R-NET ACTUATOR INTERFACE,MOLEX/INTECH	2
A6	MEC138354	BRACKET,R-NET ISM-L,TRU-BALANCE 3	1
A7	HDW131337	STANDOFF,MALE-FEMALE,M4-0.7 X 15MM	4
A8	SCRSHFH1015	SCREW,SHFH,BLACK ZINC,M5-.8 X 12MM,GRADE 10.9	4
A9	HDW123677	SCREW,FLANGED BUTTON HEAD, M4X0.7 X 10, ISO 7380-2, CL 10.9, BZ, PVTP	2
A10	HDW125022	SCREW,BHSCS,BLACK ZINC,M5-.8 X 12MM,W/NYLON PATCH	2
A11	DWR1265H077	ELECTRONIC,HARNESS,R-NET,ELR ACTUATOR HARNESS,RIGHT	1
A12	DWR1265H078	ELECTRONIC,HARNESS,R-NET,ELR ACTUATOR HARNESS,LEFT	1
A13	DWR1010H135	ELECTRONIC,HARNESS,FULL LIGHT,LED,EURO/SYNERGY	1
A14	DWR1010H145	ELECTRONIC,HARNESS,FULL LIGHT,R-NET,H-1010-145	1
B1	DWR1303B026	ELECTRICAL CONNECTION BRACKET,ARTICULATING LEGREST	2
C1	NUT8120005	NUT,T-SLOT,BLACK,M8-1.25	2
D1	SCRHHCS1382	SCREW,HHCS,BLACK ZINC CHROMATE,M8-1.25 X 12MM,10.9	2
E1	NUTJAM1032	NUT,JAM,THIN,STAINLESS STEEL,3/8-32	2

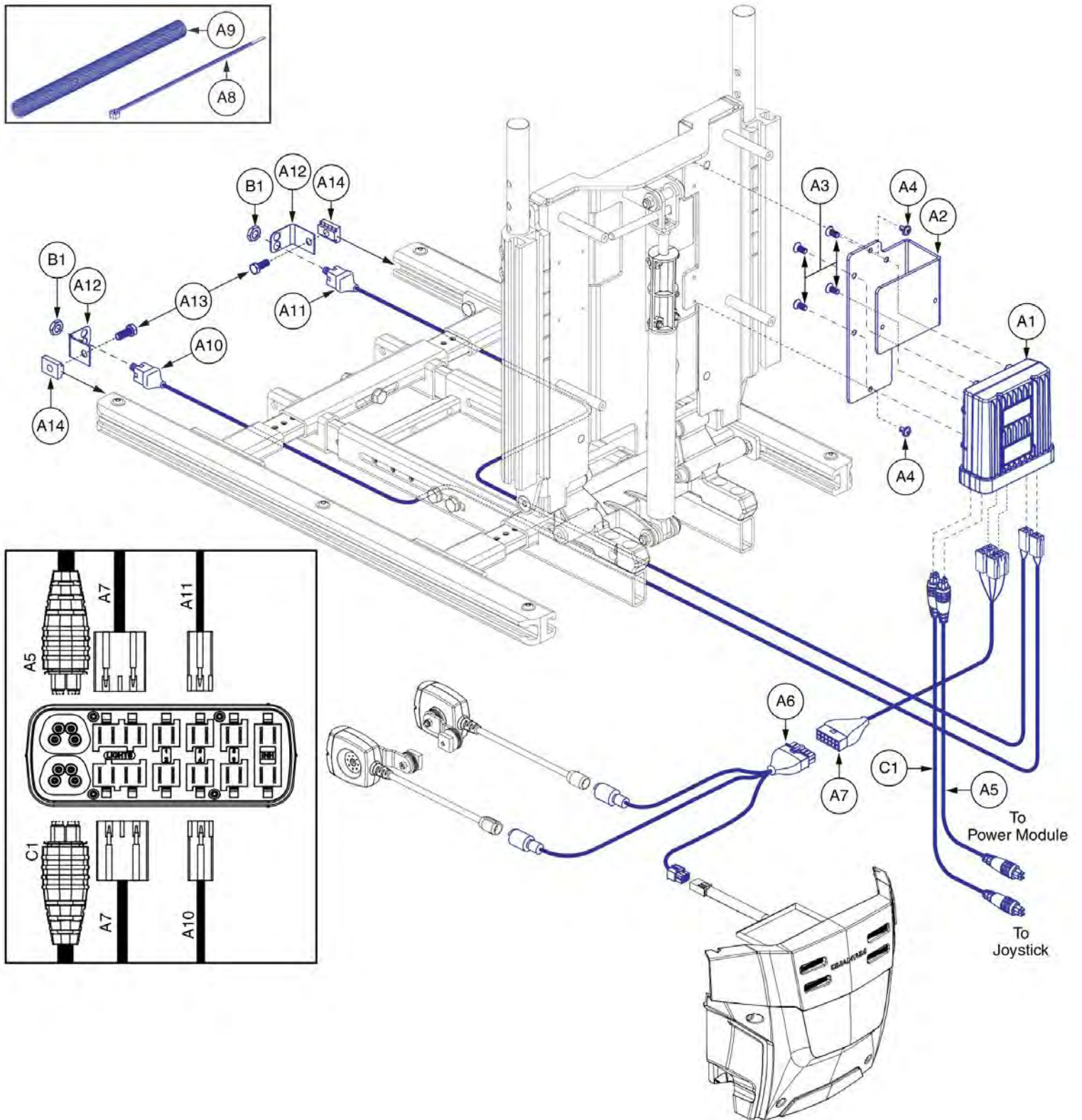
4.1.4. Tilt & Recline



Item	Part No.	Name	Qty
A1 - A13	ELE143001	ELECTRONIC,ASSY,R-NET,W/POWER ARTICULATING FOOT PLATFORM,LIGHTS,TRU-BALANCE 3 POWER TILT & RECLINE	1
A1 - A11	ELE143012	ELECTRONIC,ASSY,R-NET,W/POWER ARTICULATING FOOT PLATFORM,TRU-BALANCE 3 POWER TILT & RECLINE	1
A1	CTLDC1523	ELECTRONIC,MODULE,ISM,ACTUATOR AND LIGHTING,H-1111-117	1
A2	DWR1111H565	ELECTRONIC,HARNESS,BUS CABLE,0.5 METER,MALE/MALE,R-NET	2
A3	DWR1111H567	ELECTRONIC,HARNESS,BUS CABLE,1.0 METER,MALE/MALE,R-NET	1
A4	CTL137838	R-NET TILT/ASM MODULE (D51508)	1
A5	ELE136088	ELECTRONIC,HARNESS,R-NET ACTUATOR INTERFACE,MOLEX/INTECH	2
A6	MEC138354	BRACKET,R-NET ISM-L,TRU-BALANCE 3	1
A7	HDW131337	STANDOFF,MALE-FEMALE,M4-0.7 X 15MM	4
A8	SCRSHFH1015	SCREW,SHFH,BLACK ZINC,M5-8 X 12MM,GRADE 10.9	4
A9	HDW123677	SCREW,FLANGED BUTTON HEAD, M4X0.7 X 10, ISO 7380-2, CL 10.9, BZ, PVTP	2
A10	HDW125022	SCREW,BHSCS,BLACK ZINC,M5-8 X 12MM,W/NYLON PATCH	2
A11	DWR1265H077	ELECTRONIC,HARNESS,R-NET,ELR ACTUATOR HARNESS,RIGHT	1
A12	DWR1010H135	ELECTRONIC,HARNESS,FULL LIGHT,LED,EURO/SYNERGY	1
A13	DWR1010H145	ELECTRONIC,HARNESS,FULL LIGHT,R-NET,H-1010-145	1
B1	MEC130241	ELECTRICAL CONNECTION BRACKET,AFP,TB3	1
C1	NUTJAM1032	NUT,JAM,THIN,STAINLESS STEEL,3/8-32	1

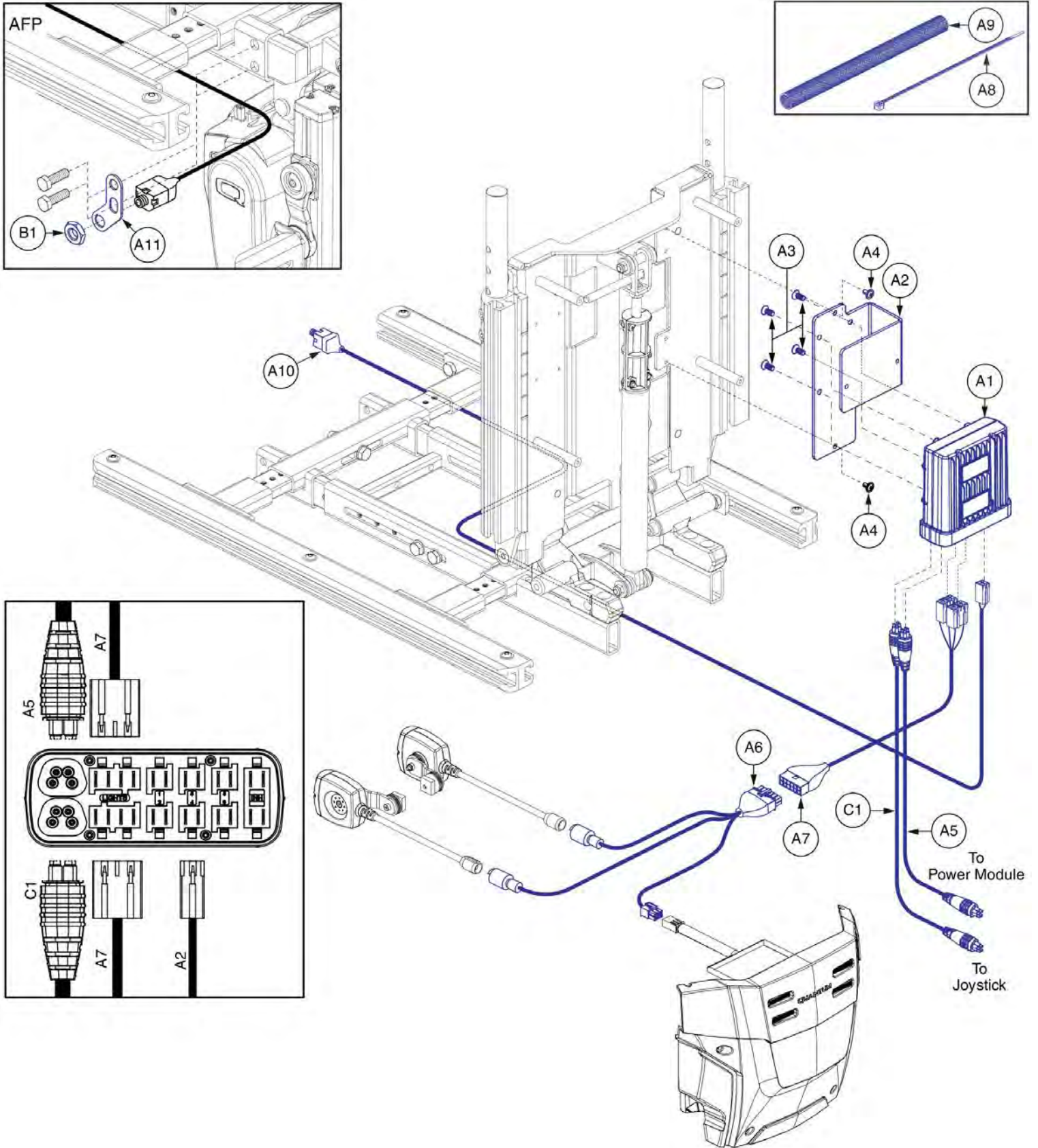
Item	Part No.	Name	Qty
A1 - A9	ELE1905951	ELECTRONIC,ASSY,R-NET,LIGHTS,TRU-BALANCE 3 SEAT,Q6EDGE 3 STRETTO	1
A1	CTLDC1523	ELECTRONIC,MODULE,ISM,ACTUATOR AND LIGHTING,H-1111-117	1
A2	MEC138354	BRACKET,R-NET ISM-L,TRU-BALANCE 3	1
A3	SCRSHFH1015	SCREW,SHFH,BLACK ZINC,M5-.8 X 12MM,GRADE 10.9	4
A4	HDW123677	SCREW,FLANGED BUTTON HEAD, M4X0.7 X 10, ISO 7380-2, CL 10.9, BZ, PVTP	2
A5	DWR1111H567	ELECTRONIC,HARNESS,BUS CABLE,1.0 METER,MALE/MALE,R-NET	1
A6	ELE1808670	HARNESS,LIGHT INTERFACE,Q6 EDGE 3 STRETTO,REAR SEAT MODULE, W/O LIFT	1
A7	ELE1808809	HARNESS, LIGHT MODULE INTERFACE, RNET, EDGE MINI	1
A8	PLSTIE1004	TIE WRAP,BLACK,8"	5
A9	ELE146865	ELECTRONIC,SELF WRAPPING,5/8"D,10"L,SPLIT TUBULAR WOVEN SLEEVE,TECHFLEX(F6W0.63BK10)	1
B1	DWR1111H565	ELECTRONIC,HARNESS,BUS CABLE,0.5 METER,MALE/MALE,R-NET	1

4.2.1. Static Seat



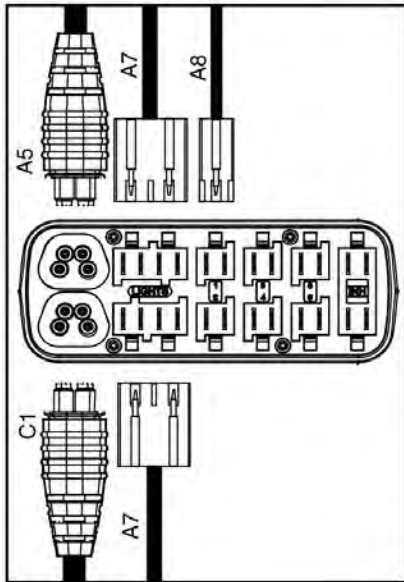
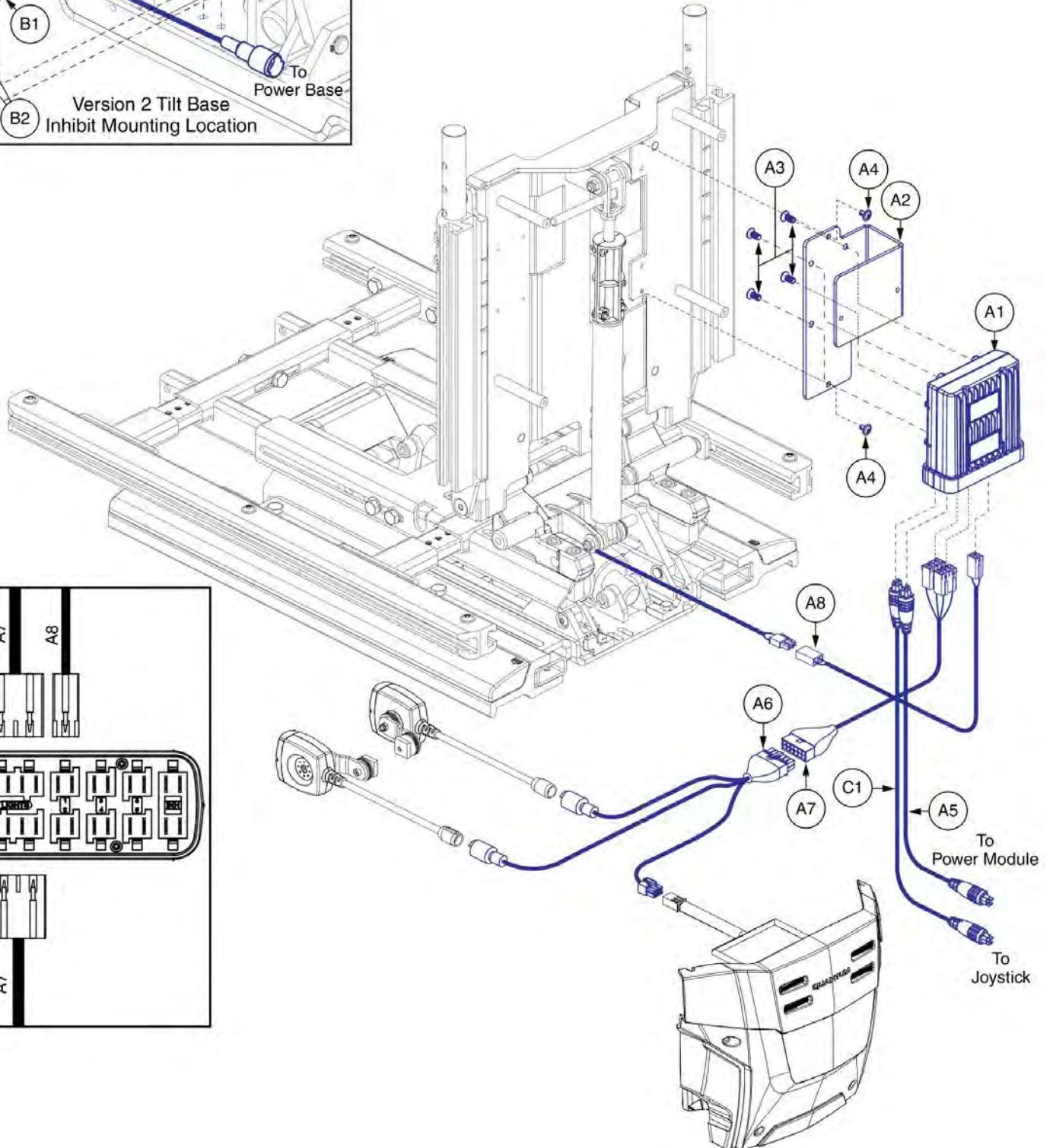
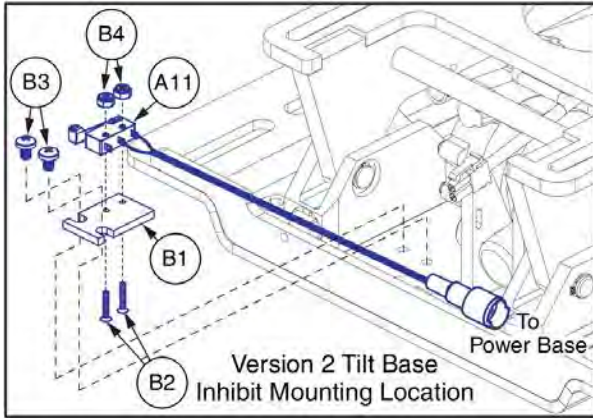
Item	Part No.	Name	Qty
A1 - A14	ELE1905959	ELECTRONIC,ASSY,R-NET,W/POWER LEGS,LIGHTS,TRU-BALANCE 3 SEAT,Q6EDGE 3 STRETTO	1
A1	CTLDC1523	ELECTRONIC,MODULE,ISM,ACTUATOR AND LIGHTING,H-1111-117	1
A2	MEC138354	BRACKET,R-NET ISM-L,TRU-BALANCE 3	1
A3	SCRSHFH1015	SCREW,SHFH,BLACK ZINC,M5-8 X 12MM,GRADE 10.9	4
A4	HDW123677	SCREW,FLANGED BUTTON HEAD, M4X0.7 X 10, ISO 7380-2, CL 10.9, BZ, PVTP	2
A5	DWR1111H567	ELECTRONIC,HARNESS,BUS CABLE,1.0 METER,MALE/MALE,R-NET	1
A6	ELE1808670	HARNESS,LIGHT INTERFACE,Q6 EDGE 3 STRETTO,REAR SEAT MODULE, W/O LIFT	1
A7	ELE1808809	HARNESS, LIGHT MODULE INTERFACE, RNET, EDGE MINI	1
A8	PLSTIE1004	TIE WRAP,BLACK,8"	5
A9	ELE146865	ELECTRONIC,SELF WRAPPING,5/8"D,10"L,SPLIT TUBULAR WOVEN SLEEVE,TECHFLEX(F6W0.63BK10)	1
A10	DWR1265H078	ELECTRONIC,HARNESS,R-NET,ELR ACTUATOR HARNESS,LEFT	1
A11	DWR1265H077	ELECTRONIC,HARNESS,R-NET,ELR ACTUATOR HARNESS,RIGHT	1
A12	DWR1303B026	ELECTRICAL CONNECTION BRACKET,ARTICULATING LEGREST	2
A13	SCRHHCS1382	SCREW,HHCS,BLACK ZINC CHROMATE,M8-1.25 X 12MM,10.9	2
A14	NUT8120005	NUT,T-SLOT,BLACK,M8-1.25	2
B1	NUTJAM1032	NUT,JAM,THIN,STAINLESS STEEL,3/8-32	2
C1	DWR1111H565	ELECTRONIC,HARNESS,BUS CABLE,0.5 METER,MALE/MALE,R-NET	1

4.2.1. Static Seat



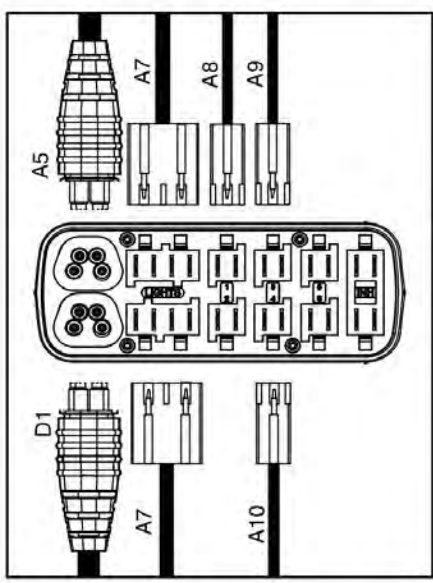
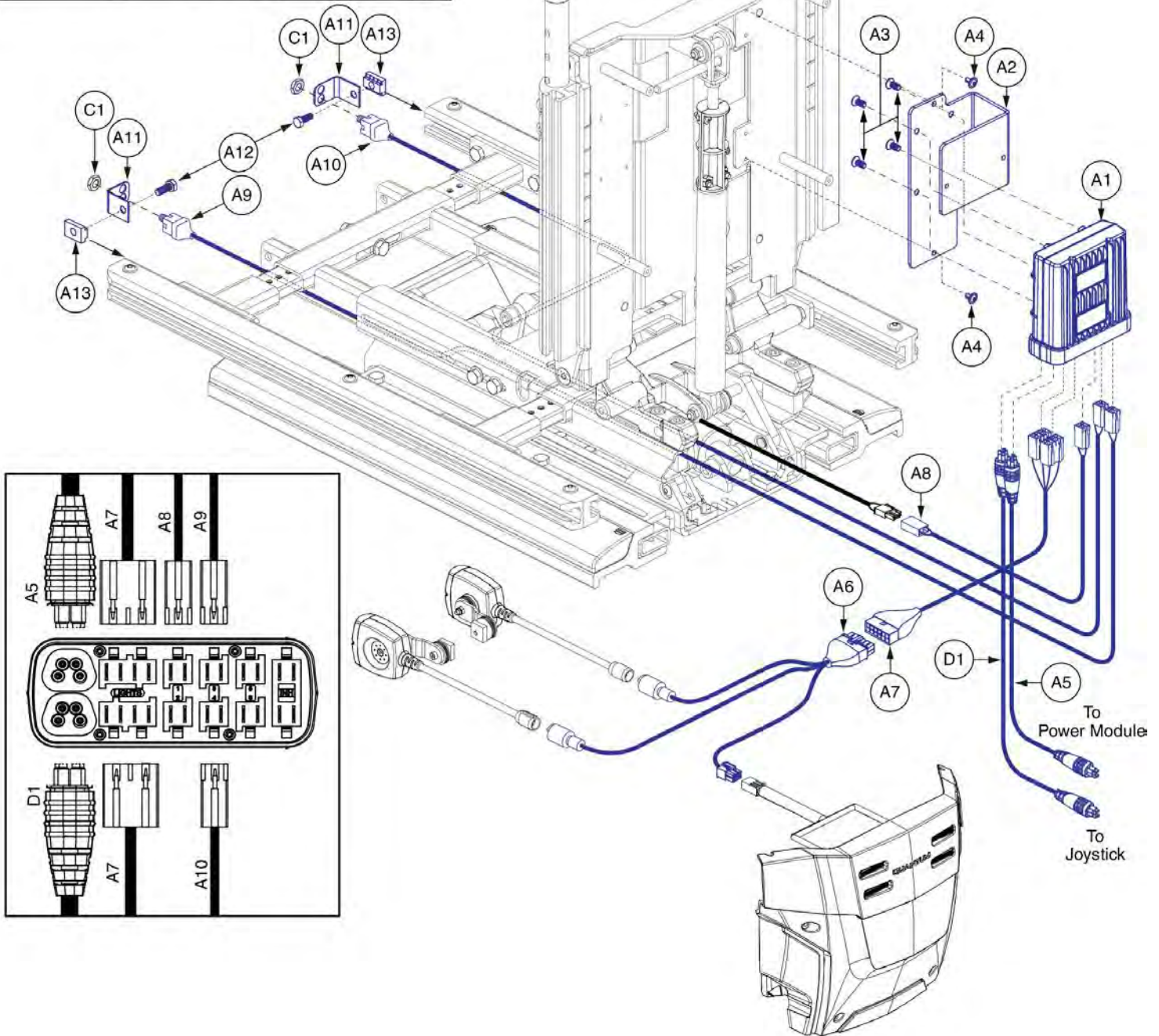
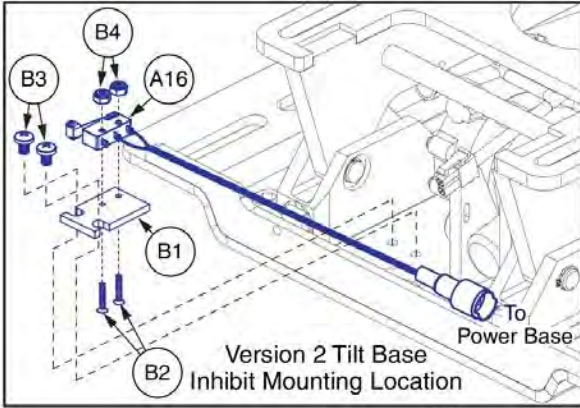
Item	Part No.	Name	Qty
A1 - A11	ELE1905960	ELECTRONIC,ASSY,R-NET,W/POWER ARTICULATING FOOT PLATFORM,LIGHTS,TRU-BALANCE 3 SEAT,Q6EDGE 3 STRETTO	1
A1	CTLDC1523	ELECTRONIC,MODULE,ISM,ACTUATOR AND LIGHTING,H-1111-117	1
A2	MEC138354	BRACKET,R-NET ISM-L,TRU-BALANCE 3	1
A3	SCRSHFH1015	SCREW,SHFH,BLACK ZINC,M5-.8 X 12MM,GRADE 10.9	4
A4	HDW123677	SCREW,FLANGED BUTTON HEAD, M4X0.7 X 10, ISO 7380-2, CL 10.9, BZ, PVTP	2
A5	DWR1111H567	ELECTRONIC,HARNESS,BUS CABLE,1.0 METER,MALE/MALE,R-NET	1
A6	ELE1808670	HARNESS,LIGHT INTERFACE,Q6 EDGE 3 STRETTO,REAR SEAT MODULE, W/O LIFT	1
A7	ELE1808809	HARNESS, LIGHT MODULE INTERFACE, RNET, EDGE MINI	1
A8	PLSTIE1004	TIE WRAP,BLACK,8"	5
A9	ELE146865	ELECTRONIC,SELF WRAPPING,5/8"D,10"L,SPLIT TUBULAR WOVEN SLEEVE,TECHFLEX(F6W0.63BK10)	1
A10	DWR1265H077	ELECTRONIC,HARNESS,R-NET,ELR ACTUATOR HARNESS,RIGHT	1
A11	MEC130241	ELECTRICAL CONNECTION BRACKET,AFP,TB3	1
B1	NUTJAM1032	NUT,JAM,THIN,STAINLESS STEEL,3/8-32	1
C1	DWR1111H565	ELECTRONIC,HARNESS,BUS CABLE,0.5 METER,MALE/MALE,R-NET	1

4.2.2. Tilt



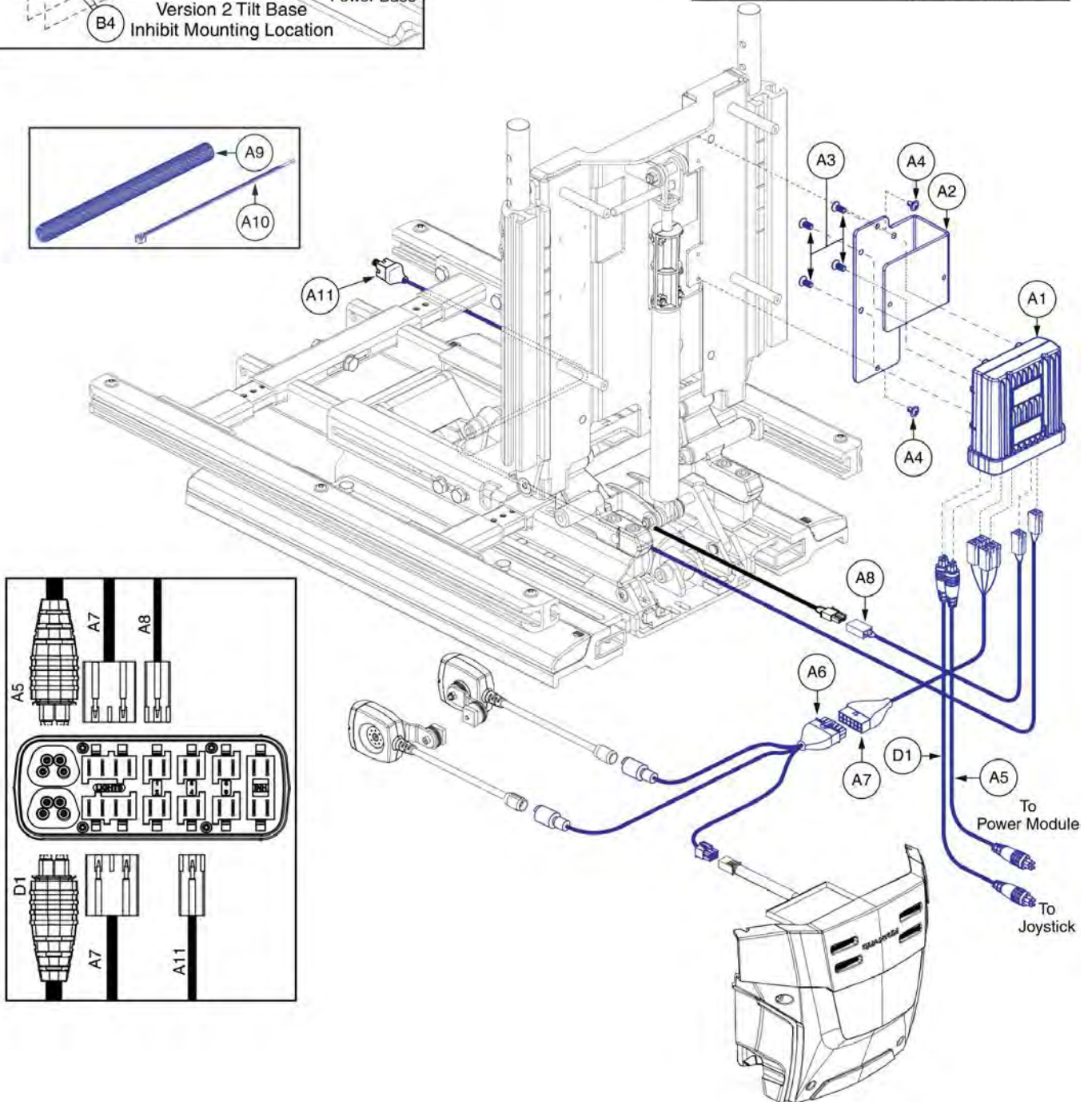
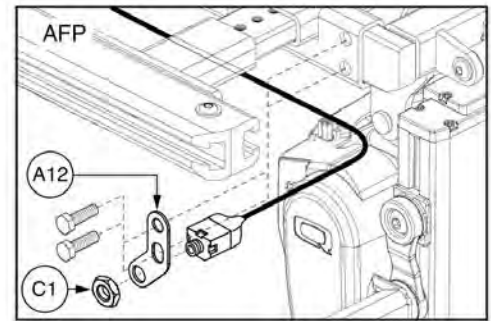
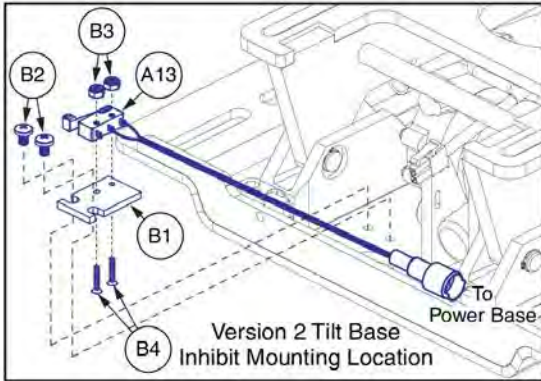
Item	Part No.	Name	Qty
A1 - B4	ELE1906184	ELECTRONIC,ASSY,R-NET,LIGHTS,TRU-BALANCE 3 POWER TILT,Q6EDGE 3 STRETTO	1
A1	CTLDC1523	ELECTRONIC,MODULE,ISM,ACTUATOR AND LIGHTING,H-1111-117	1
A2	MEC138354	BRACKET,R-NET ISM-L,TRU-BALANCE 3	1
A3	SCRSHFH1015	SCREW,SHFH,BLACK ZINC,M5-.8 X 12MM,GRADE 10.9	4
A4	HDW123677	SCREW,FLANGED BUTTON HEAD, M4X0.7 X 10, ISO 7380-2, CL 10.9, BZ, PVTP	2
A5	DWR1111H567	ELECTRONIC,HARNESS,BUS CABLE,1.0 METER,MALE/MALE,R-NET	1
A6	ELE1808670	HARNESS,LIGHT INTERFACE,Q6 EDGE 3 STRETTO,REAR SEAT MODULE, W/O LIFT	1
A7	ELE1808809	HARNESS, LIGHT MODULE INTERFACE, RNET, EDGE MINI	1
A8	ELE136088	ELECTRONIC,HARNESS,R-NET ACTUATOR INTERFACE,MOLEX/INTECH	1
A9	PLSTIE1004	TIE WRAP,BLACK,8"	5
A10	ELE146865	ELECTRONIC,SELF WRAPPING,5/8"D,10"L,SPLIT TUBULAR WOVEN SLEEVE,TECHFLEX(F6W0.63BK10)	1
A11	DWR1265H039	HARNESS,MICROSWITCH INHIBIT,TILT	1
B1 - B4	MEC160436	MOUNTING BRACKET,ASSY,INHIBIT MICROSWITCH,TB3.5	1
B1	MEC152404	TILT,INHIBIT SWITCH PLATE,TRU-BALANCE 3.5	1
B2	SCRPFH1076	SCREW,PFH,STAINLESS STEEL,2-56 X 0.50"	2
B3	SCRPPH1036	SCREW, PAN HEAD, TYPE H, M4X0.7 X 8, FT, ISO 7045, CL 4.8, BZ	2
B4	NUTNYLK1106	NUT,NYLOCK,BLACK ZINC,2-56,GRADE 2	2
C1	DWR1111H565	ELECTRONIC,HARNESS,BUS CABLE,0.5 METER,MALE/MALE,R-NET	1

4.2.2. Tilt



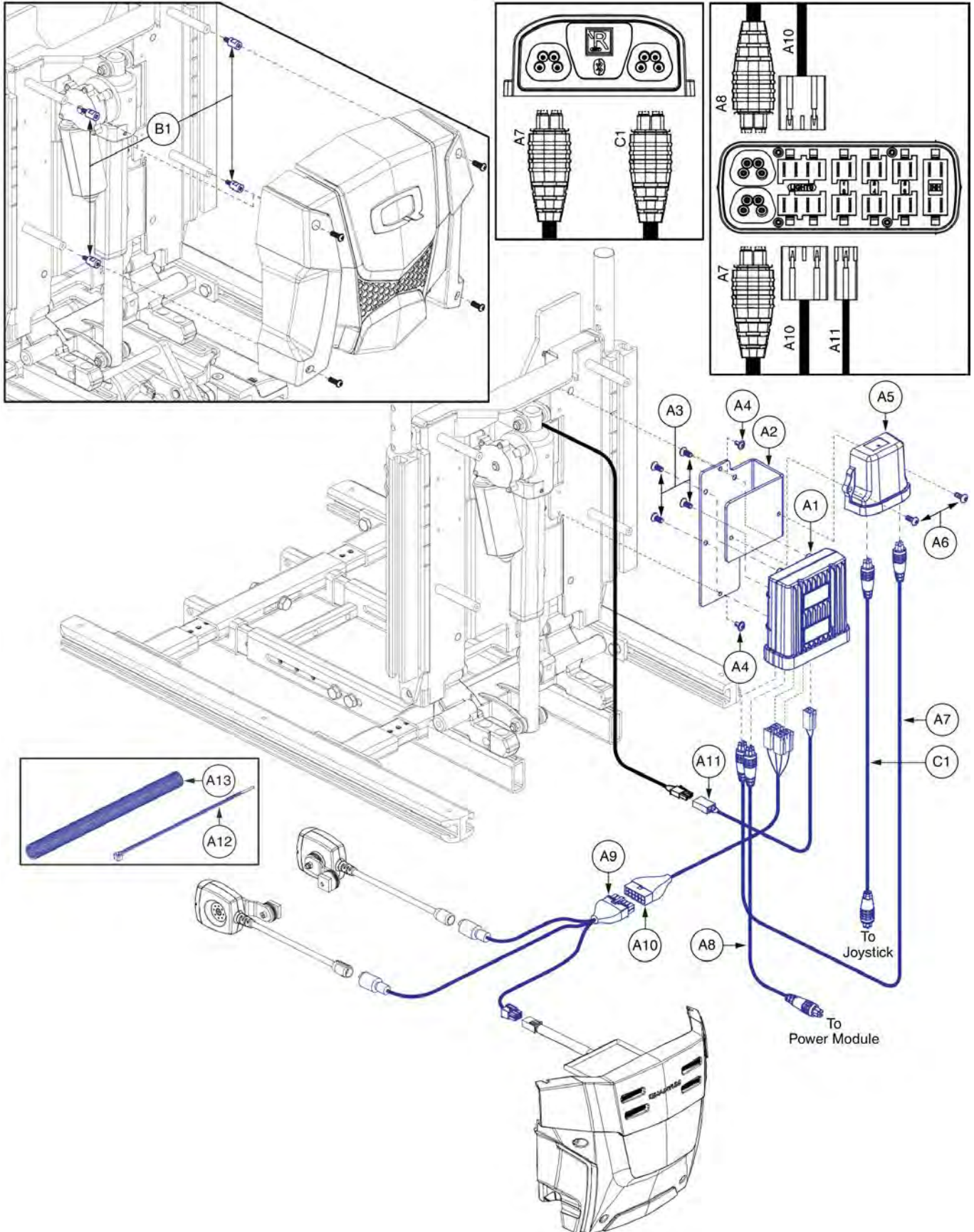
Item	Part No.	Name	Qty
A1 - B4	ELE1906212	ELECTRONIC,ASSY,R-NET,W/POWER LEGS,LIGHTS,TRU-BALANCE 3 TILT,Q6EDGE 3 STRETTO	1
A1	CTLDC1523	ELECTRONIC,MODULE,ISM,ACTUATOR AND LIGHTING,H-1111-117	1
A2	MEC138354	BRACKET,R-NET ISM-L,TRU-BALANCE 3	1
A3	SCRSHFH1015	SCREW,SHFH,BLACK ZINC,M5-.8 X 12MM,GRADE 10.9	4
A4	HDW123677	SCREW,FLANGED BUTTON HEAD, M4X0.7 X 10, ISO 7380-2, CL 10.9, BZ, PVTP	2
A5	DWR1111H567	ELECTRONIC,HARNESS,BUS CABLE,1.0 METER,MALE/MALE,R-NET	1
A6	ELE1808670	HARNESS,LIGHT INTERFACE,Q6 EDGE 3 STRETTO,REAR SEAT MODULE, W/O LIFT	1
A7	ELE1808809	HARNESS, LIGHT MODULE INTERFACE, RNET, EDGE MINI	1
A8	ELE136088	ELECTRONIC,HARNESS,R-NET ACTUATOR INTERFACE,MOLEX/INTECH	1
A9	DWR1265H078	ELECTRONIC,HARNESS,R-NET,ELR ACTUATOR HARNESS,LEFT	1
A10	DWR1265H077	ELECTRONIC,HARNESS,R-NET,ELR ACTUATOR HARNESS,RIGHT	1
A11	DWR1303B026	ELECTRICAL CONNECTION BRACKET,ARTICULATING LEGREST	2
A12	SCRHHCS1382	SCREW,HHCS,BLACK ZINC CHROMATE,M8-1.25 X 12MM,10.9	2
A13	NUT8120005	NUT,T-SLOT,BLACK,M8-1.25	2
A14	PLSTIE1004	TIE WRAP,BLACK,8"	5
A15	ELE146865	ELECTRONIC,SELF WRAPPING,5/8"D,10"L,SPLIT TUBULAR WOVEN SLEEVE,TECHFLEX(F6W0.63BK10)	1
A16	DWR1265H039	HARNESS,MICROSWITCH INHIBIT,TILT	1
B1 - B4	MEC160436	MOUNTING BRACKET,ASSY,INHIBIT MICROSWITCH,TB3.5	1
B1	MEC152404	TILT,INHIBIT SWITCH PLATE,TRU-BALANCE 3.5	1
B2	SCRPFH1076	SCREW,PFH,STAINLESS STEEL,2-56 X 0.50"	2
B3	SCRPPH1036	SCREW, PAN HEAD, TYPE H, M4X0.7 X 8, FT, ISO 7045, CL 4.8, BZ	2
B4	NUTNYLK1106	NUT,NYLOCK,BLACK ZINC,2-56,GRADE 2	2
C1	NUTJAM1032	NUT,JAM,THIN,STAINLESS STEEL,3/8-32	2
D1	DWR1111H565	ELECTRONIC,HARNESS,BUS CABLE,0.5 METER,MALE/MALE,R-NET	1

4.2.2. Tilt



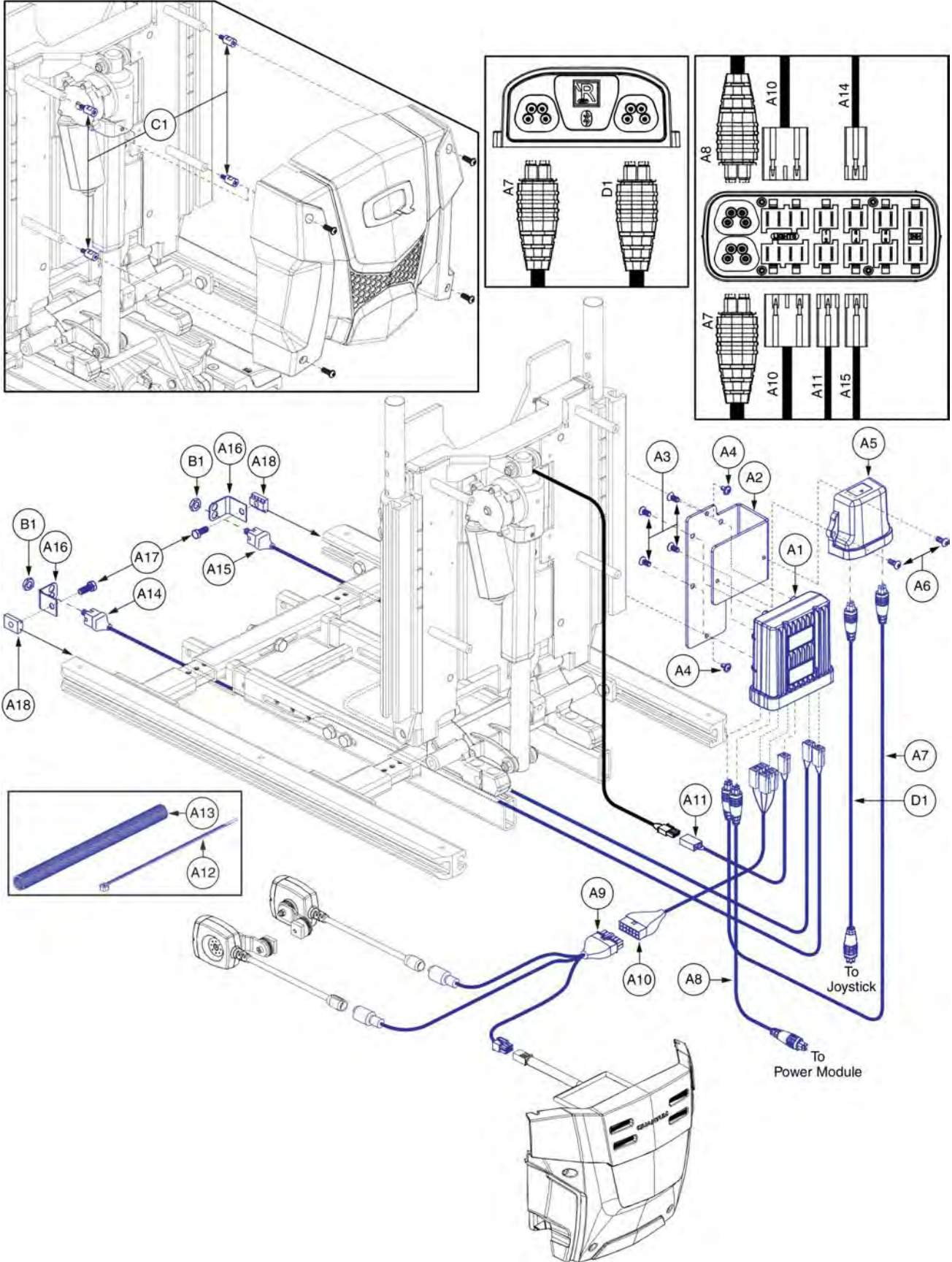
Item	Part No.	Name	Qty
A1 - B4	ELE1906213	ELECTRONIC,ASSY,R-NET,W/POWER ARTICULATING FOOT PLATFORM,LIGHTS,TRU-BALANCE 3 TILT,Q6EDGE 3 STRETTO	1
A1	CTLDC1523	ELECTRONIC,MODULE,ISM,ACTUATOR AND LIGHTING,H-1111-117	1
A2	MEC138354	BRACKET,R-NET ISM-L,TRU-BALANCE 3	1
A3	SCRSHFH1015	SCREW,SHFH,BLACK ZINC,M5-.8 X 12MM,GRADE 10.9	4
A4	HDW123677	SCREW,FLANGED BUTTON HEAD, M4X0.7 X 10, ISO 7380-2, CL 10.9, BZ, PVTP	2
A5	DWR1111H567	ELECTRONIC,HARNESS,BUS CABLE,1.0 METER,MALE/MALE,R-NET	1
A6	ELE1808670	HARNESS,LIGHT INTERFACE,Q6 EDGE 3 STRETTO,REAR SEAT MODULE, W/O LIFT	1
A7	ELE1808809	HARNESS, LIGHT MODULE INTERFACE, RNET, EDGE MINI	1
A8	ELE136088	ELECTRONIC,HARNESS,R-NET ACTUATOR INTERFACE,MOLEX/INTECH	1
A9	ELE146865	ELECTRONIC,SELF WRAPPING,5/8"D,10"L,SPLIT TUBULAR WOVEN SLEEVE,TECHFLEX(F6W0.63BK10)	1
A10	PLSTIE1004	TIE WRAP,BLACK,8"	5
A11	DWR1265H077	ELECTRONIC,HARNESS,R-NET,ELR ACTUATOR HARNESS,RIGHT	1
A12	MEC130241	ELECTRICAL CONNECTION BRACKET,AFP,TB3	1
A13	DWR1265H039	HARNESS,MICROSWITCH INHIBIT,TILT	1
B1 - B4	MEC160436	MOUNTING BRACKET,ASSY,INHIBIT MICROSWITCH,TB3.5	1
B1	MEC152404	TILT,INHIBIT SWITCH PLATE,TRU-BALANCE 3.5	1
B2	SCRPPH1036	SCREW, PAN HEAD, TYPE H, M4X0.7 X 8, FT, ISO 7045, CL 4.8, BZ	2
B3	NUTNYLK1106	NUT,NYLOCK,BLACK ZINC,2-56,GRADE 2	2
B4	SCRPFH1076	SCREW,PFH,STAINLESS STEEL,2-56 X 0.50"	2
C1	NUTJAM1032	NUT,JAM,THIN,STAINLESS STEEL,3/8-32	1
D1	DWR1111H565	ELECTRONIC,HARNESS,BUS CABLE,0.5 METER,MALE/MALE,R-NET	1

4.2.3. Recline



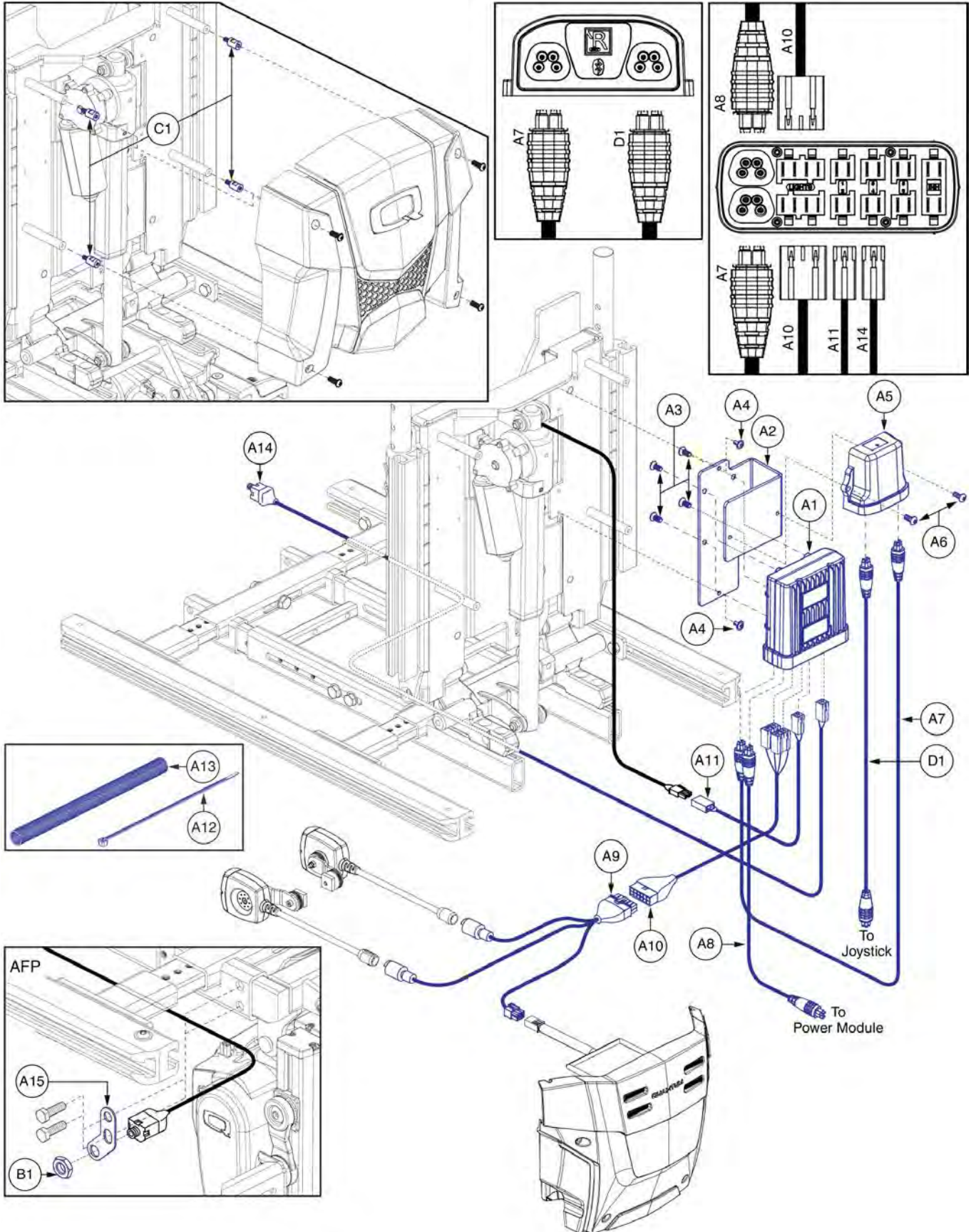
Item	Part No.	Name	Qty
A1 - A13	ELE1906214	ELECTRONIC,ASSY,R-NET,LIGHTS,TRU-BALANCE 3 POWER RECLINE,Q6EDGE 3 STRETTO	1
A1	CTLDC1523	ELECTRONIC,MODULE,ISM,ACTUATOR AND LIGHTING,H-1111-117	1
A2	MEC138354	BRACKET,R-NET ISM-L,TRU-BALANCE 3	1
A3	SCRSHFH1015	SCREW,SHFH,BLACK ZINC,M5-.8 X 12MM,GRADE 10.9	4
A4	HDW123677	SCREW,FLANGED BUTTON HEAD, M4X0.7 X 10, ISO 7380-2, CL 10.9, BZ, PVTP	2
A5	CTL137838	R-NET TILT/ASM MODULE (D51508)	1
A6	HDW125022	SCREW,BHSCS,BLACK ZINC,M5-.8 X 12MM,W/NYLON PATCH	2
A7	DWR1111H565	ELECTRONIC,HARNESS,BUS CABLE,0.5 METER,MALE/MALE,R-NET	1
A8	DWR1111H567	ELECTRONIC,HARNESS,BUS CABLE,1.0 METER,MALE/MALE,R-NET	1
A9	ELE1808670	HARNESS,LIGHT INTERFACE,Q6 EDGE 3 STRETTO,REAR SEAT MODULE, W/O LIFT	1
A10	ELE1808809	HARNESS, LIGHT MODULE INTERFACE, RNET, EDGE MINI	1
A11	ELE136088	ELECTRONIC,HARNESS,R-NET ACTUATOR INTERFACE,MOLEX/INTECH	1
A12	PLSTIE1004	TIE WRAP,BLACK,8"	5
A13	ELE146865	ELECTRONIC,SELF WRAPPING,5/8"D,10"L,SPLIT TUBULAR WOVEN SLEEVE,TECHFLEX(F6W0.63BK10)	1
B1	HDW131337	STANDOFF,MALE-FEMALE,M4-0.7 X 15MM	4
C1	DWR1111H565	ELECTRONIC,HARNESS,BUS CABLE,0.5 METER,MALE/MALE,R-NET	1

4.2.3. Recline



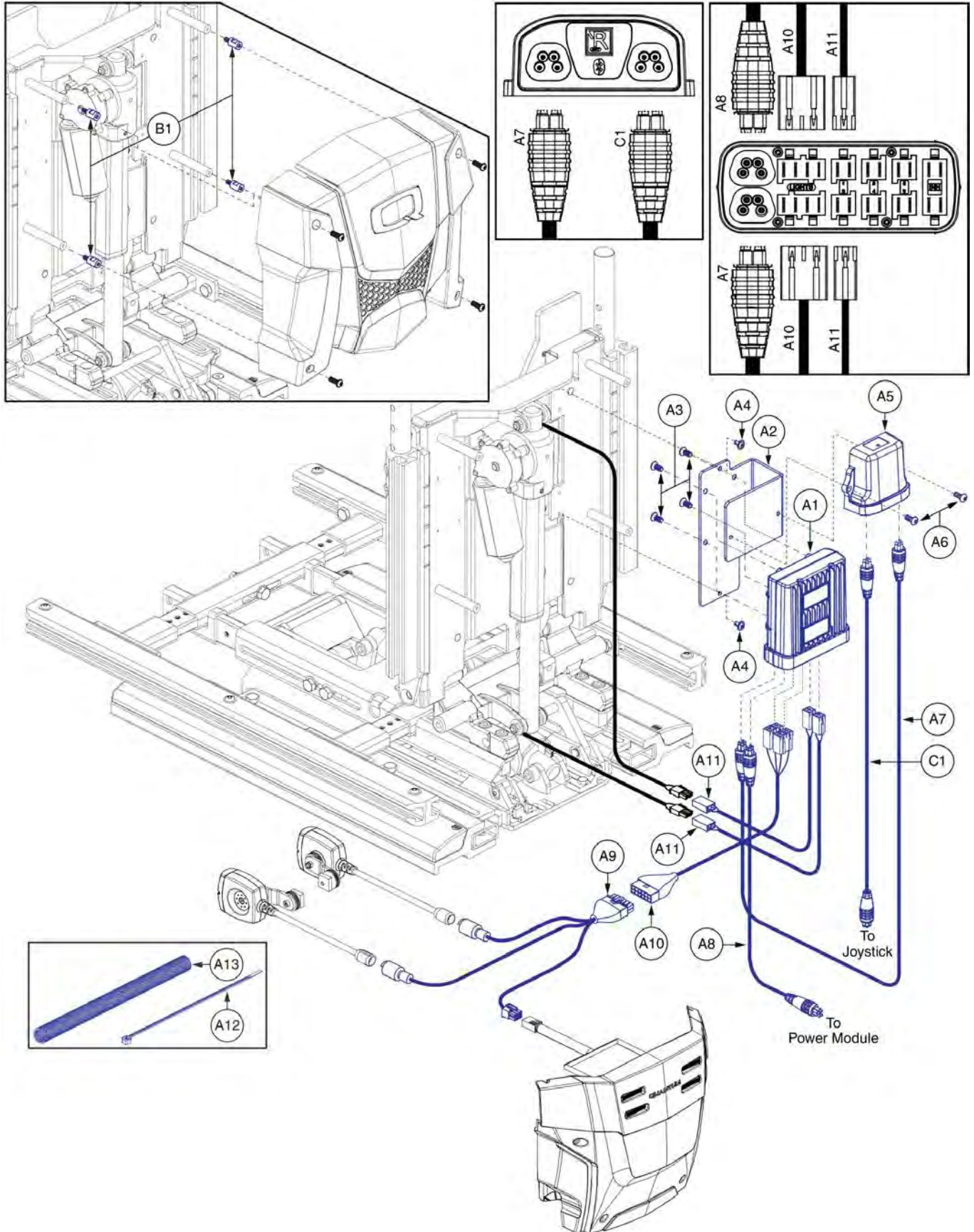
Item	Part No.	Name	Qty
A1 - A18	ELE1906215	ELECTRONIC,ASSY,R-NET,W/POWER LEGS,LIGHTS,TRU-BALANCE 3 POWER RECLINE,Q6EDGE 3 STRETTO	1
A1	CTLDC1523	ELECTRONIC,MODULE,ISM,ACTUATOR AND LIGHTING,H-1111-117	1
A2	MEC138354	BRACKET,R-NET ISM-L,TRU-BALANCE 3	1
A3	SCRSHFH1015	SCREW,SHFH,BLACK ZINC,M5-.8 X 12MM,GRADE 10.9	4
A4	HDW123677	SCREW,FLANGED BUTTON HEAD, M4X0.7 X 10, ISO 7380-2, CL 10.9, BZ, PVTP	2
A5	CTL137838	R-NET TILT/ASM MODULE (D51508)	1
A6	HDW125022	SCREW,BHSCS,BLACK ZINC,M5-.8 X 12MM,W/NYLON PATCH	2
A7	DWR1111H565	ELECTRONIC,HARNESS,BUS CABLE,0.5 METER,MALE/MALE,R-NET	1
A8	DWR1111H567	ELECTRONIC,HARNESS,BUS CABLE,1.0 METER,MALE/MALE,R-NET	1
A9	ELE1808670	HARNESS,LIGHT INTERFACE,Q6 EDGE 3 STRETTO,REAR SEAT MODULE, W/O LIFT	1
A10	ELE1808809	HARNESS, LIGHT MODULE INTERFACE, RNET, EDGE MINI	1
A11	ELE136088	ELECTRONIC,HARNESS,R-NET ACTUATOR INTERFACE,MOLEX/INTECH	1
A12	PLSTIE1004	TIE WRAP,BLACK,8"	5
A13	ELE146865	ELECTRONIC,SELF WRAPPING,5/8"D,10"L,SPLIT TUBULAR WOVEN SLEEVE,TECHFLEX(F6W0.63BK10)	1
A14	DWR1265H078	ELECTRONIC,HARNESS,R-NET,ELR ACTUATOR HARNESS,LEFT	1
A15	DWR1265H077	ELECTRONIC,HARNESS,R-NET,ELR ACTUATOR HARNESS,RIGHT	1
A16	DWR1303B026	ELECTRICAL CONNECTION BRACKET,ARTICULATING LEGREST	2
A17	SCRHHCS1382	SCREW,HHCS,BLACK ZINC CHROMATE,M8-1.25 X 12MM,10.9	2
A18	NUT8120005	NUT,T-SLOT,BLACK,M8-1.25	2
B1	NUTJAM1032	NUT,JAM,THIN,STAINLESS STEEL,3/8-32	2
C1	HDW131337	STANDOFF,MALE-FEMALE,M4-0.7 X 15MM	4
D1	DWR1111H565	ELECTRONIC,HARNESS,BUS CABLE,0.5 METER,MALE/MALE,R-NET	1

4.2.3. Recline



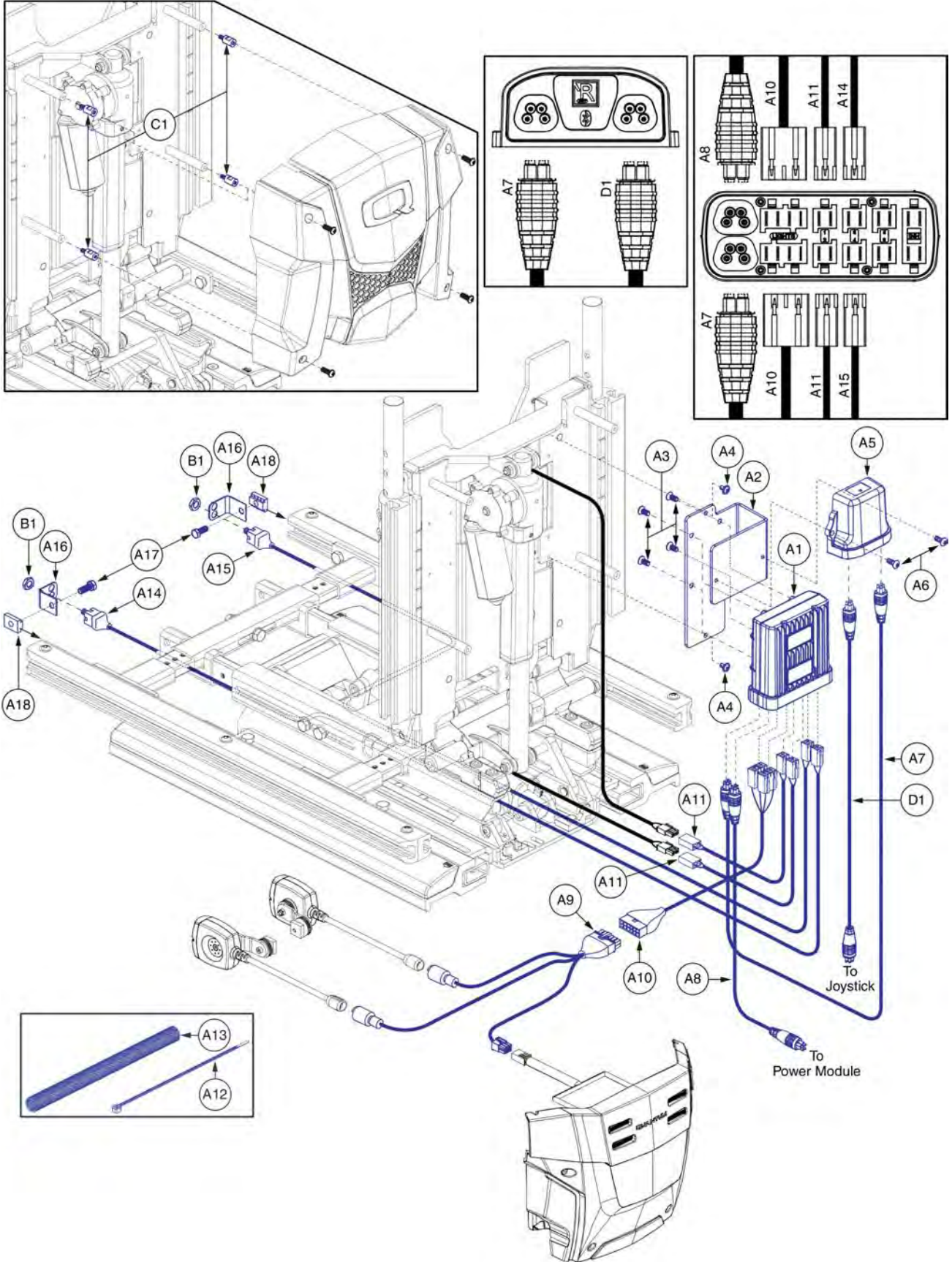
Item	Part No.	Name	Qty
A1 - A15	ELE1906216	ELECTRONIC,ASSY,R-NET,W/POWER ARTICULATING FOOT PLATFORM,LIGHTS,TRU-BALANCE 3 POWER RECLINE,Q6EDGE 3 STRETTO	1
A1	CTLDC1523	ELECTRONIC,MODULE,ISM,ACTUATOR AND LIGHTING,H-1111-117	1
A2	MEC138354	BRACKET,R-NET ISM-L,TRU-BALANCE 3	1
A3	SCRSHFH1015	SCREW,SHFH,BLACK ZINC,M5-.8 X 12MM,GRADE 10.9	4
A4	HDW123677	SCREW,FLANGED BUTTON HEAD, M4X0.7 X 10, ISO 7380-2, CL 10.9, BZ, PVTP	2
A5	CTL137838	R-NET TILT/ASM MODULE (D51508)	1
A6	HDW125022	SCREW,BHSCS,BLACK ZINC,M5-.8 X 12MM,W/NYLON PATCH	2
A7	DWR1111H565	ELECTRONIC,HARNESS,BUS CABLE,0.5 METER,MALE/MALE,R-NET	1
A8	DWR1111H567	ELECTRONIC,HARNESS,BUS CABLE,1.0 METER,MALE/MALE,R-NET	1
A9	ELE1808670	HARNESS,LIGHT INTERFACE,Q6 EDGE 3 STRETTO,REAR SEAT MODULE, W/O LIFT	1
A10	ELE1808809	HARNESS, LIGHT MODULE INTERFACE, RNET, EDGE MINI	1
A11	ELE136088	ELECTRONIC,HARNESS,R-NET ACTUATOR INTERFACE,MOLEX/INTECH	1
A12	PLSTIE1004	TIE WRAP,BLACK,8"	5
A13	ELE146865	ELECTRONIC,SELF WRAPPING,5/8"D,10"L,SPLIT TUBULAR WOVEN SLEEVE,TECHFLEX(F6W0.63BK10)	1
A14	DWR1265H077	ELECTRONIC,HARNESS,R-NET,ELR ACTUATOR HARNESS,RIGHT	1
A15	MEC130241	ELECTRICAL CONNECTION BRACKET,AFP,TB3	1
B1	NUTJAM1032	NUT,JAM,THIN,STAINLESS STEEL,3/8-32	2
C1	HDW131337	STANDOFF,MALE-FEMALE,M4-0.7 X 15MM	4
D1	DWR1111H565	ELECTRONIC,HARNESS,BUS CABLE,0.5 METER,MALE/MALE,R-NET	1

4.2.4. Tilt & Recline



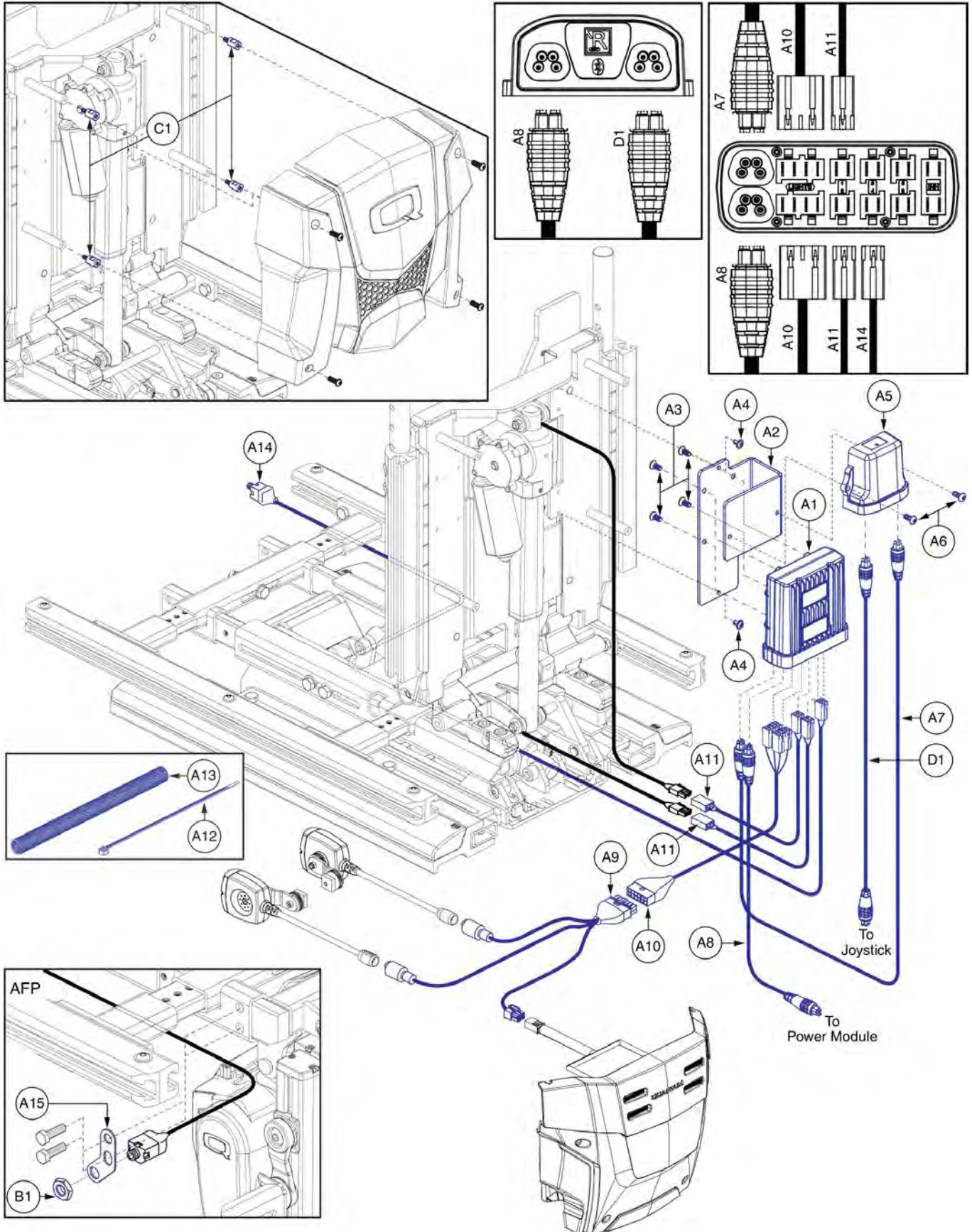
Item	Part No.	Name	Qty
A1 - A13	ELE1906228	ELECTRONIC,ASSY,R-NET,LIGHTS,TRU-BALANCE 3 POWER TILT & RECLINE,Q6EDGE 3 STRETTO	1
A1	CTLDC1523	ELECTRONIC,MODULE,ISM,ACTUATOR AND LIGHTING,H-1111-117	1
A2	MEC138354	BRACKET,R-NET ISM-L,TRU-BALANCE 3	1
A3	SCRSHFH1015	SCREW,SHFH,BLACK ZINC,M5-.8 X 12MM,GRADE 10.9	4
A4	HDW123677	SCREW,FLANGED BUTTON HEAD, M4X0.7 X 10, ISO 7380-2, CL 10.9, BZ, PVTP	2
A5	CTL137838	R-NET TILT/ASM MODULE (D51508)	1
A6	HDW125022	SCREW,BHSCS,BLACK ZINC,M5-.8 X 12MM,W/NYLON PATCH	2
A7	DWR1111H565	ELECTRONIC,HARNESS,BUS CABLE,0.5 METER,MALE/MALE,R-NET	1
A8	DWR1111H567	ELECTRONIC,HARNESS,BUS CABLE,1.0 METER,MALE/MALE,R-NET	1
A9	ELE1808670	HARNESS,LIGHT INTERFACE,Q6 EDGE 3 STRETTO,REAR SEAT MODULE, W/O LIFT	1
A10	ELE1808809	HARNESS, LIGHT MODULE INTERFACE, RNET, EDGE MINI	1
A11	ELE136088	ELECTRONIC,HARNESS,R-NET ACTUATOR INTERFACE,MOLEX/INTECH	2
A12	PLSTIE1004	TIE WRAP,BLACK,8"	5
A13	ELE146865	ELECTRONIC,SELF WRAPPING,5/8"D,10"L,SPLIT TUBULAR WOVEN SLEEVE,TECHFLEX(F6W0.63BK10)	1
B1	HDW131337	STANDOFF,MALE-FEMALE,M4-0.7 X 15MM	4
C1	DWR1111H565	ELECTRONIC,HARNESS,BUS CABLE,0.5 METER,MALE/MALE,R-NET	1

4.2.4. Tilt & Recline



Item	Part No.	Name	Qty
A1 - A18	ELE1906229	ELECTRONIC,ASSY,R-NET,W/POWER LEGS,LIGHTS,TRU-BALANCE 3 POWER TILT & RECLINE,Q6EDGE 3 STRETTO	1
A1	CTLDC1523	ELECTRONIC,MODULE,ISM,ACTUATOR AND LIGHTING,H-1111-117	1
A2	MEC138354	BRACKET,R-NET ISM-L,TRU-BALANCE 3	1
A3	SCRSHFH1015	SCREW,SHFH,BLACK ZINC,M5-.8 X 12MM,GRADE 10.9	4
A4	HDW123677	SCREW,FLANGED BUTTON HEAD, M4X0.7 X 10, ISO 7380-2, CL 10.9, BZ, PVTP	2
A5	CTL137838	R-NET TILT/ASM MODULE (D51508)	1
A6	HDW125022	SCREW,BHSCS,BLACK ZINC,M5-.8 X 12MM,W/NYLON PATCH	2
A7	DWR1111H565	ELECTRONIC,HARNESS,BUS CABLE,0.5 METER,MALE/MALE,R-NET	1
A8	DWR1111H567	ELECTRONIC,HARNESS,BUS CABLE,1.0 METER,MALE/MALE,R-NET	1
A9	ELE1808670	HARNESS,LIGHT INTERFACE,Q6 EDGE 3 STRETTO,REAR SEAT MODULE, W/O LIFT	1
A10	ELE1808809	HARNESS, LIGHT MODULE INTERFACE, RNET, EDGE MINI	1
A11	ELE136088	ELECTRONIC,HARNESS,R-NET ACTUATOR INTERFACE,MOLEX/INTECH	2
A12	PLSTIE1004	TIE WRAP,BLACK,8"	5
A13	ELE146865	ELECTRONIC,SELF WRAPPING,5/8"D,10"L,SPLIT TUBULAR WOVEN SLEEVE,TECHFLEX(F6W0.63BK10)	1
A14	DWR1265H078	ELECTRONIC,HARNESS,R-NET,ELR ACTUATOR HARNESS,LEFT	1
A15	DWR1265H077	ELECTRONIC,HARNESS,R-NET,ELR ACTUATOR HARNESS,RIGHT	1
A16	DWR1303B026	ELECTRICAL CONNECTION BRACKET,ARTICULATING LEGREST	2
A17	SCRHHCS1382	SCREW,HHCS,BLACK ZINC CHROMATE,M8-1.25 X 12MM,10.9	2
A18	NUT8120005	NUT,T-SLOT,BLACK,M8-1.25	2
B1	NUTJAM1032	NUT,JAM,THIN,STAINLESS STEEL,3/8-32	2
C1	HDW131337	STANDOFF,MALE-FEMALE,M4-0.7 X 15MM	4
D1	DWR1111H565	ELECTRONIC,HARNESS,BUS CABLE,0.5 METER,MALE/MALE,R-NET	1

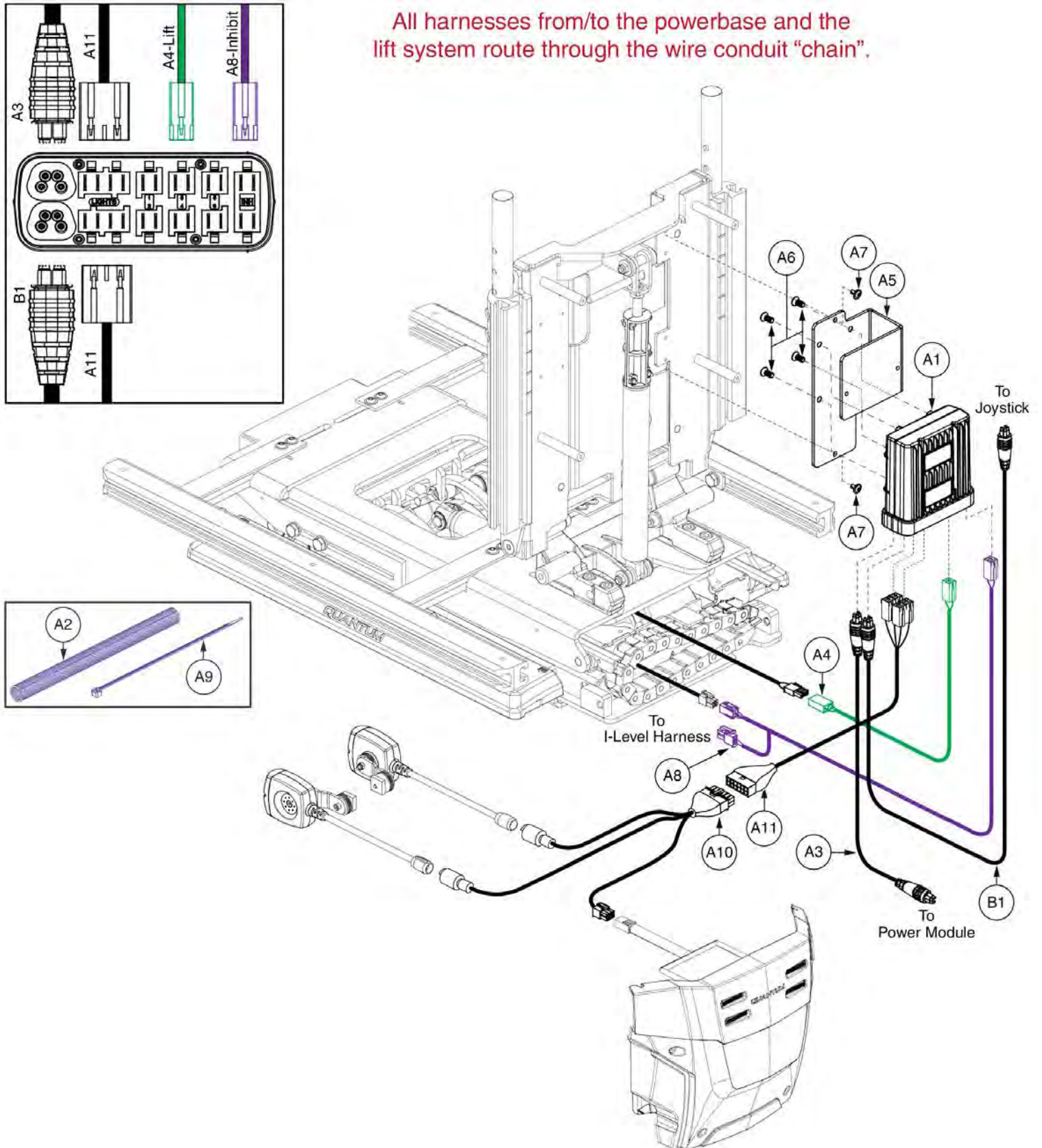
4.2.4. Tilt & Recline



Item	Part No.	Name	Qty
A1 - A15	ELE1906231	ELECTRONIC,ASSY,R-NET,W/POWER ARTICULATING FOOT PLATFORM,LIGHTS,TRU-BALANCE 3 POWER TILT & RECLINE,Q6EDGE 3 STRETTO	1
A1	CTLDC1523	ELECTRONIC,MODULE,ISM,ACTUATOR AND LIGHTING,H-1111-117	1
A2	MEC138354	BRACKET,R-NET ISM-L,TRU-BALANCE 3	1
A3	SCRSHFH1015	SCREW,SHFH,BLACK ZINC,M5-.8 X 12MM,GRADE 10.9	4
A4	HDW123677	SCREW,FLANGED BUTTON HEAD, M4X0.7 X 10, ISO 7380-2, CL 10.9, BZ, PVTP	2
A5	CTL137838	R-NET TILT/ASM MODULE (D51508)	1
A6	HDW125022	SCREW,BHSCS,BLACK ZINC,M5-.8 X 12MM,W/NYLON PATCH	2
A7	DWR1111H565	ELECTRONIC,HARNESS,BUS CABLE,0.5 METER,MALE/MALE,R-NET	1
A8	DWR1111H567	ELECTRONIC,HARNESS,BUS CABLE,1.0 METER,MALE/MALE,R-NET	1
A9	ELE1808670	HARNESS,LIGHT INTERFACE,Q6 EDGE 3 STRETTO,REAR SEAT MODULE, W/O LIFT	1
A10	ELE1808809	HARNESS, LIGHT MODULE INTERFACE, RNET, EDGE MINI	1
A11	ELE136088	ELECTRONIC,HARNESS,R-NET ACTUATOR INTERFACE,MOLEX/INTECH	2
A12	PLSTIE1004	TIE WRAP,BLACK,8"	5
A13	ELE146865	ELECTRONIC,SELF WRAPPING,5/8"D,10"L,SPLIT TUBULAR WOVEN SLEEVE,TECHFLEX(F6W0.63BK10)	1
A14	DWR1265H077	ELECTRONIC,HARNESS,R-NET,ELR ACTUATOR HARNESS,RIGHT	1
A15	MEC130241	ELECTRICAL CONNECTION BRACKET,AFP,TB3	1
B1	NUTJAM1032	NUT,JAM,THIN,STAINLESS STEEL,3/8-32	2
C1	HDW131337	STANDOFF,MALE-FEMALE,M4-0.7 X 15MM	4
D1	DWR1111H565	ELECTRONIC,HARNESS,BUS CABLE,0.5 METER,MALE/MALE,R-NET	1

4.2.5. Lift

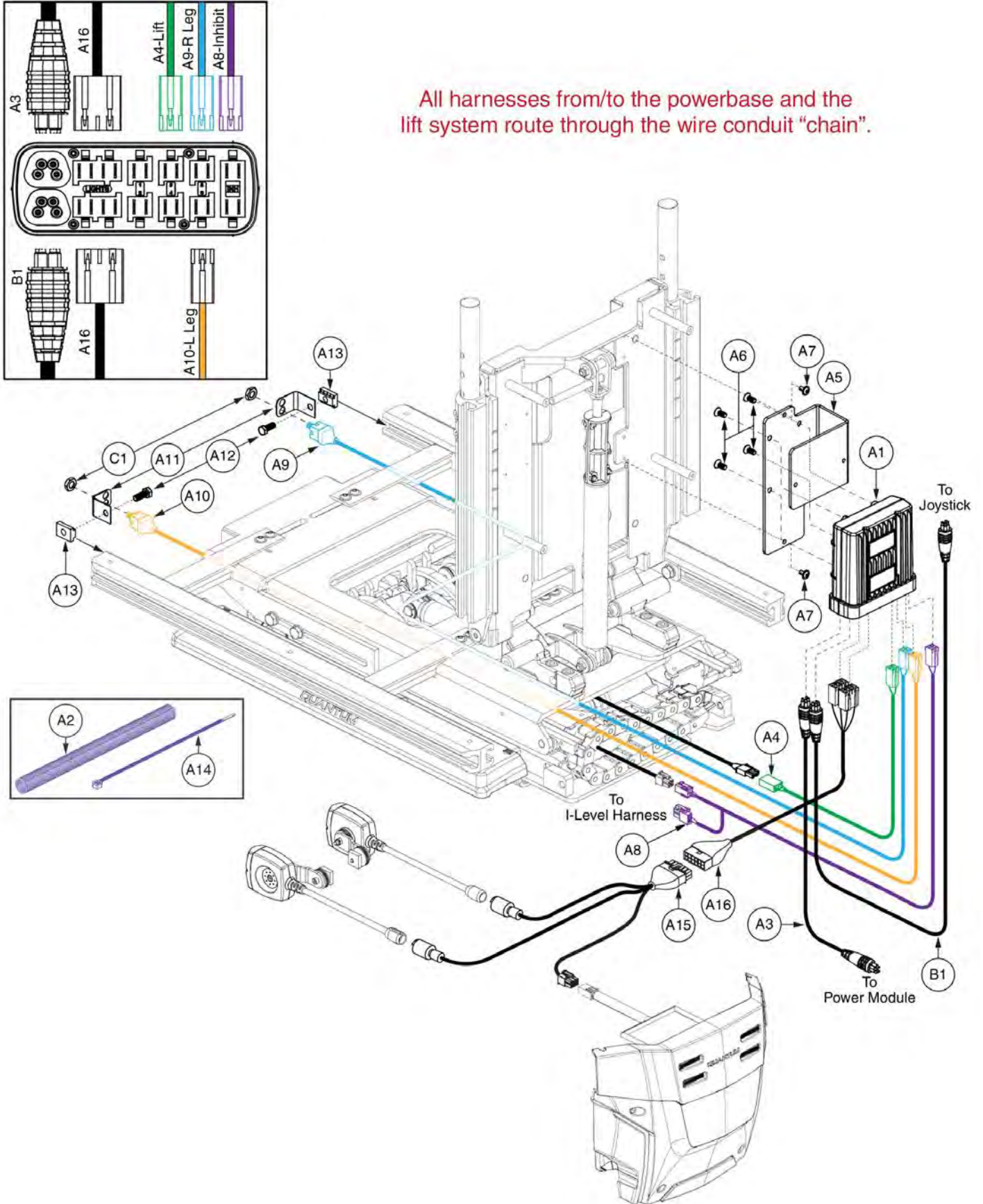
All harnesses from/to the powerbase and the lift system route through the wire conduit "chain".



Item	Part No.	Name	Qty
A1 - A11	ELE1905961	ELECTRONIC,ASSY,R-NET,TRU-BALANCE 3 POWER ADJUSTABLE SEAT LIFT,W/LIGHTS,Q6EDGE 3 STRETTO	1
A1 - A9	ELE1906902	ELECTRONIC,ASSY,R-NET,TRU-BALANCE 3 POWER ADJUSTABLE SEAT LIFT,Q6EDGE 3 STRETTO	1
A1	CTLDC1523	ELECTRONIC,MODULE,ISM,ACTUATOR AND LIGHTING,H-1111-117	1
A2	ELE146865	ELECTRONIC,SELF WRAPPING,5/8"D,10"L,SPLIT TUBULAR WOVEN SLEEVE,TECHFLEX(F6W0.63BK10)	1
A3	DWR1111H567	ELECTRONIC,HARNESS,BUS CABLE,1.0 METER,MALE/MALE,R-NET	1
A4	ELE136088	ELECTRONIC,HARNESS,R-NET ACTUATOR INTERFACE,MOLEX/INTECH	1
A5	MEC138354	BRACKET,R-NET ISM-L,TRU-BALANCE 3	1
A6	SCRSHFH1015	SCREW,SHFH,BLACK ZINC,M5-8 X 12MM,GRADE 10.9	4
A7	HDW123677	SCREW,FLANGED BUTTON HEAD, M4X0.7 X 10, ISO 7380-2, CL 10.9, BZ, PVTP	2
A8	ELE1808847	HARNESS, INTERMEDIATE, ILEVEL EDGE MINI, SEAT, R-NET	1
A9	PLSTIE1004	TIE WRAP,BLACK,8"	5
A10	ELE1808585	HARNESS, LIGHT INTERFACE, EDGE MINI, REAR SEAT MODULE, W/LIFT	1
A11	ELE1808809	HARNESS, LIGHT MODULE INTERFACE, RNET, EDGE MINI	1
B1	DWR1111H565	ELECTRONIC,HARNESS,BUS CABLE,0.5 METER,MALE/MALE,R-NET	1

4.2.5. Lift

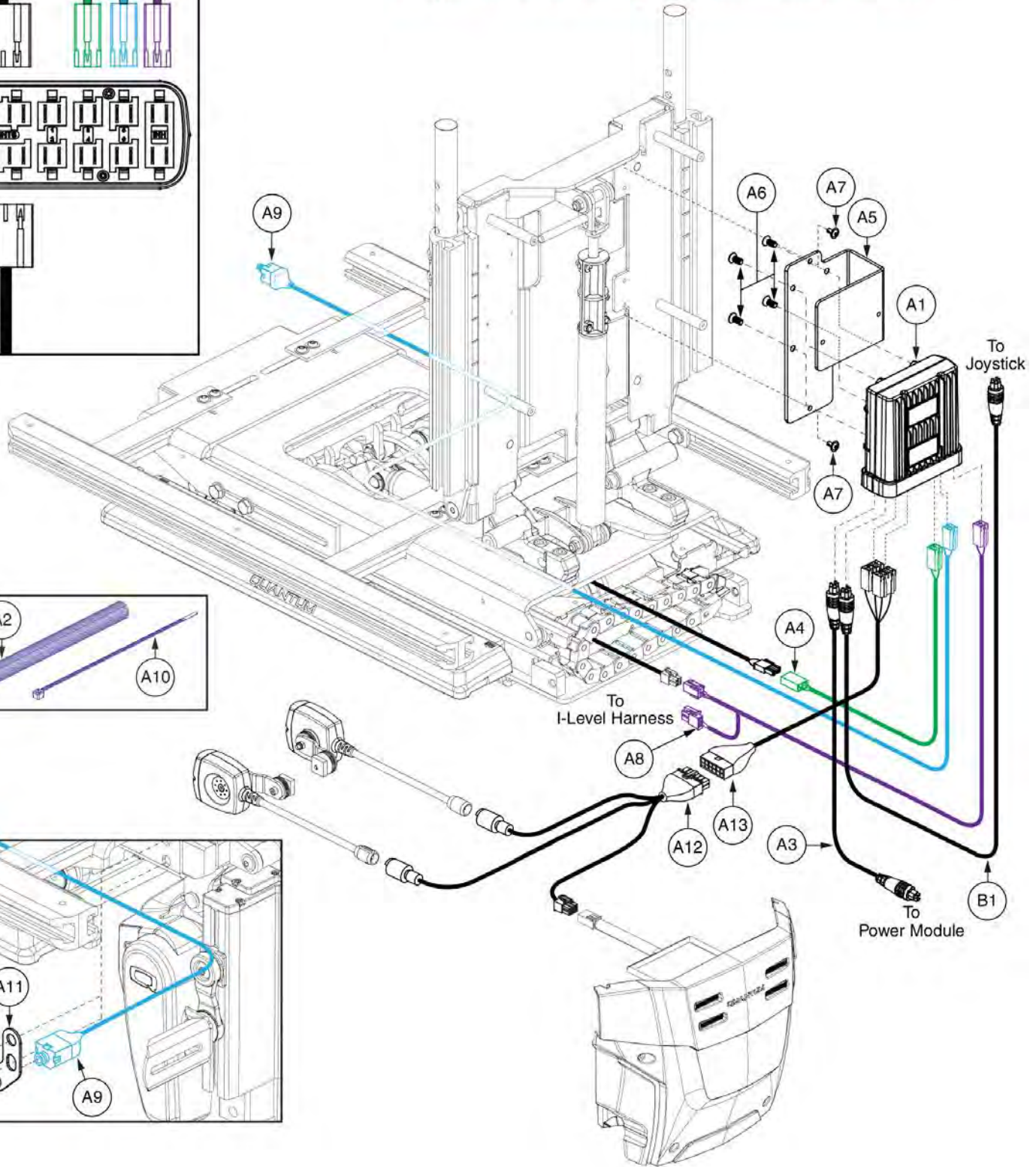
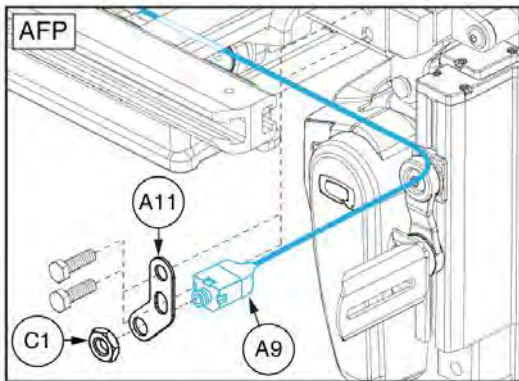
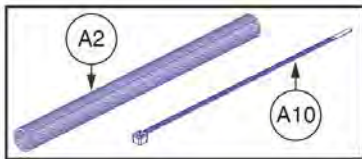
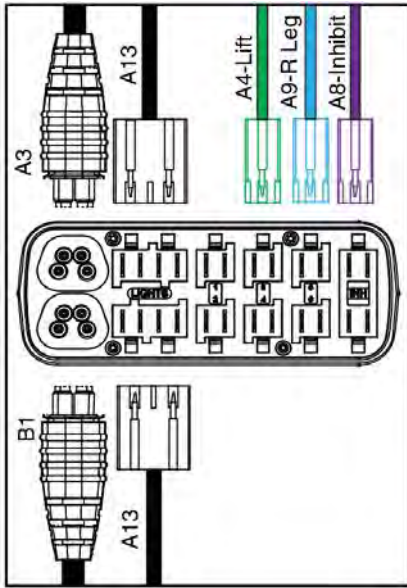
All harnesses from/to the powerbase and the lift system route through the wire conduit "chain".



Item	Part No.	Name	Qty
A1 - A16	ELE1905962	ELECTRONIC,ASSY,R-NET,POWER LEGS,TRU-BALANCE 3 POWER ADJUSTABLE SEAT LIFT,W/LIGHTS,Q6EDGE 3 STRETTO	1
A1 - A14	ELE1906904	ELECTRONIC,ASSY,R-NET,POWER LEGS,TRU-BALANCE 3 POWER ADJUSTABLE SEAT LIFT,Q6EDGE 3 STRETTO	1
A1	CTLDC1523	ELECTRONIC,MODULE,ISM,ACTUATOR AND LIGHTING,H-1111-117	1
A2	ELE146865	ELECTRONIC,SELF WRAPPING,5/8"D,10"L,SPLIT TUBULAR WOVEN SLEEVE,TECHFLEX(F6W0.63BK10)	1
A3	DWR1111H567	ELECTRONIC,HARNESS,BUS CABLE,1.0 METER,MALE/MALE,R-NET	1
A4	ELE136088	ELECTRONIC,HARNESS,R-NET ACTUATOR INTERFACE,MOLEX/INTECH	1
A5	MEC138354	BRACKET,R-NET ISM-L,TRU-BALANCE 3	1
A6	SCRSHFH1015	SCREW,SHFH,BLACK ZINC,M5-8 X 12MM,GRADE 10.9	4
A7	HDW123677	SCREW,FLANGED BUTTON HEAD, M4X0.7 X 10, ISO 7380-2, CL 10.9, BZ, PVTP	2
A8	ELE1808847	HARNESS, INTERMEDIATE, ILEVEL EDGE MINI, SEAT, R-NET	1
A9	DWR1265H077	ELECTRONIC,HARNESS,R-NET,ELR ACTUATOR HARNESS,RIGHT	1
A10	DWR1265H078	ELECTRONIC,HARNESS,R-NET,ELR ACTUATOR HARNESS,LEFT	1
A11	DWR1303B026	ELECTRICAL CONNECTION BRACKET,ARTICULATING LEGREST	2
A12	SCRHHCS1382	SCREW,HHCS,BLACK ZINC CHROMATE,M8-1.25 X 12MM,10.9	2
A13	NUT8120005	NUT,T-SLOT,BLACK,M8-1.25	2
A14	PLSTIE1004	TIE WRAP,BLACK,8"	5
A15	ELE1808585	HARNESS, LIGHT INTERFACE, EDGE MINI, REAR SEAT MODULE, W/LIFT	1
A16	ELE1808809	HARNESS, LIGHT MODULE INTERFACE, RNET, EDGE MINI	1
B1	DWR1111H565	ELECTRONIC,HARNESS,BUS CABLE,0.5 METER,MALE/MALE,R-NET	1
C1	NUTJAM1032	NUT,JAM,THIN,STAINLESS STEEL,3/8-32	2

4.2.5. Lift

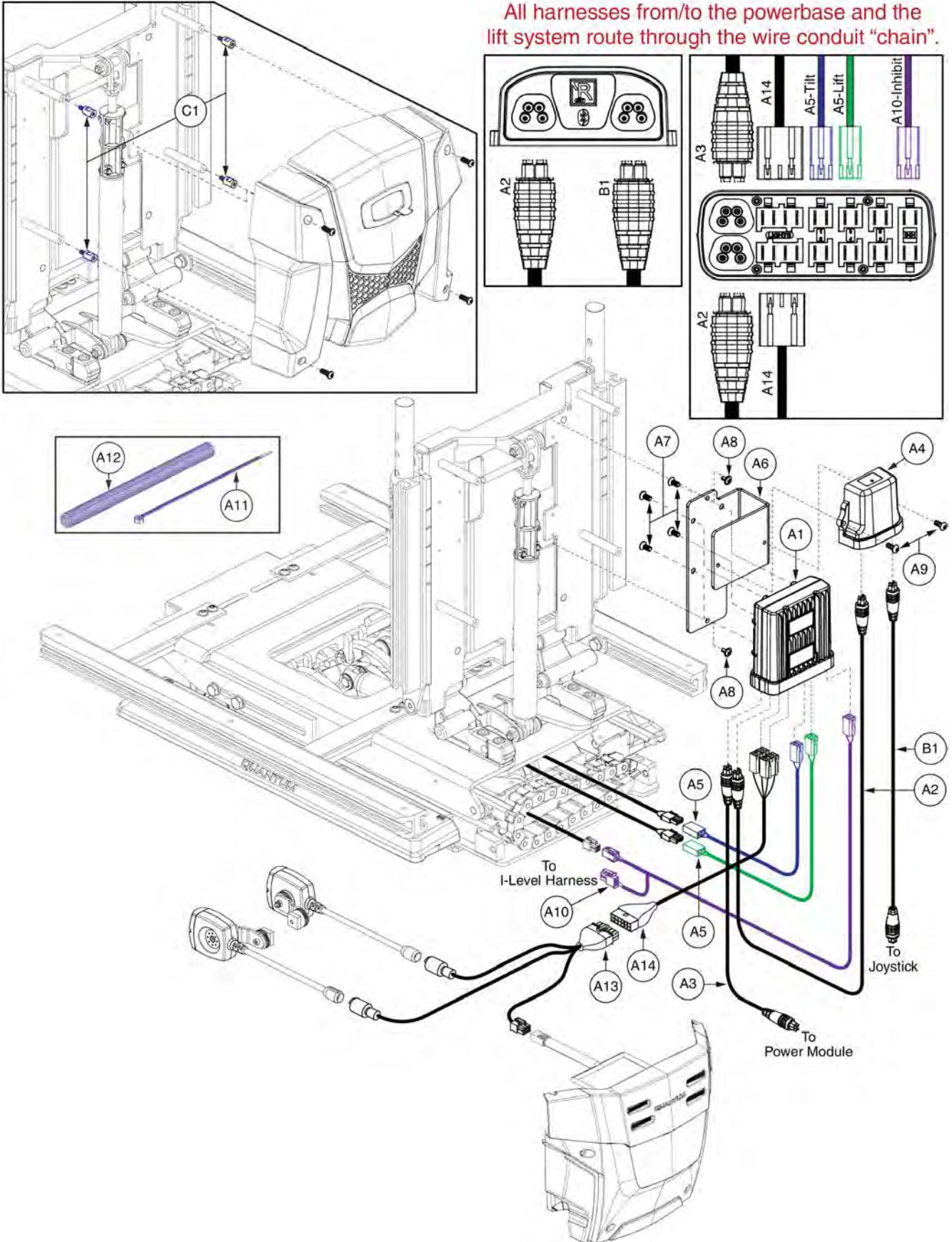
All harnesses from/to the powerbase and the lift system route through the wire conduit "chain".



Item	Part No.	Name	Qty
A1 - A13	ELE1906040	ELECTRONIC,ASSY,R-NET,W/POWER ARTICULATING FOOT PLATFORM,TRU-BALANCE 3 POWER ADJUSTABLE SEAT LIFT,W/LIGHTS,Q6EDGE 3 STRETTO	1
A1 - A11	ELE1906906	ELECTRONIC,ASSY,R-NET,W/POWER ARTICULATING FOOT PLATFORM,TRU-BALANCE 3 POWER ADJUSTABLE SEAT LIFT,Q6EDGE 3 STRETTO	1
A1	CTLDC1523	ELECTRONIC,MODULE,ISM,ACTUATOR AND LIGHTING,H-1111-117	1
A2	ELE146865	ELECTRONIC,SELF WRAPPING,5/8"D,10"L,SPLIT TUBULAR WOVEN SLEEVE,TECHFLEX(F6W0.63BK10)	1
A3	DWR1111H567	ELECTRONIC,HARNESS,BUS CABLE,1.0 METER,MALE/MALE,R-NET	1
A4	ELE136088	ELECTRONIC,HARNESS,R-NET ACTUATOR INTERFACE,MOLEX/INTECH	1
A5	MEC138354	BRACKET,R-NET ISM-L,TRU-BALANCE 3	1
A6	SCRSHFH1015	SCREW,SHFH,BLACK ZINC,M5-8 X 12MM,GRADE 10.9	4
A7	HDW123677	SCREW,FLANGED BUTTON HEAD, M4X0.7 X 10, ISO 7380-2, CL 10.9, BZ, PVTP	2
A8	ELE1808847	HARNESS, INTERMEDIATE, ILEVEL EDGE MINI, SEAT, R-NET	1
A9	DWR1265H077	ELECTRONIC,HARNESS,R-NET,ELR ACTUATOR HARNESS,RIGHT	1
A10	PLSTIE1004	TIE WRAP,BLACK,8"	5
A11	MEC130241	ELECTRICAL CONNECTION BRACKET,AFP,TB3	1
A12	ELE1808585	HARNESS, LIGHT INTERFACE, EDGE MINI, REAR SEAT MODULE, W/LIFT	1
A13	ELE1808809	HARNESS, LIGHT MODULE INTERFACE, RNET, EDGE MINI	1
B1	DWR1111H565	ELECTRONIC,HARNESS,BUS CABLE,0.5 METER,MALE/MALE,R-NET	1
C1	NUTJAM1032	NUT,JAM,THIN,STAINLESS STEEL,3/8-32	1

4.2.6. Lift & Tilt

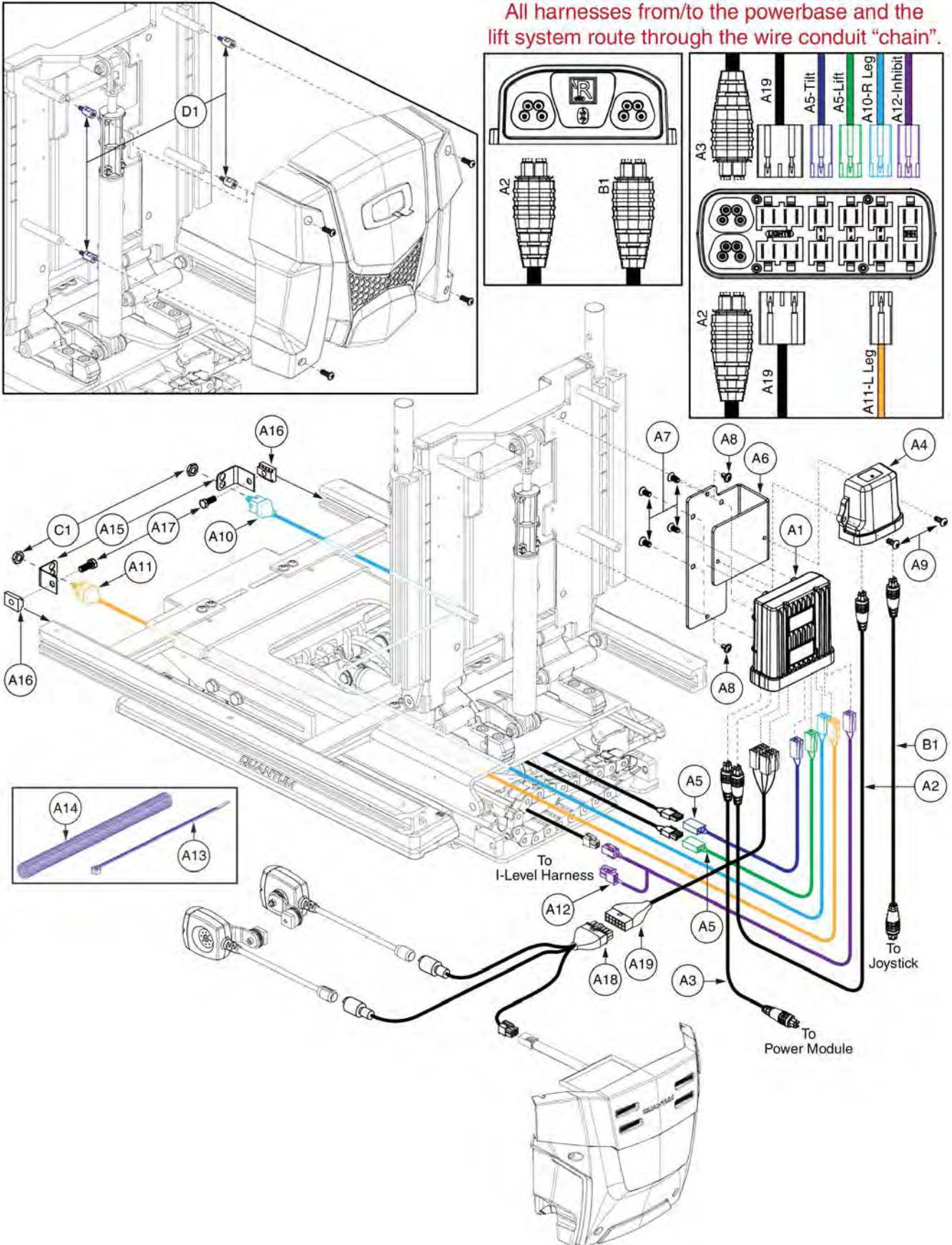
All harnesses from/to the powerbase and the lift system route through the wire conduit "chain".



Item	Part No.	Name	Qty
A1 - A14	ELE1906042	ELECTRONIC,ASSY,R-NET,TRU-BALANCE 3 POWER ADJUSTABLE SEAT LIFT & TILT,W/LIGHTS,EDGE 3 STRETTO	1
A1 - A12	ELE1906907	ELECTRONIC,ASSY,R-NET,TRU-BALANCE 3 POWER ADJUSTABLE SEAT LIFT & TILT,Q6EDGE 3 STRETTO	1
A1	CTLDC1523	ELECTRONIC,MODULE,ISM,ACTUATOR AND LIGHTING,H-1111-117	1
A2	DWR1111H565	ELECTRONIC,HARNESS,BUS CABLE,0.5 METER,MALE/MALE,R-NET	1
A3	DWR1111H567	ELECTRONIC,HARNESS,BUS CABLE,1.0 METER,MALE/MALE,R-NET	1
A4	CTL137838	R-NET TILT/ASM MODULE (D51508)	1
A5	ELE136088	ELECTRONIC,HARNESS,R-NET ACTUATOR INTERFACE,MOLEX/INTECH	2
A6	MEC138354	BRACKET,R-NET ISM-L,TRU-BALANCE 3	1
A7	SCRSHFH1015	SCREW,SHFH,BLACK ZINC,M5-8 X 12MM,GRADE 10.9	4
A8	HDW123677	SCREW,FLANGED BUTTON HEAD, M4X0.7 X 10, ISO 7380-2, CL 10.9, BZ, PVTP	2
A9	HDW125022	SCREW,BHSCS,BLACK ZINC,M5-8 X 12MM,W/NYLON PATCH	2
A10	ELE1808847	HARNESS, INTERMEDIATE, ILEVEL EDGE MINI, SEAT, R-NET	1
A11	PLSTIE1004	TIE WRAP,BLACK,8"	5
A12	ELE146865	ELECTRONIC,SELF WRAPPING,5/8"D,10"L,SPLIT TUBULAR WOVEN SLEEVE,TECHFLEX(F6W0.63BK10)	1
A13	ELE1808585	HARNESS, LIGHT INTERFACE, EDGE MINI, REAR SEAT MODULE, W/LIFT	1
A14	ELE1808809	HARNESS, LIGHT MODULE INTERFACE, RNET, EDGE MINI	1
B1	DWR1111H565	ELECTRONIC,HARNESS,BUS CABLE,0.5 METER,MALE/MALE,R-NET	1
C1	HDW131337	STANDOFF,MALE-FEMALE,M4-0.7 X 15MM	4

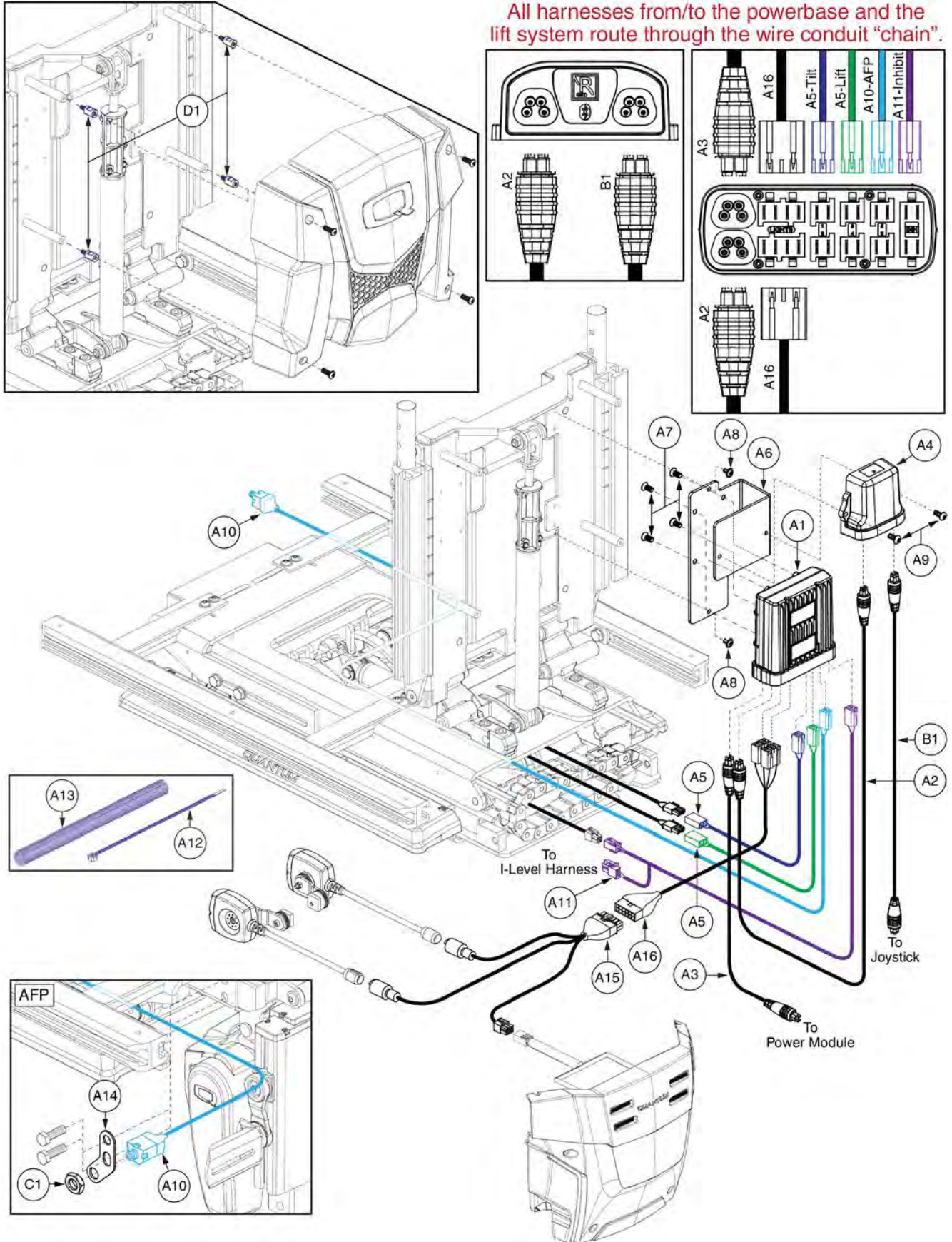
4.2.6. Lift & Tilt

All harnesses from/to the powerbase and the lift system route through the wire conduit "chain".



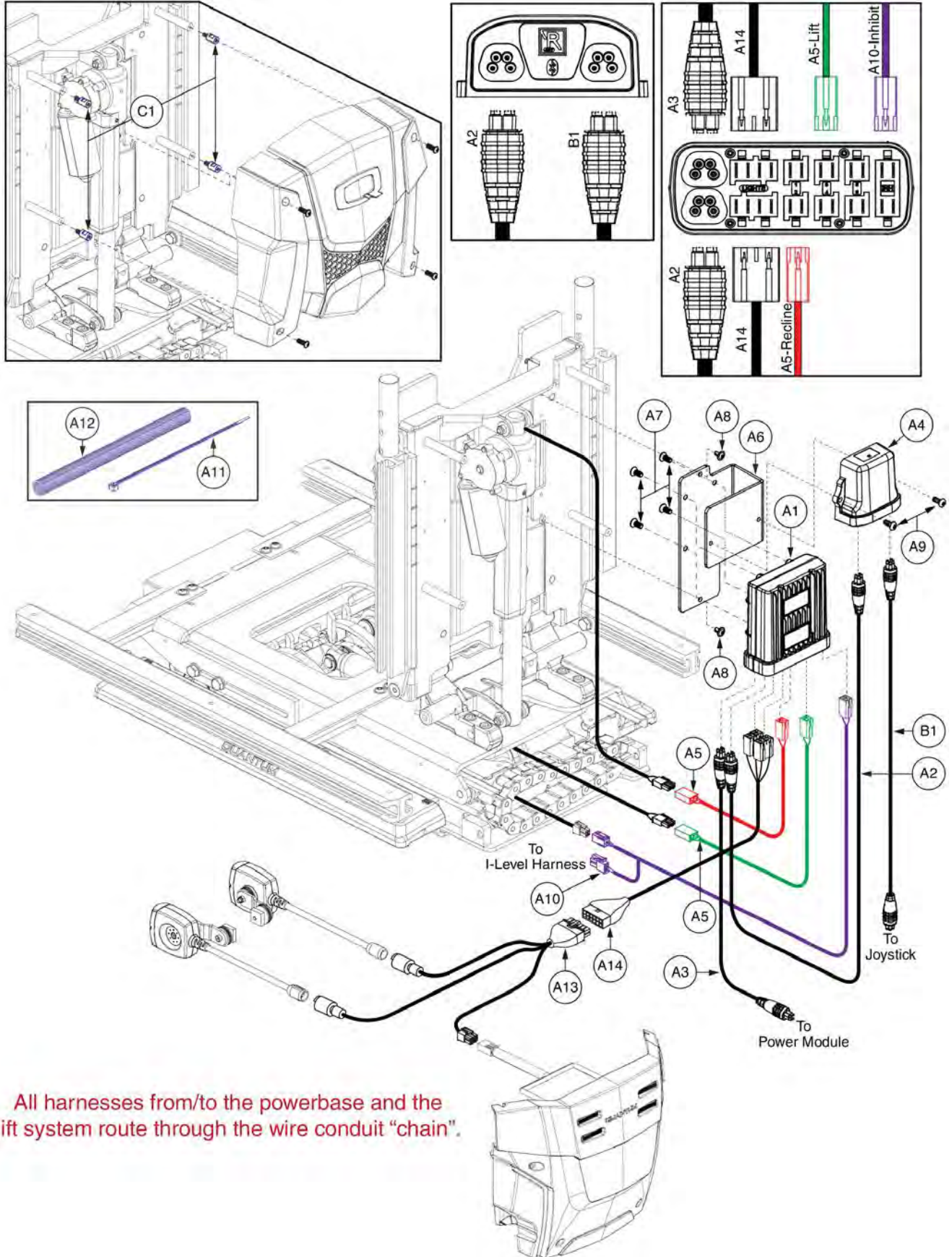
Item	Part No.	Name	Qty
A1 - A19	ELE1906055	ELECTRONIC,ASSY,R-NET,W/POWER LEGS,TRU-BALANCE 3 POWER ADJUSTABLE SEAT LIFT & TILT,W/LIGHTS,EDGE 3 STRETTO	1
A1 - A17	ELE1906908	ELECTRONIC,ASSY,R-NET,W/POWER LEGS,TRU-BALANCE 3 POWER ADJUSTABLE SEAT LIFT & TILT,Q6EDGE 3 STRETTO	1
A1	CTLDC1523	ELECTRONIC,MODULE,ISM,ACTUATOR AND LIGHTING,H-1111-117	1
A2	DWR1111H565	ELECTRONIC,HARNESS,BUS CABLE,0.5 METER,MALE/MALE,R-NET	1
A3	DWR1111H567	ELECTRONIC,HARNESS,BUS CABLE,1.0 METER,MALE/MALE,R-NET	1
A4	CTL137838	R-NET TILT/ASM MODULE (D51508)	1
A5	ELE136088	ELECTRONIC,HARNESS,R-NET ACTUATOR INTERFACE,MOLEX/INTECH	2
A6	MEC138354	BRACKET,R-NET ISM-L,TRU-BALANCE 3	1
A7	SCRSHFH1015	SCREW,SHFH,BLACK ZINC,M5-8 X 12MM,GRADE 10.9	4
A8	HDW123677	SCREW,FLANGED BUTTON HEAD, M4X0.7 X 10, ISO 7380-2, CL 10.9, BZ, PVTP	2
A9	HDW125022	SCREW,BHSCS,BLACK ZINC,M5-8 X 12MM,W/NYLON PATCH	2
A10	DWR1265H077	ELECTRONIC,HARNESS,R-NET,ELR ACTUATOR HARNESS,RIGHT	1
A11	DWR1265H078	ELECTRONIC,HARNESS,R-NET,ELR ACTUATOR HARNESS,LEFT	1
A12	ELE1808847	HARNESS, INTERMEDIATE, ILEVEL EDGE MINI, SEAT, R-NET	1
A13	PLSTIE1004	TIE WRAP,BLACK,8"	5
A14	ELE146865	ELECTRONIC,SELF WRAPPING,5/8"D,10"L,SPLIT TUBULAR WOVEN SLEEVE,TECHFLEX(F6W0.63BK10)	1
A15	DWR1303B026	ELECTRICAL CONNECTION BRACKET,ARTICULATING LEGREST	2
A16	NUT8120005	NUT,T-SLOT,BLACK,M8-1.25	2
A17	SCRHHCS1382	SCREW,HHCS,BLACK ZINC CHROMATE,M8-1.25 X 12MM,10.9	2
A18	ELE1808585	HARNESS, LIGHT INTERFACE, EDGE MINI, REAR SEAT MODULE, W/LIFT	1
A19	ELE1808809	HARNESS, LIGHT MODULE INTERFACE, RNET, EDGE MINI	1
B1	DWR1111H565	ELECTRONIC,HARNESS,BUS CABLE,0.5 METER,MALE/MALE,R-NET	1
C1	NUTJAM1032	NUT,JAM,THIN,STAINLESS STEEL,3/8-32	2
D1	HDW131337	STANDOFF,MALE-FEMALE,M4-0.7 X 15MM	4

4.2.6. Lift & Tilt



Item	Part No.	Name	Qty
A1 - A16	ELE1906058	ELECTRONIC,ASSY,R-NET,W/POWER ARTICULATING FOOT PLATFORM,TRU-BALANCE 3 POWER ADJUSTABLE SEAT LIFT & TILT,W/LIGHTS,EDGE 3 STRETTO	1
A1 - A14	ELE1906909	ELECTRONIC,ASSY,R-NET,W/POWER ARTICULATING FOOT PLATFORM,TRU-BALANCE 3 POWER ADJUSTABLE SEAT LIFT & TILT,Q6EDGE 3 STRETTO	1
A1	CTLDC1523	ELECTRONIC,MODULE,ISM,ACTUATOR AND LIGHTING,H-1111-117	1
A2	DWR1111H565	ELECTRONIC,HARNESS,BUS CABLE,0.5 METER,MALE/MALE,R-NET	1
A3	DWR1111H567	ELECTRONIC,HARNESS,BUS CABLE,1.0 METER,MALE/MALE,R-NET	1
A4	CTL137838	R-NET TILT/ASM MODULE (D51508)	1
A5	ELE136088	ELECTRONIC,HARNESS,R-NET ACTUATOR INTERFACE,MOLEX/INTECH	2
A6	MEC138354	BRACKET,R-NET ISM-L,TRU-BALANCE 3	1
A7	SCRSHFH1015	SCREW,SHFH,BLACK ZINC,M5-8 X 12MM,GRADE 10.9	4
A8	HDW123677	SCREW,FLANGED BUTTON HEAD, M4X0.7 X 10, ISO 7380-2, CL 10.9, BZ, PVTP	2
A9	HDW125022	SCREW,BHSCS,BLACK ZINC,M5-8 X 12MM,W/NYLON PATCH	2
A10	DWR1265H077	ELECTRONIC,HARNESS,R-NET,ELR ACTUATOR HARNESS,RIGHT	1
A11	ELE1808847	HARNESS, INTERMEDIATE, ILEVEL EDGE MINI, SEAT, R-NET	1
A12	PLSTIE1004	TIE WRAP,BLACK,8"	5
A13	ELE146865	ELECTRONIC,SELF WRAPPING,5/8"D,10"L,SPLIT TUBULAR WOVEN SLEEVE,TECHFLEX(F6W0.63BK10)	1
A14	MEC130241	ELECTRICAL CONNECTION BRACKET,AFP,TB3	1
A15	ELE1808585	HARNESS, LIGHT INTERFACE, EDGE MINI, REAR SEAT MODULE, W/LIFT	1
A16	ELE1808809	HARNESS, LIGHT MODULE INTERFACE, RNET, EDGE MINI	1
B1	DWR1111H565	ELECTRONIC,HARNESS,BUS CABLE,0.5 METER,MALE/MALE,R-NET	1
C1	NUTJAM1032	NUT,JAM,THIN,STAINLESS STEEL,3/8-32	1
D1	HDW131337	STANDOFF,MALE-FEMALE,M4-0.7 X 15MM	4

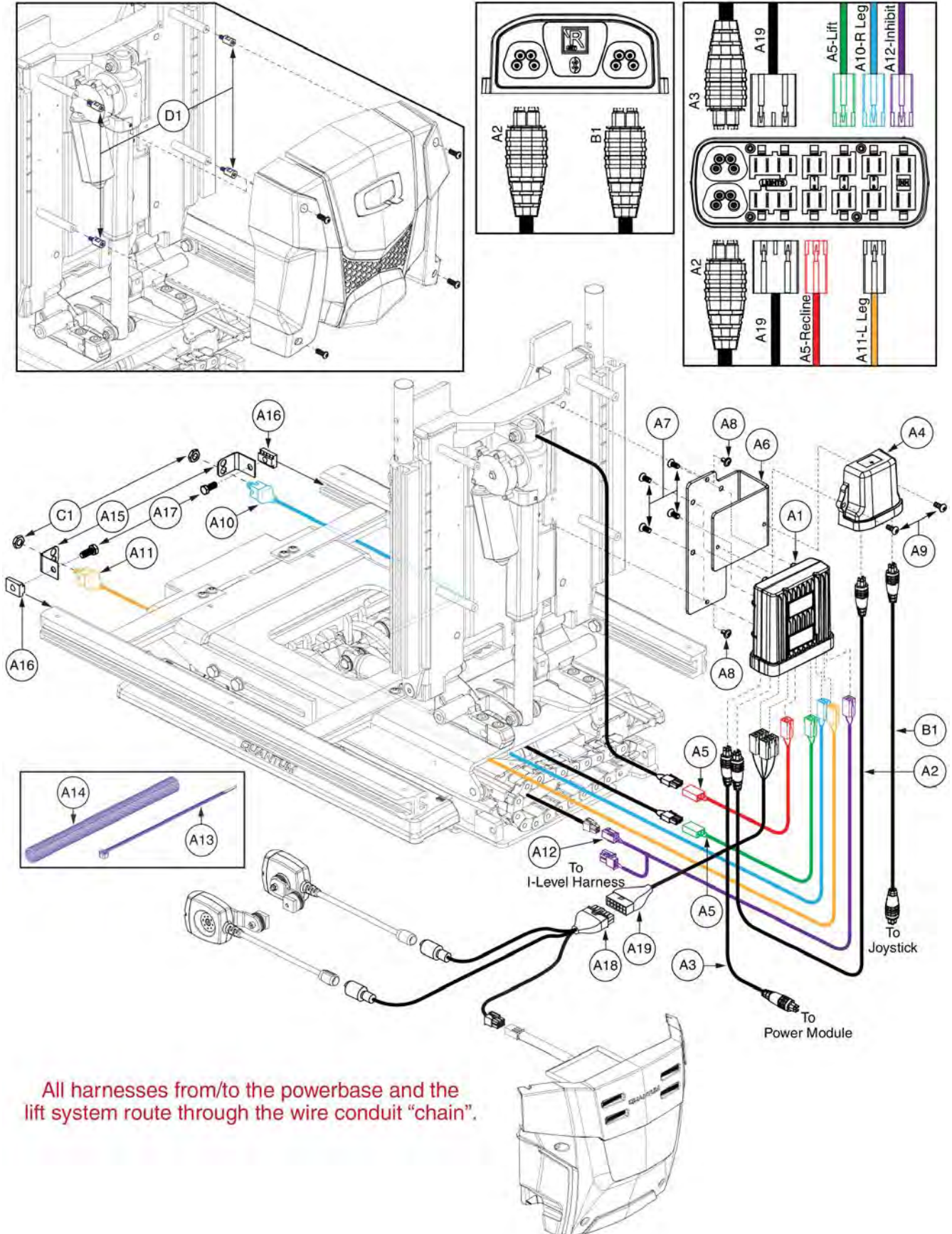
4.2.7. Lift & Recline



All harnesses from/to the powerbase and the lift system route through the wire conduit "chain".

Item	Part No.	Name	Qty
A1 - A14	ELE1906181	ELECTRONIC,ASSY,R-NET,TRU-BALANCE 3 POWER ADJUSTABLE SEAT LIFT & RECLINE,W/LIGHTS,Q6EDGE 3 STRETTO	1
A1 - A12	ELE1906913	ELECTRONIC,ASSY,R-NET,TRU-BALANCE 3 POWER ADJUSTABLE SEAT LIFT & RECLINE,Q6EDGE 3 STRETTO	1
A1	CTLDC1523	ELECTRONIC,MODULE,ISM,ACTUATOR AND LIGHTING,H-1111-117	1
A2	DWR1111H565	ELECTRONIC,HARNESS,BUS CABLE,0.5 METER,MALE/MALE,R-NET	1
A3	DWR1111H567	ELECTRONIC,HARNESS,BUS CABLE,1.0 METER,MALE/MALE,R-NET	1
A4	CTL137838	R-NET TILT/ASM MODULE (D51508)	1
A5	ELE136088	ELECTRONIC,HARNESS,R-NET ACTUATOR INTERFACE,MOLEX/INTECH	2
A6	MEC138354	BRACKET,R-NET ISM-L,TRU-BALANCE 3	1
A7	SCRSHFH1015	SCREW,SHFH,BLACK ZINC,M5-.8 X 12MM,GRADE 10.9	4
A8	HDW123677	SCREW,FLANGED BUTTON HEAD, M4X0.7 X 10, ISO 7380-2, CL 10.9, BZ, PVTP	2
A9	HDW125022	SCREW,BHSCS,BLACK ZINC,M5-.8 X 12MM,W/NYLON PATCH	2
A10	ELE1808847	HARNESS, INTERMEDIATE, ILEVEL EDGE MINI, SEAT, R-NET	1
A11	PLSTIE1004	TIE WRAP,BLACK,8"	5
A12	ELE146865	ELECTRONIC,SELF WRAPPING,5/8"D,10"L,SPLIT TUBULAR WOVEN SLEEVE,TECHFLEX(F6W0.63BK10)	1
A13	ELE1808585	HARNESS, LIGHT INTERFACE, EDGE MINI, REAR SEAT MODULE, W/LIFT	1
A14	ELE1808809	HARNESS, LIGHT MODULE INTERFACE, RNET, EDGE MINI	1
B1	DWR1111H565	ELECTRONIC,HARNESS,BUS CABLE,0.5 METER,MALE/MALE,R-NET	1
C1	HDW131337	STANDOFF,MALE-FEMALE,M4-0.7 X 15MM	4

4.2.7. Lift & Recline

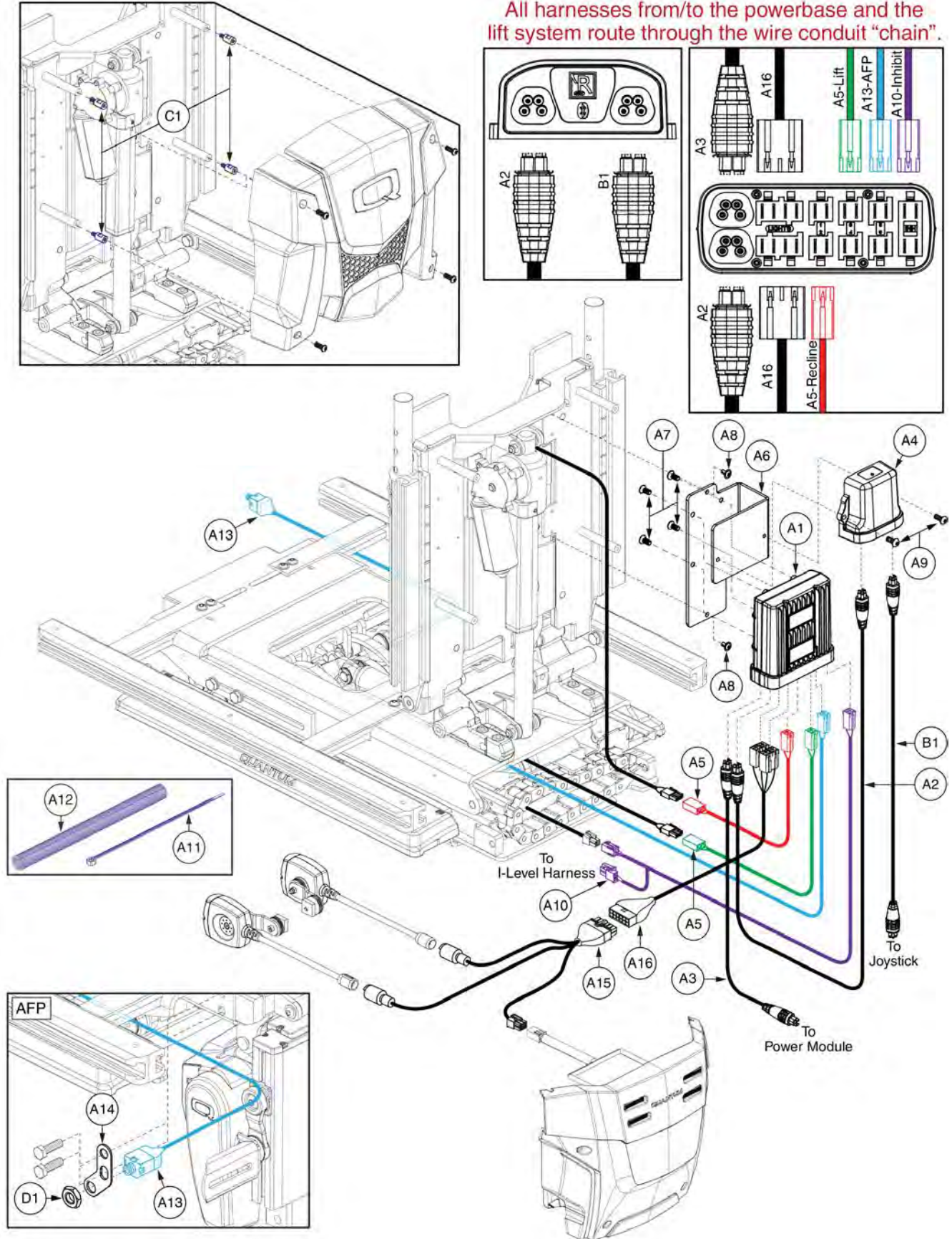


All harnesses from/to the powerbase and the lift system route through the wire conduit "chain".

Item	Part No.	Name	Qty
A1 - A19	ELE1906182	ELECTRONIC,ASSY,R-NET,W/POWER LEGS,TRU-BALANCE 3 POWER ADJUSTABLE SEAT LIFT & RECLINE,W/LIGHTS,Q6EDGE 3 STRETTO	1
A1 - A17	ELE1906914	ELECTRONIC,ASSY,R-NET,W/POWER LEGS,TRU-BALANCE 3 POWER ADJUSTABLE SEAT LIFT & RECLINE,Q6EDGE 3 STRETTO	1
A1	CTLDC1523	ELECTRONIC,MODULE,ISM,ACTUATOR AND LIGHTING,H-1111-117	1
A2	DWR1111H565	ELECTRONIC,HARNESS,BUS CABLE,0.5 METER,MALE/MALE,R-NET	1
A3	DWR1111H567	ELECTRONIC,HARNESS,BUS CABLE,1.0 METER,MALE/MALE,R-NET	1
A4	CTL137838	R-NET TILT/ASM MODULE (D51508)	1
A5	ELE136088	ELECTRONIC,HARNESS,R-NET ACTUATOR INTERFACE,MOLEX/INTECH	2
A6	MEC138354	BRACKET,R-NET ISM-L,TRU-BALANCE 3	1
A7	SCRSHFH1015	SCREW,SHFH,BLACK ZINC,M5-8 X 12MM,GRADE 10.9	4
A8	HDW123677	SCREW,FLANGED BUTTON HEAD, M4X0.7 X 10, ISO 7380-2, CL 10.9, BZ, PVTP	2
A9	HDW125022	SCREW,BHSCS,BLACK ZINC,M5-8 X 12MM,W/NYLON PATCH	2
A10	DWR1265H077	ELECTRONIC,HARNESS,R-NET,ELR ACTUATOR HARNESS,RIGHT	1
A11	DWR1265H078	ELECTRONIC,HARNESS,R-NET,ELR ACTUATOR HARNESS,LEFT	1
A12	ELE1808847	HARNESS, INTERMEDIATE, ILEVEL EDGE MINI, SEAT, R-NET	1
A13	PLSTIE1004	TIE WRAP,BLACK,8"	5
A14	ELE146865	ELECTRONIC,SELF WRAPPING,5/8"D,10"L,SPLIT TUBULAR WOVEN SLEEVE,TECHFLEX(F6W0.63BK10)	1
A15	DWR1303B026	ELECTRICAL CONNECTION BRACKET,ARTICULATING LEGREST	2
A16	NUT8120005	NUT,T-SLOT,BLACK,M8-1.25	2
A17	SCRHHCS1382	SCREW,HHCS,BLACK ZINC CHROMATE,M8-1.25 X 12MM,10.9	2
A18	ELE1808585	HARNESS, LIGHT INTERFACE, EDGE MINI, REAR SEAT MODULE, W/LIFT	1
A19	ELE1808809	HARNESS, LIGHT MODULE INTERFACE, RNET, EDGE MINI	1
B1	DWR1111H565	ELECTRONIC,HARNESS,BUS CABLE,0.5 METER,MALE/MALE,R-NET	1
C1	NUTJAM1032	NUT,JAM,THIN,STAINLESS STEEL,3/8-32	2
D1	HDW131337	STANDOFF,MALE-FEMALE,M4-0.7 X 15MM	4

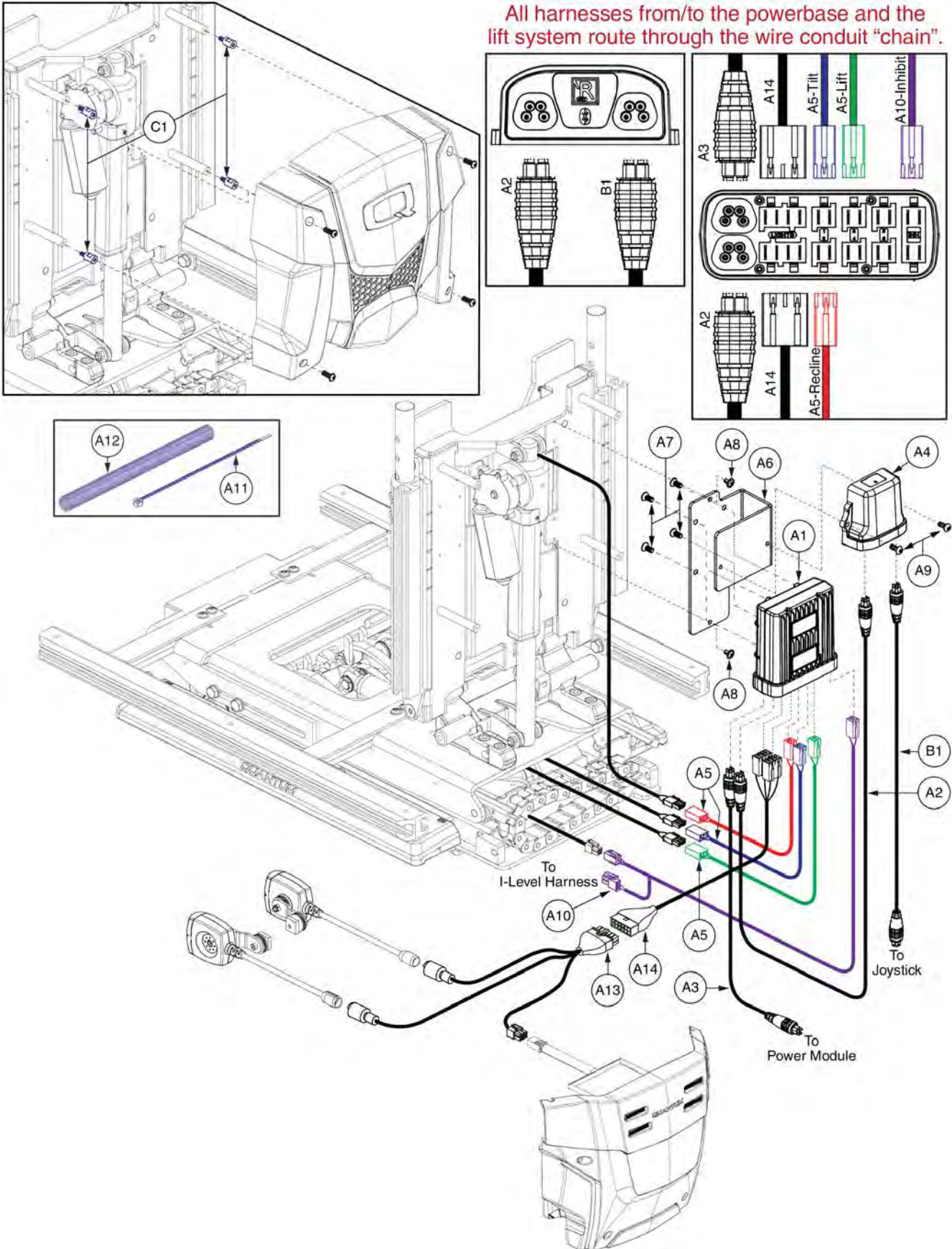
4.2.7. Lift & Recline

All harnesses from/to the powerbase and the lift system route through the wire conduit "chain".



Item	Part No.	Name	Qty
A1 - A16	ELE1906183	ELECTRONIC,ASSY,R-NET,W/POWER ARTICULATING FOOT PLATFORM,TRU-BALANCE 3 POWER ADJUSTABLE SEAT LIFT & RECLINE,W/LIGHTS,Q6EDGE 3 STRETTO	1
A1 - A14	ELE1906915	ELECTRONIC,ASSY,R-NET,W/POWER ARTICULATING FOOT PLATFORM,TRU-BALANCE 3 POWER ADJUSTABLE SEAT LIFT & RECLINE,Q6EDGE 3 STRETTO	1
A1	CTLDC1523	ELECTRONIC,MODULE,ISM,ACTUATOR AND LIGHTING,H-1111-117	1
A2	DWR1111H565	ELECTRONIC,HARNESS,BUS CABLE,0.5 METER,MALE/MALE,R-NET	1
A3	DWR1111H567	ELECTRONIC,HARNESS,BUS CABLE,1.0 METER,MALE/MALE,R-NET	1
A4	CTL137838	R-NET TILT/ASM MODULE (D51508)	1
A5	ELE136088	ELECTRONIC,HARNESS,R-NET ACTUATOR INTERFACE,MOLEX/INTECH	2
A6	MEC138354	BRACKET,R-NET ISM-L,TRU-BALANCE 3	1
A7	SCRSHFH1015	SCREW,SHFH,BLACK ZINC,M5-8 X 12MM,GRADE 10.9	4
A8	HDW123677	SCREW,FLANGED BUTTON HEAD, M4X0.7 X 10, ISO 7380-2, CL 10.9, BZ, PVTP	2
A9	HDW125022	SCREW,BHSCS,BLACK ZINC,M5-8 X 12MM,W/NYLON PATCH	2
A10	ELE1808847	HARNESS, INTERMEDIATE, ILEVEL EDGE MINI, SEAT, R-NET	1
A11	PLSTIE1004	TIE WRAP,BLACK,8"	5
A12	ELE146865	ELECTRONIC,SELF WRAPPING,5/8"D,10"L,SPLIT TUBULAR WOVEN SLEEVE,TECHFLEX(F6W0.63BK10)	1
A13	DWR1265H077	ELECTRONIC,HARNESS,R-NET,ELR ACTUATOR HARNESS,RIGHT	1
A14	MEC130241	ELECTRICAL CONNECTION BRACKET,AFP,TB3	1
A15	ELE1808585	HARNESS, LIGHT INTERFACE, EDGE MINI, REAR SEAT MODULE, W/LIFT	1
A16	ELE1808809	HARNESS, LIGHT MODULE INTERFACE, RNET, EDGE MINI	1
B1	DWR1111H565	ELECTRONIC,HARNESS,BUS CABLE,0.5 METER,MALE/MALE,R-NET	1
C1	HDW131337	STANDOFF,MALE-FEMALE,M4-0.7 X 15MM	4
D1	NUTJAM1032	NUT,JAM,THIN,STAINLESS STEEL,3/8-32	2

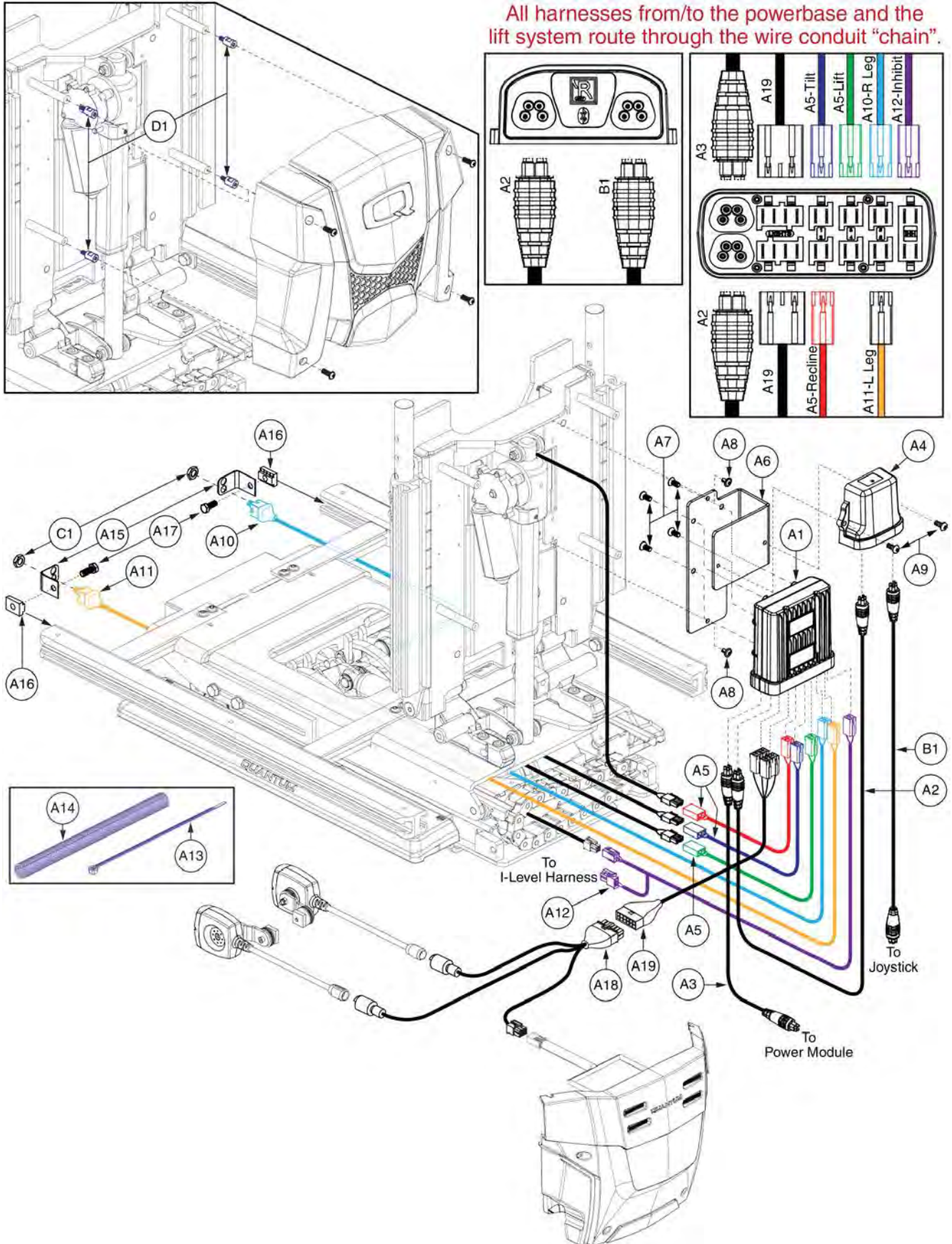
4.2.8. Lift, Tilt, & Recline



All harnesses from/to the powerbase and the lift system route through the wire conduit "chain".

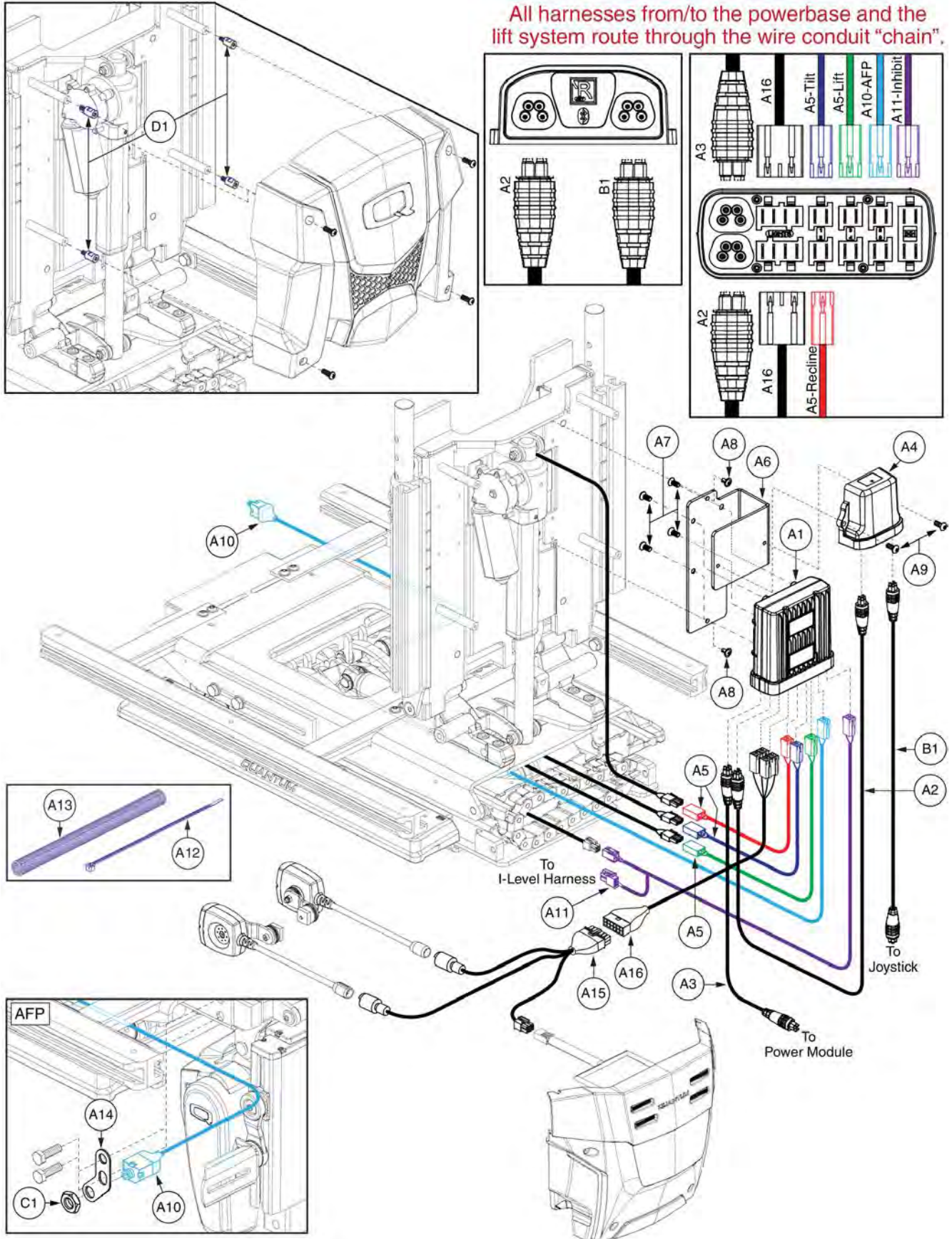
Item	Part No.	Name	Qty
A1 - A14	ELE1906178	ELECTRONIC,ASSY,R-NET,TRU-BALANCE 3 POWER ADJUSTABLE SEAT LIFT TILT & RECLINE,W/LIGHTS,Q6EDGE 3 STRETTO	1
A1 - A12	ELE1906910	ELECTRONIC,ASSY,R-NET,TRU-BALANCE 3 POWER ADJUSTABLE SEAT LIFT TILT & RECLINE,Q6EDGE 3 STRETTO	1
A1	CTLDC1523	ELECTRONIC,MODULE,ISM,ACTUATOR AND LIGHTING,H-1111-117	1
A2	DWR1111H565	ELECTRONIC,HARNESS,BUS CABLE,0.5 METER,MALE/MALE,R-NET	1
A3	DWR1111H567	ELECTRONIC,HARNESS,BUS CABLE,1.0 METER,MALE/MALE,R-NET	1
A4	CTL137838	R-NET TILT/ASM MODULE (D51508)	1
A5	ELE136088	ELECTRONIC,HARNESS,R-NET ACTUATOR INTERFACE,MOLEX/INTECH	3
A6	MEC138354	BRACKET,R-NET ISM-L,TRU-BALANCE 3	1
A7	SCRSHFH1015	SCREW,SHFH,BLACK ZINC,M5-.8 X 12MM,GRADE 10.9	4
A8	HDW123677	SCREW,FLANGED BUTTON HEAD, M4X0.7 X 10, ISO 7380-2, CL 10.9, BZ, PVTP	2
A9	HDW125022	SCREW,BHSCS,BLACK ZINC,M5-.8 X 12MM,W/NYLON PATCH	2
A10	ELE1808847	HARNESS, INTERMEDIATE, ILEVEL EDGE MINI, SEAT, R-NET	1
A11	PLSTIE1004	TIE WRAP,BLACK,8"	5
A12	ELE146865	ELECTRONIC,SELF WRAPPING,5/8"D,10"L,SPLIT TUBULAR WOVEN SLEEVE,TECHFLEX(F6W0.63BK10)	1
A13	ELE1808585	HARNESS, LIGHT INTERFACE, EDGE MINI, REAR SEAT MODULE, W/LIFT	1
A14	ELE1808809	HARNESS, LIGHT MODULE INTERFACE, RNET, EDGE MINI	1
B1	DWR1111H565	ELECTRONIC,HARNESS,BUS CABLE,0.5 METER,MALE/MALE,R-NET	1
C1	HDW131337	STANDOFF,MALE-FEMALE,M4-0.7 X 15MM	4

4.2.8. Lift, Tilt, & Recline



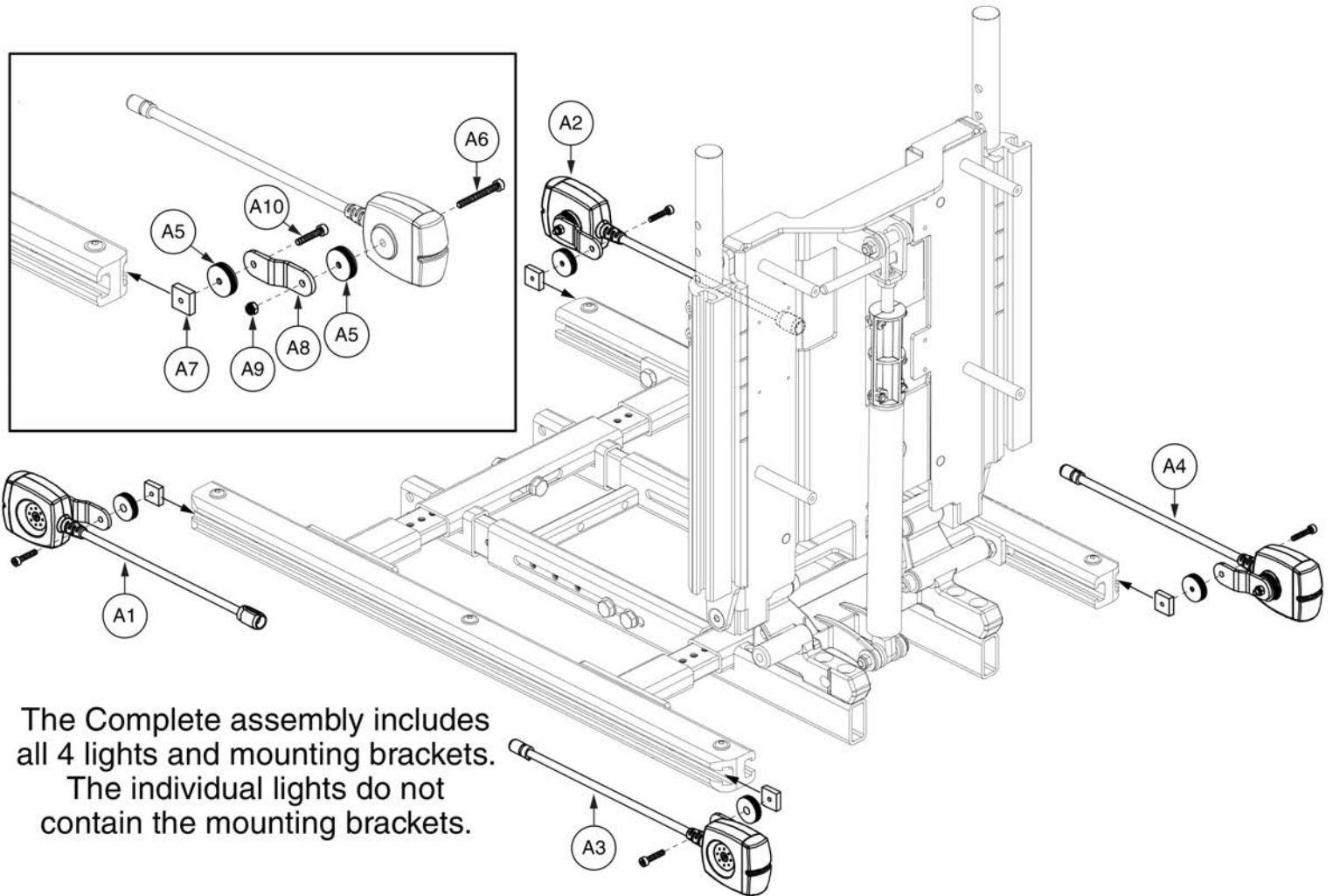
Item	Part No.	Name	Qty
A1 - A19	ELE1906179	ELECTRONIC,ASSY,R-NET,W/POWER LEGS,TRU-BALANCE 3 POWER ADJUSTABLE SEAT LIFT TILT & RECLINE,W/LIGHTS,Q6EDGE 3 STRETTO	1
A1 - A17	ELE1906911	ELECTRONIC,ASSY,R-NET,W/POWER LEGS,TRU-BALANCE 3 POWER ADJUSTABLE SEAT LIFT TILT & RECLINE,Q6EDGE 3 STRETTO	1
A1	CTLDC1523	ELECTRONIC,MODULE,ISM,ACTUATOR AND LIGHTING,H-1111-117	1
A2	DWR1111H565	ELECTRONIC,HARNESS,BUS CABLE,0.5 METER,MALE/MALE,R-NET	1
A3	DWR1111H567	ELECTRONIC,HARNESS,BUS CABLE,1.0 METER,MALE/MALE,R-NET	1
A4	CTL137838	R-NET TILT/ASM MODULE (D51508)	1
A5	ELE136088	ELECTRONIC,HARNESS,R-NET ACTUATOR INTERFACE,MOLEX/INTECH	3
A6	MEC138354	BRACKET,R-NET ISM-L,TRU-BALANCE 3	1
A7	SCRSHFH1015	SCREW,SHFH,BLACK ZINC,M5-8 X 12MM,GRADE 10.9	4
A8	HDW123677	SCREW,FLANGED BUTTON HEAD, M4X0.7 X 10, ISO 7380-2, CL 10.9, BZ, PVTP	2
A9	HDW125022	SCREW,BHSCS,BLACK ZINC,M5-8 X 12MM,W/NYLON PATCH	2
A10	DWR1265H077	ELECTRONIC,HARNESS,R-NET,ELR ACTUATOR HARNESS,RIGHT	1
A11	DWR1265H078	ELECTRONIC,HARNESS,R-NET,ELR ACTUATOR HARNESS,LEFT	1
A12	ELE1808847	HARNESS, INTERMEDIATE, ILEVEL EDGE MINI, SEAT, R-NET	1
A13	PLSTIE1004	TIE WRAP,BLACK,8"	5
A14	ELE146865	ELECTRONIC,SELF WRAPPING,5/8"D,10"L,SPLIT TUBULAR WOVEN SLEEVE,TECHFLEX(F6W0.63BK10)	1
A15	DWR1303B026	ELECTRICAL CONNECTION BRACKET,ARTICULATING LEGREST	2
A16	NUT8120005	NUT,T-SLOT,BLACK,M8-1.25	2
A17	SCRHHCS1382	SCREW,HHCS,BLACK ZINC CHROMATE,M8-1.25 X 12MM,10.9	2
A18	ELE1808585	HARNESS, LIGHT INTERFACE, EDGE MINI, REAR SEAT MODULE, W/LIFT	1
A19	ELE1808809	HARNESS, LIGHT MODULE INTERFACE, RNET, EDGE MINI	1
B1	DWR1111H565	ELECTRONIC,HARNESS,BUS CABLE,0.5 METER,MALE/MALE,R-NET	1
C1	NUTJAM1032	NUT,JAM,THIN,STAINLESS STEEL,3/8-32	2
D1	HDW131337	STANDOFF,MALE-FEMALE,M4-0.7 X 15MM	4

4.2.8. Lift, Tilt, & Recline



Item	Part No.	Name	Qty
A1 - A16	ELE1906180	ELECTRONIC,ASSY,R-NET,W/POWER ARTICULATING FOOT PLATFORM,TRU-BALANCE 3 POWER ADJUSTABLE SEAT LIFT TILT & RECLINE,W/LIGHTS,Q6EDGE 3 STRETTO	1
A1 - A14	ELE1906912	ELECTRONIC,ASSY,R-NET,W/POWER ARTICULATING FOOT PLATFORM,TRU-BALANCE 3 POWER ADJUSTABLE SEAT LIFT TILT & RECLINE,Q6EDGE 3 STRETTO	1
A1	CTLDC1523	ELECTRONIC,MODULE,ISM,ACTUATOR AND LIGHTING,H-1111-117	1
A2	DWR1111H565	ELECTRONIC,HARNESS,BUS CABLE,0.5 METER,MALE/MALE,R-NET	1
A3	DWR1111H567	ELECTRONIC,HARNESS,BUS CABLE,1.0 METER,MALE/MALE,R-NET	1
A4	CTL137838	R-NET TILT/ASM MODULE (D51508)	1
A5	ELE136088	ELECTRONIC,HARNESS,R-NET ACTUATOR INTERFACE,MOLEX/INTECH	3
A6	MEC138354	BRACKET,R-NET ISM-L,TRU-BALANCE 3	1
A7	SCRSHFH1015	SCREW,SHFH,BLACK ZINC,M5-8 X 12MM,GRADE 10.9	4
A8	HDW123677	SCREW,FLANGED BUTTON HEAD, M4X0.7 X 10, ISO 7380-2, CL 10.9, BZ, PVTP	2
A9	HDW125022	SCREW,BHSCS,BLACK ZINC,M5-8 X 12MM,W/NYLON PATCH	2
A10	DWR1265H077	ELECTRONIC,HARNESS,R-NET,ELR ACTUATOR HARNESS,RIGHT	1
A11	ELE1808847	HARNESS, INTERMEDIATE, ILEVEL EDGE MINI, SEAT, R-NET	1
A12	PLSTIE1004	TIE WRAP,BLACK,8"	5
A13	ELE146865	ELECTRONIC,SELF WRAPPING,5/8"D,10"L,SPLIT TUBULAR WOVEN SLEEVE,TECHFLEX(F6W0.63BK10)	1
A14	MEC130241	ELECTRICAL CONNECTION BRACKET,AFP,TB3	1
A15	ELE1808585	HARNESS, LIGHT INTERFACE, EDGE MINI, REAR SEAT MODULE, W/LIFT	1
A16	ELE1808809	HARNESS, LIGHT MODULE INTERFACE, RNET, EDGE MINI	1
B1	DWR1111H565	ELECTRONIC,HARNESS,BUS CABLE,0.5 METER,MALE/MALE,R-NET	1
C1	NUTJAM1032	NUT,JAM,THIN,STAINLESS STEEL,3/8-32	1
D1	HDW131337	STANDOFF,MALE-FEMALE,M4-0.7 X 15MM	4

4.3. Rail Mounted LED Light Assy



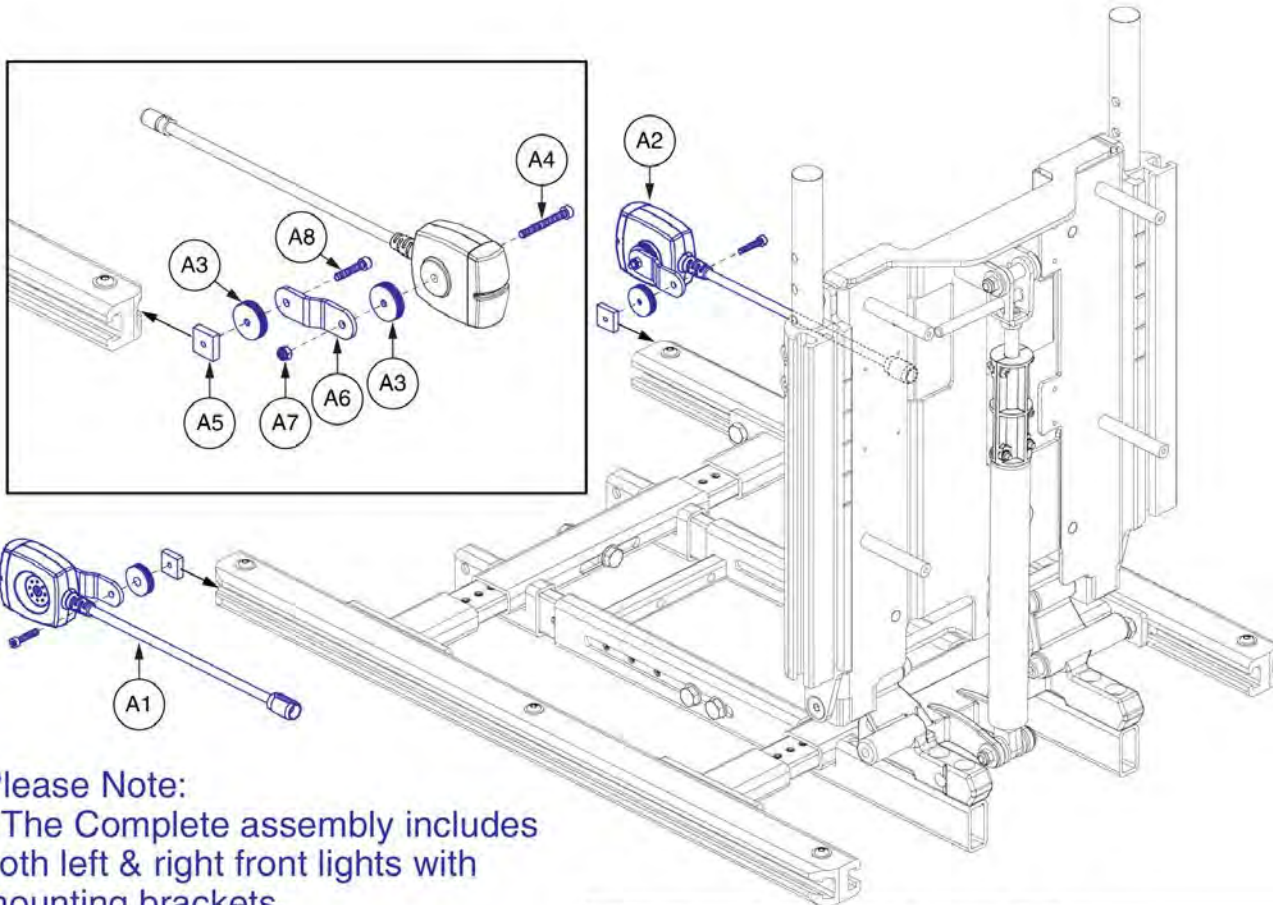
The Complete assembly includes all 4 lights and mounting brackets.
The individual lights do not contain the mounting brackets.

Standard Config. Light Assembly, TB3



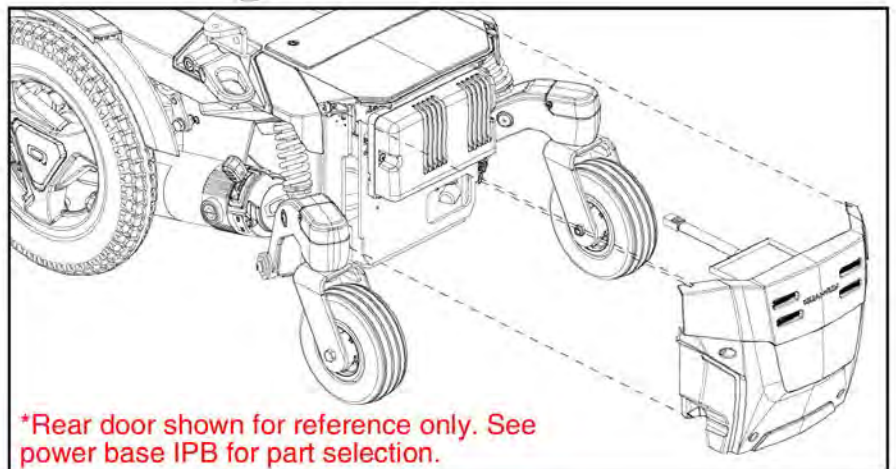
Item	Part No.	Name	Qty
A1 - A10	ELE131477	FULL LIGHT,ASSY,LED LIGHTS,TRU-BALANCE 3	1
A1	ELEASMB7120023	FULL LIGHT,ASSY,WHITE/AMBER,LED E-MARKED LIGHTS,SYNERGY,FRONT/LEFT,ELEASMB7120023	1
A2	ELEASMB7120024	FULL LIGHT,ASSY,WHITE/AMBER,LED LIGHTS,SYNERGY,FRONT/RIGHT,ELEASMB7120024	1
A3	ELEASMB7120025	LIGHT,ASSY,RED/AMBER,LED E-MARKED LIGHTS,SYNERGY,REAR/LEFT,ELEASMB7120025	1
A4	ELEASMB7120026	LIGHT,ASSY,RED/AMBER,LED E-MARKED LIGHTS,SYNERGY,REAR/RIGHT,ELEASMB7120026	1
A5	DWR1010B161	SPACER,BLACK,PLASTIC,0.157" ID X 0.866" OD X 0.22" TH,B-1010-161	8
A6	SCRSHCS1237	SCREW,SHCS,BLACK ZINC,M4-.7 X 35MM	4
A7	MEC121720	NUT,T-SLOT,M4 X 0.7,TRU-BALANCE 3	4
A8	MEC131475	LIGHT BRACKET,TRU-BALANCE 3	4
A9	NUTNYLK1065	NUT,NYLOCK,BLACK ZINC,M4-.7	4
A10	SCRSHCS1096	SCREW,SHCS,BLACK ZINC,M4-.7 X 20MM	4

4.3. Rail Mounted LED Light Assy



Please Note:

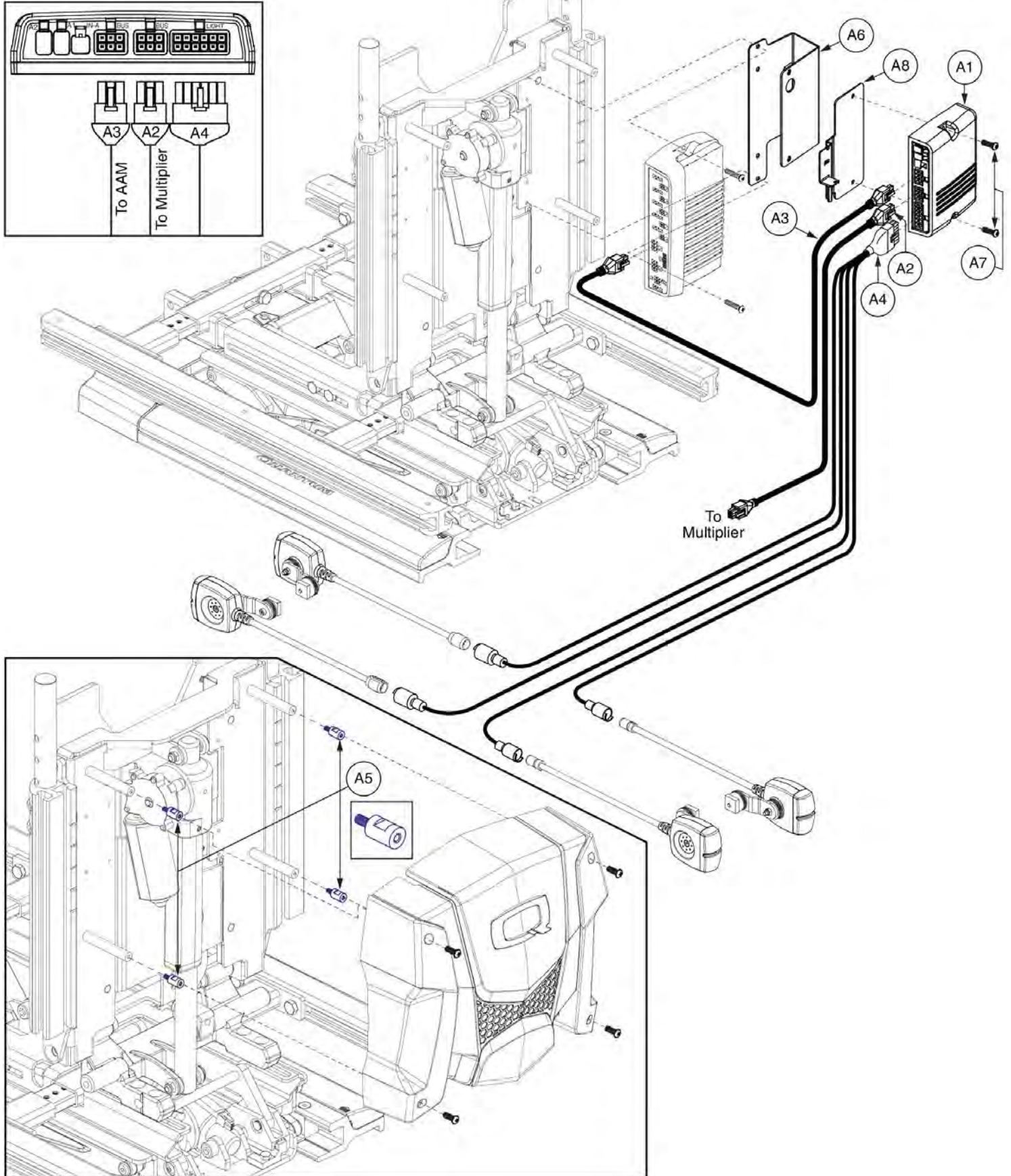
- The Complete assembly includes both left & right front lights with mounting brackets.
- The individual lights do not contain the mounting brackets.



*Rear door shown for reference only. See power base IPB for part selection.

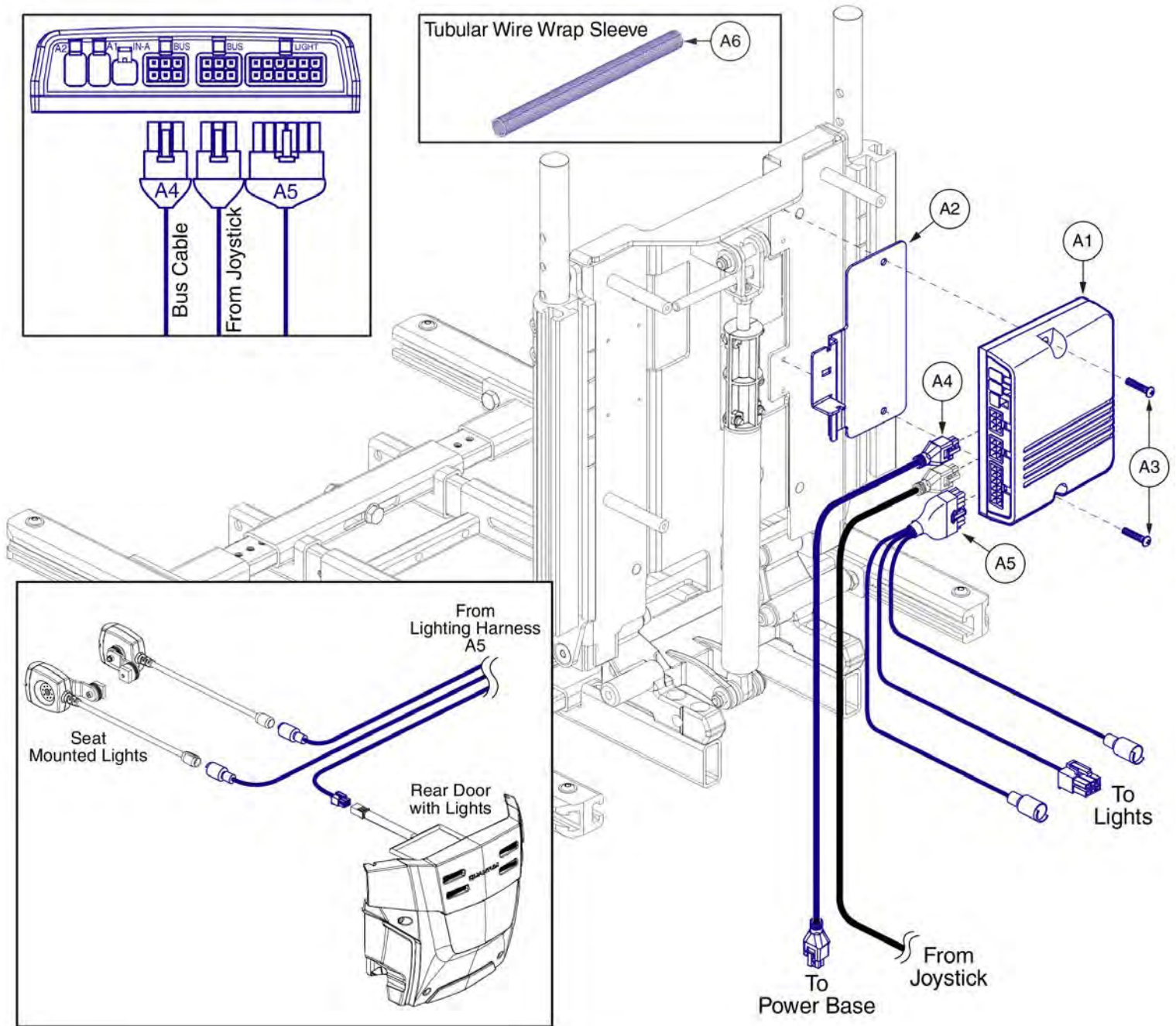
Item	Part No.	Name	Qty
A1 - A8	ELE1905403	FULL LIGHT,ASSY,LED LIGHTS,TRU-BALANCE 3 / FLEX,Q6EDGE 3 STRETTO	1
A1	ELEASMB7120023	FULL LIGHT,ASSY,WHITE/AMBER,LED E-MARKED LIGHTS,SYNERGY,FRONT/LEFT,ELEASMB7120023	1
A2	ELEASMB7120024	FULL LIGHT,ASSY,WHITE/AMBER,LED LIGHTS,SYNERGY,FRONT/RIGHT,ELEASMB7120024	1
A3	DWR1010B161	SPACER,BLACK,PLASTIC,0.157" ID X 0.866" OD X 0.22" TH,B-1010-161	4
A4	SCRSHCS1237	SCREW,SHCS,BLACK ZINC,M4-.7 X 35MM	2
A5	MEC121720	NUT,T-SLOT,M4 X 0.7,TRU-BALANCE 3	2
A6	MEC131475	LIGHT BRACKET,TRU-BALANCE 3	2
A7	NUTNYLK1065	NUT,NYLOCK,BLACK ZINC,M4-.7	2
A8	SCRSHCS1096	SCREW,SHCS,BLACK ZINC,M4-.7 X 20MM	2

5.1. Lighting thru LM, Q-Logic 2 / NE+



Item	Part No.	Name	Qty
A1 - A8	ELE135850	ELECTRONIC,ASSY,Q-LOGIC/LM,TRU-BALANCE 3	1
A1	ELEASMB6213	ELECTRONIC,ASSY,Q-LOGIC LM MODULE,W/PROGRAMMING,LED LIGHTS,QUANTUM	1
A2	DWR1111H047	HARNESS,BUS CABLE,1.0 METER,FEMALE/FEMALE,H-1111-047,(CURTIS:17881302)	1
A3	DWR1111H311	ELECTRONIC,HARNESS,BUS EXTENSION CABLE,AAM/LM	1
A4	DWR1265H047	ELECTRONIC,HARNESS,FULL LIGHT,LED,TRU-BALANCE 2 POWER TILT,H-1265-047	1
A5	HDW131337	STANDOFF,MALE-FEMALE,M4-0.7 X 15MM	4
A6	MEC131336	ELECTRONIC,LIGHT MODULE BRACKET,TRU-BALANCE 3	1
A7	SCRPPH1061	SCREW, PPH,ZINC,M4 X .7T X 20MM	2
A8	MEC138637	BRACKET,STRAIN RELIEF,AM1	1

5.1. Lighting thru LM, Q-Logic 2 / NE+



Item	Part No.	Name	Qty
A1 - A6	ELE1905832	ELECTRONIC,ASSY,LM,TRU-BALANCE 3,Q6EDGE 3 STRETTO	1
A1	ELEASMB6213	ELECTRONIC,ASSY,Q-LOGIC LM MODULE,W/PROGRAMMING,LED LIGHTS,QUANTUM	1
A2	MEC138637	BRACKET,STRAIN RELIEF,AM1	1
A3	SCRPPH1153	SCREW, PAN HEAD, TYPE H, M4X0.7 X 20, FT, ISO 7045, CL 4.8, BZ	2
A4	DWR1111H047	HARNESS,BUS CABLE,1.0 METER,FEMALE/FEMALE,H-1111-047,(CURTIS:17881302)	1
A5	ELE1808670	HARNESS,LIGHT INTERFACE,Q6 EDGE 3 STRETTO,REAR SEAT MODULE, W/O LIFT	1
A6	ELE146865	ELECTRONIC,SELF WRAPPING,5/8"D,10"L,SPLIT TUBULAR WOVEN SLEEVE,TECHFLEX(F6W0.63BK10)	1

5.2. Lighting thru LAM2, Q-Logic 2 / NE+

*Please note: Assemblies marked with "Std." (Standard) are used across all applicable product lines **EXCEPT** the Q6 Edge HD and Q6 Edge 3 Stretto, which contain an individual mark.

Seat Only Master Assemblies

Ref#	Part#	Config.#	Seating Config.	Std.	Q6 Edge HD	Q6 Edge3 Stretto
A1	ELE135913	01	Independent Legs	✓		
B1	ELE1905908	01	Independent Legs			✓
C1	ELE135914	02	Combined Legs	✓		
D1	ELE1905911	02	Combined Legs			✓
E1	ELE135916	03	AFP	✓	✓	
F1	ELE1905912	03	AFP			✓

Lift (TB3 Version 1) Master Assemblies

Ref#	Part#	Config.#	Seating Config.	Std.	Q6 Edge HD	Q6 Edge3 Stretto
G1	ELE135915	04	Lift Only	✓		
H1	ELE135917	07	Lift w/ AFP	✓		
I1	ELE135912	14	Lift & Recline	✓		
J1	ELE135907	24	Lift & Tilt	✓		

Recline Master Assemblies

Ref#	Part#	Config.#	Seating Config.	Std.	Q6 Edge HD	Q6 Edge3 Stretto
K1	ELE135909	08	Recline Only	✓	✓	
L1	ELE1905940	08	Recline Only			✓
M1	ELE135910	11	w/ AFP	✓	✓	
N1	ELE1905941	11	w/ AFP			✓

- The master assemblies include the LAM2 with mounting hardware, lighting harness, bus cable, tie wraps, hook & loop fastener, and tubular wire wrap sleeve.

- If the master assemblies include legrests, they will also contain the appropriate legrest harnessing and hardware.

- Manual recline assemblies include the inhibit switch and hardware.

Tilt Master Assemblies

Ref#	Part#	Config.#	Seating Config.	Std.	Q6 Edge HD	Q6 Edge3 Stretto
O1	ELE135851	20	Tilt Only	✓		
P1	ELE1901200	20	Tilt Only		✓	
Q1	ELE1905932	20	Tilt Only			✓
R1	ELE135852	20	w/ Manual Recline	✓		
S1	ELE1905937	20	w/ Manual Recline			✓
T1	ELE135879	23	w/ AFP	✓		
U1	ELE1901202	23	w/ AFP		✓	
V1	ELE1905938	23	w/ AFP			✓

Tilt & Recline Master Assemblies

Ref#	Part#	Config.#	Seating Config.	Std.	Q6 Edge HD	Q6 Edge3 Stretto
W1	ELE135908	28	Tilt & Recline	✓	✓	
X1	ELE1905944	28	Tilt & Recline			✓

Item	Part No.	Name	Qty
A1	ELE135913	ELECTRONIC,ASSY,LAM2,TRU-BALANCE 3 SEAT,INDEPENDENT LEGS,(CONFIGURATION # 01)	1
B1	ELE1905908	ELECTRONIC,ASSY,LAM2,TRU-BALANCE 3 SEAT,INDEPENDENT LEGS,(CONFIGURATION # 01),Q6EDGE 3 STRETTO	1
C1	ELE135914	ELECTRONIC,ASSY,LAM2,TRU-BALANCE 3 SEAT,COMBINED LEGS,(CONFIGURATION # 02)	1
D1	ELE1905911	ELECTRONIC,ASSY,LAM2,TRU-BALANCE 3 SEAT,COMBINED LEGS,(CONFIGURATION # 02),Q6EDGE 3 STRETTO	1
E1	ELE135916	ELECTRONIC,ASSY,LAM2,TB3 SEAT W/AFP,(CONFIG.# 03)	1
F1	ELE1905912	ELECTRONIC,ASSY,LAM2,TRU-BALANCE 3 SEAT,POWER ARTICULATING FOOT PLATFORM,(CONFIGURATION # 03),Q6EDGE 3 STRETTO	1
G1	ELE135915	ELECTRONIC,ASSY,LAM2,TRU-BALANCE 3 LIFT,(CONFIGURATION # 04)	1
H1	ELE135917	ELECTRONIC,ASSY,LAM2,TB3 LIFT W/AFP,(CONFIG.# 07)	1
I1	ELE135912	ELECTRONIC,ASSY,LAM2,TRU-BALANCE 3 POWER RECLINE,LIFT & RECLINE,(CONFIGURATION # 14)	1
J1	ELE135907	ELECTRONIC,ASSY,LAM2,TRU-BALANCE 3 LIFT & TILT,THRU JOYSTICK,(CONFIGURATION # 24)	1
K1	ELE135909	ELECTRONIC,ASSY,LAM2,TB3 RECLINE,(CONFIG.# 08)	1
L1	ELE1905940	ELECTRONIC,ASSY,LAM2,TRU-BALANCE 3 POWER RECLINE,(CONFIGURATION # 08),Q6EDGE 3 STRETTO	1
M1	ELE135910	ELECTRONIC,ASSY,LAM2,TB3 RECLINE W/AFP,(CONFIG.# 11)	1
N1	ELE1905941	ELECTRONIC,ASSY,LAM2,TRU-BALANCE 3 POWER RECLINE,POWER ARTICULATING FOOT PLATFORM,(CONFIGURATION # 11),Q6EDGE 3 STRETTO	1
O1	ELE135851	ELECTRONIC,ASSY,LAM2,TB3 TILT,(CONFIG.# 20)	1
P1	ELE1901200	ELECTRONIC,ASSY,LAM2,TRU-BALANCE 3 POWER TILT,TILT THRU JOYSTICK,(CONFIGURATION # 20),Q6EDGEHD	1
Q1	ELE1905932	ELECTRONIC,ASSY,LAM2,TRU-BALANCE 3 POWER TILT,(CONFIGURATION # 20),Q6EDGE 3 STRETTO	1
R1	ELE135852	ELECTRONIC,ASSY,LAM2,TB3 TILT W/MANUAL RECLINE,(CONFIG.# 20)	1
S1	ELE1905937	ELECTRONIC,ASSY,LAM2,TRU-BALANCE 3 POWER TILT,W/MANUAL RECLINE,(CONFIGURATION # 20),Q6EDGE 3 STRETTO	1
T1	ELE135879	ELECTRONIC,ASSY,LAM2,TB3 TILT W/AFP,(CONFIG.# 23)	1
U1	ELE1901202	ELECTRONIC,ASSY,LAM2,TB3 TILT W/AFP,THRU JOYSTICK,(CONFIGURATION # 23),Q6EDGEHD	1
V1	ELE1905938	ELECTRONIC,ASSY,LAM2,TRU-BALANCE 3 POWER TILT,POWER ARTICULATING FOOT PLATFORM,(CONFIGURATION # 23),Q6EDGE 3 STRETTO	1
W1	ELE135908	ELECTRONIC,ASSY,LAM2,TB3 TILT & RECLINE,(CONFIG.# 28)	1
X1	ELE1905944	ELECTRONIC,ASSY,LAM2,TRU-BALANCE 3 POWER TILT & RECLINE,(CONFIGURATION # 28),Q6EDGE 3 STRETTO	1

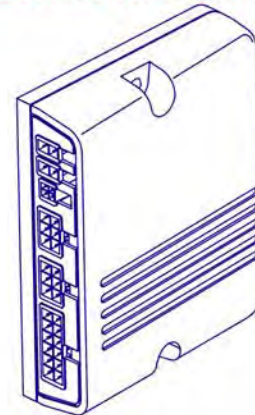
5.2. Lighting thru LAM2, Q-Logic 2 / NE+

*Please note: LAM2 selection is independent of power base type. Programmed parameters are based upon seating configuration only. Contact Technical Service for more information.

Seat Only LAM2				
Ref#	Part#	Config.#	Seating Config.	Master Assemblies
A1	ELEASMB7263	01	Independent Legs	ELE135913 ELE1905908
B1	ELEASMB7264	02	Combined Legs	ELE135914 ELE1905911
C1	ELEASMB7266	03	AFP	ELE135916 ELE1905912

Lift (TB3 Version 1) LAM2				
Ref#	Part#	Config.#	Seating Config.	Master Assemblies
D1	ELEASMB7265	04	Lift Only	ELE135915
E1	ELEASMB7267	07	Lift w/ AFP	ELE135917
F1	ELEASMB7262	14	Lift & Recline	ELE135912
G1	ELEASMB7258	24	Lift & Tilt	ELE135907

Recline LAM2				
Ref#	Part#	Config.#	Seating Config.	Master Assemblies
H1	ELEASMB7260	08	Recline Only	ELE135909 ELE1905940
I1	ELEASMB7261	11	w/ AFP	ELE135910 ELE1905941

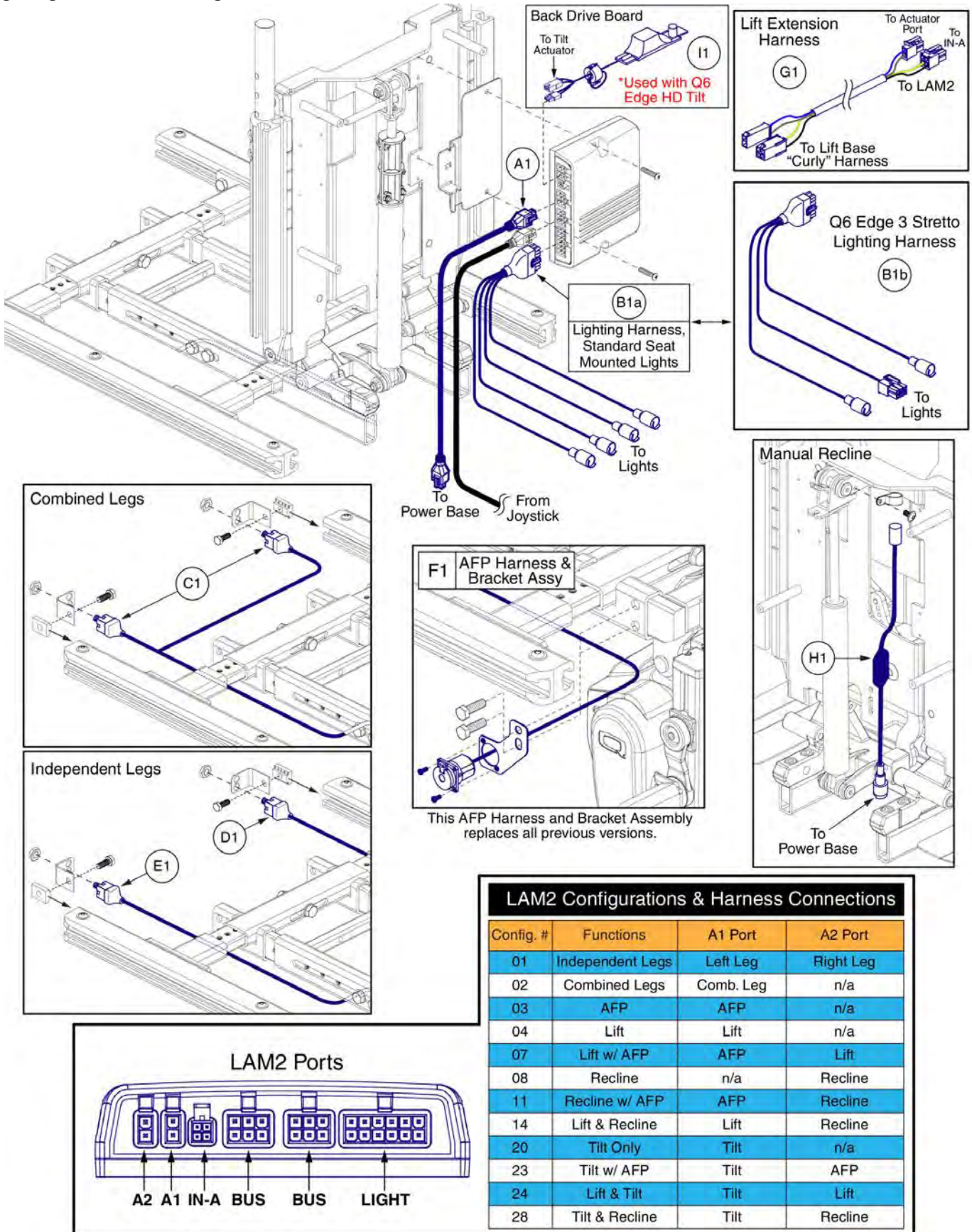


Tilt LAM2				
Ref#	Part#	Config.#	Seating Config.	Master Assemblies
J1	ELEASMB7255	20	Tilt Only	ELE135851 ELE1901200 ELE1905932
J1	ELEASMB7255	20	w/ Manual Recline	ELE135852 ELE1905937
K1	ELEASMB7256	23	w/ AFP	ELE135879 ELE1901202 ELE1905938

Tilt & Recline LAM2				
Ref#	Part#	Config.#	Seating Config.	Master Assemblies
L1	ELEASMB7259	28	Tilt & Recline	ELE135908 ELE1905944

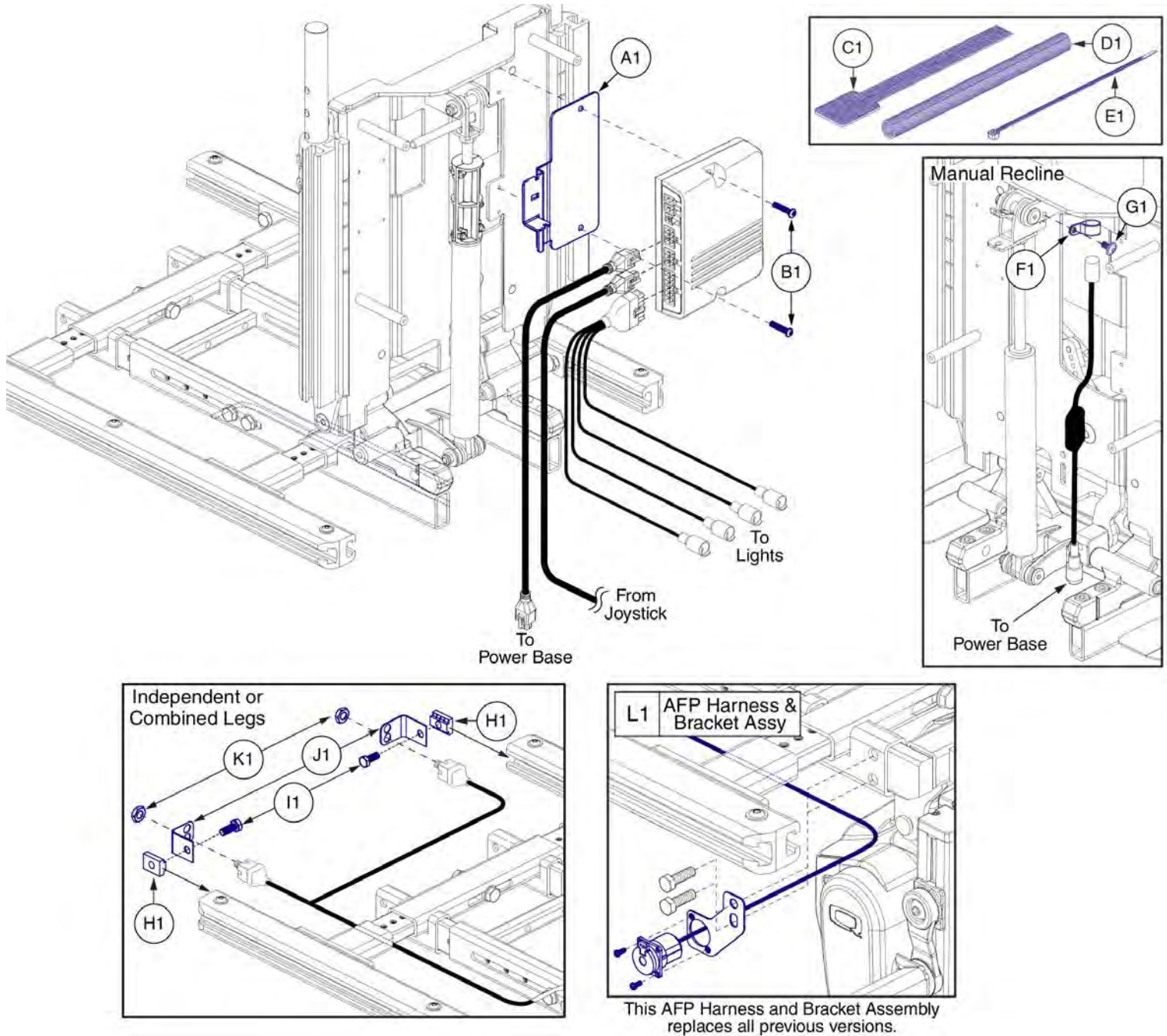
Item	Part No.	Name	Qty
A1	ELEASMB7263	ELECTRONIC,ASSY,LAM2 MODULE,W/PROGRAMMING,TRUBALANCE,INDEPENDENT LEGS,(CONFIGURATION # 1)	1
B1	ELEASMB7264	ELECTRONIC,ASSY,LAM2 MODULE,W/PROGRAMMING,TRUBALANCE,COMBINED LEGS,(CONFIGURATION # 2)	1
C1	ELEASMB7266	ELECTRONIC,ASSY,LAM2 MODULE,W/PROGRAMMING,TRUBALANCE,POWER FOOT PLATFORM,(CONFIGURATION # 03)	1
D1	ELEASMB7265	ELECTRONIC,ASSY,LAM2 MODULE,W/PROGRAMMING,TRUBALANCE,ELEVATE,(CONFIGURATION # 04)	1
E1	ELEASMB7267	ELECTRONIC,ASSY,LAM2 MODULE,W/PROGRAMMING,TRUBALANCE,POWER FOOT PLATFORM,(CONFIGURATION # 07)	1
F1	ELEASMB7262	ELECTRONIC,ASSY,LAM2 MODULE,W/PROGRAMMING,TRUBALANCE,RECLINE/ELEVATE,(CONFIGURATION # 14)	1
G1	ELEASMB7258	ELECTRONIC,ASSY,LAM2 MODULE,W/PROGRAMMING,TRUBALANCE,TILT/ELEVATE,(CONFIGURATION # 24)	1
H1	ELEASMB7260	ELECTRONIC,ASSY,LAM2 MODULE,W/PROGRAMMING,TRUBALANCE,RECLINE,(CONFIGURATION # 8)	1
I1	ELEASMB7261	ELECTRONIC,ASSY,LAM2 MODULE,W/PROGRAMMING,TRUBALANCE,RECLINE/POWER FOOT PLATFORM,(CONFIG # 11)	1
J1	ELEASMB7255	ELECTRONIC,ASSY,LAM2 MODULE,W/PROGRAMMING,TRUBALANCE TILT,(CONFIGURATION #20)	1
K1	ELEASMB7256	ELECTRONIC,ASSY,LAM2 MODULE,W/PROGRAMMING,TRUBALANCE,TILT/POWER FOOT PLATFORM,(CONFIGURATION # 23)	1
L1	ELEASMB7259	ELECTRONIC,ASSY,LAM2 MODULE,W/PROGRAMMING,TRUBALANCE,TILT/RECLINE,(CONFIGURATION # 28)	1

5.2. Lighting thru LAM2, Q-Logic 2 / NE+



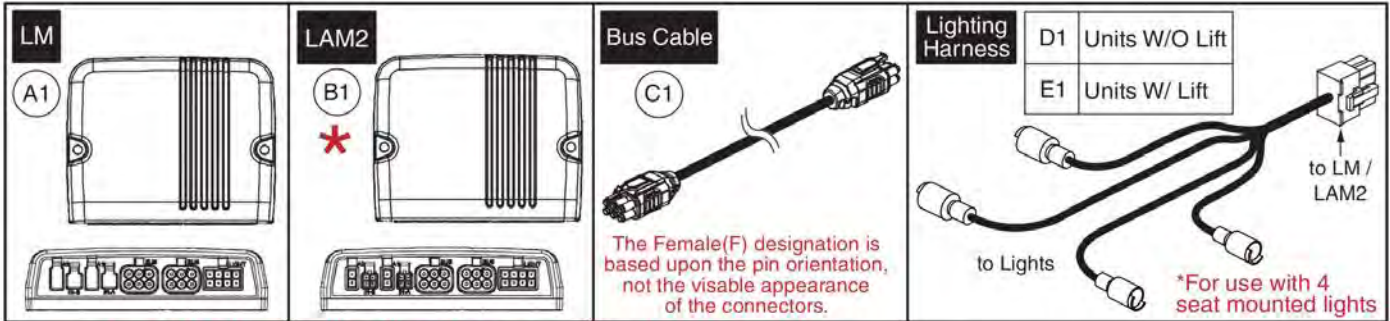
Item	Part No.	Name	Qty
A1	DWR1111H047	HARNESS,BUS CABLE,1.0 METER,FEMALE/FEMALE,H-1111-047,(CURTIS:17881302)	1
B1a	DWR1265H047	ELECTRONIC,HARNESS,FULL LIGHT,LED,TRU-BALANCE 2 POWER TILT,H-1265-047	1
B1b	ELE1808670	HARNESS,LIGHT INTERFACE,Q6 EDGE 3 STRETTO,REAR SEAT MODULE, W/O LIFT	1
C1	DWR1265H005	ELECTRONIC,HARNESS,COMBINED ELR,CURTIS,TRU-BALANCE TILT 2,H-1265-005	1
D1	DWR1265H006	ELECTRONIC,HARNESS,INDEPENDENT ELR,CURTIS,TRU-BALANCE TILT 2,LEFT,H-1265-006	1
E1	DWR1265H007	ELECTRONIC,HARNESS,INDEPENDENT ELR,CURTIS,TRU-BALANCE TILT 2,RIGHT,H-1265-007	1
F1	ELE1704823	ELECTRONIC,ASSY,AFP W/MOUNTING BRACKET & HARDWARE,TB3,VERSION 2	1
G1	ELE133304	ELECTRONIC,HARNESS,CURLY CABLE EXTENSION CABLE,FRONT MOUNTED,TRU-BALANCE 3 LIFT	1
H1	ELE142519	HARNESS,COMBINATION,INHIBIT,MANUAL TILT,ROHS	1
I1	ELE153301	ELECTRICAL,ASSEMBLY,REAC LIFT BACK DRIVE PCBA & INPUT/OUTPUT HARNESS	1

5.2. Lighting thru LAM2, Q-Logic 2 / NE+



Item	Part No.	Name	Qty
A1	MEC138637	BRACKET,STRAIN RELIEF,AM1	1
B1	SCRPPH1061	SCREW, PPH,ZINC,M4 X .7T X 20MM	1
C1	VELDBLS1001	REUSABLE FASTENER,1/2"W X 8"L,HOOK & LOOP	1
D1	ELE146865	ELECTRONIC,SELF WRAPPING,5/8"D,10"L,SPLIT TUBULAR WOVEN SLEEVE,TECHFLEX(F6W0.63BK10)	1
E1	PLSTIE1004	TIE WRAP,BLACK,8"	5
F1	CLPCBLC1025	CLAMP,CABLE,STEEL,0.50" DIA,RUBBER COATED	1
G1	HDW121242	SCREW, BUTTON HEAD, FLANGED, M6X1.0 X 8, ISO 7380-2, CL 10.9, BZ, PVTP	1
H1	NUT8120005	NUT,T-SLOT,BLACK,M8-1.25	2
I1	SCRHHCS1382	SCREW,HHCS,BLACK ZINC CHROMATE,M8-1.25 X 12MM,10.9	2
J1	DWR1303B026	ELECTRICAL CONNECTION BRACKET,ARTICULATING LEGREST	2
K1	NUTJAM1032	NUT,JAM,THIN,STAINLESS STEEL,3/8-32	2
L1	ELE1704823	ELECTRONIC,ASSY,AFP W/MOUNTING BRACKET & HARDWARE,TB3,VERSION 2	1

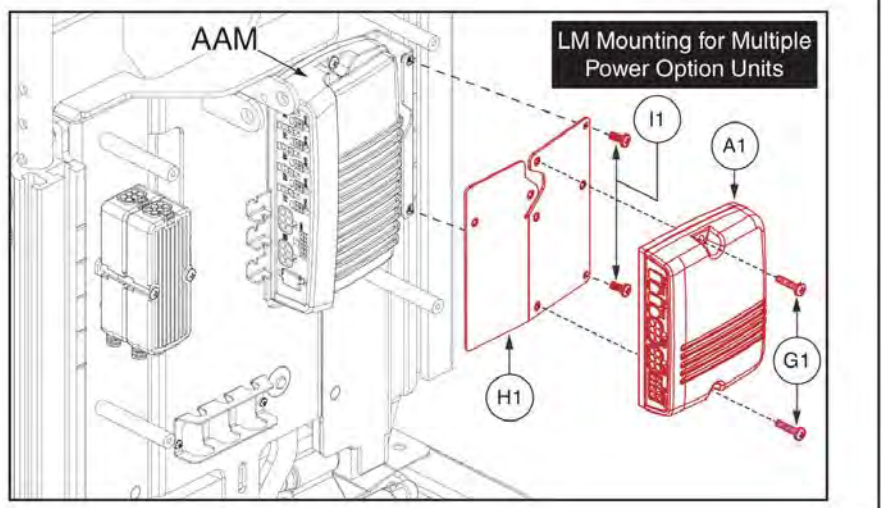
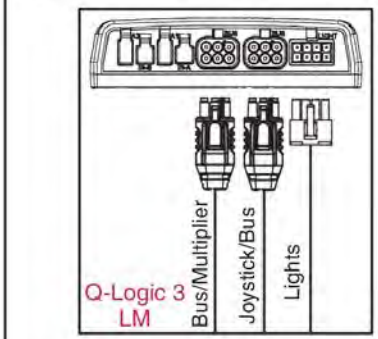
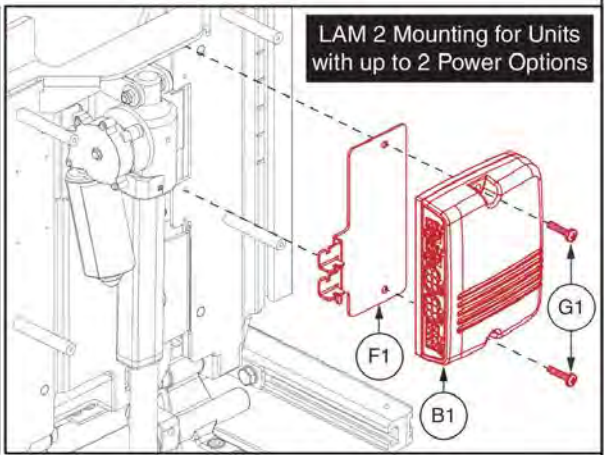
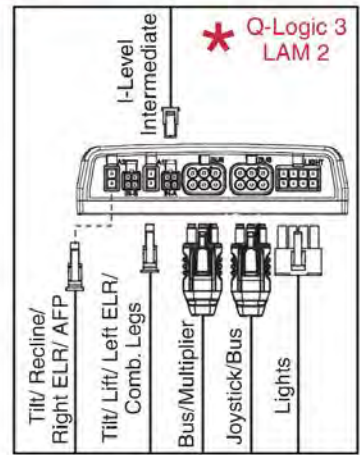
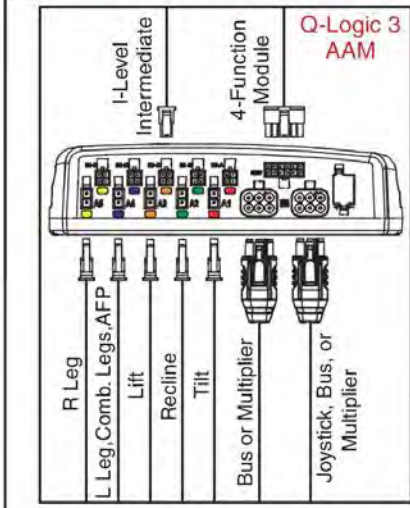
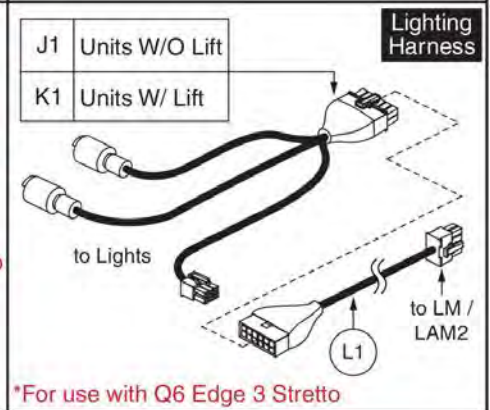
5.3. Lighting thru LM / LAM2, Q-Logic 3



*** Seating System Module (B1) replacement may require the selection of a Pre-programmed SD Card. ***

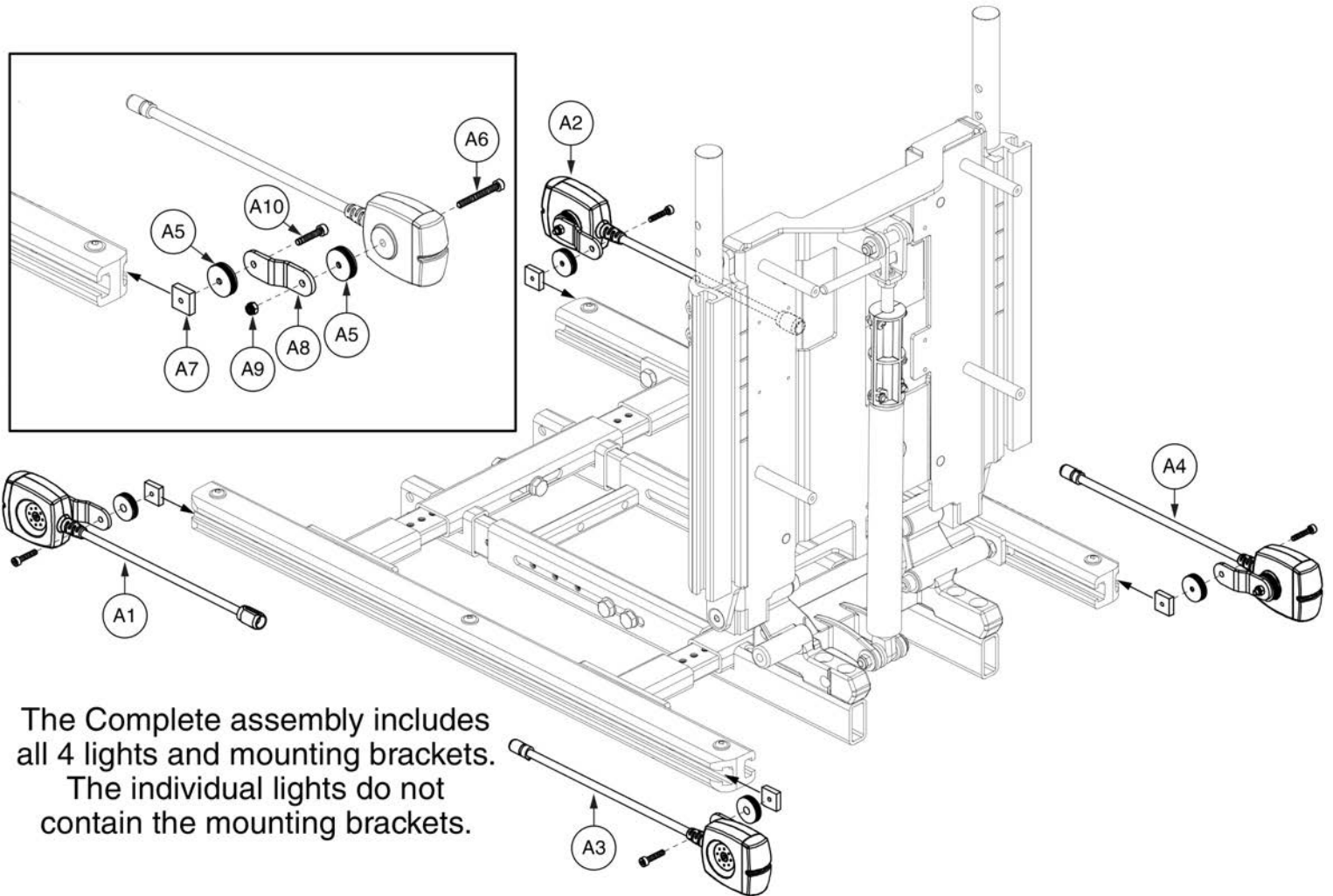
SD Card Replacement notes:

- It is recommended to replace the SD card when replacing any module to install the most up to date firmware on the unit.
- It is **REQUIRED** to replace the SD card when retrofitting a unit in the field to Q-Logic 3 electronics or any circumstance where all of the electronics modules require replacement.
- The Q-Logic 3 system will reprogram the unit based upon the information loaded onto the SD card.
- The proper, programmed SD card must be selected to ensure the unit functions as intended.
- SD Cards not shown. See SD Card page for selection.
- Contact Technical Service for more information.



Item	Part No.	Name	Qty
A1	CTL143986	LIGHT MODULE,Q-LOGIC 3,LM,(CURTIS:17963700-0109)	1
B1	CTL143985	ACTUATOR MODULE,Q-LOGIC 3,LAM2,2 ACTUATOR AND LIGHTS,(CURTIS: 17963700-2109)	1
C1	HAR143994	HARNESS, BUS EXTENSION CABLE, Q-LOGIC 3, 0.3 METER, FEMALE/FEMALE, (CURTIS: 17881361-01-02)	1
D1	ELE168114	HARNESS, FULL LIGHT, LED, SEATING SYSTEM W/O LIFT, QL3	1
E1	ELE168113	HARNESS, FULL LIGHT, LED, SEATING SYSTEM W/LIFT, QL3	1
F1	MEC155983	AM STRAIN RELIEF, Q LOGIC 3	1
G1	SCRPPH1153	SCREW, PAN HEAD, TYPE H, M4X0.7 X 20, FT, ISO 7045, CL 4.8, BZ	2
H1	MEC162072	SPECIALTY CONTROLS SEATBACK BRACKET LID ASSEMBLY	1
I1	SCRPPH1163	SCREW, PAN HEAD, TYPE H, M4X0.7 X 10, FT, ISO 7045, CL 4.8, BZ	2
J1	ELE1808670	HARNESS,LIGHT INTERFACE,Q6 EDGE 3 STRETTO,REAR SEAT MODULE, W/O LIFT	1
K1	ELE1808585	HARNESS, LIGHT INTERFACE, EDGE MINI, REAR SEAT MODULE, W/LIFT	1
L1	ELE1808813	HARNESS, LIGHT MODULE INTERFACE, QL3, EDGE MINI	1

5.4. Seat Mounted Lights



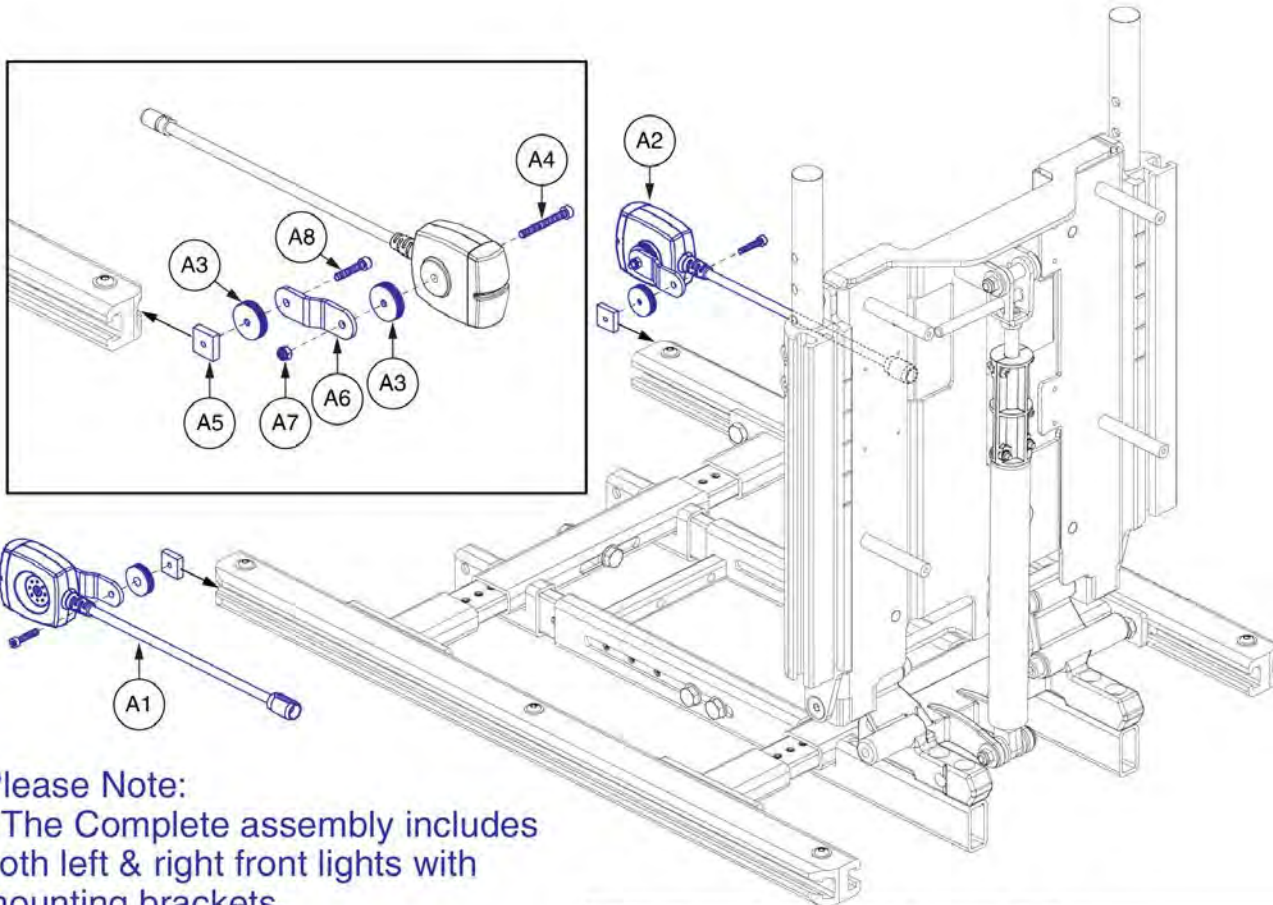
The Complete assembly includes all 4 lights and mounting brackets.
The individual lights do not contain the mounting brackets.

Standard Config. Light Assembly, TB3



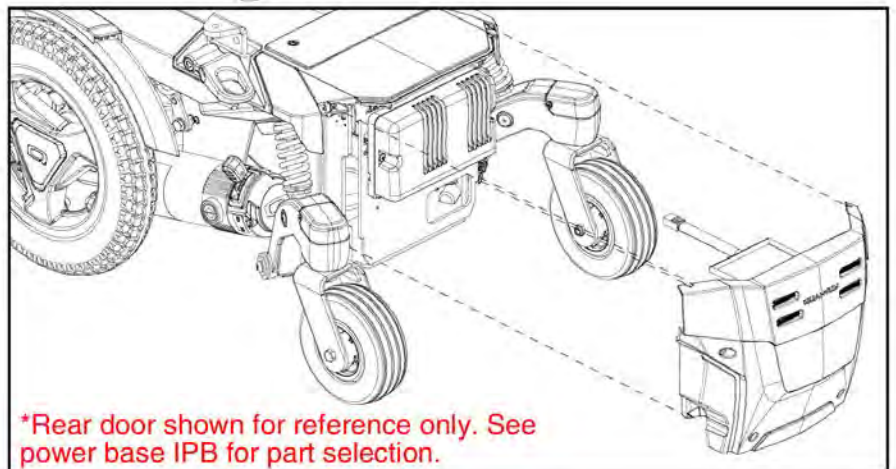
Item	Part No.	Name	Qty
A1 - A10	ELE131477	FULL LIGHT,ASSY,LED LIGHTS,TRU-BALANCE 3	1
A1	ELEASMB7120023	FULL LIGHT,ASSY,WHITE/AMBER,LED E-MARKED LIGHTS,SYNERGY,FRONT/LEFT,ELEASMB7120023	1
A2	ELEASMB7120024	FULL LIGHT,ASSY,WHITE/AMBER,LED LIGHTS,SYNERGY,FRONT/RIGHT,ELEASMB7120024	1
A3	ELEASMB7120025	LIGHT,ASSY,RED/AMBER,LED E-MARKED LIGHTS,SYNERGY,REAR/LEFT,ELEASMB7120025	1
A4	ELEASMB7120026	LIGHT,ASSY,RED/AMBER,LED E-MARKED LIGHTS,SYNERGY,REAR/RIGHT,ELEASMB7120026	1
A5	DWR1010B161	SPACER,BLACK,PLASTIC,0.157" ID X 0.866" OD X 0.22" TH,B-1010-161	8
A6	SCRSHCS1237	SCREW,SHCS,BLACK ZINC,M4-.7 X 35MM	4
A7	MEC121720	NUT,T-SLOT,M4 X 0.7,TRU-BALANCE 3	4
A8	MEC131475	LIGHT BRACKET,TRU-BALANCE 3	4
A9	NUTNYLK1065	NUT,NYLOCK,BLACK ZINC,M4-.7	4
A10	SCRSHCS1096	SCREW,SHCS,BLACK ZINC,M4-.7 X 20MM	4

5.4. Seat Mounted Lights



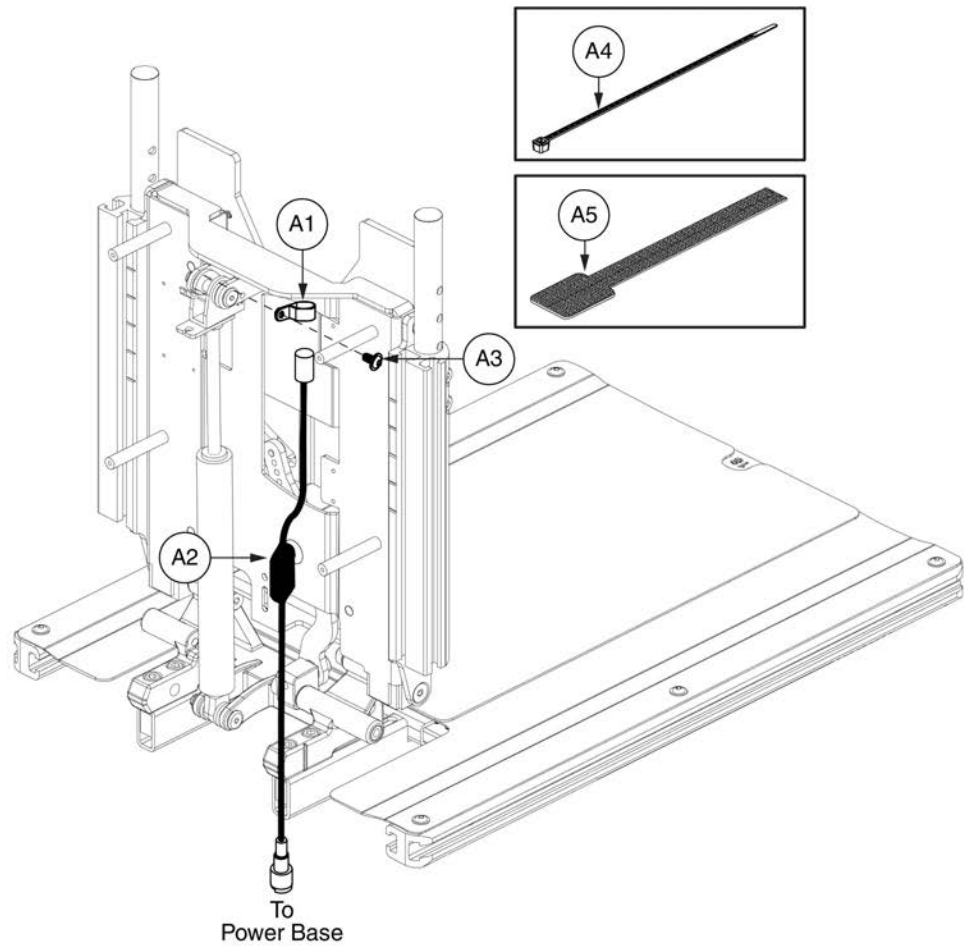
Please Note:

- The Complete assembly includes both left & right front lights with mounting brackets.
- The individual lights do not contain the mounting brackets.



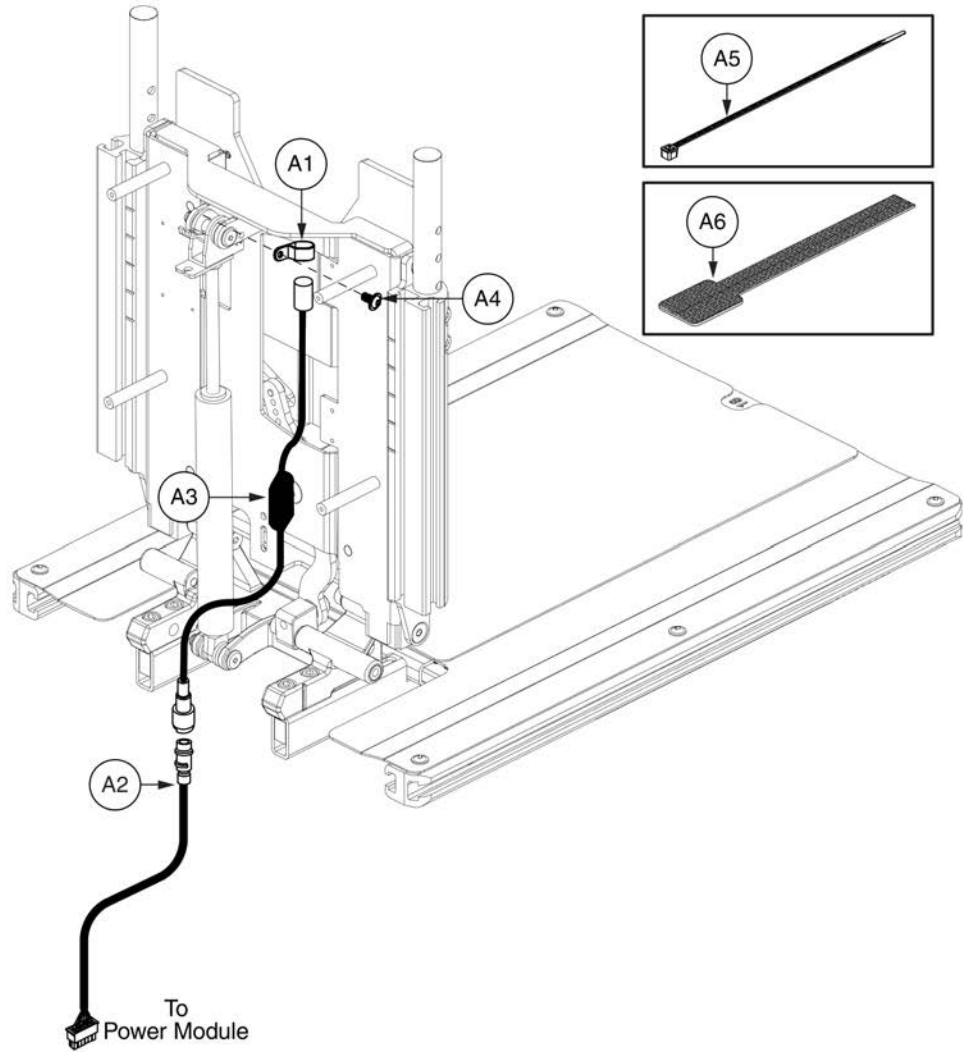
Item	Part No.	Name	Qty
A1 - A8	ELE1905403	FULL LIGHT,ASSY,LED LIGHTS,TRU-BALANCE 3 / FLEX,Q6EDGE 3 STRETTO	1
A1	ELEASMB7120023	FULL LIGHT,ASSY,WHITE/AMBER,LED E-MARKED LIGHTS,SYNERGY,FRONT/LEFT,ELEASMB7120023	1
A2	ELEASMB7120024	FULL LIGHT,ASSY,WHITE/AMBER,LED LIGHTS,SYNERGY,FRONT/RIGHT,ELEASMB7120024	1
A3	DWR1010B161	SPACER,BLACK,PLASTIC,0.157" ID X 0.866" OD X 0.22" TH,B-1010-161	4
A4	SCRSHCS1237	SCREW,SHCS,BLACK ZINC,M4-.7 X 35MM	2
A5	MEC121720	NUT,T-SLOT,M4 X 0.7,TRU-BALANCE 3	2
A6	MEC131475	LIGHT BRACKET,TRU-BALANCE 3	2
A7	NUTNYLK1065	NUT,NYLOCK,BLACK ZINC,M4-.7	2
A8	SCRSHCS1096	SCREW,SHCS,BLACK ZINC,M4-.7 X 20MM	2

6. Manual Recline Assy's



Item	Part No.	Name	Qty
A1 - A5	ELE130006	Q-LOGIC/NE+,MERCURY SWITCH,TB3 MANUAL RECLINE	1
A1	CLPCBLC1025	CLAMP,CABLE,STEEL,0.50" DIA,RUBBER COATED	1
A2	ELE142519	HARNESS,COMBINATION,INHIBIT,MANUAL TILT,ROHS	1
A3	HDW121242	SCREW, BUTTON HEAD, FLANGED, M6X1.0 X 8, ISO 7380-2, CL 10.9, BZ, PVTP	1
A4	PLSTIE1004	TIE WRAP,BLACK,8"	5
A5	VELDBLS1001	REUSABLE FASTENER,1/2"W X 8"L,HOOK & LOOP	1

6. Manual Recline Assy's

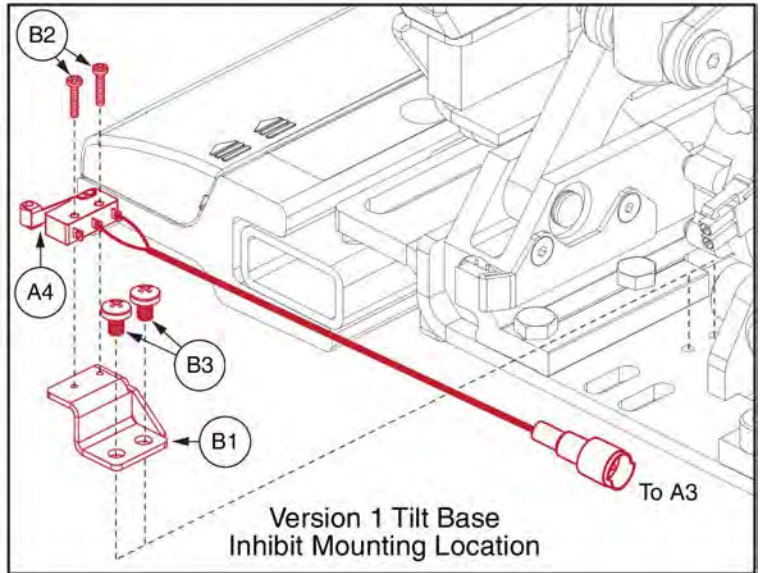
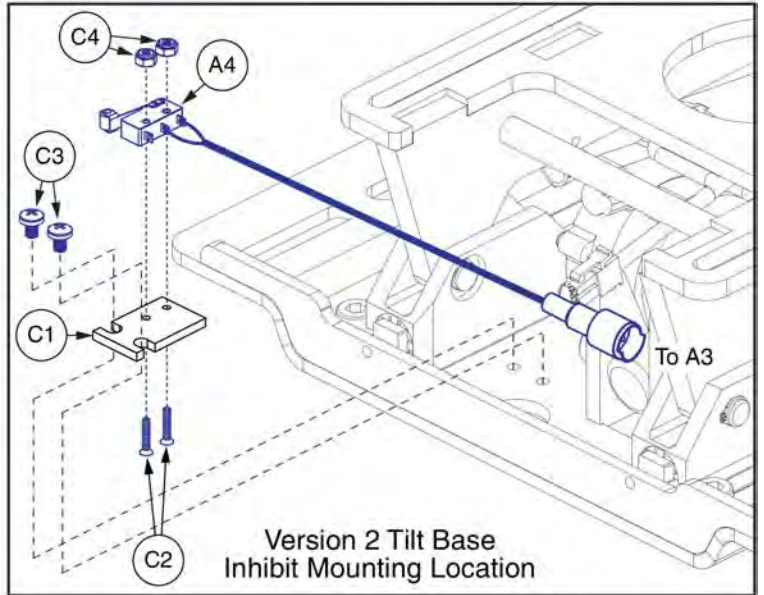
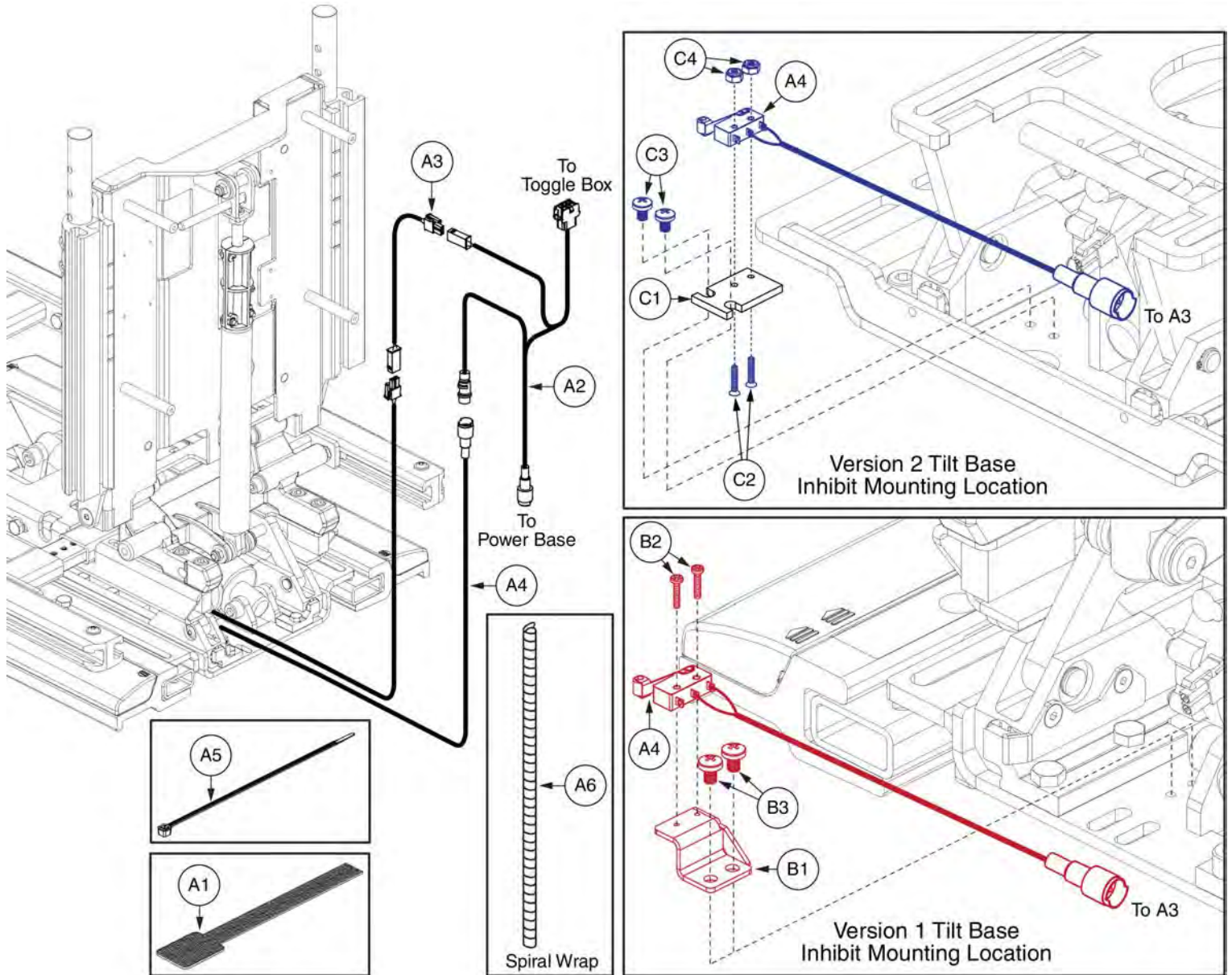


Manual Recline Inhibit Harness, TB3 NE



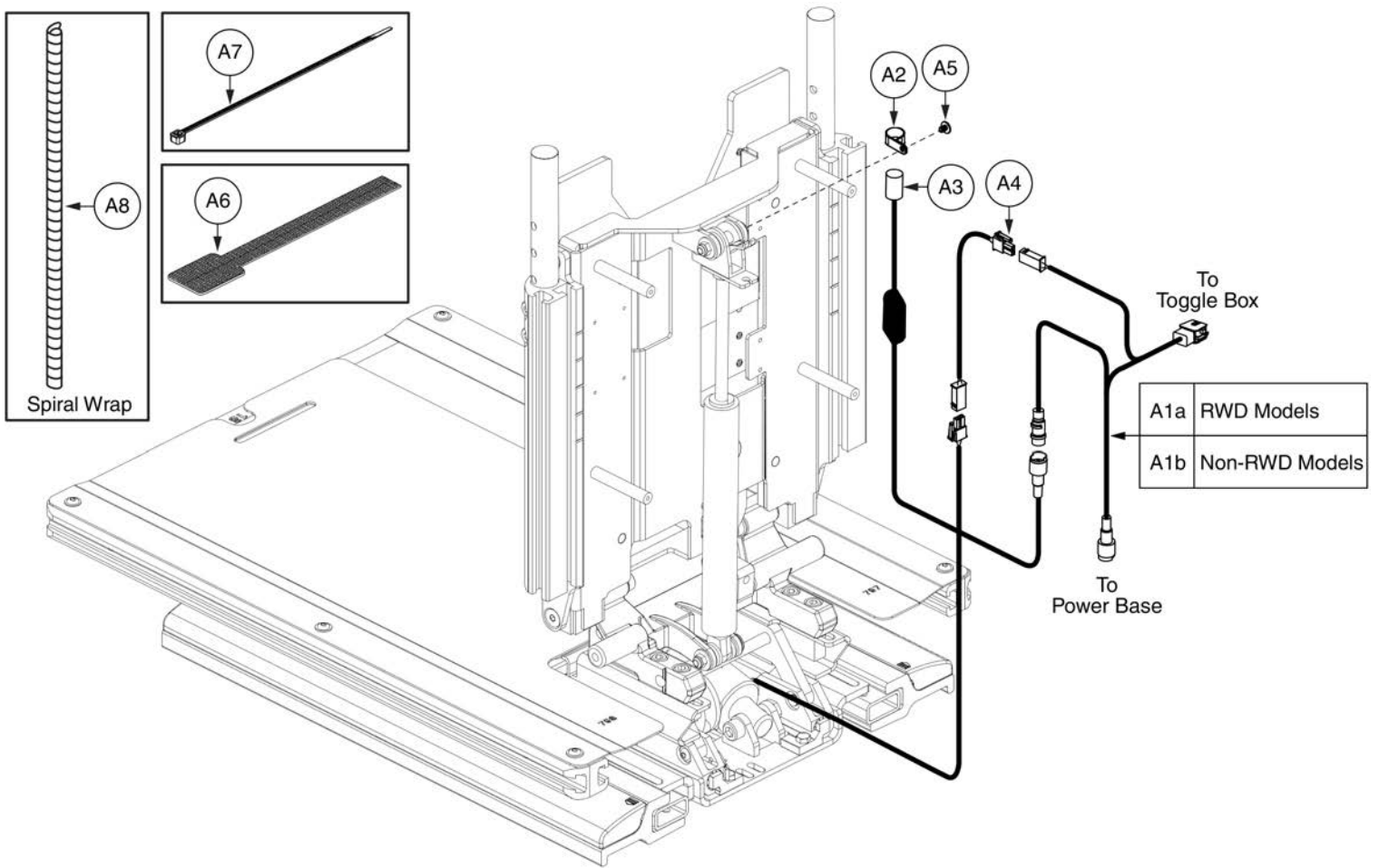
Item	Part No.	Name	Qty
A1 - A6	ELE130007	NE,MERCURY SWITCH,TB3 MANUAL RECLINE	1
A1	CLPCBLC1025	CLAMP,CABLE,STEEL,0.50" DIA,RUBBER COATED	1
A2	DWR1265H057	ELECTRONIC,HARNESS,PTO ONLY,NE,H-1265-057	1
A3	ELE142519	HARNESS,COMBINATION,INHIBIT,MANUAL TILT,ROHS	1
A4	HDW121242	SCREW, BUTTON HEAD, FLANGED, M6X1.0 X 8, ISO 7380-2, CL 10.9, BZ, PVTP	1
A5	PLSTIE1004	TIE WRAP,BLACK,8"	5
A6	VELDBLS1001	REUSABLE FASTENER,1/2"W X 8"L,HOOK & LOOP	1

7. Tilt thru Toggle Assy's



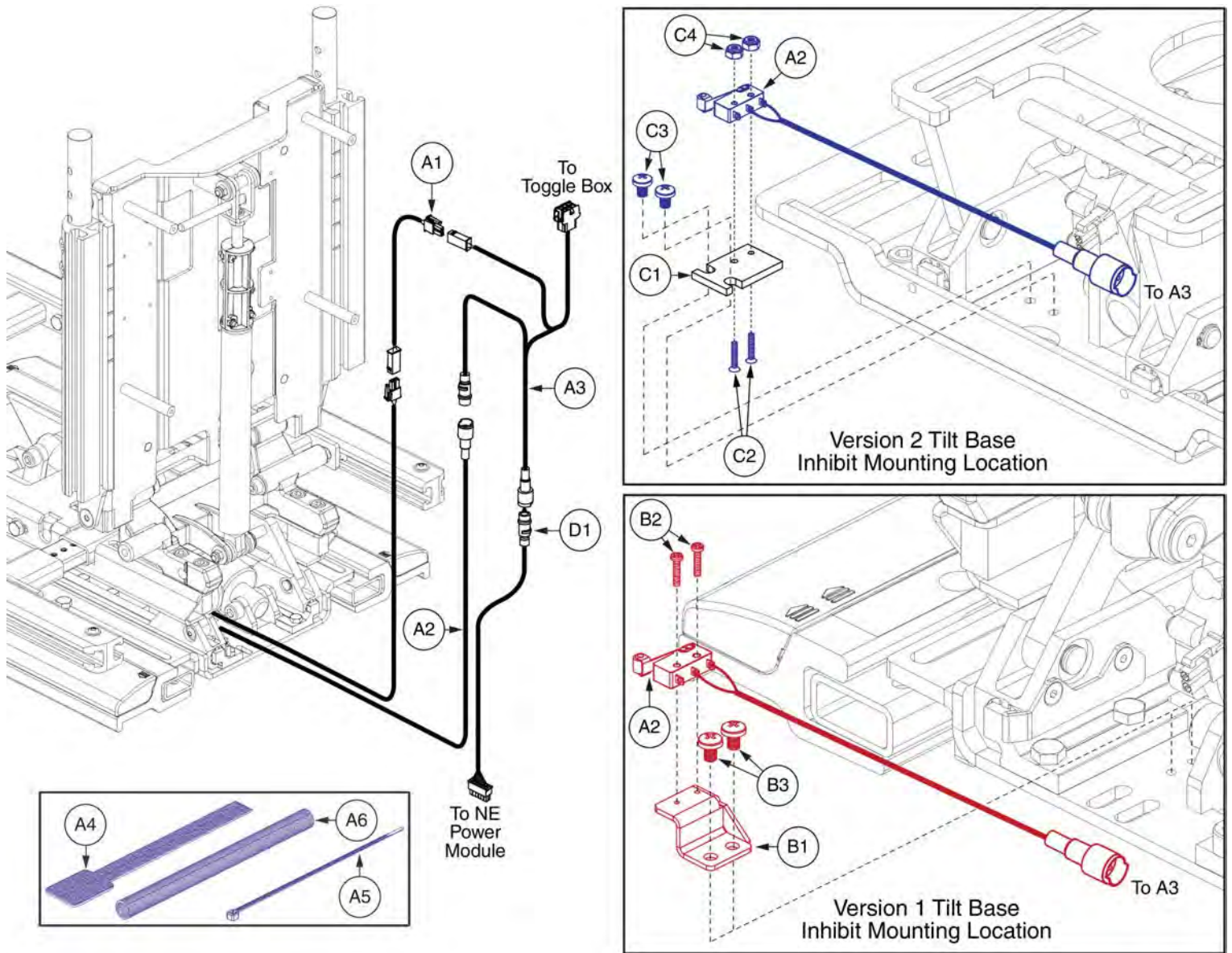
Item	Part No.	Name	Qty
A1 - A6	ELE130020	Q-LOGIC/NE PLUS,THRU HIGH POWER TOGGLE,TB3	1
A1	VELDBLS1001	REUSABLE FASTENER,1/2"W X 8"L,HOOK & LOOP	2
A2	DWR1265H012	HARNESS,POWER/INHIBIT EXTENSION,FOR TOGGLE,TILT	1
A3	DWR1265H028	HARNESS,TAPE SWITCH RELAY BY-PASS,TILT	1
A4	DWR1265H039	HARNESS,MICROSWITCH INHIBIT,TILT	1
A5	PLSTIE1004	TIE WRAP,BLACK,8"	5
A6		ELECTRONIC,WRAP,3/8"D,1 FT, SPIRAL	1
B1 - B3	MEC125462	MOUNTING BRACKET,ASSY,INHIBIT MICROSWITCH,TB3	1
B1	MEC125246	SUPPORT PLATE,INHIBIT MICROSWITCH,TRU-BALANCE 3	1
B2	SCRPPH1454	SCREW,PPH,M2 X 0.4 X 10MM,304 SS	2
B3	SCRPPH1304	SCREW,PPH,BLACK ZINC,M4-.7 X 6MM	2
C1 - C4	MEC160436	MOUNTING BRACKET,ASSY,INHIBIT MICROSWITCH,TB3.5	1
C1	MEC152404	TILT,INHIBIT SWITCH PLATE,TRU-BALANCE 3.5	1
C2	SCRPFH1076	SCREW,PFH,STAINLESS STEEL,2-56 X 0.50"	2
C3	SCRPPH1036	SCREW, PAN HEAD, TYPE H, M4X0.7 X 8, FT, ISO 7045, CL 4.8, BZ	2
C4	NUTNYLK1106	NUT,NYLOCK,BLACK ZINC,2-56,GRADE 2	2

7. Tilt thru Toggle Assy's



Item	Part No.	Name	Qty
A1a - A8	ELE130021	Q-LOGIC/NE PLUS,THRU HIGH POWER TOGGLE,W/MANUAL RECLINE,TB3	1
A1a	DWR1265H012	HARNESS,POWER/INHIBIT EXTENSION,FOR TOGGLE,TILT	1
A1b - A8	ELE1611928	ELECTRONIC,ASSY,REMOTE PLUS/Q-LOGIC/VS1/VR2/NE+/NE, THRU HIGH POWER TOGGLE,W/MANUAL RECLINE,TB3	1
A1b	DWR1265H052	ELECTRONIC,HARNESS,TILT THROUGH TOGGLE,NE,H-1265-052	1
A2	CLPCBLC1025	CLAMP,CABLE,STEEL,0.50" DIA,RUBBER COATED	1
A3	ELE142519	HARNESS,COMBINATION,INHIBIT,MANUAL TILT,ROHS	1
A4	DWR1265H028	HARNESS,TAPE SWITCH RELAY BY-PASS,TILT	1
A5	HDW121242	SCREW, BUTTON HEAD, FLANGED, M6X1.0 X 8, ISO 7380-2, CL 10.9, BZ, PVTP	1
A6	VELDBLS1001	REUSABLE FASTENER,1/2"W X 8"L,HOOK & LOOP	2
A7	PLSTIE1004	TIE WRAP,BLACK,8"	5
A8		ELECTRONIC,WRAP,3/8"D,1 FT,SPIRAL	1

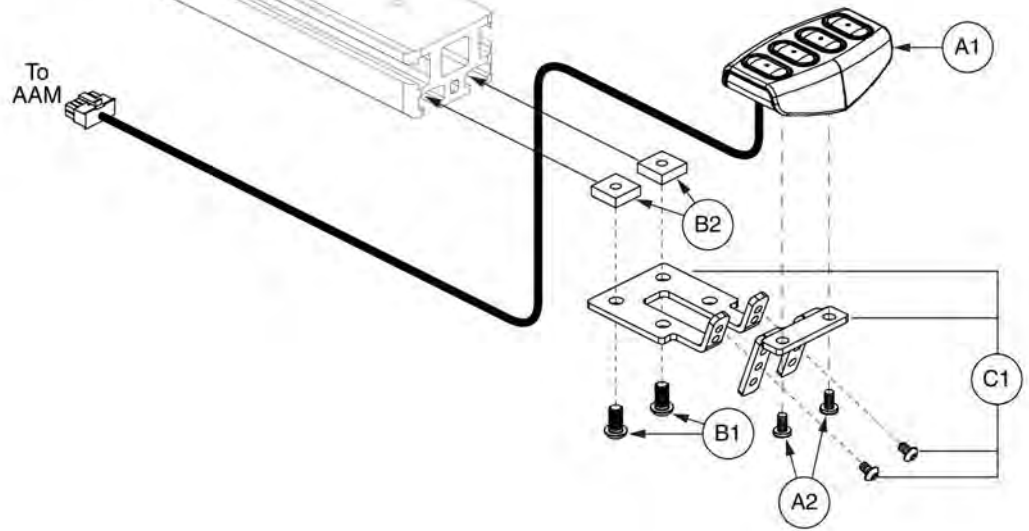
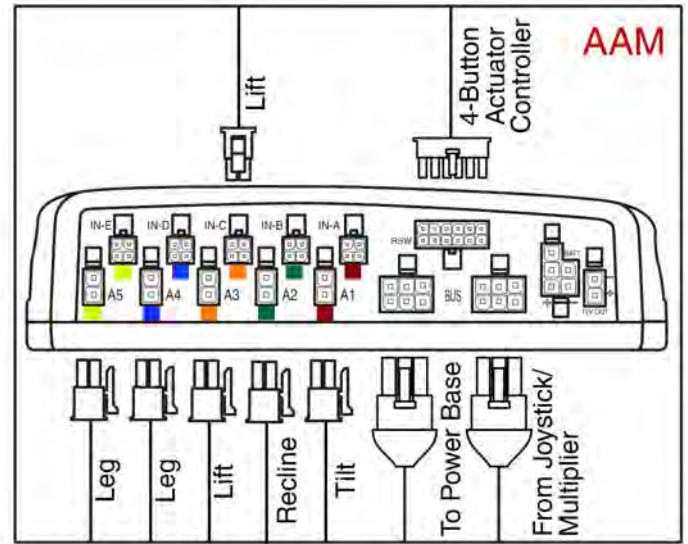
7. Tilt thru Toggle Assy's



Item	Part No.	Name	Qty
A1 - A6	ELE1905907	ELECTRONIC,ASSY,NE,HIGH POWER TOGGLE,TRU-BALANCE 3	1
A1	DWR1265H028	HARNESS,TAPE SWITCH RELAY BY-PASS,TILT	1
A2	DWR1265H039	HARNESS,MICROSWITCH INHIBIT,TILT	1
A3	DWR1265H052	ELECTRONIC,HARNESS,TILT THROUGH TOGGLE,NE,H-1265-052	1
A4	VELDBLS1001	REUSABLE FASTENER,1/2"W X 8"L,HOOK & LOOP	1
A5	PLSTIE1004	TIE WRAP,BLACK,8"	5
A6	ELE146865	ELECTRONIC,SELF WRAPPING,5/8"D,10"L,SPLIT TUBULAR WOVEN SLEEVE,TECHFLEX(F6W0.63BK10)	1
B1 - B3	MEC125462	MOUNTING BRACKET,ASSY,INHIBIT MICROSWITCH,TB3	1
B1	MEC125246	SUPPORT PLATE,INHIBIT MICROSWITCH,TRU-BALANCE 3	1
B2	SCRPPH1454	SCREW,PPH,M2 X 0.4 X 10MM,304 SS	2
B3	SCRPPH1304	SCREW,PPH,BLACK ZINC,M4-.7 X 6MM	2
C1 - C4	MEC160436	MOUNTING BRACKET,ASSY,INHIBIT MICROSWITCH,TB3.5	1
C1	MEC152404	TILT,INHIBIT SWITCH PLATE,TRU-BALANCE 3.5	1
C2	SCRPFH1076	SCREW,PFH,STAINLESS STEEL,2-56 X 0.50"	2
C3	SCRPPH1036	SCREW, PAN HEAD, TYPE H, M4X0.7 X 8, FT, ISO 7045, CL 4.8, BZ	2
C4	NUTNYLK1106	NUT,NYLOCK,BLACK ZINC,2-56,GRADE 2	2
D1	DWR1265H057	ELECTRONIC,HARNESS,PTO ONLY,NE,H-1265-057	1

8. Seating Controls - Toggles, Buttons, and Mounts

The 4-Button Actuator Control Module requires an AAM for operation .



4-Button Actuator Control Module, TB3



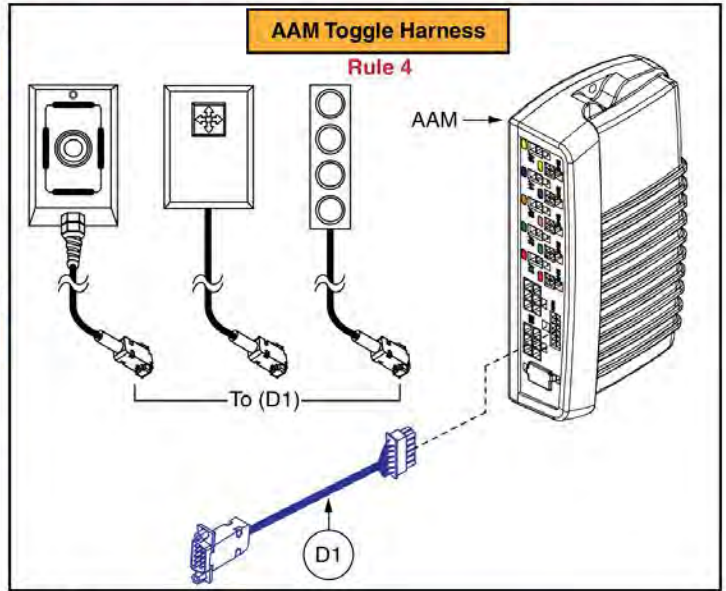
Item	Part No.	Name	Qty
A1 - C1	MEC134122	CONTROLLER,ASSY,4-FUNCTION PUSH BUTTON,W/MOUNTING BRACKET	1
A1	CTL123218	CONTROLLER,4-FUNCTION PUSH BUTTON,(CURTIS: 17682700)	1
A2	SCRPPH1036	SCREW, PAN HEAD, TYPE H, M4X0.7 X 8, FT, ISO 7045, CL 4.8, BZ	2
B1 - C1	MEC136981	MOUNTING BRACKET,ASSY,4-FUNCTION PUSH BUTTON,W/EXTENSION & MOUNTING HARDWARE,TRU-BALANCE 3	1
B1	SCRASBH1322	SCREW, BHSCS, M6-1.0 X 12MM, ISO 7380-1 CLASS 10.9, PATCH IFI-524, BZ	2
B2	MEC131114	SQUARE NUT,T-SLOT, M6X1.0	2
C1	MEC136479	MOUNTING BRACKET,ASSY,4-FUNCTION PUSH BUTTON,W/EXTENSION,TRU-BALANCE 3	1

8. Seating Controls - Toggles, Buttons, and Mounts

Controls and Mounting Brackets	
<p>A1 4-way Toggle</p>	<p>A2 4-way Toggle Mount</p> <p>Rules 1, 2</p>
<p>B1 4-way Button</p>	<p>B2 4-way Button Mount</p> <p>Rules 1, 2</p>
<p>C1 Quad Push Button Mount with Switch & Toggle Harness</p> <p>Rules 1, 2, 3</p>	

Rules:

1. Includes the armrest mounting hardware E1 & F1.
2. Used with ALL versions of the TB3 Flip-back armrests.
3. The complete assembly C1 includes the mounting bracket, switch, and harness. The mounting bracket is NOT available individually.
4. Used with Q-Logic 1, 2, & 3 AAM modules.
5. Only serviceable components contain callouts. For components without callouts the complete assembly must be selected.



Serviceable Components and Mounting Options	
<p>Serviceable Components</p> <p>Rule 5</p> <p>E1</p> <p>F1</p> <p>Two points of height adjustment</p>	<p>Mounting Options</p> <p>Side Mount Version 3 Flip-back Armrests</p> <p>Front Mount Version 1, 2, & 3 Flip-back Armrests</p>
<p>Previous Versions</p> <p>*The redesigned mounting bracket replaces all previous versions*</p>	

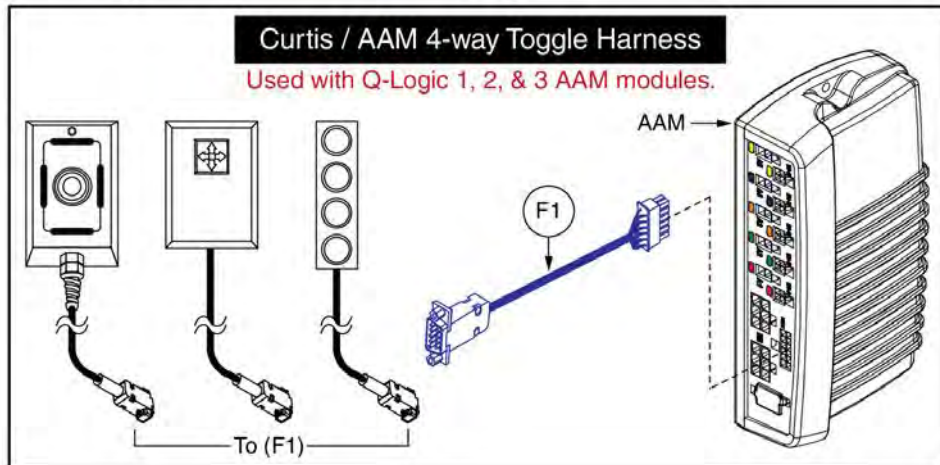
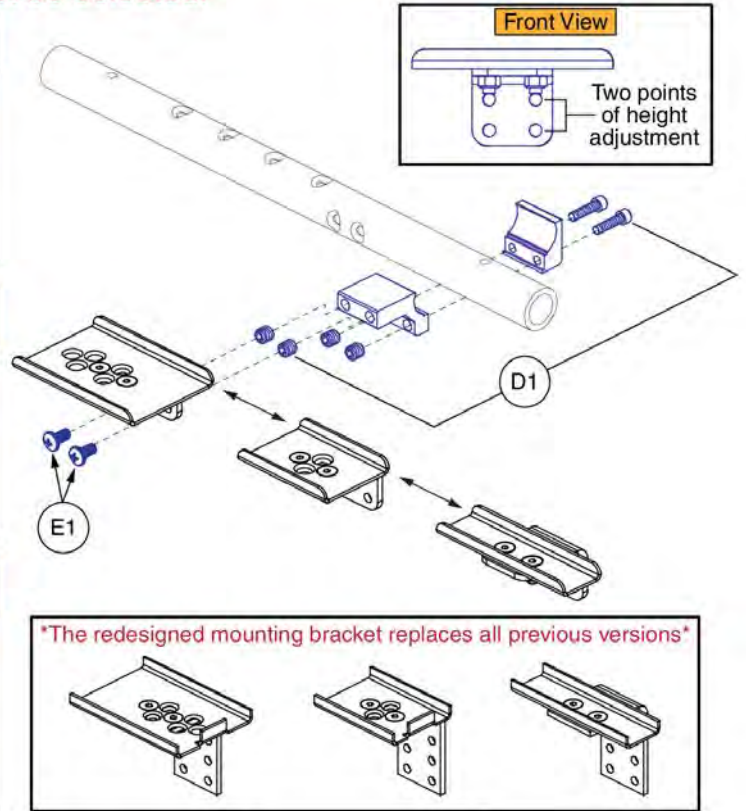
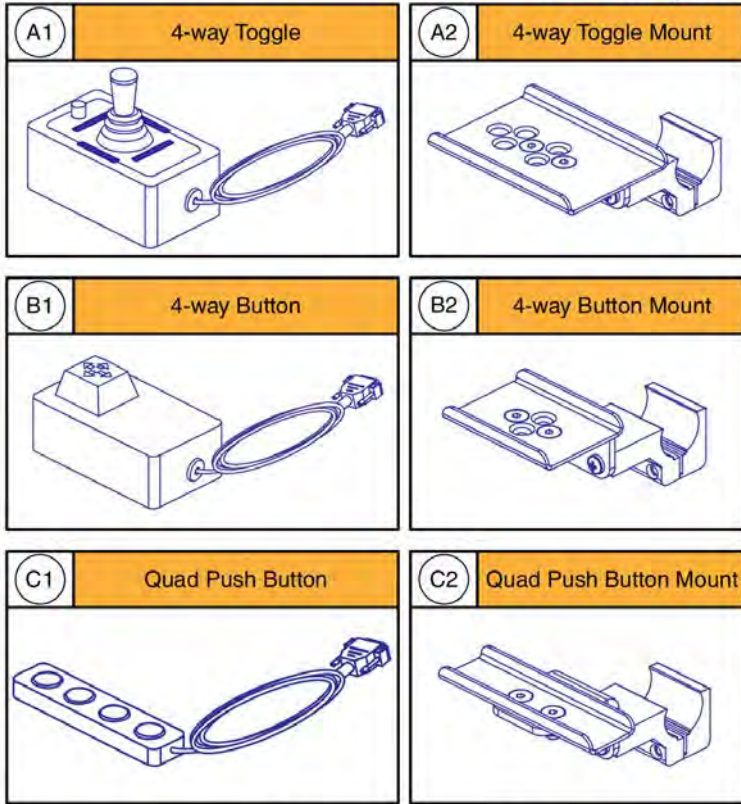
Seating Controls and Mounts, TB3 Arms



Item	Part No.	Name	Qty
A1	SWTMCRO1099	ELECTRONIC,SWITCH,4-WAY TOGGLE,(PME: M26)	1
A2	MEC137995	MOUNTING BRACKET,ASSY,4-WAY TOGGLE SWITCH,TB3 ARMREST	1
B1	SWTMCRO1100	ELECTRONIC,SWITCH,4-WAY BUTTON TOGGLE,(PME: S12)	1
B2	MEC137996	MOUNTING BRACKET,ASSY,4-WAY BUTTON TOGGLE SWITCH,TB3 ARMREST	1
C1	MEC1810668	MOUNTING BRACKET,ASSY,QUAD PUSH BUTTON,SIDE MOUNT,TB3/FLIP-BACK ARMREST	1
C2	SWTMCRO1098	ELECTRONIC,SWITCH,QUAD PUSH BUTTON,(PME: S24)	1
D1	DWR1265H038	ELECTRONIC,HARNES, CURTIS/AAM,4 WAY TOGGLE,H-1265-038	1
E1	MEC131114	SQUARE NUT,T-SLOT, M6X1.0	2
F1	SCRSHCS1095	SCREW,SHCS,BLACK ZINC,M6-1.0 X 12MM,GR 10.9,W/PATCH	2

8. Seating Controls - Toggles, Buttons, and Mounts

- Only serviceable components contain callouts. For components without callouts, the entire assembly must be selected.



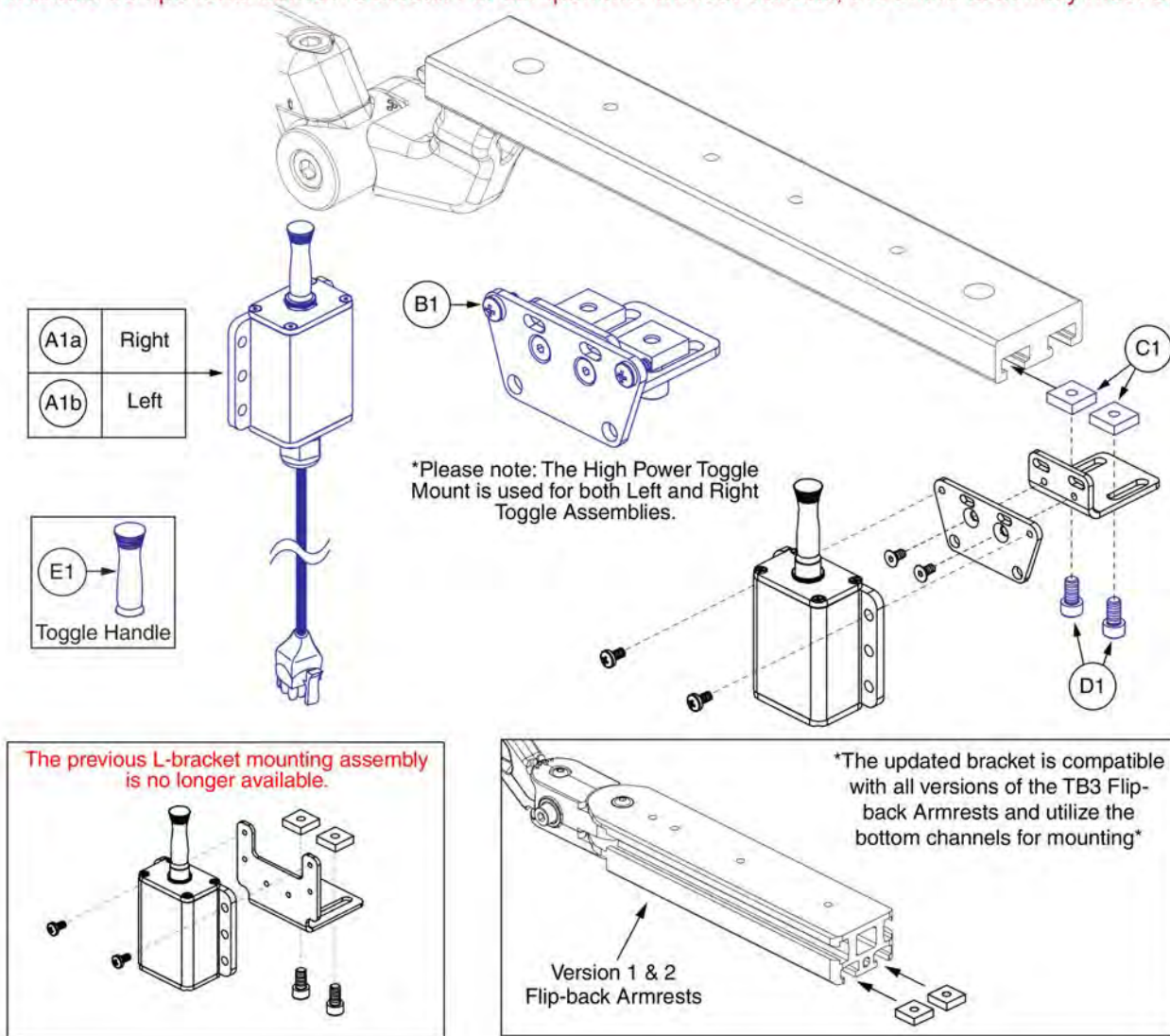
Seating Controls and Mounts, Tubular Arms



Item	Part No.	Name	Qty
A1	SWTMCRO1099	ELECTRONIC,SWITCH,4-WAY TOGGLE,(PME: M26)	1
A2	FRMASMB17640	MOUNTING BRACKET,ASSY,4-WAY TOGGLE SWITCH,W/TOGGLE BOX CLAMP	1
B1	SWTMCRO1100	ELECTRONIC,SWITCH,4-WAY BUTTON TOGGLE,(PME: S12)	1
B2	FRMASMB17641	MOUNTING BRACKET,ASSY,4-WAY BUTTON TOGGLE SWITCH,W/TOGGLE BOX CLAMP	1
C1	SWTMCRO1098	ELECTRONIC,SWITCH,QUAD PUSH BUTTON,(PME: S24)	1
C2	FRMASMB17642	MOUNTING BRACKET,ASSY,QUAD PUSH BUTTON SWITCH,W/TOGGLE BOX CLAMP	1
D1	FRMASMB8929	MOUNTING BRACKET,ASSY,TOGGLE BOX,W/THREADED INSERTS	1
E1	SCRPPH1029	SCREW, PPH,BLACK ZINC,10-32 X 0.375"	2
F1	DWR1265H038	ELECTRONIC,HARNESS,CURTIS/AAM,4 WAY TOGGLE,H-1265-038	1

8. Seating Controls - Toggles, Buttons, and Mounts

- Only serviceable components contain callouts. For components without callouts, the entire assembly must be selected.



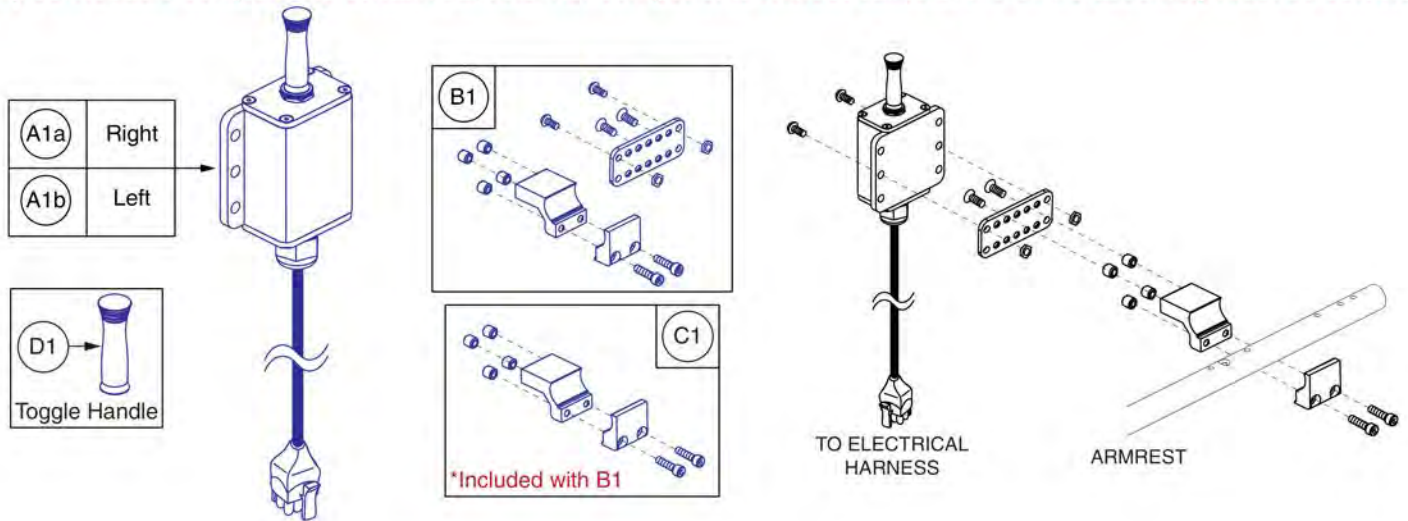
High Power Toggle and Mount, TB3 Arms



Item	Part No.	Name	Qty
A1a	ELEASMB4950	ELECTRONIC,ASSY,TOGGLE BOX,MULTIPOSITIONAL,QUANTUM,RIGHT,H-1000-178	1
A1b	ELEASMB4949	ELECTRONIC,ASSY,TOGGLE BOX,MULTIPOSITIONAL,QUANTUM,LEFT,H-1000-177	1
B1	HDW1901114	HARDWARE,ASSY,TOGGLE BOX/TOGGLE SWITCH,TB3/FLIP-BACK ARMREST	1
C1	MEC131114	SQUARE NUT,T-SLOT, M6X1.0	2
D1	SCRSHCS1095	SCREW,SHCS,BLACK ZINC,M6-1.0 X 12MM,GR 10.9,W/PATCH	2
E1	DWR1000C390	KNOB,BLACK,RUBBER,TOGGLE BOX,C-1000-390	1

8. Seating Controls - Toggles, Buttons, and Mounts

- Only serviceable components contain callouts. For components without callouts, the entire assembly must be selected.



High Power Toggle and Mount, Tubular Arms

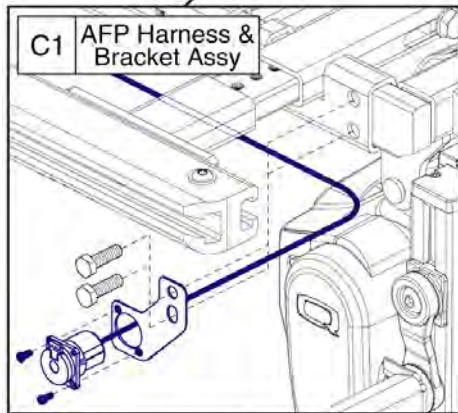
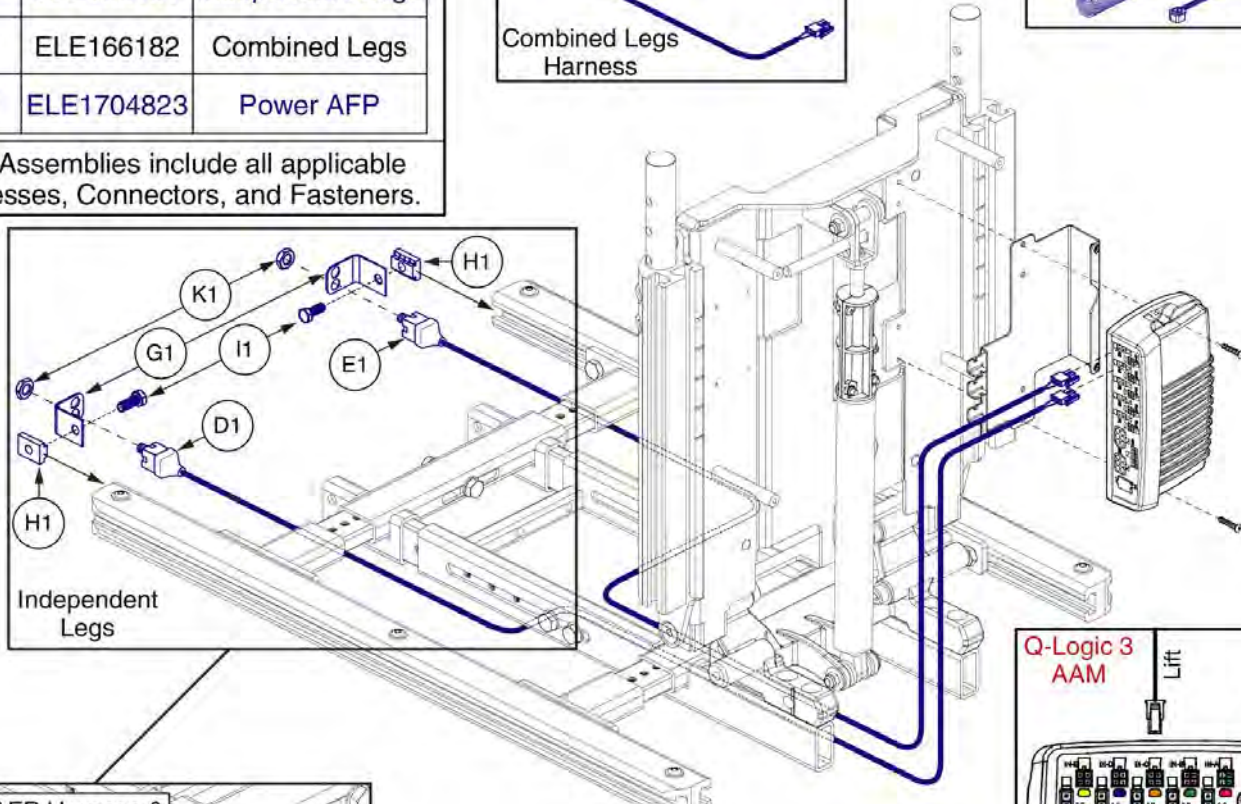
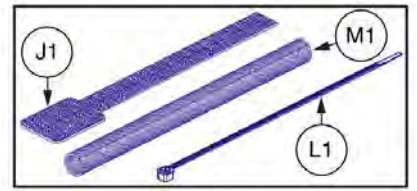
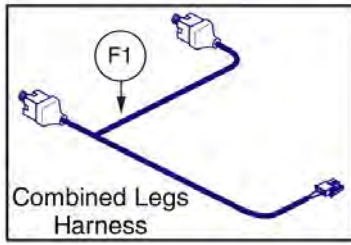


Item	Part No.	Name	Qty
A1a - B1	ELEASMB5157	ELECTRONIC,ASSY,HIGH POWER TOGGLE BOX,W/MOUNTING BRACKET,RIGHT	1
A1b - B1	ELEASMB5156	ELECTRONIC,ASSY,HIGH POWER TOGGLE BOX,W/MOUNTING BRACKET,LEFT	1
A1a	ELEASMB4950	ELECTRONIC,ASSY,TOGGLE BOX,MULTIPOSITIONAL,QUANTUM,RIGHT,H-1000-178	1
A1b	ELEASMB4949	ELECTRONIC,ASSY,TOGGLE BOX,MULTIPOSITIONAL,QUANTUM,LEFT,H-1000-177	1
B1	FRMASMB11354	MOUNTING BRACKET,ASSY,HIGH POWER TOGGLE BOX,W/MOUNTING HARDWARE,MULTI-POSITIONAL	1
C1	FRMASMB8929	MOUNTING BRACKET,ASSY,TOGGLE BOX,W/THREADED INSERTS	1
D1	DWR1000C390	KNOB,BLACK,RUBBER,TOGGLE BOX,C-1000-390	1

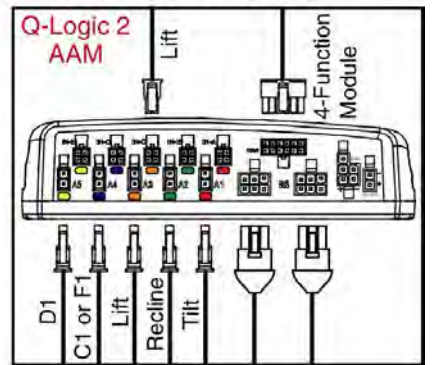
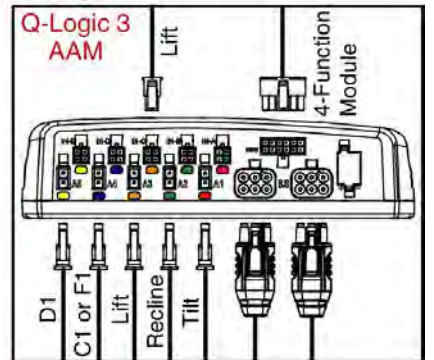
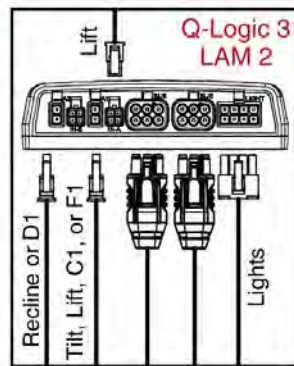
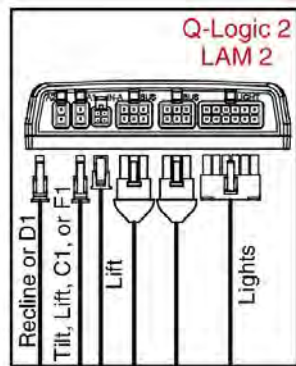
9. Power Legrest Harnesses & Hardware Assy's

Complete Power Leg Harness and Hardware Assemblies		
Ref #	Assy #	Description
A1	ELE166181	Independent Legs
B1	ELE166182	Combined Legs
C1	ELE1704823	Power AFP

The Assemblies include all applicable Harnesses, Connectors, and Fasteners.

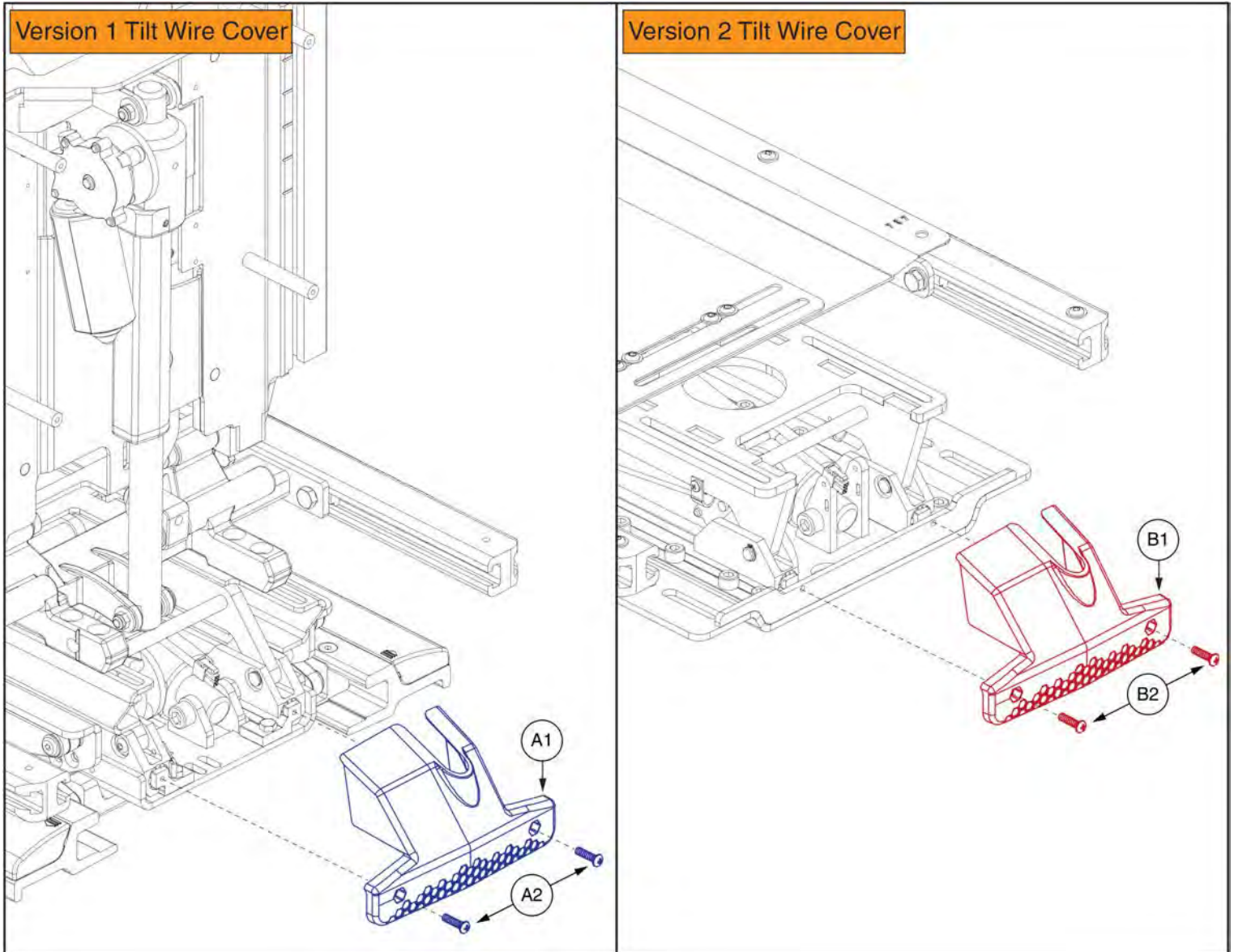


This AFP Harness and Bracket Assembly, C1, replaces all previous versions. The Assembly must be selected for proper retrofit.



Item	Part No.	Name	Qty
A1	ELE166181	ELECTRONIC,ASSY,INDEPENDENT LEGS W/MOUNTING BRACKET & HARDWARE,TB3	1
B1	ELE166182	ELECTRONIC,ASSY,COMBINED LEGS W/MOUNTING BRACKET & HARDWARE,TB3	1
C1	ELE1704823	ELECTRONIC,ASSY,AFP W/MOUNTING BRACKET & HARDWARE,TB3,VERSION 2	1
D1	DWR1265H006	ELECTRONIC,HARNESS,INDEPENDENT ELR,CURTIS,TRU-BALANCE TILT 2,LEFT,H-1265-006	1
E1	DWR1265H007	ELECTRONIC,HARNESS,INDEPENDENT ELR,CURTIS,TRU-BALANCE TILT 2,RIGHT,H-1265-007	1
F1	DWR1265H005	ELECTRONIC,HARNESS,COMBINED ELR,CURTIS,TRU-BALANCE TILT 2,H-1265-005	1
G1	DWR1303B026	ELECTRICAL CONNECTION BRACKET,ARTICULATING LEGREST	2
H1	NUT8120005	NUT,T-SLOT,BLACK,M8-1.25	2
I1	SCRHHCS1382	SCREW,HHCS,BLACK ZINC CHROMATE,M8-1.25 X 12MM,10.9	2
J1	VELDBLS1001	REUSABLE FASTENER,1/2"W X 8"L,HOOK & LOOP	1
K1	NUTJAM1032	NUT,JAM,THIN,STAINLESS STEEL,3/8-32	2
L1	PLSTIE1001	TIE WRAP,BLACK,4"	5
M1	ELE146865	ELECTRONIC,SELF WRAPPING,5/8"D,10"L,SPLIT TUBULAR WOVEN SLEEVE,TECHFLEX(F6W0.63BK10)	1

10. Electronics Cover Shrouds



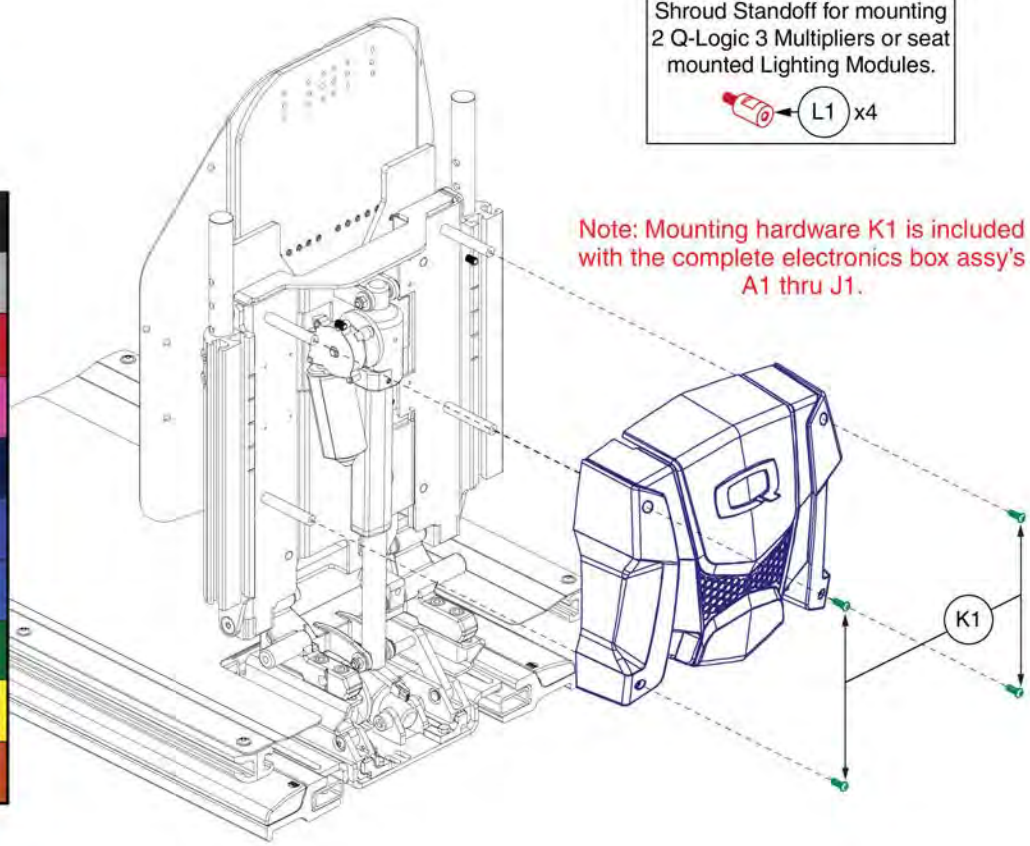
Rear Wire Covers, TB3



Item	Part No.	Name	Qty
A1 - A2	DGN148472	COVER,ASSY,REAR,PLASTIC,TRU-BALANCE 3 TILT,W/MOUNTING HARDWARE	1
A1	DGN143044	WIRE COVER,REAR,TB3	1
A2	SCRPPH1036	SCREW, PAN HEAD, TYPE H, M4X0.7 X 8, FT, ISO 7045, CL 4.8, BZ	2
B1 - B2	DGN160533	COVER,ASSY,REAR,PLASTIC,TRU-BALANCE 3.5 TILT,W/MOUNTING HARDWARE	1
B1	DGN143044	WIRE COVER,REAR,TB3	1
B2	SCR8110014	SCREW,SHCS,BLACK ZINC,M5-.8 X 8MM,ASTM A574M,NYLON PATCH	2

11. Rear Electronics Cover Shrouds

TB3 Electronics Box Pre 6/1/15	
Ref#	Color Name
A1	Black
B1	Silver
C1	Candy Apple Red
D1	Pearl Pink
E1	Sapphire Blue
F1	True Blue
G1	Viper Blue
H1	Emerald Green
I1	Orion Yellow
J1	Sunburst Orange



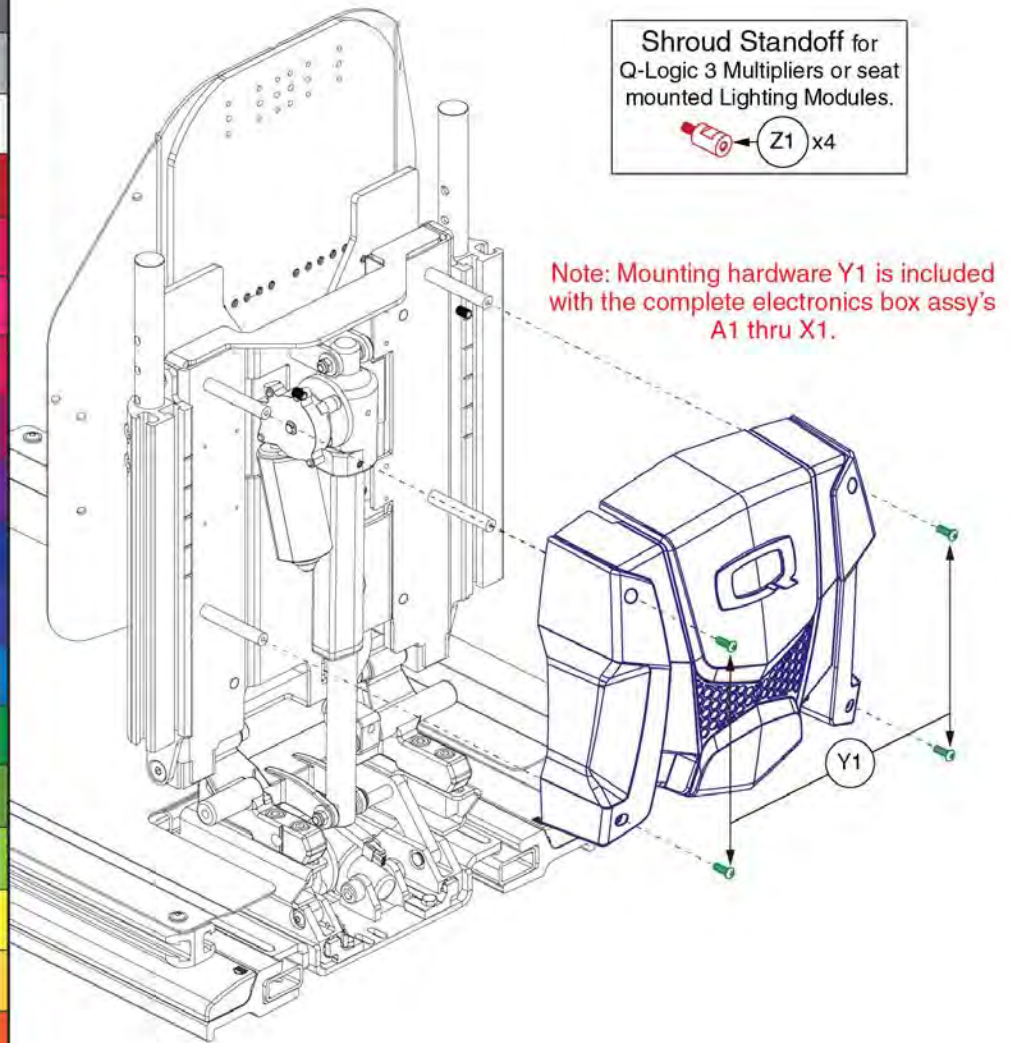
Shroud Standoff for mounting
2 Q-Logic 3 Multipliers or seat
mounted Lighting Modules.
 L1 x4

Note: Mounting hardware K1 is included
with the complete electronics box assy's
A1 thru J1.

Item	Part No.	Name	Qty
A1	DGN130024	ELECTRONICS BOX,ASSY,BLACK,TB3,W/HARDWARE	1
B1	DGN130029	ELECTRONICS BOX,ASSY,SILVER,TB3,W/HARDWARE	1
C1	DGN130026	ELECTRONICS BOX,ASSY,CANDY APPLE RED,TB3,W/HARDWARE	1
D1	DGN130032	ELECTRONICS BOX,ASSY,PEARL PINK,TB3,W/HARDWARE	1
E1	DGN130033	ELECTRONICS BOX,ASSY,SAPPHIRE BLUE,TB3,W/HARDWARE	1
F1	DGN130027	ELECTRONICS BOX,ASSY,TRUE BLUE,TB3,W/HARDWARE	1
G1	DGN130025	ELECTRONICS BOX,ASSY,VIPER BLUE,TB3,W/HARDWARE	1
H1	DGN130031	ELECTRONICS BOX,ASSY,EMERALD GREEN,TB3,W/HARDWARE	1
I1	DGN130030	ELECTRONICS BOX,ASSY,ORION YELLOW,TB3,W/HARDWARE	1
J1	DGN130028	ELECTRONICS BOX,ASSY,SUNBURST ORANGE,TB3,W/HARDWARE	1
K1	SCRPPH1163	SCREW, PAN HEAD, TYPE H, M4X0.7 X 10, FT, ISO 7045, CL 4.8, BZ	4
L1	HDW131337	STANDOFF,MALE-FEMALE,M4-0.7 X 15MM	4

11. Rear Electronics Cover Shrouds

TB3 Electronics Box	
Ref#	Color Name
A1	Back in Black
B1	Night Train
C1	Grey Street
D1	Silver Bullet
E1	White Satin
F1	Red Corvette
G1	Cherry Bomb
H1	Pretty in Pink
I1	Raspberry Beret
J1	Sugar Plum
K1	Deep Purple
L1	Midnight Blue
M1	Electric Blue
N1	Blue Jean
O1	Green Machine
P1	Military Green
Q1	Lime Light
R1	Yellow Blaze
S1	Lemon Crush
T1	Orange Crush
U1	Evolution Orange
V1	Carbon Fiber
W1	Digital Camo
X1	Faded Glory

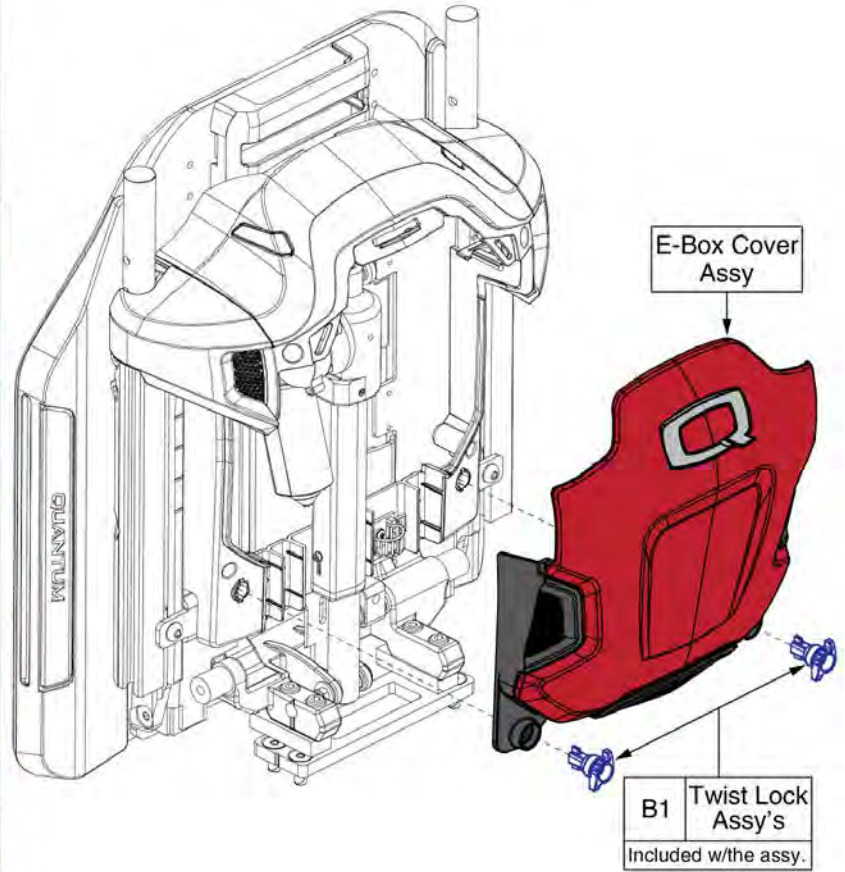


Item	Part No.	Name	Qty
A1	DGN148032	ELECTRONICS BOX,ASSY,BACK IN BLACK,TRU-BALANCE 3,W/MOUNTING HARDWARE	1
B1	DGN1706558	ELECTRONICS BOX,ASSY,NIGHT TRAIN,TB3,W/HARDWARE	1
C1	DGN148074	ELECTRONICS BOX,ASSY,GREY STREET,TB3,W/HARDWARE	1
D1	DGN148047	ELECTRONICS BOX,ASSY,SILVER BULLET,TRU-BALANCE 3,W/MOUNTING HARDWARE	1
E1	DGN148075	ELECTRONICS BOX,ASSY,WHITE SATIN,TB3,W/HARDWARE	1
F1	DGN148034	ELECTRONICS BOX,ASSY,CORVETTE RED,TRU-BALANCE 3,W/MOUNTING HARDWARE	1
G1	DGN1801259-PRD4	ELECTRONICS BOX,ASSY,CHERRY BOMB,TB3,W/HARDWARE	1
H1	DGN148045	ELECTRONICS BOX,ASSY,PRETTY IN PINK,TB3,W/HARDWARE	1
I1	DGN1801259-PPK4	ELECTRONICS BOX,ASSY,RASPBERRY BERET,TB3,W/HARDWARE	1
J1	DGN1801259-PPR7	ELECTRONICS BOX,ASSY,SUGAR PLUM,TB3,W/HARDWARE	1
K1	DGN148046	ELECTRONICS BOX,ASSY,DEEP PURPLE,TB3,W/HARDWARE	1
L1	DGN148035	ELECTRONICS BOX,ASSY,MIDNIGHT BLUE,TB3,W/HARDWARE	1
M1	DGN148076	ELECTRONICS BOX,ASSY,ELECTRIC BLUE,TRU-BALANCE 3,W/MOUNTING HARDWARE	1
N1	DGN1801259-PBU11	ELECTRONICS BOX,ASSY,BLUE JEAN,TB3,W/HARDWARE	1
O1	DGN1801259-PGN11	ELECTRONICS BOX,ASSY,GREEN MACHINE,TB3,W/HARDWARE	1
P1	DGN148037	ELECTRONICS BOX,ASSY,MILITARY GREEN,TB3,W/HARDWARE	1
Q1	DGN148036	ELECTRONICS BOX,ASSY,LIME LIGHT,TB3,W/HARDWARE	1
R1	DGN148077	ELECTRONICS BOX,ASSY,YELLOW BLAZE,TB3,W/HARDWARE	1
S1	DGN1801259-PYL4	ELECTRONICS BOX,ASSY,LEMON CRUSH,TB3,W/HARDWARE	1
T1	DGN148038	ELECTRONICS BOX,ASSY,ORANGE CRUSH,TB3,W/HARDWARE	1
U1	DGN1801259-POR7	ELECTRONICS BOX,ASSY,EVOLUTION ORANGE,TB3,W/HARDWARE	1
V1	DGN1707169	ELECTRONICS BOX,ASSY,CARBON FIBER,TB3,W/HARDWARE	1
W1	DGN1707171	ELECTRONICS BOX,ASSY,DIGITAL CAMO,TB3,W/HARDWARE	1
X1	DGN1707173	ELECTRONICS BOX,ASSY,FADED GLORY,TB3,W/HARDWARE	1
Y1	SCRPPH1163	SCREW, PAN HEAD, TYPE H, M4X0.7 X 10, FT, ISO 7045, CL 4.8, BZ	4
Z1	HDW131337	STANDOFF,MALE-FEMALE,M4-0.7 X 15MM	4

12. Electronics Cover Shrouds - TB3 Redesigned Back

Painted E-Box Assy			
Ref#	Color Name	Part Suffix	Color Code
A1a	Back in Black	PBK1	PPW-BLK-01
A1b	Night Train	PBK3	PPW-BLK-03
A1c	Grey Street	PSL3	PPW-SIL-03
A1d	White Satin	PWT2	PPW-WHT-02
A1e	Red Corvette	PRD1	PPW-RED-01
A1f	Cherry Bomb	PRD4	PPW-RED-04
A1g	Pretty in Pink	PPK3	PPW-PNK-03
A1h	Raspberry Beret	PPK4	PPW-PNK-04
A1i	Sugar Plum	PPR7	PPW-PRP-07
A1j	Deep Purple	PPR5	PPW-PRP-05
A1k	Midnight Blue	PBU10	PPW-BLU-10
A1l	Electric Blue	PBU9	PPW-BLU-09
A1m	Blue Jean	PBU11	PPW-BLU-11
A1n	Green Machine	PGN11	PPW-GRN-11
A1o	Military Green	PGN8	PPW-GRN-08
A1p	Lemon Crush	PYL4	PPW-YEL-04
A1q	Evolution Orange	POR7	PPW-ORN-07
A1r	Carbon Fiber	WCB1	PWT-CBN-01
A1s	Digital Camo	WCM7	PWT-CMO-07
A1t	Faded Glory	WFL2	PWT-FLG-02

Please note: The Painted E-Box Cover is only available as an assembly. The components are not available individually.
All mounting hardware is included with the assembly.

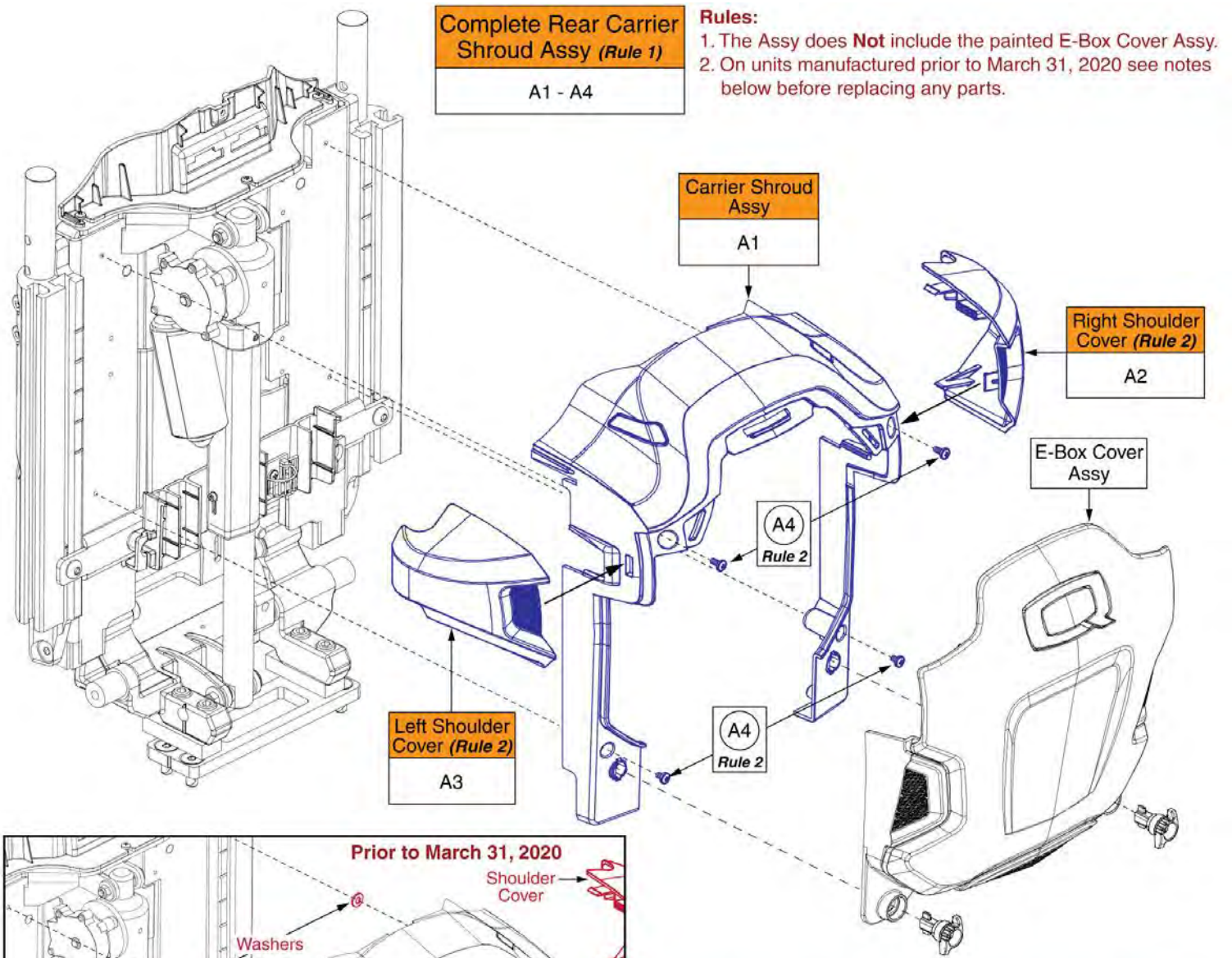


Painted E-Box Shrouds, TB3 Redesigned Back



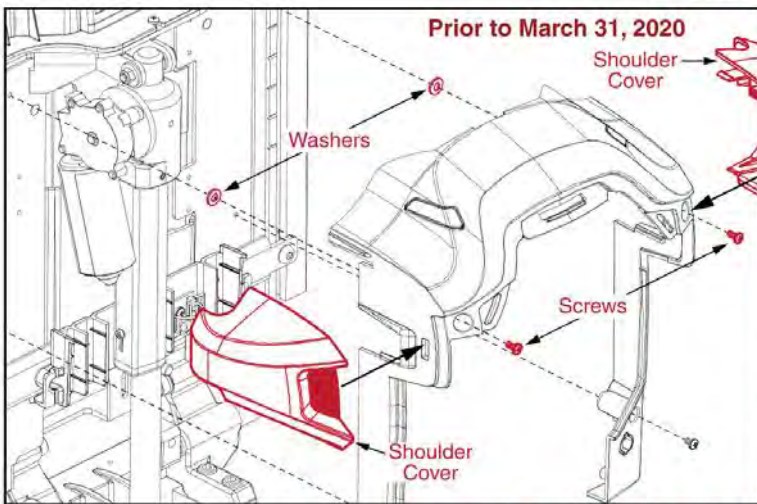
Item	Part No.	Name	Qty
A1a	DGN1714085-PBK1	ELECTRONICS BOX,ASSY,BACK IN BLACK/BLACK,W/MOUNTING HARDWARE	1
A1b	DGN1714085-PBK3	ELECTRONICS BOX,ASSY,NIGHT TRAIN,W/MOUNTING HARDWARE	1
A1c	DGN1714085-PSL3	ELECTRONICS BOX,ASSY,GREY STREET,W/MOUNTING HARDWARE	1
A1d	DGN1714085-PWT2	ELECTRONICS BOX,ASSY,WHITE SATIN,W/MOUNTING HARDWARE	1
A1e	DGN1714085-PRD1	ELECTRONICS BOX,ASSY,RED CORVETTE/CANDY APPLE RED,W/MOUNTING HARDWARE	1
A1f	DGN1714085-PRD4	ELECTRONICS BOX,ASSY,CHERRY BOMB,W/MOUNTING HARDWARE	1
A1g	DGN1714085-PPK3	ELECTRONICS BOX,ASSY,PRETTY IN PINK,W/MOUNTING HARDWARE	1
A1h	DGN1714085-PPK4	ELECTRONICS BOX,ASSY,RASPBERRY BERET,W/MOUNTING HARDWARE	1
A1i	DGN1714085-PPR7	ELECTRONICS BOX,ASSY,SUGAR PLUM,W/MOUNTING HARDWARE	1
A1j	DGN1714085-PPR5	ELECTRONICS BOX,ASSY,DEEP PURPLE,W/MOUNTING HARDWARE	1
A1k	DGN1714085-PBU10	ELECTRONICS BOX,ASSY,MIDNIGHT BLUE,W/MOUNTING HARDWARE	1
A1l	DGN1714085-PBU9	ELECTRONICS BOX,ASSY,ELECTRIC BLUE/TRUE BLUE,W/MOUNTING HARDWARE	1
A1m	DGN1714085-PBU11	ELECTRONICS BOX,ASSY,BLUE JEAN,W/MOUNTING HARDWARE	1
A1n	DGN1714085-PGN11	ELECTRONICS BOX,ASSY,GREEN MACHINE,W/MOUNTING HARDWARE	1
A1o	DGN1714085-PGN8	ELECTRONICS BOX,ASSY,MILITARY GREEN,W/MOUNTING HARDWARE	1
A1p	DGN1714085-PYL4	ELECTRONICS BOX,ASSY,LEMON CRUSH,W/MOUNTING HARDWARE	1
A1q	DGN1714085-POR7	ELECTRONICS BOX,ASSY,EVOLUTION ORANGE,W/MOUNTING HARDWARE	1
A1r	DGN1714085-WCB1	ELECTRONICS BOX,ASSY,CARBON FIBER,W/MOUNTING HARDWARE	1
A1s	DGN1714085-WCM7	ELECTRONICS BOX,ASSY,DIGITAL CAMO,W/MOUNTING HARDWARE	1
A1t	DGN1714085-WFL2	ELECTRONICS BOX,ASSY,FADED GLORY,W/MOUNTING HARDWARE	1
B1	MEC1902176	QUARTER TURN, ASSEMBLY	2

12. Electronics Cover Shrouds - TB3 Redesigned Back



Complete Rear Carrier Shroud Assy (Rule 1)
A1 - A4

Rules:
1. The Assy does **Not** include the painted E-Box Cover Assy.
2. On units manufactured prior to March 31, 2020 see notes below before replacing any parts.



Notes for units manufactured prior to March 31, 2020

- Prior to March 31, 2020 two washers and longer screws were utilized to mount the carrier shroud to the back of the unit. This was to prevent the shoulder covers from contacting the back assembly.
- A product enhancement occurred to the shoulder covers and the washers are no longer needed.
- Replace A2 & A3 in pairs on units manufactured prior to this date.
- If replacing hardware A4, A2 & A3 must be selected as well.
- The Carrier Shroud and E-Box cover are not affected.

Contact Technical Service for more Information.

Carrier Shroud Assy, TB3 Redesigned Back



Item	Part No.	Name	Qty
A1 - A4	DGN1904463	REAR SHROUD ASSEMBLY, BACK REFLECTORS, REDESIGNED BACK	1
A1	DGN1900261	UPPER CARRIER WITH REFLECTOR PLUGS, ASSEMBLY, TB4 BACK	1
A2	DGN1714081	ARM COVER, RIGHT, TB4 BACK	1
A3	DGN1714080	ARM COVER, LEFT, TB4 BACK	1
A4	SCRPPH1304	SCREW, PPH, BLACK ZINC, M4-.7 X 6MM	4

Current Quantum Colors as of 9-1-2019																		
Color Name	Color Name Variant	Part Suffix	Color Code	Edge 3 Stretto	Edge 3	Edge 2.0	Edge 2.0X	Edge	Edge X	4Front	Edge Z	Edge HD	R44 Rival	J4 / Q4	J6	1450	Kozmo	
Back in Black	Black, Onyx Black Metallic Black	PBK1	PPW-BLK-01	X	X	X	X	X	X	X	X	X	X	X	X			
Night Train		PBK3	PPW-BLK-03	X	X	X	X			X	X	X	X					
Grey Street		PSL3	PPW-SIL-03	X	X	X	X			X	X	X	X					
Silver Bullet		PSL7	PPW-SIL-07			X	X			X	X	X	X					
White Satin	Pearl White	PWT2	PPW-WHT-02	X	X	X	X			X	X	X	X				X	
Red Corvette	Candy Apple Red, Ruby Red	PRD1	PPW-RED-01	X	X	X	X	X	X	X	X	X	X	X	X	X	X	
Cherry Bomb		PRD4	PPW-RED-04	X	X					X								
Pretty in Pink	Rose Quartz	PPK3	PPW-PNK-03	X	X	X	X			X	X	X	X	X	X	X	X	
Raspberry Beret		PPK4	PPW-PNK-04	X	X					X								
Sugar Plum		PPR7	PPW-PRP-07	X	X					X								
Deep Purple		PPR5	PPW-PRP-05	X	X	X	X			X	X	X	X					
Midnight Blue		PBU10	PPW-BLU-10	X	X	X	X			X	X	X	X					
Electric Blue	True Blue, Sapphire Blue	PBU9	PPW-BLU-09	X	X	X	X	X	X	X	X	X	X	X	X	X	X	
Blue Jean		PBU11	PPW-BLU-11	X	X					X								
Green Machine		PGN11	PPW-GRN-11	X	X	X	X			X	X	X	X					
Military Green		PGN8	PPW-GRN-08	X	X					X	X	X	X					
Lime Light		PGN7	PPW-GRN-07			X	X			X	X	X	X					
Yellow Blaze	Orion Yellow, Citrine Yellow	PYL3	PPW-YEL-03			X	X	X	X	X	X	X	X			X	X	
Lemon Crush		PYL4	PPW-YEL-04	X	X	X	X			X								
Orange Crush	Amber Orange	POR6	PPW-ORN-06			X	X			X	X	X	X				X	
Evolution Orange		POR7	PPW-ORN-07	X	X	X	X			X	X	X	X	X	X	X		
Carbon Fiber		WCB1	PWT-CBN-01		X	X				X								
Digital Camo		WCM7	PWT-CMO-07		X	X				X								
Faded Glory		WFL2	PWT-FLG-02		X	X				X								

Prior Generation Quantum Colors as of 9-1-2019																		
Color Name	Color Name Variant	Part Suffix	Color Code	Edge 3 Stretto	Edge 3	Edge 2.0	Edge 2.0X	Edge	Edge X	4Front	Edge Z	Edge HD	R44 Rival	J4 / Q4	J6	1450	Kozmo	
Pewter Grey		PGY1	PPW-GRY-01						X				X					
Silver		PSL1	PPW-SIL-01					X	X			X	X			X		
Cardinal Red	Rex Red	PRD2	PPW-RED-02					X					X					
Pearl Pink	Prehistoric Pink	PPK1	PPW-PNK-01					X	X			X	X		X	X		
Violet	Primitive Purple	PPR2	PPW-PRP-02					X					X					
Sapphire Blue		PPR4	PPW-PRP-04					X	X			X	X			X		
Mariner Blue	Bronto Blue	PBU2	PPW-BLU-02					X					X					
Graphite Blue		PBU3	PPW-BLU-03					X					X					
Viper Blue		PBU1	PPW-BLU-01					X	X			X	X		X	X		
Spring Green	Gator Green	PGN3	PPW-GRN-03					X					X					
Emerald Green		PGN5	PPW-GRN-05					X	X			X	X			X		
Kelly Green		PGN6	PPW-GRN-06					X					X		X			
Solar Yellow		PYL1	PPW-YEL-01					X					X					
Champagne	Saber Yellow	PCH1	PPW-CHA-01					X	X			X	X			X		
Tangerine		POR2	PPW-ORN-02					X					X					
Sunburst Orange		POR1	PPW-ORN-01					X	X			X	X		X	X		

Appendix A:Pages Index

4-Button Actuator Control Module, TB3 237

AAM Assy, Static Seat, TB3 / Q-Logic 2 39

AAM Modules, Lift and Recline, TB3 / Q-Logic 2 79

AAM Modules, Lift and Tilt, TB3 / Q-Logic 2 87

AAM Modules, Lift, TB3 / Q-Logic 2 63

AAM Modules, Lift, Tilt, and Recline, TB3 / Q-Logic 2 95

AAM Modules, Tilt and Recline, TB3 / Q-Logic 2 71

AM1/ AAM Module Assy, Recline Only, TB3 / Q-Logic 2 47

AM1/AAM Modules, Tilt, TB3 / Q-Logic 2 55

Attendant Control Assy, TB3 / Q-Logic 2 101

Carrier Shroud Assy, TB3 Redesigned Back 257

Electronic Master Assy's, Recline, TB3 / Q-Logic 2 45

Electronic Master Assy's, Lift and Recline, TB3 / Q-Logic 2 77

Electronic Master Assy's, Lift and Tilt, TB3 / Q-Logic 2 85

Electronic Master Assy's, Lift, TB3 / Q-Logic 2 61

Electronic Master Assy's, Lift, Tilt, and Recline, TB3 / Q-Logic 2 93

Electronic Master Assy's, Static Seat, TB3 / Q-Logic 2 37

Electronic Master Assy's, Tilt and Recline, TB3 / Q-Logic 2 69

Electronic Master Assy's, Tilt, TB3 / Q-Logic 2 53

Electronics Boxes - New Quantum Colors, 6/1/15, TB3 253

Electronics Boxes - Original Quantum Colors,Pre 6/1/15, TB3 251

Hardware, TB3 w/ LAM2, NE+ / Q-Logic 2 219

Harness Mounting Hardware, Lift and Recline, TB3 / Q-Logic 2 83

Harness Mounting Hardware, Lift and Tilt, TB3 / Q-Logic 2 91

Harness Mounting Hardware, Lift, TB3 / Q-Logic 2 67

Harness Mounting Hardware, Lift, Tilt, and Recline, TB3 / Q-Logic 2 99

Harness Mounting Hardware, Recline, TB3 / Q-Logic 2 51

Harness Mounting Hardware, Static Seat, TB3 / Q-Logic 2 43

Harness Mounting Hardware, Tilt and Recline, TB3 / Q-Logic 2 75

Harness Mounting Hardware, Tilt, TB3 / Q-Logic 2 59

Harnesses, Lift and Tilt, TB3 / Q-Logic 2 89

Harnesses, Lift, TB3 / Q-Logic 2 65

Harnesses, Lift, Tilt, and Recline, TB3 / Q-Logic 2 97

Harnesses, Static Seat, TB3 / Q-Logic 2 41

Harnesses, TB3 w/ LAM2, NE+/Q-Logic 2 217

Harnesses, Tilt and Recline, TB3 / Q-Logic 2 73

Harnesses, Tilt, TB3 / Q-Logic 2 57

Harnessess, Lift and Recline, TB3 / Q-Logic 2 81

Harnessess, Recline, TB3 / Q-Logic 2 49

High Power Toggle and Mount, TB3 Arms 243

High Power Toggle and Mount, Tubular Arms 245

I-Access & 4-Function Seating Modules & Mounts 11

LAM2 Modules, TB3, NE+/Q-Logic 2 215

Lift & Recline, AM2, Harnesses and Hardware, TB3 / NE+ 129

Lift & Tilt, AM2, Harnesses and Hardware, TB3 / NE+ 131

Lift Only, AM1, Harnesses and Hardware, TB3 / NE+ 123

Lift w/ AFP, AM2, Harnesses and Hardware, TB3 / NE+ 125

Lighting Module w/ Harnesses and Hardware, TB3 / Q-Logic 2 209

Lighting thru LAM2 Master Assemblies, TB3, NE+/Q-Logic 2 213

Lighting thru LM, TB3 Static Seat, NE+, Q6 Edge 3 Stretto 211

Manual Recline Inhibit Harness, TB3 NE 229

Manual Recline Inhibit Harness, TB3 Q-Logic/NE+ 227

Painted E-Box Shrouds, TB3 Redesigned Back 255

Powered Legrest Harnesses and Mounting Hardware, TB3 247

Q-Logic 2 & 3 Enhanced Display Shrouds 33

Q-Logic 2 & 3 Joystick Shrouds 31

Q-Logic 3 Bus Cables, Multiplier Harnesses, & Mounts 7

Q-Logic 3 Enhanced Display & Gooseneck Mount 9

Q-Logic 3 Joystick Assy's 1

Q-Logic 3 Lighting Modules & Hardware 5, 221

Q-Logic 3 SCIM, Sip & Puff, & ECM Modules & Mounts 15

Q-Logic 3 SD Cards for 4Front 19

Q-Logic 3 SD Cards for Edge 2.0 25

Q-Logic 3 SD Cards for Edge 3 21

Q-Logic 3 SD Cards for Edge HD 23

Q-Logic 3 SD Cards for Q1450 29

Q-Logic 3 SD Cards for Q6 Edge 3 Stretto, 6.25MPH Program 27

Q-Logic 3 Seating Modules & Mounts 3

Q-Logic 3 Stand Alone Joystick, Attendant Control, & Mounts 13

Q-Logic 3 USB Charger Module Assy 17

Q6 Edge 3 Stretto Config. Light Assy, TB3 / Flex Seating 207, 225

Quantum Color Reference Chart 259

R-Net Lift & Recline w/ Power Legs, REAC Lift / I-Level, Q6 Edge 3 Stretto 195

R-Net Lift & Recline w/AFP, REAC Lift / I-Level, Q6 Edge 3 Stretto 197

R-Net Lift & Recline, REAC Lift / I-Level, Q6 Edge 3 Stretto 193

R-Net Lift & Tilt w/AFP, REAC Lift / I-Level, Q6 Edge 3 Stretto 191

R-Net Lift & Tilt w/Power Legs, REAC Lift / I-Level, Q6 Edge 3 Stretto 189

R-Net Lift & Tilt, REAC Lift / I-Level, Q6 Edge 3 Stretto 187

R-Net Lift Only w/ AFP, REAC Lift / I-Level, Q6 Edge 3 Stretto 185

R-Net Lift Only w/Power Legs, REAC Lift / I-Level, Q6 Edge 3 Stretto 183

R-Net Lift Only, REAC Lift / I-Level, Q6 Edge 3 Stretto 181

R-Net Lift, Tilt, & Recline w/AFP, REAC Lift / I-Level, Q6 Edge 3 Stretto 203

R-Net Lift, Tilt, & Recline w/Power Legs, REAC Lift / I-Level, Q6 Edge 3 Stretto 201

R-Net Lift, Tilt, & Recline, REAC Lift / I-Level, Q6 Edge 3 Stretto 199

Rear Wire Covers, TB3 249

Recline Only, AM1 w/ Bus Cable, and Hardware, TB3 / NE+ 113

Recline and AFP w/ AM2, Harnesses and Hardware, TB3 / NE+ 115

SCIM Kit Assy w/TB3 Accessory Bar, Q-Logic 2 105

Seating Controls and Mounts, TB3 Arms 239

Seating Controls and Mounts, Tubular Arms 241

Standard Config. Light Assembly, TB3 205, 223

Static Seat w/ AFP, AM1, Wiring, and Hardware, TB3 / NE+ 111

Static Seat w/ Combined Legs, AM2, Wiring, and Hardware, TB3 / NE+ 109

Static Seat, Ind. Legs - AM2, Wiring, and Hardware, TB3 / NE+ 107

TB3 / R-Net Recline w/ AFP & Lights, Q6 Edge 3 Stretto 173

TB3 / R-Net Recline w/ Power Legs & Lights, Q6 Edge 3 Stretto 171

TB3 / R-Net Tilt w/ AFP & Lights, Q6 Edge 3 Stretto 167

TB3 / R-Net Tilt w/ Power Legs & Lights, Q6 Edge 3 Stretto 165

TB3 / R-Net, Recline 145

TB3 / R-Net, Recline w/ AFP 147

TB3 / R-Net, Recline w/ Lights, Q6 Edge 3 Stretto	169
TB3 / R-Net, Recline w/ Power Legs	149
TB3 / R-Net, Static Seat w/ AFP	137
TB3 / R-Net, Static Seat w/ AFP, Q6 Edge 3 Stretto	161
TB3 / R-Net, Static Seat w/ Light, Q6 Edge 3 Stretto	157
TB3 / R-Net, Static Seat w/ Lights	133
TB3 / R-Net, Static Seat w/ Power Legs	135
TB3 / R-Net, Static Seat w/ Power Legs & Lights, Q6 Edge 3 Stretto	159
TB3 / R-Net, Tilt & Recline w/ AFP & Lights, Q6 Edge 3 Stretto	179
TB3 / R-Net, Tilt & Recline w/ Power Legs & Lights, Q6 Edge 3 Stretto	177
TB3 / R-Net, Tilt	139
TB3 / R-Net, Tilt & Recline	151
TB3 / R-Net, Tilt & Recline w/ AFP	155
TB3 / R-Net, Tilt & Recline w/ Lights, Q6 Edge 3 Stretto	175
TB3 / R-Net, Tilt & Recline w/ Power Legs	153
TB3 / R-Net, Tilt w/ AFP	143
TB3 / R-Net, Tilt w/ Lights, Q6 Edge 3 Stretto	163
TB3 / R-Net, Tilt w/ Power Legs	141
Tilt & Recline, AM2, Harnesses and Hardware, TB3 / NE+	127
Tilt Only thru AM1 w/ Bus Cable and Hardware, TB3 Seating	117
Tilt thru Toggle, Manual Recline, TB3 Q-Logic/NE+	233
Tilt thru Toggle, TB3 NE	235
Tilt thru Toggle, TB3 Q-Logic/ NE+	231
Tilt w/ AFP thru AM2 w/ Harnesses and Hardware, TB3 Seating	121
Tilt w/ Manual Recline thru AM1, Harnesses and Hardware, TB3 Seating	119
USB Charger Module, Q-Logic 2	103

Appendix B:Parts Index

CLPCBLC1025	60, 120, 220, 228, 230, 234	DGN124336-PWH2	32
CTL123218	12, 42, 50, 58, 66, 74, 82, 90, 98, 238	DGN124336-PYL3	32, 32
CTL137626	106	DGN124336-PYL4	32
CTL137822	50, 74, 82, 90, 98, 102, 102	DGN124336-WCB1	32
CTL137838	146, 148, 150, 152, 154, 156, 170, 172, 174, 176, 178, 180, 188, 190, 192, 194, 196, 198, 200, 202, 204	DGN124336-WCM7	32
CTL143976	2	DGN124336-WFL2	32
CTL143977	2	DGN130024	252
CTL143979	10	DGN130025	252
CTL143980	14	DGN130026	252
CTL143981	14	DGN130027	252
CTL143982	4	DGN130028	252
CTL143983	4	DGN130029	252
CTL143984	4	DGN130030	252
CTL143985	4, 6, 222	DGN130031	252
CTL143986	4, 6, 222	DGN130032	252
CTL143988	16	DGN130033	252
CTL143989	16	DGN137728	34, 34
CTL143990	16	DGN137729-PBK1	34, 34
CTL144009	12	DGN137729-PBK3	34
CTL144010	12	DGN137729-PBU1	34
CTLDC1523	134, 136, 138, 140, 142, 144, 146, 148, 150, 152, 154, 156, 158, 160, 162, 164, 166, 168, 170, 172, 174, 176, 178, 180, 182, 184, 186, 188, 190, 192, 194, 196, 198, 200, 202, 204	DGN137729-PBU10	34
DGN124307	32, 32	DGN137729-PBU11	34
DGN124309	2	DGN137729-PBU9	34, 34
DGN124336-PBK1	32, 32	DGN137729-PGN11	34
DGN124336-PBK3	32	DGN137729-PGN5	34
DGN124336-PBU1	32	DGN137729-PGN7	34
DGN124336-PBU10	32	DGN137729-PGN8	34
DGN124336-PBU11	32	DGN137729-POR4	34
DGN124336-PBU9	32, 32	DGN137729-POR6	34
DGN124336-PGN11	32	DGN137729-POR7	34
DGN124336-PGN5	32	DGN137729-PPK1	34
DGN124336-PGN7	32	DGN137729-PPK3	34
DGN124336-PGN8	32	DGN137729-PPK4	34
DGN124336-POR4	32	DGN137729-PPR4	34
DGN124336-POR6	32	DGN137729-PPR5	34
DGN124336-POR7	32	DGN137729-PPR7	34
DGN124336-PPK1	32	DGN137729-PRD1	34, 34
DGN124336-PPK3	32	DGN137729-PRD4	34
DGN124336-PPK4	32	DGN137729-PSL1	34
DGN124336-PPR4	32	DGN137729-PSL3	34
DGN124336-PPR5	32	DGN137729-PSL7	34
DGN124336-PPR7	32	DGN137729-PWH2	34
DGN124336-PRD1	32, 32	DGN137729-PYL3	34, 34
DGN124336-PRD4	32	DGN137729-PYL4	34
DGN124336-PSL1	32	DGN137729-WCB1	34
DGN124336-PSL3	32	DGN137729-WCM7	34
DGN124336-PSL7	32	DGN137729-WFL2	36
		DGN143044	250, 250
		DGN148032	254
		DGN148034	254
		DGN148035	254

DGN148036	254	DWR1010D446	10
DGN148037	254	DWR1010H135	134, 136, 138, 140, 142, 144, 146, 148, 150, 152, 154, 156
DGN148038	254	DWR1010H145	134, 136, 138, 140, 142, 144, 146, 148, 150, 152, 154, 156
DGN148045	254	DWR1111H047	42, 50, 58, 66, 74, 82, 90, 98, 108, 110, 112, 114, 116, 118, 120, 122, 124, 126, 128, 130, 132, 210, 212, 218
DGN148046	254	DWR1111H053	50, 74, 82, 90, 98, 102, 102
DGN148047	254	DWR1111H311	210
DGN148074	254	DWR1111H565	134, 136, 138, 140, 142, 144, 146, 148, 150, 152, 154, 156, 158, 160, 162, 164, 166, 168, 170, 170, 172, 172, 174, 174, 176, 176, 178, 178, 180, 180, 182, 184, 186, 188, 188, 190, 190, 192, 192, 194, 194, 196, 196, 198, 198, 200, 200, 202, 202, 204, 204
DGN148075	254	DWR1111H567	134, 136, 138, 140, 142, 144, 146, 148, 150, 152, 154, 156, 158, 160, 162, 164, 166, 168, 170, 172, 174, 176, 178, 180, 182, 184, 186, 188, 190, 192, 194, 196, 198, 200, 202, 204
DGN148076	254	DWR1265H005	42, 50, 58, 66, 74, 82, 90, 98, 110, 218, 248
DGN148077	254	DWR1265H006	42, 50, 58, 66, 74, 82, 90, 98, 108, 218, 248
DGN148472	250	DWR1265H007	42, 50, 58, 66, 74, 82, 90, 98, 108, 218, 248
DGN154742	2, 14	DWR1265H012	232, 234
DGN160533	250	DWR1265H028	232, 234, 236
DGN1706558	254	DWR1265H038	240, 242
DGN1707169	254	DWR1265H039	140, 142, 144, 164, 166, 168, 232, 236
DGN1707171	254	DWR1265H047	210, 218
DGN1707173	254	DWR1265H052	234, 236
DGN1714080	258	DWR1265H057	230, 236
DGN1714081	258	DWR1265H077	136, 138, 142, 144, 148, 150, 154, 156, 160, 162, 166, 168, 172, 174, 178, 180, 184, 186, 190, 192, 196, 198, 202, 204
DGN1714085-PBK1	256	DWR1265H078	136, 142, 150, 154, 160, 166, 172, 178, 184, 190, 196, 202
DGN1714085-PBK3	256	DWR1303B026	44, 52, 60, 68, 76, 84, 92, 100, 108, 110, 136, 142, 150, 154, 160, 166, 172, 178, 184, 190, 196, 202, 220, 248
DGN1714085-PBU10	256	ELE124122	104
DGN1714085-PBU11	256	ELE125264	102
DGN1714085-PBU9	256	ELE130006	228
DGN1714085-PGN11	256	ELE130007	230
DGN1714085-PGN8	256	ELE130008	128
DGN1714085-POR7	256	ELE130010	114
DGN1714085-PPK3	256	ELE130011	116
DGN1714085-PPK4	256	ELE130020	232
DGN1714085-PPR5	256	ELE130021	234
DGN1714085-PPR7	256	ELE130739	108
DGN1714085-PRD1	256	ELE130740	110
DGN1714085-PRD4	256	ELE130741	112
DGN1714085-PSL3	256	ELE130743	126
DGN1714085-PWT2	256	ELE130744	118
DGN1714085-PYL4	256	ELE130746	120
DGN1714085-WCB1	256	ELE130747	122
DGN1714085-WCM7	256	ELE130749	38
DGN1714085-WFL2	256	ELE130750	38
DGN1801259-PBU11	254	ELE130751	38
DGN1801259-PGN11	254	ELE130756	62
DGN1801259-POR7	254	ELE130757	62
DGN1801259-PPK4	254	ELE130758	62
DGN1801259-PPR7	254		
DGN1801259-PRD4	254		
DGN1801259-PYL4	254		
DGN1900261	258		
DGN1904463	258		
DWR1000C390	244, 246		
DWR1010B161	206, 208, 224, 226		
DWR1010D298	14, 52, 76, 84, 92, 100, 102, 102		

ELE130759	62	ELE135164	38
ELE130760	54	ELE135165	38
ELE130762	54	ELE135166	62
ELE130764	54	ELE135167	62
ELE130766	54	ELE135168	62
ELE130768	54	ELE135169	54
ELE130770	54	ELE135170	54
ELE130772	86	ELE135171	54
ELE130782	86	ELE135172	54
ELE130783	86	ELE135173	46
ELE130784	86	ELE135174	46
ELE130785	86	ELE135175	46
ELE130786	86	ELE135176	46
ELE130787	86	ELE135177	46
ELE130788	86	ELE135178	46
ELE130789	70	ELE135179	86
ELE130791	70	ELE135182	86
ELE130793	70	ELE135185	86
ELE130795	70	ELE135187	86
ELE130797	70	ELE135188	86
ELE130799	70	ELE135189	86
ELE130801	70	ELE135191	70
ELE130803	70	ELE135195	70
ELE130805	94	ELE135197	70
ELE130806	94	ELE135203	70
ELE130807	94	ELE135204	70
ELE130808	94	ELE135205	70
ELE130809	94	ELE135206	78
ELE130810	94	ELE135208	78
ELE130811	94	ELE135213	78
ELE130812	94	ELE135217	78
ELE130813	46	ELE135219	78
ELE130816	46	ELE135220	78
ELE130817	46	ELE135221	94
ELE130819	46	ELE135222	94
ELE130821	46	ELE135223	94
ELE130823	46	ELE135224	94
ELE130825	46	ELE135225	94
ELE130827	46	ELE135226	94
ELE130829	46	ELE135850	210
ELE130831	46	ELE135851	214
ELE130833	78	ELE135852	214
ELE130834	78	ELE135879	214
ELE130835	78	ELE135907	214
ELE130836	78	ELE135908	214
ELE130837	78	ELE135909	214
ELE130838	78	ELE135910	214
ELE130841	78	ELE135912	214
ELE130843	78	ELE135913	214
ELE131477	206, 224	ELE135914	214
ELE133304	66, 82, 90, 98, 124, 126, 130, 132, 218	ELE135915	214

ELE135916	214	ELE1712725	20
ELE135917	214	ELE1805107	24
ELE135958	104	ELE1805109	24
ELE136088	140, 142, 144, 146, 148, 150, 152, 154, 156, 164, 166, 168, 170, 172, 174, 176, 178, 180, 182, 184, 186, 188, 190, 192, 194, 196, 198, 200, 202, 204	ELE1805110	22
ELE142519	58, 120, 218, 228, 230, 234	ELE1805111	22
ELE142991	134	ELE1805112	22
ELE142992	136	ELE1805113	22
ELE142993	138	ELE1808585	6, 182, 184, 186, 188, 190, 192, 194, 196, 198, 200, 202, 204, 222
ELE142994	140	ELE1808670	6, 158, 160, 162, 164, 166, 168, 170, 172, 174, 176, 178, 180, 212, 218, 222
ELE142995	142	ELE1808809	158, 160, 162, 164, 166, 168, 170, 172, 174, 176, 178, 180, 182, 184, 186, 188, 190, 192, 194, 196, 198, 200, 202, 204
ELE142996	144	ELE1808813	6, 222
ELE142997	146	ELE1808847	182, 184, 186, 188, 190, 192, 194, 196, 198, 200, 202, 204
ELE142998	148	ELE1901200	214
ELE142999	150	ELE1901202	214
ELE143000	152	ELE1905403	208, 226
ELE143001	156	ELE1905832	212
ELE143002	154	ELE1905907	236
ELE143003	136	ELE1905908	214
ELE143004	138	ELE1905911	214
ELE143005	140	ELE1905912	214
ELE143006	142	ELE1905932	214
ELE143007	144	ELE1905937	214
ELE143008	146	ELE1905938	214
ELE143009	148	ELE1905940	214
ELE143010	150	ELE1905941	214
ELE143011	152	ELE1905944	214
ELE143012	156	ELE1905951	158
ELE143013	154	ELE1905959	160
ELE144006	2	ELE1905960	162
ELE146865	112, 116, 122, 126, 158, 160, 162, 164, 166, 168, 170, 172, 174, 176, 178, 180, 182, 184, 186, 188, 190, 192, 194, 196, 198, 200, 202, 204, 212, 220, 236, 248	ELE1905961	182
ELE153301	218	ELE1905962	184
ELE1611928	234	ELE1906040	186
ELE165226	102	ELE1906042	188
ELE166181	248	ELE1906055	190
ELE166182	248	ELE1906058	192
ELE168069	18	ELE1906178	200
ELE168113	6, 222	ELE1906179	202
ELE168114	6, 222	ELE1906180	204
ELE1700789	26	ELE1906181	194
ELE1700824	26	ELE1906182	196
ELE1700826	26	ELE1906183	198
ELE1700827	26	ELE1906184	164
ELE1704823	42, 44, 50, 52, 58, 60, 66, 68, 74, 76, 82, 90, 92, 98, 100, 112, 116, 122, 126, 218, 220, 248	ELE1906212	166
ELE1712717	20	ELE1906213	168
ELE1712722	20	ELE1906214	170
ELE1712724	20	ELE1906215	172
		ELE1906216	174
		ELE1906228	176
		ELE1906229	178

ELE1906231	180	ELEASMB5641	96
ELE1906902	182	ELEASMB5642	96
ELE1906904	184	ELEASMB5643	96
ELE1906906	186	ELEASMB6043	56, 118, 120
ELE1906907	188	ELEASMB6044	128
ELE1906908	190	ELEASMB6045	48, 114
ELE1906909	192	ELEASMB6046	108
ELE1906910	200	ELEASMB6047	110
ELE1906911	202	ELEASMB6213	210, 212
ELE1906912	204	ELEASMB6433	122
ELE1906913	194	ELEASMB6434	112
ELE1906914	196	ELEASMB6435	116
ELE1906915	198	ELEASMB6557	124
ELE1908260	28	ELEASMB7120023	206, 208, 224, 226
ELE1908262	28	ELEASMB7120024	206, 208, 224, 226
ELE1908263	28	ELEASMB7120025	206, 224
ELE1908264	28	ELEASMB7120026	206, 224
ELE2000743	30	ELEASMB7162	132
ELE2000745	30	ELEASMB7163	130
ELEASMB4949	244, 246	ELEASMB7164	126
ELEASMB4950	244, 246	ELEASMB7255	216
ELEASMB5156	246	ELEASMB7256	216
ELEASMB5157	246	ELEASMB7258	216
ELEASMB5613	40	ELEASMB7259	216
ELEASMB5614	40	ELEASMB7260	216
ELEASMB5615	40	ELEASMB7261	216
ELEASMB5616	64	ELEASMB7262	216
ELEASMB5617	64	ELEASMB7263	216
ELEASMB5618	64	ELEASMB7264	216
ELEASMB5619	64	ELEASMB7265	216
ELEASMB5620	48	ELEASMB7266	216
ELEASMB5621	48	ELEASMB7267	216
ELEASMB5622	48	ELESWRP1003	232, 234
ELEASMB5623	48	FRMASMB10455	14, 102
ELEASMB5624	80	FRMASMB10617	2
ELEASMB5625	80	FRMASMB11156	14
ELEASMB5626	80	FRMASMB11354	246
ELEASMB5627	80	FRMASMB17640	242
ELEASMB5628	56	FRMASMB17641	242
ELEASMB5629	56	FRMASMB17642	242
ELEASMB5630	56	FRMASMB8929	242, 246
ELEASMB5631	56	HAR143994	6, 8, 222
ELEASMB5632	88	HAR144000	8
ELEASMB5633	88	HAR144001	14
ELEASMB5634	88	HAR144002	8
ELEASMB5635	88	HAR144003	8
ELEASMB5636	72	HAR144004	8
ELEASMB5637	72	HAR144005	8
ELEASMB5638	72	HDW121242	60, 120, 220, 228, 230, 234
ELEASMB5639	72	HDW123677	134, 136, 138, 140, 142, 144, 146, 148, 150, 152, 154, 156, 158,
ELEASMB5640	96		160, 162, 164, 166, 168, 170, 172, 174, 176, 178, 180, 182, 184, 186, 188, 190,

192, 194, 196, 198, 200, 202, 204	MEC1902176	256
HDW124866	MEC1906530	12
HDW125022 146, 148, 150, 152, 154, 156, 170, 172, 174, 176, 178, 180,	MEC1906531	12
188, 190, 192, 194, 196, 198, 200, 202, 204	MEC1906564	12
HDW131337 146, 148, 150, 152, 154, 156, 170, 172, 174, 176, 178, 180,	MEC1906565	12
188, 190, 192, 194, 196, 198, 200, 202, 204, 210, 252, 254	MEC1907500	12
HDW134234	MEC2001391	12
HDW135288	MEC2001392	12
HDW1901114	MEC2001395	12
INFINFB3298	MEC2001400	12
KIT138989	MEC2001401	12
KIT139061	NUT8120005 44, 52, 60, 68, 76, 84, 92, 100, 108, 110, 136, 142, 150, 154, 160,	
MEC120550	166, 172, 178, 184, 190, 196, 202, 220, 248	
MEC121300	NUTJAM1032 44, 52, 60, 68, 76, 84, 92, 100, 108, 110, 122, 136, 138, 142,	
MEC121306	144, 148, 150, 154, 156, 160, 162, 166, 168, 172, 174, 178, 180, 184, 186, 190,	
MEC121720	192, 196, 198, 202, 204, 220, 248	
MEC122827	NUTNJAM1020	106
MEC123780	NUTNYLK1065	206, 208, 224, 226
MEC124121	NUTNYLK1106	140, 142, 144, 164, 166, 168, 232, 236
MEC125098	PLSTIE1001	102, 248
MEC125246	PLSTIE1004 44, 52, 60, 68, 76, 84, 92, 100, 108, 110, 112, 114, 116, 118, 120,	
MEC125270	122, 124, 126, 128, 130, 132, 158, 160, 162, 164, 166, 168, 170, 172, 174, 176,	
MEC125462	178, 180, 182, 184, 186, 188, 190, 192, 194, 196, 198, 200, 202, 204, 220, 228,	
MEC130241 84, 138, 144, 148, 156, 162, 168, 174, 180, 186, 192, 198,	230, 232, 234, 236	
204	SCR8110014	250
MEC131114	SCRASBH1210	10
MEC131336	SCRASBH1322	238
MEC131475	SCRHHCS1382 44, 52, 60, 68, 76, 84, 92, 100, 108, 110, 136, 142, 150, 154,	
MEC134122	160, 166, 172, 178, 184, 190, 196, 202, 220, 248	
MEC136479	SCRPFH1076	140, 142, 144, 164, 166, 168, 232, 236
MEC136981	SCRPPH1029	242
MEC137092	SCRPPH1036	14, 164, 166, 168, 232, 236, 238, 250
MEC137995	SCRPPH1044	104
MEC137996	SCRPPH1061 44, 52, 60, 68, 76, 84, 92, 100, 108, 110, 112, 114, 116, 118,	
MEC138192	120, 122, 124, 126, 128, 130, 132, 210, 220	
MEC138354 134, 136, 138, 140, 142, 144, 146, 148, 150, 152, 154, 156,	SCRPPH1103	16, 106
158, 160, 162, 164, 166, 168, 170, 172, 174, 176, 178, 180, 182, 184, 186,	SCRPPH1153	4, 6, 212, 222
188, 190, 192, 194, 196, 198, 200, 202, 204	SCRPPH1163	4, 6, 8, 16, 222, 252, 254
MEC138556	SCRPPH1165	52, 76, 84, 92, 100, 102, 102
MEC138637 52, 60, 108, 110, 112, 114, 116, 118, 120, 122, 124, 126,	SCRPPH1276	52, 76, 84, 92, 100, 102, 102
128, 130, 132, 210, 212, 220	SCRPPH1304	140, 140, 142, 142, 144, 144, 232, 236, 258
MEC143421	SCRPPH1383	10
MEC152404	SCRPPH1454	140, 142, 144, 232, 236
MEC155983	SCRSHCS1079	106
MEC156032	SCRSHCS1095	106, 240, 244
MEC160436	SCRSHCS1096	206, 208, 224, 226
MEC1611656	SCRSHCS1237	206, 208, 224, 226
MEC1611657	SCRSHFH1015 134, 136, 138, 140, 142, 144, 146, 148, 150, 152, 154, 156,	
MEC162072	158, 160, 162, 164, 166, 168, 170, 172, 174, 176, 178, 180, 182, 184, 186, 188,	
MEC168034	190, 192, 194, 196, 198, 200, 202, 204	
MEC1810668	SWTMCRO1098	240, 242

SWTMCRO1099	240, 242
SWTMCRO1100	240, 242
VELDBLS1001	44, 52, 60, 68, 76, 84, 92, 100, 108, 110, 112, 114, 116, 118, 120, 122, 124, 126, 128, 130, 132, 220, 228, 230, 232, 234, 236, 248
WASSTND1074	106

Illustrated Parts Breakdown

USA - Quantum Rehab

401 York Avenue
Duryea, Pa 18642
www.quantumrehab.com

USA - Pride Mobility Products Corp.

182 Susquehanna Avenue
Exeter, Pa 18643
www.pridemobility.com

Canada

5096 South Service Road
Beamsville, Ontario L0R 1B3
www.pridemobility.ca
www.quantumrehab.com

Australia

20-24 Apollo Drive
Hallam, Victoria 3803
www.pridemobility.com.au
www.quantumrehab.com.au

New Zealand

38 Lansford Crescent
Avondale, Auckland 0600
www.pridemobility.co.nz

UK

32 Wedgwood Road
Bicester, Oxfordshire OX26 4UL
www.pride-mobility.co.uk
www.quantumrehab.co.uk

Netherlands

(Authorised EU Representative)

De Zwaan 3
1601 MS Enkhuizen
www.pridemobility.eu
www.quantumrehab.eu

Italy

Via del Progresso, ang. Via del Lavoro
Loc. Prato della Corte
00065 Fiano Romano (RM)
www.pride-italia.it
www.quantumrehab-italia.it

France

26 Rue Monseigneur Ancel
69800 Saint-Priest
www.pridemobility.fr
www.quantumrehab.fr

Spain

Calle Las Minas Número 67
Polígono Industrial Urtinsa II, de Alcorcón
28923 Madrid

Germany

Hövelrieger Str. 28
33161 Hövelhof
www.pridemobility.de

China

Room 508, Building #4
TianNa Business Zone
No. 500 Jianyun Road
Pudong New Area
Shanghai 201318

