

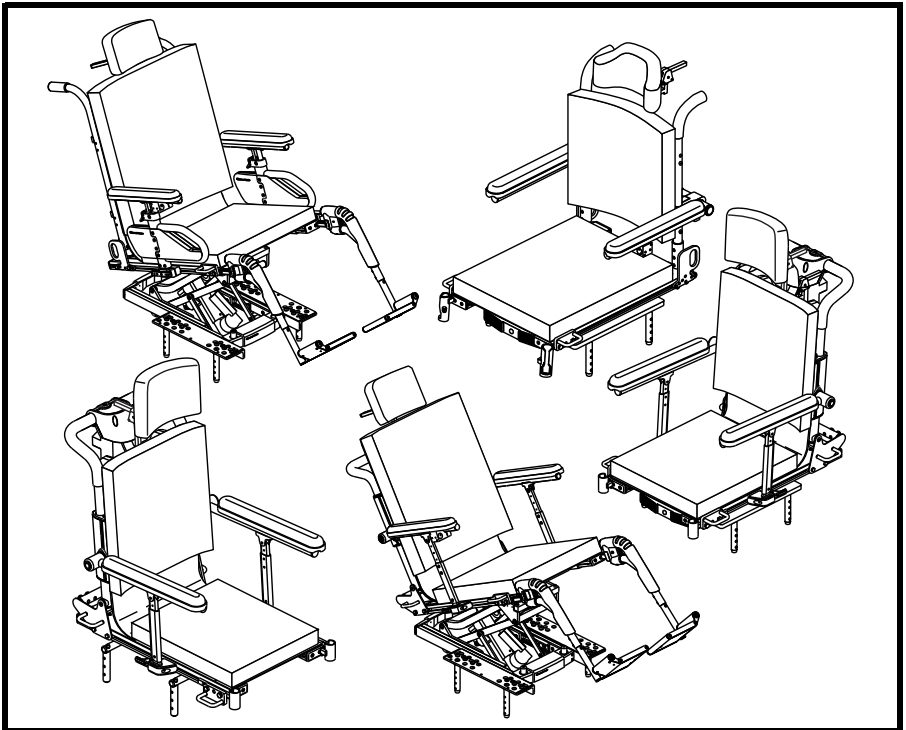
# BASIC OPERATION INSTRUCTIONS

---

# TRU-Balance™ 2 Power Positioning Systems

ACN# 088 609 661

Includes: TRU-Balance 2 Power Tilt, TRU-Balance 2 Power Recline, TRU-Balance 2 Power Tilt and Recline, and TRU-Balance 2 Power Lift and Tilt



**QUANTUM®**  
**REHAB**

A Division of Pride Mobility Products® Corp.

# SAFETY GUIDELINES



**WARNING! A Quantum Rehab Provider or a qualified technician must perform the initial setup of this product and must perform all of the instructions in this manual.**

The symbols below are used throughout this owner's manual and on the product to identify warnings and important information. It is very important for you to read them and understand them completely.



**WARNING!** Indicates a potentially hazardous condition/situation. Failure to follow designated procedures can cause either personal injury, component damage, or malfunction. On the product, this icon is represented as a black symbol on a yellow triangle with a black border.

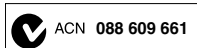


**MANDATORY!** These actions should be performed as specified. Failure to perform mandatory actions can cause personal injury and/or equipment damage. On the product, this icon is represented as a white symbol on a blue dot with a white border.



**PROHIBITED!** These actions are prohibited. These actions should not be performed at any time or in any circumstances. Performing a prohibited action can cause personal injury and/or equipment damage. On the product, this icon is represented as a black symbol with a red circle and a red slash.

*NOTE: These instructions are compiled from the latest specifications and product information available at the time of publication. We reserve the right to make changes as they become necessary. Any changes to our products may cause slight variations between the illustrations and explanations in this manual and the product you have purchased. The latest/current version of this manual is available on our website.*



Copyright © 2008

Pride Mobility Products Corporation

INFMANU3700/Rev C/October 2008

# **TABLE OF CONTENTS**

<b>LABEL INFORMATION.....</b>	<b>4</b>
<b>INTRODUCTION .....</b>	<b>5</b>
<b>THE TRU-BALANCE 2 POWER POSITIONING SYSTEM .....</b>	<b>7</b>
<b>PRECAUTIONARY GUIDELINES .....</b>	<b>7</b>
<b>OPERATING THE TRU-BALANCE 2 POWER POSITIONING SYSTEM .....</b>	<b>13</b>
<b>ARMREST OPTIONS .....</b>	<b>27</b>
Flip-Up .....	27
Heavy Duty Drop-In .....	29
Single Post Quick Height Adjustable Drop-In .....	31
Two Post Height Adjustable Flip-Up .....	34
Shear Reduction .....	36
<b>CONTROLLER POSITION .....</b>	<b>37</b>
<b>POWER SEAT ELEVATOR OPTION .....</b>	<b>38</b>
<b>MANUAL RECLINE OPTION (TRU-BALANCE 2 POWER TILT ONLY) .....</b>	<b>39</b>
<b>CARE AND MAINTENANCE .....</b>	<b>40</b>
<b>WARRANTY .....</b>	<b>40</b>

# LABEL INFORMATION

## PRODUCT SAFETY SYMBOLS

The symbols below are used on the seating system to identify warnings, mandatory actions, and prohibited actions. It is very important for you to read and understand them completely.



**Read and follow the information in the owner's manual.**



**Avoid exposure to rain, snow, ice, salt, or standing water whenever possible. Maintain and store in a clean and dry condition.**



**EMI-RFI - This product has been tested and passed at an immunity level of 20 V/m.**



**Use correct tie-down points for controller harness to prevent the harness from getting caught in the drive tires, pinched in the seat frame, or damaged when passing through doorways.**



**Maximum seating weight**



**Pinch/Crush points created during assembly.**



Only a Quantum Rehab Provider or an authorized technician can set or adjust the seat position! Refer to Owner's Manual.



**Consult your Quantum Rehab Provider before making any changes to your seating system configuration.**

## INTRODUCTION

WELCOME to Quantum Rehab, a division of Pride Mobility Products Corporation (Pride). The product you have purchased combines state-of-the-art components with **safety**, comfort, and styling in mind. We are confident that the design features will provide you with the conveniences you expect during your daily activities. Understanding how to **safely** operate and care for this product should bring you years of trouble free operations and service.

**Read and follow** all instructions, warnings, and notes in this manual before attempting to operate your product for the first time. You must also read all instructions, warnings, and notes contained in any supplemental instructional booklets for the controller, front riggings, and/or seating system that accompanied your power chair before initial operation. Your **safety** depends upon you, as well as your provider, caretaker, or healthcare professional in using good judgement.

This manual is to be used in addition to the power base owner's manual that came with your power chair. If there is any information in this manual which you do not understand, or if you require additional assistance for setup or operation, please contact your Quantum Rehab Provider. **Failure to follow the instructions, warnings, and notes in this manual and those located on your Pride product can result in personal injury and/or product damage and will void Pride's product warranty.**

## PURCHASER'S AGREEMENT

By accepting delivery of this product, you promise that you will not change, alter, or modify this product or remove or render inoperable or unsafe any guards, shields, or other safety features of this product; fail, refuse, or neglect to install any retrofit kits from time to time provided by Pride to enhance or preserve the safe use of this product.

## INFORMATION EXCHANGE

We want to hear your questions, comments, and suggestions about this manual. We would also like to hear about the safety and reliability of your new Pride product, and about the service you received from your Quantum Rehab Provider. Please notify us of any change of address, so we can keep you apprised of important information about safety, new products, and new options that can increase your ability to use and enjoy your Pride product.

Please feel free to contact us at the following address:

Pride Mobility Products Corporation  
Attn: Customer Care Department  
182 Susquehanna Avenue  
Exeter, PA 18643-2694

***NOTE: If you ever lose or misplace your product registration card or your copy of this manual, contact us and we will be glad to send you a new one immediately.***

**My Quantum Rehab Provider Is:**

Name: \_\_\_\_\_

Address: \_\_\_\_\_

Phone Number: \_\_\_\_\_

Purchase Date: \_\_\_\_\_

## THE TRU-BALANCE 2 POWER POSITIONING SYSTEM

The TRU-Balance 2 Power Positioning System is a unique seating system designed specifically for the Pride Power Chair. It is fully adjustable to meet the individual needs of the user, and it is mounted to a Pride power base to provide maximum maneuverability.

Reusable hook and loop fasteners are included in your owner's package for use in attaching the seat cushion to the seat base. These fasteners are not intended for use on cushions with anti-skid material, as they may damage the seat cushion.

Figures 1, 2, 3, and 4 provide information on the TRU-Balance 2 Power Tilt, TRU-Balance 2 Power Recline, TRU-Balance 2 Power Tilt and Recline, and TRU-Balance 2 Lift and Tilt components. Use these diagrams to familiarize yourself with the function and location of each component before using the TRU-Balance 2 Power Positioning System.

## PRECAUTIONARY GUIDELINES

Before operating the TRU-Balance 2 Power Positioning System, please read the following. These guidelines are provided for your benefit and will aid you in the safe operation of the seating system.

- Turn off the power before you are seated in the TRU-Balance 2 Power Positioning System.
- Always have assistance when you are being seated in the TRU-Balance 2 Power Positioning System.
- Follow all of the procedures and heed the warnings as explained in your power chair owner's manual.

**WARNING! The center of gravity of your seating system was factory set to a position that meets the needs of the demographic majority of users. Your Quantum Rehab Provider has evaluated your seating system and made any necessary adjustments to suit your specific requirements. Do not change your seating configuration without first contacting Pride Mobility Products or your Quantum Rehab Provider.**



**WARNING! Should the fittings on your seating system become loose, report the problem immediately to your Quantum Rehab Provider.**

**WARNING! In the event of a loss of power to the power chair, transfer to a safe position, seeking assistance if needed. Contact your Quantum Rehab Provider immediately to report the incident.**



**WARNING!** Your seating system is not approved for use as a seat in any vehicle. Use the seats and occupant restraints provided by the manufacturer of the vehicle.



**MANDATORY!** Do not exceed the weight capacity listed in your power chair owner's manual or 300 lbs. (136 kg), whichever is less.

## Electromagnetic and Radio Frequency Interference (EMI/RFI)



**WARNING!** Laboratory tests have shown that electromagnetic and radio frequency waves can have an adverse affect on the performance of electrically-powered mobility vehicles.

Electromagnetic and Radio Frequency Interference can come from sources such as cellular phones, mobile two-way radios (such as walkie-talkies), radio stations, TV stations, amateur radio (HAM) transmitters, wireless computer links, microwave signals, paging transmitters, and medium-range mobile transceivers used by emergency vehicles. In some cases, these waves can cause unintended movement or damage to the control system. Every electrically-powered mobility vehicle has an immunity (or resistance) to EMI. The higher the immunity level, the greater the protection against EMI. This product has been tested and has passed at an immunity level of 20 V/m.



**WARNING!** Be aware that cell phones, two-way radios, laptops, and other types of radio transmitters may cause unintended movement of your electrically-powered mobility vehicle due to EMI. Exercise caution when using any of these items while operating your mobility vehicle and avoid coming into close proximity of radio and TV stations.



**WARNING!** The addition of accessories or components to the electrically-powered mobility vehicle can increase the susceptibility of the vehicle to EMI. Do not modify your power chair in any way not authorized by Pride.

**WARNING!** The electrically-powered mobility vehicle itself can disturb the performance of other electrical devices located nearby, such as alarm systems.

**NOTE:** For further information on EMI/RFI, go to the Resource Center on [www.pridemobility.com](http://www.pridemobility.com). If unintended motion or brake release occurs, turn your power chair off as soon as it is safe to do so. Call Pride or your Quantum Rehab Provider to report the incident.



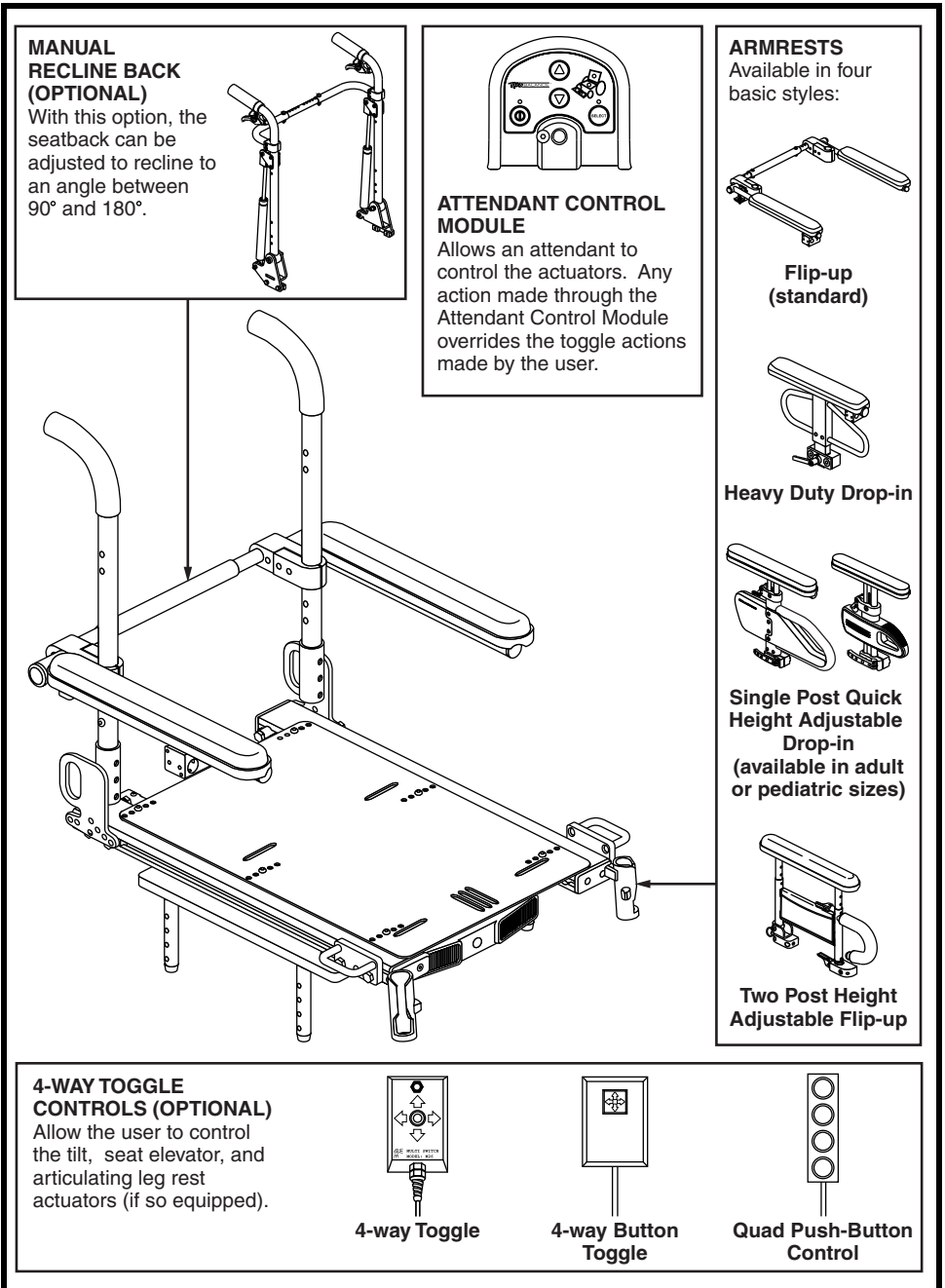
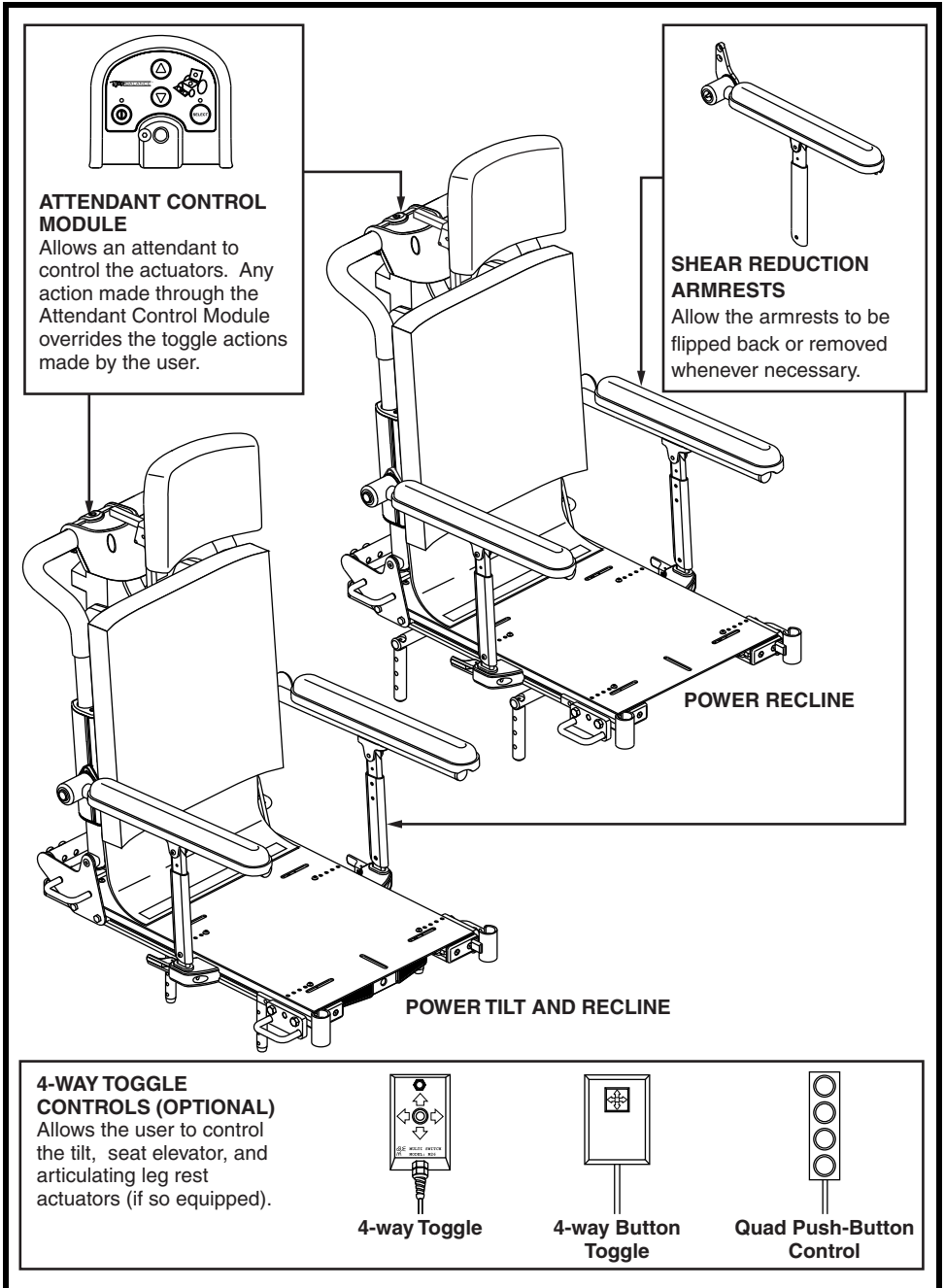


Figure 1. TRU-Balance 2 Power Tilt Components



**Figure 2. TRU-Balance 2 Power Recline and TRU-Balance 2 Power Tilt and Recline Components**

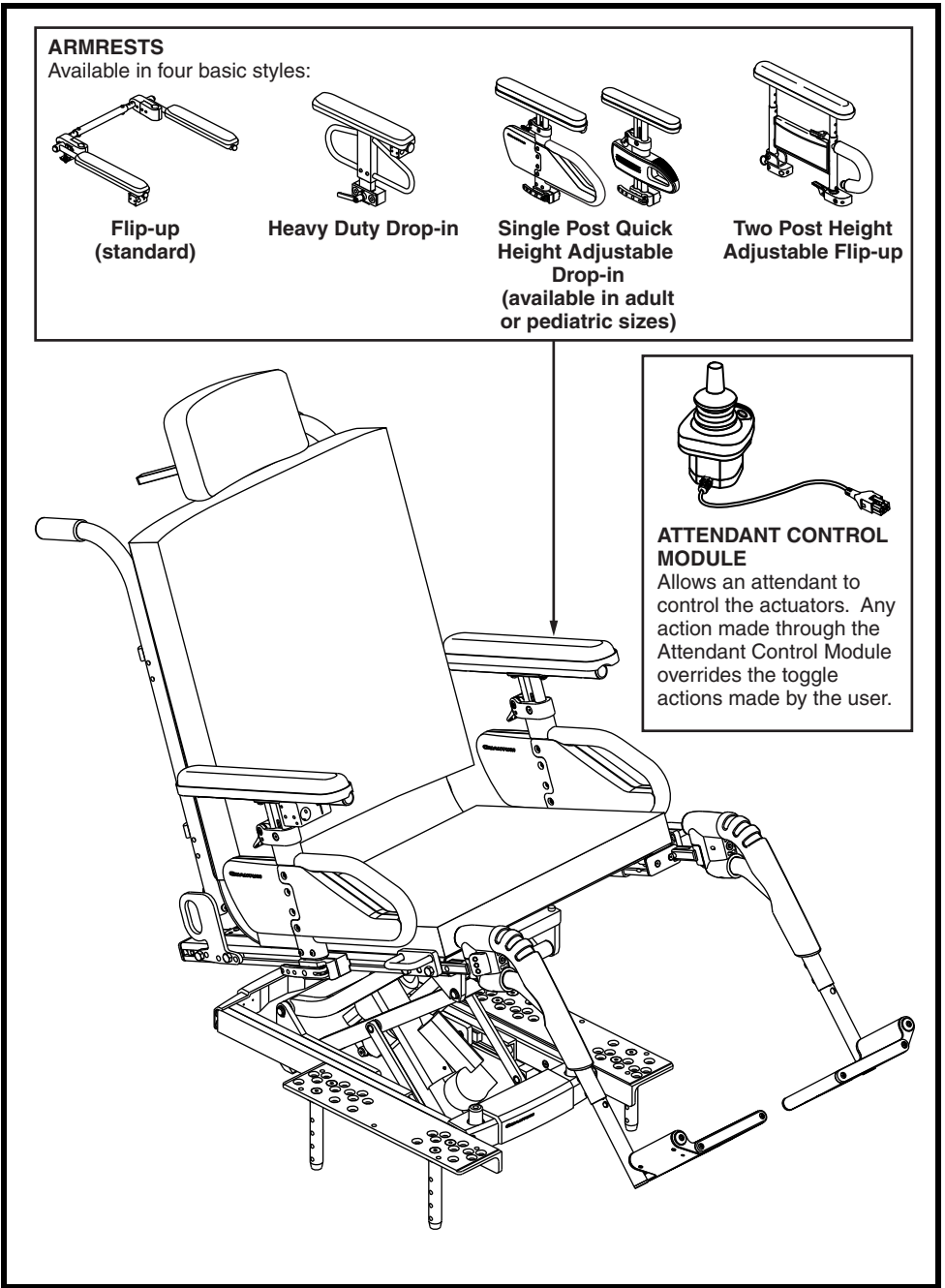
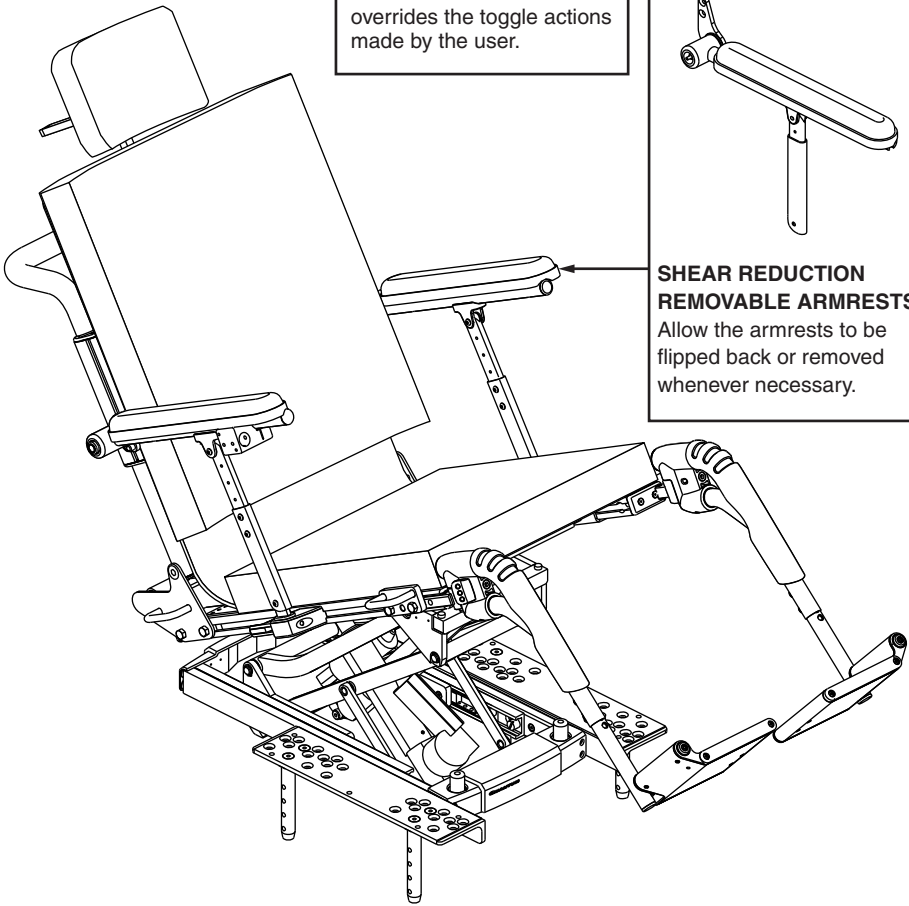
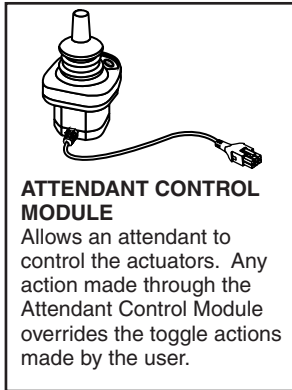


Figure 3. TRU-Balance 2 Power Lift and Tilt Components



**Figure 4. TRU-Balance 2 Power Lift and Tilt with Optional Recline Components**

## OPERATING THE TRU-BALANCE 2 POWER POSITIONING SYSTEM

The TRU-Balance 2 Power Positioning System can be operated through a PG or Q-Logic controller, a specialty controller, or a toggle (see figure 9, 10, 11, 12, or 13). Your TRU-Balance Seating System provides up to 55° of tilt, can recline 95°-168°, and can tilt/recline up to 168°. See figures 1, 2, 3 and 4.

**NOTE:** *Certain configurations of a TRU-Balance 2 Power Tilt on a Quantum R-4000 power base have a maximum tilt angle of 45°.*

There is a power inhibit on your TRU-Balance 2 Power Positioning System which will not allow you to drive your power chair while in the tilt position. A full inhibit will activate at 20°-55°. See figure 5.

	Recline Lock Out	Tilt Lock Out	Elevate Lock Out	1/4 Speed	Full Drive Lock Out
Elevated	X	X		Active	
Tilted more than 20°			X		Active
Reclined more than 20°			X		Active
Tilted/reclined more than 170°	X	X	X		Active

Figure 5. Inhibit Matrix

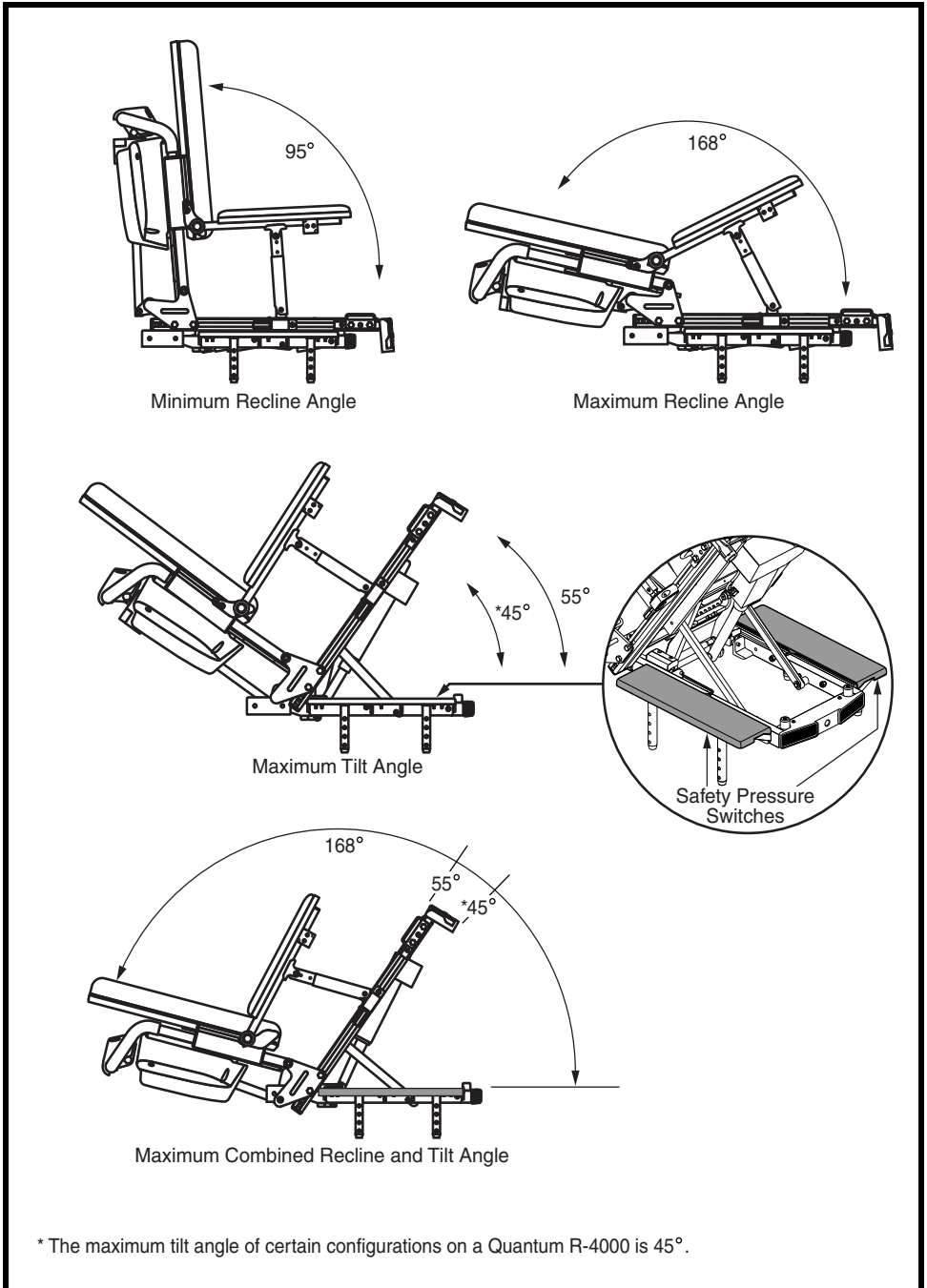


**WARNING!** Check the immediate area to ensure nothing is trapped in the mechanism before operating the tilt, recline, or lift features. Keep clear prior to and during movement.

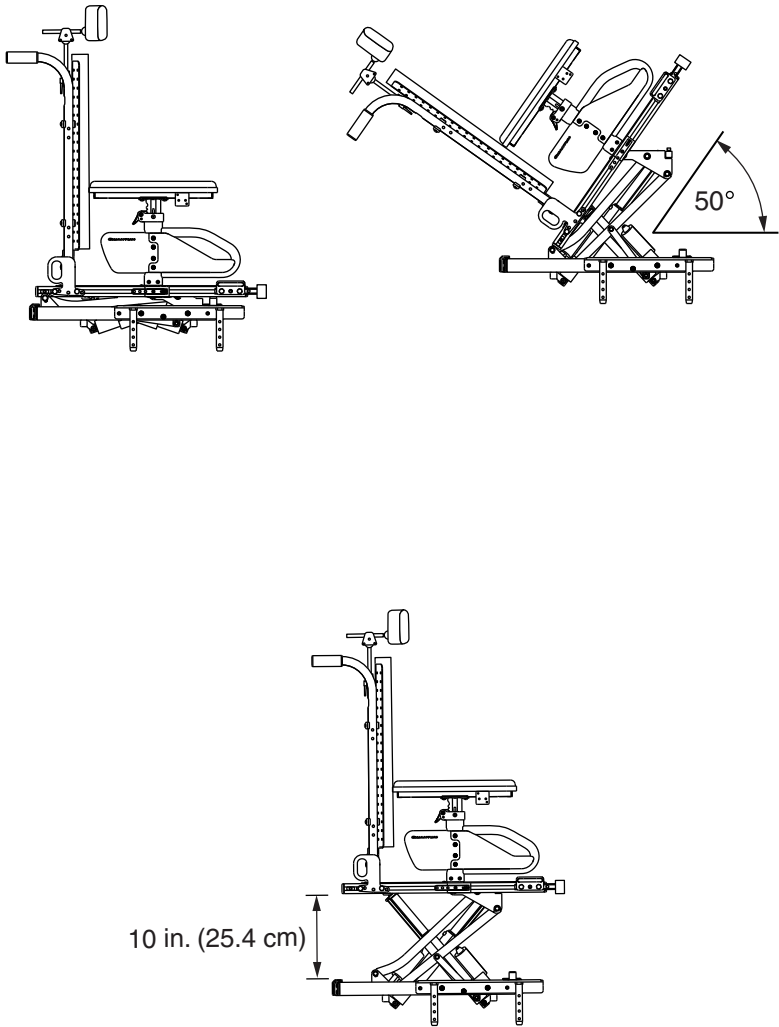
**NOTE:** *If your TRU-Balance 2 Power Positioning System is equipped with power tilt features, your seating system may be equipped with safety pressure switches. If any obstruction is detected on the switch area while you are attempting to return to a sitting position, the tilt mechanism will automatically stop.*

**NOTE:** *There are no safety pressure switches if your TRU-Balance 2 Power Positioning System is equipped with both a power tilt and a power elevating seat.*

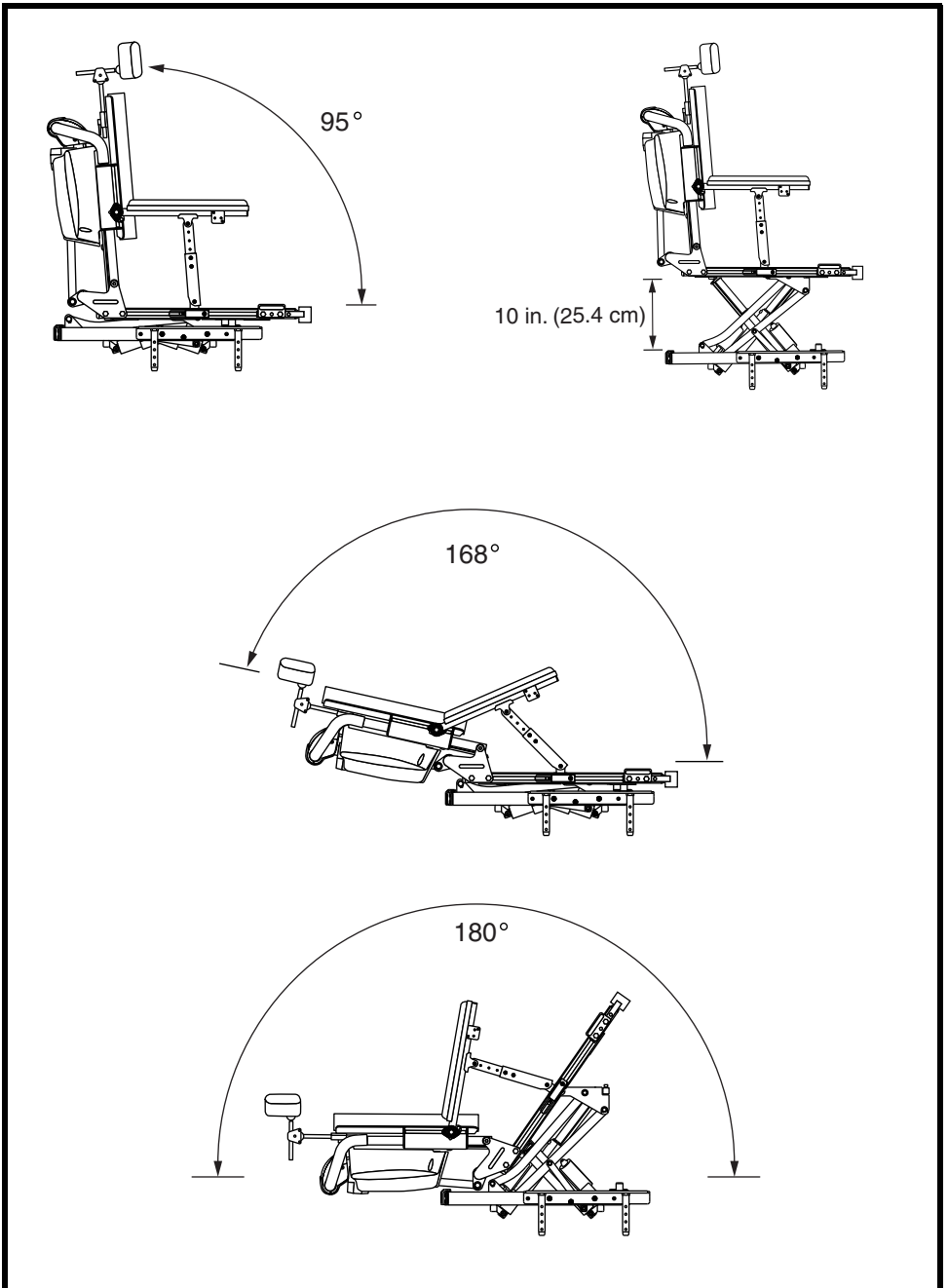
**NOTE:** *The addition of an optional vent tray to your TRU-Balance 2 Power Positioning System may change the overall weight, size, and/or center of gravity of your power chair. Do not make any changes to your seating configuration without contacting your Quantum Rehab Provider.*



**Figure 6. TRU-Balance 2 Power Tilt and Recline Range of Motion**



**Figure 7. TRU-Balance 2 Power Lift and Tilt Range of Motion**



**Figure 8. TRU-Balance 2 Power Lift and Tilt with Optional Recline Range of Motion**



**NOTE:** This manual will discuss toggle and joystick operations only. If your TRU-Balance 2 Power Positioning System is equipped with a different operating device, please refer to the operation manual supplied with that device and/or your power chair owner's manual.

## Toggle Operation

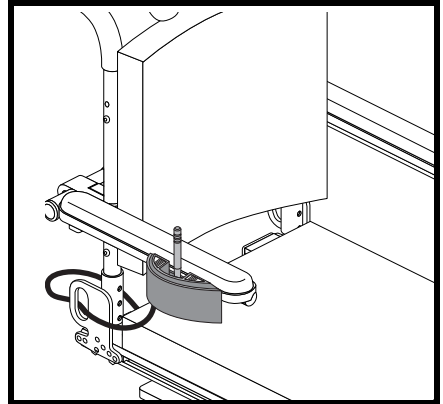
Your TRU-Balance 2 Power Positioning System may be equipped with either one of two 2-way toggles or one of three available 4-way toggles.

**NOTE:** Your TRU-Balance 2 Power Positioning System may be equipped with any number of these functions.

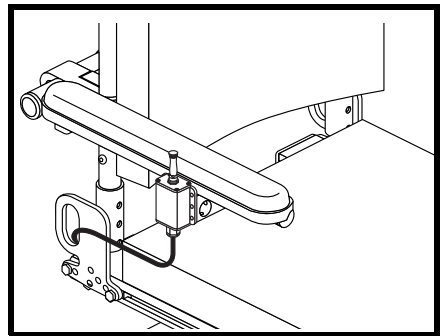
The 2-way fixed-mount toggle and the 2-way multi-position toggle function the same way. See figures 9 and 10.

### 2-way Toggles

1. To tilt backward, pull the toggle switch backward.
2. To return to a sitting position, push the toggle switch forward.



**Figure 9. 2-way Fixed-Mount Toggle Operation**



**Figure 10. 2-way Multi-Position Toggle Operation**

## 4-way Toggle

### ■ Tilt Function

1. To tilt backward, pull the toggle switch backward.
2. To return to a sitting position, pull the toggle switch backward, release, then pull backward again.

### ■ Recline Function

1. To recline backward, pull the toggle switch backward.
2. To return to a sitting position, pull the toggle switch backward, release, then pull backward again.

### ■ Seat Elevator Function (Optional)

1. To elevate the seat, push the toggle switch to the left.
2. To lower the seat, push the toggle switch to the left, release, then push to the left again.

### ■ Combined Leg Rest Function (Optional)

1. To elevate both leg rests, push the toggle switch to the right.
2. To lower both leg rests, push the toggle switch to the right, release, then push to the right again.

### ■ Independent Leg Rest Function (Optional)

1. To elevate the left leg rest, push the toggle switch to the left.
2. To lower the left leg rest, push the toggle switch to the left, release, then push to the left again.
3. To elevate the right leg rest, push the toggle switch to the right.
4. To lower the right leg rest, push the toggle switch to the right, release, then push to the right again.

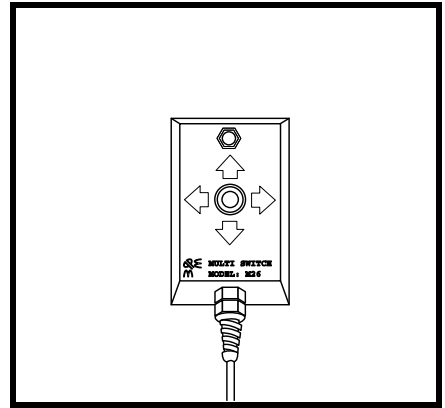


Figure 11. 4-way Toggle Operation

***NOTE: The power seat elevator option is not available when the independent leg rest option is selected.***

## 4-way Button Toggle

### ■ Tilt Function

1. To tilt backward, pull the toggle button backward.
2. To return to a sitting position, pull the toggle button backward, release, then pull backward again.

### ■ Recline Function

1. To recline backward, pull the toggle switch backward.
2. To return to a sitting position, pull the toggle button backward, release, then pull backward again.

### ■ Seat Elevator Function (Optional)

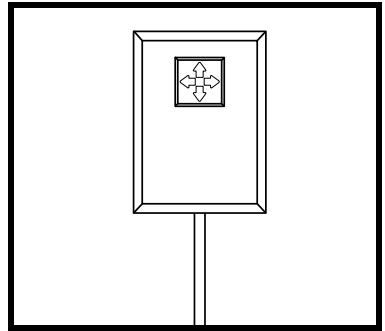
1. To elevate the seat, push the toggle button to the left.
2. To lower the seat, push the toggle button to the left, release, then push to the left again.

### ■ Combined Leg Rest Function (Optional)

1. To elevate both leg rests, push the toggle button to the right.
2. To lower both leg rests, push the toggle button to the right, release, then push to the right again.

### ■ Independent Leg Rest Function (Optional)

1. To elevate the left leg rest, push the toggle button to the left.
2. To lower the left leg rest, push the toggle button to the left, release, then push to the left again.
3. To elevate the right leg rest, push the toggle button to the right.
4. To lower the right leg rest, push the toggle button to the right, release, then push to the right again.



**Figure 12. 4-way Button Toggle Operation**

***NOTE: The power seat elevator option is not available when the independent leg rest option is selected.***

## Quad Push-Button Control Toggle

### ■ Tilt Function

1. To tilt backward, push the first button.
2. To return to a sitting position, push the button again.

### ■ Recline Function

1. To recline backward, push the second button.
2. To return to a sitting position, push the button again.

### ■ Seat Elevator Function (Optional)

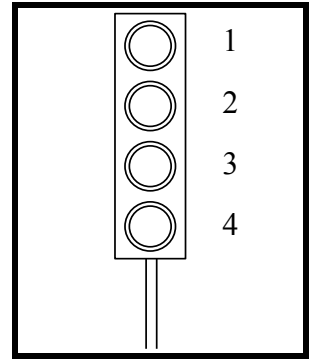
1. To elevate the seat, push the third button.
2. To lower the seat, push the third button again.

### ■ Combined Leg Rest Function (Optional)

1. To elevate both leg rests, push the fourth button.
2. To lower both leg rests, push the fourth button again.

### ■ Independent Leg Rest Function (Optional)

1. To elevate the left leg rest, push the third button.
2. To lower the left leg rest, push the third button again.
3. To elevate the right leg rest, push the fourth button.
4. To lower the right leg rest, push the fourth button again.

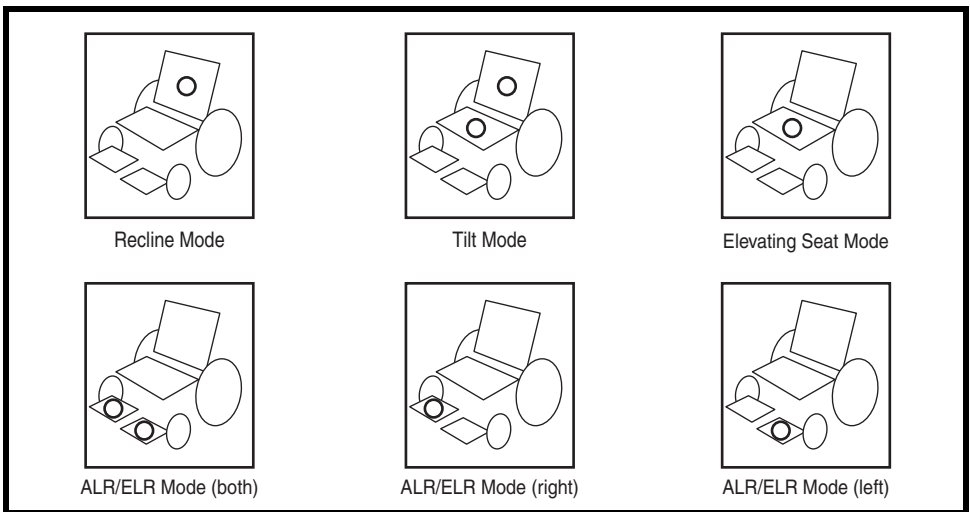


**Figure 13. Quad Push-Button Control Toggle Operation**

***NOTE: The power seat elevator option is not available when the independent leg rest option is selected.***

## Remote Plus Joystick Operation

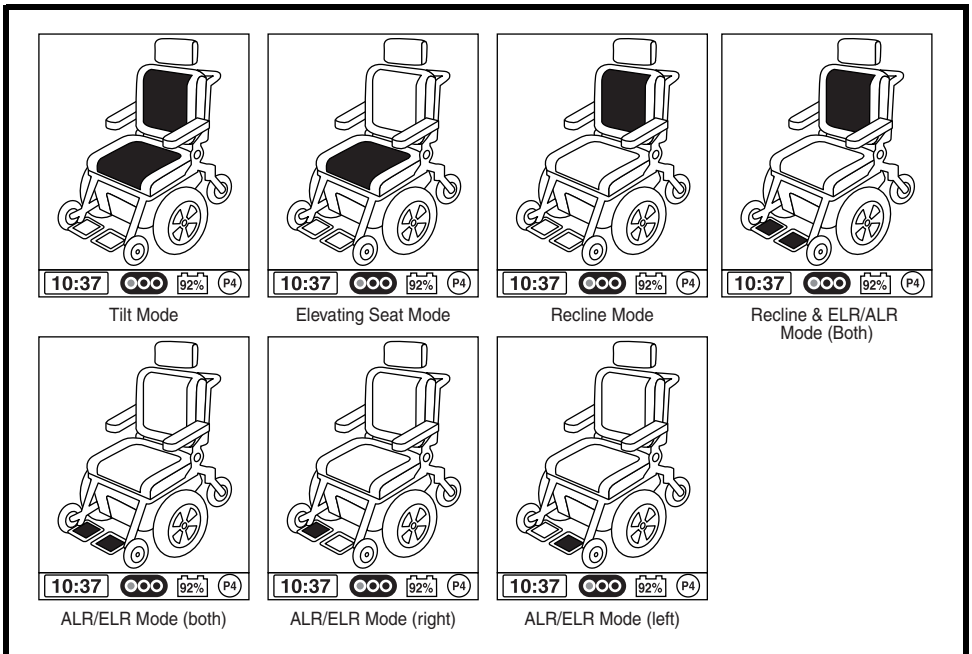
1. Press the On/Off Key to power on the chair and the controller.
2. Press the Mode Key twice to select actuator adjustment mode.
3. Push the joystick to the right to cycle through the available actuators until the desired actuator is illuminated on the actuator indicator. See figure 14.
4. Pull the joystick backward to activate the actuator or push the joystick forward to return to your original position.
5. Press the Mode Key again to return to the drive mode.



**Figure 14. Actuator Modes (Remote Plus)**

## Q-Logic Operation

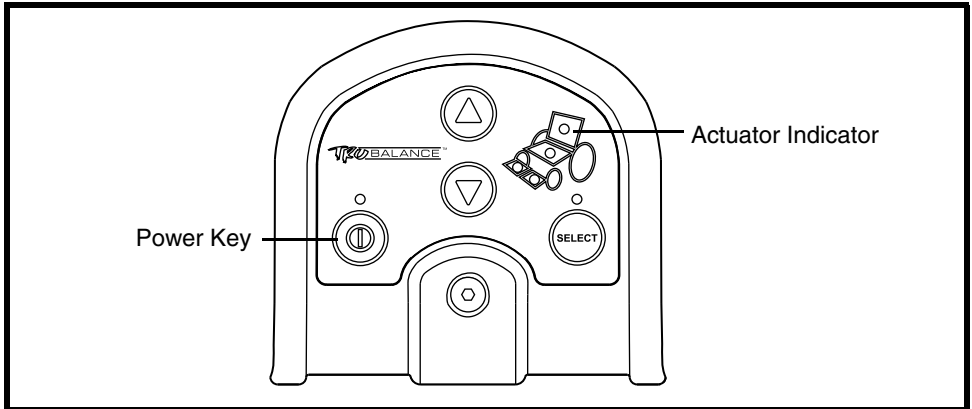
1. Push the On/Off and Mode Select Lever up once to power on the chair and the controller.
2. Push the On/Off and Mode Select Lever up several times until the seat screen is displayed on the LCD or push the key 2 select button once to go directly to actuator mode.
3. Push the joystick to the left or right to cycle through the available actuators until the desired actuators are illuminated on the actuator indicator. See figure 15.
4. When the desired actuator is selected, give a forward command to the joystick to adjust position in one direction or give a reverse command to the joystick to adjust position in the opposite direction.
5. Push and release the On/Off and Mode Select Lever until you return to the desired drive profile.



**Figure 15. Actuator Modes (Q-Logic)**

## Attendant Control Module Operation

Your seating system may be equipped with one of two available Attendant Control Modules (see figures 16 and 17). The actuators can be adjusted either by the user through the controller or the toggle, or by an attendant through the Attendant Control Module. Any action made through the Attendant Control Module will override toggle actions made by the user.



**Figure 16. Remote Plus Attendant Control Module**

***NOTE: Your TRU-Balance 2 Power Positioning System may be equipped with some or all of these functions.***

### Remote Plus Attendant Control Module

To adjust any of the actuators, press Select to cycle until the desired actuator is illuminated on the actuator indicator (see figure 16), then press the up arrow to activate the actuator or the down arrow to return to your original position.

#### ■ Tilt Function

1. Press the power key to power on the module.
2. Press Select until the actuators in both the back and seat are illuminated on the actuator indicator on the module. Use the up and down arrows to increase or decrease the degree of tilt.
3. To return to a sitting position, press Select until the actuators in both the back and seat are illuminated on the actuator indicator on the module, and then press the down arrow until the seat is in a sitting position.

**■ Recline Function**

1. Press the power key to power on the module.
2. Press Select until the actuator on the back is illuminated on the actuator indicator on the module. Use the up and down arrows to increase or decrease the angle of recline.
3. To return to a sitting position, press Select until the actuator on the back is illuminated on the actuator indicator on the module, and then press the down arrow until the seat is in an upright position.

**■ Seat Elevator Function (Optional)**

1. Press the power key to power on the module.
2. Press Select until the actuator on the seat is illuminated on the actuator indicator on the module. Use the up and down arrows to increase or decrease the height of the seat.
3. To lower the seat to its original position, press Select until the actuator on the seat is illuminated on the actuator indicator on the module, and then press the down arrow until the seat is lowered to its original position.

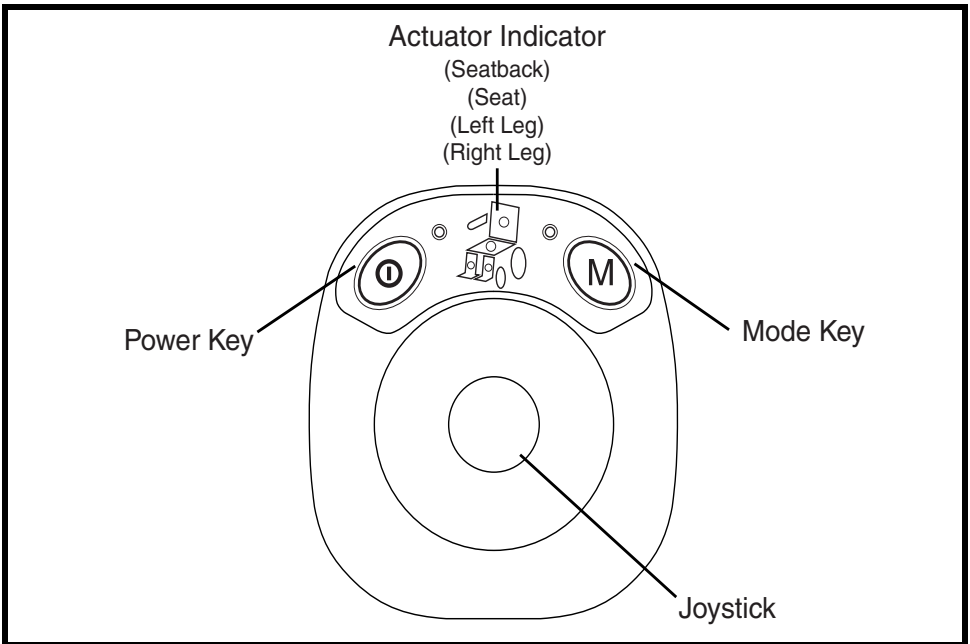
**■ Leg Rest Function (Optional)**

1. Press the power key to power on the module.
2. Press Select until the desired leg rest actuator is illuminated on the actuator indicator on the module. Use the up and down arrows to increase or decrease the degree of elevation.
3. To return the leg rest to a lowered position, press Select until the desired leg rest actuator is illuminated on the actuator indicator on the module, and then press the down arrow until the leg rest is in a lowered position.

**■ Independent/Combined Leg Rest Function (Optional)**

1. Press the power key to power on the module.
2. Press Select to cycle through the left, right, and combined leg rests until the desired leg rest actuator is illuminated on the actuator indicator on the module. Use the up and down arrows to increase or decrease the degree of elevation.
3. To return the leg rest to a lowered position, press Select to cycle through the left, right, and combined leg rests until the desired leg rest actuator is illuminated on the actuator indicator on the module, and then press the down arrow until the leg rest is in a lowered position.





**Figure 17. Q-Logic Attendant Control Module**

***NOTE: Your TRU-Balance 2 Power Positioning System may be equipped with some or all of these functions.***

### **Q-Logic Attendant Control Module**

To adjust any of the actuators, press the mode key twice and then push the joystick to the right to cycle until the desired actuator is illuminated on the actuator indicator (see figure 17). Move the joystick forward or backward to activate the desired actuator.

#### ■ Tilt Function

1. Press the power key to power on the module.
2. Press the mode key twice and then push the joystick to the right until the actuators in both the back and seat are illuminated on the actuator indicator on the module. Pull the joystick backward to increase the degree of tilt.
3. To return to a sitting position, ensure the actuators in both the back and seat are illuminated on the actuator indicator, then push the joystick forward to decrease the degree of tilt.

**■ Recline Function**

1. Press the power key to power on the module.
2. Press the mode key twice and then push the joystick to the right until the actuator in the back is illuminated on the actuator indicator on the module. Pull the joystick backward to increase the angle of recline.
3. To return to a sitting position, press the mode key twice and then push the joystick to the right until the actuator in the back is illuminated on the actuator indicator on the module. Push the joystick forward to decrease the angle of recline.

**■ Seat Elevator Function (Optional)**

1. Press the power key to power on the module.
2. Press the mode key twice and then push the joystick to the right until the actuator in the seat is illuminated on the actuator indicator on the module. Pull the joystick backward to increase the height of the seat.
3. To lower the seat, press the mode key twice and then push the joystick to the right until the actuator in the seat is illuminated on the actuator indicator on the module. Push the joystick forward to decrease the height of the seat.

**■ Leg Rest Function (Optional)**

1. Press the power key to power on the module.
2. Press the mode key twice and then push the joystick to the right until the actuator in the desired leg rest is illuminated on the actuator indicator on the module. Pull the joystick backward to raise the leg rest.
3. To lower the leg rest, press the mode key twice and then push the joystick to the right until the actuator in the desired leg rest is illuminated on the actuator indicator on the module. Push the joystick forward to decrease the height of the leg rest.

**■ Independent/Combined Leg Rest Function (Optional)**

1. Press the power key to power on the module.
2. Press the mode key twice and then push the joystick to the right until the actuator(s) in the left, right, or combined leg rest is illuminated on the actuator indicator on the module. Pull the joystick backward to raise the leg rest(s).
3. To lower the leg rest(s), press the mode key twice and then push the joystick to the right until the actuator(s) in the left, right, or combined leg rest is illuminated on the actuator indicator on the module. Push the joystick forward to decrease the height of the leg rest(s).

## ARMREST OPTIONS

The following sections will describe armrest options and the comfort adjustments that can be made to them. Not all armrest options are available on all TRU-Balance 2 Power Positioning Systems. Refer to figures 1, 2, 3, and 4 for armrest availability.

You may need the following to make comfort adjustments:

- standard hex key set
- standard open-ended wrench
- Phillips screwdriver

**WARNING! Do not attempt to lift or move your power chair or seating system by any of its removable parts, including the armrest(s), front rigging(s), seat cushions, seatback, shrouds, or controller. Use only solid, non-removable frame components to lift or move your power chair or seating system.**



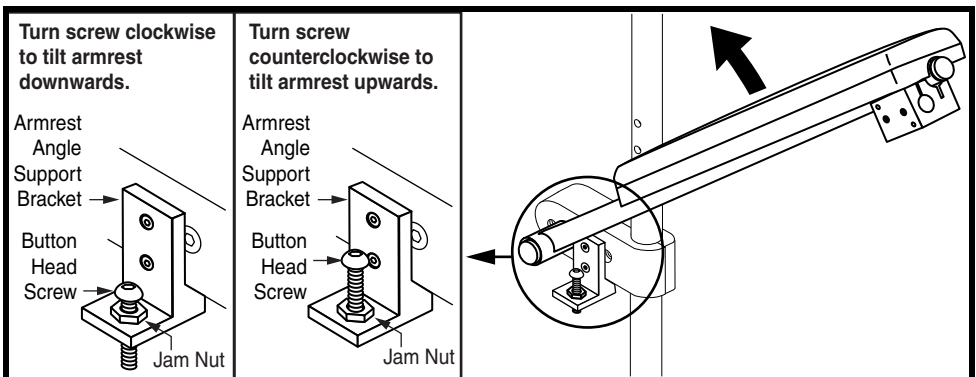
**WARNING! Avoid putting all of your weight on the power chair armrests and do not use the armrests for weight bearing purposes, such as transfers. Such use may cause the power chair to tip, resulting in a fall from the power chair and personal injury.**

## Flip-Up Armrests

The Flip-Up Armrests are attached to the seat canes and are designed to “flip-up” out of the way for easier transfer onto and off of the power chair. Both the armrest angle and the armrest height can be adjusted on the Flip-Up Armrests.

### To adjust the armrest angle:

1. Flip the armrests up and out of the way.
2. Loosen the jam nut located on the armrest angle support bracket. See figure 18.

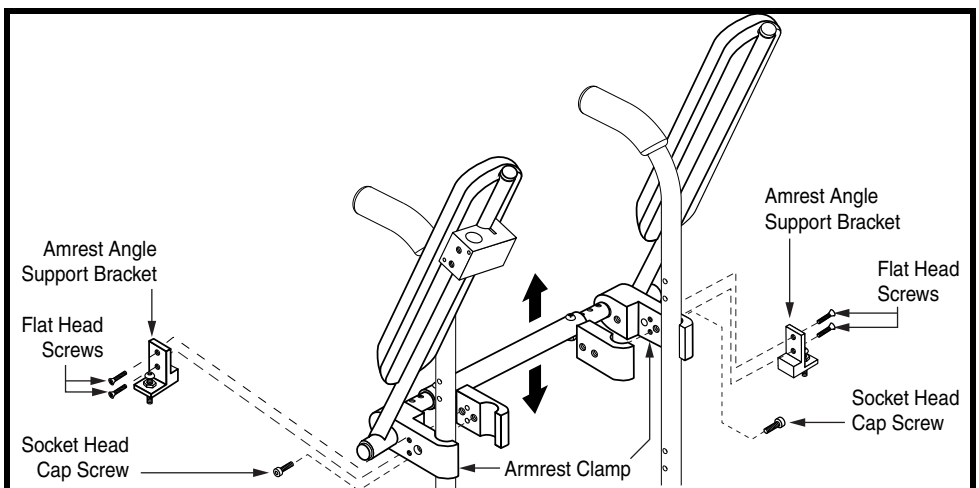


**Figure 18. Flip-Up Armrest Angle Adjustment**

3. Loosen or tighten the button head screw located on the armrest angle support bracket. Loosening the button head screw will increase the armrest angle; tightening the button head screw will decrease the armrest angle. See figure 19.
4. When the screw has been positioned to the proper angle, tighten the jam nut. See figure 18.
5. Move the armrests down to position.

### To adjust the armrest height:

1. Move the armrests up and out of the way.
2. Loosen the jam nut located on the armrest angle support bracket. See figure 18.
3. Remove the button head screw and jam nut from the armrest angle support bracket. See figure 18.
4. Remove the two (2) flat head screws from the armrest angle support bracket, then remove the bracket. See figure 19.
5. Remove the socket head cap screw from the armrest clamp. See figure 19.
6. Raise or lower the armrests to the desired height.
7. Reinstall the socket head cap screw to the armrest clamp. See figure 19.
8. Replace the armrest angle support bracket, then reinstall and tighten the two (2) flat head screws. See figure 19.
9. Reinstall and tighten the button head screw to the armrest angle support bracket, then tighten the jam nut. See figure 18.
10. Move the armrests down to position.



**Figure 19. Flip-Up Armrest Height Adjustment**

## Heavy Duty Drop-In Armrests

The Heavy Duty Drop-In Armrests are attached to the seat with an armrest locking mechanism that is fastened to the side rails of the seating system. These armrests can be removed for easy transfer onto and off of the power chair. The position of the armrest on the chair, as well as the overall height of the armrest, can be adjusted.

### To remove the armrest assembly:

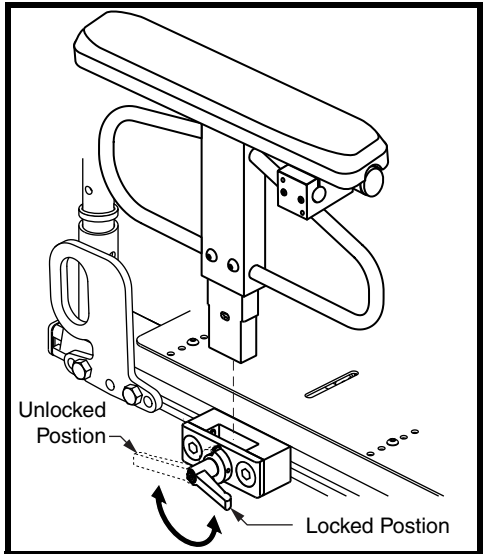
1. Rotate the armrest lock lever rearward. See figure 20.
2. Lift up the armrest assembly.

### To install the armrest assembly:

1. Place the armrest assembly into the armrest lock. See figure 20.
2. Rotate the armrest lock lever forward.

### To adjust the armrest position:

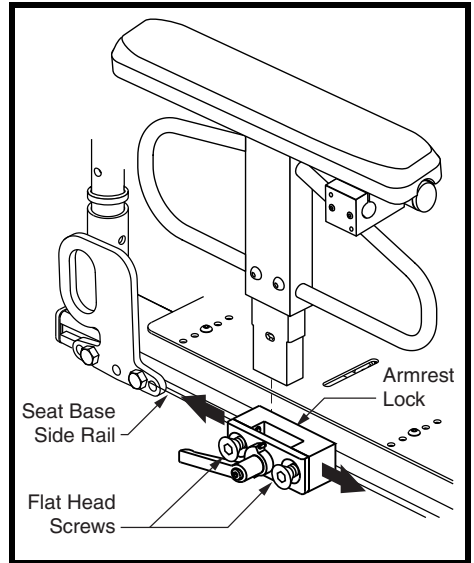
1. Rotate the armrest lock lever rearward and remove the armrest from the armrest lock. See figure 20.
2. Loosen the flat head screws that fasten the armrest lock to the seat base side rail. See figure 21.
3. Slide the armrest lock forward or rearward along the seat base side rail.
4. Tighten the flat head screws.
5. Install the armrest in the armrest lock and rotate the lock lever forward. See figure 21.
6. Repeat for the other side if necessary.



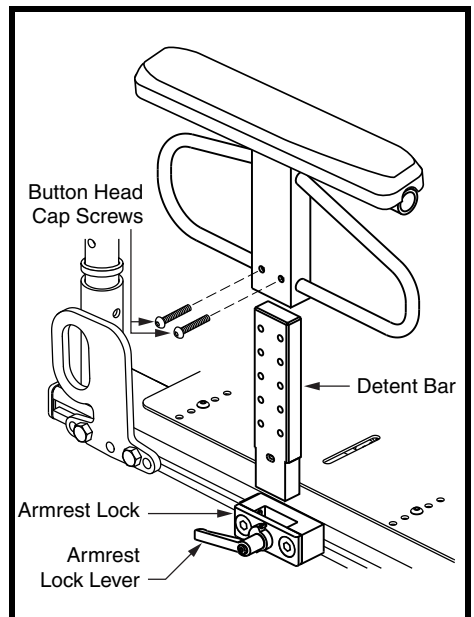
**Figure 20. Heavy Duty Drop-In Armrest Removal/Installation**

### To adjust the armrest height:

1. Rotate the armrest lock lever rearward and remove the armrest from the armrest lock. See figure 22.
2. Remove the two (2) button head cap screws from the side of the armrest.
3. Slide the armrest up or down the detent bar to the desired height.
4. Reinstall the button head cap screws to the side of the armrest.
5. Install the armrest in the armrest lock and rotate the lock lever forward.
6. Repeat for the other armrest if necessary.



**Figure 21. Heavy Duty Drop-In Armrest Position Adjustment**



**Figure 22. Heavy Duty Drop-In Armrest Height Adjustment**

## Single Post Quick Height Adjustable Drop-In Armrests

The Single Post Quick Height Adjustable Drop-In Armrests are removable like the Heavy Duty Drop-In Armrests and are available in both adult and pediatric sizes.

### To remove the armrest assembly:

1. Rotate the armrest lock lever forward. See figure 23.
2. Lift up the armrest assembly.

### To install the armrest assembly:

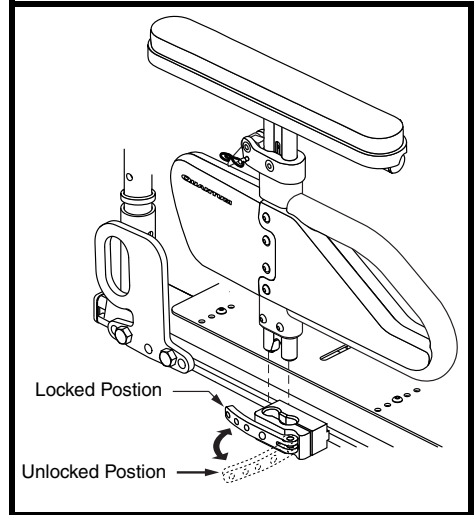
1. Place the armrest assembly into the armrest lock. See figure 23.
2. Rotate the armrest lock lever rearward.

Adult size armrest height adjustments can be made on both the top and the bottom of the armrest. The total height adjustment range is 6 in. (15.24 cm) {from 11–17 in. (27.94-43.18 cm)}. This range is measured from the seat pan to the top of the armrest pad.

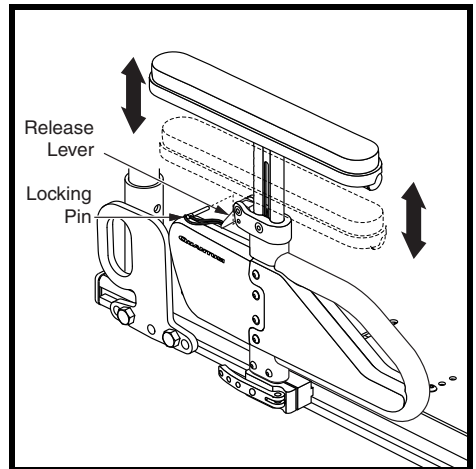
Top height adjustments do not require any tools. The top height adjustment range is 3 in. (7.62 cm) in 3/8-in. (0.95 cm) increments. The bottom height adjustment range is 3 in. (7.62 cm) in 1-in. (2.54 cm) increments.

### To adjust the top height:

1. If present, remove the optional locking pin. See figure 24.
2. Pull the armrest up to raise, or press the release lever to lower the armrest to the desired height.
3. If applicable, reinsert the locking pin.
4. Repeat for the other armrest if necessary.



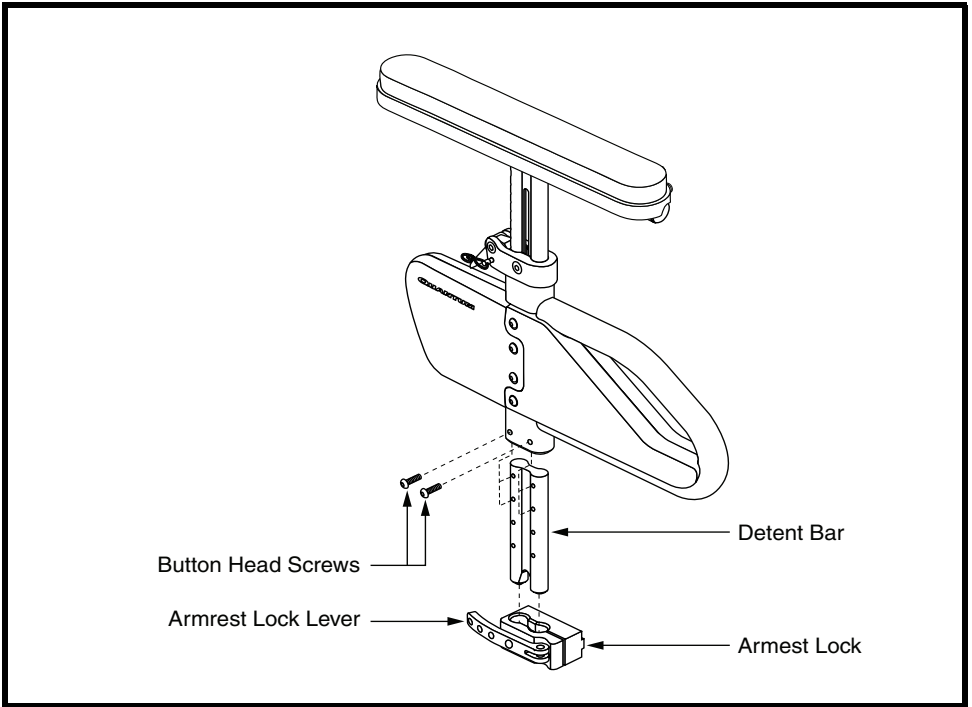
**Figure 23. Single-Post Quick Height-Adjustable Armrest Removal/Installation**



**Figure 24. Single-Post Quick Height-Adjustable Armrest Top Height Adjustment**

**To adjust the bottom height:**

1. Remove the two button head screws from the detent bar. See figure 25.
2. Slide the armrest up or down.
3. Line up the holes in the armrest.
4. Reinstall the two button head screws into the detent bar.
5. Repeat for the other armrest if necessary.



**Figure 25. Single Post Quick Height Adjustable Armrest Bottom Height Adjustment**



Like the adult size Single Post Quick Height Adjustable Armrest, the pediatric size armrest is designed to be adjusted and removed easily. The total height adjustment range is 3 in. (7.62 cm) in 3/8-in. (0.95 cm) increments. This range is measured from the top of the seat pan to the top of the armrest pad. The total height adjustment range is 7.75–10.75 in. (19.69–27.31 cm).

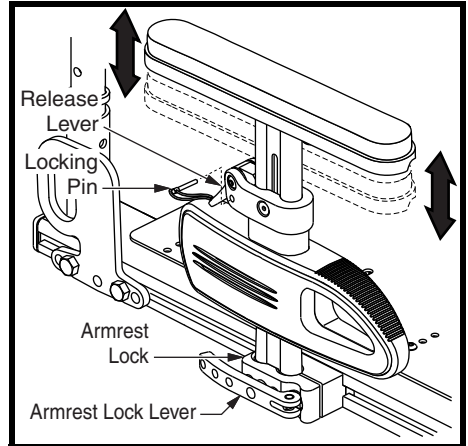
Top height adjustments do not require any tools. The top height adjustment range is 1 in. (2.54 cm) in 3/8-in. (0.95 cm) increments. The bottom height adjustment range is 2 in. (5.08 cm) in 1-in. (2.54 cm) increments.

### To adjust the top height:

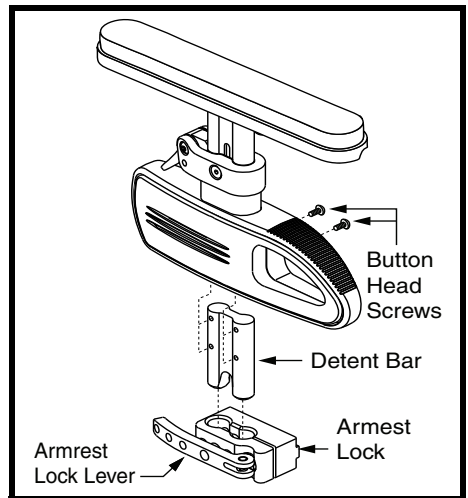
1. If present, remove the optional locking pin. See figure 26.
2. Pull the armrest up to raise, or press the release lever to lower the armrest to the desired height.
3. If applicable, reinsert the locking pin.
4. Repeat for the other armrest if necessary.

### To adjust the bottom height:

1. Remove the two button head screws from the detent bar. See figure 27.
2. Slide the armrest up or down to the desired height.
3. Line up the holes in the armrest.
4. Reinstall the two button head screws into the detent bar.
5. Repeat for the other armrest if necessary.



**Figure 26. Pediatric Single Post Quick Height Adjustable Armrest Top Height Adjustment**



**Figure 27. Pediatric Single Post Quick Height Adjustable Armrest Bottom Height Adjustment**

## Two Post Height Adjustable Flip-Up Armrests

The height adjustment range for the Two Post Height Adjustable Flip-Up Armrest is 4 in. (10.16 cm) in 1-in. (2.54 cm) increments. The total height adjustment range is 10-14 in. (25.4-35.56 cm). This range is measured from the top of the seat rail to the top of the arm pad. You can also flip the armrests up or remove them for transfer. See figure 28.

### To remove the armrest assembly:

1. Push the spring-loaded lever downward and pull up on the front of the armrest. See figure 28.
2. Remove the detent pin from the back of the seat. See figure 28.
3. Pull up on the rear of the armrest to remove the assembly.

### To install the armrest assembly:

1. Set the rear of the armrest into the rear seat receiver and install the detent pin. See figure 28.
2. Rotate the armrest assembly down.
3. Push the front of the armrest into the front seat receiver and rotate the spring-loaded lever to the horizontal position to lock into place.

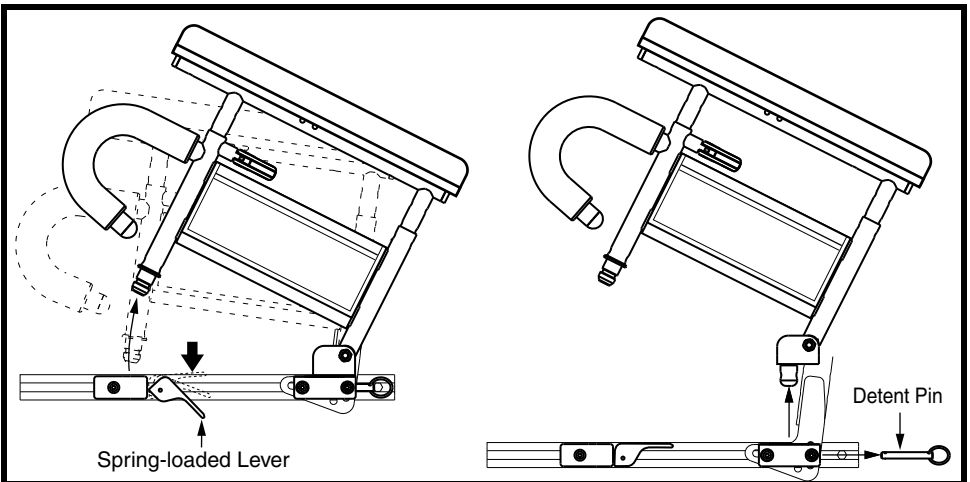
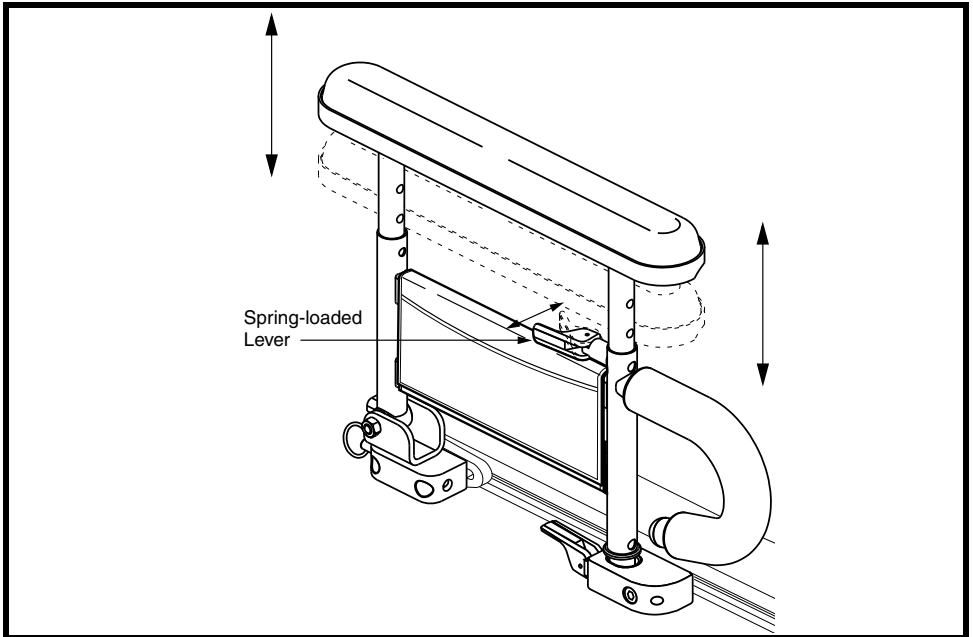


Figure 28. Two Post Height Adjustable Flip-Up Armrest Removal and Installation

**To adjust the armrest height:**

1. Push the spring-loaded lever inward. See figure 29.
2. Move the armrest up or down to the desired height.
3. Rotate the spring-loaded lever outward and lock the armrest in place. If necessary, move the armrest up or down to ensure that the armrest is secure.

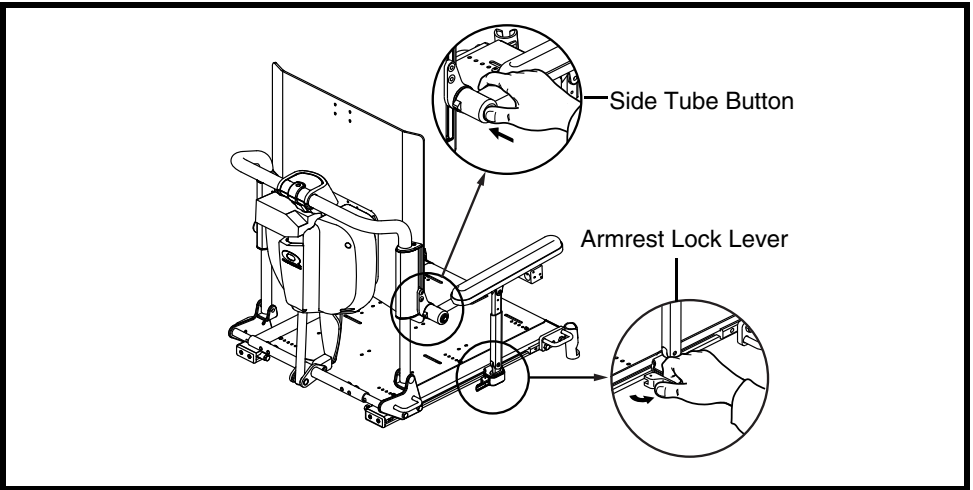
**Figure 29. Two Post Height Adjustable Flip-Up Armrest Height Adjustment**

## Shear Reduction Armrests

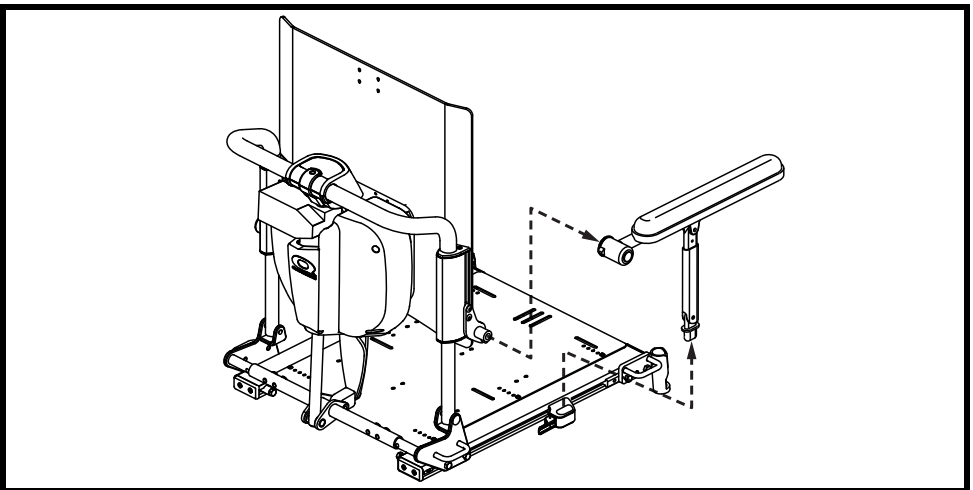
Shear reduction armrests can only be adjusted by your Quantum Rehab Provider. However, you can remove the armrests if necessary.

### To remove the armrests:

1. Pull the armrest lock lever on the seat base toward you. See figure 30.
2. Press the button on the side tube. See figure 31.
3. Pull up and out on the armrest to remove it from the seat. See figure 31.



**Figure 30. Armrest Unlock**



**Figure 31. Armrest Removal**

## CONTROLLER POSITION

You can position the controller for either left-hand or right-hand use. You can also adjust the extension of the controller from the armrest.



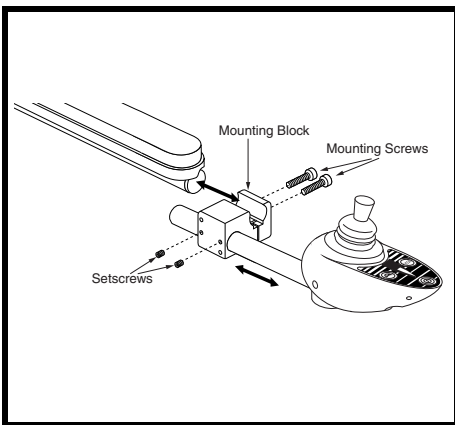
**WARNING! Do not place the controller cable so that it can be pinched in the seat frame or the power base frame.**

### To change the controller position:

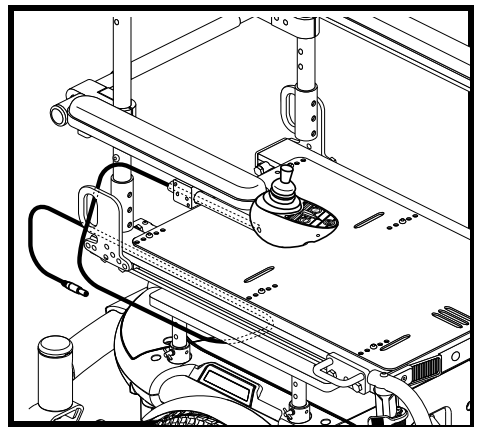
1. Turn off the power to the controller.
2. Unplug the controller connector from the power base. Refer to the power base owner's manual.
3. Remove any wire ties securing the controller cable to the armrest.
4. Loosen the mounting screws in the controller mounting block. See figure 32.
5. Move the controller mounting block and controller to the other armrest and tighten the mounting screws.
6. Route the controller cable to the back of the power base and reconnect the controller. See figure 33.

### To change the controller extension:

1. Turn off the power to the controller.
2. Loosen the setscrews in the controller mounting block. See figure 32.
3. Slide the controller into or out of the armrest to the desired position.
4. Tighten the setscrews to secure the controller.



**Figure 32. Controller Position (Standard Mounting Block and Remote Plus Controller Shown)**



**Figure 33. Cable Routing**

## POWER SEAT ELEVATOR OPTION

The power seat elevator provides lift of up to 7 in. (17.78 cm) from the power base using a single post plate and actuator. See figure 34. The maximum weight capacity of the power seat elevator is 300 lbs. (136 kg) and is available on some models. Contact your Quantum Rehab Provider for specific information. The power seat elevator operates through the power chair controller or toggle switch.

**NOTE:** *When the seat is elevated, a 1/4-speed drive inhibit is engaged and you are no longer able to tilt the seat.*

**NOTE:** *Operation instructions using the joystick 4-way toggles are discussed below. If you are using a different toggle, the Attendant Control Module, or a different operating device, please refer to the appropriate section of this manual or the operation manual supplied with that device and/or your power chair owner's manual.*

### To operate the power seat elevator:

1. Pull the toggle switch backward to elevate the seat.
2. Push the toggle switch forward to lower the seat.



**PROHIBITED!** Avoid exposure to rain, snow, ice, salt, or standing water whenever possible. Maintain and store in a clean and dry condition.

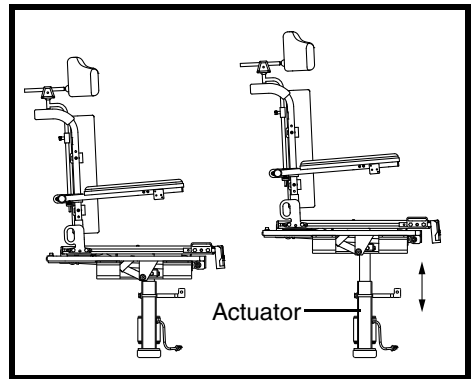


Figure 34. Power Seat Elevator Option

**NOTE:** *There are no safety pressure switches if your TRU-Balance 2 Power Positioning System is equipped with a power seat elevator.*

## MANUAL RECLINE OPTION (TRU-BALANCE 2 POWER TILT ONLY)

If your TRU-Balance 2 Power Positioning System includes Pride's Manual Recline Option, you can adjust the seatback to angles ranging from the minimum recline position (90° from the seat base) to the maximum recline position (180° from the seat base). See figure 35. When the seat is reclined past 110°, the chair will be in full inhibit. Returning the seat to an angle of less than 110° degrees will restore power to the motors.

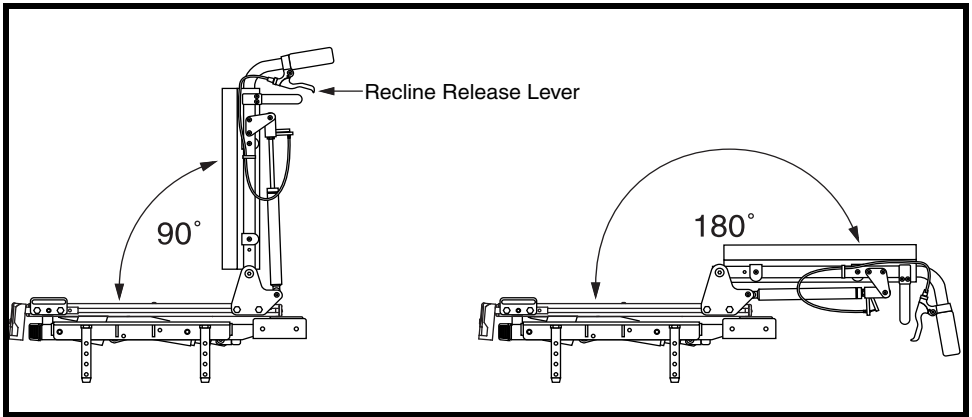


Figure 35. Minimum and Maximum Recline Angles



**WARNING! Never recline the seatback while the chair is tilted. This could cause severe injury to the user. A safety feature will not allow you to tilt the seat while it is reclined past 110°. To reactivate the tilt feature, return the reclining seatback to an upright position.**

### To recline the seatback:

1. Grasp the handles at the top of the seatback.
2. Squeeze both of the recline release handles simultaneously, and position the seatback to the desired angle. See figure 36.
3. Release the handles to lock the seatback into position.

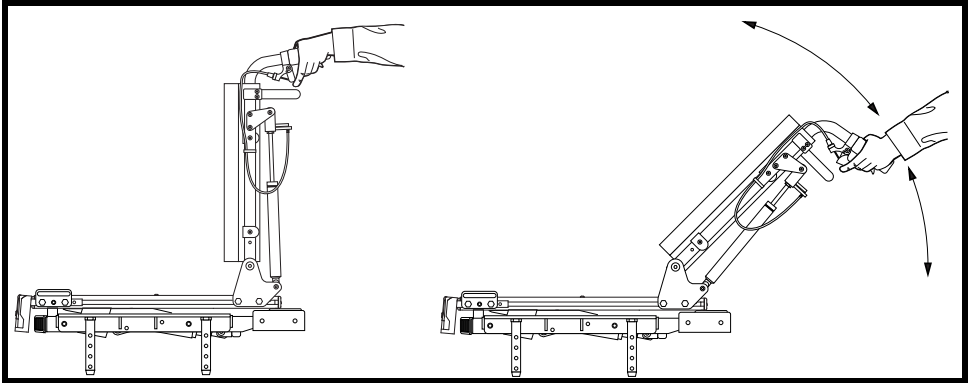


Figure 36. Manual Recline Angle Adjustment

## CARE AND MAINTENANCE

- Make sure all hardware is secured properly, but do not overtighten any hardware.
- To clean the seating system, wipe it with a cloth dampened with mild soap and water. Thoroughly dry the unit before using.



**PROHIBITED!** Avoid exposure to rain, snow, ice, salt, or standing water whenever possible. Maintain and store in a clean and dry condition.

**WARNING!** Pride strongly recommends that you do not smoke cigarettes while seated in your seating system although the seating system has passed the necessary testing requirements for cigarette smoking. You must adhere to the following safety guidelines if you decide to smoke cigarettes while seated in your seating system.



- Do not leave lit cigarettes unattended.
- Keep ashtrays a safe distance from the seating system.
- Always make sure cigarettes are completely extinguished before disposal.

## WARRANTY

### Three-Year Limited Warranty

For three (3) years from the date of purchase, Pride will repair or replace at our option to the original purchaser, free of charge, any of the following parts found upon examination by an authorized representative of Pride to be defective in material and/or workmanship:

- Structural frame components



## **Two-Year Limited Warranty**

For two (2) years from the date of purchase, Pride will repair or replace at our option to the original purchaser, free of charge, any of the following parts found upon examination by an authorized representative of Pride to be defective in material and/or workmanship:

- Electronics

## **Eighteen-Month Warranty**

For eighteen (18) months from the date of purchase, Pride will repair or replace at our option to the original purchaser, free of charge, any of the following parts found upon examination by an authorized representative of Pride to be defective in material and/or workmanship:

- Actuator

Warranty service can be performed by a Quantum Rehab Provider or by Pride. Do not return faulty parts to Pride without prior consent. All transportation costs and shipping damage incurred while submitting parts for repair or replacement are the responsibility of the original purchaser.

## **Warranty Exclusions**

- Upholstery and seating
- Repairs and/or modifications made to any part without specific consent from Pride
- Circumstances beyond the control of Pride
- Labor, service calls, shipping, and other charges incurred for repair of the product, unless specifically authorized by Pride.
- Damage caused by:
  - Battery fluid spillage or leakage
  - Abuse, misuse, accident, or negligence
  - Improper operation, maintenance, or storage
  - Commercial use or use other than normal

There is no other express warranty.

Implied warranties, including those of merchantability and fitness for a particular purpose, are limited to one (1) year from the date of purchase and to the extent permitted by law. Any and all implied warranties are excluded. This is the exclusive remedy. Liabilities for consequential damages under any and all warranties are excluded.

Some states do not allow limitations on how long an implied warranty lasts or do not allow the exclusion of limitation of incidental or consequential damages, so the above limitation or exclusion may not apply to you.

This warranty gives you specific rights, and you may also have other rights which vary from state to state.

Please fill out and return the product registration card to Pride Mobility Products Corporation. This will aid Pride in providing the best possible technical and customer service.

# NOTES

# **QUANTUM<sup>®</sup>** **REHAB**

A Division of Pride Mobility Products<sup>®</sup> Corp.

Pride Mobility Products Corporation  
182 Susquehanna Avenue  
Exeter, PA 18643-2694  
USA

Pride Mobility Products Company  
380 Vansickle Road Unit 350  
St. Catharines, Ontario L2R 6P7  
Canada

Pride Mobility Products Ltd.  
32 Wedgwood Road  
Bicester, Oxon OX26 4UL  
UK

Pride Mobility Products Australia Pty. Ltd.  
21 Healey Road  
Dandenong, 3175  
Victoria, Australia

Pride Mobility Products Italia S.r.l.  
Via del Progresso - ang. Via del Lavoro  
Loc. Prato della Corte  
00065-Fiano Romano (RM)

Pride Mobility Products Europe B.V.  
Castricummer Werf 26  
1901 RW Castricum  
The Netherlands

**Pride<sup>®</sup>**  
*Mobility Products Corp.*

[www.pridemobility.com](http://www.pridemobility.com)

[www.prideservice.com](http://www.prideservice.com)

[www.quantumrehab.com](http://www.quantumrehab.com)

\* I NFMANU3700 \*