

USER MANUAL



VICAIR[®]

ALLROUNDER 02



relief by air

Dear customer,

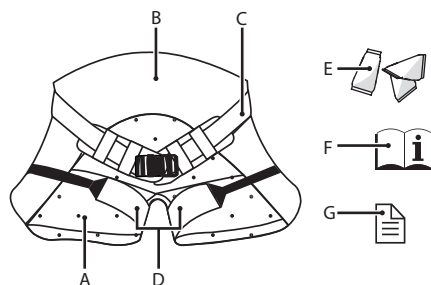
Thank you for choosing a Vicair® product. We are sure you will appreciate the simplicity, reliability and fantastic effect. For quick installation you can use the quick installation guide provided with your cushion. In addition, please read and understand this user manual before use. Save both the Quick Installation Guide and this manual for future reference.

For more information or to (re)order manuals, contact your country's distributor. Go to vicair.com for distributor information.

INTRODUCTION

The Vicair AllRounder O2 is a cushion that is strapped on to your body. It provides a high level of skin protection for persons with a high risk of developing pressure ulcers. This occasional use cushion is used to provide comfort and prevent pressure ulcers in situations that don't allow or require the use of a wheelchair. The Vicair AllRounder O2 is machine washable without removing the Harness base or SmartCells!

MAIN COMPONENTS



- A. Cushion
- B. Harness base
- C. Waist strap
- D. Leg straps
- E. SmartCells™, placed in 5 compartments
- F. User manual
- G. Quick Installation Guide

GENERAL PRODUCT SPECIFICATIONS

Product name:	Vicair AllRounder O2
Manufactured by:	Vicair B.V., The Netherlands
Warranty:	24 months
Weight:	0,75 kg / 1.65 lbs (size M)
Available sizes:	Small, Medium, Large
Used materials:	All latex free
Cushion:	Polyester mesh fabric
Cushion filling:	Air-filled SmartCells with low friction coating
Harness base:	Polyurethane coated nylon fabric. With a polyurethane foam layer inside, covered with a knitted elastic polyester 3D mesh fabric.

PRECAUTIONS AND SAFETY INSTRUCTIONS

The Vicair AllRounder O2 may only be used as described in this manual. The use of this product in any other way, is considered to be misuse. Vicair B.V. cannot be held responsible for damage caused by misuse, improper use or negligence. Make sure that you read and understand this manual completely.

Warning! Your tailbone and pelvic bones should not touch the bottom of the cushion. Checking for "bottoming out" should be done during first use and after adjustments to the cushion filling.

Warning! Check your skin regularly for redness. Especially during first use, with extra sensitive skin and/or during extra rough use. These are all factors that might affect your skin tolerances. If redness occurs and does not disappear after 15 minutes, consult your therapist or technical advisor.

Warning! Vicair B.V. recommends to adjust the filling grade under the direct supervision of your therapist or technical advisor.

Warning! Do not fasten waist strap or leg straps too tightly. This may cause a reduction of blood flow and/or discomfort.

Warning! Wear a life jacket when using the Vicair AllRounder O2 during water sports activities.

Warning! In case of soiling with body fluids, and when transferring the product to another user, the product must be disinfected to avoid cross contamination.

Warning! Every three months, check the product for wear and deflated cells. In case of serious damage, or a large number of deflated cells, do not continue to use the product. Consult your dealer.

Caution! Do not use or leave the product close to a naked flame or a high temperature heat source.

Caution! Do not steam clean or autoclave the product. The product cannot withstand

excessive heat or pressure. When the given cleaning instructions are not followed, it is very likely that the product will age more rapid.

Caution! Do not use aggressive or abrasive cleaners, or sharp objects to clean the cushion.

Caution! Do not place the topside of the Vicair O2 cushion against the glass of the washer door.

INSTALLATION

Warning! Do not fasten waist strap or leg straps too tightly. This may cause a reduction of blood flow and/or discomfort.

Checking the size of the Vicair AllRounder O2

Measure the width of your hips to check if the size of the Vicair AllRounder O2 matches the size of your body. When seated, hold a tape measure horizontally above the widest point of your upper legs, closely against the front of your hips. Do not follow your leg contours, keep the tape measure straight. See Figure 1. Measure from A to B (or B to A).

Width A to B is:

- < 38 cm / < 15 inch = Vicair AllRounder O2 Size S (Small)
- 38 – 42,5 cm / 15- 16¾ inch = Vicair AllRounder O2 Size M (Medium)
- 43 - 48 cm / 17 - 19 inch = Vicair AllRounder O2 Size L (Large)

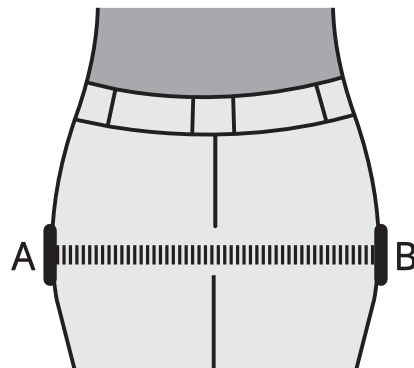


Figure 1

If it is not possible to perform the above measuring method, you can use the size of your wheelchair cushion as a size reference. See X in figure 2. Measure the width of your cushion or check the cushion label to find out the width of your cushion.

Wheelchair cushion width is:

- < 40 cm / < 16 inch = Vicair AllRounder O2 Size S (Small)
- 40 – 44,5 cm / 16 - 17¾ inch = Vicair AllRounder O2 Size M (Medium)
- 45 - 50 cm / 18 - 20 inch = Vicair AllRounder O2 Size L (Large)

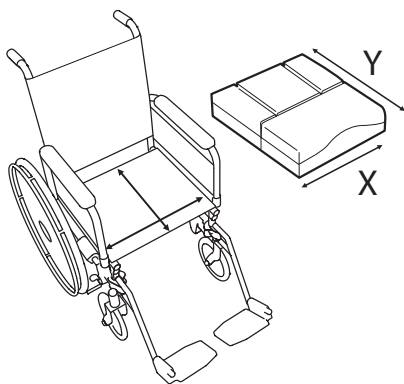


Figure 2

Perform the following steps when installing the Vicair AllRounder O2

These steps correspond to the installation images 1-5 on the Quick Installation Guide. Image i (I, II & III) shows how to remove the Harness base for replacement or for cushion adjustments (chapter 'Use'):

- Place the Vicair AllRounder O2 on a solid surface or a chair. The waist strap and leg straps should be unbuckled

- Transfer from your wheelchair to the Vicair AllRounder O2 and make sure you are well positioned.
- Close the waist strap.
- Tighten the waist strap, loosely following the contours of your waist. Excess waist strap can be tucked away in the waist strap holders attached to the Harness base.
- Close the leg straps. You can place the clip at the leg strap's end on top of the clip on the Harness base and press the two together until they lock.
- Tighten the two leg straps, loosely following the contours of your legs. The elastic parts will minimise skin and tissue compression.

Checking for "bottoming out":

Image 6 - Quick Installation Guide

Warning! Your tailbone and pelvic bones should not touch the bottom of the cushion. Checking for "bottoming out" should be done during first use and after adjustments to the cushion filling.

Warning! Vicair B.V. recommends to adjust the filling grade under the direct supervision of your therapist or technical advisor.

- Check for bottoming out, after sitting on the cushion for approximately 5 minutes.
- Let your therapist or technical advisor slide a hand between your buttocks and the Vicair cushion while leaning forward.
- Ask your therapist or technical advisor to check if your lowest bony prominences are supported by at least 1 layer of SmartCells™. This prevents them from touching the (hard) surface beneath the Vicair AllRounder O2.
- Do not use the cushion if bottoming out occurs. In most cases, adjusting the filling grade of the cushion compartments will solve the problem.



USE

Checking for redness of the skin

Image 7 - Quick Installation Guide

Warning! Check your skin regularly for redness. Especially during first use, with extra sensitive skin and/or during extra rough use. These are all factors that might affect your skin tolerances. If redness occurs and does not disappear after 15 minutes, consult your therapist or technical advisor.

Ready for use

This Vicair product is ready for use. It has its own unique filling grade, depending on size and model. However – if necessary, the filling grade can be adjusted by removing or adding SmartCells from/to the various compartments. You can find the default filling grade on the label attached to the cushion.

Adjusting the filling grade

Image i - Quick Installation Guide

Warning! Vicair B.V. recommends to adjust the filling grade under the direct supervision of your therapist or technical advisor. To adjust the filling grade first remove the Harness base. See 'Removing/replacing the Harness base' for instructions.

Conditions for use and storage

Caution! Do not use or leave the product close to a naked flame or a high temperature heat source.

- **User weight:**

Minimum: 15 kg / 33 lbs,
maximum: 100 kg / 220 lbs

- **Temperature:**

Minimum: -20 °C / 4 °F,
maximum: 55 °C / 131 °F

- **Use at high altitude**

Notice! Because each SmartCell is filled with air, the cushion may behave differently when used at high altitude or in an airplane. Under

such circumstances, the cushion's firmness can be adjusted by removing a few cells from each compartment.

- **Air humidity:**

Minimum: 0%, maximum 100%

Use during water sports

Warning! Wear a life jacket when using the Vicair AllRounder O2 during water sports activities.

Use in motor vehicles

Normal wheelchair cushions can render the vehicle's seatbelt system unreliable. The Vicair AllRounder O2 can be used as a safe alternative if you require additional protection during transportation.

Cushion fluff-up

Vicair B.V. recommends to fluff-up the cushion part of your Vicair AllRounder O2 before use.

Re-use - Transferring the product to another user

The product is suitable for repeated use. The number of times it can be used depends on how often and in which way the product is used. The product has to be thoroughly cleaned and disinfected, before another person is allowed to use the it. See chapter 'Maintenance and cleaning' for instructions.

Notice! Make sure the product is correctly adjusted to the other person.

Removing/replacing the Harness base

Image i - Quick Installation Guide

In case the Harness base (or one of its straps) of your Vicair AllRounder O2 is worn, replace the Harness base. A replacement Harness base can be purchased separately. You will also have to remove the Harness base temporarily when you need to adjust the filling grade.



To remove and replace the Harness base, perform the following steps. These instructions correspond to image i (I, II & III) on the quick installation guide.

- Completely open the zipper following the bottom of the cushion to detach the Harness base from the cushion.
- To adjust the filling grade, now open the cushion's zipper. Add or remove the desired number of SmartCells from one or more compartments and close the zipper. Make sure that you do not damage the SmartCells.
- Attach the cushion to the (replacement) Harness base by using the zipper following the bottom of the cushion. Make sure that you do not damage the cushion.

Disposal

The disposal and recycling of used devices and packaging must comply with the applicable legal regulation. Ensure the product is cleaned prior to disposal to avoid any risk of contamination.

MAINTENANCE AND CLEANING

Warning! Every three months, check the product for wear and deflated cells. In case of serious damage, or a large number of deflated cells, do not continue to use the product. Consult your dealer.

Caution! Do not steam clean or autoclave the product. The product cannot withstand excessive heat or pressure. When the given cleaning instructions are not followed, it is very likely that the product will age more rapid.

Caution! Do not use aggressive or abrasive cleaners, or sharp objects to clean the cushion.

Caution! Do not place the topside of the Vicair O2 cushion against the glass of the washer door.

Cleaning the Vicair AllRounder O2

Your Vicair AllRounder O2 can be machine washed at 60°C / 140 °F using an anti-crease cycle and mild detergent. Close the waist strap and leg straps before washing. You do not need to remove the SmartCells or the Harness base before putting the Vicair AllRounder O2 in the washing machine. Make sure the topside of the cushion is not placed against the glass of the washer door. Do not load the machine with more than half of its maximum load weight. Spin speed should be reduced. When using a machine with agitator, make sure that the cushion can move freely within the drum. Do not use any chlorine bleach and do not dry clean! Do not tumble dry your Vicair AllRounder O2, but let it air dry.



Disinfecting your Vicair AllRounder O2

Warning! In case of soiling with body fluids, and when transferring the product to another user, the product must be disinfected to avoid cross contamination. Clean the Vicair AllRounder O2 as instructed above. Preferably use an anti-bacterial detergent. After cleaning spray the Vicair AllRounder O2 with a disinfectant. Bend compartments outwards to make sure the spray gets into the gaps.



WARRANTY

Please see www.vicair.com for complete information on warranty processes, terms and conditions.

Vicair B.V. offers a limited warranty against defects in workmanship and materials, provided the product has been used normally. Normal wear and tear and any damage arising from abnormal use, or caused by improper handling, cleaning, or negligence is excluded from this warranty.

Warranty period

From original date of purchase: 24 months.

The SmartCells in this Vicair O2 cushion have a lifelong warranty period.

Should a defect in materials or workmanship occur within the above mentioned warranty period, Vicair B.V. will – at its own choice – repair or replace the product free of charge.

Remedies for breach of express warranties herein are limited to repair or replacement of the product.

In no event shall damages for breach of any warranty include any consequential damages or exceed the cost of non-conforming goods sold.

