

# USER MANUAL



# VICAIR<sup>®</sup>

# XXTRA 02



relief by air

**EN** VICAIR® XXTRA O2  
USER MANUAL

Dear customer,

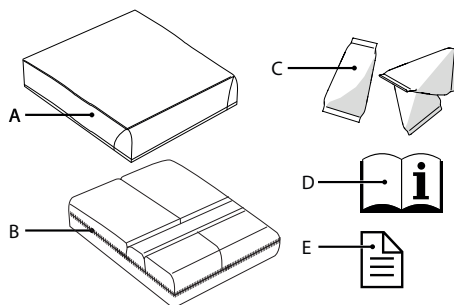
Thank you for choosing a Vicair® product. We are sure you will appreciate the simplicity, reliability and fantastic effect. For quick installation you can use the quick installation guide provided with your cushion. In addition, please read and understand this user manual before use. Save both the Quick Installation Guide and this manual for future reference.

For more information or to (re)order manuals, contact your country's distributor.  
Go to [vicair.com](http://vicair.com) for distributor information.

## INTRODUCTION

The Vicair XXtra O2 is a large sized wheelchair seat cushion that provides a very high level of skin protection for bariatric persons with a high risk of developing pressure ulcers. It is used to improve the body-posture, to prevent pressure ulcers and to provide comfort and stable body support. It is also a high performance addition to a pressure ulcer treatment plan (stage I-IV). The Vicair XXtra O2 cushion is machine washable without removing the SmartCells!

## MAIN COMPONENTS



- A Cushion cover
- B Cushion
- C SmartCells™, placed in 5 compartments
- D User manual
- E Quick Installation Guide

## GENERAL PRODUCT SPECIFICATIONS

Product name:	Vicair XXtra O2
Manufactured by:	Vicair B.V., The Netherlands
Warranty:	24 months
Weight (excl. cover):	Smallest size: 0,5 kg / 1.1 lbs Medium size: 0,8 kg / 1.8 lbs Largest size: 1 kg / 2.2 lbs
Available sizes:	See the grid in the back of the manual
Used materials:	All latex free
Cushion:	Top made of polyester fabric with polyurethane coating, bottom of polyester mesh fabric
Filling:	Air-filled SmartCells with low friction coating
O2 Top Cover:	Top: Knitted Polyester fabric. Bottom rim: Polyester fabric with polyurethane anti-slip coating.



### Alternative cushion covers:

Comfair Cover: Top: Knitted Polyester fabric.

Sides: Polyester 3D Mesh fabric. Bottom:

Polyester fabric with polyurethane anti-slip coating.

Incotec Cover: Top: Knitted Polyester fabric, coated with fluid resistant breathable

polyurethane. Bottom: Polyester fabric with polyurethane anti-slip coating.

All covers: Machine washable. Covers comply with EN1021-1, 1021-2 and CAL117.

## PRECAUTIONS AND SAFETY INSTRUCTIONS

A Vicair wheelchair seat cushion may only be used as a wheelchair seat cushion. The use of this product in any other way, is considered to be misuse. Vicair B.V. cannot be held responsible for damage caused by misuse, improper use or negligence. Make sure that you read and understand this manual completely.

**Warning!** Vicair B.V. recommends to install the Vicair XXtra O2 under direct supervision of a therapist or technical advisor.

**Warning!** Your tailbone and pelvic bones should not touch the bottom of the cushion. Checking for "bottoming out" should be done during first use and after adjustments to the cushion filling.

**Warning!** Check your skin regularly for redness, especially during the first few days. If redness occurs and does not disappear after 15 minutes, consult your therapist or technical advisor.

**Warning!** Vicair B.V. recommends to adjust the filling grade under the direct supervision of your therapist or technical advisor.

**Warning!** No testing data is currently available about the safe use of Vicair wheelchair cushions in motor vehicles. Therefore we do not encourage using the wheelchair cushion in motor vehicles.

**Warning!** In case of soiling with body fluids, and when transferring the product to another user,

the product must be disinfected to avoid cross contamination.

**Warning!** Every three months, check the product for wear and deflated cells. In case of serious damage, or a large number of deflated cells, do not continue to use the product. Consult your dealer.

**Caution!** Do not use or leave the product close to a naked flame or a high temperature heat source.

**Caution!** Do not steam clean or autoclave the product. The product cannot withstand excessive heat or pressure. When the given cleaning instructions are not followed, it is very likely that the product and/or the product's cover will age more rapid.

**Caution!** Do not use aggressive or abrasive cleaners, or sharp objects to clean the cushion.

**Caution!** Do not place the topside of the Vicair O2 cushion against the glass of the washer door.

**Caution!** Make sure the cushion cannot interfere with the wheel spokes.

## INSTALLATION

**Warning!** Vicair B.V. recommends to install the Vicair XXtra O2 under direct supervision of a therapist or technical advisor.

**Caution!** Make sure the cushion cannot interfere with the wheel spokes.

**Notice!** Always use cushion with cover.

**Notice!** Make sure that the wheelchair seat is clean and degreased.

**Tip:** When you prefer not to use the Velcro, you can remove the Velcro strips. Note that the strips connected to the bottom of the cushion and/or cushion cover cannot be removed.

### Perform the following steps when using the O2 Top Cover

These steps correspond to installation images 1-6 on the Quick Installation Guide:

- Check cushion size. Width (X) of the cushion and seat should match. When the cushion rests against armrests or side-guards, the





width may be up to 2,5 cm (1") wider. Depth (Y) of the cushion and seat should match.

- Check if the size of the cover matches the size of the cushion.
- Remove protective backing tape from selfadhesive Velcro strips attached to the bottom of the cushion.
- Place cushion by pressing firmly.
- Place the O2 Top Cover over the top of the cushion.
- Pass the loop at the back of the cushion through the 'button hole' in the back of the cover.
- Sit on the cushion for a few minutes, to allow the cushion to adapt to your body shape.
- If necessary, adjust footrest(s).

#### Alternative cushion covers

Perform the following steps when using the Comfair Cover or Incotec Cover.

- Check cushion size. Width (X) of the cushion and seat should match. When the cushion rests against armrests or side-guards, the width may be up to 2,5 cm (1") wider. Depth (Y) of the cushion and seat should match.
- Check if the size of the cover matches the size of the cushion.
- Remove the Velcro strips from the bottom of the cushion. Note that the strips connected to the bottom of the cushion cannot be removed.
- Insert cushion in cover.
- Pass loop through eyelet in cover.
- Close zipper. Make sure to not damage the cushion.
- Remove protective backing tape from selfadhesive Velcro strips attached to the cushion cover.
- Place cushion by pressing firmly.
- Sit on the cushion for a few minutes, to allow the cushion to adapt to your body shape.
- If necessary, adjust footrest(s).

#### Checking for "bottoming out":

Image 7 - Quick Installation Guide

**Warning!** Your tailbone and pelvic bones should not touch the bottom of the cushion. Checking for "bottoming out" should be done during first use and after adjustments to the cushion filling.

**Warning!** Vicair B.V. recommends to adjust the filling grade under the direct supervision of your therapist or technical advisor.

- Check for bottoming out, after sitting on the cushion for approximately 5 minutes.
- Let your therapist or technical advisor slide a hand between your buttocks and the Vicair cushion while leaning forward.
- Ask your therapist or technical advisor to check if your lowest bony prominences are supported by at least 2,5 cm / 1" of SmartCells™. This prevents them from touching the wheelchair seat.
- Do not use the cushion if bottoming out occurs. In most cases, adjusting the filling grade of the compartments will solve the problem.

#### USE

##### Checking for redness of the skin

Image 8 - Quick Installation Guide

**Warning!** Check your skin regularly for redness, especially during the first few days. If redness occurs and does not disappear after 15 minutes, consult your therapist or technical advisor.




##### Adjusting the filling grade

**Warning!** Vicair B.V. recommends to adjust the filling grade under the direct supervision of your therapist or technical advisor.

##### Ready for use

This Vicair product is ready for use. It has its own unique filling grade, depending on size and model and automatically manages small obliquities. However – if necessary to support





more extreme asymmetry – the filling grade can be adjusted by removing or adding SmartCells from/to the various compartments. You can find the default filling grade on the label attached to the cushion.

### Conditions for use and storage

**Caution!** Do not use or leave the product close to a naked flame or a high temperature heat source.

- **User weight:**

Minimum: 100 kg/ 220 lbs

Maximum: 500 kg/ 1102 lbs

- **Temperature:**

Minimum: -20 °C / 4 °F,

maximum: 55 °C / 131 °F

- **Use at high altitude**

**Notice!** Vicair B.V. recommends not to use the cushion above 2400 m (8000 ft) above sea level or below 50 m (164 ft) below sea level. Because each SmartCell is filled with air, the cushion may behave differently when used at high altitude or in an airplane. Under such circumstances, the cushion's firmness can be adjusted by removing a few cells from each compartment.

- **Air humidity:**

Minimum: 0%, maximum 100%

### Daily fluff-up

Vicair B.V. recommends to fluff-up your Vicair cushion before use on a daily basis.

### Use of Vicair seat cushions in motor vehicles

**Warning!** No testing data is currently available about the safe use of Vicair wheelchair cushions in motor vehicles. Therefore we do not encourage using the wheelchair cushion in motor vehicles. As an alternative for your Vicair wheelchair cushion, the Vicair AllRounder O2 (which can be fastened to the user's body) can be used if you require additional protection during transportation.

### Re-use - Transferring the product to another user

The product is suitable for repeated use.

The number of times it can be used depends on how often and in which way the product is used. The product has to be thoroughly cleaned and disinfected, before another person is allowed to use the it. See chapter 'Maintenance and cleaning' for instructions.

**Notice!** Make sure the product is correctly adjusted to the other person.

### Replacing the cushion cover

Under normal use, Vicair B.V. recommends to replace the cushion cover every year.

Replacement covers can be purchased separately.

### Disposal

The disposal and recycling of used devices and packaging must comply with the applicable legal regulation. Ensure the product is cleaned prior to disposal to avoid any risk of contamination.

## MAINTENANCE AND CLEANING

**Warning!** Every three months, check the product for wear and deflated cells. In case of serious damage, or a large number of deflated cells, do not continue to use the product. Consult your dealer.

**Caution!** Do not steam clean or autoclave the product. It cannot withstand excessive heat or pressure. When the given cleaning instructions are not followed, it is very likely that the product will age more rapid.

**Caution!** Do not use aggressive or abrasive cleaners, or sharp objects to clean the cushion.

**Caution!** Do not place the topside of the Vicair O2 cushion against the glass of the washer door.



## Cleaning the Vicair XXtra O2

- **Cleaning the Vicair XXtra O2 cushion cover**

The cushion cover can be machine washed. Follow the washing instructions on the label attached to the inside of the cover. (60 °C= 140 °F)



- **Cleaning the Vicair XXtra O2 cushion**

Your Vicair O2 cushion can be machine washed at 60°C / 140 °F using an anti-crease cycle and mild detergent. You do not need to remove the SmartCells before putting the cushion into the washing machine. Make sure the topside of the cushion is not placed against the glass of the washer door. Do not load the machine with more than half of its maximum load weight. Spin speed should be reduced. When using a machine with agitator, make sure that the cushion can move freely within the drum. Do not use any chlorine bleach and do not dry clean! Do not tumble dry your Vicair O2 cushion but let it air dry (5-6 hours). You can use the sling to hang dry your Vicair O2 cushion.



## Disinfecting your Vicair XXtra O2

**Warning!** In case of soiling with body fluids, and when transferring the product to another user, the product must be disinfected to avoid cross contamination. Clean the cushion and cover as instructed above. Preferably use an anti-bacterial detergent. After cleaning spray your cushion and cover with a disinfectant. Bend compartments outwards to make sure the spray gets into the gaps.

## WARRANTY

Please see [www.vicair.com](http://www.vicair.com) for complete information on warranty processes, terms and conditions.

Vicair B.V. offers a limited warranty against defects in workmanship and materials, provided the product has been used normally. Any damage arising from abnormal use, or caused by improper handling, cleaning, or negligence, is excluded from this warranty.

### Warranty period

From original date of purchase: 24 months.  
The SmartCells in this Vicair O2 cushion have a lifelong warranty period.

Should a defect in materials or workmanship occur within the above mentioned warranty period, Vicair B.V. will – at its own choice – repair or replace the product free of charge. The cushion cover is excluded from this warranty. Remedies for breach of express warranties herein are limited to repair or replacement of the product.

In no event shall damages for breach of any warranty include any consequential damages or exceed the cost of non-conforming goods sold.

### Any questions?

Contact Vicair B.V. at [info@vicair.com](mailto:info@vicair.com) or contact your country's Vicair distributor.



Height Vicair XXtra O2= 10 cm / 4 inch

**Available sizes:**

		WIDTH				
		22	24	26	28	30
	inch					
	cm	55	60	65	70	75
DEPTH	18	45				
	20	50				
	22	55				
	24	60				
	26	65				
	28	70				
	30	75				

Information about availability of other sizes on request.

