

Assembly Instructions



AML20505 - 3 in 1 Commode Chair

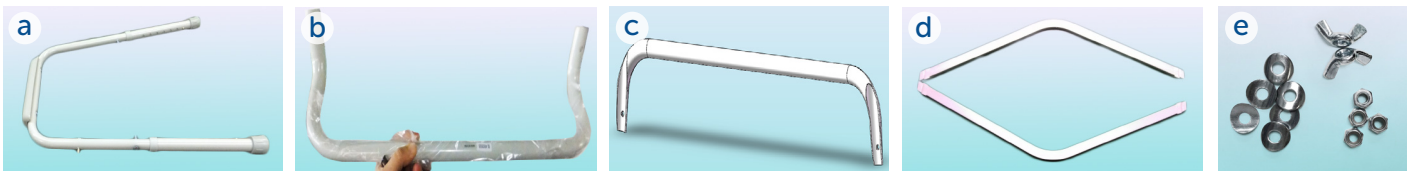
Parts included:

a	Armrest tube	x2
b	Backrest tube	x1
c	Seat support tube	x2
d	Bucket support plate	x2
e	Bag of hex nuts, wing nuts & washers	

Seat and lid (not pictured)	x1
Bucket and splash guard (not pictured)	x1

Tools required:

Spanner to tighten screws



Instructions

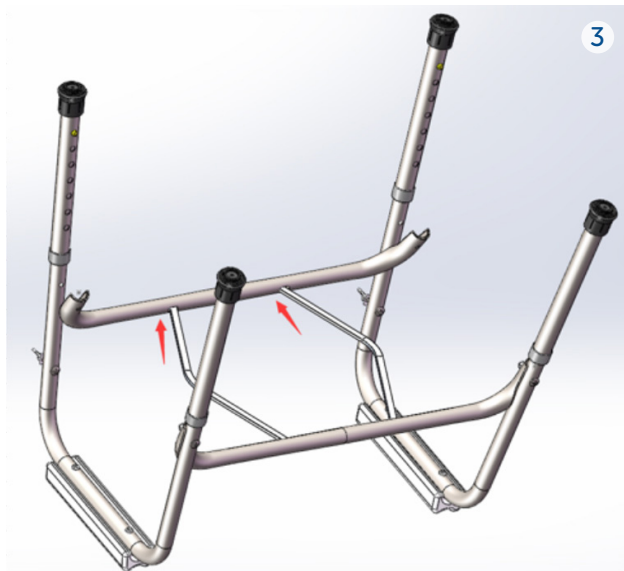
1. Assemble one of the seat support tubes to the armrest tubes using screws (already inserted, remove plastic sleeves), hex nuts and washers. Tighten with a spanner.
2. Put both bucket support plates into the oval holes on the seat support tube with the grooved sides facing up towards the toilet seat.



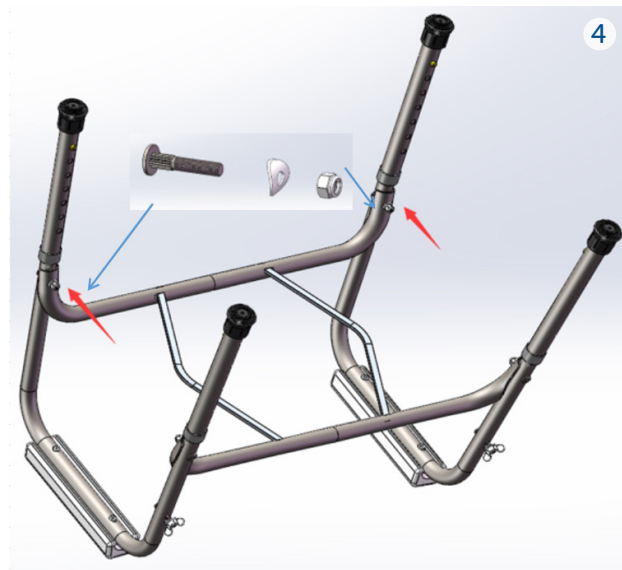
AML20505 - 3 in 1 Commode Chair

3. Then place the other seat support tube at an angle to easily insert the bucket support plate into the other side of the oval holes. Again screwing into place.

Note: Having someone help hold the seat support tubes may make this step easier.



4. Turn the seat support tube so that it fits into the armrest tube, then screw it into place using wing nuts and washers.



5. Fix the backrest tube onto the armrest tube by using wing nuts and washers.



6. Put the bucket onto the pail support plate with the handle facing forward. This is important for stability and to stop the bucket handle lifting the seat and lid off.



7. Snap the seat and lid onto the rear support tube.



View the instruction video on YouTube



www.youtube.com/watch?v=enYtgA_NuY8