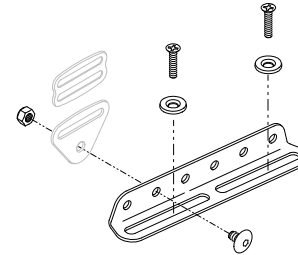
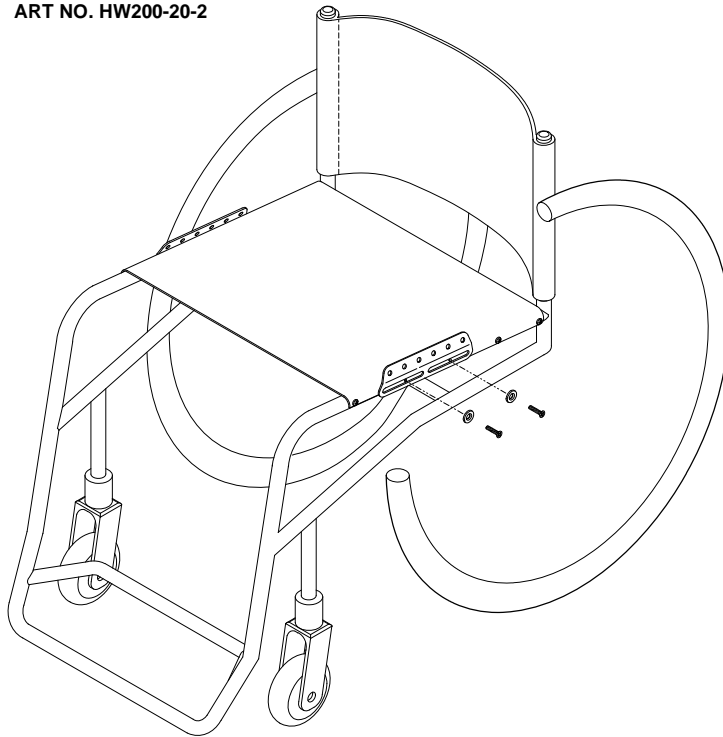


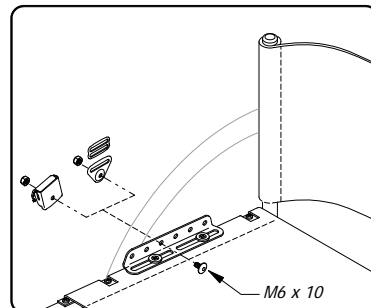
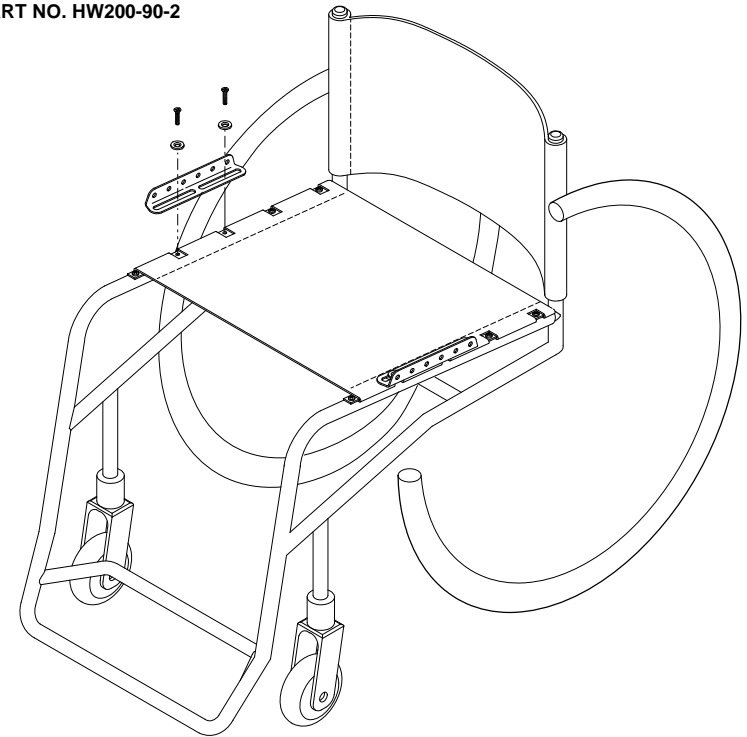
**20°
MOUNTING
BRACKET**

ART NO. HW200-20-2

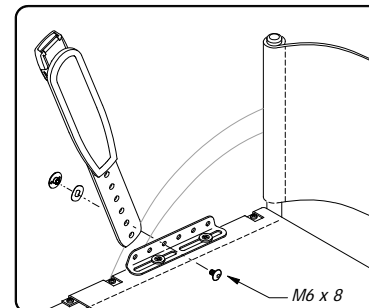


**90°
MOUNTING
BRACKET**

ART NO. HW200-90-2



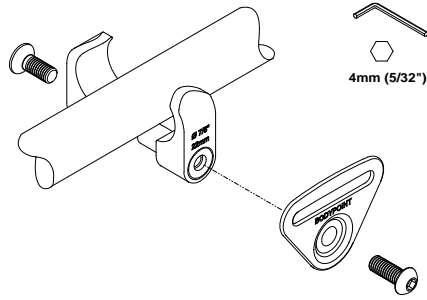
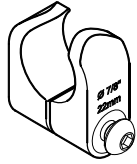
CINCH-MOUNT™ • FLAT-MOUNT™



EVOFLEX®

FRAME CLAMP

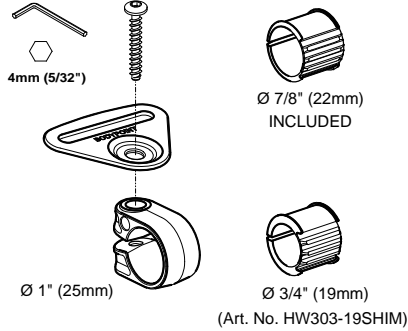
ART NO. HW310-22
& HW310-25



4mm (5/32")

FRAMESAVER™ CLAMP

ART NO. HW303



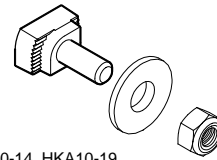
4mm (5/32")

Ø 7/8" (22mm)
INCLUDED

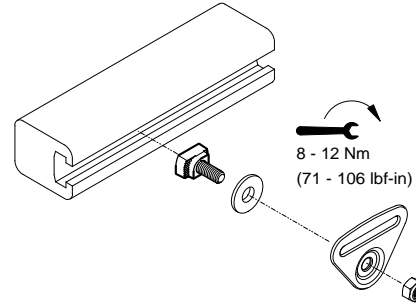
Ø 1" (25mm)

Ø 3/4" (19mm)
(Art. No. HW303-19SHIM)

T-SLOT FASTENER KIT FOR 10mm T-SLOT

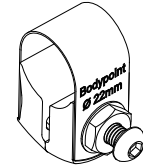


① ART NO. HKA10-14, HKA10-19

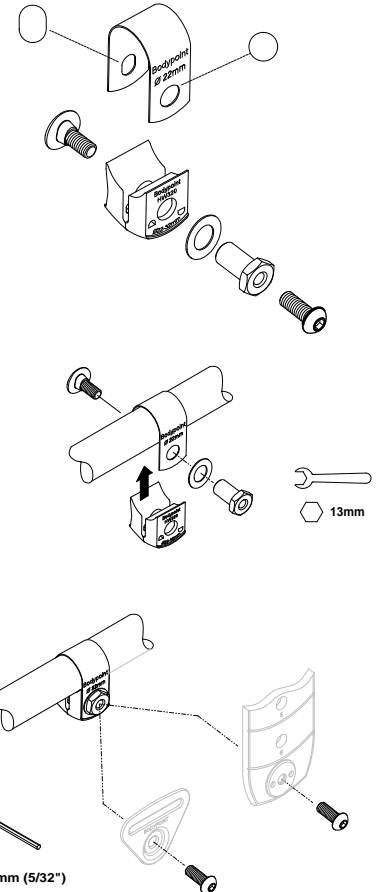


8 - 12 Nm
(71 - 106 lbf-in)

BAND CLAMP

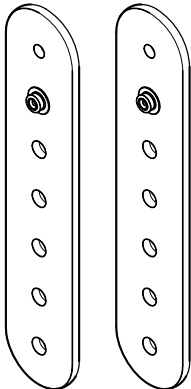


ART NO. HW320-22, HW320-25, HW320-29
HW320-30, HW320-32, HW320-27X33

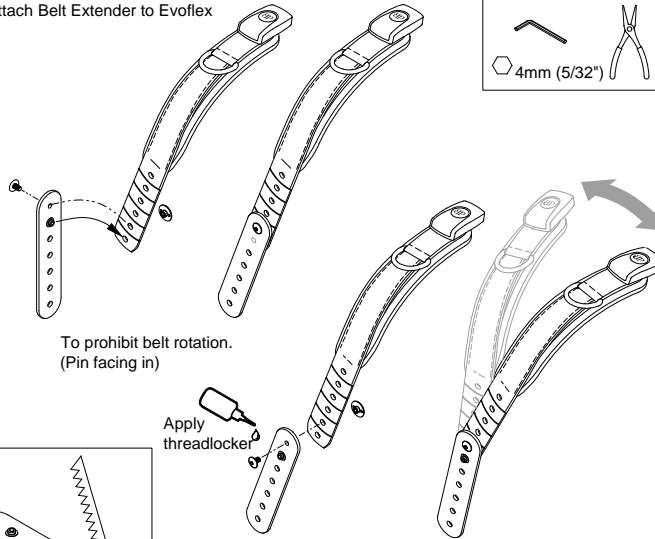


13mm

EVOFLEX™ BELT MOUNTING EXTENDER



INSTALLATION
Attach Belt Extender to Evoflex



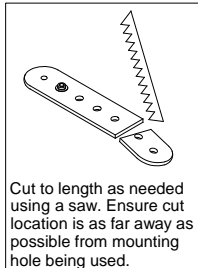
4mm (5/32")

To prohibit belt rotation.
(Pin facing in)

Apply
threadlocker

To allow belt rotation.
(Pin facing out)

ART NO. EBE100

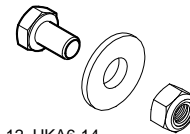


Cut to length as needed
using a saw. Ensure cut
location is as far away as
possible from mounting
hole being used.

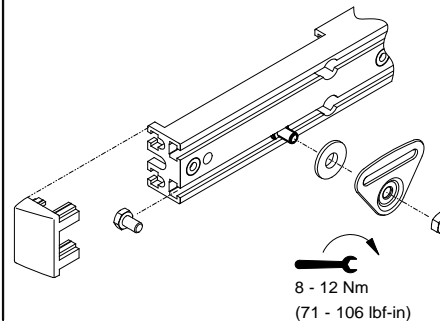
MOUNTING

Attach Belt Extender and Evoflex to wheelchair.
Refer to Evoflex product instruction.

T-SLOT FASTENER KIT FOR 6mm T-SLOT



① ART NO. HKA6-12, HKA6-14



8 - 12 Nm
(71 - 106 lbf-in)

① USE HKA6-12 OR HKA10-14 WITH METAL END-FITTINGS AND EVOFLEX
USE HKA6-14 OR HKA10-19 WITH PLASTIC END-FITTINGS

 **Bodypoint**®

BPI098 2021.8