

Little Wave Klik Accessory Flip Chart



Ki Mobility
/

The **Clik**, an incredibly lightweight, rigid-frame wheelchair, combines the unmatched manoeuvrability of a high-performance manual wheelchair with easy growth and adjustability. Built in 7000 series Aluminum to allow all of the push go into movement and not into the frame.

Introducing the Index System.

An intuitive adjustment system designed to provide accurate, easy growth options. A system so easy to adjust it promotes proper positioning and wheel access so your child gains the active independence and mobility they want.

You will notice that on the frame of the Clik you have "dimples". These are there to optimize the adjustment so it's more time effective and easier because there is no longer any guess work involved. We have precisely aligned the system so you won't have to.

Tubing Size - NEW

With the new 1-1/8" tubing you will find it easier to fit aftermarket seating and positioning systems. Not only on the seat frame but also the backrest because Clik comes standard with an Adjustable Height rigidizer bar.

Built In Adjustment

You are only a Clik away from just right.

Evolving and growing with your Child. Seat height, width, depth, CG, caster wing position, seat upholstery, and seat pans...the most built in adjustment available.

With all the possibilities, meeting kid's needs has never been so easy.

Mid Wheel Drive

in a Child's chair provides more push and less effort keep kids out of power longer.

Adjustable Dynamic 5th Wheel

Being able to move yourself in space is an essential phase of neurodevelopment. The challenge is maintaining security and stability. Our new adjustable dynamic 5th wheel, that allows you to adjust both the range and spring rate, makes it possible. Whether setup in mid-wheel for the smallest riders or to help promote and teach the balance and wheeling skills that encourage confidence to overcome everyday obstacles and terrain. Be Dynamic.

Offset Frame Design

Give your child the room they need. The Clik Offset frame allows more room for abducted position, AFO's and braces while facilitating proper foot positioning. Hybrid design does not increase frame length or compromising seat support.



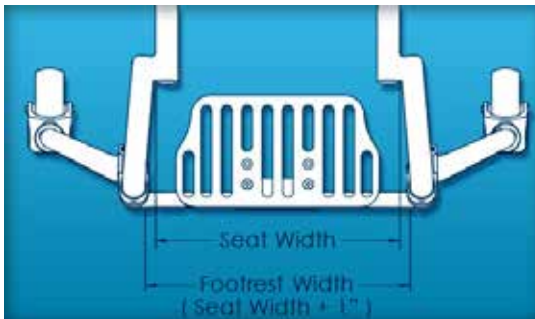
Frame

Transport Tie Downs



Conforms to WC-19 Standard.

Offset Frame

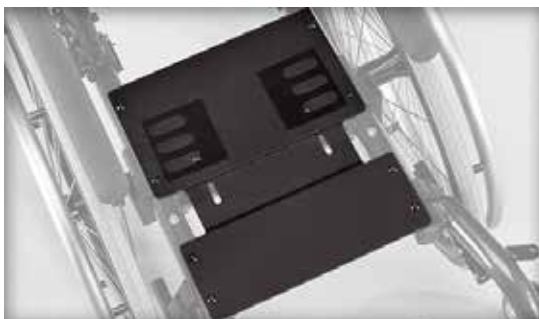


The Klik Offset frame allows more room for abducted position, AFO's and braces while facilitating proper foot positioning. Hybrid design does not increase frame length or compromising seat support.
Not available with 0 and -1 Sling Positions.

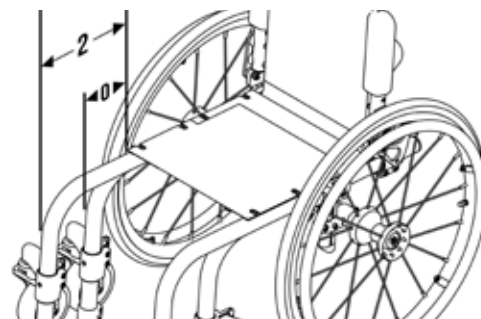
Growing Seat Sling



Growing Seat Pan

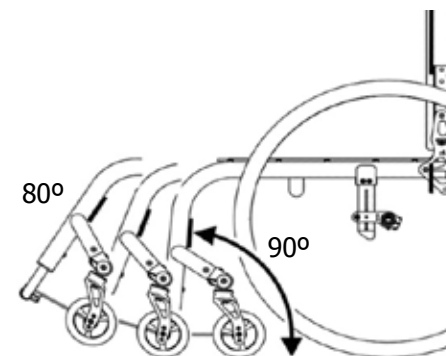


Sling Position



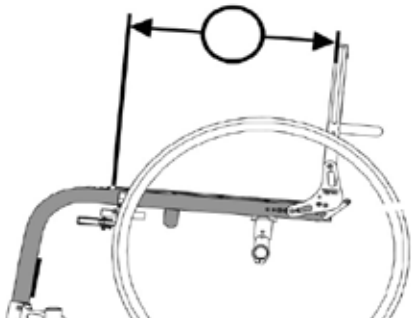
With 0 Sling Position, sling is approximately 4" from front down tube. The 1 and 2 Sling Positions extend the frame in front of the sling by that amount. -1 pushes the seat 1" farther forward.
0 and -1 are not available with Offset Frame.

Front Frame Bend



Angle between front seat tube and ground. 90° being vertical. Available degrees, 90°, 85°, 80°.

Adjustable Depth



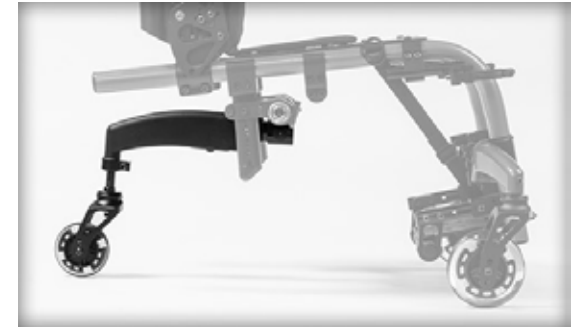
Measured from front of back posts to front edge of seat sling. Adjustable seat depth is then measured by how much growth is required 0" 1", 2" or 3".

5th Wheel



Rotating 5th wheel allows for aggressive center of gravity positioning of the rear wheels. Removable

Dynamic 5th Wheel



Lightweight and attractive, these easily removable side guards help keep road grime away from the rider. Plastic sideguard is height adjustable 14"-20". Pediatric version is height adjustable 10"-14".

Backrest

Padded Velcro Adjustable



Uses 1" poly foam with a nylon parapak cloth cover. Very comfortable and shear resistant. Not available with 17" or 18" Back Heights in combination with 8" or 9" Seat Widths.

Tension Adjustable



Adjustable straps allow independent support for the pelvis and trunk, improving postural control and alignment. Not available with 8" or 9" Seat Widths.

Spinergey Release Cable



Spinergey backrest release cables won't stretch and look cool in the available Black, Red, Orange, Yellow, Green, Blue, Pink, Yellow and White.

Adjustable Height Back



Allows for 4" height adjustment in 3 different ranges.

1" Inward Offset Back Post



Not available with 8" Seat Width.

Fixed Height Back



Very light and accepts a variety of support surfaces. 1" tubing on the entire frame.

1" Inward Offset Back Post



Not available with 8" Seat Width.

2" Inward Offset Back Post



Not available with 8" or 9" Seat Widths.

2" Outward Offset Back Post



Not available with Swing Away Armrests or 8" or 9" Seat Widths.

Straight With Push Handle



The back cane is vertical to the frame with a 90 degree bend at the top for a push handle.

Fold Down Push Handle



Not available on Height Adjustable Back Posts with 9" - 11" Back Heights or Offset Back Posts with 11" - 14" Back Heights.

Bolt-On Push Handle



Stroller handle is behind the backframe and fixed to a desired height.

Ergo Stroller Handle



The back cane is vertical to the frame with a 90 degree bend at the top for a push handle.

Stroller Handle



Positioned at the ideal height, the stroller handle can greatly assist the caretaker in handling the wheelchair.

Double Stroller Handle



Used as an assistance to independent mobility, Stroller handle is removable and height adjustable. Dual handle gives a stable platform when pushing a heavier user. Not available with Push Handles or 8" -10" Seat Widths.

Casters

.75" Rollerblade



Available in 3" and 4".

.75" Lighted Rollerblade



Similar to the standard microcaster. Add some pizzazz to your chair! Available in 3 and 4".

1" Poly



This outstanding design uses molded polyurethane to create a great tyre. Measuring 1" in width, this caster is available in 4", 5", 6", 7" and 8".

1" Poly Aluminum



Uses a 3-spoke aluminum hub for added strength and styling. Available only with 4" and 5" Casters.

1" Pneumatic



A low cost way to get a great and comfortable ride. You just need to add air from time to time. Available only with 6" Casters.

1.5" Poly



This outstanding design uses molded polyurethane to create a great tyre. Measuring 1.5" in width, this caster is available in 4", 5" and 6".

1.5" Soft Roll Aluminum



3-Spoke ultralight aluminum hubs, highly resistant, with improved mobility. Available in 5" and 6".

Standard Fork



Single Sided Fork



Frog Legs Ultra-Sport Fork



Reduce vibration, prevent pitching. Ultra shock absorbing.
Not included in Coloured Anodizing Package.

Frog Legs PHASE2 Carbon Fork



Constructed from a Carbon composite material which results in a 30% weight reduction over the standard Ultra Sport Fork results in a much smoother ride! This new shock absorbing fork option from Frog Legs is rated up to 136kg.

Footrest

Aluminum Angle Adjustable



Not available with Front Seat Heights less than 14.5".

Aluminum Angle Adj W Riser



Not available with Front Seat Heights less than 14.5".

High Mount Aluminum Angle Adj



Angle Adjustable Flip Under



High Mount Angle Adj Flip Under



Rear Wheel

Spoke



The Ki standard spoke wheel uses a very high quality machined lightweight aluminum hub and 30 stainless steel straight pull spokes for increased stiffness. The radial spoking increases the stiffness of the wheel. 18", 20" 22" and 24".

Mag



Our 5-spoke composite wheel is 20% lighter than the competition and maintenance free. Not available with 18" Wheel Sizes.

Colored Mag



Our 5-spoke composite wheel, now available with color options in 20" and 22" sizes, is 20% lighter than the competition and maintenance free. Colors available are Pink, Blue, White and Fluorescent Red. Only available with 20" and 22" Wheel Sizes.

Spinergy Spox



The name to trust in performance wheels. Extremely reliable and comfortable for your everyday needs. Not available with 18" and 20" Wheel Sizes.

Spinergy LX



Spinergy's Light Extreme (LX). With 12 high strength spokes the wheel is ultra strong and stiff for maximum performance while offering a very cool and minimal look. Not available with 18" and 20" Wheel Sizes.

Mag With One Arm Drive



There are multiple hand rim configuration options to choose from that will meet the individual client's needs. Drive handrim is smaller than the standard aluminum handrim. Available only with 24" Mag Wheels. Not available with 4° camber. Standard Handrim will be Aluminum Anodized.

Street Pneumatic 1 3/8"



This standard air tyre is more forgiving when going over obstacles and off curbs or stairs.

Full Profile Poly 1 3/8"



Corded to prevent it from rolling off the wheel. Provides a softer ride than other low cost "over-molded" tyres.

Pneumatic W/ Airless Insert 1 3/8"



Low density foam is inserted into a pneumatic tyre. Low maintenance - no air, no flat tyres!

Low Profile Poly 1"



A softer ride than low cost "over-molded" tyres. Corded to prevent it from rolling off the wheel. Not available on Superlight Wheels, 25" or 26" Wheel Sizes.

High Pressure 1"



High pressure, puncture resistant performance tyre. 50kg of pressure. High pressure tyres have minimal rolling resistance. Not available on Mag Wheels or 18" Wheels.

Schwalbe Marathon Plus Evolution 1"



Top of the class in performance and durability. Non-marking black tyre. Has a thin line of gel inside to seal punctures and keep you running. Available only on 24" Spoke or Spinergy Wheels.

Aluminum Anodized Handrim



Aluminum is lighter than steel and stronger than plastic and won't rust.

Plastic Coated



For people who need assistance with grip, but do not require projections. Dipped in Vinyl, they are coated to create a tacky surface for gripping.

Projection



8-3/8" poly-coated vertical projections for individuals with limited grip strength. Available on 22 and 24" Spoke wheels and 24" Mag wheels with full tyres.

Natural Fit LT Regular Grip



Eliminates pushing on the tyre and eases pain in the hands and wrists. Offers a better grip for a better push and more control when braking. The LT is a smaller gripping surface.

Natural Fit Standard Reg Grip



Eliminates pushing on the tyre and eases pain in the hands and wrists. Offers a better grip for a better push and more control when braking.

Natural Fit LT Super Grip



Eliminates pushing on the tyre and eases pain in the hands and wrists. Offers a better grip for a better push and more control when braking. The LT is a smaller gripping surface. The Super Grip uses a higher friction surface for extra grip.

Natural Fit Super Grip



Eliminates pushing on the tyre and eases pain in the hands and wrists. Offers a better grip for a better push and more control when braking. The Super Grip uses a higher friction surface for extra grip.

The Natural-Fit Oval



The Natural-Fit LT Oval



Micro Grip



Micro Grip Non-Slide Tape enhances your grip in dry, wet, and snowy conditions! Made of micro-injected silicone and 3M adhesive. Not available on Plastic Coated or Projection Handrims.

Quick Release



Standard axle with a quick release button for easy wheel removal.

Quad Quick Release



The flip lever on the quad quick release requires very minimal hand strength for greater independence.
Not available with Mag Wheels.

Wheel Locks

Push or Pull to Lock



After engagement the lever is at 45 degrees. Lever is easily reachable.

Push to Lock Flush Mount



Low Profile Scissor Lock



Low profile and easy to engage with a sleek and ergonomic design. Low profile and easy to engage with a sleek and ergonomic design.
Not available with Low Poly Tires or Offset Frame.

Short Thro Scissor Lock



Push or Pull With Extensions



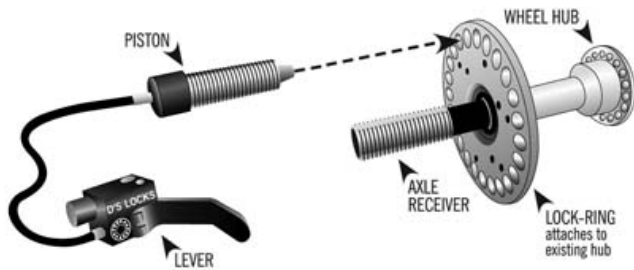
For people with limited strength, this design requires very little effort to engage. Removable 6" fold-able extension increases leverage.

Grade Aids (Hill Holders)



Grade aids prevent your wheel from rolling backwards when you push up a hills.

D Lock's



Mounted to your wheelchair and wheel set, D's Wheelchair Locks are a positive wheelchair wheel lock. With D's Wheelchair Locks, all it takes is a simply lever flip to set your wheels in a fully locked position, and they will not turn for anything.

Armrests

Height Adjustable T-Arm



The single post height adjustable arm is easy to release and adjust in height. Lower profile and lighter than competitive models. Available in 8.5-13.5".

Height Adjustable T-Arm Low



The single post height adjustable arm is easy to release and adjust in height. Lower profile and lighter than competitive models. Available in 7.5-11.5".
Not available with heavy Duty option.

Height Adjustable Pediatric Desk



Our single post height adjustable T-arm made for smaller riders. Available in 6.5-9".

Angle Adj Locking Ext Flip Up



This new Angle Adjustable Locking Extendable Flip Up armrest is the ONLY cantilever armrest approved to 400 lbs.! It locks into position by a spring loaded latch while extending up to 4" in 1" increments and 7 angle adjustments in 5° increments from -5 to 25°.

Tubular Flip Up Armrests



Simple Flip up arm engages at the top to stay up for transfers.

Short Swing Away



7" - 9"
Not available with Arm Pads or Outward Offset Back Posts.

Tall Swing Away



9.25" - 11.25"
Not available with Arm Pads or Outward Offset back Posts.

Standard Armpads



Padded and textured armrest pad available in both full and desk lengths.

Waterfall Armpads



A generously padded waterfall design providing additional comfort and protection. Available in full and desk lengths. Available only with Angle Adjustable Locking Extendable Flip up Armrest.

Foam Grip



Foam Grip armrest pad available in both full and desk lengths. Available only with Angle Adj Locking Extendable Flip Up Armrests.

Side Guards

Composite Side Guards



Lightweight and attractive, these easily removable side guards help keep road grime away from the rider. Plastic sideguard is height adjustable 14"-20". Pediatric version is height adjustable 10"-14".

Fender Side Guards



Lightweight and durable, the easily removable fender side guard helps to keep road grime away from the rider and their clothing.

Positioning Belts Full range available

1" Auto Buckle



1" Padded Auto Buckle



1.5" Auto Buckle



Using a double-pull to ensure the buckle remains in the proper position and attaching hardware for proper placement on the frame our new belts are an industry best value.

1.5" Padded Auto Buckle



This belt has a wide 3.5" pad for riders who may need additional padding.

2" Airline Buckle



This belt uses an airline style buckle that can add a degree of security. It uses a wider 2" belt.

BodyPoint Evoflex Pelvic Stabiliser



Stays where you need it. Provides stability and flexibility. Versatile and easy to use. Stiffened end straps keep belt from twisting. Sized for users 15kg to 130kg. Available in Extra Small, Medium and Large.

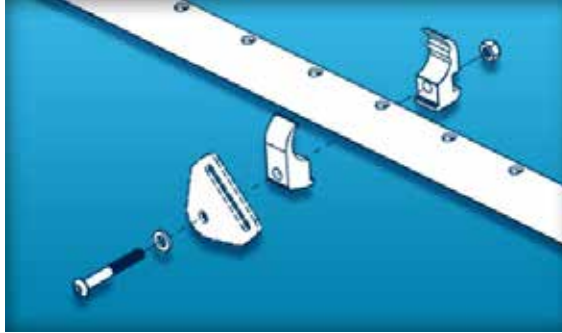
Accessories

BodyPoint Belt Mounting Kit



Mounting hardware for the BodyPoint Pelvic Stabiliser.

Ki Belt Mounting Clamp



The Ki Mobility seatbelt clamp allows for 100% infinite adjustment. Ensure proper positioning by achieving the perfect seatbelt angle.

Anti Tips



Velcro Adjustable Calfstrap



Sitting behind your calf it is adjustable in length and supports your lower leg.

Padded Velcro Calfstrap



This calfstrap supports a soft and durable 4"-wide neoprene pad.

Bodypoint Aeromesh Calfstrap



Provides comfortable support, keeping feet safely on the footplates. Retains its shape for the best pressure distribution and durability.

Tool Kit



Custom designed kit includes 7 simple tools necessary to make any adjustments on your Ki chair, a convenient LED light and carabiner clip for easy attachment.

Removable Underseat Pouch



8.5" x 6.5"

Paediatric Backpack



Stylish, functional and accessible backpack for use on chairs down to 9" wide! This smaller size features additional reflective piping details so it's a little more noticeable at night, padded protective pocket, 2 water bottle holders, 5 compartments and adjustable straps.

Backpack



Designed by experts to offer you the most accessible, functional and secure travel storage option. A total of 7 storage compartments. Additional 1.5" depth accommodates a zippered padded storage pocket to hold a laptop or tablet.

Luggage Carrier



A lightweight yet extremely durable design! Featuring a two part grip inlay to keep your luggage in place with a 25kg weight capacity. Each kit comes with clamps for both frame and footrest tubes to allow for optimal positioning no matter what your chair configuration is.

Crutch Holder



Positionable cup to accept most cane and crutch tips.

Spoke Guards



Black or clear acrylic protects fingers from getting caught in the spokes and looks sleek. Available only with Spoke Wheels.

Designer Spoke Guards

Blue Monster



Havin' a Hoot



Fairy Garden



Robo Fun



Tuxedo Time



Tutu Cute



Rockin' Reptiles



Super Puppies



Colour Anodizing Package



Color Anodize Package Includes: Backrest Plates, Camber Tube, Towers, CG Clamps, Side Guard Receivers, Front Caster Forks (Standard or Unitine) and Dynamic 5th Wheel Split Clamp.