

Account Number:

Date:

Address:

Quote: PO Number:

City:

Phone:

Email

Effective: 1/10/2024

Little Wave Arc XP - Rigid Base - Transit Included (E1233,E1161)
 Little Wave Arc XP - Rigid Base - Transit Not Included (E1233,E1161)
 Little Wave Arc XP - Folding Base - Transit Included (E1234,E1161)
 Little Wave Arc XP - Folding Base - Transit Not Included (E1234,E1161)
 165 lb weight capacity Price includes one time free growth kit
 Tilt range: 0° - 45° Maximum Seat Width of 18"

Frame

Frame Width

Select box corresponding to desired Frame Width.

Frame Width Range	Frame Width		
Small (10" - 12")	10"	11"	12"
Medium (12" - 14")	12"	13"	14"
Large (14" - 16")	14"	15"	16"
X-Large (16" - 18")	16"	17"	18"

Frame Depth

Select Frame Depth within desired Frame Depth Range.

Frame Depth Range	Frame Width			
X-Short (12" - 15")	12" N/C	13" N/C	14" N/C	15" N/C
Short (14" - 17")	14" N/C	15" N/C	16" N/C	17" N/C
Medium (16" - 19")	16" N/C	17" N/C	18" N/C	19" N/C
Long (18" - 20")	18" N/C	19" N/C	20" (E2203) \$646	

Transit Option

Transit System _____ \$
 Omit Transit _____ N/C

Offset Hanger Option

Offset Hanger _____ \$
 Not available with X-Short 15" Frame Depth.

Tilt Mechanism

Hand Tilt - Right _____ N/C
 Hand Tilt - Left _____ N/C
 Hand Tilt - Dual _____ N/C
 Foot Tilt - Right _____ N/C
 Foot Tilt - Left _____ N/C

Seat Pan

Growing Solid Seat Pan (E2231) _____ \$
 Omit Seat Pan _____ N/C

Vent and Battery Tray

Requires Rigid Base and Anti-Tips. Not available on frame widths less than 16" or Attendant Foot Lock or Foot Tilt.

Vent Tray (E1029) _____ \$
 Battery Box Holder (E1029) _____ \$
 Not available with X-Short Frame Depth Range.
 Vent Tray and Battery Box Holder (E1029) _____ \$
 Not available with X-Short Frame Depth Range or Foot Tilt or Drum Brake or Hemi Wheel Lock. Must remove Ventilator and Battery for transit. Includes extended frame.

Backrest

Back Post / Height Range / Back Height

Stroller Handle Back Post (Short 20") (Folding)	N/C
Stroller Handle Back Post (Tall 24") (Folding)	N/C
Fixed Height Back with Folding Adjustable Handle (Short 22") (Folding)	N/C
<i>Not available with Dynamic Back.</i>	
Fixed Height Back with Folding Adjustable Handle (Tall 26") (Folding)	N/C
<i>Not available with Dynamic Back.</i>	
Reclining Back with Folding Adjustable Handle (Short 22") (Folding) (E1225)	\$
<i>Not available with Dynamic Back or O2 Holder. Includes extended frame. Requires Anti-tips.</i>	
Reclining Back with Folding Adjustable Handle (Tall 26") (Folding) (E1225)	\$
<i>Not available with Dynamic Back or O2 Holder. Includes extended frame. Requires Anti-tips.</i>	
Adjustable Height Back with Folding Adjustable Handle (Short 18" - 25")	N/C
<i>Not available with Dynamic Back.</i>	
Adjustable Height Back with Folding Adjustable Handle (Tall 20" - 27")	N/C
<i>20"-22" Heights not available with Dynamic Back.</i>	

Adjustable Height Back Post Height

18" Back Height	19" Back Height	20" Back Height	21" Back Height
22" Back Height	23" Back Height	24" Back Height	25" Back Height
26" Back Height	27" Back Height		N/C

Stroller Handle Extensions

Available only with Stroller Handle Back Post

Removable Stroller Handle Extension	\$
-------------------------------------	----

Other Backrest Options

Non Folding Back	N/C
<i>Standard with Dynamic Back.</i>	
Dynamic Back (E2398)	\$
<i>Not available with Flip Up Armrests. Available only with Non Folding Back.</i>	
Adjustable Height Rigidizer Bar	\$
<i>Not available with Folding Base</i>	
Adjustable Height Folding Rigidizer Bar	\$
<i>Not available with Reclining Back or Rigid Base</i>	

Footrest

Hanger / Front Frame Bend

Hanger	70°	80°	90°		Retail
Extension Tube Mount		1			N/C
Front Mount					N/C
Pro Elevating Leg Rests E0990					\$
Pediatric Pro Elevating Leg Rests E0990 ²					\$
Omit Hangers					\$

1 Not available with 7" or 8" casters with Offset Hangers or 8" casters with Aluminum Angle Adjustable Footplates

2 Not available with Frame Widths less than 14" without Offset Hangers or Frame Widths less than 12" with Offset Hangers

PRO ELR Cover

Available only on PRO ELR.

Gel Pad Covers (PAIR)	\$
-----------------------	----

3" Extension

Available only with Front Mount Hangers. Not available with 90° hangers in combination with Offset Hangers and 8" casters.

3" Extension	\$
3" Extension (Provided as Parts)	\$

Footrest / Extension / Seat to Footrest Length

Select Extension and Seat to Footrest Length in row corresponding to desired Footrest. Footrest Length of at least 2.5" shorter than Front Seat Height recommended. Extension Tube Hanger measurements based on 70° Hanger Bend.

Footrest	Extension	Seat to Footrest Length											
		10"	10.5"	11"	11.5"	12"	12.5"	13"	13.5"	15"	15.5"	18"	
Extension Tube Hangers (70°,80°)	Short (10" - 13.5")	10"	10.5"	11"	11.5"	12"	12.5"	13"	13.5"				
	Medium (11.5" - 15.5")	11.5"	12"	12.5"	13"	13.5"	14"	14.5"	15"	15.5"			
	Long (14" - 18")	14"	14.5"	15"	15.5"	16"	16.5"	17"	17.5"	18"			
Front Mount Hangers ¹	Short Front Mount Hanger	Standard Selections									Requires 3" Extension \$		
		4" ⁵	4.5" ⁵	5"	5.5"	6"					8.5"	9"	9.5"
	Medium Front Mount Hanger	6.5"	7"	7.5"	8"						10"	10.5"	11"
		4" ⁴	4.5" ⁵	5"	5.5"	6"	6.5"	7"			10.5"	11"	11.5"
	Long Front Mount Hanger	7.5"	8"	8.5"	9"	9.5"	10"				12"	12.5"	13"
		5"	5.5"	6"	6.5"	7"	7.5"	8"	8.5"		12.5"	13"	13.5"
		9"	9.5"	10"	10.5"	11"	11.5"	12"		14"	14.5"	15"	
Peds PRO ELR ²	Low Pivot Setting	6" ³	6.5" ³	7" ³	7.5" ³	8" ⁴	8.5"	9"	9.5"	10"	10.5"	11"	11.5"
	High Pivot Setting	6" ³	6.5" ³	7" ³	7.5" ³	8" ⁴	8.5"	9"	9.5"	10"			
PRO ELR Low Pivot Setting	PRO ELR Low Pivot Setting Short (10.5" - 15.5")	10.5" - 15.5"											
	PRO ELR Low Pivot Setting Long (13" - 19")	13" - 19"											
PRO ELR High Pivot Setting	PRO ELR High Pivot Setting Short (8.5" - 17")	8.5" - 17"											
	PRO ELR High Pivot Setting Long (11.5" - 17.5")	11.5" - 17.5"											

¹ See Minimum Front Seat Height chart below

² Comes standard with 3" Extension

³ Not available on chairs 14" wide or more

⁴ Not available on chairs 15" wide or more

⁵ Available only with 90° Front Mount Hangers

Minimum Front Seat Height with Front Mount Hangers						
Hanger Length	Short		Medium		Long	
	70°	80/90°	70°	80/90°	70°	80°
Minimum Front Seat Height with Standard Selection	14.5"	14.5"	14.5"	14.5"	14.5"	15.5"
Minimum Front Seat Height with 3" Extension	14.5"	14.5"	15.5"	16"	17"	18"

Footplate

No selection needed with Contracture Footrest.

Composite	N/C
<i>Not available with Front Mount Hanger, Frame Widths less than 14" without Offset Hangers, Frame Widths less than 12" with Offset Hanger.</i>	
Composite Angle Adjustable (K0040)	\$
<i>Not available with Front Mount Hanger or 10"-12" Frame Widths. 13" and 14" Frame Widths require Offset Hanger.</i>	
Aluminum Angle Adjustable (K0040)	\$
Aluminum Locking Multi-Angle Adjustable (K0108)	\$
<i>Available only with Front Mount Hanger.</i>	

Hanger Release

No selection needed with Contracture Footrest. If no selection is made

4-Way - In line will be used.

Classic	N/C
4-Way - In-Line	N/C
<i>Allows chair to be folded without removing footrest hanger. Not available with PRO ELR or Peds PRO ELR.</i>	
4-Way - Out	N/C
<i>Not available with PRO ELR or Peds PRO ELR.</i>	

Heel Loops

Not available with One Piece Flip Up Angle Adjustable Footplate.

Heel Loops (E0951)	\$
<i>Not available with Frame Widths less than 14" without Offset Hangers or Frame Widths less than 12" with Offset Hangers.</i>	
Adjustable Heel Loops (E0951)	\$
Omit Heel Loops	N/C

Calf Straps

Velcro Adjustable (K0038)	\$
Padded Velcro Adjustable (K0038)	\$
Bodypoint Padded AeroMesh (K0038)	\$

Residual Limb Support

	Limb Support	Price	Omit	Cover		Pad Size					
						5X8 Pad Left Side	7X10 Pad Left Side	9x10 Pad Left Side	9x14 Pad Left Side	11x10 Pad Left Side	11x14 Pad Left Side
Left	Left Limb Support (E1020)	\$431	Omit Left Hanger	Smooth Cover Left	Air Mesh Cover Left						
Right	Right Limb Support (E1020)	\$431	Omit Right Hanger	Smooth Cover Right	Air Mesh Cover Right	5X8 Pad Right Side	7X10 Pad Right Side	9x10 Pad Right Side	9x14 Pad Right Side	11x10 Pad Right Side	11x14 Pad Right Side

Seat Height, Casters, and Rear Wheels

Select Seat Height corresponding to desired Rear Wheel and Caster Size.

Rear Wheel Size	Caster Size			
	5"	6"	7"	8"
12" with Pneumatic or Pneumatic with Airless Insert Tire	Seat Height			
	14.5"			
	15"			
	15.5"	15.5"		
	16"	16"		
12" with Full Poly Tire	14.5"			
	15"			
	15.5"	15.5"		
	16"	16"		
12" with Drum Brake	14.5"			
	15"			
	15.5"	15.5"		
	16"	16"		
	16.5"	16.5"		
16" with Pneumatic, Pneumatic with Airless Insert or Full Poly Tire	14.5"			
	15"			
	15.5"	15.5"		
	16"	16"		
	16.5"	16.5"		
	17"	17"	17"	
	17.5"	17.5"	17.5"	
	18"	18"	18"	18"
	18.5"	18.5"	18.5"	18.5"

Rear Wheel Size	Caster Size			
	5"	6"	7"	8"
16" With Low Poly Tire	Seat Height			
	14.5"			
	15"			
	15.5"	15.5"		
	16"	16"		
	16.5"	16.5"		
16" with Drum Brake	17"	17"	17"	
	17.5"	17.5"	17.5"	
	15"			
	15.5"	15.5"		
	16"	16"		
	16.5"	16.5"		
20"	17"	17"	17"	
	17.5"	17.5"	17.5"	
	18"	18"	18"	18"
	18.5"	18.5"	18.5"	18.5"
	18"	18"	18"	18"
	18.5"	18.5"	18.5"	18.5"
	19"	19"	19"	19"
	15"			
	15.5"	15.5"		
	16"	16"		

Castors

Caster Type	Price	Caster Size			
		5"	6"	7"	8"
.75" Lighted Rollerblade	\$				
1" Poly	N/C				
1" Poly Aluminum	\$				
1" Pneumatic	\$				
1.5" Poly	\$				
1.5" Soft Roll Aluminum	\$				
2" Poly	\$				

Axles

No selection needed with Drum Brake.

Fixed	N/C
Quick Release	N/C

Wheels

Rear Wheel Type	Price	Rear Wheel Size		
		12"	16"	20" ¹
Mag	N/C			
Colored Mag ²	\$			
MAXX Spoke	\$			

¹ Not available with Attendant Foot Lock
² Mag color selection on page 7

Rear Tire Type

Low Poly (E2218)	N/C
<i>Available only with 16" wheel size.</i>	
Full Poly (E2218)	N/C
Pneumatic (E2211, E2212)	\$
Pneumatic with Airless Insert (E2211, E2213)	\$

Handrims

Handrims not available on 12" or 16" wheel sizes.

Aluminum Anodized	N/C
Plastic Coated	\$
Omit Handrim	N/C

Wheel Locks

Wheel Lock	
Push to Lock	N/C
Pull to Lock	N/C
<i>Not available with 12" or 16" Full Poly tires.</i>	
Attendant Foot Lock	N/C
<i>Not available with 20" wheels. Mounted to the right side unless Foot Tilt - Right is selected.</i>	
Drum Brake (E2228)	\$
<i>Available only with 12" Mag, 16" Mag, or MAXX Spoke wheels. Not available with 16" Low Poly tire or Recline Back or Vent and Battery Tray or Hand Tilt. Axle is Quick Release.</i>	
Dual - Drum Brake with Push to Lock (E2228)	\$
<i>Available only with 12" Mag, 16" Mag, or MAXX Spoke wheels. Not available with 16" Low Poly tire or Recline Back or Vent and Battery Tray or Hand Tilt. Axle is Quick Release.</i>	
Dual - Drum Brake with Pull to Lock (E2228)	\$
<i>Available only with 12" Mag, 16" Mag, or MAXX Spoke wheels. Not available with 16" Low Poly tire or Recline Back or Vent and Battery Tray or Hand Tilt. Axle is Quick Release.</i>	
Hemi Wheel Lock - Right	\$
<i>Not available with 20" wheels. Extension Handle included.</i>	
Hemi Wheel Lock - Left	\$
<i>Not available with 20" wheels. Extension Handle included.</i>	
Omit	N/C

Wheel Lock Options

Extension Handles (E0961)	\$
<i>Available only with Push to Lock or Pull to Lock Wheel Locks.</i>	

Armrest

Armrest Type	Length	Price
Height Adjustable T-Arm Tall (11.5"-15") E0973	Desk	\$
	Full	
Height Adjustable Pediatric E0973 ¹	Desk(6.5"-9")	\$
	Desk Tall(8"-10.5")	
Height Adjustable T-Arm (8.5"-13.5") E0973 ²	Desk	\$
	Full	
Height Adjustable T-Arm Low (6.5"-10.5") E0973 ³	Desk	\$
	Full	

¹ Best fit with Frame Depths less than 14"

² Not available with 12" Frame

³ Not available with 12" Frame Depth. If requested configuration is unavailable, Standard Height T-Arm will be used.

⁴ Not available with Dynamic Back. Available only with 12" and 16" Rear Wheels.

⁵ Not available with Dynamic Back, Reclining Back or Arm Pads

Armrest Type	Length	Price
Angle Adjustable Locking Extendable Flip Up E0973 ⁴	Desk	\$
	Full	
Tubular Flip Up ⁵		N/C
Omit Armrests		N/C

Arm Pads

Standard Arm Pad	N/C
Waterfall Arm Pad	\$
<i>Not available with Angle Adjustable Locking Extendable Flip Up Armrest.</i>	
Foam Grip	N/C
<i>Available only with Angle Adjustable Locking Extendable Flip Up Armrest.</i>	

Accessories

Removable Side Guards

Not available with Height Adjustable Armrests.

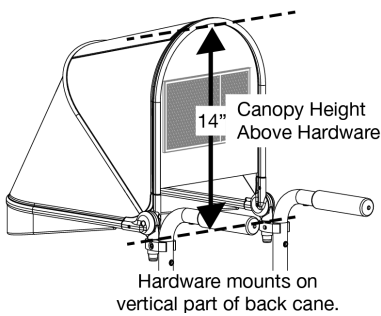
Adult Composite Side Guards (14" - 16") (K0108)	\$
Pediatric Composite Side Guard (10" - 14") (K0108)	\$

Pelvic Positioning Belts

1" Auto Buckle Pelvic Positioning Belt (E0978)	\$
1" Padded Auto Buckle Pelvic Positioning Belt (E0978)	\$
1 1/2" Auto Buckle Pelvic Positioning Belt (E0978)	\$
1 1/2" Padded Auto Buckle Pelvic Positioning Belt (E0978)	\$
2" Airline Buckle Pelvic Positioning Belt (E0978)	\$
Small Bodypoint Evoflex (16-24") (E0978)	\$
Medium Bodypoint Evoflex (19-29") (E0978)	\$
Large Bodypoint Evoflex (25-37") (E0978)	\$

Belt Mounting Kit

Belt Mounting Band Clamp	\$
Seat Belt Mounting Hardware	\$



Anti-Tips

Rear Anti-Tips (E0971)	\$
Omit	N/C

Spoke Guards

Available only with MAXX Spoke

Clear Spoke Guards (K0065)	\$
Blue Monster Spoke Guards (K0065)	\$
Robo Fun Spoke Guards (K0065)	\$
Tutu Cute Spoke Guards (K0065)	\$
Tuxedo Time Spoke Guards (K0065)	\$

Other Accessories

Tool Kit	\$
Removable Underseat Pouch	\$
Pediatric Ki Mobility Backpack	\$
Ki Mobility Backpack	\$
Black Neoprene Impact Guards	\$
Tilt Stop Posterior (Pair) (K0108)	\$
Tilt Stop Anterior (Pair) (K0108)	\$
IV Pole	\$
O2 Holder (E2208)	\$
<i>Mounted to the left side. Must remove tank for transit.</i>	
Canopy with Hardware (K0108)	\$
<i>See image to the left.</i>	

Color

Select desired base frame and seat frame / hanger colors. If no Seat Frame color is selected, Base Frame color will be used.

Options	Price	Colors																				
		Gloss											Matte									
		Black	Blue Skies	Bubblegum Pink	Candy Blue	Candy Purple	Candy Red	Copper	Granny Smith	Metallic Orange	Silver	Teal	Yellow	Charcoal Gray	Emerald Green	Iridescent Burgundy	Iridescent Navy	Military Green	Retro Red	Royal Blue	Shadow Black	Smooth White
Seat Frame	N/C																					
Base Frame	N/C																					
Mag Color																						

Cushions and Backrests

AXIOM

Ki Mobility

ADI
A Stealth Product

VARILITE

R I E

Cushion:

Backrest:

Other Accessories: