

Account Number:

Date:

Address:

Quote: PO Number:

City:

Phone:

Email

Effective: 1/10/2024

Clik XP- Transit Included (K0005, E1235, E1237)  
Clik XP - Transit Not Included (K0005, E1235, E1237)  
Width Growable Frame Price includes one tie free growth kit  
165 lb weight capacity Maximum Seat Width of 18"

## Frame

### Seat Width

See reference A on page 7

8"	N/C
Not available 14"-16" Seat Depth.	
9"	N/C
Not available 15"-16" Seat Depth.	
10"	N/C
Not available 16" Seat Depth.	
11"	N/C
12"	N/C
13"	N/C
14"	N/C
Not available 8" Seat Depth.	
15"	N/C
Not available 8"-9" Seat Depth.	
16"	N/C
Not available 8"-10" Seat Depth.	

### Seat Depth

See reference B on page 7

8"	N/C
9"	N/C
10"	N/C
11"	N/C
12"	N/C
13"	N/C
14"	N/C
15"	N/C
16"	N/C

### Adjustable Depth

Adds the capability to grow seat in depth. For restrictions see Chart 2 on page 7.

No Rear Adjustment	N/C
1"	N/C
2"	N/C
3"	N/C

### Transit

Transit System	\$
Omit	N/C

### Offset Option

See Chart 1 on page 7.

Straight Frame	N/C
Offset Frame	N/C
Not available with 0 and -1 Sling Positions	

### Seat Option

Growing Seat Sling	N/C
Growing Solid Seat Pan (E2231)	\$
Omit Seat	N/C

### Sling Position

With 0 Sling Position, sling is approximately 4" from front down tube. The 1 and 2 Sling Positions extend the frame in front of the sling by that amount. -1 pushes the seat 1" farther forward. See reference D on page 7 for further detail and restrictions.

2"	N/C
1"	N/C
0"	N/C
Not available with Offset Frame.	
-1"	N/C
Not available with Offset Frame.	

### Front Caster Wing

Certain combinations of Seat Depth, Center of Gravity Position and Wheel Size may require a forward facing caster wing.

Forward Facing Wing	N/C
---------------------	-----

### Front Frame Bend

Angle between front seat tube and ground. See reference C on page 7.

90°	N/C
85°	N/C
80°	N/C

HCPCS codes provided are based on code verification by the PDAC or our interpretation of the code definitions.

Proper use of HCPCS codes does not ensure coverage or payment. For coverage information, verify the appropriate payer's coverage policy.

DCN0084.30 Pricing and specifications subject to change without notice.

## Backrest

### Back Post / Height Range / Back Height

Back Post	Price	Height Range	Back Height				
			9"	10"	11"	12"	13"
Height Adjustable (Standard or 1" Inward Offset)	N/C	Extra Short <sup>1,2</sup>	9"	10"	11"	12"	
		Short <sup>2</sup>	11"	12"	13"	14" <sup>1</sup>	
		Medium <sup>2</sup>	13"	14"	15"	16"	
		Tall <sup>2</sup>	15"	16"	17"	18"	
Fixed Height (Straight or 1" Inward Offset)	N/C	Fixed <sup>3</sup>	9" <sup>1</sup>	10" <sup>1</sup>	11" <sup>1</sup>	12"	13"
			14"	15"	16"	17"	18"
Fixed Height 2" Offset	\$	Fixed Offset 2" <sup>3</sup>	11" <sup>1</sup>	12" <sup>1</sup>	13" <sup>1</sup>	14" <sup>1</sup>	
			15"	16"	17"		

<sup>1</sup> Not available with Fold Down Push Handle

<sup>2</sup> Each Offset Back Post is offset 1/2" creating 1" overall offset. Only Available with Standard or 1" Inward Offset.

<sup>3</sup> Uses 1" tubes compatible with after-market backs. Not available with back upholstery. <sup>2</sup> Inward or Outward Offset Back Posts are offset 1" creating 2" overall offset. <sup>1</sup> Offset Back Post is offset 1/2" creating 1" overall offset

### Offset Back Post Option

Straight - No Offset	N/C
1" Inward Offset	N/C
Not available with 8" Seat Width	
2" Inward Offset	N/C
Not available with Height Adjustable Back Post. Not available with 8" or 9" Seat Widths.	
2" Outward Offset	N/C
Not available with Height Adjustable Back Post. Not available with Swing Away Armrests or 8" and 9" Seat Widths.	

### Push Handles

Omit Push Handle	N/C
Standard Push Handle	N/C
Fold Down Push Handle	\$
<i>Not available on Height Adjustable Back Posts with 9"-11" Back Heights or Offset Back Posts with 11" - 14" Back Heights.</i>	
Bolt-On Push Handle	\$
<i>Handles will be 1" - 2" above back height</i>	

### Stroller Handles

*Stroller Handles are removable and height adjustable.*

Ergo Stroller Handle	\$
Single Stroller Handle	\$
Double Stroller Handle	\$
<i>Not available with 8"-10" Seat Widths.</i>	

### Backrest Release Cable Color

*Select desired color. If no selection is made, black will be used.*

Black Backrest Cable	Red Backrest Cable	White Backrest Cable
Blue Backrest Cable	Yellow Backrest Cable	Orange Backrest Cable
Green Backrest Cable	Pink Backrest Cable	N/C

### Back Upholstery Options

*Available only with Height Adjustable Back Posts. If selecting both upholstery and Axiom Back, the upholstery will be installed.*

Padded Velcro Adjustable with Standard Cover	N/C
<i>Not available with 17" or 18" Back Heights in combination with 8" or 9" Seat Widths.</i>	
Padded Velcro Adjustable with Air Mesh Breathable Cover	\$
<i>Not available on chair widths less than 12"</i>	
Tension Adjustable with Standard Cover (E2611)	\$
<i>Not available with 8" and 9" Seat Widths. Not available on 10" Seat Width and 1" Inward Offset.</i>	
Tension Adjustable with Air Mesh Breathable Cover (E2611)	\$
<i>Not available on chair widths less than 12".</i>	
Omit	N/C

### Seat Back Angle

*Standard is 90° (perpendicular to floor). Minus (-°) closes back angle. Plus (+°) opens back angle.*

Standard	2°	4°	6°	8°	10°
-2°	-4°	-6°	-8°	-10°	N/C

## Front Seat Height and Casters

### Caster Size/ Front Seat Height

Select Front Seat Height in row corresponding to desired Caster Size.

Front Seat Height is measured from floor to top of seat tube at front of seat sling. Adjustable up or down by 1/2". See reference E on page 7.

Caster Size	Front Seat Height														
	11.5"	12"	12.5"	13"	13.5"	14"	14.5"	15"	15.5"	16"	16.5"	17"	17.5"	18"	18.5"
3"	11.5"	12"	12.5"	13"	13.5"	14"	14.5"	15"	15.5"	16"	16.5"	17"	17.5"	18"	18.5"
4"	12.5"	13"	13.5"	14"	14.5"	15"	15.5"	16"	16.5"	17"	17.5"	18"	18.5"	19"	19.5"
5"	13.5"	14"	14.5"	15"	15.5"	16"	16.5"	17"	17.5"	18"	18.5"	19"	19.5"	20"	20.5"
6"	14.5"	15"	15.5"	16"	16.5"	17"	17.5"	18"	18.5"	19"	19.5"	20"	20.5"		

**Casters**

		Caster Size				
		Price	3"	4"	5"	6"
Caster Type	.75" Rollerblade	N/C				
	.75" Lighted Rollerblade	\$				
	1" Poly	N/C				
	1" Poly Aluminum	\$				
	1" Pneumatic	\$				
	1.5" Poly	\$				
	1.5" Soft Roll Aluminum	\$				

**Caster Options**

Standard Fork	N/C
Single Sided Fork	\$
Frog Legs Suspension Fork	\$
<i>Not included in Colored Anodizing Package.</i>	
User Weight Under 80 lbs	N/C
User Weight 80-120 lbs	N/C
User Weight 120-160 lbs	N/C

**Footrest**

**Footplates**

Aluminum Angle Adjustable (K0040)	\$
<i>Not available with Front Seat Heights less than 14.5".</i>	
Aluminum Angle Adjustable with Riser (K0040, K0037)	\$
<i>Not available with Front Seat Heights less than 14.5".</i>	
High Mount Aluminum Angle Adjustable (K0040, K0037)	\$
Angle Adjustable Flip Under (K0040, K0037)	\$
<i>Not available with footrest widths less than 9" or with Front Seat Heights less than 15". See reference F on page 8.</i>	
High Mount Angle Adjustable Flip Under (K0040, K0037)	\$
<i>Not available with 16" Seat Width in combination with Offset Frame.</i>	

**Seat to Footrest Length**

*Measured from front edge of seat sling to top, rear of footrest. Footrest length at least 2.5" shorter than Front Seat Height recommended. See reference G on page 7.*

5.5"	6"	6.5"	7"	7.5"	8"
8.5"	9"	9.5"	10"	10.5"	11"
11.5"	12"	12.5"	13"	13.5"	14"
14.5"	15"	15.5"	16"	16.5"	17"
17.5"	18"				

**Rear Seat Height and Wheels**

**Wheel Size / Rear Seat Height**

*Select Rear Seat Height in row corresponding to desired Wheel Size. For proper setup, selection is required when omitting rear wheels. Measured from floor to top of seat tube at front of back post. Rear Seat Height is custom to needs. See reference H on page 7.*

Wheel Size	Rear Seat Height															
18"	11.5" <sup>1</sup>	12"	12.5"	13"	13.5"	14"	14.5"	15"	15.5"	16"	16.5"	17"	17.5"	18"	18.5"	19"
20"	12.5" <sup>1</sup>	13"	13.5"	14"	14.5"	15"	15.5"	16"	16.5"	17"	17.5"	18"	18.5"	19"	19.5"	20"
22"	13.5" <sup>1</sup>	14"	14.5"	15"	15.5"	16"	16.5"	17"	17.5"	18"	18.5"	19"	19.5"	20"		
24"	14.5" <sup>1</sup>	15"	15.5"	16"	16.5"	17"	17.5"	18"	18.5"	19"	19.5"	20"				

<sup>1</sup> Available only with Low Profile tires

**One Arm Drive**

One Arm Drive - Quick Release (E0958)	\$
<i>Available only with 20", 22" and 24" spoke wheels and Quick Release axles. Spoke wheel style is exclusive to OAD. Standard handrim will be Aluminum anodized. Rear Wheel Spacing limitations exist based on camber and armrest selections. Not available with 10" wide chairs.</i>	

Left Side Drive	N/C
Right Side Drive	N/C
Aluminum Drive Handrim	N/C
Poly Coated Drive Handrim	\$

**Spinergy Options**

*Select spoke color and handrim tab for Spinergy wheels*

**Spoke Color**

Black Spokes	Red Spokes	White Spokes	Blue Spokes	N/C
--------------	------------	--------------	-------------	-----

**Handrim Mount**

*If no selection is made, Standard Mount will be used*

Close Mount	N/C
-------------	-----

**Axles**

*No selection needed with Drum Brake.*

Quick Release	N/C
Quad Quick Release	\$
<i>Not available with Mag or Spinergy wheels.</i>	

**Rear Wheel Spacing**

*Adjustable up to .5" outward. Minimum spacing with offset frame is 1.25" with 0° camber, 1" with 2° or 4° camber and .75" with 6° or 8° camber. .75" minimum with 0° camber on standard frame. 0° Camber and Mag wheel combination requires 1" minimum Rear Wheel Spacing. No selection needed with Wheelchair Drive Ready option. .5 and .75" not available with One Arm Drive. See Reference J on page 7.*

0.5"	0.75"	1"	1.25"	1.5"	1.75"	N/C
------	-------	----	-------	------	-------	-----

**Rear Wheels**

*No selection needed with One Arm Drive.*

		Rear Wheel Size				
		Price	18"	20"	22"	24"
Rear Wheel Type	MAXX Spoke	N/C				
	Mag	\$				
	Colored Mag <sup>1</sup>	\$				
	Spinergy Spox	\$				
	Spinergy LX	\$				

<sup>1</sup> Color selection on page 6

### Rear Tire Type

#### Full Profile

Street Pneumatic 1 3/8" (E2211, E2212)	N/C
Full Poly 1 3/8" (E2218)	\$
Pneumatic with Airless Insert 1 3/8" (E2211, E2213)	\$

#### Low Profile

Low Poly 1" (E2218)	N/C
Sentinel Solid Tire 1" (E2218)	\$
<i>Not available on 18" wheel size or 20" and 22" Mag wheels</i>	
High Pressure 1" (E2211, E2212)	\$
<i>Not available on Mag wheel or 18" wheel size</i>	
Schwalbe Marathon Plus Evolution 1" (E2211, E2212)	\$
<i>Available only on 24" MAXX Performance or Spinergy wheels</i>	

### Handrims

*No selection needed with One Arm Drive.*

#### Standard Handrims

Aluminum Anodized	N/C
Plastic Coated	\$
Projection (8 Vertical Projections)	\$
<i>Available only with full profile tires in combination with 22", 24", and 26" MAXX Spoke wheels, or 22" and 24" Mag wheels</i>	
Omit Handrim	N/C

#### Ergonomic Handrims

*Not available with 20" or 26" wheels. Tab mount only available with 24" wheels.*

Lite Regular Grip	\$
Standard Regular Grip	\$
Lite Extra Grip	\$
Standard Extra Grip	\$
Lite Omit Grip	\$
Standard Omit Grip	\$

### Handrim Options

3M Micro Grip	\$
<i>Not available on Plastic Coated or Projection Handrims.</i>	

## Wheel Locks

### Wheel Lock

Push to Lock	N/C
Push to Lock Flush Mount	N/C
<i>Not available with Seat Depths less than 11" or Offset Frame.</i>	
Pull to Lock	N/C
Low Profile Scissor Lock	\$
<i>Not available with Low Poly, Full Poly, Sentinel tires or Offset Hanger.</i>	
Short Thro Scissor Lock	\$
Drum Brake (E2228)	\$
<i>Available only with 20", 22" and 24" MAXX Spoke wheels. Not available with Fold Down Push Handles or Ergo and Single Stroller Handles without integrated push handles. Axle is Quick Release.</i>	
Dual - Drum Brake with Push to Lock (E2228)	\$
<i>Available only with 20", 22" and 24" MAXX Spoke wheels. Not available with Fold Down Push Handles or Ergo and Single Stroller Handles without integrated push handles. Axle is Quick Release.</i>	
Dual - Drum Brake with Pull to Lock (E2228)	\$
<i>Available only with 20", 22" and 24" MAXX Spoke wheels. Not available with Fold Down Push Handles or Ergo and Single Stroller Handles without integrated push handles. Axle is Quick Release.</i>	
Omit	N/C

### Wheelchair Drive Ready

*Chair will ship from Ki Mobility with adaption kit installed for selected Alber system. Order system separately from Alber USA. Select Rear Seat Height (full profile selections only) in drive wheel size on Rear Seat Height chart above. Requires Rear Anti-Tips. Not available with 5th Wheel or Spinergy wheels.*

e-motion Ready	N/C
twion Ready	N/C
0 Degree Camber    3 Degree Camber	N/C

### Center of Gravity presets

*Measured from front of back post to center of rear axle. 0" indicates axle will be directly under back post. Center of Gravity setup may be limited with certain configurations. 2" minimum Center of Gravity with 5th Wheel and One Arm Drive and 0" minimum with Transit Option. See reference I on page 7.*

Amputee Positions			
-1.5"	-1.25"	-1"	-.75"
-.5"	-.25"	0"	.25"
Standard Positions			
.5"	.75"	1"	1.25"
1.5"	1.75"	2"	2.25"
2.5"	2.75"	3"	3.25"
3.5"	3.75"	4"	4.25"

### Rear Wheel Camber

*The following apply if One Arm Drive is selected: 6° and 8° not available. 4° not available with T-Arms. 0° required with the combination of a 5th Wheel and Seat Widths less than 16"*

0°    2°    4°    6°    8°	N/C
----------------------------	-----

### Wheel Lock Options

Extension Handles (E0961)	\$
<i>Available only with Push to Lock or Pull to Lock Wheel Locks.</i>	
Grade Aids (E0974)	\$
<i>Available only with Push to Lock Wheel Locks and Pneumatic or Pneumatic w/ Airless Insert tires.</i>	

## Armrests

Armrest Type	Length	Price
Height Adjustable T-Arm Tall (11.5"-15") E0973 <sup>1</sup>	Desk	\$
	Full	
Height Adjustable T-Arm (8.5"-13.5") E0973 <sup>1</sup>	Desk	\$
	Full	
Height Adjustable T-Arm Low (6.5"-10.5") E0973 <sup>2</sup>	Desk	\$
	Full	
Angle Adjustable Locking Extendable Flip Up <sup>3</sup>	Desk	\$
	Full	

Armrest Type	Price
Height Adjustable Pediatric Desk (6.5" - 10") E0973 <sup>4</sup>	\$
Tubular Flip Up <sup>5</sup>	N/C
Swing Away (7"-9") E0973 <sup>6</sup>	\$
Tall Swing Away (9.25" - 11.25") E0973 <sup>7</sup>	\$
Omit Armrests	N/C

### Arm Pads

Not available with Tubular Flip Up or Swing Away Armrests.

Standard Arm Pad	N/C
Waterfall Arm Pad	\$
<i>Not available with Angle Adjustable Locking Extendable Flip Up Armrest.</i>	
Foam Grip	N/C
<i>Available only with Angle Adjustable Locking Extendable Flip Up Armrest.</i>	

<sup>1</sup> Not available with Seat Depths less than 13". 16" minimum Seat Depth with Offset Frame. 1.25" minimum Rear Wheel Spacing.  
<sup>2</sup> Not available with Seat Depths less than 12". 14" minimum Seat Depth with Offset Frame. 1.25" minimum Rear Wheel Spacing. If requested configuration is unavailable, Standard Height T-Arm will be used.  
<sup>3</sup> Requires Fixed Height Backrest. Not available with backrest heights less than 12"  
<sup>4</sup> Seat Depth plus Sling Position must be at least 10". Seat Depth plus Sling Position must be at least 12" with Offset Frame 1.25" minimum Rear Wheel Spacing.  
<sup>5</sup> Requires Fixed Height Backrest. Not available with Arm Pads, Back Heights less than 13" or Back Heights less than 14" with Offset.  
<sup>6</sup> Not available with Arm Pads or Outward Offset Back Posts. If selection is not available with rear wheel and rear seat height configuration, then Tall Swing Away armrest will be used.  
<sup>7</sup> Not available with Arm Pads or Outward Offset Back Posts

## Side Guards

### Direct Mount Side Guards

Not available with T-Arms or Height Adjustable Pediatric Desk Armrests.

Composite Side Guards - Adult - Direct Mount Receiver (K0108)	\$
<i>Seat Depth plus Sling Position must be at least 12".</i>	
Composite Side Guards - Pediatric - Direct Mount Receiver (K0108)	\$
<i>Seat Depth plus Sling Position must be at least 10".</i>	

### Clamp-On Mount Side Guards

10" minimum Seat Depth. Not available with T-Arms or Height Adjustable Pediatric Desk Armrests.

Aluminum Adjustable Fender w/Foam Pad - Clamp-On Receiver - Black Matte (K0108)	\$
Aluminum Adjustable Fender w/Foam Pad - Clamp-On Receiver - Match Frame Color (K0108)	\$
Carbon Fiber Adjustable Fender - Clamp-On Receiver (K0108)	\$

## Accessories

### 5th Wheel

Rotating removable rear caster.

Standard 5th Wheel (E0971)	\$
Dynamic 5th Wheel (K0108)	\$
Soft Elastomer    Firm Elastomer	N/C

Both elastomers are included; the selected elastomer will be installed.

### Anti-Tip

Rear Anti-Tips (E0971)	\$
Omit	N/C

### Calf Strap

Not available with 8" or 9" wide chairs.

Velcro Adjustable (K0038)	\$
Padded Velcro Adjustable (K0038)	\$
Bodypoint Padded AeroMesh (K0038)	\$

### Pelvic Positioning Belts

1" Auto Buckle Pelvic Positioning Belt (E0978)	\$
1" Padded Auto Buckle Pelvic Positioning Belt (E0978)	\$
1 1/2" Auto Buckle Pelvic Positioning Belt (E0978)	\$
1 1/2" Padded Auto Buckle Pelvic Positioning Belt (E0978)	\$
Small Bodypoint Evoflex - Pelvic Stabilizer (16-24") (E0978)	\$
Medium Bodypoint Evoflex - Pelvic Stabilizer (19-29") (E0978)	\$
Large Bodypoint Evoflex - Pelvic Stabilizer (25-37") (E0978)	\$

### Belt Mounting Kit

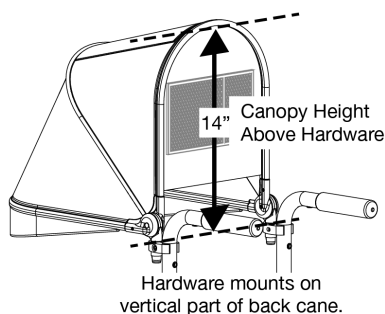
Ki Mobility Belt Mounting Clamp	\$
---------------------------------	----

### Other Accessories

Tool Kit	\$
Removable Underseat Pouch	\$
Pediatric Ki Mobility Backpack	\$
<i>Best fit on chairs more than 8" wide.</i>	
Ki Mobility Backpack	\$
<i>Best fit on chairs more than 10" wide.</i>	
Luggage Carrier	\$
Cane and Crutch Holder	\$
Canopy with Hardware (K0108)	\$
<i>See image to the right.</i>	

### Spoke Guards

Clear Spoke Guards (K0065)	\$
<i>Not available with Mag wheel.</i>	
Black Spoke Guards (K0065)	\$
<i>Not available with 18" or 20" wheel sizes or Mag wheel.</i>	
Blue Monster Spoke Guards (K0065)	\$
<i>Available only with 20" and 22" wheel sizes. Not available with Mag wheel.</i>	
Robo Fun Spoke Guards (K0065)	\$
<i>Available only with 20" and 22" wheel sizes. Not available with Mag wheel.</i>	
Tutu Cute Spoke Guards (K0065)	\$
<i>Available only with 20" and 22" wheel sizes. Not available with Mag wheel.</i>	
Tuxedo Time Spoke Guards (K0065)	\$
<i>Available only with 20" and 22" wheel sizes. Not available with Mag wheel.</i>	



## Colour

### Colour

*Frame/Accent: Select desired frame and accent colors. Accent color is used on backrest rigidizer bar and front caster wings; if no accent color is selected, frame color will be used.*  
*Hydrographics: Available on frame only; please choose accent color above. Does not include front caster wing*

Options	Price	Colours																				
		Gloss												Matte								
		Black	Blue Skies	Bubblegum Pink	Candy Blue	Candy Purple	Candy Red	Copper	Granny Smith	Metallic Orange	Silver	Teal	Yellow	Charcoal Gray	Emerald Green	Iridescent Burgundy	Iridescent Navy	Military Green	Retro Red	Royal Blue	Shadow Black	Smooth White
Frame	N/C																					
Accent	N/C																					
Mag Color																						

### Colour Anodizing Options

*Select desired color. If no selection is made, black will be used.*

	Colour	Black <sup>1</sup>	Blue	Bright Green	Gold	Orange	Pewter	Pink	Purple	Red
Retail		N/C	\$26	\$26	\$26	\$26	\$26	\$26	\$26	\$26
Option	Back Plates <sup>2</sup>									
	Camber Tube <sup>3</sup>									
	Towers									
	Side Guard Receiver									
	Caster Fork <sup>3</sup>									
	CG Clamp									
	5th Wheel Split Clamp									

<sup>1</sup> Black is no charge

<sup>2</sup> Not available with Transit Option

<sup>3</sup> Available only with Standard or Single Sided

Cushions and Backrests

**AXIOM**

**Ki Mobility**

**ADI**  
A Stealth Product

**VARILITE**

**R I D E**

Cushion:

Backrest:

Other Accessories:

**References**

**A. Seat Width** See Diagram 1

Measured from outside of frame tube on one side to outside of frame tube on other side.

**B. Seat Depth** See Diagram 3

Measured from front of back posts to front edge of seat sling. Seat sling starts at beginning of bend at front of frame.

**C. Front Frame Bend** See Diagram 3

Angle between front seat tube and ground.

**D. Sling Position** See Diagram 2

With 0 Sling Position, sling is approximately 4" from the front tube. The 1" and 2" Sling Positions extend the frame in front of the sling by that amount. -1 pushes the seat 1" farther forward. See Charts 1 and 2 for more detail.

**E. Front Seat Height** See Diagram 1

Measured from floor to top of seat tube at front of seat sling.

**F. Footrest Width** See Diagram 1

Measured from inside of front tube to inside of front tube on other side. Footrest width is listed below for each seat width. See Chart 1 for more detail.

**G. Seat to Footrest Length** See Diagram 3

Measured from front edge of seat sling to top of rear of footrest. Footrest length of at least 2.5" shorter than front seat height recommended.

**H. Rear Seat Height** See Diagram 3

Measured from floor to top of seat tube at front of back post. Rear seat height is custom to needs.

**I. Center of Gravity Preset** See Diagram 3

Measured from front of back post to center of rear axle. 0° indicates axle will be directly under back post.

**J. Rear Wheel Spacing** See Diagram 1

Measured from outside of seat back to inside of rear tire. Adjustable up to .5" outward.

Diagram 1

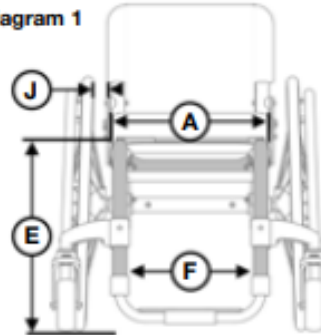


Diagram 2

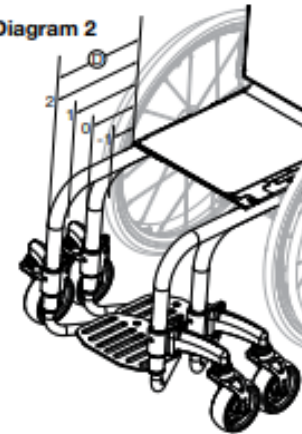


Diagram 3

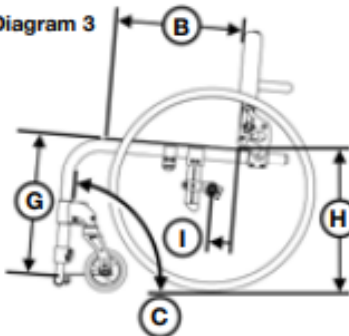


Chart 1

F. Footrest Width		
Seat Width	Straight Frame (Diagram 1)	Offset Frame
8"	5.75"	9"
9"	6.75"	10"
10"	7.75"	11"
11"	8.75"	12"
12"	9.75"	13"
13"	10.75"	14"
14"	11.75"	15"
15"	12.75"	16"
16"	13.75"	17"

Chart 2

Sling Position / Adjustable Depth / Seat Depth Compatibility										
Seat Depth	Sling Position	-1", 0"			1"			2"		
		1"	2"	3"	1"	2"	3"	1"	2"	3"
14"										X
15"						X		X	X	X
16"				X		X	X	X	X	X

"X" indicates Sling Position, Adjustable Depth and Seat Depth combination is not available.  
-1" Sling Position, 0" Adjustable Depth and 8" - 13" Seat Depths have no restrictions.