

Account Number:

Date:

Address:

Quote: PO Number:

City:

Phone:

Email:

Effective: 1/10/2024

|   |    |
|---|----|
| Flip - Rigid Base - Transit Included (E1233, E1161)       | \$ |
| Flip - Rigid Base - Transit Not Included (E1233, E1161)   | \$ |
| Flip - Folding Base - Transit Included (E1234, E1161)     | \$ |
| Flip - Folding Base - Transit Not Included (E1234, E1161) | \$ |

165 lb weight capacity Tilt range: 0° - 45° Maximum Seat Width of 18"

## Frame

### Frame Width

Select box corresponding to desired Frame Width.

| Frame Width |     |     |     |     |     |     |     |     |
|-------------|-----|-----|-----|-----|-----|-----|-----|-----|
| 10"         | 11" | 12" | 13" | 14" | 15" | 16" | 17" | 18" |

### Frame Depth

Select Frame Depth within desired Frame Depth Range.

| Frame Depth Range  | Frame Depth |         |         |         |                |
|--------------------|-------------|---------|---------|---------|----------------|
| Short (12" - 16")  | 12" N/C     | 13" N/C | 14" N/C | 15" N/C | 16" N/C        |
| Medium (14" - 18") | 14" N/C     | 15" N/C | 16" N/C | 17" N/C | 18" N/C        |
| Long (16" - 20")   | 16" N/C     | 17" N/C | 18" N/C | 19" N/C | 20" (E2203) \$ |

### Transit Option

|  |     |
|--|-----|
| Transit System   | \$  |
| <i>No charge when selected with Base Options with Transit Included</i> |     |
| Omit Transit   | N/C |

### Offset Hanger Option

|  |    |
|--|----|
| Offset Hanger                          | \$ |
| <i>Available only with Rigid Base.</i> |    |

### Tilt Mechanism

|           |     |
|-----------|-----|
| Hand Tilt | N/C |
| Foot Tilt | N/C |

### Seat Pan

|                                |     |
|--------------------------------|-----|
| Growing Solid Seat Pan (E2231) | \$  |
| Omit Seat Pan                  | N/C |

## Backrest

### Back Post / Height Range / Back Height

|   |     |
|---|-----|
| Stroller Handle Back Post (Short 20")   | N/C |
| Stroller Handle Back Post (Tall 24")  | N/C |
| Fixed Height Back with Adjustable Handle (Short 22")  | N/C |
| <i>Not available with Dynamic Back.</i>   |     |
| Fixed Height Back with Adjustable Handle (Tall 26")   | N/C |
| <i>Not available with Dynamic Back.</i>   |     |
| Reclining Back with Adjustable Handle (Short 22") (Non-Folding) (E1225)   | \$  |
| <i>Not available with Dynamic Back or Rigidizer Bar. Available only with Attendant Foot Lock. Minimum Seat Height of 15" with 12" Mag wheel and 16" with 16" Mag wheel.</i> |     |
| Reclining Back with Adjustable Handle (Tall 26") (Non-Folding) (E1225)  | \$  |
| <i>Not available with Dynamic Back or Rigidizer Bar. Available only with Attendant Foot Lock. Minimum Seat Height of 15" with 12" Mag wheel and 16" with 16" Mag wheel.</i> |     |
| Adjustable Height Back with Adjustable Handle (Short 18" - 25")   | N/C |
| <i>Not available with Dynamic Back.</i>   |     |
| Adjustable Height Back with Adjustable Handle (Tall 20" - 27")  | N/C |
| <i>20"-22" Heights not available with Dynamic Back.</i>   |     |

### Adjustable Height Back Post Height

|                 |                 |                 |                 |
|-----------------|-----------------|-----------------|-----------------|
| 18" Back Height | 19" Back Height | 20" Back Height | 21" Back Height |
| 22" Back Height | 23" Back Height | 24" Back Height | 25" Back Height |
| 26" Back Height | 27" Back Height |                 | N/C             |

### Stroller Handle Back Post Option

*Available only with Stroller Handle Back Post.*

|                                     |      |
|-------------------------------------|------|
| Removable Stroller Handle Extension | \$97 |
|-------------------------------------|------|

### Other Backrest Options

|                                    |     |
|------------------------------------|-----|
| Non Folding Back                   | N/C |
| <i>Standard with Dynamic Back.</i> |     |
| Dynamic Back (Non-Folding) (E2398) | \$  |
| Adjustable Height Rigidizer Bar    | \$  |

HCPCS codes provided are based on code verification by the PDAC or our interpretation of the code definitions.

Proper use of HCPCS codes does not ensure coverage or payment. For coverage information, verify the appropriate payer's coverage policy.

DCN129.23 Pricing and specifications subject to change without notice.

## Footrest

| Footrest Hanger Type                                 |     |     |     |  | PRO ELR Cover |
|--|-----|-----|-----|--|---------------|
| Hanger   | 70° | 80° | 90° |  | Retail        |
| Extension Tube Mount                                 |     | 1   |     |  | N/C           |
| Front Mount  |     | 1   | 1   |  | N/C           |
| Pro Elevating Leg Rests E0990                        |     |     |     |  | \$            |
| Pediatric Pro Elevating Leg Rests E0990 <sup>2</sup> |     |     |     |  | \$            |
| Omit Hangers   |     |     |     |  | \$            |

*1 Not available with 8" casters*  
*2 Not available with Frame Widths less than 14" without Offset Hangers or Frame Widths less than 12" with Offset Hangers*

| PRO ELR Cover              |    |
|----------------------------|----|
| Available only on PRO ELR. |    |
| Gel Pad Covers (PAIR)      | \$ |

| Hanger Extension Tubes                   |    |
|--|----|
| Available only with Front Mount Hangers. |    |
| 3" Extension                             | \$ |
| 3" Extension (Provided as Parts)         | \$ |

### Seat to Footrest Length

Select Extension and Seat to Footrest Length in row corresponding to desired Footrest. Footrest Length of at least 2.5" shorter than Front Seat Height recommended. Extension Tube Hanger measurements based on 70° Hanger Bend.

| Footrest                         | Extension                                       | Seat to Footrest Length |                   |                 |                   |                 |       |       |       |       |       |                              |       |
|----------------------------------|---|-------------------------|-------------------|-----------------|-------------------|-----------------|-------|-------|-------|-------|-------|------------------------------|-------|
|                                  |   | 10"                     | 10.5"             | 11"             | 11.5"             | 12"             | 12.5" | 13"   | 13.5" | 15"   | 15.5" |                              |       |
| Extension Tube Hangers (70°,80°) | Short (10" - 13.5")                             | 10"                     | 10.5"             | 11"             | 11.5"             | 12"             | 12.5" | 13"   | 13.5" | 15"   | 15.5" |                              |       |
|                                  | Medium (11.5" - 15.5")                          | 11.5"                   | 12"               | 12.5"           | 13"               | 13.5"           | 14"   | 14.5" | 15"   | 15.5" |       |                              |       |
|                                  | Long (14" - 18")                                | 14"                     | 14.5"             | 15"             | 15.5"             | 16"             | 16.5" | 17"   | 17.5" | 18"   |       |                              |       |
| Front Mount Hangers <sup>1</sup> | Short Front Mount Hanger                        | Standard Selections     |                   |                 |                   |                 |       |       |       |       |       | Requires 3" Extension for \$ |       |
|                                  |   | 4" <sup>5</sup>         | 4.5" <sup>5</sup> | 5"              | 5.5"              | 6"              |       |       |       | 8.5"  | 9"    | 9.5"                         |       |
|                                  | Medium Front Mount Hanger                       | 6.5"                    | 7"                | 7.5"            | 8"                |                 |       |       |       | 10"   | 10.5" | 11"                          |       |
|                                  |   | 4" <sup>5</sup>         | 4.5" <sup>5</sup> | 5"              | 5.5"              | 6"              | 6.5"  | 7"    |       | 10.5" | 11"   | 11.5"                        |       |
|                                  | Long Front Mount Hanger                         | 7.5"                    | 8"                | 8.5"            | 9"                | 9.5"            | 10"   |       |       | 12"   | 12.5" | 13"                          |       |
|                                  |   | 5"                      | 5.5"              | 6"              | 6.5"              | 7"              | 7.5"  | 8"    | 8.5"  | 12.5" | 13"   | 13.5"                        |       |
|                                  |   | 9"                      | 9.5"              | 10"             | 10.5"             | 11"             | 11.5" | 12"   | 14"   | 14.5" | 15"   |                              |       |
| Peds PRO ELR <sup>2</sup>        | Low Pivot Setting                               | 6" <sup>3</sup>         | 6.5" <sup>3</sup> | 7" <sup>3</sup> | 7.5" <sup>3</sup> | 8" <sup>4</sup> | 8.5"  | 9"    | 9.5"  | 10"   | 10.5" | 11"                          | 11.5" |
|                                  | High Pivot Setting                              | 6" <sup>3</sup>         | 6.5" <sup>3</sup> | 7" <sup>3</sup> | 7.5" <sup>3</sup> | 8" <sup>3</sup> | 8.5"  | 9"    | 9.5"  | 10"   |       |                              |       |
| PRO ELR Low Pivot Setting        | PRO ELR Low Pivot Setting Short (10.5" - 15.5") | 10.5" - 15.5"           |                   |                 |                   |                 |       |       |       |       |       |                              |       |
|                                  | PRO ELR Low Pivot Setting Long (13" - 19")      | 13" - 19"               |                   |                 |                   |                 |       |       |       |       |       |                              |       |
| PRO ELR High Pivot Setting       | PRO ELR High Pivot Setting Short (8.5" - 17")   | 8.5" - 17"              |                   |                 |                   |                 |       |       |       |       |       |                              |       |
|                                  | PRO ELR High Pivot Setting Long (11.5" - 17.5") | 11.5" - 17.5"           |                   |                 |                   |                 |       |       |       |       |       |                              |       |

- <sup>1</sup> See Minimum Front Seat Height chart to the right
- <sup>2</sup> Comes standard with 3" Extension
- <sup>3</sup> Not available on chairs 14" wide or more
- <sup>4</sup> Not available on chairs 15" wide or more
- <sup>5</sup> Available only with 90° Front Mount Hangers

| Minimum Front Seat Height with Front Mount Hangers |       |        |        |        |       |       |
|--|-------|--------|--------|--------|-------|-------|
| Hanger Length                                      | Short |        | Medium |        | Long  |       |
|  | 70°   | 80/90° | 70°    | 80/90° | 70°   | 80°   |
| Minimum Front Seat Height with Standard Selection  | 13"   | 13"    | 13"    | 13.5"  | 14.5" | 15.5" |
| Minimum Front Seat Height with 3" Extension        | 13.5" | 14"    | 15.5"  | 16"    | 17"   | 18"   |

### Footplates

*No selection needed with Contracture Footrest.*

|   |     |
|---|-----|
| Composite   | N/C |
| <i>Not available with Front Mount Hanger, Frame Widths less than 14" without Offset Hangers or Frame Widths less than 12" with Offset Hanger.</i> |     |
| Composite Angle Adjustable (K0040)  | \$  |
| <i>Not available with Front Mount Hanger or 10"-12" Frame Widths. 13" and 14" Frame Widths require Offset Hanger</i>                              |     |
| Aluminum Angle Adjustable (K0040)   | \$  |
| Aluminum Locking Multi-Angle Adjustable (K0108)   | \$  |
| <i>Available only with Front Mount Hanger.</i>  |     |

### Hanger Release

*No selection needed with Contracture Footrest. If no selection is made 4-Way - In line will be used.*

|  |     |
|--|-----|
| Classic  | N/C |
| 4-Way - In-Line  | N/C |
| <i>Allows chair to be folded without removing footrest hanger. Not available with PRO ELR or Peds PRO ELR.</i> |     |
| 4-Way - Out  | N/C |
| <i>Not available with PRO ELR or Peds PRO ELR.</i>   |     |

### Heel Loops

*Not available with One Piece Flip Up Angle Adjustable Footplate.*

|  |     |
|--|-----|
| Heel Loops (E0951)   | \$  |
| <i>Not available with Frame Widths less than 14" without Offset Hangers or Frame Widths less than 12" with Offset Hangers.</i> |     |
| Adjustable Heel Loops (E0951)  | \$  |
| Omit Heel Loops  | N/C |

### Calf Straps

|                                   |    |
|-----------------------------------|----|
| Velcro Adjustable (K0038)         | \$ |
| Padded Velcro Adjustable (K0038)  | \$ |
| Bodypoint Padded AeroMesh (K0038) | \$ |

### Residual Limb Support

|       | Limb Support               | Price | Omit              | Cover              |                      | Pad Size           |                     |                     |                     |                      |                      |
|-------|----------------------------|-------|-------------------|--------------------|----------------------|--------------------|---------------------|---------------------|---------------------|----------------------|----------------------|
|       |                            |       |                   |                    |                      | 5X8 Pad Left Side  | 7X10 Pad Left Side  | 9x10 Pad Left Side  | 9x14 Pad Left Side  | 11x10 Pad Left Side  | 11x14 Pad Left Side  |
| Left  | Left Limb Support (E1020)  | \$431 | Omit Left Hanger  | Smooth Cover Left  | Air Mesh Cover Left  | 5X8 Pad Left Side  | 7X10 Pad Left Side  | 9x10 Pad Left Side  | 9x14 Pad Left Side  | 11x10 Pad Left Side  | 11x14 Pad Left Side  |
| Right | Right Limb Support (E1020) | \$431 | Omit Right Hanger | Smooth Cover Right | Air Mesh Cover Right | 5X8 Pad Right Side | 7X10 Pad Right Side | 9x10 Pad Right Side | 9x14 Pad Right Side | 11x10 Pad Right Side | 11x14 Pad Right Side |

## Seat Height, Casters, and Rear Wheels

Select Seat Height corresponding to desired Rear Wheel and Caster Size.

| Rear Wheel Size   | Caster Size        |                    |                    |                  |                  |
|---|--------------------|--------------------|--------------------|------------------|------------------|
|   | 5"                 | 6"                 | 6" x 2"            | 7"               | 8"               |
| 12" with Pneumatic or Pneumatic with Airless Insert Tire            | Seat Height        |                    |                    |                  |                  |
|   | 13.5"              |                    |                    |                  |                  |
|   | 14"                | 14" <sup>4</sup>   | 14" <sup>4</sup>   |                  |                  |
|   | 14.5"              | 14.5"              | 14.5"              |                  |                  |
|   | 15"                | 15"                | 15"                | 15" <sup>4</sup> |                  |
|   | 15.5"              | 15.5"              | 15.5"              | 15.5"            |                  |
|   | 16"                | 16"                | 16"                | 16"              |                  |
|   | 16.5"              | 16.5"              | 16.5"              | 16.5"            | 16.5"            |
|   | 17"                | 17"                | 17"                | 17" <sup>3</sup> | 17" <sup>3</sup> |
| 17.5"   | 17.5"              | 17.5"              | 17.5"              | 17.5"            |                  |
| 12" with Full Poly Tire   | 13.5"              |                    |                    |                  |                  |
|   | 14"                |                    |                    |                  |                  |
|   | 14.5"              | 14.5"              | 14.5"              |                  |                  |
|   | 15"                | 15"                | 15"                |                  |                  |
|   | 15.5"              | 15.5"              | 15.5"              | 15.5"            |                  |
|   | 16"                | 16"                | 16"                | 16"              | 16" <sup>4</sup> |
|   | 16.5"              | 16.5"              | 16.5"              | 16.5"            | 16.5"            |
|   | 17"                | 17"                | 17"                | 17" <sup>3</sup> | 17" <sup>3</sup> |
|   | 17.5"              |                    |                    |                  |                  |
| 12" with Drum Brake   | 13.5"              |                    |                    |                  |                  |
|   | 14"                | 14" <sup>4</sup>   | 14" <sup>4</sup>   |                  |                  |
|   | 14.5"              | 14.5"              | 14.5"              |                  |                  |
|   | 15"                | 15"                | 15"                | 15" <sup>4</sup> |                  |
|   | 15.5"              | 15.5"              | 15.5"              | 15.5"            |                  |
|   | 16"                | 16"                | 16"                | 16"              | 16" <sup>4</sup> |
|   | 16.5"              | 16.5"              | 16.5"              | 16.5"            | 16.5"            |
|   | 17"                | 17"                | 17"                | 17"              | 17"              |
|   | 17.5"              | 17.5"              | 17.5"              | 17.5"            | 17.5"            |
| 16" with Pneumatic, Pneumatic with Airless Insert or Full Poly Tire | 15"                | 15"                | 15"                | 15" <sup>4</sup> |                  |
|   | 15.5"              | 15.5"              | 15.5"              | 15.5"            |                  |
|   | 16"                | 16"                | 16"                | 16"              |                  |
|   | 16.5"              | 16.5"              | 16.5"              | 16.5"            | 16.5"            |
|   | 17"                | 17"                | 17"                | 17"              | 17"              |
|   | 17.5"              | 17.5"              | 17.5"              | 17.5"            | 17.5"            |
|   | 18"                | 18"                | 18"                | 18"              | 18"              |
|   | 18.5" <sup>4</sup> | 18.5"              | 18.5"              | 18.5"            | 18.5"            |
|   | 19"                | 19"                | 19"                | 19"              | 19"              |
| 19.5" <sup>2</sup>  | 19.5" <sup>4</sup> | 19.5" <sup>4</sup> | 19.5" <sup>4</sup> |                  |                  |
| 16" With Low Poly Tire  | 14"                | 14" <sup>4</sup>   | 14" <sup>4</sup>   |                  |                  |
|   | 14.5"              | 14.5"              | 14.5"              |                  |                  |
|   | 15"                | 15"                | 15"                |                  |                  |
|   | 15.5"              | 15.5"              | 15.5"              | 15.5"            |                  |
|   | 16"                | 16"                | 16"                | 16"              |                  |
|   | 16.5"              | 16.5"              | 16.5"              | 16.5"            | 16.5"            |
|   | 17"                | 17"                | 17"                | 17"              | 17"              |
|   | 17.5"              | 17.5"              | 17.5"              | 17.5"            | 17.5"            |
|   | 18"                | 18"                | 18"                | 18"              | 18"              |

<sup>1</sup> Self Propel Axle Plate selections limit tilt range

<sup>2</sup> Not available with 12" Frame Depth

<sup>3</sup> Not available with 12-16" Frame Depth

<sup>4</sup> Not available with 17-20" Frame Depth

| Rear Wheel Size   | Caster Size           |                       |                       |                       |                       |
|---|-----------------------|-----------------------|-----------------------|-----------------------|-----------------------|
|   | 5"                    | 6"                    | 6" x 2"               | 7"                    | 8"                    |
| 16" with Drum Brake   | Seat Height           |                       |                       |                       |                       |
|   | 15"                   | 15"                   | 15"                   |                       |                       |
|   | 15.5"                 | 15.5"                 | 15.5"                 | 15.5"                 |                       |
|   | 16"                   | 16"                   | 16"                   | 16"                   | 16"                   |
|   | 16.5"                 | 16.5"                 | 16.5"                 | 16.5"                 | 16.5"                 |
|   | 17"                   | 17"                   | 17"                   | 17"                   | 17"                   |
|   | 17.5"                 | 17.5"                 | 17.5"                 | 17.5"                 | 17.5"                 |
|   | 18"                   | 18"                   | 18"                   | 18"                   | 18"                   |
|   | 18.5" <sup>4</sup>    | 18.5"                 | 18.5" <sup>4</sup>    | 18.5" <sup>4</sup>    | 18.5"                 |
| 19"   | 19"                   | 19"                   | 19"                   | 19"                   |                       |
| 20" with Pneumatic, Pneumatic with Airless Insert, Low Poly, Full Poly Tire Or Drum Brake | 17"                   | 17"                   | 17"                   | 17"                   | 17"                   |
|   | 17.5"                 | 17.5"                 | 17.5"                 | 17.5"                 | 17.5"                 |
|   | 18"                   | 18"                   | 18"                   | 18"                   | 18"                   |
|   | 18.5"                 | 18.5"                 | 18.5"                 | 18.5"                 | 18.5"                 |
|   | 19"                   | 19"                   | 19"                   | 19"                   | 19"                   |
|   | 19.5"                 | 19.5"                 | 19.5"                 | 19.5"                 | 19.5"                 |
|   | 20" <sup>4</sup>      | 20" <sup>4</sup>      | 20" <sup>4</sup>      | 20"                   | 20"                   |
| 20" Self Propel or Self Propel with Drum Brake  | 15.5" <sup>10</sup>   | 15.5" <sup>10</sup>   | 15.5" <sup>10</sup>   | 15.5" <sup>10</sup>   |                       |
|   | 16" <sup>10</sup>     | 16" <sup>10</sup>     | 16" <sup>10</sup>     | 16" <sup>10</sup>     | 16" <sup>10</sup>     |
|   | 16.5" <sup>10</sup>   | 16.5" <sup>10</sup>   | 16.5" <sup>10</sup>   | 16.5" <sup>10</sup>   | 16.5" <sup>10</sup>   |
|   | 17"                   | 17"                   | 17"                   | 17"                   | 17"                   |
|   | 17.5"                 | 17.5"                 | 17.5"                 | 17.5"                 | 17.5"                 |
|   | 18"                   | 18"                   | 18"                   | 18"                   | 18"                   |
| 22" Self Propel or Self Propel with Drum Brake  | 18.5" <sup>4</sup>    | 18.5"                 | 18.5"                 | 18.5" <sup>4</sup>    | 18.5"                 |
|   | 16.5" <sup>10</sup>   | 16.5" <sup>10</sup>   | 16.5" <sup>10</sup>   | 16.5" <sup>10</sup>   | 16.5" <sup>10</sup>   |
|   | 17" <sup>10</sup>     | 17" <sup>10</sup>     | 17" <sup>10</sup>     | 17" <sup>10</sup>     | 17" <sup>10</sup>     |
|   | 17.5" <sup>10</sup>   | 17.5" <sup>10</sup>   | 17.5" <sup>10</sup>   | 17.5" <sup>10</sup>   | 17.5" <sup>10</sup>   |
|   | 18"                   | 18"                   | 18"                   | 18"                   | 18"                   |
|   | 18.5"                 | 18.5"                 | 18.5"                 | 18.5"                 | 18.5"                 |
| 24" Self Propel <sup>1</sup>  | 19"                   | 19"                   | 19"                   | 19"                   | 19"                   |
|   | 19.5" <sup>4</sup>    | 19.5" <sup>2</sup>    | 19.5" <sup>4</sup>    | 19.5" <sup>4</sup>    |                       |
|   | 17"                   | 17"                   | 17"                   | 17"                   | 17"                   |
|   | 17.5"                 | 17.5"                 | 17.5"                 | 17.5"                 | 17.5"                 |
|   | 18"                   | 18"                   | 18"                   | 18"                   | 18"                   |
|   | 18.5"                 | 18.5"                 | 18.5"                 | 18.5"                 | 18.5"                 |
| 24" Self Propel with <sup>1</sup> Drum Brake  | 19"                   | 19"                   | 19"                   | 19"                   | 19"                   |
|   | 19.5" <sup>7,8</sup>  | 19.5"                 | 19.5"                 | 19.5" <sup>9</sup>    | 19.5" <sup>7,8</sup>  |
|   | 19.5" <sup>11</sup>   | 19.5" <sup>9,12</sup> | 19.5" <sup>9,12</sup> | 19.5" <sup>9,12</sup> | 19.5" <sup>9,12</sup> |
|   | 20" <sup>5</sup>      | 20" <sup>6</sup>      | 20" <sup>6</sup>      | 20"                   | 20"                   |
|   | 18.5" <sup>4,11</sup> | 18.5" <sup>11</sup>   | 18.5" <sup>11</sup>   | 18.5" <sup>11</sup>   | 18.5" <sup>11</sup>   |
|   | 20" <sup>4</sup>      | 20" <sup>6</sup>      | 20"                   | 20"                   | 20"                   |

<sup>5</sup> Not available in combination with spoke wheel and Full Poly tire

<sup>6</sup> Not available in combination with spoke wheel, Full Poly tire and 17-20" Frame Depth

<sup>7</sup> Not available in combination with Mag wheel and 17-20" Frame Depth

<sup>8</sup> Not available in combination with spoke wheel, Pneumatic tires and 17-20" Frame Depth

<sup>9</sup> 17-20" Frame Depth requires spoke wheel and Full Poly tire

<sup>10</sup> Not available with Drum Brake

<sup>11</sup> Available only with Full Poly tire <sup>12</sup>

<sup>12</sup> Frame Depth requires spoke wheel and Full Poly tire

### Casters

|             |                          | Caster Size |    |    |    |    |
|-------------|--------------------------|-------------|----|----|----|----|
|             |                          | Price       | 5" | 6" | 7" | 8" |
| Caster Type | .75" Lighted Rollerblade | \$          |    |    |    |    |
|             | 1" Poly                  | N/C         |    |    |    |    |
|             | 1" Poly Aluminum         | \$          |    |    |    |    |
|             | 1" Pneumatic             | \$          |    |    |    |    |
|             | 1.5" Poly                | \$          |    |    |    |    |
|             | 1.5" Soft Roll Aluminum  | \$          |    |    |    |    |
|             | 2" Poly                  | \$          |    |    |    |    |

### Axles

No selection needed with Drum Brake.

- Fixed \_\_\_\_\_ N/C  
*Not available with Folding Base Frame and Standard Wheel Locks.*
- Quick Release \_\_\_\_\_ N/C

### Axle Plates

- Standard \_\_\_\_\_ N/C
- Self Propel Axle Plate \_\_\_\_\_ N/C

## Wheel Locks

### Wheel Lock

Rear wheels must be removed to fold chair with Push to Lock, Pull to Lock and Dual wheel lock selections

- Push to Lock \_\_\_\_\_ N/C
- Pull to Lock \_\_\_\_\_ N/C  
*Not available with 12" or 16" Full Poly tires.*
- Attendant Foot Lock \_\_\_\_\_ N/C  
*Available only with 12" and 16" Mag wheels.*
- Drum Brake (E2228) \_\_\_\_\_ \$  
*Available only with 12" Mag, 16" Mag, or MAXX Spoke wheels. Not available with 16" Low Poly tire or Reclining Backrest. Axle is Quick Release.*
- Dual - Attendant Foot Lock with Push to Lock \_\_\_\_\_ \$  
*Available only with 12" and 16" Mag wheels.*
- Dual - Attendant Foot Lock with Pull to Lock \_\_\_\_\_ \$  
*Available only with 12" and 16" Mag wheels.*
- Dual - Drum Brake with Push to Lock (E2228) \_\_\_\_\_ \$  
*Available only with 12" Mag, 16" Mag, or MAXX Spoke wheels. Not available with 16" Low Poly tire or Reclining Backrest. Axle is Quick Release.*
- Dual - Drum Brake with Pull to Lock (E2228) \_\_\_\_\_ \$  
*Available only with 12" Mag, 16" Mag, or MAXX Spoke wheels. Not available with 16" Low Poly tire or Reclining Backrest. Axle is Quick Release.*
- Omit \_\_\_\_\_ N/C

### Wheels

|                 |                          | Rear Wheel Size |     |     |     |     |
|-----------------|--------------------------|-----------------|-----|-----|-----|-----|
|                 |                          |                 | 12" | 16" | 20" | 22" |
| Rear Wheel Type | Mag                      | N/C             |     |     |     |     |
|                 | Colored Mag <sup>1</sup> | \$              |     |     |     |     |
|                 | MAXX Spoke               | \$              |     |     |     |     |

<sup>1</sup> Mag color selection is on page 6.

### Rear Tire Type

- Low Poly (E2218) \_\_\_\_\_ N/C  
*Available only with 16" wheel size.*
- Full Poly (E2218) \_\_\_\_\_ N/C
- Pneumatic (E2211,E2212) \_\_\_\_\_ \$
- Pneumatic with Airless Insert (E2211, E2213) \_\_\_\_\_ \$

### Handrims

Handrims not available on 12" or 16" wheel sizes.

- Aluminum Anodized \_\_\_\_\_ N/C
- Plastic Coated \_\_\_\_\_ \$
- Projection (8 Vertical Projections) \_\_\_\_\_ \$  
*Available only with full profile tires in combination with 22", 24", and 26" MAXX Spoke wheels, or 22" and 24" Mag wheels*
- Omit Handrim \_\_\_\_\_ N/C

### Handrim Option

Not available on Plastic Coated or Projection Handrims.

- 3M Micro Grip \_\_\_\_\_ \$

### Wheel Lock Option

- Extension Handles (E0961) \_\_\_\_\_ \$  
*Available only with Push to Lock or Pull to Lock Wheel Locks.*

## Armrests

| Armrest Type                                       | Length              | Price |
|--|---------------------|-------|
| Height Adjustable Pediatric E0973 1                | Desk(6.5"-9")       | \$    |
|  | Desk Tall(8"-10.5") |       |
| Height Adjustable T-Arm Tall (11.5"-15") E0973     | Desk                | \$    |
|  | Full                |       |
| Height Adjustable T-Arm (8.5"-13.5") E0973 2       | Desk                | \$    |
|  | Full                |       |
| Height Adjustable T-Arm Low (6.5"-10.5") E0973 2,3 | Desk                | \$    |
|  | Full                |       |

1 Best fit with Frame Depths less than 14".

2 Not available with 12" Frame Depth

3 If requested configuration is unavailable, Standard Height T-Arm will be used

4 Not available with Dynamic Back. Available only with 12" and 16" Rear Wheels.

5 Not available with Dynamic Back, Reclining Back or Arm Pads

| Armrest Type  | Length | Price |
|---|--------|-------|
| Angle Adjustable Locking Extendable Flip Up E0973 4 | Desk   | \$    |
|   | Full   |       |
| Tubular Flip Up 5                                   |        | N/C   |
| Omit Armrests                                       |        | N/C   |

## Arm Pads

|   |     |
|---|-----|
| Standard Arm Pad  | N/C |
| Waterfall Arm Pad   | \$  |
| <i>Not available with Angle Adjustable Locking Extendable Flip Up Armrest.</i>  |     |
| Foam Grip   | N/C |
| <i>Available only with Angle Adjustable Locking Extendable Flip Up Armrest.</i> |     |

## Accessories

### Removable Side Guards

Not available with Height Adjustable Armrests.

|  |    |
|--|----|
| Adult Composite Side Guards (14" - 16") (K0108)    | \$ |
| Pediatric Composite Side Guard (10" - 14") (K0108) | \$ |

### Anti-Tips

|                        |     |
|------------------------|-----|
| Rear Anti-Tips (E0971) | \$  |
| Omit                   | N/C |

### Pelvic Positioning Belts

|   |    |
|---|----|
| 1" Auto Buckle Pelvic Positioning Belt (E0978)            | \$ |
| 1" Padded Auto Buckle Pelvic Positioning Belt (E0978)     | \$ |
| 1 1/2" Auto Buckle Pelvic Positioning Belt (E0978)        | \$ |
| 1 1/2" Padded Auto Buckle Pelvic Positioning Belt (E0978) | \$ |
| 2" Airline Buckle Pelvic Positioning Belt (E0978)         | \$ |
| Small Bodypoint Evoflex (16-24") (E0978)                  | \$ |
| Medium Bodypoint Evoflex (19-29") (E0978)                 | \$ |
| Large Bodypoint Evoflex (25-37") (E0978)                  | \$ |

### Belt Mounting Kit

|                             |    |
|-----------------------------|----|
| Belt Mounting Band Clamp    | \$ |
| Seat Belt Mounting Hardware | \$ |

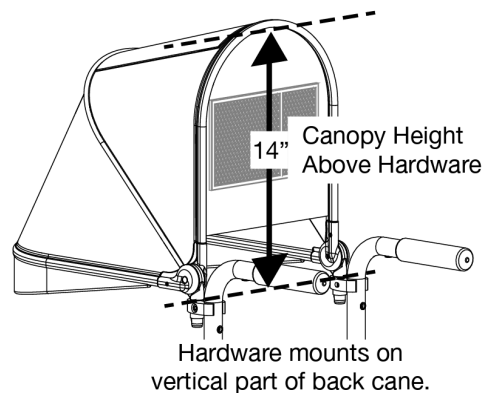
### Spoke Guards

|  |   |
|--|---|
| Clear Spoke Guards (K0065)                     | Not available with Mag wheel.                 |
| Black Spoke Guards (K0065)                     | Available only with 22" and 24" Spoke wheels. |
| Blue Monster Spoke Guards (K0065) <sup>1</sup> |   |
| Robo Fun Spoke Guards (K0065) <sup>1</sup>     |   |
| Tutu Cute Spoke Guards (K0065) <sup>1</sup>    |   |
| Tuxedo Time Spoke Guards (K0065) <sup>1</sup>  | \$  |

<sup>1</sup> Available only with 20" and 22" wheel sizes. Not available with Mag wheel.

### Other Accesories

|  |    |
|--|----|
| Tool Kit                               | \$ |
| Removable Underseat Pouch              | \$ |
| Pediatric Ki Mobility Backpack         | \$ |
| Ki Mobility Backpack                   | \$ |
| Black Neoprene Impact Guards           | \$ |
| Tilt Stop Posterior (Pair) (K0108)     | \$ |
| Tilt Stop Anterior (Pair) (K0108)      | \$ |
| <i>Available only with Rigid Base.</i> |    |
| IV Pole                                | \$ |
| Canopy with Hardware (K0108)           | \$ |
| <i>See Image below</i>                 |    |



## Colour

Select desired frame and accent colors. Accent color is used on side panel; if no accent color is selected, frame color will be used.

| Options    | Price | Colours |            |                |            |              |           |        |              |                 |        |      |        |               |               |                     |                 |                |           |            |              |              |
|------------|-------|---------|------------|----------------|------------|--------------|-----------|--------|--------------|-----------------|--------|------|--------|---------------|---------------|---------------------|-----------------|----------------|-----------|------------|--------------|--------------|
|            |       | Gloss   |            |                |            |              |           |        |              |                 |        |      |        | Matte         |               |                     |                 |                |           |            |              |              |
|            |       | Black   | Blue Skies | Bubblegum Pink | Candy Blue | Candy Purple | Candy Red | Copper | Granny Smith | Metallic Orange | Silver | Teal | Yellow | Charcoal Gray | Emerald Green | Iridescent Burgundy | Iridescent Navy | Military Green | Retro Red | Royal Blue | Shadow Black | Smooth White |
| Frame      | N/C   |         |            |                |            |              |           |        |              |                 |        |      |        |               |               |                     |                 |                |           |            |              |              |
| Accent     | N/C   |         |            |                |            |              |           |        |              |                 |        |      |        |               |               |                     |                 |                |           |            |              |              |
| Mag Colour |       |         |            |                |            |              |           |        |              |                 |        |      |        |               |               |                     |                 |                |           |            |              |              |

Cushions and Backrests

**AXIOM**

**Ki Mobility**

**ADI**  
A Stealth Product

**VARILITE**

**R I D E**

Cushion:

Backrest:

Other Accessories: