



LIBERTY FT

Patent Pending



LIBERTY IS INDEPENDENCE

Finally, one wheelchair that offers true portability, enables independent propulsion and provides the benefits of tilt-in-space!



PROPULSION

Liberty is designed for independent mobility, especially foot propulsion. The front seat height remains the same regardless of the tilt angle. Simply choose the tilt angle that provides the best pelvic stability without compromising mobility.



REPOSITIONING

Everyone needs relief from sitting in a static position. Whether your primary concern is pressure relief, facilitating proper posture or just providing a break from gravity, Liberty makes it painless. Featuring an easy to adjust gas spring design, adjusting the system for effortless repositioning is simple.



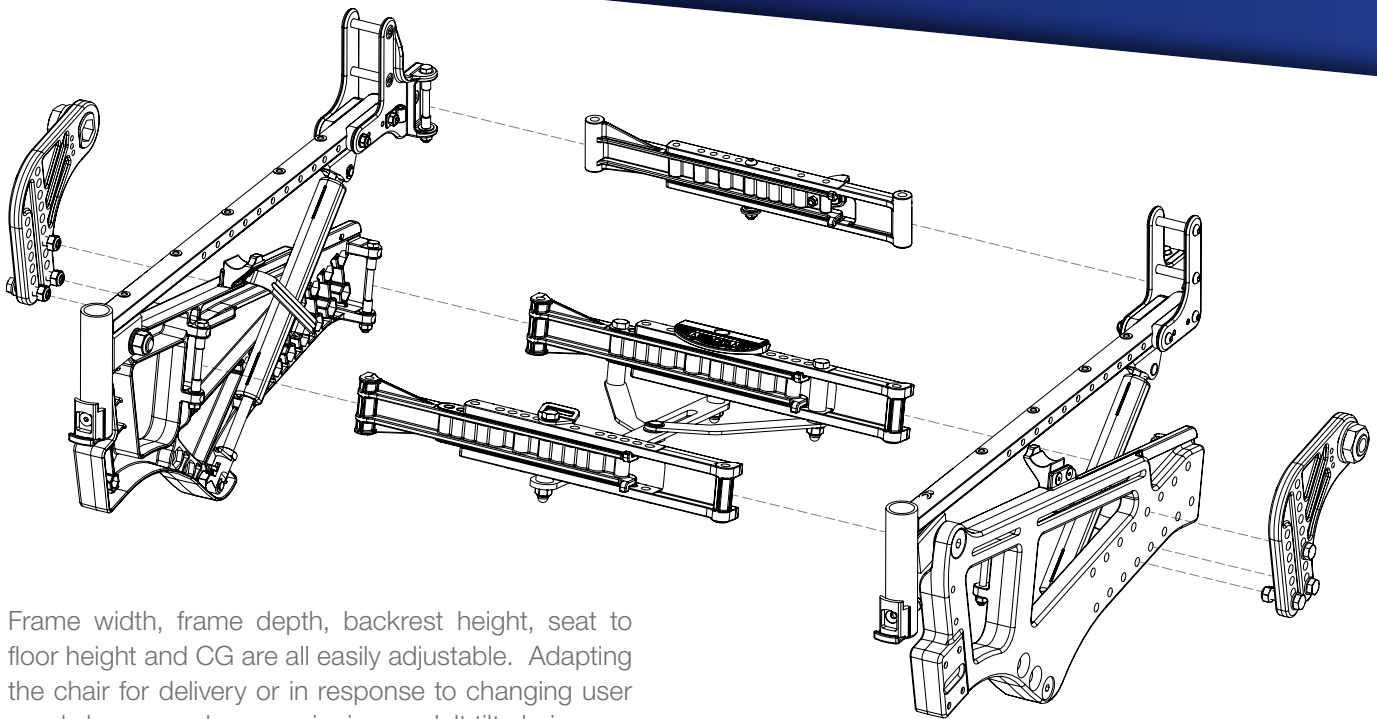
PORTABILITY

Liberty is the only adult tilt-in-space that can fold into a portable package ideal for transportation. Want an even smaller package? Choose the optional folding backrest. With a transport weight under 26 pounds, it's the lightest adult tilt-in-space available. Liberty gives you the independence to get out and go!



MODULAR DESIGN

Reacting quickly to a short discharge notice, which happens frequently in stroke rehabilitation, is challenging. With Liberty's modular design, in most cases, no additional parts are necessary to reconfigure the frame.



Frame width, frame depth, backrest height, seat to floor height and CG are all easily adjustable. Adapting the chair for delivery or in response to changing user needs has never been easier in an adult tilt chair.

Need it fast? The modular design allows us to ship more than 165 configurations through our Quick Ship Program.



SPECIFICATIONS

Tilt Range:	0° - 20°	0° - 20°
Seat Width:	14 - 22"	36 - 56 cm
Seat Depth:	14 - 20"	36 - 51 cm
Seat Heights:	13 - 20"	33 - 51 cm
Transport Weight *:	25.8 lbs.	11.7 kg
Weight Capacity:	250 lbs.	113 kg
WC-19 Approved **:	Yes	Yes

* 16x16 fixed back with armrests, footrests and rear wheels removed.

** Liberty FT is WC-19 approved with the folding backrest only.

