

LIBERTY FT

ACCESSORY FLIP CHART



LIBERTY *FT*

LIBERTY IS INDEPENDENCE

Finally, one wheelchair that offers true portability, enables independent propulsion and provides the benefits of tilt-in-space!

WEIGHT

Liberty utilizes the most recent technologies, including high pressure metal molding. This results in an incredibly strong and lightweight part. For example, the side frame only weighs 2.8 lbs.

PORTABILITY

Liberty is the only adult tilt-in-space that can fold into a portable package ideal for transportation. Want an even smaller package? Choose the optional folding backrest. With a transport weight under 26 pounds, its the lightest adult tilt-in-space available. Liberty gives you the independence to get out and go!

ANGLE ADJUSTABLE FOLD DOWN BACK

The back angle can be changed in 5° increments with a range of -5° to 25°. With the flip of a lever, effortlessly fold Libertys back down for a more compact, portable package

Frame width, frame depth, backrest height, seat to floor height and CG are all easily adjustable. Adapting the chair for delivery or in response to changing user needs has never been easier in an adult tilt chair.

REPOSITIONING

Everyone needs relief from sitting in a static position. Whether your primary concern is pressure relief, facilitating proper posture or just providing a break from gravity, Liberty makes it painless. Featuring an easy to adjust gas spring design, adjusting the system for effortless repositioning is simple.

FOOT PROPULSION

Liberty is designed for independent mobility, especially foot propulsion. The front seat height remains the same regardless of the tilt angle. Simply choose the tilt angle that provides the best pelvic stability without compromising mobility.

MODULAR DESIGN

Reacting quickly to a short discharge notice, which happens frequently in stroke rehabilitation, is challenging. With Libertys modular design, in most cases, no additional parts are necessary to reconfigure the frame.



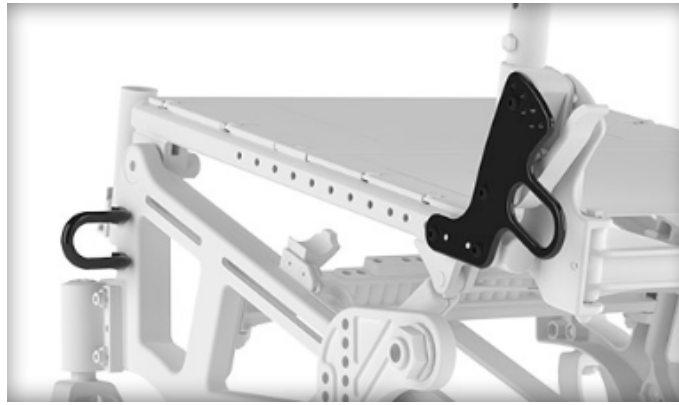
Frame

Liberty FT



113kg weight capacity
11.7kg Transport weight

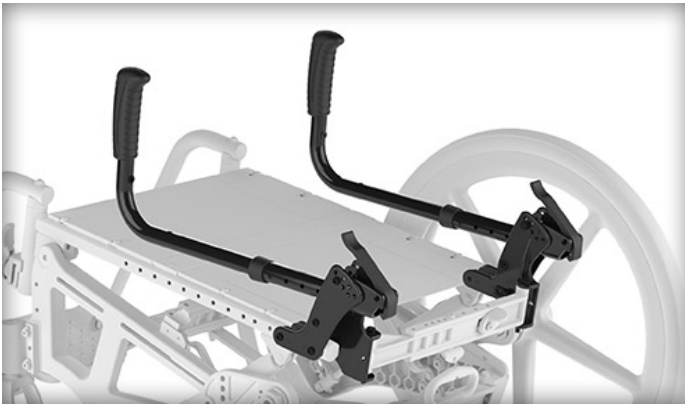
Transit



WC-19 Transit Approved with a folding back.

Backrest

Angle Adjustable Fold Down Back



The back angle can be changed in 5° increments with a range of -5° to 25°. With the flip of a lever, effortlessly fold Liberty's back down for a more compact, portable package.

Stroller Handle Back Post



Available in Short (20") or Tall (24"), the back cane is vertical to the frame with a 90° bend at the top for a push handle.

Height Adjustable 8° Bend with

Push Handle



The back cane bends away at an 8° angle before ending with a 90° bend for a push handle. This opens up the back slightly and might be considered a more comfortable seated position.

Height Adjustable Straight with

Push Handle



The back cane is vertical to the frame with a 90 degree bend at the top for a push handle.

Removable Stroller Handle

Extension



A handle that plugs into the back cane to provide a more ergonomic position of the hands.

Upholstery

Standard Back Upholstery



Uses 1" poly foam with a nylon parapark cloth cover. Very comfortable and shear resistant.

Tension Adjustable Upholstery



Adjustable straps allow independent support for the pelvis and trunk, improving postural control and alignment.

Other Fixed Back Supports



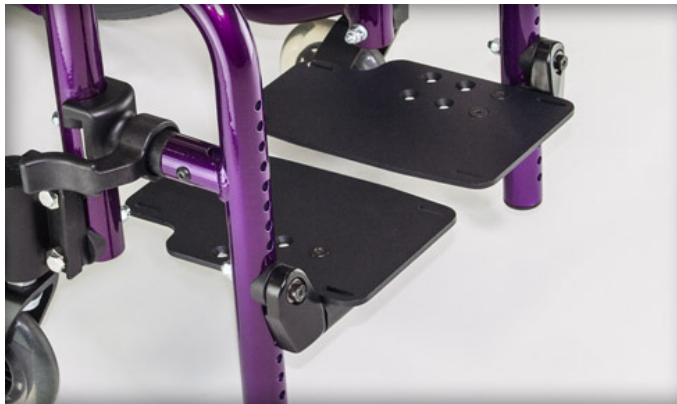
Hanger Options

Extension Tube Hanger



The most intuitive hanger on the market allows you to attach and detach from any angle or position. Available in 60°, 70°, and 80° versions. Short, Medium, Long.

Front Mount Hanger



With 3.5" knee-to-heel capability in 5" increments. Available in 70°, 80° and 90° versions.

Pro ELR



Pro ELR has an adjustable pivot location to promote proper knee placement and an adjustable calf pad for personalised fit from client to client.

Paediatric Pro ELR



Patented adjustable pivot location to promote proper knee placement and an adjustable calf pad for personalised fit.

4 Way Hanger Release Inline or Out



Mount in 4 different positions with one bolt. 4-Way-In Line position provides best optimization for caregivers. 4-Way-Out provides best optimization for clients.

Footrest

Aluminium Locking Multi-Angle

Adjustable



Infinite adjustment in multiple axes to accommodate difficult positioning requirements such as inversion, eversion, plantar, and dorsi- flexion. Optimizes support, pressure distribution, and postural alignment.

Aluminium Angle Adjustable



Infinite adjustability for more accurate placement of the foot. Aluminum plates have slots for ankle straps and multiple attaching holes.

Composite



Made from a fiberglass filled nylon composite, these footplates are lightweight and tough, making them hard to bend or break. Not available with Front Mount Hangers.

One Piece Flip Up Angle Adjustable



Solid, angle adjustable, aluminum footplate provides an excellent surface for your feet and increases rigidity at the front. Not available with Front Mount Hangers or Elevating Leg Rests.

Composite Angle Adjustable



The Composite Angle Adjustable footplate makes adjustments fast and easy. Includes adjustments of the angle as well as fore and aft positioning of the footplate.

Residual Limb Support



Just as easy to operate as our patented swing away hangers swinging in & out. An incredible amount of adjustment within the system allows you to achieve the exact position and angle.

Footrest continued

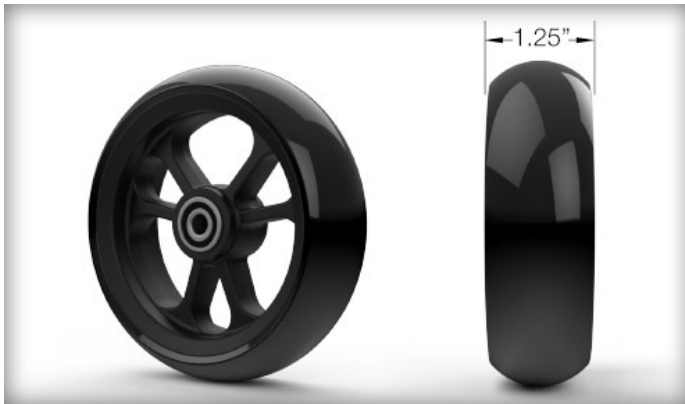
Heel Loops



Cradles the foot and helps keep it on the footplate. Not available with One Piece Flip Up Angle Adjustable Footplate.

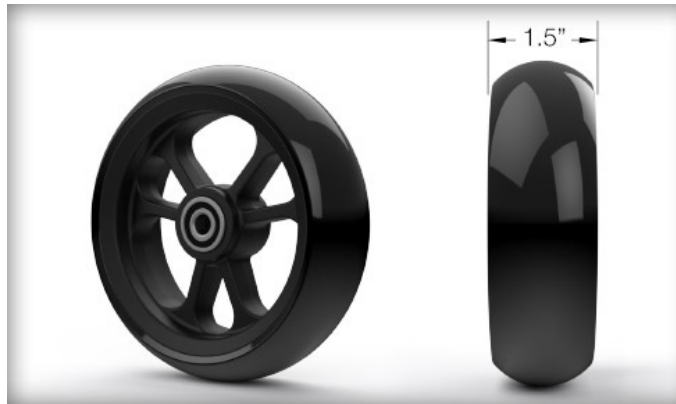
Castors

1" Poly



This outstanding design uses molded polyurethane to create a great tyre. Measuring 1" in width, this castor is available in 4", 5", 6", 7" and 8".

1.5" Poly



This outstanding design uses molded polyurethane to create a great tyre. Measuring 1.5" in width, this castor is available in 4", 5" and 6". Not available with 7" and 8" Castor Sizes.

1" Poly Aluminium



Uses a 3-spoke aluminum hub for added strength and styling. Not available with 6" and 8" Castor Sizes

Pneumatic



A low cost way to get a great and comfortable ride. You just need to add air from time to time. Not available with 4", 5", 6" and 7" Castor Sizes

Soft Roll Aluminium



3-Spoke ultralight aluminum hubs, highly resistant, with improved mobility. Not available with 7" and 8" Castor Sizes

6"x 2" Poly Castor



This tyre is quite firm with a subtle radius so that it is easy to push on hard surfaces and gives you great flotation on soft or uneven ground. Not available with 4", 5", 7" and 8" Castor Sizes

Castors continued

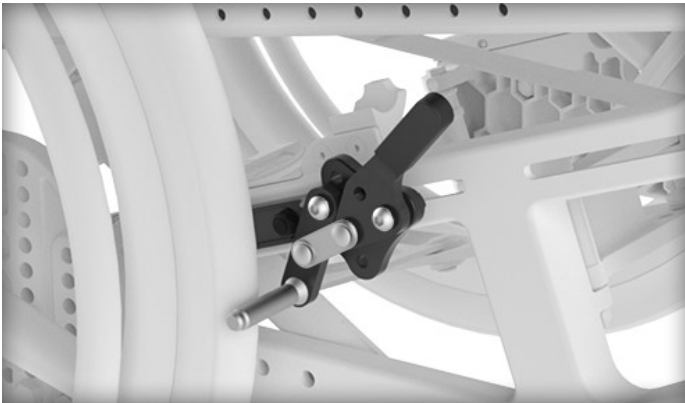
Pneumatic with Foam Insert



A low cost way to get a great and comfortable ride.
These castors have a foam insert so no air is needed.
Not available with 4", 5", 6" and 7" Castor Sizes

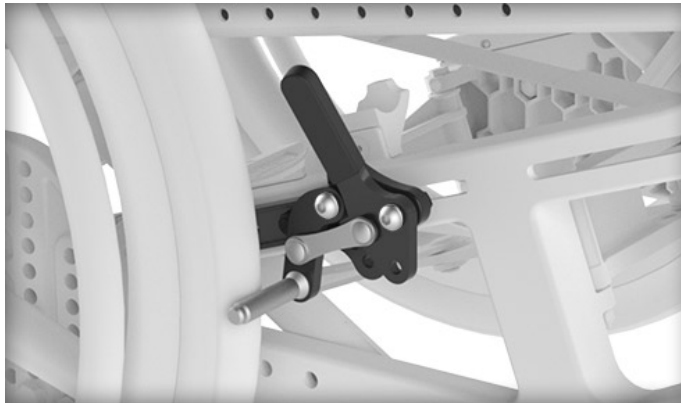
Wheel Locks

Push to Lock



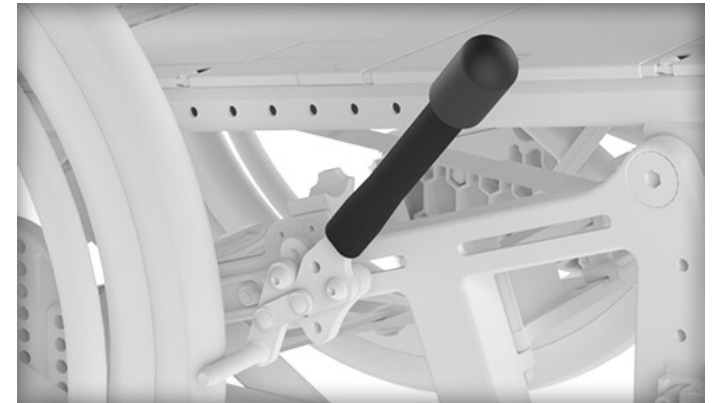
After engagement the lever is at 45°. Lever is easily reachable.

Pull to Lock



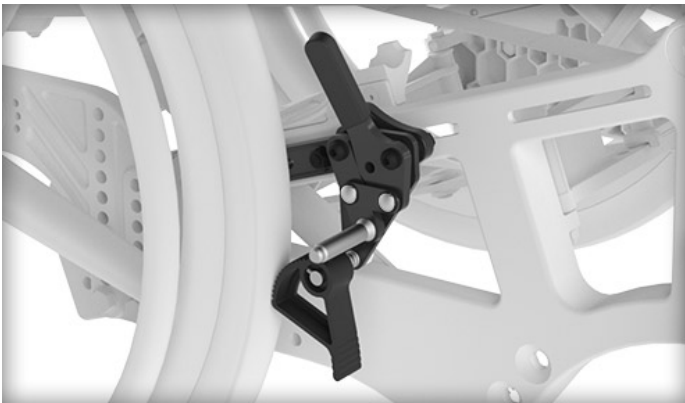
After engagement the lever is at 45°. Lever is easily reachable.

Extension Handles



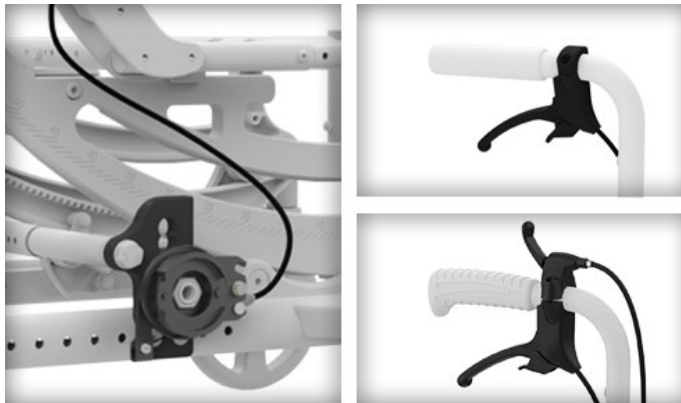
For people with limited strength, this design requires very little effort to engage. Removable 6" fold-able extension increases leverage.

Grade Aids

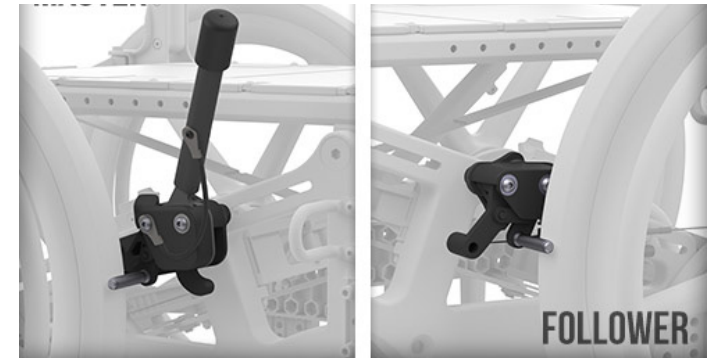


Grade aids prevent your wheel from rolling backwards when you push up a hills.

Drum Brake



Acts as a true brake allowing the chair to be slowed as opposed to just locking the wheel. The new dual lever allows for the combination of tilt and Drum Brake actuation in one system.



Hemi Wheel Lock provides a single lever that will operate both wheel locks. Can be ordered set up for Right or Left hand operation, a wheel lock extension handle is included in the price.

Axles

Quick Release Axle



Standard axle with a quick release button for easy wheel removal.

Wheels

Maxx Performance Spoke



Eighteen radial spokes and a high flange hub design. Increased rigidity and lightweight for better performance and responsiveness. High quality material construction with a durable black satin finish.

Maxx w/ Drum Brake



This hybrid wheel features a hub design with straight pull radial spokes on outside flange. Inside flange has a 2 cross spoke pattern to handle the torque resulting from stopping a larger wheel by the relatively small hub.

12" Mag w/ Drum Brake



Available with Poly (Left Image) and Pneumatic tyres.

16" Mag w/ Drum Brake



Available with Poly, Airless Insert and Pneumatic tyres.

Mag



Our 5-spoke composite wheel is 20% lighter than the competition and maintenance free.

12" Mag Wheel



Makes it easier to turn in small spaces and reduces overall package size. Available in fully poly, pneumatic or pneumatic with airless insert.

Wheels continued

16" Mag Wheel



The new 16x2" mag rear wheels make it easier to handle everyday obstacles such as curbs and inclines. Available in pneumatic, pneumatic with airless insert, full poly tyre, or low profile poly.

Tyres

Street Pneumatic 1^{3/8}"



This standard air tyre is more forgiving when going over obstacles and off curbs or stairs. Not available on 25" Wheel Size.

Full Poly 1^{3/8}"



Corded to prevent it from rolling off the wheel. Provides a softer ride than other low cost "over-molded" tyres. Not available on Superlight or 25" Wheel Size.

Pneumatic with Airless Insert 1^{3/8}"



Low density foam is inserted into a pneumatic tyre. Low maintenance - no air, no flat tyres! Not available on Superlight or 25" Wheel Sizes.

Euro Trek Knobby 1^{3/8}"



All type of weather conditions tyre, on and off road. It has a more aggressive tread pattern than a standard pneumatic tyre. Available only on 24" Wheel Size.

Sentinel Solid 1"



The Sentinel Solid 1" tyre is a new durable, lightweight solid PU tire option. Offering improved ride quality with decreased rolling resistance. This tyre is now available on 20", 22", 24", 25" and 26" wheels.

Schwalbe Marathon Plus



Top of the class in performance and durability. Non-marking black tyre. Has a thin line of gel inside to seal punctures and keep you running.

Tyres continued

Low Profile Poly 1"



A softer ride than low cost "over-molded" tyres.
Corded to prevent it from rolling off the wheel.

Handrims

Aluminium Anodized



Aluminum is lighter than steel and stronger than plastic and won't rust.

Plastic Coated



For people who need assistance with grip, but do not require projections. Dipped in Vinyl, they are coated to create a tacky surface for gripping.

Projection



8-3/8" poly-coated vertical projections for individuals with limited grip strength. Available on 22, 24, 25 and 26" Spoke wheels and 24" Mag wheels with full tyres.

Micro Grip



Micro Grip Non-Slide Tape enhances your grip in dry, wet, and snowy conditions! Made of micro-injected silicone and 3M adhesive. Not available on Plastic Coated or Projection.

Natural Fit Standard



Eliminates pushing on the tire and eases pain in the hands and wrists. Offers a better grip for a better push and more control when braking.

Natural Fit Super Grip



Offers a better grip for a better push and more control when braking. The Super Grip uses a higher friction surface for extra grip.

Handrims continued

Natural Fit LT Super Grip



Offers a better grip for a better push and more control when braking. The LT is a smaller gripping surface. The Super Grip uses a higher friction surface for extra grip.

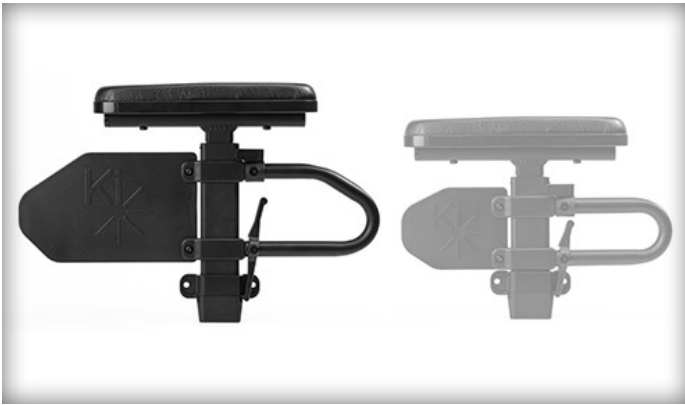
Natural Fit LT



Offers a better grip for a better push and more control when braking. The LT is a smaller gripping surface.

Armrests

Height Adjustable T-Arm



The single post height adjustable arm is easy to release and adjust in height. Lower profile and lighter than competitive models. Available in 8.5-13.5".

Angle Adj Locking Extendable



Cantilever armrest approved to 181kg. Locks into position by a spring loaded latch while extending up to 4" in 1" increments and 7 angle adjustments in 5° increments from -5 to 25°.

Tubular Flip Up Armrests



Simple Flip up arm engages at the top to stay up for transfers.

Foam Grip



Foam Grip armrest pad available in both full and desk lengths. Available only with Angle Adj Locking Extendable Flip Up Armrests.

Standard Armpads



Padded and textured armrest pad available in both full and desk lengths.

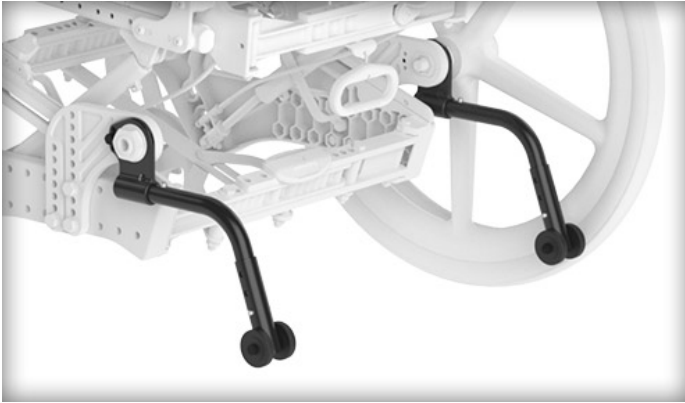
Waterfall Armpads



A generously padded waterfall design providing additional comfort and protection. Available in Full and Desk lengths.

Anti-Tippers

Liberty Anti-Tips



Positioning Belts

1.5" Auto Buckle



Using a double-pull to ensure the buckle remains in the proper position and attaching hardware for proper placement on the frame our new belts are an industry best value.

1.5" Padded Auto Buckle



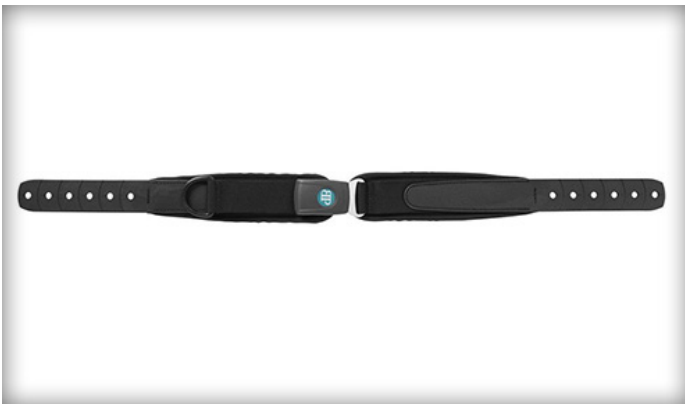
This belt has a wide 3.5" pad for riders who may need additional padding.

2" Airline Buckle



This belt uses an airline style buckle that can add a degree of security. It uses a wider 2" belt.

BodyPoint EvoFlex Pelvic Stabiliser



Stays where you need it. Provides stability and flexibility. Versatile and easy to use. Stiffened end straps keep belt from twisting. Sized for users 15kg to 130kg. Available in XS, M and L

BodyPointBelt Mounting Kit



Mounting hardware for the BodyPoint Pelvic Stabiliser.

Velcro Adjustable Calfstrap



Sitting behind your calf it is adjustable in length and supports your lower leg.

Positioning Belts cont.

Padded Velcro Calfstrap



This calfstrap supports a soft and durable 4"-wide neoprene pad.

Bodypoint Aeromech Calfstrap



Provides comfortable support, keeping feet safely on the footplates. Retains its shape for the best pressure distribution and durability.

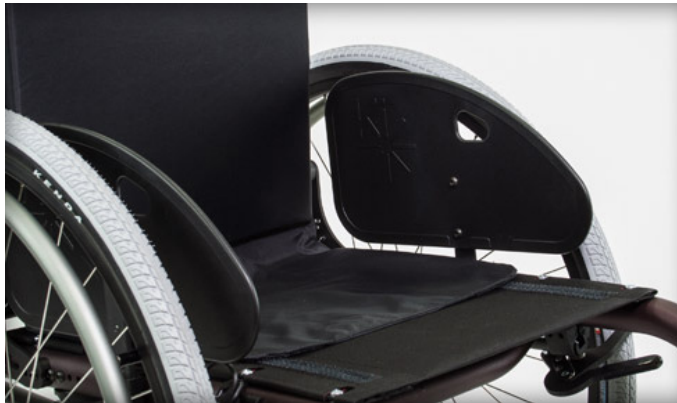
Accessories

Removable Aluminium Seat Pan



Fixed or removable aluminum seat pan.

Composite Side Guards



Lightweight and attractive, these easily removable side guards help keep road grime away from the rider. Plastic and Paediatric sideguards are height adjustable.

Neoprene Impact Guards



Sometimes the chair gets “banged” around. These cool neoprene impact guards take some of that force and help keep your chair a little safer.

Backpack



A total of 7 storage compartments. Additional 1.5” depth accomodates a zippered padded storage pocket to hold a laptop or tablet.

Spoke Guards



Black or clear acrylic protects fingers from getting caught in the spokes and looks sleek.

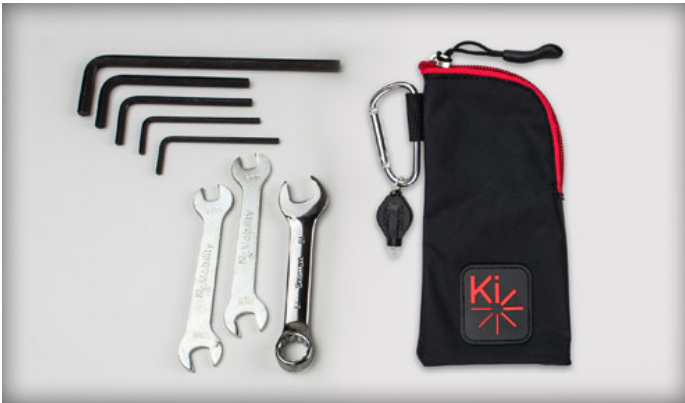
Removable Underseat Pouch



Easy to access pouch for under the seat. 8.5” wide by 6.5” tall.

Accessories cont.

Tilt-In-Space Tool Kit



Custom designed kit includes 8 simple tools necessary to make any adjustments on your Focus CR. LED light included for hard-to-see spaces.

Cane and Crutch Holder



Positionable cup to accept most cane and crutch tips

IV Pole



Extendable and adjustable IV Pole

O₂ Holder



Built in angle adjustability so it is easier to accommodate for back angle and aftermarket seating and positioning systems. Can be mounted to either left or right side of chair.

Gel Pad for Pro and Ped ELR



Available for both the Pediatric Pro ELR and Pro ELR, these wraparound pads are cushioned with Gel to provide additional comfort and protection at the knee area.

Frame Colours Available



A full range of colours available to choose from. Go to the Allied Medical or Ki Mobility website for full details.



0800 31 61 81 | helpis@allied.co.nz

