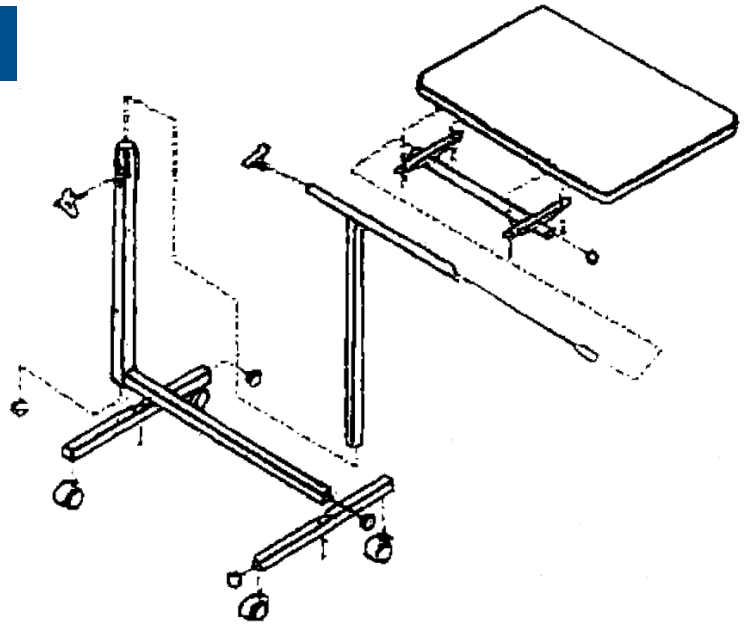


Assembly Instructions

MP30203 - Over Bed/Chair Table

Assembly Instructions

1. Attach the 2 feet on castors below the base of the L shaped part using 2 hex screws, then insert the adjusting screw into the upper section of the L.
2. Slide the square part of the tray support into the vertical section of the L, the tray pivot should sit above the castor base.
3. Unscrew the tray pivot adjusting screw and slide the pivot into position below the tray.
4. Adjust the tray to the desired inclination and tighten the tray pivot adjusting screw; set the height of the tray and tighten the main adjusting screw.



Guidance for Use

Remove any dirt or dust using a soft, damp cloth. Use soap and water to remove stubborn stains. Dry with a soft cloth. For disinfection in hospital environments, please follow the hygiene specialist's recommendations.



- Check that the product has been delivered in good condition before use.
- For more information on restrictions on use, adjustment or maintenance of the product, please reach out to the company you purchased the table from.
- Do not exceed the maximum load of 10kg.
- Do not leave or store the product outdoors.
- Periodically check the stability and rigidity of the product and, where applicable, that the screws are correctly tightened and the rubber end caps in good condition.

Maximum load: 10kg