

# USER INSTRUCTIONS

## ADJUSTABLE BATH-STEP RANGE

S09347

1 x Nuvo Bath Step, 2 x NRS Bath Steps & Pillars

### ⚠ General Safety Warning ⚠

Please make sure that you read and follow these instructions carefully. Keep these instructions in a safe place for future reference.

#### 1. INTENDED USE

The NUVO Adjustable Bath-Step has been designed to assist users transferring into and out of the bath by reducing the step-over height. It can also provide assistance when using the toilet or sink in a bathroom environment.



#### 2. SAFETY

**WARNING:** The maximum user weight must not be more than 317Kg (50st).

**WARNING:** The maximum step height is 175mm (7") using 6 step sections (2 packs).

**DO NOT:** Stack more than 6 step sections together.

**ALWAYS:** Make sure the bottom section of the step has 4 support pillars inserted into the base.

**ALWAYS:** Make sure the overmoulded section is placed on the top.

#### 3. UNPACKING

Remove the packaging and check all parts carefully. Contact your supplier immediately if parts are missing or damaged and do not try and assemble.

##### 3.1 Contents:

1. Overmould Step 50mm (2") x 1
2. Step 50mm (2") x 2
3. Support Pillar x 4

#### 4. ASSEMBLY/INSTALLATION

##### 4.1 Single Step - 50mm (2") Step Height:

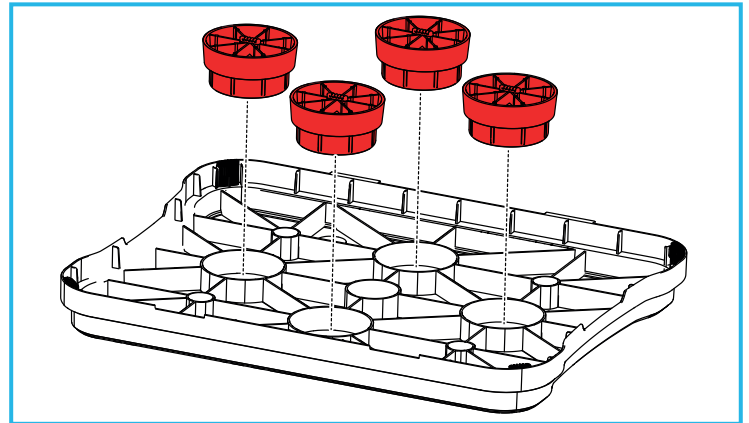
Use the single overmoulded step section.

1. Turn the overmoulded step section upside down and lay flat.

#### Maximum User Weight



2. Push the four support pillars into position (see Figure 1).

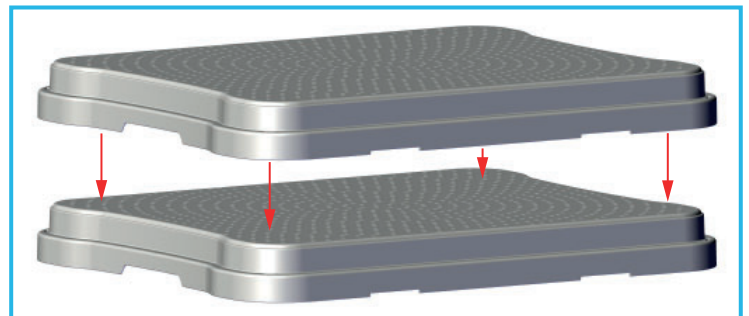


**Figure 1: Insert Support Pillars**

3. Turn the step over to stand on the pillars and place in the desired location.

##### 4.2 Two Steps - 75mm (3") Step Height:

1. Push the four support pillars into position on one of the non-overmoulded step sections (see Figure 1).
2. Place the overmoulded step section on top of the first.



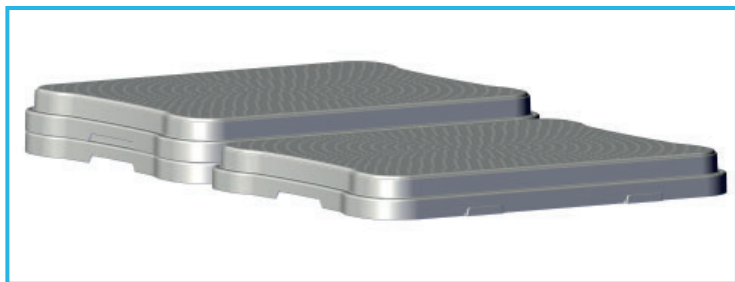
3. Push down firmly to secure.

##### 4.3 Three Steps - 100mm (4") Step Height:

1. Place a third step section inbetween the bottom section and the overmoulded top section.
2. Push down firmly to secure.

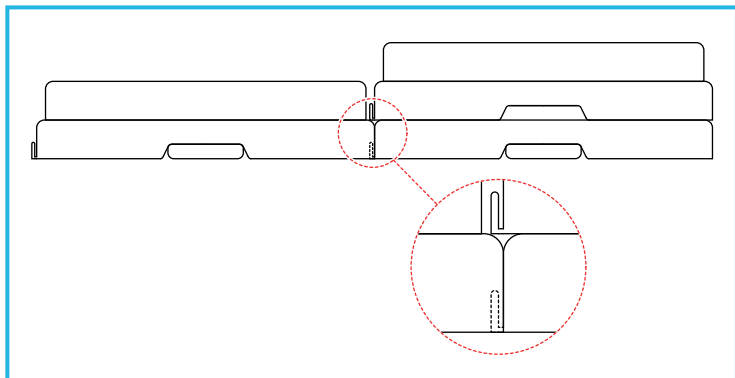
#### 4.4 For a Step Sequence:

This set-up provides a series of 2 steps, the first at 50mm (2"), the second at 75mm (3").



**Note:** An additional overmoulded step section and support pillars are required to achieve this set up. See Section 7.0 for details.

1. Turn one overmoulded section and one non-overmoulded sections upside down and lay flat. These will become the base steps.
2. Push the 8 x support pillars into position, four on each step section (see Figure 1).
3. Turn the base steps over to stand on the pillars.



4. Link the two sections together by overlapping the cut out section on one with the protruding lip on the other.
5. Push down firmly to secure.
6. Place the second overmoulded step section on top of one of the non-overmoulded base section.
7. Push down firmly to secure.

**Note:** To achieve a similar set up with greater height or more steps in the sequence, additional packs of steps and support pillars must be purchased. See Section 7.0 for details.

**Note:** The safe maximum step height is 175mm (7"). This uses 2 packs, 6 step sections. Do not stack more than 6 sections together.

#### 5. MAINTENANCE

Check that all support pillars are inserted correctly and any additional sections are securely fitted.

Inspect the product regularly for signs of wear or damage. Any suspected faults or damage should immediately be reported to the supplier and the product taken out of use.

#### 6. CLEANING INSTRUCTIONS.

Clean regularly using a general purpose, neutral detergent and warm water.

Please check the suitability of the cleaning products before use. Do not use abrasive cleaners or cloths as these could permanently damage the surface and invalidate any warranty.

To disinfect, wipe with a dilute bleach solution and rinse thoroughly with fresh water.

This product can be autoclaved on cycles up to 80°C. Allow the product to dry fully prior to use/storage.

#### 7. ACCESSORIES & SPARE PARTS

S20677: NUVO Overmoulded Step Section and Support Pillars x 4

M11077: Non-overmoulded Step Sections x 3 and Support Pillars x 4

M24345: Support Pillars x 4

For more details please visit our website or call Customer Services on the details below.

#### 8. PRODUCT DISPOSAL

This product must be thoroughly cleaned/sterilised prior to disposal.

This product is manufactured from plastic and can be disposed of through Local Authority Household Waste and Recycling Centres or through Local Trade Waste Collectors.

#### 9. PRODUCT GUARANTEE

NRS Healthcare guarantee this product for a period of 12 months, from the date of purchase, against faulty materials and workmanship.

This guarantee does not cover; abuse, misuse, interference or tampering with any part of the product.

Any guarantee issued by NRS Healthcare does not affect your statutory rights.