

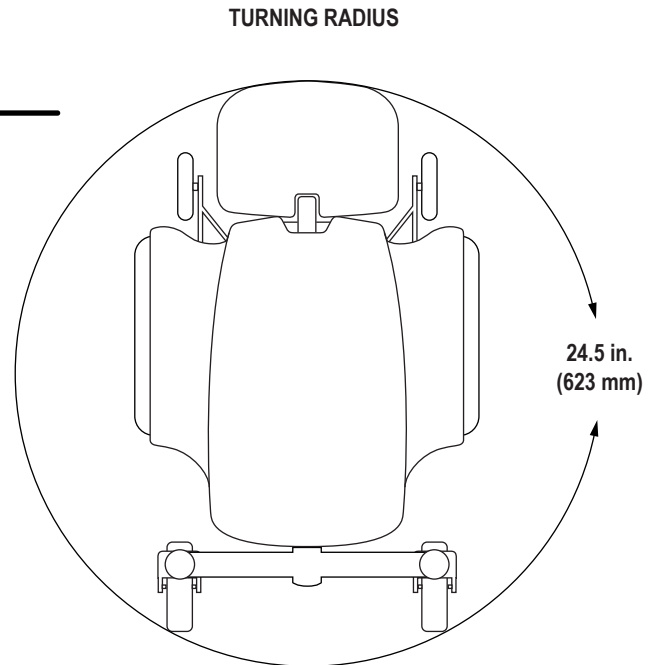
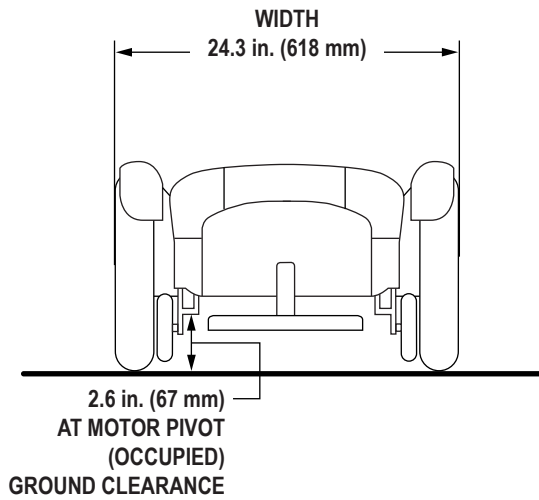
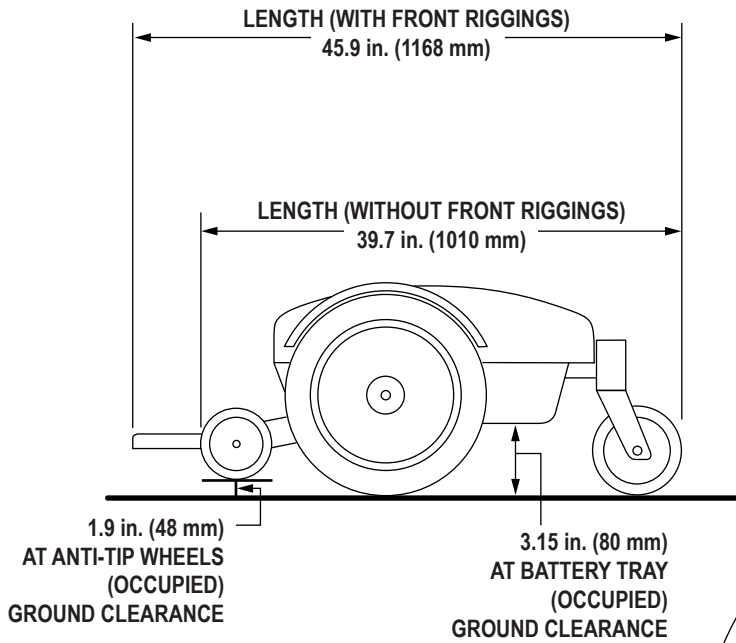
QUANTUM
4FRONT² HD
PRODUCT SPECIFICATIONS SHEET

Class of Use	B (Group 3)
Weight Capacity	450 lbs. (204 kg/32 stone 2 lbs.) 400 lbs. (181 kg/28 stone 8 lbs.) with 10-in. lift
Maximum Speed ¹	Up to 5 mph (8 km/h) Up to 4 mph (6.4 kh/h) UK only Up to 2.7 mph (4.3 km/h) with 10-in. lift
Ground Clearance ²	1.9 in. (48 mm) at anti-tip wheels (occupied) 2.6 in. (67 mm) at motor pivot (occupied) 3.15 in. (80 mm) at battery tray (occupied)
Turning Radius ²	24.5 in. (623 mm)
Overall Size ^{2, 6}	Length: 45.9 in. (1168 mm) with front riggings 39.7 in. (1010 mm) without front riggings Width: 24.3 in. (618 mm)
Drive Wheels	14 in. (356 mm), flat free
Caster Wheels	9 in. (229 mm), flat free
Anti-tip Wheels	4 in. (102 mm), flat free
Suspension	SRS (Smooth Ride Suspension)
Range ^{1, 4}	Up to 15.9 miles (25.6 km) with Group 24 batteries
Component Weights ⁵	Base: 140 lbs. (63.5 kg) Batteries: Group 24: 51.5 lbs. (23.36 kg) each (standard)
Drivetrain	Two motor, front-wheel drive
Brakes	"Intelligent Braking" electronic regenerative, disc park brake
Batteries ³	Two 12 volt, deep-cycle Group 24: 73 Ah (standard)
Battery Charger	8 amp, off-board
Freewheel Operational Force	Less than 60 N
Drive Control Operational Force	Less than 5 N
Maximum Rated Slope	7.5° (13.2%)
Maximum Obstacle Climbing Ability (Ascending and Descending)	2.95 in. (75 mm)
Measured Sound Level (A-weighted)	Less than 65 dB

- ¹ Varies with base model, user weight, terrain type, battery amp hour rating (Ah), battery charge, battery condition, motors, controller type, tire type, and tire condition. This specification is subject to a variance of +10%, -5%.
- ² Due to manufacturing tolerances and continued product improvement, this specification can be subject to a variance of (+ or -) 3%.
- ³ AGM, Gel-Cell, or Hybrid Gel (Hybrid Gel is defined as Nano Silica Gel Electrolyte with High Quality Glass Mat Separators) type required. See "Batteries and Charging."
- ⁴ Tested in accordance with ANSI/RESNA, WC Vol. 2, Section 4 & ISO 7176-4 standards. Results derived from theoretical calculations based on battery specifications and drive system performance. Test conducted at maximum weight capacity.
- ⁵ Battery weight may vary based on manufacturer.
- ⁶ Dimensions listed are for power base only. Overall measurements will vary based on seating and accessory selections.

NOTE: This product conforms to all applicable ANSI/RESNA, ISO 7176 Series, AS/NZS 3695.2, and EN12184 standards. All specifications subject to change without notice.

QUANTUM
4FRONT²HD
PRODUCT SPECIFICATIONS SHEET



Rev A/August 2021

