

**Stealth Products**<sup>®</sup>

Mounting Hardware



**USER MANUAL**



## TWBM480-TAB

---

Stealth's User Manual and Maintenance Guide  
for the Swing-Away Link Style Tablet Mount

Stealth Products strives for 100% customer satisfaction. Your complete satisfaction is important. Please contact us with feedback or suggested changes that will help improve the quality and usability of our products.

You may reach us at:



Stealth Products, LLC

104 John Kelly Drive, Burnet, TX 78611

Phone: (512) 715-9995

Toll Free: 1(800) 965-9229

Fax: (512) 715-9954

Toll Free: 1(800) 806-1225

info@stealthproducts.com

www.stealthproducts.com



MDSS GmbH

Schiffgraben 41

30175 Hannover, Germany



## General

Read and understand all instructions prior to the use of the product. Failure to adhere to instructions and warnings in this document may result in property damage, injury, or death. Product misuse due to failure of the following instructions will void the warranty.

Immediately discontinue use if any function is compromised, parts are missing, loose, or shows signs of excessive wear. Consult with your supplier for repair, adjustment, or replacement.

## Important Information!

All persons responsible for fitting, adjustment, and daily use of the devices discussed in these instructions must be familiar with and understand all safety aspects of the devices mentioned. In order for our products to be used successfully, you must:

- Read and understand all instructions and warnings.
- Maintain our products according to our instruction on care and maintenance.
- Devices should be installed and adjusted by a trained technician.

## Supplier Reference

Supplier: \_\_\_\_\_

Telephone: \_\_\_\_\_

Address: \_\_\_\_\_

\_\_\_\_\_

Purchase Date: \_\_\_\_\_

Model: \_\_\_\_\_

Before you install or begin using this product, it is important that you read and understand the content of these installation and operating instructions. The installation instructions will guide you through the possibilities with the TWBM480-TAB Hardware.

Instructions are written with the expressed intent of use with standard configurations. They also contain important safety and maintenance information. For further assistance, or more advanced applications, please contact your supplier or Stealth Products at (512) 715-9995 or toll free at 1-800-965-9229.

Always keep the operating instructions in a safe place so they may be referenced as necessary.

All information, pictures, illustrations, and specifications are based on the product information that was available at the time of printing. Pictures and illustrations shown in these instructions are representative examples and are not intended to be exact depictions of the various parts of the product.

## Ordering Documentation

You can download additional copies of this User Manual on the Stealth website:

[www.stealthproducts.com/gui/docs/?type=usr&](http://www.stealthproducts.com/gui/docs/?type=usr&)

Or search:

TWBM480-TAB User Manual in the search bar at the top of the page.

Our products are designed, manufactured, and produced to the highest of standards. If any defect in material or workmanship is found, Stealth Products will repair or replace the product at our discretion. Any implied warranty, including the implied warranties of merchantability and fitness for a particular purpose, shall not extend beyond the duration of this warranty. Stealth Products, LLC does not warrant damage due to, but not limited to:

- Misuse, abuse, or misapplication of products.
- Modification or product without written approval from Stealth Products, LLC.
- Any alteration or lack of serial number, where applicable, will automatically void this warranty.
- Stealth Products, LLC is liable for replacement parts only.
- Stealth Products, LLC is not liable for any incurred labor costs.

No person is authorized to alter, extend, or waive the warranties of Stealth Products, LLC.

Stealth Products warrants against failure due to defective materials or workmanship:

Covers: 180 days

Hardware: 5 years

Electronics: 3 years

## **In Case of Product Failure**

In the event of product failure covered by our warranty, please follow the procedures outlined below:

1. Call Stealth at +1 (512) 715-9995 or toll free +1-800-965-9229.
2. Request the Returns Department or obtain an RA from the Returns Department and follow department or documentation instructions.




<b>1.0 Customer Satisfaction</b> .....	<b>i</b>
<b>2.0 Important Information</b> .....	<b>ii</b>
<b>3.0 Introduction</b> .....	<b>iii</b>
<b>4.0 Warranty</b> .....	<b>iv</b>
<b>5.0 Table of Contents</b> .....	<b>v</b>
<b>6.0 Warning Labels</b> .....	<b>vii</b>
6.1 Warning Labels .....	vii
6.2 Limited Liability .....	vii
6.3 Testing .....	vii
<b>7.0 Parts And Accessories</b> .....	<b>viii</b>
7.1 Package Overview .....	viii
7.2 Hardware Assembly .....	ix
<b>8.0 Mounting</b> .....	<b>1</b>
8.1 Intended Use .....	1
8.2 TWBM480-TAB Mount .....	1
8.3 Hardware Mounting .....	2
8.4 Armrest Mounting .....	3

<b>9.0 Adjustments .....</b>	<b>4</b>
9.1 Link Adjustments.....	4
9.2 Depth Adjustments .....	5
9.3 Height Adjustments .....	5
<b>10.0 Function .....</b>	<b>6</b>
10.1 Flip Down Mechanism .....	6
<b>11.0 Transit Checklist .....</b>	<b>7</b>
11.1 Before Transit .....	7
11.2 Pre Transit .....	7
<b>12.0 First Time Use.....</b>	<b>8</b>
12.1 Dealer Assistance.....	8
12.2 User Testing.....	8
12.3 Conditions Of Use .....	8
<b>13.0 Maintenance.....</b>	<b>9</b>
13.1 Care And Maintenance.....	9

## Warning Labels

### 6.1

Warnings are included for the safety of the user, client, operator and property. Please read and understand what the signal words **SAFETY, NOTICE, CAUTION, WARNING** and **DANGER** mean, how they could affect the user, those around the user, and property.

 <b>DANGER</b>	Identifies an <b>imminent</b> situation which (if not avoided) will result in <b>severe injury, death, and property damage</b> .
 <b>WARNING</b>	Identifies a <b>potential</b> situation which (if not avoided) will result in <b>severe injury, death, and property damage</b> .
 <b>CAUTION</b>	Identifies a <b>potential</b> situation which (if not avoided) will result in <b>minor to moderate injury, and property damage</b> .
<b>NOTICE</b>	Identifies important information not related to injury, but possible <b>property damage</b> .
<b>SAFETY</b>	Indicates steps or instructions for safe practices, reminders of safe procedures, or important safety equipment that may be necessary.

## Limited Liability

### 6.2

Stealth Products, LLC accepts no liability for personal injury or damage to property that may arise from the failure of the user or other persons to follow the recommendations, warnings, and instructions in this manual.

## Testing

### 6.3

Initial setup and driving should be done in an open area free of obstacles until the user is fully capable of driving safely.

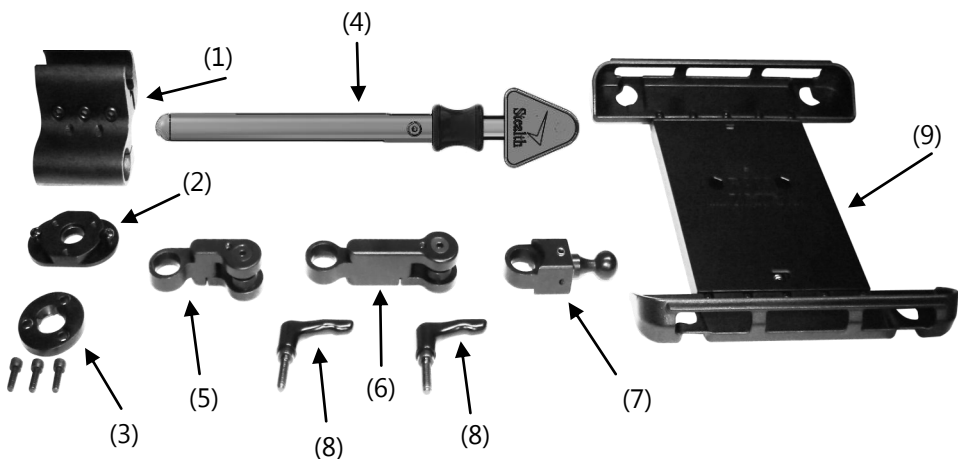
The TWBM480-TAB should always be adjusted without any person sitting in the wheelchair until every alteration of the physical installation or adjustment is complete.



## Package Overview

## 7.1

1. ARM240
2. TAB-RING
3. SU275
4. FDM380
5. TWB-SOL
6. TWB-LINK
7. TWB-17mmBK
8. TWB-RH
9. RAM Tab-Tite™



### NOTICE

The Flip Down Mount (FDM) comes pre-assembled. Do not disassemble or alter FDM, doing so will void hardware warranty.

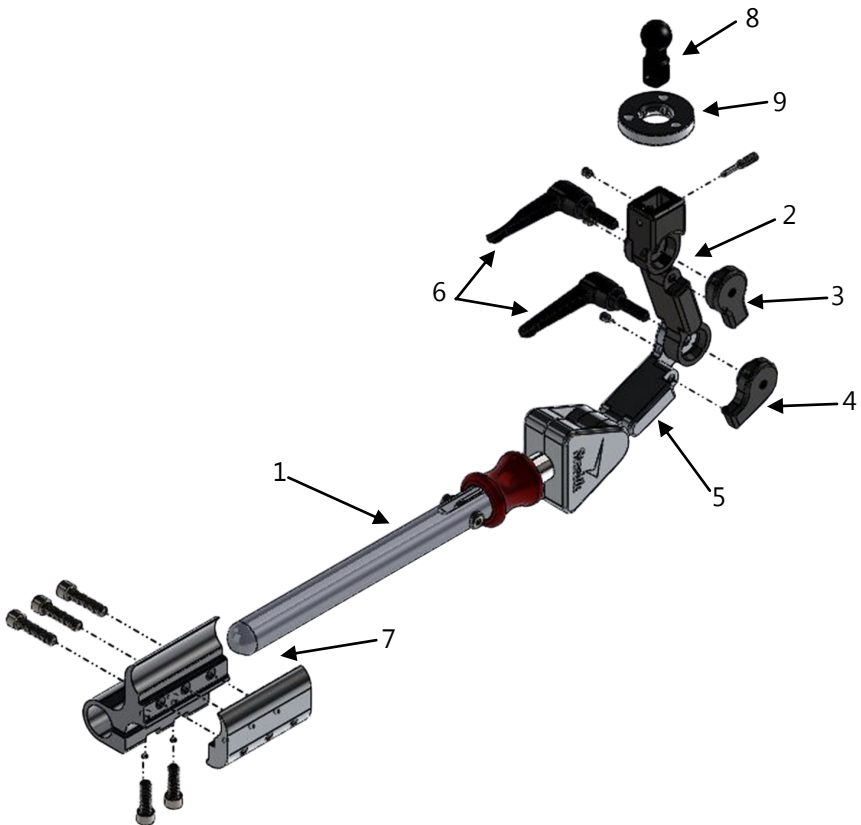
## Hardware Assembly

## 7.2

1. FDM380
2. 3" In-Line Link
3. In-Line Link Nut
4. Offset Link Nut
5. 2" Offset Link
6. 1/4"- 20x1" Ratchet Handle Screw
7. ARM240
8. 17mm Steel Ball
9. Main Clamp

### WARNING

Rods come in 5/8" and 7/8" diameters for Permobil & Invacare specific hardware.



## Intended Use

## 8.1



The TWB480-TAB hardware is so versatile that it can be used to add virtually any tablet anywhere!

The TWBM480 series utilizes Stealth's "link" style hardware to provide limitless adjustment. This hardware makes positioning your electronic easy and rigid. Adjust it to the exact spot you need and it will hold fast the position, NO EXCUSES!

## TWBM480-TAB Mount

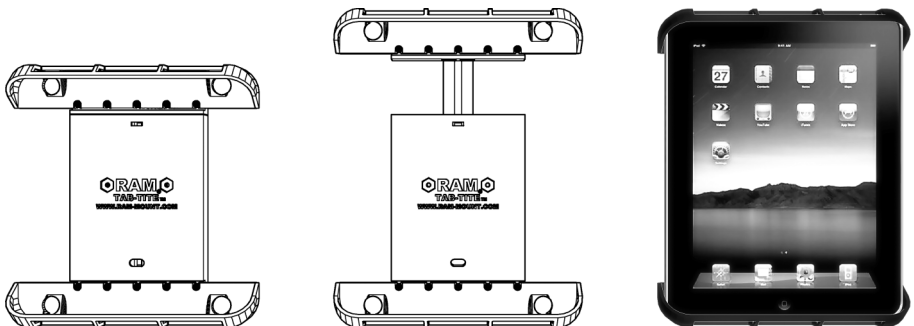
## 8.2

The technical specs of the RAM Tab-Tite™ and RAM Small Universal Tab-Tite™ mounts include:

- Support tablet heights (long side) ranging from 7.3" to 10.75" and a maximum width of 7.75".
- Held in place by support cups on opposing ends of the cradle.

To install:

1. Pull out retracting spring loaded support cup
2. Place tablet in between and allow support cup to retract over tablet.
3. The spring loaded support cup applies planar tension on the tablet, allowing for a sturdy and static position while gently cradling the tablet.



## Hardware Mounting

### 8.3

Installation varies depending on which mounting hardware is used. Refer to list below and follow corresponding instructions.

1. ARM240 Standard mount
2. ARM250-S Adjustable mount
3. RM240-I Fixed mount for Invacare armrests
4. ARM250-I Adjustable mount for Invacare armrests
5. ARM250-P Adjustable mount for Permobil armrests

(1)



(2)



(3)



(4)



(5)



## Armrest Mounting

### 8.4

To mount to an armrest with clamps:

1. Loosely thread screws through clamp plate(7) into base plate(8).
2. Position armrest's tube between clamp and tighten screws (6) with a 3/16" hex key until hardware firmly clamps the armrest tube.
3. To mount to an armrest with Permobil track, lightly thread screws through the four holes on the hardware into track nuts(9).
4. Slide track nuts(9) into Permobil armrest track.
5. Tighten screws with a 1/8" hex key until hardware firmly clamps the armrest track.

To mount 3/4" stem rod with ARM240 hardware:

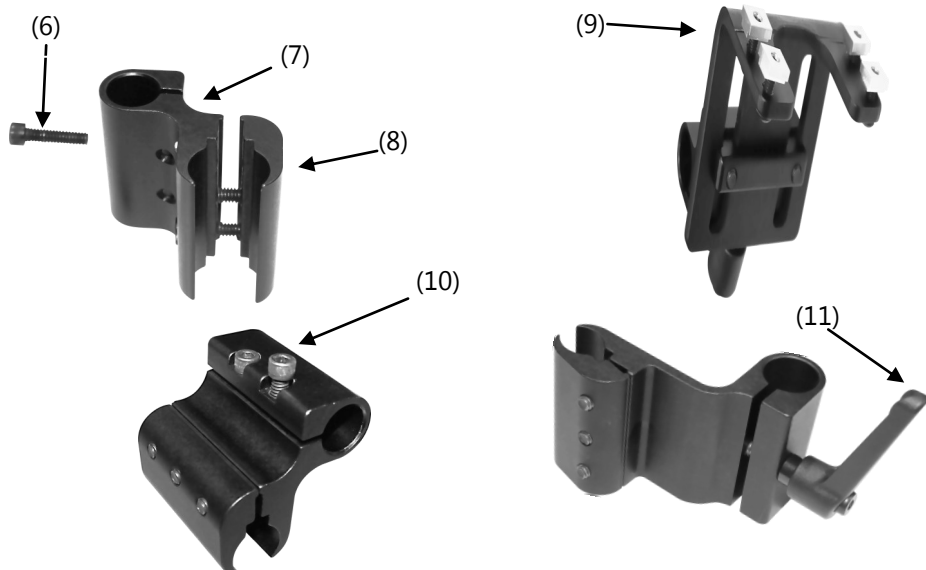
1. Slide rod in tube clamp and tighten the two socket head screws (10) with a 3/16" hex key until hardware firmly clamps the rod.

To mount 3/4" stem rod:

1. With a ratchet handle (11), slide the rod in tube clamp.
2. Tighten ratchet handle (11) until hardware firmly clamps the rod.

### NOTICE

Permobil and Invacare specific hardware comes in 5/8" & 7/8" diameter rods.



## Link Adjustment

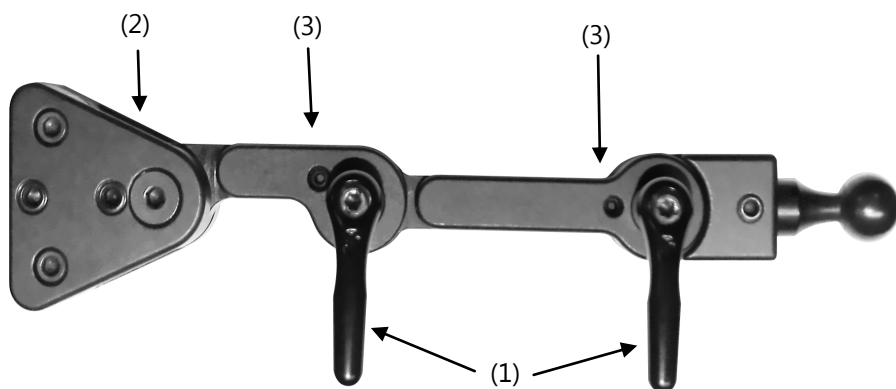
### 9.1

Ratchet handles are used to position and adjust links. To adjust links:

1. Loosen the ratchet handle screws (1) attaching the links together.

For rotational and link adjustment of the triangle (2):

1. Loosen all screws (including set screws) until you are able to rotate the triangle and adjust the first link.
2. Set screws (3) prevent excess movement of the hardware.
3. To prevent the ball, links, and triangle from moving, tighten the set screws until they are snug.



### **WARNING**

Do not overtighten screws.

## Depth Adjustment

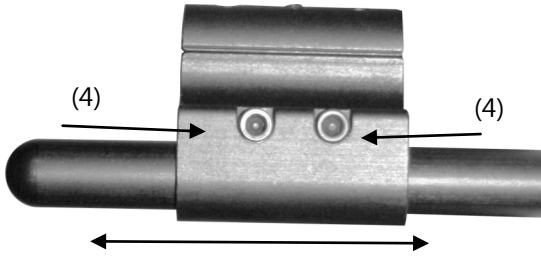
### 9.2

To adjust the fore and aft position of the hardware:

1. Loosen the two screws (4) or ratchet handle.
2. Position the hardware to the desired location.

#### NOTICE

It may be necessary to adjust the hardware further forward or backward on the armrest to achieve the desired position.

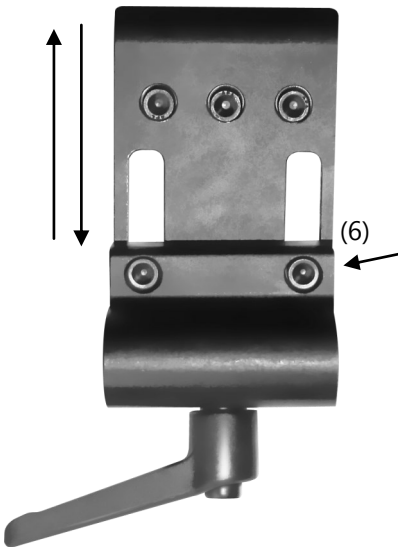


#### NOTICE

The ARM240 can come with a ratchet handle.

## Height Adjustment

### 9.3



Adjustable mounting hardware (ARM250-S, ARM250-I and ARM250-P) allows for vertical height adjustment.

To adjust:

1. Loosen screws (6) with a 3/16" hex key. This will allow the TWBM480 hardware to slide on the track.
2. Position hardware to desired location and retighten screws. (6)

## Flip Down Mechanism

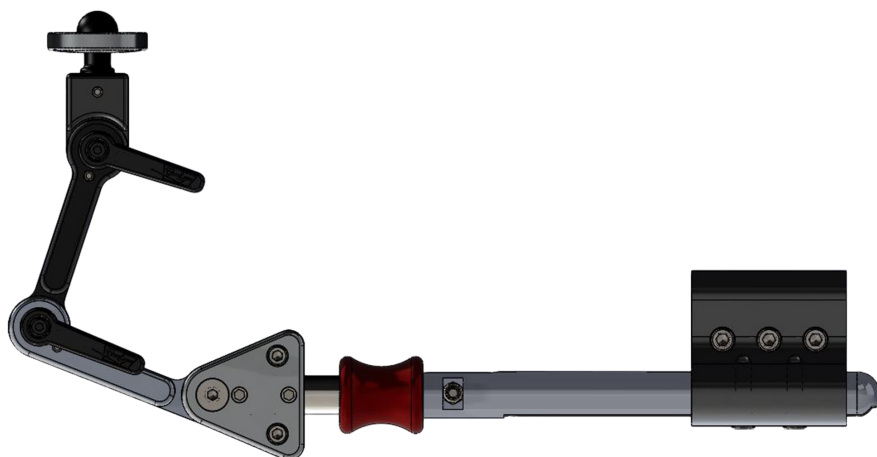
## 10.1

Operating the flip down mechanism is simple and fast:

1. Pull down on the red sleeve. The hardware will flip down.
2. When ready, the hardware swings back into position.

### **NOTICE**

When in ready position, the hardware should click in place. If the hardware unintentionally swings away or the red button does not raise when in the ready position, the set screw will need to be loosened.



### **WARNING**

Do not overtighten screws.



## Before Transit:

### 11.1

Prior to transporting:

- Always double check the tie-downs and hardware.
- On tie-downs and restraints, look for tears or worn webbing straps.

#### **NOTICE**

Replace as necessary and never use torn straps.

- Look for damaged hooks or loose tie down hardware.
- On the seating system, check for loose screws attaching the hardware to the seat. These should be snug and not over tightened.
- The knob hardware should be snug and if transit pins are available, they should be inserted. These pins keep the chair attached to the frame even in the event that a knob were to come loose and come off the chair.

## Pre-Transit

### 11.2

- The chair is in a forward facing position
- All hardware is checked for loose screws or damaged components
- Check that all tie-down straps are secure and restraints are not twisted
- Any loose objects are removed and placed in secure areas
- Seat belt restraints that are compliant with ANSI/RESNA WC/Vol. 4, Section 19/ISO 7176-19 are utilized

#### **CAUTION**

In the event that the chair is ever in an vehicular collision, check all hardware thoroughly for damage. If there are any signs of damage have a qualified tech inspect and replace the damaged components or send to Stealth Products for a complete overhaul to ensure future safety.

## Dealer Assistance

### 12.1

During first time use by the client, it is advised that the dealer or service technician assists and explains the configuration to the customer (the user and/or the attendant). If needed, the dealer can make final adjustments.

#### **WARNING**

The TWBM480-TAB should only be prescribed and fitted by qualified health care professionals.

## User Testing

### 12.2

It is important that the customer is fully aware of the installation and how the headrest can be adjusted in order to gain the best positioning possible. As a dealer, proceed as follows:

- Explain and show the customer how you have executed the installation, and explain the function.

Have the user test the position of the TWBM480-TAB hardware:

- Is the hardware in the proper position for the client?
- Can the user safely operate the chair?
- Is the placement of the TWBM480-TAB in an optimal position for the user?

If needed, adjust the hardware to the proper position.

Explain to the customer any possible issues and how to address them.

## Conditions of Use

### 12.3

The TWBM480-TAB is intended for use as installed by the dealer, in accordance to the installation instructions in this manual:

- The foreseen conditions of use are communicated by the dealer or service technician to the user and/or attendant during the first time use.
- If the conditions of use change significantly, please contact your dealer or a qualified service technician to avoid excessive wear and tear or unintended damage.

## Care and Maintenance

### 13.1

- Periodically check the hardware for loose screws or worn parts.
- To clean, use a general household cleaner.
- It may be required to tighten the set screw if the swing away mechanism is loose.
- If the hardware unintentionally swings away or does not lock into place when put in the operating position, the set screw will need to be loosened.

**SAFETY**

Replace or repair parts as needed.

**DANGER**

Failure to comply with these warnings could result in serious bodily harm.



Stealth Products, LLC. • [info@stealthproducts.com](mailto:info@stealthproducts.com) • [www.stealthproducts.com](http://www.stealthproducts.com)  
+1(800) 965-9229 | +1(512) 715-9995 | 104 John Kelly Drive, Burnet TX 78611